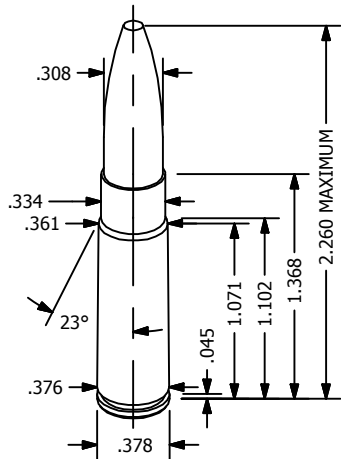


## 300 AAC Blackout



### Test Specifications/ Components

**Firearm Used:** Universal Receiver  
**Barrel Length:** 16"  
**Twist:** 1-8"  
**Case:** Hornady  
**Trim-to Length:** 1.363"  
**Primer:** Winchester WSR

### Remarks:

The 300 AAC Blackout (300 BLK, or 7.62x35mm) was created by Advanced Armament Corp. and Remington in order to provide the military with a way to shoot

.30 caliber bullets from the M4 platform with only a barrel change. It has since become popular for a wide range of uses including hunting and home defense.

The cartridge shares case-head dimensions and body taper with the .223 Remington. Not only does this allow for compatibility with existing magazines and bolts, but it allows reloaders to form their own brass from cut-down 5.56mm or .223 cases – ensuring brass supply even in the event of a shortage of factory brass.

The 300 AAC Blackout is a similar concept to previous wildcats, such as the 30-221 and 300 Fireball, as well as the proprietary 300 Whisper®, except that 300 BLK was the first to be a SAAMI approved cartridge and any company is free to make firearms or ammunition.

300 AAC Blackout is also finding use with hunters, who may not have been able to legally hunt with .223 in their state, and who prefer .30 caliber bullets for medium-sized game. It provides similar effectiveness to the 7.62x39 or the slightly more powerful 30-30 cartridges except works in the more up-to-date AR15 platform. Effective range for hunting is about 100-150 yards.

## 300 AAC Blackout

**#2100 .308" 110 gr. RN**  
C.O.A.L. 1.845"



**#2105 .308" 110 gr. FMJ**  
C.O.A.L. 1.845"



**#2110 .308" 110 gr. HP**  
C.O.A.L. 1.970"



Powder ↓ / Velocity →	1050	1900	2000	2100	2200	2300	2400
N105		12.2	13.0				
Enforcer				17.1	18.3	19.5	
Lil Gun						19.6	20.7
N110		13.8	15.0	16.1			
H110					17.9	18.9	20.0
Win 296					18.2	19.4	20.6
IMR 4227			18.1	19.5			
H4198		19.2	20.0				
IMR 4198	11.8	19.1	19.9				
CFE BLK			21.1	22.2	23.4		
Trail Boss	5.6						
<b>Energy/ft.lbs</b>	<b>269</b>	<b>882</b>	<b>977</b>	<b>1077</b>	<b>1182</b>	<b>1292</b>	<b>1407</b>

\*Shaded column displays subsonic load data.

INDICATES MAXIMUM LOAD - USE CAUTION

LOADS LESS THAN MINIMUM CHARGES SHOWN ARE NOT RECOMMENDED.

## 300 AAC Blackout

#2120 .308" 125 gr. Spitzer  
C.O.A.L. 2.030"



#2121 .308" 125 gr. HP  
C.O.A.L. 2.250"



#7725 .308" 125 gr. TMK  
C.O.A.L. 2.250"



Powder ↓ / Velocity →	1020	1800	1900	2000	2100	2200	2300
N105		12.1	12.9				
Enforcer					17.2	18.6	20.0
N110		13.7	14.7	15.6			
H110				16.5	17.6	18.7	
Win 296			16.1	17.1	18.1	19.0	20.0
IMR 4227		16.9	17.8	18.7			
RL 7		19.5					
AA 1680		19.2	20.1	21.1			
H4198	11.7	18.5					
IMR 4198	11.4	18.3					
CFE BLK		19.1	20.3	21.5			
Trail Boss	6.5						
<b>Energy/ft.lbs</b>	<b>289</b>	<b>899</b>	<b>1002</b>	<b>1110</b>	<b>1224</b>	<b>1343</b>	<b>1468</b>

\*Shaded column displays subsonic load data.

INDICATES MAXIMUM LOAD - USE CAUTION

LOADS LESS THAN MINIMUM CHARGES SHOWN ARE NOT RECOMMENDED.

## 300 AAC Blackout

#2123 .308" 135 gr. HPBT  
C.O.A.L. 2.160"



#2124 .308" 135 gr. HP  
C.O.A.L. 2.030"



Powder ↓ / Velocity →	1045	1700	1800	1900	2000	2100
N105		11.7	12.5			
Enforcer			15.2	16.3	17.4	18.5
N110		13.3	14.3	15.4		
H110				16.3	17.5	18.6
Win 296			15.0	16.2	17.5	18.7
IMR 4227		16.0	17.1	18.1		
RL 7	11.7	18.5	19.5			
AA 1680		18.3	19.4	20.6		
H4198	11.8	17.7	18.6			
IMR 4198	11.9	17.6	18.5			
CFE BLK		18.5	19.6	20.6	21.7	
Trail Boss	7.3					
<b>Energy/ft.lbs</b>	<b>327</b>	<b>866</b>	<b>971</b>	<b>1082</b>	<b>1199</b>	<b>1322</b>

\*Shaded column displays subsonic load data.

INDICATES MAXIMUM LOAD - USE CAUTION

LOADS LESS THAN MINIMUM CHARGES SHOWN ARE NOT RECOMMENDED.

# 300 AAC Blackout

#2115 .308" 150 gr. FMJBT C.O.A.L. 2.140"	
#2130 .308" 150 gr. Spitzer C.O.A.L. 2.140"	
#2125 .308" 150 gr. SBT C.O.A.L. 2.140"	
#2190 .308" 150 gr. HPBT C.O.A.L. 2.155"	
#2135 .308" 150 gr. RN C.O.A.L. 1.860"	
#2155 .308" 155 gr. HPBT C.O.A.L. 2.140"	
#2156 .308" 155 gr. HPBT C.O.A.L. 2.190"	
#7755 .308" 155 gr. TMK C.O.A.L. 2.250"	

Powder ↓ / Velocity →	1050	1600	1700	1750	1800	1850	1950
N105		10.3	11.3				
Enforcer		13.2	14.1	14.5	15.0	15.4	
N110		12.4	13.6	14.2	14.7	15.3	
H110		13.8	14.6	15.0	15.4	15.8	16.7
Win 296		13.9	14.7	15.1	15.6	16.0	16.8
IMR 4227		15.4	16.3	16.7	17.2	17.7	
RL 7	12.0	17.5	18.5				
AA 1680		16.6	17.7	18.2	18.7	19.3	20.3
H4198	11.8	16.6	17.4	17.9			
IMR 4198	11.7	16.5	17.4	17.9			
CFE BLK		17.0	17.9	18.4	18.9	19.4	20.3
Trail Boss	7.3						
<b>Energy/ft.lbs</b>	<b>367</b>	<b>853</b>	<b>962</b>	<b>1020</b>	<b>1079</b>	<b>1140</b>	<b>1266</b>

\*Shaded column displays subsonic load data.

**INDICATES MAXIMUM LOAD - USE CAUTION**  
LOADS LESS THAN MINIMUM CHARGES SHOWN ARE NOT RECOMMENDED.

# 300 AAC Blackout

#2140 .308" 165 gr. HPBT C.O.A.L. 2.120"	
#2145 .308" 165 gr. SBT C.O.A.L. 2.180"	
#2200 .308" 168 gr. HPBT C.O.A.L. 2.180"	
#7768 .308" 168 gr. TMK C.O.A.L. 2.250"	

Powder ↓ / Velocity →	1050	1400	1500	1600	1700	1800	1850
Lil Gun					13.0	14.7	15.5
N110		11.0	12.0	12.9	13.8		
H110		12.5	13.3	14.1	14.9	15.7	
Win 296		12.1	13.0	13.9	14.7	15.6	
IMR 4227		13.3	14.3	15.2	16.2		
RL 7	11.5	15.0	16.0	17.0			
AA 1680			15.7	16.8	17.8	18.9	19.4
H4198	11.6	14.6	15.5	16.3	17.2		
IMR 4198	11.6	14.5	15.3	16.2	17.0		
CFE BLK		15.2	16.2	17.2	18.2	19.2	19.7
<b>Energy/ft.lbs</b>	<b>392</b>	<b>696</b>	<b>799</b>	<b>909</b>	<b>1027</b>	<b>1151</b>	<b>1216</b>

\*Shaded column displays subsonic load data.

**INDICATES MAXIMUM LOAD - USE CAUTION**  
LOADS LESS THAN MINIMUM CHARGES SHOWN ARE NOT RECOMMENDED.

# 300 Blackout

#2275 .308" 175 gr. HPBT  
C.O.A.L. 2.180"



#7775 .308" 175 gr. TMK  
C.O.A.L. 2.250"



#2150 .308" 180 gr. Spitzer  
C.O.A.L. 2.180"



#2160 .308" 180 gr. SBT  
C.O.A.L. 2.180"



#2220 .308" 180 gr. HPBT  
C.O.A.L. 2.200"



#2170 .308" 180 gr. RN  
C.O.A.L. 2.110"



Powder ↓ / Velocity →	1050	1400	1500	1600	1650	1700	1800
Lil Gun						13.6	
N110		11.1	12.0	12.9	13.3		
H110		12.0	13.1	14.1	14.6		
Win 296		12.6	13.4	14.3	14.7		
IMR 4227		13.6	14.6	15.5	16.0		
RL 7	11.2	14.9	16.0	17.1			
AA 1680		15.0	16.1	17.1	17.7	18.2	19.3
H4198	11.4	14.5	15.4	16.3	16.8		
IMR 4198	11.3	14.4	15.3	16.2			
CFE BLK		15.0	16.2	17.3	17.8	18.4	
<b>Energy/ft.lbs</b>	<b>441</b>	<b>783</b>	<b>899</b>	<b>1023</b>	<b>1088</b>	<b>1155</b>	<b>1295</b>

\*Shaded column displays subsonic load data.

INDICATES MAXIMUM LOAD - USE CAUTION  
LOADS LESS THAN MINIMUM CHARGES SHOWN ARE NOT RECOMMENDED.

# 300 Blackout

#2210 .308" 190 gr. HPBT  
C.O.A.L. 2.230"



#7795 .308" 195 gr. TMK  
C.O.A.L. 2.250"



#2165 .308" 200 gr. SBT  
C.O.A.L. 2.210"



#2230 .308" 200 gr. HPBT  
C.O.A.L. 2.230"



10" TWIST  
OR FASTER

Powder ↓ / Velocity →	1050	1200	1300	1400	1500	1550	1650
N110	8.9	10.0	10.8	11.6			
H110	9.8	11.1	11.9	12.7	13.6		
Win 296	9.8	11.0	11.8	12.7	13.5	13.9	
IMR 4227	10.5	11.9	12.8	13.7	14.5		
RL 7	11.5	12.9	13.9	14.8	15.8	16.3	
AA 1680		12.7	13.9	15.1	16.3	16.9	18.1
Black out	11.0	12.5	13.5	14.5	15.5	16.0	
H4198	11.5	12.8	13.7	14.5	15.4	15.8	
IMR 4198	11.6	12.8	13.6	14.4	15.2	15.6	
CFE BLK	11.4	13.1	14.2	15.3	16.5	17.0	18.2
<b>Energy/ft.lbs</b>	<b>490</b>	<b>639</b>	<b>750</b>	<b>870</b>	<b>999</b>	<b>1067</b>	<b>1209</b>

\*Shaded column displays subsonic load data.

INDICATES MAXIMUM LOAD - USE CAUTION  
LOADS LESS THAN MINIMUM CHARGES SHOWN ARE NOT RECOMMENDED.

# 300 AAC Blackout

#9240 .308" 210 gr. HPBT  
C.O.A.L. 2.250"



10" TWIST  
OR FASTER

#2240 .308" 220 gr. HPBT  
C.O.A.L. 2.230"



10" TWIST  
OR FASTER

#2180 .308" 220 gr. RN  
C.O.A.L. 2.100"

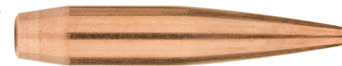


Powder ↓ / Velocity →	1050	1200	1300	1350	1400	1450	1550
N110		10.1					
H110	10.1	11.2	11.9	12.2			
Win 296	10.2	11.2	11.9	12.3			
IMR 4227	10.7	11.9	12.7	13.1			
RL 7	11.7	13.0	13.9	14.4			
AA 1680	11.7	13.3	14.3	14.9	15.4	15.9	17.0
Black out	11.3	12.8	13.8	14.3	14.8		
H4198	10.9	12.5	13.5	14.0	14.5	15.0	
IMR 4198	11.6	12.8	13.5	13.9	14.3	14.7	
CFE BLK	11.8	13.4	14.5	15.1	15.6	16.2	
<b>Energy/ft.lbs</b>	<b>538</b>	<b>703</b>	<b>825</b>	<b>890</b>	<b>957</b>	<b>1027</b>	<b>1173</b>

\*Shaded column displays subsonic load data.

# 300 AAC Blackout

#2251 .308" 230 gr. HPBT  
C.O.A.L. 2.230"



8" TWIST  
OR FASTER

Powder ↓ / Velocity →	1050	1100	1200	1250	1300	1400	1500
Lil Gun	8.3	8.9	10.0	10.6	11.2	12.3	13.5
N110	8.9	9.4					
H110	9.0	9.4	10.2				
Win 296	8.9	9.4	10.3				
IMR 4227	10.0	10.5	11.4	11.8			
RL 7	11.3	11.7	12.6				
AA 1680	11.2	11.9	13.2	13.9	14.5		
N120	10.1	10.6	11.6	12.0			
Black out	11.0	11.4	12.4	12.9	13.3		
H4198	10.9	11.4	12.3				
IMR 4198	11.0	11.5	12.5	13.0			
CFE BLK	10.7	11.3	12.6				
2400	8.5	9.0					
<b>Energy/ft.lbs</b>	<b>563</b>	<b>618</b>	<b>735</b>	<b>798</b>	<b>863</b>	<b>1001</b>	<b>1149</b>

\*Shaded column displays subsonic load data.

#9245 .308" 240 gr. HPBT  
C.O.A.L. 2.230"



9" TWIST  
OR FASTER

Powder ↓ / Velocity →	1050	1100	1200	1250	1300	1350
IMR 4227	10.2	10.6	11.3			
RL 7	11.4	11.8	12.5			
AA 1680	11.7	12.2	13.2	13.7	14.2	
Black out	11.3	11.7	12.6	13.0	13.4	13.9
H4198	10.9	11.4	12.2	12.7		
IMR 4198	10.9	11.4	12.2	12.7		
CFE BLK	11.8	12.3	13.3	13.8	14.3	14.8
<b>Energy/ft.lbs</b>	<b>587</b>	<b>645</b>	<b>767</b>	<b>833</b>	<b>900</b>	<b>971</b>

\*Shaded column displays subsonic load data.

INDICATES MAXIMUM LOAD - USE CAUTION

LOADS LESS THAN MINIMUM CHARGES SHOWN ARE NOT RECOMMENDED.

INDICATES MAXIMUM LOAD - USE CAUTION

LOADS LESS THAN MINIMUM CHARGES SHOWN ARE NOT RECOMMENDED.