

# CRAFTSMAN®

INSTRUCTION MANUAL | GUIDE D'UTILISATION | MANUAL DE INSTRUCCIONES

**3000 Lumens LED Work Light**  
**Lampe de travail à DEL de 3000 lumens**  
**Luz de trabajo LED de 3000 lúmenes**

**CMXELAYMPL1027**



IF YOU HAVE QUESTIONS OR COMMENTS, CONTACT US.  
POUR TOUTE QUESTION OU TOUT COMMENTAIRE, NOUS CONTACTER.  
SI TIENE DUDAS O COMENTARIOS, CONTÁCTENOS.

**1-888-331-4569**

**WWW.CRAFTSMAN.COM**

---

English ( <b>original instructions</b> )	1
Français ( <i>traduction de la notice d'instructions originale</i> )	7
Español ( <i>traducido de las instrucciones originales</i> )	14

---

## Definitions: Safety Alert Symbols and Words

This instruction manual uses the following safety alert symbols and words to alert you to hazardous situations and your risk of personal injury or property damage.





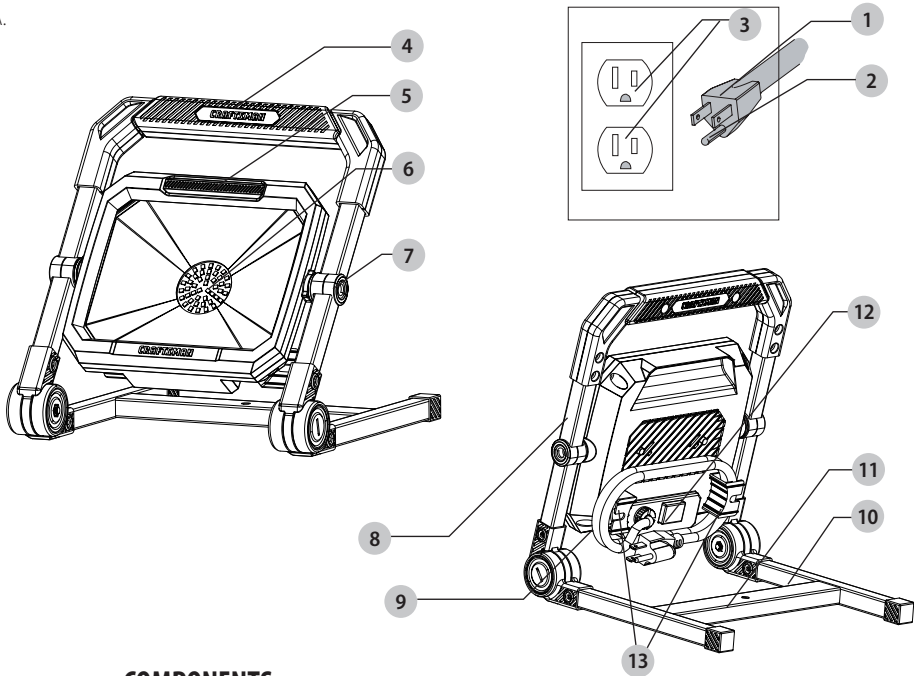



-  **DANGER:** Indicates an imminently hazardous situation which, if not avoided, **will** result in **death or serious injury**.
-  **WARNING:** Indicates a potentially hazardous situation which, if not avoided, **could** result in **death or serious injury**.
-  **CAUTION:** Indicates a potentially hazardous situation which, if not avoided, **may** result in **minor or moderate injury**.
-  (Used without word) Indicates a safety related message.
- NOTICE:** Indicates a practice **not related to personal injury** which, if not avoided, **may** result in **property damage**.

Fig A.



### COMPONENTS


- 1 Plug
- 2 Grounding pin
- 3 Grounded outlet
- 4 Handle
- 5 Pivoting light head
- 6 LEDs
- 7 Light head adjusting joint
- 8 Frame
- 9 Power cord
- 10 Base
- 11 Tripod bracket
- 12 Switch
- 13 Cord winder

-  **WARNING:** Read all safety warnings and all instructions. Failure to follow the warnings and instructions may result in electric shock, fire and/or serious injury.
-  **WARNING:** Never modify the product or any part of it. Damage or personal injury could result.
-  **WARNING:** To reduce the risk of injury, read the instruction manual.

If you have any questions or comments about this or any product, call CRAFTSMAN toll free at:  
1-888-331-4569




# 3000 Lumens LED Work Light CMXELAYMPL1027




## IMPORTANT SAFETY INSTRUCTIONS

-  **WARNING:** When using this work light, basic safety precautions should always be followed, including the following:
- Read all the instructions before using the work light.**
  - To reduce the risk of injury, close supervision is necessary when a work light is used near children.**
  - To reduce the risk of electrical shock, do not put work light in water or other liquid.** Do not place or store work light where it can fall or be pulled into a tub or sink.
  - Only use attachments/accessories recommended or sold by the manufacturer.**
  - Do not contact hot parts**
  - Turn the work light off when not in use and before servicing or cleaning.**
  - Do not operate any work light after it malfunctions or is dropped or damaged in any manner.**
  - DO NOT handle this work light or try to plug it in when your hands are wet or damp or when standing on a wet or damp surface or in water.**
  - Use only 3-wire UL Listed outdoor extension cords that have 3-prong grounded plugs and grounded receptacles that accept the work light's plug.
  - Use only Ground Fault Circuit Interrupter (GFCI) protected receptacles when using this work light in wet or damp locations.** Receptacles are available with built-in GFCI protection and are to be used for this measure of safety.
  - Use only with an extension cord for outdoor use, such as an extension cord of cord type SEW, SEOW, SEOOW, SOW, SOOW, STW, STOW, STOOW, SJEW, SJEOW, SJEOWW, SJW, SJOW, SJOOW, SJTW, SJTOW, or SJTOOW.


## SAVE THESE INSTRUCTIONS

### Specific Safety Rules for Lights

-  **WARNING:** Do not place the light in a position which may cause anyone to intentionally or unintentionally stare into the light. Serious eye injury could result.
-  **WARNING: Fire hazard.** Do not operate light near flammable liquids or in gaseous or explosive atmospheres. Internal sparks may ignite fumes causing personal injury.
-  **WARNING:** The glass gets very hot during use. To reduce the risk of burns, do not touch hot glass. To reduce the risk of fire, keep away from combustible materials while in operation.

-  **WARNING:** To reduce the risk of fire, do not place anything on top of the glass during or after operation of the light.
-  **WARNING:** This fixture is not explosion-proof, DO NOT use in potentially dangerous locations, such as flammable or explosive atmospheres.
-  **WARNING: Eye Damage.** Never look directly into light sources or LED chips. An LED is extremely bright and can damage eyes with prolonged exposure.

## Additional Safety Rules for Work Light

-  **CAUTION:** When not in use, place light on a stable surface where it will not cause a tripping or falling hazard. Work lights may be easily knocked over in certain situations.
- This work light **MUST ALWAYS BE USED** in accordance with all electrical and safety codes and ordinances, including the most recent National Electric Code (NEC) and with the Occupational Safety and Health Act (OSHA) Volume 1 on General Industry Standards and interpretations.
  - Risk of electric shock. Do not use in or near standing water, or where water may accumulate. Keep this fixture at least 16 feet from pools or spas. Keep plug dry. Do not immerse this work light.
  - NEVER operate the light with the clear protective glass broken or removed.
  - During or immediately after use, don't allow glass surface to make contact with other materials.
  - Don't touch glass surface when LED chips are lit or immediately after use.
  - Handle work light with care around any flammable surface.
  - Place the work light away from any heat source.
  - Do not submerge work light in any liquid.
  - Do not wash light with water or allow water to get inside light.
  - While light is in use, do not cover with cloth or other flammable materials due to increased risk of fire.
  - ALWAYS make sure that the power source conforms to the rating on the fixture.
  - Pull by plug rather than cord when disconnecting work light. This will reduce risk of damage to electric plug and cord.
  - Make sure cord is located so that it will not be stepped on, tripped over, or otherwise subjected to damage or stress.

**NOTE:** This equipment has been tested and found to comply with the limits for a Class B digital device, pursuant to Part 15 of the FCC Rules. These limits are designed to provide reasonable protection against harmful interference in a

residential installation. This equipment generates, uses and can radiate radio frequency energy and, if not installed and used in accordance with the instructions, may cause harmful interference to radio communications. However, there is no guarantee that interference will not occur in a particular installation. If this equipment does cause interference in other devices, the user is encouraged to try to correct the interference by one or more of the following methods:

- Reorient or relocate the receiving antenna.
- Increase the separation between the equipment and the receiver.
- Connect the equipment into an outlet on a circuit different from that to which the receiver is connected
- Consult the dealer or an experienced radio/TV technician for help.

**NOTICE:** Per FCC Part 15, changes or modifications to this equipment not expressly approved by CRAFTSMAN could void your authority to operate this equipment.

This Class B digital apparatus complies with Canadian ICES-003.

## SAVE THESE INSTRUCTIONS FOR FUTURE USE

Refer to Figure A at the beginning of this manual for a complete list of components.

### Intended Use

This work light is suitable for Indoor/Outdoor Use. The work light has wet locations rating, can be used outdoor in rain or wet conditions.

**DO NOT** use in presence of flammable liquids or gases.

**DO NOT** let children come into contact with the work light. Supervision is required when inexperienced operators use this work light.

### Specifications

Model	CMXELAYMPL1028
Power	33 Watts
Brightness	3,000 Lumens
Color Temperature	4000K
Color Rendering Index	80
Input Voltage	AC 120V 60Hz
Location Rating	Wet Locations
Power Cord	5 ft
Net Weight	3.07 Lbs.

### UNPACKING

**WARNING:** It is unlikely the product is faulty or has a missing component. If you find product is faulty, do not operate the product until the parts have been replaced or the fault has been rectified. Failure to do so could result in serious personal injury.

Remove work light from carton and discard all packaging.

## ASSEMBLY AND ADJUSTMENTS

**WARNING:** To reduce the risk of serious personal injury, turn unit off, disconnect it from power source and put it on a stable secure position before making any adjustments or removing/installing attachments or accessories.

**WARNING:** Risk of unsafe operation. When performing maintenance, you may be exposed to voltage sources. Personal injuries can occur. Before performing any maintenance, disconnect power source from the work light.

The work light is fully assembled out of the box.

### Unfold Work light (Fig. A, B, C)

Unfold the base **10** from the frame **8** to desired angle, as shown in Fig. C.

Fig B.

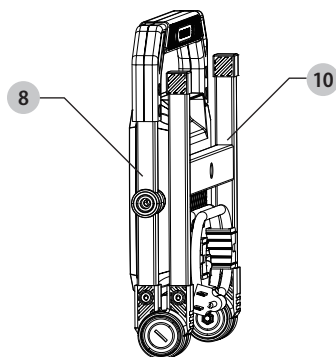
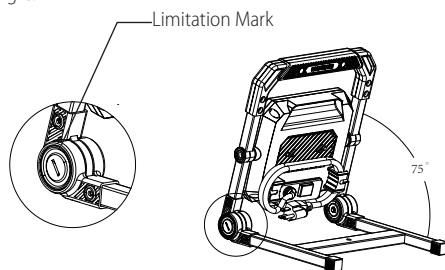


Fig C.



**WARNING:** The angle between frame and base is limited to 75 degrees, the limitation mark is shown in Fig C. **NEVER** adjust the frame beyond the maximum limitation mark position.

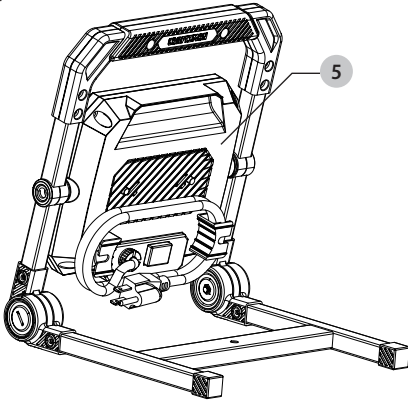
**NOTICE:** If work light does not stay in desired position, simply tighten the pivot screws. **DO NOT OVER-TIGHTEN.**

### Adjusting Light Direction (Fig. A, D)

**WARNING:** To reduce the risk of serious personal injury, turn work light off and disconnect it from power source before making any light direction

### **adjustments or removing/installing attachments or accessories.**

The work light has a pivoting light head **5**. The pivoting head can rotate freely when power cord is unplugged and properly wrapped. Rotate the pivoting light head to desired angle. Fig D.



**ALWAYS TURN OFF** the light and **UNPLUG** unit before adjusting light direction.

### **Grounding Instructions**



**WARNING: Risk of Electrical Shock. This fixture IS ONLY FOR USE ON 120V and is equipped with an approved 3 conductor cord with a 3-prong, grounded plug. TO REDUCE THE RISK OF ELECTRICAL SHOCK, it should only be plugged into a properly grounded 3-prong outlet. In the event of a short circuit, grounding reduces the risk of shock by providing an escape wire for the electric current. This work light must be properly grounded. Do not use in or near standing water, or where water may accumulate. Keep this fixture at least 16 feet from pools or spas. Keep plug dry. DO NOT IMMERSE THIS FIXTURE.**

The portable work light is equipped with a cord having a grounding wire with an appropriate grounding plug **1**.

1. Properly lay out the cord.
2. The cord set and plug **1** with this unit contains a grounding pin **2**. This plug **MUST** be used with a grounded outlet **3**.  
**IMPORTANT:** The outlet being used must be installed and grounded in accordance with all local codes and ordinances.
3. Make sure the outlet being used has the same configuration as the grounded plug. **DO NOT USE AN ADAPTER.** Refer to Fig. A.
4. Inspect the plug and cord before each use. Do not use if there are signs of damage.
5. If these grounding instructions are not completely understood, or if in doubt as to whether the work light

is properly grounded, have the installation checked by a qualified electrician.



**DANGER: RISK OF ELECTRICAL SHOCK. IMPROPER GROUNDING CAN RESULT IN ELECTRICAL SHOCK.**

- **Do not modify the plug provided. If it does not fit the available outlet, a correct outlet should be installed by a qualified electrician.**
- **Repairs to the cord set or plug **MUST** be made by a qualified electrician or Authorized Service Center.**

### **Extension Cords**

#### **Indoor**

If an extension cord must be used, be sure it is:

- a 3-wire extension cord that has a 3-blade grounding plug, and a 3-slot receptacle that will accept the plug on the product
- in good condition
- no longer than 50' (15.2 m)

**NOTICE: Risk of Property Damage.** The use of an undersized extension cord will cause voltage to drop resulting in power loss to the work light and may damage the work light components, resulting in a complete malfunction.

#### **Outdoor**



**WARNING: USE ONLY WITH AN EXTENSION CORD FOR OUTDOOR USE,** failure to follow the warnings and instructions may result in electric shock, fire and/or serious injury. **BE SURE TO:**

- Use only 3-wire UL Listed outdoor extension cords that have 3-prong grounded plugs and grounded receptacles that accept the worklight's plug.
- Use only Ground Fault Circuit Interrupter (GFCI) protected receptacles when using this work light in wet or damp locations. Receptacles are available with built-in GFCI protection and are to be used for this measure of safety.
- Use extension cord of cord type such as SEW, SEOW, SEOOW, SOW, SOOW, STW, STOW, STOOW, SJEW, SJEOW, SJEOWW, SJW, SJOW, SJOOW, SJTW, SJTOW, or SJTOOW.

### **OPERATION**



**WARNING: To reduce the risk of serious personal injury, turn unit off, disconnect it from power source and put it on a stable secure position before making any adjustments or removing/installing attachments or accessories.**



**WARNING: RISK OF FALLING.** The falling of this work light can cause damage to the unit, surrounding property and could result in serious injury or death to the user or other living object. **DO NOT hang or suspend the work light in any situation.** Always use the work light in a stable secure position to prevent accidental movement of the unit.



**WARNING: When performing maintenance, you may be exposed to voltage sources. Personal injuries can**

occur. Before performing any maintenance, disconnect power source from the work light.



**WARNING: Burn hazard.** Glass becomes hot during use. Do not touch glass surface when work light is on or immediately after use.

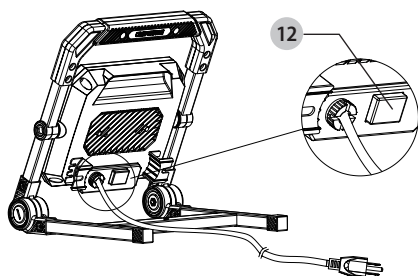
## KNOW YOUR WORK LIGHT

READ THIS USER MANUAL AND SAFETY WARNINGS BEFORE OPERATING YOUR UNIT. Compare the illustrations with your unit to familiarize yourself with the location of switch and adjustments. Save this manual for future reference.

### Switch (Fig. A,E)

Press the switch **12** towards "I" to turn on the work light, Press the switch **12** towards "O" to turn off the work light.

Fig E.



## CARE AND MAINTENANCE



**WARNING: To reduce the risk of serious personal injury, turn unit off, disconnect it from power source and put it on a stable secure position before making any adjustments or removing/installing attachments or accessories.**



**WARNING:** When performing maintenance, you may be exposed to voltage sources. Personal injuries can occur. Before performing any maintenance, disconnect work light from power source.

## Cleaning



**WARNING:** Blow dirt and dust out of all air vents with clean, dry air at least once a week. To minimize the risk of eye injury, always wear ANSI Z87.1 approved eye protection when performing this.



**WARNING:** Never use solvents or other harsh chemicals for cleaning the non-metallic parts of the work light. These chemicals may weaken the plastic materials used in these parts. Use a cloth dampened only with water and mild soap. Never let any liquid get inside the work light; never immerse any part of the work light into a liquid.

## Repairs

This work light is not serviceable. There are no serviceable parts inside the work light.

## Accessories



**WARNING:** Since accessories, other than those offered by CRAFTSMAN, have not been tested with this product, use of such accessories with this product could be hazardous. To reduce the risk of injury, only CRAFTSMAN recommended accessories should be used with this product.



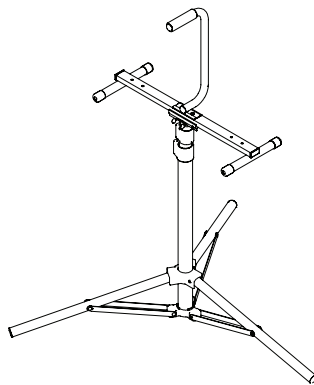
**WARNING: To reduce the risk of serious personal injury, turn unit off and disconnect it from power source before making any adjustments or removing/installing attachments or accessories.** Place work light on a stable surface where it will not cause a tripping or falling hazard. Work lights may be easily knocked over in certain situations.

Recommended accessories for use with your work light are available at extra cost from your local dealer or authorized service center. If you need assistance in locating any accessory, please contact CRAFTSMAN, call 1-888-331-4569

### Tripod (Sold Separately) (Fig. F)

This work light is compatible with Craftsman CMXELAYMPL1031 tripod (Sold Separately), For details, please visit [www.craftsman.com](http://www.craftsman.com) or visit your local dealer.

Fig F.



## Register Online

Thank you for your purchase. Register your product now for:

- **WARRANTY SERVICE:** Registering your product will help you obtain more efficient warranty service in case there is a problem with your product.
- **CONFIRMATION OF OWNERSHIP:** In case of an insurance loss, such as fire, flood or theft, your registration of ownership will serve as your proof of purchase.
- **FOR YOUR SAFETY:** Registering your product will allow us to contact you in the unlikely event a safety notification is required under the Federal Consumer Safety Act.

Register online at [www.craftsman.com/registration](http://www.craftsman.com/registration)

## One Year Limited Warranty

CRAFTSMAN will repair or replace, without charge, any defects due to faulty materials or workmanship for one year from the date of purchase. This warranty does not cover part failure due to normal wear or tool abuse. For further detail of warranty coverage and warranty repair information, visit [www.craftsman.com](http://www.craftsman.com) or call 1-888-331-4569. This warranty does not apply to accessories or damage caused where repairs have been made or attempted by others. THIS LIMITED WARRANTY IS GIVEN IN LIEU OF ALL OTHERS, INCLUDING THE IMPLIED WARRANTY OF MERCHANTABILITY AND FITNESS FOR A PARTICULAR PURPOSE, AND EXCLUDES ALL INCIDENTAL OR CONSEQUENTIAL DAMAGES. Some states do not allow limitations on how long an implied warranty lasts or the exclusion or limitation of incidental or consequential damages, so these limitations may not apply to you. This warranty gives you specific legal rights and you may have other rights which vary in certain states or provinces.

**LATIN AMERICA:** This warranty does not apply to products sold in Latin America. For products sold in Latin America, see country specific warranty information contained in the packaging, call the local company or see website for warranty information.

**FREE WARNING LABEL REPLACEMENT:** If your warning labels become illegible or are missing, call 1-888-331-4569 for a free replacement.

**CRAFTSMAN®**  
is a registered trademark of Stanley Black & Decker, Inc., used under license.  
es una marca registrada de Stanley Black & Decker, Inc., utilizada bajo licencia.  
est une marque déposée de Stanley Black & Decker, Inc., utilisée sous licence.

**Product Manufactured by:**  
**Produit fabriqué par:**  
**Producto fabricado por:**  
Zhejiang Yankon Group Co., Ltd.  
No. 208 Tongjiang Zhong Road, Shangyu District, Shaoxing City, Zhejiang, China

© 2018 CRAFTSMAN  
U.S. & Canada Only - É.-U. et Canada seulement

## TROUBLESHOOTING

### BE SURE TO FOLLOW SAFETY RULES AND INSTRUCTIONS

For assistance with your product, visit our website at [www.craftsman.com](http://www.craftsman.com) for a list of service centers, or call CRAFTSMAN at 1-888-331-4569.

PROBLEM	CAUSE	CORRECTION
Work light will not illuminate	Cord not plugged in.	Plug work light into a working outlet.
	Cord or switch is damaged.	Have cord or switch replaced at an authorized service center.
Work light is illuminate but light is dimmed	Low voltage.	Have a qualified electrician to check for outlet voltage



## Définitions : symboles et termes d'alerte de sécurité

Ces guides d'utilisation utilisent les symboles et termes d'alerte de sécurité suivants pour vous prévenir de situations dangereuses et de risques de dommages corporels ou matériels.



**DANGER** : Indique une situation dangereuse imminente qui, si elle n'est pas évitée, **entraînera la mort ou des blessures graves**.



**AVERTISSEMENT** : Indique une situation potentiellement dangereuse qui, si elle n'est pas évitée, **pourrait entraîner la mort ou des blessures graves**.



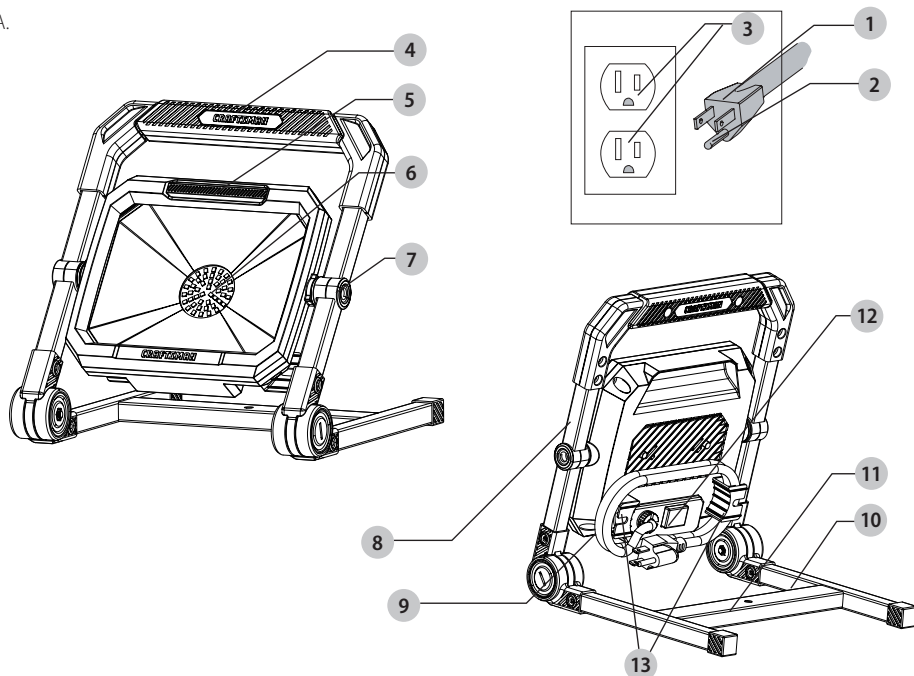
**ATTENTION** : Indique une situation potentiellement dangereuse qui, si elle n'est pas évitée, **pourrait entraîner des blessures légères ou modérées**.



(Si utilisé sans aucun terme). Indique un message lié à la sécurité.

**AVIS** : Indique une pratique ne posant **aucun risque de dommages corporels**, mais qui par contre, si rien n'est fait pour l'éviter, **pourrait poser des risques de dommages matériels**.

Fig A.



## COMPOSANTS

- 1 Fiche
- 2 Broche de mise à la terre
- 3 Prise mise à la terre
- 4 Poignée
- 5 Tête de lampe pivotante
- 6 Puces DEL
- 7 Articulation de la tête de lampe
- 8 Cadre
- 9 Cordon d'alimentation
- 10 Base
- 11 Support du trépied
- 12 Interrupteur
- 13 Enrouleur de cordon



**AVERTISSEMENT** : Lisez tous les avertissements et toutes les instructions. Le non-respect des avertissements et des instructions peut entraîner un choc électrique, un incendie ou des blessures graves.



**AVERTISSEMENT** : Ne modifiez jamais l'article ou l'une de ses parties. Cela pourrait endommager l'article ou causer des blessures.



**AVERTISSEMENT** : Afin de réduire les risques de blessure, l'utilisateur doit lire le manuel d'instructions.

**Pour toute question ou tout commentaire au sujet de cet article ou d'un autre article, communiquez avec CRAFTSMAN sans frais au : 1 888 331-4569**

# Lampe de travail à DEL de 3000 lumens CMXELAYMPL1027

## CONSIGNES DE SÉCURITÉ IMPORTANTES



**AVERTISSEMENT :** Lorsque vous utilisez la lampe, observez toujours les consignes de sécurité suivantes :

- a) Lisez toutes les instructions avant d'utiliser la lampe de travail.
- b) Afin de réduire les risques de blessure, une surveillance étroite est de rigueur lorsque la lampe de travail est utilisée à proximité d'un enfant.
- c) Afin de réduire les risques de choc électrique, n'immergez pas la lampe de travail dans l'eau ni dans tout autre liquide. Ne placez pas ou ne rangez pas la lampe de travail dans un endroit où elle pourrait tomber ou être entraînée dans une baignoire, un lavabo ou un évier.
- d) Utilisez uniquement les fixations et les accessoires recommandés ou vendus par le fabricant.
- e) Ne touchez pas aux pièces chaudes.
- f) Éteignez la lampe de travail lorsque vous ne l'utilisez pas et avant d'en faire l'entretien ou le nettoyage.
- g) N'utilisez pas une lampe de travail qui a subi une défaillance, qui est tombée au sol ou qui a été endommagée d'une quelconque façon.
- h) Ne manipulez PAS cette lampe de travail et ne tentez PAS de la brancher lorsque vous avez les mains mouillées ou humides, lorsque vous vous trouvez sur une surface humide ou mouillée ou lorsque vous avez les pieds dans l'eau.
- i) Utilisez seulement des rallonges trifilaires conçues pour l'extérieur et homologuées UL dotées d'une fiche de mise à la terre tripolaire ainsi que de prises de mise à la terre qui acceptent la fiche de la lampe de travail.
- j) Utilisez uniquement des prises protégées par disjoncteur différentiel lorsque vous utilisez cette lampe de travail dans des endroits humides ou mouillés. Des prises munies d'un disjoncteur différentiel intégré sont offertes et doivent être utilisées pour vous permettre de respecter cette mesure de sécurité.
- k) Utilisez seulement des rallonges conçues pour l'extérieur de type SEW, SEOW, SEOWW, SOW, SOOW, STW, STOW, STOOW, SJEW, SJEOW, SJEOWW, SJW, SJOW, SJOOW, SJTW, SJTOW, or SJTOOW.

## CONSERVEZ CES INSTRUCTIONS

### Règles de sécurité propres aux lampes



**AVERTISSEMENT :** N'installez pas la lampe dans une position permettant à quiconque de fixer le faisceau lumineux, de manière intentionnelle ou non. Cela pourrait causer de graves blessures aux yeux.



**AVERTISSEMENT : Risque d'incendie.** N'utilisez pas la lampe à proximité de liquides inflammables, dans un endroit présentant un risque d'explosion ou en présence de gaz. Les étincelles internes peuvent enflammer les vapeurs et causer des blessures



**AVERTISSEMENT :** La vitre devient très chaude pendant l'utilisation. Afin de réduire les risques de brûlure, ne touchez pas la vitre lorsqu'elle est chaude. Afin de réduire les risques d'incendie, gardez l'article à distance des matériaux combustibles lorsqu'il est en marche.



**AVERTISSEMENT :** Afin de réduire les risques d'incendie, ne placez aucun objet sur la vitre lorsque la lampe fonctionne ou qu'elle vient tout juste d'être éteinte



**AVERTISSEMENT :** Cette lampe n'est pas antidéflagrante. Ne l'utilisez PAS dans des endroits qui pourraient être dangereux, comme des milieux inflammables ou explosifs.



**AVERTISSEMENT : Lésion oculaire.** Ne regardez jamais directement les sources de lumière ou les puces DEL. Les DEL sont extrêmement lumineuses et peuvent causer des lésions oculaires si on les fixe trop longtemps.

### Règles de sécurité supplémentaires pour les lampes de travail



**ATTENTION :** Lorsque vous ne l'utilisez pas, placez la lampe de travail sur le côté sur une surface stable, à un endroit où l'on ne risque pas de s'y prendre les pieds et de trébucher. Les lampes de travail peuvent parfois se renverser très facilement.

- Cette lampe de travail DOIT TOUJOURS ÊTRE UTILISÉE conformément aux codes et règlements de sécurité et d'électricité, y compris le plus récent Code national de l'électricité, et au volume 1 de la Loi sur la santé et la sécurité du travail, qui porte sur les normes générales de l'industrie et leurs interprétations.
- Risque de choc électrique. N'utilisez pas l'article dans ou près de l'eau stagnante, ou encore dans des endroits où l'eau peut s'accumuler. Gardez cette lampe à une distance d'au moins 4,87 m des piscines ou des spas. Gardez la fiche sèche. N'immergez pas la lampe de travail.

- Ne faites JAMAIS fonctionner la lampe lorsque la vitre protectrice transparente est brisée ou absente.
- *Assurez-vous qu'aucun objet n'entre en contact avec la surface de verre pendant l'utilisation ou immédiatement après.*
- *Ne touchez pas la surface de verre lorsque les puces DEL sont allumées ou immédiatement après l'utilisation. Manipulez la lampe avec soin lorsque vous vous trouvez en présence d'une surface inflammable.*
- *Éloignez la lampe de travail de toute source de chaleur.*
- *N'immergez pas la lampe de travail dans un liquide quelconque.*
- *Ne lavez pas la lampe avec de l'eau et ne laissez pas d'eau s'infiltrer à l'intérieur de la lampe.*
- *Afin d'éviter les risques d'incendie, ne couvrez pas la lampe avec un linge ou toute autre matière inflammable lorsqu'elle est allumée.*
- Assurez-vous TOUJOURS que la source d'alimentation convient aux caractéristiques électriques de la lampe.
- Tirez la fiche plutôt que le cordon lorsque vous débranchez la lampe. Vous réduirez ainsi les risques de dommage à la fiche et au cordon électrique.
- Veillez à ce que le cordon ne soit pas placé dans un endroit où l'on pourrait marcher dessus, l'accrocher ou lui faire subir un dommage ou une contrainte.

**REMARQUE :** Cet appareil a été testé et déclaré conforme aux limites imposées aux appareils numériques de classe B, conformément à l'alinéa 15 du règlement de la FCC. Ces limites sont destinées à assurer une protection raisonnable contre les interférences nuisibles dans un environnement résidentiel. Cet appareil génère, utilise et peut émettre de l'énergie radiofréquence et, s'il n'est pas installé et utilisé conformément aux instructions, risque de provoquer des interférences nuisibles aux communications radio. Cependant, tout risque d'interférence ne peut être totalement exclu. Si cet article cause une interférence avec d'autres appareils, l'utilisateur devrait tenter d'éliminer l'interférence au moyen de l'une ou de plusieurs des méthodes suivantes :

- Réorienter ou déplacer l'antenne réceptrice.
- Accroître la distance entre l'article et le récepteur.
- Brancher l'article sur une prise de courant appartenant à un autre circuit que celui du récepteur.
- Chercher de l'aide auprès du détaillant ou d'un technicien en radio ou en télévision expérimenté.

**AVIS :** Comme le stipule l'alinéa 15 du règlement de la FCC, les changements ou modifications à cet équipement non autorisés expressément par CRAFTSMAN peuvent annuler le droit de l'utilisateur de se servir de cet appareil.

Cet appareil numérique de classe B est conforme à la norme NMB-003 du Canada.

## CONSERVEZ CES INSTRUCTIONS EN VUE D'UNE UTILISATION ULTÉRIEURE

Consultez la figure A qui se trouve au début du présent manuel pour obtenir la liste complète des pièces.

## Emploi adéquat

Cette lampe de travail est conçue pour être utilisée à l'intérieur ou à l'extérieur. La lampe de travail peut être utilisée sous la pluie et dans les endroits humides, à l'intérieur comme à l'extérieur.

**N'utilisez PAS** l'article en présence de liquides ou de vapeurs inflammables.

**Ne laissez PAS** les enfants manipuler la lampe de travail. Une supervision est nécessaire lorsqu'un utilisateur inexpérimenté manipule cette lampe de travail.

## Caractéristiques

Modèle	CMXELAYMPL1028
Puissance	33 watts
Luminosité	3000 lumens
Température de couleur	4000 K
Indice de rendu de couleur	80
Tension d'entrée	120 V c.a., 60 Hz
Endroits convenant à l'utilisation	Endroits humides
Cordon d'alimentation	1,52 m
Poids net	1,39 kg

## DÉBALLAGE



**AVERTISSEMENT :** Il est peu probable que cet article soit défectueux ou comporte des pièces manquantes. Si votre article est défectueux, ne l'utilisez pas tant que les pièces défectueuses n'ont pas été remplacées ou que le défaut n'a pas été corrigé. Sinon, vous risquez de subir de graves blessures.

Retirez la lampe de travail de l'emballage en carton, puis jetez l'emballage.

## ASSEMBLAGE ET RÉGLAGES



**AVERTISSEMENT :** Afin de réduire les risques de blessures graves, éteignez l'article, débranchez-le de la prise de courant et posez-le de façon sécuritaire sur une surface stable avant d'effectuer des réglages et avant de retirer ou d'installer des accessoires. Une mise en marche accidentelle peut causer des blessures.



**AVERTISSEMENT :** Risque lié à l'utilisation. Vous pouvez être exposé à des sources de tension lorsque vous effectuez l'entretien. Vous pourriez subir des blessures. Débranchez la lampe de travail de la source d'alimentation avant d'effectuer tout entretien.

La lampe de travail est entièrement assemblée lorsque vous la sortez de la boîte.

## Déplier la lampe de travail (fig. A, B et C)

Dépliez la base **10** du cadre **8** à l'angle désiré, comme l'illustre la figure C.

Fig B.

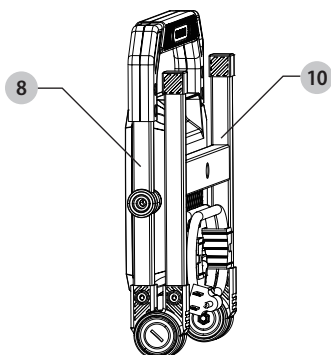
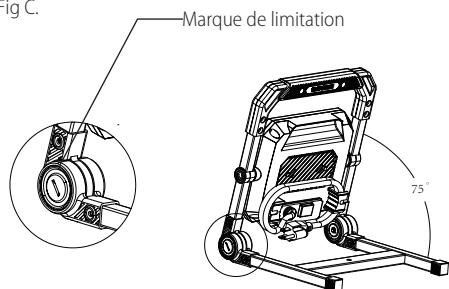


Fig C.



**AVERTISSEMENT :** L'angle entre le cadre et la base est limité à 75 degrés, le repère de limitation est indiqué sur la figure C. NE JAMAIS ajuster le cadre au-delà de la position du repère de limitation maximum.

**AVIS :** Si la lampe de travail ne demeure pas dans la position désirée, il vous suffit de serrer les vis du pivot. ÉVITEZ DE SERRER EXCESSIVEMENT. Réglage de la direction de l'éclairage.

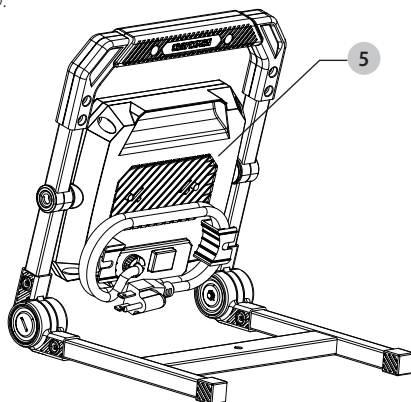
## Réglage de la direction de l'éclairage (fig. A et D)



**AVERTISSEMENT :** Afin de réduire les risques de blessures graves, éteignez la lampe de travail et débranchez-la de la prise de courant avant de régler la direction de l'éclairage et avant de retirer ou d'installer des accessoires.

La lampe de travail est munie d'une tête pivotante 5. La tête pivotante tourne librement lorsque le cordon d'alimentation est débranché et correctement enroulé. Tournez la tête pivotante selon l'angle désiré.

Fig D.



Assurez-vous de **TOUJOURS ÉTEINDRE** et **DÉBRANCHER** la lampe avant de régler la direction de l'éclairage.

## Instructions pour la mise à la terre



**AVERTISSEMENT :** Risque de choc électrique. La lampe **DOIT ÊTRE BRANCHÉE SUR UNE PRISE DE COURANT DE 120 V** et est munie d'un cordon homologué à 3 conducteurs et d'une fiche de mise à la terre à 3 broches. **AFIN DE RÉDUIRE LES RISQUES DE CHOC ÉLECTRIQUE, cette lampe doit uniquement être branchée sur une prise tripolaire mise à la terre. En cas de court-circuit, la mise à la terre permet de dévier le courant électrique et donc de réduire les risques de choc électrique. Cette lampe de travail doit être mise à la terre de façon appropriée. N'utilisez pas l'article dans ou près de l'eau stagnante, ou encore dans des endroits où l'eau peut s'accumuler. Gardez cette lampe à une distance d'au moins 4,87 m des piscines ou des spas. Gardez la fiche sèche. N'IMMERGEZ PAS LA LAMPE.**

Le cordon d'alimentation de cette lampe de travail portable est muni d'un fil et d'une fiche de mise à la terre 1.

1. Disposez correctement le cordon.
2. La fiche du cordon d'alimentation 1 de cet article comprend une broche de mise à la terre 2. Cette fiche **DOIT** être branchée sur une prise mise à la terre 3. **IMPORTANT :** La prise utilisée doit avoir été correctement installée et mise à la terre conformément aux lois et aux codes en vigueur.
3. Assurez-vous de brancher la fiche de mise à la terre sur une prise adéquate. **N'UTILISEZ PAS D'ADAPTEUR.** Reportez-vous à la figure A.
4. Inspectez la fiche et le cordon avant chaque utilisation. Ne les utilisez pas s'ils sont endommagés.
5. Si vous ne comprenez pas bien les instructions concernant la mise à la terre ou si vous avez un doute quant à la mise à la terre appropriée de la lampe de

travail, demandez à un électricien qualifié de vérifier l'installation.

**! DANGER : RISQUE DE CHOC ÉLECTRIQUE. UNE MISE À LA TERRE INADÉQUATE PEUT ENTRAÎNER UN CHOC ÉLECTRIQUE.**

- *Ne modifiez pas la fiche fournie. Si la prise disponible ne convient pas à la fiche, demandez à un électricien qualifié d'installer une prise appropriée.*
- *Les réparations au cordon ou à la fiche DOIVENT être effectuées par un électricien qualifié ou un centre de service autorisé.*

## Rallonges

### Intérieur

Si vous devez utiliser une rallonge, assurez-vous que celle-ci:

- est une rallonge à 3 fils dotée d'une fiche à 3 broches et d'une prise tripolaire compatible avec la fiche de l'article;
- est en bonne condition;
- ne mesure pas plus de 15,24 m (50 pi).

**AVIS :** *Risque de dommage matériel. L'utilisation d'une rallonge d'un calibre inadéquat entraînera une chute de tension causant une baisse de la puissance transmise à la lampe de travail, ce qui pourrait endommager les composants de la lampe et provoquer une défaillance générale.*

### Extérieur

**! AVERTISSEMENT : UTILISEZ UNIQUEMENT UNE RALLONGE POUR UNE UTILISATION À L'EXTÉRIEUR EXTÉRIEUR, le non-respect des avertissements et des instructions peut entraîner un choc électrique, un incendie ou des blessures graves. ASSUREZ-VOUS.**

- *Utilisez seulement des rallonges trifilaires conçues pour l'extérieur et homologuées UL dotées d'une fiche de mise à la terre tripolaire ainsi que de prises de mise à la terre qui acceptent la fiche de la lampe de travail.*
- *Utilisez uniquement des prises protégées par disjoncteur différentiel lorsque vous utilisez cette lampe de travail dans des endroits humides ou mouillés. Des prises munies d'un disjoncteur différentiel intégré sont offertes et doivent être utilisées pour vous permettre de respecter cette mesure de sécurité.*
- *Utilisez seulement des rallonges conçues pour l'extérieur de type SEW, SEOW, SEOOW, SOW, SOOW, STW, STOW, STOOW, SJEW, SJEOW, SJEOOW, SJW, SJOW, SJOOW, SJTW, SJTOW, or SJTOOW.*

## FONCTIONNEMENT

**! AVERTISSEMENT : Afin de réduire les risques de blessures graves, éteignez l'article, débranchez-le de la prise de courant et posez-le de façon sécuritaire sur une surface stable avant d'effectuer des réglages.**

**! AVERTISSEMENT : RISQUE LIÉ AUX CHUTES. La chute de cette lampe de travail peut**

**l'endommager, entraîner des dommages matériels et causer des blessures graves, voire mortelles, à l'utilisateur ou à d'autres êtres vivants. Vous ne devez JAMAIS suspendre la lampe de travail. Posez toujours la lampe de travail de façon sécuritaire sur une surface stable afin de prévenir le déplacement accidentel de l'article.**

**! AVERTISSEMENT :** *Vous pouvez être exposé à des sources de tension lorsque vous effectuez l'entretien. Vous pourriez subir des blessures. Débranchez la lampe de travail de la source d'alimentation avant d'effectuer tout entretien.*

**! AVERTISSEMENT : Risque de brûlure.** *La vitre devient très chaude pendant l'utilisation. Ne touchez pas la surface de verre lorsque la lampe de travail est allumée ou immédiatement après l'utilisation..*

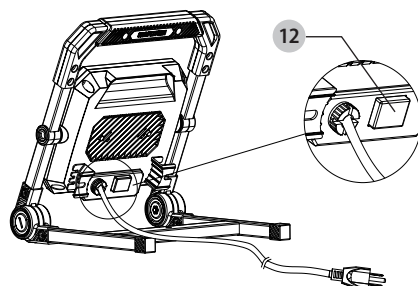
## APPRENEZ LE FONCTIONNEMENT DE VOTRE LAMPE DE TRAVAIL

LISEZ LE GUIDE D'UTILISATION ET LES AVERTISSEMENTS DE SÉCURITÉ AVANT D'UTILISER VOTRE APPAREIL. Comparez les illustrations avec votre appareil afin de vous familiariser avec l'emplacement de l'interrupteur et des dispositifs de réglage. Veuillez conserver ce manuel pour vous y référer ultérieurement.

### Interrupteur (fig. A et E)

Poussez l'interrupteur **12** vers le "I" pour allumer la lampe de travail et vers le "O" pour l'éteindre.

Fig E.



## ENTRETIEN

**! AVERTISSEMENT : Afin de réduire les risques de blessures graves, éteignez l'article, débranchez-le de la prise de courant et posez-le de façon sécuritaire sur une surface stable avant d'effectuer des réglages et avant de retirer ou d'installer des accessoires.**

**! AVERTISSEMENT :** *Vous pouvez être exposé à des sources de tension lorsque vous effectuez l'entretien. Vous pourriez subir des blessures. Débranchez la lampe*

de travail de la source d'alimentation avant d'effectuer tout entretien.

## Nettoyage



**AVERTISSEMENT :** Soufflez la poussière et la saleté des événements d'aération avec de l'air propre et sec au moins une fois par semaine. Afin de réduire les risques de blessures aux yeux, portez toujours des lunettes de sécurité conformes à la norme ANSI Z87.1 lorsque vous le faites.



**AVERTISSEMENT :** N'utilisez jamais de solvants ni tout autre produit chimique fort pour nettoyer les pièces non métalliques de la lampe de travail. Ces produits chimiques peuvent affaiblir le plastique de ces pièces. Utilisez un linge humecté d'eau et de savon doux uniquement. Ne laissez aucun liquide pénétrer à l'intérieur de la lampe de travail et n'immergez aucune partie de la lampe dans un liquide.

## Réparations

Cette lampe de travail n'est pas réparable. Elle ne contient aucune pièce réparable.

## Accessoires



**AVERTISSEMENT :** Puisque les accessoires autres que ceux offerts par CRAFTSMAN n'ont pas été mis à l'essai avec cet article, leur utilisation avec cet article pourrait être dangereuse. Afin de réduire les risques de blessure, seuls les accessoires CRAFTSMAN recommandés pour cet article devraient être utilisés.



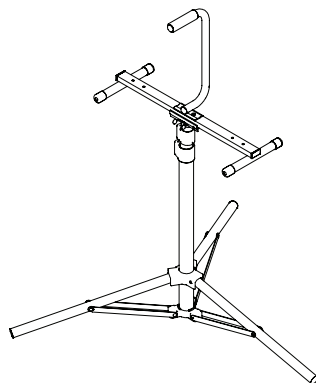
**Avertissement :** Pour réduire le risque de blessures graves, éteignez l'appareil et débranchez-le de la source d'alimentation avant d'effectuer tout réglage ou de retirer ou d'installer les accessoires. Placez la lampe de travail sur une surface stable où elle ne risque pas de tomber ou de tomber. Les lumières de travail peuvent être facilement renversées dans certaines situations.

Vous pouvez acheter les accessoires recommandés pour votre lampe de travail chez un détaillant local ou dans un centre de service autorisé. Si vous avez besoin d'aide pour trouver un accessoire, veuillez communiquer avec CRAFTSMAN en composant au 1 888 331-4569.

## Trépied (vendu séparément) (fig. F)

Cette lampe de travail est compatible avec le trépied Craftsman CMXELAYMPL1031 (vendu séparément). Pour plus de visitez le [www.craftsman.com](http://www.craftsman.com) ou consultez votre revendeur local.

Fig F.



## Enregistrement en ligne

Nous vous remercions d'avoir opté pour cet article. Enregistrez votre article en ligne dès maintenant pour profiter des avantages suivants :

- **SERVICE AU TITRE DE LA GARANTIE :** L'enregistrement de votre article en ligne vous aidera à obtenir de plus amples renseignements sur sa garantie en cas de défautuosité.
- **CONFIRMATION DU DROIT DE PROPRIÉTÉ :** L'enregistrement de votre droit de propriété fait office de preuve d'achat en cas d'incendie, d'inondation, de vol ou d'autres sinistres couverts par votre assurance.
- **POUR VOTRE SÉCURITÉ :** L'enregistrement de votre article nous permet de communiquer avec vous dans l'éventualité peu probable où un avis concernant la sécurité devait être publié en vertu de la Federal Consumer Safety Act.

Enregistrez votre article en ligne dès maintenant au [www.craftsman.com/registration](http://www.craftsman.com/registration)

## Garantie limitée de un an

CRAFTSMAN réparera ou remplacera gratuitement tous les articles défectueux présentant des défauts de matériaux ou de fabrication pour une période de un an à compter de la date d'achat. Cette garantie ne couvre pas la défectuosité des pièces causée par une usure normale ou un usage abusif de l'outil. Pour obtenir de plus amples renseignements sur la couverture de la garantie et les réparations en garantie, visitez le [www.craftsman.com](http://www.craftsman.com) ou composez le **1 888 331-4569**. Cette garantie ne couvre pas les accessoires ni les dommages causés par des réparations non autorisées. LA PRÉSENTE GARANTIE LIMITÉE REMPLACE TOUTE AUTRE GARANTIE, Y COMPRIS LA GARANTIE IMPLICITE DE QUALITÉ MARCHANDE OU DE CONFORMITÉ À UN USAGE PARTICULIER, ET EXCLUT TOUT DOMMAGE ACCESSOIRE OU CONSÉCUTIF. Certains États ou certaines provinces ne permettent pas une limitation de la durée des garanties implicites ou une exclusion ou une limitation des dommages accessoires ou consécutifs, de

sorte que les limitations mentionnées ci-dessus peuvent ne pas s'appliquer à vous. Cette garantie vous confère des droits précis. Il est possible que vous disposiez également d'autres droits, qui varient d'un État ou d'une province à l'autre.

**AMÉRIQUE LATINE :** La présente garantie ne s'applique pas aux articles vendus en Amérique latine. Pour les articles vendus en Amérique latine, veuillez consulter les renseignements sur la garantie contenus dans l'emballage ou encore communiquer avec l'entreprise locale ou consulter le site Web pour les obtenir.

#### REMPLACEMENT GRATUIT DES ÉTIQUETTES

**D'AVERTISSEMENT :** si les étiquettes d'avertissement deviennent illisibles ou sont manquantes, composer le **1-888-331-4569** pour en obtenir le remplacement gratuit.

#### CRAFTSMAN®

**is a registered trademark of Stanley Black & Decker, Inc., used under license.**

**es una marca registrada de Stanley Black & Decker, Inc., utilizada bajo licencia.**

**est une marque déposée de Stanley Black & Decker, Inc., utilisée sous licence.**

**Product Manufactured by:**

**Produit fabriqué par:**

**Producto fabricado por:**

**Zhejiang Yankon Group Co., Ltd.**

**No. 208 Tongjiang Zhong Road, Shangyu District, Shaoxing City, Zhejiang, China**

© 2018 CRAFTSMAN

U.S. & Canada Only • É.-U. et Canada seulement

## DÉPANNAGE

### ASSUREZ-VOUS DE LIRE ET DE SUIVRE TOUTES LES CONSIGNES DE SÉCURITÉ

Si vous avez besoin d'aide concernant votre article, visitez notre site Web au [www.craftsman.com](http://www.craftsman.com) pour obtenir la liste de nos centres de service ou communiquez avec CRAFTSMAN en composant le 1 888 331-4569.

PROBLÈME	CAUSE	MESURE CORRECTIVE
La lampe de travail ne s'allume pas	Le cordon n'est pas branché. Le cordon d'alimentation ou l'interrupteur est endommagé.	Branchez la lampe de travail sur une prise fonctionnelle. Demandez à un centre de service autorisé de réparer ou de remplacer le cordon ou l'interrupteur.
La lampe de travail fonctionne, mais l'éclairage est faible	La tension est basse.	Demandez à un électricien qualifié de vérifier la tension électrique de la prise.



## Definiciones: Símbolos y palabras de alerta de seguridad

Este manual de instrucciones utiliza los siguientes símbolos y palabras de alerta de seguridad para alertarle de situaciones peligrosas y del riesgo de lesiones corporales o daños materiales.

**⚠ PELIGRO:** indica una situación de peligro inminente que, si no se evita, provocará **la muerte o lesiones graves**.

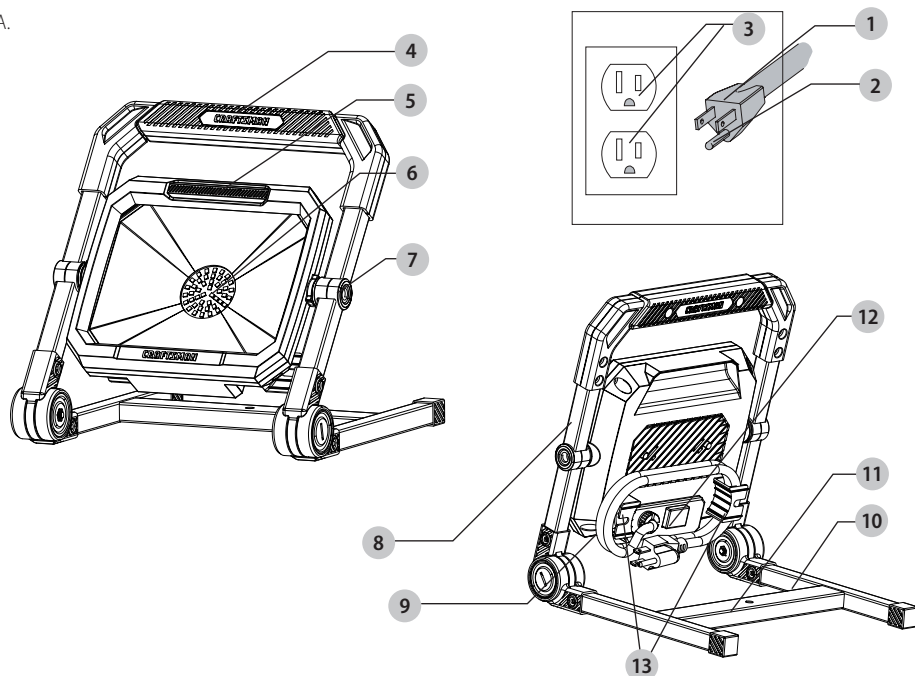
**⚠ ADVERTENCIA:** indica una situación de peligro potencial que, si no se evita, **podría provocar la muerte o lesiones graves**.

**⚠ ATENCIÓN:** indica una situación de peligro potencial que, si no se evita, **posiblemente provocaría lesiones leves o moderadas**.

**⚠ (Utilizado sin palabras)** indica un mensaje de seguridad relacionado.

**AVISO:** se refiere a una práctica **no relacionada a lesiones corporales** que de no evitarse **puede resultar en daños a la propiedad**.

Fig A.



### COMPONENTES

- 1 Enchufe
- 2 Clavija con puesta a tierra
- 3 Tomacorriente con puesta a tierra
- 4 Manija
- 5 Cabezal de iluminación giratorio
- 6 Luces LED
- 7 Punto de ajuste del cabezal de iluminación
- 8 Estructura
- 9 Cable de alimentación
- 10 Base
- 11 Abrazadera del trípode
- 12 Interruptor
- 13 Bobina de cable

**⚠ ADVERTENCIA:** lea todas las advertencias de seguridad y todas las instrucciones. El incumplimiento de las advertencias y las instrucciones podría provocar descargas eléctricas, incendios o lesiones graves.

**⚠ ADVERTENCIA:** nunca modifique el producto ni ninguna de sus piezas. Podrían producirse daños o lesiones personales graves.


**⚠ (Icono de persona leyendo manual)** **ADVERTENCIA:** para reducir el riesgo de lesiones, lea el manual de instrucciones.

Si tiene preguntas o comentarios acerca de este u otro producto, llame a CRAFTSMAN sin cargo al:  
1-888-331-4569



# Luz de trabajo LED de 3000 lúmenes CMXELAYMPL1027


## INSTRUCCIONES IMPORTANTES DE SEGURIDAD

 **ADVERTENCIA:** al usar la lámpara, siempre se deben respetar las siguientes medidas de precaución básicas:


- Lea todas las instrucciones antes de usar la luz de trabajo.
- Para reducir el riesgo de lesiones, es necesario supervisar de cerca cuando los niños estén cerca de una luz de trabajo.**
- Para reducir el riesgo de descarga eléctrica, no sumerja la luz de trabajo en agua ni en cualquier otro líquido.** No coloque ni almacene la luz de trabajo donde esta pudiera caerse a una bañera o a un fregadero.
- Use solo fijaciones y accesorios recomendados o vendidos por el fabricante.**
- No toque las piezas calientes**
- Apague la luz de trabajo cuando no esté en uso y antes de realizarle mantenimiento o limpieza.**
- No haga funcionar ninguna lámpara si presentó un funcionamiento indebido o luego de caídas o daños de cualquier tipo.**
- NO manipule esta luz de trabajo ni intente enchufarla con las manos mojadas o húmedas, ni mientras esté parado en una superficie húmeda o sobre agua.**
- Use solo extensiones eléctricas exteriores de 3 conductores homologadas por UL, que tengan enchufes con puesta a tierra de 3 clavijas y receptáculos de puesta a tierra que acepten el enchufe de la luz de trabajo.
- Utilice solo tomacorrientes protegidos por un interruptor de circuito de falla de puesta a tierra (GFCI, por sus siglas en inglés) al utilizar la luz de trabajo en lugares mojados o húmedos.** Existen tomacorrientes que cuentan con protección GFCI integrada que deben usarse para esta medida de seguridad.
- Use solo con una extensión eléctrica para uso en exteriores, tal como con el tipo de cable SEW, SEOW, SEOOW, SOW, SOOW, STW, STOW, STOOW, SJEV, SJEOW, SJEOW, SJW, SJOW, SJOOW, SJTW, SJTOW, or SJTOOW.


## GUARDE ESTAS INSTRUCCIONES


### Normas específicas de seguridad para lámparas


 **ADVERTENCIA:** no coloque la lámpara en una posición que pueda causar que cualquier persona


mire directamente la luz de manera intencional o no. Podrían ocurrir lesiones oculares graves.

 **ADVERTENCIA: peligro de incendio.** No utilice la lámpara cerca de líquidos inflamables ni en atmósferas gaseosas o explosivas. Las chispas internas podrían encender los vapores causando lesiones personales.


 **ADVERTENCIA:** el vidrio se calienta mucho durante el uso. Para reducir el riesgo de quemaduras, no toque el vidrio caliente. Para reducir el riesgo de incendio, mantenga lejos de materiales combustibles mientras se encuentre en funcionamiento.

 **ADVERTENCIA:** para reducir el riesgo de incendios, no coloque nada en la parte superior del vidrio durante o después del uso de la lámpara.

 **ADVERTENCIA:** esta lámpara no es a prueba de explosiones, NO la utilice en ubicaciones potencialmente peligrosas, como atmósferas inflamables o explosivas.

 **ADVERTENCIA: dañe los ojos.** Nunca mire directamente fuentes de luz ni chips de luces LED. Una luz LED es extremadamente brillante y puede dañar los ojos con una exposición prolongada.

### Normas de seguridad adicionales para la luz de trabajo

 **PRECAUCIÓN:** Cuando no la utilice, coloque la lámpara de costado sobre una superficie estable, donde no presente un riesgo de tropiezos o caídas. Resulta fácil volcar las luces de trabajo en ciertas situaciones.

- Esta luz de trabajo SIEMPRE SE DEBE USAR de acuerdo con todos los códigos y las ordenanzas eléctricas y de seguridad, incluidas la versión más reciente del Código Nacional de Electricidad (NEC, por sus siglas en inglés) y el Volumen 1 de la Administración de Salud y Seguridad Ocupacional (OSHA, por sus siglas en inglés) acerca de Estándares e interpretaciones generales de la industria.
- Riesgo de descarga eléctrica. No use el producto cerca de agua estancada ni en lugares donde se pueda acumular agua. Mantenga esta lámpara por lo menos a 4,87 metros de piscinas o spas. Mantenga el enchufe seco. No sumerja esta luz de trabajo.
- NUNCA haga funcionar la lámpara sin el vidrio protector transparente o si este está roto.
- No deje que la superficie del vidrio entre en contacto con otros materiales durante el uso o inmediatamente después.
- No toque la superficie del vidrio cuando los chips LED estén encendidos o inmediatamente después de su uso.
- Manipule la luz de trabajo con cuidado alrededor de cualquier superficie inflamable.

## Español

- Coloque la luz de trabajo lejos de cualquier fuente de calor.
- No sumerja la luz de trabajo en ningún líquido.
- No lave la lámpara con agua ni permita que el agua penetre en su interior.
- *Mientras la luz esté en uso, no la cubra con un paño u otros materiales inflamables debido a que esto aumenta el riesgo de incendio.*
- SIEMPRE asegúrese de que la fuente de alimentación cumpla con la clasificación de la lámpara.
- Jale del enchufe en lugar del cable cuando desconecte la luz de trabajo. Esto disminuirá el riesgo de daños al enchufe eléctrico o el cable.
- Asegúrese de saber dónde está el cable para evitar pisarlo, tropezarse con él o dañarlo de alguna otra forma.

**NOTA:** *este equipo ha sido probado y se ha verificado que cumple los límites para un dispositivo digital clases están diseñados para proporcionar protección razonable contra interferencias perjudiciales en una instalación residencial. Este equipo genera, utiliza y puede irradiar energía de radiofrecuencia y, si no se instala y se usa de acuerdo con las instrucciones, puede causar interferencia perjudicial para las comunicaciones de radio. Sin embargo, no se garantiza que no se producirán interferencias en una instalación en particular. Si este producto causa interferencia en otros dispositivos, se recomienda al usuario que intente corregir la interferencia con uno o más de los siguientes métodos:*

- Reorientar o reubicar la antena de recepción.
- Aumentar la separación entre el equipo y el receptor.
- Conectar el equipo a un tomacorriente de un circuito distinto al que usa el receptor.
- Solicitar ayuda al distribuidor o a un técnico con experiencia en radio/TV.

**AVISO:** *según la sección 15 de la FCC, todos los cambios o modificaciones a este equipo que no estén explícitamente aprobados por CRAFTSMAN podrían anular su autorización para utilizar este equipo.*

Este instrumento digital clase B cumple con el ICES-003 de Canadá.

## GUARDE ESTAS INSTRUCCIONES PARA USO FUTURO

Consulte la figura A al inicio de este manual para ver una lista completa de los componentes.

## Uso especificado

Esta luz de trabajo es adecuada para su uso en interiores y en exteriores. La luz de trabajo cuenta con clasificación para ubicaciones húmedas, se puede usar en exteriores en condiciones de lluvia o humedad.

**NO** utilice el producto en presencia de líquidos o gases inflamables.

**NO** deje que los niños tengan contacto con la luz de trabajo. Se requiere supervisión cuando usuarios sin experiencia utilicen esta luz de trabajo.

## Especificaciones

Modelo	CMXELAYMPL1028
Alimentación	33 vatios
Brillo	3000 lúmenes
Temperatura de color	4000 K
Índice de reproducción cromática	80
Voltaje de entrada	CA 120 voltios 60 Hz
Clasificación de ubicación	Lugares húmedos
Cable de alimentación	1.52 m
Peso neto	1.39 kg

## DESEMBALAJE



**ADVERTENCIA:** *no es probable que el producto esté defectuoso o presente un componente faltante. Si encuentra que el producto está defectuoso, no lo opere haber reemplazado las piezas o corregido la falla. No hacerlo podría provocar lesiones personales graves.*

Retire la luz de trabajo de la caja y deseche el material de embalaje.

## ENSAMBLAJE Y AJUSTES



**ADVERTENCIA:** *para disminuir el riesgo de lesiones personales graves, apague el producto, desconéctelo de la fuente de alimentación y colóquelo en una posición estable y segura antes de realizar cualquier ajuste o retirar/instalar aditamentos o accesorios. Un arranque accidental puede causar lesiones.*



**ADVERTENCIA:** *riesgo de funcionamiento inseguro. Cuando realice mantenimiento, es posible que se vea expuesto a fuentes de alto voltaje. Pueden ocurrir lesiones personales. Desconecte la luz de trabajo de la fuente de alimentación antes de realizar cualquier tarea de mantenimiento.*

La luz de trabajo está completamente ensamblada al salir de la caja.

## Despliegue la luz de trabajo (Fig. A, B, C)

Despliegue la base **10** de la estructura **8** hasta el ángulo deseado, como muestra la fig. c.

Fig B.

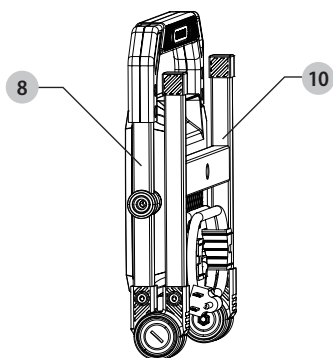


Fig D.

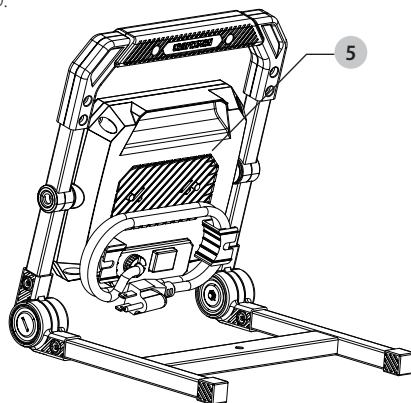
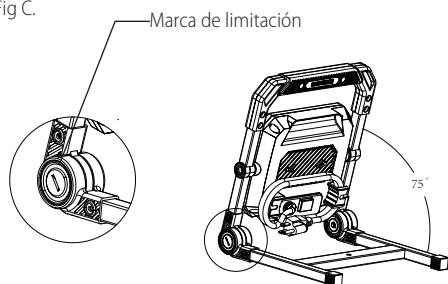


Fig C.



**⚠ ADVERTENCIA:** el ángulo entre el marco y la base está limitado a 75 grados, la marca de limitación se muestra en la Fig. C. **NUNCA** ajuste el marco más allá de la posición máxima de la marca de limitación.

**AVISO:** si la luz de trabajo no se mantiene en la posición deseada, simplemente apriete los tornillos de pivote. **NO APRIETE DEMASIADO.**

## Ajuste de la dirección de la luz (Fig. A, D)

**⚠ ADVERTENCIA:** para disminuir el riesgo de lesiones personales graves, apague la luz de trabajo y desconéctela de la fuente de alimentación antes de realizar cualquier ajuste en la dirección de la luz o retirar/instalar aditamentos o accesorios.

La luz de trabajo cuenta con un cabezal de iluminación giratorio 5 El cabezal giratorio puede girar libremente cuando el cable de alimentación está desconchado y debidamente enrollado. Gire el cabezal de iluminación giratorio hasta el ángulo deseado.

**⚠ SIEMPRE APAGUE** la luz y **DESENCHUFE** la unidad antes de ajustar la dirección de la luz.

## Instrucciones de puesta a tierra

**⚠ ADVERTENCIA: RIESGO DE DESCARGA ELÉCTRICA.** ESTA LÁMPARA SOLO SE DEBE USAR CON 120 VOLTIOS Y ESTÁ EQUIPADA CON UN CABLE DE 3 CONDUCTORES APROBADO CON UN ENCHUFE DE 3 CLAVIJAS CON PUESTA A TIERRA. PARA REDUCIR EL RIESGO DE DESCARGA ELÉCTRICA, SOLO SE DEBE ENCHUFAR EN UN TOMACORRIENTE DE 3 CLAVIJAS CON PUESTA A TIERRA. EN CASO DE UN CORTOCIRCUITO, LA PUESTA A TIERRA REDUCE EL RIESGO DE DESCARGA ELÉCTRICA AL PROPORCIONAR UN CABLE DE ESCAPE PARA LA CORRIENTE ELÉCTRICA. ESTA LUZ DE TRABAJO DEBE TENER UNA CONEXIÓN A TIERRA ADECUADA. **NO USE EL PRODUCTO CERCA DE AGUA ESTANCADA NI EN LUGARES DONDE SE PUEDA ACUMULAR AGUA. MANTENGA ESTA LÁMPARA POR LO MENOS A 4,87 METROS DE PISCINAS O SPAS. MANTENGA EL ENCHUFE SECO. NO SUMERJA ESTA LÁMPARA.**

La luz de trabajo portátil está equipada con un cable que cuenta con un conductor de puesta a tierra con un enchufe con puesta a tierra adecuada 1.

1. Extienda adecuadamente el cable.
2. El juego de cable y enchufe 1 de esta unidad contiene una clavija de puesta a tierra 2. Este enchufe se DEBE usar con un tomacorriente con puesta a tierra 3. **IMPORTANTE:** el tomacorriente que va a usar debe estar instalado y contar con puesta a tierra de acuerdo con todos los códigos y ordenanzas locales.
3. Asegúrese de que el tomacorriente que va a usar tenga la misma configuración que el enchufe con puesta a tierra. **NO USE UN ADAPTADOR.** Consulte la fig. A.
4. Inspeccione el enchufe y el cable antes de cada uso. No use el producto si hay señales de daños.

- 5. Si no comprendió completamente estas instrucciones de puesta a tierra o si tiene dudas de si la luz de trabajo tiene una puesta a tierra adecuada, pídale a un electricista calificado que revise la instalación.

**!** **PELIGRO: RIESGO DE DESCARGA ELÉCTRICA. UNA PUESTA A TIERRA INADECUADA PUEDE PROVOCAR UNA DESCARGA ELÉCTRICA.**

- No modifique el enchufe provisto. Si no encaja en el tomacorriente disponible, debe pedirle a un electricista calificado que instale un tomacorriente adecuado.
- Las reparaciones al juego de cable y enchufe las DEBE llevar a cabo un electricista calificado.

## Extensiones eléctricas

### Interiores

Si es necesario utilizar una extensión eléctrica, asegúrese de sea:

- Una extensión eléctrica con puesta a tierra de 3 conductores que tengan un enchufe de 3 clavijas y un receptáculo de 3 ranuras que acepten el enchufe del producto
- Esté en buen estado
- No sobrepase los 15.24 m (50 pies)

**AVISO:** riesgo de daños a la propiedad. El uso de una extensión eléctrica de menor tamaño causará una caída de voltaje que provocará una pérdida de energía a la luz de trabajo y podría dañar los componentes de la luz de trabajo, lo que provocaría un funcionamiento inadecuado global.

### Exteriores

**!** **ADVERTENCIA: USE SOLO CON UN CABLE DE EXTENSIÓN PARA USO EN EXTERIORES, el incumplimiento de las advertencias e instrucciones puede provocar descargas eléctricas, incendios y / o lesiones graves. ASEGÚRESE DE:**

- Use solo extensiones eléctricas exteriores de 3 conductores homologadas por UL, que tengan enchufes con puesta a tierra de 3 clavijas y receptáculos de puesta a tierra que acepten el enchufe de la luz de trabajo.
- Para evitar una descarga eléctrica, no utilice cerca del agua o en lugares donde se pueda acumular agua. Mantenga la luz de trabajo al menos a 4.88 m de piscinas o spas. Mantenga secos los enchufes. Utilice solo tomacorrientes protegidos por un interruptor de circuito de falla de puesta a tierra (GFCI, por sus siglas en inglés) al utilizar la luz de trabajo en lugares mojados o húmedos. Existen tomacorrientes que cuentan con protección GFCI integrada que deben usarse para esta medida de seguridad.
- Use solo con una extensión eléctrica para uso en exteriores, tal como con el tipo de cable SEW, SEOW, SEOOW, SOW, SOOW, STW, STOW, STOOOW, SJEW, SJEOW, SJEOOW, SJW, SJOW, SJOOW, SJTW, SJTOW, or SJTOOW.

## Funcionamiento

**!** **ADVERTENCIA: para disminuir el riesgo de lesiones personales graves, apague el producto, desconéctelo de la fuente de alimentación y colóquelo en una posición estable y segura antes de realizar cualquier ajuste.**

**!** **ADVERTENCIA: RIESGO DE CAÍDAS. Si la luz de trabajo se cae, se pueden producir daños en la unidad, la propiedad colindante y se podrían producir lesiones o la muerte del usuario u otros seres vivos. NO cuelgue ni suspenda la luz de trabajo en ninguna situación. Siempre use la luz de trabajo en una posición segura y estable para evitar un movimiento accidental de la unidad.**

**!** **ADVERTENCIA: cuando realice mantenimiento, es posible que se vea expuesto a fuentes de alto voltaje. Pueden ocurrir lesiones personales. Desconecte la luz de trabajo de la fuente de alimentación antes de realizar cualquier tarea de mantenimiento.**

**!** **ADVERTENCIA: riesgo de quemaduras. El vidrio se calienta durante el uso. No toque la superficie del vidrio cuando la luz de trabajo esté encendida o inmediatamente después de su uso.**

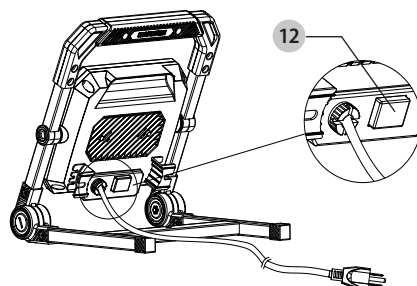
## Conozca su luz de trabajo

LEA ESTE MANUAL DEL USUARIO Y LAS ADVERTENCIAS DE SEGURIDAD ANTES DE OPERAR LA UNIDAD. Compare las ilustraciones con su unidad para familiarizarse con la ubicación del interruptor y los ajustes. Guarde este manual para referencia futura.

### Interruptor (Fig. A, E)

Presione el interruptor **12** hacia "1" para encender la luz de trabajo y presiónelo hacia "0" para apagarla.

Fig E.



## CUIDADO Y MANTENIMIENTO

**!** **ADVERTENCIA: para disminuir el riesgo de lesiones personales graves, apague el producto, desconéctelo de la fuente de alimentación y colóquelo en una posición estable y segura antes**

### de realizar cualquier ajuste o retirar/instalar aditamentos o accesorios.



**ADVERTENCIA:** cuando realice mantenimiento, es posible que se vea expuesto a fuentes de alto voltaje. Pueden ocurrir lesiones personales. Desconecte la luz de trabajo de la fuente de alimentación antes de realizar cualquier tarea de mantenimiento.

## Limpieza



**ADVERTENCIA:** sople la suciedad y elimine el polvo de todas las ventilas con aire limpio y seco al menos una vez a la semana. Para minimizar el riesgo de lesiones oculares, siempre utilice lentes de protección aprobados por ANSI Z87.1 al realizar este procedimiento.



**ADVERTENCIA:** nunca use solventes u otros químicos abrasivos para limpiar las piezas no metálicas de la luz de trabajo. Es posible que estos químicos debiliten los materiales de plástico que se utilizan en estas piezas. Solo utilice un paño humedecido con agua y jabón suave. Nunca deje que ingresen líquidos a la luz de trabajo; nunca sumerja alguna pieza de la luz de trabajo en líquido.

## Reparaciones

La luz de trabajo no es reparable. No existen piezas reparables en el interior de la luz de trabajo.

## Accesorios



**ADVERTENCIA:** debido a que los accesorios que no ofrece CRAFTSMAN no se han probado con este producto, su uso con el producto se considera peligroso. Para reducir el riesgo de lesiones, solo se recomienda el uso de accesorios CRAFTSMAN con este producto.



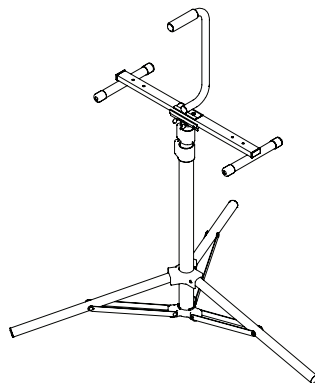
**ADVERTENCIA:** Para reducir el riesgo de lesiones personales graves, apague la unidad y desconéctela de la fuente de alimentación antes de realizar cualquier ajuste o de retirar / instalar accesorios o accesorios. Coloque la luz de trabajo sobre una superficie estable donde no cause un peligro de tropiezo o caída. Las luces de trabajo se pueden volcar fácilmente en ciertas situaciones.

Los accesorios recomendados para su luz de trabajo están disponibles con un costo adicional en su distribuidor local o centro de servicio autorizado. Si necesita ayuda para ubicar algún accesorio, póngase en contacto con CRAFTSMAN llamando al 1-888-331-4569

### Trípode (se vende por separado) (Fig. F)

Esta luz de trabajo es compatible con el trípode Craftsman CMXELAYMPL1031 (se vende por separado). Para obtener más detalles, visite [www.craftsman.com](http://www.craftsman.com) o visite a su distribuidor local.

Fig F.



## Registro en línea

Gracias por su compra. Registre su producto ahora para:

- **SERVICIO DE GARANTÍA:** registrar su producto le ayudará a obtener un servicio de garantía más eficiente en caso de que tenga problemas con el producto.
- **CONFIRMACIÓN DE PROPIEDAD:** en caso de perder el seguro, como en un incendio, inundación o robo, su registro de propiedad servirá como prueba de compra.
- **PARA SU SEGURIDAD:** registrar su producto nos permitirá ponernos en contacto con usted en el improbable caso de que se requiera una notificación de seguridad bajo la Ley Federal de Seguridad del Consumidor.

Regístrese en línea en [www.craftsman.com/registration](http://www.craftsman.com/registration)

## Garantía limitada de un año

CRAFTSMAN reparará o reemplazará, sin cargo, cualquier defecto debido a materiales o mano de obra defectuosos durante un año a partir de la fecha de compra. Esta garantía no cubre fallas de piezas debido al desgaste normal o un uso indebido. Para obtener más detalles sobre la cobertura de la garantía y conocer la información de reparación de la garantía, visite [www.craftsman.com](http://www.craftsman.com) o llame al 1-888-331-4569. Esta garantía no se aplica a accesorios ni a daños causados por reparaciones hechas o que se hayan intentado hacer por otras personas. ESTA GARANTÍA LIMITADA REEMPLAZA A CUALQUIER OTRA, INCLUIDA LA GARANTÍA IMPLÍCITA DE COMERCIABILIDAD E IDONEIDAD PARA FINES PARTICULARES, Y EXCLUYE TODOS LOS DAÑOS ACCIDENTALES O RESULTANTES. Algunos estados no permiten limitaciones en cuanto a la duración de una garantía implícita ni permiten la exclusión o la limitación de daños accidentales o resultantes, de modo que es posible que estas limitaciones no se apliquen a usted. Esta garantía le otorga derechos legales específicos y podría tener otros derechos, que varían según el estado o la provincia.

**LATINOAMÉRICA:** Esta garantía no se aplica a productos vendidos en Latinoamérica. Para productos vendidos en Latinoamérica, consulte la información de garantía específica de cada país que aparece en el empaque, llame

## Español

a la empresa local o visite el sitio web para conocer la información de garantía.

### REEMPLAZO GRATUITO DE LAS ETIQUETAS DE

**ADVERTENCIAS:** Si sus etiquetas de advertencia se vuelven ilegibles o faltan, llame al **1-888-331-4569** para que se le reemplacen gratuitamente.

### CRAFTSMAN®

**is a registered trademark of Stanley Black & Decker, Inc., used under license.**

**es una marca registrada de Stanley Black & Decker, Inc., utilizada bajo licencia.**

**est une marque déposée de Stanley Black & Decker, Inc., utilisée sous licence.**

**Product Manufactured by:**

**Produit fabriqué par:**

**Producto fabricado por:**

**Zhejiang Yankon Group Co., Ltd.**

**No. 208 Tongjiang Zhong Road, Shangyu District, Shaoxing City, Zhejiang, China**

**© 2018 CRAFTSMAN**

**EE. UU. y Canadá solamente • É.-U. et Canada seulement**

## SOLUCIÓN DE PROBLEMAS

### ASEGÚRESE DE SEGUIR LAS NORMAS E INSTRUCCIONES DE SEGURIDAD

Para obtener asistencia con su producto, visite nuestro sitio web en [www.craftsman.com](http://www.craftsman.com) para obtener una lista de centros de servicio o llame a Craftsman al 1-888-331-4569.

PROBLEMA	CAUSA	SOLUCIÓN
La luz de trabajo no enciende	El cable no está enchufado.	Enchufe la luz de trabajo a un tomacorriente funcional.
	El cable o el interruptor está dañado.	Haga que un centro de servicio autorizado reemplace el cable o el interruptor.
La luz de trabajo se ilumina pero la luz es baja	El voltaje es bajo.	Haga que un electricista calificado verifique el voltaje del tomacorriente