



INSTRUCTIONS

This manual contains important warnings and information.
READ AND KEEP FOR REFERENCE.

Series 700, 800, and 900 Turbine Sprayers

120 VAC 50/60 Hz: Series 700 and 900

120 VAC 60 Hz: Series 800

Maximum Working Pressure:

Series 700 and 800: 5 psi (0.34 bar)

Series 900: 6 psi (0.41 bar)

Model M73109, Series A

Complete Series 700 Turbine, with hose and turbine gun

Model M73111, Series A

Basic Series 700 Turbine, without hose or gun

Model M73154, Series A

Complete Series 800 Turbine,
with remote 2 qt cup, hose, and turbine gun

Model M73157, Series A

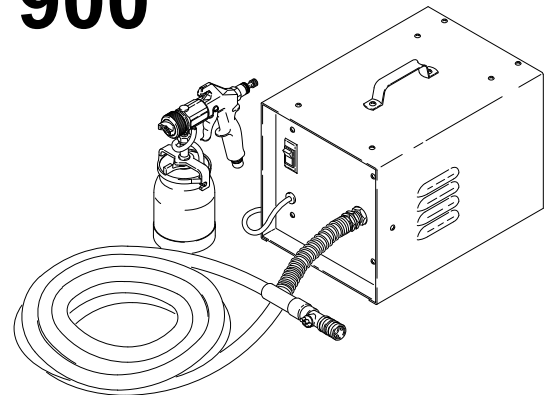
Basic Series 800 Turbine, without hose or gun

Model M73331, Series A

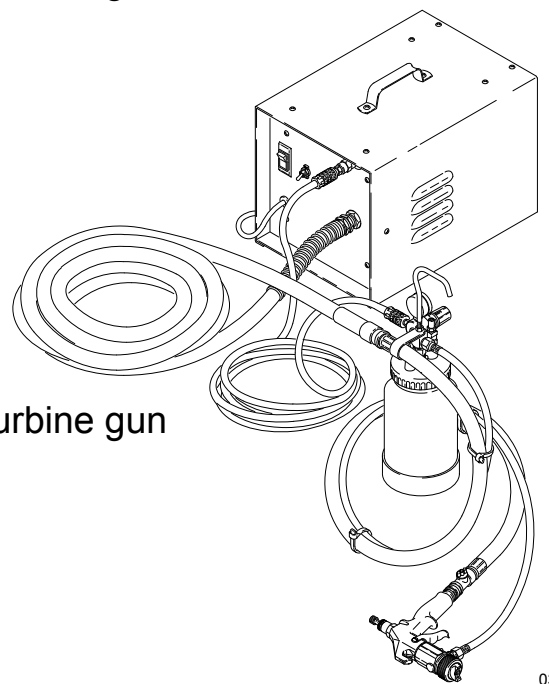
Complete Series 900 Turbine, with hose and turbine gun

Model M73333, Series A

Basic Series 900 Turbine, without hose or gun



Series 700 and 900 03015



Series 800 03016A



Table of Contents

Warnings	2
General Information	5
Specifications	6
Dimensions	6
Setup	7
Shutdown	11
Maintenance	12
Troubleshooting	13
Repair	14
Parts	18
Accessories	24
Warranty	Back Cover

Symbols

Warning Symbol



This symbol alerts you to the possibility of serious injury or death if you do not follow the instructions.

Caution Symbol



This symbol alerts you to the possibility of damage to or destruction of equipment if you do not follow the instructions.

! WARNING



FIRE AND EXPLOSION HAZARD

Improper grounding, poor ventilation, open flames or sparks can cause a hazardous condition and result in a fire or explosion and serious injury.



- Ground the equipment and the object being sprayed. Refer to **Grounding** on page 8.
- If there is any static sparking or you feel an electric shock while using this equipment, **stop spraying immediately**. Do not use the equipment until you identify and correct the problem.
- Provide fresh air ventilation to avoid the buildup of flammable fumes from solvents or the fluid being sprayed.
- When flammable liquid is sprayed or used for flushing or cleaning the equipment, the turbine must be placed at least 20 feet (6.1 m) away from areas where hazardous concentrations of flammable vapors are likely to occur.
- Use additional air hose if necessary to ensure that the turbine is operated in a clean, dry, well ventilated area.
- Never place the turbine inside a spray booth! Use this equipment outdoors or in extremely well ventilated areas.
- Keep the spray area free of debris, including solvent, rags, and gasoline.
- Electrically disconnect all equipment in the spray area.
- Extinguish all open flames or pilot lights in the spray area.
- Do not smoke in the spray area.
- Do not turn on or off any light switch in the spray area while operating or if fumes are present.
- Do not operate a gasoline engine in the spray area.

WARNING



INSTRUCTIONS

EQUIPMENT MISUSE HAZARD

Equipment misuse can cause the equipment to rupture or malfunction and result in serious injury.

- This equipment is for professional use only.
- Read all instruction manuals, tags, and labels before operating the equipment.
- Use the equipment only for its intended purpose. If you are not sure, call Graco Technical Assistance at 1-800-543-0339.
- Do not alter or modify this equipment.
- Check equipment daily. Repair or replace worn or damaged parts immediately.
- Do not exceed the maximum working pressure of the lowest rated system component. The Series 700 and 800 turbines have a working pressure of 5 psi (0.34 bar) and the Series 900 has a working pressure of 6 psi (0.41 bar).
- Use fluids and solvents which are compatible with the equipment wetted parts. Refer to the **Specifications** on page 6 for this information.
- Do not use hoses to pull equipment.
- Route hoses away from traffic areas, sharp edges, moving parts, and hot surfaces. Do not expose Graco hoses to temperatures above 82°C (180°F) or below -40°C (-40°F).
- Wear hearing protection when operating this equipment.
- Do not lift pressurized equipment.
- Comply with all applicable local, state, and national fire, electrical, and safety regulations.
- Do not point the gun at anyone or at any part of the body.
- Do not put your hand or fingers over the gun fluid nozzle.
- Do not stop or deflect leaks with your hand, body, glove or rag.
- Do not “blow back” fluid; this is not an air spray system.
- Follow the **Pressure Relief Procedure** on page 11 if the fluid nozzle clogs and before cleaning, checking or servicing the equipment.
- Tighten all fluid connections before operating the equipment.
- Check the hoses, tubes, and couplings daily. Replace worn or damaged parts immediately.

WARNING



TOXIC FLUID HAZARD

Hazardous fluid or toxic fumes can cause serious injury or death if splashed in the eyes or on the skin, inhaled, or swallowed.

- Know the specific hazards of the fluid you are using.
- Store hazardous fluid in an approved container. Dispose of hazardous fluid according to all local, state and national guidelines.
- Always wear protective eyewear, gloves, clothing and respirator as recommended by the fluid and solvent manufacturer.
- Do not use 1,1,1-trichloroethane, methylene chloride, other halogenated hydrocarbon solvents or fluids containing such solvents in the turbine spray system, which contains aluminum and/or galvanized-coated parts. Such use could result in a serious chemical reaction, with the possibility of explosion, which could cause death, serious injury, and/or substantial property damage.

CAUTION

CSA Certification of this sprayer is valid only when used with the following Graco hoses:

M71452	M71453
M71454	M71455
M71631	M71633
M71481	M71484
M71485	M71486

Manual Change Summary

Changed all model numbers from CX-7, CX-8, and CX-9, to Series 700, Series 800, and Series 900, respectively. Also changed part numbers according to project 157F-07.

General Information

The Series 700, 800 and 900 Turbine Spray Guns can spray most coatings or finishes currently being used for automotive refinish, industrial, aerospace, marine, wood, plastic and architectural applications.

This spray gun typically utilizes 5 psi (0.34 bar) for Series 700 and Series 800 and 6 psi (0.41 bar) for the Series 900 inbound air pressure to produce high quality paint finishes. The gun produces a cone of air that carries and directs the paint from the gun to the surface, minimizing overspray and increasing transfer efficiency. This enables painters to comply with new clean air laws that are designed to reduce VOC (volatile organic compounds) emissions, eases paint application by requiring fewer paint passes to obtain coverage, and saves on both material and clean-up time.

Refer to the turbine gun manual, 308–336, for more information on the operation and use of the turbine spray gun.

Unpack the Graco Turbine Sprayer from the shipping carton and inspect for any possible shipping damage. If necessary, call your distributor.

The contents of the Series 700 Turbine Sprayer, Model M73109, includes:

- 1 Series 700 Turbine Sprayer, M73486
- 1 Turbine Gun, M73200
- 1 25 ft. hose, M71452
- 1 Sprayer Instruction Manual, 308–422
- 1 Gun Instruction Manual, 308–336

The contents of the Series 700 bare sprayer, Model M73111, includes:

- 1 Series 700 Turbine Sprayer, M73486
- 1 Sprayer Instruction Manual, 308–422

The contents of the Series 800 Turbine Sprayer, Model M73154, includes:

- 1 Series 800 Turbine Sprayer, M73487
- 1 Turbine Gun, M73225
- 1 25 ft. hose, M71452
- 1 2 qt. cup, M70962
- 1 25 ft. braided air hose, M71631
- 10 wire ties, M71179
- 1 Sprayer Instruction Manual, 308–422
- 1 Gun Instruction Manual, 308–336

The contents of the Series 800 bare sprayer, Model M73157, includes:

- 1 Series 800 Turbine Sprayer, M73487
- 1 Sprayer Instruction Manual, 308–422

The contents of the Series 900 Turbine Sprayer, Model M73331, includes:

- 1 Series 900 Turbine Sprayer, M73488
- 1 Turbine Gun, M73200
- 1 25 ft. hose, M71452
- 1 Sprayer Instruction Manual, 308–422
- 1 Gun Instruction Manual, 308–336

The contents of the Series 900 bare sprayer, Model M73333, includes:

- 1 Series 900 Turbine Sprayer, M73488
- 1 Sprayer Instruction Manual, 308–422

Specifications

Power Requirements

Series 700, Series 900	120 Vac, 50/60 Hz
Series 800	120 Vac, 60 Hz
Amps @ 120 volts	
Series 700	1 phase, 12A minimum
Series 800	1 phase, 12A minimum
Series 900	1 phase, 12A minimum
Power Cord	No. 16 AWG, 3 wire, 10 ft (3 m)†
CFM unrestricted	
Series 700, Series 800	101 cfm
Series 900	115 cfm
Turbine Stages	3
Maximum Turbine Hose Length	
Series 700, Series 800	40 ft (12 m)
Series 900	60 ft (18 m)
Cup	
Series 700, Series 900	1 qt (1 liter)
Series 800	2 qt (2 liter)

† Extension cord must be 3-wire, 12 AWG; 100 ft or shorter.

PTFE is a registered trademark of the DuPont Corporation.
Locktite® is a registered trademark of the Locktite Corporation.

Wetted Parts

Bare Spray Gun . . . Stainless Steel, Brass, PTFE,
 Hard-coated Aluminum

Spray Gun Cups Aluminum, Polyethylene

2 Quart Accessory Remote

Pressure Pot Aluminum, Brass,
 Polyethylene

2-1/2 Gallon Accessory Remote

Pressure Pot Steel with
 solvent-resistant finish, EPDM Gasket (standard)

Series 800 Air Compressor

CFM	0.4
HP	1/30 hp
PSI	30 psi (1.03 bar)

Turbine Shipping Weight (w/o pkg, hose, or gun)

Series 700	40 lb (18 kg)
Series 800	47 lb (21.3 kg)
Series 900	46 lb (21 kg)

Dimensions

Turbine Diameter

Series 700, Series 800	5.7 in (144.78 mm)
Series 900	7.2 in (182.88 mm)

Setup

NOTE: Refer to the turbine gun manual, 308–336, for information on the operation and setup of the gun.

Connect the Fluid and Air Supply

1. Connect the hose to the gun.
2. Connect the gun air supply hose (A) between the turbine air outlet (D) and the gun air inlet. **DO NOT** use a wrench to tighten connections; hand-tighten only. See Fig. 1.
3. *If using a spray gun cup (B),* connect the cup to the gun fluid inlet.
4. *For Series 800 only: If using an accessory remote pressure pot (C),* connect the fluid supply hose (G) between the gun fluid inlet and the remote pressure pot.

Connect the air hose (E) between the pressure pot air inlet and the compressor air outlet (F).

NOTES:

- The circled letters in Fig. 1 indicate hose line connections.
- Only the Series 800 turbine unit includes a compressor for use with a remote pressure pot.

Connect to Electric Supply

1. Plug the sprayer power cord into a grounded outlet.
2. If an extension cord is used, it must be 3-wire, 12 AWG and 100 ft or less in length.

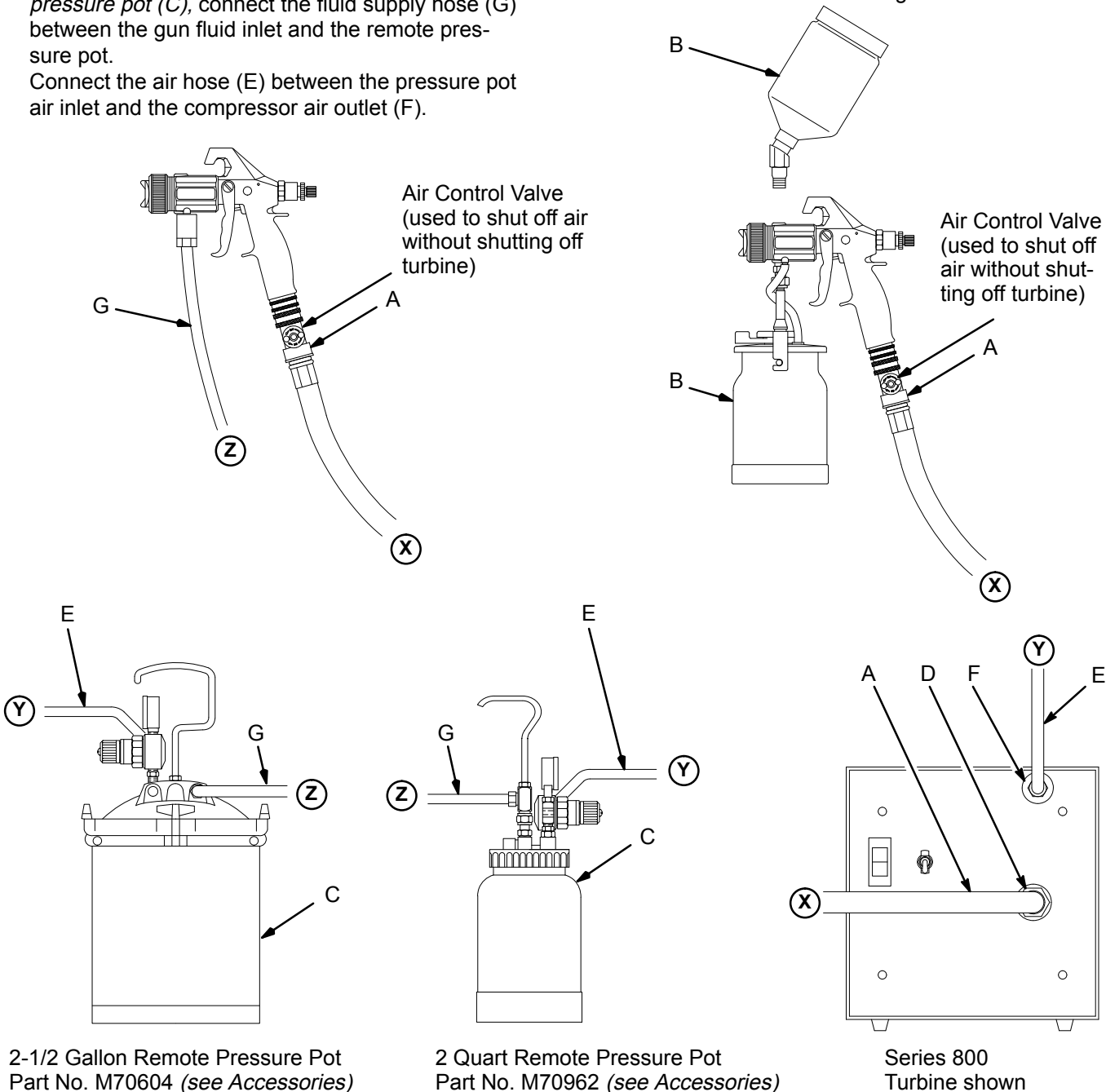


Fig. 1

04958

Setup

Grounding

WARNING



FIRE AND EXPLOSION HAZARD

Before operating the turbine sprayer, ground the system as explained below.

Also read the section **FIRE OR EXPLOSION HAZARD** on page 2.



1. *Turbine:* Plug the turbine power supply cord into a properly grounded outlet. Do not remove the grounding prong from the power cord. Do not use an adapter.
2. *Extension cords:* Extension cords must have three wires and be rated for a minimum of 15 amps.
3. *Fluid supply container:* follow your local code.
4. *Object being sprayed:* follow your local code.

Prepare the Fluid

1. Always strain the fluid before spraying; this includes color, reducer and hardeners if used.
2. When using a turbine spray system, you need to use a slower drying reducer or thinner to compensate for the faster drying time caused by the warm air of the turbine. Do not over reduce.

CAUTION

The performance of the turbine sprayer will vary with the viscosity of the material. Unnecessary hose length will cause the air pressure to drop.

Paint Reduction – Automotive Type Finishes

Reduce and catalyze all paint to manufacturer's specifications. To compensate for the faster drying time of turbine systems, use a reducer one-step slower than what is used for conventional air spray.

Paint Reduction – Industrial or Domestic Coatings

Reduce and catalyze all paint to manufacturer's specifications. If no reductions are given, first thoroughly mix the fluid to be sprayed. Then gradually mix in the proper reducer, testing the fluid until you have the correct spraying consistency.

To test the consistency: Remove the stir stick from the thinned paint. When the paint stream running off the stir stick breaks into droplets, the first few drops should be about one second apart.

Setup

Fill the Cup or Remote Pressure Pot

Spray Gun Cup

⚠ WARNING

The spray gun cup is pressurized by the gun's air supply. To reduce the risk of serious injury from pressurized fluid or accidental spray from the gun, always turn off the air supply to the gun before removing the spray gun cup.

Only fill the cup 3/4 full to help keep the air pressure tube clean, then install the cover. The under-cup cover has a latch (H) to secure it to the cup. The over-cup has a ring with notches (J) that secures the cup hood into place when locked in place on the cup.

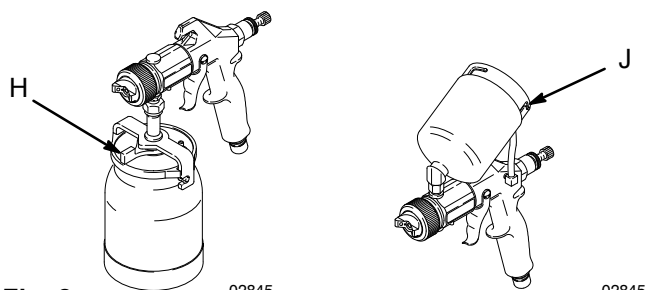


Fig. 2

Accessory Remote Pressure Pot

⚠ WARNING

The accessory remote pressure pots remain pressurized until pressure is manually relieved. To reduce the risk of serious injury from pressurized fluid or accidental spray from the gun, always relieve pressure in the pressure pot before loosening or removing the cover.

1. Relieve the remote pressure pot pressure by following these steps:
 - a. Turn off the air supply to the pressure pot.

- b. *2 Quart Remote Pot*: Turn out the pressure relief knob (113) about one turn. Wait until pressure is completely relieved before removing the cover. Close the knob before using the system again. See Fig. 3.

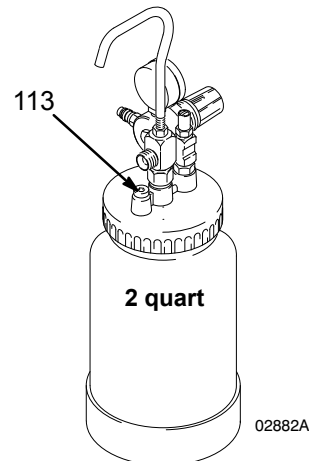


Fig. 3

2. Remove the pressure pot cover and fill the pressure pot. Secure the cover.

NOTE: *2 quart remote pressure pot only*: lightly coat the cover threads with petroleum jelly.

⚠ CAUTION

If the 2 quart remote pressure pot is accidentally tipped over or held at too great of an angle, fluid may leak into the air regulator. Take precautions to avoid this. If fluid does get into the regulator, clean it immediately.

⚠ CAUTION

Do not tighten the pressure pot cover more than hand-tight. Excessive tightening may damage the cover gasket.

Setup

Prepare the Surface to be Sprayed

To achieve proper adhesion, make sure the surface to be sprayed is completely clean.

Operating the Turbine

WARNING

Sparking can be expected in the normal operation of the turbine motor. Sparks could ignite fumes from flammable liquid, dust particles and other flammable substances in the spray area, and cause serious injury and property damage. Be sure to follow the precautions below:

- When flammable liquid is sprayed or used for flushing or cleaning equipment, the turbine must be placed at least 20 feet (6.1 m) away from areas where hazardous concentrations of flammable vapors are likely to occur.
- Use additional air hose if necessary to ensure that the turbine is operated in a clean, dry, well ventilated area.
- Never place the turbine inside a spray booth! Use this equipment outdoors or in extremely well ventilated areas.
- Avoid all ignition sources such as static electricity from plastic drop cloths, open flames such as pilot lights, hot objects such as cigarettes, arcs from connecting or disconnecting power cords or turning light switches on and off. Extinguish or remove all sources of ignition.

1. Turn the turbine on a few minutes before you start spraying to allow for warm-up time.

NOTE: When the turbine is not in use for an extended period of time, turn it off. The turbine does not shut off automatically.

2. Be sure the turbine filter is clean before operating. See page 12 to check and clean the filter.

NOTE: To adjust the spray gun pattern, see the turbine gun manual 308–336.

Series 800 Cold Weather Operation

Turbine Spray Model Series 800 has a diaphragm compressor. When this compressor is new, the diaphragm will become stiff in cold weather. If cold enough, the stiff diaphragm will not allow the compressor to start (the unit will hum). If this occurs, follow these steps:

1. Turn the turbine and compressor off.
2. Unplug the turbine from the power source.
3. Loosen the four main filter screws and remove the filter; replace the main filter and pre-filter if they are dirty.
4. Hand spin the cooling fan on the compressor for a few revolutions.
5. Reassemble the turbine.
6. Plug in the turbine and turn compressor on. The compressor should start.

Shutdown

Pressure Relief Procedure

WARNING

PRESSURIZED EQUIPMENT HAZARD

The equipment stays pressurized until pressure is manually relieved. To reduce the risk of a serious injury from pressurized fluid, accidental spray from the gun, or splashing fluid, follow the **Pressure Relief Procedure** whenever you:

- are instructed to relieve the pressure,
- stop spraying,
- check or service any of the system equipment,
- or install or clean the fluid nozzles.

1. When spraying is finished, release the gun trigger and turn off the air supply to the gun.
2. Turn off the turbine sprayer.

WARNING

The turbine hose outlet may be hot. Carefully check the hose end before removing the hose.

3. *If using a remote pressure pot*, relieve its pressure by following these steps:
 - a. Turn off the air supply to the pressure pot.

- b. *2 Quart Remote Pot*: Turn out the pressure relief knob (113) about one turn. Wait until pressure is completely relieved before removing the cover. Close the knob before using the system again.

See Fig. 4.

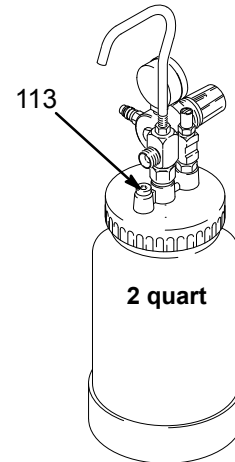


Fig. 4

02882A

NOTE: Elevate the spray gun and pull the trigger. This will allow the fluid in the fluid hose to drain back into the remote pressure pot.

4. Clean the spray gun and cup as instructed in the turbine gun manual, 308–336.

Maintenance

Daily

Check the main turbine filter daily for cleanliness.

The turbine systems are lifetime lubricated. The only maintenance required is filter cleaning and replacement.

The turbine main filter and pre-filter must be clean at all times to provide sufficient air flow to cool the motor and atomize the fluid. Check the filters weekly, minimum. Replace the pre-filter as required.

NOTE: To check the filter, turn on the turbine and place a piece of paper against the air intake filter. If the air intake holds the paper in place, the filter is okay.

To clean the main filter:

1. Turn off and unplug the turbine.
2. Loosen the four main filter screws. See Fig. 5.
3. Remove the main filter and clean it by following one of the following three methods:
 - Tap the filter gently on a flat surface, dirty side down.
 - Direct compressed air (100 psi [7 bar] maximum) through the filter panel in the opposite direction of the arrows on the side of the filter.
 - Soak the filter for 15 minutes in water and a mild detergent. Rinse the filter until it is clean. Air dry the filter; do not use compressed air.

⚠ WARNING

To avoid damage to the turbine and possible electric shock, never install a damp filter in the turbine.

⚠ CAUTION

Do not operate the turbine sprayer without the filter installed.

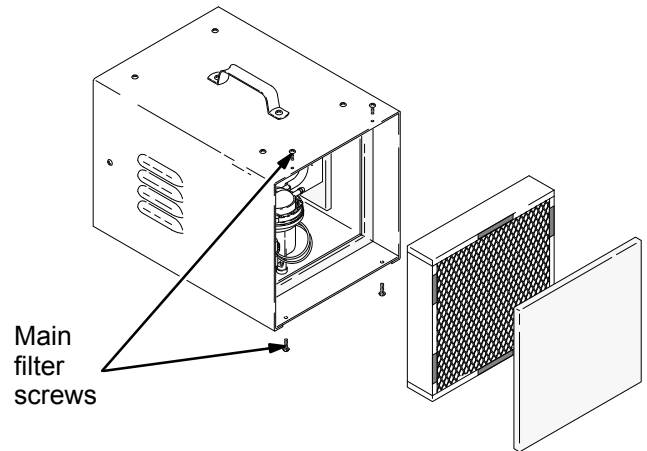


Fig. 5

Weekly

Check the hose for cracks, leaks, and holes. Replace, if necessary.

Annually or 600 Hours (whichever comes first)

Replace the motor brushes 600 hours after turbine sprayer operation. If the brushes are not replaced, motor failure will occur.

NOTE: It is recommended that an authorized service center perform the motor brush replacement. See the procedure on page 16.

Troubleshooting

PROBLEM	CAUSE	SOLUTION
Remote Container Pressurization	No fluid delivery.	Check for leaks at the container gasket, 2 quart lid, and 2 1/2 gal pot wing nuts.
		Check for air flow from male quick-disconnect at compressor outlet (approx. 1/4 CFM).
		Turn pressure regulator clockwise. Look for pressure on gauge. (If no pressure on gauge, check air line and fittings).
		Check hole in tank lid under regulator or needle valve 2 Qt lid. Clean if necessary.
		Check for obstructions.
		Check if fluid pickup tube is unplugged. Tighten.
		Blow out and clear material hose.
		Check container for material.
(Series 800) Compressor fails to start	Cold weather operation.	See Cold Weather Operation instructions, page 10.
Turbine fails to start	Power supply.	Cycle red rocker switch.
Poor atomization	Dirty filter.	Clean filter.
	Extension cord too long.	Replace with shorter extension cord (do not exceed 100 ft). Extension cord must be 3-wire, 12 AWG.
	Hose length too long.	Replace with shorter hose. See Accessories for shorter hose and P/N.
Red Rocker Circuit Breaker Switch Trips	Check filter.	Clean filter and replace as necessary.
	Excessive high ambient temperature.	Move turbine to cooler area.
	Excessive brush wear.	Remove turbine wrapper and: <ul style="list-style-type: none"> . Check for free motor rotation, . Check brush wear, . Replace motor brushes if necessary.
	Excessive current draw.	Return to authorized service center.

Repair

⚠ WARNING

Turn off turbine and unplug power for the following procedures.

Turbine Switch Replacement (Red Rocker Circuit Breaker)

1. To remove the turbine switch (3), wedge a large flat blade screwdriver between the top of the switch and the turbine face plate. See Fig. 6.
2. Push down firmly on the switch. Pry the switch out far enough so the two top switch locking tabs are visible.
3. While maintaining outward pressure on the switch, push down on the two locking tabs with a small flat blade screwdriver until they release. The switch will pop out.
4. Disconnect the two wires and remove the switch.
5. Reinstall by connecting wires to the new switch. Snap the switch into place.

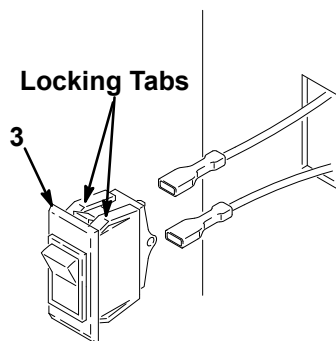


Fig. 6

03728

Series 800 Compressor Replacement

1. Remove the four main filter stop screws and remove the main filter. (Clean or replace filter as necessary).
2. Remove the air hose from the “out” side of the compressor.
3. Locate and remove the three compressor hold-down screws.
4. Remove the ground screw. Clip the lead wires and remove the compressor.
5. Rewire and install the new compressor. Apply removable Loctite® on the compressor screws and tighten the screws. Do not overtighten the rubber bumpers.

14 308-422

6. Reinstall the hose on the “out” side of the compressor.
7. Replace the main filter.

Wrapper Removal

Remove the cabinet wrapper by following these steps.

1. Remove the four filter screws. Remove the main filter. Clean and replace the filter if necessary.
2. Remove the four remaining top wrapper screws. Do not remove handle screws.
3. Remove one screw from each side of the wrapper.
4. Remove the four remaining bottom wrapper screws. Do not remove the rubber feet.
5. Gently pry loose and remove the wrapper from the cabinet.

NOTE: The wrapper is sealed with caulk.

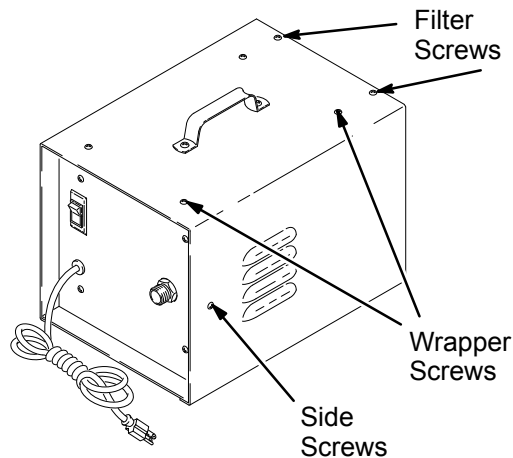


Fig. 7

Series 900 shown

03067

Power Cord Replacement

Remove the cabinet wrapper by following the **Wrapper Removal** procedure.

The power cord may now be replaced.

Series 800 Compressor Toggle Switch Replacement

Remove the cabinet wrapper by following the **Wrapper Removal** procedure.

The compressor toggle switch (Series 800) may now be replaced.

Repair

Turbine/Motor Replacement

The Series 700 and 800 turbine replacement kit M73525 contains: Turbine unit (62), rubber bottom spacer (16), foam fan seal (83), ground ring terminal (7) red butt connector (not shown, used on series 800 only) and 2 switch connectors (8)

The Series 900 turbine replacement kit M73526 contains: Turbine unit (62), rubber bottom spacer (16), foam fan seal (83), ground ring terminal (7) and 2 switch connectors (8)

Remove the cabinet wrapper by following the steps in the Wrapper Removal procedure. Reference the parts list exploded view for disassembly.

Note: the wrapper is sealed with caulk.

1. The motor may now be replaced.
2. Remove the upper motor mount (42) by removing the five screws that retain it.
3. Remove the ground wire (green) and switch wires (black & white).

Note: Series 800 only, clip the neutral lead (white) approximately 2 in. from the three wire crimp connector.

4. Install (crimp) the female switch connectors or red butt connectors on the new turbine as shown in the appropriate wiring diagram. The round ring connector always goes on the green wire.

Note: On Series 800 only, strip the white neutral wire (attached to the three wire crimp connector) back approximately 3/8 in. and install the red butt connector.

5. Remove the old motor from the lower motor mount by removing the three bolts (54). The nuts are attached to the lower mount, a holding wrench is not required.

6. Reinstall the new turbine (62) and pad (16).

Note: Application of removable Loctite® is recommended on the threads of the three bolts (54).

Note: Do not over tighten the three bolts (54) securing the turbine to the lower motor mount, damage to the turbine may occur.

7. Be sure to install the ground wire to the grounding stud on the lower motor mount.
8. Replace the upper motor mount and the five screws that retain it.
9. Install the new fan seal gasket (83) on the top of the upper motor mount
10. Replace the wrapper and filter system.

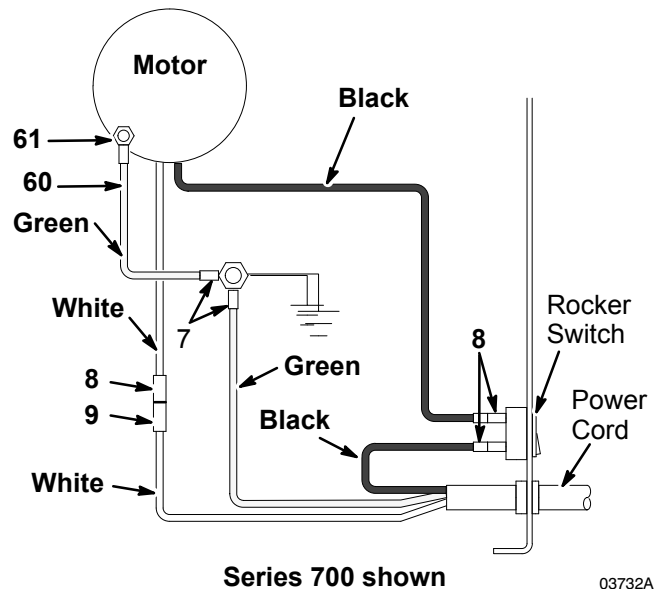


Fig. 8

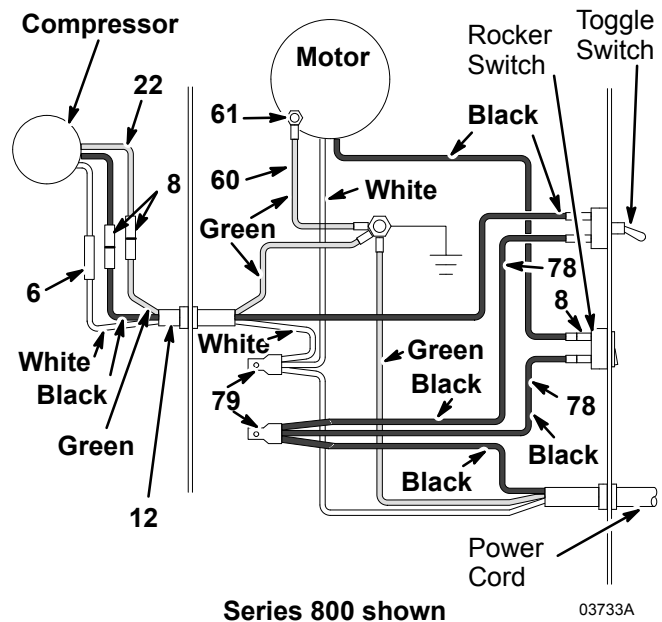


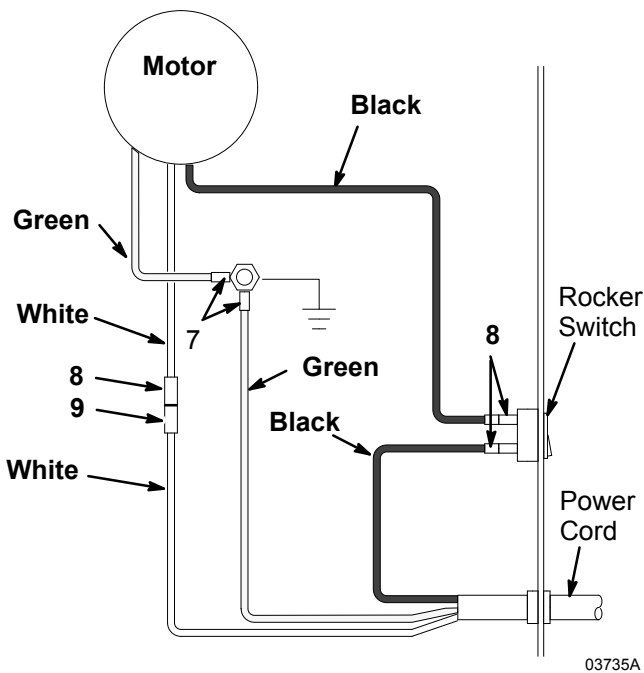
Fig. 9

Repair

Motor Brush Replacement

NOTE: It is recommended that this procedure be performed by an authorized service center.

1. Follow the steps for removing the motor in the Motor Replacement procedure.
2. On the Series 700 and 800 turbine motor, remove the two retaining clips and plastic fan cover.
3. On the Series 900 turbine motor, lift the retaining clips out of the top of the motor for brush replacement.
4. Remove the brushes. Check the commutator for excessive wear.
5. Reassemble the new motor brushes using reverse order. Keep lead wires from all rotating parts and the motor frame.



Series 900 shown

Fig. 10

⚠ CAUTION

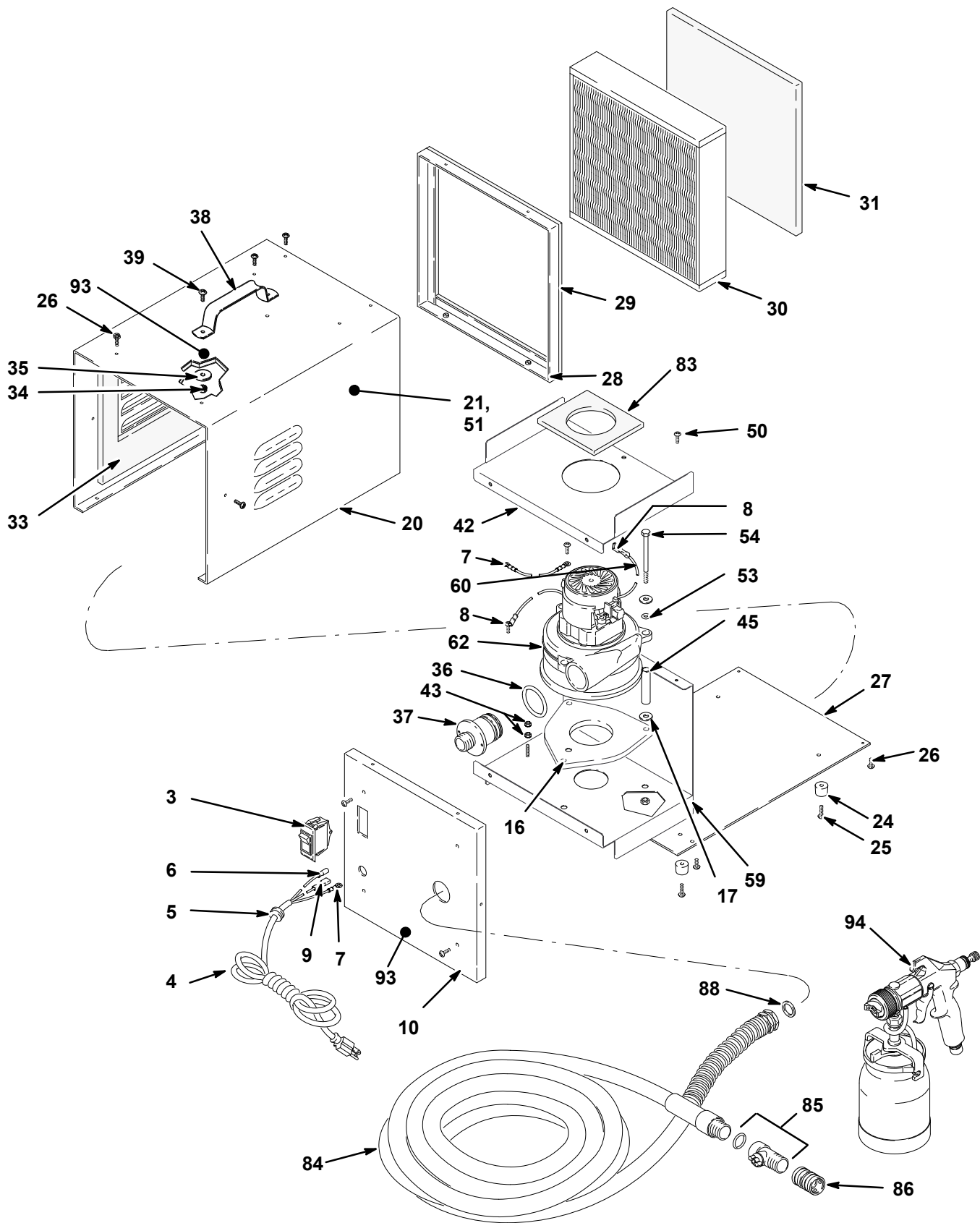
Do not run the motor with the air inlet or outlet sealed off.

6. Reinstall the motor in the reverse order.
7. After running the motor for 30–45 minutes at full-rated voltage, the motor will return to full performance.

Notes

Lined area for notes with horizontal ruling lines.

Parts for Series 700



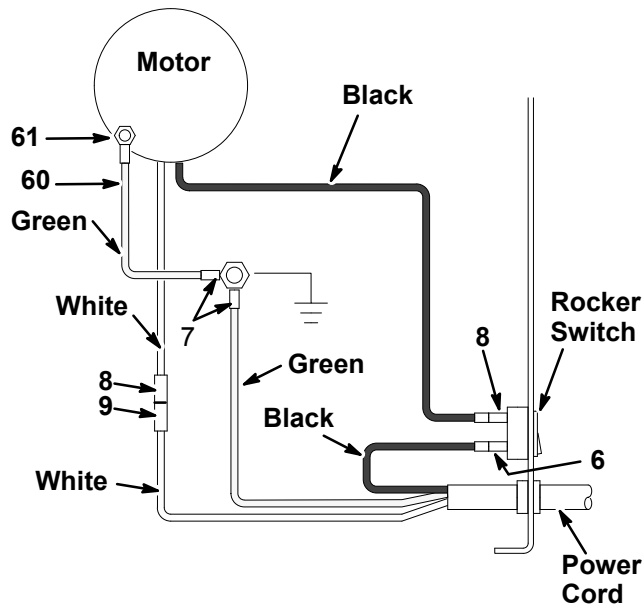
04959A

Parts for Series 700

Ref No.	Part No.	Description	Qty	Ref No.	Part No.	Description	Qty
3	M70657	SWITCH, rocker 12A	1	38	M70870	HANDLE,	1
4	M70601	CORD, power	1	39	M70873	SCREW, cabinet handle	2
5	106013	FITTING, strain relief	1	42	M73009	MOUNT, turbine upper	1
6	107260	CONNECTOR, female	1	43	M70776	NUT, hex	2
7	102799	TERMINAL, ground ring	1	45	M73019	SPACER, 2.9	3
8	M70760	SWITCH, connector, female	2	50	113400	SCREW	3
9	107266	CONNECTOR, male	1	51	M73025	DECAL, LH (not shown)	1
10	M73044	PLATE, face	1	53	M70764	O-	
16	M73323	PAD, turbine mount	1		RING	3	
17	M70773	WASHER, 1/4	6	54	M73021	BOLT, 1/4-20x4.00	3
20	M73043	WRAPPER	1	59	M71012	MOUNT, turbine lower	1
21	M73024	DECAL, RH	1	60	M73503	WIRE, green/yellow	1
24	M70763	BUMPER	4	61	M71185	SCREW, self-tapping	1
25	M70775	SCREW, 8-32x5/8	4	62	M73525*	MOTOR KIT, Series 700, 120V	1
26	M70774	SCREW, black oxide, 8-32x1/2	20	82	186620	LABEL, ground (not shown)	1
27	M73048	PLATE, bottom	1	83	M73362	GASKET, fan seal	1
28	M70859	FILTER, stop	1	84	M71452	HOSE, turbine, 25 ft	1
29	M70757	FILTER, foam stop	4	85	M71681**	VALVE, turbine air	1
30	M71558	FILTER KIT, main	1	86	M70402	DISCONNECT, quick	1
31	M70607	FILTER, pre	1	88	M70721	O-RING, hose	1
33	M71628	FOAM, die cut	2	93	M71603	LABEL, Danger/Warning	1
34	M70872	NUT, cabinet handle	2	94		GUN, Turbine, see Gun Instruction Manual, 308-336	1
35	M70874	WASHER, 3/16x1	2				
36	M71246	O-RING	1				
37	M71262	FITTING, air outlet	1				

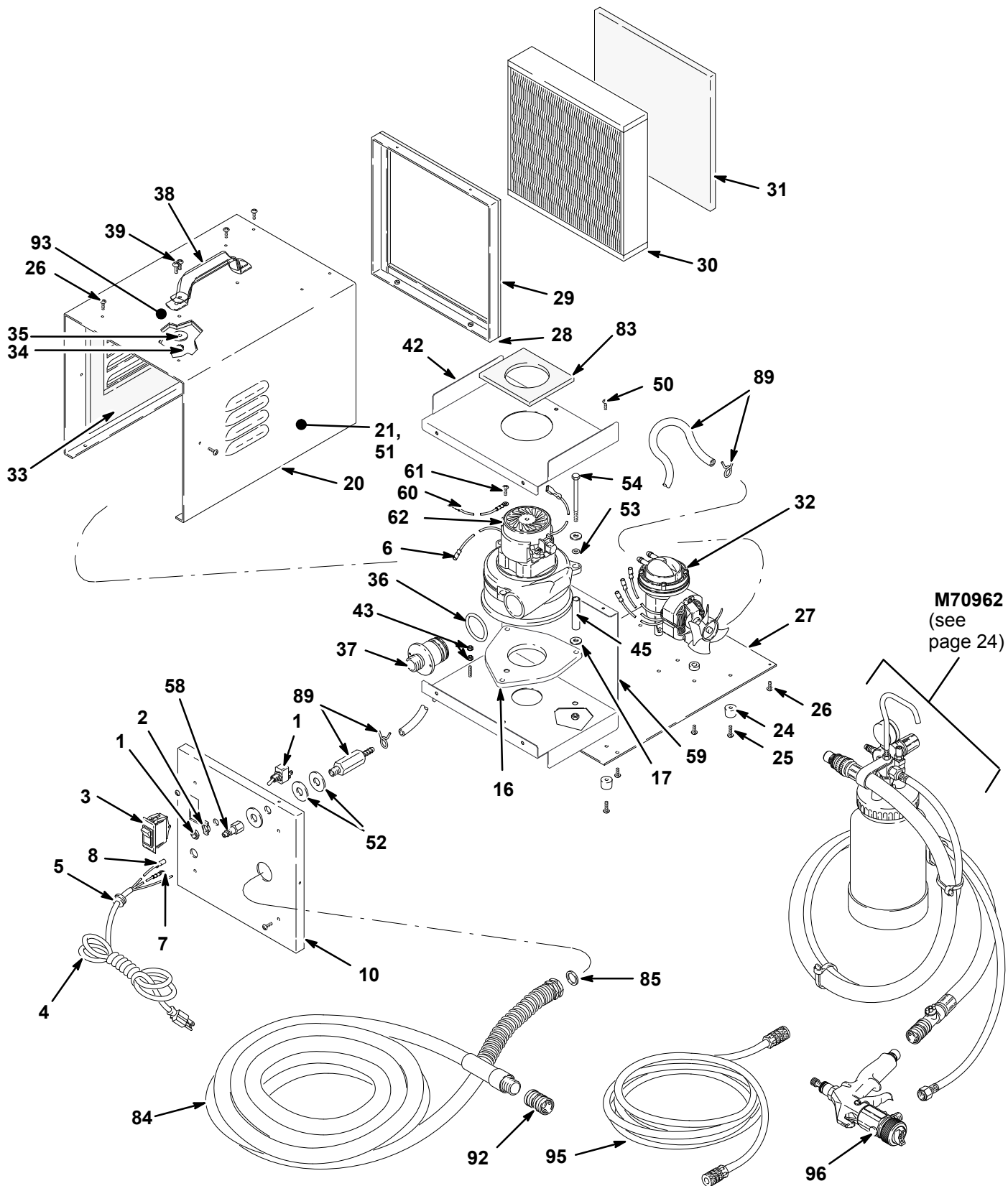
* Motor Kit M73525 includes: motor, ground wire connectors, gaskets, and electrical connectors. Motor Brush Kit M73521 is also available. Purchase separately.

** Valve Kit M71681 includes air valve and o-ring.



03732A

Parts for Series 800



M70962
(see page 24)

04960A

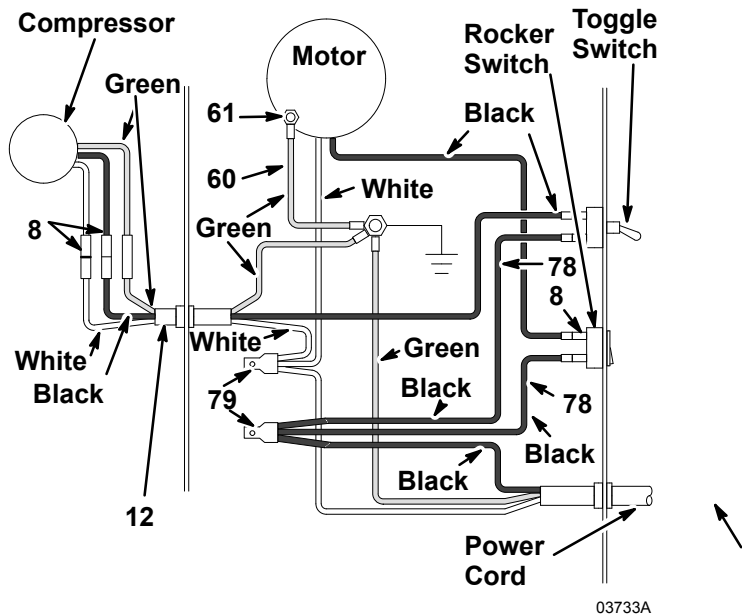
Parts for Series 800

Ref No.	Part No.	Description	Qty	Ref No.	Part No.	Description	Qty
1	M70603	SWITCH, toggle	1	45	M73019	SPACER, 2.9 in.	3
2	M70811	SWITCH, plate	1	50	113400	SCREW	3
3	M70657	SWITCH, rocker 12 amp	1	51	M73027	DECAL, LH (not shown)	1
4	M70601	CORD, power	1	52	M71136	WASHER	3
5	106013	FITTING, strain relief	1	53	M70764	O-RING	3
6	M70759	CONNECTOR, red butt	1	54	M73021	BOLT, 1/4-20x4.00	3
7	102799	TERMINAL, ground ring	1	58	M70673	COUPLING, parker #207P-4	1
8	M70760	SWITCH, connector	2	60	M73503	WIRE, green/yellow	1
10	M73045	PLATE, face	1	61	M71185	SCREW, self-tapping	1
12	M71143	HARNESS, 14 in wire	1	62	M73525	*MOTOR KIT, Series 800, 120V	1
16	M73323	PAD, turbine mount	1	78	M71187	WIRE, black	2
17	M70773	WASHER, 1/4	6	79	M70810	CONNECTOR, crimped	2
20	M73043	WRAPPER	1	82	186620	LABEL, ground (not shown)	1
21	M73026	DECAL, RH	1	83	M73362	GASKET, fan seal	1
24	M70763	BUMPER	4	84	M71452	HOSE, turbine, 25 ft	1
25	M70775	SCREW, 8-32x5/8	4	85	M70721	O-RING, hose	1
26	M70774	SCREW, black oxide 8-32x1/2	20	89	M70691	**UNLOADER KIT	1
27	M73285	PLATE, bottom	1	92	M70402	DISCONNECT, quick	1
28	M70859	FILTER, stop	1	93	M71603	LABEL, warning/danger	1
29	M70757	FILTER, foam stop	4	95	M71631	HOSE, compressed air, with quick disconnect, 25 ft	1
30	M71558	FILTER KIT, main	1	96		GUN, turbine, see Gun Instruction Manual, 308-336	1
31	M70607	FILTER, pre	1				
32	M71535	†COMPRESSOR KIT, Series 800, 120V	1				
33	M71628	FOAM, die cut	2				
34	M70872	NUT, cabinet handle	2				
35	M70874	WASHER, 3/16x1	2				
36	M71246	O-RING	1				
37	M71262	FITTING, air outlet	1				
38	M70870	HANDLE,	1				
39	M70873	SCREW, cabinet handle	2				
42	M73009	MOUNT, motor, upper	1				
43	M70776	NUT, hex	3				

* Motor Kit M73525 includes: motor, ground wire connectors, gaskets, and electrical connectors. Motor Brush Kit M73521 is also available. Purchase separately.

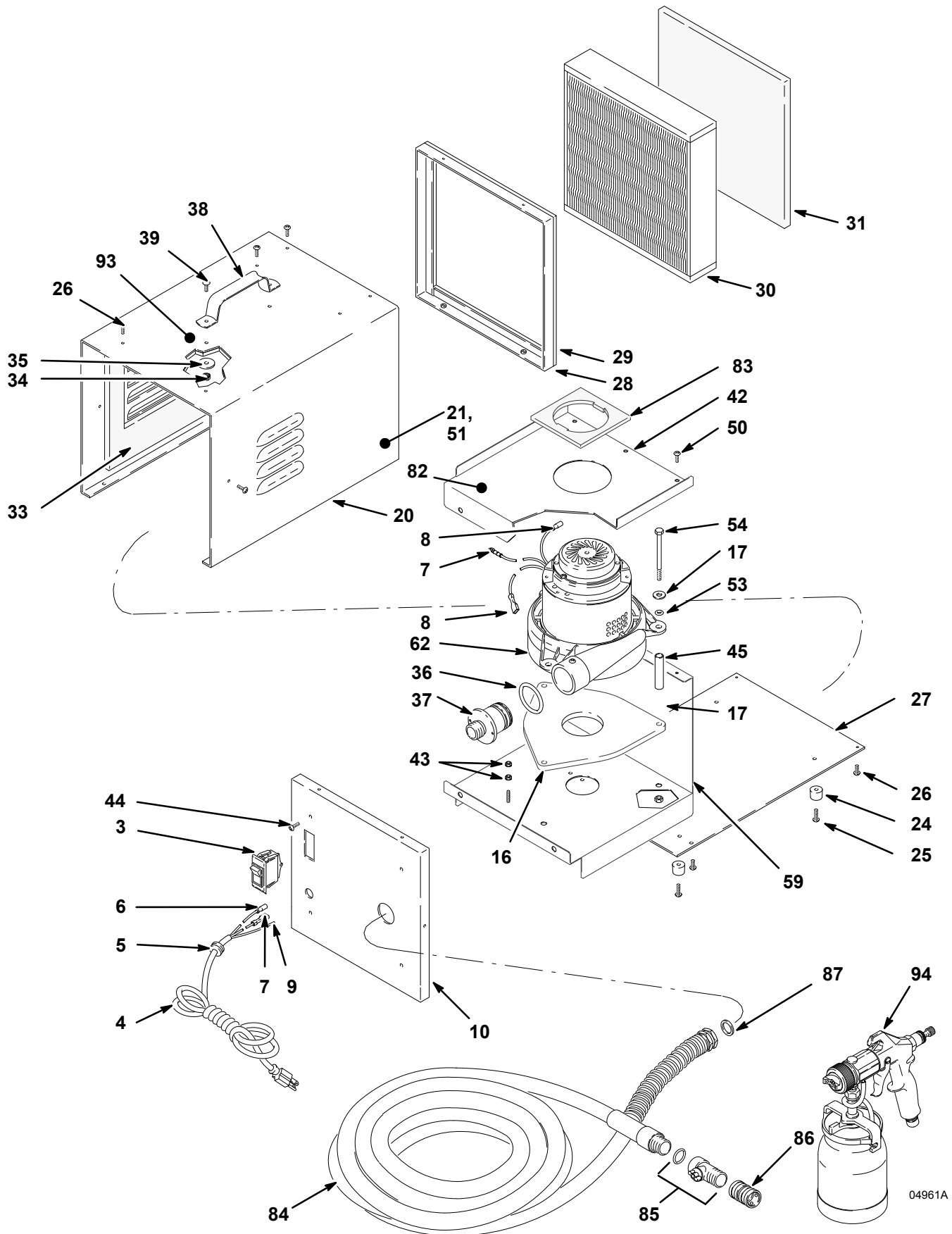
** Unloader Kit M70691 includes unloader valve, hose, hose clamps and fitting M70809.

† Compressor Kit, M71535, includes compressor, ground wire, and electrical connectors.



03733A

Parts for Series 900



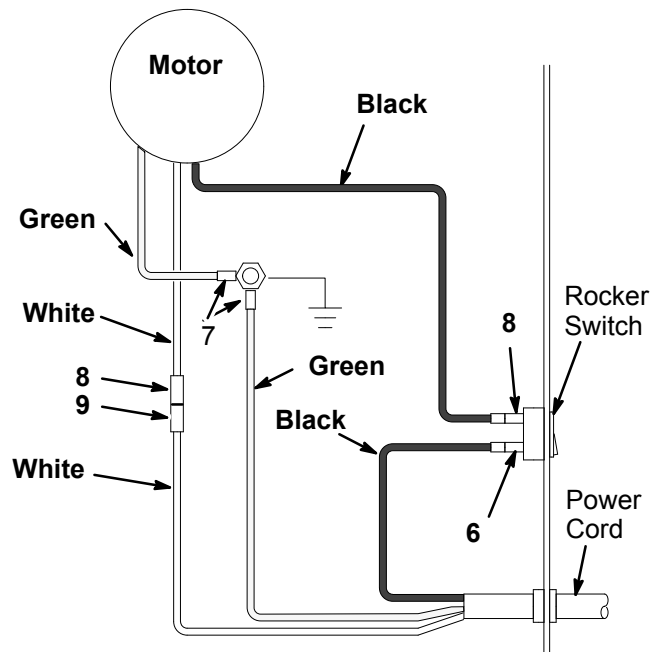
04961A

Parts for Series 900

Ref No.	Part No.	Description	Qty	Ref No.	Part No.	Description	Qty
3	M70657	SWITCH, rocker 12 amp	1	35	M70874	WASHER, 3/16x1	2
4	M70601	CORD, power	1	36	M71246	O-RING	1
5	106013	FITTING, strain relief	1	37	M71262	FITTING, air outlet	1
6	107260	CONNECTOR, female	1	38	M70870	HANDLE	1
7	102799	TERMINAL RING, ground	2	39	M70873	SCREW, cabinet handle	2
8	M70760	SWITCH, connector	2	42	M73011	MOUNT, motor, upper	1
9	107266	CONNECTOR, male	1	43	M70776	NUT, hex	3
10	M73046	PLATE, face	1	44	M70789	SCREW, 1/4 x 20 x 3/4	4
13	M71179	WIRE, tie (not shown)	1	45	M73020	SPACER, 2.6	3
16	M73039	PAD, turbine mount	1	50	113400	SCREW	3
17	M70773	WASHER, 1/4	6	51	M73029	DECAL, LH	1
20	M73043	WRAPPER	1	53	M70764	O-RING	3
21	M73028	DECAL, R.H.	1	54	M70770	BOLT, 1/4-20x3.5	3
24	M70763	BUMPER	4	59	M73010	MOUNT, motor, lower	1
25	M70775	SCREW, 8-32x5/8	4	62	M73526*	MOTOR KIT	1
26	M70774	SCREW, black oxide, 8-32x1/2	16	82	186620	LABEL, ground (not shown)	1
27	M73048	PLATE, bottom	1	83	M73037	GASKET, fan seal	1
28	M70859	FILTER, stop	1	84	M71452	HOSE, 25 ft	1
29	M70757	FOAM, filter stop	4	85	M71681**	VALVE, turbine air	1
30	M71558	FILTER KIT, main	1	86	M70402	DISCONNECT, quick	1
31	M70607	FILTER, pre	1	87	M70721	O-RING, hose	1
33	M71628	FOAM, die cut	2	93	M71603	LABEL, warning/danger	1
34	M70872	NUT, cabinet handle	2	94		Gun, turbine, see Gun Instruction Manual, 308-336	

* Motor Kit M73526 includes: motor, ground wire connectors, gaskets, and electrical connectors. Motor Brush Kit M73522 is also available. Purchase separately.

** Valve Kit M71681 includes air valve and o-ring.



03735A

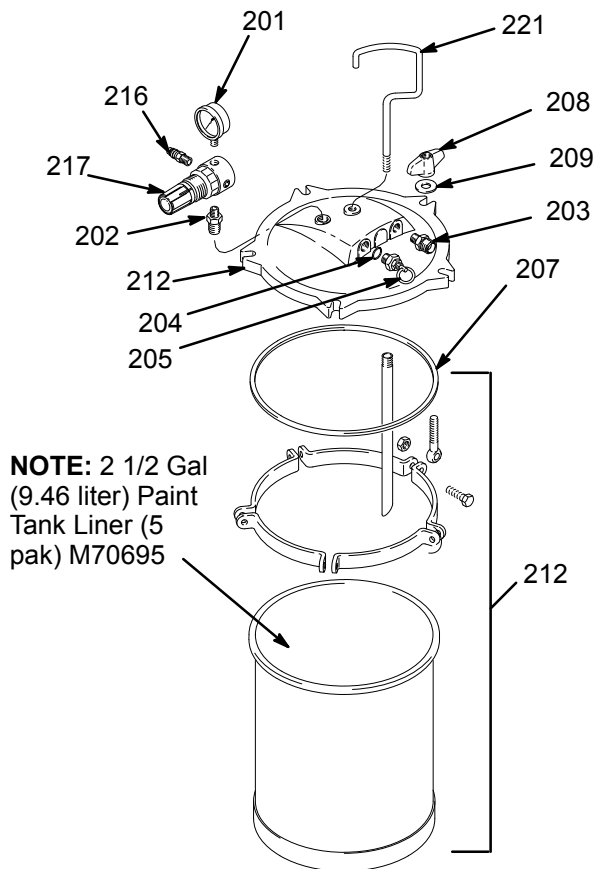
Accessories

2-1/2 Gallon (9.46 liter) Pressure Pot M70604 (Series 800 only)

50 psi (3.5 bar) Maximum Inlet Air Pressure
2-1/2 gallon (9.46 liter) capacity, steel tank. Includes an air pressure regulator and gauge and a pressure relief valve.

2 Quart (1.94 liter) Pressure Pot M70962 (Series 800 only)

50 psi (3.5 bar) Maximum Inlet Air Pressure
2 quart (1.94 liter) capacity, aluminum cup. Includes an air pressure regulator and gauge, pressure relief valve, and rigid hook handle.

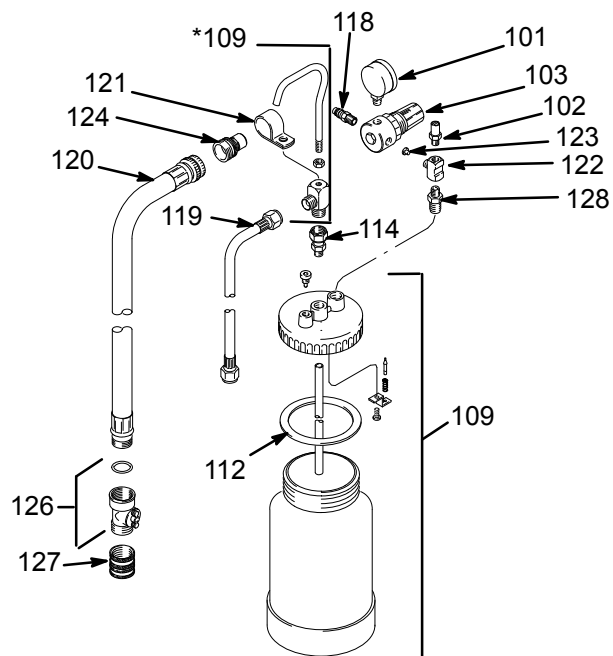


NOTE: 2 1/2 Gal
(9.46 liter) Paint
Tank Liner (5
pak) M70695

04957

! WARNING

Do not use 1,1,1-trichloroethane, methylene chloride, other halogenated hydrocarbon solvents or fluids containing such solvents in the turbine spray system, which contains aluminum and/or galvanized-coated parts. Such use could result in a serious chemical reaction, with the possibility of explosion, which could cause death, serious injury, and/or substantial property damage.



02951A

Ref. No.	Part No.	Description	Qty.
201	104655	PRESSURE GAUGE	1
202	151519	REDUCER, 1/4 to 1/8	1
203	M70687	COUPLING	1
204	M70676	O-RING	1
205	M70686	PRESSURE RELIEF VALVE	1
207	M70616	GASKET, standard; EPDM	1
	M70617	GASKET, solvent resistant; Thiokol (optional—must order separately)	1
208	M70678	WING NUT	5
209	M70677	WASHER	5
212	M71433	TANK, paint, 2-1/2 gallon (9.5 liter), with cover, black powder coat	1
216	169969	QUICK DISCONNECT, male	1
217	104815	PRESSURE REGULATOR	1
221	M71639	HANDLE	1

Ref. No.	Part No.	Description	Qty.
101	104655	PRESSURE GAUGE	1
102	M70727	SAFETY VALVE	1
103	104815	PRESSURE REGULATOR	1
109	M71144	POT, 2 quart (1.94 liter), aluminum	1
112	M71425	GASKET KIT, polyethylene (5 pak)	1
114	M70725	FITTING	1
118	169969	QUICK DISCONNECT, male	1
119	M71491	HOSE, fluid; 60 in. long; 1/4 in. ID	1
120	M71470	HOSE, air; 54 in. (1.37 m) long	1
121	M70854	HOSE CLAMP	1
122	110440	FITTING, tee	1
123	189557	RESTRICTOR	1
124	M70399	QUICK DISCONNECT, male	1
126	M71681	AIR VALVE KIT (o-ring and valve)	1
127	M70402	QUICK DISCONNECT	1
128	M72842	FITTING, air pressure stem	1

*NOTE: Handle is shipped loose, inside the 2 qt container.

Accessories

NOTE: See selection charts in the gun turbine manual, 308–336, to order fluid sets.

Lubricant 111–265

One 4 oz. (113 gram) tube sanitary (non-silicone) lubricant for fluid seals and wear areas.

#4 Ford Viscosity Cup M70702

Used to measure viscosity of fluid.

1 Quart Cup Lid M70610

Fits on 1 qt under-cup for air tight storage of fluid.

1 Quart Cup M71667

1 quart under-cup.

1 Quart Cup Gaskets M70425

5 pack of polyethylene gaskets for use with 1 quart under-cup.

1 Quart Under-Cup Assembly M71660

Complete 1 quart under-cup assembly.

Cup Check Valve M71007

To help prevent the cup from depressurizing after the air is shut off.

Fluid Strainer M70464

Install on the end of the cup or pressure pot fluid tube to strain the fluid and help eliminate surface blemishes and plugged tips. 100 mesh screen.

Blow Gun M70703

For dusting and drying. With quick disconnect.

Contractor User Kit M70704

Used for fine finish materials and heavier bodied materials (latex). Includes:

Part No.	Description
M70562	1.0 mm Fluid Set
M70582	2.0 mm Fluid Set
M70425	1 Quart Under-cup Gaskets (5-pack)
M70464	Fluid Strainer
M70395	Upper Air Pressure Hose
–	Parts Box with Compartments

Automotive User Kit M70705

For use with automotive finishes. Includes:

Part No.	Description
M70559	1.0/0.05 mm Fluid Set
M70647	1.2/0.7 mm Fluid Set
M70425	1 Quart Under-cup Gaskets (5-pack)
M70464	Fluid Strainer
M70395	Upper Air Pressure Hose
–	Parts Box with Compartments

Trail Around Dolly M70700

Lightweight and mobile platform with wheels; for use with Series 700, Series 800, and Series 900.

45 Degree Elbow M70593

Attaches between gun and turbine air hose; increases maneuverability.

Y Fitting Kit M70611

Creates two air connections; allows for two-gun operation.

Series 800 1/4 in. ID Compressor Air Hose (with Female Quick Disconnect)

PVC, Maximum Working Pressure: 150 psi (10.3 bar)

Part No.	Length
M70665	20 ft (Extension)
M71631	25 ft (Replacement)

3/8 in. ID Paint Fluid Hose

LDPE, Maximum Working Pressure: 175 psi (12 bar)

Part No.	Length
M71482	15 ft
M71481	25 ft
M71484	30 ft
M71486	40 ft
M71485	50 ft

Material Hose Connector M70693

For use with 3/8 in. paint fluid hose.

3/4 in. ID Turbine Air Hose with Spring

PVC, Maximum Working Pressure: 100 psi (6.9 bar)

Part No.	Length
M71452	25 ft
M71453	30 ft
M71454	40 ft
M71455	50 ft

3/4 in. ID Turbine Air Hose Extension without Spring

PVC, Maximum Working Pressure: 100 psi (6.9 bar)

Part No.	Length
M71460	10 ft
M71461	15 ft
M71462	20 ft
M71463	25 ft
M71464	30 ft

The Graco Warranty and Disclaimers

WARRANTY

Graco warrants all equipment manufactured by it and bearing its name to be free from defects in material and workmanship on the date of sale by an authorized Graco distributor to the original purchaser for use. As purchaser's sole remedy for breach of this warranty, Graco will, for a period of twelve months from the date of sale, repair or replace any part of the equipment proven defective. This warranty applies only when the equipment is installed, operated and maintained in accordance with Graco's written recommendations.

This warranty does not cover, and Graco shall not be liable for, any malfunction, damage or wear caused by faulty installation, misapplication, abrasion, corrosion, inadequate or improper maintenance, negligence, accident, tampering, or substitution of non-Graco component parts. Nor shall Graco be liable for malfunction, damage or wear caused by the incompatibility with Graco equipment of structures, accessories, equipment or materials not supplied by Graco, or the improper design, manufacture, installation, operation or maintenance of structures, accessories, equipment or materials not supplied by Graco.

This warranty is conditioned upon the prepaid return of the equipment claimed to be defective to an authorized Graco distributor for verification of the claim. If the claimed defect is verified, Graco will repair or replace free of charge any defective parts. The equipment will be returned to the original purchaser transportation prepaid. If inspection of the equipment does not disclose any defect in material or workmanship, repairs will be made at a reasonable charge, which charges may include the costs of parts, labor and transportation.

DISCLAIMERS AND LIMITATIONS

The terms of this warranty constitute purchaser's sole and exclusive remedy and are in lieu of any other warranties (express or implied), **including warranty of merchantability or warranty of fitness for a particular purpose**, and of any non-contractual liabilities, including product liabilities, based on negligence or strict liability. Every form of liability for direct, special or consequential damages or loss is expressly excluded and denied. In no case shall Graco's liability exceed the amount of the purchase price. Any action for breach of warranty must be brought within two (2) years of the date of sale.

EQUIPMENT NOT COVERED BY GRACO WARRANTY

Graco makes no warranty, and disclaims all implied **warranties of merchantability and fitness for a particular purpose**, with respect to accessories, equipment, materials, or components sold but not manufactured by Graco. These items sold, but not manufactured by Graco (such as electric motor, switches, hose, etc.) are subject to the warranty, if any, of their manufacturer. Graco will provide purchaser with reasonable assistance in making any claim for breach of these warranties.

Graco Phone Number

TO PLACE AN ORDER, contact your Graco distributor, or call this number to identify the distributor closest to you:
1-800-328-0211 Toll Free

Sales Offices: Atlanta, Chicago, Detroit, Los Angeles
Foreign Offices: Belgium, Canada, England, Korea, Switzerland, France, Germany, Hong Kong, Japan

GRACO INC. P.O. BOX 1441 MINNEAPOLIS, MN 55440-1441

PRINTED IN U.S.A. 308-422 June 1994 Revised January 1996