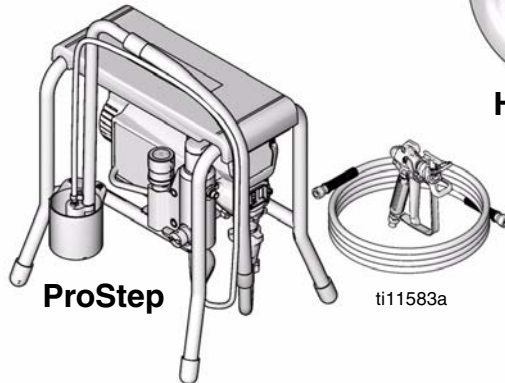
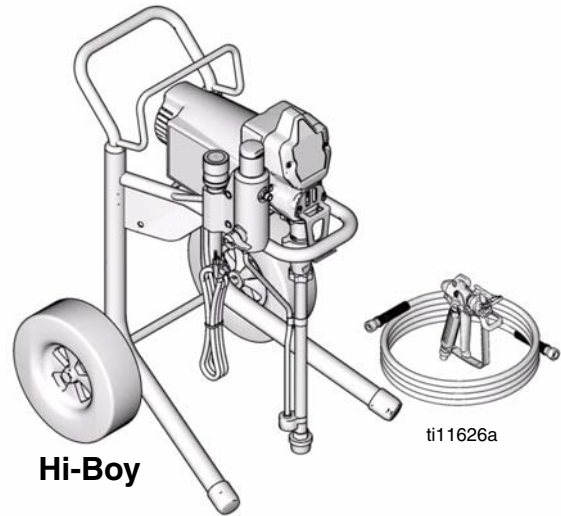
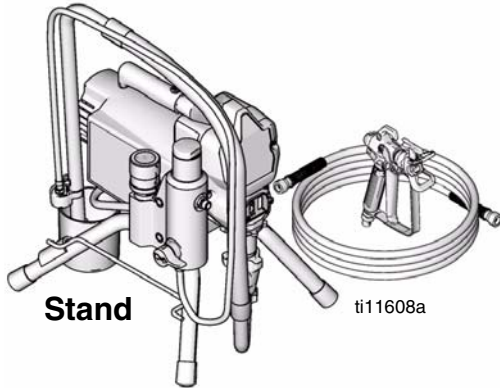


# 390™ Airless Sprayer

Models: 253958, 254998, 262019, 254968, 254969, 253961,  
262024, 256391, 256392, 256481

311761F



### Related Manuals



310820



310824



309250

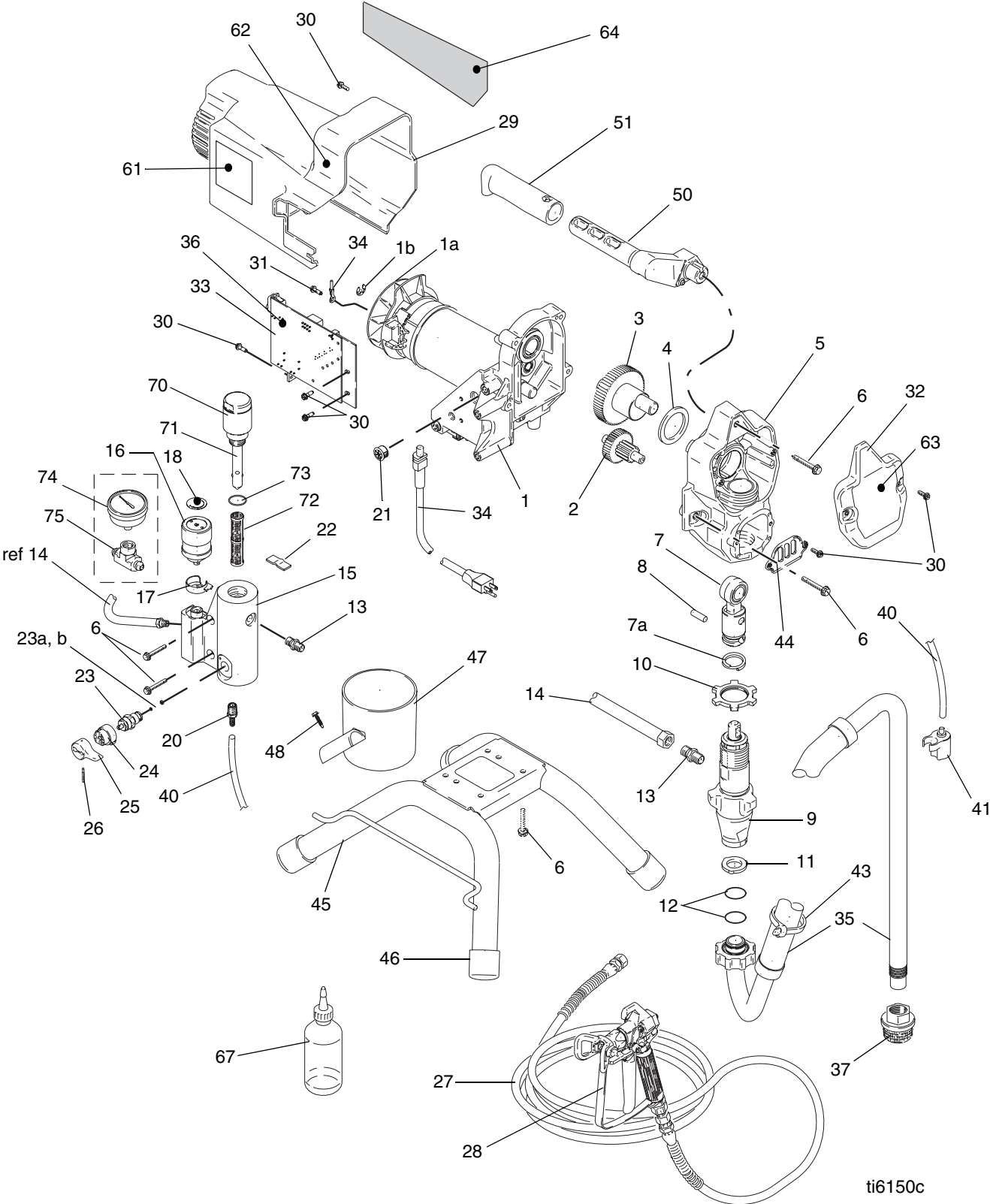


309639

PROVEN QUALITY. LEADING TECHNOLOGY.

# Parts Drawing

Models 253958, 254998



# Parts List

## Models 253958, 254998

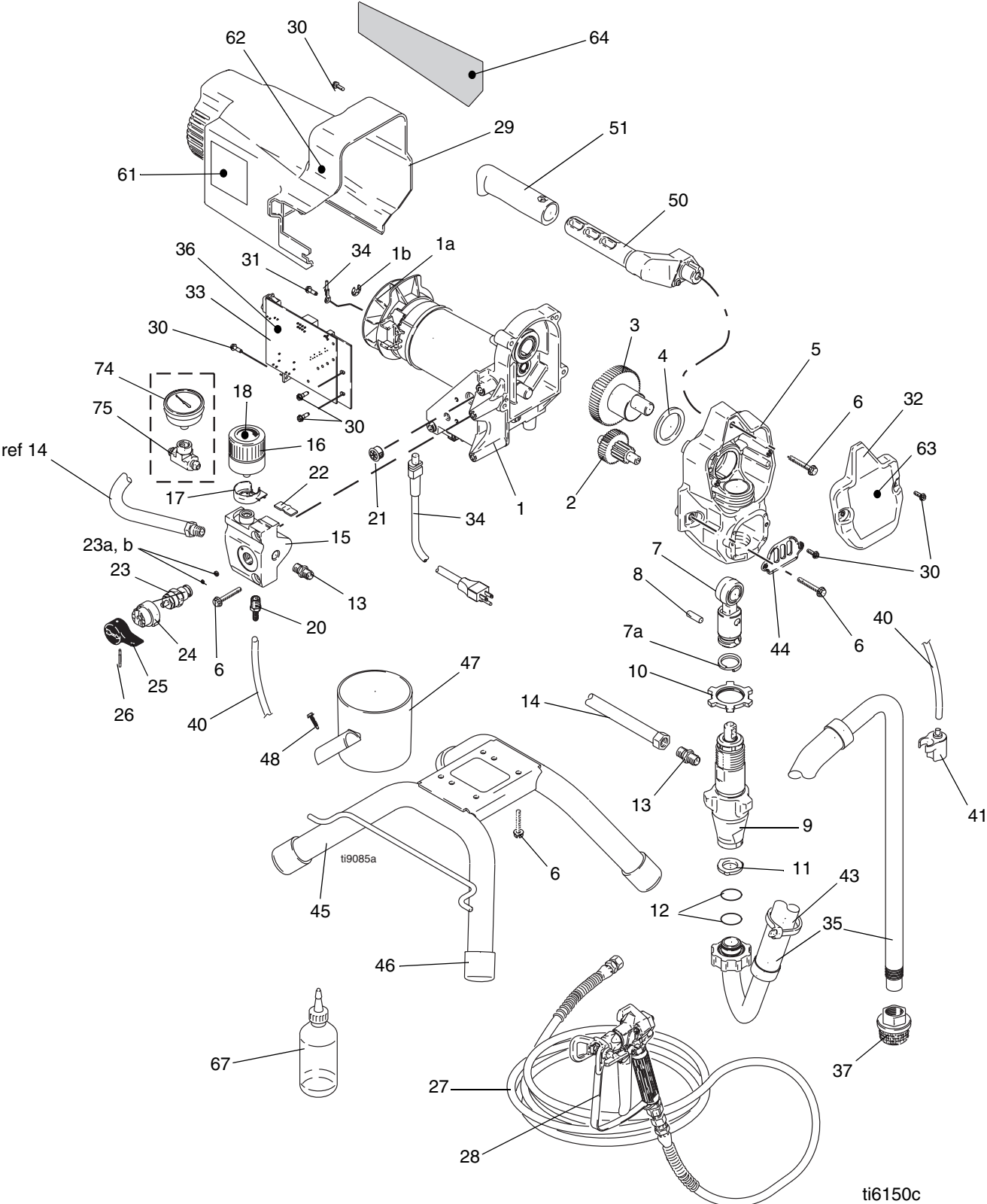
Ref	Part	Description	Qty	Ref	Part	Description	Qty
				34		CORD	
1		MOTOR, electric, includes 1a, 1b			15J370	Models 253958, power, lighted	1
	249040	Models 253958 120V	1		253373	Model 254998, ST, IEC, jumper	1
	249041	Model 254998, 240V	1	35	246010	HOSE, suction set, includes 11, 12, 37	1
1a	249043	FAN, motor, includes 1b	1	36	189930	LABEL, caution	1
1b	119653	RING, retaining	1	37	246385	STRAINER, 7/8-14 unf	1
2	249194	GEAR, reducer	1	40	249051	KIT, tube, drain, includes 20, 41, 43	1
3	249195	GEAR, crankshaft, includes 4	1	41	244035	DEFLECTOR, barbed	1
4	180131	BEARING, thrust	1	43	114958	STRAP, tie	1
5	249049	HOUSING, drive, includes 6, 30, 44	1	44	15B589	COVER, pump rod	1
6	117493	SCREW, mach, hex washer hd	11	45	15E823	FRAME, stand mount	1
7	287053	ROD, connecting, includes 7a, 8	1	46	112759	CAP, tubing	4
7a	196750	SPRING, retaining	1	47	15G838	CUP, suction/drain	1
8	196762	PIN, straight	1	48	115723	SCREW, drill, hex washer head	1
9	246428	PUMP, displacement, includes 13 (Manual 309250)	1	50	276864	HANDLE, includes 6, 51	1
				51	116139	GRIP, handle	1
10	195150	NUT, jam, pump	1	61▲	15K359	LABEL, warning	1
11	115099	WASHER, garden hose	1	62▲	195793	LABEL, warning	1
12	117559	O-RING	2	63		LABEL, front	
13	162453	FITTING, (1/4 npsm x 1/4 npt)	2		15E826	Models 253958, 254998	1
14	287003	HOSE, cpld	1	64		LABEL, side	
15	15H977	MANIFOLD, filter	1		15E827	Models 253958, 254998	1
16		CONTROL, pressure, includes 17, 21, 22		66▲	222385	TAG, warning	1
	249005	Models 253958 120V	1	67	238049	FLUID, TSL, 4 oz	1
	248929	Model 254998, 240V	1	88		CORD SET	
17	15E794	CAP, wire, control, pressure	1		287121	Model 254969	1
18	15F399	LABEL, control	1			Italy, Denmark, Switzerland	
20	M70809	FITTING	1		242004	Europe, adapter	1
21	115756	BUSHING	1		242005	Australia, adapter	1
22	119723	TAPE, foam	1	70	287902	KIT, repair, filter cap, includes 71	1
23	224806	VALVE, drain, includes 23a, 23b	1	71		INSERT, filter	1
23a	277364	GASKET, seat	1	72†	246384	FILTER, fluid, 60 mesh	1
23b	15E022	SEAT, valve	1	73	117828	O-RING	1
24	224807	BASE, valve	1	74	115523	GAUGE, pressure, fluid; Model 254998	1
25	187625	HANDLE, valve, drain	1	75	119783	FITTING, swivel; Model 254998	1
26	111600	PIN, grooved	1	77	243308	LABEL SET, international	1
27	240794	HOSE, cpld, 1/4 x 50 ft	1		‡119277	FUSE, replacement	
28		GUN, Manual 309639			249042	KIT, brush, motor, replacement	
	246230	Model 253958, FTx, Contractor	1				
	246233	Model 254998, FTx-A, Contractor	1				
29	249044	KIT, shield, motor, includes 30, 61, 62, 64	1				
30	117501	SCREW, machine, hex washer head	9				
31	115498	SCREW, mch, slot, hex, wash hd	1				
32	15B254	COVER, front, includes 30, 63	1				
33‡		CONTROL BOARD	1				
	249052	Models 253958 120V					
	249053	Model 254998, 240V					

▲ Replacement Danger and Warning labels, tags, and cards are available at no cost.

† Other filters available: 246382, 100 mesh; 246383, 200 mesh; 246425, 30 mesh

# Parts Drawing

Models 254968, 254969, 253961



# Parts List

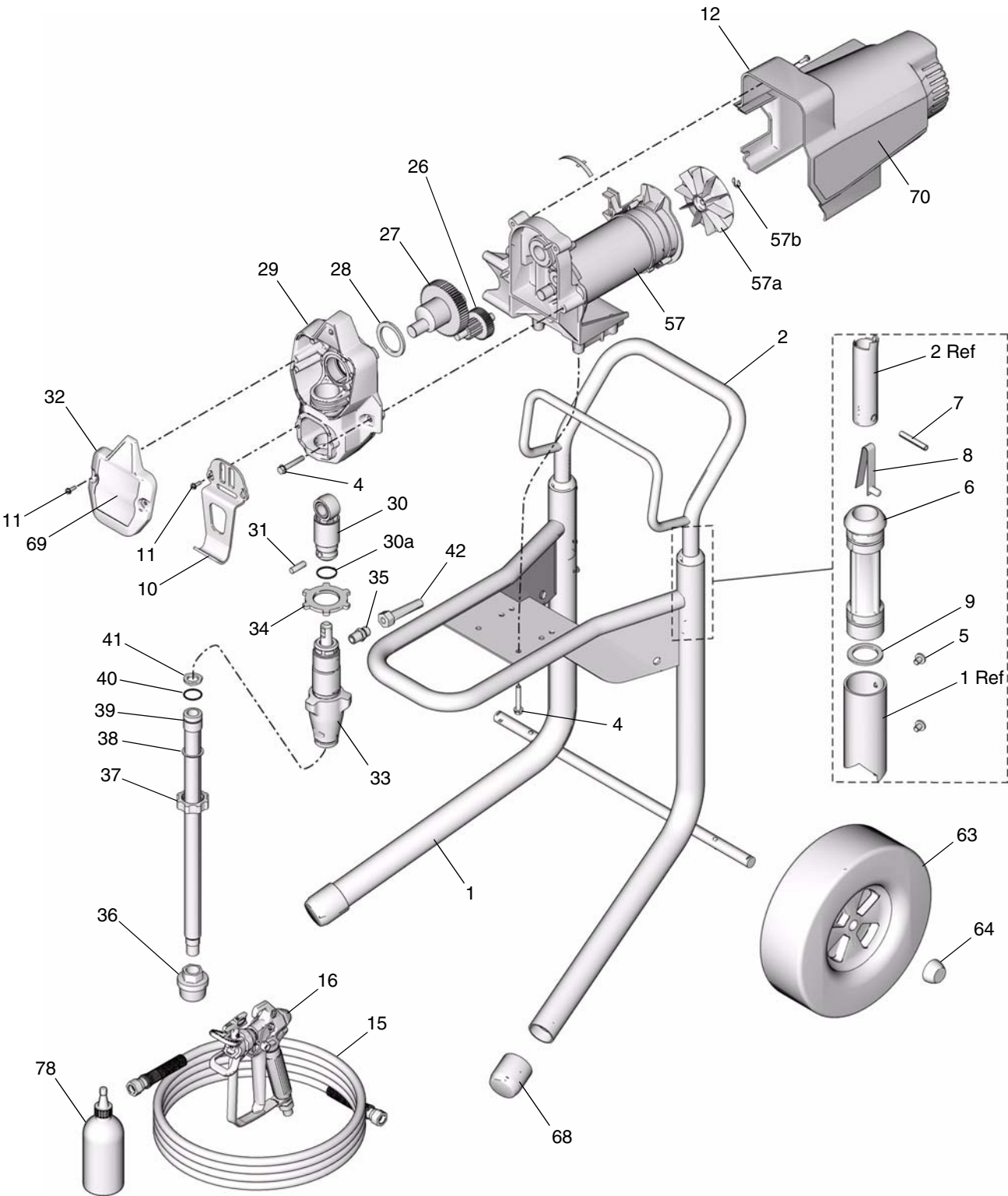
## Models 254968, 254969, 253961

Ref	Part	Description	Qty	Ref	Part	Description	Qty
1		MOTOR, electric, includes 1a, 1b			249052	Model 253961, 120V	1
	249040	Model 253961, 120V	1		249053	Models 254968, 254969, 240V	1
	249041	Models 254968, 254969, 240V	1	34		CORD	
1a	249043	FAN, motor, includes 1b	1		253370	Models 254968, 254969, ST, IEC, Jumper	1
1b	119653	RING, retaining	1		253368	Model 253961, UK	1
2	249194	GEAR, reducer	1	35	246010	HOSE, suction set, includes 11, 12, 37	1
3	249195	GEAR, crankshaft, includes 4	1	36	189930	LABEL, caution	1
4	180131	BEARING, thrust	1	37	246385	STRAINER, 7/8-14 unf	1
5	249049	HOUSING, drive, includes 6, 30, 44	1	40	249051	KIT, tube, drain, includes 20, 41, 43	1
6	117493	SCREW, mach, hex washer hd	11	41	244035	DEFLECTOR, barbed	1
7	287053	ROD, connecting, includes 7a, 8	1	43	114958	STRAP, tie	1
7a	196750	SPRING, retaining	1	44	15B589	COVER, pump rod	1
8	196762	PIN, straight	1	45	15E823	FRAME, standmount	1
9	246428	PUMP, displacement, includes 13	1	46	112759	CAP, tubing	4
		Manual 309250		47	15G838	CUP, suction/drain	1
10	195150	NUT, jam, pump	1	48	115723	SCREW, drill, hex washer head	1
11	115099	WASHER, garden hose	1	50	276864	HANDLE, includes 6, 51	1
12	117559	O-RING	2	51	116139	GRIP, handle	1
13	162453	FITTING, (1/4 npsm x 1/4 npt)	2	61▲	15K359	LABEL, warning	1
14	287003	HOSE, cpld	1	62▲	195793	LABEL, warning	1
15	15E295	MANIFOLD, control, pressure	1	63	15E826	LABEL, front	1
16		CONTROL, pressure, includes 17, 21, 22		64	15E827	LABEL, side	1
	249005	Model 253961, 120V	1	66▲	222385	TAG, warning	1
	248929	Models 254968, 254969, 240V	1	67	238049	FLUID, TSL, 4 oz	1
17	15E794	CAP, wire, control, pressure	1	68		CORD SET	
18	15F399	LABEL, control	1		287121	Model 254969	1
20	M70809	FITTING	1			Italy, Denmark, Switzerland	
21	115756	BUSHING	1		242004	Europe, adapter	1
22	119723	TAPE, foam	1		242005	Australia, adapter	1
23	224806	VALVE, drain, includes 23a, 23b	1	74	115523	GAUGE, pressure, fluid (models 254968, 254969)	1
23a	277364	GASKET, seat	1				
23b	15E022	SEAT, valve	1	75	119783	FITTING, swivel (models 254968, 254969)	1
24	224807	BASE, valve	1				
25	187625	HANDLE, valve, drain	1	77	243308	LABEL SET, international	1
26	111600	PIN, grooved	1				
27	240794	HOSE, cpld, 1/4x 50 ft	1		‡119277	FUSE, replacement	
28	246232	GUN, FTx-E, Contractor	1		249042	KIT, brush, motor, replacement	
		Manual 309639					
29	249044	KIT, shield, motor, includes 30, 61, 62, 64	1				
30	117501	SCREW, machine, hex washer head	9				
31	115498	SCREW, mch, slot, hex, wash hd	1				
32	15B254	COVER, front, includes 30, 63	1				
33‡		CONTROL BOARD					

▲ Replacement Danger and Warning labels, tags, and cards are available at no cost.

# Parts Drawing

Models 262019, 262024



# Parts List

## Models 262019, 262024

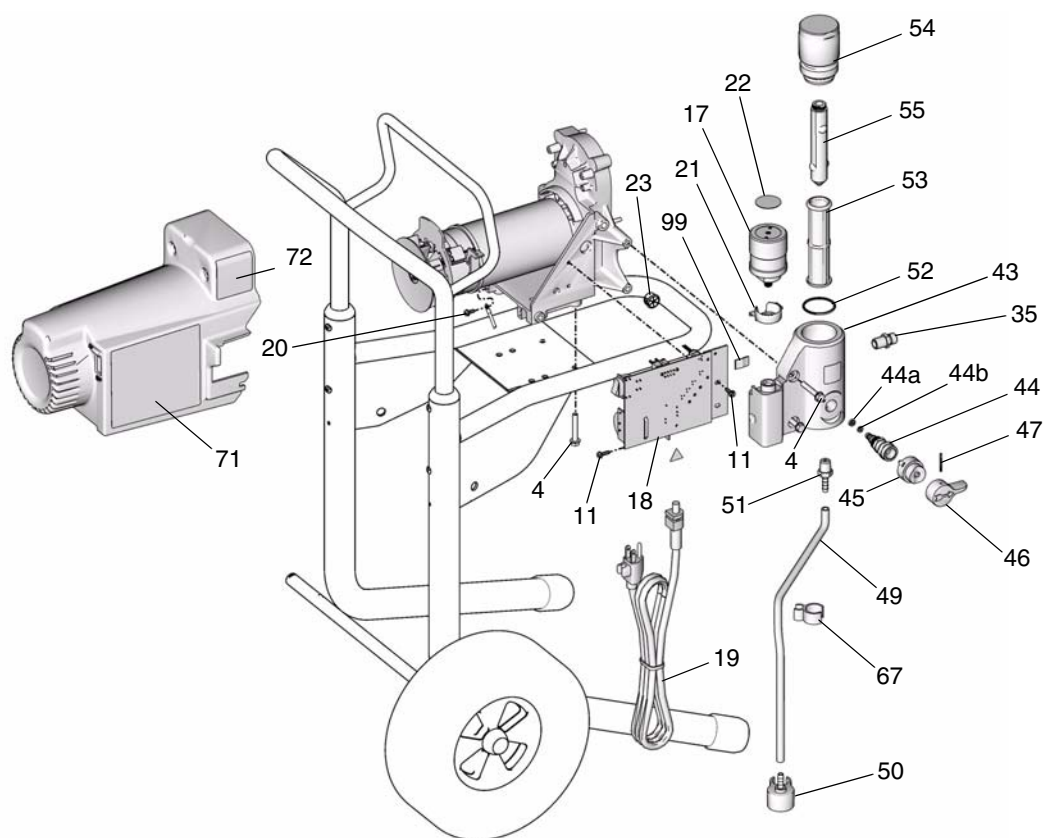
Ref.	Part	Description	Qty.	Ref.	Part	Description	Qty.
1	288216	FRAME, cart, hi	1	34	195150	NUT, jam, pump	1
2	245245	HANDLE, cart	1	35	162453	FITTING, (1/4 npsm x 1/4 npt)	2
4	117493	SCREW, mach, hex washer hd	11	36	235004	STRAINER, 3/4-16 unf	1
5	109032	SCREW, mach, pnh	4	37	15E813	NUT, jam	1
6	192027	SLEEVE, cart	2	38	15B652	WASHER, suction	1
7	108068	PIN, spring straight	2	39	15J801	TUBE, suction, intake	1
8	111590	BUTTON, snap	2	40	103413	O-RING	1
9	15J645	WASHER	2	41	115099	WASHER, garden hose	1
10	15J812	HANGER, pail	1	42	15J744	HOSE, cpld	1
11	117501	SCREW, mach, slot hex wash hd	9	57†		MOTOR, electric	
12	24A048	KIT, shield, motor (includes 11, 71, and 72)	1		249040	Model 262019, 120V	1
					249041	Model 262024, 240V	
15	240794	HOSE, cpld, 1/4 in. x 50 ft	1	57a	249043	FAN, motor	1
16		GUN, Manual 309639	1	57b	119653	RING, retaining	1
	246230	Model 262019, FTX, contractor		63	119451	WHEEL, semi pneumatic	2
	246233	Model 262024, FTX-A, contractor		64	119452	CAP, hub	2
26	249194	GEAR, assembly, combination	1	68	15C871	CAP, leg	2
27	249195	GEAR, crankshaft; includes 28	1	69	15K373	LABEL, front, brand	1
28	180131	BEARING, thrust	1	70	15K375	LABEL, side, brand	1
29	24A049	HOUSING, drive; includes 4, 10, 11	1	78	206994	FLUID, TSL, 8 oz (not shown)	1
30	287053	ROD, connecting; includes 30a, 31	1				
30a	196750	SPRING, retaining	1				
31	196762	PIN, straight	1				
32	15B254	COVER, front (includes 69, 11)	1				
33	246428	PUMP, displacement (includes 35) Manual 309250	1				

▲ Replacement Danger and Warning labels, tags, and cards are available at no cost.

† 249042 KIT, brush, motor

# Parts Drawing

Models 262019, 262024



## Parts List

Ref	Part	Description	Qty	Ref	Part	Description	Qty
4	117493	SCREW, mach, hex washer hd	10	46	187625	HANDLE, valve, drain	1
11	117501	SCREW, mach, slot hex wash hd	7	47	111600	PIN, grooved	1
17		CONTROL, PRESSURE, includes 21, 23, 99	1	49	15K092	TUBE, drain	1
	249005	Model 262019, 120V		50	244035	DEFLECTOR, barbed	1
	248929	Model 262024, 240V		51	M70809	FITTING, barbed, hose	1
18‡		CONTROL, board	1	52	117828	O-RING	1
	249052	Model 262019, 120V		53	246384	FILTER, fluid	1
	249053	Model 262024, 240V		54	287902	CAP FILTER, (includes 54, 55)	1
19	15J743	CORD, power, lighted, cart unit	1	55		INSERT FILTER	1
20	115498	SCREW, mach, slot hex wash hd	1	67	195400	CLIP, spring	1
21	15E794	CAP, wire, control, pressure	1	71▲	15K359	LABEL, warning	1
22	15F399	LABEL, pressure control knob	1	72▲	195793	LABEL, warning	1
23	115756	BUSHING, universal	1	99	119723	TAPE, foam	1
43	15T874	MANIFOLD, Filter	1				
44	224806	VALVE, drain; includes 44a, 44b	1				
44a	277364	GASKET, seat	1				
44b	15E022	SEAT, valve	1				
45	224807	BASE, valve	1				

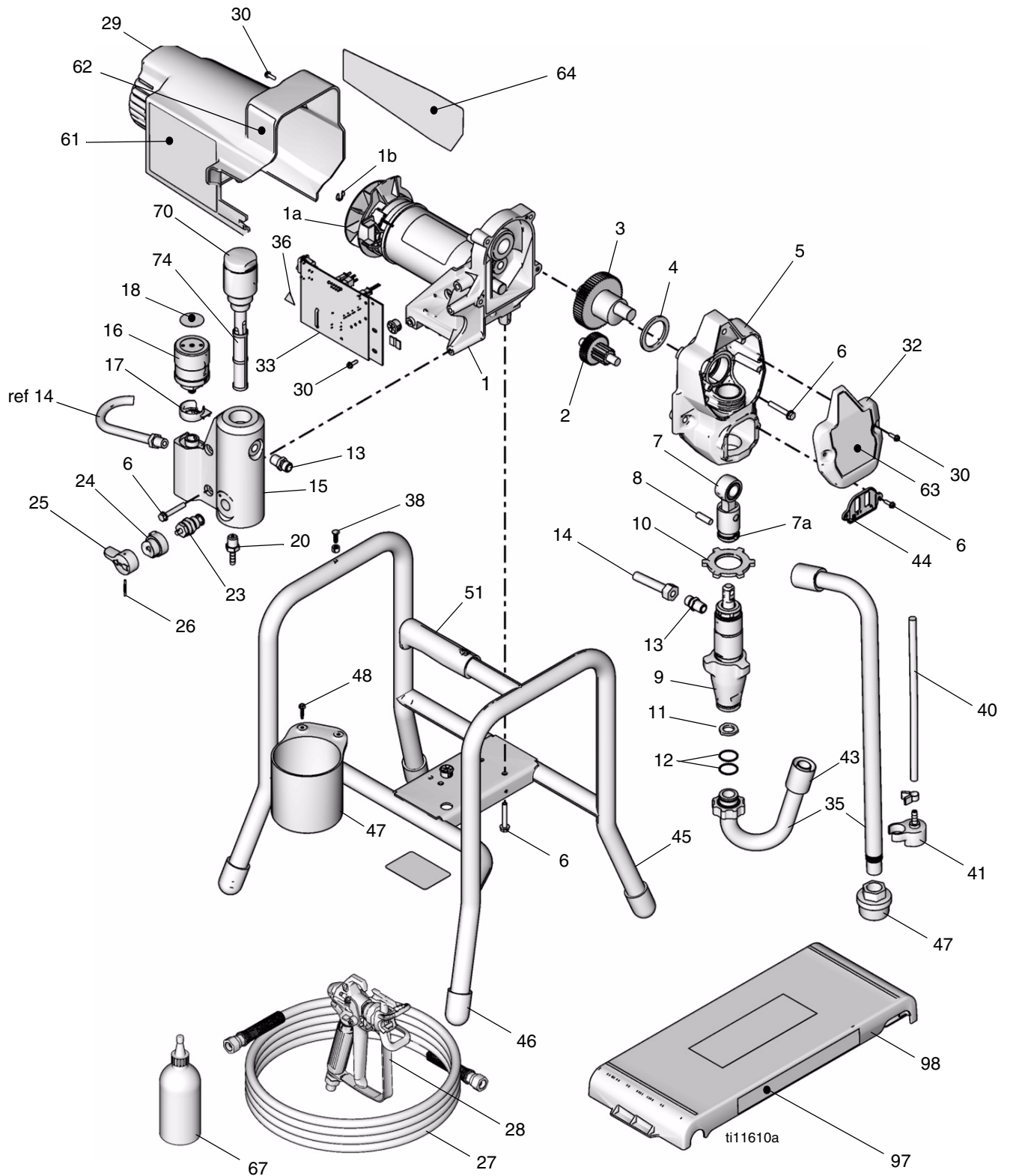
▲ Replacement Danger and Warning labels, tags, and cards are available at no cost.

‡ 119277 Fuse replacement for 120V motors



# Parts Drawing

Models 256391, 256392, 256481



# Parts List

## Models 256391, 256392, 256481

Ref	Part	Description	Qty	Ref	Part	Description	Qty
1❖		MOTOR, electric	1	37	246385	STRAINER, 7/8-14 unf	1
	249040	Model 256481, 120V		38	244098	PIN, stop (826098 only)	1
	249041	Models 256391, 256392, 240V		40	249051	KIT, tube, drain, includes 20, 41, 43	1
1a	249043	FAN, motor, includes 1b	1	41	244035	DEFLECTOR, barbed	1
1b	119653	RING, retaining	1	43	114958	STRAP, tie	1
2	249194	GEAR, reducer	1	44	15B589	COVER, pump rod	1
3	249195	GEAR, crankshaft, includes 4	1	45		FRAME, stand mount	
4	180131	BEARING, thrust	1		15E823	Model 826084	1
5	249049	HOUSING, drive, includes 6, 30, 44	1		24A070	Model 826098, includes 51, 46	1
6	117493	SCREW, mach, hex washer hd	11	46		CAP, tubing	
7	287053	ROD, connecting, includes 7a, 8	1		112759	Model 826084	4
7a	196750	SPRING, retaining	1		15G857	Model 826098	4
8	196762	PIN, straight	1	47		CUP, suction/drain	
9	246428	PUMP, displacement, includes 13 (Manual 309250)	1		15G838	Model 826084	1
					15B870	Model 826098	1
10	195150	NUT, jam, pump	1	48	115723	SCREW, drill, hex washer head	1
11	115099	WASHER, garden hose	1	50		HANDLE, includes 6, 51	
12	117559	O-RING	2		276864	Model 826084 includes 6, 51	1
13	162453	FITTING, (1/4 npsm x 1/4 npt)	2		276864	Model 826098 includes 6, 51 (6 not used)	1
14	287003	HOSE, cpld	1				
15	15H977	MANIFOLD, filter	1	51	116139	GRIP, handle	1
16		CONTROL, pressure, includes 17, 21, 22	1	61▲	15E936	LABEL, warning	1
	249005	Model 256481, 120V		62▲	195793	LABEL, warning	1
	248929	Models 256391, 256392, 220V		63		LABEL, front	
17	15E794	CAP, wire, control, pressure	1		150220	Models 256391, 256481	1
18	15F399	LABEL, control	1		150446	Model 256392	1
20	M70809	FITTING	1	64		LABEL, side	
21	115756	BUSHING	1		150221	Models 256391, 256481	1
22	119723	TAPE, foam	1		150447	Model 256392	1
23	224806	VALVE, drain, includes 23a, 23b	1	66▲	222385	TAG, warning	1
23a	277364	GASKET, seat	1	67	238049	FLUID, TSL, 4 oz	1
23b	15E022	SEAT, valve	1	70	287902	KIT, repair, filter cap, includes 71	1
24	224807	BASE, valve	1	71		INSERT, filter	1
25	187625	HANDLE, valve, drain	1	72†	246384	FILTER, fluid, 60 mesh	1
26	111600	PIN, grooved	1	73	117828	O-RING	1
27	240794	HOSE, cpld, 1/4 x 50 ft	1	95	150222	Label, top	1
28		GUN	1	97▲	15T843	LABEL, warning	1
	246230	Model 256391, 256481, FTX contractor		98	24A096	PLATFORM	1
	246233	Model 256392, FTX-A contractor					
29	249044	KIT, shield, motor, includes 30, 61, 62, 64	1		‡119277	FUSE, replacement for 120V motors	
30	117501	SCREW, machine, hex washer head	9		❖249042	KIT, brush, motor, replacement	
31	115498	SCREW, mch, slot, hex, wash hd	1				
32	15B254	COVER, front, includes 30, 63	1				
33‡		CONTROL BOARD	1				
	249052	Model 256481, 120V					
	249053	Models 256391, 256392, 240V					
34	15J370	CORD	1				
35	246010	HOSE, suction set, includes 11, 12, 37	1				
36▲	189930	LABEL, caution	1				

▲ Replacement Danger and Warning labels, tags, and cards are available at no cost.

† Other filters available: 246382, 100 mesh; 246383, 200 mesh; 246425, 30 mesh.

# Notes



A series of 28 horizontal lines for writing, spaced evenly down the page.

*TO PLACE AN ORDER*, contact your Graco distributor, or call **1-800-690-2894** to identify the nearest distributor. All written and visual data contained in this document reflects the latest product information available at the time of publication. Graco reserves the right to make changes at any time without notice.  
MM: 311761

**Graco Headquarters:** Minneapolis  
**International Offices:** Belgium, Korea, China, Japan  
**GRACO INC. P.O. BOX 1441 MINNEAPOLIS, MN 55440-1441**  
<http://www.graco.com>  
11/2006, Revised 04/2008