



1438 HXL LAWN TRACTOR

Model No. 71193 – 7900001 & Up
Model No. 71217 – 7900001 & Up

Parts Catalog

ORDERING REPLACEMENT PARTS

To order replacement parts, please supply: the part number, the quantity, and the description of each part desired.

Contents

Description	Page	Description	Page
Frame Assembly	1	Pulley & Belt Assembly	
Hood Assembly	2	(38" Cutting Unit)	13
Seat Assembly	3	Suspension Assembly (38" Cutting Unit) .	14
Front Axle Assembly	4	Height Of Cut Assembly	15
Steering Assembly	5	Electrical Assembly	16
Engine & Gas Tank Assembly	6	Electrical Schematic	17
Clutch Assembly	7	Engine Briggs & Stratton	
Rear Wheel Assembly	8	Model 28N707-0131-01	18
Transaxle Assembly	9	Engine Briggs & Stratton	
Speed Control Assembly	10	Model 28N777-0174-01	27
Deck Assembly (38" Cutting Unit)	11	Hydro Transaxle Assembly	37
Deck Assembly (38" Cutting Unit)		Toro Part Number Index	40
(Continued)	12	Note:	

Accessories

Description	Model / Parts No.	Description	Model / Parts No.
Easy Empty Bagger	Model No. 79116 or Model No. 79117	Tire Chains	Part No. 11-0430
Twin Bag Bagger Kit	Model No. 79101 or Model No. 79103	Headlight Kit (Std. both Models) .	Model No. 79180
Recycler Kit (Std. on 71193)	Model No. 79170	42" Snowblade Kit	Model No. 79150
Hi-Sail Bagging Blade		Wheel Weight Kit	Model No. 59159
(Std. on 71217)	Part No. 57-4700	Anti-Scalp Kit	Model No. 79182

Part Description Abbreviations

Part descriptions in this catalog may include the following abbreviations.

Abbreviation	Meaning	Abbreviation	Meaning
AR	as required	HS	hex socket
ASM	assembly	HSBH	hex socket button head
CARR	carriage	HSFH	hex socket flat head
DEG	degrees	HSH	hex socket head
FH	flat head	HWH	hex washer head
GA	gauge	HWHTF	hex washer head thread forming
HF	hex flange	INC	incorporated
HFW	hex flange washer	LH	left hand
HH	hex head	PH	pan head
HHF	hex head flange	PPH	Phillips pan head
HHST	hex head self tapping	PTO	power take off
HJ	hex jam	RH	right hand
HOC	height-of-cut		

SFH	slotted fillister head	TAP	self tapping
SH	square head	TH	truss head
SHWH	slotted hex washer head	TTH	Torx truss head
SPH	slotted pan head	WH	wing head
STD	standard		

Important Format Explanations

This catalog uses special formats to convey information in illustrations and parts lists. Specifically, one format is used in conjunction with service assemblies and another with quantities associated with reference numbers.

Service Assemblies

Parts within service assemblies have reference numbers in the form $X:Y$. X is the reference number of the service assembly and Y is a sequential number unique to each part within the service assembly.

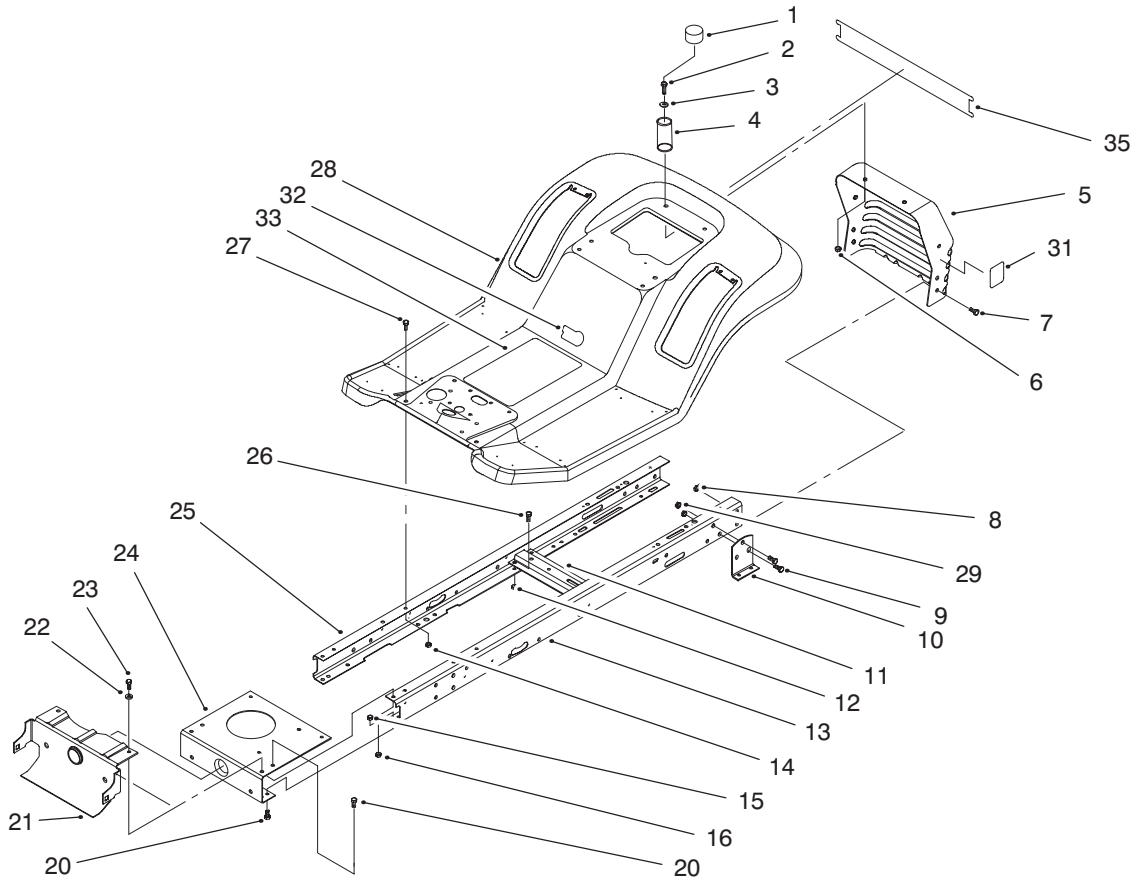
For example, a wheel assembly might be identified by reference number 6, the tire by 6:1, the valve by 6:2, and the wheel by 6:3. When you order the assembly identified by reference number 6, you receive all parts identified by reference numbers 6:1, 6:2, and 6:3. However, you may also order any part individually.

Reference numbers of this type appear in part lists and as callouts in illustrations.

Reference Numbers with Quantities

Illustrations may have a quantity in parentheses next to a reference number, in the form $X (Y)$. X is the reference number. Y in parentheses is the quantity of the part identified by the reference number.

For example, the illustration callout 4 (2) indicates that two parts are used in that instance.

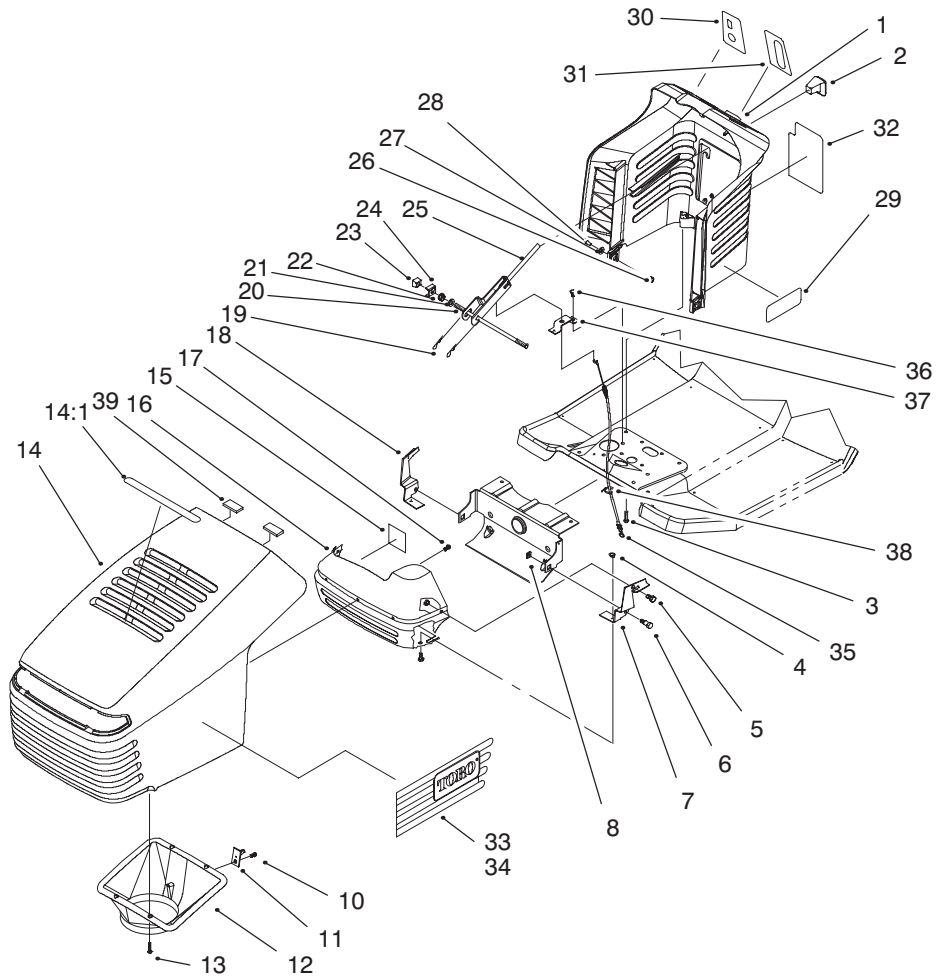


Sheet No.:2

Frame Assembly

Ref. No.	Part No.	Qty.	Description
1	701178	2	Cap-Protector
2	322-5	2	Screw-HH
3	3256-23	2	Washer-Flat
4	88-6220	2	Spring - Compression
5	88-3940-03	1	Panel - Rear
6	3296-29	2	Nut-Lock
7	322-3	4	Screw-HH
8	3296-29	4	Nut-Lock
9	322-3	4	Screw-HH
10	88-5260-03	2	Bracket-Transaxle Mounti
11	88-4620-03	1	Bracket - Idler Pivot
12	3296-29	4	Nut-Lock
13	94-1999-03	1	Frame Rail-LH
14	3296-29	2	Nut-Lock
15	3296-29	6	Nut-Lock
16	3296-29	2	Nut-Lock
20	322-3	6	Screw-HH
21	88-5120-03	1	Support - Front Axle
22	3256-23	2	Washer-Flat
23	322-3	2	Screw-HH
24	88-4630-03	1	Plate - Engine Mounting
25	94-1998-03	1	Frame Rail-RH
26	322-3	4	Screw-HH
27	322-3	2	Screw-HH

Ref. No.	Part No.	Qty.	Description
28	88-3840	1	Body - Rear
29	3296-29	4	Nut-Lock
31	93-6678	1	Decal - Dump Valve
32	76-1340	1	Decal-USA (Only On: 71193)
33	93-6676	1	Decal-Instruction (Only On: 71217)
33	94-1238	1	Decal-Instruction (Only On: 71193)
35	94-3529	1	Decal-Rear Body

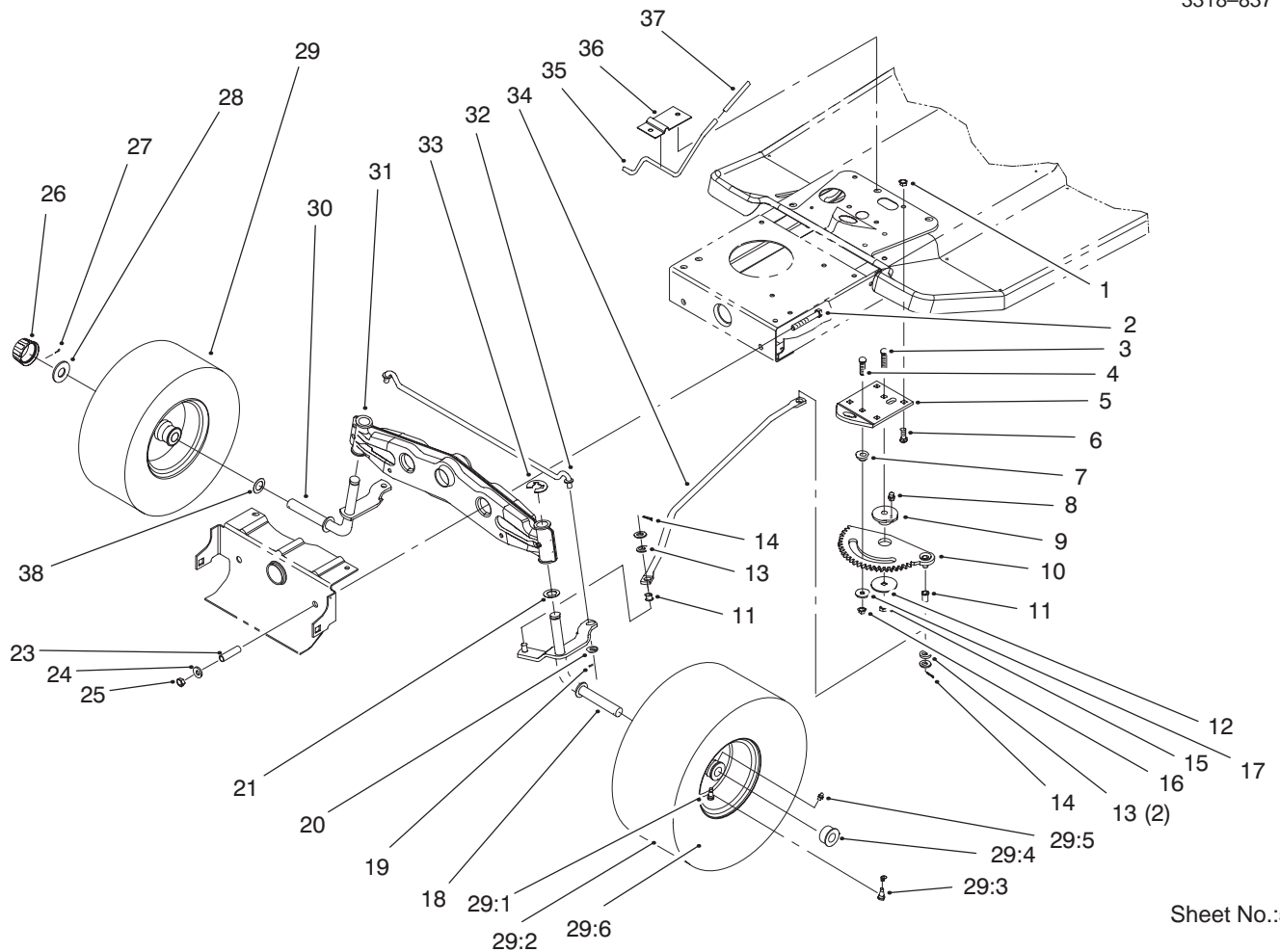


Sheet No.:3

Hood Assembly

Ref. No.	Part No.	Qty.	Description
1	93-0303	1	Tower-Steering Toro
2	94-5565	1	Knob - Control
3	46-8091	2	Screw-Tapping
4	3296-42	4	Nut-Lock
5	321-2	4	Screw-HH
6	28-0540	2	Bolt-Shoulder
7	88-6050-03	1	Bracket - Hinge
8	3290-496	2	Nut - Retained
10	46-8091	1	Screw-Tapping
11	94-1984	1	Pin-Latch
12	88-4050	1	Duct - Hood Air
13	46-8090	4	Screw-Tapping
14	92-8650	1	Hood-Toro
14:1	92-5748	1	Decal - Air Duct
15	92-5782	1	Patch - Heat Tape
16	93-3864	1	Shield - Heat
17	46-8090	3	Screw-Tapping
18	88-6040-03	1	Bracket - Hinge
19	3290-307	2	Pin-Cotter
20	88-4170	1	Rod - Pivot
21	3256-24	2	Washer-Flat
22	32128-43	2	Nut-Flange
23	88-4140	2	Nut - Wedge
24	88-4160	2	Clamp - Pivot Rod
25	88-5190-03	1	Lever W.a. - Deck Engage

Ref. No.	Part No.	Qty.	Description
26	3296-29	2	Nut-Lock
27	3256-23	2	Washer-Flat
28	322-3	2	Screw-HH
29	94-3527	2	Decal-Tower
30	92-2460	1	Decal - Ignition/Lights (Only On: 71193)
30	92-5731	1	Decal-Ign/Lights (Only On: 71217)
31	92-2461	1	Decal - Throttle (Only On: 71193)
31	92-5730	1	Decal - Throttle (Only On: 71217)
32	92-2462	1	Decal - Deck Engage (Only On: 71193)
32	93-6673	1	Decal - Deck Engage (Only On: 71217)
33	92-2468	1	Decal - Hood Left
34	92-2467	1	Decal - Hood Right
35	94-4293	1	Cable ASM-Deck Engage
36	9266714	2	Screw-HWHTF
37	93-3849	1	Brkt-Cable
39	94-1980	2	Foam-Hood

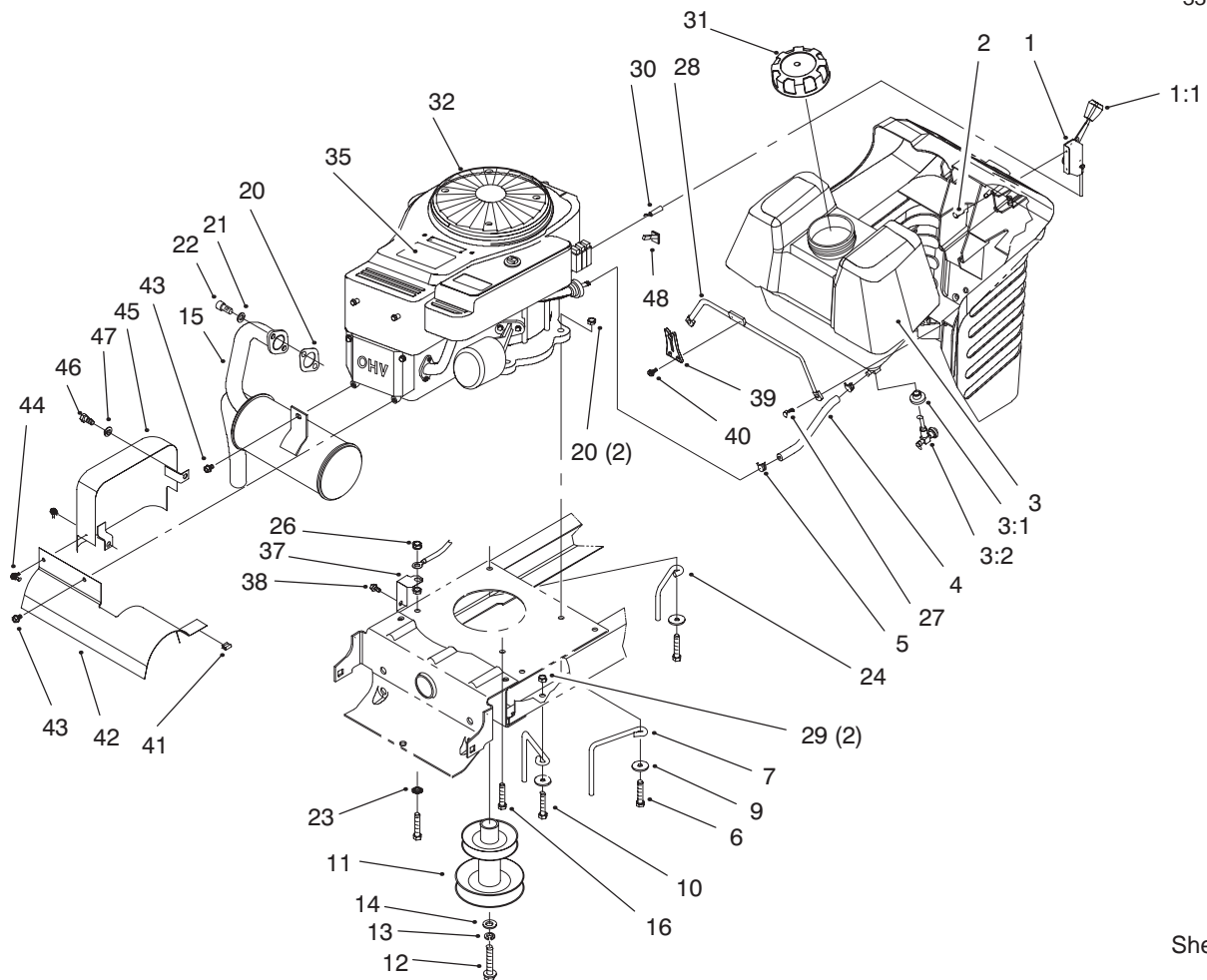


Sheet No.:5

Front Axle Assembly

Ref. No.	Part No.	Qty.	Description
1	3296-29	4	Nut-Lock
2	323-13	2	Screw-HH
3	3231-4	1	Bolt-CARR
4	3230-3	1	Screw-CARR
5	88-5130-03	1	Bracket - Steering Rack
6	3230-1	4	Bolt-CARR
7	88-5010	1	Spacer - Steering Rack
8	302-26	1	Fitting-Grease
9	88-4670	1	Bushing - Eccentric
10	88-5200	1	Steering Rack W.a.
11	52-2891	2	Bushing - Steering Links
12	111419	1	Washer-Bearing
13	3256-25	4	Washer-Flt
14	3272-10	2	Pin-Cotter
15	3296-39	1	Nut-Lock
16	3296-29	1	Nut-Lock
17	5-4460	1	Washer-Fender
18	92-7890-03	1	Spindle Wa-LH
19	3272-10	2	Pin-Cotter
20	3256-24	2	Washer-Flat
21	3-6498	2	Washer-Thrust
23	88-5470	2	Spacer - Front Axle
24	3256-24	2	Washer-Flat

Ref. No.	Part No.	Qty.	Description
25	3296-39	2	Nut-Lock
26	61-9780	2	Hubcap
27	3272-12	2	Pin-Cotter
28	28-2480	2	Washer-Flat
29	88-4280	2	Front Wheel & Tire ASM
29:1	88-4370	2	Rim ASM - 15" Front
29:2	88-4070	2	Tire 15 X 6.00-6
29:3	232-27	2	Valve Stem & Cap Assembly
29:4	88-4400	2	Bearing - Wheel
29:5	302-5	2	Fitting - Grease
29:6	232-39	2	Tube - Inner 15 X 6-6
30	92-7889-03	1	Spindle Wa-RH
31	94-1962-03	1	Front Axle Wa
32	88-5380	1	Tie Rod - Steering
33	32151-48	2	Ring-Retaining
34	88-4830	1	Link - Drag
35	88-5510	1	Rod-Parking Brake
36	88-5520-03	1	Bracket-Parking Brake
37	88-0890	1	Grip - Parking Brake
38	3-6498	4	Washer-Thrust

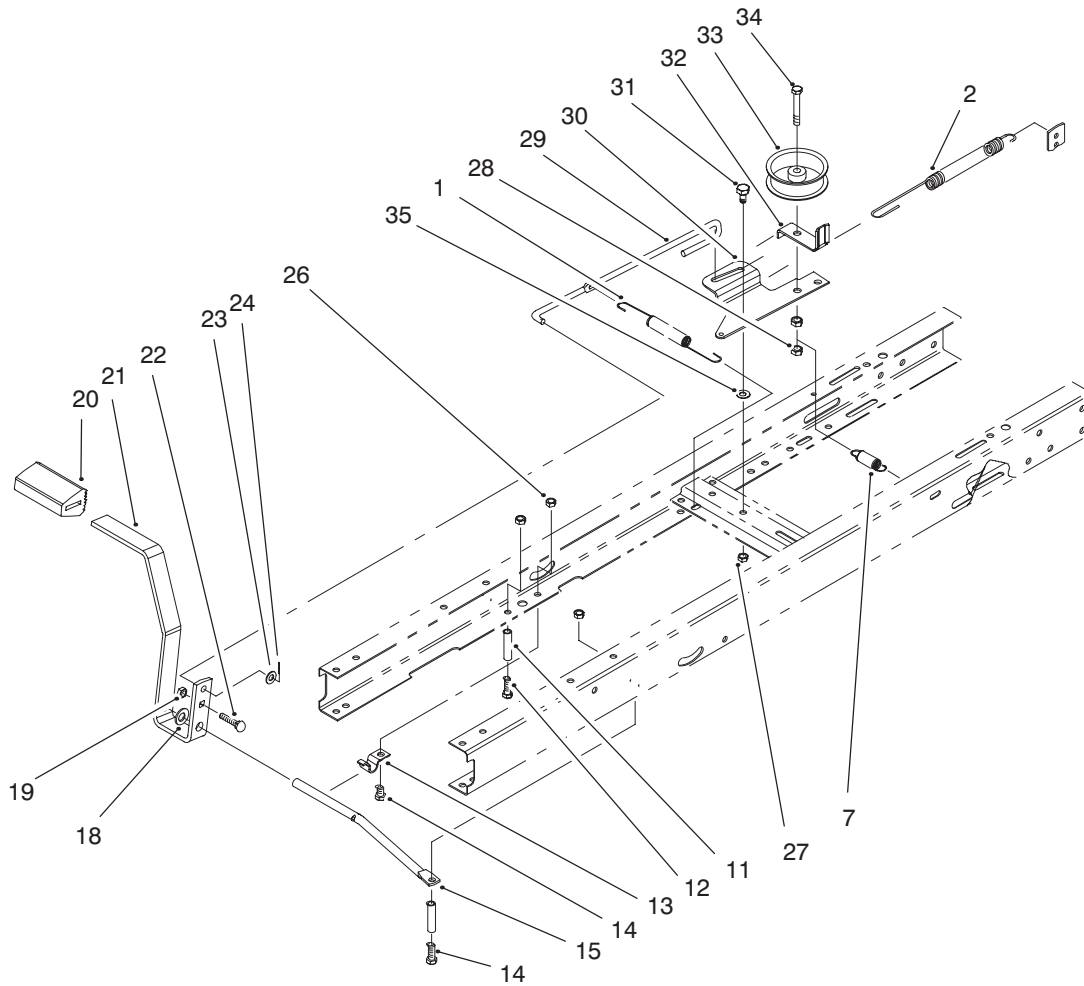


Sheet No.:8

Engine & Gas Tank Assembly

Ref. No.	Part No.	Qty.	Description
1	88-4340	1	Throttle Control ASM
1:1	66-0120	1	Knob
2	27-0220	2	Screw-Special HWH
3	88-3880	1	Gas Tank Assembly
3:1	104047	1	Bushing
3:2	104048	1	Assembly-Valve
4	47-2963	1	Fuel Line
5	2412-98	2	Clamp-Hose
6	322-9	3	Screw-HH
7	93-3854	3	Belt Guide - Engine
9	5-4460	4	Washer-Fender
10	322-5	2	Screw-HH
11	88-4850	1	Pulley - Engine (38")
12	26-0671	1	Bolt-Blade
13	3253-22	1	Washer-Lock
14	3256-25	1	Washer-Flt
15	94-1953	1	Muffler-Exhaust
16	9267154	1	Screw
20	88-4410	1	Gasket - Muffler
21	3253-4	2	Washer-Lock
22	3274-10	2	Screw-Sckt Hd
23	3255-8	1	Washer-Lock
24	93-3855	1	Belt Guide - R.h.
26	32149-1	2	Nut-Keps
27	27-0220	2	Screw-Special HWH
28	94-1952	1	Rod-Gas Tank

Ref. No.	Part No.	Qty.	Description
29	3296-29	4	Nut-Lock
30	88-4350	1	Cable ASM-Throttle
31	88-3980	1	Gas Cap ASM
32		1	Engine-14.5hp B&s Ohv D+ (Only On: 71193)
32		1	Engine-14.5hp Ohv Tq+ (Only On: 71217)
35	94-3525	1	Decal-Engine
37	93-3809	1	Bracket-Ground
38	9266714	1	Screw-HWHTF
39	94-1951	1	Latch-Hood
40	32144-112	2	Screw-Thd Form
41	93-3882	1	Clip-Tinnerman
42	93-3880-03	1	Shield - Muffler
43	9266714	2	Screw-HWHTF
44	32104-76	2	Screw-Self TAP
45	93-8450-03	1	Exhaust Shield Wa
46	322-3	1	Screw-HH
47	3253-4	1	Washer-Lock
48	88-4490	1	Reducer - Throttle Rpm (Only On: 71217)

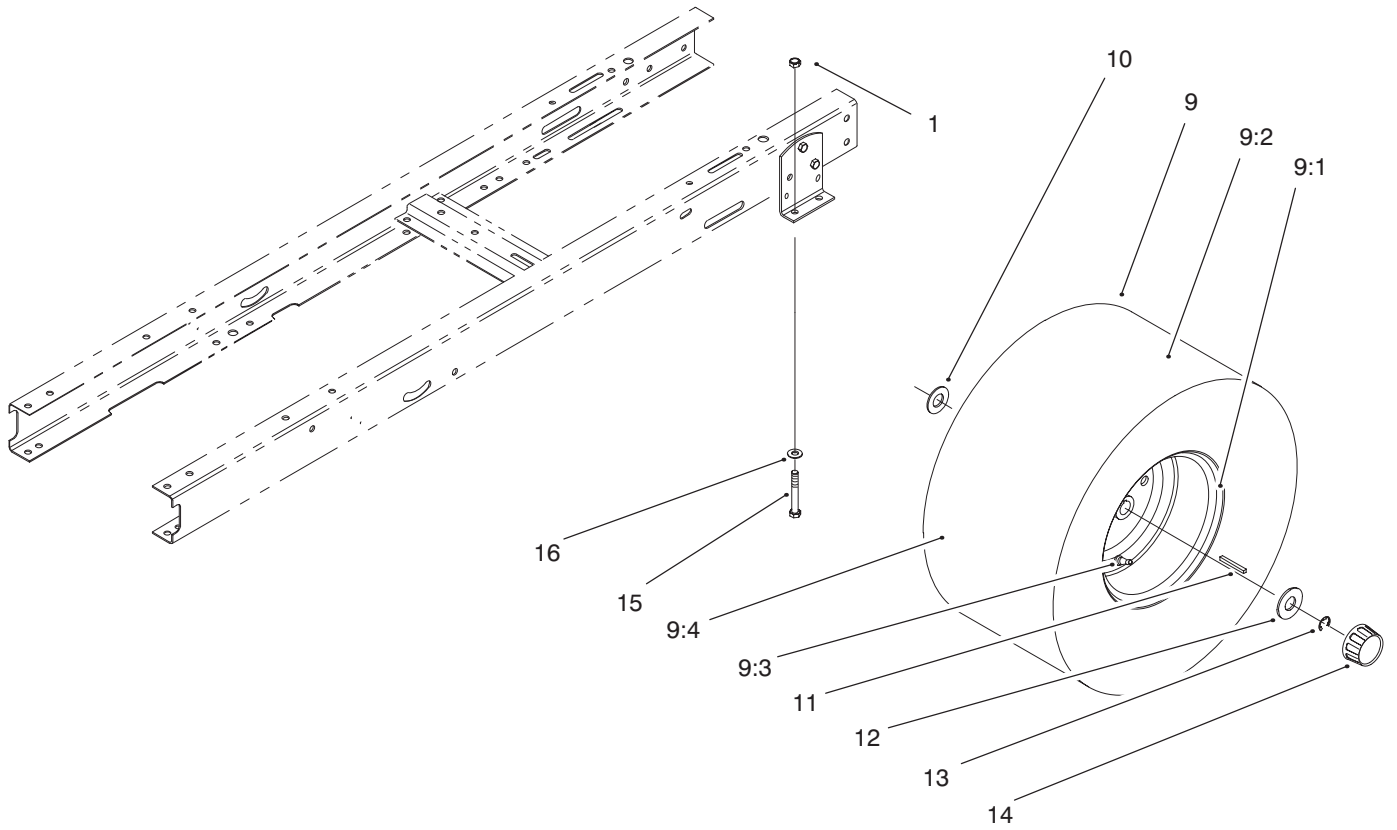


Sheet No.:9

Clutch Assembly

Ref. No.	Part No.	Qty.	Description
1	27-8890	1	Spring – Pedal Return
2	88-6140	1	Spring – Brake
7	88-6330	1	Spring – Extension
13	88-4810	1	Clamp – Shift Pivot
14	322-3	2	Screw-HH
15	88-5500	1	Rod – Pedal Pivot
18	3256-26	1	Washer-Flt
19	3296-29	1	Nut-Lock
20	65-2920	1	Pad-Pedal
21	88-5000-03	1	Pedal – Clutch/Brake
22	3230-3	1	Screw-CARR
23	3256-23	1	Washer-Flat
24	3272-10	1	Pin-Cotter
26	3296-29	2	Nut-Lock
27	3296-29	1	Nut-Lock
28	3296-59	2	Nut-Lock
29	88-5270	1	Rod – Clutch/Brake
30	88-6070	1	Arm –Idler
31	37-8770	1	Bolt-Shldr
32	88-5560	1	Belt Guide – Idler
33	88-5680	1	Idler Pulley
34	323-11	1	Screw
35	5-4460	1	Washer-Fender

Ref. No.	Part No.	Qty.	Description

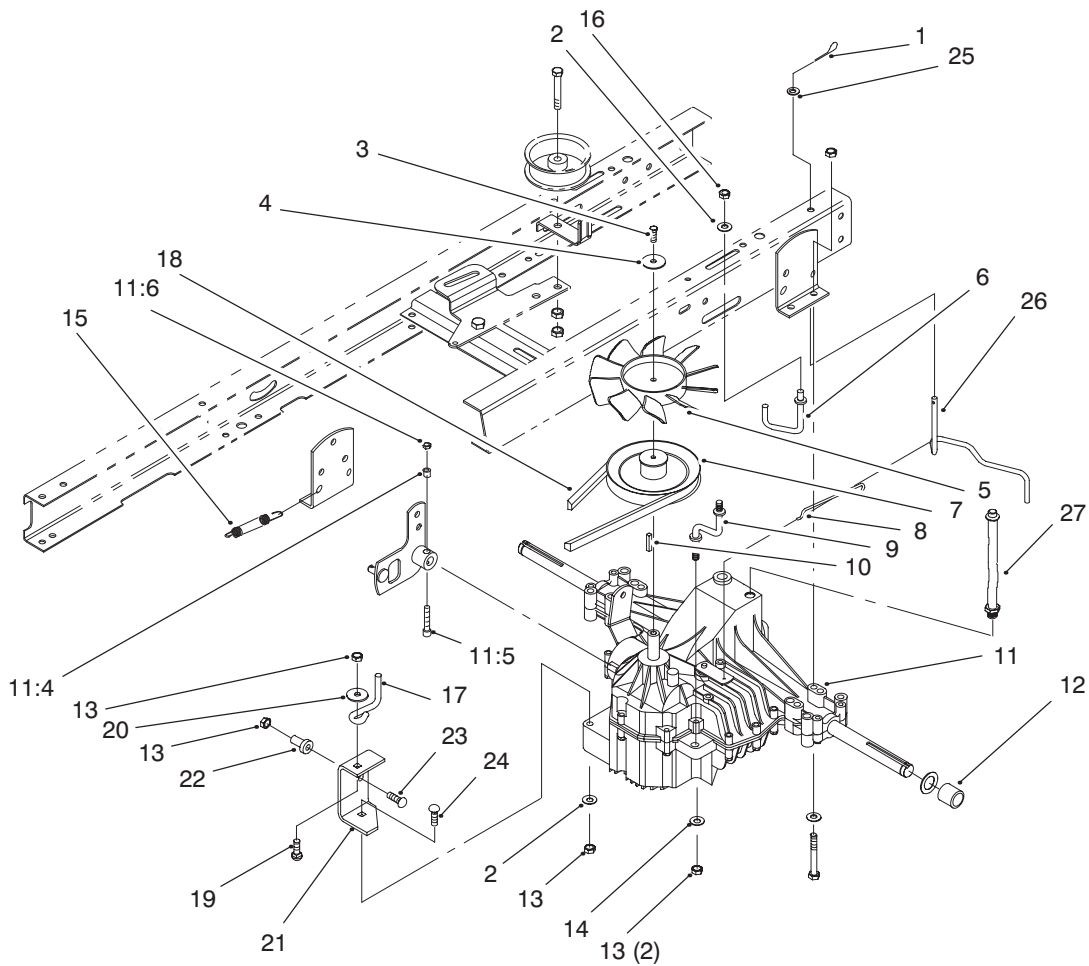


Sheet No.:11

Rear Wheel Assembly

Ref. No.	Part No.	Qty.	Description
1	3296-29	4	Nut-Lock
9	88-4300	2	Rear Wheel & Tire ASM
9:1	88-4390	2	Rim ASM - 18" Rear
9:2	88-4090	2	Tire - 18 X 9.50-8
9:3	232-27	2	Valve Stem & Cap Assembly
9:4	232-41	2	Tube - Inner
10	3-6498	2	Washer-Thrust
11	7-0036	2	Key-Square
12	28-2480	2	Washer-Flat
13	32151-48	2	Ring-Retaining
14	61-9780	2	Hubcap
15	322-12	4	Screw HH
16	3256-23	4	Washer-Flat

Ref. No.	Part No.	Qty.	Description

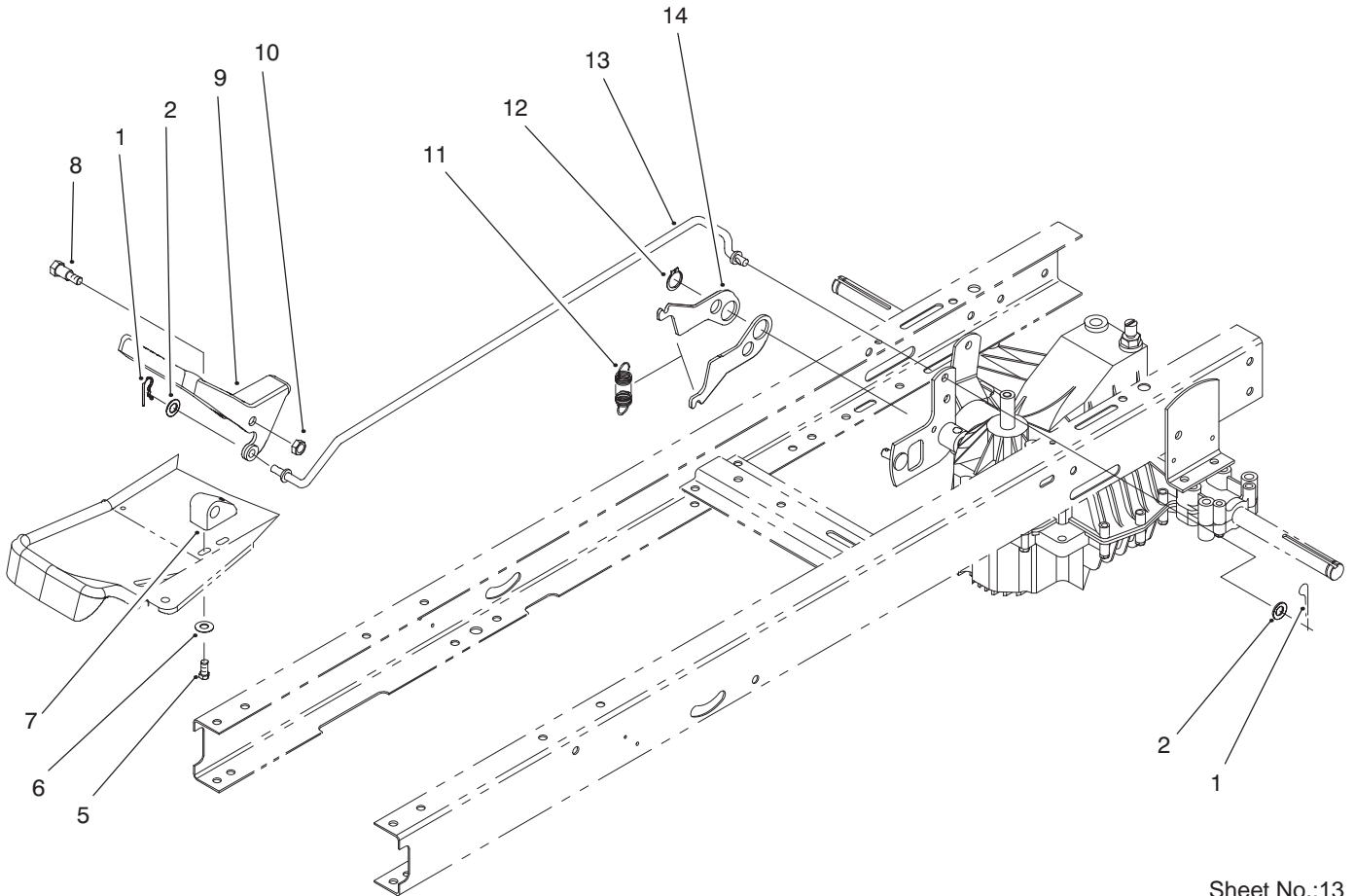


Sheet No.:12

Transaxle Assembly

Ref. No.	Part No.	Qty.	Description
1	3290-307	1	Pin-Cotter
2	3256-23	2	Washer-Flat
3	48-7620	1	Screw
4	3256-58	1	Washer-Fit
5	115271	1	Fan-Hydro
6	88-5960	1	Belt Guide - Trans. LH
7	88-6180	1	Pulley - Transmission
8	92-8856	1	Wire - Bypass
9	88-5620	1	Strap - Torque
10	80-6090	1	Key-Square
11	94-6775	1	Transaxle ASM-Hydro
12	88-5360	2	Spacer - Pulley
13	3296-29	5	Nut-Lock
14	3256-23	2	Washer-Flat
15	26-6701	1	Spring - Extension
16	32149-1	1	Nut-Keps
17	88-5460	1	Belt Guide - Trans
18	88-6280	1	V-Belt
19	3230-2	1	Screw-CARR
20	5-4460	1	Washer-Fender
21	92-6013-03	1	Bracket - Speed Control
22	65-5080	1	Bushing - Flanged
23	3230-5	1	Bolt-Carriage
24	3230-7	1	Bolt-Carriage

Ref. No.	Part No.	Qty.	Description
25	3256-22	1	Washer-Flat
26	92-8857	1	Lever - Bypass
27	94-1945	1	ASM-Breather Hose

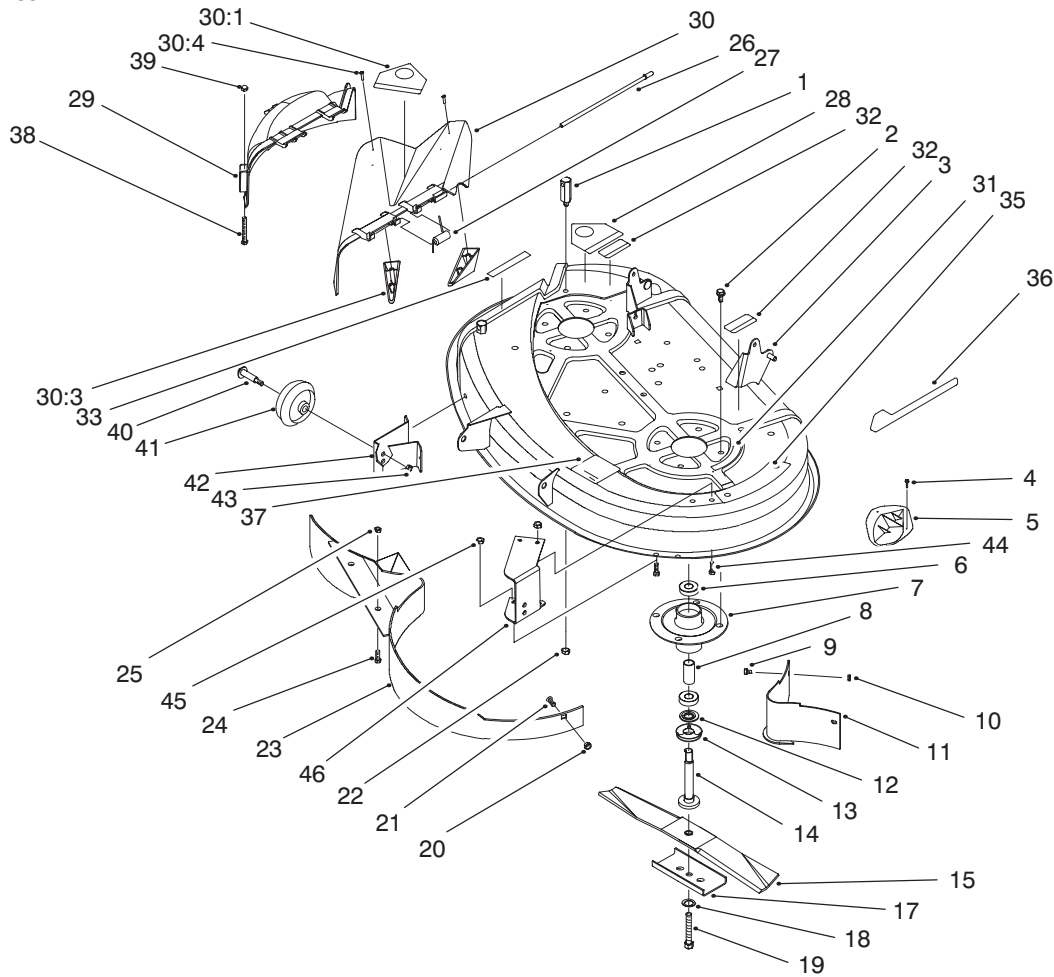


Sheet No.:13

Speed Control Assembly

Ref. No.	Part No.	Qty.	Description
1	3290-307	2	Pin-Cotter
2	3256-23	2	Washer-Flat
5	46-8090	2	Screw-Tapping
6	3256-22	2	Washer-Flat
7	88-4690	1	Block - Pivot
8	23-0310	1	Shoulder Bolt
9	93-3812	1	Pedal - Speed Control
10	3296-59	1	Nut-Lock
11	92-7305	1	Spring - Extension
12	32151-83	1	Ring-Retaining
13	92-9793	1	Rod-Speed Control
14	88-5610	2	Lever - Neutral Return

Ref. No.	Part No.	Qty.	Description

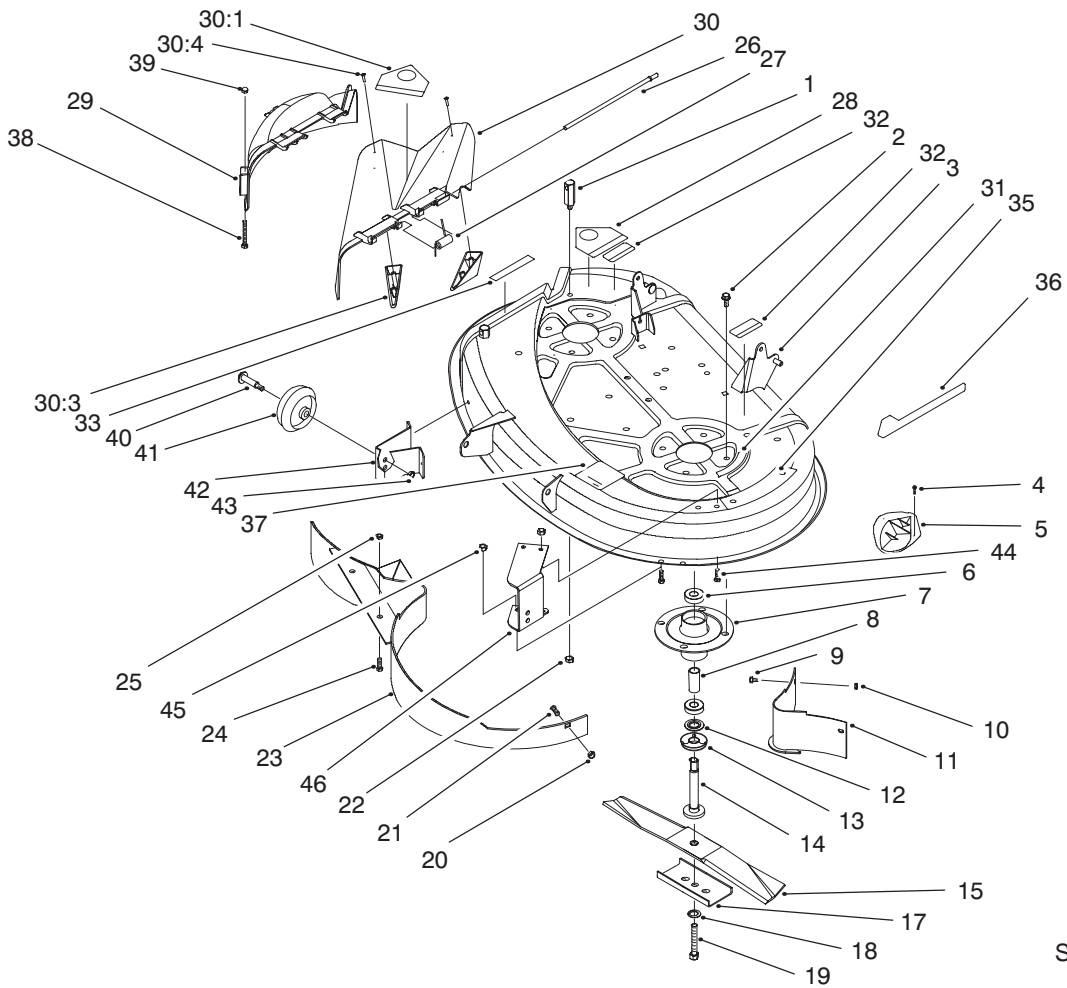


Sheet No.:16

Deck Assembly (38" Cutting Unit)

Ref. No.	Part No.	Qty.	Description
1	57-4360	1	Pivot Post – Rear
2	32144-41	8	Screw–HWHTF
3	94-1949-01	1	Deck Wa-38"
4	32144-111	8	Screw – PPH (Only On: 71193)
5	76-2160	4	Plate–Kicker (Only On: 71193)
6	38-7820	4	Bearing–Ball
7	88-4510	2	Spindle – Diecast Alum.
8	62-3661	2	Spacer – Bearing
9	321-4	2	Screw–HH (Only On: 71193)
10	3296-42	2	Nut–Lock (Only On: 71193)
11	79-1640-03	1	Wa–Baffle (Only On: 71193)
12	80-4380	2	Spacer – Hardened
13	80-4360	2	Shield – Bearing
14	80-4341	2	Shaft – Spindle
15	57-4700	2	Blade–19.32" (Only On: 71217)
15	79-3061	2	Blade–19.32 Recycler (Only On: 71193)
17	80-0510-03	2	Stiffener–Blade (Only On: 71193)

Ref. No.	Part No.	Qty.	Description
18	3290-465	2	Washer–Spring
19	26-0671	2	Bolt–Blade
20	3296-29	1	Nut–Lock (Only On: 71193)
21	3230-1	1	Bolt–CARR (Only On: 71193)
22	3296-39	1	Nut–Lock
23	79-1600-03	1	Wa–Baffle (Only On: 71193)
24	323-5	2	Screw–HH (Only On: 71193)
25	3296-39	2	Nut–Lock (Only On: 71193)
26	57-4380	1	Rod– Hinge Deflector
27	57-6950	1	Spring–Torsion Deflector
28	93-1122	1	Decal–Danger (Only On: 71193)
28	93-7010	2	Decal–Danger (Only On: 71217)
29	88-4430	1	Recycler Cover ASM (Only On: 71193)
30	93-0317	1	ASM–Deflector (Only On: 71193)
30	93-7695	1	ASM.–38" Deflector (Only On: 71217)

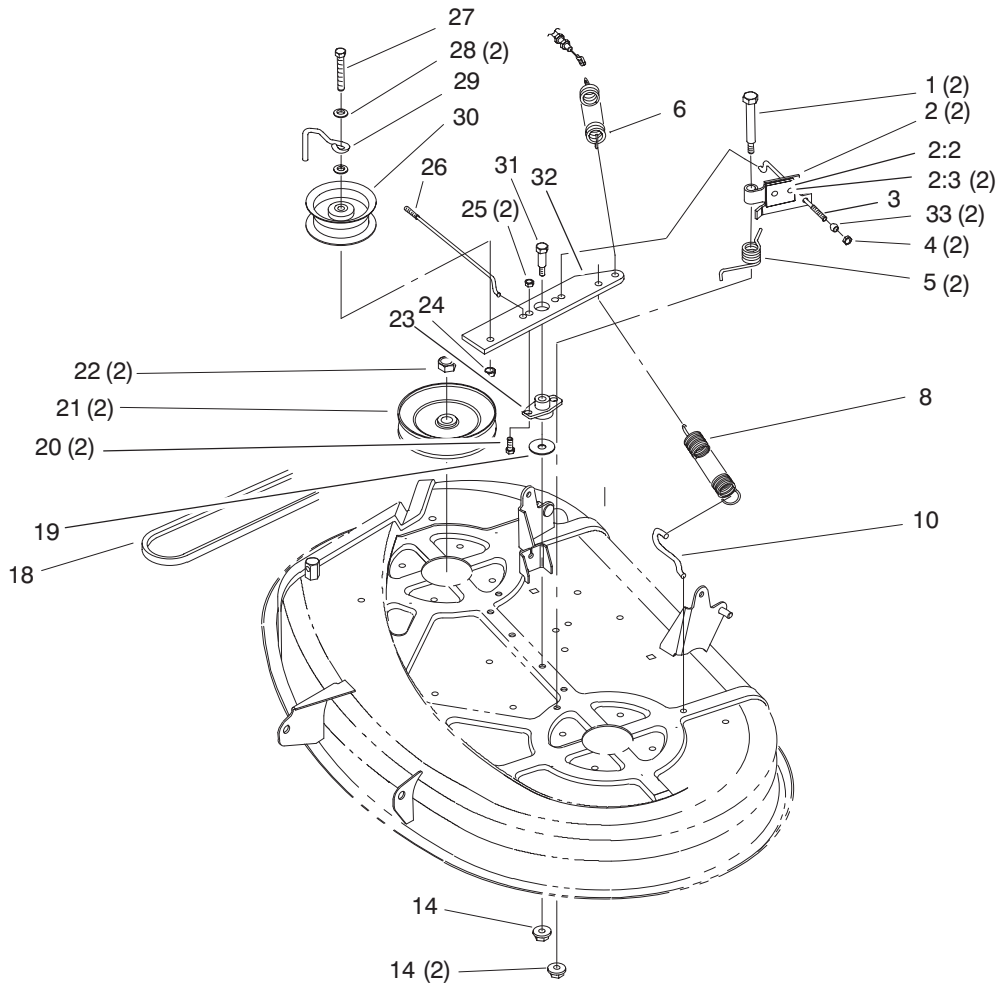


Sheet No.:16

Deck Assembly (38" Cutting Unit) (Continued)

Ref. No.	Part No.	Qty.	Description
30:1	93-1122	1	Decal – Danger (Only On: 71193)
30:1	93-7010	1	Decal – Danger (Only On: 71217)
30:3	93-7696	2	Kicker – Ce (Only On: 71217)
30:4	93-0231	4	Screw – Plastite (Only On: 71217)
31	68-3660	1	Decal – Shield Danger (Only On: 71193)
31	93-6677	1	Decal – Shield Danger (Only On: 71217)
32	55-4300	2	Decal–Warning (Only On: 71193)
32	93-6674	2	Decal–Warninig (Only On: 71217)
33	68-3650	1	Decal–Danger (Only On: 71193)
33	93-7009	1	Decal–Deflector Danger (Only On: 71217)
35	79-3140	1	Decal–Danger (Only On: 71193)
36	92-9520	1	Decal–Deck (Only On: 71193)
37	93-6679	1	Decal – Belt Routing

Ref. No.	Part No.	Qty.	Description
38	321-15	2	Screw–HH (Only On: 71193)
39	32111-7	2	Nut–Cap (Only On: 71193)
40	56-6591	2	Wheel Bolt (Only On: 71217)
41	701756	2	Wheel – Deck (Only On: 71217)
42	88-5740-03	1	Bracket–Deck Wheel RH (Only On: 71217)
43	3296-39	2	Nut–Lock (Only On: 71217)
44	322-3	6	Screw–HH (Only On: 71217)
45	3296-29	6	Nut–Lock (Only On: 71217)
46	93-3896-03	1	Bracket–Deck Wheel LH (Only On: 71217)

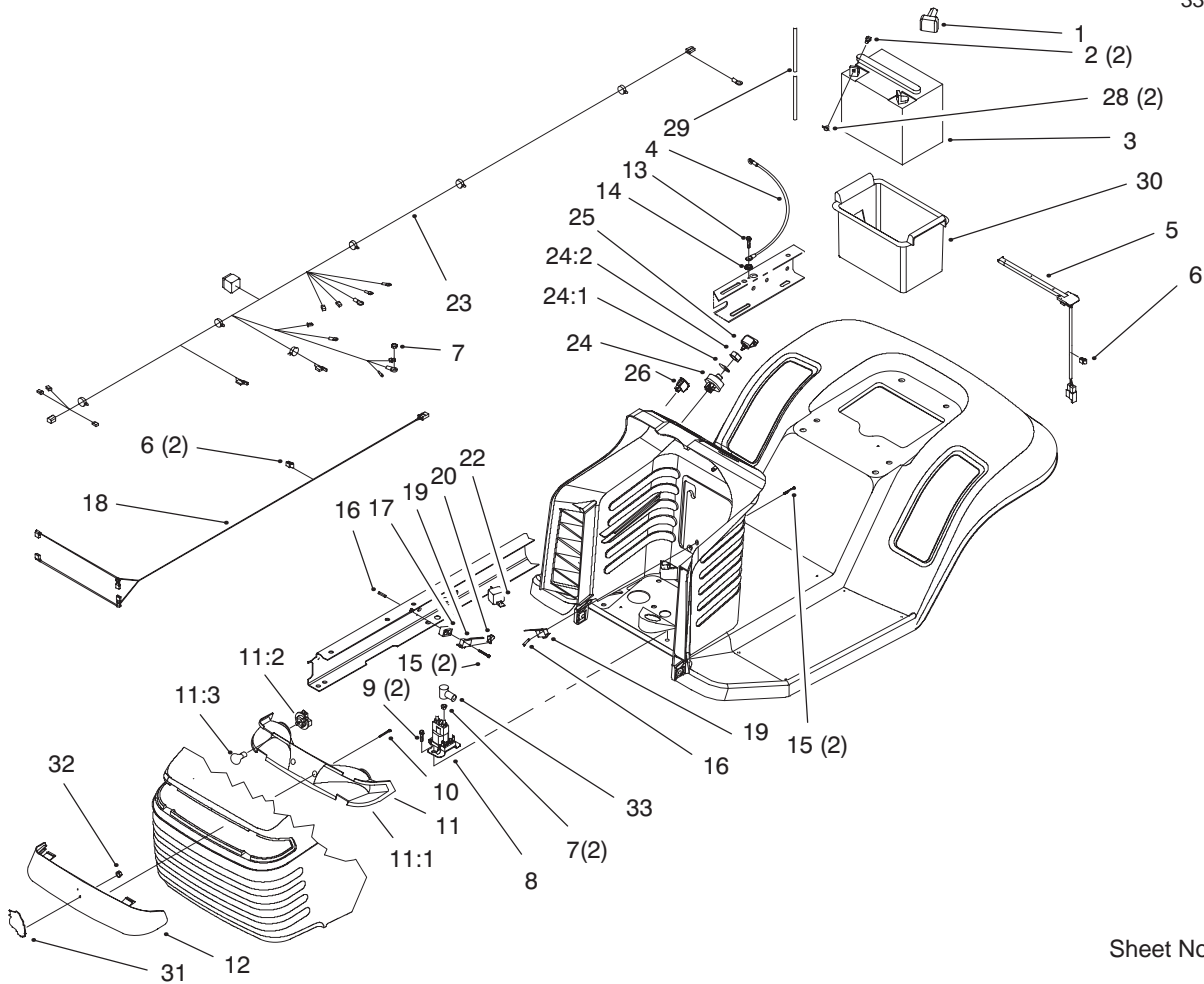


Sheet No.:17

Pulley & Belt Assembly (38" Cutting Unit)

Ref. No.	Part No.	Qty.	Description
1	88-4590	2	Bolt-Shoulder
2	88-6100	2	ASM. - Deck Brake
2:2	56-9830	2	Brake Pad
2:3	3290-282	4	Pop Rivet
3	88-5550	1	Rod -lh Deck Brake
4	3296-42	2	Nut-Lock
5	88-5910	2	Spring - Torsion
6	88-6130	1	Spring - Deck Engage
8	92-8934	1	Spring - Extension
10	88-5970	1	Hook - Return Spring
14	3296-58	3	Nut-Lock
18	88-6250	1	V-Belt
19	3256-68	1	Washer-Flt
20	322-5	2	Screw-HH
21	88-5330	2	Pulley - Deck
22	3219-6	2	Nut-Hex
23	88-4980	1	Bushing - Idler Arm
24	3296-39	1	Nut-Lock
25	3296-29	2	Nut-Lock
26	88-5540	1	Rod -RH Deck Brake
27	323-12	1	Screw
28	3256-24	2	Washer-Flat
29	88-5070	1	Belt Guide - Idler
30	88-5630	1	Pulley - Idler
31	7-0030	1	Shoulder Bolt

Ref. No.	Part No.	Qty.	Description
32	88-4870-03	1	Arm - Idler
33	67-0710	2	Ball - Swivel

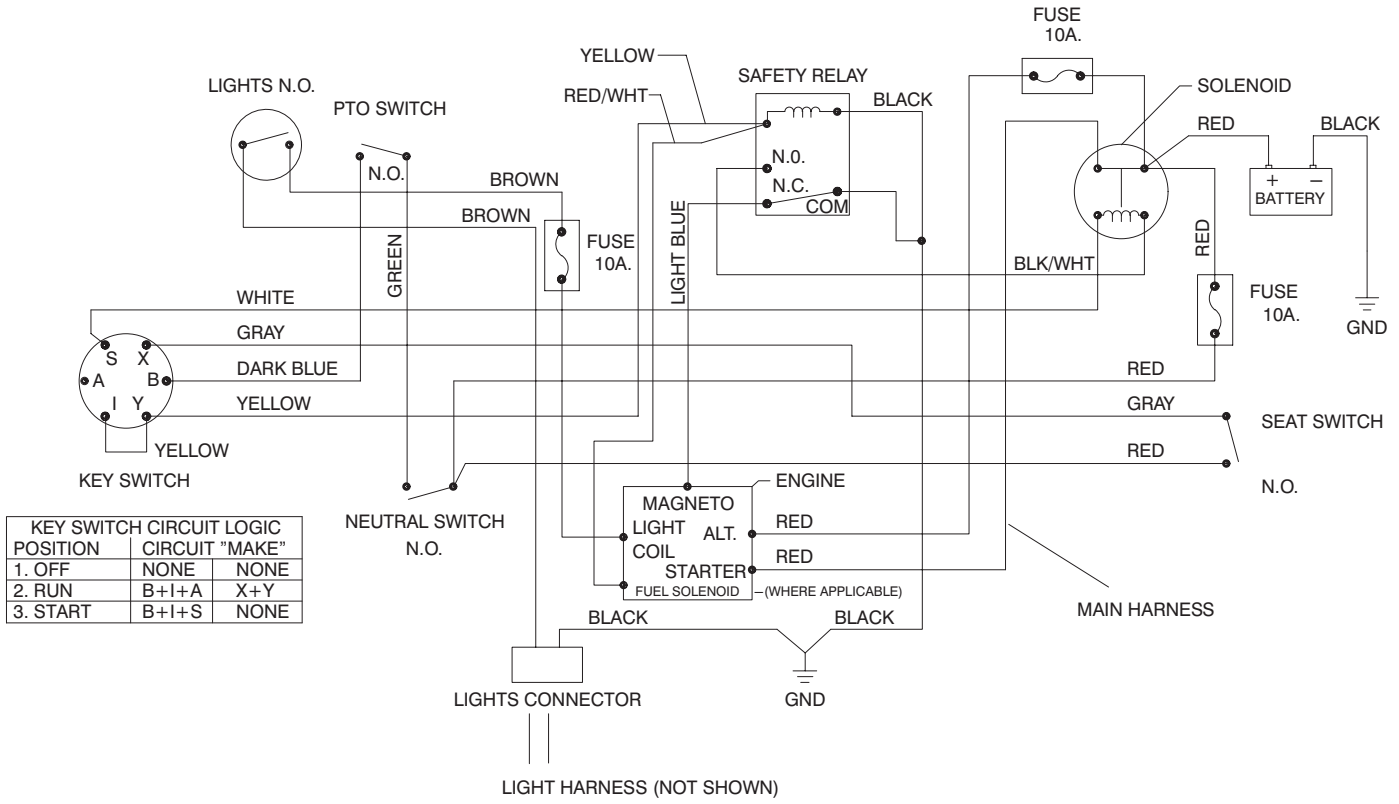


Sheet No.:20

Electrical Assembly

Ref. No.	Part No.	Qty.	Description
1	28-8080	1	Boot-Battery Terminal
2	321-4	2	Screw-HH
3	80-2600	1	Battery - 7 Plate
4	44-8110	1	Battery Cable -Neg
5	38-1420	1	Switch-Seat
6	702366	1	Clip-Wire Retainer
6	702366	2	Clip-Wire Retainer
7	32149-2	3	Nut-Hex Lock
8	92-9845	1	Solenoid
9	9266714	2	Screw-HWHTF
10	32144-32	2	Screw-Plastic
11	88-3970	1	Reflector-Lamp
12	88-3960	1	Lense - Headlights
13	9266714	1	Screw-HWHTF
14	3255-7	1	Washer-Lock
15	93-0539	4	Screw-PPH
16	3290-354	2	Nut-Speed
17	88-4880	1	Spacer - Microswitch
18	88-4320	1	Harness-Wire
19	88-9932	2	Switch - Micro
20	93-3240	1	Seal-Plunger
22	116397	1	Relay
23	93-3810	1	Wire Harness
24	88-9830	1	Switch-Ignition
24:1	3254-5	1	Washer-Lock(F/W Switch)

Ref. No.	Part No.	Qty.	Description
24:2	218-461	1	Nut-HH (F/W Sw)
25	63-8360	1	Key-Ignition
26	92-8875	1	Switch-Rocker
28	32103-22	2	Nut-Wing
29	56-2540	1	Tube-Vent Use w/80-2600
30	88-4040	1	Battery Box
31	80-2240	1	Plate-Name Grille
32	3290-299	1	Nut - Tinnerman
33	94-5362	1	Boot-Terminal Insulator

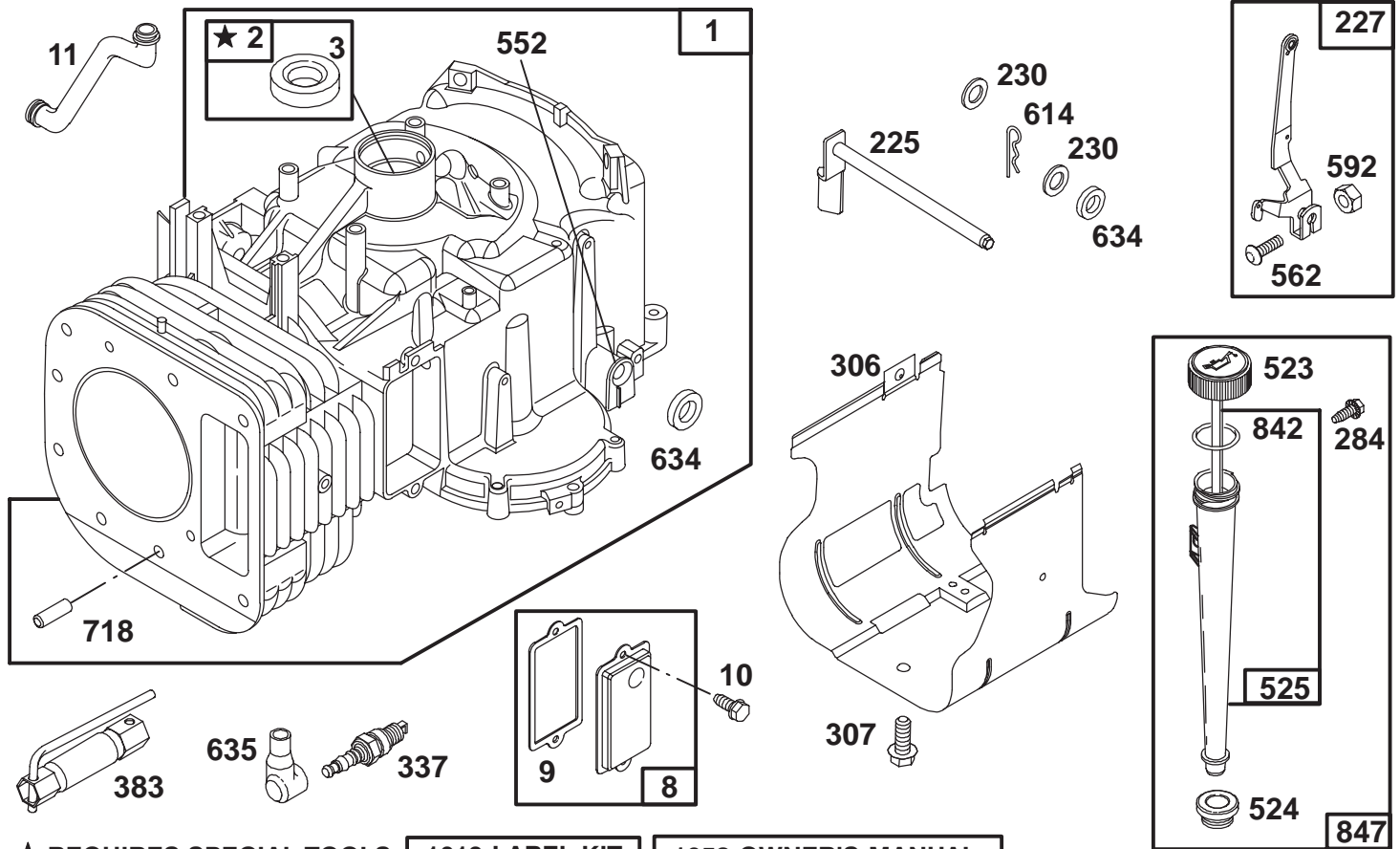


Sheet No.:21

Electrical Schematic

Ref. No.	Part No.	Qty.	Description

Ref. No.	Part No.	Qty.	Description



★ **REQUIRES SPECIAL TOOLS TO INSTALL. SEE REPAIR INSTRUCTION MANUAL.**

1019 LABEL KIT

1058 OWNER'S MANUAL

Assemblies include all parts shown in frames.

ENGINE BRIGGS & STRATTON MODEL 28N707-0131-01

Ref. No.	Part No.	Description	No. Used
1	496412	Cylinder Assembly	1
2	399265	Bearing—Cylinder	1
★3	391086	Seal—Oil	1
8	495735	Breather Assembly	1
★9	27803	Gasket—Valve Cover	1
10	94621	Screw—Sem	1
11	281246	Tube—Breather	1
225	495157	Crank—Governor	1
227	493935	Lever Assy.—Governor	1
230	94742	Washer—Governor Lever	1
284	94073	Screw—Hex. Head	1
306	225020	Shield—Cylinder	1
307	94623	Screw—Self Tap	1
337	491055	Plug—Spark	1
383	89838	Wrench—Spark Plug	1

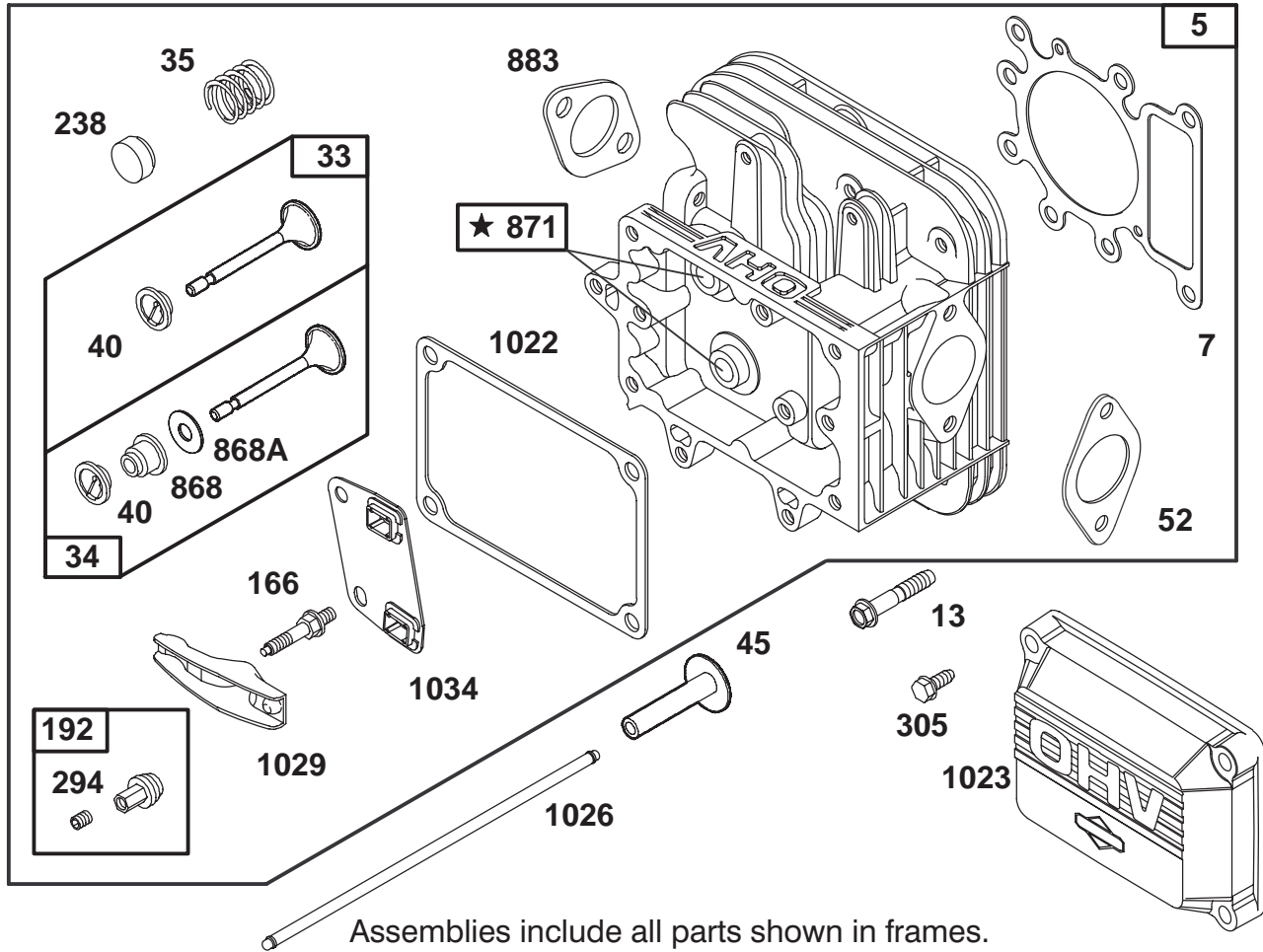
Ref. No.	Part No.	Description	No. Used
523	495230	Cap—Oil Fill	1
★524	281370	Seal—Fill Tube	1
525	496113	Tube—Oil Fill	1
552	231597	Bushing—Gov. Crank	1
562	92613	Bolt—Governor Lever	1
592	231082	Nut—Hex.	1
614	93306	Pin—Cotter	1
★634	491323	Seal—Governor	1
635	280872	Elbow—Spark Plug	1
718	230192	Pin—Dowel	1
★842	270920	Seal—Oil Fill Cap	1
847	496415	Fill Group—Oil	1
1019	496758	Label Kit	1
1058	273132	Owner's Manual	1

★ Included in Gasket Set—Part No. 495993.

△ Included in Valve Overhaul Kit—Part No. 495992.

● Included in Carburetor Kit—Part No. 498116.

◆ Included in Carburetor Gasket Set—Part No. 494385.



ENGINE BRIGGS & STRATTON MODEL 28N707-0131-01

Ref. No.	Part No.	Description	No. Used
5	495858	Head-Cylinder	1
Δ★7	272614	Gasket-Cylinder Head	1
13	94728	Screw-Cylinder Head	1
33	495856	Valve-Exhaust	1
34	495857	Valve-Intake	1
35	262811	Spring-Valve	1
40	224641	Retainer-Valve	1
45	262411	Tappet-Valve	1
Δ★52	272569	Gasket-Intake	1
166	94555	Stud-Rocker Arm	1
192	492160	Adjuster-Valve	1
238	262836	Cap-Valve	1
294	810068	Screw-Set	1

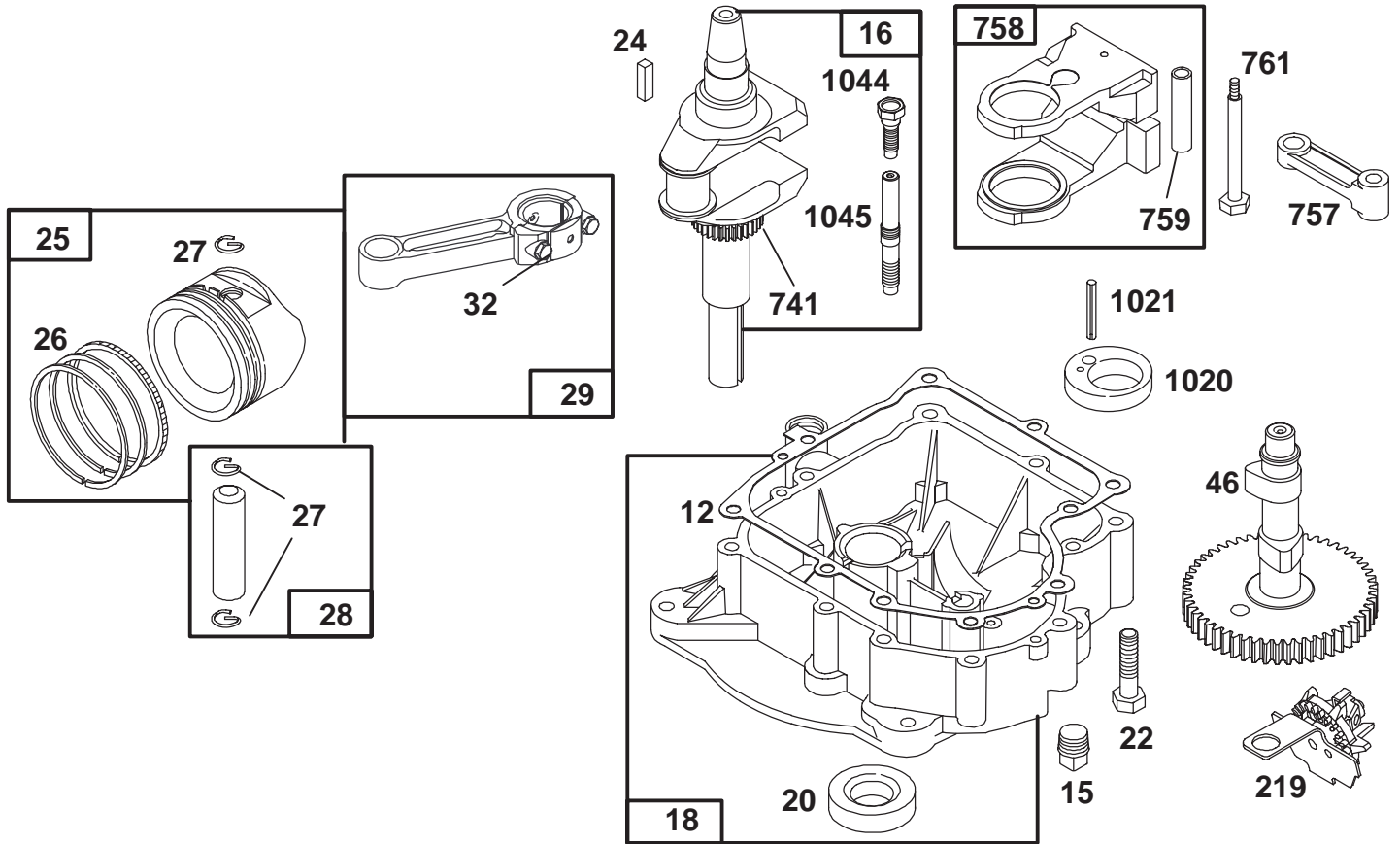
Ref. No.	Part No.	Description	No. Used
305	94786	Screw-Hex. Head	1
Δ★868	494435	Seal-Valve	1
Δ★868A	272610	Seal-Valve	1
871	262835	Bushing-Guide (Intake and Exhaust)	1
Δ★883	272293	Gasket-Exhaust	1
Δ★1022	272475	Gasket-Rocker Cover	1
1023	224552	Cover-Rocker	1
1026	494432	Rod-Push (Intake) Note: 495136 Rod-Push (Exhaust)	1
1029	224554	Arm-Rocker	1
1034	494432	Guide-Push Rod	1

★ Included in Gasket Set-Part No. 495993.

Δ Included in Valve Overhaul Kit-Part No. 495992.

● Included in Carburetor Kit-Part No. 498116.

◆ Included in Carburetor Gasket Set-Part No. 494385.



Assemblies include all parts shown in frames.

ENGINE BRIGGS & STRATTON MODEL 28N707-0131-01

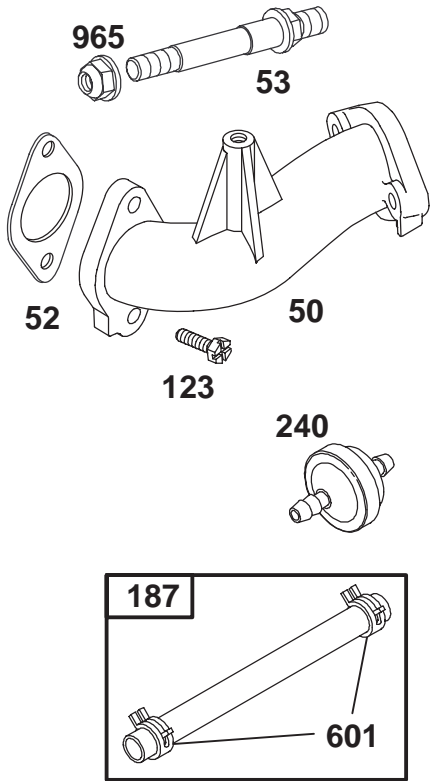
Ref. No.	Part No.	Description	No. Used	Ref. No.	Part No.	Description	No. Used
★12	271916	Gasket—Crankcase (.015" Thick)	1	27	260924	Lock—Piston Pin	1
★	271997	Gasket—Crankcase (.005" Thick)	1	28	299691	Pin—Piston (Standard)	1
★	271996	Gasket—Crankcase (.009" Thick)	1	391286	Pin—Piston (.005" O.S.)	1	
15	94239	Plug—Oil Drain	1	29	494504	Rod—Connecting	1
16	495162	Crankshaft	1	495490	Rod—Conn. (.020" U.S.)	1	
		Note: For Timing Gear Key—Order 94196.	1	32	94695	Screw—Conn. Rod (1 57/64" Long)	1
18	494238	Base—Engine	1	94648	Screw—Conn. Rod (1 5/8" Long)	1	
★20	291675	Seal—Oil	1	46	496884	Gear—Cam	1
22	94624	Screw—Sem	1	219	490815	Gear—Gov.	1
24	222698	Key—Flywheel	1	741	262932	Gear—Timing	1
25	494860	Piston Assembly (Standard)	1	757	213998	Link—Counterweight	1
	495977	Piston Assy. (.010" O.S.)	1	758	399891	Counterweight Assy.	1
	495978	Piston Assy. (.020" O.S.)	1	759	298909	Pin—Counterweight	1
	495979	Piston Assy. (.030" O.S.)	1	761	94593	Screw—Counterweight	1
26	495854	Ring Set (Standard)	1	1020	262243	Eccentric	1
	495852	Ring Set (.010" O.S.)	1	1021	94160	Pin—Eccentric	1
	495851	Ring Set (.020" O.S.)	1	1044	94673	Screw—Shoulder	1
	495855	Ring Set (.030" O.S.)	1	1045	231828	Extension—Crankshaft	1

★ Included in Gasket Set—Part No. 495993.

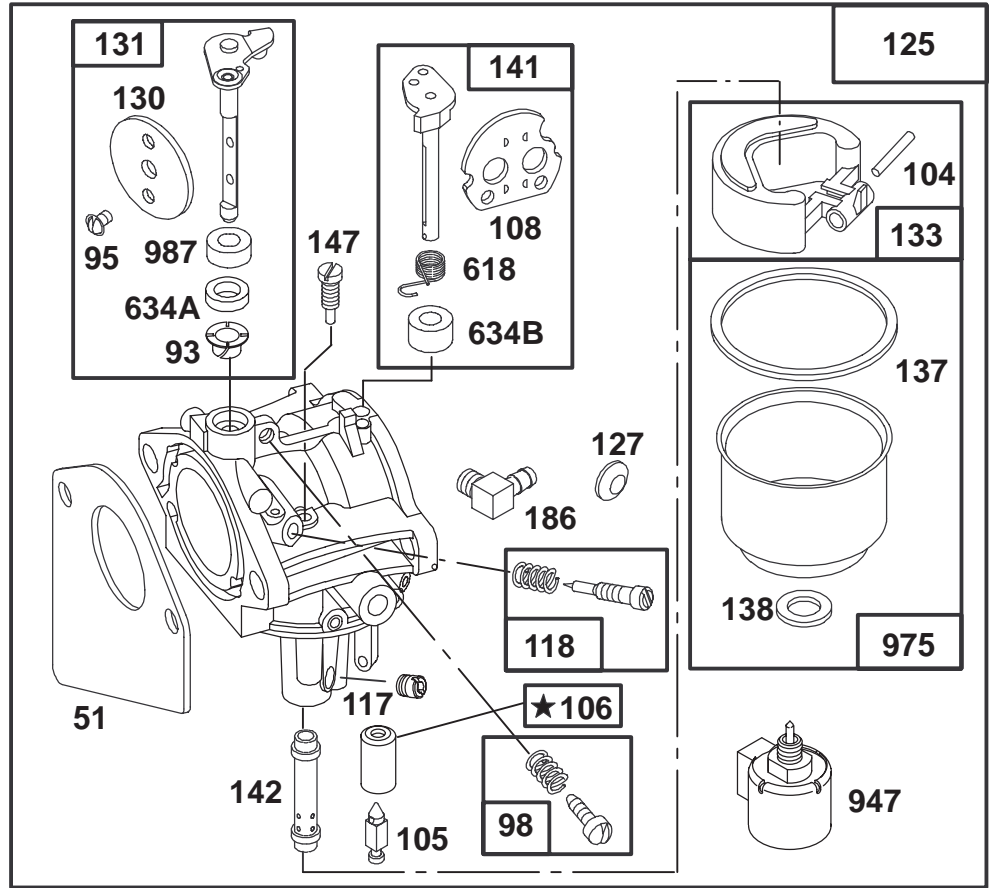
△ Included in Valve Overhaul Kit—Part No. 495992.

● Included in Carburetor Kit—Part No. 498116.

◆ Included in Carburetor Gasket Set—Part No. 494385.



★ REQUIRES SPECIAL TOOLS TO INSTALL. SEE REPAIR INSTRUCTION MANUAL.



Assemblies include all parts shown in frames.

ENGINE BRIGGS & STRATTON MODEL 28N707-0131-01

Ref. No.	Part No.	Description	No. Used
50	214047	Manifold-Intake	1
◆51	272465	Gasket-Carburetor	1
△52	272569	Gasket-Carburetor	1
53	94637	Stud-Carb. Mtg.	1
●93	281346	Bushing-Throttle Shaft	1
●95	94098	Screw-Throttle	1
98	495800	Screw-Idle Adjust	1
●104	231789	Pin-Float Hinge	1
●105	231855	Valve-Inlet Needle	1
●106	231854	Seat-Inlet	1
108	224540	Valve-Choke	1
●117	231858	Jet-Main	1
117A	231850	Jet-Main (High Altitude)	1
118	495932	Valve-Needle	1
123	94616	Screw-Elbow Mtg.	1
125	497061	Carburetor	1
●127		Plug-Welch (Sold in Kit Only)	1
130	224539	Valve-Throttle	1

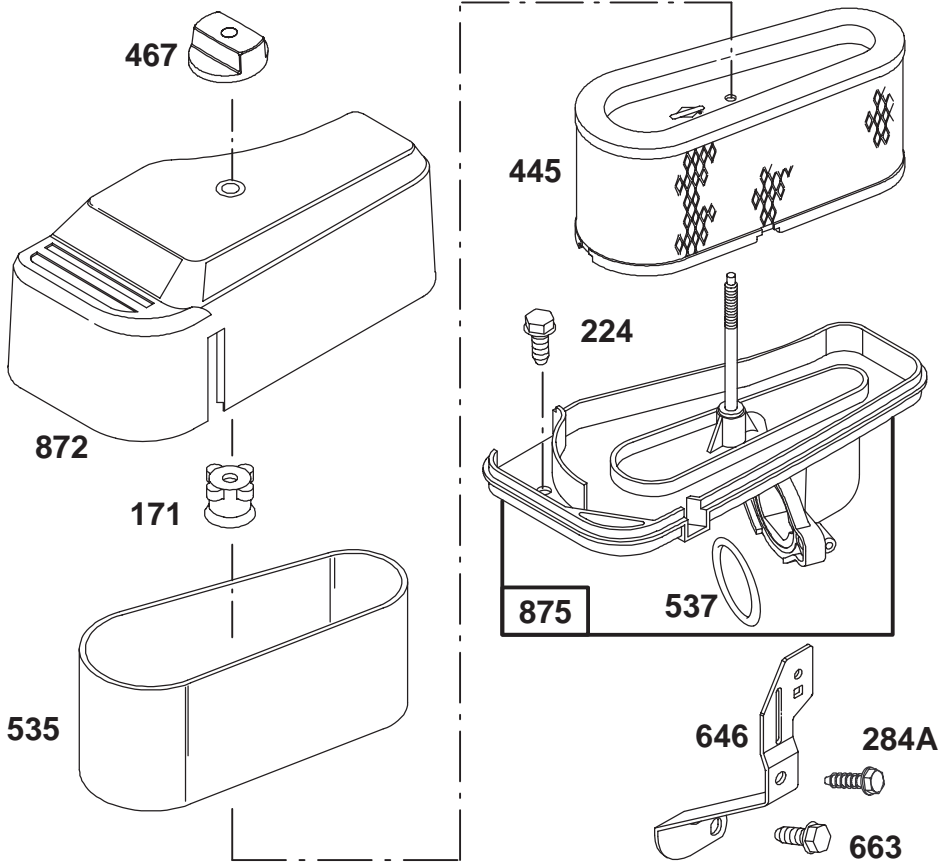
Ref. No.	Part No.	Description	No. Used
131	494379	Shaft-Throttle	1
133	494381	Float-Carburetor	1
◆137	281165	Gasket-Float Bowl	1
◆138	281164	Washer-Float Bowl	1
141	495931	Shaft-Choke	1
●142	231990	Nozzle-Carburetor	1
●147	231985	Jet-Pilot	1
186	493496	Elbow-Fuel Pipe	1
187	393815	Line-Fuel (11" Long, Cut to Suit)	1
240	394358	Filter-Fuel	1
601	93053	Clamp-Hose	1
618	262803	Spring-Choke Return	1
●634A	398970	Seal-Throttle Shaft	1
●634B	281168	Seal-Choke Shaft	1
947	497157	Solenoid	1
965	94010	Nut-Hex.	1
975	495933	Bowl-Float	1
●987	281166	Seal-Throttle Shaft	1

★ Included in Gasket Set-Part No. 495993.

△ Included in Valve Overhaul Kit-Part No. 495992.

● Included in Carburetor Kit-Part No. 499116.

◆ Included in Carburetor Gasket Set-Part No. 494385.



Assemblies include all parts shown in frames.

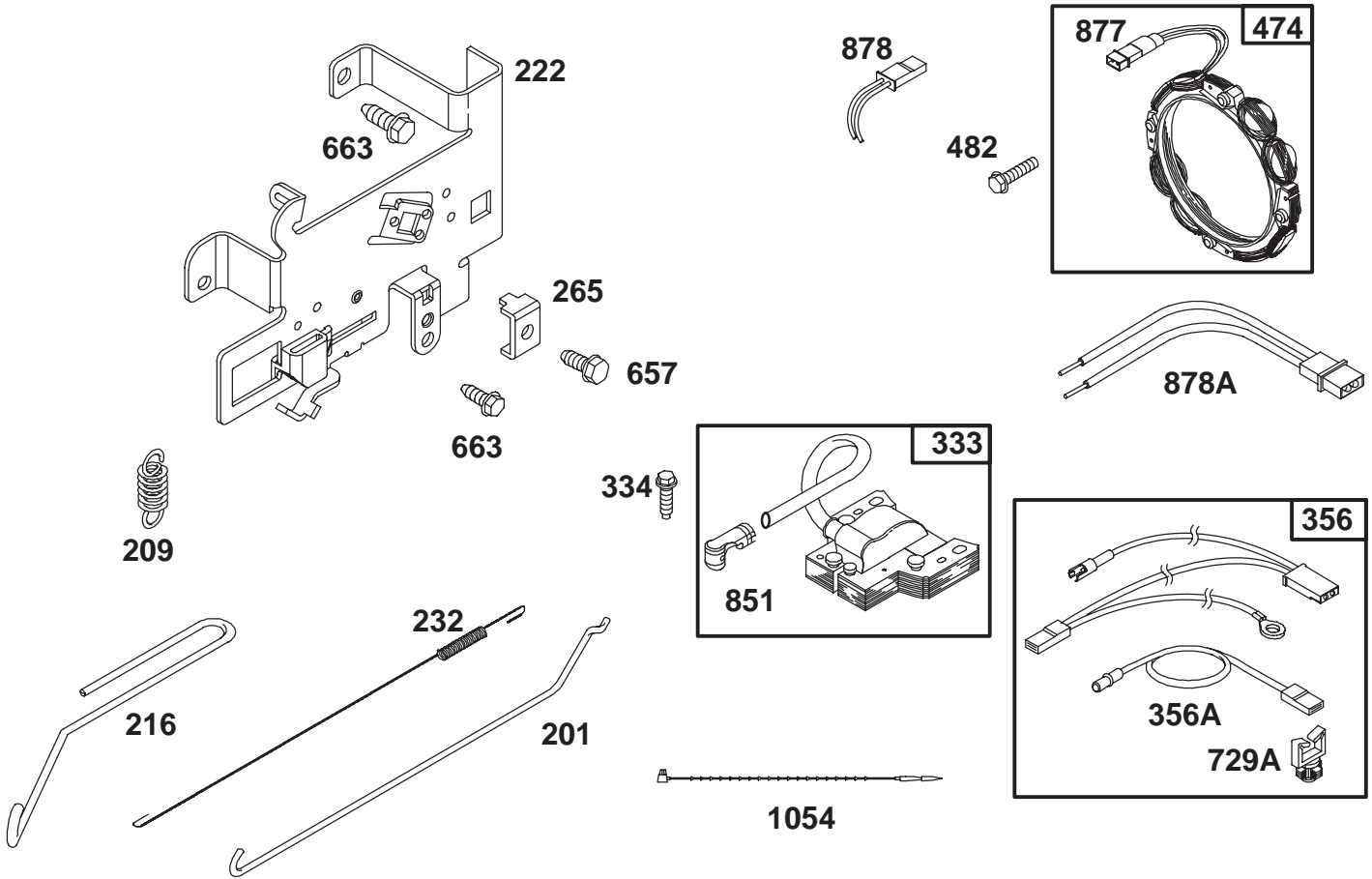
ENGINE BRIGGS & STRATTON MODEL 28N707-0131-01

Ref. No.	Part No.	Description	No. Used
171	281051	Nut—Air Cleaner Mtg.	1
224	94729	Screw—Air Cleaner Sem	1
284A	94704	Screw—Air Cleaner	1
445	493910	Filter—Air	1
467	493903	Knob—Air Cleaner	1
535	272403	Filter—Air	1

Ref. No.	Part No.	Description	No. Used
★537	281106	Gasket—Air Cleaner	1
646	224546	Brace—Air Cleaner	1
663	94620	Screw—Hex. Hd.	1
872	281361	Cover—Air Cleaner	1
875	495862	Body—Air Cleaner	1

★ Included in Gasket Set—Part No. 495993.
 △ Included in Valve Overhaul Kit—Part No. 495992.

● Included in Carburetor Kit—Part No. 498116.
 ◆ Included in Carburetor Gasket Set—Part No. 494385.



Assemblies include all parts shown in frames.

ENGINE BRIGGS & STRATTON MODEL 28N707-0131-01

Ref. No.	Part No.	Description	No. Used
201	262767	Link-Governor	1
209	260695	Spring-Governor	1
216	262766	Link-Choke	1
222	495611	Plate-Gov. Control	1
232	262785	Spring-Governor Link	1
265	221535	Clamp-Casing	1
333	495859	Armature-Magneto	1
334	93381	Screw-Sem	1
356	497708	Wire-Stop	1
356A	494705	Wire-Ground	1

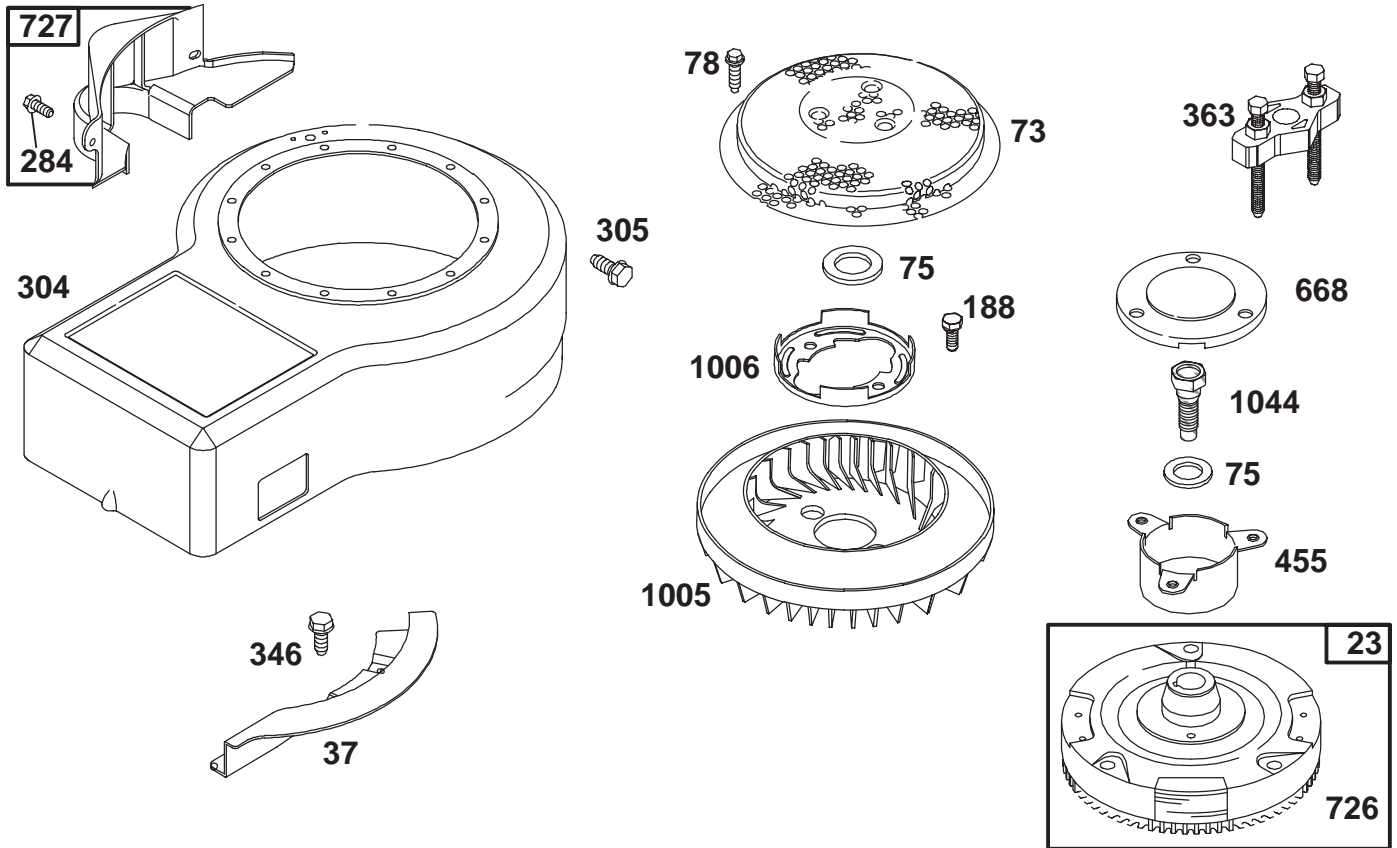
Ref. No.	Part No.	Description	No. Used
474	393474	Alternator	1
482	93621	Screw-Sem	1
657	93496	Screw-Sem	1
663	94620	Screw-Hex. Hd.	1
729A	281390	Clip-Lead Wire	1
851	493880	Terminal-Ignition Cable	1
877	393456	Diode Assy.	1
878	393362	Harness-Alternator	1
878A	399916	Harness-Alternator	1
1054	270723	Tie-Cable	1

★ Included in Gasket Set-Part No. 495993.

△ Included in Valve Overhaul Kit-Part No. 495992.

● Included in Carburetor Kit-Part No. 499116.

◆ Included in Carburetor Gasket Set-Part No. 494385.



Assemblies include all parts shown in frames.

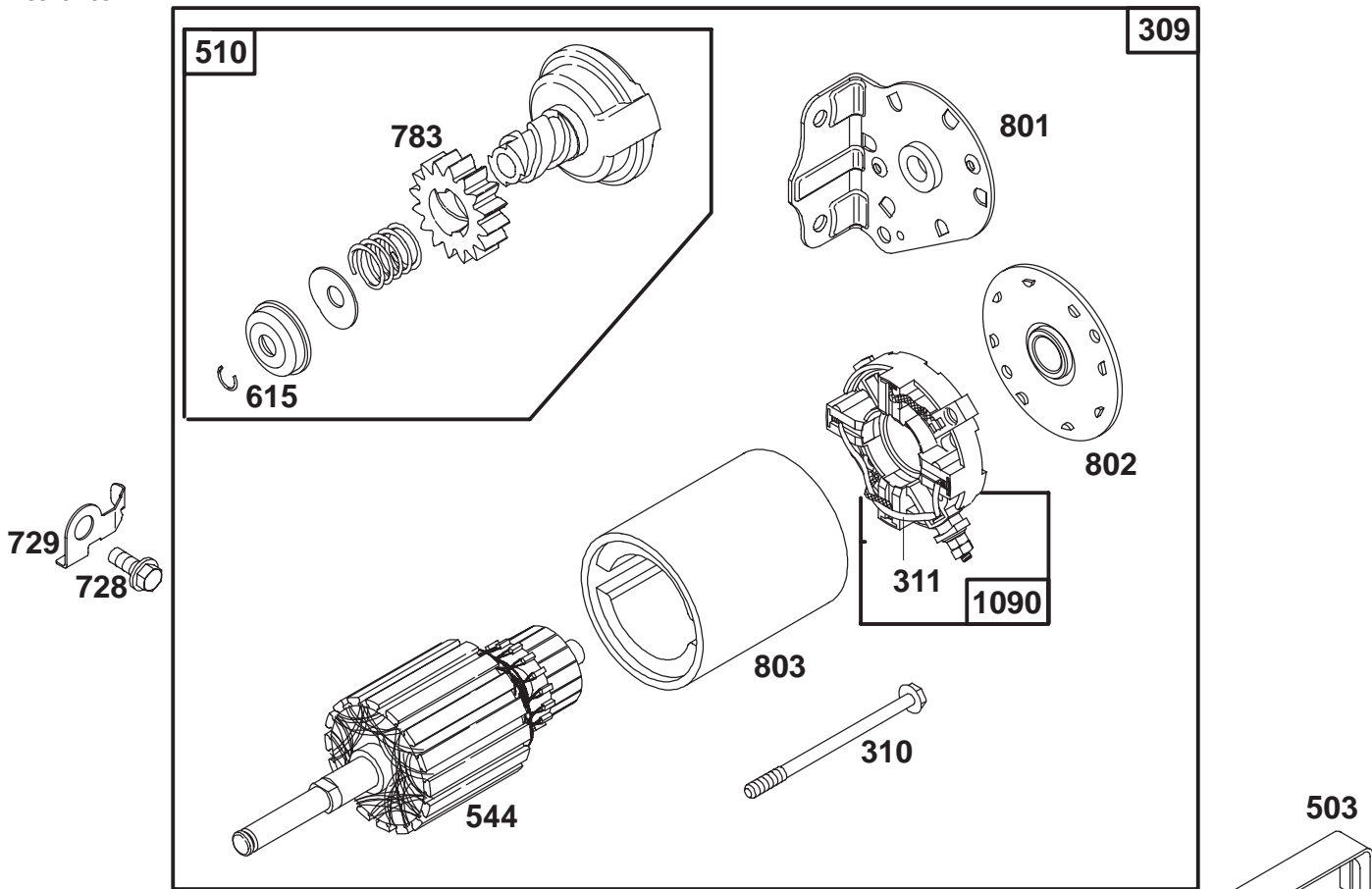
ENGINE BRIGGS & STRATTON MODEL 28N707-0131-01

Ref. No.	Part No.	Description	No. Used
23	492326	Flywheel	1
37	224502	Guard-Flywheel	1
73	224948	Screen-Rotating	1
75	225136	Washer-Spring	1
78	94954	Screw-Sem	1
188	94627	Screw-Sem	1
284	94073	Screw-Hex. Head	1
304	496431	Housing-Blower	1
346	93705	Screw-Hex. Head	1

Ref. No.	Part No.	Description	No. Used
363	19203	Puller-Flywheel	1
455	222561	Cup-Flywheel	1
668	280848	Spacer	1
726	392134	Gear-Ring (Includes Mtg. Hardware)	1
727	490324	Guard-Flywheel	1
1005	281355	Fan-Flywheel	1
1006	224413	Retainer-Fan	1
1044	94673	Screw-Shoulder	1

★ Included in Gasket Set-Part No. 494241.
 ◆ Included in Carburetor Gasket Set-Part No. 494385.

● Included in Carburetor Kit-Part No. 496622.



Assemblies include all parts shown in frames.

ENGINE BRIGGS & STRATTON MODEL 28N707-0131-01

Ref. No.	Part No.	Description	No. Used
309	497595	Motor-Starter	1
310	94003	Bolt-Thru	1
311	497608	Brush Set	1
503	806000	Strap-Starter	1
510	497606	Drive-Starter	1
544	497603	Armature-Starter	1
615	263080	Retainer	1

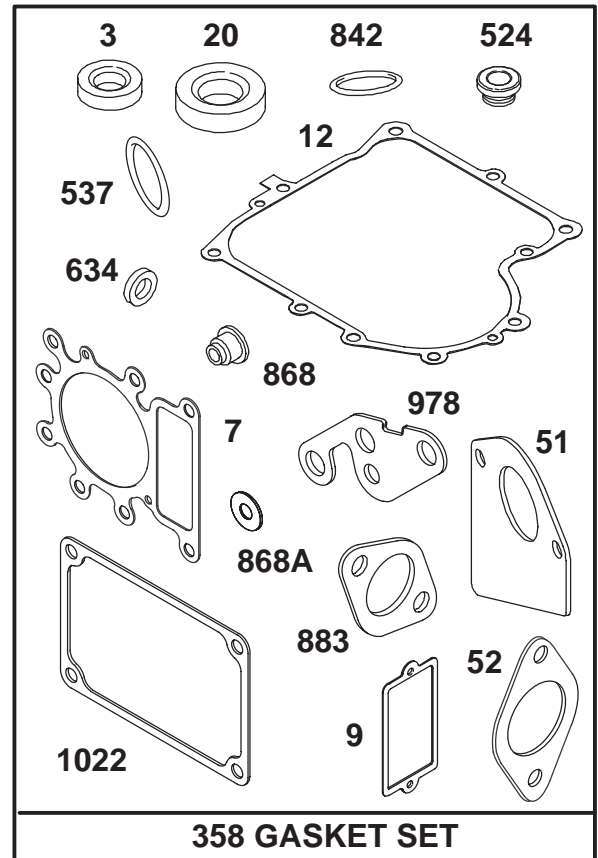
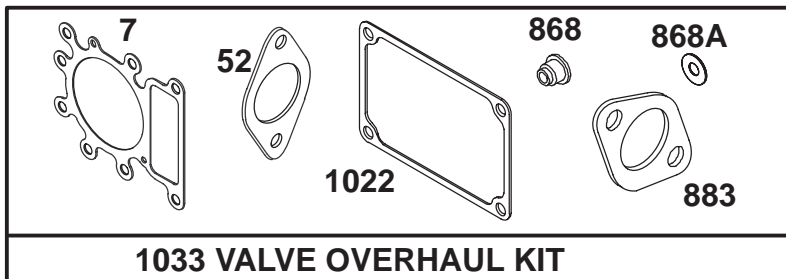
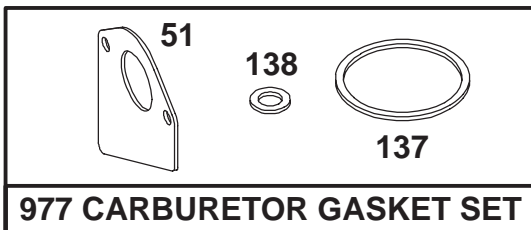
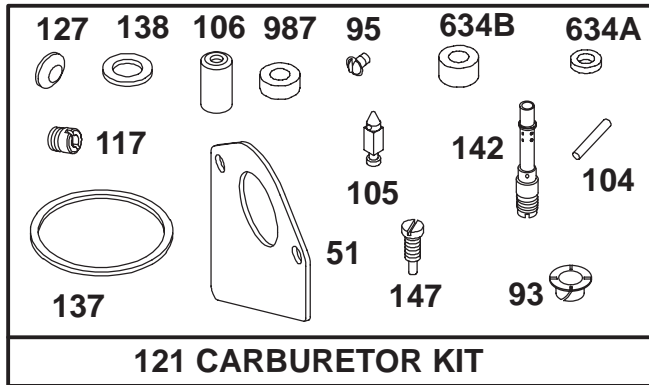
Ref. No.	Part No.	Description	No. Used
728	94627	Screw-Hex. Head	1
729	225170	Clip-Wire	1
783	280104	Gear-Starter	1
801	394856	Cap-Drive	1
802	497607	Plate-Cover	1
803	497604	Housing-Starter	1
1090	497605	Cap-End	1

★ Included in Gasket Set-Part No. 495993.

△ Included in Valve Overhaul Kit-Part No. 495992.

● Included in Carburetor Kit-Part No. 498116.

◆ Included in Carburetor Gasket Set-Part No. 494385.



Assemblies include all parts shown in frames.

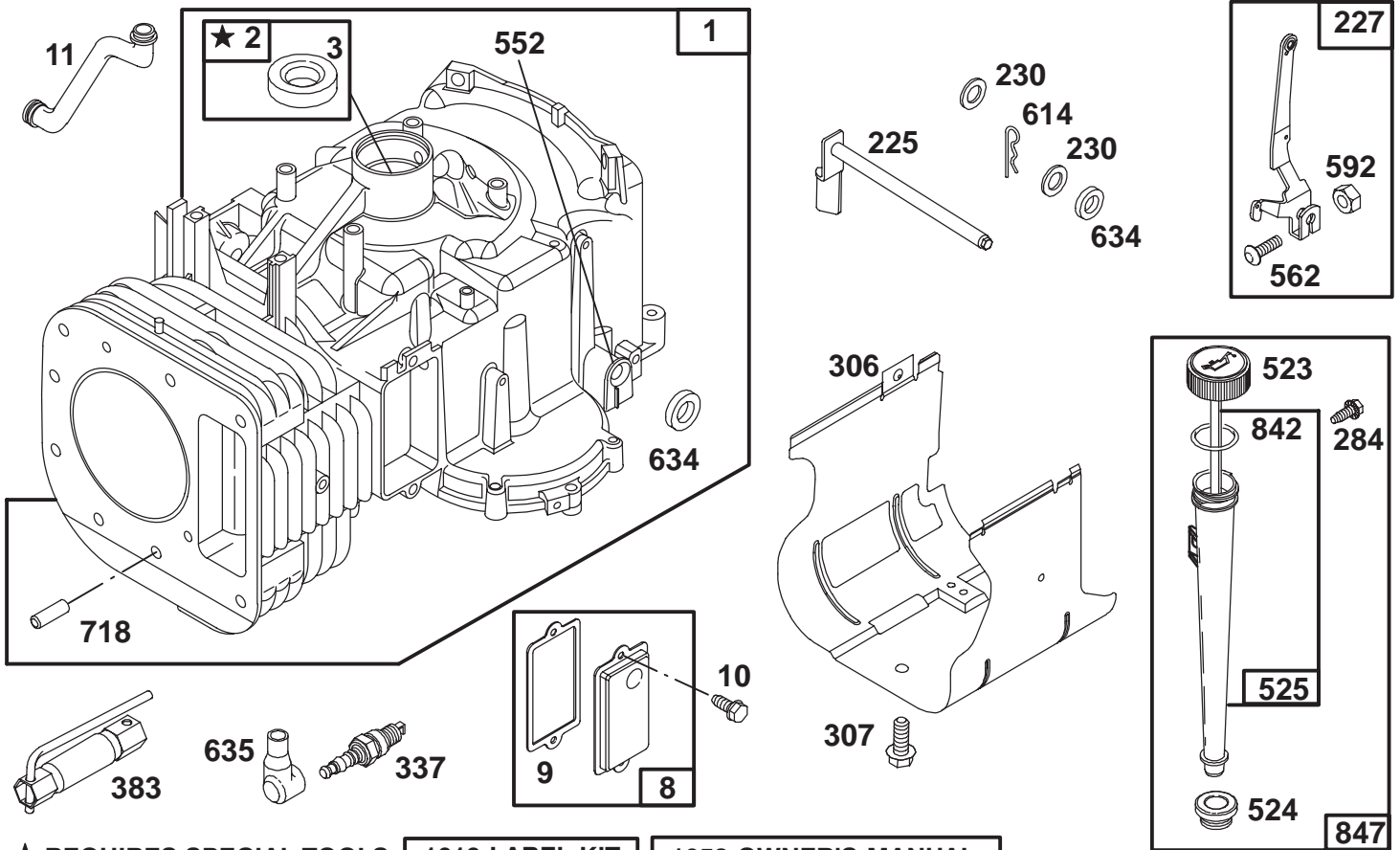
ENGINE BRIGGS & STRATTON MODEL 28N707-0131-01

Ref. No.	Part No.	Description	No. Used
★3	391086	Seal—Oil	1
△★7	272614	Gasket—Cylinder Head	1
★9	27803	Gasket—Valve Cover	1
★12	271916	Gasket—Crankcase (.015" Thick)	1
★	271997	Gasket—Crankcase (.005" Thick)	1
★	271996	Gasket—Crankcase (.009" Thick)	1
★20	291675	Seal—Oil	1
●◆51	272465	Gasket—Carburetor	1
△★52	272569	Gasket—Carburetor	1
●93	281346	Bushing—Throttle Shaft	1
●95	94098	Screw—Throttle	1
●104	231789	Pin—Float Hinge	1
●105	231855	Valve—Inlet Needle	1
●106	231854	Seat—Inlet	1
●117	231858	Jet—Main	1
121	498116	Carburetor Kit	1
●127		Plug—Welch (Sold in Kit Only).	1

Ref. No.	Part No.	Description	No. Used
●◆137	281165	Gasket—Float Bowl	1
●◆138	281164	Washer—Float Bowl	1
●142	231990	Nozzle—Carburetor	1
●147	231985	Jet—Pilot	1
358	495993	Gasket Set	1
★524	281370	Seal—Fill Tube	1
★537	281106	Gasket—Air Cleaner	1
★634	491323	Seal—Governor	1
●634A	398970	Seal—Throttle Shaft	1
●634B	281168	Seal—Choke Shaft	1
★842	270920	Seal—Oil Filler Cap	1
△★868	494435	Seal—Valve	1
△★868A	272610	Seal—Valve	1
★883	272293	Gasket—Exhaust	1
977	494385	Carburetor Gasket Set	1
★978	272888	Gasket—Adapter	1
●987	281166	Seal—Throttle Shaft	1
△★1022	272475	Gasket—Rocker Cover	1
1033	495992	Kit—Valve Overhaul	1

★ Included in Gasket Set—Part No. 495993.
 △ Included in Valve Overhaul Kit—Part No. 495992.

● Included in Carburetor Kit—Part No. 498116.
 ◆ Included in Carburetor Gasket Set—Part No. 494385.



★ **REQUIRES SPECIAL TOOLS TO INSTALL. SEE REPAIR INSTRUCTION MANUAL.**

1019 LABEL KIT

1058 OWNER'S MANUAL

Assemblies include all parts shown in frames.

ENGINE BRIGGS & STRATTON MODEL 28N777-0174-01

Ref. No.	Part No.	Description	No. Used
1	496412	Cylinder Assembly	1
2	399265	Bearing-Cylinder	1
★3	391086	Seal-Oil	1
8	495735	Breather Assembly	1
★9	27803	Gasket-Valve Cover	1
10	94621	Screw-Sem	1
11	281246	Tube-Breather	1
225	495157	Crank-Governor	1
227	493935	Lever Assy.-Governor	1
230	94742	Washer-Governor Lever	1
284	94073	Screw-Hex. Head	1
306	225020	Shield-Cylinder	1
307	94623	Screw-Self Tap	1
337	491055	Plug-Spark	1
383	89838	Wrench-Spark Plug	1

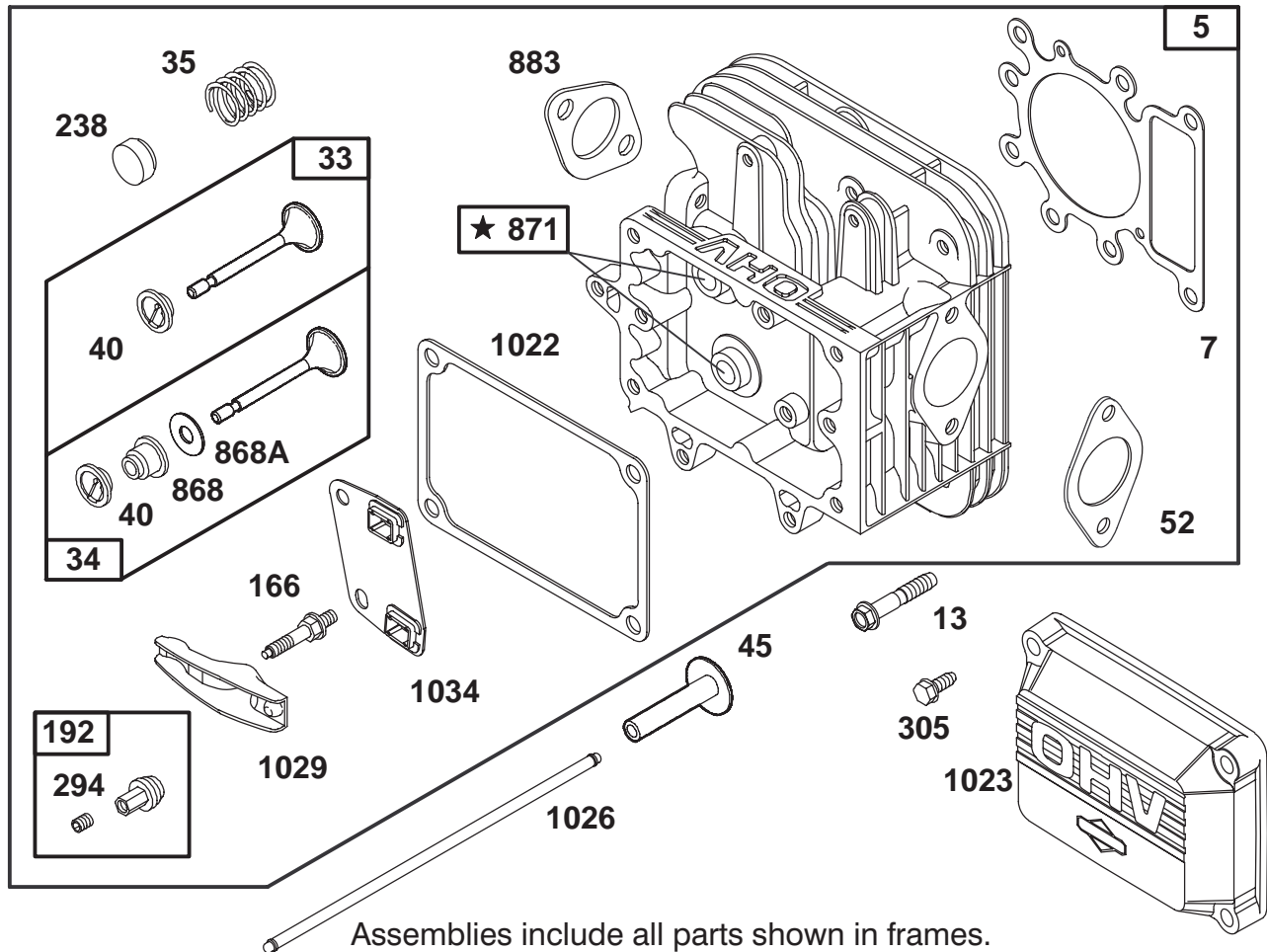
Ref. No.	Part No.	Description	No. Used
523	495230	Cap-Oil Fill	1
★524	281370	Seal-Fill Tube	1
525	496113	Tube-Oil Fill	1
552	231597	Bushing-Gov. Crank	1
562	92613	Bolt-Carriage	1
592	231082	Nut-Hex.	1
614	93306	Pin-Cotter	1
★634	491323	Seal-Governor	1
635	280872	Elbow-Spark Plug	1
718	230192	Pin-Dowel	1
★842	270920	Seal-Oil Fill Cap	1
847	496415	Fill Group-Oil	1
1019	496758	Label Kit	1
1058	273132	Owner's Manual	1

★ Included in Gasket Set-Part No. 495993.

△ Included in Valve Overhaul Kit-Part No. 495992.

● Included in Carburetor Kit-Part No. 498116.

◆ Included in Carburetor Gasket Set-Part No. 494385.



ENGINE BRIGGS & STRATTON MODEL 28N777-0174-01

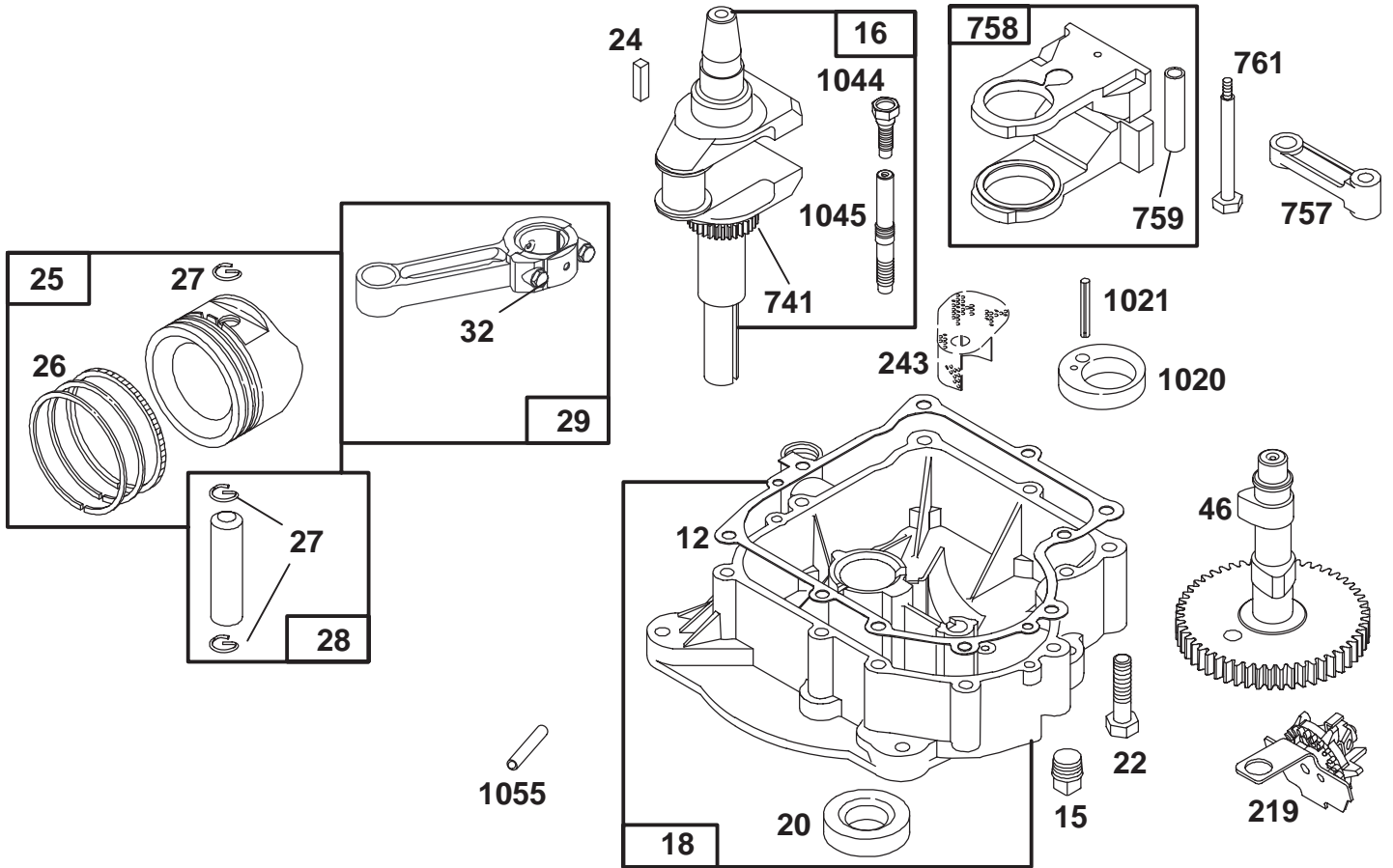
Ref. No.	Part No.	Description	No. Used	Ref. No.	Part No.	Description	No. Used
5	495858	Head-Cylinder	1	Δ★868	494435	Seal-Valve	1
Δ★7	272614	Gasket-Cylinder Head	1	Δ★868A	272610	Seal-Valve	1
13	94728	Screw-Cylinder Head	1	871	262835	Bushing-Guide (Intake and Exhaust)	1
33	495856	Valve-Exhaust	1	Δ★883	272293	Gasket-Exhaust	1
34	495857	Valve-Intake	1	Δ★1022	272475	Gasket-Rocker Cover	1
35	262811	Spring-Valve	1	1023	224552	Cover-Rocker	1
40	224641	Retainer-Valve	1	1026	494432	Rod-Push (Intake)	1
45	262411	Tappet-Valve	1			Note: 495136 Rod-Push (Exhaust)	1
Δ★52	272569	Gasket-Carburetor	1	1029	224554	Arm-Rocker	1
166	94555	Stud-Rocker Arm	1	1034	494432	Guide-Push Rod	1
192	492160	Adjuster-Valve	1				
238	262836	Cap-Valve	1				
294	810068	Screw-Set	1				
305	94786	Screw-Hex. Head	1				

★ Included in Gasket Set-Part No. 495993.

Δ Included in Valve Overhaul Kit-Part No. 495992.

● Included in Carburetor Kit-Part No. 498116.

◆ Included in Carburetor Gasket Set-Part No. 494385.



Assemblies include all parts shown in frames.

ENGINE BRIGGS & STRATTON MODEL 28N777-0174-01

Ref. No.	Part No.	Description	No. Used
★12	271916	Gasket-Crankcase (.015" Thick)	1
★	271997	Gasket-Crankcase (.005" Thick)	1
★	271996	Gasket-Crankcase (.009" Thick)	1
15	94239	Plug-Oil Drain	1
16	495162	Crankshaft	1
		Note: For Timing Gear Key-Order 94196.	1
18	496742	Base-Engine	1
★20	291675	Seal-Oil	1
22	94624	Screw-Sem	1
24	222698	Key-Flywheel	1
25	494860	Piston Assembly (Standard)	1
	495977	Piston Assy. (.010" O.S.)	1
	495978	Piston Assy. (.020" O.S.)	1
	495979	Piston Assy. (.030" O.S.)	1
26	495854	Ring Set (Standard)	1
	495852	Ring Set (.010" O.S.)	1
	495851	Ring Set (.020" O.S.)	1
	495855	Ring Set (.030" O.S.)	1

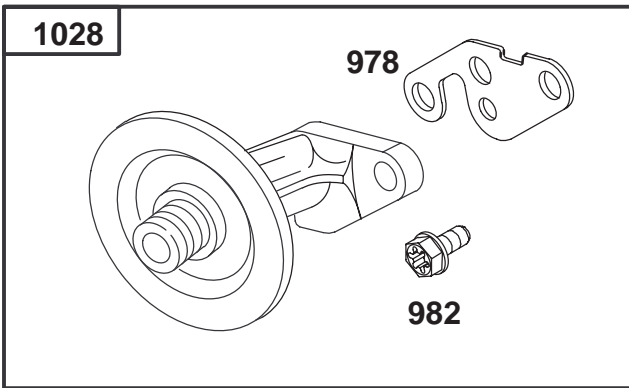
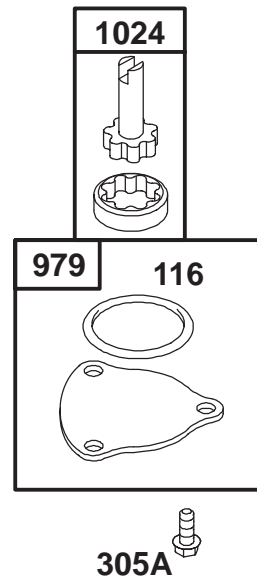
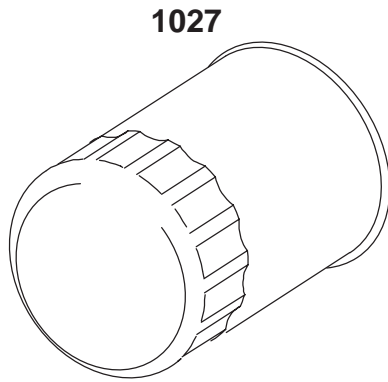
Ref. No.	Part No.	Description	No. Used
27	260924	Lock-Piston Pin	1
28	299691	Pin-Piston (Standard)	1
	391286	Pin-Piston (.005" O.S.)	1
29	494504	Rod-Connecting	1
	495490	Rod-Conn. (.020" U.S.)	1
32	94695	Screw-Conn. Rod (1 57/64" Long)	1
	94648	Screw-Conn. Rod (1 5/8" Long)	1
46	496885	Gear-Cam	1
219	490815	Gear-Governor	1
243	225076	Screen-Oil Pump	1
741	262932	Gear-Timing	1
757	213998	Link-Counterweight	1
758	399891	Counterweight Assy.	1
759	298909	Pin-Counterweight	1
761	94593	Screw-Counterweight	1
1020	262243	Eccentric	1
1021	94160	Pin-Eccentric	1
1044	94673	Screw-Shoulder	1
1045	231828	Extension-Crankshaft	1
1055	231931	Tube-Oil Pump	1

★ Included in Gasket Set-Part No. 495993.

△ Included in Valve Overhaul Kit-Part No. 495992.

● Included in Carburetor Kit-Part No. 498116.

◆ Included in Carburetor Gasket Set-Part No. 494385.



Assemblies include all parts shown in frames.

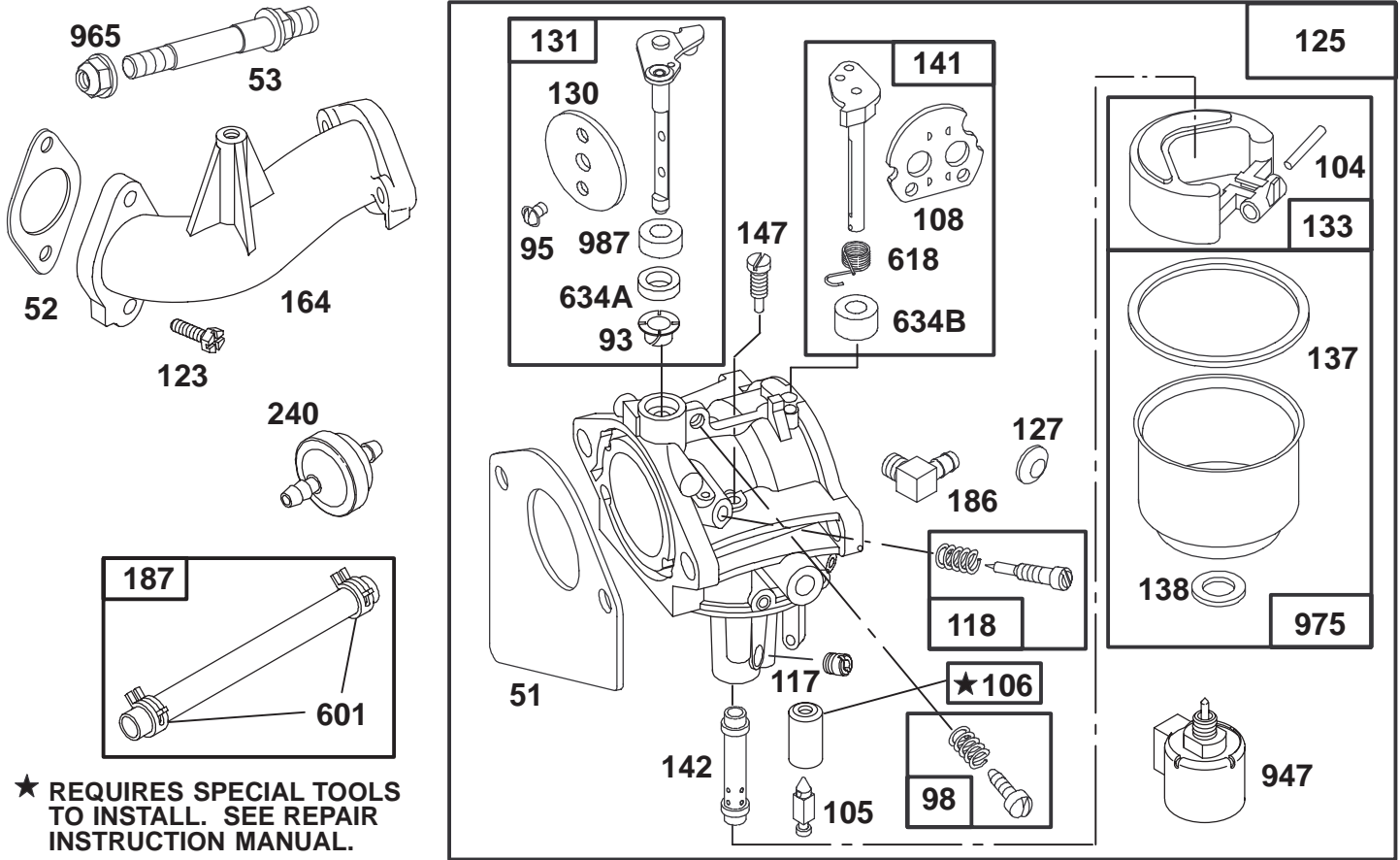
ENGINE BRIGGS & STRATTON MODEL 28N777-0174-01

Ref. No.	Part No.	Description	No. Used
★116	281402	Seal—O-Ring	1
305A	94619	Screw—Sem	1
★978	272888	Gasket—Adapter	1
979	496745	Cover—Pump	1
982	94773	Screw—Sem	1

Ref. No.	Part No.	Description	No. Used
1024	493884	Pump—Oil	1
1027	492932	Filter—Oil	1
1028	496744	Adapter—Filter	1

★ Included in Gasket Set—Part No. 495993.
 △ Included in Valve Overhaul Kit—Part No. 495992.

● Included in Carburetor Kit—Part No. 498116.
 ◆ Included in Carburetor Gasket Set—Part No. 494385.



★ REQUIRES SPECIAL TOOLS TO INSTALL. SEE REPAIR INSTRUCTION MANUAL.

Assemblies include all parts shown in frames.

ENGINE BRIGGS & STRATTON MODEL 28N777-0174-01

Ref. No.	Part No.	Description	No. Used
◆51	272465	Gasket—Carburetor	1
△★52	272569	Gasket—Carburetor	1
53	94637	Stud—Carb. Mtg.	1
●93	281346	Bushing—Throttle Shaft	1
●95	94098	Screw—Throttle	1
98	495800	Screw—Idle Adjust	1
●104	231789	Pin—Float Hinge	1
●105	231855	Valve—Inlet Needle	1
●106	231854	Seat—Inlet	1
108	224540	Valve—Choke	1
●117	231858	Jet—Main	1
117A	231850	Jet—Main (High Altitude)	1
118	495932	Valve—Needle	1
123	94616	Screw—Elbow Mtg.	1
125	498061	Carburetor	1
●127		Plug—Welch (Sold in Kit Only)	1
130	224539	Valve—Throttle	1
131	494379	Shaft—Throttle	1

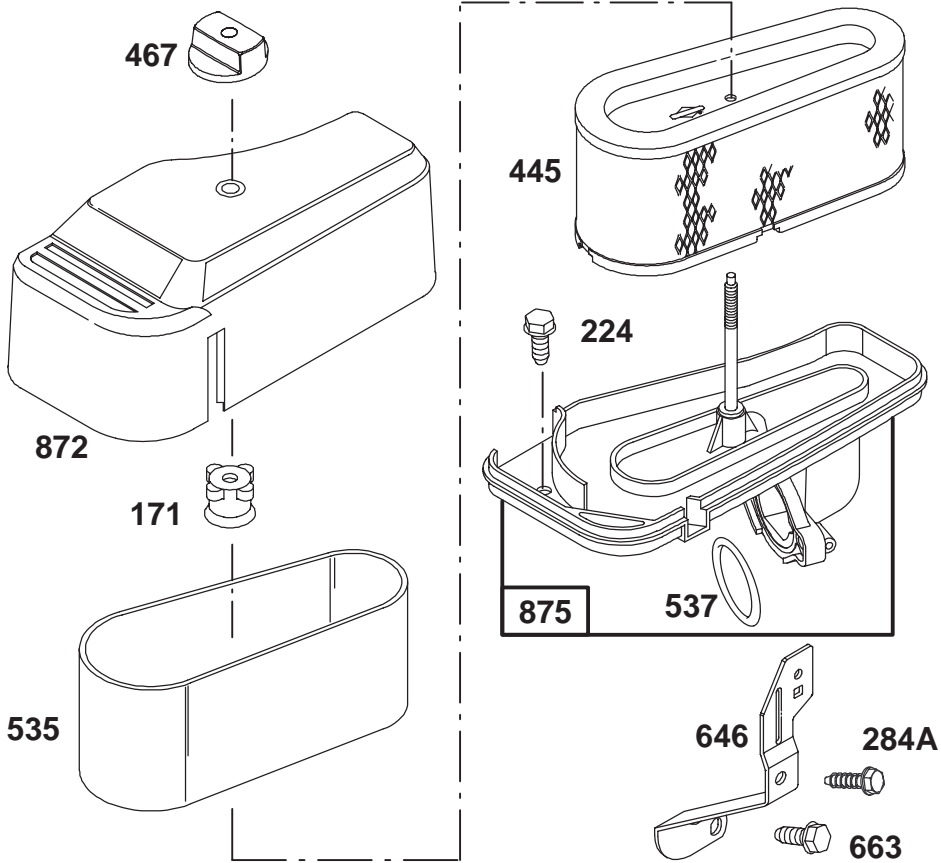
Ref. No.	Part No.	Description	No. Used
133	494381	Float—Carburetor	1
●◆137	281165	Gasket—Float Bowl	1
●◆138	281164	Washer—Float Bowl	1
141	495931	Shaft—Choke	1
●142	231990	Nozzle—Carburetor	1
●147	231985	Jet—Pilot	1
164	214047	Manifold—Intake	1
186	493496	Elbow—Fuel Pipe	1
187	393815	Line—Fuel (11" Long, Cut to Suit)	1
240	394358	Filter—Fuel	1
601	93053	Clamp—Hose	1
618	262803	Spring—Choke Return	1
●634A	398970	Seal—Throttle Shaft	1
●634B	281168	Seal—Choke Shaft	1
947	497157	Solenoid	1
965	94010	Nut—Hex.	1
975	495933	Bowl—Float	1
●987	281166	Seal—Throttle Shaft	1

★ Included in Gasket Set—Part No. 495993.

△ Included in Valve Overhaul Kit—Part No. 495992.

● Included in Carburetor Kit—Part No. 499116.

◆ Included in Carburetor Gasket Set—Part No. 494385.



Assemblies include all parts shown in frames.

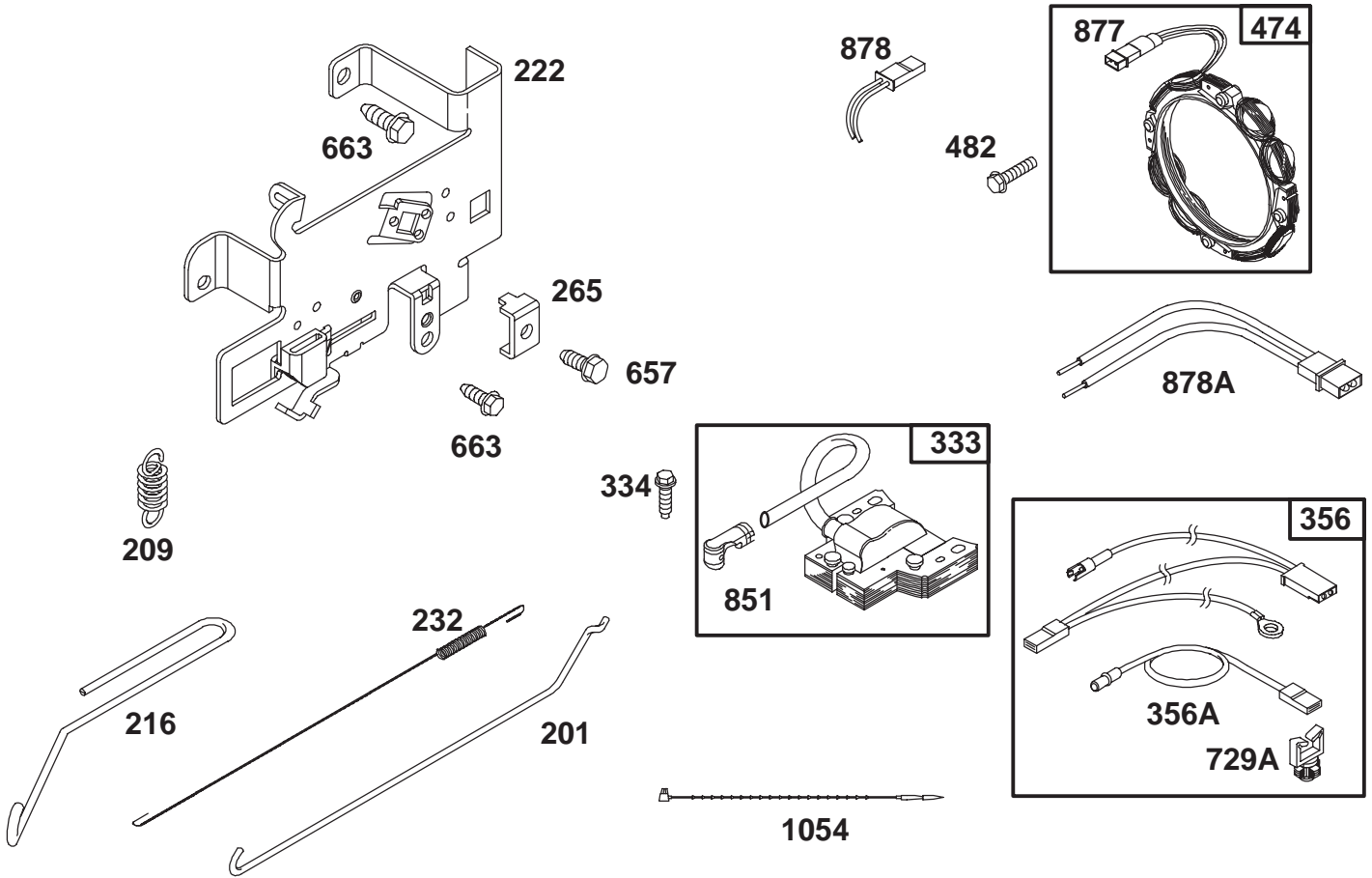
ENGINE BRIGGS & STRATTON MODEL 28N777-0174-01

Ref. No.	Part No.	Description	No. Used
171	281051	Nut—Air Cleaner Mtg.	1
224	94729	Screw—Air Cleaner Sem	1
284A	94704	Screw—Air Cleaner	1
445	493910	Filter—Air	1
467	493903	Knob—Air Cleaner	1
535	272403	Filter—Air	1

Ref. No.	Part No.	Description	No. Used
★537	281106	Gasket—Air Cleaner	1
646	224546	Brace—Air Cleaner	1
663	94620	Screw—Hex. Hd.	1
872	281361	Cover—Air Cleaner	1
875	495862	Body—Air Cleaner	1

★ Included in Gasket Set—Part No. 495993.
 △ Included in Valve Overhaul Kit—Part No. 495992.

● Included in Carburetor Kit—Part No. 498116.
 ◆ Included in Carburetor Gasket Set—Part No. 494385.



Assemblies include all parts shown in frames.

ENGINE BRIGGS & STRATTON MODEL 28N777-0174-01

Ref. No.	Part No.	Description	No. Used
201	262767	Link-Governor	1
209	260695	Spring-Governor	1
216	262766	Link-Choke	1
222	495611	Plate-Gov. Control	1
232	262785	Spring-Governor Link	1
265	221535	Clamp-Casing	1
333	495859	Armature-Magneto	1
334	93381	Screw-Sem	1
356	497708	Wire-Stop	1
356A	494705	Wire-Ground	1

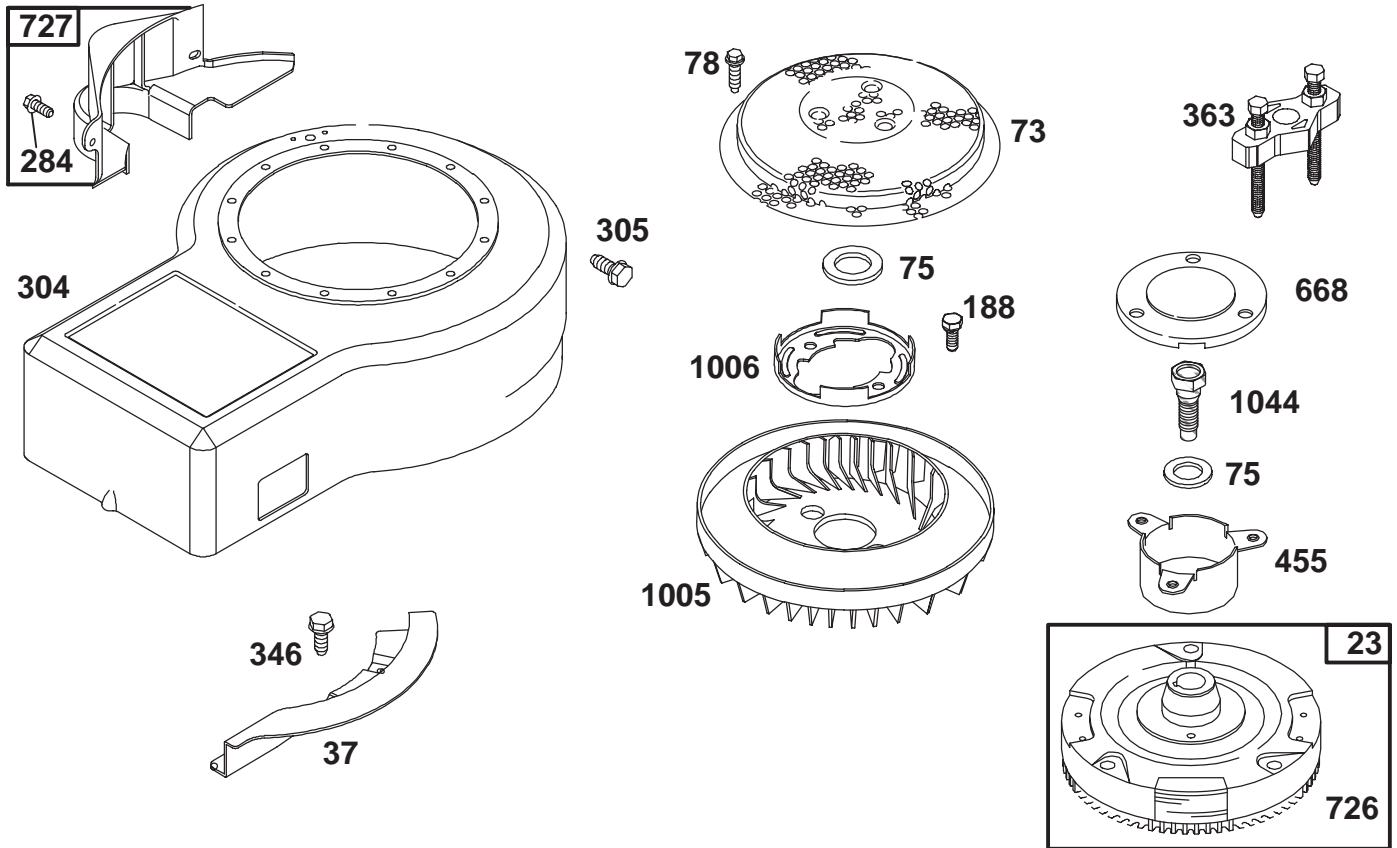
Ref. No.	Part No.	Description	No. Used
474	393474	Alternator	1
482	93621	Screw-Sem	1
657	93496	Screw-Sem	1
663	94620	Screw-Hex. Hd.	1
729A	281390	Clip-Lead Wire	1
851	493880	Terminal-Ignition Cable	1
877	393456	Diode Assy.	1
878	393362	Harness-Alternator	1
878A	399916	Harness-Alternator	1
1054	270723	Tie-Cable	1

★ Included in Gasket Set-Part No. 495993.

△ Included in Valve Overhaul Kit-Part No. 495992.

● Included in Carburetor Kit-Part No. 499116.

◆ Included in Carburetor Gasket Set-Part No. 494385.



Assemblies include all parts shown in frames.

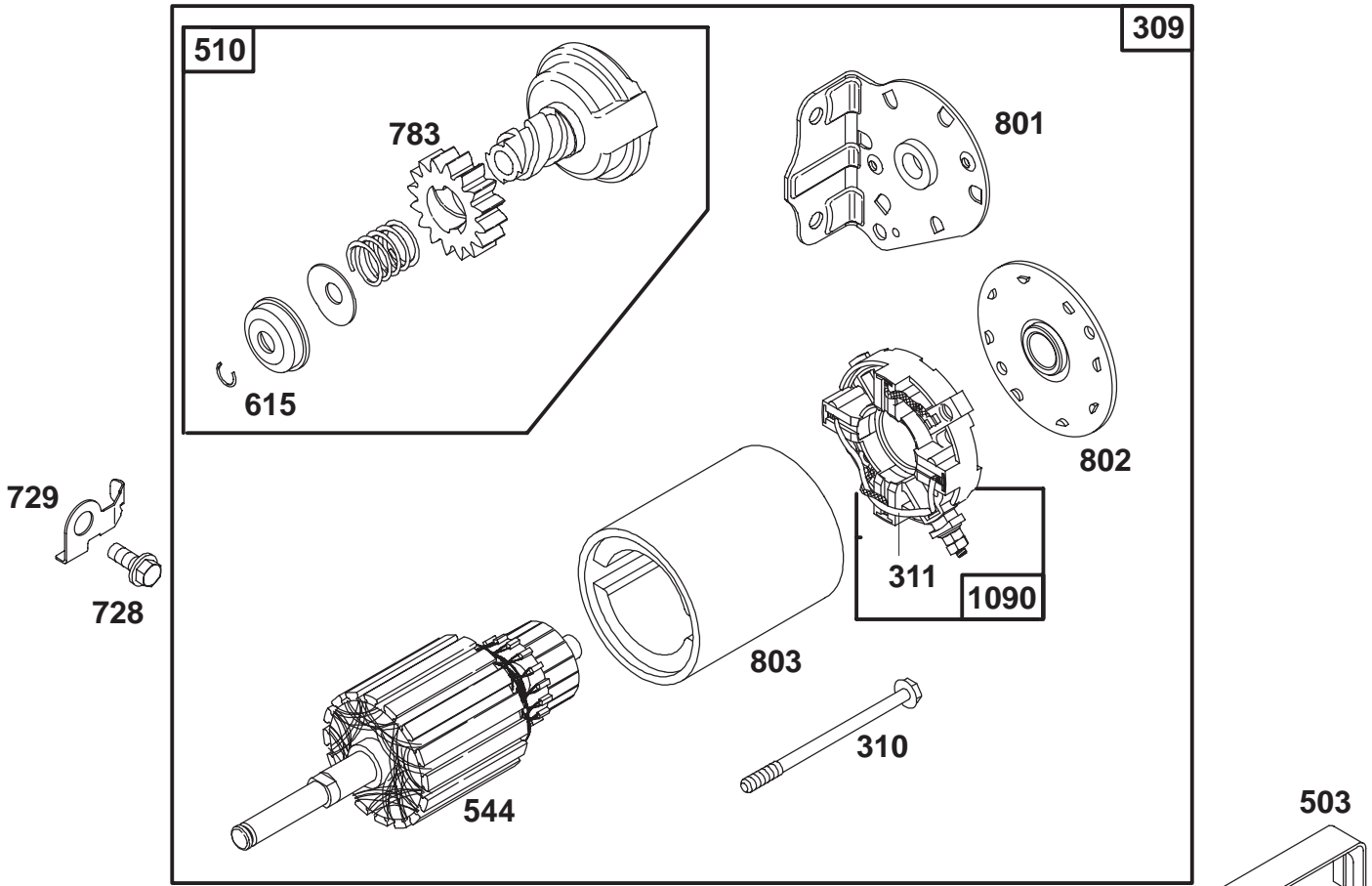
ENGINE BRIGGS & STRATTON MODEL 28N777-0174-01

Ref. No.	Part No.	Description	No. Used
23	492326	Flywheel	1
37	224502	Guard-Flywheel	1
73	224948	Screen-Rotating	1
75	225136	Washer-Spring	1
78	94954	Screw-Sem	1
188	94627	Screw-Sem	1
284	94073	Screw-Hex. Head	1
304	496431	Housing-Blower	1
346	93705	Screw-Hex. Head	1

Ref. No.	Part No.	Description	No. Used
363	19203	Puller-Flywheel	1
455	222561	Cup-Flywheel	1
668	280848	Spacer	1
726	392134	Gear-Ring (Includes Mtg. Hardware)	1
727	490324	Guard-Flywheel	1
1005	281355	Fan-Flywheel	1
1006	224413	Retainer-Fan	1
1044	94673	Screw-Shoulder	1

★ Included in Gasket Set-Part No. 494241.
 ◆ Included in Carburetor Gasket Set-Part No. 494385.

● Included in Carburetor Kit-Part No. 496622.



Assemblies include all parts shown in frames.

ENGINE BRIGGS & STRATTON MODEL 28N777-0174-01

Ref. No.	Part No.	Description	No. Used
309	497595	Motor-Starter	1
310	94003	Bolt-Thru	1
311	497608	Brush Set	1
503	806000	Strap-Starter	1
510	497606	Drive-Starter	1
544	497603	Armature-Starter	1
615	263080	Retainer	1

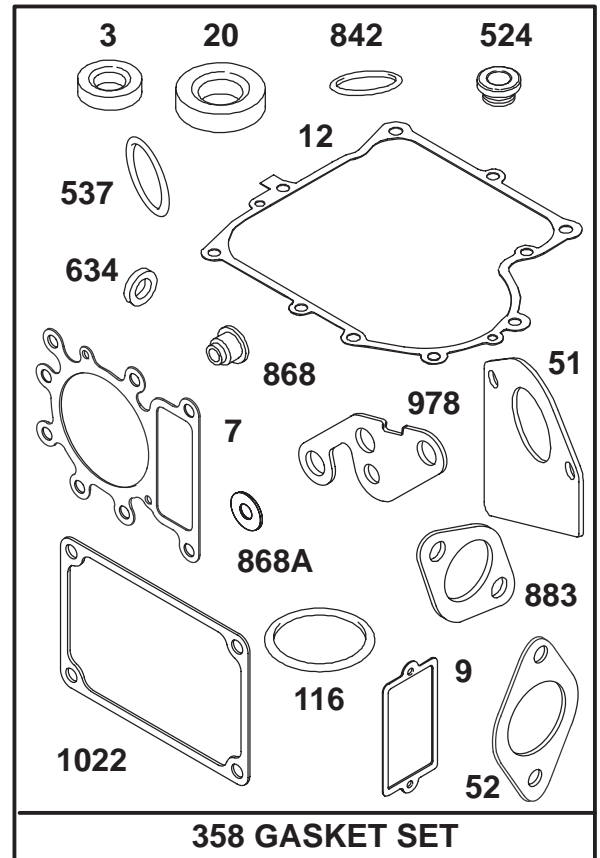
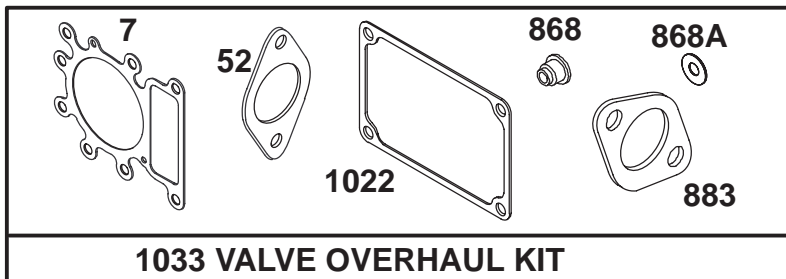
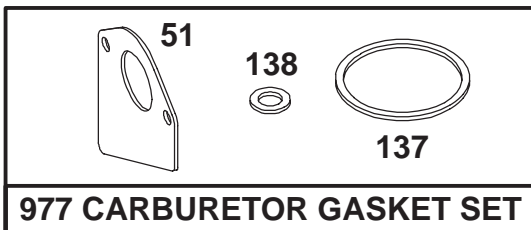
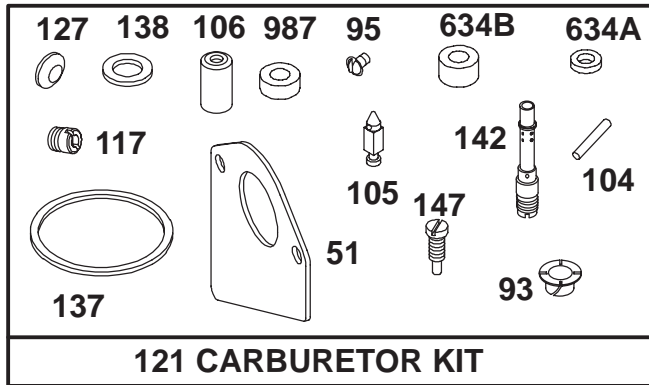
Ref. No.	Part No.	Description	No. Used
728	94627	Screw-Hex. Head	1
729	225170	Clip-Wire	1
783	280104	Gear-Starter	1
801	394856	Cap-Drive	1
802	497607	Plate-Cover	1
803	497604	Housing-Starter	1
1090	497605	Cap-End	1

★ Included in Gasket Set-Part No. 495993.

△ Included in Valve Overhaul Kit-Part No. 495992.

● Included in Carburetor Kit-Part No. 498116.

◆ Included in Carburetor Gasket Set-Part No. 494385.



Assemblies include all parts shown in frames.

ENGINE BRIGGS & STRATTON MODEL 28N777-0174-01

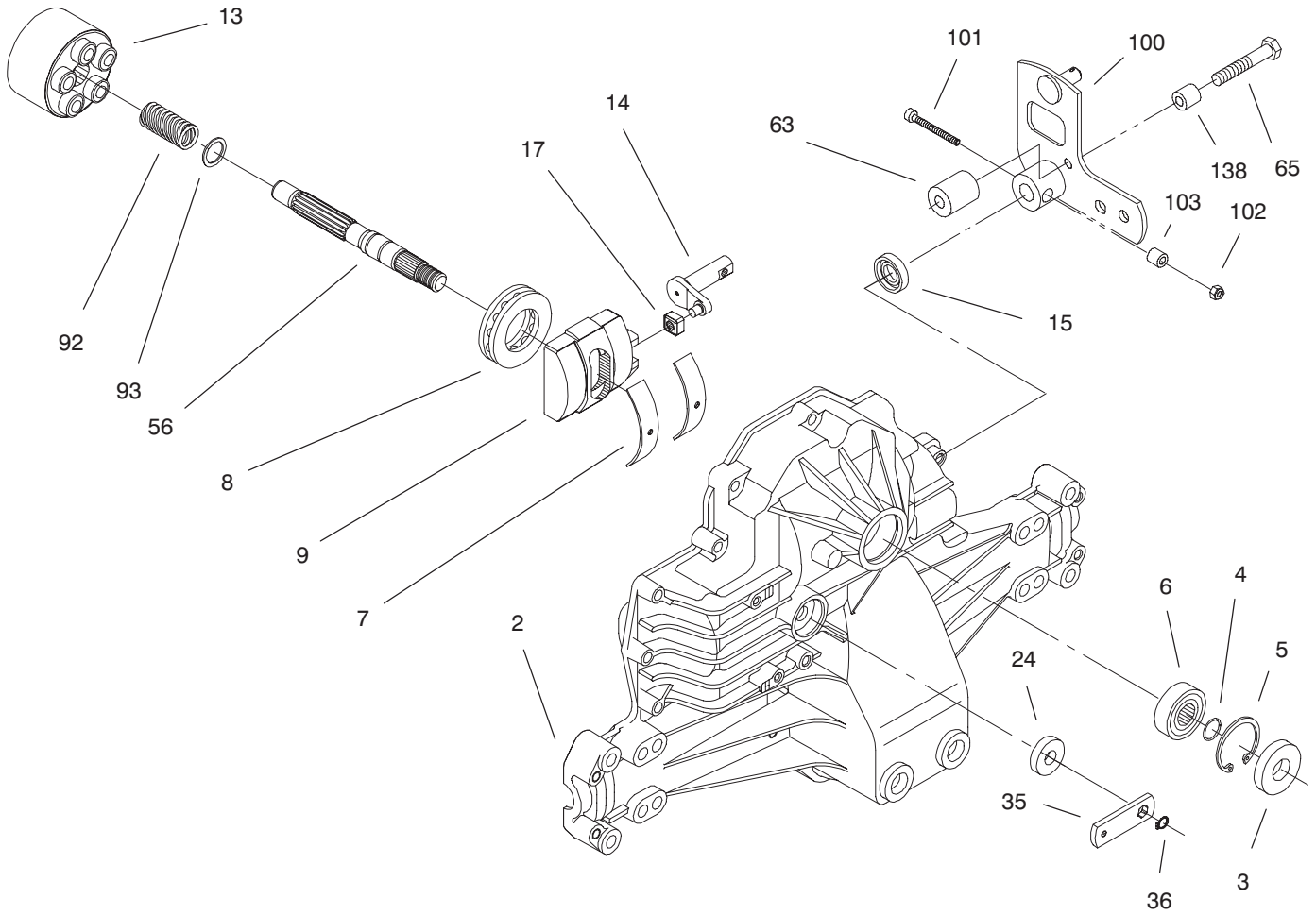
Ref. No.	Part No.	Description	No. Used
★3	391086	Seal—Oil	1
△★7	272614	Gasket—Cylinder Head	1
★9	27803	Gasket—Valve Cover	1
★12	271916	Gasket—Crankcase (.015" Thick)	1
★	271997	Gasket—Crankcase (.005" Thick)	1
★	271996	Gasket—Crankcase (.009" Thick)	1
★20	291675	Seal—Oil	1
●◆51	272465	Gasket—Carburetor	1
△★52	272569	Gasket—Carburetor	1
●93	281346	Bushing—Throttle Shaft	1
●95	94098	Screw—Throttle	1
●104	231789	Pin—Float Hinge	1
●105	231855	Valve—Inlet Needle	1
●106	231854	Seat—Inlet	1
★116	281402	Seal—O-Ring	1
●117	231858	Jet—Main	1
121	498116	Carburetor Kit	1
●127		Plug—Welch (Sold in Kit Only).	1

Ref. No.	Part No.	Description	No. Used
●◆137	281165	Gasket—Float Bowl	1
●◆138	281164	Washer—Float Bowl	1
●142	231990	Nozzle—Carburetor	1
●147	231985	Jet—Pilot	1
358	495993	Gasket Set	1
★524	281370	Seal—Fill Tube	1
★537	281106	Gasket—Air Cleaner	1
★634	491323	Seal—Governor	1
●634A	398970	Seal—Throttle Shaft	1
●634B	281168	Seal—Choke Shaft	1
★842	270920	Seal—Oil Fill Cap	1
△★868	494435	Seal—Valve	1
△★868A	272610	Seal—Valve	1
★883	272293	Gasket—Exhaust	1
977	494385	Carburetor Gasket Set	1
★978	272888	Gasket—Adapter	1
●987	281166	Seal—Shaft	1
△★1022	272475	Gasket—Rocker Cover	1
1033	495992	Kit—Valve Overhaul	1

★ Included in Gasket Set—Part No. 495993.
 △ Included in Valve Overhaul Kit—Part No. 495992.

● Included in Carburetor Kit—Part No. 498116.
 ◆ Included in Carburetor Gasket Set—Part No. 494385.

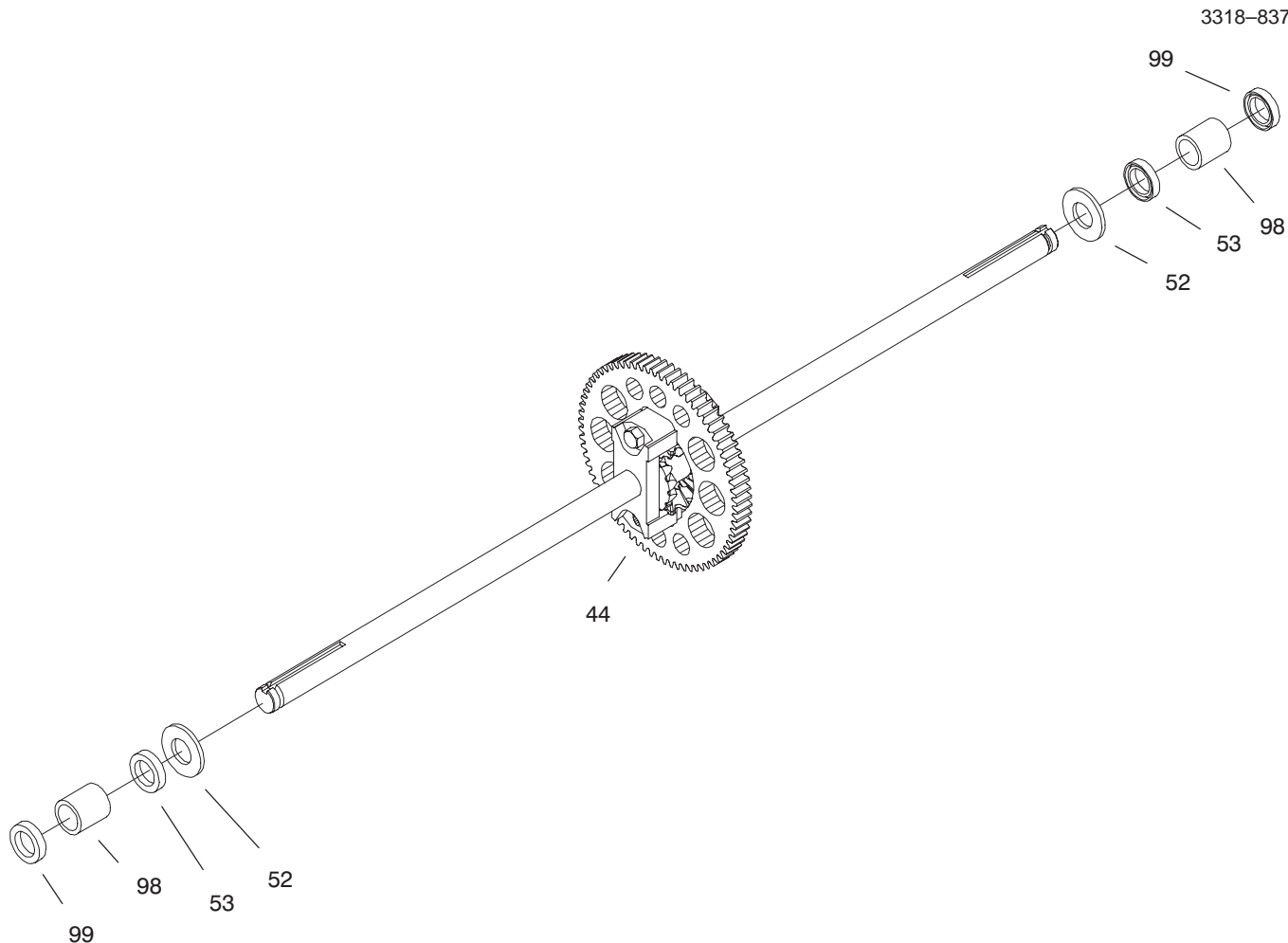
3318-837



HYDRO TRANSAXLE ASSEMBLY

Ref. No.	Part No.	Description	No. Used
2	94-1948	Upper Housing Assembly	1
3	92-6543	Seal - Lip	1
4	94-1902	Ring - Wire Retaining	1
5	94-1903	Ring - Retaining	1
6	94-1904	Bearing - Shaft Ball	1
7	94-1905	Bearing - Cradle	2
8	94-6922	Bearing - Thrust	1
9	94-1907	Swashplate - Variable	1
13	94-1908	Block - Cylinder Assembly	1
14	94-1909	Arm - Trunion	1
15	92-6544	Seal - Lip	1
17	94-1910	Guide - Slot	1
24	92-6545	Seal - Lip	1

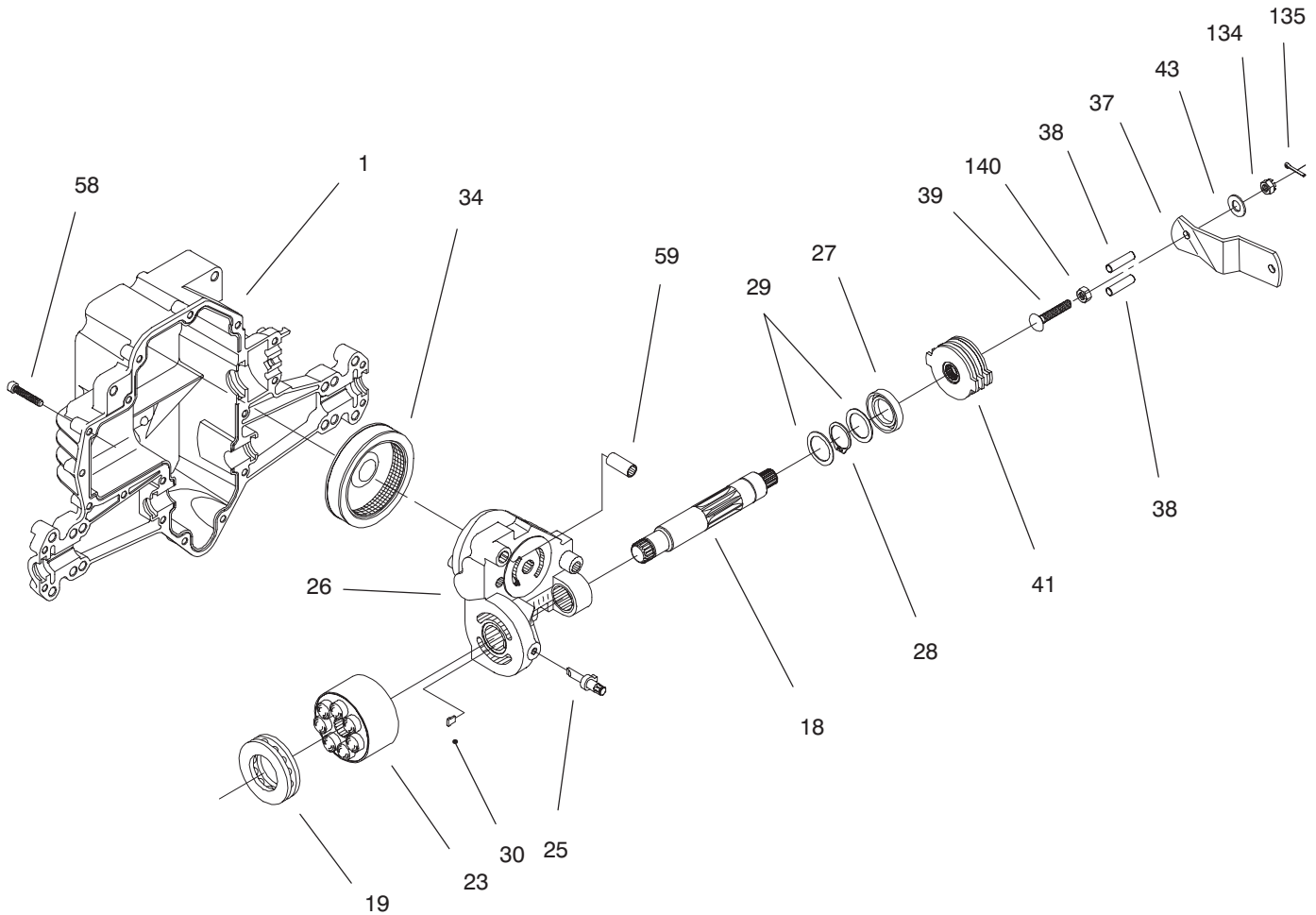
Ref. No.	Part No.	Description	No. Used
35	92-6547	Arm - Bypass	1
36	936109	Ring - Retaining	1
56	94-1925	Shaft - Input	1
63		Spacer	1
65		Bolt	1
92	94-1936	Spring - Block	1
93	94-1937	Washer - Block Thrust	1
100		Control Arm Assembly	1
101		Socket Head Cap Screw	1
102		Nut	1
103		Spacer	1
138		Spacer	1



HYDRO TRANSAXLE ASSEMBLY (Continued)

Ref. No.	Part No.	Description	No. Used
44	94-1942	Differential Assembly	1
52	94-1943	Washer	2
53	94-1924	Seal	2

Ref. No.	Part No.	Description	No. Used
98	94-1944	Sleeve - Bearing	2
99	94-1935	Seal - Wiper	2



HYDRO TRANSAXLE ASSEMBLY (Continued)

Ref. No.	Part No.	Description	No. Used
1	94-1946	Housing - Lower	1
18	94-1947	Shaft - Motor	1
19	94-6923	Bearing - Thrust	1
23	94-1913	Block - Cyl. (Motor) Ass'y	1
25	94-1914	Actuator - Bypass	1
26	94-1915	Center Section Assembly	1
27	94-1916	Seal - Lip	1
28	94-1917	Ring - Retaining	1
29	94-1918	Washer	2
30	94-6925	Bypass Plate	1
34	94-1920	Oil Filter Element	1

Ref. No.	Part No.	Description	No. Used
37	93-3861	Lever - Brake	1
38	92-6549	Pin - Actuating	2
39	94-1923	Bolt	1
41	94-1919	Brake Rotor/Stator Kit	1
43	5-4460	Washer - Fender	1
58	94-1926	Bolt	21
59	94-1927	Pin	2
134	93-3807	Nut - Castle	1
135	3272-7	Pin - Cotter	1
140	3296-20	Nut - Lock	1

Toro Part Number Index

Part No.	Page No.	Ref. No.	Qty.	Description
104047	6	3:1	1	Bushing
104048	6	3:2	1	Assembly-Valve
111419	4	12	1	Washer-Bearing
114621	3	24	1	Decal-Noise (Only On: 71217)
115271	9	5	1	Fan-Hydro
116397	16	22	1	Relay
701178	1	1	2	Cap-Protector
701756	12	41	2	Wheel - Deck (Only On: 71217)
702366	16	6	1	Clip-Wire Retainer
702366	16	6	2	Clip-Wire Retainer
9266714	2	36	2	Screw-HWHTF
9266714	6	38	1	Screw-HWHTF
9266714	6	43	2	Screw-HWHTF
9266714	16	9	2	Screw-HWHTF
9266714	16	13	1	Screw-HWHTF
9267154	6	16	1	Screw
3-6498	4	21	2	Washer-Thrust
3-6498	4	38	4	Washer-Thrust
3-6498	5	17	1	Washer-Thrust
3-6498	5	22	1	Washer-Thrust
3-6498	8	10	2	Washer-Thrust
3-7501	5	11	4	Washer-Curved
5-4460	3	4	1	Washer-Fender
5-4460	4	17	1	Washer-Fender
5-4460	6	9	4	Washer-Fender
5-4460	7	35	1	Washer-Fender
5-4460	9	20	1	Washer-Fender
7-0030	13	31	1	Shoulder Bolt
7-0030	15	11	2	Shoulder Bolt
7-0030	15	18	1	Shoulder Bolt
7-0036	8	11	2	Key-Square
23-0310	10	8	1	Shoulder Bolt
26-0671	6	12	1	Bolt-Blade
26-0671	11	19	2	Bolt-Blade
26-6701	9	15	1	Spring - Extension
27-0220	5	15	2	Screw-Special HWH
27-0220	6	2	2	Screw-Special HWH
27-0220	6	27	2	Screw-Special HWH
27-8890	7	1	1	Spring - Pedal Return
28-0540	2	6	2	Bolt-Shoulder
28-2480	4	28	2	Washer-Flat
28-2480	8	12	2	Washer-Flat
28-8080	16	1	1	Boot-Battery Terminal
37-8770	3	1	2	Bolt-Shldr
37-8770	3	2	2	Bolt-Shldr
37-8770	7	31	1	Bolt-Shldr
38-1420	16	5	1	Switch-Seat
38-7820	11	6	4	Bearing-Ball
44-8110	16	4	1	Battery Cable -Neg
46-6290	14	21	1	O-Ring
46-8090	2	13	4	Screw-Tapping
46-8090	2	17	3	Screw-Tapping
46-8090	10	5	2	Screw-Tapping
46-8091	2	3	2	Screw-Tapping
46-8091	2	10	1	Screw-Tapping
47-2963	6	4	1	Fuel Line
48-7620	9	3	1	Screw
52-2891	4	11	2	Bushing - Steering Links
55-4300	12	32	2	Decal-Warning (Only On: 71193)
56-2540	16	29	1	Tube-Vent Use w/80-2600
56-6591	12	40	2	Wheel Bolt (Only On: 71217)
56-9830	13	2:2	2	Brake Pad
57-4360	11	1	1	Pivot Post - Rear

*Not Illustrated

Toro Part Number Index (cont.)

Part No.	Page No.	Ref. No.	Qty.	Description
57-4380	11	26	1	Rod- Hinge Deflector
57-4700	11	15	2	Blade-19.32" (Only On: 71217)
57-6950	11	27	1	Spring-Torsion Deflector
61-9780	4	26	2	Hubcap
61-9780	8	14	2	Hubcap
61-9980	14	8	2	Screw-Adjusting
62-3661	11	8	2	Spacer - Bearing
63-8360	16	25	1	Key-Ignition
65-2920	7	20	1	Pad-Pedal
65-5080	9	22	1	Bushing - Flanged
65-7210	15	23	1	Spacer
66-0120	6	1:1	1	Knob
67-0710	13	33	2	Ball - Swivel
68-3650	12	33	1	Decal-Danger (Only On: 71193)
68-3660	12	31	1	Decal - Shield Danger (Only On: 71193)
76-1340	1	32	1	Decal-USA (Only On: 71193)
76-2160	11	5	4	Plate-Kicker (Only On: 71193)
79-1600-03	11	23	1	Wa-Baffle (Only On: 71193)
79-1640-03	11	11	1	Wa-Baffle (Only On: 71193)
79-3061	11	15	2	Blade-19.32 Recycler (Only On: 71193)
79-3140	12	35	1	Decal-Danger (Only On: 71193)
80-0510-03	11	17	2	Stiffener-Blade (Only On: 71193)
80-2240	16	31	1	Plate-Name Grille
80-2600	16	3	1	Battery - 7 Plate
80-4341	11	14	2	Shaft - Spindle
80-4360	11	13	2	Shield - Bearing
80-4380	11	12	2	Spacer - Hardened
80-6090	9	10	1	Key-Square
80-6990	14	9	4	Washer-Hardened
80-6990	15	8	4	Washer-Hardened
88-0890	4	37	1	Grip - Parking Brake
88-3840	1	28	1	Body - Rear
88-3850	5	1	1	Steering Wheel
88-3870	5	1:2	1	Cover-Steering Wheel
88-3880	6	3	1	Gas Tank Assembly
88-3940-03	1	5	1	Panel - Rear
88-3950	3	25	1	Seat
88-3960	16	12	1	Lense - Headlights
88-3970	16	11	1	Reflector-Lamp
88-3980	6	31	1	Gas Cap ASM
88-4020	14	7	1	Belt Guide - Deck
88-4030	14	2	1	Belt Guide - Deck
88-4040	16	30	1	Battery Box
88-4050	2	12	1	Duct - Hood Air
88-4070	4	29:2	2	Tire 15 X 6.00-6
88-4090	8	9:2	2	Tire - 18 X 9.50-8
88-4140	2	23	2	Nut - Wedge
88-4160	2	24	2	Clamp - Pivot Rod
88-4170	2	20	1	Rod - Pivot
88-4180	5	5	1	Button - Release
88-4190	5	4	1	Bushing - Sliding
88-4210	5	19	1	Bushing - Stationary
88-4230	15	13	2	Trunnion - HOC
88-4280	4	29	2	Front Wheel & Tire ASM
88-4300	8	9	2	Rear Wheel & Tire ASM
88-4320	16	18	1	Harness-Wire
88-4340	6	1	1	Throttle Control ASM
88-4350	6	30	1	Cable ASM-Throttle
88-4370	4	29:1	2	Rim ASM - 15" Front
88-4390	8	9:1	2	Rim ASM - 18" Rear
88-4400	4	29:4	2	Bearing - Wheel
88-4410	6	20	1	Gasket - Muffler
88-4430	11	29	1	Recycler Cover ASM (Only On: 71193)

*Not Illustrated

Toro Part Number Index (cont.)

Part No.	Page No.	Ref. No.	Qty.	Description
88-4490	6	48	1	Reducer – Throttle Rpm (Only On: 71217)
88-4510	11	7	2	Spindle – Diecast Alum.
88-4590	13	1	2	Bolt-Shoulder
88-4620-03	1	11	1	Bracket – Idler Pivot
88-4630-03	1	24	1	Plate – Engine Mounting
88-4670	4	9	1	Bushing – Eccentric
88-4690	10	7	1	Block – Pivot
88-4730	15	16	2	Clamp – HOC Pivot
88-4810	7	13	1	Clamp – Shift Pivot
88-4820-03	3	11	2	Bracket – Seat Hinge
88-4830	4	34	1	Link – Drag
88-4850	6	11	1	Pulley – Engine (38")
88-4870-03	13	32	1	Arm – Idler
88-4880	16	17	1	Spacer – Microswitch
88-4890	5	10	1	Spring – Leaf
88-4910-03	3	3	1	Support – Seat
88-4980	13	23	1	Bushing – Idler Arm
88-4990	3	23	1	Tray – Fender
88-5000-03	7	21	1	Pedal – Clutch/Brake
88-5010	4	7	1	Spacer – Steering Rack
88-5030-03	3	9	1	Gate – HOC
88-5070	13	29	1	Belt Guide – Idler
88-5110-03	15	22	1	Pivot W.a. (H.o.c.)
88-5120-03	1	21	1	Support – Front Axle
88-5130-03	4	5	1	Bracket – Steering Rack
88-5150	5	16	1	Bushing – Flange
88-5170	3	7	1	Cover – HOC (Only On: 71193)
88-5180-01	5	8	1	Bracket – Backup
88-5190-03	2	25	1	Lever W.a. – Deck Engage
88-5200	4	10	1	Steering Rack W.a.
88-5230	3	17	1	Foot Mat – RH
88-5240	3	16	1	Foot Mat
88-5260-03	1	10	2	Bracket-Transaxle Mounti
88-5270	7	29	1	Rod – Clutch/Brake
88-5330	13	21	2	Pulley – Deck
88-5360	9	12	2	Spacer – Pulley
88-5380	4	32	1	Tie Rod – Steering
88-5450	15	12	2	Rod – Hanger
88-5460	9	17	1	Belt Guide – Trans
88-5470	4	23	2	Spacer – Front Axle
88-5500	7	15	1	Rod – Pedal Pivot
88-5510	4	35	1	Rod-Parking Brake
88-5520-03	4	36	1	Bracket-Parking Brake
88-5540	13	26	1	Rod –RH Deck Brake
88-5560	7	32	1	Belt Guide – Idler
88-5570-03	15	6	2	Link-Adjusting HOC
88-5610	10	14	2	Lever – Neutral Return
88-5620	9	9	1	Strap – Torque
88-5630	13	30	1	Pulley – Idler
88-5680	7	33	1	Idler Pulley
88-5740-03	12	42	1	Bracket-Deck Wheel RH (Only On: 71217)
88-5900	15	3	1	Link – HOC
88-5910	13	5	2	Spring – Torsion
88-5960	9	6	1	Belt Guide – Trans. LH
88-5970	13	10	1	Hook – Return Spring
88-6040-03	2	18	1	Bracket – Hinge
88-6050-03	2	7	1	Bracket – Hinge
88-6070	7	30	1	Arm –Idler
88-6090	5	20	1	Coupling – Steering
88-6100	13	2	2	ASM. – Deck Brake
88-6130	13	6	1	Spring – Deck Engage
88-6140	7	2	1	Spring – Brake
88-6180	9	7	1	Pulley – Transmission

*Not Illustrated

Toro Part Number Index (cont.)

Part No.	Page No.	Ref. No.	Qty.	Description
88-6220	1	4	2	Spring - Compression
88-6250	13	18	1	V-Belt
88-6280	9	18	1	V-Belt
88-6300	5	13	1	Shaft - Steering
88-6330	7	7	1	Spring - Extension
88-6370	5	14	1	Shaft W.a. - Steering
88-6460	15	17	1	Spring - Extension
88-9830	16	24	1	Switch-Ignition
88-9932	16	19	2	Switch - Micro
92-2460	2	30	1	Decal - Ignition/Lights (Only On: 71193)
92-2461	2	31	1	Decal - Throttle (Only On: 71193)
92-2462	2	32	1	Decal - Deck Engage (Only On: 71193)
92-2467	2	34	1	Decal - Hood Right
92-2468	2	33	1	Decal - Hood Left
92-5730	2	31	1	Decal - Throttle (Only On: 71217)
92-5731	2	30	1	Decal-Ign/Lights (Only On: 71217)
92-5748	2	14:1	1	Decal - Air Duct
92-5782	2	15	1	Patch - Heat Tape
92-6013-03	9	21	1	Bracket - Speed Control
92-7305	10	11	1	Spring - Extension
92-7889-03	4	30	1	Spindle Wa-RH
92-7890-03	4	18	1	Spindle Wa-LH
92-8650	2	14	1	Hood-Toro
92-8856	9	8	1	Wire - Bypass
92-8857	9	26	1	Lever - Bypass
92-8875	16	26	1	Switch-Rocker
92-8934	13	8	1	Spring - Extension
92-9520	12	36	1	Decal-Deck (Only On: 71193)
92-9674	3	5	1	Knob-Studded
92-9793	10	13	1	Rod-Speed Control
92-9845	16	8	1	Solenoid
93-0231	12	30:4	4	Screw - Plastite (Only On: 71217)
93-0303	2	1	1	Tower-Steering Toro
93-0317	11	30	1	ASM-Deflector (Only On: 71193)
93-0539	16	15	4	Screw-PPH
93-1122	12	30:1	1	Decal - Danger (Only On: 71193)
93-1122	11	28	1	Decal-Danger (Only On: 71193)
93-3240	16	20	1	Seal-Plunger
93-3809	6	37	1	Bracket-Ground
93-3810	16	23	1	Wire Harness
93-3812	10	9	1	Pedal - Speed Control
93-3822-03	15	1	1	Lever-HOC
93-3849	2	37	1	Brkt-Cable
93-3854	6	7	3	Belt Guide - Engine
93-3855	6	24	1	Belt Guide - R.h.
93-3864	2	16	1	Shield - Heat
93-3880-03	6	42	1	Shield - Muffler
93-3881-03	14	4	1	Pan - Front Deck Suspens
93-3882	6	41	1	Clip-Tinnerman
93-3896-03	12	46	1	Bracket-Deck Wheel LH (Only On: 71217)
93-6673	2	32	1	Decal - Deck Engage (Only On: 71217)
93-6674	12	32	2	Decal-Warninig (Only On: 71217)
93-6676	1	33	1	Decal-Instruction (Only On: 71217)
93-6677	12	31	1	Decal - Shield Danger (Only On: 71217)
93-6678	1	31	1	Decal - Dump Valve
93-6679	12	37	1	Decal - Belt Routing
93-7009	12	33	1	Decal-Deflector Danger (Only On: 71217)
93-7010	12	30:1	1	Decal - Danger (Only On: 71217)
93-7010	11	28	2	Decal-Danger (Only On: 71217)
93-7657	3	7	1	Cover - HOC (Only On: 71217)
93-7695	11	30	1	ASM.-38" Deflector (Only On: 71217)
93-7696	12	30:3	2	Kicker - Ce (Only On: 71217)
93-8450-03	6	45	1	Exhaust Shield Wa

*Not Illustrated

Toro Part Number Index (cont.)

Part No.	Page No.	Ref. No.	Qty.	Description
93-9847	14	12	2	Spacer
94-1238	1	33	1	Decal-Instruction (Only On: 71193)
94-1945	9	27	1	ASM-Breather Hose
94-1949-01	11	3	1	Deck Wa-38"
94-1951	6	39	1	Latch-Hood
94-1952	6	28	1	Rod-Gas Tank
94-1953	6	15	1	Muffler-Exhaust
94-1962-03	4	31	1	Front Axle Wa
94-1970-03	14	14	1	Bracket-Deck Susp
94-1971-03	14	6	1	Bracket-Deck Susp
94-1980	2	39	2	Foam-Hood
94-1984	2	11	1	Pin-Latch
94-1998-03	1	25	1	Frame Rail-RH
94-1999-03	1	13	1	Frame Rail-LH
94-3512	6	32	1	Engine-14.5hp B&s Ohv D+ (Only On: 71193)
94-3525	6	35	1	Decal-Engine
94-3527	2	29	2	Decal-Tower
94-3529	1	35	1	Decal-Rear Body
94-3560	6	32	1	Engine-14.5hp Ohv Tq+ (Only On: 71217)
94-4293	2	35	1	Cable ASM-Deck Engage
94-5362	16	33	1	Boot-Terminal Insulator
94-5565	2	2	1	Knob - Control
94-5565	15	24	1	Knob - Control
94-5823	14	5	2	Bolt-Shoulder
94-6775	9	11	1	Transaxle ASM-Hydro
95-2747	14	20	1	Fitting-Washout
95-3270	14	23	1	Connector - Hose
218-461	16	24:2	1	Nut-HH (F/W Sw)
232-27	4	29:3	2	Valve Stem & Cap Assembly
232-27	8	9:3	2	Valve Stem & Cap Assembly
232-39	4	29:6	2	Tube - Inner 15 X 6-6
232-41	8	9:4	2	Tube - Inner
2412-98	6	5	2	Clamp-Hose
302-5	4	29:5	2	Fitting - Grease
302-26	4	8	1	Fitting-Grease
321-2	2	5	4	Screw-HH
321-4	5	7	2	Screw-HH
321-4	16	2	2	Screw-HH
321-4	11	9	2	Screw-HH (Only On: 71193)
321-9	5	21	2	Screw-HH
321-15	12	38	2	Screw-HH (Only On: 71193)
322-3	1	7	4	Screw-HH
322-3	1	9	4	Screw-HH
322-3	1	20	6	Screw-HH
322-3	1	23	2	Screw-HH
322-3	1	26	4	Screw-HH
322-3	1	27	2	Screw-HH
322-3	2	28	2	Screw-HH
322-3	3	10	4	Screw-HH
322-3	6	46	1	Screw-HH
322-3	7	14	2	Screw-HH
322-3	15	19	4	Screw-HH
322-3	12	44	6	Screw-HH (Only On: 71217)
322-5	1	2	2	Screw-HH
322-5	6	10	2	Screw-HH
322-5	13	20	2	Screw-HH
322-9	6	6	3	Screw-HH
322-9	15	2	1	Screw-HH
322-12	8	15	4	Screw HH
322-12	14	16	2	Screw HH
323-5	11	24	2	Screw-HH (Only On: 71193)
323-9	14	13	2	Screw-HH
323-11	7	34	1	Screw

*Not Illustrated

Toro Part Number Index (cont.)

Part No.	Page No.	Ref. No.	Qty.	Description
323-12	13	27	1	Screw
323-13	4	2	2	Screw-HH
3219-6	13	22	2	Nut-Hex
3229-1	14	22	2	Bolt-CARR.
3230-1	4	6	4	Bolt-CARR
3230-1	11	21	1	Bolt-CARR (Only On: 71193)
3230-2	9	19	1	Screw-CARR
3230-3	4	4	1	Screw-CARR
3230-3	7	22	1	Screw-CARR
3230-5	9	23	1	Bolt-Carriage
3230-7	9	24	1	Bolt-Carriage
3231-4	4	3	1	Bolt-CARR
3253-4	6	21	2	Washer-Lock
3253-4	6	47	1	Washer-Lock
3253-22	6	13	1	Washer-Lock
3254-5	16	24:1	1	Washer-Lock(F/W Switch)
3255-7	16	14	1	Washer-Lock
3255-8	6	23	1	Washer-Lock
3256-1	14	19	2	Washer-Flat
3256-22	5	6	2	Washer-Flat
3256-22	9	25	1	Washer-Flat
3256-22	10	6	2	Washer-Flat
3256-22	14	10	2	Washer-Flat
3256-23	1	3	2	Washer-Flat
3256-23	1	22	2	Washer-Flat
3256-23	2	27	2	Washer-Flat
3256-23	7	23	1	Washer-Flat
3256-23	8	16	4	Washer-Flat
3256-23	9	2	2	Washer-Flat
3256-23	9	14	2	Washer-Flat
3256-23	10	2	2	Washer-Flat
3256-24	2	21	2	Washer-Flat
3256-24	4	20	2	Washer-Flat
3256-24	4	24	2	Washer-Flat
3256-24	13	28	2	Washer-Flat
3256-24	15	5	2	Washer-Flat
3256-24	15	10	2	Washer-Flat
3256-25	4	13	4	Washer-Flt
3256-25	6	14	1	Washer-Flt
3256-26	7	18	1	Washer-Flt
3256-58	9	4	1	Washer-Flt
3256-68	13	19	1	Washer-Flt
3269-26	3	13	2	Washer
3272-10	4	14	2	Pin-Cotter
3272-10	4	19	2	Pin-Cotter
3272-10	7	24	1	Pin-Cotter
3272-12	4	27	2	Pin-Cotter
3274-10	6	22	2	Screw-Sckt Hd
3290-282	13	2:3	4	Pop Rivet
3290-282	3	8	2	Pop Rivet
3290-299	16	32	1	Nut - Tinnerman
3290-307	2	19	2	Pin-Cotter
3290-307	9	1	1	Pin-Cotter
3290-307	10	1	2	Pin-Cotter
3290-307	15	4	1	Pin-Cotter
3290-307	15	7	4	Pin-Cotter
3290-307	15	9	2	Pin-Cotter
3290-354	16	16	2	Nut-Speed
3290-465	11	18	2	Washer-Spring
3290-479	3	6	4	Fastener-Panel
3290-479	3	15	12	Fastener-Panel
3290-496	2	8	2	Nut - Retained
3296-16	14	18	2	Nut-Lock

*Not Illustrated

Toro Part Number Index (cont.)

Part No.	Page No.	Ref. No.	Qty.	Description
3296-23	14	17	2	Nut-Lock
3296-29	1	6	2	Nut-Lock
3296-29	1	8	4	Nut-Lock
3296-29	1	12	4	Nut-Lock
3296-29	1	14	2	Nut-Lock
3296-29	1	15	6	Nut-Lock
3296-29	1	16	2	Nut-Lock
3296-29	1	29	4	Nut-Lock
3296-29	2	26	2	Nut-Lock
3296-29	3	12	6	Nut-Lock
3296-29	4	1	4	Nut-Lock
3296-29	4	16	1	Nut-Lock
3296-29	6	29	4	Nut-Lock
3296-29	7	19	1	Nut-Lock
3296-29	7	26	2	Nut-Lock
3296-29	7	27	1	Nut-Lock
3296-29	8	1	4	Nut-Lock
3296-29	9	13	5	Nut-Lock
3296-29	13	25	2	Nut-Lock
3296-29	14	15	2	Nut-Lock
3296-29	15	14	4	Nut-Lock
3296-29	15	15	2	Nut-Lock
3296-29	15	20	1	Nut-Lock
3296-29	15	21	1	Nut-Lock
3296-29	11	20	1	Nut-Lock (Only On: 71193)
3296-29	12	45	6	Nut-Lock (Only On: 71217)
3296-39	4	15	1	Nut-Lock
3296-39	4	25	2	Nut-Lock
3296-39	11	22	1	Nut-Lock
3296-39	13	24	1	Nut-Lock
3296-39	14	3	2	Nut-Lock
3296-39	11	25	2	Nut-Lock (Only On: 71193)
3296-39	12	43	2	Nut-Lock (Only On: 71217)
3296-42	2	4	4	Nut-Lock
3296-42	5	9	2	Nut-Lock
3296-42	5	12	2	Nut-Lock
3296-42	13	4	2	Nut-Lock
3296-42	14	11	2	Nut-Lock
3296-42	11	10	2	Nut-Lock (Only On: 71193)
3296-58	13	14	3	Nut-Lock
3296-59	7	28	2	Nut-Lock
3296-59	10	10	1	Nut-Lock
32103-22	16	28	2	Nut-Wing
32104-76	6	44	2	Screw-Self TAP
32104-76	14	1	5	Screw-Self TAP
32111-7	12	39	2	Nut-Cap (Only On: 71193)
32121-111	5	2	1	Pin-Spiral
32128-43	2	22	2	Nut-Flange
32144-32	16	10	2	Screw-Plastic
32144-41	11	2	8	Screw-HWHTF
32144-111	11	4	8	Screw - PPH (Only On: 71193)
32144-112	6	40	2	Screw-Thd Form
32149-1	6	26	2	Nut-Keps
32149-1	9	16	1	Nut-Keps
32149-2	16	7	3	Nut-Hex Lock
32151-48	4	33	2	Ring-Retaining
32151-48	5	18	1	Ring-Retaining
32151-48	8	13	2	Ring-Retaining
32151-81	5	3	1	Retaining Ring Push-On
32151-83	10	12	1	Ring-Retaining

*Not Illustrated

