

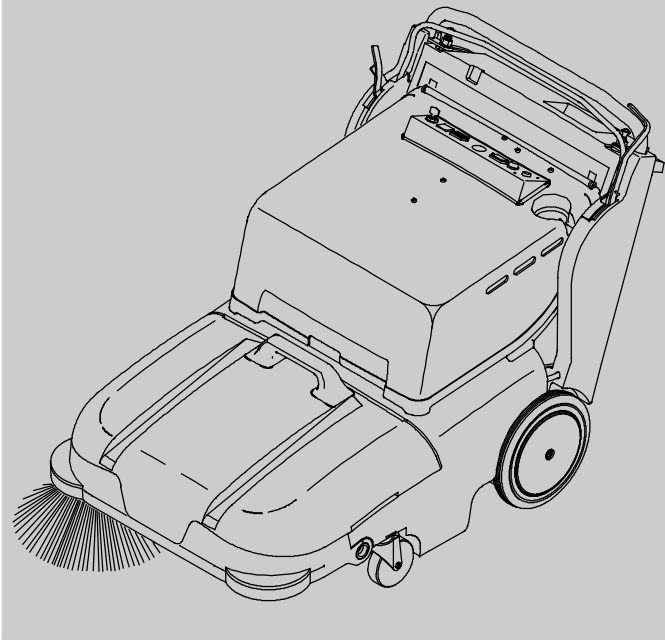
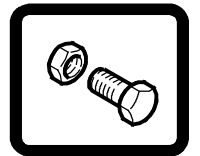


# 3640

(Electric)

Sweeper

## Parts Manual



**TennantTrue® Parts**



For the latest Parts manuals and other language Operator manuals, visit:

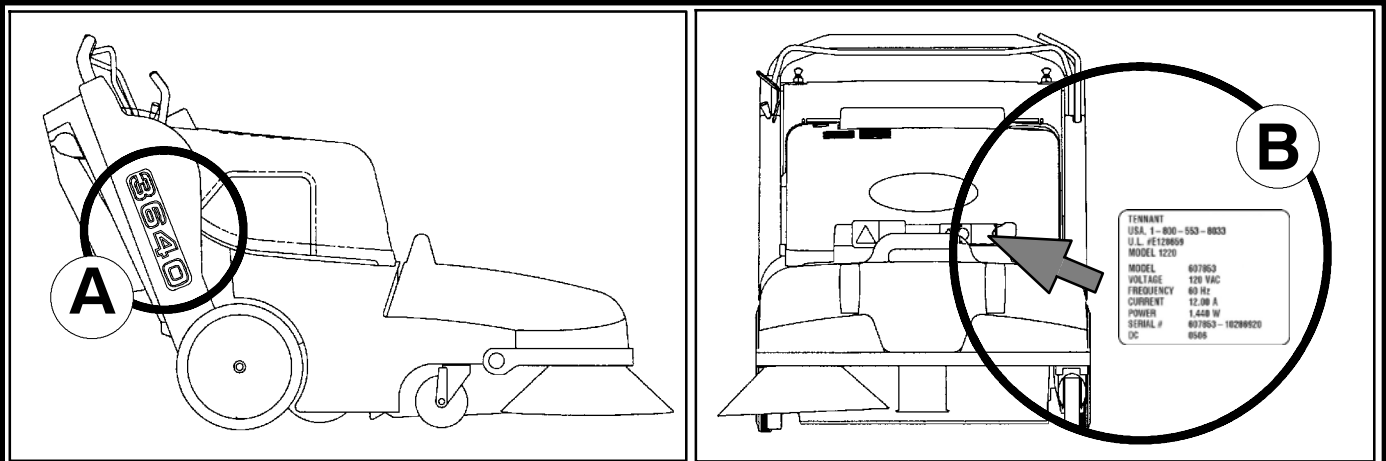
[www.tennantco.com/manuals](http://www.tennantco.com/manuals)

**North America / International**

[www.tennantco.com](http://www.tennantco.com)

330560  
Rev. 12 (08-2014)





Ref	Part No.	Serial Number	Description	Qty.
1	82681	(000000- )	Bracket Wldt, Lpg Mount	1
▽ 2	63810	(000000- )	Latch Assy, Lpg Tank Mtg, W/Nut	4
▲ 3	51839	(000000- )	Nut Adjustable, Lpg Tank Mtg	2
4	49263	(000000- )	Tie, Cable	3
(D)	82556	(000000- 001039)	Bracket, Vaporizer	1
	54930	(000000- )	Vaporizer, LPG	1

**HOW TO ORDER PARTS - See diagram above**

Only use TENNANT Company supplied or equivalent parts. Parts and supplies may be ordered online, by phone, by fax or by mail.

Follow the steps below to ensure prompt delivery.

1. (A) Identify the machine model.
2. (B) Identify the machine serial number from the data label.
3. (C) Ensure the proper serial number is used from the parts list.
4. Identify the part number and quantity.  
Do not order by page or reference numbers.
5. Provide your name, company name, customer ID number, billing and shipping address, phone number and purchase order number.
6. Provide detail shipping instructions.

- (D) ▽ - identifies an assembly  
▲ - identifies parts included in assembly

**Please fill out at time of installation for future reference.**

Model No. - \_\_\_\_\_

Serial No. - \_\_\_\_\_

Machine Options - \_\_\_\_\_

Sales Rep. - \_\_\_\_\_

Sales Rep. phone no. - \_\_\_\_\_

Customer ID Number - \_\_\_\_\_

Installation Date - \_\_\_\_\_

**Tennant Company**

PO Box 1452

Minneapolis, MN 55440

Phone: (800) 553-8033 or (763) 513-2850

www.tennantco.com

Specifications and parts are subject to change without notice.

Copyright © 2009 - 2014 TENNANT Company, Printed in U.S.A.

## SECTION 2

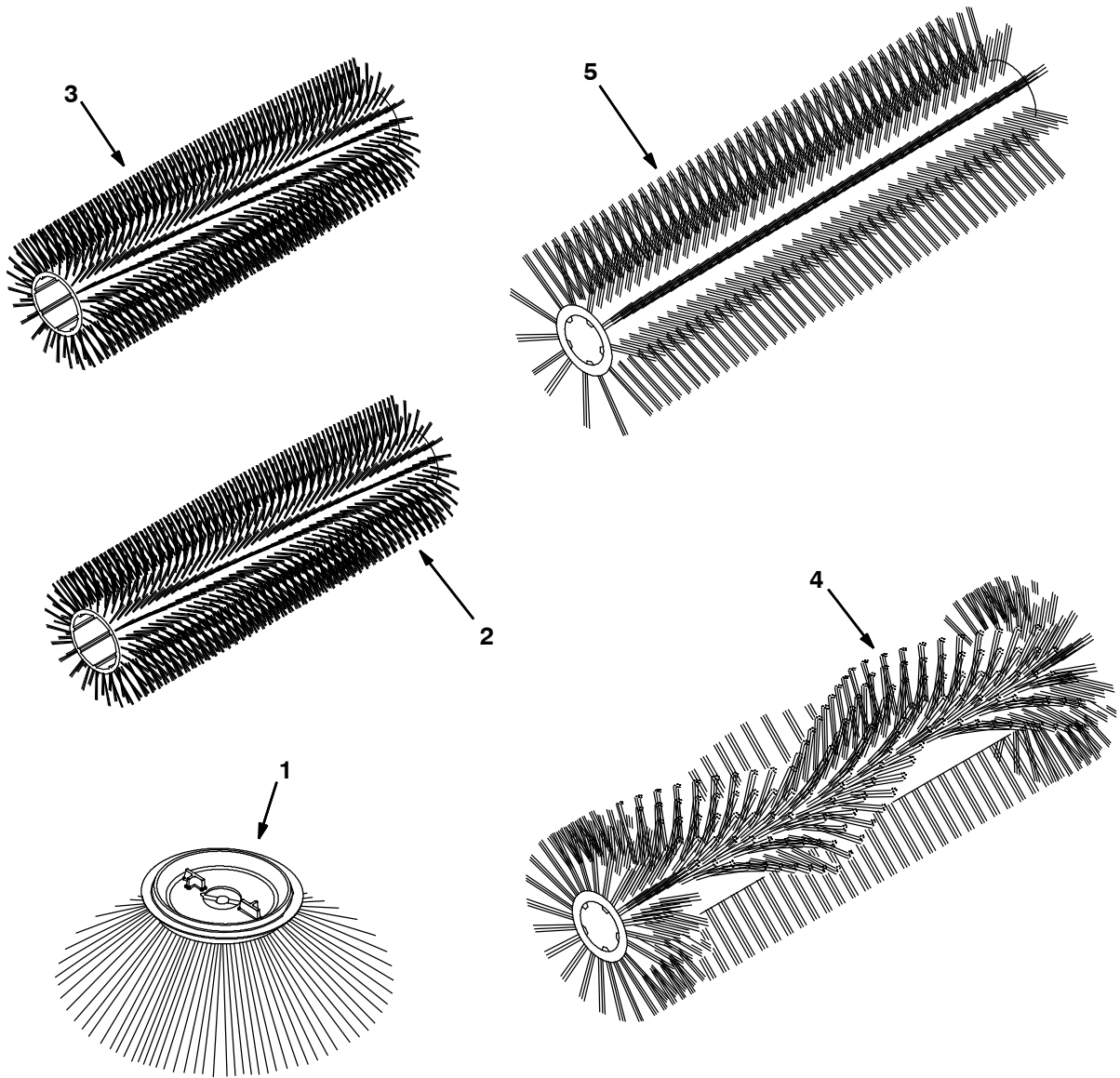
<b>Contents</b>	<b>Page</b>
Fig. 1 - General Recommended Maintenance	
Items .....	2-2
Fig. 2 - Replacement Brushes .....	2-3
Fig. 3 - Main Frame Group .....	2-4
Fig. 4 - Drive System Group .....	2-6
Fig. 5 - Main Brush Group .....	2-8
Fig. 6 - Side Brush Group .....	2-10
Fig. 7 - Hopper Group .....	2-12
Fig. 8 - Vacuum Fan Group .....	2-14
Fig. 9 - Vacuum Housing Group .....	2-16
Fig. 10 - Panel Filter Group .....	2-18
Fig. 11 - Brush Lift Handles Group .....	2-20
Fig. 12 - Clutch and Shift Handle Group .....	2-22
Fig. 13 - Electric Motor Group .....	2-24
Fig. 14 - Battery Cover Group .....	2-26
Fig. 15 - EE Battery Cover And Circuit Breaker	
Group .....	2-28
Fig. 16 - Battery Cable Harness Group .....	2-30
Fig. 17 - Instrument Panel Group .....	2-31
Fig. 18 - EE Instrument Panel Group .....	2-32
Fig. 19 - Electrical Schematic .....	2-33
Fig. 20 - Wire Harness Group .....	2-34
Fig. 20 - Wire Harness Group, EE	
(S/N 000000- 10417525) .....	2-35
Fig. 20 - Wire Harness Group, EE	
(S/N 10417526-         ) .....	2-36
Fig. 21 - Label Group .....	2-38

## STANDARD PARTS

Fig. 1 - General Recommended Maintenance Items

	Ref.	Part No.	Serial Number	Description	Qty.
▽	1	80269	(000000-	) Replmt Kit, Skirts & Seals	1
▲	2	379214	(000000-	) Skirt, Rear	1
▲	3	378811	(000000-	) Kit, Side Skirt, Rh	1
▲	4	378812	(000000-	) Kit, Skirt, Side, Lh	1
▲	5	80373	(000000-	) Seal	1
▲	6	80315	(000000-	) Seal	1
▲	7	373142	(000000-	) Skirt, Hopper	1
▲	8	80392	(000000-	) Gasket, Cuff	1
▲	9	80096	(000000-	) Seal, Chamber	1
▲	10	80260	(000000-	) Gasket, Vac Fan	1
▲	11	72970	(000000-	) Rivet, Plstc	5
▲	12	80186	(000000-	) Plate, Skirt, Retainer	5
	13	1067680	(000000-	) Bag, Vacuum, Paper [1pick=1pkg] (1 Pkg = 10 Bags)	1
	14	80141	(000000-	) Angle, Lip	1
	15	222403	(000000-	) Wheel, 2.0 Dia	1
	16	1037199	(000000-	) Filter, Panl, Dust, 2.7 X 15.0 X 22.0	1
	17	80117	(000000-	) Kit, Replmt Main Br Belt	1
	18	80464	(000000-	) Hose, Flex	1
	19	01739	(000000-	) Kit, Brush	1
	20	01740	(000000-	) Spring, Brush	1
	21	80125	(000000-	) Brush & Spring Assy	1
	22	80152	(000000-	) Belt, Flat	1
	23	80940	(000000-	) Belt, V	1
	24	377365	(000000-	) Pin, Brush, Main	1

Fig. 2 - Replacement Brushes



350846 - ALL

Ref.	Part No.	Serial Number	Description	Qty.
1	80042	(000000-	) Brush, Side	1
1	378804	(000000-	) Brush, Side STFP	1
2	80058	(000000-	) Brush, Sweep, 24Lg Poly	1
3	80355	(000000-	) Brush, Carpet	1
4	80351	(000000-	) Brush, Sweep, Sandwedge	1
5	378802	(000000-	) Brush, Sweep, P&W	1

Fig. 3 - Main Frame Group

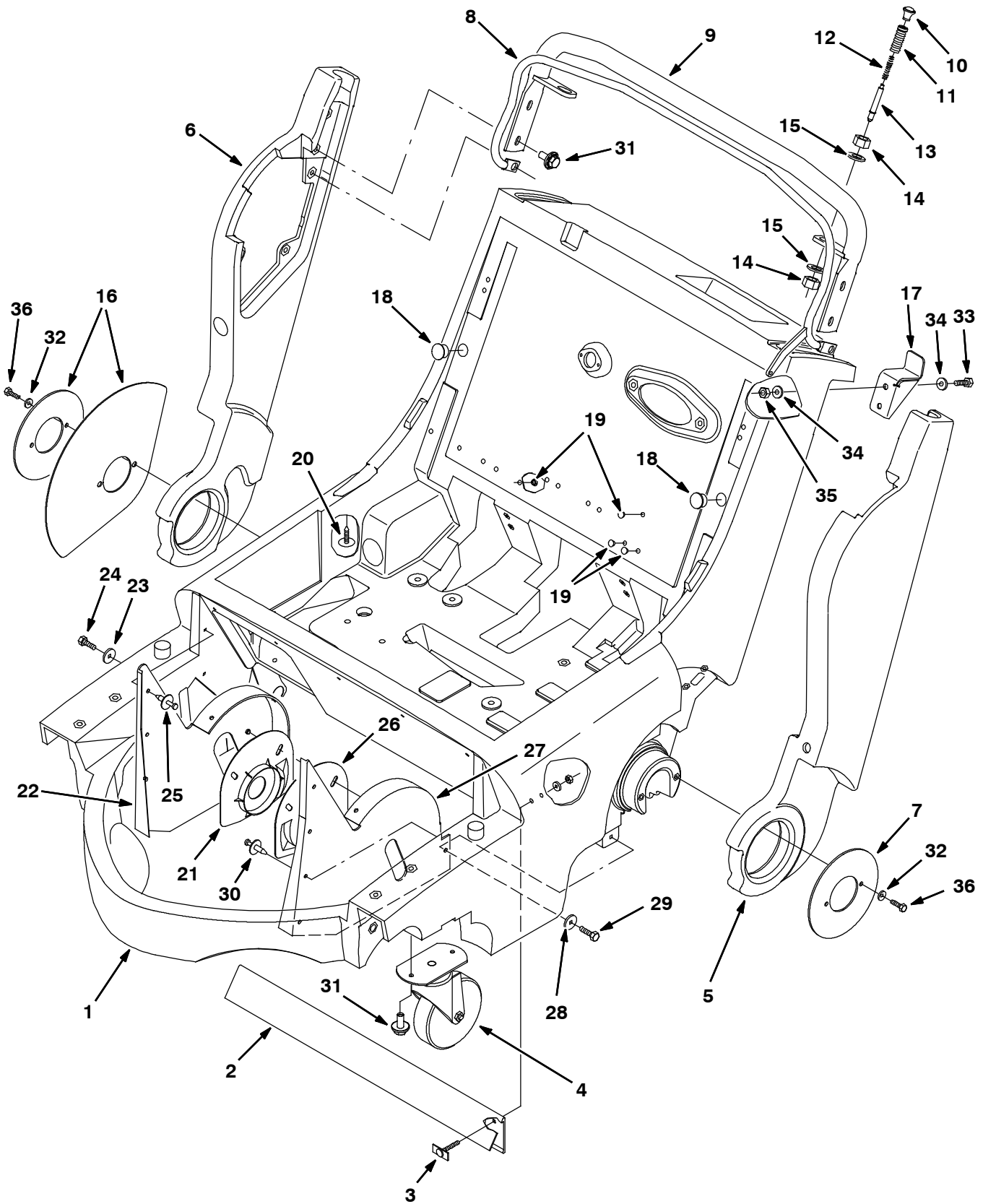


Fig. 3 - Main Frame Group

Ref.	Part No.	Serial Number	Description	Qty.
1	9005828	(000000-	) Frame, Main, [3640]	1
2	379214	(000000-	) Skirt, Rear	1
3	80186	(000000-	) Plate, Skirt, Retainer	5
4	80028	(000000-	) Caster, 5.0D X 1.37 Wheel	2
5	9005830	(000000-	) Handle, Main, Lh, Afmkt [3640]	1
6	9005831	(000000-	) Handle, Main, Rh, Afmkt [3640]	1
7	80037	(000000-	) Plate, Retainer	1
8	80945	(000000-	) Lever, Clutch, Wldt	1
9	80430	(000000-	) Handle, Steering	1
▽	379228	(000000-	) Kit, Repair, Adj Handle	2
▲	10 80180	(000000-	) Knob,#10- 32,0.81Dia,Plastic	2
▲	11 80445	(000000-	) Sleeve, Threaded	2
▲	12 80448	(000000-	) Spring, Comp 0.34Idx.045Wire	2
▲	13 373141	(000000-	) Pin, Handle Adjustment	2
▲	14 763066	(000000-	) Nut,Hx Jam M16X2.0 Din 439	4
▲	15 04400	(000000-	) Washer- Flt 17 X30X3 Ss M16	2
	16 80105	(000000-	) Shield, Dirt Kit	1
	17 80106	(000000-	) Bracket, Handle Stop	1
	18 130161	(000000-	) Plug, Hole, Rnd, 0.88d, Blk	2
	19 80061	(000000-	) Plug, Hole .297	4
	20 378770	(000000-	) Clip	1
▽	378811	(000000-	) Kit, Skirt, Rh	1
▲	21 378806	(000000-	) Guard	1
▲	22 378809	(000000-	) Skirt	1
▲	23 41178	(000000-	) Washer, Flat, .25 Fender	1
▲	24 20394	(000000-	) Screw, Hex, #10 X 0.62, Fmg Ab	1
▲	25 72968	(000000-	) Rivet, Plstc	7
▽	378812	(000000-	) Kit, Skirt, Lh	1
▲	26 378807	(000000-	) Guard	1
▲	27 378810	(000000-	) Skirt	1
▲	28 41178	(000000-	) Washer, Flat, .25 Fender	1
▲	29 20394	(000000-	) Screw, Hex, #10 X 0.62, Fmg Ab	1
▲	30 72968	(000000-	) Rivet, Plstc	7
▲	31 1020341	(000000-	) Screw, Hex, M8 X 1.25 X 20, Ss, Sems	6
	32 32490	(000000-	) Washer, Flat, 0.25 Std	4
	33 76570	(000000-	) Screw, Hex, M8 X 1.25 X 30, 8.8	2
	34 32491	(000000-	) Washer, Flat, 0.31 Std	4
	35 08709	(000000-	) Nut, Hex, Lock, M8 X 1.25, NI	2
	36 06942	(000000-	) Screw, Hex, M6 X 1.0 X 16, 8.8	4

Fig. 4 - Drive System Group

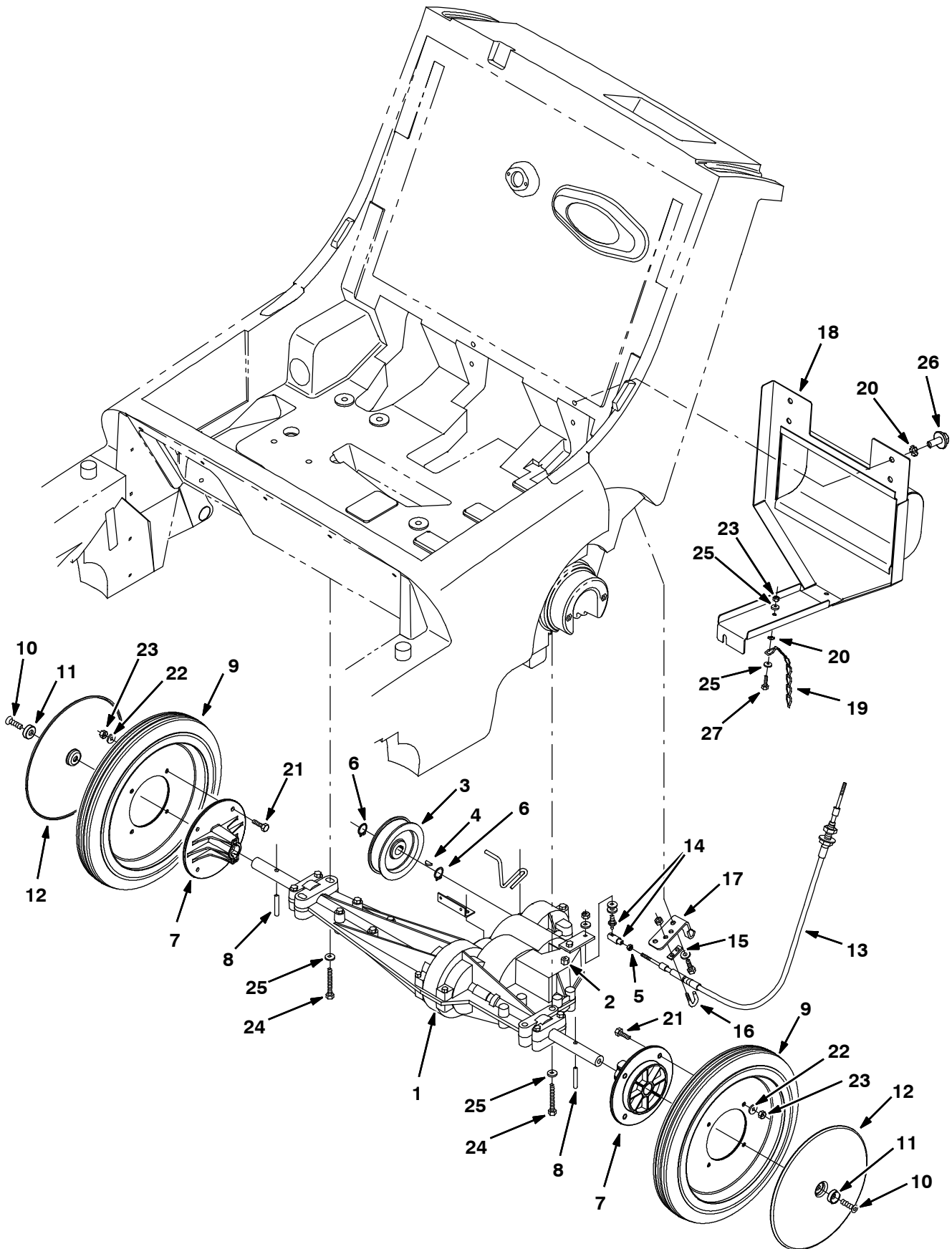




Fig. 4 - Drive System Group

	Ref.	Part No.	Serial Number	Description	Qty.
▽	1	80476	(000000-	) Kit, Transaxle Assy (see breakdowns)	1
▲	2	80471	(000000-	) Fitting, Relief 1/8	1
	3	80110	(000000-	) Sheave, Flat, 3.7Od	1
	4	00500- 4	(000000-	) Key- Wdruff 0.12 0.50 Asa#0404	1
	5	01713	(000000-	) Nut- Hx Std 10- 32 G2 Pltd	1
	6	33373	(000000-	) Ring, Retain,Ex,0.62Od,Heavydt	1
	7	373105	(000000-	) Hub, Wheel	2
	8	18276	(000000-	) Pin,Dowel,0.2502Dia.X 1.50 Lg	2
	9	80148	(000000-	) Tire & Wheel Assy	2
	10	222692	(000000-	) Screw- Flat 8X1.25 25Nylon Loc	2
	11	80922	(000000-	) Washer, Finish M8 Pltd	2
	12	80465	(000000-	) Hubcap	2
	13	80415	(000000-	) Cable, Shift, Push Pull	1
	14	80158	(000000-	) Balljoint,	1
	15	80429	(000000-	) Support, Cable	1
	16	80425	(000000-	) Bolt, Bent, M6	1
	17	80113	(000000-	) Plate, Support, Cable	1
	18	80962	(000000-	) Plate Wldt, Backstop	1
	19	222842	(000000-	) Chain, Static, Brass	1
	20	41141	(000000-	) Washer, Lock, Int- Ext, .31	2
	21	06943	(000000-	) Screw, Hex, M6 X 1.0 X 20, 8.8	8
	22	32483	(000000-	) Washer, Flat, 0.25 Sae	8
	23	08708	(000000-	) Nut, Hex, Lock, M6 X 1.0, NI	9
	24	06949	(000000-	) Screw, Hex, M6 X 1.0 X 50, 8.8	4
	25	32490	(000000-	) Washer, Flat, 0.25 Std	6
	26	1020341	(000000-	) Screw, Hex, M8 X 1.25 X 20, Ss, Sems	4
	27	06943	(000000-	) Screw, Hex, M6 X 1.0 X 20, 8.8	1

Fig. 5 - Main Brush Group

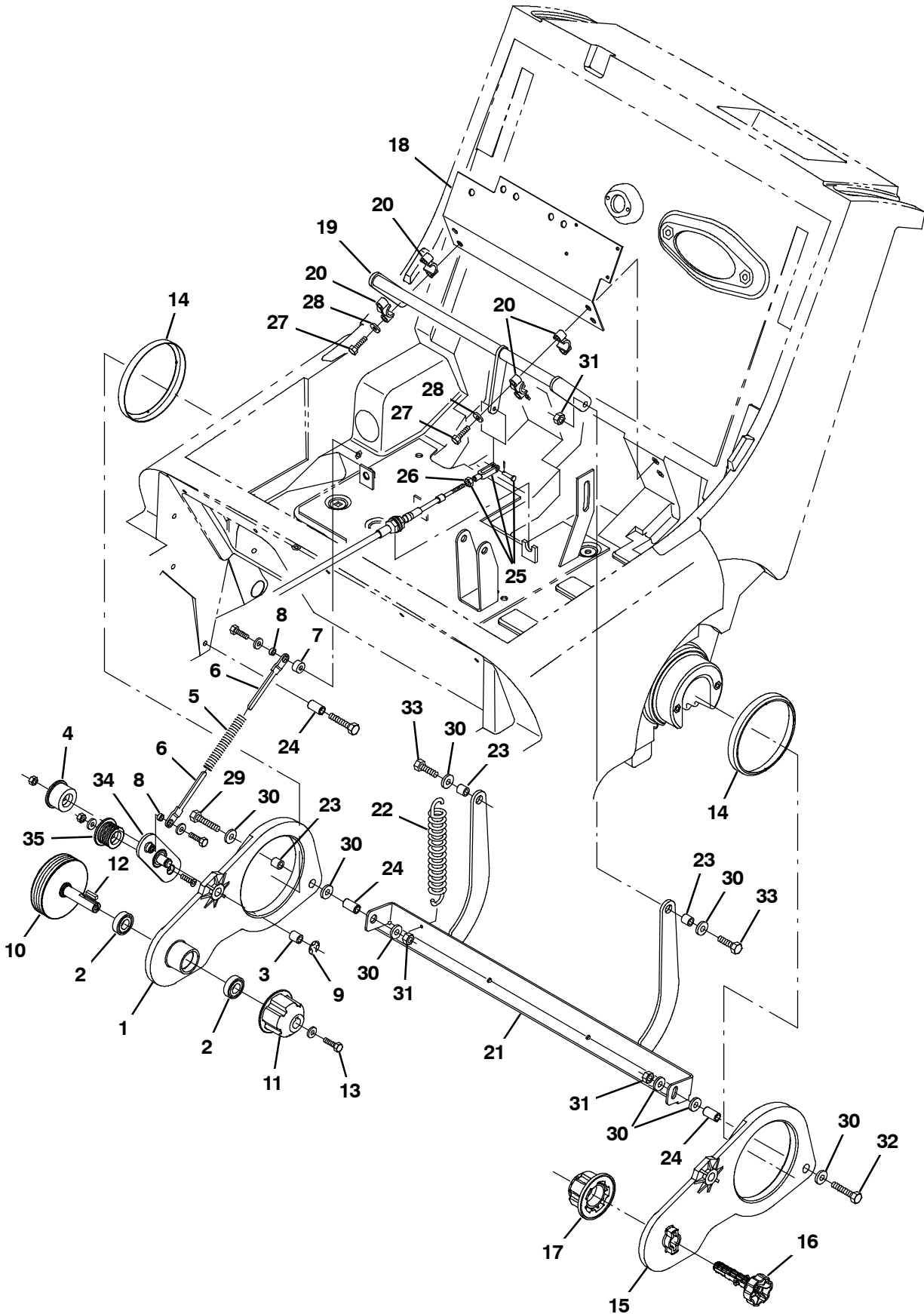


Fig. 5 - Main Brush Group

	Ref.	Part No.	Serial Number	Description	Qty.
▽	1	80047	(000000-	) Arm, Brush	1
▲	2	41360	(000000-	) Bearing, Ball, 0.59b 1.26d 0.35w[2seal]	2
▲	3	63233	(000000-	) Bushing, Sleeve, 0.50b 0.59d 0.50l, Bnz	1
	4	80079	(000000-	) Pulley, Idler	1
	5	80159	(000000-	) Spring, Comp,	1
	6	373140	(000000-	) Strip, Spring, Comp	2
	7	80937	(000000-	) Sleeve, .025Ob .62D .34Pm	1
	8	80491	(000000-	) Sleeve, .25Ob .38D .156Ss	2
	9	80492	(000000-	) Ring, Retaining, Ex	1
	10	80048	(000000-	) Shaft, Sheave	1
	11	378805	(000000-	) Plug, Brush Drive	1
	12	00911	(000000-	) Key Square 0.18 0.18 00.75 Lg	1
	13	11329	(000000-	) Scr- Hexssm 6X1.0 16 Nylonloc	1
	14	80371	(000000-	) Ring, Wear	2
	15	80424	(000000-	) Arm, Brush, Idler Side	1
	16	377365	(000000-	) Pin, Main Brush	1
	17	1057629	(000000-	) Plug, Idler, Brush [Sgl Brg]	1
	18	80956	(000000-	) Plate, Support, Cross Shaft	1
	19	80379	(000000-	) Shaft, Wldt, Cross	1
	20	80387	(000000-	) Block, Bearing 0.625Dia	4
	21	80384	(000000-	) Link Wldt, Brush Lift	1
	22	379217	(000000-	) Spring, Extension	1
	23	222460	(000000-	) Sleeve	3
	24	80395	(000000-	) Sleeve, .318B .50D .65Ss	3
▽	25	27880	(000000-	) Yoke Assy.	1
▲	26	01713	(000000-	) Nut- Hx Std 10- 32 G2 Pltd	1
	27	06946	(000000-	) Scr- Hex m06 x 1.0x 35 8.8	4
	28	32490	(000000-	) Washer- Flt	4
	29	39278	(000000-	) Screw, Hex, M8 X 1.25 X 50, 8.8	1
	30	32491	(000000-	) Washer, Flat, 0.31 Std	8
	31	08709	(000000-	) Nut, Hex, Lock, M8 X 1.25, NI	4
	32	06955	(000000-	) Screw, Hex, M8 X 1.25 X 35, 8.8	1
	33	76570	(000000-	) Screw, Hex, M8 X 1.25 X 30, 8.8	2
	34	80053	(000000-	) Plate, Pivot	1
	35	80075	(000000-	) Pulley, Idler	1



Fig. 6 - Side Brush Group

Ref.	Part No.	Serial Number	Description	Qty.	
1	9005829	(000000-	) Housing, Brush, Side, Afmkt [3640]	1	
2	80016	(000000-	) Pivot, Bushing	2	
3	80321	(000000-	) Sleeve, 1.45B 2.1D 1.5 Pltd	1	
4	379207	(000000-	) Spring, Torsion	1	
▽	5	1056183	(000000-	) Motor, Ele, 24vdc 0068rpm 0.08hp 04.5a	1
▲	80126	(000000-	) Brush&Spring Assy Se	1	
▲	80127	(000000-	) Brush Cap Se	2	
▲	369795	(000000-	) Holder, Brush	2	
▲	369796	(000000-	) Clip	2	
6	11516	(000000-	) Pin,Roll,.25Odx1.75L,.250/.256	1	
7	02942	(000000-	) Pin,Hair Cotter .12Wire 2.37Sl	1	
8	80155	(000000-	) Bracket Wldt, Lift	1	
9	379216	(000000-	) Strip, Spring	2	
10	76782	(000000-	) Pin,Clevis,0.19 Dia.X 0.75 Lg	3	
11	80484	(000000-	) Spring, Comp, 0.74Idx.11 Wire	1	
12	379215	(000000-	) Strip, Spring	1	
13	80010	(000000-	) Bracket, Cable	1	
14	06974	(000000-	) Screw, Hex, M12 X 1.75 X 80, 8.8	2	
15	1034731	(000000-	) Screw, Hex, M6 X 1.00 X 16, Sems, Ss	2	
16	32490	(000000-	) Washer, Flat, 0.25 Std	4	
17	06943	(000000-	) Screw, Hex, M6 X 1.0 X 20, 8.8	4	

Fig. 7 - Hopper Group

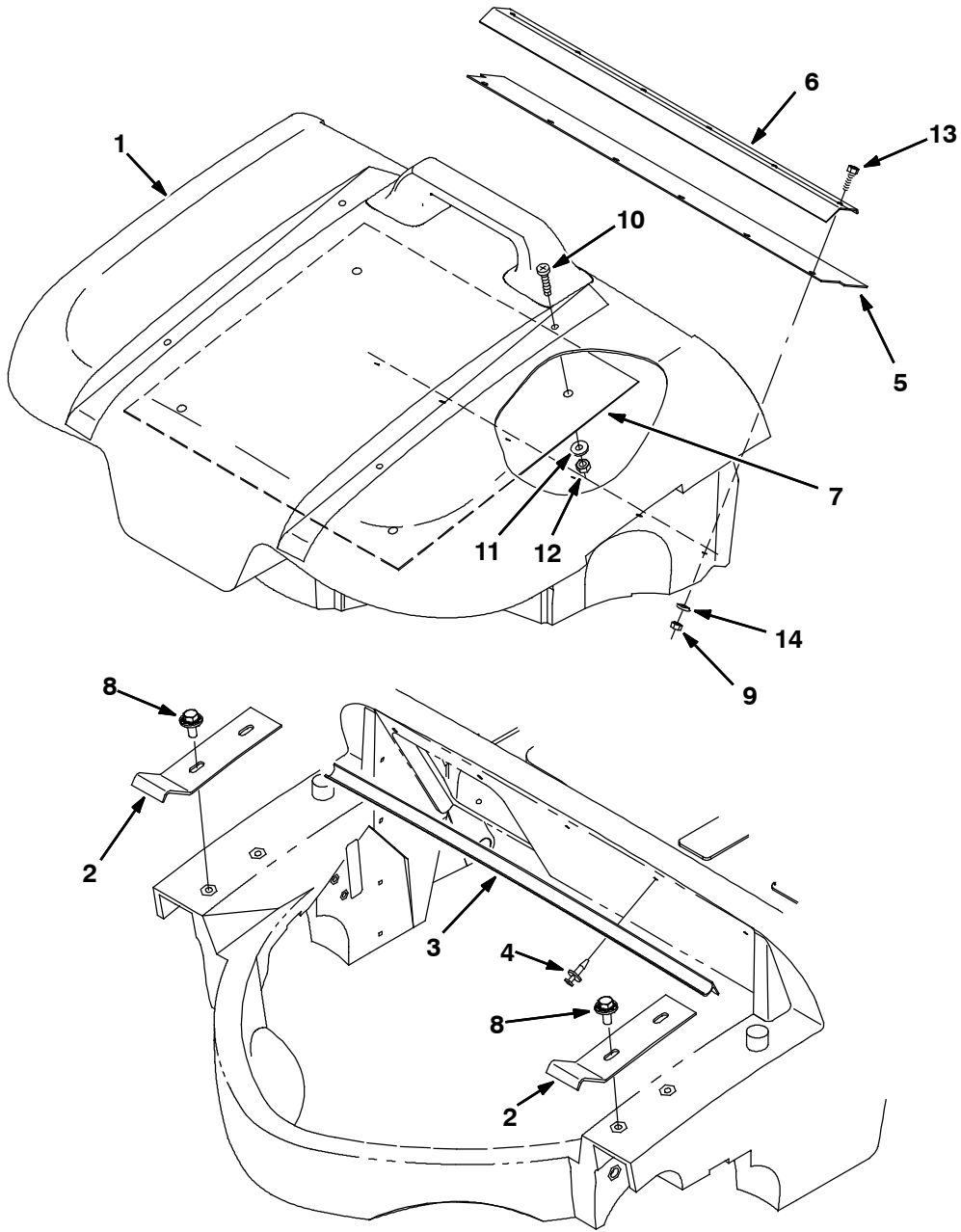


Fig. 7 - Hopper Group

Ref.	Part No.	Serial Number	Description	Qty.
1	9005833	(000000-	) Hopper, Afmkt [3640]	1
2	80958	(000000-	) Bracket, Support	2
3	80315	(000000-	) Seal	1
4	72970	(000000-	) Rivet, Plstc	5
5	373142	(000000-	) Skirt, Hopper	1
6	80141	(000000-	) Angle, Lip	1
7	80266	(000000-	) Plate, Firewall	1
8	1020341	(000000-	) Screw, Hex, M8 X 1.25 X 20, Ss, Sems	4
9	08712	(000000-	) Nut, Hex, Lock, M6 X 1.0, Ss, NI	6
10	09737	(000000-	) Screw, Pan, M8 X 1.25 X 20, 4.8	4
11	01685	(000000-	) Washer, Flat, 0.31 Ss	4
12	08713	(000000-	) Nut, Hex, Lock, M8 X 1.25, NI, Ss	4
13	08716	(000000-	) Screw, Hex, M6 X 1.0 X 20, Ss	6
14	32490	(000000-	) Washer, Flat, 0.25 Std	6





Fig. 8 - Vacuum Fan Group

Ref.	Part No.	Serial Number	Description	Qty.
1	80314	(000000-	) Plate, Backing, Vac Fan	1
2	16934	(000000-	) Shaft,Brg&Flange Assy- Fan	1
3	379203	(000000-	) Spacer	1
4	80320	(000000-	) Impeller, 9.06 Dia X 0.375B	1
5	87299	(000000-	) Nut- Hxflexloc .31- 24 Thin Pltd	1
6	00960	(000000-	) Key Square 0.12 0.12 00.50 Lg	1
7	00500- 4	(000000-	) Key- Wdruff 0.12 0.50 Asa#0404	1
8	1025304	(000000-	) Sheave, [3l/4l],1grv, 1.8/2.1pd 0.63b	1
9	46820	(000000-	) Scr- Set .31- 18X0.38 Nylon Loc	2
10	80088	(000000-	) Vacuum Fan Housing	1
11	1020341	(000000-	) Screw, Hex, M8 X 1.25 X 20, Ss, Sems	1
12	80260	(000000-	) Gasket, Vac Fan	1
13	80104	(000000-	) Bar, Transition Mtg	2
14	80029	(000000-	) Plate, Vac Fan, Prop Rod	1
15	80940	(000000-	) V- Belt 3L 230 - One	1
16	69915	(000000-	) Bolt- Carrm 8X1.25 40 4.6	2
17	80136	(000000-	) Transition, Vacfan, Electric	1
18	67767	(000000-	) Clamp, Cable	1
19	09385	(000000-	) Clamp, Cable, Poly	1
20	32490	(000000-	) Washer, Flat, 0.25 Std	7
21	06943	(000000-	) Screw, Hex, M6 X 1.0 X 20, 8.8	2
22	07790	(000000-	) Nut, Hex, Flng, M6 X 1.0	2
23	08708	(000000-	) Nut, Hex, Lock, M6 X 1.0, NI	5
24	1072628	(000000-	) Screw, Hex, M8 X 1.25 X 25, Ss, Sems	2
25	06942	(000000-	) Screw, Hex, M6 X 1.0 X 16, 8.8	4
26	06963	(000000-	) Screw, Hex, M10 X 1.5 X 60, 8.8	1
27	32485	(000000-	) Washer, Flat, 0.38 Sae	2
28	41430	(000000-	) Nut, Hex, Lock, M10 X 1.5, NI	1

Fig. 9 - Vacuum Housing Group

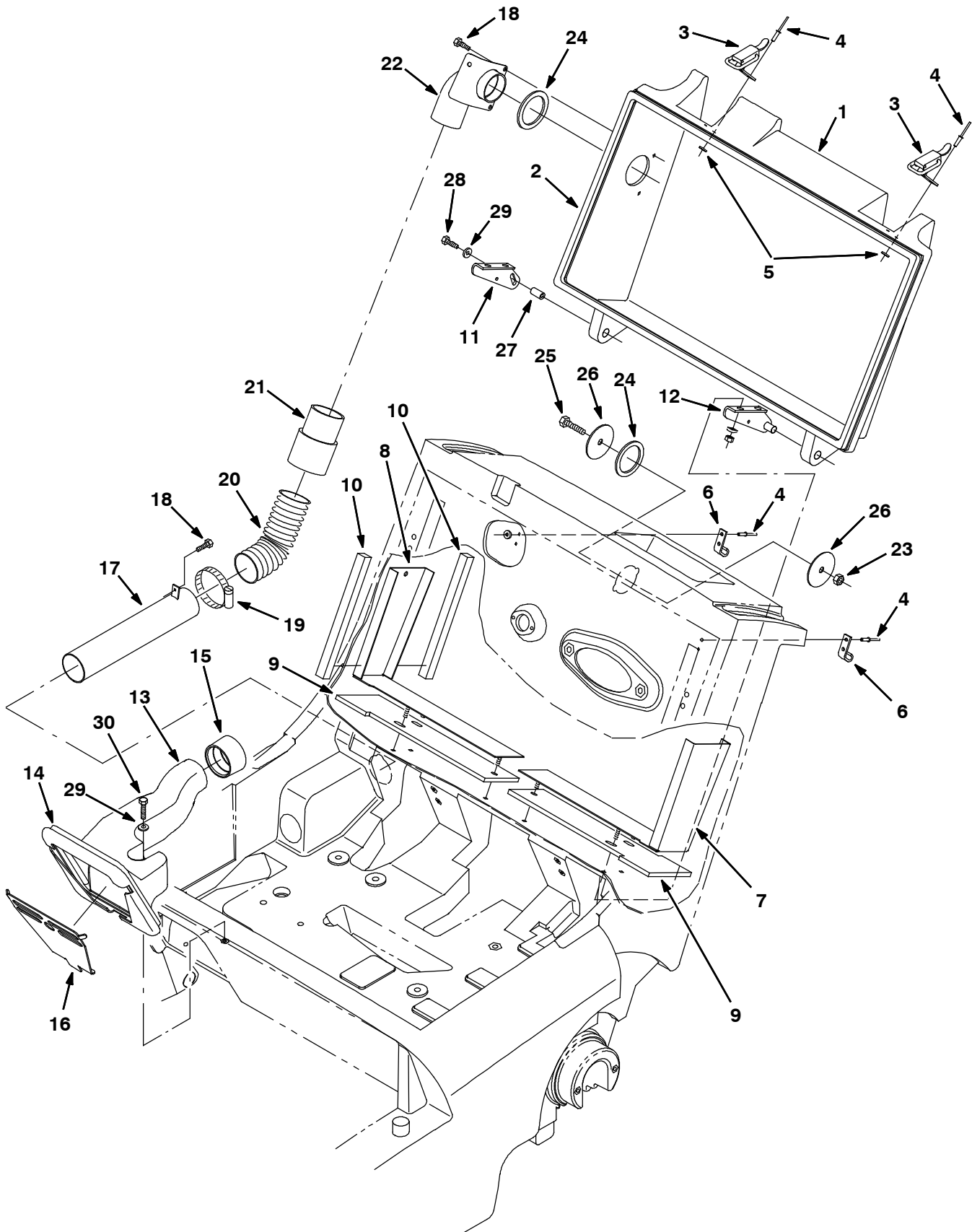


Fig. 9 - Vacuum Housing Group

Ref.	Part No.	Serial Number	Description	Qty.
1	373147	(000000-	) Kit, Replmt, Door, Filter	1
2	80373	(000000-	) Seal	1
3	23709	(000000-	) Catch, Draw Pull	2
4	80218	(000000-	) Rivet, Pop .196Dx.76X38Dhd	8
5	08793	(000000-	) Washer	8
6	80368	(000000-	) Clip, Latch	2
7	80971	(000000-	) Plate	1
8	80021	(000000-	) Bracket, Sealing, Rh	1
9	80052	(000000-	) Seal, Cover	2
10	80064	(000000-	) Seal, Foam .62 .62 8.0	4
11	379227	(000000-	) Bracket, Pivot	1
12	80011	(000000-	) Bracket, Pivot Lh	1
13	9005836	(000000-	) Duct, Vacuum, Hi- Flow, Afmkt [3640]	1
14	80096	(000000-	) Seal, Chamber	1
15	373116	(000000-	) Seal, Tube, Vacuum	1
16	80017	(000000-	) Screen, Vacuum Inlet	1
17	373123	(000000-	) Tube, Vacuum	1
18	20394	(000000-	) Screw, Hex, #10 X 0.62, Fmg Ab	4
19	22297	(000000-	) Clamp, Wormdrive	1
20	373118	(000000-	) Hose, Flex	1
21	83285	(000000-	) Cuff, Hose	1
22	373113	(000000-	) Coupling, Hose, Elbow	1
23	08709	(000000-	) Nut, Hex, Lock, M08- 1.25,NI	1
24	80392	(000000-	) Gasket, Cuff	2
25	76570	(000000-	) Screw, Hex, M08- 1.25 X 30, 8.8	1
26	373117	(000000-	) Washer, Flat, 0.38b 2.25d .07, Stl, Pnt	2
27	379226	(000000-	) Pin, Tapped	1
28	06942	(000000-	) Screw, Hex M06	1
29	32490	(000000-	) Washer, Flat .25	2
30	06945	(000000-	) Screw, Hex, M6 X 1.0 X 30, 8.8	1

Fig. 10 - Panel Filter Group

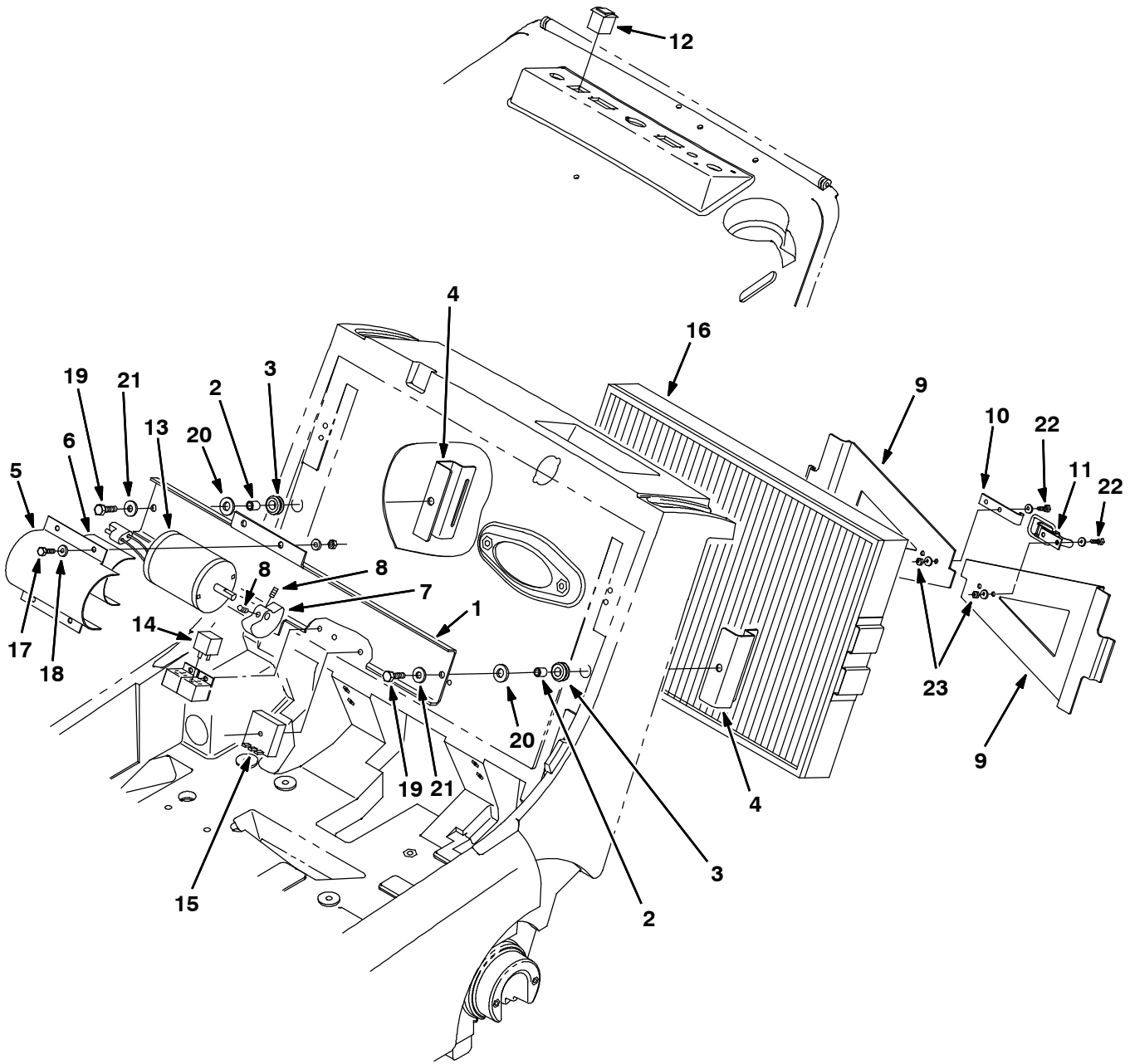


Fig. 10 - Panel Filter Group

Ref.	Part No.	Serial Number	Description	Qty.
1	80436	(000000-	) Bar, Shaker, Motor	1
2	360930	(000000-	) Sleeve	2
3	87515	(000000-	) Grommet, Rubber	2
4	379218	(000000-	) Bracket, Shaker	2
5	80437	(000000-	) Strap, Shaker Motor	1
6	44893	(000000-	) Bar, Flat	1
7	1053321	(000000-	) Weight, Eccentric, Pntd	1
8	20634	(000000-	) Screw, Set, #10	2
9	80033	(000000-	) Bracket, Retainer	2
10	80107	(000000-	) Strike, Latch	1
11	23709	(000000-	) Catch, Draw Pull	1
12	80296	(000000-	) Switch, Rocker	1
13	1059575	(000000-	) Motor, Ele, 24vdc 1440rpm 0.08hp 03.0a	1
14	49309	(000000-	) Relay, 24V	1
15	80328	(000000-	) Timer, 24V	1
16	1037199	(000000-	) Filter, Panl, Dust, 2.7 X 15.0 X 22.0	1
17	06942	(000000-	) Screw, Hex, M6 X 1.0 X 16, 8.8	4
18	32490	(000000-	) Washer, Flat, 0.25 Std	4
19	09023	(000000-	) Screw, Hex, M8 X 1.25 X 35, Ss, FI	2
20	32486	(000000-	) Washer, Flat, 0.50 Sae	2
21	01685	(000000-	) Washer, Flat, 0.31 Ss	2
22	12312	(000000-	) Screw, Hex, M5 X 0.8 X 12, 8.8	4
23	06549	(000000-	) Nut, Hex, Lock, M5 X 0.8, NI	4

Fig. 11 - Brush Lift Handles Group

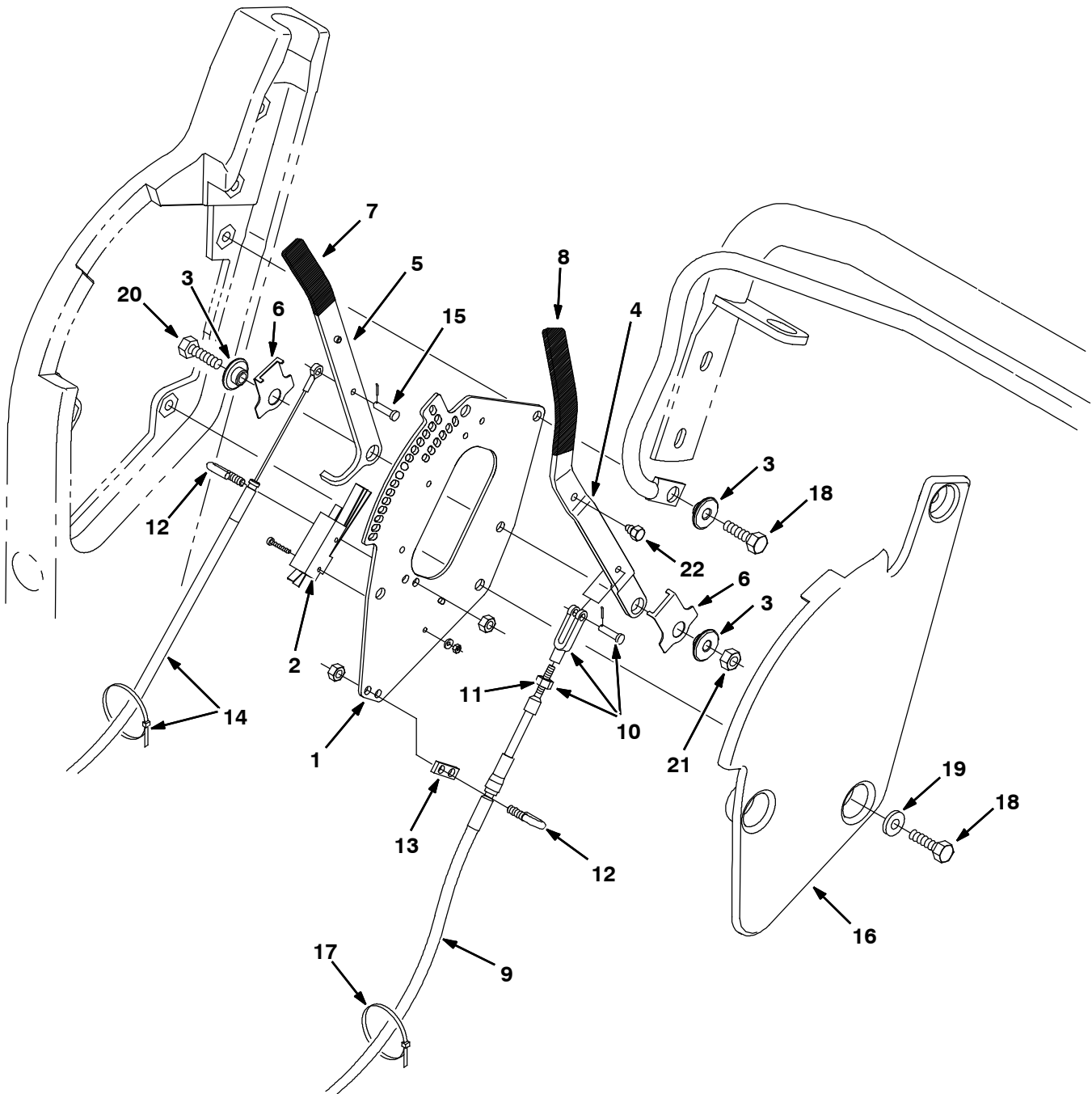


Fig. 11 - Brush Lift Handles Group

Ref.	Part No.	Serial Number	Description	Qty.
1	80411	(000000-	) Plate, Mounting Rh	1
2	1008142	(000000-	) Switch, Snap Actn, 250vdc 25a Spdt	1
3	80950	(000000-	) Bushing, Flanged	3
4	379211	(000000-	) Handle, Lift, Main Brush	1
5	379210	(000000-	) Handle, Lift, Side Brush	1
6	80480	(000000-	) Spring, Detent	2
7	80372	(000000-	) Grip, Vinyl .18X.75.2.00	1
8	80979	(000000-	) Grip, Vinyl .18X .75X 5.00	1
9	80190	(000000-	) Cable Assy, Main Brush	1
▽	10	27880	(000000-) Yoke Assy.	1
▲	11	01713	(000000-) Nut- Hx Std 10- 32 G2 Pltd	1
12	80425	(000000-	) Bolt, Bent, M6	2
13	80429	(000000-	) Support, Cable	1
14	80302	(000000-	) Replacement Kit, Sidebrush Cable	1
15	36376	(000000-	) Pin,Clevis, .19 Dia.X .50 Lg	1
16	80414	(000000-	) Plate, Access, Rh	1
17	49266	(000000-	) Tie, Cable 1.75D Max 7.50Lg	2
18	12273	(000000-	) Screw, Hex, M8 X 1.25 X 20, Ss, NI	4
19	01685	(000000-	) Washer, Flat, 0.31 Ss	3
20	76570	(000000-	) Screw, Hex, M8 X 1.25 X 30, 8.8	1
21	08709	(000000-	) Nut, Hex, Lock, M8 X 1.25, NI	1
22	80972	(000000-	) Bolt, .25- 28, Mtg, Swp, Carpet [3640]	1

Fig. 12 - Clutch and Shift Handle Group

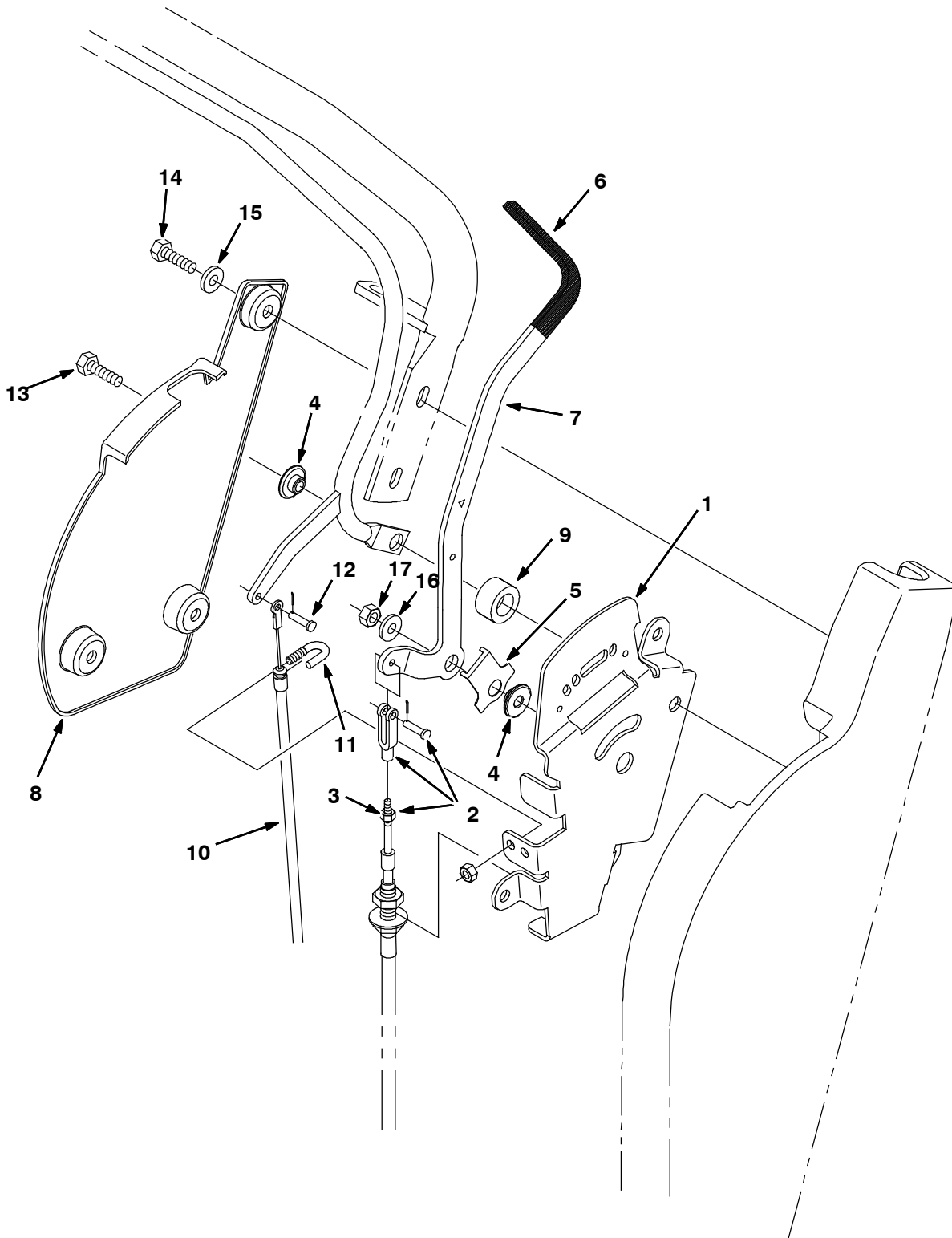




Fig. 12 - Clutch and Shift Handle Group

Ref.	Part No.	Serial Number	Description	Qty.
	1	80428	(000000- ) Plate, Pivot, Lh	1
▽	2	80184	(000000- ) Yoke Assy, 10- 32	1
▲	3	01713	(000000- ) Nut- Hx Std 10- 32 G2 Pltd	1
	4	80950	(000000- ) Bushing, Flanged	2
	5	80480	(000000- ) Spring, Detent	1
	6	80979	(000000- ) Grip, Vinyl .18X .75X 5.00	1
	7	80927	(000000- ) Handle, Shift	1
	8	80589	(000000- ) Plate, Access, Lh	1
	9	80496	(000000- ) Spacer, Pivot .62Lg	1
	10	80192	(000000- ) Cable, Pull Cl	1
	11	80425	(000000- ) Bolt, Bent, M6	1
	12	36376	(000000- ) Pin,Clevis, .19 Dia.X .50 Lg	1
	13	12333	(000000- ) Screw, Hex, M8 X 1.25 X 25, Ss, NI	1
	14	12273	(000000- ) Screw, Hex, M8 X 1.25 X 20, Ss, NI	3
	15	01685	(000000- ) Washer, Flat, 0.31 Ss	3
	16	32490	(000000- ) Washer, Flat, 0.25 Std	1
	17	08709	(000000- ) Nut, Hex, Lock, M8 X 1.25, NI	1

Fig. 13 - Electric Motor Group

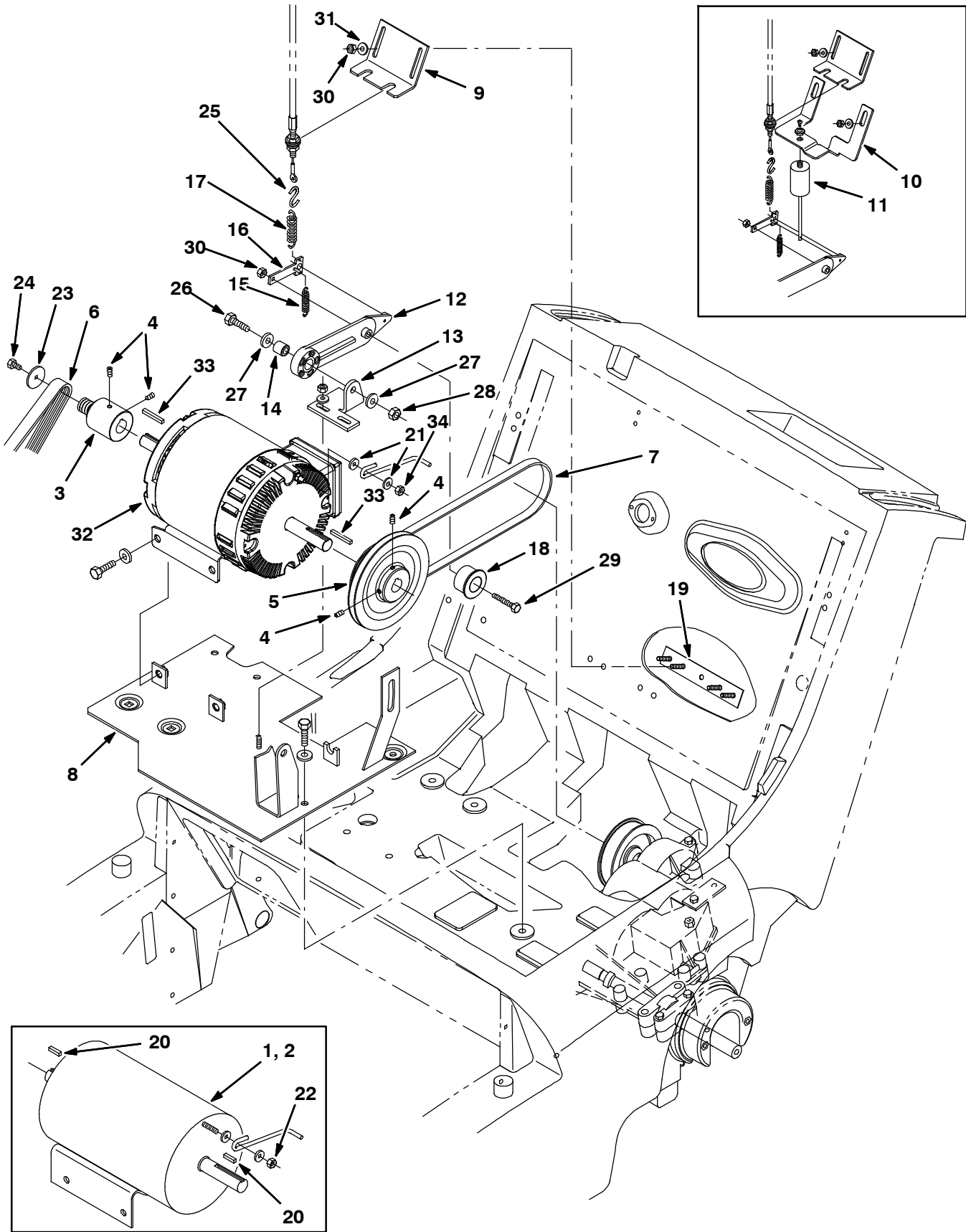


Fig. 13 - Electric Motor Group

Ref.	Part No.	Serial Number	Description	Qty.
▽	1	377431	(000000- 10566878 ) Motor, Ele, 24vdc 1.00hp 1750rpm 42.0a (Replaced by 1068526)	1
▲		01739	(000000- ) Brush Kit - 4 Brushes Included	1
▲		01740	(000000- ) Brush Spring (1 Only )	4
▽	2	377406	(000000- 10704457 ) Motor, Ele, 24vdc 1.00hp 1750rpm 46.0a (EE Model) (Replaced by 1068525)	1
▲		01739	(000000- ) Brush Kit - 4 Brushes Included	1
▲		01740	(000000- ) Brush Spring (1 Only )	4
	3	373139	(000000- ) Pulley, Drive	1
	4	09162	(000000- ) Scr- Set M 6X1.0 8 Nylonloc	4
	5	80242	(000000- ) Sheave, 3L 2Gr 3.2Pd 5.5Pd	1
▽		80117	(000000- ) Belt Kit, Main Brush, Replmt[6080/3640e]	1
▲	6	80139	(000000- ) Belt, Ribbed, 36.0l [J8]	1
	7	80152	(000000- ) Belt, Flat .75Wide X 33.0 Circ	1
	8	80357	(000000- ) Plate Wldt, Floor, Elec	1
	9	80407	(000000- ) Bracket, Cable, Clutch	1
	10	80065	(000000- xxxxxx ) Bracket, Mounting, Dampener, E (Replaced by None)	1
	11	80959	(000000- xxxxxx ) Dampener, Push, 15Lbs (Replaced by None)	1
	12	80405	(000000- ) Arm, Clutch Pivot	1
	13	80406	(000000- ) Bracket, Clutch Pivot	1
	14	80409	(000000- ) Sleeve, .344B .62D .58	1
	15	378769	(000000- ) Sprng,Tens, .36Od .03Wire 1.5L	1
	16	80319	(000000- ) Bar, Clutch	1
	17	75575	(000000- ) Spring, Tens,0.5Dx.06Wire 2.5L	1
	18	80079	(000000- ) Pulley, Idler	1
	19	80408	(000000- ) Plate, Cable, Clutch	1
	20	00915	(000000- 10566878 ) Key, Square .18x .18x 1.38	2
	21	80322	(000000- ) Brake, Belt, Elec	1
	22	75934	(000000- 10566878 ) Nut, Hex, Lock, .25- 20, NI	1
	23	41178	(000000- ) Washer, Flat, Fender	1
	24	06941	(000000- ) Scr, Hex, M6	1
	25	43363	(000000- ) S- Hook	1
	26	06955	(000000- ) Screw, Hex, M8 X 1.25 X 35, 8.8	1
	27	32491	(000000- ) Washer, Flat, 0.31 Std	2
	28	08709	(000000- ) Nut, Hex, Lock, M8 X 1.25, NI	1
	29	06946	(000000- ) Screw, Hex, M6 X 1.0 X 35, 8.8	1
	30	08708	(000000- ) Nut, Hex, Lock, M6 X 1.0, NI	3
	31	32490	(000000- ) Washer, Flat, 0.25 Std	2
▽	32	1068526	(10566879- ) Motor Kit, Ele, 24vdc 1750rpm 1.00hp	1
		1066574	(10566879- ) Vr, Brush Kit, Motor (1 Pkg = 4 Brushes)	1
▽	32	1068525	(10704458- ) Motor Kit, Ele, 24vdc 1750rpm 1.00hp (EE Model)	1
		1066574	(10704458- ) Vr, Brush Kit, Motor (1 Pkg = 4 Brushes)	1
▲	33	00916	(10566879- ) Key, Sq, 0.19 X 0.19, 1.50l	2
▲	34	08708	(10566879- ) Nut, Hex, Lock, M6 X 1.00, NI	1

Fig. 14 - Battery Cover Group

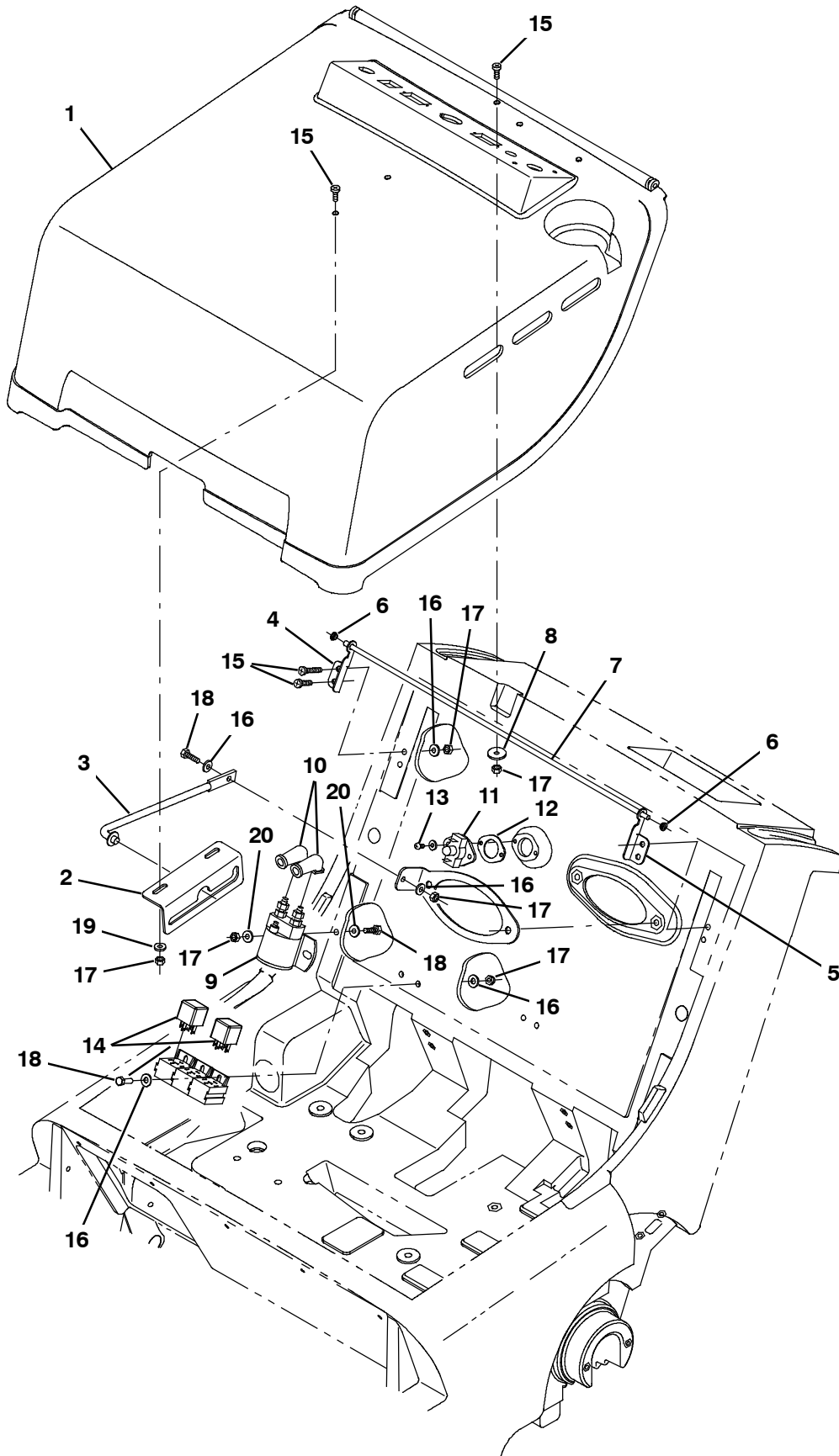


Fig. 14 - Battery Cover Group

Ref.	Part No.	Serial Number	Description	Qty.
1	80195	(000000-	) Hood, E w/Labels	1
2	80364	(000000-	) Bracket, Rod, Propel	1
3	54615	(000000-	) Rod, Seat	1
4	80949	(000000-	) Pivot, Hinge, Eng Cover, Rh,E	1
5	80837	(000000-	) Pivot, Hinge, Eng Cover, Left	1
6	80921	(000000-	) Bearing, Snap- In, .250 Bore	2
7	80924	(000000-	) Rod, Hinge Pin, Nylon	1
8	41178	(000000-	) Washer, Flat, 0.25 Fender	1
9	02424	(000000-	) Contactor, 24Volt Dc	1
10	02076	(000000-	) Boot, 90 Deg .50D .57X .84	2
11	02712	(000000-	) Thermostat Assembly,140 Deg	1
12	82733	(000000-	) Gasket, Fire Switch	1
13	49162	(000000-	) Screw- Pan 08- 10X.050	2
14	49309	(000000-	) Relay, 24V Dc Spdt	2
15	09164	(000000-	) Screw, Pan, M6 X 1.0 X 20, 4.8	7
16	32483	(000000-	) Washer, Flat, 0.25 Sae	10
17	08708	(000000-	) Nut, Hex, Lock, M6 X 1.0, NI	12
18	06943	(000000-	) Screw, Hex, M6 X 1.0 X 20, 8.8	5
19	01684	(000000-	) Washer, Flat, 0.25 Ss	2
20	32490	(000000-	) Washer, Flat, 0.25 Std	4

Fig. 15 - EE Battery Cover And Circuit Breaker Group

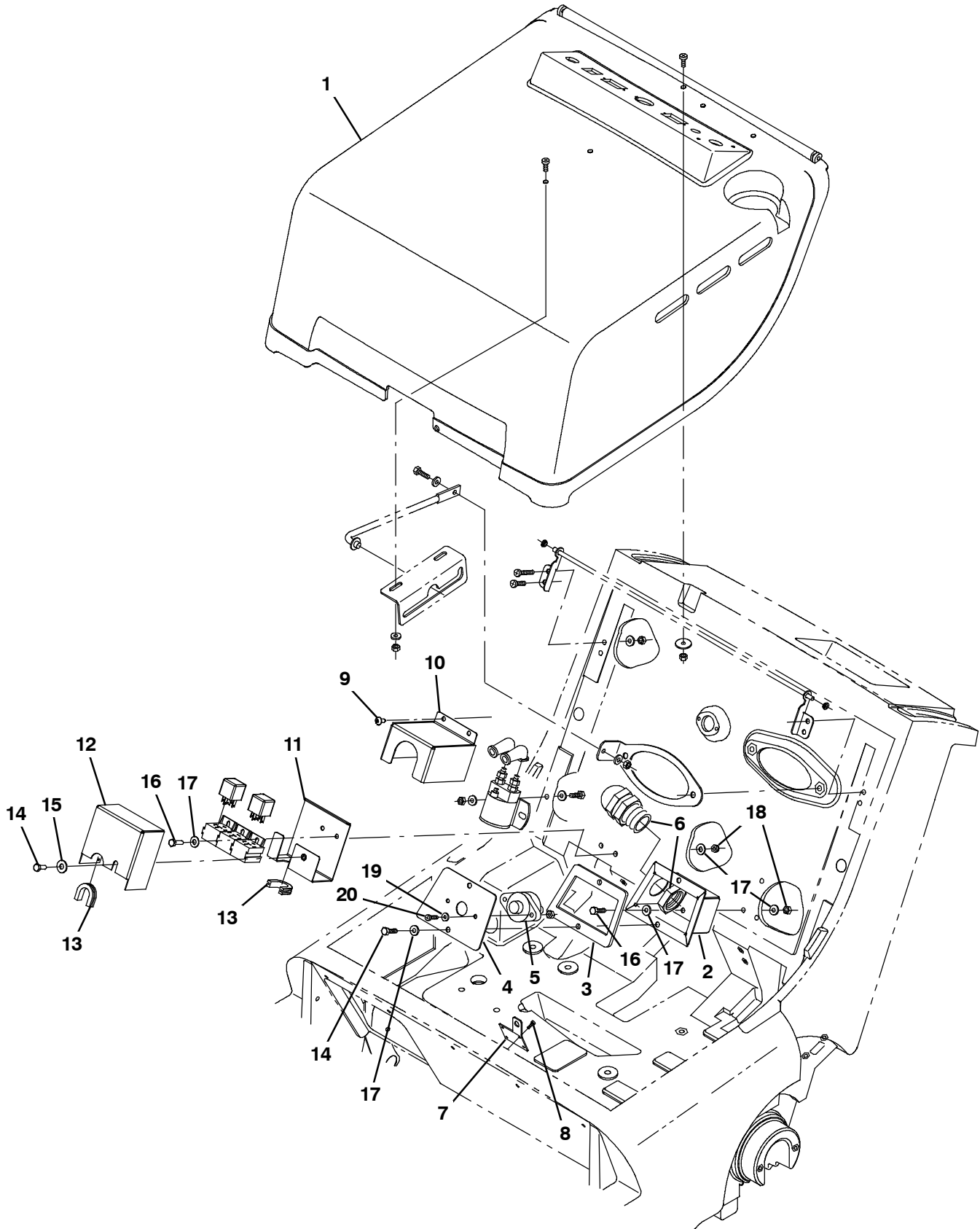
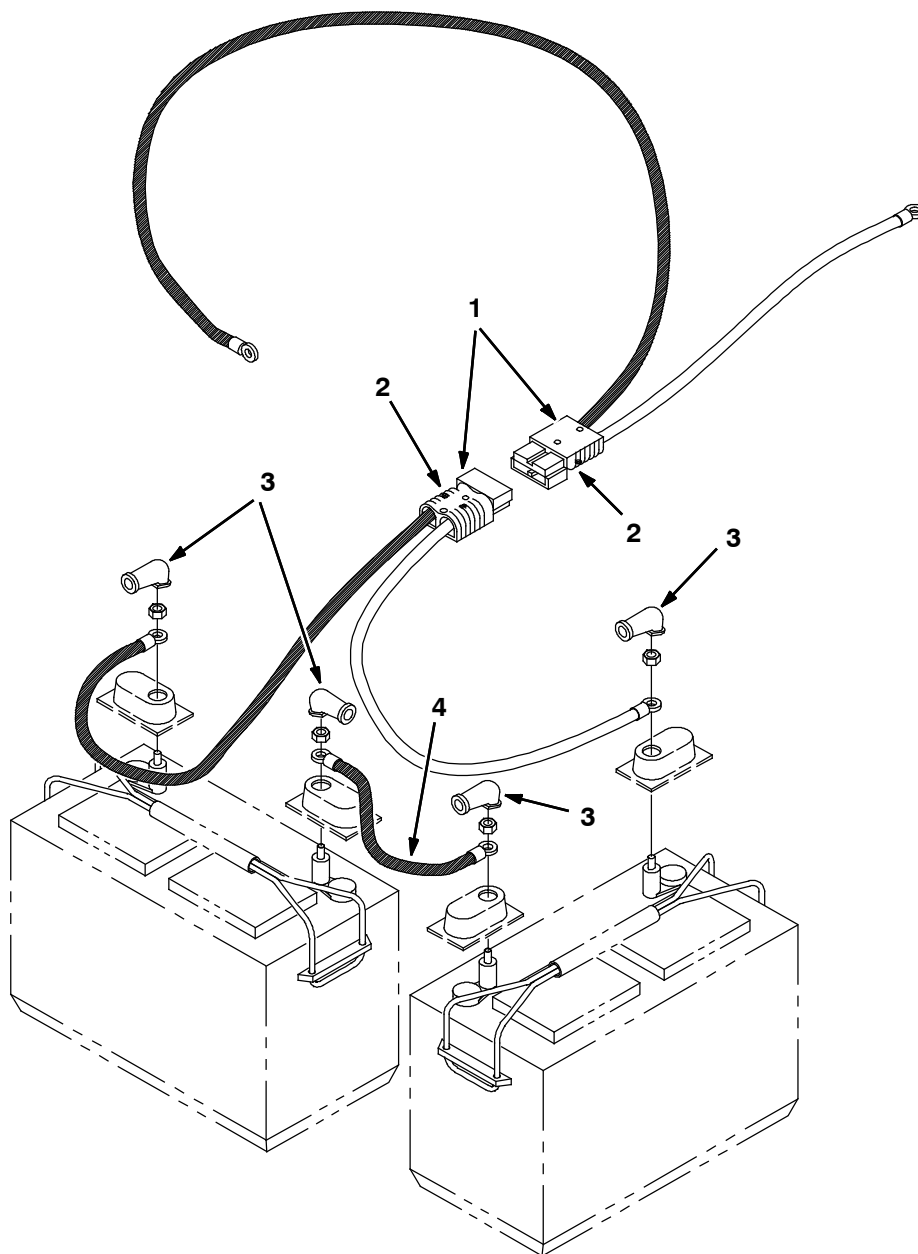


Fig. 15 - EE Battery Cover And Circuit Breaker Group

Ref.	Part No.	Serial Number	Description	Qty.
1	80196	(000000-	) Hood, Ee w/Labels	1
2	80245	(000000-	) Box, Circuit Breaker, Ee	1
3	80247	(000000-	) Gasket, Box, Circuit Breaker	1
4	80248	(000000-	) Plate, Cover, Box, Ee	1
5	375118	(000000-	) Circuitbreaker, 40 Resetable	1
6	222726	(000000-	) Strain Relief, .72/.97Cord	1
7	80273	(000000-	) Plate, Lock, Ee	1
8	222267	(000000-	) Screw, Pan, Fmg, #06 X 0.50	4
9	1009324	(000000-	) Screw, Pan, Phl, 10- 16 X 0.50,Blk[Typ17]	2
10	1054932	(000000-	) Contactor, Enclosure [3640]	1
11	1045300	(000000-	) Base, Cover, Relay [3640 Ee, UI]	1
12	1045299	(000000-	) Cover, Relay [3640 Ee, UI]	1
13	10632- 2	(000000-	) Grommet, Rbr, 0.62id, F/0.9h, .12 Matl	2
14	06942	(000000-	) Screw, Hex, M6 X 1.0 X 16, 8.8	3
15	32490	(000000-	) Washer, Flat, 0.25, Std	1
16	06943	(000000-	) Screw, Hex, M6 X 1.0 X 20, 8.8	4
17	32483	(000000-	) Washer, Flat, 0.25, Sae	10
18	08708	(000000-	) Nut, Hex, Lock, M6 X 1.00, NI	4
19	06933	(000000-	) Screw, Pan, M5 X 0.80 X 16, 4.8	2
20	01683	(000000-	) Washer, Flat, 0.22b 0.50d .05, Ss [#10]	2

**Fig. 16 - Battery Cable Harness Group**

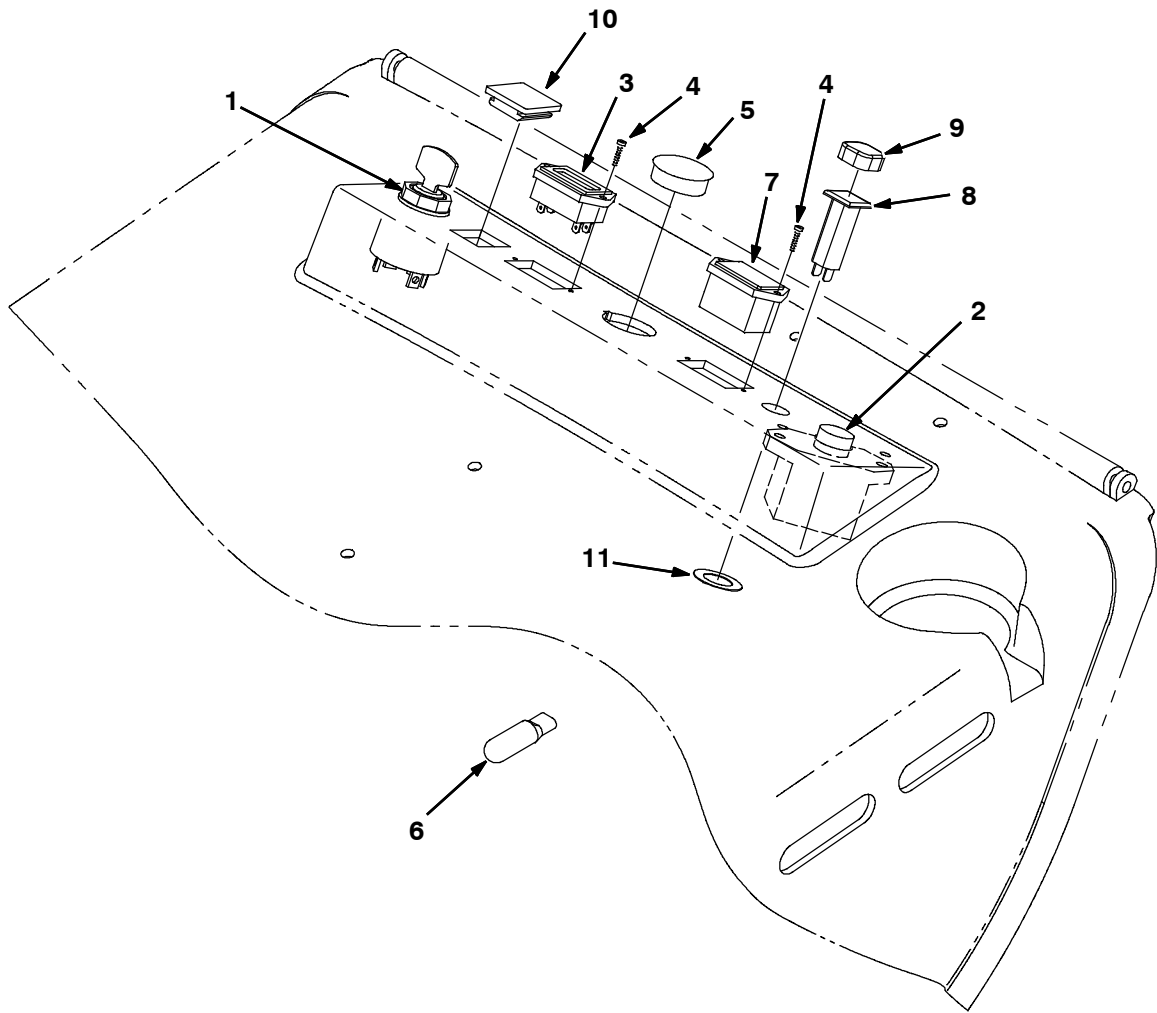


350876 - E

Ref.	Part No.	Serial Number	Description	Qty.
1	49443	(000000-	) Harness, Cable, Battery	2
2	49548	(000000-	) Connector, [Anderson], 50a, Red	1
3	02076	(000000-	) Boot, 90deg .50d .57d X .84	4
4	63735	(000000-	) Wire, 06ga 11.0l Blk .38ring /.38ring	1



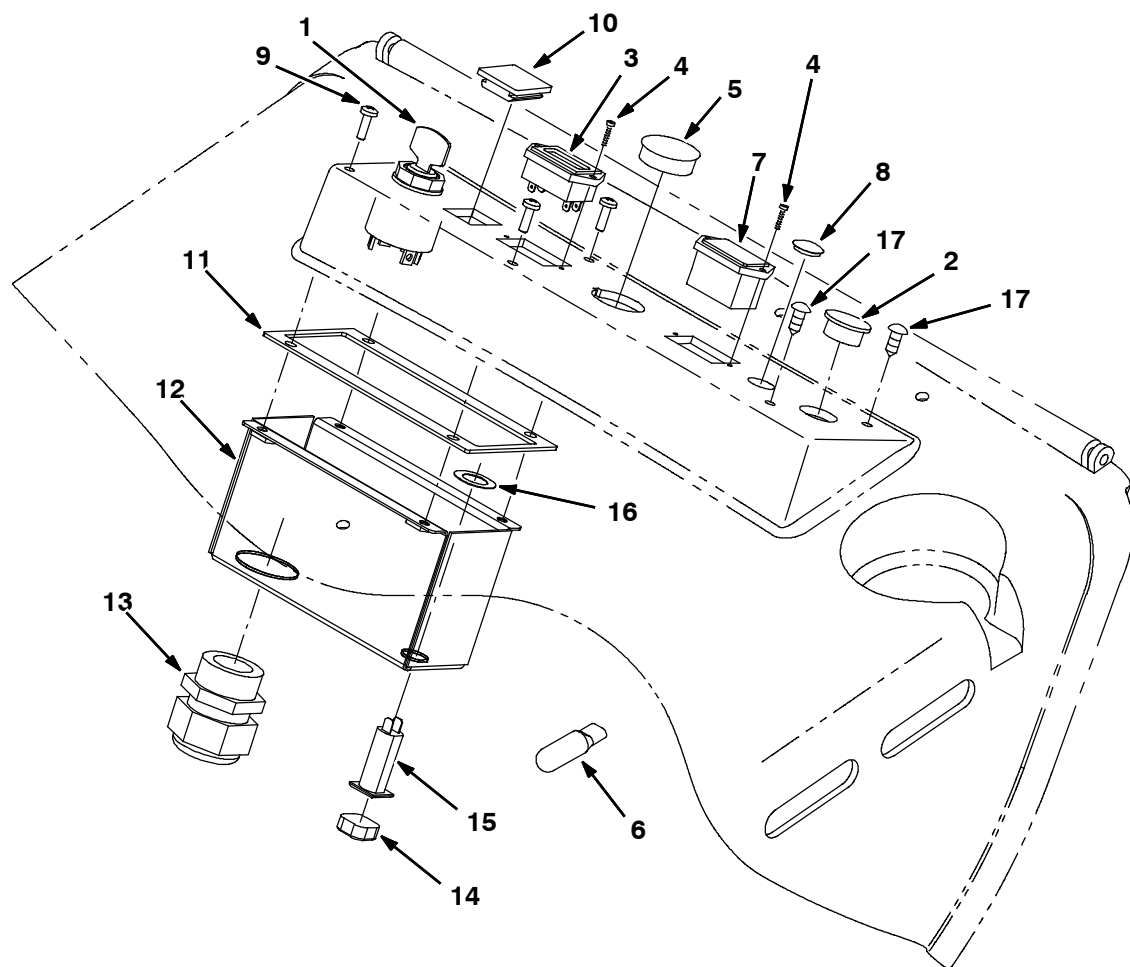
Fig. 17 - Instrument Panel Group



350880 - E

	Ref.	Part No.	Serial Number	Description	Qty.
▽	1	80331	(000000-	) Switch, Key	1
▲		80181	(000000-	) Key Set Rn	1
	2	375119	(000000-	) Circuitbreaker, 50.0a [Resetable]	1
	3	80327	(000000-	) Meter, Discharge, Battery	1
	4	222267	(000000-	) Screw, Pnfmfg 6X.50 Type Ab	4
	5	76888	(000000-	) Plugbtn 1.25H.12 Max Blacknyl	1
	6	222290	(000000-	) Diode, Elec, Plug	1
	7	377433	(000000-	) Gauge, Hourmeter, 12- 60vdc, Analog [10k]	1
	8	1064188	(10511016-	) Circuitbreaker, 15.0a, Resetable	1
	8	1045858	(000000- 10511015	) Circuitbreaker, 15a, Resetable (Rpld by 9004588)	1
	9	1064191	(10511016-	) Boot, Circuitbreaker	1
	9	1046173	(000000- 10511015	) Boot, Circuitbreaker (Rpld by 1064191)	1
	10	80277	(000000-	) Plug, Switch	1
	11	1064190	(10511016-	) Washer, Lock, Int, 0.60, Stl	1
	11	1046176	(000000- 10511015	) Ring, Retaining, Circuitbreaker (Rpld by 1064190)	1

## Fig. 18 - EE Instrument Panel Group



350880 - EE

Ref.	Part No.	Serial Number	Description	Qty.
▽	1	80331	(000000- ) Switch, Key	1
▲	80181	(000000- )	Key Set Rn	1
2	130161	(000000- )	Plug, Hole, Rnd, 0.88d, Blk	1
3	80327	(000000- )	Meter, Discharge, Battery	1
4	222267	(000000- )	Screw, Pnfmng 6X.50 Type Ab	4
5	76888	(000000- )	Plugbtn 1.25H.12 Max Blacknyl	1
6	222290	(000000- )	Diode, Elec, Plug	1
7	377433	(000000- )	Gauge, Hourmeter, 12- 60vdc, Analog [10k]	1
8	57167	(10417526- )	Plug, Hole, Rnd, 0.62h .03- .12, Blk Nyl	1
9	06933	(10417526- )	Screw, Pan, Phl, M5 X 0.80 X 16, 4.8	4
10	80277	(000000- )	Plug, Switch	1
11	1056107	(10417526- )	Gasket, Cover [3640ee]	1
12	1055423	(10417526- )	Enclosure, Switch [3640 Ee]	1
13	222726	(10417526- )	Strainrelief, .72/.97cord, 1.47d	1
14	1064191	(10511016- )	Boot, Circuitbreaker	1
14	1046173	(10417526- 10511015 )	Boot, Circuitbreaker (Rpld by 1064191)	1
15	1064188	(10511016- )	Circuitbreaker, 15.0a, Resetable	1
15	1045858	(10417526- 10511015 )	Circuitbreaker, 15a, Resetable (Rpld by 9004588)	1
16	1064190	(10511016- )	Washer, Lock, Int, 0.60, Stl	1
16	1046176	(10417526- 10511015 )	Ring, Retaining, Circuitbreaker (Rpld by 1064190)	1
17	77399	(000000- )	Plug, Hole	2

Fig. 19 - Electrical Schematic

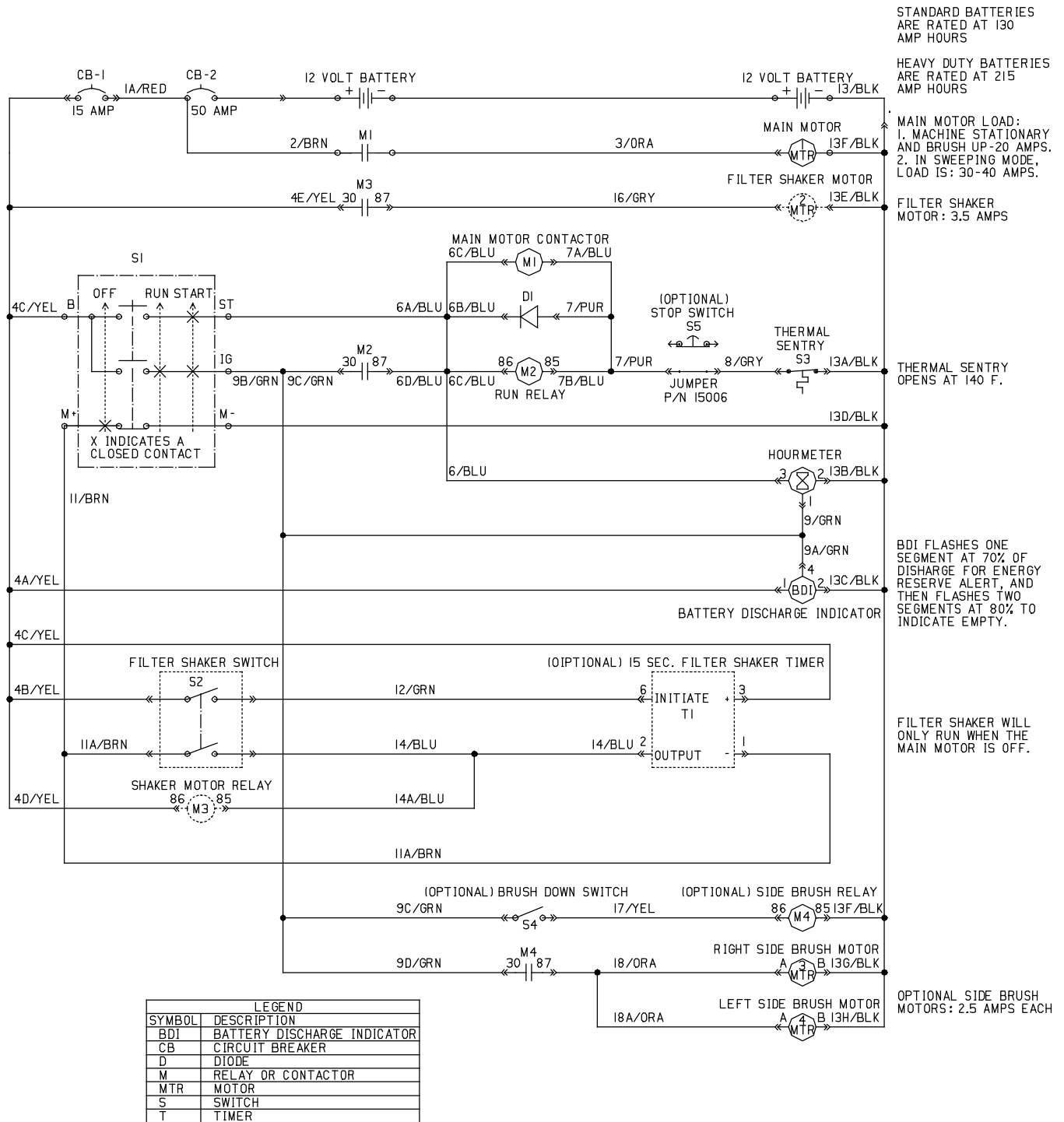
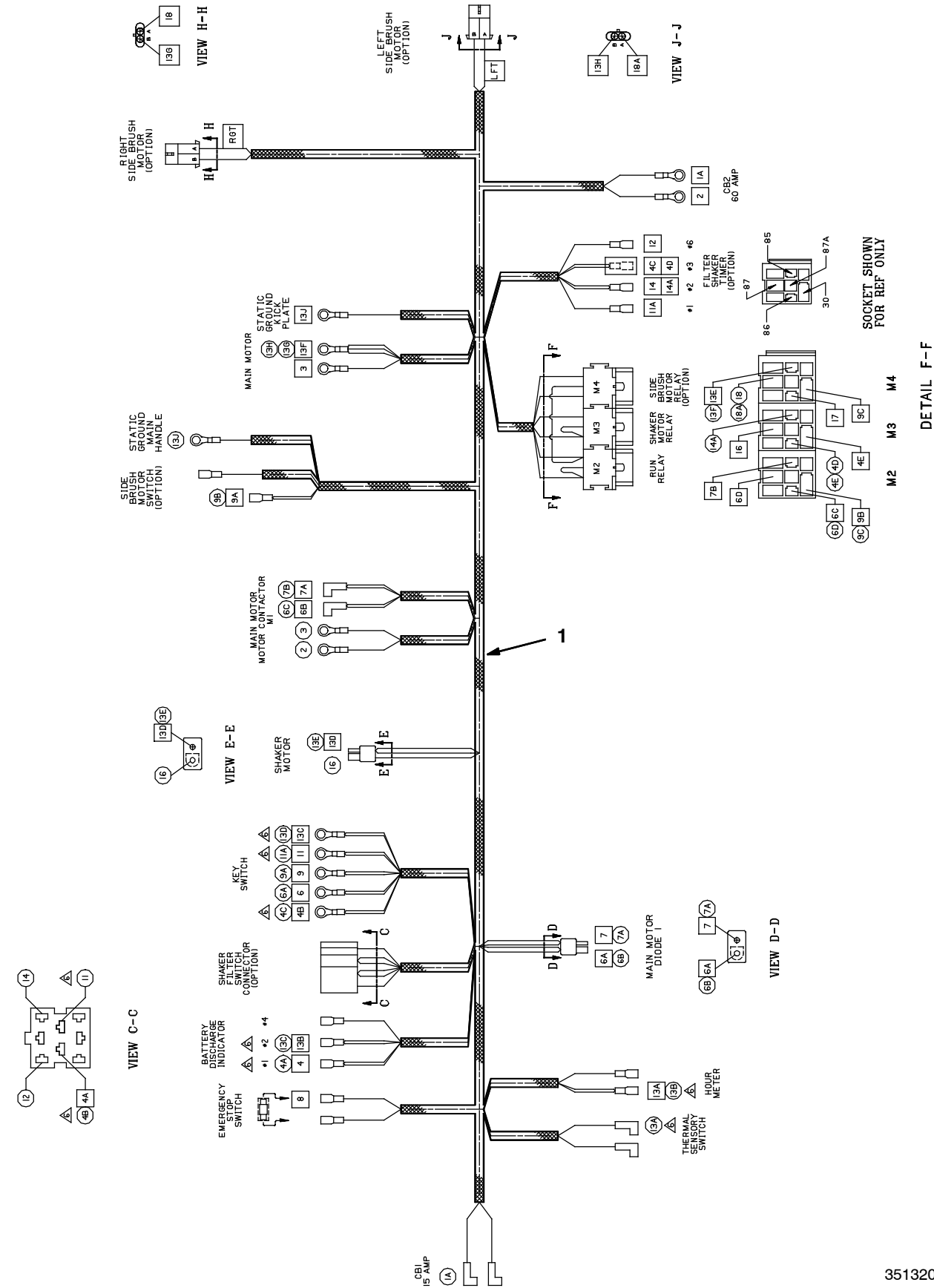
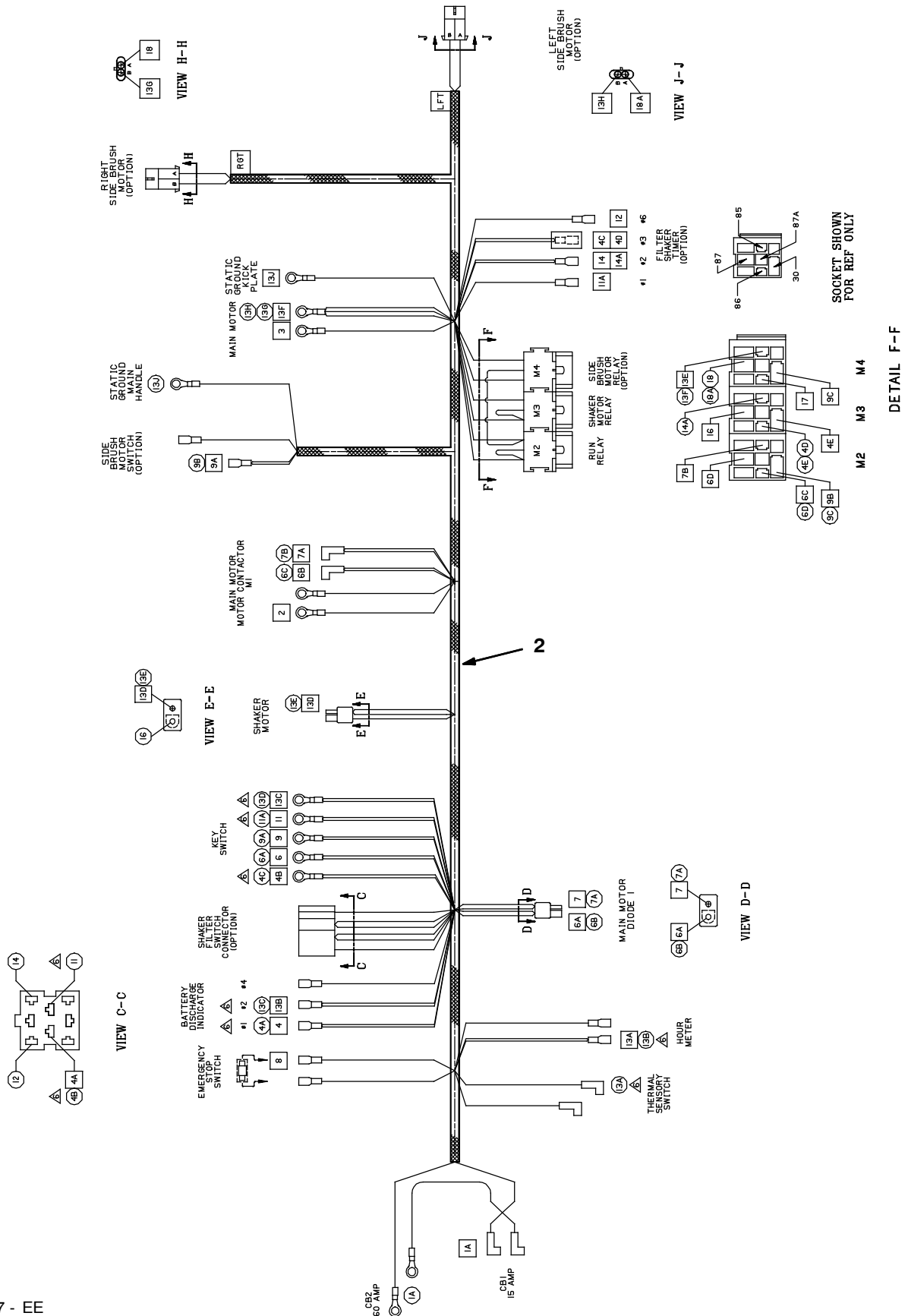


Fig. 20 - Wire Harness Group



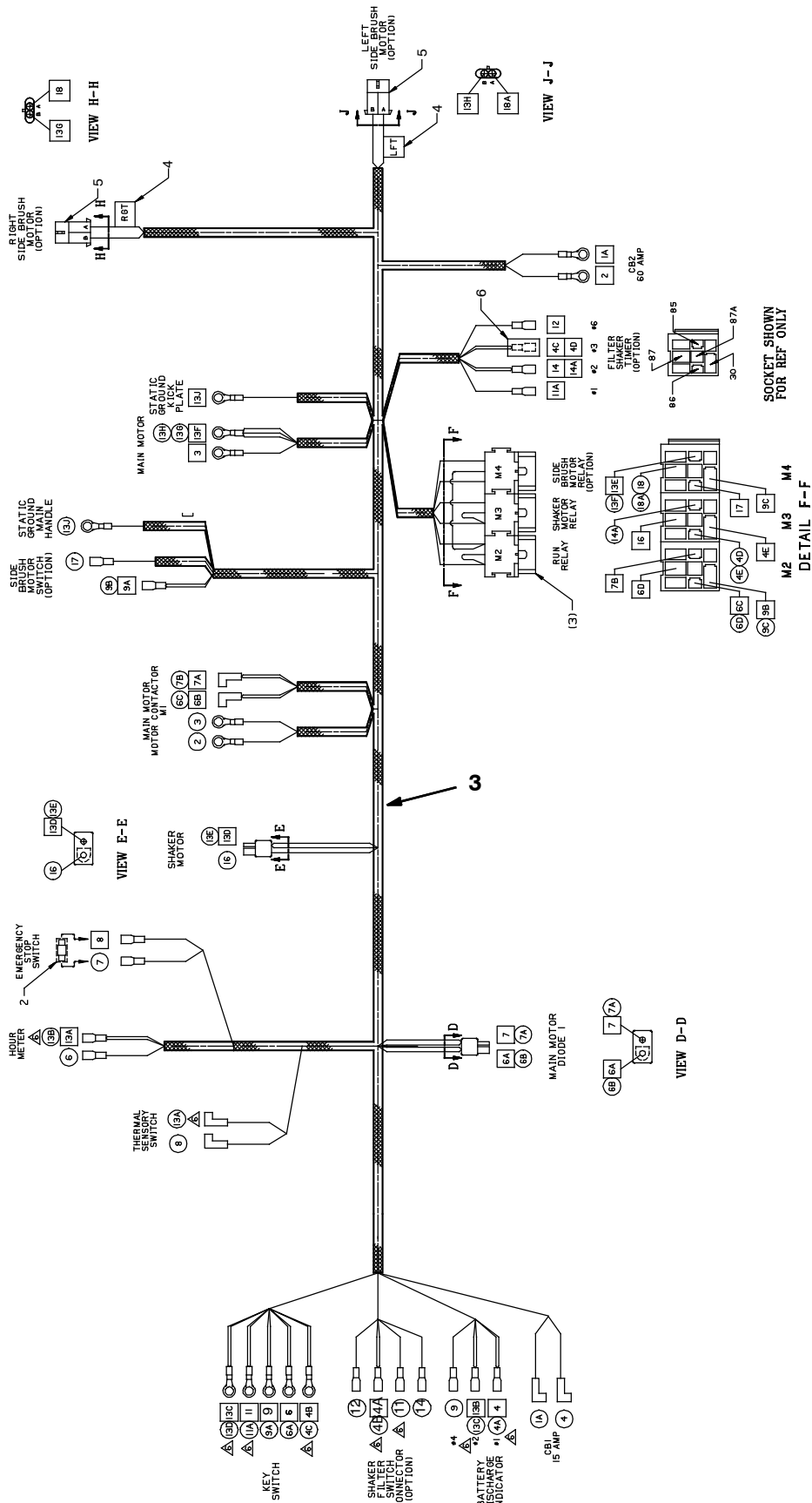
351320 - E

Fig. 20 - Wire Harness Group, EE (S/N 00000- 10417525)



351317 - EE

Fig. 20 - Wire Harness Group, EE (S/N 10417526- )



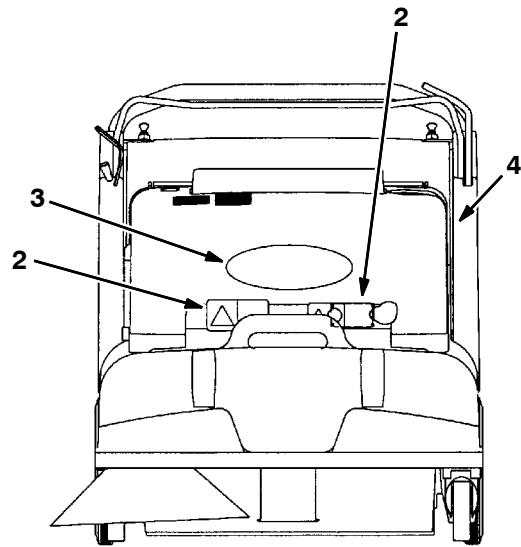
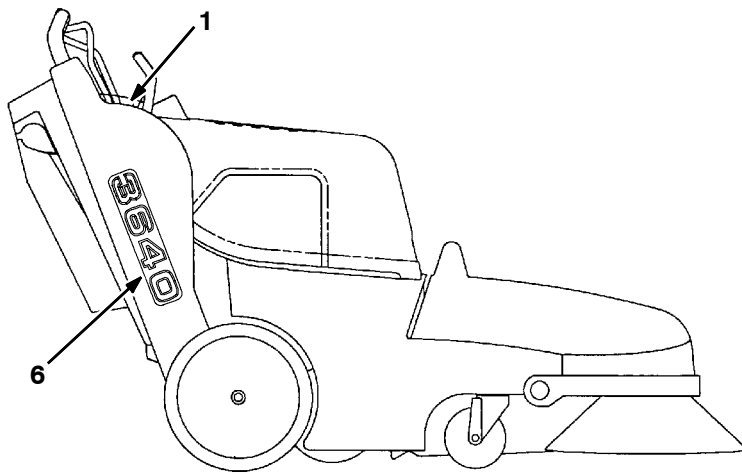
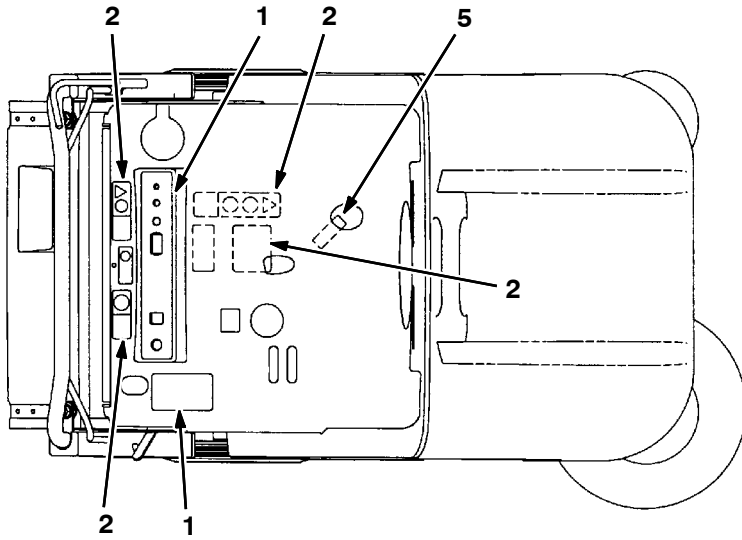
1055961 - EE

Fig. 20 - Wire Harness Group

351320, 351317 - E, EE

Ref.	Part No.	Serial Number	Description	Qty.
1	80602	(000000-	) Harness, Wire, Main E	1
2	80229	(000000- 10417525	) Harness, Wire, Main EE	1
3	1055961	(10417526-	) Harness, Main, Ee [3640 Ee]	1

**Fig. 21 - Label Group**



350910 - E, EE

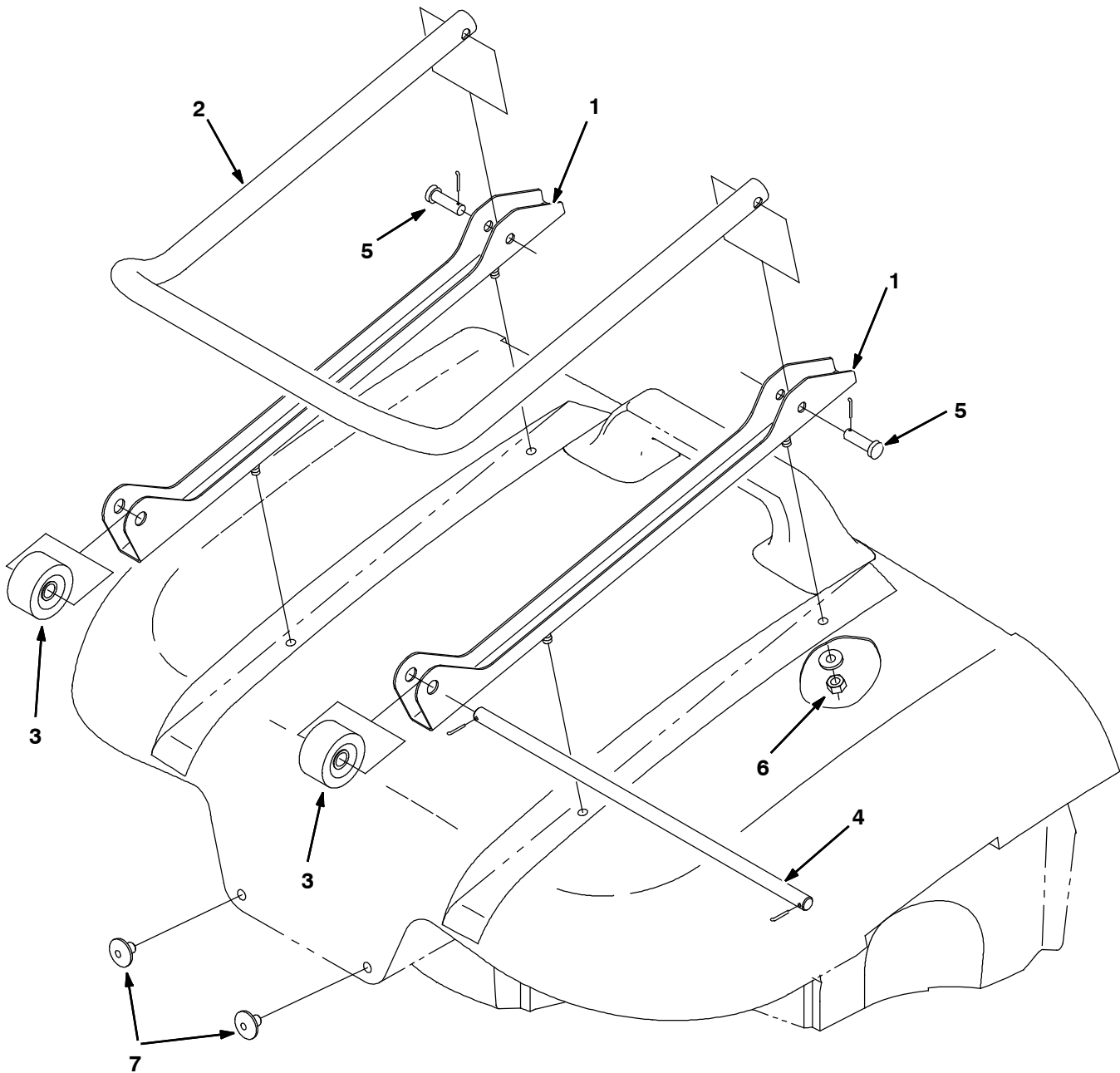
Ref.	Part No.	Serial Number	Description	Qty.
1	80349	(000000-	) Label Set, Operational 3640 E	1
2	80951	(000000-	) Label Set, Info & Hzd 3640	1
3	09806	(000000-	) Label, Tennant Logo	1
4	08823	(000000-	) Label, EE	1
5	80112	(000000-	) Label, Charger Connection	1
6	1048749	(000000-	) Label, Side [3640]	2



# SECTION 3

Contents	Page
Fig. 1 - Hopper Dump Assist Kit .....	3-2
Fig. 2 - Dual Side Brush Kit .....	3-4
Fig. 3 - Panel Filter Kit .....	3-6
Fig. 4 - Vacuum Bag Kit .....	3-8
Fig. 5 - High Flow To Standard Panel Kit .....	3-10
Fig. 6 - High Flow To Standard Bag Kit .....	3-12
Fig. 7 - Standard To High Air Flow Kit .....	3-14
Fig. 8 - High Flow Vacuum Wand Kit .....	3-16
Fig. 9 - Vacuum Wand Extend Kit .....	3-18
Fig. 10 - Hepa Filter Kit .....	3-20
Fig. 11 - Wide Track Wheels Kit .....	3-22
Fig. 12 - Battery Kit, 130AH, Wet .....	3-24
Fig. 13 - Battery Kit, 225AH, Wet .....	3-26
Fig. 14 - Hydrolink <sup>®</sup> Battery Watering System Kit .....	3-27
Fig. 15 - Battery Charger Group, 24V/11A (130Ah batteries), 1073625, 9009308	3-28
Fig. 16 - Battery Charger Group, 24V/19A (225Ah batteries), 1029256 .....	3-29
Fig. 17 - Steel Static Chain Kit .....	3-30
Fig. 18 - Battery Cutout Button Kit .....	3-31
Fig. 19 - Hinge Repair Kit .....	3-32
Fig. 20 - Carpet Sweeping Kits, 130AH .....	3-33
Fig. 21 - Carpet Sweeping Kits, 225AH .....	3-34
Fig. 22 - Main Brush Downpressure Kit .....	3-35
Fig. 23 - Documentation Group .....	3-36

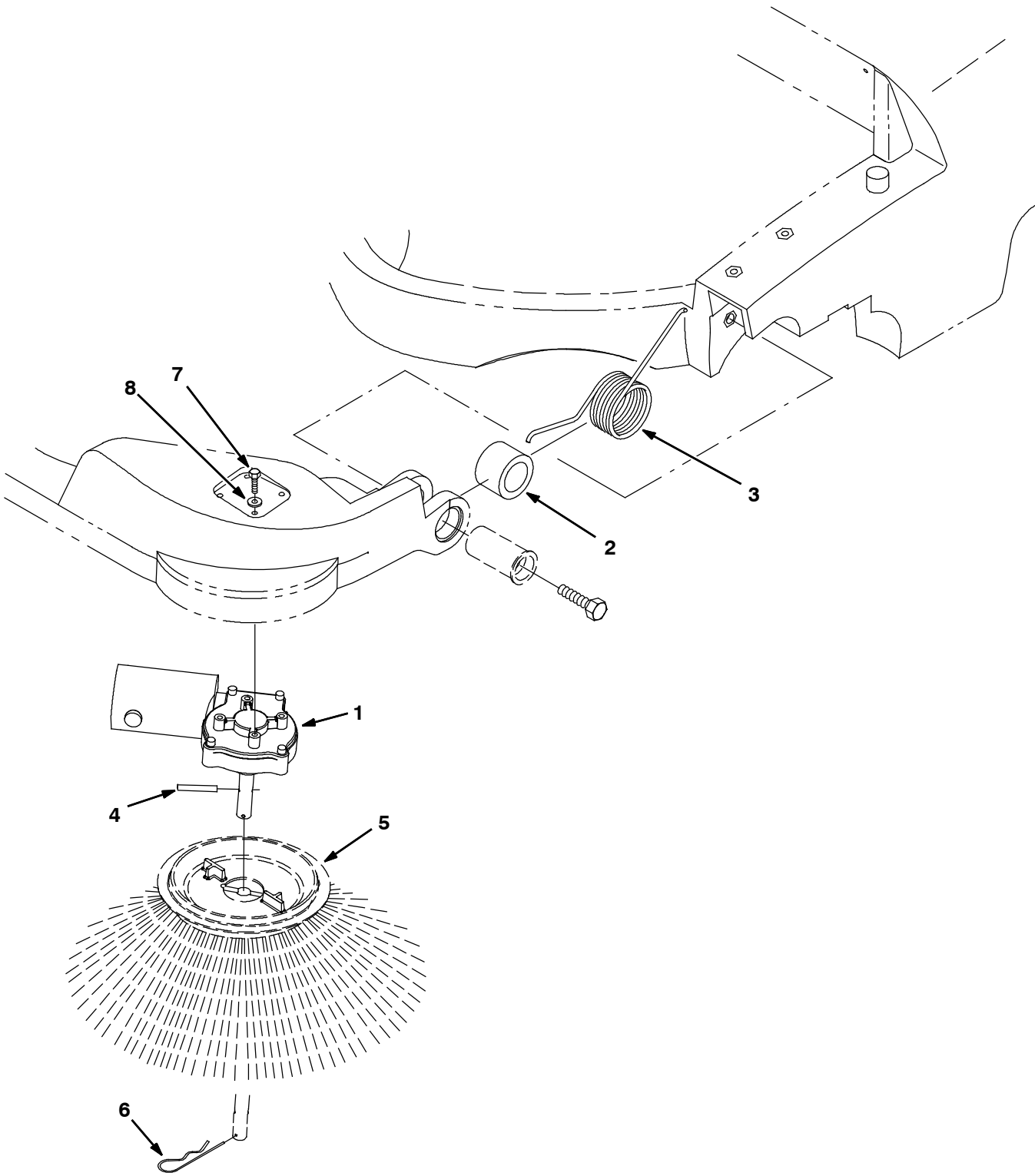
Fig. 1 - Hopper Dump Assist Kit



**Fig. 1 - Hopper Dump Assist Kit**

	<b>Ref.</b>	<b>Part No.</b>	<b>Serial Number</b>	<b>Description</b>	<b>Qty.</b>
▽		80249	(000000-	) Hopper Dump Assist Kit	1
▲	1	80960	(000000-	) Bracket, Hopper Assist	2
▲	2	80961	(000000-	) Handle, Hopper Assist	1
▲	3	222403	(000000-	) Wheel, 2.0 Dia	2
▲	4	80289	(000000-	) Shaft, Hopper Assist	1
▲	5	29557	(000000-	) Pin,Clevis,0.37 Dia.X 1.25 Lg	2
▲	6	08713	(000000-	) Nut- Hxlocnyln M 8X1.25 Reg Ss	4
▲	7	80300	(000000-	) Button, Wear	2

**Fig. 2 - Dual Side Brush Kit**



**Fig. 2 - Dual Side Brush Kit**

	<b>Ref.</b>	<b>Part No.</b>	<b>Serial Number</b>	<b>Description</b>	<b>Qty.</b>
▽		378763	(000000-	) Kit, Brush, Side, Dual, 24V	1
▲▽	1	1056182	(000000-	) Motor, Ele, 24vdc 0068rpm 0.08hp 04.5a	1
▲▲		80125	(000000-	) Brush & Spring Assy	1
▲▲		80127	(000000-	) Cap, Brush	2
▲▲		369795	(000000-	) Holder, Brush	2
▲▲		369796	(000000-	) Clip	2
▲	2	80321	(000000-	) Sleeve	1
▲	3	379206	(000000-	) Spring, Torsion	1
▲	4	11516	(000000-	) Pin	1
▲	5	80042	(000000-	) Side Brush	1
▲	6	02942	(000000-	) Pin, Hair Cotter	1
▲	7	06943	(000000-	) Screw, Hex, M6 X 1.0 X 20, 8.8	4
▲	8	32490	(000000-	) Washer, Flat, 0.25 Std	4

Fig. 3 - Panel Filter Kit

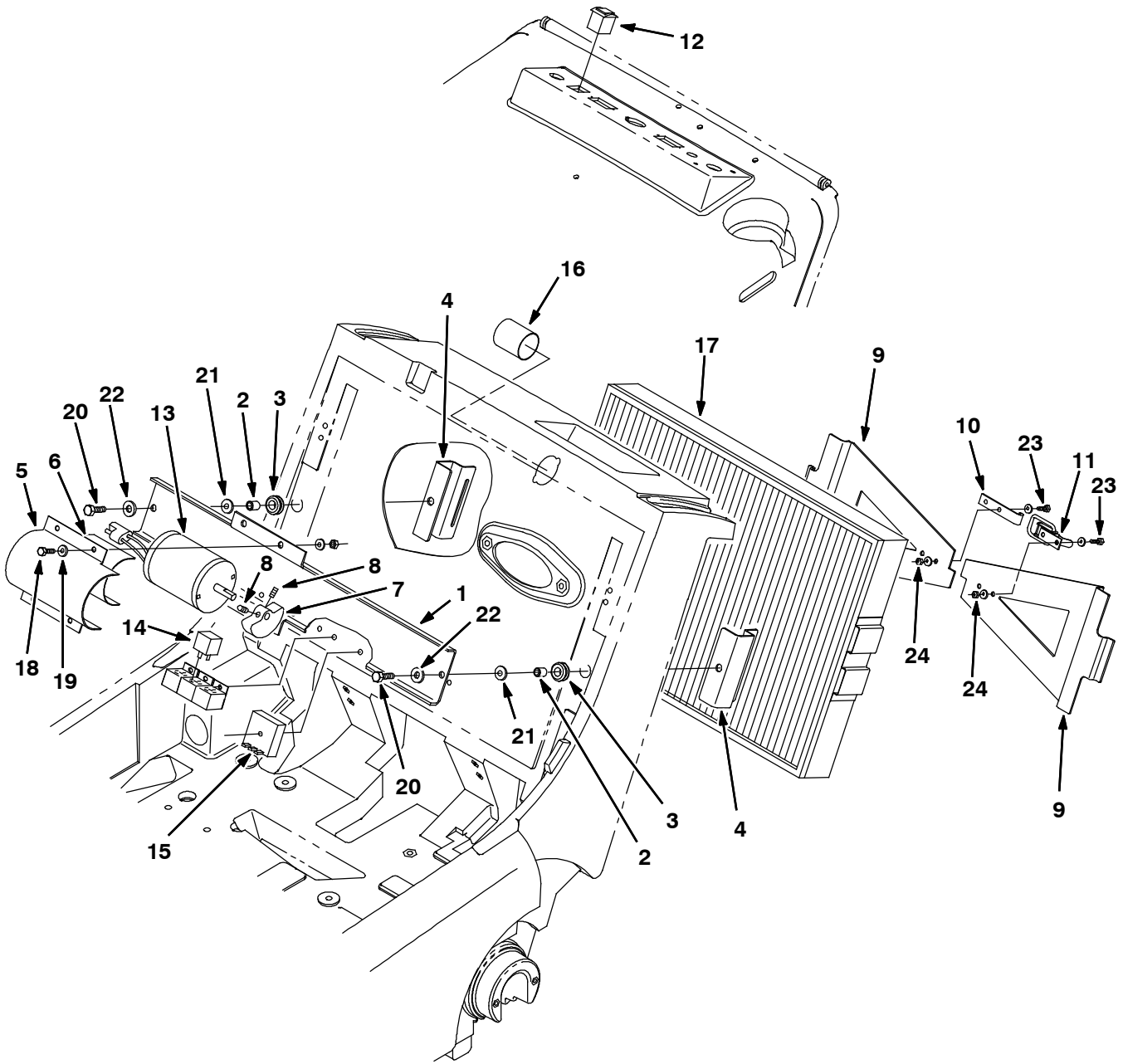
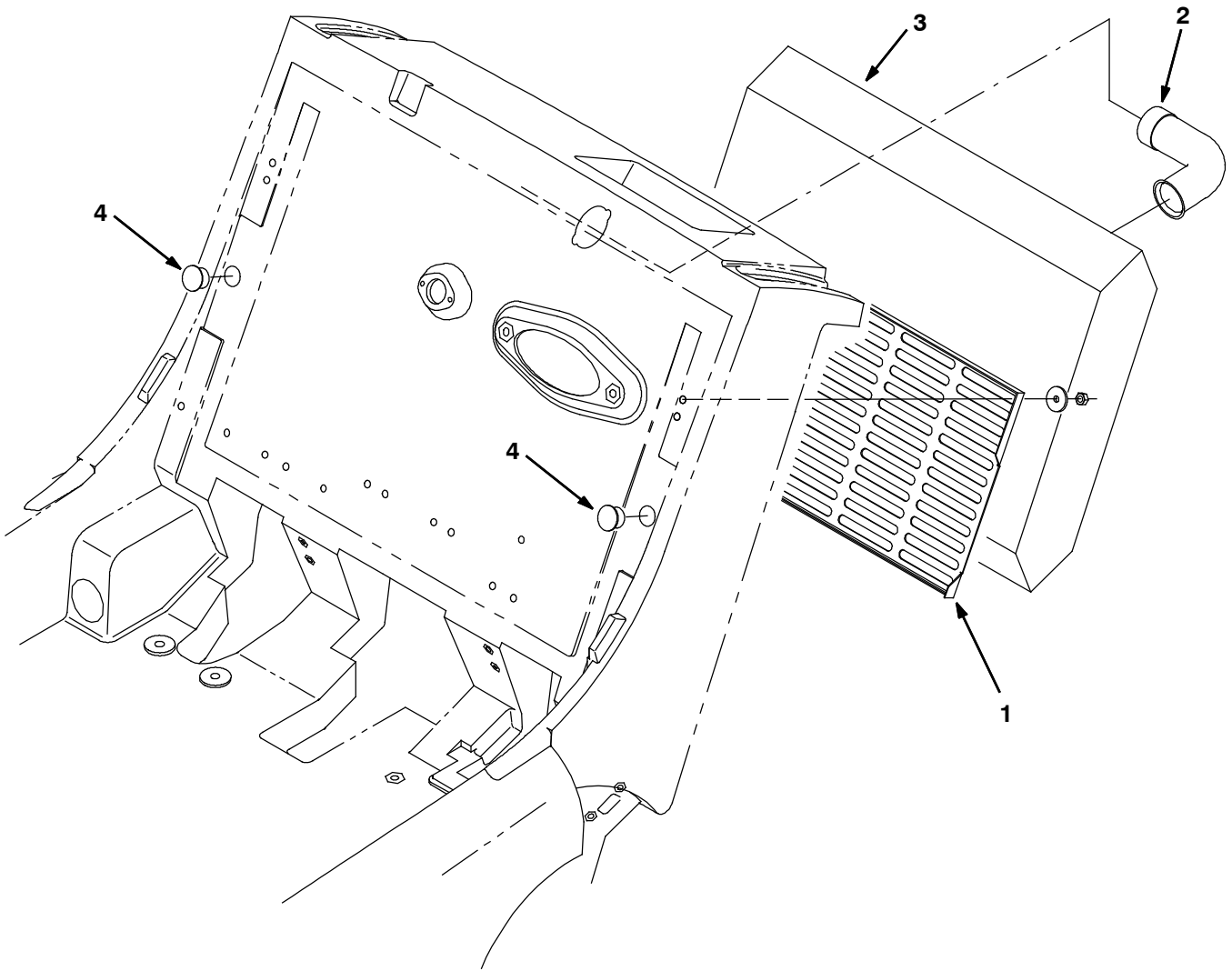


Fig. 3 - Panel Filter Kit

	Ref.	Part No.	Serial Number	Description	Qty.
▽		80243	(000000-	) Panel Filter Kit 24V	1
▲	1	80436	(000000-	) Bar, Shaker Motor	1
▲	2	360930	(000000-	) Sleeve, .318B .50D .65Ss	2
▲	3	87515	(000000-	) Grommet,Rbr,0.50ld,For .25Matl	2
▲	4	379218	(000000-	) Bracket, Shaker	2
▲	5	80437	(000000-	) Strap, Shaker Motor	1
▲	6	44893	(000000-	) Bar- Flt .06T 3.90W 10.00L Rbr	1
▲	7	1049243	(000000-	) Weight, Eccentric	1
▲	8	20634	(000000-	) Set Screw	2
▲	9	80033	(000000-	) Bracket, Retainer	2
▲	10	80107	(000000-	) Strike, Latch	1
▲	11	23709	(000000-	) Catch,Draw Pull	1
▲	12	80296	(000000-	) Switch, Rocker, Dpst	1
▲	13	80461	(000000-	) Motor, Shaker 24V	1
▲	14	49309	(000000-	) Relay, 24V Dc Spdt	1
▲	15	80328	(000000-	) Timer 24V	1
▲	16	80050	(000000-	) Tube, Hose Cuff	1
▲	17	1037199	(000000-	) Filter, Panl, Dust, 2.7 X 15.0 X 22.0	1
▲	18	06942	(000000-	) Screw, Hex, M6 X 1.0 X 16, 8.8	4
▲	19	32490	(000000-	) Washer, Flat, 0.25 Std	4
▲	20	09023	(000000-	) Screw, Hex, M8 X 1.25 X 35, Ss, Fl	2
▲	21	32486	(000000-	) Washer, Flat, 0.50 Sae	2
▲	22	01685	(000000-	) Washer, Flat, 0.31 Ss	2
▲	23	12312	(000000-	) Screw, Hex, M5 X 0.8 X 12, 8.8	4
▲	24	06549	(000000-	) Nut, Hex, Lock, M5 X 0.8, NI	4

Fig. 4 - Vacuum Bag Kit

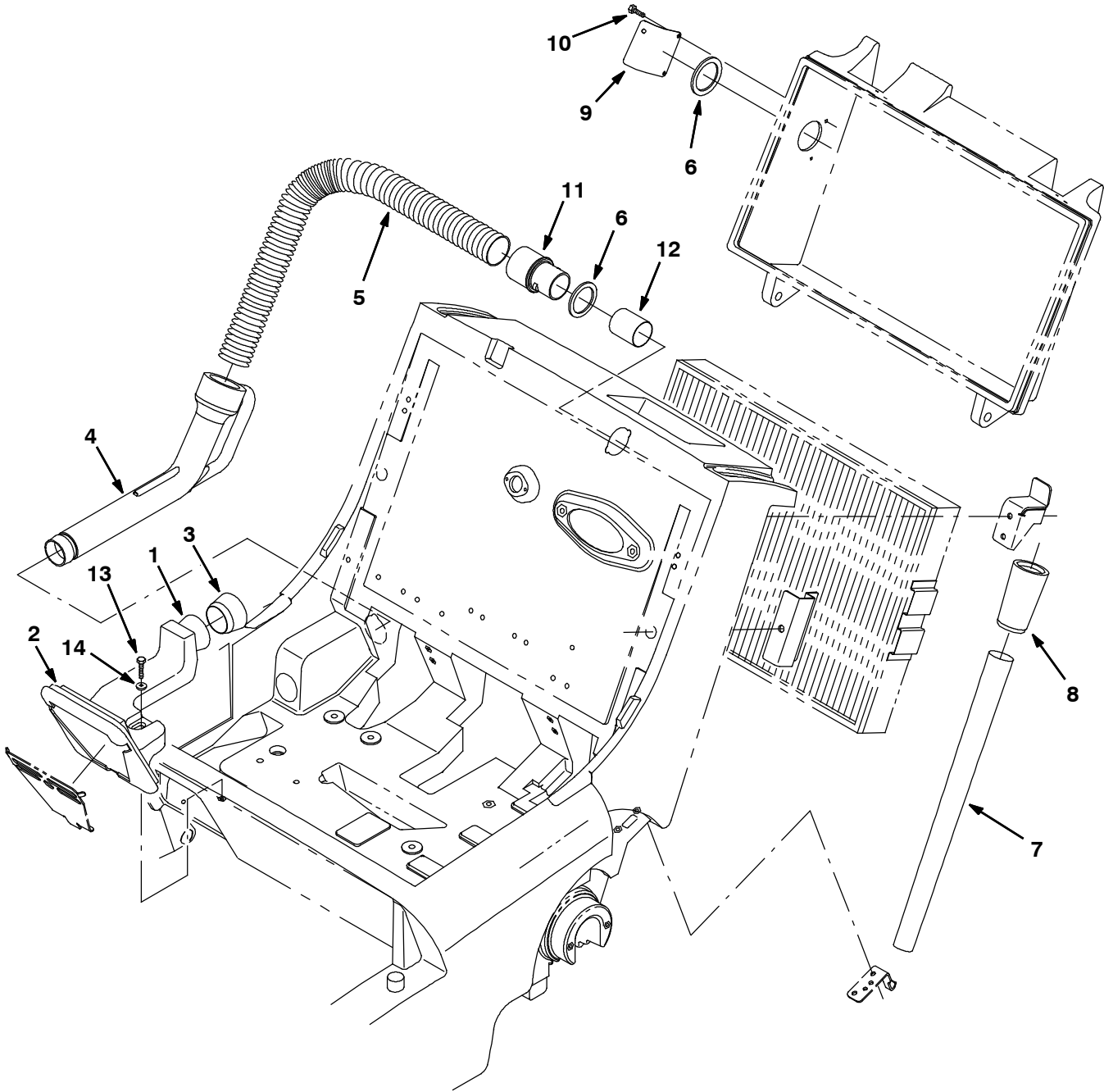




**Fig. 4 - Vacuum Bag Kit**

	<b>Ref.</b>	<b>Part No.</b>	<b>Serial Number</b>	<b>Description</b>	<b>Qty.</b>
▽		80301	(000000-	) Conv Kit. Panel Filter To Bag	1
▲	1	80103	(000000-	) Screen, Vacuum Bag	1
▲	2	80433	(000000-	) Tube, Vacuum	1
▲	3	1067680	(000000-	) Bag, Vacuum, Paper [1pick=1pkg] (1 Pkg = 10 Bags)	1
▲	4	80288	(000000-	) Plug Button	2

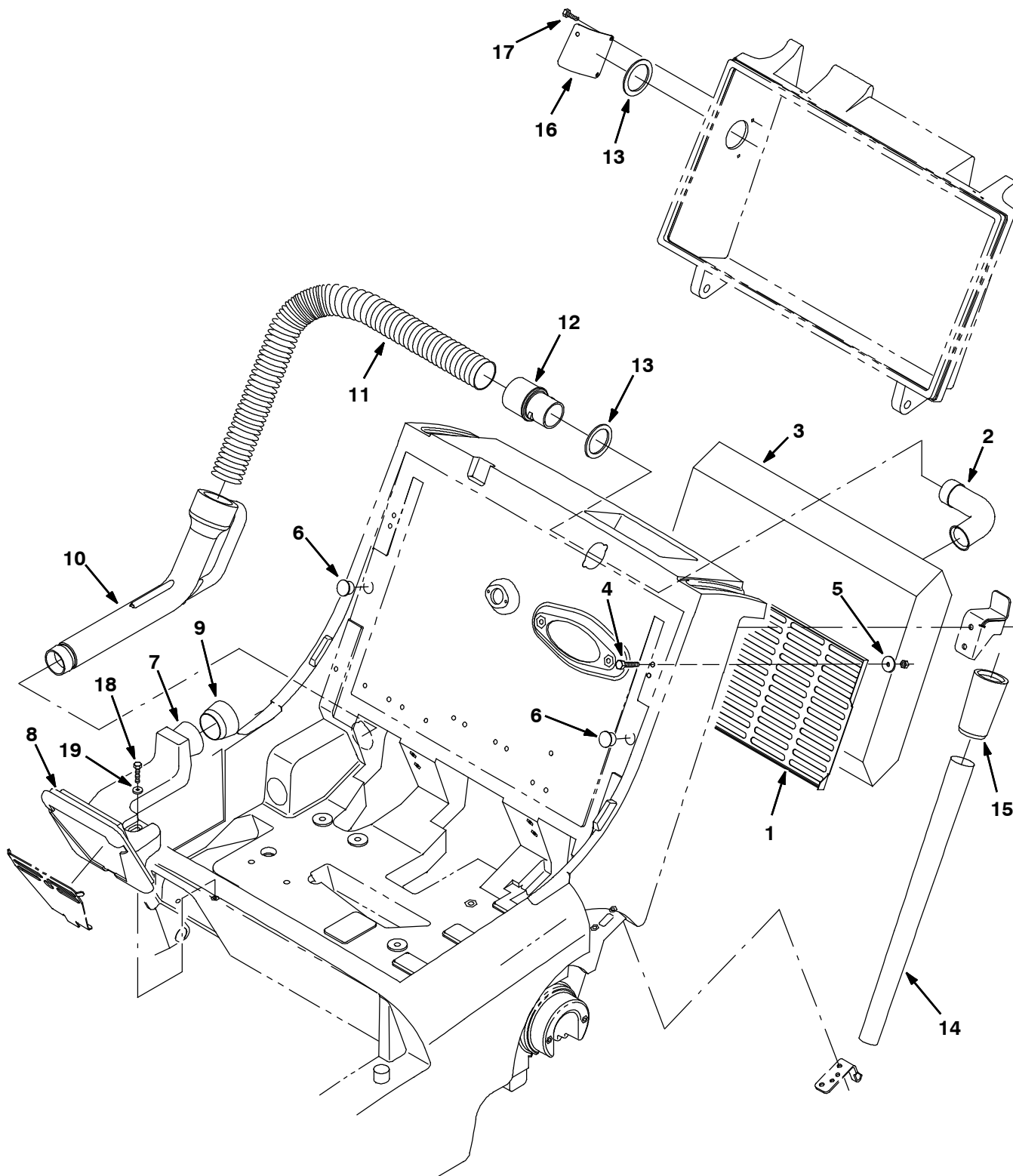
Fig. 5 - High Flow To Standard Panel Kit



**Fig. 5 - High Flow To Standard Panel Kit**

	<b>Ref.</b>	<b>Part No.</b>	<b>Serial Number</b>	<b>Description</b>	<b>Qty.</b>
▽		373148	(000000-	) Kit, High Air Flow To Std, Pan	1
▲▽		373129	(000000-	) Kit, Replmt Vacuum Chamber	1
▲▲	1	9005838	(000000-	) Housing, Vacuum, Afmkt [3640]	1
▲▲	2	80096	(000000-	) Seal, Chamber	1
▲▲	3	373125	(000000-	) Seal, Vac Wand	1
▲▲	4	9005837	(000000-	) Nozzle, Wand, Vacuum, 1.8od, Afmkt[3640]	1
▲	5	80464	(000000-	) Hose, Flex	1
▲	6	80392	(000000-	) Gasket, Cuff	2
▲	7	190039	(000000-	) Tube, Extn, Blk [W- 500]	1
▲	8	80299	(000000-	) Coupling, Vac- Wand	1
▲	9	373145	(000000-	) Cover, Hole	1
▲	10	20394	(000000-	) Screw, Hex, #10	3
▲	11	80270	(000000-	) Cuff, Flex	1
▲	12	80050	(000000-	) Tube, Hose	1
▲	13	06945	(000000-	) Screw, Hex, M6 X 1.0 X 30, 8.8	1
▲	14	32490	(000000-	) Washer, Flat, 0.25 Std	1

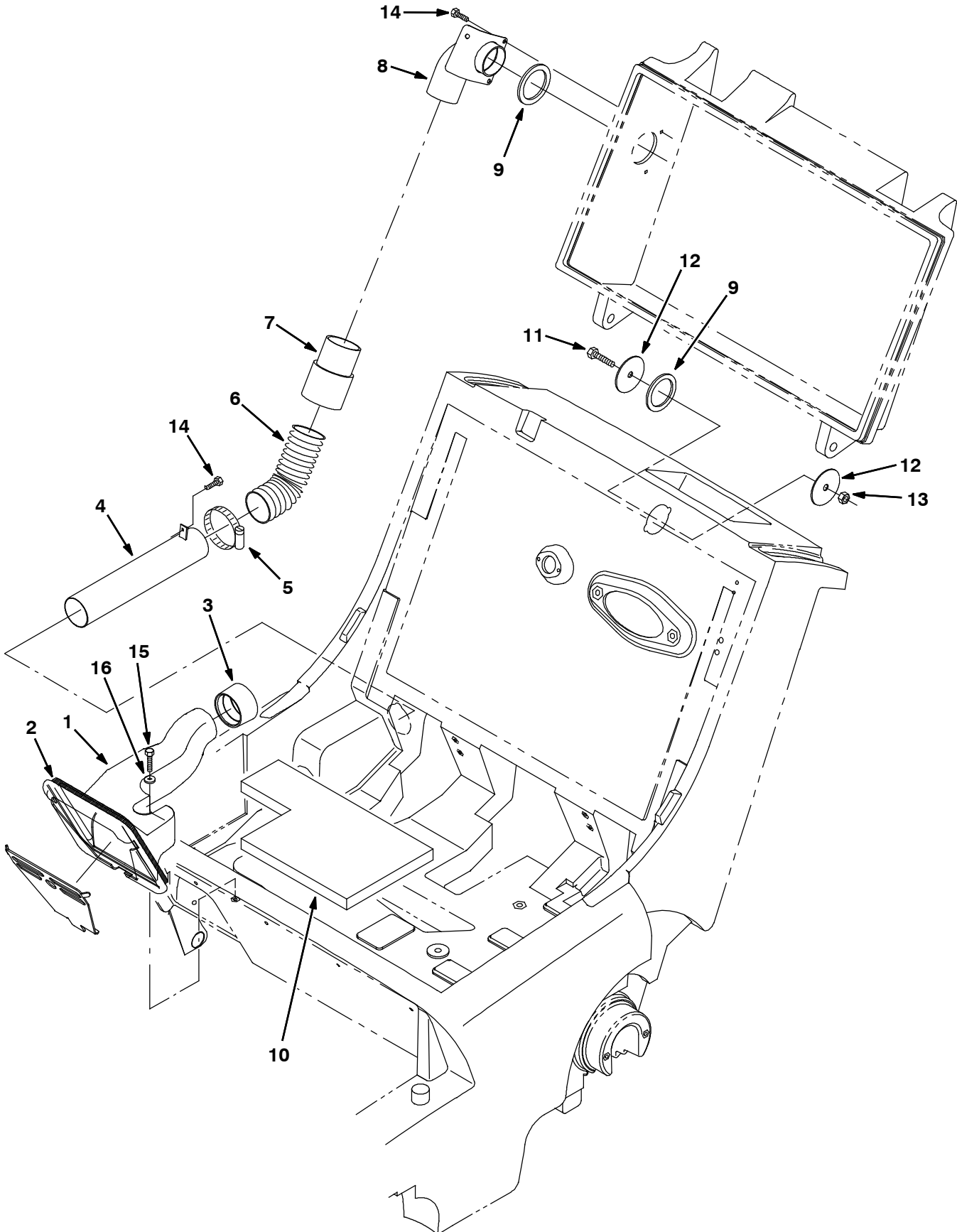
Fig. 6 - High Flow To Standard Bag Kit



**Fig. 6 - High Flow To Standard Bag Kit**

	<b>Ref.</b>	<b>Part No.</b>	<b>Serial Number</b>	<b>Description</b>	<b>Qty.</b>
▽		373152	(000000-	) Kit, Hi- Flow To Std, Bag	1
▲	1	80103	(000000-	) Screen, Vacuum Bag	1
▲	2	80433	(000000-	) Tube, Vacuum	1
▲	3	1067680	(000000-	) Bag, Vacuum, Paper [1pick=1pkg] (1 Pkg = 10 Bags)	1
▲	4	09258	(000000-	) Screw, Pan, M06- 1.0 X 40, 4.8	2
▲	5	41178	(000000-	) Washer, Flat, .25 Fender	2
▲	6	80288	(000000-	) Plug Button	2
▲▽		373129	(000000-	) Kit, Replmt Vacuum Chamber	1
▲▲	7	9005838	(000000-	) Housing, Vacuum, Afmkt [3640]	1
▲▲	8	80096	(000000-	) Seal, Chamber	1
▲▲	9	373125	(000000-	) Seal, Vac Wand	1
▲▲	10	9005837	(000000-	) Nozzle, Wand, Vacuum, 1.8od, Afmkt[3640]	1
▲	11	80464	(000000-	) Hose, Flex	1
▲	12	80270	(000000-	) Cuff, Flex	1
▲	13	80392	(000000-	) Gasket, Cuff	2
▲	14	190039	(000000-	) Tube, Extn, Blk [W- 500]	1
▲	15	80299	(000000-	) Coupling, Vac- Wand	1
▲	16	373145	(000000-	) Cover, Hole	1
▲	17	20394	(000000-	) Screw, Hex, #10	3
▲	18	06945	(000000-	) Screw, Hex, M6 X 1.0 X 30, 8.8	1
▲	19	32490	(000000-	) Washer, Flat, 0.25 Std	1

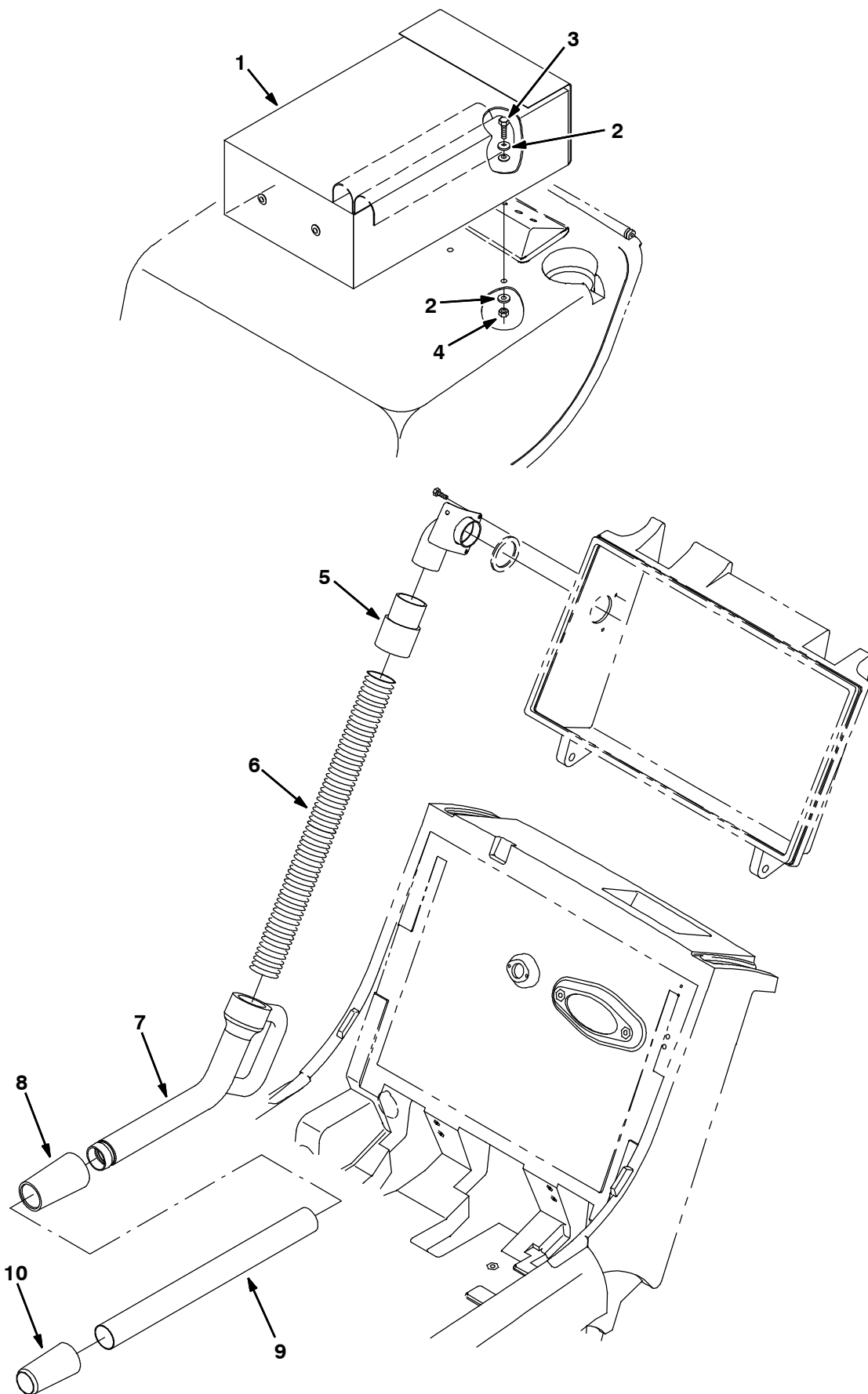
Fig. 7 - Standard To High Air Flow Kit



**Fig. 7 - Standard To High Air Flow Kit**

	<b>Ref.</b>	<b>Part No.</b>	<b>Serial Number</b>	<b>Description</b>	<b>Qty.</b>
▽		373121	(000000-	) Kit, High Vac System Airflow	1
▲	1	9005836	(000000-	) Duct, Vacuum, Hi- Flow, Afmkt [3640]	1
▲	2	80096	(000000-	) Seal, Chamber	1
▲	3	373116	(000000-	) Seal, Tube, Vacuum	1
▲	4	373123	(000000-	) Tube, Vacuum	1
▲	5	22297	(000000-	) Clamp, Wormdrive	1
▲	6	373118	(000000-	) Hose, Flex	1
▲	7	83285	(000000-	) Cuff, Hose	1
▲	8	373113	(000000-	) Coupling, Hose, Elbow	1
▲	9	80392	(000000-	) Gasket, Cuff	2
▲	10	373119	(000000-	) Spacer, Battery	1
▲	11	76570	(000000-	) Screw, Hex, M08- 1.25 X 30, 8.8	1
▲	12	373117	(000000-	) Washer, Flat, 0.38b 2.25d .07, Stl, Pnt	2
▲	13	08709	(000000-	) Nut, Hex, Lock, M08- 1.25	1
▲	14	20394	(000000-	) Screw, Hex, #10	3
▲	15	06945	(000000-	) Screw, Hex, M6 X 1.0 X 30, 8.8	1
▲	16	32490	(000000-	) Washer, Flat, 0.25 Std	1

Fig. 8 - High Flow Vacuum Wand Kit

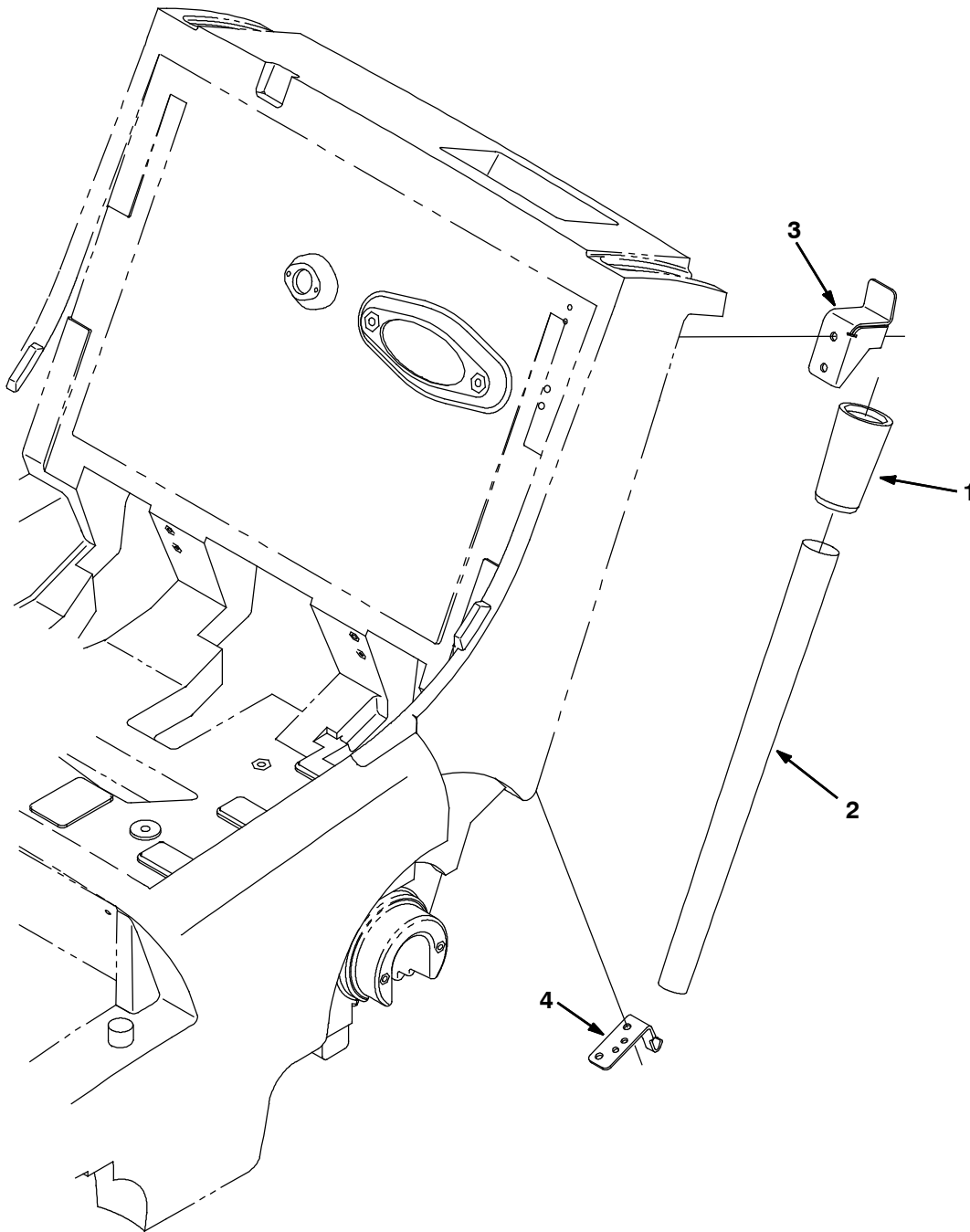




**Fig. 8 - High Flow Vacuum Wand Kit**

	<b>Ref.</b>	<b>Part No.</b>	<b>Serial Number</b>	<b>Description</b>	<b>Qty.</b>
▽		373137	(000000-	) Kit, Vac Wand F/Hi Air Flow	1
▲	1	65580	(000000-	) Bag, Power	1
▲	2	32492	(000000-	) Washer, Flat, .38 Hard	4
▲	3	39277	(000000-	) Screw, Hex, M08- 1.25 X 25, 8.8	2
▲	4	08709	(000000-	) Nut, Hex, Lock, M08- 1.25	2
▲	5	83285	(000000-	) Cuff, Hose	1
▲	6	83289	(000000-	) Hose, Flex	1
▲	7	9005835	(000000-	) Nozzle, Wand, Vacuum, Afmkt [3640]	1
▲	8	83287	(000000-	) Coupling, Vac Wand	1
▲	9	379204	(000000-	) Tube, Vac Wand	1
▲	10	80299	(000000-	) Coupling, Vac- Wand	1

Fig. 9 - Vacuum Wand Extend Kit



**Fig. 9 - Vacuum Wand Extend Kit**

	<b>Ref.</b>	<b>Part No.</b>	<b>Serial Number</b>	<b>Description</b>	<b>Qty.</b>
▽		373106	(000000-	) Kit, Vacuum Wand, Extend	1
▲	1	80299	(000000-	) Coupling, Vac-Wand	1
▲	2	190039	(000000-	) Tube, Extn, Blk [W- 500]	1
▲	3	80106	(000000-	) Bracket, Handle, Stop	1
▲	4	80113	(000000-	) Plate, Cable, Mount	1

Fig. 10 - Hepa Filter Kit

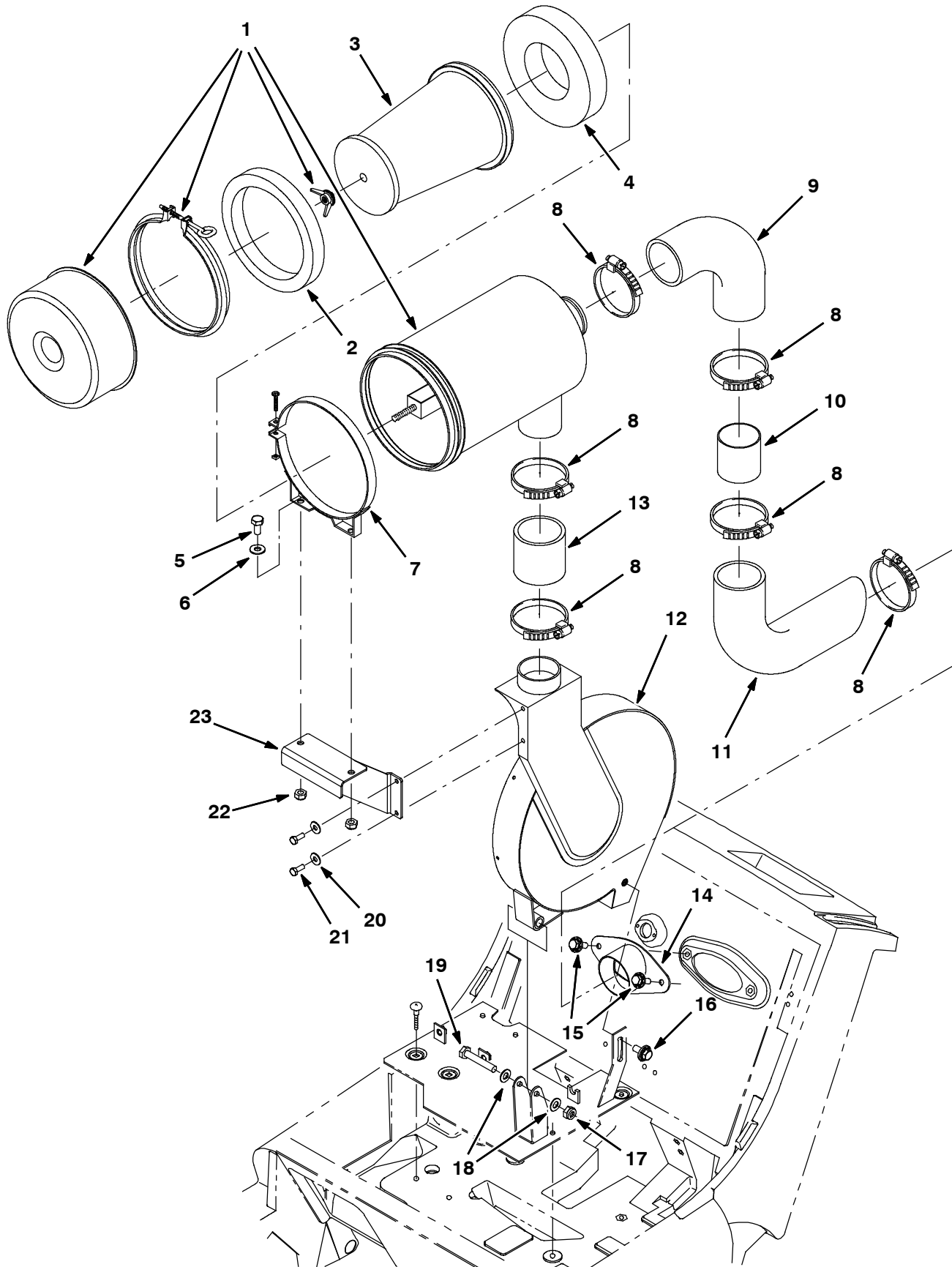
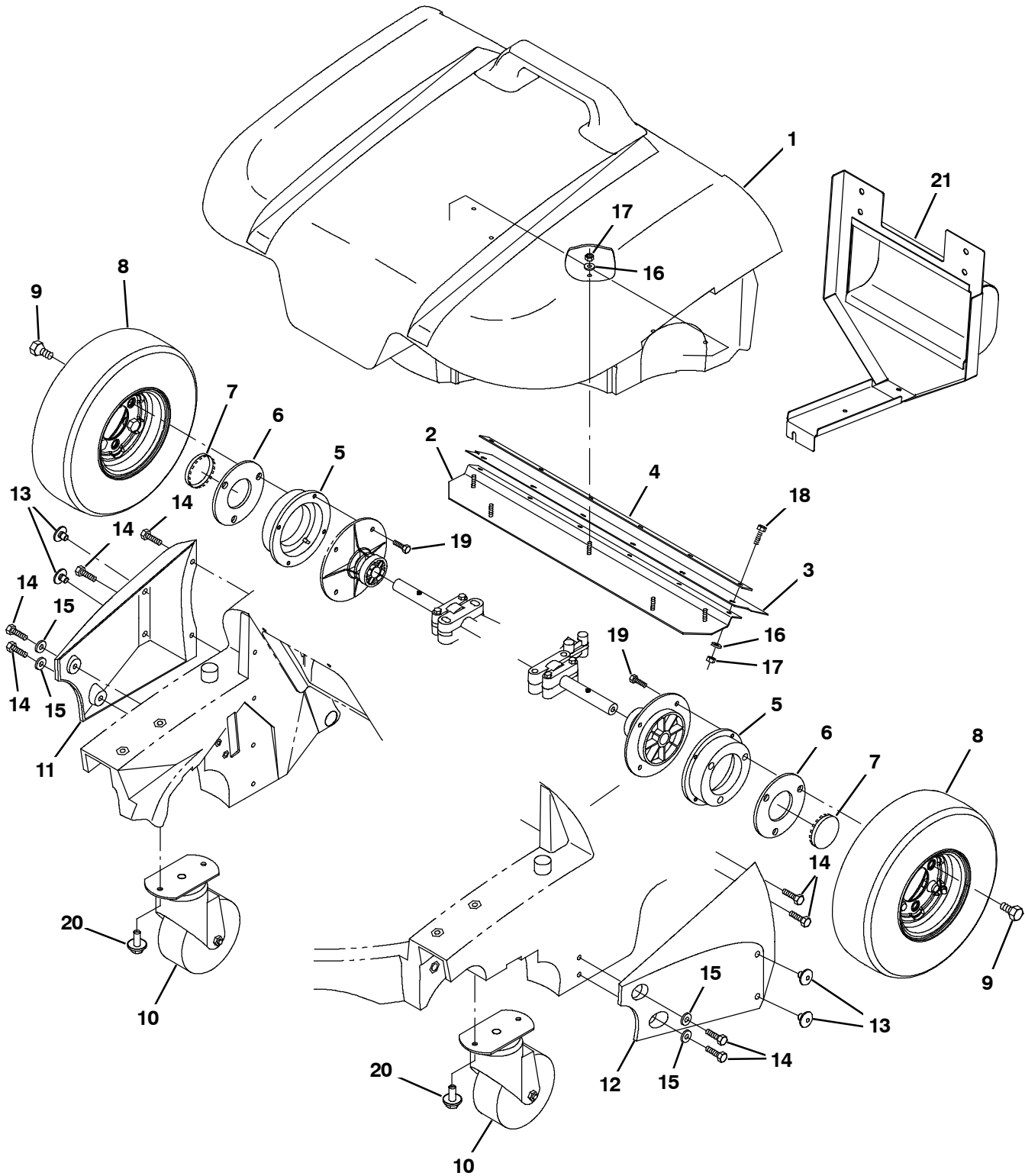


Fig. 10 - Hepa Filter Kit

Ref.	Part No.	Serial Number	Description	Qty.
1	75609	(000000-	) Filter Assy, Air, 3.0 Inlet	1
2	310156	(000000-	) Spacer, Fltr, Front	1
3	310159	(000000-	) Filter, Hepa	1
4	310155	(000000-	) Spacer, Fltr, Rear	1
5	15675	(000000-	) Screw, Hex, M8 X 1.25 X 16, Ss	1
6	32490	(000000-	) Washer, Flat, 0.25, Std	2
7	75606	(000000-	) Band, Mtg, Fltr, Air, 8.00id	2
8	43555	(000000-	) Clamp, Hose, Wormdrive, 2.62- 3.50d	6
9	310153	(000000-	) Cs, Hose, Elbow, Air- Clnr / Cplg	1
10	310151	(000000-	) Tube, Cplg, Hose	1
11	310154	(000000-	) Cs, Hose, Elbow, Cplg / Adapter	1
12	310150	(000000-	) Cs, Housing Wldt, Vacfan	1
13	310152	(000000-	) Cs, Hose, Vacfan / Air- Clnr	1
14	310149	(000000-	) Adapter Wldt, Hose, Frame	1
15	1072628	(000000-	) Screw, Hex, M8 X 1.25 X 25, Ss, Sems	2
16	1020341	(000000-	) Screw, Hex, M8 X 1.25 X 20, Ss, Sems	1
17	41430	(000000-	) Nut, Hex, Lock, M10 X 1.5, NI	1
18	32485	(000000-	) Washer, Flat, 0.38, Sae	2
19	06963	(000000-	) Screw, Hex, M10 X 1.50 X 60, 8.8	1
20	01684	(000000-	) Washer, Flat, 0.27b 0.69d .05, Ss	2
21	15678	(000000-	) Screw, Hex, M6 X 1.00 X 16, Ss	1
22	08709	(000000-	) Nut, Hex, Lock, M8 X 1.25, NI	2
23	310148	(000000-	) Bracket Wldt, Fltr, Air, Elec [6080]	1

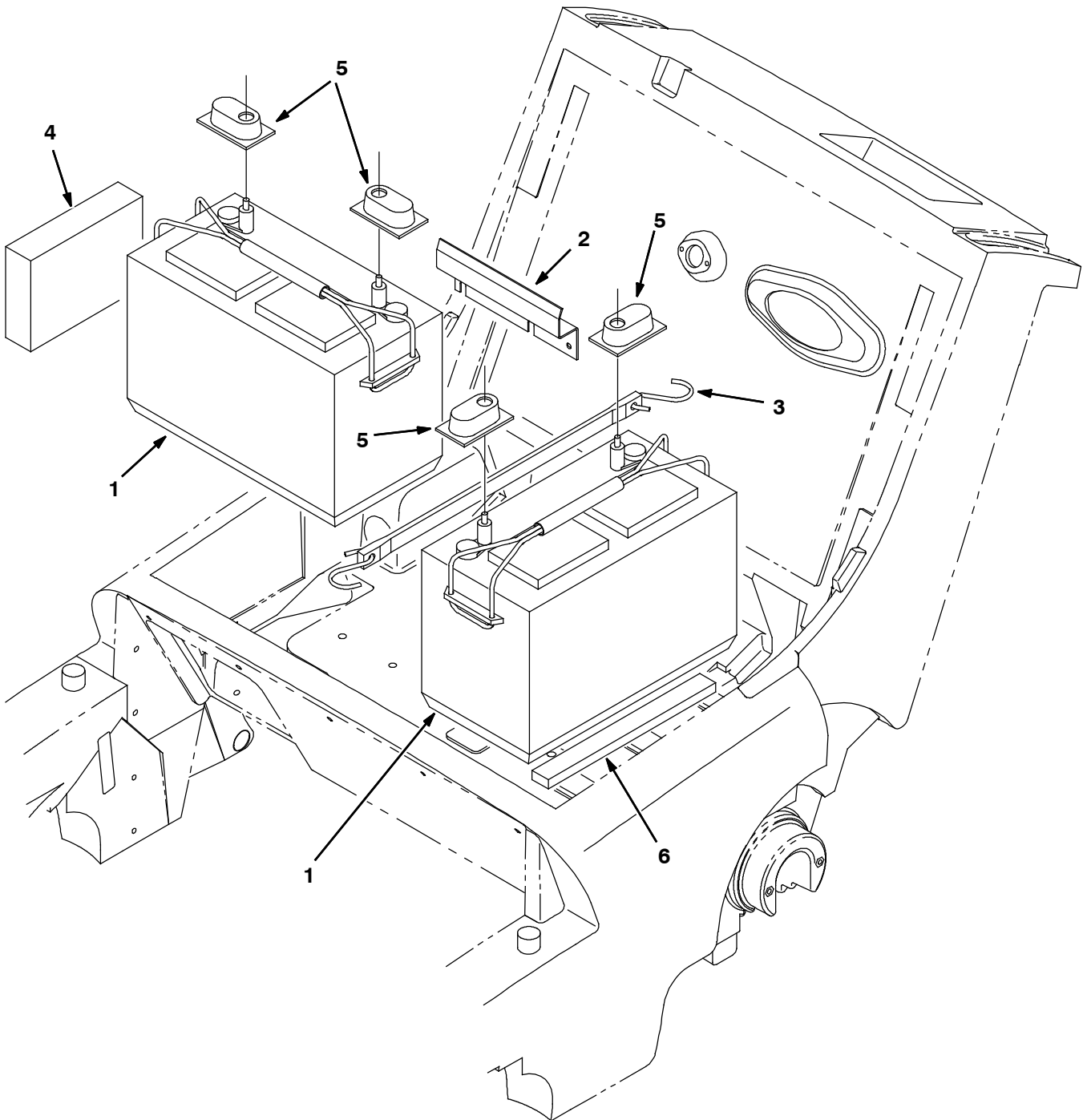
Fig. 11 - Wide Track Wheels Kit



**Fig. 11 - Wide Track Wheels Kit**

	<b>Ref.</b>	<b>Part No.</b>	<b>Serial Number</b>	<b>Description</b>	<b>Qty.</b>
▽		80252	(000000-	) Kit, Wheels, Wide Track 6080	1
▲	1	9005834	(000000-	) Hopper, Wide Track, Afmkt [3640]	1
▲	2	80220	(000000-	) Plate, Wear	1
▲	3	373142	(000000-	) Skirt, Hopper	1
▲	4	80230	(000000-	) Retainer, Lip	1
▲	5	80211	(000000-	) Adaptor, Wheel	2
▲	6	80306	(000000-	) Plate, Hub- Cap	2
▲	7	47178- 6	(000000-	) Plugbtn 2.00H .04- .19 Chromstl	2
▲	8	1052673	(000000-	) Tire Assy, Pneu, 4.10/3.5- 06 3.5bc/3bolt	2
▲	9	80276	(000000-	) Bolt, Lug,	6
▲	10	1049023	(000000-	) Caster, Swivel, 5.0d 2.0w, 2hole, Neo	2
▲	11	80216	(000000-	) Guard, Wheel , Right	1
▲	12	378803	(000000-	) Guard, Wheel, Left	1
▲	13	80300	(000000-	) Button, Plug	4
▲	14	39394	(000000-	) Screw, Hex, .31- 09 X 1.25, Wood	8
▲	15	32491	(000000-	) Washer, Flat, 0.31, Std	4
▲	16	01684	(000000-	) Washer, Flat, 0.25 Ss	11
▲	17	08712	(000000-	) Nut, Hex, Lock, M6 X 1.0, Ss, NI	11
▲	18	08716	(000000-	) Screw, Hex, M6 X 1.0 X 20, Ss	6
▲	19	87308	(000000-	) Screw, Hex, M6 X 1.0 X 12, 8.8	8
▲	20	1020341	(000000-	) Screw, Hex, M8 X 1.25 X 20, Ss, Sems	4
▲	21	379229	(000000-	) Plate Wldt, Back, Stop, Hd	1

Fig. 12 - Battery Kit, 130AH, Wet

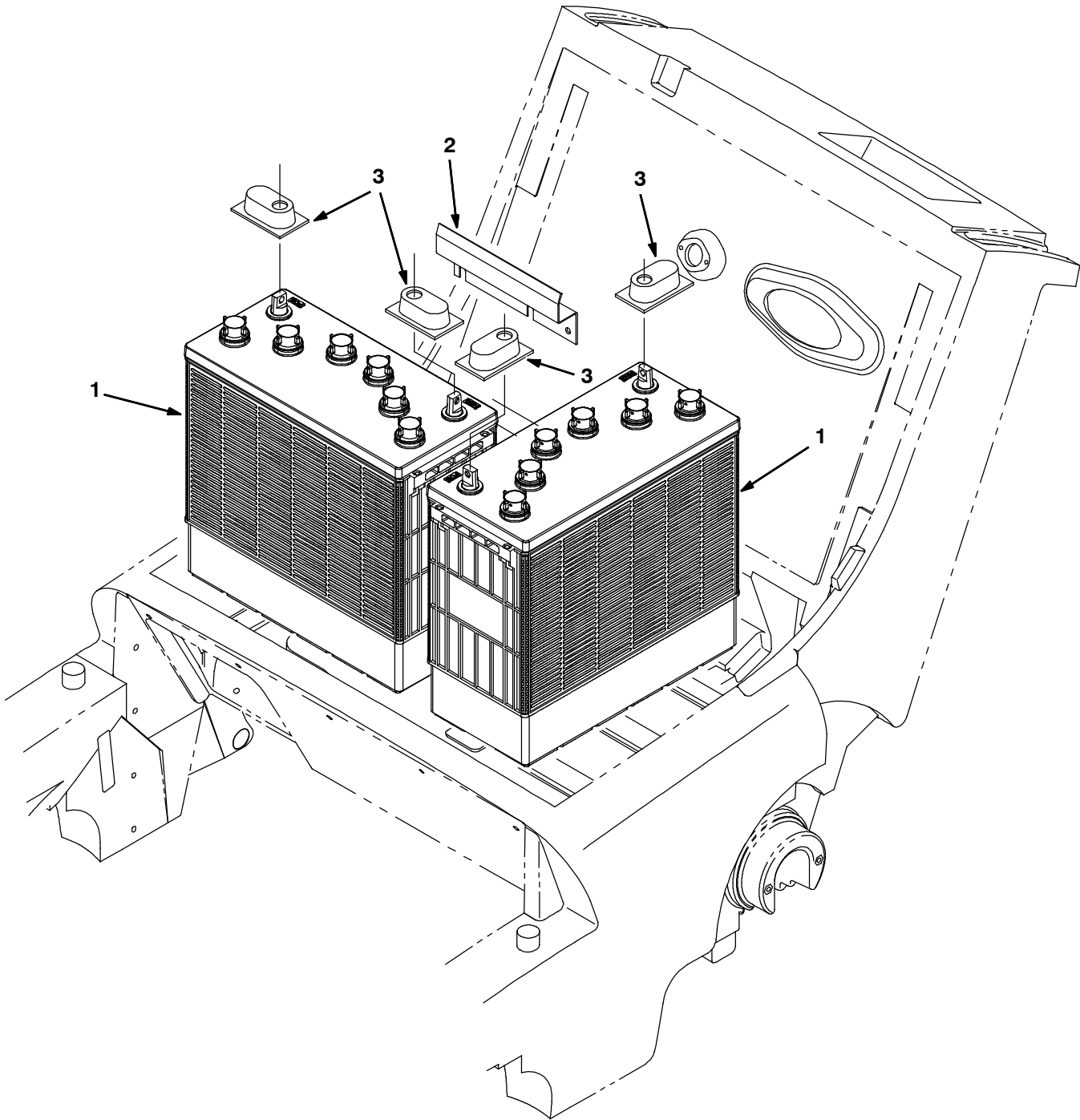




**Fig. 12 - Battery Kit, 130AH, Wet**

	<b>Ref.</b>	<b>Part No.</b>	<b>Serial Number</b>	<b>Description</b>	<b>Qty.</b>
▽		80232	(000000-	) Battery Kit 30Xhs, Wet	1
▲	1	130869	(000000-	) Battery, 12vdc 0130ah [30xhs- Wnt]	2
▲	2	379205	(000000-	) Bracket, Battery	1
▲	3	33671	(000000-	) Strap,Rubber Tie- Down	1
▲	4	80134	(000000-	) Spacer, Battery, Foam, 1.75 X 4.8 X 7.0	1
▲	5	1041030	(000000-	) Cap, Battery (Short Black - Standard)	4
	5	45962	(000000-	) Cap, Plstc, .04 1.38 X 2.30 0.5L (Tall Clear - Optional)	4
	6	13294	(000000-	) Seal, Rbr, .50 X 1.00 X 10.5 (NLA - No Longer Available W/O Replacement)	1

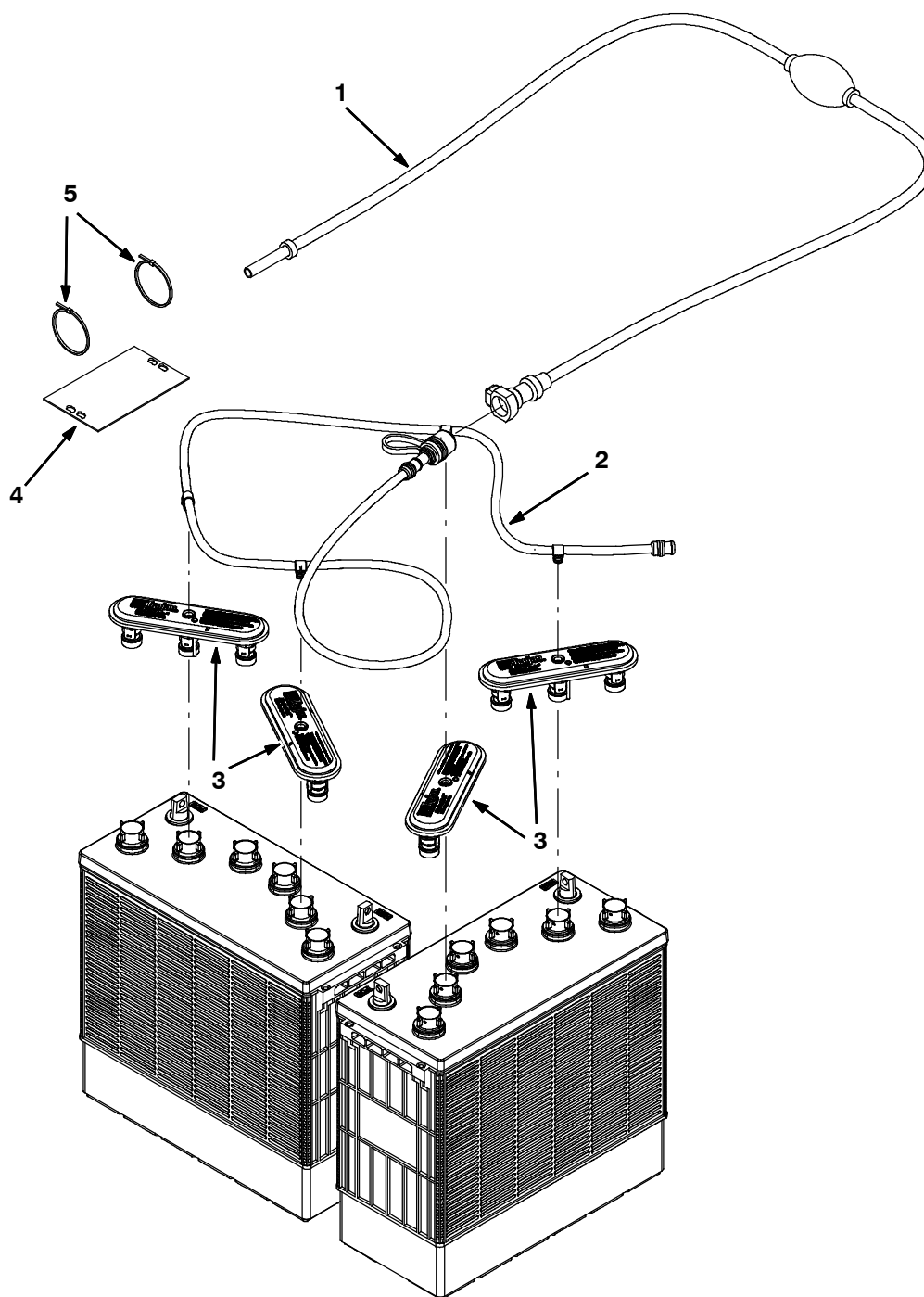
**Fig. 13 - Battery Kit, 225AH, Wet**



350899 - E

Ref.	Part No.	Serial Number	Description	Qty.
1	1070591	(000000-	) Battery, Wet, 12vdc 0225ah	2
2	379205	(000000-	) Bracket, Battery	1
3	1041030	(000000-	) Cap, Battery (Short Black - Optional)	4
3	45962	(000000-	) Cap, Plstc, .04 1.38 X 2.30 0.5L (Tall Clear - Optional)	4

Fig. 14 - Hydrolink® Battery Watering System Kit



350899 - E

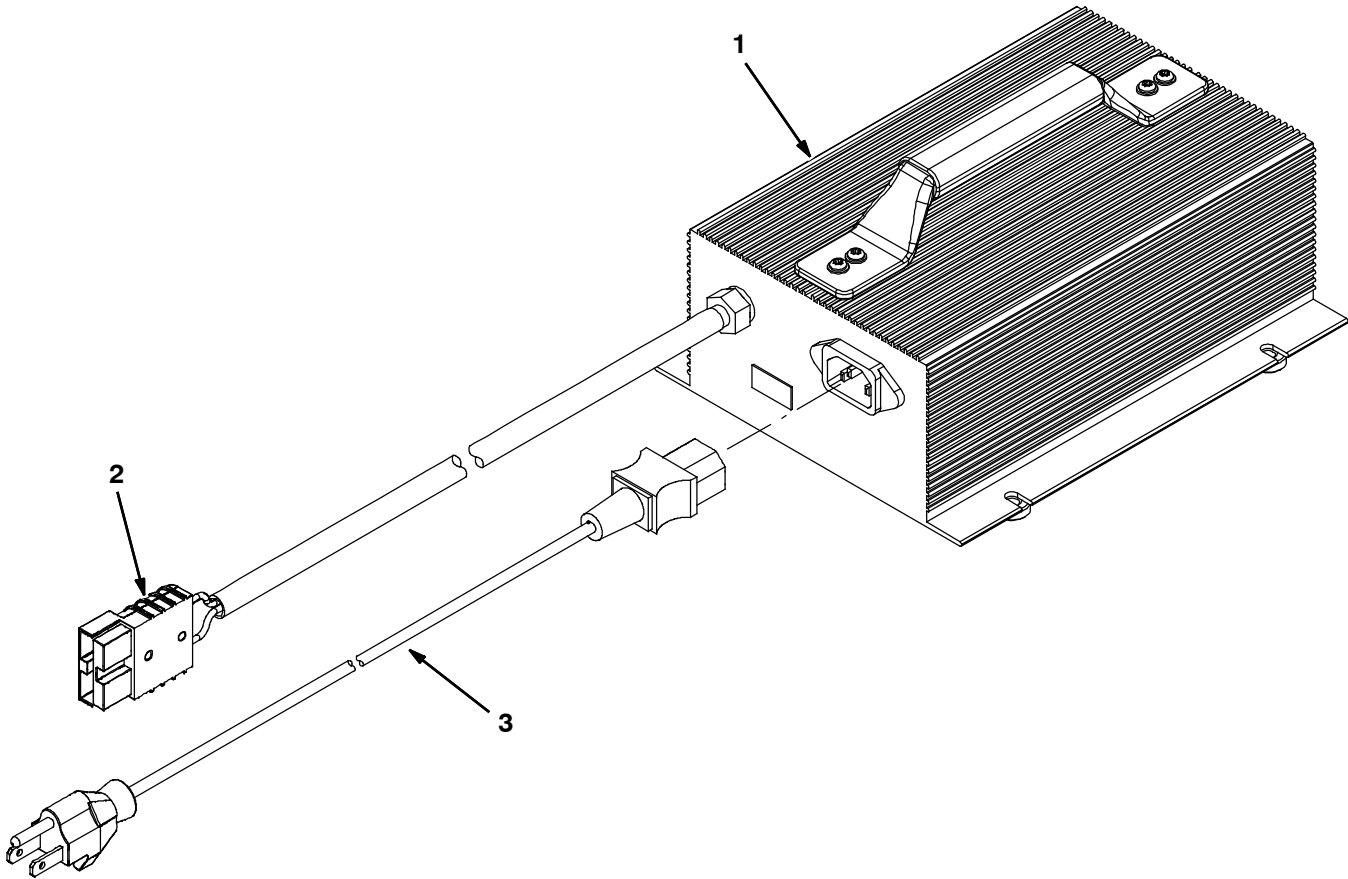
Ref.	Part No.	Serial Number	Description	Qty.
▽	9010300	(000000-	) Pump Kit, Fill, Battery,24vdc,Ci[Trojan]	1
▲	1 1058939	(000000-	) Pump Kit, Fill, Battery	1
▲	2 1070394	(000000-	) Tube, Water, Battery, 24vdc [Trojan]	1
▲	3 1204142	(000000-	) Cap, Fill, Battery [Trojan]	4
▲	4 1071084	(000000-	) Label, Tag, Battery [Hydrolink Watering]	1
▲	5 130773	(000000-	) Tie, Cable, Nyl, 11.0l, .14w, 3.0 Max. D	2

\*THIS KIT IS INTENDED FOR USE WITH TROJAN® LEAD ACID BATTERIES ONLY.

HYDROLINK® IS A REGISTERED TRADEMARK OF TROJAN® BATTERY COMPANY.

## OPTIONS

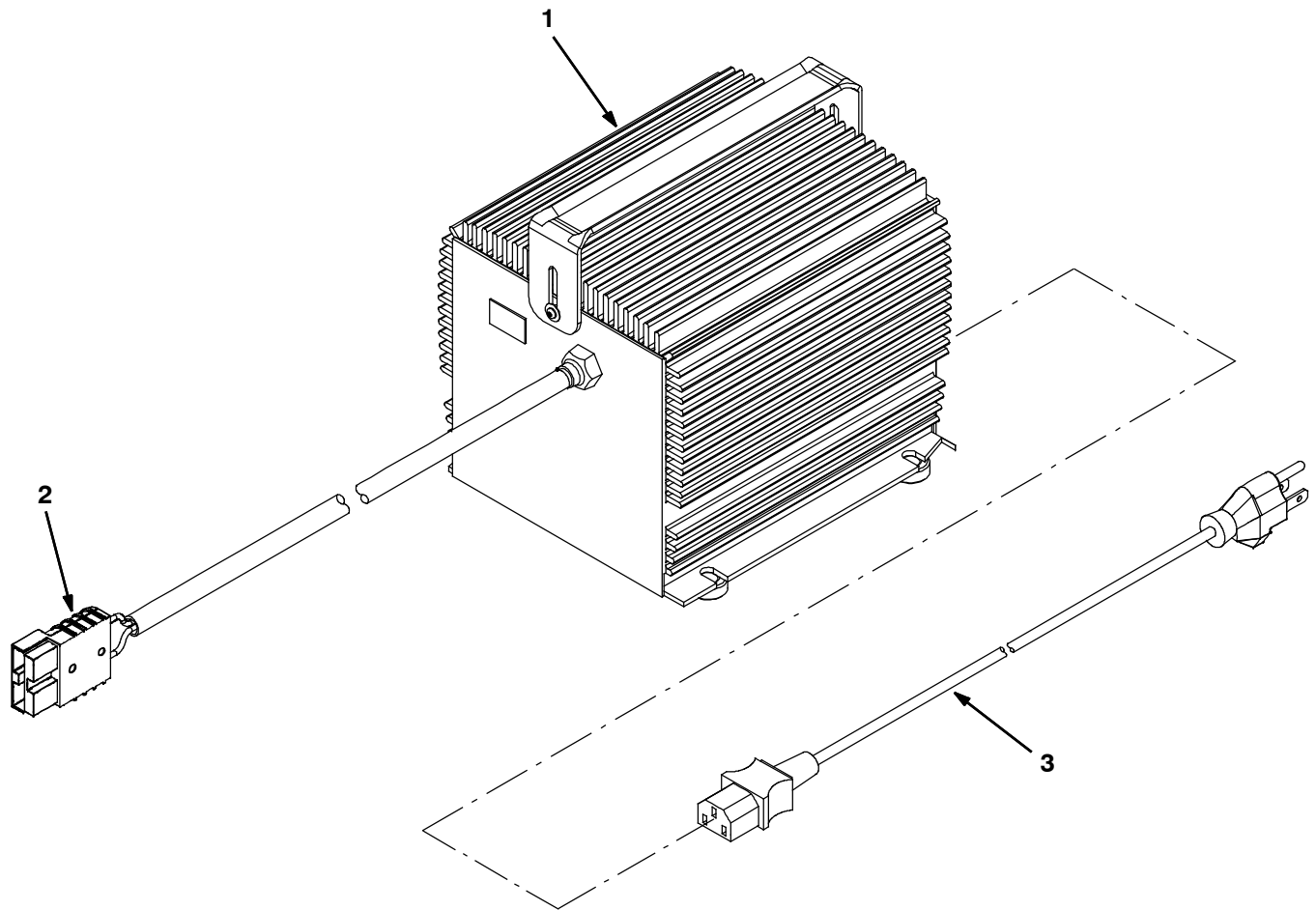
Fig. 15 - Battery Charger Group, 24V/11A (130Ah batteries), 1073625, 9009308



354778 - E

Ref.	Part No.	Serial Number	Description	Qty.
▽	1	1073625	(000000- ) Charger, 24vdc 11a 100/240vac 50/60hz	1
▲	2	605387	(000000- ) Connector, Anderson, 50a,Red W/O Contact	1
▲	3	1017079	(000000- ) Cord, Extn, 16ga /3, 10ft [Sjt]	1
▽	1	9009308	(000000- ) Charger Kit, 24vdc, 11a Var 50/60hz[Kor] (Korea)	1
▲	2	605387	(000000- ) Connector, Anderson, 50a,Red W/O Contact	1
▲	3	1070626	(000000- ) Cord, Power, 2.5m L, 7mm Dia, Blk[Korea]	1

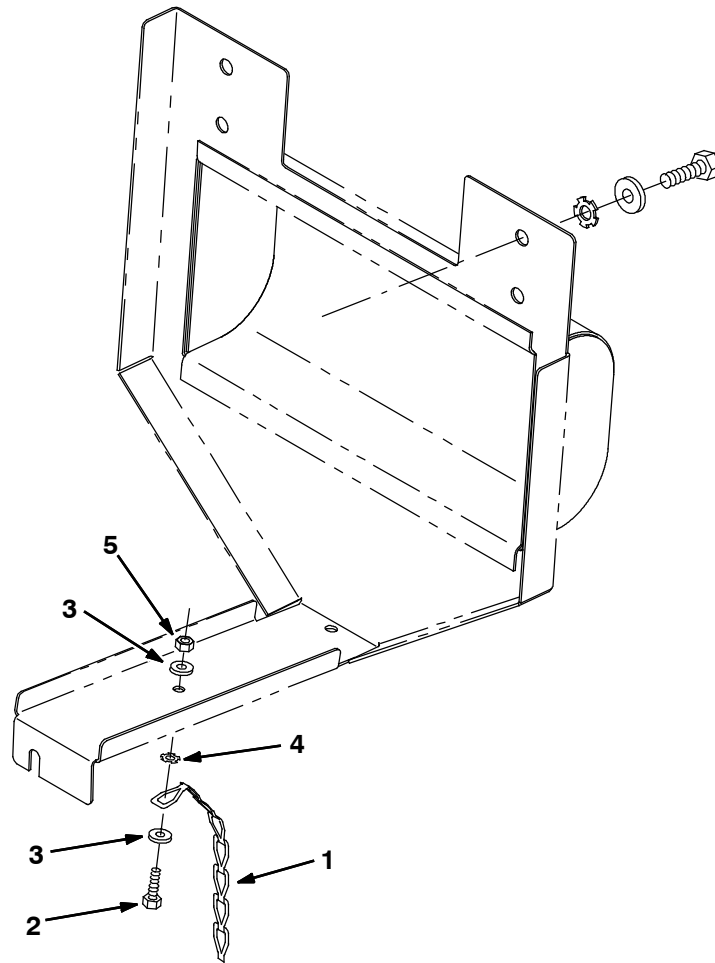
Fig. 16 - Battery Charger Group, 24V/19A (225Ah batteries), 1029256



354779 - E

Ref.	Part No.	Serial Number	Description	Qty.
▽	1	1029256	(000000- ) Charger, 24vdc, 19a Var Vac 1ph 50/60hz	1
▲	2	605387	(000000- ) Connector, Anderson, 50a,Red W/O Contact	1
▲	3	1017079	(000000- ) Cord, Extn, 16ga /3, 010ft [Sjt]	1

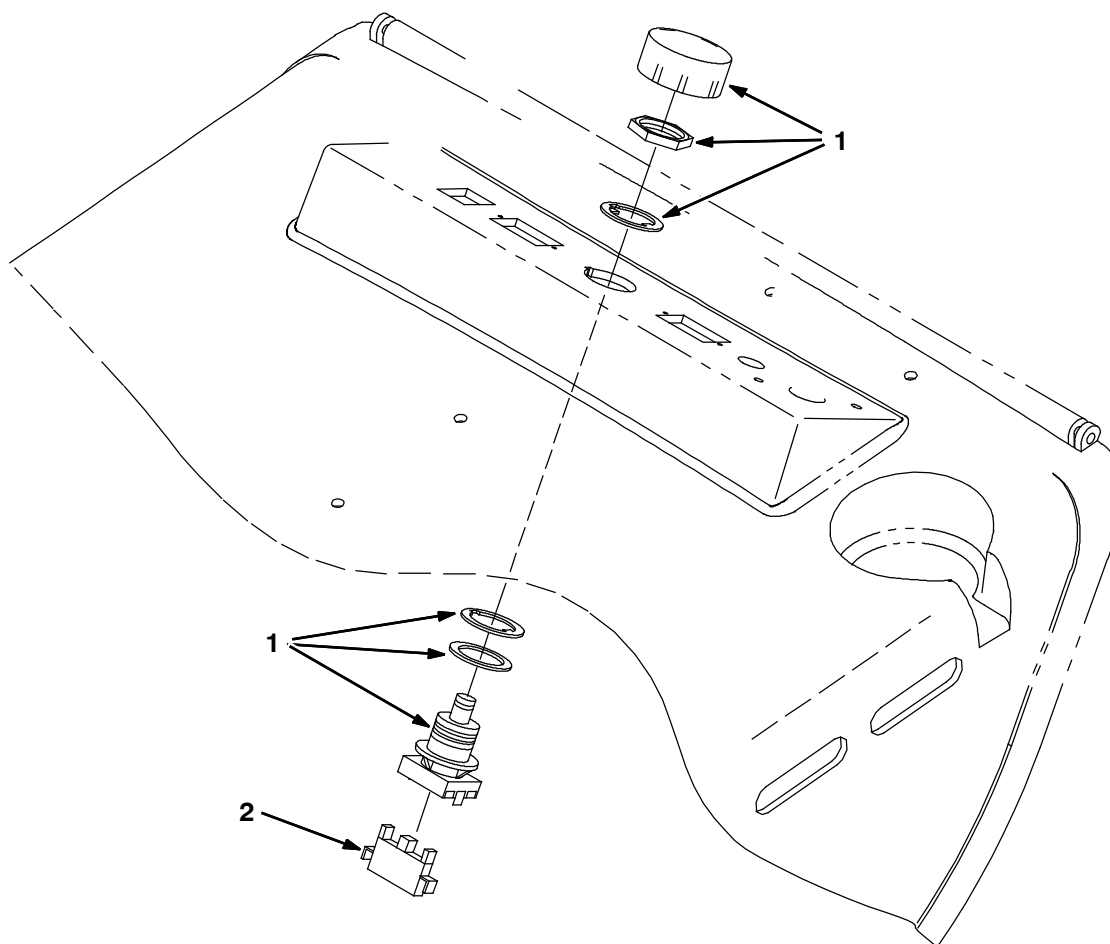
**Fig. 17 - Steel Static Chain Kit**



350936 - ALL

	<b>Ref.</b>	<b>Part No.</b>	<b>Serial Number</b>	<b>Description</b>	<b>Qty.</b>
▽		379007	(000000-	) Kit, Chain, Static, Steel	1
▲	1	46307	(000000-	) Chain, Link	1
▲	2	06943	(000000-	) Screw, Hex, M06- 1.0 X 20, 8.8	1
▲	3	32490	(000000-	) Washer, Flat, .25 Hard	2
▲	4	41141	(000000-	) Washer, Lock, Int- Ext, .31	1
▲	5	08708	(000000-	) Nut, Hex, Lock, M06	1

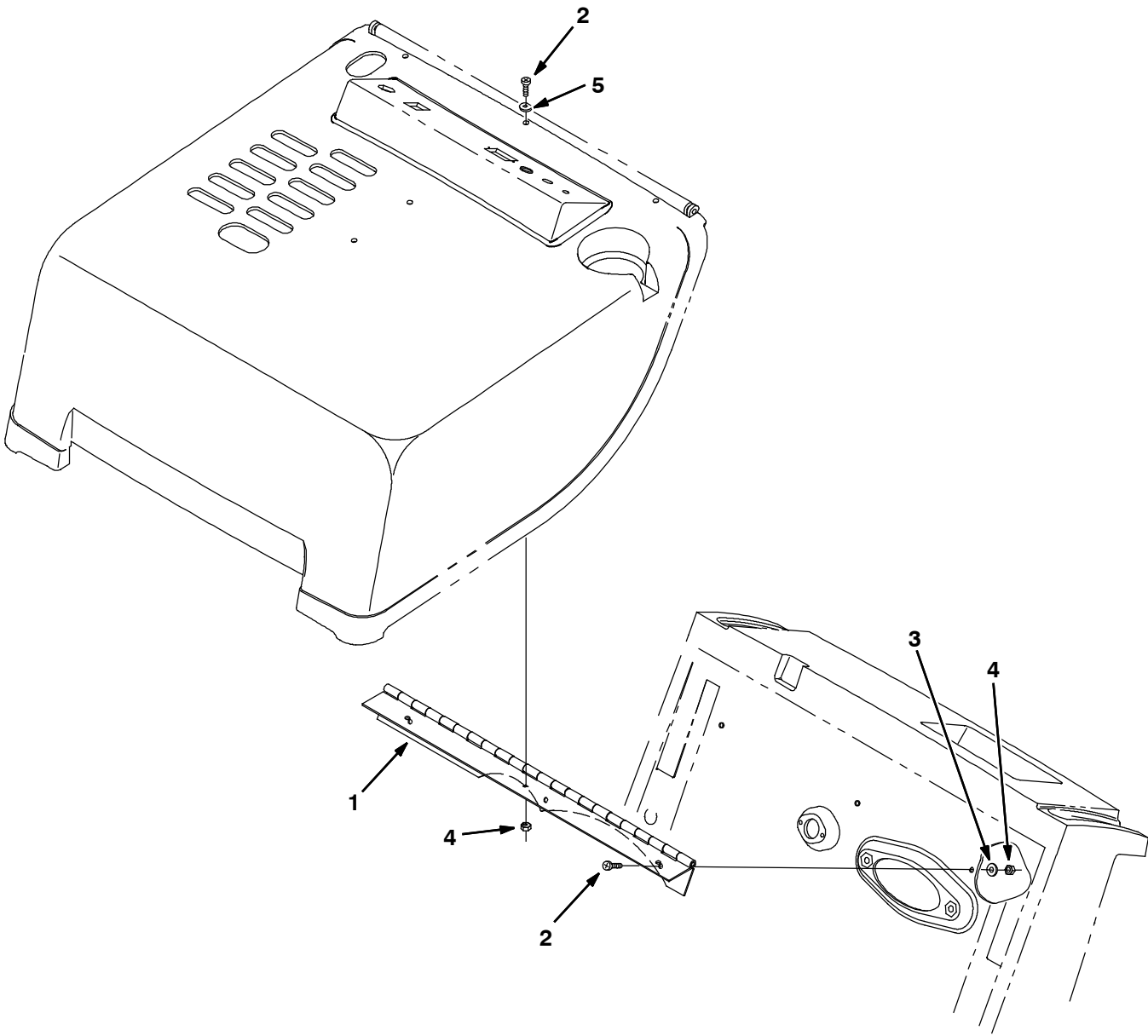
Fig. 18 - Battery Cutout Button Kit



350918 - E

Ref.	Part No.	Serial Number	Description	Qty.
▽	222664	(000000-	) Battery Cutout Button Kit	1
▲	1 78553	(000000-	) Switch, Pushbutton	1
▲	2 65665	(000000-	) Contact, Switch	1

**Fig. 19 - Hinge Repair Kit**

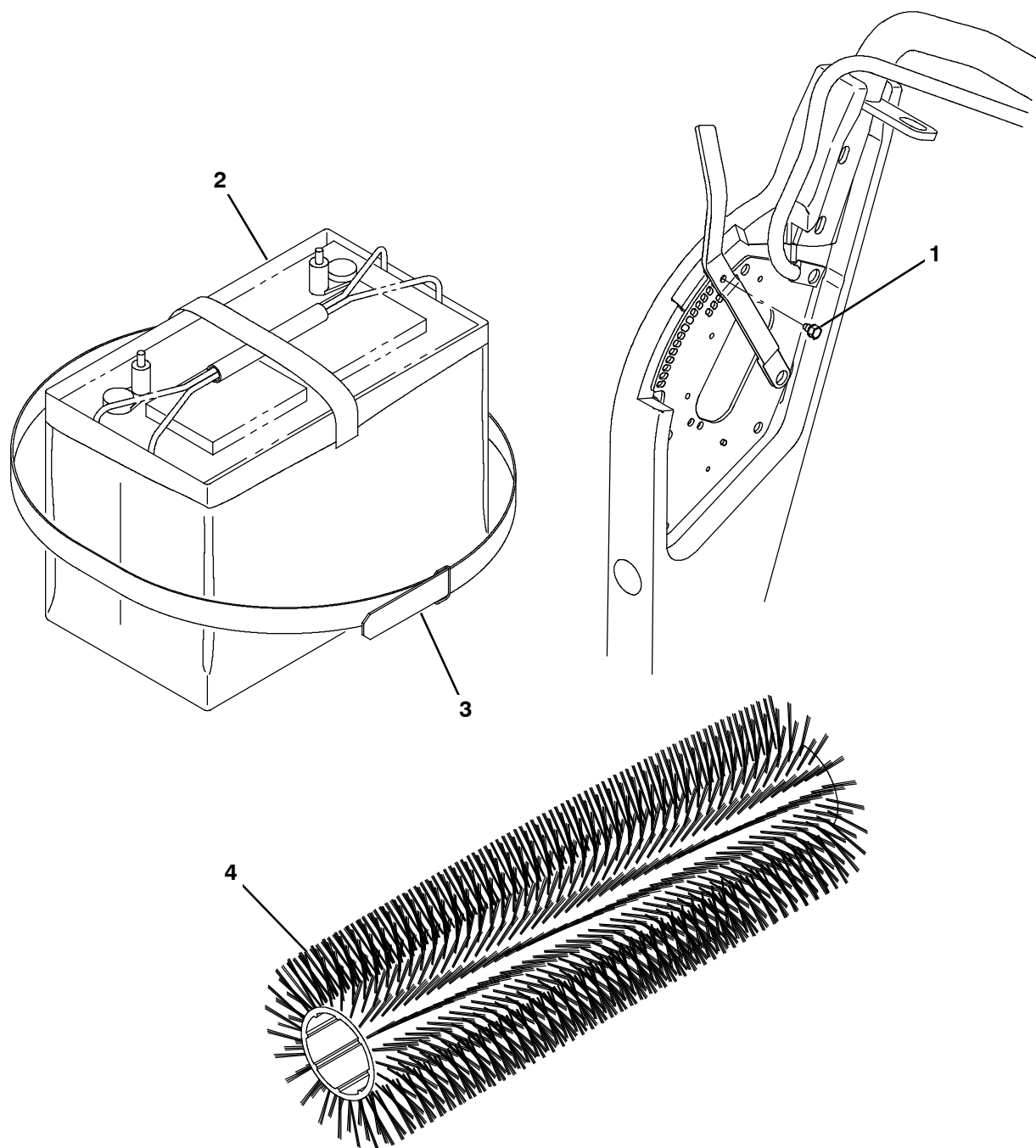


352794 - ALL

Ref.	Part No.	Serial Number	Description	Qty.
▽	379220	(000000-	) Kit, Hinge Repair	1
▲	1 379221	(000000-	) Hinge, Cover, 6080	1
▲	2 363503	(000000-	) Screw, Pan, M06- 1.0 X 12, Ss	6
▲	3 32483	(000000-	) Washer, Flat, .25 Sae	3
▲	4 08708	(000000-	) Nut, Hex, Lock, M06	6
▲	5 379219	(000000-	) Washer, Flat, Rework	3



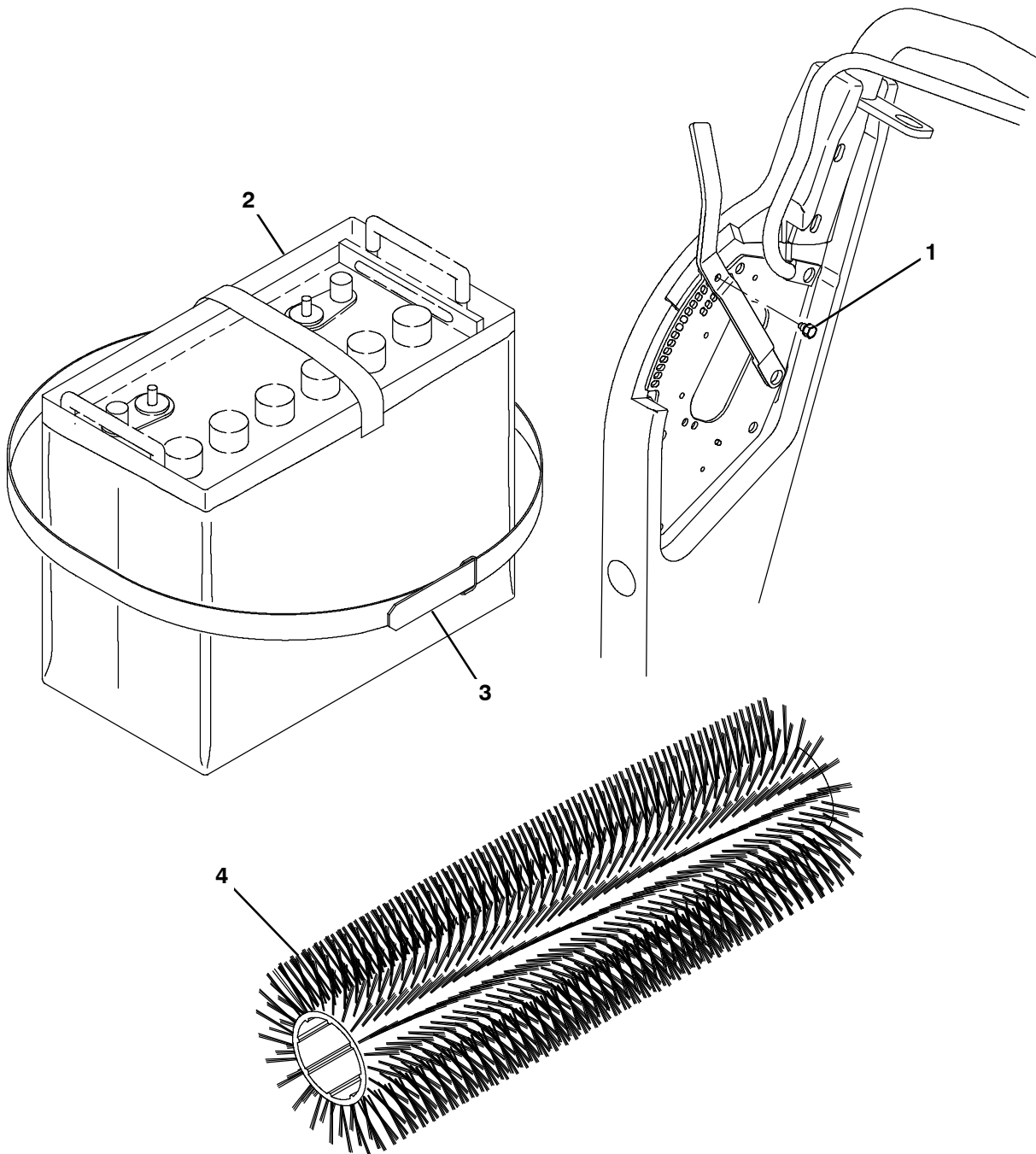
Fig. 20 - Carpet Sweeping Kits, 130AH



350923 - E

Ref.	Part No.	Serial Number	Description	Qty.
▽	377388	(000000-	) Sweep Kit, Carpet, 130ah, Ci[Less Brush]	1
▲	1 80972	(000000-	) Bolt, .25- 28, Mtg, Swp, Carpet [3640]	1
▲	2 80120	(000000-	) Bag, Battery, 130ah	2
▲	3 378764	(000000-	) Strap	2
▽	377446	(000000-	) Sweep Kit, Carpet, 130ah, Ci [W/ Brush]	1
▲	1 80972	(000000-	) Bolt, .25- 28, Mtg, Swp, Carpet [3640]	1
▲	2 80120	(000000-	) Bag, Battery, 130ah	2
▲	3 378764	(000000-	) Strap	2
▲	4 80355	(000000-	) Brush, Swp, 24l, 12 Sr, Umx Carpet ,Spl	1

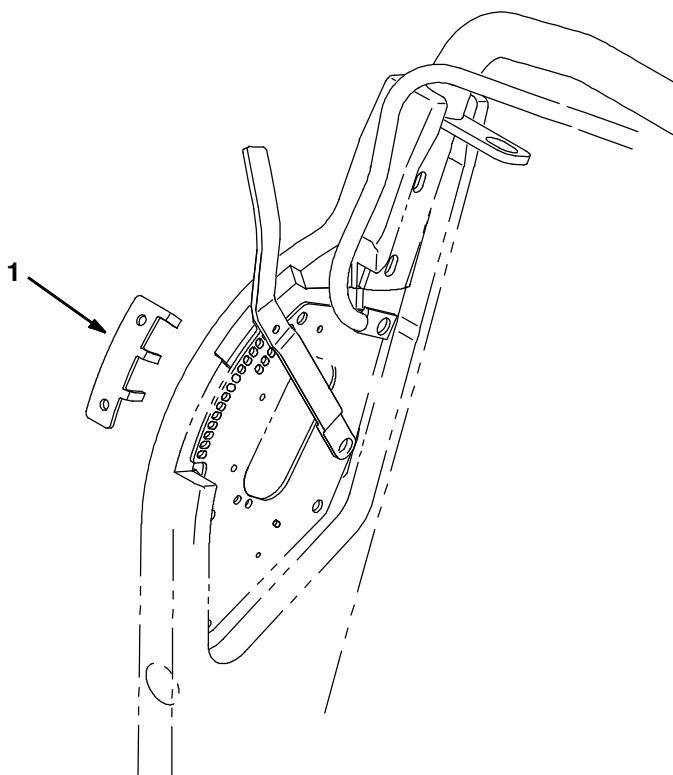
**Fig. 21 - Carpet Sweeping Kits, 225AH**



354784 - E

Ref.	Part No.	Serial Number	Description	Qty.
▽	377424	(000000-	) Sweep Kit, Carpet, 215ah, Ci[Less Brush]	1
▲	1 80972	(000000-	) Bolt, .25- 28, Mtg, Swp, Carpet [3640]	1
▲	2 80122	(000000-	) Bag, Battery, 215ah	2
▲	3 378764	(000000-	) Strap	2
▽	377455	(000000-	) Sweep Kit, Carpet, 215ah, Ci [W/ Brush]	1
▲	1 80972	(000000-	) Bolt, .25- 28, Mtg, Swp, Carpet [3640]	1
▲	2 80122	(000000-	) Bag, Battery, 215ah	2
▲	3 378764	(000000-	) Strap	2
▲	4 80355	(000000-	) Brush, Swp, 24l, 12 Sr, Umx Carpet ,Spl	1

Fig. 22 - Main Brush Downpressure Kit



351287 - ALL

Ref.	Part No.	Serial Number	Description	Qty.
▽	378768	(000000-	) Main Brush Downpressure Kit	1
▲	1 378765	(000000-	) Limiter, Travel, Brush	1

**Fig. 23 - Documentation Group**

<b>Ref.</b>	<b>Part No.</b>	<b>Serial Number</b>	<b>Description</b>	<b>Qty.</b>
	330560	(000000-	) Manual Pkg 3640E	1
	330562	(000000-	) Manual Opmt 3640E Es	1
	330563	(000000-	) Manual Opmt 3640E Fr	1
	330565	(000000-	) Manual Service 3640 E	1
	9009350	(000000-	) Media, Cd- Rom, Oprtr [6080/3640]	1



To view, print, order, download the latest Parts manual, other language Operator manuals, and Use and Care Guides (wall charts), visit:

[www.tennantco.com/manual](http://www.tennantco.com/manual)

# SECTION 4

**Contents** **Page**

---

Fig. 1 - Transaxle Breakdown, 80476 ..... 4-2

**Fig. 1 - Transaxle Breakdown, 80476**

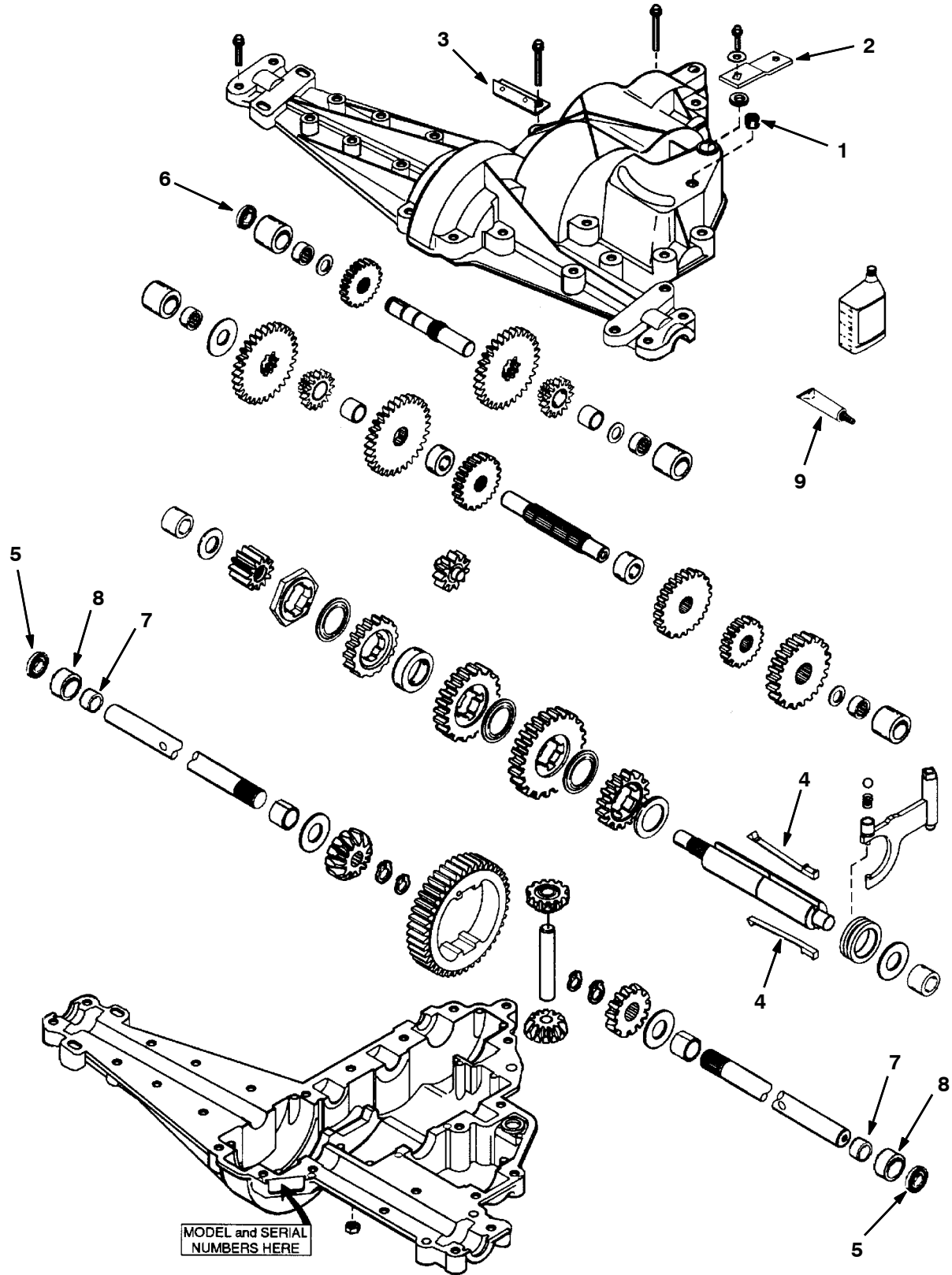


Fig. 1 - Transaxle Breakdown, 80476

	Ref.	Part No.	Serial Number	Description	Qty.
▽		80476	(000000-	) Kit, Transaxle Assy	1
▲	1	80471	(000000-	) Fitting, Relief 1/8	1
▲	2	80417	(000000-	) Lever, Shift	1
▲	3	80499	(000000-	) Bracket, Return Spring	1
▲▽		80472	(000000-	) Kit, Transaxle Repair	1
▲▲	4	80473	(000000-	) Key, Shifter Te	2
▲▲	5	80474	(000000-	) Seal, Axle Te	2
▲▲	6	80475	(000000-	) Seal, Shaft, Input Te	1
▲▲	7	80352	(000000-	) Bearing, Axle	2
▲▲	8	80353	(000000-	) Sleeve, Bearing	2
▲▲	9	08317	(000000-	) Sealant,Silastic Rtv732- 3 Oz.	1

