



Fall Protection

**LAD-SAF™**  
**Vertical Climbing Safety System**

**Technical Data Sheets**

<b>Technical Data Sheet</b>	<b>Description</b>	<b>Page</b>
<b>6116631</b>	Lad-Saf™ Vertical Climbing Safety System - Standard Rung Mount, Galvanized	3
<b>6116632</b>	Lad-Saf™ Vertical Climbing Safety System - Standard Rung Mount, Stainless Steel	5
<b>6116633</b>	Lad-Saf™ Vertical Climbing Safety System - Standard Rung Mount, Galvanized	7
<b>6116636</b>	Lad-Saf™ Vertical Climbing Safety System - Climbing Extension, Galvanized	9
<b>6116618</b>	Lad-Saf™ Vertical Climbing Safety System - Telescoping Single Point Anchor (SPA) Extension, Galvanized	11
<b>6116634</b>	Lad-Saf™ Vertical Climbing Safety System - Monopole, Galvanized	13
<b>6116635</b>	Lad-Saf™ Vertical Climbing Safety System - Wood pole, Galvanized	15
<b>6116638</b>	Lad-Saf™ Vertical Climbing Safety System - Monopole, Stainless Steel	17
<b>6160054</b>	Lad-Saf™ Flexible Sleeve, X3	19
<b>6160030</b>	Lad-Saf™ Flexible Sleeve, X2	20
<b>6160052</b>	Lad-Saf™ Flexible Sleeve, X3+	21
<b>6100401</b>	Cable Guide, Ladder Mount, Stainless Steel	22
<b>6100400</b>	Cable Guide, Ladder Mount, Galvanized	23
<b>6100386</b>	Flex Cable Guide Standoff, Metal Pole Mount, Steel	24
<b>6100505</b>	Flex Cable Guide Assembly, Stainless Steel	25
<b>6100140</b>	Cable Guide, Wood Pole Mount, Stainless Steel	26
<b>9500098</b>	3/8" 7x19 Galvanized Cable	27
<b>9500099</b>	3/8" 7x19 Stainless Steel Cable	28
<b>9500396</b>	3/8" 1x7 Galvanized Cable	29
<b>9500397</b>	3/8" 1x7 Stainless Steel Cable	30



# TECHNICAL DATA SHEET: 6116631

Lad-Saf™ Vertical Climbing Safety System - Standard Rung  
 Mount, Galvanized  
**Kit No: 6116631**



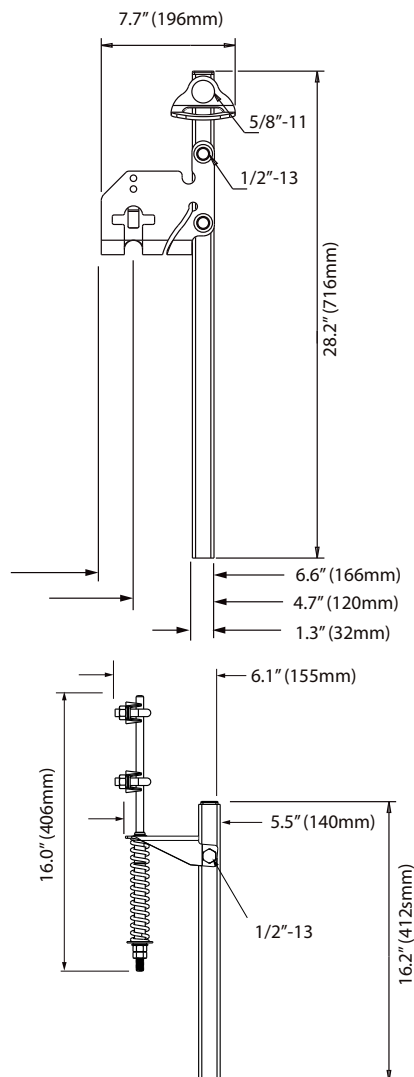
## APPLICATION:

Will fit the following rung types and spacing:

- Spacing: 9"-12.25" (230mm-310mm)
- Cylindrical rung: 0.5"-1.6" (13mm-40mm) diameter
- Square rung: 0.5"-1.6" (13mm-40mm)
- Diamond rung: 0.5"-1.6" (13mm-40mm) height
- Angle Iron: 0.5"-1.6" (13mm-40mm) leg height
- Rectangular rung: 0.5"-1.6" (13mm-40mm) height, 0.5"-1.9" (13mm-48mm) width

Operating Temperature Range: 140°F (60°C) to -40°F (-40°C)

\*Hardware is shown on following page.

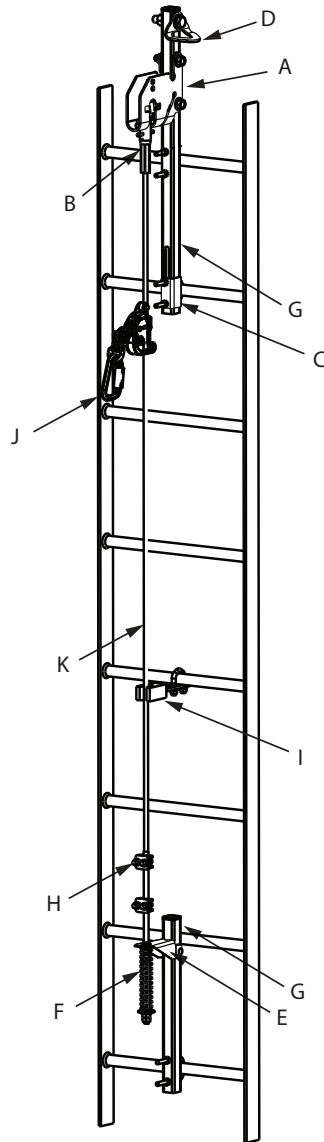


## PART SPECIFICATION:

Net Weight lb (kg)	Minimum Breaking Strength lb (kN)	Maximum Number of Users	Single Point Anchor Rating lb (kN)
23 (10.2)	3,600 (16)	2	3,600 (16)

# TECHNICAL DATA SHEET

Lad-Saf™ Vertical Climbing Safety System - Standard Rung  
Mount, Galvanized



## COMPONENT SPECIFICATION:

Qty.	Component	Material	Finish	
A	1	Top Plate	304 Stainless Steel	Passivate
B	1	Swage Connector	304 Stainless Steel	Passivate
C	10	Hardware	Steel	Galvanized
D	1	Single Point Anchor	316 Stainless Steel	Powder Coat
E	1	Bottom Plate	Steel	Galvanized
F	1	Tension Assembly	304 Stainless Steel	Passivate
G	2	Tubes	Steel	Galvanized
H	1	Tension Rod	Steel	Galvanized
I	1	Cable Guide*	Steel / Rubber	Galvanized
J	1	Detachable Cable Sleeve*	304 Stainless Steel	Natural
K	-	Cable*	Steel	Galvanized
*	Item is sold separately from the kit.			

# TECHNICAL DATA SHEET: 6116632

Lad-Saf™ Vertical Climbing Safety System - Standard Rung  
 Mount, Stainless Steel  
**Kit No: 6116632**



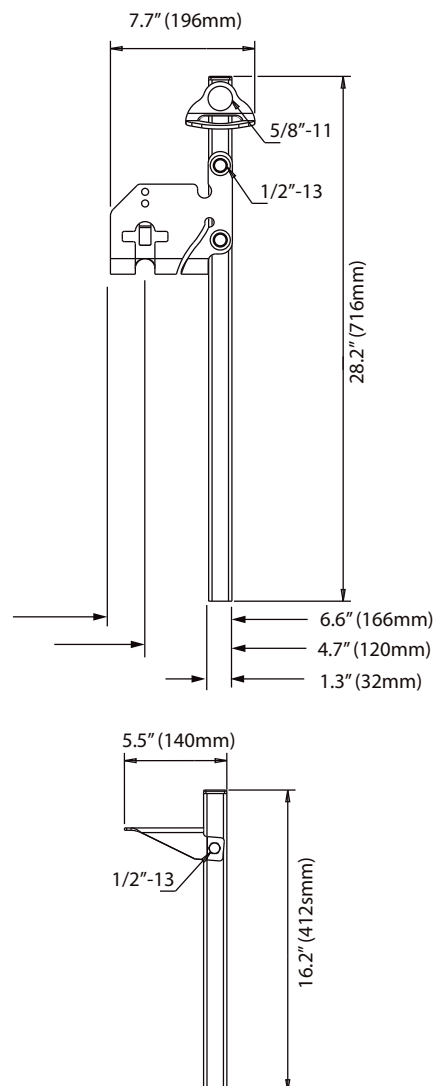
## APPLICATION:

Will fit the following rung types and spacing:

- Spacing: 9"-12.25" (230mm-310mm)
- Cylindrical rung: 0.5"-1.6" (13mm-40mm) diameter
- Square rung: 0.5"-1.6" (13mm-40mm)
- Diamond rung: 0.5"-1.6" (13mm-40mm) height
- Angle Iron: 0.5"-1.6" (13mm-40mm) leg height
- Rectangular rung: 0.5"-1.6" (13mm-40mm) height, 0.5"-1.9" (13mm-48mm) width

Operating Temperature Range: 140°F (60°C) to -40°F (-40°C)

\*Hardware is shown on following page.



## PART SPECIFICATION:

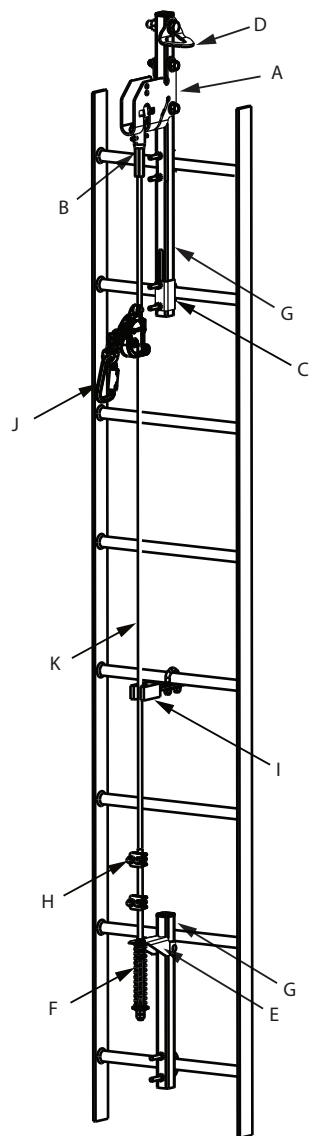
Net Weight lb (kg)	Minimum Breaking Strength lb (kN)	Maximum Number of Users	Single Point Anchor Rating lb (kN)
20 (9.1)	3,600 (16)	2	3,600 (16)

# TECHNICAL DATA SHEET

Lad-Saf™ Vertical Climbing Safety System - Standard Rung  
Mount, Stainless Steel



Fall Protection



## COMPONENT SPECIFICATION:

	Qty.	Component	Material	Finish
<b>A</b>	1	Top Plate	304 Stainless Steel	Passivate
<b>B</b>	1	Swage Connector	304 Stainless Steel	Passivate
<b>C</b>	10	Hardware	304 Stainless Steel	Passivate
<b>D</b>	1	Single Point Anchor	316 Stainless Steel	Powder Coat
<b>E</b>	1	Bottom Plate	304 Stainless Steel	Passivate
<b>F</b>	1	Tension Assembly	304 Stainless Steel	Passivate
<b>G</b>	2	Tubes	304 Stainless Steel	Passivate
<b>H</b>	1	Tension Rod	304 Stainless Steel	Passivate
<b>I</b>	1	Cable Guide*	304 Stainless Steel / Rubber	Natural
<b>J</b>	1	Detachable Cable Sleeve*	Stainless Steel	Natural
<b>K</b>	-	Cable*	304 Stainless Steel	Natural
<b>*</b>		Item is sold separately from the kit.		

# TECHNICAL DATA SHEET: 6116633

Lad-Saf™ Vertical Climbing Safety System - Standard Rung  
Mount, Galvanized  
**Kit No: 6116633**



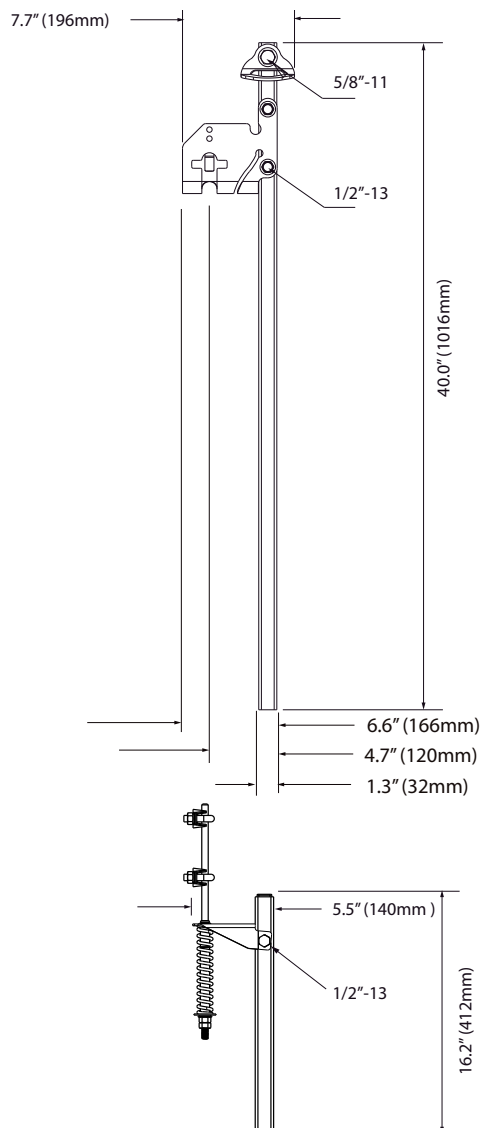
## APPLICATION:

Will fit the following rung types and spacing:

- Spacing: 9"-12.25" (230mm-310mm)
- Cylindrical rung: 0.5"-1.6" (13mm-40mm) diameter
- Square rung: 0.5"-1.6" (13mm-40mm)
- Diamond rung: 0.5"-1.6" (13mm-40mm) height
- Angle Iron: 0.5"-1.6" (13mm-40mm) leg height
- Rectangular rung: 0.5"-1.6" (13mm-40mm) height, 0.5"-1.9" (13mm-48mm) width

Operating Temperature Range: 140°F (60°C) to -40°F (-40°C)

\*Hardware is shown on following page.



## PART SPECIFICATION:

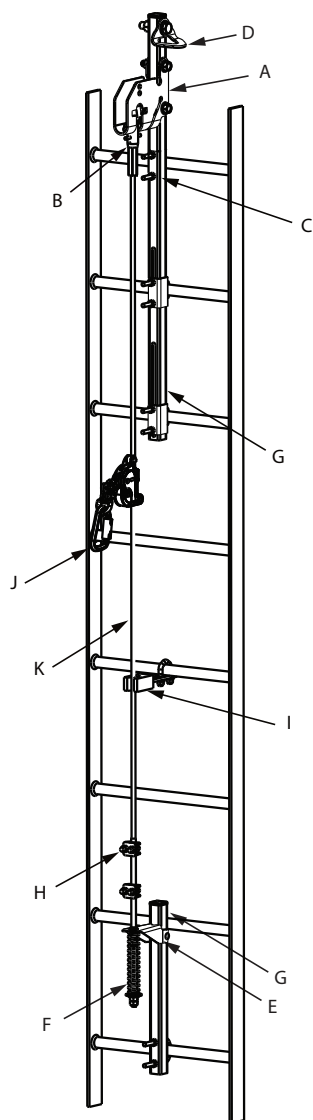
Net Weight lb (kg)	Minimum Breaking Strength lb (kN)	Maximum Number of Users	Single Point Anchor Rating lb (kN)
27 (12)	4,560 (20.27)	4	3,600 (16)

# TECHNICAL DATA SHEET

Lad-Saf™ Vertical Climbing Safety System - Standard Rung  
Mount, Galvanized



Fall Protection



## COMPONENT SPECIFICATION:

	Qty.	Component	Material	Finish
<b>A</b>	1	Top Plate	304 Stainless Steel	Passivate
<b>B</b>	1	Swage Connector	304 Stainless Steel	Passivate
<b>C</b>	14	Hardware	Steel	Galvanized
<b>D</b>	1	Single Point Anchor	316 Stainless Steel	Powder Coat
<b>E</b>	1	Bottom Plate	Steel	Galvanized
<b>F</b>	1	Tension Assembly	304 Stainless Steel	Passivate
<b>G</b>	2	Tubes	Steel	Galvanized
<b>H</b>	1	Tension Rod	Steel	Galvanized
<b>I</b>	1	Cable Guide*	Steel / Rubber	Galvanized
<b>J</b>	1	Detachable Cable Sleeve*	304 Stainless Steel	Natural
<b>K</b>	-	Cable*	Steel	Galvanized
<b>*</b>		Item is sold separately from the kit.		



# TECHNICAL DATA SHEET: 6116636

Lad-Saf™ Vertical Climbing Safety System - Climbing Extension,  
Galvanized

**Kit No: 6116636**



Fall Protection

## APPLICATION:

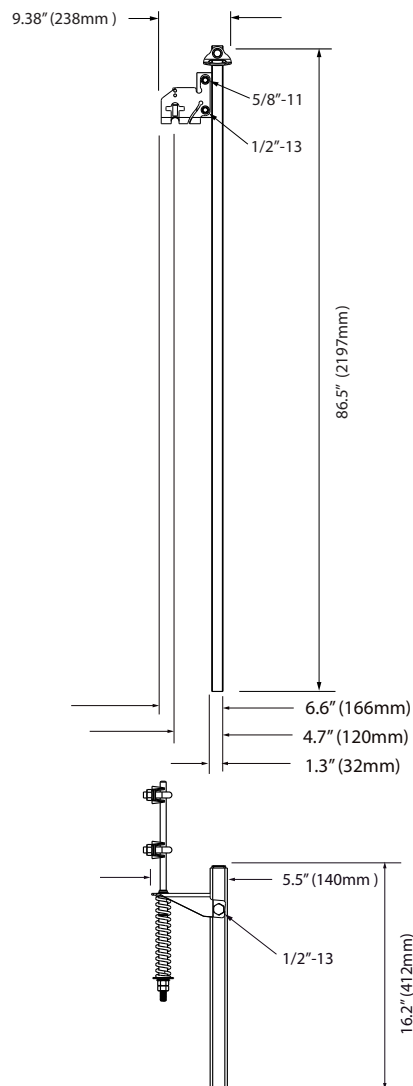
Will fit the following rung types and spacing:

- Spacing: 9"-12.25" (230mm-310mm)
- Cylindrical rung: 0.5"-1.6" (13mm-40mm) diameter
- Square rung: 0.5"-1.6" (13mm-40mm)
- Diamond rung: 0.5"-1.6" (13mm-40mm) height
- Angle Iron: 0.5"-1.6" (13mm-40mm) leg height
- Rectangular rung: 0.5"-1.6" (13mm-40mm) height, 0.5"-1.9" (13mm-48mm) width

The Climbing Extension will extend 4' (1.2m) above the top attachment point.

Operating Temperature Range: 140°F (60°C) to -40°F (-40°C)

\*Hardware is shown on following page.



## PART SPECIFICATION:

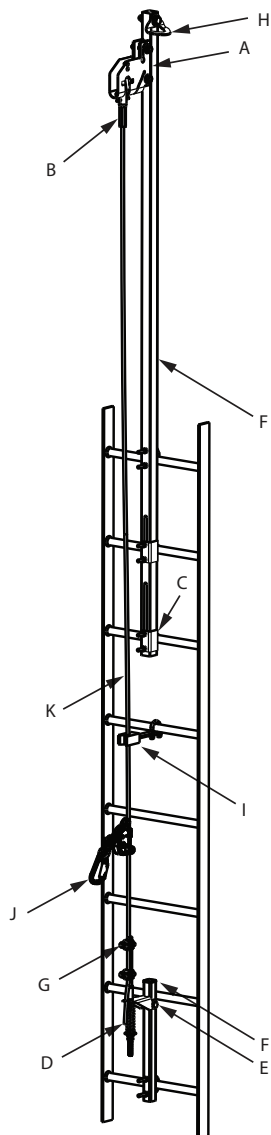
Net Weight lb (kg)	Minimum Breaking Strength lb (kN)	Maximum Number of Users	Single Point Anchor Rating lb (kN)
60 (27.3)	3,600 (16)	2	3,600 (16)

# TECHNICAL DATA SHEET

Lad-Saf™ Vertical Climbing Safety System - Climbing Extension, Galvanized



Fall Protection



## COMPONENT SPECIFICATION:

	Qty.	Component	Material	Finish
<b>A</b>	1	Top Plate	304 Stainless Steel	Passivate
<b>B</b>	1	Swage Connector	304 Stainless Steel	Passivate
<b>C</b>	14	Hardware	Steel	Galvanized
<b>D</b>	1	Tension Assembly	304 Stainless Steel	Passivate
<b>E</b>	1	Bottom Plate	Steel	Galvanized
<b>F</b>	2	Tubes	Steel	Galvanized
<b>G</b>	1	Tension Rod	Steel	Galvanized
<b>H</b>	1	Single Point Anchor	316 Stainless Steel	Powder Coat
<b>I</b>	1	Cable Guide*	Steel / Rubber	Galvanized
<b>J</b>	1	Detachable Cable Sleeve*	304 Stainless Steel	Natural
<b>K</b>	-	Cable*	Steel	Galvanized
<b>*</b>		Item is sold separately from the kit.		

# TECHNICAL DATA SHEET: 6116618

Lad-Saf™ Vertical Climbing Safety System -  
Telescoping Single Point Anchor (SPA) Extension, Galvanized  
**Kit No: 6116618**



## APPLICATION:

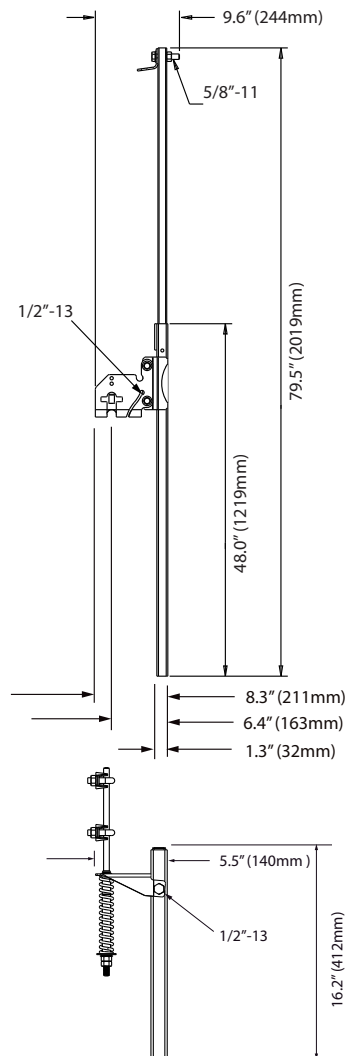
Will fit the following rung types and spacing:

- Spacing: 9"-12.25" (230mm-310mm)
- Cylindrical rung: 0.5"-1.6" (13mm-40mm) diameter
- Square rung: 0.5"-1.6" (13mm-40mm)
- Diamond rung: 0.5"-1.6" (13mm-40mm) height
- Angle Iron: 0.5"-1.6" (13mm-40mm) leg height
- Rectangular rung: 0.5"-1.6" (13mm-40mm) height, 0.5"-1.9" (13mm-48mm) width

The SPA will extend 30" (0.76m).

Operating Temperature Range: 140°F (60°C) to -40°F (-40°C)

\*Hardware is shown on following page.

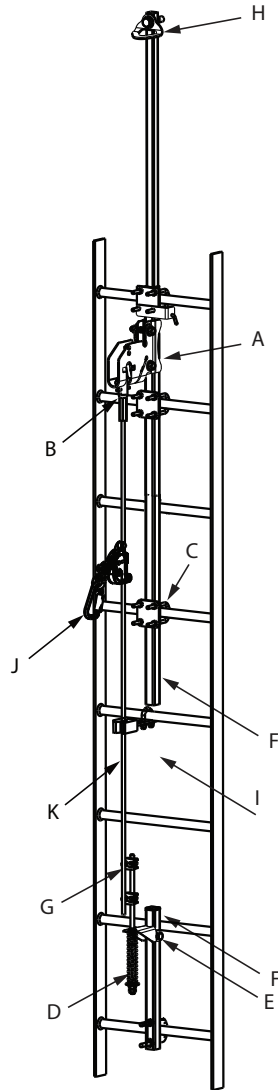


## PART SPECIFICATION:

Net Weight lb (kg)	Minimum Breaking Strength lb (kN)	Maximum Number of Users	Single Point Anchor Rating lb (kN)
40 (18.2)	4,560 (20.27)	4	3,600 (16)

# TECHNICAL DATA SHEET

Lad-Saf™ Vertical Climbing Safety System -  
Telescoping Single Point Anchor (SPA) Extension, Galvanized



## COMPONENT SPECIFICATION:

	Qty.	Component	Material	Finish
<b>A</b>	1	Top Plate	304 Stainless Steel	Passivate
<b>B</b>	1	Swage Connector	304 Stainless Steel	Passivate
<b>C</b>	27	Hardware	Steel	Galvanized
<b>D</b>	1	Tension Assembly	304 Stainless Steel	Passivate
<b>E</b>	1	Bottom Plate	Steel	Galvanized
<b>F</b>	2	Tubes	Steel	Galvanized
<b>G</b>	1	Tension Rod	Steel	Galvanized
<b>H</b>	1	Single Point Anchor	316 Stainless Steel	Powder Coat
<b>I</b>	1	Cable Guide*	Steel / Rubber	Galvanized
<b>J</b>	1	Detachable Cable Sleeve*	304 Stainless Steel	Natural
<b>K</b>	-	Cable*	Steel	Galvanized
<b>*</b>		Item is sold separately from the kit.		

# TECHNICAL DATA SHEET: 6116634

Lad-Saf™ Vertical Climbing Safety System - Monopole, Galvanized

Kit No: 6116634



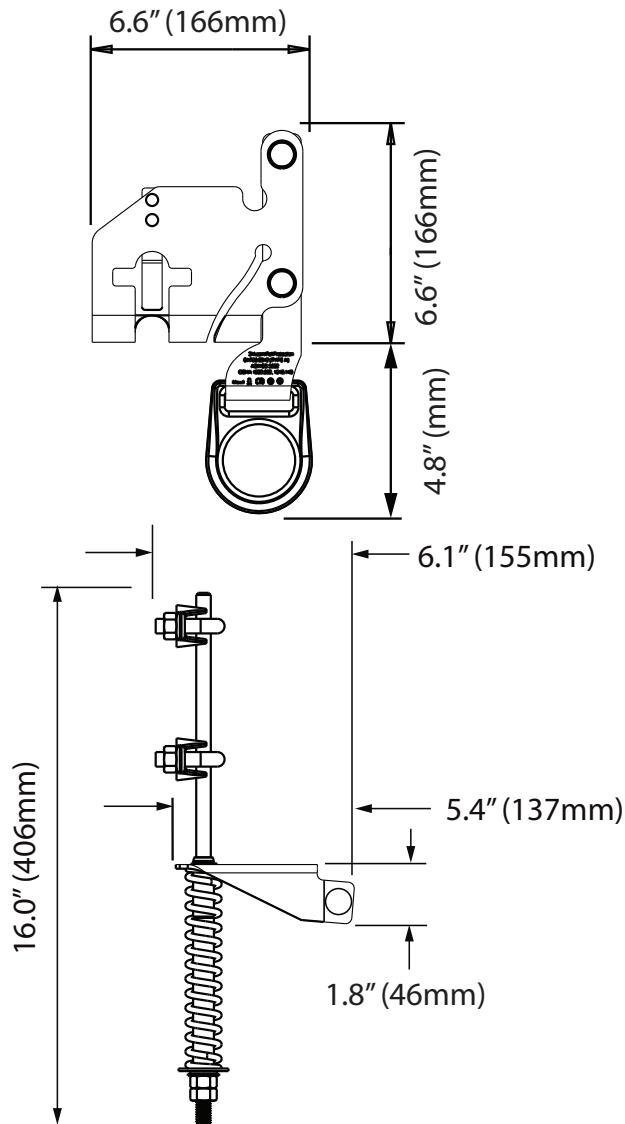
Fall Protection

## APPLICATION:

Will fit a standoff with 4.00" (101mm) center-to-center hole spacing and .025" (6.35mm) wide plate.

Operating Temperature Range: 140°F (60°C) to -40°F (-40°C)

\*Hardware is shown on following page.



## PART SPECIFICATION:

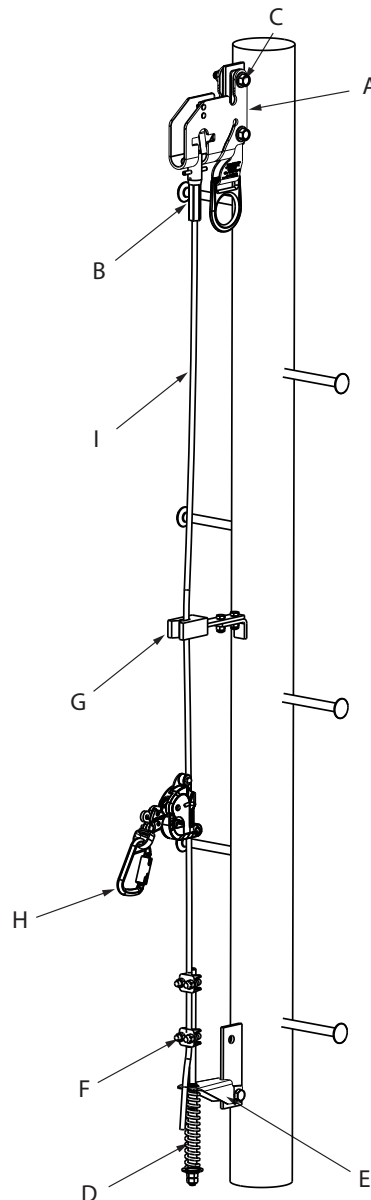
Net Weight lb (kg)	Minimum Breaking Strength lb (kN)	Maximum Number of Users
10 (4.6)	4,560 (20.27)	4

# TECHNICAL DATA SHEET

Lad-Saf™ Vertical Climbing Safety System - Monopole, Galvanized



Fall Protection



## COMPONENT SPECIFICATION:

	Qty.	Component	Material	Finish
<b>A</b>	1	Top Plate	304 Stainless Steel	Passivate
<b>B</b>	1	Swage Connector	304 Stainless Steel	Passivate
<b>C</b>	8	Hardware	Steel	Galvanized
<b>D</b>	1	Tension Assembly	304 Stainless Steel	Passivate
<b>E</b>	1	Bottom Plate	Steel	Galvanized
<b>F</b>	1	Tension Rod	Steel	Galvanized
<b>G</b>	1	Cable Guide*	Steel / Rubber	Galvanized
<b>H</b>	1	Detachable Cable Sleeve*	304 Stainless Steel	Natural
<b>I</b>	-	Cable*	Steel	Galvanized
<b>*</b>		Item is sold separately from the kit.		

# TECHNICAL DATA SHEET: 6116635

Lad-Saf™ Vertical Climbing Safety System - Wood pole,  
Galvanized  
**Kit No: 6116635**

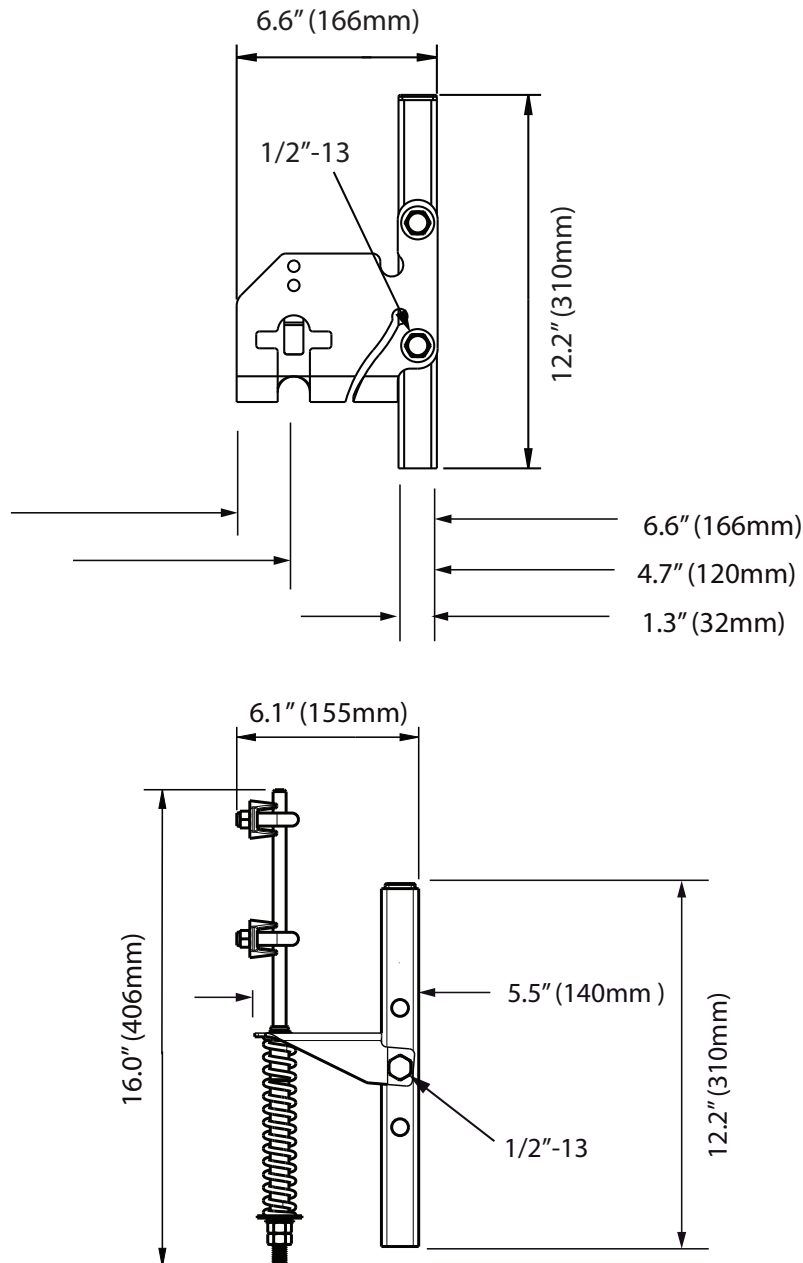


## APPLICATION:

Will attach to wood pole using 0.50" (4 - 12mm) fasteners (not provided).

Operating Temperature Range: 140°F (60°C) to -40°F (-40°C)

\*Hardware is shown on following page.

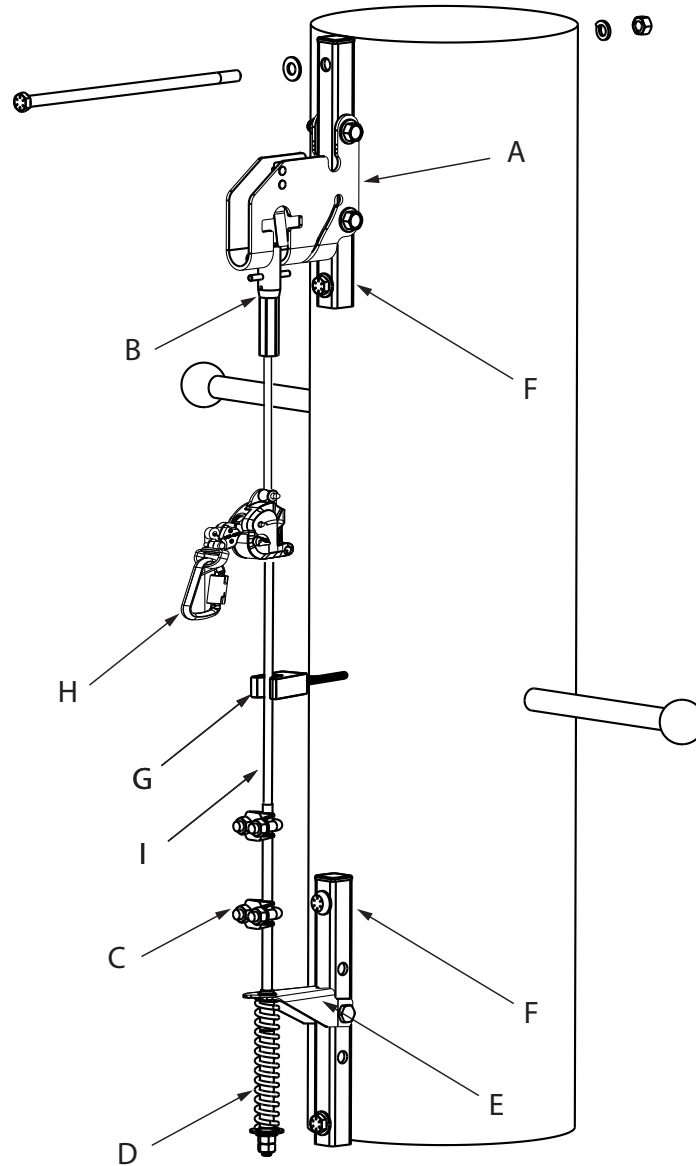


## PART SPECIFICATION:

Net Weight lb (kg)	Minimum Breaking Strength lb (kN)	Maximum Number of Users
14 (4.6)	3,600 (16)	2

# TECHNICAL DATA SHEET

Lad-Saf™ Vertical Climbing Safety System - Wood pole,  
Galvanized



## COMPONENT SPECIFICATION:

	Qty.	Component	Material	Finish
<b>A</b>	1	Top Plate	304 Stainless Steel	Passivate
<b>B</b>	1	Swage Connector	304 Stainless Steel	Passivate
<b>C</b>	1	Tension Rod	Steel	Galvanized
<b>D</b>	1	Tension Assembly	304 Stainless Steel	Passivate
<b>E</b>	1	Bottom Plate	Steel	Galvanized
<b>F</b>	2	Tubes	Steel	Galvanized
<b>G</b>	1	Cable Guide*	Steel / Rubber	Galvanized
<b>H</b>	1	Detachable Cable Sleeve*	304 Stainless Steel	Natural
<b>I</b>	-	Cable*	Steel	Galvanized
<b>*</b>		Item is sold separately from the kit.		



# TECHNICAL DATA SHEET: 6116638

Lad-Saf™ Vertical Climbing Safety System - Monopole, Stainless Steel

Kit No: 6116638

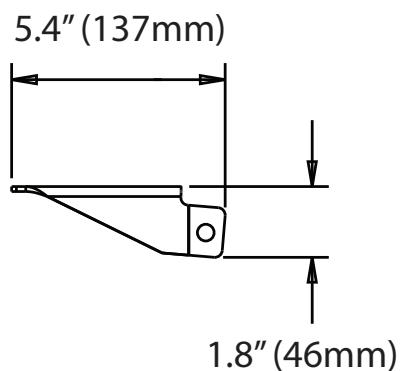
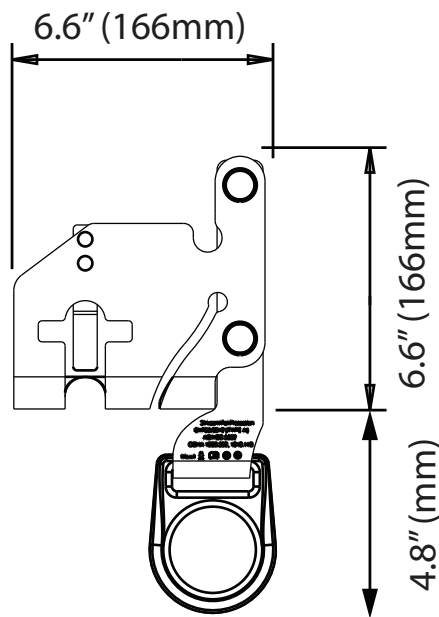


## APPLICATION:

Will fit a standoff with 4.00" (101mm) center-to-center hole spacing and 0.25" (6.35mm) wide plate.

Operating Temperature Range: 140°F (60°C) to -40°F (-40°C)

\*Hardware is shown on following page.



## PART SPECIFICATION:

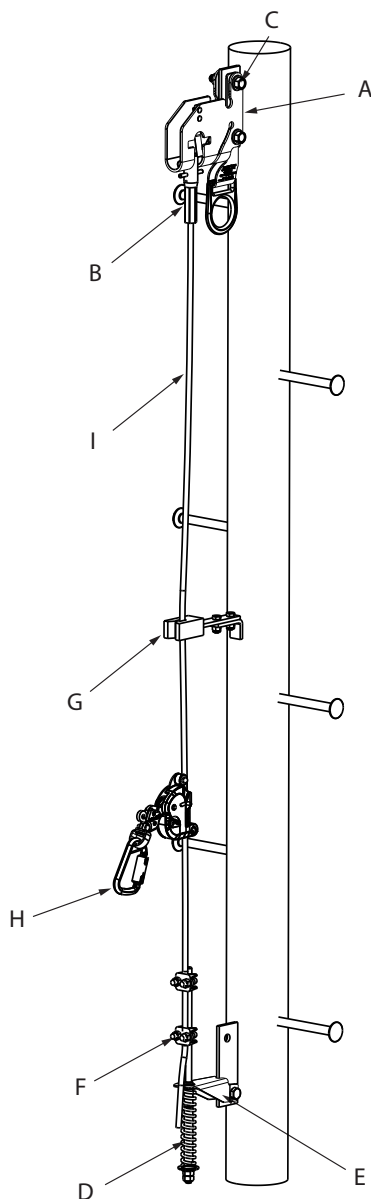
Net Weight lb (kg)	Minimum Breaking Strength lb (kN)	Maximum Number of Users
10 (4.6)	4,560 (20.27)	4

# TECHNICAL DATA SHEET

Lad-Saf™ Vertical Climbing Safety System - Monopole, Stainless Steel



Fall Protection



## COMPONENT SPECIFICATION:

Qty.	Component	Material	Finish	
A	1	Top Plate	304 Stainless Steel	Passivate
B	1	Swage Connector	304 Stainless Steel	Passivate
C	8	Hardware	304 Stainless Steel	Passivate
D	1	Tension Assembly	304 Stainless Steel	Passivate
E	1	Bottom Plate	304 Stainless Steel	Passivate
F	1	Tension Rod	304 Stainless Steel	Passivate
G	1	Cable Guide*	Steel / Rubber	Galvanized
H	1	Detachable Cable Sleeve*	304 Stainless Steel	Natural
I	-	Cable*	Stainless Steel	Natural
*	Item is sold separately from the kit.			

# TECHNICAL DATA SHEET: 6160054

Lad-Saf™ Flexible Sleeve, X3

Part No: 6160054

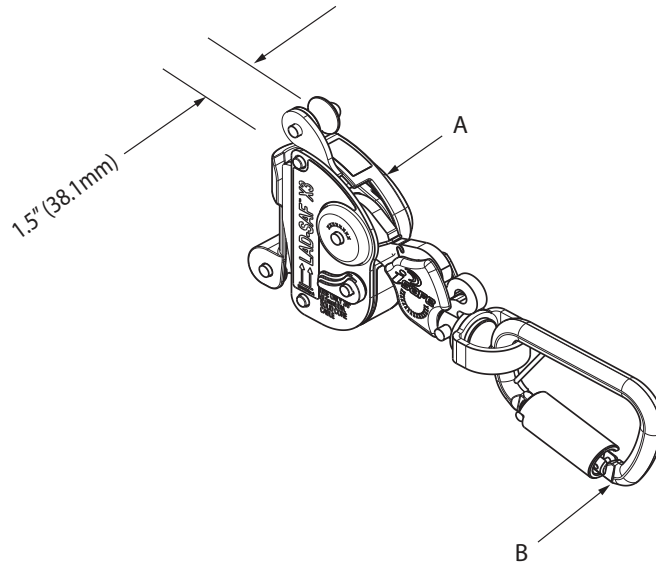
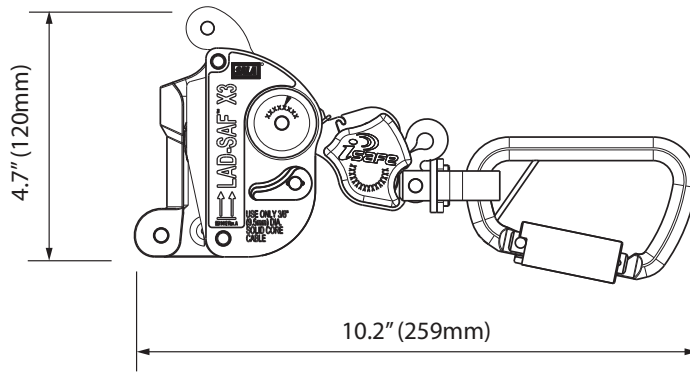


Fall Protection

## APPLICATION:

For use with 3M approved 3/8" (9.5mm) cable.

Operating Temperature Range: 140°F (60°C) to -40°F (-40°C)



## PART SPECIFICATION:

Net Weight lb (kg)	Capacity Range lb (kg)
2.1 (1)	88-310 (40-141)

## COMPONENT SPECIFICATION:

	Qty.	Component	Material	Finish
A	1	Flexible Sleeve	304 Stainless Steel	Natural
B	1	Caribiner, 11/16" Throat	Steel	Zinc Plated

# TECHNICAL DATA SHEET: 6160030

Lad-Saf™ Flexible Sleeve, X2

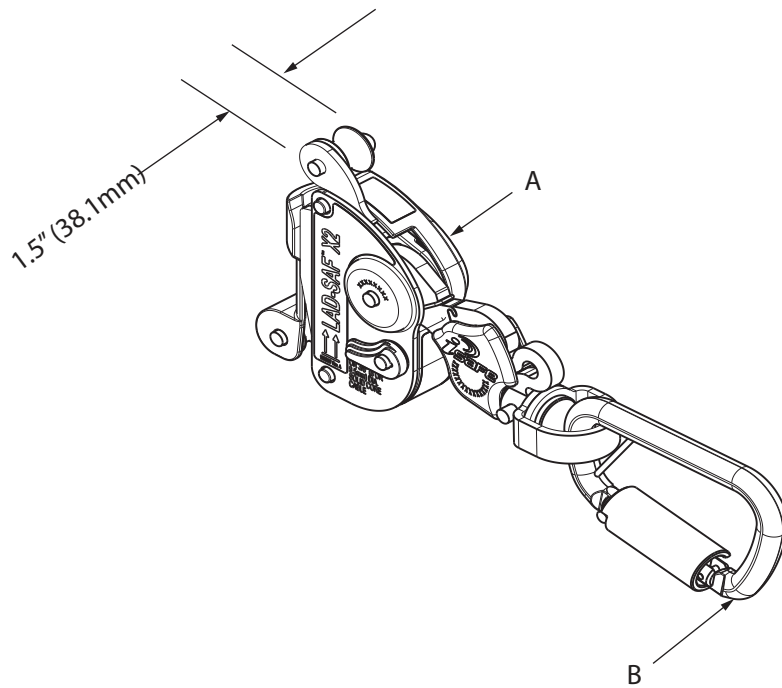
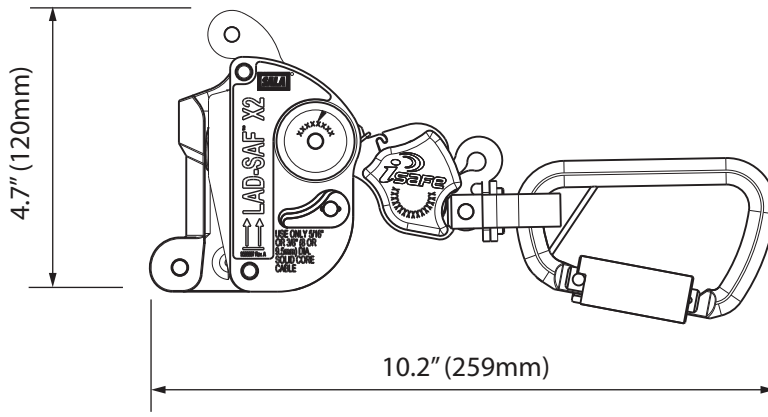
Part No: 6160030



## APPLICATION:

For use with 3M approved 3/8" (9.5mm) cable or 5/16" (8mm) cable.

Operating Temperature Range: 140°F (60°C) to -40°F (-40°C)



## PART SPECIFICATION:

Net Weight lb (kg)	Capacity Range lb (kg)
2.1 (1)	88-310 (40-141)

## COMPONENT SPECIFICATION:

	Qty.	Component	Material	Finish
A	1	Flexible Sleeve	304 Stainless Steel	Natural
B	1	Carabiner, 11/16" Throat	Steel	Zinc Plated

# TECHNICAL DATA SHEET: 6160052

Lad-Saf™ Flexible Sleeve, X3+

Part No: 6160052

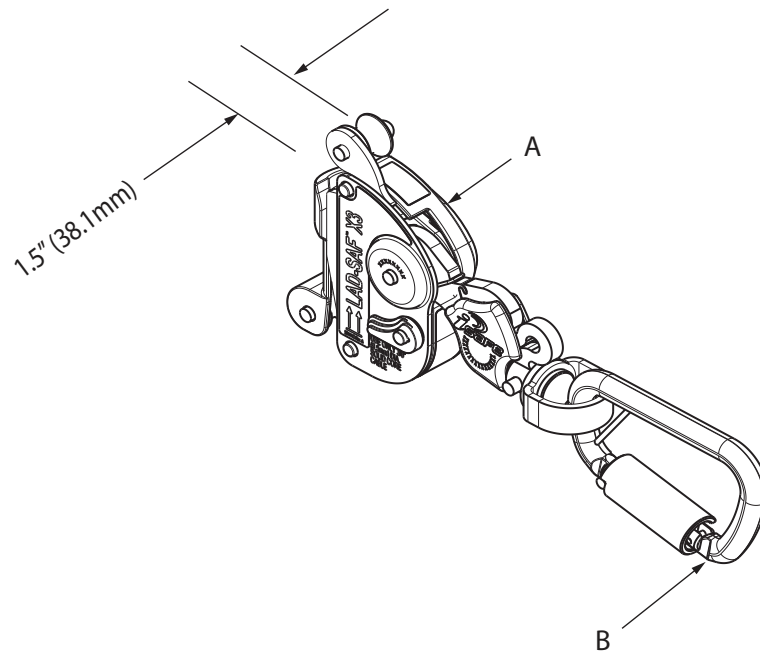
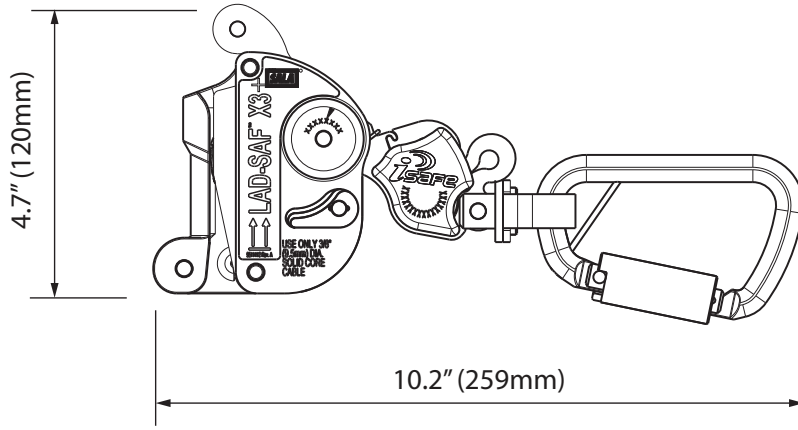


Fall Protection

## APPLICATION:

For use with 3M approved 3/8" (9.5mm) cable.

Operating Temperature Range: 140°F (60°C) to -40°F (-40°C)



## PART SPECIFICATION:

Net Weight lb (kg)	Capacity Range lb (kg)
2.1 (1)	88-310 (40-141)

## COMPONENT SPECIFICATION:

	Qty.	Component	Material	Finish
A	1	Flexible Sleeve	304 Stainless Steel	Natural
B	1	Caribiner, 11/16" Throat	Steel	Zinc Plated

# TECHNICAL DATA SHEET: 6100401

Cable Guide, Ladder Mount, Stainless Steel

Part No: 6100401

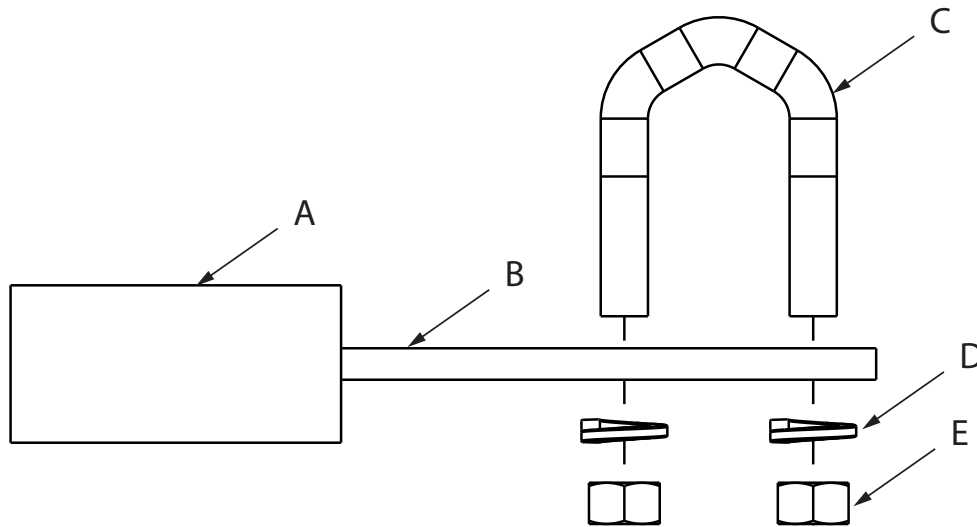
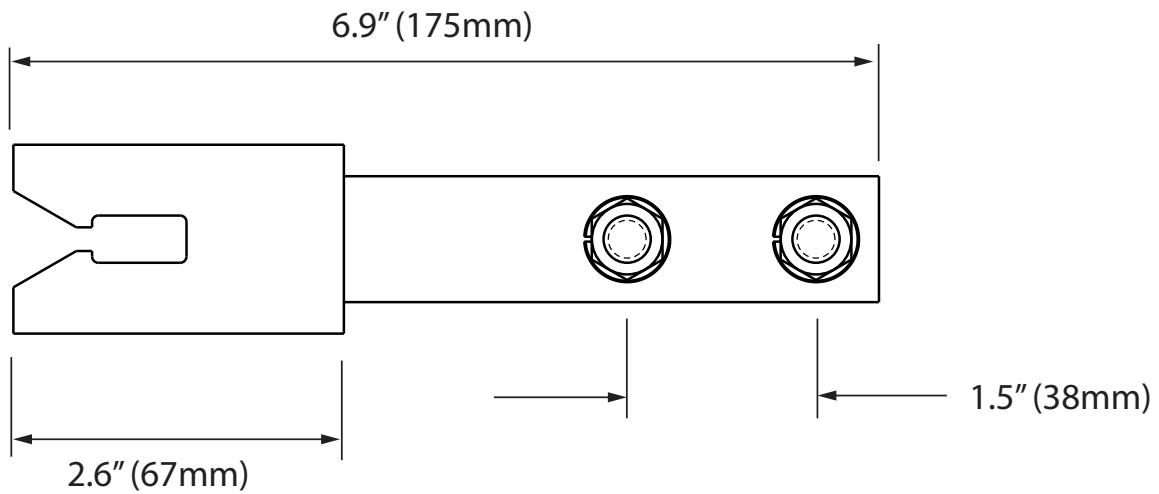


## APPLICATION:

For use on attachments up to 1.125" (28.5mm)

Recommended for use with Telescoping and Climbing Extension systems, 6116618 and 6116617.

Operating Temperature Range: 140°F (60°C) to -40°F (-40°C)



## COMPONENT SPECIFICATION:

	Qty.	Component	Material	Finish
<b>A</b>	1	Cable Guide	Rubber	Natural
<b>B</b>	1	Mounting Bar	304 Stainless Steel	Natural
<b>C</b>	1	3/8-16 U-Bolt	Stainless Steel	Natural
<b>D</b>	2	3/8 Lock Washers	Stainless Steel	Natural
<b>E</b>	2	3/8 Nuts	Stainless Steel	Natural

# TECHNICAL DATA SHEET: 6100400

Cable Guide, Ladder Mount, Galvanized

Part No: 6100400



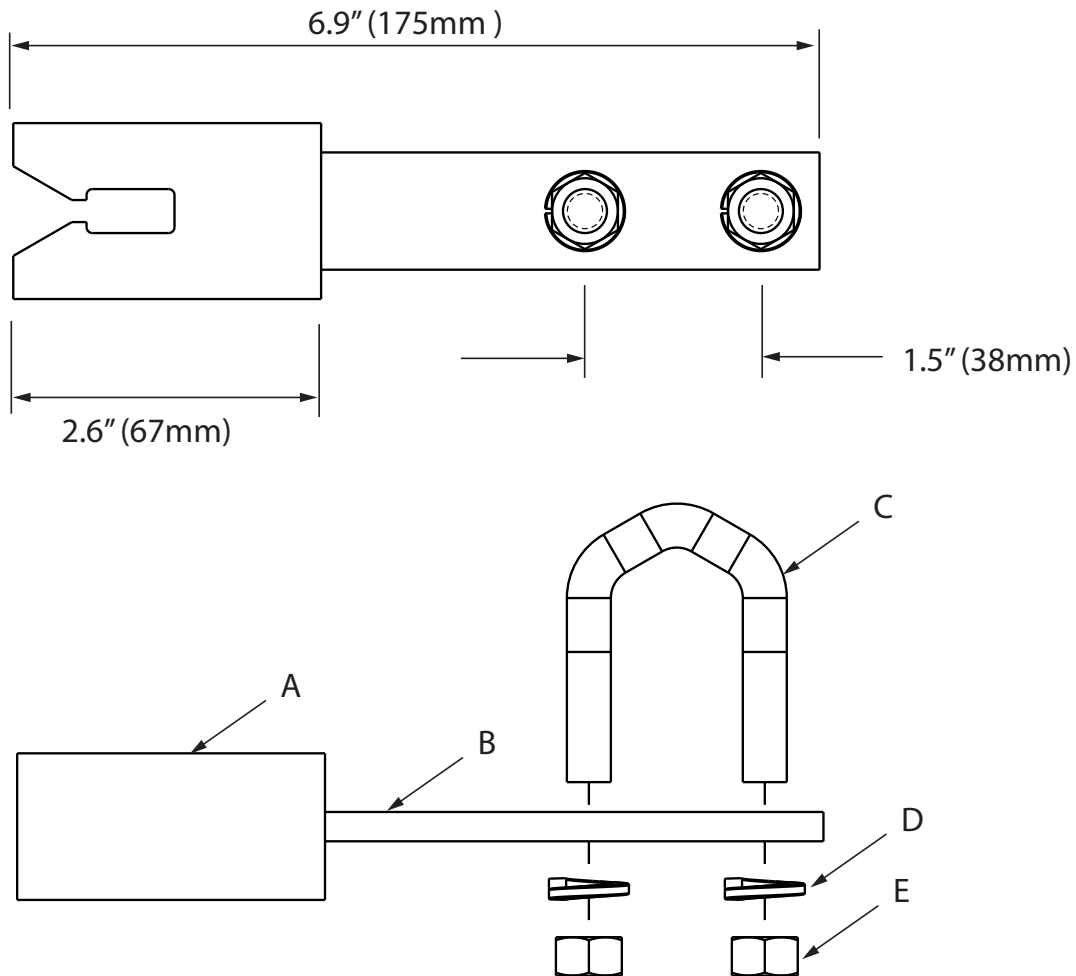
Fall Protection

## APPLICATION:

For use on attachments up to 1.125" (28.5mm)

Recommended for use with Standard Rung systems, 6116612, 6116613 and 6116614.

Operating Temperature Range: 140°F (60°C) to -40°F (-40°C)



## COMPONENT SPECIFICATION:

	Qty.	Component	Material	Finish
<b>A</b>	1	Cable Guide	Rubber	Natural
<b>B</b>	1	Mounting Bar	Steel	Galvanized
<b>C</b>	1	3/8-16 U-Bolt	Steel	Galvanized
<b>D</b>	2	3/8 Lock Washers	Steel	Galvanized
<b>E</b>	2	3/8 Nuts	Steel	Galvanized

# TECHNICAL DATA SHEET: 6100386

Flex Cable Guide Standoff, Metal Pole Mount, Steel

Part No: 6100386

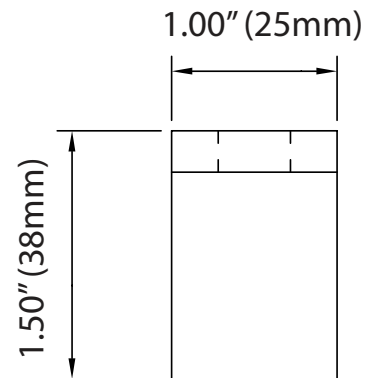
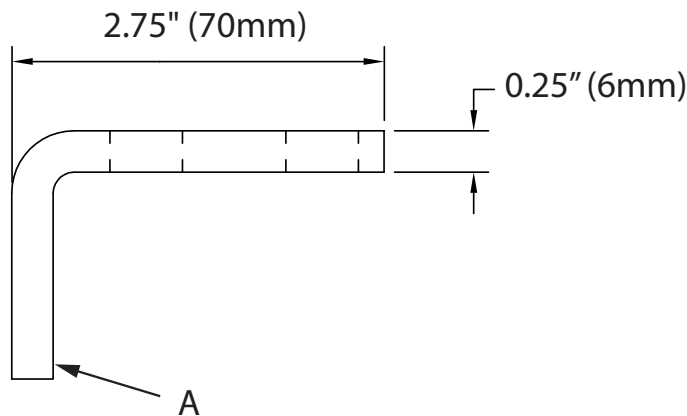
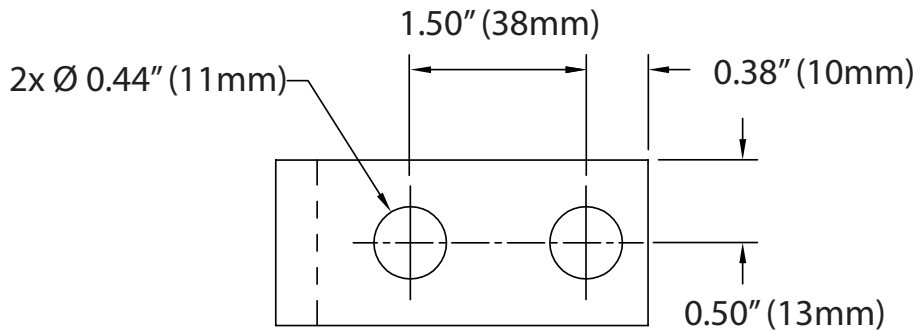


Fall Protection

## APPLICATION:

Recommended for use with Monopole systems, 6116615 and 6116619.

Operating Temperature Range: 140°F (60°C) to -40°F (-40°C)



## PART SPECIFICATION:

<b>Net Weight lb (kg)</b>
0.2 (0.1)

## COMPONENT SPECIFICATION:

	Qty.	Component	Material	Finish
<b>A</b>	1	Cable Guide Support	Steel	Natural



# TECHNICAL DATA SHEET: 6100505

Flex Cable Guide Assembly, Stainless Steel

Part No: 6100505



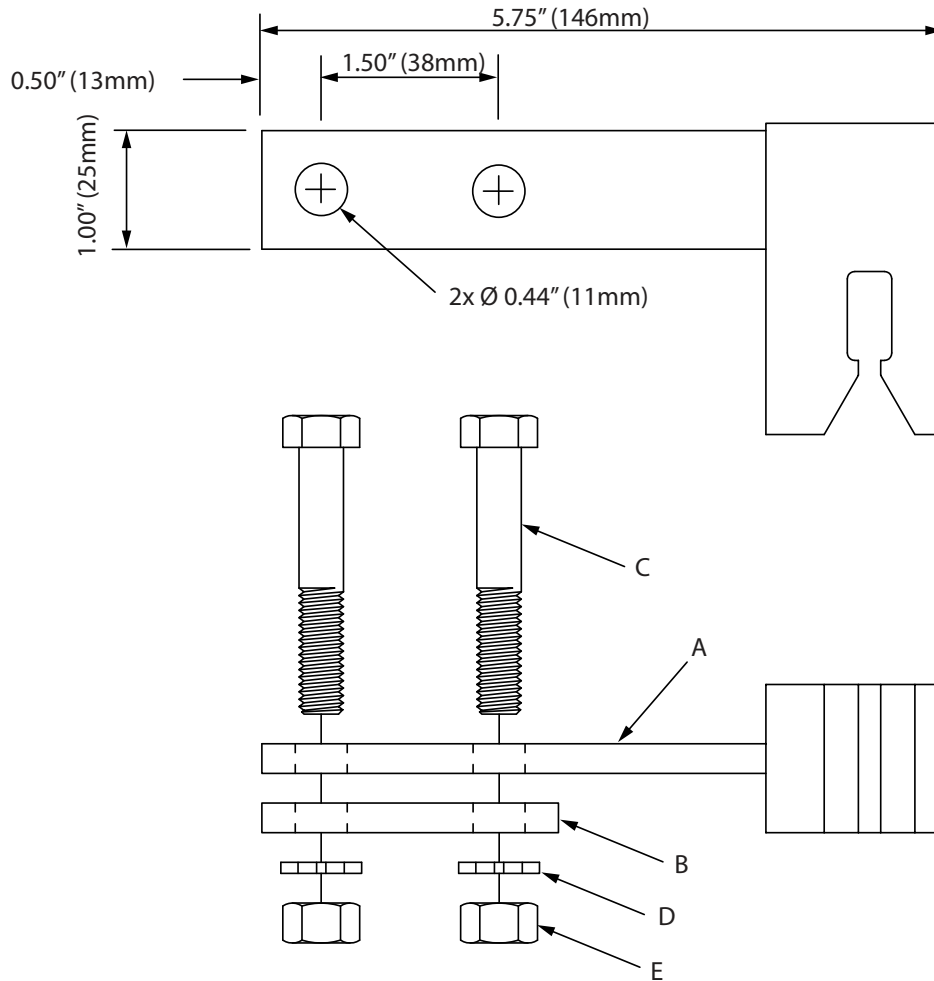
Fall Protection

## APPLICATION:

For use with stainless steel cable guides on steel pole structures.

Recommended for use with Monopole systems, 6116615 and 6116619, in conjunction with 6100386 Cable Guide Standoff Support.

Operating Temperature Range: 140°F (60°C) to -40°F (-40°C)



## PART SPECIFICATION:

<b>Net Weight lb (kg)</b>
0.2 (0.1)

## COMPONENT SPECIFICATION:

	Qty.	Component	Material	Finish
<b>A</b>	1	Cable Guide	Stainless Steel	Natural
<b>B</b>	1	Plate Clamp	Stainless Steel	Natural
<b>C</b>	2	3/8-16 Bolt	Stainless Steel	Natural
<b>D</b>	2	3/8 Washer	Steel	Galvanized
<b>E</b>	2	3/8-16 Nut	Stainless Steel	Natural

# TECHNICAL DATA SHEET: 6100140

Cable Guide, Wood Pole Mount, Stainless Steel

Part No: 6100140



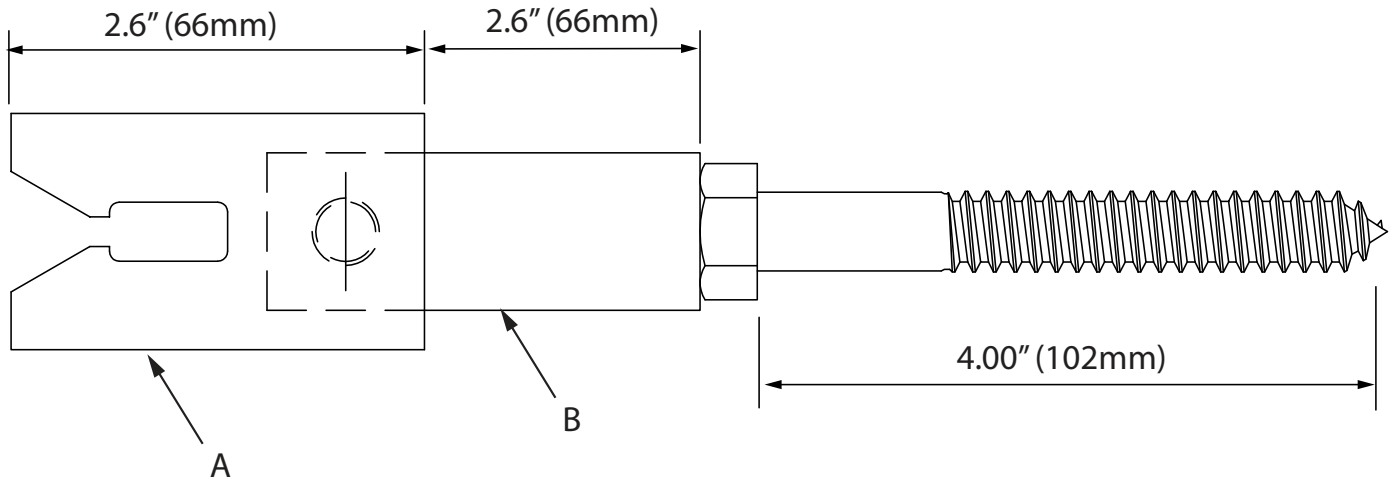
Fall Protection

## APPLICATION:

For use on wood pole structures.

Recommended for use with Wood pole system, 6116616.

Operating Temperature Range: 140°F (60°C) to -40°F (-40°C)



## PART SPECIFICATION:

Net Weight lb (kg)
0.6 (0.3)

## COMPONENT SPECIFICATION:

	Qty.	Component	Material	Finish
<b>A</b>	1	Cable Guide	Rubber	Natural
<b>B</b>	1	Mounting Bar	304 Stainless Steel	Natural

# TECHNICAL DATA SHEET: 9500098

3/8" 7x19 Galvanized Cable

Part No: 9500098



Fall Protection

## APPLICATION:

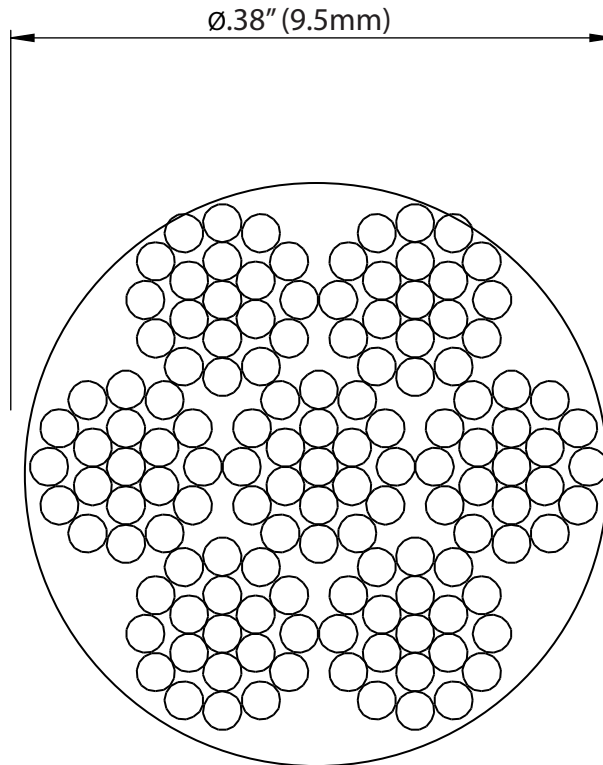
3/8" 7x19 Galvanized Cable is used as the basis of vertical climbing systems to allow continued attachment.

Operating Temperature Range: 140°F (60°C) to -40°F (-40°C)

Order Number: 6106xxx\*

\*The last three digits represent the length of cable. i.e. 6106100 is 100 feet of cable.

Cable ordered in 5' increments up to 100', 10' increments up to 200' and 20' increments above 200'



## PART SPECIFICATION:

Net Weight lb (kg)	Minimum Breaking Strength lb (kN)
0.27/ft (0.41/m)	14,400 (64)

## COMPONENT SPECIFICATION:

	Qty.	Component	Material	Finish
A	1	Cable	Steel	Galvanized

# TECHNICAL DATA SHEET: 9500099

3/8" 7x19 Stainless Steel Cable

Part No: 9500099



Fall Protection

## APPLICATION:

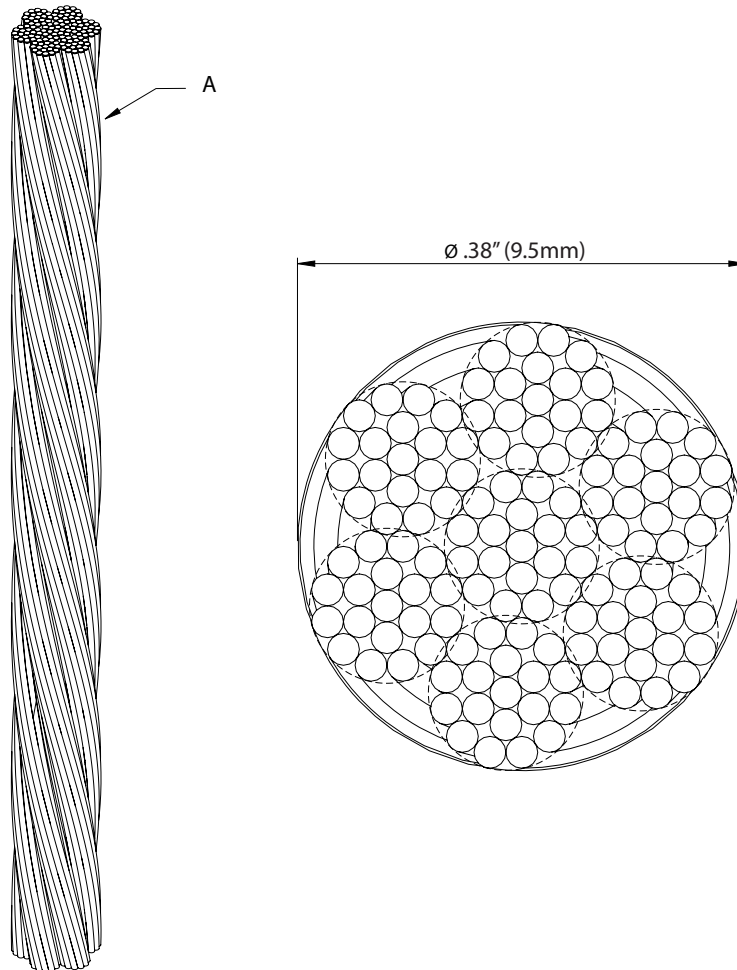
3/8" 7x19 Stainless Steel Cable is used as the basis of vertical climbing systems to allow continued attachment.

Operating Temperature Range: 140°F (60°C) to -40°F (-40°C)

Order Number: 6107xxx\*

\*The last three digits represent the length of cable. i.e. 6107100 is 100 feet of cable.

Cable ordered in 5' increments up to 100', 10' increments up to 200' and 20' increments above 200'



## PART SPECIFICATION:

Net Weight lb (kg)	Minimum Breaking Strength lb (kN)
0.27/ft (0.41/m)	12,000 (53.3)

## COMPONENT SPECIFICATION:

	Qty.	Component	Material	Finish
A	1	Cable	304 Stainless Steel	Natural

# TECHNICAL DATA SHEET: 9500396

3/8" 1x7 Galvanized Cable

Part No: 9500396



Fall Protection

## APPLICATION:

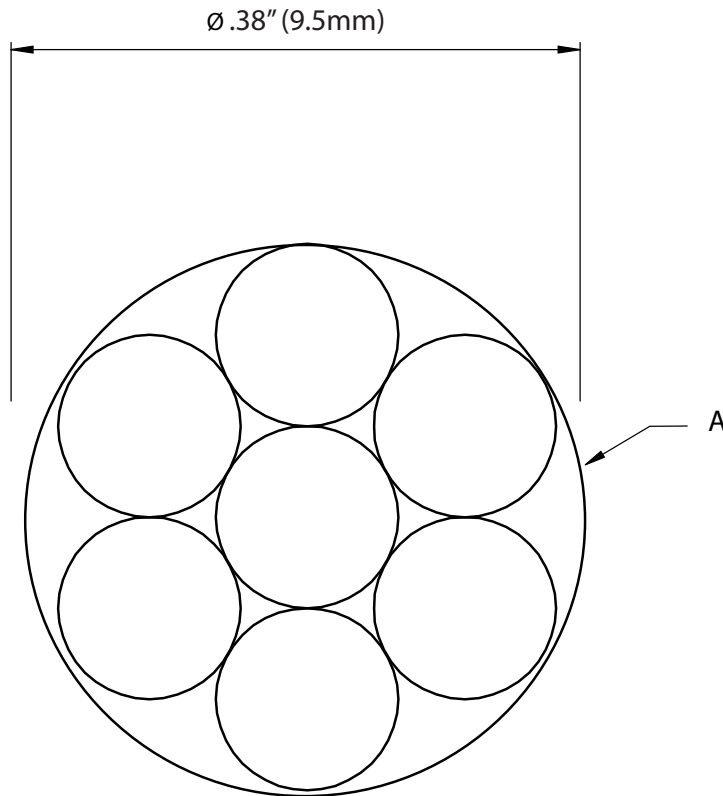
3/8" 1x7 Galvanized Cable is used as the basis of vertical climbing systems to allow continued attachment.

Operating Temperature Range: 140°F (60°C) to -40°F (-40°C)

Order Number: 6104xxx\*

\*The last three digits represent the length of cable. i.e. 6104100 is 100 feet of cable.

Cable ordered in 5' increments up to 100', 10' increments up to 200' and 20' increments above 200'



## PART SPECIFICATION:

Net Weight lb (kg)	Minimum Breaking Strength lb (kN)
0.27/ft (0.41/m)	15,400 (68.4)

## COMPONENT SPECIFICATION:

	Qty.	Component	Material	Finish
A	1	Cable	Steel	Galvanized

# TECHNICAL DATA SHEET: 9500397

3/8" 1x7 Stainless Steel Cable

Part No: 9500397



Fall Protection

## APPLICATION:

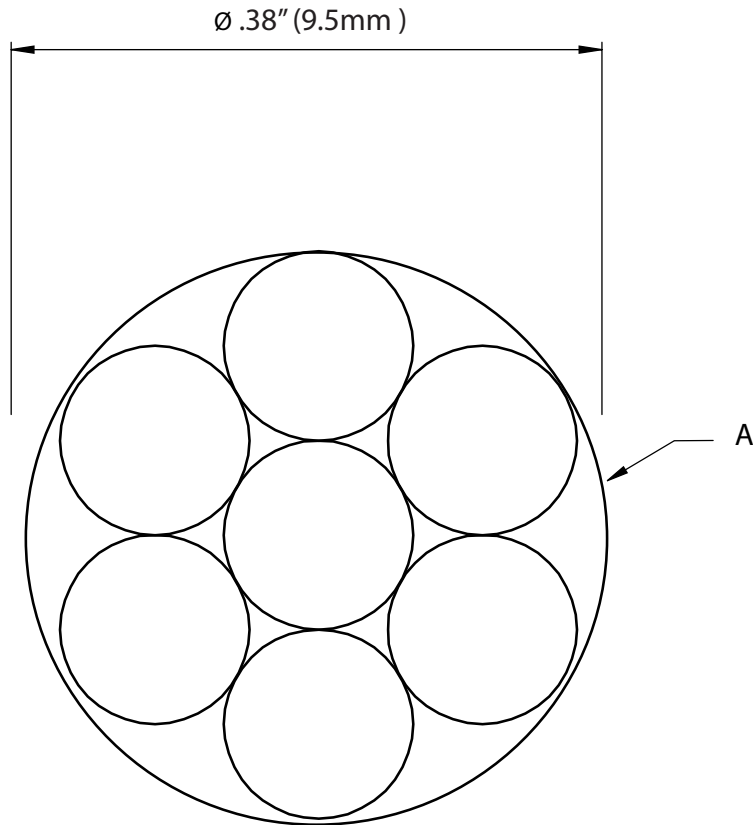
3/8" 1x7 Stainless Steel Cable is used as the basis of vertical climbing systems to allow continued attachment.

Operating Temperature Range: 140°F (60°C) to -40°F (-40°C)

Order Number: 6105xxx\*

\*The last three digits represent the length of cable. i.e. 6105100 is 100 feet of cable.

Cable ordered in 5' increments up to 100', 10' increments up to 200' and 20' increments above 200'



## PART SPECIFICATION:

Net Weight lb (kg)	Minimum Breaking Strength lb (kN)
0.27/ft (0.41/m)	18,000 (80)

## COMPONENT SPECIFICATION:

	Qty.	Component	Material	Finish
A	1	Cable	304 Stainless Steel	Natural



## U.S. PRODUCT WARRANTY, LIMITED REMEDY AND LIMITATION OF LIABILITY

**WARRANTY:** THE FOLLOWING IS MADE IN LIEU OF ALL WARRANTIES OR CONDITIONS, EXPRESS OR IMPLIED, INCLUDING THE IMPLIED WARRANTIES OR CONDITIONS OF MERCHANTABILITY OR FITNESS FOR A PARTICULAR PURPOSE.

Unless otherwise provided by applicable law, 3M fall protection products are warranted against factory defects in workmanship and materials for a period of one year from the date of installation or first use by the original owner.

**LIMITED REMEDY:** Upon written notice to 3M, 3M will repair or replace any product determined by 3M to have a factory defect in workmanship or materials. 3M reserves the right to require product be returned to its facility for evaluation of warranty claims. This warranty does not cover product damage due to wear, abuse, misuse, damage in transit, failure to maintain the product or other damage beyond 3M's control. 3M will be the sole judge of product condition and warranty options.

This warranty applies only to the original purchaser and is the only warranty applicable to 3M's fall protection products. Please contact 3M's customer service department at 800-328-6146 or via email at [3MFallProtection@mmm.com](mailto:3MFallProtection@mmm.com) for assistance.

**LIMITATION OF LIABILITY:** TO THE EXTENT PERMITTED BY APPLICABLE LAW, 3M IS NOT LIABLE FOR ANY INDIRECT, INCIDENTAL, SPECIAL OR CONSEQUENTIAL DAMAGES INCLUDING, BUT NOT LIMITED TO LOSS OF PROFITS, IN ANY WAY RELATED TO THE PRODUCTS REGARDLESS OF THE LEGAL THEORY ASSERTED.



Fall Protection

### USA

3833 SALA Way  
Red Wing, MN 55066-5005  
Toll Free: 800.328.6146  
Phone: 651.388.8282  
Fax: 651.388.5065  
[3Mfallprotection@mmm.com](mailto:3Mfallprotection@mmm.com)

### Brazil

Rua Anne Frank, 2621  
Boqueirão Curitiba PR  
81650-020  
Brazil  
Phone: 0800-942-2300  
[falecoma3m@mmm.com](mailto:falecoma3m@mmm.com)

### Mexico

Calle Norte 35, 895-E  
Col. Industrial Vallejo  
C.P. 02300 Azcapotzalco  
Mexico D.F.  
Phone: (55) 57194820  
[3msaludocupacional@mmm.com](mailto:3msaludocupacional@mmm.com)

### Colombia

Compañía Latinoamericana de Seguridad S.A.S.  
Carrera 106 #15-25 Interior 105 Manzana 15  
Zona Franca - Bogotá, Colombia  
Phone: 57 1 6014777  
[fallprotection-co@mmm.com](mailto:fallprotection-co@mmm.com)

### Canada

260 Export Boulevard  
Mississauga, ON L5S 1Y9  
Phone: 905.795.9333  
Toll-Free: 800.387.7484  
Fax: 888.387.7484  
[3Mfallprotection-ca@mmm.com](mailto:3Mfallprotection-ca@mmm.com)

### EMEA (Europe, Middle East, Africa)

*EMEA Headquarters:*  
Le Broc Center  
Z.I. 1re Avenue - BP15  
06511 Carros Le Broc Cedex  
France  
Phone: + 33 04 97 10 00 10  
Fax: + 33 04 93 08 79 70  
[informationfallprotection@mmm.com](mailto:informationfallprotection@mmm.com)

### Australia & New Zealand

137 McCredie Road  
Guildford  
Sydney NSW 2161  
Australia  
Phone: +(61) 2 8753 7600  
Toll-Free : 1800 245 002 (AUS)  
Toll-Free : 0800 212 505 (NZ)  
Fax: +(61) 2 8753 7603  
[anzfallprotectionsales@mmm.com](mailto:anzfallprotectionsales@mmm.com)

### Asia

*Singapore:*  
1 Yishun Avenue 7  
Singapore 768923  
Phone: +65-6450 8888  
Fax: +65-6552 2113  
[TotalFallProtection@mmm.com](mailto:TotalFallProtection@mmm.com)

### China:

38/F, Maxdo Center, 8 Xing Yi Rd  
Shanghai 200336, P R China  
Phone: +86 21 62753535  
Fax: +86 21 52906521  
[3MFallProtection-CN@mmm.com](mailto:3MFallProtection-CN@mmm.com)

### Korea:

3M Korea Ltd  
20F, 82, Uisadang-daero,  
Yeongdeungpo-gu, Seoul  
Phone: +82-80-033-4114  
Fax: +82-2-3771-4271  
[TotalFallProtection@mmm.com](mailto:TotalFallProtection@mmm.com)

### Japan:

3M Japan Ltd  
6-7-29, Kitashinagawa, Shinagawa-ku, Tokyo  
Phone: +81-570-011-321  
Fax: +81-3-6409-5818  
[psd.jp@mmm.com](mailto:psd.jp@mmm.com)

WEBSITE:  
[3M.com/FallProtection](http://3M.com/FallProtection)



EU DECLARATION OF CONFORMITY:  
[3M.com/FallProtection/DOC](http://3M.com/FallProtection/DOC)