



4.8V CORDLESS SCREWDRIVER WITH 12PC ACCESSORIES

Operator's Manual

SAVE THIS MANUAL

You will need this manual for safety instructions, operating procedures and warranty.
Put it and the original sales receipt in a safe dry place for future reference.

IMPORTANT SAFETY INSTRUCTIONS

WARNING: *When using electric tools, machines, or equipment, basic safety precautions should always be followed to reduce the risk of fire, electric shock, and personal injury.*



READ ALL INSTRUCTIONS BEFORE USING THIS TOOL



1. **KEEP WORK AREA CLEAN.** Cluttered areas invite injuries.
2. **CONSIDER WORK AREA ENVIRONMENT.** Don't use power tools in damp, wet, or poorly lit locations. Don't expose your tool to rain. Keep the work area well lit. Don't use tools in the presence of flammable gases or liquids.
3. **KEEP CHILDREN AWAY.** All children should be kept away from the work area. Don't let them handle machines, tools, or extension cords.
4. **STORE IDLE EQUIPMENT.** Store equipment in a dry area to inhibit rust. Equipment also should be in a high location or locked up to keep out of reach of children.
5. **DON'T FORCE THE TOOL.** It will do the job better and more safely at the rate for which it was intended.
6. **USE THE RIGHT TOOL.** Don't force a small tool or attachment to do the work of a larger industrial tool. Don't use a tool for a purpose for which it was not intended.
7. **DRESS PROPERLY.** Don't wear loose clothing or jewelry, they can be caught in moving parts. Protective, non-electrically conductive gloves and non-skid footwear are recommended when working. Wear protective hair covering to contain long hair and keep it from harm.
8. **USE EYE PROTECTION.** Use a full face mask if the work you're doing produces metal filings, dust, or wood chips. Goggles are acceptable in other situations. Wear a clean dust mask if the work involves creating a lot of fine or coarse dust.
9. **DO NOT TOUCH BIT WITH HANDS AFTER DRILLING.** Bit can become extremely hot after job is completed.
10. **SECURE WORK.** Use clamps or a vise to hold the work if possible. It's safer than using your hands and it frees both hands to operate the tool.
11. **DON'T OVERREACH.** Keep proper footing and balance at all times. Do not reach over or across machines which are running.
12. **MAINTAIN TOOLS WITH CARE.** Keep tools sharp and clean for better and safer performance. Follow instructions for lubricating and safe performance. Follow instructions for lubricating and changing accessories. Keep handles dry, clean, and free from oil and grease.
13. **REMOVE ADJUSTING KEYS AND WRENCHES.** Although your cordless screwdriver has a convenient keyless magnetic bit holder, make it a habit to check that keys and adjusting wrenches are removed from any rotating tool before using.
14. **AVOID UNINTENTIONAL STARTING.** Don't carry cordless screwdriver with a finger on the switch.
15. **STAY ALERT.** Watch what you are doing & use common sense. Don't operate any tool when you are tired.
16. **CHECK FOR DAMAGED PARTS.** Before using tool, any part that is damaged should be carefully checked to determine that it will operate properly and perform its intended function. Check for alignment of moving parts, binding of moving parts, breakage of parts, mountings, and other conditions that may affect its operation. Check bits to make sure they are sharp and not chipped. Inspect screws and tighten any ones that are loose. Any part that is damaged should be properly repaired or replaced by an authorized service center unless otherwise indicated elsewhere in the instruction manual. Have defective switches replaced by an authorized service center. Don't use the tool if switch does not turn on and off properly.
17. **GUARD AGAINST ELECTRIC SHOCK.** Prevent body contact with grounded surfaces: pipes, radiators, ranges, and refrigerator enclosures. When drilling into walls, floors, or wherever "live" electrical wires may be encountered, try to ascertain whether there is a danger of shock. Even so, DO NOT TOUCH THE CHUCK OR ANY FRONT METAL PARTS OF THE TOOL. Hold the tool only by the plastic handle to prevent electric shock if you hit a live wire.
18. **REPLACEMENT PARTS.** When servicing, use only identical replacement parts.

SAFETY RULES FOR CORDLESS SCREWDRIVER



1. If in doubt, before drilling holes or screwing into a wall, check with a metal-/voltage-detector that you are not contacting or breaking into any electricitygas or water supply line.
2. Before you lay down the cordless screwdriver, make sure that all moving parts have come to a stop.
3. Avoid frequent stalling when screwing or drilling, as this could overtax and permanently damage the batteries. If the work is too difficult for the tool's power, keep the rocker switch in neutral and drive the screw by twisting the grip as if with a hand screwdriver.

PRECAUTIONS FOR BATTERY AND CHARGER

1. **CHARGE BATTERIES FULLY** before initial use.



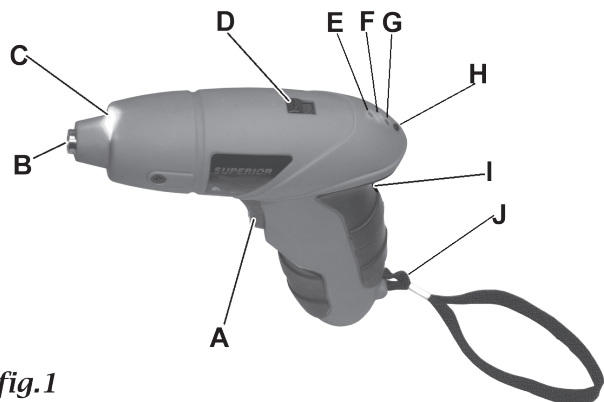
WARNING! Do not exceed the maximum charging time of 8 hours, as there is a risk of overheating!

2. **CHARGE AT ROOM TEMPERATURE.** Temperature must be higher than 0°C (32°F) and lower than 50°C (122°F).
3. **DO NOT EXPOSE BATTERY CHARGER TO WET** or damp conditions.
4. **DO NOT USE AN EXTENSION CORD** unless absolutely necessary. Use of improper extension cord could result in a risk of fire and electric shock. If extension cord must be used, make sure:
 - Pins on plug of extension cord are the same number, size and shape as those on plug and charger.
 - Extension cord is properly wired and in good electrical condition.
5. **CHARGE SCREWDRIVER BATTERY ONLY WITH THE APPROPRIATE CHARGING DEVICE** included with the kit.
6. **CONNECT THE CHARGER TO 120 VOLT AC** supply only.
7. **DO NOT OPERATE CHARGER WITH A DAMAGED CORD OR PLUG.** Charging with a damaged cord may result in fire or electrical shock. If charger is damaged in any way, have it repaired by a qualified serviceman.
8. **TO REDUCE THE RISK OF ELECTRIC SHOCK,** unplug charger from outlet before attempting any maintenance or cleaning.
9. **DISCONNECT CHARGER FROM POWER SUPPLY WHEN NOT IN USE.**
10. **DO NOT INCINERATE BATTERY.**
11. **THIS POWER UNIT** is intended to be correctly orientated in a vertical or floor mount position.



WARNING: The warnings, cautions, and instructions detailed in this manual cannot cover all possible conditions and situations that occur. It must be understood by the operator that **COMMON SENSE AND CAUTION ARE FACTORS** that cannot be built into this product, but **MUST BE SUPPLIED BY THE OPERATOR.**

FUNCTIONAL DESCRIPTION



- A. 3-position forward / neutral locking / reverse rocker switch
- B. Magnetic driver bit holder
- C. LED work light
- D. Work light switch
- E. Green full charge indicator light
- F. Amber half charge indicator light
- G. Red low charge / battery charging indicator light
- H. Battery level indicator switch
- I. Charging socket
- J. Wrist tether

fig.1

SPECIFICATIONS

- 4.8 volts DC
- 180 rpm, no-load speed
- 3-5 hour charge time
- Bright LED work light with top-mounted switch
- 3-colour LED display indicates battery power levels and charging
- Direct plug-in UL adaptor / charger input voltage and freq.: AC 120V~60Hz
Charger current: 300MA



Includes:

- Screwdriver
- Accessories:
 - ▶ Charger
 - ▶ 1pc 2" long 1/4" hex magnetic screwdriver bit extension
 - ▶ 11pc 1" long x 1/4" hex screwdriver bits:
 - 5/32" slot #2 Phillips (PH2)
 - 3/16" slot #3 Phillips (PH3)
 - 1/4" slot #1 Pozi-Drive (PZ1)
 - #1 square drive (S1) #2 Pozi-Drive (PZ2)
 - #2 square drive (S2) #3 Pozi-Drive (PZ3)
 - #1 Phillips (PH1)

OPERATING NOTES FOR BATTERY CHARGING

1. This battery-operated screwdriver has NOT been fully charged at the factory.
2. Battery must be fully charged before the first use: 5-8 hours. It will reach full performance after about five charge/discharge cycles.



WARNING! Do not exceed the maximum charging time of 8 hours, as there is a risk of overheating! We recommend you connect the charging unit through a timed switch.

3. To charge, plug the DC charging lead and charger plug fitting into the charging socket in the back of the tool handle.
4. Plug the charger's AC input plug into a 120V household current.
5. When battery is charging, the red light (fig.1, G) at the top rear of the tool is on.
6. The batteries discharge slowly over time, even when not used, and may require recharging before you use the tool.
7. Normal charging time is approximately 3-5 hours.
8. Should it eventually become necessary, dispose of this tool at an appropriate waste disposal facility. The tool batteries contain cadmium, so do not throw away in common trash receptacles.

OPERATING NOTES FOR CORDLESS SCREWDRIVER

ROTATION DIRECTION

Your tool is equipped with a 3-position forward / neutral locking / reverse rocker switch (fig.1, A).

1. When it is pushed in at the bottom, rotation is forward (clockwise) for inserting screws.
2. When pushed at the top of the switch, rotation is reversed (counter-clockwise) for extraction.
3. Do not change the rotation direction switch until the chuck stops turning.

MANUAL OPERATION

With the rocker switch in the neutral center position, the drive shaft is automatically locked. This is invaluable when a fastener is too tight for power extraction or needs a little more tightening, as it facilitates hand-driving without changing your grip on the tool.

DRIVING FASTENERS

1. Insert a screwdriver bit into the Magnetic driver bit holder (fig.1, B) as deeply as possible. It will be retained by the magnet. If sockets are to be used, use the 50 mm (2") long 1/4" hex to 1/4" square socket drive adaptor provided. The standard bits can also be mounted in the magnetic extension bit holder.

OPERATING NOTES FOR CORDLESS SCREWDRIVER



2. Before switching on the screwdriver unit, locate the screwdriver bit firmly on the screw.
3. Switch on the unit to rotate in the desired direction: push the 3-position forward / neutral locking / reverse rocker switch (fig.1, A) to operate the screwdriver.

BATTERY POWER INDICATOR

The Screwdriver has a battery power indicator on the back top of the tool.


- Press the Battery level indicator switch (Fig.1,H), and a row of 3 LEDs: red (fig.1,G), amber (fig.1, F), and green (fig.1,E); light up to show the battery power available.
- Full charge is indicated by all three being lit.
- Low battery is indicated by the red light alone or red plus a dim amber light.

WORK LIGHT


The Screwdriver is equipped with a bright, low-power LED work light (fig.1,C).


- If needed, slide the switch (fig.1,D) on top of the tool forward to turn on the light.
- Slide it backward to turn it off.

CALIFORNIA PROP 65 WARNING:

 Some dust created by power sanding, sawing, grinding, drilling and other construction activities contains chemicals known to the state of California to cause cancer, birth defects or other reproductive harm. Some examples of these chemicals are:
Lead from lead-based paints, Crystalline silica from bricks and cement and other masonry products, and Arsenic and chromium from chemically-treated lumber.

Your risk from these exposures varies, depending on how often you do this type of work. To reduce your exposure to these chemical: work in a well ventilated area, and work with approved safety equipment, such as those dust masks that are specially designed to filter out microscopic particles.

 This product contains chemicals including lead, known to the state of California to cause cancer, birth defects or other reproductive harm. ***Wash hands after handling!***

 This product contains lead a chemical, known to the state of California to cause cancer, birth defects or other reproductive harm. ***Wash hands after handling!***

MAINTENANCE

- Clean the housing only with a damp cloth-do not use any solvents! Dry thoroughly afterwards.
- In order to maintain battery capacity, we recommend the battery to be completely discharged every two months and recharged again.
- Store only with full charged battery and top-up the charge from time to time. Storage should be in a dry and frost-free place, the ambient temperature should not exceed 50 0C.



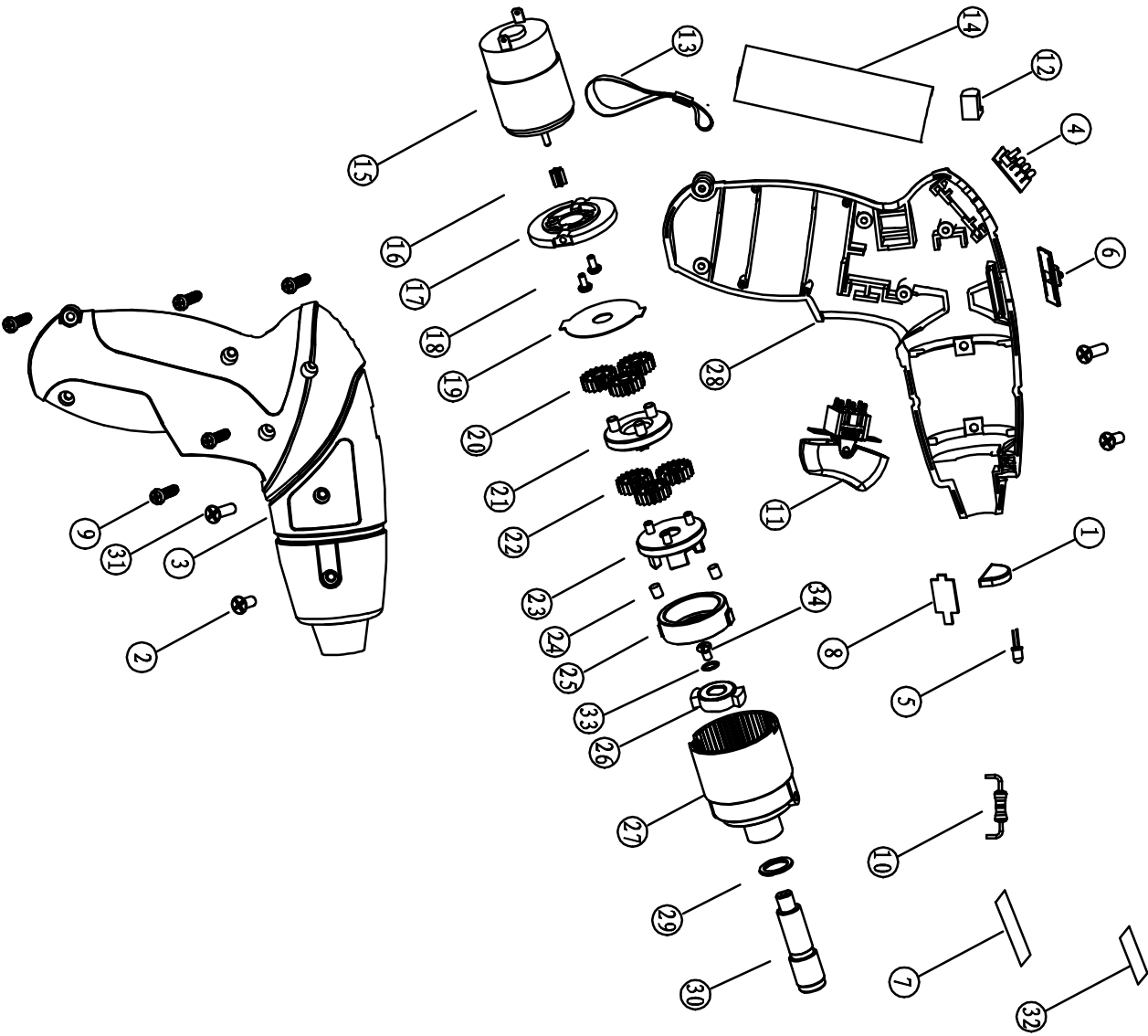
IMPORTANT: *Please protect the environment*

Do not throw used Ni-Cd batteries into fire or water -danger of explosion and pollution! Hand in used and faulty batteries to your local waste disposal point or to your dealer for environmentally friendly disposal.

- Store the tool, operating instructions and the accessories in the original case. In this way you will always have all the information and parts ready to hand.
- Do not immerse this electrical tool in water.
- Lubrication is not necessary. After long use, have an authorized service centre maintain and lubricate the tool.

PARTS LIST AND SCHEMATIC DRAWING

ITEM NO.	Name of part	NO.
1	Light cover	1
2	Shank screw	2
3	Up-enclosure	1
4	B-indicator light	1
5	Radiate pipe	1
6	Light switch	1
7	Connector pin	3
8	Light circuitry band	1
9	Screw	5
10	Resistor	1
11	Switch	1
12	Charger socket	1
13	Hand strap	1
14	Ni-Cd battery	1
15	Motor	1
16	Motor gear	1
17	Gearbox Cover	1
18	Screw	2
19	Gasket	1
20	Star gear 1	3
21	Middle star ear holder	1
22	Star gear 2	3
23	Self Locking star gear holder	1
24	peg	2
25	Self Locking circle	1
26	Self Locking core	1
27	Gearbox	1
28	own-enclosure	1
29	Gasket	1
30	Output spindle	1
31	Screw	2
32	Connector pin	2
33	Gasket	1
34	Screw	1



WARNING: Repairs should be made by an authorized repair center. Do not open or disassemble this power tool. Contact at 1-866-915-8626 for questions regarding this power tool.



**TOOL SHOP® 4.8V CORDLESS SCREWDRIVER WITH 12PC
ACCESSORIES WARRANTY**

1-YEAR LIMITED WARRANTY:

This TOOL SHOP® brand power tool carries a 1-Year Limited Warranty to the original purchaser. If the tool fails within one (1) year from the date of purchase, simply bring this tool with your original sales receipt back to your nearest MENARDS® retail store. At its discretion, TOOL SHOP® agrees to have the tool replaced with the same or similar TOOL SHOP® product free of charge, within the stated warranty period, when returned by the original purchaser with original sales receipt. Notwithstanding the foregoing, this limited warranty does not cover any damage that has resulted from abuse or misuse of the Merchandise. This warranty: (1) excludes expendable parts including but not limited to blades, belts, bits, light bulbs, and/or batteries; (2) shall be void if this tool is used for commercial and/or rental purposes; and (3) does not cover any losses, injuries to persons/property or costs. This warranty does give you specific legal rights and you may have other rights, which vary from state to state. Be careful, tools are dangerous if improperly used or maintained. Seller's employees are not qualified to advise you on the use of this Merchandise. Any oral representation(s) made will not be binding on seller or its employees. The rights under this limited warranty are to the original purchaser of the Merchandise and may not be transferred to any subsequent owner. This limited warranty is in lieu of all warranties, expressed or implied including warranties of merchantability and fitness for a particular purpose. Seller shall not be liable for any special, incidental, or consequential damages. The sole exclusive remedy against the seller will be for the replacement of any defects as provided herein, as long as the seller is willing or able to replace this product or is willing to refund the purchase price as provided above. For insurance purposes, seller is not allowed to demonstrate any of these power tools for you.

For questions / comments, technical assistance or repair parts –
Please call toll free at: 1-866-915-8626 (M-F 8am – 6pm)

SAVE YOUR RECEIPTS. THIS WARRANTY IS VOID WITHOUT THEM.