



# 4 oz. Tabletop Popcorn Maker

*Maquina De Mesa Rosetas De Maiz*



Model EPM-450

## Instruction Manual

Before operating your new appliance, please read all instructions carefully and keep for future reference.

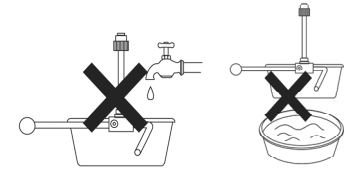
## IMPORTANT SAFEGUARDS

When using any electrical appliance, basic safety precautions should always be followed, including the following:

**WARNING:** TO AVOID THE RISK OF ELECTRICAL SHOCK, ALWAYS MAKE SURE THE PRODUCT IS UNPLUGGED FROM THE ELECTRICAL OUTLET BEFORE ASSEMBLING, DISASSEMBLING, RELOCATING, SERVICING, OR CLEANING.

1. **READ ALL INSTRUCTIONS BEFORE FIRST USE.**
2. Do not touch hot surfaces. Always use handles or knobs to operate.
3. To protect against risk of electrical shock, do not immerse cord, plug, or any non-removable parts of this appliance in water or other liquid.
4. Close supervision is necessary when any appliance is used by or near children.
5. **WARNING: KEEP OUT OF REACH OF CHILDREN.**
6. Unplug from outlet when not in use and before cleaning. Allow to cool before installing or removing parts. To disconnect, grasp plug and remove from outlet. Do not pull by the cord.
7. Do not operate the appliance if the power cord or plug is damaged, it must be replaced by the manufacturer or its service agent before use. Return appliance to the nearest service facility for examination, repair or adjustment.
8. The use of any accessories or attachments not supplied by the manufacturer is not recommended as it may cause injuries.
9. Do not use outdoors.
10. Do not pop kernels in a dry kettle (without oil).
11. **CAUTION: NEVER use butter/margarine when popping kernels. This will burn the popcorn and leave an unpleasant residue.**

12. **WARNING: NEVER immerse popping kettle into water or any other liquids.**



13. Kettle surface is very HOT when in use. Do NOT touch the hot kettle when in use or just after use.
14. Do not let cord hang over edge of table or counter, or touch hot surfaces.
15. Always attach plug to appliance first, then plug cord in the wall outlet. To disconnect, turn any control to "off", then remove plug from wall outlet.
16. A fire may occur if this appliance is covered by or touches flammable material including curtains, draperies, walls, etc. when in operation. Do not store any item on top of the appliance.
17. Do not place on or near a hot gas or electrical burner, or in a heated oven.
18. Extreme caution must be used when moving an appliance containing hot oil or other hot liquid.
19. Turn all controls to "OFF" before inserting or removing plug from wall outlet.

## IMPORTANT SAFEGUARDS (CONT.)

20. Do not use appliance for anything other than intended use.
21. Never steam food in the popping kettle.
22. A popping kettle that is plugged into an outlet should not be left unattended.
23. Extreme caution must be used when removing and serving popcorn.
24. Do not clean with metal scouring pads. Pieces can break off the pad and touch electrical parts resulting in a risk of electric shock.
25. NEVER FORCE ANY PARTS OR BRACKETS INTO POSITION.
26. **CAUTION: Injury and/or Burns may result from non-compliance with these operating procedures.**
27. No parts are intended for dishwasher.

## SAVE THESE INSTRUCTIONS

### FOR HOUSEHOLD USE ONLY!

## SHORT CORD PURPOSE

**NOTE:** A short power cord is provided to reduce the risk of personal injury resulting from becoming entangled in or tripping over a longer cord. **Longer power-supply cords or extension cords are available and may be used if care is exercised in their use.**

If an extension cord is used: (1) the marked electrical rating of the extension cord should be at least as great as the electrical rating of the product; (2) the extension cord should be arranged so that it will not drape over the countertop or tabletop where it can unintentionally be pulled on or tripped over by children or pets.

## POLARIZED PLUG

If this appliance is equipped with a **polarized plug** (one blade is wider than the other), please follow the below instructions: To reduce the risk of electrical shock, this plug is intended to fit into a polarized outlet only one way. If you are unable to fit the plug into the electrical outlet, try reversing the plug.

2

If the plug still does not fit, contact a qualified electrician. Never use the plug with an extension cord unless the plug can be fully inserted into the extension cord. Do not alter the plug of the product or any extension cord being used with this product. Do not attempt to defeat the safety purpose of the polarized plug.

## INTRODUCTION

Thank you for purchasing the Elite 4 oz. Tabletop Popcorn Maker. It will add a touch of nostalgic delight to any recreation room with its great turn of the century vendor style design. Although the popcorn maker may look old fashioned, rest assured that the unit uses the latest technological advances in kettle popcorn operation. You never have to go without the old fashioned taste of delicious freshly popped popcorn when watching a movie right at home with your family.

Here are some great recipe tips to use with your popcorn maker

- **Theater Style Popcorn** – Simply add butter and salt to your liking.
- **Southwestern Flare** – Add one teaspoon of powdered ranch dressing mixed with some cayenne pepper to your liking.
- **Garlic Gourmet** – ¼ teaspoon each of garlic powder and garlic salt and shake it up.
- **Cheesy Cheddar** – ½ teaspoon of powdered cheddar cheese.
- **Muy Caliente** – A touch of cayenne pepper, ½ teaspoon of powdered cheddar cheese, and ½ a cup of jalapeño peppers that have been pat dried.
- **The Works** – ¼ teaspoon each of garlic powder, powdered cheese, onion powder, cayenne pepper, and salt and pepper.

\* Make sure to shake or toss well in order to cover all the popcorn with the seasonings from above.

\* All the above are just references and can be adjusted to your own taste.

The popcorn maker is a great excuse to have celebrations or gatherings for no particular reason at all. Simply invite your friends or neighbors, or gather around with the family and enjoy! Here are a few fun ideas for when to use your popcorn maker:

### MOVIES:

- A night of Cowboys and Indians movies with Southwestern Flare flavored popcorn.
- An evening of sappy romantic comedies accompanied with Regular flavor or Cheddar flavor.

### PARTIES & GET-TOGETHERS:

- Birthdays and Graduations
- 50s, 60s, 70s or 80s music theme nights
- Board Games Night
- Sports Night
- Poker Night
- Karaoke Night

You are now ready to use your popcorn maker. Have fun and enjoy!

3

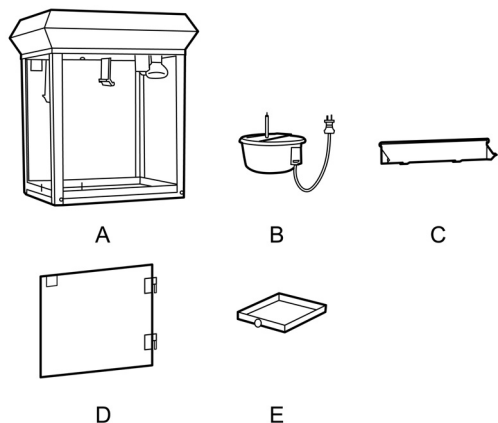
# ASSEMBLY INSTRUCTIONS

## Specifications:

Voltage: AC 120V~60Hz

Input Power : 600W

Please read this user manual carefully before assembling and using.



- A. Main Unit x 1 pc
- B. Popping Kettle x 1 pc
- C. Block plate x 1 pc
- D. Detachable plastic door x 1 pc
- E. Crumb Tray x 1 pc

## PART 1. HOW TO ASSEMBLE THE POPPING KETTLE:

1. Screw the lid, axle fixer and stirrer onto the gear box in clockwise (Figure 1).
2. Hold the kettle on the supporter (Figure 2).
3. Insert a pin through the kettle and supporter (Figure 3).
4. Use a pin to fix kettle at the right position (Figure 4).
5. Finally insert the internal plug into the socket on the inner top of the popcorn machine (Figure 5).



Figure 1

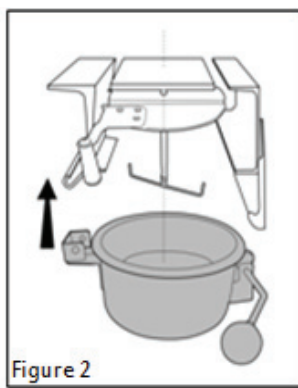


Figure 2

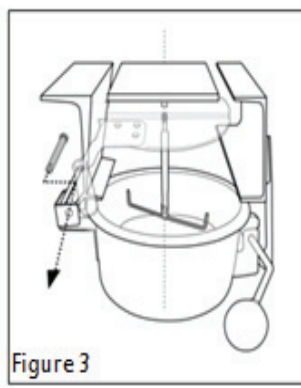


Figure 3

# ASSEMBLY INSTRUCTIONS (CONT.)

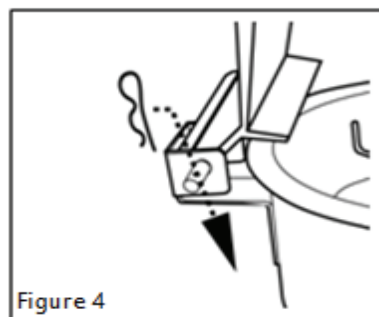


Figure 4

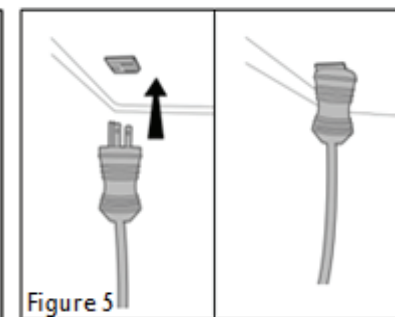
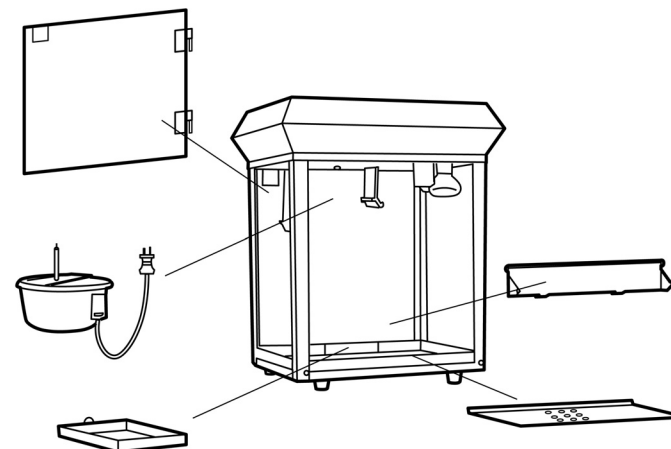


Figure 5

## PART 2. HOW TO ASSEMBLE THE MAIN BODY:



1. Place the kettle (B) on the supporter after completing Part 1 of the Assembly Instructions.
2. Put the block plate (C) onto the front of the unit.
3. Insert the detachable plastic door (D) onto the hinges.
4. Slide the crumb tray (E) into the hole at the bottom of the unit.

## USING YOUR POPCORN MAKER

1. Make sure the popcorn maker is unplugged before you do any of the following.
2. Popcorn Maker is rated at 120 volt. Only plug unit into 120 volt power source to avoid potential damage to unit.
3. Clean the internal surface of the kettle pot and main unit surfaces.
4. Main unit has 2 function switches as follows:



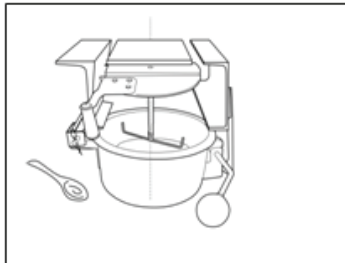
- (1) **LIGHT:** to turn the internal light



- (2) **POP:** to turn the stirring stick motor & heater on.

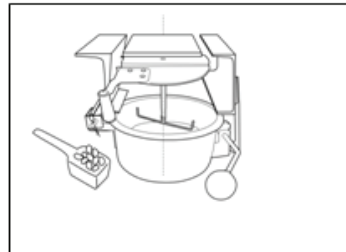
5. Secure the kettle onto the hanger of the main unit.
6. Plug in the power cord to the popcorn maker.
7. Switch on the light and heater (1 & 2) and fill the kettle with the correct amount of oil (Figure 1) based on popping chart in Figure 5.

Figure 1



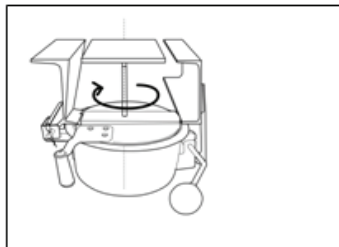
- **CAUTION: NEVER use butter or margarine inside the kettle at any time. It will burn.**
8. Kettle should be pre-heated for 3 to 4 minutes with oil (until steam rises from the pot).
  9. Measure out corresponding amount of plain popcorn kernels from the chart in Figure 5. Make sure to use plain popcorn kernels with no seasoning or salt as it will cause oil to splatter.
  10. Lift the lid and then pour in the kernels carefully. (Fig. 2) **CAUTION: Lid will be HOT!**

Figure 2



8. Switch ON the Stirrer switch (2). Stirring stick will begin to rotate (Fig. 3).

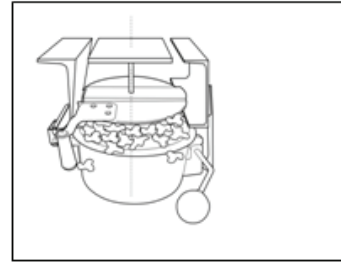
Figure 3



## USING YOUR POPCORN MAKER (CONT.)

9. Shut the door carefully.
10. Popcorn starts popping out through the lid after about 2 to 3 minutes. (Fig. 4)

Figure 4



11. Switch OFF the stirrer & heater switch (2) when popping is complete (No more popping sounds from the pot).
  12. Rotate handle on kettle counter clockwise to pour out all remaining popcorn from kettle.
- **CAUTION: Kettle will be HOT!**

13. Keep heater switch (2) OFF if the unit is not being continuously used.
14. Serve your popcorn with popcorn scoop provided.
15. Remove plug from power supply if the unit is not being used for a long period of time.
16. Repeat steps 7 to 12 for continuous popping. Allow kettle to cool for at least 5 minutes between uses.

Figure 5

OIL	KERNELS
1 Tbsp	½ Cup

**\*Do not exceed 1/2-cup per batch**

## CLEANING & MAINTENANCE

**TIP:** It is strongly recommended to clean the kettle after EVERY use to avoid burning of excess oils on the bottom of the kettle pot and to prevent hard to clean oil build up.

1. Allow unit to cool down completely before cleaning.
2. Always make sure unit is unplugged from outlet.
3. Use a hot damp towel to clean the kettle surface inside and out.  
➤ **WARNING: NEVER immerse popping kettle into water or any other liquids.**
4. With a clean damp cloth, wipe down the inside interior, glass surfaces and, door.
5. Frequently empty plastic kernel tray. Wash with soap and warm water and dry thoroughly.  
➤ **DO NOT WASH ANY PARTS IN DISHWASHER.**

## ADDITIONAL CLEANING TIPS

### TO CLEAN POPPING KETTLE:

**NOTE:** To thoroughly clean the kettle, first make sure the unit is 'OFF' and completely cool.

1. Add 1 to 1 1/2 cups of hot water (no detergent is necessary) into the kettle.  
➤ **NOTE:** make sure bowl is large enough to pour out the water from the kettle.
2. Turn the stirrer switch and the heater switches 'ON' and and bring water to boil for 2 to 3 minutes.
3. Place a towel in the bottom of the unit with a large bowl on top.  
4. Turn off stirrer and heater switches and carefully pour out water into bowl.  
➤ **CAUTION: Kettle and water will be HOT!**
5. Repeat same procedure 2 to 3 times for best results.  
➤ **CAUTION: Never immerse the kettle into water.**

## LIMITED WARRANTY\* ONE (1) YEAR WARRANTY IS ONLY VALID WITH A DATED PROOF OF PURCHASE

1. Your small kitchen appliance is built with precision, inspected and tested before leaving our factory.
2. It is warranted, to the original purchaser to be free from any manufacturing defects under normal use and conditions for one (1) year, cord excluded. This Warranty applies only to the original purchaser of this product.
3. If you need to exchange the unit, please return it in its original carton, with a sales receipt, to the store where you purchased it. If you are past the stores allowed return policy period, please see the enclosed Warranty.
4. If you use your appliance for household use and according to instructions, it should give you years of satisfactory service.
5. During the one-year warranty period, a product with a defect will be either repaired or replaced with a new or reconditioned comparable model (at our option) when the product is returned to our Service Center. (See the "Returns" section below).
6. The repaired or replacement product will be in warranty for the remaining balance of the one-year warranty period and an additional one-month period.
7. **This limited warranty covers appliances purchased and used within the 50 contiguous states plus the District of Columbia and does NOT cover:**
  - Damages caused by unreasonable use, neglect, normal wear and tear, commercial use, improper assembly or installation of product.
  - Damages caused in shipping.
  - Damages caused by replacement or resetting of house fuses or circuit breakers.
  - Defects other than manufacturing defects.
  - Breakage caused by misuse, abuse, accident, alteration, lack of proper care and maintenance, or incorrect current or voltage.
  - Lost or missing parts of the product. Parts will need to be purchased separately.
  - Damages of parts that are not electrical; for example: cracked or broken plastic or glass.
  - Damage from service or repair by unauthorized personnel.
  - Extended warranties purchased via a separate company or reseller.
  - Consumer's remorse is not an acceptable reason to return a product to our Service Center.

\*One Year Limited Warranty valid only in the **50 contiguous states plus the District of Columbia, excluding** Puerto Rico and the Virgin Islands.

This warranty is effective only if the product is purchased and operated in the USA; product usage which is in violation of the written instructions provided with the unit will void this warranty.

For international warranty, please contact the local distributor.

\*\*Any instruction or policy included in this manual may be subject to change at any time.

### **MAXI-MATIC, USA**

18401 E. Arenth Ave. City of Industry, CA 91748

Customer Service Dept: (626) 912-9877 Ext: 120/107 MON-FRI 8am-5pm PST

Website: [www.maxi-matic.com](http://www.maxi-matic.com) email: [info@maxi-matic.com](mailto:info@maxi-matic.com)

### RETURN INSTRUCTIONS

**RETURNS:**

A. Any return of defective merchandise to the manufacturer must be processed accordingly by first contacting customer service (contact information shown below) to obtain an RA # (Return Authorization Number). We will not accept any returns of merchandise without an applicable RA #.

B. IMPORTANT RETURN INSTRUCTIONS. Your Warranty depends on your following these instructions if you are returning the unit to Maxi-Matic USA:

1. Carefully pack the item in its original carton or other suitable box to avoid damage in shipping.
2. Before packing your unit for return, be sure to enclose:
  - a) Your name, full address with zip code, daytime telephone number, and RA#,
  - b) A dated sales receipt or PROOF OF PURCHASE,
  - c) The model number of the unit and the problem you are having (Enclose in an envelope and tape directly to the unit before the box is sealed,) and
  - d) Any parts or accessories related to the problem.
3. Maxi-Matic USA recommends you ship the package U.P.S ground service for tracking purposes. We cannot assume responsibility for lost or damaged products returned to us during incoming shipment. For your protection, always carefully package the product for shipment and insure it with the carrier. C.O.D shipments cannot be accepted.
- 4. All return shipping charges must be prepaid by you.**
5. Mark the outside of your package:

MAXI-MATIC USA  
18401 E. ARENTH AVE.  
CITY OF INDUSTRY, CA 91748
6. Once your return has been received by our warehouse, Maxi-Matic USA will repair or replace the product if it is defective in material or workmanship, subject to the conditions in paragraph B.
- 7. Maxi-Matic will pay the shipping charges to ship the repaired or replacement product back to you.**