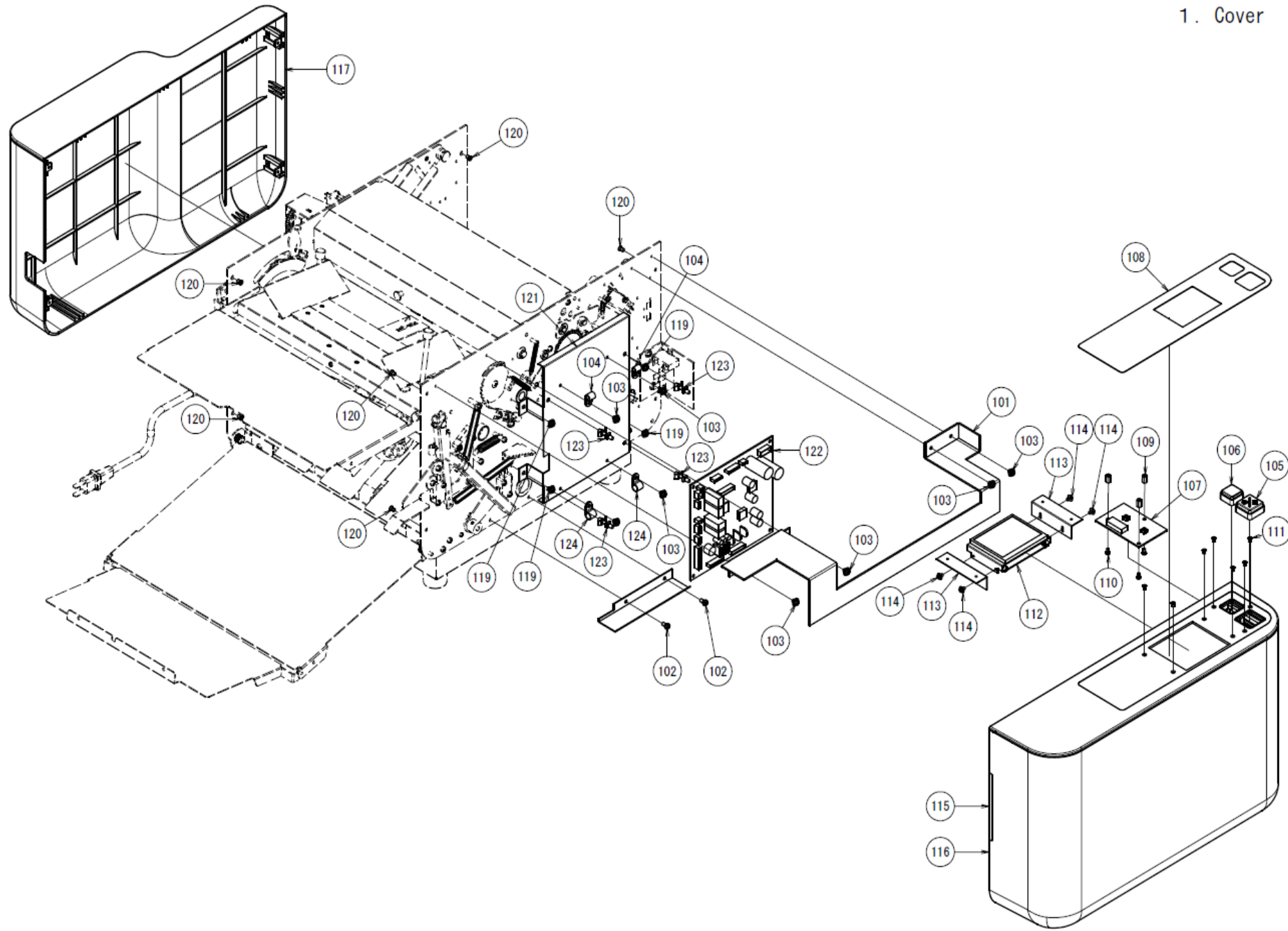


408A,508A  
Parts List

Rev. 1.00  
2016.12.20

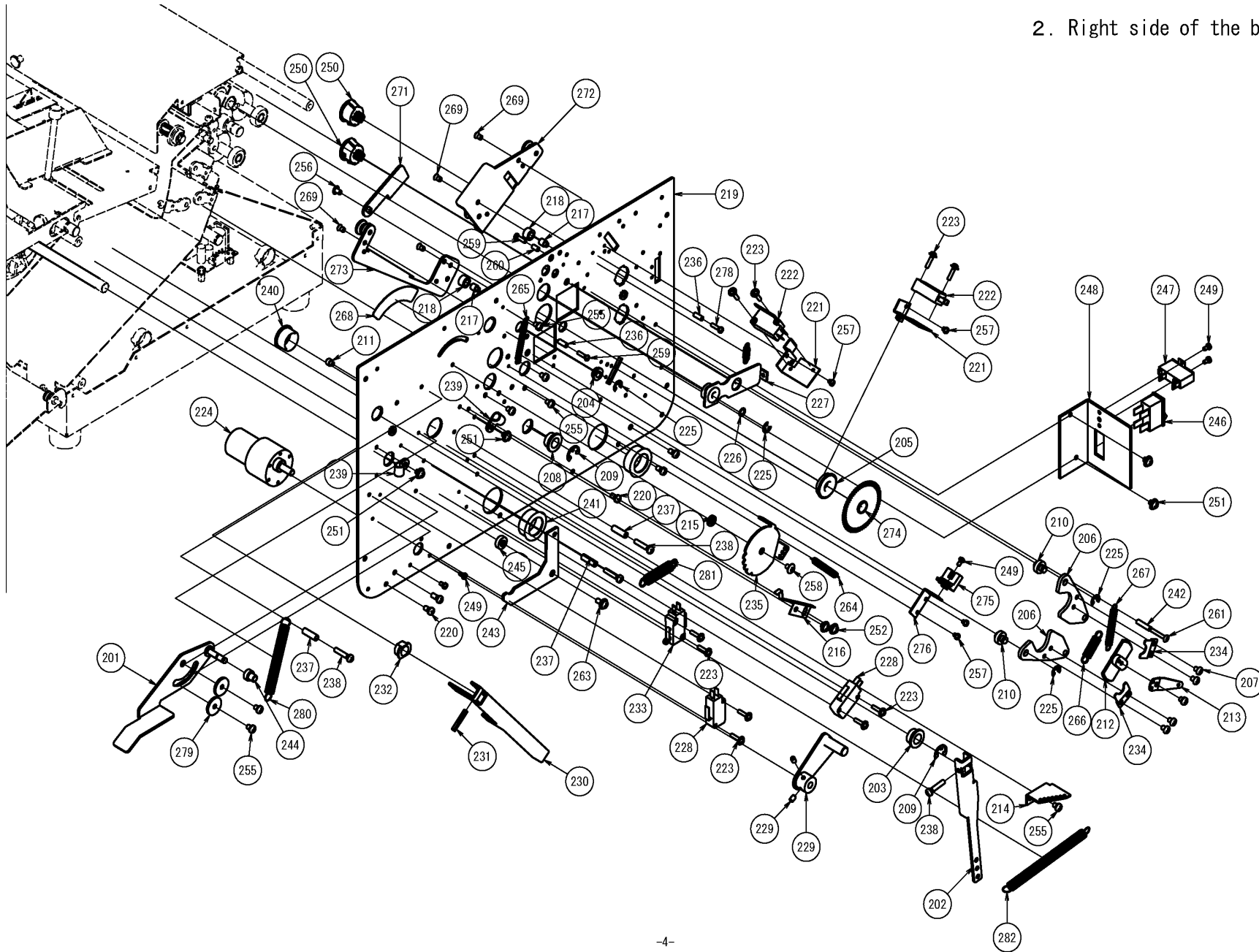
1. Cover	-----·	P.2,3
2. Right side of the body	-----·	P.4,5
3. Inside of the body	-----·	P.6,7
4. Left side of the body	-----·	P.8,9
5. Paper feed table	-----·	P.10,11
6. Folding table 1	-----·	P.12,13
7. Folding table 2	-----·	P.14,15

1. Cover





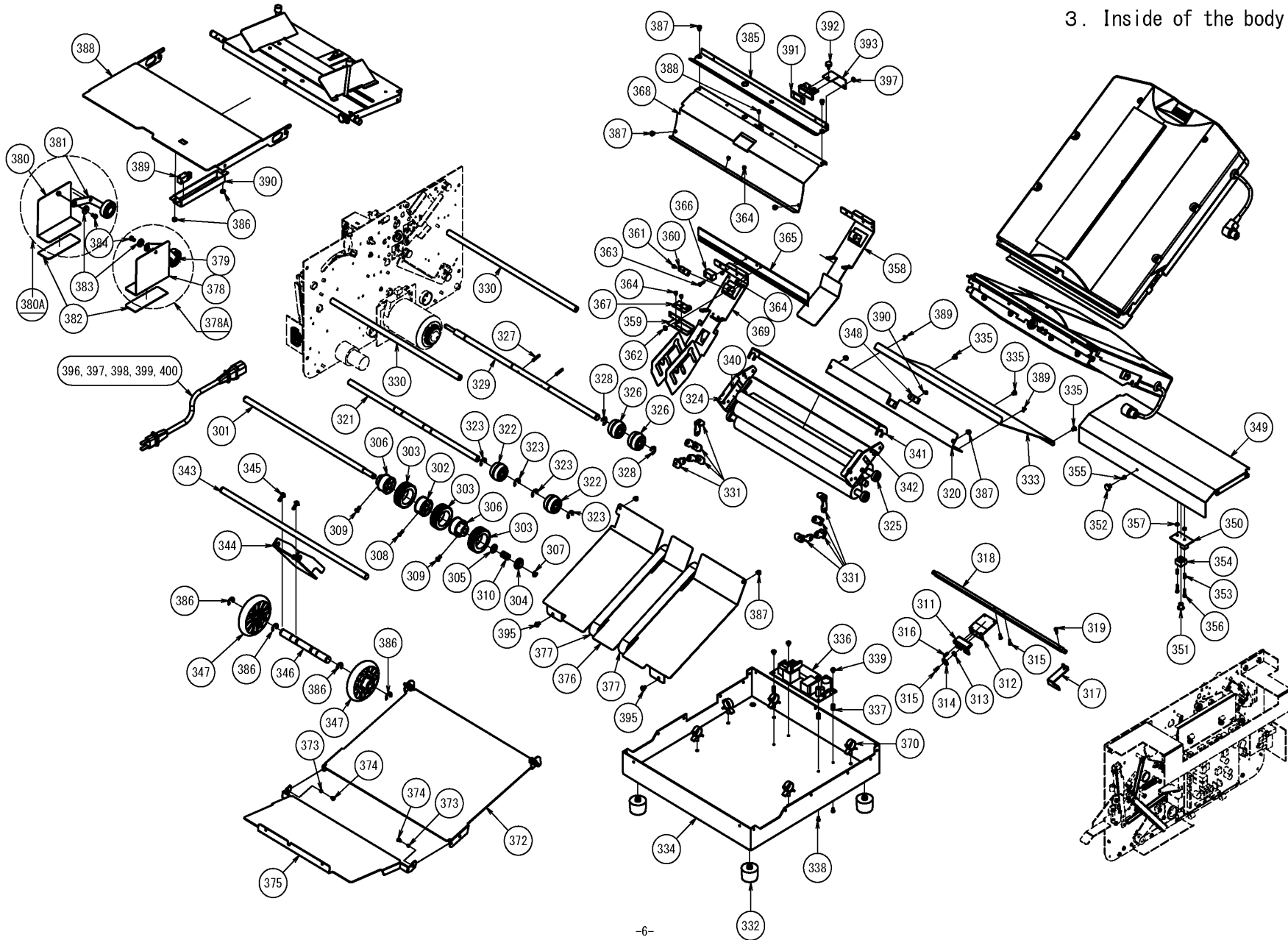
2. Right side of the body



## 2. Right side of the body

Fig.No.	Parts No.	Parts Name	408A	508A	Remarks	Fig.No.	Parts No.	Parts Name	408A	508A	Remarks
201	3281-0118	Paper feed table lever B	1	0	1281-0118 , 1281-0108	251	PNSWPW4 × 6	PNSWPW4 × 6	13	14	
202	0264-0103	Paper feed table lever	1	0		252	PNSWPW4 × 5	PNSWPW4 × 5	8	10	
203	0020-0140	Φ10metal	2	2		253	missing number				
204	0020-0400	Φ6metal	2	2		254	missing number				
205	1666-2150	Bearing 6900ZZNR	2	2		255	PNSW4 × 6	PNSW4 × 6	21	18	
206	0264-0039	Bearing holder	2	2		256	LO4x6	LO4x6	2	2	
207	PNST4 × 5	PNST4 × 5	4	4		257	PNSW3 × 4	PNSW3 × 4	10	10	
208	0020-0140	Φ10metal	2	2		258	TR4 × 6	TR4 × 6	0	1	
209	ER8	ER8	2	2		259	PN3 × 12	PN3 × 12	3	3	
210	0020-0050	Bearing holder center	4	4		260	1281-0299	CF-307ZE	2	2	
211	0020-0040	Auxiliary table hook center	2	2		261	TR3 × 20	TR3 × 20	2	2	
212	0260-1080	Lift cam	2	2		262	missing number				
213	1666-2400	Lift came return lever	2	2		263	PNSWPW4 × 10	PNSWPW4 × 10	2	1	
214	0020-0750	Spring hook	1	0		264	1281-0112	Separator SP-B	0	1	
215	1666-1901	Separator collar	0	1		265	0020-0410	Separator SP	1	1	
216	0146-1040	Click plate spring	0	1		266	0020-0290	Holder roller SP	1	1	
217	0220-1050	Stopper	5	5		267	0260-1280	Lift return SP	1	1	
218	0220-1140	Stopper rubber	5	5		268	1666-8047	Separator pressure identification plate	0	1	
219	1666-0102	Right side plate	1	1		269	FS4 × 6	FS4 × 6	16	16	
220	PNSW4 × 8	PNSW4 × 8	11	11		270	missing number				
221	1666-0502	Interlock SW mounting tray	1	1		271	1281-0239	Lift cam lever (R)	1	1	
222	7148-0017	Lead μ switch D2RV-L	1	1		272	3666-4110	Table 1 guide (R) Assembly	1	1	1666-4110, 1666-4116*2
223	PNSWPW3 × 14	PNSWPW3 × 14	6	8		273	3666-4117	Table 2 guide (R) Assembly	1	1	1666-4117, 1666-4116*2
224	1666-7104	TP-2732F-KG-250-H00-24	0	1		274	3146-0670	Shutter plate Assembly	1	1	0146-0670, 0146-0660
225	ER5	ER5	4	4		275	0260-7780	KI-1233	1	1	
226	0260-1213	Paper feed adjustment W0.5	2	2		276	1666-3311	Encoder photo mounting plate	1	1	
227	3666-2001	F roller holder	2	2	1666-2001, 0260-7100, 0260-1100	277					
228	0100-3510	D2MV-01L22-1C2	1	1		278	PNSW3 × 12	PNSW3 × 12	2	2	
229	3260-3110	Paper ejection arm Assembly	0	1	0260-3110, 0260-3120, 0260-2240	279	0020-0800	Paper feed table lever presser	2	0	
230	1666-5303	Paper ejection roller lever	0	1		280	1281-0107	Table lever return SP	1	0	
231	SP4 × 22	SP4 × 22	0	1		281	1281-0106	Paper feed stop lever SP	1	0	
232	0145-4170	Sintered metal B-F10-9	0	1		282	0020-0760	Table SP	1	0	
233	0100-3510	D2MV-01L22-1C2	0	1							
234	0260-1100	Bearing strap	2	2							
235	1666-1900	Separator pressure lever	0	1							
236	1333-0353	CF-310ZE	3	3							
237	1263-0041	CF-417ZE	3	0							
238	PNSW4 × 20	PNSW4 × 20	4	0							
239	1262-7204	NK-4N	9	10							
240	0260-7760	One touch bush TB-1520	1	1							
241	0260-9160	TB-1926	4	4							
242	1263-0049	CF-317ZE	2	2							
243	1266-0325	Stop lever	1	0							
244	1281-0109	Table lever guide collar	1	0							
245	0143-0590	Slide top board spacer	1	0							
246	0260-9150	Power switch	1	1							
247	0260-7090	Breaker 2A	1	1							
248	1666-0700	Power switch board	1	1							
249	PNSW3 × 6	PNSW3 × 6	3	6							
250	0020-4100	TCS0839	2	2							

3. Inside of the body

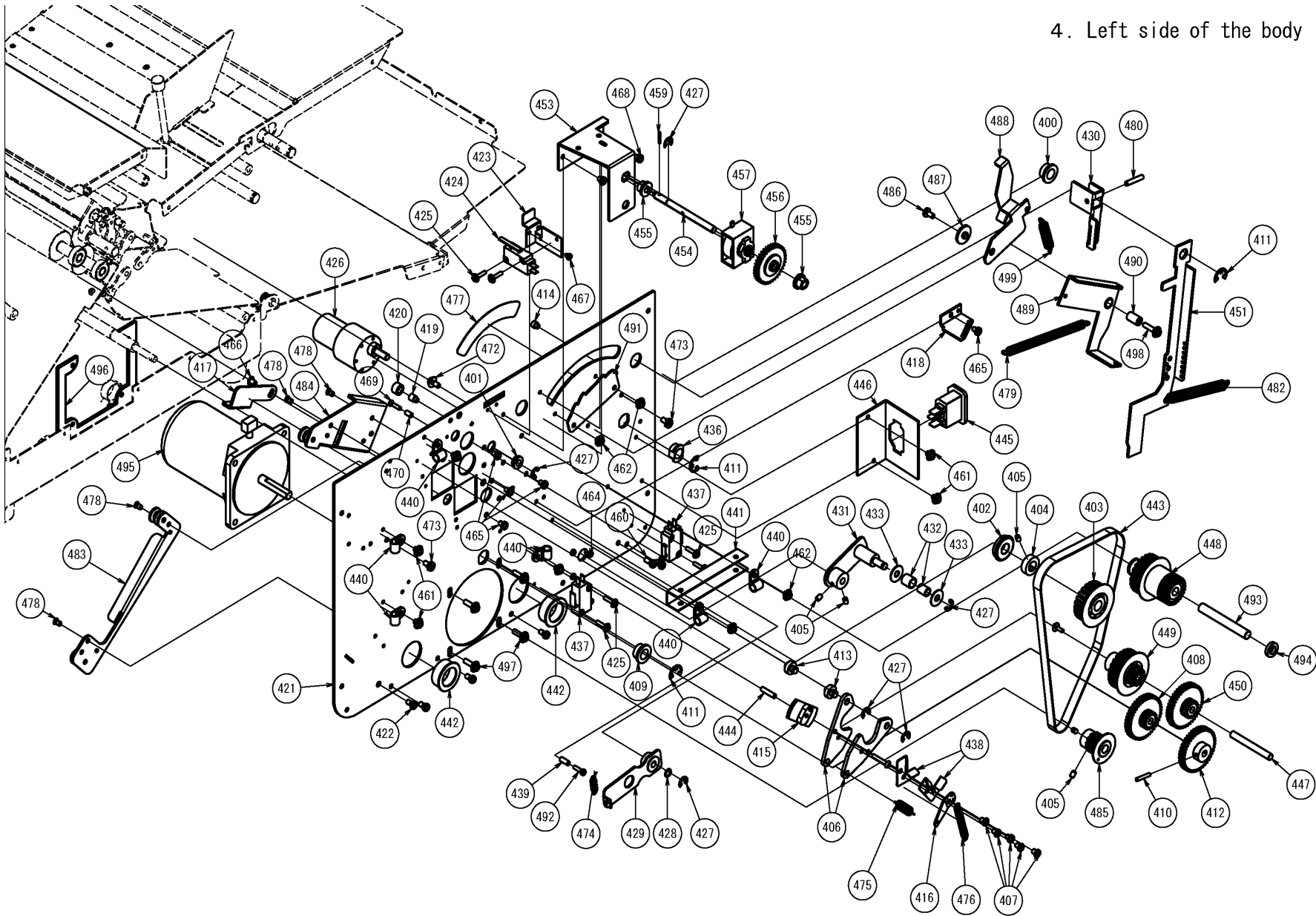


### 3. Inside of the body

Fig.No.	Parts No.	Parts Name	408A	508A	Remarks	Fig.No.	Parts No.	Parts Name	408A	508A	Remarks
301	0260-2390	Paper feed shaft	1	1		351	1222-6027	80F-0608	1	1	
302	0070-6010	Paper feed rubber holder	1	1		352	0264-0132	Paper ejection tray	1	1	
303	0070-6080	Paper feed rubber roller	3	3		353	1666-0350	CF-308ZE	2	2	
304	0145-2320	Paper feed bearing	1	1		354	1666-0303	Board shading sponge	1	1	
305	0145-2340	Paper feed shaft collar	1	1		355	missing				
306	0260-2070	Auxiliary paper feed holer	2	2		356	PNSW3 × 14	PNSW3 × 14	2	2	
307	ER6	ER6	1	1		357	T1N3	T1N3	2	2	
308	PN3 × 10	PN3 × 10	1	1		358	1666-5300	Upper paper ejection guide A	0	1	
309	PN4 × 8	PN4 × 8	2	2		359	1666-5305	light emitting board tray	1	1	
310	0145-2330	Paper feed shaft SP	1	1		360	0260-9120	KB1242-AA12	1	1	
311	3264-0082	Separator A'ssy	1	1	0070-6040, 0264-0078 0264-0081	361	PNSW3 × 8	PNSW3 × 8	2	2	
312	0264-0077	Separator mounting plate	1	1		362	PNSWPW3 × 4	PNSWPW3 × 4	2	2	
313	1666-6161	CF-402E	1	1		363	PNSW3 × 12	PNSW3 × 12	1	1	
314	1666-6159	FW-0414-08E	1	1		364	PNSW3 × 4	PNSW3 × 4	6	6	
315	FL3 × 10	FL3 × 10	3	3		365	0020-0045	Static eliminator bar	1	1	
316	SP3 × 10	SP3 × 10	1	1		366	7330-5008	KR866	1	1	
317	1666-1700	Separator lever	1	1		367	1666-0400	Double feed light emitting board	1	1	
318	1666-1701	Separator shaft	1	1		368	1666-1500	Lower double feed detection paper guide	1	1	
319	PNSW3 × 10	PNSW3 × 10	1	1		369	1666-5301	Upper paper ejection guide B	1	0	
320	0260-3010	Photo sensor mounting tray	1	1		370	7330-5014	FLC-10S	5	5	
321	0020-0200	Lower paper ejection roller shaft kanigen	1	1		371	missing number				
322	0260-3020	Lower paper ejection roller	2	2		372	1666-5107	Paper ejection table	1	1	
323	ER8	ER8	10	10		373	1666-0250	CF-303ZE	2	2	
324	1666-2120	Center roller	1	1		374	BD3 × 5	BD3 × 5	4	4	
325	3264-0048	Folding roller	2	2		375	1666-5102	Auxiliary paper ejection table	1	1	
326	0260-3020	Lower paper ejection roller	2	2		376	1666-6122	Paper ejection slide plate	1	1	
327	SP3 × 18	SP3 × 18	3	3		377	1666-3151	Paper ejection conveying belt	2	2	
							1666-1930	Auxiliary paper guide set	1	1	
328	missing number					378	1666-1920	Auxiliary paper guide(R)	1	1	
						378A	3666-1920	Auxiliary paper guide(R)ASSY	1	1	378,379,382,383,384
329	1666-3100	Paper ejection roller shaft	1	1		379	0020-2030	Paper holder lever(R)	1	1	0020-1060,1070,1080,4450B
330	0020-1160	Reinforced shaft	2	2		380	1666-1921	Auxiliary paper guide(L)	1	1	
						380A	3666-1921	Auxiliary paper guide(L)ASSY	1	1	380,381,382,383,384
331	0020-2220	Guide mounting angle A	8	8		381	0020-2040	Paper holder lever(L)	1	1	0020-1060,1070,1080,4450B
332	5149-0504	Plafot TM-127-3	4	4		382	0020-1050	Rubber magnet	2	2	
333	0260-5170	Cover/Rear cover	1	1		383	0020-0340	F roller holder	2	2	
334	1666-0002	Base	1	1		384	PNSW4 × 8	PNSW4 × 8	2	2	
335	LO4x6	LO4x6	3	3		385	1666-1600	Upper double feed detection paper guide	1	1	
336	1152-7144	SWF050P-24	1	1		386	T1N4	T1N4	2	2	
337	1666-0950	ASB-310E	4	4		387	PNSW4 × 6	PNSW4 × 6	8	8	
338	PNSW3 × 6	PNSW3 × 6	5	5		388	1666-1410	Auxiliary paper feed table(inch)	1	1	
339	PNSWPW3 × 6	PNSWPW3 × 6	4	4		389	0020-4420	KR1207	1	1	
340	0264-0049	Upper roller	1	1		390	0020-1890	Sensor cover	1	1	
341	1666-2500	Interceptor	1	1		391	3264-0532	Art / Coated Paper separator	0	1	0264-0532, 0078, 0081
342	0020-0330	Interceptor plate	1	1		392	5148-0445	Urea screw M3*8 white	0	1	
343	0260-3070	Roller moving shaft	0	1		393	0264-0522	Separator storage plate	0	1	
344	0260-3080	Paper ejection roller holder	0	1		394	missing				
345	PNSWPW4 × 14	PNSWPW4 × 14	0	2		395	BD4 × 6	BD4 × 6	3	3	
346	0260-3030	Paper ejection U roller shaft	1	1		396	0260-9210	Power cord KP-218	0	0	
347	0020-1170	Paper ejection roller	2	2		397	0072-8060	Power code KP-30 for U.S.A.	1	1	
348	0260-9130	KB1242-AA22	1	1		398	0072-8070	Power code KP-30 for U.S.A.	0	0	
349	1666-0302	Safety cover Assembly	1	1		399	0072-8090	No power corde for Britain	0	0	
350	1222-7080	Light receiving board	1	1		400	1100-0001	Power cord KP-30 for A	0	0	



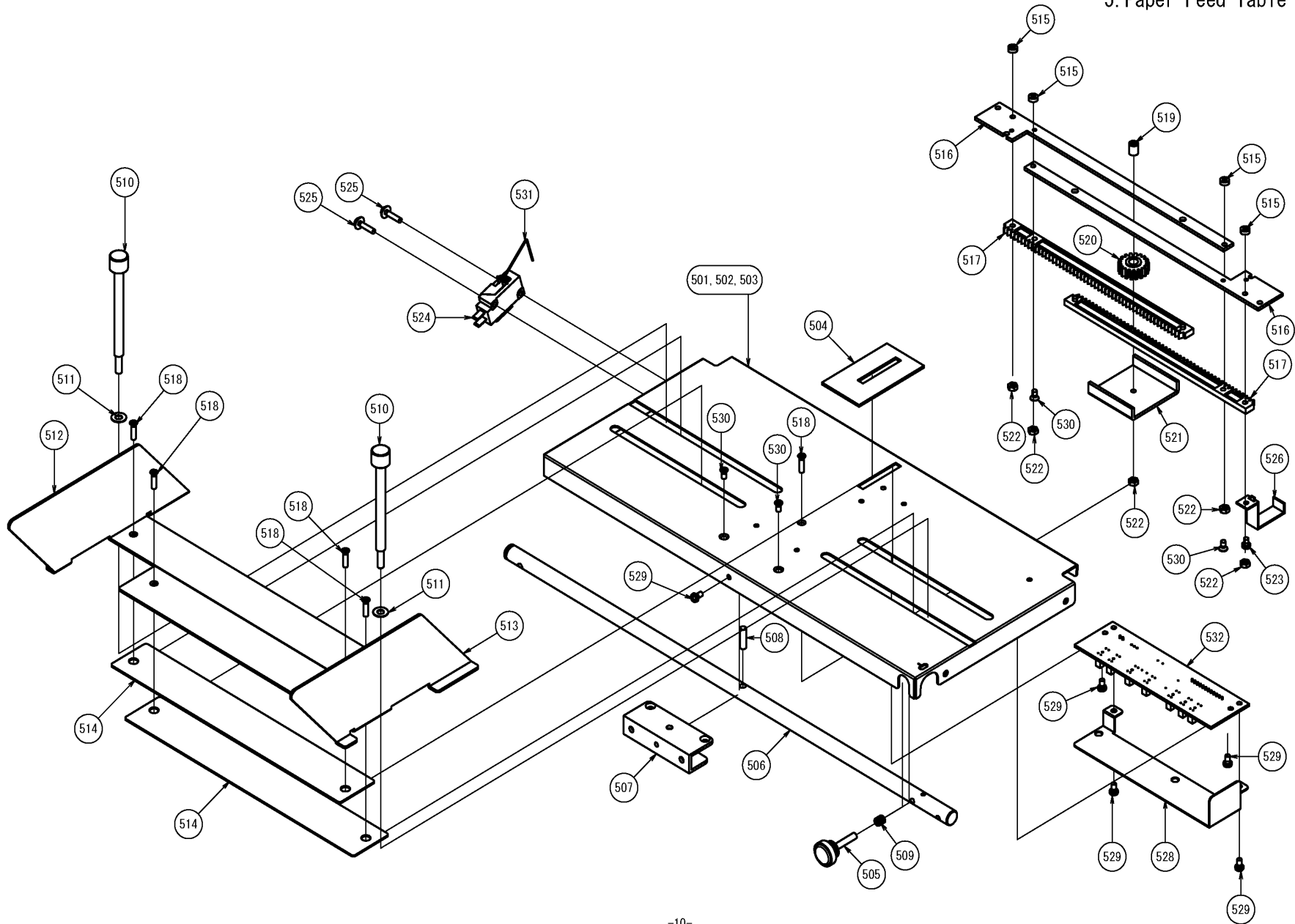
4. Left side of the body



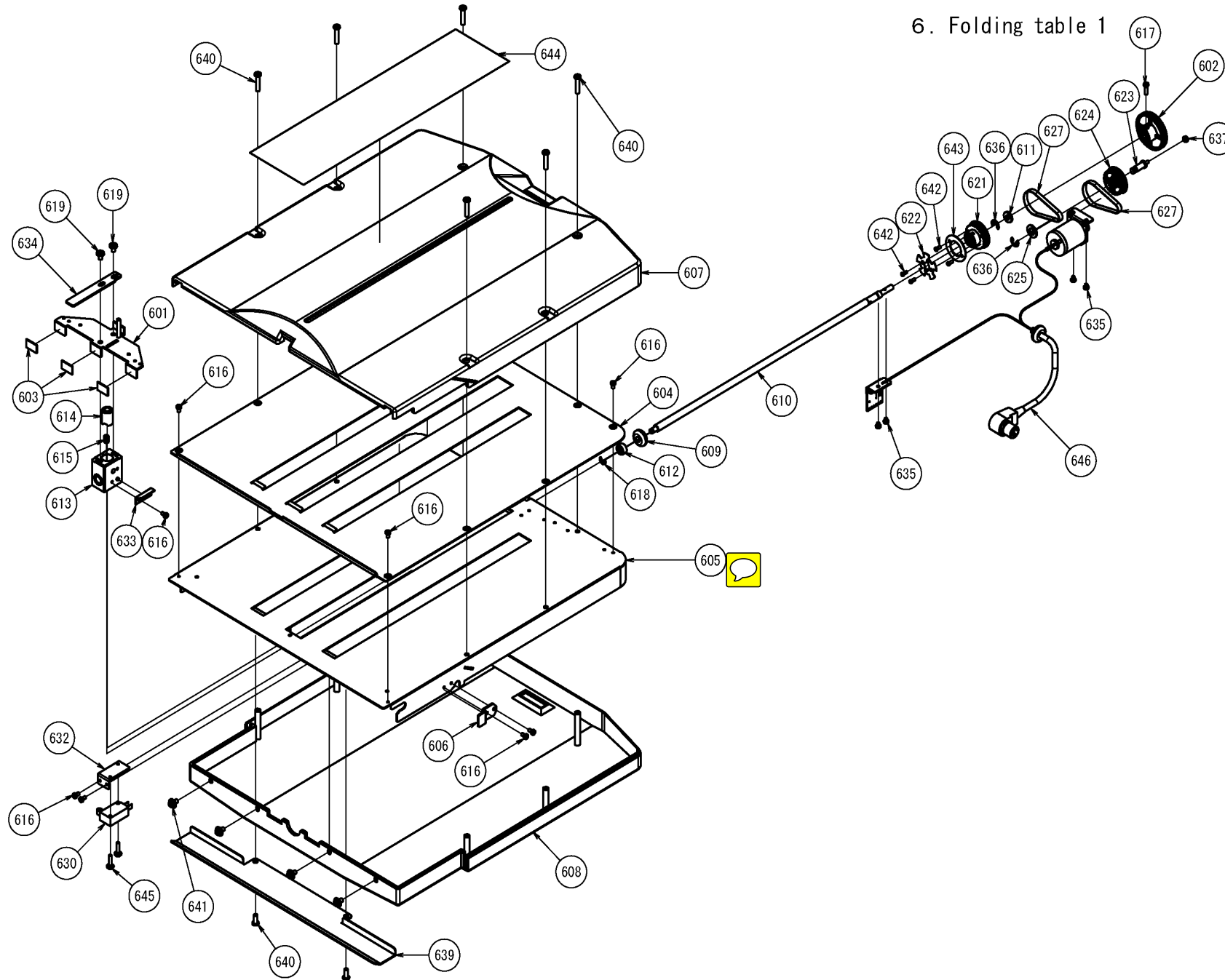
#### 4. Left side of the body

Fig.No.	Parts No.	Parts Name	408A	508A	Remarks	Fig.No.	Parts No.	Parts Name	408A	508A	Remarks
400	0020-0140	Φ10 metal	1	1		450	0020-0180	Speed reduction gear	1	1	
401	0020-0400	Φ6 metal	2	2		451	1666-1301	Table lever	0	1	
402	1666-2150	Bearing 6900ZZNR	2	2		452	missing number				
403	1268-0043	Speed reduction pulley	1	1		453	1666-1800	Clutch holder	1	1	
404	0146-0670	Shutter plate boss	1	1		454	1666-1801	Cluch shaft	1	1	
405	HS4x6	HS4x6	3	5		455	0145-4140	Sintered metal B-F6-45	2	2	
406	0264-0039	Bearing holder	2	2		456	0260-2050	Paper feed gear	1	1	
407	PNST4 × 5	PNST4 × 5	4	4		457	5149-0001	MGSCO-33J-CW-3343	1	1	
408	0020-0180	Speed reduction gear	1	1		458	missing number				
409	0020-0140	Φ10 metal	2	2		459	1271-0127	PP2 × 12	1	1	
410	SP3 × 18	SP3 × 18	3	3		460	PNSW4 × 10	PNSW4 × 10	2	2	
411	ER8	ER8	2	3		461	PNSWPW4 × 6	PNSWPW4 × 6	14	14	
412	0020-0170	Paper ejection roller gear	1	1		462	PNSWPW4 × 5	PNSWPW4 × 5	10	10	
413	0020-0050	Bearing holdr bearing center	4	4		463	missing number				
414	0020-0040	Auxiliary table hook center	2	2		464	PNSW3 × 6	PNSW3 × 6	0	3	
415	0260-1080	Lift cam	2	2		465	PNSW4 × 6	PNSW4 × 6	20	21	
416	1666-2400	Lift cam return lever	2	2		466	LO4x6	LO4x6	2	2	
417	1281-0240	Lift cam lever (L)	1	1		467	PNSW3 × 4	PNSW3 × 4	10	10	
418	0020-0750	Spring hook	0	1		468	PNSW4 × 5	PNSW4 × 5	4	4	
419	0220-1050	Stopper	5	5		469	PN3 × 12	PN3 × 12	3	3	
420	0220-1140	Stopper rubber	5	5		470	1281-0299	CF-307ZE	2	2	
421	1666-0103	Left side cover	1	1		471	missing number				
422	PNSW4 × 8	PNSW4 × 8	11	11		472	PNSWPW4 × 10	PNSWPW4 × 10	2	2	
423	1666-0502	Interlock SW mounting tray	1	1		473	BDLW4 × 8	BDLW4 × 8	2	2	
424	7148-0017	Lead μ switch D2RV-L	1	1		474	0020-0350	F roller SP	1	1	
425	PNSWPW3 × 14	PNSWPW3 × 14	2	6		475	0020-0290	Holder rollerSP	1	1	
426	1666-7104	TP-2732F-KG-250-H00-24	0	1		476	0260-1280	Spring lift return SP	1	1	
427	ER5	ER5	5	5		477	1666-8046	Paper feed pressure identification plate	0	1	
428	0260-1213	Paper feed adjustment W0.5	2	2		478	FS4 × 6	FS4 × 6	16	16	
429	3666-2001	F roller holder	2	2	1666-2001, 0260-7100, 0260-1180	479	1281-0111	Table SP-B	0	1	
430	0260-2550	Table lever angle	0	1		480	SP4 × 22	SP4 × 22	0	1	
431	3666-3302	Paper feed lifting arm	0	1	1666-1302, 0260-2240, 0260-2230	481	missing number				
432	0143-0320	Up and down lever roller ASSY	0	1	0143-0330, 0143-1020	482	1281-0113	Paper feed pressure SP-B	0	1	
433	0145-2840	Paul washer	0	2		483	3666-4118	Table 2 guide left Assy	1	1	1666-4118, 1666-4116*2
434	missing number					484	3666-4111	Automatic table 1 guide (L) Assy	1	1	1666-4111, 1666-4116*2
435	missing number					485	3264-0044	Main motor A Assy	1	1	0264-0045, 0145-1960
436	0145-4170	Sintered metal B-F10-9	0	1		486	BD4 × 8	BD4 × 8	0	1	
437	0100-3510	D2MV-01L22-1C2	0	2		487	0020-0800	Paper feed table lever presser	0	1	
438	0264-0040	Holder roller bearing presser	2	2		488	1666-1913	Paper feed pressure adjustment lever	0	1	
439	1333-0353	CF-310ZE	3	3		489	1666-1912	Paper feed pressure SP lever ASSY	0	1	
440	1262-7204	NK-4N	9	8		490	1666-1950	CF-413E	0	1	
441	1666-0702	Inlet wiring board	0	1		491	1281-0117	Paper feed pressure adjuster B	0	1	
442	0260-9160	TB-1926	4	4		492	PNSW3 × 12	PNSW3 × 12	0	2	
443	1666-3350	Driving belt 202XL037G	1	1		493	1666-3000	Paper feed pulley shaft	1	1	
444	1263-0049	CF-317ZE	2	2		494	1666-3050	CC-0814-30	1	1	
445	1666-7111	3P Inlet AC-P03CS05	1	1		495	1286-8170	Main motor	1	1	
446	1666-7204	Inlet mounting tray	1	1		496	1666-3301	Motor mounting plate	1	1	
447	1666-3154	Paper ejection pulley shaft	1	1		497	PNSWPW4 × 15	PNSWPW4 × 15	4	4	
448	1666-6148	Paper feed pulley Assy	1	1	1666-6151, 0264-0033, 0145-4160*2	498	PNSWPW4 × 18	PNSWPW4 × 18	0	1	
449	1666-6149	Paper ejection pulley Assy	1	1	666-6153, 0264-0033, 1666-6156*2	499	0264-0510	Paper feed pressure setting spring	0	1	

# 5. Paper Feed Table







## 6. Folding table 1

Fig.No.	Parts No.	Parts Name	408A	508A	Remarks	Fig.No.	Parts No.	Parts Name	408A	508A	Remarks
601	0260-4241	Stopper plate AssY	1	1	0260-4240, 0260-4260						
602	1281-0217	Table fine adjustment knob (large)	1	1							
603	0260-4360	Stopper cushion rubber	3	3							
604	1666-4203	Table 1 (upper)	1	1							
605	1666-4301	Lower table 1 <del>Assy</del>	1	1							
606	1666-4220	Interlock doc	1	1							
607	1666-4230	Table 1 upper cover	1	1							
608	1666-4231	Table 1 lower cover	1	1							
609	0020-4310	Glomet bush	1	1							
610	0260-4060	Table 1 screw	1	1							
611	0260-4080	Screw bearing	1	1							
612	0020-0790	Guide bush	1	1							
613	3281-0275	Slider	1	1	1281-0275,00201360*2						
614	0020-1390	Half nut	1	1							
615	0020-1490	Half nut spring	1	1							
616	PNSW3 × 6	PNSW3 × 6	9	9							
617	PNSW3 × 12	PNSW3 × 12	1	1							
618	ER4	ER4	1	1							
619	BD4 × 6	BD4 × 6	2	2							
620	missing number										
621	3260-4110	Stopper screw gear	1	1	0260-4110, 0260-4540						
622	0260-4120	Stopper shutter	1	1							
623	0260-4140	Idler pulley shaft	1	1							
624	0260-4150	Idler pulley	1	1							
625	0260-4160	Idler pulley washer	1	1							
626	missing number										
627	0260-4180	Timing belt 65MXL-4.8	2	2							
628	missing number										
629	missing number										
630	0020-4250	D2RV-L22	1	1							
631	missing number										
632	0260-4230	Stopper original position LS tray	1	1							
633	0020-1480	Stopper doc	1	1							
634	0260-4250	Pressing plate	1	1							
635	PNSW3 × 4	PNSW3 × 4	6	6							
636	ER5	ER5	2	2							
637	T1N3	T1N3	1	1							
638	missing number										
639	1281-0271	Roller cover	1	1							
640	PNBT4 × 20	PNBT4 × 20	8	8							
641	PNSWPW4 × 8	PNSWPW4 × 8	4	4							
642	PNBT 2.5 × 6	PNBT 2.5 × 6	4	4							
643	0260-4540	Stopper screw flange	1	1							
644	1666-8044	Automatic folding table 1 gauge	1	1							
645	PNSWPW3 × 15	PNSWPW3 × 15	2	2							
646	0260-6481	Table 1 photo board harnessA'ssy	1	1							

7. Folding table 2

