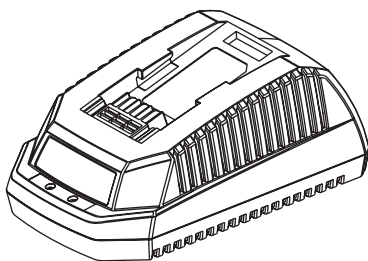


---

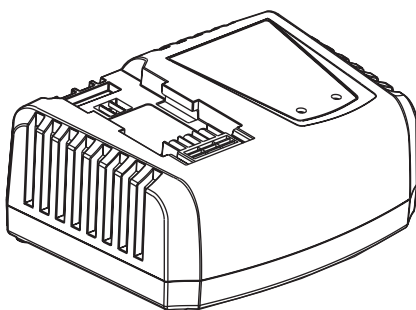
# GREENWORKS

## **ELITE**

### 40V LITHIUM-ION BATTERY CHARGER



C-220



C-400

Owner's Manual

**TOLL-FREE HELPLINE: 1-833-493-5483**

[www.greenworkselite.com](http://www.greenworkselite.com)

---

 Read all safety rules and instructions carefully before operating this tool.

# CONTENTS

---

Contents .....	2
Product Specifications .....	2
Important Safety Instructions .....	3
Symbols .....	5
Know Your Charger .....	6
Operation .....	7
Maintenance .....	10
Troubleshooting .....	11
Limited Warranty .....	12

# PRODUCT SPECIFICATIONS

---

## 40V Lithium-ion Battery Charger

Model .....	C-220
Input .....	120VAC 50/60Hz 1.5A
Output .....	40V DC 2.2A
Weight .....	1.48 lbs (0.67 kg)
Class .....	Class 2 Battery Charger

## 40V Lithium-ion Battery Charger

Model .....	C-400
Input .....	120VAC 50Hz/60Hz 2.6A max
Output .....	40V DC 4A
Weight .....	2.29 lbs (1.04 kg)



# IMPORTANT SAFETY INSTRUCTIONS

---

## IMPORTANT SAFETY INSTRUCTIONS – SAVE THESE INSTRUCTIONS

### DANGER – TO REDUCE THE RISK OF FIRE OR ELECTRIC SHOCK, CAREFULLY FOLLOW THESE INSTRUCTIONS

Read and understand all instructions before using this product. Failure to follow all instructions listed below may result in electric shock, fire, and/or serious personal injury.

---

#### **WARNING**

FOR INDOOR USE ONLY.

---

#### **CAUTION**

Risk of Electric Shock.

Dry location use only.

Store indoors, and do not expose to rain or water, avoid direct sunshine.

---

#### **CAUTION**

RISK OF FIRE OR ELECTRIC SHOCK, DO NOT CONNECT OUTPUT TERMINALS.

---

#### **CAUTION**

CHARGE ONLY RECHARGEABLE GW ELITE 40V LI-ION BATTERY PACK L-300 / L-600, OTHER TYPES OF BATTERIES MAY BURST CAUSING PERSONAL INJURY AND DAMAGE.

---

- **SAVE THESE INSTRUCTIONS** - This manual contains important safety and operating instructions for battery charger C-220 / C-400.
  - Before using battery charger, read all instructions and cautionary markings on battery charger, battery, and product using battery.
  - To reduce the risk of fire and electric shock, store in a temperature- and humidity-controlled indoor area relatively free of conductive contaminants.
  - Use of an attachment not recommended or sold by the battery charger manufacturer may result in a risk of fire, electric shock, or injury to persons. Following this rule will reduce the risk of electric shock, fire, or serious personal injury.
  - Do not abuse cord or charger. Never use the cord to carry the charger. Do not pull the charger cord rather than the plug when disconnecting from the electrical outlet. Damage to the cord or charger could occur and create an electric shock hazard. Bring to an authorized service center if cords are damaged.
  - Do not operate charger if it has received a sharp blow, been dropped, or otherwise damaged in any way. Take it to an authorized service center for electrical check to determine
-

# IMPORTANT SAFETY INSTRUCTIONS

---

if the charger is in good working order.

- **Do not cover the ventilation slots on the top of the charger.** Do not set the charger on a soft surface i.e. blanket, pillow. Keep the ventilation slots of the charger clear.
- **Do not probe the charger with conductive materials.**
- **Do not disassemble charger.** Take it to an authorized service center when service or repair is required. Incorrect reassembly may result in a risk of electric shock or fire.
- **Disconnect charger from the power supply when not in use.** This will reduce the risk of electric shock or damage to the charger if metal items should fall into the opening. It also will help prevent damage to the charger during a power surge.
- **Do not use a damp cloth or detergent to clean the battery or battery charger.** Clean / wipe down with a dry cloth.
- **Do not allow the battery pack or charger to overheat.** If they are warm, allow them to cool down. Recharge only at room temperature.
- **Unplug the charger before cleaning and when there is no battery pack in the charger.**
- **Do not try to connect two chargers together.**
- **Do not allow liquid inside the charger.**
- **Do not try to use the charger for any other purpose than what is presented in this manual.**
- **Save these instructions.** Refer to them frequently and use them to instruct others who may use this tool. If you loan someone this tool, loan them these instructions also to prevent misuse of the product and possible injury.
- **Confirm the voltage in each country before using the charger.**
- **If the shape of the plug does not fit the power outlet, use an attachment plug adaptor of the proper configuration for the power outlet.**

---

## **⚠ WARNING ( PROPOSITION 65 )**




This product and some dust created by power sanding, sawing, grinding, drilling, and other construction activities may contain chemicals, including lead, known to cause cancer, birth defects or other reproductive harm. Wash hands after handling.

---




# SYMBOLS

---

Some of the following symbols may be used on this product. Please study them and learn their meaning. Proper interpretation of these symbols will allow you to operate the product better and safer.

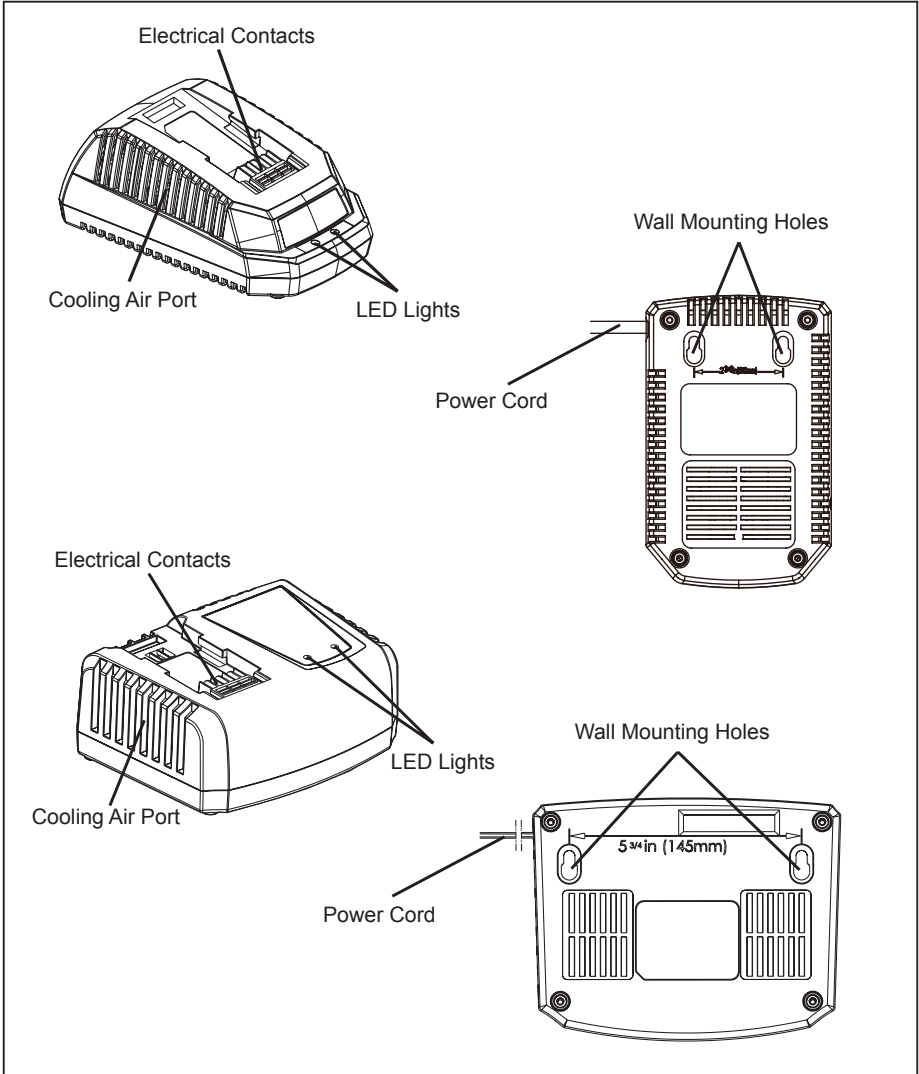
SYMBOL	NAME	DESIGNATION/EXPLANATION
V	Volts	Voltage
Hz	Hertz	Frequency (cycles per second)
W	Watts	Power
— — —	Direct Current	Type or a characteristic of current
	Wet Conditions Alert	Do not expose to rain or use in damp locations.
	Read The Operator's Manual	To reduce the risk of injury, user must read and understand operator's manual before using this product.
	Safety Alert	Precautions that involve your safety.

The following signal words and meanings are intended to explain the levels of risk associated with this product.

SYMBOL	SIGNAL	MEANING
	<b>DANGER</b>	Indicates an imminently hazardous situation, which, if not avoided, will result in death or serious injury.
	<b>WARNING</b>	Indicates a potentially hazardous situation, which, if not avoided, could result in death or serious injury.
	<b>CAUTION</b>	Indicates a potentially hazardous situation, which, if not avoided, may result in minor or moderate injury.
	<b>CAUTION</b>	(Without Safety Alert Symbol) Indicates a situation that may result in property damage.

# KNOW YOUR CHARGER

The safe use of this product requires an understanding of the information on the product and in this operator's manual as well as a knowledge of the project you are attempting. Before using this product, familiarize yourself with all operating features and safety rules.



# OPERATION

---

This device complies with Part 15 of the FCC Rules. Operation is subject to the following two conditions:

- (1) This device may not cause harmful interference.
- (2) This device must accept any interference received, including interference that may cause undesired operation.

---

## **⚠ WARNING**

Changes or modifications to this unit not expressly approved by the manufacturer for compliance could void the user's authority to operate the equipment.

---

*NOTE:* This equipment has been tested and found to comply with the limits for a Class B digital device, pursuant to Part 15 of the FCC Rules.

These limits are designed to provide reasonable protection against harmful interference in a residential installation. This equipment generates, uses and can radiate radio frequency energy and, if not installed and used in accordance with the instructions, may cause harmful interference to radio or television reception, which can be determined by turning the equipment off and on, the user is encouraged to try to correct the interference by one or more of the following measures:

- Reorient or relocate the receiving antenna.
- Increase the separation between the equipment and the receiver.
- Connect the equipment into an outlet on a circuit different from that to which the receiver is connected.
- Consult the dealer or an experienced radio/TV technician for help.

---

## **⚠ WARNING**

Do not allow familiarity with products to make you careless. Remember that a careless fraction of a second is sufficient to inflict serious injury.

---

---

## **⚠ WARNING**

Do not use any attachments or accessories not recommended by the manufacturer of this product. The use of attachments or accessories not recommended can result in serious personal injury.

---

---

## **⚠ CAUTION**

Charge in a well ventilated area. Do not block charger vents. Keep them clear to allow proper ventilation.

---

## **CHARGING PROCEDURE**

*NOTE:* The battery is not shipped fully charged. It is recommended to fully charge before first use to ensure that maximum run time can be achieved. This lithium-ion battery will not develop a memory and may be charged at any time.

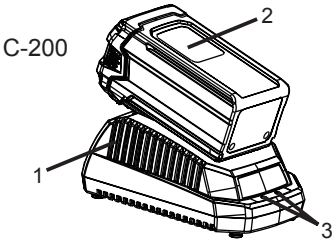
# OPERATION

## Low voltage charging:

If the battery has been stored with little to no charge for a long period of time, the charger will go into recovery mode, which will take 20 hrs to fully charge the battery. This will enhance the life of the battery. Once it is fully charged, the next charge will return to standard charging.

1. Plug the charger (1) into an AC power outlet.
2. Insert the battery pack (2) into the charger (1).

This is a diagnostic charger. The Charger LED Lights (3) will illuminate in specific order to communicate the current battery status. They are as follows:

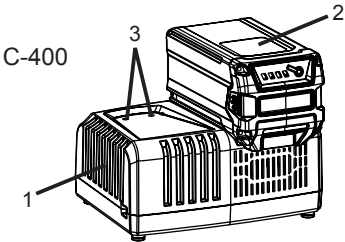


### CHARGING PROCEDURE (LED INDICATOR)

BATTERY IS CHARGING:	● RED	● RED
FULLY CHARGED:	● RED	● GREEN
BATTERY IS TOO WARM: (REMOVE FOR APPROX. 30 MINUTES TO ALLOW TO COOL)	● RED	● ORANGE
NO BATTERY PRESENT	● RED	○ OFF
DEFECTIVE BATTERY: (REMOVE AND REPLACE WITH NEW BATTERY IF THIS OCCURS)	● RED	◁ RED ▷ BLINKING

### False Defect Note:

When the battery is inserted into the charger, and the status LED flashes, remove the battery from the charger for 1 minute, then reinsert. If the status LED indicates normal than the battery pack is good. If the status LED is still blinking, remove the battery pack and unplug the charger. Wait 1 minute and plug the charger back in and reinsert the battery pack. If the status LED indicates normal than the battery pack is good. If the status LED is still blinking then the battery pack is defective and needs to be replaced.



RED ●	OFF	STAND BY
RED ●	BLINKING GREEN ☀	CHARGING
RED ●	GREEN ●	FULLY CHARGED
BLINKING RED ☀	OFF	HIGH TEMP.
BLINKING RED ☀	BLINKING GREEN ☀	ERROR
LED 1 ○	LED 2 ○	

### False Defect Note:

When the battery is inserted into the charger, LED 1 flashes RED and LED 2 flashes Green, remove the battery from the charger for 1 minute, then reinsert. If the status LEDs indicate normal, then the battery pack is good. If the status LED 1 and LED 2 are still blinking, remove the battery pack and unplug the charger. Wait 1 minute and plug the charger back in and reinsert the battery pack. If the status LEDs indicate normal than the battery pack is good. If the status LED 1 and LED 2 are still blinking then the battery pack is defective and needs to be replaced.

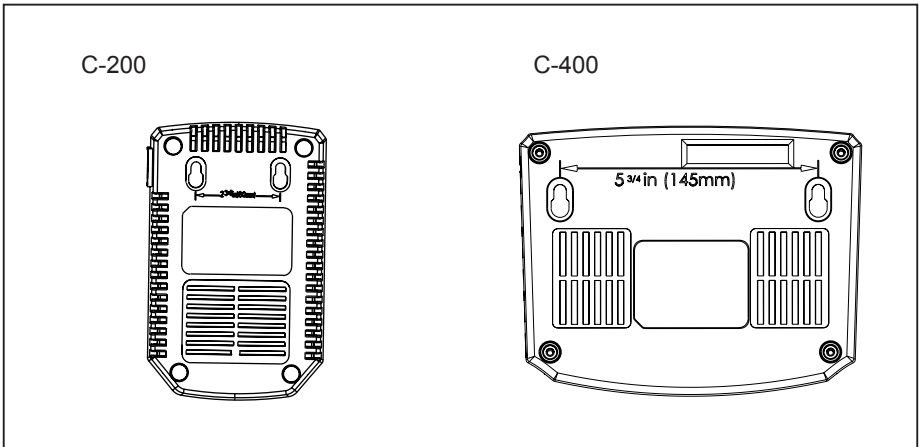


# OPERATION

---

## CHARGER MOUNTING

1. This charger can be installed hanging on a wall using two #8 screws (not included).
2. Locate the placement for the charger to be wall mounted.
3. If fastening to wood studs use 2 wood screws (not included).
4. C-220: Drill two holes 2 3/8 in. on center ensuring they are level.  
C-400: Drill two holes 5 3/4 in. on center ensuring they are level.
5. If fastening to drywall use wall anchors (not included) and screws to secure the charger to the wall.
6. This power unit is intended to be correctly orientated in a vertical or floor mount position.



**NOTE:** If the battery and the charger won't be used for a long time, remove the battery from the charger and pull out the AC power plug.

# MAINTENANCE

---

## **⚠ WARNING**

To avoid serious personal injury, always remove the battery pack from the tool when cleaning or performing any maintenance.

---

## **⚠ WARNING**

When servicing, use only identical GW ELITE replacement parts. Use of any other parts may create a hazard or cause product damage.

---

### **GENERAL MAINTENANCE**

- Brush or blow dust and debris out of the air vents using compressed air or a vacuum. Keep the air vents free of obstructions, sawdust, and wood chips. Do not spray, wash, or immerse the air vents in water. Always wear safety goggles or safety glasses with side shields when using compressed air to clean the tool. If the operation is dusty, also wear a dust mask.
- Wipe off the housing and the plastic components using a dry, soft cloth. Do not use strong solvents or detergents on the plastic housing or plastic components. Certain household cleaners may cause damage and may cause a shock hazard.

### **STORAGE**

- Always remove the battery pack before storing the charger or anytime the charger is unplugged.
- Do not place the battery pack in the sun or a warm environment. Keep at normal room temperature.
- If the battery will not be used for 3 months or more, please store the battery in a room temperature environment. Please fully charge before storage.

## **⚠ WARNING**

Do not at any time let brake fluids, gasoline, petroleum-based products, penetrating oils, etc. to come in contact with plastic parts. Chemicals can damage, weaken or destroy plastic which may result in serious personal injury.

---

# TROUBLESHOOTING

---

PROBLEM	CAUSE	SOLUTION
Charger doesn't work. Charger shows defective mode (LED flashes Red).	Battery pack or charger is defective or bad connection between the battery pack and charger.	<ol style="list-style-type: none"><li>1. Try to remove and reinsert the battery pack in the charger.</li><li>2. Try charging a different battery pack.</li><li>3. Unplug the charger and wait until the red LED goes out, then reconnect the plug to the power supply.</li></ol>
Charger doesn't work. Charger shows evaluation mode (LED indicates Red solid ON).	Battery pack is too hot or too cold.	Allow the battery pack to reach normal temperature. Charging will begin when battery pack returns to 3°C-47°C (37°F-117°F).

# LIMITED WARRANTY

---



# GREENWORKS

---

## ELITE

**GREENWORKS ELITE** hereby warranties this product, to the original purchaser with proof of purchase, for a period of two (2) years against defects in materials, parts or workmanship.

**GREENWORKS ELITE**, at its own discretion will repair or replace any and all parts found to be defective, through normal use, free of charge to the customer. This warranty is valid only for units which have been used for personal use that have not been hired or rented for industrial/commercial use, and that have been maintained in accordance with the instructions in the owners' manual supplied with the product from new.

### ITEMS NOT COVERED BY WARRANTY:

1. Any part that has become inoperative due to misuse, commercial use, abuse, neglect, accident, improper maintenance, or alteration; or
2. The unit, if it has not been operated and/or maintained in accordance with the owner's manual; or
3. Normal wear, except as noted below;
4. Routine maintenance items such as lubricants, blade sharpening;
5. Normal deterioration of the exterior finish due to use or exposure.

### GREENWORKS ELITE HELPLINE:

Warranty service is available by calling our toll-free helpline, at **1-833-493-5483**.

### TRANSPORTATION CHARGES:

Transportation charges for the movement of any power equipment unit or attachment are the responsibility of the purchaser. It is the purchaser's responsibility to pay transportation charges for any part submitted for replacement under this warranty unless such return is requested in writing by **GREENWORKS ELITE**.

# **GREENWORKS**



***ELITE***

**Greenworks Tools  
PO Box 1238  
Mooreville, NC 28115**

**TOLL-FREE HELPLINE: 1-833-493-5483**

Rev: 00 (12-09-17)