

Service Manual

42 inch Class 1080p LCD HDTV

Model No. **TC-L42ET5W**

LA35 Chassis

Simplified

Please file and use this manual together with the service manual for Model No. TC-L42ET5, ORDER NO. MTNC120203CE.

WARNING

This service information is designed for experienced repair technicians only and is not designed for use by the general public. It does not contain warnings or cautions to advise non-technical individuals of potential dangers in attempting to service a product. Products powered by electricity should be serviced or repaired only by experienced professional technicians. Any attempt to service or repair the product or products dealt with in this service information by anyone else could result in serious injury or death.

TABLE OF CONTENTS

	PAGE	PAGE
1 Different points -----	2	
1.1. Mechanical Replacement Parts List -----	2	
1.2. Electrical Replacement Parts List -----	2	
2 Schematic Diagram -----	5	
2.1. P-Board (1/2)-----	5	
2.2. A-Board (1/14)-----	6	
2.3. A-Board (2/14)-----	7	
2.4. A-Board (3/14)-----	8	
2.5. A-Board (4/14)-----	9	
2.6. A-Board (5/14)-----	10	
2.7. A-Board (6/14)-----	11	
2.8. A-Board (7/14)-----	12	
2.9. A-Board (8/14)-----	13	
2.10. A-Board (9/14)-----	14	
2.11. A-Board (10/14)-----	15	
2.12. A-Board (11/14)-----	16	
2.13. A-Board (12/14)-----	17	
2.14. A-Board (13/14)-----	18	
2.15. A-Board (14/14)-----	19	

1 Different points

1.1. Mechanical Replacement Parts List

Ref.No.	Part No.		Part Name & Description	Pcs	Remarks
	TC-L42ET5	TC-L42ET5W			
2	K2CB2YY00065	K2CA2YY00222	AC CORD	1	PAVCA Δ
	-----	K2CR2YY00044	AC CORD	1	PAVCA Δ
	-----	K2KYYYY00192	AUDIO OUT CABLE	1	PAVCA
7	N2QAYB000703	N2QAYB000707	REMOTE CONTROL	1	PAVCA
	TEWB389	-----	GASKET(2x7x20)	0	
	TEWB763	-----	GASKET(12x10x20)	0	
	TEWB772	-----	GASKET(5x10x20)	0	
14	TKP5ZA13801	TKP5ZA13801A	BOTTOM COVER	1	Δ
17	TKZ5ZF50071	TKZ5ZF50074	METAL_AV_BRACKET_BTM	1	PAVCA
	TMK2AG153	-----	SPONGE(3x20x30)	0	
	TQB2AA0636	TQB2AC0082	INSTRUCTION BOOK(ENGLISH/SPANISH)	1	PAVCA Δ
33	TXFKP0112SER	TXFKK5Z0006	LED BRACKET ASSY	1	PAVCA
21	TXFKU0212SER	TXFKU4512SER	REAR COVER	1	PAVCA

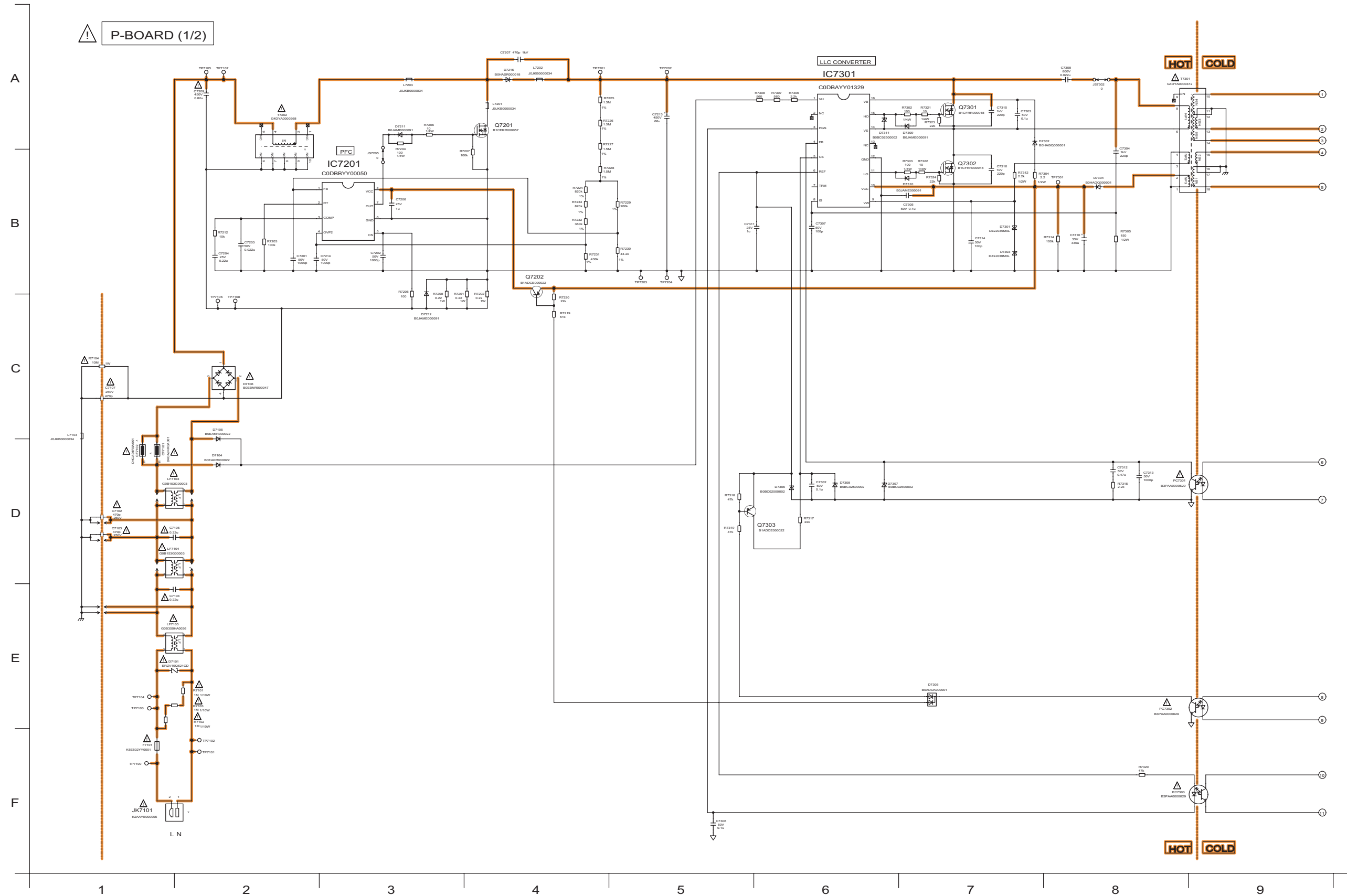
1.2. Electrical Replacement Parts List

Ref.No.	Part No.		Part Name & Description	Pcs	Remarks
	TC-L42ET5	TC-L42ET5W			
PCB	TXN/A1SLUUS	TXN/A1SUUXS	CIRCUIT BOARD A	1	(RTL) PAVCA Δ
PCB	TXN/P1SLUU	TXN/P1MSUL	CIRCUIT BOARD P	1	(RTL) PAVCA Δ
C3145	-----	F1J1A106A087	C 10UF, 10V	1	
C3147	-----	F1J1A106A087	C 10UF, 10V	1	
C3171	-----	F1J1A106A087	C 10UF, 10V	1	
C3172	-----	F1J1A106A087	C 10UF, 10V	1	
C3175	-----	F1J1E105A287	C 1UF, 25V	1	PAVCA
C3176	-----	F1J1A106A087	C 10UF, 10V	1	
C3177	-----	F1J1E105A287	C 1UF, 25V	1	PAVCA
C6705	-----	F1J1A106A043	C 10UF, 10V	1	
C6706	-----	F1G1C104A077	C 0.1UF 16V	1	
C6743	F1G1C104A077	-----	C 0.1UF 16V	0	
C6744	F1G1C104A077	-----	C 0.1UF 16V	0	
C6745	F1G1C104A077	-----	C 0.1UF 16V	0	
C6747	F1G1C104A077	-----	C 0.1UF 16V	0	
C6770	F1G1C104A077	-----	C 0.1UF 16V	0	
C6771	F1G1C104A077	-----	C 0.1UF 16V	0	
C6772	F1G1C104A077	-----	C 0.1UF 16V	0	
C6773	F1G1H220A834	-----	C 22PF, 50V	0	
C6774	F1G1H220A834	-----	C 22PF, 50V	0	
C7207	F1A3A221A060	-----	C 220PF 1KV	0	
C7207	-----	F1A3A471A060	C 470PF 1KV	1	
C7209	ECWF2W105KAC	ECWF2W824KAC	C 0.82UF, 450V	1	PAVCA
IC3052	-----	C0ABBB000179	IC	1	PAVCA
IC8000	MN2WS0250B	MN2WS0250E	IC	1	PAVCA
IC8900	TVRS696S	TVRS760ADS	IC	1	PAVCA
IC8902	TVRS697S	TVRS872S	IC	1	PAVCA
IC9350	TVRS862S	TVRT028S	IC_SPI FLASH	1	PAVCA
JK3005	-----	K1FY315B0002	CONNECTOR	1	PAVCA
JK3005B	K1FY315B0003	-----	CONNECTOR	0	
JK3008C	-----	K2HC1YYB0077	JACK	1	PAVCA
JK4700	-----	K1FY119E0049	CONNECTOR	1	PAVCA
JK4700A	K1FY119E0050	-----	CONNECTOR	0	
JK4701	-----	K1FY119E0049	CONNECTOR	1	PAVCA
JK4701A	K1FY119E0050	-----	CONNECTOR	0	
JK4702	-----	K1FY119E0049	CONNECTOR	1	PAVCA
JK4702A	K1FY119E0050	-----	CONNECTOR	0	
JK4703	-----	K1FY119E0049	CONNECTOR	1	PAVCA
JK4703A	K1FY119E0050	-----	CONNECTOR	0	

Ref.No.	Part No.		Part Name & Description	Pcs	Remarks
	TC-L42ET5	TC-L42ET5W			
JK7101	-----	K2AAYB000006	CONNECTOR	1	PAVCA
JK7202	K2AEYB000001	-----	AC INLET	0	
JK8600	-----	K2LC1YYE0003	JACK	1	PAVCA
JK8600A	K2LC1YYE0002	-----	JACK	0	
JS0041	-----	D0GAR00J0005	M 0 OHM, 1/16W	1	
JS0050	D0GAR00J0005	-----	M 0 OHM, 1/16W	0	
L3111	-----	J0JYC0000156	FILTER	1	PAVCA
L3112	-----	J0JYC0000156	FILTER	1	PAVCA
L6704	-----	J0JGC0000020	CHIP INDUCTOR	1	
L8663	J0JYC0000014	D0GAR00J0005	M 0 OHM, 1/16W	1	
L8664	J0JYC0000014	D0GAR00J0005	M 0 OHM, 1/16W	1	
LF7103	G0B183G00006	G0B153G00003	CHOKE COIL	1	PAVCA
LF7104	G0B183G00006	G0B153G00003	CHOKE COIL	1	PAVCA
Q3102	-----	B1ABCE000015	TRANSISTOR	1	
Q3103	-----	B1ABCE000015	TRANSISTOR	1	
Q4981	-----	B1ABCE000015	TRANSISTOR	1	
R3118	D0GA473JA023	-----	M 47KOHM, J,1/16W	0	
R3119	D0GA473JA023	-----	M 47KOHM, J,1/16W	0	
R3120	D0GA473JA023	-----	M 47KOHM, J,1/16W	0	
R3122	D0GA473JA023	-----	M 47KOHM, J,1/16W	0	
R3132	-----	D0GB103JA072	M 10K OHM J 1/10W	1	PAVCA
R3163	-----	D0GA104JA023	M100KOHM, J.1/16 W	1	
R3164	-----	D0GA104JA023	M100KOHM, J.1/16 W	1	
R3171	-----	D0GA101JA023	M 100 OHM, J,1/16W	1	
R3172	-----	D0GA101JA023	M 100 OHM, J,1/16W	1	
R3179	-----	D0GA331JA023	M 330 OHM, J,1/16W	1	
R3180	-----	D0GA331JA023	M 330 OHM, J,1/16W	1	
R3209	-----	D0GAR00J0005	M 0 OHM, 1/16W	1	
R3210	-----	D0GAR00J0005	M 0 OHM, 1/16W	1	
R3231	-----	D0GB103JA072	M 10K OHM J 1/10W	1	PAVCA
R3233	-----	D0GB203ZA038	M 20KOHM J 1/10W	1	PAVCA
R3234	-----	D0GB203ZA038	M 20KOHM J 1/10W	1	PAVCA
R3237	-----	D0GB473JA072	M 47KOHM J 1/10W	1	PAVCA
R3238	-----	D0GB473JA072	M 47KOHM J 1/10W	1	PAVCA
R4980	-----	D0GB332JA072	M 3.3KOHM,J,1/10W	1	PAVCA
R4982	-----	D0GA473JA023	M 47KOHM, J,1/16W	1	
R5101	-----	D0GA473JA023	M 47KOHM, J,1/16W	1	
R5102	-----	D0GA473JA023	M 47KOHM, J,1/16W	1	
R5182	-----	D0GA104JA023	M100KOHM, J.1/16 W	1	
R8418	-----	D0GA103JA023	M10KOHM, J.1/16 W	1	
R8441	-----	D0GA103JA023	M10KOHM, J.1/16 W	1	
R8860	-----	D0GA473JA023	M 47KOHM, J,1/16W	1	
R8878	-----	D0GA103JA023	M10KOHM, J.1/16 W	1	
R8880	-----	D0GA103JA023	M10KOHM, J.1/16 W	1	
R8881	-----	D0GA103JA023	M10KOHM, J.1/16 W	1	
TU6704	-----	J3ACAAZ00005	TUNER	1	PAVCA Δ
TU6706	J3ACAAB00007	-----	TUNER	0	
ZA0051	-----	K4AD01D00008	TERMINAL	1	

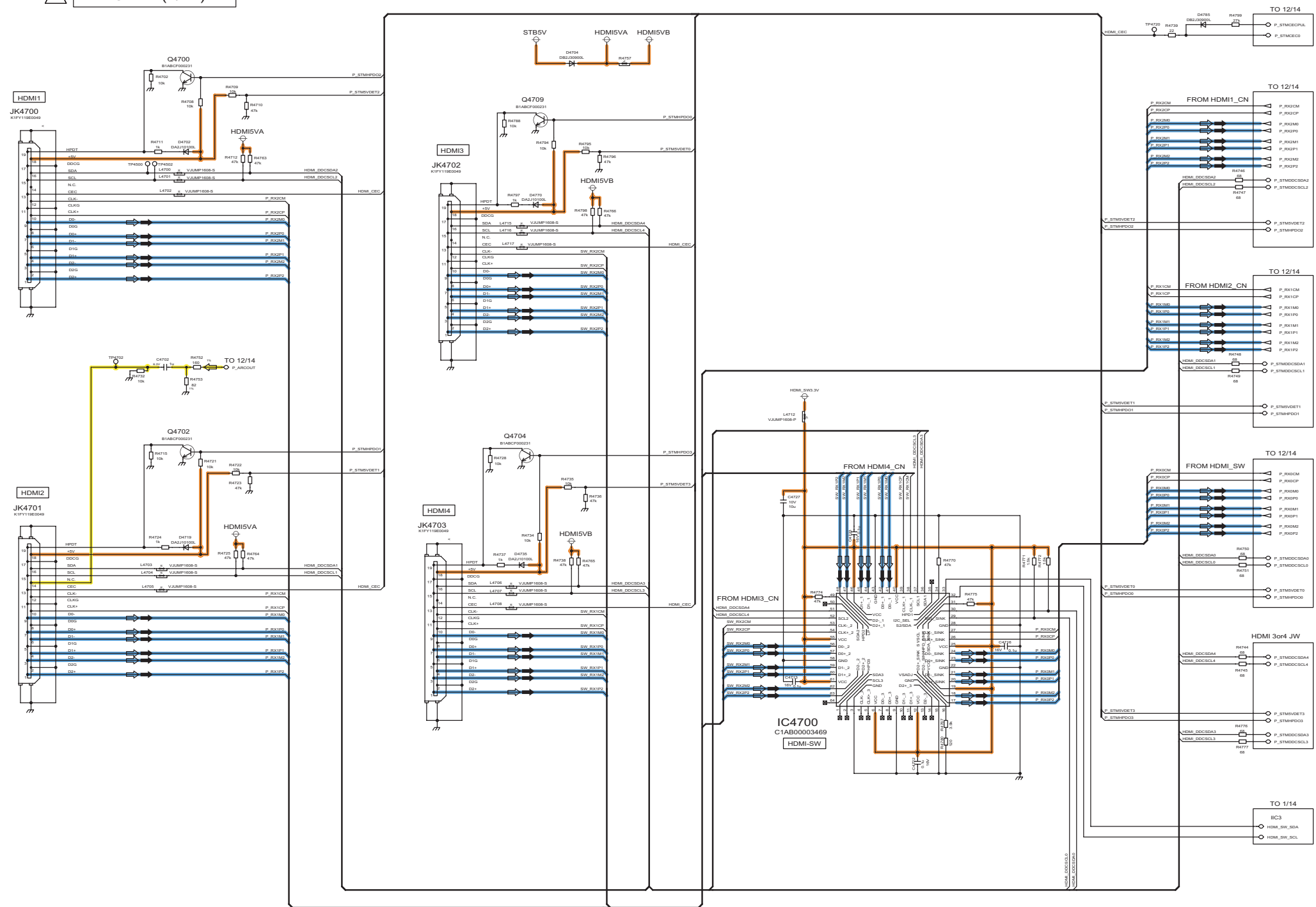
2 Schematic Diagram

2.1. P-Board (1/2)



2.3. A-Board (2/14)

⚠ A-BOARD(2/14)



10

11

12

13

14

15

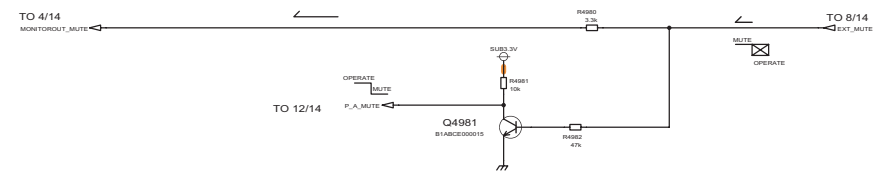
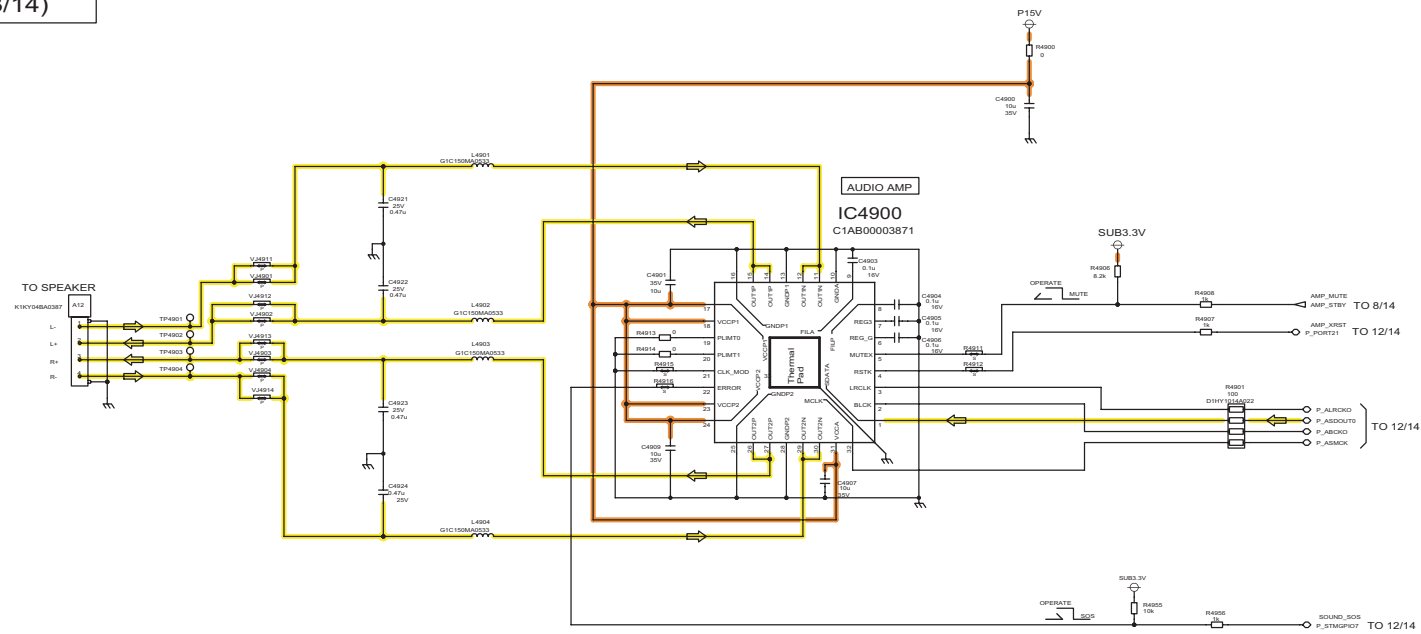
16

17

18

2.4. A-Board (3/14)

⚠ A-BOARD(3/14)



19

20

21

22

23

24

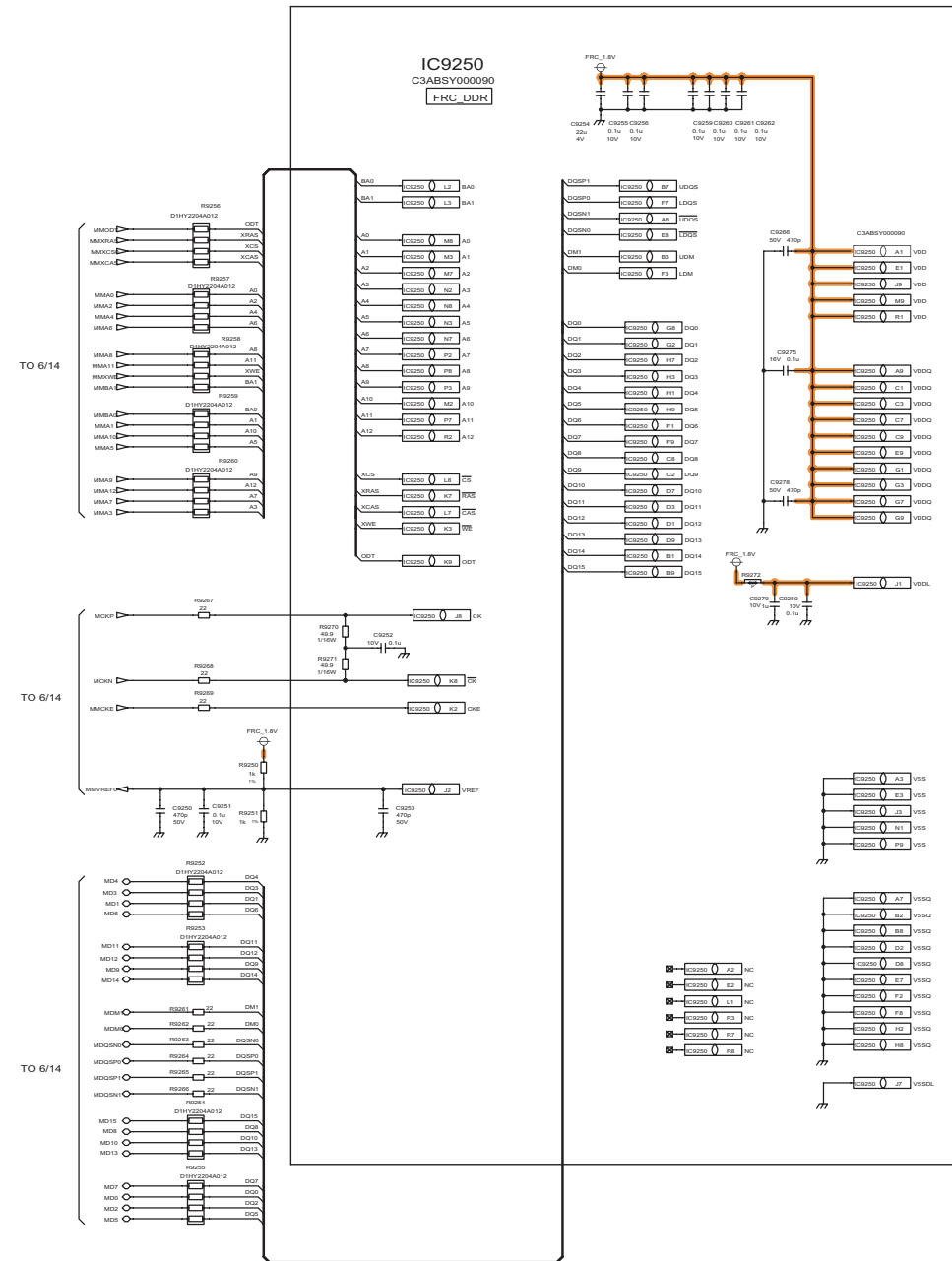
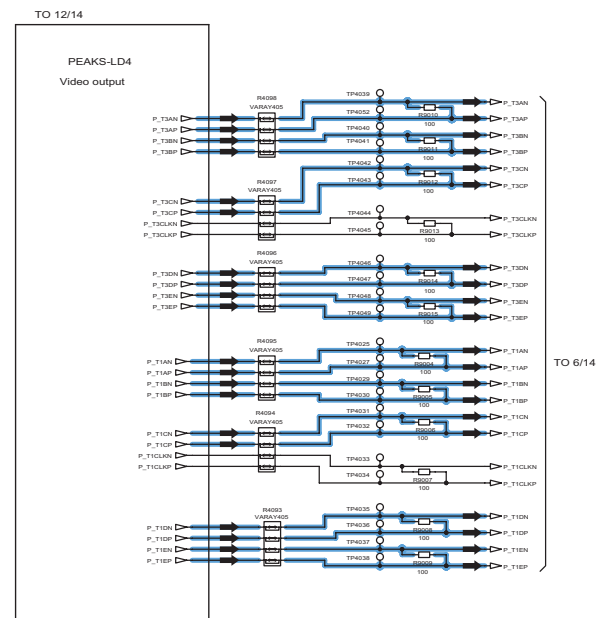
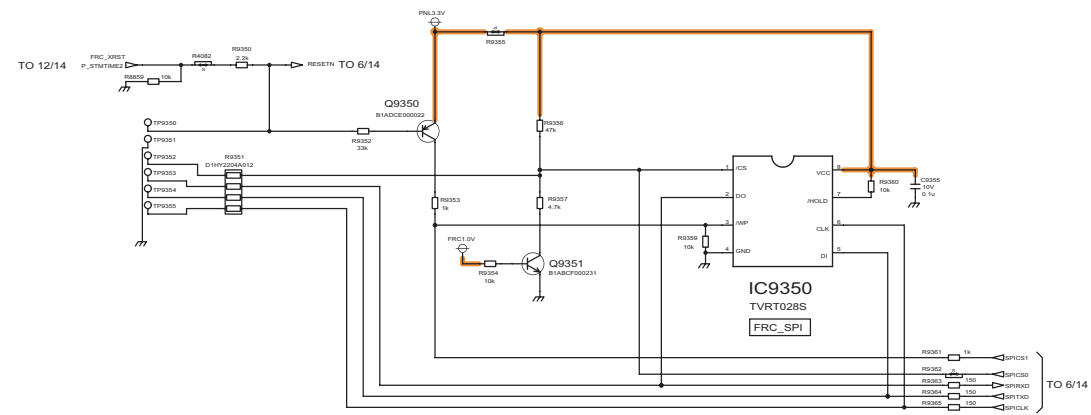
25

26

27

2.6. A-Board (5/14)

 A-BOARD(5/14)



37

38

39

40

41

42

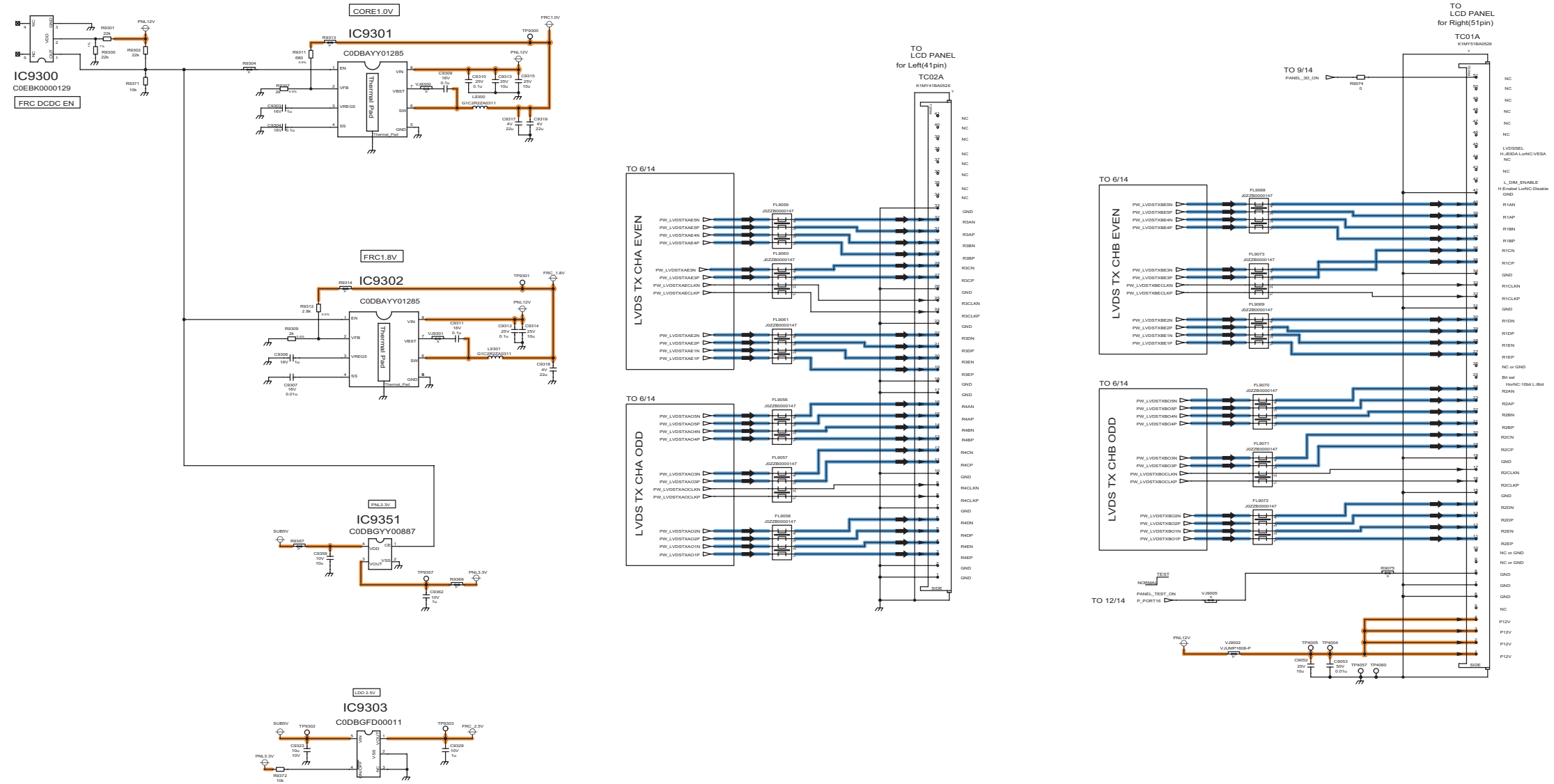
43

44

45

2.8. A-Board (7/14)

⚠ A-BOARD(7/14)



55

56

57

58

59

60

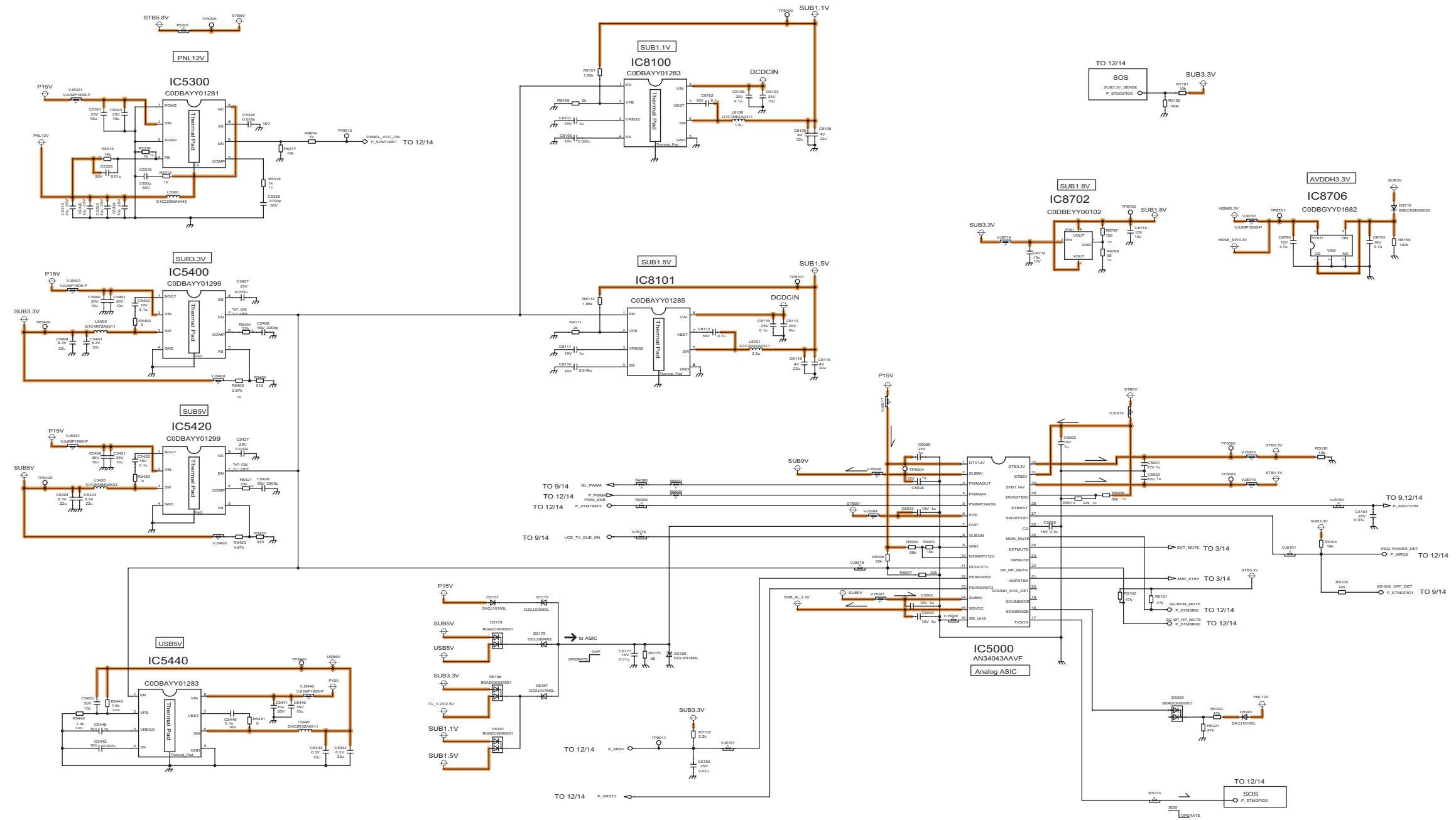
61

62

63

2.9. A-Board (8/14)

⚠ A-BOARD(8/14)



64

65

66

67

68

69

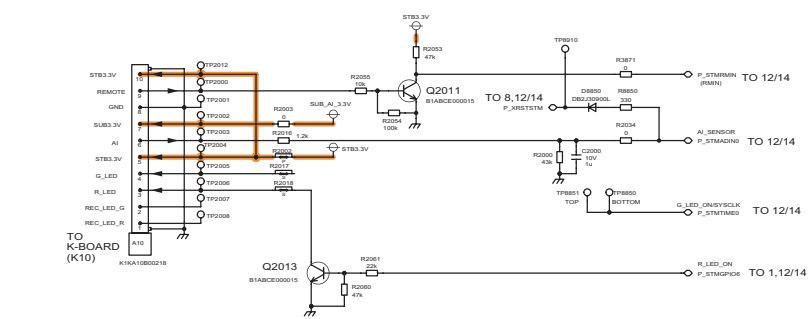
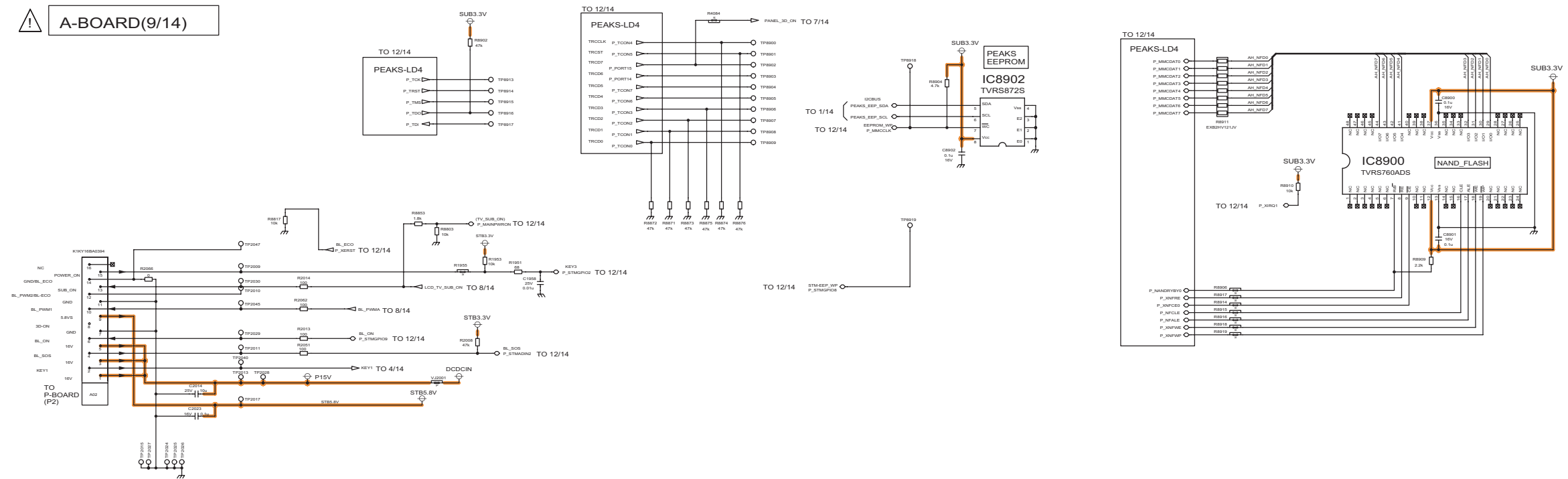
70

71

72

2.10. A-Board (9/14)

⚠ A-BOARD(9/14)



73

74

75

76

77

78

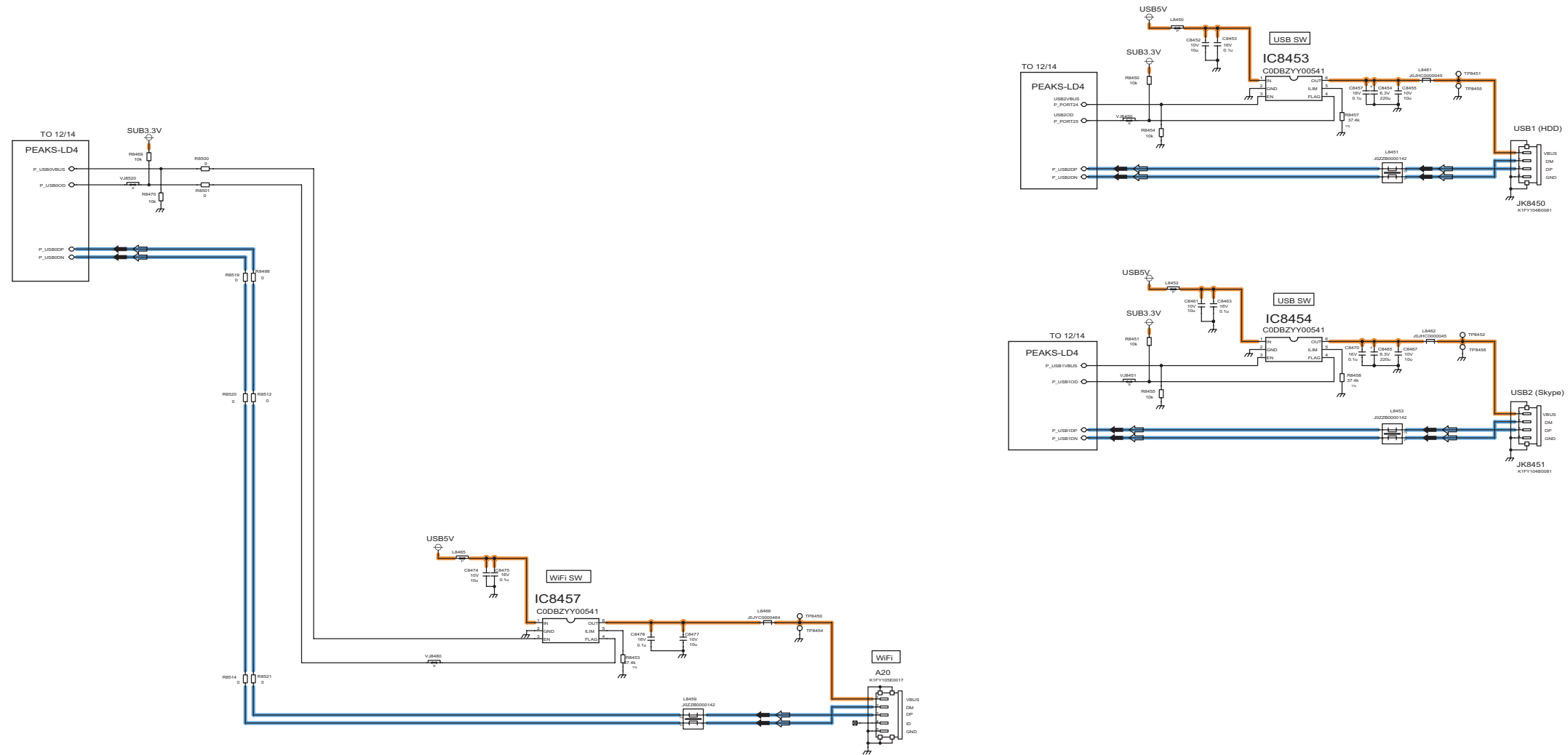
79

80

81

2.12. A-Board (11/14)

⚠ A-BOARD(11/14)



91

92

93

94

95

96

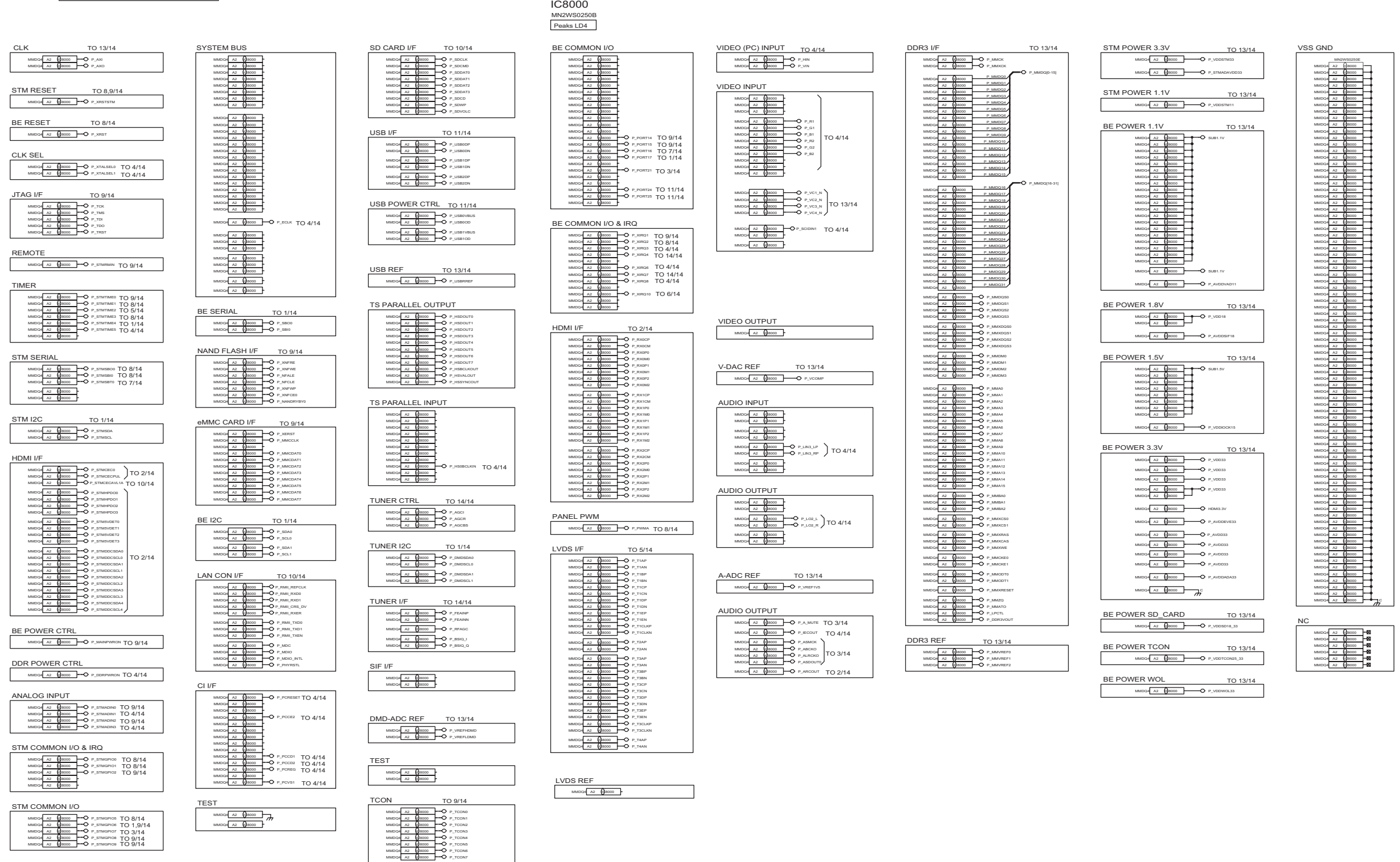
97

98

99

2.13. A-Board (12/14)

A-BOARD(12/14)



100

101

102

103

104

105

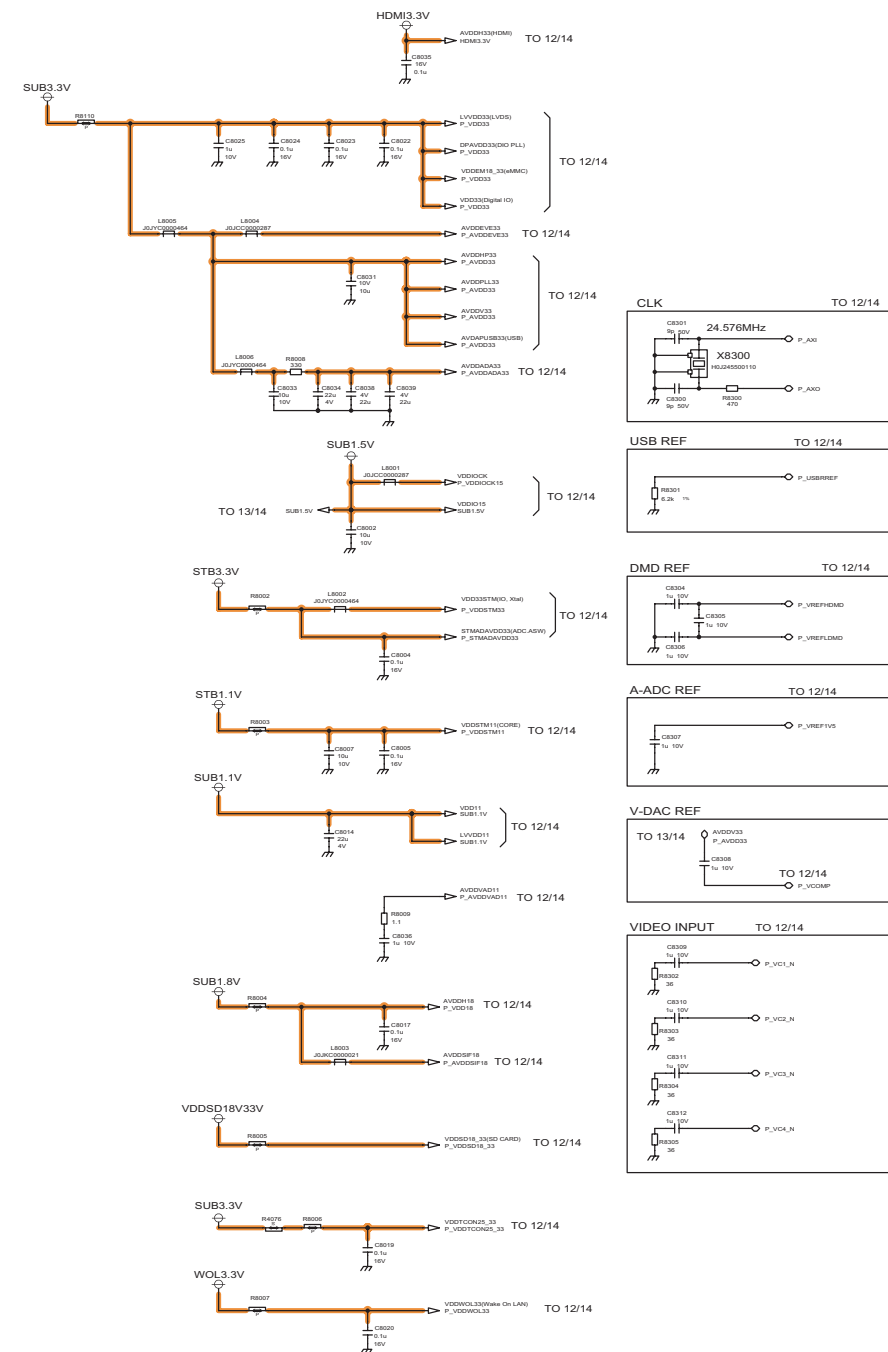
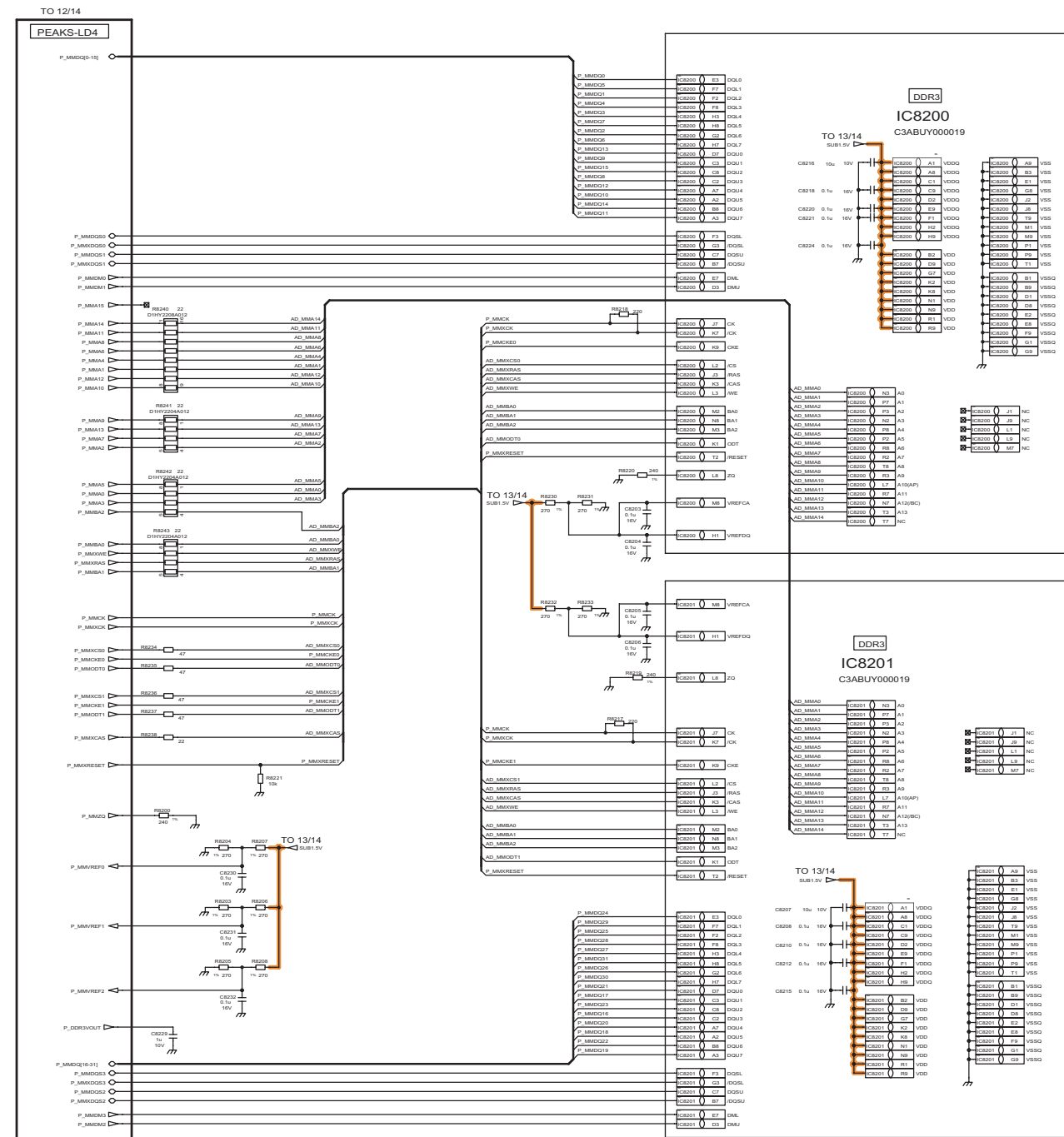
106

107

108

2.14. A-Board (13/14)

A-BOARD(13/14)



109

110

111

112

113

114

115

116

117

2.15. A-Board (14/14)

⚠ A-BOARD(14/14)

