

## 42CHS-W Series

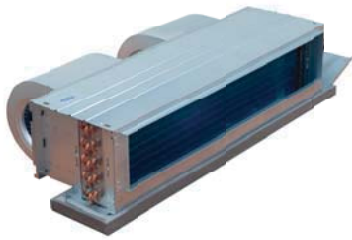
*Chilled Water Fan Coil Unit  
Ceiling Concealed - Duct Type*

Nominal: 400-2,000 CFM



# 42CHS-W Series

---



## ***Furred-in ceiling model 400 - 2000 cfm***

The low silhouette styling of this unit makes it a popular choice for in-the-ceiling or over-the-closet applications in all types of buildings, particularly in apartments, hotels and motels.

---



## ***Furred-in ceiling model with plenum 400 - 2000 cfm***

This adaptation of the basic ducted fan-coil unit includes a factory-installed plenum section that helps you cut field fabrication and labor costs. It's quiet too. The plenum section is fully lined with PE-FOAM insulation. Throwaway or cleanable filters are available.

---

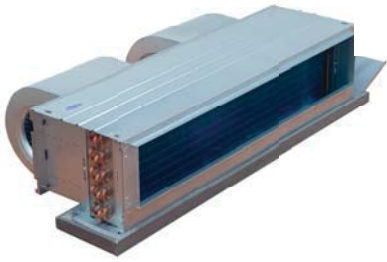


## ***Ceiling model with cabinet 400 - 2000 cfm***

This enclosed edition of the basic 42CH unit features a cabinet fabricated from tough, 18-gage galvanized steel, with removable access panels that are lined with PE-FOAM insulation. Cabinet can be factory painted on special order.

---

# 42CHS-W Series



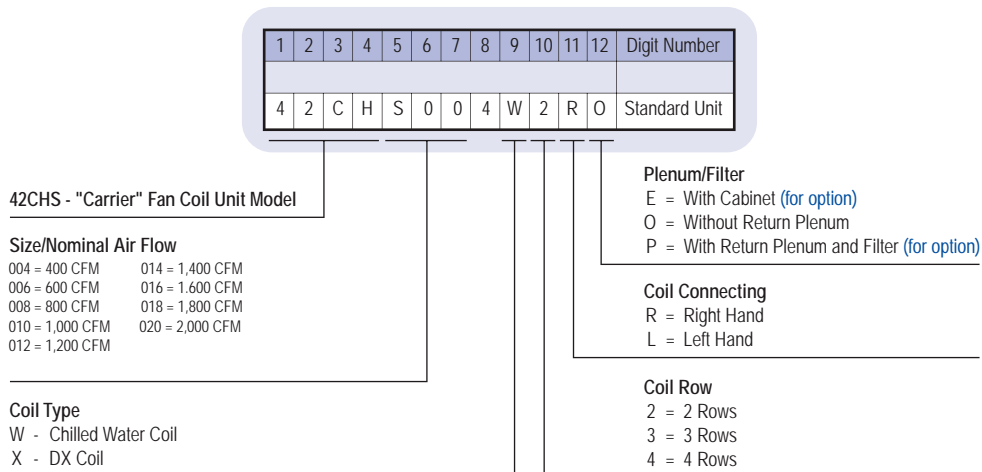
## The Compact and Practical 42CHS Fan Coil Units

The Carrier 42CHS horizontal furred-in Fan Coils are quiet, compact and flexible. Nominal air quantity range from 400 cfm to 2000 cfm. These units are engineered for industrial and medium static pressure.

## Features

- Ultra-compact design-saves installation space
- High efficiency heat transfer surface
- Super quiet operation
- Low installation and maintenance cost-easy wiring, piping connections
- Installed with direct driven forward curved centrifugal fan and 4-speed high efficient motor
- Minimum power requirement for significant money saving to the owners
- Insulated drain pan
- Factory leak test
- Requires no expensive ductwork
- Ideal for new construction or renovation

## Model number nomenclature



## Physical data

Description			Fan Coil Unit							
Model			42CHS-W							
			004W2	004W3	006W2	006W3	008W3	008W4	010W3	010W4
Capacity	Nominal Capacity*	Btu/hr.	13,000	16,230	20,120	22,970	28,810	32,790	32,720	39,420
	Nominal Air Flow	CFM.	400		600		800		1000	
Connections	Water Inlet & outlet	inch	5/8							
	Pipe type	-	Femal Pipe Thread (FPT)							
	Drain	inch	1/2							
	Pipe type	-	Male Pipe Thread (MPT)							
Fan Motor	Type		Permanent Split Capacity 4 Speed							
	Power Support	V/Ph/Hz	220/1/50							
	Current (RLA.)	Amp.	0.51		0.77		0.81		1.21	
	Power input	Watt	112		169		178		226	
	No. of Motor		1							
Blower Wheel	Type		Centrifugal Forward Curve Blade							
	Diameter x Width	Inch x Inch	6 x 7		6 x 7		6 x 8		6 x 8	
	No. of Blower		2							

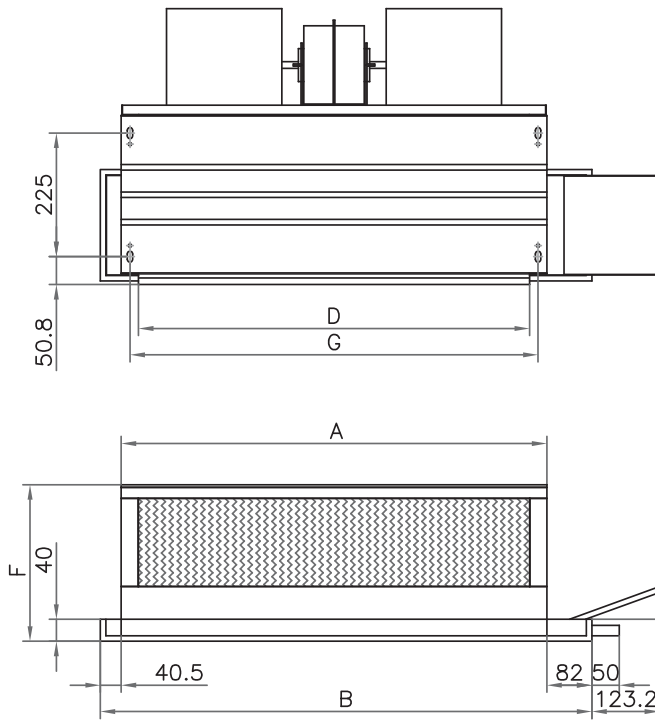
Description			Fan Coil Unit							
Model			42CHS-W							
			012W3	012W4	014W3	014W4	016W3	016W4	020W3	020W4
Capacity	Nominal Capacity*	Btu/hr.	39,560	48,050	45,390	53,430	51,830	58,440	63,990	75,770
	Nominal Air Flow	CFM.	1200		1400		1600		2000	
Connections	Water Inlet & outlet	inch	5/8							
	Pipe type	-	Femal Pipe Thread (FPT)							
	Drain	inch	1/2							
	Pipe type	-	Male Pipe Thread (MPT)							
Fan Motor	Type		Permanent Split Capacity 4 Speed							
	Power Support	V/Ph/Hz	220/1/50							
	Current (RLA.)	Amp.	1.61		1.7		2.35		2.33	
	HP.		353		375		513		489	
	No. of Motor		1							
Blower Wheel	Type		Centrifugal Forward Curve Blade							
	Diameterx Width	Inch x Inch	6 x 9		7 X 8		8 x 9		8 x 9	
	No. of Blower		2							

Note: - All data for standard product.

\* Nominal Capacity based on : EAT 80 Fdb/67 Fwb, CHWT 44/54 F

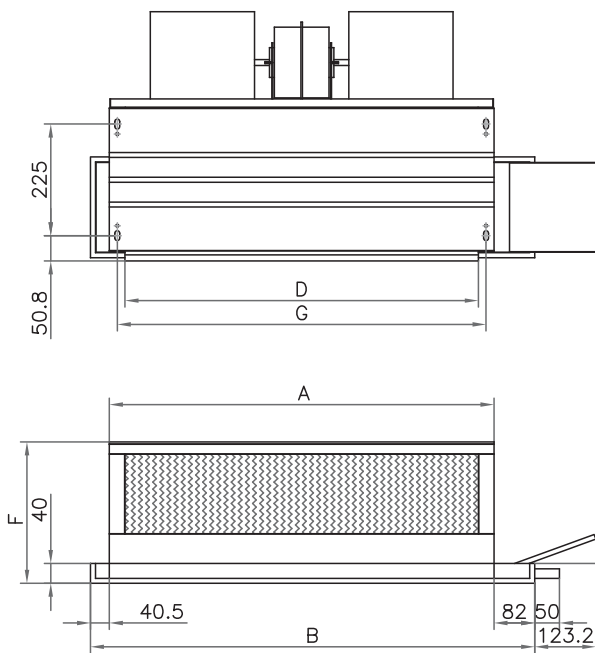
# Unit dimensions

## Model : 42CHS004X-020X WITHOUT PLENUM



DIMENSION	SIZE							
	004	006	008	010	012	014	016	020
A	775	775	775	902	1054	1054	1054	1308
B	895	895	895	1022	1174	1174	1174	1428
C	505	505	515	531	531	575	575	575
D	711	711	711	838	990	990	990	1244
E	207	207	226	240	240	265	265	265
F	240	256	285	285	285	333	333	333
G	743	743	743	870	1022	1022	1022	1276
H	140	155	160	160	160	205	205	205

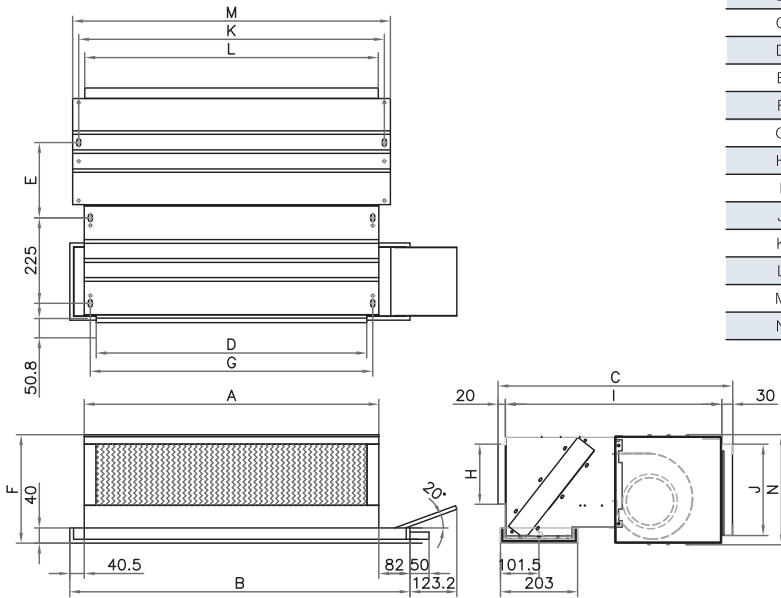
## Model : 42CHS004W-020W WITHOUT PLENUM



DIM.	SIZE											
	004-2R 004-3R	006-2R 006-3R	008-3R 008-4R	010-3R	010-4R	012-3R	012-4R	014-3R	014-4R	016-3R 016-4R	020-3R 020-4R	
A	775	775	775	826	902	978	1054	978	1054	1054	1181	
B	895	895	895	946	1022	1098	1174	1098	1174	1174	1301	
C	505	505	515	531	531	531	531	575	575	575	575	
D	711	711	711	762	838	914	990	914	990	990	1117	
E	207	207	226	240	240	240	240	265	265	265	265	
F	240	256	285	285	285	285	285	333	333	333	333	
G	743	743	743	794	870	946	1022	946	1022	1022	1149	
H	140	155	160	160	160	160	160	205	205	205	205	

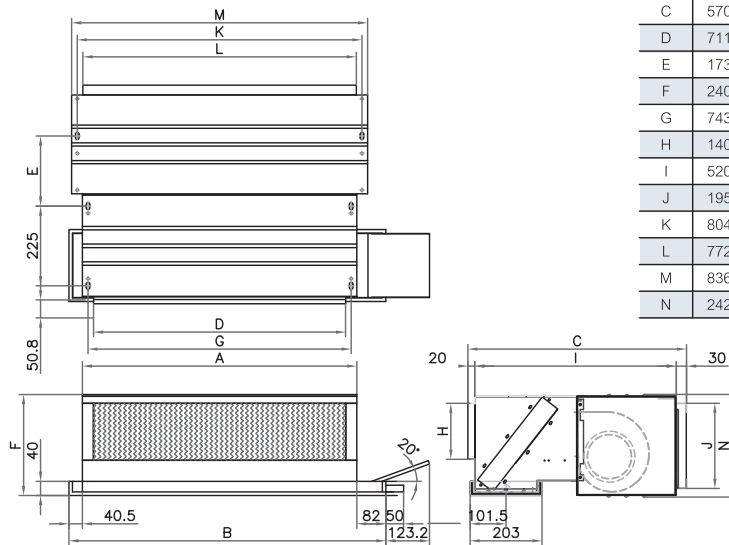
# Unit dimensions

## Model : 42CHS004X-020X WITH PLENUM



DIMENSION	SIZE							
	004	006	008	010	012	014	016	020
A	775	775	775	902	1054	1054	1054	1308
B	895	895	895	1022	1174	1174	1174	1428
C	570	586	620	620	620	670	670	670
D	711	711	711	838	990	990	990	1244
E	173	182	200	200	200	225	225	225
F	240	256	285	285	285	333	333	333
G	743	743	743	870	1022	1022	1022	1276
H	140	155	160	160	160	205	205	205
I	520	535	570	570	570	620	620	620
J	195	210	240	240	240	290	290	290
K	804	804	804	931	1083	1083	1083	1337
L	772	772	772	900	1051	1051	1051	1305
M	836	836	836	963	1115	1115	1115	1369
N	242	257	290	290	290	338	338	338

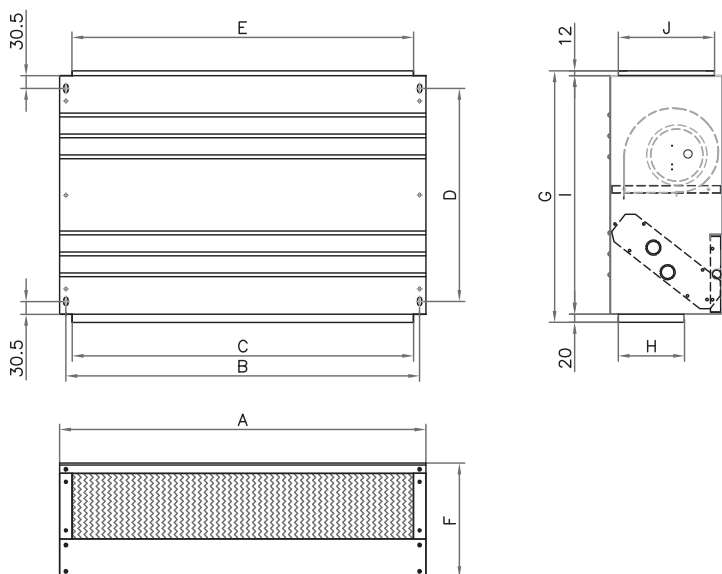
## Model : 42CHS004W-020W WITH PLENUM



DIM.	SIZE											
	004-2R 004-3R	006-2R 006-3R	008-3R 008-4R	010-3R	010-4R	012-3R	012-4R	014-3R	014-4R	016-3R 016-4R	020-3R 020-4R	
A	775	775	775	826	902	978	1054	978	1054	1054	1181	
B	895	895	895	946	1022	1098	1174	1098	1174	1174	1301	
C	570	586	620	620	620	620	670	670	670	670	670	
D	711	711	711	762	838	914	990	914	990	990	1117	
E	173	182	200	200	200	200	200	225	225	225	225	
F	240	256	285	285	285	285	285	333	333	333	333	
G	743	743	743	794	870	946	1022	946	1022	1022	1149	
H	140	155	160	160	160	160	160	205	205	205	205	
I	520	535	570	570	570	570	570	620	620	620	620	
J	195	210	240	240	240	240	240	290	290	290	290	
K	804	804	804	855	931	1007	1083	1007	1083	1083	1210	
L	772	772	772	824	900	975	1051	975	1051	1051	1178	
M	836	836	836	887	963	1039	1115	1039	1115	1115	1242	
N	242	257	290	290	290	290	290	338	338	338	338	

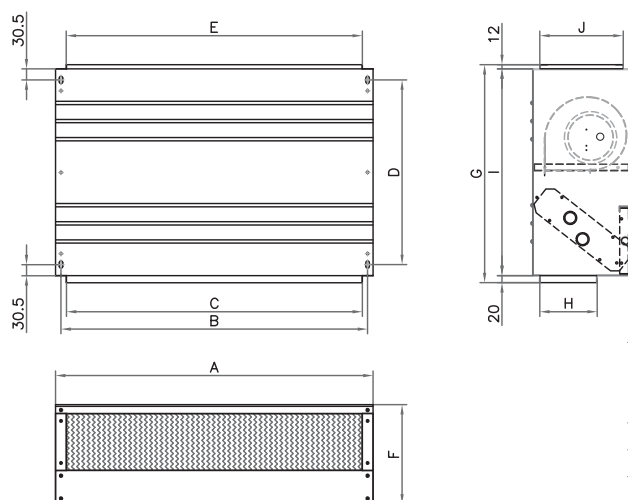
# Unit dimensions

## Model : 42CHS004X-020X WITH CABINET



DIMENSION	SIZE							
	004	006	008	010	012	014	016	020
A	875	875	875	1002	1154	1154	1154	1408
B	845	845	845	972	1124	1124	1124	1378
C	815	815	815	942	1094	1094	1094	1348
D	460	475	510	510	510	560	560	560
E	815	815	815	942	1094	1094	1094	1348
F	232	250	280	280	280	323	323	323
G	555	570	600	600	600	650	650	650
H	140	155	160	160	160	205	205	205
I	523	538	568	568	568	618	618	618
J	185	205	230	230	230	275	275	275

## Model : 42CHS004W-020W WITH CABINET



DIM.	SIZE											
	004-2R 004-3R	006-2R 006-3R	008-3R 008-4R	010-3R	010-4R	012-3R	012-4R	014-3R	014-4R	016-3R 016-4R	020-3R 020-4R	
A	875	875	875	926	1002	1078	1154	1078	1154	1154	1281	
B	845	845	845	896	972	1048	1124	1048	1124	1124	1251	
C	815	815	815	866	942	1018	1094	1018	1094	1094	1221	
D	460	475	510	510	510	510	510	560	560	560	560	
E	815	815	815	866	942	1018	1094	1018	1094	1094	1221	
F	232	250	280	280	280	280	280	323	323	323	323	
G	555	570	600	600	600	600	600	650	650	650	650	
H	140	155	160	160	160	160	160	205	205	205	205	
I	523	538	568	568	568	568	568	618	618	618	618	
J	185	205	230	230	230	230	230	275	275	275	275	

# Performance data 42CHS-W Model

Ent./LvgWater Temp : 44/54F Capacity

Model	Air Flow CFM	76/63				78/65				80/67				82/69			
		TC btu/hr	SH btu/hr	GPM	PD	TC btu/hr	SH btu/hr	GPM	PD	TC btu/hr	SH btu/hr	GPM	PD	TC btu/hr	SH btu/hr	GPM	PD
42CHS004W2RO	400	9,530	8,830	1.9	4.9	11,290	9,320	2.3	6.8	13,000	9,750	2.6	9.0	14,720	10,130	2.9	11.1
42CHS004W3RO	400	12,010	9,840	2.4	5.8	14,090	10,440	2.8	7.7	16,230	11,020	3.2	9.7	18,340	11,530	3.7	11.7
42CHS006W2RO	600	14,940	13,480	3.0	7.9	17,610	14,210	3.5	10.2	20,120	14,830	4.0	12.4	22,790	15,440	4.6	15.8
42CHS006W3RO	600	17,060	14,340	3.4	8.3	19,540	14,990	3.9	9.0	22,970	15,940	4.6	10.6	26,070	16,690	5.2	12.0
42CHS008W3RO	800	21,140	18,280	4.2	4.7	24,930	19,310	5.0	6.2	28,810	20,290	5.8	7.7	32,650	21,180	6.5	9.6
42CHS008W4RO	800	24,160	19,520	4.8	5.3	28,420	20,720	5.7	6.9	32,790	21,890	6.6	8.8	37,110	22,930	7.4	11.1
42CHS010W3RO	1000	24,050	21,750	4.8	4.5	28,500	13,010	5.7	5.9	32,720	23,920	6.5	8.4	36,790	24,740	7.4	9.3
42CHS010W4RO	1000	29,030	23,850	5.8	4.4	34,160	25,290	6.8	5.9	39,420	26,660	7.9	7.6	44,620	27,880	8.9	9.3
42CHS012W3RO	1200	29,010	26,160	5.8	5.0	34,500	27,620	6.9	7.0	39,560	28,810	7.9	8.8	44,800	29,940	9.0	10.7
42CHS012W4RO	1200	35,170	28,760	7.0	2.9	41,600	30,570	8.3	3.9	48,050	32,270	9.6	5.0	54,330	33,750	10.9	6.2
42CHS014W3RO	1400	33,240	30,240	6.6	4.9	39,540	31,920	7.9	6.3	45,390	33,290	9.1	7.6	51,230	34,500	10.2	9.1
42CHS014W4RO	1400	39,380	32,640	7.9	3.8	46,290	34,510	9.3	4.8	53,430	36,310	10.7	6.0	60,410	37,890	12.1	7.6
42CHS016W3RO	1600	38,400	34,630	7.7	6.1	45,400	36,450	9.1	7.6	51,830	37,910	10.4	9.3	58,380	39,240	11.7	11.6
42CHS016W4RO	1600	42,910	36,170	8.6	4.3	51,030	38,360	10.2	5.5	58,440	40,110	11.7	7.1	64,220	41,050	12.8	7.3
42CHS020W3RO	2000	47,760	42,920	9.6	5.6	56,420	45,140	11.3	7.5	63,990	46,750	12.8	9.3	71,850	48,260	14.4	11.2
42CHS020W4RO	2000	55,930	46,220	11.2	5.8	65,770	48,850	13.2	7.7	75,770	51,300	15.2	9.7	84,910	53,220	17.0	12.0

Ent./LvgWater Temp : 45/55 F Capacity

Model	Air Flow CFM	76/63				78/65				80/67				82/69			
		TC btu/hr	SH btu/hr	GPM	PD	TC btu/hr	SH btu/hr	GPM	PD	TC btu/hr	SH btu/hr	GPM	PD	TC btu/hr	SH btu/hr	GPM	PD
42CHS004W2RO	400	8,870	8,580	1.8	4.4	10,660	9,090	2.1	6.1	12,340	9,510	2.5	8.1	14,010	9,880	2.8	10.2
42CHS004W3RO	400	11,300	9,560	2.3	5.1	13,300	10,130	2.7	7.0	15,400	10,690	3.1	9.0	17,470	11,200	3.5	10.9
42CHS006W2RO	600	13,900	13,080	2.8	7.0	16,640	13,850	3.3	9.4	19,160	14,480	3.8	11.5	21,690	15,040	4.3	14.4
42CHS006W3RO	600	15,800	13,850	3.2	7.3	18,530	14,590	3.7	8.5	21,610	15,420	4.3	10.0	24,880	16,240	5.0	11.5
42CHS008W3RO	800	19,780	17,760	4.0	4.2	23,550	18,800	4.7	5.6	27,250	19,720	5.5	7.1	31,150	20,640	6.2	8.8
42CHS008W4RO	800	22,690	18,940	4.5	4.8	26,810	20,100	5.4	6.3	31,100	21,240	6.2	8.0	35,360	22,260	7.1	10.2
42CHS010W3RO	1000	22,290	21,090	4.5	4.0	26,950	22,370	5.4	5.4	31,090	23,340	6.2	6.8	35,090	24,160	7.0	8.5
42CHS010W4RO	1000	27,230	23,170	5.4	4.0	32,250	24,560	6.5	5.3	37,410	25,890	7.5	7.0	42,460	27,080	8.5	8.6
42CHS012W3RO	1200	26,930	25,390	5.4	4.5	32,520	26,910	6.5	6.2	37,590	28,120	7.5	8.1	42,700	29,210	8.5	9.9
42CHS012W4RO	1200	32,810	27,840	6.6	2.5	39,290	29,690	7.9	3.5	45,540	31,310	9.1	4.5	51,770	32,790	10.4	5.7
42CHS014W3RO	1400	30,820	29,350	6.2	4.4	37,350	31,140	7.5	5.8	43,110	32,490	8.6	7.1	48,860	33,680	9.8	8.4
42CHS014W4RO	1400	36,950	31,720	7.4	3.5	43,760	33,560	8.8	4.4	50,650	35,280	5.5	5.4	57,650	36,890	11.5	7.0
42CHS016W3RO	1600	35,580	33,600	7.1	5.4	42,900	35,560	8.6	7.1	49,410	37,070	9.9	8.5	55,650	38,310	11.1	10.6
42CHS016W4RO	1600	41,660	35,760	8.3	4.1	48,520	37,440	9.7	5.1	55,460	39,030	11.1	6.5	62,140	40,360	12.4	7.5
42CHS020W3RO	2000	44,390	41,700	8.9	5.1	53,570	44,140	10.7	6.8	61,060	45,760	12.2	8.6	68,520	47,150	13.7	10.4
42CHS020W4RO	2000	52,330	44,870	10.5	5.1	62,120	48,930	12.3	6.8	72,200	50,010	14.4	9.0	81,140	51,890	16.2	11.0

บริษัท แครีเออร์ (ประเทศไทย) จำกัด  
 1858/63-74 ชั้น 14, 15  
 ถ.บางนา-ตราด กม. 4.5  
 บางนา กรุงเทพฯ 10260  
 โทร. 0-2762-9222 แฟกซ์: 0-2751-4778

Carrier (Thailand) Ltd.  
 1858/63-74, 14<sup>th</sup>, 15<sup>th</sup> Floor,  
 Bangna-Trad Road, Km. 4.5,  
 Bangna, Bangkok 10260 Thailand  
 Tel. 0-2762-9222 Fax: 0-2751-4778

Carrier reserves the right to make changes in specifications without prior notice.  
 บริษัทฯ ขอสงวนสิทธิ์ที่จะเปลี่ยนแปลงรายละเอียดข้างต้น โดยไม่ต้องแจ้งให้ทราบล่วงหน้า



YOUR CARRIER