

4K/UHD Scaler for HDBaseT and HDMI with Video Wall Processing AT-HDVS-SC-RX



The Atlona **AT-HDVS-SC-RX** is an HDBaseT receiver and 4K/UHD scaler with a local HDMI input. It receives HDBaseT for video output up to 4K/30 4:4:4, plus embedded audio, control, and Ethernet over distances up to 330 feet (100 meters). The HDVS-SC-RX features Atlona CrystalScale technology with high quality downscaling and upscaling, as well as a host of advanced image optimization capabilities plus video wall processing. The HDVS-SC-RX is ideal for 4K presentation applications with HDVS-200 Series switching transmitters, EX Series transmitters, Atlona AV switchers with HDBaseT outputs, and local HDMI sources, plus the Gain™ 60 amplifier. The HDVS-SC-RX and an HDVS-200 Series transmitter together serve as a compact, fully automated AV system with the convenience of automatic input selection, display control, remote transmitter powering through Power over Ethernet (PoE), and 4K/UHD scaling.

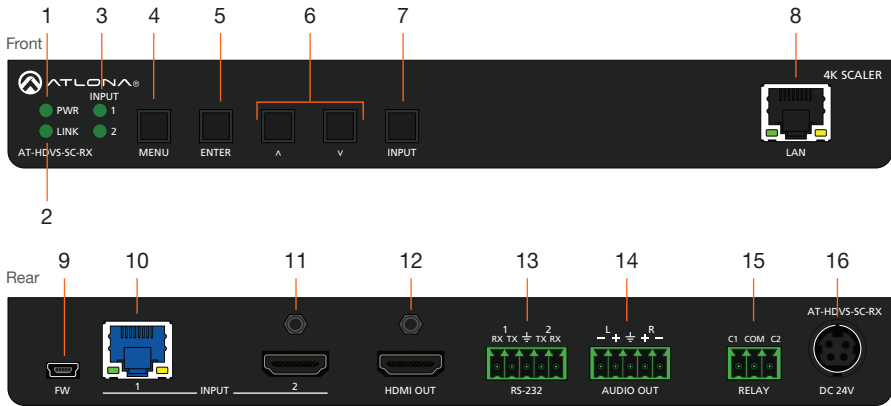
Package Contents

- 1 x AT-HDVS-SC-RX
- 1 x Captive screw connector, 3-pin
- 2 x Captive screw connector, 5-pin
- 1 x 24 V DC power supply
- 1 x Installation Guide



IMPORTANT: Visit <http://www.atlona.com/product/AT-HDVS-SC-RX> for the latest firmware updates and User Manual.

Panel Description

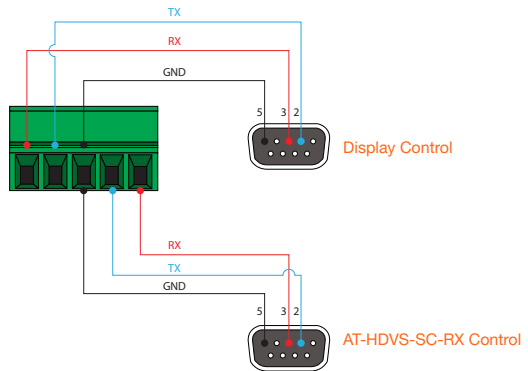
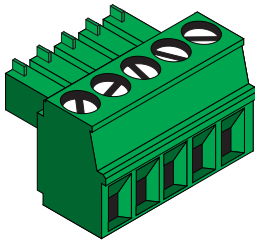


- | | |
|--|--|
| <p>1 PWR
This LED indicator glows solid green when the unit is powered. When set to standby mode, this LED indicator glows solid amber.</p> <p>2 LINK
This LED indicator displays the link status.</p> <p>3 INPUT 1 / 2
These LED indicators display the currently selected input. The active input will be indicated by a solid green LED.</p> <p>4 MENU
Press this button to display the built-in menu system.</p> <p>5 ENTER
Press this button to confirm the highlighted selection in the menu system.</p> <p>6 UP / DOWN
Press these buttons to highlight the desired options in the menu system.</p> <p>7 INPUT
Press and release this button to toggle between INPUT 1 and INPUT 2. The INPUT 1 and INPUT 2 LED indicators will toggle, based on the selected input.</p> <p>8 LAN
Connect an Ethernet cable from this port to the Local Area Network.</p> | <p>9 FW
Connect a mini USB cable to this port to update the firmware.</p> <p>10 HDBaseT Input
Connect a transmitter, such as the AT-UHD-PRO3-44M, to this port using an Ethernet cable.</p> <p>11 HDMI Input
Connect a UHD/HD source to this port using an HDMI cable.</p> <p>12 HDMI OUT
Connect an HDMI cable from this port to a display or other sink device.</p> <p>13 RS-232
Connect the included 5-pin captive screw block to this port.</p> <p>14 AUDIO OUT
Connect the included 5-pin captive screw block to this port. Refer to Audio Output Connector (page 3) for wiring information.</p> <p>15 RELAY
Connect the included 3-pin captive screw connector to this port to control screens, drapes, lights, or other devices.</p> <p>16 DC 24V
Connect the included 24 V DC locking power supply to this power receptacle.</p> |
|--|--|

RS-232 Connector

The AT-HDVS-SC-RX provides RS-232 control of both the display and/or the AT-HDVS-SC-RX. This step is optional.

1. Use wire strippers to remove a portion of the cable jacket.
2. Remove at least 3/16" (5 mm) from the insulation of the RX, TX, and GND wires.
3. Insert the TX, RX, and GND wires into correct terminal on the included captive screw block.

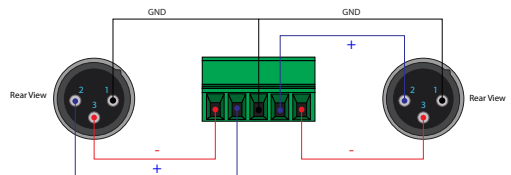


Audio Output Connector

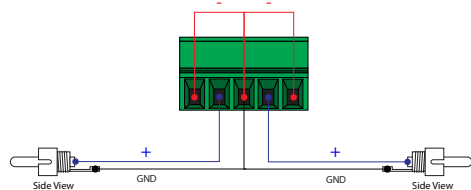
The **AUDIO OUT** connector on the AT-HDVS-SC-RX provides the ability to connect either balanced or unbalanced audio inputs, using the included 5-pin captive screw block.

Balanced audio connections use two signal wires and a ground to minimize interference in audio signals. Unbalanced audio connections use one signal wire and a ground and are used if system components don't support balanced signals.

Balanced Audio using XLR Connectors



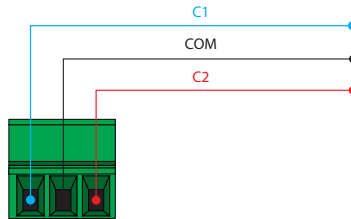
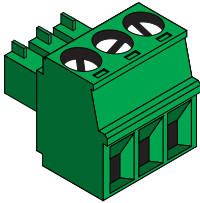
Unbalanced Audio using RCA Connectors



Relay

The AT-HDVS-SC-RX provides a **RELAY** port, allowing the control of screens, curtains, and other devices. Use a 48 V DC relay with no more than 1 A current draw.

When the AT-HDVS-SC-RX is powered-on or rebooted, **C1** and **C2** are set to the Normally Open (NO) state.



Installation

1. Connect an Ethernet cable from the **INPUT 1** port to a transmitter, such as an AT-HDVS-200-TX.
2. Connect an HDMI cable from the **INPUT 2** port to a UHD/HD source.
3. Connect an HDMI cable from **HDMI OUT** port to a UHD/HD display.
4. Connect an RS-232 control and/or display device to the RS-232 port using the included 5-pin captive screw block. Each RS-232 port serves a different function.
 - **RS-232 1**
Used to control an external display device.
 - **RS-232 2**
Used to control the AT-HDVS-SC-RX.
5. Connect an amplifier, such as the AT-GAIN-60, to the **AUDIO OUT** port using the included 5-pin captive screw block.
6. Connect the relay leads from the control motors of the projection screen, blinds, or curtains, of the relay outputs to the **RELAY** port, using the included 3-pin captive screw block. Use a 48 V DC relay with no more than 1 A current draw.
7. Connect an Ethernet cable from the **LAN** port, on the front of the unit, to a network switch for set up and control of the unit.
8. Connect the included power supply to the **DC 24V** power receptacle.
9. Connect the IEC power cable to an available electrical outlet.

IP Configuration

By default, the AT-HDVS-SC-RX is set to DHCP mode, allowing a DHCP server (if present) to assign the unit an IP address. If a DHCP server is not found within 15 seconds, then the unit will be placed in Auto IP mode and use a self-assigned IP address within the range of 169.254.xxx.xxx. If DHCP or Auto IP mode are not desired, the unit can be placed into static IP mode using the built-in menu system.

Switching the IP mode

1. Make sure the AT-HDVS-SC-RX is powered.
2. Connect an HDMI cable from the **HDMI OUT** port on the AT-HDVS-SC-RX to the HDMI input port on a UHD/HD display.
3. Press the **MENU** button on the front panel of the AT-HDVS-SC-RX to display the menu system.
4. The **Change IP address** should be highlighted. If not, press the **UP** or **DOWN** cursor buttons on the front panel to select this option.

Main menu	
Change IP address	
Sys reset	
Select input	
Select HDCP mode	
Set Scaler mode	
Volume up and down	
Information	
Exit	

5. Press the **ENTER** button. The **IP Mode** option will be highlighted.
6. Press the **ENTER** button to select the **IP Mode** option. The **IP Mode** option will be highlighted in green.

IP menu	
IP Mode	Dhcp
Static Set	Ip
Byte1 High	192
Byte2	168
Byte3	1
Byte4 Low	103
Back	
Exit	



NOTE: The current IP address of the unit can be displayed by highlighting the **Information** menu item and pressing the **ENTER** button.

7. Press the **UP** or **DOWN** cursor buttons on the front panel to toggle between **Dhcp** and **Static**.
8. Press the **ENTER** button to set the desired IP mode.

When set to **Static** mode, each byte of the IP address can be set: Press the **UP** or **DOWN** cursor buttons to highlight the desired field, then press **ENTER** to select the field. Press the **UP** or **DOWN** buttons to change the byte value. Press the **ENTER** button to confirm the value.

IP menu	
IP Mode	Static
Static Set	Ip
Byte1 High	192
Byte2	168
Byte3	1
Byte4 Low	103
Back	
Exit	

9. Press the **UP** or **DOWN** cursor buttons to highlight **Back**, then press the **ENTER** button to return to the main menu. Highlight and select **Exit** to exit without returning to the main menu.

Velocity™ with Integrated AMS

For easy configuration of Atlona devices, Velocity™ with Integrated AMS is available from <https://atlona.com/ams> for free. Two options can be used for installation: The free Linux-based software download or the easy-to-install server hardware (AT-AMS-HW).

Once AMS has been set up:

1. Open a browser on the same network as Velocity™ with Integrated AMS and go to the IP address of Velocity™ with Integrated AMS. View the Velocity™ with Integrated AMS installation instructions on how to find the IP address of the software, if necessary.
2. Enter the login information on the Velocity™ with Integrated AMS web page, then click the **Login** button.
3. Refer to the AT-HDVS-SC-RX manual for additional information.

Web Server

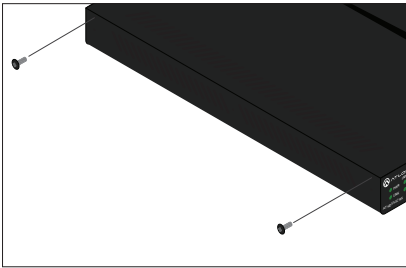
The AT-HDVS-SC-RX includes a built-in web server, which allows easy management and control of all features. Follow the instructions below to access the web GUI.

1. Set the IP mode of the AT-HDVS-SC-RX. Refer to [IP Configuration \(page 5\)](#) for more information.
2. Connect an Ethernet cable from the **LAN** port on the AT-HDVS-SC-RX to the Local Area Network (LAN).
3. Use an IP scanner to determine the IP address of the AT-HDVS-SC-RX.
4. Launch a web browser and enter the IP address of the unit.
5. The AT-HDVS-SC-RX **Login** page will be displayed.
6. Enter the following information on the **Login** page.
Login: admin
Password: Atlona
7. Click the **Login** button.

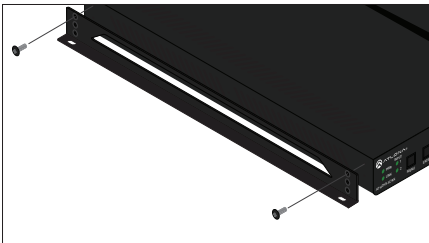
Mounting Instructions

The AT-HDVS-SC-RX includes two mounting brackets, which can be used to attach the unit to any flat surface. Use the two enclosure screws, on either side of the unit, to attach the mounting brackets.

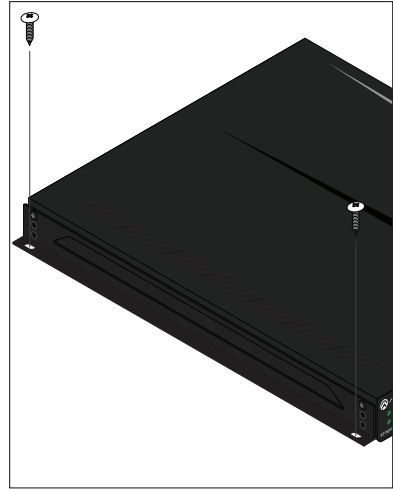
1. Using a small Phillips screwdriver, remove the two screws from the left side of the enclosure.



2. Position one of the mounting brackets, as shown below, aligning the holes on the side of the enclosure with one set of holes on the mounting bracket.
3. Use the screws from Step 1 to attach the mounting bracket.



4. Repeat steps 1 and 2 to attach the second mounting bracket to the opposite side of the unit.
5. Mount the unit to a flat surface using the oval-shaped holes, on each mounting bracket. If using a drywall surface, a #6 drywall screw is recommended.



NOTE: Mounting brackets can also be inverted to mount the unit under a table or other flat surface.

Notes



Notes

Notes

Warranty

To view the product warranty, use the following link or QR code:

<https://atlona.com/warranty/>.



English Declaration of Conformity

The English version can be found under the resources tab at:

<https://atlona.com/product/at-hdvs-sc-rx/>.



Chinese Declaration of Conformity 中国RoHS合格声明

由SKU列出於:

<https://atlona.com/about-us/china-rohs/>.



The terms HDMI, HDMI High-Definition Multimedia Interface, and the HDMI Logo are trademarks or registered trademarks of HDMI licensing Administrator, Inc.