

5 Installation Details

1	Lap Splices	p. 5. 3
2	Base Tie-Ins	p. 5. 9
3	Corners	p. 5. 17
4	Penetrations	p. 5. 27
5	Drains	p. 5. 33
6	Expansion Joints	p. 5. 39
7	Roof Edges	p. 5. 43
8	Terminations	p. 5. 49



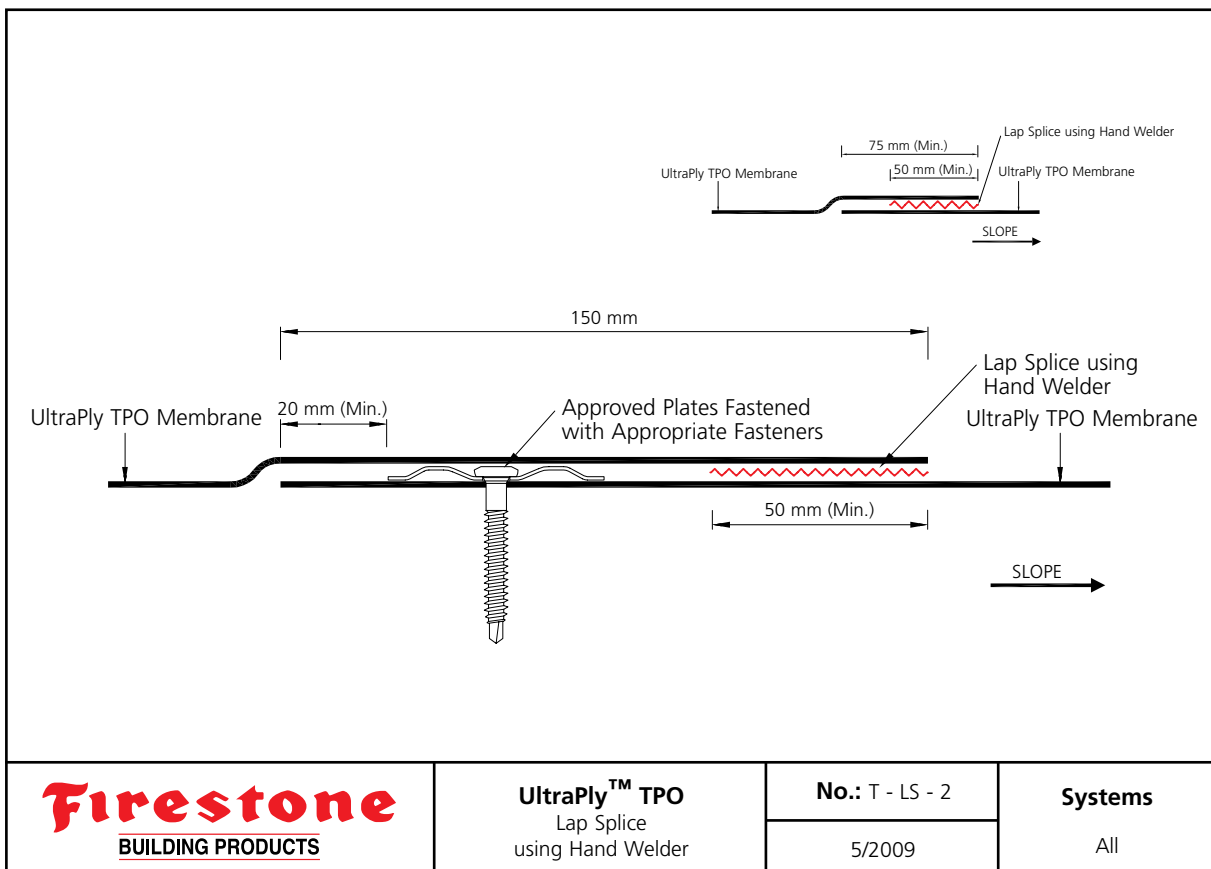
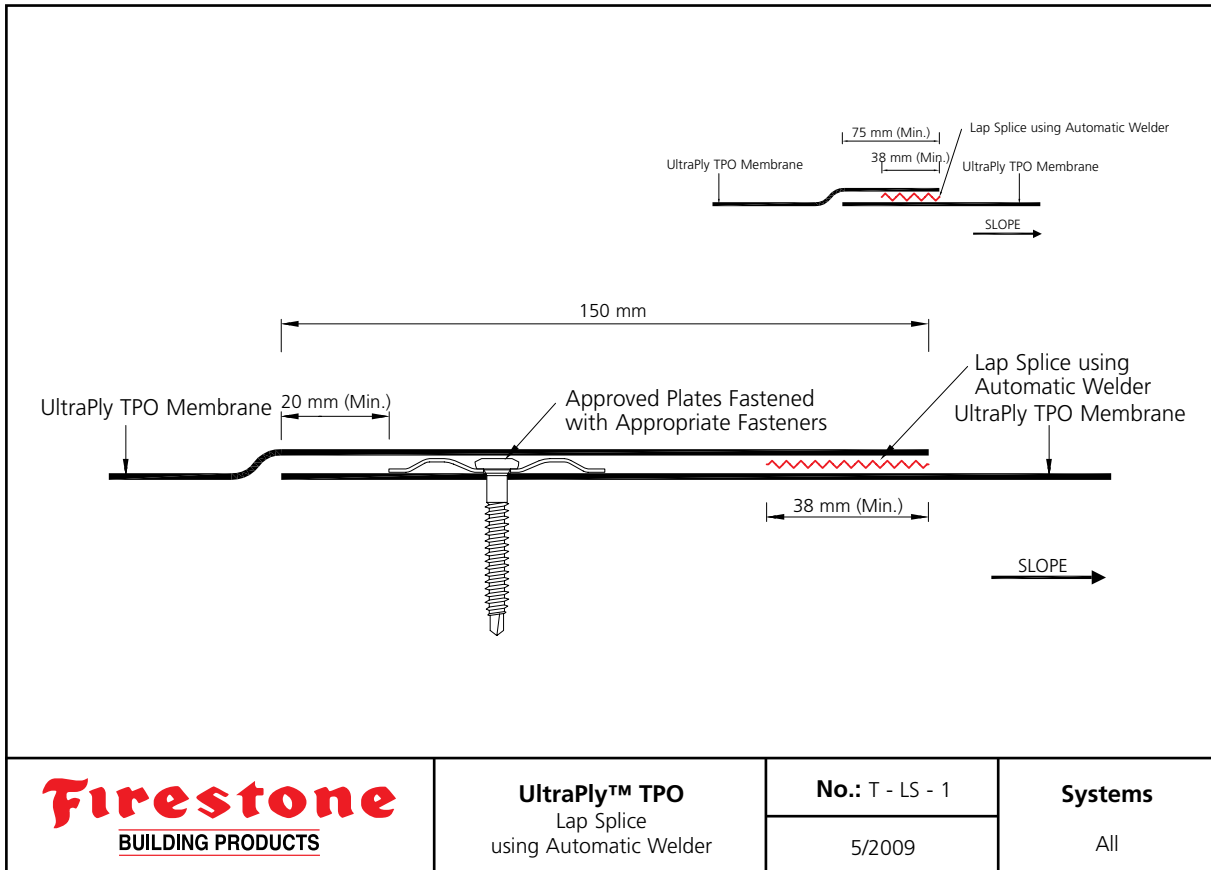


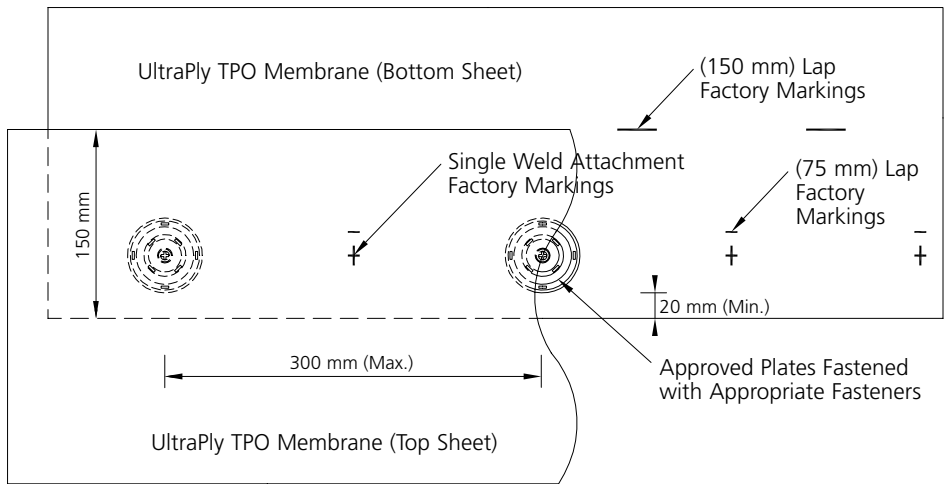
5.1 Lap Splices

No.	UltraPly TPO Detail	Systems
T-LS-1	Lap Splice using Automatic Welder	All
T-LS-2	Lap Splice using Hand Welder	All
T-LS-3	Lap Splice Fastener Layout	MAS
T-LS-4	Lap Splice T-joint with Unsupported Flashing	All
T-LS-5	Lap Splice T-joint with Unsupported Flashing	All
T-LS-6	Lap Splice at Curb or Wall Flashing	All
T-LS-7	Cut Edge Treatment Application	All
T-LS-8	Lap Splice at 4 T-crossing Membranes	MAS

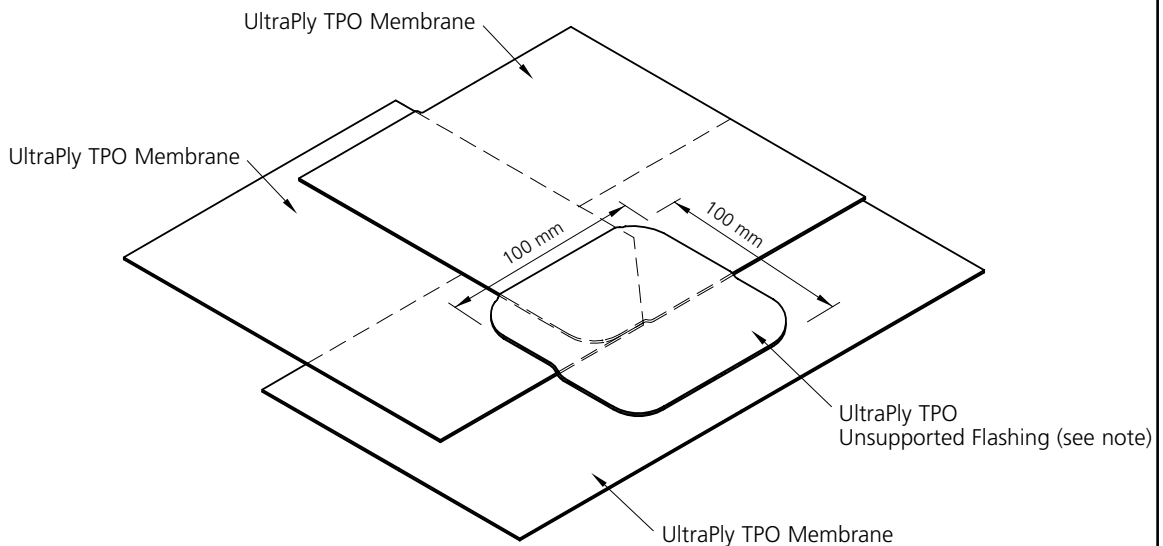








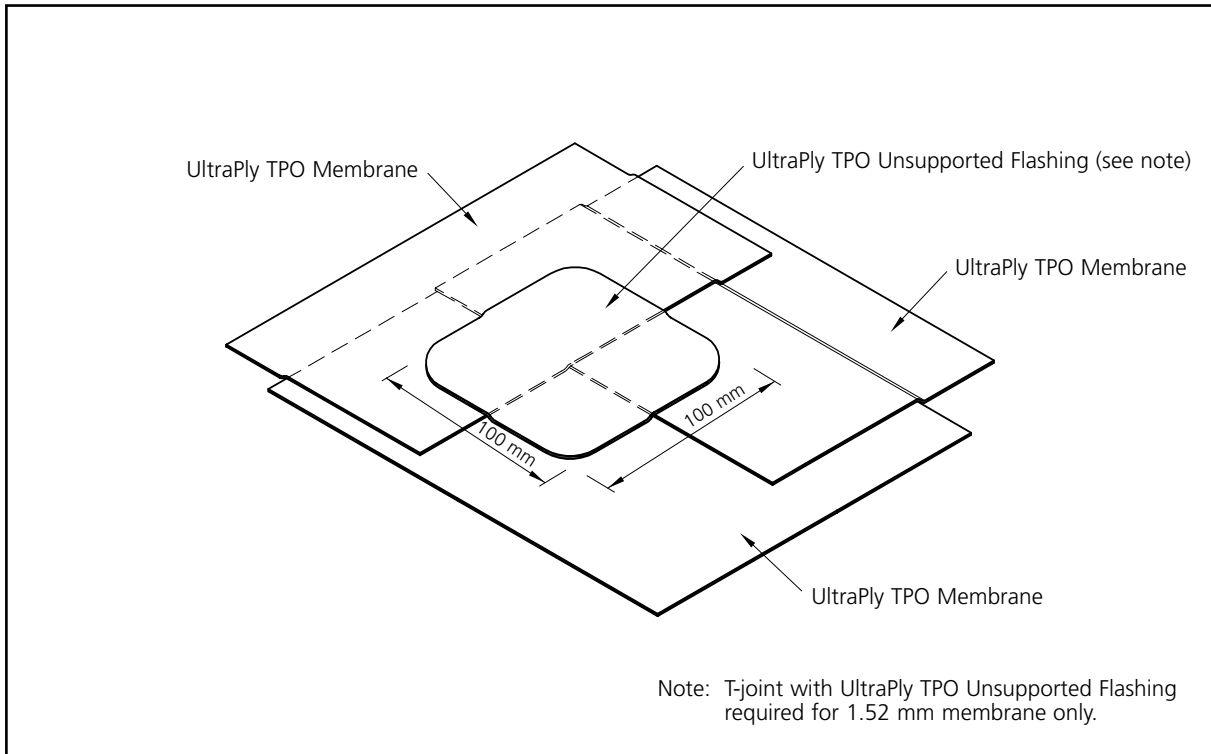
	UltraPly™ TPO Lap Splice Fastener Layout	No.: T - LS - 3	Systems MAS
		5/2009	



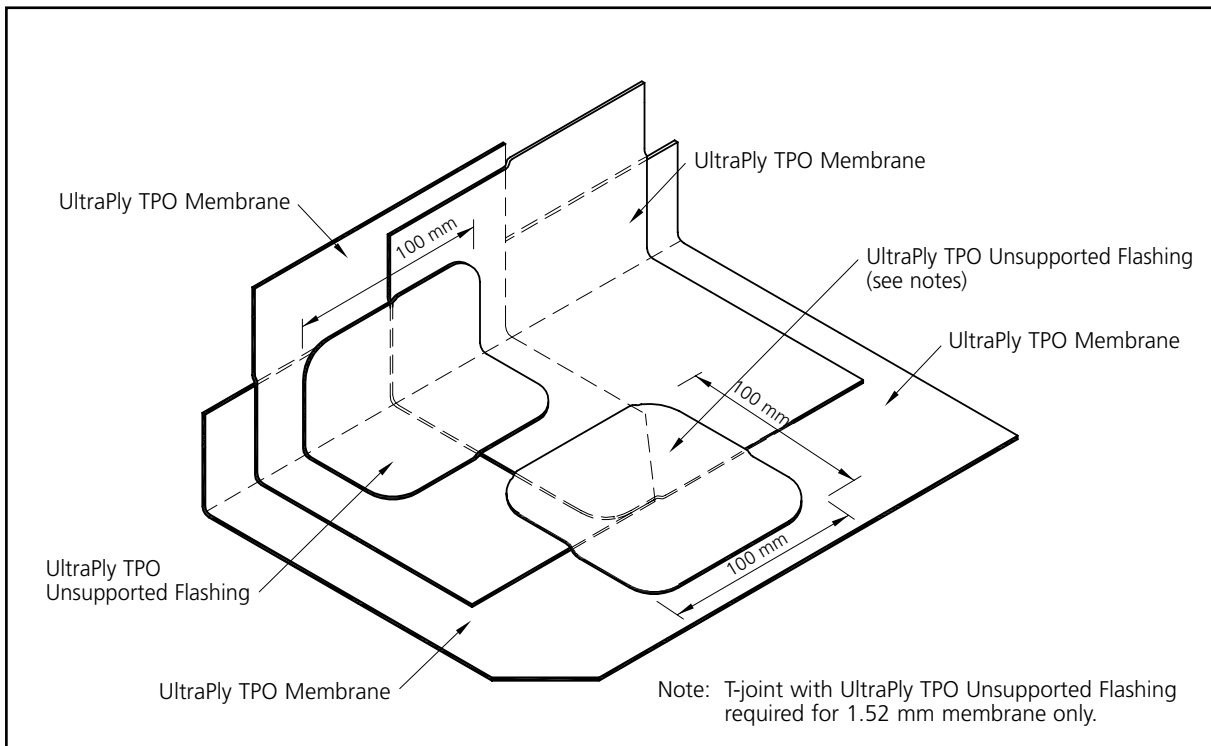
Note: T-joint with UltraPly TPO Unsupported Flashing required for 1.52 mm membrane only.

	UltraPly™ TPO Lap Splice T-joint with Unsupported Flashing	No.: T - LS - 4	Systems All
		5/2009	



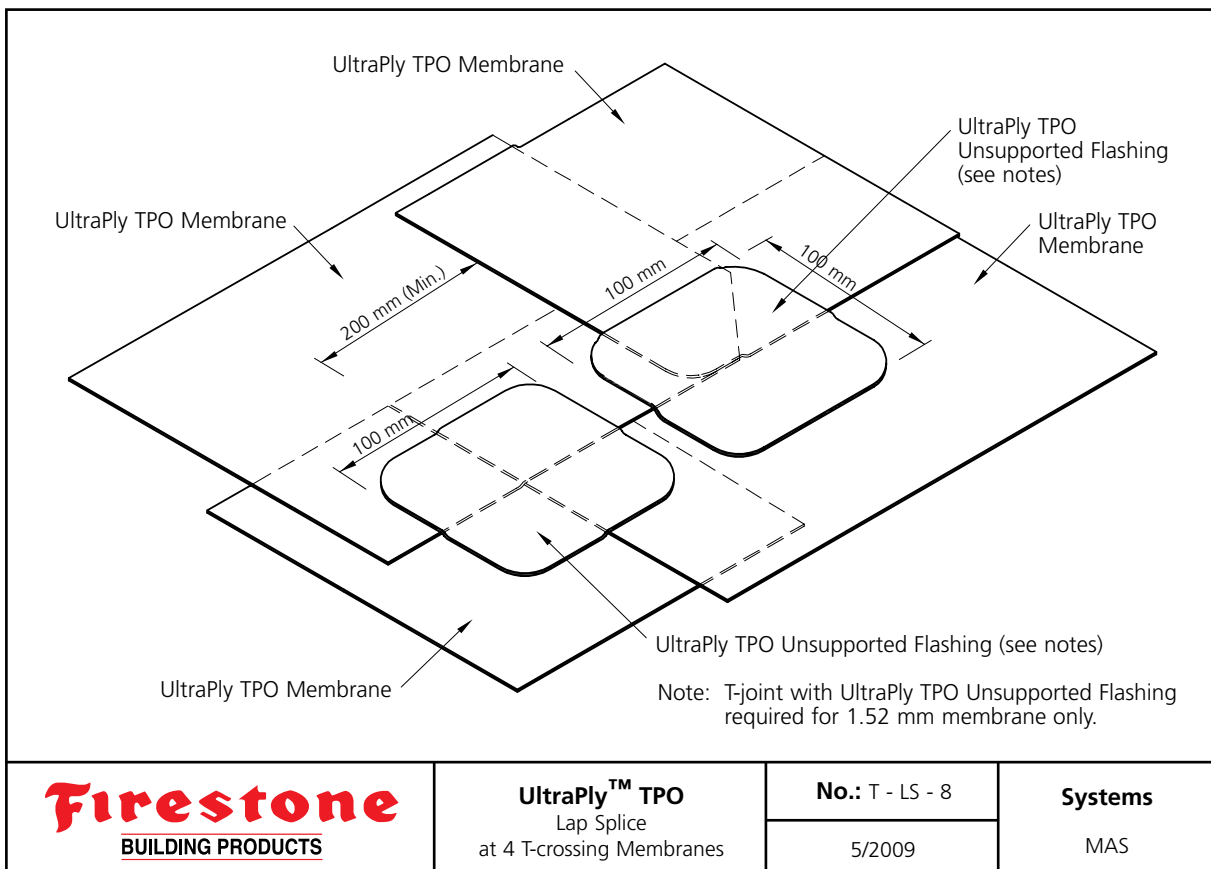
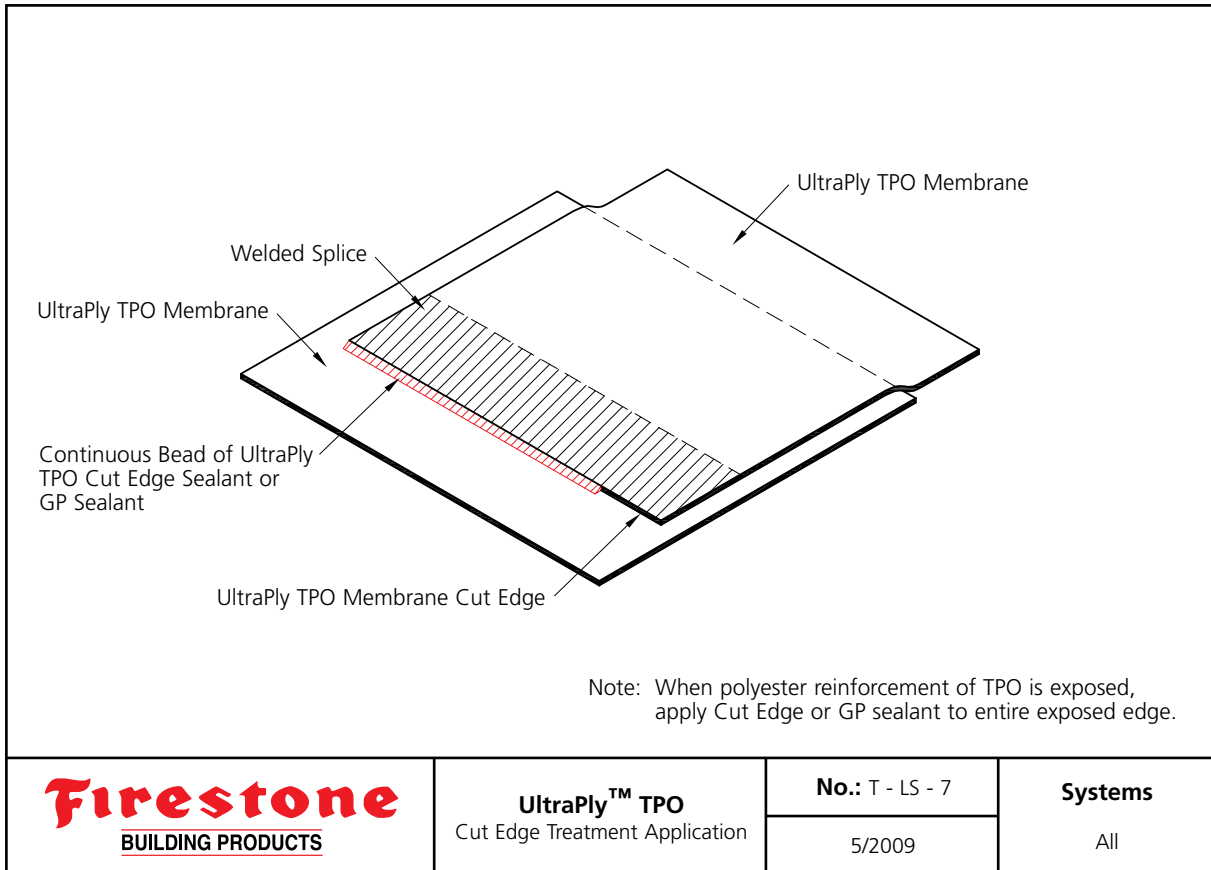


	UltraPly™ TPO Lap Splice T-joint with Unsupported Flashing	No.: T - LS - 5	Systems All
		5/2009	



	UltraPly™ TPO Lap Splice at Curb or Wall Flashing	No.: T - LS - 6	Systems All
		5/2009	



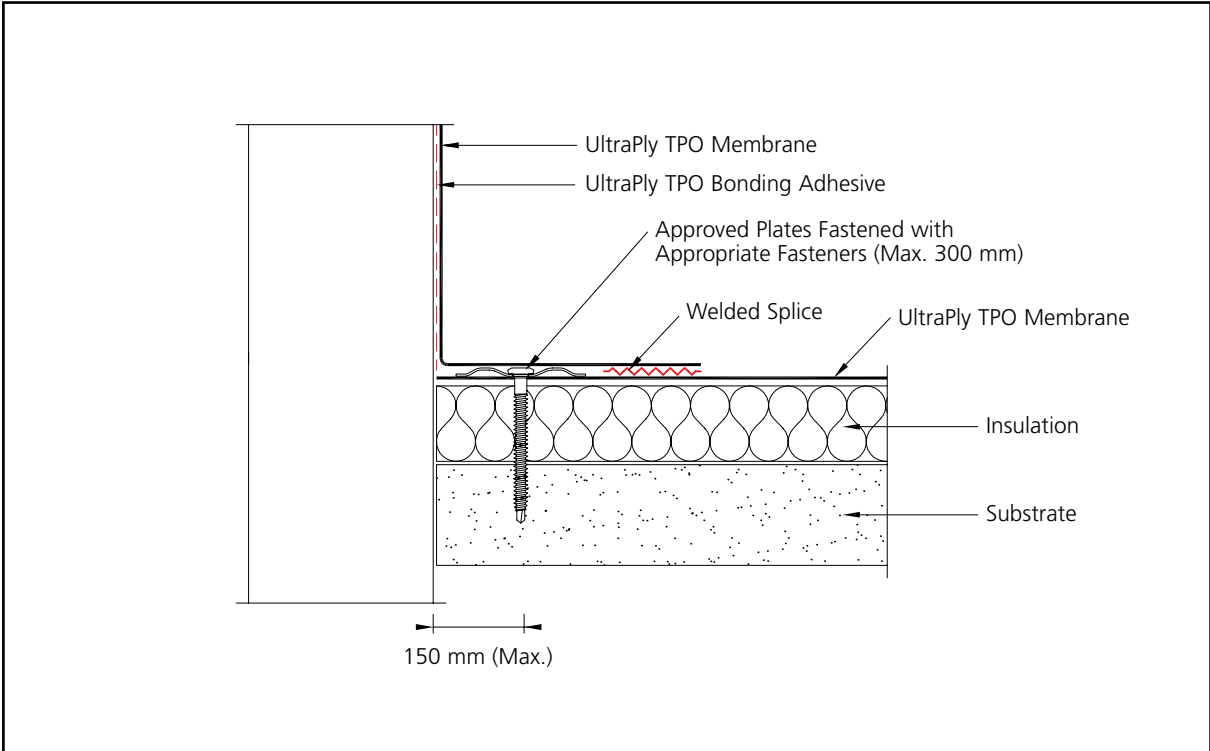


5.2 Base Tie-Ins

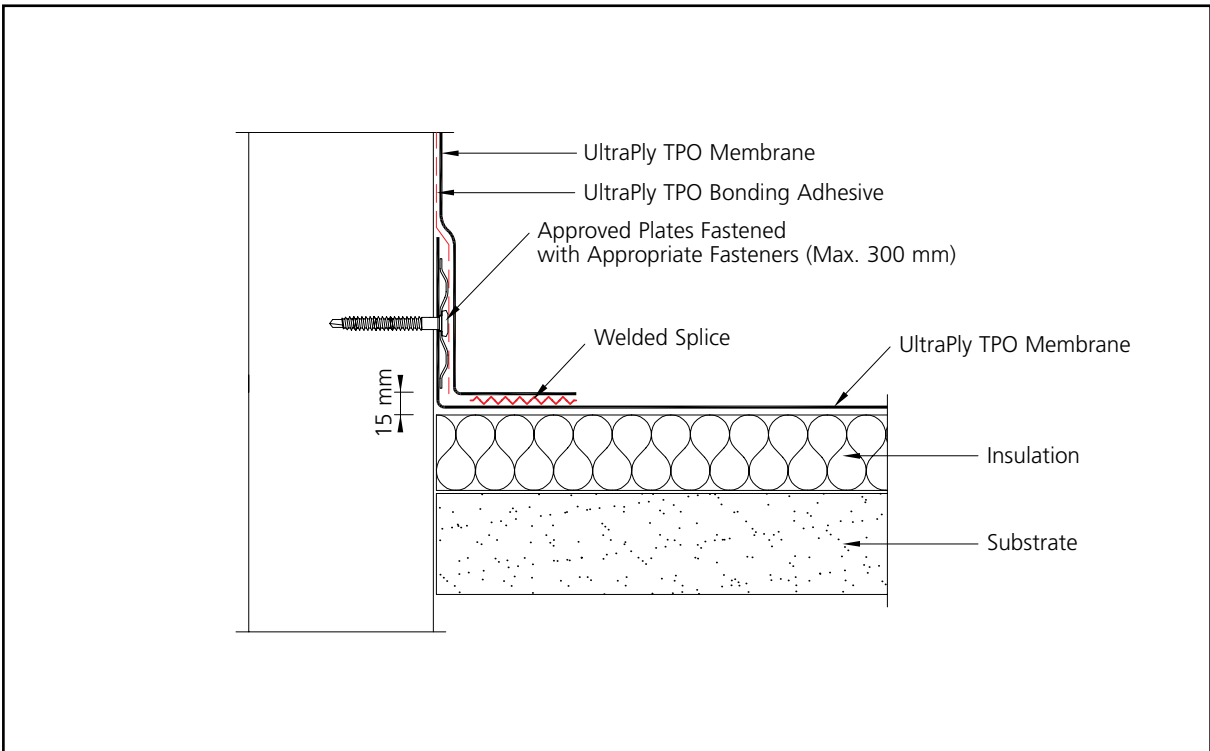
No.	UltraPly TPO Detail	Systems
T-BT-1	Base Tie-In with Plates Fastened to Deck	All
T-BT-2	Base Tie-In with Plates Fastened to Vertical Surface	All
T-BT-3	Base Tie-In with UltraPly TPO Coated Metal	All
T-BT-4	Base Tie-In with UltraPly TPO Coated Metal (with brake)	All
T-BT-5	Base Tie-In with Securement at Inside Corner	All
T-BT-6	Base Tie-In with Securement at Outside Corner	All
T-BT-7	UltraPly TPO Coated Metal Splice	All
T-BT-8	Base Tie-In at Upstand with existing Cant	All





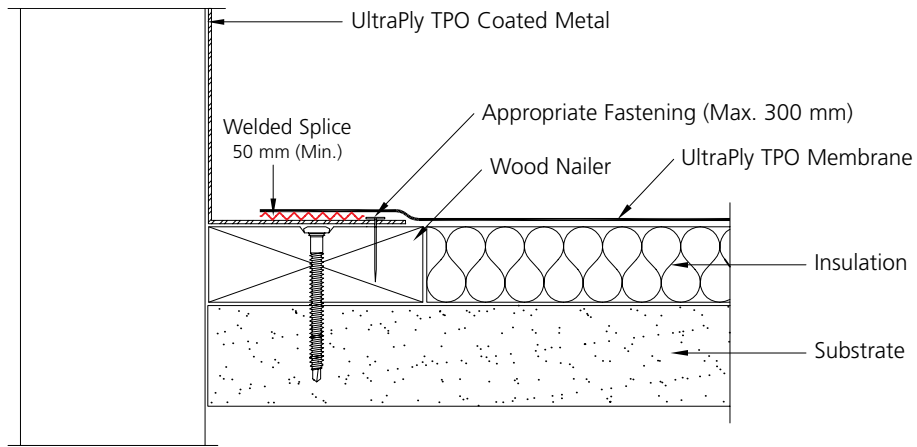


	UltraPly™ TPO Base Tie-In with Plates Fastened to Deck	No.: T - BT - 1	Systems All
		5/2009	

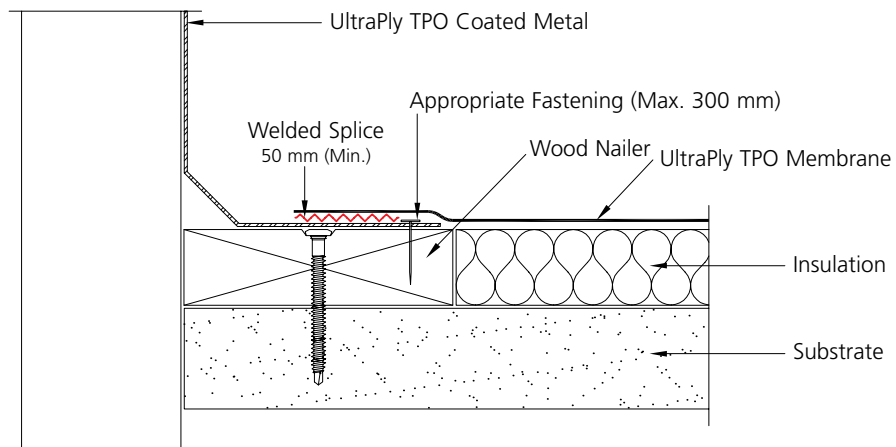


	UltraPly™ TPO Base Tie-In with Plates Fastened to Vertical Surface	No.: T - BT - 2	Systems All
		5/2009	





	UltraPly™ TPO Base Tie-In with UltraPly TPO Coated Metal	No.: T - BT - 3	Systems All
		5/2009	



	UltraPly™ TPO Base Tie-In with UltraPly TPO Coated Metal (with Brake)	No.: T - BT - 4	Systems All
		5/2009	



Wall / Upstand Attachment

Deck Attachment

Note: Base Flashings and Terminations not shown for clarity. Refer to appropriate termination & Base Tie-In details.

	UltraPly™ TPO Base Tie-In with Securement at Inside Corner	No.: T - BT - 5	Systems All
		5/2009	

Wall / Upstand Attachment

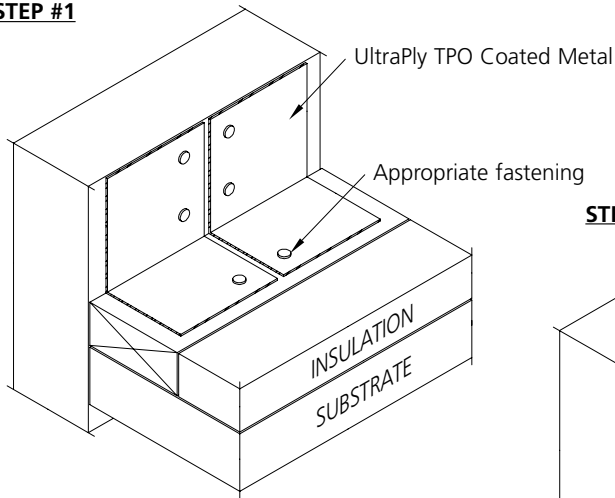
Deck Attachment

Note: Base Flashings and Terminations not shown for clarity. Refer to appropriate termination & Base Tie-In details.

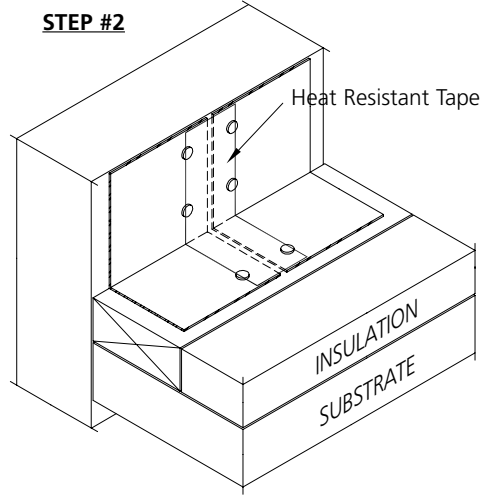
	UltraPly™ TPO Base Tie-In with Securement at Outside Corner	No.: T - BT - 6	Systems All
		5/2009	



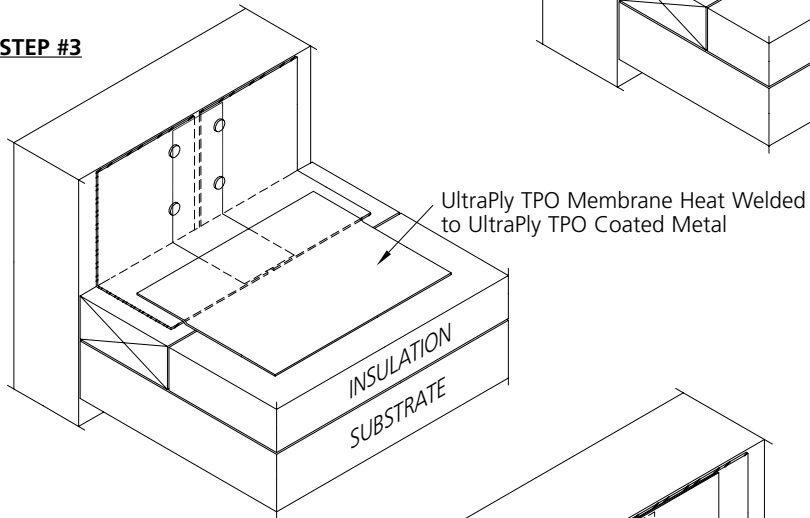
STEP #1



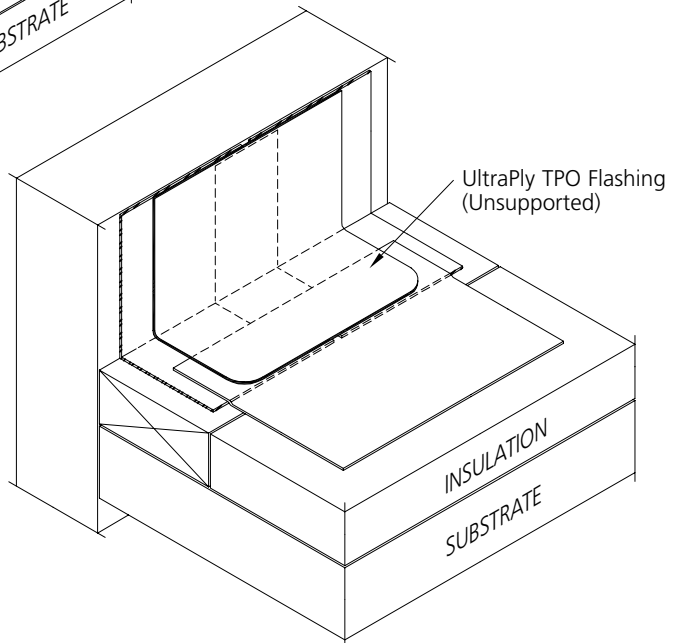
STEP #2



STEP #3



STEP #4



Firestone
BUILDING PRODUCTS

UltraPly™ TPO
UltraPly TPO Coated Metal Splice

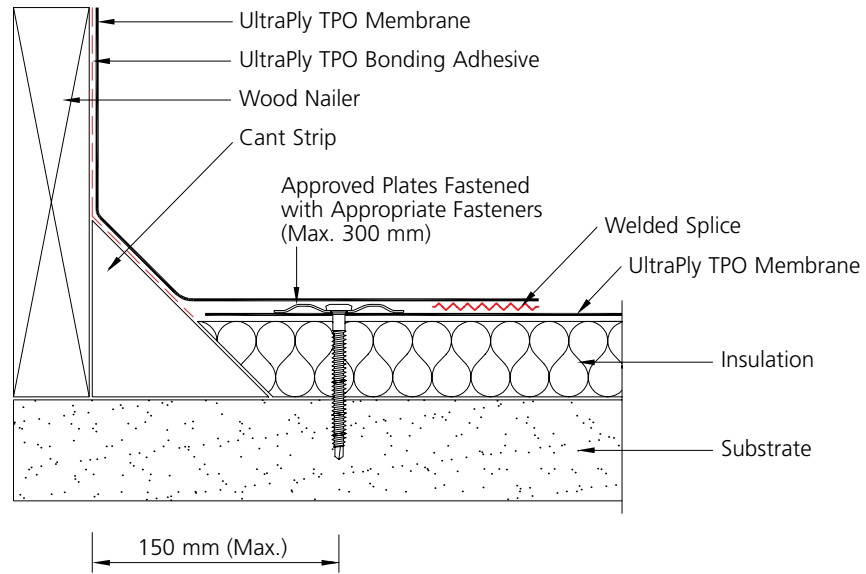
No.: T - BT - 7

5/2009

Systems

All





Firestone BUILDING PRODUCTS	UltraPly™ TPO Base Tie-In at Upstand with existing Cant	No.: T - BT - 8	Systems All
		5/2009	

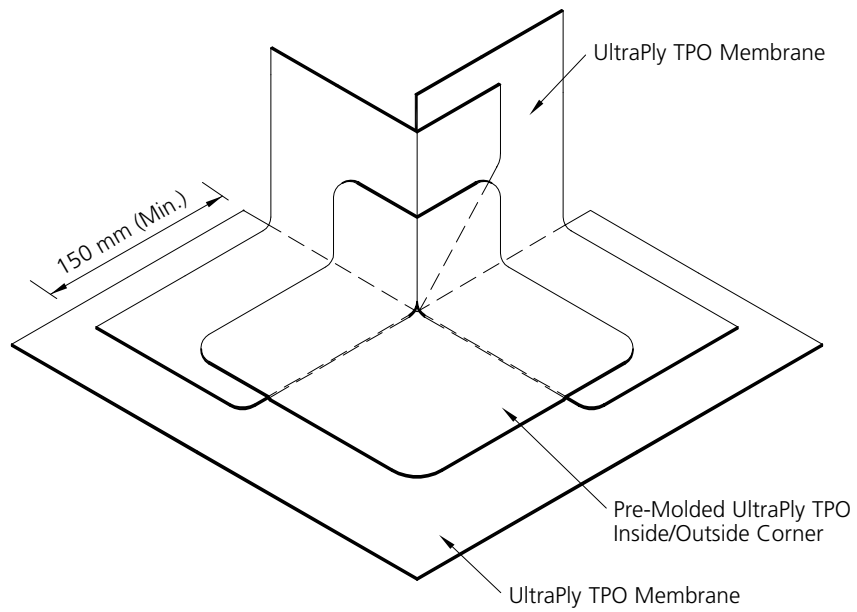


5.3 Corners

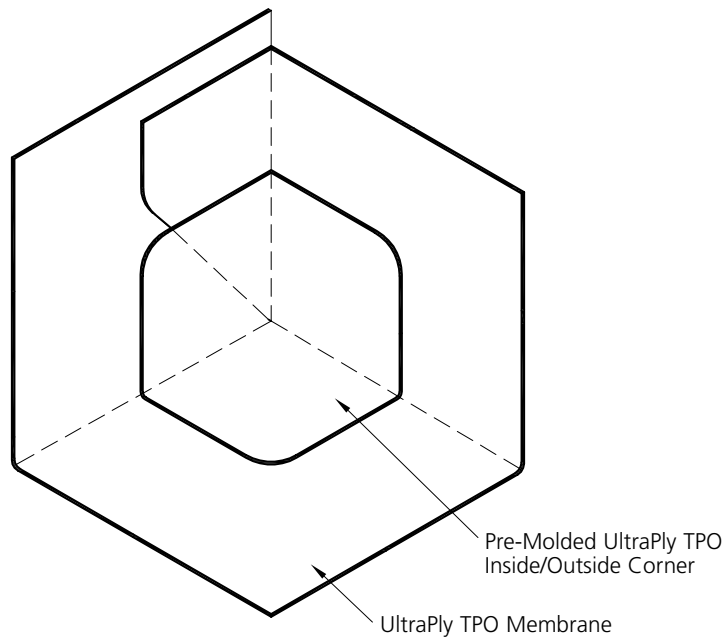
No.	UltraPly TPO Detail	Systems
T-C-1	Outside Corner	All
T-C-2	Inside Corner	All
T-C-3	Outside Corner with UltraPly TPO Coated Metal	All
T-C-4	Inside Corner with UltraPly TPO Coated Metal	All
T-C-5	Outside Corner with UltraPly TPO Coated Metal (with brake)	All
T-C-6	Field Fabricated Inside Corner with Continuous Wall Flashing	All
T-C-7	Field Fabricated Outside Corner	All
T-C-8	Field Fabricated Outside Corner with Reinforcement Patch	All
T-C-9	Field Fabricated Inside Corner	All
T-C-10	Inside Corner with Continuous Wall Flashing	All





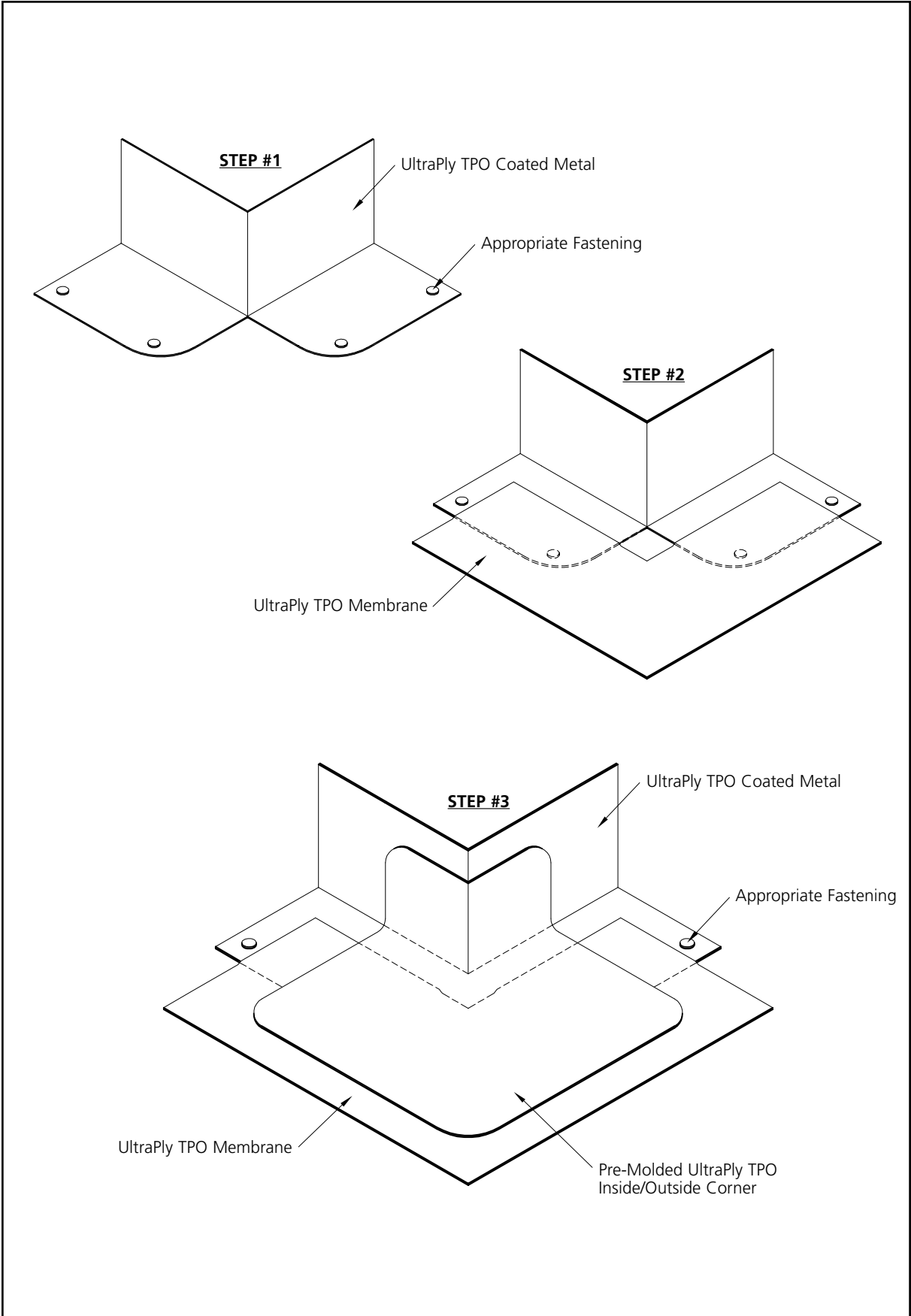


Firestone BUILDING PRODUCTS	UltraPly™ TPO Outside Corner	No.: T - C - 1	Systems All
		5/2009	



Firestone BUILDING PRODUCTS	UltraPly™ TPO Inside Corner	No.: T - C - 2	Systems All
		5/2009	

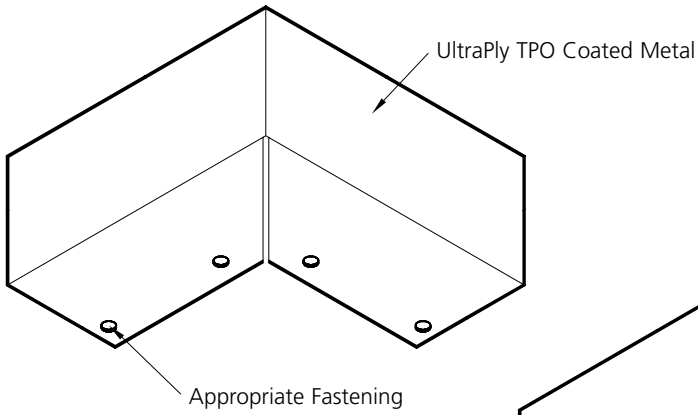




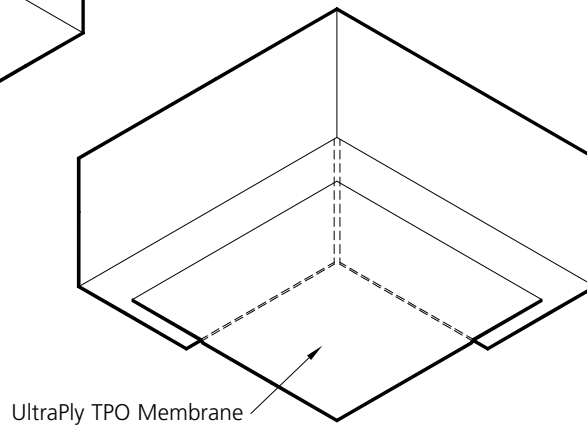
	UltraPly™ TPO Outside Corner with UltraPly TPO Coated Metal	No.: T - C - 3	Systems All
		5/2009	



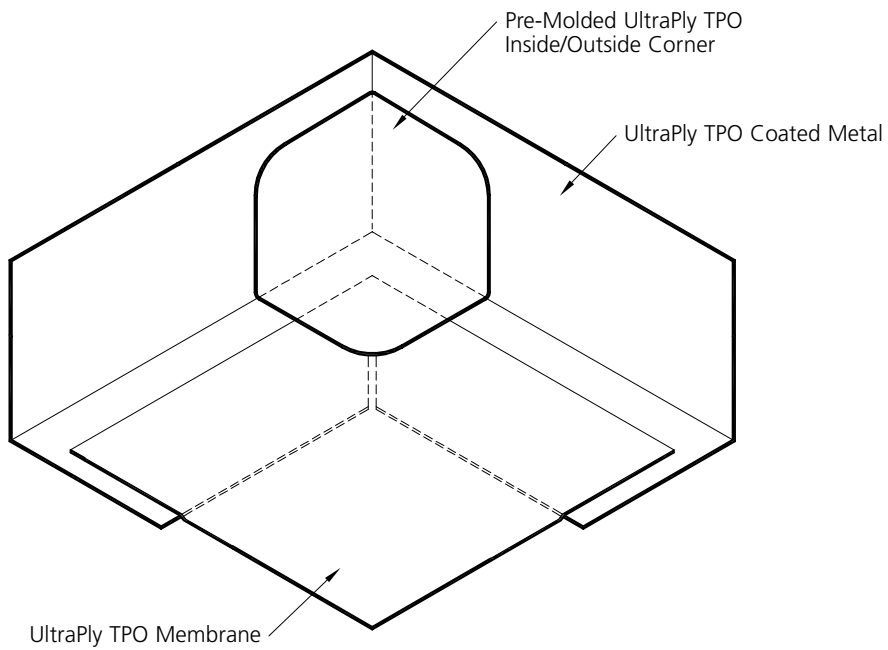
STEP #1



STEP #2



STEP #3



Firestone
BUILDING PRODUCTS

UltraPly™ TPO
Inside Corner with
UltraPly TPO Coated Metal

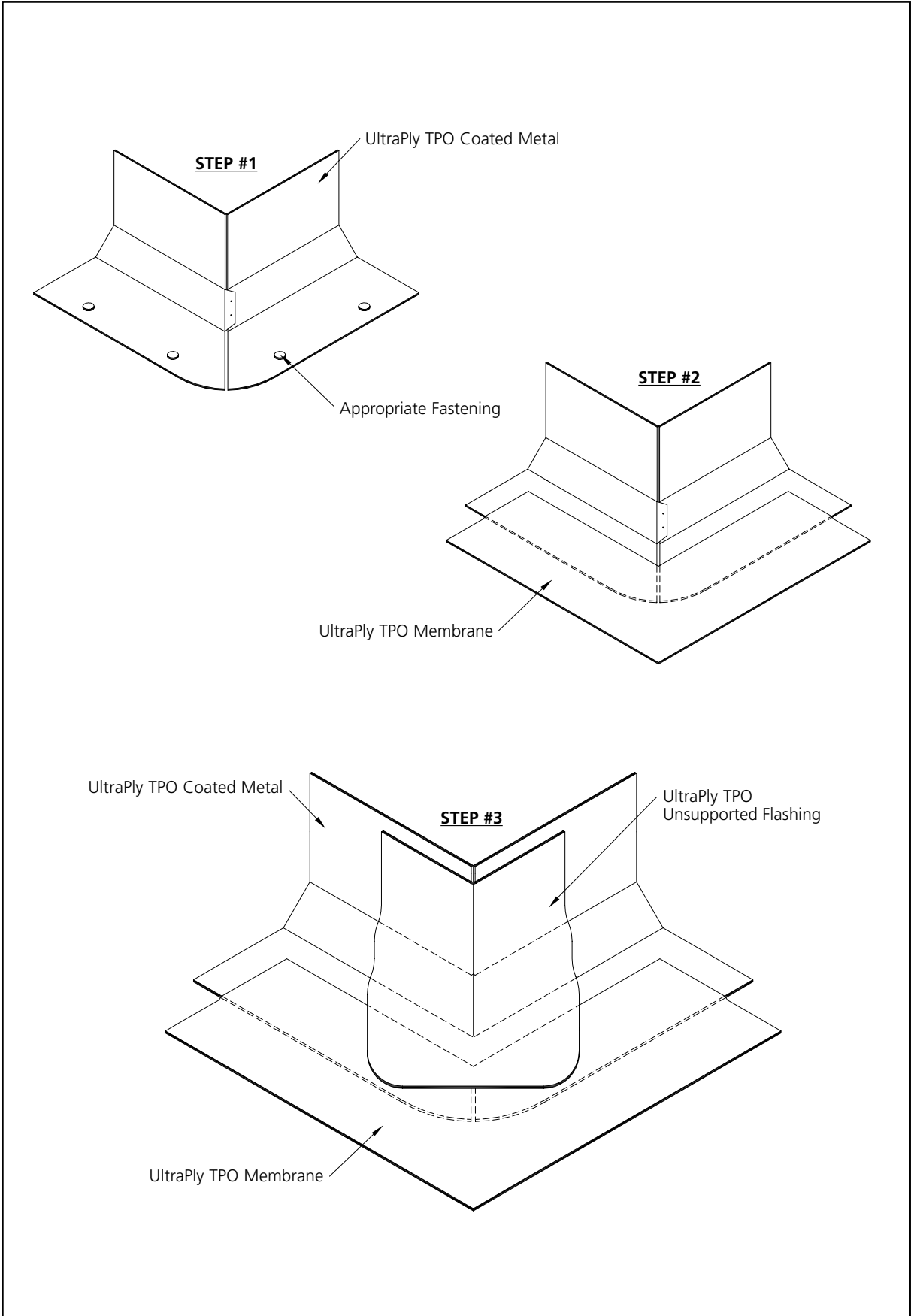
No.: T - C - 4

5/2009

Systems

All





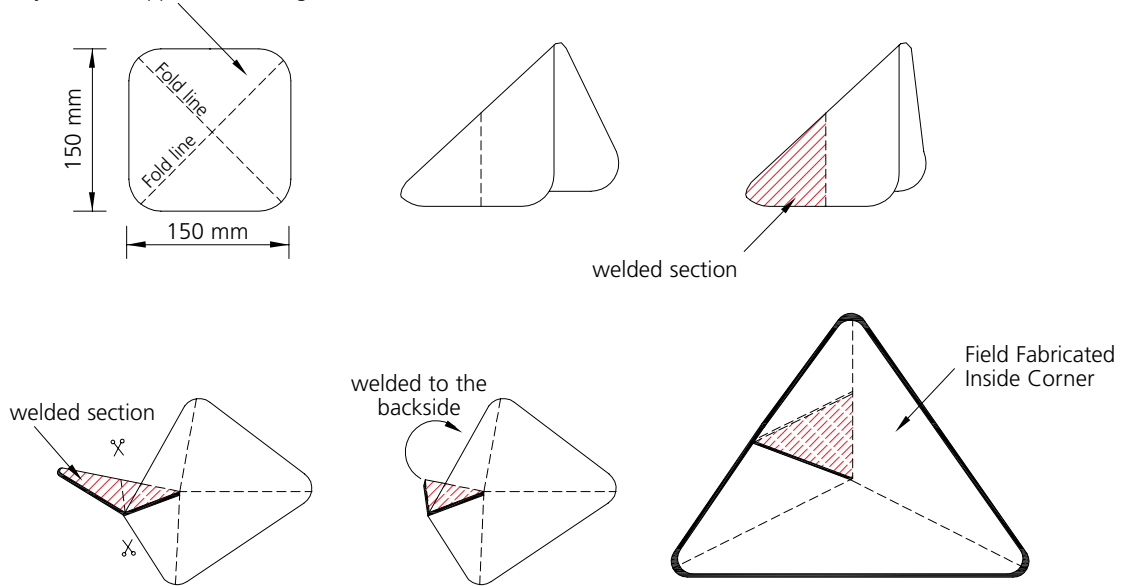
	UltraPly™ TPO Outside Corner with UltraPly TPO Coated Metal (with Brake) using TPO Unsupported Flashing	No.: T - C - 5	Systems All
		5/2009	



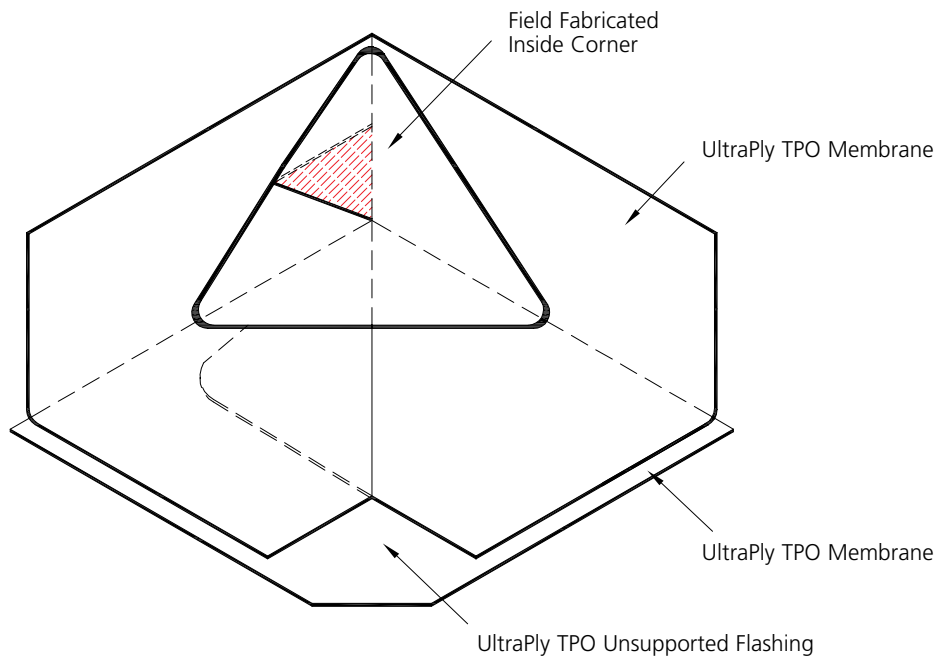
STEP #1

UltraPly TPO Unsupported Flashing
to Field Fabricated Inside Corner

UltraPly TPO Unsupported Flashing



STEP #2



Firestone
BUILDING PRODUCTS

UltraPly™ TPO
Field Fabricated Inside Corner
with Continuous Wall Flashing

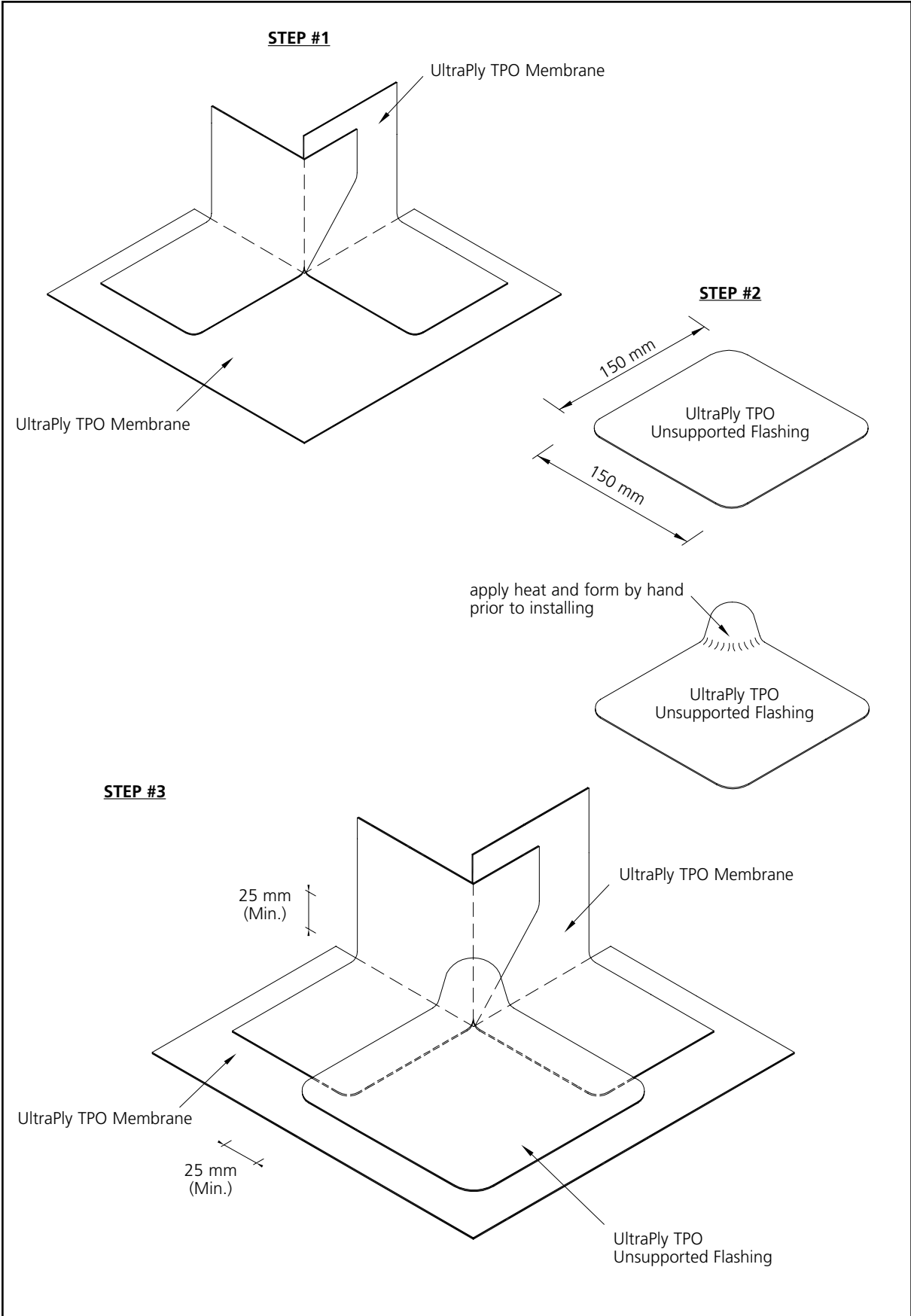
No.: T - C - 6

5/2009

Systems

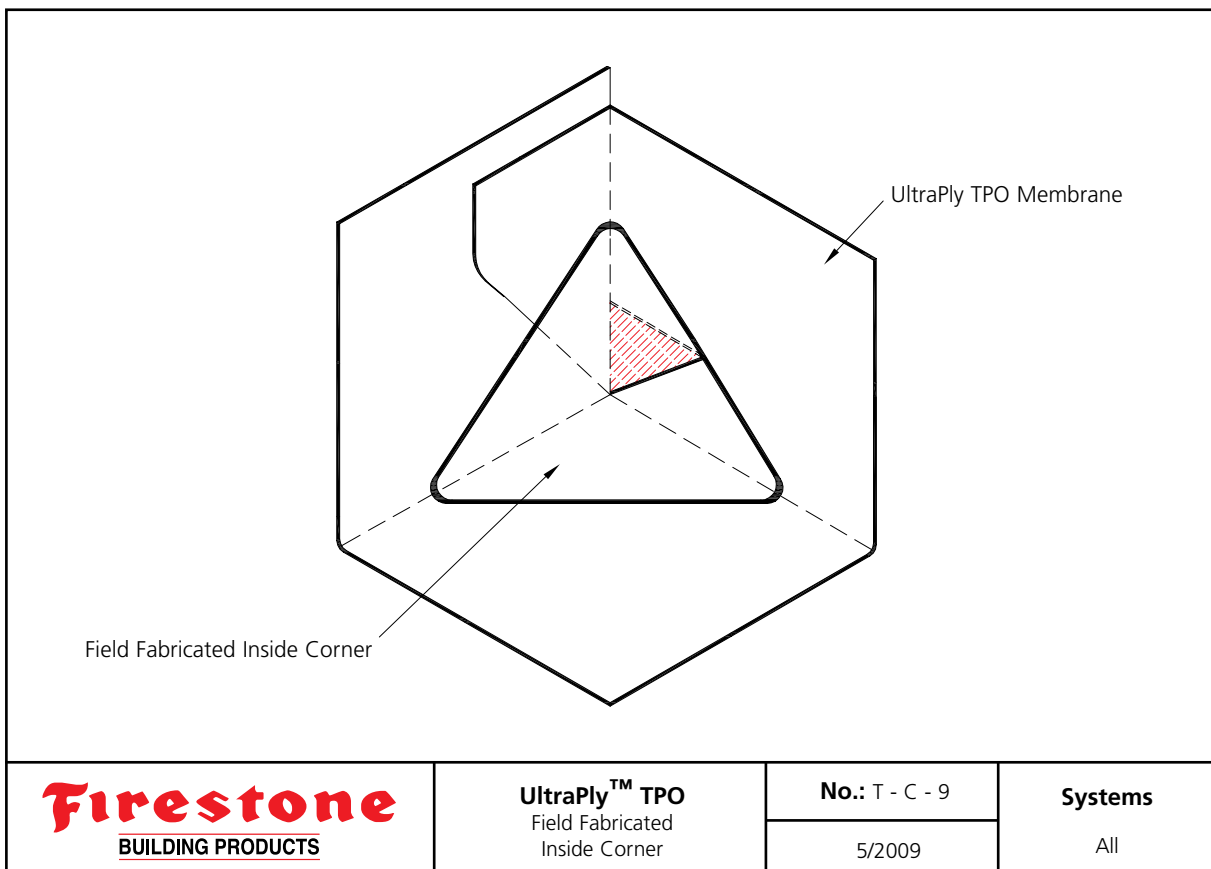
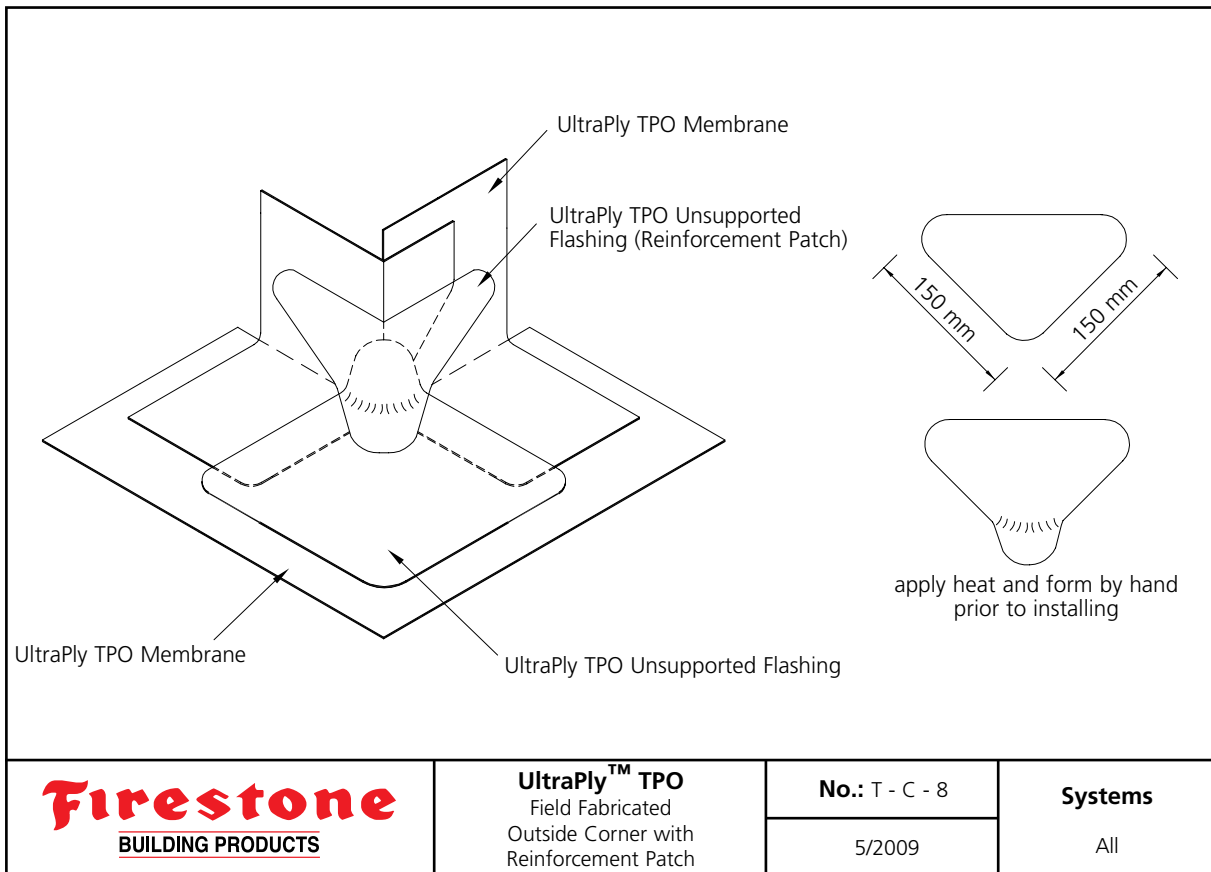
All

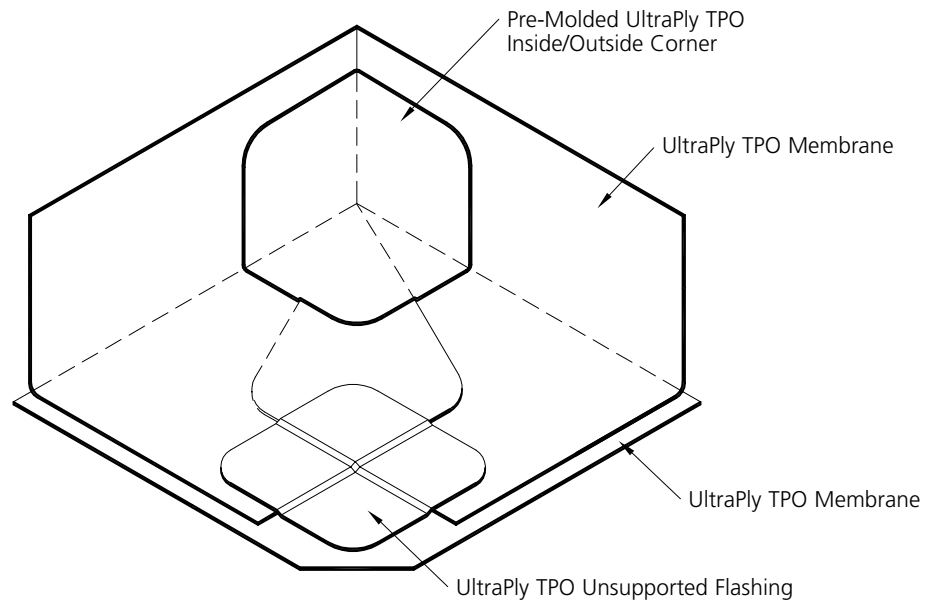




<p>Firestone BUILDING PRODUCTS</p>	<p>UltraPly™ TPO Field Fabricated Outside Corner</p>	<p>No.: T - C - 7</p>	<p>Systems All</p>
		<p>5/2009</p>	







Firestone BUILDING PRODUCTS	UltraPly™ TPO Inside Corner with Continuous Wall Flashing	No.: T - C - 10	Systems All
		5/2009	

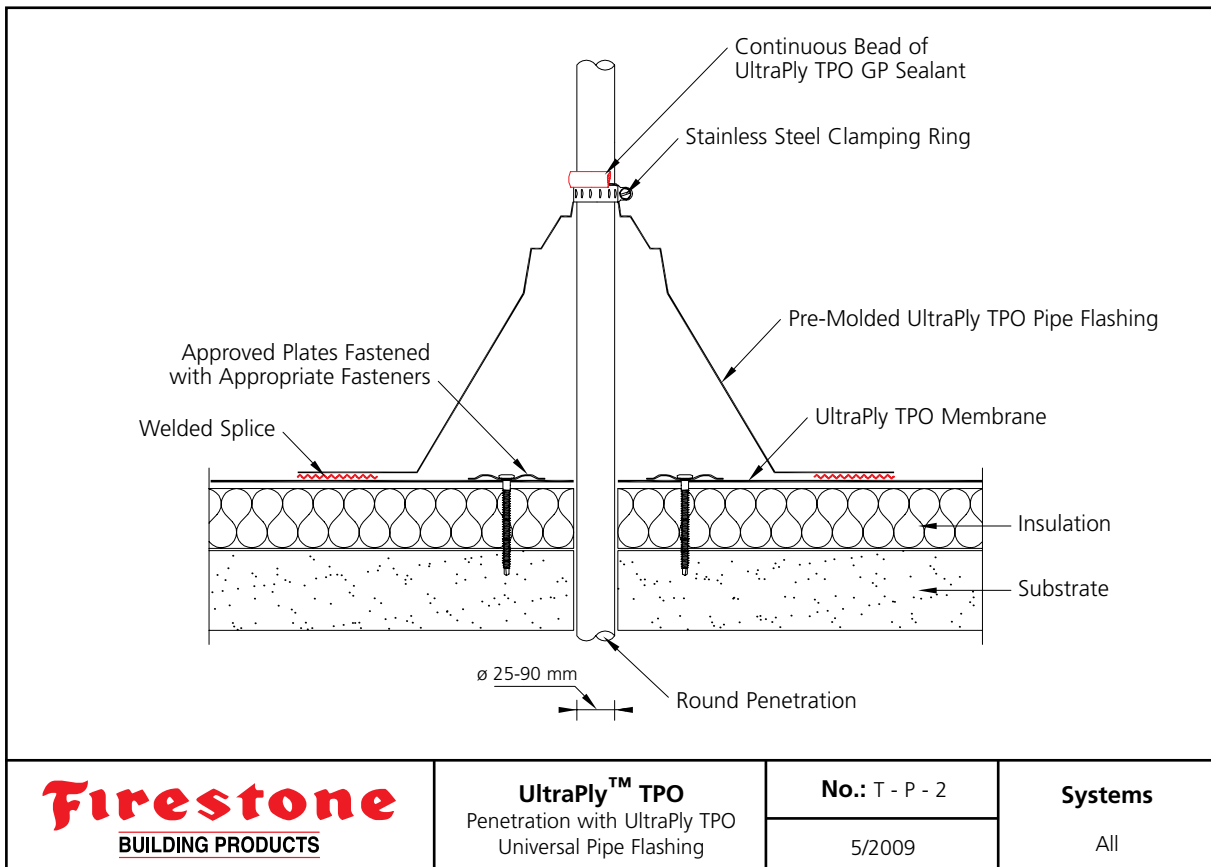
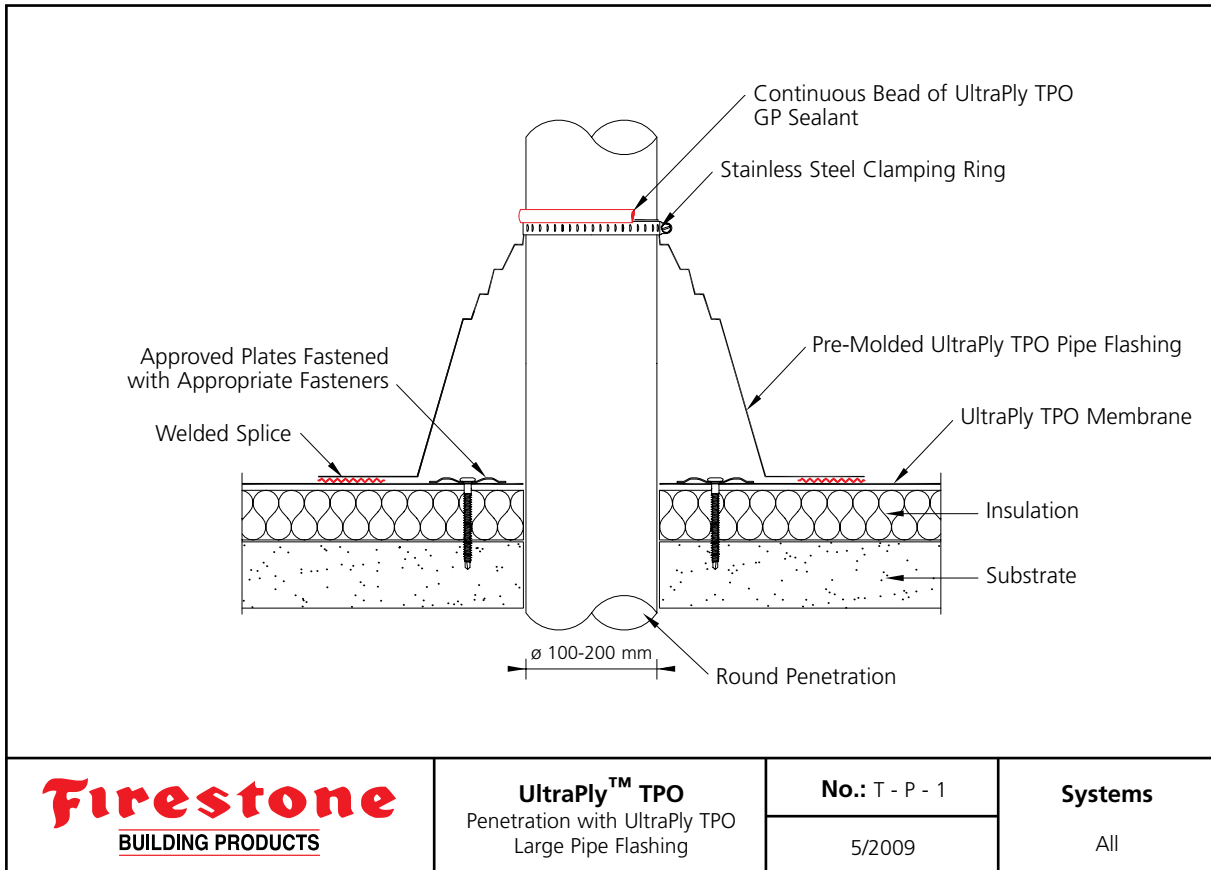


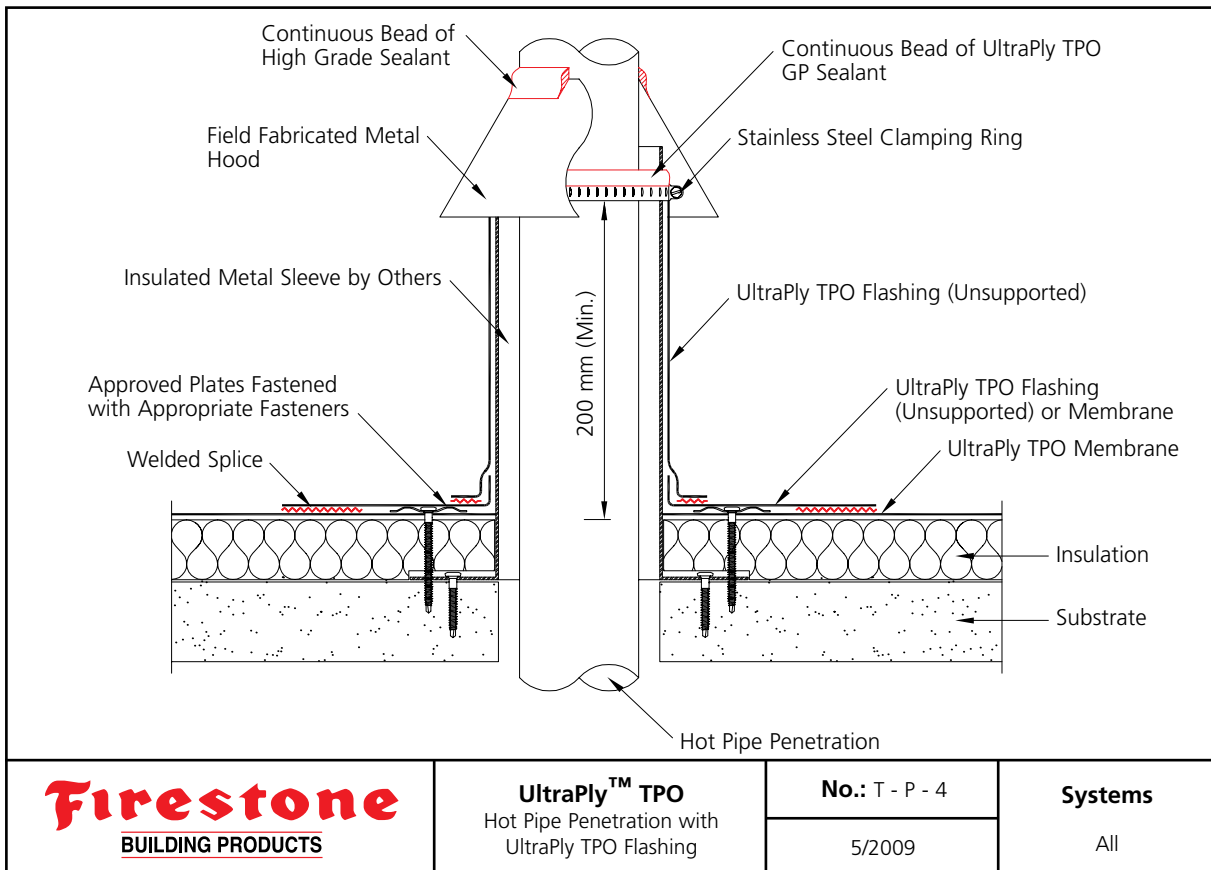
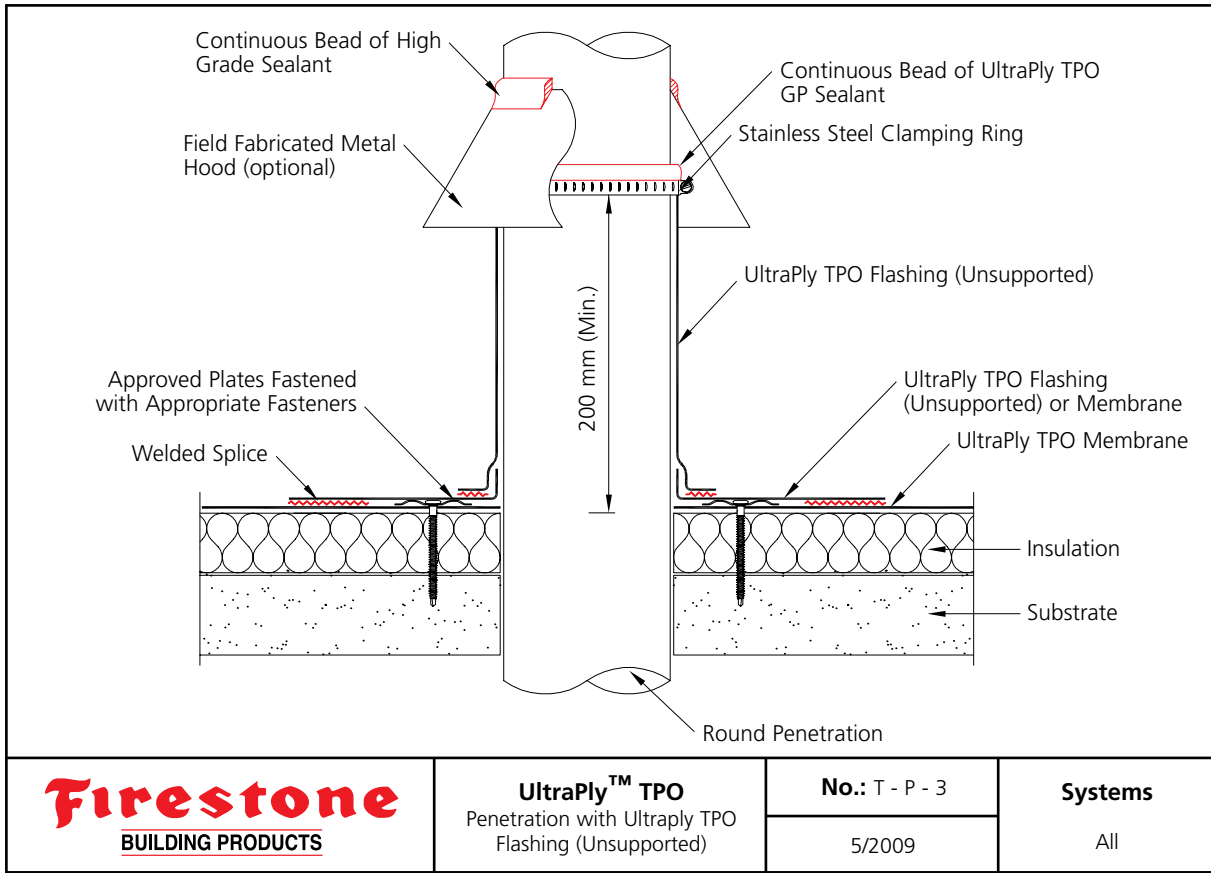
5.4 Penetrations

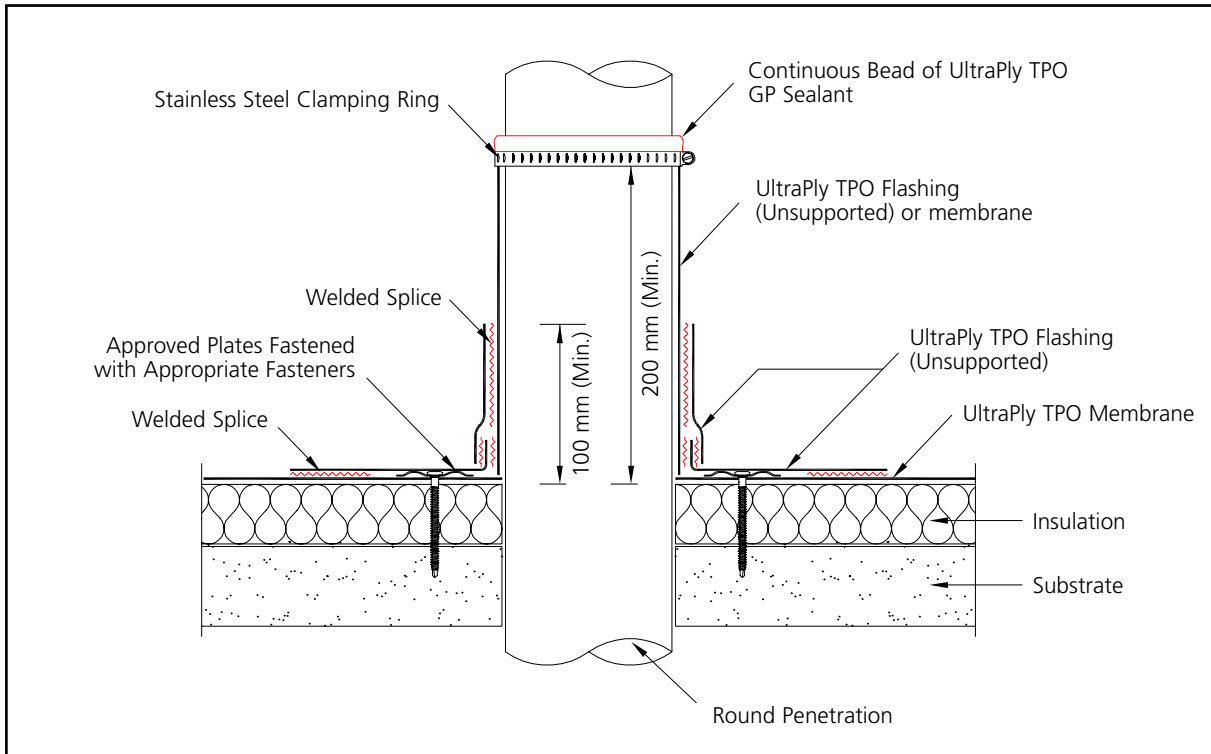
No.	UltraPly TPO Detail	Systems
T-P-1	Penetration with UltraPly TPO Large Pipe Flashing	All
T-P-2	Penetration with UltraPly TPO Universal Pipe Flashing	All
T-P-3	Penetration with UltraPly TPO Flashing (unsupported)	All
T-P-4	Hot Pipe Penetration with UltraPly TPO Flashing	All
T-P-5	Penetration with UltraPly TPO Flashing (unsupported) - Alt.	All
T-P-6	Penetration with TPO Penetration Pocket kit	All
T-P-7	Membrane Securement Layout (target patch)	All
T-P-8	Membrane Securement Layout (cover strips)	All



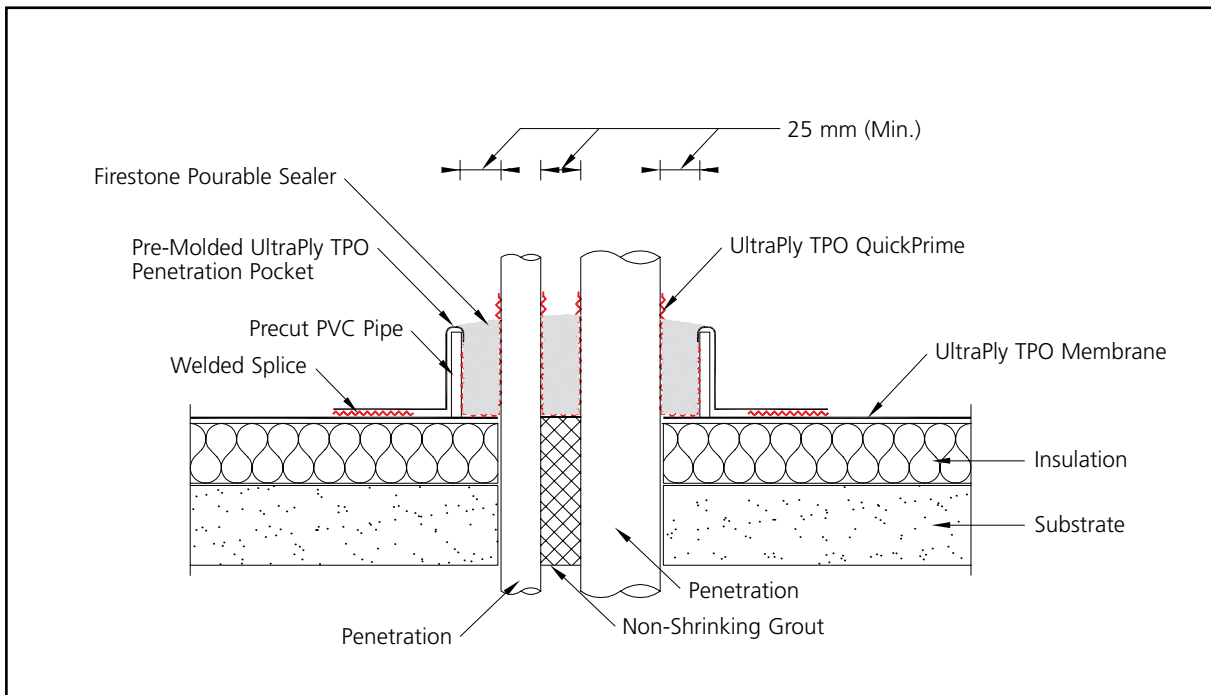








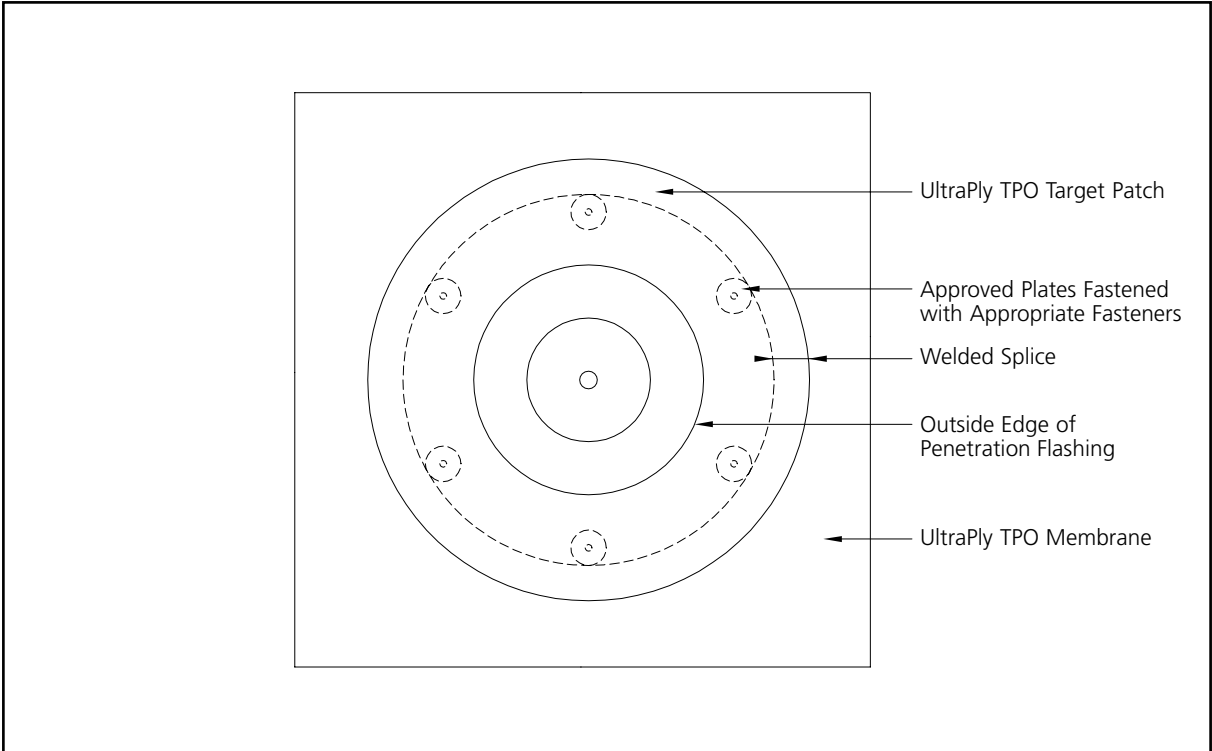
	UltraPly™ TPO Penetration with UltraPly TPO Flashing (Unsupported) - Alt.	No.: T - P - 5	Systems All
		5/2009	



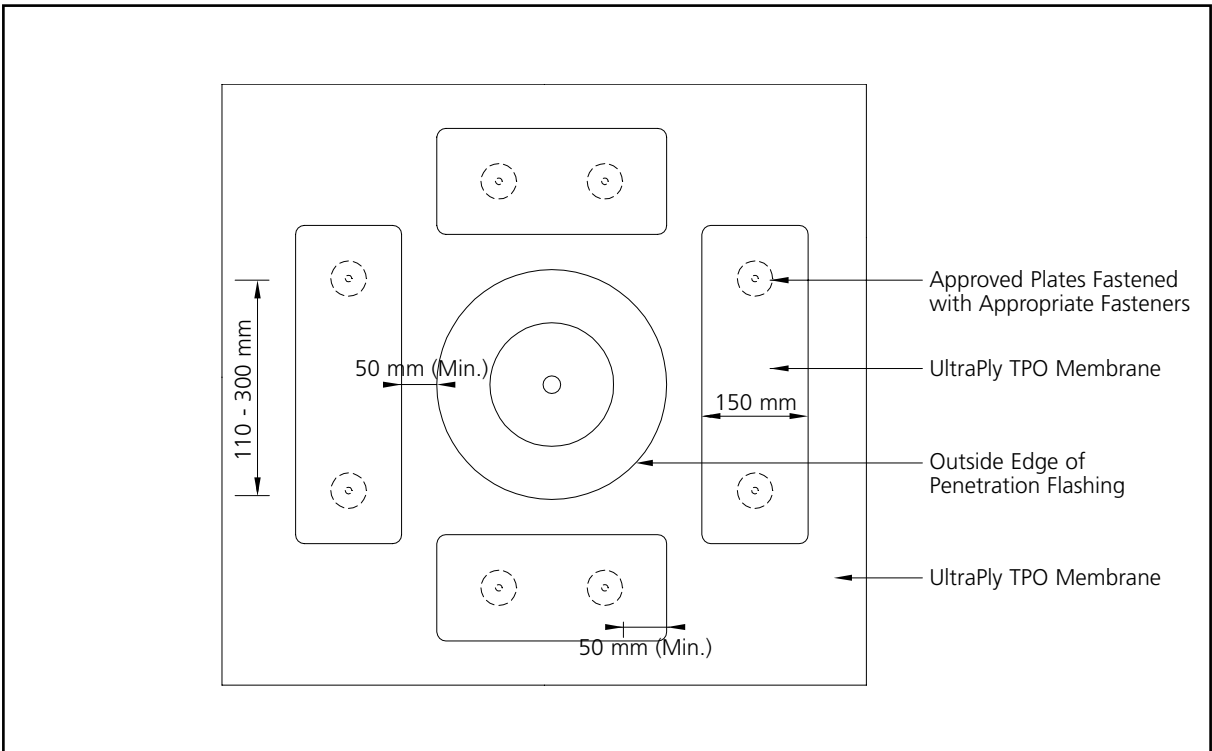
Note: Refer to T - P - 7 Detail for appropriate Base Tie-In.

	UltraPly™ TPO Penetration with TPO Penetration Pocket Kit	No.: T - P - 6	Systems All
		5/2009	





	UltraPly™ TPO Membrane Securement Layout at Penetration (Target Patch)	No.: T - P - 7	Systems All
		5/2009	



	UltraPly™ TPO Membrane Securement Layout at Penetration (Cover Strips)	No.: T - P - 8	Systems All
		5/2009	

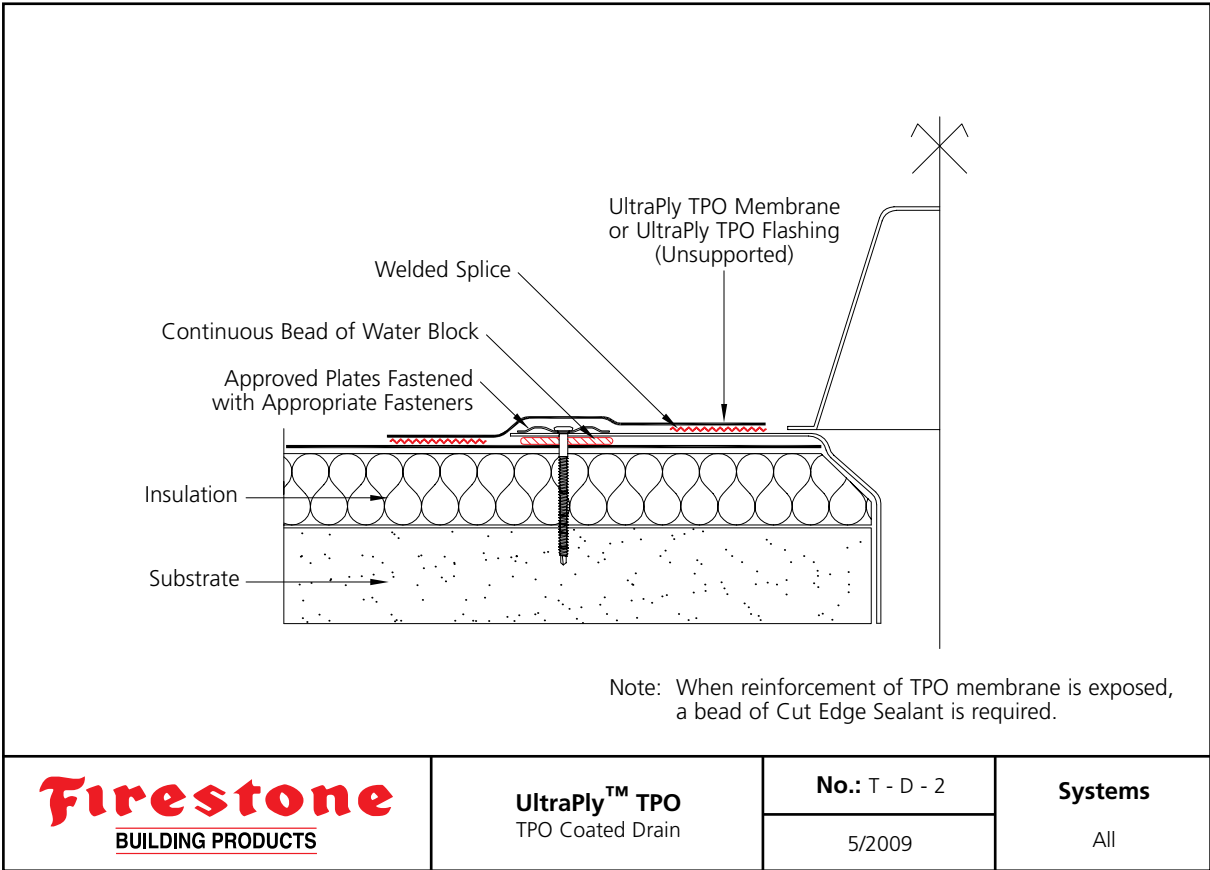
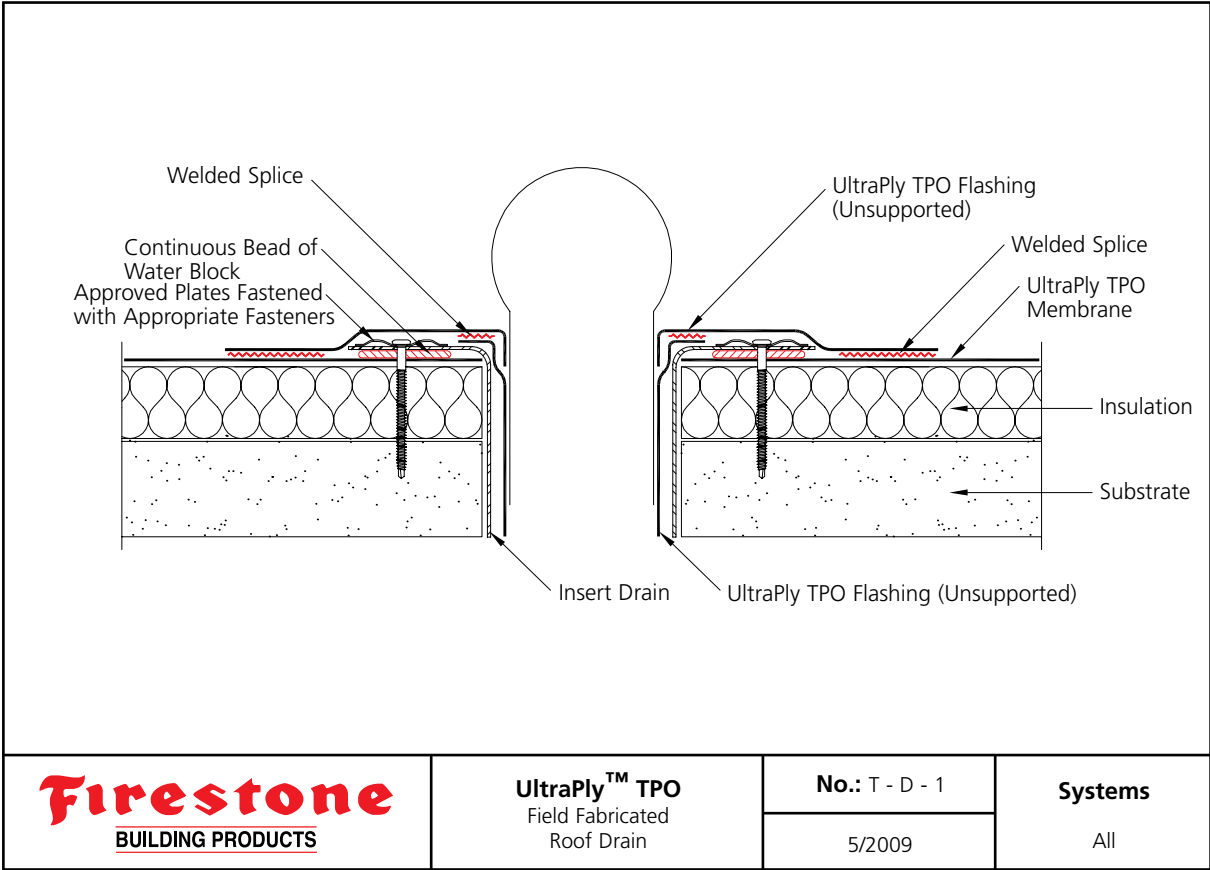


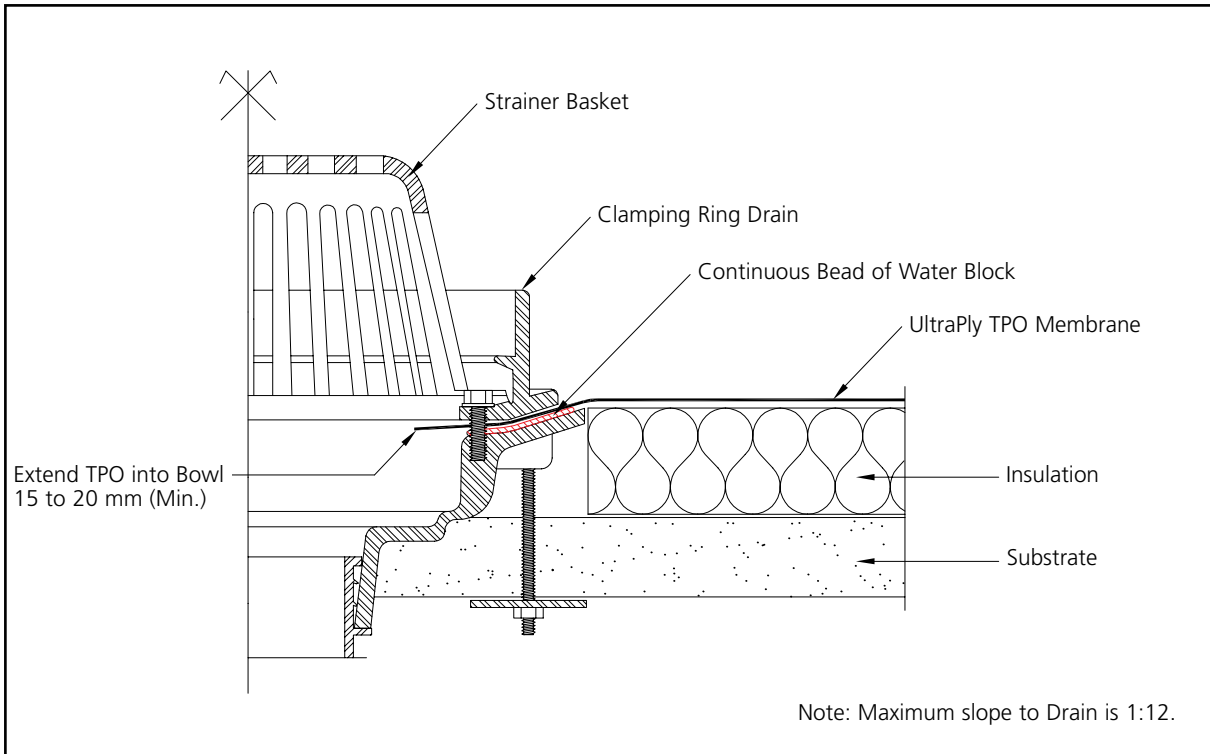
5.5 Drains

No.	UltraPly TPO Detail	Systems
T-D-1	Field Fabricated Roof Drain	All
T-D-2	TPO Coated Drain	All
T-D-3	Drain with Clamping Ring	All
T-D-4	TPO Pre-molded Scupper	All
T-D-5	TPO Insert Piece Roof Drain	All

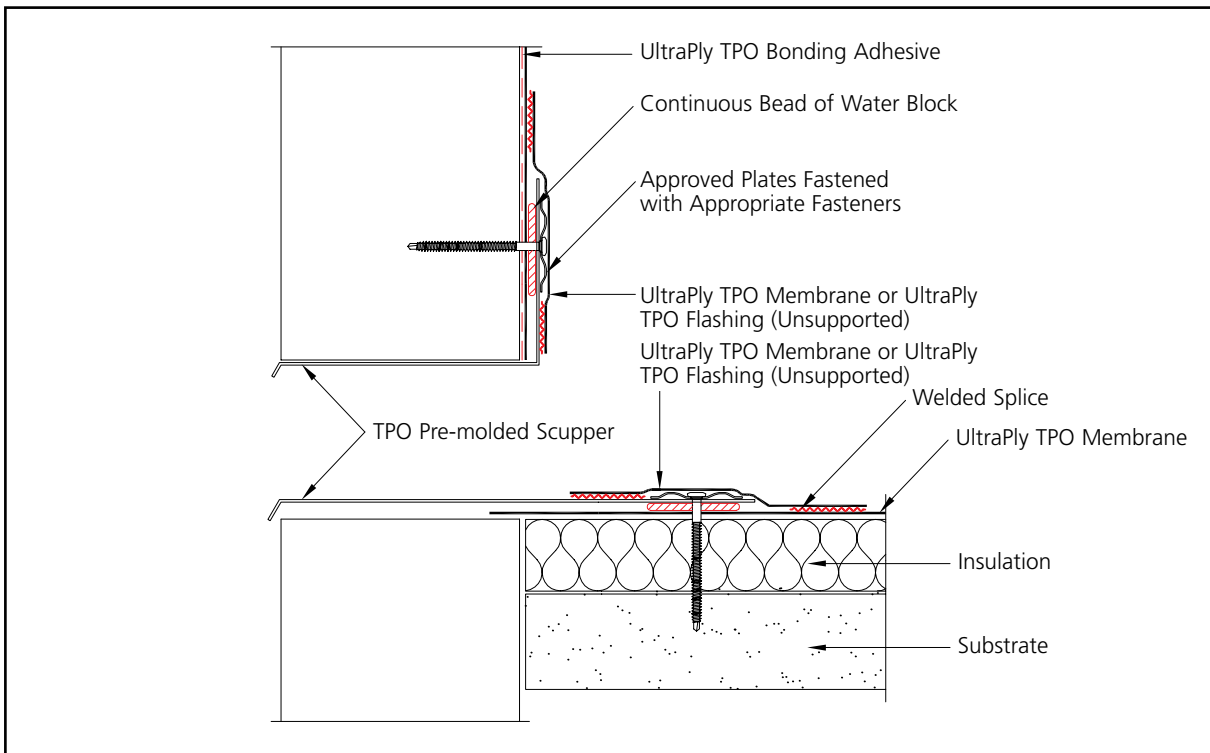








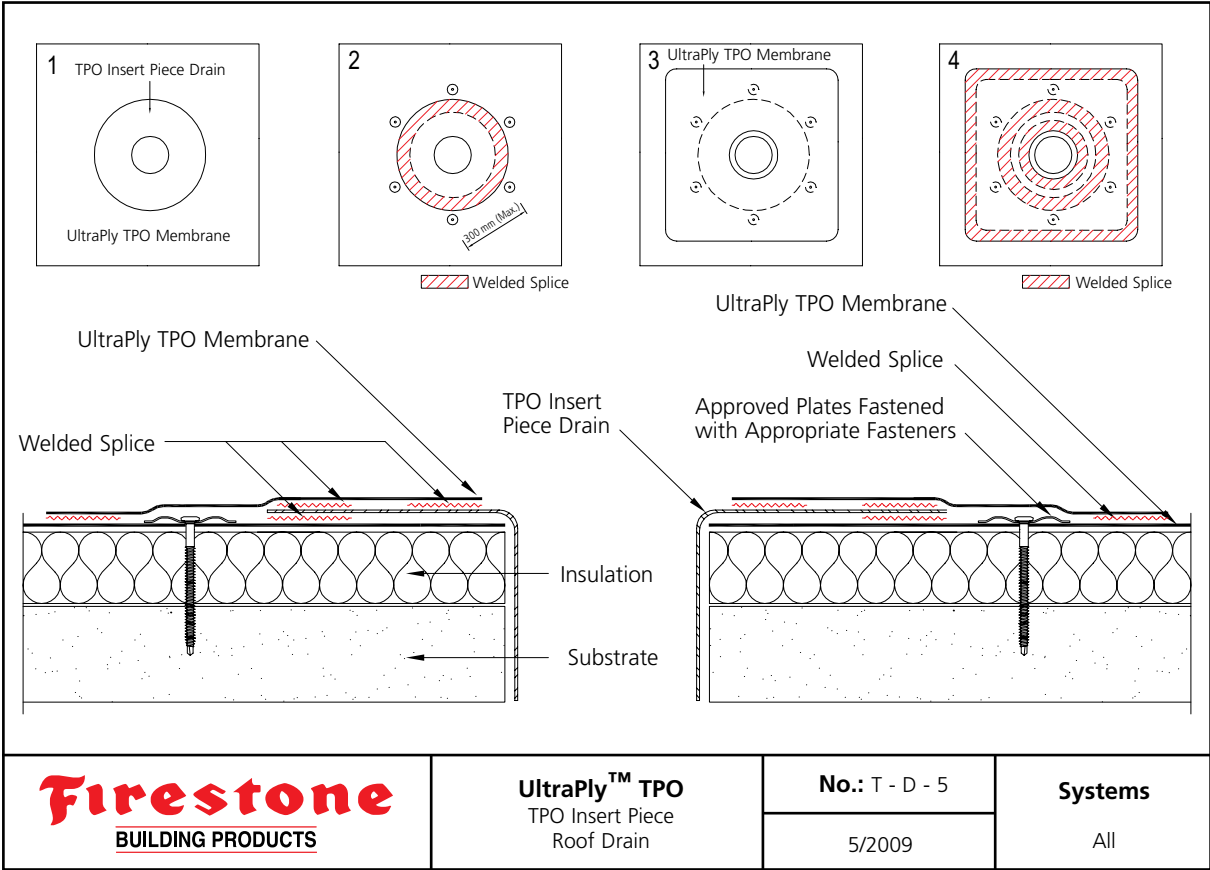
	UltraPly™ TPO Drain with Clamping Ring	No.: T - D - 3	Systems All
		5/2009	



	UltraPly™ TPO TPO Pre-molded Scupper	No.: T - D - 4	Systems All
		5/2009	

5. Installation Details





	UltraPly™ TPO TPO Insert Piece Roof Drain	No.: T - D - 5	Systems All
		5/2009	



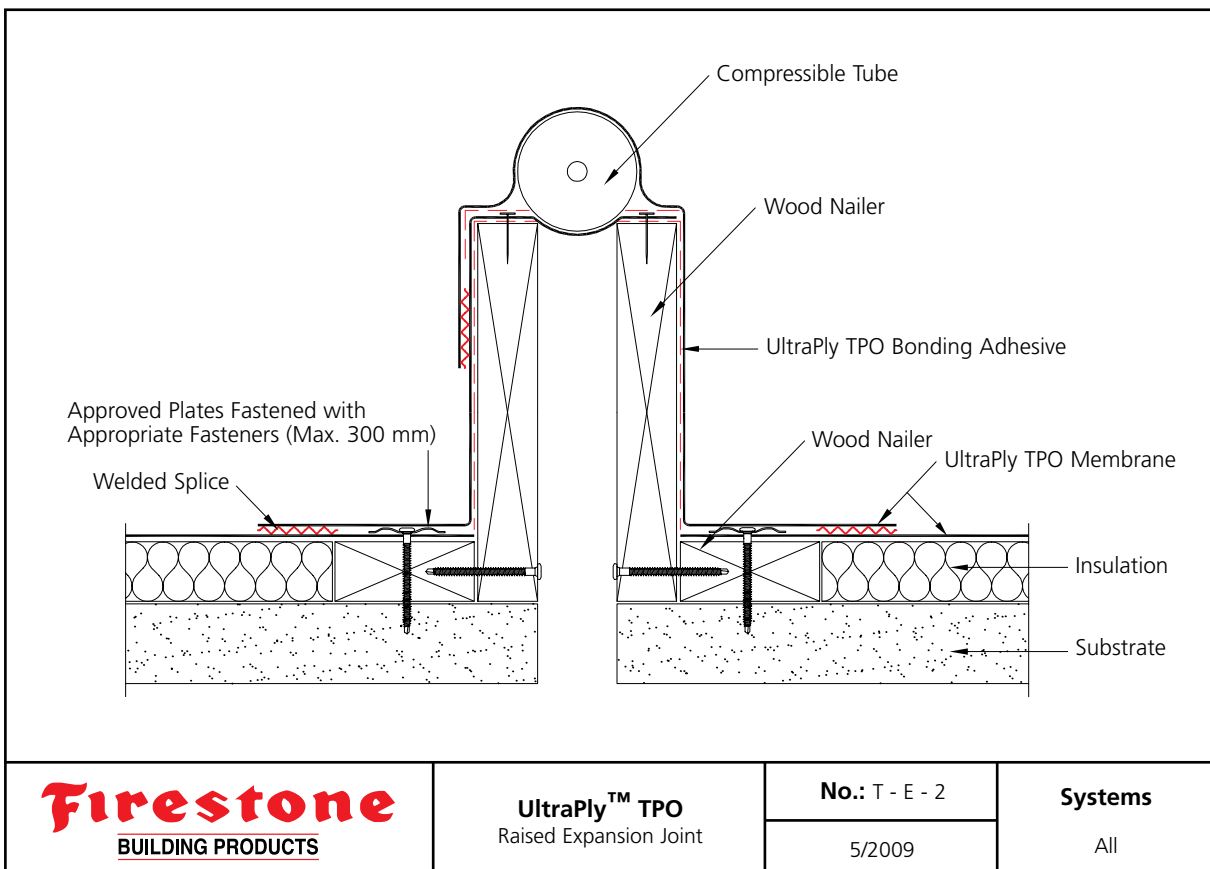
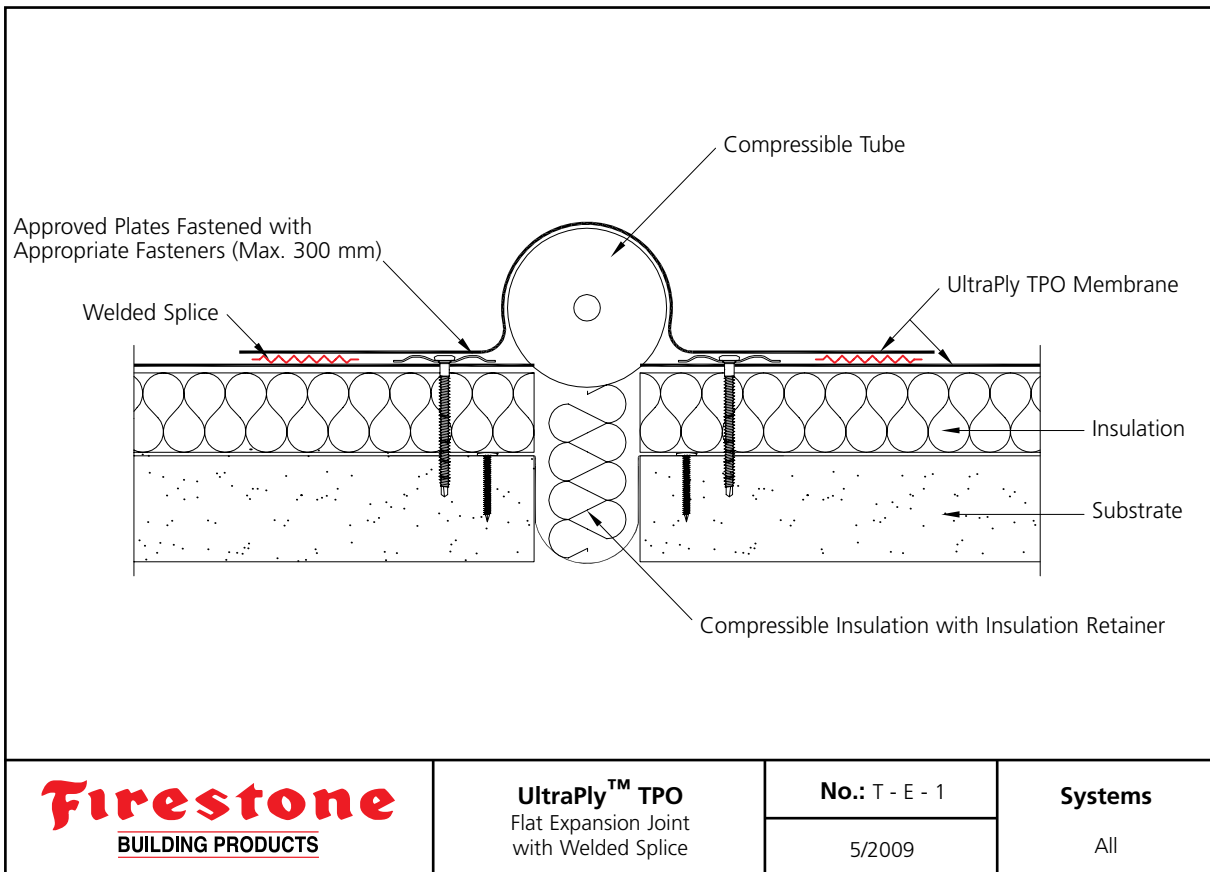


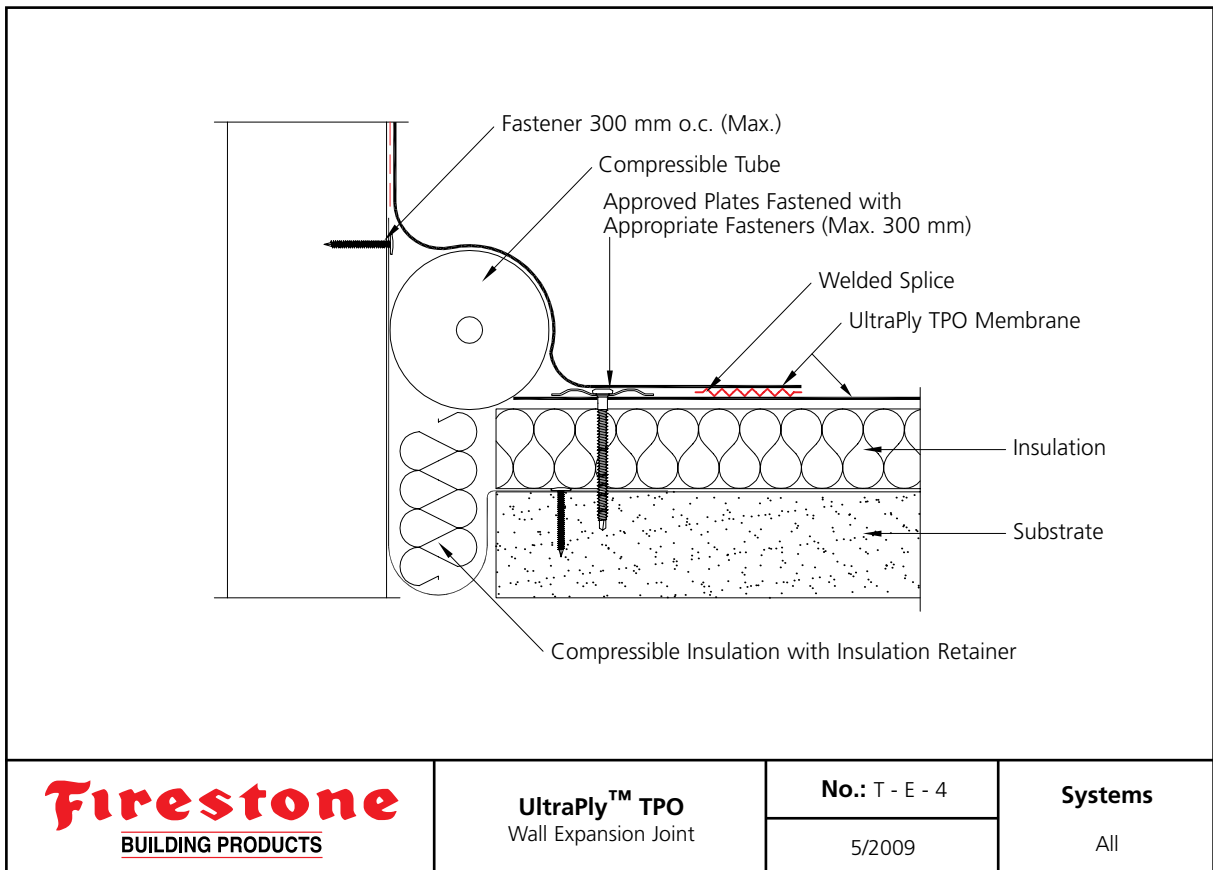
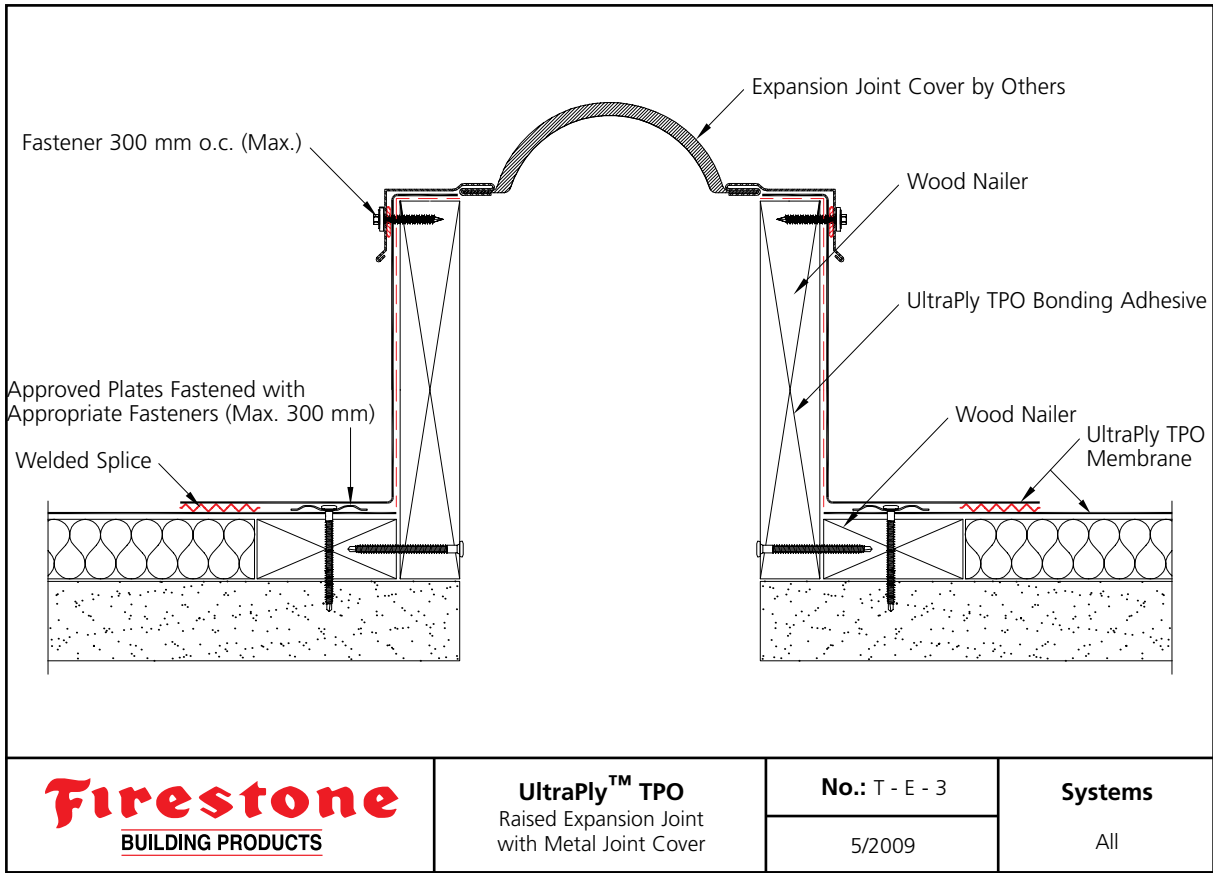
5.6 Expansion Joints

No.	UltraPly TPO Detail	Systems
T-E-1	Flat Expansion Joint with Welded Splice	All
T-E-2	Raised Expansion Joint	All
T-E-3	Raised Expansion Joint with Metal Joint Cover	All
T-E-4	Wall Expansion Joint	All







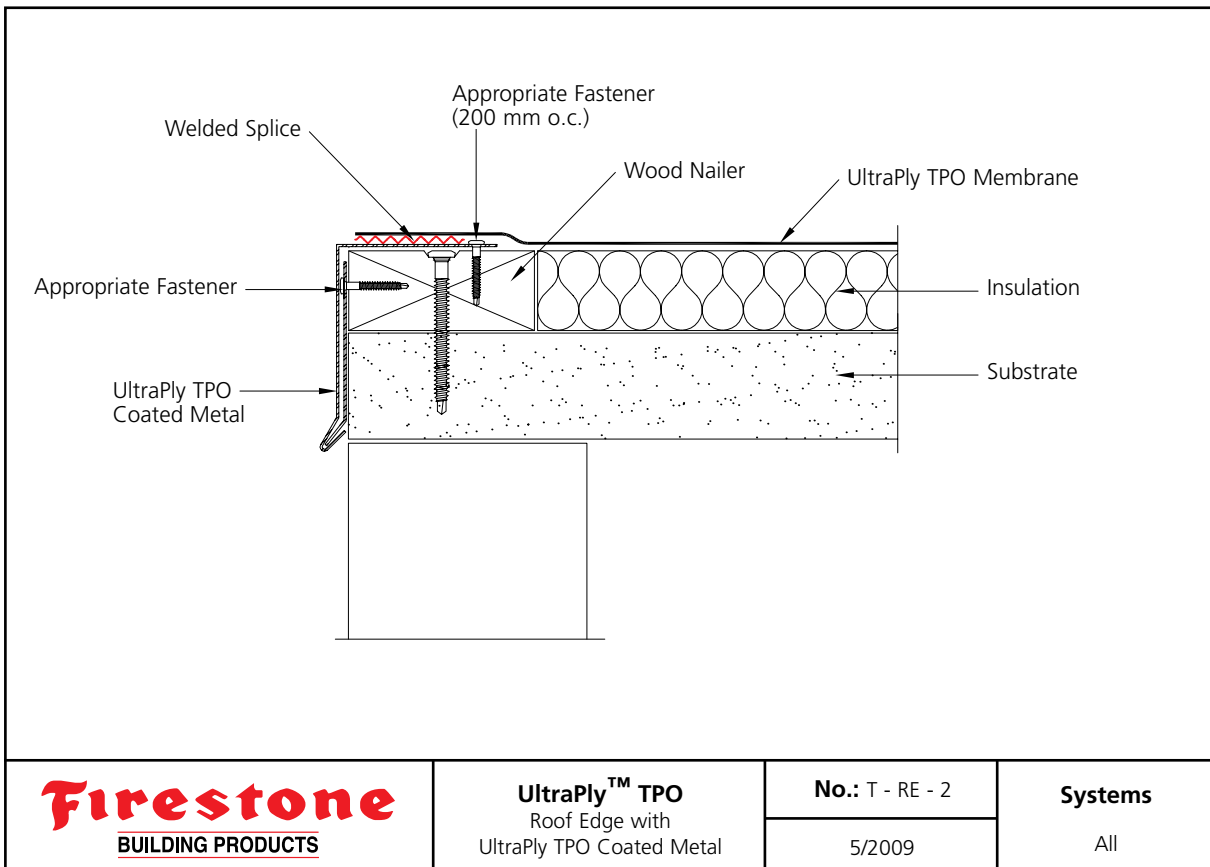
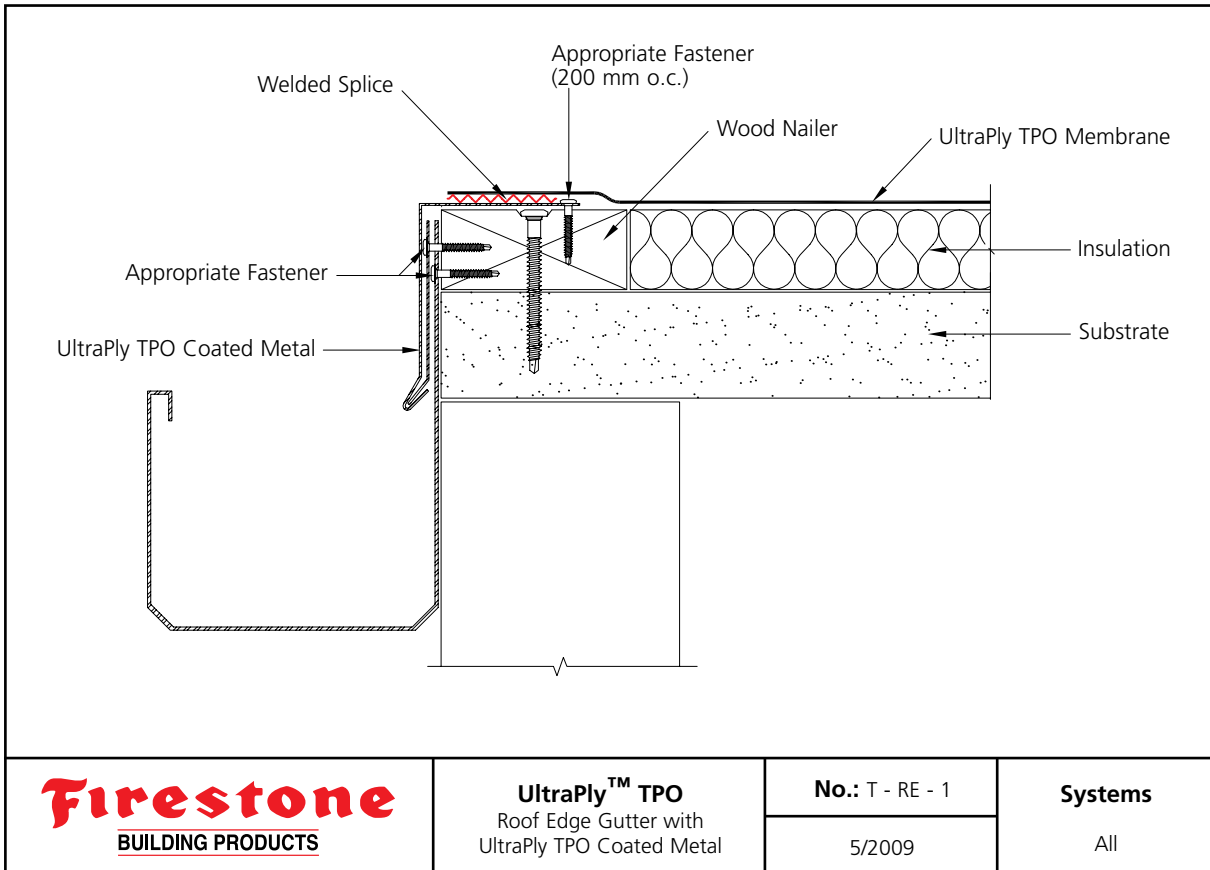


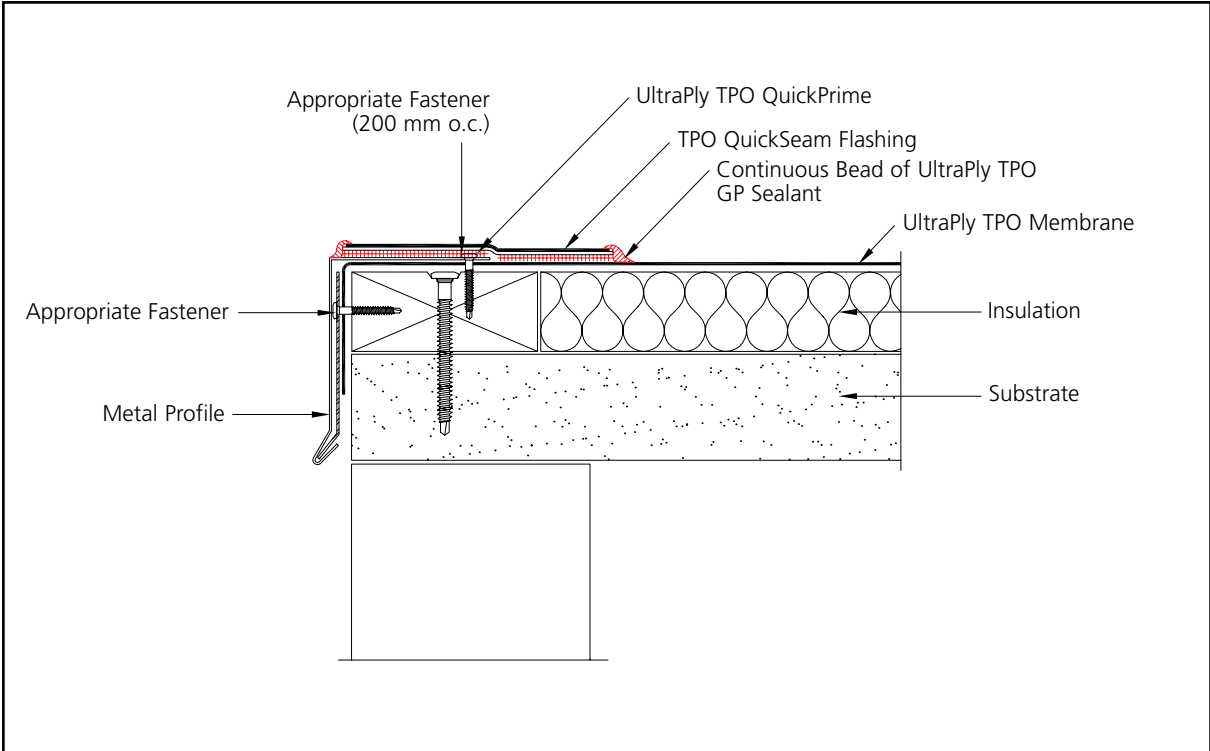
5.7 Roof Edges

No.	UltraPly TPO Detail	Systems
T-RE-1	Roof Edge Gutter with UltraPly TPO Coated Metal	All
T-RE-2	Roof Edge Gutter with UltraPly TPO Coated Metal	All
T-RE-3	Roof Edge using TPO QuickSeam Flashing	All
T-RE-4	Roof Edge with Edge Profile	All
T-RE-5	Roof Edge Splice with UltraPly TPO Coated Metal	All
T-RE-6	Alternative Roof Edge with Edge Profile	All

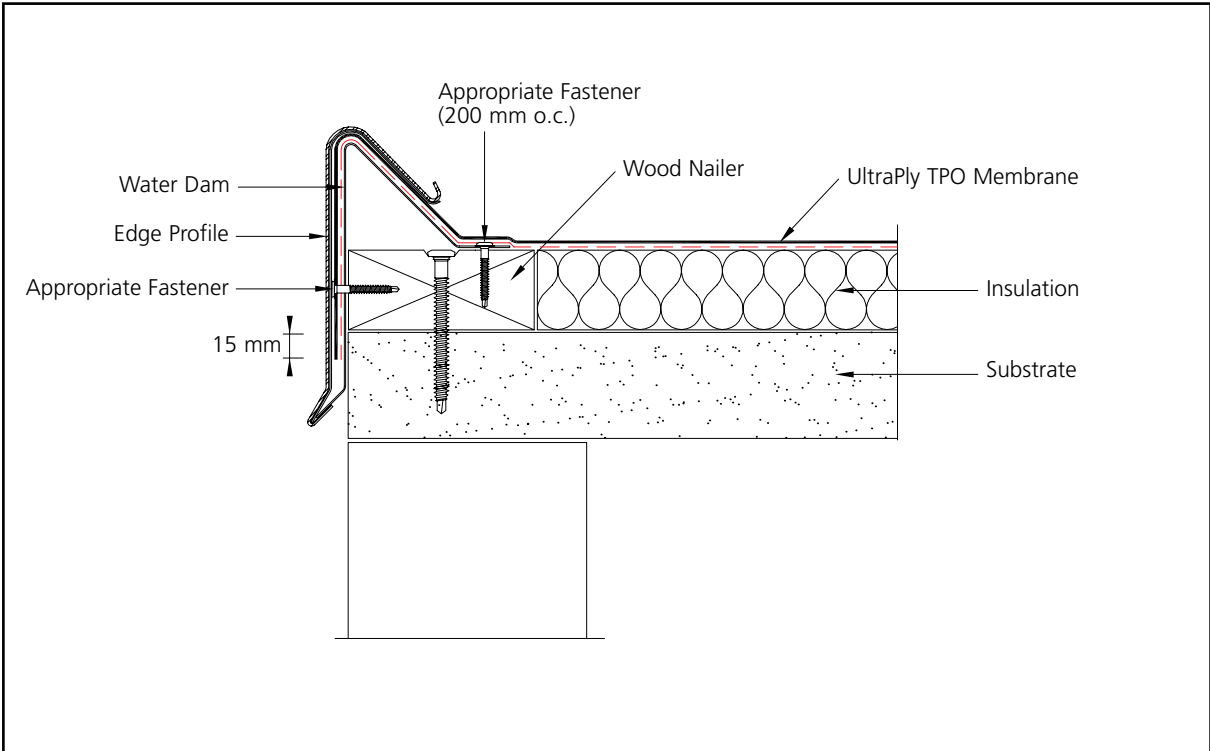






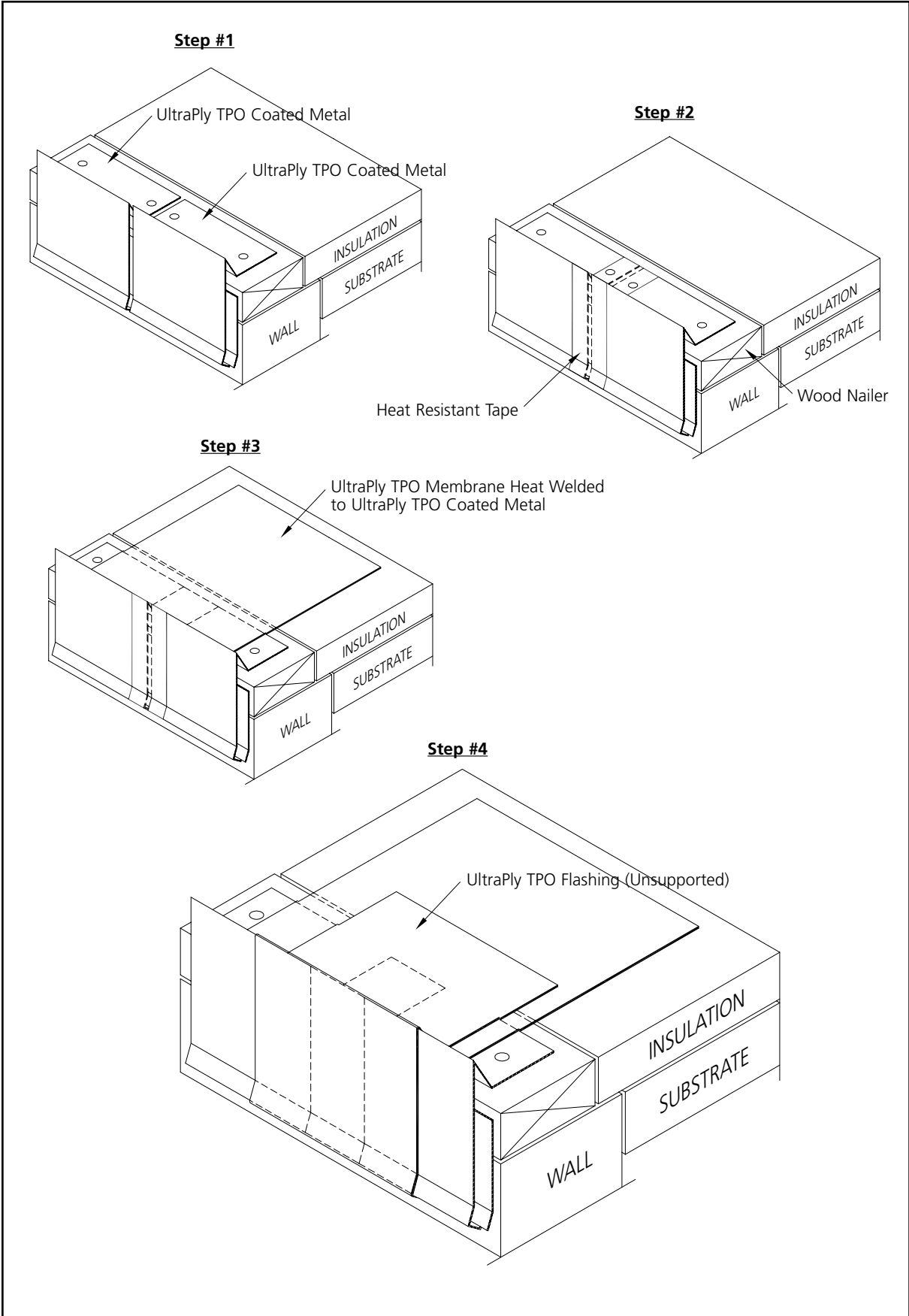


	UltraPly™ TPO Roof Edge using TPO QuickSeam Flashing	No.: T - RE - 3	Systems All
		5/2009	



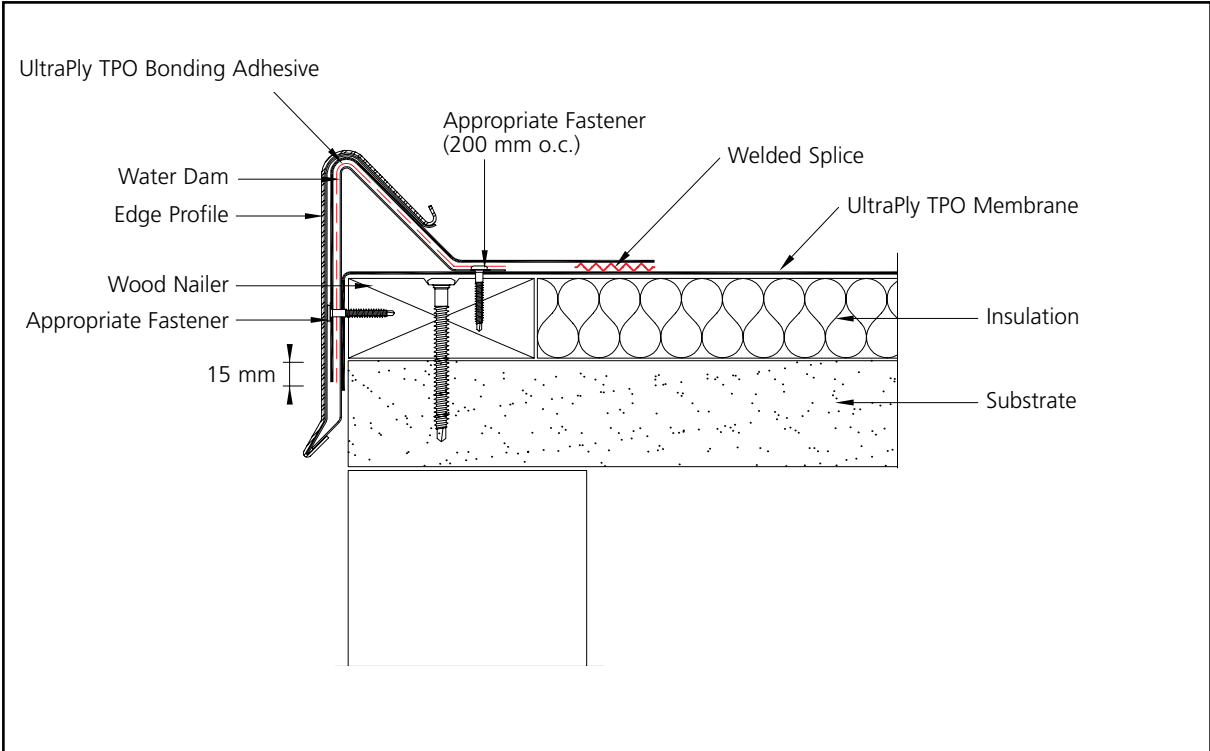
	UltraPly™ TPO Roof Edge with Edge Profile	No.: T - RE - 4	Systems All
		5/2009	





	UltraPly™ TPO Roof Edge Splice with UltraPly TPO Coated Metal	No.: T - RE - 5	Systems All
		5/2009	





	UltraPly™ TPO Alternative Roof Edge with Edge Profile	No.: T - RE - 6	Systems All
		5/2009	

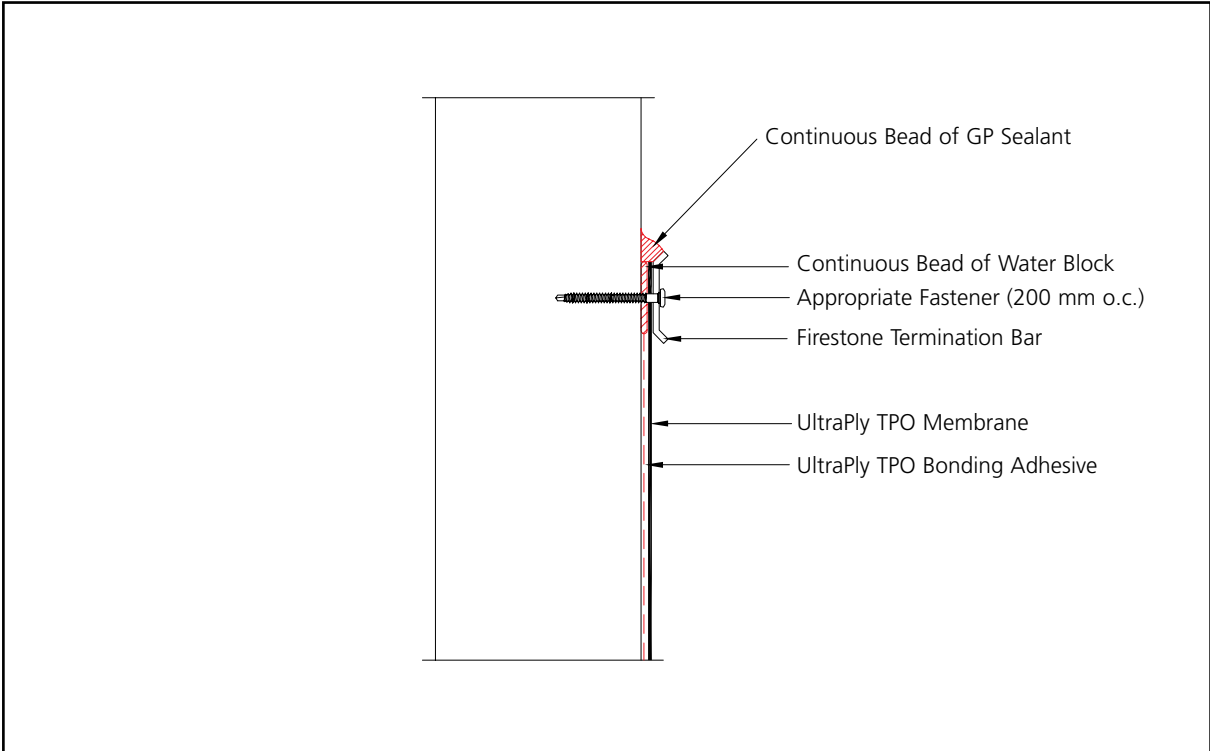


5.8 Terminations

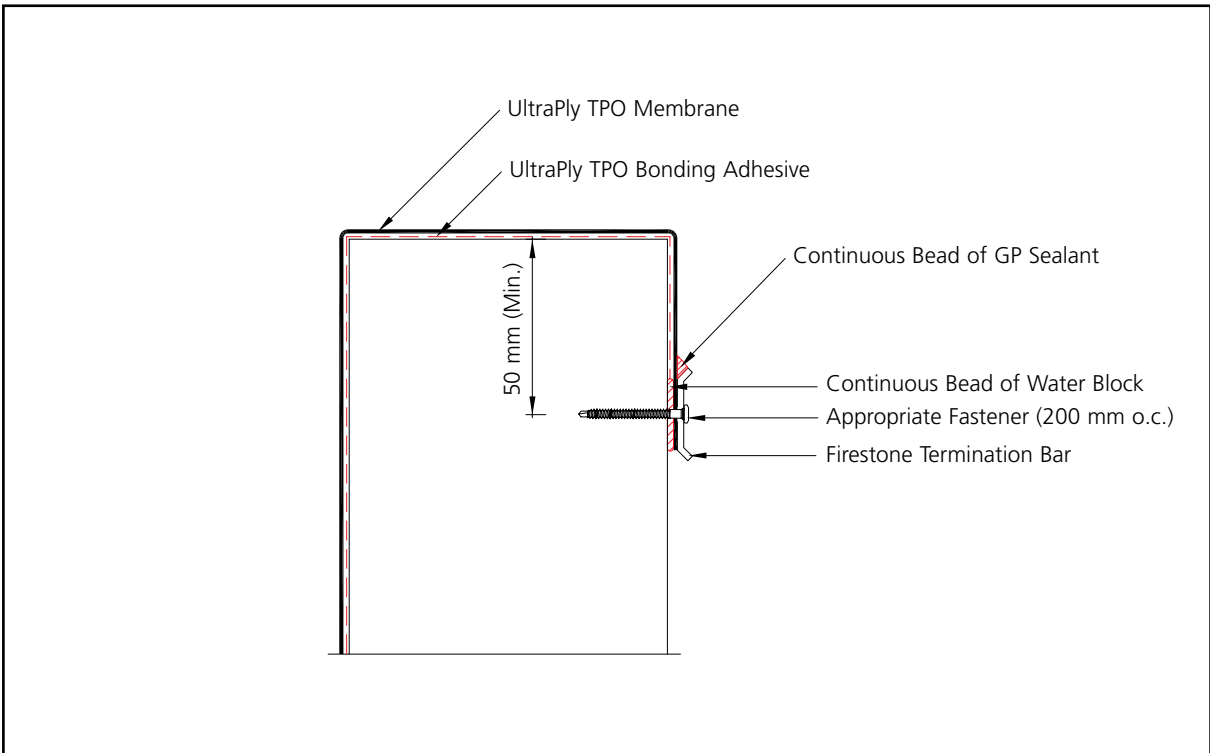
No.	UltraPly TPO Detail	Systems
T-T-1	Termination with Termination Bar	All
T-T-2	Termination with Termination Bar on Outside of Parapet Wall	All
T-T-3	Termination with Coping Stone	All
T-T-4	Termination with Metal Coping	All
T-T-5	Termination with Counterflashing	All
T-T-6	Termination with Termination Bar – Elevation Change	All
T-T-7	Termination with Termination Bar – Joint in Precast Concrete Panel	All
T-T-8	Termination with Termination Bar at Wall Expansion Joint	All
T-T-9	Termination with Monotrim Profile Flashing Termination	All
T-T-10	Termination with Intermediate Attachment at Wall Flashing	All





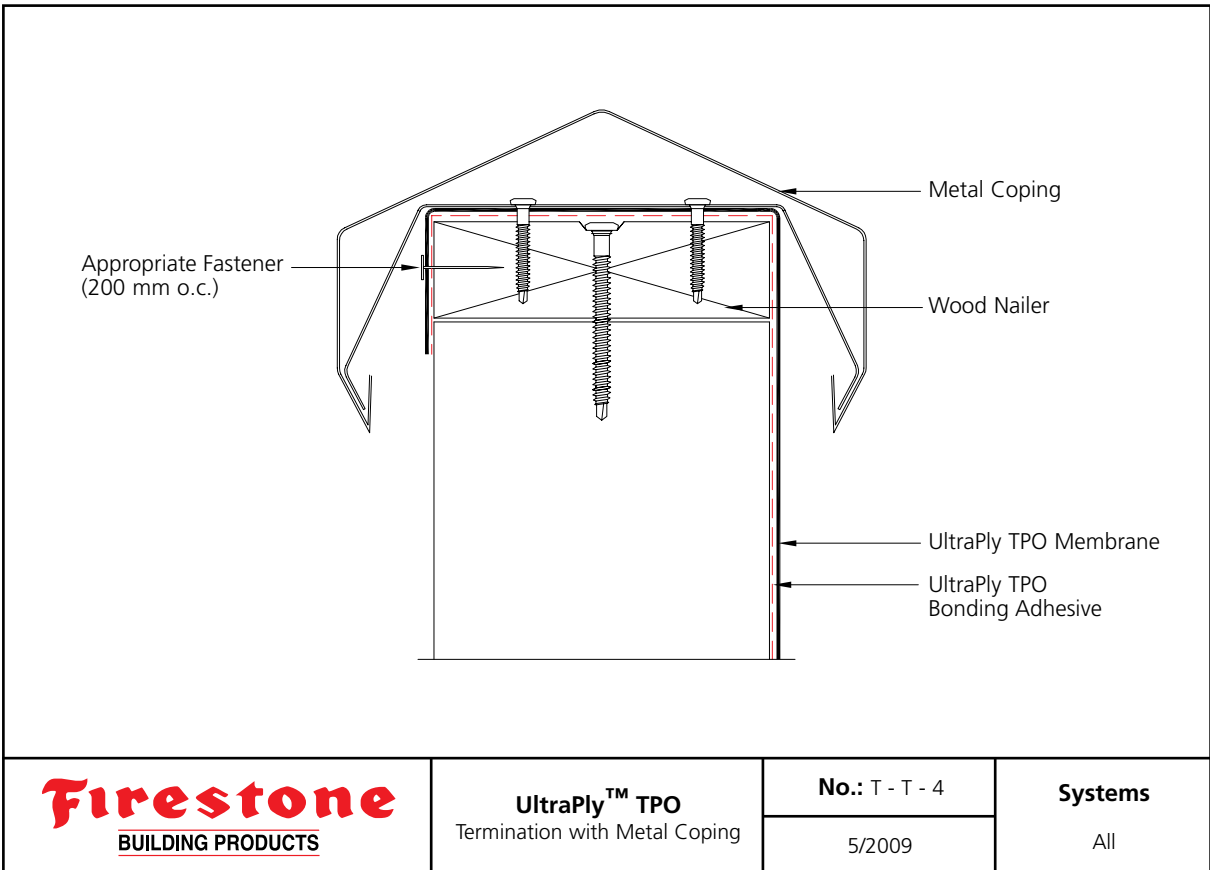
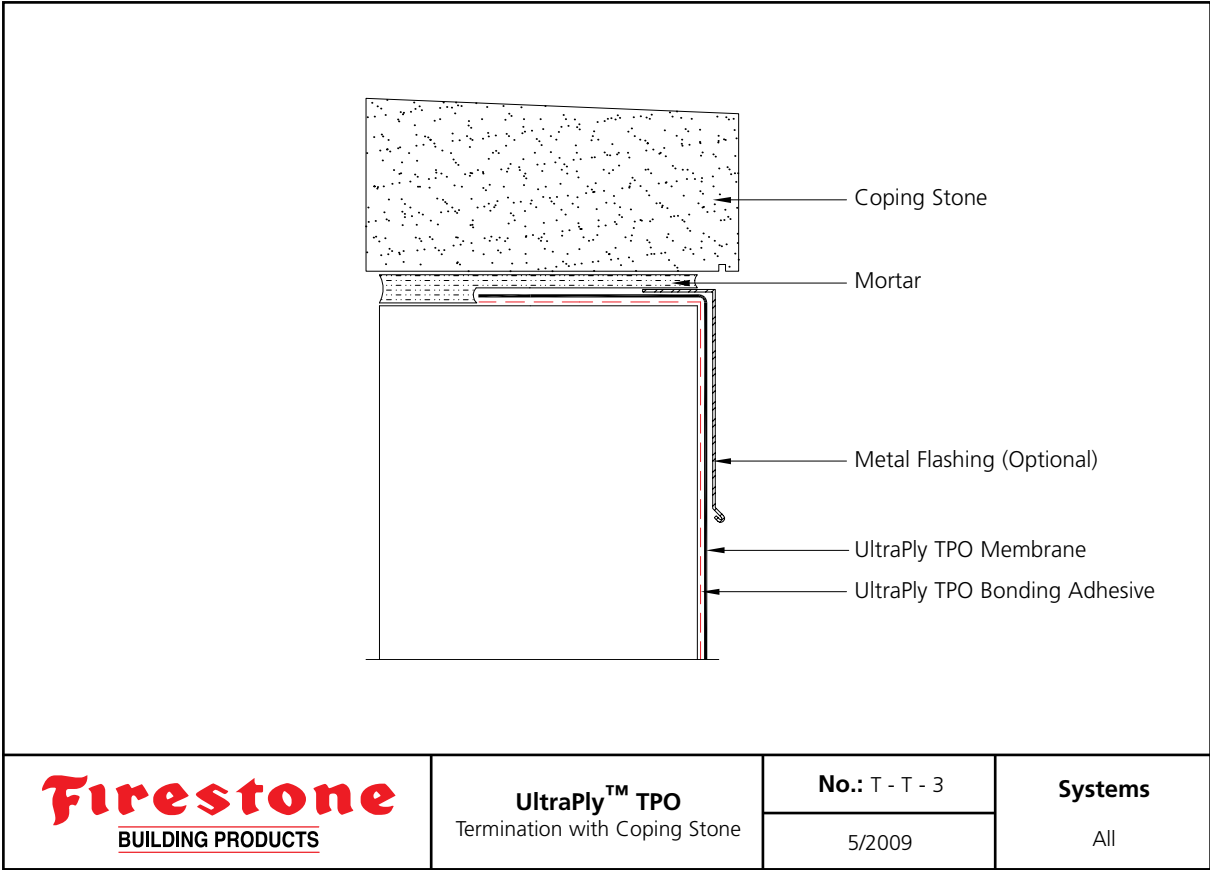


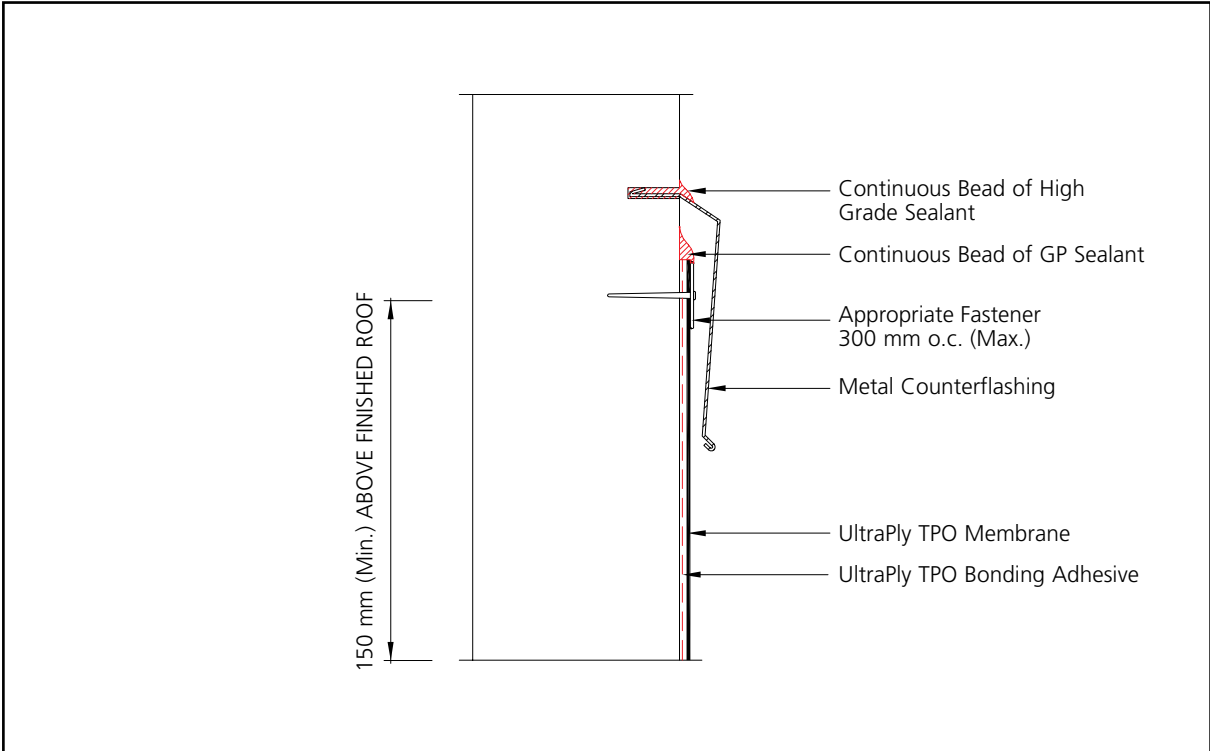
Firestone BUILDING PRODUCTS	UltraPly™ TPO Termination with Termination Bar	No.: T - T - 1	Systems All
		5/2009	



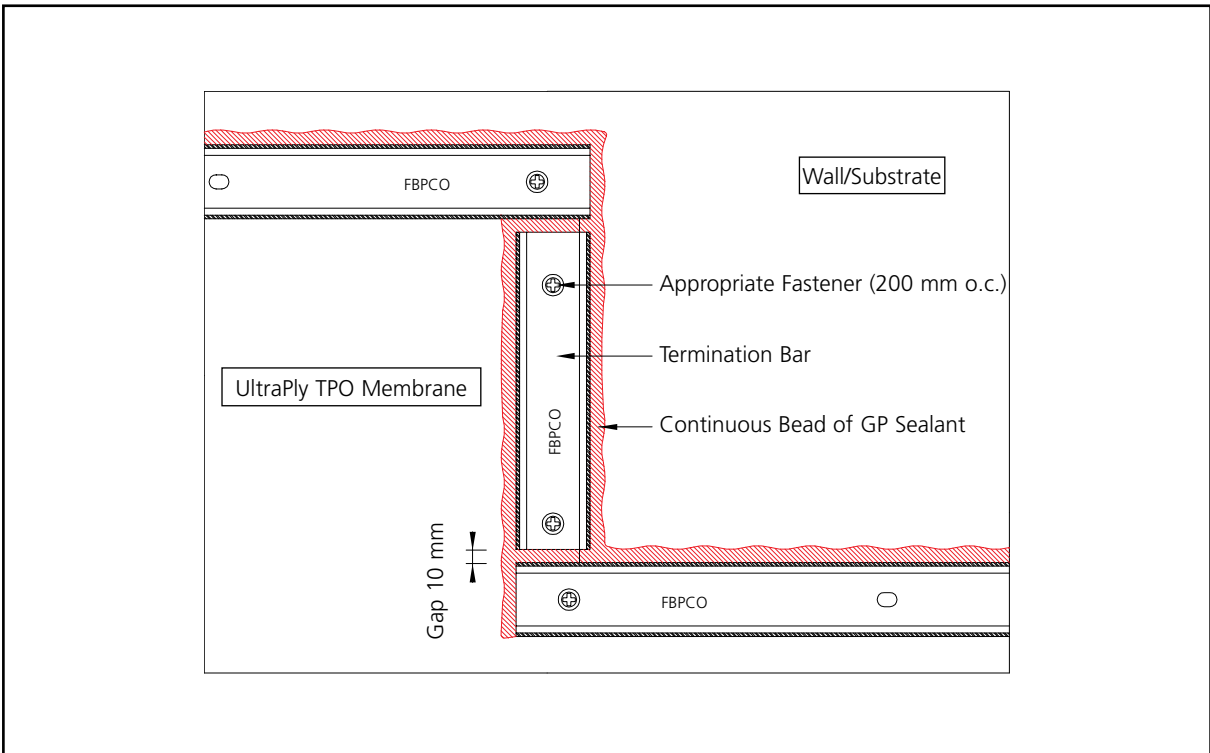
Firestone BUILDING PRODUCTS	UltraPly™ TPO Termination with Termination Bar on Outside of Parapet Wall	No.: T - T - 2	Systems All
		5/2009	







Firestone BUILDING PRODUCTS	UltraPly™ TPO Termination with Counterflashing	No.: T - T - 5	Systems All
		5/2009	



Firestone BUILDING PRODUCTS	UltraPly™ TPO Termination with Termination Bar Elevation Change	No.: T - T - 6	Systems All
		5/2009	



