

RENAULT

5 Mechanisms and accessories

51A SIDE OPENING ELEMENT MECHANISMS

52A NON-SIDE OPENING ELEMENT MECHANISMS

54A WINDOWS

55A EXTERIOR PROTECTION

56A EXTERIOR ACCESSORIES

57A INTERIOR ACCESSORIES

59A SAFETY ACCESSORIES

X84, and B84 or C84 or G84 or S84

77 11 318 162

SEPTEMBER 2004

Edition Anglaise

"The repair methods given by the manufacturer in this document are based on the technical specifications current when it was prepared.

The methods may be modified as a result of changes introduced by the manufacturer in the production of the various component units and accessories from which his vehicles are constructed."

All copyrights reserved by Renault.

The reproduction or translation in part of whole of the present document, as well as the use of the spare parts reference numbering system, are prohibited without the prior written consent of Renault.

Mégane II - Section 5

Contents

Page

51A	SIDE OPENING ELEMENT MECHANISMS		52A	NON-SIDE OPENING ELEMENT MECHANISMS	
	Front side door lock barrel: Removal - Refitting	51A-1		Fixed sunroof window: Removal - Refitting	52A-15
	Door exterior handle: Removal - Refitting	51A-3		Sunroof sun visors: Removal - Refitting	52A-17
	Front side door lock: Removal - Refitting	51A-7	54A	WINDOWS	
	Rear side door lock: Removal - Refitting	51A-9		Windscreen	54A-1
	Front side door electric window mechanism: Removal - Refitting	51A-11		Rain and light sensor: Removal - Refitting	54A-5
	Rear side door electric window mechanism: Removal - Refitting	51A-12		Sliding window in front side door: Removal - Refitting	54A-6
52A	NON-SIDE OPENING ELEMENT MECHANISMS			Sliding window in rear side door: Removal - Refitting	54A-9
	Tailgate exterior opening control: Removal - Refitting	52A-1		Rear side door fixed window: Removal - Refitting	54A-12
	Tailgate lining: Removal - Refitting	52A-2		Quarter panel light	54A-14
	Tailgate lock: Removal - Refitting	52A-4	55A	EXTERIOR PROTECTION	
	Rear screen wiper motor: Removal - Refitting	52A-5		Front bumper: Removal - Refitting	55A-1
	Sunroof operating mechanism: Removal - Refitting	52A-8		Front bumper: Conversion	55A-9
	Sunroof moving panel: Removal - Refitting	52A-12		Front bumper: Stripping - Rebuilding	55A-10
	Sunroof deflector: Removal - Refitting	52A-14		Rear bumper: Removal - Refitting	55A-16
				Rear bumper: Stripping- Rebuilding	55A-21

Contents

55A EXTERIOR PROTECTION

Front wheel arch liner: Removal - Refitting	55A-24
Rear wheel arch liner: Removal - Refitting	55A-25
Front door protective strip: Removal - Refitting	55A-26
Rear door protective strip: Removal - Refitting	55A-27
Rear wing protective strip: Removal - Refitting	55A-29
Scuttle panel grille: Removal - Refitting	55A-30
Tailgate strip: Removal - Refitting	55A-32
Roof protective strip: Removal - Refitting	55A-36
Proximity radar Paintwork	55A-37

56A EXTERIOR ACCESSORIES

Door mirror: Removal - Refitting	56A-1
Door mirror glass: Removal - Refitting	56A-2
Door mirror casing: Removal - Refitting	56A-3
B-pillar trims: Removal - Refitting	56A-5

57A INTERIOR ACCESSORIES

Centre console: Removal - Refitting	57A-1
Dashboard: Removal - Refitting	57A-3
Driver's front airbag: Removal - Refitting	57A-14
Passenger front airbag: Removal - Refitting	57A-16

57A INTERIOR ACCESSORIES

Interior rear-view mirror Removal - Refitting	57A-18
Grab handle: Removal - Refitting	57A-19
Sun visor: Removal - Refitting	57A-20

59A SAFETY ACCESSORIES

Front seat belt: Removal - Refitting	59A-1
Rear seat belt	59A-7
Centre rear seat belt: Removal - Refitting	59A-13

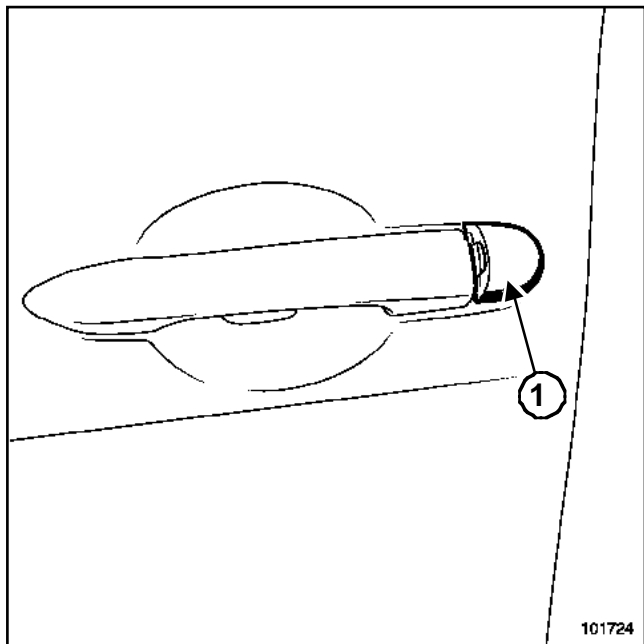
SIDE OPENING ELEMENT MECHANISMS

Front side door lock barrel: Removal - Refitting

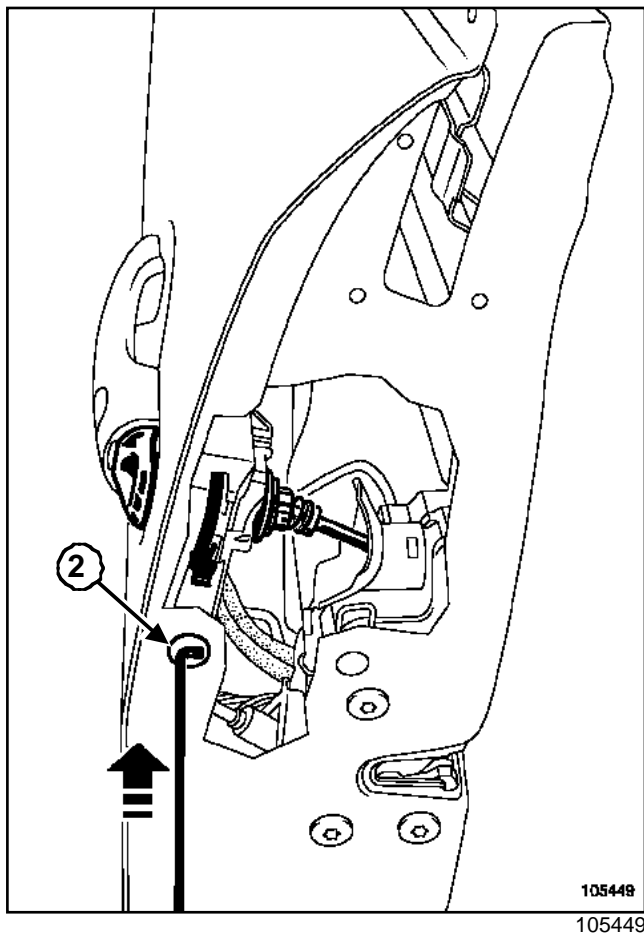
51A

B84 or C84

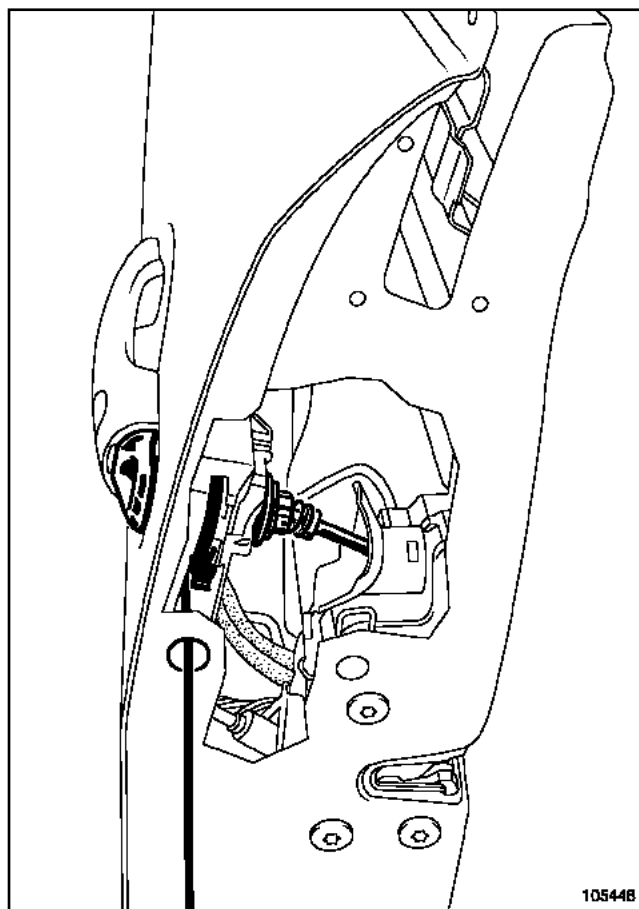
REMOVAL



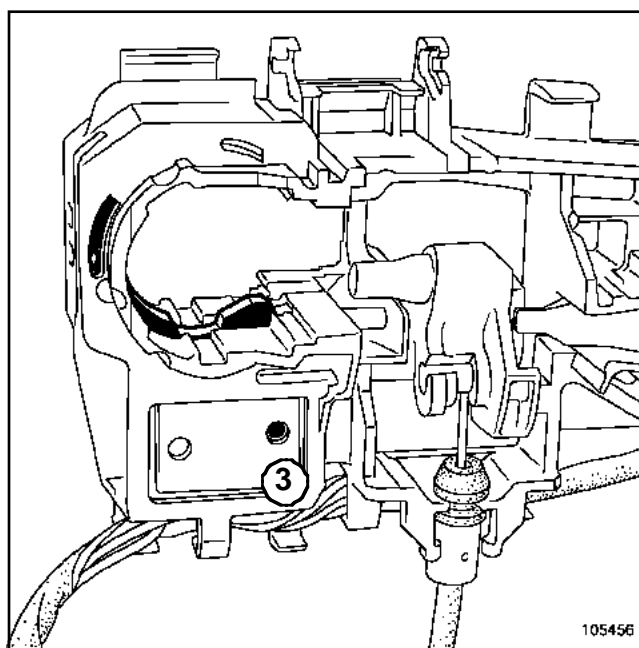
- Remove lock barrel cover (1) .



- Insert a hook (made in workshop) into notch (2) .



- Engage the hook behind the lock barrel catch.



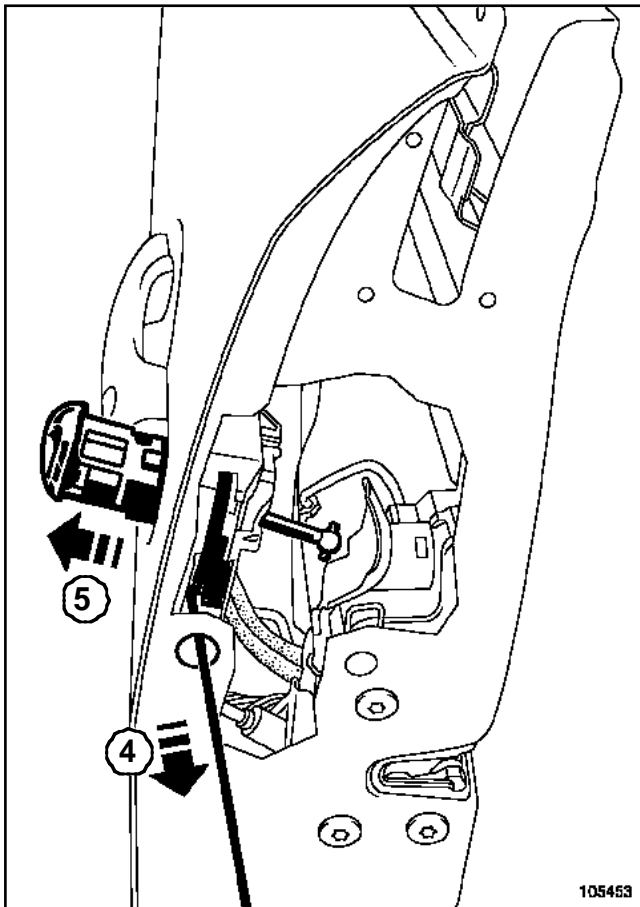
- Detailed view of catch (3) in the locked position.

SIDE OPENING ELEMENT MECHANISMS

Front side door lock barrel: Removal - Refitting

51A

B84 or C84



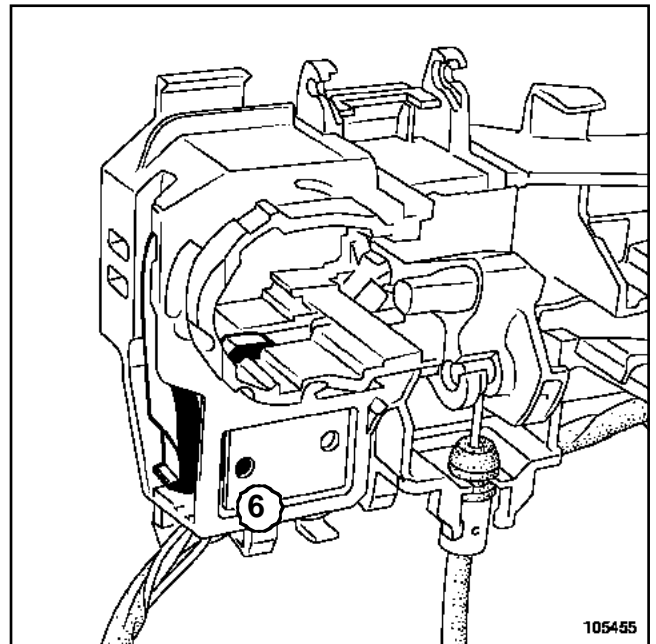
- Release catch (4) .
Remove lock barrel (5) .

REFITTING

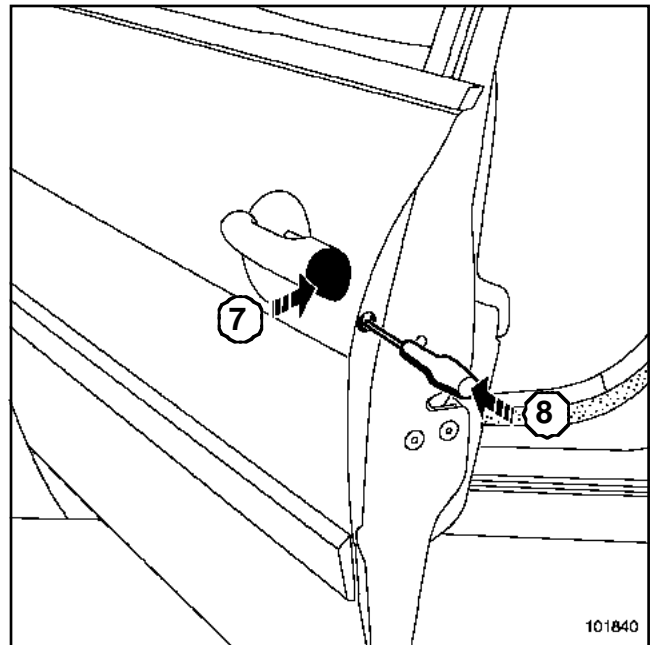
□

WARNING

When refitting, check that the catch is in the unlocked position before engaging the lock barrel in the module.



- Detailed view of catch (6) in the unlocked position.



- Refit lock barrel (7) .
- Lock the lock barrel retaining catch using a screwdriver (8) .
- Carry out a manual function test on the lock barrel.
- Proceed in the reverse order to removal.

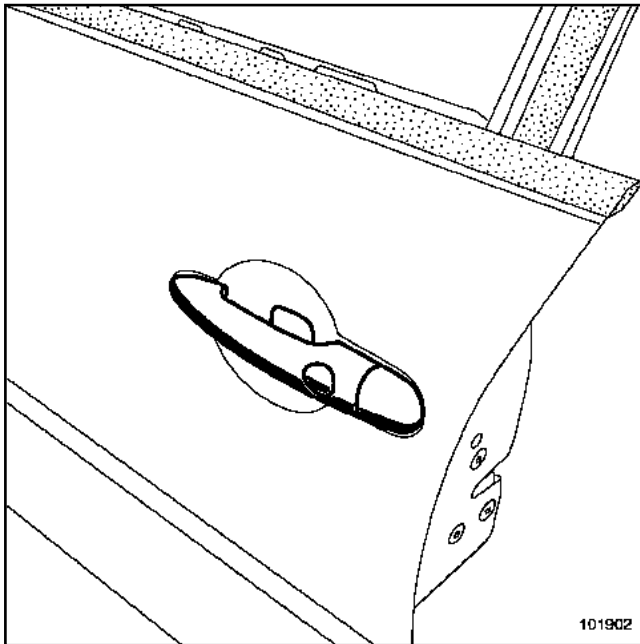
SIDE OPENING ELEMENT MECHANISMS

Door exterior handle: Removal - Refitting

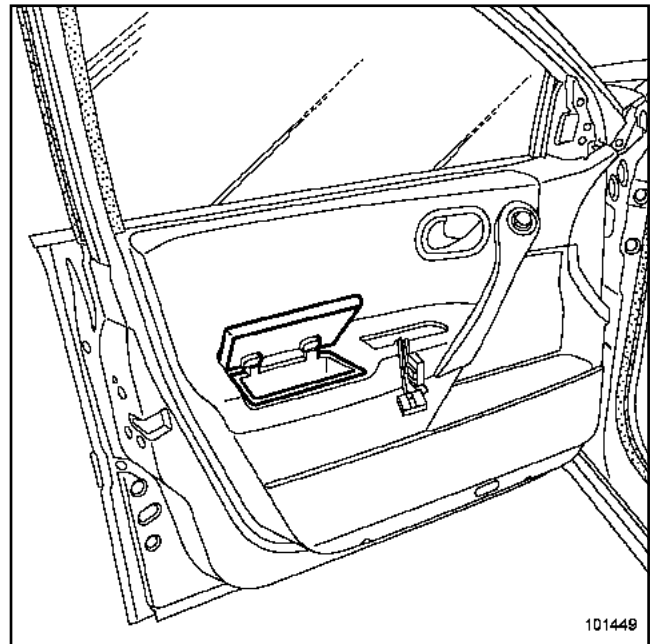
51A

B84 or C84

REMOVAL



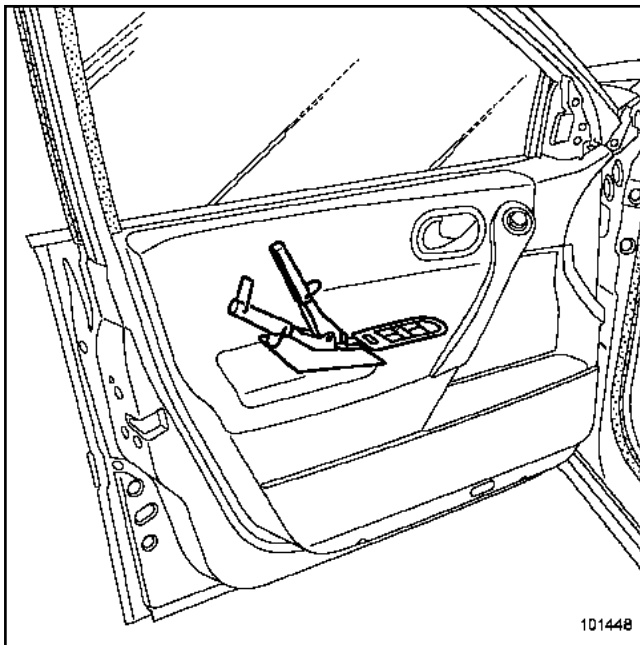
101902



101449

101449

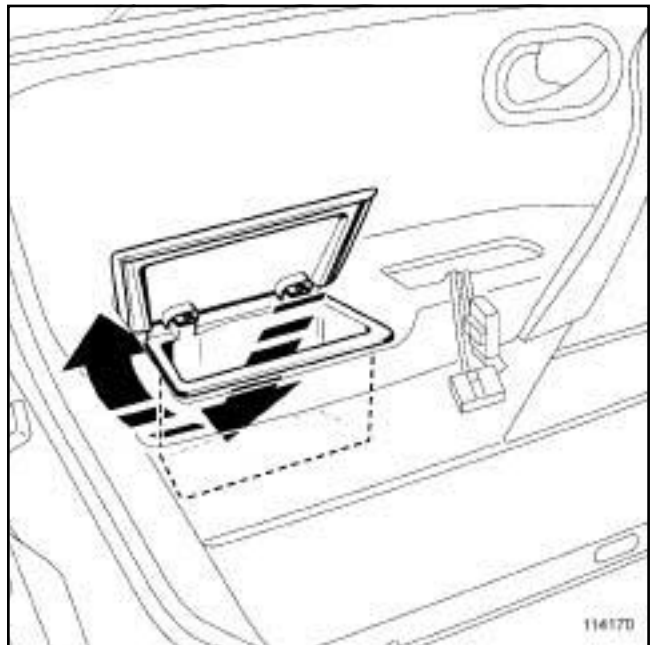
- ❑ Remove the clips from inside the storage tray.



101448

101448

- ❑ Protect the trim (using a mastic knife for example).
- ❑ Using a pair of unclipping pliers, unclip the electric window plate (rear section).



114170

114170

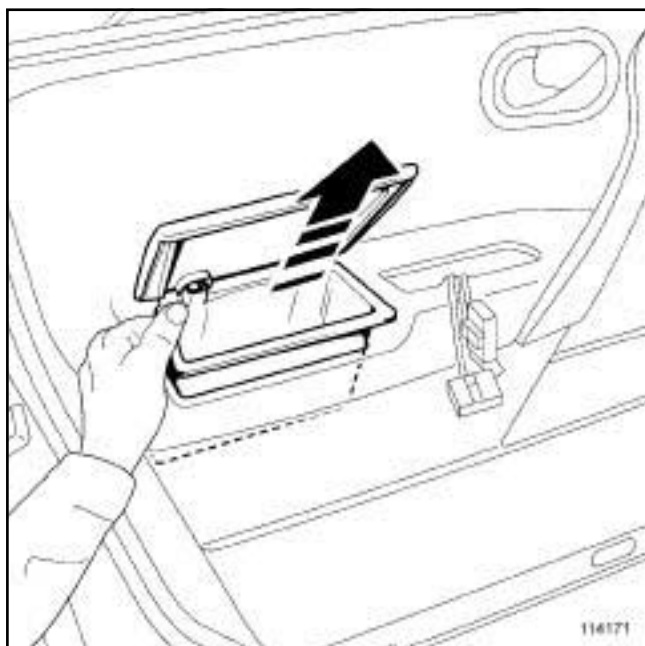
- ❑ Put one hand into the back of the storage tray. Push into the inner door box section until the storage tray is unclipped.

SIDE OPENING ELEMENT MECHANISMS

Door exterior handle: Removal - Refitting

51A

B84 or C84

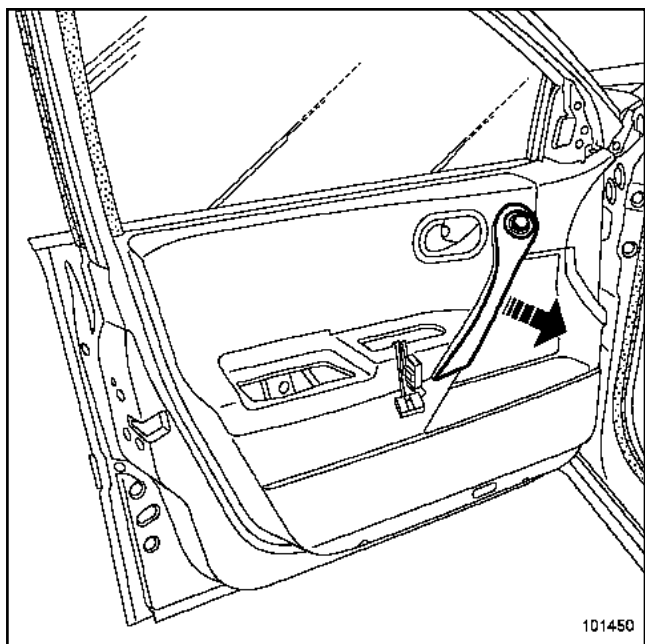


114171

- ❑ Remove the storage tray from its housing.

WARNING

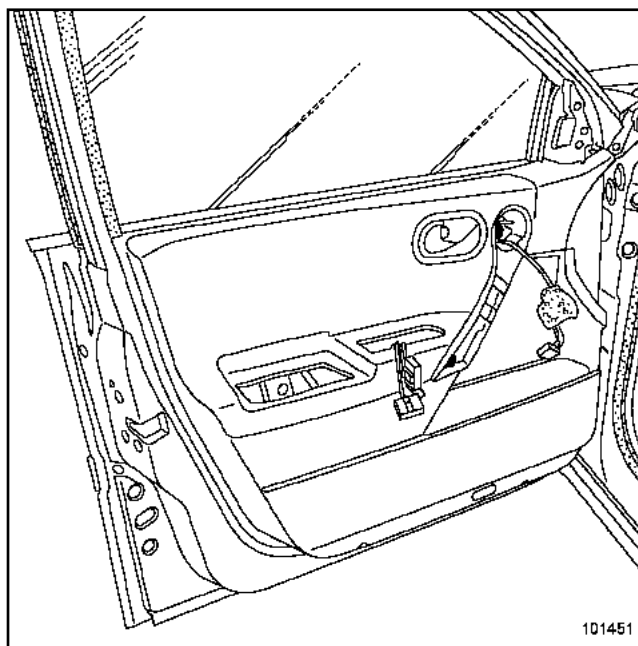
Do not pull on the storage tray cover.



101450

101450

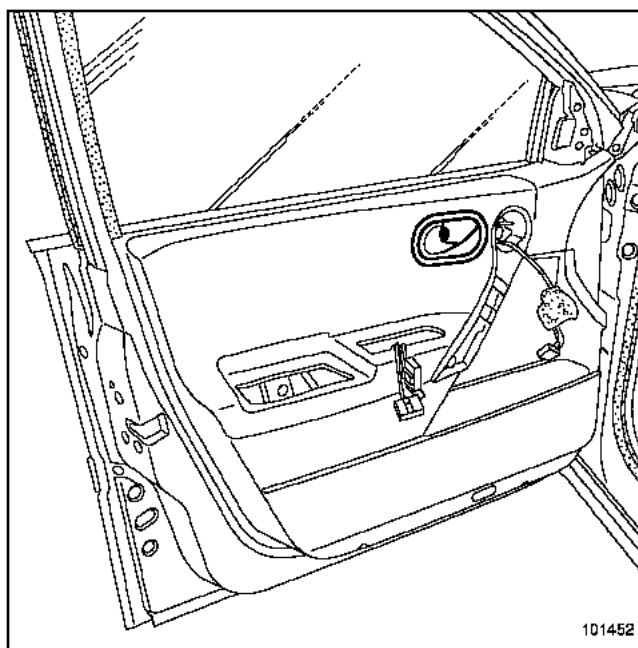
- ❑ Unclip the pull handle cover.
- ❑ Disconnect the door mirror switch connector.



101451

101451

- ❑ Remove bolts (1) .



101452

101452

- ❑ Remove:
 - the cover,
 - door opening handle bolt (2) .

Note:

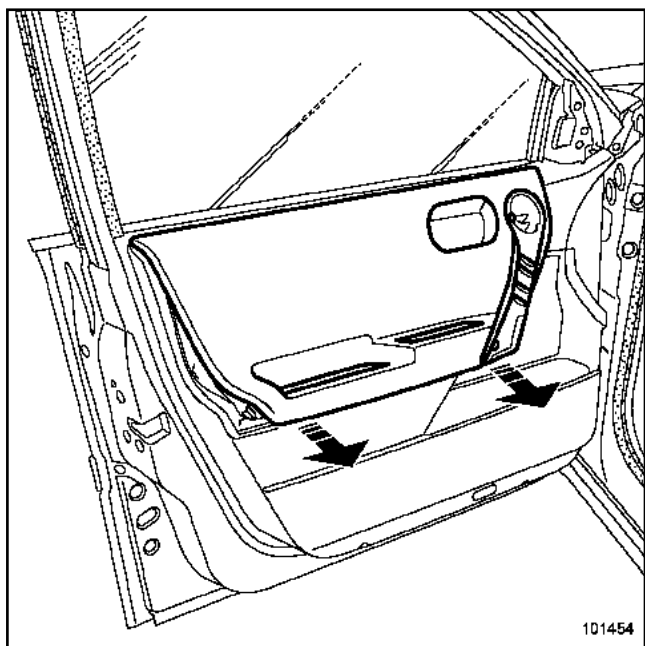
Do not remove the lower opening control cable.

SIDE OPENING ELEMENT MECHANISMS

Door exterior handle: Removal - Refitting

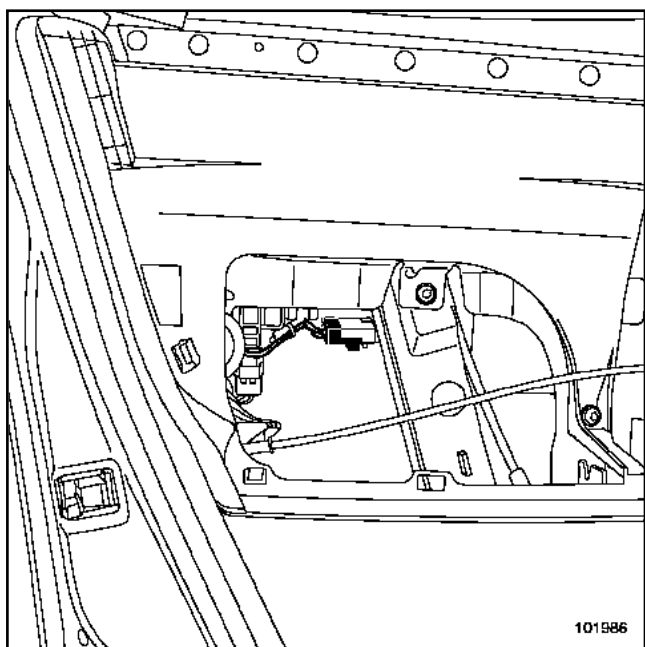
51A

B84 or C84



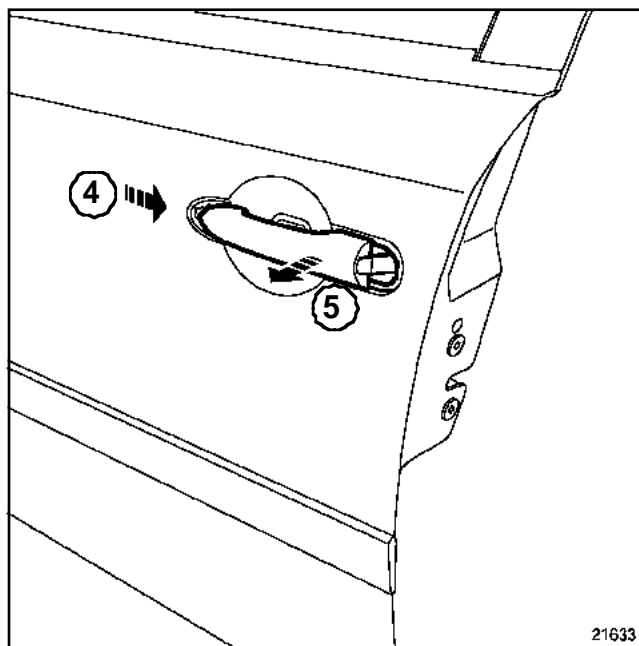
101454

- Unclip the trim flap using the unclipping pliers (protecting the trim).
- Open the flap.
- Hold the flap open (using masking tape).
- Remove the lock barrel (see **51A, Side opening element mechanisms, Front side door lock barrel**).



101986

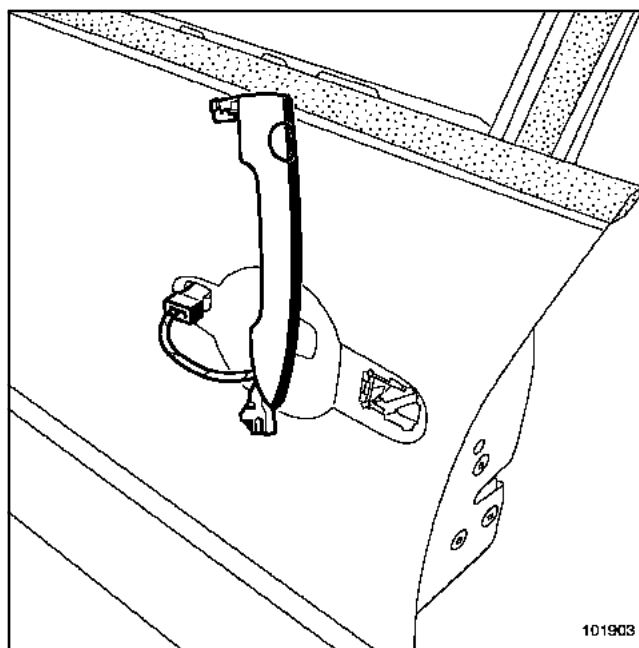
- Disconnect the opening button male connector.
- Unclip the handle module female connector.



21633

21633

- Remove the handle in the direction of (4) and (5).



101903

101903

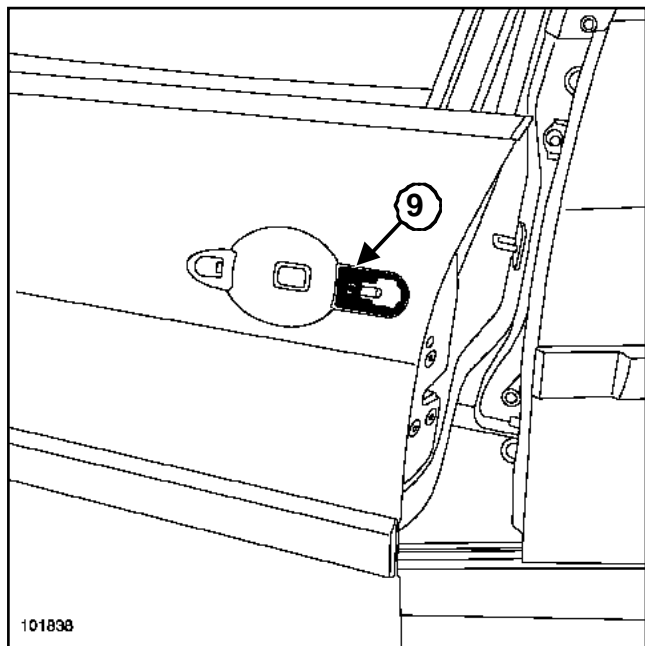
- Remove the handle with care, to avoid damaging the connector.

WARNING

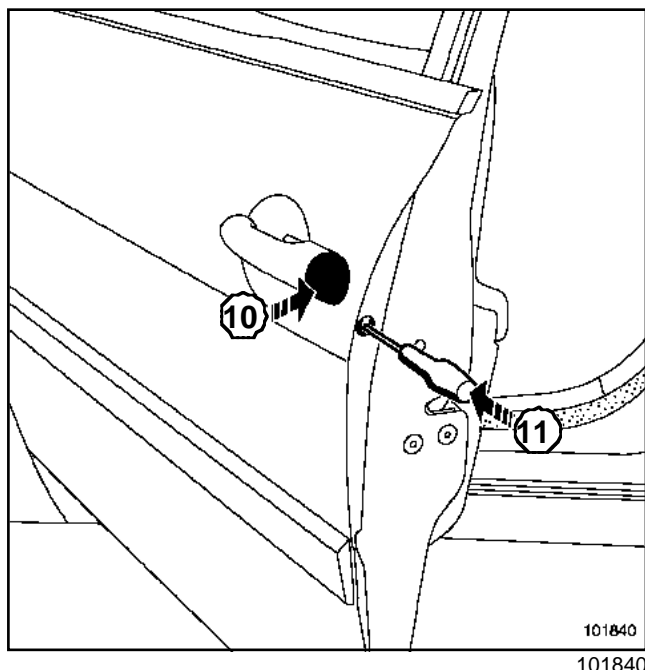
For models equipped with the hands-free feature, be careful not to damage the connector during removal.

B84 or C84

REFITTING



- Check that seal (9) is in place before refitting the handle.



- Refit:
 - the handle,
 - the lock barrel (10) .
- Lock the catch (11) .
- Carry out a manual function test on the lock barrel.
- Proceed in the reverse order to removal.

SIDE OPENING ELEMENT MECHANISMS

Front side door lock: Removal - Refitting

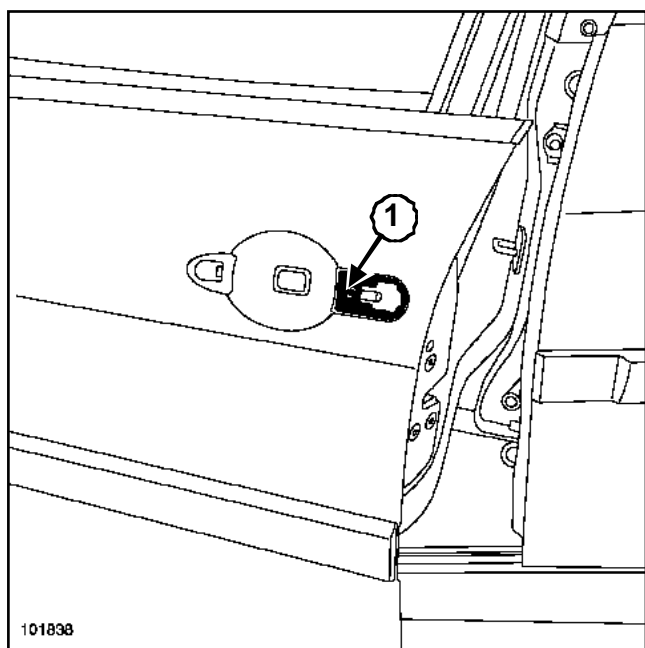
51A

B84 or C84

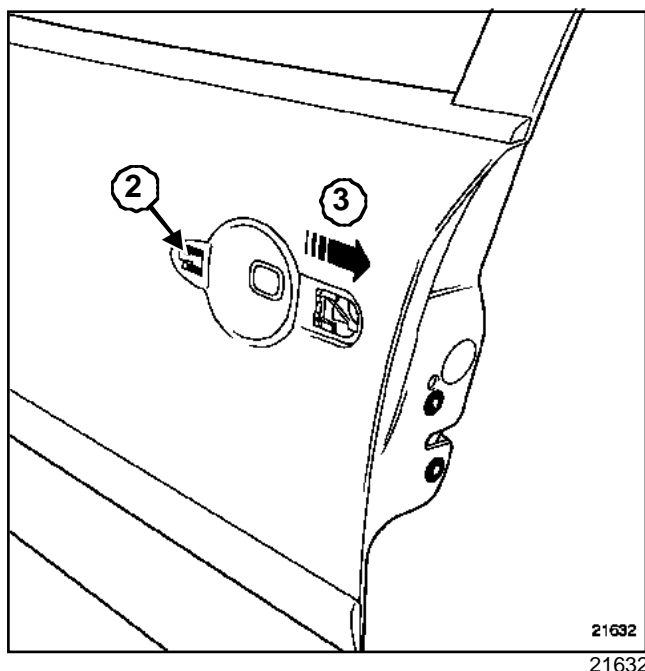
REMOVAL

❑ Remove:

- the door frame flap (see 72A, Side opening element trims, Front door trim).
- the exterior handle (see 51A, Side opening element mechanisms, Exterior door handle).

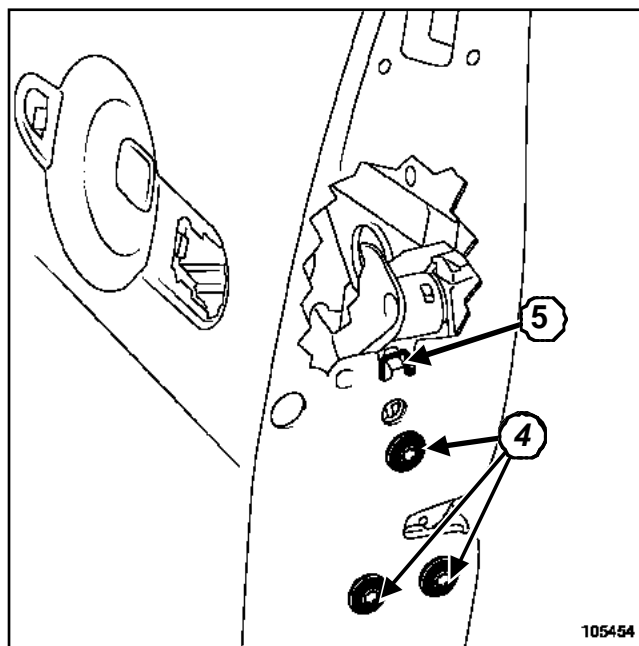


❑ Remove the seal (1) .



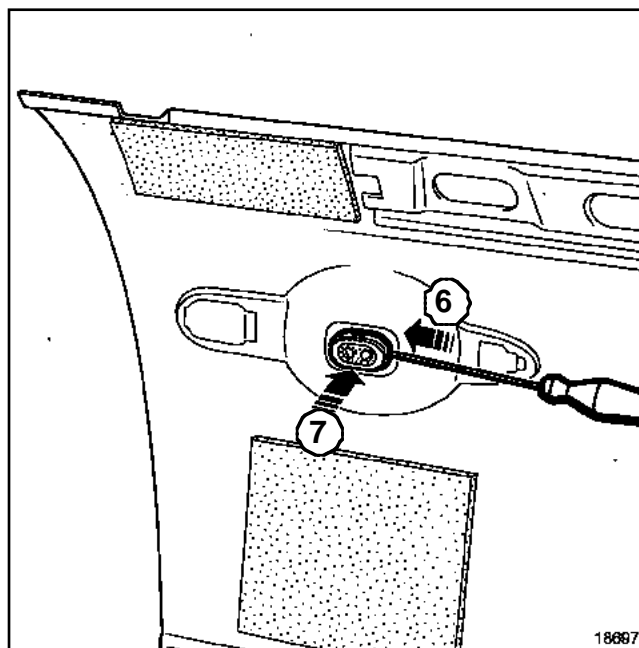
❑ Remove:

- the two stops (2) ,
- the door panel module (3) ,



- ❑ Disconnect the various connectors (depending on the level of equipment).
- ❑ Remove bolts (4) .
- ❑ Remove the lock assembly (held by hook (5)) and module.

VEHICLE FITTED WITH A PRESENCE SENSOR



- ❑ Unclip the prism at (6) and then at (7) using a flat-blade screwdriver.

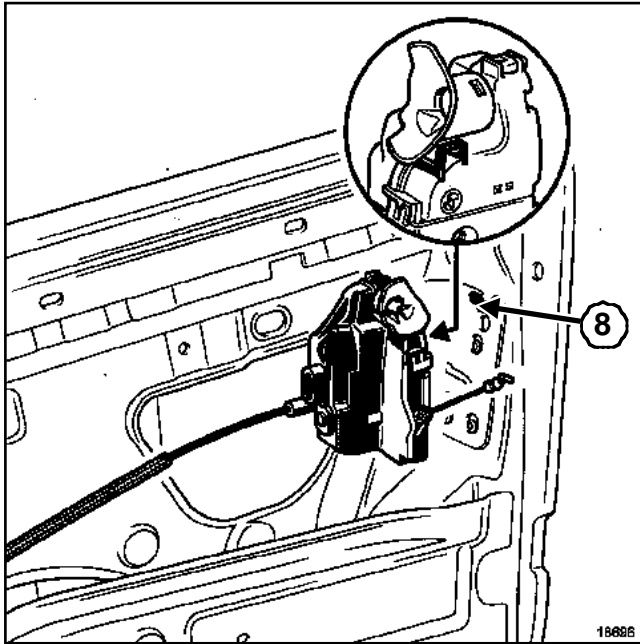
SIDE OPENING ELEMENT MECHANISMS

Front side door lock: Removal - Refitting

51A

B84 or C84

REFITTING



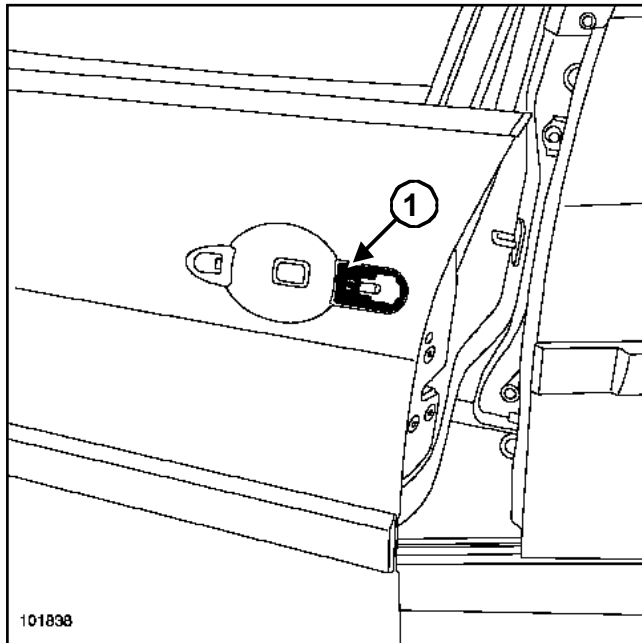
- Position the lock on door box section retaining hook (8).
- Carry out a function test.
- Proceed in the reverse order to removal.

B84

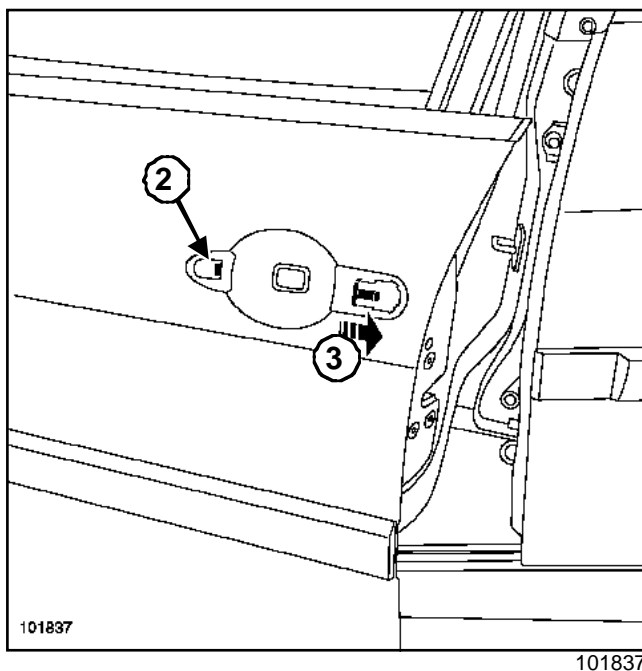
REMOVAL

❑ Remove:

- the door trim flap ((see 72A, Side opening element lining)),
- the exterior handle (see 51A, Side opening element mechanisms, Door exterior handle: Removal - Refitting, page 51A-3) .



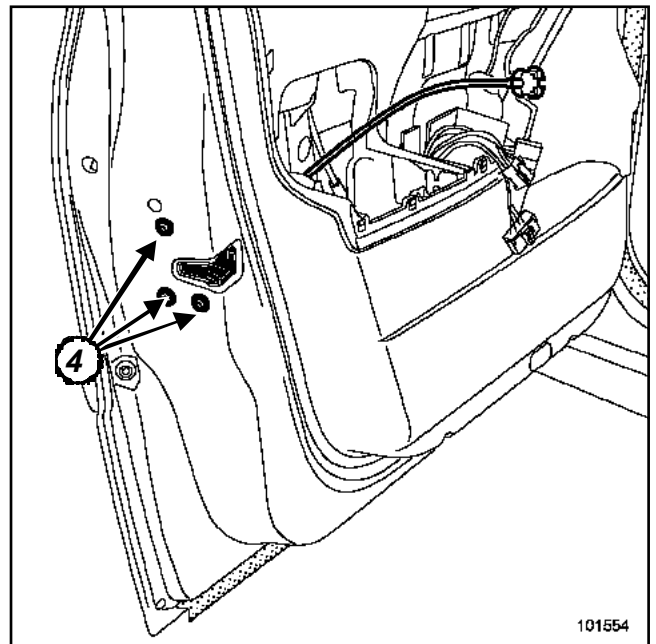
❑ Remove seal (1) .



❑ Disconnect:

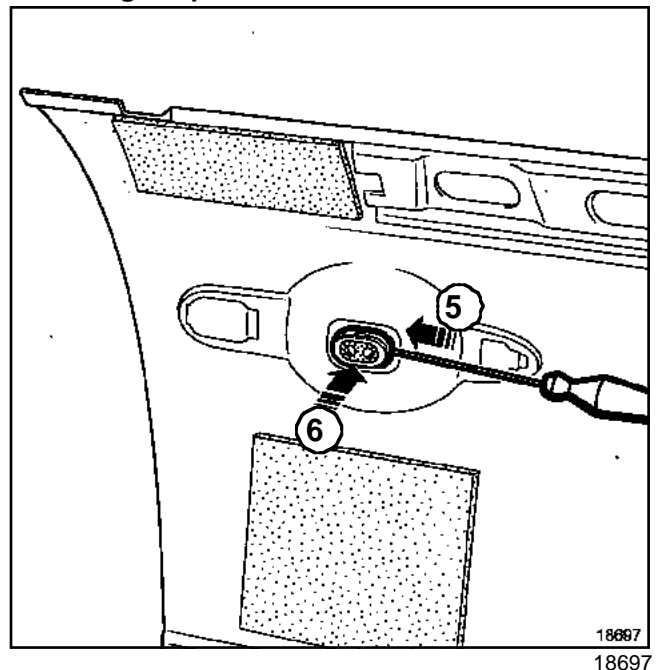
- the clip (2) ,

- the door panel module (3) ,



- ❑ Disconnect the various connectors (depending on the equipment level in the vehicle).
- ❑ Remove bolts (4) .
- ❑ Remove the « lock/module » assembly.

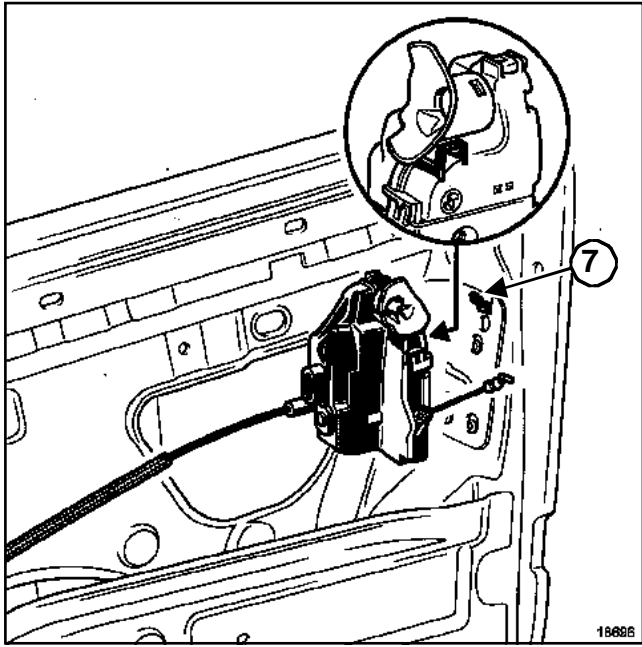
Removing the presence sensor



- ❑ Unclip the prism at (5) then (6) with a screwdriver.

B84

REFITTING



- Position the lock on the door box section retaining hook (7) .
- Carry out a function test.
- To refit, proceed in the reverse order of removal.

B84 or C84

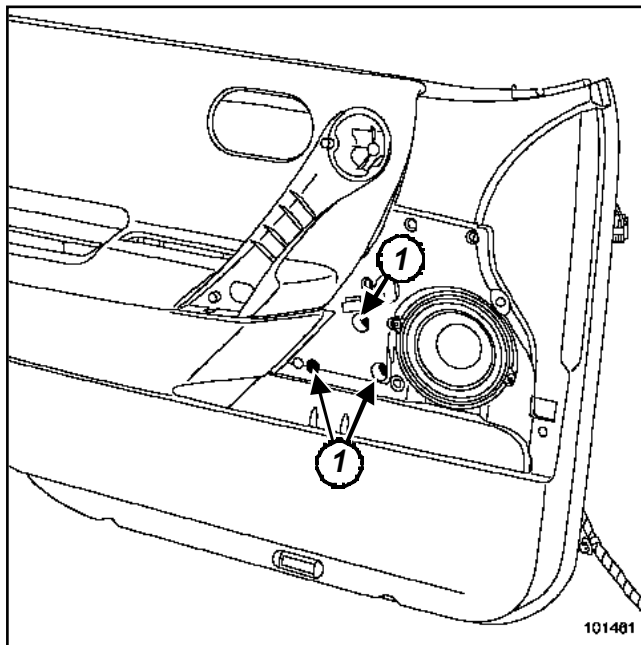
REMOVAL

□

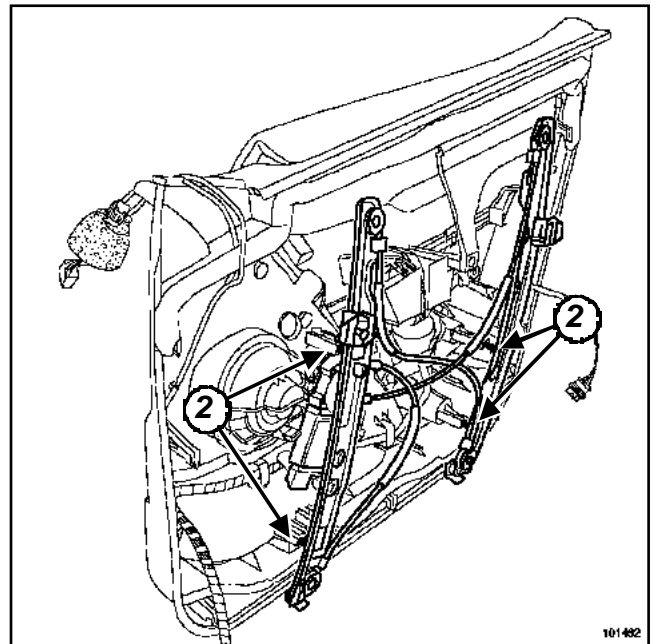
Note:

In the event of a door replacement or operation on the bodywork (see **47A, Side opening elements, Front side door**).

- Remove the door trim (see **72A, Side opening elements trim, Front door trim**).



- Remove:
- the speaker grille,
 - the bolts (1) .



- Disconnect the window winder motor.
- Unclip the four window winder drive carriage mountings (2) from the trim.
- Remove the window winder motor.

REFITTING

- Proceed in the reverse order to removal.

Note:

Initialising the window winder motor:

- Ignition on.
- Raise the window fully (the window rises jerkily).
- Press and hold the switch (2 seconds).
- Lower the window to the lower stop.
- Press and hold the switch (2 seconds).
- The motor is initialised.

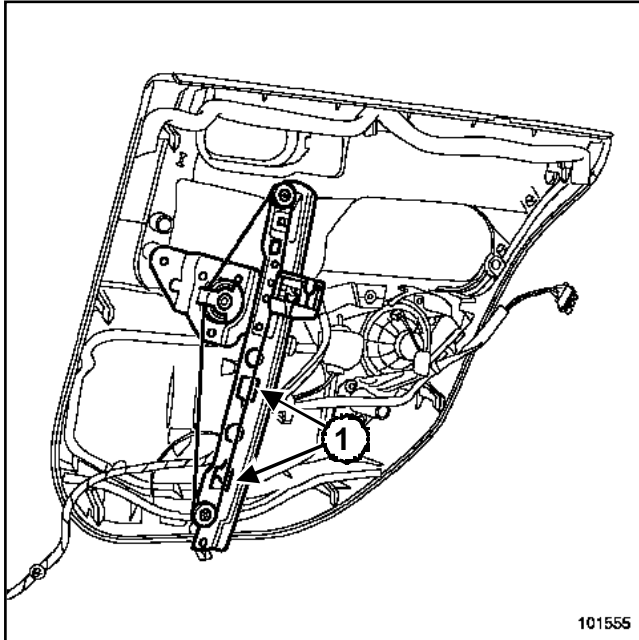
B84

REMOVAL

□

In the event of a door replacement or operation on the bodywork (see **47A, Side opening elements, Front side door**).

- Remove the door trim (see **72A, Side opening elements trim, Front door trim**).



- Disconnect the window winder motor.
- Unclip the two window winder drive carriage mountings (1) from the trim.
- Remove the window winder motor.

REFITTING

- Proceed in the reverse order to removal.

Note:

Initialising the window winder motor:

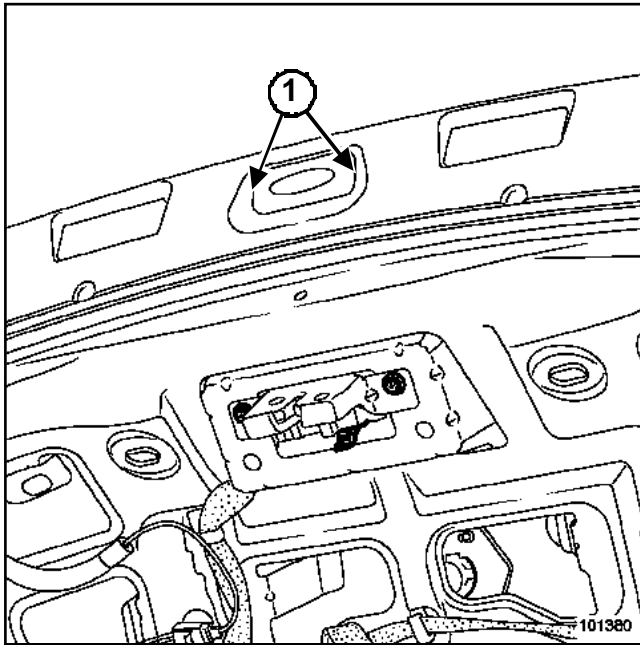
- Ignition on.
- Raise the window fully (the window rises jerkily).
- Press and hold the switch (2 seconds).
- Lower the window to the lower stop.
- Press and hold the switch (2 seconds).
- The motor is initialised.

REMOVAL

□

Note:

Do not remove the strip on the boot lid to carry out this operation.



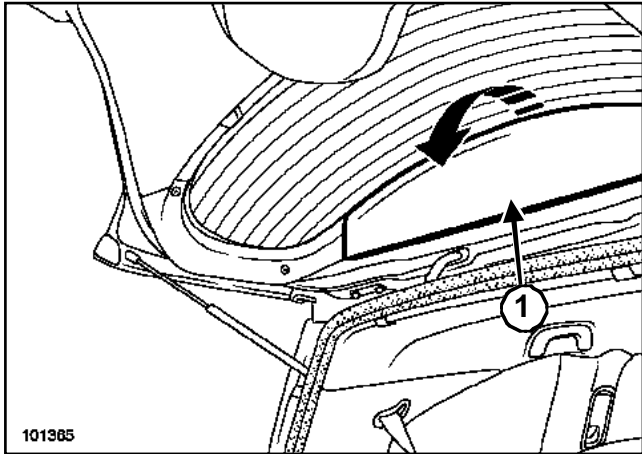
- Protect the edge of the opening control with masking tape.
- Unclip the control at (1) using a flat-blade screwdriver.
- Disconnect the connector.

REFITTING

- Proceed in the reverse order to removal.

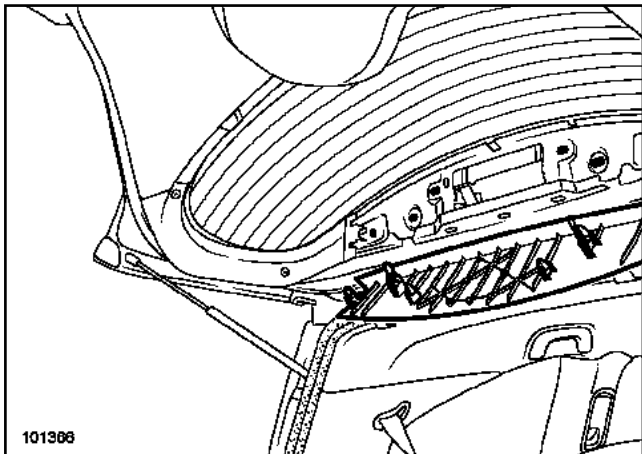
B84 or C84

REMOVAL



101365

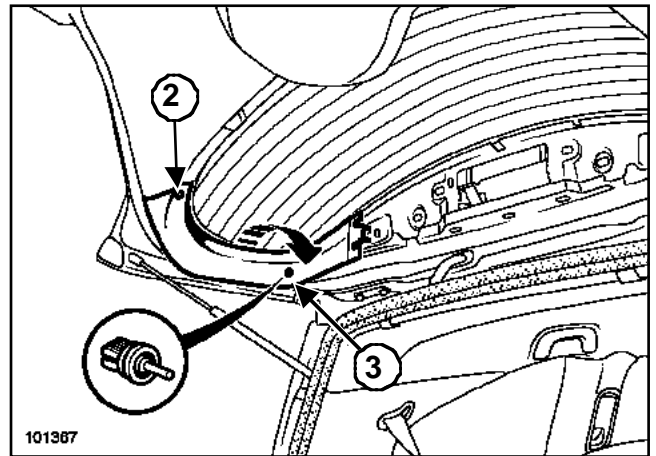
101365



101366

101366

- Unclip upper trim (1) by pulling it.



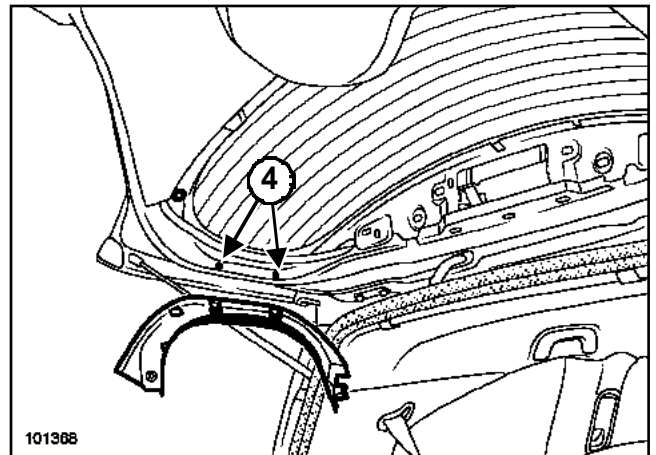
101367

101367

- Remove bolt (2) .

Note:

In the event of a faulty rear parcel shelf retaining pin (3) , this part is available retail from the Parts Department and can be replaced individually.



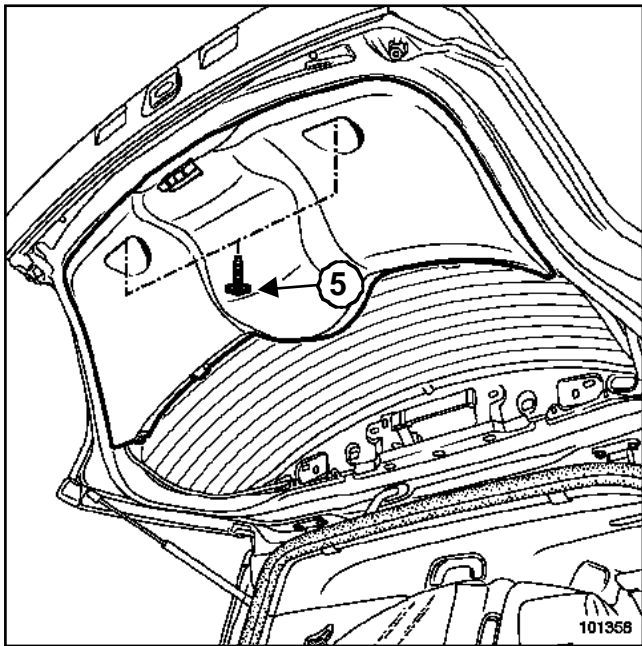
101368

101368

- Release both lower clips (4) to unclip the side trims.

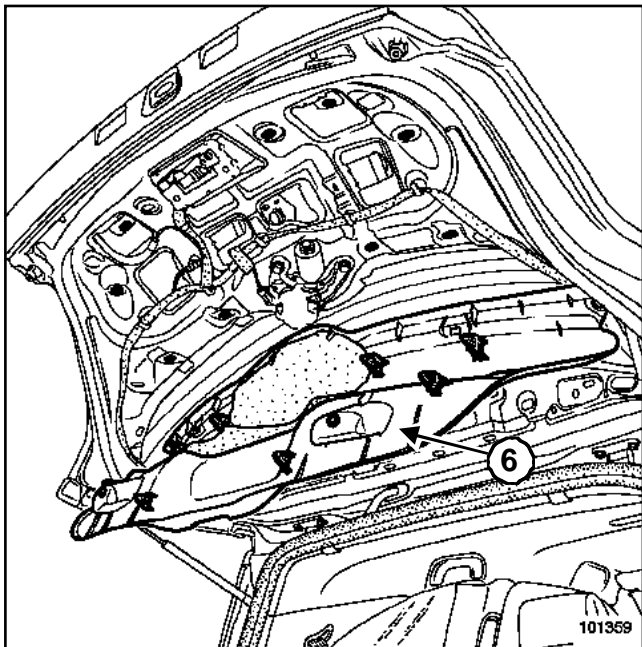
Tailgate lining: Removal - Refitting

B84 or C84



101358

- Remove bolts (5) .



101359

- Unclip lower trim (6) .

REFITTING

- Proceed in the reverse order to removal.

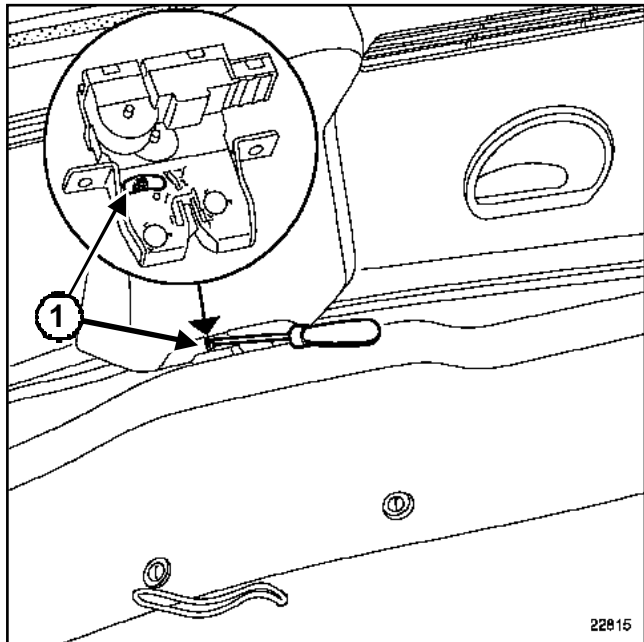
REMOVAL

□

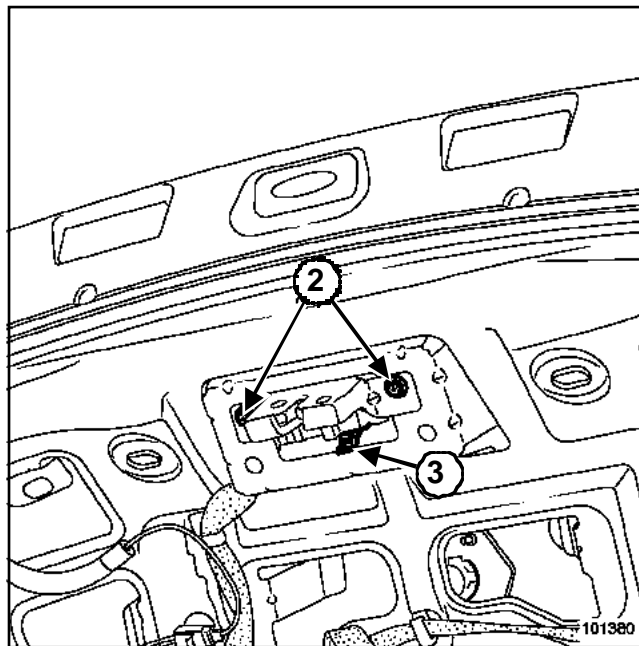
Note:

If there is an electrical fault, the tailgate can be opened manually.

This operation is performed from inside the vehicle.



- Unlock the tailgate lock by pressing lug (1) using a screwdriver.
- Remove the tailgate trims (see 73A, **Non-side opening element trims, Tailgate trim**).



- Remove tailgate lock mounting bolts (2).
- Press lower clip (3).
- Remove the lock.
- Disconnect the connector.

REFITTING

- Proceed in the reverse order to removal.

NON-SIDE OPENING ELEMENT MECHANISMS

Rear screen wiper motor: Removal - Refitting

52A

Special tooling required

Ele. 1294-01

Windscreen wiper arm removing tool.

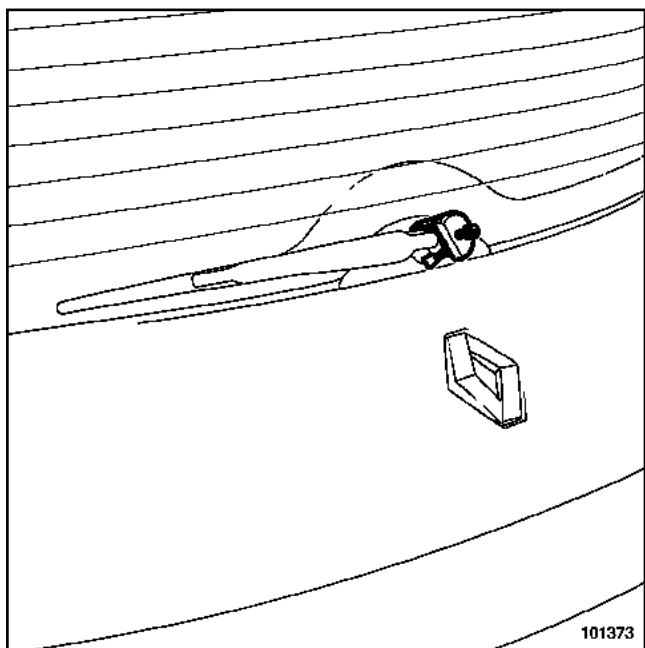
Tightening torques

wiper arm nut

8 Nm

REMOVAL

- ❑ Remove the tailgate interior trims (see 73A, **Non-side opening element trims, Tailgate trim**).

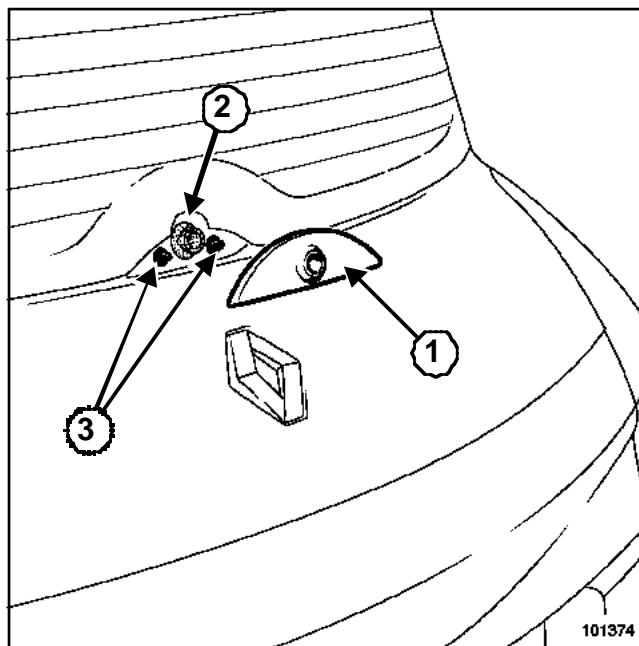


101373

101373

- ❑ Remove:

- the wiper arm nut,
- the wiper arm using tool (**Ele. 1294-01**).

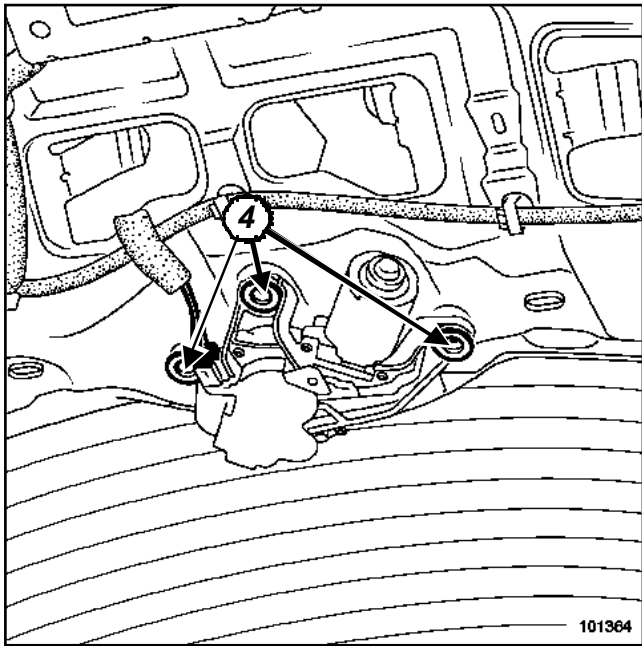


101374

101374

- ❑ Remove:

- arm trim (1),
- seal (2),
- the two arm trim mounting clips (3) from inside the box.



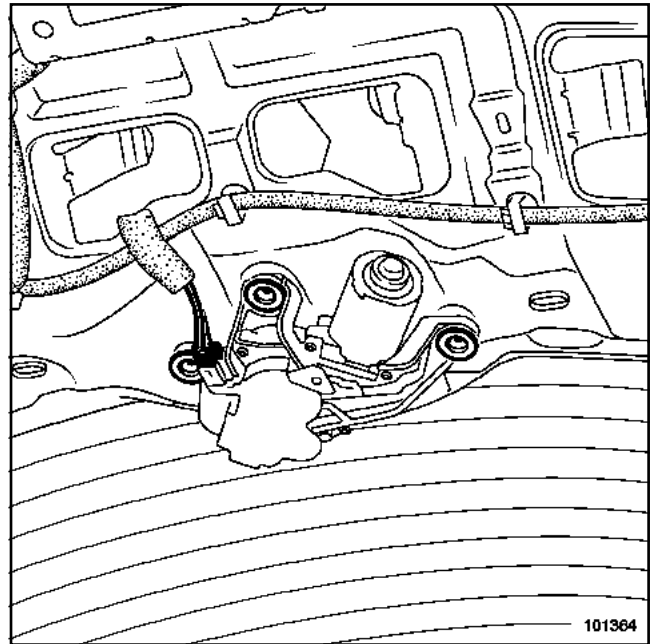
101364
101364

- Disconnect the connector.
- Drill out motor mounting rivets (4) .

WARNING

- Do not damage the external surface of the tail-gate with the drill.
- Retrieve the rivets from the door box section.

REFITTING



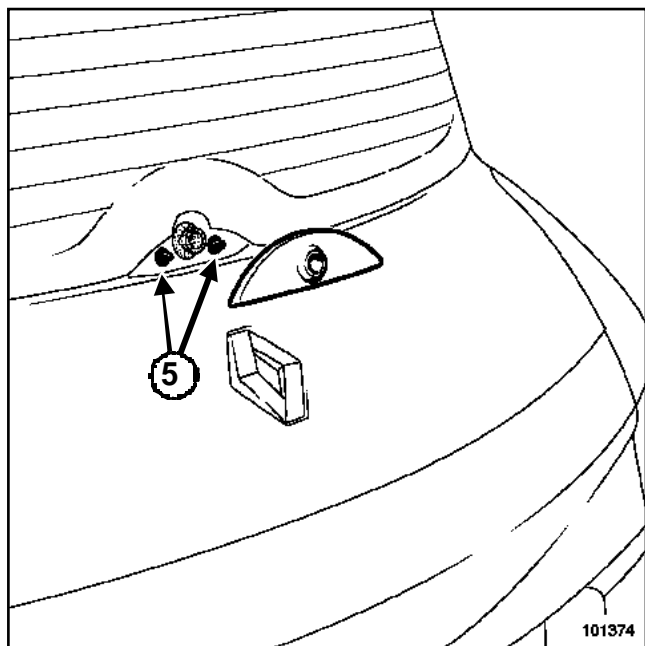
101364
101364

-

WARNING

Use special rivets: (part no. **77 03 072 362**).

- Position and rivet the motor.
- Connect the connector.



101374

- Check the condition of the clips (5) .
- Replace the clips if necessary.
- Clip the cover on.
- Clean the motor shaft splines.
- The seal must be replaced each time the motor is removed.

WARNING

Check that the wiper motor is in fixed stop position.

- Refit the windscreen wiper arms in the rest position.
- Replace the wiper arm nut.
- Torque tighten the **wiper arm nut (8 Nm)** .

NON-SIDE OPENING ELEMENT MECHANISMS

Sunroof operating mechanism: Removal - Refitting

52A

B84 or C84

Equipment required

diagnostic tool

Tightening torques

bolt from the central trims	8 Nm
-----------------------------	------

the centre cross member nuts	21 Nm
------------------------------	-------

REMOVAL

IMPORTANT

Before carrying out any work on a safety or proximity system component, lock the airbag computer using the **diagnostic tool**. When this function is activated, all the trigger lines are inhibited and the airbag warning light on the instrument panel is lit continuously (ignition on).

IMPORTANT

Handling the pyrotechnic systems (airbags or pretensioners) near to a heat source or flame is prohibited: there is a risk of triggering the airbags or pretensioners.

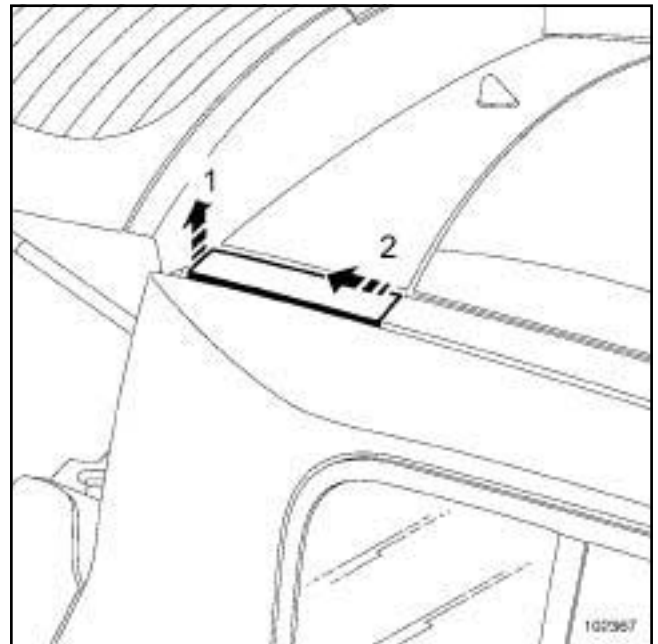
- Lock the airbag computer using the **diagnostic tool** (see **MR 366 Fault finding, 88C, Airbags and pretensioners**).

Remove the mobile panel from the sunroof (see **52A, Non-side opening elements mechanisms, Sunroof mobile panel: Removal - refitting**).

Disconnect the battery (see **MR 364 Mechanical, 80A Battery, Battery: Removal - Refitting**).

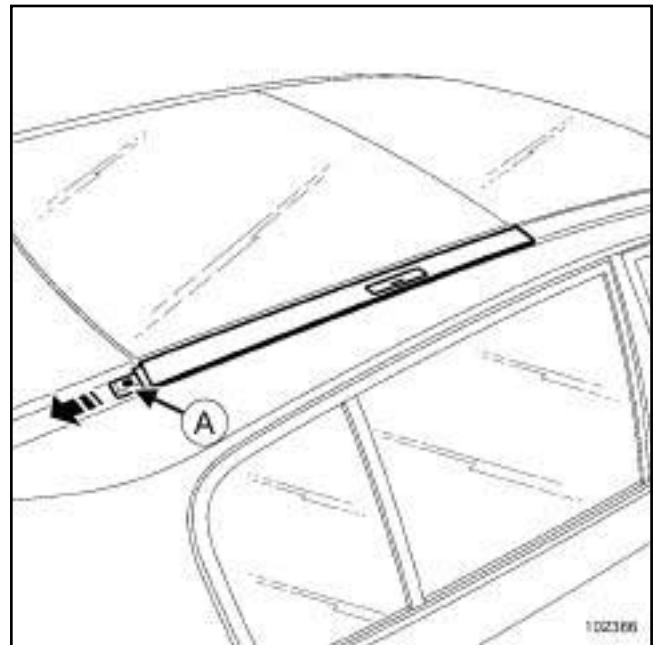
Remove the headlining (see **71A, Body interior trim, Headlining**).

- Carefully separate the indexing guide panels so that the cutting wire can pass through.



102367

- Unclip rear trims (1) and (2).



102366

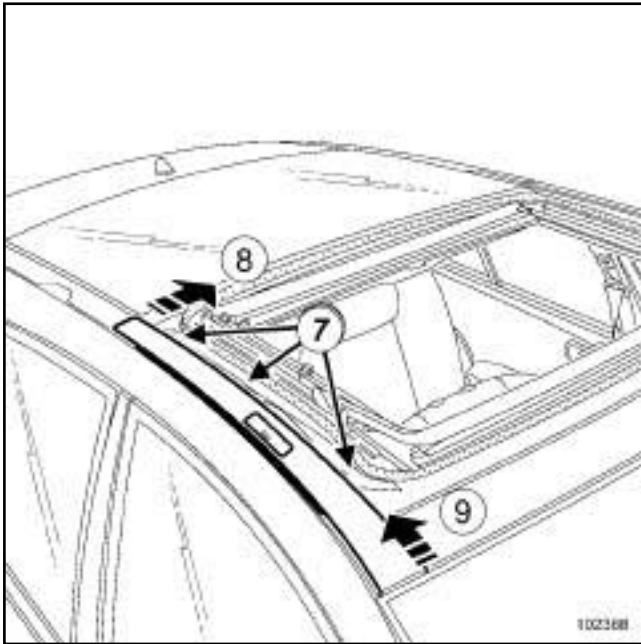
- Remove the **bolt from the central trims (8 Nm) (A)**.
- Slide the central trims towards the rear of the vehicle.

NON-SIDE OPENING ELEMENT MECHANISMS

Sunroof operating mechanism: Removal - Refitting

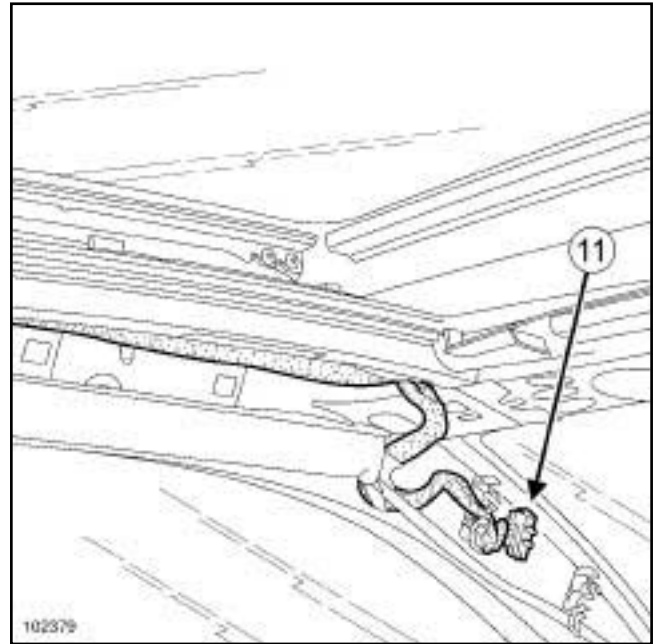
52A

B84 or C84



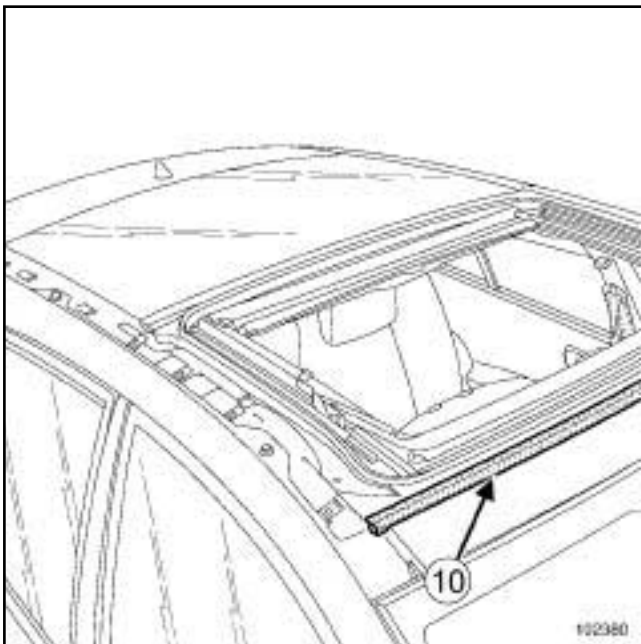
102368

- Remove the front trim bolts (7) .
- Unclip the front trims (8) .
- Remove the front trims (9) .



102379

- Disconnect and unclip sunroof connector (11) .

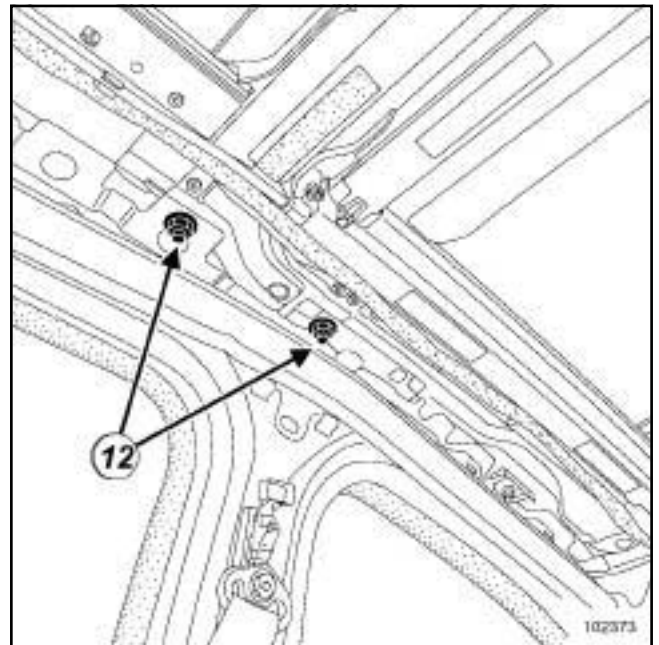


102380

- Detach the seal (10) .

Note:

The seal must be replaced after each removal operation, and is available from the Parts Department as part of the refitting kit.



102373

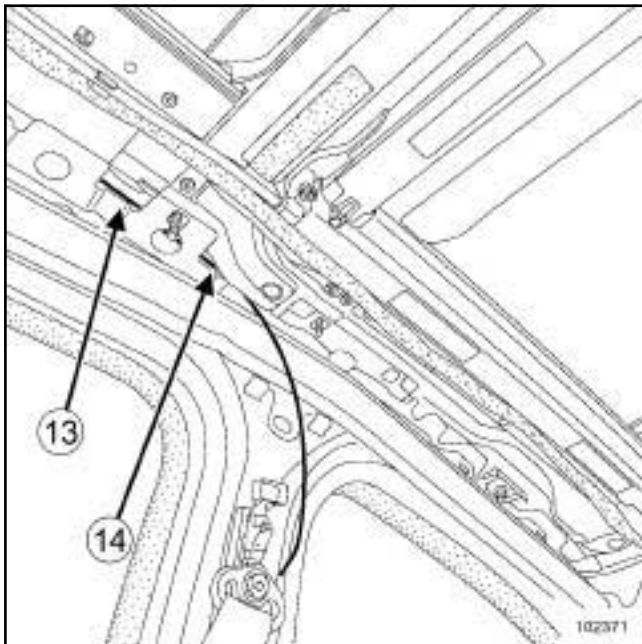
- Remove the centre cross member nuts (21 Nm) (12) .
- Cut the cement bead around the periphery of the sunroof operating mechanism.
- This operation requires two people.

NON-SIDE OPENING ELEMENT MECHANISMS

Sunroof operating mechanism: Removal - Refitting

52A

B84 or C84



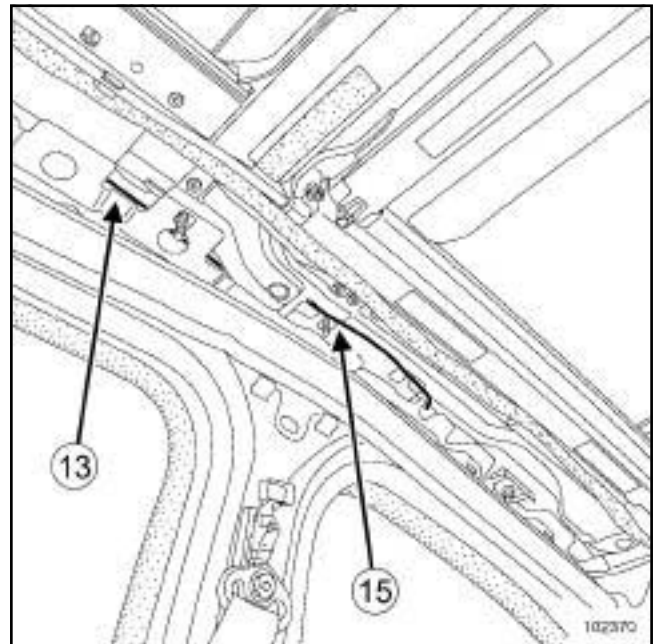
102371

□

Note:

When cutting the centre cross member cement bead, pass the cutting wire between the sunroof operating mechanism and the centre cross member.

- Pass the wire from (13) to (14) .



102370

- Pass the wire from (13) to (15) .
- Put the cutting tool back in position.
- Carry out the same operation on the other side of the centre cross member.
- Remove the sunroof operating mechanism.

B84 or C84

REFITTING

- For preparation and bonding (see **Technical Note 560A, General window bonding procedure**).
- Fit:
 - the indexing guides on the sunroof operating mechanism,
 - the positioning shims on the periphery of the sunroof operating mechanism.
- Using the specific supports (X2):
 - support: PARV 202,
 - Set of bars: APARV 200 ESP,

WARNING

Always use « High Modulus » adhesive.

Attach the sunroof operating mechanism.

Balance up the clearances and shut lines.


Use an operator inside the vehicle to help centre the sunroof with the indexing guides.

- Remove the two indexing guides **30 minutes** after bonding the sunroof operating mechanism.
- Proceed in the reverse order to removal.
- Unlock the airbag computer using the **diagnostic tool** (see **MR 366 Fault finding, 88C, Airbags and pretensioners**).

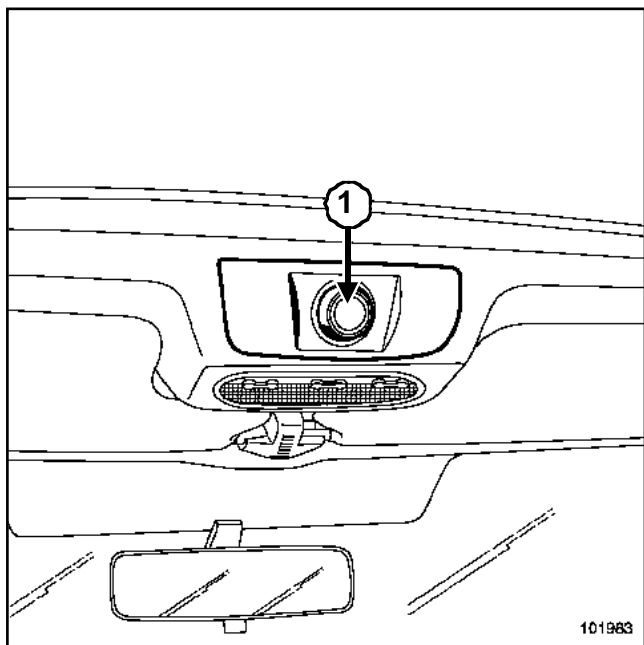
Connect the battery (see **MR 364 Mechanical, 80A Battery: Removal - Refitting**).

Initialise the sunroof motor (see **MR 364 Mechanical, 87D, Electric windows - Sunroof, Initialisation**).

B84 or C84

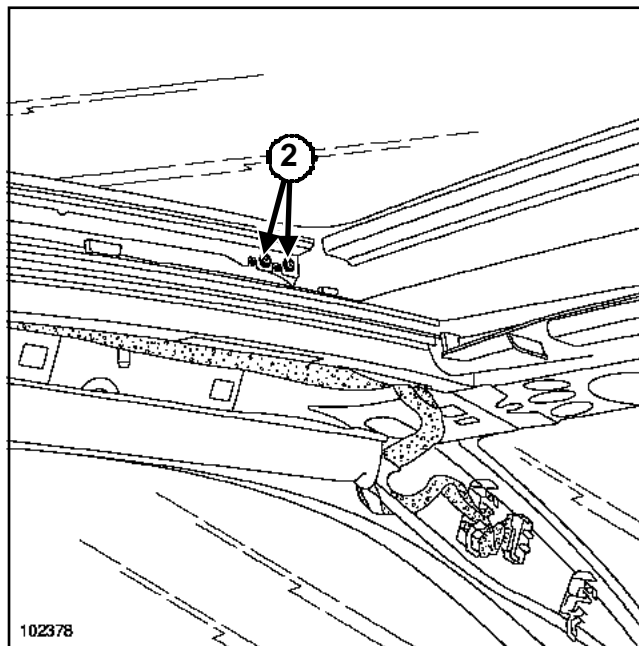
Tightening torques 	
bolts from the front of the mobile panel	5.6 Nm
bolts from the rear of the mobile panel	5.6 Nm

REMOVAL



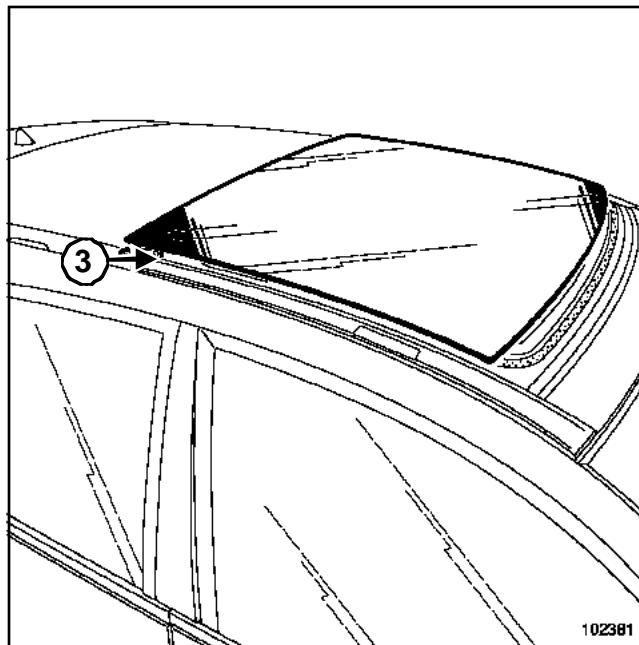
101983

- Position the sunroof opening command in intermediate opening position (1) .



102378

- Remove the bolts from the front of the mobile panel (5.6 Nm) (2) .



102381

- Remove the bolts from the rear of the mobile panel (5.6 Nm) (3) .
- Remove the mobile panel (this operation requires two people).

B84 or C84

REFITTING

- ❑ When removing and refitting the mobile panel, put some « **Frenbloc** » on the mounting bolts.

When replacing a mobile panel, replace the bolts by bolts supplied with the mobile panel.

Proceed in the reverse order to removal.

Initialise the sunroof motor (see **MR 364 Mechanical, 87D, Electric windows - Sunroof, Electric sunroof: Initialisation**),

B84 or C84

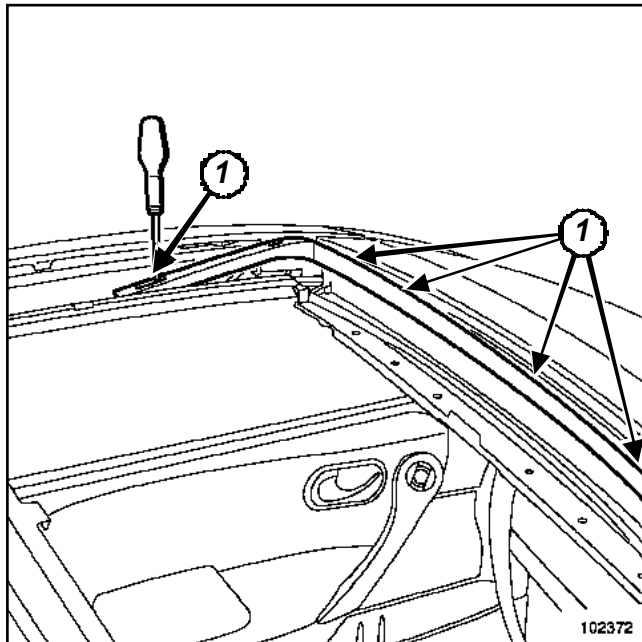
Tightening torques 

deflector bolts

2 Nm

REMOVAL

- Open the moving panel.



102372

- Remove the **deflector bolts (2 Nm) (1)** whilst supporting the deflector.
- Remove the air deflector.

REFITTING

- When removing and refitting the deflector, put some **Frenbloc** on the mounting bolts.

When replacing a deflector, replace the bolts by bolts supplied with the deflector.

Proceed in the reverse order to removal.

Initialise the sunroof motor (see **MR 364 Mechanical, 87D, Electric windows - Sunroof, Electric sunroof: Initialisation**),

B84 or C84

Equipment required

diagnostic tool

Tightening torques

bolt from the central trims	8 Nm
-----------------------------	-------------

REMOVAL

□

IMPORTANT

Before carrying out any work on a safety or proximity system component, lock the airbag computer using the **diagnostic tool**. When this function is activated, all the trigger lines are inhibited and the airbag warning light on the instrument panel is lit continuously (ignition on).

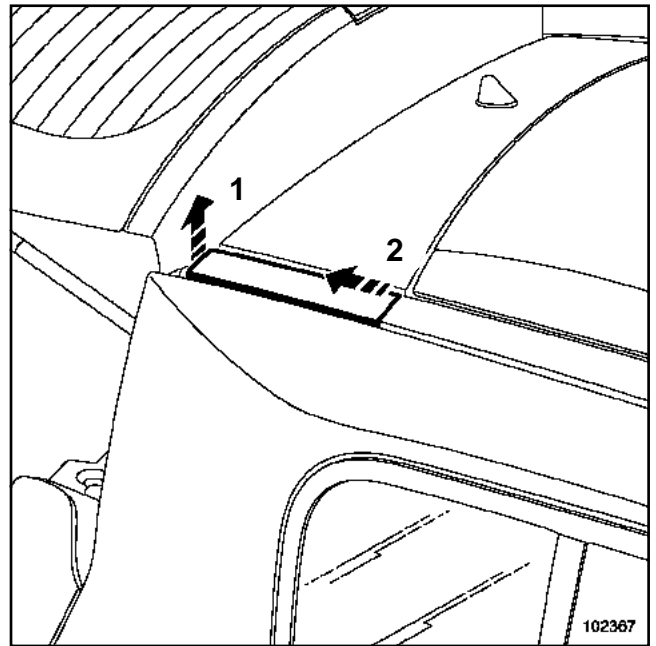
IMPORTANT

Handling the pyrotechnic systems (airbags or pretensioners) near to a heat source or flame is prohibited: there is a risk of triggering the airbags or pretensioners.

- Lock the airbag computer using the **diagnostic tool** (see **MR 366 Fault finding, 88C, Airbags and pretensioners**).

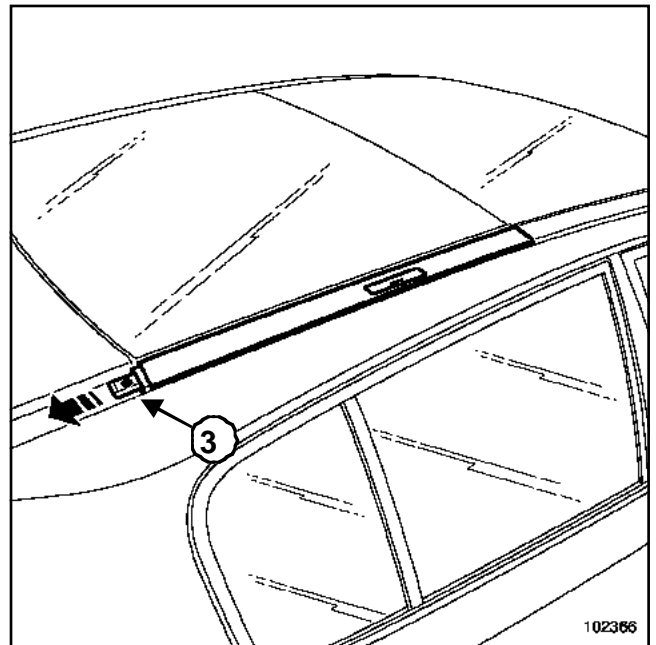
Disconnect the battery (see **MR 364 Mechanical, 80A Battery, Battery: Removal - Refitting**).

Remove the headlining (see **71A, Body interior trim, Headlining**).



102367

- Unclip trims (1) and (2).

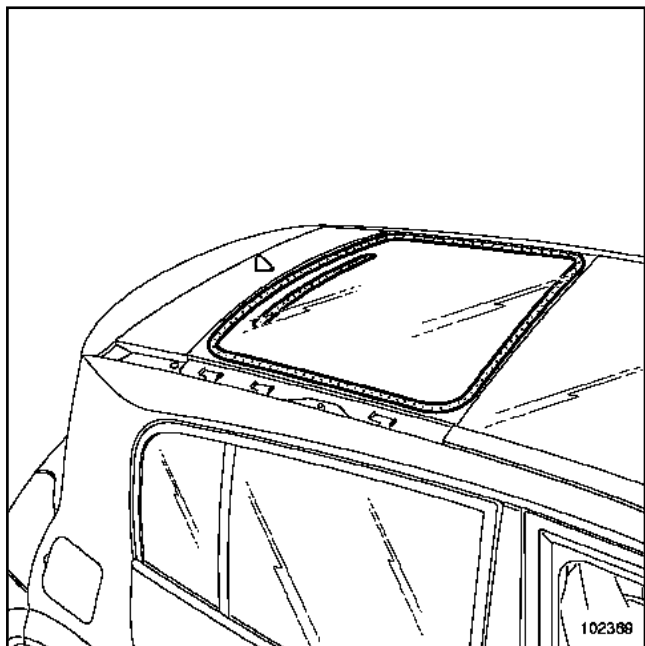


102366

102366

- Remove the **bolt from the central trims (8 Nm)** (3).
- Slide the central trim towards the rear of the vehicle.

B84 or C84



102369

- Protect:
 - the glazing frame and the rear section of the roof with masking tape,
 - the inside of the vehicle.
- Then cut the cement bead.

This operation requires two people.

REFITTING

- For preparation and bonding, (see **Technical Note 560A, General window bonding procedure**).
- Position the new shims supplied with the fixed glass on the periphery of the sunroof operating mechanism.

Refit the side trim pieces.

WARNING

Always use « High Modulus » adhesive.

Cement the fixed window.

This operation requires two people.

- Respect the following clearances and shut lines:
 - « fixed window mobile panel » : **7 mm** ,
 - « fixed window - trims » : balance the side clearances.
- Proceed in the reverse order to removal.

Unlock the airbag computer using the **diagnostic tool** (see **MR 366 Fault finding, 88C, Airbags and pretensioners**).

Connect the battery (see **MR 364 Mechanical, 80A Battery: Removal - Refitting**).

B84 or C84

Equipment required

diagnostic tool

Tightening torques

sun visor bolts

2 Nm

□

IMPORTANT

Before carrying out any work on a safety or proximity system component, lock the airbag computer using the **diagnostic tool**. When this function is activated, all the trigger lines are inhibited and the airbag warning light on the instrument panel is lit continuously (ignition on).

IMPORTANT

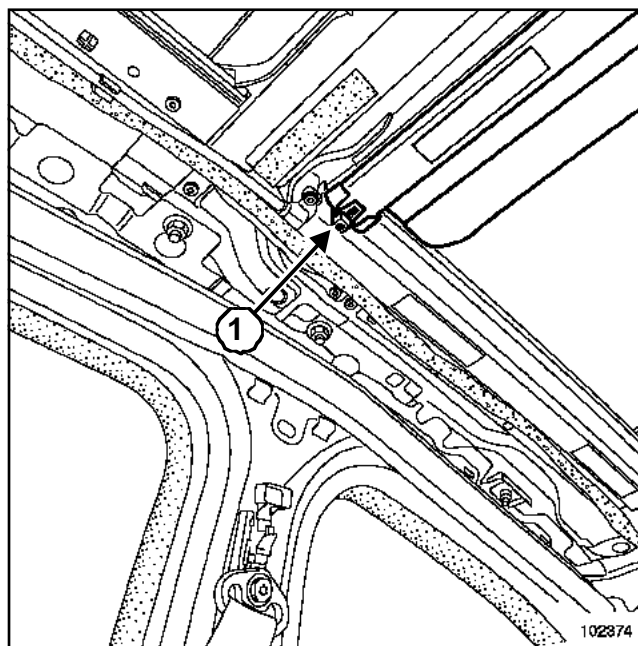
Handling pyrotechnic systems (airbags or pretensioners) near to a source of heat or flame is forbidden: there is a risk of triggering the airbags or pretensioners.

REMOVAL

- Lock the airbag computer using the **diagnostic tool** (see **MR 366 Fault finding, 88C, Airbags and pretensioners**).

Disconnect the battery (see **MR 364 Mechanical, 80A Battery, Battery: Removal - Refitting**).

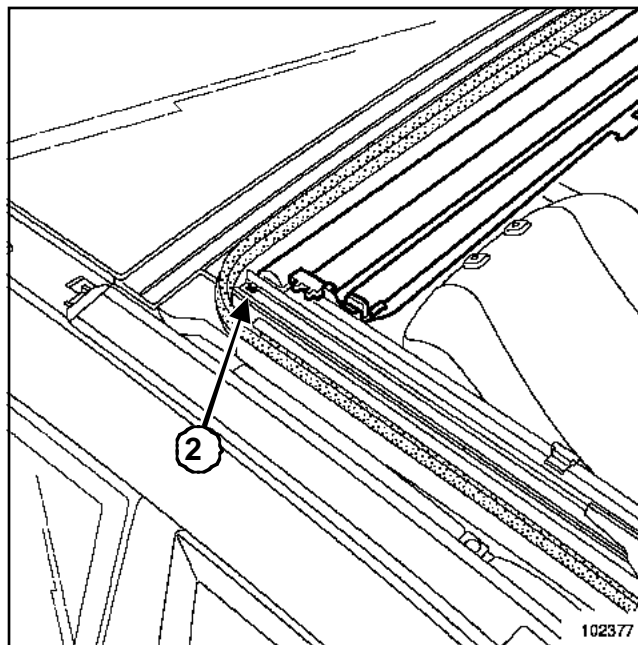
Remove the headlining (see **71A, Body internal trim, Headlining**).



102374

102374

- Remove the **sun visor bolts (2 Nm) (1)**.

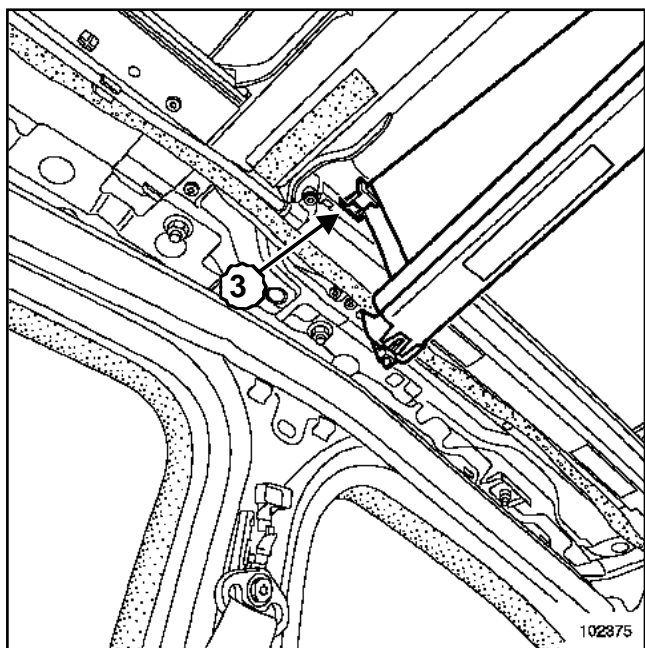


102377

102377

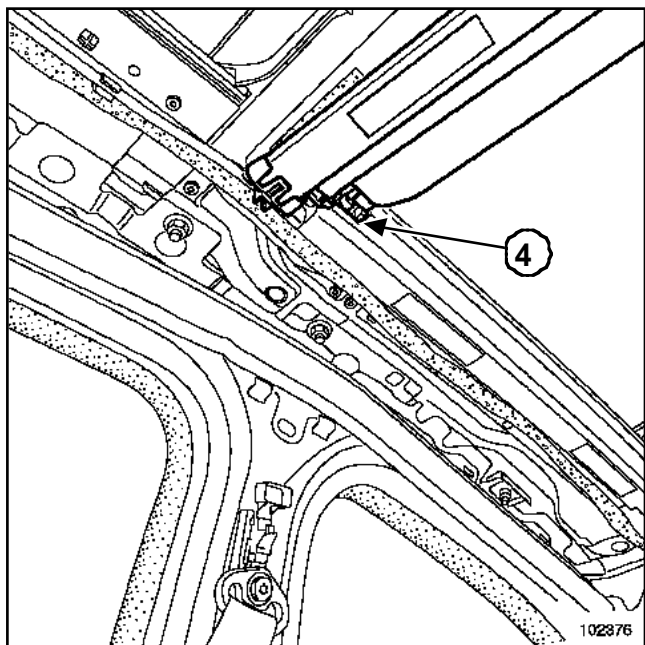
- Unclip visor **(2)**.
- Partially remove the visor.

B84 or C84



102375

- Remove guide pad (3) .



102376

- Remove pressure pads (4) .
- Remove the blind.

- Unlock the airbag computer using the **diagnostic tool** (see **MR 366 Fault finding, 88C, Airbags and pretensioners**).

Connect the battery (see **MR 364 Mechanical, 80A Battery: Removal - Refitting**).

REFITTING

-

WARNING

When refitting blinds, take care to insert the blind fabric with the guide pads in the side runners.

Proceed in the reverse order to removal.

B84 or C84

Special tooling required

Ele. 1552	Tool for removing the rear screen wiper arm.
Car. 1670	Dashboard protector

Tightening torques

wiper arm nuts	21 Nm
----------------	--------------

REMOVAL

□

WARNING

If the vehicle is fitted with a rain sensor, the replacement windscreen must be tinted identically. This could affect the operation of the rain sensor.

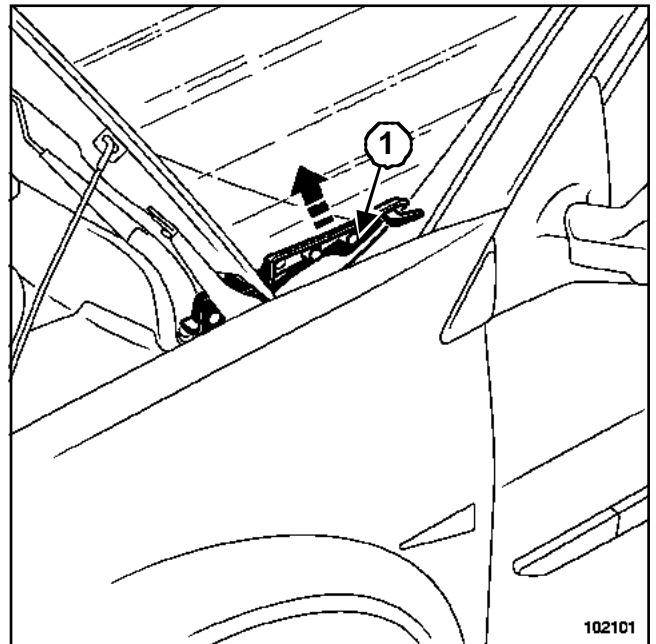
Leave the old rain sensor in place on the old windscreen for the whole duration of the replacement operation.

Note:

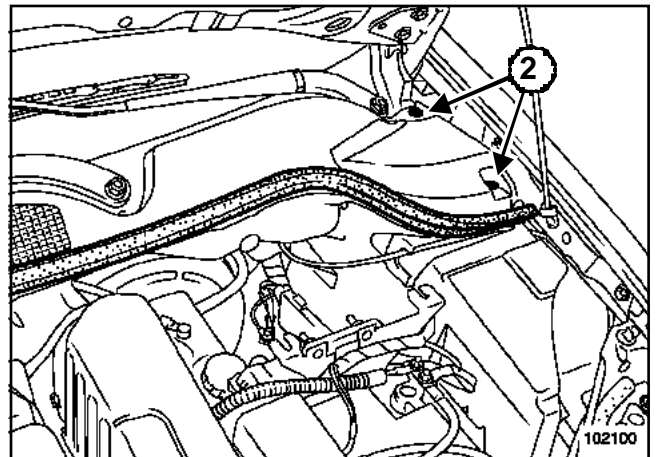
When removing, refitting or replacing the windscreen, the seal and the positioning shims must always be replaced with new ones. These parts are available at retail.

□ Remove:

- the A-pillars (see **71A, Body internal trim, A-pillar trims**),
- the interior rear-view mirror (see **57A, Interior accessories, Interior rear-view mirror**).



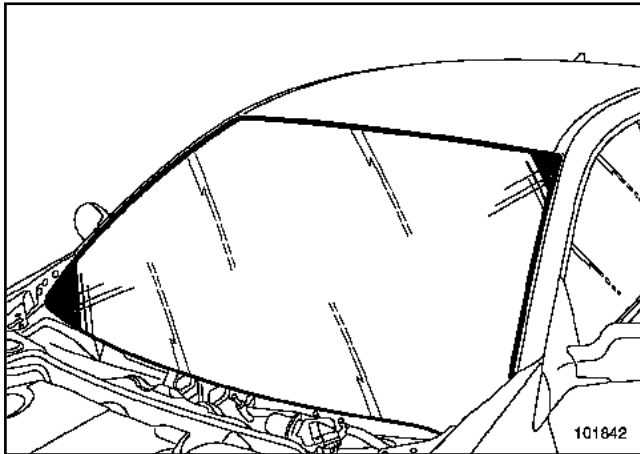
□ Unclip the trim (1) .



□ Remove:

- the seal,
- plastic rivets (2) ,
- the wiper arms using tool (**Ele. 1552**) .
- the scuttle panel grille.

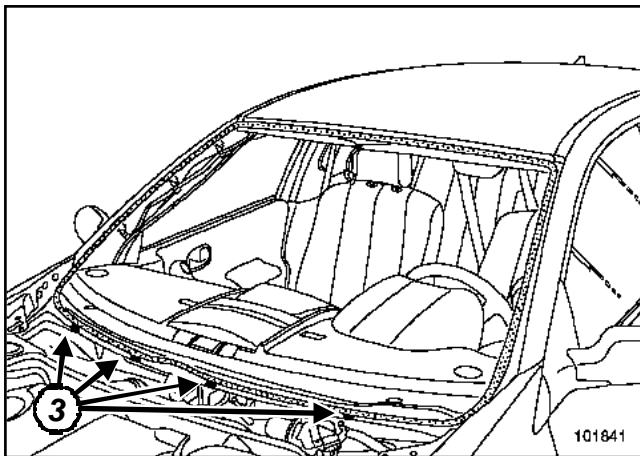
B84 or C84



101842

- Unclip the windscreen frame seal.
- Protect with masking tape:
 - the windscreen surround,
 - the roof panel trim.
- Position the dashboard protector (**Car. 1670**).
- Cut the cement bead.

REFITTING

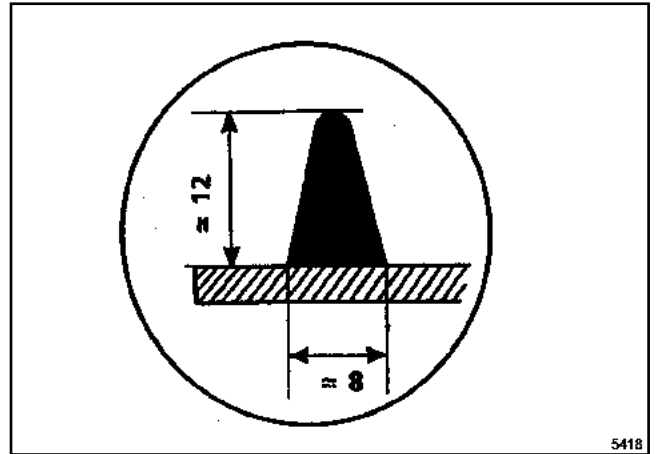


101841

- Position the four lower shims at (3).
- Fit the new frame seal on the windscreen.

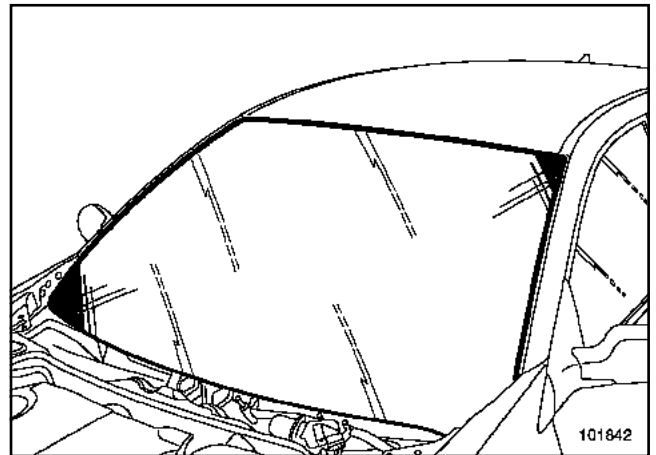
WARNING

- For preparation and bonding, (see **Technical Note 560A, General window bonding procedure**).
- It is essential to use high modulus adhesive to bond the windows.



5418

- Use the correct size of cement bead.



101842

- Respect the following clearance and flushness values:
 - « windscreen - roof » ,
 - « windscreen - A-pillar » .

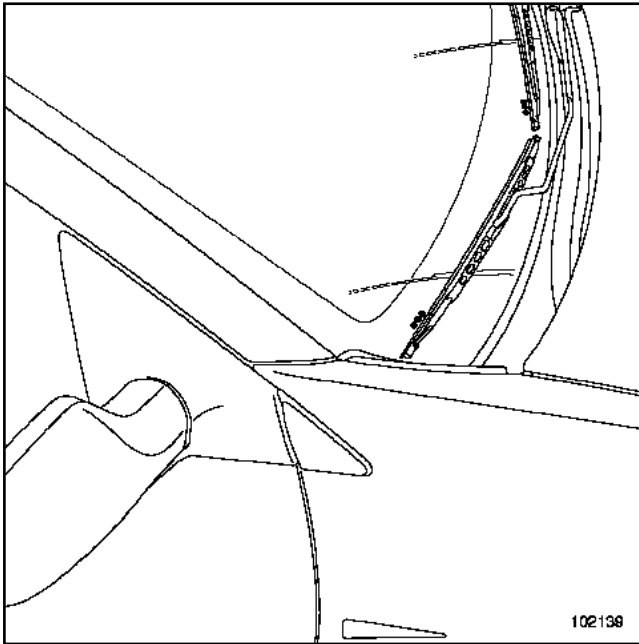
Note:

Special note on refitting the scuttle panel grille:

- clean the lower section of the windscreen,
- make sure that the scuttle panel grille retaining clips do not come into contact with the windscreen glass.

- Replace the plastic rivets and the clips after each removal operation if necessary.
- Check that the motor is the park position.

B84 or C84



102139

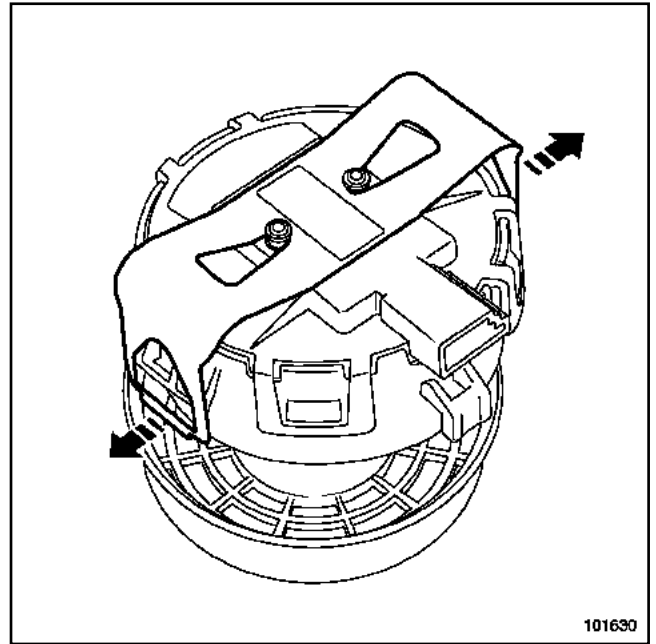
- Position the windscreen wiper arms following the windscreen markings.
- Tighten to torque the **wiper arm nuts (21 Nm)**.

SPECIAL NOTES ON THE RAIN SENSOR

WARNING

The rain sensor should be handled in clean conditions since any dust or residue from a cloth could cause the sensor to malfunction.

1 - Removing the rain and light sensor

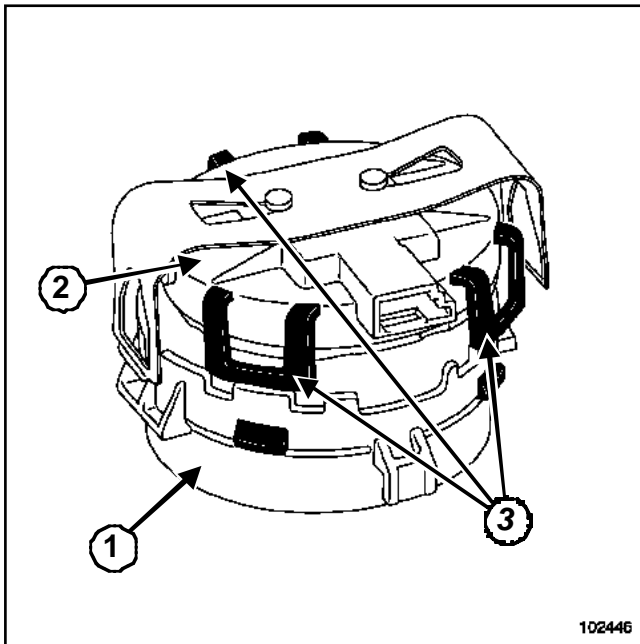


101630

101630

- Move the two rain sensor mountings apart.
- Remove the rain and light sensor from the windscreen.

B84 or C84



102446



Note:

The rain detector comprises two sections:

- (1) adhesive base,
- (2) printed circuit unit.

WARNING

When replacing the windscreen, be sure to replace section (1) of the rain sensor.

This part is available retail from the Parts Stores

- Move the three clips apart (3) .
- Separate the two sections.

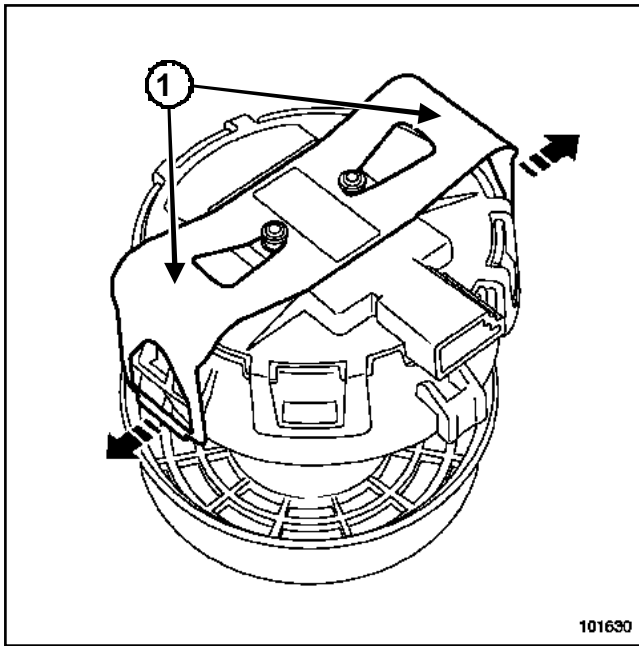
2 - Refitting the rain sensor

- Assemble the « new » adhesive base with the unit.
- Clip the assembly to the windscreen ring.
- Proceed in the reverse order to removal.

Rain and light sensor: Removal - Refitting

REMOVAL

- Remove the rear-view mirror cover.



101630
101630

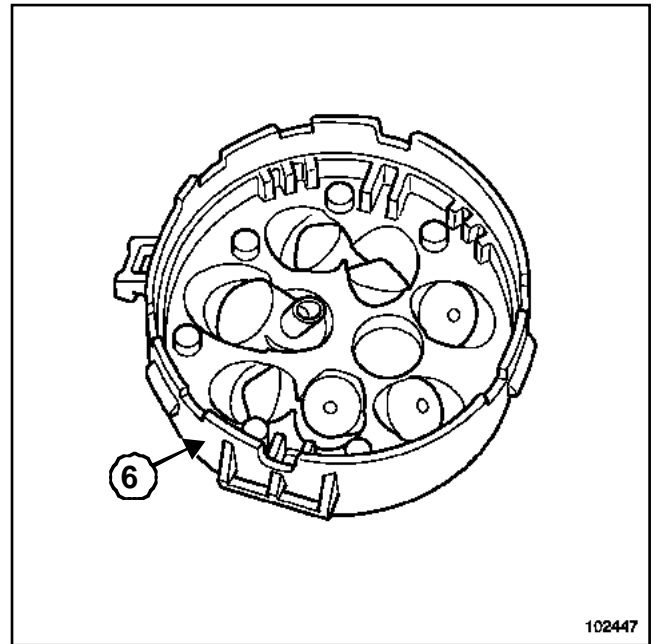
- Disconnect the connector.
- Unclip the two side clips (1) from the sensor using a small screwdriver.

REFITTING

- Clean the windscreen, preferably using a wooden spatula.

WARNING

The rain sensor must be refitted in perfectly clean conditions: any dust or cloth fibres could cause a fault. Do not touch the electronic section of the sensor. Fit it on the vehicle as soon as it is removed from its packaging.



102447
102447

-

Note:

- When replacing the windscreen (with rain and light sensor conservation), the adhesive base of the sensor (6) must be replaced (see **bodywork section**).
- This part is available retail from the Parts Department.

- Position the sensor on the support.
- Clip the sensor on the support.
- Reconnect the connector.
- Refit the interior rear-view mirror cover.

Sliding window in front side door: Removal - Refitting

B84 or C84

In the event of a door replacement or operation on the bodywork (see **47A, Side opening elements, Front side door**).

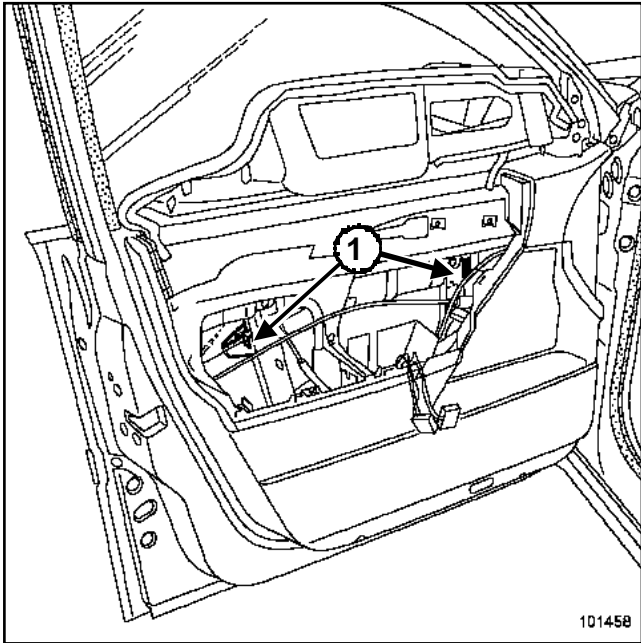
There are two procedures for replacing windows:

- First procedure: if the window shows cracks or signs of impact.
- Second procedure: if the window is broken.

REMOVAL

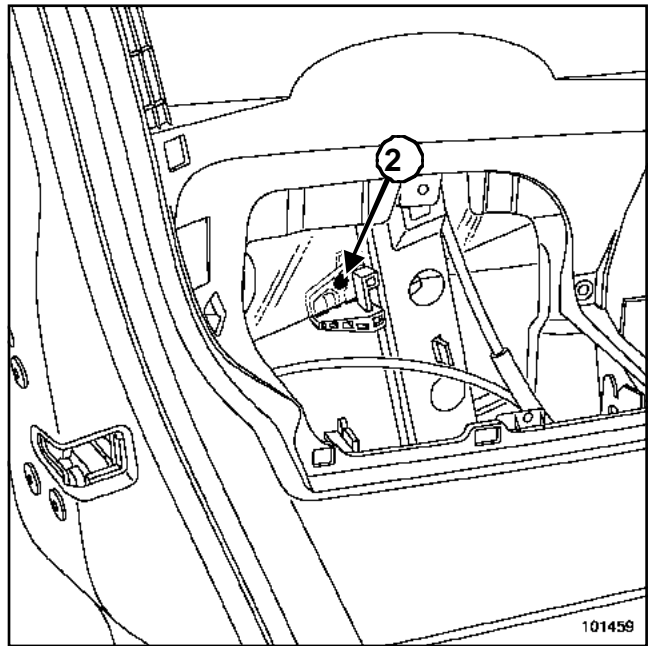
I - PROCEDURE ONE

- Open the door frame flap (see **72A, Side opening element trims, Front side door trim**).



101458

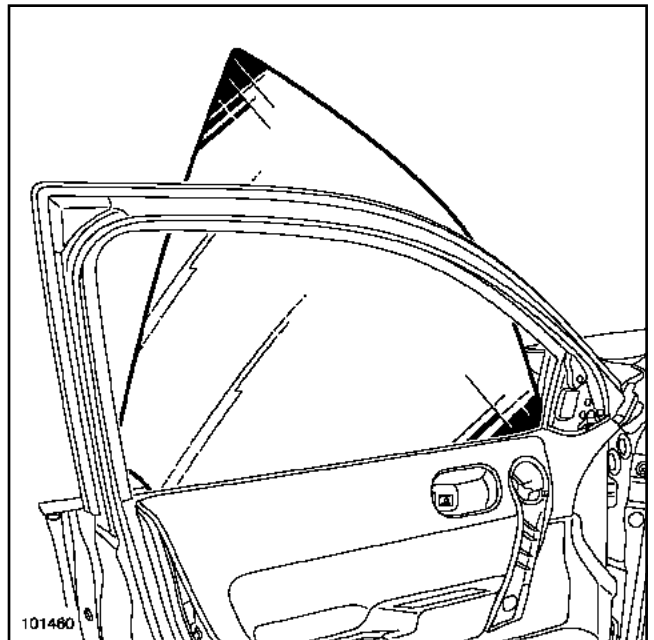
- Position the window in order to access the two mounting clips (1) .



101459

101459

- Remove lug (2) by pulling the window upwards.
- Unclip the speaker grille to gain access to the right-hand clip.



101460

101460

- Remove the window.

Note:

It is not necessary to remove the frame seal or the weatherstrips.

Sliding window in front side door: Removal - Refitting

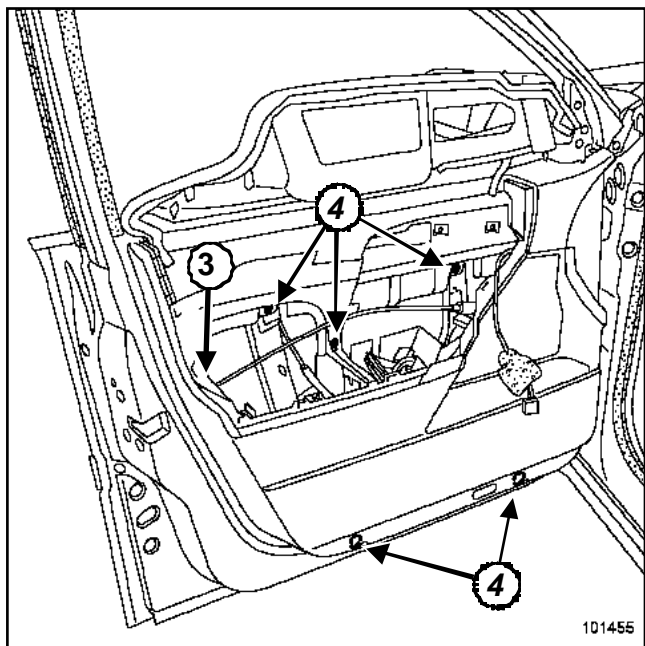
B84 or C84

II - PROCEDURE TWO

- ❑ Open the door frame flap (see 72A, Side opening element trims, Front side door trim).

Note:

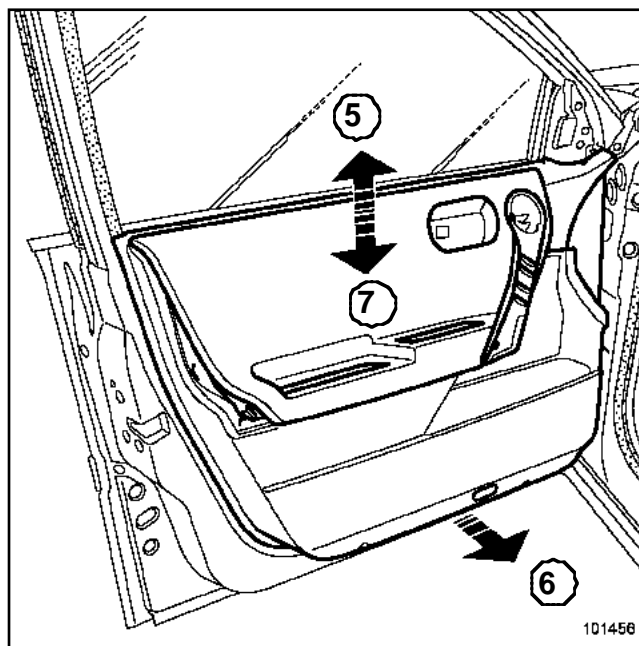
The door trim must be removed to vacuum the splinters of glass and to clean the window winder drive carriages.



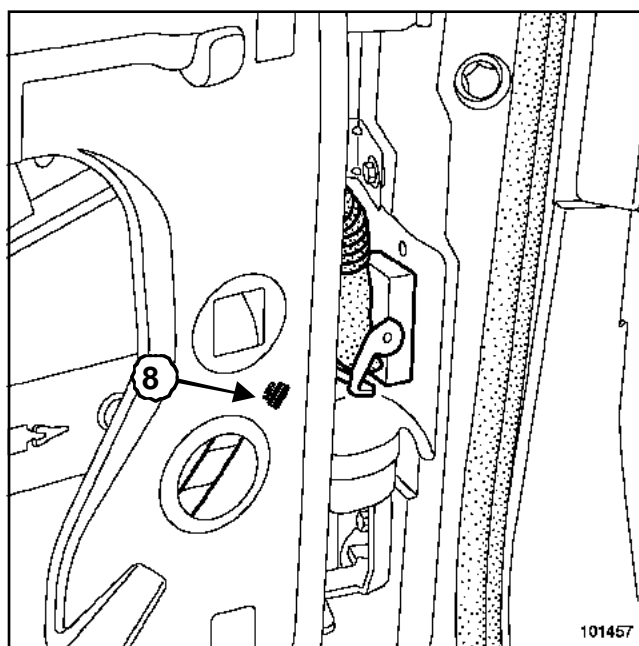
- ❑ Disconnect:
 - lock connector (3) ,
 - both connectors from the handle module (if the vehicle is fitted with the hands-free function).
- ❑ Remove bolts (4) .

Note:

The window winder motor and the wiring harness are attached to the trim.



- ❑ Remove the trim by pulling it upwards (5) .
- ❑ Remove trim (6) to release the lower section of the window winder drive carriages from the box section.
- ❑ Remove the trim by pulling it downwards (7) .



- ❑ Disconnect the B-pillar connector.
- ❑ Unfasten clip (8) .
- ❑ Remove the trim/window riser motor/wiring harness assembly.

B84 or C84

REFITTING

I - PROCEDURE ONE

- Proceed in the reverse order to removal.

II - PROCEDURE TWO

- Vacuum the door box section.
- Clean:
 - inside the frame seal,
 - the window winder drive carriages.
- Proceed in the reverse order to removal.

Sliding window in rear side door: Removal - Refitting

B84 or C84

Special tooling required

Car. 1363 Door mirror glass removal tool.

In the event of a door replacement or operation on the bodywork (see **47A, Side opening elements, Rear side door**).

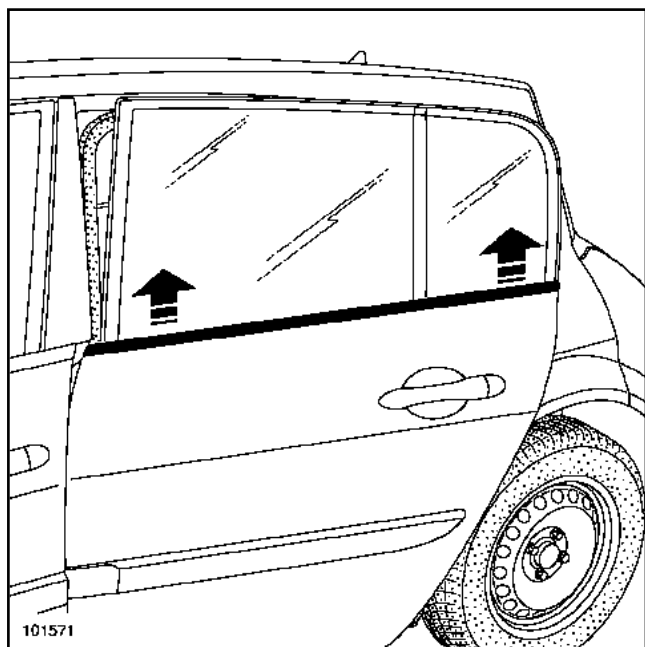
The glass may be replaced by two procedures:

- First procedure: the window shows cracks or signs of impact.
- Second procedure: the window is broken.

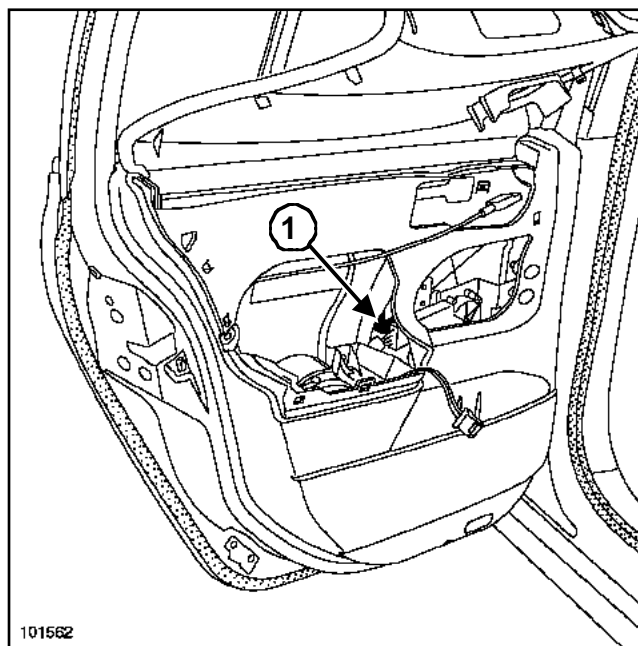
REMOVAL

I - PROCEDURE ONE

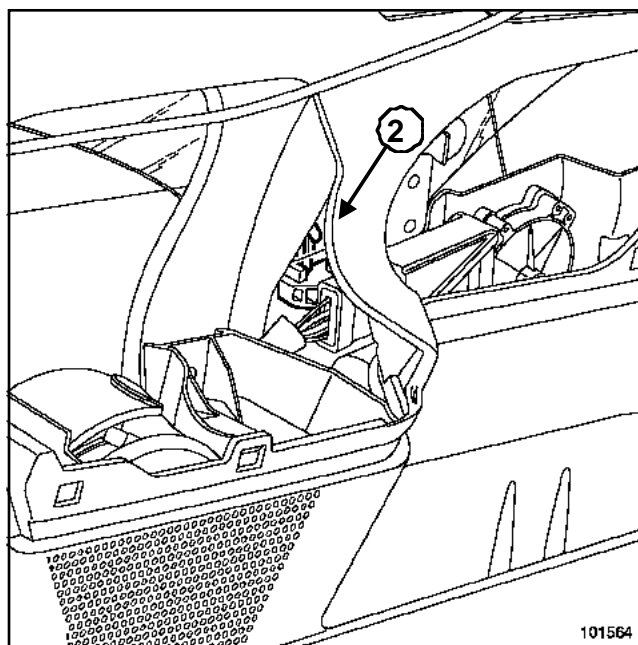
- Open the door frame flap (see **72A, Side opening element trims, Rear side door trim**).



- Remove the exterior weatherstrip using tool (**Car. 1363**).



- Position the window to gain access to the mounting clip (1).



- Remove lug (2) by pulling the window upwards.
- Position the window in the door box section.
- Remove the window from the door upright run channel.

Note:

It is not necessary to remove the frame seal.

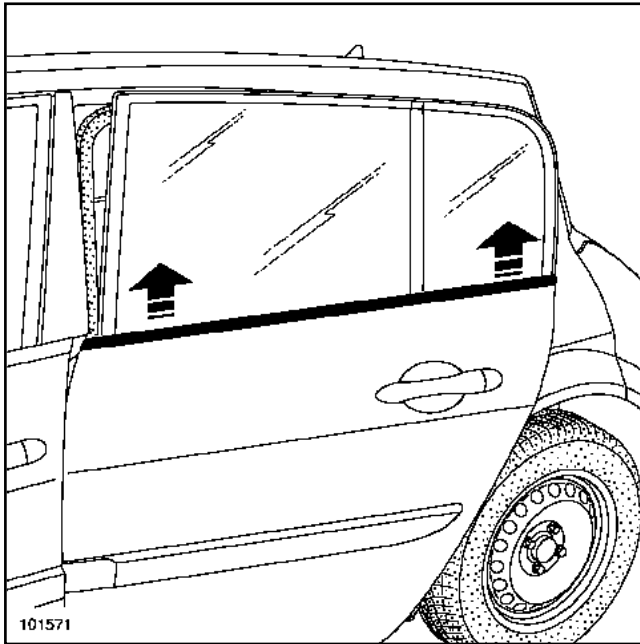
- Remove the window via the exterior of the door.

Sliding window in rear side door: Removal - Refitting

B84 or C84

II - PROCEDURE TWO

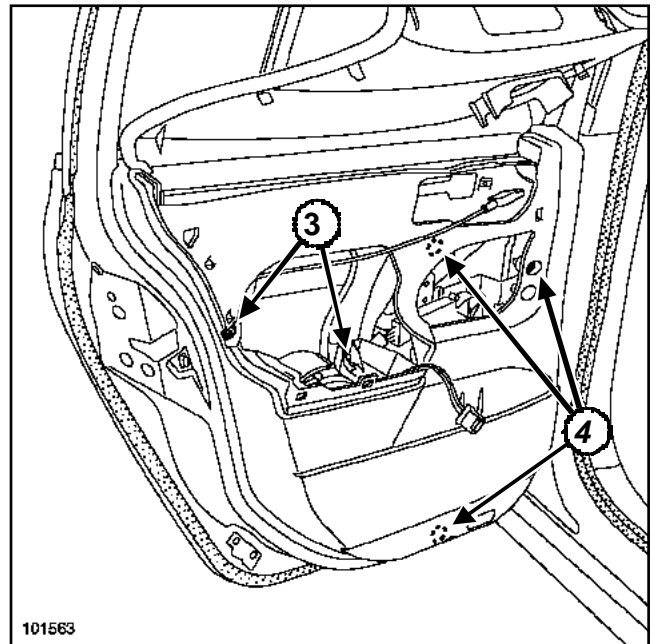
- ❑ Open the door frame flap (see 72A, Side opening element trims, Rear side door trim).



- ❑ Remove the exterior weatherstrip using tool (Car. 1363) .

Note:

The door trim must be removed to vacuum the splinters of glass and to clean the window winder drive carriages.



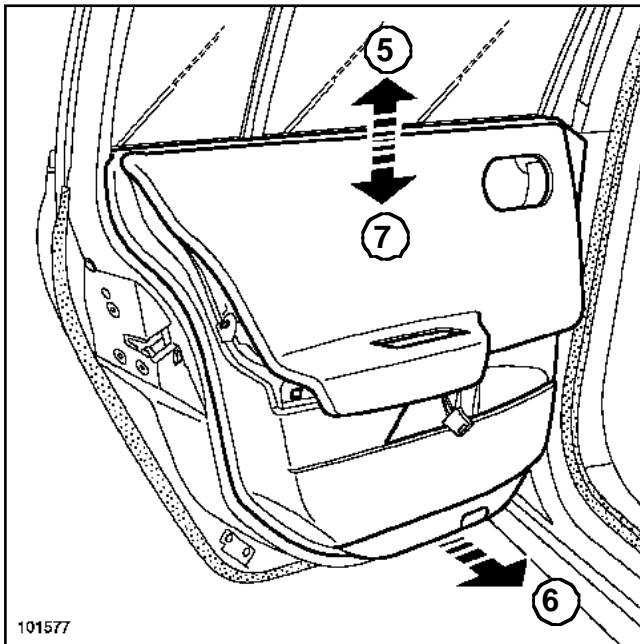
- ❑ Remove:
 - the bolts (3) ,
 - the three window riser motor bolts (4) .

Note:

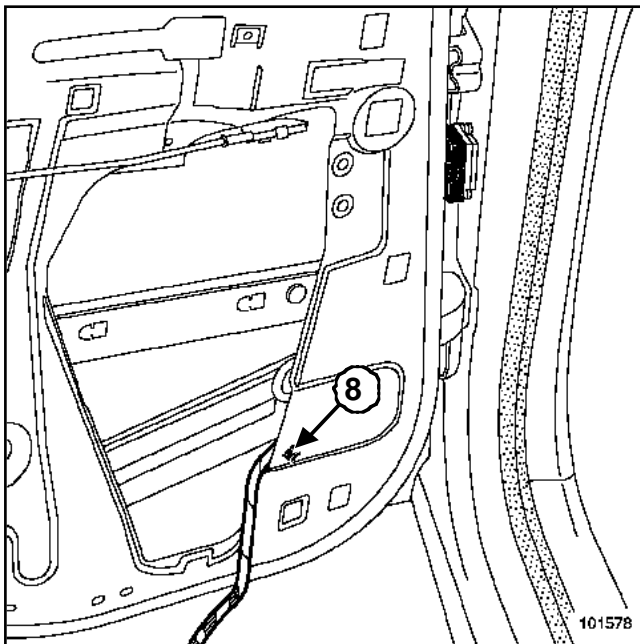
The window winder motor and the wiring harness are attached to the trim.

Sliding window in rear side door: Removal - Refitting

B84 or C84



- Remove the trim by pulling it upwards (5) .
- Remove trim (6) to release the lower section of the window winder drive carriage from the box section.
- Remove the trim by pulling it downwards (7) .



- Disconnect the B-pillar connector.
- Unclip the clips (8) .
- Remove the trim/window riser motor/wiring harness assembly.

REFITTING

I - PROCEDURE ONE

- Proceed in the reverse order to removal.

II - PROCEDURE TWO

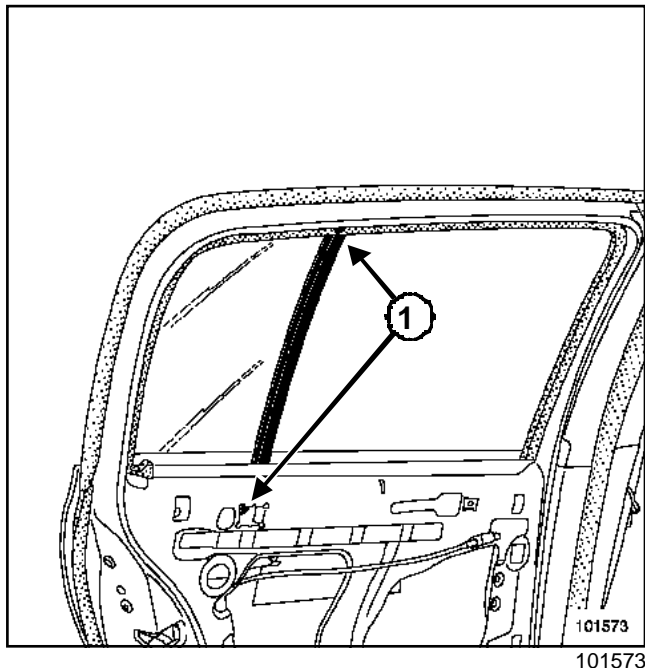
- Vacuum the door box section.
- Clean:
 - inside the frame seal,
 - the window winder drive carriage.
- Proceed in the reverse order to removal.

Rear side door fixed window: Removal - Refitting

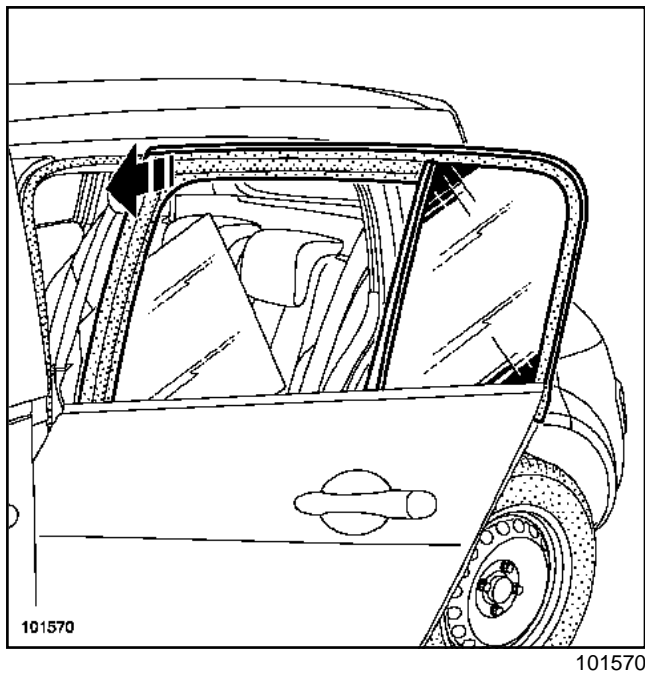
B84 or C84

REMOVAL

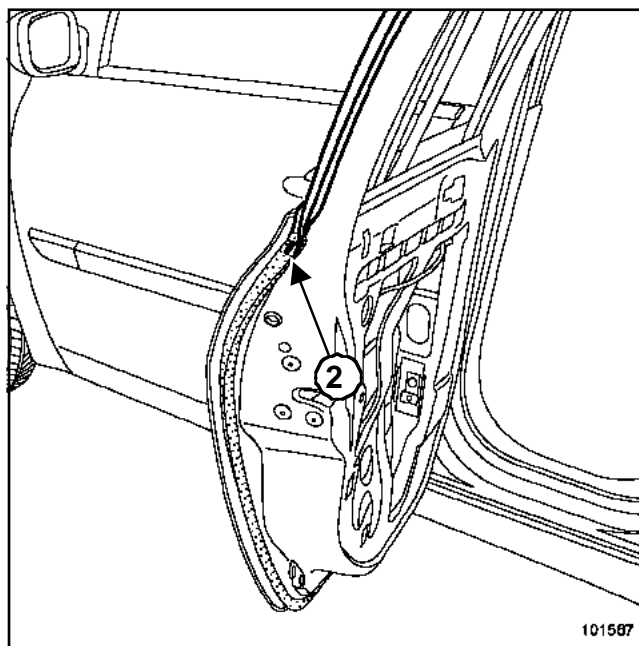
- Remove the door trim (see 72A, Side opening elements trim, Rear side door trim).



- Remove the fixed upright frame seal.
- Remove bolts (1).
- Remove the fixed upright run channel.

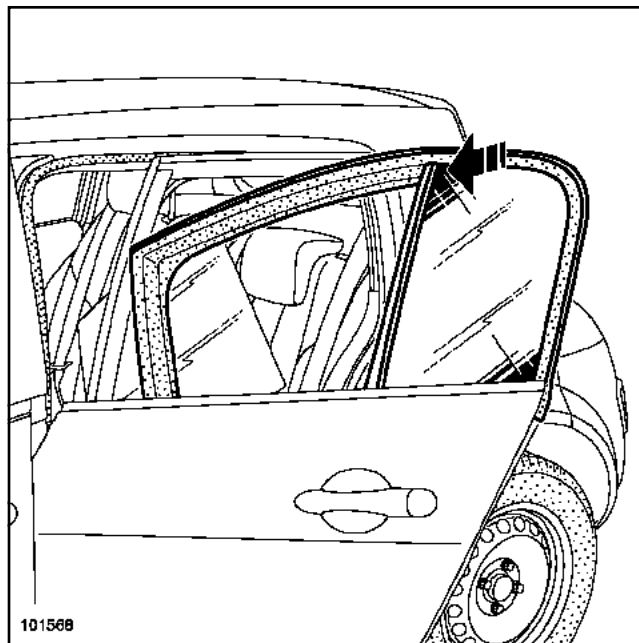


- Unclip the front section of the seal.



101567

- Unclip the upper clip from double sealing door seal (2).



101568

Note:

The window is removed with the frame seal.

- Remove:

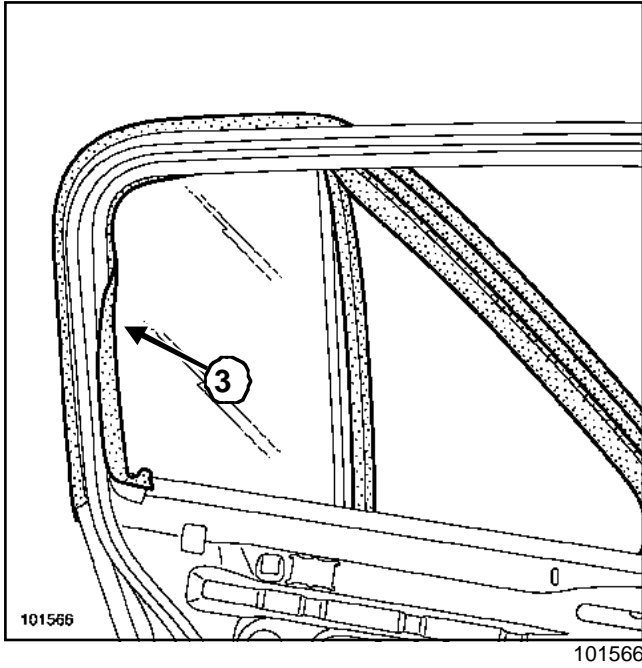
- the frame seal/fixed window assembly,
- the fixed window from the frame seal.

Rear side door fixed window: Removal - Refitting

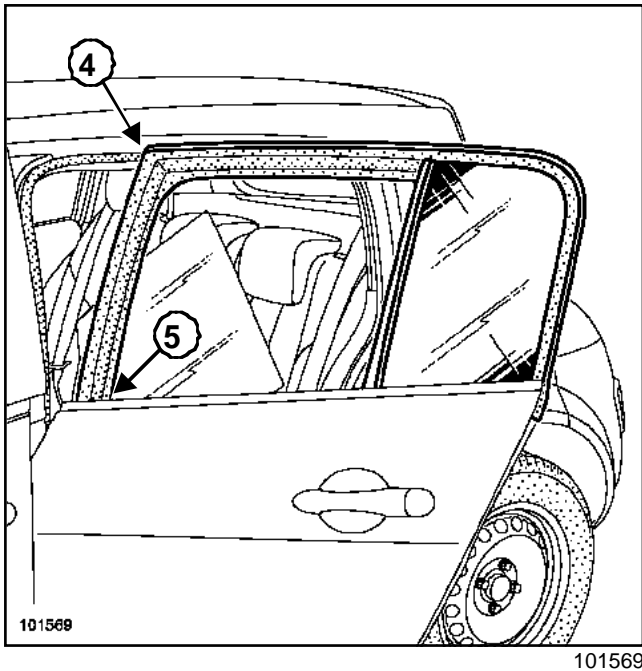
B84 or C84

REFITTING

- Assemble the frame seal and the fixed window.



- Offer up the frame seal/fixed window assembly to the door.
- Clip interior sealing face (3) .



- Position angle seal (4) .
- Fit the angle seal, taking care to slide it behind panel (5) .
- Proceed in the reverse order to removal.

WINDOWS

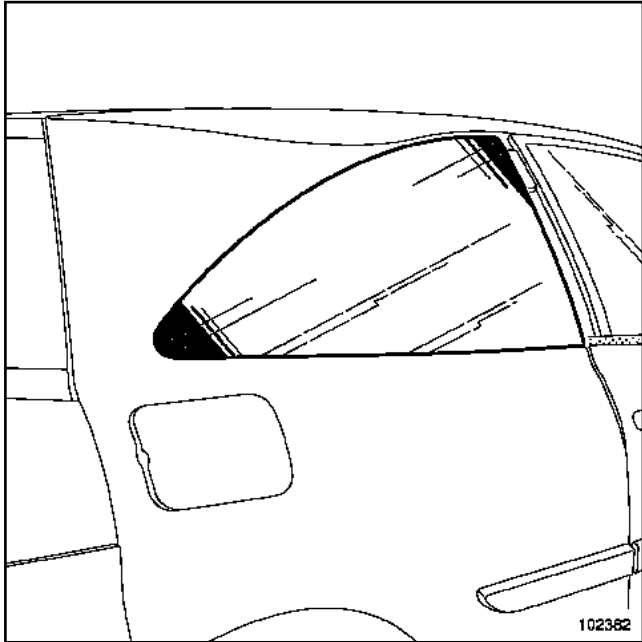
Quarter panel light

54A

B84 or C84

REMOVAL

- ❑ Remove the rear quarter panel trim (see 71A, **Body internal trim, Rear quarter panel trim**).



102382

- ❑ Protect the rear quarter panel window surround (with masking tape).
- ❑ Then cut the cement bead.

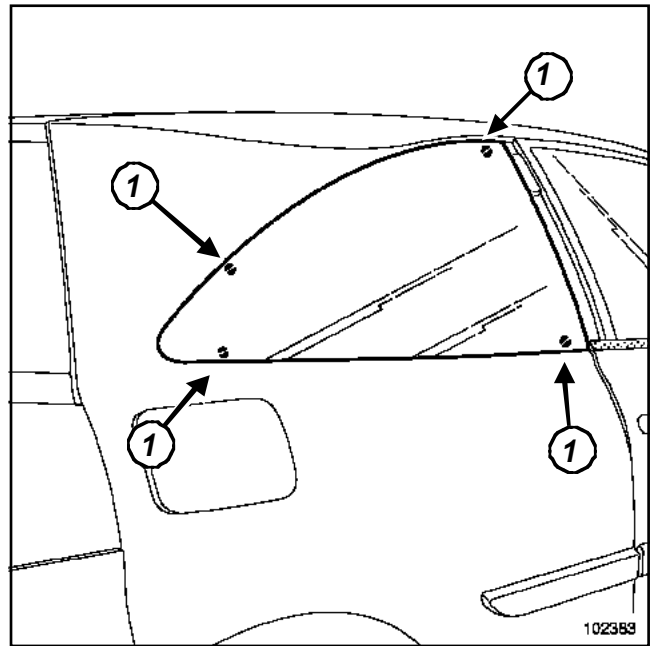
REFITTING

❑

WARNING

-For preparation and bonding, (see **Technical Note 560A, General bonding procedure**).

-It is essential to use high modulus adhesive to bond the windows.



102383

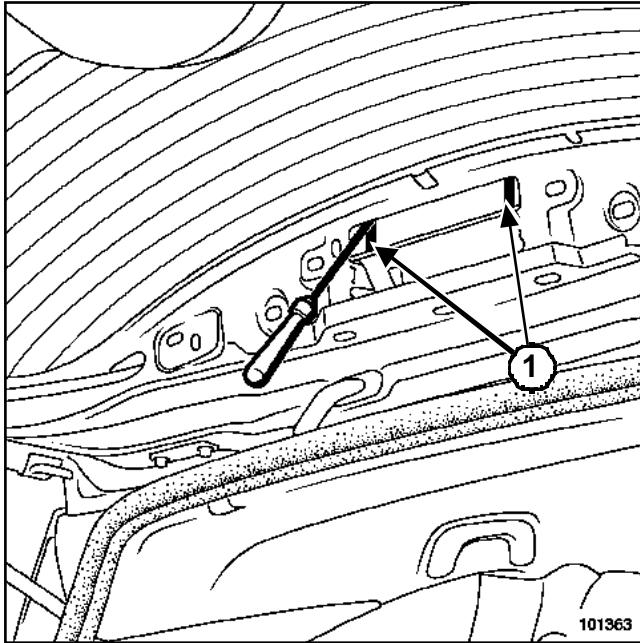
- ❑ Position the shims (1) .
- ❑ Bond the window.
- ❑ Observe the clearance and flushness values.
- ❑ Proceed in the reverse order to removal.

B84 or C84

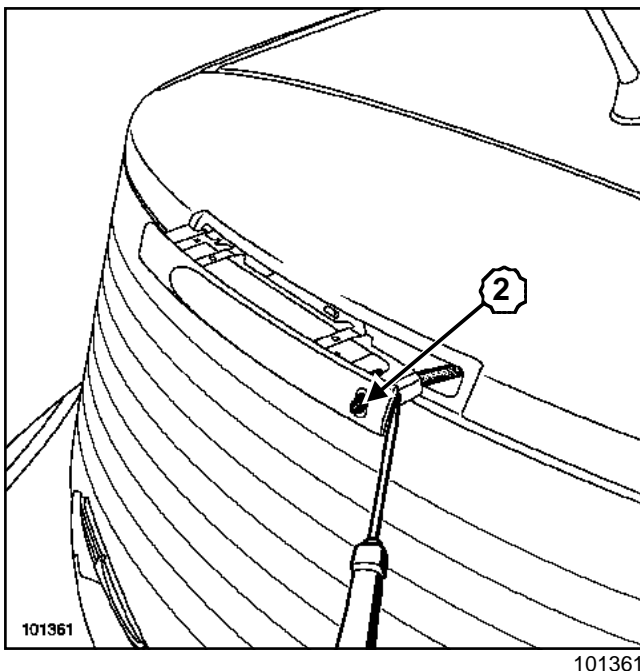
REMOVAL

Remove:

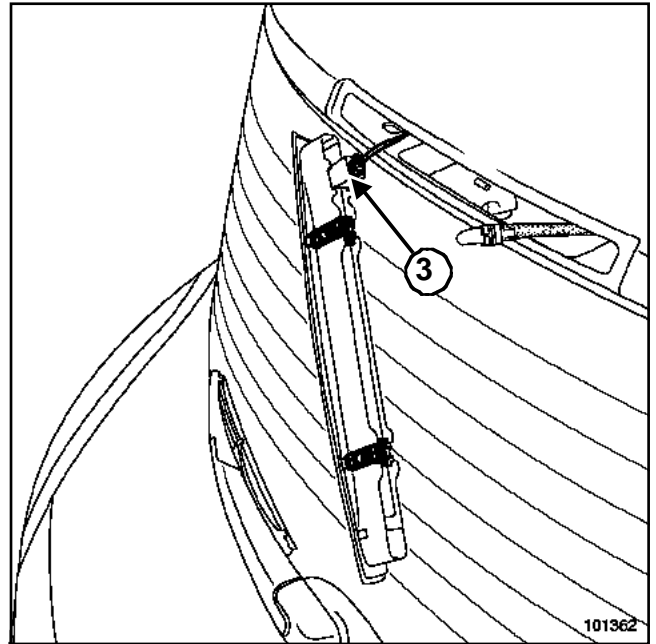
- the tailgate trim (see 73A, **Non-side opening elements, Tailgate trim**),
- the rear screen wiper mechanism (see 85A, **Wiping, Rear screen wiper motor**).



- Unclip the rear light by pressing lugs (1) with a flat-blade screwdriver.

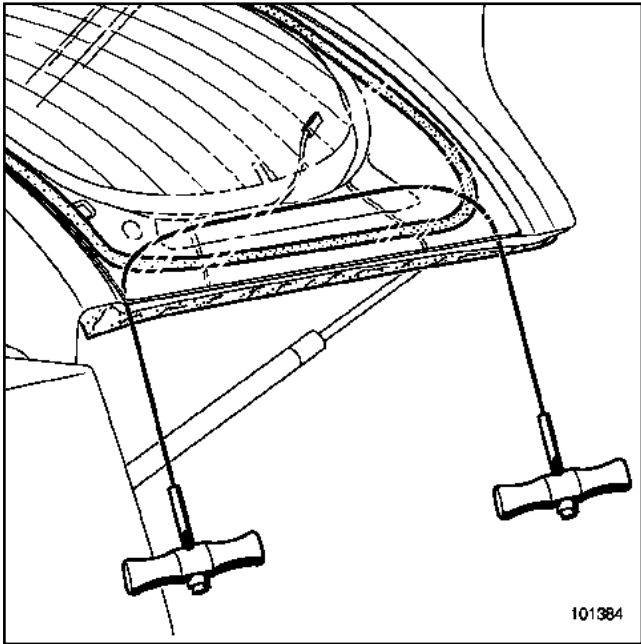


- Unclip the washer jet (2).



- Disconnect the connector (3).
- Disconnect the two rear screen heating supply terminals.

B84 or C84



101384

101384

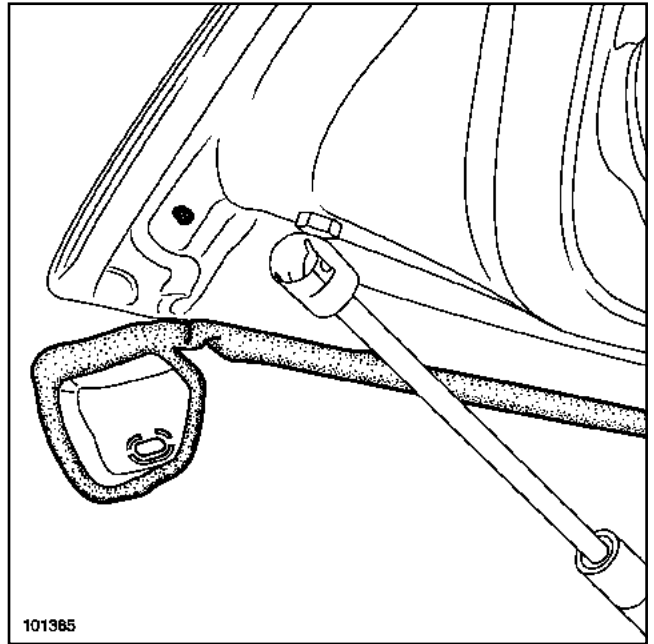
- Protect the edge of the tailgate.

Note:

If « removing-refitting » or replacing the screen, protect the side seals with masking tape to prevent any damage.

If the tailgate is replaced, the side seals should always be replaced too.

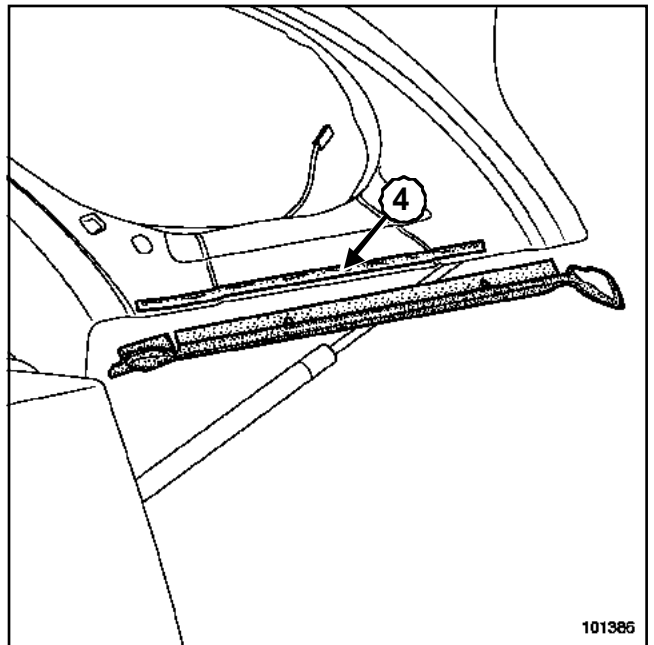
- Then cut the cement bead.
- Remove the window.



101385

101385

- Unclip the seal at the lower section.



101386

101386

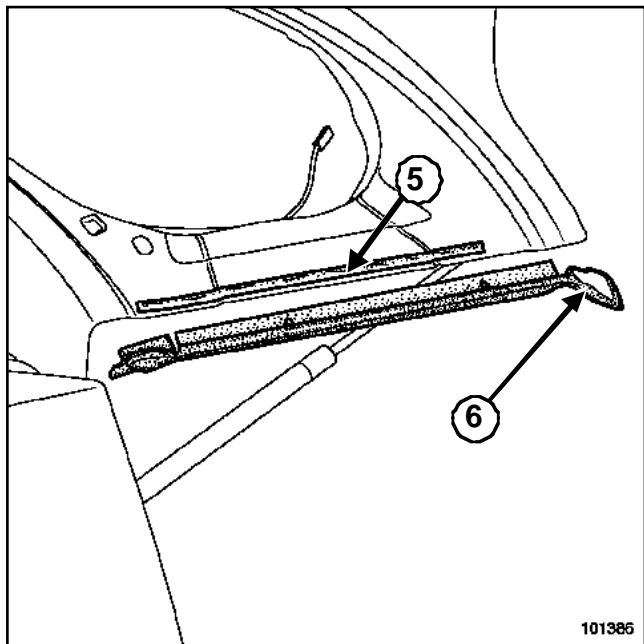
- Carefully detach the rubber section (4) .

Note:

When refitting, replace the adhesive tape or the rubber sections if they are worn or damaged.

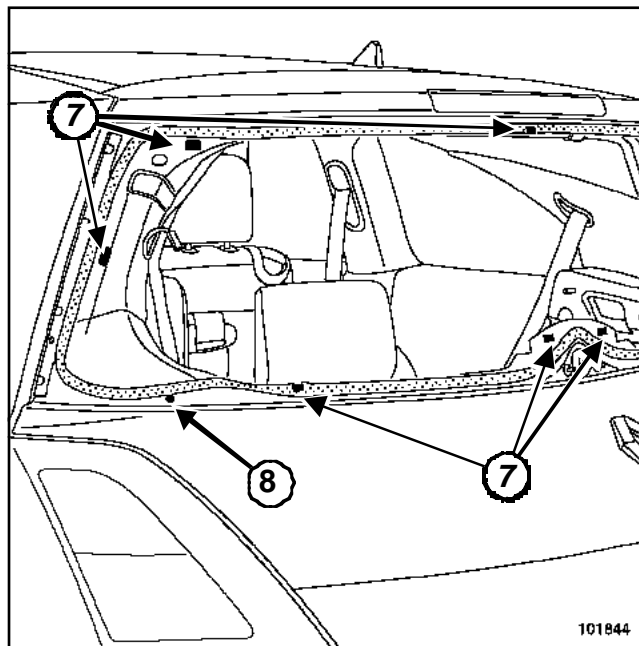
B84 or C84

REFITTING



101386

- Clean the bonding areas with heptane.
- Offer up the seal in position (5) .
- Attach the seal along its entire length (5) .
- Clip the lower section of the seal in place (6) .



101844

101844

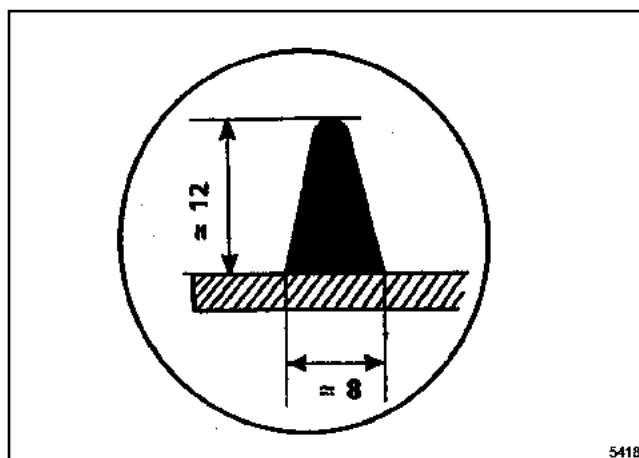


WARNING

- Check the position of the various shims. The shims (7) and the stops (8) must always be replaced.
- It is essential to use high modulus adhesive to bond the windows.

Note:

For preparing and bonding the rear screen, (see Technical Note **560A, General window bonding procedure**).

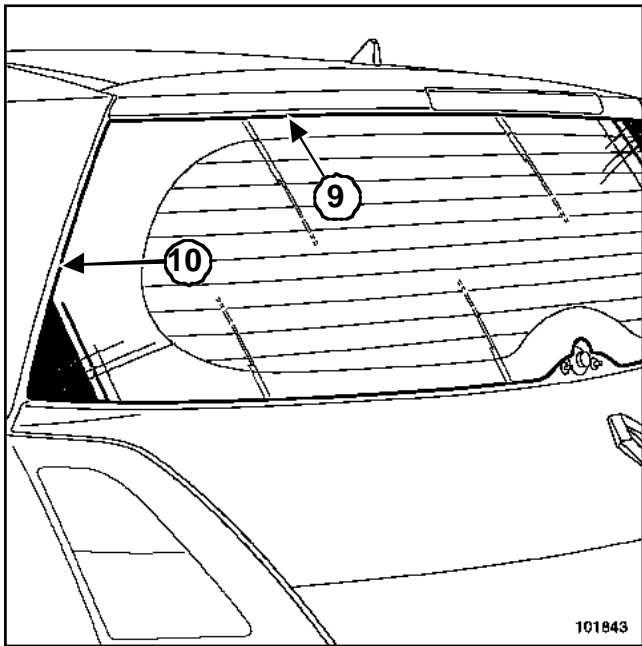


5418

5418

- Use the correct size of cement bead.
- Bond the screen (two people are required for this operation).

B84 or C84



101843

- Equal out the clearances and flush-fittings between:
 - « rear screen/upper section of the tailgate » (9) ,
 - « rear screen/rear wing » (10) .
- Proceed in the reverse order to removal.

EXTERIOR PROTECTION

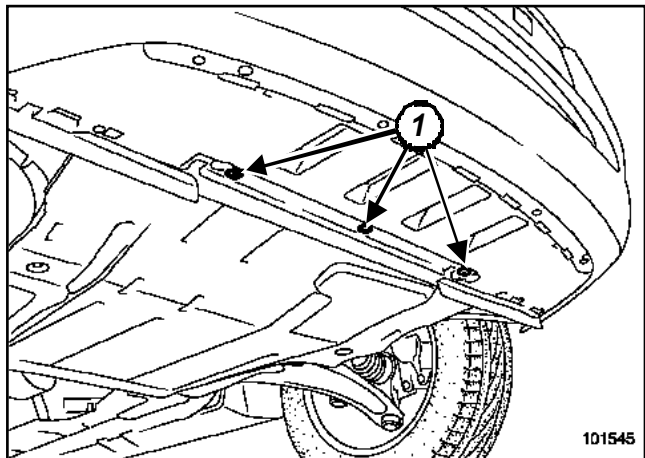
Front bumper: Removal - Refitting

55A

B84 or C84

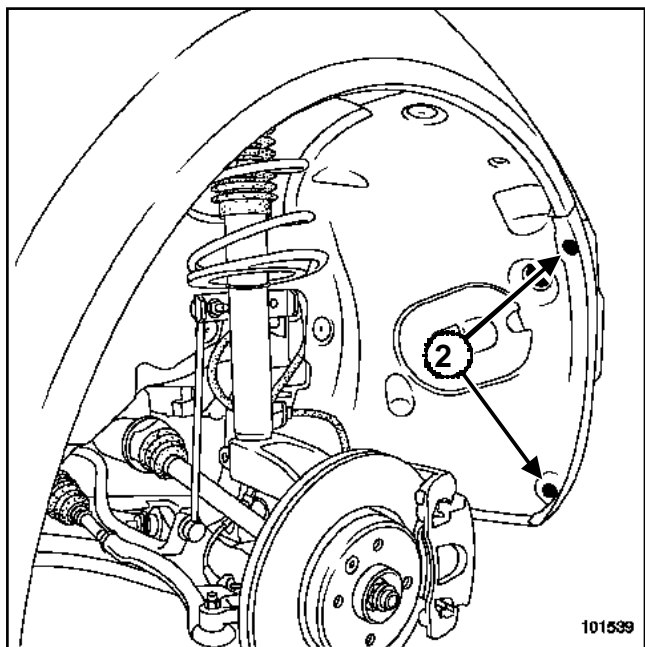
REMOVAL

- Position the vehicle on a lift (see **02A, Lifting equipment, Underbody lift**).



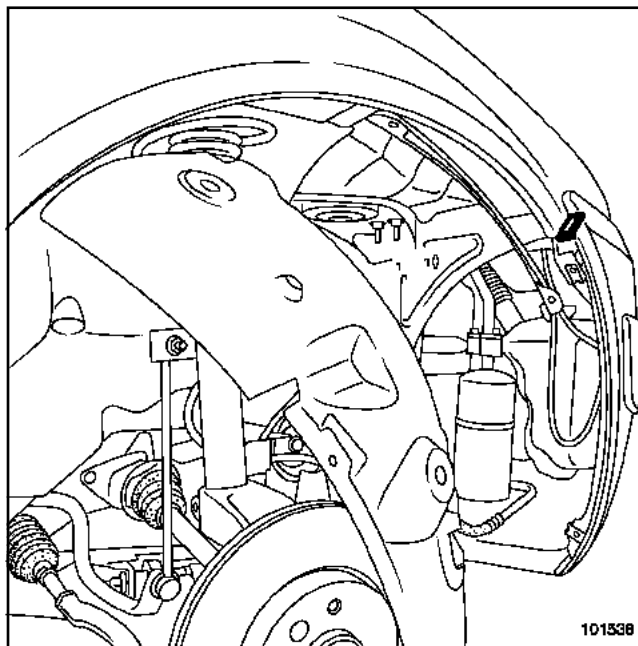
101545
101545

- Remove bolts (1).



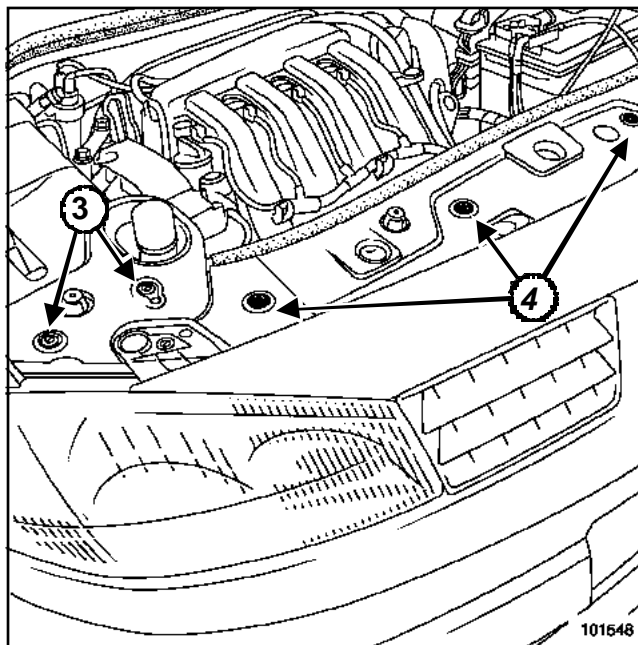
101539
101539

- Remove bolts (2).



101538
101538

- Unclip the side section of the bumper.



101548
101548

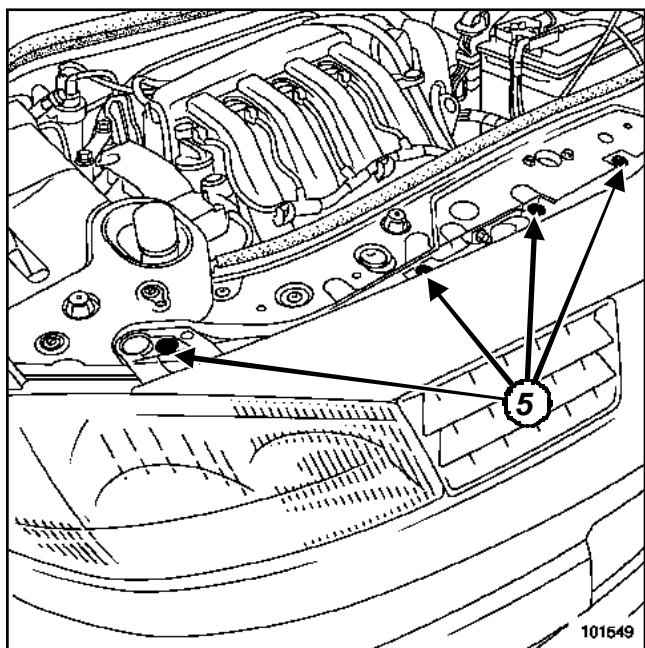
- Unclip plastic rivets (3).
- Remove the side trim.
- Unclip the plastic rivets (4).
- Remove the centre trim.

EXTERIOR PROTECTION

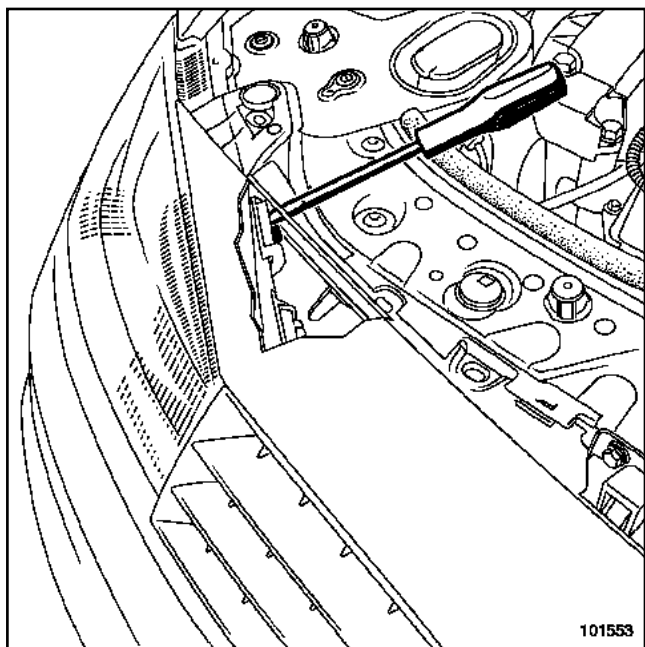
Front bumper: Removal - Refitting

55A

B84 or C84

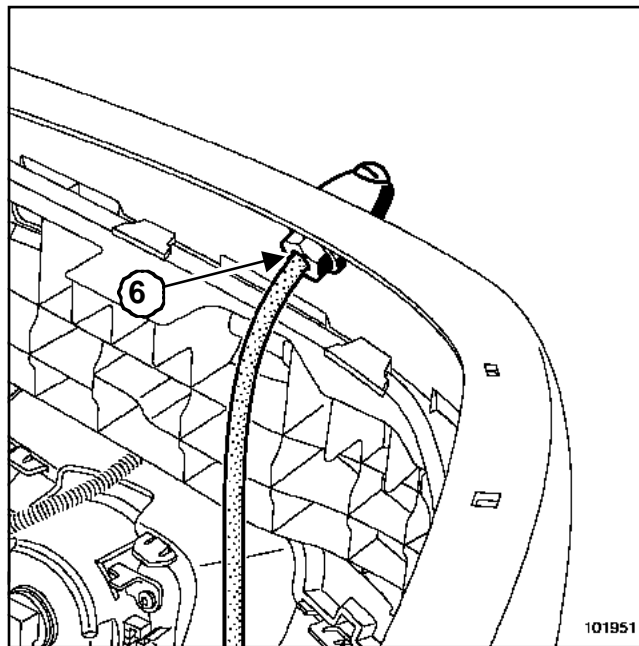


- Remove the plastic rivets (5) .



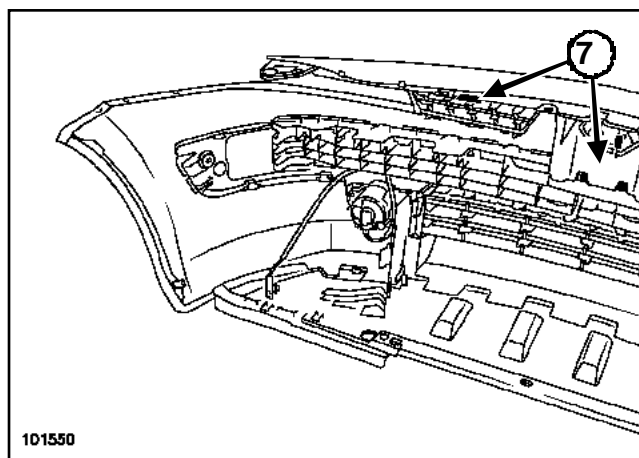
- Apply pressure to the clips and release the bumper towards the front of the vehicle using a flat-blade screwdriver.
- Partially remove the bumper.
- Disconnect:
 - the fog lights connector,
 - the power supply to the headlight washer jets.

REMOVE THE HEADLIGHT WASHER JETS



- Remove the nut (6) .
- Remove the jet.

STRIPPING



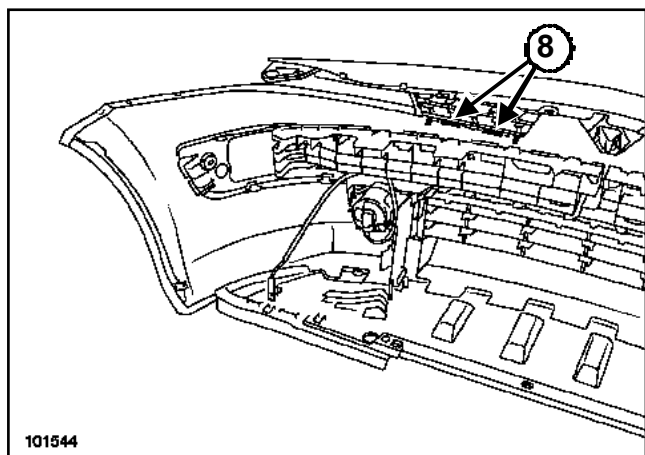
- Unclip reinforcement (7) .

EXTERIOR PROTECTION

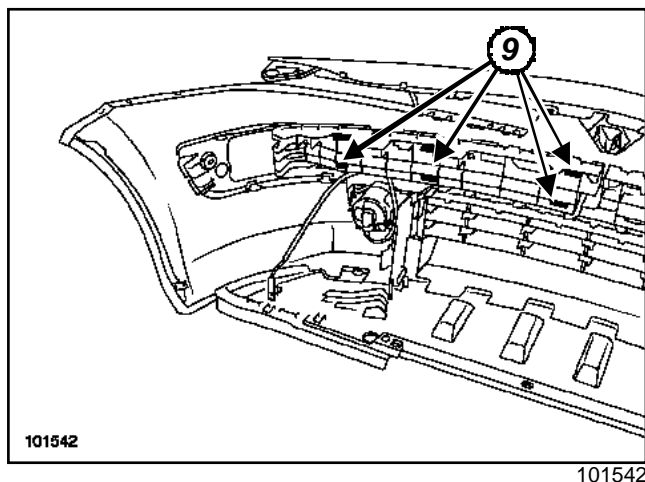
Front bumper: Removal - Refitting

55A

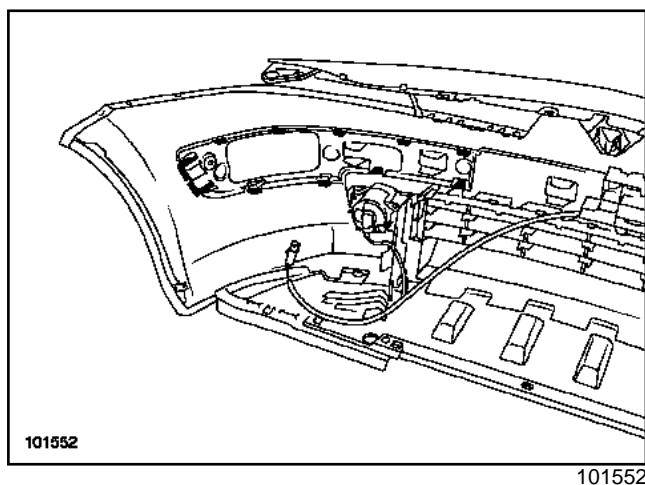
B84 or C84



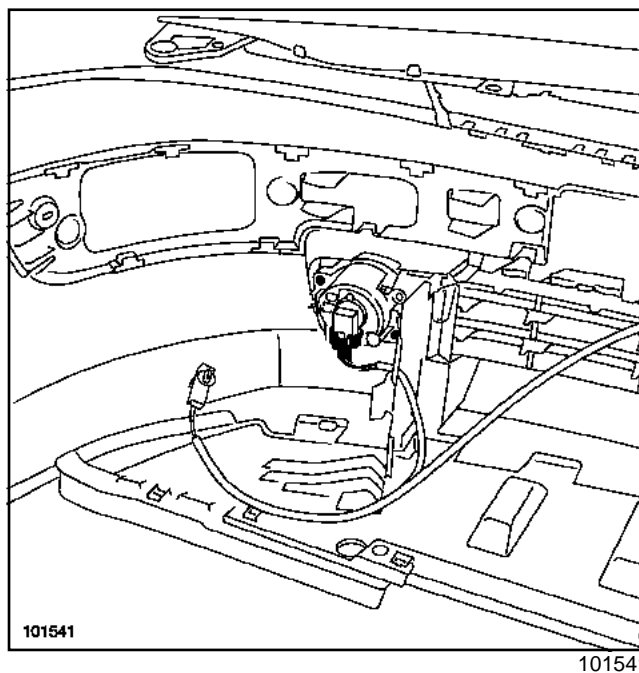
- Press the lower clips (8)
- Remove the radiator grille towards the front.



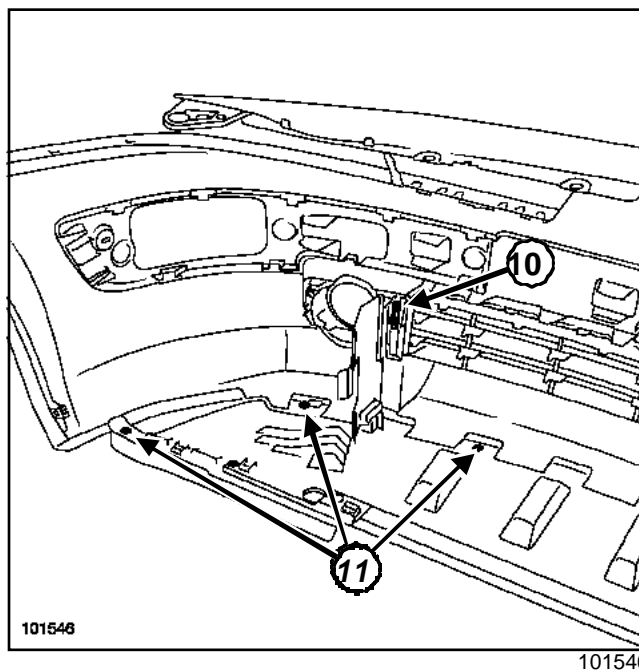
- Remove clips (9) .
- Remove the absorber.



- Unclip the clips.
- Remove the outer strip.



- Remove the two fog light mountings.
- Disconnect the connector.



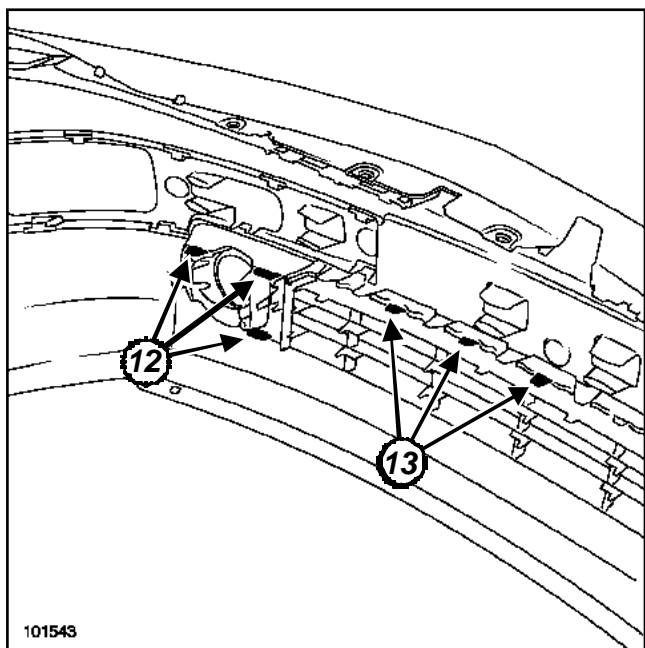
- Drill out rivets (11) .
- Remove clip (10) .
- Remove the lower casing.

EXTERIOR PROTECTION

Front bumper: Removal - Refitting

55A

B84 or C84



101543

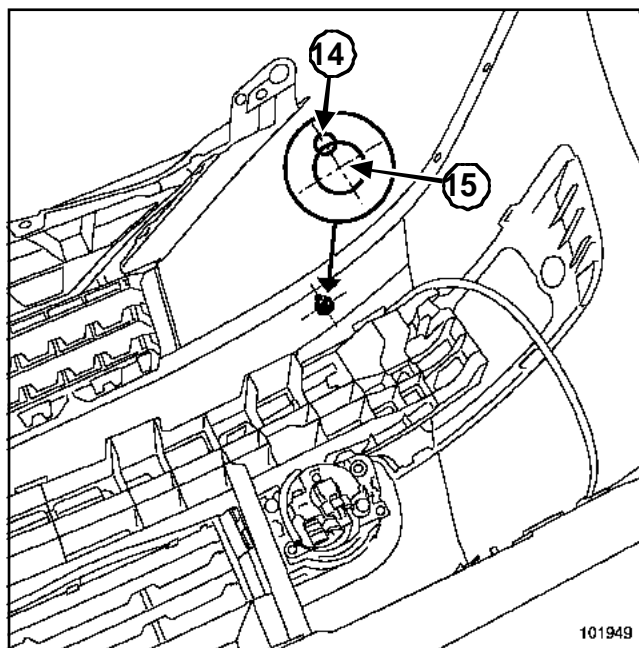
- Unclip the clips (12) .
- Remove the fog light surround.
- Unclip the clips (13) .
- Remove the centre grille.

REFITTING

MODIFYING A REPLACEMENT PART TO FIT HEADLIGHT WASHER JETS

Note:

Before painting, drill the bumper at the markings if the bumper has headlight washer jets



101949

101949

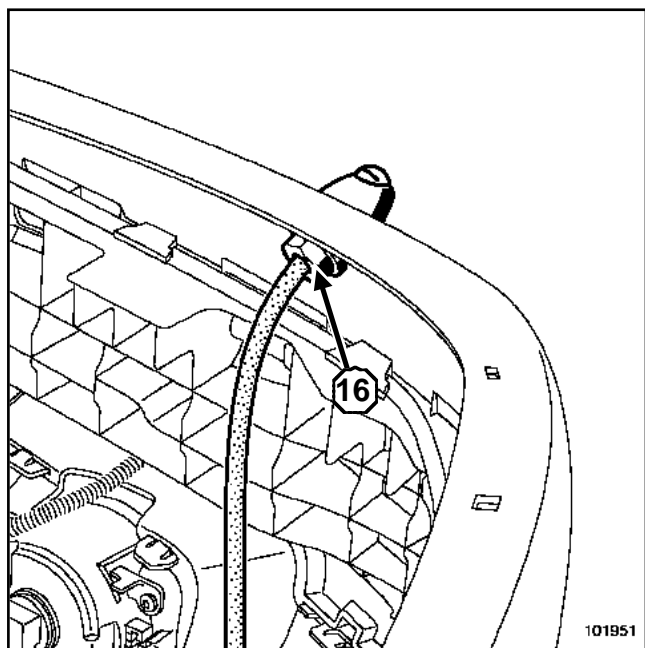
- Use:
 - a **3 mm** diameter drill bit to drill the guide hole (14) ,
 - a **3 mm** diameter drill bit to drill the guide hole, and finish the operation with a dovetail cutter for the jet hole (15)

EXTERIOR PROTECTION

Front bumper: Removal - Refitting

55A

B84 or C84



101951

- Before refitting the washer jets, check that the seal is fitted
- Tighten nut (16) slightly.
- Connect:
 - the headlight washer pipe,
 - the fog light connector,
- Proceed in the reverse order to removal.

EXTERIOR PROTECTION

Front bumper: Removal - Refitting

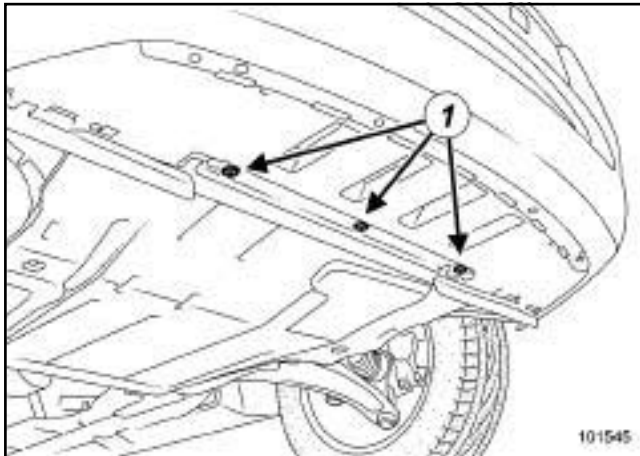
55A

DOCUMENT PHASE 2

REMOVAL

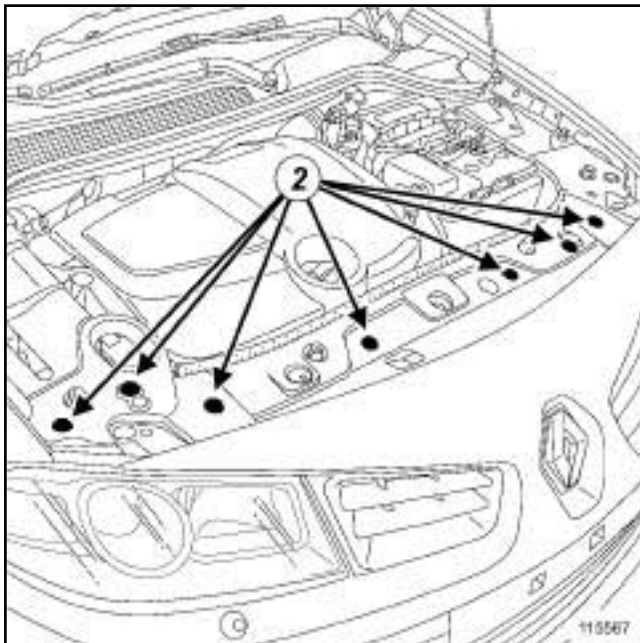
I - REMOVAL PREPARATION OPERATION

- ❑ Put the vehicle on a two-post lift (see **MR 364, 02A, Lifting equipment, Underbody lift**).



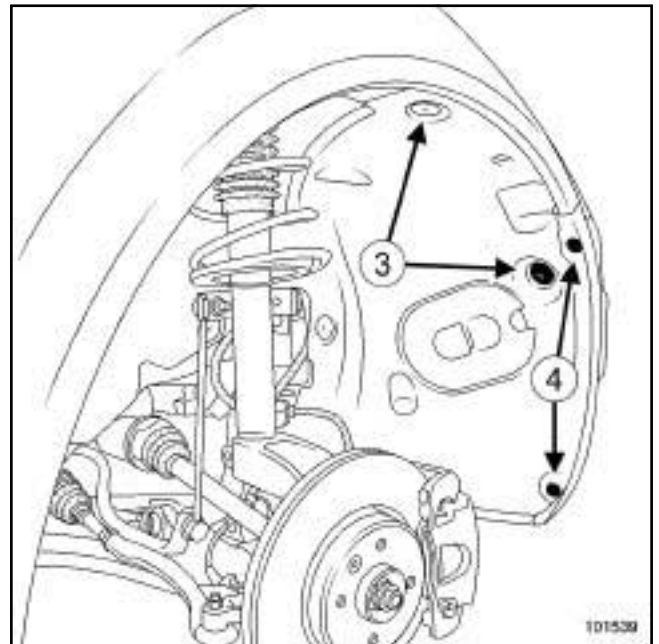
101545

- ❑ Remove the bolts (1).



115567

- ❑ Unclip the plastic rivets (2).
- ❑ Remove the central and side covers.

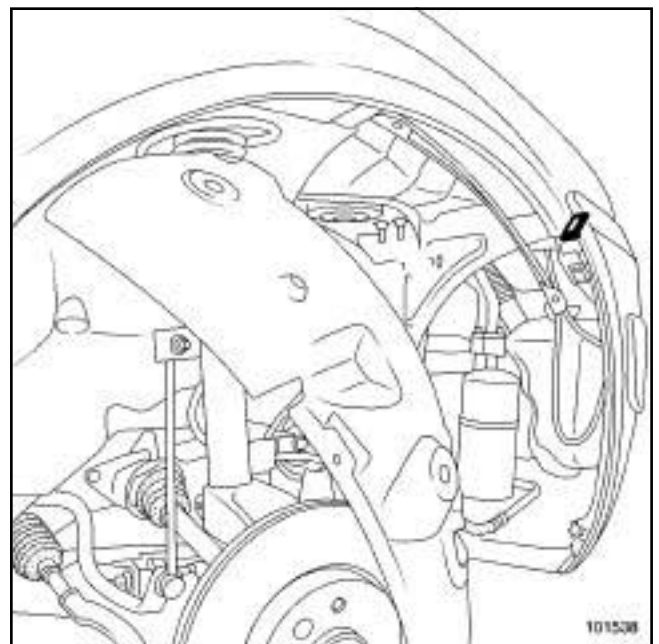


101539

101539

- ❑ Unclip the clips (3).
- ❑ Remove the bolts (4).

II - OPERATION FOR REMOVAL OF PART CONCERNED



101538

101538

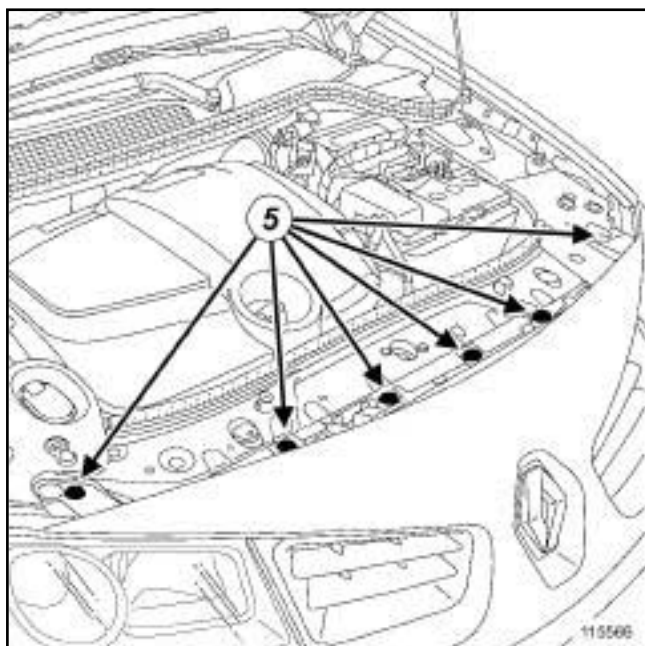
- ❑ Unclip the side section of the bumper.

EXTERIOR PROTECTION

Front bumper: Removal - Refitting

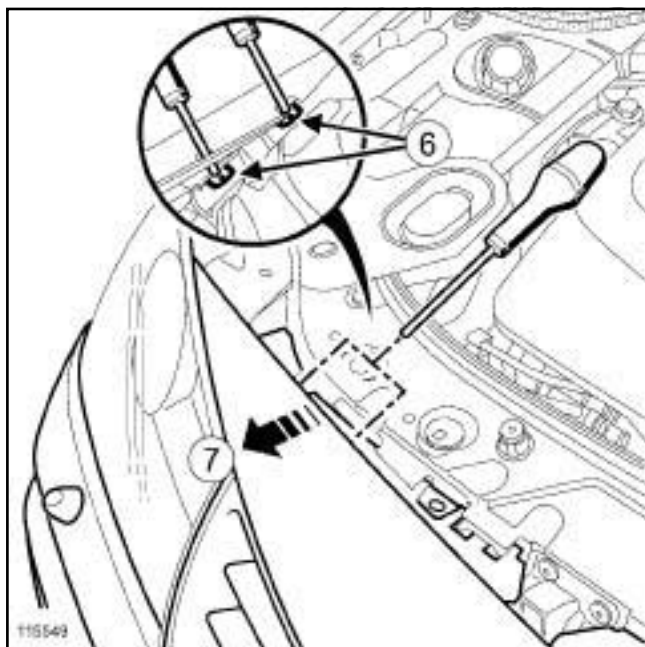
55A

DOCUMENT PHASE 2



115566

- Unclip the plastic rivets (5) .



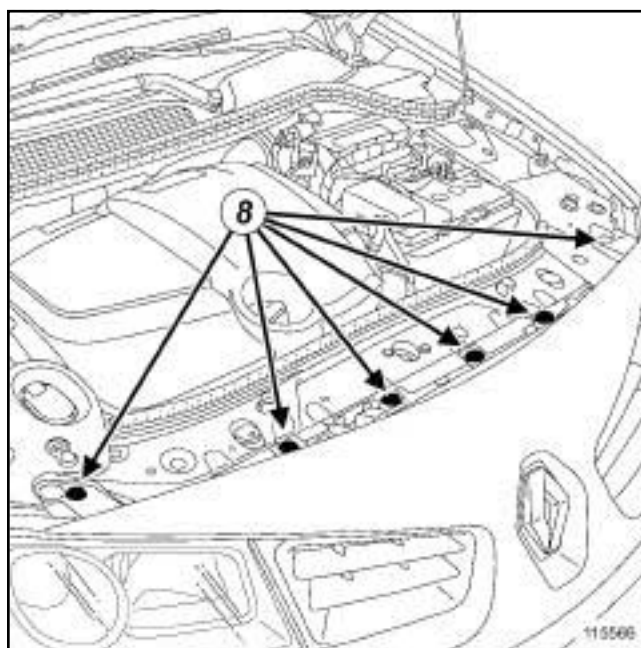
115549

- Press on the clips (6) .
- Remove the bumper (7) .
- Disconnect:
 - the fog light connector (depending on the equipment level),
 - the headlight washers jet supply (depending on equipment level).

REFITTING

I - REFITTING OPERATION FOR PART CONCERNED

- Connect:
 - the fog light connector (depending on the equipment level),
 - the headlight washers jet supply (depending on equipment level).
- Refit the front bumper (this operation requires two people).



115566

- Clip the plastic rivets (8) into place.

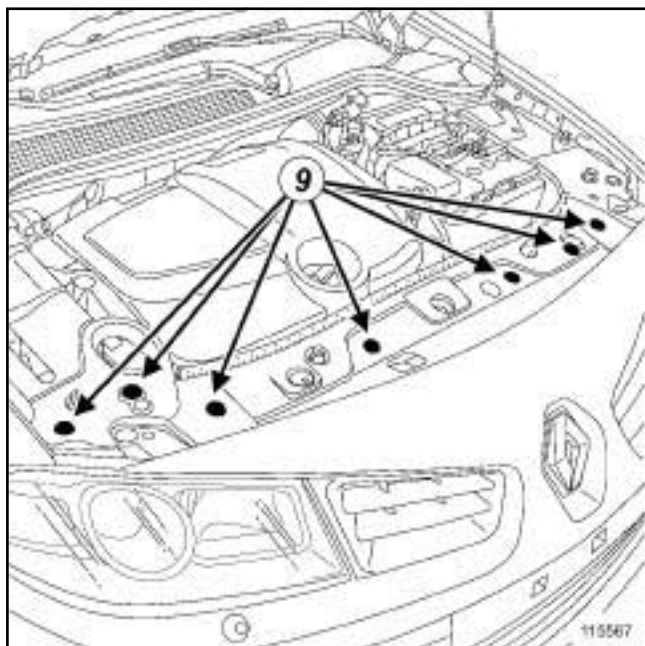
EXTERIOR PROTECTION

Front bumper: Removal - Refitting

55A

DOCUMENT PHASE 2

II - FINAL OPERATION



115567

- Refit the central and side covers.
- Clip the plastic rivets (9) into place.
- Refit:
 - the wheel arch liner mountings,
 - the lower bolts on the bumper.

EXTERIOR PROTECTION

Front bumper: Conversion

55A

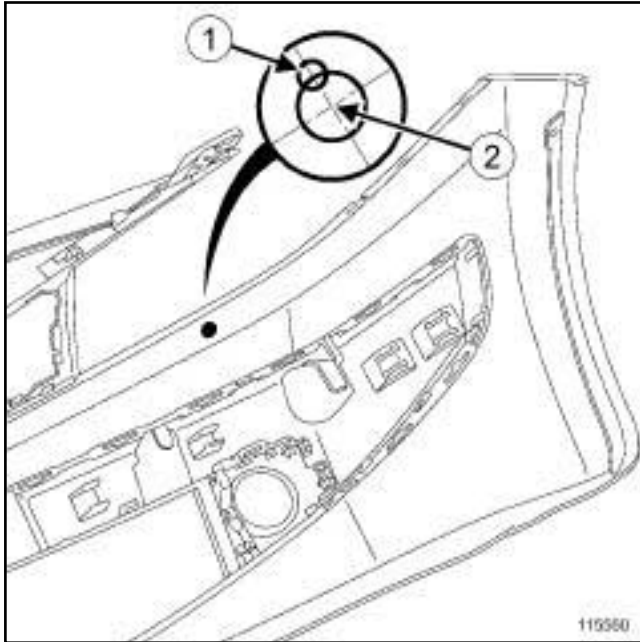
DOCUMENT PHASE 2

I - CONVERSION OF THE SPARE PART FOR FITTING THE HEADLIGHT WASHER JETS

□

Note:

Drill the bumper in accordance with the marking, if it has integrated headlight washer jets (before painting).



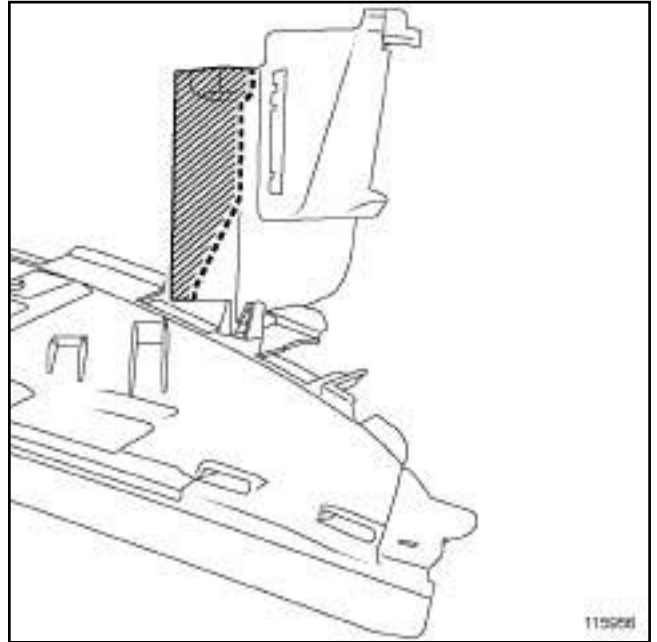
115560

□ Use:

- a **3 mm** diameter drill bit to drill the guide hole (1) ,
- a **3 mm** diameter drill bit to drill the pilot hole, and finish the operation with a dovetail cutter for the jet hole (2) .

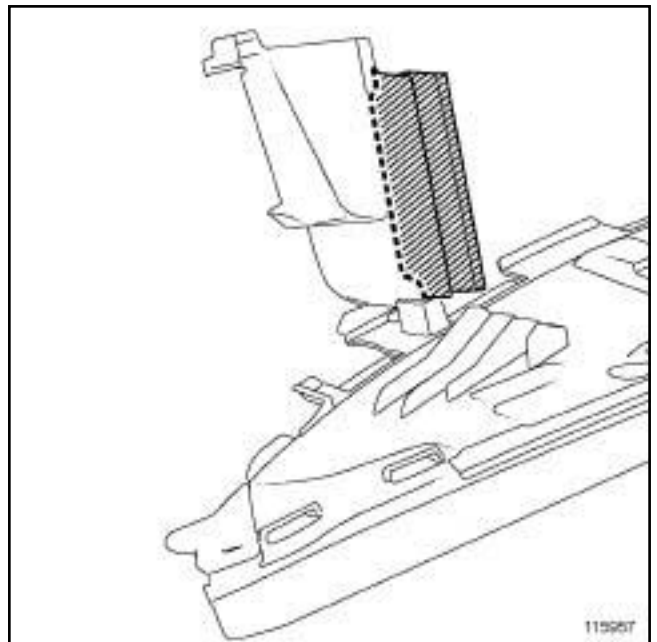
II - CONVERSION OF FRONT BUMPER LOWER COVER

M9R



115956

□ Cut the shaded section of the front bumper lower cover.



115957

□ Cut the shaded section of the front bumper lower cover.

EXTERIOR PROTECTION

Front bumper: Stripping - Rebuilding

55A

F4R, and 776

Special tooling required

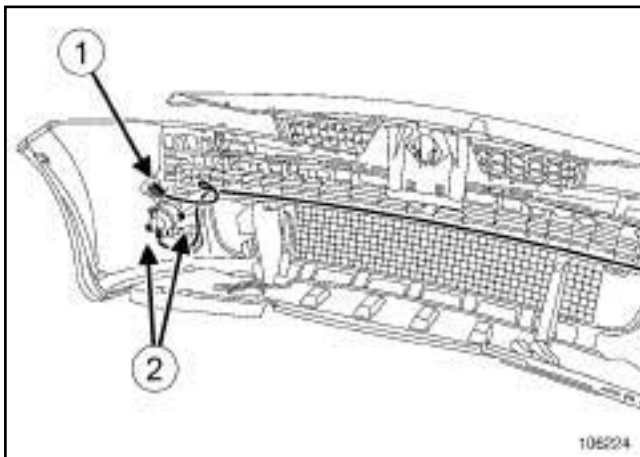
Car. 1521

Pliers for fitting clips on seat trims.

Note:

Removing the front bumper is the same as for the basic model (see: MR 365, 55A , Exterior Protection, front bumper: removal - refitting) .

I - STRIPPING

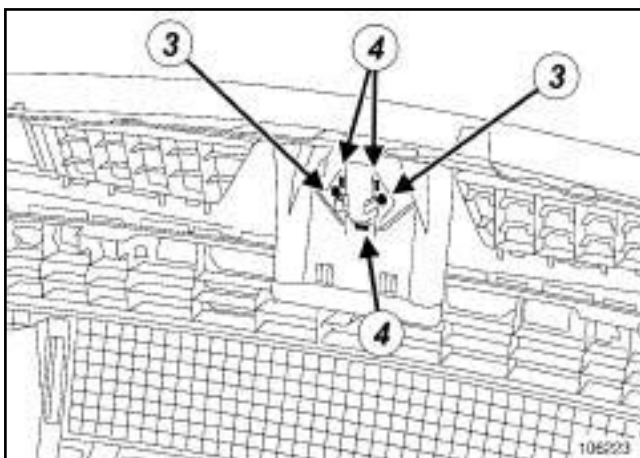


106224

- Unclip the connector (1) .

Remove:

- the bolts (2) ,
- the fog lights,
- the wiring harness.



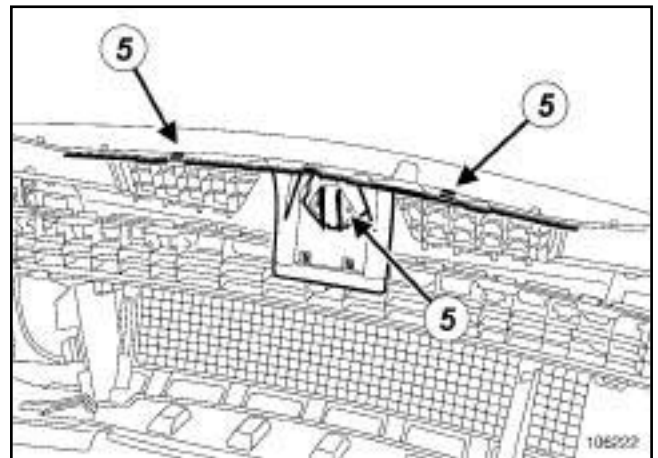
106223

- Remove bolts (3) .

Unclip:

- the clips (4) ,

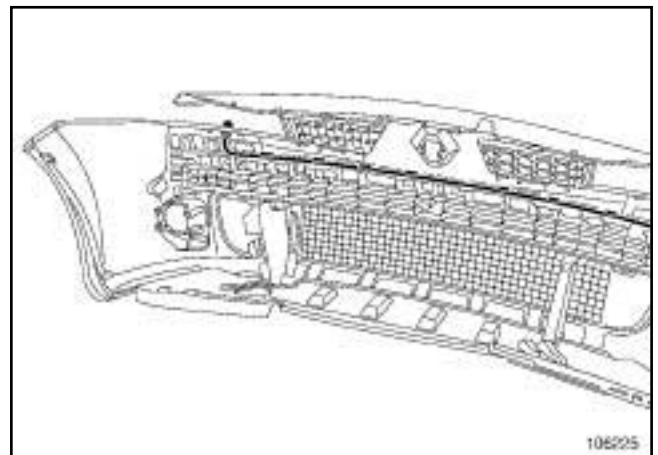
- the badge.



106222

- Unclip the clips (5) .

Remove the radiator grille.



106225

- Disconnect the headlight washer jet pipe.

Remove:

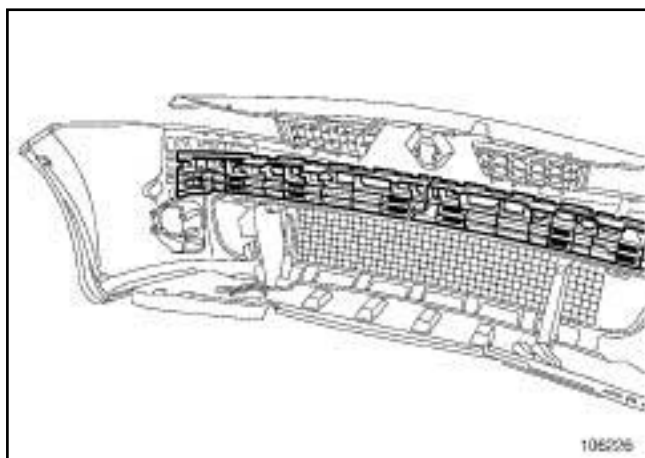
- the jet nuts,
- the jets.

EXTERIOR PROTECTION

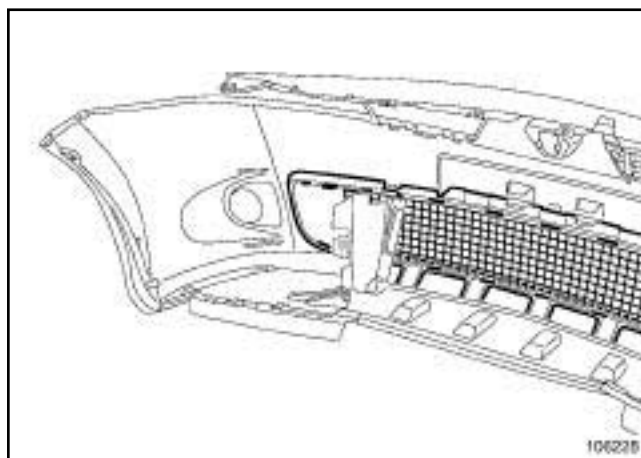
Front bumper: Stripping - Rebuilding

55A

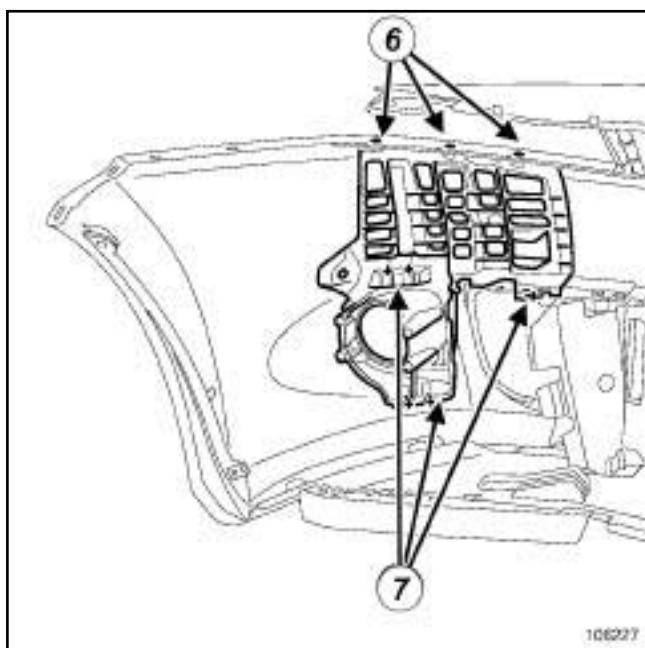
F4R, and 776



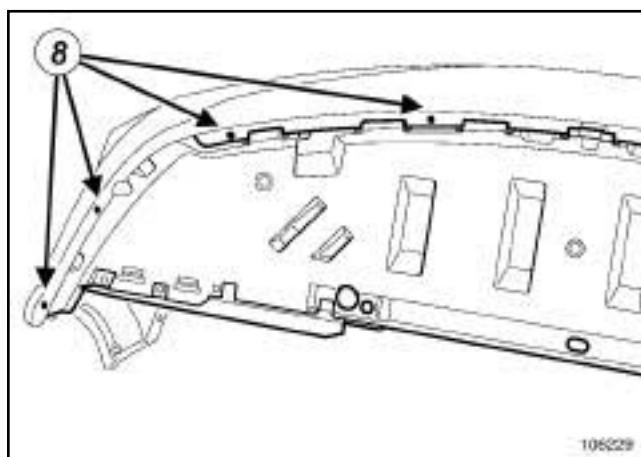
- ❑ Unclip the clips.
Remove the impact absorbers.



- ❑ Unclip the various clips.
Remove the centre grille.



- ❑ Drill out rivets (6) .
Remove:
 - the clips (7) ,
 - the fog light supports.



- ❑ Drill out rivets (8) .
Remove the lower cover.

II - REBUILDING

- ❑ Proceed in the reverse order to removal.

Note:

The front bumper is delivered assembled with fog light supports.

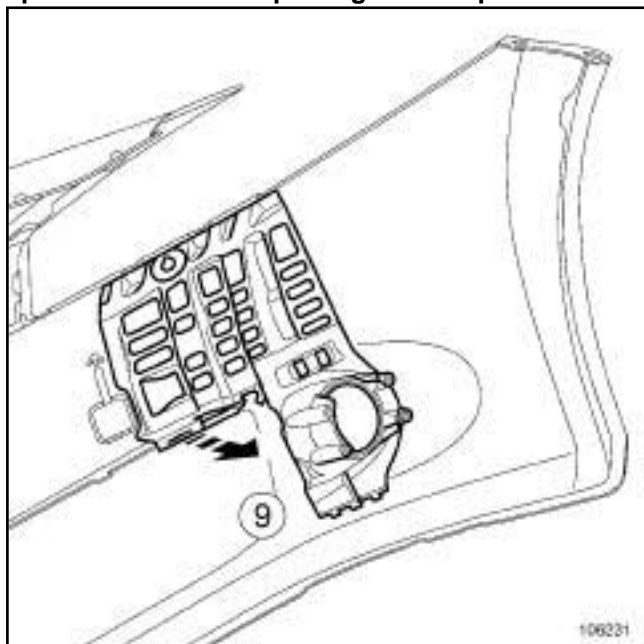
EXTERIOR PROTECTION

Front bumper: Stripping - Rebuilding

55A

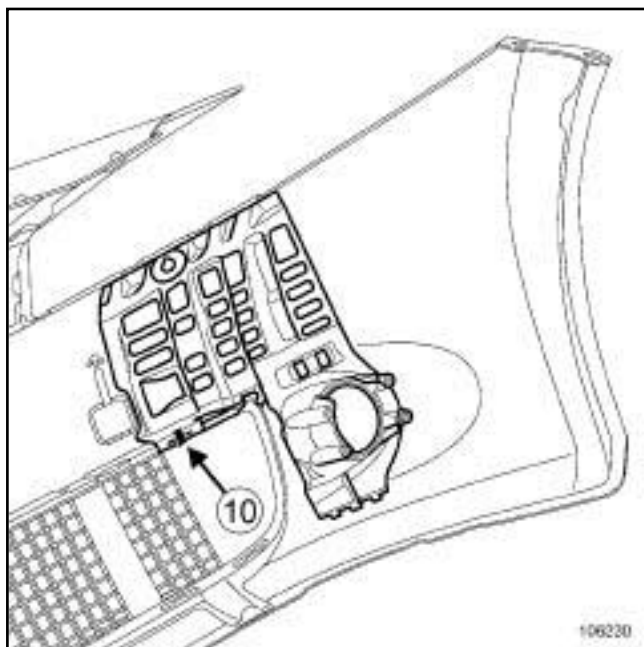
F4R, and 776

Special features of replacing the bumper.



106231

- ❑ After painting the bumper, remove the support lower section (9) to refit the centre grille.



106230

- ❑ Clip on the support lower section.
Attach a clip (10) .
These clips must be crimped using special pliers (Car. 1521) .

EXTERIOR PROTECTION

Front bumper: Stripping - Rebuilding

55A

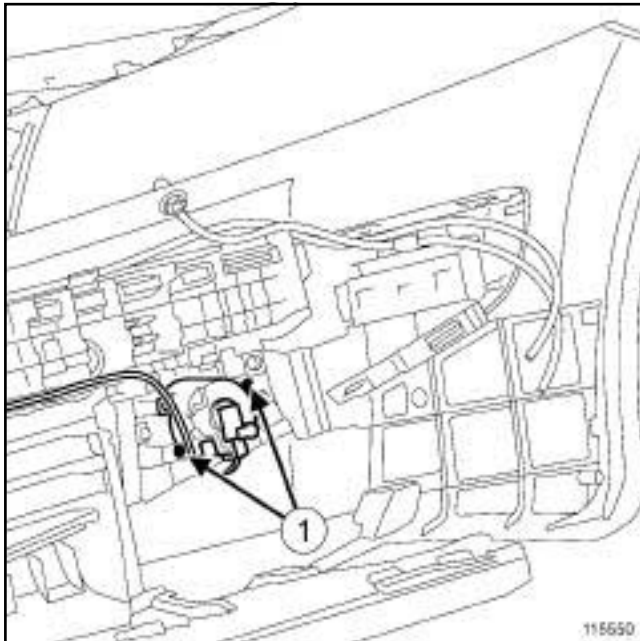
DOCUMENT PHASE 2

STRIPPING

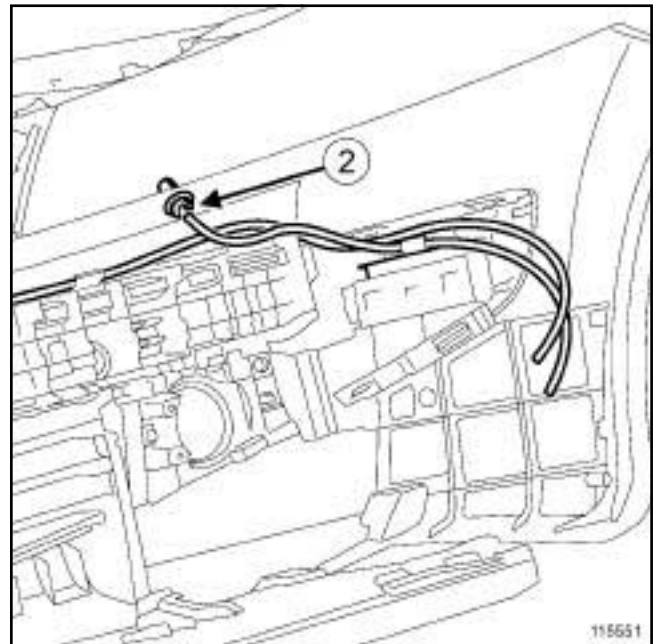
I - STRIPPING PREPARATION OPERATION

- Remove the front bumper (see 55A, Exterior protection, Front bumper: Removal - Refitting).

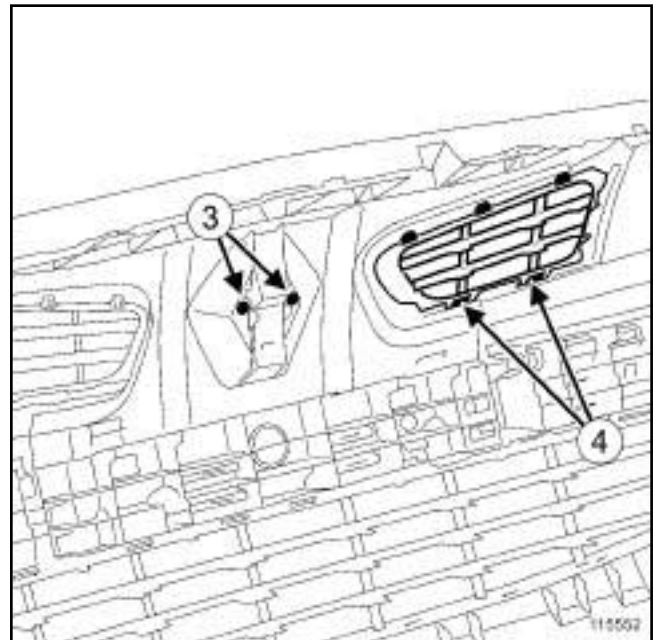
II - STRIPPING OPERATION FOR PART CONCERNED



- Remove the bolts (1) .
- Disconnect the connector.
- Remove the fog light (depending on the equipment level).



- Remove the nut (2) .
- Remove the headlight washer (depending on equipment level).



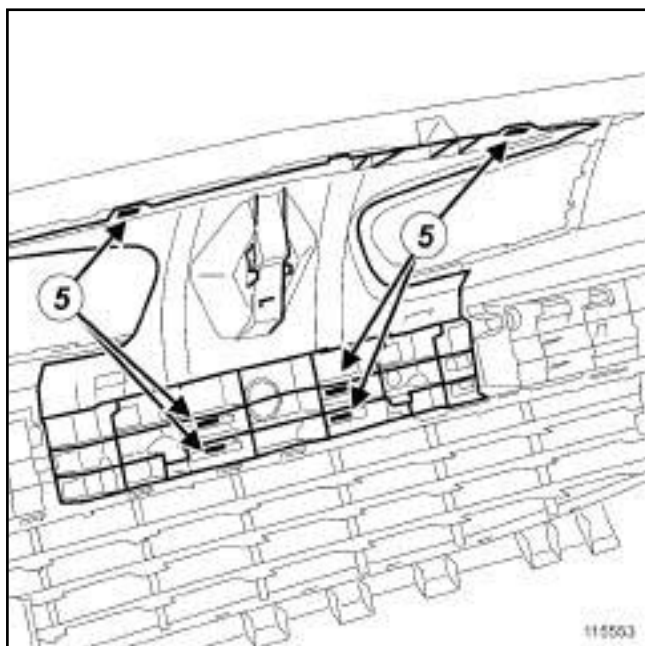
- Remove the bolts (3) .
- Unclip the badge.
- Unclip the clips (4) .
- Remove the radiator half-grille.

EXTERIOR PROTECTION

Front bumper: Stripping - Rebuilding

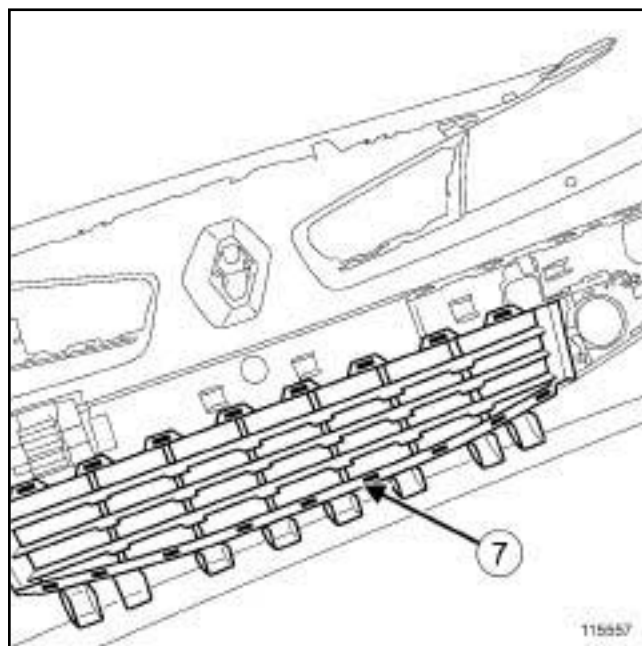
55A

DOCUMENT PHASE 2



115553

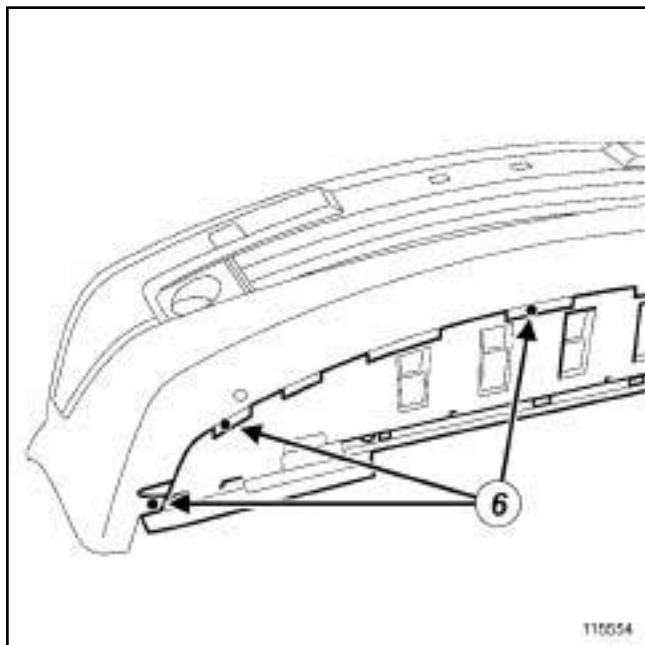
- Unclip the clips (5) .
- Remove the central absorber.



115557

115557

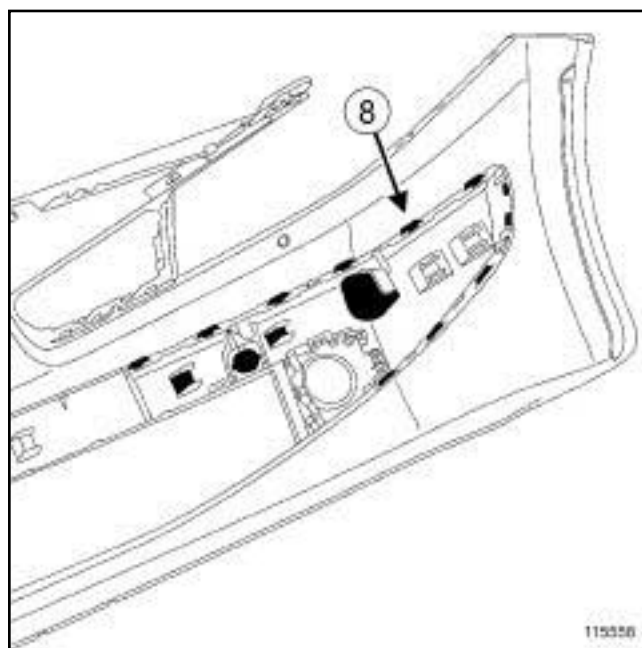
- Unclip the lower grille (7) .



115554

115554

- Drill out the rivets (6) .
- Remove the lower cover



115558

115558

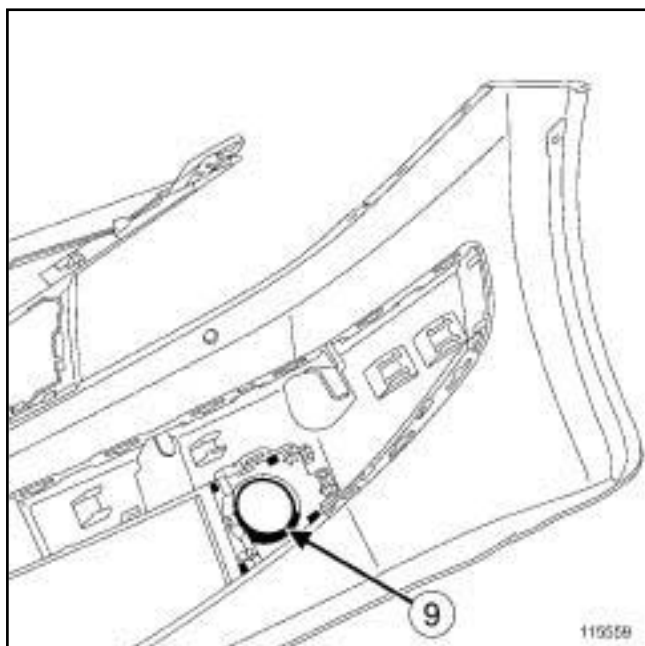
- Unclip the strip (8) .

EXTERIOR PROTECTION

Front bumper: Stripping - Rebuilding

55A

DOCUMENT PHASE 2



115559

- Unclip the trim piece (9) from the fog light.

REASSEMBLING

I - REBUILDING OPERATION FOR PART CONCERNED

- Clip on:
 - the fog light trim piece,
 - the exterior strip,
 - the lower grille.
- Insert rivets into the lower cover.
- Refit:
 - the central absorber,
 - the badge,
 - the radiator half-grilles,
 - the headlight washer jets (depending on the equipment level),
 - the fog lights (depending on the equipment level).

II - FINAL OPERATION

- Refit the front bumper (see **55A, Exterior protection, Front bumper: Removal - Refitting**).

EXTERIOR PROTECTION

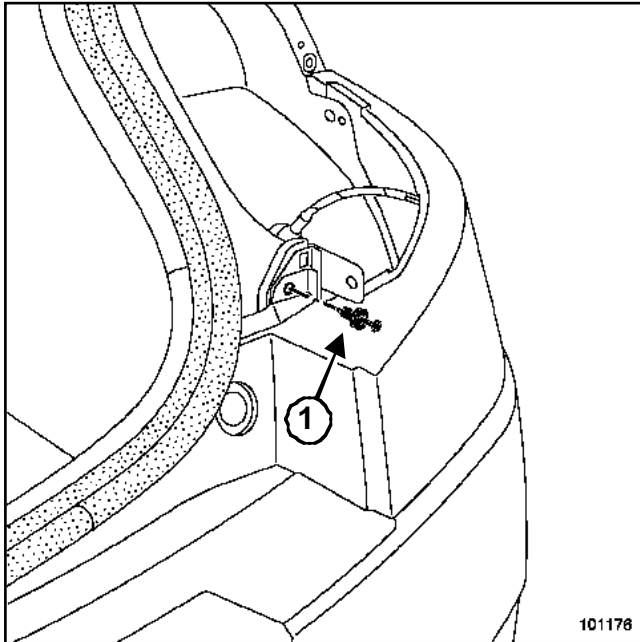
Rear bumper: Removal - Refitting

55A

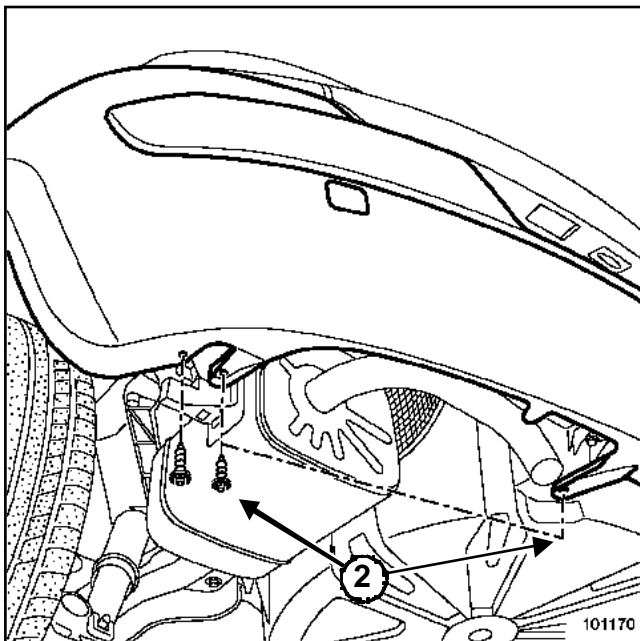
B84 or C84

REMOVAL

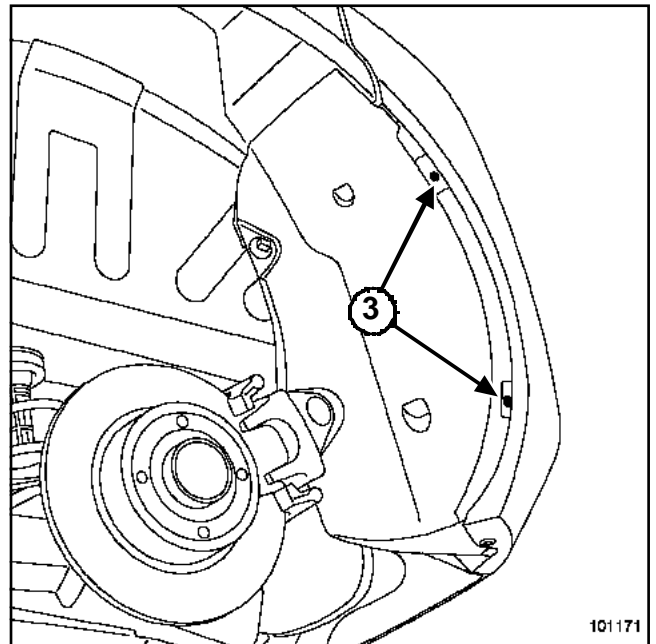
- Remove the rear lights.
- Position the vehicle on a lift (see **02A, Lifting equipment, Underbody lift**).



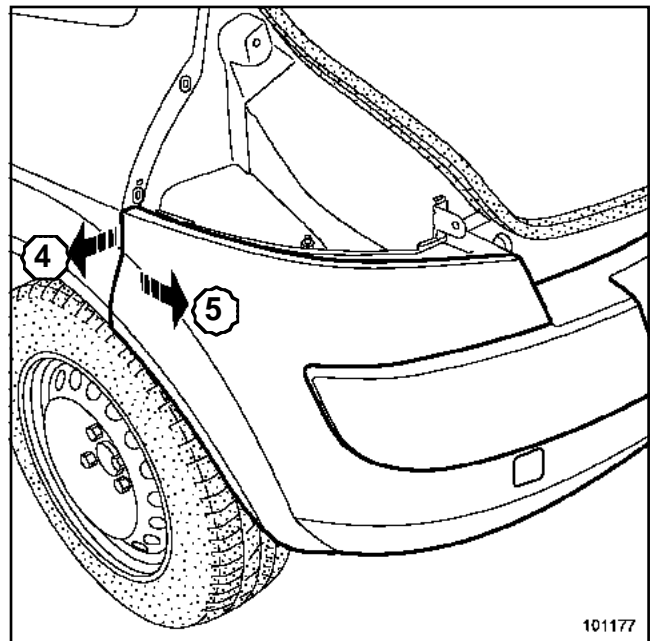
- Unclip plastic rivets (1).



- Remove lower bolts (2)



- Remove bolts (3).



- Unclip bumper (4)
- Remove bumper (5)

REPLACE THE EXTERIOR IMPACT STRIP

-

Note:

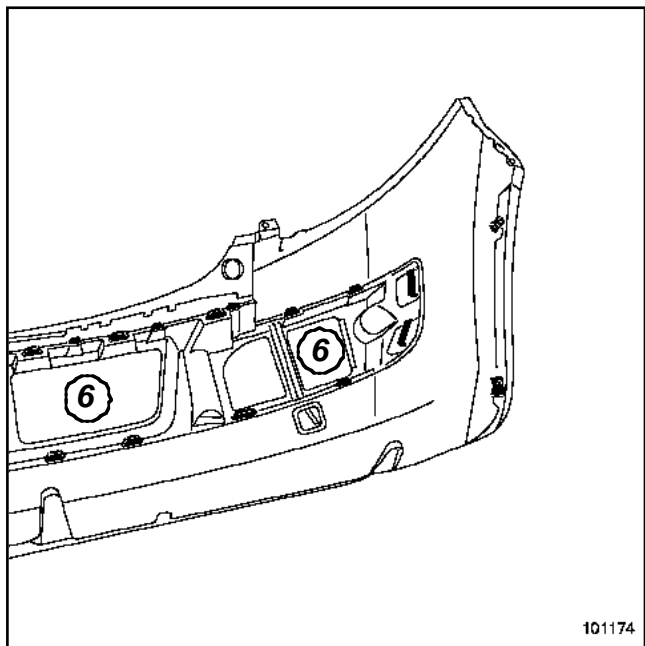
The exterior strip is available separately from the Parts Store.

EXTERIOR PROTECTION

Rear bumper: Removal - Refitting

55A

B84 or C84

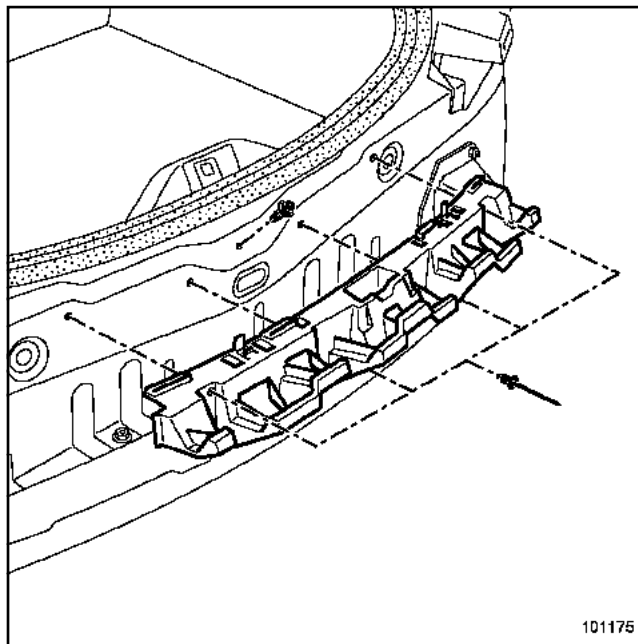


101174

101174

- Unclip the clips (6) .
- Remove the bead.

REPLACING THE IMPACT ABSORBERS



101175

101175

- Unclip the centre plastic rivet
- Drill out the four rivets.

Note:

Rivet part number: **77 03 072 373** .

- Remove the absorber.

REFITTING

- Proceed in the reverse order to removal.

EXTERIOR PROTECTION

Rear bumper: Removal - Refitting

55A

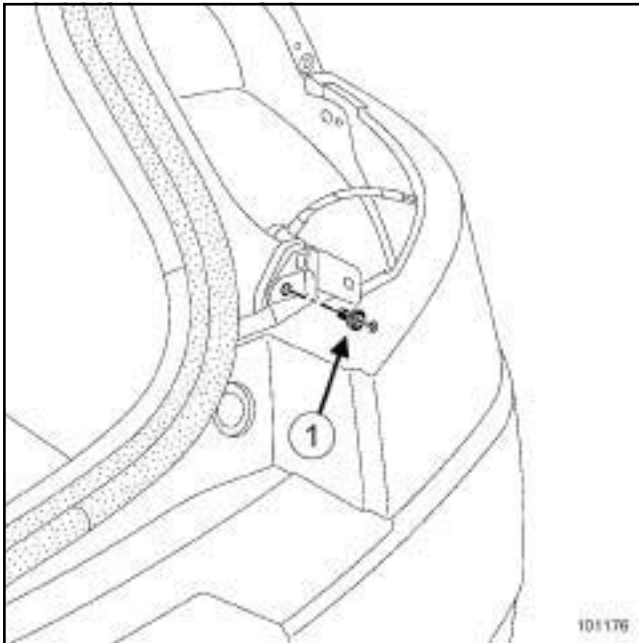
B84 or C84, and DOCUMENT PHASE 2

REMOVAL

I - REMOVAL PREPARATION OPERATION

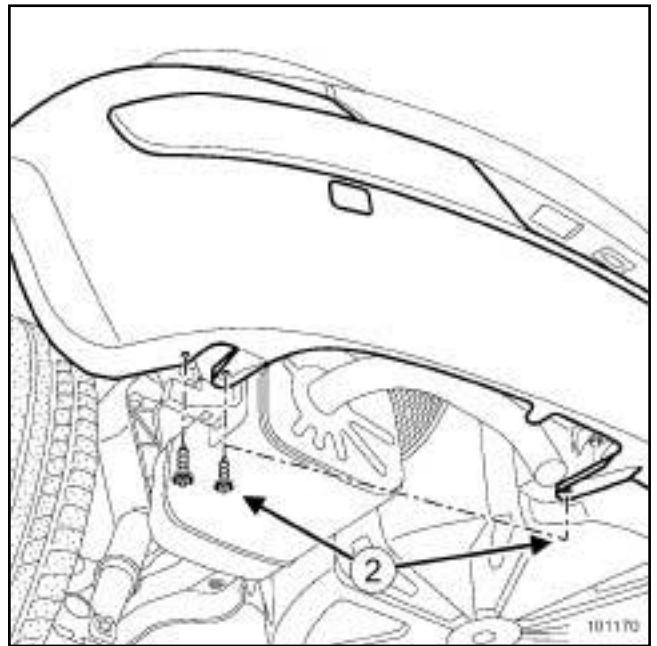
- Put the vehicle on a two-post lift (see **MR 364, 02A, Lifting equipment, Underbody lift**).
- Remove the rear lights (see **MR 364, 81A, Rear lighting, Rear lights on wing: Removal - Refitting**).

II - OPERATION FOR REMOVAL OF PART CONCERNED



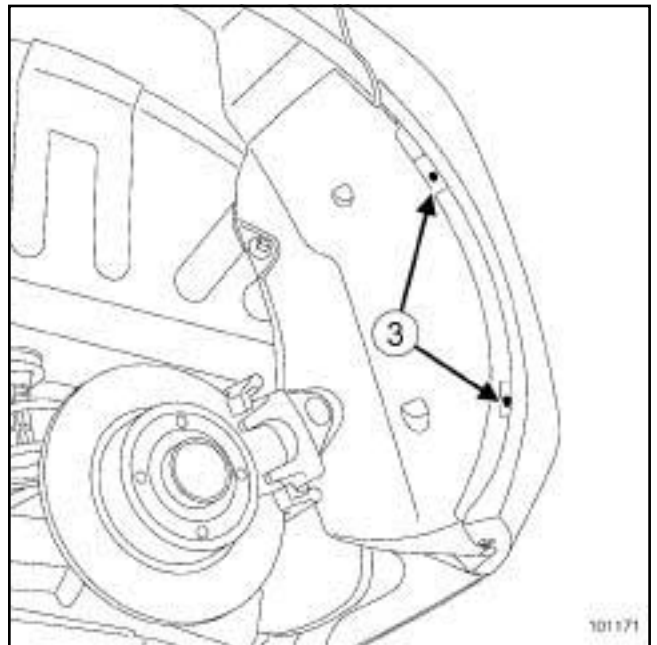
101176

- Unclip the plastic rivets (1) .



101170

- Remove the lower bolts (2)



101171

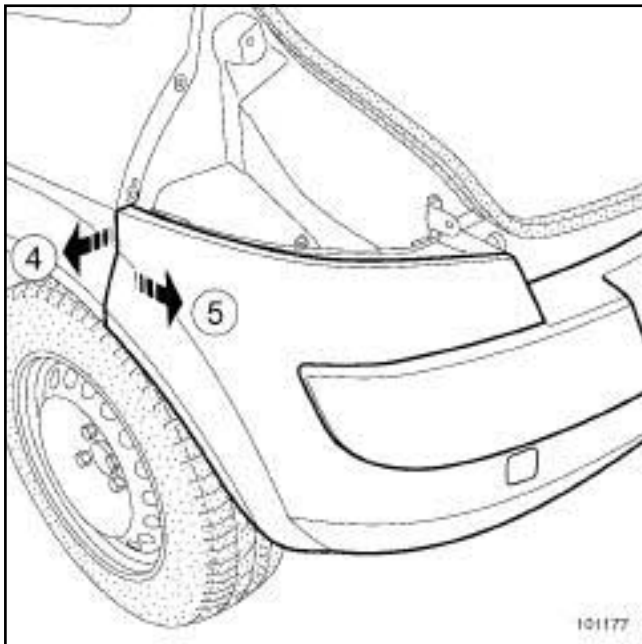
- Remove the bolts (3) .

EXTERIOR PROTECTION

Rear bumper: Removal - Refitting

55A

B84 or C84, and DOCUMENT PHASE 2



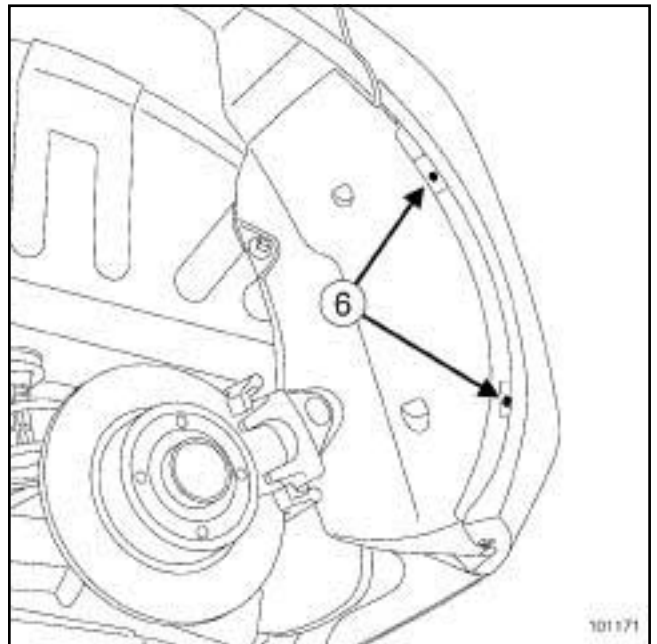
101177
101177

- Unclip the bumper (4) and (5) .
- Disconnect the proximity radar connector (depending on the equipment level).

REFITTING

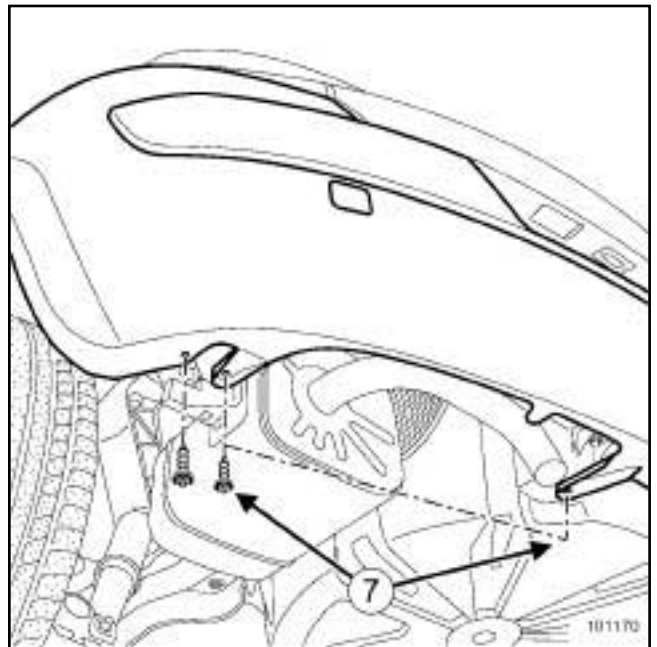
I - REFITTING OPERATION FOR PART CONCERNED

- Offer up the rear bumper.
- Connect the proximity radar connector (depending on the equipment level).
- Clip the rear bumper into place.



101171
101171

- Refit bolts (6)



101170
101170

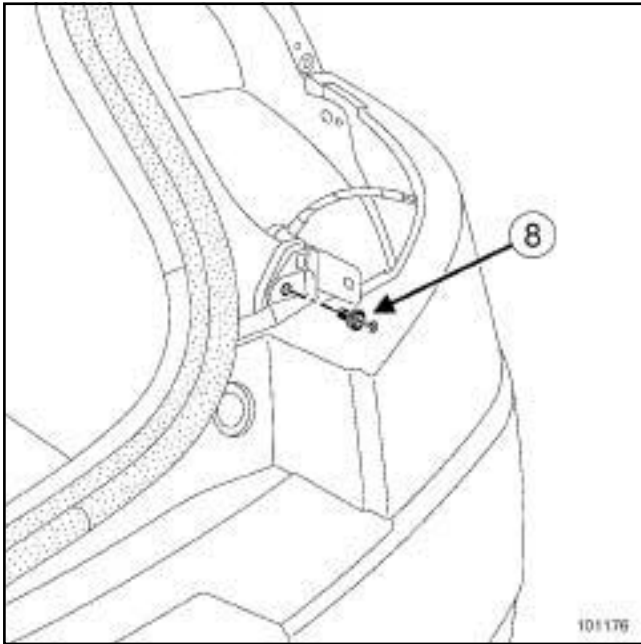
- Refit the lower bolts (7) .

EXTERIOR PROTECTION

Rear bumper: Removal - Refitting

55A

B84 or C84, and DOCUMENT PHASE 2



101176

- Clip the plastic rivets (8) into place.

II - FINAL OPERATION

- Refit the rear lights (see **MR 364, 81A, Rear lighting, Rear lights on wing: Removal - Refitting**).

EXTERIOR PROTECTION

Rear bumper: Stripping-Rebuilding

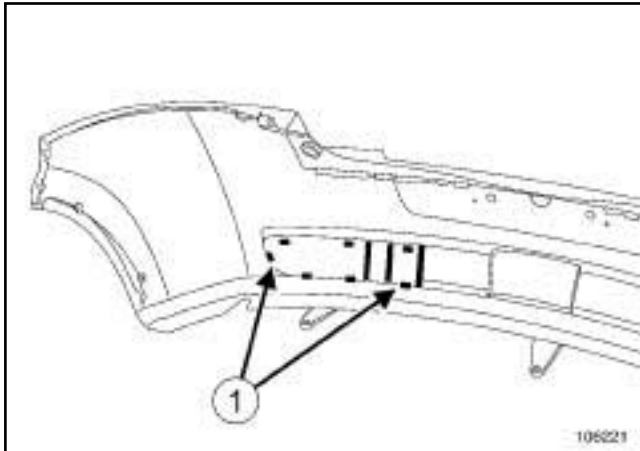
55A

B84 or C84, and F4R, and 774

Note:

Removing the rear bumper is the same as for the basic model (see: **MR 365, 55A, Exterior Protection, rear bumper: removal - refitting**).

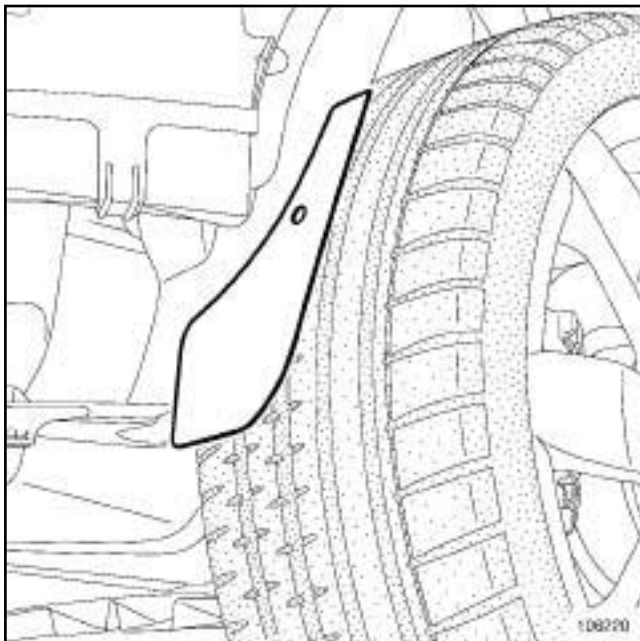
STRIPPING



106221

- ❑ Unclip the clips (1) .
Remove the lower grill.

Special notes for refitting the bumper



106220

- ❑ When refitting the bumper, check that the lower section of the rear wing internal protector is present.

EXTERIOR PROTECTION

Rear bumper: Stripping-Rebuilding

55A

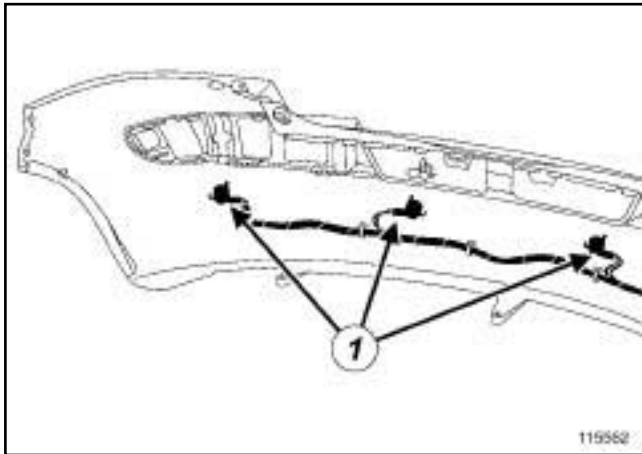
B84 or C84, and DOCUMENT PHASE 2

STRIPPING

I - STRIPPING PREPARATION OPERATION

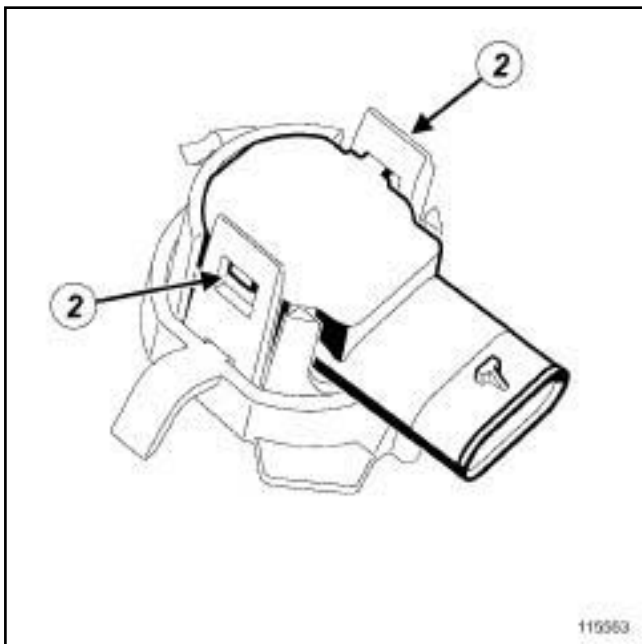
- ❑ Remove the rear bumper (see 55A, Exterior protection, Rear bumper: Removal - Refitting).

II - STRIPPING OPERATION FOR PART CONCERNED



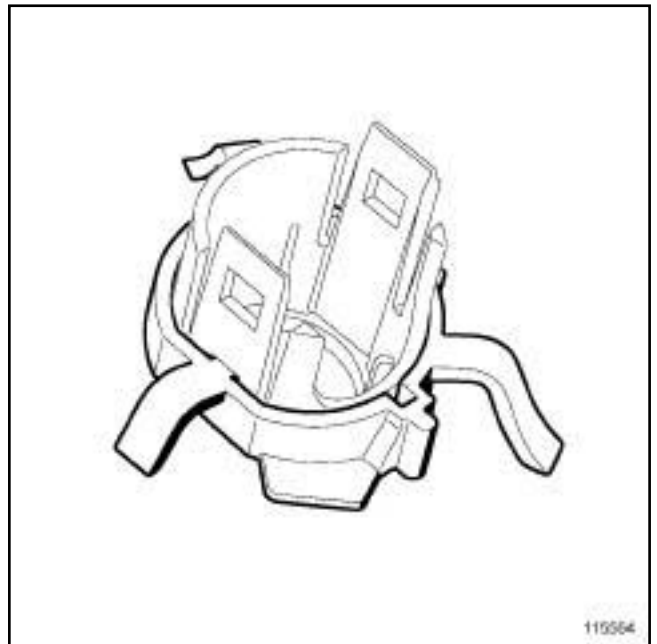
115562

- ❑ Disconnect the connectors (1) (depending on equipment level).



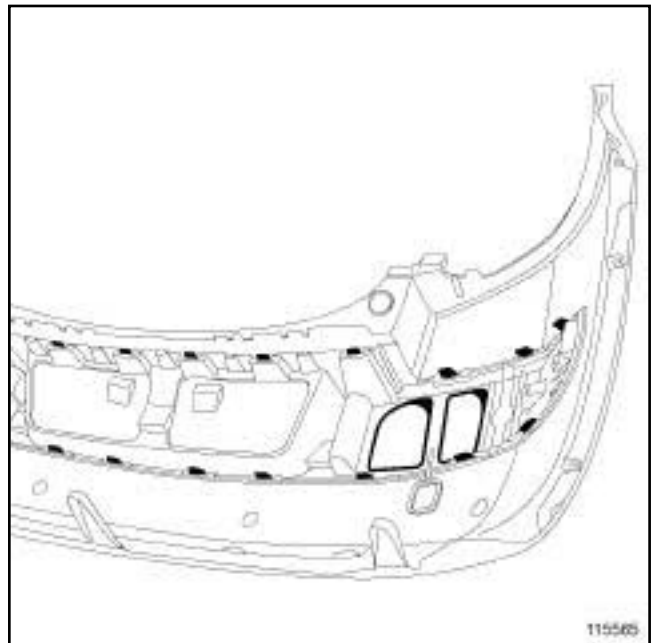
115563

- ❑ Unclip the proximity radar (2).



115564

- ❑ Unclip the proximity radar mountings.



115565

- ❑ Unclip the exterior impact strip from the bumper.

REASSEMBLING

I - REBUILDING OPERATION FOR PART CONCERNED

- ❑ Clip the exterior impact strip to the bumper.
- ❑ Refit the mountings to the proximity radar.

EXTERIOR PROTECTION

Rear bumper: Stripping-Rebuilding

55A

B84 or C84, and DOCUMENT PHASE 2

- Clip the proximity radars into place and connect them.

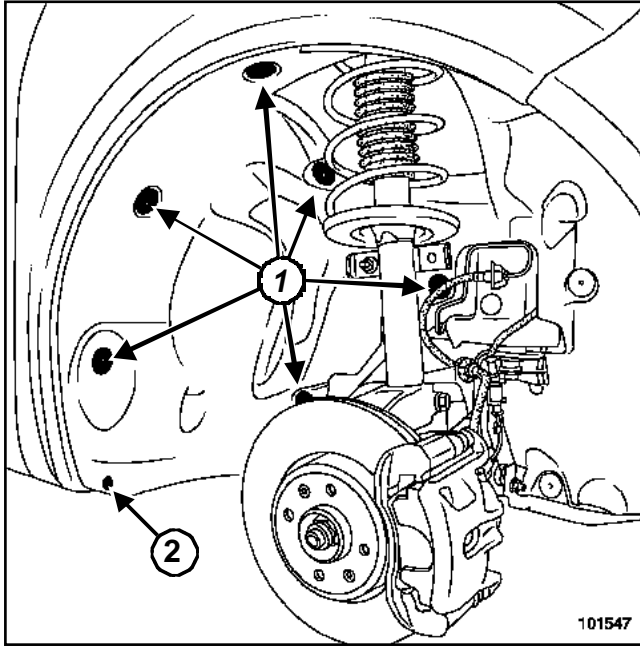
II - FINAL OPERATION

- Refit the rear bumper (see **55A, Exterior protection, Rear bumper: Removal - Refitting**).

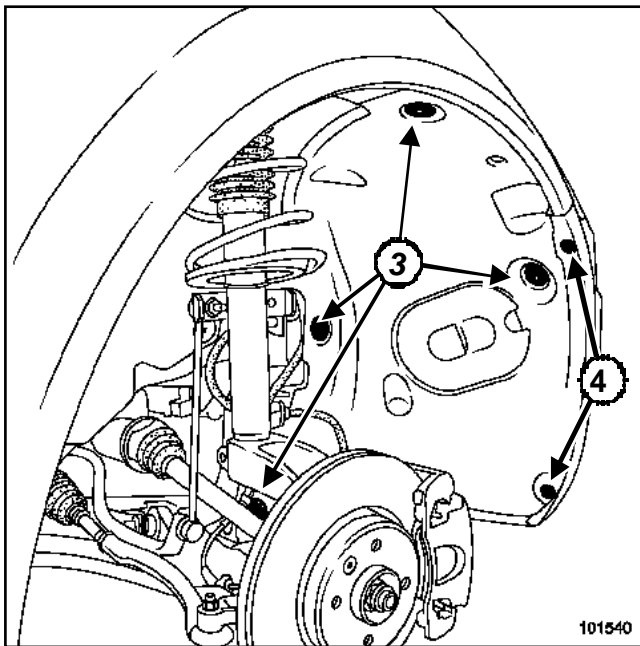
B84 or C84

REMOVAL

- Position the vehicle on a lift (see **02A, Lifting equipment, Underbody lift**).

101547
101547

- Remove clips (1) using clip pliers.
- Remove bolt (2).

101540
101540

- Unclip clips (3).
- Remove bolts (4).
- Remove the front wheel arch liner screen.

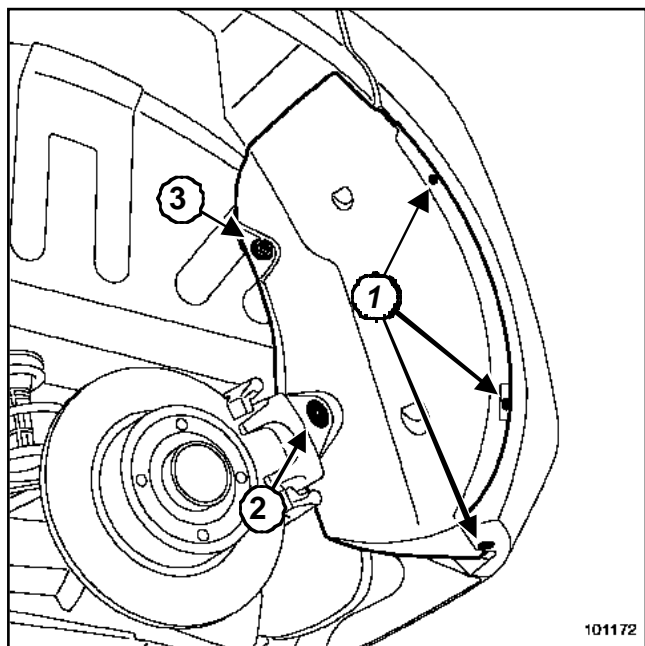
REFITTING

- Proceed in the reverse order to removal.

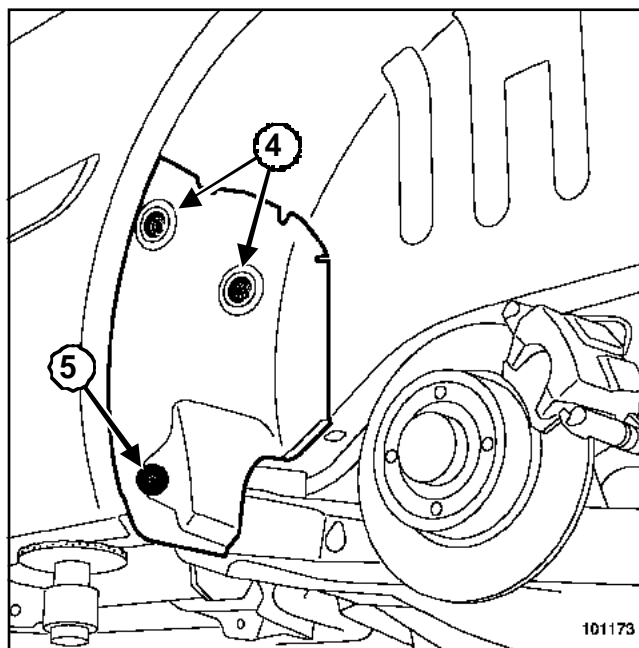
B84 or C84

REMOVAL

- Position the vehicle on a lift (see **02A, Lifting equipment, Underbody lift**).



- Remove bolts (1).
- Remove clips (2) using clip pliers
- Remove the nut (3).
- Remove the rear wheel arch liner screen (rear section).



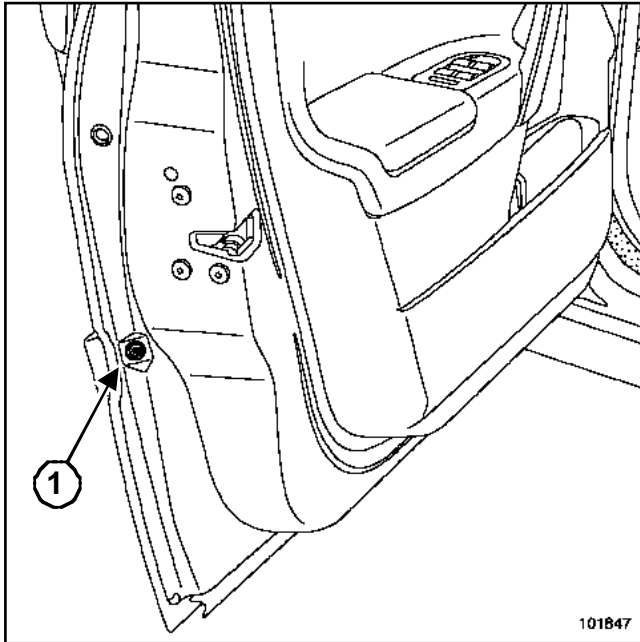
- Remove nuts (4).
- Remove clip (5) using clip pliers.
- Remove the rear wheel arch liner screen (front section).

REFITTING

- Proceed in the reverse order to removal.

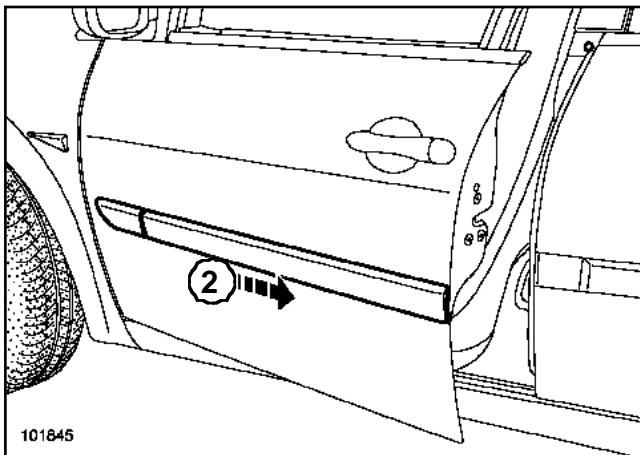
B84 or C84

REMOVAL



101847

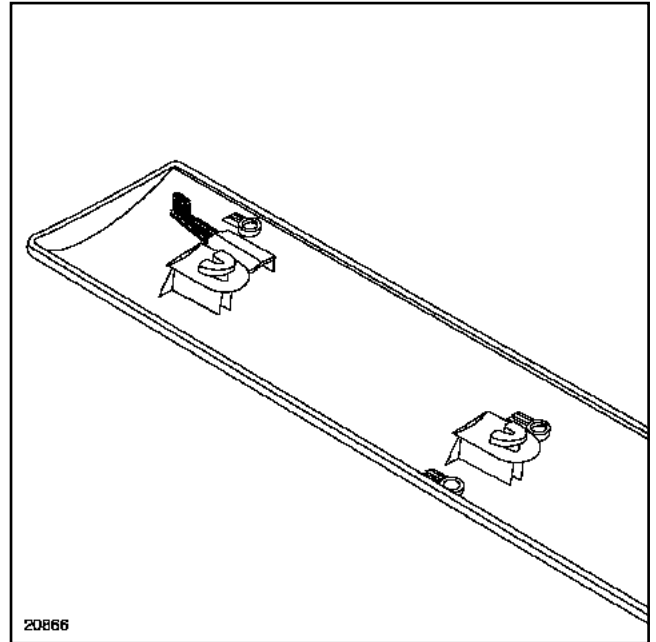
- Remove the blanking cover (1) .
- Press the locking catch with a screwdriver.



101845

- Slide the moulding towards the rear of the vehicle (2)

REFITTING



20866

-

WARNING

Before refitting the mouldings, pull the locking catches out slightly.

- Proceed in the reverse order to removal.

B84

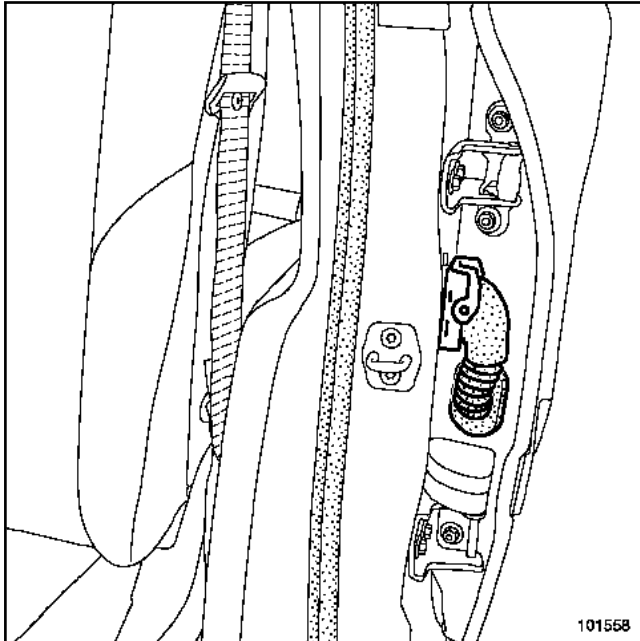
Special tooling required

Car. 1363

Door mirror glass removal tool.

REMOVAL

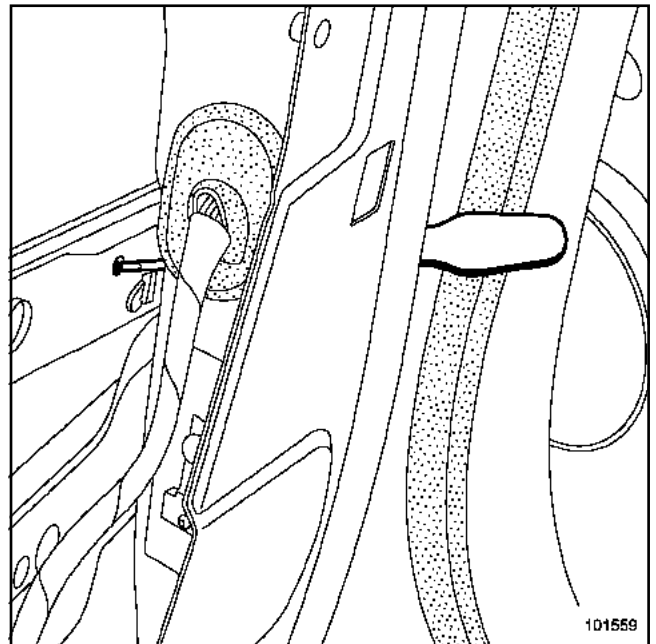
I - FIRST PROCEDURE



101558

101558

- Partially remove the lower section of the grommet cover.

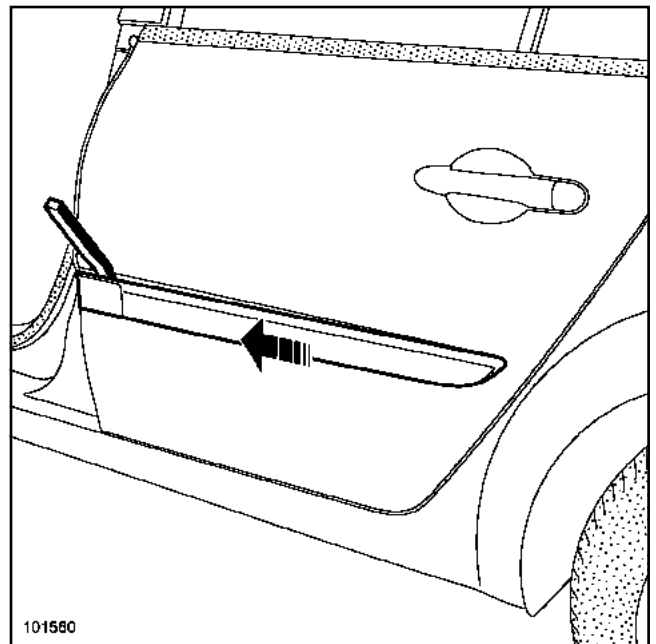


101559

101559

- Press the catch with a flat-blade screwdriver
- Keeping the catch pressed down, release the moulding towards the front of the vehicle.

II - SECOND PROCEDURE



101560

101560

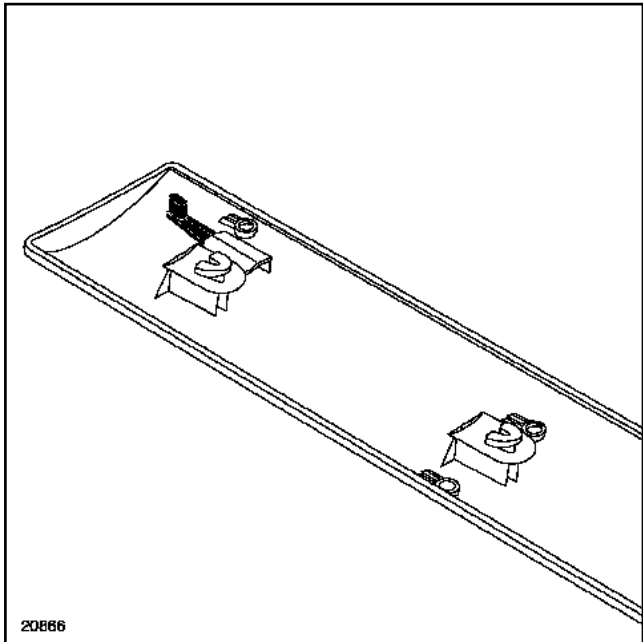
- Insert tool (Car. 1363) .
- Apply light pressure to the tool.
- Release the moulding towards the front of the vehicle.

Rear door protective strip: Removal - Refitting

B84

REFITTING

- Refit the grommet cover.



-

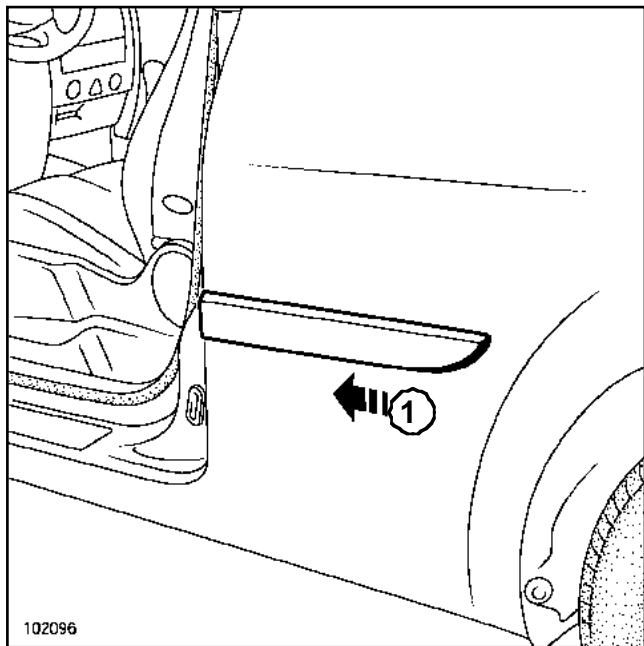
WARNING

Before refitting the mouldings, pull the locking catches out slightly.

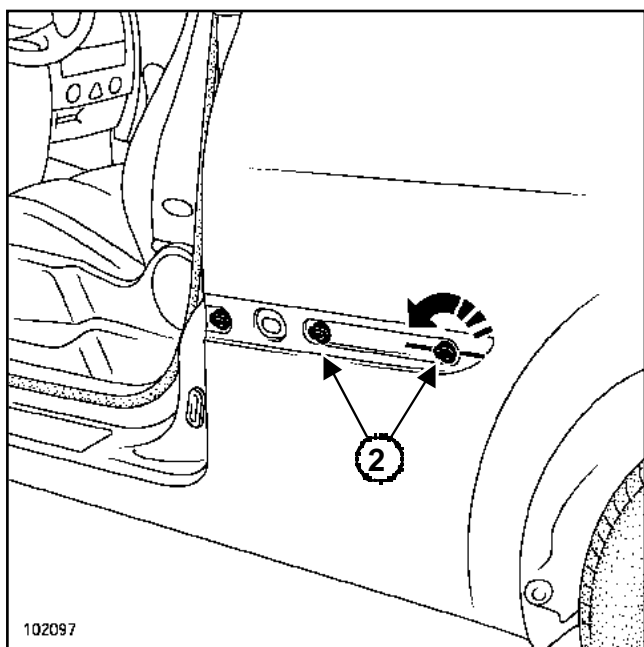
- Proceed in the reverse order to removal.

C84

REMOVAL

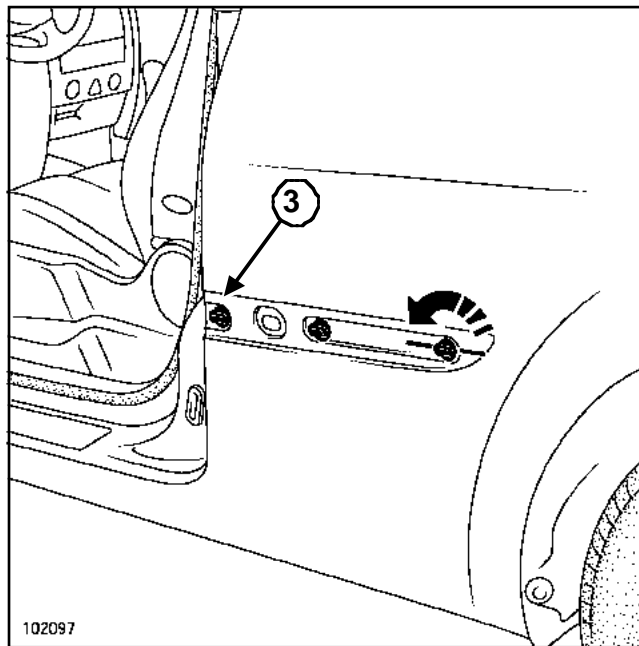


- Slide the moulding towards the front of the vehicle (1)



- Rotate the two rear clips (2) a quarter of a turn to remove the clips.

REFITTING



- Reposition the clips on the panel.

WARNING

- The guide clip (3) cannot be removed without damaging it.
- Always replace the clip with a new one after it is removed (for example: when straightening a panel).

- Slide the moulding to the rear of the vehicle.

EXTERIOR PROTECTION

Scuttle panel grille: Removal - Refitting

55A

B84 or C84

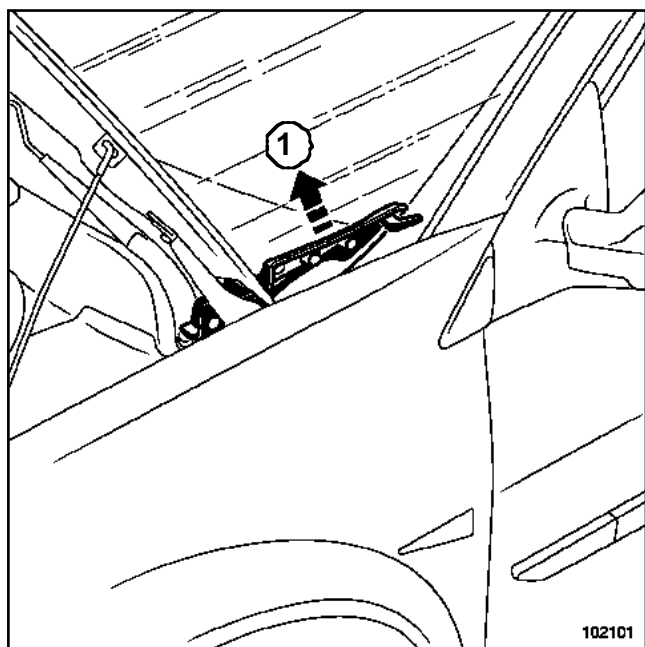
Special tooling required

Ele. 1552 Tool for removing the rear screen wiper arm.

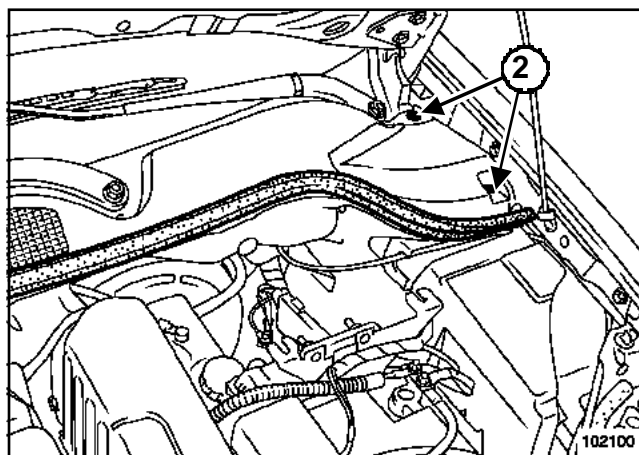
Tightening torques

wiper arm nuts **21 Nm**

REMOVAL



- Unclip trim (1) .



102100

- Unclip the seal.
- Remove:
 - the plastic rivets (2) ,
 - the wiper arms using tool (Ele. 1552) .
- Remove the scuttle panel grille.

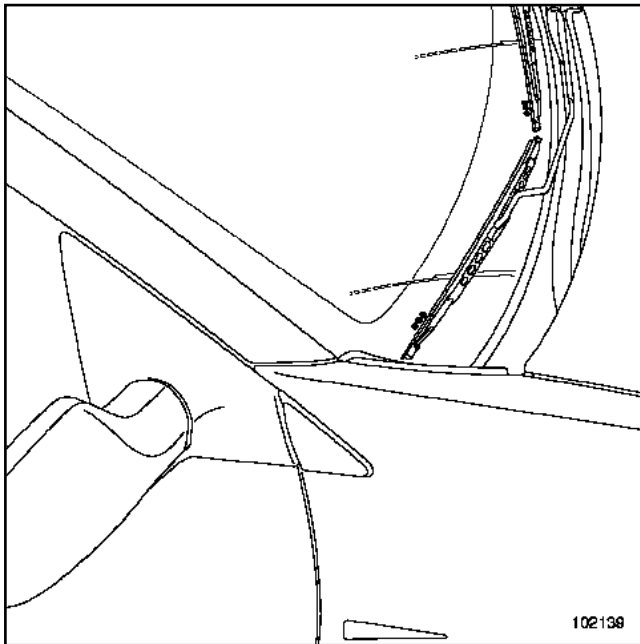
EXTERIOR PROTECTION

Scuttle panel grille: Removal - Refitting

55A

B84 or C84

REFITTING



102139



WARNING

Before refitting the scuttle panel grille, clean the lower section of the windscreen. Make sure the scuttle panel grille retaining clips do not come into contact with the windscreen body flange.

- Replace the plastic rivets and the clips if necessary, after each removal.

WARNING

Before refitting the windscreen wiper arm, ensure that the windscreen wiper motor is in the park position.

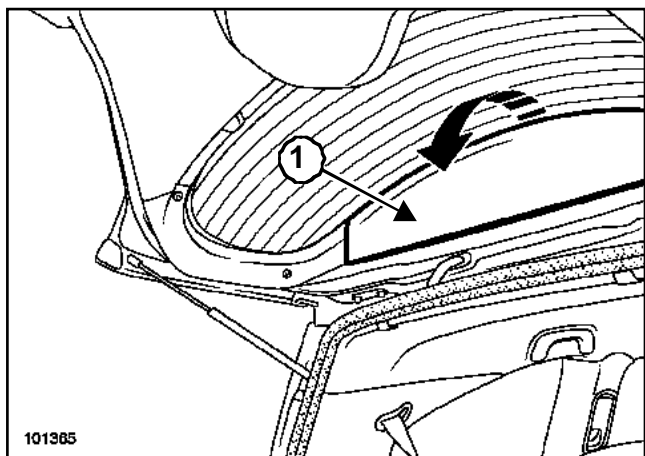
- Position the windscreen wiper arms following the windscreen markings.
- Torque tighten the **wiper arm nuts (21 Nm)**.
- Proceed in the reverse order to removal.

EXTERIOR PROTECTION

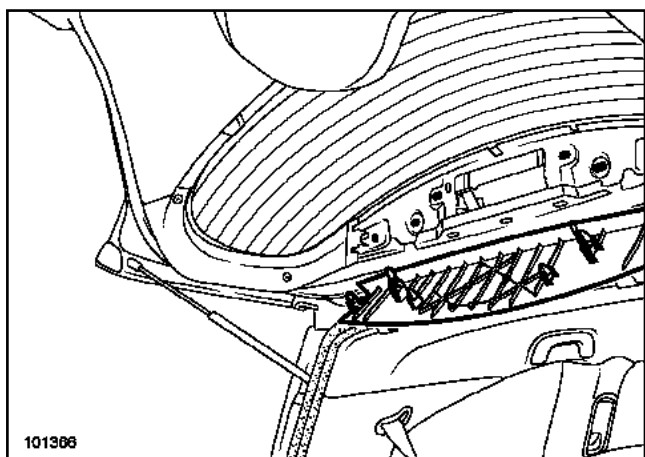
Tailgate strip: Removal - Refitting

55A

REMOVAL

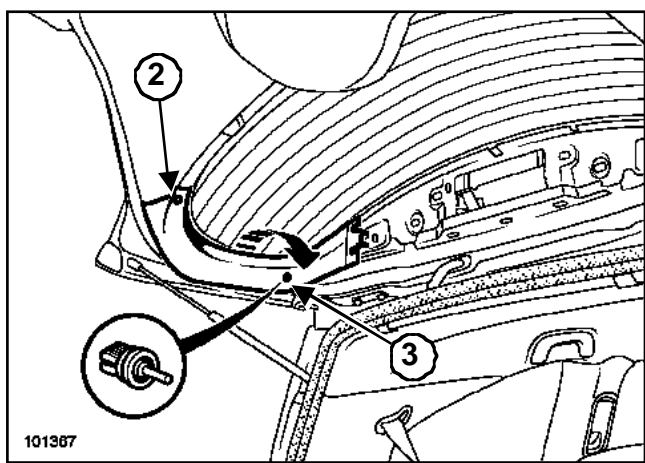


101365



101366

- Unclip upper trim (1)

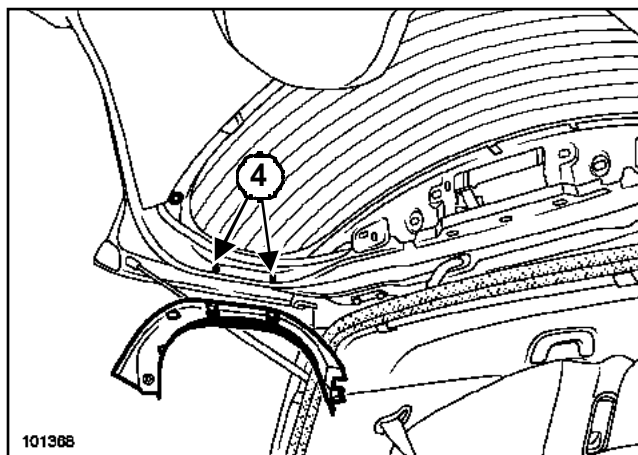


101367

- Remove bolt (2)

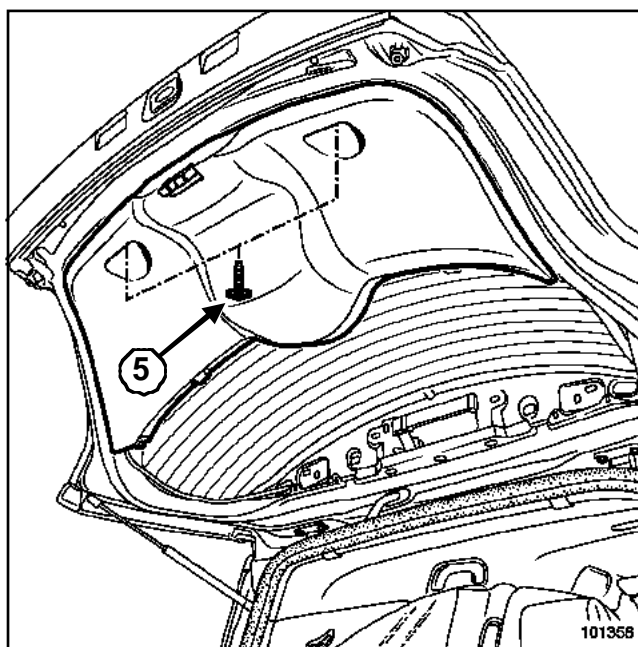
Note:

In the event of a fault with the rear parcel shelf retaining pin (3), it is available retail and separately at the Parts Store.



101368

- Unclip the side trim from the two clips (4)



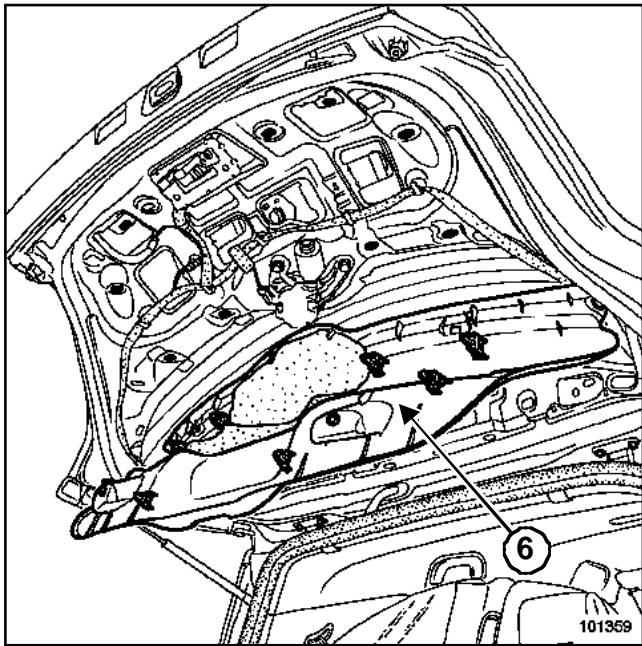
101358

- Remove the trim mounting bolts (5)

EXTERIOR PROTECTION

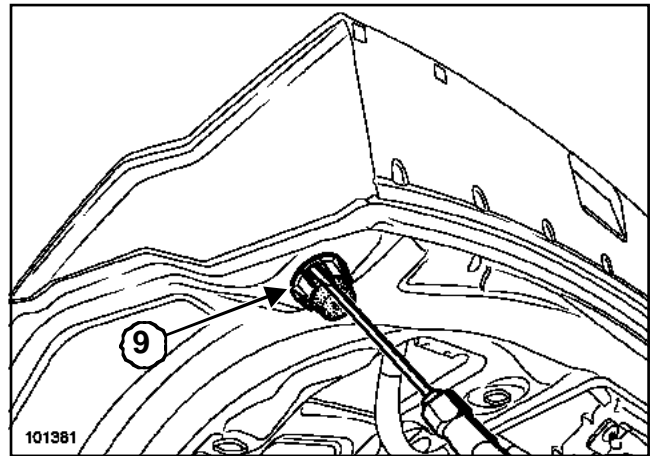
Tailgate strip: Removal - Refitting

55A



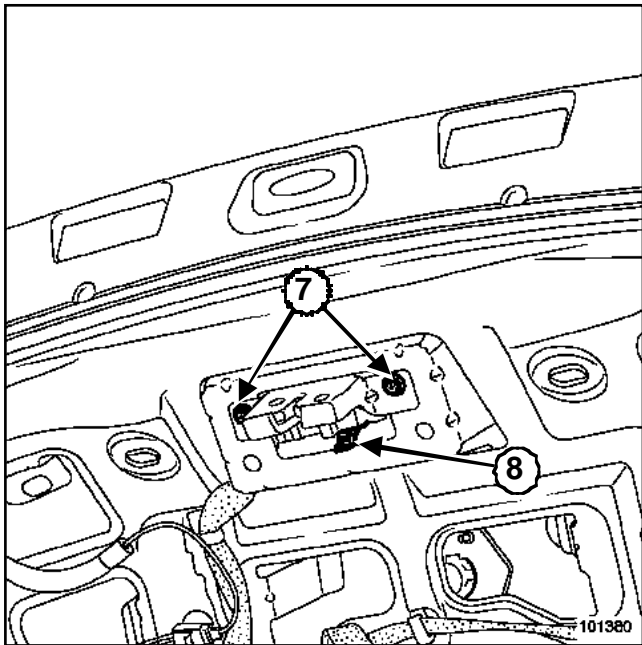
- Unclip the trim (6) .

101359



- Remove side stops (9) .

101381



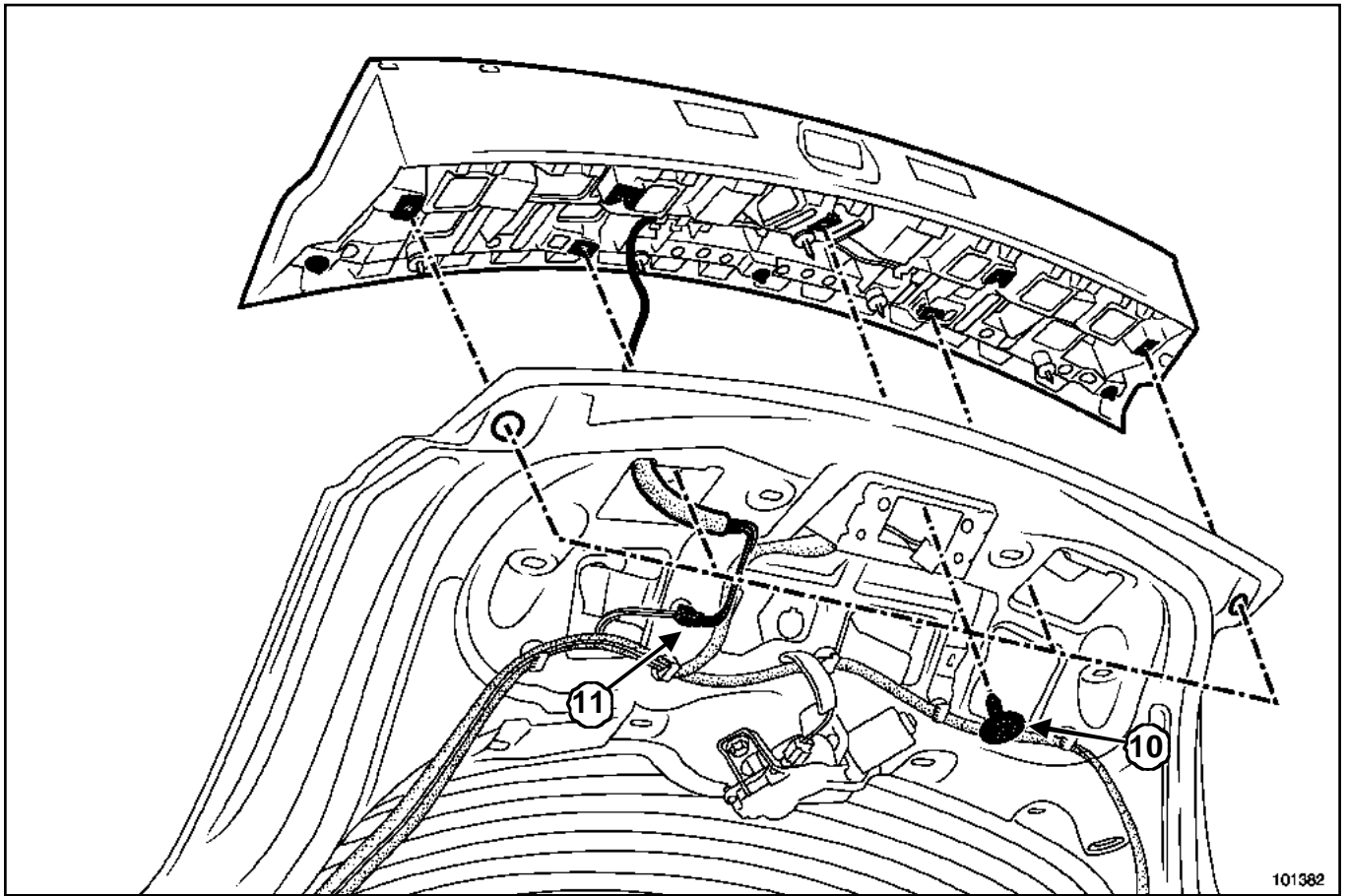
- Remove the tailgate lock bolts (7) .
- Press clips (8) and remove the mechanism.

101380

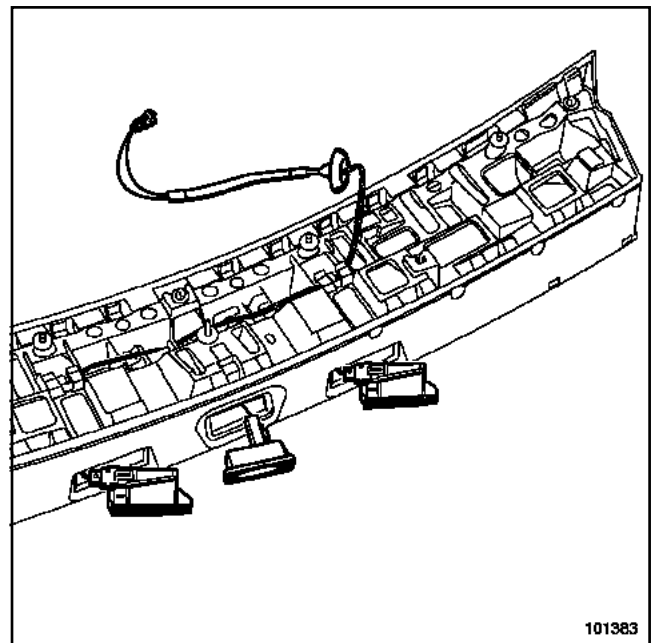
EXTERIOR PROTECTION

Tailgate strip: Removal - Refitting

55A



- Remove the moulding mounting bolts (10) .
- Partially unclip the moulding.
- Disconnect wiring harness (11)
- Remove the tailgate grommet cover and release the moulding.



- Unclip the opening control and the two lights.
- Disconnect the connectors.

EXTERIOR PROTECTION

Tailgate strip: Removal - Refitting

55A

REFITTING

- Proceed in the reverse order to removal.

EXTERIOR PROTECTION

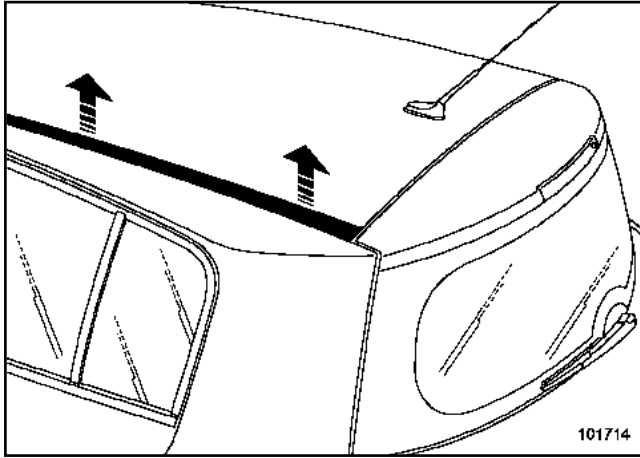
Roof protective strip: Removal - Refitting

55A

B84 or C84

REMOVAL

I - ADHESIVE MOULDINGS



101714

- Carefully detach the moulding (1) along its entire length.
- Carefully unclip the centring pin on the rear section.

II - RIGID MOULDINGS

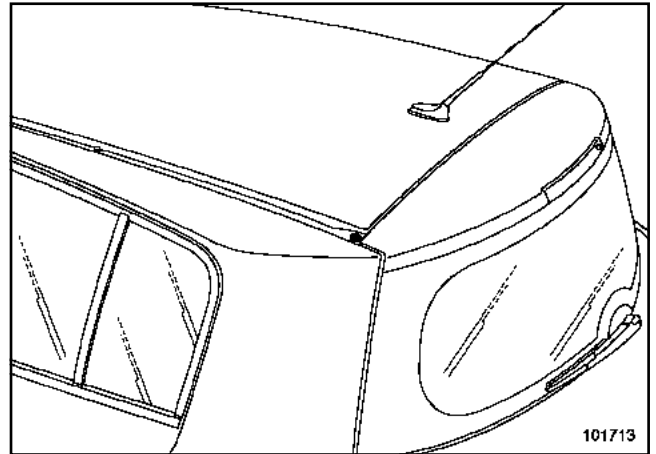
Note:

The procedure is the same as the procedure for rigid roof trims fitted with access flaps for roof rack mountings, provided that they are clipped on and not secured with adhesive.

These flaps can be replaced and can be purchased from the Parts Store.

REFITTING

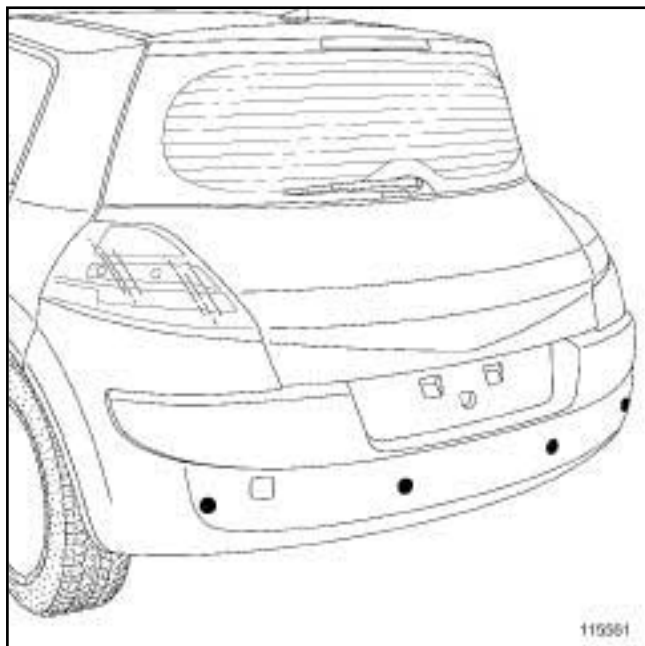
- Replace the moulding each time it is removed.
- Clean the area around the trim with Heptane.



101713

101713

- Clip the centring pin back on the rear section of the roof.
- Insert the moulding at the front section under the windscreen seal.
- Attach the moulding along its entire length.



115561

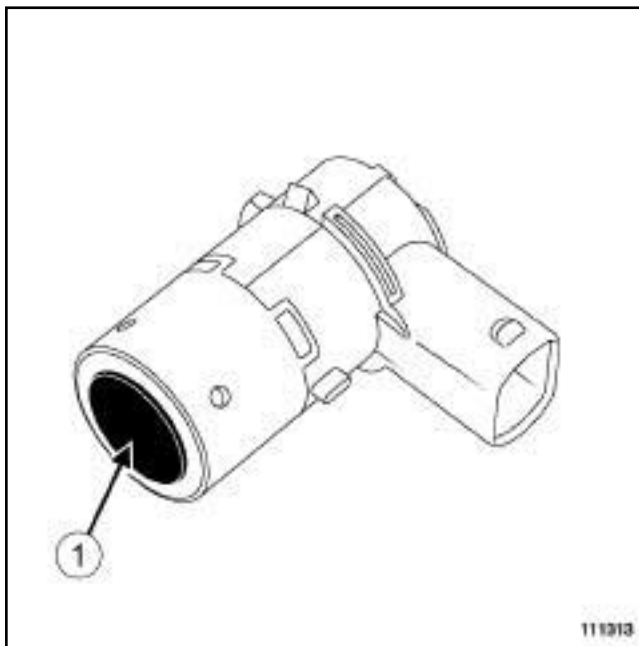


WARNING

The proximity radars are fragile. Handle with care as the external part cannot withstand impacts.

Note:

When drying the bumper and/or proximity radars, the temperature must not exceed **60°C**.

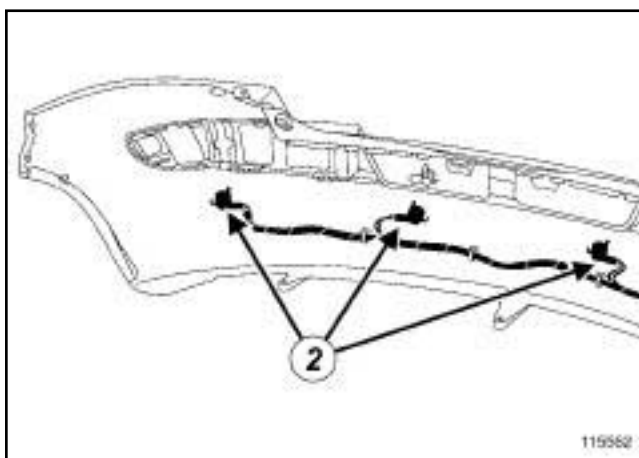


111313

- ☐ The radar detects using a highly sensitive membrane (1).
- ☐ The sensitivity of the membrane may be affected by an inappropriate coating.
- ☐ The radar will then detect false information or nothing at all.

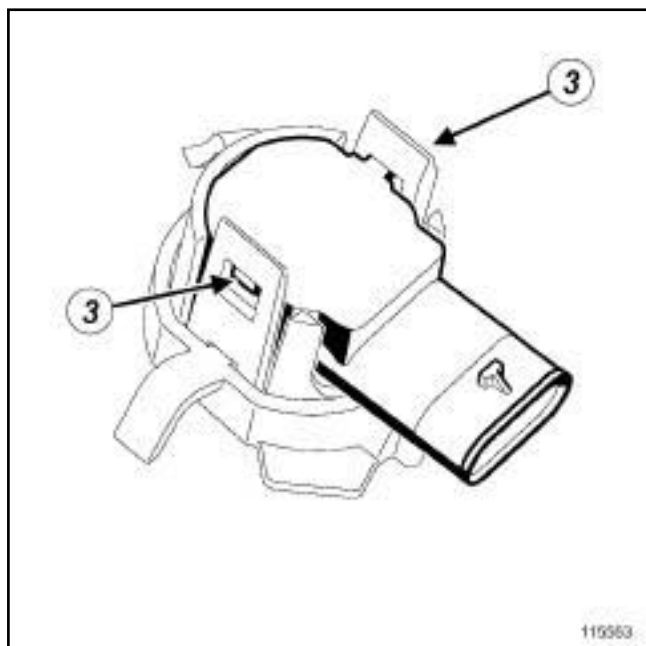
I - REMOVAL

- ☐ Remove the rear bumper (see **55A, Exterior protection, Rear bumper: Removal - Refitting**).



115562

- ☐ Disconnect the connectors (2).



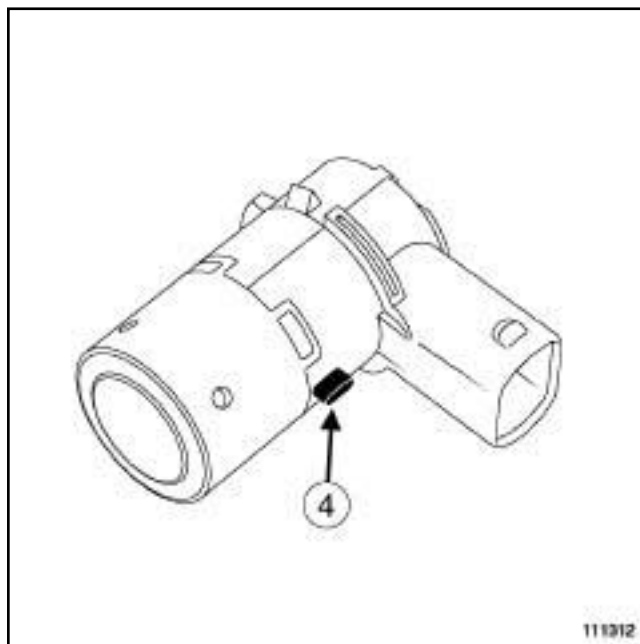
115563

- ❑ Detach the proximity radar (3) .

II - PAINTING

- ❑ Only proximity radars sold and prepared in the Parts department can be painted.
- ❑ Paint the proximity radars and the bumper separately.
- ❑ Put masking tape on the part of the proximity radar which must not be painted.
- ❑ Apply the product range for painting on polypropene.
- ❑ Degrease (surface cleaner).
- ❑ Remove gloss with grey pad.
- ❑ Clean - degrease with surface cleaner - blowing.
- ❑ Applying finishing product.
- ❑ If the bumper needs touching up, cover or remove the proximity radars.
- ❑ The proximity radars must not be painted several times.

III - REFITTING



111312

- ❑ Position the indexing guide (4) opposite its housing and insert the proximity radar until the clips are positioned.

IV - MALFUNCTIONING

- ❑ Faults leading to proximity radar malfunctioning:
 - Excessive run or paint thickness on the membrane,
 - Run in the peripheral section of the membrane's neck,
 - Damage to the membrane,
 - Deformed bumper changing the alignment of the proximity radars.

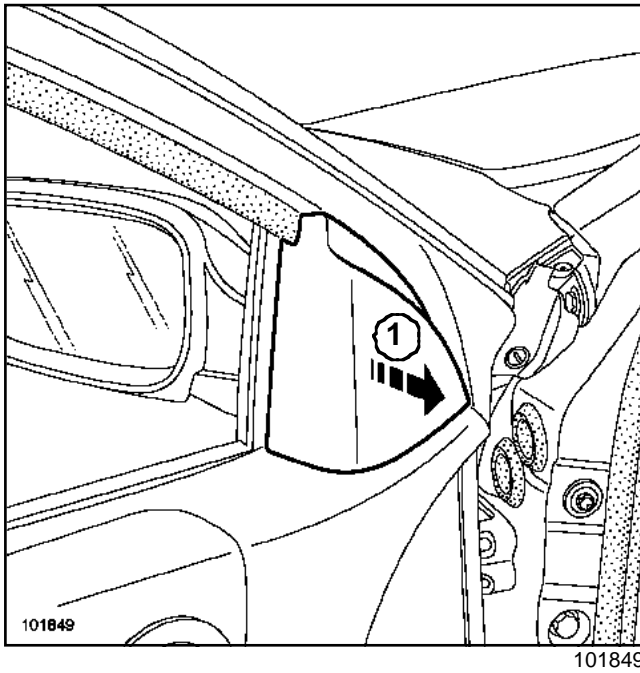
EXTERIOR ACCESSORIES

Door mirror: Removal - Refitting

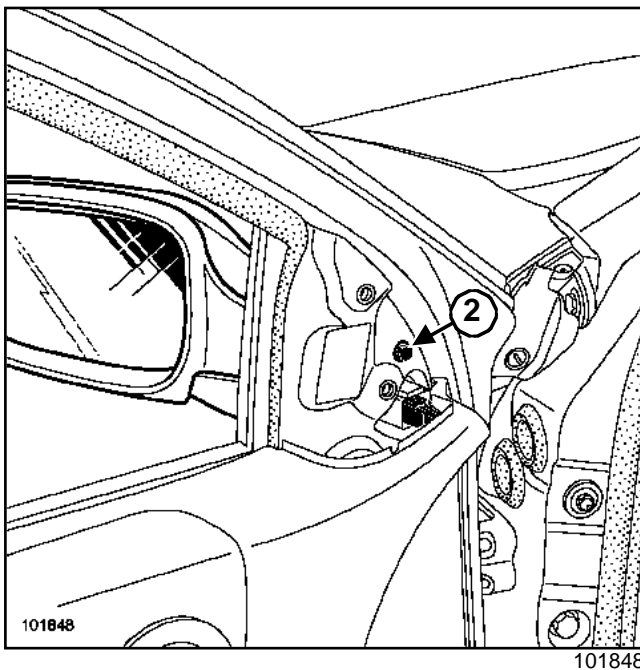
56A

B84 or C84

REMOVAL

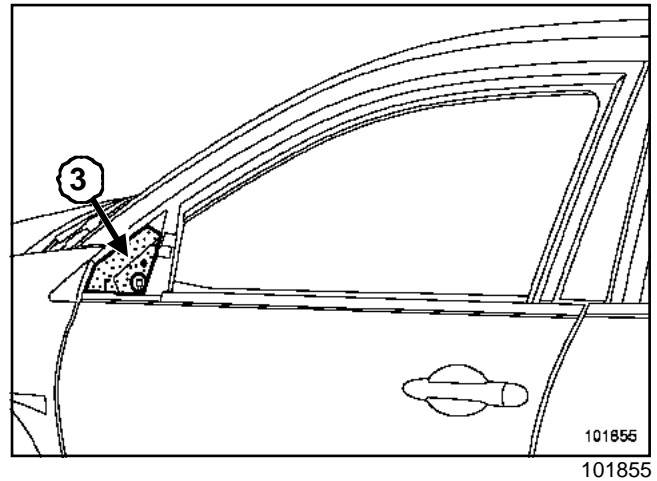


- Remove lower trim (1) .



- Remove:
 - the bolt (2) ,
 - the door mirror.
- Disconnect the connector.

REFITTING



-

Note:

Check the condition and presence of soundproofing foam (A) before refitting the door mirror. (3)

- Proceed in the reverse order to removal.

EXTERIOR ACCESSORIES

Door mirror glass: Removal - Refitting

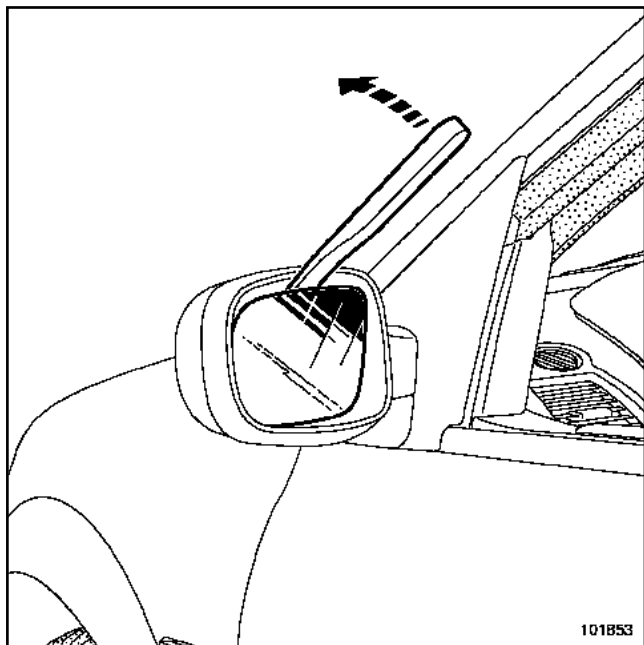
56A

B84 or C84

Special tooling required

Car. 1363	Door mirror glass removal tool.
------------------	---------------------------------

REMOVAL



101853

- Protect the edges of the door mirror with masking tape.
- Press the lever arm, using tool **(Car. 1363)**, to unclip the window.
- Disconnect the supply terminals.

REFITTING

- Connect the terminals.
- Offer up the glass.
- Clip the glass in place.

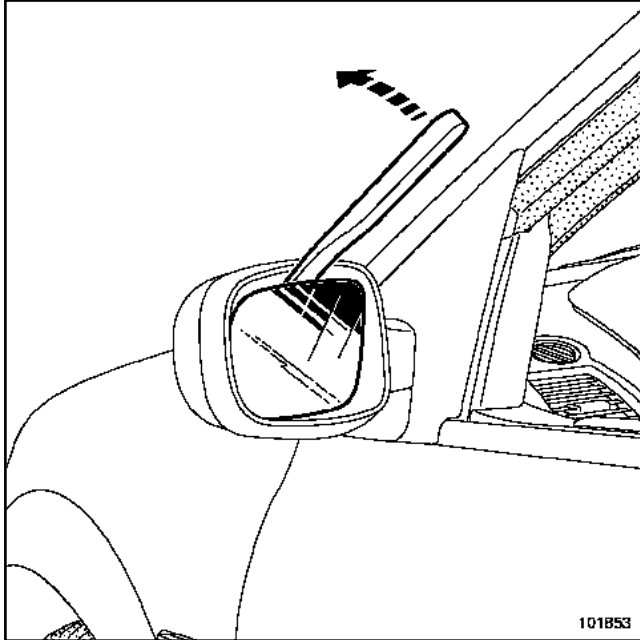
B84 or C84

Special tooling required

Car. 1363

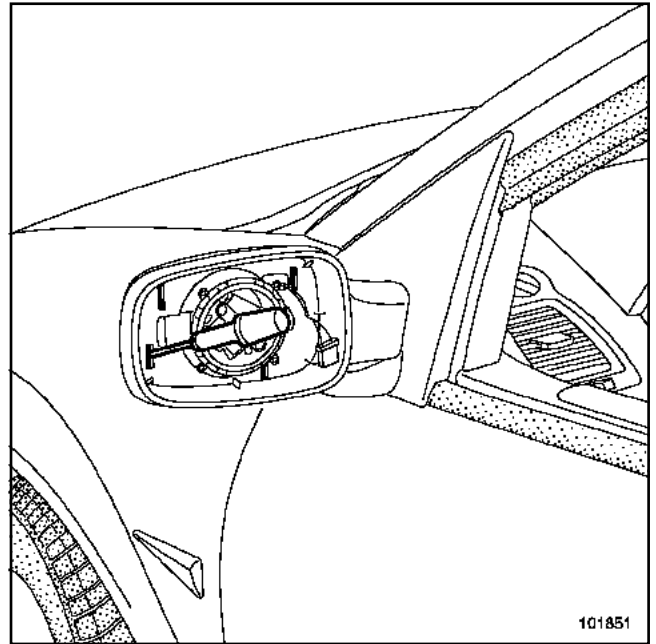
Door mirror glass
removal tool.

REMOVAL



101853

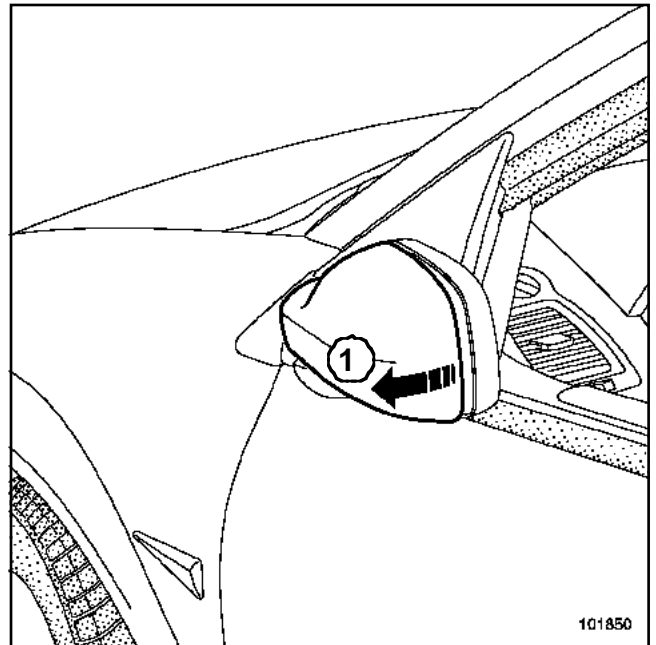
- Protect the edge of the door mirror (with masking tape).
- Press the lever arm, using tool (Car. 1363), to unclip the window.
- Disconnect the supply terminals.



101851

101851

- Unclip the retaining clips with a flat-blade screwdriver.



101850

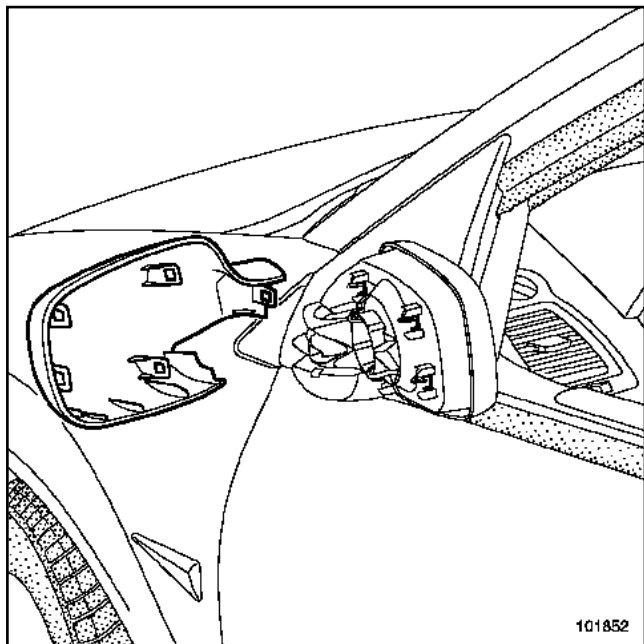
101850

- Fold in the door mirror.
- Remove casing (1).

Door mirror casing: Removal - Refitting

B84 or C84

REFITTING



101852

- Before refitting the casing, check the condition of the retaining clips.
- Offer up the casing in position.
- Clip the casing in place.
- Refit the door mirror glass.

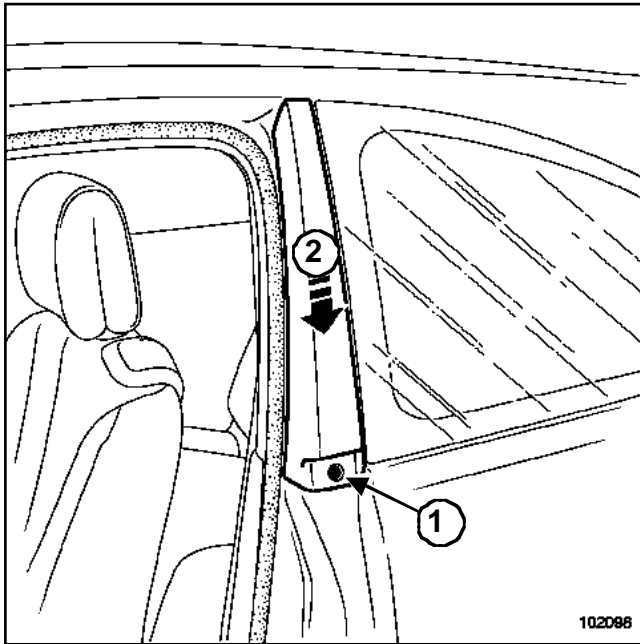
EXTERIOR ACCESSORIES

B-pillar trims: Removal - Refitting

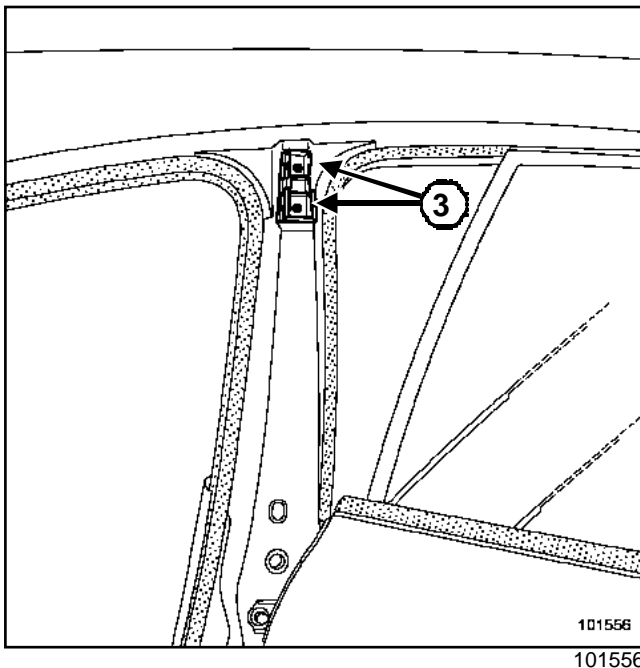
56A

B84 or C84

REMOVAL



- Remove bolt (1) .
- Remove trim (2) .



- Drill out rivets (3) .
- Remove the upper mounting.

REFITTING

- Replace the rivets (part no.: **77 03 072 050**) .
- Proceed in the reverse order to removal.

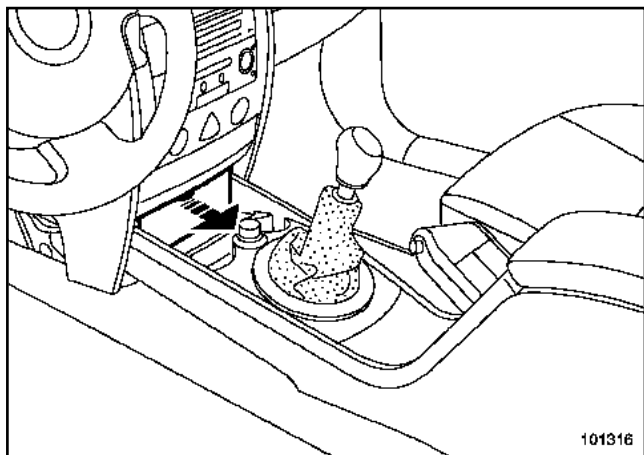
INTERIOR ACCESSORIES

Centre console: Removal - Refitting

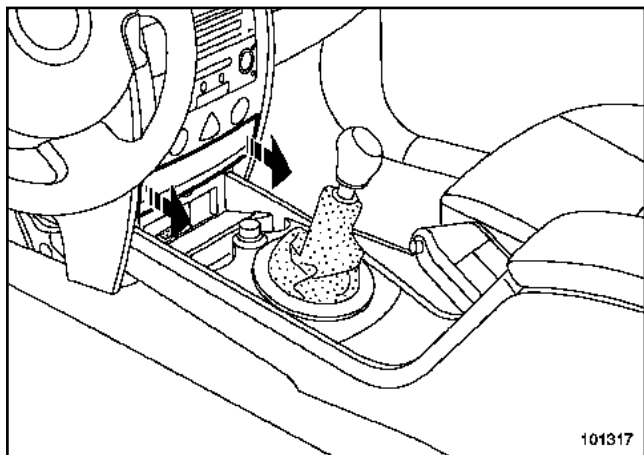
57A

B84 or C84 or S84

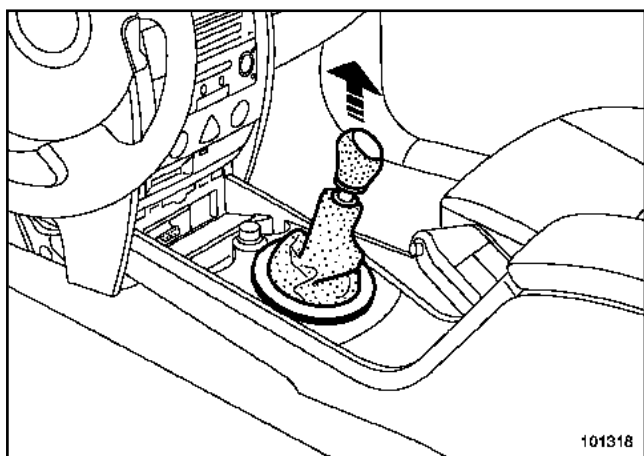
REMOVAL



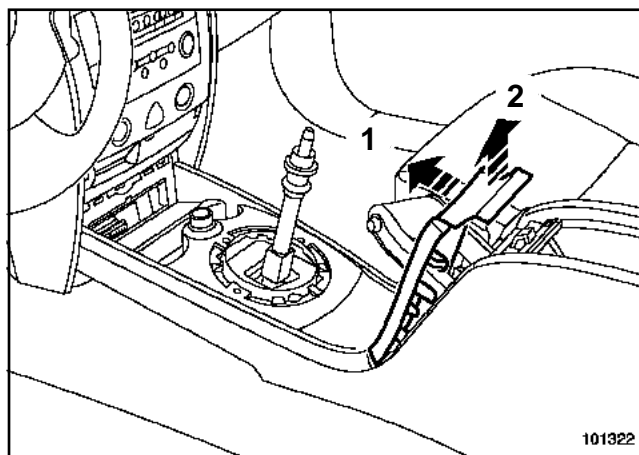
- ❑ Remove the diagnostic socket access cover .



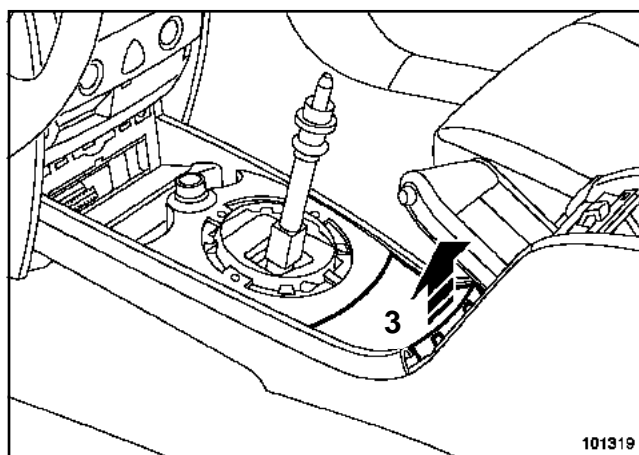
- ❑ Unclip the card reader access cover.



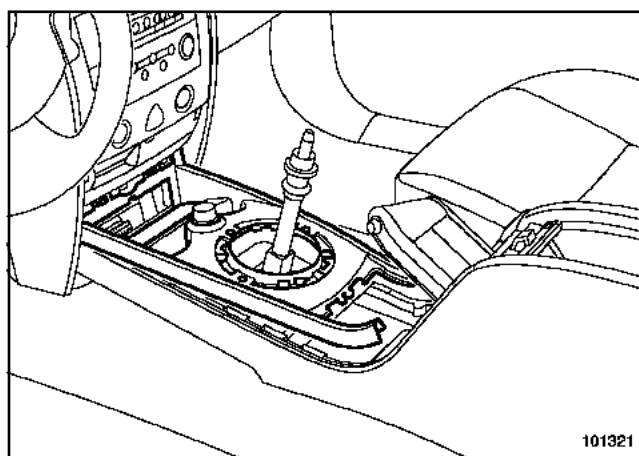
- ❑ Unclip:
 - the gear lever gaiter,
 - the knob.



- ❑ Open the glove compartment.
- ❑ Unclip the handbrake casing at (1) and (2) .
- ❑ Disconnect the heated seat connectors (if fitted).



- ❑ Unclip the lower cover (3) .



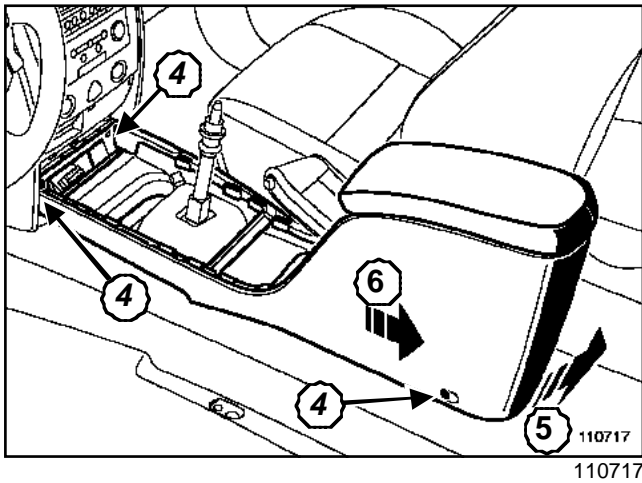
- ❑ Unclip the cigarette lighter mounting.
- ❑ Disconnect the connector from the cigarette lighter mounting.

INTERIOR ACCESSORIES

Centre console: Removal - Refitting

57A

B84 or C84 or S84



- Move the front seats forward.
- Remove bolts (4) .
- Remove:
 - the console carefully using movements (5) and (6) ,
 - the gear lever console.

REFITTING

- Proceed in the reverse order to removal.


INTERIOR ACCESSORIES

Dashboard: Removal - Refitting

57A

Special tooling required	
Ms. 1373	Tool for removing radio or chronotachograph.
Ms. 1639	Alpine CD changer extractor.
Car. 1597	Lever for removing rear grab handle clips.

Equipment required	
diagnostic tool	

Tightening torques 	
airbag module bolts	2 Nm
steering wheel bolt	44 Nm
mounting bolt	2 Nm
battery cover bolts	4 Nm

REMOVAL

IMPORTANT

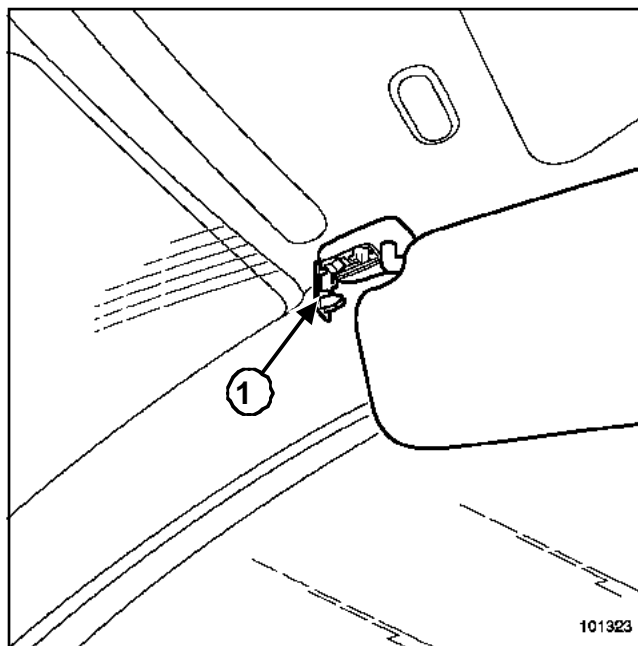
Before carrying out any work on a safety system component, it is essential to lock the airbag computer using the **diagnostic tool** (see **88C, Airbags and pretensioners, Airbag computer locking procedure**). When this function is activated, all the trigger lines are inhibited and the airbag warning light on the instrument panel lights up continuously (ignition on).

Locking the airbag computer also unlocks the electric steering column lock.

IMPORTANT

Handling pyrotechnic systems (airbags or pretensioners) near to a source of heat or flame is forbidden: there is a risk of triggering the airbags or pretensioners.

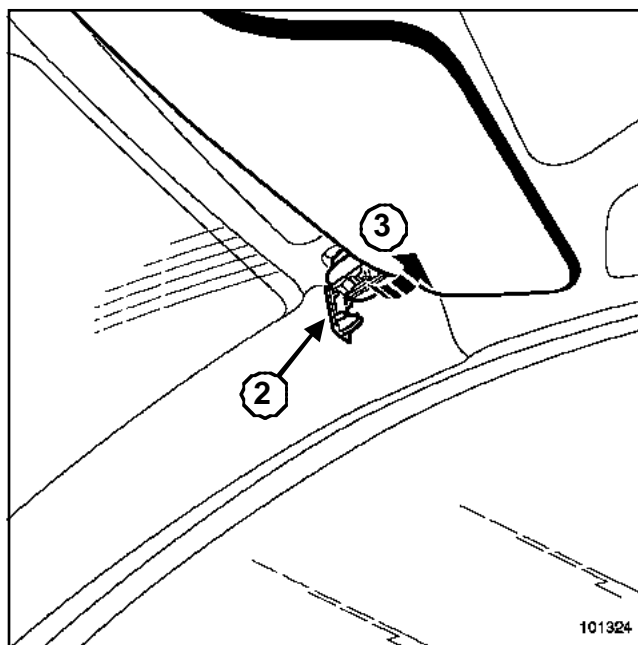
- Disconnect the battery, starting with the negative terminal.
- Remove the centre console (see **57A, Interior accessories, Centre console**).



101323

101323

- Unclip the mounting clip (1).



101324

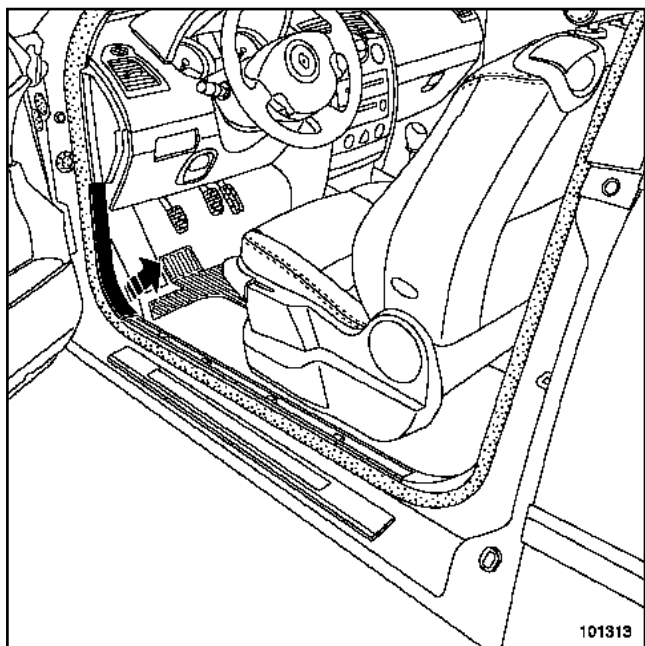
101324

- Remove:
 - the clip (2),
 - the sun visor (3).

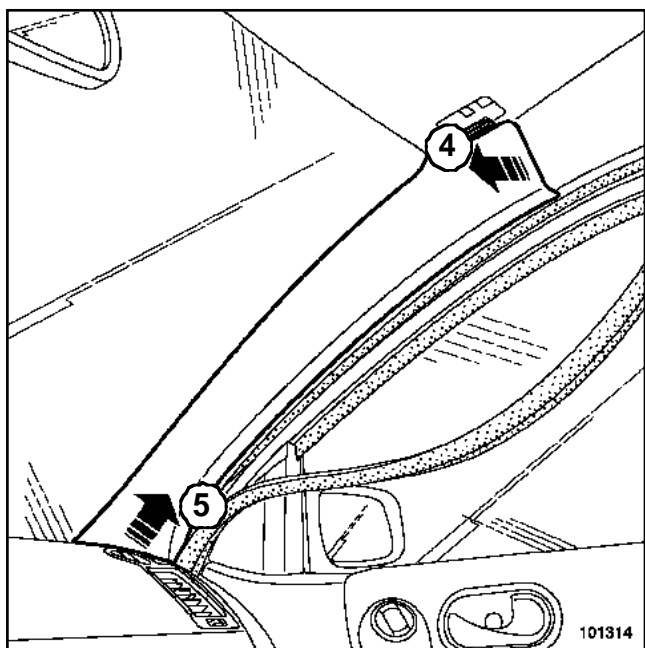
INTERIOR ACCESSORIES

Dashboard: Removal - Refitting

57A



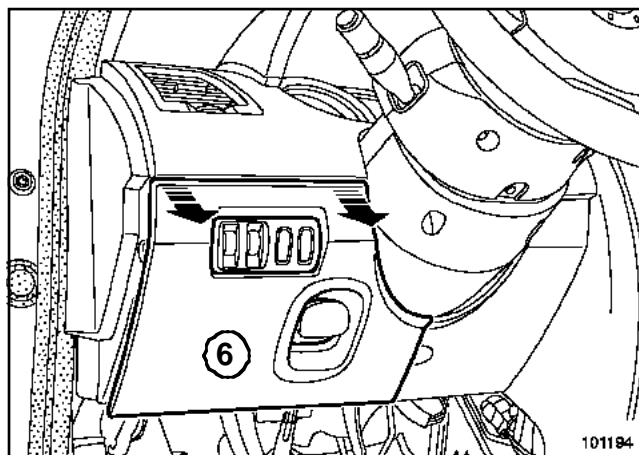
- Remove the front sill panel trims.



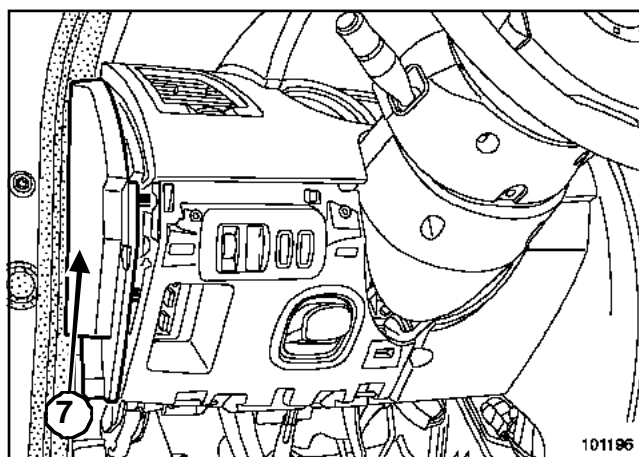
- Unclip the windscreen pillar trims (4) and (5) .

- Remove:

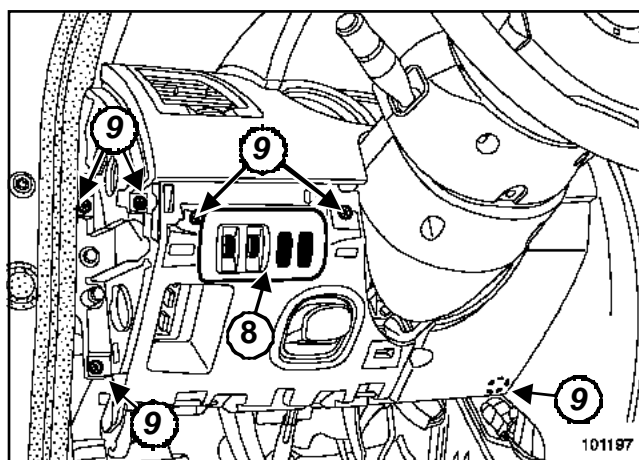
- the tweeter speaker grilles,
- the tweeters.



- Unclip the lower housing access flap. (6)



- Unclip the side panel (7) .



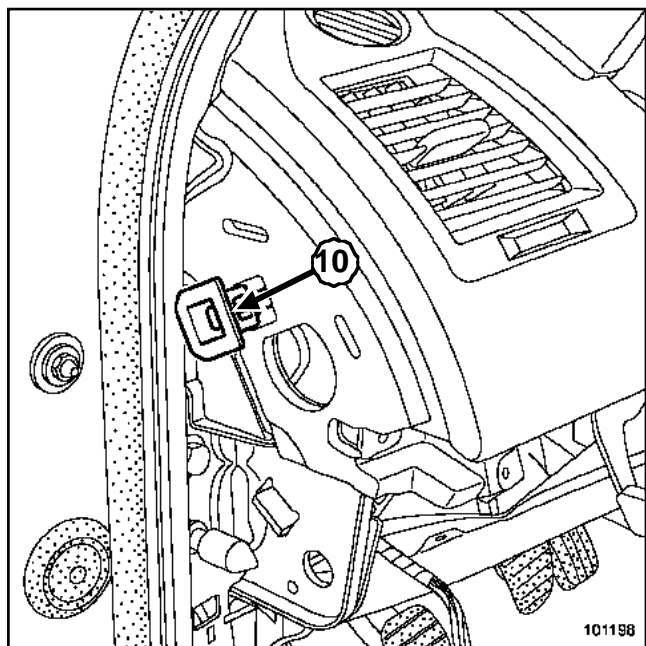
- Unclip the headlight beam adjustment control and dimmer control (8) .

- Remove bolts (9) .

INTERIOR ACCESSORIES

Dashboard: Removal - Refitting

57A

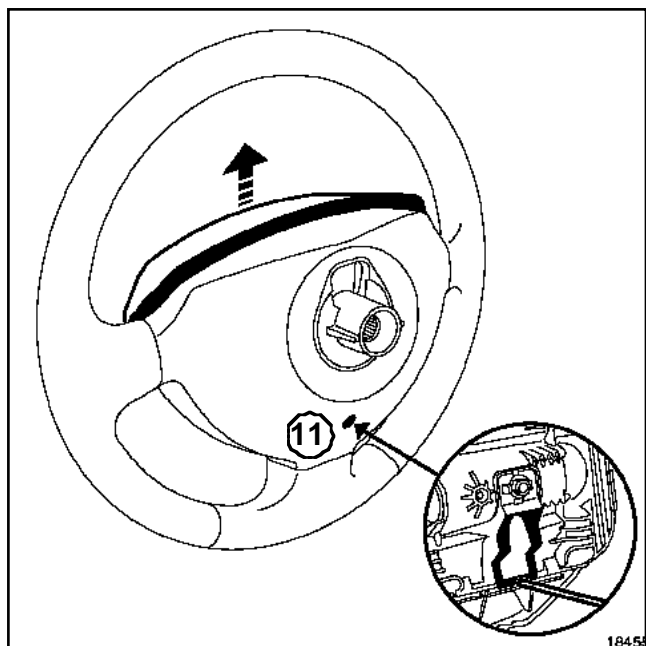


101198
101198

- Unfasten the anti-rotation clip. (10)

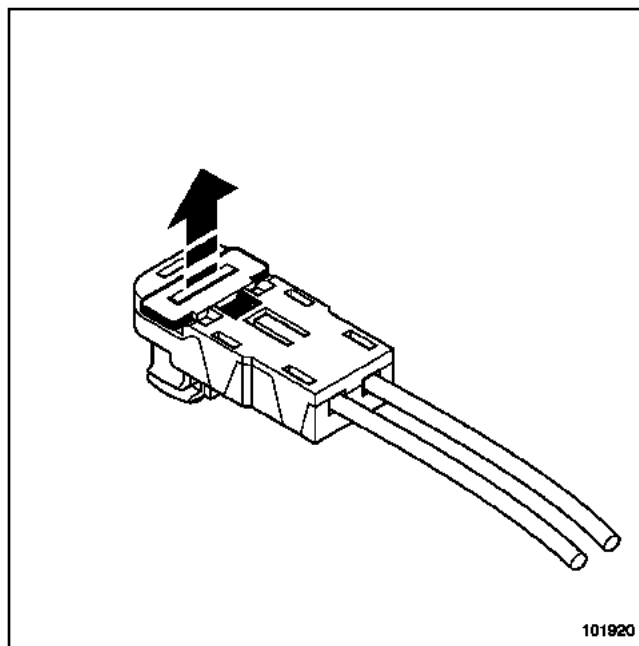
WARNING

The two anti-rotation clips must be replaced every time they are removed.



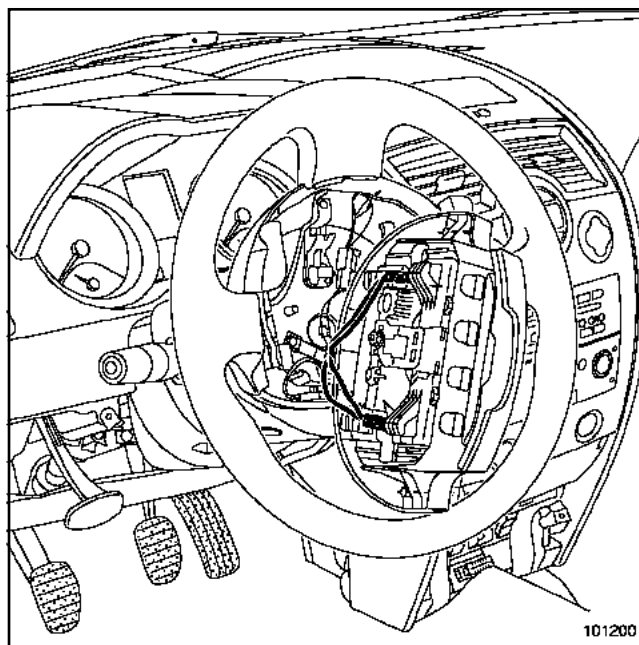
18455
18455

- Turn the steering wheel half a turn to access the hole (11).
- Insert a screwdriver into opening (11).
- Remove the airbag.



101920
101920

- Remove the retaining clip from the driver's airbag connector retaining clip, using a flat-blade screwdriver.



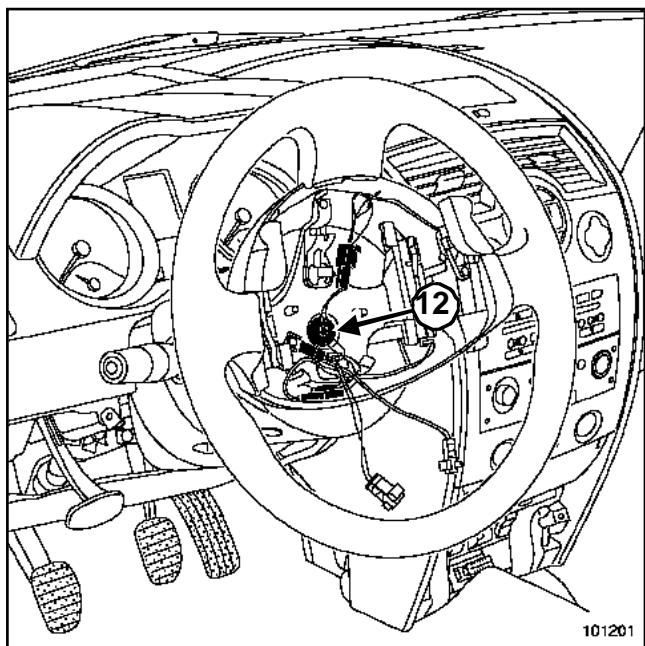
101200
101200

- Remove:
 - the connectors,
 - the driver's airbag.

INTERIOR ACCESSORIES

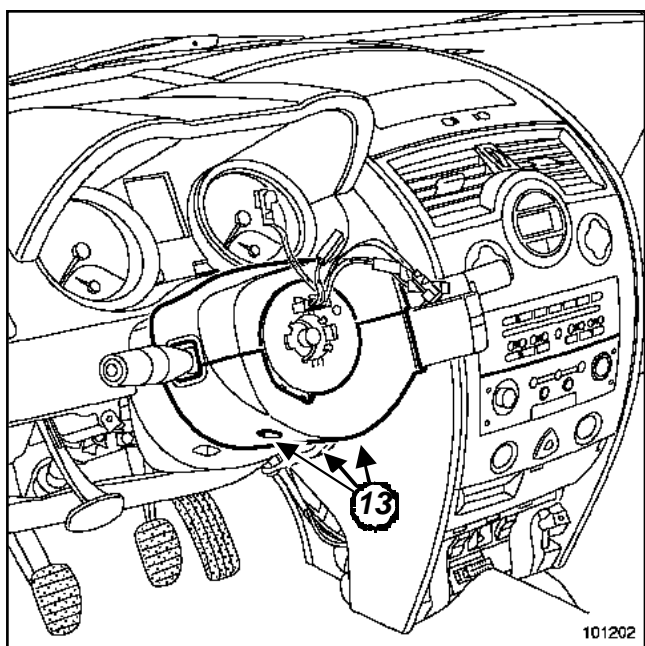
Dashboard: Removal - Refitting

57A



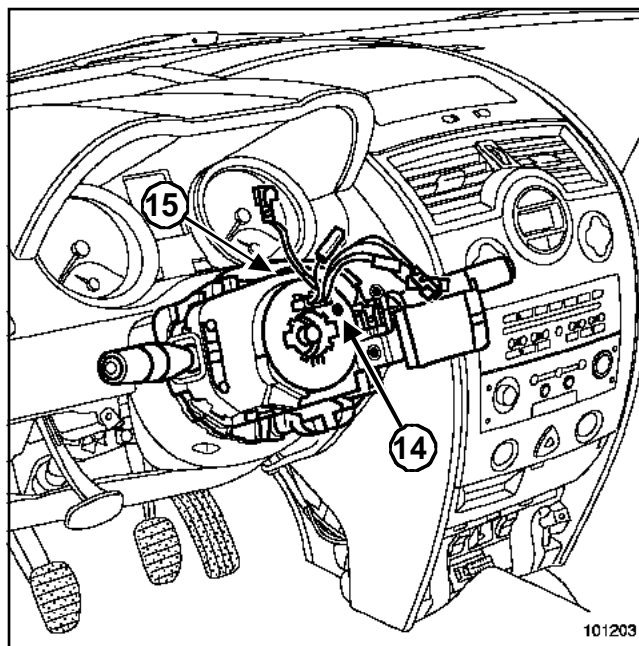
101201
101201

- Straighten the wheels.
- Remove:
 - the steering wheel bolt (12) ,
 - the steering wheel.



101202
101202

- Remove:
 - the three lower bolts (13)
 - the upper and lower casing.



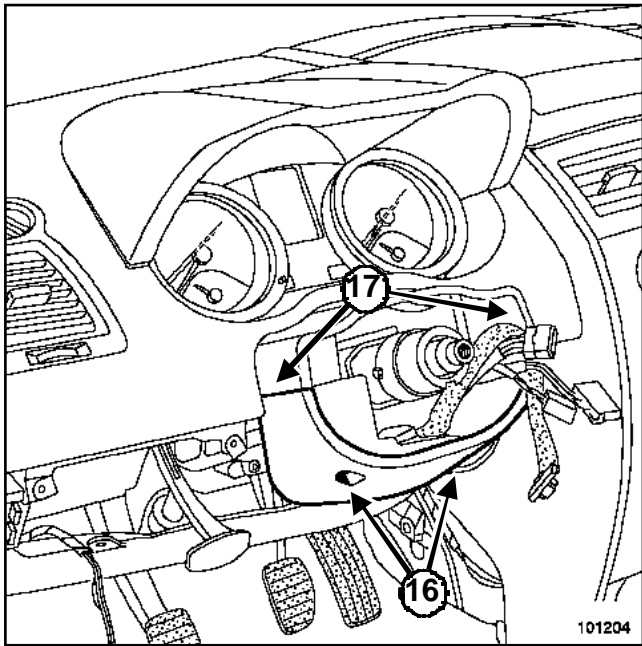
101203
101203

- Mark the position of control assembly under the steering wheel.
- Check that mark (14) on the rotary switch is correctly positioned opposite the indexing mark.
- Remove the control assembly under the steering wheel.
- Slacken the bolt (15)
- Unclip the steering column assembly.
- Disconnect:
 - the various connectors (wiper, radio and lighting control),
 - the rotary switch connector.

INTERIOR ACCESSORIES

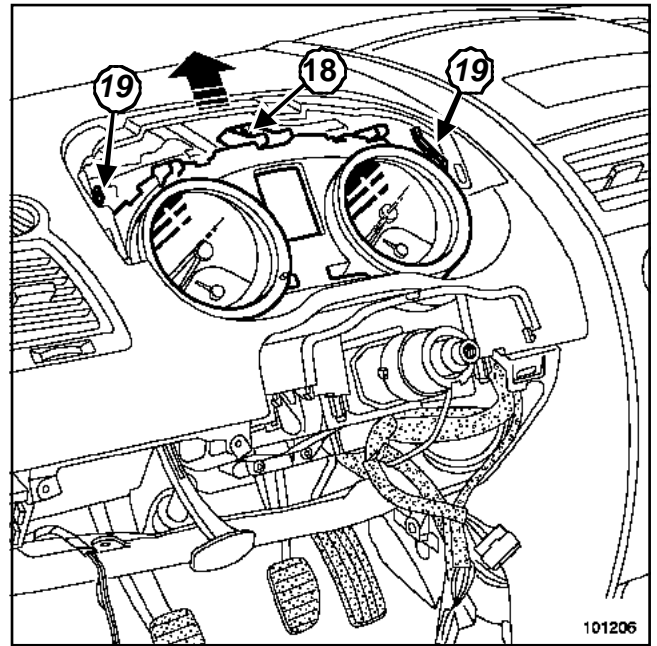
Dashboard: Removal - Refitting

57A



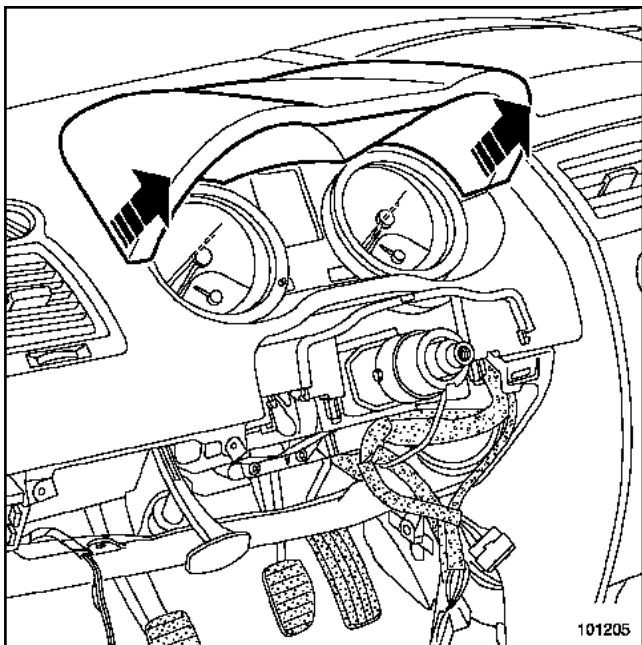
101204
101204

- ❑ Remove both bolts (16) .
- ❑ Unclip both upper clips (17) .
- ❑ Remove the second lower casing.



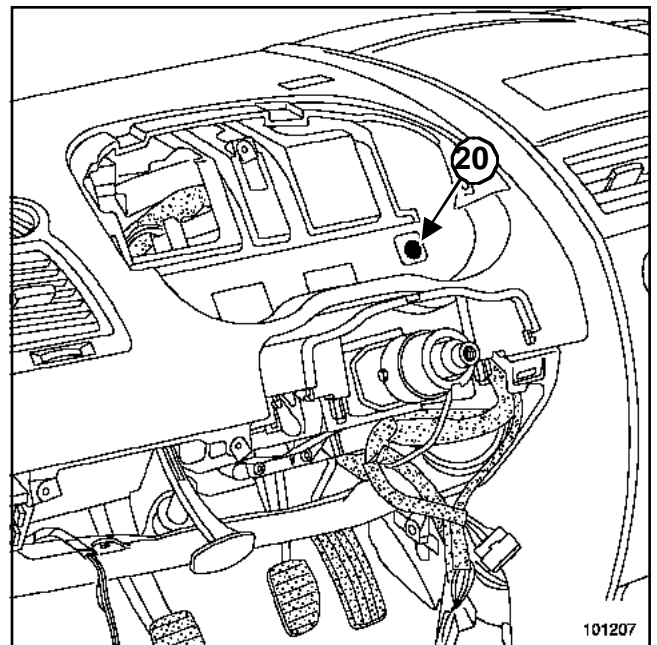
101206
101206

- ❑ Remove bolt (18) .
- ❑ Press the two clips (19) .
- ❑ Remove the instrument panel.



101205
101205

- ❑ Unclip the top of the dashboard (partially).
- ❑ Disconnect the Carminat navigation system speaker connector (according to the equipment level).



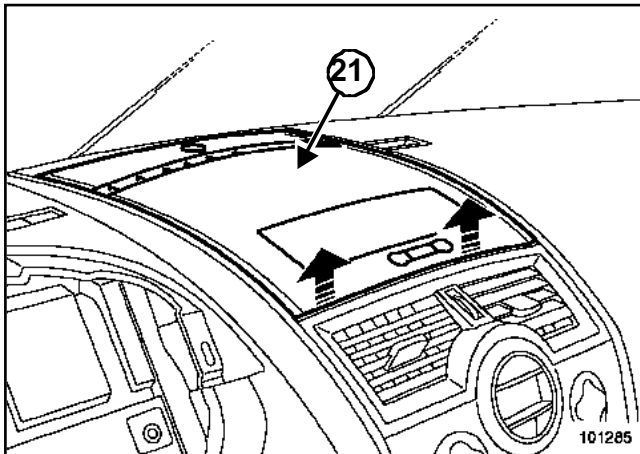
101207
101207

- ❑ Remove bolt (20) .

INTERIOR ACCESSORIES

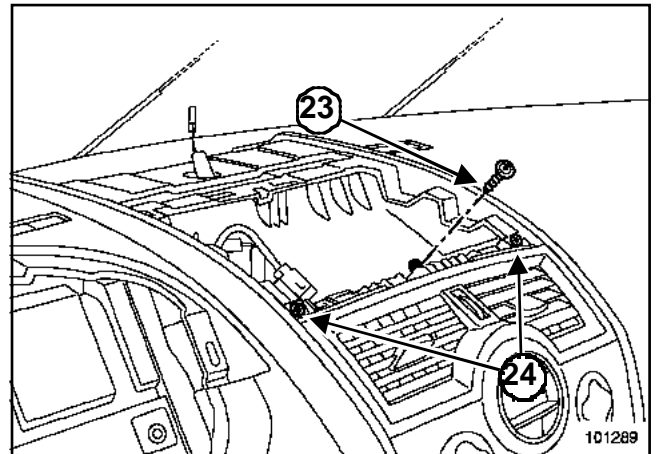
Dashboard: Removal - Refitting

57A



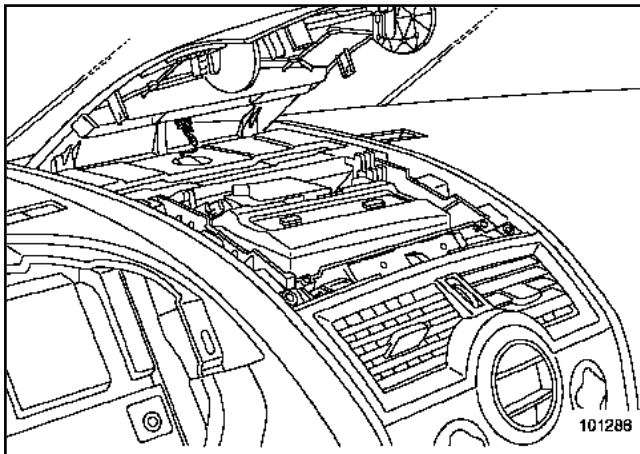
101285

- Unclip the top cover (21) or display support (basic version).



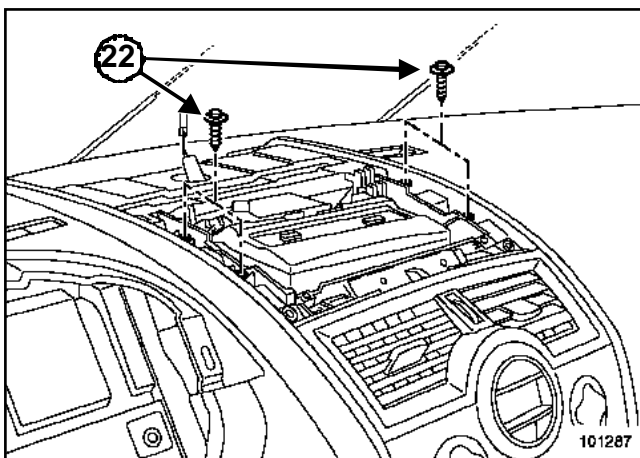
101289

- Remove:
 - the bolt (23) ,
 - the bolts (24) .



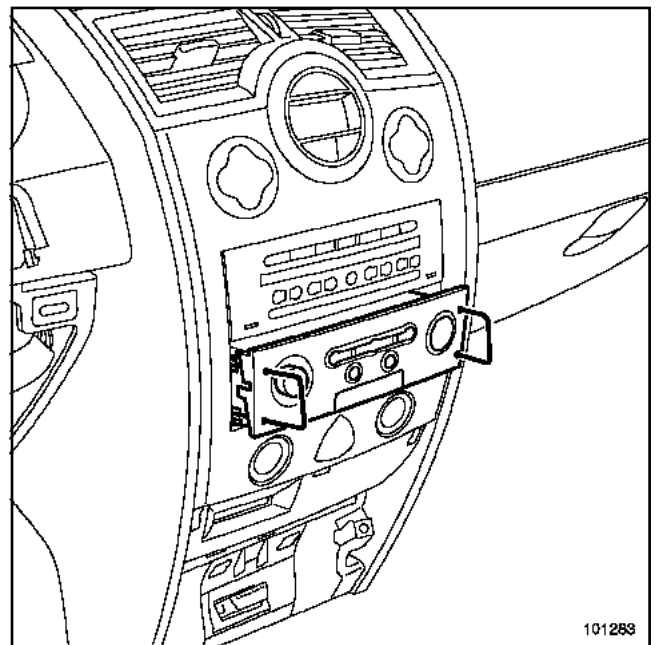
101286

- Disconnect the insulation sensor.



101287

- Remove the bolts (22) and Carminat screen (if installed).
- Disconnect the connector.



101283

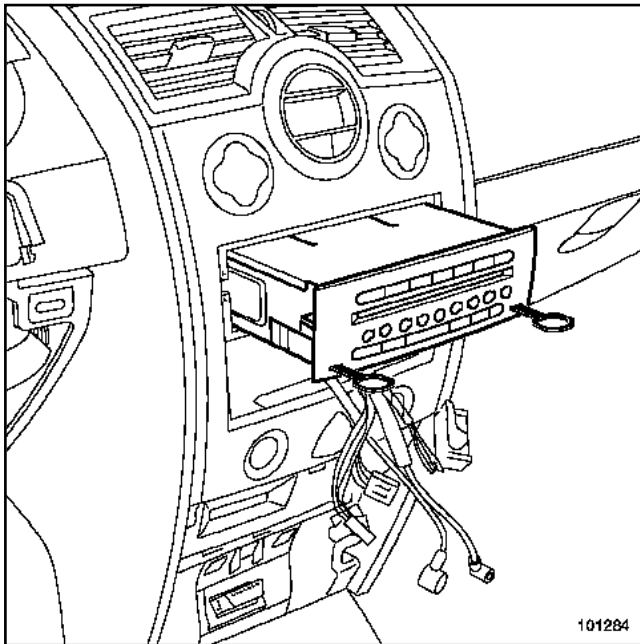
101283

- Remove the Carminat control (if installed), using the tool (Ms. 1373) .
- Disconnect the various connectors.

INTERIOR ACCESSORIES

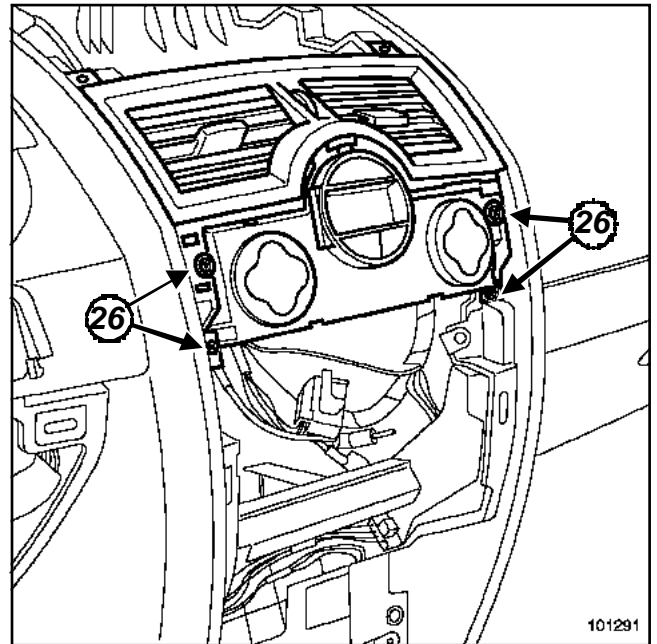
Dashboard: Removal - Refitting

57A



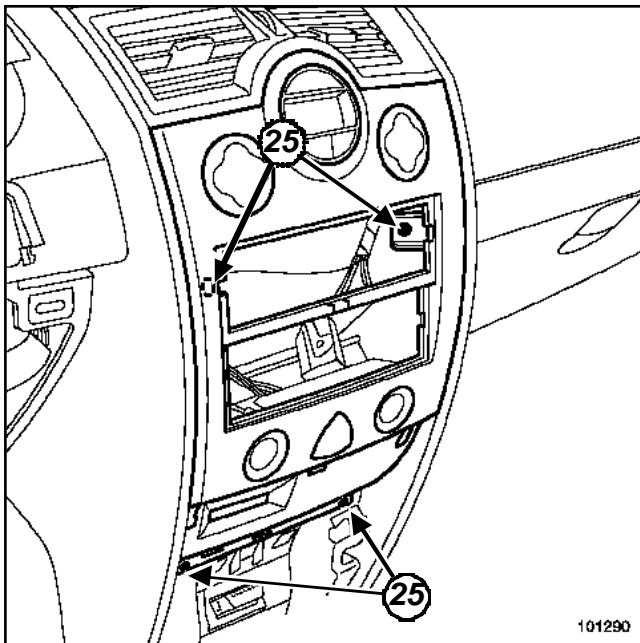
101284
101284

- ❑ Remove the radio with tool (**Ms. 1639**).
- ❑ Disconnect the various connectors.



101291
101291

- ❑ Remove bolts (**26**).
- ❑ Remove the « centre air vent / air conditioning control » assembly.



101290
101290

- ❑ Remove bolts (**25**).
- ❑ Unclip the card reader, using tool (**Car. 1597**).
- ❑ Disconnect the various connectors.

Note:

On vehicles without climate control:

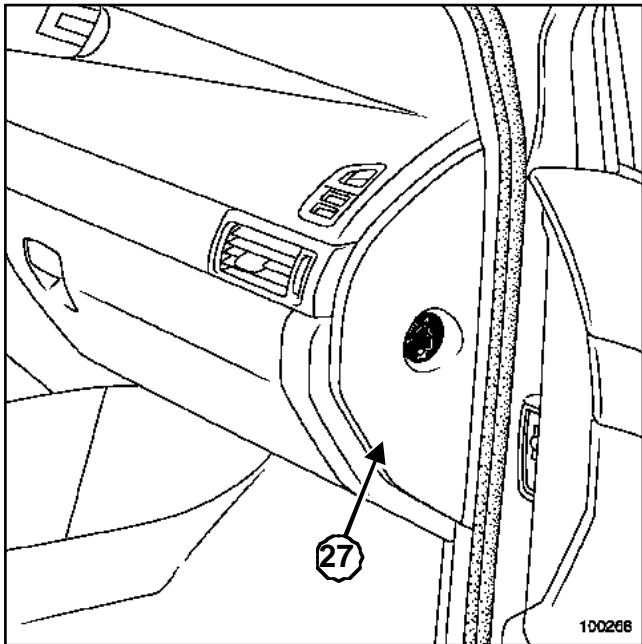
- remove the bolts (**26**),
- loosen the centre air vent from the air conditioning or heating control,
- remove the vent.

- ❑ Place the air conditioning control so that it does not interfere with removal of the dashboard.
- ❑ Disconnect the various connectors.

INTERIOR ACCESSORIES

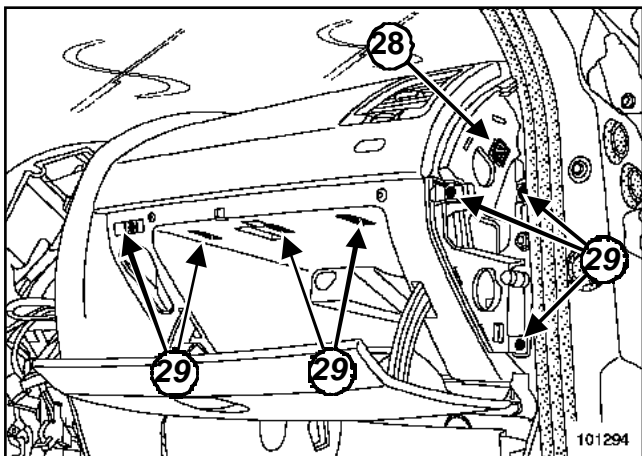
Dashboard: Removal - Refitting

57A



100268

- Open the glove compartment.
- Unclip the side panel (27) .
- Disconnect the passenger front airbag deactivation connector.



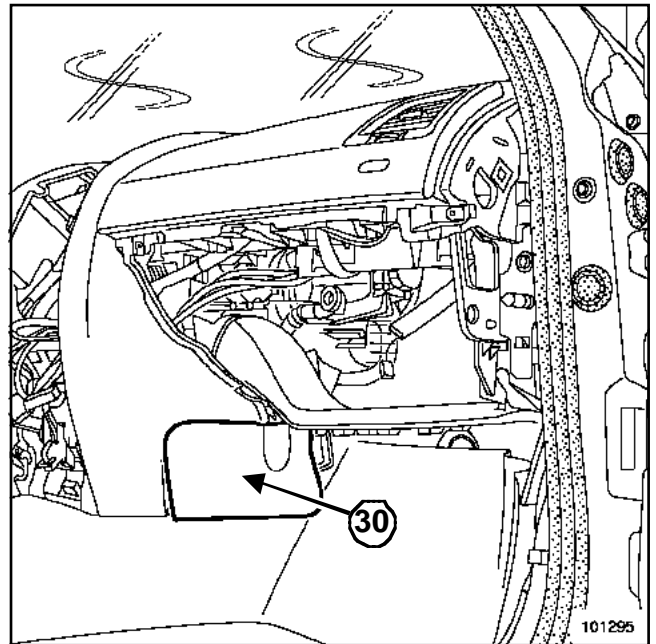
101294

- Unfasten the anti-rotation clip. (28)

WARNING

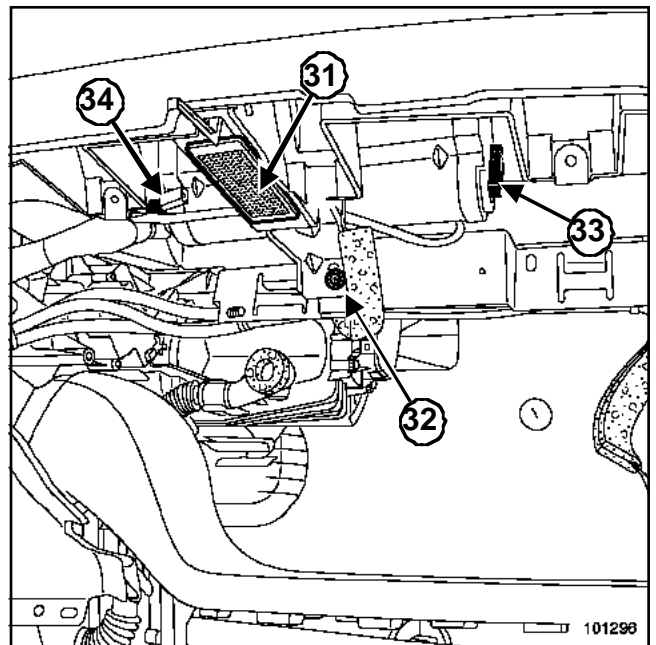
The two anti-rotation clips must be replaced every time they are removed.

- Remove:
 - the bolts (29) ,
 - the glove compartment.



101295

- Unclip the two lower covers (30)



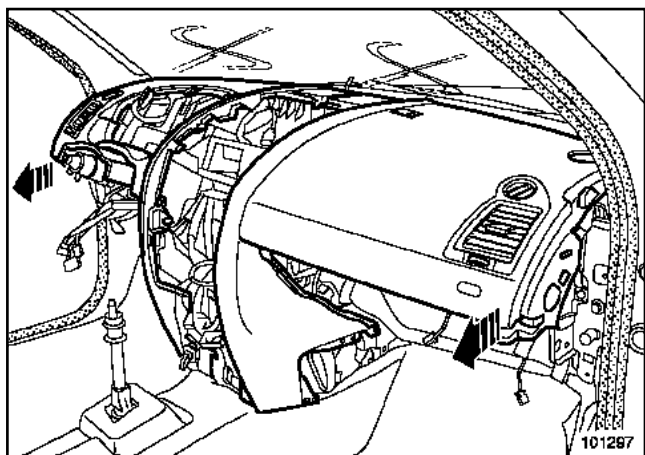
101296

- Unclip the glovebox light (31)
- Disconnect the glovebox light.
- Remove bolt (32) .
- Disconnect:
 - the passenger airbag connector (33) ,
 - the airbag earth wire. (34)

INTERIOR ACCESSORIES

Dashboard: Removal - Refitting

57A



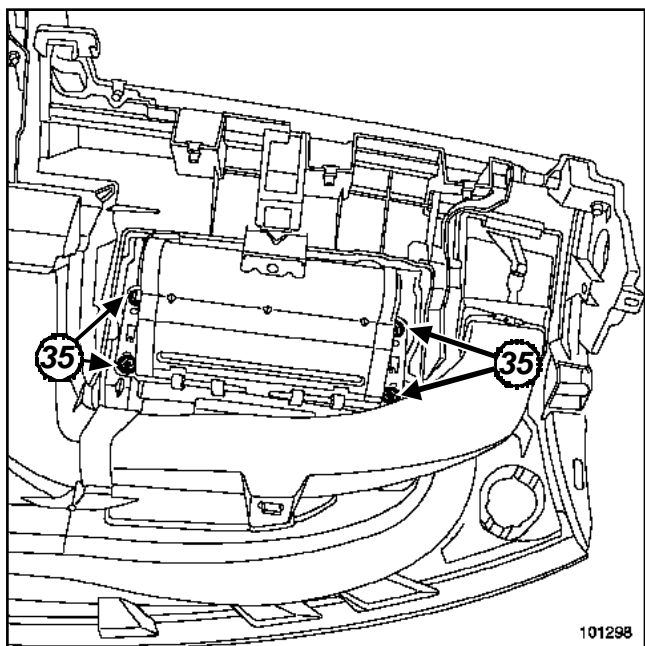
101297



WARNING

Before removing the dashboard, check the harness wiring routing. When removing the dashboard, the gear lever blocks the lower section of the dashboard.

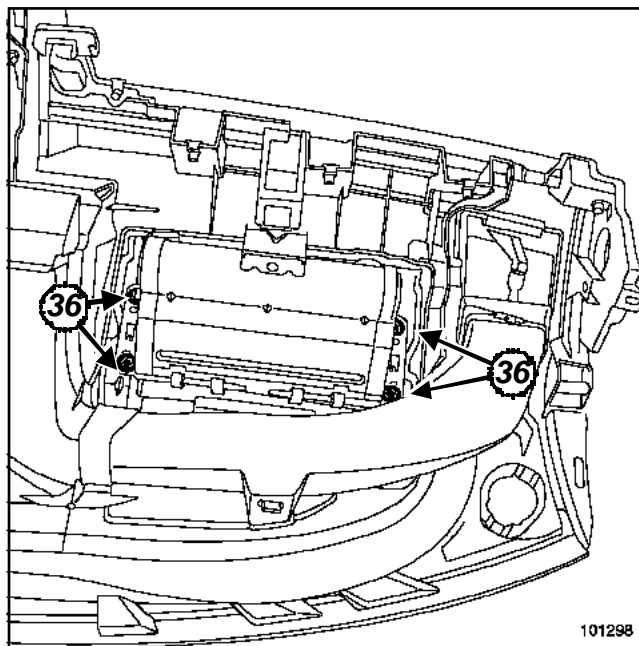
- Remove the dashboard (this operation requires two people).



101298

- Remove nuts (35).
- Remove the airbag module.

REFITTING



101298

101298



WARNING

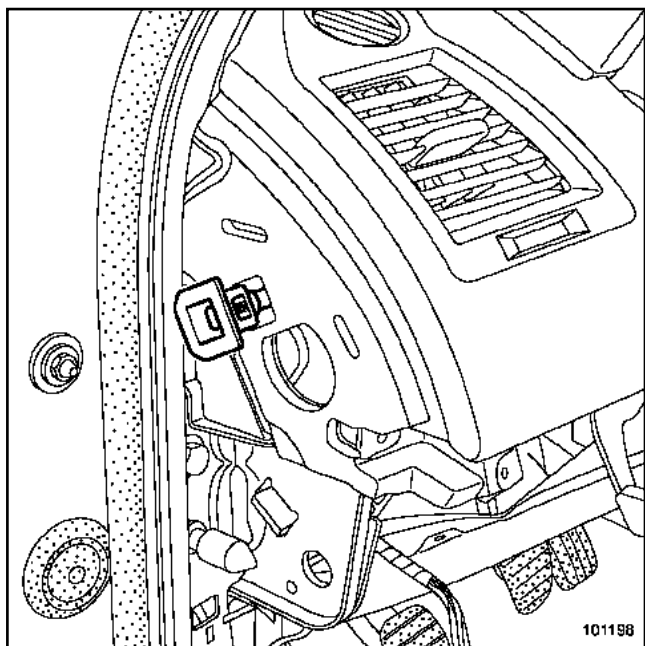
Whenever the passenger airbag module is removed, it is essential to replace the nuts (36) securing the module to the dashboard.

- Torque tighten the **airbag module bolts (2 Nm)**

INTERIOR ACCESSORIES

Dashboard: Removal - Refitting

57A



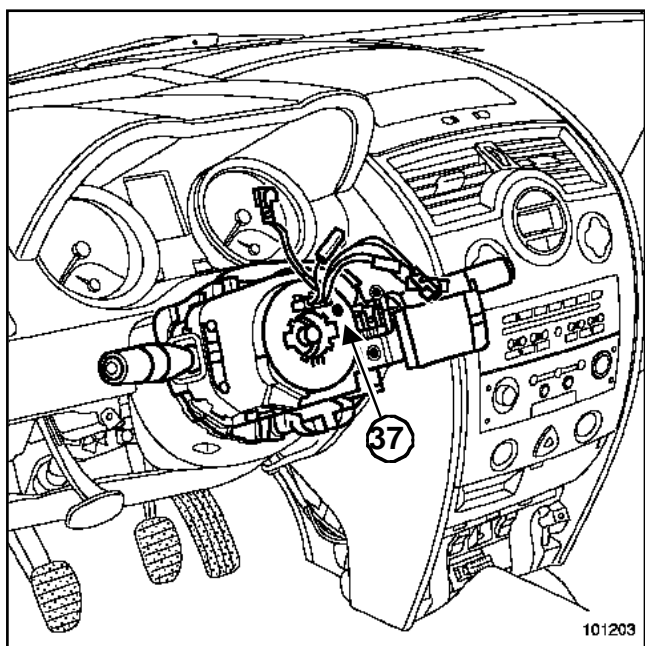
101198
101198

- Refit the two anti-rotation clips.

WARNING

It is essential to replace both anti-rotation clips (**Part Number 82 00 155 867**) after each removal.

I - SPECIAL FEATURES OF THE STEERING WHEEL CONTROLS

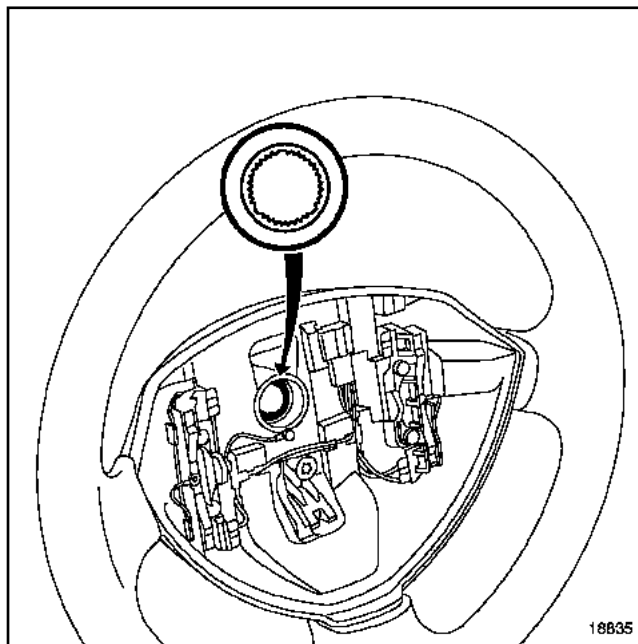


101203
101203

- Before refitting, check:
 - the wheels are still straight,

- that the controls under the steering wheel are correctly on the mark (37) .

II - SPECIAL NOTES ON THE STEERING WHEEL



18835
18835

-

WARNING

- The steering wheel should enter the splines freely (the splines have foolproofing devices).
- Do not damage the foolproofing splines.
- The steering wheel bolt must be replaced with a new one whenever it is removed.

- Tighten to torque the **steering wheel bolt (44 Nm)**

III - SPECIAL NOTES ON THE AIRBAG

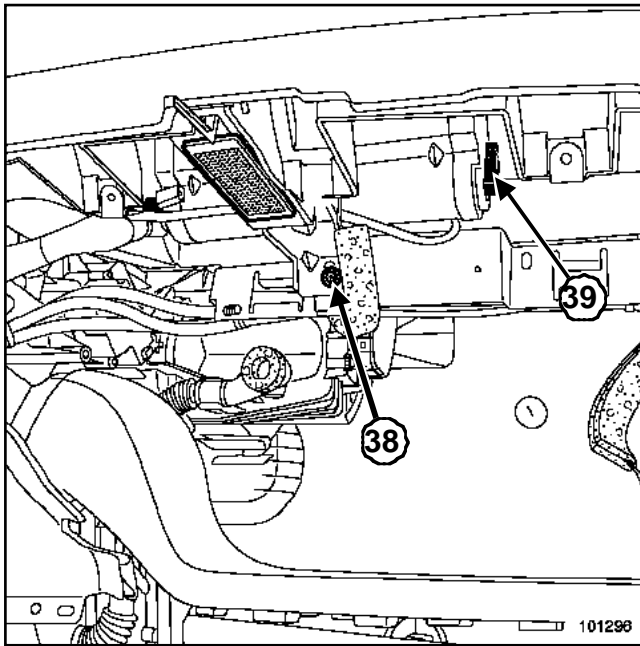
-

IMPORTANT

- Check the airbag computer using the **diagnostic tool** .
- Any failure to follow these instructions the system may not operate normally and the airbags could be triggered accidentally.

IMPORTANT

- Check the condition of the wiring when refitting the airbag module.



101296

- Check that the airbag connectors (39) are connected and are locked in place.
- Reconnect the passenger airbag module earth wire.
- Torque tighten **mounting bolt (2 Nm) (38)** .

IMPORTANT

Unlock the computer using the **diagnostic tool** (see **88C, Airbags and pretensioners, Airbag computer locking procedure**).

WARNING

Connect the battery, starting with the positive terminal; carry out the necessary programming (see **80A, Battery: Remove and refit**).

- Torque tighten the **battery cover bolts (4 Nm)** .
- Proceed in the reverse order to removal.

Equipment required

diagnostic tool

The driver's front airbag is fitted with a dual chamber inflatable bag (small and large volume).

It inflates according to the severity of the impact or the adjustment position of the driver's seat.

When triggered, the inflatable bag deploys by bursting through the steering wheel cover.

REMOVAL

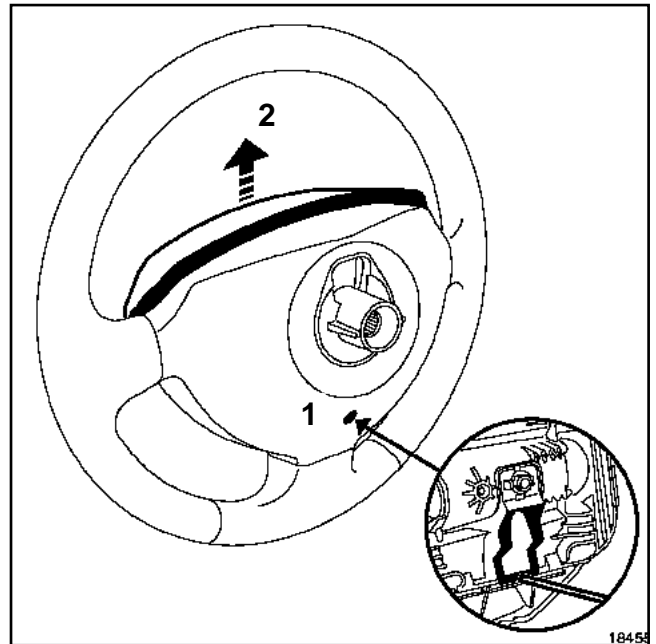
- Disconnect the battery starting with the negative terminal.

IMPORTANT

- Before removing a component from the safety system, it is essential to check the airbag computer using the **diagnostic tool** . When this function is activated all the triggering lines are disabled and the airbag warning light on the instrument panel lights up (ignition on).
- Never handle the pyrotechnic systems (pretensioners or airbags) near to a source of heat or naked flame - they may be triggered.

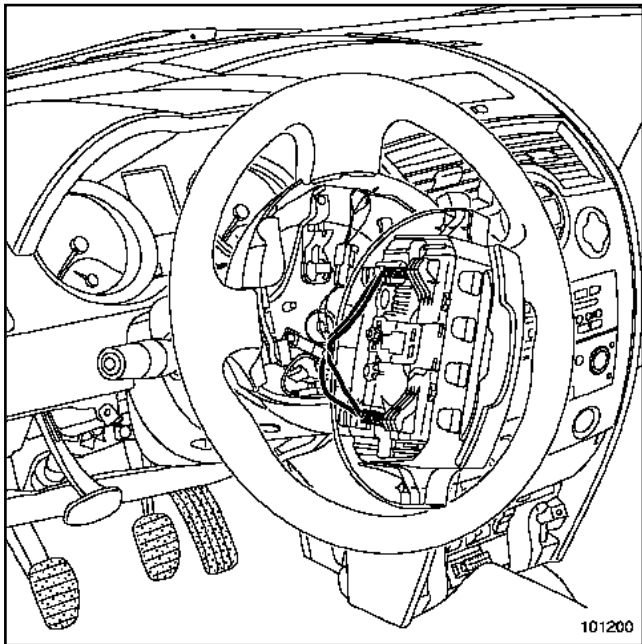
WARNING

It is essential to lock the airbag computer before removal. Locking the airbag computer also unlocks the electric steering column lock.

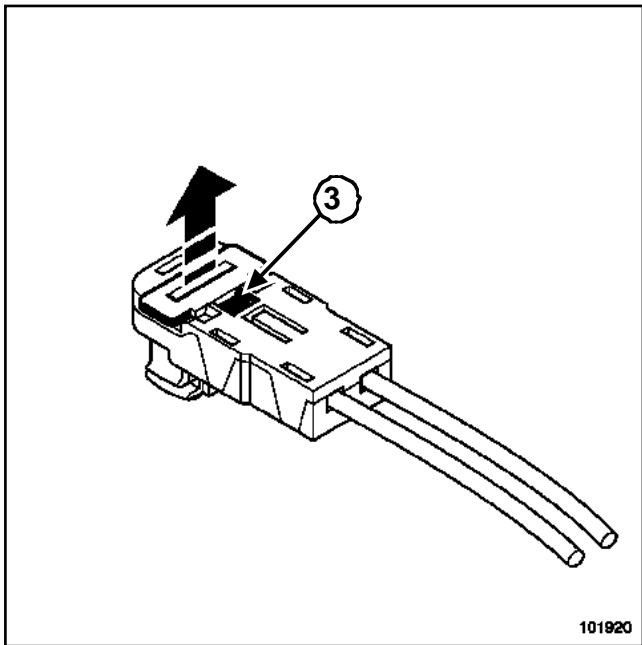


18455

- Turn the steering wheel half a turn to access the hole (1) .
- Insert a screwdriver into the hole (1) behind the steering wheel.
- Release the airbag (2) .



101200



101920

- Unclip the connector mountings at (3) using a small screwdriver.
- Disconnect the connectors:
 - for the driver's front airbag,
 - for the cruise control buttons.
- Remove:
 - the airbag,
 - the connector mounting clip with a small flat screwdriver.

IMPORTANT

- The airbag has a connector which short circuits if it is disconnected to prevent accidental triggering.
- To refit a pyrotechnic reel which has not been triggered, (see **Computer**) .

REFITTING



WARNING

- When an airbag has been triggered, certain parts must be replaced(see **Precautions during repair**) .
- Whenever the steering wheel is removed, replace the steering wheel mounting bolt.

- Fit both connectors.
- Position the airbag on the steering wheel.
- Slide the airbag downwards to clip it in place.

IMPORTANT

Check the airbag computer using **diagnostic tool** .

- If everything is correct, unlock the airbag computer, if not, refer to the **fault finding manual** .
- To refit, proceed in the reverse order of removal.

Equipment required

diagnostic tool

Tightening torques

airbag mounting bolts to torque **2 Nm**

battery cover bolts to torque **0.4 daNm**

The passenger front airbag is fitted with a dual chamber inflatable bag (small and large volume).

It is mounted under the dashboard in front of the front passenger.

REMOVAL

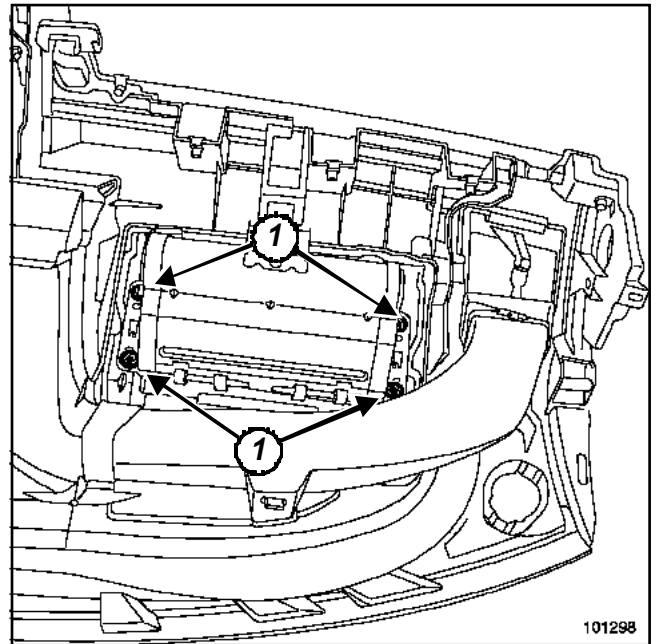
IMPORTANT

- Before removing a safety system component, lock the airbag computer using the **diagnostic tool** . When this function is activated all the triggering lines are disabled and the airbag warning light on the instrument panel lights up (ignition on).
- Never handle the pyrotechnic systems (pretensioners or airbags) near to a source of heat or naked flame - they may be triggered.

WARNING

It is essential to lock the airbag computer before removal. Locking the airbag computer also unlocks the electric steering column lock.

- Disconnect the battery starting with the negative terminal.
- Remove the dashboard (see **57A, Interior accessories, Dashboard: Removal - Refitting**, page **57A-3**).



101298

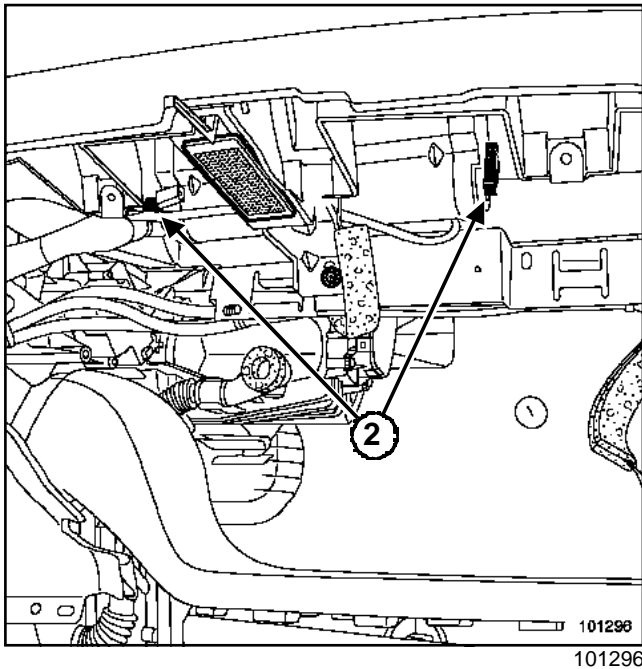
101298

- Remove the four airbag mounting bolts (1) .

IMPORTANT

- Whenever the passenger airbag module is removed, it is essential to replace the panel nuts that hold the module to the dashboard.
- To refit an airbag which has not been triggered, (see **Destruction procedure**) .

Passenger front airbag: Removal - Refitting



□

Note:

The airbag connectors (2) can be accessed by removing the passenger glovebox.

REFITTING

□

WARNING

- When the front passenger airbag has been triggered, certain parts must be replaced((see **Precautions during repair**) .
- Whenever the passenger airbag is removed, it is essential to replace the panel nuts that hold the module to the dashboard.

□ To refit, proceed in the reverse order to removal.

□ Tighten the **airbag mounting bolts to torque (2 Nm)** .

WARNING

Connect the battery; carry out the necessary programming ((see **80A, Battery**)).

IMPORTANT

Check the airbag computer using **diagnostic tool** .

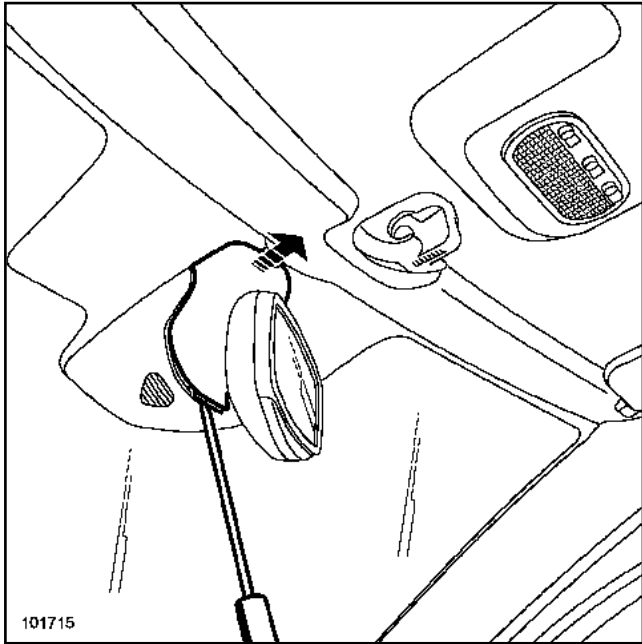
□ If everything is correct, unlock the airbag computer, if not, refer to the **fault finding manual** .

□ Tighten the **battery cover bolts to torque (0.4 daNm)** .

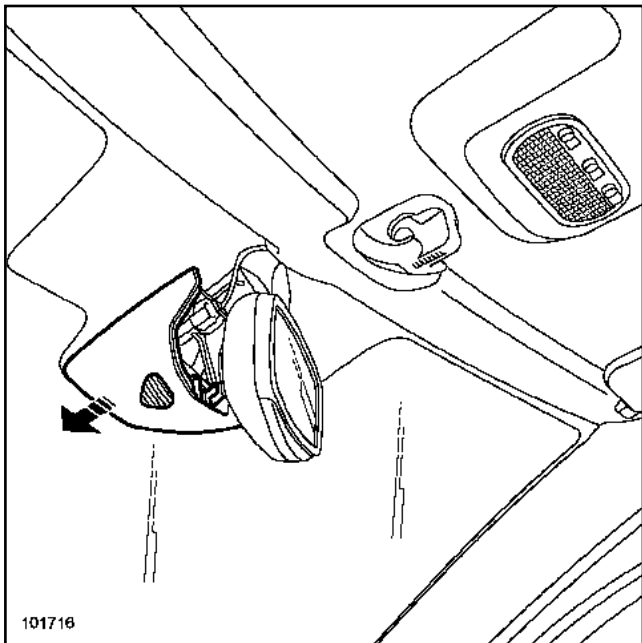
Interior rear-view mirror Removal - Refitting

B84 or C84

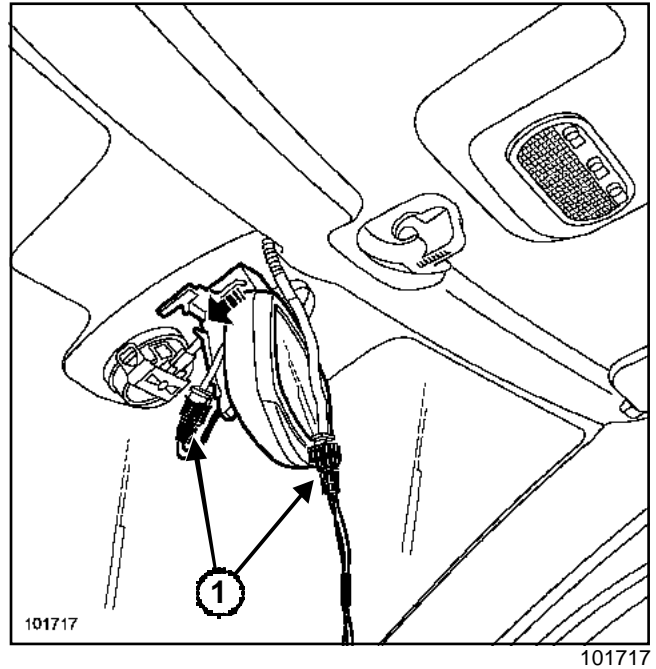
REMOVAL



- Unclip the upper shell.



- Unclip the lower casing.



- Disconnect the connectors (1) .
- Remove the rear-view mirror.

Note:

When removing the rear-view mirror, be careful of the nearby rain sensor to avoid damaging it.

REFITTING

- Proceed in the reverse order to removal.

INTERIOR ACCESSORIES

Grab handle: Removal - Refitting

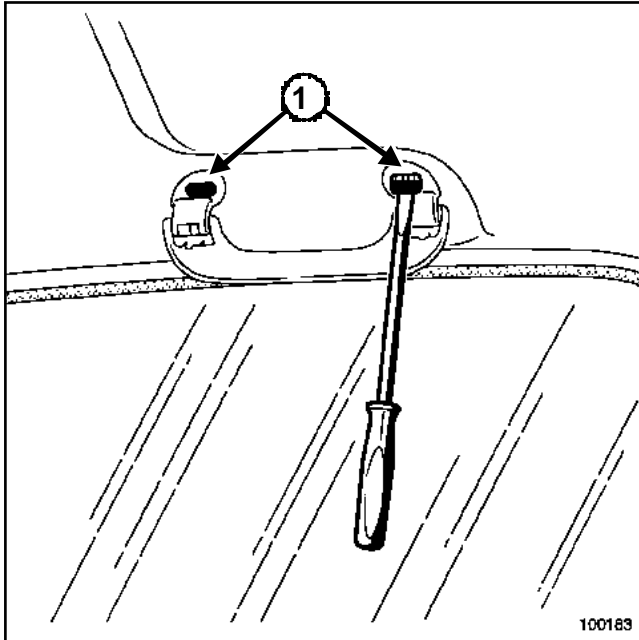
57A

B84 or C84

Special tooling required

Car. 1597 Lever for removing rear grab handle clips.

REMOVAL



- Unclip the two mounting pins (1) using tool (**Car. 1597**).
- Remove the part, pulling it by hand from above.

REFITTING

- Proceed in the reverse order to removal.

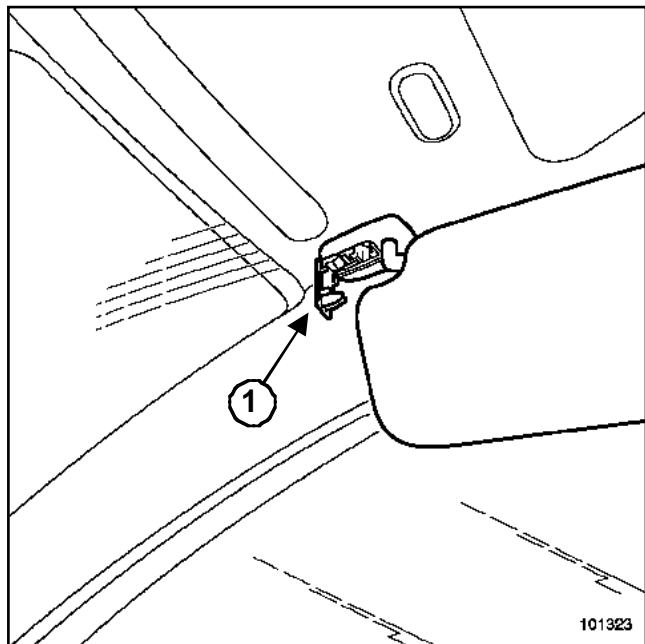
INTERIOR ACCESSORIES

Sun visor: Removal - Refitting

57A

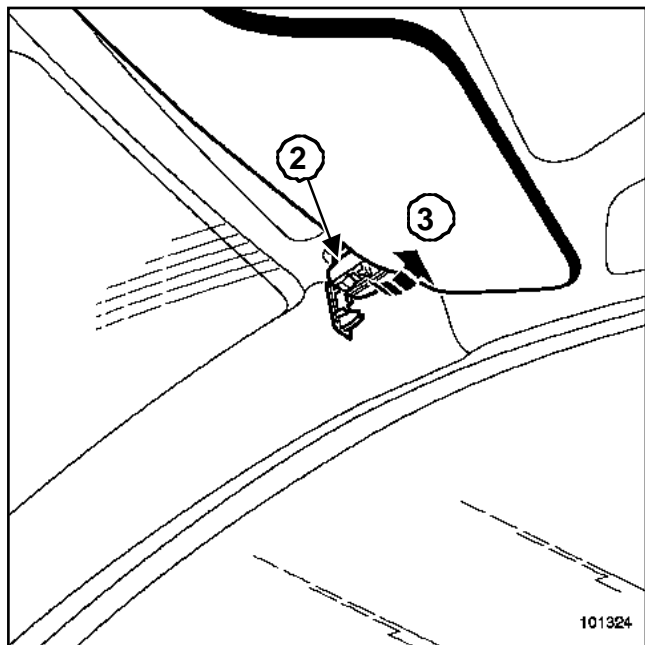
B84 or C84 or S84

REMOVAL



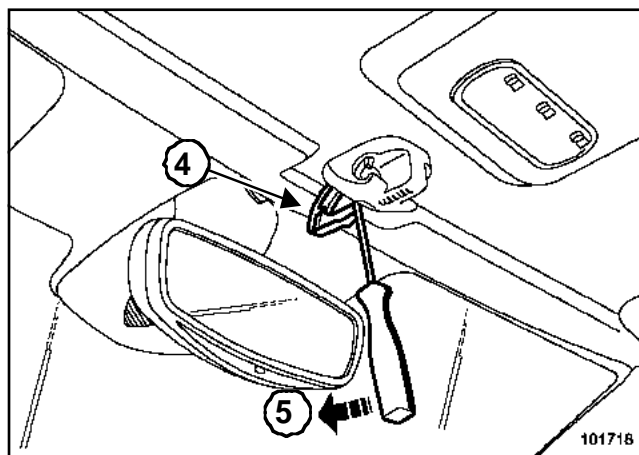
101323

- Unclip the mounting clip (1) .



101324

- Remove:
 - the clip (2) ,
 - the sun visor (3) .



101718

- Unclip the mounting clip (4) .
- Press on the screwdriver (5) .
- Unfasten the clip.
- Remove the assembly.
- Disconnect the various connectors (depending on equipment level).

REFITTING

- Proceed in the reverse order to removal.

SAFETY ACCESSORIES

Front seat belt: Removal - Refitting

59A

C84

Equipment required

diagnostic tool

Tightening torques

seat belt mounting bolts	21 Nm
seat belt rail mounting bolts	21 Nm

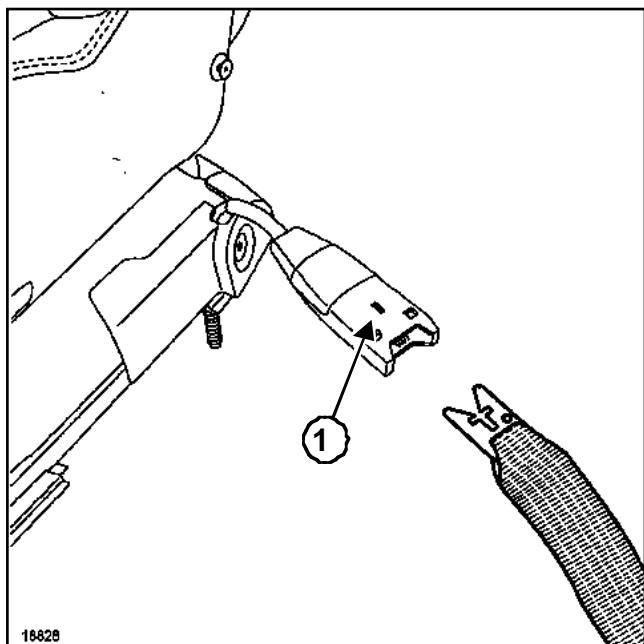
REMOVAL

IMPORTANT

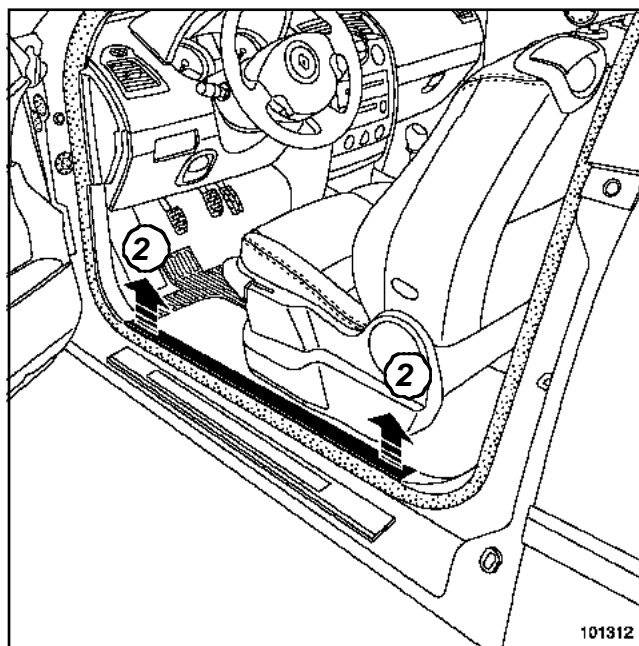
- If the pretensioners are triggered, the front seat belts and pretensioners must always be replaced with new ones (if the seat belts were fastened). If there are any doubts about whether the seat belt was being worn, you should replace it.

- For a vehicle fitted with rear side airbags, it is essential to lock the airbag computer using the **diagnostic tool** before removing the trim (see **88C, Airbags and pretensioners, Airbag computer locking procedure**).

Move the front seat forward.

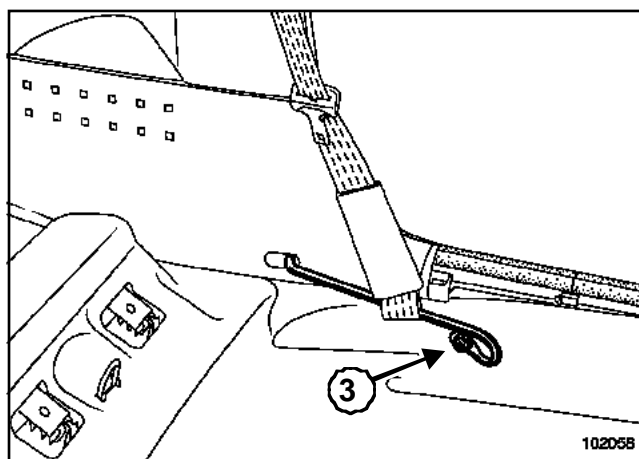


Unfasten the seat belt by pressing catch (1) .



101312

Unclip front door sill linings (2) .



102058

Remove:

- the bench seat base (the seatback does not need to be removed),
- bolt (3) .

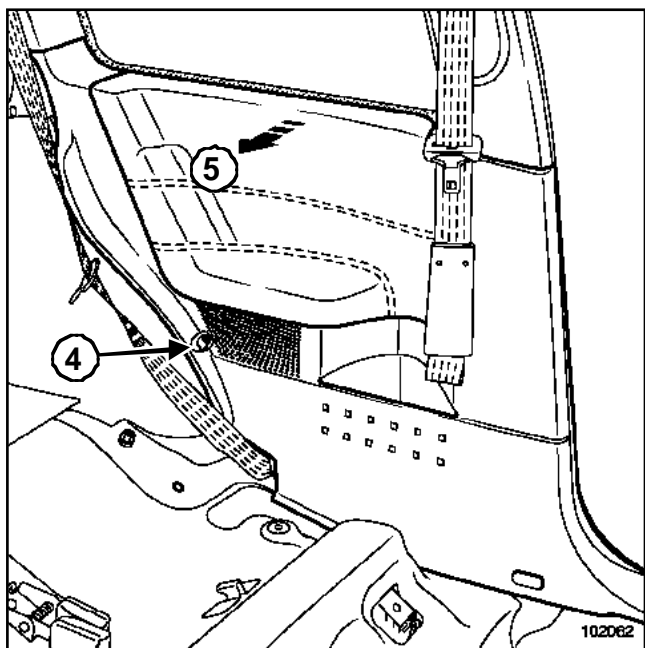
Remove the strap retaining rail.

SAFETY ACCESSORIES

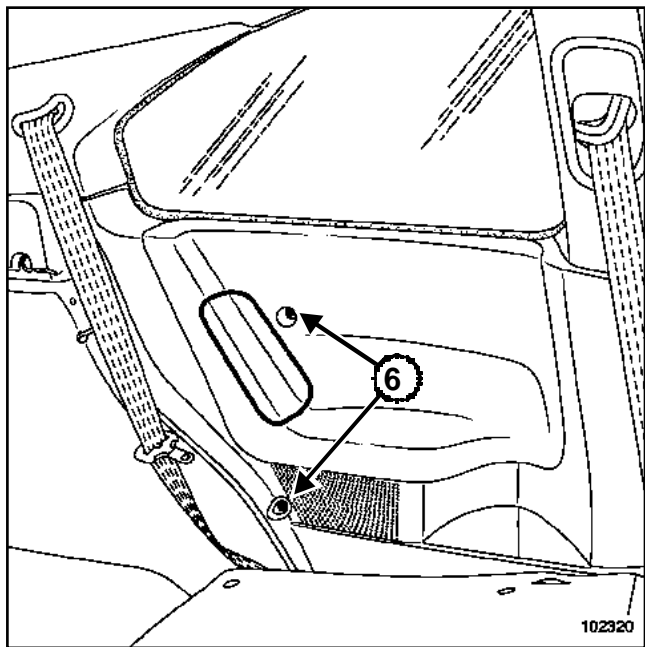
Front seat belt: Removal - Refitting

59A

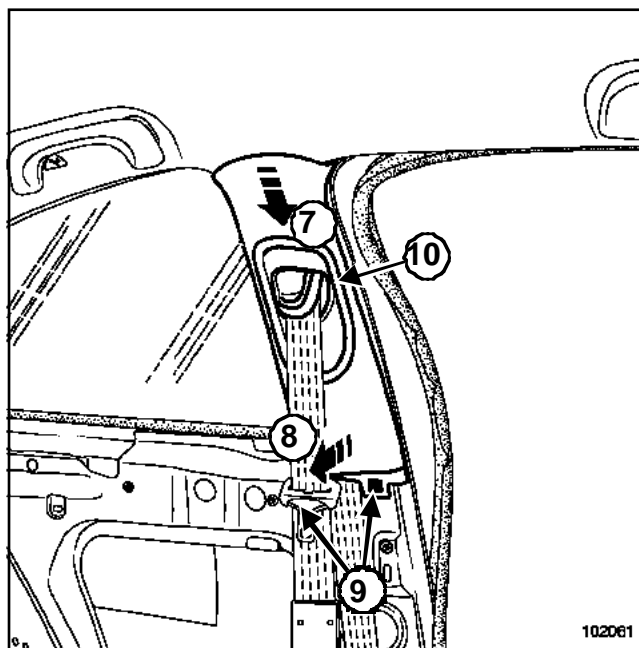
C84



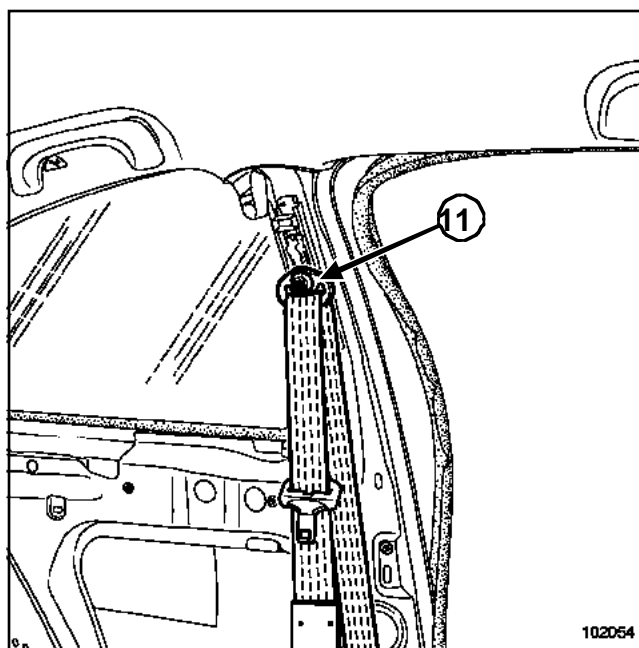
- Remove bolt (4) .
- Remove trim (5)



- Remove both bolts (6) (if the vehicle is fitted with rear side airbags).



- Partially remove the door seal.
- Unclip lower mounting clips (9) .
- Remove:
 - the trim in the direction of (7) and (8) ,
 - the seat belt strap through opening (10) .



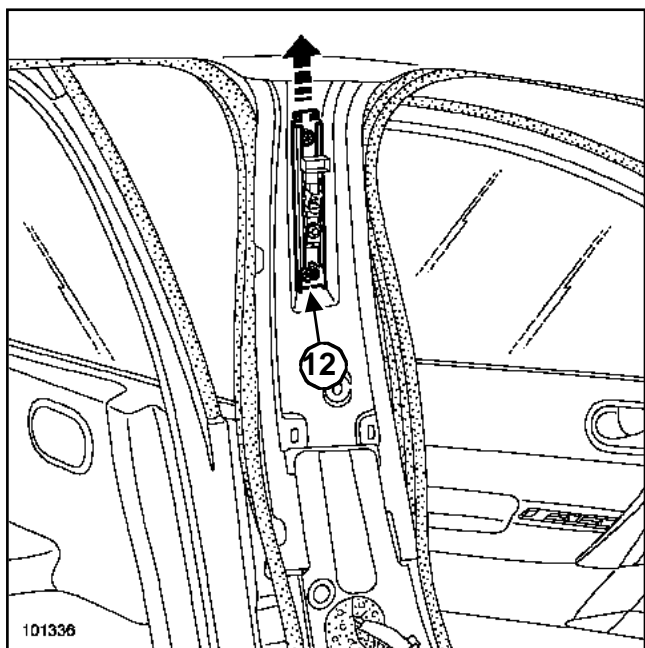
- Remove seat belt anchorage bolt (11) .

SAFETY ACCESSORIES

Front seat belt: Removal - Refitting

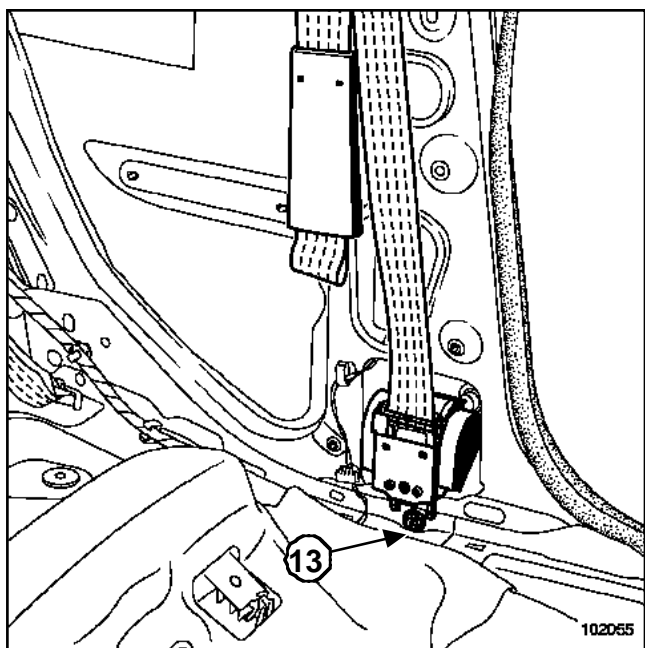
59A

C84



101336

- ❑ Remove seat belt height adjuster mounting bolt (12).
- ❑ Remove the assembly at the top.

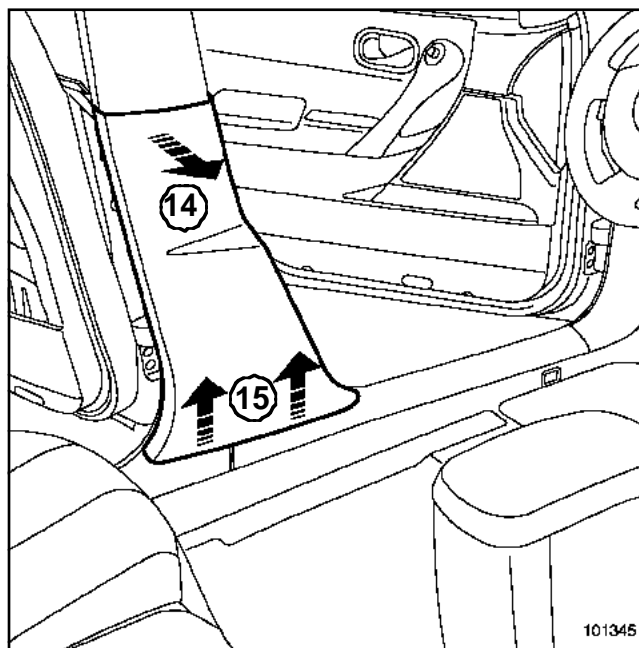


102055

- ❑ Remove inertia reel bolt (13).

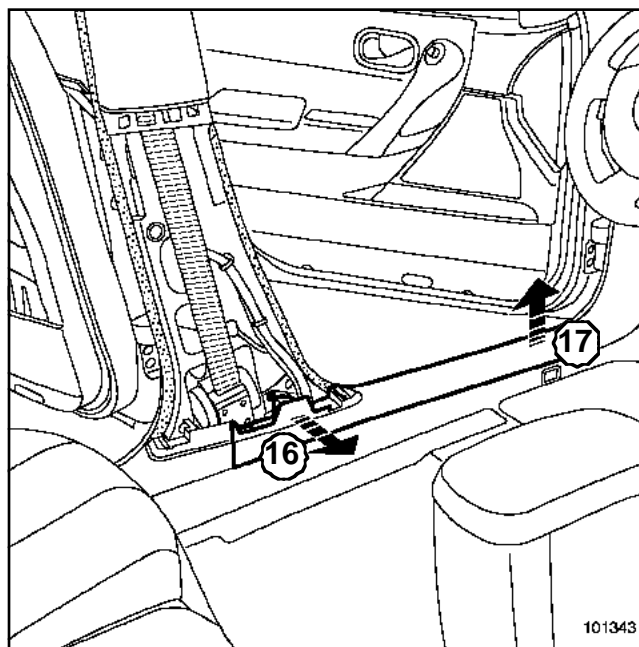
SPECIAL NOTES ON THE 5-DOOR VERSION

- ❑ Move the front seat forward.
- ❑ Unfasten the seat belt (same procedure as for 3-door version).



101345

- ❑ Unclip trim upper section (14).
- ❑ Remove B-pillar trim (15).



101343

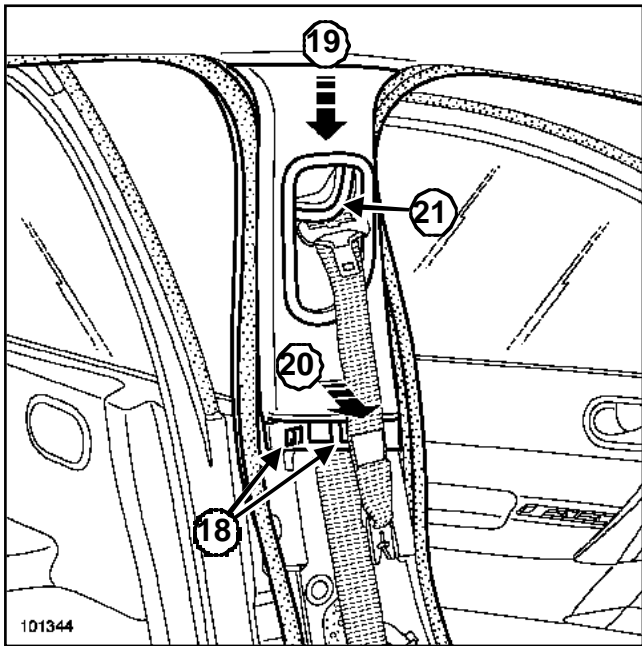
- ❑ Unclip the trim in the direction of (16) and (17).

SAFETY ACCESSORIES

Front seat belt: Removal - Refitting

59A

C84



- Partially remove the door seals.
- Unclip lower mounting clips (18) .
- Remove:
 - the trim in the direction of (19) and (20) ,
 - the seat belt strap through opening (21)

Note:

The remainder of the replacement procedure is the same as for the 3-door version.

REFITTING

- Proceed in the reverse order to removal.
- Tighten to torque:
 - the **seat belt mounting bolts (21 Nm)** ,
 - the **seat belt rail mounting bolts (21 Nm)** .

SAFETY ACCESSORIES

Front seat belt: Removal - Refitting

59A

B84

Tightening torques

seat belt mounting bolts	2.1 daNm
--------------------------	----------

REMOVAL

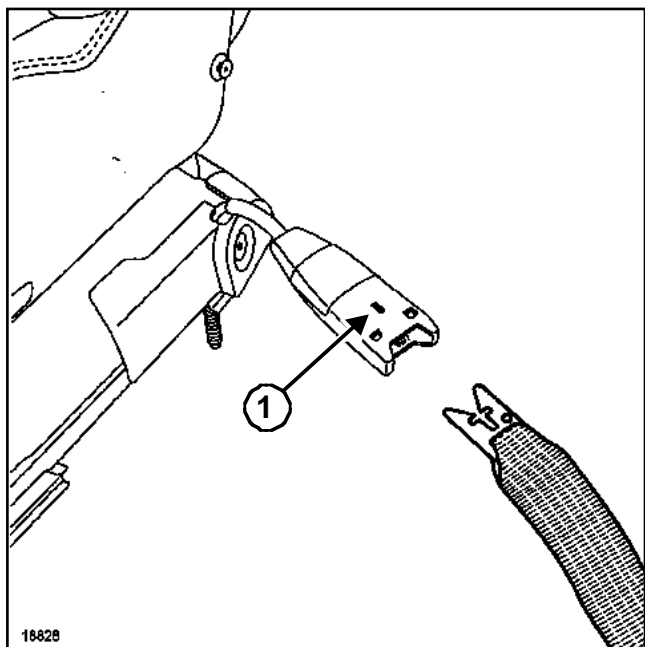
□

IMPORTANT

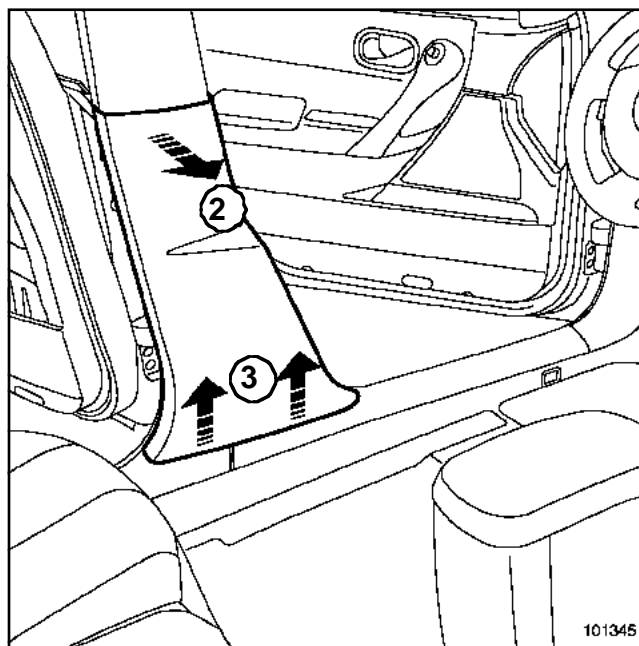
- The front belts and pretensioners must always be replaced if the pretensioners are triggered (if the latter are fitted). If there are any doubts about whether the seat belt was being worn, you should replace it.

- For a vehicle fitted with rear side airbags, it is essential to lock the airbag computer using the diagnostic tool before removing the trim (see (see **88C, Airbag and Pretensioners**)).

□ Move the front seat forward.

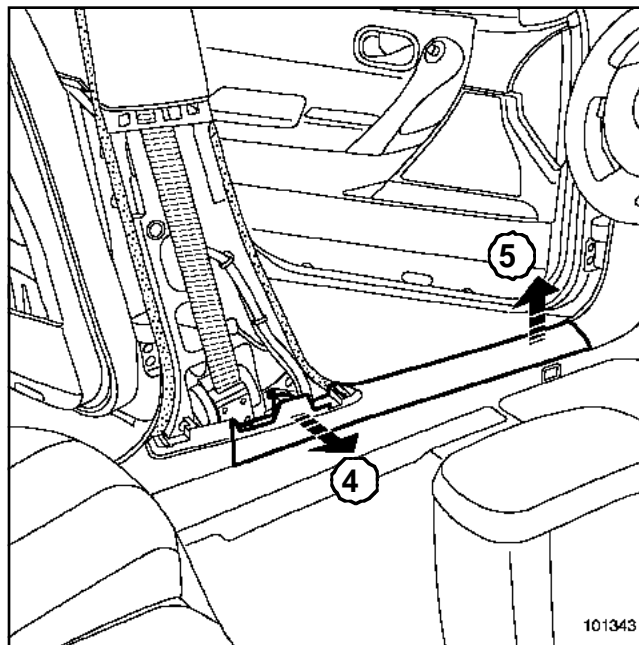


□ Undo the seat belt by pressing catch (1) .



□ Unclip trim upper section (2) .

□ Release B-pillar trim (3) .



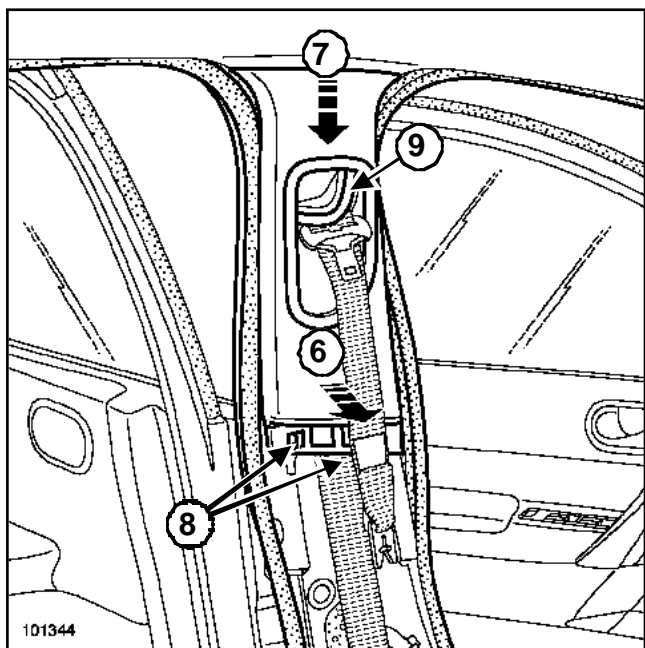
□ Unclip the trim in the direction of (4) and (5) .

SAFETY ACCESSORIES

Front seat belt: Removal - Refitting

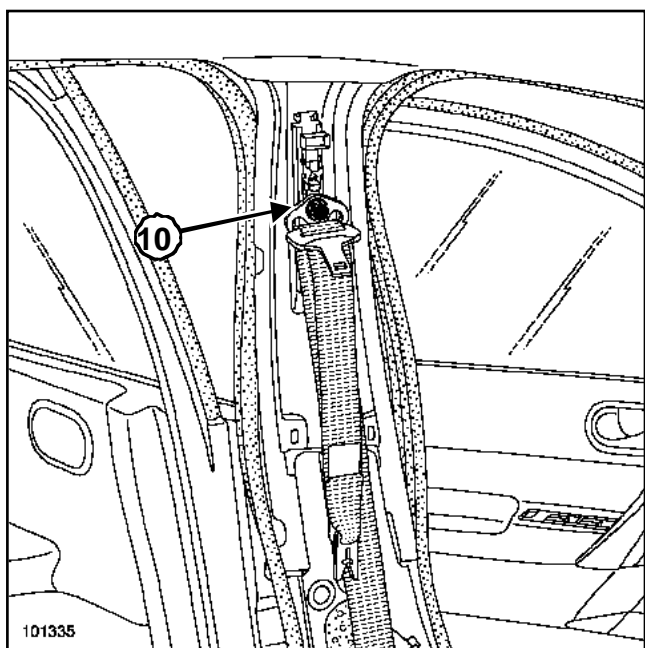
59A

B84



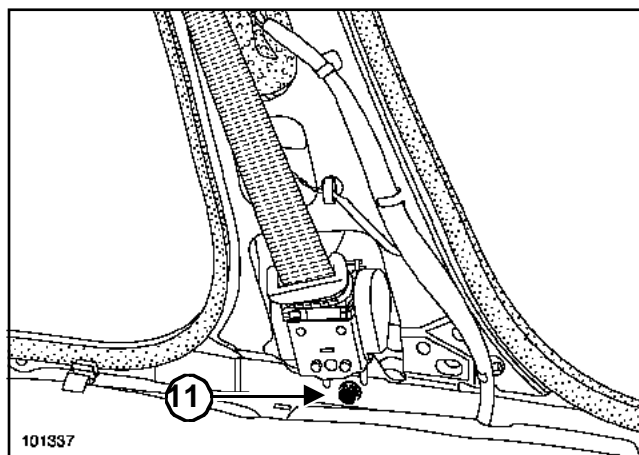
101344

- Partially remove the door seals.
- Unclip lower mounting clips (8) .
- Disconnect:
 - the trim in the direction of (6) and (7) ,
 - the seat belt buckle through opening (9) .



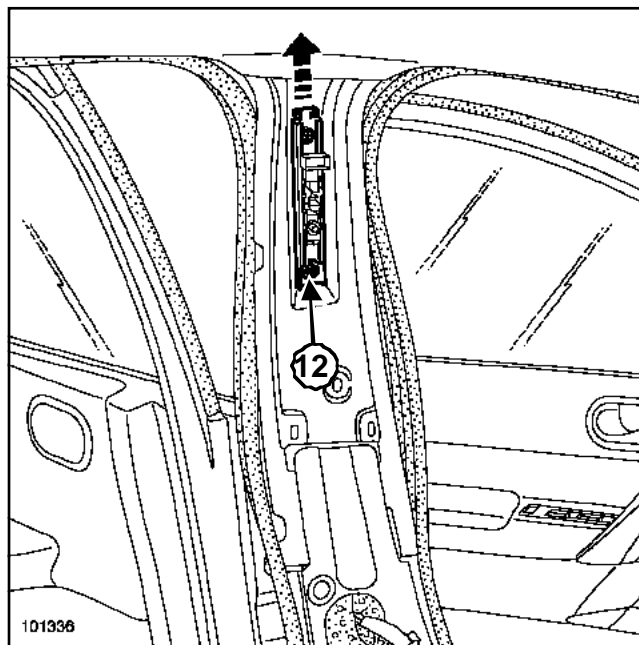
101335

- Remove seat belt anchorage bolt (10) .



101337

- Remove inertia reel bolt (11)
- Remove the inertia reel.



101336

- Remove seat belt height adjustment mechanism mounting bolt (12) .
- Release the assembly upwards.

REFITTING

- To refit, proceed in the reverse order of removal.
- Tighten to torque the **seat belt mounting bolts (2.1 daNm)** .

C84

Tightening torques 

seat belt mounting bolts	2.1 daNm
--------------------------	----------

REMOVAL

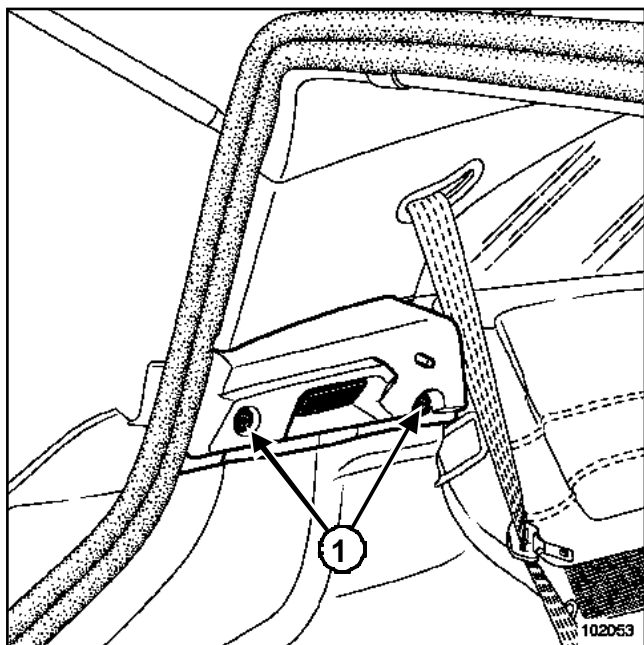
□

IMPORTANT

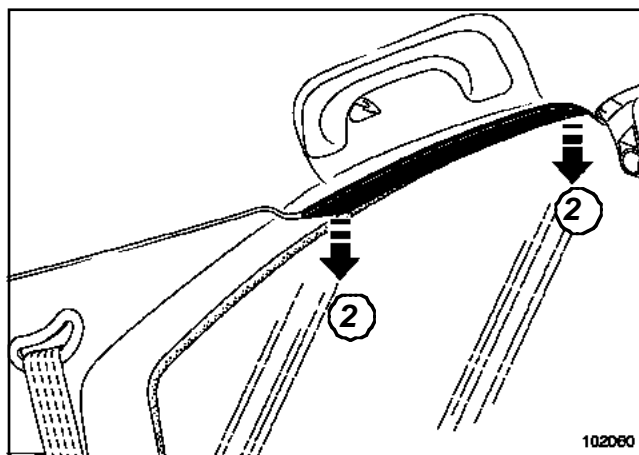
- Seat belts that were fastened during an impact must always be replaced. If there are any doubts about whether the seat belt was being worn, you should replace it.

- For a vehicle fitted with rear side airbags, it is essential to lock the airbag computer with the diagnostic tool before removing the trim (see (see **88C, Airbag and Pretensioners**)).

- Move the seat forward.
- Remove the rear parcel shelf.

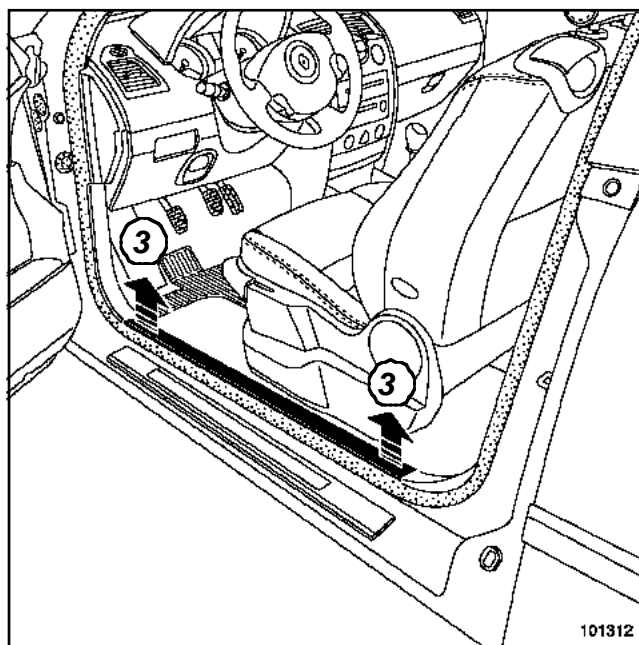


- Remove bolts (1) .
- Remove the parcel shelf.
- Disconnect the boot lighting connector.



102060

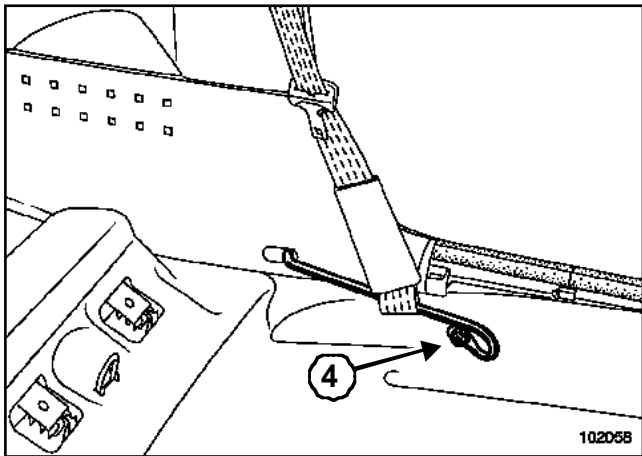
- Unclip upper trim (2)



101312

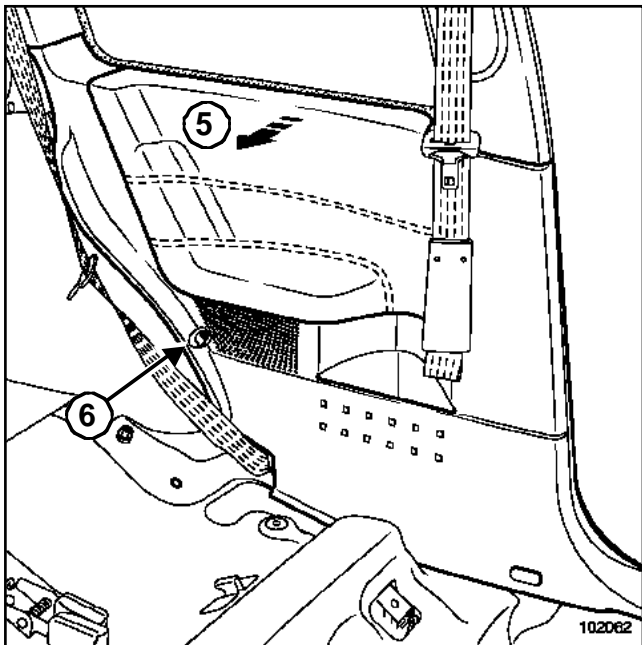
- Unclip front door sill lining (3) .

C84



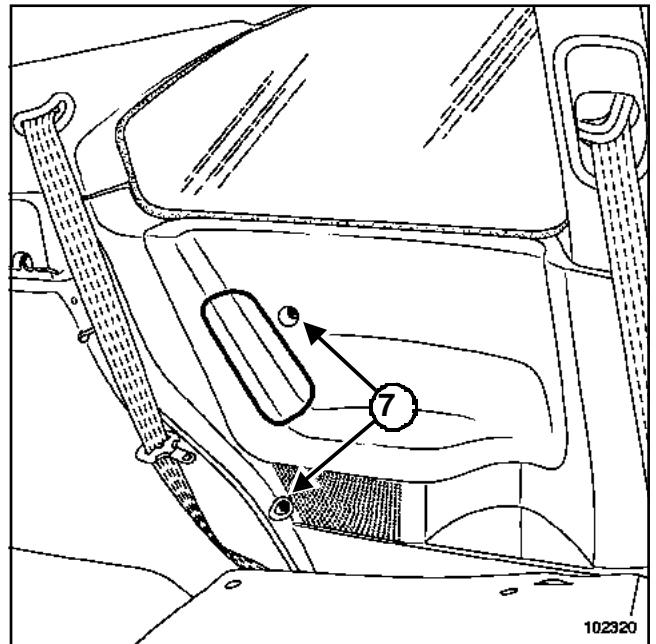
102058

- Remove:
 - the bench seat base,
 - bolt (4) .
- Release the strap retaining rail.



102062

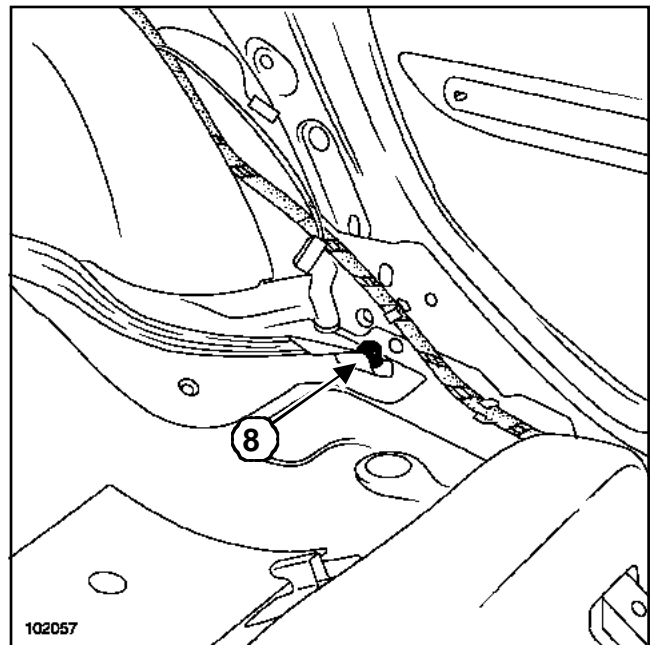
- Remove bolt (6) .
- Unclip trim (5) .



102320

102320

- Remove both bolts (7) for vehicles fitted with rear side airbags.

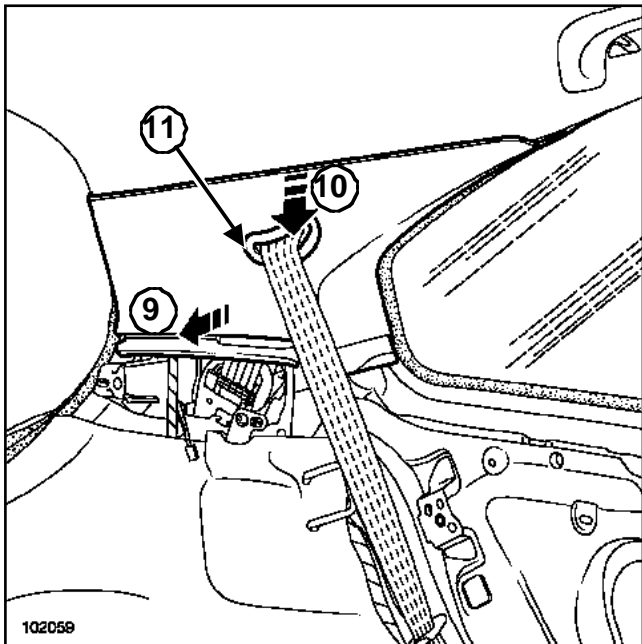


102057

102057

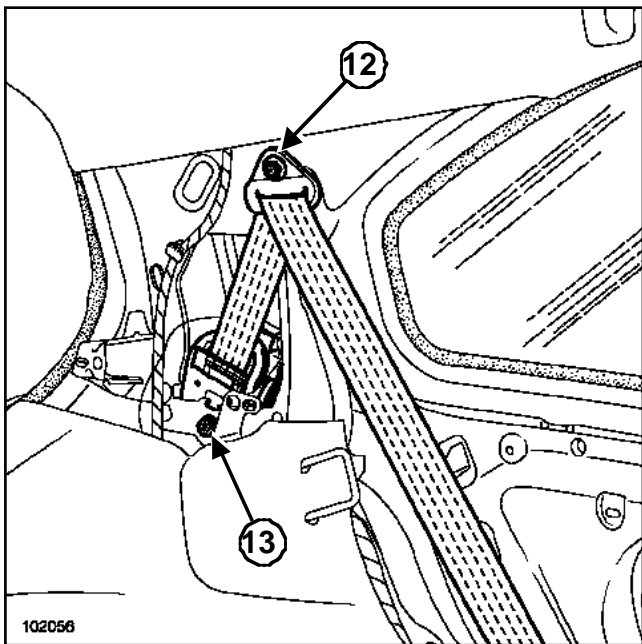
- Remove seat belt lower mounting bolt (8)

C84



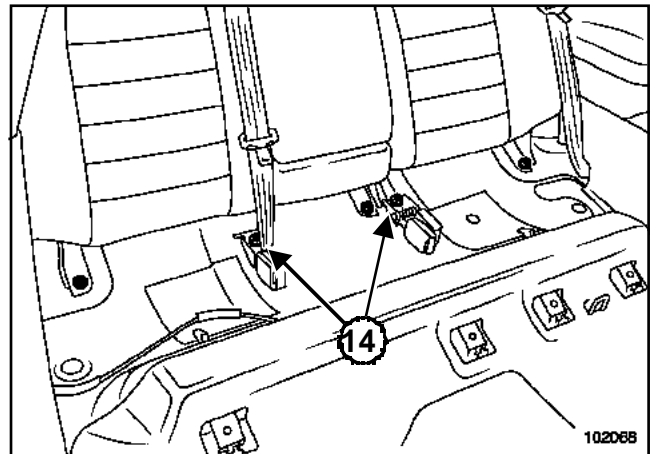
102059

- Partially remove the luggage compartment seal.
- Unclip the quarter panel trim in the direction of (9) and (10) .
- Release the seat belt strap through opening (11) .



102056

- Remove:
 - bolt (12) ,
 - inertia reel mounting bolt (13) .



102068

102068

- Remove seat belt buckle mounting bolts (14) .

REFITTING

- To refit, proceed in the reverse order of removal.
- Tighten to torque the **seat belt mounting bolts (2.1 daNm)** .

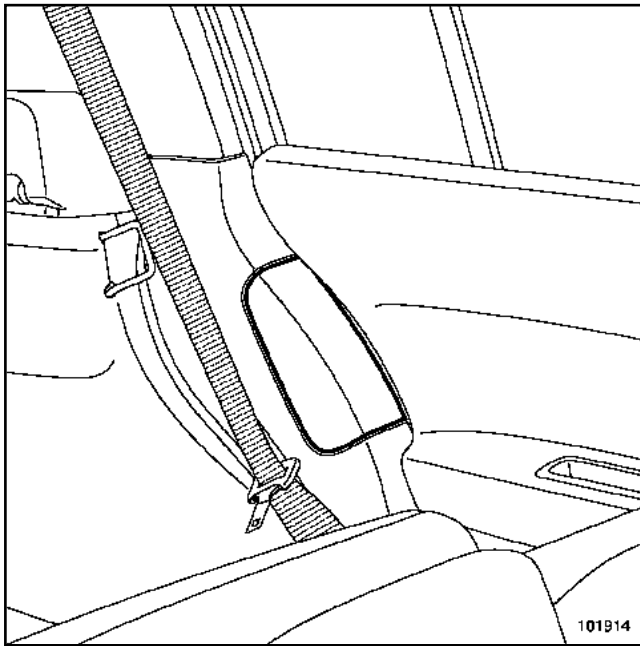
B84

Tightening torques 

seat belt mounting bolts

2.1 daNm

REMOVAL

101914
101914

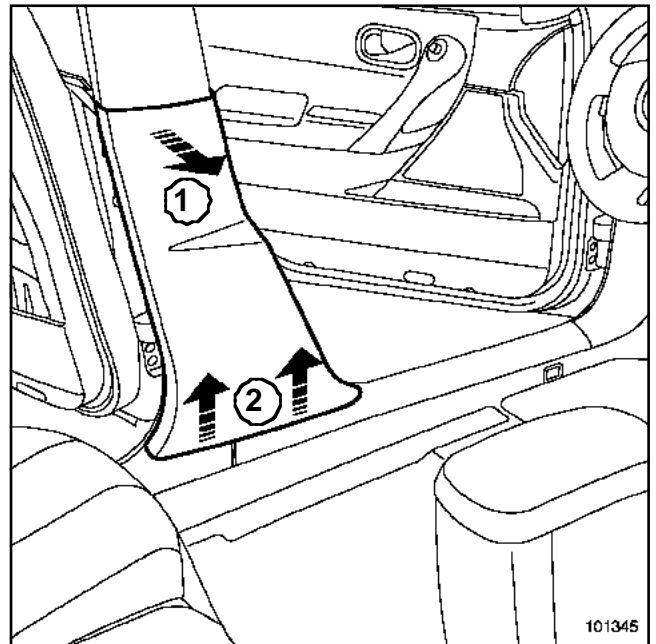
□

IMPORTANT

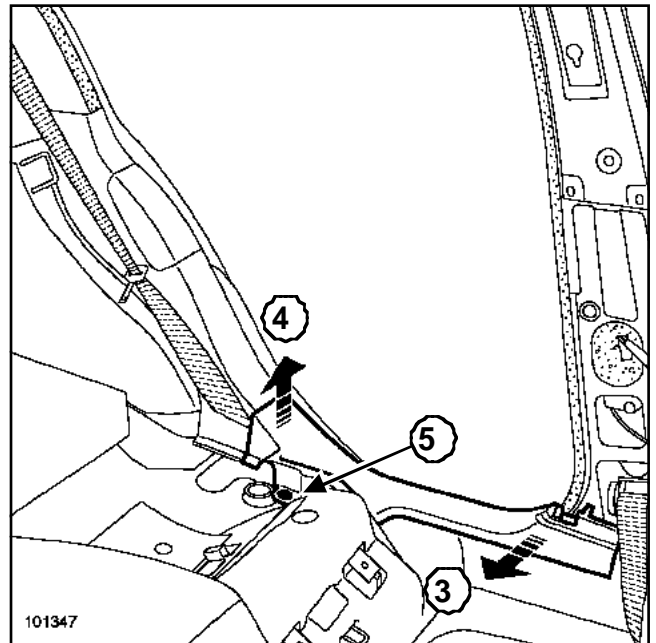
- Seat belts that are fastened during an impact must always be replaced. If there are any doubts about whether the seat belt was being worn, you should replace it.

- For a vehicle fitted with rear side airbags, it is essential to lock the airbag computer with the diagnostic tool before removing the trim (see (see **88C, Airbag and Pretensioners**)).

- Move the seat forward.
- Remove the rear parcel shelf.

101345
101345

- Unclip trim upper section (1) .
- Remove trim (2)

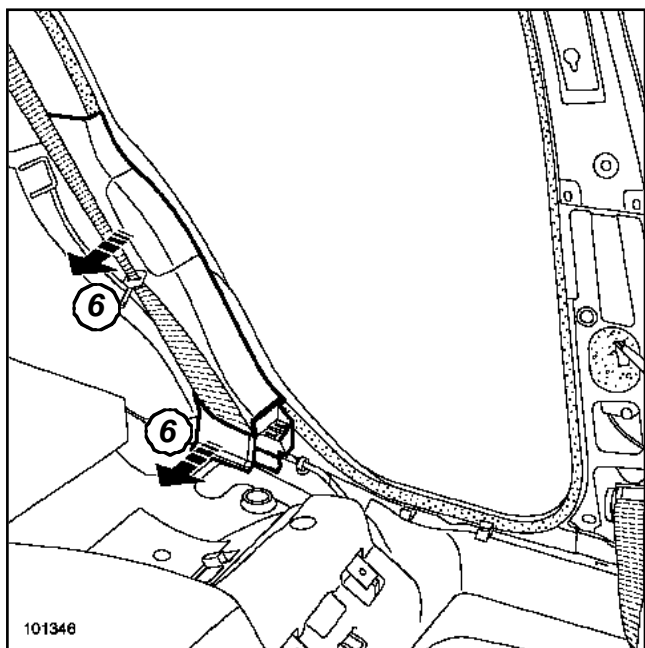


101347

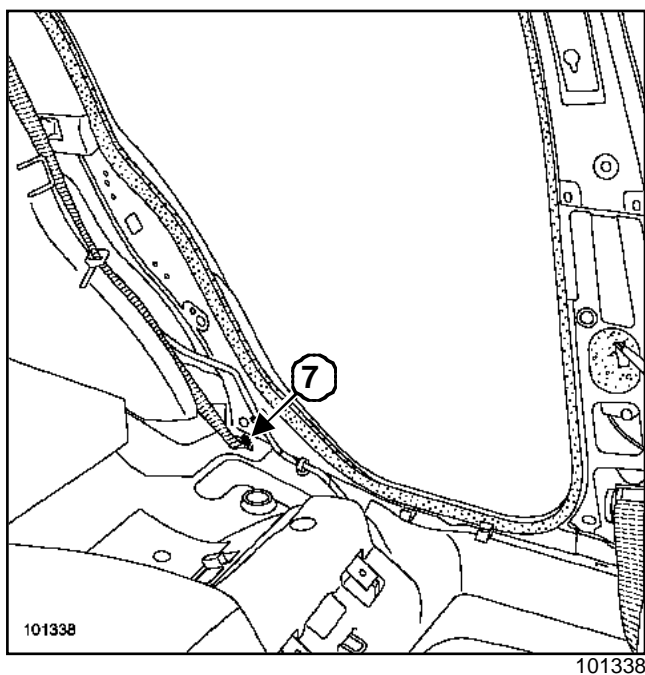
101347

- Remove:
 - the bench seat base,
 - clip (5) using a pair of unclipping pliers.
- Unclip the trim in the direction of (3) and (4) .

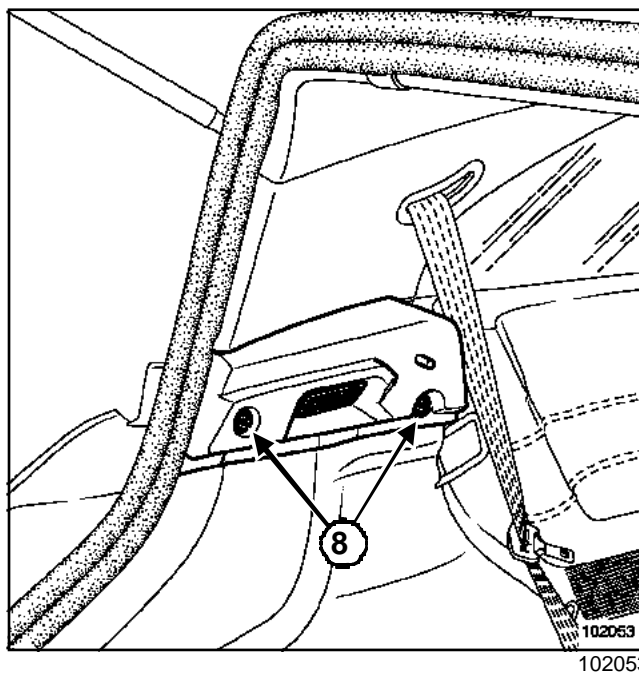
B84



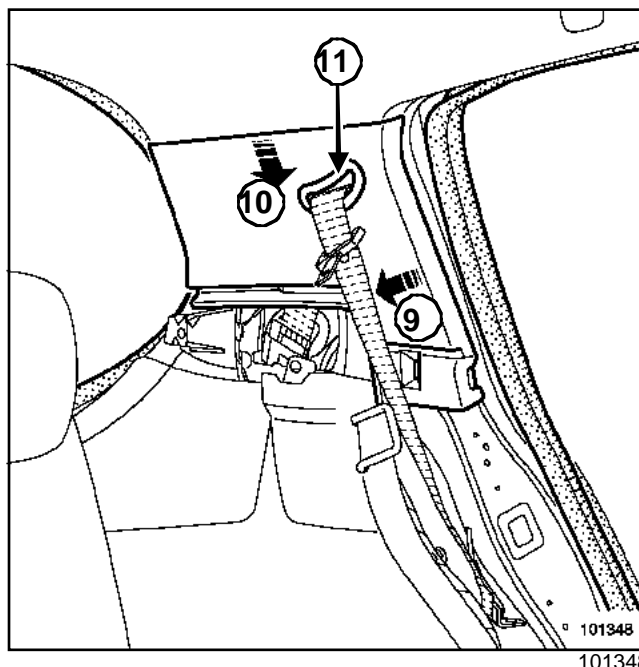
- Unclip trim (6) .



- Remove the seat belt fittings mounting bolt (7) .

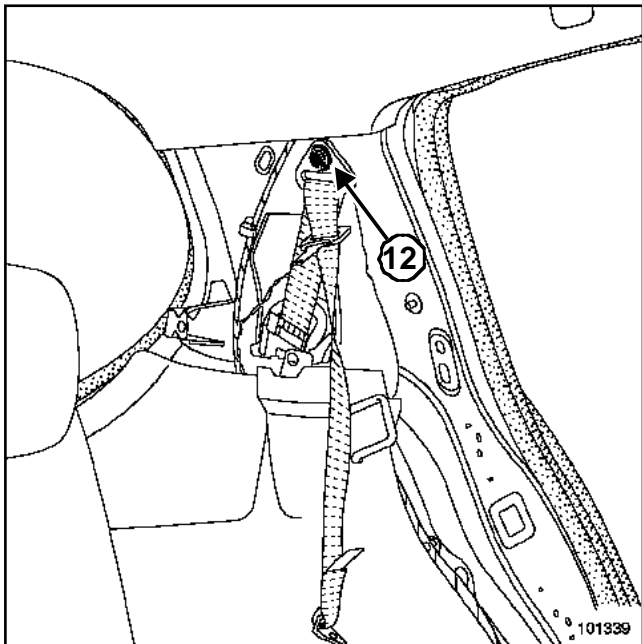


- Remove bolts (8) .
- Disconnect the boot lighting connector.

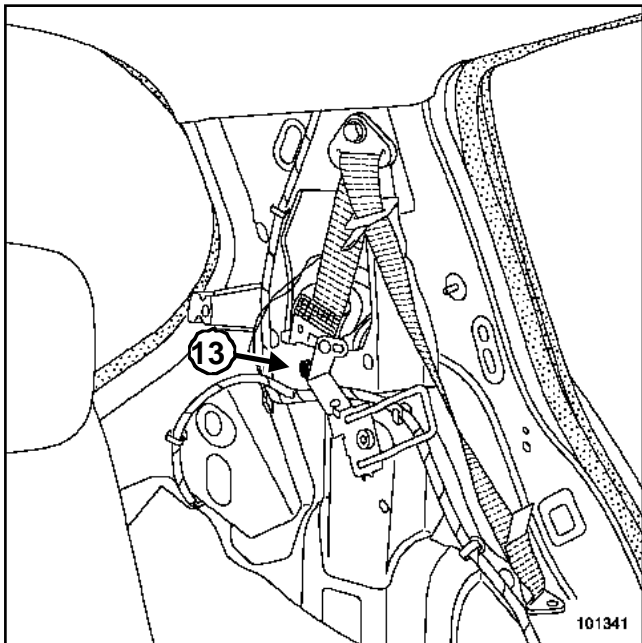


- Unclip trim (9) .
- Disconnect:
 - trim (10) ,
 - the seat belt strap through opening (11)

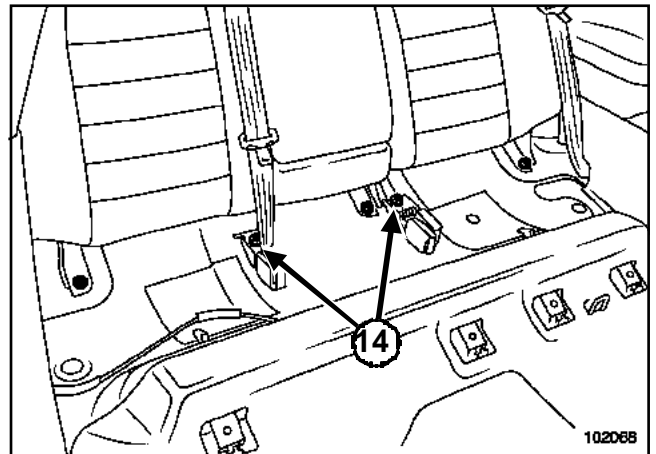
B84



- Partially remove the wheel arch trim.
- Remove seat belt upper mounting bolt (12) .



- Remove seat belt inertia reel bolt (13) .



- Remove seat belt buckle mounting bolts (14) .

REFITTING

- To refit, proceed in the reverse order of removal.
- Tighten to torque the **seat belt mounting bolts (2.1 daNm)** .

Centre rear seat belt: Removal - Refitting

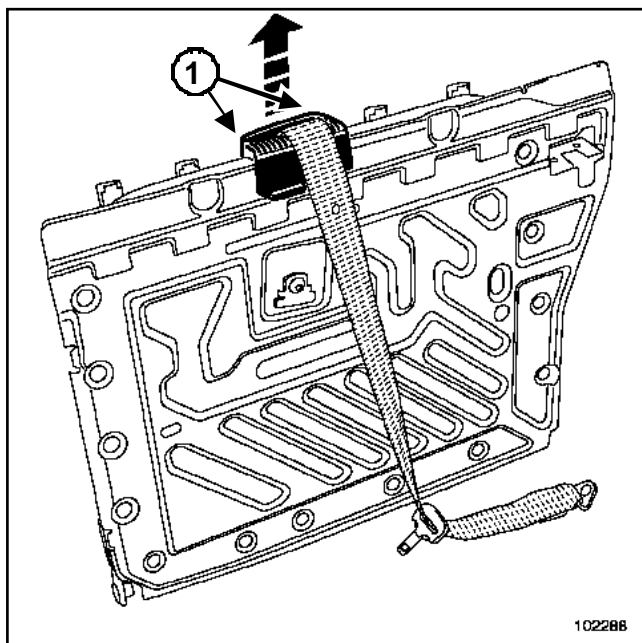
B84 or C84

Tightening torques 

seat belt inertia reel mounting bolt	25 Nm
--------------------------------------	-------

REMOVAL

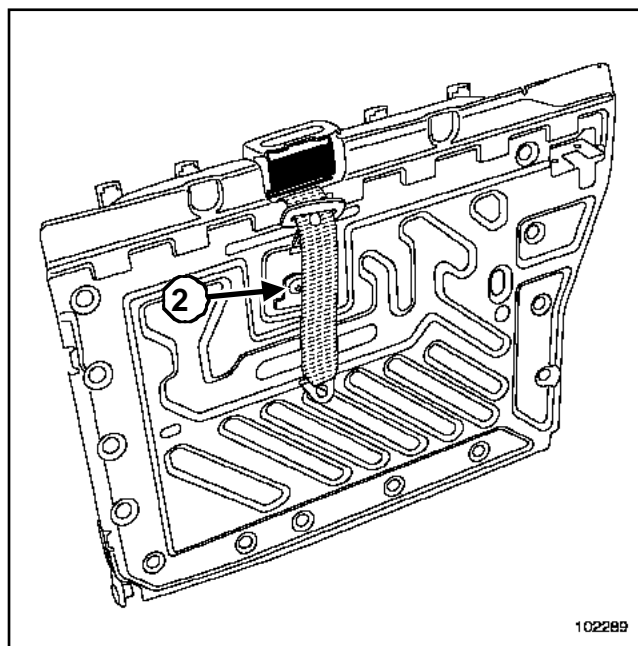
- Remove the seatback (see 78A, Rear seat trims, Seatback trim).



102288

102288

- Remove bolts (1).
- Remove the strap cover.



102289

102289

- Remove inertia reel bolt (2)
- Remove:
 - the inertia reel,
 - the belt guide trim.

REFITTING

- Proceed in the reverse order to removal.
- Tighten to torque the **seat belt inertia reel mounting bolt (25 Nm)**.