
5 Parts and Diagrams

[Product Support on page 174](#)

[Center Covers Front \(1 of 3\) on page 175](#)

[Center Covers Front \(2 of 3\) on page 176](#)

[Center Covers Front \(3 of 3\) on page 177](#)

[Roll Covers on page 178](#)

[Center Covers \(Rear\) on page 179](#)

[Right Cover on page 180](#)

[Left Cover on page 181](#)

[Right Hand Assemblies on page 182](#)

[Left Hand Assemblies on page 183](#)

[Carriage Assembly on page 184](#)

[Scan-Axis Assemblies on page 185](#)

[Paper Path Assemblies \(Front\) on page 186](#)

[Paper Path Assemblies \(Rear\) on page 187](#)

[Roll Supports on page 188](#)

[Scanner Parts \(1 of 3\) on page 189](#)

[Scanner Parts \(2 of 3\) on page 190](#)

[Scanner Parts \(3 of 3\) on page 191](#)

[Tools 1 on page 192](#)

[Tools 2 on page 193](#)

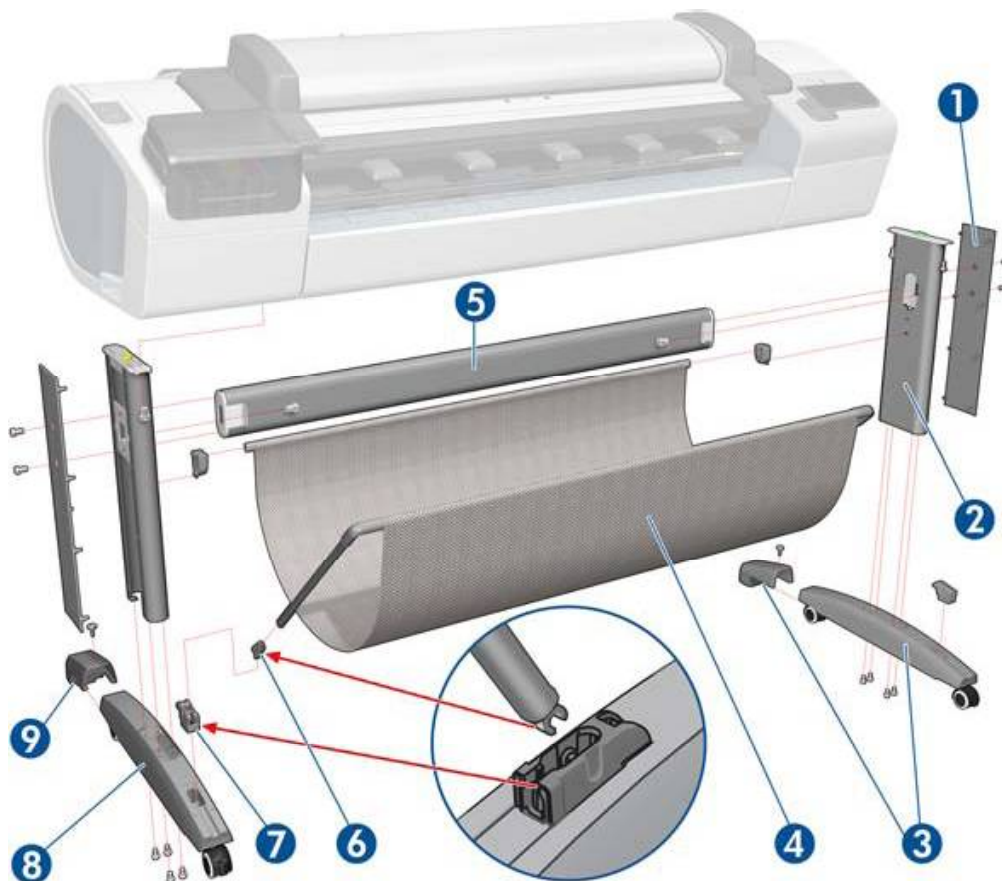
[Miscellaneous Parts on page 194](#)

Introduction

The list of parts in this chapter include the notation (CSR A) or (CSR B) for parts that can be replaced by the customer. All other parts must be replaced by an engineer. See [Customer Self Repair parts on page 204](#).

Product Support

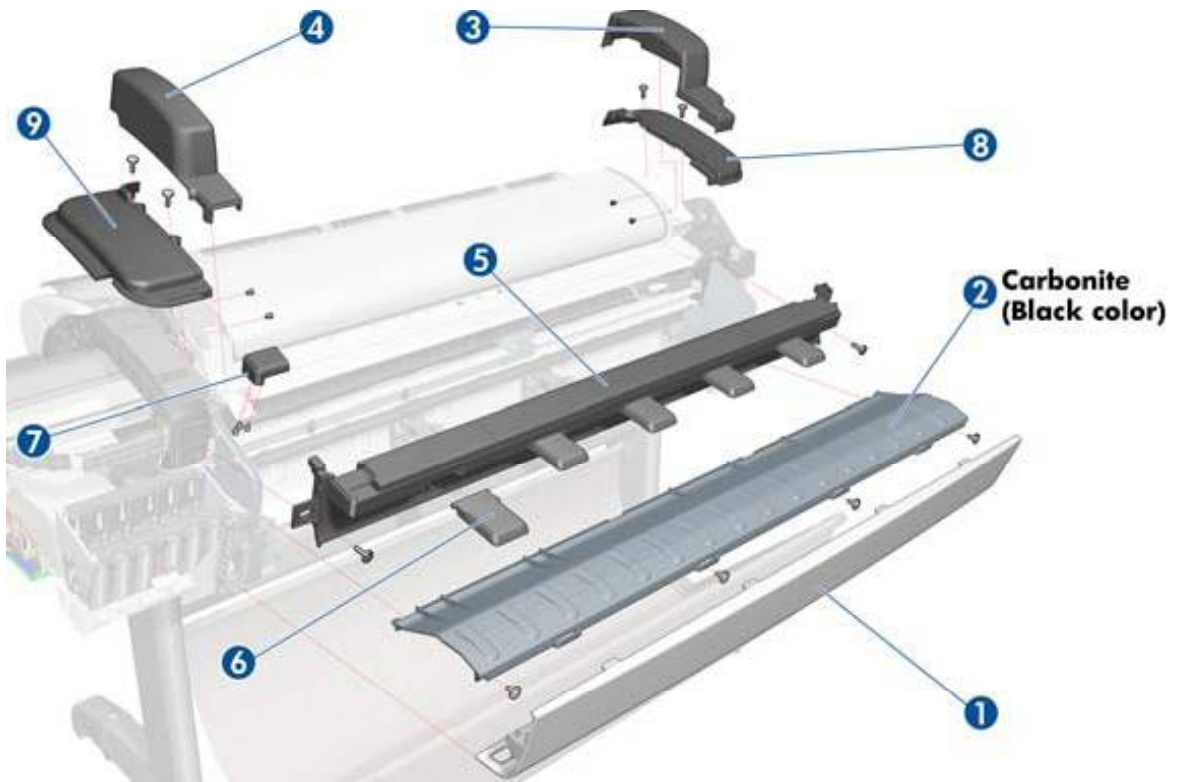
	HP Part Number	Part Description	Cross-reference	Products Applicable
1	Q5669-60718	Leg Cover (CSR A) (Left & Right)		All
2	Q5669-60716	Leg Assembly (Left & Right)		All
3	CN727-60056	Stand Foot w/ extension w/ screw (x2)		T2300
4	Q6659-60237	Bin Assembly (includes Bin Support, gray color) (CSR A)	Bin Assembly on page 207	T1300-44"-2R, T2300
	Q5669-60719			T790-24"
5	Q6659-60236	Cross-brace Assembly		T790-44"-1R, T1300-44"-2R, T2300
	Q5669-60717			T790-24"
6	Q5669-67063	Basket Tube × 2 (CSR A)		T790, T1300
	Q6659-60159	Basket Tube		T2300
7	Q5669-60715	Foot Bracket × 2		T790-44"-1R, T790-24" T1300-44"-2R
8	Q5669-60730	Hardware Kit (Includes screws for Legs Assembly) (CSR A)		T2300
	CH639-69001	Foot Assembly (includes 2 feet, black color)		T790, T2300
9	CN727-60093	Stand Foot Extension (w/screw)	Foot Extension on page 461	T2300



Center Covers Front (1 of 3)



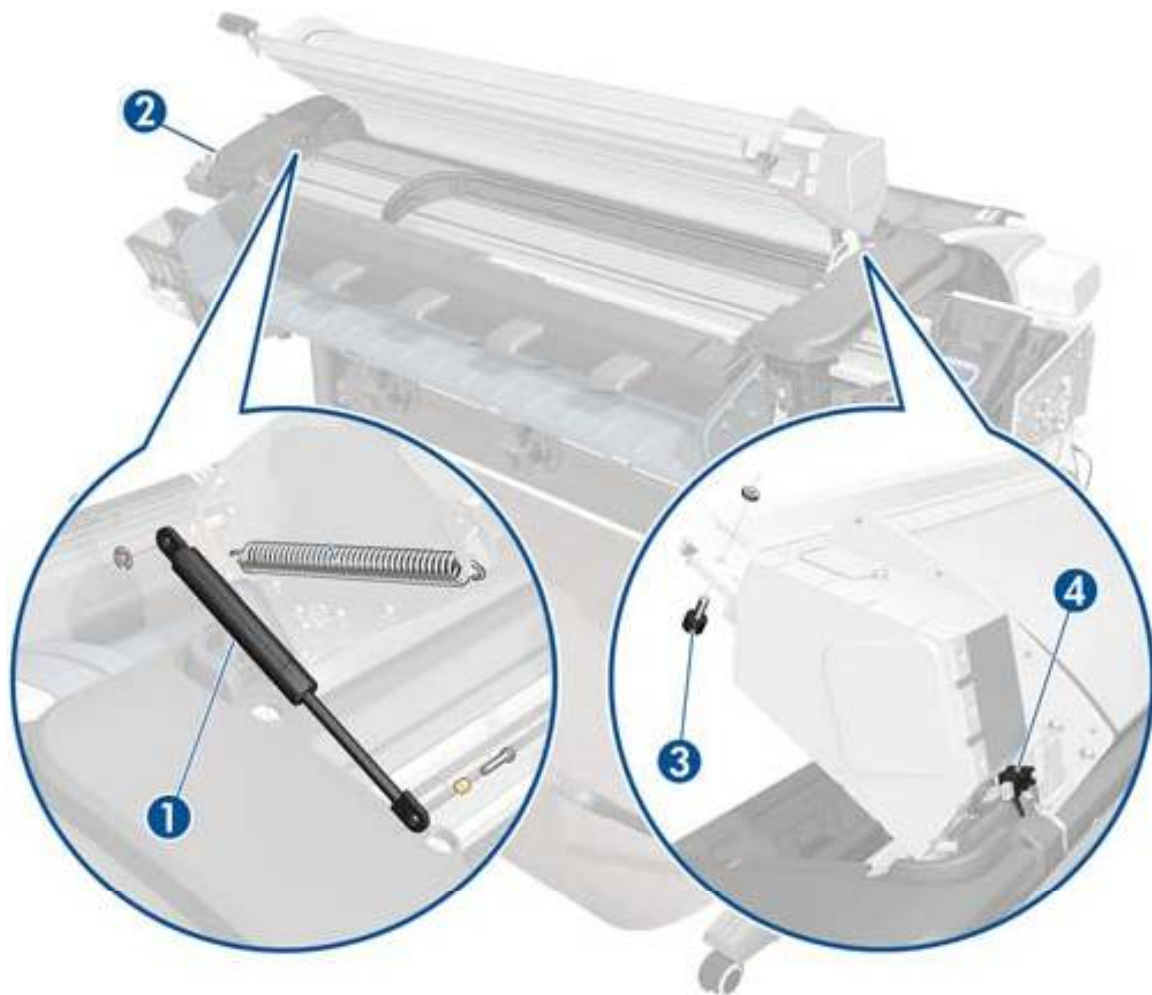
	HP Part Number	Part Description	Cross-reference	Products Applicable
-	CH538-67071	Scanner Position sensor	Scanner Position Sensor (MFP only) on page 413	T2300
1	Q6687-60064	Front Cover	Front Cover on page 275	T2300
2	CN727-60052	Anti ESD Media Output Assy Carbonite	Media Output Assembly on page 340	T2300
3	CN727-60058	Scanner Cover Right	Right Scanner Cover (MFP only) on page 372	T2300
4	CN727-60059	Scanner Cover Left	Left Scanner Cover (MFP only) on page 321	T2300
5	CN727-60063	Front Top Cover Assy	Front Top Cover Assembly (MFP only) on page 276	T2300
6	CN727-60066	Front Deflector (incl. 2 pcs)	Front Deflector on page 462	T2300
7	CN727-60064	Latch Handle Cover	Latch Handle Cover on page 469	T2300
8	CN727-60060	Collar cover Right	Right Collar Cover (MFP only) on page 270	T2300
9	CN727-600621	Collar Cover Left	Left Collar Cover (MFP only) on page 316	T2300



Center Covers Front (2 of 3)

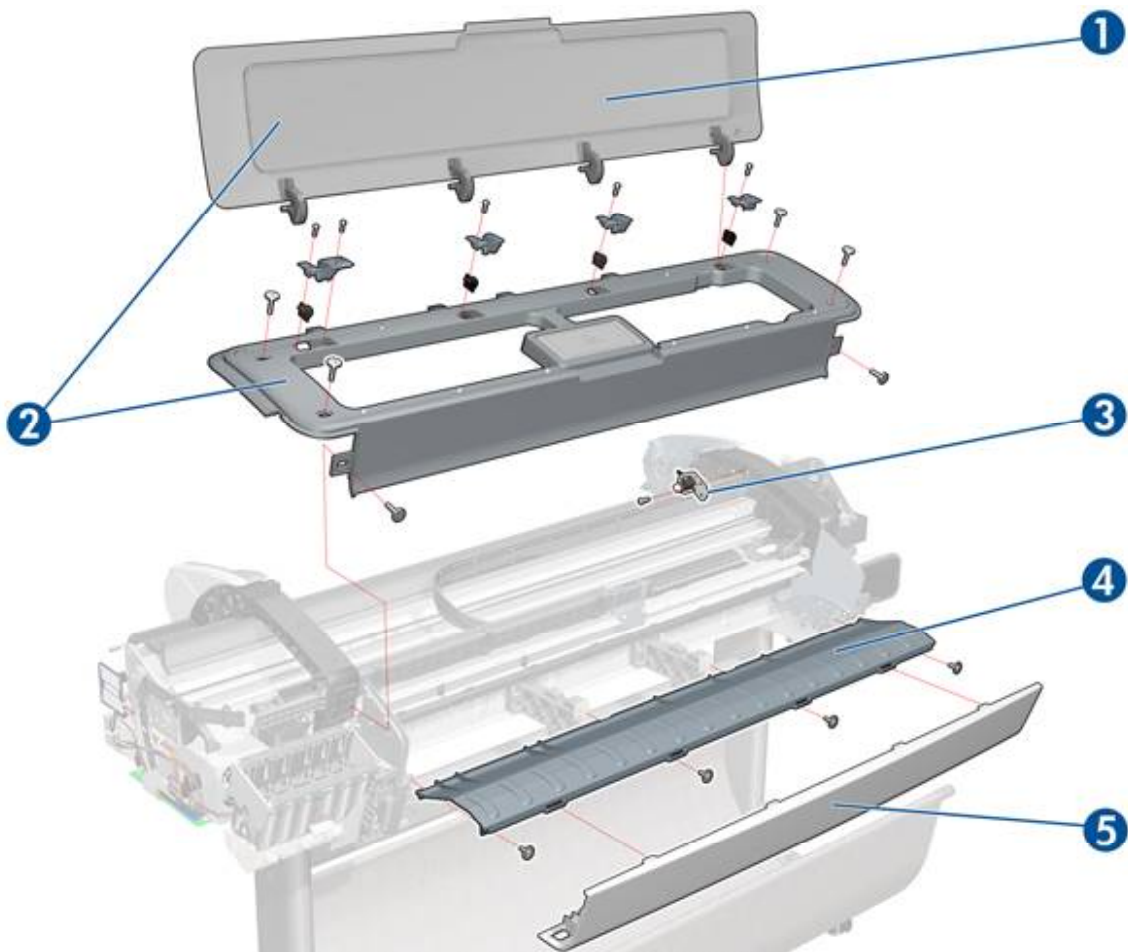


	HP Part Number	Part Description	Cross-reference	Products Applicable
1	CN727-60068	Scanner Piston Gas Assy	Scanner Piston Gas (MFP only) on page 263	T2300
2	CN727-69004	Torsion Damper	Torsion Damper (MFP only) on page 417	T2300
3	CN727-60069	Scanner Bumper Assy (includes wrench #8 and allen key #10)	Scanner Bumper (MFP only) on page 266	T2300
4	CH538-67071	Position sensor	Scanner Position Sensor (MFP only) on page 413	T2300



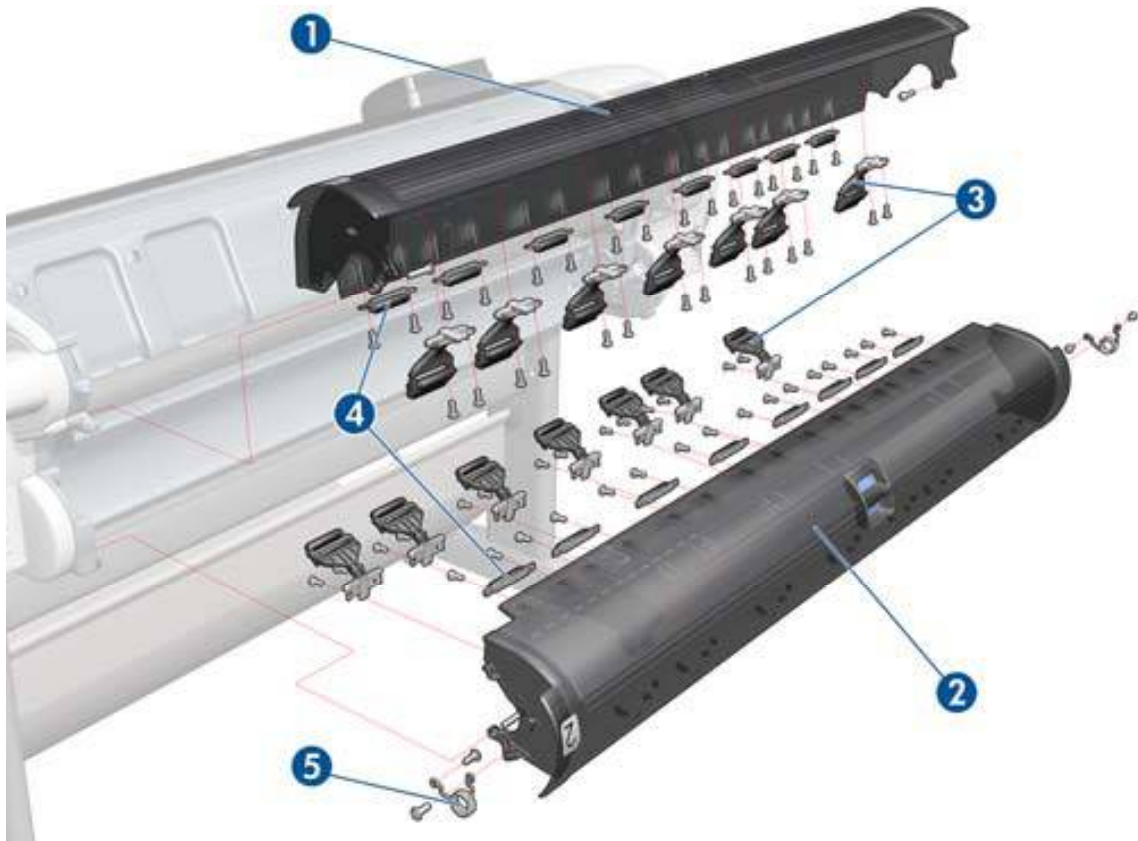
Center Covers Front (3 of 3)

	HP Part Number	Part Description	Cross-reference	Products Applicable
1	CR649-67001	T790 Window 44 SV	Window on page 431	T790-44"-1R,
	CR647-67002	T790 Window 24 SV		T790-24"
	CR651-67002	T1300 Window 44 SV		T1300-44"-2R
2	CR647-67003	T790 Top Cover 24 SV	Front Top Cover on page 278	T790-24",
	CR649-67002	T790 Top Cover 44 SV		T790-44"-1R,
	CR651-67001	T1300 Top Cover SV		T1300-44"-2R
3	CH538-67071	Window Position Sensor (with shield)	Window Position Sensor on page 434	T790, T1300
	Q5669-60675			T2300
4	Q6659-60089	Media Output Assembly 44" products	Media Output Assembly on page 340	T1300, T790-44"
	Q5669-60155	Anti-ESD Media Output Assembly 24"		T790-24"
5	Q6687-60064	Front Cover All 44" products	Front Cover on page 275	T790-44"-1R, T1300, T2300
	Q6683-60201	Front Cover All 24" products		T790-24"



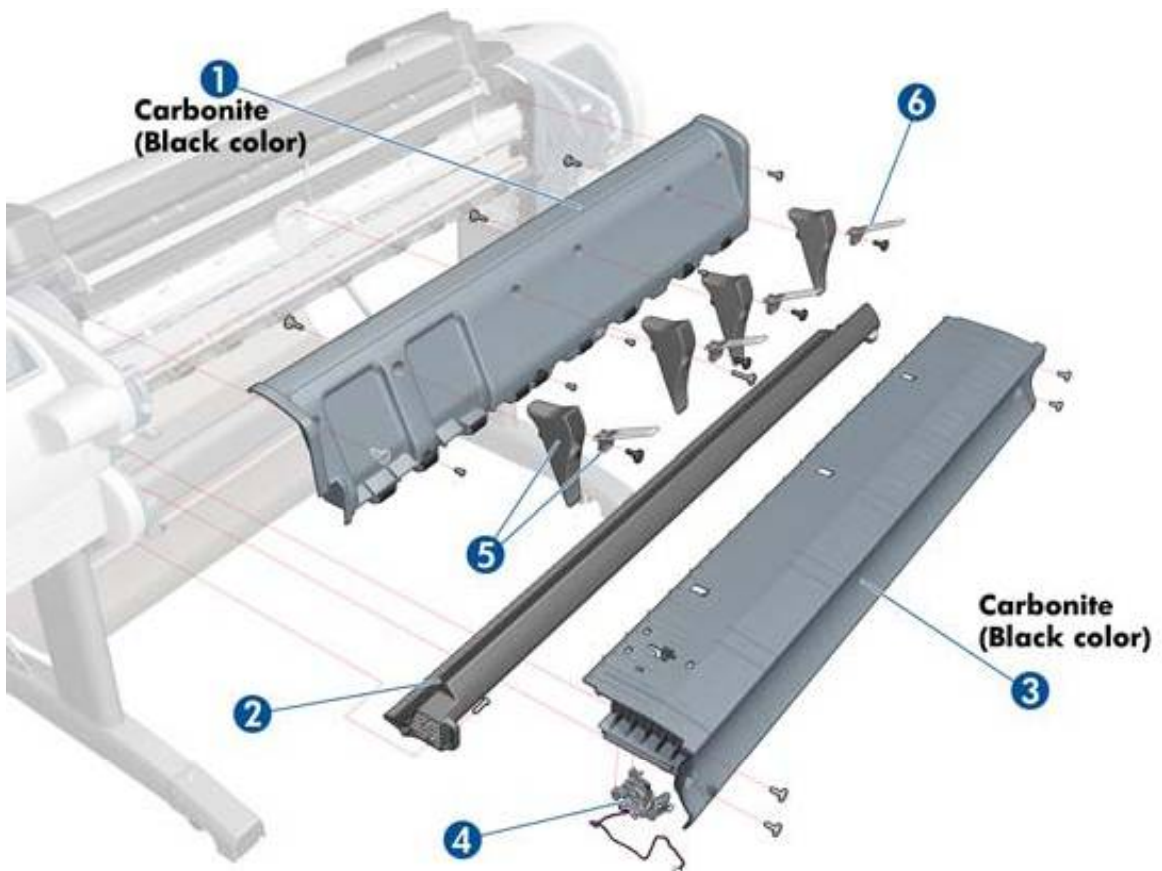
Roll Covers

	HP Part Number	Part Description	Cross-reference	Products Applicable
1	CH538-67003	Upper Roll Cover Assembly with pinches	Roll Cover, Upper on page 381	T790-44"-1R, T1300, T2300
	CQ305-60018	Upper Roll Cover Assembly Basic SV		T790-24"
	CH539-67009	Upper Roll Cover Assembly Basic SV		T790-44"
2	CH538-67002	Lower Roll Cover Assembly with pinches	Roll Cover, Lower on page 378	T1300, T2300
3	CH538-67037	Pinch Arm Assembly for Roll Cover (CSR A)	Pinch Arm Assembly on page 347	T1300, T2300
4	CH538-67050	Roll Cover Freewheel Assembly (CSR A)	Freewheel Assembly on page 291	T1300, T2300
5	CH538-67047	Roll Cover Bi-stable Springs Left and Right	Bi-stable Springs on page 210	T1300, T2300



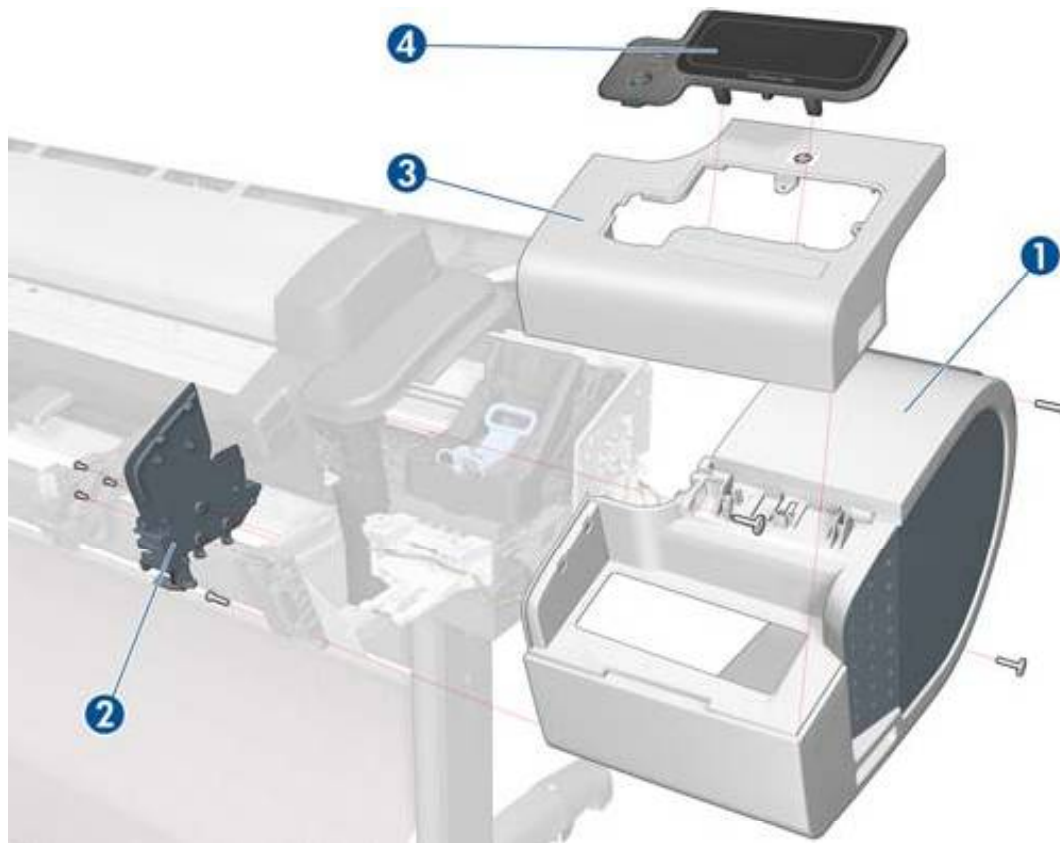
Center Covers (Rear)

	HP Part Number	Part Description	Cross-reference	Products Applicable
1	CN7227-60091	Back Cover Assembly Carbonite	Rear Cover (MFP only) on page 363	T1300-44"-2R, T2300
	CQ305-60015	Rear Cover		T790-24"
	CH538-67012	Back Cover SV		T790-44"
2	CH538-67022	Converger Assembly	Converger on page 261	T1300-44"-2R, T2300
	CQ305-60019	Converger CR Assembly		T790-24"
	CH539-67010	Converger CR Assembly		T790-44"
3	CN727-60047	Clean Out 44 new re carbon	Cleanout on page 257	T2300
	Q6683-67802	Cleanout 24 rev B		T790-24"
	CH538-60105	Cleanout TT		T790-44", T1300
4	Q5669-67801	Out-of-paper Sensor	Out-of-paper Sensor on page 341	All
5	CN727-60092	Rear Deflector Parts	Rear Deflectors on page 367	T2300
6	CN727-60094	Rear Deflector Mylar Assembly (CSR A)	Rear Deflector Mylar on page 464	T2300



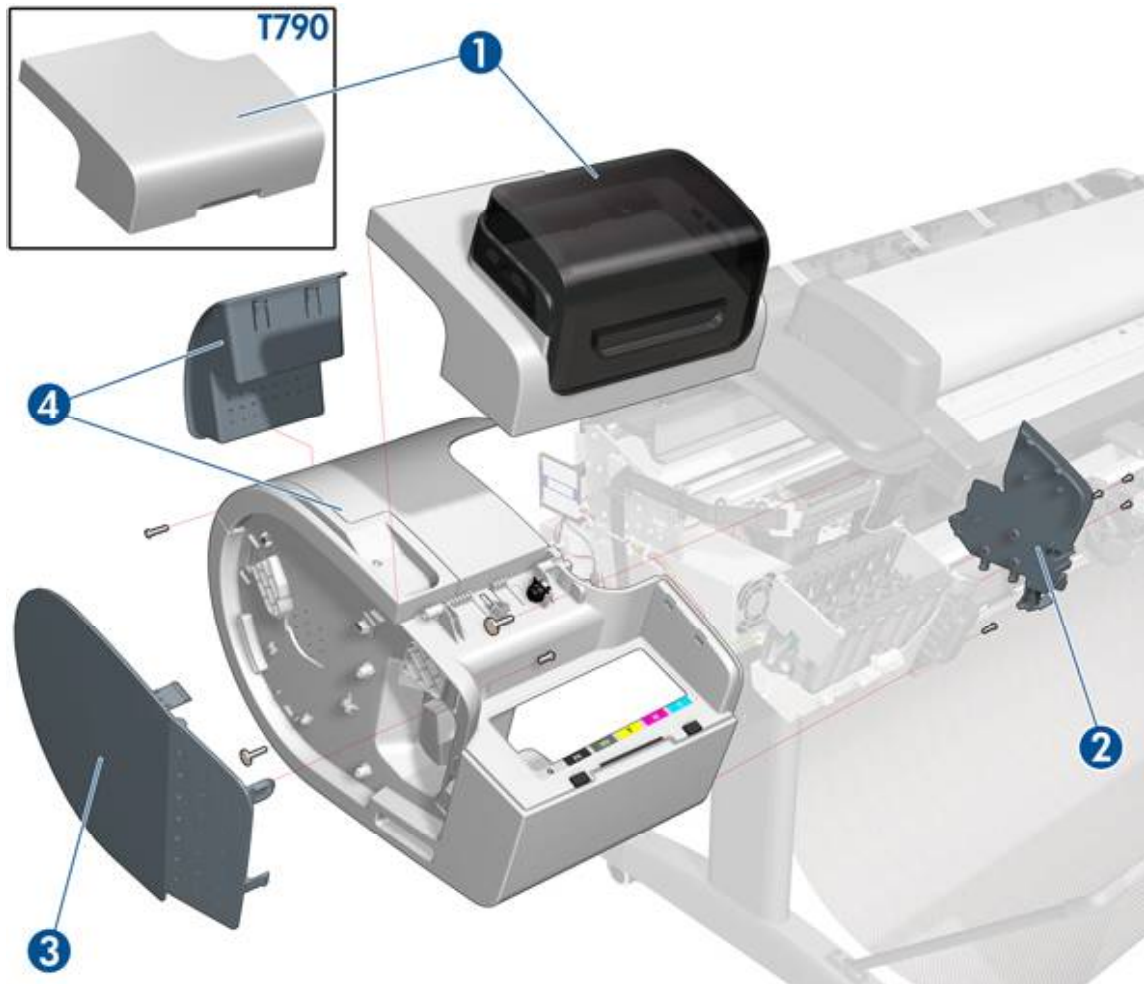
Right Cover

	HP Part Number	Part Description	Cross-reference	Products Applicable
1	CN727-60083	Right Cover (Without Right Ink Door Cover)	Right Cover on page 368	T1300, T2300
	CH539-67006	Right Cover		T790-24"
	CH538-67014	T1200 Right Cover		T790-44"
2	CN727-60053	Integrated Front Trim Carbonite (Left and Right)	Right Front Trim on page 293	All
	Q6675-60109	Integrated Front Trim (Left and Right)		T790-24", T790-44"
3	CN727-60074	Right Ink Door Cover (FP not included)	Right Ink Cartridge Door on page 297	All
4	CN727-67019	Touch Control Panel	Touch Control Panel on page 428	All



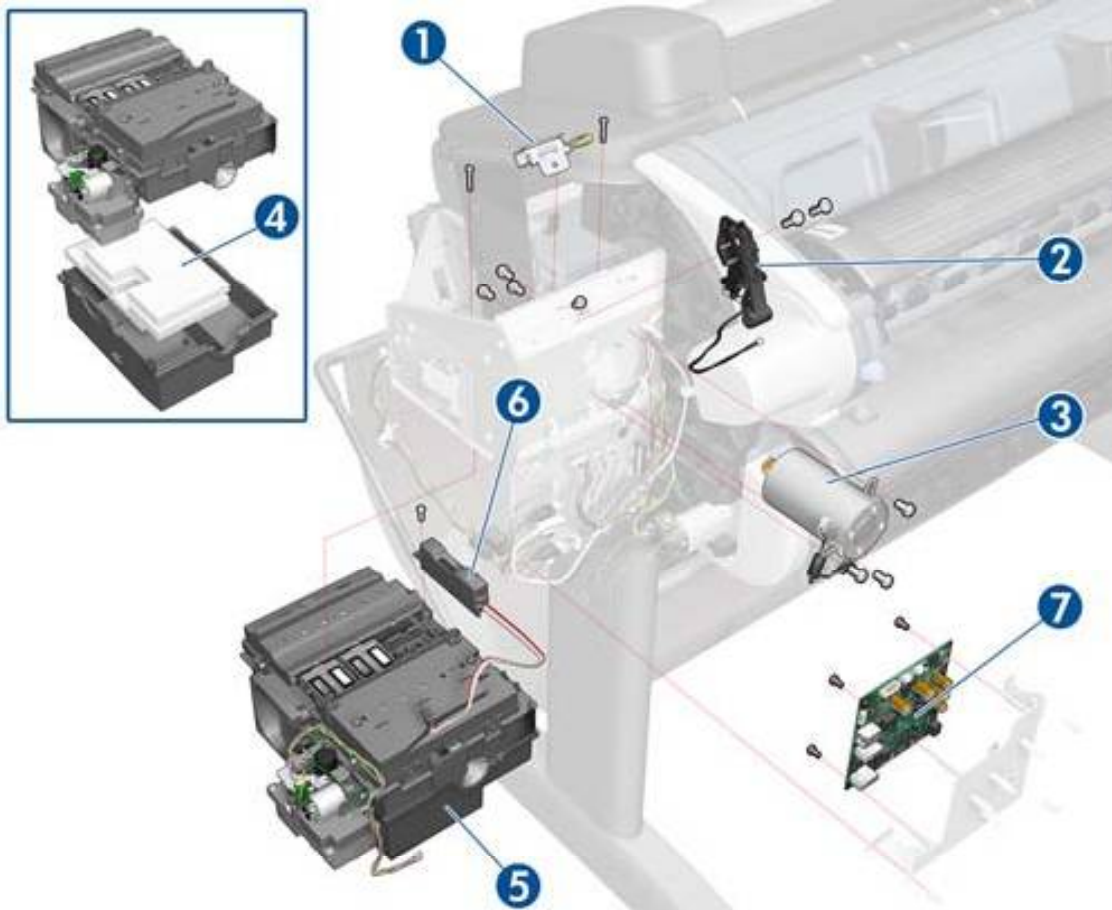
Left Cover

	HP Part Number	Part Description	Cross-reference	Products Applicable
1	CH538-67017	Left Ink Cartridge Door	Left Ink Cartridge Door on page 296	T1300-44"-2R, T2300
	CH539-67008	Left Ink Cartridge Door		T790-24", T790-44"
2	CN727-60053	Integrated Front Trim L & R Carbonite)	Left Front Trim on page 320	All
	Q6675-60109	Integrated Front Trim (Left and Right)		T790-24", T790-44"
3	CH538-67005	Left Side Panel (CSR B)	Left Panel on page 344	T1300-44"-2R, T2300
	CH539-67002	Left Side Panel (CSR B)		T790-24", T790-44"
4	CN727-60050	Left Cover with ink Door Carbonite	Left Cover on page 317	T1300-44"-2R, T2300
	CH539-67005	Left Cover with Ink Door		T790-24", T790-44"



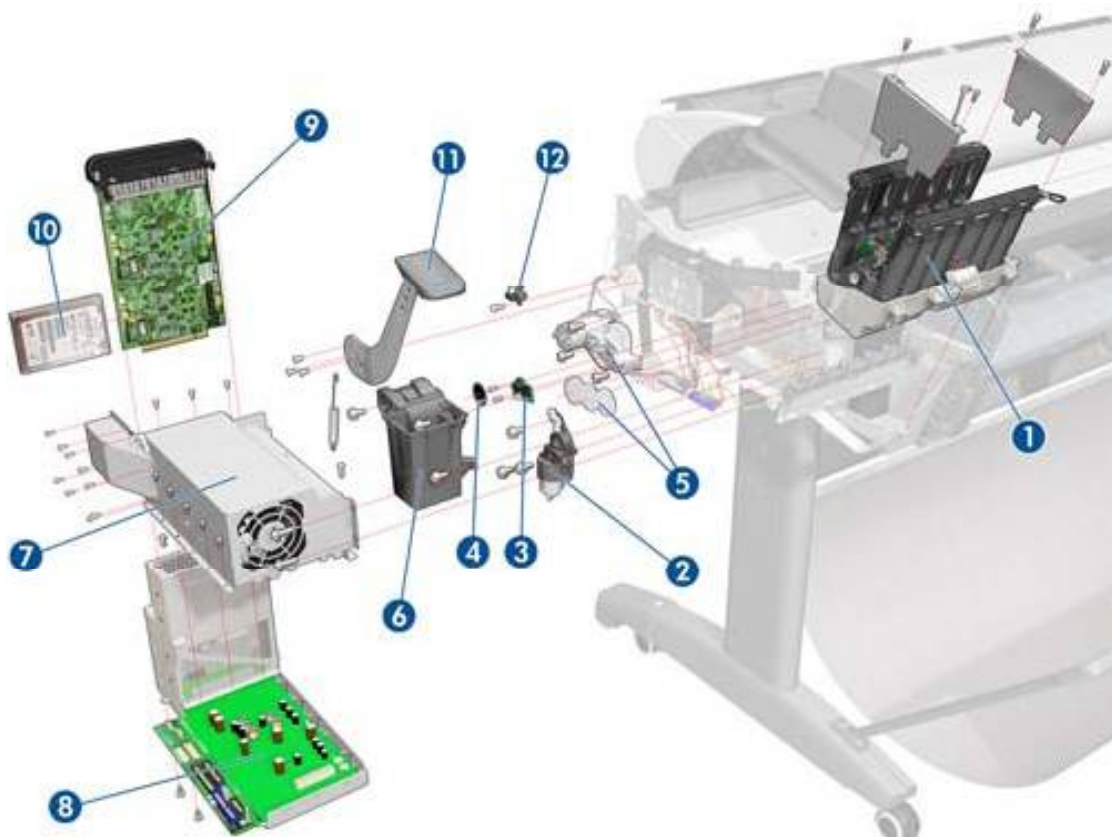
Right Hand Assemblies

	HP Part Number	Part Description	Cross-reference	Products Applicable
1	Q6675-60043	Carriage Rail Oiler	Carriage Rail Oiler on page 251	All
2	Q5669-67807	Pen to Paper Space (PPS) Solenoid	Pen to Paper Space (PPS) Solenoid on page 345	All
3	CH538-60141	Scan-Axis Motor	Scan-axis Motor on page 392	All
4	Q5669-60667	Service Station Spittoon	Service Station on page 396	All
5	CH538-67040	Service Station (includes Drop Detector and Service Station Spittoon). Does not include Front Panel Holder nor Cable holder located under the primer	Service Station on page 396	All
6	Q5669-60666	Drop Detector	Drop Detector on page 280	All
7	CN727-67020	Interconnect PCA	Interconnect PCA on page 315	All



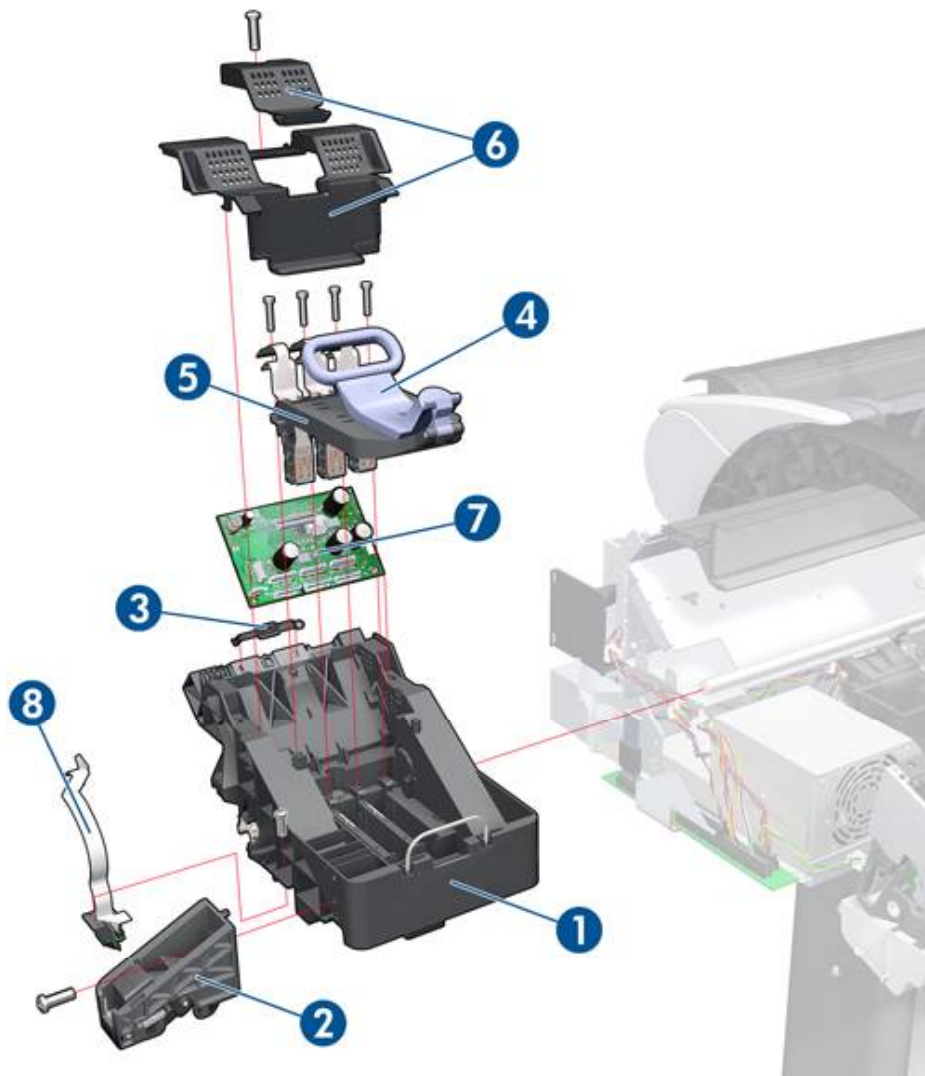
Left Hand Assemblies

	HP Part Number	Part Description	Cross-reference	Products Applicable
1	Q6683-60188	Left Ink Supply Station	Left Ink Supply Station on page 299	All
2	Q6718-67017	Starwheel Motor	Starwheel Motor on page 409	All
3	CK837-67020	Encoder Sensor	Encoder Disk and Encoder Sensor on page 286	All
4	Q5669-60702	Encoder Disk	Encoder Disk and Encoder Sensor on page 286	All
5	CH538-67027	Media Advance Transmission	Media Advance Drive on page 330	All
6	Q5669-67049	Left Spittoon	Spittoon, Left on page 403	T1300-44"-2R, T2300
7	CR651-67004	Power Supply SV	Power Supply Unit on page 362	All
8	CR651-67006	Engine PCA w/PSU SV	EE Box on page 281	All
9	CR651-67005	Formatter w/o HDD	Formatter on page 290	All
10	CR650-67001	SATA HDD w/FW	Hard Disk Drive on page 295	All
11	Q5669-60705	Media Lever	Media Lever on page 337	T790-24", T790-44"-1R, T2300
12	Q5669-60706	Media Lever Position Sensor	Media Lever Position Sensor on page 338	T2300



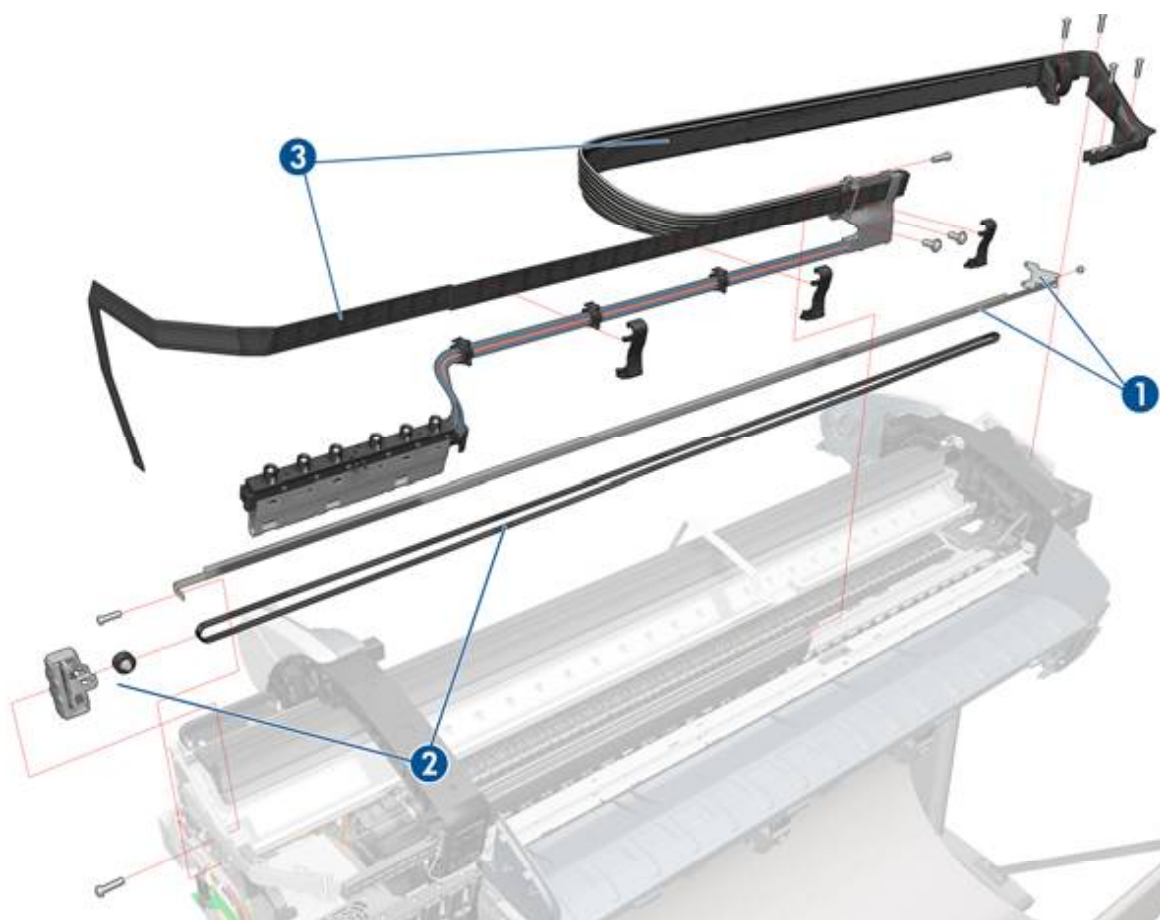
Carriage Assembly

	HP Part Number	Part Description	Cross-reference	Products Applicable
1	CH538-67044	Carriage with Cutter Assembly	Carriage and Cutter Assembly on page 237	All
2	CH538-67019	Cutter Assembly with Screw (CSR A)	Cutter assembly on page 446	T2300
	CN727-67023	Cutter Assembly with Screw SV		All
3	Q5669-60687	Carriage Rear Bushing	Carriage Bushing, Rear on page 245	All
4	CK837-67001	Carriage Latch	Carriage Cover and Carriage Latch on page 247	All
5	CK837-67002	Carriage Cover	Carriage Cover and Carriage Latch on page 247	All
6	CK837-67003	Carriage PCA Cover	Carriage PCA on page 252	T2300
7	CK837-67005	Carriage PCA	Carriage PCA on page 252	All
8	Q6683-67004	Line Sensor	Line Sensor on page 325	All



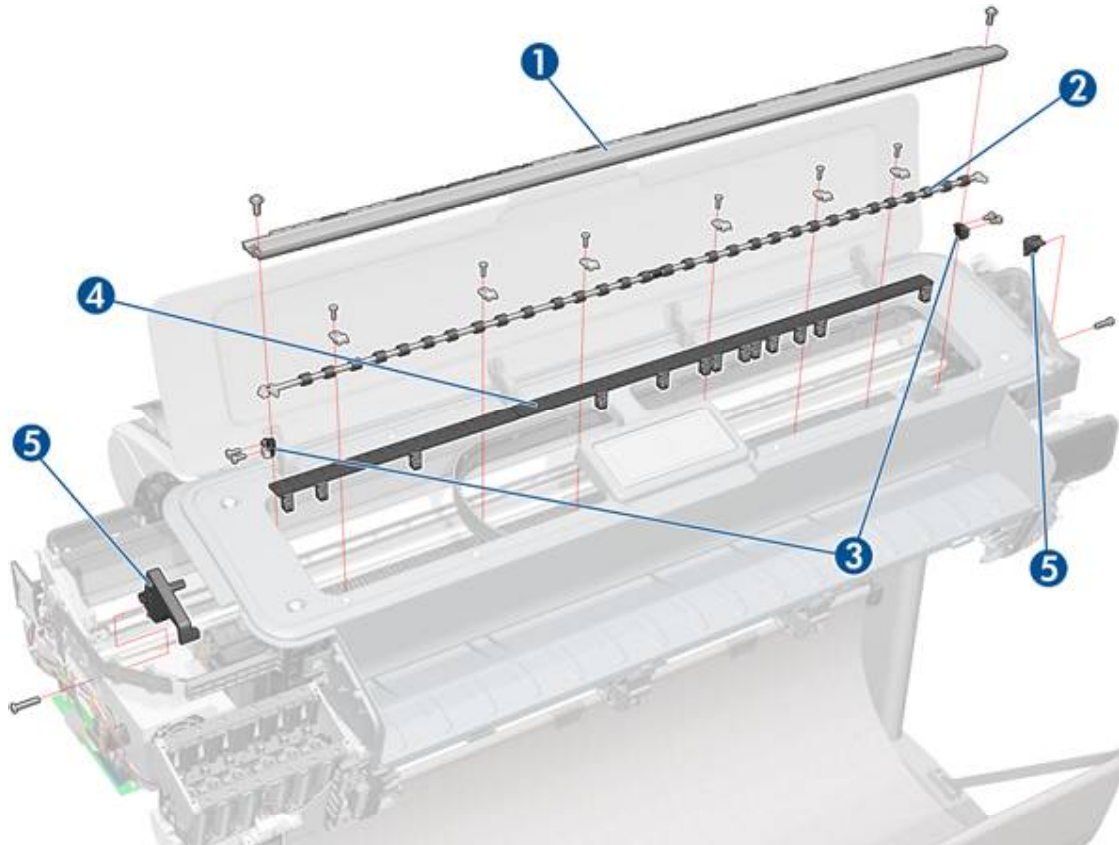
Scan-Axis Assemblies

	HP Part Number	Part Description	Cross-reference	Products Applicable
1	CK839-67005	Encoder Strip (including Encoder Strip Spring and Nut)	Encoder Strip, spring and attachment nut on page 288	T790-44"-1R, T1300-44"-2R, T2300
	CK837-67017			T790-24"
2	CH538-67018	Belt Assembly with Belt Tensioner (3)	Belt Assembly on page 207	T790-44"-1R, T1300-44"-2R, T2300
	CQ305-60016			T790-24"
3	CN727-60097	Tube System with Trailing Cable and ferrite parts	Ink Supply Tubes & Trailing Cable on page 304	T790-44"-1R, T1300-44"-2R, T2300
	CR647-67004	Tubes System 24		T790-24"



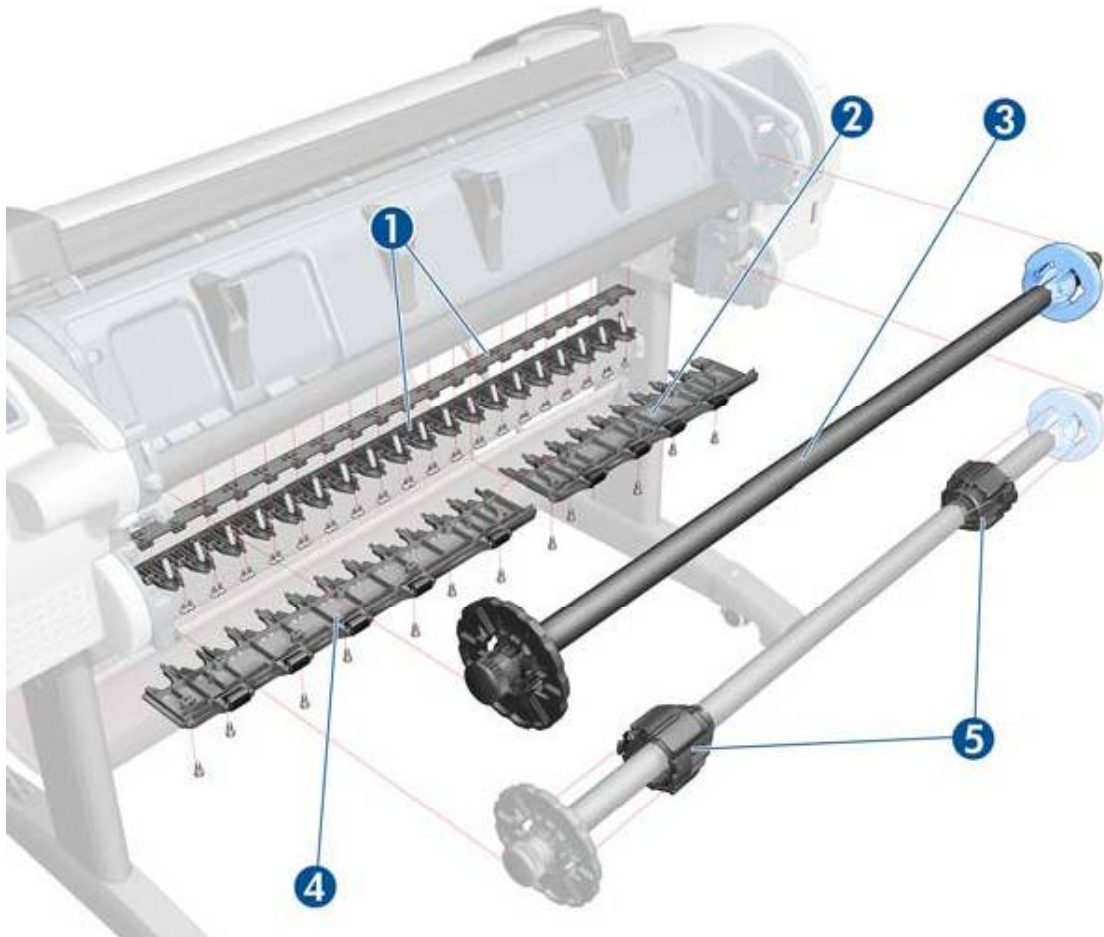
Paper Path Assemblies (Front)

	HP Part Number	Part Description	Cross-reference	Products Applicable
1	Q6687-60060	Starwheel Assembly	Starwheel Assembly on page 404	T790-44"-1R, T1300-44"-2R, T2300
	Q6683-60196	Starwheel Assembly	Starwheel Assembly on page 404	All 24-in models
2	Q6677-60018	Print Zone Overdrive	Print Zone Overdrive on page 357	T790-44"-1R, T1300-44"-2R, T2300
	Q6675-60042			T790-24"
3	Q5669-67054	Starwheel Support Assembly		All
4	Q6659-60182	Full Bleed Foam Kit	Full Bleed Foam on page 294	T790-44"-1R T1300-44"-2R, T2300
	Q5669-60701	Full Bleed Foam Kit		T790-24"
5	CH538-67064	Bumper Cutter Actuator (Left and Right)		T2300



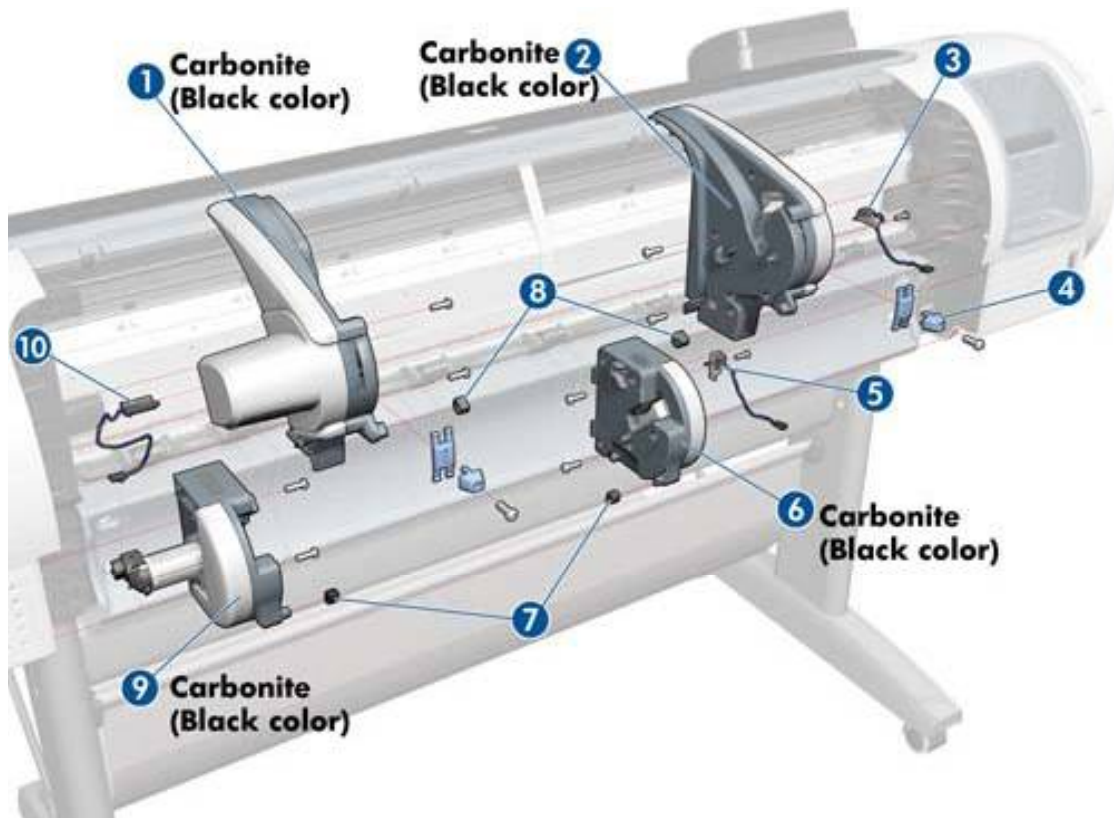
Paper Path Assemblies (Rear)

	HP Part Number	Part Description	Cross-reference	Products Applicable
1	Q6687-60085		Pinchwheel Assembly on page 349	All
2	Q6677-60019	Left Roll Guide	Left Roll Guide on page 382	T790-44"-1R, T1300-44"-2R, T2300
3	Q6687-67001	Spindle (CSR A)	Spindle on page 402	T790-44"-1R, T1300-44"-2R, T2300
	CQ305-60020	Spindle (CSR A)	Spindle on page 402	T790-24"
4	Q6675-60044	Right Roll Guide	Right Roll Guide on page 383	T790-44"-1R, T1300-44"-2R, T2300
5	Q6675-60093	3-inch Core Adaptors (2)	Right Roll Guide on page 383	T790-44"-1R, T1300-44"-2R, T2300



Roll Supports

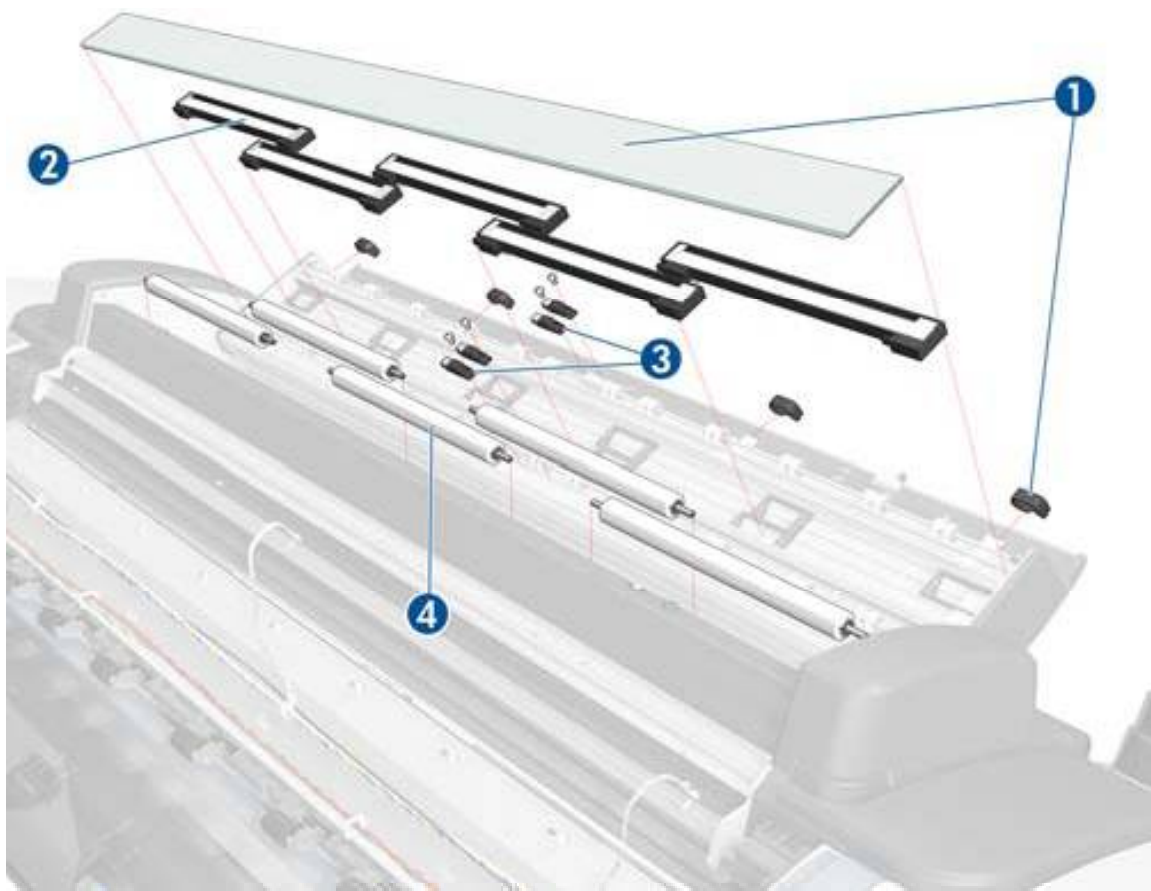
	HP Part Number	Part Description	Cross-reference	Products Applicable
1	CR651-67007	Upper Right Roll Cover Support Carbonite	Roll Support, Upper Right on page 391	T1300-44"-2R, T2300
	CR647-67006	Upper Right Support		T790-24", T790-44"
2	CN727-60045	Upper Left Roll Cover Support Carbonite	Roll Support, Upper Left on page 389	T1300-44"-2R, T2300
	CH539-67007	Upper Left Support without Sensor		T790-24", T790-44"
3	CH538-67065	Upper Left Support Sensor with Cable	Roll Support Sensor, Upper Left on page 388	T1300-44"-2R, T2300
4	CH538-67046	Wall Spacers, Left and Right	Wall Spacers on page 411	All
5	CH538-67041	Lower Left Support Sensor with Cable	Roll Support Sensor, Lower Left on page 387	T1300-44"-2R, T2300
6	CN727-60049	Lower Left Roll Cover Support Carbonite	Roll Support, Lower Left on page 384	T2300
7	CH538-67052	Lower Roll Support Bumpers, Left and Right	Roll Cover Bumpers, Lower on page 375	T1300-44"-2R
8	CH538-67051	Upper Roll Support Bumpers, Left and Right (CSR A)	Roll cover upper bumpers on page 457	All
9	CN727-60048	Lower Right Roll Cover Support Carbonite	Roll Support, Lower Right on page 385	T1300-44"-2R, T2300
10	CH538-67033	Single Sheet Sensor	Single-sheet Sensor on page 401	All



Scanner Parts (1 of 3)



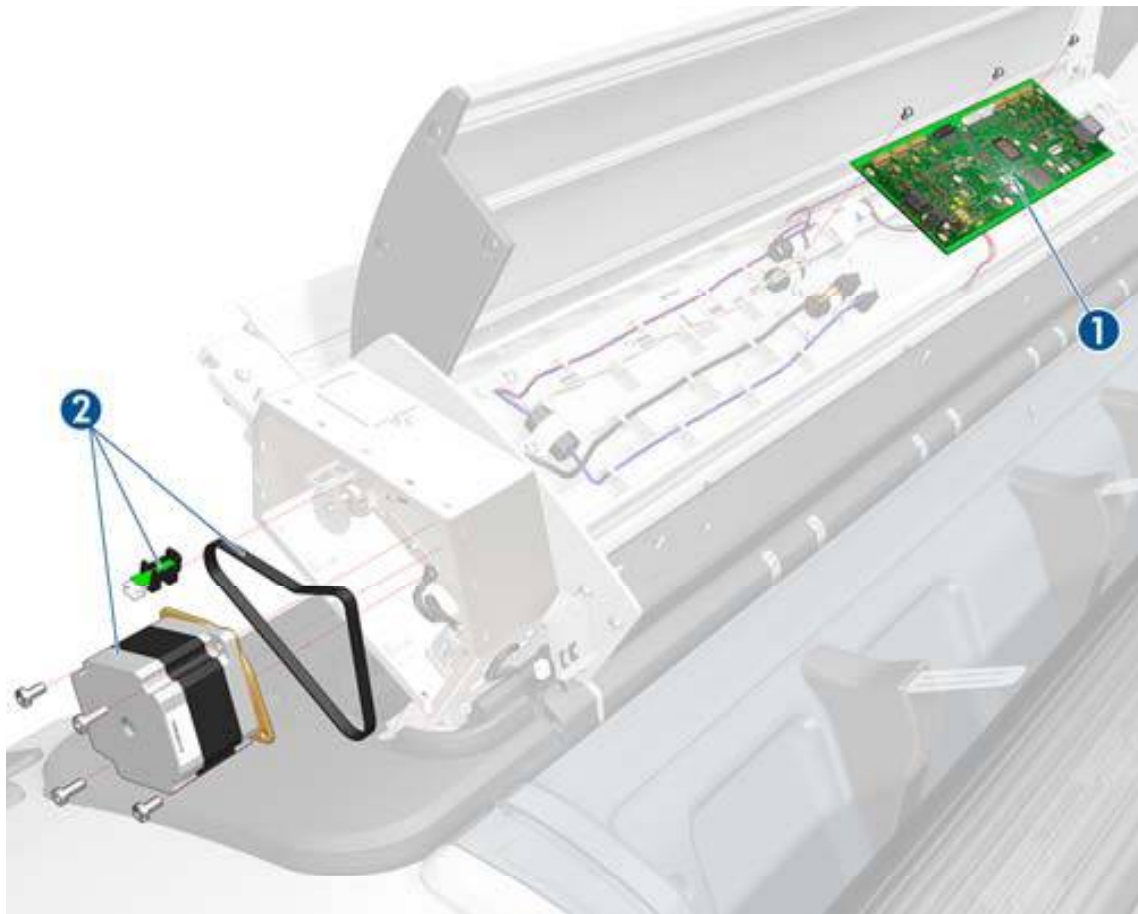
	HP Part Number	Part Description	Cross-reference	Products Applicable
1	CN727-69005	Glass Plate	Glass Plate on page 466	T2300
2	CN727-69010	Individual CIS Element	CIS Element (MFP only) on page 420	T2300
3	CN727-69003	Media Sensors	Scanner Exit Media Sensors (MFP only) on page 421	T2300
4	CN727-69002	Pressure Rollers	Pressure Rollers (MFP only) on page 422	T2300
-	CN727-69006	Calibration Sheet (also includes a cleaning cloth)		T2300



Scanner Parts (2 of 3)



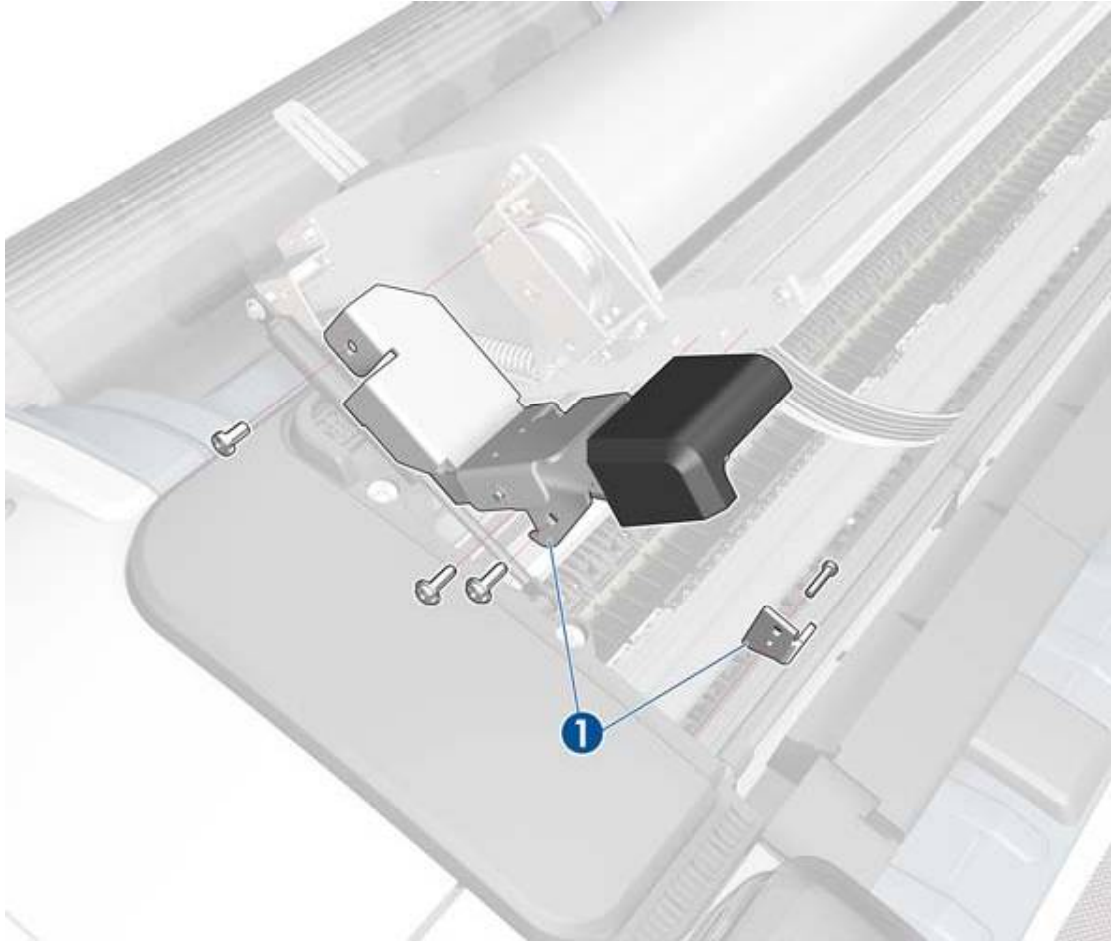
	HP Part Number	Part Description	Cross-reference	Products Applicable
1	CN727-69009	Scanner Controller Board (SCU)	Scanner Controller Board (MFP only) on page 423	T2300
2	CN727-69001	Stepper Motor w. Encoder Sensor and belt	Scanner Motor Assembly (MFP only) on page 425	T2300
—	CN727-69007	Power/Reset/Awake Cable)		T2300
—	CN727-69008	Cable USB		T2300



Scanner Parts (3 of 3)

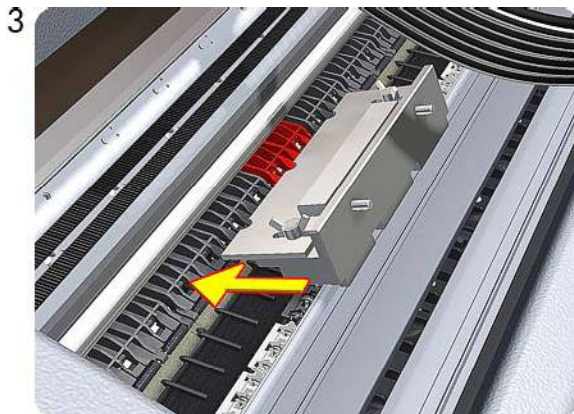
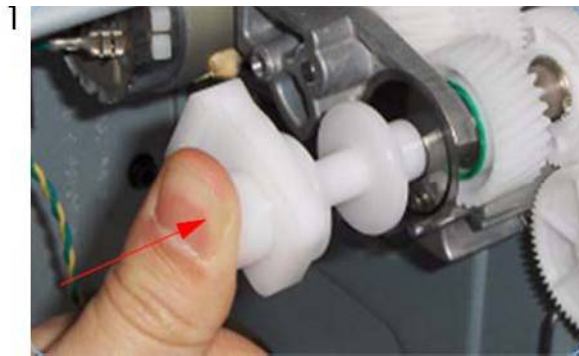


	HP Part Number	Part Description	Cross-reference	Products Applicable
1	CN727-67026	Latch Assy and Hook SV	Scanner Latch and Hook Assembly (MFP only) on page 323	T2300



Tools 1

	HP Part Number	Part Description	Products Applicable
1	Q6675-67018	Media Driver Tool Kit (includes the Handle for Media Driver Tool Support and the Media Driver Adjustment Tool)	All
2	Q5669-60690	Flex Contacts Cleaning Tool (CSR A)	All
3-4	Q6687-60084	Pinchwheel Insertion Tool	All



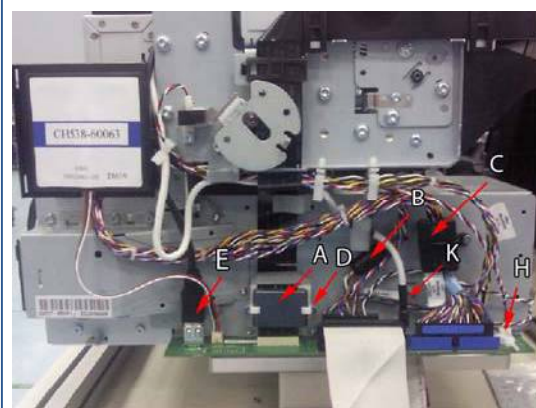
Tools 2

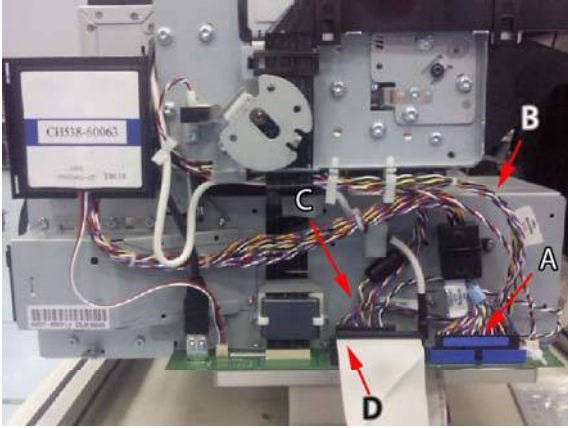
	HP Part Number	Part Description	Products Applicable
5	Q6675-67017	Spanner Tool	All
6	Q6683-67001	Tool Kit (includes pinchwheel alignment tool, paper driver tool, spanner # 13, oil dispenser, insert spring tool, tweezers, T15 screwdriver, 100 cc isopropyl alcohol, lubricant oil, plastic gloves, flex contacts cleaning tool and cleaning kit)	T2300
7	Q5669-60692	Lubrication Kit (CSR A)	T2300
8	CH538-67047	Bi-stable Spring Left and Right	T1300-44"-2R, T2300



Miscellaneous Parts

HP Part Number	Part Description	Products Applicable
CH538-67006	<p>Engine Cables Kit</p> <p>Cables included</p> <ul style="list-style-type: none"> ● CH538-50012: TT Touch Control Panel Cable ● CH538-60049: TT Top Rewinder Encoder Cable ● 9170-2158 Ferrite Trailing Cable (A) ● 9170-2364: Ferrite Engine Harness (B) ● 9170-2408: Ferrite Data Harness (C) ● CK837-40005: Holder Ferrite Trailing Cable (D) ● CN27-50001: Cable USB Engine to Interconnect (E) ● CN27-50003: Cable USB Interconnect to Ext Host (F) ● CN27-50004: Cable USB Interconnect to Touch Control Panel (G) ● CN27-50006: Cable Power Engine to Interconnect (H) ● CN27-50008: Cable Power-Data Interconnect to Touch Control Panel (I) ● CN27-50009: Cable Interconnect to Power Switch (J) ● CN27-50010: Cable Micci2 Engine to Interconnect (K) ● CN27-50021: Cable USB Grounding (L) 	T1300-44"-2R, T2300



HP Part Number	Part Description	Products Applicable
	<ul style="list-style-type: none"> ● CH538-50001: TT Mechatronic Data Harness (A) ● CH538-50002: TT Mechatronic Power Harness (B) ● CH538-50003: TT Engine Harness (C) ● Q6675-50002: ISS Cable Harness Left with ferrite (D) 	
		
CN727-67016	<p>Interconnect Cables Kit 44in</p> <p>Cables and included</p> <ul style="list-style-type: none"> ● 1400-0719: Cable tie ● 9170-2158: Core-Ferrite Ribbon Core Rohs ● CK837-40005: Holder_TC_ferrite ● CN727-50001: Cable USB SonGoku to Snoopy ● CN727-50003: Cable USB Snoopy to Ext Host ● CN727-50004: Cable USB Snoopy to FP ● CN727-50006: Cable Power SonGoku to Snoopy ● CN727-50008: Cable Power-Data Snoopy to FP ● CN727-50009: Cable Snoopy to Power Switch ● CN727-50010: Cable Micci2 SonGoku to Snoopy ● CN727-50021: USB Grounding Gasket Cable 	T790-44"-1R T1300-44"-2R, T2300
CN727-60084	Serial Number Label (CSR A)	All

HP Part Number	Part Description	Products Applicable
CH538-67024	Preventive Maintenance Kit #1 Included <ul style="list-style-type: none"> ● 9223-1023: AP KFT-PPR .004-IN-THK 27-IN ● CH538-60141 Scan Axis Motor Poly-V SV 	T790-44"-1R, T1300-44"-2R, T2300
CH538-67040	Preventive Maintenance Kit #2 Included <ul style="list-style-type: none"> ● 0515-5119: SCREW-MACH M2.5 X 0.45 16MM-LG ● CH538-60051: Service Station Assy Turbo T 	T790-44"-1R T1300-44"-2R
Q6687-60093	Paper Advance Calibration Kit (CSR A)	T790-24", T790-44"-1R, T790-44"-2R T1300-44"-2R
Q6675-67004	Ink System Purgers (6 units) (CSR A)	T790-24", T790-44"-1R, T790-44"-2R T1300-44"-2R
Q6675-67005	Ink System Purgers (100 units)	T790-24", T790-44"-1R, T790-44"-2R T1300-44"-2R
CH538-67005	Left Side Panel SV	
CQ533-60001	Europe Power Cord SV kit	
CQ533-60002	America Power Cord SV kit	
CQ533-60003	Asia Power Cord SV kit	
CH539-67003	Engine Cables 1-Roll 44-in Kit: The following Cables are included: <ul style="list-style-type: none"> ● CH538-50003:TT Engine Harness ● CH538-50012:TT Front Panel C ● CH538-60049: TT Top Rewinder Encoder Cable ● CH539-50002: TT MINUS Mechatronic Power Ha ● CH539-50003: TT MINUS Mechatronic Data Harn ● Q6675-50002: ISS Cable Harness Left with fe 	T790-44"1R

HP Part Number	Part Description	Products Applicable
CQ305-60014	Engine Cables 1-Roll 24-in Kit: The following Cables are included: <ul style="list-style-type: none"> ● CH538-50003: TT Engine ● CH538-60049: TT Top Rewinder Encoder ● CQ305-50001: TT 24 FRONT PANEL ● TT 24 MECHATRONIC POWER ● CQ305-50003: TT 24 MECHATRONIC DATA ● Q6675-50002: ISS Cable Harness Left with ferrite 	T790-24"1R
CR647-67001	Interconnect Cables 24-in Kit: The following Cables are included: <ul style="list-style-type: none"> ● 1400-0719: CABLE TIE .062-1.125-DIA .14-W ● 9170-2158: CORE-FERRITE RIBBON CORE ROH ● 9170-2364: CORE-SPLIT SHIELDING BEAD ROHS ● 9170-2408: CORE-SHIELDING BEAD ROHS ● CK837-40005: Holder_TC_ferrite ● CN727-50003: Cable USB Snoopy to Ext Ho ● CN727-50004: Cable USB Snoopy to FP ● CN727-50008: Cable Power-Data Snoopy to ● CN727-50009: Cable Snoopy to Power Switch ● CN727-50021: USB Grounding Gasket Cable ● CR647-50001: USB Cable from Main PCA to Int ● CR647-50002: Power Cable from Main to Inter ● CR647-50003: Micci2 SonGoku to Snoopy – 24 ● CR647-80003: LABEL-SECURITY 	T790-24"1R
CR647-67005	Support Label T790 Nameplate	T790-24"
CR648-67001	Support Label 7T90 PS Nameplate	T790-24", T790-44"-1R
CR651-67003	Support Label T1300 Nameplate	T1300-44"-2R

HP Part Number	Part Description	Products Applicable
CR652-67001	Support Label T1300 PS Nameplate	T1300-44"-2R, T1300-44"-2R, T2300
CQ305-60017	Preventive Maintenance Kit 1 <ul style="list-style-type: none"> ● CH538-67044: Carriage with Cutter Assembly SV ● CH538-60141: Scan Axis Motor SV ● CK837-67014: T1120/620 Ink Supply Tubes 24 ● CQ305-60016: T770 Belt 24 SV 	T790-24"