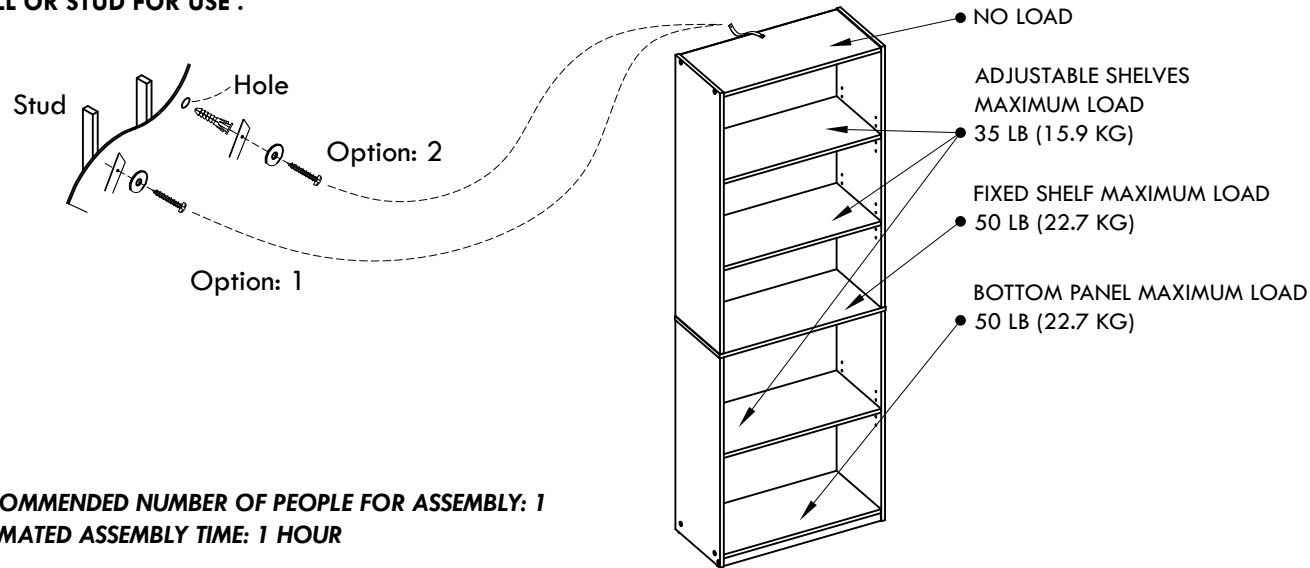


5 SHELF BOOKCASE

VENDOR STOCK NUMBERS
MS89-010-092-41-TRUE BLACK OAK
MS19-D1-1009-22-ESPRESSO
MS19-D1-1009-24-CANYON WALNUT
MS19-D1-1009-25-WHITE

THIS PRODUCT MUST ALWAYS BE MOUNTED TO A WALL OR STUD FOR USE .



RECOMMENDED NUMBER OF PEOPLE FOR ASSEMBLY: 1
ESTIMATED ASSEMBLY TIME: 1 HOUR

- CALL OUR TOLL FREE NUMBER **1-800-729-1569** FOR FURTHER ASSISTANCE.
- ADDITIONAL PARTS ARE AVAILABLE FOR A FEE.
- THIS INSTRUCTION BOOKLET CONTAINS **IMPORTANT** SAFETY INFORMATION. PLEASE READ AND KEEP FOR FUTURE REFERENCE.
- DO NOT ALLOW CHILDREN TO CLIMB OR PLAY ON THE UNIT.
- CLEAN THE PRODUCT WITH YOUR FAVORITE FURNITURE POLISH AND A SOFT CLOTH.
- DO NOT USE HARSH CHEMICALS OR ABRASIVE CLEANERS.
- MOVE YOUR NEW FURNITURE CAREFULLY WITH TWO PEOPLE. NEVER PUSH OR DRAG THE UNIT.

DO NOT RETURN THE PRODUCT TO THE STORE.
INDIVIDUAL STORES DO NOT STOCK PARTS.
FOR MISSING OR DAMAGED PARTS CALL
1-800-729-1569.
PARTS WILL BE SHIPPED FREE OF CHARGE.

FOR PROMPT, RELIABLE SERVICE, PLEASE HAVE
YOUR ASSEMBLY MANUAL READY.

LOT NUMBER _____
DATE OF PURCHASE ___/___/___

3D GUIDED INTERACTIVE ASSEMBLY
INSTRUCTIONS CAN BE FOUND IN BILT
DOWNLOAD THE FREE APP



SCAN FOR BILT: 3D INSTRUCTIONS



Powered by BILT Intelligent Instructions®

Huisen Furniture (Longnan) Co.,Ltd.
Designed in the USA
Made in China



We are available to assist you Monday -Friday
from 9:00 am - 5:00 pm Eastern Standard Time.
1-800-729-1569
USA only.

5 SHELF BOOKCASE

VENDOR STOCK NUMBERS
MS89-010-092-41-TRUE BLACK OAK
MS19-D1-1009-22-ESPRESSO
MS19-D1-1009-24-CANYON WALNUT
MS19-D1-1009-25-WHITE



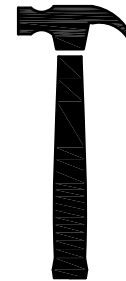
BEFORE STARTING

- Read and understand all the steps carefully before starting. If each step is not followed in the correct order the assembly will be difficult and may result in damages.
- Work in a spacious area, preferably on a carpeted surface, near where the unit will be used.
- Make sure all the parts are included. Most boards are labeled with a removable sticker.

Helpful hints

- Call our toll free number if you need assistance. We are available to assist you Monday - Friday from 9:00 am - 5:00 pm Eastern Standard Time.
- **1-800-729-1569** USA only.

TOOLS NEEDED TO ASSEMBLE



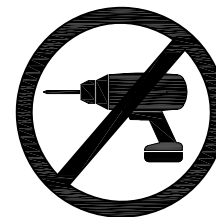
hammer



flat head
screw driver



philips head
screw driver



DO NOT USE POWER TOOLS TO ASSEMBLE YOUR FURNITURE. POWER TOOLS MAY DAMAGE THE PARTS AND RESULT IN DAMAGE.

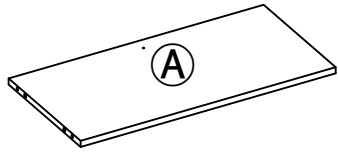
Huisen Furniture (Longnan) Co.,Ltd.
Designed in the USA
Made in China



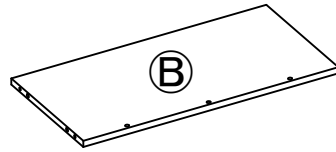
We are available to assist you Monday -Friday from 9:00 am - 5:00 pm Eastern Standard Time.
1-800-729-1569
USA only.

5 SHELF BOOKCASE

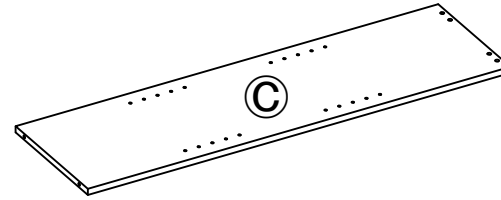
VENDOR STOCK NUMBERS
MS89-010-092-41-TRUE BLACK OAK
MS19-D1-1009-22-ESPRESSO
MS19-D1-1009-24-CANYON WALNUT
MS19-D1-1009-25-WHITE



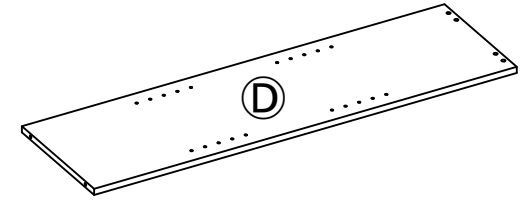
Top panel
(Qty: 1)



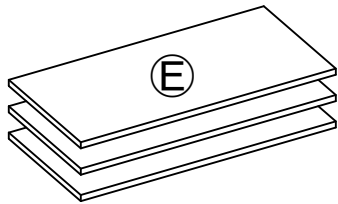
Bottom panel
(Qty: 1)



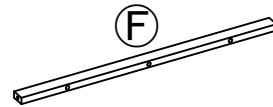
Upper left panel
(Qty: 1)



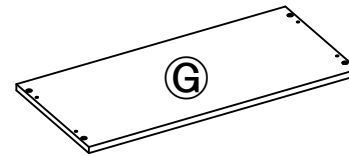
Upper right panel
(Qty: 1)



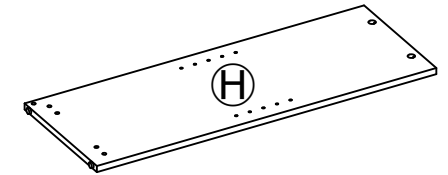
Adjustable shelves
(Qty: 3)



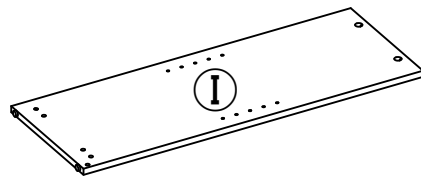
Kick panel
(Qty: 1)



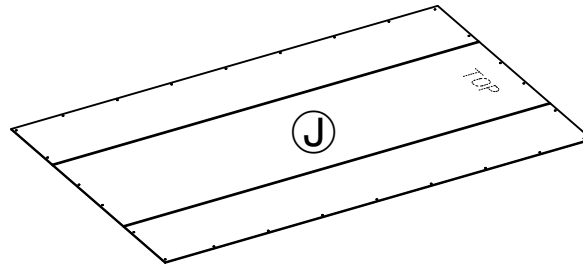
Fixed shelf
(Qty: 1)



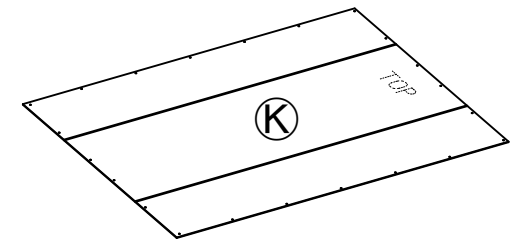
Lower left panel
(Qty: 1)



Lower right panel
(Qty: 1)



Upper back panel
(Qty: 1)



Lower back panel
(Qty: 1)

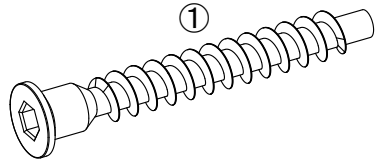
VERIFY THAT ALL PARTS ARE LISTED BEFORE BEGINNING



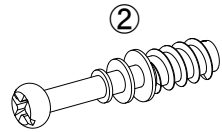
We are available to assist you Monday -Friday
from 9:00 am - 5:00 pm Eastern Standard Time.
1-800-729-1569
USA only.

5 SHELF BOOKCASE

VENDOR STOCK NUMBERS
MS89-010-092-41-TRUE BLACK OAK
MS19-D1-1009-22-ESPRESSO
MS19-D1-1009-24-CANYON WALNUT
MS19-D1-1009-25-WHITE



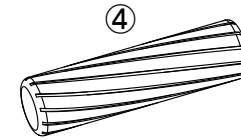
Screw
Qty: 14



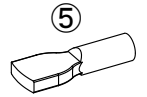
Cam bolt
Qty: 4



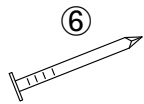
Cam lock
Qty: 4



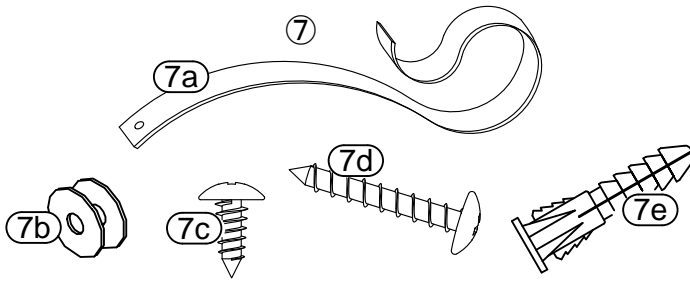
Wood dowel
Qty: 11



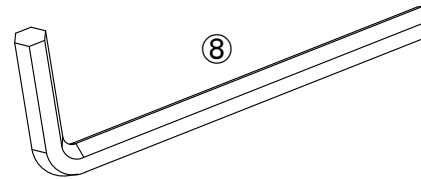
Shelf support
Qty: 12



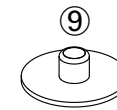
Nail
Qty: 42+2 Extra



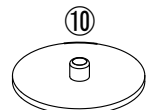
Safety strap kit
Qty: 1



Allen key
Qty: 1



Cap 1
Qty: 10+1 Extra



Cap 2
Qty: 4

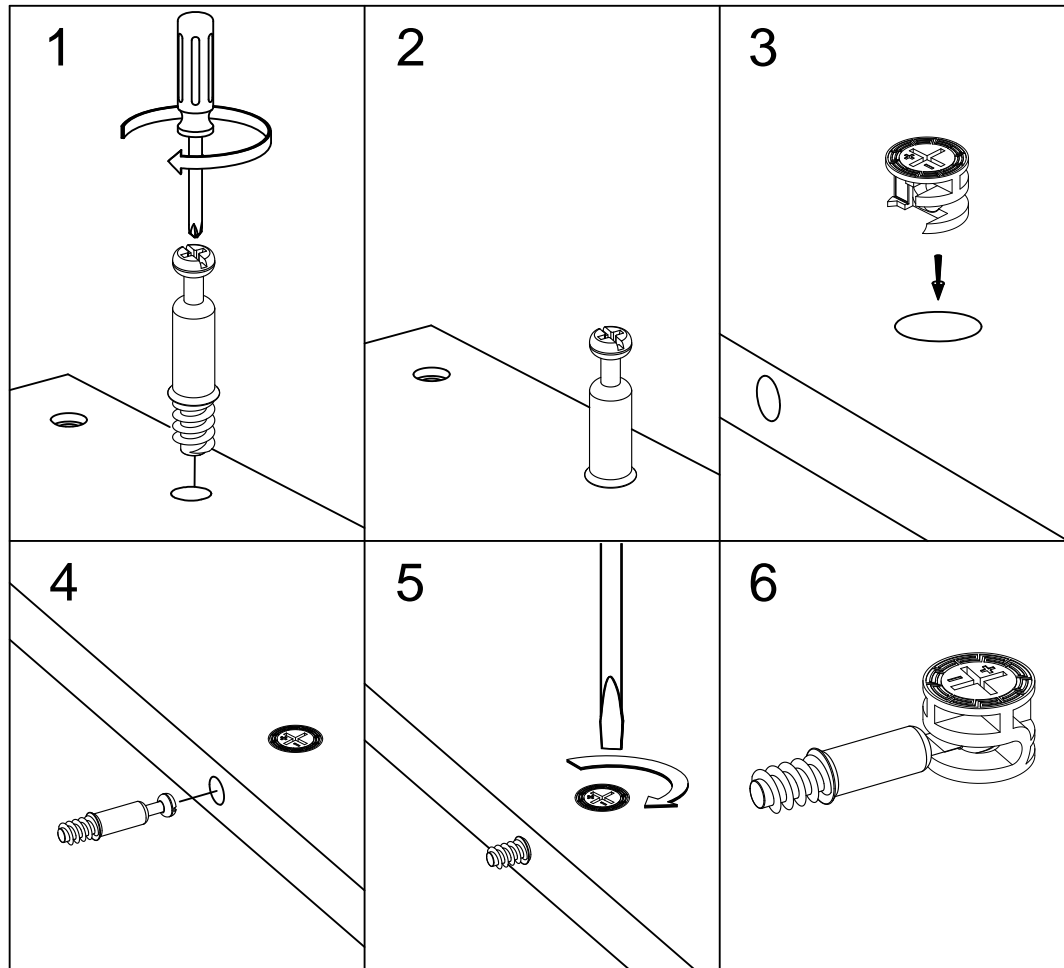
VERIFY THAT ALL PARTS ARE LISTED BEFORE BEGINNING



We are available to assist you Monday -Friday
from 9:00 am - 5:00 pm Eastern Standard Time.
1-800-729-1569
USA only.

CAM FASTENING SYSTEM EXAMPLE

VENDOR STOCK NUMBERS
MS89-010-092-41-TRUE BLACK OAK
MS19-D1-1009-22-ESPRESSO
MS19-D1-1009-24-CANYON WALNUT
MS19-D1-1009-25-WHITE



CAM FASTENING SYSTEM EXAMPLE

1. Screw the **cam bolt** into the predrilled panel. The screw should be tightened so no threads are visible.
2. The larger ring of the cam should touch the panel.
3. Insert the **cam lock** into the predrilled hole in the panel. The plus and minus signs should be facing the outside of the panel.
4. Connect the previously tightened **cam bolt** with the panel connected into the **cam lock**.
5. Using a flat head screw driver, turn the **cam lock** halfway clockwise to secure the **cam bolt**.
6. **FAILURE TO PROPERLY SECURE THE CAM LOCK AND CAM BOLT COULD RESULT IN PRODUCT INSTABILITY AND FAILURE.**

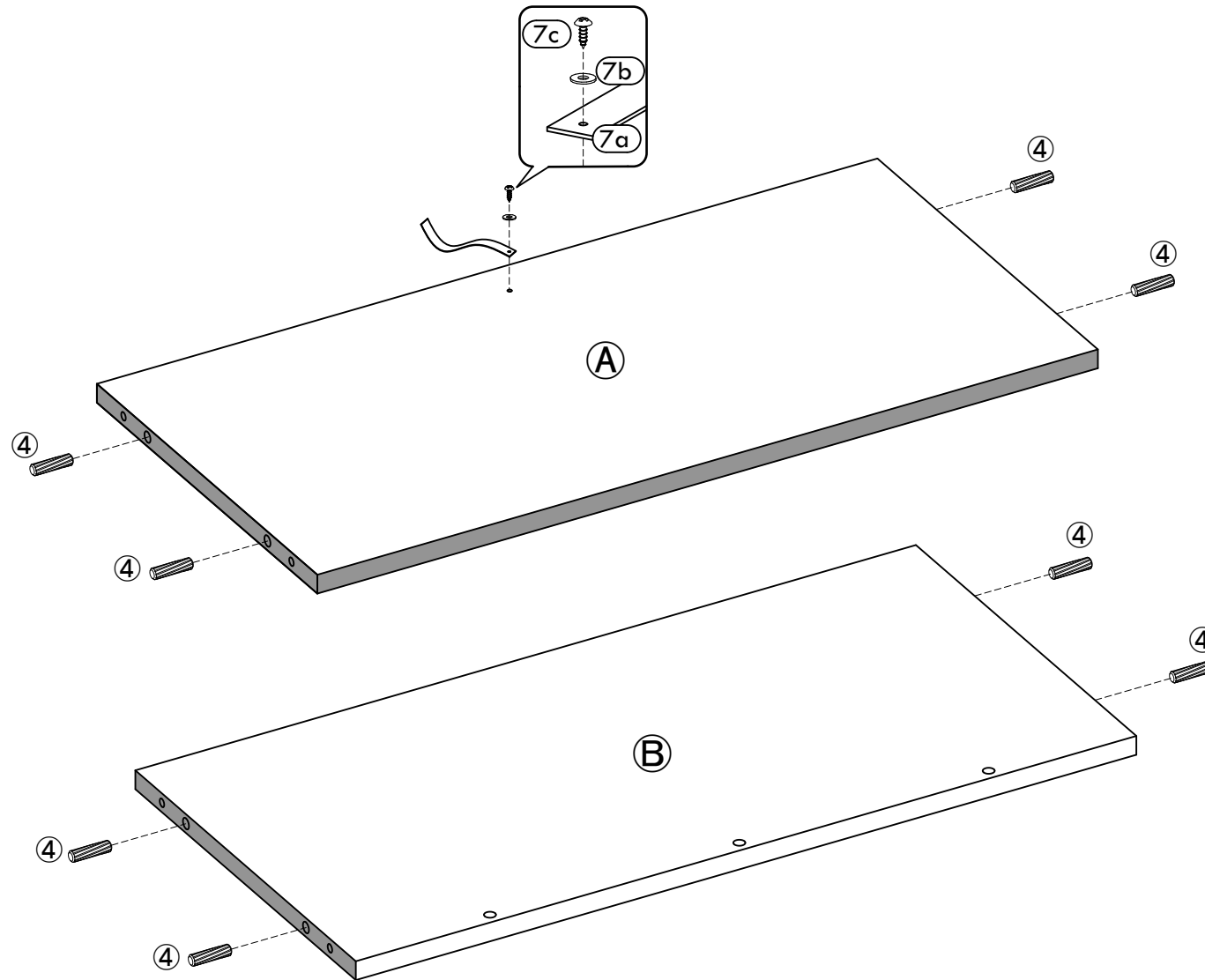
Huisen Furniture (Longnan) Co.,Ltd.
Designed in the USA
Made in China



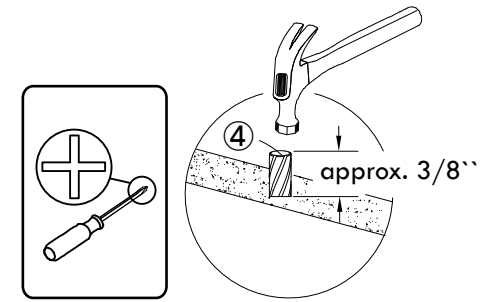
We are available to assist you Monday -Friday
from 9:00 am - 5:00 pm Eastern Standard Time.
1-800-729-1569
USA only.

1

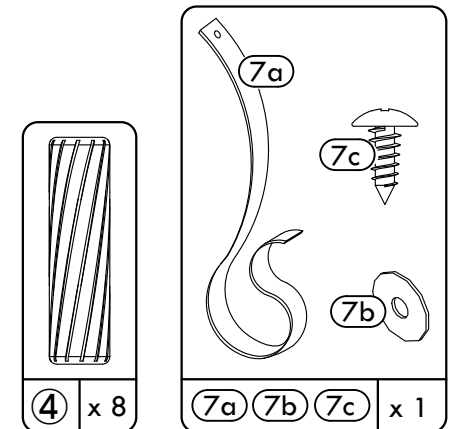
Insert hardware ④, 7a, 7b, 7c into part A & B.



ADDITIONAL NOTES

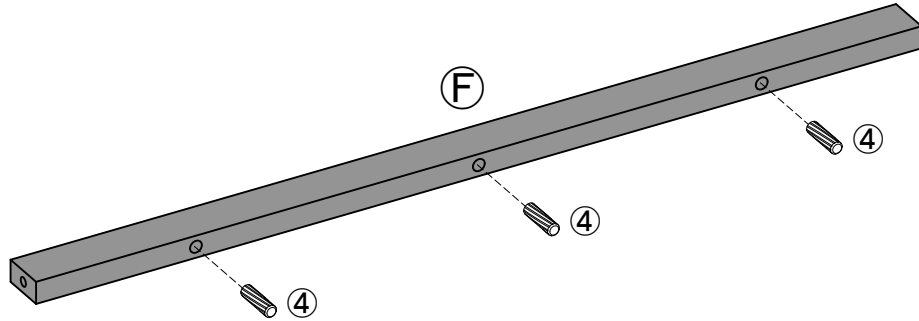


PARTS

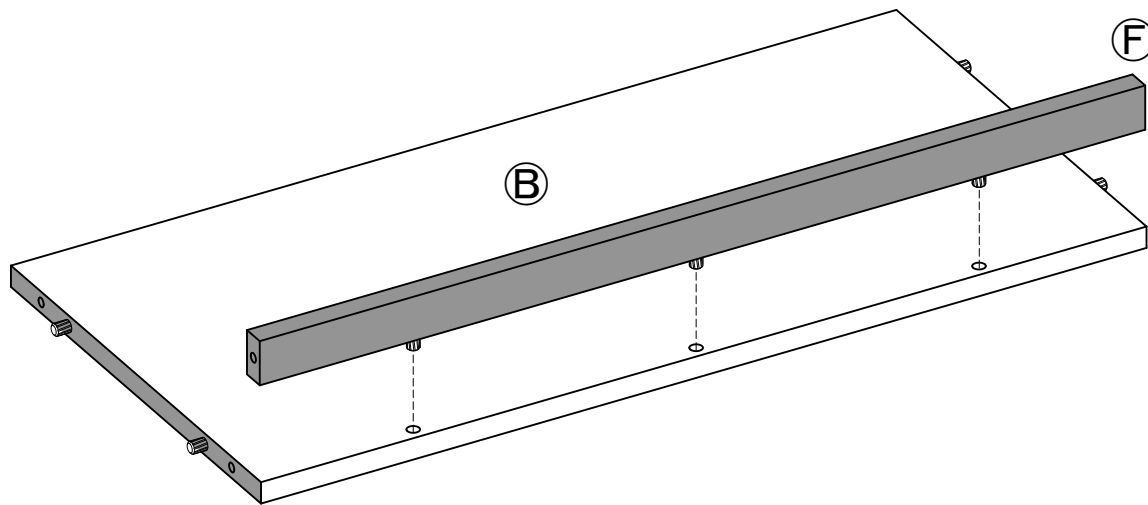


2

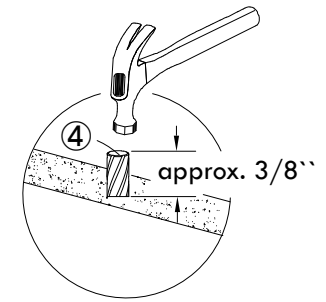
Insert hardware ④ into F.



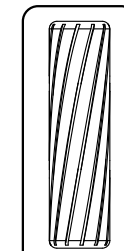
Attach F to B.



ADDITIONAL NOTES



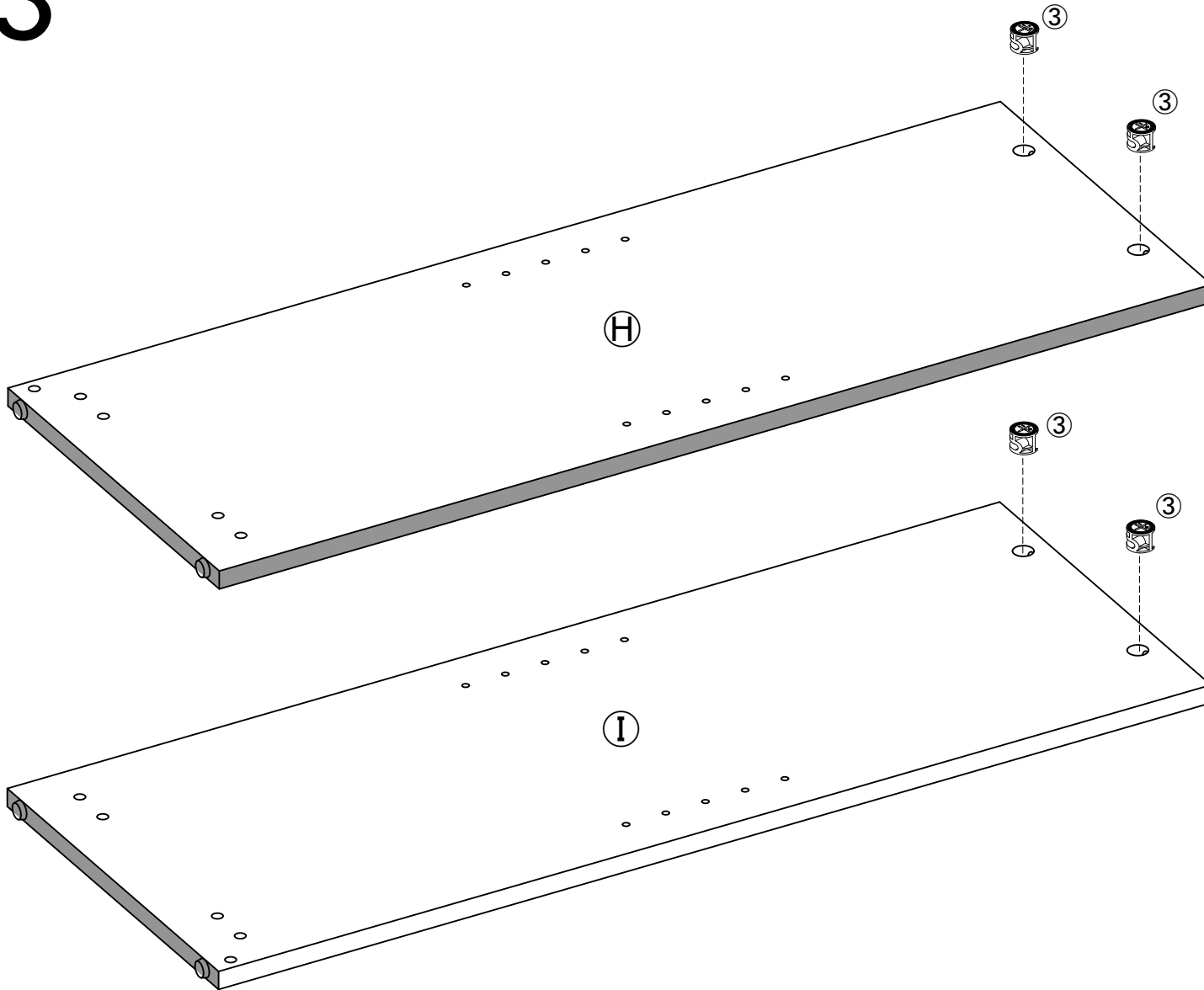
PARTS



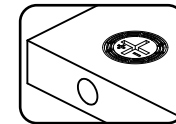
④ x 3

3

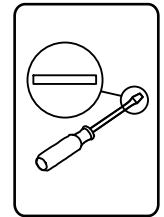
Insert ③ into H & I.



ADDITIONAL NOTES



Arrow of cam lock points to predrilled hole



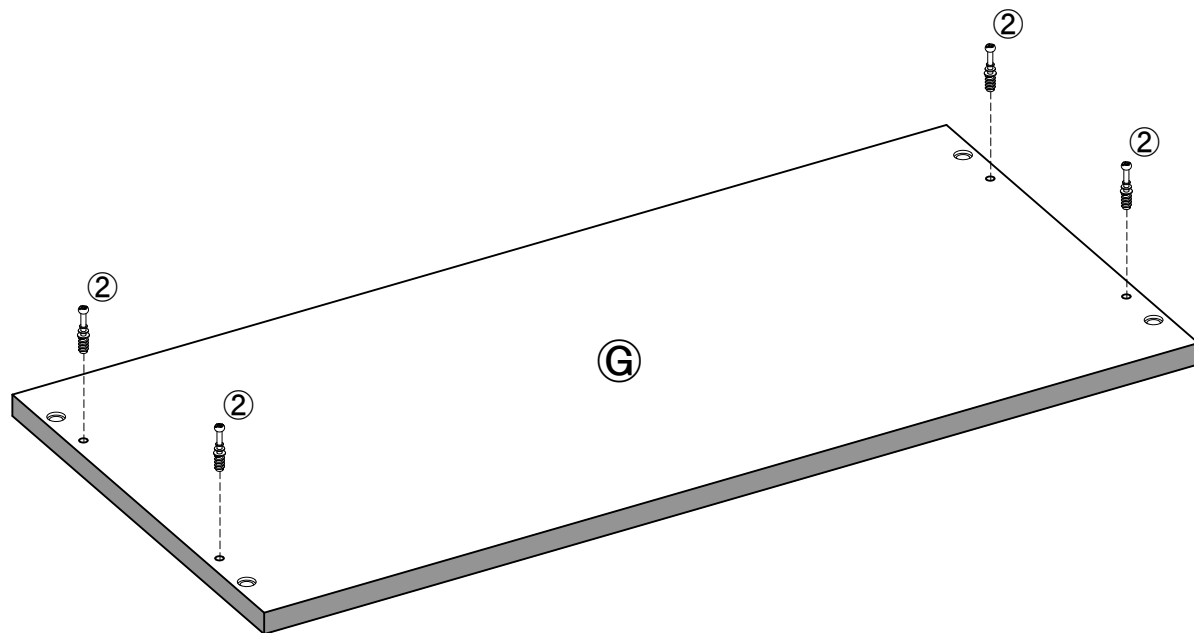
PARTS



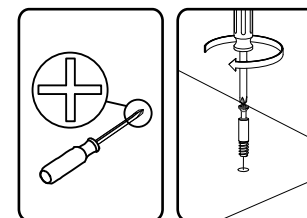
③ x 4

4

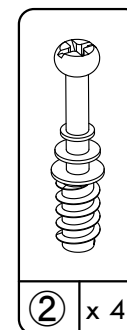
Insert ② into G.



ADDITIONAL NOTES



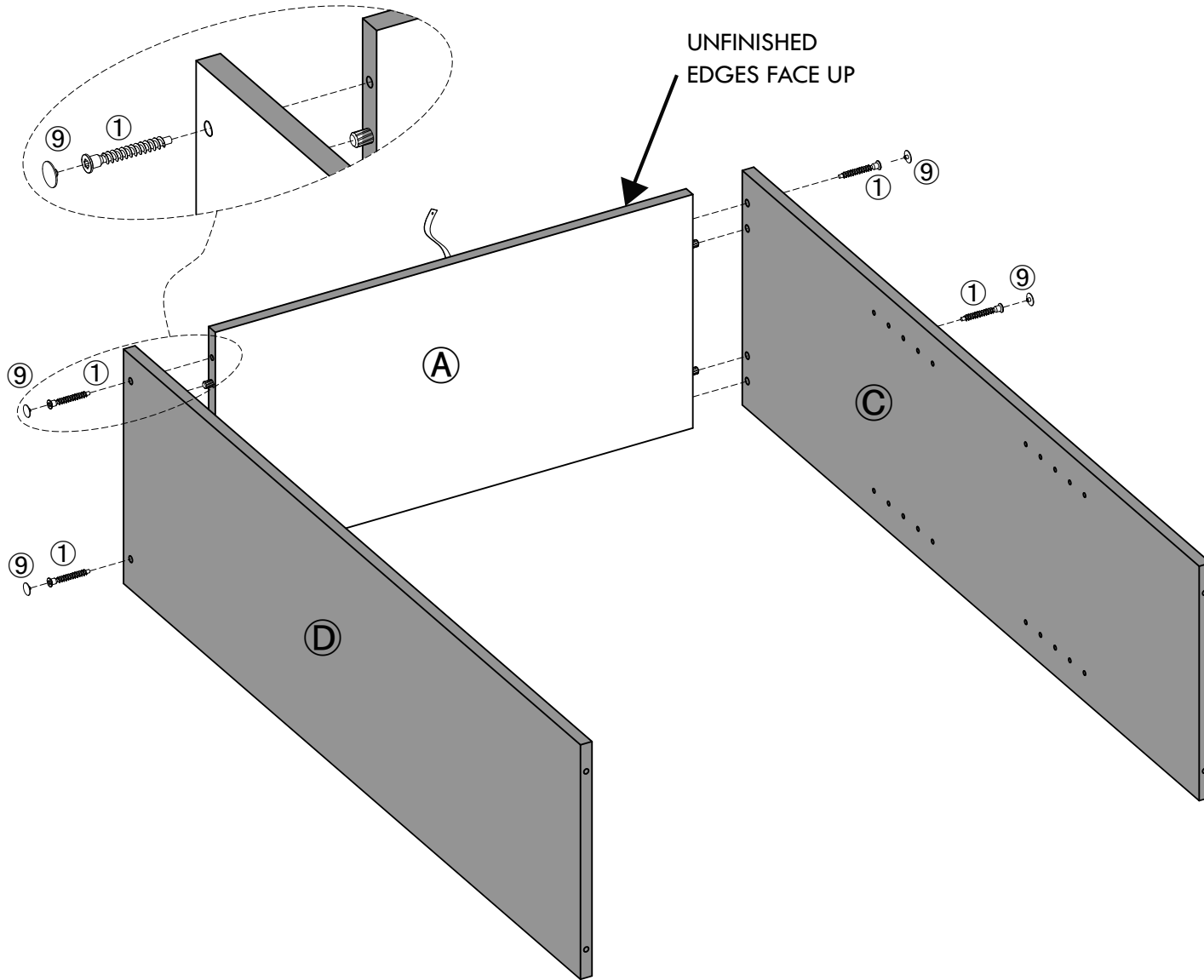
PARTS



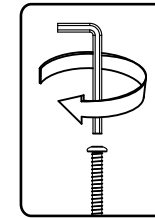
② x 4

5

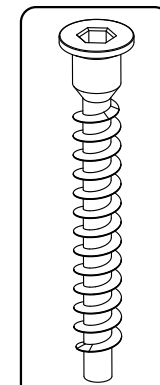
Attach C & D with screw ①.
Insert ⑨ into part ①.



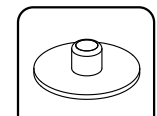
ADDITIONAL NOTES



PARTS



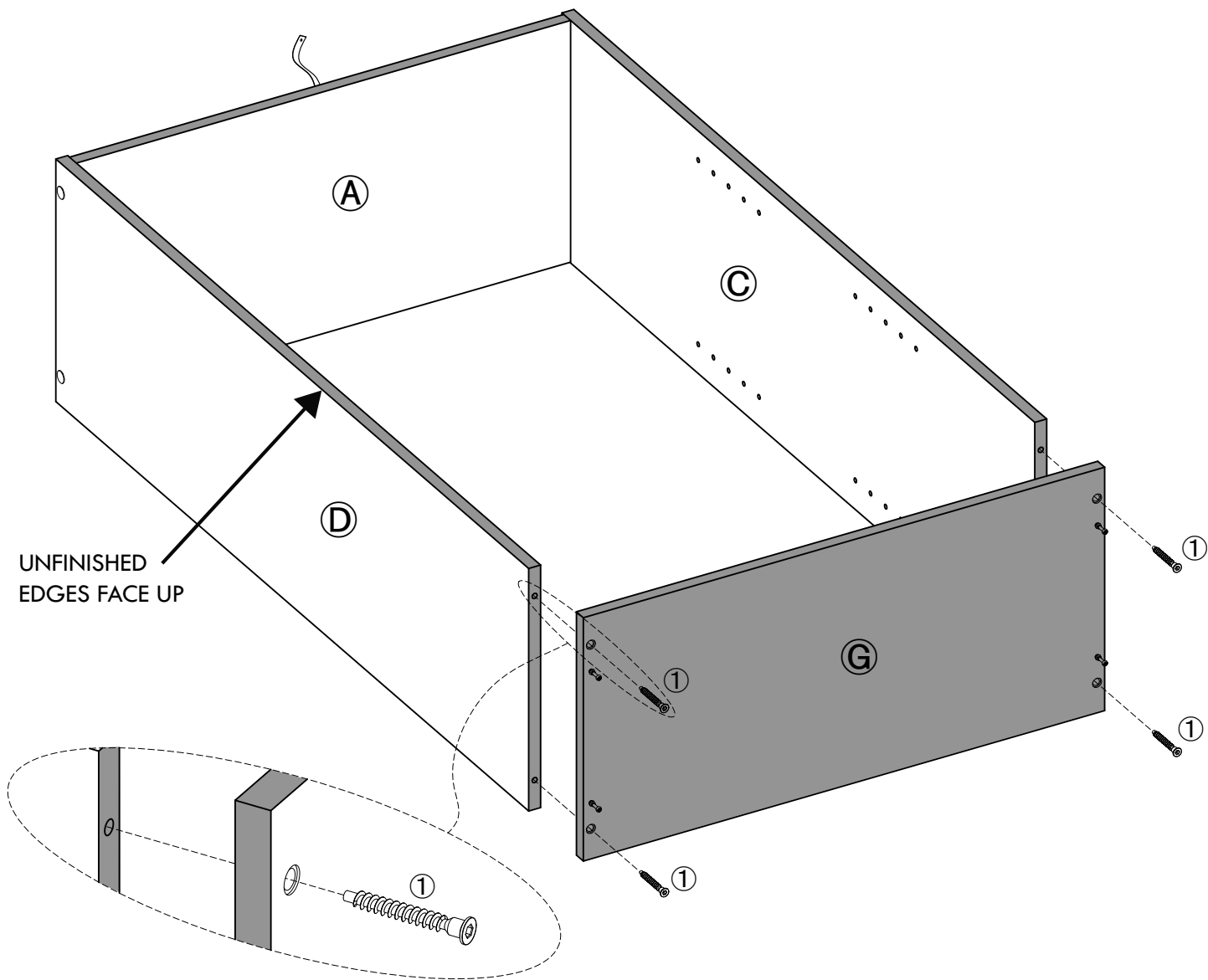
① x 4



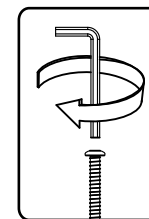
⑨ x 4

6

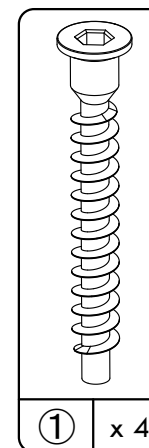
Attach G to C & D with part ①.



ADDITIONAL NOTES



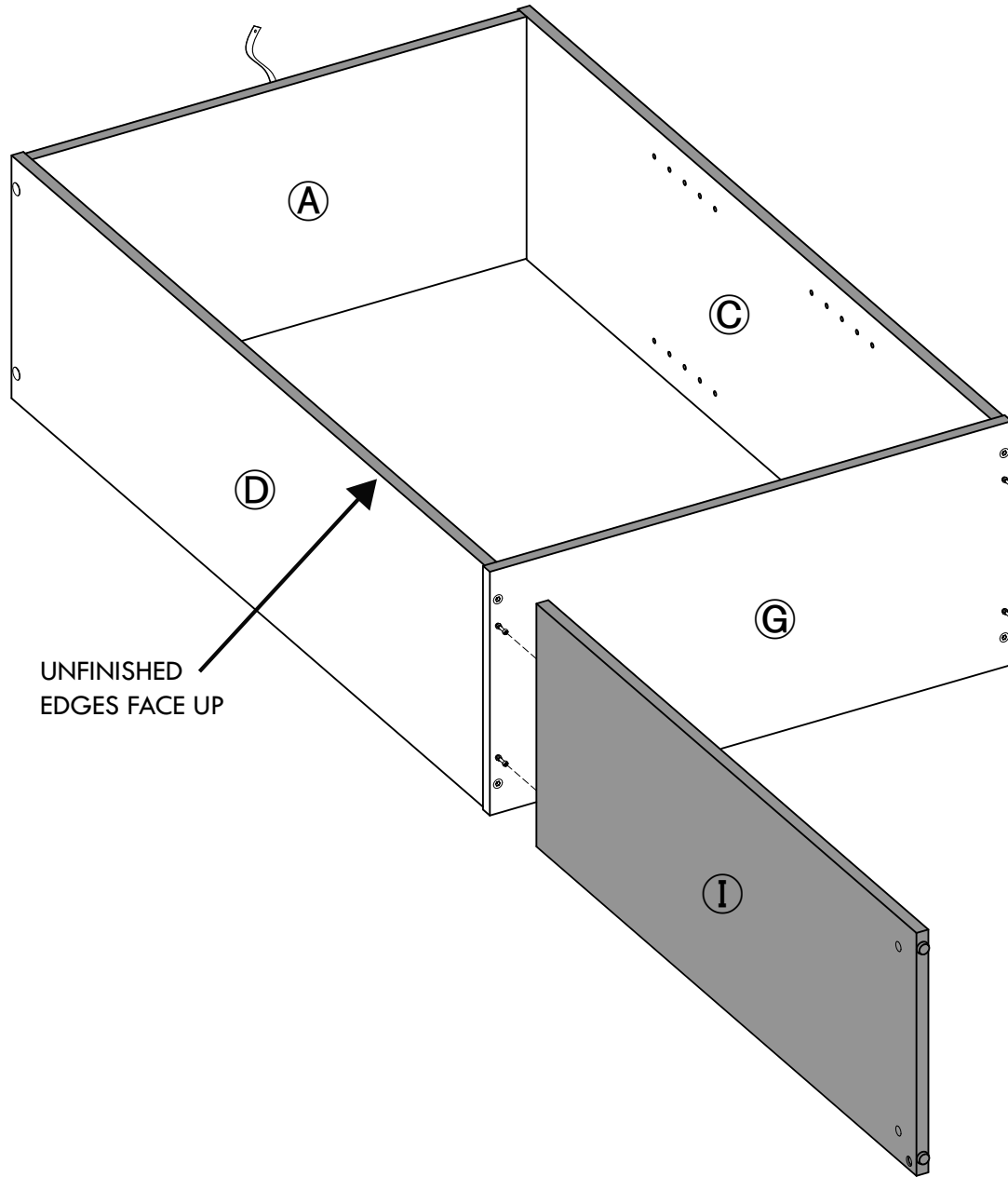
PARTS



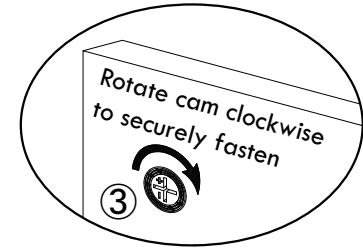
① x 4

7

Attach I into part G.
Tighten cam locks.



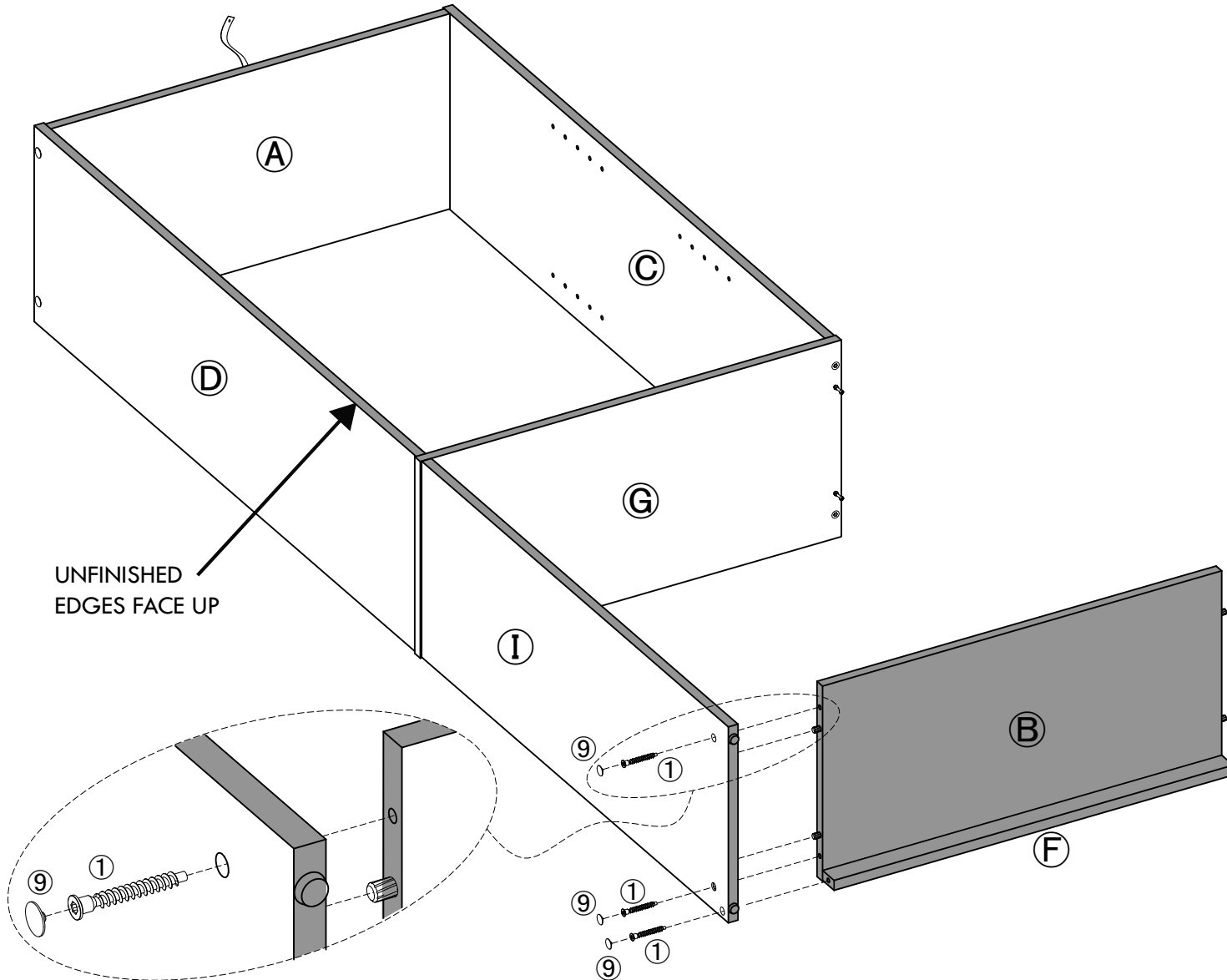
ADDITIONAL NOTES



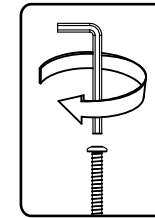
x 2

8

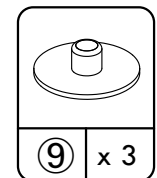
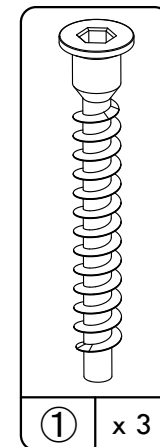
Attach B & F into part I with supplied allen key.
Insert part ⑨ into part ①.



ADDITIONAL NOTES

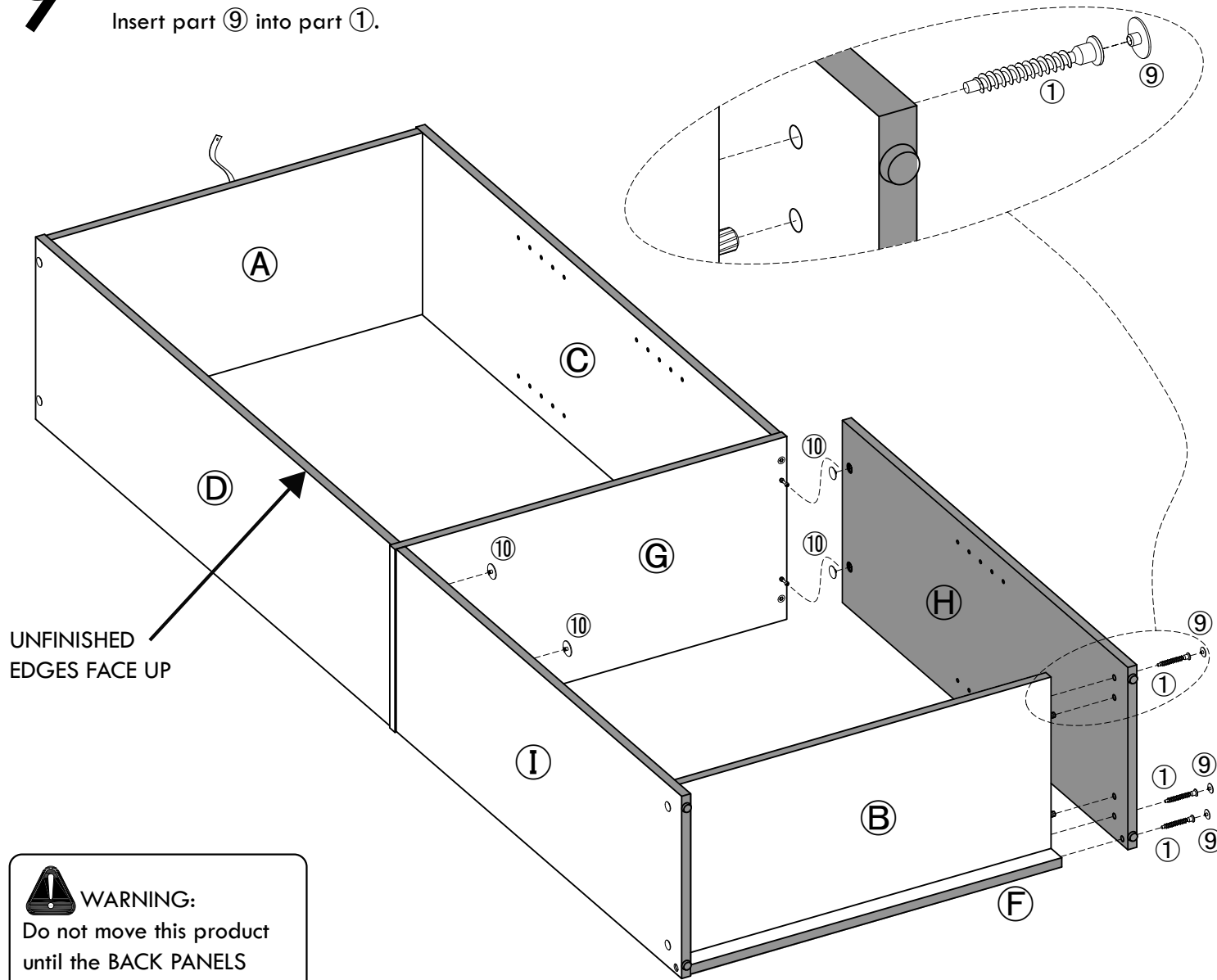


PARTS



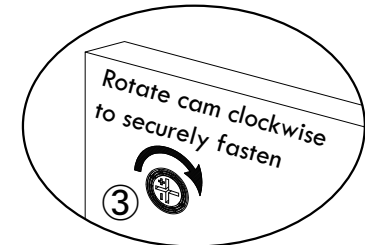
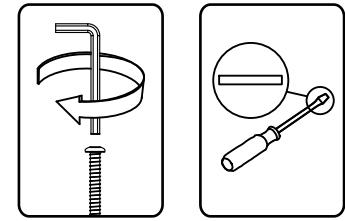
9

Attach H into part B & F & G.
Tighten cam locks.
Insert part ⑨ into part ①.



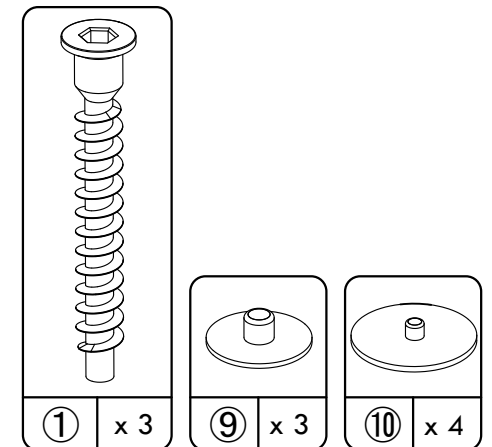
WARNING:
Do not move this product
until the BACK PANELS
are attached securely.

ADDITIONAL NOTES



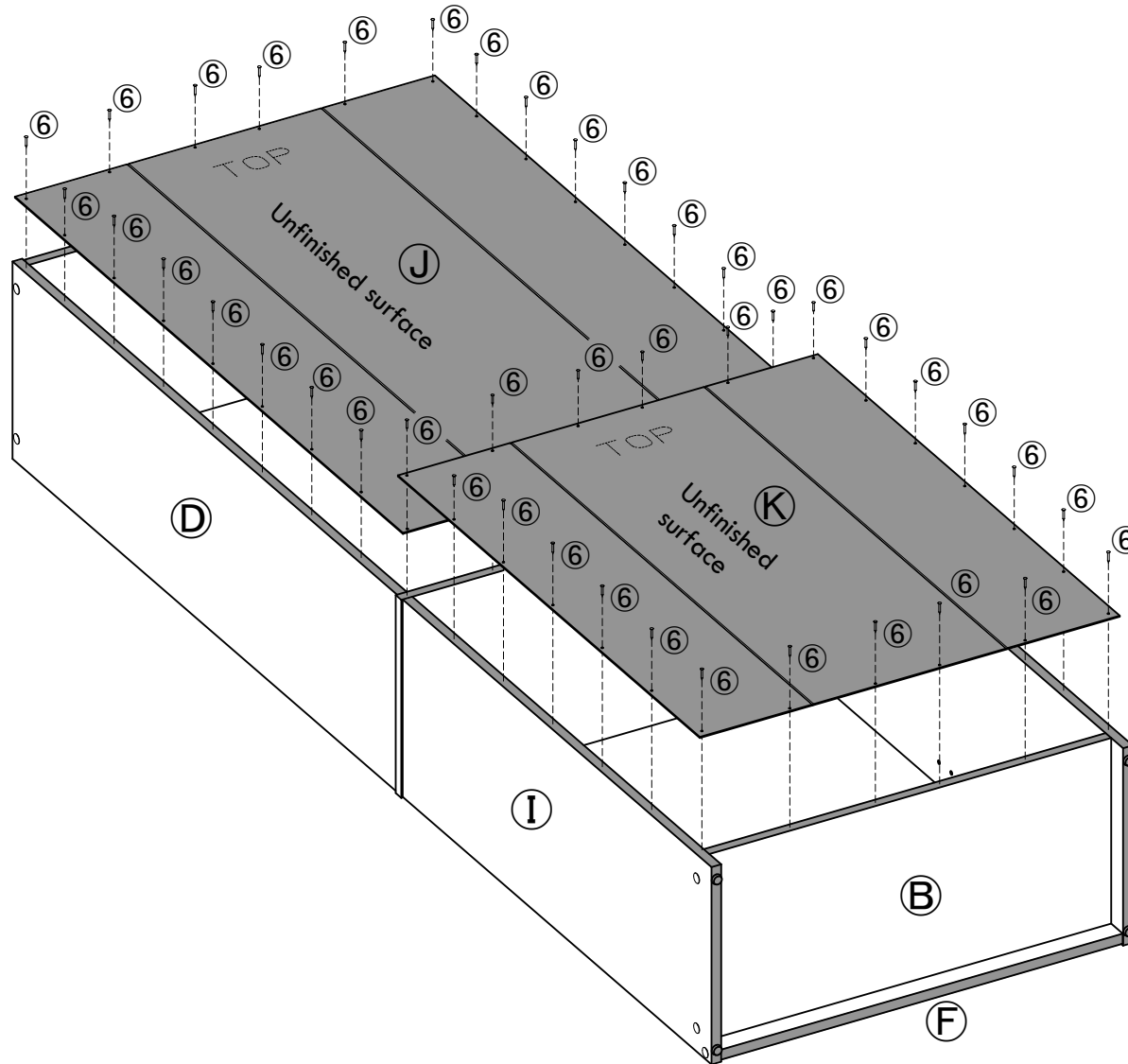
x 2

PARTS

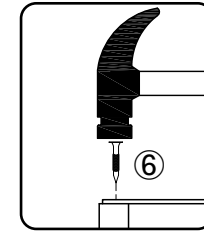


10

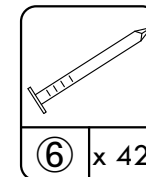
Attach J first.
Attach K with on overlap of J.



ADDITIONAL NOTES



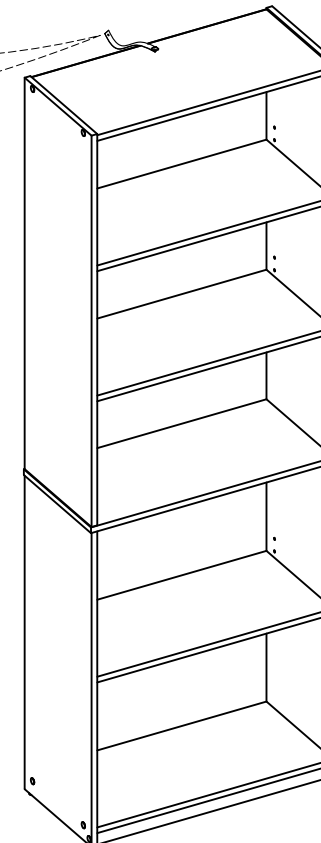
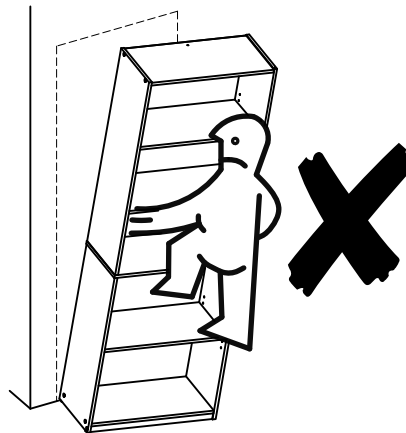
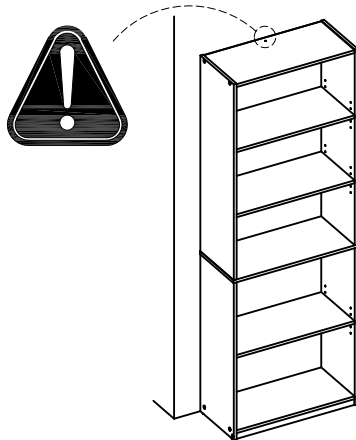
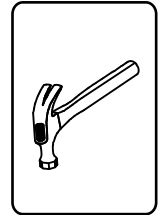
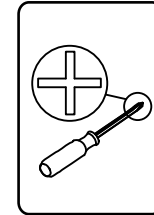
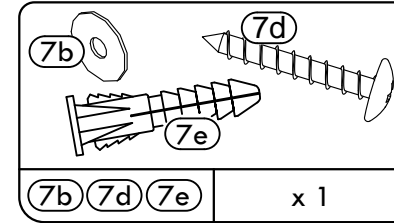
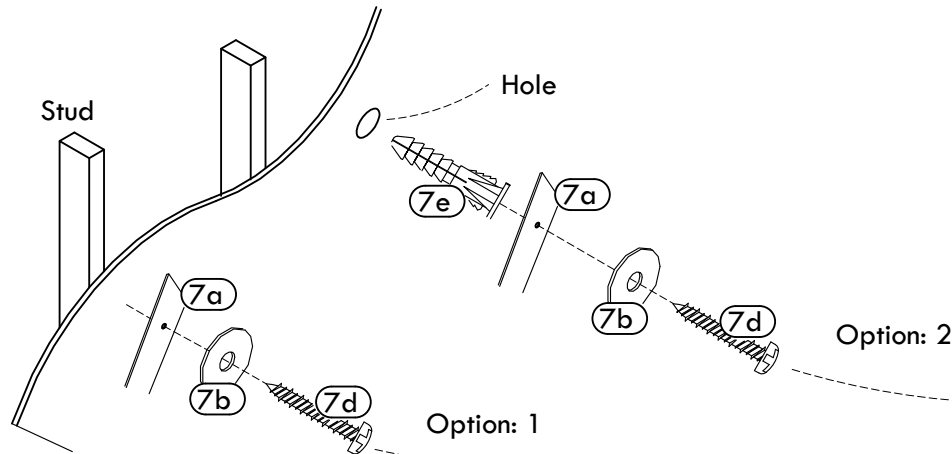
PARTS



⑥ x 42

12

Secure bookshelf to wall with supplied safety hardware.



Now Your Unit Is Completed

Please call for replacement parts or assistance: 1-800-729-1569
Monday - Friday 9:00 am - 5:00 pm EST