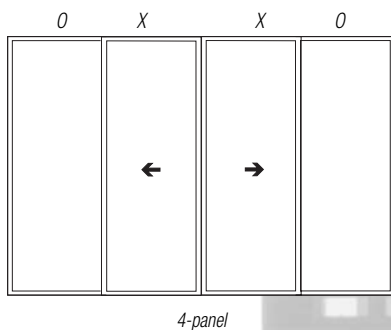
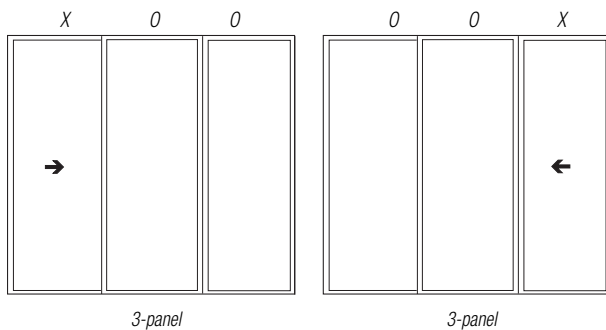
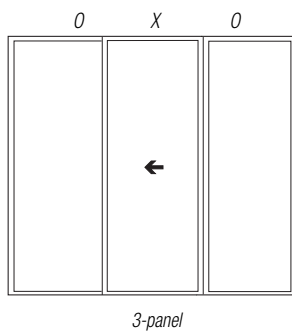
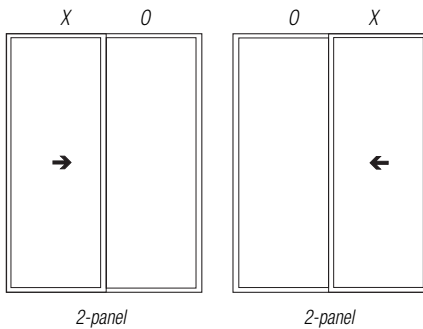


5621, 5621F Sliding Doors

5000
SERIES
CLASSIC VINYL



5621, 5621F SLIDING DOORS

- 2, 3, 4 - panel
- Special size doors available*
- O - fixed panel
- Keyed lock available (Schlage®-compatible)

2-PANEL

- Min 5'6" Max 8'8"

3-PANEL

- Min 9'6" Max 12'8"

4-PANEL

- Min 10'6" Max 16'8"

**Note: special sizes available at an additional cost*

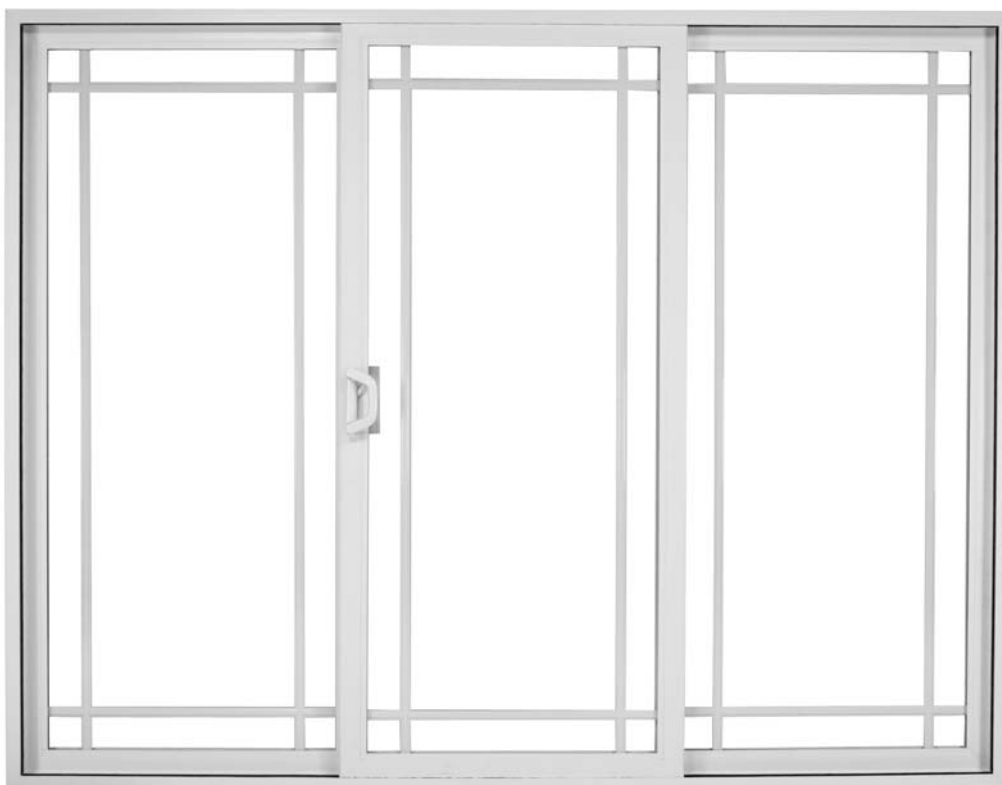
NOTE: For engineering approval contact your Milgard representative for any configuration over 40 square feet. Each Milgard Manufacturing plant reserves the right to alter or change sizes and configurations according to location capabilities. Ask your Milgard rep about specialty applications.

Windows over 40 square feet shipped open for field glazing. Varies by location. 3 and 4 panel doors ship open-field glaze.

Viewed from exterior

5621, 5621F Sliding Doors

5000
SERIES
CLASSIC VINYL



The 5621 series vinyl (PVC) Sliding Doors offer the outstanding insulating properties, low maintenance, and contemporary aesthetic appeal only vinyl can provide. Available in White and Tan homogenous window frames, the 5621's durable vinyl exterior will never need painting. The doors will maintain their color and shape and can be constructed to your exact size specifications, subject to review.

Like all Milgard windows, doors and skylights, the 5621 Series carries a Full Lifetime Warranty to the original single family homeowner covering both materials and labor.

Commercial and apartment projects are covered by a 10-year warranty from date of manufacture, covering all materials and labor, including the glazing unit.

CONFIGURATIONS

The 5621 and 5621F series are designed as a 2, 3, 4, panel inside sliding door (the sliding panel, or "vent" slides inside the stationary panel). The sliding glass door is constructed from fixed and moving panels mounted in a perimeter frame specifically engineered for insulating glass.

COMPONENTS

FRAME

Frame components are made from high performance polyvinyl chloride, available in White and Tan window frames. The 5621 and 5621F series are designed to offer outstanding visual appeal and low maintenance. Mitered corners are precision welded resulting in an air and water tight seal. Standard frame depth is 4-5/8", ideal for both new construction and for use as a replacement door.

5621, 5621F Sliding Doors

5000
SERIES
CLASSIC VINYL

NAIL-ON FIN

A 1-1/16" pre-punched nail flange extends around the perimeter frame, securing the door in rough openings and acting as a part of the flashing system. The 5621 and 5621F series offers a removable nailing fin for use as a replacement door. Fin setbacks are available in 1-3/8" from outside of frame, also in 1" (5631 and 5631F) for our SW locations using 3 coat stucco applications. (location specific)

WEEP SYSTEM

Hollow sill construction and offset weep baffles release any accumulated moisture from track and help prevent blow back, or water seeping to the interior caused by a combination of wind and rain.

GLAZING MATERIAL

AAMA approved glazing tape adheres glass to the fixed panel frame which seals and cushions the glass. Rigid vinyl setting blocks are used to support the unit above the sill, preventing glass slippage. Extruded vinyl glazing (snap-in) bead is applied around the interior edge. "Interior glazing" makes replacement of glazing unit convenient, and provides equal exterior sight lines.

GLASS

Milgard's sliding glass doors utilize glazing quality tempered safety glass in 1" overall insulating glass units. Specialty glass options are available upon request.

VENT PANEL

The vent panel has an "L" shaped lip that fully interlocks with the vertical meeting rail, adding security and preventing air and water penetration. Its roller assembly rides on a monorail stainless steel track for easy operation and durability. This raised track in the frame sill helps keep the vent panel free from interference by foreign particles that may collect in the sill.

WEATHERSTRIPPING

Silicone-treated water-repellent polypropylene fin seal weatherstripping provides a durable, weather tight seal. This weatherstripping is installed in an integral keyway in the vent panel.

ROLLER ASSEMBLY

A cadmium coated steel housing with stainless steel rollers ride on a raised monorail track and can be easily adjusted with a screwdriver for proper alignment.

LOCKING ASSEMBLY

The locking assembly is a component of the handle set. The door may be locked or unlocked easily from inside by the flip-latch mechanism in the handle, engaging a 2-point jamb lock. An anti-lift device is installed in the frame (handle) to prevent the sliding panel from being removed when the door is closed and locked.

Optional multi-point lock available for added security.

Optional keyed lock available.

SCREEN

Screen frames are heavy-duty extruded aluminum, reinforced with hidden aluminum corner clips.

Screens come standard with matching frame color.

The fiberglass charcoal screen mesh is strong, durable and easy to replace. Four nylon rollers contained in fully adjustable aluminum housings ride on a raised monorail track for easy operation.

ENERGY PACKAGES

Milgard offers two energy efficiency upgrade packages that offer increased U-Value performance. 3D™ and 3D MAX™ use the ENERGY STAR® criteria from each climate zone and utilize materials that are tailored to each individual climate to increase energy efficiency. The combination of the frame material, product design and glazing unit make up the 3 components of the energy packages. The Classic Series receives up to 23% increase in energy efficiency with the 3D MAX package.

Note:

- Packages available in most markets. Please see your local sales representative for details.
- * 3D and 3D MAX energy packages are based on insulated glass units with Single Strength (3/32") and Double Strength (1/8") glass. Some glass thicknesses and internal grid combinations may result in lower energy performance.
- * 3D and 3D MAX energy packages are not included with the 8125 Double Slider, 5621WS Wide Stile Sliding Door, 8225 Double Hung when selecting grids and are currently not available in breather tube applications.

OPTIONS

GRIDS

Available in 5/8" flat or 1-1/16" sculptured aluminum profiles. Color-matched to frame.

GLASS

Refer to glass section.

Many more options are available. Please check with your Milgard Representative.

TEST STANDARDS

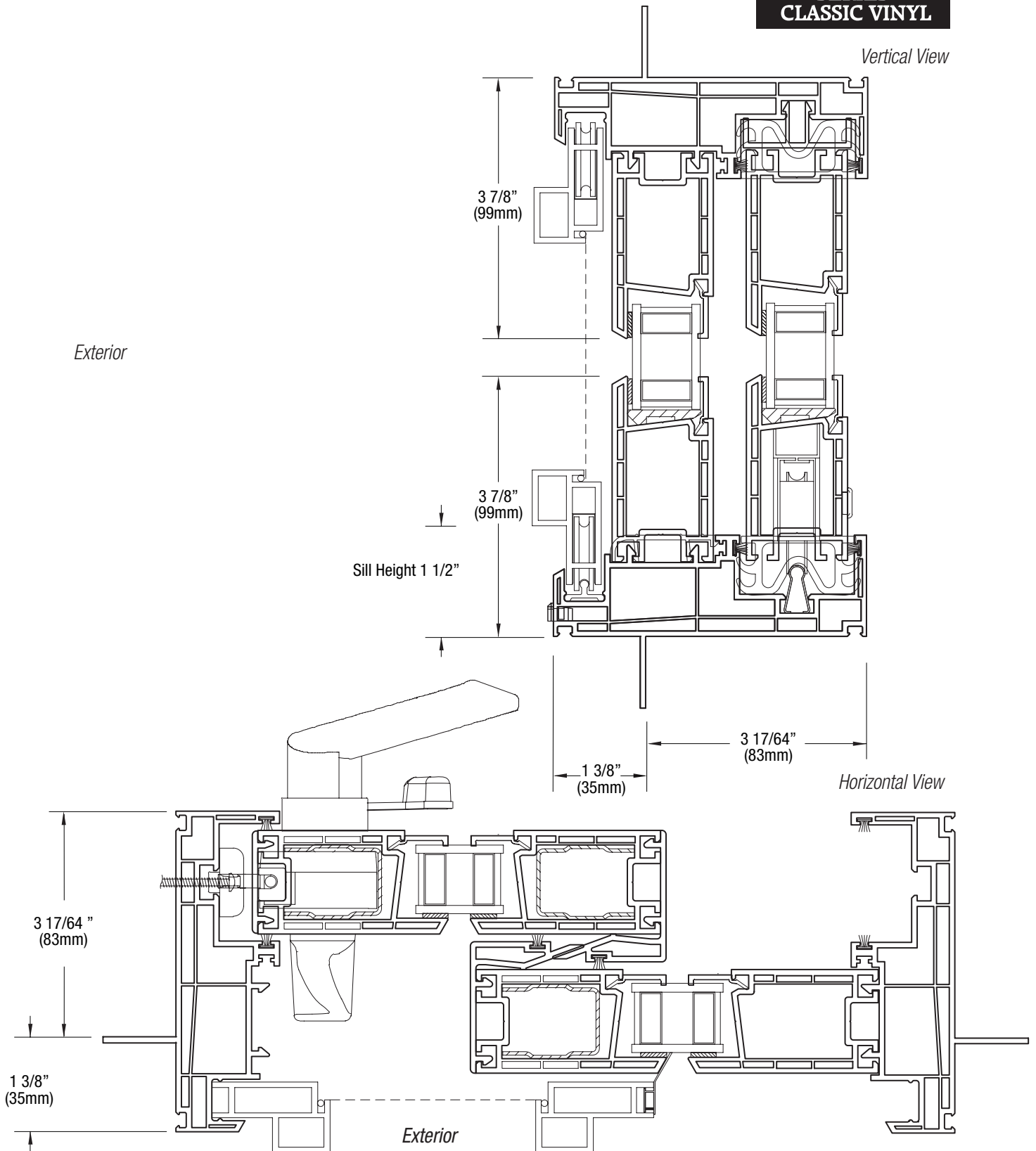
See Test Reports/Energy Ratings section.

Caution: The use of petroleum based fuels or solvents as release agents in stucco wall installations or glass cleaning will chemically attack materials used in seals and other components, and voids the Milgard Guarantee. The use of wax based release agents is recommended.

Expanding foam for insulation purposes should not be used. Loose packed batt insulation is recommended.

5621 Assembly Drawing

5000
SERIES
CLASSIC VINYL



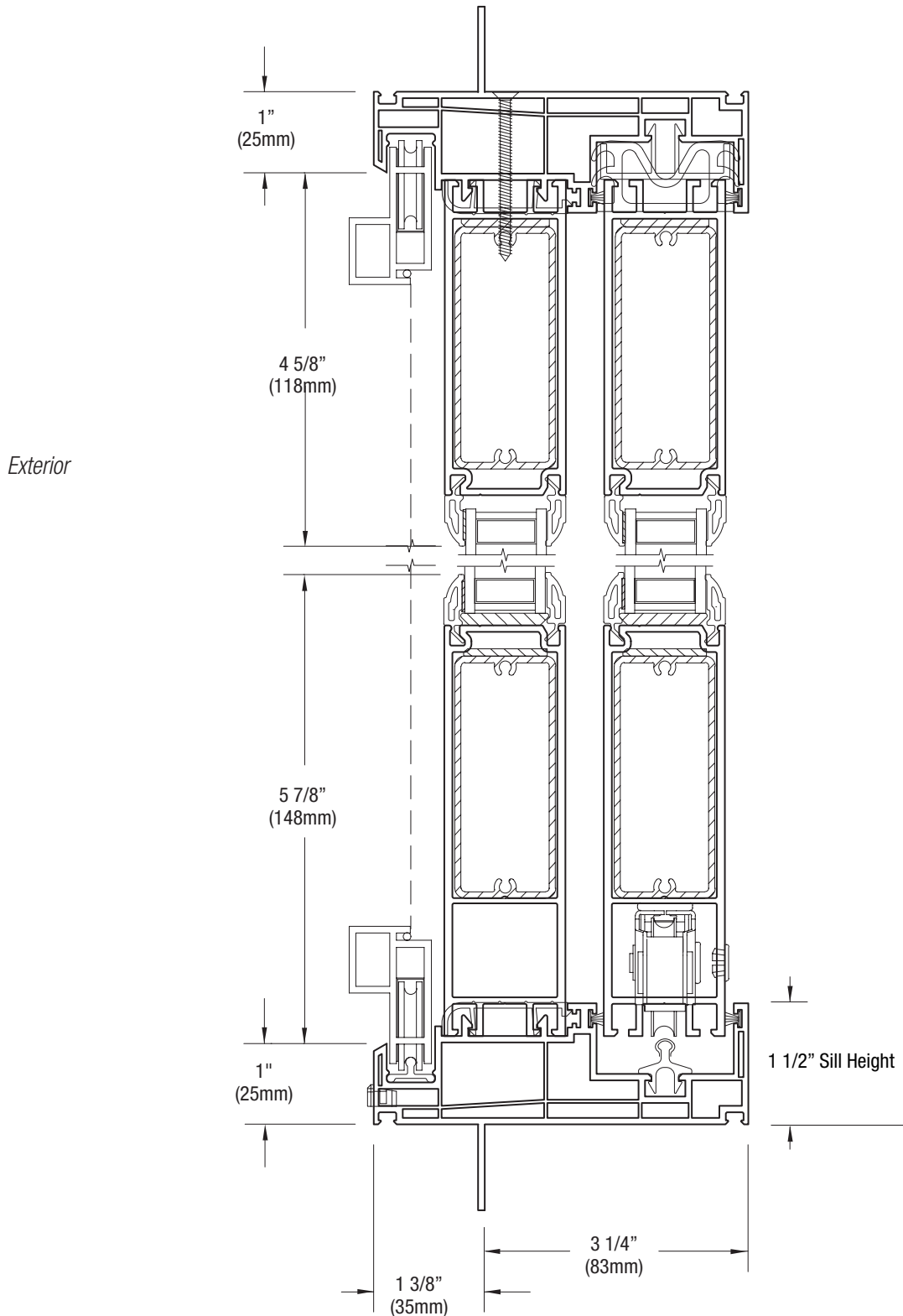
5621-5
NOVEMBER 2008

Scale: 6" = 1' (1/2 scale)

Due to continual product research and development, details may be changed at any time. ©2008
Products shown are not available at all locations – confirm availability with your local Milgard representative.

5621F Assembly Drawing

Vertical View

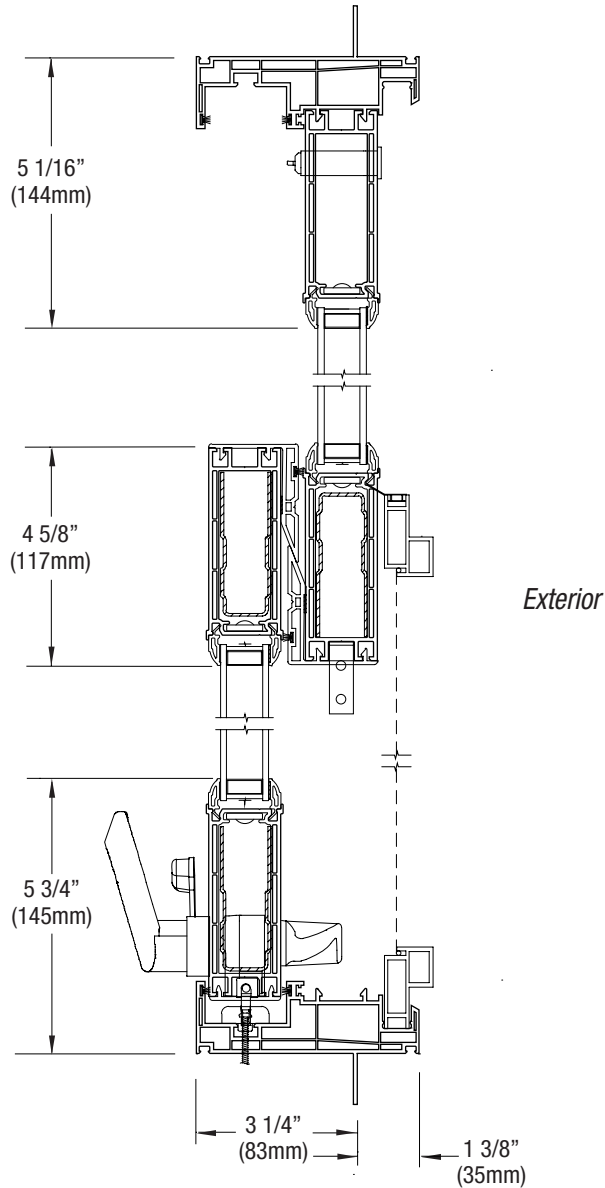


Scale: 6" = 1' (1/2 scale)

Due to continual product research and development, details may be changed at any time. ©2008
Products shown are not available at all locations – confirm availability with your local Milgard representative.

5621F Assembly Drawing

5000
SERIES
CLASSIC VINYL

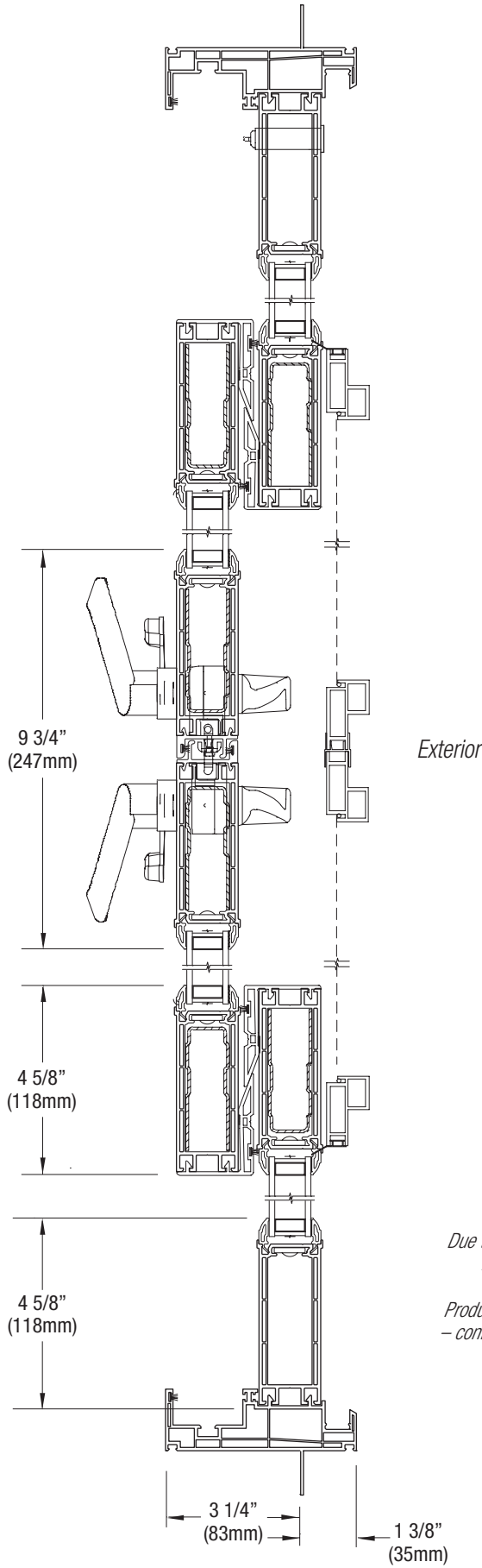


*2-Panel
Horizontal View*

5621F Assembly Drawing

5000
SERIES
CLASSIC VINYL

*4-Panel
Horizontal View*



Scale: 3" = 1' (1/4 scale)
Due to continual product research and development, details may be changed at any time.
 ©2008
Products shown are not available at all locations – confirm availability with your local Milgard representative.