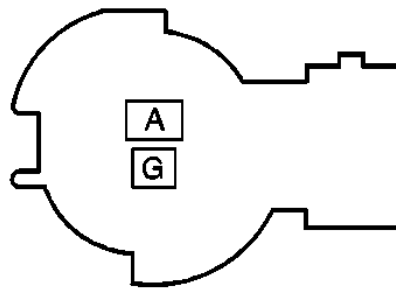


[Report a problem with this article](#)

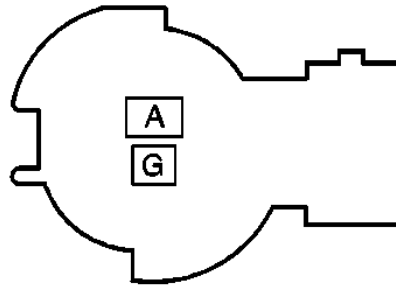
Table 1:	Shock Damper Solenoid - LF
Table 2:	Shock Damper Solenoid - RF
Table 3:	Shock Damper Solenoid - LR
Table 4:	Shock Damper Solenoid - RR
Table 5:	Suspension Position Sensor - LF
Table 6:	Suspension Position Sensor - RF
Table 7:	Suspension Position Sensor - LR
Table 8:	Suspension Position Sensor - RR
Table 9:	Suspension Control Module – C1
Table 10:	Suspension Control Module – C2
Table 11:	Suspension Control Module – C3

Shock Damper Solenoid - LF



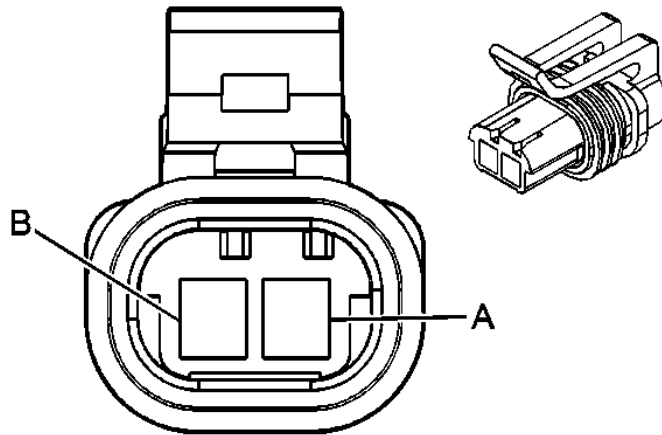
Connector Part Information		<ul style="list-style-type: none"> • 15336746 • 2-Way F Micro-Pack 100W (NAT) 	
Pin	Wire Color	Circuit No.	Function
A	LT BLU/WHT	1107	Left Front Suspension Damper Solenoid Control
G	GRY	1113	Left Front Suspension Damper Solenoid Low Reference

Shock Damper Solenoid - RF



Connector Part Information		<ul style="list-style-type: none"> • 15336746 • 2-Way F Micro-Pack 100W (NAT) 	
Pin	Wire Color	Circuit No.	Function
A	LT BLU/WHT	1116	Right Front Suspension Damper Solenoid Control
G	GRY	1117	Right Front Suspension Damper Solenoid Low Reference

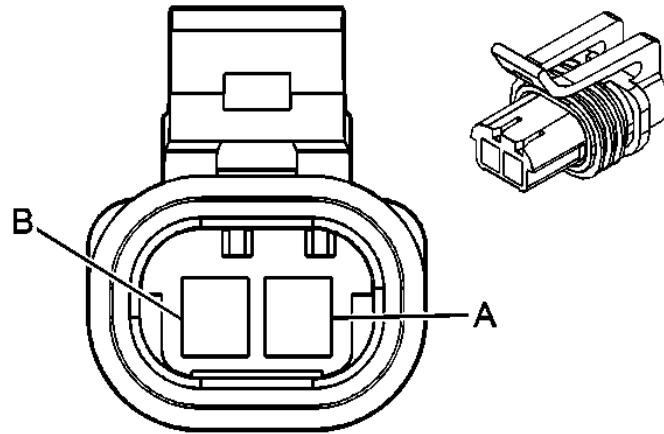
Shock Damper Solenoid - LR



Connector Part Information		<ul style="list-style-type: none"> • 12162852 • 2-Way F 150.2 P2S Series (BLK) 	
Pin	Wire Color	Circuit No.	Function
A	DK BLU/ WHT	1114	Left Rear Suspension Damper Solenoid Control

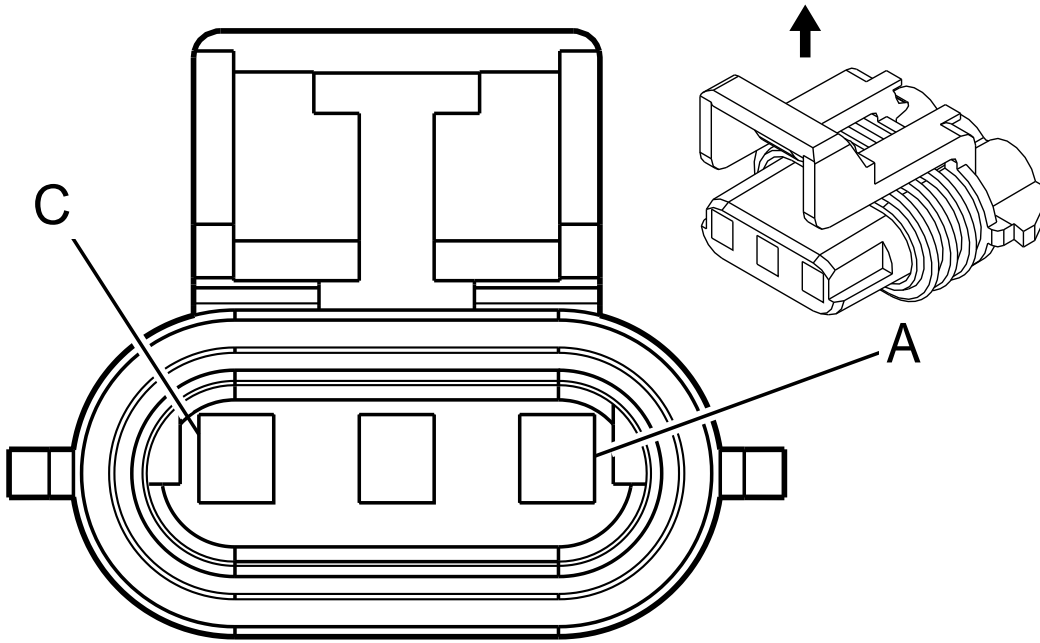
B	DK GRN	1115	Left Rear Suspension Damper Solenoid Low Reference
---	--------	------	--

Shock Damper Solenoid - RR



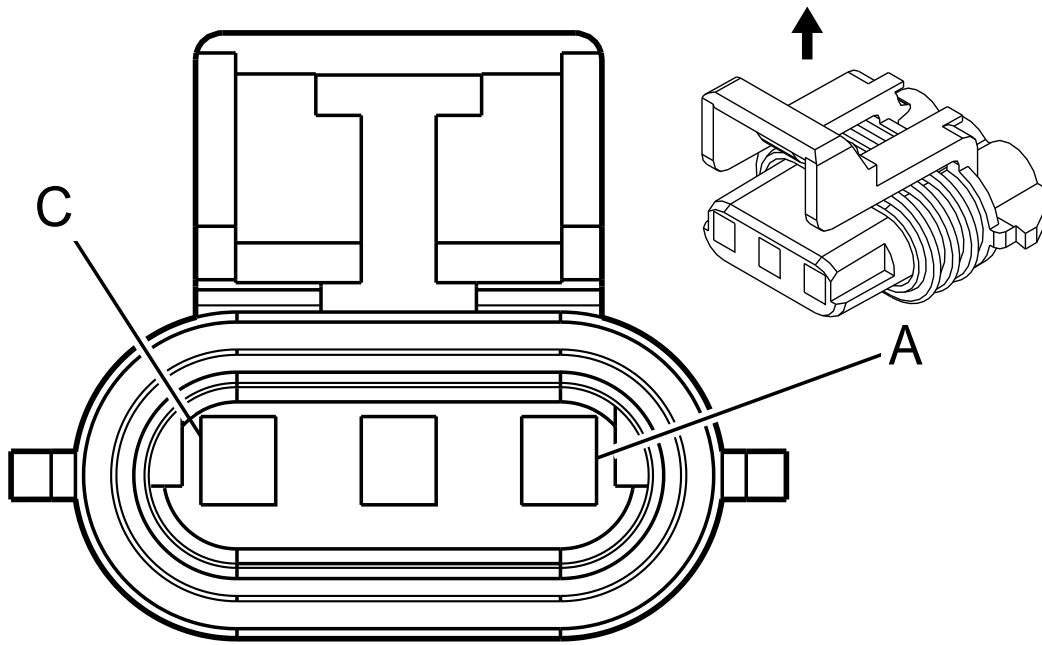
Connector Part Information		<ul style="list-style-type: none"> • 12162852 • 2-Way F 150.2 P2S Series (BLK) 	
Pin	Wire Color	Circuit No.	Function
A	DK BLU/ WHT	1118	Right Rear Suspension Damper Solenoid Control
B	DK GRN	1119	Right Rear Suspension Damper Solenoid Low Reference

Suspension Position Sensor - LF



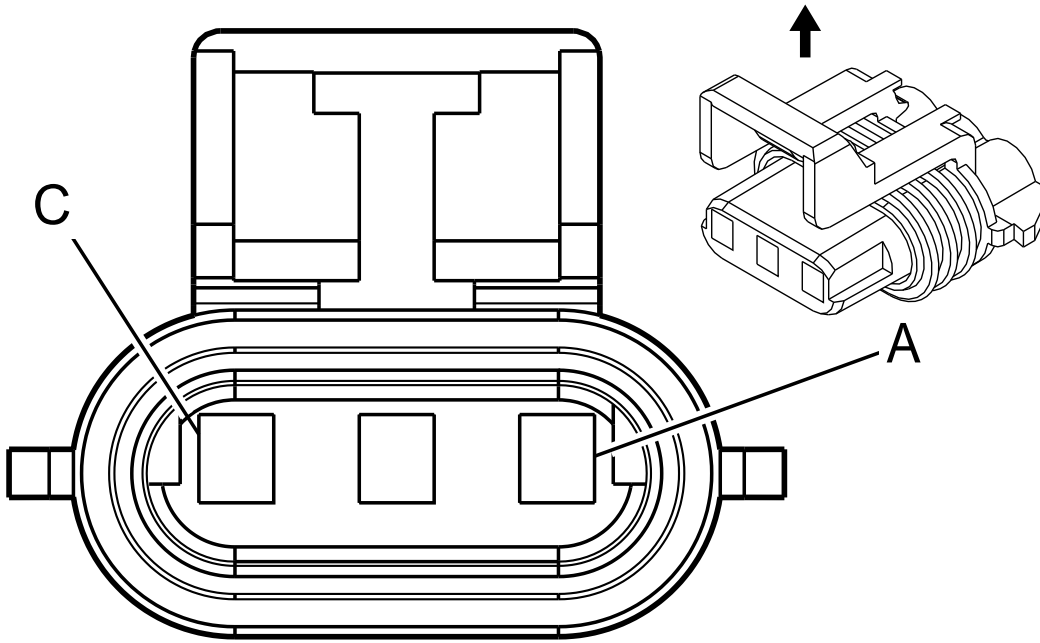
Connector Part Information		<ul style="list-style-type: none"> • 12110293 • 3-Way F Metri-Pack 150 Series (BLK) 	
Pin	Wire Color	Circuit No.	Function
A	PPL/WHT	1205	Left Front Suspension Position Sensor Volt Reference
B	TAN/WHT	1207	Left Front Suspension Position Sensor Signal
C	LT BLU/BLK	1206	Left Front Suspension Position Sensor Low Reference

Suspension Position Sensor - RF



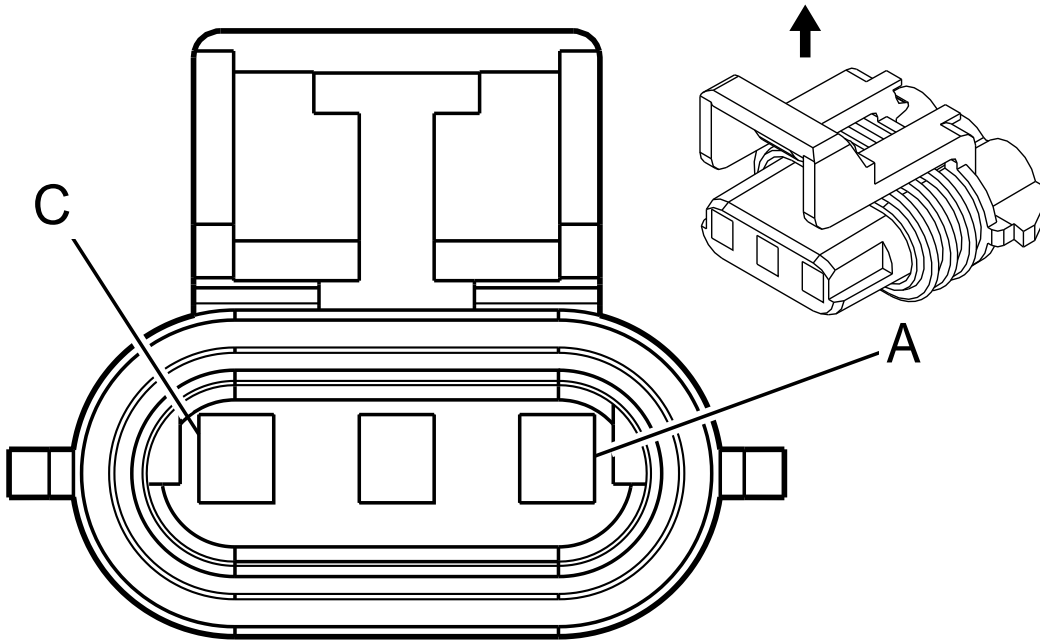
Connector Part Information		<ul style="list-style-type: none"> • 12110293 • 3-Way F Metri-Pack 150 Series (BLK) 	
Pin	Wire Color	Circuit No.	Function
A	PPL/WHT	1211	Right Front Suspension Position Sensor Volt Reference
B	TAN/WHT	1213	Right Front Suspension Position Sensor Signal
C	LT BLU/WHT	1212	Right Front Suspension Position Sensor Low Reference

Suspension Position Sensor - LR



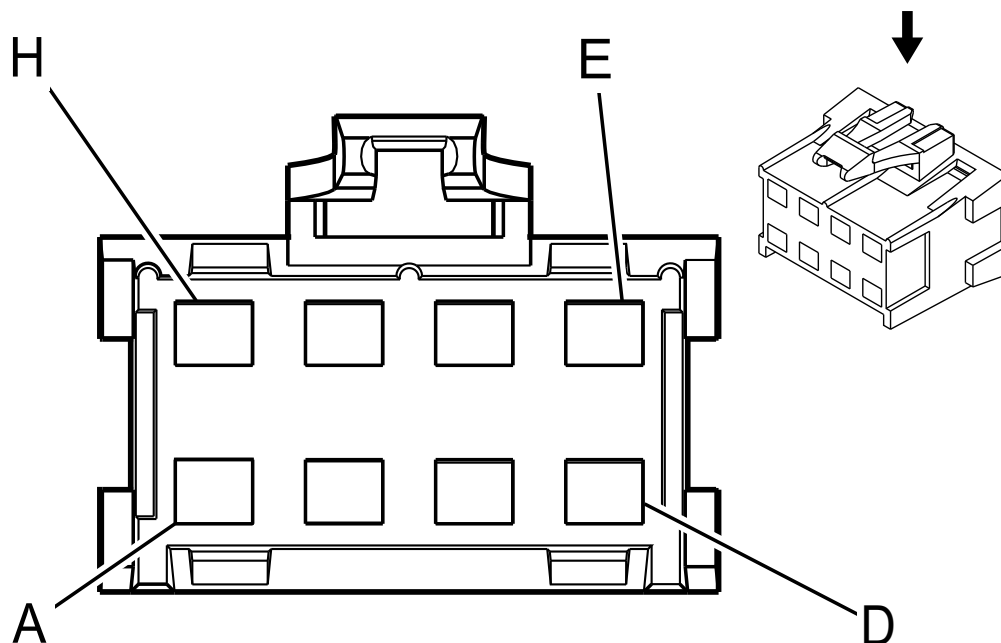
Connector Part Information		<ul style="list-style-type: none"> • 12110293 • 3-Way F Metri-Pack 150 Series (BLK) 	
Pin	Wire Color	Circuit No.	Function
A	RED/BLK	1208	Left Rear Suspension Position Sensor Volt Reference
B	LT GRN/WHT	1210	Left Rear Suspension Position Sensor Signal
C	LT GRN/BLK	1209	Left Rear Suspension Position Sensor Low Reference

Suspension Position Sensor - RR



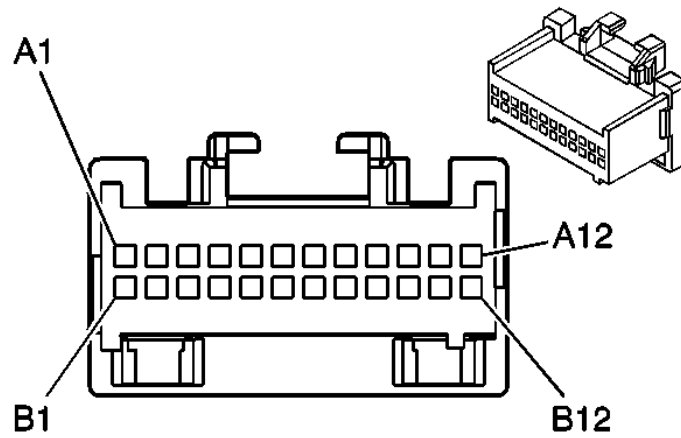
Connector Part Information		<ul style="list-style-type: none"> • 12110293 • 3-Way F Metri-Pack 150 Series (BLK) 	
Pin	Wire Color	Circuit No.	Function
A	RED/BLK	1214	Right Rear Suspension Position Sensor Volt Reference
B	LT GRN/WHT	1216	Right Rear Suspension Position Sensor Signal
C	LT GRN/BLK	1215	Right Rear Suspension Position Sensor Low Reference

Suspension Control Module – C1



Connector Part Information		<ul style="list-style-type: none"> • 12110626 • 8-Way F Metri-Pack 280 Series (GRY) 	
Pin	Wire Color	Circuit No.	Function
A	LT BLU/WHT	1116	Right Front Suspension Damper Solenoid Control
B	DK GRN	1119	Right Rear Suspension Damper Solenoid Low Reference
C	BLK	1450	Ground
D	ORN	2440	Battery Positive Voltage
E	BLK	1450	Ground
F	GRY	1113	Left Front Suspension Damper Solenoid Low Reference
G	GRY	1117	Right Front Suspension Damper Solenoid Low Reference
H	DK GRN	1115	Left Rear Suspension Damper Solenoid Low Reference

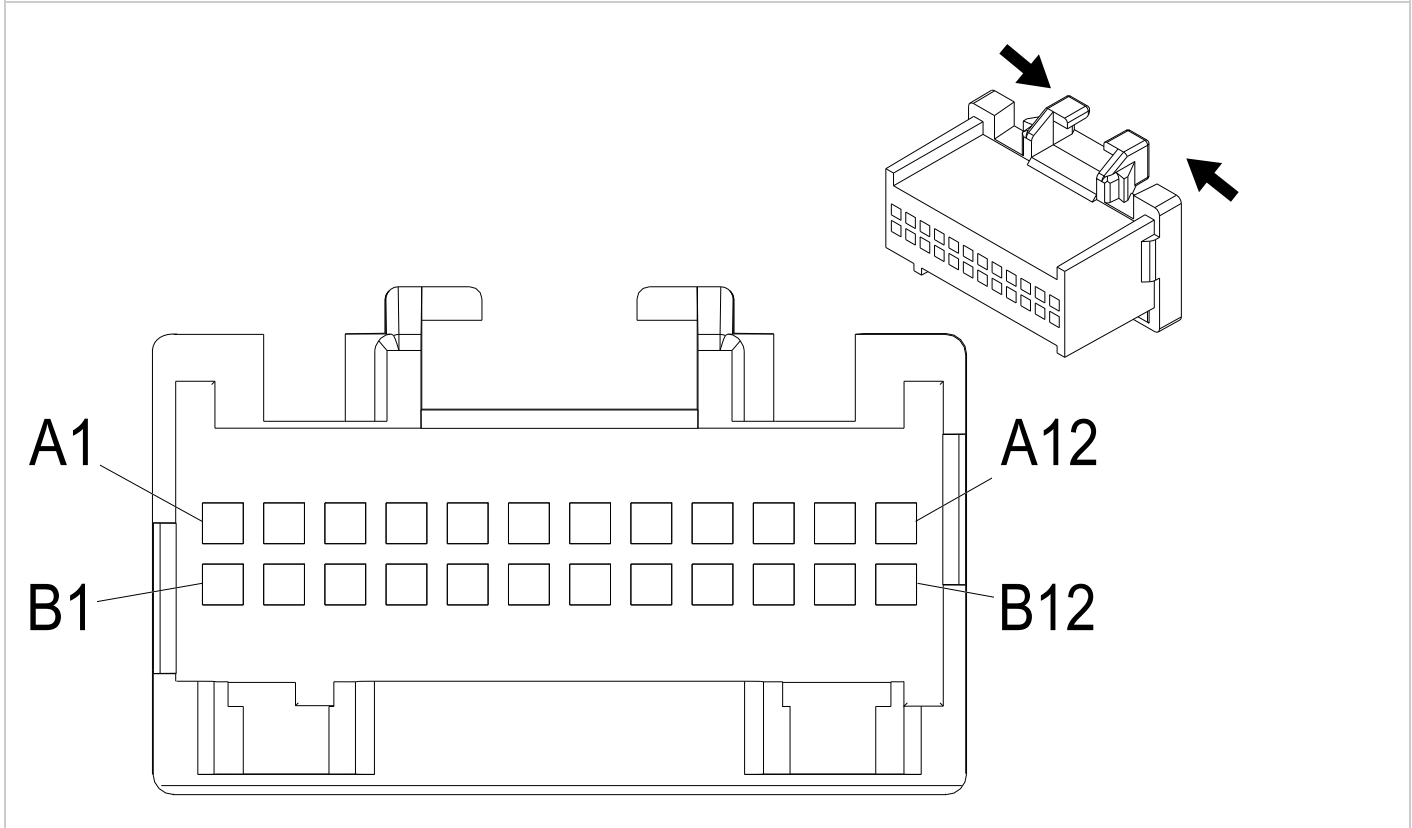
Suspension Control Module – C2



Connector Part Information		<ul style="list-style-type: none"> • 12110244 • 24-Way F Micro-Pack (PNK) 	
Pin	Wire Color	Circuit No.	Function
A1	—	—	Not Used
A2	WHT	790	PWM Serial Data - w/VSES
	—	—	Not Used - w/o VSES
A3	GRY	791	PWM Serial Data - w/VSES
	—	—	Not Used - w/o VSES
A4–A6	—	—	Not Used
A7	WHT	1294	Variable Effort Steering Actuator Supply Voltage
A8	BRN	1295	Variable Effort Steering Actuator Control
A9	GRY	416	5 Volt Reference
A10	LT BLU	2248	Real Time Damping Compressor Relay Control
A11	—	—	Not Used
A12	LT BLU/ WHT	1107	Left Front Suspension Damper Solenoid Control
	DK BLU/ WHT		
B1	DK BLU/ WHT	1118	Right Rear Suspension Damper Solenoid Control
	—		
B2–B4	—	—	Not Used
B5	DK BLU	2249	Real Time Damping Compressor Exhaust Control

B6–B7	—	—	Not Used
B8	DK BLU/ WHT	1126	SCM Class 2 Serial Data
B9	—	—	Not Used
B10	BLK	407	Low Reference
B11–B12	—	—	Not Used

Suspension Control Module – C3



Connector Part Information		<ul style="list-style-type: none"> • 121102206 • 24-Way F Micro-Pack (LT BLU) 	
Pin	Wire Color	Circuit No.	Function
A1	PNK/WHT	1101	Damping Lift/Dive Signal
A2	TAN/WHT	1207	Left Front Suspension Position Sensor Signal
A3	PPL/WHT	1205	Left Front Suspension Position Sensor Voltage Reference
A4	TAN/WHT	1213	Right Front Suspension Position Sensor Signal
A5	LT GRN/ WHT	1210	Left Rear Suspension Position Sensor Signal

A6	RED/BLK	1208	Left Rear Suspension Position Sensor Voltage Reference
A7	LT GRN/ WHT	1216	Right Rear Suspension Position Sensor Signal
A8	LT BLU	1059	Steering Wheel Position Sensor Signal
A9	GRY	705	5 Volt Reference
A10	DK GRN/ WHT	817	Vehicle Speed Signal
A11	—	—	Not Used
A12	DK BLU/ WHT	1114	Left Rear Suspension Damper Solenoid Control
B1	BRN	541	Ignition 3 Voltage
B2	LT BLU/ BLK	1206	Left Front Suspension Position Sensor Low Reference
B3	PPL/WHT	1211	Right Front Suspension Position Sensor Voltage Reference
B4	LT BLU/ BLK	1212	Right Front Suspension Position Sensor Low Reference
B5	LT GRN/ BLK	1209	Left Rear Suspension Position Sensor Low Reference
B6	RED/BLK	1214	Right Rear Suspension Position Sensor Voltage Reference
B7	LT GRN/ BLK	1215	Right Rear Suspension Position Sensor Low Reference
B8	ORN/BLK	556	Low Reference
B9	ORN/BLK	1057	Low Reference
B10	—	—	Not Used
B11	TAN	2252	Leveling Pressure Sensor Signal
B12	—	—	Not Used

