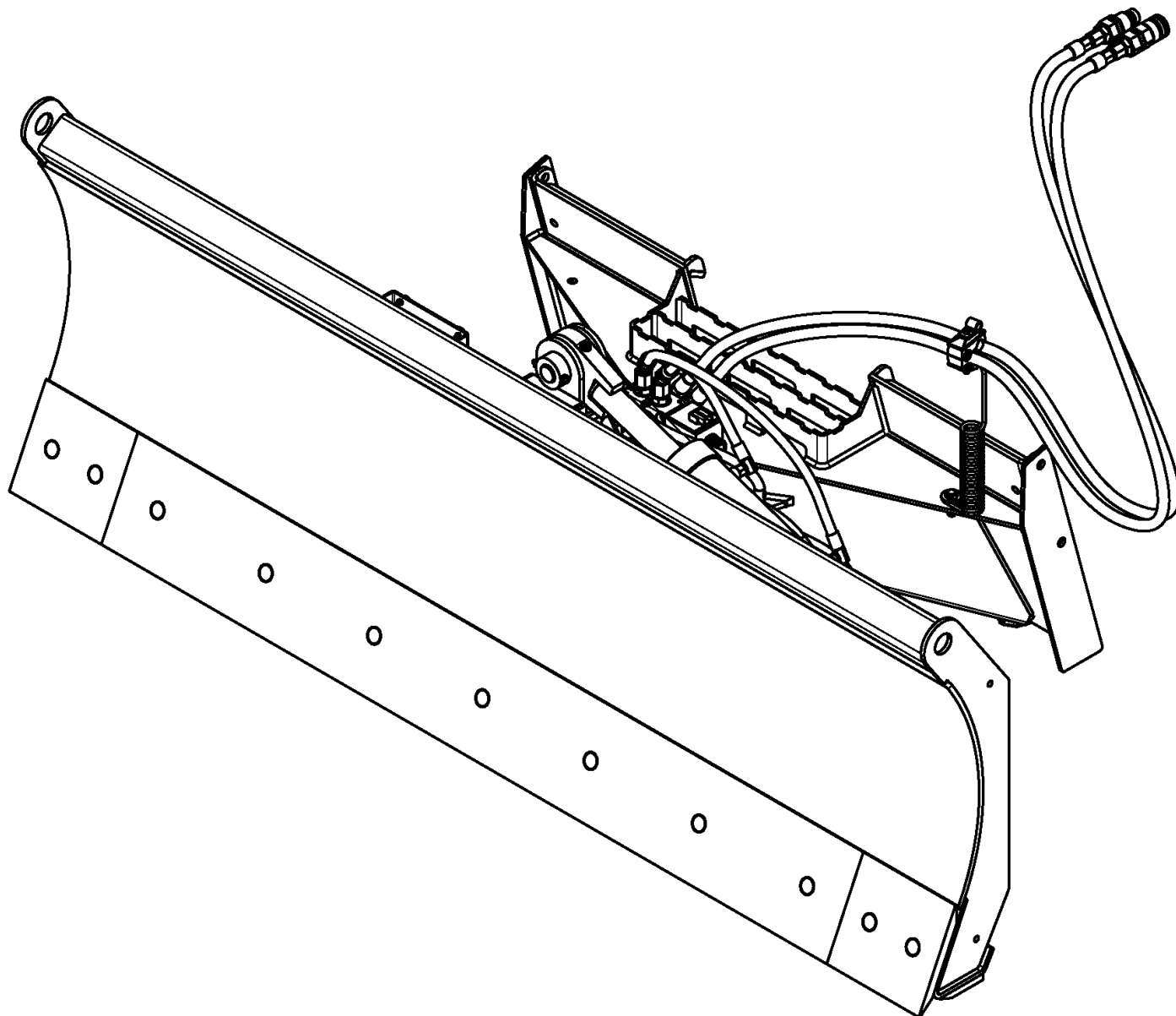


6-Way Dozer Blade

AP-DZ3084 & AP-DZ3096



301-587PK
Parts Manual

Kubota®



Read the Operator's Manual entirely. When you see this symbol, the subsequent instructions and warnings are serious - follow without exception. Your life and the lives of others depend on it!

© Copyright 2022 Printed 06/28/2022

Cover photo may show optional equipment not supplied with standard unit.

Table Of Contents

Section 1: Introduction	2
<i>Using This Manual</i>	2
<i>Manual Replacement Information</i>	2
<i>Manual Revisions</i>	2
<i>Touch-up Paint</i>	2
<i>Hardware Legend</i>	3
<i>Replacement Hardware</i>	3
<i>Serial Numbers</i>	3
<i>Part Number Service Coding</i>	3
Section 2: Mainframes	4
<i>Moldboard & Hitch</i>	4
Section 3: Hydraulics	6
<i>Diverter Valve (850-247C)</i>	6
<i>Hydraulic Components</i>	8
<i>Hydraulic Cylinder (850-262C) Red Lion</i> ...	10
Section 4: Decals & Touch-up Paint	12
<i>Decal Placement</i>	12
<i>Touch-up Paints - Kubota</i>	14
Section 5: Options & Accessories	16
<i>2-Pin Plug Control Harness</i>	16
<i>Battery Connect Control Harness</i>	18
<i>John Deere 14 Pin Plug Control Harness</i> ...	20
<i>John Deere EH14 Pin Plug Control Harness</i>	22
<i>Kubota 14 Pin Plug Control Harness</i>	24

This Page Intentionally Left Blank

Using This Manual

This manual is divided into sections. The first section contains General Information. The remaining sections divide the machine into segments (i.e. Frames, Drives, Hydraulics, etc.) which illustrate and list all parts. A Parts Number Index is located at the back of the book.

The Kubota parts in this manual are specially designed for this machine and should be replaced with Kubota parts only.

The information in this manual is current at time of printing. Some parts may change to assure top performance.

Right-hand and left-hand as used in this manual are determined by facing the direction the machine will travel while in use.

Below is an example of two facing pages from a parts manual. Familiarize yourself with the type of information contained on these pages.

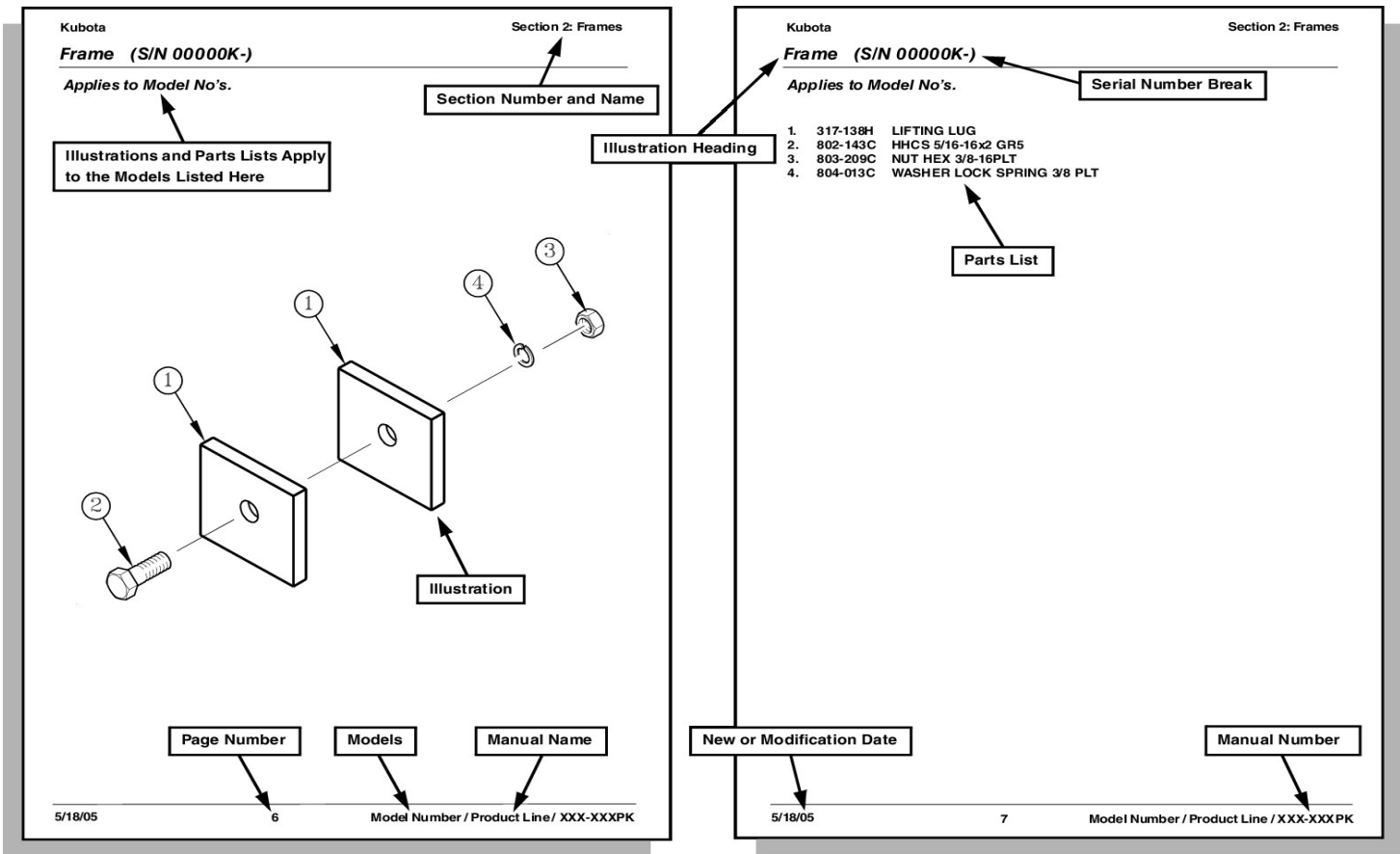
Manual Replacement Information

Replacement manuals are available. Refer to our website at www.landpride.com or e-mail us at lit@landpride.com for additional information. Our website continues to provide the most up-to-date manuals available.

Touch-up Paint

Repaint parts where paint is worn or scratched to prevent rust. Aerosol cans and touch-up bottles with brush applicator are available through your local dealer. Also available are quart and gallon size paints. Add QT or GL to end of the Aerosol P/N.

Kubota color descriptions and part numbers are listed on the "Kubota Touch-Up Paints" page in the "Decals" section of this book.



© Copyright 2022. All rights Reserved

Kubota provides this publication "as is" without warranty of any kind, either expressed or implied. While every precaution has been taken in the preparation of this manual, Kubota assumes no responsibility for errors or omissions. Neither is any liability assumed for damages resulting from the use of the information contained herein. Kubota reserves the right to revise and improve its products as it sees fit. This publication describes the state of this product at the time of its publication, and may not reflect the product in the future. The illustrations in this manual are not intended for safe and proper assembly or disassembly of equipment. The illustrations are intended for ordering parts only.

Kubota is a registered trademark.

All other brands and product names are trademarks or registered trademarks of their respective holders.

Printed in the United States of America.

Hardware Legend

AR	As Required
BLADE	Blade Bolt
C	Cap Screw
CP	Cotter Pin
CPHSSS	Cup Point Hex Socket Set Screw
CPSHSS	Cup Point Square Head Set Screw
CPSQHSS	Cup Point Square Head Set Screw
CRFCHMS3	Cross Recess Flat Countersunk Head Machine Screw
CRPHMS	Cross Recess Pan Head Machine Screw
CRPHTFS	Cross Recess Pan Head Thread Forming
CRRHMS	Cross Recess Round Head Machine Screw
CRTHMS	Cross Recess Truss Head Machine Screw
CSNB	Countersunk Square Neck Bolt
FHMS	Flat Head Machine Screw
FTC	Full Thread Cap Screw
H	Hex Nut
HCLN	Hex Center Lock Nut
HFLCS	Hex Flange Lock Cap Screw
HFS	Hex Flange Screw
HFSLN	Hex Flange Serrated Lock Nut
HFSS	Hex Flange Serrated Screw
HHCS	Hex Head Cap Screw or Metric Bolt
HSBHCS	Hex Socket Button Head Cap Screw
HSFCHCS	Hex Socket Flat Countersunk Head Cap Screw
HSHCS	Hex Socket Head Cap Screw
HSSS	Hex Socket Head Screw
HTLN	Hex Top Lock Nut
HWHCS	Hex Washer Head Cap Screw

HWHMS	Hex Washer Head Machine Screw
HXBHCS	Hex Socket Button Head Cap Screw
J	Hex Jam Nut
JIC	37 Degree Tapered Thread
L	Helical Spring Lock Washer
LUG	Lug Bolt
NFC	National Fine Cap Screw
NPSM	National Pipe Straight Mechanical
NPTF	National Pipe Taper Fuel
P	Wide Plain Washer
PHMS	Pan Head Machine Screw
PLOW	Plow Bolt
RHMS	Round Head Machine Screw
RHSNB	Round Head Square Neck Bolt
SCREW LEVELING	Leveling Screw
SCREW THUMB	Thumb Screw
SCREW WELD	Weld Screw
SFCHMS	Slotted Flat Countersunk Head Machine Screw
SFHMS	Slotted Fillister Head Machine Screw
SP	Special
SP SCREW	Special Screw
SQHSS	Square Head Set Screw
SRHMS	Slotted Round Head Machine Screw
SSS	Socket Set Screw
STCS	Self Tapping Cap Screw
STHMS	Slotted Truss Head Machine Screw
WHEEL	Wheel Studs and Hub Long Bolts
WING	Wing Bolt

Replacement Hardware

The **Hardware Legend** above lists hardware abbreviations used in the parts list. All bolts and nuts are Grade 5 unless otherwise noted. The use of improper grades of hardware can result in personal injury, damage to equipment, or loss of property.

Part Number Service Coding

Within the parts list some part numbers are coded for revisions and interchangeability. See notations in revision column.

Serial Numbers

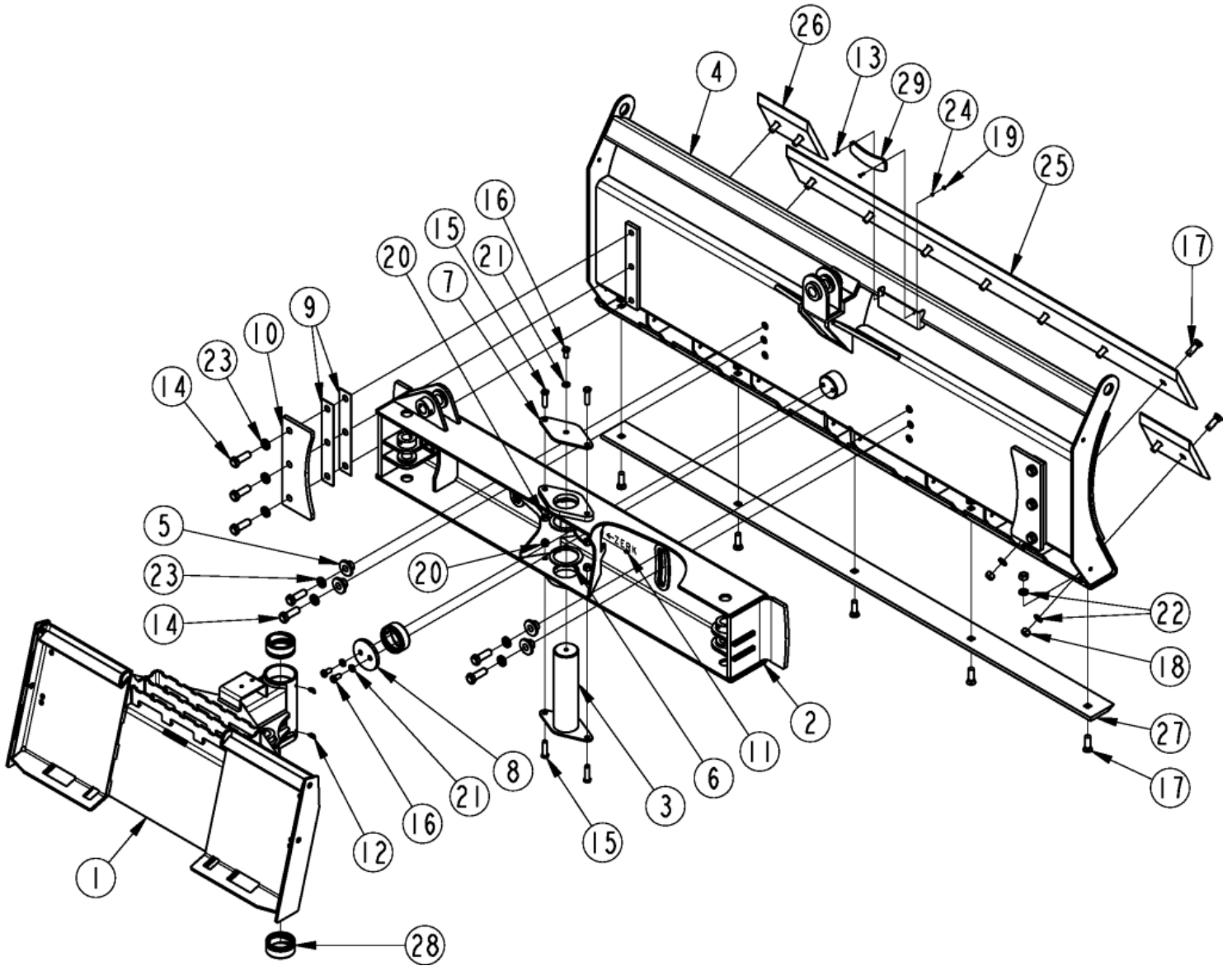
Always use the serial and model number when ordering parts. Refer to the Operator's Manual for serial number plate location.

- | | |
|------------------------|---|
| (S/N 20001K+) | Includes serial numbers 20001K and above (to the latest number) |
| (S/N 10001K to 20000K) | Includes serial numbers between and including 10001K and 20000K |
| (S/N 10000K-) | Includes serial numbers 10000K and below (to the earliest number) |

Kubota
Moldboard & Hitch

Section 2: Mainframes

Applies to Models: AP-DZ3096, AP-DZ3084



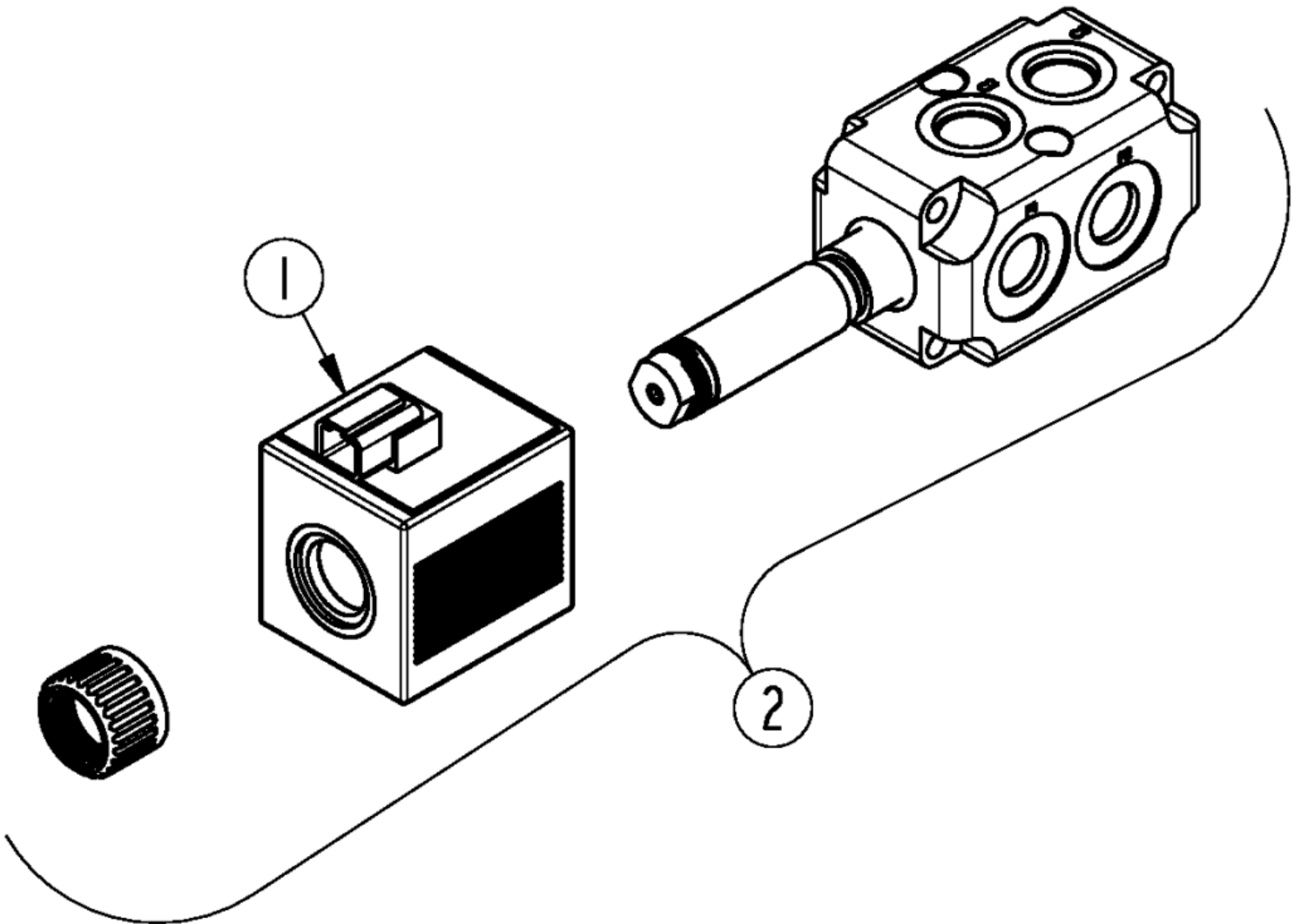
Moldboard & Hitch

Applies to Models: AP-DZ3096, AP-DZ3084

Ref.	Part No.	Part Description	Comments
	DWG 70942	Image No.	
1	301-540H	DOZER BLADE HITCH	
2	301-541H	PIVOT FRAME	
3	301-542H	3.0 PIVOT PIN	
4	301-548H	84" DOZER BLADE	
4	301-549H	96" DOZER BLADE	
5	301-601D	FLOAT BUSHING	
6	301-683D	3.0 PIVOT THRUST WASHER	
7	301-686D	PIN CAP	
8	301-691D	TILT PIN RETAINER	
9	301-697D	GUIDE PLATE SHIM	
10	301-698D	GUIDE PLATE	
11	800-001C	GREASE ZERK STRAIGHT 1/4-28	
12	800-058C	GREASE ZERK 1/4-28 X 45-DEG	
13	801-262C	SCREW RD HD 8-32 X 3/4 PLT	
14	802-065C	HHCS 3/4-10X2 1/4 GR5	
15	802-128C	HHCS 1/2-13X2 GR5	
16	802-258C	HHCS 1/2-13X1 GR5	
17	802-288C	PLOW 5/8-11X2 GR5	
18	803-021C	NUT HEX 5/8-11 PLT	
19	803-064C	NUT HEX 8-32	
20	803-147C	NUT HEX NYLOCK 1/2-13	
21	804-015C	WASHER LOCK SPRING 1/2 PLT	
22	804-022C	WASHER LOCK SPRING 5/8 PLT	
23	804-023C	WASHER LOCK SPRING 3/4 PLT	
24	804-043C	WASHER LOCK #8	
25	820-593C	CUTTING EDGE 3/4X8X8.5	7 HOLES
25	820-551C	CUTTING EDGE,78" BUCKT BLT ON	9 HOLES
26	820-665C	OUTSIDE CUTTING EDGE 3/4X8X8.5	2 HOLES
27	820-667C	84" WEAR EDGE	5 HOLES
27	820-668C	96" WEAR EDGE	6 HOLES
28	891-739C	BUSHING 3.5 X 3 X 1.5 CONNEX	
29	891-747C	INCLINOMETER +-26 DEGREES	

Diverter Valve (850-247C)

Applies to Models: AP-DZ3096, AP-DZ3084



Diverter Valve (850-247C)

Applies to Models: AP-DZ3096, AP-DZ3084

Ref.	Part No.	Part Description	Comments
	DWG 70959	Image No.	
1	253-069	COIL O/C L281-06194 INTG DTR	Only serviceable part in diverter valve
2	850-247C	DIVERTER VALVE	

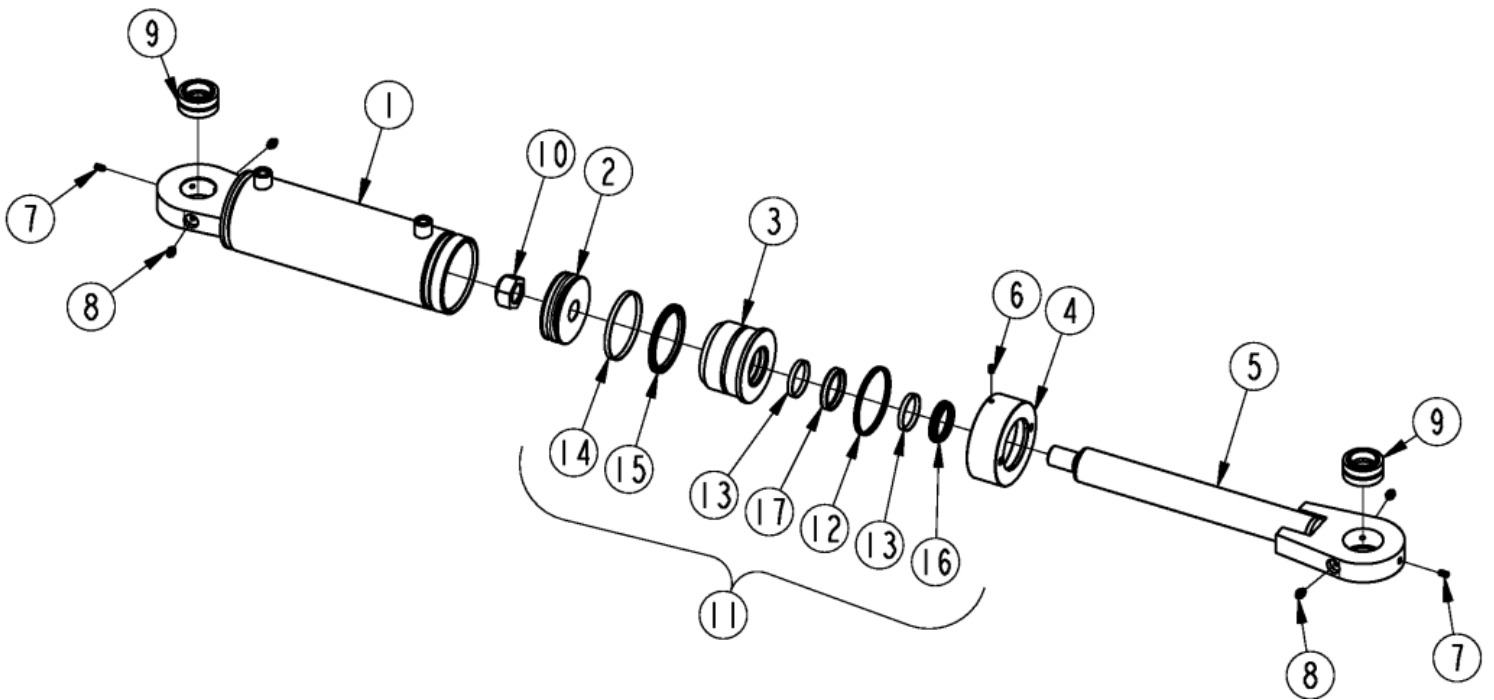
Hydraulic Components

Applies to Models: AP-DZ3096, AP-DZ3084

Ref.	Part No.	Part Description	Comments
	DWG 70946	Image No.	
1	805-610C	PIN 1.233 X 4.00	
2	800-497C	HOSE CLIP 1/2 ID	
3	802-091C	HHCS 1/2-13X1 1/2 GR5	
4	802-131C	HHCS 5/16-18X3 GR5	
5	802-197C	HHCS 5/16-18X2 3/4 GR5	
6	803-011C	NUT LOCK 5/16-18 PLT	
7	803-037C	NUT HEX WHIZ 1/2-13 PLT GR5	
8	803-084C	NUT HEX NYLOCK 5/16-18 PLT	
9	804-017C	WASHER FLAT 1/2 USS PLT	
10	804-168C	WASHER FENDER 5/16 X 1 1/2	
11	807-385C	SPRING HOSE CLAMP MOUNT	
12	811-040C	EL 45 3/4MJIC 3/4FJIC	
13	811-064C	TE 9/16MJIC 9/16MJIC 9/16MORB	
14	811-150C	EL 3/4FJIC 3/4MJIC	
15	811-192C	AD 3/4MJIC 7/8MORB	
16	811-205C	AD 3/4MJIC 1 1/16MORB	
17	811-439C	TE 9/16MORB 9/16MJIC 9/16MJIC	
18	842-060C	HSHCS 5/16-18X3	
19	850-247C	DIVERTER VALVE	
20	850-262C	CYL, 3.5X8X1.75 ROD WLD	
21	851-241C	STAUFF CLAMP BODY 3D 0.79HOLE	
22	851-245C	STAUFF COVER PLATE GROUP 3D	
23	851-947C	CUP 1 1/16FORB MALE QUICK CPLR	
24	851-948C	CUP 1 1/16FORB FML QUICK CPLR	
25	861-100C	HH3/8R2 15 9/16FJIC 3/4FJIC90	
26	861-101C	HH3/8R2 19 3/4FJIC 9/16FJIC90	
27	861-102C	HH3/8R2 65 9/16FJIC9/16MORB90S	
28	861-103C	HH3/8R2 35 .56FJIC45 .56MORB90	
29	861-104C	HH3/8R2 28 3/4FJIC 9/16MORB90S	
30	861-105C	HH3/8R2 20 3/4FJIC 9/16MORB90S	
31	861-106C	HH3/8R2 82 3/4FJIC 7/8MORB90S	
32	861-271C	ORAD 1/16 3/4MJIC 7/8MORB	
33	861-278C	EL 9/16MORB 9/16FJIC LIVE SWVL	

Hydraulic Cylinder (850-262C) Red Lion

Applies to Models: AP-DZ3096, AP-DZ3084

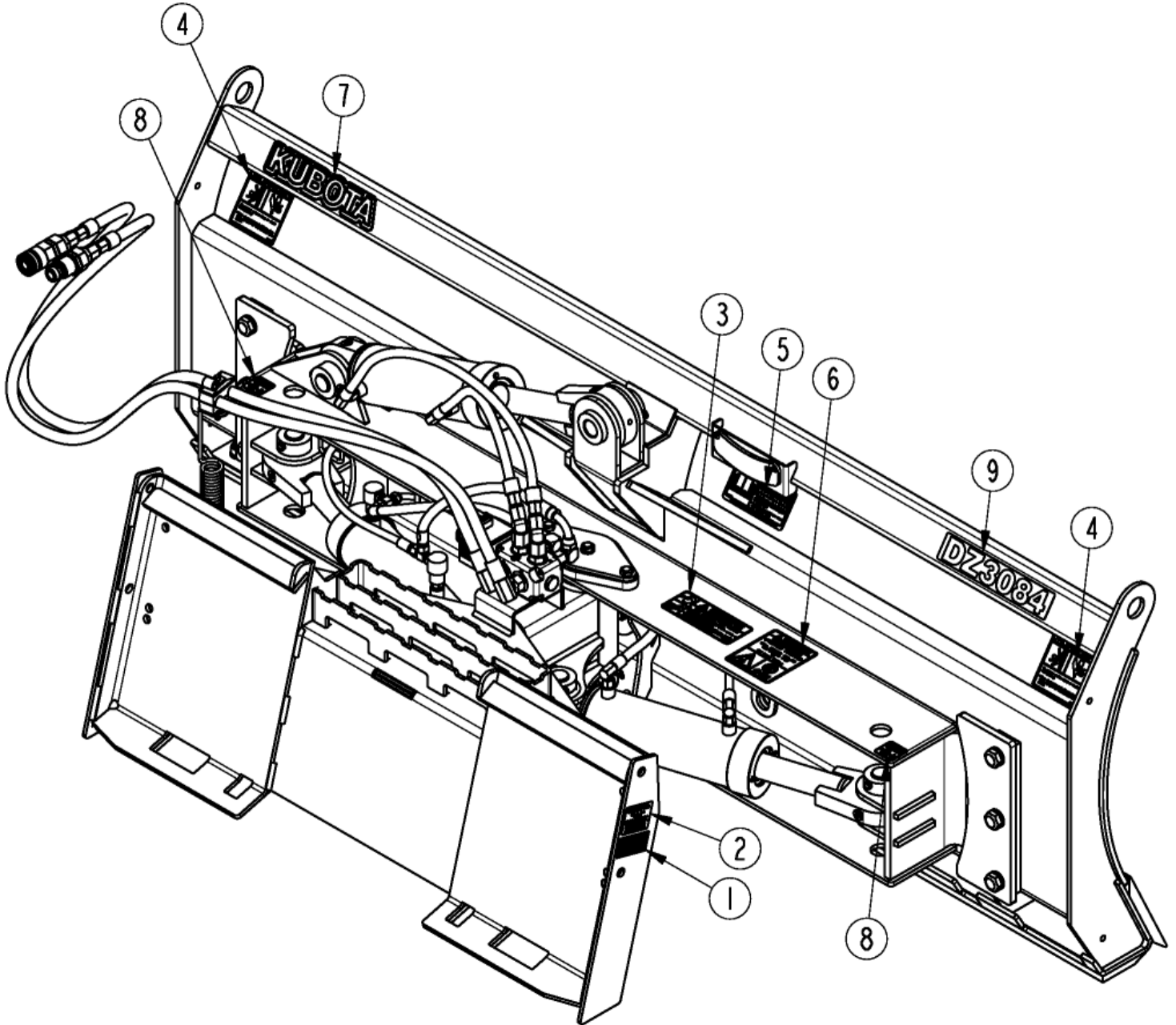


Hydraulic Cylinder (850-262C) Red Lion

Applies to Models: AP-DZ3096, AP-DZ3084

Ref.	Part No.	Part Description	Comments
	DWG 70948 850-262C	Image No. CYL, 3.5X8X1.75 ROD WLD *	Complete assembly
1	499342	TUBE WELDMENT	
2	258827	MON PISTN 3.50-1.00-TSS-ISO-WR	
3	260015	MON HEAD NUT 3.50 CAP STYLE	
4	260015	MON HEAD NUT 3.50 CAP STYLE	
5	499343	ROD WELDMENT	
6	257297	SET SCREW 1/4-20UNCX3/8LG	
7	260479	MON SET SCREW 1/4-20X1/2	
8	110701	MON FTG GREASE 1/4-28 STRAIGHT	
9	110551	MON SPHRICAL BEARING 1 1/4 DIA	
10	130560	MON PISTON NUT	
11	649219	MON SEAL KIT	
12	N/A	NOT AVAILABLE	Only available in seal kit #11
13	N/A	NOT AVAILABLE	
14	N/A	NOT AVAILABLE	
15	N/A	NOT AVAILABLE	
16	N/A	NOT AVAILABLE	
17	N/A	NOT AVAILABLE	

Applies to Models: AP-DZ3096, AP-DZ3084



Decal Placement

Applies to Models: AP-DZ3096, AP-DZ3084

Ref.	Part No.	Part Description	Comments
1	DWG 70949	Image No. DISCONTINUED	
2		ID PLATE, KUBOTA	
3	838-094C	DECAL WARNING HYD PRESS LONG	
4	838-112C	DECAL DANGER PINCHING	
5	838-293C	DECAL WARNING READ MANUAL	
6	858-237C	DECAL, DIG SAFE	
7	844-221C	DECAL, 10" KUBOTA BLOCK	
7	858-398C	RPBY 844-221C	Obsolete
8	858-765C	DECAL PIC--PINCH POINT	
9	858-871C	DECAL, DZ3084	
9	858-872C	DECAL, DZ3096	

Touch-up Paints - Kubota

Applies to Models: AP-DZ3096, AP-DZ3084

No diagram associated with this Parts List

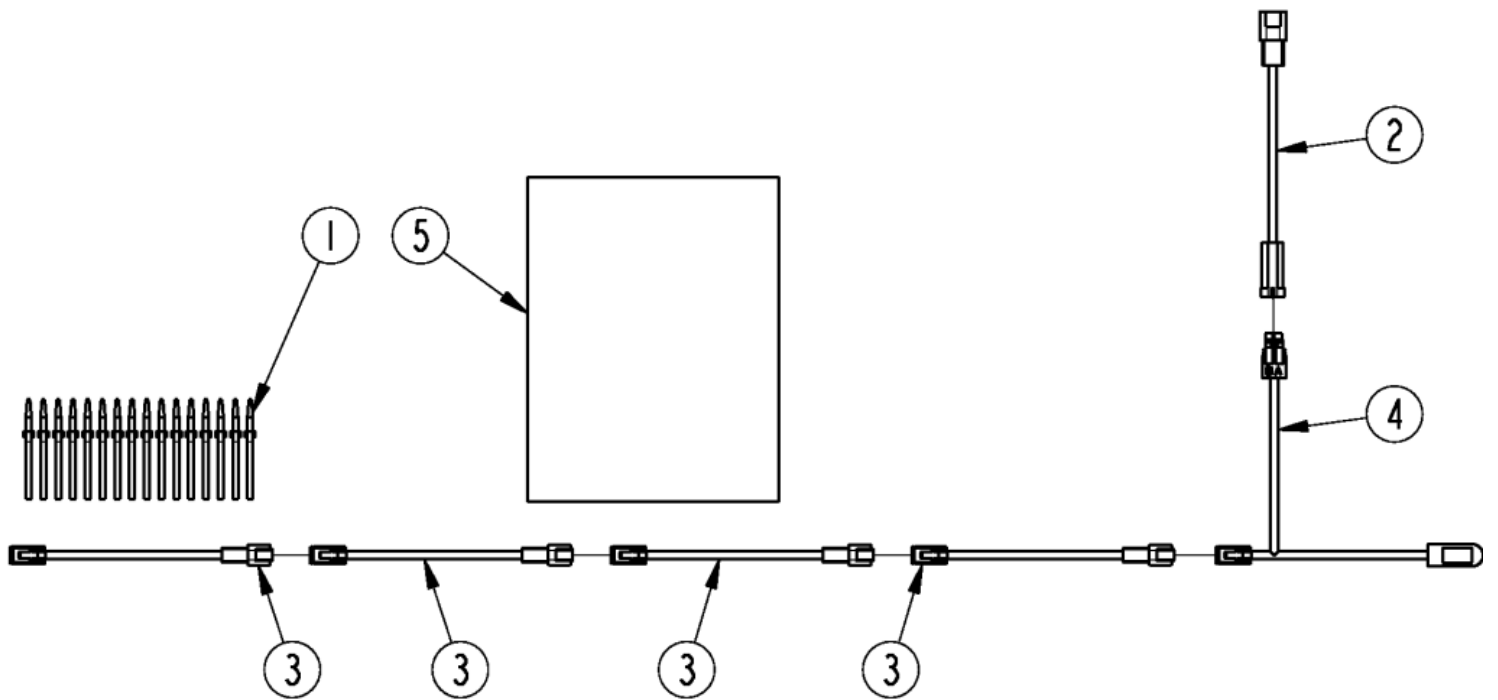
Touch-up Paints - Kubota

Applies to Models: AP-DZ3096, AP-DZ3084

Ref.	Part No.	Part Description	Comments
1	821-070C	PAINT GP GLOSS BLACK SPRAY CAN	Spray can
2	821-070CTU	PAINT GLOSS BLACK TOUCH-UP 4OZ	Touch-up bottle with brush
3	821-070CQT	PAINT GP GLOSS BLACK QUART	Quart can
4	821-070CGL	PAINT GP GLOSS BLACK GALLON	Gallon Can
5	821-006C	ORANGE SPRAY CAN	Spray can
6	821-066CTU	PAINT ORANGE TOUCH-UP 4OZ	Touch-up bottle with brush
7	821-066CQT	PAINT ORANGE QUART	Quart can
8	821-066CGL	PAINT ORANGE GALLON	Gallon Can
9	821-085C	PAINT KBT DARK GRAY SPRAY CAN	Spray can
10	821-085CTU	PAINT KBT DARK GRAY TCH-UP 4OZ	Touch-up bottle with brush

2-Pin Plug Control Harness

Applies to Models: AP-DZ3096, AP-DZ3084



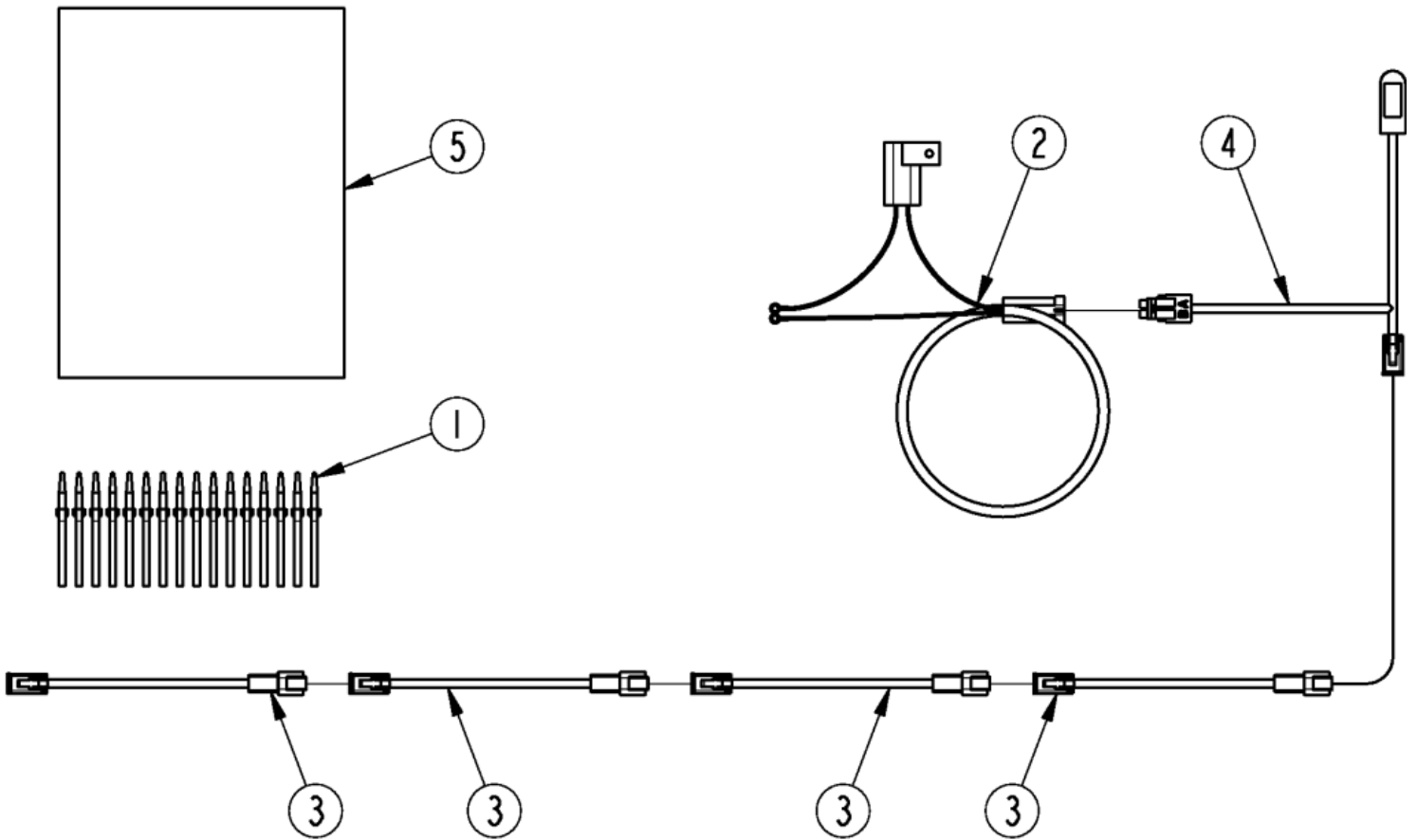
2-Pin Plug Control Harness

Applies to Models: AP-DZ3096, AP-DZ3084

Ref.	Part No.	Part Description	Comments
	DWG 70955	Image No.	
1	800-112C	CABLE TIE .19X7.25 1.75D 50LB	
2	823-439C	HRN DTP04-2P 14GA 2WPS /5'	
3	823-474C	WIRE EXTENSION HARNESS 100"	
4	823-475C	MOMENTARY SWITCH/HARN	
5	301-591MK	KUBOTA HARNESS ROUTING MANUAL	

Battery Connect Control Harness

Applies to Models: AP-DZ3096, AP-DZ3084



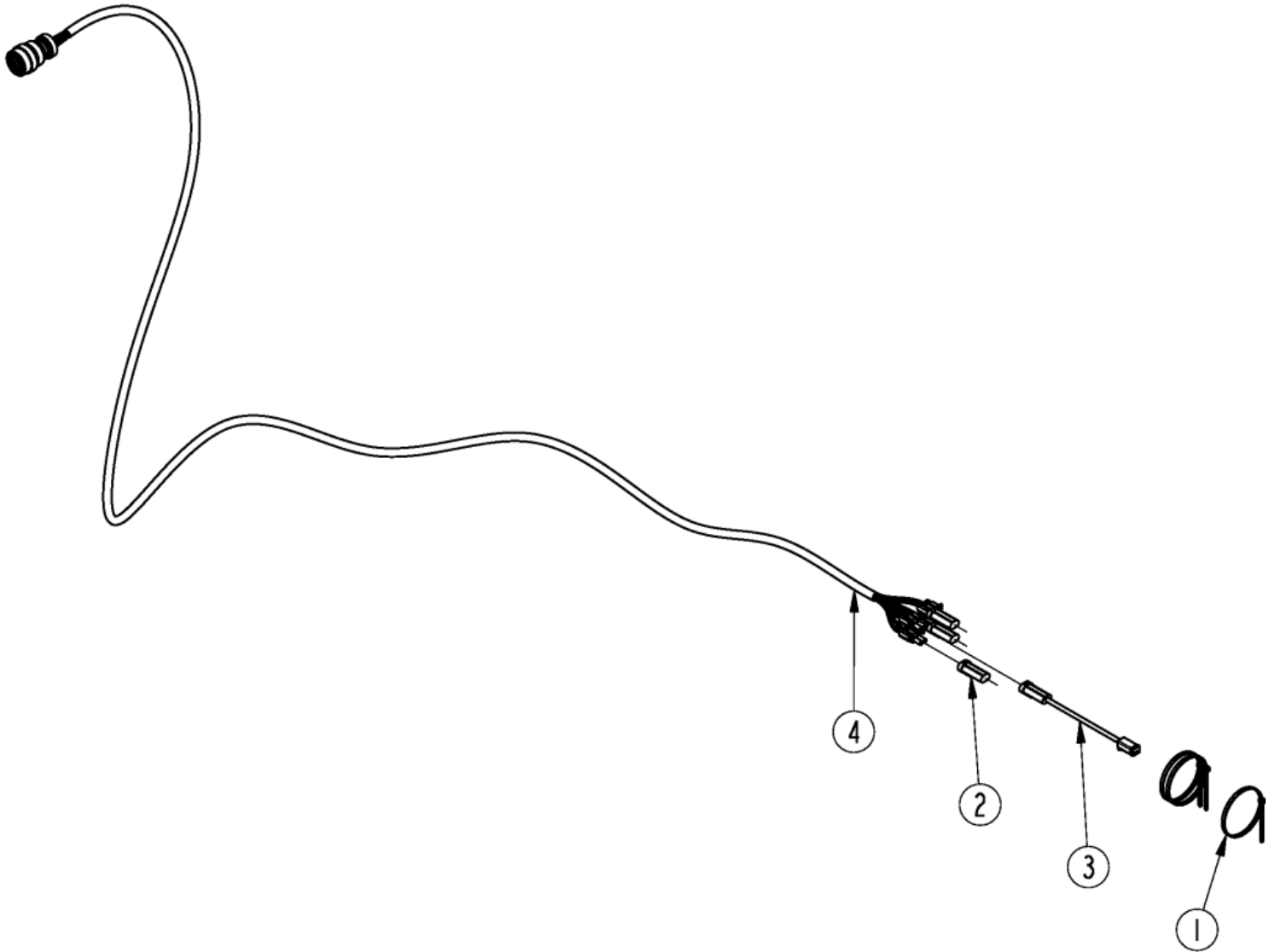
Battery Connect Control Harness

Applies to Models: AP-DZ3096, AP-DZ3084

Ref.	Part No.	Part Description	Comments
	DWG 70957	Image No.	
1	800-112C	CABLE TIE .19X7.25 1.75D 50LB	
2	823-386C	HARNESS, POWER	
3	823-474C	WIRE EXTENSION HARNESS 100"	
4	823-475C	MOMENTARY SWITCH/HARN	
5	301-589MK	HARNESS WIRE ROUTING MANUAL	

John Deere 14 Pin Plug Control Harness

Applies to Models: AP-DZ3096, AP-DZ3084



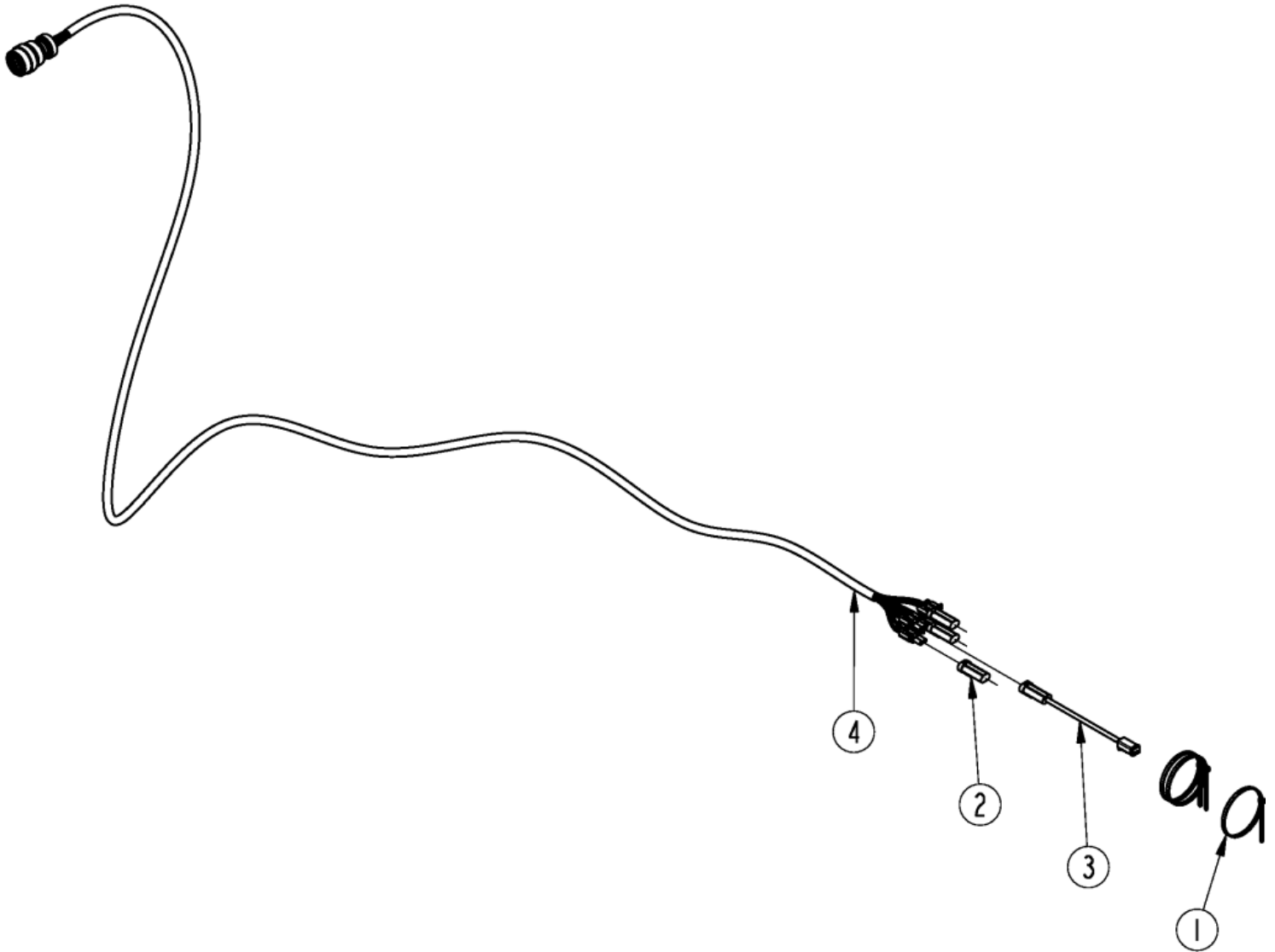
John Deere 14 Pin Plug Control Harness

Applies to Models: AP-DZ3096, AP-DZ3084

Ref.	Part No.	Part Description	Comments
	DWG 70951	Image No.	
1	800-060C	CABLE TIE .19X14.25 3DIA 50LB	
2	817-172C	2 PIN MALE WEATHER PACK CAP	
3	823-131C	SHORT ADAPTER HARNESS	
4	823-418C	DEUTSCH HD30 14 PIN 2 FUNCTION	
		*	
		*	
		NOTES:	
		This harness will work with John Deere	
		Skid steers equipped with a 14 pin	
		coupler.	

John Deere EH14 Pin Plug Control Harness

Applies to Models: AP-DZ3096, AP-DZ3084



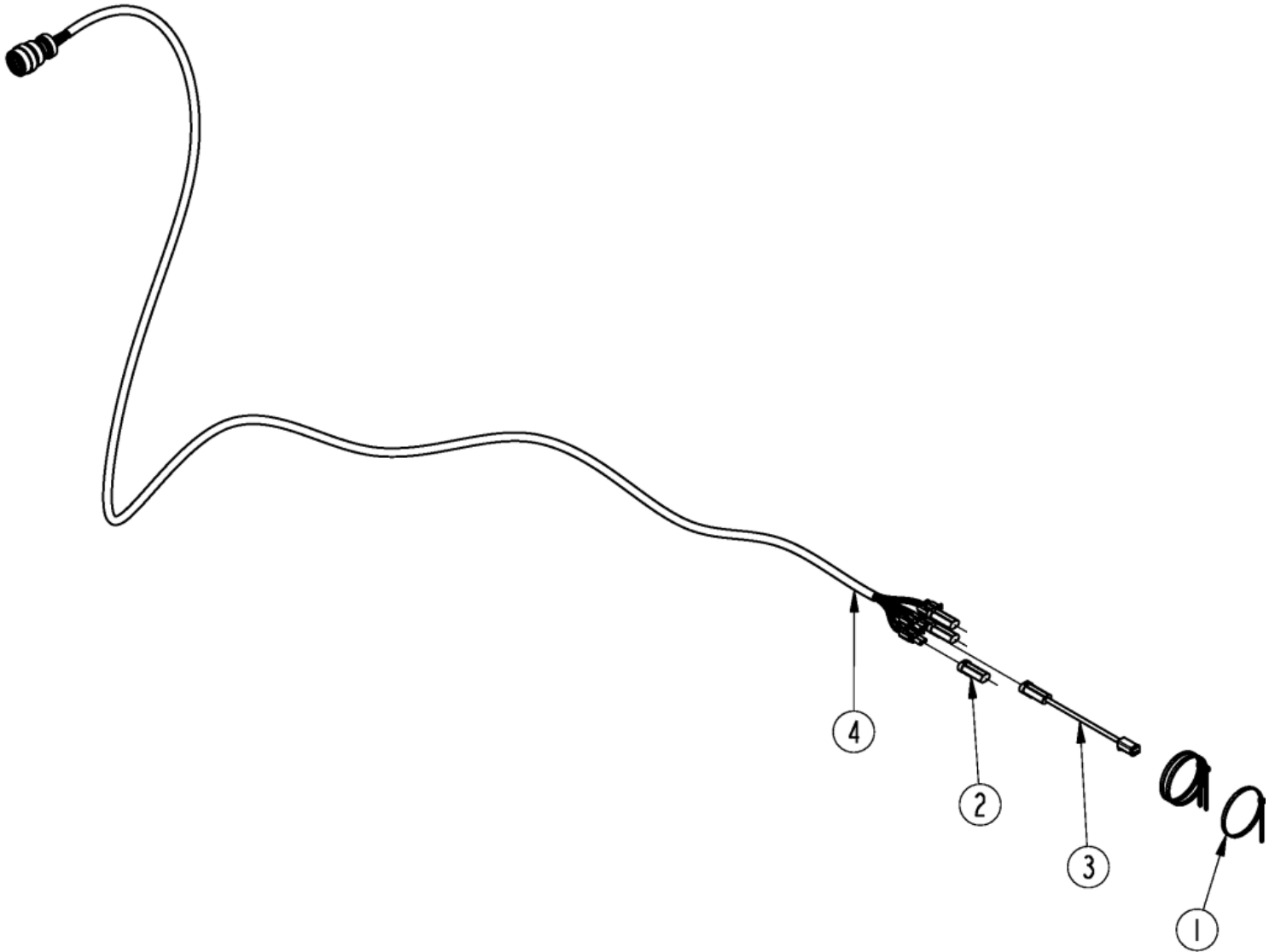
John Deere EH14 Pin Plug Control Harness

Applies to Models: AP-DZ3096, AP-DZ3084

Ref.	Part No.	Part Description	Comments
	DWG 70951	Image No.	
1	800-060C	CABLE TIE .19X14.25 3DIA 50LB	
2	817-172C	2 PIN MALE WEATHER PACK CAP	
3	823-131C	SHORT ADAPTER HARNESS	
4	823-419C	DEUTSCH HD30 14 PIN 2 FUNCTION	
		*	
		*	
		NOTES:	
		This harness will work with John Deere	
		Skid steers equipped with a JD EH14	
		pin coupler.	

Kubota 14 Pin Plug Control Harness

Applies to Models: AP-DZ3096, AP-DZ3084



Kubota 14 Pin Plug Control Harness

Applies to Models: AP-DZ3096, AP-DZ3084

Ref.	Part No.	Part Description	Comments
	DWG 70951	Image No.	
1	800-060C	CABLE TIE .19X14.25 3DIA 50LB	
2	817-172C	2 PIN MALE WEATHER PACK CAP	
3	823-131C	SHORT ADAPTER HARNESS	
4	823-417C	DEUTSCH HD30 14 PIN 2 FUNCTION	
		*	
		*	
		NOTES:	
		This harness will work with the following skid steers with 14 pins: Kubota, Bobcat, GEHL, Komatsu, Mustang, Takeuchi, and Volvo.	
		It will also work by reversing the red and green wires at the solenoid with the following skid steers with 14 pins: Case-Post 9/1/01, Case-400 Series, and New Holland.	

Part Number Index

Part Number	Page	Part Number	Page	Part Number	Page
110551	11	807-385C	9	861-103C	9
110701	11	811-040C	9	861-104C	9
130560	11	811-064C	9	861-105C	9
253-069	7	811-150C	9	861-106C	9
257297	11	811-192C	9	861-271C	9
258827	11	811-205C	9	861-278C	9
260015	11	811-439C	9	891-739C	5
260479	11	817-172C	21, 23, 25	891-747C	5
301-540H	5	820-551C	5	DWG 70942	5
301-541H	5	820-593C	5	DWG 70946	9
301-542H	5	820-665C	5	DWG 70948	11
301-548H	5	820-667C	5	DWG 70949	13
301-549H	5	820-668C	5	DWG 70951	21, 23, 25
301-589MK	19	821-006C	15	DWG 70955	17
301-591MK	17	821-066CGL	15	DWG 70957	19
301-601D	5	821-066CQT	15	DWG 70959	7
301-683D	5	821-066CTU	15	N/A	11
301-686D	5	821-070C	15		
301-691D	5	821-070CGL	15		
301-697D	5	821-070CQT	15		
301-698D	5	821-070CTU	15		
499342	11	821-085C	15		
499343	11	821-085CTU	15		
649219	11	823-131C	21, 23, 25		
800-001C	5	823-386C	19		
800-058C	5	823-417C	25		
800-060C	21, 23, 25	823-418C	21		
800-112C	17, 19	823-419C	23		
800-497C	9	823-439C	17		
801-262C	5	823-474C	17, 19		
802-065C	5	823-475C	17, 19		
802-091C	9	838-094C	13		
802-128C	5	838-112C	13		
802-131C	9	838-293C	13		
802-197C	9	842-060C	9		
802-258C	5	844-221C	13		
802-288C	5	850-247C	7, 9		
803-011C	9	850-262C	9, 11		
803-021C	5	851-241C	9		
803-037C	9	851-245C	9		
803-064C	5	851-947C	9		
803-084C	9	851-948C	9		
803-147C	5	858-237C	13		
804-015C	5	858-398C	13		
804-017C	9	858-765C	13		
804-022C	5	858-871C	13		
804-023C	5	858-872C	13		
804-043C	5	861-100C	9		
804-168C	9	861-101C	9		
805-610C	9	861-102C	9		

This Page Intentionally Left Blank



KUBOTA TRACTOR CORPORATION

1000 Kubota Drive, Grapevine, TX 76051

Telephone: (817) 756-1171

Western Division: 1175 S. Guild Ave., Lodi, CA 95240

Telephone: (209) 334-9910

Midwest Division: 31700 W. 207th ST., Edgerton, KS 66021

Telephone: (913) 215-5915

Central Division: 14855 FAA Blvd., Fort Worth, TX 76155

Telephone: (817) 571-0900

Northern Division: 6300 at One Kubota Way, Groveport, OH 43125

Telephone: (614) 835-1100

Southeast Division: 1025 Northbrook Parkway, Suwanee, GA 30024

Telephone: (770) 995-8855

www.kubota.com