

OHIO STEEL INDUSTRIES

PROFESSIONAL GRADE



4222V2

22 cu ft LAWN SWEEPER

U.S. Patent No. 7,610,646



**READ AND FOLLOW ALL SAFETY RULES AND OPERATING
INSTRUCTIONS BEFORE USING THIS EQUIPMENT**

Safety Rules



This is the safety alert symbol. It is used to alert you to potential personal injury hazards. Obey all safety messages that follow this symbol to avoid possible injury or death.

Read and understand all safety rules and operating instructions before using this tractor attachment.

Follow all safety rules and operating instructions provided by your tractor's manufacturer when using attachment.

Never allow children or untrained persons to operate tractor or attachment.

Reduce tractor speed to slowest setting when towing or operating on slopes.

Operate up and down slopes, never across the face of slopes.

Do not carry passengers on tractor or attachment.

Avoid sudden turns or maneuvers.

Use caution when backing up to prevent damaging attachment.

Do not tow attachment on public roadways.

Do not remove warning decals from product.

Check product for worn, loose, or damaged parts before each use. If any damage is present, repair the product before using.

Check product for loose or missing fasteners before each use. Tighten or replace fasteners as needed before using.

Do not fasten rope to any part of your body or clothing.

Do not hold rope while tractor and Lawn Sweeper are in motion.

Do not use Lawn Sweeper near fire or smoldering debris.

Always fasten rope to tractor to avoid contact with wheels and brushes.

Always empty hopper before storing to avoid spontaneous combustion of contents.

Do not exceed tractor speed of 6 miles per hour when towing or operating Lawn Sweeper.

Warranty

IF YOU ARE MISSING PARTS DO NOT RETURN TO STORE

Email cs@ohiosteel.com or call 1-800-652-2321, ext. 212

Attach Receipt Here:

Before you call, please email our customer service team at cs@ohiosteel.com with the following:

1. A description of the issue you are having
2. Photos of the issue that include an overall view and detailed view from multiple angles
3. If applicable, a short video showing the issue

Replacement Parts:

You can place your parts order online at ohiosteel.com/partsstore

- You can also reach our Customer Service Department at 1-800-652-2321, ext. 212
- If you are ordering replacement part(s) for your product, please note that some parts are only available as a repair kit.

If this product fails due to a defect in material or workmanship within THREE YEARS from the date of purchase, we will at our option, only with receipt of purchase, repair or replace it free of charge. This warranty excludes tires, wheels, brushes and bag, which are expendable and become worn during normal use.

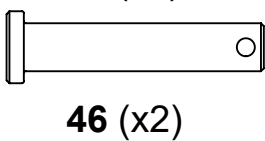
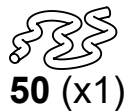
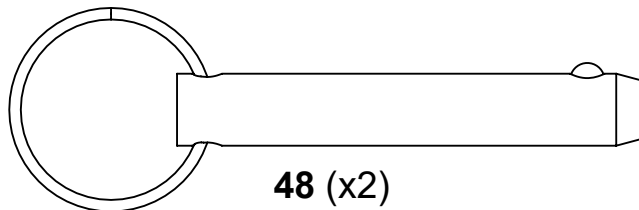
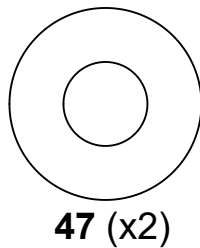
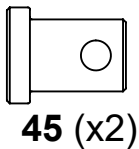
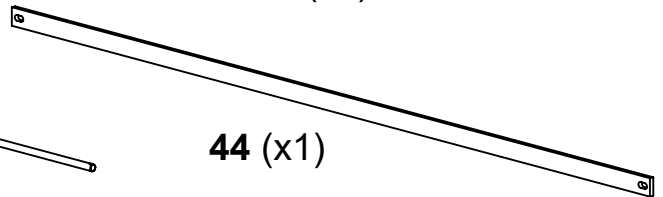
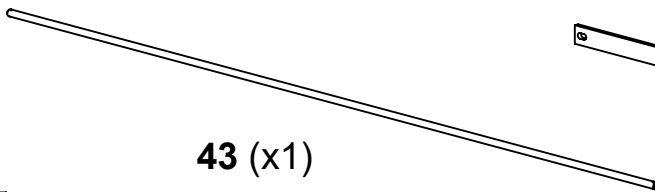
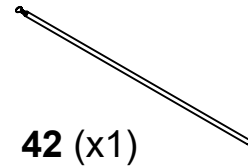
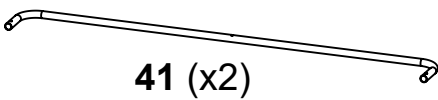
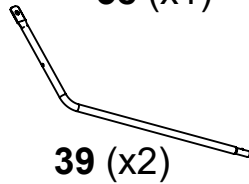
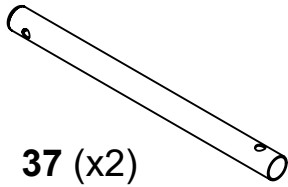
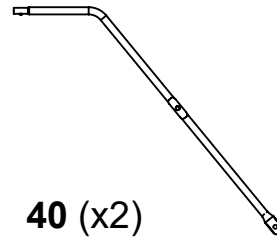
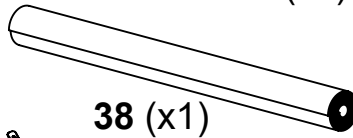
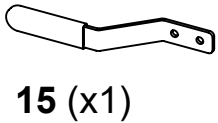
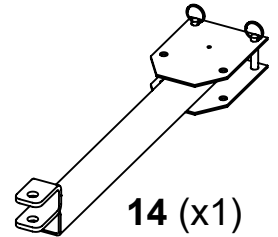
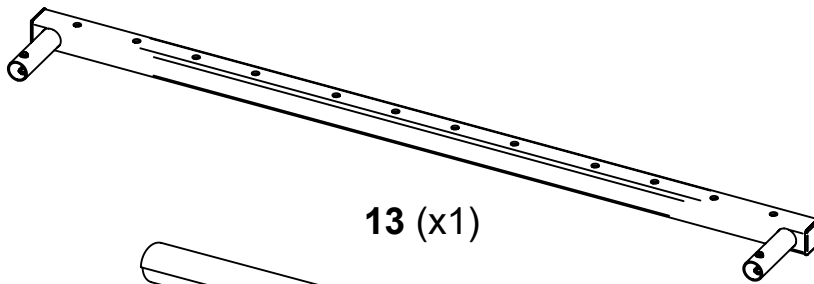
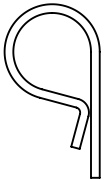
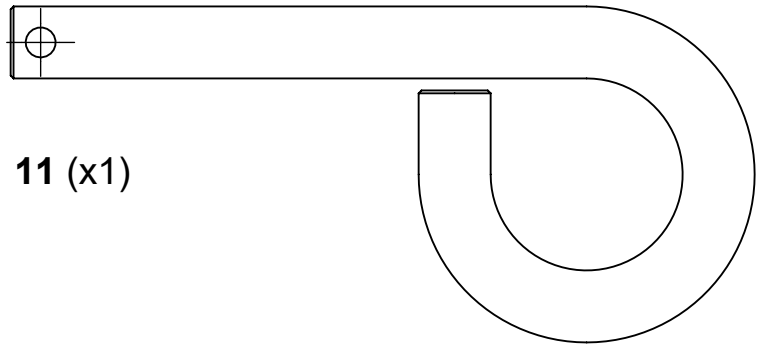
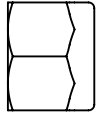
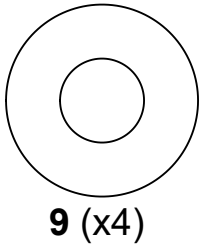
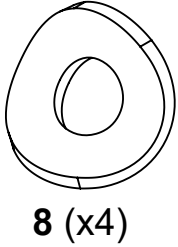
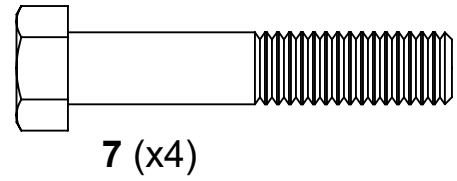
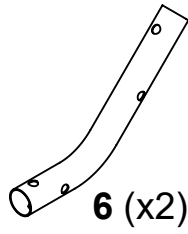
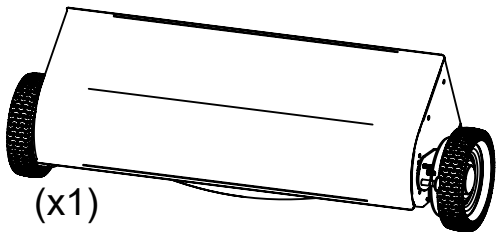
This warranty does not cover:

- Repairs necessary because of operator abuse or negligence.
- Equipment used for commercial or rental purposes.
- Paint that is worn or faded due to normal use or exposure.

To arrange for product repair visit ohiosteel.com/customer-support and fill out the warranty repair form. You can also call 1-800-652-2321, ext. 212 to speak to our Customer Service Team

This warranty gives you specific legal rights, and you may also have other rights which may vary from state to state. This warranty applies only while this product is in use in the United States.

Carton Contents



NOTE: Hardware shown to scale

TOOLS REQUIRED FOR ASSEMBLY:

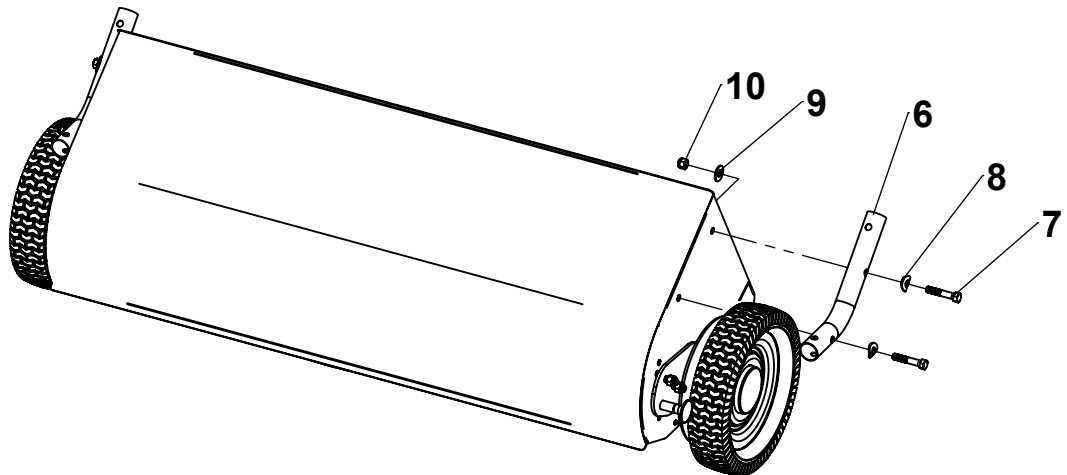
- 9/16" Open End Box Wrench



Assembly Instructions

1

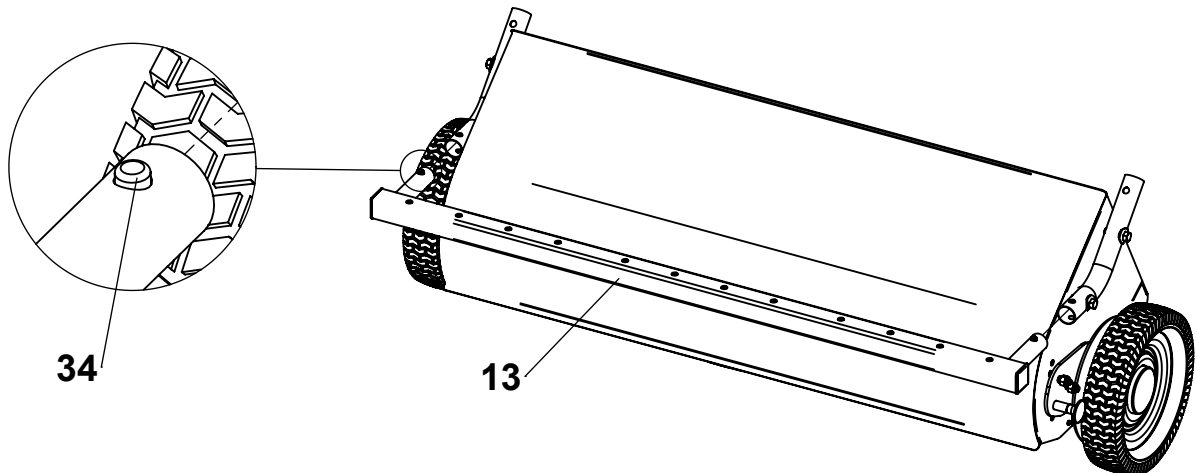
Attach Hitch Mount Tubes (6) to Sweeper Assembly and tighten hardware.



DO NOT OVERTIGHTEN.

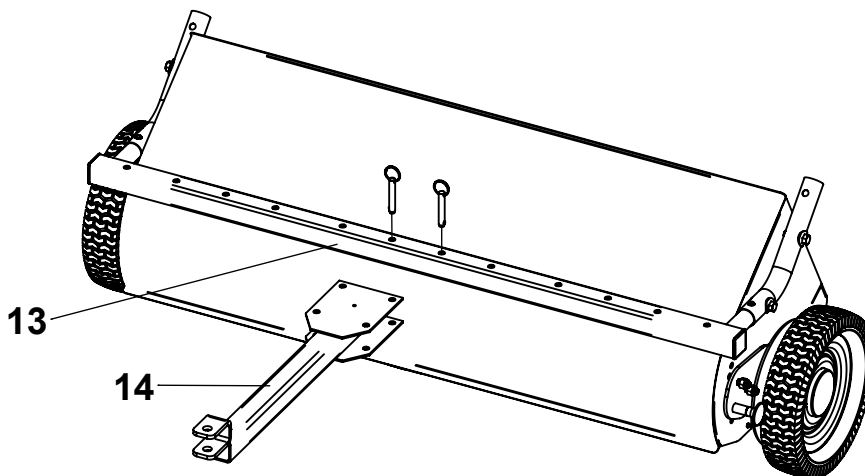
2

Attach Hitch Cross Tube Assembly (13) by depressing snap buttons and inserting into Hitch Mount Tubes (34).



3

Install Hitch Assembly (14) using tethered quick release pins in desired position on Hitch Cross Tube Assembly (13).

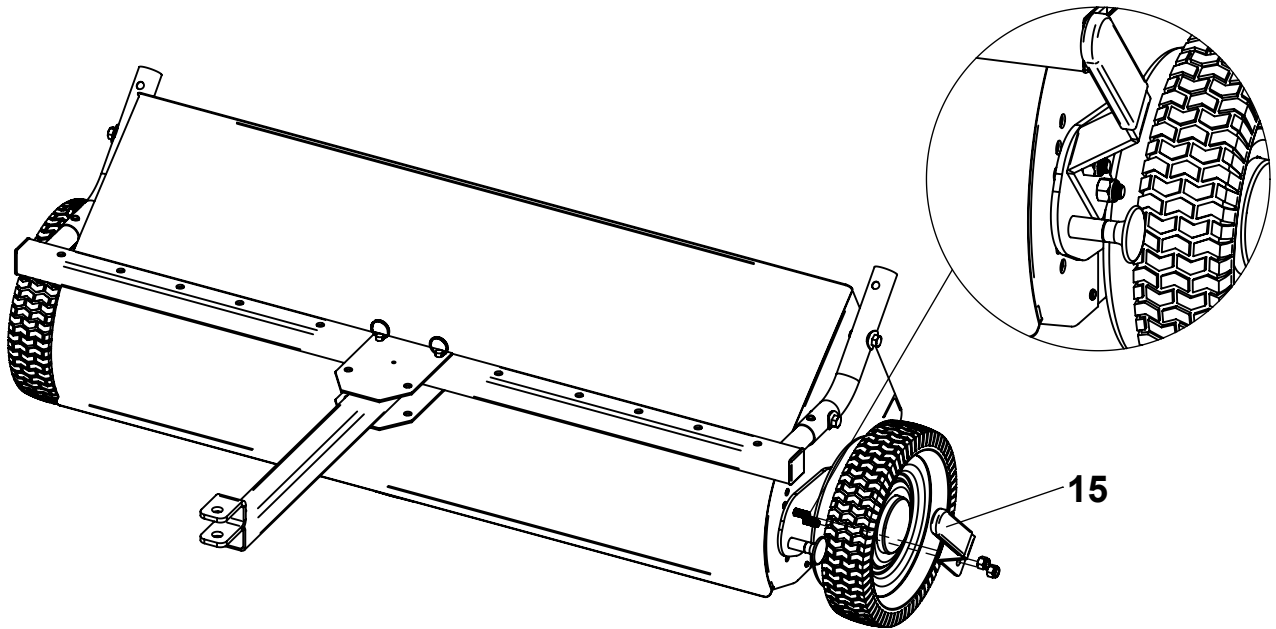


Assembly Instructions

4

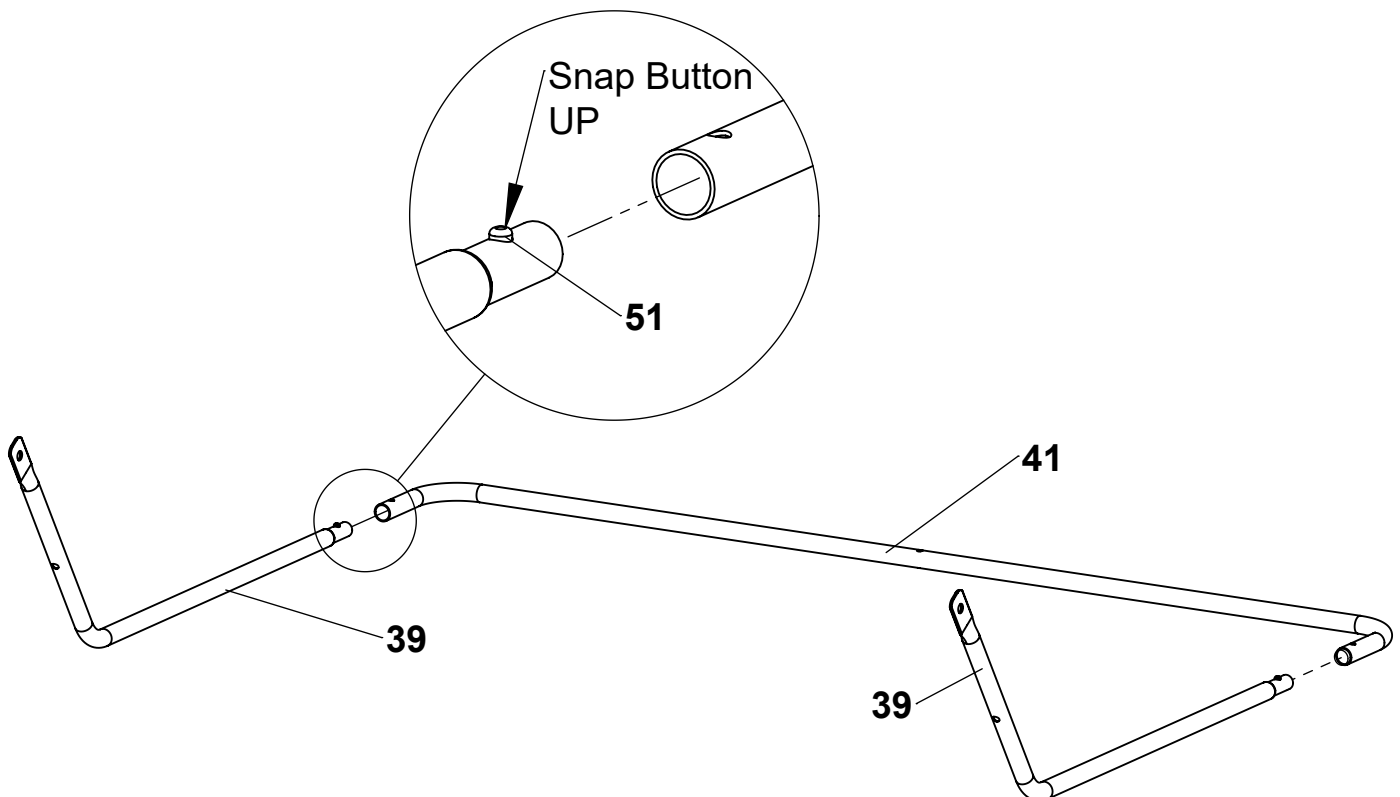
First remove factory hand tightened nuts from studs. Use nuts to attach Height Adjustment Handle (15) Using a 9/16" Open End Box Wrench.

Shown Installed:



5

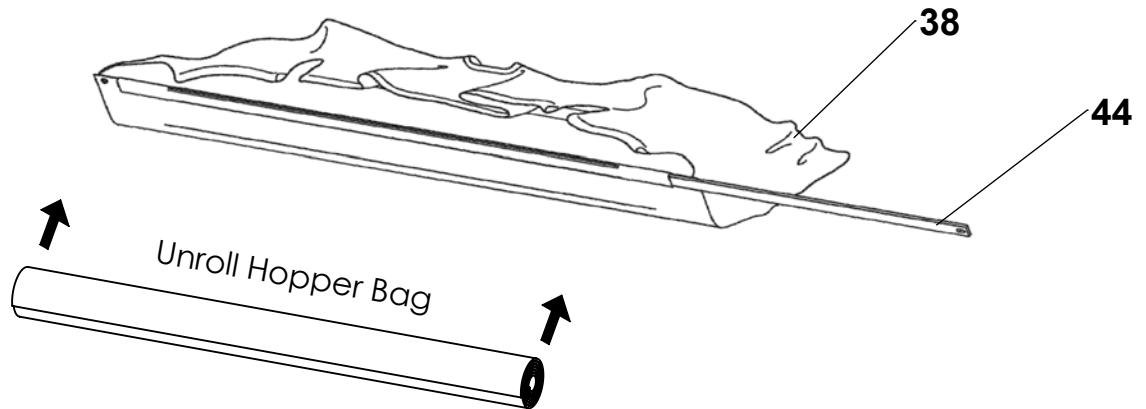
Insert Bottom Frame Tubes (39) into Center Frame Tube (41) and snap into position. (Note that snap buttons are oriented up)



Assembly Instructions

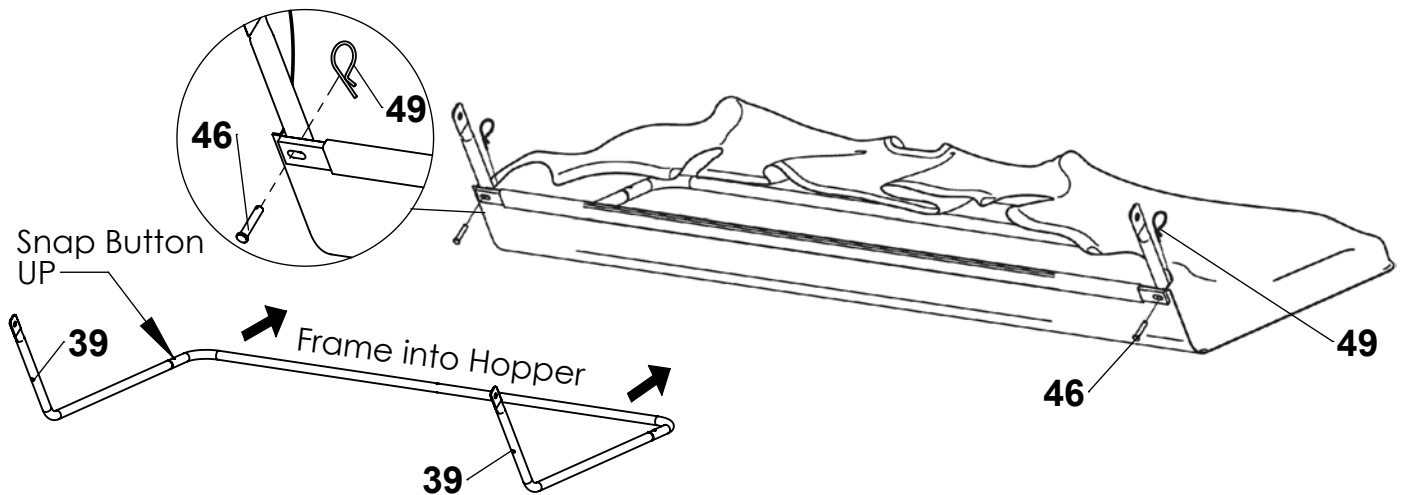
6

Unroll and flatten hopper bag (38) from shipping state. Then, slide Hopper Stop Bar (42) into pocket of Hopper Bag as shown.



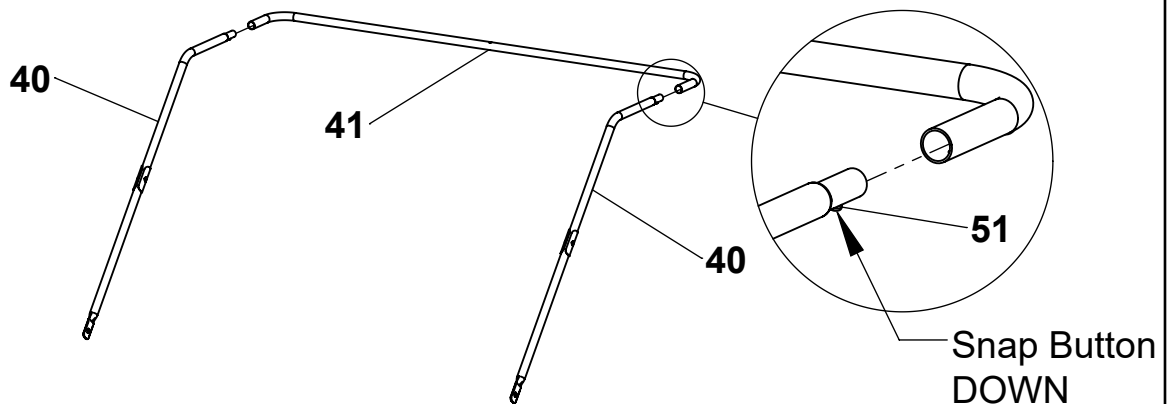
7

First, place bottom frame assembly into bottom of Hopper Bag (38). Second, Install Clevis Pins (46) through Hopper Bag (38), Hopper Stop Bar (42), and Bottom Frame Tubes (39) then secure with Hairpins (49).



8

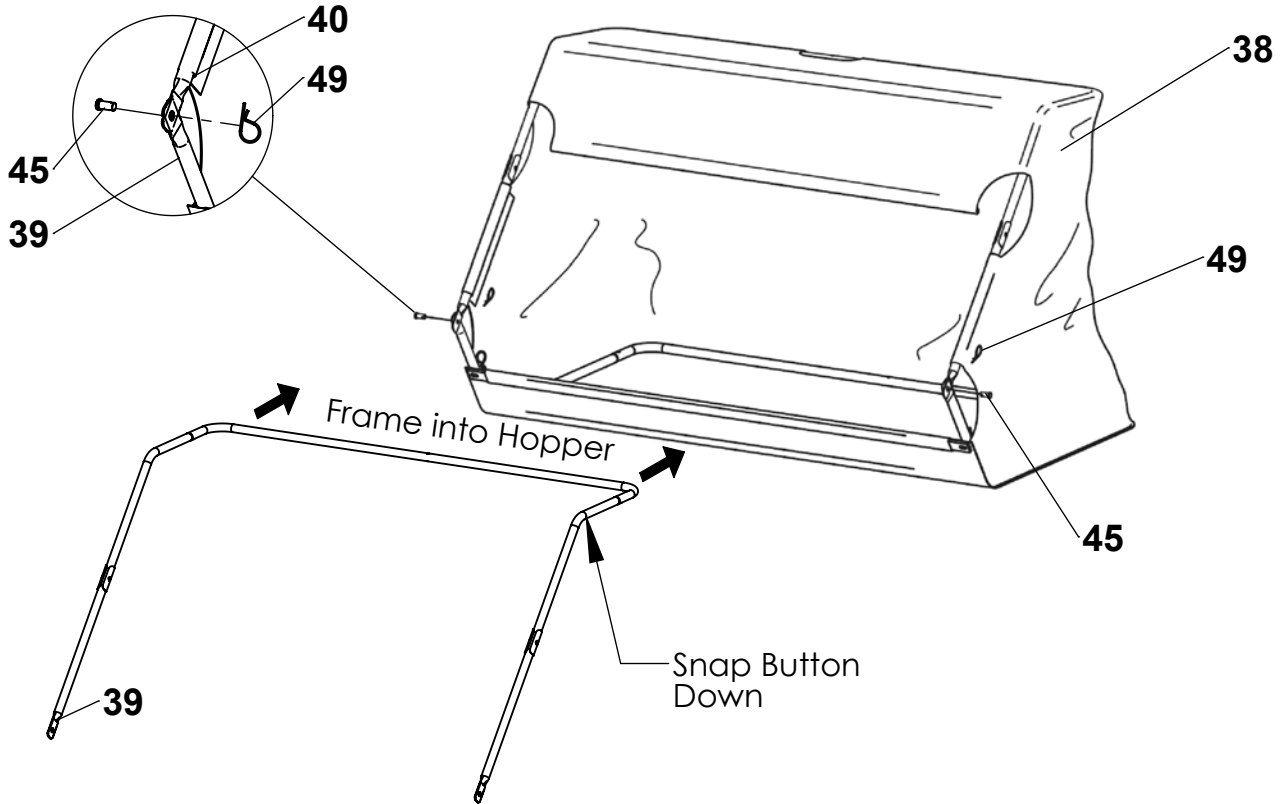
Insert Top Frame Tubes (40) into Center Frame Tube (41) and snap into position. (Note that snap buttons (51) are oriented down)



Assembly Instructions

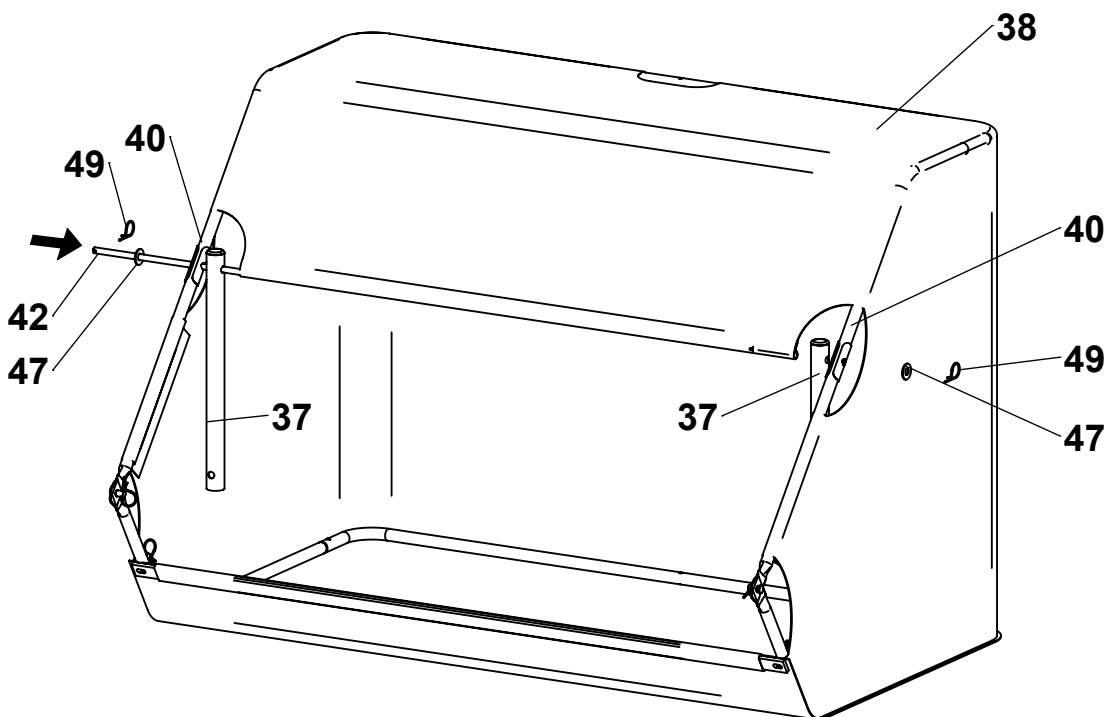
9

First, Place top frame assembly into Hopper Bag (38). Second, Install Clevis Pins (45) through Top Frame Tubes (40) and Bottom Frame Tubes (39) and secure with Hairpins (49).



10

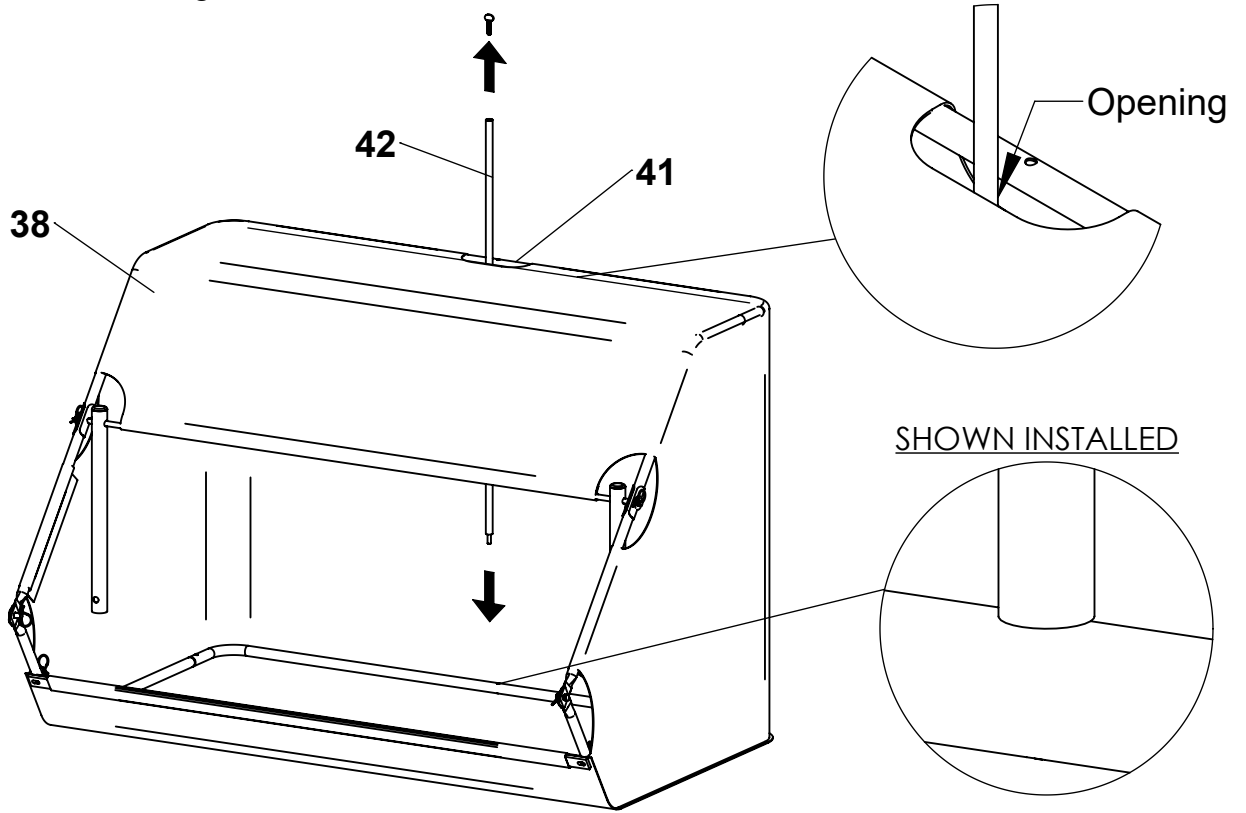
Slide Hopper Pivot Rod (43) through Top Frame Tube (40) and Connecting Tube (37), then through pocket of Hopper Bag (38), and then through both Connecting Tube (37) and Top Frame Tube (40) on other side. Secure both ends with Washer (47) and Hairpin (49).



Assembly Instructions

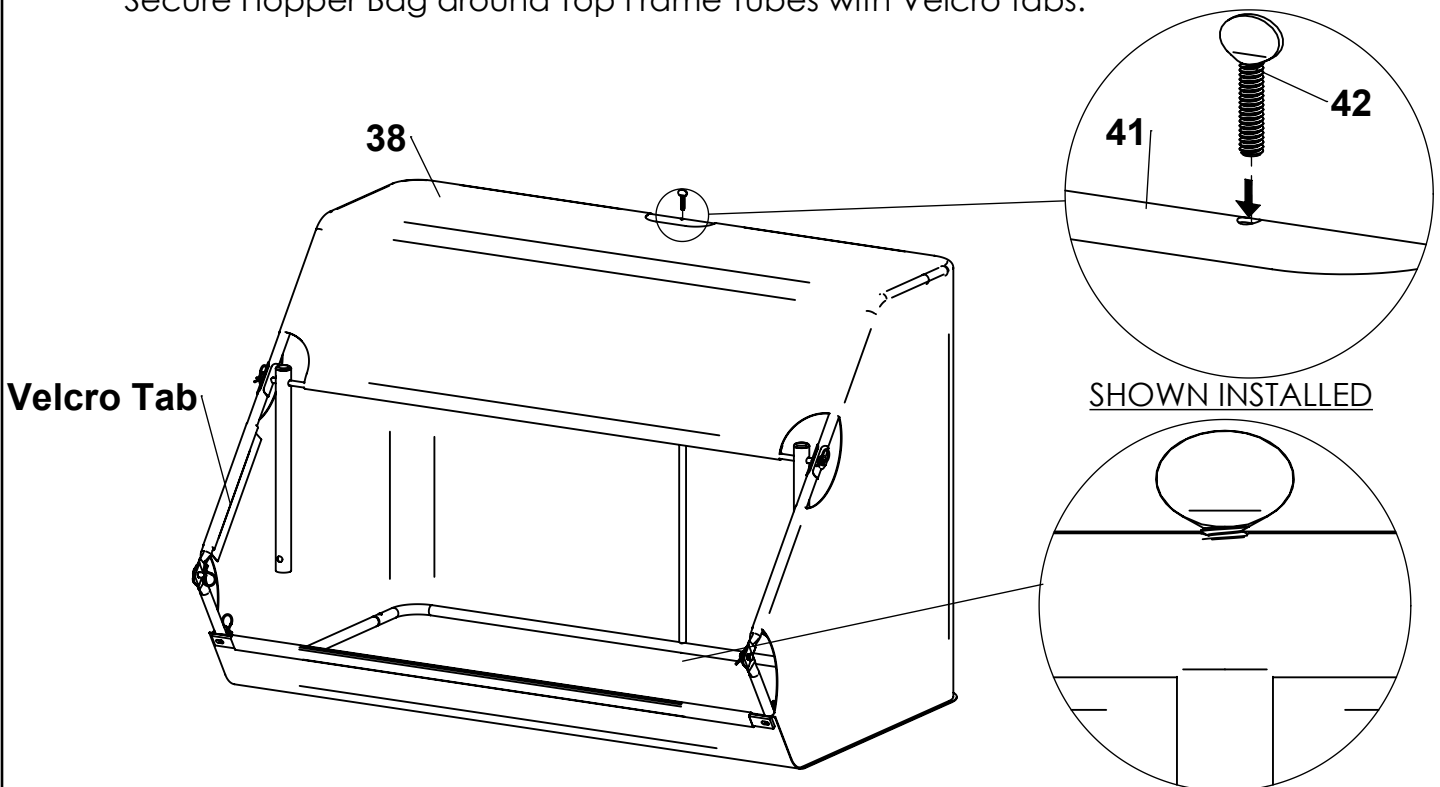
11

Unscrew Thumb Screw from Tension Tube Assembly (44). Next, Hold Hopper Bag (38) open and carefully insert Tension Tube Assembly (44) through opening in Hopper Bag and into hole in bottom Center Frame Tube (41). Pull top Center Frame Tube over tension tube and align holes.



12

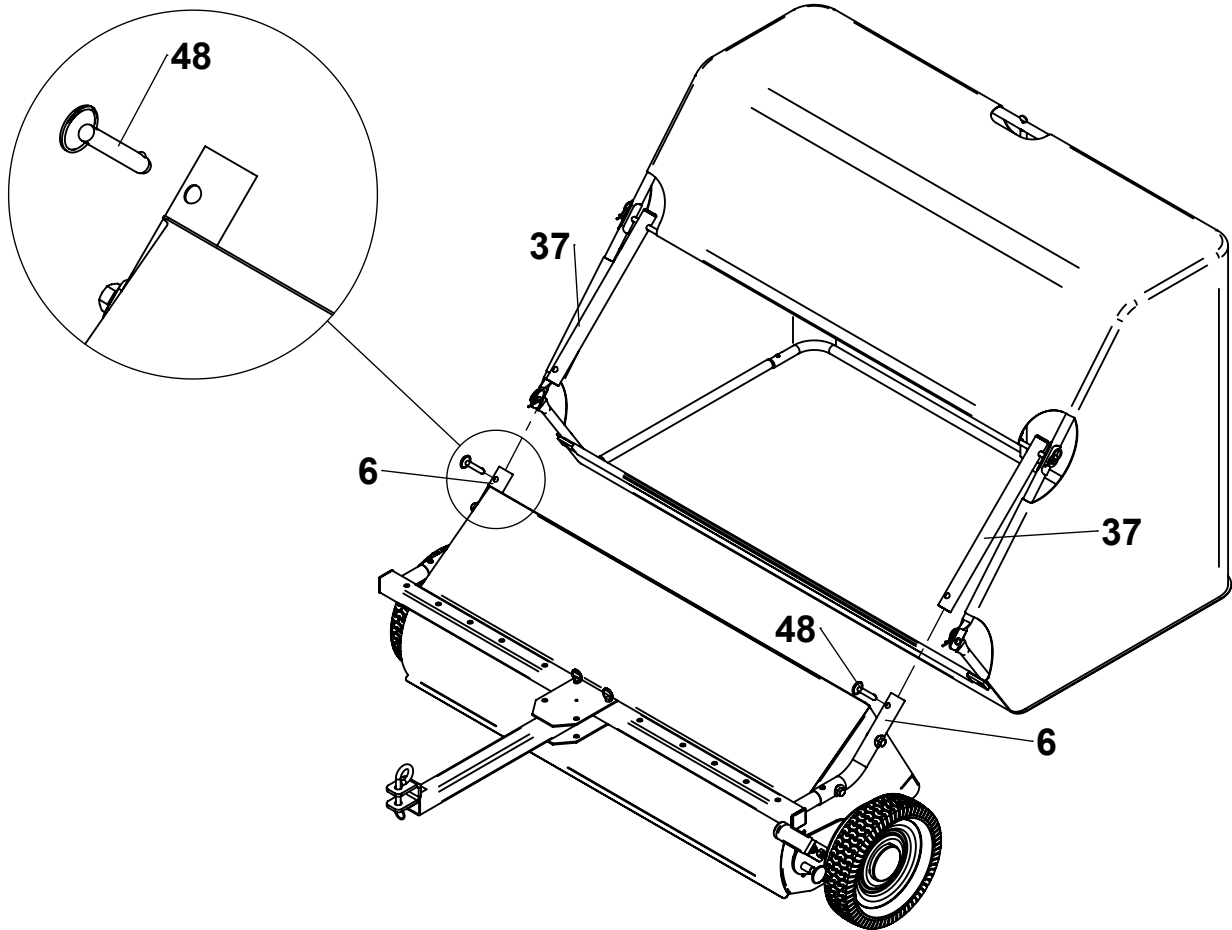
Insert thumb screw that came with Tension Tube Assembly (44) through top Center Frame Tube (41) and screw into top of Tension Tube. Secure Hopper Bag around Top Frame Tubes with Velcro tabs.



Assembly Instructions

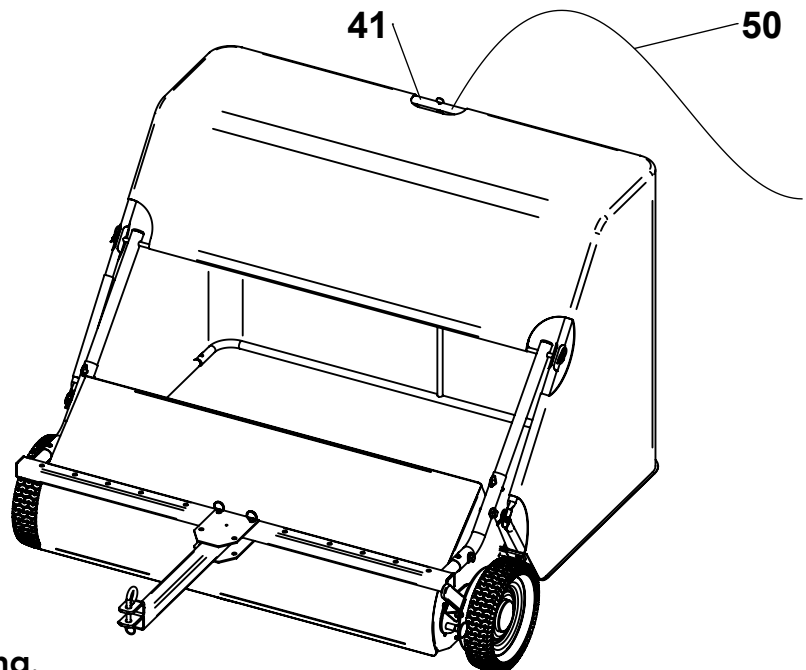
13

Insert Connecting Tubes (37) into Hitch Mount Tubes (6) and secure with Quick-Release Pins (48). Install Hitch Pin (11) and secure with Hairpin (12).



14

Tie Dump Rope (50) securely around exposed section of Center Frame Tube (41).



Do NOT fasten rope to any part of your body or clothing.

Operating Instructions

Before Using Lawn Sweeper:

1. Read all Safety Rules found on page 1.

How to Sweep Lawn:

1. Remove large debris from lawn.
2. Do not sweep if conditions are too wet or muddy.
3. Attach Lawn Sweeper to tractor using supplied hitch pin. The reversible hitch allows the Lawn Sweeper to accommodate varying tractor hitch heights by flipping over; choose the appropriate setting so that Lawn Sweeper hitch tubes are roughly level with the ground and Bag is not touching the ground.
4. Attach dump rope to tractor so that it cannot contact the brushes or wheels.
5. Start tractor engine and tow Lawn Sweeper to lawn in setting 7.
6. Adjust brush height so that brushes extend roughly 1/2" below the tips of the grass. For best performance, always set the brushes to highest effective setting to minimize resistance on brushes and wheels.
7. Engage tractor drive at its slowest speed and begin sweeping. Increase tractor speed as required to throw material to the back of the hopper bag. **DO NOT EXCEED 6 MPH.**
8. Sweep in straight lines whenever possible and avoid sharp turns.
9. Periodically check the sweeper while operating to ensure that wheels and brushes are rotating smoothly and that nothing is wrapped around the brushes or brush shaft.
10. When filled, the hopper bag can be emptied by pulling the dump rope forward.

Operating Instructions

How to Adjust Brush Height:

1. Place one hand on adjustment lever and use other hand to pull outward on plunger.
2. Move handle downwards to lower the brush height or upwards to raise the brush height.
3. Align the plunger with the nearest hole and release to select height setting.

Offset Sweeping:

1. Remove both pins from drawbar.
2. Slide drawbar on hitch cross tube to farthest holes on desired side.
3. Re-pin both pins.
4. Resume normal towing of sweeper.
5. Durring operation be mindful of wider towpath of sweeper

Periodic Maintenance:

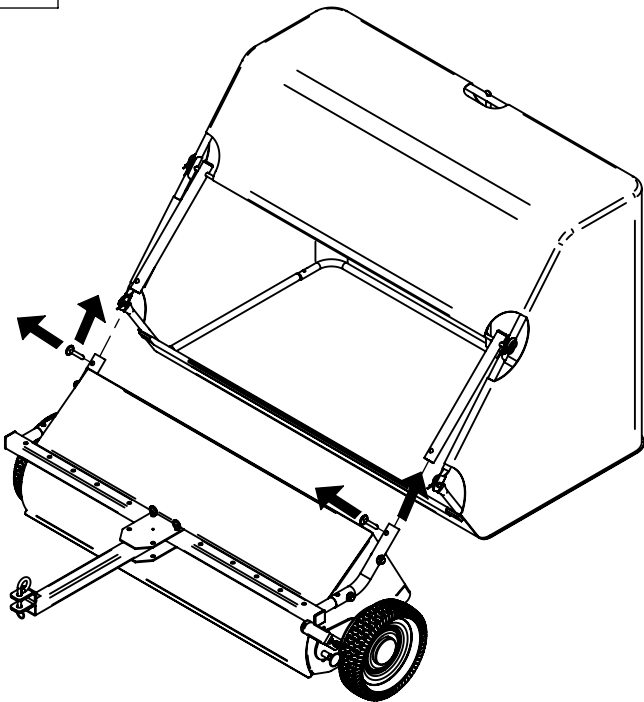
- Tighten fasteners as needed before each use.
- Empty hopper and thoroughly clean Lawn Sweeper after each use.
- Remove any materials that have wrapped around brushes or brush shaft after each use.
- Lubricate wheel bearings and gears annually with a light coating of white lithium grease.

Operating Instructions

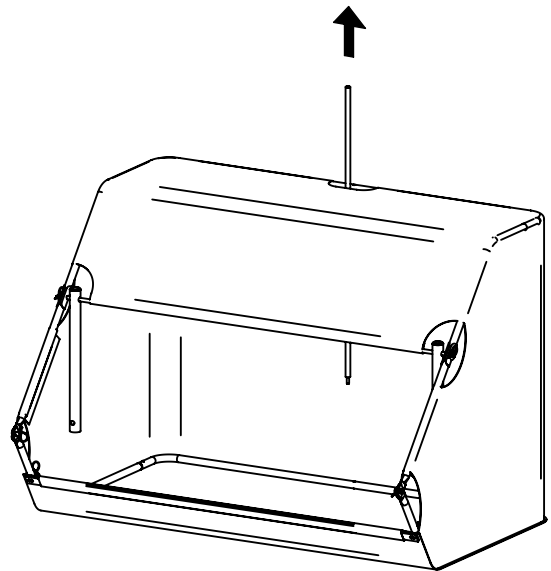
Storing Lawn Sweeper:

1. Empty hopper bag and thoroughly clean Lawn Sweeper before storing.
2. Store Lawn Sweeper away from excessive heat to prevent damage.
3. Brushes must not contact ground during storage to prevent damage.
4. Remove quick-release pins to separate hopper bag from Lawn Sweeper.
5. Carefully remove tension tube and collapse hopper bag for compact storage.
6. Remove one quick-release pin from hitch, fold hitch onto cross hitch tube, and replace quick release pin.

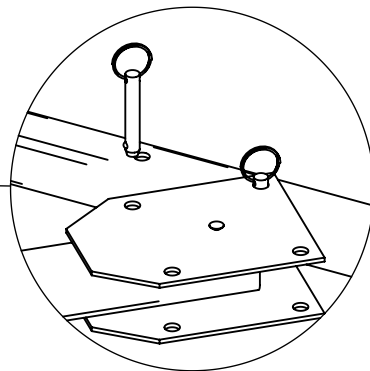
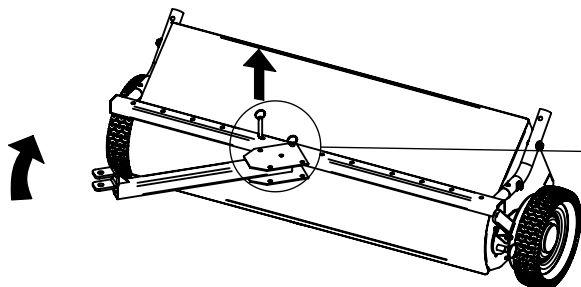
4



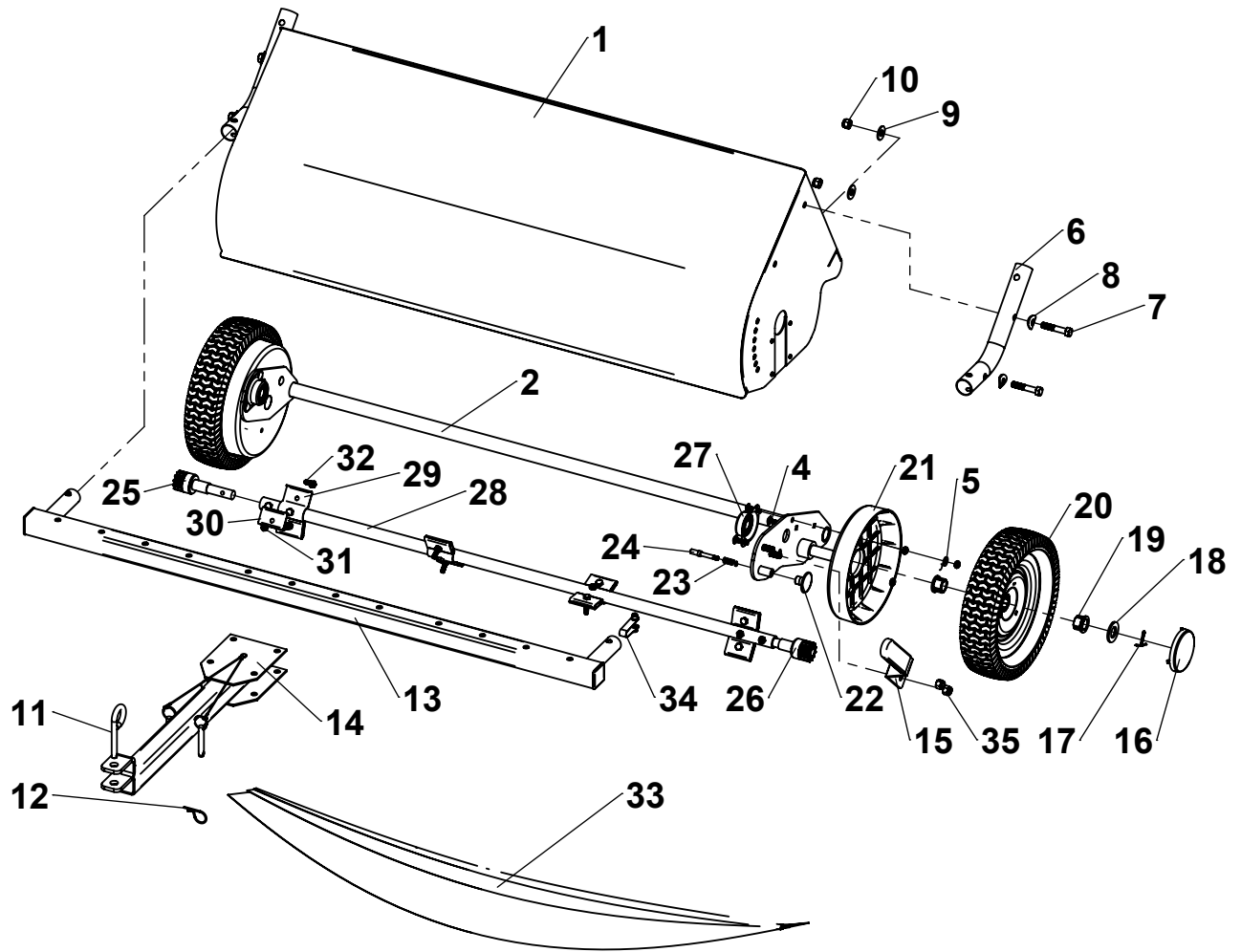
5



6

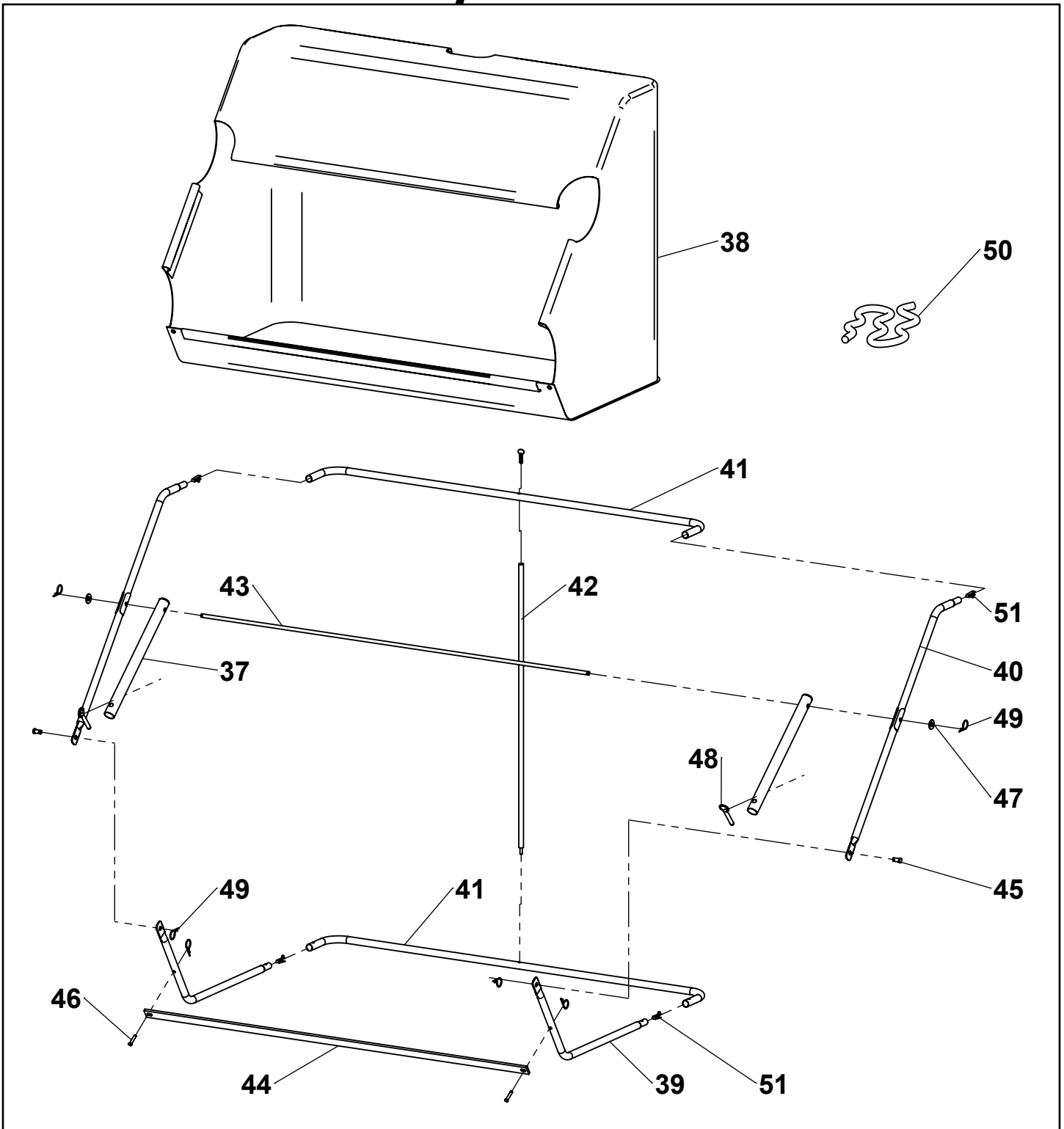


Repair Parts



ITEM	PART NO	DESCRIPTION	QTY.	ITEM	PART NO	DESCRIPTION	QTY.
1	6004353-G2	SWEPPER HOUSING	1	19	6000540	WHEEL BUSHING	4
2		WHEEL WELDMENT	1	20	307011	WHEEL(BUSHING INCLUDED)	2
4	6000733-ZC	1/4" -20 X 1" CARRIAGE BOLT	8	21	6000539	DUST COVER	2
5	3000716-ZC	WASHER, 1/4" SAE	4	22	6004023	PLUNGER KNOB	1
6	307034-B2	HITCH MOUNT TUBE	2	23	6004022	PLUNGER SPRING	1
7	KIT 6004344	3/8"-16 X 2" HEX BOLT	4	24	6004020-ZC	PLUNGER PIN	1
8		CURVED WASHER, 3/8" USS	4	25	KIT 6000828	PINION ASSEMBLY, RIGHT	1
9		WASHER, 3/8" USS	4	26		PINION ASSEMBLY, LEFT	1
10		NYLOCK NUT, 3/8-16 UNC	4	27	6000828	BEARING ASSEMBLY	2
11		3" HITCH PIN	1	28	307124-B2	SPIRAL BRUSH TUBE	1
12		HAIRPIN	1	29	307122-ZC	STEEL BRACKET	4
13	6003953-B2	HITCH CROSS TUBE ASSEMBLY	1	30	307121-ZC	STEEL CLAMP	8
14	6003965-B2	HITCH ASSEMBLY	1	31	300065-ZC	1/4" -20 LOCK NUT	22
15	6003957-B2	HEIGHT ADJ. HANDLE	1	32	3000539-ZC	1/4" -20 X 1-1/4" BOLT	14
16	307241	WHEEL CAP	2	33	307321	42" SPIRAL BRUSH	2
17	300081-ZC	COTTER PIN, 1/8" X 1-1/2"	2	34	6000222-ZC	SNAP BUTTON	2
18	3000721-ZC	WASHER, 3/4" SAE	2	35	3000618-ZB	NYLOCK NUT, 3/8-16 UNC	2

Repair Parts



ITEM	PART NO.	DESCRIPTION	QTY	ITEM	PART NO.	DESCRIPTION	QTY
37	307032-B2	CONNECTING TUBE	2	45	KIT 6004344	CLEVIS PIN, 3/8" X 1/2"	2
38	307331	HOPPER BAG	1	46		CLEVIS PIN, 1/4" X 1-1/4"	2
39	KIT 6004133-B2	BOTTOM FRAME TUBE	2	47		3/8" USS FLAT WASHER	2
40		TOP FRAME TUBE	2	48		QUICK-RELEASE PIN	2
41	KIT 6004133-B2	CENTER FRAME TUBE	2	49	HAIRPIN	6	
42		TENSION TUBE ASSEMBLY	1	50	307361	DUMP ROPE	1
43	307051-B2	HOPPER PIVOT ROD	1	51	6000208-ZC	SNAP BUTTON	4
44	307061-B2	HOPPER STOP BAR	1				

OHIO *STEEL*
INDUSTRIES

Designed And Tested In Columbus, Ohio

Manufactured In The U.S.A. From Domestic
And Imported Components



7 16504 42222 3

MODEL # 4222V2

2575 Ferris Road Columbus, OH 43224
(800) 652-2321

www.OHIOSTEEL.com

(800) 652-2321