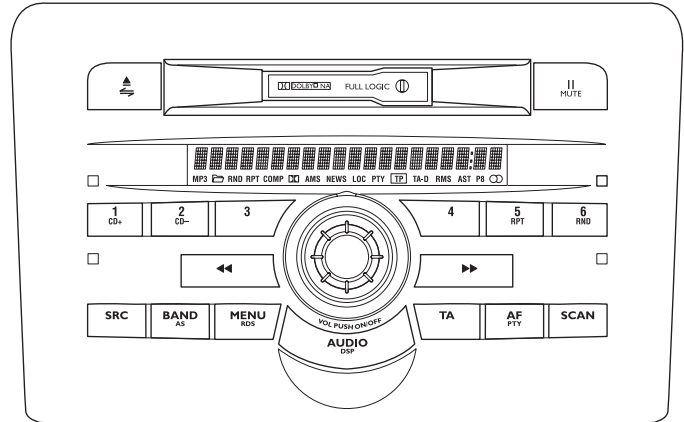




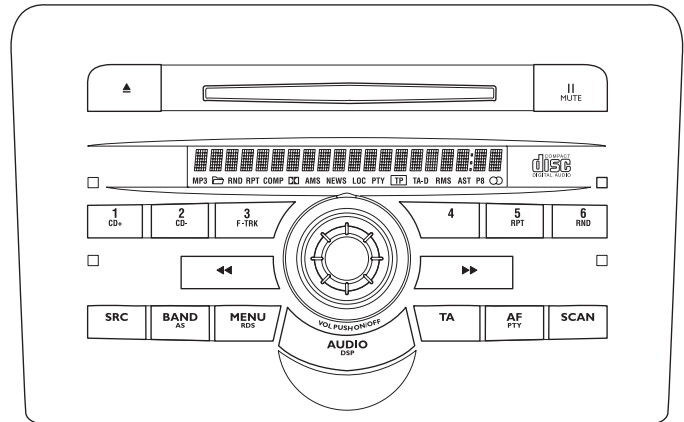
**FIAT STILO**

**SOUND SYSTEM**

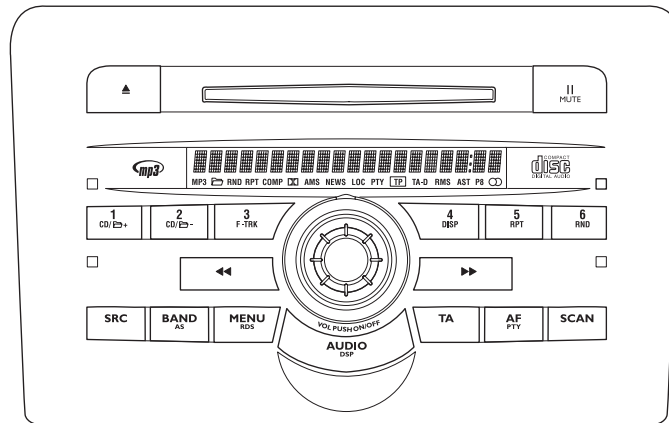
# RADIO WITH CASSETTE PLAYER



# RADIO WITH COMPACT DISC PLAYER



# RADIO WITH CD AND MP3 PLAYER



# CONTENTS

INTRODUCTION .....	4
ADVICE .....	4
– Road safety .....	4
– Reception conditions .....	4
– Care and maintenance .....	4
– Cassettes .....	4
– Compact Disc .....	5
– Notes on Compact Discs .....	6

## RADIO WITH CASSETTE PLAYER

CONTROL DESCRIPTION .....	7
GENERAL .....	12
Radio section .....	12
Cassette section .....	12
Compact Disc section .....	12
Sound section .....	13
Antitheft protection .....	13
GLOSSARY .....	14
OPERATION	
Controls on steering wheel .....	16
Functions and adjustments .....	17
Telephone provision .....	19
Radio (Tuner) .....	20
Menu .....	25
Adjustments .....	26
Cassette player (Tape) .....	29
CD Changer .....	31
Secret coding .....	34
Technical information .....	36

## RADIO WITH COMPACT DISC PLAYER

CONTROL DESCRIPTION .....	39
GENERAL .....	44
Radio section .....	44
Compact Disc section .....	44
Sound section .....	45
Antitheft protection .....	45
CAUTIONS .....	45
GLOSSARY .....	46
OPERATION	
Controls on steering wheel .....	48
Functions and adjustments .....	49
Telephone provision .....	51
Radio (Tuner) .....	52
Menu .....	57
Adjustments .....	58
Compact Disc player .....	62
CD Changer .....	64
Secret coding .....	68
Technical information .....	69

## RADIO WITH CD AND MP3 PLAYER

CONTROL DESCRIPTION .....	73
INTRODUCTION.....	78
MP3 Player .....	78

## INTRODUCTION

The sound system, of fixed type, is fitted with audiocassette player (radio with audiocassettes) or CD player (radio with Compact Disc player) or CD MP3 player (radio with Compact Disc MP3 player) and sound graphic equaliser. The sound system has been designed according to the specific passenger compartment characteristics. The special design is in line with the style of the dashboard.

The radio is installed in a user-friendly position for the driver and passenger and the graphics on the front panel make location of the controls quick, facilitating use.


The CD Changer for 5 discs, if present, is housed in the upper glove box of the dashboard, on passenger side.

Below you will find the instructions for use, which you are advised to read through carefully. The instructions also contain the procedure for controlling the CD Changer through the radio. For the instructions for use of the CD Changer refer to the specific manual.

## ADVICE

### Road safety

You are advised to learn how to use the various radio functions (e.g.: storing stations) before starting to drive.



**WARNING**  
*Too high a volume when driving can put the driver's life at risk and that of other people. Therefore the volume should always be adjusted in such a way that it is always possible to hear the noises of the surrounding environment (e.g.: horns, ambulance, police sirens, etc.).*

### Reception conditions

Reception conditions change constantly when driving. Reception may be disturbed by the presence of mountains, buildings or bridges particularly when far away from the station being listened to.

**IMPORTANT** When receiving traffic information, the volume may be higher than normal.

### Care and maintenance

The radio structure ensures long operation with no need for particular maintenance. In the event of a fault, contact a **Fiat Dealership**.

Do not expose cassettes to the sun or high temperatures and put them back in their boxes after use. To obtain optimum playing conditions do not use poor quality cassettes and in any case no longer than C-90.

To clean the front panel only use a soft, antistatic cloth. Cleaning and polishing products might spoil the surface.

### Cassettes

To obtain optimum playing conditions we give the following advice:

- do not use poor quality cassettes, with distortions or labels detached;

- never leave the cassette in the radio when not in use;
- never insert other objects in the cassette slot;
- do not expose cassettes to the sun or high temperatures;
- put cassettes back in their boxes after use;
- over time, dirt on the playing head caused by tapes may reduce the high notes when playing. You are therefore advised to clean the head routinely using a special cleaner taper of the non abrasive type;
- preferably use C-60 cassettes and in any case no longer than C-90 to ensure the best playing conditions;
- avoid inserting cassettes with damage tapes in the radio, especially if using C-90 cassettes, as the tape might come out and get stuck;
- do not lubricate the cassette mechanism;
- do not touch the player head with magnetic or hard objects.

## Compact Disc

Remember that dirt, marks or distortion on Compact Disc can cause skipping. For top performance conditions, we give the following advice:

- Only use Compact Discs which have the following brand:



- Carefully clean all Compact Discs of fingerprints and dust using a soft cloth. Support Compact Discs from the outer circumference and clean from the centre outwards.

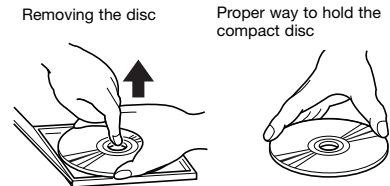
- Never use chemical products for cleaning (e.g. spray cans, antistatic or thinners) as they might damage the surface of Compact Discs.

- After use, put Compact Discs back in their container, to avoid marks or scratches that may cause skipping when playing.

- Do not expose Compact Discs to direct sunlight, high temperatures or damp for prolonged lengths of time to prevent them from bending.

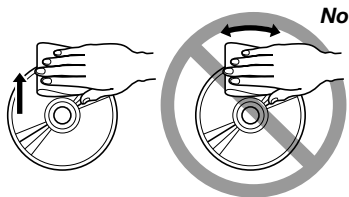
- Do not stick labels or write on the recorded surface of Compact Discs with pens or pencils.

To remove a Compact Disc from its container, press the centre and raise the disc carefully, holding it by the outer circumference.

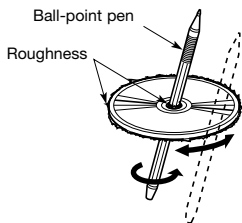


Always hold Compact Discs by the outer circumference. Never touch the surface.

To remove fingerprints and dust, use a soft cloth starting from the centre of the Compact Disc outwards.



New discs may be rough around the edges. When these discs are used, the player might not work or the sound might skip. To remove the roughness from the edge of the disc use a ball-point pen, etc.



To obtain the best sound quality, use original CD supports. Correct operation is not ensured if not correctly written CD-R/RW supports and/or with capacity higher than 650 MB are used.

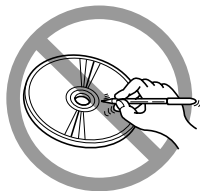
**IMPORTANT** Do not use the protective sheets for CD in commerce or discs with stabilisers, etc. as they might get stuck in the internal mechanism and damage the disc.

**IMPORTANT** if the CD is copy-protected, the system may need few seconds before starting to play it.

### Notes on Compact Discs

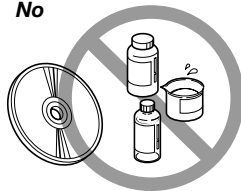
Do not stick labels on the surface of the Compact Disc or write on the surface with pens or pencils.

No



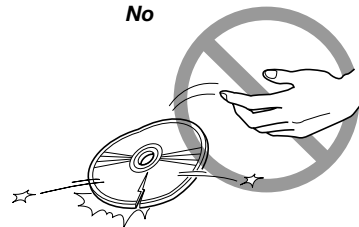
Do not use solvents like stain removers, antistatic sprays or thinners in commerce for cleaning Compact Discs.

No



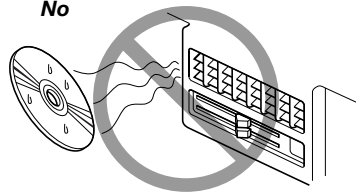
Do not use highly scratched, cracked, or distorted discs, etc. The use of these discs will involve malfunctioning or damage to the player.

No



Do not expose Compact Discs to direct sunlight or any source of heat.

No



# RADIO WITH CASSETTE PLAYER

## CONTROL DESCRIPTION

F0C0026m

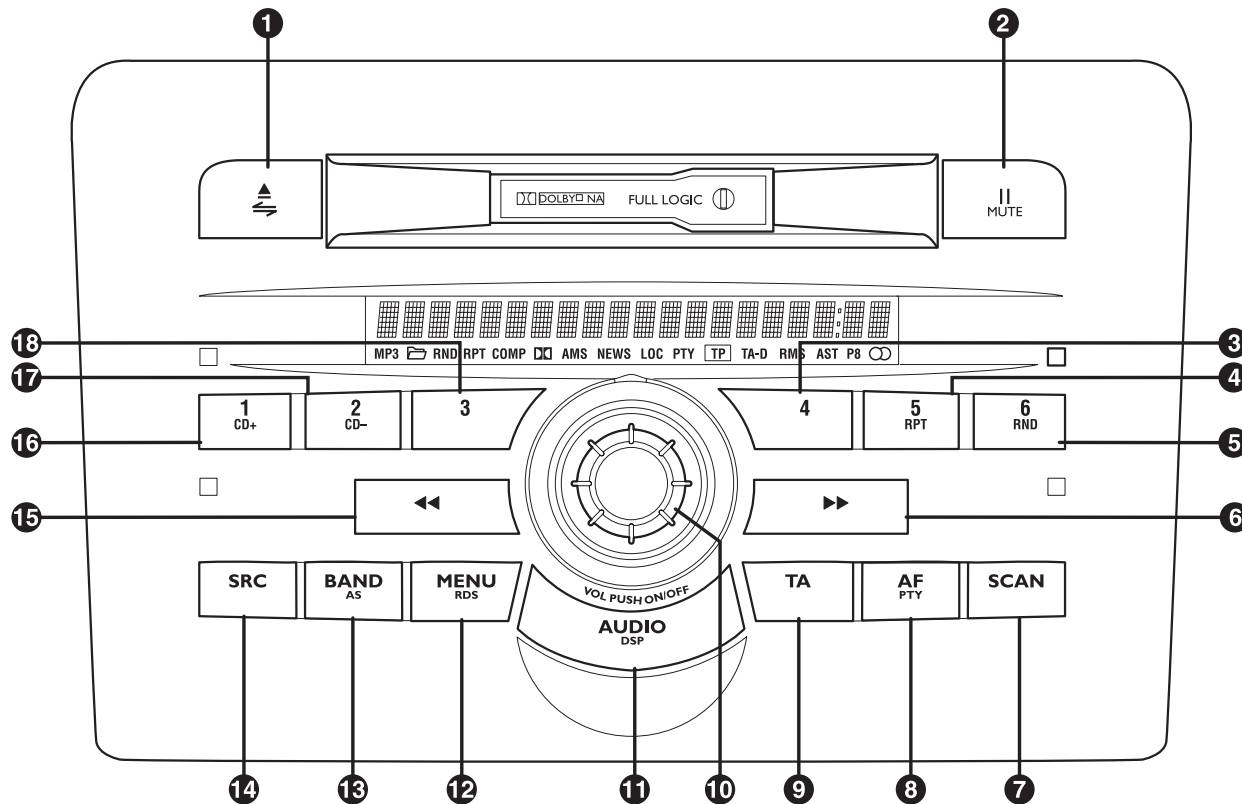



fig. 1



Button	Buttons and front panel		RADIO mode	
	Letters or symbol	Function	Brief pressing	Pressing over 2 sec.
1		Eject/Reverse	Eject Tape (cassette)	
2	II MUTE	Mute	Audio Mute	
3	4	Preset station 4	FM/AM:call preset station 4	FM/AM: store preset station 4
4	5 RPT	Preset station 5/track repetition	FM/AM:call preset station 5	FM/AM: store preset station 5
5	6 RND	Preset station 6 RaNDom functions of tracks on CD	FM/AM:call preset station 6	FM/AM: store preset station 6
6	>>	Forward/Next	FM: Seek + / MAN + AM: Seek + / MAN + PTY: Select programme type	
7	SCAN	Automatic scanning	Automatic scanning of stations on the band in use	Automatic scanning of stations tunable on the band in use
8	AF PTY	Alternative frequency/Programme Type	AF ON/OFF	Select programme type PTY: displays selected programme type
9	TA	Traffic information	TA ON/OFF	Adjusting TA volume
10	VOL PUSH ON/OFF	Radio ON/OFF Volume adjustment	ON/OFF: press volume adjustment: turn leftwards: to decrease turn rightwards: to increase	
11	AUDIO DSP	Sound setting	Bass (B) Treble (T) Fader (F) Balance (B)	Access to Equalizer function
12	MENU RDS	Menu function	Manual tuning ON/OFF NEWS ON/OFF Function confirmation BEEP ON/OFF (BEEP) SENS DX/LO SVC (SPEED VOLUME) Loudness ON/OFF EON TA ON	RDS Clock display Audio Clip Detect ON/OFF Setting Radio mode ON Telephone volume adjustment ON/OFF Max. radio volume at switching on

<b>CASSETTE mode</b>		<b>CD CHANGER mode</b>	
Brief pressing	Pressing over 2 sec.	Brief pressing	Pressing over 2 sec.
Eject Tape (cassette)/ Reverse/normal		Eject Tape (cassette)	
Playing Pause / Audio Mute		Playing Pause / Audio Mute	
		CD track repetition ON/OFF	
		Random CD track repetition ON/OFF	
Fast forward (to tape end)	AMS function enabled, forward to next track	Select next track	Fast forward (continuous)
Automatic scanning of cassette tracks		Automatic scanning of CD tracks	
TA ON/OFF	Adjusting TA volume	TA ON/OFF	Adjusting TA volume
ON/OFF: press volume adjustment: turn leftwards: to decrease turn rightwards: to increase		ON/OFF: press volume adjustment: turn leftwards: to decrease turn rightwards: to increase	
Bass (B) Treble (T) Fader (F) Balance (B)	Access to Equalizer function	Bass (B) Treble (T) Fader (F) Balance (B)	Access to Equalizer function
Dolby B NEWS ON/OFF Function confirmation BEEP ON/OFF (BEEP) SVC (SPEED VOLUME) Loudness ON/OFF EON TA ON	RDS Clock display Audio Clip Detect ON/OFF Setting radio mode ON Telephone volume adjustment ON/OFF Max. radio volume at switching on	NEWS ON/OFF Function confirmation BEEP ON/OFF (BEEP) SVC (SPEED VOLUME) Loudness ON/OFF EON TA ON CD compression	RDS Clock display Audio Clip Detect ON/OFF Setting radio mode ON Telephone volume adjustment ON/OFF Max. radio volume at switching on

Button	Buttons and front panel		RADIO mode	
	Letters or symbol	Function	Brief pressing	Pressing over 2 sec.
13	BAND AS	Choosing frequency band	FM1,FM2,FM3,FMAST LW,MW,AMAST	Store automatically in preset station group. Exit on FMAST.PI or AMAST.PI
14	SRC	Select source	TAPE (Cassette), RADIO, CD Changer (if connected)	
15	<<	Backward/Previous	FM: Seek – / MAN – AM: Seek – / MAN – PTY: Select programme type	
16	1 CD+	Preset station 1	FM/AM:call preset station 1	FM/AM:call preset station 1
17	2 CD–	Preset station 2	FM/AM:call preset station 2	FM/AM: store preset station 2
18	3	Preset station 3	FM/AM:call preset station 3	FM/AM: store preset station 3

<b>CASSETTE mode</b>		<b>CD CHANGER mode</b>	
Brief pressing	Pressing over 2 sec.	Brief pressing	Pressing over 2 sec.
Exit cassette mode Insert tuner in last band		Exit CD mode Insert tuner in last band	
TAPE (Cassette), RADIO, CD Changer (if connected)		TAPE (Cassette), RADIO, CD Changer (if connected)	
Fast rewind (continuous)	AMS function enabled, return to previous track	Select previous track	Fast rewind (continuous)
		CD +	
		CD -	

## GENERAL

The set possesses the following functions:

### RADIO SECTION

- PLL tuning with FM/FMAST/AM/AMAST/MW/LW frequency bands
- RDS (Radio Data System) with TA (traffic information) - PTY (Program Type) - EON (Enhanced Other Network) - REG (Regional programmes) functions
- Alternative frequency search selection in RDS mode (AF function)
- Automatic/manual station tuning
- Manual storage of 42 stations: 24 in the FM band (6 in FM1, 6 in FM2, 6 in FMT and 6 in FMAST), 6 in the MW band, 6 in the LW band and 6 in the AM (MW+LW) band, with automatic storage (AutoSTore function) in the AMAST band

- Automatic storage (AutoSTore function) of 6 stations in FM band and 6 stations in the AM band
- SENS DX/LO function (sensitivity adjusting in searching radio stations)
- Scan function (scanning stored stations or scanning on frequency band in use), lasting approx. 10 sec. for each station.
- Automatic Stereo/Mono switching.

### CASSETTE SECTION

- Autoreverse
- Tape fast forward/rewind
- CrO<sub>2</sub> tape equalizing
- AMS function (Automatic Music Search)
- Scan function (scan tape tracks), lasting approx. 10 sec. for each track.

- DOLBY B (noise reduction circuit) (\*)
- Powered cassette loading and eject.

(\*) The DOLBY reduction circuit is made under the licence of Dolby Laboratories Licensing Corporation. DOLBY and the (DB) symbol with double D are patented brands of Dolby Laboratories Licensing Corporation.

### COMPACT DISC SECTION (when the CD-Changer is fitted)

- Disc select (disc no.)
- Track select (forward/backward)
- Fast forward/backward
- Track Repeat function (repetition of last track)
- Track Scan function (scanning the tracks on the Compact Disc, lasting approx. 10 sec. for each track).

- RaNDom function (random playing of tracks).
- Powered CD loading and eject.



**For installation and connection of the CD-Changer apply only to Fiat Dealership.**



#### **WARNING**

*On multimedia CDs in addition to sound tracks also data tracks are recorded. Playing one of these CDs may cause rustling and such a volume as to compromise road safety, as well as causing damage to the final stages and speakers.*

## **SOUND SECTION**

- Mute/Pause function
- Loudness function
- 5-band graphic equalizer
- Separate bass/treble adjustment
- Right/left and front/rear channel balancing.
- Audio Clip Detect function
- Soft Mute function

## **ANTITHEFT PROTECTION**

The radio is fitted with an antitheft protection system based on a four-digit secret code that makes the radio unusable.

### **CODE Card**

This the document that certifies possession of the radio. The Code Card contains the radio model, serial number and secret code.

Keep the Code Card in a safe place, not in the car.

### **Secret coding**

When the secret coding is activated and radio is removed from the car battery (or 30 positive terminal), the radio is protected electronically.

The radio can only be switched on entering your personal secret code.

## GLOSSARY

### AF (Alternative Frequency)

Function that allows the radio to stay tuned on the FM station selected also passing through areas served by transmitters with different frequencies.

The RDS system actually keeps the intensity and quality of the signal received under control, automatically switching tuning on the frequency of the transmitter that is sending the strongest signal.

### AMS (Automatic Music Search)

This function enables to play automatically the next/previous track provided that between the two tracks there is a pause/muting of about 4 seconds.

### Autoreverse

Function that makes it possible to listen to both sides of the tape without having to turn the cassette over.

### Autostore

Function with which it is possible to store automatically radio stations.

### Balance (Channel balancing)

Function with which it is possible to suitably adjust the sound from the right or left speakers.

### Bass (Bass tones)

This function adjusts the bass tones.

### CD-Changer

Multiple Compact Disc player.

### Distant/Local (Sens Dx/Loc)

These are two levels of reception sensitivity.

**1) Distant** (maximum sensitivity), which makes it possible to tune all the stations that can be received.

**2) Local** (minimum sensitivity), which makes it possible to tune only those stations with sufficiently strong signals, such as for example local stations.

### Dolby B

Tape noise limiting device produced under licence of "Dolby Laboratories Licensing Corporation".

### EON (Enhanced Other Network)

Function that allows the radio to tune automatically on a different station that the one being listened to which broadcasts traffic information.

### Fader

Function with which it is possible to suitably adjust the sound from the front or rear speakers.

### Loudness

Function that emphasises the bass and treble tones when listening at low level. It is cut off when the volume is set to maximum (level 34).

## **Mute**

This function enables to mute the active source. This function is activated automatically, if a cell phone is connected to the radio, when a phone call is being received.

## **Presettings**

Number of radio stations that can be stored manually or automatically.

## **PTY (Program Type)**

This function allows the presetting of a category of programmes such as for instance, news bulletins, music, sport, etc.

## **RDS (Radio Data System)**

This is an additional radio information system which uses the 57 kHz subcarrier of normal FM broadcasts.

With this function it is possible to receive different types of information such as station names, alternative frequencies, automatic tuning to traffic bulletins or special programmes selected through the PTY function.

## **REG (Regional transmission reception function)**

Function with which it is possible to tune only to local (regional) stations.

## **Repeat (Repetition of the track)**

Function with which it is possible to listen continuously to the last track played on the Compact Disc.

## **Scan**

Function with which it is possible to listen, for approx. 10 seconds, to all the radio stations stored, or the beginning of all the tracks contained on a cassette or Compact Disc.

## **Soft Mute**

Function that gradually lowers and raises the volume when Mute is turned on or off.

## **SVC**

Function that automatically adjusts the level of the volume to the speed of the car to maintain the radio with the noise level in the passenger compartment.

## **TA (Traffic information)**

Function with which it is possible to receive the traffic information broadcast by the stations enabled, also when tuned to another station or listening to a cassette/CD.

## **Treble (Treble tones)**

This adjusts the treble tones.



## CONTROLS ON STEERING WHEEL (where provided) fig. 2

The main radio function controls are repeated on the steering wheel, to allow easier control.

### Volume adjustment (“+” and “-”) Mute function (“Mute”)

Press button **B** (“+”) to increase volume and (“-”) to decrease volume as specified in paragraph VOLUME ADJUSTMENT. Function identical to that of the button/knob **10 (VOL PUSH ON/OFF)** set on the radio.

Press button **C (MUTE)** to turn on/off this function that brings the volume to zero. When this function is on the display shows “**MUTE**” preceded by the current source (e.g. “**TUNER MUTE**” when in radio mode). If in CDC mode (CD Changer), the display shows: “**CD PAUSE**”.

### Select Radio, Cassette, CD Changer (“SRC”) (SRC= Source = source)

Press repeatedly button **A (SRC)** to cyclically select Radio, Cassette, CD Changer (if the Compact Disc player is fitted). This button function is identical to that of the button **14 (SRC)** set on the radio.

## Setting Radio, Cassette, CD Changer (“+” and “-”)

Button **D** (<</>) implements three different functions according to the selected operating mode (Radio, cassette or CD Changer).

Button functions are identical to the functions of buttons **6** (>>) and **15** (<<) set on the radio, as concerns the following functions.

### 1) Radio function: adjust tuning

Press button **D** (<</>) to select stations in the required band.

### 2) Cassette function

Press button **D** (<</>) to forward/rewind the tape.

### 3) CD Changer function select CD Changer next/previous track

Press button **D** (<</>) to play next/previous track on the Compact Disc you are listening to according to modes SELECT OR REPEAT A TRACK.

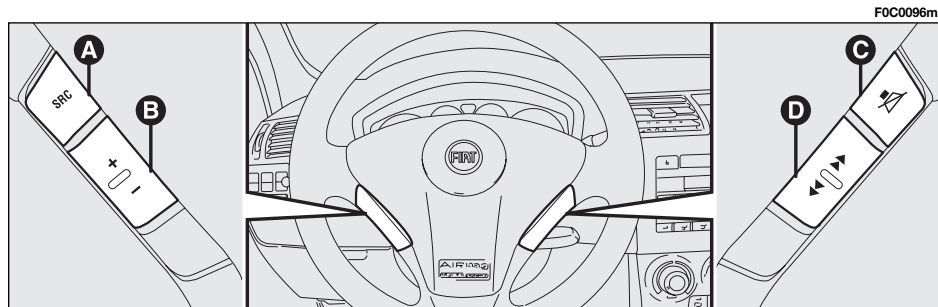


fig. 2

## FUNCTIONS AND ADJUSTMENTS

### Switching on

The set is switched on pressing the button/knob **10 (VOL PUSH ON/OFF)**. Switching on may be connected to engine starting: turning the ignition key to **MAR**, the radio turns on; turning the ignition key to **STOP** the radio turns off. If the radio was on before the engine was turned off, it will turn on again automatically the next time the engine is started.

If the radio is turned on with the ignition key at **STOP**, it will turn off automatically after about 20 minutes.

### Turning the radio off

To turn the radio off press button/knob **10 (VOL PUSH ON/OFF)**.

### Selecting Radio/Cassette/CD Changer

Pressing briefly and repeatedly the **14 (SRC)** button it is possible to select the following functions in sequence:

- TUNER (Radio)
- TAPE (Cassette) (only if the cassette is inserted)
- CDC (CD Changer) (only if the CD Changer is connected).

After each change of the listening source, the display shows the function selected: **TUNER** (Radio), **TAPE** (Cassette), **CDC** (CD Changer).

The functions that cannot be selected (e.g. “**TAPE**” when the cassette is not inserted) are automatically disabled.

### Pause function

If while listening to a cassette or Compact Disc another function is selected (e.g. the radio), playing is stopped and when the cassette or Compact Disc mode is resumed, it starts again from the point in which it was stopped.

If while listening to the radio another function is selected, when the Radio mode is resumed, it is tuned to the last station selected.

### Volume adjustment

Adjust volume through button/knob **10 (VOL PUSH ON/OFF)**.

Turn the knob rightwards to increase volume and leftwards to decrease it.

The display shows “**VOLUME 00**” ... “**VOLUME 12**”

### Mute function (turning off the volume completely)

To switch on the **MUTE** function, briefly press (less than 1 second) the button **2 (II MUTE)**. Volume will gradually lower ( **SOFT MUTE** function) and the display will show the function selected and the word **MUTE** (e.g. “**TUNER MUTE**” when Radio function is selected).

To switch off the **MUTE** function, press button **2 (II MUTE)** briefly again. Volume will gradually become louder (**SOFT MUTE** function) returning to the value set before switching on the MUTE function.

Turning the button/knob **10 (VOL PUSH ON/OFF)**, the sound level changes but the **MUTE** function stays on. Press again button **2 (II MUTE)** to switch it off.

With the MUTE function on, all the other functions can be used and if a traffic bulletin arrives with the TA function on, the message ignores the **MUTE** function.

### Soft Mute function

When the **MUTE** function is turned on or off, the volume lowers or increases gradually (**SOFT MUTE** function).

### Tone adjustment

Proceed as follows:

- briefly (less than 1 second) and repeatedly press the **11 (AUDIO DSP)** button until the display shows “**BASS**”, “**TREBLE**” (select Bass, Treble function)

- turn button/knob **10 (VOL PUSH ON/OFF)** to the right to increase basses or trebles or to the left to decrease.

For few seconds the display shows the levels of the basses/trebles (from -10 to +10).

After few seconds from the last adjustment, the display returns to the main radio screen.

### Balance adjustment

Proceed as follows:

- briefly (less than 1 second) and repeatedly press the **11 (AUDIO DSP)** button until the display shows “**BALANCE**” (select Balancing function)

- turn button/knob **10 (VOL PUSH ON/OFF)** to the right to increase the sound from the right speakers and to the left to increase the sound from the left speakers.

For few seconds the display shows the levels of balancing from **▶ +10** to **◀ +10** (**▶** = right, **◀** = left). After few seconds from the last adjustment, the display returns to the main radio screen.

## Equalizer settings (only if the equalizer is on)

To turn on the equalizer, press button **11 (AUDIO DSP)** and turn button/knob **10 (VOL PUSH ON/OFF)** to select one of the following adjustments:

- “**PRESET**” (preset equalizer adjustment)
- “**CLASSIC**” (preset equalizer adjustment)
- “**JAZZ**” (preset equalizer adjustment)
- “**ROCK**” (preset equalizer adjustment)
- “**CUSTOMER**” (adjustment of the 5 equalizer bands that can be changed by the user)

Press repeatedly the **15 (<<)** or **6 (>>)** to select the band and use button/knob **10 (VOL PUSH ON/OFF)** to increase/reduce level in the frequency band selected.

## Fader adjustment

Proceed as follows:

- briefly (less than 1 second) and repeatedly press the **11 (AUDIO DSP)** button until the display shows “**FADE**” (select Fader function)
- turn button/knob **10 (VOL PUSH ON/OFF)** to the right to increase the sound from the front speakers and to the left to increase the sound from the rear speakers.

After few seconds from the last adjustment, the display returns to the main radio screen.

## Loudness function

The Loudness function improves the sound volume when listening at low level, increasing the basses and trebles. It is cut off when the volume is set to maximum.

To switch the function on/off, press briefly (less than 1 second) the **12 (MENU RDS)** button to enter the **MENU** and then press the button for scrolling the menu. The function condition (on or off) is shown on the display by “**LOUDNESS: ON**” or “**LOUDNESS: OFF**”, selectable through buttons **15 (<<)** or **6 (>>)**.

## TELEPHONE PROVISION

If the handsfree kit is installed on the car, when a phone call is received, the volume selected for the **PHONE** function is set in the menu, and can be cut off if required (**OFF**).

## RADIO (Tuner) fig. 1

When the set is turned on the last function selected before turning off is played (Radio, Cassette or CD Changer).

To select the Radio source while listening to a cassette or Compact Disc, press briefly (less than 1 second) and repeatedly the **14 (SRC)** button until this function is selected.

If in the radio source, press briefly (less than 1 second) and repeatedly the **13 (BAND AS)** button to select the required reception band.

Every time the button **13 (BAND AS)** is pressed, the following bands are selected in sequence: “**FM1**”, “**FM2**”, “**FM3**”, “**FM4AST**”, “**LW**”, “**MW**” and “**AMAST**”.

The **FM** band is divided into sections: **FM1**, **FM2**, **FM3** and **FMAST**. The **FMAST** section is reserved to the stations stored automatically with the **AutoStore** function.

The “**FMAST**” reception band is reserved to the stations stored automatically with the **AutoStore** function.

The **AM** band is divided into sections: **MW**, **LW** and **AMAST**. The **AMAST** section is reserved to the stations stored automatically with the **AutoStore** function.

The radio is always ready to receive stations in the RDS mode (Radio Data System).

### Presetting buttons

The buttons with symbols from 1 to 6 (“**3**”, “**4**”, “**5**”, “**16**”, “**17**”, “**18**”) make it possible to set the following presettings:

- 24 in the FM band (6 in FM 1, 6 in FM 2, 6 in FM 3, 6 in FMAST)
- 6 in the LW band
- 6 in the MW band
- 6 in the AMAST band

To call a preset station, choose the required frequency band and then press briefly (less than 1 second) the corresponding preset button (from 1 to 6). The display will show the name and the presetting number.

### Storing the last station heard

The radio automatically keeps in storage the last station heard for each reception band, which is then tuned when the radio is turned on or the reception band is changed.

## Automatic tuning

Briefly press (less than 1 second) button **15** (<<) or **6** (>>) to start automatically searching the tuning for the next station that it is possible to receive in the direction chosen.

If the station on which the tuner stops is one of the stations stored with the preset buttons (from 1 to 6), the display will show the presetting number.

## Manual tuning

This allows manual station searching in the chosen band. This function has to be through the **MENU**.

For manual tuning proceed as follows:

**1.** Select the band (or the storing section) with button **13 (BAND AS)**: FM1, FM2, FM3, MW or LW.

**2.** Press briefly (less than 1 second) and repeatedly button **15** (<<) or **6** (>>).

Pressing one of the buttons **15** (<<) or **6** (>>) longer (over 1 second) obtains fast forward searching, which is stopped when the button is released.

If the station on which the tuner stops is one of the stations stored with the preset buttons (from 1 to 6), the display will show the presetting number on the bottom line.

## Station scanning (Scan function)

Press button **7 (SCAN)** to start scanning the stations in the frequency band selected (FM, AM, MW, LW). The frequency of each station found is shown on the display.

While scanning the display will show “**TUNER SCAN**”, or “**CDC SCAN**” (if the CD Changer is fitted), with the word “**SCAN**” flashing.

When the **SCAN** function is on, all the other functions are cancelled.

The **SCAN** function is interrupted in the following cases:

- pressing again **7 (SCAN)**
- turning the set off
- changing the listening source (Cassette, CD Changer)
- changing the frequency band (or storing section) selected
- pressing a preset button
- turning AutoStore on (automatic storage)
- inserting a cassette.

## Scanning preset stations

Press the **7 (SCAN)** button for at least 2 seconds to start scanning the preset stations in the present frequency band;

– **FM:** FM 1, FM 2, ..., FM II 1, FM II 2,... FM III 1, FM III 2,... FMAST 1, FMAST 2, ....

– **AM:** MW 1, MW 2, .... MW 6, LW 1, LW 2, .... LW 6, AMAST 1, AMAST 2, ...

Each preset station will be heard for few seconds and its frequency shown on the display.

The preset station **SCAN** function is interrupted in the following cases:

- pressing again **7 (SCAN)**
- turning the set off
- pressing a preset button
- turning AutoStore on (automatic storage)
- changing the listening source (Cassette, CD Changer)

– changing the FM level or frequency band selected

– inserting a cassette

## Manual station storage

The station being heard can be stored in the range selected with buttons numbered from 1 to 6.

Keep one of these buttons (from 1 to 6) pressed. After storage, the display shows the number of the button with which the station has been stored and a confirmation beep sounds.

## AutoStore function (automatic station storage)

To switch on the AutoStore function, keep the **13 (BAND AS)** button pressed. With this function the radio automatically stores the stations with the strongest signal in decreasing order of intensity of the FMAST frequency band.

**IMPORTANT** Activating the AutoStore function cancels the stations stored previously in the FMAST band.

During automatic storage the display shows “**TUNER FMAST**” or “**TUNER AMAST**” if in the TUNER mode (Radio) with FM or AM frequency bands. To interrupt the storage process, press the **13 (BAND AS)** button again: the radio will automatically tune to the station heard before activation of the **AutoStore** function.

## Listening to stored stations

Proceed as follows:

- select the required frequency band and the storing section (FM1, FM2, FM3, FMAST, MW, LW, AMAST);
- briefly press (less than 1 second) one of the six station storage buttons.

The display will show the station name (if any) and frequency, and on the bottom line of the display will be shown “**Pn**” where **n** corresponds to the active presetting number.

In bands FM1, FM2, FM3 and FMAST, if reception is poor and the AF alternative frequency search function is active, the station with the strongest signal that is broadcasting the same programme will be sought automatically.

### **AF function (alternative frequency search)**

To turn on/off the alternative frequency search function (AF function), press briefly (less than 1 second) the **8 (AF PTY)** button. The name RDS (if available) stays on the display and if the AF function has been turned on the message **AF SWITCHING: ON** is displayed.

– “**AF SWITCHING: ON**” = alternative frequency search **on**

– “**AF SWITCHING: OFF**” = alternative frequency search **off**.

When the signal of the RDS station tuned weakens, the following two cases may occur:

– With “**AF SWITCHING: ON**” the RDS system activates automatic tuning of the optimum frequency of the station chosen, with the stations enabled, therefore the radio is automatically tuned to the station with the strongest signal that is broadcasting the same programme. During the journey it will thus be possible to continue listening to the station chosen without having to change the frequency when changing area. Of course, the station being listened to must be receivable in the area the car is crossing.

– With “**AF SWITCHING: OFF**” the radio will not tune the strongest station automatically and it will have to be found manually using the tuner buttons.

### **TA function (traffic information)**

Certain stations in the FM band (in FM1, FM2, FM3 and FMAST storing sections) are enabled to also broadcast information about traffic conditions. When listening to traffic information the display shows “**TRAFFIC INFO**” and the current station (e.g. station name) alternately.

To turn the TA (traffic information) function on/off, briefly press (less than 1 second) the **9 (TA)** button. If the function is on the display shows “**TA-ON**”.

With the **TA** function on, at the start of the traffic bulletin the radio stops temporarily the current station or the cassette/CD in order to broadcast traffic information. This is possible only if the current station selected and the station broadcasting traffic information are connected for the **EON** function.



**Program Type function (PTY)  
(selecting a type of programme)**

Many radio stations offer, in the FM range (FM1, FM2, FM3), the ‘type of programme’ (PTY) service. For example, stations broadcasting information/news will display “**NEWS**” as PTY code.

With the PTY function, a search filter is activated that enables tuning only on the stations broadcasting programmes with preset PTY code (e.g. “**POP**”).

To turn on the PTY function, keep button **8 (AF PTY)** pressed.

The types of programmes offered by a radio station can change according to broadcasting:

NEWS	News and magazine
AFFAIRS	Politics and news
INFO	Special information programmes
SPORT	Sport programmes
EDUCATE	Education
DRAMA	Radio dramas and literature

CULTURE	Culture and religion
SCIENCE	Science
VARIED	Variety
POP M	Pop music (hits)
ROCK M	Rock music
EASY M	Easy music
LIGHT M	Light classic music
CLASSICS	Classic music
OTHER M	Other music (e.g. folk)
WEATHER	Weather report
FINANCE	Finance news
CHILDREN	Child’s programmes
SOCIAL	Social information
RELIGION	Religion and philosophy
PHONE IN	Listener’s calls (other than “PHONE IN” function active only with handsfree kit connection for cell phone)

TRAVEL	Tourist’s information
LEISURE	Free time and hobbies
JAZZ	Jazz
COUNTRY	Country music
NATION M	National broadcasting
OLDIES	Golden Oldies
FOLK M	Folk music
DOCUMENT	Special reports

**Automatic PTY select**

To select a type of programme through this function select a programme type in the stored list and then start the automatic search as described in the following paragraphs.

## PTY function reactivation

Press button **8 (AF PTY)** for over 2 seconds.... Then, the last programme type selected is displayed (e.g. “**POP**”).

## Setting the programme type

Press button **8 (AF PTY)** for over 2 seconds and the PTY code of the current station will be displayed. Select the required code turning the button/knob **10 (VOL PUSH ON/OFF)**. Then press one of the **15 (<<)** or **6 (>>)** buttons to start the automatic search of stations broadcasting with the selected PTY code. Automatic PTY search stops automatically on next station offering the preset programme type and shows the type of programme (e.g. “**POP**”), word “**PTY**” flashes.

**IMPORTANT** If no station is available with this type of programme, the station selected previously is heard and the PTY function is abandoned.

## PTY function deactivation

When selecting the PTY mode, if no operation is performed within 10 seconds, the radio returns to the mode selected before pressing button **8 (AF PTY)** and stores the last PTY code selected.

## MENU

### Functions of the **12 (MENU RDS) button**

To activate the menu function, briefly press (less than 1 second) the **12 (MENU RDS) button**, in this way you enter the first level menu. To enter the second level keep the **12 (MENU RDS) button** pressed for over 2 seconds.

To scroll the menu functions press repeatedly the **12 (MENU RDS) button**.

The functions controlled by the **first level** menu are:

**1** Manual tuning seek on/off (MANUAL TUNING SEEK)

**2** Function confirmation beep (BEEP)

**3** Tuning sensitivity adjustment (SENS DX/LO)

**4** News programmes on/off (NEWS)

**5** Volume control according to speed (SVC)

**6** Tuning adjustment on traffic information (EON TA)

**7** Loudness on/off (LOUDNESS)

**8** Tape noise reduction system, “Dolby B”

**9** CD Compression (with CD Changer only)

To turn selected function on/off press buttons **15 (<<)** or **6 (>>)**

The functions controlled by the **second level** menu are:

**1** Current RDS station time display (if any)

**2** Audio distortion clipper on/off (AUDIO CLIP DETECT)

**3** Max. volume setting at switching on (MAX VOLUME)

**4** Phone volume adjustment function (PHONE)

**5** AUTO setting selection through which radio on/off depends on engine starting/stopping.

To turn the selected function on/off press button/knob **10 (VOL PUSH ON/OFF)**.

**NOTE** When passing to next setting item, the previous set one is stored.

## ADJUSTMENTS

### First level menu functions

#### I - manual tuning seek on/off (TUNING SEEK)

This function enables to search manually (MANUAL) or automatically (AUTO) the stored stations.

To switch from manual to automatic press buttons **15 (<<)** or **6 (>>)**.

The display will show the current status of the function:

– **“TUNING SEEK: AUTO”** = automatic seek

– **“TUNING SEEK: MANUAL”** = manual seek.

#### 2 - function confirmation beep (BEEP)

System is fitted with the **BEEP** function (the display shows **“ROGER BEEP-ON”**).

This function confirms button pressing by a sound indication (BEEP).

To turn this function on/off, press buttons **15 (<<)** or **6 (>>)**.

The display will show the current status of the function:

– **“ROGER BEEP: ON”** = function on

– **“ROGER BEEP: OFF”** = function off.

#### 3 - tuner sensitivity adjustment (SENS DX/LO)

With this function it is possible to change the sensitivity of automatic station searching. When low sensitivity is set **“SENSITIVITY: LOCAL”** only stations with excellent reception are sought; when high sensitivity is set **“SENSITIVITY: DISTANT”** all stations are sought. Therefore, if the car is in an area with a considerable number of stations and you want to choose only those with a strong signal, set to low sensitivity **“SENSITIVITY: LOCAL”**.

To turn this function on/off press buttons **15 (<<)** or **6 (>>)**.

The display will show the current status of the function:

– **“SENSITIVITY: LOCAL”** = low sensitivity

– **“SENSITIVITY: DISTANT”** = high sensitivity.

#### 4 - News programmes on/off (NEWS)

This function is similar to the TA function: with FM station and NEWS mode active, if a news programme is broadcast, the radio operates as follows:

- it sets the same volume as the TA function, if the **TUNER** source is active;

- it switches from active source (cassette or CDC) to **TUNER** mode, in case of other source, setting the same volume as the TA function.

To make use of this function, the radio, in **TUNER** mode, must be tuned on a FM station broadcasting the NEWS code.

To turn this function on/off, press buttons **15** (<<) or **6** (>>).

The display will show the current status of the function:

- “**NEWS: ON**” = function on
- “**NEWS: OFF**” = function off

#### 5 - SVC, volume changing with car speed

The SVC function makes it possible to automatically adapt the volume level to the speed of the car, increasing it as the speed increases to maintain the ratio with the noise level inside the passenger compartment.

Press **15** (<<) or **6** (>>) to change SVC setting, thus passing from **OFF** to the selected gain level (from **1** to **7**). High gain level values correspond to proportionally higher volume increases according to speed.

The display will show the current status of the function:

“**SPEED VOLUME OFF**” = function off

“**SPEED VOLUME: +3**” = function on and gain level indication

#### 6 - tuning adjustment on traffic information (EON TA DX/LO)

This function enables to adjust reception sensitivity of radio stations broadcasting traffic information.

To turn this function on/off press buttons **15** (<<) or **6** (>>)

The display will show the current status of the function:

- “**TRAFFIC: LOCAL**” = low sensitivity
- “**TRAFFIC: DISTANT**” = high sensitivity

#### 7 - loudness on/off (LOUDNESS)

The LOUDNESS function improves the sound volume when listening at low level, increasing the basses and trebles.

To turn this function on/off press buttons **15** (<<) or **6** (>>)

The display will show the current status of the function:

“**LOUDNESS: ON**” = loudness on

“**LOUDNESS: OFF**” = loudness off

## 8 - DOLBY

Turn volume button/knob **10 (VOL PUSH ON/OFF)** clockwise = “**DOLBY NR ON**”

Turn volume button/knob **10 (VOL PUSH ON/OFF)** counter-clockwise = “**DOLBY NR OFF**”

## 9 - CD Compression

This function optimises sound level according to the type of music played by the CD.

To turn this function on/off, press buttons **15 (<<)** or **6 (>>)**.

The display will show the current status of the function:

– “**COMPRESSION: ON**” = function on

– “**COMPRESSION: OFF**” = function off

## Second level menu functions

### 1 - RDS station time display

This function makes it possible to display current RDS station time (if this information is present).

### 2 - audio distortion clipper on/off (AUDIO CLIP DETECT)

This function reduces automatically the radio output level when excessive distortion is detected that could damage the speakers.

To turn this function on/off, press buttons **15 (<<)** or **6 (>>)**.

The display will show the current status of the function:

“**CLIP DETECT: ON**” = function on

“**CLIP DETECT: OFF**” = function off

### 3 - max. volume setting at switching on (MAX VOLUME)

This function makes it possible to set the radio volume (from 10 to 33) at switching on.

To adjust volume use button/knob **10 (VOL PUSH ON/OFF)**.

The display will show the set volume (e.g. “**MAX VOLUME: 25**”)

### 4 - phone volume adjustment function (PHONE)

With this function it is possible to adjust the phone volume (volume level setting **1** to **3**).

The display shows the default message “**PHONE LEVEL: OFF**” (volume set by Manufacturer and corresponding to the max. level).

Using the button/knob **10 (VOL PUSH ON/OFF)** the volume can be adjusted at 3 different levels (**PHONE LEVEL 1**, **PHONE LEVEL 2** and **PHONE LEVEL 3**): the higher the figure is, the lower is the volume.

## 5 - AUTO function setting

With this function it is possible to set radio turning on/off depending on car ignition/stopping or independent radio turning on/off.

With this function on (radio is set to switch off when the car is switched off), it is however possible to switch on the radio.

With this function off, when switching off the car the radio stays on.

To turn this function on/off, press buttons **15** (<<) or **6** (>>).

The display will show the current status of the function:

- “**AUTO: ON**” = function on
- “**AUTO: OFF**” = function off

## CASSETTE PLAYER (TAPE) fig. 1

Your radio is fitted with a cassette player for magnetic tapes.

It has an **AUTOREVERSE** function which makes it possible to listen to both sides of the tape without having to turn over the cassette.

Cassette insertion and ejection are facilitated by a powered mechanism.


### Selecting the cassette player

To turn the cassette player on, even when the set is off, insert the cassette in the slot with the tape facing rightwards.

The display shows “**TAPE PLAY A**” or “**TAPE PLAY B**” depending on which side is playing.

If the cassette is already in, turn the set on then press briefly (less than 1 second) and repeatedly the **14 (SRC)** button until the display shows “**TAPE**”.

## Changing the tape playing side

After playing the tape, the cassette side is changed automatically (**AUTOREVERSE** function). To change side before the end of the tape, press button **1** () for over 2 seconds.

### Tape fast forward/rewind

To move the tape fast forward, press **6** (>>) or **15** (<<) depending on the direction of the tape.

To interrupt fast forward/rewind, press again **6** (>>) or **15** (<<).

The fast forward/rewind function is interrupted in the following cases:

- When the sound source is changed
- When the cassette is ejected
- When the direction of the tape is reversed
- When the set is turned off

## Pause function

To pause the cassette player, briefly press (less than 1 second) the **2 (II MUTE)** button. The display will show “**TAPE PAUSED**”.

To listen to the track again, press again **2 (II MUTE)**.

## AMS function

**AMS** = Automatic Music Search

This function enables to play automatically the next/previous track provided that between the two tracks there is a pause/muting of about 4 seconds.

During fast forward/rewind the display shows “**TAPE <<AMS>>**”.

The AMS function is interrupted in the following cases:

- When the sound source is changed
- When the cassette is ejected
- When the direction of the tape is reversed
- When the set is turned off

## Scanning tracks (Scan function)

With this function it is possible to listen to all the cassette tracks for about 10 seconds, provided that between one track and the other there is a pause/muting of about 4 seconds.

Keep the **7 (SCAN)** button pressed; while playing the track and searching the start of the next track, the display will show “**TAPE SCAN**”.

Press the **7 (SCAN)** button again to interrupt scanning while listening to a track: the cassette will be played starting from that track.


The scanning sequence is the following:

- from the track played up to the end of the tracks on the same side of the tape
  - playing side change and scanning of all the tracks on that side
  - changing again the playing side and scanning all the tracks on that side.
- After playing the tracks the function goes off.

The **SCAN** function is interrupted in the following cases:

- turning the set off
- press **7 (SCAN)** again to continue listening to the track being played
- turning the Pause function on

## Ejecting the cassette

To eject the cassette, press **I** () with the set on. The display shows “**TAPE EJECT**”.

After ejecting the cassette, the source heard before playing the cassette will be resumed.

The cassette cannot be ejected if the radio is off.

## CD CHANGER (Multiple Compact Disc Player) (if connected)

The radio is preset for compatible compact disc player Fig. 3 (available at Lineaccessori Fiat).



For installation and connection of the CD changer apply only to Fiat Dealership.

Lineaccessori Fiat CD Changer is fitted with a proper loader for 5 compact discs.



### WARNING

*On multimedia CDs in addition to sound tracks also data tracks are recorded. Playing one of these CDs may cause rustling and such a volume as to compromise road safety, as well as causing damage to the final stages and speakers.*

## Selecting the CD Changer

To turn on the CD Changer, turn on the set, then press briefly (less than 1 second) and repeatedly the **I4 (SRC)** button to select the **“CDC”** (CD Changer) source.

## Possible error messages

If the loader does not contain any Compact Discs, the display will show **“NO CD”**. If at least one CD is found, it will be played.

If the CD played is illegible, the next CD will be selected; if there are no other CDs or if they are also illegible, the display will show **“NO CD”** until the listening source is changed.

F0C0261m

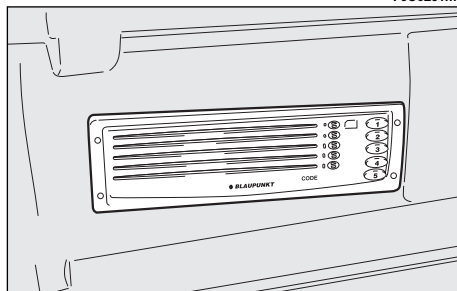


fig. 3



## Operation

To play the Compact Discs in the CD Changer, select “**CDC**” pressing briefly and repeatedly button **14 (SRC)**.

When listening to a Compact Disc for the first time after putting it in the CD loader, playing starts from the first track on the first disc available in the loader.

While playing the display shows the number of the track being heard (e.g. “**TRACK 12**” = twelfth track), the playing time elapsed from the start of the track (e.g. “**11:10**” = 11 minutes and 10 seconds) and the number of the Compact Disc selected (e.g. “**CDC3**” = third CD) depending on the function selected in the menu.

## Choosing the CD

Press **16 (1 CD+)** to select the next CD and **17 (2 CD-)** to select the previous CD.

If the loader does not contain a disc in the position selected, the display shows “**NO CD**”, and the next disc is played automatically.

## Select track (forward/backward)

Briefly press **6 (>>)** to play the next track on the Compact Disc being listened to.

Briefly press (less than 1 second) button **15 (<<)** within 3 seconds from the start of the track to play the previous track on the Compact Disc being listened to. If the button is pressed after 3 seconds from the start of the track, the current track is played again from the beginning.

## Fast forward/backward

Keep the **6 (>>)** button pressed to move the track selected fast forward and keep the **15 (<<)** button pressed to move it fast backward. Fast forward/backward is stopped when the button is released.

## Scanning tracks on the CD (Scan Function)

With this function it is possible to listen to all the tracks contained in the CD selected.

Keep the **7 (SCAN)** button pressed to play the first 10 seconds of every track on the CD. While playing the display will alternately show the CD function chosen (CD name, time and number) and the word “**SCAN**” (e.g. “**CDC3 SCAN TK12 0.04**”)

If the **SCAN** function is on, the **REPEAT** and **MIX** functions are turned off.

The scanning sequence is the following:

- from the track played up to the last one on the CD
- from the first track up to the one played until the start of scanning.

The **SCAN** function is interrupted in the following cases:

- turning the set off
- pressing **7 (SCAN)** again to continue listening to the track being played
- pressing **6 (>>)** or **15 (<<)** thereby moving to the next or previous track
- pressing a preset button
- changing the sound source
- pressing the **12 (MENU RDS)** button.

If the **SCAN** function is not interrupted, at the end it will continue playing the track played before scanning was started.

### Pause function

To pause the CD player, press briefly (less than 1 second) the **2 (II MUTE)**. The display will show “**CDC PAUSE**”.

To listen to the track again, press button **2 (II MUTE)** again.

The pause function is automatically cancelled changing the listening source.

### Track Repeat function

Briefly press (less than 1 second) the preset button **4 (5 RPT)** to listen repeatedly to the last track played: the display shows “**CDC REPEAT TRACK**”.

Press the preset button **4 (5 RPT)** a second time to listen again to the CD being played: the display shows “**CDC REPEAT DISK**”.

Press the preset button **4 (5 RPT)** a third time to listen to all the CDs contained in the CD Changer: the display shows “**CDC REPEAT PACK**”.

Press the preset button **4 (5 RPT)** a fourth time to turn the function off: the display shows “**CDC REPEAT OFF**”.

Changing the sound source, the function is turned off.

**IMPORTANT** When the repeat function is turned on, the **SCAN** and **MIX** functions are turned off.

## Random track playing (RaNDom function)

To start random playing of tracks on the Compact Disc selected, press the preset button **5 (6 RND)**. A new track will be played and the display will show “**CDC RANDOM DISK**”. To start random playing of all the CDs contained in the CD Changer, press a second time **5 (6 RND)**; the display will show “**CDC RANDOM PACK**”. Press **5 (6 RND)** a third time to turn the function off: the display will show “**CDC RANDOM OFF**”.

Changing the sound source, the function is turned off.

## Stopping and ejecting the CD

Press **1 (▲)** or **14 (SRC)** button to return to the radio mode.

## SECRET CODING

### Entering radio's secret code

Entry of the secret code is required to allow the radio to work after the first connection to the car electric system different from the original one.

Connecting the radio to the car supply, the display shows “**RADIO M - CODE ----**”.

The secret code comprises four figures, each corresponding to one of the dashes.

To enter the first digit of the code, press the corresponding button of the preset stations (from **1** to **4**). Press repeatedly the preset buttons **1-4 (16, 17, 18 and 3)** to enter the secret code digits (from **0** to **9**).

To confirm the required digit press **4 (5 RPT)**.

## Waiting times

If a wrong code is entered, the next attempts to enter the code are spaced by the following waiting times.

During the waiting time the radio shall not be on.

It shall however be connected with +12V permanent voltage. The waiting time is over when the display shows the figure and the dashes of the next attempt (e.g. **2 - - -**).

The following table shows the times between one attempt and the other.

Vain attempts (on display)	Waiting time (approx.)
1	1 minute
2	2 minutes
3	4 minutes
4	8 minutes
5	16 minutes
6	30 minutes
7	1 hour
8	2 hours
9	4 hours
10	8 hours
11	16 hours
12	24 hours

Waiting time passes keeping the radio on. When turning the radio on/off, counting restarts from the start of the current attempt.

The waiting time is over when the display shows the figure and the dashes of the next attempt (e.g. **2 - - -**)

## Entering the secret code of the CD Changer

Should the control code between the radio and the CD Changer be not recognised, to reset CD Changer proper operation the four-digit secret code must be entered manually.

When entering the secret code, the display shows: "**CDC M -- CODE ----**".

The secret code comprises four figures, each corresponding to one of the dashes and is different for each CD Changer.

To enter the first digit of the code, press the corresponding button of the preset stations (from **1** to **4**). Press repeatedly the preset buttons **1-4** (**16**, **17**, **18** and **19**) to enter the secret code digits (from **0** to **9**).

To confirm the required digit press **4 (5 RPT)**.

If the code has been entered properly, the radio and the CD Changer start to work regularly.

Otherwise try to enter the secret code a second and even a third time if required. After the third negative attempt, the radio sets in "stand-by" for approx. 1 hour before enabling other three attempts.

## TECHNICAL INFORMATION

### Aerial fig. 4

The car is fitted with an aerial located on the roof. You are recommended to slacken and remove the aerial from the roof to avoid damaging it when washing the car in automatic systems.

– 4 x 35W (with standard sound system comprising 2 tweeters + 2 front woofers and 2 rear full-range speakers)

### Standard system speakers fig. 5

The standard sound system includes:

– 2 front tweeters **A-fig. 5**, 4 Ohm impedance and 40W power.

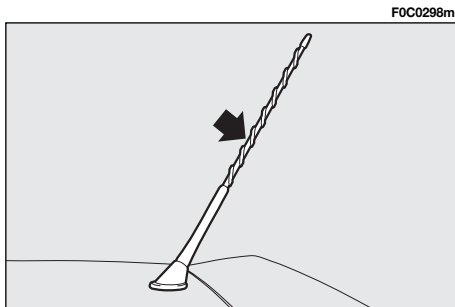


fig. 4

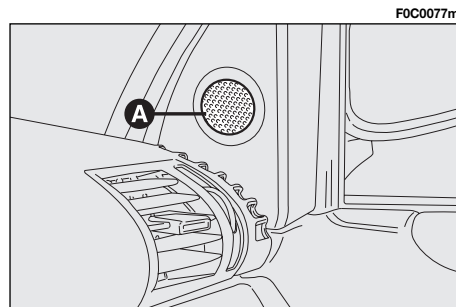


fig. 5

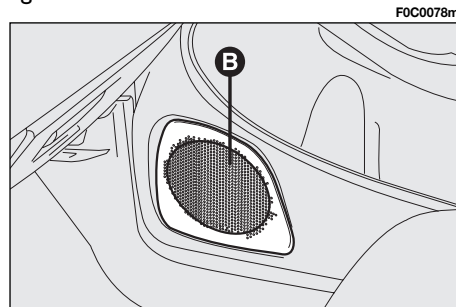


fig. 6

FOC0077m

FOC0078m

– 2 front midwoofers **B-fig. 6**, 165 mm diameter, 4 Ohm impedance and 40W power.

– 2 rear full-range **A-fig. 7**, 165 mm diameter, 4 Ohm impedance and 40W power.

The radio with cassette player doesn't support the HI-FI sound system.

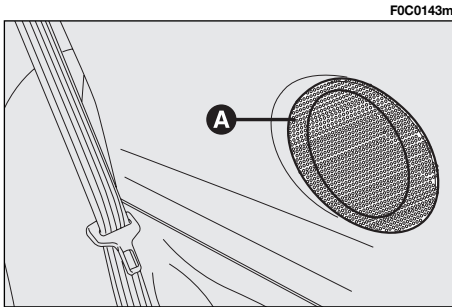


fig. 7

## Protection fuse

The radio has a 10A protection fuse **D-fig. 8**.

## Power

### CONNECTIONS **A-fig. 8**

- A1** CAN B line signal
- A2** Not Connected
- A3** CAN A line signal
- A4** Connection to +12V switching on voltage (at car starting)
- A5** Radio aerial connection
- A6** Not connected
- A7** Connection to +12V (permanent) supply voltage
- A8** Earth connection.

## Speakers

### CONNECTIONS **B-fig. 8**

- B1** Rear speaker (right +)
- B2** Rear speaker (right -)
- B3** Front speaker (right +)
- B4** Front speaker (right -)
- B5** Front speaker (left +)
- B6** Front speaker (left -)
- B7** Rear speaker (left +)
- B8** Rear speaker (left -)

## Additional connections

### CONNECTIONS C-fig. 8

**Line output** connection presetting for power amplifier (Booster) or active speaker.

- C1** Positive sound input for external TMC module
- C2** Negative sound input for external TMC module
- C3** MUTE signal input from external TMC module
- C4** Not connected
- C5** Not connected
- C6** Not connected

### PHONE INPUT

Connection presetting for hands-free phone kit (through radio).

- C7** Positive sound input for external phone presetting
- C8** Negative sound input for external phone presetting
- C9** MUTE signal from external phone presetting
- C10** Not connected
- C11** Not connected
- C12** Phone earth

### CD CHANGER CONNECTION

- C13** CDC bus line
- C14** CD Changer data bus
- C15** CD Changer +12V supply voltage
- C16** CD Changer switch voltage
- C17** CDC bus earth
- C18** Sound signal earth from CD Changer
- C19** LH CDC sound channel
- C20** RH CDC sound channel

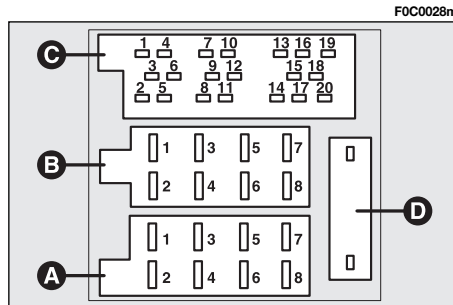


fig. 8

# RADIO WITH COMPACT DISC PLAYER

## CONTROL DESCRIPTION

FOC0027m

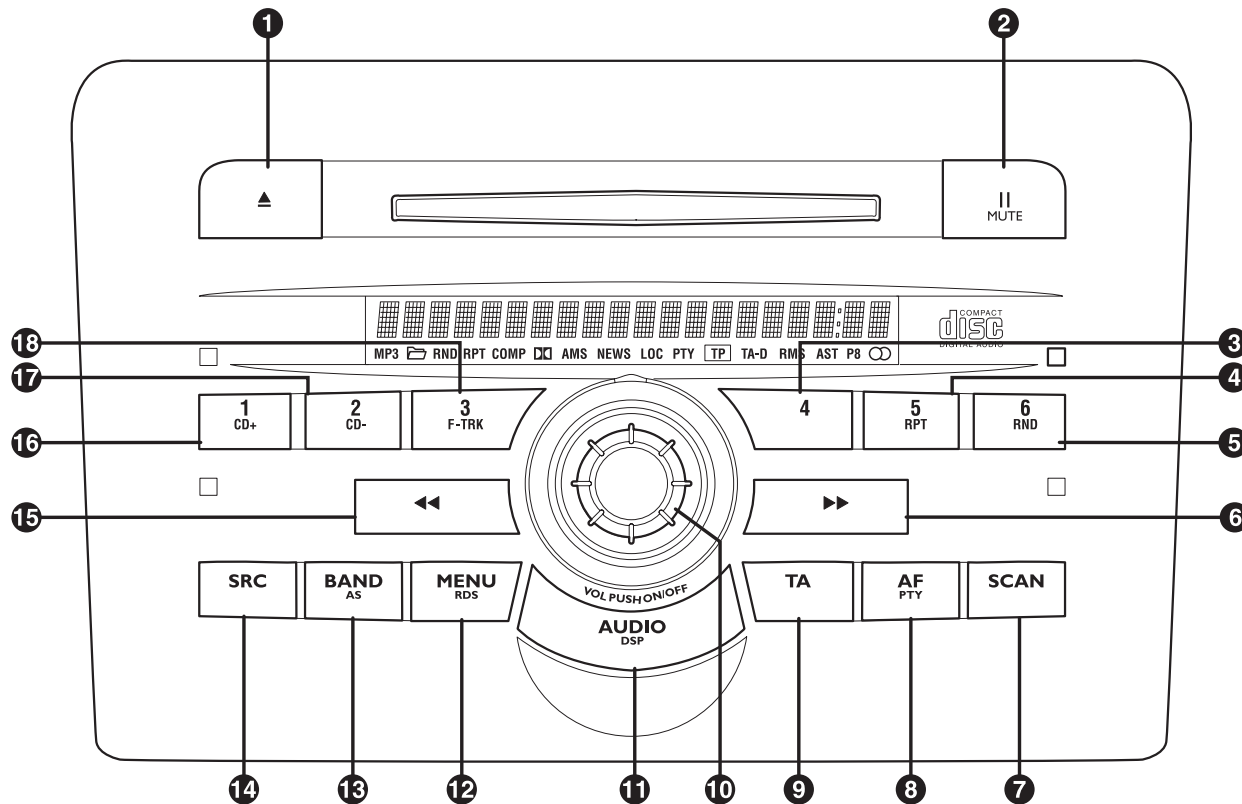


fig. 9



Button	Buttons and front panel		RADIO mode	
	Letters or symbol	Function	Brief pressing	Pressing over 2 sec.
1	▲	Eject	Eject (CD)	
2	MUTE	Mute	Audio Mute	
3	4	Preset station 4	FM/AM/PTY:call preset station 4	FM/AM: store preset station 4 PTY: store programme
4	5 RPT	Preset station 5/ track repetition	FM/AM/PTY:call preset station 5	FM/AM: store preset station 5 PTY:store programme
5	6 RND	Preset station 6	FM/AM/PTY:call preset station 6	FM/AM: store preset station 6 PTY: store programme
6	>>	Next forward	FM: Seek + / MAN + AM: Seek + / MAN + PTY: Select next programme/ automatic search (inside the programme)	
7	SCAN	Automatic scanning	Automatic scanning of stations on the band in use	Automatic scanning of stations tunable on the band in use
8	AF PTY	Alternative frequency/Programme Type	AF ON/OFF	Select programme type PTY: displays selected programme type
9	TA	Traffic information	TA ON/OFF	Adjusting TA volume
10	VOL PUSH ON/OFF	Radio ON/OFF Volume adjustment	ON/OFF: press volume adjustment: turn leftwards: to decrease turn rightwards: to increase	
11	AUDIO DSP	Sound settings	Bass (B) Treble (T) Fader (F) Balance (B)	Access to Equalizer function

<b>CD mode</b>		<b>CD CHANGER mode</b>	
Brief pressing	Pressing over 2 sec.	Brief pressing	Pressing over 2 sec.
Eject (CD)		Eject (CD)	
Playing Pause / Audio Mute		Playing Pause / Audio Mute	
CD track repetition ON/OFF		CD track repetition ON/OFF	
Random CD track repetition ON/OFF		Random CD track repetition ON/OFF	
Select next track	Fast forward (continuous)	Select next track	Fast forward (continuous)
Automatic scanning of tracks on the CD		Automatic scanning of tracks on the CD	
TA ON/OFF	Adjusting TA volume	TA ON/OFF	Adjusting TA volume
ON/OFF: press Volume adjustment: turn leftwards: to decrease turn rightwards: to increase		ON/OFF: press Volume adjustment: turn leftwards: to decrease turn rightwards: to increase	
Bass (B) Treble (T) Fader (F) Balance (B)	Access to Equalizer function	Bass (B) Treble (T) Fader (F) Balance (B)	Access to Equalizer function

Button	Buttons and front panel		RADIO mode	
	Letters or symbol	Function	Brief pressing	Pressing over 2 sec.
12	RDS MENU	Menu function	Manual station tuning ON/OFF NEWS ON/OFF Function confirmation beep ON/OFF (BEEP) SENS DX/LO SVC (Speed Volume) Loudness ON/OFF EON TA ON CD Compression TPM (Track Program Memory) CD Naming	RDS Clock display Audio Clip Detect ON/OFF Automatic search ON/OFF Phone volume adjustment ON/OFF Max. radio volume at switching on
13	BAND AS	Select frequency band	FM1,FM2,FM3,FMAST, LW,MW,AMAST	Store automatically in preset station group. Exit on FMAST.PI or AMAST.PI
14	SRC	Select source	TAPE (Cassette), RADIO, CD Changer (if connected)	
15	<<	Previous backward	FM: Seek - / MAN - AM: Seek - / MAN - PTY: Select next programme / automatic search (inside the programme)	
16	1 CD+	Preset station 1	FM/AM/PTY:call preset station 1	FM/AM: store preset station 1 PTY: store programme
17	2 CD-	Preset station 2	FM/AM/PTY: call preset station 2	FM/AM: store preset station 2 PTY: store programme
18	3 F-TRK	Preset station 3	FM/AM/PTY: call preset station 3	FM/AM: store preset station 3 PTY: store programme

<b>CD mode</b>		<b>CD CHANGER mode</b>	
Brief pressing	Pressing over 2 sec.	Brief pressing	Pressing over 2 sec.
NEWS ON/OFF Function confirmation beep ON/OFF (BEEP) SVC (SPEED VOLUME) Loudness ON/OFF EON TA ON CD Compression CD Naming TPM (Track Program Memory)	RDS Clock display Audio Clip Detect ON/OFF Set radio switching on mode Phone volume adjustment ON/OFF Max. radio volume at witching on	NEWS ON/OFF Function confirmation beep ON/OFF (BEEP) SVC (SPEED VOLUME) Loudness ON/OFF EON TA DX/LO ON CD Compression TPM (Track Program Memory)	RDS Clock display Audio Clip Detect ON/OFF Set radio switching on mode Phone volume adjustment ON/OFF Max. radio volume at witching on
Exit CD mode Insert tuner in last band		Exit CD mode Insert tuner in last band	
CD, RADIO, CD Changer (if connected)		CD, RADIO, CD Changer (if connected)	
Select previous track	Audio Clip Detect ON/OFF	Select previous track	Fast backward (continuous)
		CD +	
		CD -	
Quick CD track selection (function controlled through the button/knob 10 VOL PUSH ON/OFF)			

## GENERAL

The set possesses the following functions:

### RADIO SECTION

- PLL tuning with FM/AM/MW/LW frequency bands
- RDS (Radio Data System) with TA (traffic information) - PTY (Program Type) - EON (Enhanced Other Network) - REG (Regional programmes) functions
- Alternative frequency search selection in RDS mode (AF function)
- Automatic/manual station tuning
- Manual storage of 42 stations: 24 in the FM band (6 in FM1, 6 in FM2, 6 in FMT and 6 in FMAST), 6 in the MW band, 6 in the LW band and 6 in the AM (MW+LW) band, with automatic storage (AutoSTore function) in the AMAST band
- Automatic storage (AutoSTore function) of 6 stations in FM band and 6 stations in the AM band

- SENS DX/LO function (sensitivity adjusting in searching radio stations)
- Scan function (scanning stored stations), lasting approx. 10 seconds for each station
- Automatic Stereo/Mono switching.

### COMPACT DISC SECTION

- Disc select (disc no.)
- Track select (forward/backward)
- Fast forward/backward
- Track Repeat function (repetition of last track)
- Track Scan function (scanning the tracks on the Compact Disc, about 10 seconds for each track)
- RaNDom function (random playing).
- TPM function (storing CD track playing sequence)
- CD Naming Function (allocating a name to a CD)

- CD Compression function (volume reduction according to signal input level from CD)
- Stored CD loading and ejecting



**For installation and connection of the CD-Changer apply only to Fiat Dealership.**



#### WARNING

***On multimedia CDs in addition to sound tracks also data tracks are recorded. Playing one of these CDs may cause rustling and such a volume as to compromise road safety, as well as causing damage to the final stages and speakers.***

## SOUND SECTION

- Mute/Pause function
- Loudness function
- 5-band graphic equalizer
- Separate bass/treble adjustment
- Right/left and front/rear channel balancing
- Audio Clip Detect function
- Soft Mute function.

## ANTITHEFT PROTECTION

The radio is fitted with an antitheft protection system based on a four-digit secret code that makes the radio unusable.

## CODE Card

This is the document that certifies possession of the radio. The Code Card contains the radio model, serial number and secret code.

Keep the Code Card in a safe place, not in the car.

### Secret coding

When the secret coding is activated and the radio is removed from the car battery (or 30 positive terminal), the radio is protected electronically.

The radio can only be switched on after entering your personal secret code.

## CAUTIONS

If it is very cold inside the car and the CD player is used a little after turning the heater on, a film of damp may form on the Compact Disc or on the player optics and the sound may not be perfect. In this case do not use the CD player for at least an hour, so that the condensation dissolves naturally and normal operation is resumed.

Driving on rough roads with heavy vibrations may cause skipping when the CD player is working.

**IMPORTANT** The CD player can read most of the compression systems currently on sale (e.g.: LAME, BLADE, XING, FRAUNHOFER); however, due to the evolution of these systems, reading of all compression formats is not guaranteed.

**IMPORTANT** If using copy-protected CDs, a few seconds may be required before the system starts playback.

## GLOSSARY

### AF (Alternative Frequency)

Function that allows the radio to stay tuned on the FM station selected also passing through areas served by transmitters with different frequencies.

The RDS system actually keeps the intensity and quality of the signal received under control, automatically switching tuning on the frequency of the transmitter that is sending the strongest signal.

### Autostore

Function with which it is possible to store automatically radio stations.

### Balance (Channel balancing)

Function with which it is possible to suitably adjust the sound from the right or left speakers.

### Bass (Bass tones)

This function adjusts the bass tones.

### CD-Changer

Multiple Compact Disc player.

### Distant/Local (Sens Dx/Loc)

These are two levels of reception sensitivity.

**1) Distant** (maximum sensitivity), which makes it possible to tune all the stations that can be received.

**2) Local** (minimum sensitivity), which makes it possible to tune only those stations with sufficiently strong signals, such as for example local stations.

### EON (Enhanced Other Network)

Function that allows the radio to tune automatically on a different station that the one being listened to which broadcasts traffic information.

### Fader

Function with which it is possible to suitably adjust the sound from the front or rear speakers.

### F-TRK

Function enabling to select a particular track on the CD. This function is activated by pressing button **18 (3 F-TRK)**, then use the button/knob **10 (VOL PUSH ON/OFF)** to perform the required selection.

### Loudness

Function that emphasises the bass and treble tones when listening at low level. It is cut off when the volume is set to maximum (level 34).

### Mute

This function enables to mute the active source. This function is activated automatically, if a cell phone is connected to the radio, when a phone call is being received.

### Presettings

Number of radio stations that can be stored manually or automatically.

## **PTY (Program Type)**

This function allows the presetting of a category of programmes such as for instance, news bulletins, music, sport, etc. The set automatically gives priority to the type of programme selected when transmission starts, interrupting the one in progress.

## **RaNDom**

This function is used to randomly select a Compact Disc among those present in the loader and all the tracks on this Compact Disc are played in random sequence.

## **RDS (Radio Data System)**

This is an additional radio information system which uses the 57 kHz subcarrier of normal FM broadcasts.

With this function it is possible to receive different types of information such as station names, alternative frequencies, automatic tuning to traffic bulletins or special programmes selected through the PTY function.

## **REG (Regional transmission reception function)**

Function with which it is possible to tune only to local (regional) stations.

## **Soft Mute**

Function that gradually increases and lowers the volume when Mute is turned on or off.

## **SVC**

Function that automatically adjusts the level of the volume to the speed of the car to maintain the radio with the noise level in the passenger compartment.

## **Track Repeat**

Function with which it is possible to listen continuously to the last track played on the Compact Disc.

## **Track Scan**

Function with which it is possible to listen, for few seconds, to all the radio stations stored, or the beginning of all the tracks contained on Compact Disc.

## **TA (Traffic information)**

Function with which it is possible to receive the traffic information broadcast by the stations enabled, also when tuned to another station or listening to a CD.

## **TPM (Track Program Memory)**

Function with which it is possible to store the sequence for playing the tracks of a CD, to be able to play them later in the sequence set.

## **Treble (Treble tones)**

This adjusts the treble tones.



## CONTROLS ON STEERING WHEEL (where provided) **fig. 10**

The main radio function controls are repeated on the steering wheel, to allow easier control.

### Volume adjustment (“+” and “-”) Mute function (“Mute”)

Press button **B** (“+”) to increase volume and (“-”) to decrease volume as specified in paragraph VOLUME ADJUSTMENT. Function identical to that of the button/knob **10 (VOL PUSH ON/OFF)** set on the radio.

Press **C (MUTE)** to turn on/off this function that brings the volume to zero. When this function is on the display shows “**MUTE**” preceded by the current source (e.g. “**TUNER MUTE**” when in radio mode). If in CDC mode (CD Changer), the display shows: “**CDC PAUSE**”.

### Select Radio, Compact Disc, CD Changer (“SRC”) (SRC = Source = source)

Press repeatedly button **A (SRC)** to cyclically select Radio, Compact Disc, CD Changer (if the Compact Disc player is fitted). This button function is identical to that of the button **14 (SRC)** set on the radio.

## Setting Radio, Compact Disc, CD Changer (“+” and “-”)

Button **D** (<</>>) implements three different functions according to the selected operating mode (Radio, Compact Disc or CD Changer).

Button functions are identical to the functions of buttons **6** (>>) and **15** (<<) set on the radio, as concerns the following functions.

### 1) Radio function: adjust tuning

Press button **D** (<</>>) to select stations in the required band.

### 2) Compact Disc function

Press button **D** (<</>>) to select next/previous track.

### 3) Compact Disc function: select CD next/previous track

Press button **D** (<</>>) to play next/previous track on the Compact Disc you are listening to according to modes SELECT OR REPEAT A TRACK.

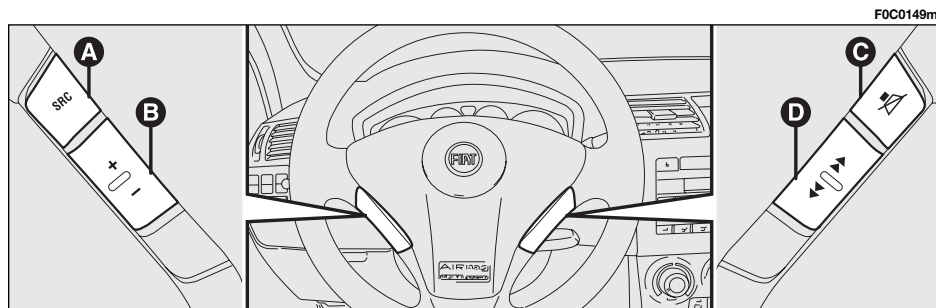


fig. 10

## FUNCTIONS AND ADJUSTMENTS

### Switching on

The set is switched on pressing the button/knob **10 (VOL PUSH ON/OFF)**. Switching on may be connected to engine starting: turning the ignition key to **MAR**, the radio turns on; turning the ignition key to **STOP** the radio turns off. If the radio was on before the engine was turned off, it will turn on again automatically the next time the engine is started.

If the radio is turned on with the ignition key at **STOP**, it will turn off automatically after about 20 minutes.

### Turning the radio off

To turn the radio off press button/knob **10 (VOL PUSH ON/OFF)**.

### Selecting Radio/Compact Disc/CD Changer

Pressing briefly and repeatedly the **14 (SRC)** button it is possible to select the following functions in sequence:

- TUNER (Radio)
- CD (Compact Disc)
- CDC (CD Changer) (only if the CD Changer is connected).

After each change of the listening source, the display shows the function selected: **TUNER** (Radio), **CD** (Compact Disc), **CDC** (CD Changer).

The functions that cannot be selected (e.g. “**CD**” when the CD is not inserted) are automatically disabled.

### Pause function

If while listening to a Compact Disc another function is selected (e.g. the radio), playing is stopped and when the Compact Disc mode is resumed, it starts again from the point in which it was stopped.

If while listening to the radio another function is selected, when the Radio mode is resumed, it is tuned to the last station selected.

### Volume adjustment

Adjust volume through button/knob **10 (VOL PUSH ON/OFF)**.

Turn the knob rightwards to increase volume and leftwards to decrease it.

The display shows: “**VOLUME 00**” ... “**VOLUME 12**”

### Mute function (turning off the volume completely)

To switch on the **MUTE** function, briefly press (less than 1 second) the button **2 (II MUTE)**. Volume will gradually lower (**SOFT MUTE** function) and the display will show the function selected and the word **MUTE** (e.g. “**TUNER MUTE**” when Radio function is selected).

To switch off the **MUTE** function, press button **2 (II MUTE)** briefly again. Volume will gradually become louder (**SOFT MUTE** function) returning to the value set before switching on the MUTE function.

Turning the button/knob **10 (VOL PUSH ON/OFF)** the sound level changes but the **MUTE** function stays on. Press again button **2 (II MUTE)** to switch it off.

With the **MUTE** function on, all the other functions can be used and if a traffic bulletin arrives with the TA function on, the message ignores the **MUTE** function.

### Soft Mute function

When the **MUTE** function is turned on or off, the volume lowers or increases gradually (**SOFT MUTE** function).

### Tone adjustment

Proceed as follows:

- briefly (less than 1 second) and repeatedly press the **II (AUDIO DSP)** button until the display shows “**BASS**”, “**TREBLE**” (select Bass, Treble function).

- turn button/knob **10 (VOL PUSH ON/OFF)** to the right to increase basses or trebles or to the left to decrease.

For few seconds the display shows the levels of the basses/trebles (from -10 to +10).

After few seconds from the last adjustment, the display returns to the main radio screen.

### Balance adjustment

Proceed as follows:

- briefly (less than 1 second) and repeatedly press the **II (AUDIO DSP)** button until the display shows “**BALANCE**” (select Balancing function)

- turn button/knob **10 (VOL PUSH ON/OFF)** to the right to increase the sound from the right speakers and to the left to increase the sound from the left speakers.

For few seconds the display shows the levels of balancing from **▶ +10** a **◀ +10 (▶ = right, ◀ = left)**. After few seconds from the last adjustment, the display returns to the main radio screen.

## Equalizer settings (only if the equalizer is on)

To turn on the equalizer, press button **11 (AUDIO DSP)** and turn button/knob **10 (VOL PUSH ON/OFF)** to select one of the following adjustments:

- “**PRESET**” (preset equalizer adjustment)
- “**CLASSIC**” (preset equalizer adjustment)
- “**JAZZ**” (preset equalizer adjustment)
- “**ROCK**” (preset equalizer adjustment)
- “**CUSTOMER**” (adjustment of the 5 equalizer bands that can be changed by the user)

Press repeatedly the **15 (<<)** or **6 (>>)** to select the band and use button/knob **10 (VOL PUSH ON/OFF)** to increase/reduce level in the frequency band selected.

## Fader adjustment

Proceed as follows:

- briefly (less than 1 second) and repeatedly press the **11 (AUDIO DSP)** button until the display shows “**FADE**” (select Fader function)
- turn button/knob **10 (VOL PUSH ON/OFF)** to the right to increase the sound from the front speakers and to the left to increase the sound from the rear speakers.

After few seconds from the last adjustment, the display returns to the main radio screen.

## Loudness function

The Loudness function improves the sound volume when listening at low level, increasing the basses and trebles. It is cut off when the volume is set to maximum.

To switch the function on/off, press briefly (less than 1 second) the **MENU** button to enter the **12 (MENU RDS)** and then press the button for scrolling the menu. The function condition (on or off) is shown on the display by “**LOUDNESS: ON**” or “**LOUDNESS: OFF**”, selectable through buttons **6 (>>)** or **15 (<<)**.

## TELEPHONE PROVISION

If the handsfree kit is installed on the car, when a phone call is received, the volume selected for the **PHONE** function is set in the menu, and can be cut off if required (**OFF**).

## RADIO (Tuner) fig. 9

When the set is turned on the last function selected before turning off is played (Radio, Compact Disc or CD Changer).

To select the Radio source while listening to a Compact Disc, press briefly (less than 1 second) and repeatedly the **14 (SRC)** button until this function is selected.

If in the radio source, press briefly (less than 1 second) and repeatedly the **13 (BAND AS)** button to select the required reception band.

Every time the button **13 (BAND AS)** is pressed, the following bands are selected in sequence: “**FM1**”, “**FM2**”, “**FM3**”, “**FM4AST**”, “**LW**”, “**MW**” and “**AMAST**”

The **FM** band is divided into sections: **FM1**, **FM2**, **FM3** and **FMAST**. The **FMAST** section is reserved to the stations stored automatically with the **AutoStore** function.

The “**FMAST**” section is reserved to the stations stored automatically with the **AutoStore** function.

The **AM** band is divided into sections: **MW**, **LW** and **AMAST**. The **AMAST** section is reserved to the stations stored automatically with the **AutoStore** function.

The radio is always ready to receive stations in the RDS mode (Radio Data System).

### Presetting buttons

The buttons with symbols from 1 to 6 (“**3**”, “**4**”, “**5**”, “**16**”, “**17**”, “**18**”) make it possible to set the following presettings:

- 24 in the FM band( 6 in FM 1, 6 in FM 2, 6 in FM 3, 6 in FMAST)
- 6 in the LW band
- 6 in the MW band
- 6 in the AMAST band

To call a preset station, choose the required frequency band and then press briefly (less than 1 second) the corresponding preset button (from 1 to 6). The display will show the name, the frequency and the presetting number.

### Storing the last station heard

The radio automatically keeps in storage the last station heard for each reception band, which is then tuned when the radio is turned on or the reception band is changed.

## Automatic tuning

Briefly press (less than 1 second) button **15** (<<) or **6** (>>) to start automatically searching the tuning for the next station that it is possible to receive in the direction chosen.

If the station on which the tuner stops is one of the stations stored with the preset buttons (from 1 to 6), the display will show the presetting number.

## Manual tuning

This allows manual station searching in the chosen band. This function has to be through the **MENU**.

For manual tuning proceed as follows:

**1.** Select the band by button **13** (**BAND AS**): FM1, FM2, FM3, MW or LW.

**2.** Press briefly (less than 1 second) and repeatedly button **15** (<<) or **6** (>>).

Pressing one of the buttons **15** (<<) or **6** (>>) longer (over 1 second) obtains fast forward searching, which is stopped when the button is released.

If the station on which the tuner stops is one of the stations stored with the preset buttons (from 1 to 6), the display will show the presetting number on the bottom line.

## Station scanning (Scan function)

Press button **7** (**SCAN**): to start scanning the stations in the frequency band selected (FM, AM, MW, LW). The frequency of each station found is shown on the display.

While scanning the display will show “**TUNER SCAN**”, or “**CDC SCAN**” (if the CD Changer is fitted), with the word “**SCAN**” flashing.

When the **SCAN** function is on, all the other functions are cancelled.

The **SCAN** function is interrupted in the following cases:

- pressing again **7** (**SCAN**)
- turning the set off
- changing the listening source (Radio, CD Changer)
- changing the frequency band (or storing section) selected
- pressing a preset button
- turning AutoStore on (automatic storage)

## Scanning preset stations

Press the **7 (SCAN)** button for at least 2 seconds to start scanning the preset stations in the present frequency band;

– **FM:** FM 1, FM 2, ....., FM II 1, FM II 2,... FM III 1, FM III 2,... FMAST 1, FMAST 2,...

– **AM:** MW 1, MW 2, .... MW 6, LW 1, LW 2, .... LW 6, AMAST 1, AMAST 2,...

Each preset station will be heard for few seconds and its frequency shown on the display.

The preset station **SCAN** function is interrupted in the following cases:

- pressing again **7 (SCAN)**
- turning the set off
- pressing a preset button
- turning AutoSTore on (automatic storage)
- changing the listening source (Radio, CD Changer)
- changing the FM level or frequency band selected

## Manual station storage

The station being heard can be stored in the range selected with buttons numbered from 1 to 6.

Keep one of these buttons (from 1 to 6) pressed. After storage, the display shows the number of the button with which the station has been stored and a confirmation beep sounds.

## AutoSTore function (automatic station storage)

To switch on the AutoSTore function, keep the **13 (BAND AS)** button pressed. With this function the radio automatically stores the stations with the strongest signal in decreasing order of intensity of the FMAST frequency band.

**IMPORTANT** Activating the AutoSTore function cancels the stations stored previously in the FMAST band.

During automatic storage the display shows “**TUNER FMAST**” or “**TUNER AMAST**” if in the TUNER mode (Radio) with FM or AM frequency bands. To interrupt the storage process, press the **13 (BAND AS)** button again: the radio will automatically tune to the station heard before activation of the **AutoSTore** function.

## Listening to stored stations

Proceed as follows:

- select the required frequency band and the storing section (FMI, FM2, FM3, FMAST, MW, LW, AMAST);
- briefly press (less than 1 second) one of the six station storage buttons.

The display will show the station name (if any) and frequency, and on the bottom line of the display will be shown “**Pn**” where **n** corresponds to the active presetting number.

In bands FM1, FM2 and FM3 if reception is poor and the AF alternative frequency search function is active, the station with the strongest signal that is broadcasting the same programme will be sought automatically.

### **AF function** **(alternative frequency search)**

To turn on/off the alternative frequency search function (AF function), press briefly (less than 1 second) the **8 (AF PTY)** button. The name RDS (if available) stays on the display and if the AF function has been turned on the message **AF SWITCHING: ON** is displayed.

– “**AF SWITCHING: ON**” = alternative frequency search on

– “**AF SWITCHING: OFF**” = alternative frequency search off.

When the signal of the RDS station tuned weakens, the following two cases may occur:

– With “**AF SWITCHING: ON**” the RDS system activates automatic tuning of the optimum frequency of the station chosen, with the stations enabled, therefore the radio is automatically tuned to the station with the strongest signal that is broadcasting the same programme. During the journey it will thus be possible to continue listening to the station chosen without having to change the frequency when changing area. Of course, the station being listened to must be receivable in the area the car is crossing.

– With “**AF SWITCHING: OFF**” the radio will not tune the strongest station automatically and it will have to be found manually using the tuner buttons.

### **TA function** **(traffic information)**

Certain stations in the FM band (in FM1, FM2, FM3 and FMAST storing sections) are enabled to also broadcast information about traffic conditions. When listening to traffic information the display shows “**TRAFFIC INFO**” and the current station (e.g. station name) alternately.

To turn the TA (traffic information) function on/off, briefly press (less than 1 second) the **9 (TA)** button. If the function is on the display shows “**TA-ON**”.

With the **TA** function on, at the start of the traffic bulletin the radio stops temporarily the current station or the CD in order to broadcast traffic information. This is possible only if the current station selected and the station broadcasting traffic information are connected for the **EON** function.



### Program Type function (PTY) (selecting a type of programme)

Many radio stations offer, in the FM range (FM1, FM2, FM3), the type of programme (PTY) service. For example, stations broadcasting information/news will display “**NEWS**” as PTY code.

With the PTY function, a search filter is activated that enables tuning only on the stations broadcasting programmes with preset PTY code (e.g. “**POP**”).

To turn on the PTY function, keep button **8 (AF PTY)** pressed.

The types of programmes offered by a radio station can change according to broadcasting:

NEWS	News and magazine
AFFAIRS	Politics and news
INFO	Special information programmes
SPORT	Sport programmes
EDUCATE	Education
DRAMA	Radio dramas and literature

CULTURE	Culture and religion	TRAVEL	Tourist's information
SCIENCE	Science	LEISURE	Free time and hobbies
VARIED	Variety	JAZZ	Jazz
POP M	Pop music (hits)	COUNTRY	Country music
ROCK M	Rock music	NATION M	National broadcasting
EASY M	Easy music	OLDIES	Golden Oldies
LIGHT M	Light classic music	FOLK M	Folk music
CLASSICS	Classic music	DOCUMENT	Special reports
OTHER M	Other music (e.g. folk)		
WEATHER	Weather report		
FINANCE	Finance news		
CHILDREN	Child's programmes		
SOCIAL	Social information		
RELIGION	Religion and philosophy		
PHONE IN	Listener's calls (other than “PHONE IN” function active only with handsfree kit connection for cell phone)		

### Automatic PTY select

To select a type of programme through this function select a programme type in the stored list and then start the automatic search as described in the following paragraphs.

## PTY function reactivation

Press button **8 (AF PTY)** for over 2 seconds.... Then, the last programme type selected is displayed (e.g. “**POP**”).

## Setting the programme type

Press button **8 (AF PTY)**, for over 2 seconds and the PTY code of the current station will be displayed. Select the required code turning the button/knob **10 (VOL PUSH ON/OFF)**. Then press one of the **15 (<<)** or **6 (>>)** buttons to start the automatic search of stations broadcasting with the selected PTY code. Automatic PTY search stops automatically on next station offering the preset programme type and shows the type of programme (e.g. “**POP**”) and the word “**PTY**” flashes.

**IMPORTANT** If no station is available with this type of programme, the station selected previously is heard and the PTY function is abandoned.

## PTY function deactivation

When selecting the PTY mode, if no operation is performed within 10 seconds, the radio returns to the mode selected before pressing button **8 (AF PTY)** and stores the last PTY code selected.

## MENU

### Functions of the **12 (MENU RDS) button**

To activate the menu function, briefly press (less than 1 second) the **12 (MENU RDS) button**.

in this way you enter the first level menu. To enter the second level keep the **12 (MENU RDS) button** pressed for over 2 seconds.

To scroll the menu functions press repeatedly the **12 (MENU RDS) button**.

The functions controlled by the **first level** menu are:

- 1** Manual tuning seek on/off (MANUAL TUNING SEEK)
  - 2** Function confirmation beep (BEEP)
  - 3** Tuning sensitivity adjustment (SENS DX/LO)
  - 4** News programmes on/off (NEWS)
  - 5** Volume control according to speed (SVC)
  - 6** Tuning adjustment on traffic information (EON TA)
  - 7** Loudness on/off (LOUDNESS)
  - 8** CD Compression
- To turn selected function on/off press buttons **15 (<<)** or **6 (>>)**.
- 9** Allocate a name to a CD/select CD tracks (TPM = Track Program Memory)

The functions controlled by the **second level** menu are:

**1** Current RDS station time display (if any)

**2** audio distortion clipper on/off (AUDIO CLIP DETECT)

**3** Max. volume setting at switching on (MAX VOLUME)

**4** Phone volume adjustment function (PHONE)

**5** AUTO setting selection through which radio on/off depends on engine starting/stopping.

To turn the selected function on/off press button/knob **10 (VOL PUSH ON/OFF)**.

**NOTE** When passing to next setting item, the previous set one is stored.

## ADJUSTMENTS

### First level menu functions

#### **1 - manual tuning seek on/off (TUNING SEEK)**

This function enables to search manually (MANUAL) or automatically (AUTO) the stored stations.

To switch from manual to automatic press buttons **15 (<<)** or **6 (>>)**.

The display will show the current status of the function:

– **“TUNING SEEK: AUTO”**: automatic seek on

– **“TUNING SEEK: MANUAL”**: manual seek on.

#### **2 - function confirmation beep (BEEP)**

System is fitted with the **BEEP** function (the display shows **“ROGER BEEP-ON”**).

This function confirms button pressing by a sound indication (BEEP).

To turn this function on/off, press buttons **15 (<<)** or **6 (>>)**.

The display will show the current status of the function:

– **“ROGER BEEP: ON”** = function on

– **“ROGER BEEP: OFF”** = function off.

#### **3 - tuner sensitivity adjustment (SENS DX/LO)**

With this function it is possible to change the sensitivity of automatic station searching. When low sensitivity is set **“SENSITIVITY: LOCAL”** only stations with excellent reception are sought; when high sensitivity is set **“SENSITIVITY: DISTANT”** all stations are sought. Therefore, if the car is in an area with a considerable number of stations and you want to choose only those with a strong signal, set to low sensitivity **“SENSITIVITY: LOCAL”**.

To turn this function on/off, press buttons **15 (<<)** or **6 (>>)**.

The display will show the current status of the function:

– **“SENSITIVITY: LOCAL”** = low sensitivity

– **“SENSITIVITY: DISTANT”** = high sensitivity.

#### 4 - News programmes on/off (NEWS)

This function is similar to the TA function: with FM station and NEWS mode active, if a news programme is broadcast, the radio operates as follows:

- it sets the same volume as the TA function, if the **TUNER** source is active;

- it switches from active source (CD or CDC) to **TUNER** mode, in case of other source, setting the same volume as the TA function.

To make use of this function, the radio, in TUNER, mode, must be tuned on a FM station broadcasting the NEWS code.

To turn this function on/off press buttons **15** (<<) or **6** (>>).

The display will show the current status of the function:

- “**NEWS: ON**” = function on
- “**NEWS: OFF**” = function off

#### 5 - SVC, volume changing with car speed

The SVC function makes it possible to automatically adapt the volume level to the speed of the car, increasing it as the speed increases to maintain the ratio with the noise level inside the passenger compartment.

Press **15** (<<) or **6** (>>) to change SVC setting, thus passing from **OFF** to the selected gain level (from **1** to **7**). High gain level values correspond to proportionally higher volume increases according to speed.

The display will show the current status of the function:

“**SPEED VOLUME OFF**” = function off

“**SPEED VOLUME: +3**” = function on and gain level indication

#### 6 - tuning adjustment on traffic information (EON TA DX/LO)

This function enables to adjust reception sensitivity of radio stations broadcasting traffic information.

To turn this function on/off press buttons **15** (<<) or **6** (>>).

The display will show the current status of the function:

- “**TRAFFIC: LOCAL**” = low sensitivity
- “**TRAFFIC: DISTANT**” = high sensitivity

#### 7 - loudness on/off (LOUDNESS)

The LOUDNESS function improves the sound volume when listening at low level, increasing the basses and trebles.

To turn this function on/off press buttons **15** (<<) or **6** (>>).

The display will show the current status of the function:

“**LOUDNESS: ON**” = loudness on

“**LOUDNESS: OFF**” = loudness off

## 8 - CD Compression

This function optimises sound level according to the type of music played by the CD.

To turn this function on/off, press buttons **15** (<<) or **6** (>>).

The display will show the current status of the function:

– “**COMPRESSION: ON**” = function on

– “**COMPRESSION: OFF**” = function off

## 9 - allocate a name to a CD/select CD tracks (TPM)

This function can be chosen only if a Compact Disc is inserted.

If the CD already has a name, this will be shown on the display.

The TPM function enables the following:

– to name up to 10 CDs with max. 12 characters

– to select played tracks (in the original sequence and up to 99 max.)

Every CD is identified by total playing time and total number of tracks.

To name a CD (CD Naming) proceed as follows:

– the display shows “**Name 1:**”

– use button/knob **10 (VOL PUSH ON/OFF)** to select the CD (1 to 10) to be named (active only if the 10 memories for the CD names are all used);

– press button **6** (>>) to confirm the CD

– the first character relevant to the CD name flashes to indicate the cursor position

– use button/knob **10 (VOL PUSH ON/OFF)** to select letters (from “**A**” to “**Z**”) for allocating the name to the CD

– use button **6** (>>) or **15** (<<) to move the cursor along characters

– press button **12 (MENU RDS)** to confirm the CD name and to move to TPM function **TPM** (Track Program Memory)

– the display shows the default message “**PLAY TRACK: ALL**”; selecting **ALL** on TPM, the display will show “**PLAY TRACK: ALL**”; otherwise “**PLAY TRACK: 10 – Y** or **N**” (**YES** or **NO**) will be displayed

– use button/knob **10 (VOL PUSH ON/OFF)** to select between **ALL**, **1**, **2**, **3** ... **max track no.**

– use button **6** (>>) or **15** (<<) to enter or exclude the current track no. from the TPM list

– press button **12 (MENU RDS)** to confirm the CD playing sequence thereby moving to the next menu function

**IMPORTANT** When entering name or TPM, the radio returns to the current source without storing modifications if no button is pressed for at least 20 seconds.

## Second level menu functions

### 1 - RDS station time display

This function makes it possible to display current RDS station time (if this information is present).

### 2 - audio distortion clipper on/off (AUDIO CLIP DETECT)

This function reduces automatically the radio output level when excessive distortion is detected that could damage the speakers.

To turn this function on/off, press buttons **15** (<<) or **6** (>>).

The display will show the current status of the function:

“**CLIP DETECT: ON**” = function on

“**CLIP DETECT: OFF**” = function off

### 3 - max. volume setting at switching on (MAX VOLUME)

This function makes it possible to set the radio volume (from 10 to 33) at switching on.

To adjust volume use button/knob **10 (VOL PUSH ON/OFF)**.

The display will show the set volume (e.g. “**MAX VOLUME: 25**”)

### 4 - phone volume adjustment function (PHONE)

With this function it is possible to adjust the phone volume (volume level setting **1** to **3**).

The display shows the default message “**PHONE LEVEL: OFF**” (volume set by Manufacturer and corresponding to the max. level).

Using the button/knob **10 (VOL PUSH ON/OFF)** the volume can be adjusted at 3 different levels (**PHONE LEVEL 1**, **PHONE LEVEL 2** and **PHONE LEVEL 3**): the higher the figure is, the lower is the volume.

## 5 - AUTO function setting

With this function it is possible to set radio turning on/off depending on car ignition/stopping or independent radio turning on/off.

With this function on (radio is set to switch off when the car is switched off), it is however possible to switch on the radio.

With this function off, when switching off the car the radio stays on.

To turn this function on/off, press buttons **15** (<<) or **6** (>>).

The display will show the current status of the function:

- **"AUTO: ON"** = function on
- **"AUTO: OFF"** = function off

## COMPACT DISC PLAYER

### fig. 9

You radio is fitted with a Compact Disc player for sound CDs.

Compact Disc insertion and ejection are facilitated by a powered mechanism.

### Selecting the Compact Disc player

To turn on the Compact Disc player integrated in the set, when a CD is already inserted, turn the set on pressing button/knob **10 (VOL PUSH ON/OFF)**, then briefly (less than 1 second) and repeatedly press button **14 (SRC)** to select the **"CD"** mode.

Inserting a CD, also with the device off, the CD player is turned on.

## Inserting/ejecting a CD

To insert the CD set it gently in place to activate the powered loading system, which will position it correctly.

Press **I (▲)** with the device on to operate the powered CD eject system.

### Display information

When the CD player is working, the display shows information which has the following meaning:

**"CD"**: shows the CD mode

**"TRACK 12"**: shows the number of the track on the CD

**"11.04"**: shows the time elapsed since the start of the track

### Select track (forward/backward)

Press briefly (less than 1 second) the **6 (>>)** button to play the next track on the CD and **15 (<<)** to play the previous one.

To select tracks continuously, keep the button pressed.

If playing the track started more than 3 seconds ago, pressing **15 (<<)** the track is played again from the start. In this case of wanting to play the previous track, press button **15 (<<)** twice consecutively.

### Fast forward/backward

Keep the **6 (>>)** button pressed to move the track selected fast forward and keep the **15 (<<)** button pressed to move it fast backward. Fast forward/backward is stopped when the button is released.

### FAST TRACK SELECTION (forward/backward)

Briefly press (less than 1 second) the button/knob **18 (3 F-TRK)** to enter the fast selection mode. The sound system display will show the message “**TRx FASTTRACK**” (x indicates the track number).

To select the required track, turn the button/knob **10 (VOL PUSH ON/OFF)** and then press it briefly (less than 1 second) to confirm: required track playback will start.

### Pause function

To pause the CD player, briefly press the **2 (II MUTE)** button. The display will show “**CD PAUSE**”.

To listen to the track again, press button **2 (II MUTE)** again.

### Scanning tracks on the CD (Scan Function)

With this function it is possible to listen to all the tracks contained in the CD selected.

Keep the **7 (SCAN)** button pressed to play the first 10 seconds of every track on the CD.

The scanning sequence is the following:

- from the track played up to the last one on the CD
- from the first track up to the one played until the start of scanning.

The **SCAN** function is interrupted in the following cases:

- turning the set off
- pressing again **7 (SCAN)**
- changing the sound source



## Track Repeat function

Briefly press (less than 1 second) the preset button **4 (5 RPT)**: the display shows "**CD REPEAT TRACK**".

Press the preset button **4 (5 RPT)** again to turn off the repeat function: the display shows "**CD REPEAT OFF**".

Changing the sound source, the function is turned off.

To guarantee optimum playing, use original CDs. If using R/RW CDs, use top quality CDs duplicated at as low as possible speed.

## Random track playing (RaNDom function)

To start the random playing of tracks on the Compact Disc, press briefly (less than 1 second) button **5 (6 RND)**. A new track will be played and the display will show "**CD RANDOM TRACK**".

Press the preset button **5 (6 RND)** again to turn off the repeat function: the display shows "**CD RANDOM OFF**".

When the random function is on, all the tracks on the CD are played in random sequence.

Changing the sound source, the function is turned off.

## TPM function (CD playing sequence storage)

With the **TPM** function (Track Program Memory) it is possible to store the sequence for playing tracks of a CD, to be able to play them later in the sequence set.

To store CD track playing sequence, refer to ALLOCATE A NAME TO A CD/SELECT CD TRACKS (TPM) on previous pages.

## CD CHANGER (Multiple Compact Disc Player) USE (if connected)

The radio is preset for compatible compact disc player **fig. 11** (available at Lineaccessori Fiat).



**For installation and connection of the CD changer apply only to Fiat Dealership.**

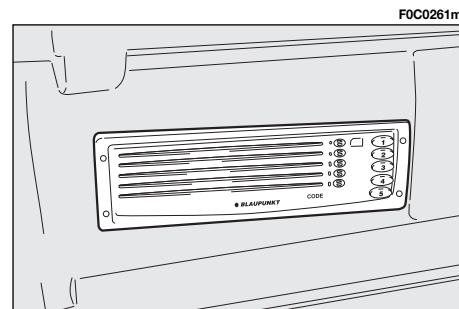


fig. 11

Lineaccessori Fiat CD Changer is fitted with a proper loader for 5 compact discs.



#### **WARNING**

*On multimedia CDs in addition to sound tracks also data tracks are recorded. Playing one of these CDs may cause rustling and such a volume as to compromise road safety, as well as causing damage to the final stages and speakers.*

## **CD CHANGER (Multiple Compact Disc Player) (if connected)**

### **Selecting the CD Changer**

To turn on the CD Changer, turn on the set, then press briefly (less than 1 second) and repeatedly the **I4 (SRC)** button to select the “CDC” source (CD Changer).

### **Possible error messages**

If the loader does not contain any Compact Discs, the display will show “**NO CD**”. If at least one CD is found, it will be played.

If the CD played is illegible, the next CD will be selected; if there are no other CDs or if they are also illegible, the display will show “**NO CD**” until the listening source is changed.

## **Operation**

To play the Compact Discs in the CD Changer, select “**CDC**” pressing briefly and repeatedly button **I4 (SRC)**.

When listening to a Compact Disc for the first time after putting it in the CD loader, playing starts from the first track on the first disc available in the loader.

While playing the display shows the number of the track being heard (e.g. “**TRACK 12**” = twelfth track), the playing time elapsed from the start of the track (e.g. “**11:10**” = 11 minutes and 10 seconds) and the number of the Compact Disc selected (e.g. “**CDC3**” = third CD) depending on the function selected in the menu.

## Choosing the CD

Press **16 (1 CD+)** to select the next CD and **17 (2 CD-)** to select the previous one.

If the loader does not contain a disc in the position selected, the display shows “**NO CD**”, and the next disc is played automatically.

## Select track (forward/backward)

Briefly press **6 (>>)** to play the next track on the Compact Disc being listened to.

Briefly press (less than 1 second) button **15 (<<)** to play the previous track on the Compact Disc being listened to.

## Fast forward/backward

Keep the **6 (>>)** button pressed to move the track selected fast forward and keep the **15 (<<)** button pressed to move it fast backward. Fast forward/backward is stopped when the button is released.

## Scanning tracks on the CD (Scan function)

With this function it is possible to listen to all the tracks contained in the CD selected.

Keep the **7 (SCAN)** button pressed to play the first 10 seconds of every track on the CD. While playing the display will alternately show the CD function chosen (CD name, time and number) and the word “**SCAN**” (e.g. “**CDC3 SCAN TK12 0.04**”)

If the **SCAN** function is on, the **REPEAT** and **MIX** functions are turned off.

The scanning sequence is the following:

- from the track played up to the last one on the CD
- from the first track up to the one played until the start of scanning.

The **SCAN** function is interrupted in the following cases:

- turning the set off
- pressing **7 (SCAN)** again to continue listening to the track being played
- pressing **6 (>>)** or **15 (<<)** thereby moving to the next or previous track
- pressing a preset button
- changing the sound source
- pressing **12 (MENU RDS)**.

If the **SCAN** function is not interrupted, at the end it will continue playing the track played before scanning was started.

### Pause function

To pause the CD player, press briefly (less than 1 second) the **2 (II)** button. The display shows “**CDC MUTE**”.

To listen to the track again, press button **2 (II)** again.

The pause function is automatically cancelled changing the listening source.

### Track Repeat function

Briefly press (less than 1 second) the preset button **4 (5 RPT)** to listen repeatedly to the last track played: the display shows “**CDC REPEAT TRACK**”.

Press the preset button **4 (5 RPT)** again to turn off the repeat function: the display shows “**CD REPEAT OFF**”.

Changing the sound source, the function is turned off.

**IMPORTANT** When the repeat function is turned on, the **SCAN** and **MIX** functions are turned off.

### Random track playing (RaNDom function)

To start random playing of tracks on the Compact Disc selected, press the preset button **5 (6 RND)**. A new track will be played and the display will show “**CDC RANDOM DISK**”. To start random playing of all the CDs contained in the CD Changer, press a second time **5 (6 RND)**; the display will show “**CDC RANDOM PACK**”. Press **5 (6 RND)** a third time to turn the function off: the display will show “**CDC RANDOM OFF**”.

### Stopping and ejecting the CD

Press **1 (▲)** or **14 (SRC)** to return to the radio mode.

## SECRET CODING

### Entering radio's secret code

Entry of the secret code is required to allow the radio to work after the first connection to the car electric system different from the original one.

Connecting the radio to the car supply, the display shows "**RADIO M - CODE ----**".

The secret code comprises four figures, each corresponding to one of the dashes.

To enter the first digit of the code, press the corresponding button of the preset stations (from 1 to 4). Press repeatedly the preset buttons **1-4 (16, 17, 18 and 3)** to enter the secret code digits (from **0** to **9**).

To confirm the required digit press **4 (5 RPT)**.

### Waiting times

If a wrong code is entered, the next attempts to enter the code are spaced by the following waiting times. During these intervals the radio can be connected or disconnected but not switched on.

During the waiting time the radio shall not be on.

It shall however be connected with +12V permanent voltage. The waiting time is over when the display shows the figure and the dashes of the next attempt (e.g. **2 - - -**).

The following table shows the times between one attempt and the other.

Vain attempts (on display)	Waiting time (approx.)
1	1 minute
2	2 minutes
3	4 minutes
4	8 minutes
5	16 minutes
6	30 minutes
7	1 hour
8	2 hours
9	4 hours
10	8 hours
11	16 hours
12	24 hours

Waiting time passes keeping the radio on. When turning the radio on/off, counting restarts from the start of the current attempt.

The waiting time is over when the display shows the figure and the dashes of the next attempt (e.g. **2 - - -**).

## Entering the secret code of the CD Changer

Should the control code between the radio and the CD Changer be not recognised, to reset CD Changer proper operation the four-digit secret code must be entered manually.

When entering the secret code, the display shows: “**CDC M -- CODE ----**”.

The secret code comprises four figures, each corresponding to one of the dashes and is different for each CD Changer.

To enter the first digit of the code, press the corresponding button of the preset stations (from 1 to 4). Press repeatedly the preset buttons **1-4 (16, 17, 18 and 3)** to enter the secret code digits (from **0** to **9**).

To confirm the required digit press **4 (5 RPT)**.

If the code has been entered properly, the radio and the CD Changer start to work regularly.

Otherwise try to enter the secret code a second and even a third time if required. After the third negative attempt, the radio sets in “stand-by” for approx. 1 hour before enabling other three attempts.

## TECHNICAL INFORMATION

### Aerial fig. 12

The car is fitted with an aerial located on the roof. You are recommended to slacken and remove the aerial from the roof to avoid damaging it when washing the car in automatic systems.

### Radio power

– 4 x 35W (with standard sound system comprising 2 tweeters + 2 front woofers and 2 rear full-range speakers)

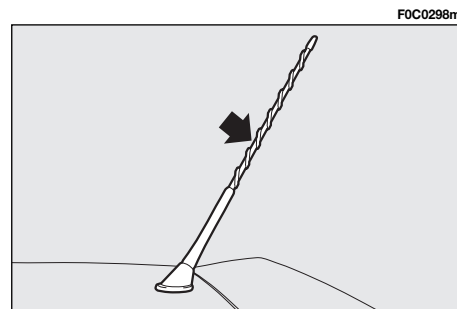


fig. 12

**Standard system speakers**

The standard sound system includes:

- 2 front tweeters **A-fig. 13** 4 Ohm impedance and 40W power.

- 2 front midwoofers **B-fig. 14**, 165 mm diameter, 4 Ohm impedance and 40W power.

- 2 rear full-range speakers **A-fig. 15**, 165 mm diameter, 4 Ohm impedance and 40W power.

**HI-FI system speakers (where fitted)**

The HI-FI system consists of the following:

- 2 front tweeters **A-fig. 13**, 4 Ohm impedance and 40W power.

- 2 front mid-woofers **B-fig. 13**, 165 mm diameter, 4 Ohm impedance and 40W power.

- 2 rear mid-woofers **B-fig. 16**, 165 mm diameter, 4 Ohm impedance and 40W power (5-door and Multi Wagon versions)

F0C0078m

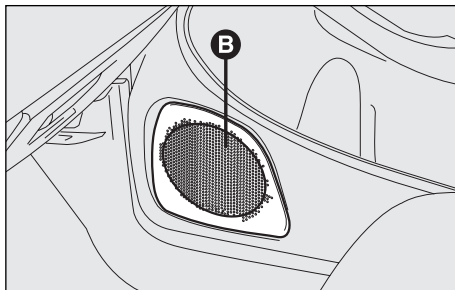


fig. 14

F0C0077m

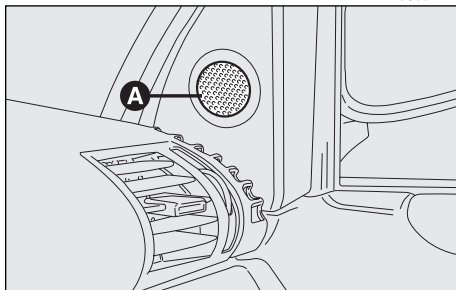


fig. 13

F0C0143m

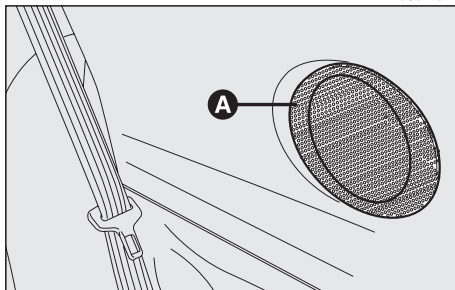


fig. 15

F0C0299m

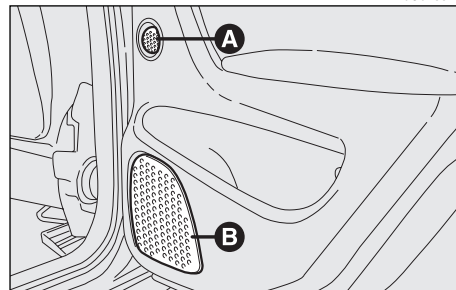


fig. 13

– 2 rear tweeters **A-fig. 16**, 4 Ohm impedance and 40W power (5-door and Multi Wagon versions)

– 2 rear full-range speakers **A-fig. 15**, 165 mm diameter, 4 Ohm impedance and 40W power (3-door versions)

– 1 box subwoofer **C-fig. 17** set in the boot, with 100W built-in amplifier

### Protection fuse

The radio has a 10A protection fuse **D-fig. 18**.

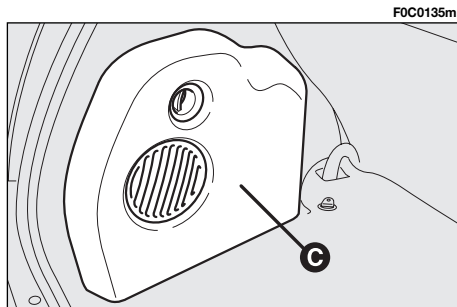


fig. 17

### Power

#### CONNECTIONS A-fig. 18

- A1** CAN B line signal
- A2** Amplified subwoofer presence signal
- A3** CAN A line signal
- A4** Connection to +12V switching on voltage (at car starting)
- A5** Radio aerial connection
- A6** Not connected
- A7** Connection to +12V (permanent) supply voltage
- A8** Earth connection.

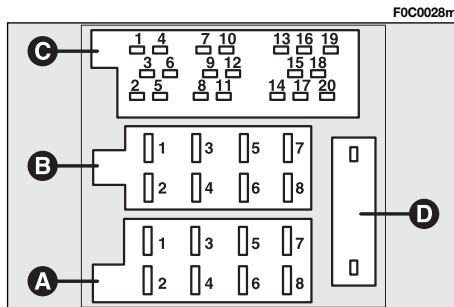


fig. 18

### Speakers

#### CONNECTIONS B-fig. 18

- B1** Rear speaker (right +)
- B2** Rear speaker (right -)
- B3** Front speaker (right +)
- B4** Front speaker (right -)
- B5** Front speaker (left +)
- B6** Front speaker (left -)
- B7** Rear speaker (left +)
- B8** Rear speaker (left -)



**Additional connections****CONNECTIONS C-fig. 18**

**Line output** connection presetting for power amplifier (Booster) or active speaker.

- C1** Positive sound input for external TMC module
- C2** Negative sound input for external TMC module
- C3** MUTE signal input from external TMC module
- C4** Not connected
- C5** Not connected
- C6** Power amplifier switching voltage: on/off (max. 0.3A).

**PHONE INPUT**

Connection presetting for hands-free phone kit (through radio).

- C7** Positive sound input for external phone presetting
- C8** Negative sound input for external phone presetting
- C9** MUTE signal from external phone presetting
- C10** Not Connected
- C11** Not Connected
- C12** Phone earth

**CD CHANGER CONNECTION**

- C13** CDC bus line
- C14** CD Changer data bus
- C15** CD Changer +12V supply voltage
- C16** CD Changer switch voltage
- C17** CDC bus earth
- C18** Sound signal earth from CD Changer
- C19** LH CDC sound channel
- C20** RH CDC sound channel

# RADIO WITH CD AND MP3 PLAYER

## CONTROL DESCRIPTION

FOC0237m

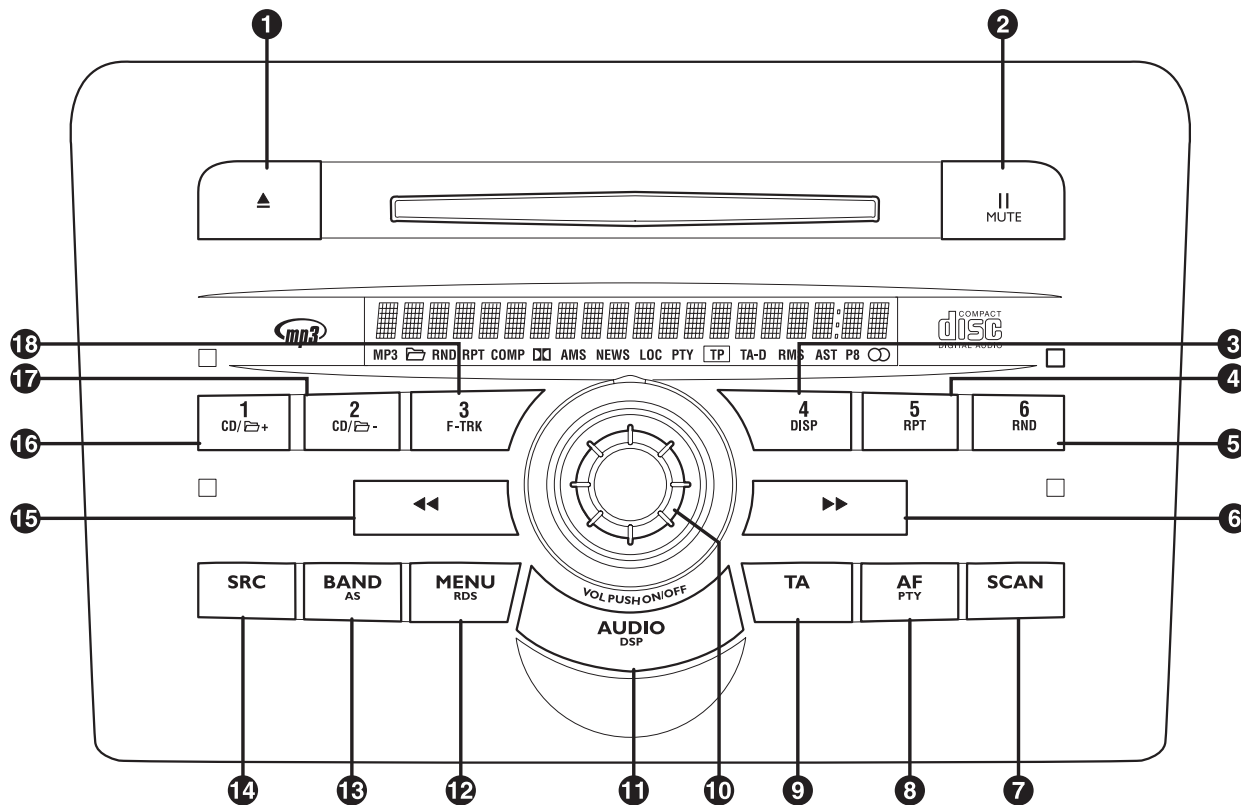




fig. 19

Button	Buttons and front panel		RADIO Mode	
	Buttons and front panel	Function	Brief pressing	Pressing over 2 sec.
1	▲	Eject	Eject (CD)	
2	MUTE	Mute	Audio Mute	
3	4 DISP	Preset station 4	FM/AM/PTY:call preset station 4	FM/AM: store preset station 4 PTY: store programme
4	5 RPT	Preset station 5/ track repetition	FM/AM/PTY:call preset station 5	FM/AM: store preset station 5 PTY:store programme
5	6 RND	Preset station 6	FM/AM/PTY:call preset station 6	FM/AM: store preset station 6 PTY: store programme
6	>>	Next forward	FM: Seek + / MAN + AM: Seek + / MAN + PTY: Select next programme/ automatic search (inside the programme)	
7	SCAN	Automatic scanning	Automatic scanning of stations on the band in use	Automatic scanning of stations tunable on the band in use
8	AF PTY	Alternative frequency/Programme Type	AF ON/OFF	Select programme type PTY: displays selected programme type
9	TA	Traffic information	TA ON/OFF	Adjusting TA volume
10	VOL PUSH ON/OFF	Radio ON/OFF Volume adjustment	ON/OFF: press volume adjustment: turn leftwards: to decrease turn rightwards: to increase	
11	AUDIO DSP	Sound settings	Bass (B) Treble (T) Fader (F) Balance (B)	Access to Equalizer function

<b>CD/MP3 Mode</b>		<b>CD CHANGER Mode</b>	
Brief pressing	Pressing over 2 sec.	Brief pressing	Pressing over 2 sec.
Eject (CD)		Eject (CD)	
Playing Pause/Audio Mute		Playing Pause / Audio Mute	
Displaying of file name, folder number and name, singer, album, track	Message setting on display		
MP3 track repeating ON/OFF, repeating of MP3 tracks contained in the folder or repeating of the whole CD/MP3		CD track repetition ON/OFF	
MP3 random track repeating or random repeating of MP3 tracks contained in the folder		Random CD track repetition ON/OFF	
Select next track	Fast forward (continuous) with display of folder number and track number and title	Select next track	Fast forward (continuous)
Automatic scanning of tracks on the CD		Automatic scanning of tracks on the CD	
TA ON/OFF	Adjusting TA volume	TA ON/OFF	Adjusting TA volume
ON/OFF: press Volume adjustment: turn leftwards: to decrease turn rightwards: to increase		ON/OFF: press Volume adjustment: turn leftwards: to decrease turn rightwards: to increase	
Bass (B) Treble (T) Fader (F) Balance (B)	Access to Equalizer function	Bass (B) Treble (T) Fader (F) Balance (B)	Access to Equalizer function

Button	Buttons and front panel		RADIO Mode	
	Letters or symbol	Function	Brief pressing	Pressing over 2 sec.
12	MENU RD	Menu function	Manual station tuning ON/OFF NEWS ON/OFF Function confirmation beep ON/OFF (BEEP) SENS DX/LO SVC (Speed Volume) Loudness ON/OFF EON TA ON CD Compression TPM (Track Program Memory) CD Naming	RDS Clock display Audio Clip Detect ON/OFF Automatic search ON/OFF Phone volume adjustment ON/OFF Max. radio volume at switching on
13	BAND AS	Select frequency band	FM1,FM2,FM3,FMAST, LW,MW,AMAST	Store automatically in preset station group. Exit on FMAST.PI or AMAST.PI
14	SRC	Select source	TAPE (Cassette), RADIO, CD Changer (if connected)	
15	<<	Previous backward	FM: Seek - / MAN - AM: Seek - / MAN - PTY: Select next programme / automatic search (inside the programme)	
16	1 CD /  +	Preset station 1	FM/AM/PTY: call preset station 1	FM/AM: store preset station 1 PTY: store programme
17	2 CD /  -	Preset station 2	FM/AM/PTY: call preset station 2	FM/AM: store preset station 2 PTY: store programme
18	3 F-TRK	Preset station 3	FM/AM/PTY: call preset station 3	FM/AM: store preset station 3 PTY: store programme

<b>CD/MP3 Mode</b>		<b>CD CHANGER Mode</b>	
Brief pressing	Pressing over 2 sec.	Brief pressing	Pressing over 2 sec.
NEWS ON/OFF Function confirmation beep ON/OFF (BEEP) SVC (SPEED VOLUME) LOUDNESS ON/OFF EDN/TA ON CD Compression ON/OFF track/folder name scroll (NAME SCROLL) or single scroll of the folder name (ONCE)	RDS Clock display Audio Clip Detect ON/OFF Select previous track Phone volume adjustment ON/OFF Max. radio volume at witching on	NEWS ON/OFF Function confirmation beep ON/OFF (BEEP) SVC (SPEED VOLUME) Loudness ON/OFF EDN/TA ON DX/LO Cd Compression TPM (Track Program Memory)	RDS clock display Audio Clip Detect ON/OFF Set radio switching on mode Phone volume adjustment ON/OFF Max. radio volume at witching on.
Exit CD mode Insert tuner in last band		Exit CD mode Insert tuner in last band	
CD, RADIO CD Changer (if connected)		CD, RADIO, CD Changer (if connected)	
Select previous track	Fast backward (continuous)	Select previous track	Fast backward (continuous)
Next folder selection		CD +	
Previous folder selection		CD -	
Quick CD track and/or folder selection (function controlled through the button/knob I0 (VOL PUSH ON/OFF)			

## INTRODUCTION

As far as Radio, Compact Disc and Cd Changer are concerned, please refer to the chapter RADIO WITH COMPACT DISC PLAYER.

As for the MP3 player, read the following indications.

**MPEG Layer-3 audio decoding technology licensed from Fraunhofer IIS and Thomson multimedia.**

### MP3 PLAYER

Besides a normal CD reproduction, the sound system can reproduce also CD ROM in which compressed files have been recorded in MP3 format. It operates as a normal system with Compact Disc player when a CD is inserted, except for the TRACK NAMING/SELECTION (TPM) and CD NAMING (see previous chapter RADIO WITH COMPACT DISC PLAYER) modes, that are deactivated.

### CD/MP3 reading

When a CD-ROM is inserted in the magazine, two operations will be carried out:

1) Scanning of the tracks inside the CD for the file audio detection. The audio tracks are the first to be detected and this means that the sound system plays only these ones. The song name with a flashing indication “**SCAN**” is shown on the display (ex. “**MIDNIGHT MOTION SCAN**”).

2) Reading of the MP3 tracks to determine the song and folder structure. The indication “**READING DISC**” is shown on the display at this stage. It takes about 2 minutes to read a complex MP3 structure (made of several sessions with many folders and songs) on a CD-ROM.

To guarantee optimum playing, use top quality CDs duplicated at as low as possible speed.

The CD-ROM reading will be terminated in the following cases:

– In case of a correct CD-ROM reading and MP3 track identification. In this case “**MP3**” appears on the display and the playing starts from the first track and the first folder (see next paragraph PLAY MODE).

– In case the CD-ROM reading is not ended after 2 minutes. “**CHECK DISC**” appears on the display for about 5 seconds. In this case the sound system changes its audio source and goes back to **TUNER** mode.

– If MP3 is not found. In this case “**NO MP3 FILES**” appears on the display for about 5 seconds. The system changes its audio source and goes back to **TUNER** mode.

## Play mode

During a CD-ROM playing where MP3 tracks have been recorded, the sound system display will indicate the song title and its playing time (ex. “**MIDNIGHT MOTION 4:37**”).

The following operations can be carried out while playing:

- single or continuous scroll on the song title
- ascending or descending scroll through the tracks in single, continuous or multiple mode.
- ascending or descending scroll through the folders (see next paragraph FOLDER STRUCTURE).

## DISP

Function enabling to change displayed settings of the various info present on CD (e.g.: tracks, folder, singer's name, album title, etc.). This function is activated by pressing button **3 (4 DISP)** for over 2 seconds, then use the button/knob **10 (VOL PUSH ON/OFF)** to select the required display setting.

In MP3 the sound system:

- plays only the MP3 tracks
- plays the tracks in an alphabetic/numerical order for any folder (ordered according to the same way) (it is better to place a number, for ex. “01”, “02” or “001” “002” before each file name)
- comes back to the beginning of the last track each time the radio is switched on.

During the track selection (see the paragraph TRACK SELECTION (FORWARD/BACKWARD) the folder number, the song number and title will be displayed (ex. “**3/13 MIDNIGHT MOTION**”).

The sound system accumulates the number of pressures on the preselection buttons (from **1** to **6**) to make easier the selection, and it skips only once, as it was a single request.

**IMPORTANT** MP3 tracks recorded with the variable bit speed method may cause differences in the playing time indicated on the display.

**IMPORTANT** The CD player can read most of the compression systems currently on sale (e.g.: LAME, BLADE, XING, FRAUNHOFER); however, due to the evolution of these systems, reading of all compression formats is not guaranteed.

## Folder structure

The sound system with MP3 player:

- recognizes only the folders containing MP3 files
- if the CD-ROM MP3 files contain several “sub-folders”, their structure become a single-level one, that is the “sub-folders” become main folders (see the following example).



**Example:** With a CD with the following structure:

- ⦿ - MP3 collection – Volume n.1
- 📁 - Celine Dion
  - 📁 - Falling into you
    - 🎵 - It's all coming back to me now.mp3
    - 🎵 - Because you loved me.mp3
- 📁 - Incognito
  - 🎵 - Incognito.mp3
  - 🎵 - Lolita.mp3
  - 🎵 - Delivre-Moi.mp3
- 📁 - Prodigy
- 📁 - Experience
  - 🎵 - Jericho.mp3
  - 🎵 - Wind it now.mp3
  - 🎵 - Out of space.mp3

📁 - The fat of the land

📁 - Favourite songs

🎵 - Breathe.mp3

🎵 - Firestarter.mp3

The sound system recognizes all the folders and will move from one of the following folders to the others:

📁 – Falling into you

📁 – Incognito

📁 – Experience

📁 – Favourite songs

The 📁 symbol indicates that the system is displaying the folder name. At each request of ascending or descending scroll through the folders, the folder name and number are displayed (with a max. length of 15-18 types, according to the folder number).

When “**ON**” or “**ONCE**” are chosen with **I2 (MENU RDS)** (see paragraph TRACK FOLDER NAME SCROLL), the complete folder name is scrolled in the folder display mode, before returning to the cut folder.

### Next/previous folder selection

Press **I6 (1 CD / 📁 +)** for a short time (less than 1 second) to select the songs contained in the next folder.

Press **I7 (2 CD / 📁 –)** for a short time (less than 1 second) to select the songs contained in the previous folder.

The name and number of the next/previous folder are shown on the display (ex. “**9 MISC COLLECTION**”).

### Track repeat (Folder Repeat mode)

When **4 (5 RPT)** is pressed for a short time (less than 1 second), the song repeating mode changes through following pressures on the key, on the display appears: **“CD REPEAT TRACK”** - > **“CD REPEAT FOLDER”** - > **“CD REPEAT DISC”** - > **“CD REPEAT OFF”**.

The following functions are associated to these notices:

**“CD REPEAT TRACK”**: repeats the current track

**“CD REPEAT FOLDER”**: repeats the tracks in the selected folder

**“CD REPEAT DISC”**: repeats the whole MP3 CD

**“CD REPEAT OFF”**: deactivates the track repeating mode.

The mode is deactivated each time the audio source is changed.

### RaNDom repeating mode (Folder Repeating)

Press **5 (6 RND)** for a short time (less than 1 second) to play a random selection of the tracks contained in the Compact Disc: the following notices appear on the display by pressing it further on: **“CD RANDOM FOLDER”** - > **“CD RANDOM DISC”** - > **“CD RANDOM OFF”**.

The following functions are associated to these notices:

**“CD RANDOM FOLDER”**: plays a random selection of the tracks contained in the chosen folder.

**“CD RANDOM DISC”**: plays a random selection of the tracks contained in the MP3 CD.

**“CD RANDOM OFF”**: deactivates the random repeating mode.

The mode is deactivated each time the audio source is changed.

### Folder name and number display

To activate this function, press **3 (4 DISP)** for a short time (less than 1 second).

When **3 (4 DISP)** is pressed again (or after 5 seconds), the previous display will be shown.

### Track selection (Forward/backward)

Press **6** (>>) for a short time (less than 1 second) to play the next track and **15** (<<) to play the previous one.

It is possible to seek manually the next track by pressing **6** (>>) again. The folder number, the song number and title followed by “**TK SEEK**” will be shown on the display (ex. “**3/13 TK SEEK +6**”).

In the same way, it is possible to seek again the previous track by pressing **15** (<<). In this case the folder number, the track number and title will be shown on the display, followed by “**TK SEEK**” (ex. “**3/13 TK SEEK -4**”).

Keep the button pressed to select the songs in a continuous way. The folder number and the track title and number will be shown on the display (ex. “**3/13 MIDNIGHT MOTION**”).

If the track playing started more than 3 seconds before, it can be played again from the beginning by pressing **15** (<<). In this case, if you want to reproduce the last song, press **15** (<<) two times consecutively.

### FAST TRACK SELECTION (Forward/backward)

Briefly press (less than 1 second) the button/knob **18** (**3 F-TRK**) to enter the fast selection mode. The sound system display will show the message “**Fy TRx FASTTRACK**” (**y** indicates the folder number, **x** indicates the track number).

To select the required track, turn the button/knob **10** (**VOL PUSH ON/OFF**) and then press it briefly (less than 1 second) to confirm: required track playback will start.

### Track/folder name scroll (NAME/SCROLL function)

It is possible to activate for only one time/deactivate the complete folder name scroll by pressing for a short time (less than 1 second) **12** (**MENU RDS**).

According to the different cases the following will be displayed:

“**NAME SCROLL: ON**” = continuous scroll of the song/folder complete names

“**NAME SCROLL: ONCE**” = single scroll of the complete folder name and 15/16 types display afterwards

“**NAME SCROLL: OFF**” = fixed visualization of the first 15/16 types of the track/folder name.



Fiat Auto S.p.A.  
After Sales - Assistenza Tecnica - Ingegneria Assistenziale  
Largo Senatore G. Agnelli, 5 - 10040 Volvera - Torino (Italia)  
Print no. 603.46.306 - III/2005 - 3<sup>rd</sup> edition



The data contained in this publication is intended merely as a guide. FIAT reserves the right to modify the models and versions described in this booklet at any time for technical and commercial reasons. If you have any further questions please consult your FIAT dealer. Printed in recycled paper without chlorine.