

F I A T P A N D A



1 0 0 H P

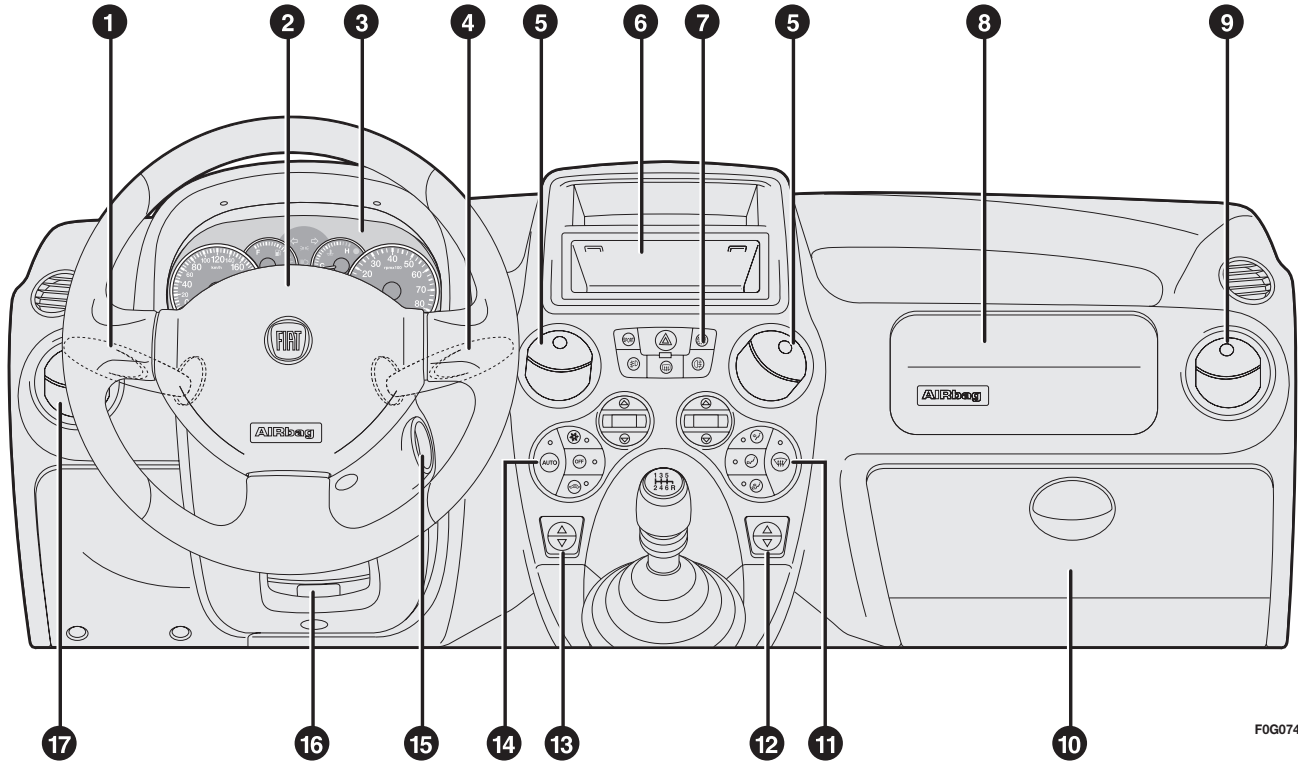
This Supplement describes the main features of **Fiat Panda 100HP** together with a few instructions for use. For all other information not contained herein, refer to the Owner Handbook this Supplement is attached to.

CONTENTS

DASHBOARD	2
INSTRUMENT PANEL	3
INSTRUMENTS	4
SPORT FUNCTION	6
USING THE MANUAL GEARBOX.....	6
DRIVING STYLE	7
WARNING LIGHTS AND MESSAGES	7
TYPES OF BULBS	7
JACKING THE CAR.....	8
SERVICE SCHEDULE	9
CHECKING FLUID LEVELS.....	11
ENGINE CODES - BODYWORK VERSIONS	14
ENGINE	14
TRANSMISSION	15
BRAKES	15
WHEELS AND TYRES.....	16
DIMENSIONS.....	17
WEIGHTS	18
CAPACITIES	19
PERFORMANCE	19
FUEL CONSUMPTION	20
CO ₂ EMISSIONS	20

DASHBOARD

FIAT PANDA 100HP

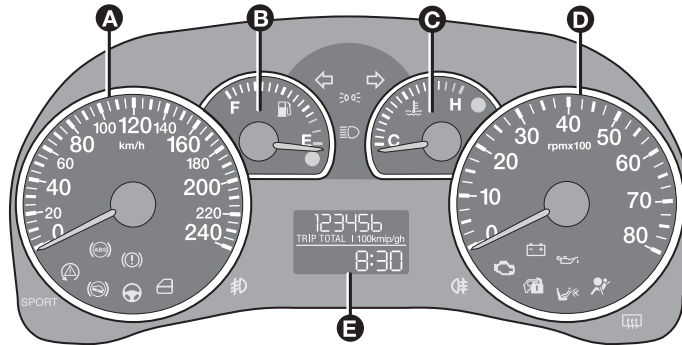


FOG0740m

1. Light and direction indicator stalk - 2. Steering wheel with air bag - 3. Instrument panel - 4. Windscreen/rear window wiper lever - 5. Central air vents - 6. Sound system compartment - 7. Various controls - 8. Passenger's air bag - 9. Right-hand side air vent - 10. Glove compartment - 11. Air distribution controls - 12. Right power window control - 13. Left power window control - 14. Air conditioner controls - 15. Ignition switch - 16. Steering wheel adjusting lever - 17. Left-hand side air vent.

INSTRUMENT PANEL

Fiat Panda 100HP VERSION



FOG0640m

fig. 2 - Left-hand drive versions

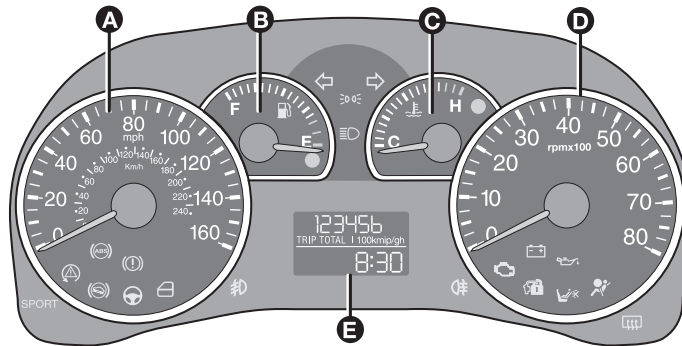
A Speedometer (speed indicator)

B Fuel level gauge with reserve warning light

C Engine coolant temperature gauge and excessive temperature warning light

D Rev counter

E Reconfigurable multifunction display



FOG0641m

fig. 3 - Right-hand drive versions

INSTRUMENTS

SPEEDOMETER (Speed indicator) fig. 4

The indicator **A** shows the car speed (speedometer).

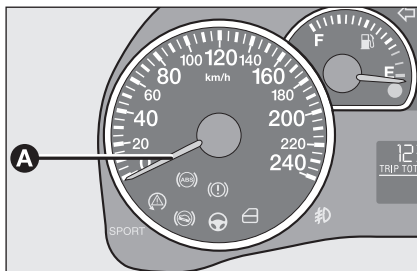


fig. 4

FOG0642m

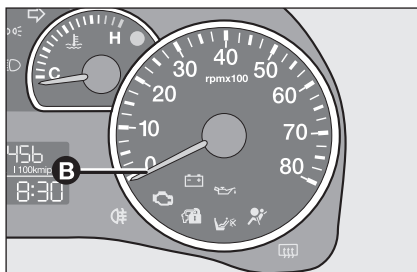


fig. 5

FOG0643m

REV COUNTER fig. 5

The indicator **B** shows the engine rev number.

IMPORTANT The electronic injection control system gradually shuts off the flow of fuel when the engine is “over-revving” resulting in a gradual loss of engine power.

When the engine is idling, the rev counter may indicate a gradual or sudden highering of the speed.

This is normal as it takes place during regular operation, for example when activating the climate control system or the fan. In particular a slow change in the speed preserves the battery charge.

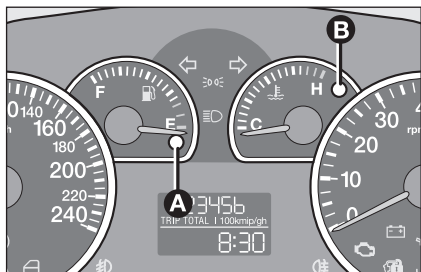


fig. 6

FOG0644m

FUEL LEVEL GAUGE fig. 6

This shows the amount of fuel left in the fuel tank.

- E** tank empty.
- F** full tank.

The reserve warning light **A** turns on to indicate that approximately 5 litres of fuel are left in the tank.

Do not travel with the fuel tank almost empty: the gaps in fuel delivery could damage the catalyst.

IMPORTANT The needle sets to **E** with warning light **A** flashing to indicate that the system is failing. In this event contact Fiat Dealership to have the system checked.

ENGINE COOLANT TEMPERATURE GAUGE fig. 6

This shows the temperature of the engine coolant fluid and begins working when the fluid temperature exceeds approx. 50°C.

Under normal conditions, the needle should hover around the middle of the scale according to the working conditions.

- C** Low engine coolant temperature.
- H** High engine coolant temperature.

The turning on of the warning light **B** (on certain versions with a message on the re-configurable multifunction display) indicates that the coolant fluid temperature is too high; in this case, stop the engine and contact a Fiat Dealership.



If the needle reaches the red area, stop the engine immediately and contact a Fiat Dealership.

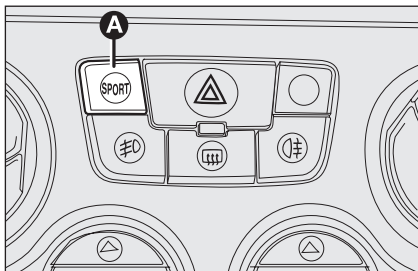


fig. 7

F0G0645m

SPORT FUNCTION

The **Fiat Panda 100HP** version is fitted with a system enabling to choose between two driving modes: normal and sports.

Press the **SPORT** button **A**-fig. 7 for sports driving characterized in prompt and quick acceleration and higher effort on steering wheel for proper driving feeling.

When this function is on, the word **SPORT** on the instrument panel is turned on. Press the **SPORT** button again to deactivate this function and resume the normal driving mode.

IMPORTANT This function turns on about 5 seconds after pressing the **SPORT** button.

IMPORTANT With the **SPORT** function on, when accelerating you may feel the typical pick-up jerks of sports driving setting.

USING THE MANUAL GEARBOX

To engage the gears, press the clutch pedal fully and shift the gear lever into one of the required positions (the diagram is shown on the knob **fig. 8**).

To engage the 6th gear, operate the gear lever pressing it rightwards to prevent engaging the 4th gear by mistake. Do the same for shifting from 6th to 5th gear.

IMPORTANT The car can only be put into reverse gear when it has stopped moving completely. With the engine running, before engaging the reverse, wait at least 2 seconds with the clutch pedal fully down to prevent damage and grating of the gears.

To engage reverse **R** from neutral, lift the sliding ring **A** under the knob and shift the lever to the right and back.

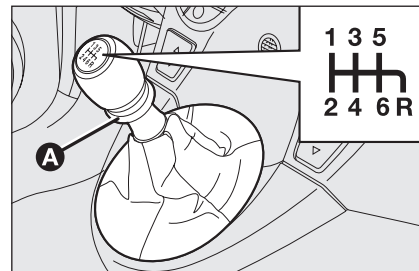


fig. 8

F0G0646m



WARNING

To change gears properly you must push the clutch pedal fully down. It is therefore essential that there is nothing under the pedals: make sure the mats are lying flat and do not get in the way of the pedals.



Do not drive with your hand resting on the gear lever as the force exerted, even if slight, could lead over time to premature wear on the gearbox internal components.

DRIVING STYLE

Acceleration

Accelerating violently increasing the revs will greatly affect consumption and emissions: to contain fuel consumption acceleration should be gradual.

Using the SPORT function, fuel consumption will be slightly higher than the values stated in paragraph "Fuel consumption" in this Supplement.

WARNING LIGHTS AND MESSAGES



SPORT FUNCTION (green)

The word SPORT on the instrument panel will turn on when the corresponding function is activated by pressing the relevant button. Pressing the button again will turn off the SPORT indication.

TYPES OF BULBS

Bulbs	Type	Power
Additional brake light (third brake light)	12V 6W	6W

JACKING THE CAR

WITH THE JACK

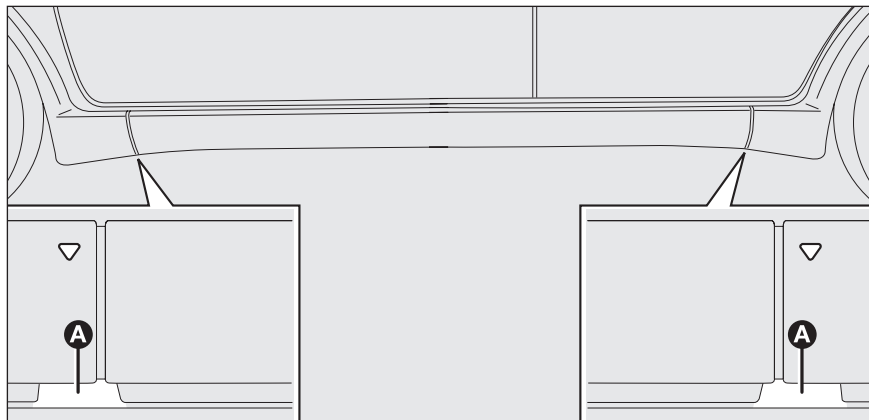


fig. 9

FOG0647m

If the car needs to be jacked up on one side, place the slot of the jack in correspondence with the arrow (▼) on the side member: the finish under the floor is interrupted **A-fig. 9** to enable fitting the jack on the groove **fig. 9**.

WITH ARM HOIST

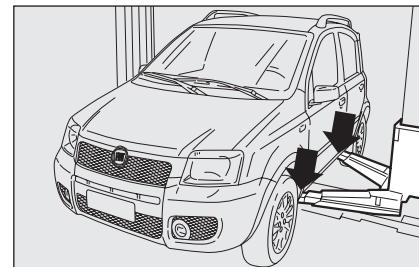


fig. 10

FOG0711m

If the car needs to be jacked up, go to a Fiat Dealership which is equipped with shop jacks and jack arms.

Jack up the car only by positioning the jack arms or the shop jack in the points shown in **fig. 10**.



When jacking the car using shop jack or jack arms, make sure the arms are not interfering with the car side skirts.

SERVICE SCHEDULE

Service coupons shall be carried out every 20,000 km

Thousands of km	20	40	60	80	100	120	140	160	180
Check tyre conditions/wear and adjust pressure if required	●	●	●	●	●	●	●	●	●
Check lighting system operation (headlights, direction indicators, hazard lights, boot lights, warning lights, etc.)	●	●	●	●	●	●	●	●	●
Check windscreen wiper/washer operation, adjust nozzles	●	●	●	●	●	●	●	●	●
Check windscreen/rear window blade position/wear	●	●	●	●	●	●	●	●	●
Check front disk brake pad conditions and wear	●	●	●	●	●	●	●	●	●
Check rear disk brake linings and wear		●		●		●		●	
Sight inspect the conditions of:- bodywork, underbody protection pipes and hoses (exhaust - fuel - brakes), rubber parts (boots - sleeves - bushes - etc.)	●	●	●	●	●	●	●	●	●
Check cleanness of locks, bonnet and boot and lever cleanness and lubrication	●	●	●	●	●	●	●	●	●
Check tension and adjust accessory drive belts (excluding engines with automatic belt tighteners)	●								
Sight inspect accessory drive belt conditions		●		●		●		●	
Check and adjust handbrake lever stroke		●		●		●		●	
Check antievaporation system				●				●	

	Thousands of km									
	20	40	60	80	100	120	140	160	180	
Replace air cleaner cartridge			●			●			●	
Top up fluids (engine coolant, brakes, windscreen washer, battery, etc.)	●	●	●	●	●	●	●	●	●	
Check timing belt conditions			●						●	
Replace timing belt (*)						●				
Change spark plugs		●		●		●		●		
Check engine control system operation (through diagnosis socket)		●		●		●		●		
Check mechanical transmission oil level				●				●		
Change engine oil and oil filter	●	●	●	●	●	●	●	●	●	
Change brake fluid (or every 2 years)			●			●			●	
Change pollen filter (or every year)	●	●	●	●	●	●	●	●	●	

(*) Or every 4 years for particularly demanding use (cold climates, driving in the city, idling for a long time)
Or every 5 years, regardless of the km covered

CHECKING FLUID LEVELS



WARNING

Never smoke while working in the engine compartment: gas and inflammable vapours may be present, with the risk of fire.



Be careful!, when topping up take care not to confuse the various types of fluids: they are all incompatible with one another and could seriously damage the car.

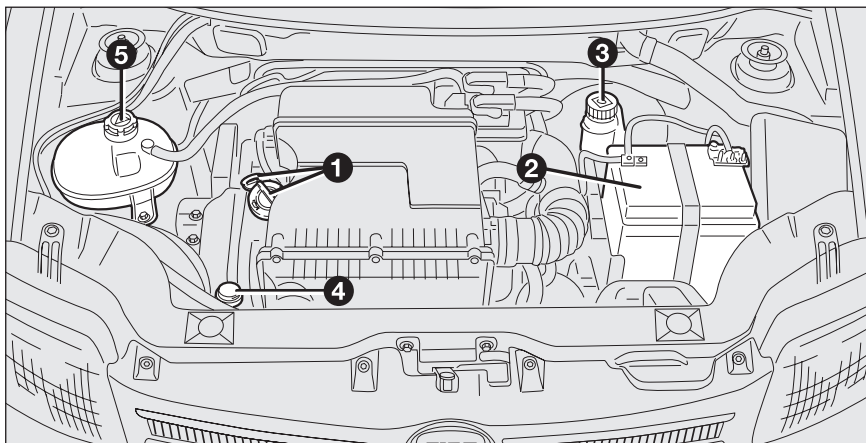


fig. 11

F0G0713m

1. Engine oil - 2. Battery - 3. Brake fluid - 4. Windscreen washer fluid - 5. Engine coolant.

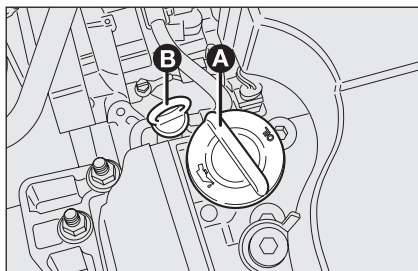


fig. 12

FOG649m

ENGINE OIL fig. 12

Check the oil level a few minutes (about 5) after the engine has stopped, with the car parked on level ground.

The oil level shall be included between marks **MIN** and **MAX** on the dipstick **B**.

The gap between **MIN** and **MAX** marks corresponds to about one litre of oil.

If the oil level is near or even below the **MIN** mark, add oil through the filler neck **A**, until reaching the **MAX** mark.

Oil level shall never exceed the **MAX** mark.

Use engine oil with specifications described in paragraph “Fluids and Lubricants” in section “Technical Specifications” of the Owner Handbook this Supplement is attached to.

ENGINE OIL CONSUMPTION

Max engine oil consumption is usually 400 grams every 1000 km.

When the car is new, the engine needs to run in, therefore the engine oil consumption can only be considered stabilised after the first 5.000 ÷ 6.000 km.

IMPORTANT The oil consumption depends on driving style and the conditions under which the car is used.

IMPORTANT After adding or changing the oil, let the engine turn over for a few seconds and wait a few minutes after turning it off before you check the level.



WARNING

When the engine is hot, take care when working inside the engine compartment to avoid burns. Remember that when the engine is hot, fan may cut in: danger of injury. Scarves, ties and other loose clothing might be pulled by moving parts.



Do not add oil with specifications other than that already in the engine.



Used engine oil and filter contain harmful substances for the environment. Contact Fiat Dealership to have the oil and filter changed, as they are equipped to dispose of the waste oil and filters respecting the nature and the law.

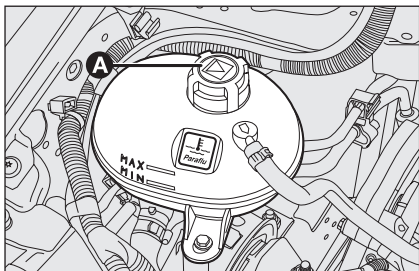


fig. 13

F0G0107m

ENGINE COOLANT fig. 13

The coolant level shall be checked with cold engine and shall be within the **MIN** and **MAX** marks on the tank.

If the level is low, pour slowly a mixture of 50% distilled water and 50% **PARAFLU UP** of the **FL Selenia** Group through the filler neck **A** until the level reaches **MAX**.

A 50-50 mixture of **PARAFLU UP** and distilled water gives freeze protection to -35°C .



The engine cooling system uses protective antifreeze fluid **PARAFLU UP**. Use the same fluid type as that already in the cooling system when topping up. **PARAFLU UP** fluid cannot be mixed with any other type of fluid. Should it happen, under no circumstances start the engine; contact a Fiat Dealership.



WARNING

The cooling system is pressurised. If necessary, replace the cap only with another genuine one, otherwise system efficiency could be compromised. Do not remove the reservoir cap when the engine is hot: you risk scalding yourself.

ENGINE CODES - BODYWORK VERSIONS

Version	Engine code	Body version
Fiat Panda 100HP	I69A3000	I69AXEIB 07

ENGINE

GENERAL INFORMATION

Fiat Panda 100HP

Engine code		I69A3000
Cycle		Otto
Number and layout of cylinders		4 in line
Piston bore and stroke	mm	72 x 84
Total displacement	cm ³	1368
Compression ratio		11
Maximum power (EEC)	kW HP	73.5 100
corresponding ratio	rpm	6000
Maximum torque (EEC)	Nm kgm	131 13.4
corresponding ratio	rpm	4250
Spark plugs		NGK DCPR7E - N - 10
Fuel		Unleaded petrol, 95 RON (Specification EN228)

TRANSMISSION

Fiat Panda 100HP	
Gearbox	Six forward gears and reverse with synchromesh for forward gear engagement
Clutch	Self-adjusting pedal without idle stroke
Drive	Front

BRAKES

Fiat Panda 100HP	
Service brakes:	
– front	disc
– rear	disc
Parking brake	controlled by hand lever, it works on rear brakes

IMPORTANT Water, ice and antifreeze salt on roads may deposit on the brake discs thus reducing braking efficiency at first braking.

WHEELS AND TYRES

Version	Rims	Standard tyres	Space-saver spare wheel (where provided)	
			Rim	Tyre
Fiat Panda 100HP	6.5 J x 15 ET30	195/45 R15 78V (*)	4.00B x 15" HET35	125/70 R15 95M

(*) Tyres that can be fitted with snow chains (snow chains with reduced size: 9 mm)

Note - Available at common retailers: alloy rims 5.5 J x 14ET32 with winter tyres 185/55 R14 80T (M+S).

COLD TYRE INFLATION PRESSURE (bar)

Add +0.3 bar to the prescribed inflation pressure when the tyres are warm.

Recheck pressure value with cold tyres.

Version	Tyres	Medium load		Full load		Space-saver spare wheel (where provided)
		Front	Rear	Front	Rear	
Fiat Panda 100HP	195/45 R15 78V	2.2	2.1	2.3	2.3	4.2
	185/55 R14 80T (M+S)	2.4	2.3	2.5	2.5	

DIMENSIONS

Dimensions are expressed in mm and refer to the car fitted with standard tyres.

The height refers to the car unladen.

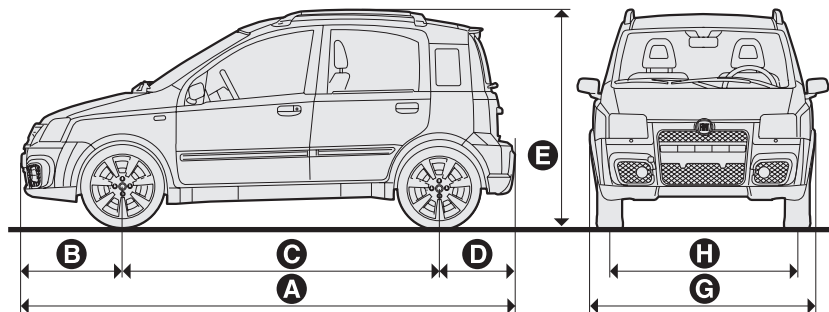
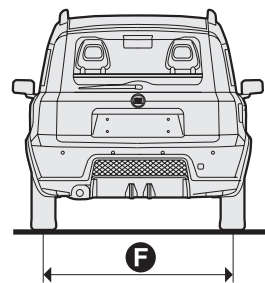


fig. 14



F0G0712m

Version	A	B	C	D	E	F	G	H
Fiat Panda 100HP	3578	729	2299	550	1560	1368	1609	1378

(*) Track measurements may vary according to rim size.

WEIGHTS

Weights (kg)	Fiat Panda 100HP
Kerb weight (including fuel, space-saver spare wheel, tools and accessories):	975
Payload (*) including the driver:	390
Maximum admitted loads (**)	
– front axle:	730
– rear axle:	660
– total:	1365
Towable loads	
– trailer with brakes:	800
– trailer without brakes:	400
Maximum load on roof:	50
Maximum load on tow hitch (trailer with brakes):	60

(*) If special equipment is fitted (tow hitch, etc.) the unladen car weight increases, thus reducing the specified payload.

(**) Loads not be exceeded. The driver is responsible for arranging the loads in the boot and/or on the roof so that they comply with these limits.

CAPACITIES

		Fiat Panda 100HP	Specified fuels and recommended products
Fuel tank:	litres	35	Unleaded petrol with no less than 95 R.O.N.
including a reserve of:	litres	5	
Engine cooling system:	litres	4.50	Mixture of distilled water and PARAFLU UP at 50%
Engine sump:	litres	2.75	SELENIA 20K
Engine sump and filter:	litres	2.90	
Gearbox/differential casing:	litres	1.65	TUTELA CAR TECHNYX
Hydraulic brake circuit:	kg	0.55	TUTELA TOP 4
Windscreen and rear window washer fluid reservoir:	litres	1.80	Mixture of water and TUTELA PROFESSIONAL SC 35

PERFORMANCE

Top admitted speed after initial car use in km/h.

Fiat Panda 100HP	185
-------------------------	-----

FUEL CONSUMPTION

IMPORTANT The type of route, traffic situations, weather conditions, driving style (e.g.: sports driving), general conditions of the car, trim level/equipment/accessories, load, climate control system, roof rack, other situations that affect air drag may lead to different fuel consumption levels than those measured

Fuel consumption according to 1999/100/EC Directive (litres x 100 km)

Version	Urban	Extra-urban	Combined
Fiat Panda 100HP	8.7	5.3	6.5

Using the SPORT function, fuel consumption will be slightly higher than the stated values.

CO₂ EMISSIONS

The CO₂ emission levels at the exhaust given in the following tables refer to combined consumption.

Version	CO ₂ emissions according to 1999/100/CE Directive (g/km)
Fiat Panda 100HP	154

Fiat Group Automobili S.p.A.
 Quality - Assistenza Tecnica - Ingegneria Assistenziale
 Largo Senatore G. Agnelli, 5 - 10040 Volvera - Torino (Italia)
 Print n° 603.83.473 - 07/2007 - 1st Edition

The data contained in this publication is intended merely as a guide. FIAT reserves the right to modify the models and versions described in this booklet at any time for technical and commercial reasons.

If you have any further questions please consult your FIAT dealer.

Printed in recycled paper without chlorine.