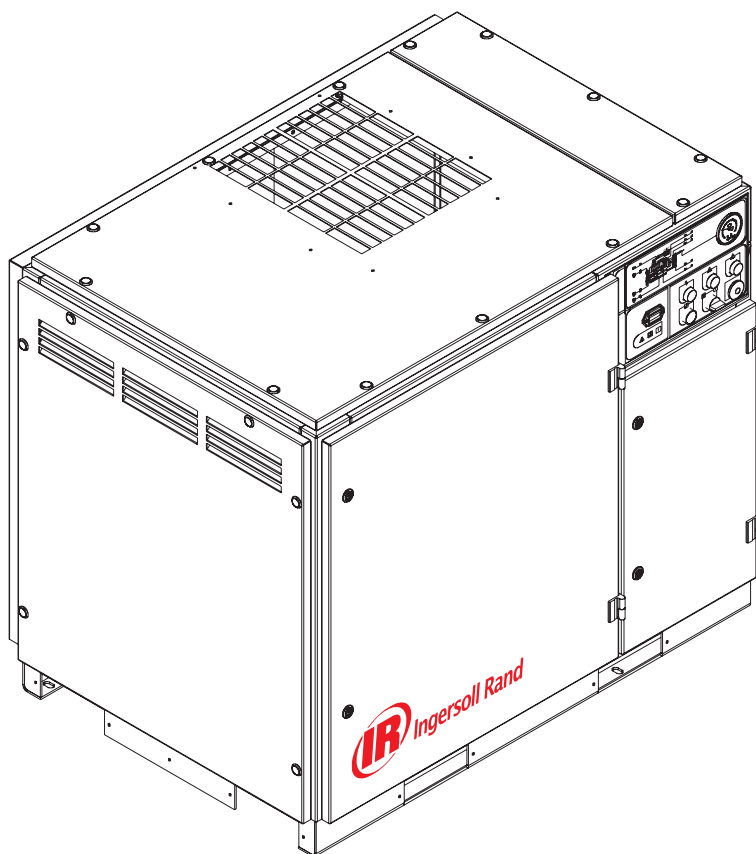




60Hz UP6 15, UP6 20, UP6 25, UP6 30



en	PARTS CATALOGUE
fr	CATALOGUE DE PIÈCES DÉTACHÉES
pt	LISTA DE PEÇAS
es	LISTA DE REPUESTOS
zh	零件目录

C.C.N : 80445166
REV. : A
DATE : OCTOBER 2008

Page	Description	'T' N°	Page	Description	'T' N°	Page	Description	'T' N°
1	Enclosure	T5741	9	Separation System	T5744	23	Documentation	
2	Motor Assembly 60Hz	T5742	10	Tank Assembly 60Hz	T5747	24	Recommended Parts	
5	Airend Assembly	T5743	11	Instrumentation / Electrical System	T5748			
6	Cooling System	T5745						
8	Control Piping	T5746						

ABBREVIATIONS & SYMBOLS

->####	Up to Serial No.
####->	From Serial No.
####	Contact Ingersoll Rand for Serial No.
*	Not illustrated
†	Option
NR	Not required
AR	As required
SM	Sitemaster/Sitepack
HA	High ambient machine
WC	Watercooled machine
AC	Aircooled machine
ERS	Energy recovery system
T.E.F.C.	Totally enclosed fan cooled motor (IP55)
O.D.P.	Open drip proof (motor)

General

This manual, which contains an illustrated parts breakdown, has been prepared as an aid in identifying and ordering parts for the machine. All of the parts, listed in the parts breakdown, are manufactured with the same precision as the original equipment.

Ingersoll Rand Company service facilities and parts are available worldwide. There are Ingersoll Rand Company Branch Offices and authorised distributors located in the principle cities of the United States. In Canada, our customers are serviced by the Canadian IngersollRand Company, Limited. There are also Ingersoll Rand Company subsidiaries and authorised distributors located in the principle cities throughout the world.

Description

The illustrated parts breakdown identifies the various assemblies, sub-assemblies and detailed parts which make up this machine.

A series of illustrations show each part clearly and in its correct location relative to the other parts in the illustration. Each part in an illustration is referenced with a number. The number, description and quantity needed per assembly are listed in numerical order on the following pages.

How to use this parts manual

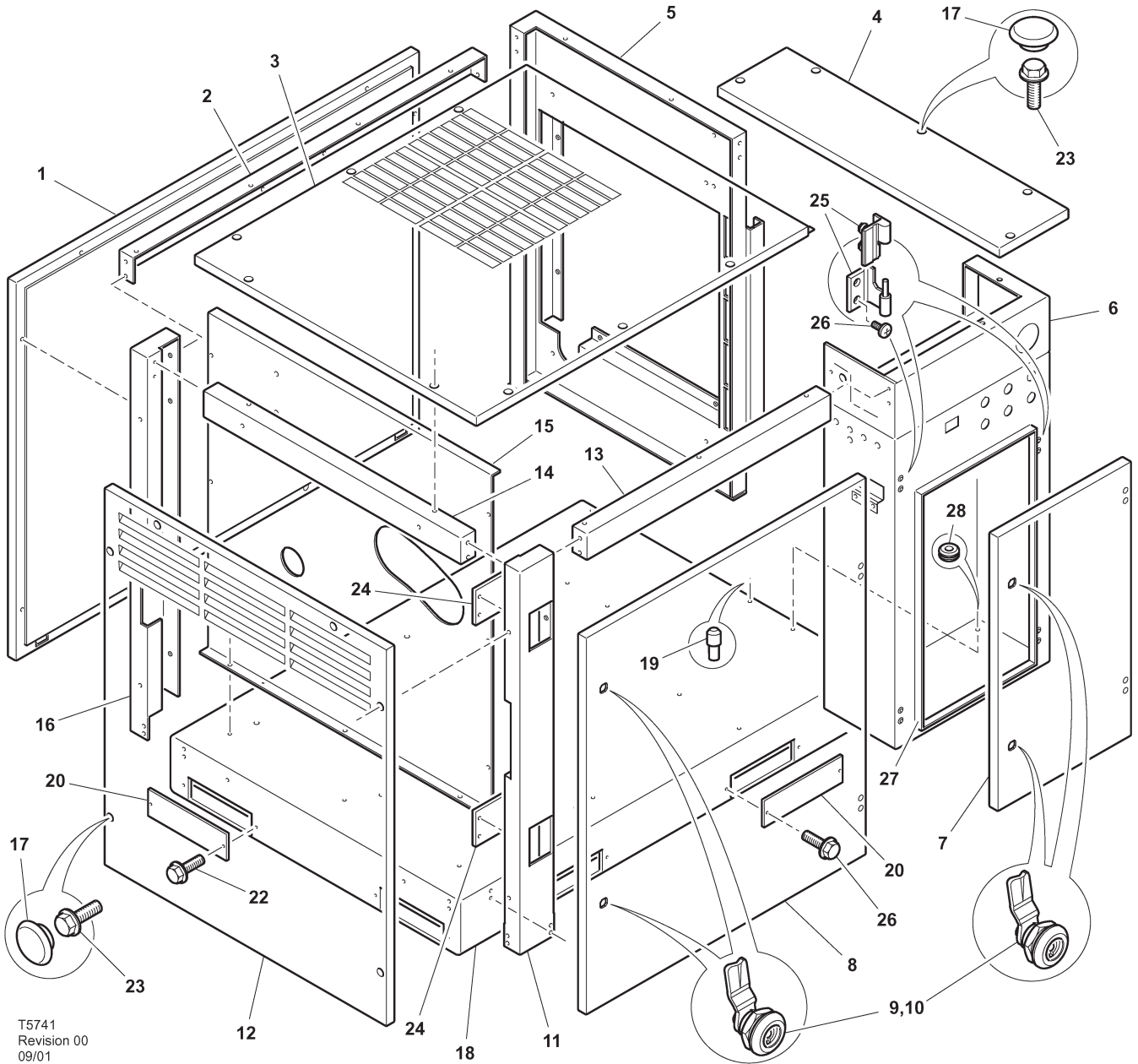
1. Locate the desired illustration.
2. Locate the part on the illustration by visual identification and note the reference number.
3. Find the reference number on the tabulated page, along with the Part Number and Description.

How to order parts

In order that all avoidable errors be eliminated when ordering parts, please specify the following:

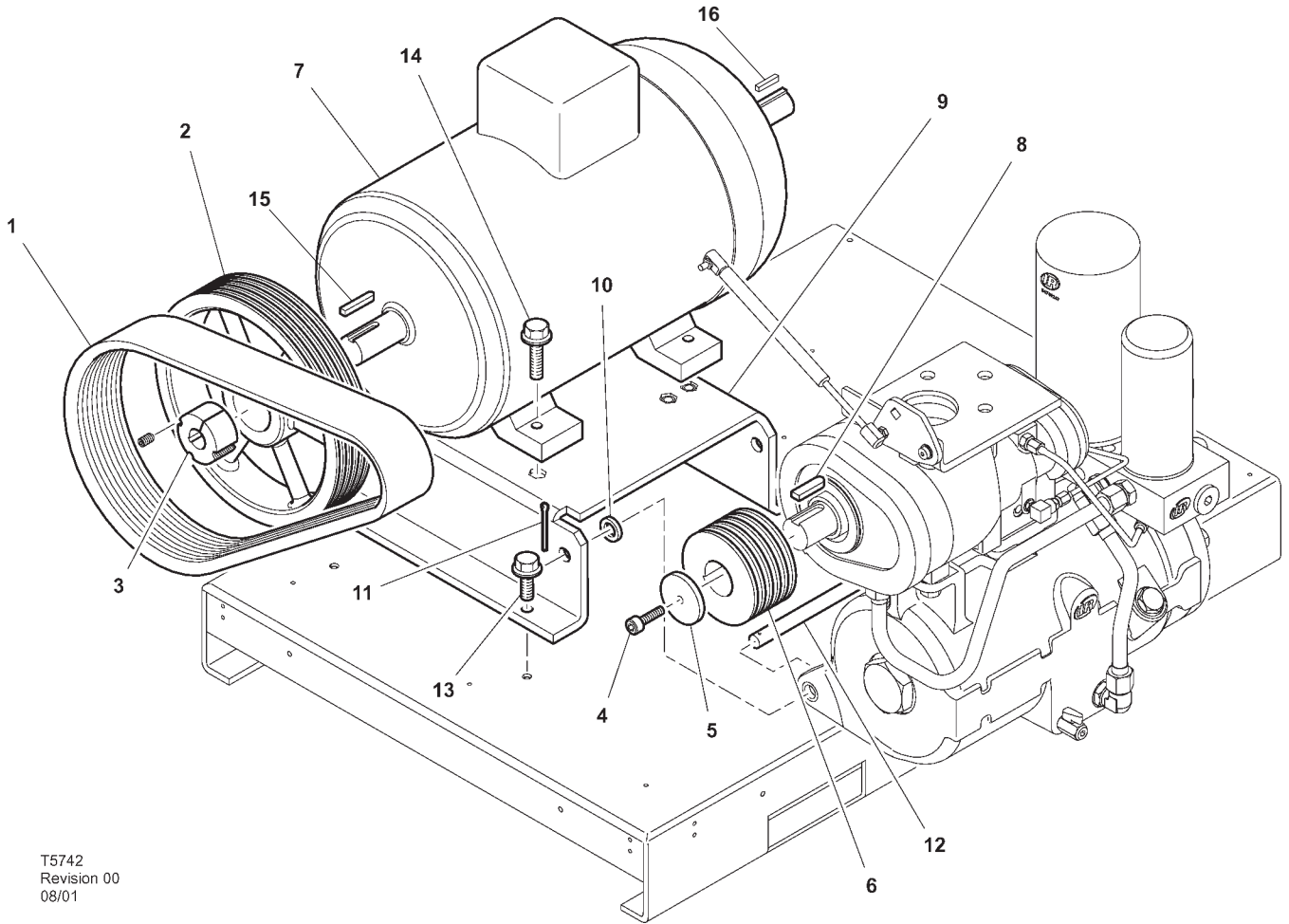
1. The model number of the unit as shown on the Compressor Data Plate.
2. The serial number of the unit as shown on the Compressor Data Plate.
3. The part number of this manual.
4. The part number, description and quantity needed exactly as listed.
5. The motor data code shown on the motor data plate.

1 ENCLOSURE



T5741
Revision 00
09/01

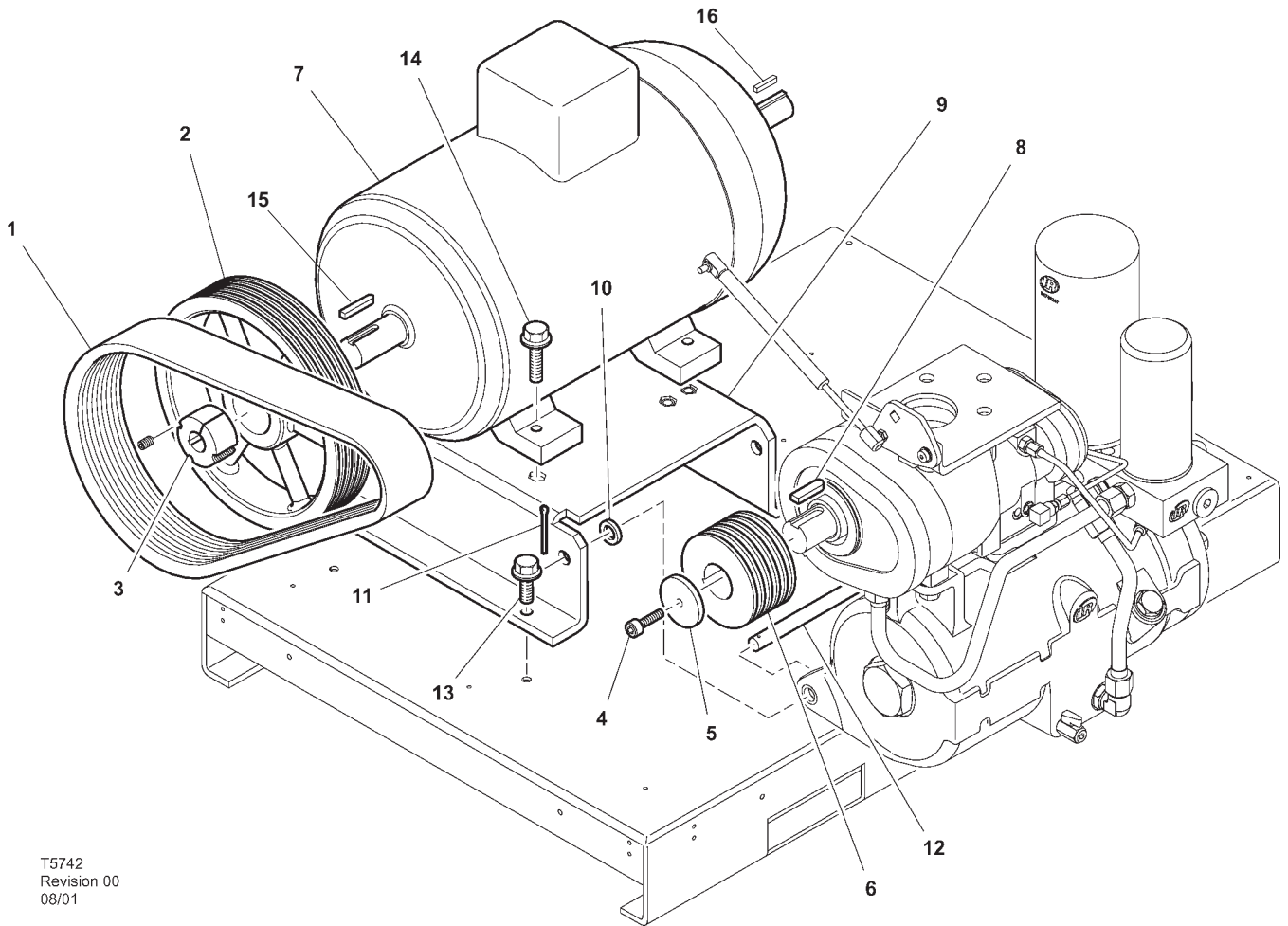
Item	ccn	Qty.	Description	Item	ccn	Qty.	Description
1	22066195	1	Panel assembly rear	14	54747761	1	Channel
2	22093025	1	Channel	15	22099626	1	Guard, sheave assembly
3	22097562	1	Panel assembly top	16	54747753	1	Corner
4	22066211	1	Panel assembly top	17	22053433	25	Plug
5	22095251	1	Corner 25-30hp / 20-25hp-HA	18	54754163	1	Base
	22132336	1	Corner 20hp / 15hp HA	19	39738490	7	Pin, locating
6	22158612	1	Cabinet	20	22058580	8	Plate, cover
7	22158877	1	Cabinet door	*21	39117312	AR	Gasket
8	22097570	1	Panel assembly front	22	92368687	AR	Screw
9	23180557	4	Latch	23	96742689	AR	Screw
*10	92829308	1	Key	24	22089601	2	Guard
11	54747746	1	Corner	25	22091193	4	Hinge
12	22067052	1	Panel assembly left	26	96743992	8	Screw
13	22092886	1	Channel	27	22158935	1	Gasket, door
				28	22160030	4	Grommet



T5742
Revision 00
08/01

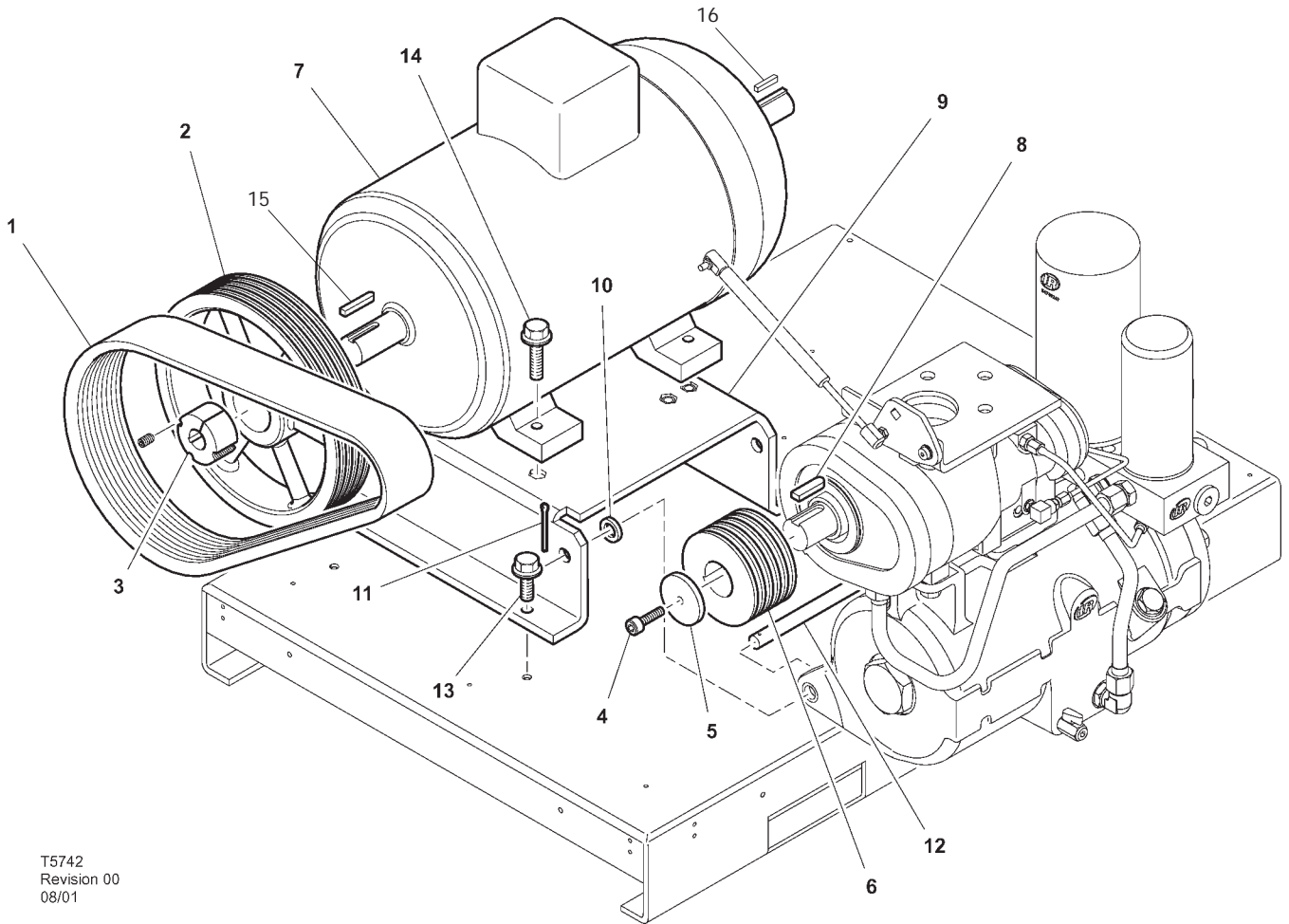
Item	ccn	Qty.	Description	Item	ccn	Qty.	Description
1	22108393	1	Belt, drive UP6 15hp 125psi UP6 20hp 200psi	5	92751130	1	Plate, retaining
	22108427	1	Belt, drive UP6 15hp 150psi	6	22178057	1	Sheave, driven (Compressor) UP6 15hp 125psi UP6 20hp 200psi
	89265060	1	Belt, drive UP6 20hp 125psi	22178065	1	Sheave, driven (Compressor) UP6 15hp 150psi	
	89265078	1	Belt, drive UP6 20hp 150psi	22107536	1	Sheave, driven (Compressor) UP6 20hp 125psi	
	89265052	1	Belt, drive UP6 25hp 125psi UP6 30hp 150psi	22178040	1	Sheave, driven (Compressor) UP6 20hp 150psi	
	89265060	1	Belt, drive UP6 25hp 150psi UP6 30hp 125 / 200psi	22107585	1	Sheave, driven (Compressor) UP6 25hp 125psi	
	89265078	1	Belt, drive UP6 25hp 200psi	22107593	1	Sheave, driven (Compressor) UP6 25hp 150psi	
2	22108351	1	Sheave, drive (Motor) UP6 15hp 125 / 150psi UP6 20hp 125 / 150 / 200psi	22107601	1	Sheave, driven (Compressor) UP6 25hp 200psi	
	22108369	1	Sheave, drive (Motor) UP6 30hp 125 / 150psi	22107619	1	Sheave, driven (Compressor) UP6 30hp 125psi	
3	22083448	1	Bush	22107627	1	Sheave, driven (Compressor) UP6 30hp 150psi	
4	96703186	1	Screw	22107635	1	Sheave, driven (Compressor) UP6 30hp 200psi	

3 MOTOR ASSEMBLY 60Hz



T5742
Revision 00
08/01

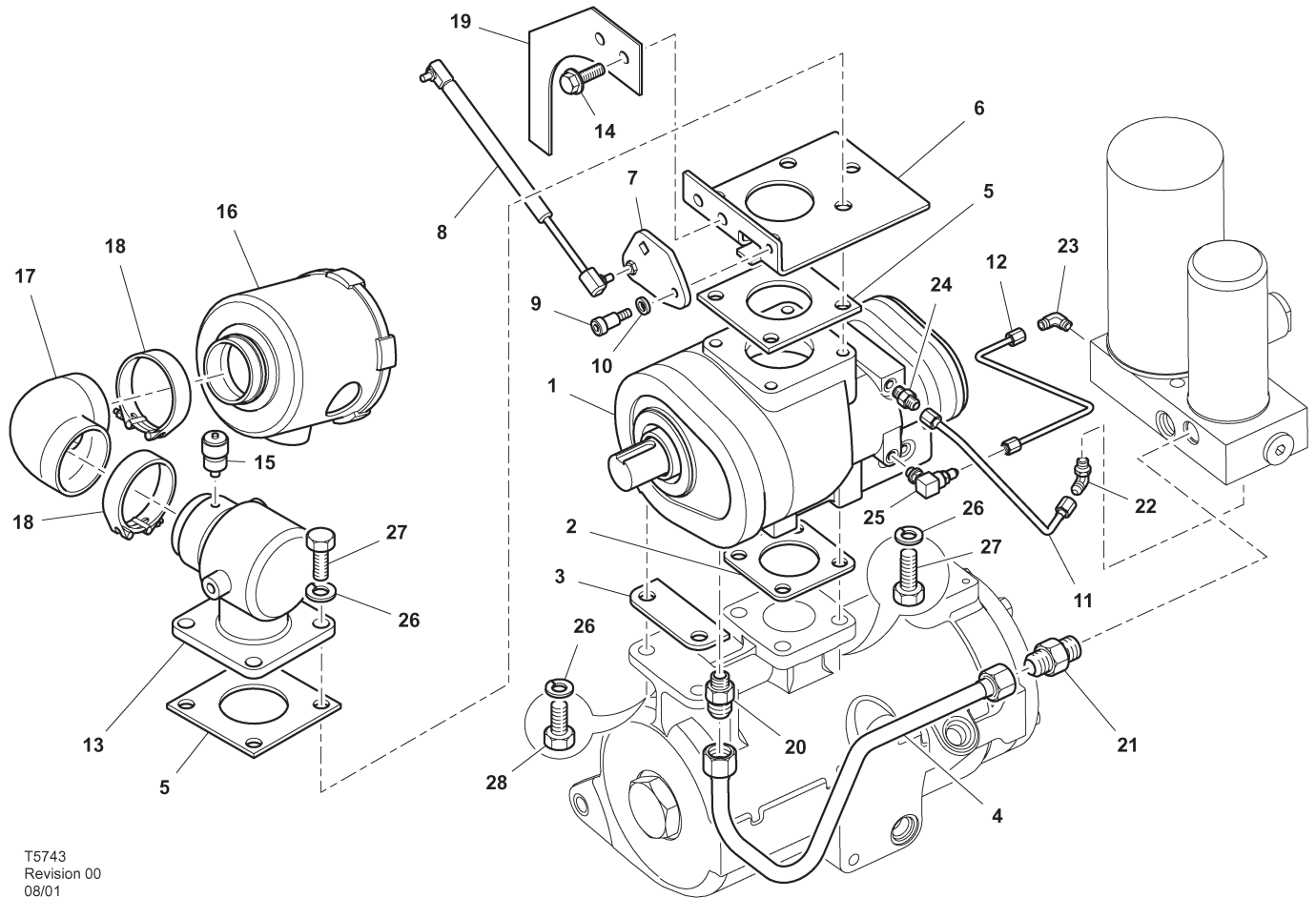
Item	ccn	Qty.	Description	Item	ccn	Qty.	Description
7	22234157	1	Motor 15hp 200V 60Hz ODP	54735436	1	Motor 20hp / 15hp-HA 200V 60Hz TEFC	
	22234116	1	Motor 15hp 200V 60Hz TEFC	54735378	1	Motor 20hp / 15hp-HA 230/460V 60Hz ODP	
	22234140	1	Motor 15hp 230/460V 60Hz ODP	54735428	1	Motor 20hp / 15hp-HA 230/460V 60Hz TEFC	
	22234108	1	Motor 15hp 230/460V 60Hz TEFC	54735402	1	Motor 20hp / 15hp-HA 380V 60Hz ODP	
	22234165	1	Motor 15hp 380V 60Hz ODP	54735451	1	Motor 20hp / 15hp-HA 380V 60Hz TEFC	
	22234124	1	Motor 15hp 380V 60Hz TEFC	54735410	1	Motor 20hp / 15hp-HA 575V 60Hz ODP	
	22234173	1	Motor 15hp 575V 60Hz ODP	54735469	1	Motor 20hp / 15hp-HA 575V 60Hz TEFC	
	22234132	1	Motor 15hp 575V 60Hz TEFC	54735485	1	Motor 25hp / 20hp-HA 200V 60Hz ODP	
	54735386	1	Motor 20hp / 15hp-HA 200V 60Hz ODP	54735535	1	Motor 25hp / 20hp-HA 200V 60Hz TEFC	



T5742
Revision 00
08/01

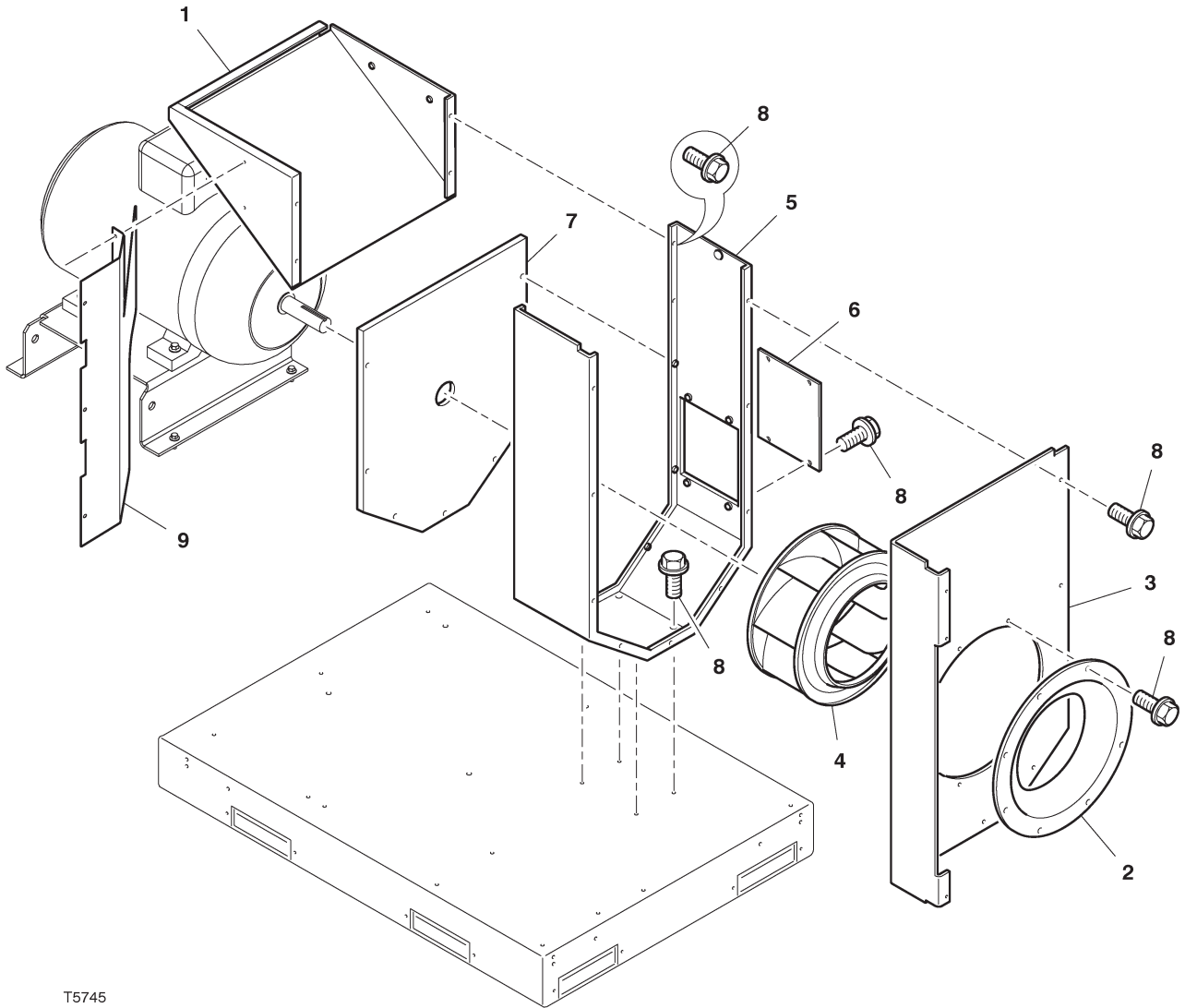
Item	ccn	Qty.	Description	Item	ccn	Qty.	Description
7	54735477	1	Motor 25hp / 20hp-HA 230/460V 60Hz ODP	54735626	1	Motor 30hp / 25hp-HA 230/460V 60Hz TEFC	
	54735527	1	Motor 25hp / 20hp-HA 230/460V 60Hz TEFC	54735600	1	Motor 30hp / 25hp-HA 380V 60Hz ODP	
	54735501	1	Motor 25hp / 20hp-HA 380V 60Hz ODP	54735659	1	Motor 30hp / 25hp-HA 380V 60Hz TEFC	
	54735550	1	Motor 25hp / 20hp-HA 380V 60Hz TEFC	54735618	1	Motor 30hp / 25hp-HA 575V 60Hz ODP	
	54735519	1	Motor 25hp / 20hp-HA 575V 60Hz ODP	54735667	1	Motor 30hp / 25hp-HA 575V 60Hz TEFC	
	54735568	1	Motor 25hp / 20hp-HA 575V 60Hz TEFC	8	88101209	1	Key
	22592661	1	Motor 30hp / 25hp-HA 200V 60Hz ODP	9	54720511	1	Support 256 Frame motors
	22592679	1	Motor 30hp / 25hp-HA 200V 60Hz TEFC	54720529	1	Support 280 Frame motors	
	54735576	1	Motor 30hp / 25hp-HA 230/460V 60Hz ODP	10	39224209	1	Spacer
				11	95231494	2	Pin
				12	54740451	1	Rod
				13	96737556	4	Screw
				14	96738406	4	Screw 256 Frame motors
					96741814	4	Screw 280 Frame motors
				15	96750120	1	Key Drive
				16	95488318	1	Key Non Drive

5 AIREND ASSEMBLY



T5743
Revision 00
08/01

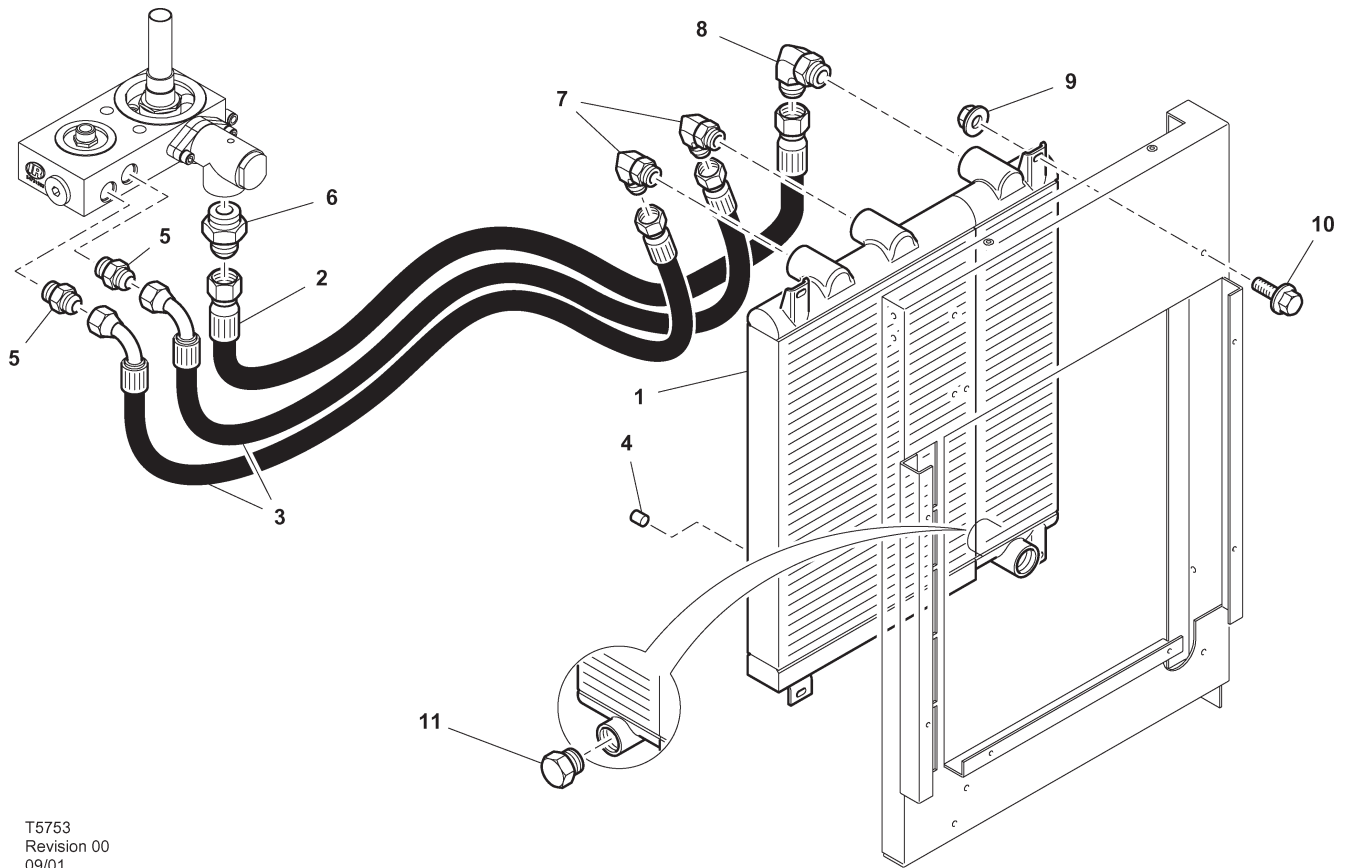
Item	ccn	Qty.	Description	Item	ccn	Qty.	Description
1	22637219	1	Airend	15	22097208	1	Indicator, air restriction
2	39570999	1	Gasket	16	89265300	1	Filter assembly
3	54740386	1	Gasket	17	89295935	1	Hose
4	85581866	1	Tube assembly	18	95340683	2	Clamp
5	39494794	2	Gasket	19	22065890	1	Guard
6	54749106	1	Bracket	20	22062376	1	Adaptor
7	54749098	1	Plate	21	95952867	1	Connector
8	54749114	1	Spring, gas	22	95993572	1	Elbow
9	96728233	1	Screw	23	95937686	1	Elbow
10	96701404	1	Washer	24	96739701	1	Connector
11	85581858	1	Tube assembly	25	54775556	1	Check valve, orifice
12	85581882	1	Tube assembly	26	96721097	10	Washer, Spring
13	54747399	1	Valve, unloader	27	96738513	8	Screw
*13a	22067177	1	Kit, unloader valve	28	96703186	2	Screw
14	92368687	2	Screw				



T5745
Revision 00
08/01

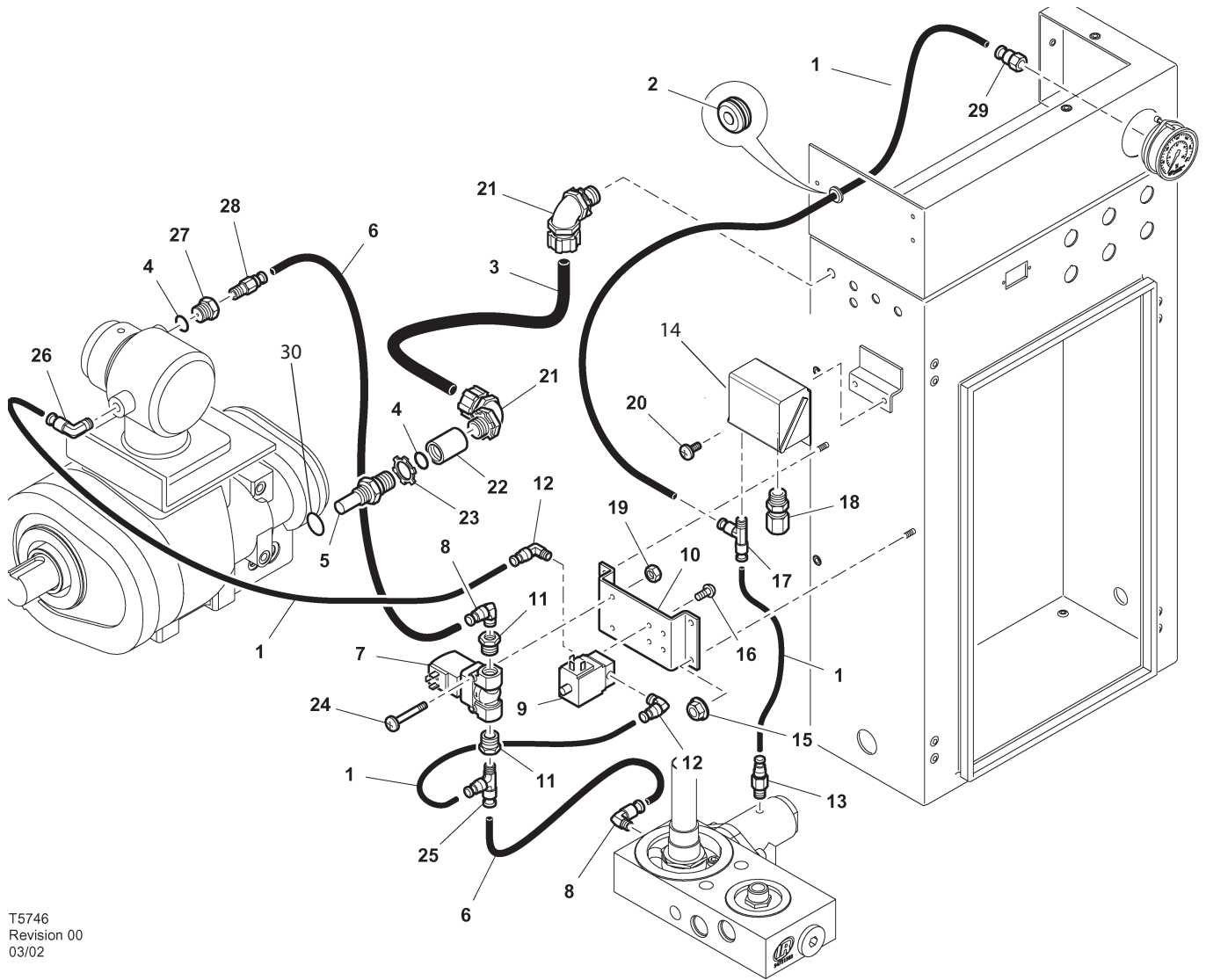
Item	ccn	Qty.	Description	Item	ccn	Qty.	Description
1	22099873	1	Chute assembly	5	22113195	1	Shroud assembly
2	99295388	1	Cone, 25-30hp / 20-25hp-HA	*	85584365	1	Foam
	99295370	1	Cone, 15-20hp / 15hp-HA	6	54754296	1	Cover
3	22113203	1	Plenum assembly 25-30hp / 20-25hp-HA	7	22099840	1	Cover assembly
	22159099	1	Plenum assembly 15-20hp / 15hp-HA	8	92368687	AR	Screw
4	99319329	1	Blower 25-30hp / 20-25hp-HA	9	22099881	1	Baffle assembly
	99295354	1	Blower 15-20hp / 15hp-HA				

7 COOLING SYSTEM



T5753
Revision 00
09/01

Item	ccn	Qty.	Description	Item	ccn	Qty.	Description
1	54753918	1	Cooler 25-30hp / 20- 25hp-HA	6	96952122	1	Adaptor
	22082499	1	Cooler 15-20hp / 15hp-HA	7	95938163	2	Elbow
2	85561231	1	Hose assembly	8	96952379	1	Adaptor
3	85560597	2	Hose assembly	9	96737564	4	Nut
4	95928230	1	Plug	10	96704531	4	Screw
5	95952867	2	Connector	11	95928230	1	Plug

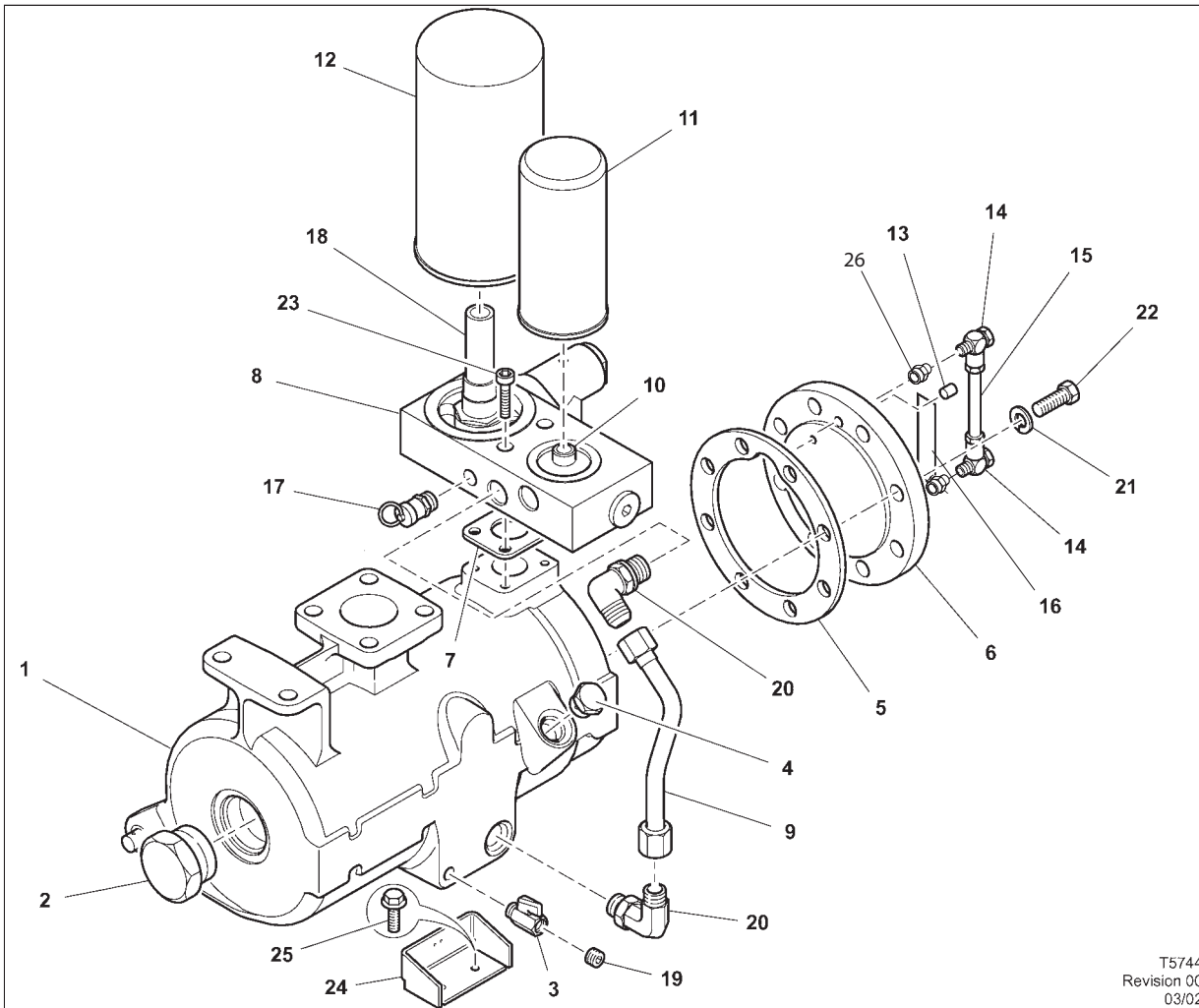


T5746
Revision 00
03/02

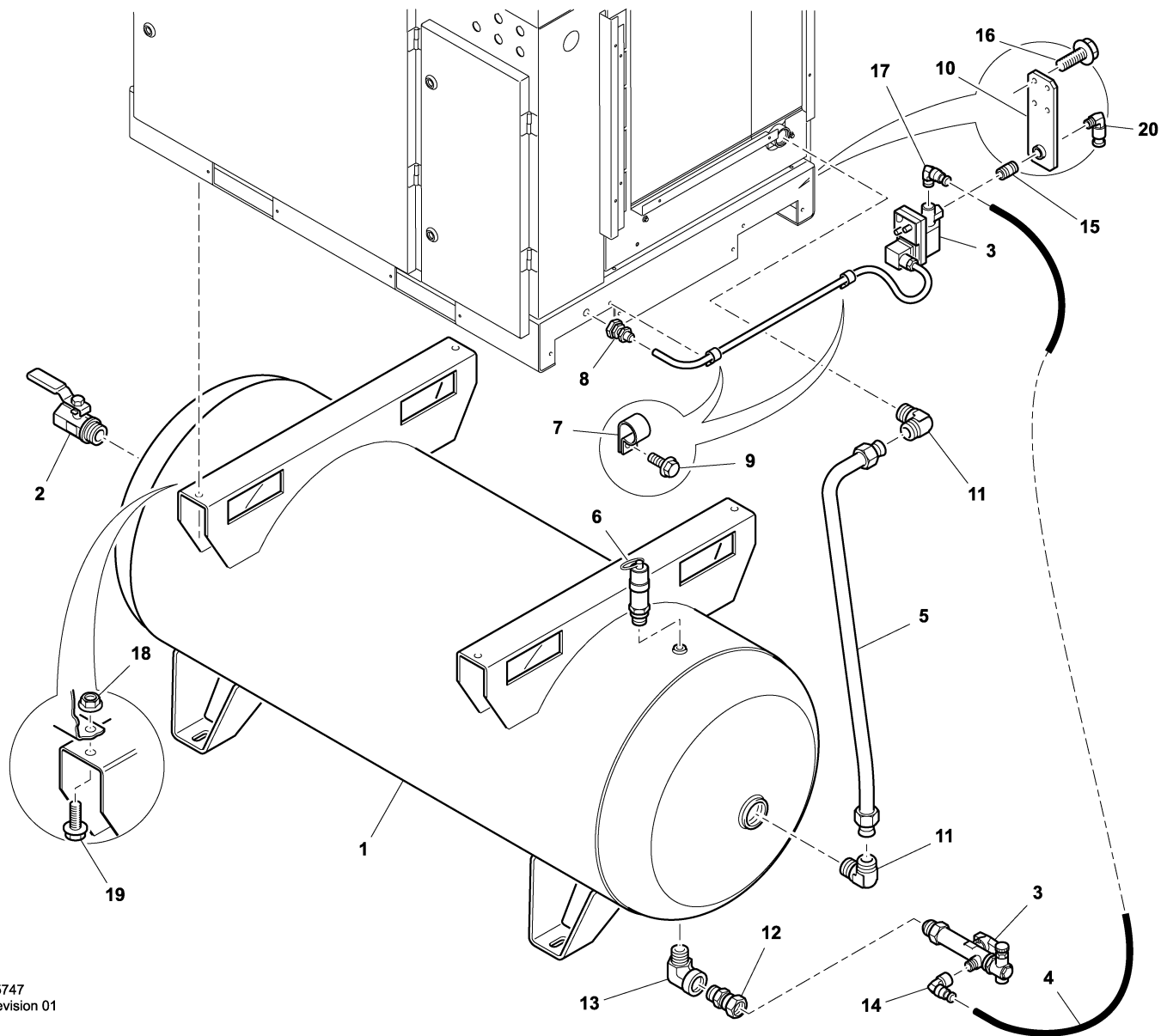
Item	ccn	Qty.	Description	Item	ccn	Qty.	Description
1	39124813	AR	Tube (Nylon)	15	96737564	AR	Nut
2	85583367	1	Grommet	16	96743182	AR	Screw
3	54472162	700	Conduit mm	17	39155346	1	Tee
4	39404165	1	'O' Ring	18	22224976	1	Adaptor
5	39416128	1	Switch, temperature	19	96703756	AR	Nut
6	39124821	AR	Tube (Nylon)	20	96738828	2	Screw
7	54654652	1	Valve, solenoid (Blowdown)	21	54472485	2	Elbow
8	39155650	2	Elbow	22	95952388	1	Coupling
9	54774302	1	Valve, solenoid (Load)	23	39114079	1	Locknut
10	54755426	1	Bracket	24	96742754	2	Screw
11	95944625	2	Bushing	25	22055909	1	Tee
12	39155577	2	Elbow	26	39155478	1	Elbow
13	39156393	1	Connector	27	54774997	1	Bushing
14	22505309	1	Switch, pressure	28	39156419	1	Connector
				29	39156443	1	Connector
				30	39404165	1	'O' Ring

9

SEPARATION SYSTEM



Item	ccn	Qty.	Description	Item	ccn	Qty.	Description
1	54728100	1	Tank, separator (ASME U / LLOYDS)	12	54749247	1	Cartridge, separator
1	54728118	1	Tank, separator (CE-10/UM/CRN/SQL/UDT)	13	95928214	1	Plug (For Non-Intellisys)
2	95943635	1	Plug	14	89209217	2	Elbow
3	54723341	1	Valve, drain	15	54740444	1	Sight-glass
4	22182265	1	Plug, Ultra	16	22051296	1	Decal
	23176068	1	Plug, Ultra	17	22052450	1	Valve, safety (60Hz)
5	54729876	1	Gasket	18	22354989	1	Nipple
6		1	Plate, cover (part of tank)	19	95928222	1	Plug
7	54740378	1	Gasket	20	95938163	2	Elbow
8	22099352	1	Manifold	21	96721097	8	Washer
*8a	22064695	1	Kit, minimum pressure valve	22	54740428	8	Screw
*8b	22832885	1	Kit, thermostatic valve	23	96741780	4	Screw
9	85581874	1	Tube assembly	24	23228067	1	Support
10	54749221	1	Nipple	25	39917489	2	Screw
11	54672654	1	Filter, coolant	26	22813133	2	Adaptor

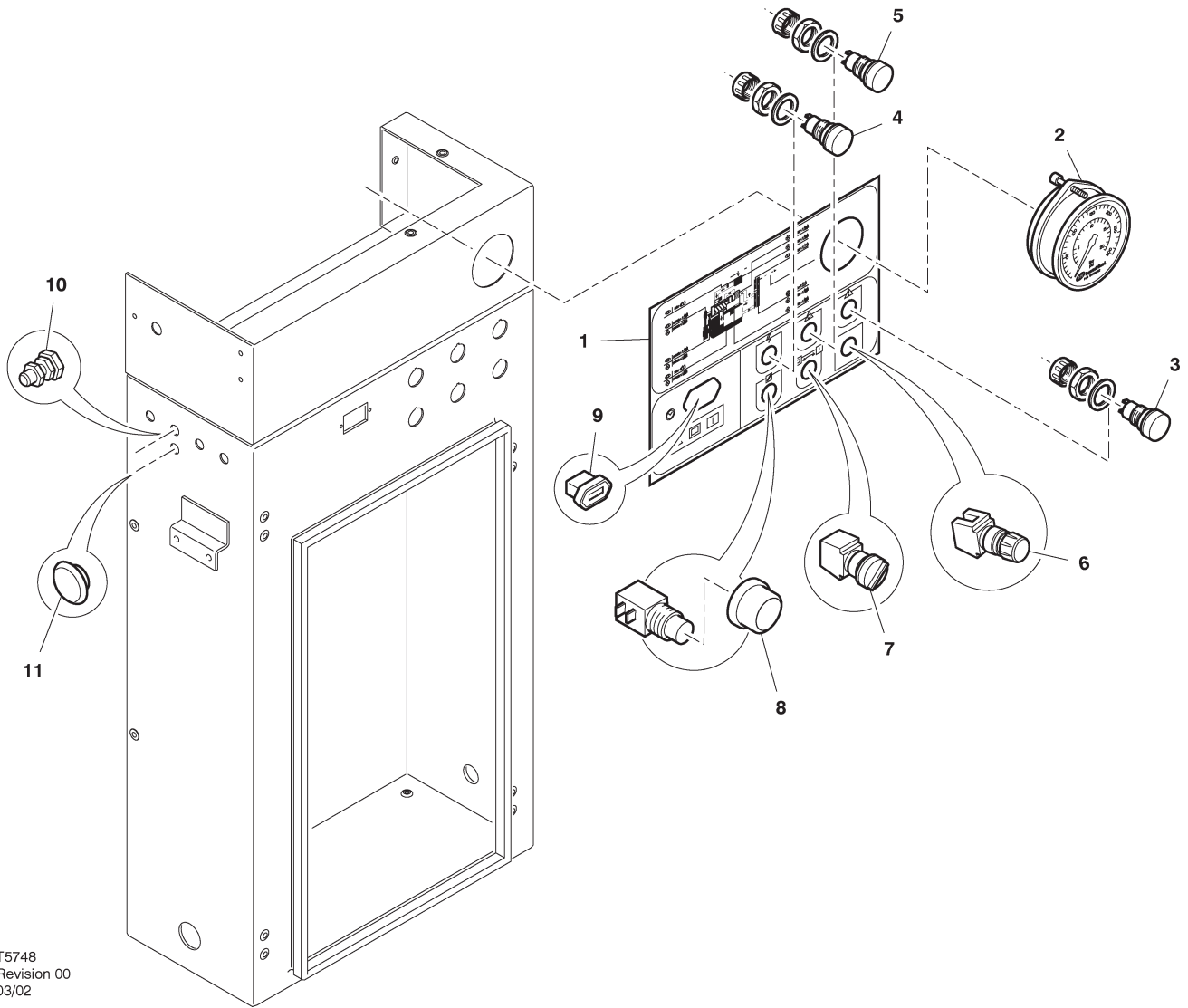


T5747
Revision 01

Item	ccn	Qty.	Description	Item	ccn	Qty.	Description
1	54701115	1	Tank (120 Gallon 125/150 psi)	7	32224537	2	Clip, retaining
	54701123	1	Tank (120 Gallon 200 psi)	8	22095913	1	Gland, cable
	22050843	1	Tank (240 Gallon 125/150 psi)	9	92368687	2	Screw
	22061543	1	Tank (240 Gallon 200 psi)	10	32341760	1	Bracket
2	22055438	1	Valve, ball	11	95937645	2	Elbow
3	54579248	1	Valve, drain	12	95989638	1	Adaptor
4	39124813	AR	Tube (Nylon)	13	54393335	1	Elbow
5	85582161	1	Tube assembly (120 Gallon)	14	39156336	1	Elbow
	85584076	1	Tube assembly (240 Gallon)	15	95667341	1	Nipple
6	39588074	1	Valve, pressure 200psi (120 Gallon)	16	39917489	2	Screw
	22052450	1	Valve, pressure 225psi (240 Gallon)	17	39155478	1	Elbow
				18	96741830	4	Nut
				19	96704226	4	Screw
				20	37143542	1	Elbow

11

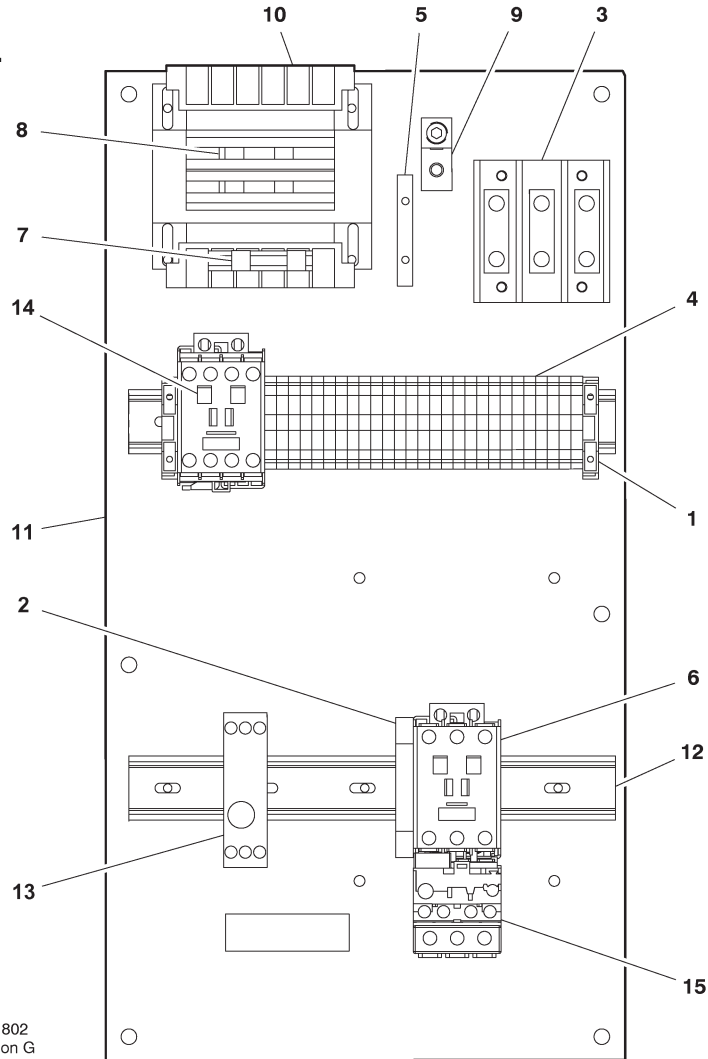
INSTRUMENTATION AND ELECTRICAL SYSTEM



T5748
Revision 00
03/02

Item	ccn	Qty.	Description	Item	ccn	Qty.	Description
1	32342669	1	Decal	9	32342131	1	Hourmeter
2	54772058	1	Gauge	*9a	39237086	1	Gasket
3	32342180	1	Indicator (Red)	*9b	39127245	2	Screw
4	32342156	1	Indicator (Green)	*9c	22462360	1	Varistor
5	32342164	1	Indicator (White)	10	92877018	3	Gland, cable
6	22053904	1	Button, emergency stop	11	39140785	1	Plug
7	32342149	1	Switch, Off/On	*	22503411	1	Kit, voltage spike
8	32342172	1	Pushbutton, reset				

C37
60 Hz
FULL VOLTAGE – DOL
575V 15 – 30 hp
(15–25hp–HA)



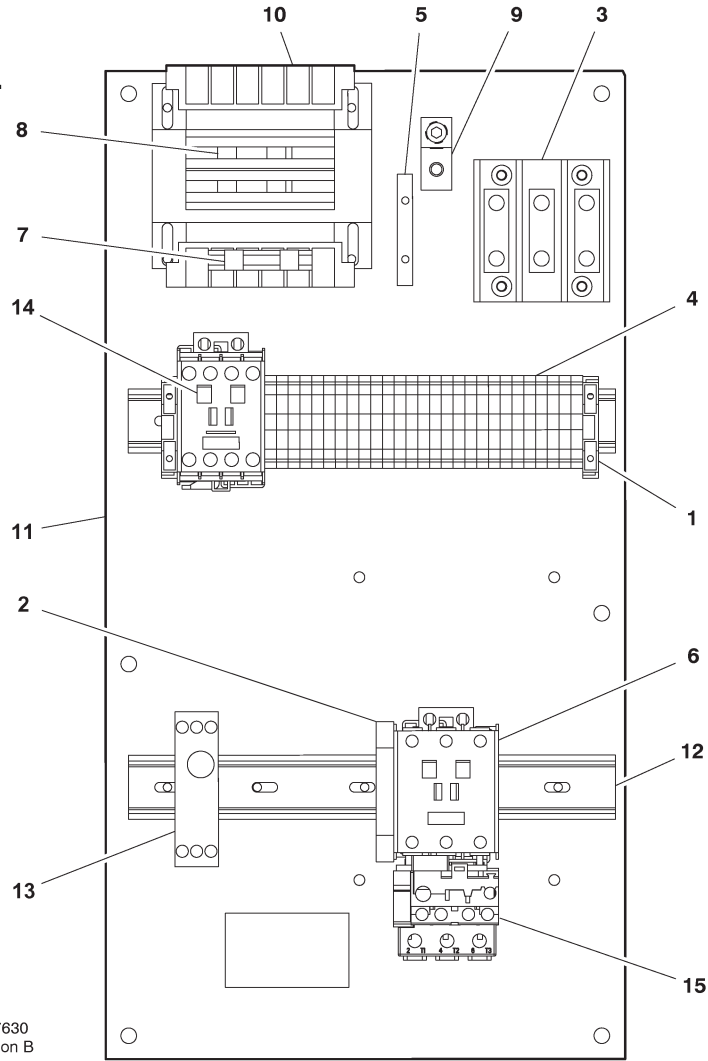
32341802
 Revision G

Item	ccn	Qty.	Description	Item	ccn	Qty.	Description
1	39252937	2	Block, end stop	9	32342123	1	Lug, power grounding
2	22074017	1	Block, auxilliary contact	10	32342081	1	Transformer
3	39164520	1	Block, terminal	11	22050140	1	Panel
4	39252903	27	Block, terminal	12	22056741	2	Rail
5	32342115	1	Bus, grounding	13	22294037	1	Relay, time delay
6	39251061	1	Contactor C37	14	39255559	1	Relay, fault, high air temp.
7	22074033	1	Fuse 2.0A 125–250V	15	23053754	1	Relay, overload
8	32342099	2	Fuse 1.5A 600V				

13

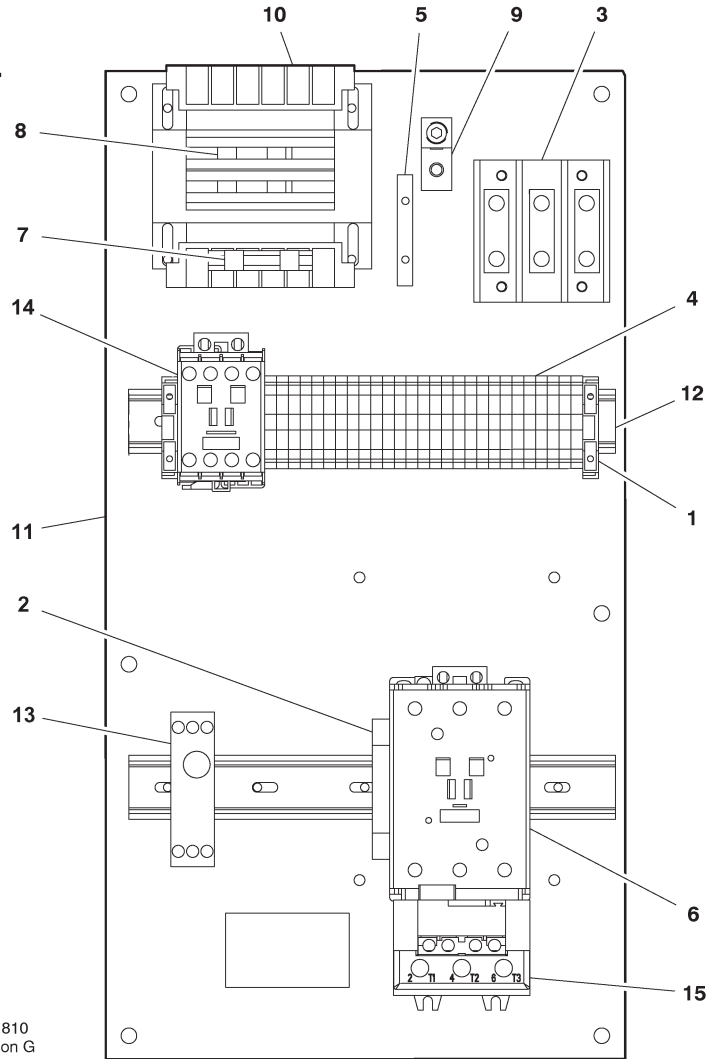
INSTRUMENTATION AND ELECTRICAL SYSTEM

C43
60 Hz
FULL VOLTAGE – DOL
230/460V 15hp



Item	ccn	Qty.	Description	Item	ccn	Qty.	Description
1	39252937	2	Block, end stop	9	32342123	1	Lug, power grounding
2	22074017	1	Block, auxilliary contact	10	32342081	1	Transformer
3	39164520	1	Block, terminal	11	22050140	1	Panel
4	39252903	27	Block, terminal	12	22056741	2	Rail
5	32342115	1	Bus, grounding	13	22294037	1	Relay, time delay
6	39250998	1	Contactor C43	14	39255559	1	Relay, fault, high air temp.
7	22074033	1	Fuse 2.0A 125-250V	15	23053754	1	Relay, overload
8	32342099	2	Fuse 1.5A 600V				

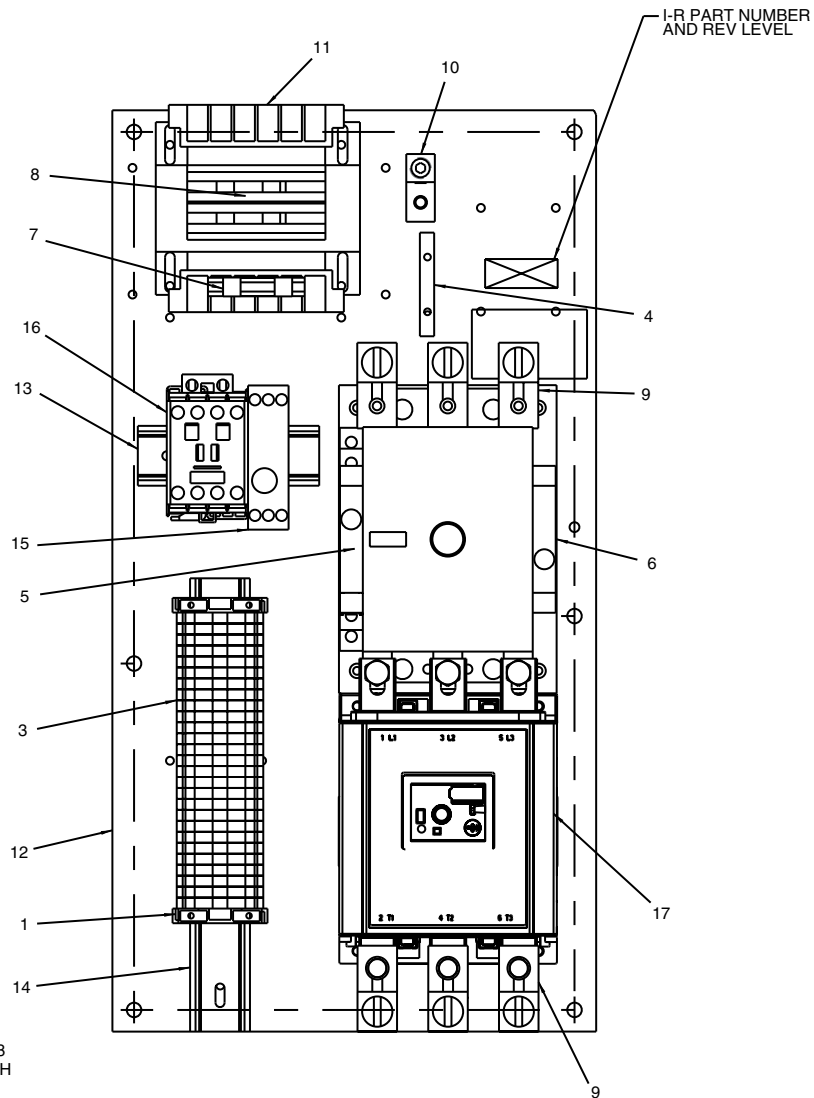
C85
60 Hz
FULL VOLTAGE - DOL
200V 15-25hp
(15-20hp-HA)
230/460V 20-30hp
(15-25hp-HA)



32341810
 Revision G

Item	ccn	Qty.	Description	Item	ccn	Qty.	Description
1	39252937	2	Block, end stop	9	32342123	1	Lug, power grounding
2	22074017	1	Block, auxilliary contact	10	32342081	1	Transformer
3	39164520	1	Block, terminal	11	22050140	1	Panel
4	39252903	27	Block, terminal	12	22056741	2	Rail
5	32342115	1	Bus, grounding	13	22294037	1	Relay, time delay
6	39251020	1	Contactor C85	14	39255559	1	Relay, fault, high air temp.
7	22074033	1	Fuse 2.0A 125-250V	15	23053770	1	Relay, overload
8	32342099	2	Fuse 1.5A 600V				

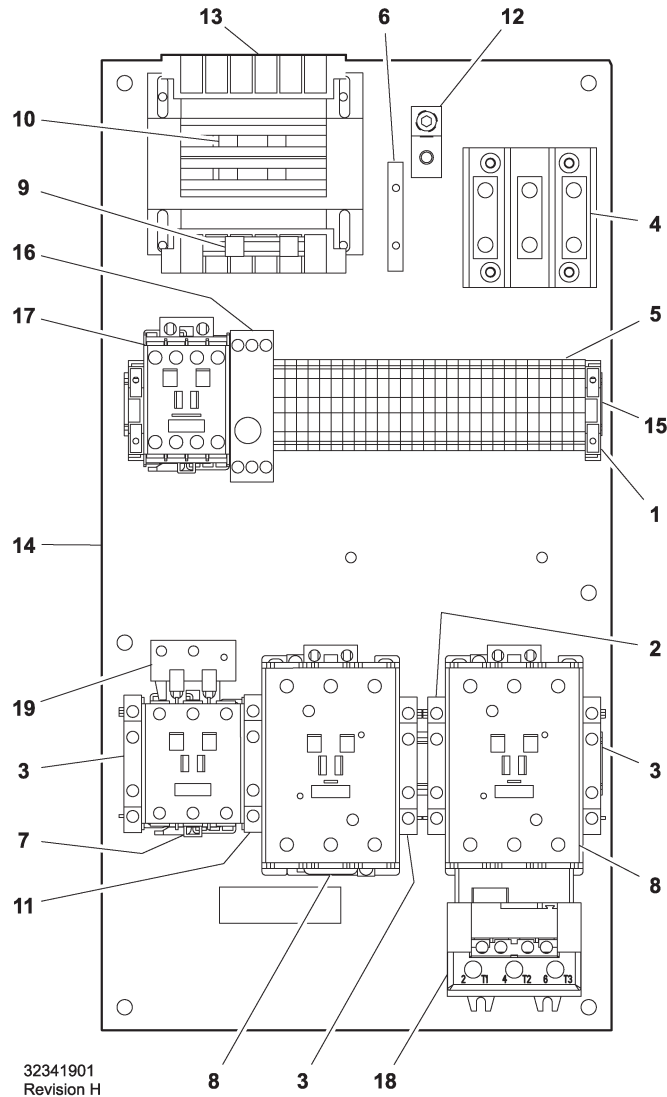
D110
60 Hz
FULL VOLTAGE – DOL
200V 30hp (25hp–HA)



32341828
 Revision H

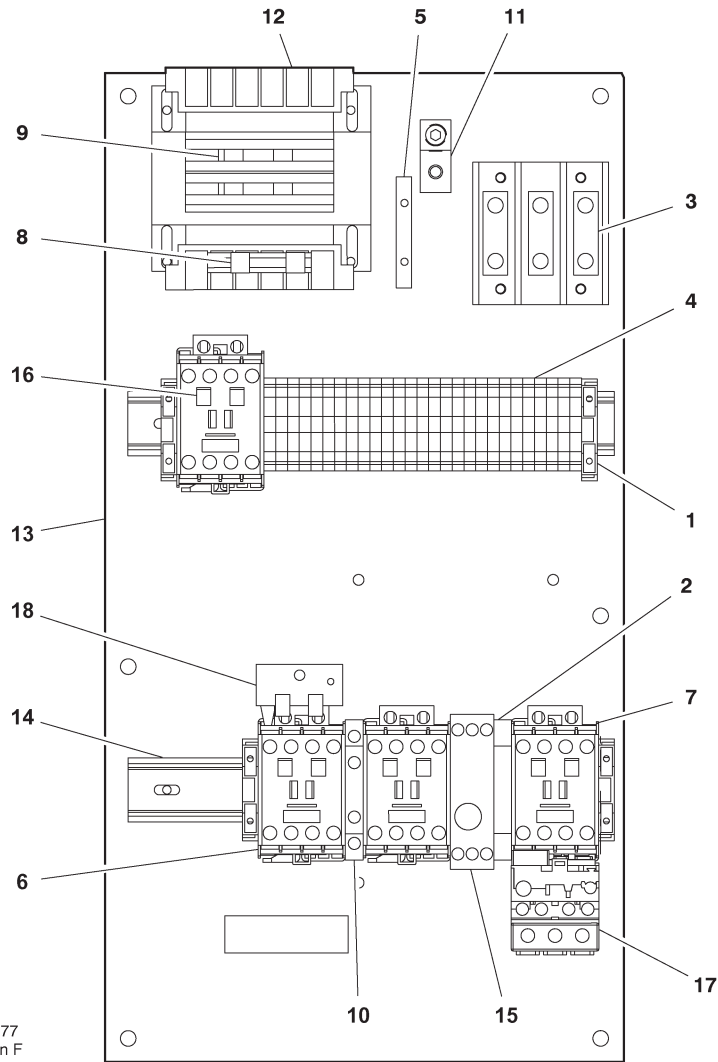
Item	ccn	Qty.	Description	Item	ccn	Qty.	Description
1	39252937	2	Stop, Din rail	10	32342123	1	Lug, grounding
3	39252903	27	Block, terminal	11	32342081	1	Transformer
4	32342115	1	Bus, grounding	12	22050140	1	Panel, starter back
5	22074025	1	Block, nc auxillary contact	13	22054746	1	Rail, din
6	22264873	1	Contactor, D110 w/1NC&1NO	14	22056741	1	Rail, din
7	22074033	1	Fuse, 125-250V 2.0A	15	22294037	1	Relay
8	32342099	2	Fuse, 600V 1.5A	16	39255559	1	Relay, control
9	22630727	2	Kit, terminal lug	17	22630974	1	Relay, overload

C60/C43
60 Hz STAR DELTA
200V 25–30hp
(20–25hp–HA)
220/230V 30hp
(25hp–HA)



Item	ccn	Qty.	Description	Item	ccn	Qty.	Description
1	39252937	4	Block, end stop	10	32342099	2	Fuse 1.5A 600V
2	22074017	1	Block, auxilliary contact	11	39333257	1	Interlock
3	22132963	3	Block, auxilliary contact	12	32342123	1	Lug, power grounding
4	39164520	1	Block, terminal	13	32342081	1	Transformer
5	39252903	27	Block, terminal	14	22050140	1	Panel
6	32342115	1	Bus, grounding	15	22056741	2	Rail
7	39250998	1	Contact C43	16	22294037	1	Relay, time delay
8	39251004	2	Contact C60	17	39255559	1	Relay, fault, high air temp.
9	22074033	1	Fuse 2.0A 125–250V	18	23053770	1	Relay, overload
				19	22218648	1	Timer

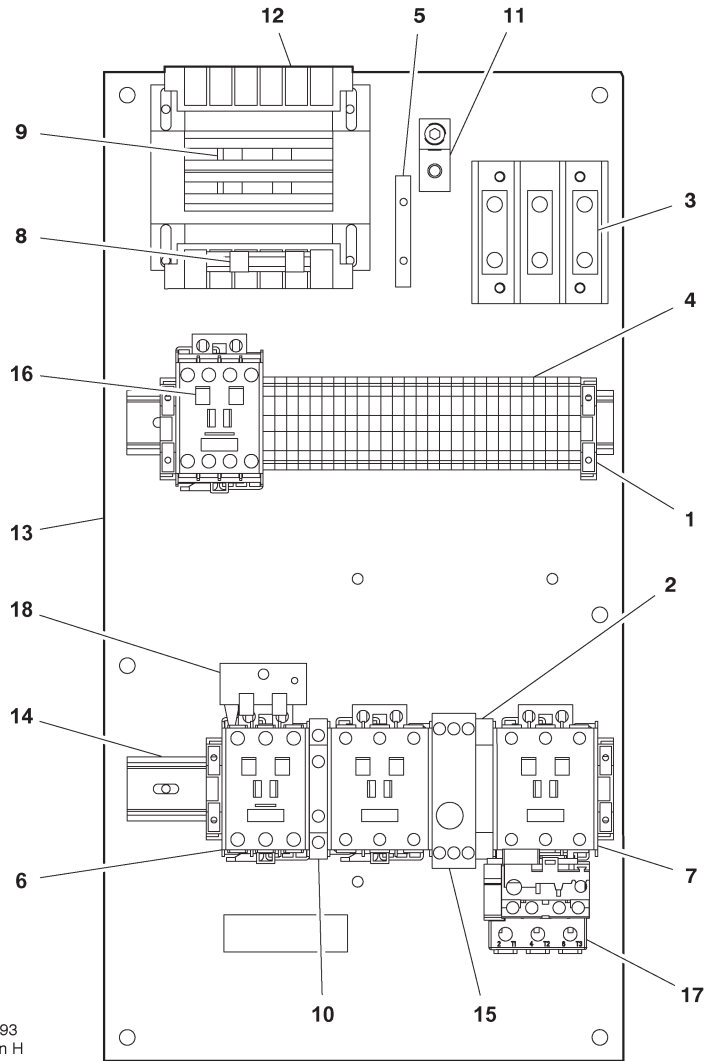
C23/C16
60 Hz STAR DELTA
440/460V 15-25hp
(15-20hp-HA)
575V 20-30hp
(15-25hp-HA)



32341877
 Revision F

Item	ccn	Qty.	Description	Item	ccn	Qty.	Description
1	39252937	4	Block, end stop	10	39333257	1	Interlock
2	22074017	1	Block, auxilliary contact	11	32342123	1	Lug, power grounding
3	39164520	1	Block, terminal	12	32342081	1	Transformer
4	39252903	27	Block, terminal	13	22050140	1	Panel
5	32342115	1	Bus, grounding	14	22056741	2	Rail
6	22074413	1	Contactore C16	15	22294037	1	Relay, time delay
7	39252036	2	Contactore C23	16	39255559	1	Relay, fault, high air temp.
8	22074033	1	Fuse 2.0A 125-250V	17	23053747	1	Relay, overload
9	32342099	2	Fuse 1.5A 600V	18	22218648	1	Timer

C43/C37
60 Hz STAR DELTA
200V 15–20hp
(15hp–HA)
220/230V 25hp
(20hp–HA)



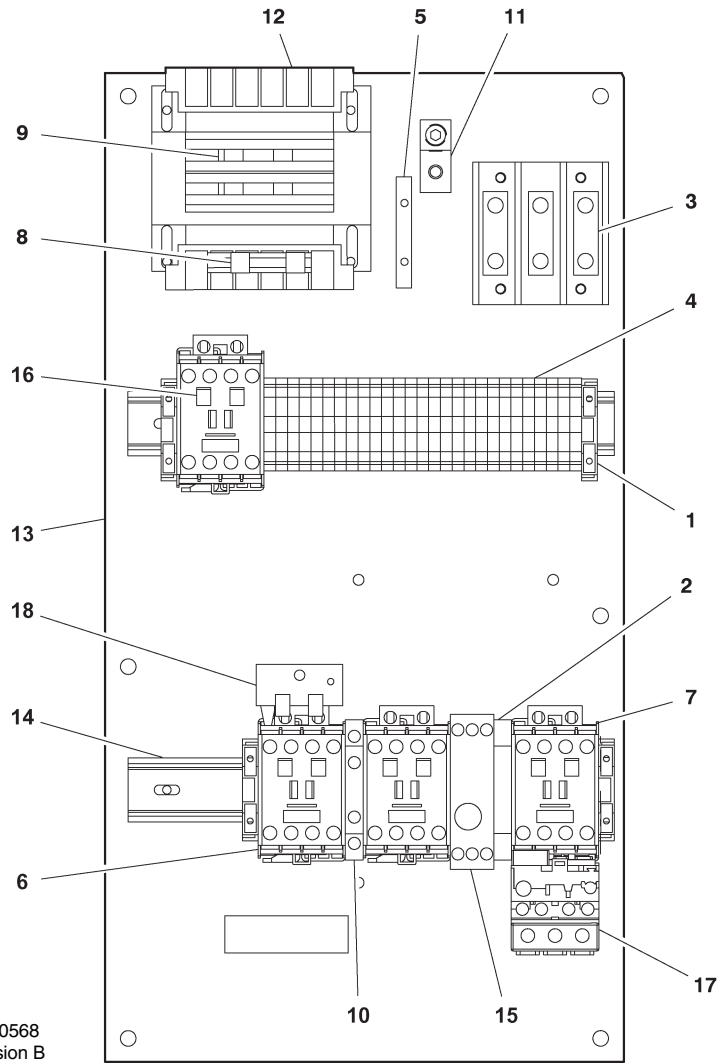
32341893
 Revision H

Item	ccn	Qty.	Description	Item	ccn	Qty.	Description
1	39252937	4	Block, end stop	10	39333257	1	Interlock
2	22074017	1	Block, auxilliary contact	11	32342123	1	Lug, power grounding
3	39164520	1	Block, terminal	12	32342081	1	Transformer
4	39252903	27	Block, terminal	13	22050140	1	Panel
5	32342115	1	Bus, grounding	14	22056741	2	Rail
6	39251061	1	Contacteur C37	15	22294037	1	Relay, time delay
7	39250998	2	Contacteur C43	16	39255559	1	Relay, fault, high air temp.
8	22074033	1	Fuse 2.0A 125–250V	17	23053754	1	Relay, overload
9	32342099	2	Fuse 1.5A 600V	18	22218648	1	Timer

19

INSTRUMENTATION AND ELECTRICAL SYSTEM

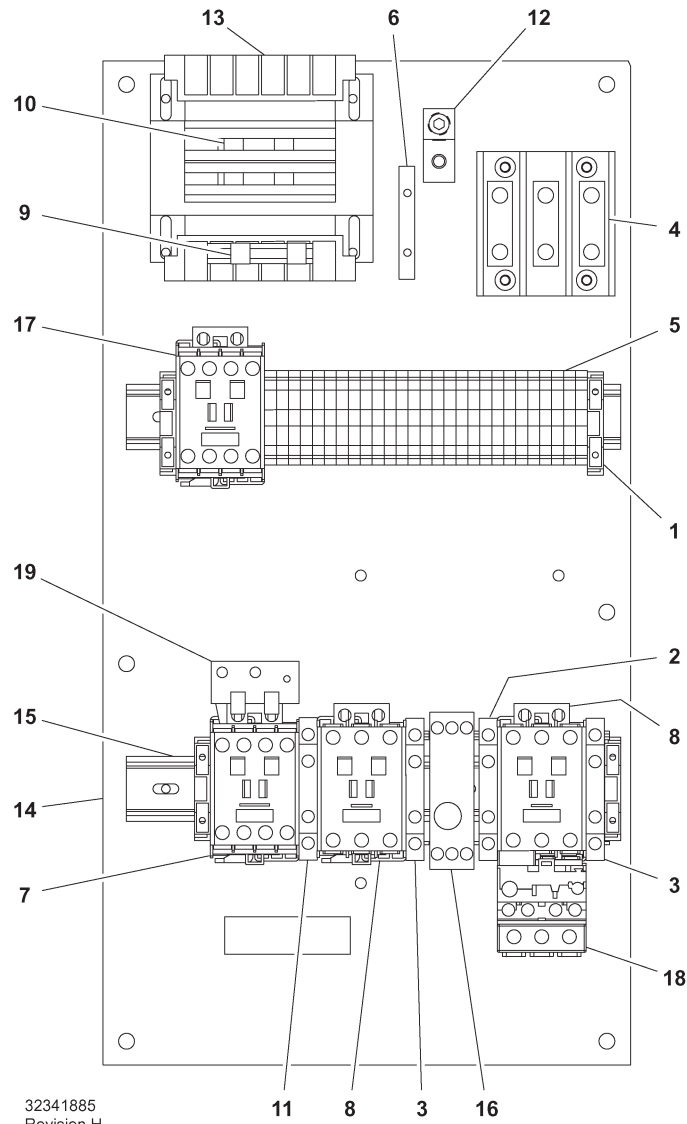
C23/C16
60 Hz STAR DELTA
575 V 15HP



22650568
 Revision B

Item	ccn	Qty.	Description	Item	ccn	Qty.	Description
1	39252937	4	Block, end stop	10	39333257	1	Interlock
2	22074017	1	Block, auxilliary contact	11	32342123	1	Lug, power grounding
3	39164520	1	Block, terminal	12	32342081	1	Transformer
4	39252903	27	Block, terminal	13	22050140	1	Panel
5	32342115	1	Bus, grounding	14	22056741	2	Rail
6	22074413	1	Contactora C16	15	22294037	1	Relay, time delay
7	39252036	2	Contactora C23	16	39255559	1	Relay, fault, high air temp.
8	22074033	1	Fuse 2.0A 125-250V	17	23053739	1	Relay, overload
9	32342099	2	Fuse 1.5A 600V	18	22218648	1	Timer

C37/C23
60 Hz STAR DELTA
220/230V 15–20hp
(15hp–HA)
440/460V 30hp
(25hp–HA)



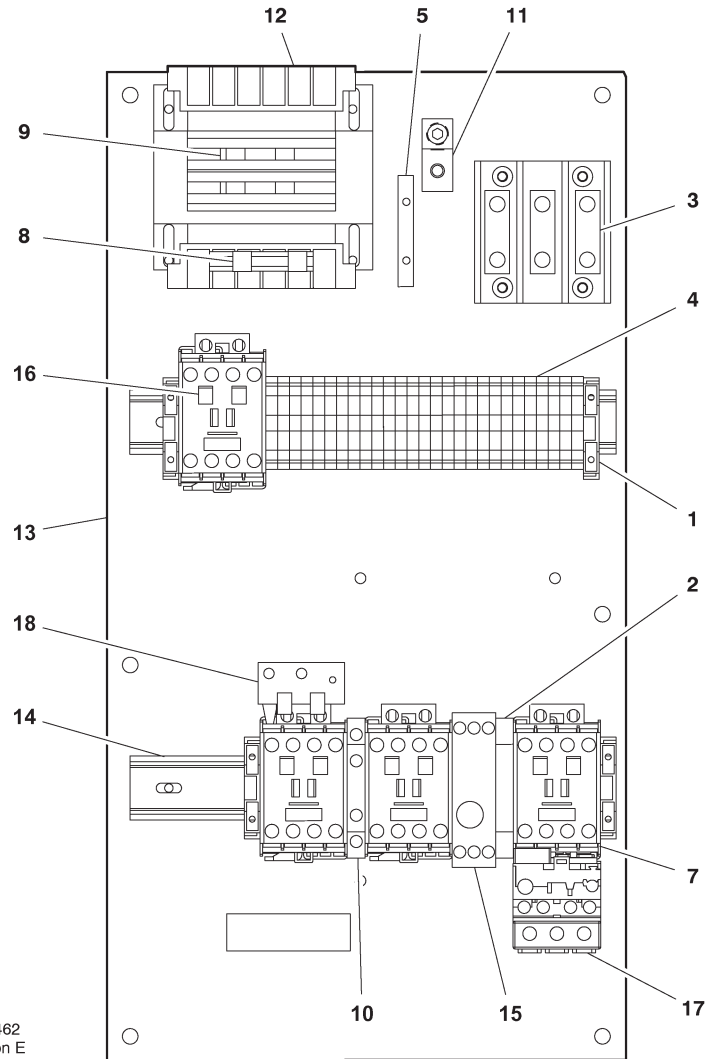
32341885
 Revision H

Item	ccn	Qty.	Description	Item	ccn	Qty.	Description
1	39252937	4	Block, end stop	10	32342099	2	Fuse 1.5A 600V
2	22074017	1	Block, auxilliary contact	11	39333257	1	Interlock
3	22132963	2	Block, auxilliary contact	12	32342123	1	Lug, power grounding
4	39164520	1	Block, terminal	13	32342081	1	Transformer
5	39252903	27	Block, terminal	14	22050140	1	Panel
6	32342115	1	Bus, grounding	15	22056741	2	Rail
7	39252036	1	Contactior C23	16	22294037	1	Relay, time delay
8	39251061	2	Contactior C37	17	39255559	1	Relay, fault, high air temp.
9	22074033	1	Fuse 2.0A 125–250V	18	23053754	1	Relay, overload
				19	22218648	1	Timer

21

INSTRUMENTATION AND ELECTRICAL SYSTEM

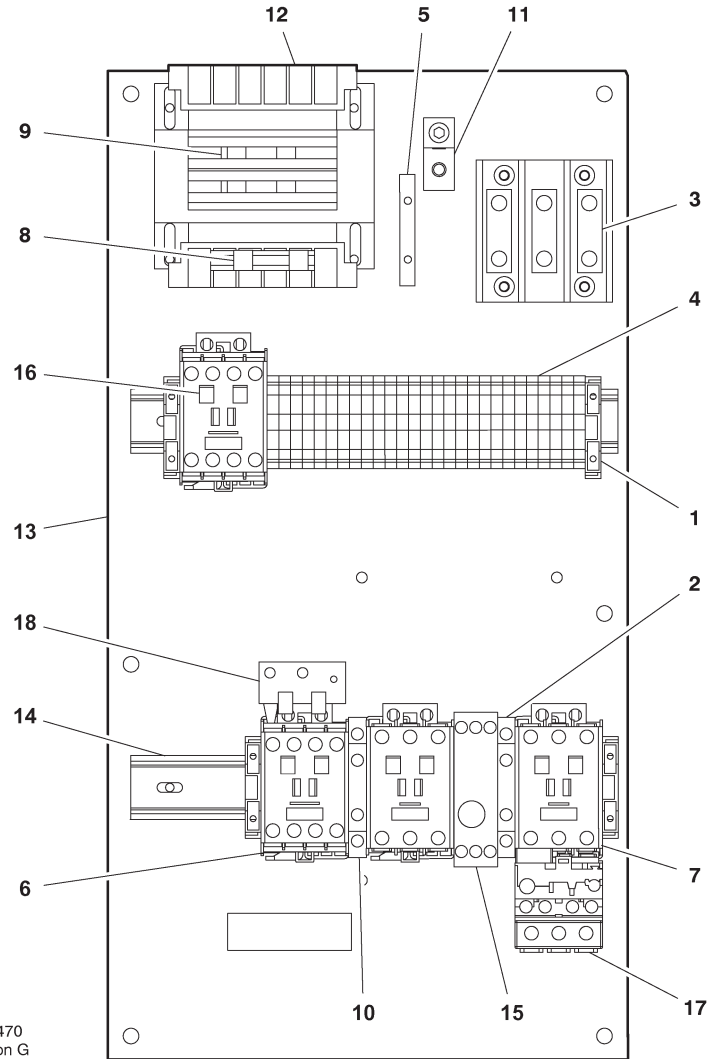
C23/C23
60 Hz STAR DELTA
380V 15–20hp
(15hp–HA)



81290462
 Revision E

Item	ccn	Qty.	Description	Item	ccn	Qty.	Description
1	39252937	4	Block, end stop	10	39333257	1	Interlock
2	22074017	1	Block, auxilliary contact	11	32342123	1	Lug, power grounding
3	39164520	1	Block, terminal	12	81290512	1	Transformer
4	39252903	27	Block, terminal	13	22050140	1	Panel
5	32342115	1	Bus, grounding	14	22056741	2	Rail
6	–			15	22294037	1	Relay, time delay
7	39252036	3	Contactors C23	16	39255559	1	Relay, fault, high air temp.
8	22074033	1	Fuse 2.0A 125–250V	17	23053747	1	Relay, overload
9	32342099	2	Fuse 1.5A 600V	18	22218648	1	Timer

C37/C23
60 Hz STAR DELTA
380V 25–30hp
(20–25hp–HA)



81290470
 Revision G

Item	ccn	Qty.	Description	Item	ccn	Qty.	Description
1	39252937	4	Block, end stop	10	39333257	1	Interlock
2	22074017	1	Block, auxilliary contact	11	32342123	1	Lug, power grounding
3	39164520	1	Block, terminal	12	81290512	1	Transformer
4	39252903	27	Block, terminal	13	22050140	1	Panel
5	32342115	1	Bus, grounding	14	22056741	2	Rail
6	39252036	1	Contactor C23	15	22294037	1	Relay, time delay
7	39251061	2	Contactor C37	16	39255559	1	Relay, fault, high air temp.
8	22074033	1	Fuse 2.0A 125–250V	17	23053754	1	Relay, overload
9	32342099	2	Fuse 1.5A 600V	18	22218648	1	Timer

23 DOCUMENTATION

ccn	Description
80445158	Manual, Operation and Maintenance 60Hz
80445166	Manual, Parts catalogue 60Hz
80445174	Manual, Options 60Hz
80445422	Manual, CD

ccn	Qty.	Description	ccn	Description
Start Up Kit			Suggested Change – Every 8000 Hours / 2 years	
38462743		Kit – Start up 60Hz	22067177	Kit, inlet valve
	1	Filter, coolant	22064695	Kit, minimum pressure valve
	1	Ultra Coolant, 5 L	22832885	Kit, thermostatic valve
Maintenance Kit – Every 2000 Hours / 1 year			54774302	Valve, solenoid (Load)
38462750		Kit – 2000 Hour 60Hz	54654652	Valve, solenoid (Blowdown)
	1	Filter, coolant	54749114	Spring, gas
	1	Element, air filter	Belts 60Hz	
	1	Cartridge, separator	22108393	Belt, drive 15hp 125psi / 20hp, 200psi
	1	Ultra Coolant, 5 L	22108427	Belt, drive 15hp 150psi
	1	Pre filter	89265060	Belt, drive 20hp 175psi / 25hp 150psi / 30hp 125 / 200psi
			89265078	Belt, drive 20hp 150psi
			89265052	Belt, drive 25hp 125psi / 30hp 150psi
			89265078	Belt, drive 25hp 200psi

ccn	Description	ccn	Description
Service Items			
92837095	Ultra Coolant, 1 L	39588074	Valve, pressure 200psi (120 gal. Tank) 60Hz
92692284	Ultra Coolant, 5 L	22052450	Valve, safety 225psi (Manifold) 60Hz
88176367	KIT - COOLANT CHECK 1 x SAMPLE	32342149	Switch, Off/On
38034914	Grease	32342172	Pushbutton, re-set
89295976	Element, air filter	22053904	Button, emergency stop
54672654	Filter, coolant	32342156	Indicator (Green)
54749247	Cartridge, separator	32342180	Indicator (Red)
22053722	Pre filter	32342164	Indicator (White)
22505309	Switch, pressure	54772058	Gauge, pressure
37952421	Kit - Air temperature switch	39124722	Indicator, air restriction
39404165	'O' Ring, temperature switch	32342131	Hourmeter
54740386	Gasket, bare spacer	32342099	Fuse (FU2, FU3) 1.5A 600V 60Hz
54740378	Gasket, manifold	22074033	Fuse (FU1) 2.0A 125-250V 60Hz
39570999	Gasket, discharge adaptor	22503411	Kit, earth spike
39494794	Gasket, inlet valve	38032413	Option, separator pressure drop gauge
85560597	Hose assembly	38032421	Kit, separator gauge service
85561231	Hose assembly	22294037	Relay, time delay
22052450	Valve, pressure 225psi (240 gal. Tank) 60Hz	39255559	Relay, fault, high air temperature

ccn	Qty.	Description	ccn	Qty.	Description
-----	------	-------------	-----	------	-------------

Voltage Specific Spares

C37	F/V - DOL	575V 15-30hp (15-25hp-HA)
39251061	1	Contactactor C37
23051079	1	Relay, overload
39251319	1	Coil C37

C43	F/V - DOL	200/230/460V 15hp
39250998	1	Contactactor C43
23051079	1	Relay, overload
39251327	1	Coil C43

C85	F/V - DOL	200V 20-25hp (15-20hp-HA) 230/460V 20-30hp (15-25hp-HA)
39251020	1	Contactactor C85
23053770	1	Relay, overload
39251335	1	Coil C85

C23/C16	Star Delta	440/460V 15-25hp (15-20hp-HA) 575V 20-30hp (15-25hp-HA)
39252036	2	Contactors C23
23053747	1	Contactactor C16
39255591	1	Relay, overload
NA	1	Coil C16
39251319	1	Coil C23

D110	F/V - DOL	200V 30hp (25hp-HA)
22264873	1	Contactactor D110
22630974	1	Relay, overload
	1	Coil D110
	1	Kit, contacts

C43/C37	Star Delta	200V 15-20hp (15hp-HA) 220/230V 25hp (20hp-HA)
39250998	2	Contactors C43
39251061	1	Contactactor C37
23051079	1	Relay, overload
39251319	1	Coil C37
39251327	1	Coil C43

C60/C43	Star Delta	200V 25-30hp (20-25hp-HA) 220/230V 30hp (25hp-HA)
39251004	2	Contactors C60
39250998	1	Contactactor C43
23053770	1	Relay, overload
39251327	1	Coil C43
39251335	1	Coil C60

C37/C23	Star Delta	220/230V 15-20hp (15hp-HA) 380V 25-30hp (20-25hp-HA) 440/460V 30hp (25hp-HA)
39251061	2	Contactors C37
39252036	1	Contactactor C23
23051079	1	Relay, overload
39251319	2	Coil C23 or C37

C23/C23	Star Delta	380V 15-20hp (15hp-HA)
39252036	3	Contactactor C23
23053747	1	Relay, overload
39251319	1	Coil C23

ccn	Cantidad	Descripción	ccn	Descripción
Kit de arranque			Cambio sugerido – Cada 8.000 horas / 2 año	
38462743		KIT DE PUESTA EN SERVICIO 60Hz	22067177	KIT-VALVULA DE ADMISION
	1	Filtro del refrigerante	22064695	Kit – válvula de presión mínima
	1	Refrigerante Ultra 5 L	22832885	Kit, termovalvula
Kit de mantenimiento – Cada 2.000 horas / 1 año			54774302	Válvula de solenoide
38462750		KIT DE 2000 HORAS 60Hz	54654652	Válvula de solenoide
	1	Filtro del refrigerante	54749114	Amortiguador del gas
	1	Elemento filtro de aire	Correas 60Hz	
	1	Elemento separador	22108393	Correa de transmision 15hp 125psi / 20hp, 200psi
	1	Refrigerante Ultra 5 L	22108427	Correa de transmision 15hp 150psi
	1	Prefiltro	89265060	Correa de transmision 20hp 175psi / 25hp 150psi / 30hp 125 / 200psi
			89265078	Correa de transmision 20hp 150psi
			89265052	Correa de transmision 25hp 125psi / 30hp 150psi
			89265078	Correa de transmision 25hp 200psi

ccn	Descripción	ccn	Descripción
Elementos de servicio			
92837095	Refrigerante Ultra 1 L	22052450	Válvula de presión 225psi (240 gal. Depósito) 60Hz
54772603	Refrigerante Ultra 5 L	39588074	Válvula de presión 200psi (120 gal. Depósito) 60Hz
88176367	KIT - <i>REFRIGERANTECHECK</i> 1 x MUESTRA	22052450	Válvula de seguridad 225psi (Colector) 60Hz
38034914	Grasa	32342149	Conmutador, arranque
89295976	Elemento filtro de aire	32342172	Botón de reposición
54672654	Filtro del refrigerante	22053904	Parada de emergencia
54749247	Elemento separador	32342156	Indicador (verde)
22053722	Prefiltro	32342180	Indicador (Rojo)
22505309	Presostato	32342164	Indicador (Blanco)
37952421	Interruptor de temperatura alta del aire	54772058	Manómetro
39404165	Tórica interruptor de temp.	39124722	Indicador limitación de aire
54740386	Junta	32342131	Horómetro
54740378	Junta	32342099	Fusibile Fusibile (FU2, FU3) 1.5A 600V 60Hz
39570999	Junta	22074033	Fusibile (FU1) 2.0A 125-250V 60Hz
39494794	Junta	22503411	Kit, conexión a tierra
85560597	Conjunto de manguera	38032413	Opción, indicador de caída de presión del separador
85561231	Conjunto de manguera	38032421	Kit, servicio del indicador del separador
		22294037	Relé, retardo de tiempo
		39255559	Relé, fallo, alta temperatura del aire

ccn	Cantidad	Descripción	ccn	Cantidad	Descripción
Repuestos específicos de tensión					
C37	F/V – DOL	575V 20–30hp (15–25hp–HA)	C43	F/V – DOL	200/230/460V 15hp
39251061	1	Contactador C37	39250998	1	Contactador C43
23051079	1	Relé de sobrecarga	39251079	1	Relé de sobrecarga
39251319	1	Bobina C37	39251327	1	Bobina C43
C85	F/V – DOL	200V 20–25hp (15–20hp–HA) 230/460V 20–30hp (15–25hp–HA)	C23/C16	Star Delta	440/460V 20–25hp (15–20hp–HA) 575V 20–30hp (15–25hp–HA)
39251020	1	Contactador C85	39252036	2	Contactores C23
23053770	1	Relé de sobrecarga	23053747	1	Contactador C16
39251335	1	Bobina C85	23051079	1	Relé de sobrecarga
DB110	F/V – DOL	200V 30hp (25hp–HA)	NA	1	Bobina C16
22264873	1	Contactador D 110	39251319	1	Bobina C23
22630974	1	Relé de sobrecarga			
	1	Bobina D110			
	1	Kit – Contactos			
C60/C43	Star Delta	200V 25–30hp (20–25hp–HA) 220/230V 30hp (25hp–HA)	C43/C37	Star Delta	200V 20hp (15hp–HA) 220/230V 25hp (20hp–HA)
39333232	2	Contactores C60	39264924	2	Contactores C43
39264924	1	Contactador C43	22074421	1	Contactador C37
23053770	1	Relé de sobrecarga	39251079	1	Relé de sobrecarga
39251327	1	Bobina C43	39251319	1	Bobina C37
39251335	1	Bobina C60	39251327	1	Bobina C43
C23/C23	Star Delta	380V 20hp (15hp–HA)	C37/C23	Star Delta	220/230V 20hp (15hp–HA) 380V 25–30hp (20–25hp–HA) 440/460V 30hp (25hp–HA)
39252036	3	Contactador C23	22074421	2	Contactores C37
23053747	1	Relé de sobrecarga	39252036	2	Contactador C23
39251319	1	Bobina C23	23051079	1	Relé de sobrecarga
			39251319	2	Bobina C23 or C37

ccn	Quantité	Description	ccn	Description
Kit initial			Echange suggéré – Toutes les 8000 Heures / 2 ans	
38462743		KIT DE MISE EN SERVICE 60Hz	22067177	KIT-CLAPET D'ADMISSION
	1	Filtre du refroidisseur	22064695	Kit – vanne pression minimum
	1	Liquide de refroidissement Ultra 5 L	22832885	Kit, soupape thermostatique
Kit maintenance – Toutes les 2000 Heures / 1 an			54774302	Electro vanne
38462750		KIT 2000 HEURES 60Hz	54654652	Electro vanne
	1	Filtre du refroidisseur	54749114	Amortisseurs, à gaz
	1	Elément, filtre à air	Courroies 60Hz	
	1	Elément séparateur	22108393	Courroie de transmission 15hp 125psi / 20hp, 200psi
	1	Liquide de refroidissement Ultra 5 L	22108427	Courroie de transmission 15hp 150psi
	1	Pré-filtre	89265060	Courroie de transmission 20hp 175psi / 25hp 150psi / 30hp 125 / 200psi
			89265078	Courroie de transmission 20hp 150psi
			89265052	Courroie de transmission 25hp 125psi / 30hp 150psi
			89265078	Courroie de transmission 25hp 200psi

ccn	Description	ccn	Description
Eléments à examiner			
54772595	Liquide de refroidissement Ultra 1 L	39588074	Vanne de pression 200psi (120 gal. Réservoir) 60Hz
54772603	Liquide de refroidissement Ultra 5 L	2205 2450	Soupape de sécurité 225psi (Distributeur) 60Hz
88176367	KIT- REFROIDISSEMENTCHECK 1 x ECHANTILLON LIQUIDE DE	32342149	Interrupteur, mise en marche
38034914	Graisse	32342172	B outon, remise à l'état initial
89295976	Élément, filtre à air	22053904	Arrêt urgence
54672654	Filtre du refroidisseur	32342156	Voyant (vert)
54749247	Élément séparateur	32342180	Indicateur (Rouge)
22053722	Pré-filtre	32342164	Voyant (Blanc)
22505309	Pressostat	54772058	Manomètre
37952421	Sécurité température d'air	39124722	Voyant, restriction d'air
39404165	Joint torique, commutateur de température	32342131	Compteur horaire
54740386	Joint	32342099	Fusible Fusible (FU2, FU3) 1.5A 600V 60Hz
54740378	Joint	22074033	Fusible (FU1) 2.0A 125-250V 60Hz
39570999	Joint	22503411	Kit de fiche de mise à la terre
39494794	Joint	38032413	Option, manomètre de chute de pression (séparateur)
85560597	Ensemble de flexible	38032421	Kit - entretien de la jauge de séparateur
85561231	Ensemble de flexible	22294037	Relais - délai
22052450	Vanne de pression 225psi (240 gal. Réservoir) 60Hz	39255559	Relais - anomalie (surchauffe)

ccn	Quantité	Description	ccn	Quantité	Description
Pièces spécifiques – tension					
C37	F/V – DOL	575V 15–30hp (15–25hp–HA)	C43	F/V – DOL	200/230/460V 15hp
39251061	1	Contacteur C37	39250998	1	Contacteur C43
23051079	1	Relai, surcharge	23051079	1	Relai, surcharge
39251319	1	Serpentin C37	39251327	1	Serpentin C43
C85	F/V – DOL	200V 20–25hp (15–20hp–HA) 230/460V 20–30hp (15–25hp–HA)	C23/C16	Star Delta	440/460V 15–25hp (15–20hp–HA) 575V 20–30hp (15–25hp–HA)
39251020	1	Contacteur C85	39252036	2	Contacteurs C23
23053770	1	Relai, surcharge	23053747	1	Contacteur C16
39251335	1	Serpentin C85	39255591	1	Relai, surcharge
			NA	1	Serpentin C16
			39251319	1	Serpentin C23
D110	F/V – DOL	200V 30hp (25hp–HA)	C43/C37	Star Delta	200V 15–20hp (15hp–HA) 220/230V 25hp (20hp–HA)
22264873	1	Contacteur D110	39250998	2	Contacteurs C43
22630974	1	Relai, surcharge	39251061	1	Contacteur C37
	1	Serpentin D110	23051079	1	Relai, surcharge
	1	Kit – Contacts	39251319	1	Serpentin C37
			39251327	1	Serpentin C43
C60/C43	Star Delta	200V 25–30hp (20–25hp–HA) 220/230V 30hp (25hp–HA)	C37/C23	Star Delta	220/230V 15–20hp (15hp–HA) 380V 25–30hp (20–25hp–HA) 440/460V 30hp (25hp–HA)
39251004	2	Contacteurs C60	39251061	2	Contacteurs C37
39250998	1	Contacteur C43	39252036	1	Contacteur C23
23053770	1	Relai, surcharge	23051079	1	Relai, surcharge
39251327	1	Serpentin C43	39251319	2	Serpentin C23 or C37
39251335	1	Serpentin C60			
C23/C23	Star Delta	380V 15–20hp (15hp–HA)			
39252036	3	Contacteur C23			
23053747	1	Relai, surcharge			
39251319	1	Serpentin C23			

ccn	Qtd.	Descrição	ccn	Descrição
Kit de arranque			Substituição sugerida – Cada 8000 Horas / 2 anos	
38462743		KIT COMISSIONAMENTO 60Hz	22067177	KIT-VÁLVULA DE ENTRADA
	1	Filtro, refrigerante	22064695	Kit – valvula de pressão minima
	1	Refrigerante Ultra 5 L	22832885	Kit, válvula termostática
Kit de manutenção – Cada 2000 Horas / 1 ano			54774302	Electroválvula
38462750		KIT 2000 HORAS 60Hz	54654652	Electroválvula
	1	Filtro, refrigerante	54749114	Amortecedor
	1	Elemento de filtro de ar	Correias 60Hz	
	1	Elemento, separador	22108393	Correia 15hp 125psi / 20hp, 200psi
	1	Refrigerante Ultra 5 L	22108427	Correia 15hp 150psi
	1	Pré-filtro	89265060	Correia 20hp 175psi / 25hp 150psi / 30hp 125 / 200psi
			89265078	Correia 20hp 150psi
			89265052	Correia 25hp 125psi / 30hp 150psi
			89265078	Correia 25hp 200psi

ccn	Descrição	ccn	Descrição
Itens de serviço			
92837095	Refrigerante Ultra 1 L	39588074	Válvula de pressão 200psi (120 gal. Reservatorio) 60Hz
92692284	Refrigerante Ultra 5 L	22052450	Válvula de segurança 225psi (Distribuidor) 60Hz
88176367	KIT- REFRIGERANTECHECK 1 x AMOSTRA	32342149	Interruptor, motor de arranque
38034914	Massa lubrificação	32342172	Botão, re-ajustar
89295976	Elemento de filtro de ar	22053904	Paragem de emergencia
54672654	Filtro, refrigerante	32342156	Indicador (verde)
54749247	Elemento, separador	32342180	Indicador (Vermelho)
22053722	Pré-filtro	32342164	Indicador (Branco)
22505309	Pressostato	54772058	Manometro
37952421	Interruptor temperatura elevada do ar	39124722	Indicador, restrição de ar
39404165	'O' ring interruptor temperatura	32342131	Conta-horas
54740386	Junta	32342099	Fusível Fusível (FU2, FU3) 1.5A 600V 60Hz
54740378	Junta	22074033	Fusível (FU1) 2.0A 125-250V 60Hz
39570999	Junta	22503411	Jogo de ligação do espigão de terra
39494794	Junta	38032413	Opção, manómetro de queda de pressão do separador
85560597	Mangueira completo	38032421	Kit, manómetro de serviço do separador
85561231	Mangueira completo	22294037	Relé, retardamento
22052450	Válvula de pressão 225psi (240 gal. Reservatorio) 60Hz	39255559	Relé, avaria, temperatura do ar alta

ccn	Qtd.	Descrição	ccn	Qtd.	Descrição
Sobressalentes da voltagem específica					
C37	F/V – DOL	575V 15–30hp (15–25hp–HA)	C43	F/V – DOL	200/230/460V 15hp
39251061	1	Contactador C37	39250998	1	Contactador C43
23051079	1	Relé de sobrecarga	23051079	1	Relé de sobrecarga
39251319	1	Bobina C37	39251327	1	Bobina C43
C85	F/V – DOL	200V 20–25hp (15–20hp–HA) 230/460V 20–30hp (15–25hp–HA)	C23/C16	Star Delta	440/460V 15–25hp (15–20hp–HA) 575V 20–30hp (15–25hp–HA)
39251020	1	Contactador C85	39252036	2	Contactores C23
23053770	1	Relé de sobrecarga	23053747	1	Contactador C16
39251335	1	Bobina C85	39255591	1	Relé de sobrecarga
D110	F/V – DOL	200V 30hp (25hp–HA)	NA	1	Bobina C16
22264873	1	Contactador D110	39251319	1	Bobina C23
22630974	1	Relé de sobrecarga			
	1	Bobina D110	C43/C37	Star Delta	200V 15–20hp (15hp–HA) 220/230V 25hp (20hp–HA)
	1	Kit – Contactos	39250998	2	Contactores C43
C60/C43	Star Delta	200V 25–30hp (20–25hp–HA) 220/230V 30hp (25hp–HA)	39251061	1	Contactador C37
39251004	2	Contactores C60	23051079	1	Relé de sobrecarga
39250998	1	Contactador C43	39251319	1	Bobina C37
23053770	1	Relé de sobrecarga	39251327	1	Bobina C43
39251327	1	Bobina C43			
39251335	1	Bobina C60	C37/C23	Star Delta	220/230V 15–20hp (15hp–HA) 380V 25–30hp (20–25hp–HA) 440/460V 30hp (25hp–HA)
C23/C23	Star Delta	380V 15–20hp (15hp–HA)	39251061	2	Contactores C37
39252036	3	Contactador C23	39252036	1	Contactador C23
23053747	1	Relé de sobrecarga	23051079	1	Relé de sobrecarga
39251319	1	Bobina C23	39251319	2	Bobina C23 or C37

ccn	数量	说明	ccn	说明
启动组件			建议的更换 - 每隔 8000 小时 / 2 年	
38462743		组件 - 启动 60Hz	22067177	进气阀组件
	1	冷却剂过滤器	22064695	最小压力阀组件
	1	UltraCoolant 5 L	22832885	温控阀组件
维护工具 - 每隔 2000 小时 / 1 年			54774302	电磁阀 (负载)
38462750		组件 - 2000 小时 60Hz	54654652	电磁阀 (放气)
	1	冷却剂过滤器	54749114	气阀弹簧
	1	空气过滤器芯		皮带
	1	分离器芯	22108393	传动皮带 15hp 125psi / 20hp 200psi
	1	Ultra Coolant 5 L	22108427	传动皮带 15hp 150psi
	1	预滤器	89265060	传动皮带 20hp 125psi / 25hp 150psi / 30hp 125psi / 30hp 150psi / 30hp 200psi
			89265078	传动皮带 20hp 150psi
			89265052	传动皮带 25hp 125psi / 30hp 150psi
			89265078	传动皮带 25hp 200psi

37 推荐的配件

ccn	说明	ccn	说明
-----	----	-----	----

维修项目

92837095	Ultra Coolant 1L
92692284	Ultra Coolant 5L

88176367	组件 - COOLANTCHECK 1 x 样品
----------	-----------------------------

38034914	润滑脂
89295976	空气过滤器芯
54672654	冷却剂过滤器
54749247	分离器芯
22053722	预滤器
22505309	压力开关
37952421	组件 - 气温开关
39404165	“O”形圈, 温度开关
54740386	裸垫片垫圈
54740378	歧管垫圈
39570999	排气适配器垫圈
39494794	进气阀垫圈
85560597	软管配件
85561231	软管配件
22052450	压力阀 225psi (240gal. 储气罐) 60Hz
39588074	压力阀 200psi (120gal. 储气罐) 60Hz

2205 245 0	安全阀 225psi (歧管) 60Hz
32342149	开关, 关 / 开
32342172	重置按钮
22053904	紧急停机按钮
32342156	指示灯 (绿色)
32342180	指示灯 (红色)
32342164	指示灯 (白色)
54772058	压力表
39124722	限气指示灯
32342131	计时器
32342099	保险丝 (FU2, FU3) 1.5A 600V 60Hz
22074033	保险丝 (FU1) 2.0A 125-250V 60Hz
22503411	地钉组件
38032413	分离器压力下降表选件
38032421	分离器计维修组件
22294037	延时继电器
39255559	高温继电器故障

ccn	数量	说明	ccn	数量	说明
电压特定配件					
C37	满电压 - 直接 联机	575V 15-30hp (15-25hp-HA)	C43	满电压 - 直接 联机	200/230/460V 15hp
39251061	1	接触器 C37	39250998	1	接触器 C43
23051079	1	过载继电器	23051079	1	过载继电器
39251319	1	线圈 C37	39251327	1	线圈 C43
C85	满电压 - 直接 联机	200V 20-25hp (15-20hp-HA) 230/460V 20-30hp (15-25hp-HA)	C23/C16	星形三角接法	440/460V 15-25hp (15-20hp-HA) 575V 20-30hp (15-25hp-HA)
39251020	1	接触器 C85	39252036	2	接触器 C23
23053770	1	过载继电器	23053747	1	接触器 C16
39251335	1	线圈 C85	39255591	1	过载继电器
D110	满电压 - 直接 联机	200V 30hp (25hp-HA)	39256953	1	线圈 C16
22264873	1	接触器 D110	39251319	1	线圈 C23
22630974	1	过载继电器			
	1	线圈 D110			
	1	触点组件			
C60/C43	星形三角接法	200V 25-30hp (20-25hp-HA) 220/230V 30hp (25hp-HA)	C43/C37	星形三角接法	200V 15-20hp (15hp-HA) 220/230V 25hp (20hp-HA)
39251004	2	接触器 C60	39250998	2	接触器 C43
39250998	1	接触器 C43	39251061	1	接触器 C37
23053770	1	过载继电器	23051079	1	过载继电器
39251327	1	线圈 C43	39251319	1	线圈 C37
39251335	1	线圈 C60	39251327	1	线圈 C43
C23/C23	星形三角接法	380V 15-20hp (15hp-HA)	C37/C23	星形三角接法	220/230V 15-20hp (15hp-HA) 380V 25-30hp (20-25hp-HA) 440/460V 30hp (25hp-HA)
39252036	3	接触器 C23	39251061	2	接触器 C37
23053747	1	过载继电器	39252036	1	接触器 C23
39251319	1	线圈 C23	23051079	1	过载继电器
			39251319	2	线圈 C23 或 C37

