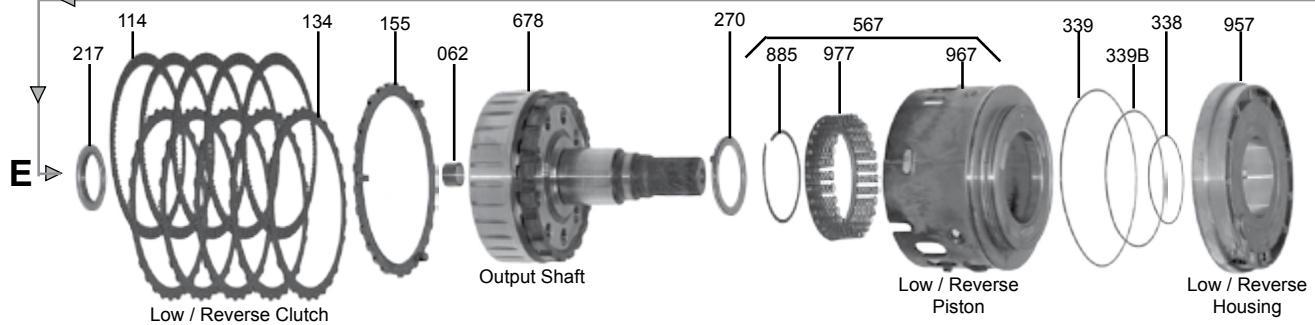
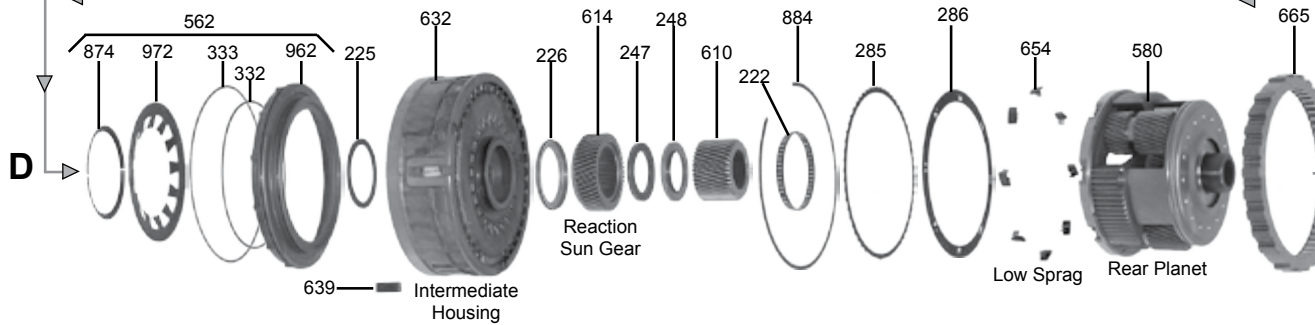
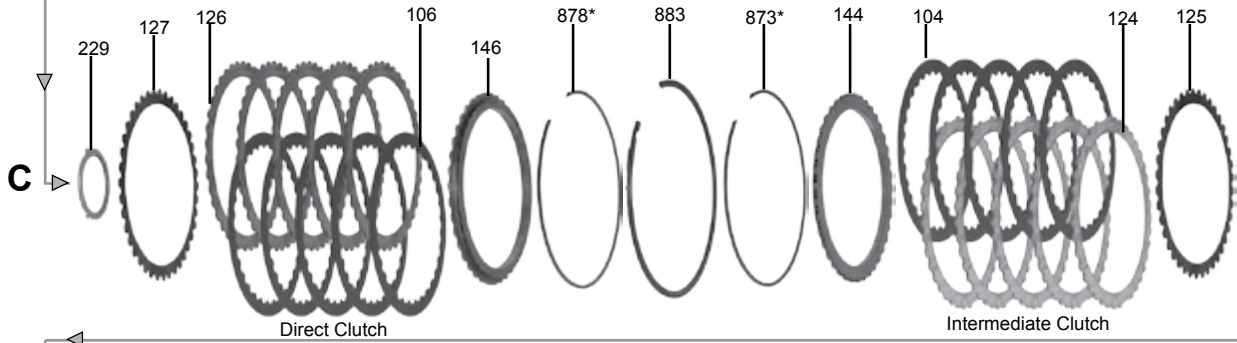
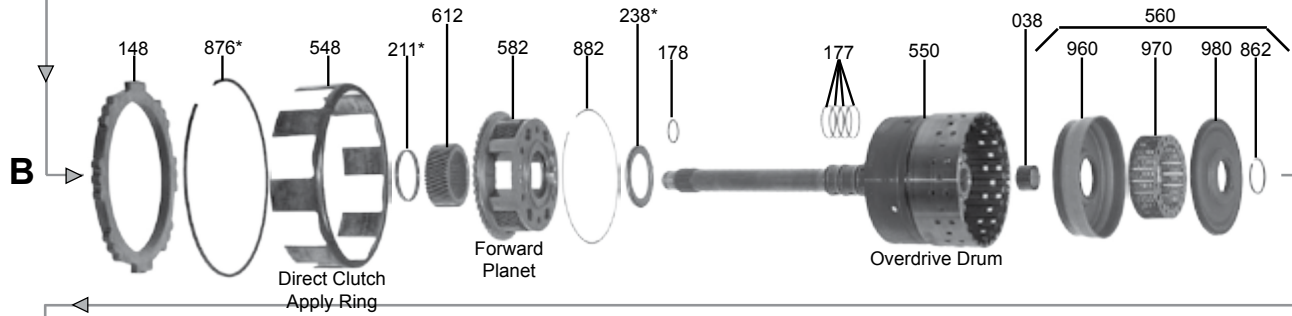
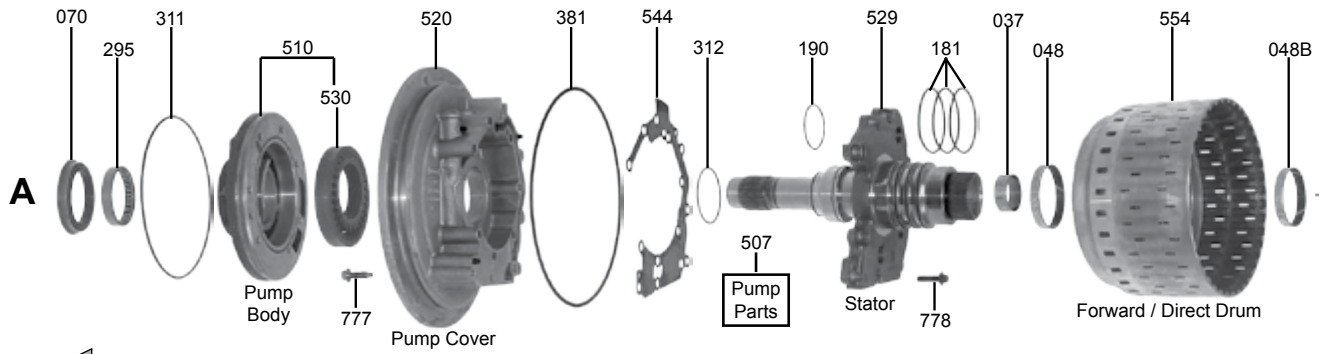
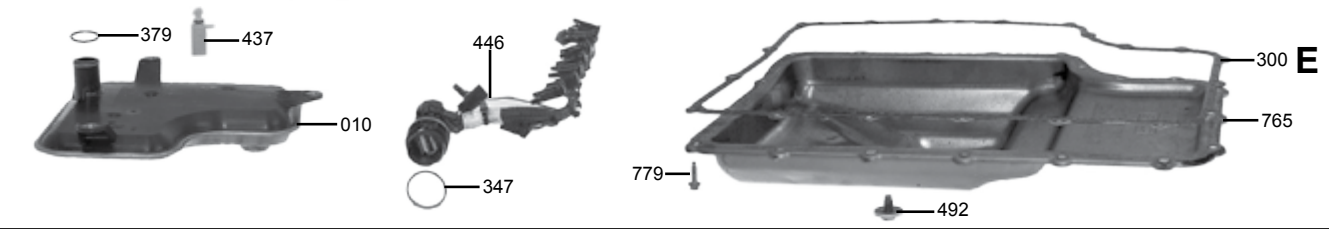
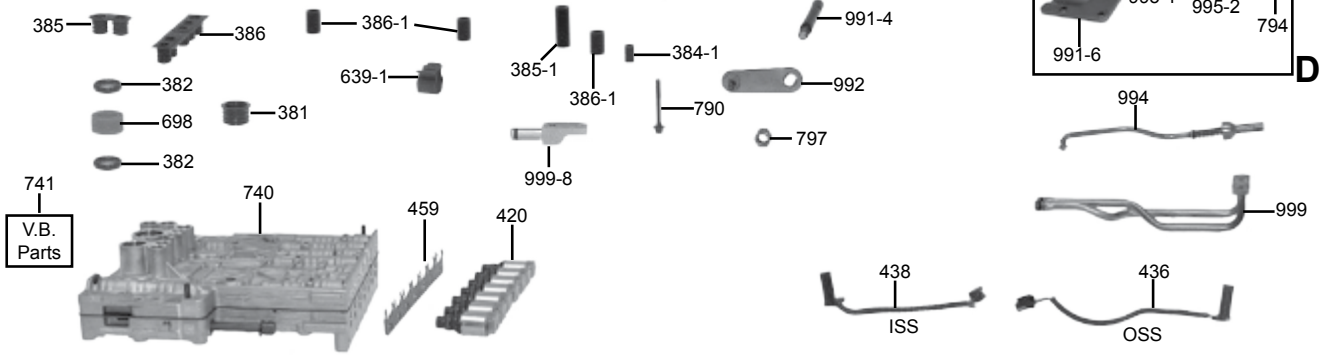
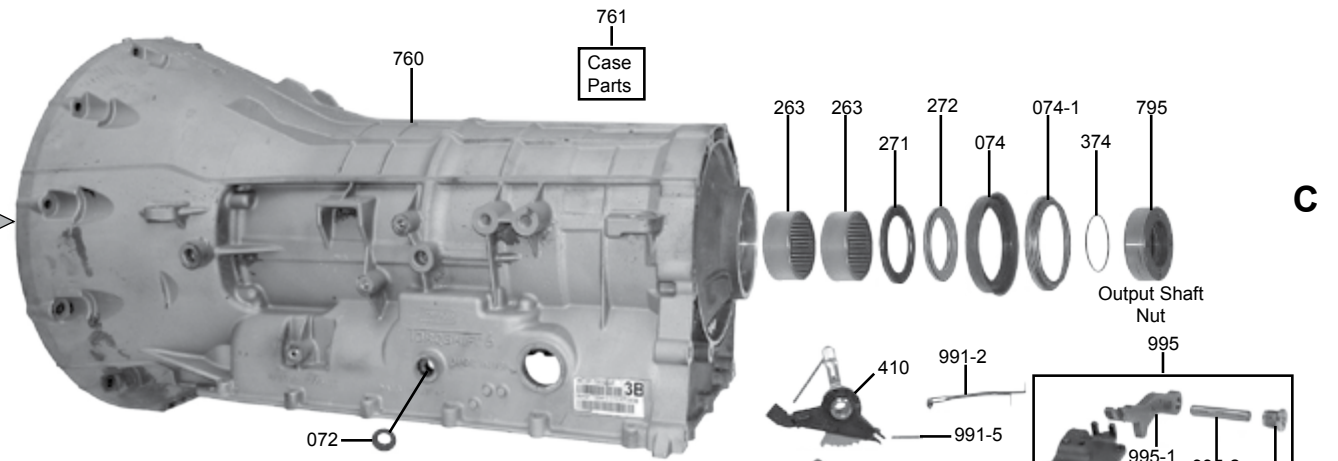
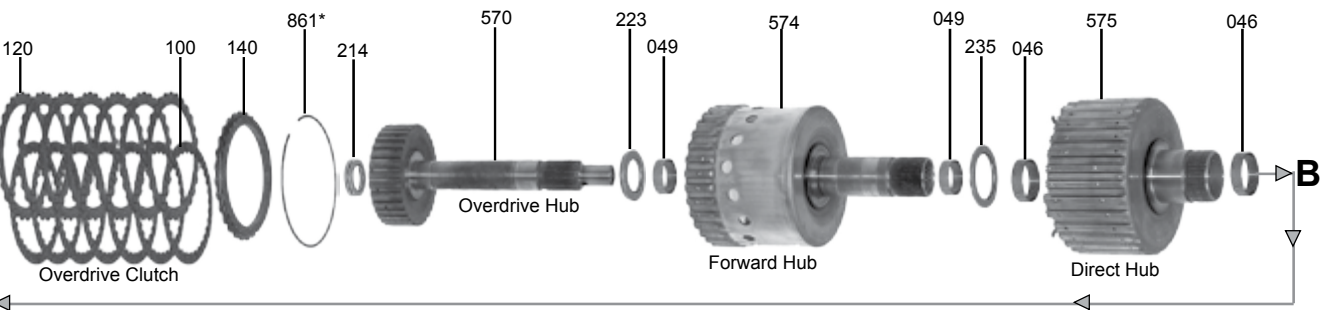
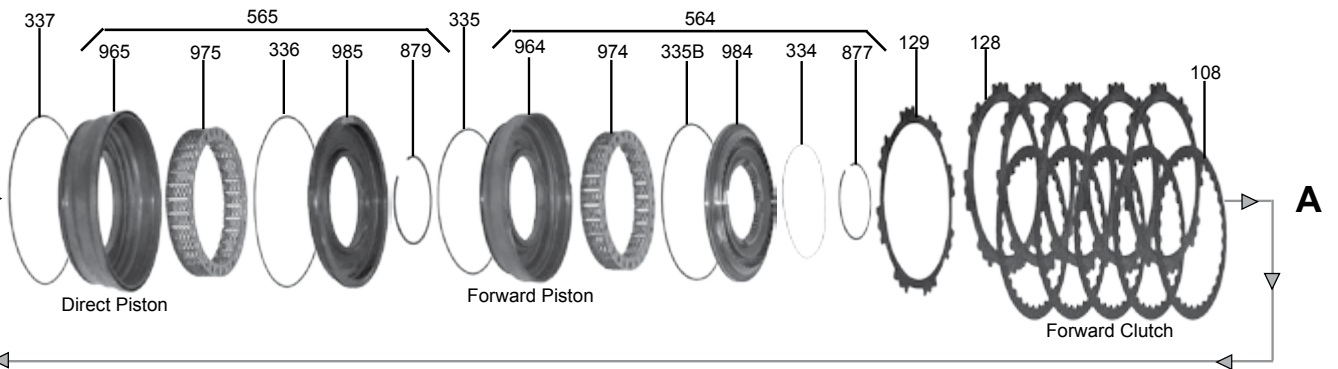


6R140





FORD

6R140

ILL#	Part#		QTY	REF#
OVERHAUL KITS & PISTON KITS				
NI.....	K166900X.....	Overhaul Kit, 6R140 (Torqshift) W/Out Pistons 2011-Up.....	1.....	N/A
NI.....	K166900.....	Overhaul Kit, 6R140 (Torqshift) W/ Pistons 2011-Up.....	1.....	N/A
NI.....	K166900-99.....	Piston Kit, 6R140 (Bonded) 2011-Up (2-Pistons).....	1.....	N/A
MASTER L/STEEL KITS				
NI.....	DK16600XS.....	Master L/Steels Kit, 6R140 (Torqshift) (Gas & Diesel) W/Out Pistons 2011-Up.....	1.....	N/A
NI.....	DK16600S.....	Master L/Steels Kit, 6R140 (Torqshift) (Gas & Diesel) W/ Pistons 2011-Up.....	1.....	N/A
MASTER W/STEELS KITS				
NI.....	DK16600X.....	Master W/Steels Kit, 6R140 (Torqshift) (Diesel) W/Out Pistons 2011-Up.....	1.....	N/A
NI.....	DK16600.....	Master W/Steels Kit, 6R140 (Torqshift) (Diesel) W/ Pistons 2011-Up.....	1.....	N/A
NI.....	DK16600AX.....	Master W/Steels Kit, 6R140 (Torqshift) (Gas) W/Out Pistons 2011-Up.....	1.....	N/A
NI.....	DK16600A.....	Master W/Steels Kit, 6R140 (Torqshift) (Gas) W/ Pistons 2011-Up.....	1.....	N/A
FILTERS				
010.....	166710.....	Filter, 6R140 2011-Up.....	1.....	BC3Z-7A098-B
BUSHINGS				
030.....	K166901.....	Bushing Kit, 6R140, 2011-Up.....	1.....	TBA
037.....	166005.....	Bushing, 6R140 Stator (Rear) (.790" Thick)(1.588" ID)(Babbit) 2011-Up.....	1.....	TBA
038.....	166002.....	Bushing, 6R140 Overdrive Clutch Drum (Rear)(.786" Wide)(.920" ID) 2011-Up.....	1.....	TBA
046.....	166003.....	Bushing, 6R140 Direct Clutch Hub (Front & Rear)(.605" Wide)(1.857" ID)(Babbit) 2011-Up.....	2.....	TBA
048.....	166004.....	Bushing, 6R140 Forward/Direct Drum (Front)(.550" Thick)(3.100" ID)(Babbit) 2011-Up.....	1.....	TBA
048.....	166004A.....	Bushing, 6R140 Forward/Direct Drum (Rear)(.650" Thick)(2.640" ID)(Babbit) 2011-Up.....	1.....	TBA
049.....	166006.....	Bushing, 6R140 Forward Clu Hub (Front & Rear)(.613" Wide)(1.336" ID)(Babbit) 2011-Up.....	2.....	TBA
062.....	166007.....	Bushing, 6R140 Output Shaft (Front)(.800" Wide)(.918" ID)(Babbit) 2011-Up.....	1.....	TBA
METAL CLAD SEALS				
070.....	166151.....	Seal, 6R140 Front With Flange, 2011-Up.....	1.....	BC3P-7A248-A
072.....	166152.....	Seal, 6R140 Manual Shaft 2011-Up.....	1.....	BC3Z-7F337-B
074.....	166157A.....	Seal, 6R140 Ext/Adapter Housing, 4WD, 2011-Up.....	1.....	BC3P-7052-AC
074.....	166157.....	Seal, 6R140 Ext Housing, 2WD, 2011-Up.....	1.....	BC3P-7052-CB
FRICTIONS				
100.....	166105.....	Friction, 6R140, Overdrive Clutch (.078", 32T, 5.731" OD) 2011-Up.....	7.....	BC3Z-7B164-B
104.....	166103.....	Friction, 6R140, Intermediate Clutch (.083", 32T, 8.527" OD) 2011-Up.....	5.....	BC3Z-7B164-F
106.....	166103.....	Friction, 6R140, Direct Clutch (.083", 32T, 8.527" OD) 2011-Up.....	5.....	BC3Z-7B164-F
108.....	166101.....	Friction, 6R140, Forward Clutch (.062", 32T, 8.063" OD) 2011-Up.....	5.....	BC3Z-7B164-D
114.....	166107.....	Friction, 6R140, Low/Reverse Clutch (.062", 96T, 8.768" OD) 2011-Up.....	5.....	BC3Z-7B164-A
NI.....	K166F.....	Friction Module, 6R140 (Gas & Diesel) 2011-Up.....	1.....	RCP6-253
STEELS				
120.....	166108.....	Steel, 6R140, Overdrive Clutch (.078", 28T, 4.703" ID) 2011-Up.....	7.....	BC3Z-7B442-B
124.....	166102.....	Steel, 6R140, Intermediate Clutch (.119", 40T, 7.331" ID) 2011-Up.....	5.....	BC3Z-7B442-E
125.....	166102A.....	Steel, 6R140, Intermediate Clutch (.029", 40T, 7.375" ID) (Waved) 2011-Up.....	1.....	TBA
126.....	166102.....	Steel, 6R140, Direct Clutch (Gas) (.119", 40T, 7.331" ID) 2011-Up.....	5.....	BC3Z-7B442-E
126.....	166100.....	Steel, 6R140, Direct Clutch (Diesel) (.083", 40T, 7.331" ID) 2011-Up.....	5.....	BC3Z-7B442-C
127.....	166102A.....	Steel, 6R140, Direct Clutch (.029", 40T, 7.375" ID) (Waved) 2011-Up.....	1.....	TBA
128.....	166104.....	Steel, 6R140, Forward Clutch (.079", 24T, 6.975" ID) 2011-Up.....	5.....	BC3Z-7B442-D
129.....	166104A.....	Steel, 6R140, Forward Clutch (.033", 24T, 6.975" ID) (Waved) 2011-Up.....	1.....	TBA
134.....	166106.....	Steel, 6R140, Low/Reverse Clutch (.079", 27T, 7.723" ID) 2011-Up.....	4.....	BC3Z-7B442-A
139.....	K166S.....	Steel Module, 6R140 (Diesel) 2011-Up.....	1.....	TBA
139.....	K166AS.....	Steel Module, 6R140 (Gas) 2011-Up.....	1.....	TBA
PRESSURE PLATES				
140.....	166140.....	Pressure Plate, 6R140 Overdrive Clutch (.343", 28T, 4.700" ID) 2011-Up.....	1.....	TBA
144.....	166144.....	Pressure Plate, 6R140 Intermediate Clutch (.335", 40T, 7.312" ID) 2011-Up.....	1.....	TBA
146.....	166146.....	Pressure Plate, 6R140 Direct Clutch (.414", 40T, 7.312" ID) 2011-Up.....	1.....	TBA
148.....	166148.....	Pressure Plate, 6R140 Forward Clutch (.555", 21T, 7.00" ID) 2011-Up.....	1.....	TBA
155.....	166155.....	Apply Plate, 6R140 Low/Rev Clutch (.199", 27T, 7.75" ID, 3-Lugs) (#BC3P-7D408) 2011-Up.....	1.....	TBA
VALVE BODY KITS				
165.....	N/A.....	Valve Body Kit, 6R140, 2011-Up.....	1.....	TBA
SEALING RINGS				
175.....	K166903.....	Ring Kit, 6R140, 2011-Up.....	1.....	TBA
WASHERS & BEARINGS				

ILL#	Part#		QTY	REF#
211.....	166211	Spacer, 6R140 Stator To Forward Sun Gear (.200" Thick, 2.413" OD) 2011-Up.....	1	TBA
211.....	166211A	Spacer, 6R140 Stator To Forward Sun Gear (.208" Thick, 2.413" OD) 2011-Up.....	1	TBA
211.....	166211B	Spacer, 6R140 Stator To Forward Sun Gear (.220" Thick, 2.413" OD) 2011-Up.....	1	TBA
211.....	166211C	Spacer, 6R140 Stator To Forward Sun Gear (.228" Thick, 2.413" OD) 2011-Up.....	1	TBA
214.....	166214	Bearing, 6R140 OD Clutch Drum To OD Clutch Hub (.370" Thick, 1.754" OD, 1.099" ID) 2011-Up.....	1	TBA
217.....	166217	Bearing, 6R140 Rear Planet To Output Shaft (.255" Thick, 3.000" OD, 1.944" ID) 2011-Up.....	1	TBA
222.....	166222	Caged Needle Brg, 6R140 Rear Planet (Front)(.388" Thk, 3.704" OD, Plastic Cage) 2011-Up.....	1	TBA
223.....	166223	Bearing, 6R140 OD Clu Hub To Forward Clu Hub (.267" Thk, 2.337" OD, 1.423" ID) 2011-Up.....	1	TBA
225.....	166225	Race, 6R140 Direct Clutch Hub To Intern Clutch Hsg (.122" Thk, 3.263" OD, 2.670" ID) 2011-Up.....	1	TBA
226.....	166226	Bearing, 6R140 Intern Clu Hsg To Reaction Sun Gear (.286" Thk, 3.305" OD, 2.550" ID) 2011-Up.....	1	TBA
229.....	166229	Bearing, 6R140 Direct Clu Hub To Intern Clu Hsg (.157" Thk, 3.305" OD, 2.555" ID, 2-Tabs) 11-Up.....	1	TBA
235.....	166235	Bearing, 6R140 Forward Clu Hub To Direct Clu Hub (.184" Thk, 2.910" OD, 2.023" ID) 2011-Up.....	1	TBA
238.....	166238	Bearing, 6R140 Forward Planet To OD Drum (.114" Thk, 2.910" OD, 2.028" ID) 2011-Up.....	1	TBA
238.....	166238A	Bearing, 6R140 Forward Planet To OD Drum (.124" Thk, 2.910" OD, 2.028" ID) 2011-Up.....	1	TBA
238.....	166238B	Bearing, 6R140 Forward Planet To OD Drum (.132" Thk, 2.910" OD, 2.028" ID) 2011-Up.....	1	TBA
238.....	166238C	Bearing, 6R140 Forward Planet To OD Drum (.140" Thk, 2.910" OD, 2.028" ID) 2011-Up.....	1	TBA
238.....	166238D	Bearing, 6R140 Forward Planet To OD Drum (.148" Thk, 2.910" OD, 2.028" ID) 2011-Up.....	1	TBA
247.....	166247	Race, 6R140 Reaction Sun Gear To Rear Sun Gear (.214" Thk, 2.760" OD, 1.925" ID) 2011-Up.....	1	TBA
248.....	166248	Bearing, 6R140 Reaction Sun Gear To Rear Sun Gear (.215" Thk, 2.814" OD, 1.885" ID) 2011-Up.....	1	TBA
263.....	166263	Caged Needle Brg, 6R140 Case To Output Shaft (1.156" Thk, 2.907" OD, # F505999) 2011-Up.....	2	TBA
270.....	166270	Bearing, 6R140 Output Shaft To Case (.253" Thk, 3.732" OD, 2.825" ID (2-Outer Tabs) 2011-Up.....	1	TBA
271.....	166271	Spacer, 6R140 Case (Rear) To Output Shaft Nut (.192" Thk, 3.300" OD, 2.321" ID) 2011-Up.....	1	TBA
272.....	166272	Bearing, 6R140 Case (Rear) To Output Shaft Nut (.230" Thk, 3.144" OD, 2.217" ID) 2011-Up.....	1	TBA
285.....	166285	Retainer, 6R140 Snap Ring To Low Sprag (50T, .042" Thk)(7.375" ID) 2011-Up.....	1	TBA
285-1	166285A	Seal, 6R140 Valve Body To Low/Rev Hsg (Rubber Feed Tubes)(1.607" Long, .585" OD) 2011-Up.....	1	TBA
286.....	166286	Retainer/Race, 6R140 Low Sprag (8-Tabs, .036" Thk, 7.875" OD) 2011-Up.....	1	TBA
295.....	166295	Caged Needle Bearing, 6R140 Pump Body (.546" Thick, 2.780" OD, 2.505" OD) 2011-Up.....	1	TBA

GASKETS & RUBBER COMPONENTS

300.....	166500	Gasket, 6R140 Bottom Pan (Bonded Rubber) 2011-Up.....	1	BC3Z-7A191-B
381.....	166381	Seal, 6R140 Valve Body To Pump Cover (Metal Clad)(.727" Thk, 1.156" OD) 2011-Up.....	1	TBA
382.....	166382	Seal, 6R140 Valve Body To Pump Cover (Rubber) 2011-Up.....	2	TBA
384-1	166384	Seal, 6R140 Valve Body To Low/Rev Hsg (Rubber Feed Tube)(.641" Long, .388" OD) 2011-Up.....	1	TBA
385-1	166385A	Seal, 6R140 Valve Body To Low/Rev Hsg (Rubber Feed Tube)(1.607" Long, .585" OD) 2011-Up.....	1	TBA
385.....	166385	Seal, 6R140 Valve Body To Pump Cover (2 Rubber Seals) 2011-Up.....	1	TBA
386-1	166386A	Seal, 6R140 Valve Body (Rubber Feed Tubes)(.885" Long, .585" OD) 2011-Up.....	3	TBA
386.....	166386	Seal, 6R140 Valve Body To Stator (5 Rubber Seals)(Cast #BC3P-7N265-B) 2011-Up.....	1	TBA

TECHNICAL MANUALS

400.....	TM6R140	Technical Manual, 6R140 (Torqshift).....	1	TBA
----------	---------	--	---	-----

ELECTRICAL COMPONENTS

410.....	166991	Neutral Safety Switch, 6R140 (W/Rooster Comb)(3 Blade Conn)(#BC3P-7H557-DA) 2011-Up.....	1	CC3Z-7H557-B
420.....	166925	Solenoid, 6R140, Low Variable Bleed (Stamping Band #1) (Uses A Combination Of 4-Low Bleed).....	AR	BC3Z-7G383-R
420.....	166925A	Solenoid, 6R140, Low Variable Bleed (Stamping Band #2) (Uses A Combination Of 4-Low Bleed).....	AR	BC3Z-7G383-S
420.....	166925B	Solenoid, 6R140, Low Variable Bleed (Stamping Band #3) (Uses A Combination Of 4-Low Bleed).....	AR	BC3Z-7G383-T
420.....	166925C	Solenoid, 6R140, Low Variable Bleed (Stamping Band #4) (Uses A Combination Of 4-Low Bleed).....	AR	BC3Z-7G383-U
420.....	166925D	Solenoid, 6R140, Low Variable Bleed (Stamping Band #5) (Uses A Combination Of 4-Low Bleed).....	AR	BC3Z-7G383-V
420.....	166926	Solenoid, 6R140, High Variable Bleed (Stamping Band #1) (Uses A Combination Of 3-High Bleed).....	AR	BC3Z-7G383-J
420.....	166926A	Solenoid, 6R140, High Variable Bleed (Stamping Band #2) (Uses A Combination Of 3-High Bleed).....	AR	BC3Z-7G383-K
420.....	166926B	Solenoid, 6R140, High Variable Bleed (Stamping Band #3) (Uses A Combination Of 3-High Bleed).....	AR	BC3Z-7G383-L
420.....	166926C	Solenoid, 6R140, High Variable Bleed (Stamping Band #4) (Uses A Combination Of 3-High Bleed).....	AR	BC3Z-7G383-M
420.....	166926D	Solenoid, 6R140, High Variable Bleed (Stamping Band #5) (Uses A Combination Of 3-High Bleed).....	AR	BC3Z-7G383-N
436.....	166958	Sensor, 6R140 Output Speed OSS (3 Prong Connector)(White Ink # 087101652) 2011-Up.....	1	98LZ-7H103-B
437.....	166952	Sensor, 6R140 Temperature (2 Prong Conn)(#BC3P-7H141-AA)(On Bottom Of VB) 2011-Up.....	1	BC3Z-7H141-A
438.....	166954	Sensor, 6R140 Input Speed ISS (3 Prong Connector)(White Ink # 087102698) 2011-Up.....	1	TBA
446.....	166988	Wire Harness, 6R140, Internal W/Case Conn (Seven, 2-Blade Solenoid Connectors) 2011-Up.....	1	BC3Z-7G276-B
459.....	166459	Bracket, 6R140 Holds Solenoids On Valve Body 2011-Up.....	1	TBA

MISCELLANEOUS COMPONENTS

492.....	166492	Drain Plug, 6R140 Bottom Pan (13mm)(Bonded Rubber) 2011-Up.....	1	F81Z-6730-AA
----------	--------	---	---	--------------

PUMPS & PUMP COMPONENTS

500.....	166912	Pump Complete, 6R140 (Non-PTO Type) 2011-Up.....	1	TBA
500.....	166912A	Pump Complete, 6R140 (PTO Type) 2011-Up.....	1	TBA
510.....	166510	Pump Body, 6R140 W/Gears (Cast # RFBC3P-7A105-AD) 2011-Up.....	1	TBA
520.....	166520	Pump Cover, 6R140 (Alum)(#BC3P-7A103-AF On Front Of Cover)(Non-PTO Type) 2011-Up.....	1	TBA
520.....	166520A	Pump Cover, 6R140 (PTO Type) 2011-Up.....	1	TBA

6R140

ILL#	Part#		QTY	REF#
529.....	166529	Stator, 6R140 (Cast Iron)(Cast # RFBC3P-7N062-AD)(Non-PTO Type) 2011-Up.....	1	TBA
529.....	166529A	Stator, 6R140 (PTO Type) 2011-Up.....	1	TBA
530.....	166530	Pump Gear Set, 6R140 (.737" Thick) (W/Inner Splines On Inner Gear) 2011-Up.....	1	TBA
544.....	166544	Plate, 6R140 Pump Cover To Stator (Metal)(Non-PTO Type) 2011-Up.....	1	TBA
544.....	166544A	Plate, 6R140 Pump Cover To Stator (PTO Type) 2011-Up.....	1	TBA

DRUMS, CLUTCH PISTON KITS & CLUTCH HUBS

548.....	166548	Apply Ring, 6R140 Direct Clutch (8 Legs)(2.400" Thick)(8 3/8" OD) 2011-Up.....	1	TBA
550.....	166550	Drum, 6R140 OD Clutch (7-Clutch) (W/Turbine Shaft)(W/Forward Planet Ring Gear) 2011-Up.....	1	TBA
554.....	166554	Drum, 6R140 Forward/Direct (4-Clutch) (6 1/4" Tall) 2011-Up.....	1	TBA
554.....	166554A	Drum, 6R140 Forward/Direct (5-Clutch) (6 1/4" Tall) 2011-Up.....	1	TBA
560.....	166560	Piston Kit, 6R140 OD Clutch (Bonded)(Piston Cast #BC3P-7G418-AD) 2011-Up.....	1	TBA
562.....	166562	Piston Kit, 6R140 Intermediate Clutch (Piston Cast # RFBC3P-7J015-AB) 2011-Up.....	1	TBA
564.....	166564	Piston Kit, 6R140 Forward Clutch (Piston Cast # RFBC3P-7L140-AA) 2011-Up.....	1	TBA
565.....	166565	Piston Kit, 6R140 Direct Clutch (Piston Cast # RFCB3P-7C117-AB) 2011-Up.....	1	TBA
567.....	166567	Piston Kit, 6R140 Low/Reverse Clutch (Piston Cast # 7D402) 2011-Up.....	1	TBA
570.....	166570	Hub W/Shaft, 6R140 Overdrive Clutch (.918" OD Front Pilot)(.918" OD Rear Pilot) 2011-Up.....	1	TBA
574.....	166574	Hub, 6R140 Forward Clutch W/Hollow Shaft 2011-Up.....	1	TBA
575.....	166575	Hub, 6R140 Direct Clutch (W/4 Tabs)(Cast # BC3P-7H351-AC) 2011-Up.....	1	TBA

PLANETS, RING GEARS, SUN GEARS & SUPPORTS

580.....	166580	Planet, 6R140 Rear (6-Gear)(W/Diode) (W/Low/Rev Clutch Hub) 2011-Up.....	1	TBA
582.....	166582	Forward Planet, 6R140 (4-Gear) 2011-Up.....	1	TBA
582.....	166582A	Forward Planet, 6R140 (5-Gear) 2011-Up.....	1	TBA
610.....	166610	Sun Gear, 6R140 Rear Planet (37T)(1.836" Thick) 2011-Up.....	1	TBA
612.....	166612	Sun Gear, 6R140 Forward Planet (49T)(1.107" Thick) 2011-Up.....	1	TBA
614.....	166614	Sun Gear, 6R140 Reaction (47T)(1.269" Thick) 2011-Up.....	1	TBA
632.....	166632	Intermediate Clutch Housing, 6R140 (Alum)(5 Clutch)(Cast # RFBC3P-7L328-AE) 2011-Up.....	1	TBA
639-1....	166639	Support Spring, 6R140 Low Sprag Outer Race (Sits In Case)(Metal) 2011-Up.....	1	TBA
639.....	166639A	Keyway Lug, 6R140 Intern Clutch Hsg To Case (.237" Thick)(.472" Wide)(1.168" Long) 2011-Up.....	2	TBA

SPRAGS

665.....	166665	Outer Race, 6R140 Low Sprag (.893" Thick)(9 1/8" OD)(27 Outer Lugs) 2011-Up.....	1	TBA
----------	--------	--	---	-----

SHAFTS

678.....	166678	Output Shaft, 6R140 2WD (W/Ring Gear) 2011-Up.....	1	TBA
678.....	166648A	Output Shaft, 6R140 4WD (W/Ring Gear)(9-1/2" Long)(20 Parking Lugs) 2011-Up.....	1	TBA

VALVE BODIES & COMPONENTS

698.....	166698	Oil Sleeve, 6R140 Valve Body To Pump Cover (Plastic)(1.285" OD) 2011-Up.....	1	TBA
740.....	166740	Valve Body Assembly, 6R140 (Diesel)(Metal Tag # 180A4789 & 1006243163828) 2011-Up.....	1	TBA
740.....	166740A	Valve Body Assembly, 6R140 (Gas) 2011-Up.....	1	TBA

CASES & HOUSINGS

760.....	166760	Case, 6R140 (2WD, Gas, Slip-Yoke) 2011-Up.....	1	TBA
760.....	166760A	Case, 6R140 (2WD, Diesel, Fixed Flange) 2011-Up.....	1	TBA
760.....	166760B	Case, 6R140 (2WD, Diesel, Slip Yoke, W/PTO) 2011-Up.....	1	TBA
760.....	166760C	Case, 6R140 (4WD, Gas, Fixed Flange) 2011-Up.....	1	TBA
760.....	166760D	Case, 6R140 (4WD, Diesel, Slip-Yoke) 2011-Up.....	1	TBA
760.....	166760E	Case, 6R140 (2WD, Diesel, Fixed Flange, W/PTO) 2011-Up.....	1	TBA
765.....	166765	Pan, 6R140 4WD Bottom (3 1/2" Deep In Center) 2011-Up.....	1	TBA
765.....	166765A	Pan, 6R140 2WD Bottom (19 Bolt) 2011-Up.....	1	TBA
777.....	166777	Bolt, 6R140 Pump Cover To Case (8 Pieces) 2011-Up.....	8	TBA
778.....	166778	Bolt, 6R140 Stator To Body & Cover (13 Pieces) 2011-Up.....	13	TBA
779.....	166779	Bolt, 6R140 Bottom Pan (19 Pieces) 2011-Up.....	19	TBA
790.....	166790	Bolt, 6R140 Holds Low/Reverse Clutch Housing In Case 2011-Up.....	1	TBA
795.....	166795	Nut, 6R140 Output Shaft (4 Holes)(.943" Thick)(3.108" OD) 2011-Up.....	1	TBA
797.....	166797	Nut, 6R140 Manual Lever (15mm) 2011-Up.....	1	TBA

SNAP RINGS

861.....	166681	Snap Ring, 6R140 Holds Overdrive Clutch Press Plate In (.080" Thick)(6.0625" OD) 2011-Up.....	1	TBA
861.....	166681A	Snap Ring, 6R140 Holds Overdrive Clutch Press Plate In (.092" Thick)(6.0625" OD) 2011-Up.....	1	TBA
861.....	166681B	Snap Ring, 6R140 Holds Overdrive Clutch Press Plate In (.104" Thick)(6.0625" OD) 2011-Up.....	1	TBA
861.....	166681C	Snap Ring, 6R140 Holds Overdrive Clutch Press Plate In (.116" Thick)(6.0625" OD) 2011-Up.....	1	TBA
861.....	166681D	Snap Ring, 6R140 Holds Overdrive Clutch Press Plate In (.128" Thick)(6.0625" OD) 2011-Up.....	1	TBA
873.....	166873	Snap Ring, 6R140 Intern (#873) / Forward (#876) / Direct (#878) Pressure Plate (.118" Thick).....	1-3	TBA
873.....	166873A	Snap Ring, 6R140 Intern (#873) / Forward (#876) / Direct (#878) Pressure Plate (.126" Thick).....	1-3	TBA
873.....	166873B	Snap Ring, 6R140 Intern (#873) / Forward (#876) / Direct (#878) Pressure Plate (.134" Thick).....	1-3	TBA
873.....	166873C	Snap Ring, 6R140 Intern (#873) / Forward (#876) / Direct (#878) Pressure Plate (.142" Thick).....	1-3	TBA

ILL#	Part#		QTY	REF#
873.....	166873D.....	Snap Ring, 6R140 Interm (#873) / Forward (#876) / Direct (#878) Pressure Plate (.150" Thick).....	1-3.....	TBA
873.....	166873E.....	Snap Ring, 6R140 Interm (#873) / Forward (#876) / Direct (#878) Pressure Plate (.158" Thick).....	1-3.....	TBA
873.....	166873F.....	Snap Ring, 6R140 Interm (#873) / Forward (#876) / Direct (#878) Pressure Plate (.166" Thick).....	1-3.....	TBA
873.....	166873G.....	Snap Ring, 6R140 Interm (#873) / Forward (#876) / Direct (#878) Pressure Plate (.174" Thick).....	1-3.....	TBA
874.....	166874.....	Retainer, 6R140 Holds Intermediate Clutch Return Spring In (4.208" OD)(2 Per Pack) 2011-Up.....	1.....	TBA
876.....	*USE ILL#873.....	Snap Ring, 6R140 Forward Pressure Plate (Use 166873-166873G).....	1.....	TBA
877.....	166877.....	Snap Ring, 6R140 Holds Forward Clu Support/Retainer In Drum (.056" Thick)(3.580" OD).....	1.....	TBA
878.....	*USE ILL#873.....	Snap Ring, 6R140 Direct Pressure Plate (Use 166873-166873G).....	1.....	TBA
879.....	166879.....	Snap Ring, 6R140 Holds Direct Clu Spring Retainer In Drum (.099" Thk)(Oval Shaped).....	1.....	TBA
882.....	166882.....	Snap Ring, 6R140 Holds Fwd Planet To Fwd/Dir Drum Support (.037" Thk, 6 1/4" OD) 2011-Up.....	1.....	TBA
883.....	166883.....	Snap Ring, 6R140 Holds Intermediate Clutch Housing To Case (.173" Thk, 10.187" OD) 2011-Up.....	1.....	TBA
884.....	166884.....	Snap Ring, 6R140 Holds Low Sprag To Rear Planet (.063" Thk, 8.687" OD) 2011-Up.....	1.....	TBA
885.....	166885.....	Snap Ring, 6R140 Holds Low/Rev Clutch Piston Retainer In (.079" Thk, 4.366" OD) 2011-Up.....	1.....	TBA

PISTONS, RETAINERS & MISCELLANEOUS

957.....	166957.....	Low/Reverse Housing, 6R140 (Aluminum)(Cast # 7F341) 2011-Up.....	1.....	TBA
960.....	166960.....	Piston, 6R140 Overdrive Clutch (Bonded)(Cast # BC3P-7G418-AD) 2011-Up (*Was 166872).....	1.....	TBA
962.....	166962.....	Piston, 6R140 Intermediate Clutch (Alum) (8.625" OD)(Cast #RFBC3P-7J015-AB) 2011-Up.....	1.....	TBA
964.....	166964.....	Piston, 6R140 Forward Clutch (Alum)(7.750" OD)(Cast #RFBC3P-7L140-AA) 2011-Up.....	1.....	TBA
965.....	166965.....	Piston, 6R140 Direct Clutch (Aluminum) (Cast # RFBC3P-7C117-AB) 2011-Up.....	1.....	TBA
967.....	166967.....	Piston, 6R140 Low/Reverse Clutch (Aluminum)(4 Clutch)(Cast # 7D402) 2011-Up.....	1.....	TBA
970.....	166970.....	Spring Retainer, 6R140 OD Clutch Return (3.875" OD)(20 Springs) 2011-Up.....	1.....	TBA
972.....	166972.....	Spring, 6R140 Intermediate Clutch Return (6.50" OD)(12-Fingers) 2011-Up.....	1.....	TBA
974.....	166974.....	Spring Retainer, 6R140 Forward Clutch Return (6.50" OD)(28-Springs) 2011-Up.....	1.....	TBA
975.....	166975.....	Spring Retainer, 6R140 Direct Clutch Return (6.875" OD)(32-Springs) 2011-Up.....	1.....	TBA
977.....	166977.....	Spring/Retainer, 6R140 Low/Rev Clutch Return (5.875" OD)(30-Springs) 2011-Up.....	1.....	TBA
980.....	166980.....	Retainer/Piston, 6R140 Overdrive Clu Spring (Bonded)(Cast #BC3P-AH) 2011-Up (*Was 166762).....	1.....	TBA
984.....	166984.....	Support/Retainer, 6R140 Fwd Planet Supp / Fwd Clu Spring Retainer (7.375" OD)(Steel) 2011-Up.....	1.....	TBA
985.....	166985.....	Retainer, 6R140 Direct Clutch Spring (Alum)(7.875" OD)(Cast #RFBC3P-7H359-AB) 2011-Up.....	1.....	TBA
991-4.....	166991.....	Manual Shaft, 6R140 Manual Lever To Rooster Comb (.499" OD, 3.951" Long) 2011-Up.....	1.....	TBA
992.....	166992.....	Manual Lever, 6R140 (Cast # BC3P-7G354-CA) 2011-Up.....	1.....	TBA
994.....	166994.....	Park Rod Actuator, 6R140 (9.00" Long) 2011-Up.....	1.....	TBA
995.....	166995.....	Park Pawl Assembly, 6R140 (5-Pieces) 2011-Up.....	1.....	TBA
999-8.....	166999A.....	Oil Tube, 6R140 Valve Body To Interm Clutch Hsg (Alum)(1-Bolt, 2.985" Long) 2011-Up.....	1.....	TBA
999.....	166999.....	Oil Tubes, 6R140 Valve Body To Low/Rev Housing (Steel)(2-Tubes) 2011-Up.....	1.....	TBA