



# YardCraft

by Lapp Structures

**rediscover life outdoors**



## 7x7 Edgemont Garden Shed Assembly Instructions

866-210-9273  
[info@yardcraft.com](mailto:info@yardcraft.com)



**YardCraft**  
by Lapp Structures

**rediscover life outdoors**

Thank you for the purchase of this Edgemont Garden Shed. This manual is designed to simplify the assembly process; however we recommend having an experienced carpenter involved in the project. **Please read through the entire manual before starting!**

The building put together for this manual was a 7'x7' Edgemont Garden Shed. It took 2 men approximately 4 hours using the tools shown. However; it may take you longer, since it will probably be a new project for you.

Take a deep breath and get at it; the satisfaction and enjoyment of this building awaits! Have Fun!

**You have purchased a product that consists of heavy, bulky pieces. With your purchase, you assume full responsibility to have the necessary manpower and/or equipment to unload the items. You also agree that any damage that happens to the equipment, product, or individuals during the entire construction process, is your responsibility, and neither the seller, nor the manufacturer, will be held liable for any such damage.**

**In addition to the materials provided you will need approximately 3 bundles of shingles, 1/2 bundle cappers, 2 gallons of paint for the siding, 2 quarts paint for the trim, and one tube of caulk.**

## **Tools Required For Job**

- Hammer
- Screw Gun
- Tape Measure
- Tin Snips
- Carpenter Square
- (2) Step Ladders
- 5/32 Allen Wrench
- Carpenter Pencil



# YardCraft

by Lapp Structures

rediscover life outdoors

## Shed Pad Preparation



### Site Preparation

The best thing you can do to contribute to the longevity of your new building is to install a quality pad. We recommend a minimum of a 6-12" crushed stone base, at least 2' larger than your building in both directions. Crushed stone allows for drainage should any moisture get underneath your shed.

Drainage is of utmost importance, as the greatest enemy to any shed is moisture. If you look at older sheds around your neighborhood, you will notice that many of them are beginning to rot around the bottom of the structure. This is because most, if not all, of those sheds do not have a prepared base underneath them. As rain falls from the edge of the roof, it deflects off of the ground and splashes onto the sidewalls of the shed. Over the years, this will cause the doors and lower siding of these sheds to rot. Using stone as a base, the water is able to be absorbed into the ground instead of splashing against your building.

**IMPORTANT: Pad needs to be level for a more efficient building process!**

# Unpack The Kit



(1) Place the package as close to the assembly location as possible.



(2) Cut package bands.



(3) Remove and organize parts from package.

## If You Got A Floor With This Unit, (Skip Steps 4-9)



(4) Locate and lay out the pressure treated 2x4 Sill Plates, cutting them to length as needed.  
**NOTE: Perimeter needs to be square, and exactly 7'x7'**  
**Steps 5 to 9 are for concrete foundations only.**



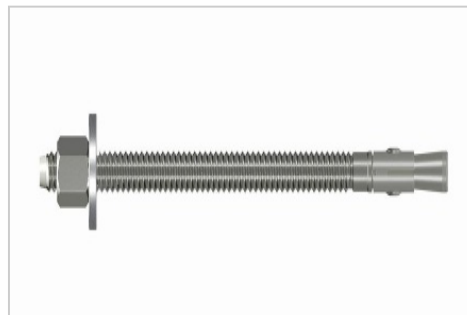
(5) Fasten the sill sealer (**Not provided**) to the bottom of the sill plate. (**You will need approximately 30 feet**)



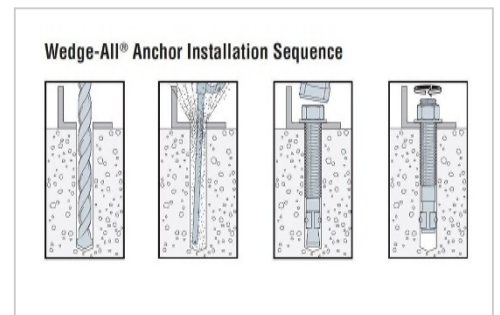
(6) After making sure the sill plates are in the proper position, pre-drill holes, then fasten to the foundation, using 3" Tapcon screws, (**Not provided**)



(7) After all the walls are set, permanently anchor the walls, first; pre-drilling the holes, using a 1/2" concrete bit, (**Not provided**) then, move to next step.



(8) Fasten the walls to the foundation, using 1/2" x 7" galvanized wedge anchors, (**Not provided**) and space them every 4 to 6 feet, or according to local code requirements.



(9) Ask your local hardware department for any additional info on how to properly install the anchoring system, or refer to the video at [www.youtube.com/watch?v=3JI\\_9ggbmcY](http://www.youtube.com/watch?v=3JI_9ggbmcY)

# Assemble Floor



(10) Locate the parts to assemble the floor joists.



(11) Locate the hardware & fasteners.



(12) Remove and organize them for easy access.



(13) After making sure the pad is level, locate the parts to assemble the floor joists, and scatter them out as shown.



(14) **Note:** The band boards have dado grooves precut to ensure proper joist placement.



(15) Begin with the end joist, making sure the band board is flush with the joist.



(16) Continue this method for rest of floor joists, using two 3" screws per joist. \*Holes are predrilled\*



(17) Before proceeding with flooring, ensure that floor is square. Both measurements need to be equal.



(18) If measurements are not equal, move the ends of the band board left or right, accordingly.

# Install Flooring



(19) Layout the flooring.



(20) Start on the front right corner with the first piece, making sure flooring is flush with perimeter.  
**NOTE:** Both pieces of flooring are 41-7/8"x84"



(21) Attach the corner of the flooring, using 2" nails.



(22) Nail along the gable, making sure flooring is flush with the floor joist. Use an 8" to 12" nail spacing.



(23) Now; nail front left corner, again; making sure flooring is flush with the band board.



(24) Before you finish attaching the first row flooring to the joist, make marks 12" on center for a guide to adjust the joist when nailing.



(25) Repeat previous steps for back piece, using an 8" to 12" nail spacing, and ensuring all flooring is either flush or parallel with the floor joists.



(26) Finally, make sure flooring is nailed to all floor joists, then you are ready for wall placement.



(27) Ready for walls! Refer to next step.

# Assemble Walls



(28) Locate and lay out the parts to assemble the left wall.

**Note: (Dados are 21" on center)**



(29) Use the dadoed 2x4's for top & bottom plate. The 2x4 plate on the right; with dado's on both the top & bottom, is for the top plate.



(30) Insert two 3" screws through the pre-drilled holes to attach bottom plate to each wall stud. Make sure bottom plate and wall studs are flush.



(31) Repeat the process for the rest of the wall studs; then lay out the siding as shown, with factory edges; overlap/underlap towards the center.



(32) Starting on the top side of the wall, align siding with both the dado top plate & wall stud as shown, then fasten with one 2" nail.



(33) Next; move along the top, to the corner of the piece shown, fasten with 1 nail, then finish nailing along the top of this piece, using an 8" to 12" nail spacing, before moving to next step.



(34) Now; align the bottom corner of the siding with bottom corner of wall as shown, before fastening.



(35) Put the next piece in place, flush with the previous piece, making sure the splice looks similar to the other grooves. Then fasten this corner of the siding, and along the entire top plate.



(36) Place the bottom of this piece in the correct position, again; making sure the splice looks similar to the other grooves. Then fasten the corner.



(37) Now; using 2” nails, fasten along the bottom and along all splices and studs, making sure you mark the position of the studs (21” on center) before nailing, using an 8” to 12” nail spacing.



(38) Set the wall, making sure edges of wall are flush with edges of floor. **Note: It is VERY important that a person holds the wall in place until wall is attached firmly to floor, or braced.**



(39) **CORRECT!** Wall needs to be flush, and in against the floor frame, and down against the flooring.



(40) Attach entire bottom edge of siding to floor, using an 8” to 12” nail spacing.



(41) Fasten to floor, using two 3” screws at every stud, trying to hit the floor joists. Repeat the process for the rest of the wall.



(42) **IMPORTANT:** Do not leave the wall standing alone for a long period of time, without firmly bracing it.



(43) Now; locate and lay out the parts to assemble the right wall, using the previous steps.

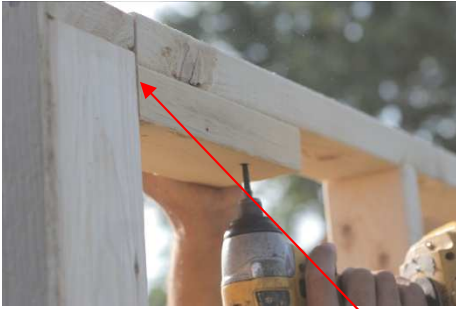


(44) Locate and lay out the parts to assemble the rear gable wall, attach all wall studs to top and bottom wall plate, then set the gable wall as shown.



(45) Place a precut block in the rear gable corner, first making sure it is flush.





**(46)** Then; after making sure the rear gable wall is flush with the side wall, finish fastening the pre-cut block as shown, using 3” screws.



**(47)** Repeat on opposite corner.



**(48)** Now; locate and lay out the parts to assemble the front wall.



**(49)** Place the door studs as shown, making sure to have the notch for the door latch facing down, and on the left door jack as shown.



**(50)** Attach door jack studs to top and bottom wall plate.



**(51)** Set the front gable wall, and fasten to floor and side walls as done in previous steps, and making sure to space the bottom of the door opening the same as the top, which should be 39-1/4”



**(52)** Be sure to fasten the pre-cut blocks on both sides, as done in previous steps for rear gable.



**(53)** After walls are all fastened, locate the 39-1/4” long 2x4, place it under the door top plate as shown here, and fasten with six 3” screws.



**(54)** Done!

# Assemble Rafters



(55) Align the rafters as shown, then move to next step.



(56) Place the gusset on the rafters, making sure it is flush with rafter edges as shown. Then fasten gusset to rafters, using a total of ten 2" nails per gusset.



(57) **Note:** Two rafters will be assembled using only one rafter gusset per rafter, the remaining rafters will be assembled using two rafter gussets.

# Install Rafters



(58) After assembling rafters, place them against a wall inside the shed for convenient access.



(59) Begin with end rafter keeping single gusset facing to interior of shed as shown.

**Important: One person needs to hold the rafter while another person fastens it.**



(60) Make sure end rafter is down against top plate, and in against the siding, then screw rafter to top wall plate, by running a 4" screw down through the rafter. Repeat for other end of rafter, then repeat these steps for opposite gable.



(61) Install rest of rafters, using the previous steps & being sure to place rafters in the precut dado on the top plate, as shown.



(62) After installing all the rafters, run a 3" screw into the rafter from inside, as shown. Repeat for every rafter.



(63) Finished with rafters & ready for next step!

# Install Soffit & Gable Siding



(64) Place soffit under rafters, being sure to align the soffit with end of wall and flush with rafter as shown, then fasten using one 2" screws per rafter.



(65) Fasten soffit to rest of rafters, making sure it is aligned with the ends of rafters. Repeat for other side.



(66) Now; place the gable siding against the back gable as shown, (1 left & 1 right)



(67) Install the siding with the under-lap (right side) first, making sure it is aligned with the wall frame on the right, and placed 2" up from bottom of floor joists. **NOTE: Fasten on bottom right corner first, then move to left side as shown.**



(68) Next, fasten the top right corner of the siding, again; making sure it is flush with the wall frame as shown. Repeat with left piece, making sure to space the center overlap/ under-lap splice correctly.



(69) Fasten all siding securely to wall studs & top & bottom plate, & marking the siding where necessary.



(70) Fasten 2x4 gable brace to rafter as shown, using 3" screws & angled into rafter.



(71) Next, position the vertical 2x4 over the siding splice.



(72) Toe screw 2x4 on top & bottom, using 3" screws.



**(73)** Caulk along the top of the installed siding, then fasten this top piece of siding & finish nailing along all the splices & gable braces.



**(74)** Layout the siding for the front.



**(75)** Next, position the 2x4 gable brace, and fasten to both the rafter & top plate.



**(76)** Repeat on opposite side.



**(77)** Starting with the left piece, place the siding flush with the door opening, and 2" up from bottom of floor joists, then fasten corner with one 2" nail.



**(78)** Now; fasten the siding at the top corner, making sure it is flush with the door opening, as done on the bottom. Now; before nailing the rest of the piece, refer to next step.



**(79)** Ensure that the door opening is square.



**(80)** Both measurements need to be equal. If not; push the top of the wall left or right as needed, then finish fastening the siding on the left.



**(81)** Place the center piece flush with the top of the door, & spaced correctly at the splice on the left, then fasten securely with 2" nails.



(82) For the piece of siding on the right side of the door, place it against the center piece above the door, then refer to next step.



(83) **Note:** Position siding the same on the bottom of the door as the top.



(84) Keep siding 2" up from the bottom of the floor joists.



(85) Finish nailing the rest of this piece, as well as double check all other siding to ensure proper nailing on every stud ect..



(86) Fasten the provided blocks to each corner as shown, making sure to place the block flush with the end of the rafter, and even with bottom of soffit.



(87) Ready to install sheathing! Locate and layout the sheathing on both sides, as shown here.

## Install Roof Sheathing



(88) Starting with the right corner, align roof sheathing with the bottom & outside edge of rafter as shown here, then attach, using a 2" nail.



(89) **Now;** fasten the sheathing on the left corner, again; making sure it's flush with the bottom & outside edge of rafter.



(90) **Important!** Nail sheathing to every rafter along the bottom, before moving to next step!

# Use Extreme Caution When Climbing On Roof!



(91) Adjust gable rafter, to be parallel with the roof sheathing, then fasten, using 2" nails spaced 8 to 12 inches apart.



(92) Repeat for opposite end.



(93) Make marks 21" on center for guidance on rafter placement. Then, fasten sheathing to all rafters, using an 8" to 12" nail spacing.



(94) Repeat previous steps for the back side.

**Note: If the marks on the sheathing do not align properly with the rafters, you will need to lift a corner of the building, to adjust it.**



(95) Now; put the top pieces of sheathing in place, and fasten them securely.

Now we are ready for fascia!



(96) Layout the gable fascia pieces as shown (1-left & 1-right)

## Install Trim



(97) Position the gable fascia, then refer to next step.



(98) Align the fascia with the rafter and sheathing as shown, then fasten with one 2" trim nail.



(99) Repeat on opposite side, then move to peak as shown here, and align the fascia in the peak as needed. Fasten securely, then repeat these steps for other gable.



**(100)** Fasten a bird box block to the corner, using three 2” Trim nails.



**(101)** Repeat for the other three corners.



**(102)** Lay out the corner trim for each corner.



**(103)** Attach corner trim to side wall, making sure it is flush with the gable wall as shown, using 2” trim nails spaced 8-12” apart, along edge of trim.



**(104)** Install the other corner piece as shown. Repeat for rest of corners.



**(105)** Fasten fascia to rafters, using two 2” trim nails per rafter, and making sure fascia is flush with the top of the rafters, and with the gable fascia.



**(106)** Done! Repeat these steps for the fascia on the back side.



**(107)** Install right side door trim, staying 1/2” to the right of the door frame, and flush with the top of the door frame.



**(108)** Now; install left side door trim, staying flush with the top of the door frame.  
**NOTE:** Trim spacing needs to be 40-1/2” (inside to inside) as shown in next step.

# Install Doors



**(109)** Be sure to check the trim spacing, which should be 40-1/2” Also check the spacing for the middle & bottom.



**(110)** Last of all, fasten the top piece, making sure you divide it out evenly across the top.



**(111)** Install 1x4x39-1/4” door slam strip under the door header, keeping it flush with the outside of the door frame.



**(112)** Find the hardware bag and locate the following.



**(113)** Fasten door hinge to trim, using 2” black screws, and making sure to keep top of door approximately 1/4” down from trim & against the trim on the right.



**(114)** Fasten the other hinges, keeping door against the trim on the right side.



**(115)** Install latch using 2” black screws.



**(116)** Attach L-handle on the inside of door as shown, using a 5/32 Allan Wrench. Adjust as needed.

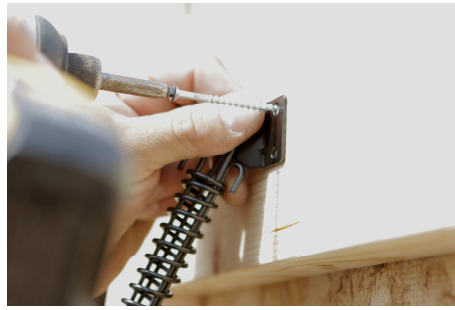


**(117)** Make a mark on top of door, 12” in from hinge side.





(118) Now; make another mark on the inside of the door header, again; 12” in from hinge side.



(119) Install the door spring to the door, using two 2” black screws.



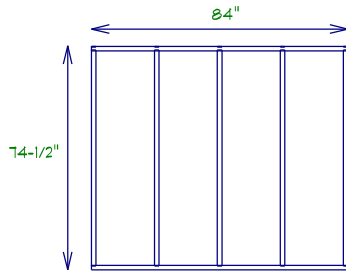
(120) Fasten the other section of the spring to the header of the door, using two 2” black screws.



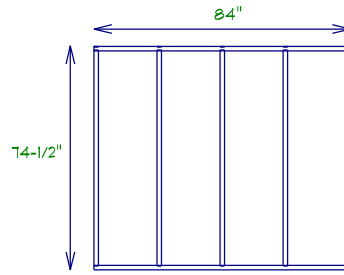
***NOTE: Shingles, Drip Edge, Roof Paper, and paint are not provided!***

# Stud & Siding Layouts (4-Sides)

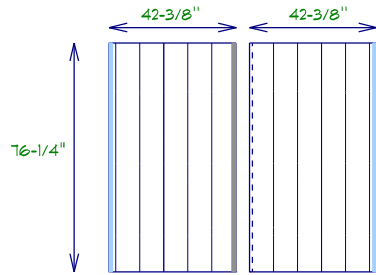
Left Wall Layout



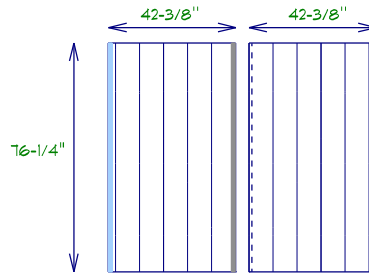
Right Wall Layout



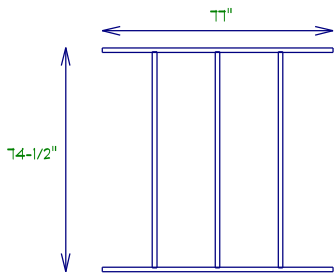
Left Wall Siding Layout



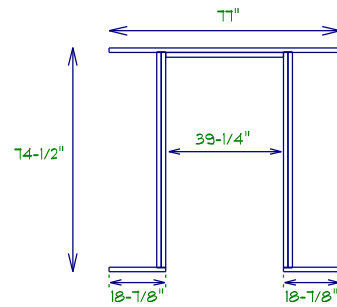
Right Wall Siding Layout



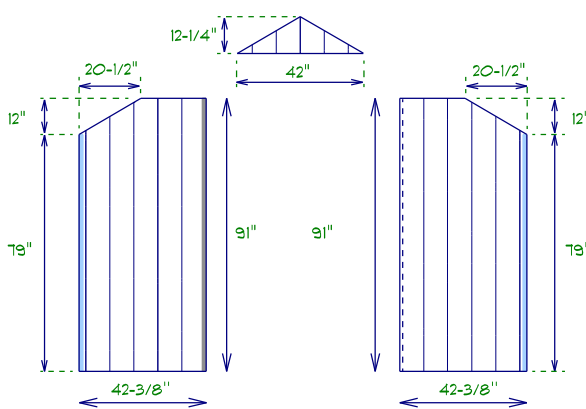
Rear Gable Wall Layout



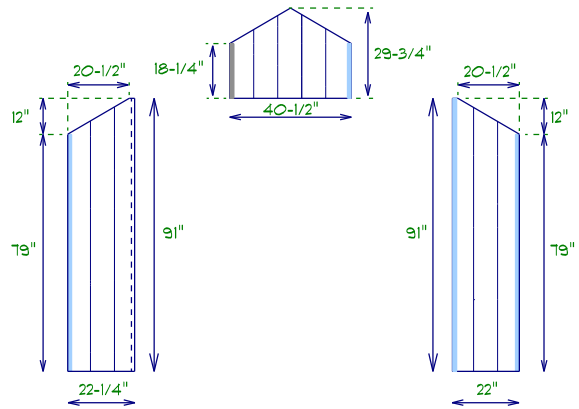
Front Gable Wall Layout



Rear Gable Siding Layout



Front Gable Siding Layout

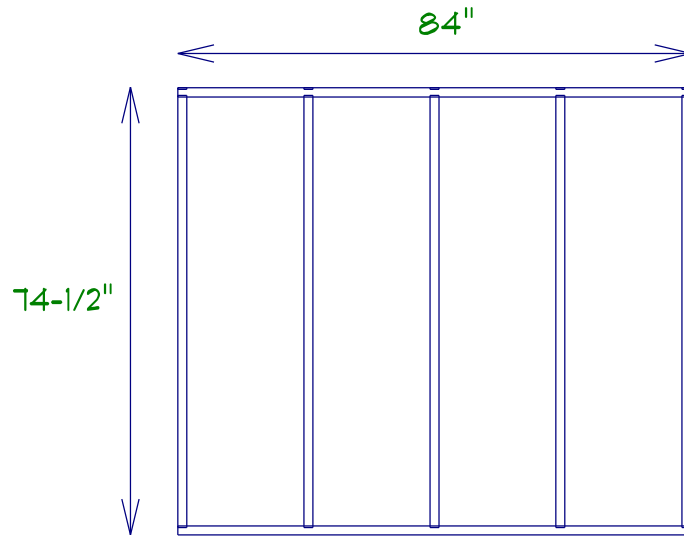


- = Underlap
- = Overlap
- = Cut edge

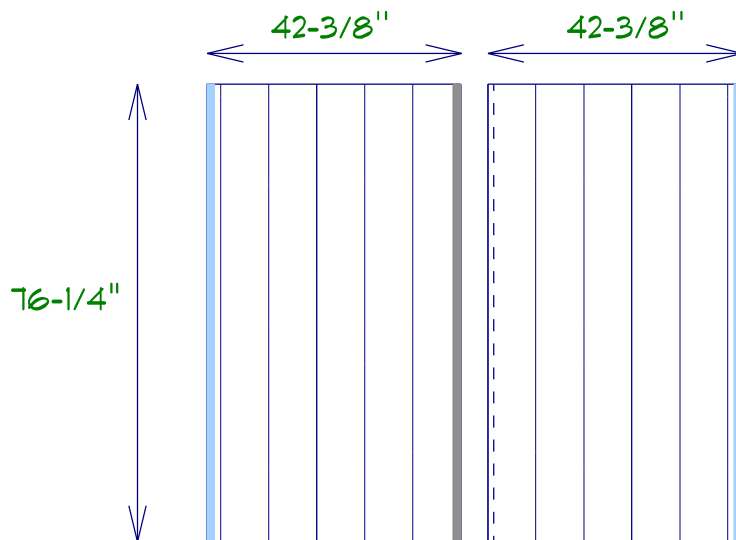
## Stud & Siding Wall Layouts (4-Sides)

SCALE: 3/16" = 1'-0"

## Left Wall Layout



## Left Wall Siding Layout

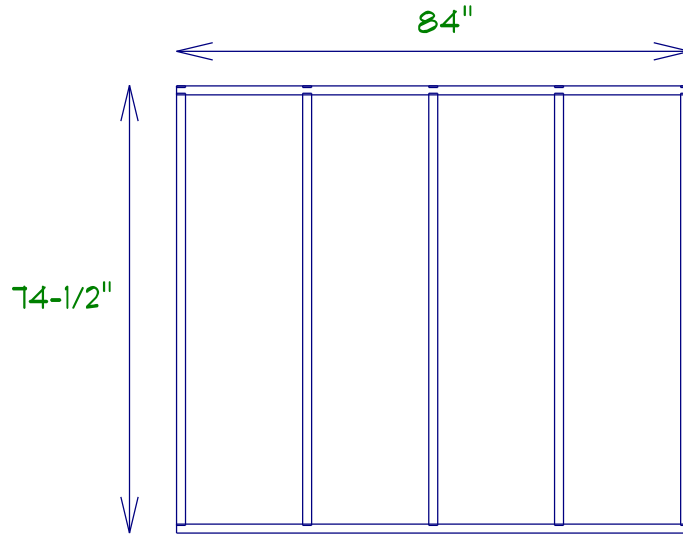


- = Underlap
- = Overlap
- = Cut edge

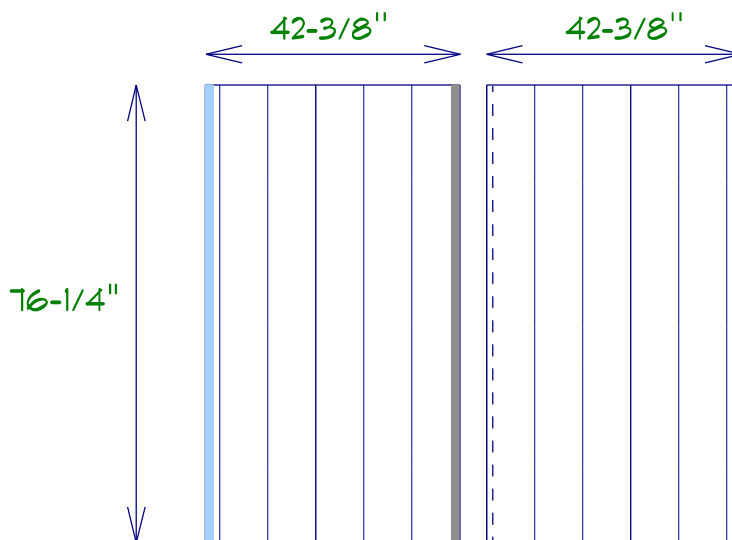
## Left Wall Layout




SCALE: 3/8" = 1'-0"

## Right Wall Layout



## Right Wall Siding Layout

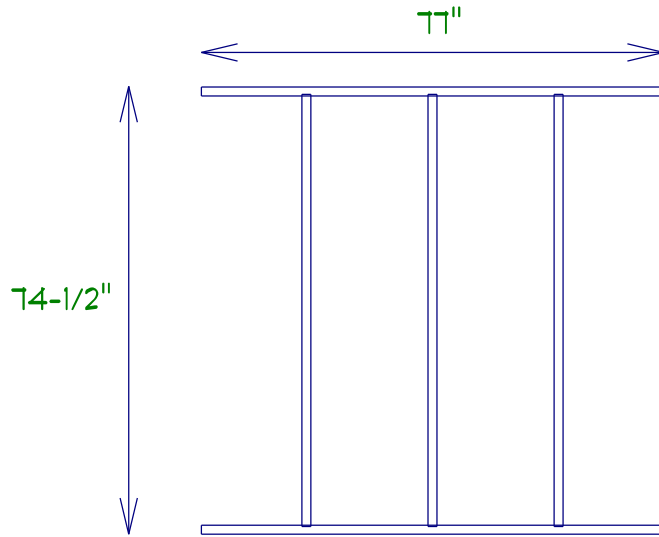


-  = Underlap
-  = Overlap
-  = Cut edge

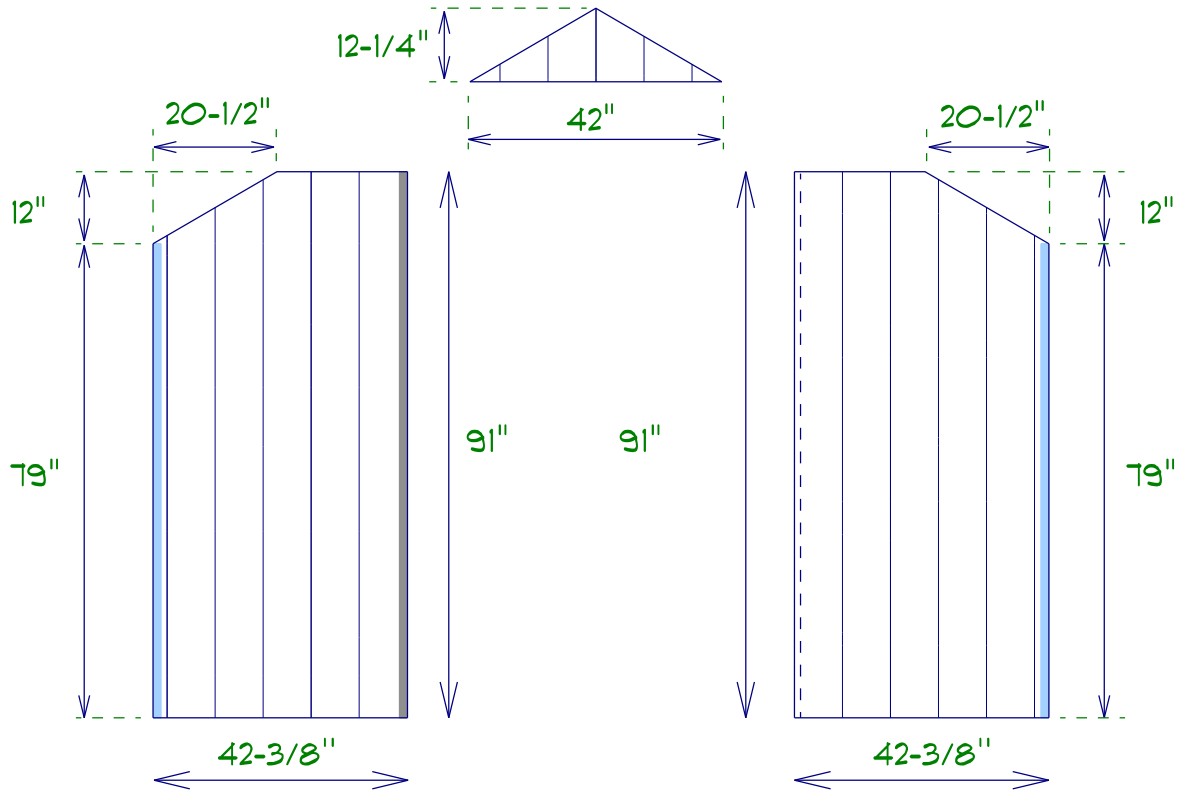
## Right Wall Layout



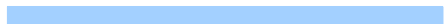
SCALE: 3/8" = 1'-0"

## Rear Gable Wall Layout



## Rear Gable Siding Layout

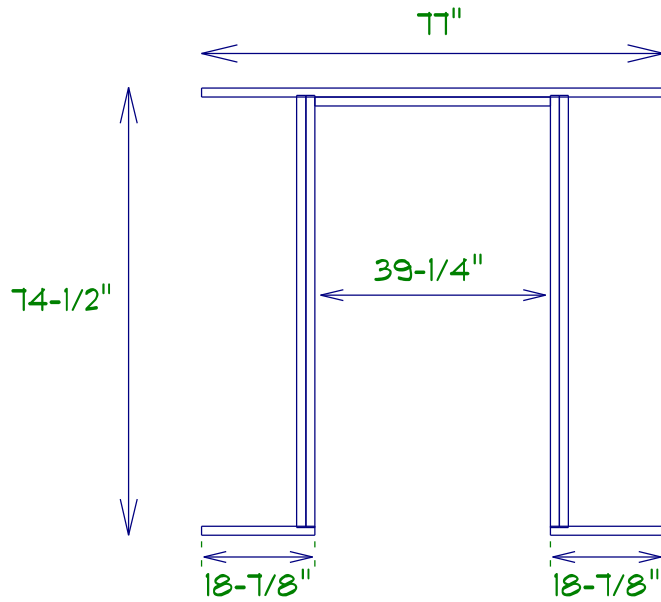


-  = Underlap
-  = Overlap
-  = Cut edge

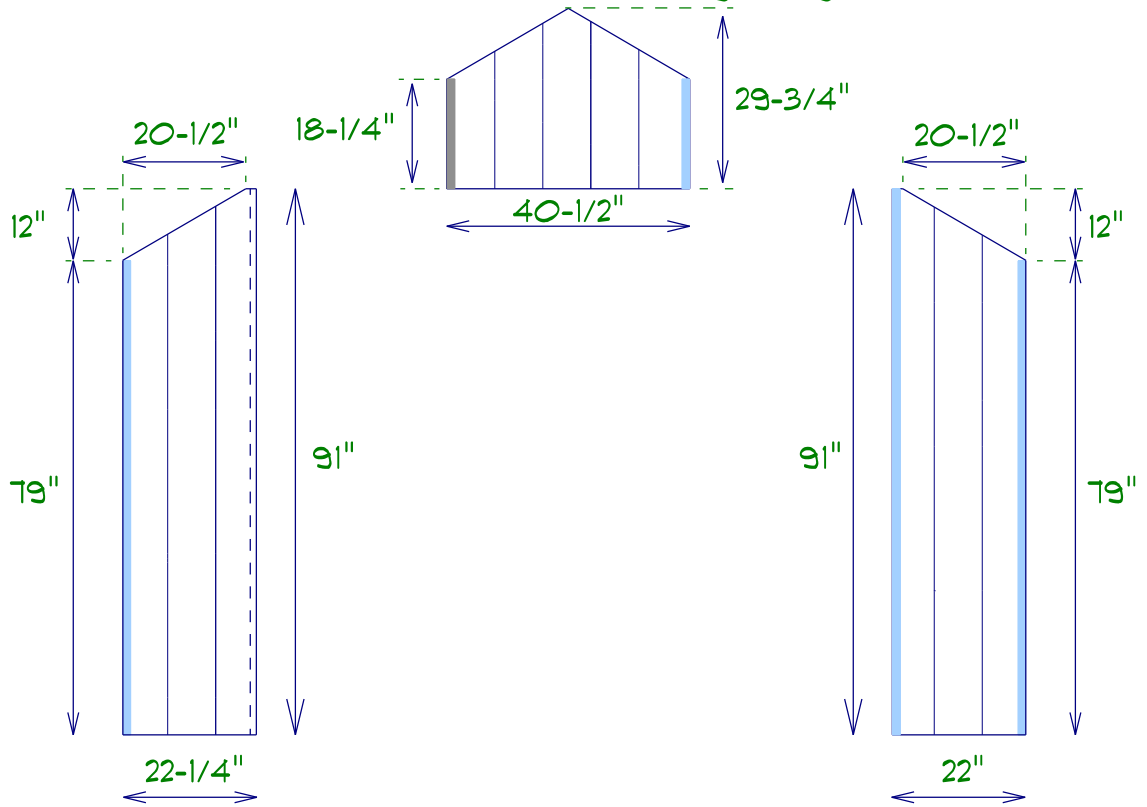
## Rear Gable Wall Layout




SCALE: 3/8" = 1'-0"

# Front Gable Wall Layout



# Front Gable Siding Layout



-  = Underlap
-  = Overlap
-  = Cut edge

# Front Gable Wall Layout

SCALE: 3/8" = 1'-0"