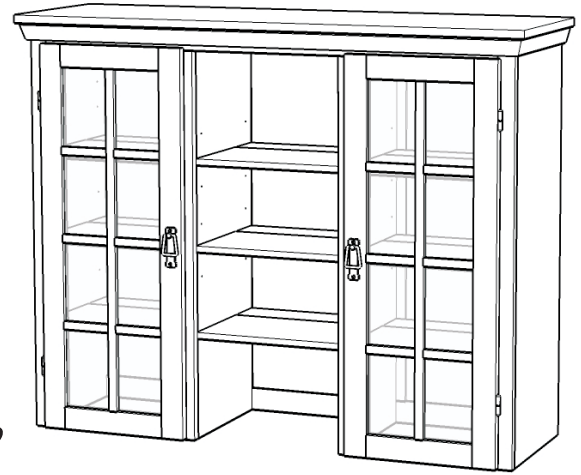


# 88 5180 307 Arts & Crafts Dining Hutch (Cottage Oak)



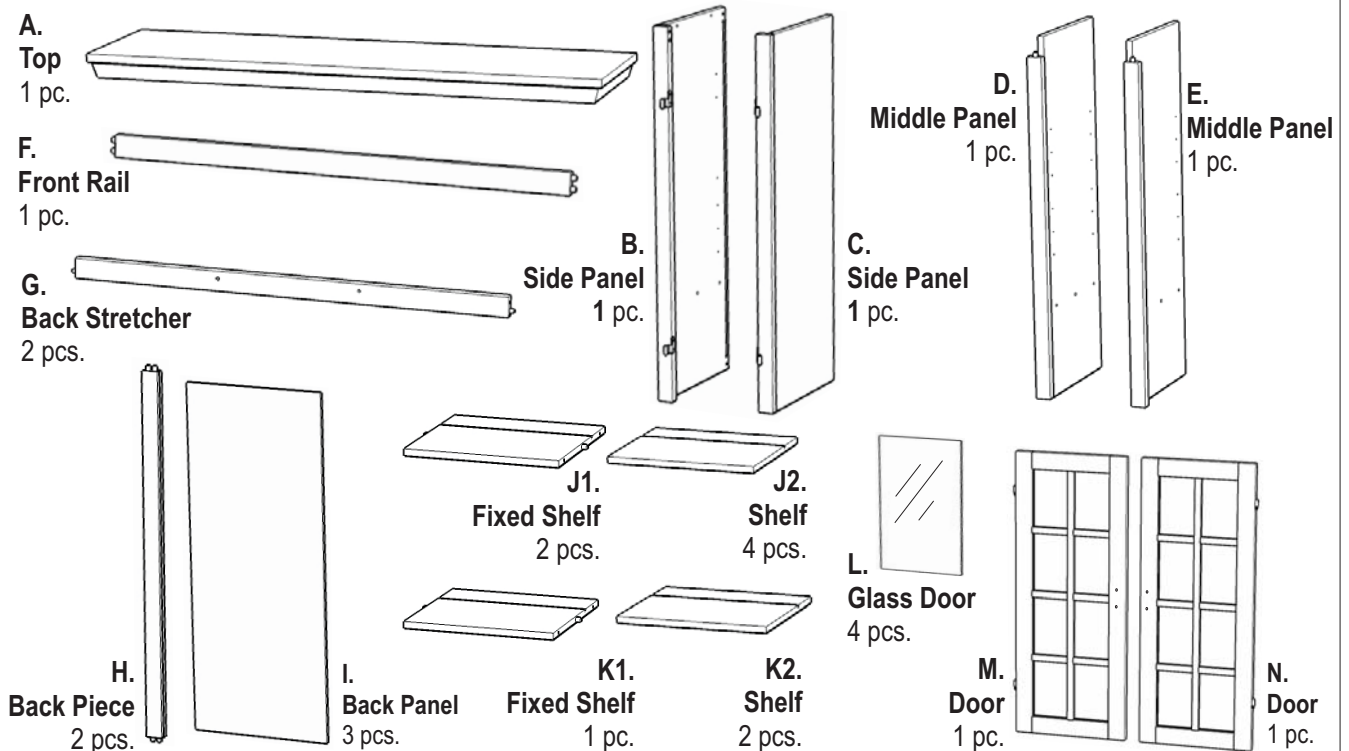
*Home Styles*

## IMPORTANT NOTE

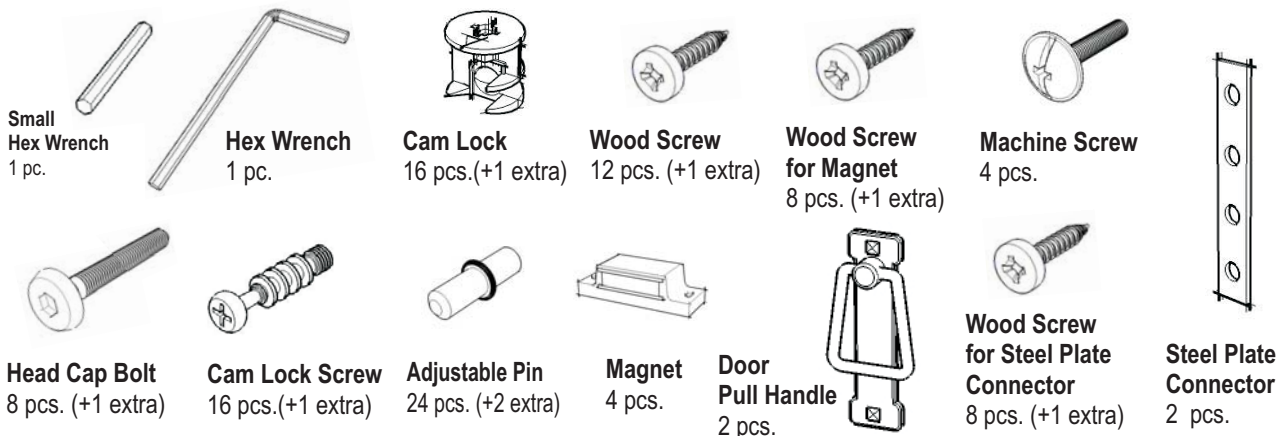
Carefully remove all the parts from the carton and put them individually on a soft cloth to prevent scratches or other damages occurring to the wood parts.

We have taken great care in the design of this product and request that you carefully and strictly follow our assembly instructions to ensure a completed product as it was designed.

## Hutch Unit Part List



## Hardware List



Tools required for assembly : **Phillips** screwdriver

**Home Styles Consumer Assistance Line 888-680-7460 and 877-831-0319**  
**servicedesk@homestyles-furniture.com**

**IMPORTANT**

Do not tighten up all the screws until each part is properly assembled.

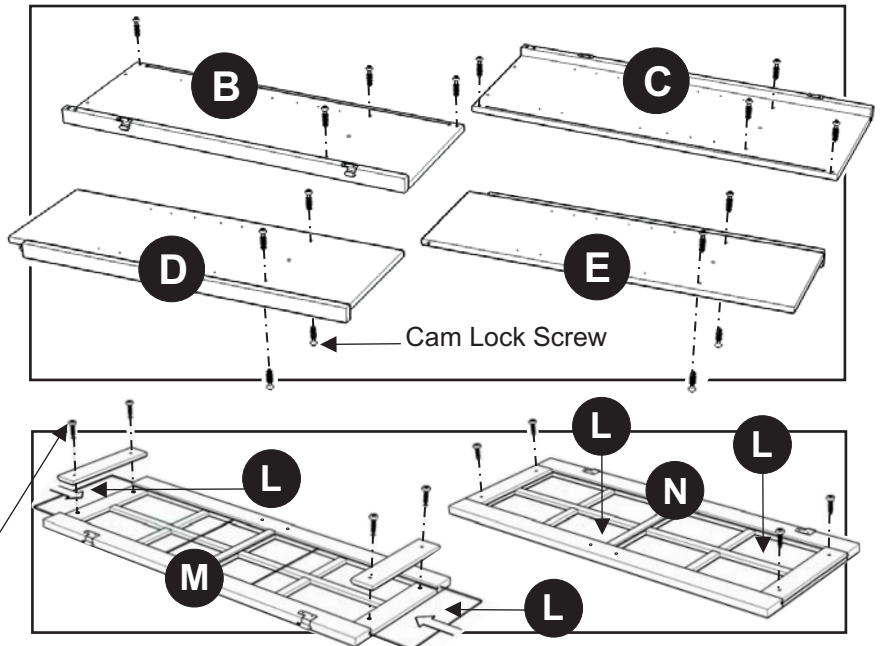
You should keep Hex Wrench in a safe place as you may need to tighten up the Head Cap Bolts in the future.

## STEP 1

Put Cam Lock Screws into the pre-drilled holes of Side Panel (B),(C), Middle Panel (D),(E) and tighten.

Remove Wood Screw from Door (M) and (N).

Slide Glass (L) into the door frame as shown Tighten Wood Screws .

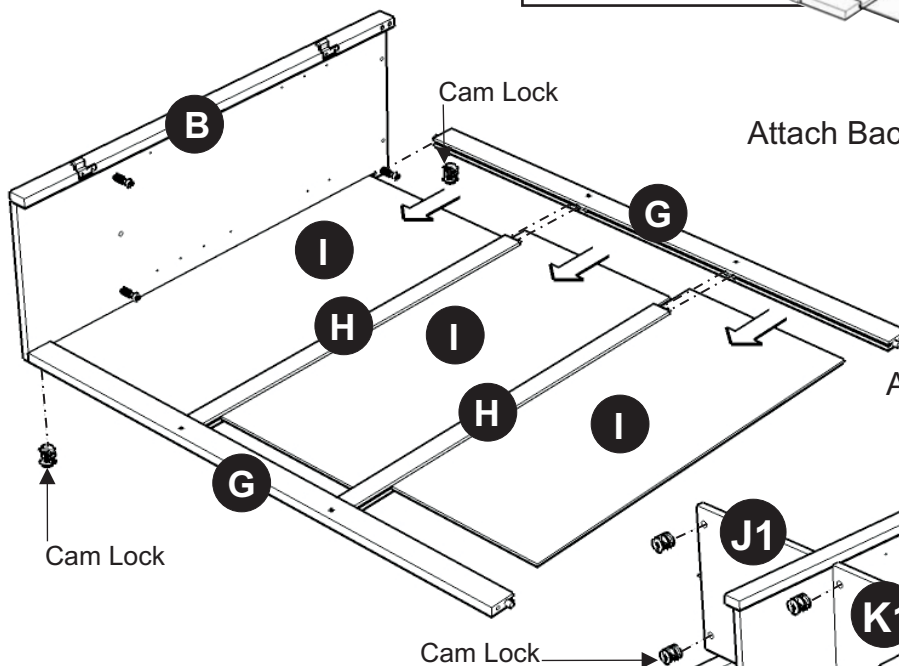


## STEP 2

Attach Back Stretcher (G) to Side Panel (B) with Cam Lock.

Attach Back Piece (H) to Back Stretcher (G) and slide Back Panel (I) into place.

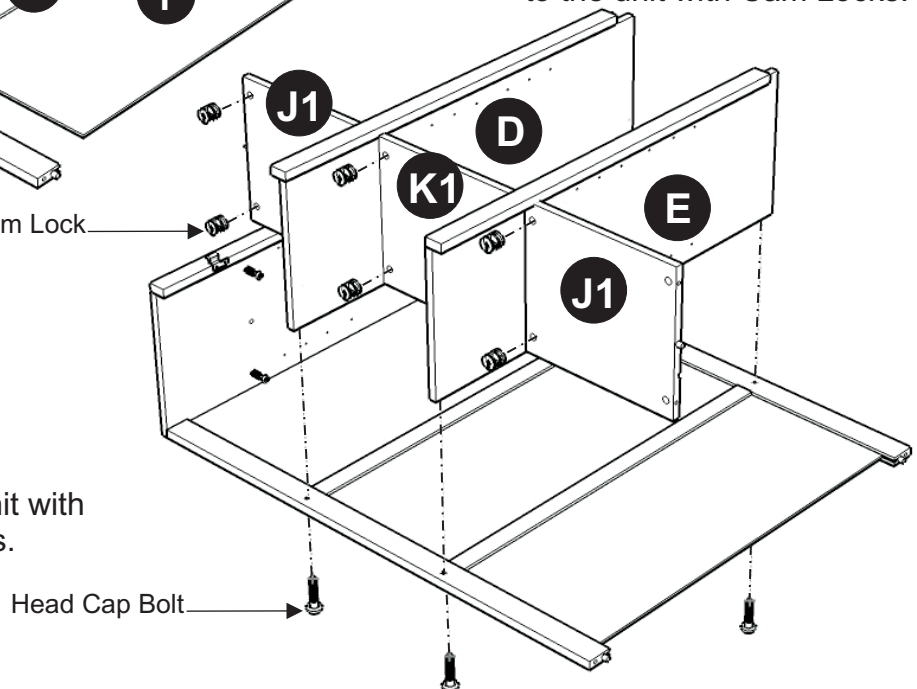
Attach second Back Stretcher (G) to the unit with Cam Locks.



## STEP 3

Assemble Fixed Shelf (J1),(K1) Middle Panel (D) and (E) using Cam Locks.

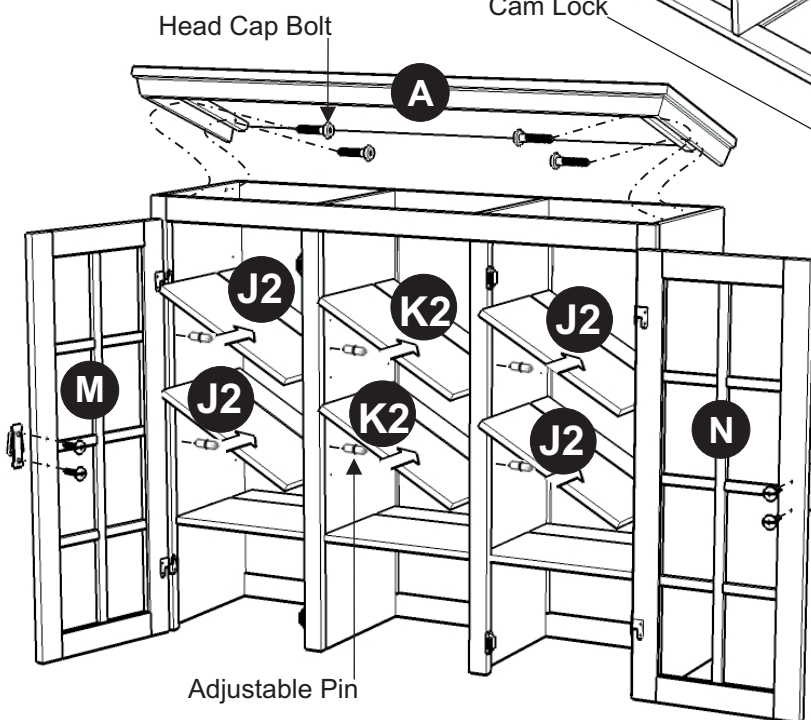
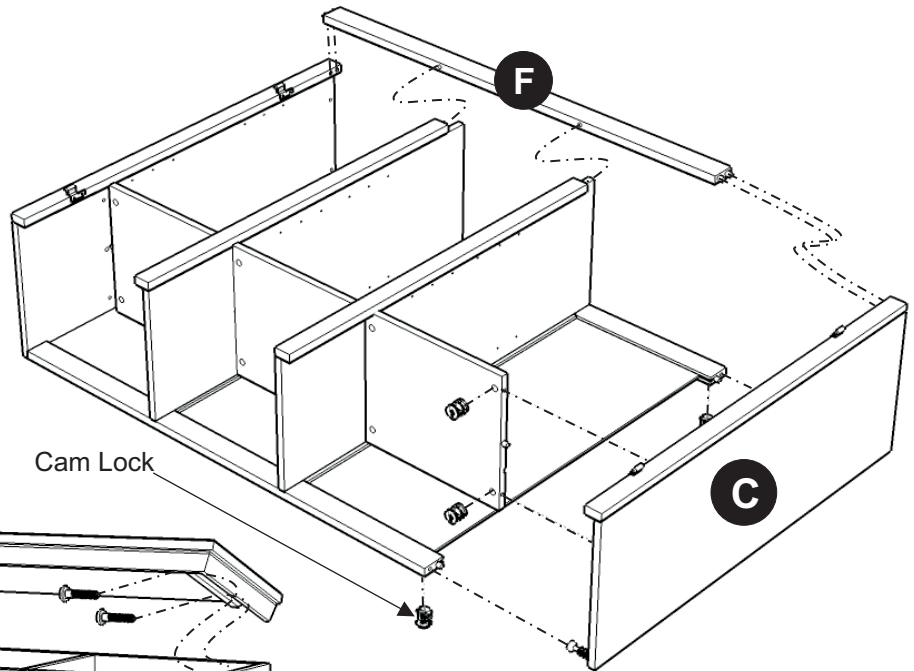
Attach assembled part to the unit with Head Cap Bolts and Cam Locks.



## STEP 4

Attach Front Rail (F) to the unit.

Attach Side Panel (C) to the unit with Cam Locks.



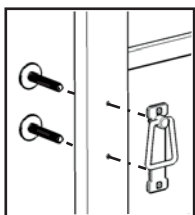
## STEP 5

Turn the unit to its upright position.

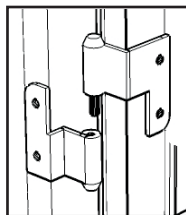
Insert Adjustable Pins into side panels and middle panels at the desired level. Slide Shelf (J2) and (K2) into place.

Assemble Pull Handles to Door (M) and (N) with Machine Screws. (see Figure 1)

Attach Door (M) and (N) to the side panels by sliding the door lift hinges into the side panel lift hinges. (see Figure 2)



(Figure 1)



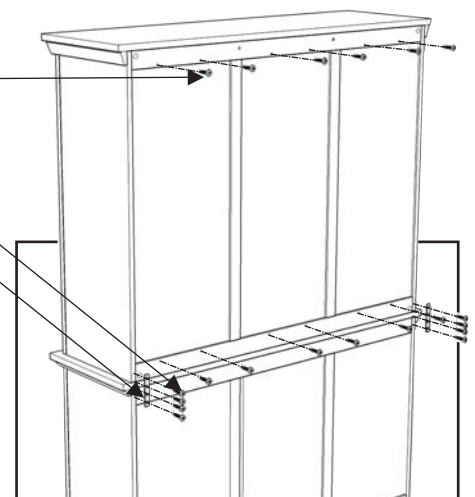
(Figure 2)

Place Top (A) onto the unit with Head Cap Bolts.

Wood Screw

Wood Screw

Steel Plate Connector

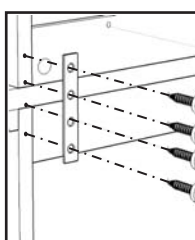


## STEP 6

Insert Wood Screws from the back and tighten.

Place the Hutch unit onto the Buffet unit.

Attach Steel Plate Connectors by inserting Wood Screws and tighten. (see Figure 3)

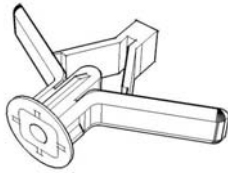


(Figure 3)

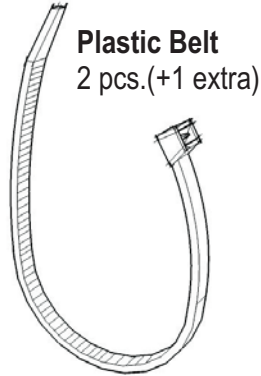
# Attention !

For safety reasons, please follow these additional instructions to prevent the unit from tipping over.

## HARDWARE LIST



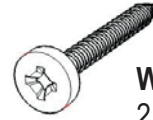
**Anchor**  
2 pcs.(+1 extra)



**Plastic Belt**  
2 pcs.(+1 extra)



**Bracket**  
4 pcs.(+1 extra)



**Wall Screw (long)**  
2 pcs.(+1 extra)



**Wood Screw (short)**  
2 pcs.(+1 extra)

## Assembly Instructions

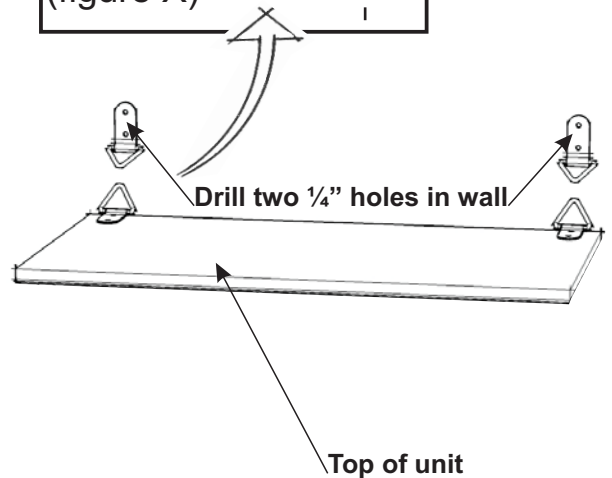
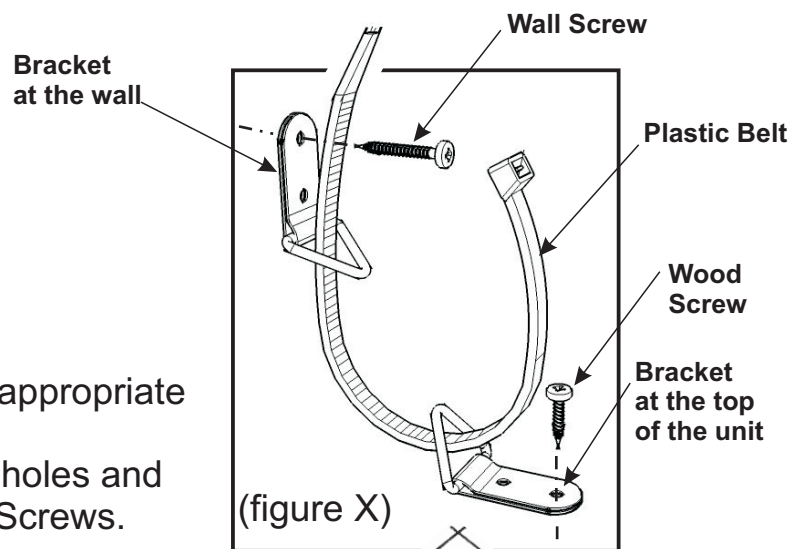
Place the unit at desired location in room.

Drill two ¼" holes in wall at the appropriate location.  
Insert the Anchors into the wall holes and attach the Brackets using Wall Screws.

Attach the Brackets at the pre-drilled holes on the top of the unit using Wood Screws.

Use the Plastic Belt to secure the Brackets on the unit to the Brackets on the wall (See figure X).

Put the tie end of the belt into the loop end of the belt and pull until tight.



# 88 5180 691 Arts & Crafts Dining Buffet (Cottage Oak)



## IMPORTANT NOTE

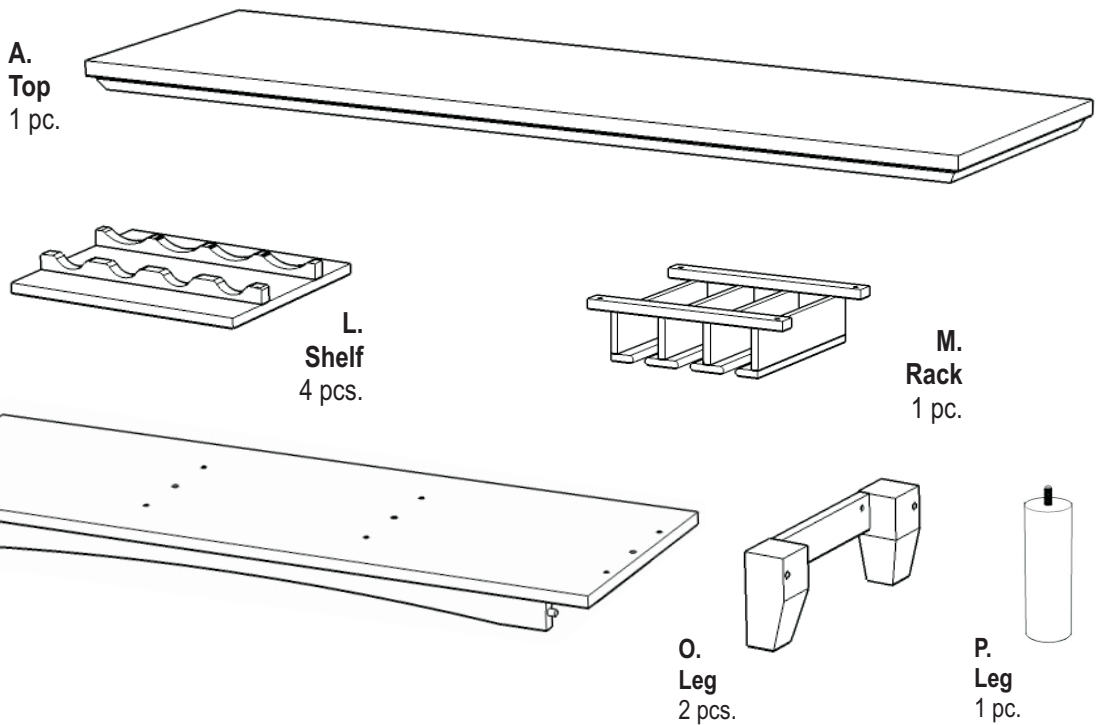
Carefully remove all the parts from the carton and put them individually on a soft cloth to prevent scratches or other damages occurring to the wood parts.

We have taken great care in the design of this product and request that you carefully and strictly follow our assembly instructions to ensure a completed product as it was designed.

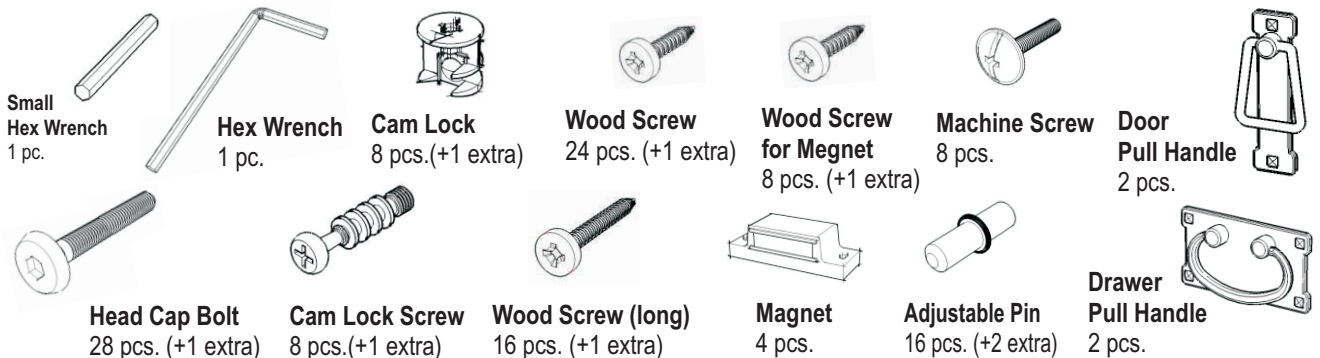


Casual Attire For Today's Home

## Buffet Unit Part List



## Hardware List



**For assembly see instructions in carton 88 5180 692**

Tools required for assembly : Phillips screwdriver

Home Styles Consumer Assistance Line 888-680-7460 and 877-831-0319  
servicedesk@homestyles-furniture.com



# 88 5180 692 Arts & Crafts Dining Buffet (Cottage Oak)

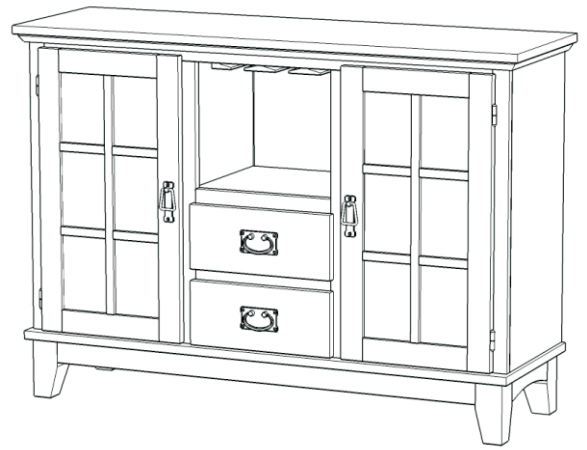
## IMPORTANT NOTE

Carefully remove all the parts from the carton and put them individually on a soft cloth to prevent scratches or other damages occurring to the wood parts.

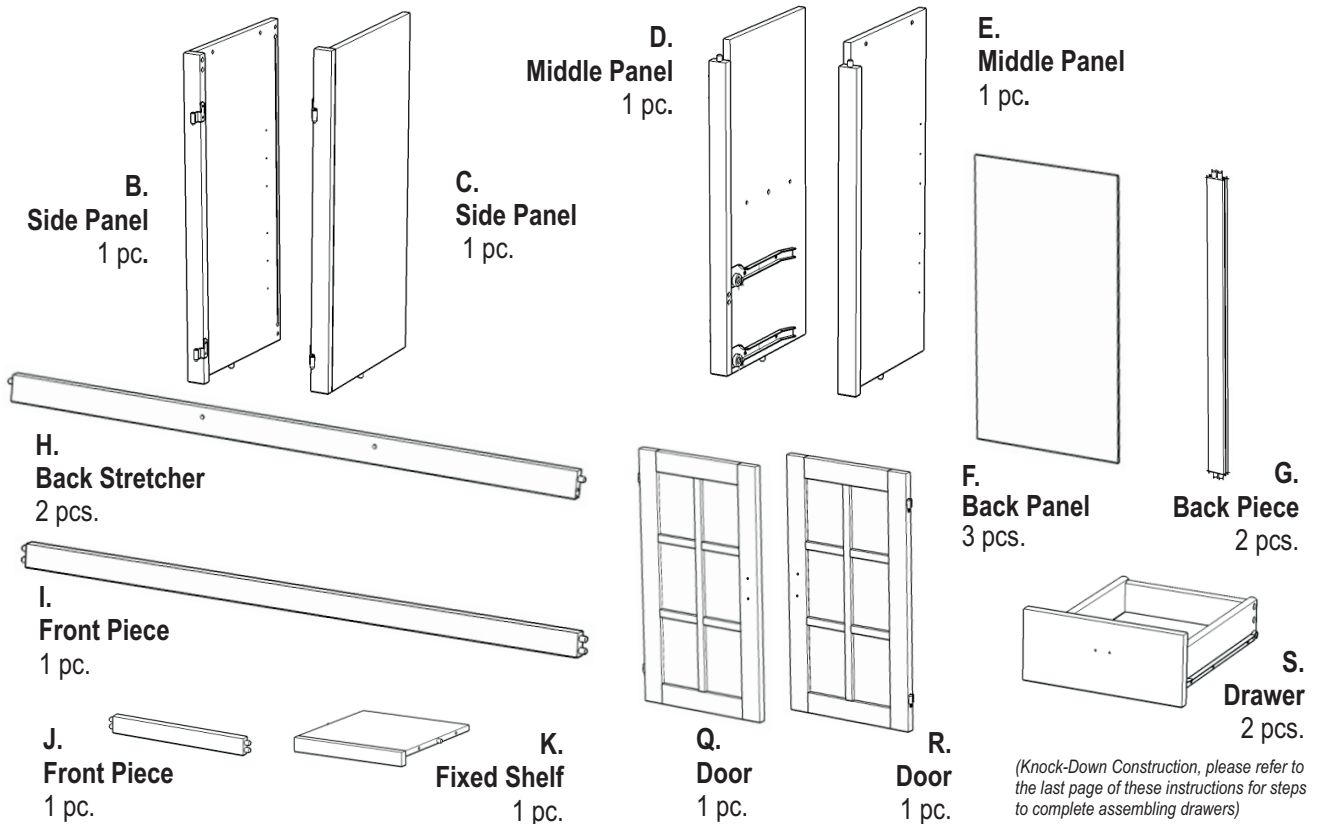
We have taken great care in the design of this product and request that you carefully and strictly follow our assembly instructions to ensure a completed product as it was designed.



Casual Attire For Today's Home



## Part List (in this carton)



## Also need the following from carton 88 5180 691 :

Part List in carton 88 5180 691		Hardware List in carton 88 5180 691		Hardware List in carton 88 5180 691	
Top (A)	1 pc.	Cam Lock Screw	9 pcs.	Hex Wrench	1 pc.
Shelf (L)	4 pcs.	Cam Lock	9 pcs.	Door Pull Handle	2 pcs.
Rack (M)	1 pc.	Magnet	4 pcs.	Drawer Pull Handle	2 pcs.
Base (N)	1 pc.	Wood Screw for Magnet	9 pcs.	Machine Screw	8 pcs.
Leg (O)	2 pcs.	Head Cap Bolt	29 pcs.	Small Hex Wrench	1 pc.
Leg (P)	1 pc.	Adjustable Pin	18 pcs.		
		Wood Screw (long)	17 pcs.		
		Wood Screw	25 pcs.		

Tools required for assembly : **Phillips** screwdriver

Home Styles Consumer Assistance Line 888-680-7460 and 877-831-0319  
servicedesk@homestyles-furniture.com

# Assembly Instructions 2/5

## IMPORTANT

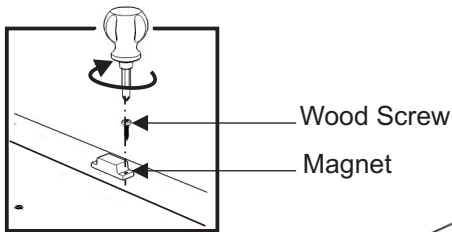
Do not tighten up all the screws until each part is properly assembled.

You should keep Hex Wrench in the safe place as you may need to tighten up the Head Cap Bolts in the future.

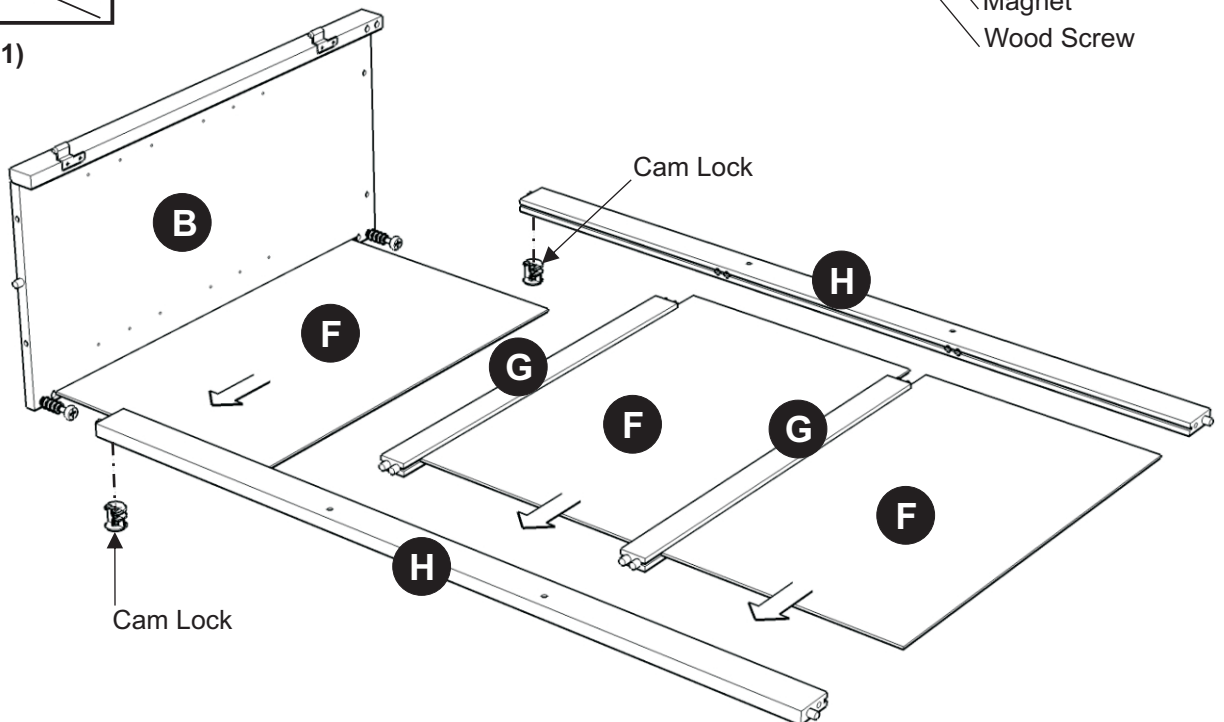
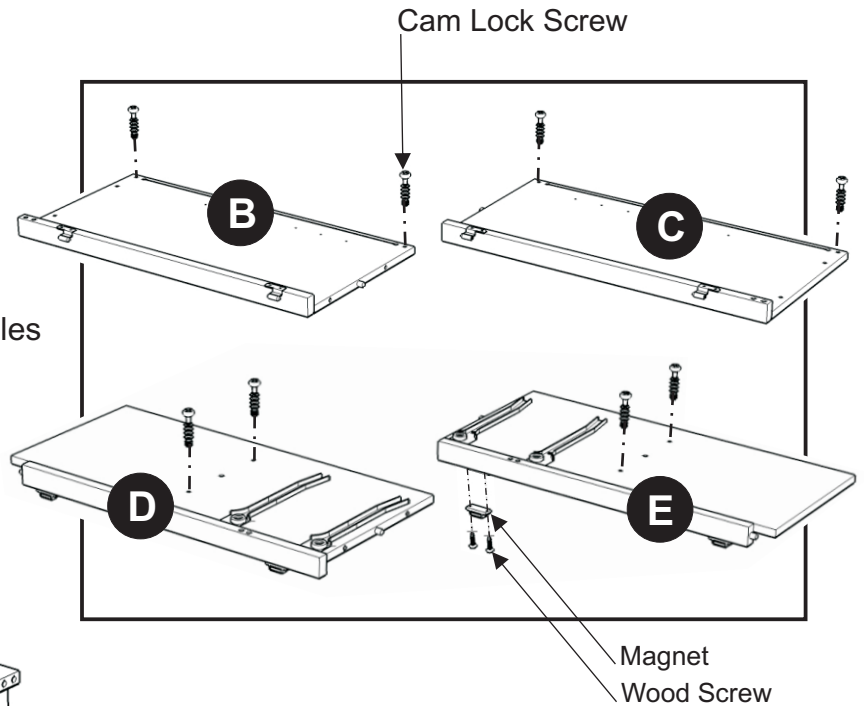
## STEP 1

Put Cam Lock Screws into the pre-drilled holes of Side Panel (B),(C), Middle Panel (D),(E) and tighten.

Attach 2X Magnets to Middle Panel (D) and (E) by using Wood Screws in the pre-drilled holes (see Figure 1).



(Figure 1)



## STEP 2

Attach Back Stretcher (H) to Side Panel (B) with Cam Lock.

Attach Back Piece (G) to Back Stretcher (H) then slide Back Panel (F) into place.

Attach second Back Stretcher (H) to the unit with Cam Locks.

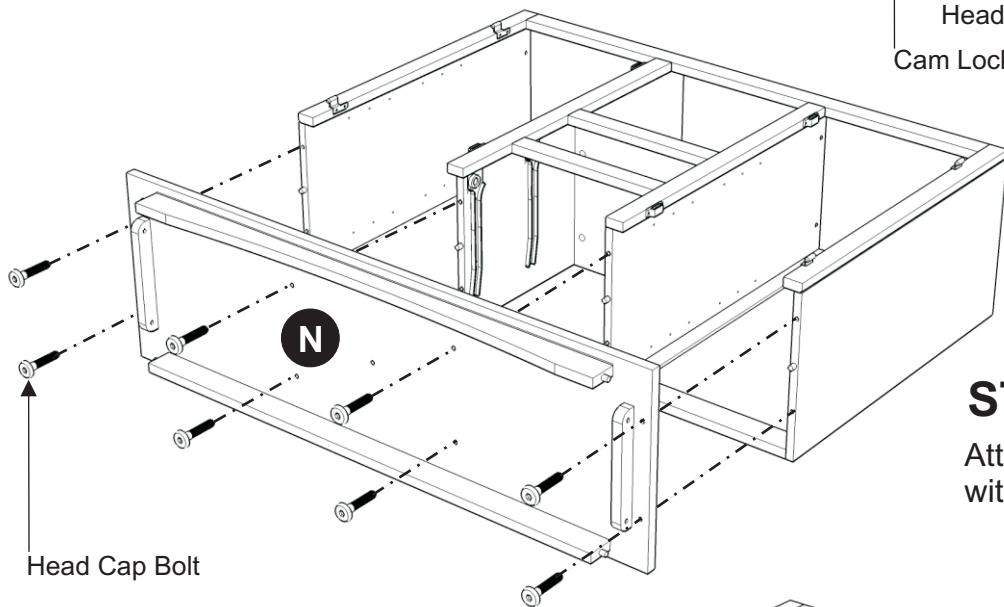
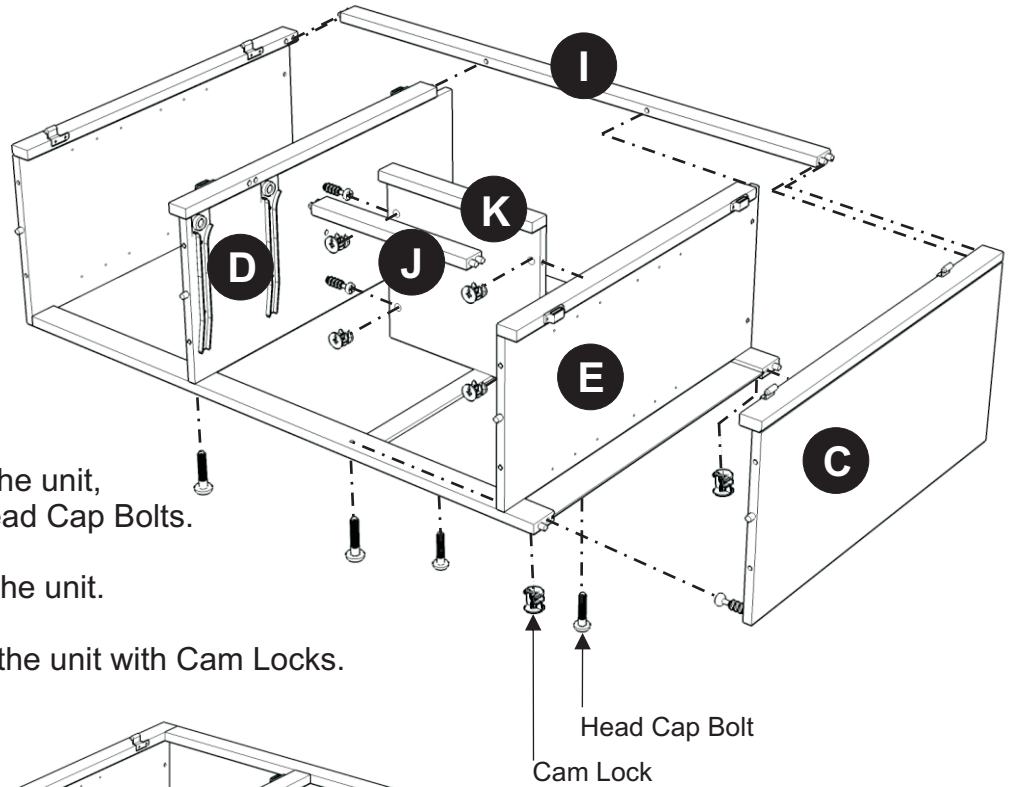
## STEP 3

Attach Middle Panel (D) to the unit with Head Cap Bolts.

Attach Fixed Shelf (K), Front Piece (J) and Middle Panel (E) to the unit, using Cam Locks and Head Cap Bolts.

Attach Front Piece (I) to the unit.

Attach Side Panel (C) to the unit with Cam Locks.



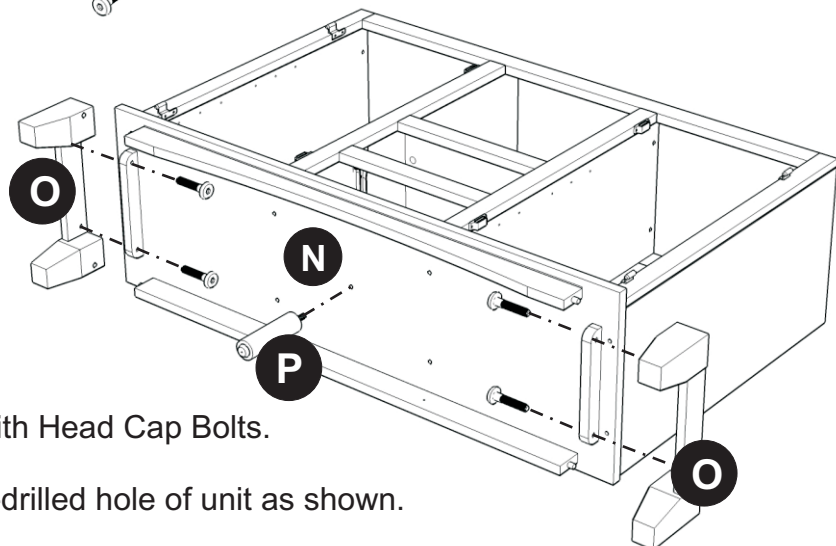
## STEP 4

Attach Base (N) to the unit with Head Cap Bolts.

## STEP 5

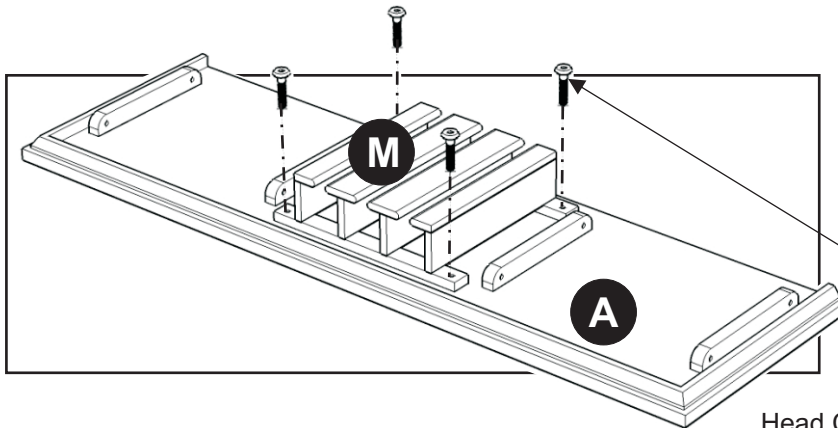
Attach Leg (O) to Base (N) with Head Cap Bolts.

Tighten up Leg (P) in the pre-drilled hole of unit as shown.





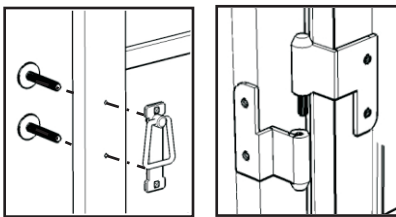
# Assembly Instructions 4/5



## STEP 6

Attach Rack (M) to Top (A) with Head Cap Bolts..

Head Cap Bolt



(Figure 2)

(Figure 3)

## STEP 7

Turn the unit back to its upright position.

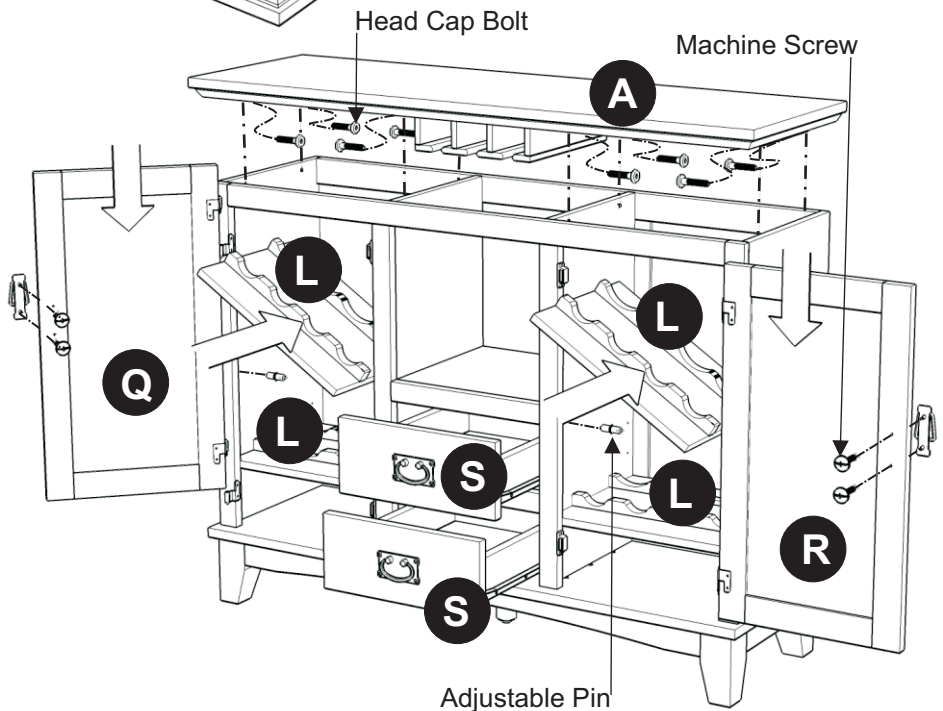
Place Top (A) onto the unit with Head Cap Bolts.

Slide Drawer (S) into place.

Insert Adjustable Pins into both side panels and middle panels at the desired level. Slide Shelf (L) into place.

Assemble Pull Handles to Door (Q) and (R) with Machine Screws.(see Figure 2)

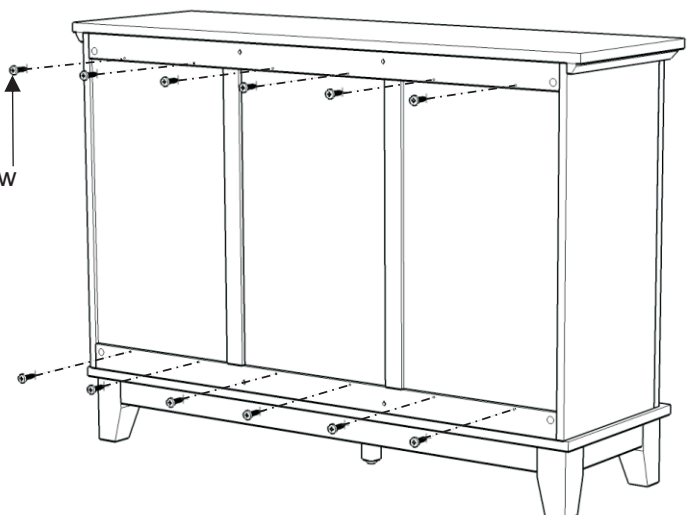
Attach Door (Q) and (R) to the side panels by sliding the door lift hinges into the side panel lift hinges. (see Figure 3)



## STEP 8

Insert Wood Screws from the back and tighten.

Wood Screw



## Drawer (S)

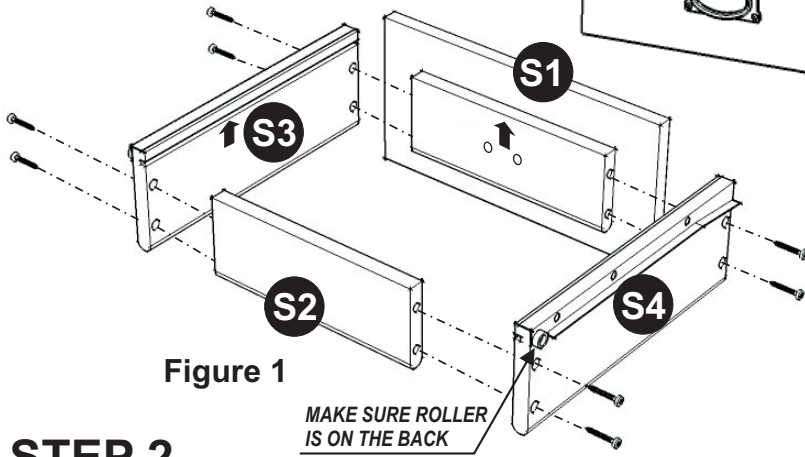


Figure 1

### STEP 1

Attach S1 to S3 and S4, using a Phillips screwdriver and long wood screws (4X), tighten halfway.

Attach S2 to S3 and S4 using long wood screws (4X), tighten halfway. (see Figure 1)

### STEP 2

Slide S5 into the grooves in S3 and S4. Be sure to push S5 all the way forward to it meets S1. (see Figure 2)

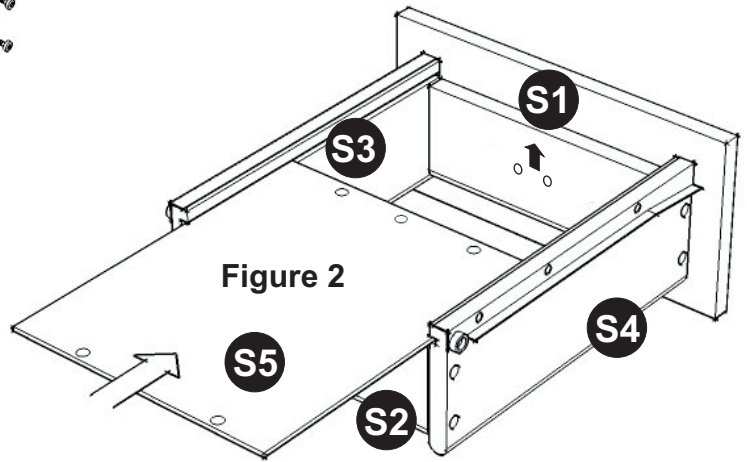


Figure 2

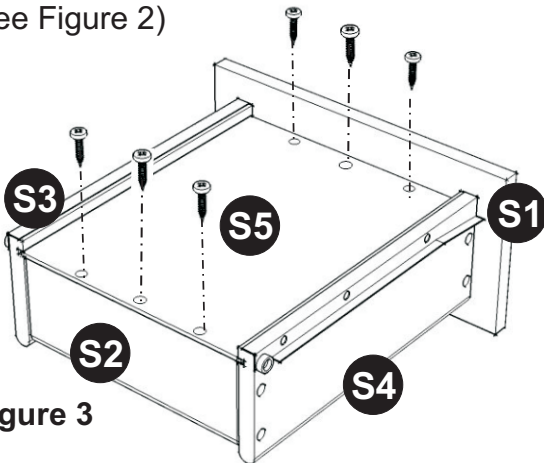


Figure 3

### STEP 3

Insert short wood screws (6X) into the pre-drilled holes in S5, tighten screws. (see Figure 3)

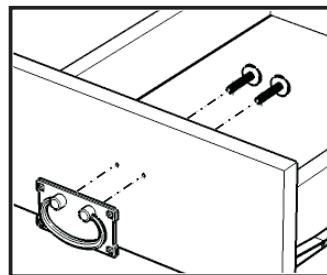


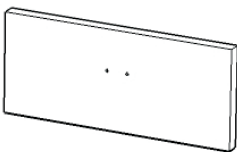
Figure 4

### STEP 4

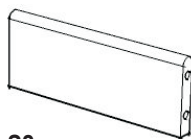
Attach hardware pulls with machine screws. (see Figure 4)

**Tighten all screws used in drawer assembly.**

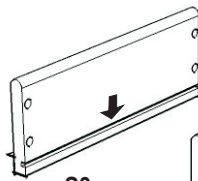
## Part List



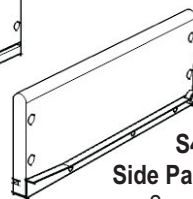
**S1.**  
Front Part  
2 pcs.



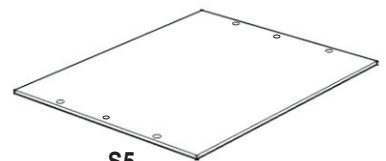
**S2.**  
Back Part  
2 pcs.



**S3.**  
Side Part  
2 pcs.



**S4.**  
Side Part  
2 pcs.



**S5.**  
Base Part  
2 pcs.