

88 5542 951 Bermuda Kitchen Cart

IMPORTANT NOTE

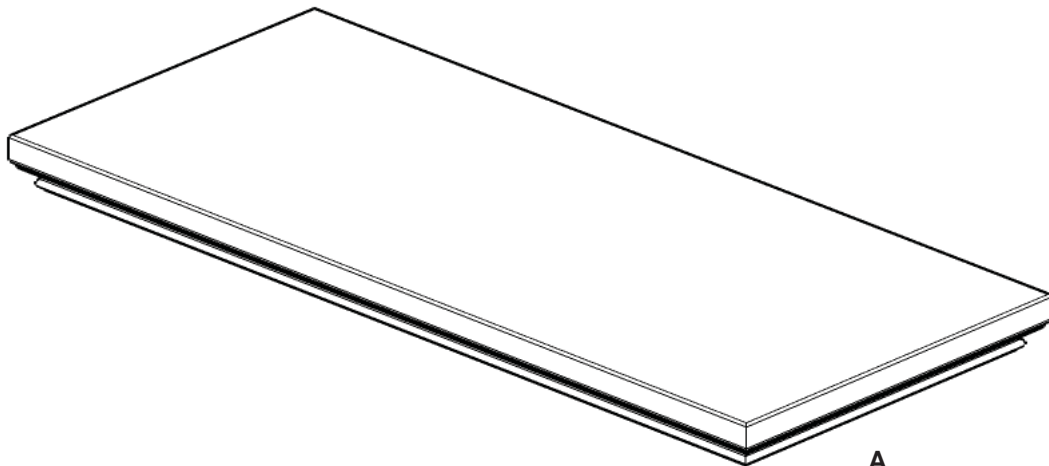
Carefully remove all the parts from the carton and put them individually on a soft cloth to prevent scratches or other damages occurring to the wood parts.

We have taken great care in the design of this product and request that you carefully and strictly follow our assembly instructions to ensure a completed product as it was designed.

*Home
Styles*



Part List



A.
Top
1 pc.

88 5542 952 Bermuda Kitchen Cart

IMPORTANT NOTE

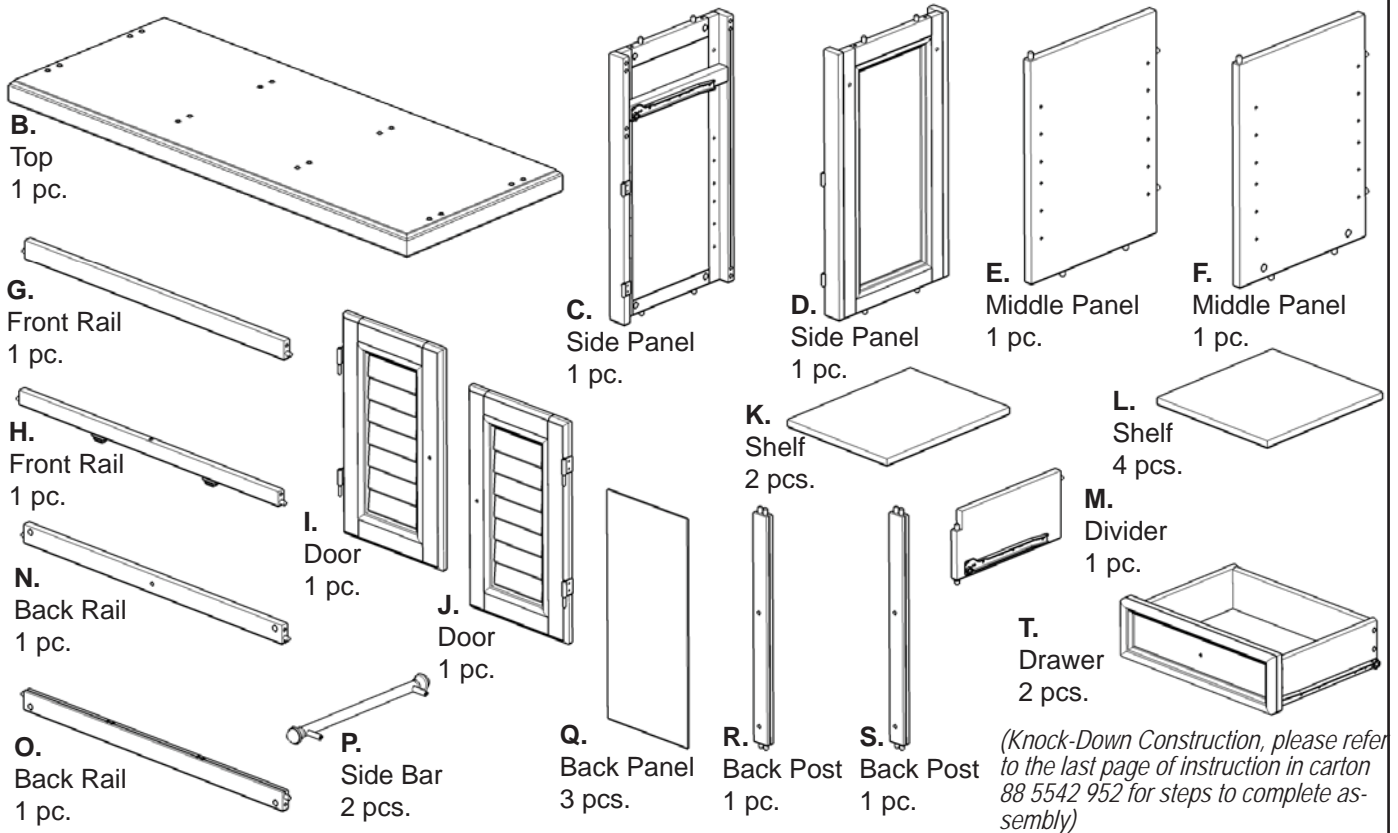
Carefully remove all the parts from the carton and put them individually on a soft cloth to prevent scratches or other damages occurring to the wood parts.

We have taken great care in the design of this product and request that you carefully and strictly follow our assembly instructions to ensure a completed product as it was designed.

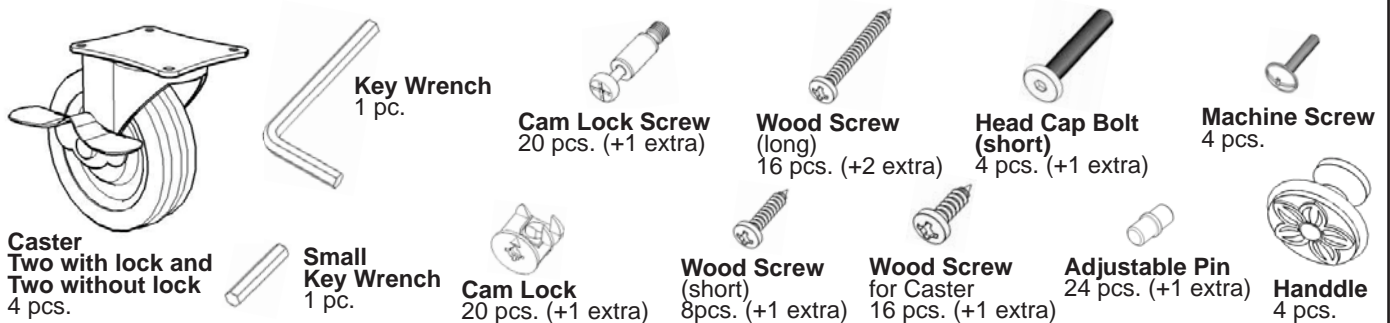
Home Styles



Part List



Hardware List



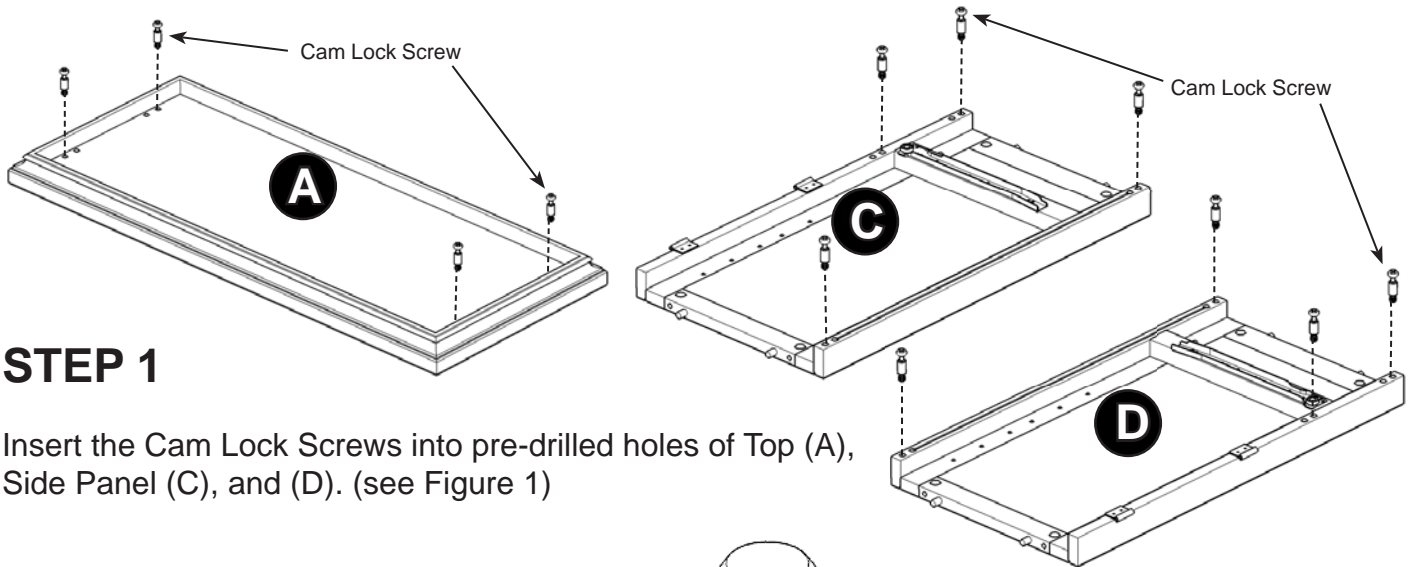
Also need Parts in carton : 88 5542 951

Tools required for assembly : Phillips screwdriver

Assembly Instruction 2 / 5

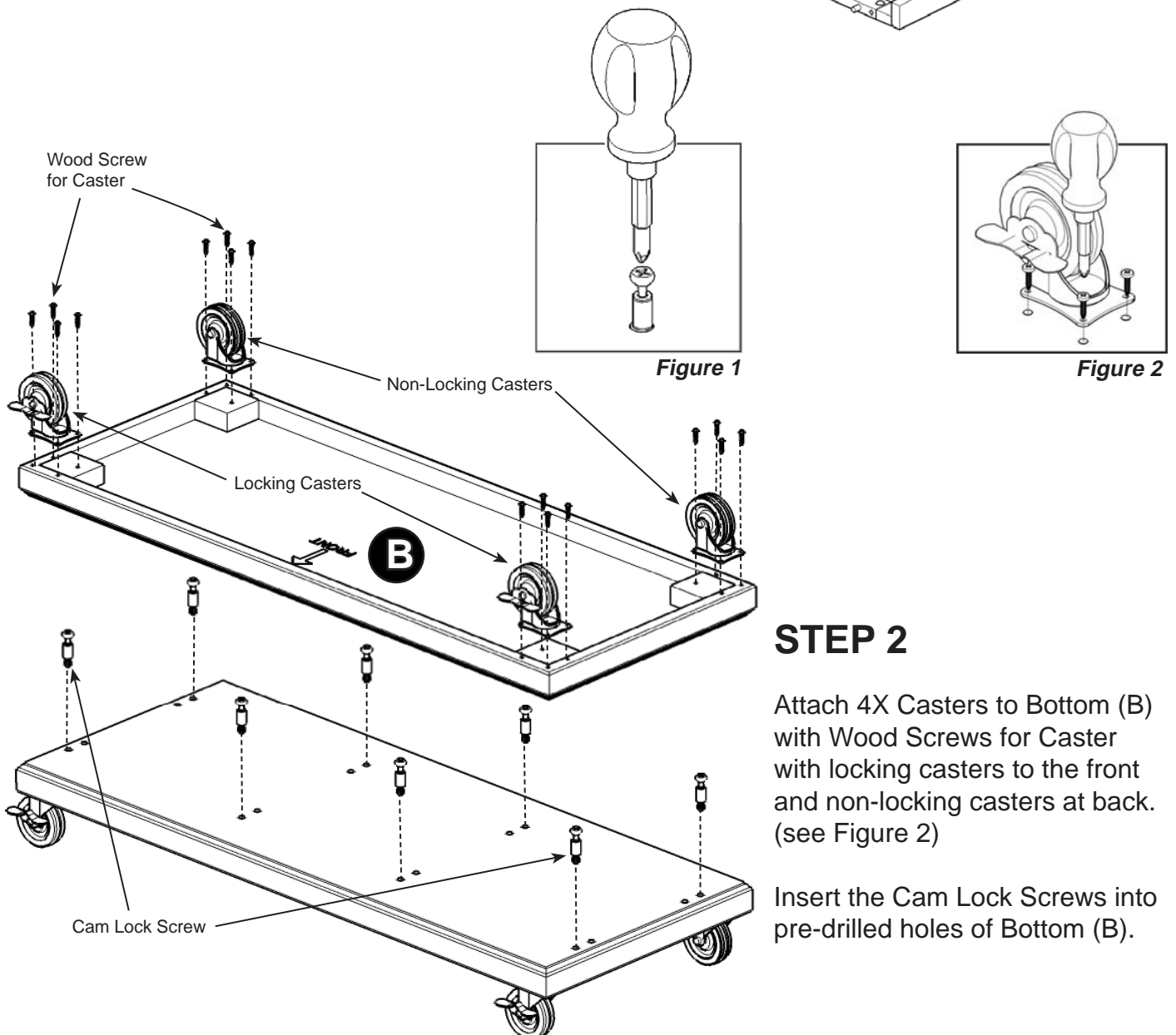
IMPORTANT

- * Do not tighten up all the screws until each part is properly assembled.
- * You should keep Hex Wrench in a safe place as you may need to tighten up the Head Cap Bolts in the future.
- * Use a soft cloth between these parts and the floor.



STEP 1

Insert the Cam Lock Screws into pre-drilled holes of Top (A), Side Panel (C), and (D). (see Figure 1)



STEP 2

Attach 4X Casters to Bottom (B) with Wood Screws for Caster with locking casters to the front and non-locking casters at back. (see Figure 2)

Insert the Cam Lock Screws into pre-drilled holes of Bottom (B).

Assembly Instruction 3 / 5

STEP 3

Attach Side Panel (C) to Bottom (B) with Cam Locks and attach Back Rail (O) to Side Panel (C) with Cam Lock. (see Figure 3)

Attach Middle Panel (E) to Back Post (R) and Middle Panel (F) to Back Post (S).

Attach middle panel units to unit with Cam Locks, then slide Back Panels (Q) into position.

Attach Back Rail (N) to unit with Cam Locks.

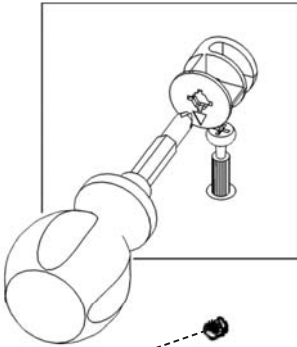
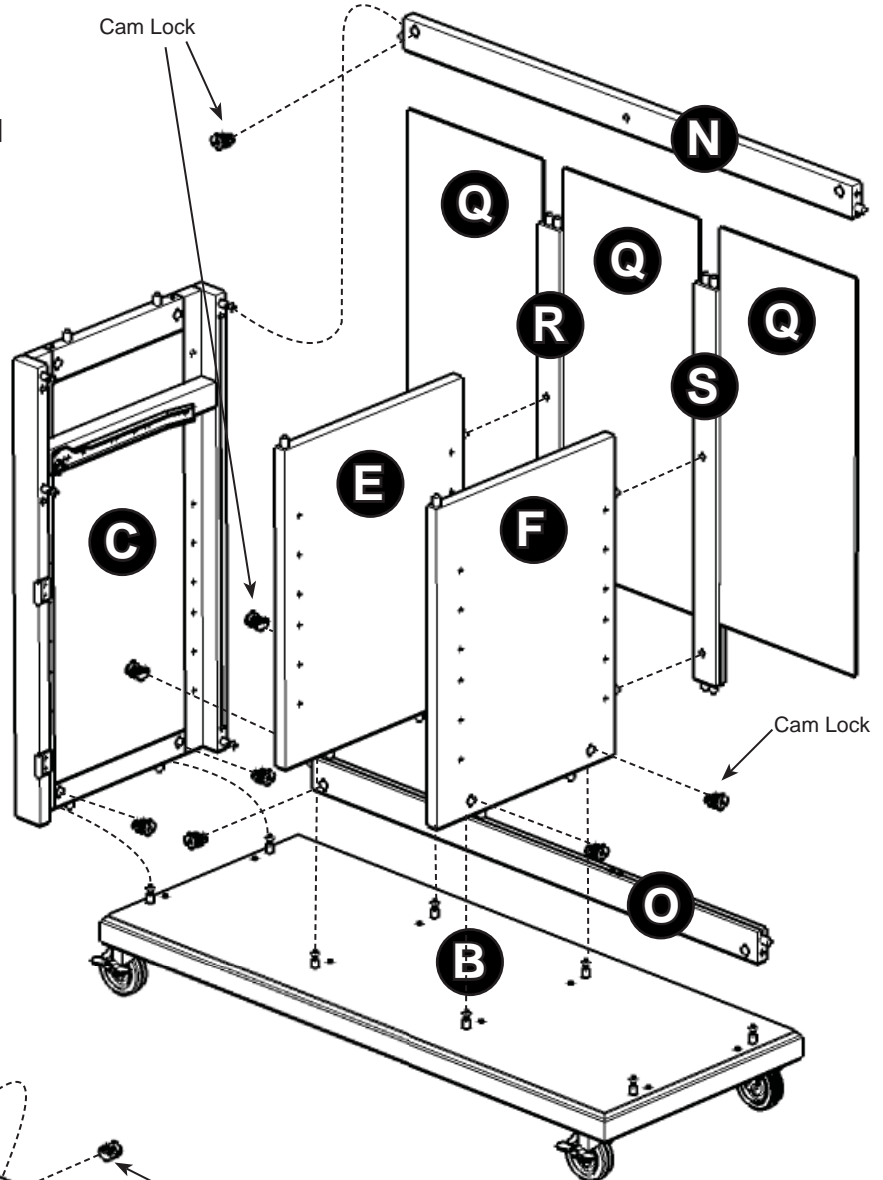
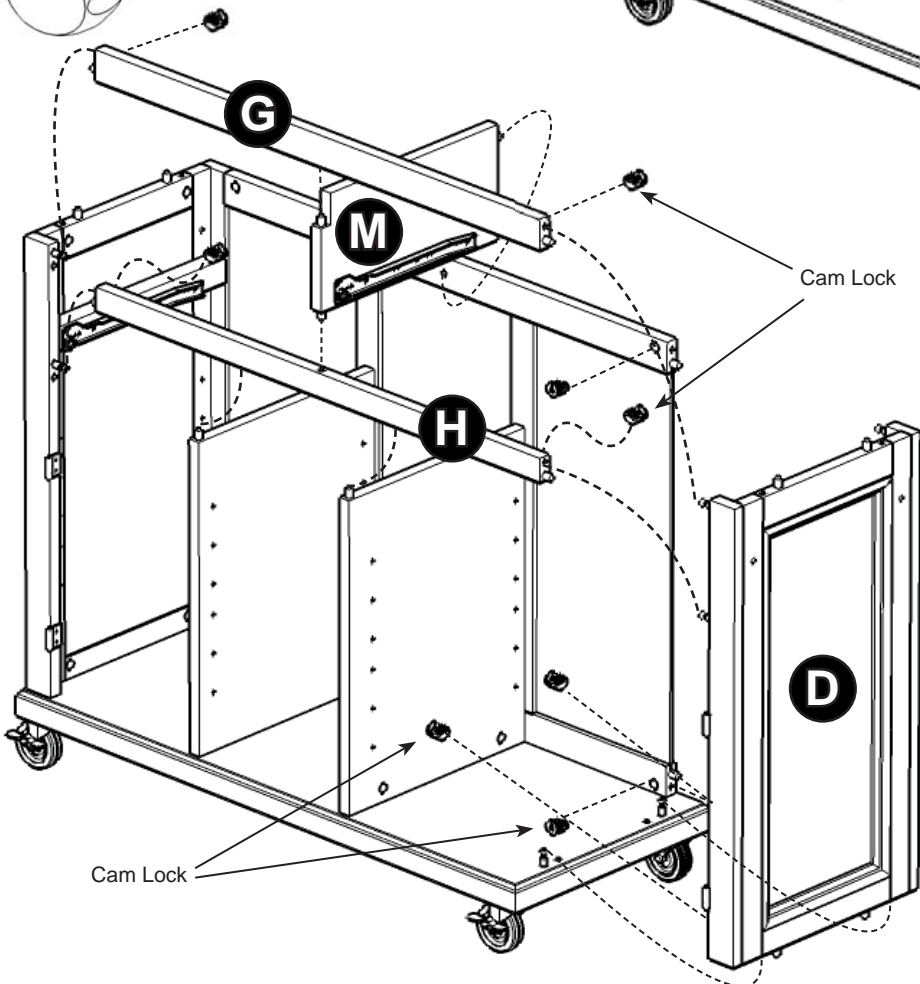


Figure 3



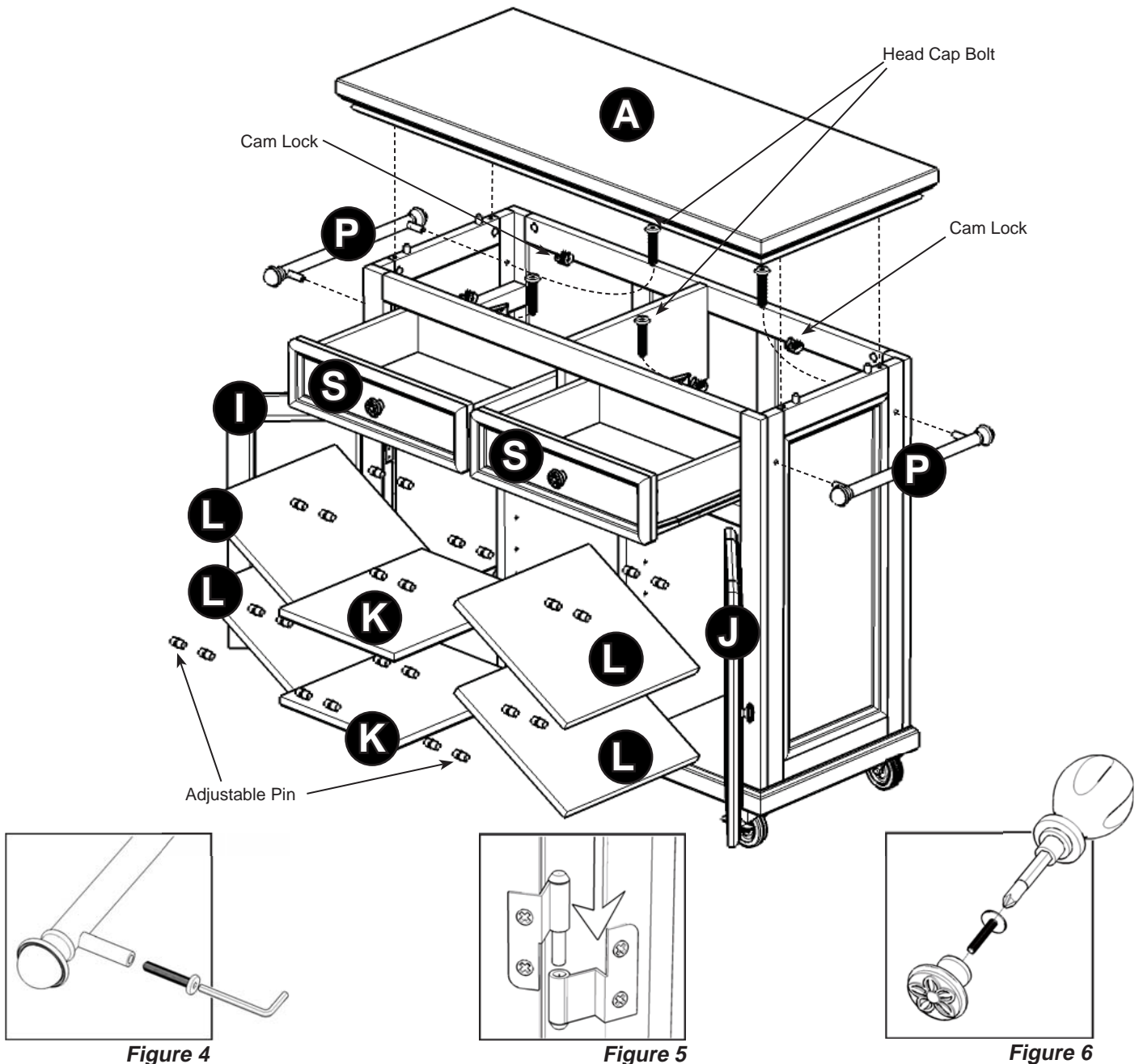
STEP 4

Attach Front Rail (H) to unit with Cam Lock.

Attach Divider (M) and Front Rail (G) to unit with Cam Lock.

Attach Side Panel (D) to unit with Cam Locks.

Assembly Instruction 4 / 5



STEP 5

Attach Side Bars (P) to side panels with Head Cap Bolts. (see Figure 4)

Place Top (A) onto the unit and attach with Cam Locks.

Insert Adjustable Pins into side panels and middle panels at the desired level and place Shelves (K) and (L) into position.

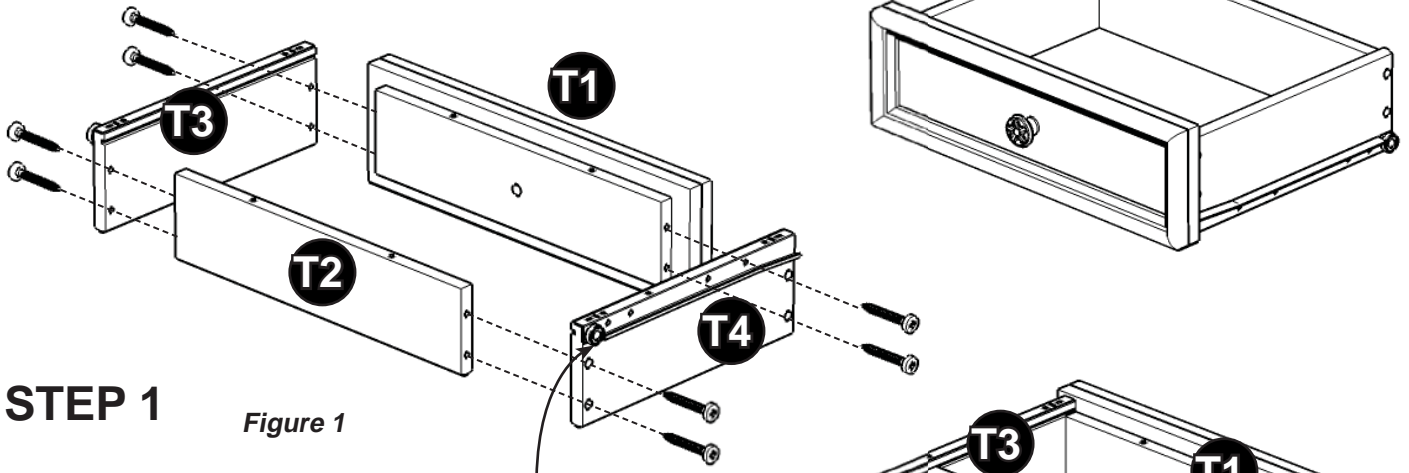
Attach Doors (I) and (J) to side panels by sliding the door lift hinges into the side panel lift hinges. (see Figure 5)

Assemble Knobs to Door (I) and (J) with Machine Screws. (see Figure 6)

Slide Drawers (S) into position.

Assembly Instruction 5 / 5

Drawer (T)



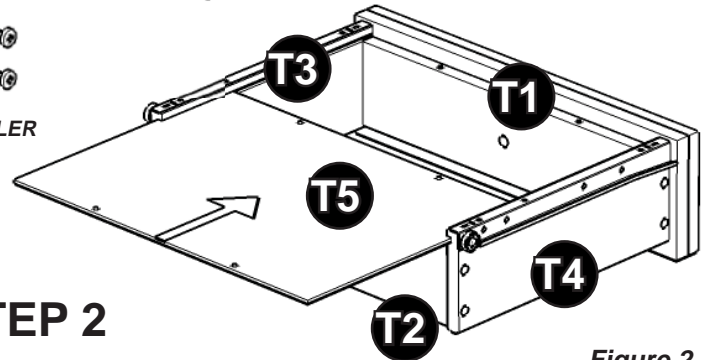
STEP 1

Figure 1

Attach T1 to T3 and T4, using a Phillips screwdriver and long wood screws (4X), tighten halfway.

Attach T2 to T3 and T4 using long wood screws (4X), tighten halfway. (see Figure 1)

MAKE SURE ROLLER IS ON THE BACK



STEP 2

Figure 2

Slide T5 into the grooves in T3 and T4. Be sure to push T5 all the way forward so it meets T1. (see Figure 2)

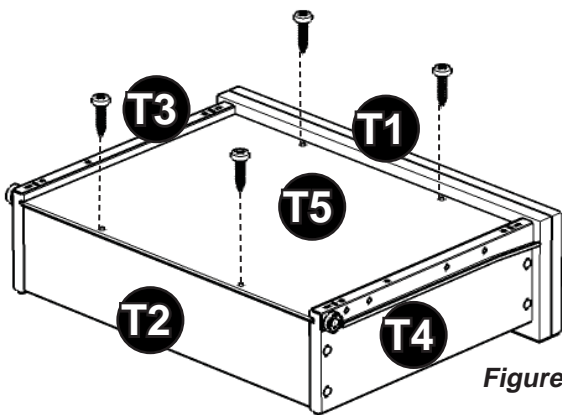


Figure 3

STEP 3

Insert short wood screws (4X) into the pre-drilled holes in T5 and tighten. (see Figure 3)

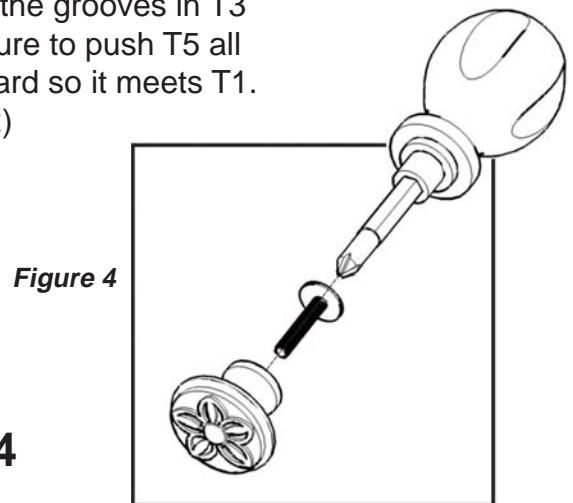


Figure 4

STEP 4

Assemble Pull Handle with machine screws. (see Figure 4)

Tighten all screws used in drawer assembly.

Part List

