



# 8X16 LEAN TO SHED PLAN

**FREE STREAMLINED VERSION**



Supported & Recommended by our Friends & Partners:

**wikiHow**

Sarah x Sarah

**MOVOTO**

'BOUT HOME

**eHow**

# COMPARISON BETWEEN OUR FREE & PREMIUM PLANS



**VS.**



## **PREMIUM 8X16 SHED PLAN:**

- Instant email delivery (PDF) download
- Views from all angles
- Measurements for every part
- Full layouts for every step
- Step-by-step assembly instructions
- Full material / shopping list
- Full cutting list
- PRO-TIPS for every section
- Mobile / Tablet / PC / MAC ready
- Beginner friendly

## **FREE 8X16 SHED PLAN:**

- Basic schematics
- Basic angles
- Basic measurements
- Simplified instructions
- No material list

## **NEED MORE INFORMATION ON THIS PREMIUM 8X16 SHED PLAN?**

[LEARN MORE!](#)

**AVAILABLE ONLY AT THE OFFICIAL 3DSHEDPLANS™ WEBSITE**

# DISCLAIMER

3DSHEDPLANS™ is here to help and assist the DIYer. All information / advice is for general guidance only and whilst every effort is made to ensure that it is correct, it should not be relied upon as accurate. The information / advice contained within this document is intended for persons of no less than 18 years of age. Use of the information / advice contained within this document is at your own risk. It is the sole responsibility of any person(s) using the information / advice contained within this document that their level of competence is appropriate for the task they want to complete. All users of information / advice contained within this document should have all work checked / tested by a professional qualified trades person where applicable. You should be aware of current regulations on buildings, gas, water and electrical works (i.e. Part P) if you have any doubts we would advise you to research further information or contact the appropriate professional body.

## LIABILITY

3DSHEDPLANS™ and Netholics Media, LLC with the document through ownership and contribution will not accept any liability for any loss, damage, injury or negligence direct or indirect from use of the information / advice contained within this document. Any dispute arising from use of this document or disclaimer will be decided by the US courts under the relevant US law.

## COPYRIGHT

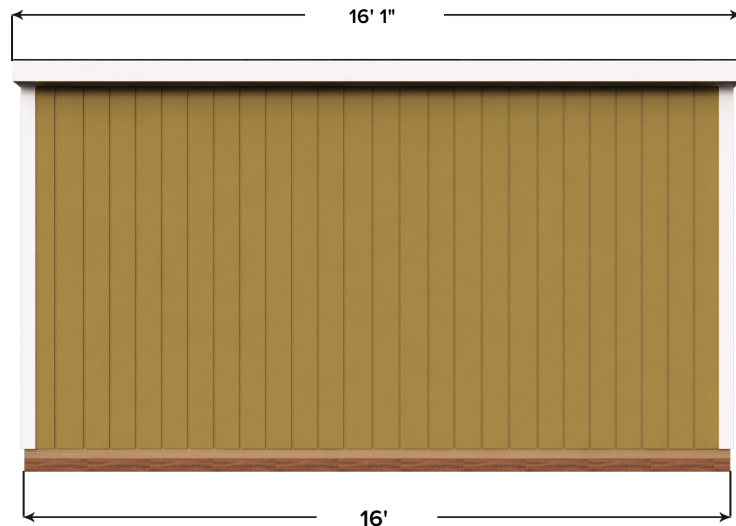
3DSHEDPLANS™ is official & registered trademark in the US. All of the contents (text/slogan) and artwork (graphics/logo) within this document are the copyrighted and trademarked property of 3DSHEDPLANS™ & Netholics Media, LLC. No part of the text or artwork may be reproduced by any means or in any form whatsoever without written permission, except for brief quotations embodied in literary articles or reviews. And no part of this document may be reproduced without written permission of the owners. This Information may be stored on computer for personal use only by the client (who purchased the plans from our official store), not for presentation or publication.

# 1 BASIC OVERVIEW AND DIMENSIONS

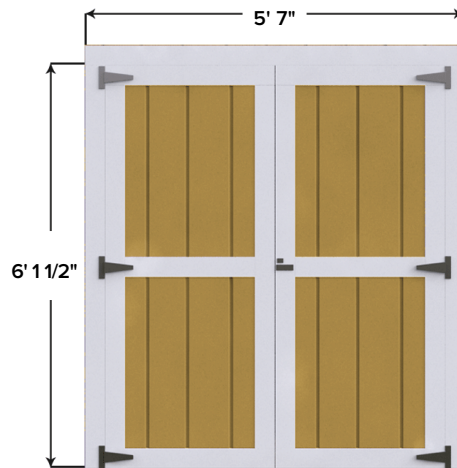
The 8 x 16 Lean Shed is quite spacious and at the same time exquisite enough to add the much needed glamor to your garden. The shed has a total width of 8 feet from the bottom and 8 feet and 7 inches from the top from the front. The sides are 16 feet in depth and 16 feet and 1 inch from the top. There is a huge front door of 5 feet and 7 inches in the front for easily moving things in and out.



**FRONT VIEW**



**SIDE VIEW**



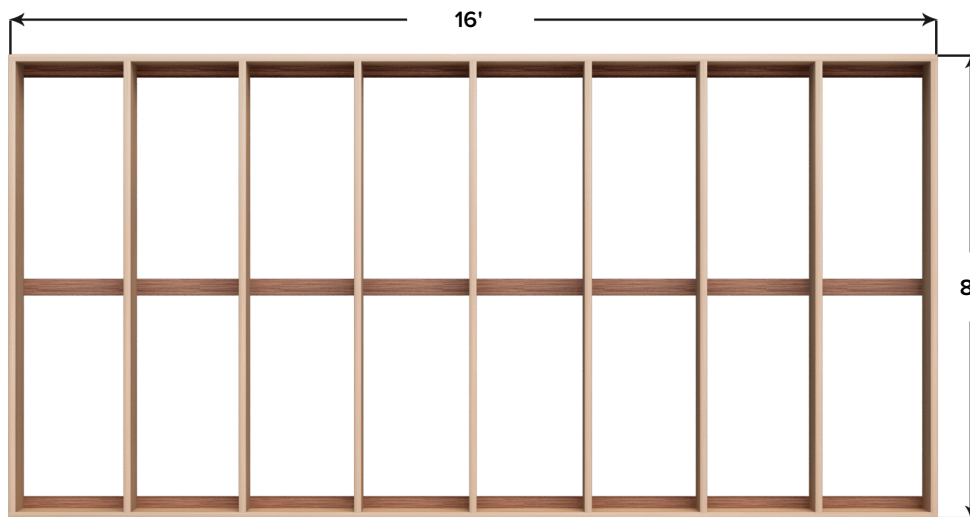
**DOOR**

## NOTE

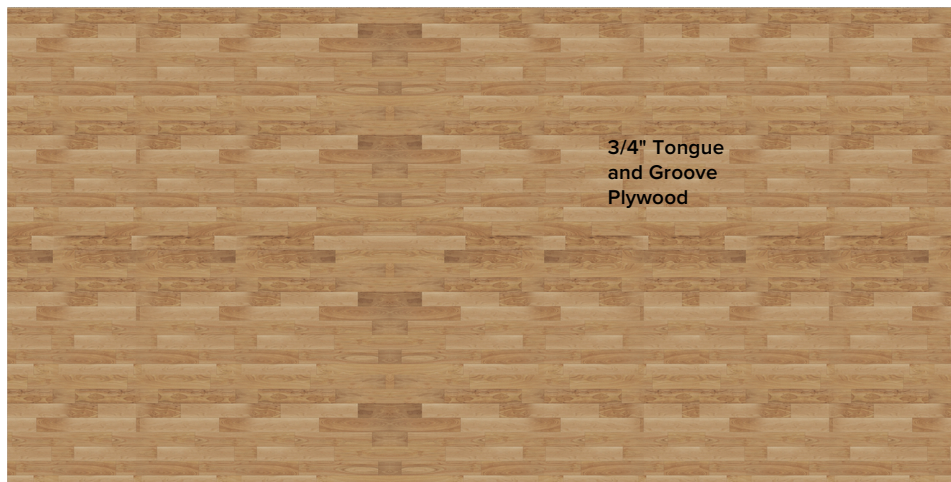
Professional tip section is only available in PREMIUM (full) version of the plan.

## 2 FOUNDATION AND FLOOR

Building the foundation properly is crucial to the overall shed health. Your foundation needs to be resilient enough to support the entire weight of the shed. The width of the foundation should be 16 feet while the height should be 8 feet. You will use pressure treated timber to build the foundation. Once you have built the foundation, you will start working on the flooring with  $\frac{3}{4}$  inch tongue and groove plywood. Use 3.5 galvanized nails to attach the flooring to the foundation.



FOUNDATION BASE



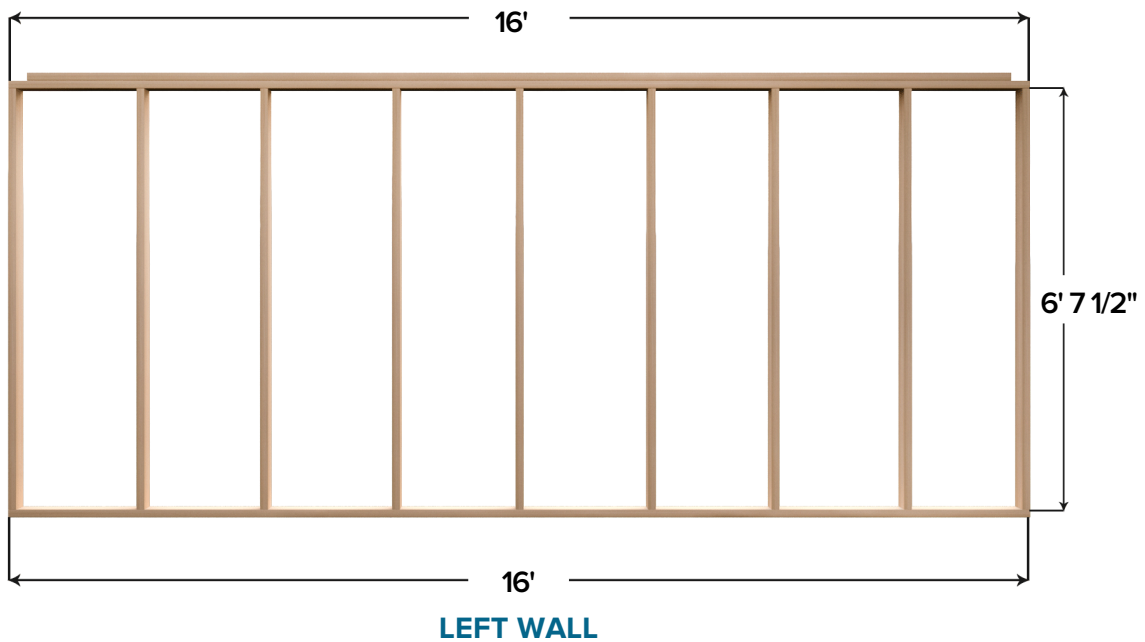
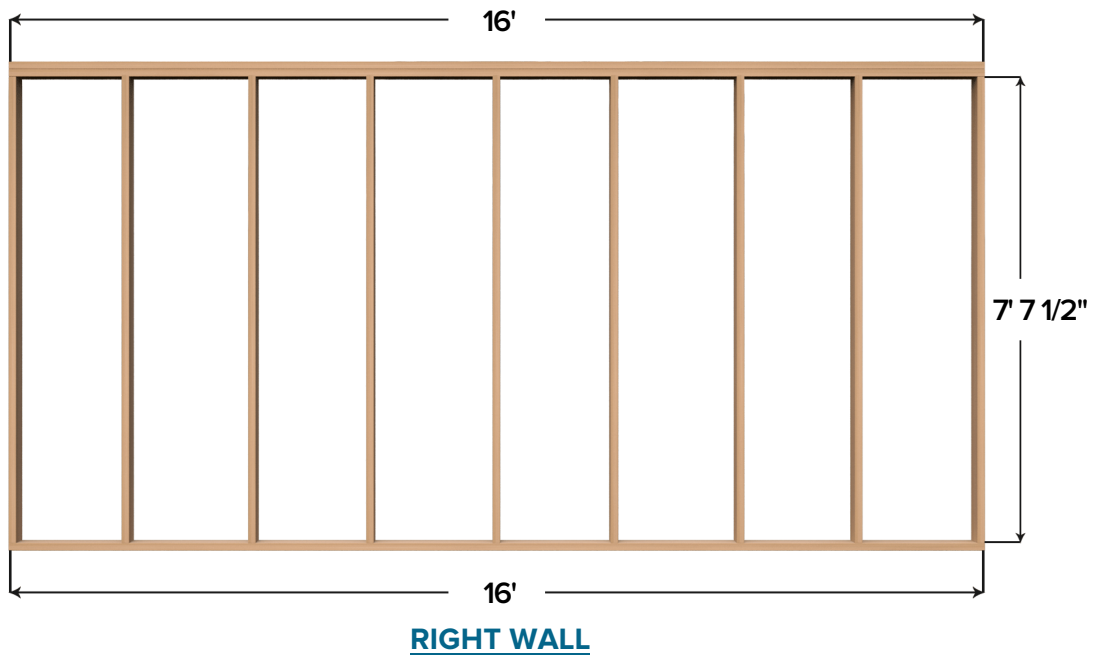
FLOOR

### NOTE

Professional tip section is only available in PREMIUM (full) version of the plan.

### 3 WALL STRUCTURES

After building the foundation and floor, you will start working on the right and left walls. The overall width of both the walls should be 16 feet while the height should be 7 feet and 7 1/2 inches. Maintain the required gaps between each skids as shown in the image. Use pressure treated timber to build the joists and skids.

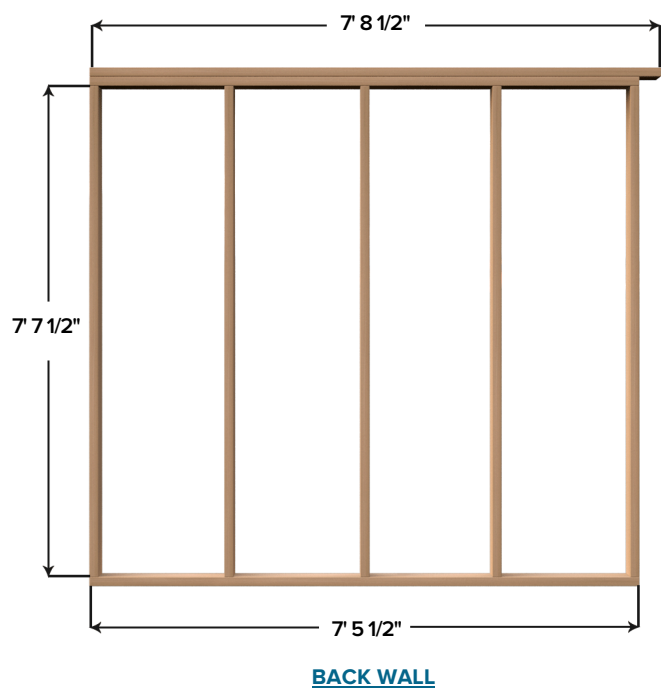
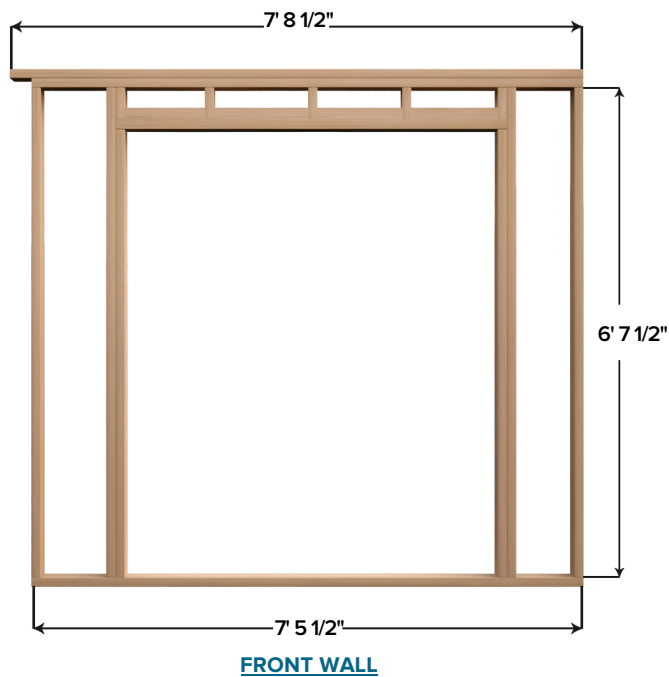


#### NOTE

Professional tip section is only available in PREMIUM (full) version of the plan.

## 4 WALL STRUCTURES

Once you are done with the right and left walls, you will start working on the front and back wall. Both the walls will have a width of 7 feet and 8 1/2 inches from the top and bottom and a total height of 6 feet and 7 1/2 inches. The front wall will need to have space for the door to be installed.



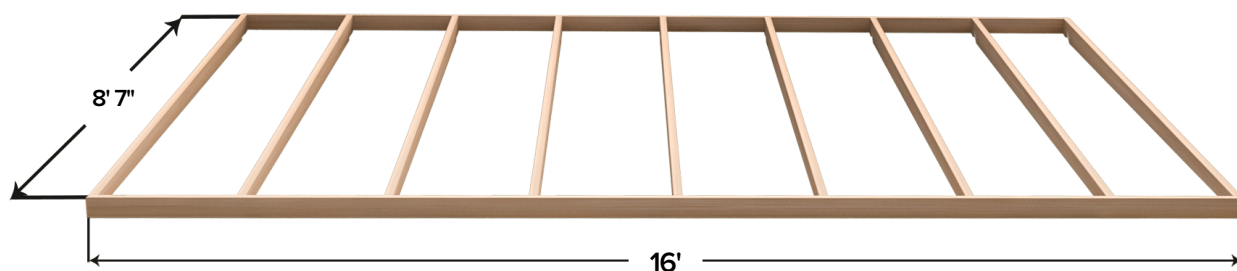
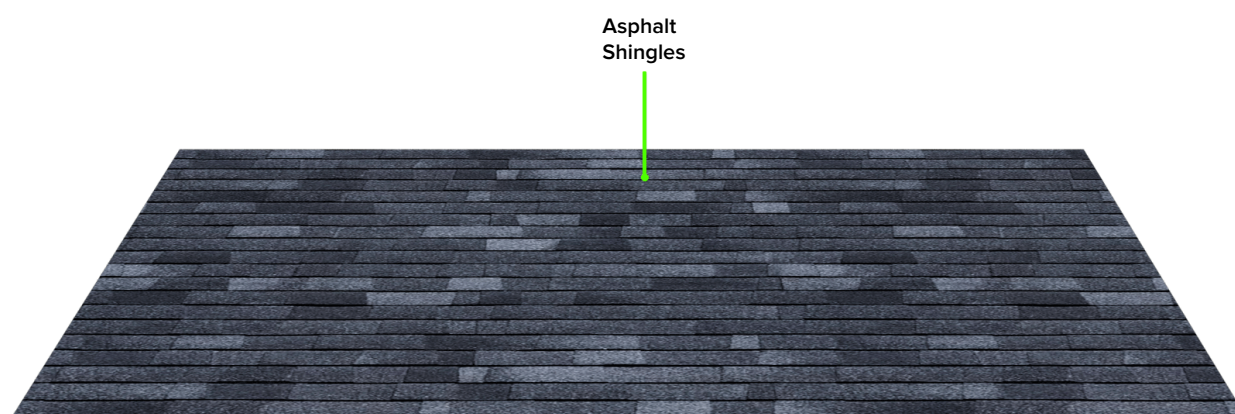
### NOTE

Professional tip section is only available in PREMIUM (full) version of the plan.



## 5 ROOF SECTION

Once you have completed building the walls and set them up, you should start working on the roofing. You will build rafters and trusses to fix the roof on the top plates of the walls. The overall width of the roof should be 16 feet and the depth should be 8 feet and 7 inches.



### NOTE

Professional tip section is only available in PREMIUM (full) version of the plan.



wikiHow

MOVOTO

eHow

Sarah x Sarah

'BOUT HOME



**Wait no more! Save time & money now...  
Get your own professional 8X16 lean-to shed  
plan and start building your dream shed today!  
[Click here and go PREMIUM!](#)**

### **PREMIUM PLAN INCLUDES:**

- Instant email delivery (PDF) download
- 30+ detailed 3D schematics
- Views from all angles
- Measurements for every part
- Full layouts for every step
- Step-by-step assembly instructions
- Full material / shopping list
- Full cutting list
- PRO-TIPS for every section
- Mobile / Tablet / PC / MAC friendly
- Beginner friendly



**LEARN MORE!**

**AVAILABLE ONLY AT THE OFFICIAL 3DSHEDPLANS™ WEBSITE**