

908™ Series
Model HBB908
Bar blender
Operation Manual
Page 2

Série 908™
Modèle HBB908
Mélangeur de bar
Manuel d'utilisation
Page 11

Serie 908™
Modelo HBB908
Licuadora para bar
Manual de uso
Página 20

READ BEFORE USE.
LIRE AVANT D'UTILISER.
LEA ANTES DE USAR.

Le invitamos a leer cuidadosamente este instructivo antes de usar su aparato.



Blender Safety

IMPORTANT: This operation manual should be reviewed with all equipment operators as part of your operator training program.

Your safety and the safety of others is very important.

We have provided many important safety messages in this manual and on your appliance. Always read and obey all safety messages.



This is the safety alert symbol.

This symbol alerts you to hazards that can kill or hurt you and others.

All safety messages will be preceded by the safety alert symbol and the word “DANGER” or “WARNING.” These words mean:

⚠ DANGER

You will be killed or seriously injured if you don't follow instructions.

⚠ WARNING

You can be killed or seriously injured if you don't follow instructions.

All safety messages will identify the hazard, tell you how to reduce the chance of injury, and tell you what can happen if the instructions are not followed.

⚠ WARNING



Electrical Shock Hazard

Plug into a grounded outlet.

Do not remove ground.

Do not use an adapter.

Do not use an extension cord.

Failure to follow these instructions can result in death, fire, or electrical shock.

⚠ WARNING



Cut Hazard

Always place cover on container when blending.

Do not put hands, spoons, or other utensils in container when blending.

Failure to follow these instructions can result in broken bones, cuts, or other injuries.

Technical Services

For assistance or replacement parts, call our

Technical Services number:

866-285-1087 or + 910-693-4277

8:00 a.m. – 5:00 p.m. EST, Monday – Friday

www.commercial.hamiltonbeach.com

Blender Safety

IMPORTANT SAFETY INSTRUCTIONS

WARNING – When using electrical appliances, basic safety precautions should always be followed to reduce the risk of fire, electric shock, and/or injury to persons, including the following:

1. Read the Operation Manual before using blender. Keep Operation Manual handy.
2. Plug into a grounded 3-prong outlet.
3. Do not remove ground prong.
4. Do not use an adapter.
5. Do not use an extension cord.
6. Disconnect power before cleaning or servicing.
7. To reduce risk of personal injury, unplug cord from outlet when not in use, and before putting on or taking off parts.
8. To protect against electrical shock, do not immerse cord, plug, or blender base in water or any other liquid.
9. Do not spray the base with a high-pressure spray gun.
10. Extreme caution must be used when moving an appliance containing hot oil or other hot liquids.
11. Do not use appliance for other than intended use.
12. Not intended for use by or near children.
13. The use of accessory attachments not recommended by the appliance manufacturer may cause injuries.
14. To reduce risk of personal injury and to prevent damage to blender or container and cutter assembly, DO NOT insert utensils into blender container while operating blender.
15. Do not store any kitchen utensils in the container because the blender would be damaged if inadvertently turned on.
16. To prevent possibility of serious personal injury, keep hands out of blender jar while operating blender. Always operate blender with jar cover in place.
17. Avoid contacting moving parts.
18. Blades are sharp. Handle carefully.
19. If cutter assembly blades are loose, discontinue use immediately and replace cutter assembly. Do not attempt to repair or tighten cutter assembly.
20. Inspect container and cutter assembly daily. Do not use broken, chipped, or cracked container. Check cutter for wear, nicks, or broken blades. Do not use broken or cracked cutting blades. Replace cutter assembly at least every 90 days.
21. Do not use outdoors.
22. This appliance is intended for short periods of operation, with a rated operating time of 3 minutes.
23. Do not leave blender unattended while it is operating.
24. To prevent damage to blender, container, or cutter assembly, DO NOT move or shake blender while in operation. If blending action stops during operation, turn blender OFF, remove container from base, remove container cover, and use a thin rubber spatula to push mixture towards cutters.
25. To prevent burns from hot liquids splashing out of the container, always remove the filler cap of the container cover before blending hot liquids. Keep hands and other exposed skin away from the cover opening to reduce risk of possible injury.
26. Always operate blender with container cover in place.
27. Do not operate any appliance with a damaged cord or plug or after the appliance malfunctions, or is dropped or damaged in any manner. Call the Technical Services number, **866-285-1087** or **910-693-4277**, for instructions on examination, repair, or electrical or mechanical adjustment.
28. This appliance is not intended for use by persons (including children) with reduced physical, sensory, or mental capabilities, or lack of experience and knowledge, unless they are closely supervised and instructed concerning use of the appliance by a person responsible for their safety.
29. Close supervision is necessary when any appliance is used by or near children. Children should be supervised to ensure that they do not play with the appliance.

- SAVE THESE INSTRUCTIONS -

OTHER CONSUMER SAFETY INFORMATION

⚠ WARNING Electrical Shock Hazard: This product is provided with a grounded (3-prong) plug to reduce the risk of electric shock. The plug fits only one way into a grounded outlet. Do not defeat the safety purpose of the plug by modifying the plug in any way or by using an adapter. If the plug does not fit into the outlet, have an electrician replace the outlet.

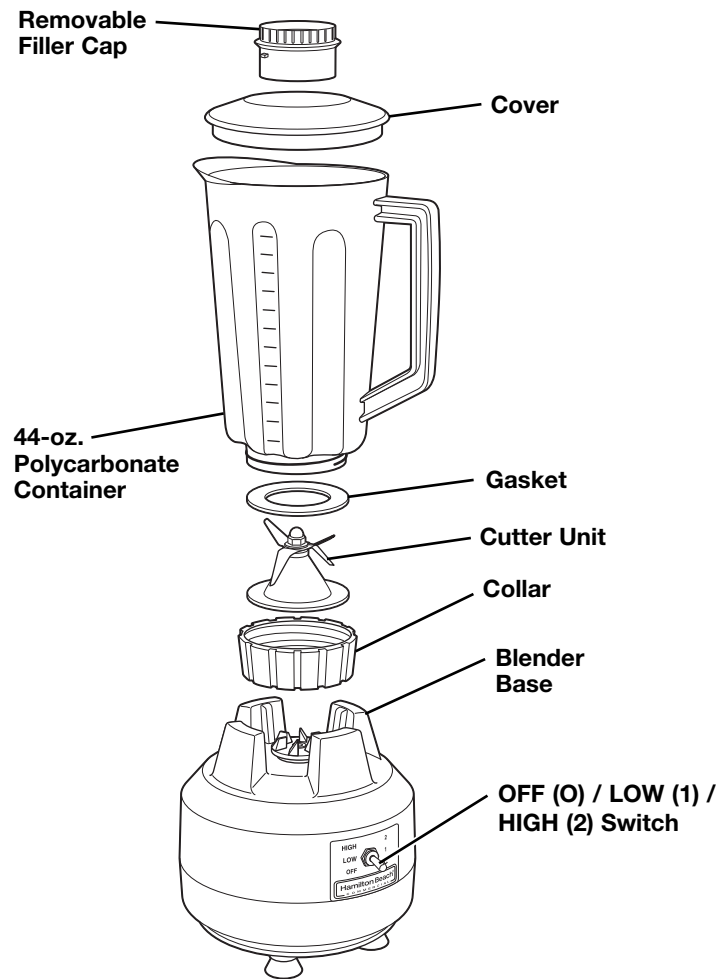
The length of the cord used on this appliance was selected to reduce the hazards of becoming tangled in or tripping over a longer cord. If a longer cord is necessary, an approved extension cord may be used. The electrical rating of the extension cord must be equal to or greater than the rating of the appliance. The extension cord must be a grounding-type, 3-wire cord. Care must be taken to arrange the extension cord so that it will not drape over the countertop or tabletop where it can be pulled on by children or accidentally tripped over.

Parts and Features

The parts and features for the 908™ Series blenders are shown on this page. Become familiar with all parts and features before using your blender.

Your 908™ Series blender is designed for blending and mixing beverages.

NOTE: The blender is not designed to crush large ice cubes. Small ice cubes made in most icemakers or crushed ice may be added to liquid ingredients in the blender to make daiquiris or similar drinks.



HBB908

Blender Operation — Quick Start Guide

1. Read Important Safety Instructions and Warnings before use.
2. Place the blender on a dry, level surface.
3. Make sure the power switch is in the OFF or **0** position. Plug the blender into a grounded electrical outlet.
4. Place the container on the base with ingredients and container lid in place.
5. Move the power switch to the LOW (1) or HIGH (2) position.

Operation

Operating the Blender

⚠ WARNING



Electrical Shock Hazard

Plug into a grounded outlet.
Do not remove ground.
Do not use an adapter.
Do not use an extension cord.
Failure to follow these instructions can result in death, fire, or electrical shock.

⚠ WARNING



Cut Hazard

Always place cover on container when blending.
Do not put hands, spoons, or other utensils in container when blending.
Failure to follow these instructions can result in broken bones, cuts, or other injuries.

Controls

The switch on the front panel allows you to control the blender for precise blending requirements:

- The **OFF (O)/LOW (1)/HIGH (2) switch** will turn the blender on for continuous operation at Low or High speed or OFF.
- The **HIGH/LOW settings** allow you to select the following speeds:
HIGH – 19,000 RPM LOW – 16,000 RPM

Using the Blender

Before you use the blender for the first time, wash the container, cover, and cutter assembly. Refer to “Cleaning Instructions” on page 7. Do not put the cutter assembly in the dishwasher.

To operate the blender, proceed as follows:

1. Place the blender on a clean, dry, level surface. Make sure that the OFF/LOW/HIGH switch on the control panel is set to OFF (O).
2. Plug the blender into an electric outlet.
3. Place the ingredients to be blended into the container.
4. Place the container onto the base. Make sure it rests securely on the base.
5. Place the cover and filler cap on the container.

OFF (O) / LOW (1) / HIGH (2) Switch



6. Move the OFF/LOW/HIGH switch to the desired speed. See “Professional Blending Techniques” on page 6 for blending tips.
7. When blending is complete, set the OFF/LOW/HIGH switch to OFF (O).
Do not remove the container from the base until the unit has stopped completely.

Operation

Professional Blending Techniques

Filling the Container

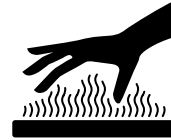
When filling the container with ingredients, follow these recommendations:

- Use sufficient amount of liquid to ensure that the mixture is fluid and free-running at all times. Pour the liquid into the container FIRST.
- Cut solid ingredients into pieces that are no bigger than a 1" (25-mm) cube.
- Add the ingredients to container in batches. Do not blend maximum volume all at once.
- Do NOT overfill the container with product. This may prevent the blender from processing the product properly. Process dense foods or thick mixtures in small batches, and remember that the volume of the product normally increases during processing.
- Do not exceed 1 quart (1 liter) of content when blending hot product.
- Always place the cover and filler cap on the container when blending. For blending hot liquids, remove filler cap from container cover before blending.

Blending Techniques

Icy drinks – Do not use blender to crush large ice cubes. The blender is not designed for this. Small ice cubes or crushed ice is recommended. Pour in liquid; then add ice. Cover. Set speed at HIGH (2) and process until desired consistency is reached. Chunks of frozen fruit can be added to milk or fruit juice to produce a sherbet or slush.

⚠ WARNING



Burn Hazard

Always use caution when blending hot contents.

Failure to follow these instructions can result in burns.

Blending Hot Mixtures

⚠ WARNING Burn Hazard: To minimize the possibility of scalding, the following precautions MUST be observed:

- Do not exceed 1 quart (1 L) of content when blending hot product. Remember that the volume of the product normally increases during processing.
- Always place the cover on the container and remove the filler cap from container cover when blending hot liquids to prevent the buildup of pressure.
- Never stand with your face directly over the container when operating the blender where steam may be released.
- Begin on LOW (1) speed and then select a speed that produces a column of air in the center of the container.

Filler Cap

Use the filler cap to add liquids to the container while the unit is running.

Caring for the Blender

Cleaning Instructions

⚠ WARNING



Electrical Shock Hazard

Plug into a grounded outlet.
Do not remove ground.
Do not use an adapter.
Do not use an extension cord.
Failure to follow these instructions can result in death, fire, or electrical shock.

⚠ WARNING



Cut Hazard

Always place cover on container when blending.
Do not put hands, spoons, or other utensils in container when blending.
Failure to follow these instructions can result in broken bones, cuts, or other injuries.

General Cleaning

Do not allow food residue to dry on any part of the blender. Wash and rinse container, cutter unit assembly, and base after each use, or whenever it will not be used again within 1 hour, as follows:

1. Remove the container from the base, and then remove the cover. Add cleaning solution to the container. Use a washing solution of hot water (less than 115°F/46°C) and a nonsudsing detergent. Use the recommended amount of detergent.
2. Scrub and flush out the container interior, cover, and filler cap to remove food residue. Empty container.
3. Fill container 1/4 full with fresh washing solution and place it on the base.
4. Replace the cover on the container and run the blender on HIGH (2) speed for 2 minutes.
5. Repeat Step 3 using clean rinse water (95°F/35°C).
6. Wipe down the container, filler cap, and cover with a soft cloth or sponge, dampened with fresh washing solution.
7. Wipe the exterior of the base with a damp cloth or sponge. The base contains electrical components; do not immerse. Do not use a high-pressure washer or use a dishwasher to clean the base.

Sanitizing

1. Wash container as instructed in “General cleaning.”
2. Fill container with sanitizing solution (See “Recommended Sanitizing Solution” below) and place on base.
3. Replace cover and filler cap and run on LOW (1) speed for 2 minutes. Empty container.
4. Wipe the container exterior with a soft cloth or sponge dampened with sanitizing solution.
5. Immerse the cover and filler cap in sanitizing solution for 2 minutes.
6. Remove any remaining moisture from cutter assembly by placing empty container on base and running on HIGH (2) speed for 2 seconds.
7. When ready to use, rinse with clean water.

NOTE: Do not rinse container, cover, or filler cap after sanitizing.

Recommended Sanitizing Solution:

The sanitizing solution should consist of 1 Tablespoon (15 ml) of household bleach per 1 gallon of clean, cool water (60°F/16°C) mixed according to the instructions on the bleach container. When using a sanitizing solution other than that recommended, the sanitizing solution concentration should be tested using commercially available test strips and should indicate a concentration between 100 and 200 parts per million of bleach to water.

Caring for the Blender

Replacing the Cutter Unit Assembly

⚠ WARNING



Cut Hazard

Always place cover on container when blending.

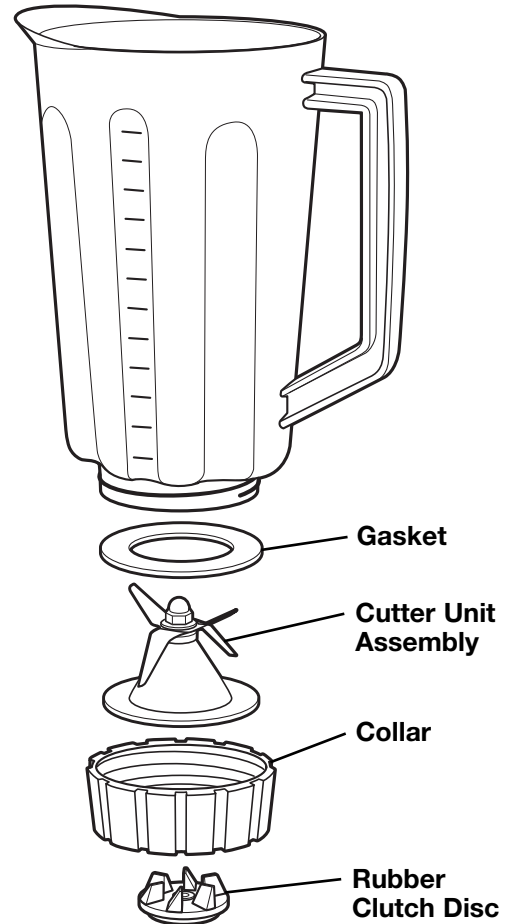
Do not put hands, spoons, or other utensils in container when blending.

Failure to follow these instructions can result in broken bones, cuts, or other injuries.

Replacing the Cutter Unit Assembly

The cutter unit assembly should be checked daily for worn, loose, or damaged blades. If the cutter unit assembly is worn or damaged, it should be replaced immediately.

1. Loosen the collar on the bottom of the container.
2. Remove the cutter unit assembly and gasket from the bottom of the container.
3. Place the gasket on the cutter unit assembly; then install the new cutter unit assembly in the bottom of the container.
4. Securely tighten the collar onto the bottom of the container.
5. The rubber clutch disc on the blender base has reverse threads. To replace, remove the rubber clutch disc by threading it **clockwise**. To install the new clutch disc, thread it onto the motor shaft **counterclockwise**.



Caring for the Blender

Troubleshooting Guide

Problem . . .	Solution . . .
Blender fails to start or stops while it is running and cannot be restarted	<ul style="list-style-type: none"> • Check to see if unit is securely plugged into an electric outlet. • Check to see if the fuse for the electric outlet has blown or if a circuit breaker has tripped. • If the motor stops during operation due to overheating, unplug and allow the blender to cool down for 15 minutes. Plug blender back in after 15 minutes to resume normal operation.
Ingredients will not mix properly	<ul style="list-style-type: none"> • Check to see if enough liquid has been added to the ingredients. Mixture should be fluid and free-running at all times. • Solid pieces are too large. Pieces should not exceed 1" (25-mm) cubes. • Container is too full. Do not fill past highest graduation marking. • Cutter unit blades are not sharp or are damaged. Inspect container and cutter assembly daily. Replace cutter assembly at least every 90 days or sooner if cutter assembly appears worn or damaged. • Check to see if cutter assembly is installed properly. • Select speed to create a fluid blend.

Maintenance

Inspect the blender and its various parts and replace as follows:

Daily	Unplug the blender, remove the container from the base, and then inspect the container and cutter unit assembly for wear, nicks, and broken or loose blades. Replace if necessary. If the blades are loose, discontinue use immediately and replace the blades. Do not attempt to repair or tighten the cutter assembly. See "Replacement Parts" below.
Weekly	Unplug the blender, and then inspect the power cord insulation and power plug for cracks. Refer to "Technical Services" on page 2 for repair or replacement.
Quarterly	Replace the container and cutter assembly at least every 90 days. See "Replacement Parts" below.

Replacement Parts for Model HBB908

For replacement parts, call toll-free: 866-285-1087.

Part Description	Part Number
44-oz. polycarbonate container	6126-HBB908
Cutter assembly	98908

Notes

Sécurité du mélangeur

IMPORTANT : Ce manuel d'utilisation devrait être examiné en présence de tous les opérateurs de l'équipement, dans le cadre de votre programme de formation des opérateurs.

Votre sécurité et celle des autres est très importantes.

Nous avons fourni beaucoup de messages de sécurité dans ce manuel et sur votre appareil. Lisez toujours tous les messages de sécurité et respectez-les.



Ceci est le symbole d'alerte de sécurité.

Ce symbole vous avertit des dangers qui peuvent tuer ou blesser vous-même et autrui.

Tous les messages de sécurité seront précédés du symbole d'alerte de sécurité et du mot « DANGER » ou « AVERTISSEMENT » Ces mots signifient :

⚠ DANGER

Vous serez tué(e) ou blessé(e) grièvement si vous ne suivez pas les instructions suivantes.

⚠ AVERTISSEMENT

Vous pouvez être tué(e) ou blessé(e) grièvement si vous ne suivez pas les instructions suivantes.

Tous les messages de sécurité indiqueront le danger, la manière de réduire les possibilités de blessure, ainsi que ce qui peut se produire si vous ne suivez pas les instructions.

⚠ AVERTISSEMENT



Risque de choc électrique

Brancher l'appareil dans une prise mise à terre.

Ne pas supprimer la mise à la terre.

Ne pas utiliser un adaptateur.

Ne pas utiliser un cordon de rallonge.

Le non-respect de ces instructions peut causer un décès, un incendie ou un choc électrique.

⚠ AVERTISSEMENT



Risque de coupure

Toujours placer le couvercle sur le récipient durant le mélange.

Ne jamais introduire les mains, une cuillère ou un autre ustensile dans le récipient durant le mélange.

Si vous ne respectez pas ces instructions, vous pouvez occasionner des os cassés, des coupures et d'autres blessures.

Services techniques

Pour obtenir de l'aide ou commander des pièces de rechange, appelez notre

Services techniques au

866-285-1087 ou + + 910-693-4277

08h00 – 17h00 HNE, Lundi – Vendredi

www.commercial.hamiltonbeach.com

Sécurité du mélangeur

IMPORTANTES INSTRUCTIONS DE SÉCURITÉ

AVERTISSEMENT – Pour utiliser un appareil électroménager, vous devez toujours prendre des mesures élémentaires de sécurité pour réduire le risque d'incendie, d'électrocution et/ou de blessure corporelle, en particulier les mesures suivantes :

1. Lisez le Manuel de fonctionnement avant d'utiliser votre mélangeur. Conservez le Manuel de fonctionnement à portée de la main.
2. Branchez dans une prise triphasée.
3. N'enlevez jamais la broche de mise à la terre.
4. N'utilisez jamais un adaptateur.
5. N'utilisez jamais une rallonge électrique.
6. Débranchez le courant avant de nettoyer ou de réparer.
7. Pour réduire le risque de blessure corporelle, débranchez le cordon d'alimentation de la prise quand vous n'utilisez pas votre appareil ou avant d'enlever ou de mettre des pièces.
8. Pour vous protéger contre les secousses électriques, ne plongez jamais le cordon d'alimentation, la fiche ou la base du mélangeur dans de l'eau ou dans un autre liquide.
9. Ne pulvérisez jamais la base avec un pistolet de pulvérisation à haute pression.
10. Vous devez faire extrêmement attention quand vous déplacez un appareil électroménager qui contient de l'huile chaude ou d'autres liquides chauds.
11. N'utilisez jamais votre appareil électroménager à des fins autres que celles prévues.
12. Ne doit pas être utilisé par des enfants ou à proximité d'enfants.
13. L'utilisation d'accessoires qui ne sont pas recommandés par fabricant d'appareil électroménager peut occasionner des blessures corporelles.
14. Pour réduire le risque de blessure corporelle et pour empêcher d'endommager votre mélangeur, votre bocal ou votre ensemble de couteau, N'INSÉREZ jamais d'ustensile dans le récipient de votre mélangeur quand vous le faites fonctionner.
15. Ne rangez aucun ustensile de cuisine dans le contenant parce que vous endommagerez votre mélangeur en le mettant en marche accidentellement.
16. Pour éviter la possibilité de blessures sérieuses, ne mettez jamais vos mains dans le bocal du mélangeur pendant son fonctionnement. Faites toujours fonctionner votre mélangeur avec le couvercle du bocal en place.
17. Évitez de toucher des pièces en mouvement.
18. Manipuler les lames avec précaution car elles sont coupantes.
19. Si les lames de l'ensemble de coupe sont lâches, arrêtez-vous immédiatement de faire fonctionner votre mélangeur et remplacez l'ensemble de coupe. N'essayez jamais de réparer ou de resserrer l'ensemble de coupe.
20. Inspecter chaque jour le récipient et les lames. N'utilisez jamais un récipient cassé, ébréché ou fendu. Rechercher indices d'usure, traces de choc ou lames brisées. N'utilisez jamais de lames cassées, fendues ou mal fixées. Remplacer les lames à intervalle de 90 jours.
21. Ne pas utiliser l'appareil à l'extérieur.
22. Cet appareil est conçu pour de brèves périodes de fonctionnement et un temps de fonctionnement de 3 minutes.
23. Ne laissez jamais le mélangeur sans surveillance quand il fonctionne.
24. Pour réduire le risque d'endommager votre mélangeur, votre bocal ou votre ensemble de couteau, NE BOUGEZ JAMAIS OU NE BALANCEZ JAMAIS votre mélangeur quand il fonctionne. Si votre mélangeur s'arrête de mélanger alors qu'il est en marche, ETEINS votre mélangeur, enlevez le bocal de la base, enlevez le couvercle du bocal et utilisez une spatule étroite en caoutchouc pour pousser le mélange vers les couteaux.
25. Pour éviter des brûlures sous l'effet des éclaboussures d'un liquide chaud, retirer le bouchon de l'orifice de remplissage du récipient avant l'opération de mixage. Écartez vos mains ou toute peau exposée de l'ouverture du couvercle pour réduire les risques de brûlure.
26. Utilisez toujours le mélangeur avec le couvercle du récipient en place.
27. Ne faites jamais fonctionner votre appareil avec une fiche ou un cordon d'alimentation endommagé ou après un mauvais fonctionnement de votre appareil ou si votre appareil est tombé ou endommagé de quelque manière que ce soit. Appelez le Services techniques au numéro **866-285-1087** ou **910-693-4277** pour des instructions ou un examen, une réparation ou un ajustement mécanique ou électrique de votre appareil.
28. Cet appareil n'est pas destiné à être utilisé par des personnes (y compris les enfants) dont les capacités physiques, sensorielles ou mentales sont réduites, ou manquant d'expérience et de connaissance, sauf si elles sont étroitement surveillées et instruites sur l'utilisation de l'appareil par une personne responsable de leur sécurité.
29. Une surveillance étroite est requise pour tout appareil utilisé par ou près des enfants. Surveiller que les enfants ne jouent pas avec l'appareil.

– CONSERVER CES INSTRUCTIONS – AUTRES CONSIGNES DE SÉCURITÉ POUR LE CONSOMMATEUR

▲ AVERTISSEMENT **Risque de choc électrique** : Ce produit est fourni avec une fiche à prise de terre (3 broches) pour réduire le risque de choc électrique. La fiche ne tient que dans un sens dans une prise mise à la terre. Ne pas transformer le dispositif de sécurité de la fiche en modifiant celle-ci de quelque façon ou en utilisant un adaptateur. Si vous ne pouvez pas insérer la fiche dans la prise, faire remplacer la prise par un électricien.

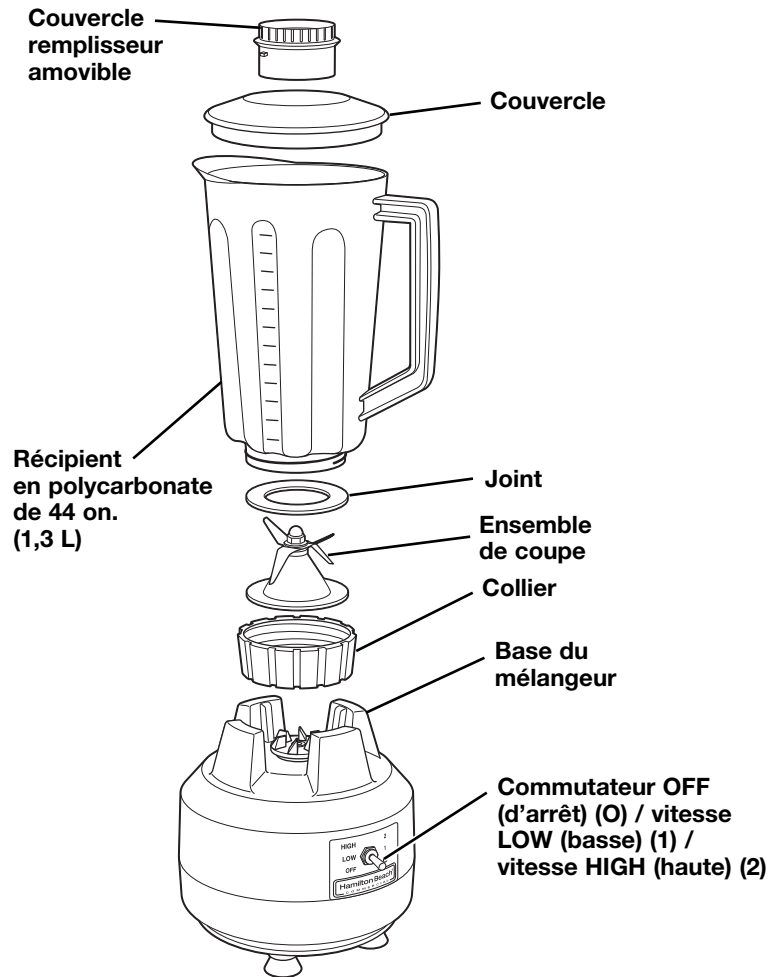
La longueur du cordon installé sur cet appareil a été sélectionnée afin de réduire les risques d'enchevêtrement ou de faux pas causés par un fil trop long. L'utilisation d'une rallonge approuvée est permise si le cordon est trop court. Les caractéristiques électriques de la rallonge doivent être équivalentes ou supérieures aux caractéristiques de l'appareil. La rallonge doit être du type à mise à la terre, à 3 fils. Prendre toutes les précautions nécessaires pour installer la rallonge de manière à ne pas la faire courir sur le comptoir ou sur une table pour éviter qu'un enfant ne tire sur le cordon ou trébuche accidentellement.

Pièces et caractéristiques

Les pièces et les caractéristiques pour le mélangeur de la série 908™ sont illustrées sur cette page. Familiarisez-vous avec toutes les pièces et caractéristiques avant d'utiliser votre mélangeur.

Votre mélangeur de la série 908™ est conçu pour mélanger et battre des boissons.

REMARQUE : Le mélangeur n'est pas conçu pour broyer de la glace. Les glaçons provenant de la plupart des machines à glaçons peuvent être ajoutés aux ingrédients liquides dans le mélangeur pour préparer les daiquiris ou cocktails semblables.



HBB908

Fonctionnement du mélangeur — Guide de démarrage rapide

1. Lisez les instructions de sécurité et les avertissements importants avant toute utilisation.
2. Placez votre mélangeur sur une surface sèche, horizontale.
3. Assurez-vous que le commutateur de marche soit en position OFF/O (arrêt). Branchez votre mélangeur dans une prise électrique mise à la terre.
4. Placez le récipient sur la base avec les ingrédients et mettez le couvercle.
5. Placez le commutateur de marche en position de LOW (basse) (1) ou HIGH (haut) (2).

Opération

Utilisation du mélangeur

⚠ AVERTISSEMENT



Risque de choc électrique

Brancher l'appareil dans une prise mise à terre.
Ne pas supprimer la mise à la terre.
Ne pas utiliser un adaptateur.
Ne pas utiliser un cordon de rallonge.
Le non-respect de ces instructions peut causer un décès, un incendie ou un choc électrique.

⚠ AVERTISSEMENT



Risque de coupure

Toujours placer le couvercle sur le récipient durant le mélange.
Ne jamais introduire les mains, une cuillère ou un autre ustensile dans le récipient durant le mélange.
Si vous ne respectez pas ces instructions, vous pouvez occasionner des os cassés, des coupures et d'autres blessures.

Contrôles

Le commutateur du tableau de commande du mélangeur permettent une commande précise à l'appareil.

- **Le commutateur OFF (O)/LOW (1)/HIGH (2) (Arrêt/Bas/Haut)** met en marche le mélangeur à basse ou haute vitesse ou l'arrête.
- **Le réglage High/Low (Haut/Bas)** permet de sélectionner les vitesses suivantes :
Haute vitesse – 19,000 tours par minute
Basse vitesse – 26,000 tours par minute

Utilisation du mélangeur

Avant d'utiliser le mélangeur pour la première fois, laver manuellement le récipient, le couvercle et le bouchon. Voir la section « Nettoyage du mélangeur » en page 16. Ne pas mettre l'ensemble de coupe dans le lave-vaisselle.

Pour faire fonctionner le mélangeur, procéder comme suit:

1. Placer le mélangeur sur une surface horizontale, propre et sèche; placer le commutateur OFF/LOW/HIGH (Arrêt/Bas/Haut) à la position OFF (Arrêt/O).
2. Brancher le mélangeur sur une prise de courant électrique.
3. Placer les ingrédients à traiter dans le récipient.
4. Placer le récipient sur la base. Veiller à ce que le récipient s'engage securely sur la base.
5. Placer l'ensemble couvercle/bouchon sur le récipient.

Commutateur OFF d'arrêt (O) /
LOW bas (1) / HIGH haut (2)



6. Mettez le commutateur OFF/LOW/HIGH (Arrêt/Bas/Haut) à la vitesse désirée. Consultez la section « Techniques professionnelles de mélange » en page 15 pour des renseignements pratiques.
7. Quand le mélange est terminé, mettez le commutateur OFF/LOW/HIGH (Arrêt/Bas/Haut) en position OFF (Arrêt/O).
N'enlevez le récipient de la base que lorsque l'appareil est complètement arrêté.

Opération

Techniques professionnelles de mélange

Remplissage du récipient

Observer les recommandations suivantes lors de l'introduction des ingrédients dans le récipient.

- Verser une quantité suffisante de liquide pour produire un mélange fluide, qui s'écoule toujours bien. Verser le liquide dans un récipient EN PREMIER LIEU.
- Couper les ingrédients solides en petits morceaux de moins de 1 po (25 mm) cube.
- Introduire les ingrédients dans le récipient par petites quantités. Ne pas traiter en une seule fois une quantité représentant le volume maximum.
- NE PAS remplir excessivement le récipient avec les ingrédients ; ceci pourrait empêcher le mélangeur de traiter correctement les ingrédients. Pour les aliments denses ou les mélanges épais, procéder par petits lots et ne pas oublier qu'il est normal que le volume du produit augmente durant le traitement.
- Lors du traitement d'un produit chaud, les ingrédients ne devraient pas occuper plus de 1 quart (1 litre) du volume disponible dans le récipient.
- Placer toujours l'ensemble couvercle/bouchon sur le récipient avant la mise en marche. Pour le traitement de produits chauds, retirer le bouchon du couvercle avant la mise en marche.

Techniques de mixage/hachage

Boisson glacée – Ne pas utiliser le mélangeur pour broyer de gros cubes de glace. L'appareil n'est pas conçu pour cela. On recommande l'emploi de petits glaçons ou de glace broyée. Verser le liquide puis ajouter la glace. Replacer le couvercle. Sélectionner la HIGH (haute) (2) vitesse et faire fonctionner le mélangeur jusqu'à l'obtention de la consistance désirée. On peut ajouter des fruits surgelés à du lait ou à un jus de fruits pour produire un sorbet ou un mélange glacé.

⚠ AVERTISSEMENT



Risque de brûlures

Exercer toujours une grande prudence lors du mixage d'un mélange chaud.

Le non-respect de cette instruction peut provoquer des brûlures.

Mixage d'un mélange chaud

⚠ AVERTISSEMENT **Risque de brûlures** : Pour minimiser le risque de brûlure, on DOIT toujours observer les précautions suivantes :

- Lors du traitement d'un produit chaud, les ingrédients ne devraient pas occuper plus de 1 quart (1 litre) du volume disponible dans le récipient. Ne pas oublier que normalement le volume augmente durant le traitement.
- Lors du traitement d'un liquide chaud, pour éviter l'accumulation d'une pression, placer toujours le couvercle sur le récipient et ôter le bouchon.
- Ne jamais placer le visage ou les mains directement au-dessus du couvercle pendant l'opération de mixage.
- Commencer l'opération à LOW (basse) (1) vitesse, puis sélectionner une vitesse qui suscite la formation d'une colonne d'air au centre du récipient.

Utilisation du bouchon du remplissage

Utiliser le bouchon du remplissage pour ajouter une petite quantité de liquide pendant l'opération de broyage/mixage.

Entretien du mélangeur

Nettoyage du mélangeur

⚠ AVERTISSEMENT



Risque de choc électrique

Brancher l'appareil dans une prise mise à terre.

Ne pas supprimer la mise à la terre.

Ne pas utiliser un adaptateur.

Ne pas utiliser un cordon de rallonge.

Le non-respect de ces instructions peut causer un décès, un incendie ou un choc électrique.

⚠ AVERTISSEMENT



Risque de coupure

Toujours placer le couvercle sur le récipient durant le mélange.

Ne jamais introduire les mains, une cuillère ou un autre ustensile dans le récipient durant le mélange.

Le non-respect de ces instructions peut provoquer des fractures, coupures ou autres blessures.

Nettoyage général

Veiller à ne pas laisser des résidus alimentaires sécher sur une partie quelconque du mélangeur. Laver et rincer le récipient et la base immédiatement après chaque utilisation, ou chaque fois qu'il ne sera pas réutilisé en deçà de 1 heure, comme suit :

1. Enlever le récipient de la base et enlever l'ensemble couvercle/bouchon. Remplir le récipient avec de la solution de lavage. Utiliser une solution d'eau chaude (moins de 46 °C/115 °F) et de détergent non moussant. Utiliser la quantité de détergent recommandée.
2. Frotter et rincer l'intérieur du récipient, le couvercle et le bouchon pour éliminer tous les résidus alimentaires. Vider le récipient.
3. Remplir à 1/4 le récipient avec de la solution de lavage propre; placer le récipient sur la base.
4. Placer l'ensemble couvercle/bouchon sur le récipient; faire fonctionner le mélangeur à la HIGH (haute) (2) vitesse pendant 2 minutes.
5. Répéter l'étape 3 avec de l'eau de rinçage (35 °C/95 °F).
6. Essuyer le récipient, le couvercle et le bouchon avec un linge doux ou une éponge humidifiée de solution de lavage propre.
7. Essuyer l'extérieur de la base avec un linge ou une éponge humide. Comme la base contient des composants électriques, ne pas immerger la base, ni l'exposer au jet d'un appareil de lavage à haute pression, ni la placer dans un lave-vaisselle.

Assainissement

1. Laver le récipient selon les instructions de la section « Nettoyage général ».
2. Remplir le récipient de solution de nettoyage sanitaire (voir ci-après « Solution d'assainissement recommandée ») ; placer le récipient sur la base.
3. Placer l'ensemble couvercle/bouchon sur la base; faire fonctionner le mélangeur à LOW (basse) (1) vitesse pendant 2 minutes. Vider le récipient.
4. Essuyer la surface extérieure du récipient avec un linge doux ou une éponge humidifiée de solution de nettoyage sanitaire.
5. Immerger le couvercle et le bouchon dans la solution de nettoyage sanitaire pendant 2 minutes.
6. Pour éliminer l'humidité sur les lames de coupe, placer le récipient vide sur la base; faire fonctionner le mélangeur pendant 2 secondes à la HIGH (haute) (2) vitesse.
7. Avant la prochaine utilisation du mélangeur, rincer le récipient avec de l'eau propre.

REMARQUE : Ne pas rincer le récipient, le couvercle ou le bouchon après le nettoyage sanitaire.

Solution d'assainissement recommandée :

La solution d'assainissement devrait comporter 1 c. à soupe (15 ml) d'eau de Javel ménagère par 1 gallon (3,8 litres) d'eau froide propre (16 °C/60 °F) mélangée selon les instructions sur le contenant d'eau de Javel. Lors de l'utilisation de toute autre solution d'assainissement, la concentration de la solution devrait être vérifiée à l'aide de bandes de test disponibles commercialement et devrait indiquer une concentration de 100 à 200 parties par million d'eau de Javel par rapport à l'eau.

Entretien du mélangeur

Remplacement de l'ensemble de coupe

⚠ AVERTISSEMENT



Risque de coupure

Toujours placer le couvercle sur le récipient durant le mélange.

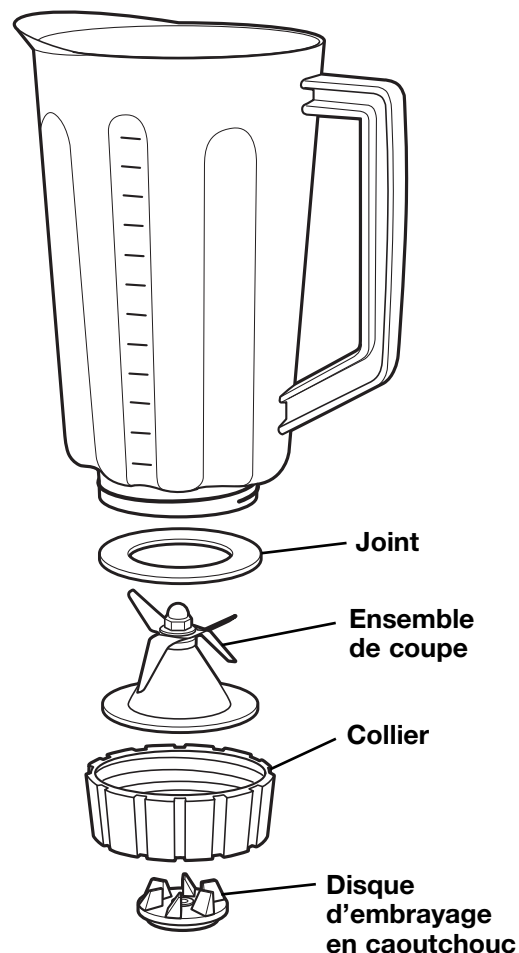
Ne jamais introduire les mains, une cuillère ou un autre ustensile dans le récipient durant le mélange.

Le non-respect de ces instructions peut provoquer des fractures, coupures ou autres blessures.

Remplacement de l'ensemble de coupe

Vous devez vérifier l'ensemble de coupe chaque jour, afin de vous assurer qu'il n'a pas de lame usée, lâche ou endommagée. Si l'ensemble de coupe est usé ou endommagé, vous devez le remplacer immédiatement.

1. Desserrez le collier situé en bas du récipient.
2. Enlevez l'ensemble de coupe et le joint du bas du récipient.
3. Placez le joint sur l'ensemble de coupe, puis installez le nouvel ensemble de coupe en bas du récipient.
4. Resserrez bien le collier dans le bas du récipient.
5. Le disque d'embrayage en caoutchouc situé en bas du récipient a un filetage inversé. Pour le remettre en place, enlevez le disque d'embrayage en caoutchouc en le vissant **dans le sens des aiguilles d'une montre**. Pour installer le nouveau disque d'embrayage, vissez-le dans l'axe du moteur **dans le sens inverse des aiguilles d'une montre**.



Entretien du mélangeur

Dépannage

Problème . . .	Solution . . .
Le mélangeur ne se met pas en marche, ou il s'arrête en cours de fonctionnement et on ne peut le remettre en marche	<ul style="list-style-type: none">• Déterminer si l'appareil est correctement branché sur une prise de courant.• Déterminer si la prise de courant est correctement alimentée (disjoncteur ouvert ou fusible grillé ?)• Si le moteur s'arrête pendant le fonctionnement à cause d'une surcharge, débranchez l'appareil et permettre le refroidissement pendant 15 minutes. Rebranchez le mélangeur après 15 minutes pour reprendre le processus normal.
Mixage incorrect des ingrédients	<ul style="list-style-type: none">• Déterminer si une quantité suffisante de liquide a été ajoutée avec les ingrédients. Il faut que le mélange soit fluide et puisse toujours s'écouler librement.• Les morceaux des ingrédients solides sont trop gros. Couper en morceaux de moins de 1 po (25 mm) cube.• Le récipient est trop rempli. Ne pas remplir au-delà de la marque supérieure de la graduation.• Les lames ne sont pas suffisamment acérées ou elles sont endommagées. Inspecter chaque jour le récipient et les lames. Remplacer les lames lorsqu'ils sont endommagés, ou à intervalles de 3 mois.• Vérifier que le module des lames est convenablement serré.• Sélectionner la vitesse appropriée pour produire un mélange fluide.

Entretien

Inspecter l'appareil et ses divers composants; effectuer les opérations nécessaires comme suit :

Chaque jour	Débrancher l'appareil; enlever le récipient de la base; inspecter le récipient et les lames; rechercher les indices d'usure, détériorations, lames brisées, lames desserrées, etc. Remplacer au besoin. Si les lames de l'ensemble de coupe sont desserrées, discontinuer l'utilisation immédiatement et remplacer l'ensemble de coupe. Ne pas tenter de réparer ni de resserrer l'ensemble de coupe. Voir la section « Pièces de rechange » ci-dessous.
Chaque semaine	Débrancher l'appareil ; inspecter l'isolant du cordon d'alimentation et la fiche de branchement; rechercher les fissures. S'il y a un besoin de réparation ou remplacement, consulter la section « Services techniques » en page 11.
Chaque trois mois	Remplacer les lames au moins chaque trois mois. Voir la section « Pièces de rechange » ci-dessous.

Pièces de rechange pour le modèle HBB908

Pour les pièces de rechange, appelez gratuitement le 866-285-1087.

Description de la pièce	Numéro de pièce
Récipient en polycarbonate de 44 on. (1,3 L)	6126-HBB908
Ensemble de coupe	98908

Notes

Seguridad de las Licuadoras

IMPORTANTE: Como parte de su programa de entrenamiento de los operadores, este manual de operación deberá estudiarse con todos los operadores de equipo.

Su seguridad y la de otros es sumamente importante.

En este manual y en su artefacto electrodoméstico proporcionamos muchos mensajes de seguridad importantes. Siempre lea y observe todos los mensajes de seguridad.



Éste es el símbolo de alerta de seguridad.

Este símbolo le alerta sobre riesgos que pueden matar o lesionar a usted y a los demás.

Todos los mensajes de seguridad estarán precedidos de un símbolo de alerta de seguridad y la palabra "PELIGRO" o "ADVERTENCIA". Estas palabras significan:

! PELIGRO

Si usted no sigue las instrucciones, corre peligro de muerte o de lesiones serias.

! ADVERTENCIA

Si usted no sigue las instrucciones, pudiese correr peligro de muerte o de lesiones serias.

Todos los mensajes de seguridad identificarán el riesgo, le dirán cómo reducir la posibilidad de lesiones y le dirán lo que puede ocurrir si no sigue las instrucciones.

! ADVERTENCIA



Peligro de Choque Eléctrico

Enchúfela en un tomacorriente conectado a tierra.

No quite la púa de tierra.

No utilice un adaptador.

No utilice un cable de extensión eléctrica.

No seguir estas instrucciones puede resultar en muerte, incendio o choque eléctrico.

! ADVERTENCIA



Peligro de Cortaduras

Cuando esté licuando, siempre coloque la tapa en la jarra.

No coloque las manos, cucharas u otros utensilios en la jarra durante el licuado.

No seguir estas instrucciones puede resultar en huesos rotos, cortes u otras heridas.

Servicios Técnicos

Para asistencia o partes de repuesto, llame a nuestro número de Servicios Técnicos:

866-285-1087 ó + 910-693-4277

8 a.m. – 5 p.m. Hora del este, lunes a viernes

www.commercial.hamiltonbeach.com

Seguridad de las Licuadoras

INSTRUCCIONES IMPORTANTES DE SEGURIDAD

ADVERTENCIA: Cuando utilice artefactos eléctricos, siempre deben seguirse precauciones de seguridad básicas a fin de reducir el riesgo de incendio, descarga eléctrica, y/o lesiones a personas, incluyendo las siguientes:

1. Lea el Manual de Operaciones antes de utilizar la licuadora. Conserve el Manual de Operaciones a mano.
2. Enchufe el aparato a un tomacorriente de tres púas conectado a tierra.
3. No quite la púa de conexión a tierra.
4. No utilice un adaptador.
5. No utilice un cable de extensión.
6. Desconecte la electricidad antes de limpiar o efectuar algún servicio.
7. Para reducir el riesgo de lesiones personales, desenchufe el cable del tomacorriente cuando no esté usando el aparato, y antes de poner o quitar piezas.
8. Para proteger contra descargas eléctricas, no sumerja el cable eléctrico, o conecte o coloque la base de la licuadora en agua o en cualquier otro líquido.
9. No rocíe la base con una pistola rociadora de alta presión.
10. Use extrema precaución cuando se encuentre moviendo un electrodoméstico que contenga aceite caliente o líquidos calientes.
11. No use un electrodoméstico para un trabajo diferente para el cual fue creado.
12. No permita que los niños manipulen la licuadora ni que se utilice en su cercanía.
13. El uso de accesorios no recomendados por el fabricante del aparato podría causar lesiones.
14. Para reducir el riesgo de lesiones personales o para prevenir daños a la licuadora o a la jarra y a la ensambladura de corte, NO INSERTE utensilios en la jarra de la licuadora mientras la licuadora está en operación.
15. No guarde utensilios en cocina dentro de la licuadora porque ésta podría dañarse si la encienden sin querer.
16. Para prevenir la posibilidad de lesiones personales graves, mantenga las manos fuera de la jarra de la licuadora mientras está en funcionamiento. Siempre utilice la licuadora con la tapa de la jarra en su lugar.
17. Evite el contacto con las partes en movimiento.
18. Las cuchillas están afiladas. Manéjelas con cuidado.
19. Si las cuchillas del ensamblaje de corte están sueltas, deje de utilizarlas inmediatamente y reemplace el ensamblaje de corte. No intente repararla o ajustarla.
20. Revise el vaso y el el ensamblaje de corte a diario. No utilice el contenedor si se encuentra roto, saltado o rajado. Examine las cuchillas si hay desgaste, muescas o roturas. No utilice cuchillas de corte rotas o dañadas. Reemplace el ensamblaje de corte por lo menos cada 90 días.
21. No la use al aire libre.
22. Este aparato electrodoméstico está destinado para períodos cortos de funcionamiento, con un tiempo de funcionamiento nominal de 3 minutos.
23. No deje la licuadora sin atención mientras se encuentre en funcionamiento.
24. Para evitar daños a la licuadora, a la jarra, o a la ensambladura del cortador, NO MUEVA bruscamente la licuadora mientras está en operación. Si la acción de licuado se detiene durante la operación, APAGUE la licuadora, remueva la base de la jarra, remueva la cubierta de la jarra, y use una espátula de goma fina para empujar la mezcla hacia los cortadores.
25. Para evitar quemaduras producidas por líquidos calientes que salpiquen fuera de la jarra, quite siempre el tapón de llenado de la tapa del recipiente antes de batir líquidos calientes. Mantenga las manos y la piel expuesta lejos de la abertura de la tapa para reducir el riesgo de posibles quemaduras.
26. Siempre use la licuadora con la tapa en su lugar.
27. No utilice ningún aparato electrodoméstico que tenga un cable o enchufe averiado, o luego de un funcionamiento defectuoso del aparato electrodoméstico, o después de que haya sufrido una caída o daño alguno. Llame al número de Servicios Técnicos, **866-285-1087** o **910-693-4277** para obtener instrucciones sobre inspección, reparación o arreglos eléctricos o mecánicos.
28. Este aparato no se destina para utilizarse por personas (incluyendo niños) cuyas capacidades físicas, sensoriales o mentales sean diferentes o estén reducidas, o carezcan de experiencia o conocimiento, a menos que dichas personas reciban una supervisión o capacitación para el funcionamiento del aparato por una persona responsable de su seguridad.
29. Se requiere de una estrecha supervisión cuando el aparato se use cerca de niños. Los niños deben supervisarse para asegurar que ellos no empleen los aparatos como juguete.

- **GUARDE ESTAS INSTRUCCIONES** -

OTRA INFORMACIÓN DE SEGURIDAD PARA EL CLIENTE

⚠ ADVERTENCIA Peligro de Descarga Eléctrica: Este producto es provisto con un enchufe con conexión a tierra (3 clavijas) para reducir el riesgo de una descarga eléctrica. El enchufe calza únicamente en una dirección dentro de un tomacorriente con conexión a tierra. No elimine el propósito de seguridad del enchufe modificando el enchufe de ninguna manera o usando un adaptador. Si el enchufe no entra en la toma, haga que un electricista reemplace la toma.

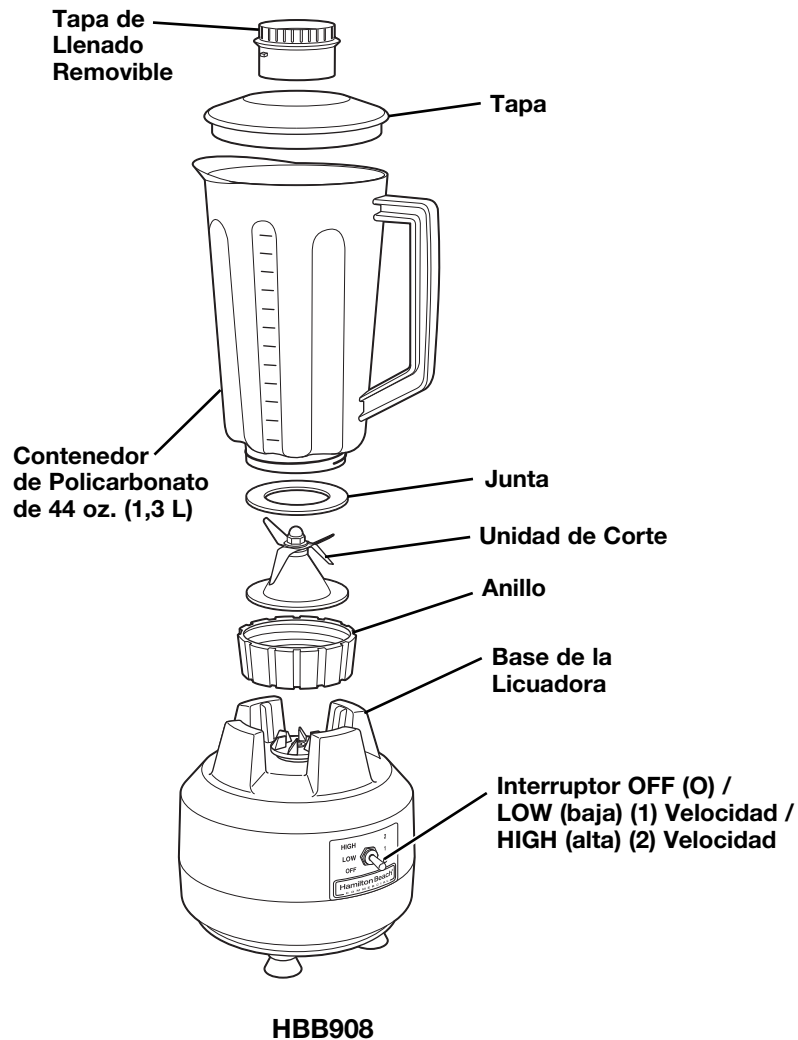
La longitud del cable usado para este aparato fue seleccionado para reducir los riesgos de enredarse o tropezarse con un cable más largo. Si se necesita un cable más largo se puede usar una extensión aprobada. La clasificación eléctrica de la cable extensión debe ser igual o mayor que la clasificación del aparato. El cable de extensión debe ser del tipo de conexión a tierra con 3 cables. Es importante tener cuidado de colocar el cable de extensión para que no se pliegue sobre el mostrador o la mesera en donde niños puedan tirar del mismo o tropezarse accidentalmente.

Piezas y Características

En esta página se ilustran las piezas y características de la licuadora de la serie 908™. Antes de utilizar su licuadora, familiarícese con todas las piezas y características de la misma.

Su licuadora de la serie 908™ está diseñada para licuar y mezclar bebidas.

NOTA: La licuadora no está diseñada para triturar hielo. Los cubitos hechos en la mayoría de las máquinas de hielo pueden agregarse a ingredientes líquidos dentro de la licuadora para hacer daiquiris o tragos similares.



Operación de la Licuadora—Guía de Inicio Rápido

1. Antes de comenzar el uso, lea las Instrucciones Importantes de Seguridad y las Advertencias.
2. Coloque la licuadora en una superficie seca y nivelada.
3. Asegúrese de que el interruptor de energía está en la posición OFF/O (apagado). Conecte la licuadora en un tomacorriente conectado a tierra.
4. Coloque la jarra en la base con los ingredientes y la tapa de la jarra colocada.
5. Mueva el interruptor a la posición LOW (baja) (1) o HIGH (alta) (2).

Operación

Operación de la Licuadora

⚠️ ADVERTENCIA



Peligro de Choque Eléctrico

Enchúfela en un tomacorriente conectado a tierra.
No quite la púa de tierra.
No utilice un adaptador.
No utilice un cable de extensión eléctrica.
No seguir estas instrucciones puede resultar en muerte, incendio o choque eléctrico.

⚠️ ADVERTENCIA



Peligro de Cortaduras

Cuando esté licuando, siempre coloque la tapa en la jarra.
No coloque las manos, cucharas u otros utensilios en la jarra durante el licuado.
No seguir estas instrucciones puede resultar en huesos rotos, cortes u otras heridas.

Controles

El interruptor en el panel del frente le permiten controlar la licuadora para necesidades precisas de licuado:

- El interruptor **OFF (O)/LOW (1)/HIGH (2) (Apagar/Baja/ Alta)** enciende la licuadora para un funcionamiento continuo en velocidad Alta o Baja o para apagar (OFF).
- Las **configuraciones Alta/Baja** permiten seleccionar las velocidades siguientes:
Alta – 19,000 RPM Baja – 16,000 RPM

Uso de la Licuadora

Antes de usar la licuadora por primera vez, lave a mano la jarra, la tapa y la tapa del orificio de llenado. Remítase a “Instrucciones para la Limpieza” en la página 25. Nunca ponga el conjunto de corte en la lavavajillas.

Para usar la licuadora, proceda como sigue:

1. Coloque la licuadora sobre una superficie limpia y seca y luego fije el interruptor OFF/HIGH/LOW (Apagado/Baja/Alta) en OFF (O) (apagado).
2. Conecte la licuadora al tomacorriente.
3. En la jarra coloque los ingredientes que serán licuados.
4. Coloque la jarra en la base. Asegúrese de que descansa correctamente en la base.

Interruptor **OFF (apagado) (O) / LOW (baja) (1) velocidad / HIGH (alta) (2) velocidad**



5. Coloque la tapa y la tapa de llenado sobre la jarra.
6. Accione el interruptor OFF/HIGH/LOW (Apagado/Baja/Alta) para obtener la velocidad deseada. Para consejos sobre licuado, ver “Instrucciones Profesionales para Licuar” en la página 24.
7. Cuando se haya finalizado el licuado, coloque el interruptor OFF/HIGH/LOW (Apagado/Baja/Alta) en posición OFF (O) (apagado).
No retire el contenedor de la base hasta que la unidad se haya detenido por completo.

Operación

Instrucciones Profesionales para Licuar

Cómo Llenar la Jarra

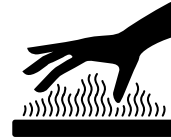
Siga estas recomendaciones cuando esté llenando la jarra con los ingredientes:

- Use una cantidad de líquido suficiente para asegurar que la mezcla está fluida y libre de obstáculos todo el tiempo. PRIMERO vierta el líquido en la jarra.
- Corte los ingredientes sólidos en piezas que resulten no ser mayores de un cubo de 1" (25 mm).
- Agregue los ingredientes en la jarra en porciones pequeñas. No haga licuado todo el volumen de una sola vez.
- NUNCA llene la jarra con demasiados ingredientes para evitar que la licuadora no pueda procesarlos correctamente. Para preparar alimentos densos o mezclas muy espesas, hágalo en lotes pequeños y recuerde que durante el procesamiento es normal que aumente el volumen de los alimentos.
- No exceda 1 cuarto (1 litro) de contenido al licuar producto caliente.
- Siempre coloque la tapa y la tapa de llenado en la jarra durante el licuado. Para licuar líquidos calientes, quite la tapa de llenado de la tapa de la jarra antes de licuar.

Técnicas de Licuado

Bebidas con Hielo – No use la licuadora para triturar cubos de hielo grandes, la licuadora no se diseñó con este propósito. Se recomienda agregar cubos pequeños o hielo triturado para preparar bebidas heladas. Vierta el líquido y luego el hielo. Tape. Fije la velocidad en HIGH (alta) (2) y procese hasta lograr la consistencia deseada. Se pueden agregar trozos de fruta congelada a la leche o jugos de fruta para producir malteadas o helados.

⚠️ ADVERTENCIA



Peligro de Quemaduras

Siempre tenga precaución al licuar mezclas calientes.

No seguir estas instrucciones puede resultar en quemaduras.

Cómo Licuar Mezclas Calientes

⚠️ ADVERTENCIA Peligro de Quemaduras: Para reducir la posibilidad de quemaduras, se DEBEN seguir las precauciones siguientes:

- Para combinar mezclas calientes, licúe solamente 1 litro (1 cuarto) a la vez. Recuerde que el volumen de los ingredientes normalmente aumenta durante el procesamiento.
- Siempre coloque la tapa de la jarra y quite la tapa de llenado de la tapa de la jarra antes de licuar líquidos calientes para prevenir que se acumule la presión.
- Cuando esté funcionando la licuadora, nunca se pare de manera que su cara o sus manos estén directamente encima de la jarra donde se puede escapar el vapor.
- Empiece en la velocidad LOW (baja) (1) y luego seleccione la velocidad que produzca una columna de aire en el centro de la jarra.

Cómo Usar la Tapa de Llenado

Utilice la tapa de llenado para agregar líquidos a la jarra mientras la unidad está funcionando.

Cuidado de la Licuadora

Instrucciones para la Limpieza

⚠️ ADVERTENCIA



Peligro de Choque Eléctrico

Enchúfela en un tomacorriente conectado a tierra.

No quite la púa de tierra.

No utilice un adaptador.

No utilice un cable de extensión eléctrica.

No seguir estas instrucciones puede resultar en muerte, incendio o choque eléctrico.

⚠️ ADVERTENCIA



Peligro de Cortaduras

Cuando esté licuando, siempre coloque la tapa en la jarra.

No coloque las manos, cucharas u otros utensilios en la jarra durante el licuado.

No seguir estas instrucciones puede resultar en huesos rotos, cortes u otras heridas.

Limpieza General

No permita que residuos de alimentos se sequen en ninguna parte de la licuadora. Lave y enjuague la jarra y la base después de cada uso o en cualquier ocasión cuando no se volverá a usar durante 1 hora, como se indica a continuación:

1. Retire la jarra de la base y retire la tapa y la tapa del orificio de llenado. Agregue una solución de limpieza en la jarra. Use una solución de agua caliente (menos de 115°F/46°C) y un detergente no espumante. Use la cantidad recomendada de detergente.
2. Restriegue y enjuague el interior de la jarra, la tapa y la tapa del orificio de llenado para extraer los residuos de alimentos. Vacíe la jarra.
3. Llene un cuarto de la jarra con una solución nueva y colóquela sobre la base.
4. Vuelva a colocar la tapa y la tapa de llenado sobre la jarra y haga funcionar la licuadora a la velocidad HIGH (alta) (2) durante 2 minutos.
5. Repita el paso 3 usando agua limpia de enjuagar (95°F/35°C).
6. Frote la jarra, la tapa y la tapa del orificio de llenado con un trapo suave o una esponja humedecida en una solución nueva.
7. Frote el exterior de la base con un trapo o una esponja húmeda. Puesto que la base contiene componentes eléctricos, no la sumerja, ni use una lavadora de alta presión, ni una máquina lavavajillas para limpiar la base.

Higienización

1. Lave la jarra como se indica en “Limpieza General”.
2. Llene la jarra con una solución desinfectante (Ver “Solución de Higienización Recomendada” más adelante) y colóquelo sobre la base.
3. Coloque de nuevo la tapa y la tapa del orificio de llenado y trabaje a la velocidad LOW (baja) (1) (en algunos modelos) durante 2 minutos. Vacíe la jarra.
4. Frote el exterior de la jarra con un trapo suave o una esponja humedecida en solución sanitaria.
5. Sumerja la tapa y la tapa del orificio de llenado en solución sanitaria durante 2 minutos.
6. Extraiga cualquier humedad restante de las hojas colocando la jarra vacía en la base y deje funcionar la máquina a la velocidad HIGH (alta) (2) durante 2 segundos.
7. Cuando esté lista para ser usada, enjuague con agua.

NOTA: No enjuague la jarra, la tapa o la tapa del orificio después de higienizar.

Solución de Higienización Recomendada:

La solución de higienización deberá consistir en 1 cucharada (15 ml) de lejía de uso doméstico por 1 galón (3.8 litros) de agua limpia y fría (60°F/16°C) mezclada según las instrucciones de la lejía. Cuando utilice cualquier otra solución de higienización, la concentración de la solución de higienización deberá someterse a prueba empleando indicadores de prueba para uso comercial y deberá indicar una concentración entre 100 y 200 partes por millón de lejía en agua.

Cuidado de la Licuadora

Cómo Reemplazar el Ensamblaje de la Unidad de Corte

⚠ ADVERTENCIA



Peligro de Cortaduras

Cuando esté licuando, siempre coloque la tapa en la jarra.

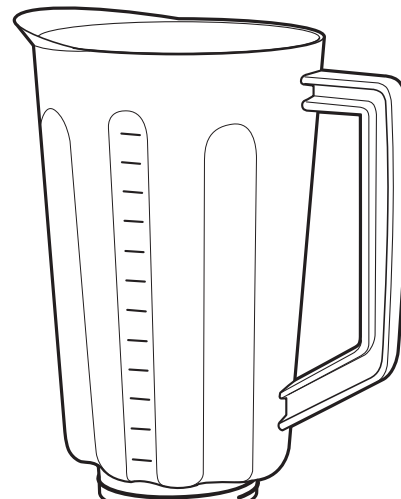
No coloque las manos, cucharas u otros utensilios en la jarra durante el licuado.

No seguir estas instrucciones puede resultar en huesos rotos, cortes u otras heridas.

Cómo Reemplazar el Ensamblaje de la Unidad de Corte

El ensamblaje de la unidad de corte debe verificarse todos los días para constatar de que no haya cuchillas gastadas, sueltas o dañadas. Si el ensamblaje de la unidad de corte se encuentra gastado o dañado, debe reemplazarse inmediatamente.

1. Afloje el anillo ubicado en la parte inferior del contenedor.
2. Quite el ensamblaje de la unidad de corte y la junta de la parte inferior del contenedor.
3. Coloque la junta en el ensamblaje de la unidad de corte, luego instale el nuevo ensamblaje de la unidad de corte en la parte inferior del contenedor.
4. Ajuste muy bien el anillo a la parte inferior del contenedor.
5. El disco de embrague de caucho de la base de la licuadora tiene roscas inversas. Para reemplazarlo, retire el disco de embrague de caucho desenroscando **en sentido de las agujas del reloj**. Para instalar el nuevo disco de embrague, enrosque al eje del motor **en sentido contrario a las agujas del reloj**.



Junta



Ensamblaje de la Unidad de Corte



Anillo



Disco de Embrague de Caucho

Cuidado de la Licuadora

Guía de Solución de Problemas

Problema . . .	Solución . . .
La licuadora no arranca o se detiene mientras está en funcionamiento y no puede ponerse en marcha nuevamente	<ul style="list-style-type: none"> • Compruebe si la unidad está enchufada firmemente en un tomacorriente eléctrico. • Compruebe si el fusible del tomacorriente eléctrico no se fundió o si no se ha disparado un interruptor de circuito. • Si el motor se detiene durante la operación debido a un sobrecalentamiento, desenchufe la unidad y deje que la licuadora se enfríe durante 15 minutos. Transcurridos los 15 minutos, vuelva a enchufar la licuadora y retome el funcionamiento normal.
Los ingredientes no se mezclan correctamente	<ul style="list-style-type: none"> • Compruebe si se agregó el líquido suficiente a los ingredientes. La mezcla debe estar fluida y libre de obstáculo todo el tiempo. • Las piezas sólidas son muy grandes. No deben ser mayores de un cubo de 1" (25 mm). • La jarra está demasiado llena. No debe llenarse por encima de la marca de graduación más alta. • Las hojas no están afiladas o están dañadas. Diariamente inspeccione la jarra y el ensamblaje de corte. Reemplace la jarra y el ensamblaje de corte por lo menos cada 90 días o cuando sufran algún daño. • Compruebe si las hojas están apretadas correctamente. • Seleccione la velocidad para obtener una mezcla fluida.

Mantenimiento

Inspeccione la licuadora y sus diversas piezas y reemplácelas como se indica a continuación:

Diariamente	Desenchufe la licuadora y quite la jarra de la base y luego examine la jarra y el ensamblaje de corte en busca de desgaste, melladuras u hojas flojas, o aspas flojas. Reemplácelas si es necesario. Si las aspas de la unidad de corte están flojas, deje de usarlas inmediatamente y reemplace toda la unidad de corte. No intente reparar o apretar la unidad de corte. Vea la sección "Piezas de Repuesto" a continuación.
Semanalmente	Desenchufe la licuadora y luego revise el aislamiento del cable y del enchufe de alimentación de energía eléctrica en busca de rajaduras. Para repararlas o reemplazarlas, vea la sección "Servicios Técnicos" en la página 20.
Quarterly	Reemplace el ensamblaje de la unidad de corte por lo menos cada 90 días. Vea la sección "Piezas de Repuesto" a continuación.

Piezas de Repuesto para modelo HBB908

Diríjase a "Servicios Técnicos" para solicitar piezas.

Descripción de la pieza	Número de la pieza
Contenedor de policarbonato de 44 oz. (1.30 L)	6126-HBB908
Conjunto de corte	98908

Modelos:
HBB908, HBB909

Tipo:
GB26

Características Eléctricas:
120 V~ 60 Hz 3.5 Amps

Los modelos incluidos en el instructivo de Uso y Cuidado pueden ir seguidos o no por un sufijo correspondiente a una o varias letras del alfabeto y sus combinaciones, separadas o no por un espacio, coma, diagonal, o guión. Como ejemplos los sufijos pueden ser: "Y" y/o "MX" y/o "MX Y" y/o "Z".



261 Yadkin Road
Southern Pines, NC 28387