



**972, 974, 974MSD**

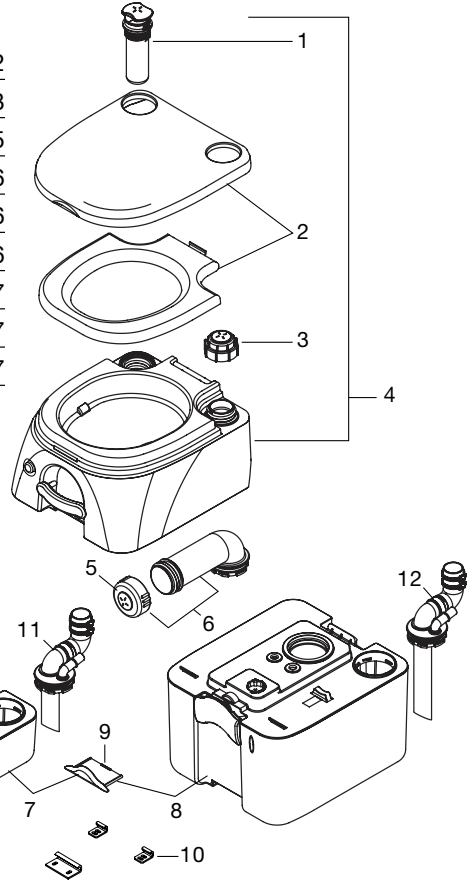
**975, 975MSD, 976**

**970 SERIES PORTABLE TOILETS  
ASEOS PORTÁTILES SERIE 970  
TOILETTES PORTABLES, SERIE 970**

INSTRUCTION MANUAL	EN . . . 1-7
MANUAL DE INSTRUCCIONES	ES . . . 8-13
MODE D'EMPLOI	FR . . 14-20

EN

Parts	2
Operation	3
Installation (974, 975, 974MSD, 975MSD)	4 - 5
Cleaning and Maintenance	6
Winterizing	6
Convenience Products	6
Dimensions	7
Customer Service	7
Warranty	7



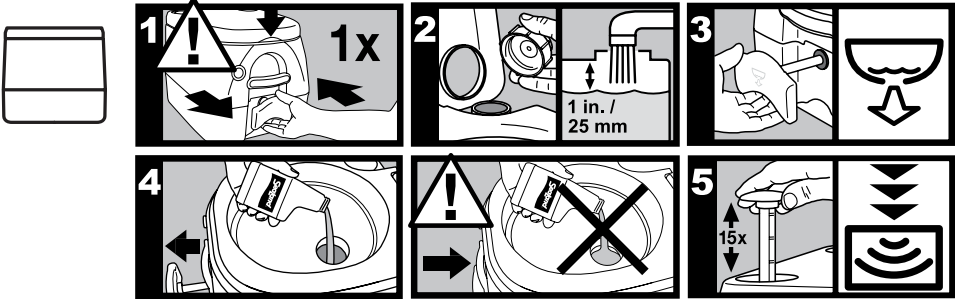
**PARTS**

NO.	PART NUMBER	DESCRIPTION	
1	385311528	Air pump	
2	385311529	Seat cover and seat	
3	385311530	Water cap	
4	385311531	Bowl assembly	
5	385311532	Discharge spout cap	
6	385311533	Discharge spout assembly	972, 974, 975, 976
7	385311534	Holding tank assembly (tan)	2.6 gal./9.8 L - 972, 974, 974MSD
	385311535	Holding tank assembly (gray)	
8	385311536	Holding tank assembly (tan)	5.0 gal./18.9 L - 975, 975MSD, 976
	385311537	Holding tank assembly (gray)	
9	385311538	Locking handle (tan)	972, 974, 974MSD, 975, 975MSD, 976
	385311539	Locking handle (gray)	
10	385311564	Mounting brackets	974, 974MSD, 975, 975MSD
11	385320006	MSD fitting	974MSD
12	385320007	MSD fitting	975MSD

# OPERATION

## Prepare toilet for use

1. **⚠ CAUTION!** With seat lid closed, pull flush handle to open slide valve, then push to close. This relieves air pressure that may be created in lower holding tank due to changes in temperature or altitude.
2. Remove water cap and fill upper tank until it reaches about 1 inch (25 mm) below opening. Replace cap.
3. Pull flush handle to open slide valve.
4. Pour deodorant directly into lower tank, then close slide valve.
5. Stroke air pump about 15 times or until air emits through relief valve on water cap. **⚠ CAUTION! Do not over-pressurize upper tank by covering relief valve. Do not pressurize upper tank when disconnected from lower tank.**



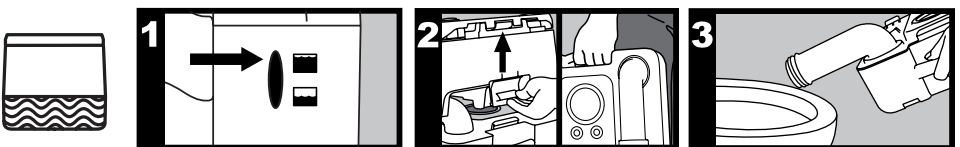
## Use toilet

1. **⚠ CAUTION! BEFORE EACH USE,** with seat lid closed, pull flush handle to open slide valve, then push to close. This relieves air pressure that may be created in lower holding tank due to changes in temperature or altitude.
2. Pull flush handle to release waste into lower tank.
3. Push flush button to rinse bowl. Push flush handle to close slide valve.



## Empty holding tank

1. When tank level indicator shows “full,” empty the lower tank.
2. Pull up on rear latch to separate upper tank from lower tank. Carry lower tank to authorized waste disposal area (or normal toilet).
3. Rotate discharge spout away from tank, and open vent on top of holding tank. Empty tank.
4. If water is available, rinse lower tank before reassembling portable toilet.



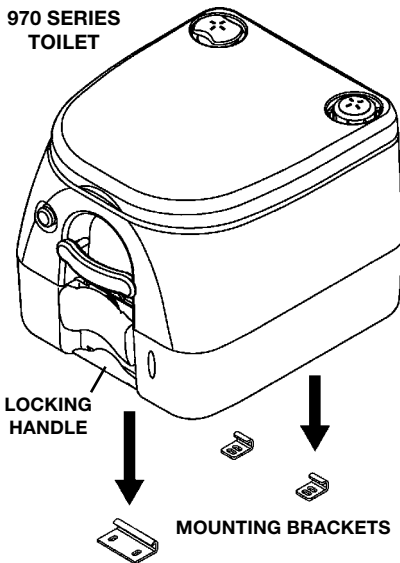
**MSD Models:** Pull flush handle to open flush valve. Pump out holding tank through boat's discharge fittings according to boat manufacturer's instructions.

## INSTALLATION

BE SURE TO READ INSTRUCTIONS COMPLETELY BEFORE INSTALLING PORTABLE TOILET.

### Models 974, 975

1. Place toilet on level floor in desired location. Mark floor at front of toilet, then set toilet aside. Pull locking handle out of toilet (located at bottom front of toilet).
2. Align mounting template with mark on floor.
3. Use center punch to mark fastener hole locations for brackets. Set template aside.
4. Drill pilot holes with 3/32-in. (2.4 mm) drill bit. Align centers of bracket slots with the drilled holes. With supplied fasteners, attach brackets to floor so that they can be slid with little effort.
5. Position toilet into the mounting brackets and insert the locking handle into front of toilet. The toilet should be securely held in position by the brackets. If toilet is not secure, adjust back brackets and/or front bracket until toilet is secure.
6. Once the brackets are properly positioned, remove locking handle and set toilet aside. Firmly tighten fasteners to secure the brackets in place.
7. Position toilet into mounting brackets and reinsert the locking handle.



### Models 974MSD, 975MSD

## WARNINGS

Dometic marine toilet systems must be installed according to Dometic's recommended procedures. Equipment damage, injury to personnel or death could result from improper installation. DOMETIC CORPORATION ACCEPTS NO RESPONSIBILITY OR LIABILITY FOR DAMAGE TO EQUIPMENT, OR INJURY OR DEATH TO PERSONNEL THAT MAY RESULT FROM IMPROPER INSTALLATION, SERVICE OR OPERATION OF THIS PRODUCT.



### WARNING!

**HAZARD OF FLOODING** – If the toilet system is connected to ANY through-the-hull fittings, properly installed seacocks MUST be installed in all piping connected to through-the-hull fittings. Seacocks MUST be easily accessible to all users of the toilet system or secondary valves fitted in hoses where they are easily accessible. ALWAYS close seacocks when toilet system is not in use (even if boat is unattended for a brief period). All valves MUST be full bore valves and marine quality. Screw-to-close gate valves are not recommended. Failure to comply can result in flooding which can cause loss of property and life.



### WARNING!

**HAZARD OF FLOODING** – If toilet is connected to ANY through-the-hull fittings, ALL flexible hoses must be of marine sanitation quality and must be secured to ANY fittings (such as those at seacock, vented loop or toilet) with two stainless steel, worm-drive hose band clamps at each connection. Connections MUST be checked frequently for integrity. Failure to comply can result in flooding which can cause loss of property and life.



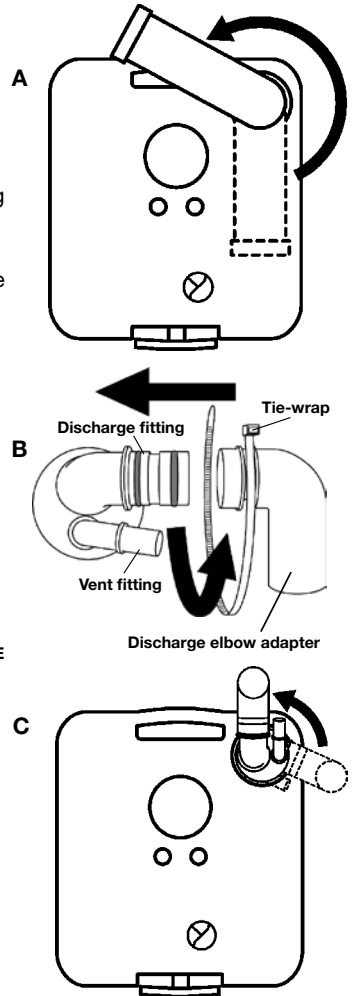
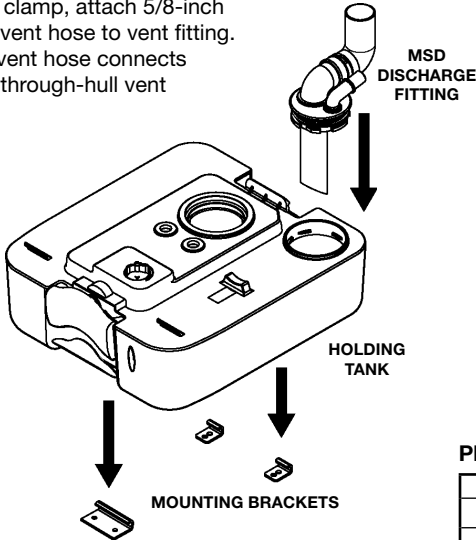
### WARNING!

**HAZARD OF FLOODING** – If toilet rim is below the waterline at ANY time (during any conditions of heel, load or trim) and is connected to ANY through-the-hull fittings, properly positioned ventilated (vented) loops MUST be installed in discharge piping to prevent potential back siphonage of seawater into the boat. Failure to do so can result in flooding which can cause loss of property and life.

## INSTALLATION (continued)

### Models 974MSD, 975MSD (continued)

1. Complete steps 1-6 on page 4. **Be sure to allow 2-3/4 in./ 70 mm clearance** between back of toilet and wall for MSD fittings, discharge and vent hose assembly.
2. Remove discharge spout from top of holding tank by turning it counterclockwise until it unlocks (see illustration A) and pulling it out of tank.
3. Lubricate two small O-rings on discharge fitting with silicone grease and attach discharge elbow adapter to discharge fitting. Secure adapter in place with plastic tie-wrap (see illustration B).
4. Lubricate large O-ring on discharge fitting and insert discharge fitting assembly into holding tank. Rotate it so that discharge and vent fittings point away from tank (see illustration C).
5. Using hose clamp, attach 1.5-inch (25 mm) ID discharge hose over end of elbow adapter. Make sure discharge hose(s) connect securely to all discharge fittings.
6. Using hose clamp, attach 5/8-inch (16 mm) ID vent hose to vent fitting. Make sure vent hose connects securely to through-hull vent fitting.



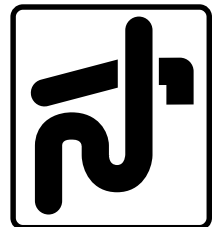
### PLUMBING SPECIFICATIONS

	Hose ID
Discharge	1.5 inch/38 mm
Vent	.625 inch/16 mm

## MARINE SANITATION REGULATIONS

All boats with fixed toilets in U.S. waters and in the waters of some other countries are required to have an operable, permanently installed marine sanitation device (MSD). Series 970 MSD models, when permanently installed in a boat, are holding tank or Type III systems as defined by the U.S. Coast Guard. Type III systems permit operation of the toilet without direct discharge of untreated waste after every flush. Type III systems can be discharged at marina dockside pump-out stations or, if in coastal waters, a minimum of three miles offshore. Overboard discharge capability must remain secured while within the three-mile limit. If an overboard discharge pump is activated by a keyed switch in the toilet compartment, the key must be removed at all times except when discharge pump is operating and in the process of vessel operation.

Sewage from any source should not be discharged directly into our waters. If you are interested in learning more about this issue, please visit our website at [www.DometicSanitation.com](http://www.DometicSanitation.com).



This symbol appears on the discharge fitting of MSD models.

## CLEANING AND MAINTENANCE

### Cleaning

For most effective cleaning, use SeaLand® Toilet Bowl Cleaner. It's intended for use with all Dometic toilets. If you cannot find it in your area, contact Dometic for your nearest dealer. If it is not available, you can also use most non-abrasive bathroom and toilet bowl cleaners (Bar Keeper's Friend® spray cleaner, Clorox® toilet bowl cleaner, SaniFlush® toilet bowl cleaner, etc.). Follow label instructions.



SeaLand® Cleaner  
16-oz. bottle  
Part No. 379314016

### Maintenance

If flush handle becomes difficult to pull, lubricate slide valve seals with silicone spray.

## WINTERIZING

### Use

When using the Dometic portable toilet in cold or winter weather, the addition of nontoxic anti-freeze designated for potable water systems provides safe winter protection. Use amounts specified on container that are safe for use with 4 gallons (15 l) of water.

NOTE: Never use alcohol-based or automotive-type antifreeze in freshwater systems.

### Storage

To store Dometic portable toilet during the winter:

1. Empty freshwater tank and holding tank.
2. Make sure all water is cleared from freshwater tank's water lines by pressurizing tank and pushing flush button until no water enters bowl.

A small amount of water may remain in bottom of freshwater tank but will be harmless during winter storage.)

## CONVENIENCE PRODUCTS

These SeaLand products are specially developed to work best in Dometic portable toilets. There are no better holding tank deodorizers and rapid-dissolving tissues available.



SeaLand®  
Clean 'n Green  
Bowl Cleaner/  
Tank Deodorant  
12-2 oz. drop-in pouches  
Part No. 379512602



SeaLand®  
NATURAL  
Liquid Deodorant  
32-oz. bottle  
Part No.  
379114032

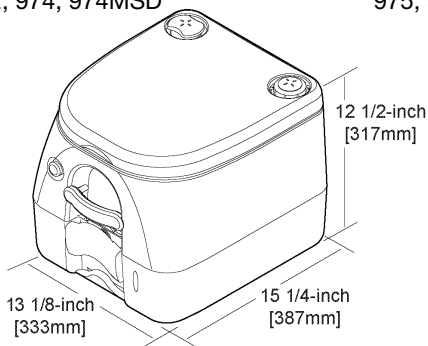
Toilet System	Deodorant Charge		Charging Procedure
	Liquid	Granulated or Toss-in Packet	
Portable toilet	See directions on deodorant container	One 2 oz. (57 g) packet with 1 pint (.47 l) of water	Add directly to waste holding tank



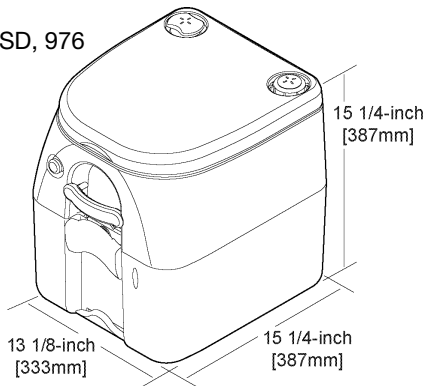
SeaLand®  
Rapid-Dissolving  
Toilet Tissue  
Four 500-sheet rolls  
Part No. 379441204

## DIMENSIONS

972, 974, 974MSD



975, 975MSD, 976



All dimensions may vary  
± 3/8-inch (10mm).

## CUSTOMER SERVICE

There is a strong, worldwide network to assist in servicing and maintaining your sanitation system. For the Authorized Service Center near you, please call from 8:00 a.m. to 5:00 p.m. (ET) Monday through Friday.

You may also contact or have your local dealer contact the Parts Distributor nearest you for quick response to your replacement parts needs. They carry a complete inventory for the SeaLand product line.

Telephone: 1 800-321-9886 U.S.A. and Canada  
330-496-3211 International

Fax: 330-496-3097 U.S.A. and Canada  
330-496-3220 International

Web site: [www.DometicSanitation.com](http://www.DometicSanitation.com)

## ONE-YEAR LIMITED WARRANTY

Dometic Corporation warrants, to the original purchaser only, that this Dometic portable toilet, if used for personal, family or household-like purposes, and if installed according to Dometic's recommended procedures, is free from defects in material and workmanship for a period of one (1) year from the date of purchase.

If this Dometic product is placed in commercial or business use, it will be warranted, to the original purchaser only, to be free of defects in material and workmanship for a period of ninety (90) days from the date of purchase.

Dometic reserves the right to replace or repair any part of this product that proves, upon inspection by Dometic, to be defective in material or workmanship. All labor and transportation costs or charges incidental to warranty service are to be borne by the purchaser-user.

### EXCLUSIONS

IN NO EVENT SHALL DOMETIC BE LIABLE FOR INCIDENTAL OR CONSEQUENTIAL DAMAGES, FOR DAMAGES RESULTING FROM IMPROPER INSTALLATION, OR FOR DAMAGES CAUSED BY NEGLIGENCE, ABUSE, ALTERATION, FOREIGN OBJECTS DEPOSITED IN THE TOILET, OR USE OF UNAUTHORIZED COMPONENTS. THIS INCLUDES FAILURES WHICH MAY RESULT FROM NOT FOLLOWING THE WINTERIZATION OR CLEANING PROCEDURES AS DESCRIBED IN THIS MANUAL. ALL IMPLIED WARRANTIES, INCLUDING ANY IMPLIED WARRANTY OF MERCHANTABILITY OR FITNESS FOR ANY PARTICULAR PURPOSE, ARE LIMITED TO A PERIOD OF ONE (1) YEAR FROM DATE OF PURCHASE.

### IMPLIED WARRANTIES

No person is authorized to change, add to, or create any warranty or obligation other than that set forth herein. Implied warranties, including those of merchantability and fitness for a particular purpose, are limited to one (1) year from the date of purchase for products used for personal, family or household-like purposes, and ninety (90) days from the date of purchase for products placed in commercial or business use.

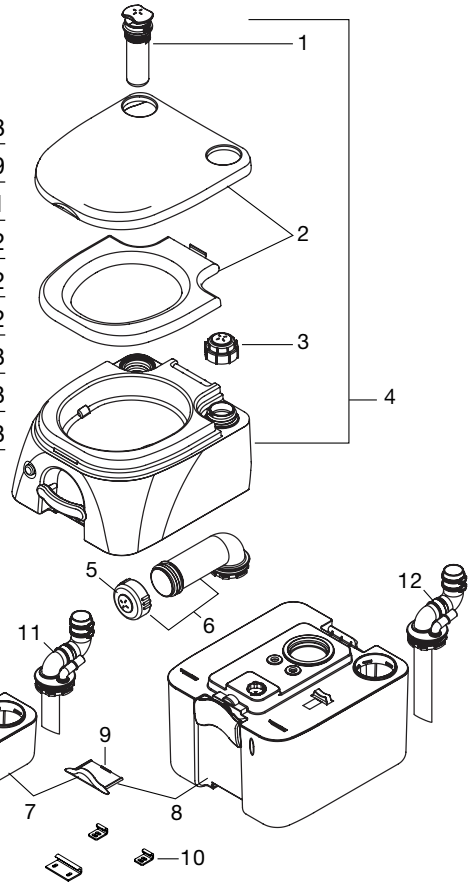
### OTHER RIGHTS

Some states do not allow limitations on the duration of an implied warranty, and some states do not allow exclusions or limitations regarding incidental or consequential damages; so, the above limitations may not apply to you. This warranty gives you specific legal rights, and you may have other rights which vary from state to state.

To obtain warranty service, first contact your local dealer from whom you purchased this product.

ES

Piezas	8
Funcionamiento	9
Instalación (974, 975, 974MSD, 975MSD)	10-11
Limpieza y mantenimiento	12
Invernización	12
Productos prácticos	12
Dimensiones	13
Servicio de atención al cliente	13
Garantía	13



**PIEZAS**

NÚM.	REFERENCIA	DESCRIPCIÓN	
1	385311528	Bomba de aire	
2	385311529	Tapa y tabla de wáter	
3	385311530	Válvula de agua	
4	385311531	Conjunto de taza	
5	385311532	Válvula tubo de descarga	
6	385311533	Conjunto tubo de descarga	972, 974, 975, 976
7	385311534	Conjunto depósito de retención (canela)	9,8 L - 972, 974, 974MSD
	385311535	Conjunto depósito de retención (gris)	
8	385311536	Conjunto depósito de retención (canela)	18,9 L - 975, 975MSD, 976
	385311537	Conjunto depósito de retención (gris)	
9	385311538	Manija (canela)	972, 974, 974MSD, 975, 975MSD, 976
	385311539	Manija (gris)	
10	385311564	Soportes de montaje	974, 974MSD, 975, 975MSD
11	385320006	Accesorio MSD	974MSD
12	385320007	Accesorio MSD	975MSD



# FUNCIONAMIENTO

## Preparar el wáter para su uso

1. **⚠ ¡PRECAUCIÓN!** Con la tapa bajada, tire de la manilla de la bomba para abrir el distribuidor de concha, a continuación empújela para cerrar. Esto alivia la presión de aire que pudiera haberse acumulado en el depósito inferior debido a cambios de temperatura o altitud.
2. Retire la válvula de agua y llene el depósito superior hasta que el agua alcance 25 mm. por debajo de la abertura. Vuelva a colocar la válvula.
3. Tire de la manilla de la bomba para abrir el distribuidor de concha.

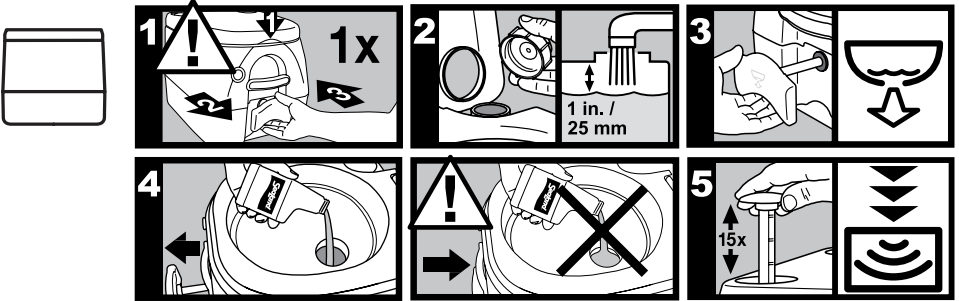
4. Vierta desodorizante directamente en el depósito inferior, a continuación cierre el distribuidor de concha.

**⚠ ¡PRECAUCIÓN!** No vierta nunca el desodorizante en la cazuela cuando el distribuidor de concha esté cerrado.

5. Accione la bomba de aire unas 15 veces o hasta que el aire salga a través de la válvula de seguridad en el distribuidor de concha.

**⚠ ¡PRECAUCIÓN!** No presurice demasiado el depósito superior cubriendo la válvula de seguridad.

No presurice el depósito superior cuando esté desconectado del depósito inferior.



## Uso del wáter

1. **⚠ ¡PRECAUCIÓN!** ANTES DE CADA USO, con la tapa bajada, tire de la manilla de la bomba para abrir el distribuidor de concha y a continuación empújela para cerrar. Esto alivia la presión de aire que pudiera haberse acumulado en el depósito inferior debido a cambios de temperatura o altitud.

2. Tire de la manilla de la bomba para liberar los residuos al depósito inferior.
3. Pulse el botón de la bomba para aclarar la cazuela. Pulse la manilla de la bomba para cerrar el distribuidor de concha.



## Vaciar el depósito

1. Cuando el indicador de nivel del depósito indique "lleno," ("full") vacíe el depósito inferior.
2. Tire del pestillo posterior para separar el depósito superior del inferior. Transporte el depósito inferior a un área de manipulación de residuos autorizada (o al wáter normal).

3. Gire el pico de salida en el sentido contrario al depósito, y abra el respiradero en la sección superior del depósito. Vacíe el depósito.
4. Si tiene agua disponible, aclare el depósito inferior antes de volver a montar el aseo portátil.



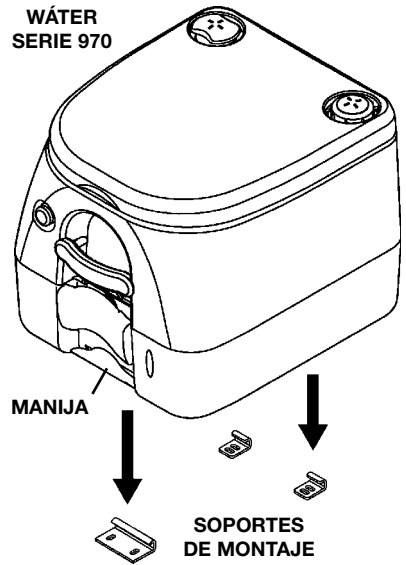
**Modelos MSD:** Tire de la manilla de la bomba para abrir la válvula de agua. Bombear el depósito a través de los accesorios de salida de la embarcación, conforme a las instrucciones del fabricante de la embarcación.

## INSTALACIÓN

POR FAVOR LEA TODAS LAS INSTRUCCIONES ANTES DE INSTALAR EL ASEO PORTÁTIL.

### Modelos 974, 975

1. Coloque el retrete sobre un piso nivelado en la ubicación deseada. Marque el suelo por la parte delantera del retrete, y deje el mismo a un lado. Extraiga la manija del retrete (ubicada en la sección inferior del retrete).
2. Alinee la plantilla de montaje con la marca realizada en el suelo.
3. Utilice el punzón central para marcar la posición de los orificios de las sujeciones para los soportes. Deje la plantilla a un lado.
4. Taladre los orificios piloto con una broca de 3/32 pulgadas (2,4 mm). Alinee los centros de las ranuras del soporte con los orificios taladrados. Utilizando las sujeciones provistas, acople los soportes al suelo de forma que puedan deslizarse con poco esfuerzo.
5. Coloque el retrete sobre los soportes de montaje e inserte la manija en la sección delantera del retrete. El retrete debe quedar firmemente sujeto en posición por los soportes. Si el retrete no está seguro, ajuste los soportes posteriores y/o delanteros hasta que el retrete quede seguro.
6. Una vez que los soportes estén correctamente colocados, retire la manija y deje el retrete a un lado. Apriete firmemente las sujeciones para asegurar los soportes.
7. Coloque el retrete en los soportes de montaje y vuelva a insertar la manija.



### Modelos 974MSD, 975MSD

#### AVISOS

Los sistemas de aseos marinos de Dometic deben instalarse conforme a los procedimientos recomendados de Dometic. La instalación incorrecta pudiera dar lugar a daños de los equipos, lesiones del personal o muerte. DOMETIC CORPORATION NO ACEPTA NINGUNA RESPONSABILIDAD POR DAÑOS OCASIONADOS A LOS EQUIPOS NI POR LESIONES O MUERTE DEL PERSONAL RESULTANTES DE LA INSTALACIÓN, MANTENIMIENTO O FUNCIONAMIENTO INCORRECTOS DE ESTE PRODUCTO.



#### ¡AVISO!

**PELIGRO DE INUNDACIÓN** – Si el sistema del wáter se conecta a través de cualquiera de las sujeciones del casco, DEBEN instalarse correctamente válvulas de mar en todas las tuberías conectadas a través de las sujeciones del casco. Las válvulas de mar DEBEN tener acceso fácil para todos los usuarios del wáter o deben instalarse válvulas secundarias en las mangueras en una ubicación desde la que puedan accederse fácilmente. Cierre SIEMPRE las válvulas de mar cuando no esté utilizándose el wáter (incluso si la embarcación no está atendida durante un periodo corto de tiempo. Todas las válvulas DEBEN ser válvulas de diámetro interior completo y de calidad

marina. No se recomienda atornillar cerca de las válvulas de paso. De no observarse estas instrucciones pudieran producirse inundaciones con la consiguiente pérdida de propiedad y vida.



#### ¡AVISO!

**PELIGRO DE INUNDACIÓN** – Si el wáter se conecta a través de cualquiera de las sujeciones del casco, TODAS las mangueras flexibles deben ser de calidad de saneamiento marino y deben instalarse a CUALQUIER sujeción (como las de la válvula de mar, cañería de ventilación o wáter) con dos abrazaderas de tornillo sin fin para manguera de acero inoxidable en cada conexión. La integridad de las conexiones DEBE comprobarse frecuentemente. De lo contrario pudieran darse inundaciones con la consiguiente pérdida de propiedad y vida.



#### ¡AVISO!

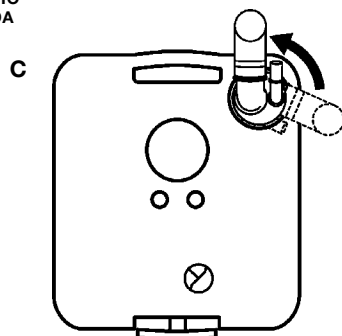
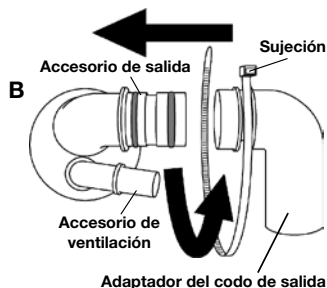
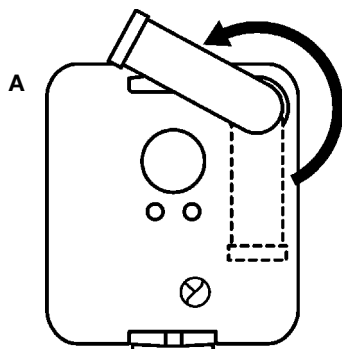
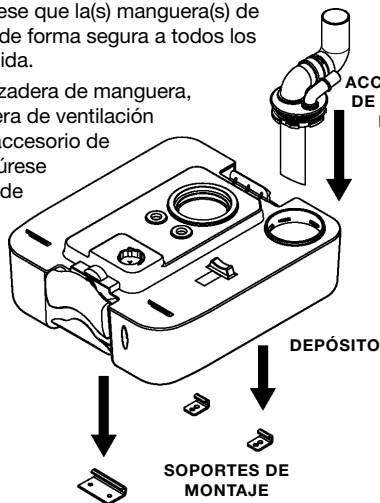
**PELIGRO DE INUNDACIÓN** – Si la cazucla del wáter se encuentra por debajo de la línea de flotación en CUALQUIER momento (durante cualquier condición de escora, carga o arrumaje) y está conectada a través de CUALQUIERA de las sujeciones del casco, DEBEN instalarse correctamente cañerías de ventilación en las tuberías de descarga para evitar el potencial contra sifonaje del agua del mar en el barco. De lo contrario pudieran darse inundaciones con la consiguiente pérdida de propiedad y vida.

## INSTALACIÓN (continuación)

### Modelos 974MSD, 975MSD (continuación)

1. Realice los pasos 1-6 en la página 4. Asegúrese de dejar un espacio libre de 70 mm. entre la sección posterior del wáter y la pared para la instalación de los accesorios MSD, conjunto de descarga y cañería de ventilación.
2. Retire el pico de salida de la sección superior del depósito, girándolo hacia la derecha hasta que se abra (véase la ilustración A) y extráigalo del depósito.
3. Lubrique las dos juntas tóricas pequeñas en el accesorio de salida con una grasa de silicona y acople el adaptador del codo de salida al accesorio de salida. Asegure el adaptador en posición con una sujeción de plástico (véase la ilustración B).
4. Lubrique la junta tórica grande en el accesorio de salida e introduzca el conjunto del accesorio de salida en el depósito. Gírelo de forma que los accesorios de salida y ventilación queden orientados en el sentido contrario al depósito (véase la ilustración C).
5. Utilizando la abrazadera de manguera, acople la manguera de salida ID de 25 mm. Sobre el extremo del adaptador del codo. Asegúrese que la(s) manguera(s) de salida se ajusten de forma segura a todos los accesorios de salida.

6. Utilizando la abrazadera de manguera, acople la manguera de ventilación ID de 16 mm. al accesorio de ventilación. Asegúrese que la manguera de ventilación se conecte de forma segura al accesorio de ventilación a través del casco.



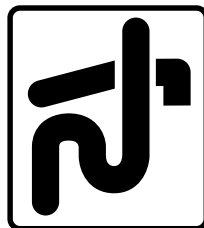
### ESPECIFICACIONES DE FONTANERÍA

	DI de la manguera
Salida	38 mm
Vent	16 mm

## NORMATIVAS SOBRE SANEAMIENTO MARINO

Todas las embarcaciones con wáteres fijos en aguas de los EE.UU. y en las aguas de algunos otros países deben llevar instalado de forma permanente un dispositivo de saneamiento marino operable (MSD). Los modelos de la serie 970 MSD, cuando se instalan permanentemente en una embarcación, son depósitos o sistemas Tipo III según los define el servicio de vigilancia de costera de EE.UU.. Los sistemas Tipo III permiten el funcionamiento del wáter sin salida directa de los residuos no tratados después de dar la bomba. Los sistemas Tipo III pueden descargarse en las estaciones de bombeo marítimas en los muelles o si la embarcación se encuentra en aguas de la costa, a una distancia mínima de 3 millas fuera de la costa. La capacidad de descarga fuera borda debe permanecer segura mientras la embarcación se encuentre dentro de este límite de 3 millas. Si la bomba de descarga fuera borda se activa mediante llave en el compartimiento del aseo, la llave debe retirarse en todo momento excepto cuando la bomba de descarga está funcionando y durante el funcionamiento de la embarcación.

Las aguas de albañal de la fuente que fueren no deben verterse directamente en nuestras aguas. Si está interesado en obtener más información sobre este tema, visite nuestro sitio Web en [www.DometicSanitation.com](http://www.DometicSanitation.com).



*Este símbolo aparece en el accesorio de salida de los modelos MSD.*

## LIMPIEZA Y MANTENIMIENTO

### Limpeza

Para la limpieza más eficaz utilice SeaLand® Toilet Bowl Cleaner. Este producto ha sido diseñado para su uso en todos los aseos Dometic. Si no puede encontrarlo en su área, póngase en contacto con Dometic para más información sobre su comercio más cercano. Si no está disponible, también puede utilizar la mayoría de productos de limpieza no abrasivos para limpieza de cuartos de baño y váteres (Limpiador en spray Bar Keeper's Friend® Limpiador de váteres Clorox®, Limpiador para váteres SaniFlush®, etc.).

Siga las instrucciones en la etiqueta.



**Limpiador SeaLand®**  
Botella de 16 onzas  
Referencia 79314016

### Mantenimiento

Si la manilla de la bomba resulta difícil de empujar, lubrique las juntas laterales con un spray de silicona.

## INVERNIZACIÓN

### Uso

Cuando utilice el aseo portátil Dometic cuando haga frío o en invierno, añadir un anticongelante no tóxico designado para sistemas de agua portátiles ofrece una protección segura contra el tiempo invernal. Utilice las cantidades especificadas en el envase que son seguras para su uso con 15 l de agua.

NOTA: No utilice nunca anticongelantes con base de alcohol ni automovilísticos en sistemas de agua dulce

### Almacenaje

Para guardar el aseo portátil Dometic durante el invierno:

1. Vacíe el depósito de agua dulce y el depósito.
2. Asegúrese que se ha vaciado toda el agua de las líneas de agua del depósito de agua dulce, presurizando el depósito y dando la bomba hasta que no entre agua en la cacuela.

Es posible que una cantidad pequeña de agua quede en el depósito de agua dulce, sin embargo, esto no ocasionara ningún daño.

## PRODUCTOS PRÁCTICOS

Estos productos SeaLand han sido especialmente desarrollados para funcionar mejor con los aseos portátiles Dometic. No hay mejor desodorizantes para los depósitos ni papel higiénico que se disuelva más rápido.



**SeaLand®**  
**Clean 'n Green**  
Limpiador de wáter/  
Desodorante para el depósito  
Bolsitas de goteo  
de 12-2 onzas  
Referencia 379512602



**Desodorante líquido**  
**SeaLand®**  
**NATURAL**  
Botella de 32 onzas  
Referencia 379114032

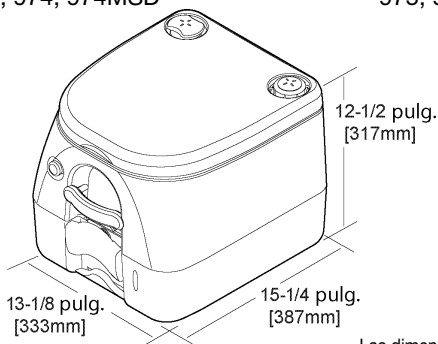
Sistema de wáter	Dosificador de desodorante		Procedimiento de dosificación
	Líquido	Paquete granulado o de tirar	
Aseo portátil	Véanse las instrucciones en el recipiente del desodorante	Un paquete de 2 onzas (57 g) con 1 pinta (0,47 l) de agua	Añadir directamente al depósito de residuos



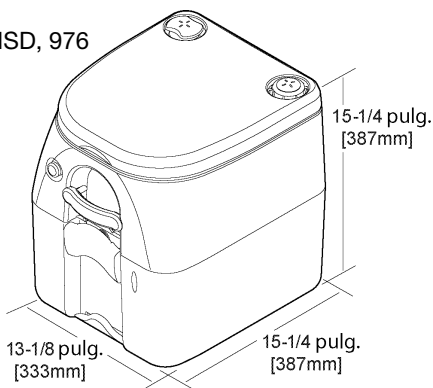
**Papel higiénico de rápida disolución SeaLand®**  
Cuatro rollos de 500 hojas  
Referencia 379441204

## DIMENSIONES

972, 974, 974MSD



975, 975MSD, 976



Las dimensiones pueden variar 10 mm.

## SERVICIO DE ATENCIÓN AL CLIENTE

Dometic cuenta con una amplia red internacional de centros de mantenimiento y servicio para sistemas de saneamiento. Para más información sobre el Centro de Servicio autorizado más cercano, llame de 8 de la mañana a 5 de la tarde (Hora del Este) de lunes a viernes.

Teléfono: 1 800-321-9886 EE.UU. y Canadá  
330-496-3211 Internacional

También puede ponerse en contacto o a través de su distribuidor local, el Distribuidor de repuestos más cercano quien tendrá mucho gusto en responder rápidamente a todas sus necesidades de repuestos para la línea de productos SeaLand.

Fax: 330-496-3097 EE.UU. y Canadá  
330-496-3220 Internacional

Sitio Web: [www.DometicSanitation.com](http://www.DometicSanitation.com)

## GARANTÍA LIMITADA DE UN AÑO

Dometic Corporation garantiza, al comprador original solamente, que este aseo portátil Dometic, cuando se use con fines personales, familiares o domésticos, y siempre que se instale conforme a los procedimientos recomendados por Dometic, estará libre de defectos materiales y de mano de obra durante un (1) año a partir de la fecha de compra.

Si este producto Dometic se utiliza con fines comerciales, se garantizará, al comprador original solamente, que estará libre de defectos materiales y de mano de obra por un periodo de noventa (90) días de la fecha de compra.

Dometic se reserva el derecho de reemplazar o reparar cualquier parte de este producto que, después de la inspección por parte de Dometic, demuestre estar defectuosa en material o mano de obra. Todos los costes de mano de obra y de transporte o cualquier cargo incidental al servicio de garantía correrán a cargo del comprador/usuario.

### EXCLUSIONES

EN NINGÚN CASO SE CONSIDERARÁ QUE DOMETIC SERÁ RESPONSABLE DE CUALQUIER DAÑO DIRECTO O INDIRECTO, POR DAÑOS RESULTANTES DE LA INSTALACIÓN INCORRECTA, O POR DAÑOS OCASIONADOS POR EL ABANDONO, ABUSO, MODIFICACIÓN, OBJETOS EXTRAÑOS ARROJADOS AL WÁTER, O USO DE COMPONENTES NO AUTORIZADOS. ESTO INCLUYE AVERÍAS QUE PUEDAN RESULTAR DE NO SEGUIR LOS PROCEDIMIENTOS DE INVERNIZACIÓN O LIMPIEZA SEGÚN SE DESCRIBEN EN ESTE MANUAL. TODAS LAS GARANTÍAS IMPLÍCITAS, INCLUYENDO CUALQUIER GARANTÍA IMPLÍCITA SOBRE LA CAPACIDAD DE COMERCIALIZACIÓN O APTITUD PARA UN FIN PARTICULAR, ESTÁN LIMITADAS A UN PERIODO DE UN (1) AÑO A PARTIR DE LA FECHA DE COMPRA.

### GARANTÍAS IMPLÍCITAS

Ninguna persona está autorizada a cambiar, añadir a, o crear cualquier garantía u obligación con la excepción de las garantías incluidas en este documento. Las garantías implícitas, incluyendo cualquier garantía sobre la capacidad de comercialización y aptitud para un fin particular, están limitadas a un (1) año a partir de la fecha de compra para los productos utilizados para uso personal, familiar o doméstico, y noventa (90) días a partir de la fecha de compra para productos utilizados con fines comerciales.

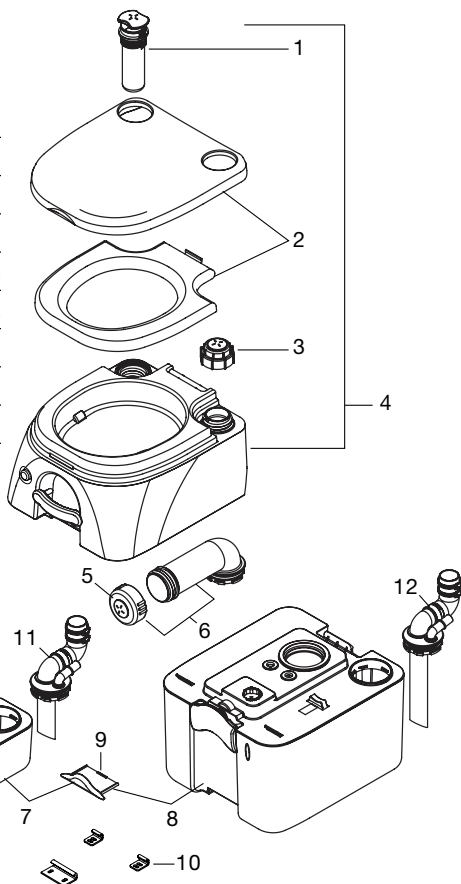
### OTROS DERECHOS

Algunos estados no permiten limitaciones sobre la duración de una garantía implícita, y algunos estados no permiten exclusiones o limitaciones asociadas con daños directos o indirectos; por ello, es posible que las limitaciones anteriores no sean aplicables en su caso. Esta garantía le ofrece derechos legales específicos, y el consumidor puede tener otros derechos adicionales que varían de un estado a otro.

Para obtener el servicio de garantía, póngase en contacto en primer lugar con su distribuidor local donde adquirió el producto.

FR

Composants	14
Utilisation	15
Installation (974, 975, 974MSD, 975MSD)	16-17
Nettoyage et entretien	18
Préparation à l'hiver	18
Produits pour sanitaires	18
Dimensions	19
Service clientèle	19
Garantie	19



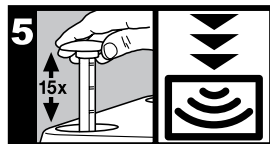
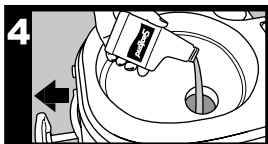
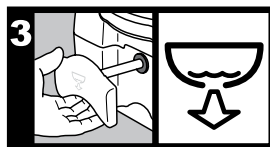
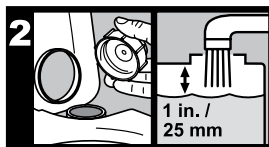
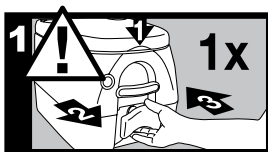
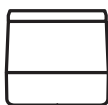
**COMPOSANTS**

N°	IDENTIFIANT DE LA PIÈCE D'ORIGINE	DESCRIPTION	
1	385311528	Pompe à air	
2	385311529	Couvercle et lunette de la toilette	
3	385311530	Bouchon de remplissage d'eau	
4	385311531	Cuvette	
5	385311532	Bouchon du tuyau d'évacuation	
6	385311533	Tuyau d'évacuation	972, 974, 975, 976
7	385311534	Réservoir à eaux usées (beige)	2,6 gal. / 9,8 l – 972, 974, 974MSD
	385311535	Réservoir à eaux usées (gris)	
8	385311536	Réservoir à eaux usées (beige)	5,0 gal. / 18,9 l – 975, 975MSD, 976
	385311537	Réservoir à eaux usées (gris)	
9	385311538	Poignée de blocage (beige)	972, 974, 974MSD, 975, 975MSD, 976
	385311539	Poignée de blocage (gris)	
10	385311564	Pattes de fixation	974, 974MSD, 975, 975MSD
11	385320006	Raccord marin	974MSD
12	385320007	Raccord marin	975MSD

## UTILISATION

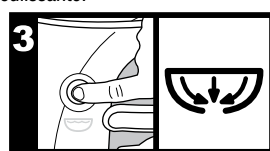
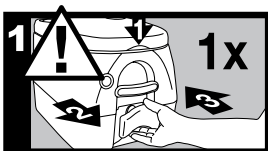
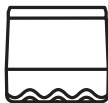
### Préparation de la toilette avant utilisation

1. **⚠ ATTENTION !** Couvercle fermé, tirez puis repoussez la poignée ouvrant la valve coulissante de fond de cuvette. Ce geste sert à réduire la pression de l'air excessive qui peut parfois régner dans le réservoir inférieur en cas de changements de température ou d'altitude.
2. Ôtez le bouchon du réservoir supérieur et remplissez celui-ci d'eau jusqu'à ce que le niveau de l'eau arrive à environ 25 mm (1 po.) sous l'orifice. Remplacez le bouchon.
3. Tirez la poignée ouvrant la valve coulissante de fond de cuvette.



### Utilisation de la toilette

1. **⚠ ATTENTION !** Couvercle fermé, tirez puis repoussez la poignée ouvrant la valve coulissante de fond de cuvette. Ce geste sert à réduire la pression de l'air excessive qui peut parfois régner dans le réservoir inférieur en cas de changements de température ou d'altitude.



4. Versez le désodorisant directement dans le réservoir inférieur puis refermez la valve coulissante.  
**⚠ ATTENTION !** Ne PAS verser le désodorisant dans la cuvette si la valve coulissante est fermée.

5. Agitez verticalement la pompe à air une quinzaine de fois ou jusqu'à ce que de l'air s'échappe à travers la valve de décharge du bouchon de remplissage.

**⚠ ATTENTION !** Veillez à ne pas surpressuriser le réservoir supérieur en couvrant la valve de décharge.

De même, ne pas pressuriser le réservoir supérieur s'il est séparé du réservoir inférieur.

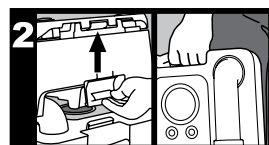
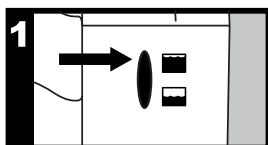
2. Après utilisation, tirez la poignée ouvrant la valve coulissante de fond de cuvette afin de faire tomber les matières dans le réservoir inférieur.
3. Appuyez sur le bouton de la chasse d'eau pour rincer la cuvette. Ensuite, repoussez la poignée pour refermer la valve coulissante.

### Vidange du réservoir inférieur

1. Lorsque l'indicateur de niveau du réservoir inférieur indique « plein », veuillez procéder à sa vidange.
2. Relevez la poignée de blocage afin de séparer le réservoir supérieur du réservoir inférieur puis rendez-vous avec le réservoir inférieur à un point de

vidange autorisé ou dans des toilettes traditionnelles.

3. Faites pivoter le tuyau de vidange, ouvrez l'orifice au sommet du réservoir puis vidangez celui-ci
4. Si vous disposez d'eau propre, rincez le réservoir inférieur avant de réassembler votre toilette portable.



**⚠** Modèles MSD: Tirez la poignée de la chasse afin d'ouvrir la valve de la chasse. Pompez le contenu du réservoir à eaux usées à travers la tuyauterie d'évacuation du bateau en suivant les instructions du constructeur de celui-ci.

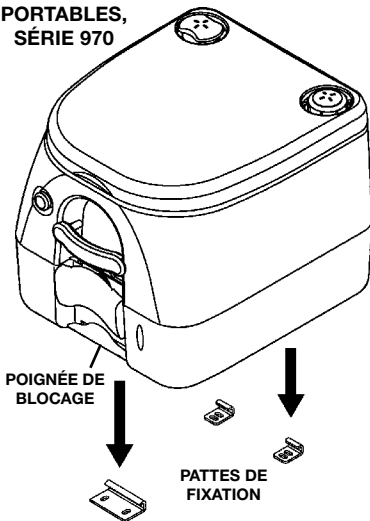
## INSTALLATION

VEUILLEZ LIRE SOIGNEUSEMENT LES PRESENTES INSTRUCTIONS AVANT D'INSTALLER VOTRE TOILETTE PORTABLE.

### Modèles 974, 975

1. Positionnez le cabinet de toilette sur un sol de niveau à l'emplacement désiré. Dessinez le repérage au sol devant le cabinet de toilette, puis mettez le cabinet de côté. Tirez sur la poignée de blocage pour la faire sortir de son logement dans le cabinet de toilette (situé en bas à l'avant du cabinet de toilette).
2. Alignez le modèle de montage avec le repérage au sol.
3. Utilisez un pointeau pour repérer l'emplacement des trous de fixation pour les supports. Mettez le modèle de côté.
4. Percez des avant-trous avec un trépan de 2,4 mm (3/32 pouce). Alignez le centre des emplacements pour les supports avec les avant-trous percés. Avec les fixations fournies, attachez les supports au sol de telle sorte qu'il soit possible de les faire coulisser sans trop d'effort.
5. Positionnez le cabinet de toilette dans les supports de montage et insérez la poignée de blocage à l'avant du cabinet de toilette. Le cabinet de toilette doit être maintenu en position par les supports. Si le cabinet de toilette n'est pas bien fixé, réglez les supports arrière et/ou le support avant jusqu'à ce que le cabinet ne puisse plus bouger.
6. Une fois les supports positionnés de façon adéquate, déposez la poignée de blocage et mettez le cabinet de toilette de côté. Serrez fermement les fixations pour fixer les supports en position.
7. Positionnez le cabinet de toilette dans les supports de montage et réinsérez la poignée de blocage.

### TOILETTES PORTABLES, SÉRIE 970



### Modèles 974MSD, 975MSD

## AVERTISSEMENTS

L'installation des systèmes de toilettes marines Dometic doit suivre les procédures recommandées par Dometic. Dégâts, blessures et même mort pourraient résulter d'une installation défectueuse. DOMETIC CORPORATION DECLINE TOUTE RESPONSABILITE OU OBLIGATION EN CAS DE DOMMAGES MATÉRIELS, CORPORELS OU DE DÉCÈS RESULTANT D'INSTALLATION, D'ENTRETIEN OU D'UTILISATION IMPROPRE DE CE PRODUIT.

**ATTENTION ! DANGER D'INONDATION** – Si la toilette est reliée à un raccord passe-coque (QUEL QU'IL SOIT), des robinets adéquats et montés de manière appropriée DOIVENT être installés sur toute la tuyauterie reliée au passe-coque. Ces robinets DOIVENT être aisément accessibles à tout utilisateur de la toilette ou bien des vannes secondaires facilement accessibles doivent être placées dans la tuyauterie. TOUJOURS fermer les vannes lorsque la toilette n'est pas en service (même si le bateau est laissé sans surveillance durant une brève période). Toutes les vannes DOIVENT être de type « passage intégral » et de qualité marine. Les robinets-vannes à visser ne sont pas recommandés. Ne pas se conformer à

ces instructions peut entraîner une inondation qui elle-même peut causer des pertes matérielles et en vies humaines.



### ATTENTION !

**DANGER D'INONDATION** – Si la toilette est reliée à un passe-coque (QUEL QU'IL SOIT), TOUTE la tuyauterie souple doit être de qualité marine adaptée aux sanitaires et doit être reliée à CHAQUE raccord (vanne, boucle de ventilation ou toilette) avec deux colliers de serrage par vis sans fin en acier inoxydable à chaque raccord. Ces raccords DOIVENT être inspectés fréquemment pour s'assurer de leur étanchéité. Ne pas se conformer à ces instructions peut entraîner une inondation qui elle-même peut causer des pertes matérielles et en vies humaines.



### ATTENTION !

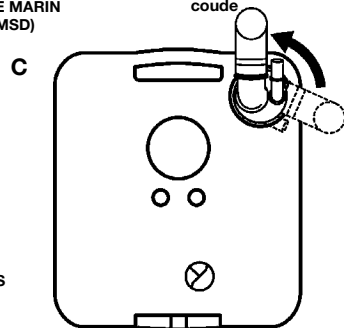
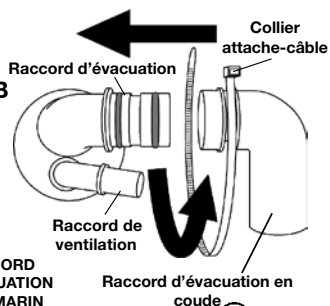
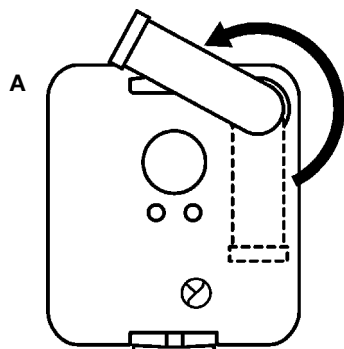
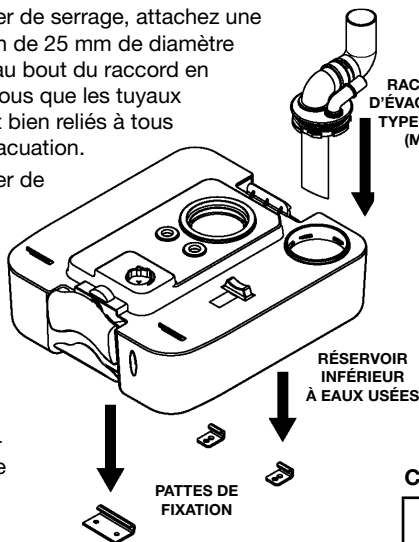
**DANGER D'INONDATION** – Si le rebord de la toilette risque de se situer sous le niveau de l'eau à un QUELCONQUE moment (inclinaison, chargement, assiette) alors qu'il se trouve relié à un raccord passe-coque, des boucles de ventilation de tuyauterie DOIVENT être installées dans la tuyauterie d'évacuation afin d'empêcher tout siphonnement de l'eau de mer dans le bateau. Ne pas se conformer à ces instructions peut entraîner une inondation qui elle-même peut causer des pertes matérielles et en vies humaines.



## INSTALLATION (suite)

### Modèles 974MSD, 975MSD (suite)

1. Menez à bien les étapes 1 à 6 détaillées page 4. Veillez à laisser un espace de 70 mm (2,75 po) entre l'arrière de la toilette et le mur pour le raccord marin et les tuyaux d'évacuation et de ventilation.
2. Faites tourner le tuyau d'évacuation situé au sommet du réservoir inférieur à eaux usées dans le sens inverse des aiguilles d'une montre jusqu'à ce qu'il se débloque (voir illustration A) et détachez-le.
3. Lubrifiez avec de la graisse à la silicone deux petits joints toriques sur le raccord d'évacuation et joignez celui-ci à la buse d'évacuation en coude. Fixez le tout solidement avec un collier attache-câble en plastique (voir illustration B).
4. Lubrifiez un grand joint torique et placez-le dans la buse d'évacuation avant d'insérer celle-ci dans le réservoir inférieur à eaux usées et de la faire tourner jusqu'à ce que les raccords d'évacuation et de ventilation soient dirigés vers l'extérieur du réservoir à eaux usées (voir illustration C).
5. A l'aide d'un collier de serrage, attachez une buse d'évacuation de 25 mm de diamètre intérieur (1,5 po) au bout du raccord en coude. Assurez-vous que les tuyaux d'évacuation sont bien reliés à tous les raccords d'évacuation.
6. A l'aide d'un collier de serrage, attachez une buse de ventilation de 16 mm (5/8 po) de diamètre intérieur au raccord de ventilation. Assurez-vous que cette buse est bien reliée au raccord passe-coque de ventilation.



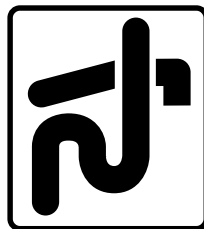
### Caractéristiques de plomberie

	Diamètre interne de la tuyauterie
<b>Evacuation</b>	38 mm / 1,5 po
<b>Ventilation</b>	16 mm / 0,625 po

## RÉGLEMENTATION CONCERNANT LES SANITAIRES MARINS

Tous les bateaux équipés de toilettes fixes naviguant dans les eaux des Etats-Unis et de certains autres pays doivent obligatoirement disposer de sanitaires marins installés de façon permanente (Marine Sanitation Device, MSD). Tout modèle de la Série 970 MSD, lorsqu'il est installé de manière permanente dans un bateau, est un système de Type III tel que défini par les Garde-Côtes américains. Les systèmes de Type III permettent d'utiliser la toilette sans évacuation directe d'eaux non-traitées après chaque opération de la chasse d'eau. Les systèmes de Type III permettent l'évacuation des eaux usées dans les stations de pompage au port ou à un minimum de trois milles des côtes. Le système d'évacuation en mer des eaux usées doit resté fermé dans la limite de trois milles des côtes. Si la pompe d'évacuation en mer dispose d'un interrupteur à clef situé dans le compartiment des toilettes, cette clef doit être ôtée et rangée à tout moment sauf quand la pompe d'évacuation est utilisée et lors des interventions pratiquées sur le bateau.

Les eaux usées, d'où qu'elles proviennent, ne doivent jamais être évacuées directement dans les eaux côtières. Si cette question vous intéresse, n'hésitez pas à visiter notre site web à l'adresse [www.DometicSanitation.com](http://www.DometicSanitation.com).



Ce pictogramme apparaît sur le raccord d'évacuation des modèles marins (MSD).

## NETTOYAGE ET ENTRETIEN

### Nettoyage

Pour nettoyer très efficacement votre toilette, faites appel au nettoyant SeaLand® Toilet Bowl Cleaner. Ce produit convient à toutes les toilettes Dometic. Si vous ne pouvez le trouver dans votre région, contactez Dometic qui vous indiquera l'adresse du revendeur le plus proche. Vous pouvez également utiliser la plupart des nettoyants non-abrasifs pour sanitaires et salles de bain (Bar Keeper's Friend® en spray, Clorox®, SaniFlush®, etc.). Suivez les instructions mentionnées sur l'étiquette du produit.

### Entretien

Si la chasse d'eau devient difficile à tirer, lubrifiez les joints de la valve coulissante à l'aide d'un spray à la silicone.



Nettoyant SeaLand®  
flacon de 450 ml  
(16 oz)  
Produit n°  
379314016

## PRÉPARATION À L'HIVER

### Utilisation hivernale

Si vous souhaitez utiliser votre toilette portable Dometic par temps très froid, nous vous conseillons d'ajouter à l'eau un antigel non-toxique prévu pour systèmes à eau potable. Utilisez la quantité prévue par le fabricant pour 15 litres (4 gallons) d'eau.

REMARQUE : N'utilisez jamais d'antigel à base d'alcool ou d'antigel pour circuit de refroidissement automobile dans le réservoir à eau douce de votre toilette.

### Entreposage

Pour stocker votre toilette portable Dometic durant l'hiver :

1. Videz les réservoirs d'eau propre et d'eaux usées.
2. Veillez à ce que toute l'eau douce ait quitté le réservoir et les conduites en mettant le réservoir sous pression et en tirant la chasse jusqu'à ce que l'eau ne s'écoule plus dans la cuvette.

Il est possible qu'une petite quantité d'eau subsiste dans le fond du réservoir d'eau douce, sans aucun risque pour celui-ci durant l'entreposage hivernal.

## PRODUITS POUR SANITAIRES

Ces produits SeaLand ont été spécialement développés pour les toilettes portables Dometic. Il n'existe pas de meilleurs désodorisants pour réservoir à eaux usées ni de papier aussi facilement dégradable après usage.



SeaLand®  
Clean 'n Green  
Nettoyant pour cuvette /  
désodorisant pour réservoir  
12 sachets à verser de 55 ml  
(2 oz)  
Produit n° 379512602



Désodorisant SeaLand®  
NATURAL  
flacon de 900 ml (32 oz)  
Produit n° 379114032

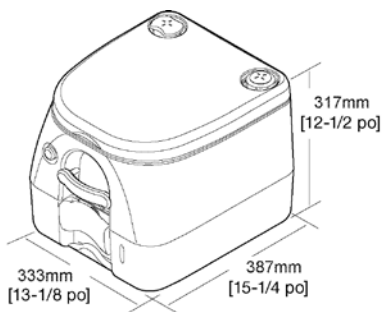
Système de toilette	Désodorisant		Procédure d'utilisation
	Liquide	En granulés ou en sachet	
Toilette portable	Voyez les instructions sur le flacon de désodorisant	Un paquet de 57 g (2 oz.) par demi-litre (1 pint) d'eau	Versez directement dans le réservoir à eaux usées



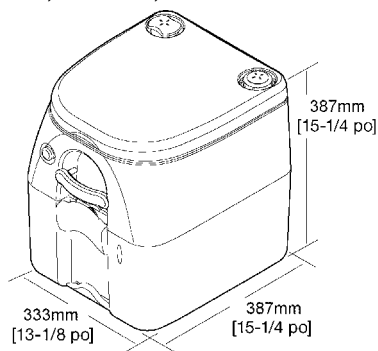
Papier de toilette  
SeaLand® à dissolution  
rapide 4 rouleaux  
de 500 coupons  
Produit n° 379441204

## DIMENSIONS

972, 974, 974MSD



975, 975MSD, 976



Toutes les dimensions  
peuvent varier de  $\pm 10$  mm (3/8 po).

## SERVICE CLIENTÈLE

Vous pouvez compter sur un solide réseau mondial dévolu à l'entretien et à la maintenance de votre système sanitaire. Pour connaître l'adresse du centre d'entretien agréé le plus proche de chez vous, veuillez nous appeler entre 8h et 17h du lundi au vendredi.

Téléphone : 1 800-321-9886 Etats-Unis et  
Canada  
330-496-3211 International

Vous pouvez également, en direct ou par l'intermédiaire de votre concessionnaire Dometic, entrer en contact avec le distributeur de pièces détachées agréé le plus proche de chez vous si vous avez besoin de pièces de remplacement pour tout produit de la gamme SeaLand.

Fax : 330-496-3097 Etats-Unis et Canada  
330-496-3220 International  
Site web : [www.DometicSanitation.com](http://www.DometicSanitation.com)

## GARANTIE D'UN AN

Dometic Corporation garantit, à l'acheteur initial seulement, que cette toilette portable Dometic, si elle est utilisée dans le cadre personnel, familial ou domestique, et pour autant qu'elle ait été installée suivant les prescriptions de Dometic, est exempte de tout défaut de matériau et de fabrication durant une période de un (1) an à partir de la date d'achat.

Si ce produit Dometic est utilisé dans un cadre commercial ou professionnel, il jouira d'une garantie, au bénéfice de l'acheteur initial seulement, contre tout vice de fabrication et de matériau de quatre-vingt-dix (90) jours à compter de la date d'achat.

Dometic se réserve le droit de remplacer ou de réparer toute pièce de ce produit se révélant, après examen par Dometic, défectueux en fabrication ou en matériau. Les frais de port et de manutention ou tout autre coût lié à cette garantie sont à la charge de l'utilisateur-acheteur.

### EXCLUSIONS

EN AUCUN CAS DOMETIC NE POURRA ETRE TENU RESPONSABLE DE DOMMAGES ACCESSOIRES OU INDIRECTS OU SUBIS DU FAIT D'UNE INSTALLATION INCORRECTE, DE NEGLIGENCE, D'ABUS, DE MODIFICATION DU PRODUIT, D'OBJETS INAPPROPRIÉS INSERÉS DANS LE PRODUIT OU D'UTILISATION DE PIÈCES NON-AUTORISÉES. CE CI INCLUT ÉGALEMENT LE NON RESPECT DES INSTRUCTIONS DE PRÉPARATION À L'HIVER, DE NETTOYAGE ET D'ENTRETIEN TELLES QUE DÉCRITES DANS CE MANUEL. TOUTES LES GARANTIES IMPLICITES, Y COMPRIS CELLES QUI SONT LIÉES À LA QUALITÉ LOYALE ET MARCHANDE OU À TOUT USAGE PARTICULIER, SONT LIMITÉES À UNE PÉRIODE DE UN (1) AN À COMPTER DE LA DATE D'ACHAT.

### GARANTIES IMPLICITES

Nul n'est autorisé à modifier la présente garantie ou à créer ou y ajouter toute autre garantie ou obligation. Les garanties implicites, y compris la garantie de qualité loyale et marchande et de convenance à tout usage particulier, sont limitées à un (1) an à compter de la date d'achat pour des produits utilisés dans le cadre personnel, familial ou domestique, et à quatre-vingt-dix (90) jours à compter de la date d'achat pour des produits utilisés dans le cadre commercial ou professionnel.

### AUTRES DROITS

Certains Etats n'admettent pas de limites à la durée d'une garantie implicite. De même, certains Etats ne permettent pas d'exclusions ou de limitations concernant les dommages accessoires ou indirects. Dès lors, il est possible que les limitations mentionnées ci-dessus ne s'appliquent pas à vous. Cette garantie vous confère des droits légaux spécifiques auxquels d'autres peuvent venir s'ajouter selon ce que la loi autorise dans un Etat ou dans un autre.

En cas de nécessité de recourir à la garantie, veuillez contacter le concessionnaire agréé qui vous a vendu le produit.

Dometic Group is a customer-driven, world-leading provider of leisure products for the caravan, motorhome, automotive, truck and marine markets. We supply the industry and aftermarket with a complete range of air conditioners, refrigerators, awnings, cookers, sanitation systems, lighting, mobile power equipment, comfort and safety solutions, windows, doors and other equipment that make leisure life more comfortable away from home.

Dometic Group supplies a wide range of workshop equipment for service and maintenance of built-in air conditioning. Dometic Group also provides specially designed refrigerators for hotel rooms and offices, for transport and storage of medical products, and for storing wine.

Our products are sold in almost 100 countries and are produced mainly in wholly owned production facilities around the world. The number of employees is 6,000.

El Grupo Dometic es una empresa orientada al cliente, líder mundial en el suministro de productos innovadores para caravanas, autocaravanas, automóviles, camiones y la industria náutica. Proveemos a fabricantes y a distribuidores con una completa gama de aires acondicionados, frigoríficos, toldos, cocinas, sistemas sanitarios, iluminación, equipos móviles de abastecimiento energético, soluciones para mayor seguridad y confort, ventanas, puertas y demás equipamiento para hacerle la vida fuera del hogar más cómoda.

El Grupo Dometic suministra también equipamiento para talleres para el servicio y mantenimiento de aire acondicionado integrado. El Grupo Dometic ofrece así mismo frigoríficos específicamente diseñados para habitaciones de hotel y oficinas, para el transporte y conservación de productos médicos así como bodegas para vinos.

Nuestros productos se venden en cerca de 100 países y se producen principalmente en nuestras fábricas ubicadas alrededor del mundo. Contamos con una plantilla de 6.000 empleados.

Le Groupe Dometic, à l'écoute des clients est leader mondial dans la fourniture d'équipements et produits de confort destinés aux marchés des véhicules de loisirs, de l'automobile, du transport routier et de la plaisance. Nous offrons aux constructeurs ainsi qu'à la deuxième monte, une gamme complète de climatiseurs, réfrigérateurs, auvents, produits de cuisson, sanitaires, éclairages, solutions en énergie, produits de confort et de sécurité, fenêtres, portes et autres équipements qui rendent la vie plus agréable lors des déplacements.

Le Groupe Dometic fournit une gamme complète d'équipements de climatisation destinés aux ateliers de montage et réparation. Le Groupe Dometic développe aussi des réfrigérateurs pour l'hôtellerie, les bureaux, les collectivités, ainsi que pour le transport et la conservation des vins et des produits médicaux.

Nos produits sont vendus dans près de 100 pays et fabriqués principalement dans nos propres usines partout dans le monde. Le Groupe emploie aujourd'hui 6000 personnes.

® Registered; ™ Trademark of Dometic Corporation

® Marca comercial registrada de Dometic Corporation

MD Marques déposées de Dometic Corporation

© Dometic Corporation  
600345649 10/10