



BOTTLE JACK

LIFT RANGE

(Including the height of the extension screw)

The K & Design® is a registered trademark of LF, LLC. All Rights Reserved.

MODEL #	CAPACITY
85004	2 Tons/4,000 Lbs
85005	6 Tons/12,000 Lbs
85006	12 Tons/24,000 Lbs with Laser
85007	20 Tons/40,000 Lbs with Laser

7-1/8 in. - 13-9/16 in.

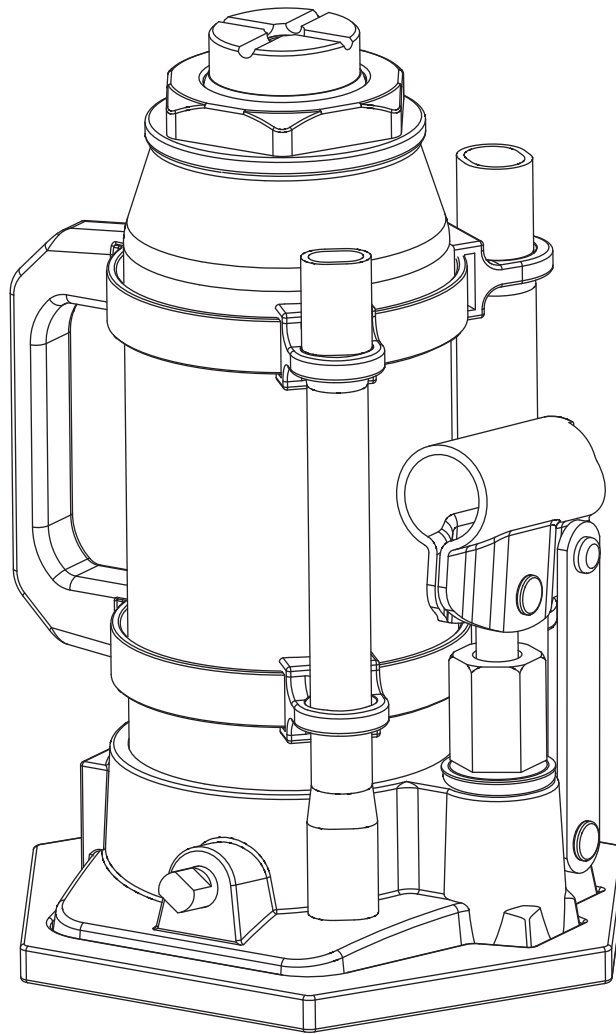
8-1/2 in. - 16-1/4 in.

9-1/2 in. - 18-7/16 in.

9-1/2 in. - 17 in.

Français p. 10

Español p. 19



Item #0011099 Shown

ATTACH YOUR RECEIPT HERE

Serial Number _____ Purchase Date _____



Questions, problems, missing parts? Before returning to your retailer, call our customer service department at 1-888-3KOBALT, 8 a.m.- 8 p.m., EST, Monday-Friday.

TABLE OF CONTENTS

Safety Information	2
Package Contents	4
Preparation Before Use	4
Operation Instructions	5
Care and Maintenance	7
Troubleshooting.....	8
Warranty.....	8
Replacement Parts List	9



SAFETY INFORMATION

Before using this product, read this manual and follow all Safety Rules and Operational Instructions.

Owner and/or Operator Responsibility

The owner and/or operator shall read and comprehend all instructions and warning labels for product and retain them for future reference.

Operation

The owner and/or operator shall have an understanding of the product, its operating characteristics, safety precautions and operating instructions before operating the PALD (Portable Automotive Lifting Device). Safety information shall be emphasized and understood. If the operator is not fluent in English, the product instructions and safety recommendations shall be read to and discussed with the operator in the operator's native language by the purchaser/owner or his designee, making sure that the operator comprehends their contents.



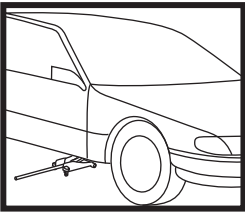
WARNING

Safety Markings

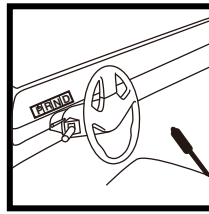
- Study, understand, and follow all instructions, safety precautions and warnings before operating this device
- Do not exceed rated capacity
- Use only on hard, level surfaces
- Use this product as a lifting device only. Immediately after lifting, support the vehicle with appropriate means
- Do not move or dolly the vehicle while on the jack
- Failure to heed instructions, safety precautions or warnings may result in personal injury and/or property damage

Safety Messages

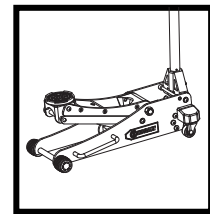
- Lift only on areas of the vehicle as specified by the vehicle manufacturer
- No alterations shall be made to this product



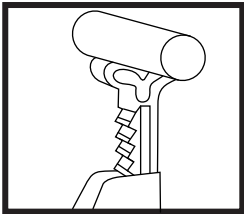
ALWAYS center any jack used under the axle of vehicle or a suitable flat, reinforced surface.



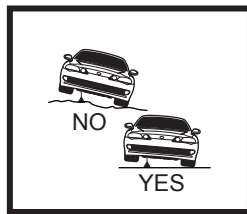
ALWAYS apply parking brake firmly.



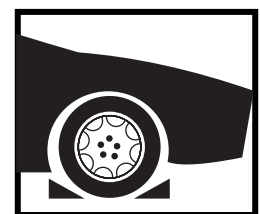
ONLY operate jack as a lifting device.



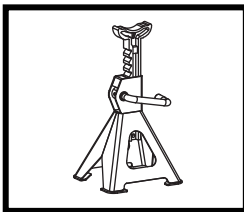
ALWAYS support the weight of the load being lifted with jack stands rated at the proper capacity prior to beginning any vehicle inspection or repairs. NEVER exceed the rated capacity of the jack stand. If rating is exceeded, loss of load may occur. ALWAYS place load at center of jack stand's saddle to ensure stability of load.



ONLY use lifting devices on hard, level surfaces. Use on uneven or unstable surfaces could result in instability and possible failure to support load.



ALWAYS place chocks at front and rear of the vehicle's wheel that will NOT be lifted.



ALWAYS use jack stands as supporting devices. Lifting operations must ALWAYS be done using a proper capacity jack.



Incorrect

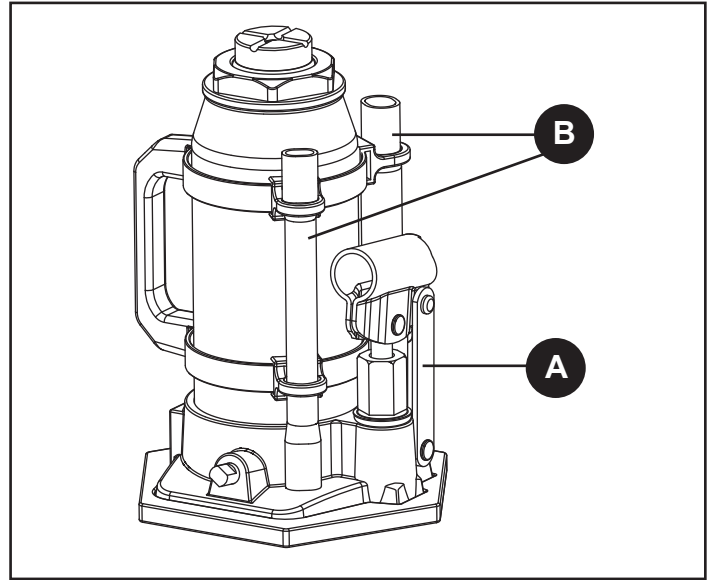


Correct

ONLY use this product as a lifting device. Immediately after lifting, support the vehicle with appropriate means.

PACKAGE CONTENTS

PART	DESCRIPTION	QTY
A	Jack	1
B	Pumping Handles	2



IMPORTANT: DO NOT LOAD JACK BEYOND ITS RATED CAPACITY. NEVER MOVE THE JACK WHILE IT IS SUPPORTING A LOAD.

PREPARATION BEFORE USE

Before using this product, make sure all parts are present. Compare parts with package contents list. If any part is missing or damaged, do not attempt to use the product. Contact customer service.

During shipment or handling, air can become trapped in the hydraulic system of the jack, potentially causing the jack to malfunction.

To purge air from the hydraulic system:

1. Turn release valve counterclockwise with handle no more than two full turns.
2. Slowly loosen oil fill plug.
3. Pump jack handle quickly several times using full strokes.
4. Repeat above steps as needed. **Remember to retighten** oil fill plug.

IMPORTANT:

The release valve is to be used only to open and close the hydraulic system. Under no circumstances is it to be used as a point of temporary connection between the handle and jack for the purpose of pushing and/or pulling the jack. This action can and will damage the release valve and cause the unit to fail.

OPERATION INSTRUCTIONS

TO RAISE THE LOAD

1. Place vehicle in PARK (vehicles with automatic transmissions) or in GEAR (vehicles equipped with standard transmissions) and apply emergency brake.
2. Assemble two-piece jack handle securely.
3. Close release valve tightly by turning handle clockwise.
4. Center jack under load so that saddle contacts load firmly and will not slip. (Refer to vehicle Owner's Manual for proper lifting points.) If needed, turn extension screw on jack counterclockwise until it comes in contact with vehicle.
5. Insert jack handle into handle socket. Pump handle of jack up and down until saddle contacts load. Check to ensure that saddle is centered correctly under lifting point before continuing. If not, re-center and continue.
6. Raise load to desired height and place jack stands in correct position. Open the release valve on the jack slightly and SLOWLY transfer load from the jack to the jack stands. When the load is secure on jack stands, lower jack completely and remove from under the vehicle.
7. Reverse above procedure to remove jack stands.

TO LOWER THE LOAD

1. Remove handle, use small end to SLOWLY open release valve. (To open turn SLOWLY in counterclockwise direction).
2. When vehicle is fully lowered, remove jack. If extension screw has been extended, turn it clockwise until it retracts enough to remove from vehicle.
3. When jack has been removed from vehicle, close release valve for storage.

Laser Targeting Device (Models 85006 & 85007 ONLY)

This bottle jack has been fitted with a laser targeting device. This device is designed to assist the operator to properly position the saddle of the bottle jack under the lifting point on the undercarriage of the vehicle being lifted.



WARNING: Laser targeting devices or pointers are not to be used for entertainment. This device is to be used only as a targeting device to assist the operator when positioning the bottle jack under a vehicle. NEVER point laser targeting device at anyone's eyes.

CAUTION: Use of controls or adjustments or performance of procedures other than those specified herein may result in hazardous radiation exposure.

CAUTION: The use of optical instruments with this product will increase eye hazard.

CAUTION: Do not attempt to repair or disassemble the laser. If unqualified persons attempt to repair this laser product, serious injury may result. Any repair required on this laser product should be performed by authorized service center personnel.

▲
AVOID EXPOSURE - Laser radiation
is emitted from this aperture

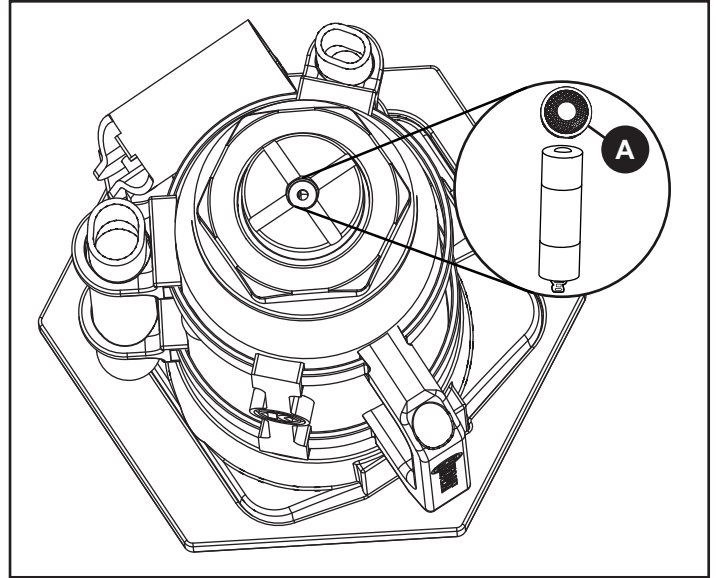
DANGER

LASER RADIATION
AVOID DIRECT EYE EXPOSURE

☀
MAX. OUTPUT POWER < 5mW
WAVELENGTH 630-680 nm
CLASS IIIA LASER PRODUCT
Complies with 21 CFR 1040. 10 and 1040.11

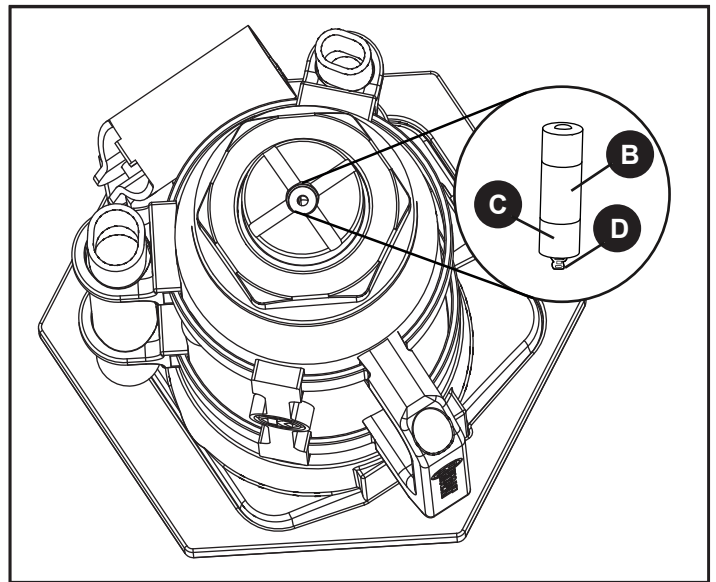
**Laser Targeting Device (coninued)
(Models 85006 & 85007 ONLY)**

1. To turn laser targeting device "ON", using index finger, push down on rubber retainer cap (A) located in center of jack's saddle.
2. Position bottle jack under vehicle to be lifted.
3. A target will be projected onto the undercarriage of vehicle.
4. To turn laser targeting device "OFF", using index finger, push down on rubber retainer cap located in the center of jack's saddle.



**REMOVE/INSTALL BATTERIES IN LASER
MODULE (Use LR41 Button Battery, 3ea.)**

1. Remove the rubber retainer cap (A) by pulling upward.
2. Remove the laser module (B) from the saddle.
3. While holding body of laser module (B), twist and pull the end cap assembly (C) and remove the old batteries from inside the body.
NOTE: When removing the batteries and installing the new ones, note the orientation of the battery cells and make sure to install the new cells in the same manner.
4. Reinstall the end cap assembly (C) by firmly pushing onto the laser module (B) until fully seated.
5. Replace laser module back into the receptacle in the saddle with switch end (D) down and the lens cover facing up.
6. Replace the rubber retainer cap.



CARE AND MAINTENANCE

Maintenance

The PALD (Portable Automotive Lifting Device) shall be maintained in accordance with the product's instructions.

1. When jack is not in use, lifting arm should be in full down position.
2. Always keep jack clean and keep the screws and bearings well lubricated with a light-weight oil.
3. Keep moving parts clean; lubricate moving parts every 3 months.

Inspection

1. Visual inspection shall be made before each use of the PALD (Portable Automotive Lifting Device) by checking for abnormal conditions, such as cracked welds, leaks, and damaged, loose, or missing parts.
2. Other inspections shall be made per product operating instructions.
3. Each PALD shall be inspected immediately if the device is believed to have been subjected to an abnormal load or shock. It is recommended that this inspection be made by a manufacturer's or supplier's authorized repair facility.
4. Owners and/or operators should be aware that repairs to this equipment may require specialized knowledge and facilities. It is recommended that an annual inspection of the PALD be made by a manufacturer's or supplier's authorized repair facility and that any defective parts, decals, or safety labels or signs be replaced with manufacturer's or supplier's specified parts. A list of authorized repair facilities is available from the manufacturer or supplier.

Damaged Equipment

Any PALD (Portable Automotive Lifting Device) that appears to be damaged in any way, is found to be worn or operates abnormally SHALL BE REMOVED FROM SERVICE UNTIL REPAIRED. It is recommended that necessary repairs be made by a manufacturer's or supplier's authorized repair facility if repairs are permitted by the manufacturer or supplier.

Attachments and Adaptors

Only attachments and/or adaptors supplied by the manufacturer shall be used.

OIL LEVEL:

IMPORTANT: When adding or replacing oil, always use a good grade of hydraulic jack oil, transmission oil or turbine oil. Always avoid mixing different types of oil. Never use brake fluid, alcohol, glycerin, detergent motor oil or dirty oil of any kind. Improper oil usage will cause serious internal damage to jack.

ADDING OIL: With ram fully lowered and jack on level ground, remove oil fill plug. Add oil if level is more than 1/4 in. below fill hole. Replace oil fill plug and cover plate after filling.

REPLACING OIL: For best performance and longest life, oil should be replaced at least once every year. To drain oil, remove cover plate, oil filler plug and release valve. Be VERY CAREFUL to not allow dirt or any foreign matter into the system.

LUBRICATION: Put grease into fitting on base using a grease gun and lubricate lifting arm spindle with oil every 3 months.

RUST PREVENTION: Clean jack assembly. Wipe the piston ram and pump piston with an oily cloth every 3 months. When not in use, always leave the saddle and pump piston in the completely down position.

TROUBLESHOOTING

PROBLEM	POSSIBLE CAUSE	CORRECTIVE ACTION
Jack will not lower completely	<ol style="list-style-type: none">1. Air in hydraulic system2. Release valve stuck	<ol style="list-style-type: none">1. Purge air from hydraulic system*2. Transfer weight load and clean valve
Jack will not hold load weight	Release valve in open position	Close release valve tightly
Jack will not lift to full height	<ol style="list-style-type: none">1. Oil level low2. Air in hydraulic system	<ol style="list-style-type: none">1. Fill to recommended level2. Purge air from hydraulic system*
Poor jack lifting	<ol style="list-style-type: none">1. Air in hydraulic system2. Dirty oil3. Release valve not completely closed	<ol style="list-style-type: none">1. Purge air from hydraulic system*2. Change oil. Use SAE 5W3. Close release valve tightly
Jack will not lift load	<ol style="list-style-type: none">1. Excessive weight2. Release valve in open position3. Oil level low	<ol style="list-style-type: none">1. Decrease weight or change to higher capacity jack2. Turn valve clockwise and tighten3. Fill to recommended level

* For purging air, see the instructions described under "PREPARATION BEFORE USE" on page 4.

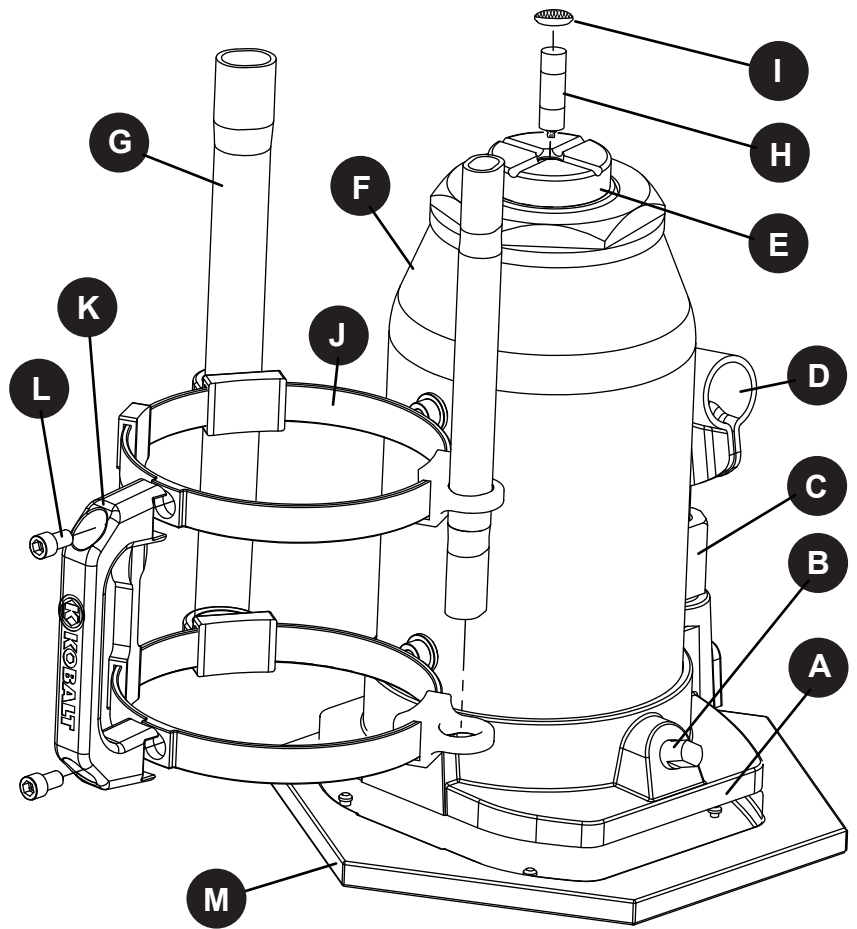
WARRANTY

1-Year Hassle-Free Guarantee. You should never have a problem with your Kobalt tools. However, if you do, return the item to the place of purchase for a free replacement. No questions asked. For more information, call 1-888-3KOBALT, 8 a.m. - 8 p.m., EST, Monday - Friday.

REPLACEMENT PARTS LIST

For replacement parts, please call customer service at 1-888-3KOBALT, 8 a.m.- 8 p.m., EST, Monday-Friday.

PART	DESCRIPTION	QTY
A	Cast Base	1
B	Release Valve	1
C	Piston Housing	1
D	Handle Receptacle	1
E	Saddle	1
F	Jack Housing	1
G	Pumping Handles	2
	2T Jack - P/N 87007	
	6T Jack - P/N 87009	
	12T Jack - P/N 87011	
	20T Jack - P/N 87014	
H	Laser Module*	1
I	Rubber Retainer Cap	1
	Laser Assembly P/N 87013 (H, I)	
J	Handle System	1
K	Lifting Handle	1
L	Lifting Handle Screw	2
M	Rubber Base	1
	2T Jack - P/N 87008	
	6T Jack - P/N 87010	
	12T Jack - P/N 87012	
	20T Jack - P/N 87015	



***NOTE:** Item Numbers H & I shown above are applicable to Models 85006 & 85007 ONLY.