

A/C INSTALLER CATALOG

2017

Featuring ToughOne® Professional A/C Replacement Parts

ToughOne



Advance
Professional 

TABLE OF CONTENTS

A/C Kits	3
ToughOne® A/C Compressors	4
ToughOne® A/C Parts	6
Denso® First Time Fit® A/C Compressors	7
Driveworks® Compressors	8
A/C System Parts	9
Blend Doors and Blower Motors	10
Carquest® by Dayco® and Litens®	11
ToughOne® A/C Condensers	12
Carquest® Radiators.....	13
A/C Service Systems	14
Shop Cooling.....	16
A/C Tools	17
Vacuum Pumps	18
Manifolds and Hose Sets	19
Leak Detection	21
A/C Tools	25

SAVE 10%

ON HUNDREDS OF IMPORT AND DOMESTIC A/C KITS

We offer a full range of climate-control parts from quality brands like ToughOne® and Denso, so you can depend on the OE quality you expect.

Get **10% OFF** on any brand A/C kit consisting of the following items:*

- A/C compressor
- Accumulator/receiver drier
- Expansion valve/orifice tube



*Purchase must be on the same ticket for discount to apply. Quantities may be limited. Prices subject to change without notice.

ToughOne

DENSO
first time fit

driveWORKS™

A/C KITS

**PLUS, TAKE 10% OFF
THE FOLLOWING ITEMS***

- A/C condensers
- A/C system seal kits
- PAG oil
- System flush

ToughOne
LIMITED
LIFETIME
WARRANTY



Advance
Professional 

TOUGHONE® A/C COMPRESSORS

TOUGHONE® A/C COMPRESSORS ARE PREMIUM-QUALITY PARTS THAT MEET OR EXCEED OE SPECS

100% triple-tested

- **Function test** — Ensures all mechanical functions operate as designed
- **Vacuum leak test** — Ensures unit is leak free
- **Pressure test** — Ensures unit is tested to 250 PSI to match OE

Life-cycle quality testing

- **Life-cycle test** — Ensures unit performs to 100K+ miles to match OE specs
- **Noise test** — Ensures unit operates quietly to match OE specs

100% new compressors are supplied with required O-rings, sealing washers and gaskets necessary for installation.

ToughOne® Limited Lifetime Warranty

Documentation from a certified technician or installer showing compliance with all of these steps and installation instructions is required to validate the product warranty.

Failure to follow these steps will void your warranty:

- 1 Flush A/C system
- 2 Replace accumulator/receiver drier
- 3 Replace orifice tube or replace/clean expansion valve
- 4 Fill with correct oil type and correct oil amount for that unit
- 5 Fill with correct refrigerant type and correct refrigerant amount for that unit

ToughOne
LIMITED
LIFETIME
WARRANTY



ToughOne

Interdynamics Medium Viscosity R-134a PAG Oil Charge

- PAG medium (100) viscosity oil charge
- Meets or exceeds all OE specs

QUART
QST P-100UVQT
SKU 10066966



CERTIFIED
AVC PRO

Interdynamics Universal R-134a PAG Oil

- PAG oil charge with O-ring conditioner
- Compatible with all R-134a systems
- One can delivers a total system oil charge

10.5 OZ
QST POC-6
SKU 7010017



id interdynamics, inc.

TOUGHONE® A/C COMPRESSORS

COLD. QUIET. DEPENDABLE.

Choose premium-quality ToughOne compressors for superior performance.

ToughOne compressors are specifically manufactured for the needs of the installer. This means each compressor is manufactured to the highest quality and with the following features:

- 1 Very low friction coating is used on the swash plate to improve durability
- 2 PTFE-coated pistons improve performance and reduce wear
- 3 Rubber dampened clutch plate ensures smooth clutch engagement and reduces wear
- 4 HNBR multi-leaved shaft seal improves sealing and reduces refrigerant losses
- 5 Matched high-quality needle-roller bearing ensures low friction and high load capability
- 6 Every compressor is 100% performance tested
- 7 Lightweight aluminum energy-saving casting is used in construction



ToughOne

Interdynamics Medium Viscosity R-134a PAG Oil

- PAG-100 medium viscosity oil
- Meets or exceeds all OE specs

8 OZ
QST GPM-7
SKU 7010033



CERTIFIED
ACPRO.

Interdynamics 376 Universal A/C UV Dye

- Dye is compatible with PAG, ester and mineral oils
- R-12, R-22 and R-134a refrigerant compatible
- Contains 4 applications

1 OZ
QST 376CS
SKU 7010039



CERTIFIED
ACPRO.

CERTIFIED AC PRO PAG OILS MEET OR EXCEEDS ALL OE SPECS

Low Viscosity PAG-46

3 OZ — QST PC-1, SKU 7010024
8 OZ — QST GPL-5, SKU 7060122

Oil Charge

Quart — QST P-46UVQT, SKU 10066960

Medium Viscosity PAG-100

3 OZ — QST PC-2, SKU 7010025

High Viscosity PAG-150

8 OZ — QST GPH-6, SKU 7060130
3 OZ — QST PC-3, SKU 7010026

Oil Charge

Quart — QST P-150UVQT, SKU 10066971

TOUGHONE® A/C PARTS



ToughOne® Expansion Valve/Orifice Tube

- OE fit, form and function
- Precision machining process for accuracy
- Includes all gaskets and O-rings necessary for replacement
- Over 520 part numbers available



ToughOne

ToughOne® Accumulator/Receiver Drier

- OE fit, form and function
- Compatible with all current refrigerants
- Includes all gaskets and O-rings necessary for replacement
- Over 890 part numbers available



ToughOne

ToughOne® A/C Hoses

- Matches OE design and dimensions for an exact fit
- Includes all gaskets and O-rings necessary for replacement
- Over 1,500 part numbers available



ToughOne

ToughOne® Evaporators

- OE fit, form and function
- Includes all gaskets and O-rings necessary for replacement
- Helium tested for leak-free performance
- Over 688 part numbers available



ToughOne

DENSO® FIRST TIME FIT® A/C COMPRESSORS

WHEN YOU DEMAND PREMIUM OE, WE HAVE YOU COVERED WITH DENSO

We stock one of the most complete offerings of DENSO A/C compressors in the industry.

Denso is the world's largest thermal systems supplier. Denso compressors have a strong reputation for technological superiority. That's one reason why they are the OE compressor on more than 50% of all cars and trucks on the road today.

FEATURES/BENEFITS

- **99% new program** — No need to deal with the hassle and expense of a core
- **Precise fit** — First Time Fit® products are precision-built for easy installation
- **High output** — Engineered to meet all OE manufacturer's specifications
- **Quiet, efficient performance** — Enhances the driving experience
- **Extended durability and unmatched reliability**

- 1 Units come complete with OE specified oil*
- 2 Units include factory-specific O-ring kit* (O-ring kits are OE specified and compatible with R-12 and R-134a refrigerants)
- 3 Snap rings are designed to improve performance under extreme heat
- 4 Thrust bearings are designed to withstand tension and stress for maximum durability
- 5 Pistons are PTFE surface treated for smooth, efficient operation
- 6 Valve, shaft and swash plates are designed with a lightweight aluminum alloy for added strength



*Most units come complete with oil and O-ring kits.

Interdynamics R-134a Ester Oil Aerosol

- Ester oil charge
- Reconditions O-rings, designed for all R-134a systems

3 OZ
QST EC-2
SKU 7010346



Interdynamics R-134a Ester Oil

- Ester oil universal viscosity, meets or exceeds all OE specs

8 OZ
QST E100UVQT
SKU 7010001



Supercool™ Ester Oil with Dye

- Ester oil with UV dye
- Universal formula
- #1 seller of ester oils

QUART
CCM E32
SKU 17060019



DRIVEWORKS® COMPRESSORS

1-YEAR LIMITED WARRANTY

Documentation from a certified technician or installer showing compliance with all of these steps and installation instructions is required to validate the product warranty.

Failure to follow these steps will void your warranty:

- 1 Flush A/C system
- 2 Replace accumulator/receiver drier
- 3 Replace orifice tube or replace/clean expansion valve
- 4 Fill with correct oil type and correct oil amount for that unit
- 5 Fill with correct refrigerant type and correct refrigerant amount for that unit



Interdynamics R-134a Ester Oil

- Ester oil universal viscosity, meets or exceeds all OE specs

8 OZ
QST PY-7
SKU 7060394



DRIVEWORKS® REMANUFACTURED COMPRESSORS

- Every unit is 100% function and leak tested
- Contains 78% new or re-engineered components
- Nearly 1,100 part numbers available
- Seals, O-rings and gaskets replaced 100% on all units
- New clutch bearings in all units
- Tested for noise, vibration, durability, vacuum decay and pressure decay to ensure no leaks and longer life

1-YEAR LIMITED WARRANTY*



*See store for details.

Temp Select™ A/C Service Parts Kit HFO-1234yf

- Includes all new Ford/Chrysler metal sealing washers
- HFO 1234yf components
- Metric, captive, dual and standard HNBR o-rings
- Sealing and slim line washers
- 136 SKUs, 551 O.E fit and function components

Contents:

- Tray 1 — O-Rings
 - Tray 2 — O-Rings
 - Tray 3 — Sealing washers, valve cores and caps
 - Tray 4 — Metal gaskets and orifice tube kit
- CTT 24818

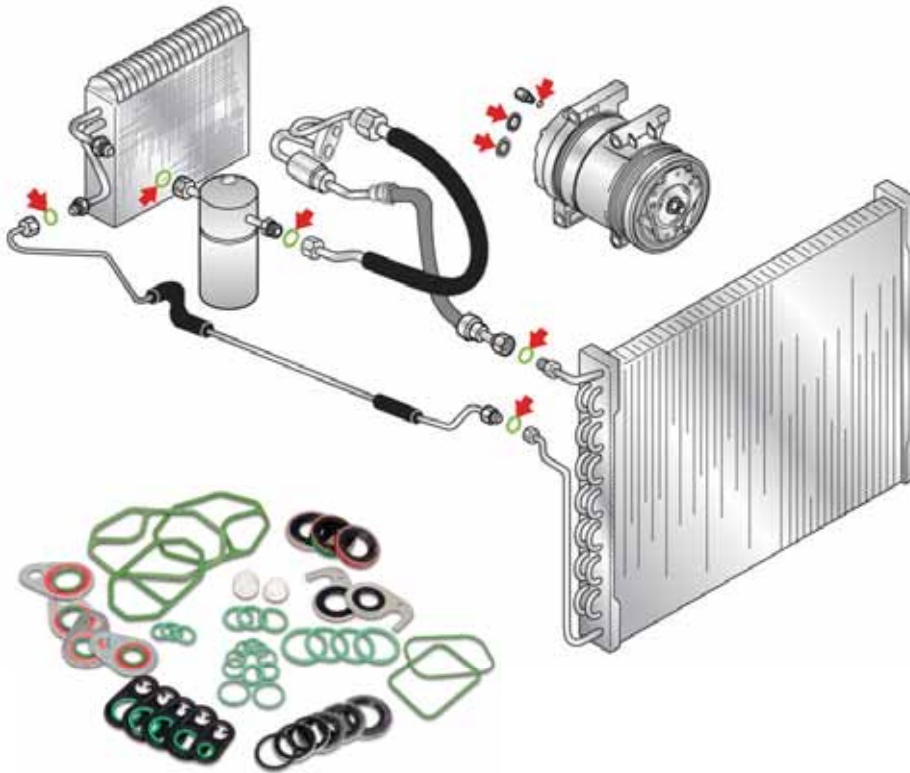


DO THE A/C JOB FASTER AND EASIER WITH QUALITY FACTORY AIR PRODUCTS

A/C System Seal Kits

Includes A/C system coverage for more than 96% of the U.S. market, electronically catalogued by application to year, make, model and engine.

- Includes all seals to complete the job
- Makes jobs faster and easier
- Covers applications from 1985–2016
- SUV and van rear air applications



FACTORY AIR

A/C SYSTEM PARTS

A/C Switches and Relays

- Relays can be the number one electrical failure item
- Switches and relays control the A/C system
- Corrosion may lead to failure



FACTORY AIR

Interdynamics Quest A/C Heater and Duct Cleaner

- HVAC duct purifier — refreshes musty A/C systems
- Eliminates odors caused by bacteria, mold, mildew and cigarette smoke

4 OZ
QST 760
SKU 7010038



Temp Select™ A/C Service Parts Kit R-134a

- Metric, captive, dual and standard o-rings
- All o-rings are R-134a green HNBR
- Sealing washers and slim line washers
- Chrysler gaskets, caps, valve cores, orifice tubes
- 125 SKU's, 626 O.E fit and function components

Contents:

- Tray 1 — O-Rings
- Tray 2 — O-Rings, garter springs and adapters
- Tray 3 — Sealing washers, caps and valve cores
- Tray 4 — Orifice tubes and Chrysler gaskets

CTT 24813



FACTORY AIR

BLEND DOORS AND BLOWER MOTORS



DORMAN®-ENGINEERED WITH IMPROVED MATERIALS TO ENHANCE DURABILITY AND PERFORMANCE

Quality testing ensures year after year of trouble-free service.

Located inside the plenum box, the blend door is controlled by the air door actuator, blending the hot air with the cold air. The original part fails when the blend door hinge snaps, resulting in improper air flow.



Blend door

DORMAN-ENGINEERED ALUMINUM REINFORCEMENT PREVENTS BREAKAGE



DOR 902-207
Blackwood, Expedition, F-Series, Navigator 1997-2004

DORMAN-ENGINEERED TIME SAVER DESIGN SAVES HOURS OF REMOVAL AND INSTALLATION TIME



DOR 902-221
Explorer, Mazda Pickup, Mountaineer, Navajo, Ranger 1991-2011



More part numbers available. See store for details.

ToughOne® Blower Motors

- **Noise and Vibration** — Prevents excessive wear on brushes and bearings
- **Rotation Verification** — Ensures proper air flow
- **Performance Verification** — Ensures the highest quality and dependable performance
- 100% triple tested
- Meets or exceeds OE design and performance



DON'T FORGET TO CHECK BELTS

One in five vehicles on the road today has a worn belt that needs to be replaced. Because belts are now made with EPDM compound (which wears like a tire and usually won't crack), looking for cracks or listening for noise won't find worn belts.

Dayco's **FREE** aWEARness™ gauge allows you to accurately and conveniently test your customers' vehicle's belts for wear in 3 different ways:

- Rib profile
- Rib depth
- Rib cracks



DON'T FORGET TO REPLACE THE TENSIONER WHEN REPLACING THE BELT

- Manufactured to meet OE quality
- Exclusive coated flat spring design for less tension vibration, a leading cause of belt tensioner failure
- Heavy duty cast aluminum spring case and tensioner arm



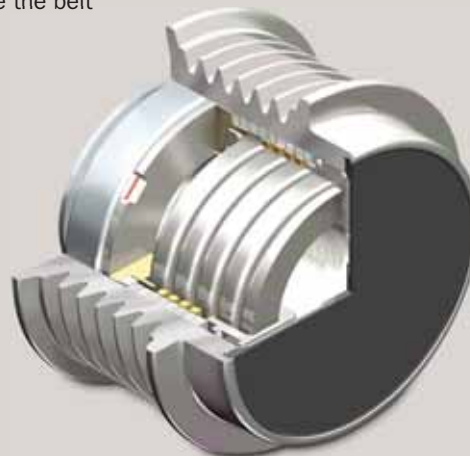
Scan this QR code to download the Dayco app for belt routing and installation videos, technical notes, the learning center and store locator.



Litens® OAP and OAD™ Alternator Decoupling Pulleys

Millions of late-model vehicles now require alternators equipped with either an OAP or an OAD rather than conventional solid pulleys. OADs and OAPs help harmonize the belt drive system for:

- Improved engine efficiency
- Reduced noise/vibration/harshness
- Increased component life



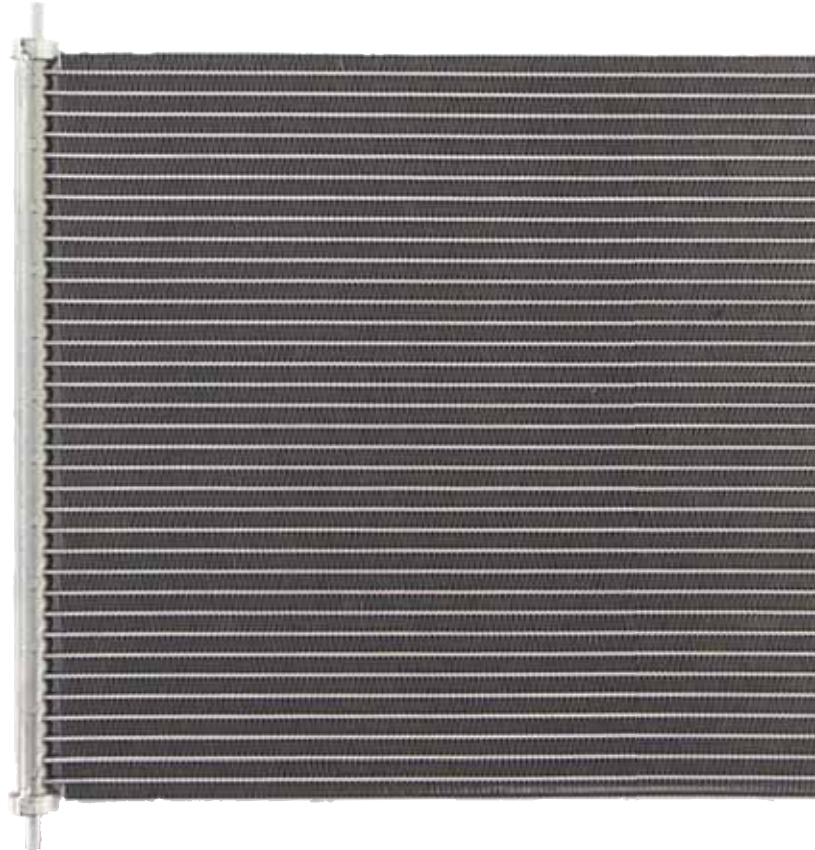
TOUGHONE® A/C CONDENSERS

97% OF NEW VEHICLES HAVE PARALLEL FLOW OR SERPENTINE A/C CONDENSERS

These condensers cannot be flushed effectively. Flushing a parallel flow or serpentine-style condenser can actually cause loss of efficiency to the compressor and the entire A/C system. The same tiny tube passages that improve the condenser's cooling and condensing efficiency also trap debris, which can block passages and restrict refrigerant flow. If you attempt to flush the condenser, that debris can break loose and damage — or destroy — the compressor. The best solution is replacing all parallel flow and serpentine-style condensers with a ToughOne condenser.

ToughOne® A/C condensers are premium-quality parts that meet or exceed OE specifications:

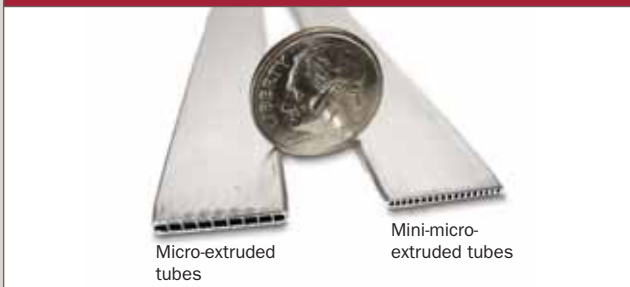
- Designed to match the tube design of original condensers
- Approximately 95% foreign and domestic coverage for cars and light trucks on the road today
- Superior quality is ensured through stringent performance and durability testing



ToughOne.

REPLACEMENT – IT'S YOUR BEST OPTION

NEW Extruded Tube Technology



Parallel flow and serpentine-style condenser tubes have passages that are smaller than a dime, making flushing nearly impossible. ToughOne condensers are designed to match the tube design of the original condenser and accommodate the configuration to be replaced.

Older Tube Technology



Non-parallel flow and non-serpentine-style condensers can be flushed successfully, but replacement with a new ToughOne condenser is the best solution.

GET OPTIMAL COOLING WITH CARQUEST® RADIATORS

Carquest® radiators are premium quality parts that meet or exceed OE specifications:

- Approximately 98% foreign and domestic coverage for cars and light trucks
- OE-quality materials and manufacturing
- OE fit, form and function
- Stringent performance and durability testing for superior quality
- Fast, dependable delivery



CARQUEST® RADIATORS

Interdynamics CA-1 Power Clean & Flush

- Aerosol cleaner for R-134a and R-12 automotive A/C systems
- Safely removes old oil and contaminants from most A/C systems

17 OZ
QST CA-1
SKU 7010021



CERTIFIED
A/C PRO.

Interdynamics A/C Flush & Clean

- Premium solvent-based flush is safe for all systems
- Evaporates quickly with no residue

QUART
QST CQS-11
SKU 7060432



CERTIFIED
A/C PRO.

CARQUEST – DESIGNED TO BE BETTER THAN OE

Plastic Tank Design



Superior Materials

- 3.0 mm wall thickness
- Tanks are ribbed inside and out for more strength
- Tested to 100,000 pressure cycles with no cracks, bowing or distortion

Plastic Tank To Header Seal



Tank to header sealing system

- OE-grooved header design
- Oval-shaped gasket fills the void where the tank is crimped to the core
- Provides a positive seal between the header and tank

Side Column Design



Core sidepiece attachment

- Creates a strong attachment between radiator core and header
- A tube strengthener inside the tank helps prevent leaks caused by thermal expansion

Oil Cooler



O-Ring/Groove flange

- Keeps a positive seal between the oil cooler and tank during installation and throughout the life of the radiator

A/C SERVICE SYSTEMS

Robinair® Recover, Recycle, Evacuate and Recharge System

- Cool-Tech 34288 combines simple operation with superior accuracy
- Recovers, recycles, evacuates, and recharges R-134a quickly and accurately
- Meets SAE J2788 standards for accuracy
- 95% refrigerant recovery and charging to +/- 1/2 oz.
- Automatic air purge

ROB 34288
SKU 22970185

WHILE SUPPLIES LAST



ROBINAIR

Robinair® Premium R-134a Recover, Recycle and Recharge Service System

- Fully automatic with easy-to-read color display and a printer
- Patented automatic refrigerant refill feature
- Automatically adds oil if necessary
- 2 separate oil inject bottles
- Capability to inject UV dye for leak detection
- Optional refrigerant charge and oil capacities database

ROB 34988NI
SKU 11410717



ROBINAIR

Robinair® R-134a A/C Recharge System

- Now fully automatic for leak testing, refrigerant refill with R-134a and oil drain inject
- 98.5% efficiency — unmatched in the industry
- New design with larger graphical display
- Ability to add a printer, USB sharing and wireless module
- 34788NI-H works with standard and hybrid vehicles

ROB 34788NI, 34788NI-H
SKU 10961812, 10961811



ROBINAIR

Robinair® Spin On Filter

Fits current models: 34288, 34788, 34988, 347002, 341342, 34788-H, 34788NI, 34788NI-H
ROB 34724, SKU 11347717



ROBINAIR

Mastercool® Recovery, Recycle and Recharge Machine

- Design certified for compliance with SAE J2788
- Programmable or manual recharges/recovers 1 lb. per minute
- Database includes the refrigerant and oil capacities for over 1,000 vehicles
- Heavy duty 6 CFM vacuum pump
- Auto oil discharge
- Auto filter alarm
- 1-year warranty

ZIN MSX69788-A
SKU 10634742



Mastercool

CPS® A/C Flush Machine

- Air operated with air purge
- Universal couplers fit most hoses, evaps and condensers
- 2-1/2 gallon capacity for buses
- Forward and reverse flush without changing hoses
- Clear filter bowl with cleanable screen for visual inspection

CPA AFM100
SKU 11290582



cps

Robinair® AC1234-6 HFO-1234yf Compliant A/C Service System

- Fully automatic with an integrated refrigerant identifier that samples prior to recovery, and can service both standard and hybrid vehicle A/C systems
- 95% recovery efficiency (per Robinair®)
- Programmable vacuum operation helps get to the necessary vacuum level in any condition quickly.
- System leak test to identify gross leaks in a system
- Automatic oil drain and air purge
- Liquid refrigerant flushing function
- Integrated printer and color VGA display

ROB AC1234-6
SKU 11092285



ROBINAIR®

MAHLE® ACX1180/ACX1180H ArcticPRO® R134a A/C Refrigerant Handling System

- J2788, J2099, UL1963 certified
- Fully automatic operation recover cycle, system oil capture, vacuum leak test, charge and automatic air purge
- Low-side combination filter includes full capacity alert
- 2-year warranty
- ACX1180H works for both standard and hybrid vehicles

RTI 4608038500, 4608038900
SKU 10992476, 10992477



MAHLE

Driven by performance

A/C SERVICE SYSTEMS

CPS® FX134a Refrigerant Management Center

- Recover, Recycle and Recharge
- Features a 7" color touch screen control panel
- Patented motor controlled ball valves and oil-less compressor
- Comes standard with a 50 lb. recovery tank, a 6 CFM vacuum pump and a built-in database
- 1-2-5 CPS® Warranty — 1 year parts and labor, 2 years parts and 5 years on the compressor

CPA FX134a
SKU 11180540



cps®

Robinair® R-134a Service Couplers

Low side — ROB 18190A, SKU 17630826
High side — ROB 18191A, SKU 17630827



More A/C Service Systems and accessories available.

Contact your Commercial Account Manager for details.

Mastercool® Complete Refrigerant Recovery System

- Auto high pressure cut off, auto low pressure cut off
- Works with all refrigerants
- 30 lb DOT tank with float switch
- High performance oil-less compressor
- Oil separator and filter dryer
- **FREE** 55100-R electronic leak detector

ZIN MSC69100-55R
SKU 10634824



Mastercool.

Mastercool SAE J2810 UL Approved Portable A/C Recovery Unit

- Recovers and removes oil from refrigerant
- 1/2 hp oil-less compressor with built-in high volume cooling fan for fast recovery
- Designed certified to meet SAE J2810
- Includes recovery unit, 30 lb. DOT tank, yellow service hose, blue and red conversion hoses, high and low side R-134a manual couplers and oil purge bottle

ZIN MSC69110
SKU 10018274



Mastercool.

SHOP COOLING

Robinair® DiscovR R-134a Refrigerant Identifier

- Guard against costly recovery equipment repairs
- Uncover hard-to-find air contamination — DiscovR refrigerant identifier notifies you when the system contains excessive air
- Fast and accurate — “pass” and “fail” lights clearly show if refrigerant is 95% pure R134a to be recovered
- Input power: 12VDC

ROB 16009
SKU 22970184



ROBINAIR

Port-A-Cool™ Cyclone™ 3000 Evaporative Cooler

- Centrifugal air delivery system
- 16-gallon reservoir with up to 4 hours runtime
- Powerful 2-speed 1/3 HP motor delivers 3000 CFM free air and 2,400 CFM delivered air
- Cools approximately 700 square feet
- Provides a cooling effect of up to 30 degrees
- Dual water fill options with tank fill or garden hose hookup for continuous run

PAC PAC2KCYC01
SKU 11356186



PORTACOOOL

WHEN COMFORT COUNTS™

Portacool™ 16" Three Speed Evaporative Cooler

- Direct drive 1/2 HP, 3-speed motor
- Cools approximately 900 square feet
- Powerful 3,900 CFM-free air
- Hosed connection for continuous use
- Adjustable louvers for maximum area coverage
- Premium fluted media for high efficiency cooling
- 42-gallon reservoir

PAC PAC163SVT
SKU 11290608



PORTACOOOL

WHEN COMFORT COUNTS™

Robinair® Refrigerant Identifier

- Displays the percent of R-12 or R-134a, and air in the system or tank
- Air purge
- Visual and audible hydrocarbon alarm
- On-board printer port

ROB 16910
SKU 17633748



ROBINAIR

Carquest® R-134a Cylinder

- Exceeds all ARI700 and quality standards

30 LB
PVF 134
SKU 7010648



CARQUEST

Mastercool® Deluxe Orifice Tube Kit

- 5-piece universal kit will remove and install any style orifice tube
- Compact design allows the user to get into even the tightest spots
- Kit also includes an auger point attachment for removing broken tubes

ZIN MSC92311
SKU 22982699



Powerbuilt® A/C Clutch Removal Kit

- Tool set for removal and installation of air conditioner compressor clutches
- For use on import and domestic vehicles
- Storage case usage photos
- Kit 35 includes 22 pieces for removal and installation of the AC compressor clutch

TLS 648747



TIF® Slimline Refrigerant Scale

- Touch-key controls
- 3 display modes — lbs./oz., decimal, lbs., kilograms
- Very high resolution: 0.1 oz./0.005 lbs./2 grams
- Extreme accuracy: $\pm 1/2\%$ of reading
- Can be used with all types of refrigerants

TIF TIF9010A
SKU 11248718



Mastercool® Supreme Universal Hydraulic Flaring Tool

- Creates production-quality flares
- Push connect, GM fuel lines, 45 double flare, metric bubble
- Packaged in custom blow molded case
- Includes free 70027 mini tube cutter
- No leakage

ZIN MSC71475-PRC
SKU 10967336



Mastercool® Refrigerant Scale

- Programmable charging
- Resolution: 0.02 lb./0.01 kg.
- Capacity of 240 lbs., removable platform
- Repeat allows user to charge previously stored amount
- Accuracy: ± 0.01 kg., ± 0.16 oz., ± 0.01 lb.

ZIN MSC98210A
SKU 22988916



CPS® Refrigerant Scale

- Capacity: 220 lb.
- Accuracy: .015% of reading
- Fully enclosed and removable metal scale platform
- Large, highly visible 1-1/2" x 2" high resolution LCD readout
- Includes automatic off feature

CPA CC220
SKU 25980284



VACUUM PUMPS

Robinair® VacuMaster Vacuum Pump

- 5 CFM pump
- 115 volt, 2-stage design
- 1/2" ACME and 1/4" MFL intake fitting
- "No-hassle," over-the-counter replacement warranty

ROB 15500
SKU 28030453



ROBINAIR®

Robinair® CoolTech Vacuum Pump

- 6 CFM pump
- Iso-Valve™ isolates pump from system
- 2-stage design means faster and higher vacuum level
- Gas ballast keeps oil clean and dry

ROB 15600
SKU 17630714



COOLTECH

ROBINAIR®

Robinair® Air VAC

- 1 CFM pump
- Fast, efficient air-operated vacuum pump
- 1/4" flare and 1/2" ACME fittings

ROB 34970
SKU 17631202



ROBINAIR®

Mountain™ Vacuum Pump

- 1.3 CFM air displacement
- Venturi-type pump
- 1/2" ACME and 1/4" FL fittings
- Fast operation
- Requires 90-lb. PSI shop air to operate

ZIN MTN8405
SKU 22989189



Mastercool® Vacuum Pump

- 1.5 CFM pump
- Internal check valve prevents oil blowout
- Gas ballast prevents oil contamination

1.5 CFM
ZIN MSC90059
SKU 22982675

3 CFM
ZIN MSC90062-B
SKU 25989637



Mastercool®

Mastercool® Portable Vacuum/Charging Station

- R134a 2-way extruded aluminum manifold
- Deep micron, rotary vane 3CFM single stage vacuum pump
- Electronic charging scale 240-lb. capacity with long lasting 9V battery

ZIN MSC91580-B
SKU 10975435



Mastercool®

Mastercool® Intelligent Digital Manifold Gauge Set

- Displays refrigerant and oil capacities for thousands of vehicles
- Never miss another small vacuum leak
- Large easy-to-read LCD digital display
- Packaged with heavy duty manual couplers
- GY5 Goodyear® hoses

ZIN MSC52224A-SP
SKU 99984237



FJC Vacuum Pump and Manifold Gauge Kit

- Includes FJC6909 3.0 CFM 2-stage vacuum pump
- Uses twin-port technology so it is lightweight, durable and constructed for easy handling
- Aluminum block manifold gauge with sight glass
- Anti-flutter design with additional access port

FJC KIT6
SKU 25984618



FJC AIR CONDITIONING STARTER TOOL KIT

- FJC6900 air vacuum pump
- FJC6030 brass dispensing valve for R-134a cans with 1/2" ACME fittings
- FJC6761 R-134a aluminum manifold gauge set with 72" hose and quick couplers
- 1-3/4" dial thermometer and 200-piece O-ring assortment
- FJC2740 fin comb

FJC KIT4
SKU 25984617



MANIFOLD AND HOSE SETS

Carquest® R-134a

- Compare to DuPont™
- Exceeds all ARI700 and quality standards

12 OZ
PVF 3012
SKU 7010016



Interdynamics 1st Charge R-134a

- Absorbs moisture to help prevent corrosion of system components
- Contains ICE™ lubricant enhancer for ultimate performance and friction reduction

12.5 OZ
QST 350
SKU 7190002



Interdynamics R-134a with UV Dye

- Contains single application of UV leak detection dye
- For factory installed and retrofitted R-134a auto A/C systems
- ACME threaded top

12.3 OZ
QST 334
SKU 10012739



MANIFOLD AND HOSE SETS

Interdynamics R-134a Manifold Gauge and Hose Set

- Professional-grade manifold gauge and hose set
- Quick-connect with shut off valves
- 72" SAE approved hose set
- Custom carrying case

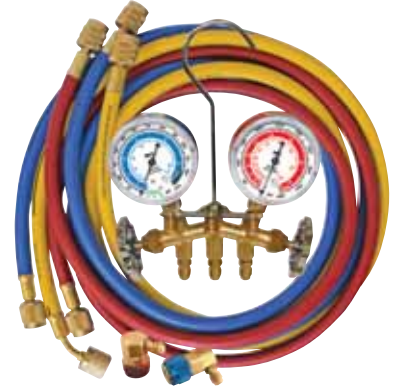
QST 429
SKU 99981458



Mastercool® R-134a Brass Manifold Gauge Set

- Set includes (3) 60" hoses and economy couplers
- Anti-flutter gauges smooth out needle movement
- Yellow hose includes shut-off valve
- Extra access port for vacuum line

ZIN MSC66661
SKU 22982658



Mountain™ A/C Manifold Set

- Aluminum block design with sight glass
- 72" hoses and 90-degree couplers for fast and easy connections
- Anti-flutter design gauges with PSI and Fahrenheit scales
- Additional access port
- Professional quality

ZIN MTN8220
SKU 22989193



Mastercool® A/C Manifold Set

- R-12 and R-134a
- Manual shut-off valves
- Manual style, high quality couplers
- Large 2-1/2" gauges with gauge protectors
- Includes (3) 72" barrier hoses

ZIN MSC98772
SKU 22988982



BlackMax® Chrome Manifold Set

- 8' black non-permeating hoses with manual couplers
- Non-flutter gauge
- Rugged chrome metal housing
- Anodized aluminum block body
- Collector's edition tin case

CPA MAID8QZ
SKU 26941911



Mastercool® Brass R-134a 2-Way Manifold Gauge Set

- Heavy duty forged brass body with large, angled all-metal handles for ease of operation, 72" hoses
- Floating piston, double O-ring valves for long service life and smooth operation
- Silicone-dampened gauges smooth out needle movement and can be recalibrated in the field to maintain accuracy

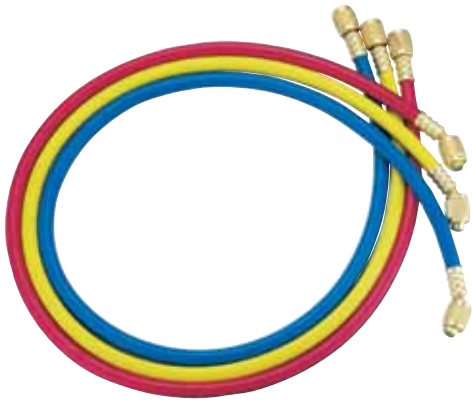
ZIN MSC84772G
SKU 22988963



Interdynamics 72" Professional A/C Hose Set

- Hoses rated with a 3,000 PSI burst pressure
- High and Low quick-connects with auto shut-off
- Includes gas release adapter

QST BRY-134HD



UView Spotgun™ HFO Oil Injection

- Spotgun™ injector with R-12 and R-134a adapters
- PAG 46 oil cartridge (8 OZ/240 ml)
- Excellent for use with SAE certified A/C equipment
- J2788 compliant

UWV 481500
SKU 11344391



Robinair® R-134a Hose Set

- 8' replacement hoses for R-134a manifold gauge sets
- Reaches further than standard 3' and 6' hoses
- 1 each color-coded red, yellow and blue hoses

ROB 60096
SKU 17631785



UView Spotgun™ HFO Oil Injection

- Spotgun™ injector with R-1234yf adapter
- PAG 46 HFO oil cartridge (8 OZ/240 ml)
- Excellent for use with SAE certified A/C equipment
- J2843 compliant

UWV 481500YF
SKU 11344390



Mastercool® Professional UV Leak Detection Kit

- Everything you need to start locating leak sources with UV light technology
- Locate leak sources in A/C, automatic transmissions, power steering, fuel and cooling systems
- 12V/50W UV leak detector light

ZIN MSC53351
SKU 22988975



LEAK DETECTION

Interdynamics R-134a Leak Sealer

- Pinpoints and seals most A/C leaks usually located in gaskets, hoses and O-rings
- Red dye helps you detect major defects that require mechanical repair

3 OZ
QST LDS-1
SKU 7060629



Interdynamics A/C Super Seal Pro

- Patented single-step leak sealer
- Seals leaks in both metal and rubber components
- Interdynamics carries the number one leak sealers

3 OZ
QST 325PL
SKU 10066976



Interdynamics R-134a Arctic Freeze

- Replaces lost refrigerant and oil to the A/C system
- Eliminates moisture and acid from the A/C system
- Colder air up to 50% faster

13 OZ
QST AF-3
SKU 7190000



Spotgun™ Phazer Neo™ Injection Kit

- UV Phazer NEO UV LED rechargeable lithium-ion battery light
- 8 oz. of universal A/C dye SAE J2297 certified and hybrid safe
- Low-side applicator hose and dye-enhancing glasses included
- Adjustable lens focus; Up to 64 applications

8 OZ
ZIN UVU413525
SKU 10636725



Spotgun Jr.™ Leak Detection Kit with True UV LED Lite and ExtenDye™

- 6 LED True UV LED Light (3 AA batteries included)
- Spotgun Jr. Injection Gun with R-12 and R-134a adapters
- A/C ExtenDye™ Cartridge (1 oz.)

ZIN UVU332010A
SKU 11040268



UView Spotgun Jr.™ Kit No Light

- For those who already have a light and want a professional injection system that offers speed and accuracy
- Services up to 20 vehicles

UWV 331500
SKU 25981886



UView LeakGuard™ SpotGun Jr.™ Kit

- Oil-based professional A/C sealant
- Seals both rubber and metal components
- Injects directly into the A/C system using the patented Spotgun Jr.
- Will not harm recovery machines, no crystallizing or clogging

UWV 480300
SKU 26945545



UView Hybrid A/C Oil Eco-Twist™ Kit

- Vacuum sealed to eliminate moisture contamination and extend shelf life
- Screw down injection system
- 1 OZ/30mL Ester Oil Hybrid cartridge
- 1/4 OZ/7.5mL A/C dye cartridge
- Applicator Hose

UVW 321400H
SKU 1036663



Tracer Products EZ-Shot™ Universal Dye Injection Kit

- EZ-Shot™ dye injection gun
- R-134a hose with R-12 fitting
- BigEZ™ universal multi-dose dye cartridge services up to 64 vehicles 8 oz.

ZIN TRATP9790
SKU 22989927



TRACER PRODUCTS
A Division of Spectronics Corporation

PRO-Alert™ Electronic Refrigerant Leak Detector

- Optimum sensitivity detects leaks down to 0.25 oz/year (7 g/year) to R-12, R-134a, R-1234yf and other refrigerants
- Variable-intensity audible alarm plus flashing LED help pinpoint leaks fast
- Includes sensor, replacement filters, (2) D cell batteries and rugged carrying case
- J1627 compliant

ZIN TRATP-9360
SKU 22989930



TRACER PRODUCTS
A Division of Spectronics Corporation

NEW CPS Leak-Seeker®

- E_MOS® sensor technology with pulse modulation helps to increase both battery and sensor life
- Software managed sensor rejuvenation mode, at startup ensures the highest level of sensitivity
- J2791 for R-134a and J2913 for HFO-1234yf compliant

CPA LDA1000H
SKU 11290583



cps®

LEAK DETECTION

UView Spot Gun Jr.™ Universal Dye Cartridges

- Up to 40 Applications

UVW 399020
SKU 25981881



UView SpotGun™ ExtenDye™ cartridge

- Up to 64 Applications

8 OZ
UVW 4991, SKU 25981843



UView Universal A/C Dye

- Up to 32 Applications

8 OZ
ZIN UVU499008
SKU 25989618



Tracer Products Universal Dye Cartridge

- Up to 32 Applications

8 OZ
ZIN TRATP97700108, SKU 22989928

TRACER PRODUCTS
A Division of Spectronics Corporation



Tracer Products Fluoro-Lite Universal Dye

- Up to 32 Applications

8 OZ
ZIN TRATP38400008
SKU 22989904

TRACER PRODUCTS
A Division of Spectronics Corporation



LEAK DETECTION

TIF® Electronic A/C Leak Detector

- Super sensitive leak detector of all halogen refrigerants
- 2-second warm-up time for instant readiness
- Leak sampling up to 2,000 times per second at the tip
- Leak size and severity indicator with 18 alarm levels
- 3-year warranty

TIF TIFXP-1A
SKU 17633723



Mastercool® Heated Diode Electronic Leak Detector

- Digital micro-processor controlled
- Includes a complete 10-application UV kit
- UV light incorporated on the tip of the leak detector
- Operating temperature range: 32°F to 125°F

ZIN MSC55900
SKU 11035901



Robinair® Leak Detector

- Advanced infrared sensor designed to last 10 years
- Meets new SAE J2781 leak detection standards
- 3 levels of sensitivity down to 0.15 oz./yr.
- Visual alert and peak button
- 8-hour lithium-ion battery

ROB 22791
SKU 26970589



Mastercool® Electronic Leak Detector

- Perform electronic and UV leak detection all with one tool
- Pinpoint leaks as small as 1/10 oz. to 3 gr./yr.
- 6 levels of sensitivity with a tri-colored LED indicator
- The ultra bright UV light is built into the end of the probe

ZIN MSC55200
SKU 22988972



Robinair® Electronic Refrigerant Leak Detector

- 50-hour battery life
- 500+ hours of sensor life
- Made in USA
- Meets new SAE 2791 for R-134a and SAE 2913 for HFO-1234yf
- 2-year warranty

ROB 16600
SKU 17630751



Lisle® Master Disconnect Set

- Contains 8 popular disconnect tools: fuel line quick connect and spring lock couplings, air conditioning line couplings and transmission lines

LST 39900
SKU 16020011



Mastercool® Infrared Thermometer with FREE 1" Analog Thermometer

- 12-to-1 ratio, easy-to-read 1" LCD display
- -40°F to 932°F, non-contact temperature readings, displays constant maximum temperature — increased low end temperature range

ZIN MSC2224A-SP
SKU 22988980



Mastercool® Infrared Thermal Imaging Tool

- Large color screen
- UFPA: 32 x 31 pixels
- Measures -4 to 482° F
- Save 25,000 images to micro SD card
- Thermal sensitivity 0.1 C

ZIN MSC52300
SKU 11237987



Lisle® Fuel Line and Air Conditioning Disconnect Tool Set

- Disconnects air conditioning lines and quick connect fuel lines
- Set of six tools which disconnect the spring lock couplings on Ford and Chrysler air conditioning line
- Also works on fuel line quick connect couplings found on GM, Ford, and Chrysler
- The 5/16" size fits on push lock connectors found on Ford radiators and transmission lines

LST 37000
SKU 4557385



Lisle® Angled Disconnect Set

- Disconnects air conditioning and quick connect fuel lines
- Connect fuel lines

LST 39400
SKU 10460685



A/C TOOLS

Interdynamics R-134a with Leak Sealer

13 OZ
QST RLS-134
SKU 9220005



Interdynamics A/C UV Leak Detection Dye

3 OZ
QST UVD-1
SKU 7010020



Red Angel® A/C Stop Leak

2 OZ
BDS 49496
SKU 7010035



Autocraft® Disconnect Tools

Mfg AC523



A/C TOOLS

S.U.R.&R. A/C Compression Union Kits

- Make instant repairs to A/C lines on hundreds of vehicles
- Repair damaged rubber and aluminum lines including pinholes, cracks, kinks, and more

SAE
SUR AC40, SKU 10842398
Includes 3/8", 1/2", 5/8"
and 3/4" (1 each)

Metric
SUR AC50M
SKU 10842547
Includes 8, 10, 12,
15, 16 and 19 mm
(1 each)



S.U.R.&R.

S.U.R.&R. A/C Block Off Kits

- Economical solution for blocking off failed rear components
- No specialty tools required
- Features Double Seal Technology; pressure rated up to 600 PSI
- Hanger clamps and screws included

SAE
SUR AC80, SKU 10842446
Includes 3/8", 1/2", 5/8" and 3/4" (1 each)

Metric
SUR AC90M
SKU 10842494
Includes 6, 8, 10,
12, 15, 16 and
19 mm (1 each)



S.U.R.&R.

S.U.R.&R. DELUXE A/C LINE REPAIR KIT

- Repair damaged rubber and aluminum lines on the car including pinholes, cracks, kinks and more in minutes
- Make connections easily by hand; no specialty tools required
- Covers common line sizes including 3/8", 1/2", 5/8" and 3/4"
- Compression unions and line adapters designed specifically for A/C repair applications
- SAE J2064 compliant
- Pressure rated up to 600 PSI
- Includes 47 pieces and 20 ft. of hose (5 ft. in each of the four sizes)

SUR AC1387
SKU 10842646

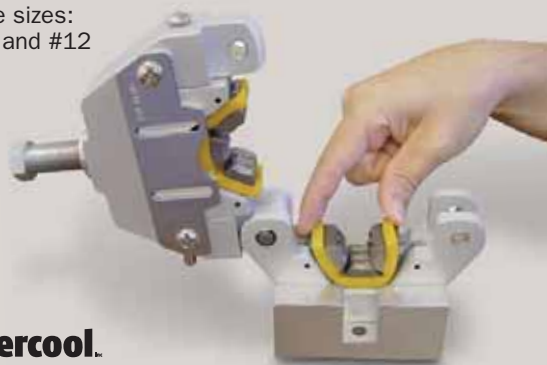


S.U.R.&R.

Mastercool® Manual Operated A/C Hose Crimper

- Manual A/C hose crimper for crimping barbed and beaded fittings
- The dies snap quickly into place, requiring no pins or screws
- Easily mounts to a bench using the holding fixture or in a vice
- Includes a complete set of dies for hose sizes: #6, #8, #10 and #12

ZIN MSC71550
SKU 22982664



 **Mastercool.**

CPS® A/C Dye and Oil Injector

- 1/4 oz.-1/2 oz. capacity
- Perfect for universal A/C dyes
- Includes R-134a coupler brass adapter
- Will adapt to any R-12 or R-134a hose set

CPA TLJ4
SKU 25980333



cps®

A/C TOOLS

Mountain™ A/C Flush Kit

- Manual shut-off valve
- Neoprene O-ring seals
- 1/4" NPT female thread
- Aluminum body 23 oz

ZIN MTN8402
SKU 22982760



Whistler® Wireless Inspection Camera

- 3.5" detachable color LCD monitor with anti-glare screen
- Full video and image recording capabilities
- Built-in microphone
- 33' wireless transmission range, TV/video output jack

Mfg WIC-5200



Certified A/C Pro® UV Dye Injector

- Injects one application of A/C UV leak detection dye
- For use with R-134a recharge hose and refrigerant

QST 433CS
SKU 11243077



Robinair® A/C Dye and Oil Injector

- Can also be used for fluorescent dyes
- Measurements are marked on the barrel body
- Press the plunger to inject in the low side access port
- Handy for adding dyes to A/C for leak detection

ROB 16256
SKU 17630728



Mastercool® A/C Dye and Oil Injector

- Heavy duty aluminum construction
- Injects dye or oil into R-12 or R-134a systems
- Refillable with any dye or oil
- Easy twist injection system
- Precise injection control

2 OZ
ZIN MSC53123
SKU 22988976



Mastercool® Can Tap

- The new side entry can tap is like having a 3-in-1 tool
- Works on all R-134a (2-7/8"), R-12 (2-1/2") and oil charge (2") cans
- Internal check valve to prevent system backflow
- Easy to use, positive locking latch to insure secure engagement

ZIN MSC85530
SKU 22982674



PROFESSIONAL QUALITY PARTS, SERVICE AND SOLUTIONS DEDICATED TO YOUR SHOP

Contact your Commercial Account Manager for more information.
For customer assistance and technical support call 1-877-280-5965.
Order online at www.advancepro.com or weblink.carquest.com

