

BSAC 2004

**TIMKEN®**

**1989 AND OLDER**

**BEARING AND SEAL APPLICATION CATALOG  
FOR AUTOMOTIVE AND LIGHT TRUCK**

**A LEADER IN MANUFACTURING  
AND BEARING HUB TECHNOLOGY**

THE TIMKEN COMPANY

# BEARING AND SEAL APPLICATION CATALOG

1989 and Older

## INTRODUCTION

*Original equipment quality is what you get with every aftermarket bearing, seal and hub unit sold by Timken. Vehicle manufacturers from around the world choose the Timken name because of its reputation for quality. You too can choose Timken with the same confidence vehicle manufacturers have had for more than a century.*

*Use this catalog as a complete reference for a full-line of Timken automotive aftermarket parts. An expanded listing of hub units is included in this edition.*

*As a leader in hub technology for Original Equipment manufacturers, The Timken Company is also a leader in the automotive aftermarket for this product line.*

*If you have comments on the 2004 BSAC 1989 or Older, please complete the postage paid card found in the back of this catalog or send an e-mail to [auto-am@timken.com](mailto:auto-am@timken.com).*

## Bearings

- Ball Bearings
- Clutch Release Bearings
- Cylindrical Bearings
- Cylindrical Axle Repair Bearings
- Driveline Center Support Bearings
- Needle Bearings
- Tapered Bearings

## Harmonic Balancer Repair Kits

### Hub Assemblies

- ABS Hub Assemblies
- ABS Hub Assemblies with SENSOR-PAC™ Bearings
- Non-ABS Hub Assemblies
- Non-ABS Hub Assemblies with UNIPAC™ – Bearings
- Non-ABS Hub Assemblies with UNIPAC-PLUS™ – Bearings

## KWIK-Sleeves™ – Components

### Sensor Kits

### Seals

- Automotive
- Industrial
- Light Duty Oil Bath Seals
- Metric

### Specialty Kits

- DT Components® Drivetrain Products
- Differential Kits
- MileMate® Matched Wheel Bearing Sets
- Transmission Kits
- Transaxle & Transfer Case Kits
- Trailer Kits
- Kits with Standard Bearings
- Premium Kits with AquaSpexx™ Bearings

DT Components® Drivetrain Products and MileMate® Matched Wheel Bearing Sets are trademarks of The Timken Company.

# TIMKEN SET INTERCHANGE

## Interchange Data

BEARING SET NUMBERS			BEARING NUMBERS	
Timken	CR	Federal Mogul	Cone/Cup	
SET1	BR1	A-1	LM11749/LM11710	
SET2	BR2	A-2	LM11949/LM11910	
SET3	BR3	A-3	M12649/M12610	
SET4	BR4	A-4	L44649/L44610	
SET5	BR5	A-5	LM48548/LM48510	
SET6	BR6	A-6	LM67048/LM67010	
SET7	BR7	A-7	M201047/M201011 w/ locking collar	
SET8	BR8	A-15	L45449/L45410	
SET9	BR9	A-9	U298/U261L w/ locking collar	
SET10	BR10	A-10	U399/U360L w/ locking collar	
SET11	BR11	A-18	JL69349/JL69310	
SET12	BR12	A-12	LM12749/LM12710	
SET12F	NA	NA	L68149/L68110	
SET12P	NA	NA	L44643/L44610	
SET13	BR13	A-13	07100/07196	
SET14	BR14	A-14	LM12749/LM12711	
SET15	BR15	A-19	L68149/L68111	
SET16	BR16	A-16	U399A/U365L w/ locking collar & seal	
SET17	BR17	A-17	1988/1922	
SET20	BR20	A-20	2 of (LM67045)/2 of (LM67010-Z)	
SET21	BR21	A-21	LM104949E-904A2	
SET22	BR22	A-29	JL68145/JL68111-Z (Sold as Set Only)	
SET23	BR23	A-23	JLM506848E-90K02	
SET24	BR24	A-31	JLM104946/JLM104910-Z	
SET25	BR25	A-22	Components - Not Sold Separately	
SET26	BR26	A-40	J15585/15520	
SET27	BR31	A-24	JLM67042/LM67010 (Sold as Set Only)	
SET28	BR28	A-28	Components - Not Sold Separately	
SET30	BR30	A-30	Components - Not Sold Separately	
SET32	BR32	A-32	LM12748F/LM12710	
SET33	BR33	A-33	JRM3534-90U01	
SET34	BR34	A-34	LM603049/LM603012	
SET35	B35	B35	LM603049/LM603011	
SET36	BR36	A-36	LM104949/LM104911	
SET37	BR37	A-37	JRM3939-90U08	
SET38	BR38	A-38	JRM4040A-90U02 When depleted use B39	
SET39	FW113	B38	Components - Not Sold Separately	
SET40	B39	B39	JLM506849A/JLM506811	
SET41	BR41	A-41	Components - Not Sold Separately	
SET42	BR42	A-42	LM501349/LM501310	
SET43	BR43	A-43	JL26749F/JL26710	
SET45	BR35	A-35	LM102949/LM102910	
SET46	BR39	A-39	JRM4042-90UA1 When depleted use 513006	
SET47	BR50	None	JRM4249-90UA1	
SET48	B42	513006	LM12749F/LM12710	
SET49	FW115	513058	LM12749FP/LM12710P	

## MileMate® Matched Wheel Bearing Sets

Timken MileMate No.	Timken Part Number	Timken MileMate No.	Timken Part Number
SET401	580/572	SET420	H715345/H715311
SET402	582/572	SET421	HM516449A/HM516410
SET403	594A/592A	SET422	HM516449C/HM516410
SET404	598A/592A	SET423	6461A/6420
SET405	663/653	SET424	555-S/552A
SET406	3782/3720	SET425	567/563
SET407	28682/28622	SET426	47679/47620
SET408	39590/39520	SET427	NP899357/NP026773
SET409	45280/45220	SET428	NP874005/NP435398
SET410	45284/45220	SET429	NP034946/NP363298
SET411	47686/47620	SET430	NP840302/NP053874
SET412	HM212047/HM212011	SET431	NP965350/NP503727
SET413	HM212049/HM212011	SET432	NP174964/NP593561
SET414	HM218248/HM218210	SET433	NP431952/NP378092
SET415	HM518445/HM518410	SET434	NP555065/NP720703
SET416	45291/45220	SET435	NP568900/NP107783
SET417	47890/47820	SET436	NP577914/NP975161
SET418	H715334/H715311	SET437	NP022333/NP250023
SET419	H715343/H715311	SET438	NP417549/NP156827
		SET439	HM212049X/HM212011

## TABLE OF CONTENTS

SECTION	PAGE
Product Line List . . . . .	Inside Front Cover
Setting the Pace for Automotive Aftermarket . . . . .	ii
How to Use This Catalog . . . . .	iii
Warning . . . . .	iii
<b>Application Index – Model to Page Number . . . . .</b>	<b>iv-vii</b>
<b>Applications . . . . .</b>	<b>1-559</b>
Model to Manufacturer Cross Reference . . . . .	560-562
Wheel Bearing Replacement . . . . .	563-564
Seal Installation Procedures . . . . .	565-566
Rear Wheel Repair Package Bearings . . . . .	567
Driveline Center Support Bearings . . . . .	568
Timken Set Interchange . . . . .	Inside Back Cover



## SETTING THE PACE FOR AUTOMOTIVE AFTERMARKET

### The New Timken Company

Timken took the boldest move in our company's history with the 2003 acquisition of The Torrington Company. This increased our size by nearly 50%. By successfully integrating these two industry leaders, we are creating a platform for growth - and boundless opportunities for our future.

### A Brand You Can Trust

Our master brand - Timken® - is our most powerful asset. So when we added Torrington® and other sub-brands to the Timken family, we multiplied that power. Timken's name is only on the kind of quality products and services our customers have come to expect from us ... and on some that exceed their expectations.

# Quality In: MANUFACTURING

The combination of Timken and Torrington expands our product line and our competitive edge in more than 80 manufacturing plants. What's the goal - to continue offering products that extend beyond the bearing itself to the environment around the bearing. To ensure design control, all part dimensions and specifications are maintained in our centralized database.

In addition to the products Timken manufacturers, we supplement that product offering with service parts from other suppliers. Sample products are obtained from external suppliers, then tested in Timken labs to ensure all products meet Timken stringent quality standards.

## HUBS

Original Equipment market strengths are transferred to our aftermarket hubs, offering customers a completed line of quality replacement parts. For example, the front wheels of the 2004 Nissan Titan truck contain Timken® SENSOR-PAC™ bearings, hub assemblies and other Timken parts.

A complete line of hub assemblies including SENSOR-PAC, UNIPAC™ and UNIPAC-PLUS™ bearings are included in this catalog. Timken hub units are pre-set, pre-greased and pre-sealed, which makes installation easier.

## SEALS

Timken understands the criticality of seals in this industry. Leveraging our knowledge and experience begins with bearings, we partner with leading seal manufacturers to offer a broad line of light-duty and heavy-duty seals. In fact, Timken has more than 50 design patents on seal technology. Every seal sold by Timken is manufactured with the same quality that goes into every Timken® bearing.

## MATERIALS

Timken steel is among the cleanest in the world. Whether semi-finished, finished precision or purchased, this steel produces quality hubs, bearings, races and thousands of automotive product you've come to depend on. With more than 85 years of steel expertise and 300 specialty grades of steel, Timken still submits to ongoing testing and supplier quality audits.

## DESIGN

\$75 million is invested in research and development to seek new solutions for automotive customers. Last year, we developed nearly 3,000 new prototypes because supplying our customers with superior products and exemplary service is not new for Timken. What is new is how this new Timken company views our customers, anticipate their product needs and find even better ways to serve them.

## HOW TO USE THIS CATALOG

See the Application Index Model to Page Number beginning on page iv, to find the page number of your vehicle. Consolidated application sections for some transmission/transaxles, generator and alternator bearings are also listed.

Determine the make, model and year of the vehicle.

- Year of customer's vehicle can be found in the Vehicle Identification Number on the dash, looking through the windshield, or on the doorjamb.
- Engine size can be found on the decal under the hood or use the eighth digit from the left of the V.I.N. to determine engine size.
- The type of braking system (ABS or non-ABS, front or 4-wheel) can be found through actual inspection of the

system, or in the case of General Motors, the line card located in the trunk or the glove box will contain the actual brake codes.

Vehicles are arranged alphabetically by make and model or you can turn to page iv to find the page number for the vehicle you are working with.

Once the page is located, listings are in this order; front wheel, rear wheel, clutch release, differential kit (if available), differential and pinion.

- Quantities needed to do a complete repair are contained in brackets, if different from model applications\*

\* For example, Front Wheel Bearings normally require a quantity of two.

## WARNING

Failure to observe the following warnings could lead to a risk of serious bodily harm.

The products catalogued are application specific. Any use in applications other than those intended could lead to equipment failure or to reduced equipment life. Proper maintenance and handling practices are critical.

Follow the equipment manufacturer's installation instructions. Failure to follow installation instructions and to maintain proper lubrication can cause equipment failure, creating a risk of serious bodily harm.

Never spin a bearing with compressed air. The components may be forcefully expelled, creating a risk of bodily harm.



APPLICATION INDEX MODEL TO PAGE NUMBER

**PASSENGER CARS**

**Acura**  
 Integra, Legend .....1

**Alfa Romeo**  
 164 .....2

**AMC/Jeep (See Jeep listings)**

**AMC/Renault (See Renault listings)**

**American Motors**  
 Ambassador, AMX, Classic, Concord,  
 Gremlin, Hornet, Javelin, Marlin,  
 Matador, Pacer, Rambler, Rambler  
 American, Rebel, SC Rambler, Spirit .....4

**American Motors**  
 Eagle, SX4 .....7

**Aston Martin**.....8

**Audi**  
 80s, 90s, 100s, 200s .....9  
 4000s, 5000s, Cpe Quattro, Coupe .....12  
 Super 90, Fox, Coupe .....14

**Austin**.....15

**Austin Healey** .....16

**Austin Rover (See Rover)**

**Austin-Morris (See MG, Morris, Riley)**

**Avanti II** .....16

**Bentley (See also Rolls Royce)**  
 Continental, Corniche, Eight,  
 Mulsanne, Turbo R, T2 .....17

**Bertone (See Fiat X 19)**

**Bitter**.....17

**BMW**.....18

**Buick front drive**  
 Century .....27  
 Electra, LeSabre,  
 Electra Park Avenue .....29  
 Regal .....29  
 Riviera, Reatta .....30  
 Skyhawk .....31  
 Skylark, Somerset .....33

**Buick rear drive**  
 Electra, Estate Wagon, LeSabre,  
 Riviera, Wildcat, 40, 50, 60, 70,  
 90, Special .....34  
 Regal .....38  
 Century, GS, Skylark, Special .....41  
 Skyhawk .....44  
 Apollo .....46  
 Opel .....47

**Cadillac front drive**  
 Allante .....48  
 Cimarron .....49  
 DeVille, Fleetwood .....50  
 Eldorado .....51  
 Seville .....53

**Cadillac rear drive**  
 Calais, DeVille, Fleetwood,  
 Chassis/Limo .....55  
 Seville .....57

**Checker** .....57

**Chevrolet front drive**  
 Beretta, Corsica, Cavalier .....59  
 Celebrity .....61  
 Citation .....63

**Chevrolet rear drive**  
 Chevelle/Malibu .....64  
 Bel Air, Biscayne, Brookwood,  
 Caprice, Estate Wagon, Impala,  
 Kingswood, Townsman, Taxi, Police .....67  
 Camaro .....72  
 Chevette .....76  
 Chevy II, Nova .....77  
 Corvette .....82  
 Monte Carlo .....85  
 Monza, Vega .....89

**Chevrolet imports (See also Geo)**  
 Metro, Nova, Prism, Spectrum, Sprint .....91

**Chrysler front drive**  
 Concorde, E Class, Imperial, Laser,  
 LeBaron, LHS, New Yorker, 300M .....144

**Chrysler rear drive**  
 C Series, Cordoba, Estate Wagon,  
 Fifth Avenue, LeBaron, Newport,  
 New Yorker, Royal, Saratoga,  
 Town & Country, Windsor,  
 5-Passenger, 300 .....145  
 Imperial .....149

**Crosley** .....154

**Cushman** .....154

**Dacia** .....154

**Daihatsu passenger car**  
 Charade .....154

**Datsun (See Nissan)**

**Delorean** .....155

**Desoto**  
 Estate Wagon, Firedome, Firelite,  
 Firesweep, S Series .....156

**Divco** .....157

**DKW** .....157

**Dodge front drive**  
 Aries, Daytona, Dynasty, Lancer,  
 Shadow, Spirit, 600 .....157  
 Charger, GHL, Omni, Shelby,  
 Rampage, Shelby, 400 .....159

**Dodge rear drive**  
 Aspen, Challenger, Dart, Lancer .....160  
 Charger, Magnum .....165  
 Coronet, Diplomat, Matador, Mirada,  
 Monaco, Polara, Royal, St. Regis,  
 Sierra, Challenger .....168

**Dodge imports**  
 Challenger, Colt, Conquest, Stealth .....173

**Eagle**  
 Medallion, Premier, Summit .....211

**Ferrari** .....214

**Fiat** .....215

**Ford front drive**  
 Escort, EXP .....217  
 Probe .....219  
 Taurus .....220

**Ford front drive - AWD**  
 Tempo .....221

**Ford rear drive**  
 Brougham, Country Sedan,  
 Country Squire, Crown Victoria,  
 Custom, Edsel, Galaxie, LTD,  
 Parklane, Ranch Wagon, Squire,  
 Skyliner .....223  
 Elite, Fairlane, LTD II, Ranchero,  
 Torino .....228  
 Fairmont .....232  
 Falcon, Maverick .....233  
 Granada .....236  
 Mustang .....238  
 Pinto .....244  
 Thunderbird .....246

**Ford antique** .....251

**Ford imports**  
 British, German, Brazillian, Korean .....251  
 Festiva .....253  
 Fiesta .....254

**Frazer**  
 Manhattan, Vagabond .....299

**Geo**  
 Metro, Prizm, Spectrum, Storm .....301

**Hillman** .....302

**Holden** .....304

## APPLICATION INDEX MODEL TO PAGE NUMBER *continued*

<b>Honda passenger car</b>			
600 .....	305		
Accord .....	305		
Civic, Civic CVCC .....	307		
CRX.....	309		
Prelude .....	311		
<b>Hudson</b>			
Big Boy, Commodore, Country Club, DeLuxe, Hollywood, Hornet, Italia, Jet, Jet Liner, Pacemaker, Rambler, Super 6, Super 8, Super Jet, Super Wasp, Traveller, Wasp, 10-20 Series.....	313		
<b>Humber</b>			
Hawk, Imperial, Sceptre, Snipe, Super Snipe .....	313		
<b>Hyundai</b>			
Excel, Scoupe, Sonata .....	314		
<b>Isuzu front drive</b>			
I-Mark, Impulse, Impulse AWD, Stylus .....	324		
<b>Isuzu rear drive</b>			
I-Mark, Impulse .....	325		
<b>Jaguar</b> .....	332		
<b>Jensen/Jensen-Healey</b> .....	359		
<b>Kaiser</b> .....	359		
<b>Lada</b> .....	360		
<b>Lamborghini</b> .....	360		
<b>Lancia</b> .....	360		
<b>Lincoln front drive</b>			
Continental .....	361		
<b>Lincoln rear drive</b>			
Continental, Mark Series, Towncar, Versailles.....	361		
<b>Lloyd</b> .....	364		
<b>Lotus</b> .....	364		
<b>Maserati</b> .....	365		
<b>Mazda front drive</b>			
GLC, MX6, 323, 323 AWD, 626 .....	366		
<b>Mazda rear drive</b>			
Cosmo, GLC, Mizer, MX5 Miata, 616, 618, 626, 808, 929, RX2, RX3, RX4, RX7 .....	369		
<b>Mercedes Benz</b> .....	375		
<b>Mercury front drive</b>			
Lynx, LN7 .....	379		
Sable .....	381		
Tracer.....	382		
<b>Mercury front drive - AWD</b>			
Topaz.....	383		
<b>Mercury rear frive</b>			
Bobcat .....	384		
Brougham, Colony Park, Commuter, Grand Marquis, Marquis, Marauder, Medalist, Montclair, Monterey, Park Lane .....	385		
Capri .....	390		
Comet, Cyclone, Meteor, Montego.....	393		
Cougar, XR-7 .....	397		
Monarch .....	401		
Zephyr .....	402		
<b>Merkur</b> .....	404		
<b>Metropolitan (See also Austin)</b> .....	404		
<b>MG</b> .....	405		
<b>Mitsubishi front drive</b>			
Cordia, Galant, Galant AWD, Galant Sigma, Mirage, Precis, Tredia...	406		
<b>Mitsubishi rear drive</b>			
Starion .....	408		
<b>Morgan</b> .....	412		
<b>Morris</b> .....	412		
<b>Nash</b>			
Air Flyte, Ambassador, Brougham, Club Coupe, Custom, Deluxe, Rambler, Rebel, Statesman, Super, 600 and all numbered series.....	413		
<b>Nissan/Datsun front wheel</b>			
Maxima, Pulsar, Sentra, Sentra AWD, Stanza, Stanza AWD, 200SX, 310, F10 .....	414		
<b>Nissan/Datsun rear wheel</b>			
Bluebird, B110, B210, Maxima, Sedan, 1000, 1200, 1500, 1600, 200SX, 2000, 210, 240SX, 240Z, 260Z, 280Z, 280ZX, 300ZX, 410, 411, 510, 610, 710, 810.....	419		
<b>NSU</b> .....	430		
<b>Oldsmobile front drive</b>			
Cutlass Calais, Cutlass Calais International, Cutlass Calais Supreme.....	430		
Toronado, Toronado Trofeo .....	432		
Eighty Eight, Ninety Eight, Touring Sedan .....	433		
Cutlass Ciera, Cutlass Cruiser, Omega .....	434		
Firenza .....	435		
<b>Oldsmobile rear drive</b>			
Classic 98, Cruiser Wagon, Custom Cruiser, Delta 88, Delmont 88, Dynamic 88, Holiday, Ninety-Eight, Starfire, Super 88, 88, 88 Royale, 98...	436		
Cutlass, Cutlass Cruiser, F-85 Series, Vista Cruiser, 4-4-2, Jetstar 1 .....	440		
Omega, Starfire .....	445		
<b>Packard</b>			
Caribbean, Cavalier, Clipper Series, Commodore, Convertible, Custom 8, Darrin, Eight, Executive, Hawk, Hearse, Limousine, Mayfair, Pacific, Panama, Patrician, Sport Convertible Coupe, Station Sedan, Super Cl.....	447		
<b>Panhard</b> .....	448		
<b>Paycan</b> .....	448		
<b>Peugeot</b> .....	448		
<b>Plymouth front drive</b>			
Acclaim, Caravelle, Reliant, Sundance .....	449		
Horizon, Scamp, TC3, Turismo .....	451		
<b>Plymouth rear drive</b>			
Barracuda, Duster, Valiant, Volare .....	452		
Belvedere, Caravelle, Fury, GTX, Roadrunner, Satellite .....	456		
<b>Plymouth import (See also Mitsubishi)</b>			
Arrow, Champ, Colt, Conquest, Cricket, Laser, Sapporo .....	460		
<b>Pontiac front drive</b>			
Bonneville .....	469		
Grand Am .....	469		
Grand Prix .....	470		
J2000, Sunbird .....	471		
Phoenix .....	473		
<b>Pontiac front drive - AWD</b>			
6000 .....	474		
<b>Pontiac rear drive</b>			
Astre, Sunbird.....	475		
Bonneville, Catalina, Chieftain, Grand Safari, Executive, Grandville, Parisienne, Safari, Star Chief, 2+2.....	477		
Grand Am, Grand Prix, GTO, LeMans, Mid Size Bonneville, Tempest.....	482		
Fiero .....	487		
Firebird, Formula, Trans-Am, GTA .....	488		
Phoenix, Ventura II .....	492		
T1000.....	495		
<b>Pontiac import - front drive</b>			
Firefly (Canada), Optima, Sunburst.....	496		
LeMans .....	497		



**APPLICATION INDEX MODEL TO PAGE NUMBER** *continued*

<b>Porsche</b> .....	497	<b>Subaru</b> .....	514	<b>Volkswagen type I</b>	
<b>Renault</b> .....	501	<b>Sunbeam</b> .....	518	Beetle, Karmann Ghia, Thing .....	544
<b>Riley</b> .....	503	<b>Suzuki</b> .....	519	<b>Volkswagen water cooled</b>	
<b>Rolls Royce</b> .....	504	<b>Toyota front drive</b>		Cabrio, Cabriolet, Corrado, Dasher,	
<b>Saab</b> .....	507	Camry, Camry AWD, Celica,		Fox, Golf, GTI, Jetta, New Beetle,	
<b>Simca</b> .....	509	Celica AWD, Corolla AWD,		Passat, Rabbit, Scirocco, Quantum,	
<b>Singer</b> .....	510	Corolla FX, Tercel, Tercel Wagon		Quantum Synchro .....	545
<b>Skoda (Russia)</b> .....	510	4WD Corolla, .....	522	<b>Volkswagen type II</b>	
<b>Sterling</b> .....	510	<b>Toyota rear drive</b>		Bus, EuroVan, Transporter, Van,	
<b>Studebaker</b>		Carina, Celica, Corolla, Corona,		Vanagon, Camper, Westfalia.....	548
Avanti, Broadmoor, Challenger,		Corona Mark II, Cressida, Starlet,		<b>Volkswagen type III</b>	
Champion, Commander, Conestoga,		Supra.....	527	Fastback, Sedan, Squareback .....	550
Cruiser, Daytona, Hawk Series,		<b>Triumph</b> .....	539	<b>Volkswagen type IV</b>	
Land Cruiser, Lark, Parkview, Pelham,		<b>TVR</b> .....	542	411, 412.....	551
President, Provincial, Scotsman,		<b>Vauxhall</b> .....	545	<b>Volvo</b> .....	552
Station Wagon, Taxi, Wagonaire.....	511			<b>Yugo</b> .....	558

## APPLICATION INDEX MODEL TO PAGE NUMBER *continued*

### TRUCKS, SUV'S AND VANS

#### AM General truck

Humvee .....8

#### Chevrolet/GMC light trucks

Astro, Safari .....93  
 El Camino, Cabrello, Sprint.....95  
 S10/S15 PU, Sport Utility .....98  
 Luv.....101

#### Chevrolet/GMC light and 1/2 ton truck

C10/15, K10/15, R10/15, V10/15,  
 Blazer/Jimmy, Suburban .....103  
 Full size vans - G10/G15 .....110

#### Chevrolet/GMC 3/4 trucks

C20/25, K20/25, R20/25, V20/25,  
 Suburban .....113  
 Full size vans - G20/G25, P20/P25 ...120

#### Chevrolet/GMC 1 ton trucks

C30/35, K30/35, R30/35, V30/35.....124  
 Full size vans - G30/G35, P30/P35 ....131

#### Chevrolet 1 1/2 - 2 1/2 ton truck

40, 50, 60, 70, 4100, 4400, 4500.....134

#### Chrysler truck and van

Town & Country van .....152

#### Crane-Carrier truck .....153

#### Dodge mini van - front drive - AWD

Caravan, Mini Ram van .....177

#### Dodge light truck

D50, Raider, Ram 50 .....179

#### Dodge light and 1/2 ton

100, 150, 1500 Series, Pickup,  
 Ramcharger, Power Wagon .....181

#### Dodge 3/4 ton truck

200, 250 Series, 2500 Series,  
 Pickup, Power Wagon, Van .....189

#### Dodge 1 ton truck

300, 350, 3500 Series, WD20, WD21,  
 M375, Motor Home, Pickup, Van .....198

#### Dodge 1 1/2, 2, 2 1/2 ton truck

400, 500, 600, 700 Series trucks,  
 Motor Home Chassis .....205

#### Flxible .....217

#### Ford light truck

Aerostar, Bronco II, Explorer,  
 Ranger .....254

#### Ford light van and SUV

Courier .....258

#### Ford truck full size SUV

Bronco .....259

#### Ford truck 1/2 ton

E100, F100, E150, F150, Econoline,  
 Parcel delivery, Pickup .....263

#### Ford truck 3/4 ton

E200, F200, E250, F250, Econoline,  
 Parcel delivery, Pickup .....273

#### Ford truck 1 ton

F3, F53, F59, E300, E350, F350,  
 M400, P400, 3500 Series, Econoline,  
 Motor home, Parcel delivery, Pickup,  
 F450 Super Duty, Van .....283

#### Ford truck 1 1/2 - 2 1/2 ton

400, 450, 500, 600, 700, 4000,  
 4500 Series, Pickup, Parcel delivery,  
 Motor Home Chassis .....293

#### Fuso truck

FE Series, FG Series .....300  
 FH Series, FK Series, FM Series.....300

#### Grumman

Postal vehicle .....302

#### Hino truck

FA, FB Series .....303  
 FD, FE, FF, FG, GC, SF, SG Series.....303

#### International truck - Scout Series

Scout, Scout 80, Scout 800, Scout II,  
 Travelall.....316

#### International truck 1/2, 3/4, 1, 1 1/2, 2 ton

All models - by axle designation .....318

#### Isuzu tight truck

Amigo, P'up, Pickup, Trooper .....327

#### Isuzu truck - commercial

EVR, FRR, FSR, FTR, FVR, NRR.....330

#### Iveco truck

Light Z100, Z110, 1014AS, 110,  
 120TA, 1211, 1212, 1214, 1214AS,  
 1216AS, 1314, 1314AS .....331  
 Medium 200, 300, 400, 1500, 1800 ....332

#### Jeep sport utility

Cherokee.....335

#### Jeep

Jeep, Jeepster, CJ Series, Scrambler,  
 Wrangler, TJ, DJ .....339  
 Full size Wagoneer Series.....346

#### Jeep truck

Comanche, FC, Gladiator, Pickup,  
 J Series .....351

#### Mack truck

200 Series, 250 Series, 300 Series ...365

#### Mazda light truck .....372

Mercedes Benz truck .....  
 L, LP, LPK, LPS, LS, O309D Series.....378

#### Mitsubishi truck, van, SUV

Mighty Max, Montero, Nativa .....409

#### Nissan/Datsun light truck

Frontier, Hardbody, Murano,  
 Pathfinder, Patrol, Titan, Van,  
 520, 521, 620, 720.....426

#### Plymouth truck - front wheel - AWD van

Voyager .....464

#### Plymouth light truck and van

Trailblazer, Trailduster,  
 Voyager full-size van, PB100,  
 150, 200, 250, 300, 350 Series .....465

#### Rover .....506

#### Studebaker light truck

1-7, 10, 11, 12, 13, 14, 15.....513

#### Subaru light truck .....517

#### Suzuki light truck and SUV

Samurai, Sidekick, XL7 .....520

#### Toyota truck and SUV

Landcruiser, Pickup, Van,  
 4Runner .....533

#### UD light truck

1100 Series .....543

#### UD medium truck

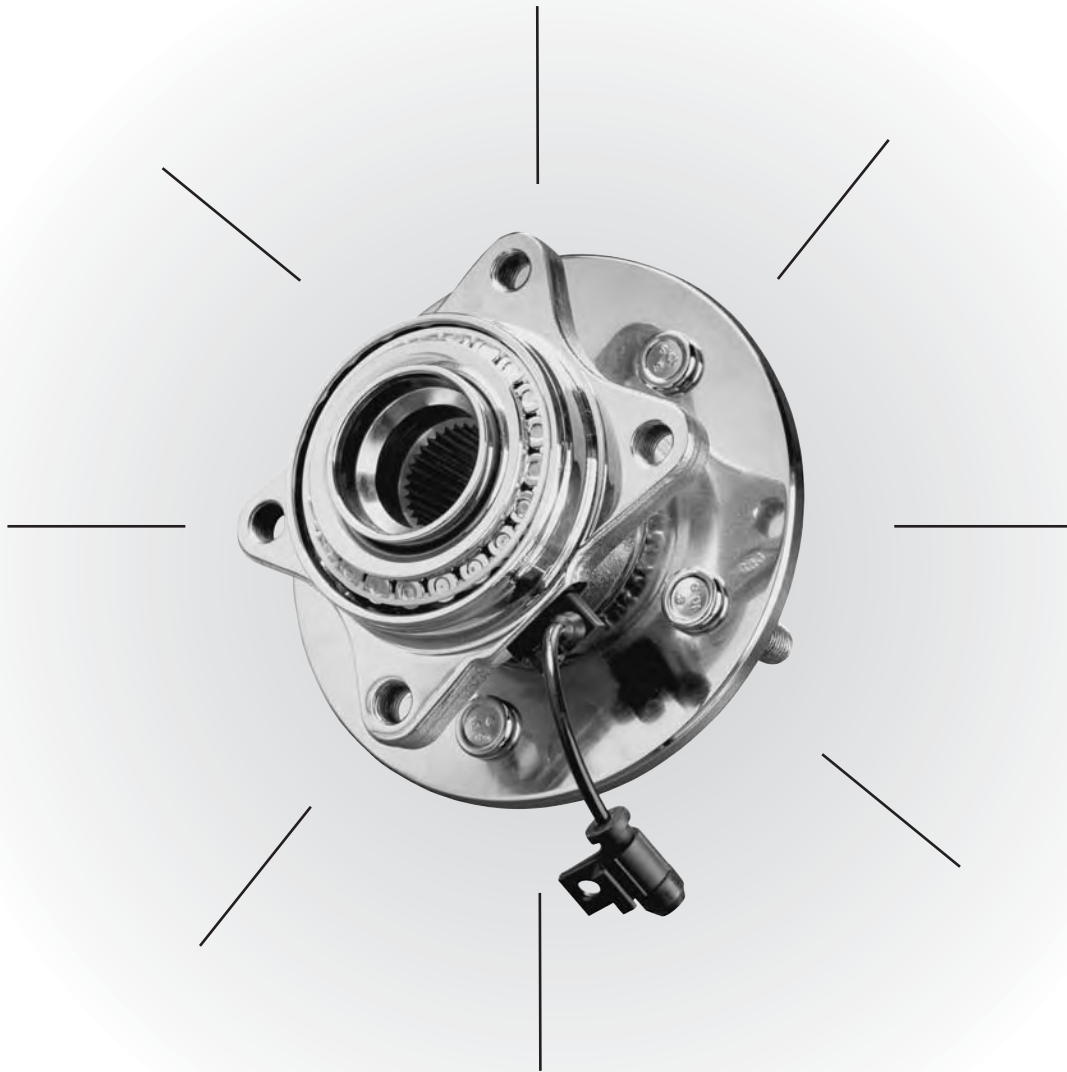
C, 550, 600, 1800,  
 2000 - 3300 Series, Xpress .....543

#### Volvo truck

FE Series .....557

#### Ward La France truck .....558

#### White - Diamond T - Reo truck .....558



**IF YOU'RE GOING TO REPLACE  
AN ORIGINAL HUB,  
SHOULDN'T IT BE WITH  
THE ORIGINAL HUB?**

They weren't called hubs back in 1898, but the original Timken® tapered roller bearings were, in fact, hubs as installers and warehouse distributors know them today. From hubs and seals to bearings and specialty kits, Timken offers a substantial range of parts to the auto industry. In fact, it's no coincidence that Timken hub systems are used by many of the top race teams in the prestigious Winston Cup Series. At every turn – there's uncompromised quality, consistency, and reliability. To find out why Timken is a hub leader, call 1-800-223-1954 and ask for Aftermarket; visit [www.timken.com/hubs](http://www.timken.com/hubs); or send an e-mail to [auto.am@timken.com](mailto:auto.am@timken.com).

**TIMKEN**

WORLDWIDE LEADER IN BEARINGS AND STEEL



**ACURA - FRONT DRIVE - Integra, Legend**

**FRONT WHEEL**

<b>1989-1988</b>	Legend	
Bearing	.....	513052[2]
<b>1989-1986</b>	Integra	
Bearing	.....	513024[2]
<b>1987</b>	Legend Coupe	
Bearing	.....	513052[2]
<b>1987-1986</b>	Legend Sedan	
Bearing	.....	513054[2]

**REAR WHEEL**

<b>1989</b>	Legend Sedan base model	
Hub Assy	.....	513048[2]
<b>1989-1987</b>	Legend Coupe base model	
Hub Assy	.....	513048[2]
<b>1989-1987</b>	Legend exc. Base Models	
Hub Assy	.....	513049[2]
<b>1989-1986</b>	Integra	
Hub Assy	.....	513050[2]
<b>1988-1986</b>	Legend Sedan	
Bearing	.....	513051[2]

**CLUTCH**

**Pilot Bearing**

<b>1989-1986</b>	4-cylinder	
Bearing	.....	102CC

**Release Bearing**

<b>1989-1986</b>	Legend	
Bearing Assy	.....	614068
<b>1989-1986</b>	Integra	
Bearing Assy	.....	614031

**4-SPEED AUTOMATIC TRANSAXLE**

**Differential**

<b>1989-1986</b>	Integra	
Bearing	.....	208[2]
<b>1989-1986</b>	Legend	
Bearing Assy	.....	30208M[2]

**Torque Converter**

<b>1989-1986</b>	Integra	
Seal	.....	350609
<b>1989-1986</b>	Legend	
Seal	.....	350609

**Output Shaft**

<b>1989-1986</b>	Legend	
Seal Viton	.....	224026[2]
Kwik Slv (Opt Rpr)	.....	KWK99157[2]
<b>1989-1986</b>	Integra	
Seal (RH)	.....	224045
Kwik Slv (Opt Rpr) (RH)	.....	KWK99157
Seal (LH)	.....	223805
Kwik Slv (Opt Rpr) (LH)	.....	KWK99157

**4-SPEED AUTOMATIC TRANSAXLE**

**Selector Shaft Seal/Man. Shaft**

<b>1989-1986</b>		
Seal	.....	221207
Kwik Slv (Opt Rpr)	.....	KWK99049

**5-SPEED MANUAL TRANSAXLE**

**Differential**

<b>1989-1986</b>	Integra (A1,CG,S1,SS0,S80, YS1,Y80)	
Bearing	.....	208[2]
<b>1989-1986</b>	Legend (C3P4,G3T4)	
Cone/Cup (LH)	.....	XAA32008X-Y32008X
Bearing Assy (RH)	.....	32010X

**Input Shaft**

<b>1989-1986</b>	Legend (C3P4,G3T4)	
Seal	.....	710157
Kwik Slv (Opt Rpr)	.....	KWK99103
<b>1989-1986</b>	Integra (CG)	
Seal	.....	239146
Kwik Slv (Opt Rpr)	.....	KWK99147

**Output Shaft**

<b>1989-1986</b>	Legend	
Seal	.....	712551[2]
Kwik Slv (Opt Rpr)	.....	KWK99157[2]
<b>1989-1986</b>	Integra	
Seal Viton	.....	222742[2]
Kwik Slv (Opt Rpr)	.....	KWK99106[2]

**POWER STEERING**

**Pump Shaft**

<b>1989-1986</b>		
Seal	.....	221620

**CAMSHAFT SEAL**

**4 Cylinder**

<b>1989-1986</b>	Integra RS LS LSS	
Seal	.....	222743

**6 Cylinder**

<b>1989-1986</b>	Legend	
Seal Viton	.....	713771

**CRANKSHAFT FRONT SEAL**

**4 Cylinder**

<b>1989-1986</b>	Integra RS LS LSS	
Seal	.....	710332
Kwik Slv (Opt Rpr)	.....	KWK99123

**6 Cylinder**

<b>1989-1986</b>	Legend	
Seal	.....	1181
Kwik Slv (Opt Rpr)	.....	KWK99162

# Bearings and Seals

Mfg./Year	Model & Location	Part No	Mfg./Year	Model & Location	Part No
<b>ACURA - FRONT DRIVE - Integra, Legend (cont.)</b>					

## CRANKSHAFT REAR SEAL

### 4 Cylinder

<b>1989-1986</b>	Integra	
Seal	.....	228015
Kwik Slv (Opt Rpr)	.....	KWK99315

## CRANKSHAFT REAR SEAL

### 6 Cylinder

<b>1989-1986</b>	Legend	
Seal Viton	.....	228008
Kwik Slv (Opt Rpr)	.....	KWK99315

# ALFA ROMEO - 164

## FRONT WHEEL

<b>1989-1959</b>	Spider	
Seal (inner)	.....	224100[2]
Bearing Assy (inner)	.....	30206M[2]
Bearing Assy (outer)	.....	32303[2]
<b>1989-1987</b>	Milano	
Seal (inner)	.....	1973[2]
Set (inner)	.....	SET8
Set (outer)	.....	SET2
<b>1986-1981</b>	GTV6	
Seal (inner)	.....	1973[2]
Set (inner)	.....	SET8
Set (outer)	.....	SET2
<b>1981-1974</b>	Veloce - GT, Spider	
Bearing Assy (inner)	.....	30206M[2]
Bearing Assy (outer)	.....	32304M[2]
<b>1981-1972</b>	GTV	
Bearing Assy (inner)	.....	30206M[2]
Bearing Assy (outer)	.....	30203[2]
<b>1979-1977</b>	Sport Sedan	
Seal (inner)	.....	494117[2]
Set (inner)	.....	SET1
Set (outer)	.....	SET1
<b>1976</b>	Alfetta Series	
Set (inner)	.....	SET8
Set (outer)	.....	SET2
<b>1975</b>	Alfetta Series	
Set (inner)	.....	SET4
Set (outer)	.....	SET1
<b>1974</b>	2000 Berlina	
Bearing Assy (inner)	.....	30206M[2]
Bearing Assy (outer)	.....	32303[2]
<b>1974-1970</b>	Berlina	
Set (inner)	.....	SET8
Set (outer)	.....	SET1
<b>1971-1970</b>	1750 Berlina	
Bearing Assy (inner)	.....	30206M[2]
Bearing Assy (outer)	.....	32303[2]
<b>1969-1962</b>	Giulia	
Seal (inner)	.....	224100[2]
Bearing Assy (inner)	.....	30206M[2]
Bearing Assy (outer)	.....	32303[2]
<b>1968-1963</b>	2600	
Bearing Assy (inner)	.....	30207M[2]
Bearing Assy (outer)	.....	32304M[2]
<b>1966-1958</b>	2000	
Bearing Assy (inner)	.....	30207M[2]
Bearing Assy (outer)	.....	32304M[2]
<b>1962-1957</b>	Giulietta: production from 12/1957 on	
Bearing Assy (inner)	.....	30305M[2]
Bearing Assy (outer)	.....	32303[2]

## FRONT WHEEL (cont.)

<b>1957-1955</b>	Giulietta: production thru 11/1957	
Bearing Assy (inner)	.....	30305M[2]
Bearing Assy (outer)	.....	30303[2]

## REAR WHEEL

<b>1989-1976</b>	Spider	
Seal	.....	223035[2]
Bearing	.....	88107[2]
<b>1989-1987</b>	Milano	
Seal	.....	224210[2]
Bearing	.....	513106[2]
<b>1986-1981</b>	GTV 6	
Seal	.....	224210[2]
Bearing	.....	513106[2]
<b>1981-1972</b>	GTV	
Seal	.....	223035[2]
Bearing	.....	88107[2]
<b>1979-1977</b>	Sport Sedan	
Seal	.....	224210[2]
Bearing	.....	513102[2]
<b>1979-1977</b>	Sprint Veloce	
Seal	.....	224210[2]
Bearing	.....	513102[2]
<b>1976-1975</b>	Alfetta Series	
Seal	.....	224210[2]
Bearing	.....	513102[2]
<b>1974-1970</b>	2000 Berlina	
Seal	.....	223035[2]
Bearing	.....	88107[2]
<b>1970-1966</b>	Spider	
Bearing	.....	88508[2]
<b>1969-1962</b>	Giulia	
Bearing	.....	88508[2]
<b>1965-1958</b>	1900 Series	
Bearing	.....	88508[2]
<b>1962-1955</b>	Giulietta	
Bearing	.....	88508[2]

## REAR AXLE

### Differential

<b>1989</b>	Spider 2000, Graduate, Quadrifoglio, Veloce	
Cone/Cup	.....	28150-28300[2]
<b>1989-1987</b>	Milano	
Set	.....	SET45
<b>1988-1976</b>	Spider 2000, Graduate, Quadrifoglio, Veloce	
Set	.....	SET45
<b>1986-1981</b>	GTV6	
Set	.....	SET37

**ALFA ROMEO - 164 (cont.)**

**REAR AXLE (cont.)**

**Differential (cont.)**

<b>1981-1972</b>	GTV / GT Veloce	
Set	.....	SET45
<b>1976-1975</b>	Alfetta Coupe, spider	
Cone/Cup	.....	LM29749-LM29710[2]
<b>1974-1970</b>	Berlina	
Set	.....	SET45

**Pinion**

<b>1989-1987</b>	Milano	
Cone/Cup (inner)	.....	HM89446-HM89410
Cone/Cup (outer)	.....	M88048-M88010
<b>1988-1976</b>	2000 Spider, Berlina, Graduate, Quadrifoglio	
Cone/Cup (inner)	.....	HM89446-HM89410
Cone/Cup (outer)	.....	M88048-M88010
<b>1986-1983</b>	GTV6	
Cone/Cup (inner)	.....	HM801346X-HM801310
Cone/Cup (outer)	.....	HM89446-HM89410
<b>1964-1955</b>	Giulietta Series	
Bearing Assy (inner)	.....	30305M

**3-SPEED AUTOMATIC TRANSMISSION**

**Torque Converter**

<b>1983-1980</b>	ZF3HP22	
Seal	.....	224010
Kwik Slv (Opt Rpr)	.....	KWK99157

**Rear Seal/Ext. Housing**

<b>1983-1980</b>	ZF3HP22	
Seal	.....	3459S
Bearing	.....	107WB

**4-SPEED AUTOMATIC TRANSMISSION**

**Torque Converter**

<b>1989-1984</b>	ZF4HP22	
Seal	.....	224052
Kwik Slv (Opt Rpr)	.....	KWK99157

**Rear Seal/Ext. Housing**

<b>1989-1984</b>	ZF4HP22	
Seal	.....	3459S

**CLUTCH**

**Release Bearing**

<b>1989-1976</b>	Spider 2000	
Bearing Assy	.....	614100
<b>1989-1975</b>	2000	
Bearing Assy	.....	614100
<b>1989-1987</b>	Milano	
Bearing Assy	.....	614102
<b>1986-1981</b>	GTV6	
Bearing Assy	.....	614102
<b>1985-1976</b>	Spider Veloce	
Bearing Assy	.....	614100
<b>1979-1977</b>	Sport Sedan	
Bearing Assy	.....	614101

**CLUTCH (cont.)**

**Release Bearing (cont.)**

<b>1977-1976</b>	Alfetta Coupe, spider	
Bearing Assy	.....	614101

**ALTERNATOR**

<b>1987-1965</b>	Bosch 35 amp	
Bearing (rear end)	.....	201S
<b>1987-1965</b>	Bosch 45 amp	
Bearing (drive end)	.....	203S
Bearing (rear end)	.....	201S
<b>1987-1965</b>	Bosch 55, 65 amp	
Bearing (drive end)	.....	203S
<b>1977-1975</b>	Marchal	
Bearing (drive end)	.....	203FF
Bearing (rear end)	.....	200CC

**GENERATOR**

<b>1967-1959</b>	Marelli DN44AE	
Bearing (drive end)	.....	202AG
Bearing (rear end)	.....	201AB
<b>1962-1959</b>	Marelli DN59C	
Bearing (drive end)	.....	202FF
Bearing (rear end)	.....	201CC
<b>1962-1959</b>	Bosch	
Bearing (drive end)	.....	202AG

**CRANKSHAFT REAR SEAL**

**4 Cylinder**

<b>1989-1980</b>	1962cc/2.0L	
Seal	.....	228480
Kwik Slv (Opt Rpr)	.....	KWK99328

**6 Cylinder**

<b>1989-1981</b>	2492cc/2.5L, 2959cc/3.0L	
Seal	.....	228480
Kwik Slv (Opt Rpr)	.....	KWK99328

**TIMING COVER**

**4 Cylinder**

<b>1989-1980</b>	1962cc/2.0L	
Seal	.....	223520
Kwik Slv (Opt Rpr)	.....	KWK99139

**6 Cylinder**

<b>1989-1981</b>	2492cc/2.5L, 2959cc/3.0L	
Seal	.....	223520
Kwik Slv (Opt Rpr)	.....	KWK99139



# Bearings and Seals

Mfg./Year    Model & Location    Part No    Mfg./Year    Model & Location    Part No

## **AMERICAN MOTORS - Ambassador, AMX, Classic, Concord, Gremlin, Hornet, Javelin, Marlin, Matador, Pacer, Rambler, Rambler American, Rebel, SCRambler, Spirit**

### **FRONT WHEEL**

<b>1983-1979</b>	
Seal (inner) .....	7022S[2]
Set (inner) .....	SET6
Set (outer) .....	SET2
<b>1978-1974</b>	with Bendix disc brakes
Seal (inner) .....	5121[2]
Set (inner) .....	SET17
Set (outer) .....	SET16
<b>1976-1957</b>	exc. Bendix disc brakes
Seal (inner) .....	7022S[2]
Set (inner) .....	SET6
Set (outer) .....	SET2

### **REAR WHEEL**

<b>1983-1972</b>	4-cyl
Seal (inner) .....	7686S[2]
Seal (outer) .....	8429S[2]
Set (outer) .....	SET6
<b>1983-1971</b>	6-cyl
Seal (inner) .....	7686S[2]
Seal (outer) .....	8429S[2]
Set (outer) .....	SET6
<b>1979-1966</b>	8-cyl
Seal (inner) .....	7687S[2]
Seal (outer) .....	8549S[2]
Set (outer) .....	SET5
<b>1978-1970</b>	Matador, Rebel
Seal (inner) .....	7687S[2]
Seal (outer) .....	8549S[2]
Set (outer) .....	SET5
<b>1974-1965</b>	Ambassador
Seal (inner) .....	7687S[2]
Seal (outer) .....	8549S[2]
Set (outer) .....	SET5
<b>1971-1966</b>	6-cylinder: disc brakes
Seal (inner) .....	7687S[2]
Seal (outer) .....	8549S[2]
Set (outer) .....	SET5
<b>1971-1966</b>	6-cylinder: drum brakes
Seal (inner) .....	7686S[2]
Seal (outer) .....	8429S[2]
Set (outer) .....	SET6
<b>1969-1967</b>	Matador, Rebel: 6-cylinder: disc brakes
Seal (inner) .....	7687S[2]
Seal (outer) .....	8549S[2]
Set (outer) .....	SET5
<b>1969-1967</b>	Rebel: 6-cylinder: drum brakes
Seal (inner) .....	7686S[2]
Seal (outer) .....	8429S[2]
Set (outer) .....	SET6
<b>1969-1967</b>	Matador, Rebel, SCRambler: 8-cylinder
Seal (inner) .....	7687S[2]
Seal (outer) .....	8549S[2]
Set (outer) .....	SET5

### **REAR WHEEL (cont.)**

<b>1969-1967</b>	Matador, Rebel: Station Wagon
Seal (inner) .....	7687S[2]
Seal (outer) .....	8549S[2]
Set (outer) .....	SET5
<b>1966-1965</b>	Classic: 8-cyl
Seal (inner) .....	7687S[2]
Seal (outer) .....	8549S[2]
Set (outer) .....	SET5
<b>1966-1962</b>	Classic: 6-cyl
Seal (inner) .....	7686S[2]
Seal (outer) .....	8429S[2]
Set (outer) .....	SET6
<b>1966-1958</b>	Rambler, Rebel
Seal (inner) .....	7686S[2]
Seal (outer) .....	340356[2]
Set (outer) .....	SET6
<b>1965-1962</b>	
Seal (inner) .....	7686S[2]
Seal (outer) .....	8429S[2]
Set (outer) .....	SET6
<b>1964-1963</b>	Classic: 8-cyl
Seal .....	8549S[2]
Set .....	SET5
<b>1964-1958</b>	Ambassador, Marlin
Set .....	SET5
<b>1962-1958</b>	Classic: 8-cyl
Set .....	SET5
<b>1961-1958</b>	
Seal (inner) .....	7686S[2]
Seal (outer) .....	340356[2]
Set (outer) .....	SET6
<b>1961-1957</b>	Classic: 6-cyl
Seal (inner) .....	7686S[2]
Seal (outer) .....	340356[2]
Set (outer) .....	SET6
<b>1958-1957</b>	Rambler, Rebel: irregular housing cover
Seal (inner) .....	7686S[2]
Seal (outer) .....	340356[2]
Set (outer) .....	SET6
<b>1957</b>	Rambler, Rebel: half-round housing cover
Seal (inner) .....	340356[2]
Cone/Cup (inner) .....	15126-15245[2]
Seal (outer) .....	7686S[2]
Set (outer) .....	SET6

### **REAR AXLE**

#### **Differential Rebuild Kit**

<b>1983-1968</b>	7.506" ring gear
Kit .....	DRK335J
<b>1978-1965</b>	8.875" ring gear
Kit .....	DRK311J

**AMERICAN MOTORS - Ambassador, AMX, Classic, Concord, Gremlin, Hornet, Javelin, Marlin, Matador, Pacer, Rambler, Rambler American, Rebel, SCRambler, Spirit (cont.)**

**REAR AXLE**

**Differential**

<b>1983-1964</b>	7.506" ring gear	
Cone/Cup	.....	LM501349-LM501314[2]
<b>1979-1964</b>	8.875" ring gear	
Set	.....	SET36[2]
<b>1964-1958</b>	Spicer 53	
Cone/Cup	.....	25590-25523[2]
<b>1963-1960</b>	Spicer 27A	
Cone/Cup	.....	LM501349-LM501311[2]
<b>1959-1958</b>	Spicer 23	
Cone/Cup	.....	24780-24721[2]
<b>1959-1957</b>	Spicer 41, 44	
Cone/Cup	.....	25577-25523[2]

**Pinion**

<b>1985-1976</b>	6-cylinder	
Cone/Cup (inner)	.....	HM88648-HM88610
Cone/Cup (outer)	.....	M86649-M86610
<b>1985-1976</b>	4-cylinder	
Cone/Cup (inner)	.....	M86648-M86610
Cone/Cup (outer)	.....	M86649-M86610
<b>1975</b>	6-cylinder: exc. 2.87 gear	
Cone/Cup (inner)	.....	HM88649-HM88610
Cone/Cup (outer)	.....	M86649-M86610
<b>1975</b>	6-cylinder: 2.87 gear	
Cone/Cup (inner)	.....	M802048-M802011
Cone/Cup (outer)	.....	M88048-M88010
<b>1974-1966</b>	6-cylinder: exc. H/D	
Cone/Cup (inner)	.....	HM88649-HM88610
Cone/Cup (outer)	.....	M86649-M86610
<b>1974-1965</b>	Ambassador, Marlin	
Cone/Cup (inner)	.....	M88048-M88010
Cone/Cup (outer)	.....	M802048-M802011
<b>1971-1970</b>	6-cylinder: Heavy Duty	
Cone/Cup (inner)	.....	M802048-M802011
Cone/Cup (outer)	.....	M88048-M88010
<b>1967</b>	Matador, Rebel	
Cone/Cup (inner)	.....	M802048-M802011
Cone/Cup (outer)	.....	M88048-M88010
<b>1967-1966</b>	8-cylinder	
Cone/Cup (inner)	.....	M802048-M802011
Cone/Cup (outer)	.....	M88048-M88010
<b>1966-1965</b>	Rambler 6, Classic, Rebel: 6-cylinder 8-cylinder: H/D axle	
Cone/Cup (inner)	.....	M802048-M802011
Cone/Cup (outer)	.....	M88048-M88010
<b>1964-1961</b>	Rambler, Classic, Rebel: 8-cyl	
Cone/Cup (inner)	.....	M802048-M802011
Cone/Cup (outer)	.....	31590-31520
<b>1964-1961</b>	Rebel: 6-cylinder 196, 199: std. axle	
Cone/Cup (inner)	.....	M802048-M802011
Cone/Cup (outer)	.....	M86649-M86610
<b>1964-1960</b>	Classic 6, Rambler 6	
Cone/Cup (inner)	.....	HM88649-HM88610
Cone/Cup (outer)	.....	M86649-M86610
<b>1964-1958</b>	Ambassador, Marlin	
Cone/Cup (outer)	.....	3877-3820

**CLUTCH**

**Release Bearing**

<b>1983</b>	4-cylinder: late (AMC engine)	
Bearing Assy	.....	614030
<b>1983-1980</b>	4-cylinder: early (GM engine)	
Bearing Assy	.....	614017
<b>1983-1977</b>	6-cyl	
Bearing Assy	.....	614038
<b>1983-1974</b>	8-cylinder: diaphragm clutch	
Bearing Assy	.....	614038
<b>1983-1974</b>	8-cylinder: 3-finger clutch	
Bearing Assy	.....	614034
<b>1979-1977</b>	4-cylinder: 2.0	
Bearing Assy	.....	614013
<b>1976-1974</b>	6-cylinder: diaphragm clutch	
Bearing Assy	.....	614038
<b>1976-1974</b>	6-cylinder: 3-finger clutch	
Bearing Assy	.....	614034
<b>1976-1973</b>	6-cylinder: trans 13-02-000-066 thru 078	
Bearing Assy	.....	R1605C
<b>1976-1973</b>	8-cylinder: trans 13-02-000-066 thru 078	
Bearing Assy	.....	R1605C
<b>1974-1973</b>	Javelin	
Bearing Assy	.....	R1605C
<b>1973-1970</b>	6-cyl	
Bearing Assy	.....	R1605C
<b>1973-1970</b>	8-cylinder	
Bearing Assy	.....	R1605C
<b>1973-1966</b>	6-cylinder: exc. H/D	
Bearing Assy	.....	R1605C
<b>1969-1967</b>	6-cylinder: H/D	
Bearing Assy	.....	RB01658C
<b>1969-1967</b>	8-cylinder	
Bearing Assy	.....	RB01658C
<b>1966</b>	8-cylinder	
Bearing Assy	.....	R1625C
<b>1966-1965</b>	6-cylinder: 199 and H/D	
Bearing Assy	.....	R1625C
<b>1965</b>	6-cylinder: exc. 199 and H/D	
Bearing Assy	.....	R1605C
<b>1964-1960</b>	6-cylinder: exc. .375" flywheel	
Bearing Only	.....	NH1752C
<b>1964-1960</b>	6-cylinder: .375" flywheel	
Bearing Assy	.....	R1605C
<b>1960-1959</b>	6-cylinder: Rambler with H/D clutch	
Bearing Only	.....	NH1752C
<b>1960-1957</b>	8-cylinder	
Bearing Only	.....	NH1752C
<b>1959-1958</b>	6-cyl	
Bearing Only	.....	N1605C

**ALTERNATOR**

<b>1988-1983</b>	Delco 56 amp	
Bearing (drive end)	.....	203F
Bearing (rear end)	.....	MNJ471S

# Bearings and Seals

Mfg./Year    Model & Location    Part No    Mfg./Year    Model & Location    Part No

## **AMERICAN MOTORS - Ambassador, AMX, Classic, Concord, Gremlin, Hornet, Javelin, Marlin, Matador, Pacer, Rambler, Rambler American, Rebel, SCRambler, Spirit (cont.)**

### **ALTERNATOR (cont.)**

<b>1988-1983</b>	Delco 66 amp	
	Bearing (drive end) .....	203F
	Bearing (rear end) .....	MNJ471S
<b>1988-1983</b>	Delco 78 amp	
	Bearing (drive end) .....	203F
	Bearing (rear end) .....	MNJ471S
<b>1982-1978</b>	Delco 63 amp	
	Bearing (drive end) .....	203S
	Bearing (rear end) .....	MNJ471S
<b>1982-1978</b>	Delco 70 amp	
	Bearing (drive end) .....	203S
	Bearing (rear end) .....	MNJ471S
<b>1980-1979</b>	Bosch	
	Bearing (drive end) .....	203S
	Bearing (rear end) .....	201S
<b>1978-1975</b>	Delco 37 amp	
	Bearing (drive end) .....	203S
	Bearing (rear end) .....	200CC
<b>1978-1975</b>	Delco 42 amp	
	Bearing (drive end) .....	203S
	Bearing (rear end) .....	200CC
<b>1978-1975</b>	Delco 55 amp	
	Bearing (drive end) .....	203S
	Bearing (rear end) .....	200CC
<b>1978-1973</b>	Motorcraft	
	Bearing (drive end) .....	203FF
	Bearing (rear end) .....	MNJ471S
<b>1975-1968</b>	Motorola 35, 37, 51, 55 amp	
	Bearing (drive end) .....	203FF
	Bearing (rear end) .....	200CC
<b>1975-1968</b>	Motorola 62 amp	
	Bearing (drive end) .....	203FF
	Bearing (rear end) .....	200CC
<b>1974-1963</b>	Leece-Neville 35 & 40 amp	
	Bearing (drive end) .....	203FF
	Bearing (rear end) .....	MNJ471S
<b>1972-1965</b>	AMC	
	Bearing (drive end) .....	203FF
	Bearing (rear end) .....	200CC
<b>1964-1963</b>	Delco	
	Bearing (drive end) .....	203AB
<b>1961-1960</b>	all	
	Bearing (drive end) .....	203FF
	Bearing (rear end) .....	MNJ471S

### **GENERATOR**

<b>1960-1958</b>	Heavy Duty	
	Bearing (drive end) .....	204
	Bearing (rear end) .....	303AB
<b>1960-1945</b>	Standard	
	Bearing (drive end) .....	203AB
	Bearing (rear end) .....	203AB
<b>1957-1956</b>	Heavy Duty	
	Bearing (drive end) .....	204
	Bearing (rear end) .....	203AB
<b>1955-1954</b>	Heavy Duty	
	Bearing (rear end) .....	204

### **POWER STEERING**

#### **Pump Shaft**

<b>1978-1958</b>	Manual Steering Worm Shaft	
	Bearing .....	8537

### **CRANKSHAFT REAR SEAL**

#### **4 Cylinder**

<b>1982-1980</b>	151/2.5L	
	Seal .....	3698

#### **6 Cylinder**

<b>1983-1958</b>	195/3.2L, 199/3.3, 232/3.8, 258/4.2	
	Seal .....	5111S

#### **8 Cylinder**

<b>1978-1966</b>	290/4.7, 304/5.0, 343/5.6, 360/5.9, 390/6.4, 401/6.6	
	Seal Split .....	5112S

### **TIMING COVER**

#### **4 Cylinder**

<b>1982-1980</b>	151/2.5L	
	Seal .....	9845
	Kwik Slv (Opt Rpr) .....	KWK99176
	Harmonic Balancer	
	Sleeves Opt. ....	88176

#### **6 Cylinder**

<b>1983-1958</b>	195/3.2L, 199/3.3, 232/3.8, 258/4.2	
	Seal .....	321460
	Kwik Slv (Opt Rpr) .....	KWK99179
	Harmonic Balancer	
	Sleeves Opt. ....	88179

#### **8 Cylinder**

<b>1978-1966</b>	290/4.7, 304/5.0, 343/5.6, 360/5.9, 390/6.4, 401/6.6	
	Seal .....	472341
	Kwik Slv (Opt Rpr) .....	KWK99199
	Harmonic Balancer	
	Sleeves Opt. ....	88199
<b>1966-1958</b>	287/4.7L, 327/5.3L	
	Seal .....	481195
	Kwik Slv (Opt Rpr) .....	KWK99193



**AMERICAN MOTORS - Eagle, SX/4**

**FRONT WHEEL**

**1988-1980**

Seal (inner) .....	3942[2]
Set (inner) .....	SET26
Seal (outer) .....	3553[2]
Set (outer) .....	SET26

**REAR WHEEL**

**1988-1980**

Seal (inner) .....	7686S[2]
Set (inner) .....	SET6
Seal (outer) .....	8429S[2]

**4WD FRONT AXLE**

**Differential Rebuild Kit**

**1988-1980**

Kit .....	DRK334
-----------	--------

**Differential**

**1988-1980**

Cone/Cup .....	LM501349-LM501314[2]
----------------	----------------------

**Pinion**

**1988-1980**

Cone/Cup (inner) .....	HM88649-HM88610
Cone/Cup (outer) .....	02872-02820

**REAR AXLE**

**Differential Rebuild Kit**

**1988-1980**

Kit .....	DRK335J
-----------	---------

**Differential**

**1988-1980**

Cone/Cup .....	LM501349-LM501314[2]
----------------	----------------------

**Pinion**

**1988-1980**

Cone/Cup (inner) .....	HM88648-HM88610
Cone/Cup (outer) .....	M86649-M86610

**INNER AXLE DIFFERENTIAL SUPPORT**

**1983**

Bearing Assy .....	U298-9A010
--------------------	------------

**CLUTCH**

**Release Bearing**

<b>1988-1984</b> 4-cylinder (AMC engine)	
Bearing Assy .....	614030
<b>1988-1980</b> 6-cyl	
Bearing Assy .....	614038
<b>1983-1981</b> 4-cylinder (GM engine)	
Bearing Assy .....	614017

**4-SPEED MANUAL TRANSMISSION**

**Input Shaft**

**1984-1982**    Warner T4

Seal .....	7412S
Set .....	SET5

**Countershaft**

**1984-1982**    Warner T4

Cyl. Bearing (rear) .....	5707
Needle Bearing Thrust .....	NTA1423

**Rear Output Shaft**

**1984-1982**    Warner T4: 23-splines

Seal .....	472439
Cone/Cup .....	25877-25821
<b>1984-1982</b> Warner T4: 26-splines	
Seal .....	2506
Cone/Cup .....	25877-25821

**5-SPEED MANUAL TRANSMISSION**

**Front Input Shaft**

**1988-1982**    Warner T5

Seal .....	7412S
Set .....	SET5

**Countershaft**

**1988-1982**    Warner T5

Needle Bearing (front) .....	DK55836
Cyl. Bearing (rear) .....	5707
Needle Bearing Thrust .....	NTA1423

**Rear Output Shaft**

**1988-1982**    Warner T5: 23-spline

Seal .....	472439
Cone/Cup .....	25877-25821
<b>1988-1982</b> Warner T5: 26-spline	
Seal .....	2506
Cone/Cup .....	25877-25821

**CRANKSHAFT REAR SEAL**

**4 Cylinder**

<b>1984-1983</b> 150/2.5L	
Seal Viton .....	716445
Kwik Slv (Opt Rpr) .....	KWK99294
<b>1983-1981</b> 151/2.5L	
Seal .....	3698

**6 Cylinder**

**1988-1980**    258/4.2L

Seal .....	5111S
------------	-------

**TIMING COVER**

**4 Cylinder**

**1984-1983**    150/2.5L

Seal .....	321460
Kwik Slv (Opt Rpr) .....	KWK99179

# Bearings and Seals

Mfg./Year    Model & Location    Part No    Mfg./Year    Model & Location    Part No

## AMERICAN MOTORS - Eagle, SX/4 (cont.)

### TIMING COVER (cont.)

#### 4 Cylinder (cont.)

1983-1981    151/2.5L  
 Seal ..... 9845  
 Kwik Slv (Opt Rpr) .....KWK99176

#### 6 Cylinder

1988-1980    258/4.2L  
 Seal ..... 321460  
 Kwik Slv (Opt Rpr) .....KWK99179

## AM GENERAL TRUCK - Humvee

### FRONT WHEEL

#### 2WD

1989-1980  
 Seal (inner) .....8430S[2]  
 Set (inner) .....SET45  
 Set (outer) .....SET45

#### 4WD

1989-1980  
 Cone/Cup (inner) ..... 3490-3420[2]  
 Cone/Cup (outer) .....3780-3720[2]

### REAR AXLE

#### Differential

1984-1980    Dana/Spicer 44-3 axle  
 Cone/Cup ..... 25590-25523[2]

### REAR AXLE

#### Pinion

1984-1980    Spicer 44-3 axle  
 Cone/Cup (inner) ..... 31594-31520  
 Seal (outer) .....5778  
 Cone/Cup (outer) ..... 02872-02820

## ASTON MARTIN

### FRONT WHEEL

1989-1988    Virage  
 Set (inner) .....SET13  
 Set (outer) .....SET8  
 1989-1976    Lagonda  
 Set (inner) .....SET13  
 Set (outer) .....SET12  
 1989-1970    Volante  
 Cone/Cup (inner) ..... 14138A-14276[2]  
 Cone/Cup (outer) ..... 09067-09195[2]  
 1989-1970    V8  
 Cone/Cup (inner) ..... 14138A-14276[2]  
 Cone/Cup (outer) ..... 09067-09195[2]  
 1979-1970    Vantage  
 Cone/Cup (inner) ..... 14138A-14276[2]  
 Cone/Cup (outer) ..... 09067-09195[2]  
 1973-1967    DBS  
 Cone/Cup (inner) ..... 14138A-14276[2]  
 Cone/Cup (outer) ..... 09067-09195[2]  
 1969-1959    DB4, DB5, DB6  
 Cone/Cup (inner) ..... 14138A-14276[2]  
 Cone/Cup (outer) ..... 09067-09195[2]

### REAR WHEEL

1989-1988    Virage  
 Set .....SET37  
 1989-1976    Lagonda  
 Set .....SET37  
 1989-1970    Volante  
 Set .....SET37  
 1989-1970    V8  
 Set .....SET37  
 1989-1970    Vantage  
 Set .....SET37  
 1973-1967    DBS  
 Set .....SET37  
 1969-1966    DB6  
 Cone/Cup ..... 25877-25820[2]  
 1965-1964    DB5 Mk. III  
 Cone/Cup ..... 25877-25820[2]  
 1963-1961    DB4 Mk. III: production from  
 10/1961 on  
 Cone/Cup (outer) ..... 24780-24721[2]  
 1961-1959    DB4: production thru 10/1961  
 Cone/Cup ..... 25877-25821[2]

**ASTON MARTIN (cont.)**

**REAR AXLE**

**Axle Shaft**

1989-1976 DBS, Lagonda, Vantage, Virage,  
Volante, V8  
Set ..... SET17

**Differential**

1989-1976 DBS, Lagonda, Vantage, Virage,  
Volante, V8  
Cone/Cup ..... 25577-25523[2]

**Pinion**

1989-1973 Vantage  
Cone/Cup (inner) ..... HM89446-HM89410  
Cone/Cup (outer) ..... M88043-M88010  
1989-1976 Lagonda  
Cone/Cup (inner) ..... HM89446-HM89410  
Cone/Cup (outer) ..... M88043-M88010  
1989-1973 Volante  
Cone/Cup (inner) ..... HM89446-HM89410  
Cone/Cup (outer) ..... M88043-M88010  
1989-1973 V8  
Cone/Cup (inner) ..... HM89446-HM89410  
Cone/Cup (outer) ..... M88043-M88010  
1973-1964 DB, DBS  
Cone/Cup (inner) ..... HM89446-HM89410  
Cone/Cup (outer) ..... M88043-M88010

**3-SPEED AUTOMATIC TRANSMISSION**

**Torque Converter**

1989-1976 Chrysler A727  
Seal ..... 331227H  
Kwik Slv (Opt Rpr) ..... KWK99187

**3-SPEED AUTOMATIC TRANSMISSION**

**Rear Seal/Ext. Housing**

1989-1976 Chrysler A727  
Seal ..... 7300S  
Bearing ..... 207XLO  
Seal Kit ..... 5206<sup>64</sup>

**MANUAL STEERING**

**Worm Shaft**

1963-1960  
Set ..... SET2

**AUDI - 80 80 Quattro 90 90 Quattro 100 100 Quattro 200 200 Quattro**

**FRONT WHEEL**

1989-1988 80 Quattro  
Bearing ..... 510020[2]  
1989-1988 80  
Set ..... SET39  
1989 100: automatic trans  
Bearing ..... 513242[2]  
1989 100: manual trans  
Bearing ..... 510020[2]  
1989 200 Turbo: automatic trans  
Bearing ..... 513242[2]  
1989 200 Turbo: manual trans  
Bearing ..... 510020[2]  
1989-1988 90  
Set ..... SET39  
1989-1988 90 Quattro  
Bearing ..... 510020[2]  
1977-1967 100  
Seal ..... 225870[2]  
Cone/Cup ..... LM300849-LM300811[2]

**REAR WHEEL**

1989-1988 90: disc brakes  
Seal (inner) ..... 1962[2]  
Set (inner) ..... SET8  
Set (outer) ..... SET2  
1989-1988 90 Quattro  
Bearing ..... 510020[2]  
1989 100  
Seal (inner) ..... 1962[2]  
Set (inner) ..... SET8  
Set (outer) ..... SET2  
1989 100 Quattro  
Bearing ..... 510019[2]  
1989 80 Quattro  
Bearing ..... 510020[2]  
1989-1988 80: disc brakes  
Seal (inner) ..... 1962[2]  
Set (inner) ..... SET8  
Set (outer) ..... SET2  
1989 200 Turbo Quattro  
Bearing ..... 510019[2]

[ ] Indicates Quantity Required; Set Components Listed Inside Rear Cover;  
<sup>64</sup> Opt. Seal and Bushing Kit

# Bearings and Seals

Mfg./Year    Model & Location    Part No    Mfg./Year    Model & Location    Part No

## AUDI - 80 80 Quattro 90 90 Quattro 100 100 Quattro 200 200 Quattro (cont.)

### REAR WHEEL (cont.)

<b>1989</b>	200 Turbo	
	Seal (inner) .....	1962[2]
	Set (inner) .....	SET8
	Set (outer) .....	SET2
<b>1989-1988</b>	80: drum brakes	
	Seal (inner) .....	1962[2]
	Set (inner) .....	SET8
	Set (outer) .....	SET1
<b>1989-1988</b>	90: drum brakes	
	Seal (inner) .....	1962[2]
	Set (inner) .....	SET8
	Set (outer) .....	SET1
<b>1988</b>	80 Quattro: thru chassis #89J350000	
	Bearing .....	513106[2]
<b>1988</b>	80 Quattro: from chassis #89J350001 on	
	Bearing .....	510020[2]
<b>1988</b>	90 Quattro: thru chassis #89J350000	
	Bearing .....	513106[2]
<b>1988</b>	90 Quattro: from chassis #89J350001 on	
	Bearing .....	510020[2]
<b>1977</b>	100	
	Seal (inner) .....	1165[2]
	Set (inner) .....	SET8
	Set (outer) .....	SET1
<b>1976-1975</b>	100: from chassis #0101217 on	
	Seal (inner) .....	1165[2]
	Set (inner) .....	SET8
	Set (outer) .....	SET1
<b>1975-1969</b>	100: thru chassis #0101216	
	Seal (inner) .....	1966[2]
	Set (inner) .....	SET8
	Set (outer) .....	SET1

### FRONT AXLE Differential

<b>1989</b>	100 Quattro	
	Set (LH) .....	SET45
	Cone/Cup (RH) .....	LM300849-LM300811
<b>1989-1988</b>	90 Quattro	
	Set (LH) .....	SET45
	Cone/Cup (RH) .....	LM300849-LM300811
<b>1989-1988</b>	80 Quattro	
	Set (LH) .....	SET45
	Cone/Cup (RH) .....	LM300849-LM300811
<b>1989</b>	200 Turbo	
	Set (LH) .....	SET45
	Cone/Cup (RH) .....	LM300849-LM300811
<b>1989</b>	200 Turbo Quattro	
	Set (LH) .....	SET45
	Cone/Cup (RH) .....	LM300849-LM300811
<b>1989-1988</b>	80: automatic trans	
	Cone/Cup .....	LM300849-LM300811[2]
<b>1989-1988</b>	80: manual trans	
	Set (LH) .....	SET45
	Cone/Cup (RH) .....	LM300849-LM300811
<b>1989-1988</b>	90: automatic trans	
	Cone/Cup .....	LM300849-LM300811[2]

### FRONT AXLE (cont.)

#### Differential (cont.)

<b>1977</b>	100LS 5: automatic trans	
	Cone/Cup .....	LM300849-LM300811[2]
<b>1977</b>	100LS 5: manual trans	
	Set (LH) .....	SET45
	Cone/Cup (RH) .....	LM300849-LM300811
<b>1976</b>	100LS: automatic trans	
	Set (LH) .....	SET45
	Cone/Cup (RH) .....	LM300849-LM300811
<b>1976</b>	100LS: manual trans	
	Cone/Cup .....	LM300849-LM300811[2]

#### Pinion

<b>1989</b>	200 Turbo: automatic trans	
	Cone/Cup (inner) .....	M86649-M86610
	Cone/Cup (outer) .....	M86649-M86610
<b>1989-1988</b>	80: manual trans	
	Cone/Cup (inner) .....	JLM104942A-JLM104914
	Cone/Cup (outer) .....	HM88644A-HM88615
<b>1989</b>	100: automatic trans	
	Cone/Cup (inner) .....	M86649-M86610
	Cone/Cup (outer) .....	M86649-M86610
<b>1989-1988</b>	80: automatic trans	
	Cone/Cup (inner) .....	M86649-M86610
	Cone/Cup (outer) .....	M86649-M86610
<b>1989-1988</b>	90: automatic trans	
	Cone/Cup (inner) .....	M86649-M86610
	Cone/Cup (outer) .....	M86649-M86610
<b>1977</b>	100LS5 automatic trans	
	Cone/Cup (inner) .....	M86649-M86610
	Cone/Cup (outer) .....	M88048-M88010

### REAR AXLE

#### Differential

<b>1989-1982</b>		
	Set (LH) .....	SET37
	Set (RH) .....	SET45

#### Pinion

<b>1989-1982</b>		
	Cone/Cup (inner) .....	HM801346X-HM801310
	Cone/Cup (outer) .....	M88048-M88010

### CLUTCH

#### Pilot Bearing

<b>1989-1978</b>	4-cylinder	
	Bushing .....	PB23
<b>1989-1978</b>	5-cylinder	
	Needle Bearing .....	F85706
<b>1977-1970</b>	4-cylinder exc. some 1.8 and exc. all 1.9	
	Bushing .....	PB23
<b>1977-1970</b>	4-cylinder: some 1.8 and all 1.9	
	Needle Bearing .....	F85706

**AUDI - 80 80 Quattro 90 90 Quattro 100 100 Quattro 200 200 Quattro (cont.)**

**CLUTCH**

**Release Bearing**

<b>1989-1988</b>	90	
	Bearing Assy	614073
<b>1989</b>	100	
	Bearing Assy	614073
<b>1989-1988</b>	80	
	Bearing Assy	614073
<b>1989</b>	200 Turbo	
	Bearing Assy	614073
<b>1977-1974</b>	100 GL, LS	
	Bearing Only	VW1339C
<b>1975-1974</b>	100 Coupe S	
	Bearing Only	VW1006C
<b>1973-1970</b>	100	
	Bearing Only	VW1006C

**3-SPEED AUTOMATIC TRANSAXLE**

**Torque Converter**

<b>1989-1976</b>	VW 087, 089	
	Seal	3083
	Kwik Slv (Opt Rpr)	KWK99169
<b>1975-1970</b>	VW 003	
	Seal	3051N
	Kwik Slv (Opt Rpr)	KWK99169

**Output Shaft**

<b>1989-1970</b>	VW 003, 087, 089	
	Seal	224520[2]
	Kwik Slv (Opt Rpr)	KWK99177[2]

**Differential**

<b>1989-1970</b>	VW 003, 087	
	Cone/Cup	LM300849-LM300811[2]
<b>1989-1976</b>	VW 089	
	Cone/Cup	LM29749-LM29710[2]

**Pinion**

<b>1989-1976</b>	VW 087	
	Seal (inner)	1012N
	Cone/Cup (inner)	M86649-M86610
	Seal (outer)	222820
	Cone/Cup (outer)	M88048-M88010
	Kwik Slv (Opt Rpr)	KWK99177
<b>1989-1976</b>	VW 089	
	Seal (inner)	239146
	Cone/Cup (inner)	M86649-M86610
	Seal (outer)	222535
	Cone/Cup (outer)	M86649-M86610
	Kwik Slv (Opt Rpr)	KWK99098
<b>1975-1970</b>	VW 003	
	Seal (inner)	239146
	Cone/Cup (inner)	M86649-M86610
	Seal (outer)	223010
	Cone/Cup (outer)	M86649-M86610
	Kwik Slv (Opt Rpr)	KWK99114

**4-SPEED MANUAL TRANSAXLE**

**Differential**

<b>1983-1973</b>	VW 014, 088	
	Cone/Cup	LM300849-LM300811[2]
<b>1977-1970</b>	VW 019	
	Bearing Assy	32008XM[2]

**Input Shaft**

<b>1983-1970</b>	VW 014, 019, 088	
	Seal	222030
	Kwik Slv (Opt Rpr)	KWK99157

**Output Shaft**

<b>1983-1970</b>	VW 014, 019, 088	
	Seal	224015[2]
	Kwik Slv (Opt Rpr)	KWK99157[2]

**5-SPEED MANUAL TRANSAXLE**

**Differential**

<b>1989-1978</b>	VW 016, 01E, 012, 093	
	Set (LH)	SET45
	Cone/Cup (RH)	LM300849-LM300811

**Input Shaft**

<b>1989-1988</b>	VW 016, 01E, 012, 093	
	Seal	222540
	Kwik Slv (Opt Rpr)	KWK99098

**Output Shaft**

<b>1989-1978</b>	VW 016, 01E, 012, 093	
	Seal	224520[2]
	Kwik Slv (Opt Rpr)	KWK99177[2]

**CRANKSHAFT REAR SEAL**

**4 Cylinder**

<b>1989-1980</b>	1588cc/1.6L, 1715cc/1.7L, 1781cc/1.8L, 1984cc/2.0L	
	Seal	716102
	Kwik Slv (Opt Rpr)	KWK99333

**5 Cylinder**

<b>1989-1980</b>	1986cc/2.0L, 2144cc/2.1L, 2226cc/2.2L, 2309cc/2.3L	
	Seal	716102
	Kwik Slv (Opt Rpr)	KWK99333

**TIMING COVER**

**4 Cylinder**

<b>1989-1980</b>	1588cc/1.6L, 1715cc/1.7L, 1781cc/1.8L, 1984cc/2.0L	
	Seal	3476S
	Kwik Slv (Opt Rpr)	KWK99128



# Bearings and Seals

Mfg./Year    Model & Location    Part No    Mfg./Year    Model & Location    Part No

## **AUDI - 80 80 Quattro 90 90 Quattro 100 100 Quattro 200 200 Quattro (cont.)**

### **TIMING COVER**

#### **5 Cylinder**

**1989-1980** 1986cc/2.0L, 2144cc/2.1L,  
2226cc/2.2L, 2309cc/2.3L  
Seal Viton ..... 1108  
Kwik Slv (Opt Rpr) .....KWK99139

## **AUDI - 4000 4000 Quattro 5000 5000 Quattro Coupe Quattro Coupe**

### **FRONT WHEEL**

**1988-1986** 5000 Quattro with 82mm OD bearing  
Bearing ..... 513242[2]  
**1988-1986** 5000 Quattro with 75mm OD bearing  
Bearing ..... 513106[2]  
**1988-1978** 5000 Series  
Bearing ..... 513242[2]  
**1987-1984** 4000 Quattro  
Set ..... SET39  
**1987-1981** Coupe  
Set ..... SET39  
**1987-1980** 4000 Series  
Set ..... SET39

### **REAR WHEEL**

**1988-1986** 5000 S CS Quattro  
Bearing ..... 513242[2]  
**1988-1978** 5000 Series  
Seal (inner) ..... 1962[2]  
Set (inner) ..... SET8  
Set (outer) ..... SET2  
**1987-1984** 4000 Quattro S CS  
Bearing ..... 513242[2]  
**1987-1981** Coupe  
Seal (inner) ..... 1962[2]  
Set (inner) ..... SET8  
Set (outer) ..... SET1  
**1987-1980** 4000 Series  
Seal (inner) ..... 1962[2]  
Set (inner) ..... SET8  
Set (outer) ..... SET1

### **FRONT AXLE**

#### **Pinion**

**1988-1982** 5000CS  
Cone/Cup (outer) ..... M88048-M88010  
**1988-1978** 5000 Series: exc. CS: automatic trans  
Cone/Cup (inner) ..... M86649-M86610  
Cone/Cup (outer) ..... M88048-M88010  
**1987-1984** 4000CS: manual trans  
Cone/Cup (outer) ..... 24780-24720  
**1987-1978** 4000 Series: automatic trans  
Cone/Cup (inner) ..... M86649-M86610  
Cone/Cup (outer) ..... M86649-M86610  
**1986-1982** 4000 Series: manual trans  
Cone/Cup (outer) ..... 24780-24721

### **REAR AXLE**

#### **Differential**

**1989-1982**  
Set (LH) ..... SET37  
Set (RH) ..... SET45

#### **Pinion**

**1989-1982**  
Cone/Cup (inner) ..... HM801346X-HM801310  
Cone/Cup (outer) ..... M88048-M88010

### **CLUTCH**

#### **Pilot Bearing**

**1988-1986** 5000 Quattro  
Needle Bearing ..... F85706  
**1988-1977** 5000 Series  
Needle Bearing ..... F85706  
**1987-1982** 4000 Quattro  
Needle Bearing ..... F85706  
**1987-1981** 4000 Series  
Needle Bearing ..... F85265  
**1987-1981** Coupe  
Needle Bearing ..... F85706

#### **Release Bearing**

**1988-1986** 5000 Quattro  
Bearing Assy ..... 614015  
**1988-1978** 5000 Series  
Bearing Assy ..... 614015  
**1987-1985** Coupe  
Bearing Assy ..... 614015  
**1987-1984** 4000 Quattro  
Bearing Assy ..... 614015  
**1987-1981** 4000 Series  
Bearing Assy ..... 614015

### **3-SPEED AUTOMATIC TRANSAXLE**

#### **Torque Converter**

**1989-1976** VW 087, 089  
Seal ..... 3083  
Kwik Slv (Opt Rpr) .....KWK99169

**AUDI - 4000 4000 Quattro 5000 5000 Quattro Coupe Quattro Coupe (cont.)**

**3-SPEED AUTOMATIC TRANSAXLE**

**Output Shaft**

**1989-1970**    VW 003, 087, 089  
 Seal ..... 224520[2]  
 Kwik Slv (Opt Rpr) .....KWK99177[2]

**Differential**

**1989-1970**    VW 003, 087  
 Cone/Cup ..... LM300849-LM300811[2]  
**1989-1976**    VW 089  
 Cone/Cup ..... LM29749-LM29710[2]

**Pinion**

**1989-1976**    VW 087  
 Seal (inner) ..... 1012N  
 Cone/Cup (inner) ..... M86649-M86610  
 Seal (outer) ..... 222820  
 Cone/Cup (outer) ..... M88048-M88010  
 Kwik Slv (Opt Rpr) .....KWK99177  
**1989-1976**    VW 089  
 Seal (inner) ..... 239146  
 Cone/Cup (inner) ..... M86649-M86610  
 Seal (outer) ..... 222535  
 Cone/Cup (outer) ..... M86649-M86610  
 Kwik Slv (Opt Rpr) .....KWK99098

**4-SPEED MANUAL TRANSAXLE**

**Differential**

**1983-1980**    VW 014, 088  
 Cone/Cup ..... LM300849-LM300811[2]

**Input Shaft**

**1983-1970**    VW 014, 019, 088  
 Seal ..... 222030  
 Kwik Slv (Opt Rpr) .....KWK99157

**Output Shaft**

**1983-1970**    VW 014, 019, 088  
 Seal ..... 224015[2]  
 Kwik Slv (Opt Rpr) .....KWK99157[2]

**5-SPEED MANUAL TRANSAXLE**

**Input Shaft**

**1989-1978**    VW 016, 01E, 012, 093  
 Seal ..... 222540  
 Kwik Slv (Opt Rpr) .....KWK99098  
**1987-1979**    VW 013  
 Seal ..... 222030  
 Kwik Slv (Opt Rpr) .....KWK99078

**Output Shaft**

**1989-1978**    VW 016, 01E, 012, 093  
 Seal ..... 224520[2]  
 Kwik Slv (Opt Rpr) .....KWK99177[2]  
**1987-1979**    VW 013  
 Seal ..... 224015[2]  
 Kwik Slv (Opt Rpr) .....KWK99157[2]

**CRANKSHAFT REAR SEAL**

**4 Cylinder**

**1989-1980**    1588cc/1.6L, 1715cc/1.7L,  
 1781cc/1.8L, 1984cc/2.0L  
 Seal ..... 716102  
 Kwik Slv (Opt Rpr) .....KWK99333

**5 Cylinder**

**1989-1980**    1986cc/2.0L, 2144cc/2.1L,  
 2226cc/2.2L, 2309cc/2.3L  
 Seal ..... 716102  
 Kwik Slv (Opt Rpr) .....KWK99333

**TIMING COVER**

**4 Cylinder**

**1989-1980**    1588cc/1.6L, 1715cc/1.7L,  
 1781cc/1.8L, 1984cc/2.0L  
 Seal ..... 3476S  
 Kwik Slv (Opt Rpr) .....KWK99128

**5 Cylinder**

**1989-1980**    1986cc/2.0L, 2144cc/2.1L,  
 2226cc/2.2L, 2309cc/2.3L  
 Seal Viton ..... 1108  
 Kwik Slv (Opt Rpr) .....KWK99139

# Bearings and Seals

Mfg./Year    Model & Location    Part No    Mfg./Year    Model & Location    Part No

## AUDI - Super 90, Fox Coupe

### FRONT WHEEL

<b>1987-1981</b>	Coupe	
Set	.....	SET39
<b>1979-1973</b>	Fox	
Set	.....	SET39
<b>1972-1969</b>	Super 90	
Seal	.....	225870[2]
Cone/Cup	.....	LM300849-LM300811[2]

### REAR WHEEL

<b>1986-1982</b>	Coupe	
Seal (inner)	.....	1962[2]
Set (inner)	.....	SET8
Set (outer)	.....	SET1
<b>1979-1973</b>	Fox	
Seal (inner)	.....	1962[2]
Set (inner)	.....	SET8
Set (outer)	.....	SET1
<b>1972-1966</b>	Super 90	
Seal (inner)	.....	1195[2]
Set (inner)	.....	SET8
Set (outer)	.....	SET1

### CLUTCH

#### Pilot Bearing

<b>1989-1978</b>	4-cylinder	
Bushing	.....	PB23
<b>1977-1970</b>	4-cylinder exc. some 1.8 and exc. all 1.9	
Bushing	.....	PB23
<b>1977-1970</b>	4-cylinder: some 1.8 and all 1.9	
Needle Bearing	.....	F85706

#### Release Bearing

<b>1979-1972</b>	Fox	
Bearing Only	.....	VW1339C
<b>1972-1970</b>	Super 90: from engine #28048714 on	
Bearing Only	.....	VW1339C
<b>1970-1967</b>	Super 90: thru engine #28048713	
Bearing Only	.....	VW1006C

### 3-SPEED AUTOMATIC TRANSAXLE

#### Torque Converter

<b>1989-1976</b>	VW 087, 089	
Seal	.....	3083
Kwik Slv (Opt Rpr)	.....	KWK99169
<b>1975-1970</b>	VW 003	
Seal	.....	3051N
Kwik Slv (Opt Rpr)	.....	KWK99169

#### Output Shaft

<b>1989-1970</b>	VW 003, 087, 089	
Seal	.....	224520[2]
Kwik Slv (Opt Rpr)	.....	KWK99177[2]

### 3-SPEED AUTOMATIC TRANSAXLE

#### Differential

<b>1989-1970</b>	VW 003, 087	
Cone/Cup	.....	LM300849-LM300811[2]
<b>1989-1976</b>	VW 089	
Cone/Cup	.....	LM29749-LM29710[2]

#### Pinion

<b>1989-1976</b>	VW 087	
Seal (inner)	.....	1012N
Cone/Cup (inner)	.....	M86649-M86610
Seal (outer)	.....	222820
Cone/Cup (outer)	.....	M88048-M88010
Kwik Slv (Opt Rpr)	.....	KWK99177
<b>1989-1976</b>	VW 089	
Seal (inner)	.....	239146
Cone/Cup (inner)	.....	M86649-M86610
Seal (outer)	.....	222535
Cone/Cup (outer)	.....	M86649-M86610
Kwik Slv (Opt Rpr)	.....	KWK99098
<b>1975-1970</b>	VW 003	
Seal (inner)	.....	239146
Cone/Cup (inner)	.....	M86649-M86610
Seal (outer)	.....	223010
Cone/Cup (outer)	.....	M86649-M86610
Kwik Slv (Opt Rpr)	.....	KWK99114

### 4-SPEED MANUAL TRANSAXLE

#### Differential

<b>1983-1973</b>	VW 014, 088	
Cone/Cup	.....	LM300849-LM300811[2]
<b>1977-1970</b>	VW 019	
Bearing Assy	.....	32008XM[2]

#### Input Shaft

<b>1983-1970</b>	VW 014, 019, 088	
Seal	.....	222030
Kwik Slv (Opt Rpr)	.....	KWK99157

#### Output Shaft

<b>1983-1970</b>	VW 014, 019, 088	
Seal	.....	224015[2]
Kwik Slv (Opt Rpr)	.....	KWK99157[2]

### 5-SPEED MANUAL TRANSAXLE

#### Differential

<b>1989-1978</b>	VW 016, 01E, 012, 093	
Set (LH)	.....	SET45
Cone/Cup (RH)	.....	LM300849-LM300811
<b>1987-1979</b>	VW 013	
Cone/Cup	.....	LM300849-LM300811[2]

#### Input Shaft

<b>1989-1978</b>	VW 016, 01E, 012, 093	
Seal	.....	222540
Kwik Slv (Opt Rpr)	.....	KWK99098
<b>1987-1979</b>	VW 013	
Seal	.....	222030
Kwik Slv (Opt Rpr)	.....	KWK99078

**AUDI - Super 90, Fox Coupe (cont.)**

**5-SPEED MANUAL TRANSAXLE**

**Output Shaft**

<b>1989-1978</b>	VW 016, 01E, 012, 093	
Seal .....	224520[2]	
Kwik Slv (Opt Rpr) .....	KWK99177[2]	
<b>1987-1979</b>	VW 013	
Seal .....	224015[2]	
Kwik Slv (Opt Rpr) .....	KWK99157[2]	

**CRANKSHAFT REAR SEAL**

**4 Cylinder**

<b>1979-1973</b>	1471cc/1.5L; 1588cc/1.6L	
Seal .....	716102	
Kwik Slv (Opt Rpr) .....	KWK99333	
<b>1972-1969</b>	1781cc/1.8L	
Seal Viton .....	710205	

**5 Cylinder**

<b>1989-1980</b>	1986cc/2.0L, 2144cc/2.1L, 2226cc/2.2L, 2309cc/2.3L	
Seal .....	716102	
Kwik Slv (Opt Rpr) .....	KWK99333	

**TIMING COVER**

**4 Cylinder**

<b>1979-1973</b>	1471cc/1.5L; 1588cc/1.6L	
Seal .....	3476S	
Kwik Slv (Opt Rpr) .....	KWK99128	
<b>1972-1969</b>	1781cc/1.8L	
Seal Viton .....	716484	
Kwik Slv (Opt Rpr) .....	KWK99189	

**5 Cylinder**

<b>1989-1980</b>	1986cc/2.0L, 2144cc/2.1L, 2226cc/2.2L, 2309cc/2.3L	
Seal Viton .....	1108	
Kwik Slv (Opt Rpr) .....	KWK99139	

**AUSTIN**

**FRONT WHEEL**

<b>1975-1972</b>	Marina	
Seal (inner) .....	1966[2]	
Set (inner) .....	SET4	
Set (outer) .....	SET1	
<b>1975-1965</b>	1800	
Set (inner) .....	SET5	
Set (outer) .....	SET5	
<b>1971-1968</b>	America	
Seal (inner) .....	224820[2]	
Set (inner) .....	SET4	
Set (outer) .....	SET1	
<b>1968-1958</b>	Gypsy 4x4	
Cone/Cup (inner) .....	18790-18720[2]	
Cone/Cup (outer) .....	18690-18620[2]	
<b>1967-1954</b>	A-7 thru 135: ball bearing	
Bearing (inner) .....	7205[2]	
Bearing (outer) .....	7303[2]	
<b>1967-1954</b>	A-7 thru 135: roller bearing conversion	
Bearing Assy (inner) .....	30205M[2] <sup>21</sup>	
Bearing Assy (outer) .....	30303[2]	
<b>1967-1954</b>	Farina: ball bearing	
Bearing (inner) .....	7205[2]	
Bearing (outer) .....	7303[2]	
<b>1967-1954</b>	Farina: roller bearing conversion	
Bearing Assy (inner) .....	30205M[2] <sup>21</sup>	
Bearing Assy (outer) .....	30303[2]	

**CLUTCH**

**Pilot Bearing**

<b>1975-1965</b>	1800, 2200	
Bearing .....	307TB	

**Release Bearing**

<b>1980-1973</b>	Marina	
Bearing Only .....	TR1716 <sup>30</sup>	
<b>1971-1968</b>	America	
Bearing Assy .....	614104 <sup>30</sup>	
<b>1967-1959</b>	Mini Cooper, S	
Bearing Assy .....	614104 <sup>30</sup>	
<b>1964-1959</b>	850	
Bearing Assy .....	614104 <sup>30</sup>	

[ ] Indicates Quantity Required; Set Components Listed Inside Rear Cover;

<sup>21</sup> Tapered bearing conv.: Discard spacer, replace 1/8" washer w/1/16" washer. If rubber seal, machine off 1/16", press fit flush w/hub.    <sup>30</sup> Ball bearing style release bearing replaces original style carbon bearing

# Bearings and Seals

Mfg./Year    Model & Location    Part No    Mfg./Year    Model & Location    Part No

## AUSTIN HEALEY

### FRONT WHEEL

<b>1971-1958</b>	Sprite: ball bearing	
	Seal (inner) .....	471192[2]
	Bearing (inner) .....	7205[2]
	Bearing (outer) .....	7303[2]
<b>1971-1958</b>	Sprite: roller bearing conversion	
	Seal (inner) .....	471192[2]
	Bearing Assy (inner) .....	30205M[2] <sup>21</sup>
	Bearing Assy (outer) .....	30303[2]
<b>1967-1955</b>	100: wire wheels	
	Set (inner) .....	SET6
	Set (outer) .....	SET2
<b>1967-1955</b>	3000: wire wheels	
	Set (inner) .....	SET6
	Set (outer) .....	SET2

### REAR WHEEL

<b>1970-1958</b>	Sprite	
	Seal .....	472164[2]
	Bearing .....	207[2]
<b>1967-1959</b>	3000, 3000/6	
	Bearing .....	209L[2]

### REAR WHEEL (cont.)

<b>1967-1955</b>	100, 100/6	
	Bearing .....	209L[2]

### CLUTCH

#### Release Bearing

<b>1972-1966</b>	Sprite Mk. IV	
	Bearing Only .....	AU1715C <sup>30</sup>
<b>1968-1964</b>	3000 Mk. III	
	Bearing Only .....	MG1716 <sup>30</sup>
<b>1963-1959</b>	3000 Mk. II to engine #4898	
	Bearing Only .....	MG1716 <sup>30</sup>

## AVANTI II

### FRONT WHEEL

<b>1989</b>	all	
	Seal (inner) .....	205017[2]
	Set (inner) .....	SET6
	Set (outer) .....	SET3
<b>1988-1987</b>	all	
	Seal (inner) .....	205017[2]
	Set (inner) .....	SET6
	Set (outer) .....	SET34
<b>1986-1965</b>	all	
	Seal (inner) .....	205017[2]
	Set (inner) .....	SET6
	Set (outer) .....	SET2

### REAR WHEEL

<b>1989-1987</b>		
	Seal .....	8660S[2]
	Cyl. Bearing .....	5707[2]
	Kit .....	TRP1563TAV[2] <sup>19</sup>
<b>1986-1976</b>		
	Seal .....	2689S[2]
	Set .....	SET10

### REAR AXLE

#### Differential

<b>1988-1976</b>		
	Cone/Cup .....	25577-25523[2]

### REAR AXLE

#### Pinion

<b>1989-1987</b>	to 1990RC	
	Cone/Cup (inner) .....	HM89249-HM89210
	Seal (outer) .....	8610
	Cone/Cup (outer) .....	M86649-M86610
<b>1986-1976</b>		
	Cone/Cup (inner) .....	31594-31520
	Seal (outer) .....	5778
	Cone/Cup (outer) .....	02872-02820

### 3-SPEED AUTOMATIC TRANSMISSION

#### Torque Converter

<b>1986-1982</b>	GMC THM200-4R	
	Seal .....	3227
	Kwik Slv (Opt Rpr) .....	KWK99174
<b>1981-1965</b>	GMC THM350	
	Seal .....	6712NA
	Kwik Slv (Opt Rpr) .....	KWK99187
<b>1979-1965</b>	GMC THM400	
	Seal .....	6712NA
	Kwik Slv (Opt Rpr) .....	KWK99187

#### Rear Seal/Ext. Housing

<b>1986-1980</b>	GMC THM200-4R	
	Seal .....	9613S
	Seal Kit .....	5200 <sup>64</sup>
<b>1986-1971</b>	GMC THM350	
	Seal .....	9613S
	Seal Kit .....	5200 <sup>64</sup>
<b>1970-1965</b>	GMC THM400 (1.687" Shaft)	
	Seal .....	7038SA
	Seal Kit .....	5205 <sup>64</sup>

**16** [ ] Indicates Quantity Required; Set Components Listed Inside Rear Cover;

<sup>19</sup> Opt. Axle Repair Bearing. Replaces O.E. bearing & seal. <sup>21</sup> Tapered bearing conv.: Discard spacer, replace 1/8" washer w/1/16" washer. If rubber seal, machine off 1/16", press fit flush w/hub. <sup>30</sup> Ball bearing style release bearing replaces original style carbon bearing <sup>64</sup> Opt. Seal and Bushing Kit



**AVANTI II (cont.)**

**3-SPEED AUTOMATIC TRANSMISSION (cont.)**

**Rear Seal/Ext. Housing (cont.)**

<b>1970-1965</b>	GMC THM400 (1.890" Shaft)	
Seal	.....	9449
Seal Kit	.....	5208 <sup>64</sup>

**Selector Shaft Seal/Man. Shaft**

<b>1986-1965</b>	GMC THM350	
Seal	.....	8792S
<b>1986-1965</b>	GMC THM200-4R	
Seal	.....	8792S

**CRANKSHAFT REAR SEAL**

**8 Cylinder**

<b>1989-1979</b>	305/5.0L	
Seal Viton	.....	4359V
Seal PTFE H/D Opt.	.....	5274A
Kwik Slv (Opt Rpr)	.....	KWK99364
<b>1985-1980</b>	305/5.0L	
Seal	.....	5092

**TIMING COVER**

**8 Cylinder**

<b>1989-1965</b>	305/5.0L, 350/5.7L	
Seal	.....	9845
Kwik Slv (Opt Rpr)	.....	KWK99176

**BENTLEY - see also ROLLS ROYCE - Continental, Corniche, Eight, Mulsanne, Turbo R, T2**

**FRONT WHEEL**

<b>1989-1978</b>		
Cone/Cup (inner)	.....	LM29749-LM29710[2]
Set (outer)	.....	SET4

**REAR WHEEL**

<b>1989-1978</b>		
Cone/Cup (inner)	.....	18790-18720[2]
Cone/Cup (outer)	.....	18690-18620[2]

**REAR AXLE**

**Differential**

<b>1989-1978</b>		
Cone/Cup (LH)	.....	25590-25520
Cone/Cup (RH)	.....	368A-362A

**REAR AXLE**

**Pinion**

<b>1989-1978</b>		
Cone/Cup (inner)	.....	HM903249-HM903210
Cone/Cup (outer)	.....	HM88649-HM88610

**A/C COMPRESSOR**

<b>1984-1976</b>	Frigidaire A6 (axial drive compressor)	
Bearing	.....	907257

**BITTER**

**FRONT WHEEL**

<b>1989-1973</b>	CD, SC, Convertible, Type 3	
Set (inner)	.....	SET6
Set (outer)	.....	SET2

**REAR AXLE**

**Pinion**

<b>1985-1978</b>	CD	
Cone/Cup (inner)	.....	M802048-M802011
Seal (outer)	.....	2043
Cone/Cup (outer)	.....	M88048-M88010

**CLUTCH**

**Release Bearing**

<b>1989-1985</b>		
Bearing Only	.....	OP1709C

[ ] Indicates Quantity Required; Set Components Listed Inside Rear Cover;  
<sup>64</sup> Opt. Seal and Bushing Kit

# Bearings and Seals

Mfg./Year    Model & Location    Part No    Mfg./Year    Model & Location    Part No

## **BMW - 1000 & 2000 - Bavaria, 1500, 1600, 1600/2, 1600ti, 1800, 1800ti, 2000, 2000cs, 2000ti, 2002, 2002tii, 2500, 2800, 2800cs**

### **FRONT WHEEL**

<b>1976-1965</b>	Batavia, 1500, 1800, 1800ti, 2000, 2000cs, 2000ti, 2002, 2002tii, 2500, 2800, 2800cs	
Seal (inner)	.....	224250[2]
Set (inner)	.....	SET6
Set (outer)	.....	SET2
<b>1971-1968</b>	1600 from #1561462	
Seal (inner)	.....	224010[2]
Set (inner)	.....	SET8
Set (outer)	.....	SET1
<b>1968-1966</b>	1600 to #1561461	
Seal (inner)	.....	1196[2]
Set (inner)	.....	SET4
Set (outer)	.....	SET1
<b>1964</b>	Late	
Seal (inner)	.....	224250[2]
Set (inner)	.....	SET6
Set (outer)	.....	SET2
<b>1964</b>	Early	
Set (inner)	.....	SET6
Set (outer)	.....	SET2
<b>1963-1961</b>		
Seal (inner)	.....	1196[2]
Set (inner)	.....	SET4
Set (outer)	.....	SET1
<b>1962-1955</b>	Isetta (250/300)	
Bearing (inner)	.....	204[2]
Bearing (outer)	.....	203AB[2]

### **REAR WHEEL**

<b>1976-1966</b>	1600, 1602, 1600yi, 2002, 2002tii	
Seal (inner)	.....	224235[2]
Bearing (inner)	.....	RW122[2]
Seal (outer)	.....	224235[2]
Bearing (outer)	.....	RW122[2]
<b>1974-1969</b>	Bavaria, 2500, 2800, 2800cs	
Seal (inner)	.....	224250[2]
Bearing (inner)	.....	206FF[2]
Seal (outer)	.....	226020[2]
Bearing (outer)	.....	208FF[2]
<b>1970-1961</b>	1500, 1800, 1800ti, 2000, 2000cs, 2000ti	
Bearing (inner)	.....	206FF[2]
Bearing (outer)	.....	206FF[2]
<b>1962-1955</b>	Isetta (250/300)	
Bearing	.....	205BB[2]
<b>1962-1955</b>	Isetta (250/300): chain regulator	
Bearing (RH)	.....	204
Bearing (LH)	.....	202AG

### **REAR AXLE**

#### **Differential**

<b>1976-1961</b>	1500, 1600, 1602, 1600ti, 2002, 2002tii	
Seal	.....	239146[2]
Set	.....	SET45[2]

### **REAR AXLE (cont.)**

#### **Differential (cont.)**

<b>1974-1964</b>	Bavaria, 1800, 1800ti, 2000, 2000cs, 2000ti, 2500, 2800, 2800cs	
Seal	.....	473823[2]
Cone/Cup	.....	LM503349A-LM503310[2]

#### **Pinion**

<b>1976-1961</b>	1500, 1600, 1602, 1600ti, 2002, 2002tii	
Cone/Cup (inner)	.....	HM88649-HM88610
Cone/Cup (outer)	.....	M86649-M86610
<b>1974-1964</b>	Bavaria, 1800, 1800ti, 2000, 2000cs, 2000ti, 2500, 2800, 2800cs	
Cone/Cup (inner)	.....	HM89449-HM89410
Seal (outer)	.....	1979
Cone/Cup (outer)	.....	HM88542-HM88510
Kwik Slv (Opt Rpr)	.....	KWK99177
<b>1962-1955</b>	Isetta (250/300): chain regulator	
Bearing (LH)	.....	204
Bearing (RH)	.....	202AG

### **3-SPEED AUTOMATIC TRANSMISSION**

#### **Torque Converter**

<b>1975-1964</b>	ZF 3HP12	
Seal	.....	223800
Kwik Slv (Opt Rpr)	.....	KWK99147
<b>1971-1969</b>	ZF 3HP20	
Seal	.....	1973
Kwik Slv (Opt Rpr)	.....	KWK99189

#### **Rear Seal/Ext. Housing**

<b>1975-1964</b>	ZF 3HP12, ZF 3HP20	
Seal	.....	224045
Bearing	.....	107WB

### **CLUTCH**

#### **Pilot Bearing**

<b>1976-1961</b>		
Bearing	.....	201AB

#### **Release Bearing**

<b>1976-1961</b>	1499cc/1.5L, 1573cc/1.6L, 1773cc/1.8L, 1990cc/2.0L	
Bearing Assy	.....	614106
<b>1974</b>	2985cc/3.0L	
Bearing Assy	.....	614105
<b>1971-1969</b>	2495cc/2.5L, 2788cc/2.8L	
Bearing Assy	.....	614106

**BMW - 1000 & 2000 - Bavaria, 1500, 1600, 1600/2, 1600ti, 1800, 1800ti, 2000, 2000cs, 2000ti, 2002, 2002tii, 2500, 2800, 2800cs (cont.)**

**4-SPEED MANUAL TRANSMISSION**

**Input Shaft**

<b>1976-1969</b>	ZF S416	
Seal	.....	223020
Bearing	.....	206L
Kwik Slv (Opt Rpr)	.....	KWK99114
<b>1974-1964</b>	Getrag 232, 262	
Seal	.....	714619
Bearing	.....	206WB
<b>1971-1969</b>	ZF S418	
Seal	.....	223010
Bearing	.....	306L
Kwik Slv (Opt Rpr)	.....	KWK99114

**Countershaft**

<b>1976-1969</b>	ZF S416	
Bearing	.....	304WB[2]
<b>1974-1964</b>	Getrag 232, 262	
Bearing	.....	304WB[2]
<b>1971-1969</b>	ZF S418	
Bearing (front)	.....	206L
Bearing (rear)	.....	305AG

**Rear Output Shaft**

<b>1976-1969</b>	ZF S416	
Seal	.....	222535
<b>1974-1965</b>	Getrag 232, 262, (late)	
Seal	.....	224020
Bearing	.....	306TB
<b>1971-1969</b>	ZF S418	
Seal	.....	1966
Bearing	.....	306L
<b>1965-1964</b>	Getrag 232, (early)	
Seal	.....	224020
Bearing	.....	305AG

**ALTERNATOR**

<b>1989-1985</b>	Bosch 80 amp: gas	
Bearing (drive end)	.....	303CC
Bearing (rear end)	.....	201CC
<b>1989-1984</b>	Bosch 90 amp	
Bearing (drive end)	.....	303CC
Bearing (rear end)	.....	201S
<b>1986-1985</b>	Bosch 80 amp: diesel	
Bearing (drive end)	.....	203FF
Bearing (rear end)	.....	200CC

**ALTERNATOR (cont.)**

<b>1986-1977</b>	Bosch 65 amp	
Bearing (drive end)	.....	203S
Bearing (rear end)	.....	201S
<b>1976-1964</b>	Bosch 45 amp	
Bearing (drive end)	.....	203S
Bearing (rear end)	.....	201S

**GENERATOR**

<b>1971-1966</b>	all	
Bearing (drive end)	.....	202AG

**DRIVESHAFT SUPPORT**

<b>1976-1966</b>	1.1811 (30MM) I.D.	
Bearing	.....	106CC

**CRANKSHAFT REAR SEAL**

**4 Cylinder**

<b>1976-1961</b>	1499cc/1.5L, 1573cc/1.6L, 1773cc/1.8L, 1990cc/2.0L	
Seal Viton	.....	229005
Kwik Slv (Opt Rpr)	.....	KWK99354

**6 Cylinder**

<b>1974-1969</b>	2495cc/2.5L, 2788cc/2.8L, 2985cc/3.0L	
Seal Viton	.....	229005
Kwik Slv (Opt Rpr)	.....	KWK99354

**TIMING COVER**

**4 Cylinder**

<b>1976-1961</b>	1499cc/1.5L, 1573cc/1.6L, 1773cc/1.8L, 1990cc/2.0L	
Seal	.....	223540
Kwik Slv (Opt Rpr)	.....	KWK99139

**6 Cylinder**

<b>1974-1969</b>	2495cc/2.5L, 2788cc/2.8L, 2985cc/3.0L	
Seal	.....	224250
Kwik Slv (Opt Rpr)	.....	KWK99166

**BMW - 3 Series - 318i, 320i, 323ci, 325, 325e, 325es, 325i, 325is, 325ix, M3**

**FRONT WHEEL**

<b>1989-1988</b>	325iX	
Bearing	.....	513106[2]
<b>1989-1988</b>	M3	
Hub Assy	.....	513094[2]
<b>1989-1984</b>	318i, 318is, 325, 325e, 325es, 325i, 325is	
Hub Assy	.....	513111[2]

**FRONT WHEEL (cont.)**

<b>1983-1980</b>		
Seal (inner)	.....	224010[2]
Set (inner)	.....	SET8
Set (outer)	.....	SET1
<b>1979-1972</b>		
Seal (inner)	.....	224250[2]
Set (inner)	.....	SET6
Set (outer)	.....	SET2

# Bearings and Seals

Mfg./Year    Model & Location    Part No    Mfg./Year    Model & Location    Part No

## **BMW - 3 Series - 318i, 320i, 323ci, 325, 325e, 325es, 325i, 325is, 325ix, M3 (cont.)**

### **REAR WHEEL**

<b>1989-1987</b>	318i, 318is, 323i, 323is, 323ci, 325, 325e, 325es, 325i, 325is, 325ix, 325ci, 328i, 328is, 328ci	
Bearing	.....	513106[2]
<b>1989-1988</b>	M3	
Bearing	.....	513113[2]
<b>1986-1984</b>		
Bearing	.....	513113[2]
<b>1983-1980</b>		
Seal (inner)	.....	224235[2]
Bearing (inner)	.....	RW122[2]
Seal (outer)	.....	224235[2]
Bearing (outer)	.....	RW122[2]
<b>1979-1977</b>	320i	
Seal (inner)	.....	224235[2]
Bearing (inner)	.....	RW122[2]
Seal (outer)	.....	224235[2]
Bearing (outer)	.....	RW122[2]
<b>1976-1972</b>	3.0 CS, S, Si, CSi	
Seal (inner)	.....	224250[2]
Bearing (inner)	.....	206FF[2]
Seal (outer)	.....	226020[2]
Bearing (outer)	.....	208FF[2]

### **FRONT AXLE**

#### **Differential**

<b>1989-1988</b>	325iX	
Seal	.....	473823[2]
Cone/Cup	.....	LM29749-LM29710[2]
Kwik Slv (Opt Rpr)	.....	KWK99139[2]

#### **Pinion**

<b>1989-1988</b>	325iX	
Cone/Cup (inner)	.....	M88048-M88010
Cone/Cup (outer)	.....	M86649-M86610

### **REAR AXLE**

#### **Differential**

<b>1989-1984</b>	M3, 325 series, 328 series, 330i, 330xi	
Seal	.....	473823[2]
Cone/Cup	.....	LM503349A-LM503310[2]
Kwik Slv (Opt Rpr)	.....	KWK99139[2]
<b>1985-1980</b>	318i, 320i	
Seal	.....	239146[2]
Set	.....	SET45[2]
<b>1979-1977</b>	320i	
Seal	.....	239146[2]
Set	.....	SET45[2]
<b>1976-1972</b>	3.0 CS, S, Si, CSi	
Seal	.....	473823[2]
Cone/Cup	.....	LM503349A-LM503310[2]
Kwik Slv (Opt Rpr)	.....	KWK99139[2]

### **REAR AXLE**

#### **Pinion**

<b>1989-1984</b>	M3, 325 series, 328 series, 330i, 330xi	
Cone/Cup (inner)	.....	HM89449-HM89410
Seal (outer)	.....	1979
Cone/Cup (outer)	.....	HM88542-HM88510
Kwik Slv (Opt Rpr)	.....	KWK99177
<b>1985-1979</b>	318i, 320i	
Cone/Cup (inner)	.....	HM89446-HM89410
Seal (outer)	.....	1992
Cone/Cup (outer)	.....	M86649-M86610
Kwik Slv (Opt Rpr)	.....	KWK99157
<b>1978-1977</b>	320i	
Cone/Cup (inner)	.....	HM88649-HM88610
Seal (outer)	.....	1992
Cone/Cup (outer)	.....	M86649-M86610
Kwik Slv (Opt Rpr)	.....	KWK99157
<b>1976-1972</b>	3.0 CS, S, Si, CSi	
Cone/Cup (inner)	.....	HM89449-HM89410
Seal (outer)	.....	1979
Cone/Cup (outer)	.....	HM88542-HM88510
Kwik Slv (Opt Rpr)	.....	KWK99177

### **TRANSFER CASE**

#### **Input Shaft**

<b>1989-1987</b>	A95 (M/T)	
Seal	.....	710310
Bearing	.....	109TB
<b>1989-1987</b>	A95 (A/T)	
Bearing	.....	109TB

#### **Front Output Shaft**

<b>1989-1987</b>	A95	
Seal	.....	1172S
Kwik Slv (Opt Rpr)	.....	KWK99139

#### **Rear Output Shaft**

<b>1989-1987</b>	A95	
Bearing (center)	.....	107WB
Bearing (rear)	.....	105CB

### **3-SPEED AUTOMATIC TRANSMISSION**

#### **Torque Converter**

<b>1985-1975</b>	ZF3HP22	
Seal	.....	224010
Kwik Slv (Opt Rpr)	.....	KWK99157

#### **Rear Seal/Ext. Housing**

<b>1985-1975</b>	ZF3HP22	
Seal	.....	3459S
Bearing	.....	107WB

**BMW - 3 Series - 318i, 320i, 323ci, 325, 325e, 325es, 325i, 325is, 325ix, M3 (cont.)**

**4-SPEED AUTOMATIC TRANSMISSION**

**Torque Converter**

<b>1989-1984</b>	ZF4HP22	
Seal .....		224052
Kwik Slv (Opt Rpr) .....		KWK99157

**Rear Seal/Ext. Housing**

<b>1989</b>	ZF4HP22	
Seal .....		710140
<b>1988-1984</b>	ZF4HP22	
Seal .....		3459S

**CLUTCH - 4 CYLINDER**

**Pilot Bearing**

<b>1989-1977</b>	1766cc/1.8L, 1796cc/1.8L, 1990cc/2.0L, 2302cc/2.3L	
Bearing .....		201CC

**CLUTCH - 6 CYLINDER**

**Pilot Bearing**

<b>1989-1972</b>	2494cc/2.5L, 2693cc/2.7L, 2788cc/2.8L, 2985cc/3.0L, 2990cc/3.0L	
Bearing .....		201CC

**CLUTCH - 4 CYLINDER**

**Release Bearing**

<b>1989-1977</b>	1766cc/1.8L, 1796cc/1.8L, 1895cc/1.9L, 1990cc/2.0L, 2302cc/2.3L	
Bearing Assy .....		614105

**CLUTCH - 6 CYLINDER**

**Release Bearing**

<b>1989-1974</b>	2494cc/2.5L, 2693cc/2.7L, 2788cc/2.8L, 2793cc/2.8L, 2985cc/3.0L, 2990cc/3.0L	
Bearing Assy .....		614105
<b>1973</b>	2985cc/3.0L	
Bearing Assy .....		614106

**4-SPEED MANUAL TRANSMISSION**

**Input Shaft**

<b>1979-1972</b>	Getrag 242, 262	
Seal .....		714619
Bearing .....		306L
Kwik Slv (Opt Rpr) .....		KWK99114

**Countershaft**

<b>1979-1977</b>	Getrag 242	
Bearing (front) .....		305AG
<b>1979-1972</b>	Getrag 262	
Bearing .....		304WB[2]

**4-SPEED MANUAL TRANSMISSION**

**Rear Output Shaft**

<b>1979-1972</b>	Getrag 242, 262	
Seal .....		224020
Bearing .....		306TB
Kwik Slv (Opt Rpr) .....		KWK99157

**5-SPEED MANUAL TRANSMISSION**

**Front Input Shaft**

<b>1989-1983</b>	Getrag 240, 260	
Seal .....		223535
Kwik Slv (Opt Rpr) .....		KWK99139
<b>1989-1988</b>	Getrag 265	
Seal .....		223010
Bearing .....		306L
Kwik Slv (Opt Rpr) .....		KWK99114
<b>1985-1984</b>	ZF S5-16	
Seal .....		223020
Kwik Slv (Opt Rpr) .....		KWK99114
<b>1982-1980</b>	Getrag 245	
Seal .....		223010
Bearing .....		206WB
Kwik Slv (Opt Rpr) .....		KWK99114

**Countershaft**

<b>1989-1988</b>	Getrag 265	
Bearing (front) .....		305AG
<b>1982-1980</b>	Getrag 245	
Bearing (front) .....		304WB

**Rear Output Shaft**

<b>1989-1983</b>	Getrag 240, 245, 260	
Seal .....		473677
<b>1989-1988</b>	Getrag 265	
Seal .....		473677
Bearing .....		306L
<b>1985-1984</b>	ZF S5-16	
Seal .....		223535
<b>1982-1980</b>	Getrag 245	
Seal .....		473677
Bearing .....		306L

**A/C COMPRESSOR**

<b>1989-1984</b>	Nippondenso 10P15 Axial	
Bearing .....		5000KFF
<b>1989-1984</b>	Sanden SD 508 Axial	
Bearing .....		5001KFF

**ALTERNATOR**

<b>1989-1987</b>	Bosch 80, 105, 115, 140 amp	
Bearing (rear end) .....		201CC
<b>1989-1984</b>	Bosch 80, 105, 115, 140 amp	
Bearing (drive end) .....		303CC
<b>1989-1972</b>	Bosch 45, 65, 90 amp	
Bearing (rear end) .....		201S
<b>1985-1972</b>	Bosch 45, 65, 90 amp	
Bearing (drive end) .....		203S

# Bearings and Seals

Mfg./Year    Model & Location    Part No    Mfg./Year    Model & Location    Part No

---

**BMW - 3 Series - 318i, 320i, 323ci, 325, 325e, 325es, 325i, 325is, 325ix, M3 (cont.)**

---

## DRIVESHAFT SUPPORT

1989-1972    1.1811 (30MM) I.D.  
 Bearing ..... 106CC

## POWER STEERING

### Pump Shaft

1983-1980  
 Seal ..... 222060  
 Bearing ..... 104CC  
 1979-1977    320i  
 Bearing ..... 104CC

## CRANKSHAFT REAR SEAL

### 4 Cylinder

1989-1977  
 Seal Viton ..... 229005  
 Kwik Slv (Opt Rpr) ..... KWK99354

## CRANKSHAFT REAR SEAL

### 6 Cylinder

1989-1984    2494cc/2.5L, 2693cc/2.7L,  
 2793cc/2.8L, 2990cc/3.0L  
 Seal Viton ..... 229005  
 Kwik Slv (Opt Rpr) ..... KWK99354

## TIMING COVER

### 4 Cylinder

1985-1980    1766cc/1.8L  
 Seal ..... 223540  
 Kwik Slv (Opt Rpr) ..... KWK99139

### 6 Cylinder

1989-1984    2494cc/2.5L, 2693cc/2.7L,  
 2793cc/2.8L, 2990cc/3.0L,  
 3152cc/3.1L  
 Seal Viton ..... 716484  
 Kwik Slv (Opt Rpr) ..... KWK99189  
 1976-1972    2788cc/2.8L; 2985cc/3.0L  
 Seal ..... 224250  
 Kwik Slv (Opt Rpr) ..... KWK99166

---

# BMW - 5 Series - M5, 524td, 525i, 528e, 528i, 530i, 533i, 535i, 535is

---

## FRONT WHEEL

1989    525i; 535i  
 Hub Assy ..... 513096[2]  
 1988-1982  
 Hub Assy ..... 513094[2]  
 1981-1976  
 Seal (inner) ..... 224250[2]  
 Set (inner) ..... SET6  
 Set (outer) ..... SET2

## REAR WHEEL

1989    525i Station wagon  
 Bearing ..... 513180[2]  
 1989    525i Sedan  
 Bearing ..... 511020[2]  
 1988-1982    M5; 524td; 528e; 533i; 535is  
 Bearing ..... 513180[2]  
 1981-1980    528i  
 Seal (inner) ..... 224250[2]  
 Bearing (inner) ..... 206FF[2]  
 Seal (outer) ..... 226020[2]  
 Bearing (outer) ..... 208FF[2]  
 1979-1976    528; 530i  
 Seal (inner) ..... 224250[2]  
 Bearing (inner) ..... 206FF[2]  
 Seal (outer) ..... 226020[2]  
 Bearing (outer) ..... 208FF[2]

## REAR AXLE

### Differential

1989-1976    524td; 525i; 528e; 528i; 530i;  
 533i; 535i; 535is  
 Seal ..... 473823[2]  
 Cone/Cup ..... LM503349A-LM503310[2]  
 Kwik Slv (Opt Rpr) ..... KWK99139[2]

### Pinion

1989-1980    524td; 525i; 528e; 528i; 530i;  
 533i; 535i; 535is  
 Cone/Cup (inner) ..... HM89449-HM89410  
 Seal (outer) ..... 1979  
 Cone/Cup (outer) ..... HM88542-HM88510  
 Kwik Slv (Opt Rpr) ..... KWK99177  
 1988-1987    M5  
 Cone/Cup (inner) ..... HM803149-HM803110  
 Seal (outer) ..... 223520  
 Cone/Cup (outer) ..... HM89448-HM89410  
 Kwik Slv (Opt Rpr) ..... KWK99139  
 1979-1976  
 Cone/Cup (inner) ..... HM89449-HM89410  
 Seal (outer) ..... 1979  
 Cone/Cup (outer) ..... HM88542-HM88510  
 Kwik Slv (Opt Rpr) ..... KWK99177

## 3-SPEED AUTOMATIC TRANSMISSION

### Torque Converter

1984-1976    ZF3HP22  
 Seal ..... 224010  
 Kwik Slv (Opt Rpr) ..... KWK99157



**BMW - 5 Series - M5, 524td, 525i, 528e, 528i, 530i, 533i, 535i, 535is (cont.)**

**3-SPEED AUTOMATIC TRANSMISSION**

**Rear Seal/Ext. Housing**

<b>1984-1975</b>	ZF3HP22	
Seal .....		3459S
Bearing .....		107WB

**4-SPEED AUTOMATIC TRANSMISSION**

**Torque Converter**

<b>1989-1983</b>	ZF4HP22	
Seal .....		224052
Kwik Slv (Opt Rpr) .....		KWK99157

**Rear Seal/Ext. Housing**

<b>1989</b>	ZF4HP22	
Seal .....		710140
<b>1988-1983</b>	ZF4HP22	
Seal .....		3459S

**CLUTCH - 6 CYLINDER**

**Pilot Bearing**

<b>1989-1976</b>	2494cc/2.5L, 2693cc/2.7L, 2788cc/2.8L, 2985cc/3.0L, 2990cc/3.0L	
Bearing .....		201CC

**Release Bearing**

<b>1989-1976</b>		
Bearing Assy .....		614105

**4-SPEED MANUAL TRANSMISSION**

**Input Shaft**

<b>1980-1976</b>	Getrag 242, 262	
Seal .....		714619
Bearing .....		206L

**Countershaft**

<b>1980</b>	Getrag 262	
Bearing (front) .....		305AG
<b>1979-1977</b>	Getrag 242	
Bearing (front) .....		305AG
<b>1979-1976</b>	Getrag 262	
Bearing .....		304WB[2]

**Rear Output Shaft**

<b>1980</b>	Getrag 262	
Seal .....		473677
Bearing .....		306L
<b>1979-1976</b>	Getrag 242, 262	
Seal .....		224020
Bearing .....		306TB
Kwik Slv (Opt Rpr) .....		KWK99157

**5-SPEED MANUAL TRANSMISSION**

**Front Input Shaft**

<b>1989-1983</b>	Getrag 260, 280	
Seal .....		223535
Kwik Slv (Opt Rpr) .....		KWK99139
<b>1987-1980</b>	Getrag 265	
Seal .....		223010
Bearing .....		306L
Kwik Slv (Opt Rpr) .....		KWK99114

**Countershaft**

<b>1987-1980</b>	Getrag 265	
Bearing (front) .....		305AG
Bearing (rear) .....		306L

**Rear Output Shaft**

<b>1989-1983</b>	Getrag 260, 280	
Seal .....		473677
<b>1987-1980</b>	Getrag 265	
Seal .....		473677
Bearing .....		306L

**ALTERNATOR**

<b>1989-1987</b>	Bosch 80, 105, 115, 140 amp	
Bearing (drive end) .....		303CC
<b>1989-1987</b>	Bosch 80, 105, 115, 140 amp	
Bearing (rear end) .....		201CC
<b>1988-1975</b>	Bosch 45, 65, 90 amp	
Bearing (rear end) .....		201S
<b>1986-1985</b>	Bosch 80 amp: diesel	
Bearing (drive end) .....		203FF
<b>1983-1975</b>	Bosch 45, 65, 90 amp	
Bearing (drive end) .....		203S

**DRIVESHAFT SUPPORT**

<b>1989-1976</b>	1.1811 (30MM) I.D.	
Bearing .....		106CC

**POWER STEERING**

**Pump Shaft**

<b>1989-1982</b>		
Seal .....		222820
<b>1981-1980</b>		
Seal .....		222060
Bearing .....		104CC
<b>1979</b>	528i	
Bearing .....		104CC
<b>1978-1975</b>		
Seal .....		222820

# Bearings and Seals

Mfg./Year    Model & Location    Part No    Mfg./Year    Model & Location    Part No

## **BMW - 5 Series - M5, 524td, 525i, 528e, 528i, 530i, 533i, 535i, 535is (cont.)**

### **CRANKSHAFT REAR SEAL**

#### **6 Cylinder**

**1989-1975**    2443cc/2.4L Diesel; 2494cc/2.5L;  
2693cc/2.7L; 2788cc/2.8L;  
3210cc/3.2L; 3430cc/3.4L;  
3453cc/3.5L; 3535cc/3.5L  
Seal Viton ..... 229005  
Kwik Slv (Opt Rpr) .....KWK99354

### **TIMING COVER**

#### **6 Cylinder**

**1989-1982**    2443cc/2.4L Diesel; 2494cc/2.5L;  
2693cc/2.7L  
Seal Viton ..... 716484  
Kwik Slv (Opt Rpr) .....KWK99189

### **TIMING COVER (cont.)**

#### **6 Cylinder (cont.)**

**1989-1983**    3210cc/3.2L, 3430cc/3.4L  
Seal ..... 224250  
Kwik Slv (Opt Rpr) .....KWK99166  
**1981-1975**    2788cc/2.8L; 2985cc/3.0L  
Seal ..... 224250  
Kwik Slv (Opt Rpr) .....KWK99166

## **BMW - 6 Series - L6, M6, 630csi, 633csi, 635csi**

### **FRONT WHEEL**

**1989-1983**  
Hub Assy ..... 513094[2]  
**1982-1978**  
Seal (inner) ..... 224820[2]  
Set (inner) ..... SET13  
Set (outer) ..... SET12  
**1978-1977**  
Seal (inner) ..... 224250[2]  
Set (inner) ..... SET6  
Set (outer) ..... SET2

### **REAR WHEEL**

**1989-1983**  
Bearing ..... 513180[2]  
**1982-1977**  
Seal (inner) ..... 224250[2]  
Bearing (inner) ..... 206FF[2]  
Seal (outer) ..... 226020[2]  
Bearing (outer) ..... 208FF[2]

### **REAR AXLE**

#### **Differential**

**1989-1985**  
Seal ..... 1012N[2]  
Cone/Cup ..... JLM104948-JLM104910[2]  
Kwik Slv (Opt Rpr) .....KWK99177[2]  
**1984-1977**  
Seal ..... 473823[2]  
Cone/Cup ..... LM503349A-LM503310[2]  
Kwik Slv (Opt Rpr) .....KWK99139

### **REAR AXLE**

#### **Pinion**

**1989-1985**  
Cone/Cup (inner) ..... HM803149-HM803110  
Seal (outer) ..... 223520  
Cone/Cup (outer) ..... HM89448-HM89410  
Kwik Slv (Opt Rpr) .....KWK99139  
**1984-1977**  
Cone/Cup (inner) ..... HM89449-HM89410  
Seal (outer) ..... 1979  
Cone/Cup (outer) ..... HM88542-HM88510  
Kwik Slv (Opt Rpr) .....KWK99177

### **3-SPEED AUTOMATIC TRANSMISSION**

#### **Torque Converter**

**1984-1977**    ZF3HP22  
Seal ..... 224010  
Kwik Slv (Opt Rpr) .....KWK99157

#### **Rear Seal/Ext. Housing**

**1984-1977**    ZF3HP22  
Seal ..... 3459S  
Bearing ..... 107WB

### **4-SPEED AUTOMATIC TRANSMISSION**

#### **Torque Converter**

**1989-1983**    ZF4HP22  
Seal ..... 224052  
Kwik Slv (Opt Rpr) .....KWK99157

#### **Rear Seal/Ext. Housing**

**1989**    ZF4HP22  
Seal ..... 710140  
**1988-1983**    ZF4HP22  
Seal ..... 3459S

**BMW - 6 Series - L6, M6, 630csi, 633csi, 635csi (cont.)**

**CLUTCH - 6 CYLINDER**

**Pilot Bearing**

1989-1977  
Bearing ..... 201CC

**Release Bearing**

1989-1977  
Bearing Assy ..... 614105

**4-SPEED MANUAL TRANSMISSION**

**Input Shaft**

1980-1977    Getrag 242, 262  
Seal ..... 714619  
Bearing ..... 206L  
Kwik Slv (Opt Rpr) .....KWK99114

**Countershaft**

1980    Getrag 262  
Bearing (front) ..... 305AG  
1979-1977    Getrag 262  
Bearing ..... 304WB[2]

**Rear Output Shaft**

1980    Getrag 262  
Seal ..... 473677  
Bearing ..... 306L  
1979-1977    Getrag 242, 262  
Seal ..... 224020  
Bearing ..... 306TB  
Kwik Slv (Opt Rpr) .....KWK99157

**5-SPEED MANUAL TRANSMISSION**

**Front Input Shaft**

1989-1983    Getrag 260, 280  
Seal ..... 223535  
Kwik Slv (Opt Rpr) .....KWK99139  
1987-1985    Getrag 265  
Seal ..... 223010  
Bearing ..... 306L  
Kwik Slv (Opt Rpr) .....KWK99114  
1982-1980    Getrag 265  
Seal ..... 223010  
Bearing ..... 306L  
Kwik Slv (Opt Rpr) .....KWK99114

**Countershaft**

1987-1985    Getrag 265  
Bearing (front) ..... 305AG  
Bearing (rear) ..... 306L  
1982-1980    Getrag 265  
Bearing (front) ..... 305AG  
Bearing (rear) ..... 306L

**Rear Output Shaft**

1989-1983    Getrag 260, 280  
Seal ..... 473677  
1987-1985    Getrag 265  
Seal ..... 473677  
Bearing ..... 306L

**5-SPEED MANUAL TRANSMISSION (cont.)**

**Rear Output Shaft (cont.)**

1982-1980    Getrag 265  
Seal ..... 473677  
Bearing ..... 306L

**A/C COMPRESSOR**

1989-1979    Sanden SD 508 Axial  
Bearing ..... 5001KFF

**ALTERNATOR**

1988-1985    Bosch 80, 115, 140 amp  
Bearing (drive end) ..... 303CC  
1988-1977    Bosch 65, 90 amp  
Bearing (rear end) ..... 201S  
1986-1977    Bosch 65 amp  
Bearing (drive end) ..... 203S

**DRIVESHAFT SUPPORT**

1989-1977    1.1811 (30MM) I.D.  
Bearing ..... 106CC

**POWER STEERING**

**Pump Shaft**

1982-1977  
Seal ..... 222060  
Bearing ..... 104CC

**CAMSHAFT SEAL**

**6 Cylinder**

1988-1987    3453cc/3.5 DOHC  
Seal ..... 222820  
Kwik Slv (Opt Rpr) .....KWK99111

**CRANKSHAFT REAR SEAL**

**6 Cylinder**

1989-1977    2985cc/3.0L; 3210cc/3.2L;  
3430cc/ 3.4L; 3453cc/3.5L  
Seal Viton ..... 229005  
Kwik Slv (Opt Rpr) .....KWK99354

**TIMING COVER**

**6 Cylinder**

1989-1977    2985cc/3.0L; 3210cc/3.2L;  
3430cc/ 3.4L  
Seal ..... 224250  
Kwik Slv (Opt Rpr) .....KWK99166

# Bearings and Seals

Mfg./Year    Model & Location    Part No    Mfg./Year    Model & Location    Part No

## BMW - 7 Series - 733i, 735i, 735il, 750il, L7

### FRONT WHEEL

<b>1989-1987</b>		
Hub Assy .....		513096[2]
<b>1987-1986 L7</b>		
Hub Assy .....		513094[2]
<b>1986-1978 733i, 735i</b>		
Seal (inner) .....		224820[2]
Set (inner) .....		SET13
Set (outer) .....		SET12

### REAR WHEEL

<b>1989-1982</b>		
Bearing .....		513180[2]
<b>1981-1978</b>		
Seal (inner) .....		224250[2]
Bearing (inner) .....		206FF[2]
Seal (outer) .....		226020[2]
Bearing (outer) .....		208FF[2]

### REAR AXLE

#### Differential

<b>1989-1986 L7, 740i, 740il, 750il</b>		
Seal .....		1012N[2]
Cone/Cup .....	JLM104948-JLM104910[2]	
Kwik Slv (Opt Rpr) .....		KWK99177[2]
<b>1989-1982 733i, 735i, 735il</b>		
Seal .....		473823[2]
Cone/Cup .....	LM503349A-LM503310[2]	
Kwik Slv (Opt Rpr) .....		KWK99139[2]
<b>1981-1978 733i</b>		
Seal .....		1012N[2]
Cone/Cup .....	JLM104948-JLM104910[7]	
Kwik Slv (Opt Rpr) .....		KWK99177[2]

#### Pinion

<b>1989-1986 L7, 740i, 740il, 750il</b>		
Cone/Cup (inner) .....	HM803149-HM803110	
Seal (outer) .....		223520
Cone/Cup (outer) .....	HM89448-HM89410	
Kwik Slv (Opt Rpr) .....		KWK99139
<b>1989-1982 733i, 735i, 735il</b>		
Cone/Cup (inner) .....	HM89449-HM89410	
Seal (outer) .....		1979
Cone/Cup (outer) .....	HM88542-HM88510	
Kwik Slv (Opt Rpr) .....		KWK99177
<b>1981-1978</b>		
Cone/Cup (inner) .....	HM803149-HM803110	
Seal (outer) .....		223520
Cone/Cup (outer) .....	HM89448-HM89410	
Kwik Slv (Opt Rpr) .....		KWK99139

### 3-SPEED AUTOMATIC TRANSMISSION

#### Torque Converter

<b>1983-1978 ZF3HP22</b>		
Seal .....		224010
Kwik Slv (Opt Rpr) .....		KWK99157

### 3-SPEED AUTOMATIC TRANSMISSION

#### Rear Seal/Ext. Housing

<b>1983-1978 ZF3HP22</b>		
Seal .....		3459S
Bearing .....		107WB

### 4-SPEED AUTOMATIC TRANSMISSION

#### Torque Converter

<b>1989-1983 ZF4HP22, ZF4HP24</b>		
Seal .....		224052
Kwik Slv (Opt Rpr) .....		KWK99157

#### Rear Seal/Ext. Housing

<b>1989 ZF4HP22, ZF4HP24</b>		
Seal .....		710140
<b>1988-1983 ZF4HP22, ZF4HP24</b>		
Seal .....		3459S

### CLUTCH - 6 CYLINDER

#### Pilot Bearing

<b>1989-1978</b>		
Bearing .....		201CC

#### Release Bearing

<b>1989-1978</b>		
Bearing Assy .....		614105

### 4-SPEED MANUAL TRANSMISSION

#### Input Shaft

<b>1980-1978 Getrag 262</b>		
Seal .....		714619
Bearing .....		206L
Kwik Slv (Opt Rpr) .....		KWK99114

#### Countershaft

<b>1980 Getrag 262</b>		
Bearing (front) .....		305AG
<b>1979-1978 Getrag 262</b>		
Bearing .....		304WB[2]

#### Rear Output Shaft

<b>1980 Getrag 262</b>		
Seal .....		473677
Bearing .....		306L
<b>1979-1978 Getrag 262</b>		
Seal .....		224020
Bearing .....		306TB
Kwik Slv (Opt Rpr) .....		KWK99157

### 5-SPEED MANUAL TRANSMISSION

#### Front Input Shaft

<b>1989-1983 Getrag 260</b>		
Seal .....		223535
Kwik Slv (Opt Rpr) .....		KWK99139

**BMW - 7 Series - 733i, 735i, 735il, 750il, L7 (cont.)**

**5-SPEED MANUAL TRANSMISSION (cont.)**

**Front Input Shaft (cont.)**

<b>1987-1985</b>	Getrag 265	
Seal .....		223010
Bearing .....		306L
Kwik Slv (Opt Rpr) .....		KWK99114
<b>1982-1980</b>	Getrag 265	
Seal .....		223010
Bearing .....		306L
Kwik Slv (Opt Rpr) .....		KWK99114

**Countershaft**

<b>1987-1985</b>	Getrag 265	
Bearing (front) .....		305AG
Bearing (rear) .....		306L
<b>1982-1980</b>	Getrag 265	
Bearing (front) .....		305AG
Bearing (rear) .....		306L

**Rear Output Shaft**

<b>1989-1983</b>	Getrag 260	
Seal .....		473677
<b>1987-1985</b>	Getrag 265	
Seal .....		473677
Bearing .....		306L
<b>1982-1980</b>	Getrag 265	
Seal .....		473677
Bearing .....		306L

**A/C COMPRESSOR**

<b>1989-1979</b>	Sanden SD 508 Axial	
Bearing .....		5001KFF

**ALTERNATOR**

<b>1989-1986</b>	Bosch 80, 115, 140 amp	
Bearing (drive end) .....		303CC
<b>1989-1985</b>	Bosch 80, 115, 140 amp	
Bearing (rear end) .....		201CC
<b>1989-1978</b>	Bosch 65, 90 amp	
Bearing (rear end) .....		201S
<b>1986-1978</b>	Bosch 65 amp	
Bearing (drive end) .....		203S

**DRIVESHAFT SUPPORT**

<b>1989-1978</b>	1.1811 (30MM) I.D.	
Bearing .....		106CC

**POWER STEERING**

**Pump Shaft**

<b>1987-1986</b>	L7	
Seal .....		7013S
<b>1986-1978</b>		
Seal .....		222060
Bearing .....		104CC

**CRANKSHAFT REAR SEAL**

**6 Cylinder**

<b>1989-1978</b>	3210cc/3.2L, 3430cc/3.4L	
Seal Viton .....		229005
Kwik Slv (Opt Rpr) .....		KWK99354

**12 Cylinder**

<b>1989-1988</b>	4988cc/5.0L, 5379cc/5.4L	
Seal .....		231003
Kwik Slv (Opt Rpr) .....		KWK99393

**TIMING COVER**

**6 Cylinder**

<b>1989-1978</b>	3210cc/3.2L, 3430cc/3.4L	
Seal .....		224250
Kwik Slv (Opt Rpr) .....		KWK99166

**12 Cylinder**

<b>1989-1988</b>	4988cc/5.0L, 5379cc/5.4L	
Seal .....		225530
Kwik Slv (Opt Rpr) .....		KWK99215

**BUICK - FRONT DRIVE - Century**

**FRONT WHEEL**

<b>1989-1985</b>	9.75" rotor	
Hub Assy .....		513011K[2] <sup>61</sup>
Seal Kit .....		5699 <sup>12</sup>
<b>1989-1983</b>	10.25" rotor	
Hub Assy .....		513016K[2] <sup>61</sup>
Seal Kit .....		5698 <sup>12</sup>
<b>1984-1983</b>	9.75" rotor	
Hub Assy .....		513011K[2] <sup>61</sup>
Seal Kit .....		5699 <sup>12</sup>
<b>1982</b>		
Hub Assy .....		513011K[2] <sup>61</sup>
Seal Kit .....		5699 <sup>12</sup>

**REAR WHEEL**

<b>1989-1984</b>	with JA1(Lt duty) brakes	
Hub Assy .....		513003[2]
<b>1989-1984</b>	with JA2 (heavy) JA8(medium) brakes	
Hub Assy .....		513018[2]
<b>1983</b>	with JA1(Lt duty) JA8(medium duty) brakes	
Hub Assy .....		513003[2]
<b>1983</b>	with JA2 (heavy) brakes	
Hub Assy .....		513018[2]
<b>1982</b>		
Hub Assy .....		513003[2]

[ ] Indicates Quantity Required; Set Components Listed Inside Rear Cover;

<sup>12</sup> Opt. Kit includes seal and O ring; kit included w/hub assembly

<sup>61</sup> Kit incl: Seal, Hub Nut, and Bearing Unit

# Bearings and Seals

Mfg./Year    Model & Location    Part No    Mfg./Year    Model & Location    Part No

## **BUICK - FRONT DRIVE - Century (cont.)**

### **3-SPEED AUTOMATIC TRANSAXLE**

#### **Torque Converter**

**1989-1982**  
Seal .....4072N

#### **Output Shaft**

**1989-1982**  
Seal (LH) ..... 3543  
Kwik Slv (Opt Rpr) (LH) .....KWK99139  
Seal (RH) ..... 3543  
Kwik Slv (Opt Rpr) (RH) ..... KWK99139

#### **Selector Shaft Seal/Man. Shaft**

**1989-1982**  
Seal ..... 340847  
Kwik Slv (Opt Rpr) .....KWK99049

### **4-SPEED AUTOMATIC TRANSAXLE**

#### **Torque Converter**

**1989-1984**  
Seal .....4072N

#### **Output Shaft**

**1989-1984**  
Seal (LH) .....710096  
Kwik Slv (Opt Rpr) (LH) .....KWK99139  
Seal (RH) ..... 3543  
Kwik Slv (Opt Rpr) (RH) ..... KWK99139

#### **Selector Shaft Seal/Man. Shaft**

**1989-1984**  
Seal ..... 340847  
Kwik Slv (Opt Rpr) .....KWK99049

### **ALTERNATOR**

**1989-1983**  
Bearing (drive end) .....203FF  
Bearing (rear end) ..... 100CCAB

### **POWER STEERING**

#### **Pump Shaft**

**1989-1987**  
Seal ..... 221925  
**1986-1983**    with integral reservoir  
Seal ..... 221925  
**1986-1982**    with remote reservoir  
Seal .....7013S

### **CRANKSHAFT REAR SEAL**

#### **4 Cylinder**

**1989-1982**    151/2.5L  
Seal ..... 3698

### **CRANKSHAFT REAR SEAL**

#### **6 Cylinder**

**1989**    204/3.3L  
Seal Viton ..... 320691  
Kwik Slv (Opt Rpr) .....KWK99328  
**1989-1982**    173/2.8L  
Seal ..... 4307V  
Seal PTFE H/D Opt. .... 5273  
Kwik Slv (Opt Rpr) .....KWK99298  
**1988-1984**    231/3.8L  
Seal ..... 5591  
Seal PTFE H/D Opt. .... 5291  
**1985-1982**    260/4.3 diesel  
Seal Rope ..... 5095  
**1985-1982**    181/3.0L  
Seal ..... 5591  
Seal PTFE H/D Opt. .... 5291

### **TIMING COVER**

#### **4 Cylinder**

**1989-1982**    151/2.5L  
Seal ..... 9845  
Kwik Slv (Opt Rpr) .....KWK99176

#### **6 Cylinder**

**1989**    204/3.3L  
Seal Viton ..... 710162  
Kwik Slv (Opt Rpr) .....KWK99193  
**1989-1982**    173/2.8L  
Seal ..... 9845  
Kwik Slv (Opt Rpr) .....KWK99176  
Harmonic Balancer  
Sleeves Opt. .... 88176  
**1988-1984**    231/3.8L  
Seal Viton ..... 710162  
Kwik Slv (Opt Rpr) .....KWK99193  
**1985-1982**    181/3.0L  
Seal ..... 710163  
**1985-1982**    260/4.3 diesel  
Seal ..... 9845  
Kwik Slv (Opt Rpr) .....KWK99176  
Harmonic Balancer  
Sleeves Opt. .... 88176

**BUICK - FRONT DRIVE - Electra, LeSabre, Electra Park Avenue**

**FRONT WHEEL**

<b>1989-1986</b>	LeSabre	
Hub Assy	.....	513016K[2] <sup>61</sup>
Seal Kit	.....	5698 <sup>12</sup>
<b>1989-1985</b>	Electra Park Ave	
Hub Assy	.....	513016K[2] <sup>61</sup>
Seal Kit	.....	5698 <sup>12</sup>
<b>1989-1985</b>	Electra	
Hub Assy	.....	513016K[2] <sup>61</sup>
Seal Kit	.....	5698 <sup>12</sup>

**REAR WHEEL**

<b>1989-1986</b>	LeSabre: exc ABS brakes	
Hub Assy	.....	513018[2]
<b>1989-1987</b>	Electra: ABS brakes	
Hub Assy	.....	513041[2]
<b>1989-1987</b>	Electra Park Ave; non-ABS	
Hub Assy	.....	513041[2]
<b>1989-1985</b>	Electra Park Ave	
Hub Assy	.....	513018[2]
<b>1989-1985</b>	Electra: exc. ABS brakes	
Hub Assy	.....	513018[2]

**4-SPEED AUTOMATIC TRANSAXLE**

**Torque Converter**

<b>1989-1986</b>	LeSabre	
Seal	.....	4072N
<b>1989-1985</b>	Electra Park Ave	
Seal	.....	4072N
<b>1989-1985</b>	Electra	
Seal	.....	4072N

**Output Shaft**

<b>1989-1986</b>	LeSabre	
Seal (LH)	.....	710096
Seal (RH)	.....	3543
<b>1989-1985</b>	Electra	
Seal (LH)	.....	710096
Seal (RH)	.....	3543
<b>1989-1985</b>	Electra Park Ave	
Seal (LH)	.....	710096
Seal (RH)	.....	3543

**4-SPEED AUTOMATIC TRANSAXLE**

**Selector Shaft Seal/Man. Shaft**

<b>1989-1986</b>	LeSabre	
Seal	.....	8792S
<b>1989-1985</b>	Electra	
Seal	.....	8792S
<b>1989-1985</b>	Electra Park Ave	
Seal	.....	8792S

**ALTERNATOR**

<b>1989-1985</b>	Electra LeSabre Electra Park Avenue Park Avenue	
Bearing (drive end)	.....	203FF
Bearing (rear end)	.....	100CCAB

**POWER STEERING**

**Pump Shaft**

<b>1989-1985</b>	with remote reservoir	
Seal	.....	7013S
<b>1989-1985</b>	with integral reservoir	
Seal	.....	221925
Bearing	.....	203FF

**CRANKSHAFT REAR SEAL**

**6 Cylinder**

<b>1989-1985</b>	231/3.8L	
Seal	.....	5591
Seal PTFE H/D Opt.	.....	5291
<b>1985</b>	181/3.0L	
Seal	.....	5591
<b>1985</b>	260/4.3 diesel	
Seal	.....	5419

**TIMING COVER**

**6 Cylinder**

<b>1989-1985</b>	181/3.0L, 231/3.8L	
Seal Viton	.....	710162
Kwik Slv (Opt Rpr)	.....	KWK99193
<b>1985</b>	260/4.3 diesel	
Seal	.....	472924
Kwik Slv (Opt Rpr)	.....	KWK99199

**BUICK - FRONT DRIVE - Regal**

**FRONT WHEEL**

<b>1989-1988</b>		
Hub Assy	.....	513044[2]

**REAR WHEEL**

<b>1989-1988</b>	w/ 4 wheel disc non-ABS brakes	
Hub Assy	.....	513018[2]
<b>1989-1988</b>	with ABS brakes	
Hub Assy	.....	513042[2]

**4-SPEED AUTOMATIC TRANSAXLE**

**Torque Converter**

<b>1989-1988</b>		
Seal	.....	4072N

[ ] Indicates Quantity Required; Set Components Listed Inside Rear Cover;

<sup>12</sup> Opt. Kit includes seal and O ring; kit included w/hub assembly

<sup>61</sup> Kit incl: Seal, Hub Nut, and Bearing Unit



# Bearings and Seals

Mfg./Year    Model & Location    Part No    Mfg./Year    Model & Location    Part No

## **BUICK - FRONT DRIVE - Regal (cont.)**

### **4-SPEED AUTOMATIC TRANSAXLE**

#### **Output Shaft**

**1989-1988**    4T60E  
 Seal (LH) ..... 710096  
 Kwik Slv (Opt Rpr) (LH) ..... KWK99139  
 Seal (RH) ..... 3543  
 Kwik Slv (Opt Rpr) (RH) ..... KWK99139

#### **Selector Shaft Seal/Man. Shaft**

**1989-1988**  
 Seal ..... 8792S

### **POWER STEERING**

#### **Pump Shaft**

**1989-1988**    with remote reservoir  
 Seal ..... 7013S

### **CRANKSHAFT REAR SEAL**

#### **6 Cylinder**

**1989**    189/3.1L  
 Seal ..... 4307V  
 Seal PTFE H/D Opt. .... 5273  
 Kwik Slv (Opt Rpr) ..... KWK99298

### **CRANKSHAFT REAR SEAL (cont.)**

#### **6 Cylinder (cont.)**

**1989-1988**    173/2.8L  
 Seal ..... 4307V  
 Seal PTFE H/D Opt. .... 5273  
 Kwik Slv (Opt Rpr) ..... KWK99298

### **TIMING COVER**

#### **6 Cylinder**

**1989**    189/3.1L  
 Seal ..... 9845  
 Kwik Slv (Opt Rpr) ..... KWK99176  
**1989-1988**    173/2.8L  
 Seal ..... 9845  
 Kwik Slv (Opt Rpr) ..... KWK99176

## **BUICK - FRONT DRIVE - Riviera, Reatta**

### **FRONT WHEEL**

**1989**  
 Hub Assy ..... 513059[2]  
**1988-1986**  
 Hub Assy ..... 513016K[2]<sup>61</sup>  
 Seal Kit ..... 5698<sup>12</sup>  
**1985-1979**  
 Hub Assy ..... 513013[2]

### **REAR WHEEL**

**1989-1988**    with ABS brakes  
 Hub Assy ..... 513041[2]  
**1989-1986**    non- ABS Brakes  
 Hub Assy ..... 513018[2]  
**1985-1979**    rear disc brakes  
 Hub Assy ..... 513009[2]<sup>16</sup>  
**1985-1979**    rear drum brakes  
 Hub Assy ..... 513010[2]

### **3-SPEED AUTOMATIC TRANSAXLE**

#### **Torque Converter**

**1985-1982**  
 Seal ..... 3227  
 Kwik Slv (Opt Rpr) ..... KWK99174  
**1981-1979**  
 Seal ..... 6712NA  
 Kwik Slv (Opt Rpr) ..... KWK99187

### **3-SPEED AUTOMATIC TRANSAXLE**

#### **Output Shaft**

**1985-1979**    with final drive assembly  
 Seal ..... 3907[2]

#### **Selector Shaft Seal/Man. Shaft**

**1985-1979**  
 Seal ..... 8792S

### **4-SPEED AUTOMATIC TRANSAXLE**

#### **Torque Converter**

**1989-1986**  
 Seal ..... 4072N  
**1985-1979**  
 Seal ..... 3227  
 Kwik Slv (Opt Rpr) ..... KWK99174

#### **Output Shaft**

**1989-1979**  
 Seal (LH) ..... 710096  
 Seal (RH) ..... 3543

#### **Selector Shaft Seal/Man. Shaft**

**1989-1979**  
 Seal ..... 8792S

**30** [ ] Indicates Quantity Required; Set Components Listed Inside Rear Cover;

<sup>12</sup> Opt. Kit includes seal and O ring; kit included w/hub assembly    <sup>16</sup> Check for availability, while supplies last

<sup>61</sup> Kit incl: Seal, Hub Nut, and Bearing Unit

**BUICK - FRONT DRIVE - Riviera, Reatta (cont.)**

**ALTERNATOR**

**1989-1979**  
 Bearing (drive end) .....203FF  
 Bearing (rear end) .....100CCAB

**POWER STEERING**

**Pump Shaft**

**1989-1986**  
 Seal ..... 221925  
 Bearing .....203FF  
**1985-1979**  
 Seal ..... 480821

**CRANKSHAFT REAR SEAL**

**6 Cylinder**

**1989**    231/3.8L  
 Seal Viton ..... 320691  
 Kwik Slv (Opt Rpr) .....KWK99328  
**1988-1980**    231/3.8L  
 Seal ..... 5591  
**1984-1981**    252/4.1L  
 Seal ..... 5591  
 Seal PTFE H/D Opt. .... 5291

**8 Cylinder**

**1985-1980**    307/5.0L  
 Seal Rope .....5095  
**1985-1980**    350/5.7L Diesel  
 Seal ..... 5591  
**1980-1979**    350/5.7L  
 Seal ..... 5591

**TIMING COVER**

**6 Cylinder**

**1989-1986**    231/3.8L  
 Seal Viton ..... 710162  
 Kwik Slv (Opt Rpr) .....KWK99193  
**1985-1980**    231/3.8L  
 Seal ..... 710163  
**1984-1981**    252/4.1L  
 Seal ..... 471424  
 Kwik Slv (Opt Rpr) .....KWK99199

**8 Cylinder**

**1985-1980**    350/5.7L Diesel  
 Seal ..... 472082  
 Kwik Slv (Opt Rpr) .....KWK99199  
**1985-1980**    307/5.0L  
 Seal ..... 472082  
 Kwik Slv (Opt Rpr) .....KWK99199  
**1980-1979**    350/5.7L  
 Seal ..... 472082  
 Kwik Slv (Opt Rpr) .....KWK99199

**BUICK - FRONT DRIVE - Skyhawk**

**FRONT WHEEL**

**1989-1984**    12mm holes in mounting flange  
 Hub Assy .....513017K[2]<sup>61</sup>  
 Seal Kit ..... 5697<sup>12</sup>  
**1984-1982**    10mm holes in mounting flange  
 Hub Assy ..... 513004K[2]<sup>61</sup>  
 Seal Kit ..... 5697<sup>12</sup>

**REAR WHEEL**

**1989-1982**  
 Hub Assy ..... 513012[2]

**CLUTCH**

**Release Bearing**

**1989-1983**    5-speed: 4-cylinder:  
 Bearing Assy ..... 614108  
**1987-1982**    4-speed  
 Bearing Assy ..... 614009

**3-SPEED AUTOMATIC TRANSAXLE**

**Torque Converter**

**1989-1982**  
 Seal ..... 4072N

**Output Shaft**

**1989-1982**  
 Seal ..... 3543[2]  
 Kwik Slv (Opt Rpr) .....KWK99139[2]

**Selector Shaft Seal/Man. Shaft**

**1989-1984**  
 Seal ..... 8792S  
**1983-1982**  
 Seal ..... 240385

**4-SPEED MANUAL TRANSAXLE**

**Differential**

**1987-1982**  
 Set ..... SET11

[ ] Indicates Quantity Required; Set Components Listed Inside Rear Cover;

<sup>12</sup> Opt. Kit includes seal and O ring; kit included w/hub assembly Unit

<sup>61</sup> Kit incl: Seal, Hub Nut, and Bearing

# Bearings and Seals

Mfg./Year    Model & Location    Part No    Mfg./Year    Model & Location    Part No

## **BUICK - FRONT DRIVE - Skyhawk (cont.)**

### **4-SPEED MANUAL TRANSAXLE**

#### **Input Shaft**

**1987-1982**  
 Seal ..... 3732S  
 Set ..... SET4  
 Kwik Slv (Opt Rpr) ..... KWK99106

#### **Output Shaft**

**1987-1982**  
 Seal ..... 3543[2]  
 Set ..... SET5[2]  
 Kwik Slv (Opt Rpr) ..... KWK99139[2]

#### **Selector Shaft Seal/Man. Shaft**

**1987-1982**  
 Seal ..... 472705  
 Kwik Slv (Opt Rpr) ..... KWK99058

### **5-SPEED MANUAL TRANSAXLE**

#### **Differential**

**1989-1983**  
 Bearing Assy ..... 32008XM[2]

#### **Input Shaft**

**1989-1983**  
 Seal (front) ..... 222835  
 Bearing Assy (front) ..... 32206M  
 Bearing Assy (rear) ..... 30306M  
 Kwik Slv (Opt Rpr) ..... KWK99111

#### **Output Shaft**

**1989-1983**  
 Seal (LH) ..... 3543  
 Set (LH) ..... SET5  
 Kwik Slv (Opt Rpr) (LH) ..... KWK99139  
 Seal (RH) ..... 3543  
 Bearing Assy (RH) ..... 32206M  
 Kwik Slv (Opt Rpr) (RH) ..... KWK99139

#### **Selector Shaft Seal/Man. Shaft**

**1989-1983**  
 Seal ..... 3667

### **ALTERNATOR**

**1989-1987**  
 Bearing (drive end) ..... 203FF  
 Bearing (rear end) ..... 100CCAB  
**1986-1983**  
 Bearing (drive end) ..... 203FF  
 Bearing (rear end) ..... MNJ471S  
**1982**  
 Bearing (drive end) ..... 203S  
 Bearing (rear end) ..... MNJ471S

### **POWER STEERING**

#### **Pump Shaft**

**1989-1982**  
 Seal ..... 221925

#### **Worm Shaft**

**1989-1982**    exc. H.D. and Touring suspension  
 Seal ..... 222510

### **CAMSHAFT SEAL**

#### **4 Cylinder**

**1988-1987**    122/2.0L  
 Seal Viton ..... 1108  
 Kwik Slv (Opt Rpr) ..... KWK99139  
**1986-1982**    112/1.8L: J /turbo; or 0 engine  
 code  
 Seal Viton ..... 1108  
 Kwik Slv (Opt Rpr) ..... KWK99139

### **CRANKSHAFT FRONT SEAL**

#### **4 Cylinder**

**1989-1983**    122/2.0L  
 Seal ..... 9845  
 Kwik Slv (Opt Rpr) ..... KWK99176  
**1986-1982**    112/1.8L: J /turbo  
 Seal Viton ..... 710164  
 Kwik Slv (Opt Rpr) ..... KWK99128  
**1983-1982**    112/1.8L  
 Seal ..... 9845  
 Kwik Slv (Opt Rpr) ..... KWK99176

### **CRANKSHAFT REAR SEAL**

#### **4 Cylinder**

**1989-1983**    122/2.0L 2nd design 11mm width  
 with casting O on RR of cyl case  
 Seal ..... 4307V  
 Seal PTFE H/D Opt ..... 5273  
 Kwik Slv (Opt Rpr) ..... KWK99298  
**1988-1987**    122/2.0L M and K  
 Seal Viton ..... 710237  
**1986-1982**    112/1.8L: J /turbo; or 0 engine  
 code  
 Seal Viton ..... 710232  
**1984-1983**    122/2.0L 1st design 5.5mm width  
 Seal ..... 5210  
**1982**    112/1.8L G engine code 1st  
 design 5.5mm thick  
 Seal ..... 5210  
**1982**    112/1.8L G engine code 2nd  
 design 11mm thick  
 Seal ..... 4307V  
 Seal PTFE H/D Opt ..... 5273  
 Kwik Slv (Opt Rpr) ..... KWK99298

**BUICK - FRONT DRIVE - Skylark, Somerset, Somerset Regal**

**FRONT WHEEL**

<b>1989-1985</b>	
Hub Assy .....	513017K[2] <sup>61</sup>
Seal Kit .....	5697 <sup>12</sup>
<b>1984-1980</b>	
Hub Assy .....	513011K[2] <sup>61</sup>
Seal Kit .....	5699 <sup>12</sup>

**REAR WHEEL**

<b>1989-1980 non-ABS brakes</b>	
Hub Assy .....	513012[2]

**CLUTCH**

**Pilot Bearing**

<b>1987-1980</b>	
Bushing .....	PB650

**Release Bearing**

<b>1989-1988</b>	5-speed: 4-cylinder: Quad4 engine
Bearing Assy .....	614069
<b>1987-1985</b>	5-speed: 4-cylinder: exc. Quad4 engine
Bearing Assy .....	614108
<b>1987-1985</b>	5-speed: 6-cylinder
Bearing Assy .....	614069
<b>1984-1980</b>	4-speed
Bearing Assy .....	614009

**3-SPEED AUTOMATIC TRANSAXLE**

**Torque Converter**

<b>1989-1980</b>	
Seal .....	4072N

**Output Shaft**

<b>1989-1980</b>	
Seal .....	3543[2]
Kwik Slv (Opt Rpr) .....	KWK99139[2]

**Selector Shaft Seal/Man. Shaft**

<b>1989-1980</b>	
Seal .....	8792S

**4-SPEED MANUAL TRANSAXLE**

**Differential**

<b>1985-1980</b>	
Set .....	SET11

**Input Shaft**

<b>1985-1980</b>	
Seal (front) .....	3732S
Set (front) .....	SET4
Cone/Cup (rear) .....	15101-15245

**4-SPEED MANUAL TRANSAXLE**

**Output Shaft**

<b>1985-1980</b>	
Seal (LH) .....	3543
Set (LH) .....	SET5
Seal (RH) .....	3543
Cone/Cup (RH) .....	15101-15245

**Selector Shaft Seal/Man. Shaft**

<b>1985-1980</b>	
Seal .....	3667

**5-SPEED MANUAL TRANSAXLE**

**Differential**

<b>1987-1985</b>	
Bearing Assy .....	32008XM[2]

**Input Shaft**

<b>1987-1985</b>	
Seal (front) .....	222835
Bearing Assy (front) .....	32206M
Bearing Assy (rear) .....	30306M
Kwik Slv (Opt Rpr) .....	KWK99111

**Output Shaft**

<b>1987-1985</b>	
Seal .....	3543[2]
Set .....	SET5[2]
Kwik Slv (Opt Rpr) .....	KWK99139[2]

**Selector Shaft Seal/Man. Shaft**

<b>1987-1985</b>	
Seal .....	3667

**ALTERNATOR**

<b>1989-1980</b>	
Bearing (drive end) .....	203FF
Bearing (rear end) .....	100CCAB

**CRANKSHAFT REAR SEAL**

**4 Cylinder**

<b>1989-1988</b>	138/2.3L
Seal .....	40375
<b>1989-1980</b>	151/2.5L
Seal .....	3698

**6 Cylinder**

<b>1989</b>	204/3.3L
Seal Viton .....	320691
Kwik Slv (Opt Rpr) .....	KWK99328
<b>1988-1985</b>	181/3.0L
Seal .....	5591
Seal PTFE H/D Opt. ....	5291
<b>1985-1980</b>	173/2.8L
Seal .....	5210

[ ] Indicates Quantity Required; Set Components Listed Inside Rear Cover;

<sup>12</sup> Opt. Kit includes seal and O ring; kit included w/hub assembly Unit

<sup>61</sup> Kit incl: Seal, Hub Nut, and Bearing

# Bearings and Seals

Mfg./Year    Model & Location    Part No    Mfg./Year    Model & Location    Part No

## **BUICK - FRONT DRIVE - Skylark, Somerset, Somerset Regal (cont.)**

### **TIMING COVER**

#### **4 Cylinder**

**1989-1988** 138/2.3L  
 Seal Viton ..... 320259  
 Kwik Slv (Opt Rpr) .....KWK99199  
**1989-1980** 151/2.5L  
 Seal ..... 9845  
 Kwik Slv (Opt Rpr) .....KWK99176

#### **6 Cylinder**

**1989** 204/3.3L  
 Seal Viton ..... 710162  
 Kwik Slv (Opt Rpr) .....KWK99193

### **TIMING COVER (cont.)**

#### **6 Cylinder (cont.)**

**1988-1985** 181/3.0L  
 Seal Viton ..... 710162  
 Kwik Slv (Opt Rpr) .....KWK99193  
**1985-1980** 173/2.8L  
 Seal ..... 9845  
 Kwik Slv (Opt Rpr) .....KWK99176

## **BUICK - REAR DRIVE - Electra, Estate Wagon, LeSabre, Riviera, Wildcat, 40, 50, 60, 70, 90, Special**

### **FRONT WHEEL**

**1989-1977**  
 Seal (inner) ..... 8871[2]  
 Set (inner) .....SET6  
 Set (outer) .....SET3  
**1978** LeSabre: 11" rotor  
 Seal (inner) ..... 8871[2]  
 Set (inner) .....SET6  
 Set (outer) .....SET2  
**1978** LeSabre: 12" rotor  
 Seal (inner) ..... 8871[2]  
 Set (inner) .....SET6  
 Set (outer) .....SET3  
**1976-1971**  
 Seal (inner) ..... 8871[2]  
 Set (inner) .....SET5  
 Set (outer) .....SET3  
**1970-1961**  
 Seal (inner) ..... 331301N[2]  
 Set (inner) .....SET5  
 Set (outer) .....SET3  
**1960-1958**  
 Seal (inner) ..... 6950N[2]  
 Bearing (inner) .....B66[2]  
 Bearing (outer) ..... B73[2]  
**1957**  
 Seal (inner) ..... 6950N[2]  
 Bearing (inner) .....B66[2]  
 Bearing (outer) ..... B25[2]  
**1956-1941**  
 Seal (inner) ..... 6118[2]  
 Bearing (inner) .....B62[2]  
 Bearing (outer) ..... B65[2]  
**1940-1937**  
 Bearing (inner) .....B52[2]  
 Bearing (outer) ..... B67[2]

### **REAR WHEEL**

**1989-1977** Estate Wagon 8.75" ring gear  
 Seal ..... 8835S[2]  
 Cyl. Bearing ..... 6408[2]  
 Kit ..... TRP1559TV[2]<sup>19</sup>  
**1985-1982** LeSabre  
 Seal ..... 8660S[2]  
 Cyl. Bearing ..... 5707[2]  
 Kit ..... TRP1563TAV[2]<sup>19</sup>  
**1984-1982** Electra  
 Seal ..... 8660S[2]  
 Cyl. Bearing ..... 5707[2]  
 Kit ..... TRP1563TAV[2]<sup>19</sup>  
**1981-1980** Electra 8.5", 8.875" ring gear  
 Pontiac (P) axle  
 Seal ..... 8835S[2]  
 Cyl. Bearing ..... 6408[2]  
 Kit ..... TRP1559TV[2]<sup>19</sup>  
**1981-1980** Electra 7.5", 8.5" ring gears  
 Chevrolet (C) axle  
 Seal ..... 8660S[2]  
 Cyl. Bearing ..... 5707[2]  
 Kit ..... TRP1563TAV[2]<sup>19</sup>  
**1981-1977** LeSabre 7.5", 8.5", 8.75" ring  
 gears Chevrolet (C) axle  
 Seal ..... 8660S[2]  
 Cyl. Bearing ..... 5707[2]  
 Kit ..... TRP1563TAV[2]<sup>19</sup>  
**1981-1977** LeSabre 8.75" ring gear  
 Seal ..... 8835S[2]  
 Cyl. Bearing ..... 6408[2]  
 Kit ..... TRP1559TV[2]<sup>19</sup>  
**1981-1977** Estate Wagon 7.5", 8.5", 8.75"  
 ring gears Chevrolet (C) axle  
 Seal ..... 8660S[2]  
 Cyl. Bearing ..... 5707[2]  
 Kit ..... TRP1563TAV[2]<sup>19</sup>  
**1979-1977** LeSabre 8.5" ring gear: Buick (B)  
 Seal ..... 712146[2]  
 Set ..... SET9

34 [ ] Indicates Quantity Required; Set Components Listed Inside Rear Cover;

<sup>19</sup> Opt. Axle Repair Bearing. Replaces O.E. bearing & seal.

**BUICK - REAR DRIVE - Electra, Estate Wagon, LeSabre, Riviera, Wildcat, 40, 50, 60, 70, 90, Special (cont.)**

**REAR WHEEL (cont.)**

<b>1979-1977</b>	Estate Wagon 8.5" ring gear: Buick (B)	
Seal	.....	712146[2]
Set	.....	SET9
<b>1979-1971</b>	Electra 8.5", 8.75", 8.875" ring gear Pontiac (P) axle	
Seal	.....	8835S[2]
Cyl. Bearing	.....	6408[2]
Kit	.....	TRP1559TV[2] <sup>19</sup>
<b>1978-1976</b>	Riviera	
Seal	.....	8835S[2]
Set	.....	SET5
<b>1976</b>	Electra 8.5", 9.375" ring gear Buick (B), Olds (O) axles	
Seal	.....	2689S[2]
Set	.....	SET10
<b>1976</b>	LeSabre	
Seal	.....	2689S[2]
Set	.....	SET10
<b>1976</b>	Estate Wagon	
Seal	.....	2689S[2]
Set	.....	SET10
<b>1975-1971</b>	Estate Wagon	
Seal	.....	8835S[2]
Cyl. Bearing	.....	6408[2]
Kit	.....	TRP1559TV[2] <sup>19</sup>
<b>1975-1971</b>	Riviera	
Seal	.....	2689S[2]
Set	.....	SET10
<b>1975-1971</b>	LeSabre	
Seal	.....	2689S[2]
Cyl. Bearing	.....	6408[2]
<b>1970</b>	Estate Wagon	
Seal	.....	8940S[2]
Bearing	.....	RW508BR[2]
<b>1970</b>	Riviera	
Seal	.....	2689S[2]
Set	.....	SET10
Kit	.....	TRP1559TV[2] <sup>19</sup>
<b>1970-1968</b>	Electra	
Seal	.....	8940S[2]
Bearing	.....	RW508BR[2]
<b>1970-1968</b>	LeSabre	
Seal	.....	8940S[2]
Bearing	.....	RW508BR[2]
<b>1969-1968</b>	Wildcat	
Seal	.....	8940S[2]
Bearing	.....	RW508BR[2]
<b>1969-1968</b>	Riviera with 10 bolt housing cover	
Seal	.....	51098[2]
Bearing	.....	88131R[2]
<b>1969-1968</b>	Electra with 10 bolt housing cover	
Seal	.....	51098[2]
Bearing	.....	88131R[2]
<b>1967</b>	LeSabre 1st design	
Seal	.....	9116S[2]
Bearing	.....	RW507GR[2]
<b>1967</b>	LeSabre 2nd design	
Seal	.....	8940S[2]
Bearing	.....	RW508BR[2]

**REAR WHEEL (cont.)**

<b>1967</b>	Electra 2nd design	
Seal	.....	8940S[2]
Bearing	.....	RW508BR[2]
<b>1967</b>	Electra 1st design	
Seal	.....	9116S[2]
Bearing	.....	RW507GR[2]
<b>1967-1965</b>	Wildcat	
Seal	.....	51098[2]
Bearing	.....	514003P[2]
<b>1967-1965</b>	Riviera	
Seal	.....	51098[2]
Bearing	.....	514003P[2]
<b>1966-1965</b>	Electra	
Seal	.....	9116S[2]
Bearing	.....	RW507AR[2]
<b>1966-1965</b>	LeSabre	
Seal	.....	8594S[2]
Bearing	.....	RW507GR[2]
<b>1964-1963</b>		
Seal	.....	51098[2]
Bearing	.....	514003P[2]
<b>1962-1956</b>		
Seal	.....	470064[2]
Bearing	.....	RW509FR[2]
<b>1955-1934</b>		
Seal	.....	414045[2]
Cyl. Bearing	.....	R1502EL[2]

**REAR AXLE**

**Differential Rebuild Kit**

<b>1989-1971</b>	8.5" ring gear	
Kit	.....	DRK321
<b>1983-1971</b>	8.75" ring gear	
Kit	.....	DRK323
<b>1979-1977</b>	8.875" ring gear	
Kit	.....	DRK323

**Differential**

<b>1989-1971</b>	7.5", 8.5" ring gears	
Cone/Cup	.....	LM501349-LM501314[2]
<b>1983-1971</b>	8.75" ring gear	
Set	.....	SET36
<b>1970-1966</b>	2nd Design	
Cone/Cup (LH)	.....	25590-25523
Set (RH)	.....	SET36
<b>1966</b>	1st Design	
Set	.....	SET36
<b>1965-1963</b>		
Cone/Cup	.....	25584-25520[2]
<b>1955-1940</b>		
Cone/Cup	.....	17887-17831[2]

[ ] Indicates Quantity Required; Set Components Listed Inside Rear Cover;  
<sup>19</sup> Opt. Axle Repair Bearing. Replaces O.E. bearing & seal.

# Bearings and Seals

Mfg./Year    Model & Location    Part No    Mfg./Year    Model & Location    Part No

## **BUICK - REAR DRIVE - Electra, Estate Wagon, LeSabre, Riviera, Wildcat, 40, 50, 60, 70, 90, Special (cont.)**

### **REAR AXLE**

#### **Pinion**

<b>1989-1970</b>	Estate Wagon	
	Cone/Cup (inner) .....	M802048-M802011
	Seal (outer) .....	2043
	Cone/Cup (outer) .....	M88048-M88010
<b>1985-1971</b>	LeSabre	
	Cone/Cup (inner) .....	M802048-M802011
	Seal (outer) .....	2043
	Cone/Cup (outer) .....	M88048-M88010
<b>1984-1976</b>	Electra	
	Cone/Cup (inner) .....	HM89449-HM89410
	Seal (outer) .....	8610
	Cone/Cup (outer) .....	M86649-M86610
<b>1978-1965</b>	Riviera	
	Cone/Cup (inner) .....	M804049-M804010
	Seal (outer) .....	2043
	Cone/Cup (outer) .....	M88048-M88010
<b>1975-1965</b>	Electra	
	Cone/Cup (inner) .....	M804049-M804010
	Seal (outer) .....	2043
	Cone/Cup (outer) .....	M88048-M88010
<b>1970-1968</b>	LeSabre	
	Cone/Cup (inner) .....	M804049-M804010
	Seal (outer) .....	8620N
	Cone/Cup (outer) .....	M86649-M86610
<b>1967-1965</b>	LeSabre	
	Cone/Cup (inner) .....	HM89449-HM89410
	Seal (outer) .....	8620N
	Cone/Cup (outer) .....	M86649-M86610
<b>1962-1955</b>		
	Cone/Cup (inner) .....	M802048-M802011
	Seal (outer) .....	8620N
	Cone/Cup (outer) .....	HM89446-HM89410

### **AUTOMATIC TRANSMISSION**

#### **Torque Converter**

<b>1968</b>	Super Turbine 300	
	Seal .....	6712NA
	Kwik Slv (Opt Rpr) .....	KWK99187

#### **Rear Seal/Ext. Housing**

<b>1968</b>	Super Turbine 300	
	Seal .....	9613S
	Seal Kit Opt. ....	5200 <sup>64</sup>

### **3-SPEED AUTOMATIC TRANSMISSION**

#### **Torque Converter**

<b>1984-1982</b>	Estate Wagon, LeSabre THM200, 200C	
	Seal .....	3227
	Kwik Slv (Opt Rpr) .....	KWK99174
<b>1984-1965</b>	Electra, Estate Wagon, LeSabre, THM250C, 250, 325, 350, 350C, 375, 400	
	Seal .....	6712NA
	Kwik Slv (Opt Rpr) .....	KWK99187

### **3-SPEED AUTOMATIC TRANSMISSION (cont.)**

#### **Torque Converter (cont.)**

<b>1978-1965</b>	Riveria, THM400	
	Seal .....	3227
	Kwik Slv (Opt Rpr) .....	KWK99174
<b>1963-1946</b>	Flight-Pitch, Dyna Flow	
	Seal .....	451147H
	Kwik Slv (Opt Rpr) .....	KWK99174

#### **Rear Seal/Ext. Housing**

<b>1987-1964</b>	Electra, Estate Wagon, LeSabre, THM200, 200C, 250C, 350, 350C	
	Seal .....	9613S
	Seal Kit Opt. ....	5200 <sup>64</sup>
<b>1981-1971</b>	Electra, Estate Wagon, LeSabre, THM375, 400	
	Seal .....	9449
	Seal Kit Opt. ....	5208 <sup>64</sup>
<b>1980</b>	Estate Wagon, LeSabre, THM250	
	Seal .....	3907
<b>1978-1965</b>	Riveria, THM400	
	Seal .....	9613S
	Seal Kit Opt. ....	5200 <sup>64</sup>
<b>1964-1934</b>	Dynaflow, Flight-Pitch	
	Seal .....	470774
	Bearing .....	206S
	Seal Kit Opt. ....	5200 <sup>64</sup>

#### **Selector Shaft Seal/Man. Shaft**

<b>1987-1934</b>		
	Seal .....	8792S

### **4-SPEED AUTOMATIC TRANSMISSION**

#### **Torque Converter**

<b>1989-1982</b>	Electra, Estate Wagon, LeSabre, with overdrive, THM2004R	
	Seal .....	3227
	Kwik Slv (Opt Rpr) .....	KWK99174
<b>1984-1982</b>	Electra, Estate Wagon, LeSabre, without overdrive, THM350RL	
	Seal .....	3227
	Kwik Slv (Opt Rpr) .....	KWK99174

#### **Rear Seal/Ext. Housing**

<b>1989-1982</b>	Electra, Estate Wagon, LeSabre, without overdrive, THM350RL	
	Seal (rear) .....	9613S
<b>1989-1982</b>	Electra, Estate Wagon, LeSabre, with overdrive, THM2004R	
	Seal (rear) .....	9613S



**BUICK - REAR DRIVE - Electra, Estate Wagon, LeSabre, Riviera, Wildcat, 40, 50, 60, 70, 90, Special (cont.)**

**4-SPEED AUTOMATIC TRANSMISSION**

**Selector Shaft Seal/Man. Shaft**

<b>1989-1982</b>	Electric, Estate Wagon, LeSabre	
Seal	.....	8792S

**CLUTCH**

**Pilot Bearing**

<b>1971-1957</b>		
Bushing H/D	.....	PB656HD
<b>1956-1934</b>		
Bearing	.....	7109

**Release Bearing**

<b>1977-1976</b>	231 engine	
Bearing Assy	.....	1377C
<b>1975</b>	455 engine	
Bearing Assy	.....	614018 <sup>42</sup>
<b>1974-1968</b>	250, 350 engine	
Bearing Assy	.....	614037 <sup>42</sup>
<b>1973-1967</b>	400, 455	
Bearing Assy	.....	614018 <sup>42</sup>
<b>1967-1964</b>	225, 300, 340 engine	
Bearing Assy	.....	1377C
<b>1963-1961</b>	400, 430, 455 engine	
Bearing Assy	.....	614018 <sup>42</sup>
<b>1960-1956</b>		
Bearing Only	.....	B1505C
<b>1955-1939</b>		
Bearing Only	.....	B1505C

**GENERATOR / ALTERNATOR**

<b>1989-1980</b>		
Bearing (drive end)	.....	203F
Bearing (rear end)	.....	MNJ471S
<b>1979-1972</b>		
Bearing (drive end)	.....	203S
Bearing (rear end)	.....	MNJ471S
<b>1971-1963</b>		
Bearing (drive end)	.....	203F
Bearing (rear end)	.....	203F
<b>1962-1961</b>		
Bearing (drive end)	.....	203AB
Bearing (rear end)	.....	203F

**POWER STEERING**

**Pitman Shaft**

<b>1989-1957</b>		
Seal (inner)	.....	471413
Seal (outer)	.....	7412S
Seal Kit Opt.	.....	PSK1 <sup>24</sup>
<b>1956-1952</b>		
Seal	.....	352560

**Pump Shaft**

<b>1989-1958</b>		
Seal	.....	7013S

**POWER STEERING (cont.)**

**Pump Shaft (cont.)**

<b>1957</b>		
Bearing (inner)	.....	201AB
Seal (outer)	.....	8059S
Bearing (outer)	.....	203AB
<b>1956-1953</b>		
Bearing (inner)	.....	201AB
Seal (outer)	.....	8059S
Bearing (outer)	.....	WC87504

**Worm Shaft**

<b>1989-1980</b>		
Seal	.....	222025
<b>1979-1952</b>		
Seal	.....	351267

**MANUAL STEERING**

**Pitman Shaft**

<b>1975-1959</b>	2nd Design	
Seal	.....	313842
<b>1959-1937</b>	1st Design	
Seal	.....	352560

**Worm Shaft**

<b>1975-1959</b>		
Seal	.....	474131
<b>1958-1946</b>		
Seal	.....	474131

**CRANKSHAFT REAR SEAL**

**6 Cylinder**

<b>1985-1976</b>	231/3.8L	
Seal	.....	5591
Seal PTFE H/D Opt.	.....	5291
<b>1984-1980</b>	252/4.1L	
Seal	.....	5591
Seal PTFE H/D Opt.	.....	5291

**8 Cylinder**

<b>1989-1988</b>	307/5.0L	
Seal Rope	.....	5095
<b>1987-1981</b>	307/5.0L	
Seal Rope	.....	5095
<b>1985-1980</b>	350/5.7L Diesel	
Seal Rope	.....	5095
<b>1980-1977</b>	350/5.7L engine code (L)	
Seal	.....	5092
<b>1980-1977</b>	301/4.9	
Seal	.....	5073
<b>1980-1968</b>	350/5.7L	
Seal	.....	5591
Seal PTFE H/D Opt.	.....	5291
<b>1979-1977</b>	403/6.6L	
Seal Rope	.....	5095
<b>1978</b>	305/5.0L	
Seal	.....	5092

[ ] Indicates Quantity Required; Set Components Listed Inside Rear Cover;

<sup>24</sup> Opt. Kit incl. seals 5683 & 5684. Not sold separately

<sup>42</sup> Sealed Self-Aligning Bearing

# Bearings and Seals

Mfg./Year    Model & Location    Part No    Mfg./Year    Model & Location    Part No

## **BUICK - REAR DRIVE - Electra, Estate Wagon, LeSabre, Riviera, Wildcat, 40, 50, 60, 70, 90, Special (cont.)**

### **CRANKSHAFT REAR SEAL (cont.)**

#### **8 Cylinder (cont.)**

<b>1976-1970</b>	455 engine	
Seal	.....	5591
Seal PTFE H/D Opt.	.....	5291
<b>1969-1968</b>	430 engine	
Seal	.....	5591
Seal PTFE H/D Opt.	.....	5291

### **TIMING COVER**

#### **6 Cylinder**

<b>1985-1976</b>	231/3.8L	
Seal	.....	710163
<b>1984-1980</b>	252/4.1L	
Seal	.....	471424
Kwik Slv (Opt Rpr)	.....	KWK99199

#### **8 Cylinder**

<b>1989-1981</b>	307/5.0L	
Seal	.....	472082
Kwik Slv (Opt Rpr)	.....	KWK99199
<b>1985-1980</b>	350/5.7L Diesel	
Seal	.....	472082
Kwik Slv (Opt Rpr)	.....	KWK99199

### **TIMING COVER (cont.)**

#### **8 Cylinder (cont.)**

<b>1980-1977</b>	301/4.9	
Seal	.....	332062
Kwik Slv (Opt Rpr)	.....	KWK99186
<b>1980-1968</b>	350/5.7L	
Seal	.....	710173
Kwik Slv (Opt Rpr)	.....	KWK99196
<b>1979-1977</b>	403/6.6L	
Seal	.....	472082
Kwik Slv (Opt Rpr)	.....	KWK99199
<b>1978</b>	305/5.0L	
Seal	.....	9845
Kwik Slv (Opt Rpr)	.....	KWK99176
<b>1976-1970</b>	455 engine	
Seal	.....	710163
Kwik Slv (Opt Rpr)	.....	KWK99176
<b>1969-1968</b>	430 engine	
Seal	.....	710163
Kwik Slv (Opt Rpr)	.....	KWK99176

## **BUICK - REAR DRIVE - Regal**

### **FRONT WHEEL**

<b>1987-1982</b>		
Seal (inner)	.....	8871[2]
Set (inner)	.....	SET6
Set (outer)	.....	SET34
<b>1981-1973</b>		
Seal (inner)	.....	8871[2]
Set (inner)	.....	SET6
Set (outer)	.....	SET3

### **REAR WHEEL**

<b>1987-1978</b>		
Seal	.....	8660S[2]
Cyl. Bearing	.....	5707[2]
Kit	.....	TRP1563TAV[2] <sup>19</sup>
<b>1977-1976</b>	with 8.50" ring gear Chevy (C) axle	
Seal	.....	8660S[2]
Cyl. Bearing	.....	5707[2]
Kit	.....	TRP1563TAV[2] <sup>19</sup>
<b>1977-1976</b>	with 8.50" ring gear Buick (B) axle	
Seal	.....	712146[2]
Set	.....	SET9
<b>1976</b>	with 8.875" ring gear	
Seal	.....	8835S[2]
Cyl. Bearing	.....	6408[2]
Kit	.....	TRP1559TV[2] <sup>19</sup>

### **REAR WHEEL (cont.)**

<b>1975-1973</b>	with Buick (B), Olds (O) axles	
Seal	.....	712146[2]
Set	.....	SET9
<b>1974-1973</b>	with Pontiac (P) axles	
Seal	.....	8835S[2]
Cyl. Bearing	.....	6408[2]
Kit	.....	TRP1559TV[2] <sup>19</sup>
<b>1973</b>	with C, G, K, W, axles	
Seal	.....	8660S[2]
Cyl. Bearing	.....	5707[2]
Kit	.....	TRP1563TAV[2] <sup>19</sup>

### **REAR AXLE**

#### **Differential Rebuild Kit**

<b>1987-1982</b>	7.5" ring gear	
Kit	.....	DRK320
<b>1979-1971</b>	8.5" ring gear	
Kit	.....	DRK321
<b>1977</b>	8.75", 8.875" ring gears	
Kit	.....	DRK323

#### **Differential**

<b>1987-1978</b>	with 7.50" ring gear	
Cone/Cup	.....	LM501349-LM501314[2]
<b>1987-1976</b>	with 8.50" ring gear	
Cone/Cup	.....	LM501349-LM501314[2]
<b>1977-1976</b>	with 8.875" ring gear	
Set	.....	SET36

38 [ ] Indicates Quantity Required; Set Components Listed Inside Rear Cover;

<sup>19</sup> Opt. Axle Repair Bearing. Replaces O.E. bearing & seal.

**BUICK - REAR DRIVE - Regal (cont.)**

**REAR AXLE (cont.)**

**Differential (cont.)**

<b>1975</b>	without Pontiac (P) axle	
	Cone/Cup .....	LM501349-LM501314[2]
<b>1975-1973</b>	with Pontiac (P) axles	
	Set .....	SET36
<b>1974-1973</b>	with Buick (B), Olds (O) axles	
	Cone/Cup .....	LM501349-LM501314[2]

**Pinion**

<b>1987-1980</b>	7.5", 7.625" ring gears	
	Cone/Cup (inner) .....	HM89249-HM89210
	Seal (outer) .....	8610
	Cone/Cup (outer) .....	M86649-M86610
<b>1979-1973</b>	7.5" ring gear	
	Cone/Cup (inner) .....	HM89449-HM89410
	Seal (outer) .....	8610
	Cone/Cup (outer) .....	M86649-M86610
<b>1979-1973</b>	8.5", 8.75" ring gears	
	Cone/Cup (inner) .....	M802048-M802011
	Seal (outer) .....	2043
	Cone/Cup (outer) .....	M88048-M88010
<b>1976-1973</b>	8.875" ring gear	
	Cone/Cup (inner) .....	M804049-M804010
	Seal (outer) .....	2043
	Cone/Cup (outer) .....	M88048-M88010

**3-SPEED AUTOMATIC TRANSMISSION**

**Torque Converter**

<b>1987-1975</b>	THM200	
	Seal .....	3227
	Kwik Slv (Opt Rpr) .....	KWK99174
<b>1987-1964</b>	THM350, THM400, THM350C	
	Seal .....	6712NA
	Kwik Slv (Opt Rpr) .....	KWK99187

**Rear Seal/Ext. Housing**

<b>1987-1973</b>	THM200 THM350 THM350C	
	Seal .....	9613S
	Seal Kit Opt. ....	5200 <sup>64</sup>
<b>1978-1973</b>	THM400: 1.890" shaft	
	Seal .....	9449
	Seal Kit Opt. ....	5208 <sup>64</sup>
<b>1977-1973</b>	THM400: 1.687" shaft	
	Seal .....	7038SA
	Seal Kit Opt. ....	5205 <sup>64</sup>

**Selector Shaft Seal/Man. Shaft**

<b>1987-1973</b>	
	Seal .....

**4-SPEED AUTOMATIC TRANSMISSION**

**Torque Converter**

<b>1987-1983</b>	THM2004R	
	Seal .....	3227
	Kwik Slv (Opt Rpr) .....	KWK99174

**4-SPEED AUTOMATIC TRANSMISSION**

**Rear Seal/Ext. Housing**

<b>1987-1983</b>	THM2004R	
	Seal (rear) .....	9613S
	Seal Kit Opt. ....	5200 <sup>64</sup>

**Selector Shaft Seal/Man. Shaft**

<b>1987-1983</b>	
	Seal .....

**CLUTCH**

**Pilot Bearing**

<b>1981-1973</b>	
	Bushing .....
	Bushing H/D .....

**Release Bearing**

<b>1981-1975</b>	231 engine	
	Bearing Assy .....	614018 <sup>42</sup>
<b>1977-1975</b>	350/5.7L	
	Bearing Assy .....	1377C
<b>1974-1973</b>	350/5.7L	
	Bearing Assy .....	614037 <sup>42</sup>
<b>1974-1973</b>	455 engine	
	Bearing Assy .....	614018 <sup>42</sup>

**3-SPEED MANUAL TRANSMISSION**

**Front Input Shaft**

<b>1981-1973</b>	
	Seal .....

**Rear Output Shaft**

<b>1981-1973</b>	
	Seal .....

**Selector Shaft Seal/Man. Shaft**

<b>1981-1973</b>	
	Seal .....
	Kwik Slv (Opt Rpr) .....

**4-SPEED MANUAL TRANSMISSION**

**Input Shaft**

<b>1979-1978</b>	
	Seal .....
	Bearing .....

**Rear Output Shaft**

<b>1979-1978</b>	
	Seal .....
	Bearing .....

**Selector Shaft Seal/Man. Shaft**

<b>1979-1978</b>	
	Seal .....
	Kwik Slv (Opt Rpr) .....

[ ] Indicates Quantity Required; Set Components Listed Inside Rear Cover;  
<sup>42</sup> Sealed Self-Aligning Bearing    <sup>64</sup> Opt. Seal and Bushing Kit

# Bearings and Seals

Mfg./Year    Model & Location    Part No    Mfg./Year    Model & Location    Part No

## **BUICK - REAR DRIVE - Regal (cont.)**

### **GENERATOR / ALTERNATOR**

<b>1981-1980</b>	
Bearing (drive end) .....	203F
Bearing (rear end) .....	MNJ471S
<b>1979-1973</b>	
Bearing (drive end) .....	203S
Bearing (rear end) .....	MNJ471S

### **POWER STEERING**

#### **Pitman Shaft**

<b>1987-1973</b> 800 Gear with 4 bolt side cover	
Seal (inner) .....	471413
Seal (outer) .....	7412S
Seal Kit Opt. ....	PSK1 <sup>24</sup>
<b>1981-1978</b> 605 Gear with round side cover	
Seal .....	710285

#### **Pump Shaft**

<b>1981-1973</b>	
Seal .....	7013S

#### **Worm Shaft**

<b>1981-1978</b> 605 Gear with round side cover	
Seal .....	351267
<b>1979-1976</b> 800 Gear with 4 bolt side cover	
Seal .....	351267

### **CRANKSHAFT REAR SEAL**

#### **6 Cylinder**

<b>1987-1975</b> 231/3.8L	
Seal .....	5591
Seal PTFE H/D Opt. ....	5291
<b>1985-1982</b> 260/4.3 diesel	
Seal Rope .....	5095
<b>1984-1982</b> 252/4.1L	
Seal .....	5591
Seal PTFE H/D Opt. ....	5291
<b>1980-1979</b> 301/4.9	
Seal .....	5591
Seal PTFE H/D Opt. ....	5291

#### **8 Cylinder**

<b>1987-1986</b> 307/5.0L	
Seal Rope .....	5095
<b>1985-1977</b> 305/5.0L	
Seal .....	5092
<b>1983-1981</b> 350/5.7L Diesel	
Seal Rope .....	5095
<b>1982-1981</b> 267/4.4L	
Seal .....	5092

### **CRANKSHAFT REAR SEAL (cont.)**

#### **8 Cylinder (cont.)**

<b>1979-1973</b> 350/5.7L	
Seal .....	5092
<b>1977-1976</b> 403/6.6L	
Seal Rope .....	5095
<b>1974-1973</b> 455 engine	
Seal Rope .....	5095

### **TIMING COVER**

#### **6 Cylinder**

<b>1987-1986</b> 231/3.8L	
Seal Viton .....	710162
<b>1985-1982</b> 260/4.3 diesel	
Seal .....	9845
Kwik Slv (Opt Rpr) .....	KWK99196
<b>1985-1975</b> 231/3.8L	
Seal .....	710163
<b>1984-1982</b> 252/4.1L	
Seal .....	471424
Kwik Slv (Opt Rpr) .....	KWK99199
<b>1980-1979</b> 301/4.9	
Seal .....	710163

#### **8 Cylinder**

<b>1987-1986</b> 307/5.0L	
Seal .....	472082
Kwik Slv (Opt Rpr) .....	KWK99199
<b>1985-1977</b> 305/5.0L	
Seal .....	9845
<b>1983-1981</b> 350/5.7L Diesel	
Seal .....	472082
Kwik Slv (Opt Rpr) .....	KWK99199
<b>1982-1981</b> 267/4.4L	
Seal .....	9845
Kwik Slv (Opt Rpr) .....	KWK99176
<b>1979-1973</b> 350/5.7L	
Seal .....	9845
Kwik Slv (Opt Rpr) .....	KWK99176
<b>1977-1976</b> 403/6.6L	
Seal .....	472082
Kwik Slv (Opt Rpr) .....	KWK99199
<b>1974-1973</b> 455 engine	
Seal .....	710163

**BUICK - REAR DRIVE - Century, GS, Skylark Gran Sport, Skylark, Special, Sportswagon**

**FRONT WHEEL**

<b>1981-1979</b>	
Seal (inner) .....	8871[2]
Set (inner) .....	SET6
Set (outer) .....	SET3
<b>1978-1973</b>	
Seal (inner) .....	8871[2]
Set (inner) .....	SET6
Set (outer) .....	SET2
<b>1972-1964</b>	
Seal (inner) .....	8705S[2]
Set (inner) .....	SET6
Set (outer) .....	SET2
<b>1965-1963</b>	
Seal (inner) .....	7607[2]
Set (inner) .....	SET6
Set (outer) .....	SET2

**REAR WHEEL**

<b>1981-1978</b>	
Seal .....	8660S[2]
Cyl. Bearing .....	5707[2] <sup>19</sup>
Kit .....	TRP1563TAV[2] <sup>19</sup>
<b>1977-1976</b>	Century with 8.50" ring gear Buick (B) axle
Seal .....	712146[2]
Set .....	SET9
<b>1977-1976</b>	Century with 8.50" ring gear Chevy (C) axle
Seal .....	8660S[2]
Cyl. Bearing .....	5707[2]
Kit .....	TRP1563TAV[2] <sup>19</sup>
<b>1976</b>	Century with 8.875" ring gear
Seal .....	8835S[2]
Cyl. Bearing .....	6408[2]
Kit .....	TRP1559TV[2] <sup>19</sup>
<b>1975-1973</b>	Century, with Buick (B), Olds (O) axles
Seal .....	712146[2]
Set .....	SET9
<b>1975-1970</b>	Skylark
Seal .....	712146[2]
Set .....	SET9
<b>1974-1973</b>	Century, with Pontiac (P) axles
Seal .....	8835S[2]
Cyl. Bearing .....	6408[2]
Kit .....	TRP1559TV[2] <sup>19</sup>
<b>1973</b>	Century with C, G, K, W, axles
Seal .....	8660S[2]
Cyl. Bearing .....	5707[2]
Kit .....	TRP1563TAV[2] <sup>19</sup>
<b>1972-1970</b>	Sportswagon
Seal .....	8835S[2]
Cyl. Bearing .....	6408[2]
Kit .....	TRP1559TV[2] <sup>19</sup>
<b>1972-1969</b>	GS with 12 bolt housing cover
Seal .....	8660S[2]
Cyl. Bearing .....	5707[2]
Kit .....	TRP1563TAV[2] <sup>19</sup>

**REAR WHEEL (cont.)**

<b>1970-1968</b>	Skylark series cars with 12 bolt axle housing cover
Seal .....	8660S[2]
Cyl. Bearing .....	5707[2]
Kit .....	TRP1563TAV[2] <sup>19</sup>
<b>1970-1968</b>	Sportswagon series cars with 12 bolt axle housing cover
Seal .....	8660S[2]
Cyl. Bearing .....	5707[2]
Kit .....	TRP1563TAV[2] <sup>19</sup>
<b>1969</b>	Sportswagon
Seal .....	2689S[2]
Set .....	SET10
<b>1969</b>	Skylark
Seal .....	712146[2]
Set .....	SET9
<b>1969</b>	Special
Seal .....	2146[2]
Set .....	SET9
<b>1969-1968</b>	Special series cars with 12 bolt axle housing cover
Seal .....	8660S[2]
Cyl. Bearing .....	5707[2]
Kit .....	TRP1563TAV[2] <sup>19</sup>
<b>1968</b>	GS
Seal .....	8594S[2]
Bearing .....	RW507GR[2]
<b>1968-1966</b>	Sportswagon
Seal .....	8594S[2]
Bearing .....	RW507GR[2]
<b>1968-1965</b>	Skylark
Seal .....	8594S[2]
Bearing .....	RW507CR[2]
<b>1968-1965</b>	Special
Seal .....	8594S[2]
Bearing .....	RW507CR[2]
<b>1967-1966</b>	Skylark Gran Sport
Seal .....	8594S[2]
Bearing .....	RW507GR[2]

**REAR AXLE**

**Differential Rebuild Kit**

<b>1982-1981</b>	7.5" ring gear
Kit .....	DRK320
<b>1979-1971</b>	8.5" ring gear
Kit .....	DRK321
<b>1977</b>	8.75", 8.875" ring gears
Kit .....	DRK323

**Differential**

<b>1981-1978</b>	Century with 7.5" ring gear
Cone/Cup .....	LM501349-LM501314[2]
<b>1979-1973</b>	Skylark
Cone/Cup .....	LM501349-LM501314[2]
<b>1977-1976</b>	Century with 8.50" ring gear
Cone/Cup .....	LM501349-LM501314[2]
<b>1977-1976</b>	Century with 8.875" ring gear
Set .....	SET36

[ ] Indicates Quantity Required; Set Components Listed Inside Rear Cover;  
<sup>19</sup> Opt. Axle Repair Bearing. Replaces O.E. bearing & seal.

# Bearings and Seals

Mfg./Year    Model & Location    Part No    Mfg./Year    Model & Location    Part No

## **BUICK - REAR DRIVE - Century, GS, Skylark Gran Sport, Skylark, Special, Sportswagon (cont.)**

### **REAR AXLE (cont.)**

#### **Differential (cont.)**

<b>1975</b>	Century without Pontiac (P) axle	
Cone/Cup	.....	LM501349-LM501314[2]
<b>1975-1973</b>	Century with Pontiac (P) axle	
Set	.....	SET36
<b>1974-1973</b>	Century, with Buick (B), Olds (O) axles	
Set	.....	SET45
<b>1972-1971</b>		
Cone/Cup	.....	LM501349-LM501314[2]
<b>1970-1968</b>	without 12 bolt axle housing cover	
Set (LH)	.....	SET36
Cone/Cup (RH)	.....	LM501349-LM501314
<b>1970-1968</b>	with 12 bolt axle housing cover	
Set	.....	SET36
<b>1967-1965</b>		
Cone/Cup	.....	LM501349-LM501314[2]

#### **Pinion**

<b>1981-1980</b>	Century with 7.5" ring gear, 3.125" bearing O.D.	
Cone/Cup (inner)	.....	HM89249-HM89210
Seal (outer)	.....	8610
Cone/Cup (outer)	.....	M86649-M86610
<b>1981-1978</b>	Century with 7.5" ring gear, 3.00" bearing O.D.	
Cone/Cup (inner)	.....	HM89449-HM89410
Seal (outer)	.....	8610
Cone/Cup (outer)	.....	M86649-M86610
<b>1979-1976</b>	Skylark with 7.50" ring gear	
Cone/Cup (inner)	.....	HM89449-HM89410
Seal (outer)	.....	8610
Cone/Cup (outer)	.....	M86649-M86610
<b>1979-1975</b>	Skylark with 8.50" ring gear	
Cone/Cup (inner)	.....	M802048-M802011
Seal (outer)	.....	2043
Cone/Cup (outer)	.....	M88048-M88010
<b>1978-1973</b>	Century with 8.50", 8.75" ring gear	
Cone/Cup (inner)	.....	M802048-M802011
Seal (outer)	.....	2043
Cone/Cup (outer)	.....	M88048-M88010
<b>1975-1973</b>	Century with 8.75", 9.375" ring gear	
Cone/Cup (inner)	.....	M804049-M804010
Seal (outer)	.....	2043
Cone/Cup (outer)	.....	M88048-M88010
<b>1972-1971</b>	Sportswagon	
Cone/Cup (inner)	.....	M802048-M802011
Seal (outer)	.....	2043
Cone/Cup (outer)	.....	M88048-M88010
<b>1972-1971</b>	GS	
Cone/Cup (inner)	.....	M802048-M802011
Seal (outer)	.....	2043
Cone/Cup (outer)	.....	M88048-M88010

### **REAR AXLE (cont.)**

#### **Pinion (cont.)**

<b>1972-1971</b>	Skylark	
Cone/Cup (inner)	.....	M802048-M802011
Seal (outer)	.....	2043
Cone/Cup (outer)	.....	M88048-M88010
<b>1970-1968</b>	Sportswagon with 12 bolt housing cover	
Cone/Cup (inner)	.....	M802048-M802011
Seal (outer)	.....	8460N
Cone/Cup (outer)	.....	M88048-M88010
<b>1970-1968</b>	GS with 12 bolt housing cover	
Cone/Cup (inner)	.....	M802048-M802011
Seal (outer)	.....	8460N
Cone/Cup (outer)	.....	M88048-M88010
<b>1970-1968</b>	Skylark with 12 bolt axle housing cover	
Cone/Cup (inner)	.....	M802048-M802011
Seal (outer)	.....	8460N
Cone/Cup (outer)	.....	M88048-M88010
<b>1970-1968</b>	GS except with 12 bolt housing cover	
Cone/Cup (inner)	.....	M804049-M804010
Seal (outer)	.....	2043
Cone/Cup (outer)	.....	M86649-M86610
<b>1970-1966</b>	Sportswagon except 12-bolt housing cover	
Cone/Cup (inner)	.....	M804049-M804010
Seal (outer)	.....	2043
Cone/Cup (outer)	.....	M86649-M86610
<b>1970-1965</b>	Skylark except 12-bolt housing cover	
Cone/Cup (inner)	.....	M804049-M804010
Seal (outer)	.....	2043
Cone/Cup (outer)	.....	M86649-M86610
<b>1969-1968</b>	Special with 12 bolt axle housing cover	
Cone/Cup (inner)	.....	M802048-M802011
Seal (outer)	.....	8460N
Cone/Cup (outer)	.....	M88048-M88010
<b>1969-1965</b>	Special except 12-bolt housing cover	
Cone/Cup (inner)	.....	M804049-M804010
Seal (outer)	.....	2043
Cone/Cup (outer)	.....	M86649-M86610
<b>1967-1966</b>	Skylark Gran Sport except 12 bolt housing cover	
Cone/Cup (inner)	.....	M804049-M804010
Seal (outer)	.....	2043
Cone/Cup (outer)	.....	M86649-M86610

### **AUTOMATIC TRANSMISSION**

#### **Torque Converter**

<b>1969-1965</b>	Super Turbine 300	
Seal	.....	6712NA
Kwik Slv (Opt Rpr)	.....	KWK99187

**BUICK - REAR DRIVE - Century, GS, Skylark Gran Sport, Skylark, Special, Sportswagon (cont.)**

**AUTOMATIC TRANSMISSION**

**Output Shaft**

<b>1969-1965</b>	Super Turbine 300	
Seal	.....	9613S

**3-SPEED AUTOMATIC TRANSMISSION**

**Torque Converter**

<b>1981-1975</b>	THM200	
Seal	.....	3227
Kwik Slv (Opt Rpr)	.....	KWK99174
<b>1981-1965</b>	THM350, THM400, THM350C	
Seal	.....	6712NA
Kwik Slv (Opt Rpr)	.....	KWK99187

**Rear Seal/Ext. Housing**

<b>1981-1969</b>	THM200 THM350 THM350C	
Seal	.....	9613S
Seal Kit Opt.	.....	5200 <sup>64</sup>
<b>1978-1965</b>	THM400: 1.890" shaft	
Seal	.....	9449
Seal Kit Opt.	.....	5208 <sup>64</sup>
<b>1977-1965</b>	THM400: 1.687" shaft	
Seal	.....	7038SA
Seal Kit Opt.	.....	5205 <sup>64</sup>

**Selector Shaft Seal/Man. Shaft**

<b>1981-1965</b>		
Seal	.....	8792S

**CLUTCH**

**Pilot Bearing**

<b>1981-1965</b>		
Bushing	.....	PB656
Bushing H/D	.....	PB656HD

**Release Bearing**

<b>1981-1975</b>	231 engine	
Bearing Assy	.....	614126
<b>1974-1968</b>	250, 350 engine	
Bearing Assy	.....	614037 <sup>42</sup>
<b>1974-1967</b>	400, 455	
Bearing Assy	.....	614018 <sup>42</sup>
<b>1973</b>	4 speed with 455	
Bearing Assy	.....	614018 <sup>42</sup>
<b>1967-1965</b>	225, 300, 340 engine	
Bearing Assy	.....	1377C

**3-SPEED MANUAL TRANSMISSION**

**Front Input Shaft**

<b>1981-1966</b>		
Seal	.....	7412S

**3-SPEED MANUAL TRANSMISSION**

**Rear Output Shaft**

<b>1981-1965</b>		
Seal	.....	9613S

**Selector Shaft Seal/Man. Shaft**

<b>1981-1965</b>		
Seal	.....	240735
Kwik Slv (Opt Rpr)	.....	KWK99078

**4-SPEED MANUAL TRANSMISSION**

**Input Shaft**

<b>1979-1978</b>		
Seal	.....	7412S
Bearing	.....	207SL

**Rear Output Shaft**

<b>1979-1978</b>		
Seal	.....	9613S
Bearing	.....	306SLV

**Selector Shaft Seal/Man. Shaft**

<b>1979-1978</b>		
Seal	.....	240735
Kwik Slv (Opt Rpr)	.....	KWK99076

**GENERATOR / ALTERNATOR**

<b>1981-1980</b>		
Bearing (drive end)	.....	203F
Bearing (rear end)	.....	MNJ471S
<b>1979-1972</b>		
Bearing (drive end)	.....	203S
Bearing (rear end)	.....	MNJ471S
<b>1971-1965</b>		
Bearing (drive end)	.....	203F
Bearing (rear end)	.....	203F

**POWER STEERING**

**Pitman Shaft**

<b>1981-1978</b>	605 Gear with round side cover	
Seal	.....	710285
<b>1981-1965</b>	800 Gear with 4 bolt side cover	
Seal (inner)	.....	471413
Seal (outer)	.....	7412S
Seal Kit	.....	PSK1 <sup>24</sup>

**Pump Shaft**

<b>1981-1965</b>		
Seal	.....	7013S

**Worm Shaft**

<b>1981-1978</b>	605 Gear with round side cover	
Seal	.....	351267
<b>1979-1976</b>	800 Gear with 4 bolt side cover	
Seal	.....	351267

[ ] Indicates Quantity Required; Set Components Listed Inside Rear Cover;

<sup>24</sup> Opt. Kit incl. seals 5683 & 5684. Not sold separately  
Seal and Bushing Kit

<sup>42</sup> Sealed Self-Aligning Bearing

<sup>64</sup> Opt.



# Bearings and Seals

Mfg./Year    Model & Location    Part No    Mfg./Year    Model & Location    Part No

## **BUICK - REAR DRIVE - Century, GS, Skylark Gran Sport, Skylark, Special, Sportswagon (cont.)**

### **MANUAL STEERING**

#### **Pitman Shaft**

**1981-1965**  
Seal ..... 313842

#### **Worm Shaft**

**1981-1965**  
Seal ..... 7013S

### **CRANKSHAFT REAR SEAL**

#### **6 Cylinder**

**1981-1975**    231/3.8L  
Seal ..... 5591  
**1971-1968**    250 engine  
Seal ..... 5092

#### **8 Cylinder**

**1983-1981**    350/5.7L Diesel  
Seal ..... 5591  
**1981-1977**    305/5.0L  
Seal ..... 5591  
**1981-1977**    350/5.7L engine code (L)  
Seal ..... 5591  
**1981-1968**    350/5.7L  
Seal ..... 5591  
**1969-1968**    400 engine  
Seal ..... 5591

### **TIMING COVER**

#### **6 Cylinder**

**1981-1975**    231/3.8L  
Seal ..... 710163  
**1974-1968**    250 engine  
Seal ..... 9845  
Kwik Slv (Opt Rpr) ..... KWK99176

#### **8 Cylinder**

**1983-1981**    350/5.7L Diesel  
Seal ..... 472082  
Kwik Slv (Opt Rpr) ..... KWK99199  
**1981-1977**    305/5.0L  
Seal ..... 9845  
Kwik Slv (Opt Rpr) ..... KWK99176  
**1979-1968**    350/5.7L  
Seal ..... 710173  
Kwik Slv (Opt Rpr) ..... KWK99196  
**1969-1968**    400 engine  
Seal ..... 710163

## **BUICK - REAR DRIVE - Skyhawk**

### **FRONT WHEEL**

**1980-1975**  
Seal (inner) ..... 8705S[2]  
Set (inner) ..... SET6  
Set (outer) ..... SET1

### **REAR WHEEL**

**1980-1975**  
Seal ..... 8660S[2]  
Cyl. Bearing ..... 5707[2]  
Kit ..... TRP1563TAV[2]<sup>19</sup>

### **REAR AXLE**

#### **Differential Rebuild Kit**

**1980-1975**    7.5" ring gear  
Kit ..... DRK320

#### **Differential**

**1980-1975**  
Cone/Cup ..... LM501349-LM501314[2]

### **REAR AXLE**

#### **Pinion**

**1980-1977**  
Cone/Cup (inner) ..... HM88649A-HM88610  
Seal (outer) ..... 8610  
Cone/Cup (outer) ..... M86649-M86610  
**1976-1975**  
Cone/Cup (inner) ..... HM88649A-HM88610  
Seal (outer) ..... 8611N  
Cone/Cup (outer) ..... M86649-M86610

### **3-SPEED AUTOMATIC TRANSMISSION**

#### **Torque Converter**

**1980-1975**    THM350, 350C  
Seal ..... 6712NA  
Kwik Slv (Opt Rpr) ..... KWK99187  
**1978-1976**    THM200  
Seal ..... 3227  
Kwik Slv (Opt Rpr) ..... KWK99174

44 [ ] Indicates Quantity Required; Set Components Listed Inside Rear Cover;

<sup>19</sup> Opt. Axle Repair Bearing. Replaces O.E. bearing & seal.

**BUICK - REAR DRIVE - Skyhawk (cont.)**

**3-SPEED AUTOMATIC TRANSMISSION**

**Rear Seal/Ext. Housing**

<b>1980-1975</b>	
Seal .....	9613S
Seal Kit Opt. ....	5200 <sup>64</sup>
Kwik Slv (Opt Rpr) .....	KWK99149

**Selector Shaft Seal/Man. Shaft**

<b>1980-1975</b>	
Seal .....	340847
Kwik Slv (Opt Rpr) .....	KWK99049

**CLUTCH**

**Pilot Bearing**

<b>1980-1975</b>	
Bushing .....	PB656
Bushing H/D .....	PB656HD

**Release Bearing**

<b>1980-1975</b>	
Bearing Assy .....	614018 <sup>42</sup>

**4-SPEED MANUAL TRANSMISSION**

**Input Shaft**

<b>1980-1975</b>	
Seal .....	7412S
Bearing .....	207SLB
Kwik Slv (Opt Rpr) .....	KWK99125

**Rear Output Shaft**

<b>1980-1975</b>	
Seal .....	9613S
Bearing .....	306SLVB
Seal Kit Opt. ....	5200 <sup>64</sup>

**Selector Shaft Seal/Man. Shaft**

<b>1980-1975</b>	
Seal .....	240735
Kwik Slv (Opt Rpr) .....	KWK99076

**5-SPEED MANUAL TRANSMISSION**

**Front Input Shaft**

<b>1979-1976</b>	
Seal .....	9613S
Seal Kit Opt. ....	5200 <sup>64</sup>

**Rear Output Shaft**

<b>1979-1976</b>	
Seal Opt. ....	9613S
Seal Kit Opt. ....	5200 <sup>64</sup>
Kwik Slv (Opt Rpr) .....	KWK99149

**5-SPEED MANUAL TRANSMISSION**

**Selector Shaft Seal/Man. Shaft**

<b>1979-1976</b>	
Seal .....	312518
Kwik Slv (Opt Rpr) .....	KWK99078

**GENERATOR / ALTERNATOR**

<b>1980</b>	
Bearing (drive end) .....	203F
Bearing (rear end) .....	MNJ471S
<b>1979-1975</b>	
Bearing (drive end) .....	203S
Bearing (rear end) .....	MNJ471S

**POWER STEERING**

**Pitman Shaft**

<b>1980-1975</b> 800 Gear with 4 bolt side cover	
Seal (inner) .....	471413
Seal (outer) .....	7412S
Seal Kit .....	PSK1 <sup>24</sup>
<b>1977</b> 605 Gear with round side cover	
Seal .....	710285

**Pump Shaft**

<b>1980-1975</b>	
Seal .....	480821

**Worm Shaft**

<b>1980-1975</b> 800 Gear with 4 bolt side cover	
Seal .....	351267
<b>1977</b> 605 Gear with round side cover	
Seal .....	351267

**MANUAL STEERING**

**Pitman Shaft**

<b>1980-1975</b>	
Seal .....	313842

**Worm Shaft**

<b>1980-1975</b>	
Seal .....	7013S

**CRANKSHAFT REAR SEAL**

**6 Cylinder**

<b>1980-1975</b> 231/3.8L	
Seal .....	5591

**TIMING COVER**

**6 Cylinder**

<b>1980-1975</b> 231/3.8L	
Seal .....	710163

[ ] Indicates Quantity Required; Set Components Listed Inside Rear Cover;

<sup>24</sup> Opt. Kit incl. seals 5683 & 5684. Not sold separately  
Seal and Bushing Kit

<sup>42</sup> Sealed Self-Aligning Bearing

<sup>64</sup> Opt.

# Bearings and Seals

Mfg./Year    Model & Location    Part No    Mfg./Year    Model & Location    Part No

## **BUICK - REAR DRIVE - Apollo**

### **FRONT WHEEL**

<b>1975</b>	
Seal (inner) .....	8871[2]
Set (inner) .....	SET6
Set (outer) .....	SET2
<b>1974-1973</b>	
Seal (inner) .....	8705S[2]
Set (inner) .....	SET6
Set (outer) .....	SET2

### **REAR WHEEL**

<b>1975-1973</b>	
Seal .....	8660S[2]
Cyl. Bearing .....	5707[2]
Kit .....	TRP1563TAV[2] <sup>19</sup>

### **REAR AXLE**

#### **Differential Rebuild Kit**

<b>1975-1973</b>	
Kit .....	DRK321

#### **Differential**

<b>1975-1973</b>	
Cone/Cup .....	LM501349-LM501314[2]

#### **Pinion**

<b>1975-1973</b>	
Cone/Cup (inner) .....	M802048-M802011
Seal (outer) .....	2043
Cone/Cup (outer) .....	M88048-M88010

### **3-SPEED AUTOMATIC TRANSMISSION**

#### **Torque Converter**

<b>1975-1973</b>	
Seal .....	6712NA

#### **Rear Seal/Ext. Housing**

<b>1975-1973</b>	
Seal .....	9613S

#### **Selector Shaft Seal/Man. Shaft**

<b>1975-1973</b>	
Seal .....	8792S

### **CLUTCH**

#### **Pilot Bearing**

<b>1975-1973</b>	
Bushing H/D .....	PB656HD

#### **Release Bearing**

<b>1975-1973</b>	250/4.1L	
Bearing Assy .....		614037 <sup>42</sup>
<b>1975-1973</b>	350/5.7L	
Bearing Assy .....		614037 <sup>42</sup>

### **3-SPEED MANUAL TRANSMISSION**

#### **Front Input Shaft**

<b>1975-1973</b>	
Seal .....	7412S
Bearing .....	207SLB
Kwik Slv (Opt Rpr) .....	KWK99125

#### **Rear Output Shaft**

<b>1975-1973</b>	
Seal .....	9613S
Bearing .....	306SLVB
Seal Kit Opt. ....	5200 <sup>64</sup>

#### **Selector Shaft Seal/Man. Shaft**

<b>1975-1973</b>	
Seal .....	240735
Kwik Slv (Opt Rpr) .....	KWK99076

### **GENERATOR / ALTERNATOR**

<b>1975-1973</b>	
Bearing (drive end) .....	203S
Bearing (rear end) .....	MNJ471S

### **POWER STEERING**

#### **Pitman Shaft**

<b>1975</b>	605 Gear with round side cover	
Seal .....		710285
<b>1975-1973</b>	800 Gear with 4 bolt side cover	
Seal (inner) .....		471413
Seal (outer) .....		7412S
Seal Kit .....		PSK1 <sup>24</sup>

#### **Pump Shaft**

<b>1975-1973</b>	
Seal .....	480821

#### **Worm Shaft**

<b>1975</b>	605 Gear with round side cover	
Seal .....		351267
<b>1975-1973</b>	800 Gear with 4 bolt side cover	
Seal .....		351267

### **MANUAL STEERING**

#### **Pitman Shaft**

<b>1975-1973</b>	
Seal .....	313842

#### **Worm Shaft**

<b>1975-1973</b>	
Seal .....	7013S

### **CRANKSHAFT REAR SEAL**

#### **6 Cylinder**

<b>1975-1973</b>	250/4.1L	
Seal .....		5092

46 [ ] Indicates Quantity Required; Set Components Listed Inside Rear Cover;

<sup>19</sup> Opt. Axle Repair Bearing. Replaces O.E. bearing & seal. <sup>24</sup> Opt. Kit incl. seals 5683 & 5684. Not sold separately <sup>42</sup> Sealed Self-Aligning Bearing <sup>64</sup> Opt. Seal and Bushing Kit

**BUICK - REAR DRIVE - Apollo (cont.)**

**CRANKSHAFT REAR SEAL**

**8 Cylinder**

<b>1975-1973</b>	350/5.7L	
Seal .....		5591
Seal PTFE H/D Opt. ....		5291

**TIMING COVER**

**6 Cylinder**

<b>1975-1973</b>	250/4.1L	
Seal .....		9845
Kwik Slv (Opt Rpr) .....		KWK99176

**TIMING COVER**

**8 Cylinder**

<b>1975-1973</b>	350/5.7L	
Seal .....		710173

**BUICK - REAR DRIVE - Opel**

**FRONT WHEEL**

<b>1979-1976</b>	Isuzu	
Seal (inner) .....		1174S[2]
Set (inner) .....		SET4
Set (outer) .....		SET1
<b>1975-1971</b>	Manta	
Seal (inner) .....		1174S[2]
Set (inner) .....		SET4
Set (outer) .....		SET1
<b>1973-1969</b>	GT	
Seal (inner) .....		1174S[2]
Set (inner) .....		SET4
Set (outer) .....		SET1
<b>1972-1968</b>	Kadett	
Seal (inner) .....		1174S[2]
Set (inner) .....		SET4
Set (outer) .....		SET1

**REAR WHEEL**

<b>1979-1976</b>	Isuzu	
Bearing .....		RW127R[2]
<b>1975-1971</b>	Manta 1.6, 1.8, 2.0	
Seal .....		1187S[2]
Bearing .....		RW105R[2]
<b>1973-1969</b>	GT with ball bearings	
Seal .....		1187S[2]
Bearing .....		RW105R[2]
<b>1972-1970</b>	Kadett	
Seal .....		1187S[2]
Bearing .....		RW105R[2]
<b>1970-1969</b>	GT 1.1 litre	
Bearing .....		RW104R[2]
<b>1969-1968</b>	Kadett 1.1 litre	
Bearing .....		RW104R[2]

**REAR AXLE**

**Differential**

<b>1972-1968</b>	1.1 litre engine	
Bearing Assy .....		32007XM[2]

**REAR AXLE**

**Pinion**

<b>1979-1976</b>	Isuzu	
Seal (outer) .....		225230
Bearing Assy (outer) .....		32206M
<b>1975-1971</b>	Manta: manual trans	
Seal (outer) .....		225230
Bearing Assy (outer) .....		32206M
<b>1973-1969</b>	GT: 1.9 engine	
Seal (outer) .....		225230
<b>1972-1968</b>	Kadett	
Seal (outer) .....		224520
Bearing Assy (outer) .....		32206M
<b>1970-1969</b>	GT: 1.1 engine	
Seal (outer) .....		224520
Bearing Assy (outer) .....		32206M

**3-SPEED AUTOMATIC TRANSMISSION**

**Torque Converter**

<b>1979-1976</b>	THM200	
Seal .....		3227
Kwik Slv (Opt Rpr) .....		KWK99174
<b>1979-1965</b>	THM180	
Seal .....		6712NA
Kwik Slv (Opt Rpr) .....		KWK99187

**Rear Seal/Ext. Housing**

<b>1979-1976</b>	THM200	
Seal .....		9613S
Kwik Slv (Opt Rpr) .....		KWK99149
<b>1975-1969</b>	THM180	
Seal .....		9613S
Kwik Slv (Opt Rpr) .....		KWK99149

**Selector Shaft Seal/Man. Shaft**

<b>1979-1976</b>	THM200	
Seal .....		8792S
Kwik Slv (Opt Rpr) .....		KWK99050
<b>1975-1969</b>	THM180	
Seal .....		8792S
Kwik Slv (Opt Rpr) .....		KWK99050

# Bearings and Seals

Mfg./Year	Model & Location	Part No	Mfg./Year	Model & Location	Part No
<b>BUICK - REAR DRIVE - Opel (cont.)</b>					

## CLUTCH

### Pilot Bearing

1979-1976	Isuzu	
Bearing		203FF

### Release Bearing

1975-1971	Manta: 1.1 litre	
Bearing Only		OP1712C
1975-1971	Manta: 1.5, 1.9 litre	
Bearing Only		OP1709C
1972-1968	Kadett: 1.5, 1.9 litre	
Bearing Only		OP1709C
1971-1969	GT: 1.9 litre	
Bearing Only		OP1709C
1970-1969	GT: 1.1 litre	
Bearing Only		OP1712C

## ALTERNATOR

1976-1968	Delco	
Bearing (drive end)		203S
1975-1968	Bosch 35, 45 amp	
Bearing (drive end)		203S
Bearing (rear end)		201S

## GENERATOR

1970-1969	EG 14V24A25	
Bearing (drive end)		202AG

## GENERATOR (cont.)

1970-1968	EG 14V25A27	
Bearing (drive end)		202AG

## CRANKSHAFT REAR SEAL

### 4 Cylinder

1979-1976	1800/1.8L	
Seal		710060
Kwik Slv (Opt Rpr)		KWK99364

## TIMING COVER

### 4 Cylinder

1979	1800/1.8L	
Seal Viton		225020
Kwik Slv (Opt Rpr)		KWK99196
1975-1968	1500/1.5L, 1900/1.9L	
Seal		224520
Kwik Slv (Opt Rpr)		KWK99177

# CADILLAC - FRONT DRIVE - Allante

## FRONT WHEEL

1989		
Hub Assy		513059[2]
1988-1987		
Hub Assy		513016K[2] <sup>61</sup>

## REAR WHEEL

1989-1987		
Hub Assy		513041[2]

## 4-SPEED AUTOMATIC TRANSAXLE

### Torque Convertor

1989-1987		
Seal		4072N

### Output Shaft

1989-1987		
Seal (LH)		710096
Kwik Slv (Opt Rpr) (LH)		KWK99139
Seal (RH)		3543
Kwik Slv (Opt Rpr) (RH)		KWK99139

## 4-SPEED AUTOMATIC TRANSAXLE

### Selector Shaft Seal/Man. Shaft

1989-1987		
Seal		8792S

## A/C COMPRESSOR

1989-1987	Frigidaire R4; Harrison DA6, V5, HR6	
Bearing		907257

## ALTERNATOR

1989-1987		
Bearing (drive end)		203FF
Bearing (rear end)		100CCAB

## POWER STEERING

### Pump Shaft

1989-1987		
Seal		221925

### Worm Shaft

1989-1987		
Seal		222510

**CADILLAC - FRONT DRIVE - Allante (cont.)**

**CRANKSHAFT REAR SEAL**

**8 Cylinder**

<b>1989</b>	273/4.5L	
Seal Viton .....		710075
<b>1988-1987</b>	250/4.1L	
Seal Viton .....		710075

**TIMING COVER**

**8 Cylinder**

<b>1989</b>	273/4.5L	
Seal .....		471424
Kwik Slv (Opt Rpr) .....		KWK99199

**TIMING COVER (cont.)**

**8 Cylinder (cont.)**

<b>1988-1987</b>	250/4.1L	
Seal .....		471424
Kwik Slv (Opt Rpr) .....		KWK99199

**CADILLAC - FRONT DRIVE - Cimarron**

**FRONT WHEEL**

<b>1988-1985</b>		
Hub Assy .....		513017K[2] <sup>61</sup>
<b>1984</b>	1st design 10mm flange holes	
Hub Assy .....		513004K[2] <sup>61</sup>
<b>1984</b>	2nd design 12mm flange holes	
Hub Assy .....		513017K[2] <sup>61</sup>
<b>1983-1982</b>		
Hub Assy .....		513004K[2] <sup>61</sup>

**REAR WHEEL**

<b>1988-1982</b>		
Hub Assy .....		513012[2]

**CLUTCH**

**Release Bearing**

<b>1988-1987</b>	Muncie	
Bearing Assy .....		614069
<b>1987-1983</b>	Isuzu	
Bearing Assy .....		614108
<b>1985-1982</b>	4-speed	
Bearing Assy .....		614009

**3-SPEED AUTOMATIC TRANSAXLE**

**Torque Converter**

<b>1988-1982</b>	THM125C	
Seal .....		4072N
Kwik Slv (Opt Rpr) .....		KWK99179

**Output Shaft**

<b>1988-1982</b>	THM125C	
Seal .....		3543[2]
Kwik Slv (Opt Rpr) .....		KWK99139[2]

**Selector Shaft Seal/Man. Shaft**

<b>1988-1982</b>	THM125C	
Seal .....		8792S
Kwik Slv (Opt Rpr) .....		KWK99050

**4-SPEED MANUAL TRANSAXLE**

**Differential**

<b>1986-1982</b>		
Set .....		SET11

**Input Shaft**

<b>1986-1982</b>		
Seal (front) .....		3732S
Set (front) .....		SET4
Cone/Cup (rear) .....		15101-15245

**Output Shaft**

<b>1986-1982</b>		
Seal .....		3543[2]
Set .....		SET5[2]
Kwik Slv (Opt Rpr) .....		KWK99138[2]

**Selector Shaft Seal/Man. Shaft**

<b>1985-1982</b>		
Seal .....		472705

**5-SPEED MANUAL TRANSAXLE**

**Differential**

<b>1988-1987</b>	Muncie	
Set .....		SET11
<b>1988-1983</b>	Isuzu	
Bearing Assy .....		32008XM[2]

**Input Shaft**

<b>1988-1987</b>	Muncie	
Seal (front) .....		222835
<b>1987-1983</b>	Isuzu	
Seal (front) .....		222835
Bearing Assy (front) .....		32206M
Bearing Assy (rear) .....		30306M

[ ] Indicates Quantity Required; Set Components Listed Inside Rear Cover;

<sup>61</sup> Kit incl: Seal, Hub Nut, and Bearing Unit

# Bearings and Seals

Mfg./Year    Model & Location    Part No    Mfg./Year    Model & Location    Part No

## CADILLAC - FRONT DRIVE - Cimarron (cont.)

### 5-SPEED MANUAL TRANSAXLE

#### Output Shaft

<b>1988-1987</b>	Muncie	
Seal	.....	3543[2]
Kwik Slv (Opt Rpr)	.....	KWK99138[2]
<b>1987-1983</b>	Isuzu	
Seal	.....	3543[2]
Bearing Assy	.....	32206M[2]
Kwik Slv (Opt Rpr)	.....	KWK99138[2]

#### Selector Shaft Seal/Man. Shaft

<b>1988-1987</b>	Muncie	
Seal	.....	3667
<b>1987-1983</b>	Isuzu	
Seal	.....	3667

### A/C COMPRESSOR

<b>1988-1982</b>	Frigidaire R4; Harrison DA6, V5, HR6	
Bearing	.....	907257

### ALTERNATOR

<b>1986-1983</b>		
Bearing (drive end)	.....	203FF
Bearing (rear end)	.....	MNJ471S
<b>1982</b>		
Bearing (drive end)	.....	203S
Bearing (rear end)	.....	MNJ471S

### POWER STEERING

#### Pump Shaft

<b>1988-1985</b>		
Seal	.....	221925
Bearing	.....	203FF
<b>1984-1982</b>		
Seal	.....	7013S

### POWER STEERING

#### Worm Shaft

<b>1984-1982</b>		
Seal	.....	222510

### CRANKSHAFT REAR SEAL

#### 4 Cylinder

<b>1987-1983</b>	121/2.0/L	
Seal	.....	4307V
Kwik Slv (Opt Rpr)	.....	KWK99298
<b>1982</b>	1st design 5.5 mm width	
Seal	.....	5210
<b>1982</b>	2nd design 11 mm width	
Seal	.....	4307V
Seal PTFE H/D	.....	5273
Kwik Slv (Opt Rpr)	.....	KWK99298

#### 6 Cylinder

<b>1988-1985</b>	173/2.8L	
Seal	.....	4307V
Kwik Slv (Opt Rpr)	.....	KWK99298

### TIMING COVER

#### 4 Cylinder

<b>1987-1983</b>	121/2.0/L	
Seal	.....	9845
Kwik Slv (Opt Rpr)	.....	KWK99176
<b>1982</b>	112/1.8L	
Seal	.....	9845
Kwik Slv (Opt Rpr)	.....	KWK99176

#### 6 Cylinder

<b>1988-1985</b>	173/2.8L	
Seal	.....	9845
Kwik Slv (Opt Rpr)	.....	KWK99176

## CADILLAC - FRONT DRIVE - DeVille, Fleetwood

### FRONT WHEEL

<b>1989-1985</b>		
Hub Assy	.....	513016K[2] <sup>61</sup>

### REAR WHEEL

<b>1989-1985</b>	exc. ABS brakes	
Hub Assy	.....	513018[2]
<b>1989-1987</b>	ABS brakes	
Hub Assy	.....	513041[2]
<b>1986</b>	ABS brakes	
Hub Assy	.....	513038[2]

### 4-SPEED AUTOMATIC TRANSAXLE

#### Torque Convertor

<b>1989-1985</b>	THM440-T4	
Seal	.....	4072N

### 4-SPEED AUTOMATIC TRANSAXLE

#### Output Shaft

<b>1989-1985</b>	THM440-T4	
Seal (LH)	.....	710096
Kwik Slv (Opt Rpr) (LH)	.....	KWK99139
Seal (RH)	.....	3543
Kwik Slv (Opt Rpr) (RH)	.....	KWK99139

#### Selector Shaft Seal/Man. Shaft

<b>1989-1985</b>		
Seal	.....	8792S

50 [ ] Indicates Quantity Required; Set Components Listed Inside Rear Cover;

<sup>61</sup> Kit incl: Seal, Hub Nut, and Bearing Unit

**CADILLAC - FRONT DRIVE - DeVille, Fleetwood (cont.)**

**A/C COMPRESSOR**

<b>1989-1985</b>	Frigidaire R4; Harrison DA6, V5, HR6	
Bearing	.....	907257

**ALTERNATOR**

<b>1989-1987</b>		
Bearing (drive end)	.....	203FF
Bearing (rear end)	.....	100CCAB
<b>1986-1985</b>		
Bearing (drive end)	.....	203S
Bearing (rear end)	.....	MNJ471S

**POWER STEERING**

**Pump Shaft**

<b>1989-1985</b>		
Seal	.....	221925
Bearing	.....	203FF

**CRANKSHAFT REAR SEAL**

**8 Cylinder**

<b>1989-1988</b>	273/4.5L	
Seal Viton	.....	710075

**CRANKSHAFT REAR SEAL (cont.)**

**8 Cylinder (cont.)**

<b>1987-1985</b>	250/4.1L	
Seal Viton	.....	710075
<b>1985</b>	260/4.3 diesel	
Seal	.....	5591

**TIMING COVER**

**8 Cylinder**

<b>1989-1988</b>	273/4.5L	
Seal	.....	471424
Kwik Slv (Opt Rpr)	.....	KWK99199
<b>1987-1985</b>	250/4.1L	
Seal	.....	471424
Kwik Slv (Opt Rpr)	.....	KWK99199
<b>1985</b>	260/4.3 diesel	
Seal Viton	.....	320259
Kwik Slv (Opt Rpr)	.....	KWK99199

**CADILLAC - FRONT DRIVE - Eldorado**

**FRONT WHEEL**

<b>1989</b>		
Hub Assy	.....	513059[2]
<b>1988-1986</b>		
Hub Assy	.....	513016K[2] <sup>61</sup>
<b>1985-1979</b>		
Hub Assy	.....	513013[2]
<b>1978-1968</b>		
Seal (inner)	.....	5123[2]
Set (inner)	.....	SET23
Seal (outer)	.....	5109[2]

**REAR WHEEL**

<b>1989-1988</b>	ABS brakes	
Hub Assy	.....	513041[2]
<b>1989-1988</b>	non-ABS brakes	
Hub Assy	.....	513018[2]
<b>1987-1986</b>		
Hub Assy	.....	513018[2]
<b>1985-1979</b>		
Hub Assy	.....	513009[2] <sup>16</sup>
<b>1978-1968</b>		
Seal (inner)	.....	9049N[2]
Set (inner)	.....	SET5
Set (outer)	.....	SET2

**3-SPEED AUTOMATIC TRANSAXLE**

**Torque Converter**

<b>1985-1982</b>	THM325	
Seal	.....	3227
Kwik Slv (Opt Rpr)	.....	KWK99174

**3-SPEED AUTOMATIC TRANSAXLE (cont.)**

**Torque Converter (cont.)**

<b>1985-1982</b>	THM125	
Seal	.....	4072N
<b>1981-1979</b>		
Seal	.....	6712NA
Kwik Slv (Opt Rpr)	.....	KWK99187
<b>1978-1976</b>	THM425	
Seal	.....	6712NA
Kwik Slv (Opt Rpr)	.....	KWK99187
<b>1975-1967</b>		
Seal	.....	6712NA
Kwik Slv (Opt Rpr)	.....	KWK99187

**Output Shaft**

<b>1985-1982</b>	THM125	
Seal	.....	3543[2]
Kwik Slv (Opt Rpr)	.....	KWK99139[2]
<b>1985-1982</b>	THM325	
Seal	.....	3907[2]
Kwik Slv (Opt Rpr)	.....	KWK99114
<b>1981-1979</b>		
Seal	.....	3907[2]
Kwik Slv (Opt Rpr)	.....	KWK99114
<b>1978-1968</b>		
Seal (RH)	.....	9613S
Kwik Slv (Opt Rpr)	.....	KWK99149

[ ] Indicates Quantity Required; Set Components Listed Inside Rear Cover;

<sup>16</sup> Check for availability, while supplies last    <sup>61</sup> Kit incl: Seal, Hub Nut, and Bearing Unit



# Bearings and Seals

Mfg./Year    Model & Location    Part No    Mfg./Year    Model & Location    Part No

## CADILLAC - FRONT DRIVE - Eldorado (cont.)

### 3-SPEED AUTOMATIC TRANSAXLE

#### Differential

**1981-1979**  
Cone/Cup ..... LM501349-LM501314[2]  
**1978-1968**  
Cone/Cup ..... 387A-382A[2]  
**1967**  
Cone/Cup (RH) ..... LM806349C-LM806310  
Cone/Cup (LH) ..... 28682-28622

#### Pinion

**1981-1979**  
Cone/Cup (inner) ..... M804049-M804010  
Seal (outer) ..... 3606  
Cone/Cup (outer) ..... M802048-M802011  
**1978-1967**  
Cone/Cup (inner) ..... LM806349C-LM806310  
Seal (outer) ..... 473443  
Set (outer) ..... SET5  
Kwik Slv (Opt Rpr) ..... KWK99162

#### Final Drive

**1978-1968**    THM425  
Bearing ..... RW508BR  
**1967**    THM425  
Bearing ..... RW507CR

#### Selector Shaft Seal/Man. Shaft

**1985-1979**  
Seal ..... 8792S  
Kwik Slv (Opt Rpr) ..... KWK99050  
**1978-1968**  
Seal ..... 8792S

### 4-SPEED AUTOMATIC TRANSAXLE

#### Differential

**1985-1982**  
Cone/Cup ..... LM501349-LM501314[2]

#### Torque Converter

**1989-1985**    THM440  
Seal ..... 4072N  
**1985**    THM325-4L  
Seal ..... 3227  
Kwik Slv (Opt Rpr) ..... KWK99174

#### Output Shaft

**1989-1985**    THM440  
Seal (LH) ..... 710096  
Kwik Slv (Opt Rpr) (LH) ..... KWK99139  
Seal (RH) ..... 3543  
Kwik Slv (Opt Rpr) (RH) ..... KWK99139  
**1985-1982**    THM325-4L  
Seal ..... 3907[2]  
Kwik Slv (Opt Rpr) ..... KWK99114

### 4-SPEED AUTOMATIC TRANSAXLE

#### Pinion

**1985-1982**  
Cone/Cup (inner) ..... M804049-M804010  
Seal (outer) ..... 3606  
Cone/Cup (outer) ..... M802048-M802011

#### Selector Shaft Seal/Man. Shaft

**1989-1985**  
Seal ..... 8792S

### A/C COMPRESSOR

**1989-1967**    Frigidaire R4; Harrison DA6, V5, HR6  
Bearing ..... 907257

### ALTERNATOR

**1989-1987**  
Bearing (drive end) ..... 203FF  
Bearing (rear end) ..... 100CCAB  
**1986-1980**  
Bearing (drive end) ..... 203S  
Bearing (rear end) ..... MNJ471S  
**1979-1971**    145 amp  
Bearing (drive end) ..... 305DD  
Bearing (rear end) ..... MNJ471S  
**1979-1968**    exc. 130 amp  
Bearing (drive end) ..... 203F  
Bearing (rear end) ..... MNJ471S  
**1971-1967**    130 amp  
Bearing (drive end) ..... 205F  
Bearing (rear end) ..... 203F

### POWER STEERING

#### Pitman Shaft

**1989-1967**  
Seal Kit ..... PSK1<sup>24</sup>

#### Pump Shaft

**1989-1985**  
Seal ..... 221925  
Bearing ..... 203FF  
**1984-1967**  
Seal ..... 7013S

#### Worm Shaft

**1989-1979**  
Seal ..... 222025  
**1978-1967**  
Seal ..... 351267

### CRANKSHAFT REAR SEAL

#### 6 Cylinder

**1982-1981**    252/4.1L  
Seal ..... 5591  
Seal PTFE H/D Opt. .... 5291

**CADILLAC - FRONT DRIVE - Eldorado (cont.)**

**CRANKSHAFT REAR SEAL**

**8 Cylinder**

<b>1989-1988</b>	273/4.5L	
Seal Viton .....		710075
<b>1987-1982</b>	250/4.1L	
Seal Viton .....		710075
<b>1985-1979</b>	350/5.7L Diesel	
Seal Rope .....		5095
<b>1981-1980</b>	368/6.0L	
Seal .....		5068
<b>1980-1979</b>	350/5.7L	
Seal .....		5591
<b>1978-1977</b>	425/7.0L	
Seal .....		5068
<b>1976-1970</b>	500/8.2L	
Seal .....		5068
<b>1969-1968</b>	472/7.7L	
Seal .....		5068
<b>1967</b>	429	
Seal .....		5068

**TIMING COVER**

**6 Cylinder**

<b>1982-1981</b>	252/4.1L	
Seal .....		471424
Kwik Slv (Opt Rpr) .....		KWK99199

**TIMING COVER**

**8 Cylinder**

<b>1989-1988</b>	273/4.5L	
Seal .....		471424
Kwik Slv (Opt Rpr) .....		KWK99199
<b>1987-1982</b>	250/4.1L	
Seal .....		471424
Kwik Slv (Opt Rpr) .....		KWK99199
<b>1985-1979</b>	350/5.7L Diesel	
Seal .....		472082
Kwik Slv (Opt Rpr) .....		KWK99199
<b>1981-1980</b>	368/6.0L	
Seal .....		9599S
Kwik Slv (Opt Rpr) .....		KWK99212
<b>1980-1979</b>	350/5.7L	
Seal .....		472082
Kwik Slv (Opt Rpr) .....		KWK99199
<b>1978-1977</b>	425/7.0L	
Seal .....		9599S
Kwik Slv (Opt Rpr) .....		KWK99210
<b>1976-1970</b>	500/8.2L	
Seal .....		9599S
Kwik Slv (Opt Rpr) .....		KWK99210
<b>1969-1968</b>	472/7.7L	
Seal .....		9599S
Kwik Slv (Opt Rpr) .....		KWK99210
<b>1967</b>	429	
Seal .....		8804S

**CADILLAC - FRONT DRIVE - Seville**

**FRONT WHEEL**

<b>1989</b>		
Hub Assy .....		513059[2]
<b>1988-1986</b>		
Hub Assy .....		513016K[2] <sup>61</sup>
<b>1985-1980</b>		
Hub Assy .....		513013[2]

**REAR WHEEL**

<b>1989-1988</b>	ABS brakes	
Hub Assy .....		513041[2]
<b>1989-1986</b>	non-ABS brakes	
Hub Assy .....		513018[2]
<b>1985-1980</b>		
Hub Assy .....		513009[2] <sup>16</sup>

**3-SPEED AUTOMATIC TRANSAXLE**

**Torque Converter**

<b>1986-1985</b>		
Seal .....		4072N
<b>1985-1982</b>		
Seal .....		3227
Kwik Slv (Opt Rpr) .....		KWK99174
<b>1981-1980</b>		
Seal .....		6712NA
Kwik Slv (Opt Rpr) .....		KWK99187

**3-SPEED AUTOMATIC TRANSAXLE**

**Output Shaft**

<b>1985-1982</b>	THM125	
Seal .....		3543[2]
Kwik Slv (Opt Rpr) .....		KWK99139
<b>1985-1980</b>	THM325	
Seal .....		3907[2]
Kwik Slv (Opt Rpr) .....		KWK99114

**Differential**

<b>1981-1980</b>		
Cone/Cup .....		LM501349-LM501314[2]

**Pinion**

<b>1981-1980</b>		
Cone/Cup (inner) .....		M804049-M804010
Seal (outer) .....		3606
Cone/Cup (outer) .....		M802048-M802011

**Selector Shaft Seal/Man. Shaft**

<b>1985-1980</b>		
Seal .....		8792S

[ ] Indicates Quantity Required; Set Components Listed Inside Rear Cover;

<sup>16</sup> Check for availability, while supplies last    <sup>61</sup> Kit incl: Seal, Hub Nut, and Bearing Unit

# Bearings and Seals

Mfg./Year    Model & Location    Part No    Mfg./Year    Model & Location    Part No

## CADILLAC - FRONT DRIVE - Seville (cont.)

### 4-SPEED AUTOMATIC TRANSAXLE

#### Differential

**1985-1982**  
Cone/Cup .....LM501349-LM501314[2]

#### Torque Convertor

**1989-1985**    THM440  
Seal .....4072N  
**1985-1982**    THM325-4L  
Seal .....3227  
Kwik Slv (Opt Rpr) .....KWK99174

#### Output Shaft

**1989-1985**    THM440  
Seal (LH) .....710096  
Kwik Slv (Opt Rpr) (LH) .....KWK99139  
Seal (RH) .....3543  
Kwik Slv (Opt Rpr) (RH) .....KWK99139  
**1985-1980**    THM325-4L  
Seal .....3907[2]  
Kwik Slv (Opt Rpr) .....KWK99114[2]

#### Pinion

**1985-1982**  
Cone/Cup (inner) .....M804049-M804010  
Seal (outer) .....3606  
Cone/Cup (outer) .....M802048-M802011

#### Selector Shaft Seal/Man. Shaft

**1989-1985**  
Seal .....8792S

### A/C COMPRESSOR

**1989-1980**    Frigidaire R4; Harrison DA6, V5, HR6  
Bearing .....907257

### ALTERNATOR

**1989-1987**  
Bearing (drive end) .....203FF  
Bearing (rear end) .....100CCAB  
**1986-1980**  
Bearing (drive end) .....203S  
Bearing (rear end) .....MNJ471S

### POWER STEERING

#### Pump Shaft

**1989-1985**  
Seal .....221925  
Bearing .....203FF  
**1984-1980**  
Seal .....7013S

### CRANKSHAFT REAR SEAL

#### 6 Cylinder

**1982-1981**    252/4.1L  
Seal .....5591  
Seal PTFE H/D Opt. ....5291

#### 8 Cylinder

**1989-1988**    273/4.5L  
Seal Viton .....710075  
**1987-1982**    250/4.1L  
Seal Viton .....710075  
**1985-1980**    350/5.7L Diesel  
Seal Rope .....5095  
**1981-1980**    368/6.0L  
Seal .....5068  
**1980**    350/5.7L  
Seal .....5591

### TIMING COVER

#### 6 Cylinder

**1982-1981**    252/4.1L  
Seal .....471424  
Kwik Slv (Opt Rpr) .....KWK99199

#### 8 Cylinder

**1989-1988**    273/4.5L  
Seal .....471424  
Kwik Slv (Opt Rpr) .....KWK99199  
**1987-1982**    250/4.1L  
Seal .....471424  
Kwik Slv (Opt Rpr) .....KWK99199  
**1985-1980**    350/5.7L Diesel  
Seal .....472082  
Kwik Slv (Opt Rpr) .....KWK99199  
**1981-1980**    368/6.0L  
Seal .....9599S  
Kwik Slv (Opt Rpr) .....KWK99210  
**1980**    350/5.7L  
Seal .....472082  
Kwik Slv (Opt Rpr) .....KWK99199

**CADILLAC - REAR DRIVE - Calais, Comm. Chassis/Limousine, DeVille, Fleetwood**

**FRONT WHEEL**

<b>1989-1988</b>	Fleetwood non-ABS, Comm. Chassis	
	Seal (inner)	8871[2]
	Set (inner)	SET5
	Set (outer)	SET3
<b>1989-1988</b>	Fleetwood with ABS	
	Seal (inner)	4739[2]
	Set (inner)	SET6
	Set (outer)	SET3
<b>1987-1978</b>	DeVille, Fleetwood	
	Seal (inner)	8871[2]
	Set (inner)	SET6
	Set (outer)	SET3
<b>1987-1977</b>	Comm. Chassis/Limo	
	Seal (inner)	8871[2]
	Set (inner)	SET5
	Set (outer)	SET3
<b>1977</b>	DeVille, Fleetwood	
	Seal (inner)	8871[2]
	Set (inner)	SET6
	Set (outer)	SET2
<b>1976-1972</b>		
	Seal (inner)	8871[2]
	Set (inner)	SET5
	Set (outer)	SET3
<b>1971-1968</b>	disc brakes	
	Seal (inner)	9406S[2]
	Set (inner)	SET5
	Set (outer)	SET3
<b>1968</b>		
	Seal (inner)	7721[2]
	Set (inner)	SET5
	Set (outer)	SET3

**REAR WHEEL**

<b>1989-1980</b>	11" brakes	
	Seal	8660S[2]
	Cyl. Bearing	5707[2]
	Kit	TRP1563TAV[2] <sup>19</sup>
<b>1989-1980</b>	12" brakes	
	Seal	8835S[2]
	Cyl. Bearing	6408[2]
	Kit	TRP1559TV[2] <sup>19</sup>
<b>1984-1977</b>	Fleetwood Sedan	
	Seal	8835S[2]
	Cyl. Bearing	6408[2]
	Kit	TRP1559TV[2] <sup>19</sup>
<b>1979-1977</b>	DeVille, Fleetwood	
	Seal	8660S[2]
	Cyl. Bearing	5707[2]
	Kit	TRP1563TAV[2] <sup>19</sup>
<b>1979-1977</b>	Comm. Chassis/Limo	
	Seal	8835S[2]
	Cyl. Bearing	6408[2]
	Kit	TRP1559TV[2] <sup>19</sup>
<b>1976-1970</b>	Comm. Chassis/Limo	
	Cyl. Bearing	RSN1584EV[2]
<b>1976-1970</b>	Calais, DeVille, Fleetwood	
	Seal	9912S[2]
	Set	SET10

**REAR WHEEL (cont.)**

<b>1969-1968</b>		
	Seal	5589[2]
	Bearing	RW509FR[2]

**REAR AXLE**

**Differential Rebuild Kit**

<b>1988-1982</b>	7.5" ring gear	
	Kit	DRK320
<b>1979-1977</b>	8.5" ring gear	
	Kit	DRK321
<b>1979-1977</b>	8.75", 8.875" ring gears	
	Kit	DRK323

**Differential**

<b>1989-1977</b>	with 7.50", 8.50" ring gear	
	Cone/Cup	LM501349-LM501314[2]
<b>1981-1970</b>	with 10 bolt housing cover	
	Set	SET36
<b>1976-1970</b>	with 12 bolt axle housing cover	
	Set	SET38
<b>1969-1968</b>	with 12 bolt axle housing cover	
	Cone/Cup	25584T-25520[2]
<b>1969-1968</b>	with 10 bolt housing cover	
	Cone/Cup	25584T-25520[2]

**Pinion**

<b>1989-1980</b>	8.5" ring gear	
	Cone/Cup (inner)	M802048-M802011
	Seal (outer)	2043
	Cone/Cup (outer)	M88048-M88010
<b>1989-1982</b>	7.5" ring gear	
	Cone/Cup (inner)	HM89249-HM89210
	Seal (outer)	8610
	Cone/Cup (outer)	M86649-M86610
<b>1979-1977</b>		
	Cone/Cup (inner)	M802048-M802011
	Seal (outer)	2043
	Cone/Cup (outer)	M88048-M88010
<b>1976-1970</b>		
	Cone/Cup (inner)	HM89449-HM89410
	Seal (outer)	2043
	Cone/Cup (outer)	M88048-M88010
	Cyl. Bearing (pilot)	R1581TV
<b>1969-1968</b>		
	Cone/Cup (inner)	HM804846-HM804810
	Seal (outer)	9449
	Cone/Cup (outer)	HM89449-HM89410
	Kwik Slv (Opt Rpr)	KWK99187

**3-SPEED AUTOMATIC TRANSMISSION**

**Torque Converter**

<b>1989-1980</b>	THM200; THM2004R	
	Seal	3227
	Kwik Slv (Opt Rpr)	KWK99174
<b>1989-1980</b>	THM400	
	Seal	6712NA
	Kwik Slv (Opt Rpr)	KWK99187

[ ] Indicates Quantity Required; Set Components Listed Inside Rear Cover;  
<sup>19</sup> Opt. Axle Repair Bearing. Replaces O.E. bearing & seal.

# Bearings and Seals

Mfg./Year    Model & Location    Part No    Mfg./Year    Model & Location    Part No

## **CADILLAC - REAR DRIVE - Calais, Comm. Chassis/Limousine, DeVille, Fleetwood (cont.)**

### **3-SPEED AUTOMATIC TRANSMISSION (cont.)**

#### **Torque Converter (cont.)**

<b>1980</b>	CBC350	
Seal	.....	6712NA
Kwik Slv (Opt Rpr)	.....	KWK99187
<b>1979-1968</b>		
Seal	.....	6712NA
Kwik Slv (Opt Rpr)	.....	KWK99187

#### **Rear Seal/Ext. Housing**

<b>1989-1980</b>	THM200; THM2004R	
Seal	.....	9613S
<b>1989-1980</b>	THM400	
Seal	.....	9449
<b>1980</b>	CBC350	
Seal	.....	9613S
<b>1979-1968</b>	1.890" shaft	
Seal	.....	9449
<b>1978-1968</b>	1.687" shaft	
Seal	.....	7038SA

#### **Selector Shaft Seal/Man. Shaft**

<b>1989-1968</b>		
Seal	.....	8792S

### **4-SPEED AUTOMATIC TRANSMISSION**

#### **Torque Converter**

<b>1989-1982</b>	THM2004R	
Seal	.....	3227
Kwik Slv (Opt Rpr)	.....	KWK99174

#### **Rear Seal/Ext. Housing**

<b>1989-1982</b>	THM2004R	
Seal (rear)	.....	9613S

#### **Selector Shaft Seal/Man. Shaft**

<b>1989-1982</b>		
Seal	.....	8792S

### **ALTERNATOR**

<b>1989-1987</b>		
Bearing (drive end)	.....	203FF
Bearing (rear end)	.....	100CCAB
<b>1986-1980</b>		
Bearing (drive end)	.....	203S
Bearing (rear end)	.....	MNJ471S
<b>1979-1971</b>	145 amp	
Bearing (drive end)	.....	305DD
Bearing (rear end)	.....	MNJ471S
<b>1979-1968</b>	exc. 130 amp	
Bearing (drive end)	.....	203F
Bearing (rear end)	.....	MNJ471S
<b>1971-1967</b>	130 amp	
Bearing (drive end)	.....	205F
Bearing (rear end)	.....	203F

### **CRANKSHAFT REAR SEAL**

#### **6 Cylinder**

<b>1982-1980</b>	252/4.1L	
Seal	.....	5591
Seal PTFE H/D Opt.	.....	5291

#### **8 Cylinder**

<b>1989-1988</b>	307/5.0L	
Seal Rope	.....	5095
<b>1985-1982</b>	250/4.1L	
Seal Viton	.....	710075
<b>1985-1979</b>	350/5.7L Diesel	
Seal Rope	.....	5095
<b>1984-1980</b>	368/6.0L	
Seal	.....	5068
<b>1979-1977</b>	425/7.0L	
Seal	.....	5068
<b>1976-1975</b>	500/8.2L	
Seal	.....	5068
<b>1974-1968</b>	472/7.7L	
Seal	.....	5068

### **TIMING COVER**

#### **6 Cylinder**

<b>1982-1980</b>	252/4.1L	
Seal	.....	471424
Kwik Slv (Opt Rpr)	.....	KWK99199

#### **8 Cylinder**

<b>1989-1986</b>	307/5.0L	
Seal	.....	472082
Kwik Slv (Opt Rpr)	.....	KWK99199
<b>1985-1982</b>	250/4.1L	
Seal	.....	471424
Kwik Slv (Opt Rpr)	.....	KWK99199
<b>1985-1979</b>	350/5.7L Diesel	
Seal	.....	472082
Kwik Slv (Opt Rpr)	.....	KWK99199
<b>1984-1980</b>	368/6.0L	
Seal	.....	9599S
Kwik Slv (Opt Rpr)	.....	KWK99210
<b>1979-1977</b>	425/7.0L	
Seal	.....	9599S
Kwik Slv (Opt Rpr)	.....	KWK99210
<b>1976-1975</b>	500/8.2L	
Seal	.....	9599S
Kwik Slv (Opt Rpr)	.....	KWK99210
<b>1974-1968</b>	472/7.7L	
Seal	.....	9599S
Kwik Slv (Opt Rpr)	.....	KWK99210

**CADILLAC - REAR DRIVE - Seville**

**FRONT WHEEL**

<b>1979-1978</b>	
Set (outer) .....	SET3
Seal (inner) .....	8871[2]
Set (inner) .....	SET6
<b>1977-1976</b>	
Set (outer) .....	SET2
Seal (inner) .....	8871[2]
Set (inner) .....	SET6

**REAR WHEEL**

<b>1979-1976</b>	
Seal .....	8660S[2]
Cyl. Bearing .....	5707[2]
Kit .....	TRP1563TAV[2] <sup>19</sup>

**REAR AXLE**

**Differential Rebuild Kit**

<b>1979-1976</b>	8.875" ring gear
Kit .....	DRK323

**Differential**

<b>1979-1975</b>	
Cone/Cup .....	LM501349-LM501314[2]

**Pinion**

<b>1979-1976</b>	
Cone/Cup (inner) .....	M802048-M802011
Seal (outer) .....	2043
Cone/Cup (outer) .....	M88048-M88010

**3-SPEED AUTOMATIC TRANSMISSION**

**Torque Converter**

<b>1979-1978</b>	THM200
Seal .....	3227
Kwik Slv (Opt Rpr) .....	KWK99174
<b>1979-1976</b>	THM400
Seal .....	6712NA
Kwik Slv (Opt Rpr) .....	KWK99187

**Rear Seal/Ext. Housing**

<b>1979-1978</b>	THM200
Seal .....	9613S
<b>1979-1976</b>	THM400
Seal .....	9449

**3-SPEED AUTOMATIC TRANSMISSION**

**Selector Shaft Seal/Man. Shaft**

<b>1979-1976</b>	
Seal .....	8792S

**GENERATOR / ALTERNATOR**

<b>1979-1976</b>	
Bearing (drive end) .....	203S
Bearing (rear end) .....	MNJ471S

**POWER STEERING**

**Pitman Shaft**

<b>1979-1976</b>	
Seal (inner) .....	471413
Seal (outer) .....	7412S

**Pump Shaft**

<b>1979-1976</b>	
Seal .....	480821

**Worm Shaft**

<b>1979</b>	
Seal .....	222025

**CRANKSHAFT REAR SEAL**

**8 Cylinder**

<b>1979-1978</b>	350/5.7L Diesel
Seal Rope .....	5095
<b>1979-1976</b>	350/5.7L
Seal .....	5591

**TIMING COVER**

**8 Cylinder**

<b>1979-1978</b>	350/5.7L Diesel
Seal .....	472082
Kwik Slv (Opt Rpr) .....	KWK99199
<b>1979-1976</b>	350/5.7L
Seal .....	472082
Kwik Slv (Opt Rpr) .....	KWK99199

**CHECKER - All Checker Models**

**FRONT WHEEL**

<b>1981-1970</b>	exc. Aerobus
Seal (inner) .....	4739[2]
Set (inner) .....	SET5
Set (outer) .....	SET2
<b>1975-1969</b>	Aerobus
Seal (inner) .....	203006S[2]
Set (inner) .....	SET5
Set (outer) .....	SET3

**FRONT WHEEL (cont.)**

<b>1969</b>	exc. Aerobus
Seal (inner) .....	8871[2]
Set (inner) .....	SET5
Set (outer) .....	SET2
<b>1968</b>	exc. Aerobus
Seal (inner) .....	8871[2]
Set (inner) .....	SET5
Set (outer) .....	SET3

[ ] Indicates Quantity Required; Set Components Listed Inside Rear Cover;  
<sup>19</sup> Opt. Axle Repair Bearing. Replaces O.E. bearing & seal.

# Bearings and Seals

Mfg./Year    Model & Location    Part No    Mfg./Year    Model & Location    Part No

## CHECKER - All Checker Models (cont.)

### FRONT WHEEL (cont.)

<b>1968-1959</b>	exc. Airport Limousine	
Seal (inner)	.....	203008[2]
Set (inner)	.....	SET6
Set (outer)	.....	SET2
<b>1965-1959</b>	Airport Limousine	
Set (inner)	.....	SET5
Set (outer)	.....	SET3
<b>1958-1955</b>	all	
Seal (inner)	.....	6849[2]
Cone/Cup (inner)	.....	15123-15245[2]
Cone/Cup (outer)	.....	09067-09195[2]

### REAR WHEEL

<b>1980-1969</b>	exc. Aerobus	
Seal (inner)	.....	51098[2]
Set (inner)	.....	SET10
Seal (outer)	.....	2689S[2]
<b>1975-1969</b>	Aerobus	
Seal (inner)	.....	51098[2]
Set (inner)	.....	SET7
Seal (outer)	.....	472747[2]
<b>1968-1955</b>	exc. Airport Limousine	
Seal (inner)	.....	7245[2]
Cone/Cup (inner)	.....	25877-25821[2]
<b>1965-1962</b>	Airport Limousine	
Cone/Cup	.....	2788A-2735X[2]
<b>1961-1959</b>	Airport Limousine	
Cone/Cup	.....	25877-25821[2]

### REAR AXLE

#### Differential

<b>1981-1966</b>	exc. Aerobus, Limousine	
Cone/Cup	.....	25590-25523[2]
<b>1981-1966</b>	Aerobus, Limousine	
Cone/Cup	.....	387A-382S[2]
<b>1965-1962</b>	exc. Airport Limousine	
Cone/Cup	.....	25577-25523[2]
<b>1965-1962</b>	Airport Limousine	
Cone/Cup	.....	25590-25520[2]
<b>1961-1955</b>	all	
Cone/Cup	.....	25577-25523[2]

#### Pinion

<b>1981-1976</b>	Limousine	
Cone/Cup (inner)	.....	HM803146-HM803110
Seal (outer)	.....	5778
Cone/Cup (outer)	.....	02872-02820
<b>1981-1965</b>	exc. Aerobus, Limousine	
Cone/Cup (inner)	.....	31594-31520
Seal (outer)	.....	5778
Cone/Cup (outer)	.....	02872-02820
<b>1975-1965</b>	Aerobus	
Cone/Cup (inner)	.....	HM803146-HM803110
Seal (outer)	.....	6808N
Cone/Cup (outer)	.....	HM88542-HM88510
<b>1965-1962</b>	Airport Limousine	
Cone/Cup (inner)	.....	HM89446-HM89410
Cone/Cup (outer)	.....	M88048-M88010

### REAR AXLE (cont.)

#### Pinion (cont.)

<b>1965-1955</b>	exc. Airport Limousine	
Cone/Cup (inner)	.....	31594-31520
Seal (outer)	.....	5778
Cone/Cup (outer)	.....	02872-02820
<b>1961-1959</b>	Airport Limousine	
Cone/Cup (inner)	.....	31594-31520
Cone/Cup (outer)	.....	02872-02820

### AUTOMATIC TRANSMISSION

#### Torque Converter

<b>1981-1974</b>		
Seal	.....	6712NA
Kwik Slv (Opt Rpr)	.....	KWK99187
<b>1973-1968</b>		
Seal	.....	6988H
Kwik Slv (Opt Rpr)	.....	KWK99193

#### Selector Shaft Seal/Man. Shaft

<b>1981-1971</b>		
Seal	.....	340847
Kwik Slv (Opt Rpr)	.....	KWK99059
<b>1970-1959</b>		
Seal	.....	240816
Kwik Slv (Opt Rpr)	.....	KWK99076

#### Output Shaft

<b>1981-1972</b>		
Seal	.....	9449
Kwik Slv (Opt Rpr)	.....	KWK99189
<b>1971-1955</b>		
Seal	.....	8160S
Kwik Slv (Opt Rpr)	.....	KWK99156

### CLUTCH

#### Pilot Bearing

<b>1964-1955</b>		
Bearing	.....	204SS

#### Release Bearing

<b>1977-1965</b>		
Bearing Assy	.....	614037 <sup>42</sup>
<b>1964-1955</b>		
Bearing Only	.....	1872T
<b>1941-1940</b>		
Bearing Only	.....	CB1166

### 3-SPEED MANUAL TRANSMISSION

#### Front Input Shaft

<b>1970-1959</b>		
Bearing	.....	207

**CHECKER - All Checker Models (cont.)**

**3-SPEED MANUAL TRANSMISSION**

**Rear Output Shaft**

**1970-1959**  
 Seal ..... 8160S  
 Kwik Slv (Opt Rpr) .....KWK99156

**Selector Shaft Seal/Man. Shaft**

**1970-1955**  
 Seal ..... 343105  
 Kwik Slv (Opt Rpr) .....KWK99062

**ALTERNATOR**

**1975-1965**    55 amp  
 Bearing (drive end) .....203FF

**GENERATOR**

**1964-1959**    Heavy Duty  
 Bearing (drive end) ..... 204  
 Bearing (rear end) .....303BB  
**1964-1947**    Standard  
 Bearing (drive end) ..... 203AB  
 Bearing (rear end) .....203AB

**DRIVESHAFT SUPPORT**

**1981-1966**    Spicer 1280-1410: 1.3780"  
                  bearing ID  
 Bearing ..... 88107  
 Hanger Bearing Assy ..... HB88107A  
**1979-1966**    Aerobus  
 Hanger Bearing Assy .....HB88107

**CRANKSHAFT REAR SEAL**

**6 Cylinder**

**1981-1980**    3.8  
 Seal ..... 5092  
**1979-1968**    230, 250  
 Seal ..... 5092

**8 Cylinder**

**1979-1964**    283, 307  
 Seal ..... 5092  
**1966-1959**    318/5.2L  
 Seal ..... 5414

**TIMING COVER**

**6 Cylinder**

**1981-1980**    3.8  
 Seal ..... 9845  
 Kwik Slv (Opt Rpr) .....KWK99176  
**1979-1964**    230, 250  
 Seal ..... 9845  
 Kwik Slv (Opt Rpr) .....KWK99176  
**1964-1952**    3.7L  
 Seal ..... 450096  
 Kwik Slv (Opt Rpr) .....KWK99205

**8 Cylinder**

**1981-1964**    283, 307  
 Seal ..... 9845  
 Kwik Slv (Opt Rpr) .....KWK99176  
**1966-1959**    318/5.2L  
 Seal ..... 3103  
 Kwik Slv (Opt Rpr) .....KWK99218

**CHEVROLET - FRONT DRIVE - Beretta, Cavalier, Corsica**

**FRONT WHEEL**

**1989-1985**  
 Hub Assy .....513017K[2]<sup>61</sup>  
 Seal Kit ..... 5697<sup>12</sup>  
**1984**    12mm holes in mounting flange  
 Hub Assy .....513017K[2]<sup>61</sup>  
 Seal Kit ..... 5697<sup>12</sup>  
**1984-1982**    10mm holes in mounting flange  
 Hub Assy .....513004K[2]<sup>61</sup>  
 Seal Kit ..... 5697<sup>12</sup>

**REAR WHEEL**

**1989-1982**  
 Hub Assy ..... 513012[2]

**CLUTCH**

**Pilot Bearing**

**1986-1982**    4-cylinder  
 Bushing H/D ..... PB656HD

**CLUTCH - 4 CYLINDER**

**Release Bearing**

**1989-1982**    Isuzu  
 Bearing Assy ..... 614108  
**1989-1987**    5-speed: Muncie trans  
 Bearing Assy ..... 614069  
**1989-1982**    4-speed  
 Bearing Assy ..... 614009

[ ] Indicates Quantity Required; Set Components Listed Inside Rear Cover;

<sup>12</sup> Opt. Kit includes seal and O ring; kit included w/hub assembly Unit

<sup>61</sup> Kit incl: Seal, Hub Nut, and Bearing



# Bearings and Seals

Mfg./Year    Model & Location    Part No    Mfg./Year    Model & Location    Part No

## **CHEVROLET - FRONT DRIVE - Beretta, Cavalier, Corsica (cont.)**

### **CLUTCH - 6 CYLINDER**

#### **Release Bearing**

<b>1989-1986</b>	5-speed: Muncie trans	
	Bearing Assy .....	614069
<b>1987-1985</b>	Isuzu	
	Bearing Assy .....	614108
<b>1986-1985</b>	4-speed	
	Bearing Assy .....	614009

### **3-SPEED AUTOMATIC TRANSAXLE**

#### **Torque Converter**

<b>1989-1982</b>		
	Seal .....	4072N
	Kwik Slv (Opt Rpr) .....	KWK99172

#### **Output Shaft**

<b>1989-1982</b>		
	Seal (LH) .....	3543
	Kwik Slv (Opt Rpr) (LH) .....	KWK99139
	Seal Kit (LH) Opt. ....	5690 <sup>18</sup>
	Seal (RH) .....	3543
	Kwik Slv (Opt Rpr) (RH) .....	KWK99139
	Seal Kit (RH) Opt. ....	5690 <sup>18</sup>

#### **Oil Pump**

<b>1984-1982</b>	THM125: 1st design	
	Seal .....	253747
	Kwik Slv (Opt Rpr) .....	KWK99062

#### **Selector Shaft Seal/Man. Shaft**

<b>1989-1982</b>		
	Seal .....	8792S

### **4-SPEED MANUAL TRANSAXLE**

#### **Differential**

<b>1987-1982</b>		
	Set .....	SET11

#### **Input Shaft**

<b>1987-1982</b>		
	Seal (front) .....	3732S
	Set (front) .....	SET4
	Cone/Cup (rear) .....	15101-15245

#### **Output Shaft**

<b>1987-1982</b>		
	Seal (LH) .....	3543
	Set (LH) .....	SET5
	Kwik Slv (Opt Rpr) (LH) .....	KWK99139
	Seal (RH) .....	3543
	Cone/Cup (RH) .....	15101-15245
	Kwik Slv (Opt Rpr) (RH) .....	KWK99139

#### **Selector Shaft Seal/Man. Shaft**

<b>1987-1982</b>		
	Seal .....	3667

### **5-SPEED MANUAL TRANSAXLE**

#### **Differential**

<b>1989-1983</b>	Isuzu	
	Bearing Assy .....	32008XM[2]
<b>1989-1986</b>	exc. Isuzu	
	Cone/Cup .....	LM503349P-LM503310P[2]

#### **Input Shaft**

<b>1989-1983</b>	Isuzu	
	Seal (front) .....	222835
	Bearing Assy (front) .....	32206M
	Kwik Slv (Opt Rpr) .....	KWK99111
	Bearing Assy (rear) .....	30306M
<b>1989-1986</b>	exc. Isuzu	
	Bearing (front) .....	305DD

#### **Output Shaft**

<b>1989-1983</b>		
	Seal (LH) .....	3543
	Set (LH) .....	SET5
	Kwik Slv (Opt Rpr) (LH) .....	KWK99139
	Seal (RH) .....	3543
	Bearing Assy (RH) .....	32206M
	Kwik Slv (Opt Rpr) (RH) .....	KWK99139

#### **Selector Shaft Seal/Man. Shaft**

<b>1989-1983</b>	Isuzu	
	Seal .....	710243
	Kwik Slv (Opt Rpr) .....	KWK99058

### **ALTERNATOR**

<b>1989-1983</b>		
	Bearing (drive end) .....	203FF
<b>1989-1982</b>		
	Bearing (rear end) .....	MNJ471S
<b>1982</b>		
	Bearing (drive end) .....	203S

### **POWER STEERING**

#### **Pump Shaft**

<b>1989-1987</b>		
	Seal .....	221925
<b>1986-1983</b>	with integral reservoir	
	Seal .....	221925
<b>1986-1982</b>	with remote reservoir	
	Seal .....	7013S

#### **Worm Shaft**

<b>1988-1982</b>		
	Seal .....	222510

### **CRANKSHAFT REAR SEAL**

#### **4 Cylinder**

<b>1989-1985</b>	121/2.0/L	
	Seal .....	4307V
	Seal PTFE H/D Opt. ....	5273
	Kwik Slv (Opt Rpr) .....	KWK99298

**CHEVROLET - FRONT DRIVE - Beretta, Cavalier, Corsica (cont.)**

**CRANKSHAFT REAR SEAL (cont.)**

**4 Cylinder (cont.)**

<b>1984-1983</b>	121/2.0/L 1st design 5.5mm thick	
Seal	.....	5210
<b>1984-1983</b>	121/2.0/L 2nd design 11mm width with casting O on RR of cyl case	
Seal	.....	4307V
Seal PTFE H/D Opt.	.....	5273
Kwik Slv (Opt Rpr)	.....	KWK99298
<b>1982</b>	112/1.8L 2nd design 11mm thick with casting O on RR of case	
Seal	.....	4307V
Seal PTFE H/D Opt.	.....	5273
Kwik Slv (Opt Rpr)	.....	KWK99298
<b>1982</b>	112/1.8L 1st design 5.5mm thick	
Seal	.....	5210

**6 Cylinder**

<b>1989-1985</b>	173/2.8L	
Seal	.....	4307V
Seal PTFE H/D Opt.	.....	5273
Kwik Slv (Opt Rpr)	.....	KWK99298

**TIMING COVER**

**4 Cylinder**

<b>1989-1983</b>	121/2.0/L	
Seal Viton	.....	710164
Kwik Slv (Opt Rpr)	.....	KWK99128
<b>1982</b>	112/1.8L	
Seal	.....	9845
Kwik Slv (Opt Rpr)	.....	KWK99176
Harmonic Balancer	.....	
Sleeves Opt.	.....	88176

**6 Cylinder**

<b>1989-1985</b>	173/2.8L	
Seal	.....	9845
Kwik Slv (Opt Rpr)	.....	KWK99176
Harmonic Balancer	.....	
Sleeves Opt.	.....	88176

**CHEVROLET - FRONT DRIVE - Celebrity**

**FRONT WHEEL**

<b>1989-1985</b>	JA2(heavy) JA3(medium) JA8(medium) brakes	
Hub Assy	.....	513016K[2] <sup>61</sup>
Seal Kit	.....	5698 <sup>12</sup>
<b>1989-1985</b>	with JA1(Lt duty) brakes	
Hub Assy	.....	513011K[2] <sup>61</sup>
Seal Kit	.....	5699 <sup>12</sup>
<b>1984-1983</b>	with JA2 (heavy) JA8(medium) brakes	
Hub Assy	.....	513016K[2] <sup>61</sup>
Seal Kit	.....	5698 <sup>12</sup>
<b>1984-1983</b>	with JA1(Lt duty) JA8(medium duty) brakes	
Hub Assy	.....	513011K[2] <sup>61</sup>
Seal Kit	.....	5699 <sup>12</sup>
<b>1982</b>		
Hub Assy	.....	513011K[2] <sup>61</sup>
Seal Kit	.....	5699 <sup>12</sup>

**REAR WHEEL**

<b>1989-1984</b>	with JA1(Lt duty) brakes	
Hub Assy	.....	513003[2]
<b>1989-1984</b>	with JA2 (heavy) JA8(medium) brakes	
Hub Assy	.....	513018[2]
<b>1983</b>	with JA1(Lt duty) JA8(medium duty) brakes	
Hub Assy	.....	513003[2]
<b>1983</b>	with JA2 (heavy) brakes	
Hub Assy	.....	513018[2]
<b>1982</b>		
Hub Assy	.....	513003[2]

**CLUTCH**

**Pilot Bearing**

<b>1986-1982</b>	4-cylinder	
Bushing	.....	PB650

**Release Bearing**

<b>1989-1986</b>	5-speed: Muncie trans	
Bearing Assy	.....	614069
<b>1989-1982</b>	5-speed: Isuzu trans	
Bearing Assy	.....	614108
<b>1989-1982</b>	4-speed	
Bearing Assy	.....	614009

**3-SPEED AUTOMATIC TRANSAXLE**

**Torque Converter**

<b>1989-1982</b>		
Seal	.....	4072N

**Output Shaft**

<b>1989-1982</b>		
Seal	.....	3543[2]
Kwik Slv (Opt Rpr)	.....	KWK99139[2]

**Oil Pump**

<b>1984-1982</b>	THM125: 1st design	
Seal	.....	253747
Kwik Slv (Opt Rpr)	.....	KWK99062

[ ] Indicates Quantity Required; Set Components Listed Inside Rear Cover;

<sup>12</sup> Opt. Kit includes seal and O ring; kit included w/hub assembly

<sup>61</sup> Kit incl: Seal, Hub Nut, and Bearing

# Bearings and Seals

Mfg./Year    Model & Location    Part No    Mfg./Year    Model & Location    Part No

## CHEVROLET - FRONT DRIVE - Celebrity (cont.)

### 3-SPEED AUTOMATIC TRANSAXLE

#### Selector Shaft Seal/Man. Shaft

**1989-1982**  
 Seal ..... 340847  
 Kwik Slv (Opt Rpr) ..... KWK99049

### 4-SPEED AUTOMATIC TRANSAXLE

#### Torque Converter

**1989-1984**  
 Seal ..... 4072N

#### Output Shaft

**1989-1984**  
 Seal (LH) ..... 710096  
 Kwik Slv (Opt Rpr) (LH) ..... KWK99139  
 Seal (RH) ..... 3543  
 Kwik Slv (Opt Rpr) (RH) ..... KWK99139

#### Selector Shaft Seal/Man. Shaft

**1989-1984**  
 Seal ..... 340847  
 Kwik Slv (Opt Rpr) ..... KWK99049

### 4-SPEED MANUAL TRANSAXLE

#### Differential

**1986-1984**  
 Set ..... SET11

#### Input Shaft

**1986-1984**  
 Seal (front) ..... 3732S  
 Set (front) ..... SET4  
 Kwik Slv (Opt Rpr) ..... KWK99106  
 Cone/Cup (rear) ..... 15101-15245

#### Output Shaft

**1986-1984**  
 Seal (LH) ..... 3543  
 Set (LH) ..... SET5  
 Kwik Slv (Opt Rpr) (LH) ..... KWK99138  
 Seal (RH) ..... 3543  
 Cone/Cup (RH) ..... 15101-15245  
 Kwik Slv (Opt Rpr) (RH) ..... KWK99138

#### Selector Shaft Seal/Man. Shaft

**1986-1984**  
 Seal ..... 3667

### 5-SPEED MANUAL TRANSAXLE

#### Differential

**1989-1987**    5-speed: Muncie trans  
 Set ..... SET11  
**1989-1987**    5-speed: Isuzu trans  
 Bearing Assy ..... 32008XM[2]

### 5-SPEED MANUAL TRANSAXLE

#### Input Shaft

**1989-1987**    5-speed: Isuzu trans  
 Seal ..... 222835  
 Kwik Slv (Opt Rpr) ..... KWK99111  
 Bearing Assy (front) ..... 32206M  
 Bearing Assy (rear) ..... 30306M  
**1989-1987**    5-speed: Muncie trans  
 Bearing ..... 305DD

#### Output Shaft

**1989-1987**    5-speed: Isuzu trans  
 Seal (LH) ..... 3543  
 Set (LH) ..... SET5  
 Kwik Slv (Opt Rpr) (LH) ..... KWK99139  
 Seal (RH) ..... 3543  
 Bearing Assy (RH) ..... 32206M  
 Kwik Slv (Opt Rpr) (RH) ..... KWK99139  
**1989-1987**    5-speed: Muncie trans  
 Seal ..... 3543[2]  
 Kwik Slv (Opt Rpr) ..... KWK99139

#### Selector Shaft Seal/Man. Shaft

**1989-1987**  
 Seal ..... 3667

### ALTERNATOR

**1989-1983**  
 Bearing (drive end) ..... 203FF  
**1989-1983**  
 Bearing (rear end) ..... 100CCAB

### CRANKSHAFT REAR SEAL

#### 4 Cylinder

**1989-1982**    151/2.5L  
 Seal ..... 3698

#### 6 Cylinder

**1989-1985**    173/2.8L  
 Seal ..... 4307V  
 Seal PTFE H/D Opt. ..... 5273  
 Kwik Slv (Opt Rpr) ..... KWK99298  
**1985-1982**    260/4.3 diesel  
 Seal Rope ..... 5095  
**1984-1982**    173/2.8L  
 Seal ..... 5210

### TIMING COVER

#### 4 Cylinder

**1989-1982**    151/2.5L  
 Seal ..... 9845  
 Kwik Slv (Opt Rpr) ..... KWK99176

**CHEVROLET - FRONT DRIVE - Celebrity (cont.)**

**TIMING COVER**

**6 Cylinder**

<b>1989-1982</b>	173/2.8L	
Seal .....		9845
Kwik Slv (Opt Rpr) .....		KWK99176
Harmonic Balancer		
Sleeves Opt. ....		88176
<b>1985-1982</b>	260/4.3 diesel	
Seal .....		9845
Kwik Slv (Opt Rpr) .....		KWK99176
Harmonic Balancer		
Sleeves Opt. ....		88176

**CHEVROLET - FRONT DRIVE - Citation**

**FRONT WHEEL**

<b>1985-1980</b>		
Hub Assy .....		513011K[2] <sup>61</sup>

**REAR WHEEL**

<b>1985-1980</b>		
Hub Assy .....		513012[2]

**CLUTCH**

**Pilot Bearing**

<b>1985-1980</b>	4-cylinder	
Bushing .....		PB650

**CLUTCH - 4 CYLINDER**

**Release Bearing**

<b>1985-1980</b>		
Bearing Assy .....		614009

**CLUTCH - 6 CYLINDER**

**Release Bearing**

<b>1985-1980</b>		
Bearing Assy .....		614009

**3-SPEED AUTOMATIC TRANSAXLE**

**Torque Converter**

<b>1985-1982</b>		
Seal .....		4072N
<b>1981-1980</b>		
Seal .....		3583S
Kwik Slv (Opt Rpr) .....		KWK99172

**Output Shaft**

<b>1985-1980</b>		
Seal .....		3543[2]
Kwik Slv (Opt Rpr) .....		KWK99139[2]

**3-SPEED AUTOMATIC TRANSAXLE**

**Selector Shaft Seal/Man. Shaft**

<b>1985-1980</b>		
Seal .....		8792S

**4-SPEED MANUAL TRANSAXLE**

**Differential**

<b>1985-1980</b>		
Set .....		SET11

**Input Shaft**

<b>1985-1980</b>		
Seal (front) .....		3732S
Set (front) .....		SET4
Cone/Cup (rear) .....		15101-15245

**Output Shaft**

<b>1985-1980</b>		
Seal (LH) .....		3543
Set (LH) .....		SET5
Seal (RH) .....		3543
Cone/Cup (RH) .....		15101-15245

**Selector Shaft Seal/Man. Shaft**

<b>1985-1980</b>		
Seal .....		3667

**ALTERNATOR**

<b>1985-1983</b>		
Bearing (drive end) .....		203FF
<b>1985-1980</b>		
Bearing (rear end) .....		MNJ471S
<b>1982-1980</b>		
Bearing (drive end) .....		203S

**CRANKSHAFT REAR SEAL**

**4 Cylinder**

<b>1985-1980</b>	151/2.5L	
Seal .....		3698
Kwik Slv (Opt Rpr) .....		KWK99300

[ ] Indicates Quantity Required; Set Components Listed Inside Rear Cover;

<sup>61</sup> Kit incl: Seal, Hub Nut, and Bearing Unit

# Bearings and Seals

Mfg./Year    Model & Location    Part No    Mfg./Year    Model & Location    Part No

## CHEVROLET - FRONT DRIVE - Citation (cont.)

### CRANKSHAFT REAR SEAL

#### 6 Cylinder

<b>1985</b>	173/2.8L	
Seal	.....	4307V
Seal PTFE H/D Opt.	.....	5273
Kwik Slv (Opt Rpr)	.....	KWK99298
<b>1984-1980</b>	173/2.8L	
Seal	.....	5210

### TIMING COVER

#### 4 Cylinder

<b>1985-1980</b>	151/2.5L	
Seal	.....	9845
Kwik Slv (Opt Rpr)	.....	KWK99176
Harmonic Balancer		
Sleeves Opt.	.....	88176

### 6 Cylinder

<b>1985-1980</b>	173/2.8L	
Seal	.....	9845
Kwik Slv (Opt Rpr)	.....	KWK99176
Harmonic Balancer		
Sleeves Opt.	.....	88176

## CHEVROLET - REAR DRIVE - Chevelle/Malibu

### FRONT WHEEL

<b>1983-1982</b>		
Seal (inner)	.....	8871[2]
Set (inner)	.....	SET6
Set (outer)	.....	SET34
<b>1981-1979</b>		
Seal (inner)	.....	8871[2]
Set (inner)	.....	SET6
Set (outer)	.....	SET3
<b>1978-1973</b>		
Seal (inner)	.....	8871[2]
Set (inner)	.....	SET6
Set (outer)	.....	SET2
<b>1972-1964</b>		
Seal (inner)	.....	8705S[2]
Set (inner)	.....	SET6
Set (outer)	.....	SET2

### REAR WHEEL

<b>1983-1980</b>		
Seal	.....	8660S[2]
Cyl. Bearing	.....	5707[2]
Kit	.....	TRP1563TAV[2] <sup>19</sup>
<b>1979-1964</b>	Chevy axle	
Seal	.....	8660S[2]
Cyl. Bearing	.....	5707[2]
Kit	.....	TRP1563TAV[2] <sup>19</sup>
<b>1977-1973</b>	Buick, Olds axle	
Seal	.....	712146[2]
Set	.....	SET9
<b>1977-1970</b>	Pontiac axle	
Seal	.....	8835S[2]
Cyl. Bearing	.....	6408[2]
Kit	.....	TRP1559TV[2] <sup>19</sup>

### REAR AXLE

#### Differential Rebuild Kit

<b>1983-1982</b>	7.5", 7.625" ring gears	
Kit	.....	DRK320
<b>1983-1965</b>	8.5" ring gear	
Kit	.....	DRK321
<b>1983-1965</b>	8.75" ring gear	
Kit	.....	DRK323

#### Differential

<b>1983-1973</b>	8.75", 8.875" ring gears	
Set	.....	SET36
<b>1983-1973</b>	with 7.50", 8.125", 8.50" ring gear	
Cone/Cup	.....	LM501349-LM501314[2]
<b>1972-1965</b>	12-bolt housing cover	
Set	.....	SET36
<b>1972-1964</b>	10-bolt housing cover	
Cone/Cup	.....	LM501349-LM501314[2]

#### Pinion

<b>1983-1977</b>	7.5" ring gear	
Cone/Cup (inner)	.....	HM89449-HM89410
Seal (outer)	.....	8610
Cone/Cup (outer)	.....	M86649-M86610
<b>1981-1976</b>	8.5" ring gear	
Cone/Cup (inner)	.....	M802048-M802011
Seal (outer)	.....	2043
Cone/Cup (outer)	.....	M88048-M88010
<b>1976</b>	8.875" ring gear	
Cone/Cup (inner)	.....	M804049-M804010
Seal (outer)	.....	2043
Cone/Cup (outer)	.....	M88048-M88010
<b>1975-1973</b>	exc. wagon	
Cone/Cup (inner)	.....	M802048-M802011
Seal (outer)	.....	2043
Cone/Cup (outer)	.....	M88048-M88010

**CHEVROLET - REAR DRIVE - Chevelle/Malibu (cont.)**

**REAR AXLE (cont.)**

**Pinion (cont.)**

<b>1975-1973</b>	wagon	
	Cone/Cup (inner)	M804049-M804010
	Seal (outer)	2043
	Cone/Cup (outer)	M88048-M88010
<b>1972-1965</b>	12-bolt housing cover	
	Cone/Cup (inner)	M802048-M802011
	Seal (outer)	8460N
	Cone/Cup (outer)	M88048-M88010
<b>1972-1964</b>	10-bolt housing cover	
	Cone/Cup (inner)	HM89449-HM89410
	Seal (outer)	8611N
	Cone/Cup (outer)	M86649-M86610

**AUTOMATIC TRANSMISSION**

**Torque Converter**

<b>1973-1965</b>	Powerglide	
	Seal	6712NA
	Kwik Slv (Opt Rpr)	KWK99187

**Selector Shaft Seal/Man. Shaft**

<b>1973-1965</b>	Powerglide	
	Seal	8792S

**Output Shaft**

<b>1973-1965</b>	Powerglide	
	Seal	9613S
	Kwik Slv (Opt Rpr)	KWK99187

**3-SPEED AUTOMATIC TRANSMISSION**

**Torque Converter**

<b>1983-1976</b>	THM200	
	Seal	3227
	Kwik Slv (Opt Rpr)	KWK99174
<b>1979-1965</b>	THM350, THM400	
	Seal	6712NA
	Kwik Slv (Opt Rpr)	KWK99187

**Rear Seal/Ext. Housing**

<b>1983-1969</b>	THM200, THM350	
	Seal	9613S
	Seal Kit	5200 <sup>64</sup>
<b>1975-1965</b>	THM400: 1.687" shaft	
	Seal	7038SA
	Seal Kit	5205 <sup>64</sup>
<b>1975-1965</b>	THM400: 1.890" shaft	
	Seal	9449
	Seal Kit	5208 <sup>64</sup>

**Selector Shaft Seal/Man. Shaft**

<b>1983-1965</b>		
	Seal	8792S

**CLUTCH**

**Pilot Bearing**

<b>1983-1982</b>		
	Bushing	PB652
<b>1981-1965</b>		
	Bushing	PB656

**Release Bearing**

<b>1983-1982</b>	260/4.3 diesel	
	Bearing Assy	614018 <sup>42</sup>
<b>1983-1982</b>	350/5.7L Diesel	
	Bearing Assy	614018 <sup>42</sup>
<b>1983-1980</b>	229/3.8L	
	Bearing Assy	614018 <sup>42</sup>
<b>1983-1978</b>	231/3.8L	
	Bearing Assy	614018 <sup>42</sup>
<b>1983-1976</b>	305/5.0L	
	Bearing Assy	614018 <sup>42</sup>
<b>1982-1979</b>	267/4.4L	
	Bearing Assy	614018 <sup>42</sup>
<b>1980-1969</b>	350/5.7L	
	Bearing Assy	614018 <sup>42</sup>
<b>1979-1978</b>	200/3.3L	
	Bearing Assy	614037 <sup>42</sup>
<b>1977-1968</b>	250/4.1L	
	Bearing Assy	614037 <sup>42</sup>
<b>1976-1974</b>	400/6.6L Small Block	
	Bearing Assy	614018 <sup>42</sup>
<b>1975-1970</b>	454/7.4L	
	Bearing Assy	614018 <sup>42</sup>
<b>1973-1968</b>	307/5.0L	
	Bearing Assy	614037 <sup>42</sup>
<b>1972-1968</b>	396,400 Big Block	
	Bearing Assy	614018 <sup>42</sup>
<b>1969-1968</b>	230/3.8L	
	Bearing Assy	614037 <sup>42</sup>
<b>1968</b>	327/5.4L bent diaphragm	
	Bearing Assy	614018 <sup>42</sup>
<b>1968</b>	327/5.4L flat diaphragm	
	Bearing Assy	614037 <sup>42</sup>
<b>1967-1965</b>	283/4.6L flat diaphragm	
	Bearing Assy	614037 <sup>42</sup>
<b>1967-1965</b>	283/4.6L bent diaphragm	
	Bearing Assy	614018 <sup>42</sup>

**3-SPEED MANUAL TRANSMISSION**

**Front Input Shaft**

<b>1983-1966</b>	Saginaw	
	Bearing	207SLB
<b>1983-1965</b>		
	Seal	7412S
	Kwik Slv (Opt Rpr)	KWK99125
<b>1972-1969</b>	Muncie	
	Bearing	307L
<b>1968-1965</b>	Warner	
	Bearing	307L

[ ] Indicates Quantity Required; Set Components Listed Inside Rear Cover;  
<sup>42</sup> Sealed Self-Aligning Bearing    <sup>64</sup> Opt. Seal and Bushing Kit

# Bearings and Seals

Mfg./Year    Model & Location    Part No    Mfg./Year    Model & Location    Part No

## CHEVROLET - REAR DRIVE - Chevelle/Malibu (cont.)

### 3-SPEED MANUAL TRANSMISSION

#### Rear Output Shaft

<b>1983-1966</b>	Saginaw	
Bearing	.....	306SLVB
<b>1983-1965</b>		
Seal	.....	9613S
Seal Kit	.....	5200 <sup>64</sup>
<b>1972-1969</b>	Muncie	
Bearing	.....	307L
<b>1968-1965</b>	Warner	
Bearing	.....	1307L

#### Selector Shaft Seal/Man. Shaft

<b>1983-1965</b>		
Seal	.....	240735
Kwik Slv (Opt Rpr)	.....	KWK99076

### 4-SPEED MANUAL TRANSMISSION

#### Input Shaft

<b>1983-1966</b>	Saginaw	
Seal	.....	7412S
Bearing	.....	207SLB
Kwik Slv (Opt Rpr)	.....	KWK99125
<b>1975-1965</b>	Muncie	
Seal	.....	7412S
Bearing	.....	N1307L
Kwik Slv (Opt Rpr)	.....	KWK99125

#### Rear Output Shaft

<b>1983-1966</b>	Saginaw	
Seal	.....	9613S
Bearing	.....	306SLVB
Seal Kit	.....	5200 <sup>64</sup>
<b>1975-1965</b>	Muncie: 83mm 32-spline shaft	
Seal	.....	9449
Bearing	.....	308L
Seal Kit	.....	5208 <sup>64</sup>
<b>1975-1965</b>	Muncie: 83mm 27-spline shaft	
Seal	.....	9613S
Bearing	.....	308L
Seal Kit	.....	5200 <sup>64</sup>

#### Selector Shaft Seal/Man. Shaft

<b>1983-1965</b>		
Seal	.....	240735
Kwik Slv (Opt Rpr)	.....	KWK99076

### ALTERNATOR

<b>1983</b>		
Bearing (drive end)	.....	203FF
Bearing (rear end)	.....	MNJ471S
<b>1982-1972</b>		
Bearing (drive end)	.....	203S
Bearing (rear end)	.....	MNJ471S
<b>1971-1962</b>	Delco 62 amp	
Bearing (drive end)	.....	203F
Bearing (rear end)	.....	203F
<b>1971-1961</b>	exc. 62 amp	
Bearing (drive end)	.....	203F
Bearing (rear end)	.....	MNJ471S

### POWER STEERING

#### Pitman Shaft

<b>1983-1978</b>	605 Gear with round side cover	
Seal	.....	710182
<b>1979-1965</b>	800 Gear with 4 bolt side cover	
Seal Kit	.....	PSK1 <sup>24</sup>

#### Pump Shaft

<b>1983-1967</b>	Saginaw	
Seal	.....	7013S
<b>1967-1965</b>	Federal	
Seal	.....	8773S

### MANUAL STEERING

#### Pitman Shaft

<b>1983-1965</b>		
Seal	.....	313842

#### Worm Shaft

<b>1983-1965</b>		
Seal	.....	474131

### CRANKSHAFT REAR SEAL

#### 6 Cylinder

<b>1983-1982</b>	260/4.3 diesel	
Seal Rope	.....	5095
<b>1983-1980</b>	229/3.8L	
Seal	.....	5092
<b>1983-1978</b>	231/3.8L	
Seal	.....	5591
<b>1979-1978</b>	200/3.3L	
Seal	.....	5092
<b>1977-1968</b>	250/4.1L	
Seal	.....	5092
<b>1969-1968</b>	230/3.8L	
Seal	.....	5092

#### 8 Cylinder

<b>1983-1982</b>	350/5.7L Diesel	
Seal	.....	5591
<b>1983-1976</b>	305/5.0L	
Seal	.....	5092
<b>1982-1979</b>	267/4.4L	
Seal	.....	5092
<b>1980-1969</b>	350/5.7L	
Seal	.....	5092
<b>1976-1974</b>	400/6.6L Small Block	
Seal	.....	5092
<b>1975-1970</b>	454/7.4L	
Seal	.....	5072
<b>1973-1968</b>	307/5.0L	
Seal	.....	5092
<b>1972-1968</b>	396,400 Big Block	
Seal	.....	5072
<b>1968</b>	327/5.4L	
Seal	.....	5092

66 [ ] Indicates Quantity Required; Set Components Listed Inside Rear Cover;

<sup>24</sup> Opt. Kit incl. seals 5683 & 5684. Not sold separately    <sup>64</sup> Opt. Seal and Bushing Kit

**CHEVROLET - REAR DRIVE - Chevelle/Malibu (cont.)**

**TIMING COVER**

**6 Cylinder**

<b>1983-1982</b>	260/4.3 diesel	
Seal .....		9845
Kwik Slv (Opt Rpr) .....		KWK99176
<b>1983-1980</b>	229/3.8L	
Seal .....		9845
Kwik Slv (Opt Rpr) .....		KWK99176
<b>1983-1978</b>	231/3.8L	
Seal .....		710163
<b>1979-1978</b>	200/3.3L	
Seal .....		9845
Kwik Slv (Opt Rpr) .....		KWK99176
<b>1977-1968</b>	250/4.1L	
Seal .....		9845
Kwik Slv (Opt Rpr) .....		KWK99176
<b>1969-1968</b>	230/3.8L	
Seal .....		9845
Kwik Slv (Opt Rpr) .....		KWK99176

**8 Cylinder**

<b>1983-1982</b>	350/5.7L Diesel	
Seal .....		472082
Kwik Slv (Opt Rpr) .....		KWK99199
<b>1983-1976</b>	305/5.0L	
Seal .....		9845
Kwik Slv (Opt Rpr) .....		KWK99176

**TIMING COVER (cont.)**

**8 Cylinder (cont.)**

<b>1982-1979</b>	267/4.4L	
Seal .....		9845
Kwik Slv (Opt Rpr) .....		KWK99176
<b>1980-1969</b>	350/5.7L	
Seal .....		9845
Kwik Slv (Opt Rpr) .....		KWK99176
<b>1976-1974</b>	400/6.6L Small Block	
Seal .....		3945
Kwik Slv (Opt Rpr) .....		KWK99233
<b>1975-1970</b>	454/7.4L	
Seal .....		3945
Kwik Slv (Opt Rpr) .....		KWK99233
<b>1973-1968</b>	307/5.0L	
Seal .....		9845
Kwik Slv (Opt Rpr) .....		KWK99176
<b>1972-1968</b>	396,400 Big Block	
Seal .....		3945
Kwik Slv (Opt Rpr) .....		KWK99233
<b>1968</b>	327/5.4L	
Seal .....		9845
Kwik Slv (Opt Rpr) .....		KWK99176

**CHEVROLET - REAR DRIVE - Bel Air, Biscayne, Brookwood, Caprice (pre 94), Estate Wagon, Impala (pre 94), Kingswood, Townsman, Taxi, Police**

**FRONT WHEEL**

<b>1989-1979</b>		
Seal (inner) .....		8871[2]
Set (inner) .....		SET6
Set (outer) .....		SET3
<b>1978</b>	Standard: 11" rotor	
Seal (inner) .....		8871[2]
Set (inner) .....		SET6
Set (outer) .....		SET2
<b>1978</b>	H/D: 12" rotor	
Seal (inner) .....		8871[2]
Set (inner) .....		SET6
Set (outer) .....		SET3
<b>1977</b>		
Seal (inner) .....		8871[2]
Set (inner) .....		SET6
Set (outer) .....		SET2
<b>1976-1971</b>		
Seal (inner) .....		8871[2]
Set (inner) .....		SET5
Set (outer) .....		SET3
<b>1970-1969</b>		
Seal (inner) .....		9406S[2]
Set (inner) .....		SET5
Set (outer) .....		SET3
<b>1968</b>	disc brakes	
Seal (inner) .....		9406S[2]
Set (inner) .....		SET6
Set (outer) .....		SET2

**FRONT WHEEL (cont.)**

<b>1968-1961</b>	drum brakes	
Seal (inner) .....		7934S[2]
Set (inner) .....		SET6
Set (outer) .....		SET2
<b>1967</b>	disc brakes	
Seal (inner) .....		8705S[2]
Set (inner) .....		SET6
Set (outer) .....		SET2
<b>1960-1958</b>		
Seal (inner) .....		7107A[2]
Cone/Cup (inner) .....		LM67048-LM67019[2]
Cone/Cup (outer) .....		LM11949-LM11919[2]
<b>1957-1956</b>		
Seal (inner) .....		6985[2]
Bearing (inner) .....		B40[2]
Bearing (outer) .....		B01[2]
<b>1955</b>		
Seal (inner) .....		6985[2]
Bearing (inner) .....		B40[2]
Bearing (outer) .....		B41[2]
<b>1954-1946</b>		
Seal (inner) .....		6064[2]
Bearing (inner) .....		B52[2]
Bearing (outer) .....		B01[2]



# Bearings and Seals

Mfg./Year    Model & Location    Part No    Mfg./Year    Model & Location    Part No

## CHEVROLET - REAR DRIVE - Bel Air, Biscayne, Brookwood, Caprice (pre 94), Estate Wagon, Impala (pre 94), Kingswood, Townsman, Taxi, Police (cont.)

### REAR WHEEL

<b>1989-1977</b>	8.5", 8.75", 8.875" ring gear: Pontiac axles; Wagons, Limited Slip Differential, Police, Taxi
Seal .....	8835S[2]
Cyl. Bearing .....	6408[2]
Kit .....	TRP1559TV[2] <sup>19</sup>
<b>1989-1977</b>	7.5", 7.75", 8.5" ring gears: Chevrolet axle
Seal .....	8660S[2]
Cyl. Bearing .....	5707[2]
Kit .....	TRP1563TAV[2] <sup>19</sup>
<b>1983-1982</b>	8.875" ring gear exc. 2.56 ratio
Seal .....	8835S[2]
Cyl. Bearing .....	6408[2]
Kit .....	TRP1559TV[2] <sup>19</sup>
<b>1983-1982</b>	8.875" ring gear: 2.56 ratio
Seal .....	8660S[2]
Cyl. Bearing .....	5707[2]
Kit .....	TRP1563TAV[2] <sup>19</sup>
<b>1981-1976</b>	8.875" ring gear
Seal .....	8835S[2]
Cyl. Bearing .....	6408[2]
Kit .....	TRP1559TV[2] <sup>19</sup>
<b>1979-1977</b>	8.5" ring gear: B, O axles
Seal .....	712146[2]
Set .....	SET9
<b>1976-1971</b>	exc. B, O axles
Seal .....	8835S[2]
Cyl. Bearing .....	6408[2]
Kit .....	TRP1559TV[2] <sup>19</sup>
<b>1976-1971</b>	8.5" ring gear: B, O axles
Seal .....	2689S[2]
Set .....	SET10
<b>1970-1966</b>	
Seal .....	8835S[2]
Cyl. Bearing .....	6408[2]
Kit .....	TRP1559TV[2] <sup>19</sup>
<b>1965</b>	10-bolt housing cover
Seal .....	8660S[2]
Cyl. Bearing .....	5707[2]
Kit .....	TRP1563TAV[2] <sup>19</sup>
<b>1965</b>	12-bolt housing cover
Seal .....	8835S[2]
Cyl. Bearing .....	6408[2]
Kit .....	TRP1559TV[2] <sup>19</sup>
<b>1964-1958</b>	
Seal .....	5573S[2]
Bearing .....	RW607NR[2]
<b>1957</b>	
Bearing .....	RW307R[2]
<b>1956-1955</b>	
Seal .....	5458[2]
Bearing .....	RW507ER[2]
<b>1954-1946</b>	
Seal .....	450666[2]
Cyl. Bearing .....	R1500EL[2]

### REAR AXLE

#### Differential Rebuild Kit

<b>1989-1982</b>	7.5, 7.625" ring gears
Kit .....	DRK320
<b>1979-1977</b>	8.75" ring gear
Kit .....	DRK323
<b>1979-1970</b>	8.5" ring gear
Kit .....	DRK321

#### Differential

<b>1988-1973</b>	7.5", 7.625", 8.5" ring gears
Cone/Cup .....	LM501349-LM501314[2]
<b>1983-1973</b>	8.75", 8.875" ring gears: P, M axles
Set .....	SET36
<b>1972-1965</b>	10-bolt housing cover
Cone/Cup .....	LM501349-LM501314[2]
<b>1972-1965</b>	12-bolt housing cover
Set .....	SET36
<b>1964-1957</b>	
Cone/Cup .....	LM603049-LM603014[2]
<b>1956-1955</b>	
Cone/Cup .....	17887-17831[2]

#### Pinion

<b>1988-1980</b>	7.5" ring gear: 3.125" OD
Cone/Cup (inner) .....	HM89249-HM89210
Seal (outer) .....	8610
Cone/Cup (outer) .....	M86649-M86610
<b>1988-1973</b>	8.5", 8.75" ring gears
Cone/Cup (inner) .....	M802048-M802011
Seal (outer) .....	2043
Cone/Cup (outer) .....	M88048-M88010
<b>1987-1977</b>	8.875" ring gear exc. Wagon
Cone/Cup (inner) .....	M802048-M802011
Seal (outer) .....	2043
Cone/Cup (outer) .....	M88048-M88010
<b>1981-1977</b>	7.5" ring gear: 3" OD
Cone/Cup (inner) .....	HM89449-HM89410
Seal (outer) .....	8610
Cone/Cup (outer) .....	M86649-M86610
<b>1976-1973</b>	8.875" ring gear - Wagon
Cone/Cup (inner) .....	M804049-M804010
Seal (outer) .....	2043
Cone/Cup (outer) .....	M88048-M88010
<b>1972-1965</b>	12-bolt housing cover
Cone/Cup (inner) .....	M802048-M802011
Seal (outer) .....	8460N
Cone/Cup (outer) .....	M88048-M88010
<b>1972-1963</b>	10-bolt housing cover
Cone/Cup (inner) .....	HM89449-HM89410
Seal (outer) .....	8611N
Cone/Cup (outer) .....	M86649-M86610
<b>1971</b>	P axle
Cone/Cup (inner) .....	M804049-M804010
Seal (outer) .....	2043
Cone/Cup (outer) .....	M88048-M88010

**CHEVROLET - REAR DRIVE - Bel Air, Biscayne, Brookwood, Caprice (pre 94), Estate Wagon, Impala (pre 94), Kingswood, Townsman, Taxi, Police (cont.)**

**REAR AXLE (cont.)**

**Pinion (cont.)**

<b>1964-1955</b>	
Cone/Cup (inner) .....	HM89449-HM89410
Seal (outer) .....	6818
Cone/Cup (outer) .....	HM88547-HM88510

**AUTOMATIC TRANSMISSION**

**Torque Converter**

<b>1973-1953</b> Powerglide	
Seal .....	6712NA
Kwik Slv (Opt Rpr) .....	KWK99187
<b>1961-1957</b> Turbo-Glide	
Seal .....	451117N
Kwik Slv (Opt Rpr) .....	KWK99193
<b>1958-1946</b> Hydramatic	
Seal .....	450725N <sup>20</sup>
Kwik Slv (Opt Rpr) .....	KWK99260
<b>1952-1950</b> Powerglide	
Seal .....	450303
Kwik Slv (Opt Rpr) .....	KWK99230

**Rear Seal/Ext. Housing**

<b>1973-1950</b> Powerglide	
Seal .....	9613S
Seal Kit Opt. ....	5200 <sup>64</sup>
Kwik Slv (Opt Rpr) .....	KWK99187
<b>1964-1946</b> Hydramatic: 1.687" shaft	
Seal .....	9613S
Seal Kit Opt. ....	5205 <sup>64</sup>
Kwik Slv (Opt Rpr) .....	KWK99187
<b>1961-1957</b> Turbo-Glide	
Seal .....	9613S
Seal Kit Opt. ....	5200 <sup>64</sup>
Kwik Slv (Opt Rpr) .....	KWK99187
<b>1958-1946</b> Hydramatic: 1.5" shaft	
Seal .....	7038SA
Seal Kit Opt. ....	5200 <sup>64</sup>
Kwik Slv (Opt Rpr) .....	KWK99150

**Selector Shaft Seal/Man. Shaft**

<b>1973-1953</b> Powerglide	
Seal .....	8792S

**3-SPEED AUTOMATIC TRANSMISSION**

**Torque Converter**

<b>1989-1976</b> THM200	
Seal .....	3227
Kwik Slv (Opt Rpr) .....	KWK99174
<b>1989-1983</b> HM3L80	
Seal .....	6712NA
<b>1984-1964</b> Turbo-Hydramatic exc. THM200	
Seal .....	6712NA
Kwik Slv (Opt Rpr) .....	KWK99187

**3-SPEED AUTOMATIC TRANSMISSION**

**Rear Seal/Ext. Housing**

<b>1989-1969</b> THM200, THM350	
Seal .....	9613S
Seal Kit Opt. ....	5200 <sup>64</sup>
Kwik Slv (Opt Rpr) .....	KWK99149
<b>1977-1967</b> THM375, THM400	
Seal .....	9449
Kwik Slv (Opt Rpr) .....	KWK99189

**Selector Shaft Seal/Man. Shaft**

<b>1989-1970</b> THM200	
Seal .....	8792S
<b>1989-1964</b> THM400	
Seal .....	8792S
<b>1988-1970</b> THM250, 350, 375	
Seal .....	8792S

**4-SPEED AUTOMATIC TRANSMISSION**

**Torque Converter**

<b>1989-1982</b> THM700-R4	
Seal .....	3227

**Rear Seal/Ext. Housing**

<b>1989-1982</b> THM700-R4	
Seal .....	9613S

**Selector Shaft Seal/Man. Shaft**

<b>1989-1982</b> THM700-R4	
Seal .....	8792S

**CLUTCH**

**Release Bearing**

<b>1975-1970</b> 6-cylinder: exc. Police, Taxi	
Bearing Assy .....	614037 <sup>42</sup>
<b>1975-1970</b> 8-cylinder	
Bearing Assy .....	614018 <sup>42</sup>
<b>1972-1971</b> 6-cylinder: Police, Taxi	
Bearing Assy .....	614018 <sup>42</sup>
<b>1969-1965</b> engines up thru 350: exc. H/D	
Bearing Assy .....	614037 <sup>42</sup>
<b>1969-1965</b> engines larger than 350: incl. H/D	
Bearing Assy .....	614018 <sup>42</sup>
<b>1965-1964</b> exc. 230, 283 engines	
Bearing Assy .....	614018 <sup>42</sup>
<b>1965-1964</b> 230, 283 engines	
Bearing Assy .....	614037 <sup>42</sup>
<b>1965-1961</b> 327, 409 engines	
Bearing Assy .....	614018 <sup>42</sup>
<b>1963-1959</b> exc. 327, 409 engines	
Bearing Assy .....	614037 <sup>42</sup>
<b>1958</b> exc. 348 engine	
Bearing Assy .....	614037 <sup>42</sup>
<b>1958</b> 348 engine	
Bearing Assy .....	614018 <sup>42</sup>
<b>1957-1955</b> coil spring type clutch	
Bearing Assy .....	614018 <sup>42</sup>

[ ] Indicates Quantity Required; Set Components Listed Inside Rear Cover;

<sup>20</sup> Not currently in production; check for availability

<sup>42</sup> Sealed Self-Aligning Bearing

<sup>64</sup> Opt. Seal

# Bearings and Seals

Mfg./Year    Model & Location    Part No    Mfg./Year    Model & Location    Part No

## **CHEVROLET - REAR DRIVE - Bel Air, Biscayne, Brookwood, Caprice (pre 94), Estate Wagon, Impala (pre 94), Kingswood, Townsman, Taxi, Police (cont.)**

### **CLUTCH (cont.)**

#### **Release Bearing (cont.)**

1957-1938    exc. coil spring clutch  
Bearing Assy ..... 614037<sup>42</sup>

### **3-SPEED MANUAL TRANSMISSION**

#### **Front Input Shaft**

**1973-1966**    Saginaw  
Seal ..... 7412S  
Bearing ..... 207SLB  
Kwik Slv (Opt Rpr) ..... KWK99125

**1972-1969**    Muncie  
Seal ..... 7412S  
Bearing ..... 307L  
Kwik Slv (Opt Rpr) ..... KWK99125

**1968-1965**    Warner  
Seal ..... 7412S  
Bearing ..... 307L  
Kwik Slv (Opt Rpr) ..... KWK99125

**1965-1961**    SM318, SM319: exc. overdrive  
Seal ..... 7412S  
Bearing ..... 207SLB  
Kwik Slv (Opt Rpr) ..... KWK99125

**1965-1961**    SM318, SM319: with overdrive  
Seal ..... 7412S  
Bearing ..... 1207SLB  
Kwik Slv (Opt Rpr) ..... KWK99125

**1960-1955**    SM318: exc. overdrive  
Bearing ..... 207SLB

**1960-1955**    SM318: with overdrive  
Bearing ..... 1207SLB

**1954-1942**    SM318  
Bearing ..... 207SLB

**1953-1942**    L/D  
Bearing ..... 207SL

#### **Rear Output Shaft**

**1973-1966**    Saginaw  
Seal ..... 9613S  
Bearing ..... 306SLVB  
Seal Kit Opt. .... 5200<sup>64</sup>

**1972-1969**    Muncie  
Seal ..... 9613S  
Bearing ..... 307L  
Seal Kit Opt. .... 5200<sup>64</sup>

**1968-1965**    Warner  
Seal ..... 9613S  
Bearing ..... 1307L  
Seal Kit Opt. .... 5200<sup>64</sup>

**1965-1961**    SM319  
Seal ..... 9613S  
Bearing ..... 306LO  
Seal Kit Opt. .... 5200<sup>64</sup>

**1965-1955**    SM318  
Seal ..... 9613S  
Bearing ..... 306LO  
Seal Kit Opt. .... 5200<sup>64</sup>

**1954-1942**    SM318  
Bearing ..... 305L  
Seal Kit Opt. .... 5200<sup>64</sup>

### **Selector Shaft Seal/Man. Shaft**

**1973-1969**    SM330 Muncie: H/D  
Seal ..... 240735  
Kwik Slv (Opt Rpr) ..... KWK99076

**1973-1966**    SM326 Saginaw: 76mm shaft  
Seal ..... 240735  
Kwik Slv (Opt Rpr) ..... KWK99076

**1960-1946**  
Seal ..... 340724

### **4-SPEED MANUAL TRANSMISSION**

#### **Input Shaft**

**1988-1966**    Saginaw  
Seal ..... 7412S  
Bearing ..... 207SLB

**1979-1963**    Muncie  
Seal ..... 7412S  
Bearing ..... N1307L

**1966-1954**    Warner  
Seal ..... 7412S  
Bearing ..... 307L

#### **Rear Output Shaft**

**1973-1966**    Saginaw  
Seal ..... 9613S  
Bearing ..... 306SLVB  
Seal Kit Opt. .... 5200<sup>64</sup>

**1973-1963**    Muncie 27-spline  
Seal ..... 9613S  
Bearing ..... 308L  
Seal Kit Opt. .... 5200<sup>64</sup>

**1973-1963**    Muncie 32-spline  
Seal ..... 9449  
Bearing ..... 308L  
Seal Kit Opt. .... 5200<sup>64</sup>

**1966-1954**    T10 Warner: 27-spline shaft  
Seal ..... 9613S  
Bearing ..... 307L  
Seal Kit Opt. .... 5200<sup>64</sup>

### **Selector Shaft Seal/Man. Shaft**

**1973-1966**    Saginaw  
Seal ..... 240735  
Kwik Slv (Opt Rpr) ..... KWK99076

### **ALTERNATOR**

**1989-1983**    Delco 120 & 124 amp  
Bearing (drive end) ..... 203FF  
Bearing (rear end) ..... 100CCAB

**1989-1961**    Delco exc. 62, 70, 85, 100, 108,  
120, 124 amp  
Bearing (drive end) ..... 203F  
Bearing (rear end) ..... MNJ471S

**1979-1961**    Delco 62 amp  
Bearing (drive end) ..... 203F  
Bearing (rear end) ..... 203F

70 [ ] Indicates Quantity Required; Set Components Listed Inside Rear Cover;

<sup>42</sup> Sealed Self-Aligning Bearing    <sup>64</sup> Opt. Seal and Bushing Kit

**CHEVROLET - REAR DRIVE - Bel Air, Biscayne, Brookwood, Caprice (pre 94), Estate Wagon, Impala (pre 94), Kingswood, Townsman, Taxi, Police (cont.)**

**GENERATOR**

<b>1962-1958</b>	Heavy Duty	
	Bearing (drive end) .....	8604
	Bearing (rear end) .....	7017
<b>1957-1955</b>		
	Bearing (drive end) .....	203AB
	Bearing (rear end) .....	8503
<b>1954-1946</b>		
	Bearing (drive end) .....	203AB

**DRIVESHAFT SUPPORT**

<b>1982-1966</b>	Spicer 1280-1310: 1.1811" bearing ID	
	Bearing .....	206FF
	Hanger Bearing Assy .....	HB206FF

**POWER STEERING**

**Pump Shaft**

<b>1975-1955</b>	Manual Steering Worm Shaft	
	Seal .....	474131
	Bearing .....	8537

**CRANKSHAFT REAR SEAL**

**6 Cylinder**

<b>1989-1986</b>	262/4.3L	
	Seal Viton .....	4359V
	Seal PTFE H/D Opt. ....	5274
	Kwik Slv (Opt Rpr) .....	KWK99364
<b>1985</b>	262/4.3L	
	Seal .....	5092
<b>1985-1980</b>	231/3.8L	
	Seal .....	5591
<b>1984-1980</b>	229/3.8L	
	Seal .....	5092
<b>1979-1968</b>	250/4.1L	
	Seal .....	5092

**8 Cylinder**

<b>1989-1977</b>	305/5.0L	
	Seal .....	5092
<b>1989-1969</b>	350/5.7L engine code (L), (V)	
	Seal .....	5092
<b>1989-1986</b>	307/5.0L	
	Seal .....	5092
<b>1985-1980</b>	350/5.7L Diesel	
	Seal .....	5591
<b>1982-1980</b>	267/4.4L	
	Seal .....	5092
<b>1976-1970</b>	400/6.6L Small Block	
	Seal .....	5092
<b>1975-1972</b>	350/5.7L engine code (H), (J)	
	Seal .....	5591
<b>1975-1970</b>	454/7.4L	
	Seal .....	5072
<b>1972-1965</b>	396,400 Big Block	
	Seal .....	5072
<b>1969-1965</b>	327/5.4L	
	Seal .....	5092

**CRANKSHAFT REAR SEAL (cont.)**

**8 Cylinder (cont.)**

<b>1969-1955</b>	427/7.0L	
	Seal .....	5092
<b>1968</b>	307/5.0L	
	Seal .....	5092
<b>1967-1965</b>	283/4.6L	
	Seal .....	5092
<b>1965-1955</b>	409/6.7L	
	Seal .....	5072

**TIMING COVER**

**6 Cylinder**

<b>1989-1985</b>	262/4.3L	
	Seal .....	9845
	Kwik Slv (Opt Rpr) .....	KWK99176
<b>1985-1980</b>	229/3.8L; 231/3.8L	
	Seal .....	9845
	Kwik Slv (Opt Rpr) .....	KWK99176
<b>1979-1968</b>	250/4.1L	
	Seal .....	9845
	Kwik Slv (Opt Rpr) .....	KWK99176

**8 Cylinder**

<b>1989-1977</b>	305/5.0L	
	Seal .....	9845
	Kwik Slv (Opt Rpr) .....	KWK99176
<b>1989-1986</b>	307/5.0L	
	Seal Viton .....	320259
	Kwik Slv (Opt Rpr) .....	KWK99199
<b>1985-1980</b>	350/5.7L Diesel	
	Seal Viton .....	320259
	Kwik Slv (Opt Rpr) .....	KWK99199
<b>1982-1980</b>	267/4.4L	
	Seal .....	9845
	Kwik Slv (Opt Rpr) .....	KWK99176
<b>1976-1970</b>	400/6.6L Small Block	
	Seal .....	9845
	Kwik Slv (Opt Rpr) .....	KWK99233
<b>1975-1970</b>	454/7.4L	
	Seal .....	3945
	Kwik Slv (Opt Rpr) .....	KWK99233
<b>1975-1969</b>	350/5.7L	
	Seal .....	9845
	Kwik Slv (Opt Rpr) .....	KWK99176
<b>1972-1965</b>	396,400 Big Block	
	Seal .....	3945
	Kwik Slv (Opt Rpr) .....	KWK99233
<b>1969-1965</b>	327/5.4L	
	Seal .....	9845
	Kwik Slv (Opt Rpr) .....	KWK99176
<b>1969-1955</b>	427/7.0L	
	Seal .....	3945
	Kwik Slv (Opt Rpr) .....	KWK99176
<b>1968</b>	307/5.0L	
	Seal .....	9845
	Kwik Slv (Opt Rpr) .....	KWK99176
<b>1967-1965</b>	283/4.6L	
	Seal .....	9845
	Kwik Slv (Opt Rpr) .....	KWK99176

# Bearings and Seals

Mfg./Year    Model & Location    Part No    Mfg./Year    Model & Location    Part No

## CHEVROLET - REAR DRIVE - Bel Air, Biscayne, Brookwood, Caprice (pre 94), Estate Wagon, Impala (pre 94), Kingswood, Townsman, Taxi, Police (cont.)

### TIMING COVER (cont.)

#### 8 Cylinder (cont.)

1965-1955    409/6.7L  
 Seal ..... 9845  
 Kwik Slv (Opt Rpr) .....KWK99176

## CHEVROLET - REAR DRIVE - Camaro, IROC, SLP, SS, Z-28

### FRONT WHEEL

1989-1988    Z28, IROC  
 Seal (inner) ..... 8871[2]  
 Set (inner) .....SET6  
 Set (outer) .....SET3  
 1989-1988    exc. Z28, IROC  
 Seal (inner) ..... 8871[2]  
 Set (inner) .....SET6  
 Set (outer) .....SET34  
 1987-1982  
 Seal (inner) ..... 8871[2]  
 Set (inner) .....SET6  
 Set (outer) .....SET34  
 1981-1979  
 Seal (inner) ..... 8871[2]  
 Set (inner) .....SET6  
 Set (outer) .....SET3  
 1978-1970  
 Seal (inner) ..... 8871[2]  
 Set (inner) .....SET6  
 Set (outer) .....SET2  
 1969-1967  
 Seal (inner) ..... 8705S[2]  
 Set (inner) .....SET6  
 Set (outer) .....SET2

### REAR WHEEL

1989-1987    7.75" ring gear  
 Seal (LH) .....224255  
 Set (LH) .....SET9  
 Seal (RH) .....710179  
 Set (RH) .....SET9  
 1989-1987    exc. 7.75" ring gear  
 Seal ..... 8660S[2]  
 Cyl. Bearing .....5707[2]  
 Kit .....TRP1563TAV[2]<sup>19</sup>  
 1986-1967  
 Seal ..... 8660S[2]  
 Cyl. Bearing .....5707[2]  
 Kit .....TRP1563TAV[2]<sup>19</sup>

### REAR AXLE

#### Differential Rebuild Kit

1989-1982    10-bolt housing cover w/ 7.50",  
 7.625" ring gear  
 Kit .....DRK320  
 1989-1986    7.75" ring gear  
 Kit .....DRK326  
 1981-1970    8.5" ring gear  
 Kit .....DRK321R

### REAR AXLE (cont.)

#### Differential Rebuild Kit (cont.)

1979-1973    12-bolt housing cover  
 Kit .....DRK323  
 1972-1967    8.875" ring gear  
 Kit .....DRK323A  
 1971-1967    8.2" ring gear  
 Kit .....DRK321B

#### Differential

1989-1976    7.5", 7.625", 8.5" ring gears  
 Cone/Cup .....LM501349-LM501314[2]  
 1989-1987    7.75" ring gear  
 Set .....SET47  
 1975-1967    12-bolt housing cover  
 Set .....SET36  
 1975-1967    10-bolt housing cover  
 Cone/Cup .....LM501349-LM501314[2]

#### Pinion

1989-1982    7.5, 7.625" ring gears  
 Cone/Cup (inner) .....HM89249-HM89210  
 Seal (outer) .....8610  
 Cone/Cup (outer) .....M86649-M86610  
 1989-1987    7.75" ring gear  
 Cone/Cup (inner) .....HM89446-HM89410  
 Seal (outer) .....7457N  
 Cone/Cup (outer) .....M86649-M86610  
 1981-1976  
 Cone/Cup (inner) .....M802048-M802011  
 Seal (outer) .....2043  
 Cone/Cup (outer) .....M88048-M88010  
 1975-1967    12-bolt housing cover  
 Cone/Cup (inner) .....M802048-M802011  
 Seal (outer) .....8460N  
 Cone/Cup (outer) .....M88048-M88010  
 Kwik Slv (Opt Rpr) .....KWK99170  
 1970-1967    10-bolt housing cover  
 Cone/Cup (inner) .....HM89449-HM89410  
 Seal (outer) .....8611N  
 Cone/Cup (outer) .....M86649-M86610

### AUTOMATIC TRANSMISSION

#### Torque Converter

1973-1967    Powerglide  
 Seal .....6712NA  
 Kwik Slv (Opt Rpr) .....KWK99187

72 [ ] Indicates Quantity Required; Set Components Listed Inside Rear Cover;

<sup>19</sup> Opt. Axle Repair Bearing. Replaces O.E. bearing & seal.

**CHEVROLET - REAR DRIVE - Camaro, IROC, SLP, SS, Z-28 (cont.)**

**AUTOMATIC TRANSMISSION**

**Rear Seal/Ext. Housing**

<b>1973-1967</b>	Powerglide	
Seal .....		9613S
Seal Kit Opt. ....		5200 <sup>64</sup>

**Selector Shaft Seal/Man. Shaft**

<b>1989-1970</b>	THM200	
Seal .....		8792S
<b>1989-1967</b>	THM400	
Seal .....		8792S
<b>1988-1982</b>	THM700-R4	
Seal .....		8792S
<b>1988-1970</b>	THM250, 350, 375	
Seal .....		8792S
<b>1987-1971</b>	THM180	
Seal .....		8792S

**3-SPEED AUTOMATIC TRANSMISSION**

**Torque Converter**

<b>1984-1980</b>	THM200	
Seal .....		3227
Kwik Slv (Opt Rpr) .....		KWK99174
<b>1981-1969</b>	THM350, THM400	
Seal .....		6712NA
Kwik Slv (Opt Rpr) .....		KWK99187

**Rear Seal/Ext. Housing**

<b>1984-1969</b>	THM200, THM350	
Seal .....		9613S
Seal Kit Opt. ....		5200 <sup>64</sup>
<b>1975-1973</b>	THM400: 1.890" shaft	
Seal .....		9449
Seal Kit Opt. ....		5208 <sup>64</sup>
<b>1975-1973</b>	THM400: 1.687" shaft	
Seal .....		7038SA
Seal Kit Opt. ....		5205 <sup>64</sup>

**Selector Shaft Seal/Man. Shaft**

<b>1989-1969</b>		
Seal .....		8792S

**4-SPEED AUTOMATIC TRANSMISSION**

**Torque Converter**

<b>1989-1982</b>	THM700, 4L60-E	
Seal .....		3227
Kwik Slv (Opt Rpr) .....		KWK99174

**Rear Seal/Ext. Housing**

<b>1989-1982</b>	THM700, 4L60-E	
Seal .....		9613S
Seal Kit Opt. ....		5200 <sup>64</sup>

**4-SPEED AUTOMATIC TRANSMISSION**

**Selector Shaft Seal/Man. Shaft**

<b>1989-1982</b>		
Seal .....		8792S

**CLUTCH**

**Pilot Bearing**

<b>1989-1982</b>	6-cylinder	
Bushing H/D .....		PB652HD
<b>1989-1967</b>	8-cylinder	
Bushing H/D .....		PB656HD
<b>1986-1982</b>	4-cylinder	
Bushing H/D .....		PB656HD
<b>1981-1967</b>	6-cylinder	
Bushing H/D .....		PB656HD

**CLUTCH - 4 CYLINDER**

**Release Bearing**

<b>1986-1984</b>		
Bearing Assy .....		614083
<b>1983-1982</b>		
Bearing Assy .....		614018 <sup>42</sup>

**CLUTCH - 6 CYLINDER**

**Release Bearing**

<b>1989-1985</b>	exc. 3800/3.8L	
Bearing Assy .....		614083
<b>1984-1980</b>	exc. 231/3.8L	
Bearing Assy .....		614018 <sup>42</sup>
<b>1981-1980</b>	231/3.8L	
Bearing Assy .....		614037 <sup>42</sup>
<b>1979-1967</b>		
Bearing Assy .....		614037 <sup>42</sup>

**CLUTCH - 8 CYLINDER**

**Release Bearing**

<b>1989-1985</b>		
Bearing Assy .....		614083
<b>1984-1979</b>		
Bearing Assy .....		614018 <sup>42</sup>
<b>1979-1967</b>	exc. 5.0L	
Bearing Assy .....		614018 <sup>42</sup>
<b>1978-1976</b>	305/5.0L flat diaphragm	
Bearing Assy .....		614037 <sup>42</sup>
<b>1978-1976</b>	305/5.0L bent diaphragm	
Bearing Assy .....		614018 <sup>42</sup>
<b>1973-1969</b>	307/5.0L	
Bearing Assy .....		614037 <sup>42</sup>
<b>1967</b>	283/4.6L flat diaphragm	
Bearing Assy .....		614018 <sup>42</sup>
<b>1967</b>	283/4.6L bent diaphragm	
Bearing Assy .....		614037 <sup>42</sup>

**3-SPEED MANUAL TRANSMISSION**

**Transmission Rebuild Kit**

<b>1981-1967</b>	Saginaw	
Kit .....		TRK301

[ ] Indicates Quantity Required; Set Components Listed Inside Rear Cover;  
<sup>42</sup> Sealed Self-Aligning Bearing    <sup>64</sup> Opt. Seal and Bushing Kit

# Bearings and Seals

Mfg./Year    Model & Location    Part No    Mfg./Year    Model & Location    Part No

## CHEVROLET - REAR DRIVE - Camaro, IROC, SLP, SS, Z-28 (cont.)

### 3-SPEED MANUAL TRANSMISSION

#### Front Input Shaft

<b>1981-1967</b>	Saginaw	
Seal	.....	7412S
Bearing	.....	207SLB
Kwik Slv (Opt Rpr)	.....	KWK99125
<b>1972-1969</b>	Muncie	
Seal	.....	7412S
Bearing	.....	307L
Kwik Slv (Opt Rpr)	.....	KWK99125
<b>1968-1967</b>	Warner	
Seal	.....	7412S
Bearing	.....	307L
Kwik Slv (Opt Rpr)	.....	KWK99125

#### Rear Output Shaft

<b>1981-1967</b>	Saginaw	
Seal	.....	9613S
Bearing	.....	306SLVB
Seal Kit Opt.	.....	5200 <sup>64</sup>
<b>1972-1969</b>	Muncie	
Seal	.....	9613S
Bearing	.....	307L
Seal Kit Opt.	.....	5200 <sup>64</sup>
<b>1968-1967</b>	Warner	
Seal	.....	9613S
Bearing	.....	1307L
Seal Kit Opt.	.....	5200 <sup>64</sup>

#### Selector Shaft Seal/Man. Shaft

<b>1981-1967</b>		
Seal	.....	240735

### 4-SPEED MANUAL TRANSMISSION

#### Input Shaft

<b>1984-1982</b>	Warner	
Seal	.....	7412S
Set	.....	SET5
Kwik Slv (Opt Rpr)	.....	KWK99125
<b>1984-1967</b>	Saginaw	
Seal	.....	7412S
Bearing	.....	207SLB
Kwik Slv (Opt Rpr)	.....	KWK99125
<b>1982-1974</b>	Warner 32 spline	
Seal	.....	7412S
Bearing	.....	1307SL
Kwik Slv (Opt Rpr)	.....	KWK99125
<b>1975-1967</b>	Muncie	
Seal	.....	7412S
Bearing	.....	N1307L
Kwik Slv (Opt Rpr)	.....	KWK99125

#### Rear Output Shaft

<b>1984-1982</b>	Warner	
Seal	.....	9613S
Cone/Cup	.....	25877-25821
Seal Kit Opt.	.....	5200 <sup>64</sup>
<b>1984-1967</b>	Saginaw	
Seal	.....	9613S
Bearing	.....	306SLVB
Seal Kit Opt.	.....	5200 <sup>64</sup>

### 4-SPEED MANUAL TRANSMISSION (cont.)

#### Rear Output Shaft (cont.)

<b>1982-1974</b>	Warner 32 spline	
Seal	.....	472572
Bearing	.....	1307L
<b>1975-1967</b>	Muncie 27-spline	
Seal	.....	9613S
Bearing	.....	308L
Seal Kit Opt.	.....	5200 <sup>64</sup>
<b>1975-1967</b>	Muncie 32-spline	
Seal	.....	9449
Bearing	.....	308L
Seal Kit Opt.	.....	5208 <sup>64</sup>

#### Selector Shaft Seal/Man. Shaft

<b>1984-1974</b>	Warner	
Seal	.....	7399S
Kwik Slv (Opt Rpr)	.....	KWK99062
<b>1984-1967</b>	Saginaw	
Seal	.....	240735
Kwik Slv (Opt Rpr)	.....	KWK99076

### 5-SPEED MANUAL TRANSMISSION

#### Transmission Rebuild Kit

<b>1989-1987</b>	Warner T5 World Class	
Kit	.....	TRK5W
<b>1986-1981</b>	Warner T5	
Kit	.....	TRK5

#### Front Input Shaft

<b>1989-1982</b>	Warner T5, T5 World Class	
Seal	.....	7412S
Set	.....	SET5
Kwik Slv (Opt Rpr)	.....	KWK99125

#### Front Countershaft

<b>1989-1988</b>	Warner T5, T5 World Class	
Cone/Cup (front)	.....	LM67048-LM67010BCE
Set (rear)	.....	SET6
Needle Bearing Thrust	.....	NTA1423
<b>1987-1982</b>	Warner T5	
Needle Bearing (front)	.....	DK55836
Cyl. Bearing (rear)	.....	5707
Needle Bearing Thrust	.....	NTA1423

#### Mainshaft Pilot

<b>1989-1982</b>	Warner T5, T5 World Class	
Needle Bearing	.....	QBR23549[15]

#### Rear Output Shaft

<b>1989-1982</b>	Warner T5, T5 World Class	
Seal	.....	9613S
Cone/Cup	.....	25877-25821
Seal Kit Opt.	.....	5200 <sup>64</sup>

74 [ ] Indicates Quantity Required; Set Components Listed Inside Rear Cover;

<sup>64</sup> Opt. Seal and Bushing Kit

**CHEVROLET - REAR DRIVE - Camaro, IROC, SLP, SS, Z-28 (cont.)**

**A/C COMPRESSOR**

<b>1989-1967</b>	
Bearing .....	907257
<b>1989-1975</b>	
Bearing (Frt head) .....	S128

**ALTERNATOR**

<b>1989</b>	
Bearing (rear end) .....	100CCAB
<b>1989-1983</b>	
Bearing (drive end) .....	203FF
<b>1989-1967</b>	
Bearing (rear end) .....	MNJ471S
<b>1982-1972</b>	
Bearing (drive end) .....	203S
<b>1971-1967</b>	
Bearing (drive end) .....	203F

**POWER STEERING**

**Pitman Shaft**

<b>1987-1982</b>	
Seal Kit .....	PSK1 <sup>24</sup>
<b>1981-1980</b>	800 Gear with 4 bolt side cover
Seal (inner) .....	471413
Seal (outer) .....	7412S
Seal Kit .....	PSK1 <sup>24</sup>
<b>1981-1980</b>	605 Gear with round side cover
Seal .....	710285

**Pump Shaft**

<b>1989-1987</b>	
Seal .....	7013S
<b>1986-1983</b>	integral reservoir
Bearing .....	203FF
<b>1986-1967</b>	remote reservoir
Seal .....	7013S

**Worm Shaft**

<b>1987-1980</b>	
Seal .....	222025

**MANUAL STEERING**

**Pitman Shaft**

<b>1979-1967</b>	
Seal .....	313842

**Worm Shaft**

<b>1979-1967</b>	
Seal .....	474131
Bearing .....	8537

**CRANKSHAFT REAR SEAL**

**4 Cylinder**

<b>1986-1982</b>	151/2.5L
Seal .....	3698

**CRANKSHAFT REAR SEAL**

**6 Cylinder**

<b>1989-1982</b>	173/2.8L
Seal .....	4307V
Seal PTFE H/D Opt. ....	5273
Kwik Slv (Opt Rpr) .....	KWK99298
<b>1981-1980</b>	231/3.8L
Seal .....	5591
<b>1981-1980</b>	229/3.8L
Seal .....	5092
<b>1979-1968</b>	250/4.1L
Seal .....	5092
<b>1969-1968</b>	230/3.8L
Seal .....	5092

**8 Cylinder**

<b>1989-1987</b>	350/5.7L
Seal Viton .....	4359V
Seal PTFE H/D Opt. ....	5274
Kwik Slv (Opt Rpr) .....	KWK99364
<b>1989-1986</b>	305/5.0L
Seal Viton .....	4359V
Seal PTFE H/D Opt. ....	5274
Kwik Slv (Opt Rpr) .....	KWK99364
<b>1985-1976</b>	305/5.0L
Seal .....	5092
<b>1981-1980</b>	267/4.4L
Seal .....	5092
<b>1981-1967</b>	350/5.7L
Seal .....	5092
<b>1973-1969</b>	307/5.0L
Seal .....	5092
<b>1972-1967</b>	396,400 Big Block
Seal .....	5072
<b>1969-1968</b>	302/5.0L
Seal .....	5092
<b>1969-1967</b>	327/5.4L
Seal .....	5092

**TIMING COVER**

**4 Cylinder**

<b>1986-1982</b>	151/2.5L
Seal .....	9845
Kwik Slv (Opt Rpr) .....	KWK99176

**6 Cylinder**

<b>1989-1982</b>	173/2.8L
Seal .....	9845
Kwik Slv (Opt Rpr) .....	KWK99176
<b>1981-1980</b>	231/3.8L
Seal .....	710163
<b>1981-1980</b>	229/3.8L
Seal .....	9845
Kwik Slv (Opt Rpr) .....	KWK99176
<b>1979-1968</b>	250/4.1L
Seal .....	9845
Kwik Slv (Opt Rpr) .....	KWK99176
<b>1969-1968</b>	230/3.8L
Seal .....	9845
Kwik Slv (Opt Rpr) .....	KWK99176

[ ] Indicates Quantity Required; Set Components Listed Inside Rear Cover;

<sup>24</sup> Opt. Kit incl. seals 5683 & 5684. Not sold separately



# Bearings and Seals

Mfg./Year    Model & Location    Part No    Mfg./Year    Model & Location    Part No

## CHEVROLET - REAR DRIVE - Camaro, IROC, SLP, SS, Z-28 (cont.)

### TIMING COVER

#### 8 Cylinder

<b>1989-1967</b>	350/5.7L	
Seal .....		9845
Kwik Slv (Opt Rpr) .....		KWK99176
<b>1989-1976</b>	305/5.0L	
Seal .....		9845
Kwik Slv (Opt Rpr) .....		KWK99176
<b>1981-1980</b>	267/4.4L	
Seal .....		9845
Kwik Slv (Opt Rpr) .....		KWK99176
<b>1973-1969</b>	307/5.0L	
Seal .....		9845
Kwik Slv (Opt Rpr) .....		KWK99176
<b>1972-1967</b>	396,400 Big Block	
Seal .....		3945
Kwik Slv (Opt Rpr) .....		KWK99233

### TIMING COVER (cont.)

#### 8 Cylinder (cont.)

<b>1969-1968</b>	302/5.0L	
Seal .....		9845
Kwik Slv (Opt Rpr) .....		KWK99176
<b>1969-1967</b>	327/5.4L	
Seal .....		9845
Kwik Slv (Opt Rpr) .....		KWK99176
<b>1967</b>	283/4.6L	
Seal .....		9845
Kwik Slv (Opt Rpr) .....		KWK99176

## CHEVROLET - REAR DRIVE - Chevette

### FRONT WHEEL

<b>1987-1976</b>	
Seal (inner) .....	3357[2]
Set (inner) .....	SET4
Set (outer) .....	SET1

### REAR WHEEL

<b>1987-1976</b>	
Seal .....	3348[2]
Cyl. Bearing .....	C5107EV[2]

### REAR AXLE

#### Differential

<b>1987-1976</b>	
Cone/Cup .....	LM29749-LM29711[2]

#### Pinion

<b>1987-1976</b>	
Cone/Cup (inner) .....	M88048S-M88010
Cone/Cup (inner) Opt: substitute for M88048S .....	M88047-M88010
Seal (outer) .....	2440
Cone/Cup (outer) .....	M84548-M84510

### 3-SPEED AUTOMATIC TRANSMISSION

#### Torque Converter

<b>1987-1976</b>	THM200	
Seal .....		3227
Kwik Slv (Opt Rpr) .....		KWK99174
<b>1987-1976</b>	THM180	
Seal .....		6712NA
Kwik Slv (Opt Rpr) .....		KWK99187

### 3-SPEED AUTOMATIC TRANSMISSION

#### Rear Seal/Ext. Housing

<b>1987-1976</b>	
Seal .....	9613S
Kwik Slv (Opt Rpr) .....	KWK99149

#### Selector Shaft Seal/Man. Shaft

<b>1987-1976</b>	
Seal .....	8792S
Kwik Slv (Opt Rpr) .....	KWK99050

### CLUTCH

#### Pilot Bearing

<b>1987-1981</b>		
Bushing .....		PB652
<b>1986-1981</b>	diesel engine	
Bearing .....		203FF
<b>1980-1976</b>		
Bushing .....		PB656

#### Release Bearing

<b>1987-1976</b>	gas engine	
Bearing Assy .....		614018 <sup>42</sup>
<b>1986-1981</b>	diesel engine	
Bearing Only .....		01496

### 4-SPEED MANUAL TRANSMISSION

#### Input Shaft

<b>1987-1976</b>	
Seal .....	483488
Bearing .....	206SL
Kwik Slv (Opt Rpr) .....	KWK99122

76 [ ] Indicates Quantity Required; Set Components Listed Inside Rear Cover;

<sup>42</sup> Sealed Self-Aligning Bearing

**CHEVROLET - REAR DRIVE - Chevette (cont.)**

**4-SPEED MANUAL TRANSMISSION**

**Rear Output Shaft**

<b>1987-1976</b>	
Seal .....	9613S
Bearing .....	206L
Kwik Slv (Opt Rpr) .....	KWK99149

**5-SPEED MANUAL TRANSMISSION**

**Front Input Shaft**

<b>1987-1976</b>	gas engine
Seal .....	7412S
Set .....	SET5
Kwik Slv (Opt Rpr) .....	KWK99125
<b>1986-1981</b>	diesel engine
Seal .....	1990
Kwik Slv (Opt Rpr) .....	KWK99106

**Rear Output Shaft**

<b>1987-1976</b>	
Seal .....	9613S
Kwik Slv (Opt Rpr) .....	KWK99149

**ALTERNATOR**

<b>1987-1983</b>	gas engine
Bearing (drive end) .....	203FF
<b>1987-1976</b>	gas engine
Bearing (rear end) .....	MNJ471S
<b>1986-1981</b>	diesel engine
Bearing (drive end) .....	303CC
<b>1982-1976</b>	gas engine
Bearing (drive end) .....	203S

**CAMSHAFT SEAL**

**4 Cylinder**

<b>1987-1976</b>	gas engine
Seal .....	6936S
Kwik Slv (Opt Rpr) .....	KWK99176
<b>1986-1981</b>	diesel engine
Seal .....	222860
Kwik Slv (Opt Rpr) .....	KWK99111

**CRANKSHAFT REAR SEAL**

**4 Cylinder**

<b>1987-1976</b>	gas engine
Seal .....	3698
Kwik Slv (Opt Rpr) .....	KWK99300
<b>1986-1981</b>	diesel engine
Seal .....	717005
Kwik Slv (Opt Rpr) .....	KWK99364

**TIMING COVER**

**4 Cylinder**

<b>1987-1976</b>	gas engine
Seal .....	9845
Kwik Slv (Opt Rpr) .....	KWK99176
<b>1986-1981</b>	diesel engine
Seal .....	224025
Kwik Slv (Opt Rpr) .....	KWK99157

**CHEVROLET - REAR DRIVE - Chevy II, Nova**

**FRONT WHEEL**

<b>1979</b>	
Seal (inner) .....	8871[2]
Set (inner) .....	SET6
Set (outer) .....	SET3
<b>1978-1975</b>	
Seal (inner) .....	8871[2]
Set (inner) .....	SET6
Set (outer) .....	SET2
<b>1974-1964</b>	
Seal (inner) .....	8705S[2]
Set (inner) .....	SET6
Set (outer) .....	SET2
<b>1963-1962</b>	
Seal (inner) .....	7537S[2]
Set (inner) .....	SET4
Set (outer) .....	SET1

**REAR WHEEL**

<b>1979-1964</b>	
Seal .....	8660S[2]
Cyl. Bearing .....	5707[2]
Kit .....	TRP1563TAV[2] <sup>19</sup>

**REAR WHEEL (cont.)**

<b>1963-1962</b>	
Seal .....	8293S[2]
Bearing .....	RW506AR[2]

**REAR AXLE**

**Differential Rebuild Kit**

<b>1979-1962</b>	10-bolt housing cover w/ 8.50" ring gear
Kit .....	DRK321
<b>1979-1962</b>	12-bolt housing cover
Kit .....	DRK323

**Differential**

<b>1979-1973</b>	
Cone/Cup .....	LM501349-LM501314[2]
<b>1972-1965</b>	12-bolt housing cover
Set .....	SET36
<b>1972-1964</b>	10-bolt housing cover
Cone/Cup .....	LM501349-LM501314[2]
<b>1963-1962</b>	
Set .....	SET45

[ ] Indicates Quantity Required; Set Components Listed Inside Rear Cover;  
<sup>19</sup> Opt. Axle Repair Bearing. Replaces O.E. bearing & seal.

# Bearings and Seals

Mfg./Year    Model & Location    Part No    Mfg./Year    Model & Location    Part No

## CHEVROLET - REAR DRIVE - Chevy II, Nova (cont.)

### REAR AXLE

#### Pinion

<b>1979-1976</b>	7.5" ring gear	
	Cone/Cup (inner) .....	HM89449-HM89410
	Seal (outer) .....	8610
	Cone/Cup (outer) .....	M86649-M86610
<b>1979-1976</b>	8.5" ring gear	
	Cone/Cup (inner) .....	M802048-M802011
	Seal (outer) .....	2043
	Cone/Cup (outer) .....	M88048-M88010
<b>1975-1973</b>		
	Cone/Cup (inner) .....	M802048-M802011
	Seal (outer) .....	2043
	Cone/Cup (outer) .....	M88048-M88010
<b>1972-1964</b>	10-bolt housing cover	
	Cone/Cup (inner) .....	HM89449-HM89410
	Seal (outer) .....	8611N
	Cone/Cup (outer) .....	M86649-M86610
<b>1972-1964</b>	12-bolt housing cover	
	Cone/Cup (inner) .....	M802048-M802011
	Seal (outer) .....	8460N
	Cone/Cup (outer) .....	M88048-M88010
<b>1963-1962</b>		
	Cone/Cup (inner) .....	HM88649-HM88610
	Seal (outer) .....	8611N
	Cone/Cup (outer) .....	M86649-M86610

### AUTOMATIC TRANSMISSION

#### Torque Converter

<b>1973-1962</b>	Powerglide	
	Seal .....	6712NA
	Kwik Slv (Opt Rpr) .....	KWK99187

#### Rear Seal/Ext. Housing

<b>1973-1962</b>	Powerglide	
	Seal .....	9613S
	Seal Kit Opt. ....	5200 <sup>64</sup>

#### Selector Shaft Seal/Man. Shaft

<b>1979-1962</b>	Powerglide	
	Seal .....	340847
	Kwik Slv (Opt Rpr) .....	KWK99050

### 3-SPEED AUTOMATIC TRANSMISSION

#### Torque Converter

<b>1979-1967</b>	exc. THM200	
	Seal .....	6712NA
	Kwik Slv (Opt Rpr) .....	KWK99187
<b>1977-1976</b>	THM200	
	Seal .....	3227
	Kwik Slv (Opt Rpr) .....	KWK99174

### 3-SPEED AUTOMATIC TRANSMISSION

#### Rear Seal/Ext. Housing

<b>1979-1962</b>		
	Seal .....	9613S
	Kwik Slv (Opt Rpr) .....	KWK99149

#### Selector Shaft Seal/Man. Shaft

<b>1979-1962</b>		
	Seal .....	8792S

### CLUTCH

#### Pilot Bearing

<b>1979-1962</b>		
	Bushing .....	PB656

### CLUTCH - 4 CYLINDER

#### Release Bearing

<b>1970-1962</b>	153/2.5L	
	Bearing Assy .....	614037 <sup>42</sup>

### CLUTCH - 6 CYLINDER

#### Release Bearing

<b>1979-1966</b>	250/4.1L Nova	
	Bearing Assy .....	614037 <sup>42</sup>
<b>1979-1966</b>	250/4.1L Chevy II	
	Bearing Assy .....	614018 <sup>42</sup>
<b>1970-1962</b>	230/3.8L	
	Bearing Assy .....	614037 <sup>42</sup>
<b>1965-1962</b>	194/3.2l	
	Bearing Assy .....	614037 <sup>42</sup>

### CLUTCH - 8 CYLINDER

#### Release Bearing

<b>1979-1968</b>	350/5.7L	
	Bearing Assy .....	614018 <sup>42</sup>
<b>1975</b>	262/4.3L	
	Bearing Assy .....	614018 <sup>42</sup>
<b>1973-1968</b>	307/5.0L	
	Bearing Assy .....	614037 <sup>42</sup>
<b>1970-1965</b>	396,400 Big Block	
	Bearing Assy .....	614018 <sup>42</sup>
<b>1968-1964</b>	327/5.4L 4-speed and/or 4bbl carburetor	
	Bearing Assy .....	614018 <sup>42</sup>
<b>1968-1962</b>	327/5.4L exc. 4-speed and/or 4 bbl carburetor	
	Bearing Assy .....	614037 <sup>42</sup>
<b>1967-1962</b>	283/4.6L flat diaphragm	
	Bearing Assy .....	614037 <sup>42</sup>
<b>1967-1962</b>	283/4.6L bent diaphragm	
	Bearing Assy .....	614018 <sup>42</sup>

### 3-SPEED MANUAL TRANSMISSION

#### Transmission Rebuild Kit

<b>1979-1966</b>	Saginaw	
	Kit .....	TRK301

78 [ ] Indicates Quantity Required; Set Components Listed Inside Rear Cover;

<sup>42</sup> Sealed Self-Aligning Bearing    <sup>64</sup> Opt. Seal and Bushing Kit

**CHEVROLET - REAR DRIVE - Chevy II, Nova (cont.)**

**3-SPEED MANUAL TRANSMISSION**

**Front Input Shaft**

<b>1979-1966</b>	SM326 Saginaw	
Seal	.....	7412S
Bearing	.....	207SLB
Kwik Slv (Opt Rpr)	.....	KWK99125
<b>1972-1969</b>	Muncie	
Seal	.....	7412S
Bearing	.....	307L
Kwik Slv (Opt Rpr)	.....	KWK99125
<b>1968-1965</b>	Warner	
Seal	.....	7412S
Bearing	.....	307L
Kwik Slv (Opt Rpr)	.....	KWK99125
<b>1965-1962</b>	SM318, SM319: with overdrive	
Seal	.....	7412S
Bearing	.....	1207SLB
Kwik Slv (Opt Rpr)	.....	KWK99125
<b>1965-1962</b>	SM318, SM319: exc. overdrive	
Seal	.....	7412S
Bearing	.....	207SLB
Kwik Slv (Opt Rpr)	.....	KWK99125

**Rear Output Shaft**

<b>1979-1966</b>	SM326 Saginaw	
Seal	.....	9613S
Bearing	.....	306SLVB
Seal Kit Opt.	.....	5200 <sup>64</sup>
<b>1969</b>	Muncie	
Seal	.....	9613S
Bearing	.....	307L
Seal Kit Opt.	.....	5200 <sup>64</sup>
<b>1968-1965</b>	Warner	
Seal	.....	9613S
Bearing	.....	1307L
Seal Kit Opt.	.....	5200 <sup>64</sup>
<b>1965-1962</b>	SM319	
Seal	.....	9613S
Bearing	.....	306LO
Seal Kit Opt.	.....	5200 <sup>64</sup>

**Selector Shaft Seal/Man. Shaft**

<b>1979-1962</b>		
Seal	.....	240735
Kwik Slv (Opt Rpr)	.....	KWK99076

**4-SPEED MANUAL TRANSMISSION**

**Input Shaft**

<b>1979-1973</b>	Saginaw	
Seal	.....	7412S
Bearing	.....	207SLB
Kwik Slv (Opt Rpr)	.....	KWK99125
<b>1979-1963</b>	Muncie	
Seal	.....	7412S
Bearing	.....	N1307L
Kwik Slv (Opt Rpr)	.....	KWK99125
<b>1969-1966</b>	Saginaw	
Seal	.....	7412S
Bearing	.....	207SLB
Kwik Slv (Opt Rpr)	.....	KWK99125

**Rear Output Shaft**

<b>1979-1966</b>	Saginaw	
Seal	.....	9613S
Bearing	.....	306SLVB
Seal Kit Opt.	.....	5200 <sup>64</sup>
<b>1979-1963</b>	Muncie 32-spline	
Seal	.....	9449
Bearing	.....	308L
Seal Kit Opt.	.....	5208 <sup>64</sup>
<b>1979-1963</b>	Muncie 27-spline	
Seal	.....	9613S
Bearing	.....	308L
Seal Kit Opt.	.....	5200 <sup>64</sup>

**Selector Shaft Seal/Man. Shaft**

<b>1979-1966</b>		
Seal	.....	240735
Kwik Slv (Opt Rpr)	.....	KWK99076

**5-SPEED MANUAL TRANSMISSION**

**Rear Output Shaft**

<b>1979-1963</b>	Warner T50	
Seal	.....	9613S

**ALTERNATOR**

<b>1979-1972</b>		
Bearing (drive end)	.....	203S
<b>1979-1972</b>		
Bearing (rear end)	.....	MNJ471S
<b>1971-1962</b>	exc. 62 amp	
Bearing (drive end)	.....	203FF
<b>1971-1962</b>	exc. 62 amp	
Bearing (rear end)	.....	MNJ471S

**POWER STEERING**

**Pitman Shaft**

<b>1979-1968</b>	800 Gear with 4 bolt side cover	
Seal Kit	.....	PSK1 <sup>24</sup>

**Pump Shaft**

<b>1979-1968</b>		
Seal	.....	7013S

**Worm Shaft**

<b>1979-1968</b>		
Seal	.....	351267

**MANUAL STEERING**

**Pitman Shaft**

<b>1979-1962</b>		
Seal	.....	313842

**Worm Shaft**

<b>1979-1969</b>		
Seal	.....	7013S
<b>1968-1962</b>		
Seal	.....	343185

[ ] Indicates Quantity Required; Set Components Listed Inside Rear Cover;

<sup>24</sup> Opt. Kit incl. seals 5683 & 5684. Not sold separately

<sup>64</sup> Opt. Seal and Bushing Kit

# Bearings and Seals

Mfg./Year    Model & Location    Part No    Mfg./Year    Model & Location    Part No

## **CHEVROLET - REAR DRIVE - Chevy II, Nova (cont.)**

### **CRANKSHAFT REAR SEAL**

#### **4 Cylinder**

1970-1962    153/2.5L  
Seal ..... 5092

#### **6 Cylinder**

1979-1966    250/4.1L  
Seal ..... 5092  
1970-1962    230/3.8L  
Seal ..... 5092  
1965-1962    194/3.2l  
Seal ..... 5092

#### **8 Cylinder**

1979-1976    305/5.0L  
Seal ..... 5092  
1979-1968    350/5.7L  
Seal ..... 5092  
1975    262/4.3L  
Seal ..... 5092  
1973-1968    307/5.0L  
Seal ..... 5092  
1970-1968    396,400 Big Block  
Seal ..... 5072  
1968-1962    327/5.4L  
Seal ..... 5092  
1967-1962    283/4.6L  
Seal ..... 5092

### **TIMING COVER**

#### **4 Cylinder**

1970-1962    153/2.5L  
Seal ..... 9845  
Kwik Slv (Opt Rpr) .....KWK99176  
Harmonic Balancer  
Sleeves Opt. .... 88176

#### **6 Cylinder**

1979-1966    250/4.1L  
Seal ..... 9845  
Kwik Slv (Opt Rpr) .....KWK99176  
Harmonic Balancer  
Sleeves Opt. .... 88176  
1970-1962    230/3.8L  
Seal ..... 9845  
Kwik Slv (Opt Rpr) .....KWK99176  
Harmonic Balancer  
Sleeves Opt. .... 88176

### **TIMING COVER (cont.)**

#### **6 Cylinder (cont.)**

1965-1962    194/3.2l  
Seal ..... 9845  
Kwik Slv (Opt Rpr) .....KWK99176  
Harmonic Balancer  
Sleeves Opt. .... 88176

#### **8 Cylinder**

1979-1976    305/5.0L  
Seal ..... 9845  
Kwik Slv (Opt Rpr) .....KWK99176  
Harmonic Balancer  
Sleeves Opt. .... 88176  
1979-1968    350/5.7L  
Seal ..... 9845  
Kwik Slv (Opt Rpr) .....KWK99176  
Harmonic Balancer  
Sleeves Opt. .... 88176  
1975    262/4.3L  
Seal ..... 9845  
Kwik Slv (Opt Rpr) .....KWK99176  
Harmonic Balancer  
Sleeves Opt. .... 88176  
1973-1968    307/5.0L  
Seal ..... 9845  
Kwik Slv (Opt Rpr) .....KWK99176  
Harmonic Balancer  
Sleeves Opt. .... 88176  
1970-1968    396,400 Big Block  
Seal ..... 3945  
Kwik Slv (Opt Rpr) .....KWK99233  
Harmonic Balancer  
Sleeves Opt. .... 88233  
1968-1962    327/5.4L  
Seal ..... 9845  
Kwik Slv (Opt Rpr) .....KWK99176  
Harmonic Balancer  
Sleeves Opt. .... 88176  
1967-1962    283/4.6L  
Seal ..... 9845  
Kwik Slv (Opt Rpr) .....KWK99176  
Harmonic Balancer  
Sleeves Opt. .... 88176

## **CHEVROLET - REAR DRIVE - Corvair, Corvan, Greenbrier van, Lakewood wagon, Loadside, Rampside**

### **FRONT WHEEL**

1969-1966  
Seal (inner) .....8705S[2]  
Set (inner) .....SET6  
Set (outer) .....SET2

### **FRONT WHEEL (cont.)**

1965    exc. trucks and vans  
Seal (inner) .....8705S[2]  
Set (inner) .....SET6  
Set (outer) .....SET2

**CHEVROLET - REAR DRIVE - Corvair, Corvan, Greenbrier van, Lakewood wagon, Loadside, Rampside (cont.)**

**FRONT WHEEL (cont.)**

<b>1965-1961</b>	trucks and vans	
Seal (inner)	.....	7934S[2]
Set (inner)	.....	SET6
Set (outer)	.....	SET2
<b>1964-1960</b>	exc. trucks and vans	
Seal (inner)	.....	7537S[2]
Set (inner)	.....	SET4
Set (outer)	.....	SET1

**REAR WHEEL**

<b>1969-1965</b>		
Seal (inner)	.....	9178S[2]
Cone/Cup (inner)	.....	M86649-M86610[2]
Set (outer)	.....	SET6

**REAR AXLE**

**Differential**

<b>1969-1960</b>		
Seal	.....	471707N[2]
Set	.....	SET37[2]

**Pinion**

<b>1969-1960</b>		
Cone/Cup (inner)	.....	M88048-M88010
Cone/Cup (outer)	.....	M88048-M88010

**AUTOMATIC TRANSMISSION**

**Tempestorque**

<b>1969-1960</b>	Front Pump	
Seal	.....	451169N
<b>1969-1960</b>	Differential	
Seal	.....	471707N[2]
Set	.....	SET37[2]
<b>1969-1960</b>	Pinion	
Seal	.....	471193N[2]
Cone/Cup	.....	M88048-M88010[2]

**CLUTCH**

**Release Bearing**

<b>1969-1964</b>	exc. trucks and vans	
Bearing Assy	.....	614018 <sup>42</sup>
<b>1965-1964</b>	trucks and vans: from late '64	
Bearing Assy	.....	614018 <sup>42</sup>
<b>1964</b>	trucks and vans: to early '64	
Bearing Only	.....	G1697C
<b>1963-1960</b>		
Bearing Only	.....	G1697C

**3-SPEED MANUAL TRANSMISSION**

**Front Input Shaft**

<b>1969-1965</b>		
Bearing	.....	207SLB
<b>1964-1960</b>		
Cone	.....	43207C

**3-SPEED MANUAL TRANSMISSION**

**Rear Output Shaft**

<b>1969-1965</b>		
Bearing	.....	207SL1
<b>1964-1960</b>		
Bearing	.....	206SL

**Selector Shaft Seal/Man. Shaft**

<b>1969-1960</b>		
Seal	.....	472705

**4-SPEED MANUAL TRANSMISSION**

**Input Shaft**

<b>1969-1966</b>		
Bearing	.....	207SLB
<b>1965-1964</b>		
Bearing	.....	1207SLB
<b>1963-1961</b>		
Cone	.....	43207C

**Rear Output Shaft**

<b>1969-1966</b>		
Bearing	.....	207SL1
<b>1965-1961</b>	2nd Design	
Bearing	.....	207SL
<b>1961</b>	1st Design	
Cone	.....	43207C

**Selector Shaft Seal/Man. Shaft**

<b>1969-1961</b>		
Seal	.....	472705

**ALTERNATOR**

<b>1969-1962</b>	exc. 62 amp	
Bearing (drive end)	.....	203F
<b>1969-1962</b>	exc. 62 amp	
Bearing (rear end)	.....	MNJ471S
<b>1969-1960</b>	62 amp	
Bearing (drive end)	.....	203F
<b>1969-1960</b>	62 amp	
Bearing (rear end)	.....	203F

**GENERATOR**

<b>1962-1960</b>		
Bearing (front)	.....	203AB
Bearing (rear)	.....	203FF

**CRANKSHAFT REAR SEAL**

**4 Cylinder**

<b>1969-1960</b>		
Seal	.....	7338N

[ ] Indicates Quantity Required; Set Components Listed Inside Rear Cover;

<sup>42</sup> Sealed Self-Aligning Bearing

# Bearings and Seals

Mfg./Year    Model & Location    Part No    Mfg./Year    Model & Location    Part No

## CHEVROLET - REAR DRIVE - Corvair, Corvan, Greenbrier van, Lakewood wagon, Loadside, Rampside (cont.)

### TIMING COVER

#### 4 Cylinder

1969-1960

Seal .....7456N  
Kwik Slv (Opt Rpr) .....KWK99160

## CHEVROLET - REAR DRIVE - Corvette

### FRONT WHEEL

1989-1984

Hub Assy ..... 513019[2]

1982-1969

Seal (inner) .....9406S[2]  
Set (inner) .....SET5  
Set (outer) .....SET3

1968-1963

Seal (inner) .....7934S[2]  
Set (inner) .....SET6  
Set (outer) .....SET2

1962-1958

Seal (inner) ..... 6064[2]  
Bearing (inner) .....B70[2]  
Bearing (outer) .....B67[2]

1957-1953

Seal (inner) ..... 6064[2]  
Bearing (inner) .....B52[2]  
Bearing (outer) .....B01[2]

### REAR WHEEL

1989-1984

Hub Assy ..... 513020[2]

1982-1963

Seal (inner) .....9178S[2]  
Cone/Cup (inner) .....M86649-M86610[2]  
Seal (outer) .....5113[2]  
Set (outer) .....SET5

1962-1958

Bearing .....RW607NR[2]

1957

Bearing .....RW307R[2]

1956-1955

Bearing .....RW507ER[2]

### REAR AXLE

#### Differential Rebuild Kit

1989-1984 Dana 36ICA axle  
Kit .....DRK338

1989-1984 Dana 44ICA axle  
Kit .....DRK339A

1982-1980 Dana 44ICA axle  
Kit .....DRK339

1979-1963 8.5" ring gear  
Kit .....DRK323

### REAR AXLE

#### Differential

1989-1985 automatic trans  
Seal ..... 3543[2]  
Cone/Cup .....LM501349-LM501314[2]

1989-1985 manual trans  
Seal Viton .....473227V  
Set .....SET36  
Kwik Slv (Opt Rpr) .....KWK99150

1984

Seal Viton .....473227V  
Set .....SET45  
Kwik Slv (Opt Rpr) .....KWK99150

1982-1980

Set .....SET37

1979-1963

Set .....SET36

1962-1957

Cone/Cup .....LM603049-LM603014[2]

1956

Cone/Cup ..... 17887-17831[2]

1955-1953

Cone/Cup ..... 16986-16929[2]

#### Pinion

1989-1984 automatic trans  
Cone/Cup (inner) .....HM88649-HM88610  
Seal Viton (outer) .....5778V  
Cone/Cup (outer) .....M86647-M86610  
Kwik Slv (Opt Rpr) .....KWK99155

1989-1984 manual trans  
Cone/Cup (inner) .....M802048-M802011  
Seal (outer) .....9316  
Cone/Cup (outer) .....M88048-M88010  
Kwik Slv (Opt Rpr) .....KWK99187

1982-1980

Cone/Cup (inner) .....HM88649-HM88610  
Seal (outer) .....5778  
Cone/Cup (outer) .....M86647-M86610  
Kwik Slv (Opt Rpr) .....KWK99155

1979-1963

Cone/Cup (inner) .....M802048-M802011  
Seal (outer) .....8460N  
Cone/Cup (outer) .....M88048-M88010

1962-1956

Cone/Cup (inner) .....HM89449-HM89410  
Seal (outer) .....6818  
Cone/Cup (outer) .....HM88547-HM88510

**CHEVROLET - REAR DRIVE - Corvette (cont.)**

**AUTOMATIC TRANSMISSION**

**Torque Converter**

**1973-1953** Powerglide  
 Seal ..... 6712NA  
 Kwik Slv (Opt Rpr) .....KWK99187

**Rear Seal/Ext. Housing**

**1973-1955** Powerglide  
 Seal ..... 9613S  
 Cone ..... 43206  
 Seal Kit Opt. .... 5200<sup>64</sup>

**Selector Shaft Seal/Man. Shaft**

**1973-1968**  
 Seal ..... 340847  
 Kwik Slv (Opt Rpr) .....KWK99050

**3-SPEED AUTOMATIC TRANSMISSION**

**Torque Converter**

**1981-1967**  
 Seal ..... 6712NA  
 Kwik Slv (Opt Rpr) .....KWK99187

**Rear Seal/Ext. Housing**

**1981-1975** THM350  
 Seal ..... 9613S  
 Seal Kit Opt. .... 5200<sup>64</sup>  
**1979-1967** THM400: 1.890" shaft  
 Seal ..... 9449  
 Seal Kit Opt. .... 5208<sup>64</sup>  
**1977-1967** THM400: 1.687" shaft  
 Seal ..... 7038SA  
 Seal Kit Opt. .... 5205<sup>64</sup>

**Selector Shaft Seal/Man. Shaft**

**1981-1967**  
 Seal ..... 8792S

**4-SPEED AUTOMATIC TRANSMISSION**

**Torque Converter**

**1989-1982** THM700, 4L60-E  
 Seal ..... 3227  
 Kwik Slv (Opt Rpr) .....KWK99174

**Rear Seal/Ext. Housing**

**1989-1981** THM700, 4L60-E  
 Seal ..... 9613S  
 Seal Kit Opt. .... 5200<sup>64</sup>

**Selector Shaft Seal/Man. Shaft**

**1989-1982** THM700, 4L60-E  
 Seal ..... 8792S

**CLUTCH**

**Pilot Bearing**

**1989-1984**  
 Bearing ..... 57080  
**1982-1953**  
 Bushing .....PB656

**CLUTCH - 6 CYLINDER**

**Release Bearing**

**1955-1953**  
 Bearing Assy ..... 614018<sup>42</sup>

**CLUTCH - 8 CYLINDER**

**Release Bearing**

**1989**  
 Bearing Assy ..... 614117  
**1988-1984**  
 Bearing Assy ..... 614083  
**1982-1955**  
 Bearing Assy ..... 614018<sup>42</sup>

**3-SPEED MANUAL TRANSMISSION**

**Front Input Shaft**

**1970-1966** SM326 Saginaw: 76mm shaft  
 Seal ..... 7412S  
 Bearing ..... 207SLB  
**1965-1961** SM318, SM319: with overdrive  
 Seal ..... 7412S  
 Bearing ..... 1207SLB  
**1965-1961** SM318, SM319: exc. overdrive  
 Seal ..... 7412S  
 Bearing ..... 207SLB  
**1960-1955** SM318: with overdrive  
 Bearing ..... 1207SLB  
**1960-1955** SM318: exc. overdrive  
 Bearing ..... 207SLB  
**1954-1953** SM318  
 Bearing ..... 207SLB

**Rear Output Shaft**

**1970-1953**  
 Seal ..... 9613S  
 Seal Kit Opt. .... 5200<sup>64</sup>

**Selector Shaft Seal/Man. Shaft**

**1970-1953**  
 Seal ..... 240735  
 Kwik Slv (Opt Rpr) .....KWK99076

**4-SPEED MANUAL TRANSMISSION**

**Transmission Rebuild Kit**

**1987-1984** Warner T10  
 Kit ..... TRK10WB

[ ] Indicates Quantity Required; Set Components Listed Inside Rear Cover;  
<sup>42</sup> Sealed Self-Aligning Bearing    <sup>64</sup> Opt. Seal and Bushing Kit



# Bearings and Seals

Mfg./Year    Model & Location    Part No    Mfg./Year    Model & Location    Part No

## CHEVROLET - REAR DRIVE - Corvette (cont.)

### 4-SPEED MANUAL TRANSMISSION

#### Input Shaft

<b>1988-1974</b>	Warner	
Seal	.....	7412S
Bearing	.....	1307SL
Kwik Slv (Opt Rpr)	.....	KWK99125
<b>1988-1966</b>	Saginaw	
Seal	.....	7412S
Bearing	.....	207SLB
<b>1979-1963</b>	Muncie	
Seal	.....	7412S
Bearing	.....	N1307L
Kwik Slv (Opt Rpr)	.....	KWK99125
<b>1966-1953</b>	Warner	
Seal	.....	7412S
Bearing	.....	307L
Kwik Slv (Opt Rpr)	.....	KWK99125

#### Rear Output Shaft

<b>1988-1974</b>	Warner	
Seal	.....	472572
Bearing	.....	1307L
<b>1988-1966</b>	Saginaw	
Seal	.....	9613S
Bearing	.....	306SLVB
Seal Kit Opt.	.....	5200 <sup>64</sup>
<b>1979-1963</b>	Muncie 32-spline	
Seal	.....	9449
Bearing	.....	308L
Seal Kit Opt.	.....	5208 <sup>64</sup>
<b>1979-1963</b>	Muncie 27-spline	
Seal	.....	9613S
Bearing	.....	308L
Seal Kit Opt.	.....	5200 <sup>64</sup>
<b>1966-1953</b>	Warner	
Seal	.....	9613S
Bearing	.....	307L
Seal Kit Opt.	.....	5200 <sup>64</sup>

#### Selector Shaft Seal/Man. Shaft

<b>1988-1974</b>	Warner	
Seal	.....	7399S
Kwik Slv (Opt Rpr)	.....	KWK99062
<b>1988-1966</b>	Saginaw	
Seal	.....	240735
Kwik Slv (Opt Rpr)	.....	KWK99076

### 6-SPEED MANUAL TRANSMISSION

#### Front Input Shaft

<b>1989</b>	ZF	
Seal	.....	223520
Kwik Slv (Opt Rpr)	.....	KWK99139

#### Rear Output Shaft

<b>1989</b>	ZF	
Seal	.....	9613S
Seal Kit Opt.	.....	5200 <sup>64</sup>

### A/C COMPRESSOR

<b>1989-1960</b>		
Bearing	.....	907257
<b>1989-1975</b>		
Bearing (Frt head)	.....	S128

### ALTERNATOR

<b>1989-1986</b>		
Bearing (rear end)	.....	100CCAB
<b>1989-1984</b>		
Bearing (drive end)	.....	203FF
<b>1985-1963</b>	exc. 62 amp	
Bearing (rear end)	.....	MNJ471S
<b>1982-1969</b>		
Bearing (drive end)	.....	203S
<b>1971-1963</b>	62 amp	
Bearing (rear end)	.....	203F
<b>1968-1963</b>		
Bearing (drive end)	.....	203F

### GENERATOR

<b>1962-1953</b>		
Bearing (drive end)	.....	203AB
Bearing (rear end)	.....	203F

### POWER STEERING

#### Pitman Shaft

<b>1989-1963</b>	800 Gear with 4 bolt side cover	
Seal Kit	.....	PSK1 <sup>24</sup>

#### Pump Shaft

<b>1989-1984</b>		
Seal	.....	221925
Bearing	.....	203FF
<b>1982-1967</b>		
Seal	.....	7013S
<b>1966-1963</b>		
Seal	.....	8773S

#### Worm Shaft

<b>1989-1970</b>		
Seal	.....	222025

### MANUAL STEERING

#### Pitman Shaft

<b>1982-1963</b>		
Seal	.....	313842
<b>1962-1953</b>		
Seal	.....	50151S

### CRANKSHAFT REAR SEAL

#### 6 Cylinder

<b>1955-1953</b>	235/3.9L	
Seal	.....	5419

84 [ ] Indicates Quantity Required; Set Components Listed Inside Rear Cover;

<sup>24</sup> Opt. Kit incl. seals 5683 & 5684. Not sold separately    <sup>64</sup> Opt. Seal and Bushing Kit

**CHEVROLET - REAR DRIVE - Corvette (cont.)**

**CRANKSHAFT REAR SEAL**

**8 Cylinder**

<b>1989-1986</b>	350/5.7L	
Seal Viton .....		4359V
Seal PTFE H/D Opt. ....		5274
Kwik Slv (Opt Rpr) .....		KWK99364
<b>1985-1969</b>	350/5.7L	
Seal .....		5092
<b>1980</b>	305/5.0L California	
Seal .....		5092
<b>1974-1970</b>	454/7.4L	
Seal .....		5072
<b>1969-1966</b>	427/7.0L	
Seal .....		5092
<b>1968-1962</b>	327/5.4L	
Seal .....		5092
<b>1961-1957</b>	283/4.6L	
Seal .....		5092
<b>1956-1955</b>	265/4.3L	
Seal .....		5419

**TIMING COVER**

**6 Cylinder**

<b>1955-1953</b>	235/3.9L	
Seal .....		9845
Kwik Slv (Opt Rpr) .....		KWK99176
Harmonic Balancer		
Sleeves Opt. ....		88176

**TIMING COVER**

**8 Cylinder**

<b>1989-1969</b>	350/5.7L OHV	
Seal .....		9845
Kwik Slv (Opt Rpr) .....		KWK99176
Harmonic Balancer		
Sleeves Opt. ....		88176
<b>1980</b>	305/5.0L California	
Seal .....		9845
Kwik Slv (Opt Rpr) .....		KWK99176
Harmonic Balancer		
Sleeves Opt. ....		88176
<b>1974-1970</b>	454/7.4L	
Seal .....		3945
Kwik Slv (Opt Rpr) .....		KWK99233
Harmonic Balancer		
Sleeves Opt. ....		88233
<b>1969-1966</b>	427/7.0L	
Seal .....		9845
Kwik Slv (Opt Rpr) .....		KWK99176
Harmonic Balancer		
Sleeves Opt. ....		88176
<b>1968-1962</b>	327/5.4L	
Seal .....		9845
Kwik Slv (Opt Rpr) .....		KWK99176
Harmonic Balancer		
Sleeves Opt. ....		88176
<b>1961-1957</b>	283/4.6L	
Seal .....		9845
Kwik Slv (Opt Rpr) .....		KWK99176
Harmonic Balancer		
Sleeves Opt. ....		88176
<b>1956-1955</b>	265/4.3L	
Seal .....		9845
Kwik Slv (Opt Rpr) .....		KWK99176
Harmonic Balancer		
Sleeves Opt. ....		88176

**CHEVROLET - REAR DRIVE - Monte Carlo**

**FRONT WHEEL**

<b>1988-1982</b>		
Seal (inner) .....		8871[2]
Set (inner) .....		SET6
Set (outer) .....		SET34
<b>1981-1979</b>		
Seal (inner) .....		8871[2]
Set (inner) .....		SET6
Set (outer) .....		SET3
<b>1978-1973</b>		
Seal (inner) .....		8871[2]
Set (inner) .....		SET6
Set (outer) .....		SET2
<b>1972-1970</b>		
Seal (inner) .....		8705S[2]
Set (inner) .....		SET6
Set (outer) .....		SET2

**REAR WHEEL**

<b>1988-1980</b>		
Seal .....		8660S[2]
Cyl. Bearing .....		5707[2]
Kit .....		TRP1563TAV[2] <sup>19</sup>
<b>1979-1971</b>	Chevy axle	
Seal .....		8660S[2]
Cyl. Bearing .....		5707[2]
Kit .....		TRP1563TAV[2] <sup>19</sup>
<b>1977-1973</b>	Buick, Olds axle	
Seal .....		712146[2]
Set .....		SET9
<b>1977-1971</b>	Pontiac axle	
Seal .....		8835S[2]
Cyl. Bearing .....		6408[2]
Kit .....		TRP1559TV[2] <sup>19</sup>
<b>1970</b>	cut-out differential housing cover	
Seal .....		712146[2]
Set .....		SET9

[ ] Indicates Quantity Required; Set Components Listed Inside Rear Cover;  
<sup>19</sup> Opt. Axle Repair Bearing. Replaces O.E. bearing & seal.

# Bearings and Seals

Mfg./Year    Model & Location    Part No    Mfg./Year    Model & Location    Part No

## CHEVROLET - REAR DRIVE - Monte Carlo (cont.)

### REAR AXLE

#### Differential Rebuild Kit

<b>1988-1981</b>	7.5", 7.625" ring gears	
Kit		DRK320
<b>1988-1970</b>	8.5" ring gear	
Kit		DRK321
<b>1977-1971</b>	8.75" ring gear	
Kit		DRK323

#### Differential

<b>1988-1970</b>	7.5", 8.125", 8.5" ring gears	
Cone/Cup		LM501349-LM501314 <sup>[2]</sup>
<b>1977-1970</b>	8.75", 8.875" ring gears	
Set		SET36

#### Pinion

<b>1988-1981</b>	7.5" ring gear	
Cone/Cup (inner)		HM89249-HM89210
Seal (outer)		8610
Cone/Cup (outer)		M86649-M86610
<b>1988-1973</b>	8.5" ring gear	
Cone/Cup (inner)		M802048-M802011
Seal (outer)		2043
Kwik Slv (Opt Rpr)		KWK99193
Cone/Cup (outer)		M88048-M88010
<b>1980-1976</b>	7.5" ring gear	
Cone/Cup (inner)		HM89449-HM89410
Seal (outer)		8610
Cone/Cup (outer)		M86649-M86610
<b>1972-1970</b>	8.5" ring gear	
Cone/Cup (inner)		M802048-M802011
Seal (outer)		8460N
Kwik Slv (Opt Rpr)		KWK99170
Cone/Cup (outer)		M88048-M88010

### AUTOMATIC TRANSMISSION

#### Torque Converter

<b>1973-1970</b>	Powerglide	
Seal		6712NA
Kwik Slv (Opt Rpr)		KWK99187

#### Rear Seal/Ext. Housing

<b>1973-1970</b>	Powerglide	
Seal		9613S
Seal Kit Opt.		5200 <sup>64</sup>

#### Selector Shaft Seal/Man. Shaft

<b>1973-1970</b>	Powerglide	
Seal		340847
Kwik Slv (Opt Rpr)		KWK99050

### 3-SPEED AUTOMATIC TRANSMISSION

#### Torque Converter

<b>1988-1970</b>	THM200	
Seal		3227
Kwik Slv (Opt Rpr)		KWK99174
<b>1984-1970</b>	THM350, THM400	
Seal		6712NA
Kwik Slv (Opt Rpr)		KWK99187

### Rear Seal/Ext. Housing

<b>1988-1970</b>	THM200	
Seal		9613S
Seal Kit Opt.		5200 <sup>64</sup>
<b>1988-1970</b>	THM350	
Seal		9613S
Seal Kit Opt.		5200 <sup>64</sup>
<b>1975-1970</b>	THM400: 1.890" shaft	
Seal		9449
Seal Kit Opt.		5208 <sup>64</sup>
<b>1975-1970</b>	THM400: 1.687" shaft	
Seal		7038SA
Seal Kit Opt.		5205 <sup>64</sup>

### Selector Shaft Seal/Man. Shaft

<b>1988-1970</b>		
Seal		8792S

### 4-SPEED AUTOMATIC TRANSMISSION

#### Torque Converter

<b>1988-1983</b>	THM700-R4	
Seal		3227
Kwik Slv (Opt Rpr)		KWK99174

### Rear Seal/Ext. Housing

<b>1988-1983</b>	THM700-R4	
Seal		9613S
Seal Kit Opt.		5200 <sup>64</sup>

### Selector Shaft Seal/Man. Shaft

<b>1988-1983</b>	THM700-R4	
Seal		8792S

### CLUTCH

#### Pilot Bearing

<b>1988-1970</b>		
Bushing		PB656

### CLUTCH - 6 CYLINDER

#### Release Bearing

<b>1987-1985</b>	263/4.3L gas	
Bearing Assy		614083
<b>1984-1980</b>	229/3.8L	
Bearing Assy		614018 <sup>42</sup>
<b>1983-1982</b>	260/4.3 diesel	
Bearing Assy		614018 <sup>42</sup>
<b>1981-1978</b>	231/3.8L	
Bearing Assy		614018 <sup>42</sup>
<b>1978</b>	200/3.3L	
Bearing Assy		614037 <sup>42</sup>

### CLUTCH - 8 CYLINDER

#### Release Bearing

<b>1988-1984</b>	305/5.0L	
Bearing Assy		614083
<b>1984-1982</b>	350/5.7L Diesel	
Bearing Assy		614018 <sup>42</sup>

**CHEVROLET - REAR DRIVE - Monte Carlo (cont.)**

**CLUTCH - 8 CYLINDER (cont.)**

**Release Bearing (cont.)**

<b>1983-1979</b>	305/5.0L	
	Bearing Assy .....	614018 <sup>42</sup>
<b>1982-1979</b>	267/4.4L	
	Bearing Assy .....	614018 <sup>42</sup>
<b>1978-1976</b>	305/5.0L	
	Bearing Assy .....	614037 <sup>42</sup>
<b>1977-1975</b>	350/5.7L	
	Bearing Assy .....	614018 <sup>42</sup>
<b>1976-1970</b>	400/6.6L Small Block	
	Bearing Assy .....	614018 <sup>42</sup>
<b>1975-1970</b>	454/7.4L	
	Bearing Assy .....	614018 <sup>42</sup>
<b>1972-1971</b>	402/6.6L	
	Bearing Assy .....	614018 <sup>42</sup>
<b>1972-1970</b>	396,400 Big Block	
	Bearing Assy .....	614018 <sup>42</sup>

**3-SPEED MANUAL TRANSMISSION**

**Transmission Rebuild Kit**

<b>1981-1970</b>	Saginaw	
	Kit .....	TRK301

**Front Input Shaft**

<b>1981-1980</b>	Saginaw	
	Seal .....	7412S
	Bearing .....	1207SLB
	Kwik Slv (Opt Rpr) .....	KWK99125
<b>1979-1970</b>	Saginaw	
	Seal .....	7412S
	Bearing .....	207SLB
	Kwik Slv (Opt Rpr) .....	KWK99125
<b>1972-1970</b>	Muncie	
	Seal .....	7412S
	Bearing .....	307L
	Kwik Slv (Opt Rpr) .....	KWK99125

**Rear Output Shaft**

<b>1981-1970</b>	Saginaw	
	Seal .....	9613S
	Bearing .....	306SLVB
	Seal Kit Opt. ....	5200 <sup>64</sup>
<b>1972-1970</b>	Muncie	
	Seal .....	9613S
	Bearing .....	307L
	Seal Kit Opt. ....	5200 <sup>64</sup>

**Selector Shaft Seal/Man. Shaft**

<b>1981-1970</b>		
	Seal .....	240735
	Kwik Slv (Opt Rpr) .....	KWK99076

**4-SPEED MANUAL TRANSMISSION**

**Input Shaft**

<b>1981-1974</b>	Warner	
	Seal .....	7412S
	Bearing .....	1307SL
	Kwik Slv (Opt Rpr) .....	KWK99125
<b>1981-1970</b>	Saginaw	
	Seal .....	7412S
	Bearing .....	207SLB
	Kwik Slv (Opt Rpr) .....	KWK99125
<b>1975-1970</b>	Muncie	
	Seal .....	7412S
	Bearing .....	N1307L
	Kwik Slv (Opt Rpr) .....	KWK99125

**Rear Output Shaft**

<b>1981-1980</b>	Warner	
	Seal .....	472572
	Bearing .....	1307L
	Seal Kit Opt. ....	5200 <sup>64</sup>
<b>1981-1970</b>	Saginaw	
	Seal .....	9613S
	Bearing .....	306SLVB
	Seal Kit Opt. ....	5200 <sup>64</sup>
<b>1975-1970</b>	Muncie 32-spline	
	Seal .....	9449
	Bearing .....	308L
	Seal Kit Opt. ....	5208 <sup>64</sup>
<b>1975-1970</b>	Muncie 27-spline	
	Seal .....	9613S
	Bearing .....	308L
	Seal Kit Opt. ....	5200 <sup>64</sup>

**Selector Shaft Seal/Man. Shaft**

<b>1981-1980</b>	Warner	
	Seal .....	7399S
	Kwik Slv (Opt Rpr) .....	KWK99062
<b>1981-1970</b>	Saginaw	
	Seal .....	240735
	Kwik Slv (Opt Rpr) .....	KWK99076

**ALTERNATOR**

<b>1988-1970</b>	exc. 62 amp	
	Bearing (rear end) .....	MNJ471S
<b>1987-1984</b>		
	Bearing (drive end) .....	203FF
<b>1983-1972</b>		
	Bearing (drive end) .....	203S
<b>1971-1970</b>		
	Bearing (drive end) .....	203F
<b>1971-1970</b>	62 amp	
	Bearing (rear end) .....	203F

**POWER STEERING**

**Pitman Shaft**

<b>1988-1984</b>		
	Seal Kit .....	PSK1 <sup>24</sup>
<b>1983-1970</b>	800 Gear with 4 bolt side cover	
	Seal Kit .....	PSK1 <sup>24</sup>

[ ] Indicates Quantity Required; Set Components Listed Inside Rear Cover;

<sup>24</sup> Opt. Kit incl. seals 5683 & 5684. Not sold separately  
Seal and Bushing Kit

<sup>42</sup> Sealed Self-Aligning Bearing

<sup>64</sup> Opt.

# Bearings and Seals

Mfg./Year    Model & Location    Part No    Mfg./Year    Model & Location    Part No

## CHEVROLET - REAR DRIVE - Monte Carlo (cont.)

### POWER STEERING (cont.)

#### Pitman Shaft (cont.)

1983-1970    605 Gear with round side cover  
Seal ..... 710285

#### Pump Shaft

1988-1970  
Seal ..... 7013S

#### Worm Shaft

1988-1970  
Seal ..... 222025

### MANUAL STEERING

#### Pitman Shaft

1981-1970  
Seal ..... 313842

#### Worm Shaft

1981-1970  
Seal ..... 474131

### CRANKSHAFT REAR SEAL

#### 6 Cylinder

1988-1985    262/4.3L  
Seal ..... 5092  
1983-1982    260/4.3 diesel  
Seal Rope ..... 5095  
1983-1980    229/3.8L  
Seal ..... 5092  
1983-1978    231/3.8L  
Seal ..... 5591  
1979-1978    200/3.3L  
Seal ..... 5092

#### 8 Cylinder

1988-1976    305/5.0L  
Seal ..... 5092  
1984-1982    350/5.7L Diesel  
Seal ..... 5591  
1982-1979    267/4.4L  
Seal ..... 5092  
1977-1975    350/5.7L  
Seal ..... 5092  
1976-1970    400/6.6L Small Block  
Seal ..... 5092  
1975-1970    454/7.4L  
Seal ..... 5072  
1972-1971    402/6.6L  
Seal ..... 5072  
1972-1970    396,400 Big Block  
Seal ..... 5072

### TIMING COVER

#### 6 Cylinder

1988-1985    262/4.3L  
Seal ..... 9845  
Kwik Slv (Opt Rpr) ..... KWK99176  
Harmonic Balancer  
Sleeves Opt. .... 88176  
1984-1980    229/3.8L  
Seal ..... 9845  
Kwik Slv (Opt Rpr) ..... KWK99176  
Harmonic Balancer  
Sleeves Opt. .... 88176  
1984-1978    231/3.8L  
Seal ..... 710163  
1983-1982    260/4.3 diesel  
Seal ..... 9845  
Kwik Slv (Opt Rpr) ..... KWK99176  
Harmonic Balancer  
Sleeves Opt. .... 88176  
1979    200/3.3L  
Seal ..... 9845  
Kwik Slv (Opt Rpr) ..... KWK99176  
Harmonic Balancer  
Sleeves Opt. .... 88176

#### 8 Cylinder

1988-1976    305/5.0L  
Seal ..... 9845  
Kwik Slv (Opt Rpr) ..... KWK99176  
Harmonic Balancer  
Sleeves Opt. .... 88176  
1984-1982    350/5.7L Diesel  
Seal ..... 472082  
Kwik Slv (Opt Rpr) ..... KWK99199  
Harmonic Balancer  
Sleeves Opt. .... 88199  
1982-1979    267/4.4L  
Seal ..... 9845  
Kwik Slv (Opt Rpr) ..... KWK99176  
Harmonic Balancer  
Sleeves Opt. .... 88176  
1977-1970    350/5.7L  
Seal ..... 9845  
Kwik Slv (Opt Rpr) ..... KWK99176  
Harmonic Balancer  
Sleeves Opt. .... 88176  
1976-1970    400/6.6L Small Block  
Seal ..... 3945  
Kwik Slv (Opt Rpr) ..... KWK99233  
Harmonic Balancer  
Sleeves Opt. .... 88233  
1975-1970    454/7.4L  
Seal ..... 3945  
Kwik Slv (Opt Rpr) ..... KWK99233  
Harmonic Balancer  
Sleeves Opt. .... 88233  
1972-1971    402/6.6L  
Seal ..... 3945  
Kwik Slv (Opt Rpr) ..... KWK99233  
Harmonic Balancer  
Sleeves Opt. .... 88233

**CHEVROLET - REAR DRIVE - Monte Carlo (cont.)**

**TIMING COVER (cont.)**

**8 Cylinder (cont.)**

<b>1972-1970</b>	396,400 Big Block	
Seal .....		3945
Kwik Slv (Opt Rpr) .....		KWK99233
Harmonic Balancer		
Sleeves Opt. ....		88233

**CHEVROLET - REAR DRIVE - Monza, Vega**

**FRONT WHEEL**

<b>1980-1971</b>		
Seal (inner) .....	8705S[2]	
Set (inner) .....	SET6	
Set (outer) .....	SET1	

**REAR WHEEL**

<b>1980-1971</b>		
Seal .....	8660S[2]	
Cyl. Bearing .....	5707[2]	
Kit .....	TRP1563TAV[2] <sup>19</sup>	

**REAR AXLE**

**Differential**

<b>1980-1976</b>	7.5" ring gear	
Cone/Cup .....		LM501349-LM501314[2]
<b>1977-1971</b>	6.5" ring gear	
Cone/Cup .....		LM48548-LM48511[2]

**Pinion**

<b>1980-1976</b>	7.5" ring gear	
Cone/Cup (inner) .....		HM88649A-HM88610
Seal (outer) .....		8610
Cone/Cup (outer) .....		M86649-M86610
Kwik Slv (Opt Rpr) .....		KWK99155
<b>1977-1971</b>	6.5" ring gear W/2.660" OD	
Cone/Cup (inner) .....		M88048-M88010
Seal (outer) .....		8611N
Cone/Cup (outer) .....		M86649-M86610
Kwik Slv (Opt Rpr) .....		KWK99155
<b>1977-1971</b>	6.5" ring gear W/3.165" OD	
Cone/Cup (inner) .....		M88048-M88010
Seal (outer) .....		5778
Cone/Cup (outer) .....		M86649-M86610
Kwik Slv (Opt Rpr) .....		KWK99155

**3-SPEED AUTOMATIC TRANSMISSION**

**Torque Converter**

<b>1980-1976</b>	THM200	
Seal .....		3227
Kwik Slv (Opt Rpr) .....		KWK99174
<b>1980-1971</b>	THM350, 375	
Seal .....		6712NA
Kwik Slv (Opt Rpr) .....		KWK99187

**3-SPEED AUTOMATIC TRANSMISSION**

**Rear Seal/Ext. Housing**

<b>1980-1971</b>		
Seal .....		9613S
Kwik Slv (Opt Rpr) .....		KWK99149

**Selector Shaft Seal/Man. Shaft**

<b>1980-1971</b>		
Seal .....		340847
Kwik Slv (Opt Rpr) .....		KWK99050

**CLUTCH**

**Pilot Bearing**

<b>1980-1971</b>		
Bushing .....		PB656

**CLUTCH - 4 CYLINDER**

**Release Bearing**

<b>1980-1971</b>		
Bearing Assy .....		614018 <sup>42</sup>

**3-SPEED MANUAL TRANSMISSION**

**Front Input Shaft**

<b>1980-1973</b>		
Seal .....		7412S
Bearing .....		207SLB
Kwik Slv (Opt Rpr) .....		KWK99125
<b>1972-1971</b>		
Seal .....		472466
Bearing .....		306SL
Kwik Slv (Opt Rpr) .....		KWK99149

**Rear Output Shaft**

<b>1980-1973</b>	exc. 305 engine	
Seal .....		9613S
Bearing .....		306SL
Kwik Slv (Opt Rpr) .....		KWK99149
<b>1979-1977</b>	305 engine	
Seal .....		9613S
Kwik Slv (Opt Rpr) .....		KWK99149
<b>1972-1971</b>		
Seal .....		1174S
Bearing .....		306TB
Kwik Slv (Opt Rpr) .....		KWK99149

[ ] Indicates Quantity Required; Set Components Listed Inside Rear Cover;

<sup>19</sup> Opt. Axle Repair Bearing. Replaces O.E. bearing & seal.

<sup>42</sup> Sealed Self-Aligning Bearing

# Bearings and Seals

Mfg./Year    Model & Location    Part No    Mfg./Year    Model & Location    Part No

## CHEVROLET - REAR DRIVE - Monza, Vega (cont.)

### 3-SPEED MANUAL TRANSMISSION

#### Selector Shaft Seal/Man. Shaft

**1980-1976**  
 Seal ..... 312518  
 Kwik Slv (Opt Rpr) .....KWK99076

### 4-SPEED MANUAL TRANSMISSION

#### Input Shaft

**1980-1973**  
 Seal ..... 7412S  
 Bearing ..... 207SLB  
 Kwik Slv (Opt Rpr) .....KWK99125  
**1972-1971**  
 Seal ..... 472466  
 Bearing ..... 306SL  
 Kwik Slv (Opt Rpr) .....KWK99149

#### Rear Output Shaft

**1980-1973**    exc. 305 engine  
 Seal ..... 9613S  
 Bearing ..... 306SL  
 Kwik Slv (Opt Rpr) .....KWK99149  
**1979-1977**    305 engine  
 Seal ..... 9613S  
 Kwik Slv (Opt Rpr) .....KWK99149  
**1972-1971**  
 Seal ..... 1174S  
 Bearing ..... 306TB  
 Kwik Slv (Opt Rpr) .....KWK99149

#### Selector Shaft Seal/Man. Shaft

**1980-1976**  
 Seal ..... 312518  
 Kwik Slv (Opt Rpr) .....KWK99076

### 5-SPEED MANUAL TRANSMISSION

#### Front Input Shaft

**1980-1975**  
 Seal ..... 251511  
 Kwik Slv (Opt Rpr) .....KWK99125

#### Rear Output Shaft

**1980-1975**  
 Seal ..... 9613S  
 Kwik Slv (Opt Rpr) .....KWK99149

#### Selector Shaft Seal/Man. Shaft

**1980-1975**  
 Seal ..... 312518  
 Kwik Slv (Opt Rpr) .....KWK99076

### POWER STEERING

#### Pump Shaft

**1981-1971**    Manual Steering Worm Shaft  
 Seal ..... 474131  
 Bearing ..... 8537

### CAMSHAFT SEAL

#### 4 Cylinder

**1977-1971**    140/2.3L  
 Seal ..... 9845  
 Kwik Slv (Opt Rpr) .....KWK99176  
**1976-1975**    121/2.0/L  
 Seal ..... 473424

### CRANKSHAFT REAR SEAL

#### 4 Cylinder

**1980-1978**    151/2.5L  
 Seal ..... 3698

#### 6 Cylinder

**1980-1978**    231/3.8L  
 Seal ..... 5591  
**1979-1978**    196/3.2L  
 Seal Rope ..... 5095

#### 8 Cylinder

**1979-1976**    305/5.0L  
 Seal ..... 5092  
**1976-1975**    262/4.3L  
 Seal ..... 5092  
**1975**    350/5.7L  
 Seal ..... 5591

### TIMING COVER

#### 4 Cylinder

**1980-1978**    151/2.5L  
 Seal ..... 9845  
 Kwik Slv (Opt Rpr) .....KWK99176  
 Harmonic Balancer  
 Sleeves ..... 88176  
**1977-1971**    140/2.3L  
 Seal ..... 5115  
 Kwik Slv (Opt Rpr) .....KWK99149  
**1976-1975**    121/2.0/L  
 Seal ..... 5115  
 Kwik Slv (Opt Rpr) .....KWK99149

#### 6 Cylinder

**1980-1978**    231/3.8L  
 Seal ..... 710163  
**1979-1978**    196/3.2L  
 Seal ..... 9845  
 Kwik Slv (Opt Rpr) .....KWK99176  
 Harmonic Balancer  
 Sleeves Opt. .... 88176

**CHEVROLET - REAR DRIVE - Monza, Vega (cont.)**

**TIMING COVER**

**8 Cylinder**

<b>1979-1976</b>	305/5.0L	
Seal .....		9845
Kwik Slv (Opt Rpr) .....		KWK99176
Harmonic Balancer		
Sleeves Opt. ....		88176
<b>1976-1975</b>	262/4.3L	
Seal .....		9845
Kwik Slv (Opt Rpr) .....		KWK99176
Harmonic Balancer		
Sleeves Opt. ....		88176

**TIMING COVER (cont.)**

**8 Cylinder (cont.)**

<b>1975</b>	350/5.7L	
Seal .....		9845
Kwik Slv (Opt Rpr) .....		KWK99176
Harmonic Balancer		
Sleeves Opt. ....		88176

**CHEVROLET IMPORTS - see also GEO 1989 through 1997 - Metro, Nova, Prizm, Spectrum, Sprint**

**FRONT WHEEL**

<b>1988-1987</b>	Sprint exc. turbo	
Seal .....		224462[2]
Bearing .....		107DD[4]
<b>1988-1987</b>	Sprint Turbo	
Seal .....		710175[2]
Bearing .....		514002B[2]
Seal .....		5686[2]
<b>1988-1985</b>	Nova	
Seal (inner) .....		4899[2]
Bearing (inner) .....		514002B[2]
Seal (outer) .....		225220[2]
Seal .....		5686[2]
<b>1988-1985</b>	Spectrum exc. turbo	
Seal (inner) .....		710098[2]
Set (inner) .....		SET35
Seal (outer) .....		224254[2]
<b>1988-1985</b>	Spectrum turbo	
Seal (inner) .....		710098[2]
Bearing Assy (inner) .....		517006[2]
Seal (outer) .....		224254[2]
<b>1986-1985</b>	Sprint	
Seal .....		224462[2]
Bearing .....		107DD[4]

**Release Bearing**

<b>1988-1985</b>	Nova	
Bearing Assy .....		614043
<b>1988-1985</b>	Spectrum	
Bearing Assy .....		614108
<b>1988-1985</b>	Sprint	
Bearing Assy .....		614050

**3-SPEED AUTOMATIC TRANSAXLE**

**Torque Converter**

<b>1988-1985</b>	Aisin	
Seal .....		223830
Kwik Slv (Opt Rpr) .....		KWK99147
<b>1988-1985</b>	Jatco F3A	
Seal Viton .....		710078
Kwik Slv (Opt Rpr) .....		KWK99177

**Output Shaft**

<b>1988-1985</b>	Jatco F3A	
Seal .....		223542[2]
Kwik Slv (Opt Rpr) .....		KWK99139
<b>1988-1985</b>	Aisin A210	
Seal .....		223540[2]
Kwik Slv (Opt Rpr) .....		KWK99139[2]
<b>1988-1985</b>	Aisin A131	
Seal .....		710110[2]

**REAR WHEEL**

<b>1988-1985</b>	Nova	
Seal .....		1180S[2]
Bearing .....		513031[2]
<b>1988-1985</b>	Spectrum	
Seal (inner) .....		710309[2]
Set (inner) .....		SET4
Set (outer) .....		SET1
<b>1988-1985</b>	Sprint	
Bearing (inner) .....		205F[2]
Bearing (outer) .....		204F[2]

**Differential**

<b>1988-1987</b>	Aisin A210	
Bearing .....		207[2]
<b>1988-1985</b>	Jatco F3A	
Bearing Assy .....		32008XM[2]
<b>1988-1985</b>	Aisin A131	
Seal .....		710146[2]
<b>1986-1985</b>	Aisin A210	
Bearing .....		207S[2]

**CLUTCH**

**Pilot Bearing**

<b>1989-1985</b>	3-cylinder1.0	
Bearing .....		200CC
<b>1988-1985</b>	1588cc/1.6L	
Cyl. Bearing .....		MSNB5305GTBV



# Bearings and Seals

Mfg./Year    Model & Location    Part No    Mfg./Year    Model & Location    Part No

## **CHEVROLET IMPORTS - see also GEO 1989 through 1997 - Metro, Nova, Prizm, Spectrum, Sprint (cont.)**

### **3-SPEED AUTOMATIC TRANSAXLE**

#### **Selector Shaft Seal/Man. Shaft**

<b>1988-1985</b>	Aisin A210	
Seal	.....	710116
<b>1988-1985</b>	Aisin A131	
Seal	.....	221207
Kwik Slv (Opt Rpr)	.....	KWK99049

### **4-SPEED AUTOMATIC TRANSAXLE**

#### **Torque Converter**

<b>1988</b>	Aisin	
Seal	.....	223830
Kwik Slv (Opt Rpr)	.....	KWK99147

#### **Input Shaft**

<b>1988</b>	Aisin	
Seal	.....	710138
Kwik Slv (Opt Rpr)	.....	KWK99139

#### **Output Shaft**

<b>1988</b>	Aisin	
Seal (LH)	.....	710109
Seal (RH)	.....	710110

#### **Selector Shaft Seal/Man. Shaft**

<b>1988</b>	Aisin	
Seal	.....	221207
Kwik Slv (Opt Rpr)	.....	KWK99049

### **5-SPEED MANUAL TRANSAXLE**

#### **Differential**

<b>1988-1985</b>	Suzuki MX1	
Bearing	.....	207S[2]
<b>1988-1985</b>	Isuzu	
Bearing Assy	.....	32008XM[2]

#### **Input Shaft**

<b>1988-1985</b>	Aisin	
Seal	.....	320603
Bearing	.....	101SS
Kwik Slv (Opt Rpr)	.....	KWK99098
<b>1988-1985</b>	Suzuki MX1	
Bearing Assy (LH)	.....	32204
Seal (RH)	.....	222030
Bearing (RH)	.....	32004WB
Kwik Slv (Opt Rpr)	.....	KWK99098
<b>1988-1985</b>	Isuzu	
Seal	.....	222835
Kwik Slv (Opt Rpr)	.....	KWK99111
Bearing Assy (front)	.....	32206M
Bearing Assy (rear)	.....	30306M

### **5-SPEED MANUAL TRANSAXLE**

#### **Countershaft**

<b>1988-1985</b>	Suzuki MX1	
Bearing Assy (LH)	.....	32204
Bearing Assy (RH)	.....	32005X

#### **Output Shaft**

<b>1988-1985</b>	Aisin	
Seal (LH)	.....	710109
Seal (RH)	.....	710110
<b>1988-1985</b>	Suzuki MX1	
Seal (LH)	.....	223552
Kwik Slv (Opt Rpr)	.....	KWK99139
Seal (RH)	.....	223535
Kwik Slv (Opt Rpr) (RH)	.....	KWK99139
<b>1988-1985</b>	Isuzu	
Seal (LH)	.....	3543
Set (LH)	.....	SET5
Kwik Slv (Opt Rpr) (LH)	.....	KWK99139
Seal (RH)	.....	3543
Bearing Assy (RH)	.....	32206M
Kwik Slv (Opt Rpr) (RH)	.....	KWK99139

#### **Selector Shaft Seal/Man. Shaft**

<b>1989-1985</b>	Aisin	
Seal	.....	1015N
Kwik Slv (Opt Rpr)	.....	KWK99082
<b>1988-1985</b>	Isuzu	
Seal	.....	3667

### **A/C COMPRESSOR**

<b>1988-1985</b>	Nippondenso	
Bearing	.....	5000KFF

### **ALTERNATOR**

<b>1988-1985</b>	Nippondenso 45 amp	
Bearing (drive end)	.....	302CC
Bearing (rear end)	.....	201CC
<b>1988-1985</b>	Nippondenso 50 amp	
Bearing (drive end)	.....	302CC
Bearing (rear end)	.....	201CC
<b>1987-1985</b>	Nippondenso 55 amp	
Bearing (drive end)	.....	303CC
Bearing (rear end)	.....	201CC

### **POWER STEERING**

#### **Pitman Shaft**

<b>1988-1985</b>	Nova	
Seal	.....	221510

#### **Pump Shaft**

<b>1988-1985</b>	Spectrum	
Bearing	.....	203FF
<b>1988-1985</b>	Nova	
Seal	.....	710156

**CHEVROLET IMPORTS - see also GEO 1989 through 1997 - Metro, Nova, Prizm, Spectrum, Sprint (cont.)**

**POWER STEERING**

**Worm Shaft**

<b>1988-1985</b>	Nova	
Seal (lower)	.....	710154
Seal (upper)	.....	710155

**OIL PUMP**

**4 Cylinder**

<b>1988-1985</b>	1588cc/1.6L	
Seal	.....	223235
Kwik Slv (Opt Rpr)	.....	KWK99128
<b>1988-1985</b>	1471cc/1.5L	
Seal	.....	224020
Kwik Slv (Opt Rpr)	.....	KWK99157

**CAMSHAFT SEAL**

**3 Cylinder**

<b>1988-1985</b>	993cc/1.0L	
Seal	.....	710310
Kwik Slv (Opt Rpr)	.....	KWK99128

**4 Cylinder**

<b>1988</b>	1588cc/1.6L DOHC	
Seal	.....	1987S[2]
Kwik Slv (Opt Rpr)	.....	KWK99139[2]
<b>1988-1985</b>	1471cc/1.5L	
Seal	.....	710308
Kwik Slv (Opt Rpr)	.....	KWK99157
<b>1988-1985</b>	1588cc/1.6L	
Seal	.....	1987S
Kwik Slv (Opt Rpr)	.....	KWK99139

**CRANKSHAFT REAR SEAL**

**3 Cylinder**

<b>1988-1985</b>	993cc/1.0L	
Seal	.....	710334

**4 Cylinder**

<b>1988-1985</b>	1588cc/1.6L	
Seal	.....	227045
Kwik Slv (Opt Rpr)	.....	KWK99272
<b>1988-1985</b>	1471cc/1.5L	
Seal	.....	228700

**TIMING COVER**

**3 Cylinder**

<b>1988-1985</b>	993cc/1.0L	
Seal	.....	710310
Kwik Slv (Opt Rpr)	.....	KWK99128

**4 Cylinder**

<b>1988-1985</b>	1471cc/1.5L	
Seal	.....	223220
Kwik Slv (Opt Rpr)	.....	KWK99128

**CHEVROLET/GMC TRUCK - LIGHT SERIES - Astro / Safari**

**FRONT WHEEL**

**2WD**

<b>1989-1985</b>		
Seal (inner)	.....	8871[2]
Set (inner)	.....	SET6
Set (outer)	.....	SET3

**REAR WHEEL**

<b>1989-1985</b>		
Seal Viton	.....	4795V[2]
Cyl. Bearing	.....	513023[2]
Kit	.....	TRP57509[2] <sup>19</sup>

**REAR AXLE**

**Differential Rebuild Kit**

<b>1989-1985</b>	7.5", 7.625" ring gears	
Kit	.....	DRK320

**REAR AXLE**

**Differential**

<b>1989-1985</b>	7.5", 7.625" ring gears	
Cone/Cup	.....	LM501349-LM501314[2]

**Pinion**

<b>1989-1985</b>	7.5" ring gear	
Cone/Cup (inner)	.....	HM89249-HM89210
Seal (outer)	.....	8610
Cone/Cup (outer)	.....	M86649-M86610

**4-SPEED AUTOMATIC TRANSMISSION**

**Torque Converter**

<b>1989-1985</b>		
Seal	.....	3227
Kwik Slv (Opt Rpr)	.....	KWK99174

[ ] Indicates Quantity Required; Set Components Listed Inside Rear Cover;  
<sup>19</sup> Opt. Axle Repair Bearing. Replaces O.E. bearing & seal.

# Bearings and Seals

Mfg./Year    Model & Location    Part No    Mfg./Year    Model & Location    Part No

## CHEVROLET/GMC TRUCK - LIGHT SERIES - Astro / Safari (cont.)

### 4-SPEED AUTOMATIC TRANSMISSION

#### Rear Seal/Ext. Housing

1989-1985    booted  
 Seal ..... 9613S  
 Seal Kit Opt. .... 5200<sup>64</sup>

#### Selector Shaft Seal/Man. Shaft

1989-1985  
 Seal ..... 8792S  
 Kwik Slv (Opt Rpr) ..... KWK99050

### 4-SPEED MANUAL TRANSMISSION

#### Input Shaft

1987-1985  
 Seal ..... 7412S  
 Set ..... SET5  
 Kwik Slv (Opt Rpr) ..... KWK99125

#### Rear Output Shaft

1987-1985  
 Seal ..... 9613S  
 Cone/Cup ..... 25877-25821

#### Selector Shaft Seal/Man. Shaft

1987-1985  
 Seal ..... 240735

### 5-SPEED MANUAL TRANSMISSION

#### Transmission Rebuild Kit

1989-1985  
 Kit ..... TRK5

#### Front Input Shaft

1989-1985  
 Seal ..... 7412S  
 Set ..... SET5  
 Kwik Slv (Opt Rpr) ..... KWK99125

#### Rear Output Shaft

1989-1985  
 Seal ..... 9613S  
 Cone/Cup ..... 25877-25821  
 Seal Kit Opt. .... 5200<sup>64</sup>

### A/C COMPRESSOR

1989-1985  
 Bearing ..... 907257  
 1989-1985  
 Bearing (Frt head) ..... S128

### POWER STEERING

#### Pitman Shaft

1989-1985  
 Seal Kit ..... PSK1<sup>24</sup>

### POWER STEERING

#### Pump Shaft

1989-1985    with integral reservoir  
 Seal ..... 221925  
 Bearing ..... 203FF  
 1989-1985    with remote reservoir  
 Seal ..... 7013S

#### Worm Shaft

1989-1985  
 Seal ..... 222025

### CRANKSHAFT REAR SEAL

#### 4 Cylinder

1989-1985    151/2.5L  
 Seal ..... 3698  
 Kwik Slv (Opt Rpr) ..... KWK99300

#### 6 Cylinder

1989-1986    262/4.3L  
 Seal Viton ..... 4359V  
 Seal PTFE H/D Opt. .... 5274  
 Kwik Slv (Opt Rpr) ..... KWK99364  
 1985    262/4.3L  
 Seal ..... 5092

### TIMING COVER

#### 4 Cylinder

1989-1985    151/2.5L  
 Seal ..... 9845  
 Kwik Slv (Opt Rpr) ..... KWK99176  
 Harmonic Balancer  
 Sleeves Opt. .... 88176

#### 6 Cylinder

1989-1985    262/4.3L  
 Seal ..... 9845  
 Kwik Slv (Opt Rpr) ..... KWK99176  
 Harmonic Balancer  
 Sleeves Opt. .... 88176

94 [ ] Indicates Quantity Required; Set Components Listed Inside Rear Cover;

<sup>24</sup> Opt. Kit incl. seals 5683 & 5684. Not sold separately    <sup>64</sup> Opt. Seal and Bushing Kit

**CHEVROLET/GMC TRUCK - LIGHT SERIES - El Camino, Caballero, Sprint**

**FRONT WHEEL**

<b>1987-1983</b>	
Seal (inner) .....	8871[2]
Set (inner) .....	SET6
Set (outer) .....	SET34
<b>1982-1979</b>	
Seal (inner) .....	8871[2]
Set (inner) .....	SET6
Set (outer) .....	SET3
<b>1978-1973</b>	
Seal (inner) .....	8871[2]
Set (inner) .....	SET6
Set (outer) .....	SET2
<b>1972-1964</b>	
Seal (inner) .....	8705S[2]
Set (inner) .....	SET6
Set (outer) .....	SET2

**REAR WHEEL**

<b>1987-1985</b>	
Seal .....	8660S[2]
Cyl. Bearing .....	5707[2]
Kit .....	TRP1563TAV[2] <sup>19</sup>
<b>1984-1967 Pontiac axle</b>	
Seal .....	8835S[2]
Cyl. Bearing .....	6408[2]
Kit .....	TRP1559TV[2] <sup>19</sup>
<b>1984-1965 Chevy axle</b>	
Seal .....	8660S[2]
Cyl. Bearing .....	5707[2]
Kit .....	TRP1563TAV[2] <sup>19</sup>
<b>1976-1971 8.5" ring gear: B, O axles</b>	
Seal .....	2689S[2]
Set .....	SET10
<b>1964</b>	
Seal .....	8293S[2]
Bearing .....	RW607NR[2]

**REAR AXLE**

**Differential Rebuild Kit**

<b>1985-1971 8.5" ring gear</b>	
Kit .....	DRK321R
<b>1977-1971 8.75" ring gear</b>	
Kit .....	DRK322
<b>1972-1965 8.875" ring gear</b>	
Kit .....	DRK323A
<b>1971-1964 8.25" ring gear</b>	
Kit .....	DRK321B

**Differential**

<b>1987-1973 7.5", 7.625", 8.5" ring gears</b>	
Cone/Cup .....	LM501349-LM501314[2]
<b>1983-1973 8.875" ring gear</b>	
Set .....	SET36
<b>1972-1965 10-bolt housing cover</b>	
Cone/Cup .....	LM501349-LM501314[2]
<b>1964</b>	
Cone/Cup .....	LM603049-LM603014[2]

**REAR AXLE**

**Pinion**

<b>1987-1980 7.5" ring gear</b>	
Cone/Cup (inner) .....	HM89249-HM89210
Seal (outer) .....	8610
Cone/Cup (outer) .....	M86649-M86610
Kwik Slv (Opt Rpr) .....	KWK99152
<b>1987-1973 8.5" ring gear</b>	
Cone/Cup (inner) .....	M802048-M802011
Seal (outer) .....	2043
Cone/Cup (outer) .....	M88048-M88010
Kwik Slv (Opt Rpr) .....	KWK99193
<b>1980-1978 7.5" ring gear</b>	
Cone/Cup (inner) .....	HM89449-HM89410
Seal (outer) .....	8610
Cone/Cup (outer) .....	M86649-M86610
Kwik Slv (Opt Rpr) .....	KWK99152
<b>1979-1973 8.875" ring gear</b>	
Cone/Cup (inner) .....	HM89449-HM89410
Seal (outer) .....	8611N
Cone/Cup (outer) .....	M86649-M86610
Kwik Slv (Opt Rpr) .....	KWK99170
<b>1972-1964 8.125" ring gear</b>	
Cone/Cup (inner) .....	HM89449-HM89410
Seal (outer) .....	8611N
Cone/Cup (outer) .....	M86649-M86610
Kwik Slv (Opt Rpr) .....	KWK99152
<b>1966-1964 8.25" ring gear</b>	
Cone/Cup (inner) .....	HM89449-HM89410
Seal (outer) .....	6818
Cone/Cup (outer) .....	HM88547-HM88510
Kwik Slv (Opt Rpr) .....	KWK99170

**AUTOMATIC TRANSMISSION**

**Torque Converter**

<b>1973-1964 Powerglide</b>	
Seal .....	6712NA
Kwik Slv (Opt Rpr) .....	KWK99187

**Rear Seal/Ext. Housing**

<b>1973-1964 Powerglide</b>	
Seal .....	9613S
Cone .....	43206
Seal Kit Opt. ....	5200 <sup>64</sup>

**3-SPEED AUTOMATIC TRANSMISSION**

**Torque Converter**

<b>1987-1976 THM200</b>	
Seal .....	3227
Kwik Slv (Opt Rpr) .....	KWK99174
<b>1987-1964 THM350, 375</b>	
Seal .....	6712NA
Kwik Slv (Opt Rpr) .....	KWK99187
<b>1987-1964 THM400</b>	
Seal .....	6712NA
Kwik Slv (Opt Rpr) .....	KWK99187

[ ] Indicates Quantity Required; Set Components Listed Inside Rear Cover;

<sup>19</sup> Opt. Axle Repair Bearing. Replaces O.E. bearing & seal.

<sup>64</sup> Opt. Seal and Bushing Kit

# Bearings and Seals

Mfg./Year    Model & Location    Part No    Mfg./Year    Model & Location    Part No

## CHEVROLET/GMC TRUCK - LIGHT SERIES - El Camino, Caballero, Sprint (cont.)

### 3-SPEED AUTOMATIC TRANSMISSION

#### Rear Seal/Ext. Housing

<b>1987-1964</b>	THM200, THM350, 375	
Seal	.....	9613S
Seal Kit Opt.	.....	5200 <sup>64</sup>
<b>1975-1964</b>	THM400: 1.890" shaft	
Seal	.....	9449
Seal Kit Opt.	.....	5208 <sup>64</sup>
<b>1975-1964</b>	THM400: 1.687" shaft	
Seal	.....	7038SA
Seal Kit Opt.	.....	5205 <sup>64</sup>

#### Selector Shaft Seal/Man. Shaft

<b>1987-1964</b>		
Seal	.....	8792S

### 4-SPEED AUTOMATIC TRANSMISSION

#### Torque Converter

<b>1987-1982</b>		
Seal	.....	3227
Kwik Slv (Opt Rpr)	.....	KWK99174

#### Rear Seal/Ext. Housing

<b>1987-1982</b>		
Seal	.....	9613S
Seal Kit Opt.	.....	5200 <sup>64</sup>

#### Selector Shaft Seal/Man. Shaft

<b>1987-1982</b>		
Seal	.....	8792S

### CLUTCH

#### Pilot Bearing

<b>1981-1964</b>		
Bushing H/D	.....	PB656HD

### CLUTCH - 6 CYLINDER

#### Release Bearing

<b>1981-1980</b>	229/3.8L	
Bearing Assy	.....	614018 <sup>42</sup>
<b>1980-1978</b>	231/3.8L	
Bearing Assy	.....	614037 <sup>42</sup>
<b>1977-1964</b>	250/4.1L	
Bearing Assy	.....	614037 <sup>42</sup>
<b>1969-1964</b>	230/3.8L	
Bearing Assy	.....	614037 <sup>42</sup>

### CLUTCH - 8 CYLINDER

#### Release Bearing

<b>1981-1979</b>	267/4.4L, 305/5.0L	
Bearing Assy	.....	614018 <sup>42</sup>
<b>1978-1976</b>	305/5.0L cone diaph	
Bearing Assy	.....	614018 <sup>42</sup>
<b>1978-1976</b>	305/5.0L flat diaphragm	
Bearing Assy	.....	614037 <sup>42</sup>

### CLUTCH - 8 CYLINDER (cont.)

#### Release Bearing (cont.)

<b>1975-1964</b>		
Bearing Assy	.....	614018 <sup>42</sup>

### 3-SPEED MANUAL TRANSMISSION

#### Transmission Rebuild Kit

<b>1981-1966</b>	Saginaw	
Kit	.....	TRK301

#### Front Input Shaft

<b>1981-1966</b>	Saginaw	
Seal	.....	7412S
Bearing	.....	207SLB
Kwik Slv (Opt Rpr)	.....	KWK99125

#### Rear Output Shaft

<b>1981-1966</b>	Saginaw	
Seal	.....	9613S
Bearing	.....	306SLVB
Seal Kit Opt.	.....	5200 <sup>64</sup>

#### Selector Shaft Seal/Man. Shaft

<b>1981-1966</b>	Saginaw	
Seal	.....	240735
Kwik Slv (Opt Rpr)	.....	KWK99076

### 4-SPEED MANUAL TRANSMISSION

#### Transmission Rebuild Kit

<b>1981-1966</b>	Saginaw	
Kit	.....	TRK301

#### Input Shaft

<b>1981-1966</b>	Saginaw	
Seal	.....	7412S
Bearing	.....	207SLB
Kwik Slv (Opt Rpr)	.....	KWK99125
<b>1975-1966</b>	Muncie	
Seal	.....	7412S
Bearing	.....	N1307L

#### Rear Output Shaft

<b>1981-1966</b>	Saginaw	
Seal	.....	9613S
Bearing	.....	306SLVB
Seal Kit Opt.	.....	5200 <sup>64</sup>
<b>1975-1966</b>	Muncie 27-spline	
Seal	.....	9613S
Bearing	.....	308L
Seal Kit Opt.	.....	5200 <sup>64</sup>
<b>1975-1966</b>	Muncie 32-spline	
Seal	.....	9449
Bearing	.....	308L
Seal Kit Opt.	.....	5208 <sup>64</sup>

**CHEVROLET/GMC TRUCK - LIGHT SERIES - El Camino, Caballero, Sprint  
(cont.)**

**4-SPEED MANUAL TRANSMISSION**

**Selector Shaft Seal/Man. Shaft**

<b>1981-1968</b>	Saginaw	
Seal .....		240735
Kwik Slv (Opt Rpr) .....		KWK99076

**POWER STEERING**

**Pitman Shaft**

<b>1987-1978</b>	605 Gear with round side cover	
Seal .....		710285
<b>1978-1964</b>	800 Gear with 4 bolt side cover	
Seal Kit .....		PSK1 <sup>24</sup>

**Pump Shaft**

<b>1987-1980</b>		
Seal .....		7013S
<b>1979-1967</b>	Saginaw pump	
Seal .....		7013S
<b>1966-1964</b>	Federal pump	
Seal .....		8773S

**MANUAL STEERING**

**Pitman Shaft**

<b>1975-1965</b>		
Seal .....		313842

**Worm Shaft**

<b>1975-1964</b>		
Seal .....		474131
Bearing .....		8537

**CRANKSHAFT REAR SEAL**

**6 Cylinder**

<b>1987-1985</b>	262/4.3L	
Seal .....		5092
<b>1984-1978</b>	231/3.8L	
Seal .....		5591
<b>1983-1980</b>	229/3.8L	
Seal .....		5092
<b>1979-1978</b>	200/3.3L	
Seal .....		5092
<b>1977-1968</b>	250/4.1L	
Seal .....		5092
<b>1969-1964</b>	230/3.8L	
Seal .....		5092

**8 Cylinder**

<b>1987-1976</b>	305/5.0L	
Seal .....		5092
<b>1984-1983</b>	350/5.7L Diesel	
Seal .....		5591
<b>1982-1979</b>	267/4.4L	
Seal .....		5092
<b>1979-1969</b>	350/5.7L	
Seal .....		5092
<b>1976-1974</b>	400/6.6L Small Block	
Seal .....		5092

**CRANKSHAFT REAR SEAL (cont.)**

**8 Cylinder (cont.)**

<b>1975-1970</b>	454/7.4L	
Seal .....		5072
<b>1973-1968</b>	307/5.0L	
Seal .....		5092
<b>1972-1968</b>	396,400 Big Block	
Seal .....		5072
<b>1968</b>	327/5.4L	
Seal .....		5092

**TIMING COVER**

**6 Cylinder**

<b>1987-1985</b>	262/4.3L	
Seal .....		9845
Kwik Slv (Opt Rpr) .....		KWK99176
Harmonic Balancer		
Sleeves Opt. ....		88176
<b>1984-1980</b>	229/3.8L	
Seal .....		9845
Kwik Slv (Opt Rpr) .....		KWK99176
Harmonic Balancer		
Sleeves Opt. ....		88176
<b>1984-1978</b>	231/3.8L	
Seal .....		710163
<b>1979-1978</b>	200/3.3L	
Seal .....		9845
Kwik Slv (Opt Rpr) .....		KWK99176
Harmonic Balancer		
Sleeves Opt. ....		88176
<b>1977-1968</b>	250/4.1L	
Seal .....		9845
Kwik Slv (Opt Rpr) .....		KWK99176
Harmonic Balancer		
Sleeves Opt. ....		88176
<b>1969-1964</b>	230/3.8L	
Seal .....		9845
Kwik Slv (Opt Rpr) .....		KWK99176
Harmonic Balancer		
Sleeves Opt. ....		88176

**8 Cylinder**

<b>1987-1976</b>	305/5.0L	
Seal .....		9845
Kwik Slv (Opt Rpr) .....		KWK99176
Harmonic Balancer		
Sleeves Opt. ....		88176
<b>1984-1983</b>	350/5.7L Diesel	
Seal Viton .....		320259
Kwik Slv (Opt Rpr) .....		KWK99199
Harmonic Balancer		
Sleeves Opt. ....		88199
<b>1982-1979</b>	267/4.4L	
Seal .....		9845
Kwik Slv (Opt Rpr) .....		KWK99176
Harmonic Balancer		
Sleeves Opt. ....		88176

[ ] Indicates Quantity Required; Set Components Listed Inside Rear Cover;

<sup>24</sup> Opt. Kit incl. seals 5683 & 5684. Not sold separately

# Bearings and Seals

Mfg./Year    Model & Location    Part No    Mfg./Year    Model & Location    Part No

## CHEVROLET/GMC TRUCK - LIGHT SERIES - El Camino, Caballero, Sprint (cont.)

### TIMING COVER (cont.)

#### 8 Cylinder (cont.)

<b>1979-1969</b>	350/5.7L	
Seal	.....	9845
Kwik Slv (Opt Rpr)	.....	KWK99176
Harmonic Balancer		
Sleeves Opt.	.....	88176
<b>1976-1974</b>	400/6.6L Small Block	
Seal	.....	3945
Kwik Slv (Opt Rpr)	.....	KWK99233
Harmonic Balancer		
Sleeves Opt.	.....	88233
<b>1975-1970</b>	454/7.4L	
Seal	.....	3945
Kwik Slv (Opt Rpr)	.....	KWK99233
Harmonic Balancer		
Sleeves Opt.	.....	88233
<b>1973-1968</b>	307/5.0L	
Seal	.....	9845
Kwik Slv (Opt Rpr)	.....	KWK99176

### TIMING COVER (cont.)

#### 8 Cylinder (cont.)

<b>1972-1968</b>	396,400 Big Block	
Seal	.....	3945
Kwik Slv (Opt Rpr)	.....	KWK99233
Harmonic Balancer		
Sleeves Opt.	.....	88233
<b>1968</b>	327/5.4L	
Seal	.....	9845
Kwik Slv (Opt Rpr)	.....	KWK99176

## CHEVROLET/GMC TRUCK - LIGHT SERIES - S10/S15 P/U, Sonoma, Blazer/Jimmy, Syclone/Typhoon

### FRONT WHEEL

#### 2WD

<b>1989-1982</b>	
Seal (inner)	..... 8871[2]
Set (inner)	..... SET6
Set (outer)	..... SET34

#### 4WD

<b>1989-1983</b>	
Hub Assy	..... 513013[2]

### REAR WHEEL

<b>1989-1982</b>	
Seal	..... 8660S[2]
Cyl. Bearing	..... 5707[2]
Kit	..... TRP1563TAV[2] <sup>19</sup>

### 4WD FRONT AXLE

#### Differential Rebuild Kit

<b>1989-1983</b>	7.25" ring gear	
Kit	.....	DRK320A

#### Differential

<b>1989-1983</b>	7.25" ring gear	
Set	.....	SET11[2]

### 4WD FRONT AXLE

#### Pinion

<b>1989-1983</b>	7.25" ring gear	
Cone/Cup (inner)	.....	M88048S-M88010
Cone/Cup (inner) Opt:		
substitute for M88048S	.....	M88047-M88010
Seal (outer)	.....	8611N
Cone/Cup (outer)	.....	M86649-M86610

### REAR AXLE

#### Differential Rebuild Kit

<b>1989-1982</b>	7.5", 7.625" ring gears	
Kit	.....	DRK320

#### Differential

<b>1989-1982</b>		
Cone/Cup	.....	LM501349-LM501314[2]

#### Pinion

<b>1989-1982</b>	7.5", 7.625" ring gears	
Cone/Cup (inner)	.....	HM89249-HM89210
Seal (outer)	.....	8610
Cone/Cup (outer)	.....	M86649-M86610
Kwik Slv (Opt Rpr)	.....	KWK99152
<b>1989-1982</b>	8.5" ring gear 1st design	
Cone/Cup (inner)	.....	M802048-M802011
Seal (outer)	.....	2043
Cone/Cup (outer)	.....	M88048-M88010
Kwik Slv (Opt Rpr)	.....	KWK99193

98 [ ] Indicates Quantity Required; Set Components Listed Inside Rear Cover;

<sup>19</sup> Opt. Axle Repair Bearing. Replaces O.E. bearing & seal.

**CHEVROLET/GMC TRUCK - LIGHT SERIES - S10/S15 P/U, Sonoma, Blazer/Jimmy, Syclone/Typhoon (cont.)**

**TRANSFER CASE REBUILD KIT**

<b>1989-1988</b>	New Process 231C; (floor shift)
Kit .....	TCRK231A <sup>50</sup>
<b>1988-1983</b>	New Process 207
Kit .....	TCRK207

**TRANSFER CASE**

**Input Shaft**

<b>1989-1988</b>	New Process 231C; (floor shift)
Seal .....	3173[2]
Bearing .....	N5210KLB[2]
Seal Dual Lip .....	710298
Kwik Slv (Opt Rpr) .....	KWK99193
Needle Bearing (pilot) .....	SCH1810
<b>1988-1983</b>	New Process 207
Seal .....	3173[2]
Needle Bearing .....	B3210[2]
Seal Dual Lip .....	710928
Kwik Slv (Opt Rpr) .....	KWK99193
Needle Bearing (pilot) .....	SCH1810
Needle Bearing Thrust .....	NTA3244

**Front Output Shaft**

<b>1989-1988</b>	New Process 231, 233
Seal Viton .....	4813V
Bearing .....	206WB
Kwik Slv (Opt Rpr) .....	KWK99155
Needle Bearing (pilot) .....	J2416
<b>1989-1988</b>	New Process 231, 233
Seal .....	710046
Bearing .....	206WB
Kwik Slv (Opt Rpr) .....	KWK99155
Needle Bearing (pilot) .....	J2416
<b>1988-1983</b>	New Process 207
Seal .....	710046
Bearing .....	206WB
Kwik Slv (Opt Rpr) .....	KWK99155
Needle Bearing (pilot) .....	B228

**Rear Output Shaft**

<b>1989-1988</b>	New Process 231; (std cab)
Seal .....	9613S
Bearing .....	206WB
Seal Kit Opt. ....	5200 <sup>64</sup>
Needle Bearing (pilot) .....	B5020[2]
<b>1988-1983</b>	New Process 207
Seal .....	9613S
Bearing .....	206WB
Seal Kit Opt. ....	5200 <sup>64</sup>
Needle Bearing (pilot) .....	F4020[2]

**3-SPEED AUTOMATIC TRANSMISSION**

**Torque Converter**

<b>1985-1982</b>	
Seal .....	3227
Kwik Slv (Opt Rpr) .....	KWK99174

**3-SPEED AUTOMATIC TRANSMISSION**

**Rear Seal/Ext. Housing**

<b>1985-1982</b>	
Seal .....	9613S
Seal Kit Opt. ....	5200 <sup>64</sup>

**Selector Shaft Seal/Man. Shaft**

<b>1985-1982</b>	
Seal .....	8792S

**4-SPEED AUTOMATIC TRANSMISSION**

**Torque Converter**

<b>1989-1983</b>	
Seal .....	3227
Kwik Slv (Opt Rpr) .....	KWK99174

**Rear Seal/Ext. Housing**

<b>1989-1983</b>	
Seal .....	9613S
Kwik Slv (Opt Rpr) .....	KWK99149
Seal Kit Opt. ....	5200 <sup>64</sup>

**Selector Shaft Seal/Man. Shaft**

<b>1989-1982</b>	
Seal .....	8792S
Kwik Slv (Opt Rpr) .....	KWK99050

**CLUTCH**

**Pilot Bearing**

<b>1989-1985</b>	151/2.5L	
Bushing H/D .....		PB656HD
<b>1989-1982</b>	173/2.8L	
Bushing H/D .....		PB652HD
<b>1989-1988</b>	262/4.3L	
Bushing H/D .....		PB656HD
<b>1985-1984</b>	133/2.2L diesel	
Bearing .....		202FF
<b>1985-1982</b>	119/1.9L	
Bearing .....		202FF
<b>1984-1983</b>	121/2.0/L	
Bushing H/D .....		PB652HD

**CLUTCH - 4 CYLINDER**

**Release Bearing**

<b>1989-1985</b>	151/2.5L	
Bearing Assy .....		614083
<b>1985</b>	133/2.2L diesel	
Bearing Assy .....		614083
<b>1985</b>	119/1.9L	
Bearing Assy .....		614083
<b>1984</b>	133/2.2L diesel	
Bearing Assy .....		614018 <sup>42</sup>
<b>1984-1983</b>	121/2.0/L	
Bearing Assy .....		614018 <sup>42</sup>
<b>1984-1982</b>	119/1.9L	
Bearing Assy .....		614018 <sup>42</sup>

[ ] Indicates Quantity Required; Set Components Listed Inside Rear Cover;

<sup>42</sup> Sealed Self-Aligning Bearing    <sup>50</sup> 6010-N I/S brg.    <sup>64</sup> Opt. Seal and Bushing Kit



# Bearings and Seals

Mfg./Year    Model & Location    Part No    Mfg./Year    Model & Location    Part No

## **CHEVROLET/GMC TRUCK - LIGHT SERIES - S10/S15 P/U, Sonoma, Blazer/Jimmy, Syclone/Typhoon (cont.)**

### **CLUTCH - 6 CYLINDER**

#### **Release Bearing**

<b>1989-1988</b>	262/4.3L	
Bearing Assy		614083
<b>1989-1985</b>	173/2.8L	
Bearing Assy		614083
<b>1984-1982</b>	173/2.8L	
Bearing Assy		614018 <sup>42</sup>

### **4-SPEED MANUAL TRANSMISSION**

#### **Transmission Rebuild Kit**

<b>1986-1985</b>	Saginaw	
Kit		TRK301

#### **Input Shaft**

<b>1987-1985</b>		
Seal		7412S
Set		SET5
<b>1984</b>	2nd Design	
Seal		7412S
Set		SET5
<b>1984</b>	1st Design	
Seal		7412S
Bearing		208L
Kwik Slv (Opt Rpr)		KWK99125
<b>1983-1982</b>		
Seal		7412S
Bearing		208L
Kwik Slv (Opt Rpr)		KWK99125

#### **Mainshaft Pilot**

<b>1986-1985</b>	Saginaw	
Needle Bearing		QA19792[14]

#### **Rear Output Shaft**

<b>1987-1985</b>		
Seal		9613S
Cone/Cup		25877-25821
Seal Kit Opt.		5200 <sup>64</sup>
<b>1984-1982</b>		
Seal		9613S
Bearing		1207L
Kwik Slv (Opt Rpr)		KWK99149
Seal Kit Opt.		5200 <sup>64</sup>

### **5-SPEED MANUAL TRANSMISSION**

#### **Transmission Rebuild Kit**

<b>1989-1988</b>	Warner T5 World Class	
Kit		TRK5W
<b>1987-1983</b>	Warner T5	
Kit		TRK5

### **5-SPEED MANUAL TRANSMISSION**

#### **Front Input Shaft**

<b>1989-1982</b>	Warner	
Seal		7412S
Set		SET5
Kwik Slv (Opt Rpr)		KWK99125

#### **Rear Output Shaft**

<b>1989-1982</b>	Warner	
Seal		9613S
Kwik Slv (Opt Rpr)		KWK99149
Seal Kit Opt.		5200 <sup>64</sup>

### **A/C COMPRESSOR**

<b>1989-1982</b>		
Bearing		907257
Bearing (Frt head)		S128

### **DRIVESHAFT SUPPORT**

<b>1989-1982</b>		
Bearing		88107
Hanger Bearing Assy		HB88107A
Hanger Bearing Assy (assembly with slingers)		HB88107E

### **POWER STEERING**

#### **Pitman Shaft**

<b>1989-1982</b>		
Seal Kit		PSK1 <sup>24</sup>

#### **Pump Shaft**

<b>1989-1982</b>	remote reservoir	
Seal		70135
<b>1989-1982</b>	integral reservoir	
Bearing		203FF

#### **Worm Shaft**

<b>1989-1982</b>		
Seal		222025

### **MANUAL STEERING**

#### **Pitman Shaft**

<b>1989-1985</b>		
Seal		251511
<b>1984-1982</b>		
Seal		313842

#### **Worm Shaft**

<b>1989-1982</b>		
Seal		480821
Bearing		8537[2]

100 [ ] Indicates Quantity Required; Set Components Listed Inside Rear Cover;

<sup>24</sup> Opt. Kit incl. seals 5683 & 5684. Not sold separately

<sup>42</sup> Sealed Self-Aligning Bearing

<sup>64</sup> Opt. Seal

and Bushing Kit

**CHEVROLET/GMC TRUCK - LIGHT SERIES - S10/S15 P/U, Sonoma, Blazer/Jimmy, Syclone/Typhoon (cont.)**

**CAMSHAFT SEAL**

**4 Cylinder**

<b>1985-1984</b>	2238cc/2.2L diesel	
Seal	.....	224205
Kwik Slv (Opt Rpr)	.....	KWK99166

**CRANKSHAFT REAR SEAL**

**4 Cylinder**

<b>1989-1985</b>	151/2.5L	
Seal	.....	3698
<b>1985-1984</b>	133/2.2L diesel	
Seal	.....	228480
Kwik Slv (Opt Rpr)	.....	KWK99328
<b>1985-1982</b>	119/1.9L	
Seal	.....	228480
Kwik Slv (Opt Rpr)	.....	KWK99328
<b>1984</b>	121/2.0/L 2nd design 11mm thick	
Seal	.....	4307V
Seal PTFE H/D Opt.	.....	5273
Kwik Slv (Opt Rpr)	.....	KWK99128
<b>1984-1983</b>	121/2.0/L 1st design 5.5mm thick	
Seal	.....	5210

**6 Cylinder**

<b>1989-1988</b>	262/4.3L	
Seal Viton	.....	4359V
Seal PTFE H/D Opt.	.....	5274
Kwik Slv (Opt Rpr)	.....	KWK99364
<b>1989-1982</b>	173/2.8L	
Seal	.....	4307V
Seal PTFE H/D Opt.	.....	5273
Kwik Slv (Opt Rpr)	.....	KWK99298

**TIMING COVER**

**4 Cylinder**

<b>1989-1985</b>	151/2.5L	
Seal	.....	9845
Kwik Slv (Opt Rpr)	.....	KWK99176
Harmonic Balancer		
Sleeves Opt.	.....	88176
<b>1985-1984</b>	133/2.2L diesel	
Seal	.....	712005
Kwik Slv (Opt Rpr)	.....	KWK99254
<b>1985-1982</b>	119/1.9L	
Seal Viton	.....	225020
Kwik Slv (Opt Rpr)	.....	KWK99196
<b>1984-1983</b>	121/2.0/L	
Seal	.....	9845
Kwik Slv (Opt Rpr)	.....	KWK99176
Harmonic Balancer		
Sleeves Opt.	.....	88176

**6 Cylinder**

<b>1989-1988</b>	262/4.3L	
Seal	.....	9845
Kwik Slv (Opt Rpr)	.....	KWK99176
Harmonic Balancer		
Sleeves Opt.	.....	88176
<b>1989-1982</b>	173/2.8L	
Seal	.....	9845
Kwik Slv (Opt Rpr)	.....	KWK99176

**CHEVROLET/GMC TRUCK - LIGHT SERIES - LUV**

**FRONT WHEEL**

**2WD**

<b>1982-1972</b>	
Seal (inner)	..... 1949[2]
Bearing Assy (inner)	..... 32206M[2]
Bearing Assy (outer)	..... 32304M[2]

**4WD**

<b>1982</b>	
Seal (inner)	..... 471950[2]
Bearing Assy (inner)	..... 32008XM[2]
Bearing Assy (outer)	..... 32007XM[2]
<b>1981-1979</b>	
Seal (inner)	..... 1960[2]
Bearing Assy (inner)	..... 32008XM[2]
Bearing Assy (outer)	..... 32007XM[2]

**REAR WHEEL**

<b>1982-1972</b>	
Seal (inner)	..... 473812[2]
Seal (outer)	..... 473179[2]
Bearing Assy (outer)	..... 30208M[2]

**4WD FRONT AXLE**

**Differential**

<b>1982-1979</b>	
Set	..... SET5

**Pinion**

<b>1982-1980</b>	
Cone/Cup (inner)	..... 02475-02420
Seal (outer)	..... 710057
Bearing Assy (outer)	..... 30305M
Kwik Slv (Opt Rpr)	..... KWK99149

# Bearings and Seals

Mfg./Year    Model & Location    Part No    Mfg./Year    Model & Location    Part No

## CHEVROLET/GMC TRUCK - LIGHT SERIES - LUV (cont.)

### 4WD FRONT AXLE

#### Spindle

**1982-1980**  
Seal ..... 710167[2]  
Needle Bearing ..... HK2816[2]

### REAR AXLE

#### Differential

**1982-1972**  
Set ..... SET45

#### Pinion

**1982-1972**  
Bearing Assy (inner) ..... 32307  
Seal (outer) ..... 474133  
Bearing Assy (outer) ..... 30306M  
Kwik Slv (Opt Rpr) ..... KWK99157

### TRANSFER CASE

#### Input Shaft

**1982-1979** Input Shaft  
Seal ..... 1990  
Kwik Slv (Opt Rpr) ..... KWK99106

#### Front Output Shaft

**1982-1979** Front output shaft  
Seal (front) ..... 224045  
Bearing (front) ..... 206L  
Kwik Slv (Opt Rpr) ..... KWK99157  
Bearing (rear) ..... 305L

#### Rear Output Shaft

**1982-1979** Rear output shaft  
Bearing ..... 307L

### 3-SPEED AUTOMATIC TRANSMISSION

#### Torque Converter

**1982-1976**  
Seal ..... 3227  
Kwik Slv (Opt Rpr) ..... KWK99174  
**1975-1972**  
Seal ..... 6712NA  
Kwik Slv (Opt Rpr) ..... KWK99187

#### Rear Seal/Ext. Housing

**1982-1972**  
Seal ..... 9613S  
Seal Kit Opt. .... 5200<sup>64</sup>

#### Selector Shaft Seal/Man. Shaft

**1982-1972**  
Seal ..... 8792S

### CLUTCH

#### Pilot Bearing

**1982-1973**  
Bearing ..... 203FF  
**1972**  
Bearing ..... 203S

#### Release Bearing

**1982-1972**  
Bearing Only ..... 01496

### 4-SPEED MANUAL TRANSMISSION

#### Transmission Rebuild Kit

**1982-1981** 4x4  
Kit ..... TRK180  
**1982-1976** 4x2  
Kit ..... TRK1140  
**1980-1976** 4x4  
Kit ..... TRK1150  
**1975-1972** 4x2  
Kit ..... TRK1230

#### Input Shaft

**1982-1972**  
Seal ..... 1990  
Bearing ..... 208LO  
Kwik Slv (Opt Rpr) ..... KWK99106

#### Rear Output Shaft

**1982-1972**  
Seal ..... 1987S  
Bearing ..... 307L

### 5-SPEED MANUAL TRANSMISSION

#### Front Input Shaft

**1982-1977**  
Seal ..... 1990  
Bearing ..... 208LO  
Kwik Slv (Opt Rpr) ..... KWK99106

#### Rear Output Shaft

**1982-1977**  
Seal ..... 1987S  
Bearing ..... 307L  
Kwik Slv (Opt Rpr) ..... KWK99139

### ALTERNATOR

**1982-1981** diesel; A/C  
Bearing (drive end) ..... 303CC  
**1982-1981** gas engine  
Bearing (drive end) ..... 203FF  
**1982-1972** gas engine  
Bearing (rear end) ..... 201CC  
**1980-1975** A/C  
Bearing (drive end) ..... 303CC  
**1980-1972** exc. A/C  
Bearing (drive end) ..... 202FF

**CHEVROLET/GMC TRUCK - LIGHT SERIES - LUV (cont.)**

**DRIVESHAFT SUPPORT**

<b>1982-1980</b> 4x4	
Hanger Bearing Assy .....	HB21
<b>1982-1972</b> 4x2	
Hanger Bearing Assy .....	HB20

**MANUAL STEERING**

**Pitman Shaft**

<b>1976-1972</b>	
Seal .....	223010

**Worm Shaft**

<b>1982-1977</b>	
Seal .....	221720

**CAMSHAFT SEAL**

**4 Cylinder**

<b>1982-1981</b> 133/2.2L diesel	
Seal .....	224205
Kwik Slv (Opt Rpr) .....	KWK99166

**CRANKSHAFT REAR SEAL**

**4 Cylinder**

<b>1982-1981</b> 133/2.2L diesel	
Seal .....	228480
Kwik Slv (Opt Rpr) .....	KWK99328
<b>1982-1972</b> 1800/1.8L	
Seal .....	228480
Kwik Slv (Opt Rpr) .....	KWK99328

**TIMING COVER**

**4 Cylinder**

<b>1982-1981</b> 133/2.2L diesel	
Seal .....	712005
Kwik Slv (Opt Rpr) .....	KWK99254
<b>1982-1972</b> 1800/1.8L	
Seal Viton .....	225020
Kwik Slv (Opt Rpr) .....	KWK99196

**CHEVROLET/GMC TRUCK - 1/2 TON - C-10/15, K-10/15, R-10/15, V-10/15, Blazer/Jimmy, Suburban**

**FRONT WHEEL**

**2WD**

<b>1989-1988</b> C1500 (H/D)	
Seal (inner) .....	4739[2]
Set (inner) .....	SET5
Set (outer) .....	SET3
<b>1989-1988</b> C1500 Pickup (L/D)	
Seal (inner) .....	4739[2]
Set (inner) .....	SET6
Set (outer) .....	SET3
<b>1987</b> R series	
Seal (inner) .....	4739[2]
Set (inner) .....	SET6
Set (outer) .....	SET3
<b>1986-1981</b> C series exc. ext. cab & F44 H.D. option	
Seal (inner) .....	8871[2]
Set (inner) .....	SET6
Set (outer) .....	SET3
<b>1986-1981</b> C series ext. cab & F44 H.D. option	
Seal (inner) .....	4739[2]
Set (inner) .....	SET5
Set (outer) .....	SET3
<b>1980-1971</b>	
Seal (inner) .....	9015S[2]
Set (inner) .....	SET5
Set (outer) .....	SET3
<b>1970-1967</b> H.D. brakes	
Seal (inner) .....	8974S[2]
Cone/Cup (inner) .....	2777-2720[2]
Set (outer) .....	SET3

**FRONT WHEEL (cont.)**

**2WD (cont.)**

<b>1970-1962</b> std brakes	
Seal (inner) .....	9015S[2]
Set (inner) .....	SET5
Set (outer) .....	SET2
<b>1961-1960</b>	
Seal (inner) .....	205044[2]
Bearing (inner) .....	B66[2]
Bearing (outer) .....	B67
<b>1959-1938</b>	
Seal (inner) .....	6064[2]
Bearing (inner) .....	B52[2]
Bearing (outer) .....	B01

**4WD**

<b>1989-1988</b> K1500 exc. extended cab or w/L.D. suspension	
Hub Assy .....	515002[2] <sup>29</sup>
<b>1989-1988</b> K1500 extended cab or F44 H.D. suspension	
Hub Assy .....	515001[2] <sup>29</sup>
<b>1987-1980</b>	
Seal (inner) .....	471271[2]
Cone/Cup (inner) .....	LM104949-JLM104910[2]
Set (outer) .....	SET45
<b>1979-1977</b> exc. Spicer 44-5F	
Seal (inner) .....	471271[2]
Cone/Cup (inner) .....	LM104949-JLM104910[2]
Set (outer) .....	SET45

[ ] Indicates Quantity Required; Set Components Listed Inside Rear Cover;

<sup>29</sup> Seal is not serviceable on this unit

# Bearings and Seals

Mfg./Year    Model & Location    Part No    Mfg./Year    Model & Location    Part No

## CHEVROLET/GMC TRUCK - 1/2 TON - C-10/15, K-10/15, R-10/15, V-10/15, Blazer/Jimmy, Suburban (cont.)

### FRONT WHEEL (cont.)

#### 4WD (cont.)

<b>1977</b>	Spicer 44-5F	
Seal (inner)	.....	471271[2]
Set (inner)	.....	SET37
Set (outer)	.....	SET45
<b>1976-1973</b>		
Seal (inner)	.....	471271[2]
Set (inner)	.....	SET37
Set (outer)	.....	SET45
<b>1972-1957</b>		
Seal (inner)	.....	442380[2]
Set (inner)	.....	SET37
Set (outer)	.....	SET45

### REAR WHEEL

<b>1989-1988</b>	8.5" ring gear C/K 1500 series	
Seal	.....	4762N[2]
Cyl. Bearing	.....	513067[2]
Kit	.....	TRP59047[2] <sup>19</sup>
<b>1989-1988</b>	9.5" ring gear C/K 1500 series	
Seal	.....	710105[2]
Cyl. Bearing	.....	R1561TV[2]
Kit	.....	TGM1561R[2] <sup>19</sup>
<b>1989-1971</b>	C/K R/V 10 series, V1500 series, Blazer	
Seal	.....	8835S[2]
Cyl. Bearing	.....	6408[2]
Kit	.....	TRP1559TV[2] <sup>19</sup>
<b>1970-1969</b>	Spicer 60-3 axle	
Seal	.....	481837[2]
Set	.....	SET7
<b>1970-1967</b>	C10, K10: GM axle	
Seal	.....	8835S[2]
Cyl. Bearing	.....	6408[2]
Kit	.....	TRP1559TV[2] <sup>19</sup>
<b>1969-1964</b>	Spicer 60-1 axle	
Seal (inner)	.....	455860[2]
Cone/Cup (inner)	.....	28678-28622[2]
Cone/Cup (outer)	.....	18690-18620[2]
<b>1966-1965</b>	leaf springs	
Seal	.....	450067[2]
Cyl. Bearing	.....	6408[2]
Kit	.....	TRP1559TV[2] <sup>19</sup>
<b>1966-1965</b>	coil springs	
Seal	.....	8835S[2]
Cyl. Bearing	.....	6408[2]
Kit	.....	TRP1559TV[2] <sup>19</sup>
<b>1964-1963</b>	GM axles	
Seal	.....	8477S[2]
Cyl. Bearing	.....	6408[2]
Kit	.....	TRP1559TV[2] <sup>19</sup>
<b>1962-1960</b>	K10	
Seal	.....	414045[2]
Cyl. Bearing	.....	R1502EL[2]
<b>1962-1946</b>	3100, 3200 exc. Positrac	
Seal	.....	414045[2]
Cyl. Bearing	.....	R1502EL[2]
<b>1959-1958</b>	3100, 3200 with Positrac	
Seal	.....	450067[2]
Bearing	.....	514003P[2]

### 4WD FRONT AXLE

#### Axle Shaft

<b>1989-1988</b>	8.25" ring gear; 1st design	
Seal (inner)	.....	710101[2]
Needle Bearing (inner)	.....	B2012[2]
Needle Bearing (outer)	.....	B2012[2]
<b>1989-1977</b>	8.5" ring gear	
Seal	.....	5131[2]
<b>1982-1968</b>	Spicer 44 series	
Seal	.....	5131[2]

#### Differential Rebuild Kit

<b>1989-1988</b>	8.25" ring gear	
Kit	.....	DRK321A
<b>1989-1977</b>	8.5" ring gear	
Kit	.....	DRK321
<b>1989-1970</b>	8.5" ring gear w/positrac	
Kit	.....	DRK321D
<b>1982-1969</b>	Dana/Spicer 44-5F, 44-8F axles	
Kit	.....	DRK339B

#### Differential

<b>1989-1977</b>	8.5", 8.25" ring gears	
Cone/Cup	.....	LM501349-LM501314[2]
<b>1982-1969</b>	Dana/Spicer 44 series axles	
Cone/Cup	.....	25590-25523[2]
<b>1968-1960</b>	Dana/Spicer 44-5F axle	
Cone/Cup	.....	25577-25523[2]
<b>1959-1958</b>	FH030 axle	
Cone/Cup	.....	LM603049-LM603014[2]

#### Pinion

<b>1989-1988</b>	8.25" ring gear	
Cone/Cup (inner)	.....	M802048-M802011
Seal (outer)	.....	710281
Cone/Cup (outer)	.....	M88048-M88010
Cone/Cup (outer) Opt.	.....	M88048A-M88010
Kwik Slv (Opt Rpr)	.....	KWK99193
<b>1989-1987</b>	V Series	
Cone/Cup (inner)	.....	M802048-M802011
Seal (outer)	.....	8622
Cone/Cup (outer)	.....	M88048-M88010
Cone/Cup (outer) Opt.	.....	M88048A-M88010
Kwik Slv (Opt Rpr)	.....	KWK99193
<b>1980-1977</b>	exc. Spicer axles	
Cone/Cup (inner)	.....	M802048-M802011
Seal (outer)	.....	8622
Cone/Cup (outer)	.....	M88048-M88010
Cone/Cup (outer) Opt.	.....	M88048A-M88010
Kwik Slv (Opt Rpr)	.....	KWK99193
<b>1980-1960</b>	Spicer	
Cone/Cup (inner)	.....	31594-31520
Seal (outer)	.....	5778
Cone/Cup (outer)	.....	02872-02820
Kwik Slv (Opt Rpr)	.....	KWK99155

104 [ ] Indicates Quantity Required; Set Components Listed Inside Rear Cover;

<sup>19</sup> Opt. Axle Repair Bearing. Replaces O.E. bearing & seal.

**CHEVROLET/GMC TRUCK - 1/2 TON - C-10/15, K-10/15, R-10/15, V-10/15, Blazer/Jimmy, Suburban (cont.)**

**4WD FRONT AXLE (cont.)**

**Pinion (cont.)**

<b>1959-1958</b>	FH030 axle	
	Cone/Cup (inner)	HM89449-HM89410
	Seal (outer)	6818
	Cone/Cup (outer)	HM88547-HM88510
	Kwik Slv (Opt Rpr)	KWK99170

**Spindle Kit**

<b>1989-1973</b>	Bearing & Seal Kit	SBK1 <sup>33</sup>
------------------	--------------------	--------------------

**Spindle**

<b>1989-1973</b>		
	Seal (inner)	722108[2]
	Needle Bearing (inner)	B2110[2]
	Seal (outer)	722109[2]
<b>1972-1960</b>	Dana/Spicer 44-5F axle	
	Seal	472394[2]
	Needle Bearing	B2110[2]

**Steering Knuckle**

<b>1972-1960</b>	Dana/Spicer 44-5F axle	
	Seal	204005S[4]
	Cone/Cup	11590-11520[2]
<b>1959-1958</b>	FH030 axle	
	Cone/Cup	21075-21212[2]

**REAR AXLE**

**Differential Rebuild Kit**

<b>1989-1988</b>	9.5" ring gear	
	Kit	DRK324
<b>1989-1976</b>	8.5" ring gear	
	Kit	DRK321
<b>1981-1980</b>	8.75" ring gear	
	Kit	DRK323
<b>1981-1964</b>	8.875" ring gear	
	Kit	DRK322
<b>1972-1968</b>	Dana/Spicer 60-1, 60-3, 60-35 axles	
	Kit	DRK331
<b>1972-1965</b>	Dana/Spicer 44-1 axle	
	Kit	DRK339B
<b>1967</b>	Dana/Spicer 60-35 axle	
	Kit	DRK331

**Differential**

<b>1989-1988</b>	14 Bolt Cover; 9.5" ring gear	
	Set	SET42[2]
<b>1989-1973</b>	8.125", 8.5", 8.625" ring gear	
	Cone/Cup	LM501349-LM501314[2]
<b>1981-1964</b>	8.875" ring gear	
	Set	SET36[2]
<b>1972-1968</b>	Dana/Spicer 60-1, 60-3, 60-35 axles	
	Cone/Cup	387A-382S[2]
<b>1972-1965</b>	Dana/Spicer 44-1 axle	
	Cone/Cup	25590-25523[2]

**REAR AXLE (cont.)**

**Differential (cont.)**

<b>1967</b>	Dana/Spicer 60-35 axle	
	Cone/Cup	387A-382S[2]
<b>1964-1954</b>	Dana/Spicer 44-1, 45 axles	
	Cone/Cup	25577-25523[2]
<b>1963</b>	H033, H035 axles: 1st design	
	Cone/Cup	LM603049-LM603014[2]
<b>1963</b>	H033, H035 axles: 2nd design	
	Set	SET36[2]
<b>1962-1957</b>	H033, H035 axles	
	Cone/Cup	LM603049-LM603014[2]
<b>1956-1953</b>	H033, H035 axles	
	Cone/Cup	17887-17831[2]
<b>1951</b>	H072 axle	
	Cone/Cup	388A-382[2]

**Pinion**

<b>1989-1988</b>	9.5" ring gear, 1st Design	
	Cone/Cup (inner)	HM804846-HM804810
	Seal (outer)	3896
	Cone/Cup (outer)	HM88649-HM88610
	Kwik Slv (Opt Rpr)	KWK99193
<b>1989-1976</b>	8.5" ring gear, 1st design	
	Cone/Cup (inner)	M802048-M802011
	Seal (outer)	2043
	Cone/Cup (outer)	M88048-M88010
	Seal (outer) Opt.	2043
	Cone/Cup (outer) Opt.	M88048A-M88010
<b>1981-1977</b>	8.875" ring gear: with Positraction	
	Cone/Cup (inner)	M804049-M804010
	Seal (outer)	8460N
	Cone/Cup (outer)	M88048-M88010
	Seal (outer) Opt.	8460N
	Cone/Cup (outer) Opt.	M88048A-M88010
<b>1981-1964</b>	8.875" ring gear	
	Cone/Cup (inner)	HM89449-HM89410
	Seal (outer)	8460N
	Cone/Cup (outer)	M88048-M88010
	Seal (outer) Opt.	8460N
	Cone/Cup (outer) Opt.	M88048A-M88010
<b>1975-1973</b>	8.125" ring gear	
	Cone/Cup (inner)	HM89449-HM89410
	Seal (outer)	8611N
	Cone/Cup (outer)	M86649-M86610
<b>1972-1968</b>	Dana/Spicer 60-1, 60-3 axles	
	Cone/Cup (inner)	HM803146-HM803110
	Seal (outer)	9316
	Cone/Cup (outer)	HM88542-HM88510
<b>1972-1967</b>	Dana/Spicer 60-35 coil spring axle	
	Cone/Cup (inner)	HM803146-HM803110
	Seal (outer)	9316
	Cone/Cup (outer)	HM88542-HM88510
<b>1972-1967</b>	Dana/Spicer 60-35 leaf spring axle	
	Cone/Cup (inner)	HM803146-HM803110
	Seal (outer)	6808N
	Cone/Cup (outer)	HM88542-HM88510

[ ] Indicates Quantity Required; Set Components Listed Inside Rear Cover;  
<sup>33</sup> Opt. Kit incl: Bearing B2110; Seals 722108 & 722109

# Bearings and Seals

Mfg./Year    Model & Location    Part No    Mfg./Year    Model & Location    Part No

## CHEVROLET/GMC TRUCK - 1/2 TON - C-10/15, K-10/15, R-10/15, V-10/15, Blazer/Jimmy, Suburban (cont.)

### REAR AXLE (cont.)

#### Pinion (cont.)

<b>1972-1960</b>	Dana/Spicer 44-1 axle	
	Cone/Cup (inner) .....	31594-31520
	Seal (outer) .....	5778
	Cone/Cup (outer) .....	02872-02820
<b>1963</b>	H033, H035 axles: 1st design	
	Cone/Cup (inner) .....	HM89449-HM89410
	Seal (outer) .....	6818
	Cone/Cup (outer) .....	HM88547-HM88510
<b>1963</b>	H033, H035 axles: 2nd design	
	Cone/Cup (inner) .....	HM89449-HM89410
	Seal (outer) .....	8460N
	Cone/Cup (outer) .....	M88048-M88010
<b>1962-1953</b>	H033, H035 axles	
	Cone/Cup (inner) .....	HM89449-HM89410
	Seal (outer) .....	6818
	Cone/Cup (outer) .....	HM88547-HM88510
<b>1959-1954</b>	Dana/Spicer 45 axle	
	Cone/Cup (inner) .....	3877-3820
	Seal (outer) .....	5778
	Cone/Cup (outer) .....	02872-02820
<b>1951</b>	H072 axle	
	Seal (outer) .....	411330N
	Bearing Assy (outer) .....	55197-90030

### TRANSFER CASE REBUILD KIT

<b>1989-1988</b>	New Process 241C	
	Kit .....	TCRK241
<b>1988-1981</b>	New Process 208	
	Kit .....	TCRK208SPK <sup>47</sup>
<b>1980</b>	New Process 205 with Turbo 400 trans	
	Kit .....	TCRK205GDMD
<b>1980</b>	New Process 205 exc. Turbo 400 trans	
	Kit .....	TCRK205G
<b>1979-1973</b>	New Process 203	
	Kit .....	TCRK203G
<b>1979-1971</b>	New Process 205	
	Kit .....	TCRK205G
<b>1972-1969</b>	Dana/Spicer 18	
	Kit .....	TCRK18

### TRANSFER CASE

#### Input Shaft

<b>1989-1988</b>	New Process 241	
	Seal .....	3173[2]
	Seal Dual Lip .....	710928
	Kwik Slv (Opt Rpr) .....	KWK99193
<b>1988-1981</b>	New Process 208	
	Seal .....	3173[2]
	Needle Bearing .....	B5020[2]
	Seal Dual Lip .....	710928[2]
	Kwik Slv (Opt Rpr) .....	KWK99193[2]
	Needle Bearing (pilot) .....	B2012

### TRANSFER CASE (cont.)

#### Input Shaft (cont.)

<b>1980</b>	New Process 205 with Turbo 400 trans	
	Seal .....	471869[2]
	Bearing .....	1307L[2]
	Kwik Slv (Opt Rpr) .....	KWK99193[2]
<b>1980-1971</b>	New Process 205 exc. Turbo 400 trans	
	Seal .....	471869[2]
	Bearing .....	1307L[2]
	Kwik Slv (Opt Rpr) .....	KWK99193[2]
<b>1979-1973</b>	New Process 203	
	Seal .....	3173
	Kwik Slv (Opt Rpr) .....	KWK99193
<b>1972-1960</b>	Rockwell	
	Seal (front) .....	472164
	Bearing (front) .....	207S
	Kwik Slv (Opt Rpr) .....	KWK99174

#### Front Output Shaft

<b>1989-1981</b>		
	Seal .....	3946
	Kwik Slv (Opt Rpr) .....	KWK99187
<b>1980-1971</b>		
	Seal .....	710005
	Bearing .....	307L[2]
	Kwik Slv (Opt Rpr) .....	KWK99174
<b>1975-1973</b>	New Process 203	
	Seal .....	450087
	Bearing .....	307L[2]
	Kwik Slv (Opt Rpr) .....	KWK99174
<b>1972-1969</b>	Spicer	
	Seal .....	472635
	Bearing .....	206WB
	Kwik Slv (Opt Rpr) .....	KWK99155
<b>1972-1960</b>	Rockwell	
	Seal (front) .....	472164
	Bearing (front) .....	207L
	Kwik Slv (Opt Rpr) .....	KWK99174
	Bearing (rear) .....	209L

#### Rear Output Shaft

<b>1989-1988</b>	New Process 241	
	Seal .....	9449
	Bearing .....	1207L
	Seal Kit Opt. ....	5208 <sup>64</sup>
	Needle Bearing (pilot) .....	B5020[2]
<b>1988-1981</b>	New Process 208	
	Seal .....	9449
	Bearing .....	1207L
	Seal Kit Opt. ....	5208 <sup>64</sup>
<b>1980</b>	New Process 205 (162T)	
	Seal .....	473214
	Bearing .....	307L
	Kwik Slv (Opt Rpr) .....	KWK99138
	Needle Bearing (pilot) .....	B3216
<b>1980</b>	New Process 205 (THM350)	
	Seal .....	471424
	Bearing .....	307L
	Kwik Slv (Opt Rpr) .....	KWK99199

106 [ ] Indicates Quantity Required; Set Components Listed Inside Rear Cover;

<sup>47</sup> Includes Small Parts Kit    <sup>64</sup> Opt. Seal and Bushing Kit

**CHEVROLET/GMC TRUCK - 1/2 TON - C-10/15, K-10/15, R-10/15, V-10/15, Blazer/Jimmy, Suburban (cont.)**

**TRANSFER CASE (cont.)**

**Rear Output Shaft (cont.)**

<b>1980</b>	New Process 205 (CH465)	
Seal	.....	473214
Bearing	.....	307L
Kwik Slv (Opt Rpr)	.....	KWK99138
<b>1979-1973</b>	New Process 203	
Seal	.....	473204
Bearing	.....	307L
Kwik Slv (Opt Rpr)	.....	KWK99212
<b>1979-1971</b>	New Process 205	
Seal	.....	473468
Bearing	.....	307L
Kwik Slv (Opt Rpr)	.....	KWK99212
Needle Bearing (pilot)	.....	B3216
<b>1972-1969</b>	Spicer	
Seal	.....	472635
Cone/Cup	.....	14131-14276[2]
Kwik Slv (Opt Rpr)	.....	KWK99155
<b>1972-1960</b>	Rockwell	
Seal	.....	472164
Kwik Slv (Opt Rpr)	.....	KWK99174

**Idler Shaft**

<b>1980-1976</b>	New Process 205: front and rear	
Cone/Cup	.....	2793-2720[2]

**AUTOMATIC TRANSMISSION**

**Torque Converter**

<b>1973-1960</b>	Powerglide	
Seal	.....	6712NA
Kwik Slv (Opt Rpr)	.....	KWK99187
<b>1962-1954</b>	Hydramatic	
Seal	.....	450725N <sup>20</sup>

**Rear Seal/Ext. Housing**

<b>1973-1960</b>	Powerglide	
Seal	.....	9613S
Cone	.....	43206
Seal Kit Opt.	.....	5200 <sup>64</sup>
<b>1962-1954</b>	Hydramatic: 1.5" shaft	
Seal	.....	7038SA
Seal Kit Opt.	.....	5200 <sup>64</sup>
<b>1962-1954</b>	Hydramatic: 1.687" shaft	
Seal	.....	9613S
Bearing	.....	107WB
Seal Kit Opt.	.....	5205 <sup>64</sup>

**3-SPEED AUTOMATIC TRANSMISSION**

**Torque Converter**

<b>1989-1961</b>		
Seal	.....	6712NA
Kwik Slv (Opt Rpr)	.....	KWK99187

**3-SPEED AUTOMATIC TRANSMISSION**

**Rear Seal/Ext. Housing**

<b>1989-1980</b>	exc. THM350	
Seal	.....	9449
Seal Kit Opt.	.....	5208 <sup>64</sup>
<b>1987-1980</b>	THM350	
Seal	.....	9613S
Seal Kit Opt.	.....	5200 <sup>64</sup>
<b>1979-1967</b>	exc. THM400	
Seal	.....	9613S
Seal Kit Opt.	.....	5200 <sup>64</sup>
<b>1979-1964</b>	THM400: 1.890" shaft	
Seal	.....	9449
Seal Kit	.....	5208 <sup>64</sup>
<b>1977-1964</b>	THM400: 1.687" shaft	
Seal	.....	7038SA
Seal Kit Opt.	.....	5205 <sup>64</sup>

**Selector Shaft Seal/Man. Shaft**

<b>1989-1964</b>		
Seal	.....	8792S

**4-SPEED AUTOMATIC TRANSMISSION**

**Torque Converter**

<b>1989-1982</b>	THM700, 4L60-E	
Seal	.....	3227
Kwik Slv (Opt Rpr)	.....	KWK99174

**Rear Seal/Ext. Housing**

<b>1989-1983</b>	HM4L60	
Seal	.....	9613S
Kwik Slv (Opt Rpr)	.....	KWK99149
Seal Kit Opt.	.....	5200 <sup>64</sup>

**Selector Shaft Seal/Man. Shaft**

<b>1989-1982</b>		
Seal	.....	8792S

**CLUTCH - 4 CYLINDER**

**Pilot Bearing**

<b>1965-1963</b>	153/2.5L	
Bushing H/D	.....	PB656HD

**CLUTCH - 6 CYLINDER**

**Pilot Bearing**

<b>1989-1987</b>	262/4.3L	
Bearing	.....	57080
<b>1986-1946</b>	194/3.2, 216/3.5, 230/3.8, 235/3.8, 250/4.1, 261/4.3, 262/4.3, 292/4.8	
Bushing H/D	.....	PB656HD

[ ] Indicates Quantity Required; Set Components Listed Inside Rear Cover;

<sup>20</sup> Not currently in production; check for availability    <sup>64</sup> Opt. Seal and Bushing Kit



# Bearings and Seals

Mfg./Year    Model & Location    Part No    Mfg./Year    Model & Location    Part No

## CHEVROLET/GMC TRUCK - 1/2 TON - C-10/15, K-10/15, R-10/15, V-10/15, Blazer/Jimmy, Suburban (cont.)

### CLUTCH - 8 CYLINDER

#### Pilot Bearing

<b>1989-1987</b>	293/4.8, 305/5.0, 350/5.7, 379/6.2 (diesel), 395/6.5 (diesel), 454/7.4	
Bearing .....		57080
<b>1986-1982</b>	diesel	
Bearing .....		57080
<b>1986-1955</b>	exc. diesel	
Bushing H/D .....		PB656HD

### CLUTCH - 4 CYLINDER

#### Release Bearing

<b>1963</b>	153/2.5L	
Bearing Assy .....		614037 <sup>42</sup>

### CLUTCH - 6 CYLINDER

#### Release Bearing

<b>1989-1985</b>	262/4.3L (w/o cable activation)	
Bearing Assy .....		614109
<b>1989-1985</b>	262/4.3L (cable activated)	
Bearing Assy .....		614018 <sup>42</sup>
<b>1984-1977</b>	250/4.1L, 292/4.8L	
Bearing Assy .....		614018 <sup>42</sup>
<b>1976-1972</b>	250/4.1L flat diaphragm	
Bearing Assy .....		614037 <sup>42</sup>
<b>1976-1972</b>	250/4.1L cone diaph.	
Bearing Assy .....		614018 <sup>42</sup>
<b>1976-1969</b>	292/4.8L	
Bearing Assy .....		614018 <sup>42</sup>
<b>1971-1969</b>	230/3.8L, 250/4.1L	
Bearing Assy .....		614037 <sup>42</sup>
<b>1968-1963</b>	194/3.2, 230/3.8, 250/4.1, 292/4.8	
Bearing Assy .....		614037 <sup>42</sup>
<b>1962-1955</b>	270/ 4.4L (flat diaph)	
Bearing Assy .....		614037 <sup>42</sup>
<b>1961-1955</b>	270/ 4.4L (3 finger type)	
Bearing Assy .....		614018 <sup>42</sup>

### CLUTCH - 8 CYLINDER

#### Release Bearing

<b>1989-1985</b>	305/5.0 exc. cable clutch, 350/5.7, 379/6.2, 395/6.5, 454/7.4	
Bearing Assy .....		614109
<b>1989-1985</b>	305/5.0, cable clutch	
Bearing Assy .....		614018 <sup>42</sup>
<b>1984-1967</b>	exc. 283/4.6	
Bearing Assy .....		614018 <sup>42</sup>
<b>1967</b>	283/4.6L 3 lever design	
Bearing Assy .....		614018 <sup>42</sup>
<b>1967</b>	283/4.6L flat diaphragm	
Bearing Assy .....		614037 <sup>42</sup>
<b>1957-1955</b>	265/4.3L	
Bearing Assy .....		614037 <sup>42</sup>

### 3-SPEED MANUAL TRANSMISSION

#### Transmission Rebuild Kit

<b>1987-1966</b>	SM326 Saginaw	
Kit .....		TRK301

#### Front Input Shaft

<b>1987-1966</b>	SM326 Saginaw	
Seal .....		7412S
Bearing .....		207SLB
Kwik Slv (Opt Rpr) .....		KWK99125
<b>1981-1976</b>	Tremac	
Seal .....		482208
Bearing .....		208LO
Kwik Slv (Opt Rpr) .....		KWK99112
<b>1976-1968</b>	SM330 Muncie: H/D	
Seal .....		7412S
Bearing .....		307L
Kwik Slv (Opt Rpr) .....		KWK99125
<b>1968-1967</b>	Warner	
Seal .....		7412S
Bearing .....		307L
Kwik Slv (Opt Rpr) .....		KWK99125
<b>1968-1961</b>	SM318, SM319: with overdrive	
Seal .....		7412S
Bearing .....		1207SLB
Kwik Slv (Opt Rpr) .....		KWK99125
<b>1968-1961</b>	SM318, SM319: exc. overdrive	
Seal .....		7412S
Bearing .....		207SLB
Kwik Slv (Opt Rpr) .....		KWK99125
<b>1965-1959</b>	Warner	
Bearing .....		307L
<b>1960</b>	SM318: with overdrive	
Bearing .....		1207SLB
<b>1960</b>	SM318: exc. overdrive	
Seal .....		7412S
Bearing .....		207SLB
<b>1959-1946</b>	SM318	
Bearing .....		207SLB

#### Rear Output Shaft

<b>1987-1966</b>	SM326 Saginaw: 76mm shaft	
Seal .....		9613S
Bearing .....		306SLVB
Seal Kit Opt. ....		5200 <sup>64</sup>
<b>1981-1976</b>	Tremac	
Seal .....		9613S
Bearing .....		207L
Seal Kit Opt. ....		5200 <sup>64</sup>
<b>1976-1968</b>	SM330 Muncie: H/D	
Seal .....		9613S
Bearing .....		307L
Seal Kit Opt. ....		5200 <sup>64</sup>
<b>1968-1967</b>	Warner	
Seal .....		9613S
Bearing .....		1307L
Seal Kit Opt. ....		5200 <sup>64</sup>
<b>1968-1955</b>	SM318, SM319	
Seal .....		9613S
Bearing .....		306LO
Seal Kit Opt. ....		5200 <sup>64</sup>

108 [ ] Indicates Quantity Required; Set Components Listed Inside Rear Cover;

<sup>42</sup> Sealed Self-Aligning Bearing    <sup>64</sup> Opt. Seal and Bushing Kit

**CHEVROLET/GMC TRUCK - 1/2 TON - C-10/15, K-10/15, R-10/15, V-10/15, Blazer/Jimmy, Suburban (cont.)**

**3-SPEED MANUAL TRANSMISSION (cont.)**

**Rear Output Shaft (cont.)**

<b>1966-1959</b>	Warner	
Seal	.....	471341N
Bearing	.....	307L
<b>1959-1946</b>	SM318	
Bearing	.....	305L

**Selector Shaft Seal/Man. Shaft**

<b>1987-1967</b>		
Seal	.....	240735
Kwik Slv (Opt Rpr)	.....	KWK99076
<b>1966-1959</b>	Warner	
Seal	.....	340797
Kwik Slv (Opt Rpr)	.....	KWK99059

**4-SPEED MANUAL TRANSMISSION**

**Transmission Rebuild Kit**

<b>1987-1963</b>	New Process 435	
Kit	.....	TRK127
<b>1986-1978</b>	Muncie (M20)(CH465)	
Kit	.....	TRK157
<b>1979-1968</b>	SM465	
Kit	.....	TRK157

**Input Shaft**

<b>1989-1980</b>	Muncie (M20)(CH465); 1st design	
Seal	.....	481181N
Bearing	.....	N1211L
Kwik Slv (Opt Rpr)	.....	KWK99162
<b>1988</b>	Getrag	
Seal	.....	4529N
Kwik Slv (Opt Rpr)	.....	KWK99138
<b>1979-1963</b>	Muncie: 83mm shaft	
Seal	.....	7412S
Bearing	.....	N1307L
Kwik Slv (Opt Rpr)	.....	KWK99125
<b>1977-1968</b>	SM465	
Seal	.....	481181N
Bearing	.....	N1211L
Kwik Slv (Opt Rpr)	.....	KWK99162
<b>1972-1969</b>	New Process 435 (1.120" spline)	
Seal	.....	7412S
Cone/Cup	.....	HM88649-HM88610
Kwik Slv (Opt Rpr)	.....	KWK99125
<b>1972-1969</b>	New Process 435 (1.500" spline)	
Seal	.....	470380
Cone/Cup	.....	HM88649-HM88610
Kwik Slv (Opt Rpr)	.....	KWK99149
<b>1970-1968</b>	T10 Warner	
Seal	.....	7412S
Bearing	.....	307L
Kwik Slv (Opt Rpr)	.....	KWK99125
<b>1968-1964</b>	New Process 435 (1.500" spline)	
Seal	.....	470380
Bearing	.....	1308L
Kwik Slv (Opt Rpr)	.....	KWK99149

**4-SPEED MANUAL TRANSMISSION (cont.)**

**Input Shaft (cont.)**

<b>1968-1964</b>	New Process 435 (1.120" spline)	
Seal	.....	7412S
Bearing	.....	1308L
Kwik Slv (Opt Rpr)	.....	KWK99125

**Rear Output Shaft**

<b>1989-1985</b>	Muncie (M20)(CH465)	
Seal	.....	410085
Bearing	.....	308FFL
<b>1989-1981</b>	New Process	
Seal	.....	9613S
Bearing	.....	308LOE
Seal Kit Opt.	.....	5200 <sup>64</sup>
<b>1988</b>	Getrag	
Seal	.....	4528N
<b>1984-1980</b>	Muncie	
Seal	.....	410085
Bearing	.....	1308L
<b>1979-1978</b>	Muncie	
Seal	.....	714654
Bearing	.....	308L
<b>1979-1963</b>	Muncie 27-spline	
Seal	.....	9613S
Bearing	.....	308L
Seal Kit Opt.	.....	5200 <sup>64</sup>
<b>1977-1968</b>	SM465	
Seal	.....	410085
Bearing	.....	1308SL
<b>1972-1964</b>	New Process	
Seal	.....	470898
Bearing	.....	1308SL
<b>1970-1968</b>	Warner	
Seal	.....	9613S
Bearing	.....	307L
Seal Kit Opt.	.....	5200 <sup>64</sup>
<b>1968-1965</b>	Muncie 32-spline	
Seal	.....	9449
Bearing	.....	308L
Seal Kit Opt.	.....	5208 <sup>64</sup>

**5-SPEED MANUAL TRANSMISSION**

**Front Input Shaft**

<b>1989-1988</b>	Getrag	
Seal	.....	4529N
Kwik Slv (Opt Rpr)	.....	KWK99133

**Rear Output Shaft**

<b>1989-1988</b>	Getrag 4x2 (MG5)	
Seal	.....	2692
Bearing	.....	307FF
Kwik Slv (Opt Rpr)	.....	KWK99187
<b>1989-1988</b>	Getrag w/ 4x4 (MG5)	
Seal	.....	4532N
Kwik Slv (Opt Rpr)	.....	KWK99146

[ ] Indicates Quantity Required; Set Components Listed Inside Rear Cover;

<sup>64</sup> Opt. Seal and Bushing Kit

# Bearings and Seals

Mfg./Year    Model & Location    Part No    Mfg./Year    Model & Location    Part No

## CHEVROLET/GMC TRUCK - 1/2 TON - C-10/15, K-10/15, R-10/15, V-10/15, Blazer/Jimmy, Suburban (cont.)

### A/C COMPRESSOR

**1989-1975**  
 Bearing ..... 907257  
 Bearing (Frt head) ..... S128

### DRIVESHAFT SUPPORT

**1989-1955** Spicer 1280, 1310, 1330: 1.3780" bearing ID  
 Bearing ..... 88107  
 Hanger Bearing Assy ..... HB88107A  
**1989-1977** Spicer 1410: 4x4: 1.5748" bearing ID  
 Hanger Bearing Assy ..... HB108

### POWER STEERING

#### Pitman Shaft

**1989-1960**  
 Seal Kit ..... PSK1<sup>24</sup>

#### Pump Shaft

**1989-1960**  
 Seal ..... 7013S  
 Bearing ..... 8537

### CRANKSHAFT REAR SEAL

#### 6 Cylinder

**1989-1986**  
 Seal Viton ..... 4359V  
 Seal PTFE H/D Opt. .... 5274  
 Kwik Slv (Opt Rpr) ..... KWK99364  
**1985-1963**  
 Seal ..... 5092

### CRANKSHAFT REAR SEAL

#### 8 Cylinder

**1989-1986** exc. 454 & diesel engines  
 Seal Viton ..... 4359V  
 Seal PTFE H/D Opt. .... 5274  
 Kwik Slv (Opt Rpr) ..... KWK99364  
**1989-1982** diesel  
 Seal ..... 5163  
**1985-1967** exc. 454 & diesel engines  
 Seal ..... 5092  
**1980-1973** 454/7.4L  
 Seal ..... 5072

### TIMING COVER

#### 6 Cylinder

**1989-1946**  
 Seal ..... 9845  
 Kwik Slv (Opt Rpr) ..... KWK99176  
 Harmonic Balancer  
 Sleeves Opt. .... 88176

#### 8 Cylinder

**1989-1955** exc. 454 & diesel engines  
 Seal ..... 9845  
 Kwik Slv (Opt Rpr) ..... KWK99176  
**1989-1973** 454 & diesel engines  
 Seal ..... 3945  
 Kwik Slv (Opt Rpr) ..... KWK99233

## CHEVROLET/GMC TRUCK - 1/2 TON - Full Size Vans - G10/G15

### FRONT WHEEL

**1989-1973**  
 Seal (inner) ..... 8871[2]  
 Set (inner) ..... SET5  
 Set (outer) ..... SET3  
**1972-1971** drum brakes  
 Seal (inner) ..... 9015S[2]  
 Set (inner) ..... SET5  
 Set (outer) ..... SET2  
**1972-1971** disc brakes  
 Seal (inner) ..... 8871[2]  
 Set (inner) ..... SET6  
 Set (outer) ..... SET2  
**1970-1964**  
 Seal (inner) ..... 8705S[2]  
 Set (inner) ..... SET6  
 Set (outer) ..... SET2

### REAR WHEEL

**1989-1973**  
 Seal ..... 8835S[2]  
 Cyl. Bearing ..... 6408[2]  
 Kit ..... TRP1559TV[2]<sup>19</sup>  
**1972-1964** w/ HO31 or H035 axle  
 Seal ..... 8835S[2]  
 Cyl. Bearing ..... 6408[2]  
 Kit ..... TRP1559TV[2]<sup>19</sup>  
**1972-1964** w/ H024  
 Seal ..... 8660S[2]  
 Cyl. Bearing ..... 5707[2]  
 Kit ..... TRP1563TAV[2]<sup>19</sup>

### REAR AXLE

#### Differential Rebuild Kit

**1989-1988** 9.5" ring gear  
 Kit ..... DRK324  
**1989-1976** 8.5" ring gear  
 Kit ..... DRK321

**110** [ ] Indicates Quantity Required; Set Components Listed Inside Rear Cover;

<sup>19</sup> Opt. Axle Repair Bearing. Replaces O.E. bearing & seal.    <sup>24</sup> Opt. Kit incl. seals 5683 & 5684. Not sold separately

**CHEVROLET/GMC TRUCK - 1/2 TON - Full Size Vans - G10/G15 (cont.)**

**REAR AXLE (cont.)**

**Differential Rebuild Kit (cont.)**

<b>1981-1980</b>	8.75" ring gear	
Kit	.....	DRK323
<b>1981-1964</b>	8.875" ring gear	
Kit	.....	DRK322
<b>1972-1968</b>	Dana/Spicer 60-1, 60-3, 60-35 axles	
Kit	.....	DRK331
<b>1972-1965</b>	Dana/Spicer 44-1 axle	
Kit	.....	DRK339B
<b>1967</b>	Dana/Spicer 60-35 axle	
Kit	.....	DRK331

**Differential**

<b>1989-1973</b>	8.5", 8.625" ring gear	
Cone/Cup	.....	LM501349-LM501314[2]
<b>1981-1964</b>	8.875" ring gear	
Set	.....	SET36[2]
<b>1972-1968</b>	Dana/Spicer 60-1, 60-3, 60-35 axles	
Cone/Cup	.....	387A-382S[2]
<b>1972-1965</b>	Dana/Spicer 44-1 axle	
Cone/Cup	.....	25590-25523[2]
<b>1967</b>	Dana/Spicer 60-35 axle	
Cone/Cup	.....	387A-382S[2]
<b>1964</b>	Dana/Spicer 44-1, 45 axles	
Cone/Cup	.....	25577-25523[2]

**Pinion**

<b>1989-1976</b>	8.5" ring gear	
Cone/Cup (inner)	.....	M802048-M802011
Seal (outer)	.....	2043
Cone/Cup (outer)	.....	M88048-M88010
Cone/Cup (outer) Opt.	.....	M88048A-M88010
Kwik Slv (Opt Rpr)	.....	KWK99193
<b>1981-1977</b>	8.875" ring gear: with Positraction	
Cone/Cup (inner)	.....	M804049-M804010
Seal (outer)	.....	8460N
Cone/Cup (outer)	.....	M88048-M88010
Seal (outer) Opt.	.....	8460N
Cone/Cup (outer) Opt.	.....	M88048A-M88010
<b>1981-1964</b>	8.875" ring gear	
Cone/Cup (inner)	.....	HM89449-HM89410
Seal (outer)	.....	8460N
Cone/Cup (outer)	.....	M88048-M88010
Seal (outer) Opt.	.....	8460N
Cone/Cup (outer) Opt.	.....	M88048A-M88010
<b>1975-1973</b>	8.125" ring gear	
Cone/Cup (inner)	.....	HM89449-HM89410
Seal (outer)	.....	8611N
Cone/Cup (outer)	.....	M86649-M86610
<b>1972-1968</b>	Dana/Spicer 60-1, 60-3 axles	
Cone/Cup (inner)	.....	HM803146-HM803110
Seal (outer)	.....	9316
Cone/Cup (outer)	.....	HM88542-HM88510

**REAR AXLE (cont.)**

**Pinion (cont.)**

<b>1972-1967</b>	Dana/Spicer 60-35 coil spring axle	
Cone/Cup (inner)	.....	HM803146-HM803110
Seal (outer)	.....	9316
Cone/Cup (outer)	.....	HM88542-HM88510
<b>1972-1967</b>	Dana/Spicer 60-35 leaf spring axle	
Cone/Cup (inner)	.....	HM803146-HM803110
Seal (outer)	.....	6808N
Cone/Cup (outer)	.....	HM88542-HM88510
<b>1972-1964</b>	Dana/Spicer 44-1 axle	
Cone/Cup (inner)	.....	31594-31520
Seal (outer)	.....	5778
Cone/Cup (outer)	.....	02872-02820

**3-SPEED AUTOMATIC TRANSMISSION**

**Torque Converter**

<b>1989-1964</b>		
Seal	.....	6712NA
Kwik Slv (Opt Rpr)	.....	KWK99187

**Rear Seal/Ext. Housing**

<b>1989-1980</b>	exc. THM350	
Seal	.....	9449
Seal Kit Opt.	.....	5208 <sup>64</sup>
<b>1987-1980</b>	THM350	
Seal	.....	9613S
Seal Kit Opt.	.....	5200 <sup>64</sup>
<b>1979-1967</b>	exc. THM400	
Seal	.....	9613S
Seal Kit Opt.	.....	5200 <sup>64</sup>
<b>1979-1964</b>	THM400: 1.890" shaft	
Seal	.....	9449
Seal Kit Opt.	.....	5208 <sup>64</sup>
<b>1977-1964</b>	THM400: 1.687" shaft	
Seal	.....	7038SA
Seal Kit Opt.	.....	5205 <sup>64</sup>

**Selector Shaft Seal/Man. Shaft**

<b>1989-1964</b>		
Seal	.....	8792S

**4-SPEED AUTOMATIC TRANSMISSION**

**Torque Converter**

<b>1989-1982</b>	THM700, 4L60-E	
Seal	.....	3227
Kwik Slv (Opt Rpr)	.....	KWK99174

**Rear Seal/Ext. Housing**

<b>1989-1983</b>	HM4L60	
Seal	.....	9613S
Kwik Slv (Opt Rpr)	.....	KWK99149
Seal Kit Opt.	.....	5200 <sup>64</sup>

[ ] Indicates Quantity Required; Set Components Listed Inside Rear Cover;

<sup>64</sup> Opt. Seal and Bushing Kit

# Bearings and Seals

Mfg./Year    Model & Location    Part No    Mfg./Year    Model & Location    Part No

## CHEVROLET/GMC TRUCK - 1/2 TON - Full Size Vans - G10/G15 (cont.)

### 4-SPEED AUTOMATIC TRANSMISSION

#### Selector Shaft Seal/Man. Shaft

1989-1982  
Seal ..... 8792S

### CLUTCH - 6 CYLINDER

#### Pilot Bearing

1989-1987  
Bearing ..... 57080  
1986-1967  
Bushing H/D ..... PB656HD

### CLUTCH - 8 CYLINDER

#### Pilot Bearing

1989-1987  
Bearing ..... 57080  
1986-1968  
Bushing H/D ..... PB656HD

### CLUTCH

#### Release Bearing

1989-1984 with hydraulic mechanism  
Bearing Assy ..... 614174  
1989-1984 with cable-actuated mechanism  
Bearing Assy ..... 614018<sup>42</sup>  
1983-1973 exc. 250 (4.1) engine with 1.875"  
ID diaphragm  
Bearing Assy ..... 614018<sup>42</sup>  
1983-1973 250 (4.1) engine with 1.875" ID  
diaphragm clutch  
Bearing Assy ..... 614037<sup>42</sup>  
1972-1967 exc. 194 (3.2), 250 (4.1) engines  
Bearing Assy ..... 614018<sup>42</sup>  
1972-1967 194 (3.2), 250 (4.1) engines  
Bearing Assy ..... 614037<sup>42</sup>  
1966 coil spring clutch: exc. diesel  
Bearing Assy ..... 614018<sup>42</sup>  
1966 diaphragm clutch: exc. diesel  
Bearing Assy ..... 614037<sup>42</sup>  
1965-1964 exc. 261, 292, 327 engines  
Bearing Assy ..... 614018<sup>42</sup>

### 3-SPEED MANUAL TRANSMISSION

#### Transmission Rebuild Kit

1987-1966 SM326 Saginaw  
Kit ..... TRK301

#### Front Input Shaft

1987-1964 Saginaw  
Seal ..... 7412S  
Bearing ..... 207SLB  
Kwik Slv (Opt Rpr) ..... KWK99125  
1982-1976 Tremac  
Seal ..... 482208  
Bearing ..... 208LO  
Kwik Slv (Opt Rpr) ..... KWK99112

### 3-SPEED MANUAL TRANSMISSION

#### (cont.)

#### Front Input Shaft (cont.)

1976-1968 Muncie  
Seal ..... 7412S  
Bearing ..... 307L  
Kwik Slv (Opt Rpr) ..... KWK99125

#### Rear Output Shaft

1987-1966 Saginaw  
Seal ..... 9613S  
Bearing ..... 306SLVB  
Seal Kit Opt. ..... 5200<sup>64</sup>  
1981-1976 Tremac  
Seal ..... 9613S  
Bearing ..... 207L  
Seal Kit Opt. ..... 5200<sup>64</sup>  
1976-1968 Muncie  
Seal ..... 9613S  
Bearing ..... 307L  
Seal Kit Opt. ..... 5200<sup>64</sup>

#### Selector Shaft Seal/Man. Shaft

1987-1964  
Seal ..... 240735  
Kwik Slv (Opt Rpr) ..... KWK99076

### 4-SPEED MANUAL TRANSMISSION

#### Transmission Rebuild Kit

1987-1963 New Process 435  
Kit ..... TRK127  
1986-1978 CH465: 117mm front input shaft  
Kit ..... TRK157  
1979-1968 SM465  
Kit ..... TRK157

#### Input Shaft

1989-1985 New Process (MY6)  
Seal ..... 7412S  
Kwik Slv (Opt Rpr) ..... KWK99162  
1970-1967 Warner  
Seal ..... 7412S  
Bearing ..... 307L  
Kwik Slv (Opt Rpr) ..... KWK99125

#### Rear Output Shaft

1989-1981 New Process  
Seal ..... 9613S  
Bearing ..... 308LOE  
Seal Kit Opt. ..... 5200<sup>64</sup>  
1970-1968 Warner  
Seal ..... 9613S  
Bearing ..... 307L  
Seal Kit Opt. ..... 5200<sup>64</sup>

### DRIVESHAFT SUPPORT

1989-1964  
Bearing ..... 88107  
Hanger Bearing Assy ..... HB88107A

112 [ ] Indicates Quantity Required; Set Components Listed Inside Rear Cover;

<sup>42</sup> Sealed Self-Aligning Bearing    <sup>64</sup> Opt. Seal and Bushing Kit

**CHEVROLET/GMC TRUCK - 1/2 TON - Full Size Vans - G10/G15 (cont.)**

**POWER STEERING**

**Pitman Shaft**

<b>1989-1964</b>	
Seal Kit .....	PSK1 <sup>24</sup>

**Pump Shaft**

<b>1989-1964</b>	
Seal .....	7013S
Bearing .....	8537

**CRANKSHAFT REAR SEAL**

**6 Cylinder**

<b>1989-1986</b>	
Seal Viton .....	4359V
Seal PTFE H/D Opt. ....	5274
Kwik Slv (Opt Rpr) .....	KWK99364
<b>1985-1964</b>	
Seal .....	5092

**CRANKSHAFT REAR SEAL**

**8 Cylinder**

<b>1989-1986</b>	305/5.0L, 350/5.7L
Seal Viton .....	4359V
Seal PTFE H/D Opt. ....	5274
Kwik Slv (Opt Rpr) .....	KWK99364
<b>1985-1968</b>	exc. 454 & diesel engines
Seal .....	5092

**TIMING COVER**

**6 Cylinder**

<b>1989-1964</b>	
Seal .....	9845
Kwik Slv (Opt Rpr) .....	KWK99176
Harmonic Balancer	
Sleeves Opt. ....	88176

**8 Cylinder**

<b>1989-1968</b>	exc. 454 & diesel engines
Seal .....	9845
Kwik Slv (Opt Rpr) .....	KWK99176

**CHEVROLET/GMC TRUCK - 3/4 TON - C-20/25, K-20/25, R-20/25, V-20/25, Suburban, Full Size Pickups and SUV's**

**FRONT WHEEL**

**2WD**

<b>1989-1988</b>	exc. C Series & Suburban w/8600 GVWR
Seal (inner) .....	8974S[2]
Set (inner) .....	SET45
Cone/Cup (outer) .....	15103S-15243[2]
<b>1989-1971</b>	C Series & Suburban w/8600 GVWR
Seal (inner) .....	4739[2]
Set (inner) .....	SET5
Set (outer) .....	SET3
<b>1970-1963</b>	
Seal (inner) .....	8974S[2]
Cone/Cup (inner) .....	2777-2720[2]
Set (outer) .....	SET3
<b>1962-1960</b>	
Seal (inner) .....	8243[2]
Bearing (inner) .....	B48[2]
Bearing (outer) .....	B47
<b>1959-1953</b>	
Seal (inner) .....	5756[2]
Bearing (inner) .....	B46[2]
Bearing (outer) .....	B45
<b>1952-1946</b>	
Seal (inner) .....	40973S[2]
Bearing (inner) .....	B26[2]
Bearing (outer) .....	B25

**FRONT WHEEL**

**4WD**

<b>1989-1988</b>	Pickup, Suburban, Tahoe: 6-lug wheels
Hub Assy .....	515001[2] <sup>29</sup>
<b>1989-1987</b>	Pickup, Suburban, Tahoe: 8600 GVW, 8-lug wheels
Hub Assy .....	HA591339[2]
<b>1989-1977</b>	exc. vehicles with hub assembly
Seal (inner) .....	471271[2]
Cone/Cup (inner) .....	LM104949-JLM104910[2]
Set (outer) .....	SET45
<b>1977</b>	1st Design
Seal (inner) .....	416273[2]
Cone/Cup (inner) .....	368A-362A[2]
Set (outer) .....	SET45
<b>1976-1972</b>	Dana/Spicer 44-5F axle
Seal (inner) .....	416273[2]
Set (inner) .....	SET37
Set (outer) .....	SET45
<b>1976-1966</b>	Dana/Spicer 44-6F axle
Seal (inner) .....	455369[2]
Set (inner) .....	SET37
Set (outer) .....	SET45
<b>1976-1960</b>	Dana/Spicer 44-5HDF, 44-6HDF axles
Seal (inner) .....	455369[2]
Cone/Cup (inner) .....	368A-362A[2]
Set (outer) .....	SET45
<b>1959</b>	
Seal (inner) .....	473473[2]
Set (inner) .....	SET37
Set (outer) .....	SET45

[ ] Indicates Quantity Required; Set Components Listed Inside Rear Cover;

<sup>24</sup> Opt. Kit incl. seals 5683 & 5684. Not sold separately

<sup>29</sup> Seal is not serviceable on this unit

# Bearings and Seals

Mfg./Year    Model & Location    Part No    Mfg./Year    Model & Location    Part No

## CHEVROLET/GMC TRUCK - 3/4 TON - C-20/25, K-20/25, R-20/25, V-20/25, Suburban, Full Size Pickups and SUV's (cont.)

### FRONT WHEEL (cont.)

#### 4WD (cont.)

<b>1958-1957</b>	
Seal (inner) .....	473473[2]
Set (inner) .....	SET37
Set (outer) .....	SET37

### REAR WHEEL

<b>1989-1981</b>	9.5" ring gear (code Y06)
Seal .....	710105[2]
Cyl. Bearing .....	R1561TV[2]
Kit .....	TGM1561R[2] <sup>19</sup>
<b>1989-1973</b>	10.5" ring gear
Seal (inner) .....	2081[2]
Cone/Cup (inner) .....	387AS-382A[2]
Set (outer) .....	SET38
<b>1989-1987</b>	9.5" ring gear
Seal .....	3747[2]
Cyl. Bearing .....	R1561TV[2]
Kit .....	TGM1561R[2] <sup>19</sup>
<b>1972-1967</b>	HO52 axle
Seal (inner) .....	2081[2]
Cone/Cup (inner) .....	388A-382[2]
Cone/Cup (outer) .....	368S-362[2]
<b>1972-1965</b>	Spicer 60 axle
Seal (inner) .....	455860[2]
Cone/Cup (inner) .....	28678-28622[2]
Cone/Cup (outer) .....	18690-18620[2]
<b>1966-1965</b>	coil springs
Seal (inner) .....	2081[2]
Cone/Cup (inner) .....	388A-382[2]
Cone/Cup (outer) .....	368S-362[2]
<b>1966-1965</b>	leaf springs
Seal (inner) .....	455860[2]
Cone/Cup (inner) .....	388A-382[2]
Cone/Cup (outer) .....	368S-362[2]
<b>1964-1946</b>	3400-3700 Series
Seal (inner) .....	2081[2]
Cone/Cup (inner) .....	388A-382[2]
Cone/Cup (outer) .....	368S-362[2]

### 4WD FRONT AXLE

#### Differential Rebuild Kit

<b>1989-1988</b>	9.25" ring gear
Kit .....	DRK324A
<b>1987-1977</b>	8.5" ring gear
Kit .....	DRK321
<b>1982-1969</b>	Dana/Spicer 44-5, 44-6, 44-8 series axles
Kit .....	DRK339B

#### Differential

<b>1989-1988</b>	9.25" ring gear
Seal .....	450094[2]
Set .....	SET42[2]
<b>1989-1978</b>	8.25", 8.5" ring gear: GM axles
Cone/Cup .....	LM501349-LM501314[2]
<b>1982-1969</b>	Dana/Spicer 44 series axles
Cone/Cup .....	25590-25523[2]

### 4WD FRONT AXLE (cont.)

#### Differential (cont.)

<b>1968-1960</b>	Dana/Spicer 44 series axles
Cone/Cup .....	25577-25523[2]
<b>1959-1958</b>	FH035 axle
Cone/Cup .....	388A-382

#### Pinion

<b>1989-1988</b>	9.25" ring gear
Cone/Cup (inner) .....	HM804846-HM804810
Seal (outer) .....	710281
Cone/Cup (outer) .....	HM88649-HM88610
<b>1989-1988</b>	8.25" ring gear: GM axle
Cone/Cup (inner) .....	M802048-M802011
Seal (outer) .....	710281
Cone/Cup (outer) .....	M88048-M88010
Cone/Cup (outer) Opt. ....	M88048A-M88010
<b>1989-1977</b>	8.5" ring gear: GM axle
Cone/Cup (inner) .....	M802048-M802011
Seal (outer) .....	8622
Cone/Cup (outer) .....	M88048-M88010
Cone/Cup (outer) Opt. ....	M88048A-M88010
<b>1982-1960</b>	Dana/Spicer 44 series axles
Cone/Cup (inner) .....	31594-31520
Seal (outer) .....	5778
Cone/Cup (outer) .....	02872-02820
<b>1959-1958</b>	FH035 axle
Seal (outer) .....	411330N
Bearing Assy (outer) .....	55197-90030
Cyl. Bearing (pilot) .....	MUB5205UM

#### Spindle Kit

<b>1989-1973</b>	
Bearing & Seal Kit .....	SBK1 <sup>33</sup>

#### Spindle

<b>1989-1973</b>	
Seal (inner) .....	722108[2]
Needle Bearing (inner) .....	B2110[2]
Seal (outer) .....	722109[2]
<b>1972-1960</b>	Dana/Spicer 44-5, 44-6 series axles
Seal .....	472394[2]
Needle Bearing .....	B2110[2]

#### Steering Knuckle

<b>1972-1960</b>	Dana/Spicer 44-5F, 44-6F axles
Seal (upper) .....	204005S[2]
Cone/Cup (upper) .....	11590-11520[2]
Seal (lower) .....	204005S[2]
Cone/Cup (lower) .....	11590-11520[2]
<b>1972-1960</b>	Dana/Spicer 44-5CFHD, 44-6CFHD axles
Cone/Cup (upper) .....	23100-23256[2]
Cone/Cup (lower) .....	23100-23256[2]

114 [ ] Indicates Quantity Required; Set Components Listed Inside Rear Cover;

<sup>19</sup> Opt. Axle Repair Bearing. Replaces O.E. bearing & seal.

<sup>33</sup> Opt. Kit incl: Bearing B2110; Seals 722108 &

**CHEVROLET/GMC TRUCK - 3/4 TON - C-20/25, K-20/25, R-20/25, V-20/25, Suburban, Full Size Pickups and SUV's (cont.)**

**REAR AXLE**

**Differential Rebuild Kit**

<b>1989-1979</b>	8.5" ring gear	
Kit		DRK321
<b>1989-1988</b>	10.5" ring gear: 2nd design	
Kit		DRK325A
<b>1989-1981</b>	9.5" ring gear	
Kit		DRK324
<b>1988-1973</b>	10.5" ring gear: 1st design: production thru early 1988	
Kit		DRK325
<b>1981-1964</b>	8.875" ring gear: H031, H035 axles	
Kit		DRK322
<b>1972-1965</b>	Dana/Spicer 60-1, 60-3, 60-35 axles	
Kit		DRK331

**Differential**

<b>1989-1981</b>	9.5" ring gear	
Set		SET42[2]
<b>1989-1973</b>	10.5" ring gear	
Cone/Cup		387AS-382A[2]
<b>1989-1976</b>	8.5" ring gear	
Cone/Cup		LM501349-LM501314[2]
<b>1981-1967</b>	8.75", 8.875" ring gears: H031, H035 axles	
Set		SET36[2]
<b>1972-1968</b>	Dana/Spicer 60-1, 60-3, 60-35 axles	
Cone/Cup		387A-382S[2]
<b>1972-1956</b>	H052, H072 axles	
Cone/Cup		388A-382[2]
<b>1967</b>	Dana/Spicer 60-35 axle	
Cone/Cup		387A-382S[2]
<b>1955-1946</b>	H072 axle	
Cone/Cup		388A-382[2]

**Pinion**

<b>1989-1981</b>	9.5" ring gear	
Cone/Cup (inner)		HM804846-HM804810
Seal (outer)		3896
Cone/Cup (outer)		HM88649-HM88610
<b>1989</b>	10.5" ring gear	
Cone/Cup (inner)		HM903249-HM903210
Seal (outer)		2286
Cone/Cup (outer)		M802048-M802011
Cyl. Bearing (pilot)		R1581TV
<b>1988</b>	10.5" ring gear: 1st design	
Cone/Cup (inner)		HM803149-HM803110
Seal (outer)		2286
Cone/Cup (outer)		M802048-M802011
Cyl. Bearing (pilot)		R1581TV
<b>1988</b>	10.5" ring gear: 2nd design	
Cone/Cup (inner)		HM903249-HM903210
Seal (outer)		2286
Cone/Cup (outer)		M802048-M802011
Cyl. Bearing (pilot)		R1581TV

**REAR AXLE (cont.)**

**Pinion (cont.)**

<b>1987-1986</b>	10.5" ring gear	
Cone/Cup (inner)		HM803149-HM803110
Seal (outer)		2286
Cone/Cup (outer)		M802048-M802011
Cyl. Bearing (pilot)		R1581TV
<b>1985-1984</b>	10.5" ring gear	
Cone/Cup (inner)		HM803149-HM803110
Seal (outer)		2286
Cone/Cup (outer)		M802048-M802011
Needle Bearing (pilot)		512224
<b>1983-1973</b>	10.5" ring gear	
Cone/Cup (inner)		HM803149-HM803110
Seal (outer)		2286
Cone/Cup (outer)		M802048-M802011
Cyl. Bearing (pilot)		R1581TV
<b>1981-1964</b>	8.875" ring gear: H031, H035 axles	
Cone/Cup (inner)		HM89449-HM89410
Seal (outer)		8460N
Cone/Cup (outer)		M88048-M88010
<b>1972-1968</b>	H052 axle	
Seal (outer)		411330N
Bearing Assy (outer)		55197-90030
Cyl. Bearing (pilot)		M5205EL
<b>1972-1968</b>	H072 axle	
Seal (outer)		411330N
Bearing Assy (outer)		55197-90030
Cyl. Bearing (pilot)		M5205EL
<b>1972-1968</b>	Dana/Spicer 60-1, 60-3 axles	
Cone/Cup (inner)		HM803146-HM803110
Seal (outer)		9316
Cone/Cup (outer)		HM88542-HM88510
<b>1972-1967</b>	Dana/Spicer 60-35 coil spring axle	
Cone/Cup (inner)		HM803146-HM803110
Seal (outer)		9316
Cone/Cup (outer)		HM88542-HM88510
<b>1972-1967</b>	Dana/Spicer 60-35 leaf spring axle	
Cone/Cup (inner)		HM803146-HM803110
Seal (outer)		6808N
Cone/Cup (outer)		HM88542-HM88510
<b>1967-1961</b>	H052 axle	
Seal (outer)		411330N
Bearing (outer)		5310WA
Cyl. Bearing (pilot)		M5202EL
<b>1967-1961</b>	H072 axle	
Seal (outer)		411330N
Bearing (outer)		5310WA
Cyl. Bearing (pilot)		M5202EL
<b>1960</b>	H052 axle	
Seal (outer)		411330N
Bearing Assy (outer)		55197-90030
Cyl. Bearing (pilot)		MUB5205UM
<b>1960</b>	H072 axle	
Seal (outer)		411330N
Bearing Assy (outer)		55197-90030



# Bearings and Seals

Mfg./Year    Model & Location    Part No    Mfg./Year    Model & Location    Part No

## CHEVROLET/GMC TRUCK - 3/4 TON - C-20/25, K-20/25, R-20/25, V-20/25, Suburban, Full Size Pickups and SUV's (cont.)

### REAR AXLE (cont.)

#### Pinion (cont.)

<b>1959-1946</b>	H052 axle	
Seal (outer)	.....	411330N
Bearing Assy (outer)	.....	55197-90030
Cyl. Bearing (pilot)	.....	MUB5205UM
<b>1959-1946</b>	H072 axle	
Seal (outer)	.....	411330N
Bearing Assy (outer)	.....	55197-90030
Cyl. Bearing (pilot)	.....	MUB5205UM

### TRANSFER CASE REBUILD KIT

<b>1989-1988</b>	New Process 241C	
Kit	.....	TCRK241D <sup>50</sup>
<b>1988-1981</b>	New Process 208	
Kit	.....	TCRK208SPK <sup>47</sup>
<b>1980</b>	New Process 205 with Turbo 400 trans	
Kit	.....	TCRK205GDM
<b>1980</b>	New Process 205 exc. Turbo 400 trans	
Kit	.....	TCRK205G
<b>1979-1973</b>	New Process 203	
Kit	.....	TCRK203G
<b>1979-1969</b>	New Process 205	
Kit	.....	TCRK205G
<b>1972-1969</b>	Spicer 18	
Kit	.....	TCRK18

### TRANSFER CASE

#### Input Shaft

<b>1989-1988</b>	New Process 241	
Seal	.....	3173[2]
Bearing	.....	N5210KLB
Seal Dual Lip	.....	710298[2]
Kwik Slv (Opt Rpr)	.....	KWK99193[2]
Needle Bearing (pilot)	.....	SCH1810
<b>1988-1981</b>	New Process 208	
Seal	.....	3173[2]
Needle Bearing	.....	B5020[2]
Seal Dual Lip	.....	710298[2]
Kwik Slv (Opt Rpr)	.....	KWK99193[2]
Needle Bearing (pilot)	.....	B2012
Needle Bearing Thrust	.....	AXK5070
<b>1980</b>	New Process 205 exc. Turbo 400 trans	
Seal	.....	471869[2]
Bearing	.....	1307L[2]
Kwik Slv (Opt Rpr)	.....	KWK99193[2]
Needle Bearing (pilot)	.....	QAR29523[15]
<b>1980</b>	New Process 205 with Turbo 400 trans	
Seal	.....	471869[2]
Bearing	.....	1210L[2]
Kwik Slv (Opt Rpr)	.....	KWK99193[2]
Needle Bearing (pilot)	.....	QAR29523[15]
<b>1979-1969</b>	New Process 205	
Seal	.....	471869[2]
Bearing	.....	1307L[2]
Kwik Slv (Opt Rpr)	.....	KWK99193[2]

### Front Output Shaft

<b>1989-1988</b>	New Process 241, 243	
Seal	.....	3946
Bearing	.....	207
Kwik Slv (Opt Rpr)	.....	KWK99187
Needle Bearing (pilot)	.....	J2416
<b>1988-1981</b>	New Process 208	
Seal	.....	3946
Needle Bearing	.....	B2816
Kwik Slv (Opt Rpr)	.....	KWK99187
Needle Bearing (pilot)	.....	J2416
Needle Bearing Thrust	.....	NTA2840[2]
<b>1980-1969</b>	New Process 205	
Seal	.....	710005
Bearing	.....	307L[2]
Kwik Slv (Opt Rpr)	.....	KWK99174
Needle Bearing (pilot)	.....	M28161
<b>1975-1973</b>	New Process 203	
Seal	.....	450087
Bearing	.....	307L[2]
Kwik Slv (Opt Rpr)	.....	KWK99174
Needle Bearing (pilot)	.....	M28161
<b>1972-1969</b>	Spicer 18	
Seal	.....	472635
Bearing	.....	206WB
Kwik Slv (Opt Rpr)	.....	KWK99155
<b>1972-1960</b>	Rockwell T221	
Seal (front)	.....	472164
Bearing (front)	.....	207L
Kwik Slv (Opt Rpr)	.....	KWK99174
Bearing (rear)	.....	209L

### Rear Output Shaft

<b>1989-1988</b>	New Process 241	
Seal	.....	9449
Bearing	.....	207
Seal Kit Opt.	.....	5208 <sup>64</sup>
Needle Bearing (pilot)	.....	B5020[2]
<b>1988-1981</b>	New Process 208	
Seal	.....	9449
Bearing	.....	1207L
Seal Kit Opt.	.....	5208 <sup>64</sup>
Needle Bearing (pilot)	.....	B3616
Needle Bearing Thrust	.....	TC2435
<b>1980-1969</b>	New Process 205	
Seal	.....	473468
Bearing	.....	307L
Kwik Slv (Opt Rpr)	.....	KWK99212
Needle Bearing (pilot)	.....	B3216
<b>1979-1973</b>	New Process 203	
Seal	.....	473204
Bearing	.....	307L
Kwik Slv (Opt Rpr)	.....	KWK99212
Needle Bearing (pilot)	.....	QAR29523[15]
<b>1972-1969</b>	Spicer 18	
Seal	.....	472635
Cone/Cup	.....	14131-14276[2]
Kwik Slv (Opt Rpr)	.....	KWK99155

116 [ ] Indicates Quantity Required; Set Components Listed Inside Rear Cover;

<sup>47</sup> Includes Small Parts Kit    <sup>50</sup> 6010-N I/S brg.    <sup>64</sup> Opt. Seal and Bushing Kit

**CHEVROLET/GMC TRUCK - 3/4 TON - C-20/25, K-20/25, R-20/25, V-20/25, Suburban, Full Size Pickups and SUV's (cont.)**

**TRANSFER CASE (cont.)**

**Rear Output Shaft (cont.)**

<b>1972-1960</b>	Rockwell T221	
Seal .....		472164
Cone/Cup .....	15126-15245[2]	
Kwik Slv (Opt Rpr) .....	KWK99174	

**Idler Shaft**

<b>1980-1969</b>	New Process 205	
Cone/Cup .....	2793-2720[2]	
<b>1979-1973</b>	New Process 203	
Needle Bearing .....	QAR29523[72]	
<b>1972-1969</b>	Spicer 18	
Needle Bearing .....	Q13367[48]	
<b>1972-1960</b>	Rockwell T221	
Cone/Cup (front) .....	02476-02420	
Cone/Cup (rear) .....	15126-15245	

**Oil Pump Housing**

<b>1989-1981</b>	New Process 208, 241, 243	
Seal .....		341022
Kwik Slv (Opt Rpr) .....	KWK99225	

**Selector Shaft Seal/Man. Shaft**

<b>1980-1969</b>	New Process 205	
Seal .....		2287[2]
Kwik Slv (Opt Rpr) .....	KWK99076[2]	
<b>1972-1969</b>	Spicer 18	
Seal .....		470009[2]
Kwik Slv (Opt Rpr) .....	KWK99062[2]	
<b>1972-1960</b>	Rockwell T221	
Seal .....		480954[2]
Kwik Slv (Opt Rpr) .....	KWK99076[2]	

**AUTOMATIC TRANSMISSION**

**Torque Converter**

<b>1973-1960</b>	Powerglide	
Seal .....		6712NA
Kwik Slv (Opt Rpr) .....	KWK99187	
<b>1967-1954</b>	Hydramatic	
Seal .....		450725N <sup>20</sup>

**Rear Seal/Ext. Housing**

<b>1973-1954</b>	Hydramatic: 1.687" shaft	
Seal .....		7038SA
Bearing .....		107WB
Seal Kit Opt. ....		5200 <sup>64</sup>
<b>1973-1954</b>	exc. Hydramatic w/1.687" shaft	
Seal .....		9613S
Cone .....		43206
Seal Kit Opt. ....		5200 <sup>64</sup>

**3-SPEED AUTOMATIC TRANSMISSION**

**Torque Converter**

<b>1989-1964</b>		
Seal .....		6712NA
Kwik Slv (Opt Rpr) .....	KWK99187	

**Rear Seal/Ext. Housing**

<b>1989-1964</b>	THM400: 1.890" shaft	
Seal .....		9449
Seal Kit Opt. ....		5208 <sup>64</sup>
<b>1986-1964</b>	THM350	
Seal .....		9613S
Seal Kit Opt. ....		5200 <sup>64</sup>
<b>1977-1964</b>	THM400: 1.687" shaft	
Seal .....		7038SA
Seal Kit Opt. ....		5205 <sup>64</sup>

**Selector Shaft Seal/Man. Shaft**

<b>1989-1980</b>		
Seal .....		8792S

**4-SPEED AUTOMATIC TRANSMISSION**

**Torque Converter**

<b>1989-1982</b>	THM700, 4L60-E	
Seal .....		3227
Kwik Slv (Opt Rpr) .....	KWK99174	

**Rear Seal/Ext. Housing**

<b>1989-1982</b>	THM700-R4	
Seal .....		9613S
Kwik Slv (Opt Rpr) .....	KWK99149	
Seal Kit Opt. ....		5200 <sup>64</sup>

**Selector Shaft Seal/Man. Shaft**

<b>1989-1982</b>		
Seal .....		8792S

**CLUTCH**

**Pilot Bearing**

<b>1989-1982</b>	diesel, turbodiesel engines	
Bearing .....		57080
<b>1989-1982</b>	gas engine	
Bushing H/D .....		PB656HD
<b>1981-1946</b>		
Bushing H/D .....		PB656HD

**CLUTCH - 6 CYLINDER**

**Release Bearing**

<b>1989-1985</b>	hydraulic	
Bearing Assy .....		614109
<b>1989-1985</b>	cable clutch	
Bearing Assy .....		614018 <sup>42</sup>
<b>1984-1972</b>	250/4.1L cone diaph.	
Bearing Assy .....		614018 <sup>42</sup>
<b>1984-1969</b>	292/4.8L	
Bearing Assy .....		614018 <sup>42</sup>
<b>1976-1972</b>	250/4.1L flat diaph	
Bearing Assy .....		614037 <sup>42</sup>
<b>1971-1969</b>	230/3.8L, 250/4.1L	
Bearing Assy .....		614037 <sup>42</sup>
<b>1968-1963</b>	230/3.8L, 250/4.1L, 292/4.8L	
Bearing Assy .....		614037 <sup>42</sup>
<b>1963-1950</b>	bent diaphragm	
Bearing Assy .....		614018 <sup>42</sup>

[ ] Indicates Quantity Required; Set Components Listed Inside Rear Cover;

<sup>20</sup> Not currently in production; check for availability

<sup>42</sup> Sealed Self-Aligning Bearing

<sup>64</sup> Opt. Seal

and Bushing Kit

# Bearings and Seals

Mfg./Year    Model & Location    Part No    Mfg./Year    Model & Location    Part No

## CHEVROLET/GMC TRUCK - 3/4 TON - C-20/25, K-20/25, R-20/25, V-20/25, Suburban, Full Size Pickups and SUV's (cont.)

### CLUTCH - 6 CYLINDER (cont.)

#### Release Bearing (cont.)

<b>1963-1950</b>	flat diaphragm	
	Bearing Assy	614037 <sup>42</sup>
<b>1952-1946</b>	216/3.5L	
	Bearing Assy	614037 <sup>42</sup>

### CLUTCH - 8 CYLINDER

#### Release Bearing

<b>1989-1985</b>	exc. cable clutch	
	Bearing Assy	614109
<b>1989-1985</b>	cable clutch	
	Bearing Assy	614018 <sup>42</sup>
<b>1984-1968</b>		
	Bearing Assy	614018 <sup>42</sup>
<b>1967-1957</b>	283/4.6L bent diaphragm	
	Bearing Assy	614018 <sup>42</sup>
<b>1967-1957</b>	283/4.6L flat diaphragm	
	Bearing Assy	614037 <sup>42</sup>

### 3-SPEED MANUAL TRANSMISSION

#### Transmission Rebuild Kit

<b>1987-1966</b>	SM326 Saginaw	
	Kit	TRK301

#### Front Input Shaft

<b>1987-1966</b>	Saginaw	
	Seal	7412S
	Bearing	207SLB
	Kwik Slv (Opt Rpr)	KWK99125
<b>1982-1976</b>	Tremac	
	Seal	482208
	Bearing	208LO
	Kwik Slv (Opt Rpr)	KWK99112
<b>1976-1969</b>	Muncie	
	Seal	7412S
	Bearing	307L
	Kwik Slv (Opt Rpr)	KWK99125
<b>1968</b>	Warner	
	Seal	7412S
	Bearing	307L
	Kwik Slv (Opt Rpr)	KWK99125
<b>1968-1961</b>	SM318, SM319: with overdrive	
	Seal	7412S
	Bearing	1207SLB
	Kwik Slv (Opt Rpr)	KWK99125
<b>1968-1961</b>	SM318, SM319: exc. overdrive	
	Seal	7412S
	Bearing	207SLB
	Kwik Slv (Opt Rpr)	KWK99125
<b>1966-1960</b>	Warner	
	Bearing	307L
<b>1960</b>	SM318: with overdrive	
	Bearing	1207SLB
<b>1960</b>	SM318: exc. overdrive	
	Bearing	207SLB
<b>1959-1946</b>	SM318	
	Bearing	207SLB

### Rear Output Shaft

<b>1987-1966</b>	Saginaw	
	Seal	9613S
	Bearing	306SLVB
<b>1982-1976</b>	Tremac	
	Seal	9613S
	Bearing	207L
<b>1976-1969</b>	Muncie	
	Seal	9613S
	Bearing	307L
<b>1968</b>	Warner	
	Seal	9613S
	Bearing	1307L
	Seal Kit Opt.	5200 <sup>64</sup>
<b>1968-1955</b>	SM318, SM319	
	Seal	9613S
	Bearing	306LO
	Seal Kit Opt.	5200 <sup>64</sup>
<b>1966-1960</b>	Warner	
	Seal	471341N
	Bearing	1307
<b>1966-1954</b>	SM318	
	Bearing	305L

### Selector Shaft Seal/Man. Shaft

<b>1987-1966</b>	Saginaw	
	Seal	240735
<b>1966-1960</b>	Warner	
	Seal	340797

### 4-SPEED MANUAL TRANSMISSION

#### Transmission Rebuild Kit

<b>1987-1963</b>	New Process 435	
	Kit	TRK127
<b>1986-1978</b>	CH465: 117mm front input shaft	
	Kit	TRK157
<b>1979-1968</b>	SM465	
	Kit	TRK157
<b>1972-1964</b>	New Process 235	
	Kit	TRK127

### Input Shaft

<b>1989-1981</b>	New Process	
	Seal	7412S
	Kwik Slv (Opt Rpr)	KWK99125
<b>1989-1978</b>	CH465	
	Seal	481181N
	Bearing	N1211L
	Kwik Slv (Opt Rpr)	KWK99162
<b>1988-1974</b>	T10 Warner: 32-spline shaft	
	Seal	7412S
	Bearing	1307SL
<b>1977-1968</b>	SM465	
	Seal	481181N
	Bearing	N1211L
	Kwik Slv (Opt Rpr)	KWK99162

118 [ ] Indicates Quantity Required; Set Components Listed Inside Rear Cover;

<sup>42</sup> Sealed Self-Aligning Bearing    <sup>64</sup> Opt. Seal and Bushing Kit

**CHEVROLET/GMC TRUCK - 3/4 TON - C-20/25, K-20/25, R-20/25, V-20/25, Suburban, Full Size Pickups and SUV's (cont.)**

**4-SPEED MANUAL TRANSMISSION**

(cont.)

**Input Shaft (cont.)**

<b>1968-1964</b>	New Process 435 (1.120" spline)	
Seal	.....	7412S
Bearing	.....	1308L
Kwik Slv (Opt Rpr)	.....	KWK99125
<b>1968-1964</b>	New Process 435 (1.500" spline)	
Seal	.....	470380
Bearing	.....	1308L
Kwik Slv (Opt Rpr)	.....	KWK99149

**Rear Output Shaft**

<b>1989-1985</b>	CH465	
Seal	.....	410085
Bearing	.....	308FFL
<b>1989-1981</b>	New Process	
Seal	.....	9613S
Bearing	.....	308LOE
Seal Kit Opt.	.....	5200 <sup>64</sup>
<b>1984-1980</b>	CH465	
Seal	.....	410085
Bearing	.....	1308L
<b>1979-1978</b>	CH465	
Seal	.....	714654
Bearing	.....	308L
<b>1977-1968</b>	SM465	
Seal	.....	410085
Bearing	.....	1308SL
<b>1972-1964</b>	New Process	
Seal	.....	470898
Bearing	.....	1308SL
<b>1970-1968</b>	Warner	
Seal	.....	9613S
Bearing	.....	307L
Seal Kit Opt.	.....	5200 <sup>64</sup>
<b>1968-1948</b>	SM420 10 spline	
Seal	.....	471341
Bearing	.....	307L
<b>1968-1948</b>	SM420 32 spline	
Seal	.....	471341
Bearing	.....	1208L

**5-SPEED MANUAL TRANSMISSION**

**Front Input Shaft**

<b>1989-1988</b>	Getrag w/ 4x4	
Seal	.....	4529N
Kwik Slv (Opt Rpr)	.....	KWK99133
<b>1989-1988</b>	Getrag 4x2 (MG5)	
Seal	.....	4529N
Kwik Slv (Opt Rpr)	.....	KWK99138

**Rear Output Shaft**

<b>1989-1988</b>	Getrag	
Seal	.....	4530

**A/C COMPRESSOR**

<b>1989-1980</b>	
Bearing	..... 907257
Bearing (Frt head)	..... S128

**ALTERNATOR**

<b>1989-1988</b>	Delco 100, 124, 140, 145 amp
Bearing (rear end)	..... 100CCAB
<b>1989-1983</b>	Delco 56, 66, 78 amp
Bearing (drive end)	..... 203FF
<b>1989-1980</b>	Delco 37, 42, 55, 56, 61, 63, 66, 78 amp
Bearing (rear end)	..... MNJ471S
<b>1986-1980</b>	Delco 37,42,55, 56, 61, 63, 66, 78 amp
Bearing (drive end)	..... 203S

**DRIVESHAFT SUPPORT**

<b>1989-1955</b>	Spicer 1280, 1310, 1330: 1.3780" bearing ID
Bearing	..... 88107
Hanger Bearing Assy	..... HB88107A
<b>1988-1977</b>	Spicer 1410: 4x4: 1.5748" bearing ID
Hanger Bearing Assy	..... HB108
<b>1984-1972</b>	Cleveland 055: 1.5748" bearing ID, 2.25" height
Hanger Bearing Assy	..... HB88508A
<b>1984-1972</b>	Spicer 1410: 1.5748" bearing ID, 2.25" height
Hanger Bearing Assy	..... HB88508A
<b>1984-1972</b>	Spicer 1810: 2.3622" bearing ID
Hanger Bearing Assy	..... HB88512AHD
<b>1984-1955</b>	Rockwell 58WB axle: 1.7717" bearing ID
Bearing	..... 88509
Hanger Bearing Assy	..... HB88509
<b>1984-1955</b>	Spicer 1410, 1550: 1.5748" bearing ID, 2.5" high
Hanger Bearing Assy	..... HB108
Hanger Bearing Assy	..... HB88508
<b>1984-1955</b>	Spicer 1550, 1650: 1.7717" bearing ID
Bearing	..... 88509
Hanger Bearing Assy	..... HB88509
<b>1974-1955</b>	Spicer 1280, 1310: 1.1811" bearing ID
Bearing	..... 206FF
Hanger Bearing Assy	..... HB206FF

**POWER STEERING**

**Pitman Shaft**

<b>1989-1967</b>	
Seal (inner)	..... 471413
Seal (outer)	..... 7412S
Seal Kit	..... PSK1 <sup>24</sup>

[ ] Indicates Quantity Required; Set Components Listed Inside Rear Cover;

<sup>24</sup> Opt. Kit incl. seals 5683 & 5684. Not sold separately

<sup>64</sup> Opt. Seal and Bushing Kit

# Bearings and Seals

Mfg./Year    Model & Location    Part No    Mfg./Year    Model & Location    Part No

## CHEVROLET/GMC TRUCK - 3/4 TON - C-20/25, K-20/25, R-20/25, V-20/25, Suburban, Full Size Pickups and SUV's (cont.)

### POWER STEERING

#### Pump Shaft

<b>1989-1967</b>		
Seal .....		480821
<b>1966-1963</b>	6-cyl	
Seal .....		8773S
<b>1966-1957</b>	8-cyl	
Seal .....		480821
<b>1959-1956</b>	6-cyl	
Seal .....		471526

#### Worm Shaft

<b>1989-1979</b>		
Seal .....		222025
<b>1978-1973</b>		
Seal .....		222025
Needle Bearing .....		SCE148

### MANUAL STEERING

#### Pitman Shaft

<b>1987-1946</b>		
Seal .....		313842

#### Worm Shaft

<b>1987-1960</b>		
Seal .....		7013S
Bearing .....		8537

### CRANKSHAFT REAR SEAL

#### 6 Cylinder

<b>1989-1986</b>		
Seal Viton .....		4359V
Seal PTFE H/D Opt. ....		5274
Kwik Slv (Opt Rpr) .....		KWK99364
<b>1985-1963</b>		
Seal .....		5092

### 8 Cylinder

<b>1989-1972</b>	454/7.4L	
Seal .....		5072
<b>1989-1968</b>	305/5.0L, 350/5.7L	
Seal Viton .....		4359V
Seal PTFE H/D Opt. ....		5274
Kwik Slv (Opt Rpr) .....		KWK99364
<b>1989-1982</b>	379/6.2L Diesel	
Seal .....		5163
<b>1985-1955</b>	exc. 454 & diesel engines	
Seal .....		5092

### TIMING COVER

#### 6 Cylinder

<b>1989-1946</b>		
Seal .....		9845
Kwik Slv (Opt Rpr) .....		KWK99176
Harmonic Balancer		
Sleeves Opt. ....		88176

#### 8 Cylinder

<b>1989-1973</b>	454 & diesel engines	
Seal .....		3945
Kwik Slv (Opt Rpr) .....		KWK99233
<b>1989-1955</b>	exc. 454 & diesel engines	
Seal .....		9845
Kwik Slv (Opt Rpr) .....		KWK99176

## CHEVROLET/GMC TRUCK - 3/4 TON - G20/G25, P20/P25 - Full Size Vans

### FRONT WHEEL

<b>1989-1983</b>	H.D. brakes (JD5)	
Seal (inner) .....		8974S[2]
Set (inner) .....		SET45
Cone/Cup (outer) .....		1779-1729[2]
<b>1989-1979</b>	L/D brakes; JB5	
Seal (inner) .....		8871[2]
Set (inner) .....		SET5
Set (outer) .....		SET3
<b>1978-1971</b>	110" wheel base	
Seal (inner) .....		8871[2]
Set (inner) .....		SET6
Set (outer) .....		SET2

### FRONT WHEEL (cont.)

<b>1972-1971</b>	exc. 110: wheel base	
Seal (inner) .....		8974S[2]
Cone/Cup (inner) .....		2777-2720[2]
Set (outer) .....		SET3
<b>1972-1967</b>	drum brakes	
Seal (inner) .....		9015S[2]
Set (inner) .....		SET6
Set (outer) .....		SET2

### REAR WHEEL

<b>1989-1981</b>	9.5" ring gear	
Seal .....		710105[2]
Cyl. Bearing .....		R1561TV[2]
Kit .....		TGM1561R[2] <sup>19</sup>

120 [ ] Indicates Quantity Required; Set Components Listed Inside Rear Cover;

<sup>19</sup> Opt. Axle Repair Bearing. Replaces O.E. bearing & seal.

**CHEVROLET/GMC TRUCK - 3/4 TON - G20/G25, P20/P25 - Full Size Vans**  
**(cont.)**

**REAR WHEEL (cont.)**

<b>1989-1975</b>	10.5" ring gear	
	Seal (inner) .....	2081[2]
	Cone/Cup (inner) .....	387AS-382A[2]
	Set (outer) .....	SET38
<b>1989-1971</b>	8.5" ring gear	
	Seal .....	8835S[2]
	Cyl. Bearing .....	6408[2]
	Kit .....	TRP1559TV[2] <sup>19</sup>
<b>1970-1967</b>	HO31 & HO35 axles	
	Seal (inner) .....	2081[2]
	Cone/Cup (inner) .....	388A-382[2]
	Cone/Cup (outer) .....	368S-362[2]

**REAR AXLE**

**Differential Rebuild Kit**

<b>1989-1988</b>	10.5" ring gear: 2nd design	
	Kit .....	DRK325A
<b>1989-1981</b>	9.5" ring gear	
	Kit .....	DRK324
<b>1989-1976</b>	8.5" ring gear	
	Kit .....	DRK321
<b>1988-1973</b>	10.5" ring gear: 1st design: production thru early 1988	
	Kit .....	DRK325
<b>1981-1973</b>	8.75" ring gear	
	Kit .....	DRK323
<b>1981-1967</b>	8.875" ring gear: H031, H035 axles	
	Kit .....	DRK322
<b>1972-1967</b>	Dana/Spicer 60-1, 60-3, 60-35 axles	
	Kit .....	DRK331

**Differential**

<b>1989-1973</b>	10.5" ring gear	
	Cone/Cup .....	387AS-382A[2]
<b>1989-1976</b>	8.125", 8.5" ring gears	
	Cone/Cup .....	LM501349-LM501314[2]
<b>1981-1967</b>	8.75", 8.875" ring gears: H031, H035 axles	
	Set .....	SET36[2]
<b>1972-1968</b>	Dana/Spicer 60-1, 60-3, 60-35 axles	
	Cone/Cup .....	387A-382S[2]
<b>1972-1967</b>	H052, H072 axles	
	Cone/Cup .....	388A-382[2]
<b>1967</b>	Dana/Spicer 60-35 axle	
	Cone/Cup .....	387A-382S[2]

**Pinion**

<b>1989</b>	10.5" ring gear	
	Cone/Cup (inner) .....	HM903249-HM903210
	Seal (outer) .....	2286
	Cone/Cup (outer) .....	M802048-M802011
	Cyl. Bearing (pilot) .....	R1581TV

**REAR AXLE (cont.)**

**Pinion (cont.)**

<b>1989-1981</b>	9.5" ring gear	
	Cone/Cup (inner) .....	HM804846-HM804810
	Seal (outer) .....	3896
	Cone/Cup (outer) .....	HM88649-HM88610
<b>1989-1973</b>	8.5", 8.75 ring gears	
	Cone/Cup (inner) .....	M802048-M802011
	Seal (outer) .....	2043
	Cone/Cup (outer) .....	M88048-M88010
	Cone/Cup (outer) Opt. ....	M88048A-M88010
<b>1988</b>	10.5" ring gear: 1st design	
	Cone/Cup (inner) .....	HM803149-HM803110
	Seal (outer) .....	2286
	Cone/Cup (outer) .....	M802048-M802011
	Cyl. Bearing (pilot) .....	R1581TV
<b>1988</b>	10.5" ring gear: 2nd design	
	Cone/Cup (inner) .....	HM903249-HM903210
	Seal (outer) .....	2286
	Cone/Cup (outer) .....	M802048-M802011
	Cyl. Bearing (pilot) .....	R1581TV
<b>1987-1986</b>	10.5" ring gear	
	Cone/Cup (inner) .....	HM803149-HM803110
	Seal (outer) .....	2286
	Cone/Cup (outer) .....	M802048-M802011
	Cyl. Bearing (pilot) .....	R1581TV
<b>1985-1984</b>	10.5" ring gear	
	Cone/Cup (inner) .....	HM803149-HM803110
	Seal (outer) .....	2286
	Cone/Cup (outer) .....	M802048-M802011
	Needle Bearing (pilot) .....	512224
<b>1983-1973</b>	10.5" ring gear	
	Cone/Cup (inner) .....	HM803149-HM803110
	Seal (outer) .....	2286
	Cone/Cup (outer) .....	M802048-M802011
	Cyl. Bearing (pilot) .....	R1581TV
<b>1981-1964</b>	8.875" ring gear: H031, H035 axles	
	Cone/Cup (inner) .....	HM89449-HM89410
	Seal (outer) .....	8460N
	Cone/Cup (outer) .....	M88048-M88010
<b>1972-1968</b>	H052 axle	
	Seal (outer) .....	411330N
	Bearing Assy (outer) .....	55197-90030
	Cyl. Bearing (pilot) .....	M5205EL
<b>1972-1968</b>	H072 axle	
	Seal (outer) .....	411330N
	Bearing Assy (outer) .....	55197-90030
	Cyl. Bearing (pilot) .....	M5205EL
<b>1972-1968</b>	Dana/Spicer 60-1, 60-3 axles	
	Cone/Cup (inner) .....	HM803146-HM803110
	Seal (outer) .....	9316
	Cone/Cup (outer) .....	HM88542-HM88510
<b>1972-1967</b>	Dana/Spicer 60-35 coil spring axle	
	Cone/Cup (inner) .....	HM803146-HM803110
	Seal (outer) .....	9316
	Cone/Cup (outer) .....	HM88542-HM88510

[ ] Indicates Quantity Required; Set Components Listed Inside Rear Cover;  
<sup>19</sup> Opt. Axle Repair Bearing. Replaces O.E. bearing & seal.

# Bearings and Seals

Mfg./Year    Model & Location    Part No    Mfg./Year    Model & Location    Part No

## CHEVROLET/GMC TRUCK - 3/4 TON - G20/G25, P20/P25 - Full Size Vans (cont.)

### REAR AXLE (cont.)

#### Pinion (cont.)

<b>1972-1967</b>	Dana/Spicer 60-35 leaf spring axle	
	Cone/Cup (inner) .....	HM803146-HM803110
	Seal (outer) .....	6808N
	Cone/Cup (outer) .....	HM88542-HM88510
<b>1967</b>	H052 axle	
	Seal (outer) .....	411330N
	Bearing (outer) .....	5310WA
	Cyl. Bearing (pilot) .....	M5202EL
<b>1967</b>	H072 axle	
	Seal (outer) .....	411330N
	Bearing (outer) .....	5310WA
	Cyl. Bearing (pilot) .....	M5202EL

### 3-SPEED AUTOMATIC TRANSMISSION

#### Torque Converter

<b>1989-1983</b>	THM700, 4L60-E	
	Seal .....	3227
	Kwik Slv (Opt Rpr) .....	KWK99174
<b>1989-1967</b>	exc. THM700	
	Seal .....	6712NA
	Kwik Slv (Opt Rpr) .....	KWK99187

#### Rear Seal/Ext. Housing

<b>1989-1967</b>	exc. 4L80E, THM400, THM475	
	Seal .....	9613S
	Kwik Slv (Opt Rpr) .....	KWK99149
	Seal Kit Opt. ....	5200 <sup>64</sup>
<b>1979-1967</b>	exc. THM400	
	Seal .....	9613S
	Seal Kit Opt. ....	5200 <sup>64</sup>
<b>1979-1967</b>	THM400: 1.890" shaft	
	Seal .....	9449
	Seal Kit Opt. ....	5208 <sup>64</sup>
<b>1977-1967</b>	THM400: 1.687" shaft	
	Seal .....	7038SA
	Seal Kit Opt. ....	5205 <sup>64</sup>

#### Selector Shaft Seal/Man. Shaft

<b>1989-1967</b>		
	Seal .....	8792S

### 4-SPEED AUTOMATIC TRANSMISSION

#### Torque Converter

<b>1989-1982</b>	THM700, 4L60-E	
	Seal .....	3227
	Kwik Slv (Opt Rpr) .....	KWK99174

### 4-SPEED AUTOMATIC TRANSMISSION

#### Rear Seal/Ext. Housing

<b>1989-1983</b>	HM4L60	
	Seal .....	9613S
	Kwik Slv (Opt Rpr) .....	KWK99149
	Seal Kit Opt. ....	5200 <sup>64</sup>

#### Selector Shaft Seal/Man. Shaft

<b>1989-1982</b>		
	Seal .....	8792S
	Kwik Slv (Opt Rpr) .....	KWK99050

### CLUTCH

#### Pilot Bearing

<b>1989-1982</b>	diesel, turbodiesel engines	
	Bearing .....	57080
<b>1989-1982</b>	gas engine	
	Bushing H/D .....	PB656HD
<b>1981-1967</b>		
	Bushing H/D .....	PB656HD

#### Release Bearing

<b>1989-1984</b>	with hydraulic mechanism	
	Bearing Assy .....	614174
<b>1989-1984</b>	with cable-actuated mechanism	
	Bearing Assy .....	614018 <sup>42</sup>
<b>1983-1973</b>	exc. 250 (4.1) engine with 1.875" ID diaphragm	
	Bearing Assy .....	614018 <sup>42</sup>
<b>1983-1973</b>	250 (4.1) engine with 1.875" ID diaphragm clutch	
	Bearing Assy .....	614037 <sup>42</sup>
<b>1972-1967</b>	exc. 194 (3.2), 250 (4.1) engines	
	Bearing Assy .....	614018 <sup>42</sup>
<b>1972-1967</b>	194 (3.2), 250 (4.1) engines	
	Bearing Assy .....	614037 <sup>42</sup>

### 3-SPEED MANUAL TRANSMISSION

#### Transmission Rebuild Kit

<b>1987-1967</b>	Saginaw	
	Kit .....	TRK301

#### Front Input Shaft

<b>1987-1967</b>	Saginaw	
	Seal .....	7412S
	Bearing .....	207SLB
	Kwik Slv (Opt Rpr) .....	KWK99125
<b>1982-1976</b>	Tremac	
	Seal .....	482208
	Bearing .....	1208L
	Kwik Slv (Opt Rpr) .....	KWK99112
<b>1976-1968</b>	Muncie	
	Seal .....	7412S
	Bearing .....	307L
	Kwik Slv (Opt Rpr) .....	KWK99125

**CHEVROLET/GMC TRUCK - 3/4 TON - G20/G25, P20/P25 - Full Size Vans**  
**(cont.)**

**3-SPEED MANUAL TRANSMISSION**

**Rear Output Shaft**

<b>1987-1967</b>	Saginaw	
Seal	.....	9613S
Bearing	.....	306SLVB
Kwik Slv (Opt Rpr)	.....	KWK99149
Seal Kit Opt.	.....	5200 <sup>64</sup>
<b>1982-1976</b>	160T Dearborn Tremec: 77mm shaft	
Seal	.....	9613S
Bearing	.....	207SLB
Kwik Slv (Opt Rpr)	.....	KWK99149
Seal Kit Opt.	.....	5200 <sup>64</sup>
<b>1978-1976</b>	Muncie HD	
Seal	.....	9613S
Bearing	.....	1208L
Kwik Slv (Opt Rpr)	.....	KWK99149
Seal Kit Opt.	.....	5200 <sup>64</sup>
<b>1976</b>	Muncie exc. HD	
Seal	.....	9613S
Bearing	.....	307TB
Kwik Slv (Opt Rpr)	.....	KWK99149
Seal Kit Opt.	.....	5200 <sup>64</sup>
<b>1975-1967</b>	Muncie	
Seal	.....	9613S
Bearing	.....	307TB
Kwik Slv (Opt Rpr)	.....	KWK99149
Seal Kit Opt.	.....	5200 <sup>64</sup>
<b>1966-1967</b>	Muncie HD	
Seal	.....	471341
Bearing	.....	1306SLVB
Kwik Slv (Opt Rpr)	.....	KWK99225

**Selector Shaft Seal/Man. Shaft**

<b>1987-1967</b>	
Seal	..... 312518
Kwik Slv (Opt Rpr)	..... KWK99076

**4-SPEED MANUAL TRANSMISSION**

**Transmission Rebuild Kit**

<b>1987-1967</b>	New Process 435	
Kit	.....	TRK127
<b>1986-1978</b>	CH465: 117mm front input shaft	
Kit	.....	TRK157
<b>1979-1968</b>	SM465	
Kit	.....	TRK157

**Input Shaft**

<b>1989-1983</b>	New Process (MY6)	
Seal	.....	7412S
Kwik Slv (Opt Rpr)	.....	KWK99125
<b>1989-1985</b>	Muncie	
Seal	.....	9613S
Bearing	.....	308L
Kwik Slv (Opt Rpr)	.....	KWK99149
Seal Kit Opt.	.....	5200 <sup>64</sup>

**4-SPEED MANUAL TRANSMISSION**

**(cont.)**

**Input Shaft (cont.)**

<b>1970-1967</b>	Warner	
Seal	.....	9613S
Bearing	.....	307L
Kwik Slv (Opt Rpr)	.....	KWK99149
Seal Kit Opt.	.....	5200 <sup>64</sup>

**Rear Output Shaft**

<b>1989-1983</b>	New Process	
Seal	.....	9613S
Bearing	.....	308LOE
Kwik Slv (Opt Rpr)	.....	KWK99149
Seal Kit Opt.	.....	5200 <sup>64</sup>
<b>1989-1985</b>	Muncie	
Seal	.....	9613S
Bearing	.....	308L
Kwik Slv (Opt Rpr)	.....	KWK99149
Seal Kit Opt.	.....	5200 <sup>64</sup>
<b>1970-1967</b>	Warner	
Seal	.....	9613S
Bearing	.....	307L
Kwik Slv (Opt Rpr)	.....	KWK99149
Seal Kit Opt.	.....	5200 <sup>64</sup>

**A/C COMPRESSOR**

<b>1989-1980</b>	
Bearing	..... 907257
Bearing (Frt head)	..... S128

**ALTERNATOR**

<b>1989-1988</b>	Delco 100, 124, 140, 145 amp	
Bearing (rear end)	.....	100CCAB
<b>1989-1983</b>	Delco 56, 66, 78 amp	
Bearing (drive end)	.....	203FF
<b>1989-1980</b>	Delco 37, 42, 55, 56, 61, 63, 66, 78 amp	
Bearing (rear end)	.....	MNJ471S
<b>1986-1980</b>	Delco 37,42,55, 56, 61, 63, 66, 78 amp	
Bearing (drive end)	.....	203S

**DRIVESHAFT SUPPORT**

<b>1989-1967</b>	1.378" (35mm) bearing ID	
Bearing	.....	88107
Hanger Bearing Assy	.....	HB88107A
<b>1989-1980</b>	1.575" (40mm) bearing ID	
Hanger Bearing Assy	.....	HB108

**POWER STEERING**

**Pitman Shaft**

<b>1989-1972</b>	
Seal Kit	..... PSK1 <sup>24</sup>
Seal (inner)	..... 471413
Seal (outer)	..... 7412S

[ ] Indicates Quantity Required; Set Components Listed Inside Rear Cover;

<sup>24</sup> Opt. Kit incl. seals 5683 & 5684. Not sold separately

<sup>64</sup> Opt. Seal and Bushing Kit



# Bearings and Seals

Mfg./Year    Model & Location    Part No    Mfg./Year    Model & Location    Part No

## CHEVROLET/GMC TRUCK - 3/4 TON - G20/G25, P20/P25 - Full Size Vans (cont.)

### POWER STEERING

#### Pump Shaft

**1989-1972**  
Seal ..... 7013S  
Bearing ..... 8537

#### Worm Shaft

**1989-1979**    exc. P series  
Seal ..... 222025  
**1989-1973**    P series  
Seal ..... 351267  
Needle Bearing ..... SCE148  
**1978-1971**  
Seal ..... 222025  
Needle Bearing ..... SCE148

### MANUAL STEERING

#### Pitman Shaft

**1989-1967**  
Seal ..... 313842

#### Worm Shaft

**1989-1967**  
Seal ..... 7013S  
Bearing ..... 8537

### CRANKSHAFT REAR SEAL

#### 6 Cylinder

**1989-1985**  
Seal Viton ..... 4359V  
Seal PTFE H/D Opt. .... 5274  
Kwik Slv (Opt Rpr) ..... KWK99364  
**1985-1967**  
Seal ..... 5092

### CRANKSHAFT REAR SEAL

#### 8 Cylinder

**1989-1986**    exc. 454 & diesel engines  
Seal Viton ..... 4359V  
Seal PTFE H/D Opt. .... 5274  
Kwik Slv (Opt Rpr) ..... KWK99364  
**1989-1983**    diesel  
Seal ..... 5163  
**1985-1967**    exc. 454 & diesel engines  
Seal ..... 5092

### TIMING COVER

#### 6 Cylinder

**1989-1967**  
Seal ..... 9845  
Kwik Slv (Opt Rpr) ..... KWK99176  
Harmonic Balancer  
Sleeves Opt. .... 88176

#### 8 Cylinder

**1989-1983**    454 & diesel engines  
Seal ..... 3945  
Kwik Slv (Opt Rpr) ..... KWK99233  
Harmonic Balancer  
Sleeves Opt. .... 88233  
**1989-1967**    exc. 454 & diesel engines  
Seal ..... 9845  
Kwik Slv (Opt Rpr) ..... KWK99176  
Harmonic Balancer  
Sleeves Opt. .... 88176

## CHEVROLET/GMC TRUCK - 1 TON - C-30/35, K-30/35, R-30/35, V-30/35

### FRONT WHEEL

#### 2WD

**1989-1979**  
Seal (inner) ..... 8974S[2]  
Set (inner) ..... SET45  
Cone/Cup (outer) ..... 15103S-15243[2]  
**1989-1970**    disc brakes  
Seal (inner) ..... 8974S[2]  
Set (inner) ..... SET45  
Cone/Cup (outer) ..... 15103S-15243[2]  
**1970-1963**    drum brakes  
Seal (inner) ..... 8974S[2]  
Cone/Cup (inner) ..... 2777-2720[2]  
Set (outer) ..... SET3  
**1962-1960**  
Seal (inner) ..... 40973S[2]  
Bearing (inner) ..... B44[2]  
Bearing (outer) ..... B47

### FRONT WHEEL (cont.)

#### 2WD (cont.)

**1959-1953**  
Seal (inner) ..... 40973S[2]  
Bearing (inner) ..... B46[2]  
Bearing (outer) ..... B45  
**1952-1946**  
Seal (inner) ..... 40973S[2]  
Bearing (inner) ..... B26[2]  
Bearing (outer) ..... B25

#### 4WD

**1989-1988**    single rear wheel (w/o ABS)  
Hub Assy ..... HA591339[2]  
**1989-1988**    dual rear wheels (w/o ABS)  
Hub Assy ..... HA599138[2]

**CHEVROLET/GMC TRUCK - 1 TON - C-30/35, K-30/35, R-30/35, V-30/35**  
(cont.)

**FRONT WHEEL (cont.)**

**4WD (cont.)**

<b>1987-1980</b>	
Seal (inner) .....	415960[2]
Cone/Cup (inner) .....	387AS-382A[2]
Set (outer) .....	SET38
<b>1979-1978</b>	
Seal (inner) .....	415960[2]
Cone/Cup (inner) .....	387A-382A[2]
Set (outer) .....	SET38
<b>1977-1971</b>	
Seal (inner) .....	416273[2]
Cone/Cup (inner) .....	368A-362A[2]
Set (outer) .....	SET45
<b>1970-1968</b>	
Cone/Cup (inner) .....	368-362A[2]
Set (outer) .....	SET45

**REAR WHEEL**

<b>1989-1973</b> 10.5" ring gear	
Seal (inner) .....	2081[2]
Cone/Cup (inner) .....	387AS-382A[2]
Set (outer) .....	SET38
<b>1989-1988</b> 9.5" ring gear	
Seal .....	2081[2]
Cyl. Bearing .....	R1561TV[2]
Kit .....	TGM1561R[2] <sup>19</sup>
<b>1972-1967</b> 11000 lb. axle	
Seal (inner) .....	6358[2]
Cone/Cup (inner) .....	395CS-394CS[2]
Cone/Cup (outer) .....	395CS-394CS[2]
<b>1972-1946</b> exc. 11000 lb. axle	
Seal (inner) .....	2081[2]
Cone/Cup (inner) .....	388A-382[2]
Cone/Cup (outer) .....	368S-362[2]

**FRONT AXLE**

**Differential Rebuild Kit**

<b>1989-1988</b> 9.25" ring gear	
Kit .....	DRK324A
<b>1987-1977</b> Dana/Spicer 60-F axle	
Kit .....	DRK331

**Differential**

<b>1989-1988</b> 9.25" ring gear	
Seal .....	450094[2]
Set .....	SET42[2]
<b>1989-1977</b> Dana/Spicer 60-F axle	
Cone/Cup .....	387A-382S[2]

**Pinion**

<b>1989-1988</b>	
Cone/Cup (inner) .....	HM804846-HM804810
Seal (outer) .....	710281
Cone/Cup (outer) .....	HM88649-HM88610

**FRONT AXLE (cont.)**

**Pinion (cont.)**

<b>1989-1977</b> Dana/Spicer 60-F axle	
Cone/Cup (inner) .....	HM803146-HM803110
Seal (outer) .....	9316
Cone/Cup (outer) .....	HM88542-HM88510

**Spindle Kit**

<b>1989-1977</b> Dana/Spicer 60-F axle	
Bearing & Seal Kit .....	SBK3 <sup>35</sup>

**Spindle**

<b>1989-1977</b> Dana/Spicer 60-F axle	
Seal (inner) .....	710044
Needle Bearing (inner) .....	B2414
Seal (outer) .....	710045

**Steering Knuckle**

<b>1989-1977</b> Dana/Spicer 60-F axle	
Seal (upper) .....	710304[2]
Cone/Cup (upper) .....	23100-23256[2]
Seal (lower) .....	710304[2]
Cone/Cup (lower) .....	23100-23256[2]
<b>1959-1958</b> FH065 axle	
Cone/Cup (upper) .....	41125-41286[2]
Cone/Cup (lower) .....	41125-41286[2]

**REAR AXLE**

**Differential Rebuild Kit**

<b>1989-1988</b> 10.5" ring gear: 2nd design: production from mid 1988 on	
Kit .....	DRK325A
<b>1989-1983</b> 9.5" ring gear	
Kit .....	DRK324
<b>1989-1973</b> Dana/Spicer 70-HD axle	
Kit .....	DRK332HD
<b>1989-1973</b> Dana/Spicer 60HD axle	
Kit .....	DRK331
<b>1989-1984</b> Dana/Spicer 70U axle	
Kit .....	DRK332U
<b>1988-1972</b> 10.5" ring gear: 1st design: production thru early 1988	
Kit .....	DRK325
<b>1983-1973</b> Dana/Spicer 70 axle	
Kit .....	DRK332

**Differential**

<b>1989-1985</b> 9.5" ring gear	
Set .....	SET42
<b>1989-1980</b> Dana/Spicer 80 axle	
Cone/Cup .....	469-453X[2]
<b>1989-1972</b> 10.5" ring gear	
Cone/Cup .....	387AS-382A[2]
<b>1989-1973</b> Dana/Spicer 70HD, 70-3HD axles	
Cone/Cup .....	469-453X[2]
<b>1989-1987</b> Isuzu R040 axle	
Cone/Cup .....	29590-29522[2]

[ ] Indicates Quantity Required; Set Components Listed Inside Rear Cover;

<sup>19</sup> Opt. Axle Repair Bearing. Replaces O.E. bearing & seal. & 710045

<sup>35</sup> Opt. Kit incl: Bearing B2414; Seals 710044

# Bearings and Seals

Mfg./Year    Model & Location    Part No    Mfg./Year    Model & Location    Part No

## CHEVROLET/GMC TRUCK - 1 TON - C-30/35, K-30/35, R-30/35, V-30/35 (cont.)

### REAR AXLE (cont.)

#### Differential (cont.)

<b>1989-1982</b>	Rockwell C100 axle	
Cone/Cup	.....	395-394A[2]
<b>1989-1973</b>	Dana/Spicer 60HD, 70B, 70U axles	
Cone/Cup	.....	387A-382S[2]
<b>1981-1965</b>	H110 axle	
Cone/Cup	.....	28990-28919[2]
<b>1972-1956</b>	H052 axle	
Cone/Cup	.....	388A-382[2]
<b>1972-1956</b>	H072 axle	
Cone/Cup	.....	388A-382[2]
<b>1954-1946</b>	H072 axle	
Cone/Cup	.....	388A-382[2]

#### Pinion

<b>1989-1988</b>	10.5" ring gear: 2nd design: production from 1988 on	
Cone/Cup (inner)	.....	HM903249-HM903210
Seal (outer)	.....	2286
Cone/Cup (outer)	.....	M802048-M802011
Cyl. Bearing (pilot)	.....	R1581TV
<b>1989-1987</b>	Isuzu R040 axle	
Bearing Assy (inner)	.....	30309M
Seal (outer)	.....	710268
Bearing Assy (outer)	.....	30309M
<b>1989-1981</b>	9.5" ring gear	
Cone/Cup (inner)	.....	HM804846-HM804810
Seal (outer)	.....	3896
Cone/Cup (outer)	.....	HM88649-HM88610
<b>1989</b>	Dana/Spicer 80 axle	
Cone/Cup (inner)	.....	HM807046-HM807010
Seal Viton (outer)	.....	4525V
Cone/Cup (outer)	.....	M802048-M802011
<b>1989-1973</b>	Dana/Spicer 70B, 70HD, 70-3HD axles	
Cone/Cup (inner)	.....	HM807040-HM807010
Seal (outer)	.....	9316
Cone/Cup (outer)	.....	HM88542-HM88510
<b>1989-1980</b>	Dana/Spicer 70U axle	
Cone/Cup (inner)	.....	HM803149-HM803110
Seal (outer)	.....	9316
Cone/Cup (outer)	.....	HM88542-HM88510
<b>1989-1982</b>	Rockwell C100 axle	
Cone/Cup (inner)	.....	M903345-M903310
Seal (outer)	.....	475080N
Cone/Cup (outer)	.....	44143-44348
<b>1989-1973</b>	Dana/Spicer 60HD axle	
Cone/Cup (inner)	.....	HM803146-HM803110
Seal (outer)	.....	9316
Cone/Cup (outer)	.....	HM88542-HM88510
<b>1988-1972</b>	10.5" ring gear: 1st design: production thru early 1988	
Cone/Cup (inner)	.....	HM803149-HM803110
Seal (outer)	.....	2286
Cone/Cup (outer)	.....	M802048-M802011
Cyl. Bearing (pilot)	.....	R1581TV

### REAR AXLE (cont.)

#### Pinion (cont.)

<b>1987-1982</b>	H110 axle: 11000 lb.	
Cone/Cup (inner)	.....	M903345-M903310
Cone/Cup (outer)	.....	44143-44348
<b>1981-1965</b>	H110 axle	
Seal (outer)	.....	411330N
Bearing (outer)	.....	5310WA
Cyl. Bearing (pilot)	.....	MU1306TDM
<b>1972-1968</b>	H052 axle	
Seal (outer)	.....	411330N
Bearing Assy (outer)	.....	55197-90030
Cyl. Bearing (pilot)	.....	M5205EL
<b>1972-1968</b>	H072 axle	
Seal (outer)	.....	411330N
Bearing Assy (outer)	.....	55197-90030
Cyl. Bearing (pilot)	.....	M5205EL
<b>1967-1961</b>	H052 axle	
Seal (outer)	.....	411330N
Bearing (outer)	.....	5310WA
Cyl. Bearing (pilot)	.....	M5205EL
<b>1967-1961</b>	H072 axle	
Seal (outer)	.....	411330N
Bearing (outer)	.....	5310WA
Cyl. Bearing (pilot)	.....	M5205EL
<b>1960-1956</b>	H052 axle	
Seal (outer)	.....	411330N
Bearing Assy (outer)	.....	55197-90030
Cyl. Bearing (pilot)	.....	MUB5205UM
<b>1960-1946</b>	H072 axle	
Seal (outer)	.....	411330N
Bearing Assy (outer)	.....	55197-90030
Cyl. Bearing (pilot)	.....	MUB5205UM

### TRANSFER CASE REBUILD KIT

<b>1989</b>	Warner 1370	
Kit	.....	TCRK1356
<b>1989</b>	Warner 4401	
Kit	.....	TCRK4470
<b>1989-1970</b>	New Process 205 (THM350)(early SM465)	
Kit	.....	TCRK205G
<b>1989-1970</b>	New Process 205 (T400)(late SM465)	
Kit	.....	TCRK205GDM
<b>1989-1988</b>	New Process 241C	
Kit	.....	TCRK241
<b>1979-1977</b>	New Process 203	
Kit	.....	TCRK203G

### TRANSFER CASE

#### Input Shaft

<b>1989</b>	Warner 1370, 4401, 4470	
Seal	.....	714503
Bearing	.....	110CB
Needle Bearing (pilot)	.....	BK3026

**CHEVROLET/GMC TRUCK - 1 TON - C-30/35, K-30/35, R-30/35, V-30/35**  
(cont.)

**TRANSFER CASE (cont.)**

**Input Shaft (cont.)**

<b>1989-1980</b>	New Process 205 (T400)(late SM465)	
Seal	.....	3173[2]
Bearing	.....	1210L[2]
Kwik Slv (Opt Rpr)	.....	KWK99193[2]
Seal Dual Lip Opt.	.....	710298[2]
Needle Bearing (pilot)	.....	QAR29523[15]
<b>1989-1988</b>	New Process 241	
Seal	.....	3173[2]
Bearing	.....	N5210KLB[2]
Seal Dual Lip Opt.	.....	710298
Kwik Slv (Opt Rpr)	.....	KWK99193
Needle Bearing (pilot)	.....	SCH1810
<b>1985-1980</b>	New Process 205 (THM350)(early SM465)	
Seal	.....	3173[2]
Bearing	.....	1307L[2]
Kwik Slv (Opt Rpr)	.....	KWK99193[2]
Needle Bearing (pilot)	.....	QAR29523[15]
<b>1979-1977</b>	New Process 205	
Seal	.....	471869[2]
Bearing	.....	1307L[2]
Kwik Slv (Opt Rpr)	.....	KWK99193[2]
<b>1979-1977</b>	New Process 203	
Seal	.....	3173[2]
Bearing	.....	1210L[2]
Kwik Slv (Opt Rpr)	.....	KWK99193[2]

**Front Output Shaft**

<b>1989</b>	Warner 1370, 4401, 4470	
Seal	.....	714503
Bearing	.....	207
Needle Bearing (pilot)	.....	B2012
<b>1989-1977</b>	New Process 205	
Seal	.....	710005
Bearing	.....	307L
Kwik Slv (Opt Rpr)	.....	KWK99174
Needle Bearing (pilot)	.....	M28161
<b>1989-1988</b>	New Process 241	
Seal	.....	3946
Bearing	.....	207
Kwik Slv (Opt Rpr)	.....	KWK99187
Needle Bearing (pilot)	.....	J2416
<b>1979-1977</b>	New Process 203	
Seal	.....	710005
Bearing	.....	307L
Kwik Slv (Opt Rpr)	.....	KWK99174
Needle Bearing (pilot)	.....	M28161

**Rear Output Shaft**

<b>1989</b>	Warner 1370, 4401	
Seal (non-booted)	.....	714503
Bearing	.....	207
<b>1989</b>	Warner 1370, 4401	
Seal (booted)	.....	4503N
Bearing	.....	207

**TRANSFER CASE (cont.)**

**Rear Output Shaft (cont.)**

<b>1989-1977</b>	New Process 205	
Seal	.....	473468
Bearing	.....	307L
Kwik Slv (Opt Rpr)	.....	KWK99212
Needle Bearing (pilot)	.....	B3216
<b>1979-1977</b>	New Process 203	
Seal	.....	473204
Bearing	.....	307L
Kwik Slv (Opt Rpr)	.....	KWK99212
Needle Bearing (pilot)	.....	QAR29523[15]

**Idler Shaft**

<b>1989-1977</b>	New Process 205	
Cone/Cup	.....	2793-2720[2]
<b>1979-1977</b>	New Process 203	
Needle Bearing	.....	QAR29523[72]

**Oil Pump Housing**

<b>1989-1988</b>	New Process 241	
Seal	.....	341022
Kwik Slv (Opt Rpr)	.....	KWK99225

**Selector Shaft Seal/Man. Shaft**

<b>1989</b>	Warner 1370, 4401, 4470	
Seal	.....	330385
<b>1989-1977</b>	New Process 205	
Seal	.....	2287
Kwik Slv (Opt Rpr)	.....	KWK99076

**AUTOMATIC TRANSMISSION**

**Torque Converter**

<b>1973-1960</b>	Powerglide	
Seal	.....	6712NA
Kwik Slv (Opt Rpr)	.....	KWK99187
<b>1967-1954</b>	Hydramatic	
Seal	.....	450725N <sup>20</sup>

**Rear Seal/Ext. Housing**

<b>1973-1960</b>	Powerglide	
Seal	.....	9613S
Cone	.....	43206
Seal Kit Opt.	.....	5200 <sup>64</sup>
<b>1967-1954</b>	Hydramatic: 1.5" shaft	
Seal	.....	7038SA
Seal Kit Opt.	.....	5200 <sup>64</sup>
<b>1967-1954</b>	Hydramatic: 1.687" shaft	
Seal	.....	9613S
Seal Kit Opt.	.....	5205 <sup>64</sup>

**3-SPEED AUTOMATIC TRANSMISSION**

**Torque Converter**

<b>1989-1960</b>		
Seal	.....	6712NA
Kwik Slv (Opt Rpr)	.....	KWK99187

[ ] Indicates Quantity Required; Set Components Listed Inside Rear Cover;

<sup>20</sup> Not currently in production; check for availability    <sup>64</sup> Opt. Seal and Bushing Kit

# Bearings and Seals

Mfg./Year    Model & Location    Part No    Mfg./Year    Model & Location    Part No

## CHEVROLET/GMC TRUCK - 1 TON - C-30/35, K-30/35, R-30/35, V-30/35 (cont.)

### 3-SPEED AUTOMATIC TRANSMISSION

#### Rear Seal/Ext. Housing

<b>1987-1969</b>	THM350	
Seal	.....	9613S
Kwik Slv (Opt Rpr)	.....	KWK99149
Seal Kit Opt.	.....	5200 <sup>64</sup>
<b>1979-1964</b>	THM400: 1.890" shaft	
Seal	.....	9449
Kwik Slv (Opt Rpr)	.....	KWK99189
Seal Kit Opt.	.....	5208 <sup>64</sup>
<b>1977-1964</b>	THM400: 1.687" shaft	
Seal	.....	7038SA
Kwik Slv (Opt Rpr)	.....	KWK99168
Seal Kit Opt.	.....	5205 <sup>64</sup>
<b>1971-1967</b>	Pow-R-Flo	
Seal	.....	9613S
Kwik Slv (Opt Rpr)	.....	KWK99149
Seal Kit Opt.	.....	5200 <sup>64</sup>

#### Selector Shaft Seal/Man. Shaft

<b>1989-1964</b>		
Seal	.....	8792S

### 4-SPEED AUTOMATIC TRANSMISSION

#### Torque Converter

<b>1989-1982</b>	THM700, 4L60-E	
Seal	.....	3227
Kwik Slv (Opt Rpr)	.....	KWK99174

#### Rear Seal/Ext. Housing

<b>1989-1982</b>	THM700, 4L60-E	
Seal	.....	9613S
Kwik Slv (Opt Rpr)	.....	KWK99149
Seal Kit Opt.	.....	5200 <sup>64</sup>

#### Selector Shaft Seal/Man. Shaft

<b>1989-1982</b>		
Seal	.....	8792S

### CLUTCH

#### Pilot Bearing

<b>1989-1987</b>		
Bearing	.....	57080
<b>1986-1982</b>	diesel	
Bearing	.....	57080
<b>1986-1946</b>	exc. diesel	
Bushing H/D	.....	PB656HD

### CLUTCH - 6 CYLINDER

#### Release Bearing

<b>1988-1985</b>	292/4.8L exc. cable clutch	
Bearing Assy	.....	614109
<b>1988-1985</b>	292/4.8L cable clutch	
Bearing Assy	.....	614018 <sup>42</sup>
<b>1984-1969</b>	292/4.8L	
Bearing Assy	.....	614018 <sup>42</sup>

### CLUTCH - 6 CYLINDER (cont.)

#### Release Bearing (cont.)

<b>1980-1975</b>	250/4.1L	
Bearing Assy	.....	614018 <sup>42</sup>
<b>1974-1972</b>	250/4.1L flat diaphragm	
Bearing Assy	.....	614037 <sup>42</sup>
<b>1974-1972</b>	250/4.1L cone diaph.	
Bearing Assy	.....	614018 <sup>42</sup>
<b>1971-1969</b>	250/4.1L	
Bearing Assy	.....	614037 <sup>42</sup>
<b>1968-1963</b>		
Bearing Assy	.....	614037 <sup>42</sup>
<b>1962-1952</b>	3-finger clutch	
Bearing Assy	.....	614018 <sup>42</sup>
<b>1962-1952</b>	flat diaphragm	
Bearing Assy	.....	614037 <sup>42</sup>
<b>1952-1946</b>	216/3.5L	
Bearing Assy	.....	614037 <sup>42</sup>
<b>1950</b>	235/3.9L 3 lever	
Bearing Assy	.....	614018 <sup>42</sup>
<b>1950</b>	235/3.9L flat diaphragm	
Bearing Assy	.....	614037 <sup>42</sup>

### CLUTCH - 8 CYLINDER

#### Release Bearing

<b>1989-1985</b>	exc. cable clutch	
Bearing Assy	.....	614109
<b>1989-1985</b>	454 & diesel engines; cable clutch	
Bearing Assy	.....	614018 <sup>42</sup>
<b>1984-1967</b>		
Bearing Assy	.....	614018 <sup>42</sup>
<b>1967-1958</b>	283/4.6L 3 lever design	
Bearing Assy	.....	614018 <sup>42</sup>
<b>1967-1958</b>	283/4.6L flat diaphragm	
Bearing Assy	.....	614037 <sup>42</sup>
<b>1957-1956</b>	265/4.3L	
Bearing Assy	.....	614037 <sup>42</sup>

### 3-SPEED MANUAL TRANSMISSION

#### Transmission Rebuild Kit

<b>1987-1966</b>	SM326 Saginaw: 76mm shaft	
Kit	.....	TRK301

#### Front Input Shaft

<b>1987-1966</b>	Saginaw	
Seal	.....	7412S
Bearing	.....	207SLB
Kwik Slv (Opt Rpr)	.....	KWK99125
<b>1982-1976</b>	Tremac	
Seal	.....	482208
Bearing	.....	208LO
Kwik Slv (Opt Rpr)	.....	KWK99112
<b>1972-1969</b>	Muncie	
Seal	.....	7412S
Bearing	.....	307L

**CHEVROLET/GMC TRUCK - 1 TON - C-30/35, K-30/35, R-30/35, V-30/35**  
**(cont.)**

**3-SPEED MANUAL TRANSMISSION**

**(cont.)**

**Front Input Shaft (cont.)**

<b>1968-1965</b>	Warner	
Seal	.....	7412S
Bearing	.....	307L
Kwik Slv (Opt Rpr)	.....	KWK99125
<b>1965-1961</b>	SM318, SM319: with overdrive	
Seal	.....	7412S
Bearing	.....	1207SLB
<b>1965-1961</b>	SM318, SM319: exc. overdrive	
Seal	.....	7412S
Bearing	.....	207SLB
<b>1960</b>	SM318: with overdrive	
Bearing	.....	1207SLB
<b>1960-1942</b>	SM318, SM319: exc. overdrive	
Bearing	.....	207SLB

**Rear Output Shaft**

<b>1987-1966</b>	Saginaw	
Seal	.....	9613S
Bearing	.....	306SLVB
Seal Kit Opt.	.....	5200 <sup>64</sup>
<b>1982-1976</b>	Tremac	
Seal	.....	9613S
Bearing	.....	207L
Seal Kit Opt.	.....	5200 <sup>64</sup>
<b>1976-1969</b>	Muncie	
Seal	.....	9613S
Bearing	.....	307L
Seal Kit Opt.	.....	5200 <sup>64</sup>
<b>1968</b>	Warner	
Seal	.....	9613S
Bearing	.....	1307L
Seal Kit Opt.	.....	5200 <sup>64</sup>
<b>1968-1955</b>	SM318, SM319	
Seal	.....	9613S
Bearing	.....	306LO
Seal Kit Opt.	.....	5208 <sup>64</sup>
<b>1966-1958</b>	Warner	
Seal	.....	471341N
Bearing	.....	1307
<b>1956-1942</b>	SM318	
Bearing	.....	305L

**Selector Shaft Seal/Man. Shaft**

<b>1987-1966</b>		
Seal	.....	240735
Kwik Slv (Opt Rpr)	.....	KWK99076
<b>1966-1958</b>	Warner	
Seal	.....	340797
Kwik Slv (Opt Rpr)	.....	KWK99059

**4-SPEED MANUAL TRANSMISSION**

**Input Shaft**

<b>1989-1978</b>	Muncie (M20)(CH465); 1st design	
Seal	.....	481181N
Bearing	.....	N1211L
Kwik Slv (Opt Rpr)	.....	KWK99162
<b>1977-1968</b>	SM465	
Seal	.....	481181N
Bearing	.....	N1211L
Kwik Slv (Opt Rpr)	.....	KWK99162
<b>1968-1964</b>	New Process 435 (1.120" spline)	
Seal	.....	7412S
Bearing	.....	1308L
Kwik Slv (Opt Rpr)	.....	KWK99125
<b>1968-1964</b>	New Process 435 (1.500" spline)	
Seal	.....	470380
Bearing	.....	1308L
Kwik Slv (Opt Rpr)	.....	KWK99149
<b>1967-1948</b>	SM420	
Seal	.....	7412S
Bearing	.....	1209L
Kwik Slv (Opt Rpr)	.....	KWK99125

**Rear Output Shaft**

<b>1989-1980</b>	Muncie (M20)(CH465)	
Seal	.....	410085
Bearing	.....	1308SL
<b>1979-1978</b>	Muncie (M20)(CH465)	
Seal	.....	714654
Bearing	.....	1308SL
<b>1977-1968</b>	SM465	
Seal	.....	410085
Bearing	.....	1308SL
<b>1972-1964</b>	New Process 435	
Seal	.....	470898
Bearing	.....	1308SL
<b>1968-1948</b>	SM420 10 spline	
Seal	.....	471341
Bearing	.....	307L
<b>1968-1948</b>	SM420 32 spline	
Seal	.....	471341
Bearing	.....	1208L

**Selector Shaft Seal/Man. Shaft**

<b>1972-1964</b>	New Process 435	
Seal	.....	350679

**DRIVESHAFT SUPPORT**

<b>1989-1955</b>	Spicer 1280, 1310, 1330: 1.3780" bearing ID	
Bearing	.....	88107
Hanger Bearing Assy	.....	HB88107A
<b>1988-1977</b>	Spicer 1410: 4x4: 1.5748" bearing ID	
Hanger Bearing Assy	.....	HB108
<b>1984-1972</b>	Cleveland 055: 1.5748" bearing ID, 2.25" height	
Hanger Bearing Assy	.....	HB88508A

[ ] Indicates Quantity Required; Set Components Listed Inside Rear Cover;  
<sup>64</sup> Opt. Seal and Bushing Kit

# Bearings and Seals

Mfg./Year    Model & Location    Part No    Mfg./Year    Model & Location    Part No

## CHEVROLET/GMC TRUCK - 1 TON - C-30/35, K-30/35, R-30/35, V-30/35 (cont.)

### DRIVESHAFT SUPPORT (cont.)

<b>1984-1972</b>	Spicer 1410: 1.5748" bearing ID, 2.25" height	
	Hanger Bearing Assy .....	HB88508A
<b>1984-1972</b>	Spicer 1810: 2.3622" bearing ID	
	Hanger Bearing Assy .....	HB88512AHD
<b>1984-1955</b>	Rockwell 58WB axle: 1.7717" bearing ID	
	Bearing .....	88509
	Hanger Bearing Assy .....	HB88509
<b>1984-1955</b>	Spicer 1410, 1550: 1.5748" bearing ID, 2.5" high	
	Hanger Bearing Assy .....	HB108
	Hanger Bearing Assy .....	HB88508
<b>1984-1955</b>	Spicer 1550, 1650: 1.7717" bearing ID	
	Bearing .....	88509
	Hanger Bearing Assy .....	HB88509
<b>1974-1955</b>	Spicer 1280, 1310: 1.1811" bearing ID	
	Bearing .....	206FF
	Hanger Bearing Assy .....	HB206FF

### POWER STEERING

#### Pitman Shaft

<b>1989-1988</b>	exc. C/K series	
	Seal (inner) .....	471413
	Seal (outer) .....	7412S
	Seal Kit .....	PSK1 <sup>24</sup>
<b>1987-1956</b>		
	Seal (inner) .....	471413
	Seal (outer) .....	7412S
	Seal Kit .....	PSK1 <sup>24</sup>

#### Pump Shaft

<b>1989-1967</b>		
	Seal .....	480821
<b>1966-1963</b>	V6	
	Seal .....	8773S
<b>1966-1958</b>	V8	
	Seal .....	480821
<b>1959-1956</b>	V6	
	Seal .....	471526
<b>1957-1955</b>	V8	
	Seal .....	8059S
	Bearing .....	201AB
<b>1954-1951</b>		
	Seal (inner) .....	8069S
	Bearing (inner) .....	201AB
	Bearing (outer) .....	88016[2]

#### Worm Shaft

<b>1989-1973</b>	exc. P series	
	Seal .....	222025
	Needle Bearing .....	SCE148
<b>1972-1960</b>		
	Seal .....	351267
	Needle Bearing .....	SCE148

### POWER STEERING (cont.)

#### Worm Shaft (cont.)

<b>1959-1956</b>		
	Seal .....	351267
	Needle Bearing .....	SCE148

### MANUAL STEERING

#### Pitman Shaft

<b>1987-1938</b>		
	Seal .....	313842
<b>1941-1939</b>		
	Seal .....	474278

#### Worm Shaft

<b>1987-1967</b>		
	Seal .....	7013S
	Bearing .....	8537
<b>1966-1960</b>		
	Seal .....	340413
	Bearing .....	8537

### CRANKSHAFT REAR SEAL

#### 6 Cylinder

<b>1988-1986</b>	262/4.3L	
	Seal Viton .....	4359V
	Seal PTFE H/D Opt. ....	5274
	Kwik Slv (Opt Rpr) .....	KWK99364
<b>1988-1964</b>		
	Seal .....	5092

#### 8 Cylinder

<b>1989-1986</b>	exc. 454 & diesel engines	
	Seal Viton .....	4359V
	Seal PTFE H/D Opt. ....	5274
	Kwik Slv (Opt Rpr) .....	KWK99364
<b>1989-1988</b>	454/7.4L	
	Seal .....	5072
<b>1989-1983</b>	diesel	
	Seal .....	5163
<b>1985-1964</b>	exc. 454 & diesel engines	
	Seal .....	5092

### TIMING COVER

#### 6 Cylinder

<b>1988-1964</b>		
	Seal .....	9845
	Kwik Slv (Opt Rpr) .....	KWK99176
	Harmonic Balancer	
	Sleeves Opt. ....	88176

**CHEVROLET/GMC TRUCK - 1 TON - C-30/35, K-30/35, R-30/35, V-30/35**  
(cont.)

**TIMING COVER**

**8 Cylinder**

<b>1989-1983</b>	454 & diesel engines	
Seal	.....	3945
Kwik Slv (Opt Rpr)	.....	KWK99233
Harmonic Balancer		
Sleeves Opt.	.....	88233
<b>1989-1964</b>	exc. 454 & diesel engines	
Seal	.....	9845
Kwik Slv (Opt Rpr)	.....	KWK99176
Harmonic Balancer		
Sleeves Opt.	.....	88176

**CHEVROLET/GMC TRUCK - 1 TON - Full Size Vans - G30/G35, P30/P35**

**FRONT WHEEL**

**2WD**

<b>1989-1973</b>	P series w/ I-beam axle	
Seal (inner)	.....	5682[2]
Cone/Cup (inner)	.....	26884-26823[2]
Cone/Cup (outer)	.....	15103S-15243[2]
<b>1989-1971</b>	G30/G35 w/disc	
Seal (inner)	.....	8974S[2]
Set (inner)	.....	SET45
Cone/Cup (outer)	.....	15103S-15243[2]
<b>1989-1973</b>	P series exc. I-beam axle	
Seal (inner)	.....	8974S[2]
Set (inner)	.....	SET45
Cone/Cup (outer)	.....	15103S-15243[2]
<b>1978-1971</b>	P30, Van, Motor Home Chassis: exc. 11,000 lb. axle	
Seal (inner)	.....	6785[2]
Set (inner)	.....	SET45
Cone/Cup (outer)	.....	15103S-15243[2]
<b>1972-1971</b>	P series 11,000 lb. axle	
Seal (inner)	.....	8974S[2]
Set (inner)	.....	SET45
Cone/Cup (outer)	.....	24780-24720[2]
<b>1972-1971</b>	G30/G35 w/ drum	
Seal (inner)	.....	8974S[2]
Cone/Cup (inner)	.....	2777-2720[2]
Set (outer)	.....	SET3
<b>1972-1963</b>	P series exc. 11,000 lb. axle	
Seal (inner)	.....	8974S[2]
Cone/Cup (inner)	.....	2777-2720[2]
Set (outer)	.....	SET3
<b>1970-1968</b>	P30, Van: 11,000 lb. axle	
Seal (inner)	.....	8974S[2]
Cone/Cup (inner)	.....	24780-24720[2]
Set (outer)	.....	SET3
<b>1967</b>	P series 11,000 lb. axle	
Seal (inner)	.....	6785[2]
Set (inner)	.....	SET45
Cone/Cup (outer)	.....	15103S-15243[2]
<b>1962-1960</b>	P series 2.094 shaft	
Seal (inner)	.....	40973S[2]
Bearing (inner)	.....	B44[2]
Bearing (outer)	.....	B47

**FRONT WHEEL (cont.)**

**2WD (cont.)**

<b>1962-1960</b>	P series 2.063 shaft	
Seal (inner)	.....	5756[2]
Bearing (inner)	.....	B44[2]
Bearing (outer)	.....	B47

**REAR WHEEL**

<b>1989-1973</b>	P series 10.5" ring gear exc. Dana & 4whl disc	
Seal (inner)	.....	2081[2]
Cone/Cup (inner)	.....	387AS-382A[2]
Set	.....	SET38
<b>1989-1973</b>	P series 4whl disc	
Seal (inner)	.....	6358[2]
Cone/Cup (inner)	.....	395CS-394CS[2]
Cone/Cup (outer)	.....	387-382[2]
<b>1989-1983</b>	G30/3500 10.5" ring gear	
Seal (inner)	.....	2081[2]
Cone/Cup (inner)	.....	387AS-382A[2]
Set (outer)	.....	SET38
<b>1989-1983</b>	G30/3500 9.5" ring gear	
Seal (inner)	.....	3747[2]
Cyl. Bearing (inner)	.....	R1561TV[2]
Kit	.....	TGM1561R[2] <sup>19</sup>
<b>1982-1973</b>	G30/3500	
Seal (inner)	.....	2081[2]
Cone/Cup (inner)	.....	387AS-382A[2]
Set (outer)	.....	SET38
<b>1972-1971</b>		
Seal (inner)	.....	2081[2]
Cone/Cup (inner)	.....	388A-382[2]
Cone/Cup (outer)	.....	368S-362[2]

**REAR AXLE**

**Differential**

<b>1989-1983</b>	9.5" ring gear	
Set	.....	SET42
<b>1989-1988</b>	10.5" ring gear, dual wheels & 7.4L	
Cone/Cup	.....	469-453X[2]

[ ] Indicates Quantity Required; Set Components Listed Inside Rear Cover;

<sup>19</sup> Opt. Axle Repair Bearing. Replaces O.E. bearing & seal.



# Bearings and Seals

Mfg./Year    Model & Location    Part No    Mfg./Year    Model & Location    Part No

## CHEVROLET/GMC TRUCK - 1 TON - Full Size Vans - G30/G35, P30/P35 (cont.)

### REAR AXLE (cont.)

#### Differential (cont.)

<b>1989-1974</b>	9.5", 9.75" ring gear, 10.5" w5.7L or 6.2L; dual wheel & Spicer	387A-382S[2]
	Cone/Cup	
<b>1984-1978</b>	10.5" ring gear exc. Spicer axle	387AS-382A[2]
	Cone/Cup	
<b>1972-1971</b>	disc brakes	388A-382[2]
	Cone/Cup	
<b>1971</b>	drum brakes	LM501349-LM501314[2]
	Cone/Cup	

#### Pinion

<b>1989-1985</b>	9.5" ring gear	HM804846-HM804810
	Cone/Cup (inner)	
	Seal (outer)	3896
	Cone/Cup (outer)	HM88649-HM88610
	Kwik Slv (Opt Rpr)	KWK99193
<b>1989-1985</b>	10.5" Dana rear end	
	Seal (outer)	9316
	Cone/Cup (outer)	HM88542-HM88510
	Cone/Cup (inner)	HM807040-HM807010
	Cone/Cup (pilot)	HM803149-HM803110
	Kwik Slv (Opt Rpr)	KWK99187
<b>1989-1974</b>	9.75" ring gear	HM803146-HM803110
	Cone/Cup (inner)	
	Seal (outer)	9316
	Cone/Cup (outer)	HM88542-HM88510
	Kwik Slv (Opt Rpr)	KWK99187
<b>1984-1979</b>	10.5" ring gear & 4.10 or 4.56 axles	3767-3730
	Cone/Cup (inner)	
	Seal (outer)	9316
	Cone/Cup (outer)	HM88542-HM88510
	Kwik Slv (Opt Rpr)	KWK99187
<b>1984-1973</b>	10.5" ring gear Spicer exc. 4.10 or 4.56 axles	HM807040-HM807010
	Cone/Cup (inner)	
	Seal (outer)	9316
	Cone/Cup (outer)	HM88542-HM88510
	Kwik Slv (Opt Rpr)	KWK99187
<b>1982-1978</b>	10.5" ring gear exc. Spicer axle	HM803149-HM803110
	Cone/Cup (inner)	
	Seal (outer)	2286
	Cone/Cup (outer)	M802048-M802011
	Cyl. Bearing (pilot)	R1581TV
<b>1972-1971</b>		
	Seal (outer)	411330N
	Bearing Assy (outer)	55197-90030
	Cyl. Bearing (pilot)	M5205EL

### 3-SPEED AUTOMATIC TRANSMISSION

#### Torque Converter

<b>1989-1983</b>	THM700, 4L60-E	
	Seal	3227
	Kwik Slv (Opt Rpr)	KWK99174
<b>1989-1964</b>	exc. THM700	
	Seal	6712NA
	Kwik Slv (Opt Rpr)	KWK99187

### Rear Seal/Ext. Housing

<b>1989-1964</b>	exc. 4L80E, THM400, THM475	
	Seal	9613S
	Kwik Slv (Opt Rpr)	KWK99149
	Seal Kit Opt.	5200 <sup>64</sup>
<b>1979-1967</b>	exc. THM400	
	Seal	9613S
	Seal Kit Opt.	5200 <sup>64</sup>
<b>1979-1964</b>	THM400: 1.890" shaft	
	Seal	9449
	Seal Kit Opt.	5208 <sup>64</sup>
<b>1977-1964</b>	THM400: 1.687" shaft	
	Seal	7038SA
	Seal Kit Opt.	5205 <sup>64</sup>

### Selector Shaft Seal/Man. Shaft

<b>1989-1964</b>		
	Seal	8792S

### 4-SPEED AUTOMATIC TRANSMISSION

#### Torque Converter

<b>1989-1982</b>	THM700, 4L60-E	
	Seal	3227
	Kwik Slv (Opt Rpr)	KWK99174

### Rear Seal/Ext. Housing

<b>1989-1983</b>	HM4L60	
	Seal	9613S
	Kwik Slv (Opt Rpr)	KWK99149
	Seal Kit Opt.	5200 <sup>64</sup>

### Selector Shaft Seal/Man. Shaft

<b>1989-1982</b>		
	Seal	8792S
	Kwik Slv (Opt Rpr)	KWK99050

### CLUTCH

#### Pilot Bearing

<b>1989-1987</b>	exc. 364/ 6.0L, 496/ 8.1L	
	Bearing	57080
<b>1989-1982</b>	diesel, turbodiesel engines	
	Bearing	57080
<b>1986-1956</b>	exc. diesel	
	Bushing H/D	PB656HD

### Release Bearing

<b>1989-1984</b>	with hydraulic mechanism	
	Bearing Assy	614174
<b>1989-1984</b>	with cable-actuated mechanism	
	Bearing Assy	614018 <sup>42</sup>
<b>1983-1973</b>	exc. 250 (4.1) engine with 1.875" ID diaphragm	
	Bearing Assy	614018 <sup>42</sup>
<b>1983-1973</b>	250 (4.1) engine with 1.875" ID diaphragm clutch	
	Bearing Assy	614037 <sup>42</sup>

132 [ ] Indicates Quantity Required; Set Components Listed Inside Rear Cover;

<sup>42</sup> Sealed Self-Aligning Bearing    <sup>64</sup> Opt. Seal and Bushing Kit

**CHEVROLET/GMC TRUCK - 1 TON - Full Size Vans - G30/G35, P30/P35  
(cont.)**

**CLUTCH (cont.)**

**Release Bearing (cont.)**

<b>1972-1967</b>	exc. 194 (3.2), 250 (4.1) engines	
Bearing Assy	.....	614018 <sup>42</sup>
<b>1972-1967</b>	194 (3.2), 250 (4.1) engines	
Bearing Assy	.....	614037 <sup>42</sup>
<b>1966</b>	coil spring clutch: exc. diesel	
Bearing Assy	.....	614018 <sup>42</sup>
<b>1966</b>	diaphragm clutch: exc. diesel	
Bearing Assy	.....	614037 <sup>42</sup>
<b>1965-1964</b>	exc. 261, 292, 327 engines	
Bearing Assy	.....	614018 <sup>42</sup>
<b>1965-1964</b>	261, 292, 327 engines	
Bearing Assy	.....	614037 <sup>42</sup>

**3-SPEED MANUAL TRANSMISSION**

**Transmission Rebuild Kit**

<b>1987-1966</b>	Saginaw	
Kit	.....	TRK301

**Front Input Shaft**

<b>1987-1964</b>	Saginaw	
Seal	.....	7412S
Bearing	.....	207SLB
Kwik Slv (Opt Rpr)	.....	KWK99125
<b>1982-1976</b>	Tremac	
Seal	.....	482208
Bearing	.....	1208L
Kwik Slv (Opt Rpr)	.....	KWK99112
<b>1976-1968</b>	Muncie	
Seal	.....	7412S
Bearing	.....	307L
Kwik Slv (Opt Rpr)	.....	KWK99125

**Rear Output Shaft**

<b>1987-1964</b>	Saginaw	
Seal	.....	9613S
Bearing	.....	306SLVB
Kwik Slv (Opt Rpr)	.....	KWK99149
Seal Kit Opt.	.....	5200 <sup>64</sup>
<b>1982-1976</b>	160T Dearborn Tremec: 77mm shaft	
Seal	.....	9613S
Bearing	.....	207SLB
Kwik Slv (Opt Rpr)	.....	KWK99149
Seal Kit Opt.	.....	5200 <sup>64</sup>
<b>1978-1976</b>	Muncie HD	
Seal	.....	9613S
Bearing	.....	1208L
Kwik Slv (Opt Rpr)	.....	KWK99149
Seal Kit Opt.	.....	5200 <sup>64</sup>
<b>1976</b>	Muncie exc. HD	
Seal	.....	9613S
Bearing	.....	307TB
Kwik Slv (Opt Rpr)	.....	KWK99149
Seal Kit Opt.	.....	5200 <sup>64</sup>

**3-SPEED MANUAL TRANSMISSION**

**(cont.)**

**Rear Output Shaft (cont.)**

<b>1975-1967</b>	Muncie	
Seal	.....	9613S
Bearing	.....	307TB
Kwik Slv (Opt Rpr)	.....	KWK99149
Seal Kit Opt.	.....	5200 <sup>64</sup>
<b>1966-1964</b>	Muncie HD	
Seal	.....	471341
Bearing	.....	1306SLVB
Kwik Slv (Opt Rpr)	.....	KWK99225

**Selector Shaft Seal/Man. Shaft**

<b>1987-1964</b>		
Seal	.....	312518
Kwik Slv (Opt Rpr)	.....	KWK99076

**4-SPEED MANUAL TRANSMISSION**

**Transmission Rebuild Kit**

<b>1987-1963</b>	New Process 435	
Kit	.....	TRK127
<b>1986-1978</b>	Muncie (M20)(CH465)	
Kit	.....	TRK157
<b>1979-1968</b>	SM465	
Kit	.....	TRK157

**Input Shaft**

<b>1989-1983</b>	New Process (MY6)	
Seal	.....	7412S
Kwik Slv (Opt Rpr)	.....	KWK99125
<b>1989-1985</b>	Muncie	
Seal	.....	9613S
Bearing	.....	308L
Kwik Slv (Opt Rpr)	.....	KWK99149
Seal Kit Opt.	.....	5200 <sup>64</sup>
<b>1970-1967</b>	Warner	
Seal	.....	9613S
Bearing	.....	307L
Kwik Slv (Opt Rpr)	.....	KWK99149
Seal Kit Opt.	.....	5200 <sup>64</sup>

**Rear Output Shaft**

<b>1989-1983</b>	New Process	
Seal	.....	9613S
Bearing	.....	308LOE
Kwik Slv (Opt Rpr)	.....	KWK99149
Seal Kit Opt.	.....	5200 <sup>64</sup>
<b>1989-1985</b>	Muncie	
Seal	.....	9613S
Bearing	.....	308L
Kwik Slv (Opt Rpr)	.....	KWK99149
Seal Kit Opt.	.....	5200 <sup>64</sup>
<b>1970-1967</b>	Warner	
Seal	.....	9613S
Bearing	.....	307L
Kwik Slv (Opt Rpr)	.....	KWK99149
Seal Kit Opt.	.....	5200 <sup>64</sup>

[ ] Indicates Quantity Required; Set Components Listed Inside Rear Cover;  
<sup>42</sup> Sealed Self-Aligning Bearing    <sup>64</sup> Opt. Seal and Bushing Kit

# Bearings and Seals

Mfg./Year    Model & Location    Part No    Mfg./Year    Model & Location    Part No

## CHEVROLET/GMC TRUCK - 1 TON - Full Size Vans - G30/G35, P30/P35 (cont.)

### DRIVESHAFT SUPPORT

**1989-1964**  
 Bearing ..... 88107  
 Hanger Bearing Assy ..... HB88107A

### POWER STEERING

#### Pitman Shaft

**1989-1972**  
 Seal Kit ..... PSK1<sup>24</sup>  
 Seal (inner) ..... 471413  
 Seal (outer) ..... 7412S

#### Pump Shaft

**1989-1972**  
 Seal ..... 7013S  
 Bearing ..... 8537

#### Worm Shaft

**1989-1979**  
 Seal ..... 222025  
**1978-1971**  
 Needle Bearing ..... SCE148

### MANUAL STEERING

#### Pitman Shaft

**1989-1964**  
 Seal ..... 313842

#### Worm Shaft

**1989-1964**  
 Seal ..... 7013S  
 Bearing ..... 8537

### CRANKSHAFT REAR SEAL

#### 6 Cylinder

**1989-1985**  
 Seal Viton ..... 4359V  
 Seal PTFE H/D Opt. .... 5274  
 Kwik Slv (Opt Rpr) ..... KWK99364  
**1985-1964**  
 Seal ..... 5092

### 8 Cylinder

**1989-1986** exc. 454 & diesel engines  
 Seal Viton ..... 4359V  
 Seal PTFE H/D Opt. .... 5274  
 Kwik Slv (Opt Rpr) ..... KWK99364  
**1989-1988** 454/7.4L  
 Seal ..... 5072  
**1989-1983** diesel  
 Seal ..... 5163  
**1985-1964** exc. 454 & diesel engines  
 Seal ..... 5092

### TIMING COVER

#### 6 Cylinder

**1989-1964**  
 Seal ..... 9845  
 Kwik Slv (Opt Rpr) ..... KWK99176  
 Harmonic Balancer  
 Sleeves Opt. .... 88176

#### 8 Cylinder

**1989-1983** 454 & diesel engines  
 Seal ..... 3945  
 Kwik Slv (Opt Rpr) ..... KWK99233  
 Harmonic Balancer  
 Sleeves Opt. .... 88233  
**1989-1964** exc. 454 & diesel engines  
 Seal ..... 9845  
 Kwik Slv (Opt Rpr) ..... KWK99176  
 Harmonic Balancer  
 Sleeves Opt. .... 88176

## CHEVROLET/GMC TRUCK - 1-1/2, 2, 2-1/2 TON - 40, 50, 60, 70, 4100, 4400, 4500

### FRONT WHEEL

**1989-1988** W5S042  
 Seal (inner) ..... 710087[2]  
 Bearing Assy (inner) ..... 513046[2]  
 Bearing Assy (outer) ..... 513045[2]

### FRONT WHEEL (cont.)

**1989** W7R042M: air brakes: Z06 axle  
 Seal (inner) ..... 710084[2]  
 Cone/Cup (inner) ..... H414245A-H414210[2]  
 Bearing Assy (outer) ..... 513047[2]  
**1989-1987** W7R042HD  
 Seal (inner) ..... 710084[2]  
 Cone/Cup (inner) ..... H414245A-H414210[2]  
 Bearing Assy (outer) ..... 513047[2]

134 [ ] Indicates Quantity Required; Set Components Listed Inside Rear Cover;

<sup>24</sup> Opt. Kit incl. seals 5683 & 5684. Not sold separately

**CHEVROLET/GMC TRUCK - 1-1/2, 2, 2-1/2 TON - 40, 50, 60, 70, 4100, 4400, 4500 (cont.)**

**FRONT WHEEL (cont.)**

<b>1989-1987</b>	W7R042M: part. hydraulic brakes: Z05 axle	
	Seal (inner) .....	710088[2]
	Cone/Cup (inner) .....	HM212047-HM212011[2]
	Cone/Cup (outer) .....	4388-4335[2]
<b>1989</b>	9,000 lb. axle: C7D064	
	Seal (inner) .....	370018A[2] <sup>57</sup>
	Cone/Cup (inner) .....	39581-39520[2]
	Cone/Cup (outer) .....	26878-26820[2]
<b>1989</b>	9,000 lb. axle: B6P042, C6D042	
	Seal (inner) .....	370011A[2] <sup>57</sup>
	Cone/Cup (inner) .....	HM212047-HM212011[2]
	Cone/Cup (outer) .....	45282-45220[2]
<b>1989-1960</b>	7,000 lb. axle: F070: B6P042, C5D042, C6D042, C7D042, C7D064, P4T042, P6T042	
	Seal (inner) .....	8976S[2]
	Cone/Cup (inner) .....	45284-45220[2]
	Seal (outer) .....	370145A[2] <sup>57</sup>
	Cone/Cup (outer) .....	2796-2720[2]
<b>1989-1968</b>	12,000 lb. axle: B6P042, C6D042, P6T042, S7T042	
	Seal (inner) .....	370011A[2] <sup>57</sup>
	Cone/Cup (inner) .....	HM212047-HM212011[2]
	Cone/Cup (outer) .....	45282-45220[2]
<b>1989-1960</b>	5,000 lb. axle: F050: C5D042, C6D042, C7D042, P4T042	
	Seal (inner) .....	8975S[2]
	Cone/Cup (inner) .....	3578A-3525[2]
	Cone/Cup (outer) .....	15103S-15243[2]
<b>1989-1960</b>	5,500 lb. axle: F055: C5D042, C6D042, C7D042, P4T042	
	Seal (inner) .....	8975S[2]
	Cone/Cup (inner) .....	3578A-3525[2]
	Cone/Cup (outer) .....	15103S-15243[2]
<b>1989-1968</b>	11,000 lb. axle	
	Seal (inner) .....	45282A[2]
	Cone/Cup (inner) .....	HM212047-HM212011[2]
	Cone/Cup (outer) .....	45282-45220[2]
<b>1988-1969</b>	9,000 lb. axle: B6P042, C6D042, C7D064	
	Seal (inner) .....	370018A[2] <sup>57</sup>
	Cone/Cup (inner) .....	39581-39520[2]
	Cone/Cup (outer) .....	26878-26820[2]
<b>1972-1965</b>	4,000 lb. axle	
	Seal (inner) .....	5119[2]
	Cone/Cup (inner) .....	25582-25520[2]
	Set (outer) .....	SET3
<b>1967</b>	11,000 lb. axle	
	Seal (inner) .....	370211A[2] <sup>57</sup>
	Cone/Cup (inner) .....	HM212047-HM212011[2]
	Cone/Cup (outer) .....	3779-3720[2]
<b>1965-1963</b>	4,000 lb. axle	
	Seal (inner) .....	8974S[2]
	Cone/Cup (inner) .....	2777-2720[2]
	Set (outer) .....	SET3
<b>1962-1960</b>	4,000 lb. axle	
	Seal (inner) .....	8243[2]
	Bearing (inner) .....	B48[2]
	Bearing (outer) .....	B47[2]

**FRONT WHEEL (cont.)**

<b>1959-1954</b>	tapered bearing	
	Seal (inner) .....	6785[2]
	Cone/Cup (inner) .....	25583-25519[2]
	Cone/Cup (outer) .....	15103S-15243[2]
<b>1959-1953</b>	ball bearing	
	Seal (inner) .....	40973S[2]
	Bearing (inner) .....	B46[2]
	Bearing (outer) .....	B47[2]
<b>1957-1953</b>	11, 1500 series	
	Bearing (inner) .....	B46[2]
	Bearing (outer) .....	B45[2]
<b>1953-1949</b>	all	
	Cone/Cup (inner) .....	17883-17831[2]
	Cone/Cup (outer) .....	15579A-15522A[2]
<b>1949-1946</b>	all	
	Cone/Cup (inner) .....	17883-17830[2]
	Cone/Cup (outer) .....	15574A-15522A[2]

**REAR WHEEL**

<b>1989-1988</b>	W5S042	
	Seal (inner) .....	710085[2]
	Bearing Assy (inner) .....	32215[2]
	Seal (outer) .....	710086[2]
	Bearing Assy (outer) .....	32213M[2]
<b>1989-1988</b>	Eaton 15040 axle: B7T042, C6H042, C7H042, P4T042, P6S042	
	Seal (inner) .....	370008A[2] <sup>57</sup>
	Cone/Cup (inner) .....	33287-33462[2]
	Cone/Cup (outer) .....	3982-3920[2]
<b>1989-1987</b>	Eaton 15040 axle: C5D042, C5H042, P4T042	
	Seal (inner) .....	370008A[2] <sup>57</sup>
	Cone/Cup (inner) .....	33287-33462[2]
	Cone/Cup (outer) .....	3982-3920[2]
<b>1989-1988</b>	Eaton 19050, 19055 axles: C5D042, C6H042, C7H042	
	Seal (inner) .....	370023A[2] <sup>57</sup>
	Cone/Cup (inner) .....	47686-47620[2]
	Cone/Cup (outer) .....	39590-39520[2]
<b>1989-1987</b>	W7R042HD, W7R042T	
	Seal (inner) .....	710089[2]
	Bearing Assy (inner) .....	32219M[2]
	Seal (outer) .....	710090[2]
	Bearing Assy (outer) .....	32218M[2]
<b>1989-1987</b>	W7R042M	
	Seal (inner) .....	710278[2]
	Bearing Assy (inner) .....	32216[2]
	Seal (outer) .....	710277[2]
	Bearing Assy (outer) .....	32215[2]
<b>1989-1982</b>	50, 60, 70 Series: 17500 lb. H175, T175 axles: B6P042, C6D042, C7D042, C7D064, P6T04	
	Seal (inner) .....	370009A[2] <sup>57</sup>
	Cone/Cup (inner) .....	495AX-493[2]
	Seal (outer) .....	6864S[2]
	Cone/Cup (outer) .....	39590-39520[2]

[ ] Indicates Quantity Required; Set Components Listed Inside Rear Cover;  
<sup>57</sup> Oil Bath Seal

# Bearings and Seals

Mfg./Year    Model & Location    Part No    Mfg./Year    Model & Location    Part No

## CHEVROLET/GMC TRUCK - 1-1/2, 2, 2-1/2 TON - 40, 50, 60, 70, 4100, 4400, 4500 (cont.)

### REAR WHEEL (cont.)

<b>1989-1969</b>	50, 60, 70 Series: 19000 lb. axle
Seal (inner)	.....370023A[2] <sup>57</sup>
Cone/Cup (inner)	.....594A-592A[2]
Cone/Cup (outer)	.....47686-47620[2]
<b>1989-1988</b>	40, 50, 60 Series: H110: 11000 lb. axle: B6P042, C6D042, P6T042
Seal (inner)	.....370046A[2] <sup>57</sup>
Cone/Cup (inner)	.....3984-3920[2]
Cone/Cup (outer)	.....28682-28622A[2]
<b>1989-1988</b>	40, 50, 60 Series: H135: 13500 lb. axle: B6P042, C6D042, P6T042
Seal (inner)	.....370046A[2] <sup>57</sup>
Cone/Cup (inner)	.....3984-3920[2]
Cone/Cup (outer)	.....28682-28622A[2]
<b>1989-1980</b>	50, 60 Series: 15000 lb. H150, T150 axles: B6P042, C6D042, P6T042
Seal (inner)	.....370009A[2] <sup>57</sup>
Cone/Cup (inner)	.....33287-33472[2]
Seal (outer)	.....6864S[2]
Cone/Cup (outer)	.....3982-3925[2]
<b>1989-1980</b>	Eaton 17121, 17221 axles: B6P042, C6D042, P6T042
Seal (inner)	.....370023A[2] <sup>57</sup>
Cone/Cup (inner)	.....47686-47620[2]
Cone/Cup (outer)	.....39590-39520[2]
<b>1987</b>	Eaton 15040 axle: P4T042
Seal (inner)	.....370009A[2] <sup>57</sup>
Cone/Cup (inner)	.....33287-33462[2]
Cone/Cup (outer)	.....3982-3920[2]
<b>1987-1986</b>	Eaton 15101 axle: C5D042
Seal (inner)	.....370008A[2] <sup>57</sup>
Cone/Cup (inner)	.....33287-33462[2]
Cone/Cup (outer)	.....3982-3920[2]
<b>1987-1982</b>	40, 50, 60 Series: H110: 11000 lb. axle: C5D042, C6D042, P6T042
Seal (inner)	.....370046A[2] <sup>57</sup>
Cone/Cup (inner)	.....3984-3920[2]
Cone/Cup (outer)	.....28682-28622A[2]
<b>1987-1982</b>	40, 50, 60 Series: H135: 13500 lb. axle: C5D042, C6D042, P6T042
Seal (inner)	.....370046A[2] <sup>57</sup>
Cone/Cup (inner)	.....3984-3920[2]
Cone/Cup (outer)	.....28682-28622A[2]
<b>1981-1973</b>	40, 50, 60 Series: 13500 lb. axle
Seal (inner)	.....2055[2]
Cone/Cup (inner)	.....395CS-394CS[2]
Cone/Cup (outer)	.....387-382[2]
<b>1981-1967</b>	50 Series: 15000 lb. T150 axle: 15"x5" hyd brakes
Seal (inner)	.....9128S[2]
Cone/Cup (inner)	.....33287-33472[2]
Cone/Cup (outer)	.....3982-3925[2]

### REAR WHEEL (cont.)

<b>1981-1967</b>	50, 60, 70 Series: 17000 lb. axle
Seal (inner)	.....9128S[2]
Cone/Cup (inner)	.....495AX-493[2]
Cone/Cup (outer)	.....39590-39520[2]
<b>1981-1966</b>	40 Series, 50 Series: 11000 lb. axle
Seal (inner)	.....6358[2]
Cone/Cup (inner)	.....395CS-394CS[2]
Cone/Cup (outer)	.....387-382[2]
<b>1981-1963</b>	40, 50, 60 Series: 15000 lb. H150 axle: 15"x4" hydraulic brakes: P4T042
Seal (inner)	.....485497[2]
Cone/Cup (inner)	.....M514546-M514512[2]
Cone/Cup (outer)	.....M111048-M111012[2]
<b>1972-1964</b>	40, 50, 60 Series: 13500 lb. axle
Seal (inner)	.....2055[2]
Cone/Cup (inner)	.....395CS-394CS[2]
Cone/Cup (outer)	.....387-382[2]
<b>1967</b>	40 Series: 15000 lb. T150 axle
Cone/Cup (inner)	.....395CS-394CS[2]
Cone/Cup (outer)	.....387-382[2]
<b>1966</b>	50 Series: 15000 lb. 2-speed axle
Cone/Cup (inner)	.....M514546-M514512[2]
Cone/Cup (outer)	.....M111048-M111012[2]
<b>1965-1963</b>	50 Series: 11000 lb. axle
Seal (inner)	.....6358[2]
Cone/Cup (inner)	.....395CS-394CS[2]
Cone/Cup (outer)	.....387-382[2]
<b>1962-1954</b>	4100, 4400, 4500 Series: 2-speed axle
Seal (inner)	.....485497[2]
Cone/Cup (inner)	.....M514546-M514512[2]
Cone/Cup (outer)	.....M111048-M111012[2]
<b>1962-1946</b>	4100, 4400, 4500 Series: 1-speed axle
Seal (inner)	.....6358[2]
Cone/Cup (inner)	.....395CS-394CS[2]
Cone/Cup (outer)	.....387-382[2]

### SINGLE REAR AXLE

#### Differential Rebuild Kit

<b>1989-1988</b>	Eaton 19050T, 19055D, 19055S, 19055T axles
Kit	.....DRK23D
<b>1989-1987</b>	Eaton 15040T axle
Kit	.....DRK24
<b>1989-1983</b>	Dana/Spicer M185T, M190T, M220T axles
Kit	.....DRK214
<b>1989-1988</b>	Eaton 17401 axle
Kit	.....DRK23B
<b>1989-1986</b>	Eaton 16121 axle
Kit	.....DRK23B
<b>1988-1973</b>	Eaton 17101, 17121, 18121 axles
Kit	.....DRK1A
<b>1988-1973</b>	Eaton 17201, 17221, 18221 axles
Kit	.....DRK1
<b>1988-1973</b>	Eaton 23221 axle
Kit	.....DRK72A

**CHEVROLET/GMC TRUCK - 1-1/2, 2, 2-1/2 TON - 40, 50, 60, 70, 4100, 4400, 4500 (cont.)**

**SINGLE REAR AXLE (cont.)**

**Differential Rebuild Kit (cont.)**

<b>1987-1986</b>	Eaton 15101 axle	
Kit	.....	DRK24
<b>1987-1984</b>	Dana/Spicer 70HD axle	
Kit	.....	DRK332HD
<b>1987-1983</b>	Dana/Spicer G190S axle	
Kit	.....	DRK213
<b>1982-1965</b>	T150 axle	
Kit	.....	DRK170
<b>1980-1966</b>	T170 axle	
Kit	.....	DRK170
<b>1979-1973</b>	Eaton 19201 axle	
Kit	.....	DRK72
<b>1966-1961</b>	Eaton 16800, 16802, 16803 axles	
Kit	.....	DRK23

**Differential**

<b>1989-1988</b>	Eaton 19050T, 19055D, 19055S, 19055T axles	
Cone/Cup (LH)	.....	42381-42584
Cone/Cup (RH)	.....	495A-493
<b>1989-1987</b>	Eaton 15040S axle	
Cone/Cup (LH)	.....	3994-3920
Cone/Cup (RH)	.....	497-493
<b>1989-1987</b>	Eaton 21065S, 23070S, 23105S axles	
Cone/Cup (LH)	.....	598-592A
Cone/Cup (RH)	.....	497-493
<b>1989-1983</b>	Eaton 21065T axle	
Cone/Cup (LH)	.....	56425-56650
Cone/Cup (RH)	.....	497-493
<b>1989-1983</b>	Eaton 23070P, 23070T axles	
Cone/Cup (LH)	.....	56425-56650
Cone/Cup (RH)	.....	497-493
<b>1989-1973</b>	Eaton 17201, 17221, 17421, 18221, 22221 axles	
Cone/Cup (LH)	.....	56425-56650
Cone/Cup (RH)	.....	497-493
<b>1989-1988</b>	Isuzu R065 axle	
Cone/Cup (LH)	.....	3984-3920
Cone/Cup (RH)	.....	3984-3920
<b>1989-1988</b>	Isuzu R077 axle	
Bearing Assy (LH)	.....	30214
Bearing Assy (RH)	.....	30214
<b>1989-1987</b>	Isuzu R094 axle	
Bearing Assy (LH)	.....	32216
Bearing Assy (RH)	.....	32216
<b>1989-1983</b>	Dana/Spicer M185T, M190S, M190T, M220T axles	
Cone/Cup (LH)	.....	JM822049-JM822010
Cone/Cup (RH)	.....	JM716649-JM716610
<b>1989-1988</b>	Eaton 17401 axle	
Cone/Cup (LH)	.....	567-563
Cone/Cup (RH)	.....	3994-3920
<b>1989-1986</b>	Eaton 16121 axle	
Cone/Cup (LH)	.....	567-563
Cone/Cup (RH)	.....	3994-3920

**SINGLE REAR AXLE (cont.)**

**Differential (cont.)**

<b>1988-1982</b>	T175 axle	
Cone/Cup (LH)	.....	42381-42584
Cone/Cup (RH)	.....	495AX-493
<b>1988-1973</b>	Eaton 17101, 17121, 18121, 22121 axles	
Cone/Cup (LH)	.....	567-563
Cone/Cup (RH)	.....	497-493
<b>1988-1973</b>	Eaton 23221 axle	
Cone/Cup (LH)	.....	68450-68712
Cone/Cup (RH)	.....	42346-42584
<b>1987</b>	Eaton 15040T axle	
Cone/Cup (LH)	.....	3994-3920
Cone/Cup (RH)	.....	33275-33472
<b>1987-1986</b>	Eaton 15101 axle	
Cone/Cup (LH)	.....	3994-3920
Cone/Cup (RH)	.....	33275-33472
<b>1987-1984</b>	Dana/Spicer 70HD axle	
Cone/Cup (LH)	.....	469-453X
Cone/Cup (RH)	.....	469-453X
<b>1987-1983</b>	Dana/Spicer G190S axle	
Cone/Cup (LH)	.....	42381-42584
Cone/Cup (RH)	.....	495-493
<b>1986-1983</b>	H110 axle	
Cone/Cup	.....	395-394A
<b>1986-1983</b>	H135 axle	
Cone/Cup	.....	3994-JM511910
<b>1986-1956</b>	H150 axle	
Set	.....	KR12051Z
<b>1982-1965</b>	T150 axle: from early 1965 on	
Cone/Cup (LH)	.....	42381-42584
Cone/Cup (RH)	.....	33275-33472
<b>1982-1956</b>	H110 axle	
Cone/Cup	.....	28990-28919
<b>1982-1956</b>	H135 axle	
Cone/Cup	.....	28985-28921
<b>1981-1973</b>	T185 axle	
Cone/Cup (LH)	.....	42688-42620
Cone/Cup (RH)	.....	42688-42620
<b>1980-1966</b>	T170 axle	
Cone/Cup (LH)	.....	42381-42584
Cone/Cup (RH)	.....	33287-33472
<b>1979</b>	H172 axle	
Cone/Cup	.....	JLM714149-JLM714110
<b>1979-1973</b>	Eaton 19201 axle with 27950 case	
Cone/Cup (LH)	.....	68450-68712
Cone/Cup (RH)	.....	42346-42584
<b>1979-1973</b>	Eaton 19201 axle with 103537 case	
Cone/Cup (LH)	.....	68462-68712
Cone/Cup (RH)	.....	42346-42584
<b>1979-1965</b>	H170 axle	
Set	.....	KR12051Z[2]
<b>1966-1986</b>	T150 axle	
Cone/Cup (LH)	.....	498-493
Cone/Cup (RH)	.....	33275-33472

# Bearings and Seals

Mfg./Year    Model & Location    Part No    Mfg./Year    Model & Location    Part No

## CHEVROLET/GMC TRUCK - 1-1/2, 2, 2-1/2 TON - 40, 50, 60, 70, 4100, 4400, 4500 (cont.)

### SINGLE REAR AXLE (cont.)

#### Differential (cont.)

<b>1966-1961</b>	Eaton 16800, 16802, 16803 axles	
	Cone/Cup (LH) .....	42381-42584
	Cone/Cup (RH) .....	495A-493
<b>1965</b>	T150 axle: early 1965	
	Set (RH) .....	KR12051Z
<b>1965-1963</b>	T170 axle	
	Set (RH) .....	KR12051Z

#### Pinion

<b>1989-1988</b>	Eaton 19050S axle	
	Cone/Cup (inner) .....	72200C-72487
	Seal (outer) .....	9773R
	Cone/Cup (outer) .....	HM903249-HM903210
	Cyl. Bearing (pilot) .....	RUB1570UM
<b>1989-1988</b>	Eaton 19050T, 19055D, 19055S, 19055T axles with 2.375" shaft	
	Cone/Cup (inner) .....	55175C-55437
	Seal (outer) .....	9773R
	Cone/Cup (outer) .....	55175C-55437
	Cyl. Bearing (pilot) .....	MUS1307UM
<b>1989-1987</b>	Eaton 15040S axle	
	Cone/Cup (inner) .....	55175C-55437
	Seal (outer) .....	9773R
	Cone/Cup (outer) .....	HM903249-HM903210
	Cyl. Bearing (pilot) .....	MUB1305UDM
<b>1989-1987</b>	Eaton 15040T axle	
	Cone/Cup (inner) .....	HM903249-HM903210
	Seal Kit (outer) .....	722250S
	Cone/Cup (outer) .....	HM903249-HM903210
	Cyl. Bearing (pilot) .....	MU1305TDM
<b>1989-1987</b>	Eaton 21065S axle	
	Cone/Cup (inner) .....	78215C-78551
	Seal (outer) .....	9773R
	Cone/Cup (outer) .....	55200C-55437
	Cyl. Bearing (pilot) .....	MUS1308UM
<b>1989-1987</b>	Eaton 21065T axle	
	Cone/Cup (inner) .....	72200C-72487
	Seal (outer) .....	9773R
	Cone/Cup (outer) .....	55200C-55437
	Cyl. Bearing (pilot) .....	MUS1307UM
<b>1989-1987</b>	Eaton 23070S, 23105S axles	
	Cone/Cup (inner) .....	H913842-H913810
	Seal (outer) .....	712937
	Cone/Cup (outer) .....	72212C-72487
	Cyl. Bearing (pilot) .....	MUS1308UM
<b>1989-1988</b>	Isuzu R065, R077 axles	
	Bearing Assy (inner) .....	30310
	Seal (outer) .....	710276
	Bearing Assy (outer) .....	30309M
<b>1989-1987</b>	Isuzu R094 axle	
	Bearing Assy (inner) .....	30310
	Seal (outer) .....	710275
	Bearing Assy (outer) .....	30311
<b>1989-1987</b>	Isuzu R105 axle	
	Bearing Assy (inner) .....	30312
	Seal (outer) .....	710275
	Cone/Cup (outer) .....	580-572

### SINGLE REAR AXLE (cont.)

#### Pinion (cont.)

<b>1989-1983</b>	Dana/Spicer M185T, M190S, M190T, M220T axles	
	Cone/Cup (inner) .....	72225C-72487
	Seal (outer) .....	477163N
	Cone/Cup (outer) .....	55200C-55437
	Cyl. Bearing (pilot) .....	MUS1308UM
<b>1989-1982</b>	15,000 lb. 1-speed axle	
	Cone/Cup (inner) .....	HM803149-HM803110
	Cone/Cup (outer) .....	HM803149-HM803110
<b>1989-1982</b>	15,000 lb. 2-speed axle	
	Cone/Cup (inner) .....	HM903249-HM903210
	Cone/Cup (outer) .....	HM903249-HM903210
<b>1989-1982</b>	11,000 lb. axle	
	Cone/Cup (inner) .....	M903345-M903310
	Cone/Cup (outer) .....	44143-44348
<b>1989-1982</b>	13,500 lb. axle	
	Cone/Cup (inner) .....	HM803146-HM803110
	Cone/Cup (outer) .....	44143-44348
<b>1989-1982</b>	17,000 lb. 1-speed axle	
	Cone/Cup (inner) .....	55200C-55437
	Cone/Cup (outer) .....	HM804846-HM804810
<b>1989-1982</b>	17,000 lb. 2-speed axle	
	Cone/Cup (inner) .....	55175C-55437
	Cone/Cup (outer) .....	55175C-55437
<b>1989-1976</b>	R-S SLHR axle	
	Cone/Cup (inner) .....	72200C-72487
	Cone/Cup (outer) .....	72188C-72487
<b>1989-1976</b>	Eaton 34RT axle	
	Cone/Cup (inner) .....	55200C-55437
	Cone/Cup (outer) .....	55200C-55437
<b>1989-1986</b>	Eaton 16121, 17401 axles with 2.375" shaft	
	Cone/Cup (inner) .....	HM903249-HM903210
	Seal (outer) .....	712375
	Cone/Cup (outer) .....	HM903249-HM903210
	Cyl. Bearing (pilot) .....	MUS1307UM
<b>1989-1986</b>	Eaton 16121, 17401 axles with 2.625" shaft	
	Cone/Cup (inner) .....	HM903249-HM903210
	Seal (outer) .....	712625
	Cone/Cup (outer) .....	HM903249-HM903210
	Cyl. Bearing (pilot) .....	MUS1307UM
<b>1989-1982</b>	379/6.2L Diesel	
	Seal .....	5163
<b>1989-1980</b>	454/7.4L	
	Seal .....	5072
<b>1988-1982</b>	T175 axle	
	Cone/Cup (inner) .....	55175C-55437
	Seal (outer) .....	9773R
	Cone/Cup (outer) .....	55175C-55437
	Cyl. Bearing (pilot) .....	MUS1307UM
<b>1988-1973</b>	Eaton 17101, 17121, 17201, 17221 axles	
	Cone/Cup (inner) .....	55200C-55437
	Seal (outer) .....	9773R
	Cone/Cup (outer) .....	55200C-55437
	Cyl. Bearing (pilot) .....	MUS1307UM

**CHEVROLET/GMC TRUCK - 1-1/2, 2, 2-1/2 TON - 40, 50, 60, 70, 4100, 4400, 4500 (cont.)**

**SINGLE REAR AXLE (cont.)**

**Pinion (cont.)**

<b>1988-1973</b>	Eaton 23221 axle	
	Cone/Cup (inner) .....	78215C-78551
	Seal (outer) .....	712937
	Cone/Cup (outer) .....	72212C-72487
	Cyl. Bearing (pilot) .....	MUS1308UM
<b>1987-1986</b>	Eaton 15101 axle	
	Cone/Cup (inner) .....	HM903249-HM903210
	Cone/Cup (outer) .....	HM903249-HM903210
	Cyl. Bearing (pilot) .....	MU1305TDM
<b>1987-1986</b>	pinion shaft seal with retainer	
	Seal Kit .....	722250S
<b>1987-1986</b>	pinion shaft seal with no retainer	
	Seal .....	470737N
<b>1987-1986</b>	Eaton 17421 axle	
	Cone/Cup (inner) .....	78215C-78551
	Seal (outer) .....	9773R
	Cone/Cup (outer) .....	55200C-55437
	Cyl. Bearing (pilot) .....	MUS1307UM
<b>1987-1984</b>	Dana/Spicer 70HD axle	
	Cone/Cup (inner) .....	HM807040-HM807010
	Seal (outer) .....	9316
	Cone/Cup (outer) .....	HM88542-HM88510
<b>1987-1983</b>	Dana/Spicer G190S axle	
	Cone/Cup (inner) .....	55200C-55437
	Seal Viton (outer) .....	455088V
	Cone/Cup (outer) .....	55200C-55437
	Cyl. Bearing (pilot) .....	MUS1307UM
<b>1986</b>	T150 axle	
	Cone/Cup (inner) .....	HM903249-HM903210
	Seal Kit (outer) .....	722250S
	Cone/Cup (outer) .....	HM903249-HM903210
	Cyl. Bearing (pilot) .....	M1305TDM
<b>1986-1985</b>	Eaton 22121 axle	
	Cone/Cup (inner) .....	55200C-55437
	Seal (outer) .....	9773R
	Cone/Cup (outer) .....	55200C-55437
	Cyl. Bearing (pilot) .....	MUS1307UM
<b>1986-1983</b>	H110 axle	
	Cyl. Bearing (inner) .....	MU1305TDM
	Seal (outer) .....	475080N
	Bearing (outer) .....	5310WA
	Cyl. Bearing (pilot) .....	MU1306TDM
<b>1986-1983</b>	H135 axle	
	Cone/Cup (inner) .....	HM803146-HM803110
	Seal (outer) .....	475080N
	Cone/Cup (outer) .....	44143-44348
	Cyl. Bearing (pilot) .....	MU1305TDM
<b>1986-1980</b>	H150 axle	
	Seal (outer) .....	411330N
	Bearing Assy (outer) .....	55197-90030
	Cyl. Bearing (pilot) .....	MR5206EL
<b>1984-1979</b>	Eaton 22121, 22221 axles	
	Cone/Cup (inner) .....	72200C-72487
	Seal (outer) .....	9773R
	Cone/Cup (outer) .....	55200C-55437
	Cyl. Bearing (pilot) .....	MUS1307UM

**SINGLE REAR AXLE (cont.)**

**Pinion (cont.)**

<b>1982-1966</b>	T150 axle	
	Cone/Cup (inner) .....	55200C-55437
	Seal (outer) .....	712598S
	Cone/Cup (outer) .....	HM804848-HM804810
	Cyl. Bearing (pilot) .....	M5305TV
<b>1982-1956</b>	H110 axle	
	Seal (outer) .....	411330N
	Bearing (outer) .....	5310WA
	Cyl. Bearing (pilot) .....	MU1306TDM
<b>1982-1956</b>	H135, H150, H170 axles	
	Seal (outer) .....	411330N
	Bearing Assy (outer) .....	55197-90030
	Cyl. Bearing (pilot) .....	MR5206EL
<b>1981-1976</b>	13,500 lb. 1-speed axle	
	Bearing Assy (inner) .....	55197-90030
<b>1981-1976</b>	15,000 lb. 1-speed axle	
	Bearing Assy (inner) .....	55197-90030
<b>1981-1976</b>	15,000 lb. 2-speed axle	
	Cone/Cup (inner) .....	55200C-55437
	Cone/Cup (outer) .....	HM804848-HM804810
<b>1981-1976</b>	17,000 lb. 2-speed axle	
	Cone/Cup (inner) .....	55200C-55437
	Cone/Cup (outer) .....	HM804848-HM804810
<b>1981-1973</b>	T185 axle	
	Cone/Cup (inner) .....	HM804843-HM804810
	Seal (outer) .....	475009N
	Cone/Cup (outer) .....	HM813842-HM813810
<b>1980</b>	H170 axle	
	Seal (outer) .....	411330N
	Bearing Assy (outer) .....	55197-90030
	Cyl. Bearing (pilot) .....	MUB5206UM
<b>1980-1973</b>	Eaton 18121, 18221 axles	
	Cone/Cup (inner) .....	55200C-55437
	Seal (outer) .....	9773R
	Cone/Cup (outer) .....	55200C-55437
	Cyl. Bearing (pilot) .....	MUS1307UM
<b>1980-1966</b>	T170 axle	
	Cone/Cup (inner) .....	55200C-55437
	Seal (outer) .....	712598S
	Cone/Cup (outer) .....	HM804848-HM804810
	Cyl. Bearing (pilot) .....	M5305TV
<b>1979</b>	H172 axle	
	Cone/Cup (inner) .....	55200C-55437
	Seal (outer) .....	415082N
	Cone/Cup (outer) .....	HM804846-HM804810
	Cyl. Bearing (pilot) .....	RU1570UM
<b>1979-1976</b>	Eaton 19101 axle	
	Cone/Cup (inner) .....	72212C-72487
	Cone/Cup (outer) .....	72212C-72487
<b>1979-1976</b>	17,000 lb. 1-speed axle	
	Bearing Assy (inner) .....	55197-90030
<b>1979-1973</b>	Eaton 19201 axle	
	Cone/Cup (inner) .....	72212C-72487
	Seal (outer) .....	475003N
	Cone/Cup (outer) .....	72212C-72487
	Cyl. Bearing (pilot) .....	MUS1308UM



# Bearings and Seals

Mfg./Year    Model & Location    Part No    Mfg./Year    Model & Location    Part No

## CHEVROLET/GMC TRUCK - 1-1/2, 2, 2-1/2 TON - 40, 50, 60, 70, 4100, 4400, 4500 (cont.)

### SINGLE REAR AXLE (cont.)

#### Pinion (cont.)

<b>1966-1961</b>	Eaton 16800, 16802, 16803 axles with 2.375" pinion shaft
	Cone/Cup (inner) ..... HM903249-HM903210
	Seal (outer) ..... 712375
	Cone/Cup (outer) ..... HM903249-HM903210
	Cyl. Bearing (pilot) ..... MUS1307UM
<b>1966-1961</b>	Eaton 16800, 16802, 16803 axles with 2.625" pinion shaft
	Cone/Cup (inner) ..... HM903249-HM903210
	Seal (outer) ..... 712625
	Cone/Cup (outer) ..... HM903249-HM903210
	Cyl. Bearing (pilot) ..... MUS1307UM
<b>1965</b>	T150 axle
	Seal (outer) ..... 411330N
	Bearing Assy (outer) ..... 55197-90030
	Cyl. Bearing (pilot) ..... MR5206EL
<b>1965-1963</b>	T170 axle
	Seal (outer) ..... 411330N
	Bearing Assy (outer) ..... 55197-90030
	Cyl. Bearing (pilot) ..... MR5206EL

#### Crossshaft

<b>1979-1973</b>	T185 axle
	Cone/Cup (LH) ..... HM807040-HM807010
	Cone/Cup (RH) ..... HM807046-HM807010

### TANDEM REAR AXLE - FRONTMOST AXLE

#### Differential Rebuild Kit

<b>1989-1984</b>	Eaton DT341, DT381, DS402, DT402 axles
	Kit ..... DRK207
<b>1989-1984</b>	Eaton DS341 axle
	Kit ..... DRK196
<b>1983-1979</b>	Eaton 34DT axle: ribbed center section: input shaft tapered bearing
	Kit ..... DRK64FE
	Kit ..... DRK64F
<b>1983-1973</b>	Eaton 34DS axle: ribbed center section: input shaft tapered bearing
	Kit ..... DRK64FE
	Kit ..... DRK64F
<b>1983-1973</b>	Eaton 34DS axle: conical center section: input shaft tapered bearing
	Kit ..... DRK64FD
	Kit ..... DRK64FC

### TANDEM REAR AXLE - FRONTMOST AXLE

#### Differential

<b>1989-1984</b>	Eaton DS341 axle
	Cone/Cup (LH) ..... 497-493
	Cone/Cup (RH) ..... 567-563
<b>1989-1980</b>	Eaton DT341, DT381, DS402, DT402 axles
	Cone/Cup (LH) ..... 497-493
	Cone/Cup (RH) ..... 56425-56650
<b>1987-1979</b>	Eaton 34DT axle
	Cone/Cup (LH) ..... 497-493
	Cone/Cup (RH) ..... 56425-56650
<b>1983-1973</b>	Eaton 34DS axle: ribbed center section
	Cone/Cup (LH) ..... 497-493
	Cone/Cup (RH) ..... 56425-56650
<b>1983-1973</b>	Eaton 34DS axle: conical center section
	Cone/Cup (LH) ..... 497-493
	Cone/Cup (RH) ..... 567-563
<b>1979-1973</b>	Eaton 30DSC axle: ribbed center section
	Cone/Cup (LH) ..... 495A-493
	Cone/Cup (RH) ..... 42381-42584
<b>1979-1973</b>	Eaton 30DSC axle: conical center section
	Cone/Cup (LH) ..... 3994-3920
	Cone/Cup (RH) ..... 567-563
<b>1979-1973</b>	Rockwell SLHD, SQHD axles: 1.11 thru 4.63 gear
	Cone/Cup (LH) ..... 497-493
	Cone/Cup (RH) ..... 496-493
<b>1979-1973</b>	Rockwell SLHD, SQHD axles: 4.64 thru 9.99 gear
	Cone/Cup (LH) ..... 496-493
	Cone/Cup (RH) ..... 496-493
<b>1961</b>	Eaton 30DS axle: ribbed center section
	Cone/Cup (LH) ..... 495A-493
	Cone/Cup (RH) ..... 42381-42584
<b>1961</b>	Eaton 30DS axle: conical center section
	Cone/Cup (LH) ..... 3994-3920
	Cone/Cup (RH) ..... 567-563

#### Pinion

<b>1989-1985</b>	Eaton DS341 axle
	Cone/Cup (inner) ..... 55200C-55437
	Seal (outer) ..... 9773R
	Cone/Cup (outer) ..... 55200C-55437
	Cyl. Bearing (pilot) ..... MUS1307UM
<b>1989-1984</b>	Eaton DT341, DT381, DS402, DT402 axles
	Cone/Cup (inner) ..... 72218C-72487
	Cone/Cup (outer) ..... HM807049-HM807010
	Cyl. Bearing (pilot) ..... MUS1307UM

**CHEVROLET/GMC TRUCK - 1-1/2, 2, 2-1/2 TON - 40, 50, 60, 70, 4100, 4400, 4500 (cont.)**

**TANDEM REAR AXLE - FRONTMOST AXLE (cont.)**

**Pinion (cont.)**

<b>1984</b>	Eaton DS341 axle	
	Cone/Cup (inner) .....	72218C-72487
	Seal (outer) .....	9773R
	Cone/Cup (outer) .....	HM807049-HM807010
	Cyl. Bearing (pilot) .....	MUS1307UM
<b>1983-1973</b>	Eaton 34DS, 34DT axles	
	Cone/Cup (inner) .....	72200C-72487
	Cone/Cup (outer) .....	72200C-72487
	Cyl. Bearing (pilot) .....	MUS1307UM
<b>1979-1973</b>	Eaton 30DSC axle	
	Cone/Cup (inner) .....	55200C-55437
	Cone/Cup (outer) .....	55200C-55437
	Cyl. Bearing (pilot) .....	MUS1307UM
<b>1979-1973</b>	Rockwell SLHD, SQHD axles: 1.1875" pilot shaft	
	Cone/Cup (inner) .....	72200C-72487
	Seal (outer) .....	476500N
	Cone/Cup (outer) .....	72200C-72487
	Cyl. Bearing (pilot) .....	MU1306TDM
<b>1979-1973</b>	Rockwell SLHD, SQHD axles: 1.375" pilot shaft	
	Cone/Cup (inner) .....	72200C-72487
	Seal (outer) .....	476500N
	Cone/Cup (outer) .....	72200C-72487
	Cyl. Bearing (pilot) .....	RU1570UM
<b>1961</b>	Eaton 34DS axle	
	Cone/Cup (inner) .....	55200C-55437
	Cone/Cup (outer) .....	55200C-55437
	Cyl. Bearing (pilot) .....	MUS1307UM

**Through Shaft - Input Shaft**

<b>1989-1984</b>	Eaton DS341, DT341, DT381, DS402, DT402 axles	
	Seal .....	475012N
	Cone/Cup .....	3979-JM511910
<b>1983-1980</b>	Eaton 34DS, 34DT axle: tapered roller bearing	
	Seal .....	475003N
	Cone/Cup .....	JM207049-JM207010
<b>1983-1980</b>	Eaton 34DS, 34DT axle: ball bearing	
	Seal .....	475003N
	Bearing .....	311TB

**Through Shaft - Output Shaft**

<b>1989-1984</b>	Eaton DS341, DT341, DT381, DS402, DT402 axles	
	Cone/Cup (inner) .....	29675-29620
	Seal (outer) .....	475003N
	Bearing (outer) .....	MA1209EL
<b>1983-1980</b>	Eaton 34DS, 34DT axle	
	Cone/Cup (inner) .....	34274-34492A
	Seal (outer) .....	475003N
	Bearing (outer) .....	MA1209EL

**TANDEM REAR AXLE - REARMOST AXLE**

**Differential Rebuild Kit**

<b>1989-1988</b>	Eaton DT341, DS402, DT402 axles	
	Kit .....	DRK207
<b>1989-1984</b>	Eaton DS341 axle	
	Kit .....	DRK196
<b>1982-1979</b>	Eaton 34RT axle	
	Kit .....	DRK1

**Differential**

<b>1989-1988</b>	Eaton DT341, DS402, DT402 axles	
	Cone/Cup (LH) .....	497-493
	Cone/Cup (RH) .....	56425-56650
<b>1989-1984</b>	Eaton DS341 axle	
	Cone/Cup (LH) .....	497-493
	Cone/Cup (RH) .....	567-563
<b>1982-1979</b>	Eaton 34RT axle	
	Cone/Cup (LH) .....	56425-56650
	Cone/Cup (RH) .....	497-493
<b>1979-1973</b>	Rockwell SLHD, SQHD axles: 1.11 thru 4.63 gear	
	Cone/Cup (LH) .....	497-493
	Cone/Cup (RH) .....	496-493
<b>1979-1973</b>	Rockwell SLHD, SQHD axles: 4.64 thru 9.99 gear	
	Cone/Cup (LH) .....	496-493
	Cone/Cup (RH) .....	496-493

**Pinion**

<b>1989-1988</b>	Eaton DT341, DS402, DT402 axles	
	Cone/Cup (inner) .....	72218C-72487
	Cone/Cup (outer) .....	HM807049-HM807010
	Cyl. Bearing (pilot) .....	MUS1307UM
<b>1989-1985</b>	Eaton DS341 axle	
	Cone/Cup (inner) .....	55200C-55437
	Seal (outer) .....	9773R
	Cone/Cup (outer) .....	55200C-55437
	Cyl. Bearing (pilot) .....	MUS1307UM
<b>1984</b>	Eaton DS341 axle	
	Cone/Cup (inner) .....	72218C-72487
	Seal (outer) .....	9773R
	Cone/Cup (outer) .....	HM807049-HM807010
	Cyl. Bearing (pilot) .....	MUS1307UM
<b>1982-1979</b>	Eaton 34RT axle	
	Cone/Cup (inner) .....	55200C-55437
	Seal (outer) .....	9773R
	Cone/Cup (outer) .....	55200C-55437
	Cyl. Bearing (pilot) .....	MUS1307UM
<b>1979-1973</b>	Rockwell SLHD, SQHD axles: 1.375" pilot shaft	
	Cone/Cup (inner) .....	72200C-72487
	Seal (outer) .....	475009N
	Cone/Cup (outer) .....	72188C-72487
	Cyl. Bearing (pilot) .....	RU1570UM

# Bearings and Seals

Mfg./Year	Model & Location	Part No	Mfg./Year	Model & Location	Part No
<b>CHEVROLET/GMC TRUCK - 1-1/2, 2, 2-1/2 TON - 40, 50, 60, 70, 4100, 4400, 4500 (cont.)</b>					

## CLUTCH

### Pilot Bearing

<b>1989-1983</b>	403 (6.6), 3208 Caterpillar diesel engine	
	Bearing .....	305DD
<b>1989-1987</b>	5.8, 6.1, 6.5, 8.4 diesel engines	
	Bearing .....	205FF
<b>1989-1970</b>	350, 366, 427 gas engines	
	Bearing .....	205FF
<b>1989-1970</b>	4-53, 8.2 litre Detroit Diesel engines	
	Bearing .....	205FF
<b>1986-1983</b>	6.1 diesel engine	
	Bearing .....	205FF
<b>1986-1980</b>	292 (4.8) 6-cylindergas engine	
	Bushing H/D .....	PB656HD
<b>1971-1968</b>	351, 478 engines	
	Bearing .....	7109
<b>1971-1956</b>	exc. 351, 478 engines	
	Bearing .....	205FF

### Release Bearing

<b>1989-1980</b>	366 (6.0) engine with 14" clutch	
	Bearing Assy .....	614098
<b>1989-1980</b>	500 (8.2) diesel, turbodiesel: 14" clutch	
	Bearing Assy .....	614098
<b>1989-1979</b>	427 (7.0) engine with 14" clutch	
	Bearing Assy .....	614098
<b>1989-1988</b>	6.5 turbodiesel: 330mm clutch	
	Bearing Assy .....	614018 <sup>42</sup>
<b>1989-1987</b>	5.8 turbodiesel: 355mm clutch	
	Bearing Only .....	613009
<b>1989-1987</b>	6.5 turbodiesel: 355mm clutch	
	Bearing Only .....	613009
<b>1989-1987</b>	8.4 turbodiesel: 380mm clutch	
	Bearing Only .....	613009
<b>1989</b>	500 (8.2) diesel, turbodiesel: 14" clutch, 1.5" spline	
	Bearing Assy .....	614024
<b>1989-1983</b>	500 (8.2) Detroit Diesel with flat flywheel	
	Bearing Assy .....	614065
<b>1989-1983</b>	500 (8.2) Detroit Diesel with Lipe flywheel	
	Bearing Only .....	GE2505C
<b>1989-1980</b>	500 (8.2) diesel, turbodiesel: 14" clutch, 1.75" spline	
	Bearing Assy .....	614065
<b>1989-1979</b>	454 (7.4) engine with 14" clutch	
	Bearing Assy .....	614024
<b>1989-1979</b>	VT225 with 14" clutch	
	Bearing Assy .....	614024
<b>1989-1977</b>	292 (4.8) engine with 12" clutch	
	Bearing Assy .....	614018 <sup>42</sup>
<b>1989-1973</b>	432 (7.2) engine with 14" single-disc clutch	
	Bearing Assy .....	614024
<b>1989-1973</b>	3208 Caterpillar diesel engine	
	Bearing Assy .....	614024

## CLUTCH (cont.)

### Release Bearing (cont.)

<b>1989-1967</b>	350 (5.7) engine with 12" clutch	
	Bearing Assy .....	614018 <sup>42</sup>
<b>1989-1966</b>	350 (5.7) engine with 13" clutch	
	Bearing Only .....	CA02135C
<b>1989-1966</b>	366 (6.0) engine with 13" clutch	
	Bearing Only .....	CA02135C
<b>1989-1988</b>	6.5 diesel, turbodiesel: 330mm clutch	
	Bearing Only .....	613009
<b>1989-1987</b>	427 (7.0) engine with 14" clutch: FS6106A	
	Bearing Assy .....	614097
<b>1989-1987</b>	500 (8.2) diesel, turbodiesel: 14" clutch	
	Bearing Assy .....	614097
<b>1989-1985</b>	427 (7.0) engine with Spicer 14" clutch	
	Bearing Assy .....	614096
<b>1989-1985</b>	500 (8.2) diesel, turbodiesel: 14" Spicer 5xxx clutch	
	Bearing Assy .....	614096
<b>1989-1985</b>	636 (10.4) diesel, turbodiesel: 14" clutch, 1.75" spline	
	Bearing Assy .....	614065
<b>1989-1980</b>	427 (7.0) engine with 13" clutch	
	Bearing Only .....	CA02135C
<b>1989-1980</b>	427 (7.0) engine with 14" single-plate clutch	
	Bearing Assy .....	614024
<b>1989-1980</b>	500 (8.2) diesel, turbodiesel: 14" push-type clutch	
	Bearing Only .....	GE2505C
<b>1989-1980</b>	500 (8.2) diesel, turbodiesel: 14" Spicer 4054 clutch	
	Bearing Only .....	CA02135C
<b>1989-1980</b>	636 (10.4) diesel, turbodiesel: 14" single-plate clutch	
	Bearing Assy .....	614024
<b>1988-1980</b>	292 (4.8) engine with 3-finger clutch	
	Bearing Assy .....	614018 <sup>42</sup>
<b>1987-1983</b>	6.1 diesel: 14" single-plate clutch	
	Bearing Assy .....	614024
<b>1986-1980</b>	292 (4.8) engine with 13" diaphragm-spring clutch	
	Bearing Only .....	CA02135C
<b>1986-1966</b>	4-53 engine with 13" clutch	
	Bearing Only .....	CA02135C
<b>1980</b>	212 (3.5) diesel with 14" single-plate clutch	
	Bearing Assy .....	614024
<b>1978-1973</b>	427 (7.0) engine with 12" clutch: Clark 5-sp trans	
	Bearing Assy .....	614042
<b>1978-1973</b>	427 (7.0) engine with 12" clutch: Fuller trans	
	Bearing Only .....	613007
<b>1978-1973</b>	4-53T engine	
	Bearing Assy .....	614024

142 [ ] Indicates Quantity Required; Set Components Listed Inside Rear Cover;

<sup>42</sup> Sealed Self-Aligning Bearing

**CHEVROLET/GMC TRUCK - 1-1/2, 2, 2-1/2 TON - 40, 50, 60, 70, 4100, 4400, 4500 (cont.)**

**CLUTCH (cont.)**

**Release Bearing (cont.)**

<b>1978-1970</b>	427 (7.0) engine with 12" clutch: exc. Clark trans	
	Bearing Assy .....	614019
<b>1973-1972</b>	478 (7.8) diesel with 14" clutch	
	Bearing Only .....	2505T
<b>1972-1967</b>	6V-53 engine with 14" clutch	
	Bearing Assy .....	614019
<b>1970-1967</b>	351 (5.8) engine	
	Bearing Only .....	200531
<b>1966</b>	diaphragm clutch incl. 351: exc. 400	
	Bearing Assy .....	614037 <sup>42</sup>
<b>1966</b>	coil spring clutch: exc. 351, 400	
	Bearing Assy .....	614018 <sup>42</sup>
<b>1966</b>	400 engine	
	Bearing Only .....	GD2005C
<b>1966-1965</b>	351, 478 engines	
	Bearing Only .....	GD2005C
<b>1965-1962</b>	exc. 261, 292, 327 and diesel	
	Bearing Assy .....	614037 <sup>42</sup>
<b>1965-1962</b>	261, 292, 327 engines	
	Bearing Assy .....	614018 <sup>42</sup>
<b>1961-1955</b>	all	
	Bearing Assy .....	614018 <sup>42</sup>
<b>1954-1946</b>	all	
	Bearing Assy .....	614037 <sup>42</sup>

**DRIVESHAFT SUPPORT**

<b>1989-1980</b>	Spicer 1710: 1.9685" (50mm) bearing ID	
	Hanger Bearing Assy .....	HB88510
<b>1989-1955</b>	Spicer 1550, 1610, 1650: 1.7717" (45mm) bearing ID: slip yoke style	
	Bearing .....	88509
	Hanger Bearing Assy .....	HB88509
<b>1989-1955</b>	Spicer 1550, 1610, 1650: 1.7717" (45mm) bearing ID: end yoke style	
	Bearing .....	88509
	Hanger Bearing Assy .....	HB88509A
<b>1989-1972</b>	Cleveland 055: 1.5748" (40mm) bearing ID, 2.250" height	
	Hanger Bearing Assy .....	HB88508AB
<b>1989-1980</b>	Spicer 1310, 1350: 1.5748" (40mm) bearing ID	
	Bearing .....	88508
	Hanger Bearing Assy .....	HB88508C
<b>1989-1980</b>	Rockwell 68WB axle: 1.9685 bearing ID	
	Hanger Bearing Assy .....	HB88510
<b>1989-1980</b>	Spicer 1410: 1.3780" (35mm) bearing ID	
	Bearing .....	88107
	Hanger Bearing Assy .....	HB88107A
<b>1989-1955</b>	Rockwell 58WB axle: 1.7717" (45mm) bearing ID	
	Bearing .....	88509
	Hanger Bearing Assy .....	HB88509B

**DRIVESHAFT SUPPORT (cont.)**

<b>1988-1977</b>	Spicer 1410: 4x4: 1.5748" (40mm) bearing ID	
	Hanger Bearing Assy .....	HB108
<b>1988-1955</b>	Spicer 1280, 1330: 1.3780" (35mm) bearing ID	
	Bearing .....	88107
	Hanger Bearing Assy .....	HB88107A
<b>1988-1955</b>	Spicer 1310, 1330: 1.3780" (35mm) bearing ID	
	Bearing .....	88107
	Hanger Bearing Assy .....	HB88107A
<b>1984-1972</b>	Spicer 1410: 1.5748" (40mm) bearing ID, 2.25" ht	
	Bearing .....	88508
	Hanger Bearing Assy .....	HB88508A
<b>1984-1972</b>	Spicer 1810: 2.3622" (60mm) bearing ID	
	Hanger Bearing Assy .....	HB88512AHD
<b>1984-1955</b>	Spicer 1410, 1550: 1.5748" (40mm) bearing ID, 2.5" ht	
	Bearing .....	88508
	Hanger Bearing Assy .....	HB88508
<b>1974-1955</b>	Spicer 1280, 1310: 1.1811" bearing ID	
	Bearing .....	206FF
	Hanger Bearing Assy .....	HB206FF

**CRANKSHAFT REAR SEAL**

**6 Cylinder**

<b>1989-1988</b>	6494cc/6.5L Turbo Diesel	
	Seal Viton .....	710349
	Kwik Slv (Opt Rpr) .....	KWK99413

**8 Cylinder**

<b>1989-1966</b>	366/6.0L, 427/7.0L	
	Seal Viton .....	2261
	Kwik Slv (Opt Rpr) .....	KWK99435

**TIMING COVER**

**6 Cylinder**

<b>1989-1988</b>	6494cc/6.5L Turbo Diesel	
	Seal Viton .....	710350
	Kwik Slv (Opt Rpr) .....	KWK99235
<b>1986-1973</b>	292/4.8L	
	Seal .....	9845
	Kwik Slv (Opt Rpr) .....	KWK99176

**8 Cylinder**

<b>1989-1966</b>	366/6.0L, 427/7.0L	
	Seal .....	3945
	Kwik Slv (Opt Rpr) .....	KWK99233

# Bearings and Seals

Mfg./Year    Model & Location    Part No    Mfg./Year    Model & Location    Part No

## **CHRYSLER - FRONT DRIVE - Concorde, 'E' Class, Imperial, Laser, LeBaron, LHS, New Yorker, 300M**

### **FRONT WHEEL**

<b>1989</b>	LeBaron (exc. Turbo)(5 stud hub)	
Seal	.....	5604[2] <sup>56</sup>
Bearing	.....	513006[2]
Hub Assy	.....	518502[2] <sup>62</sup>
<b>1989</b>	LeBaron Turbo	
Seal	.....	5604[2] <sup>56</sup>
Hub Assy	.....	513075[2]
<b>1989</b>	Imperial, New Yorker	
Seal	.....	5604[2] <sup>56</sup>
Hub Assy	.....	513075[2]
<b>1989</b>	LeBaron (exc. Turbo)(4 stud hub)	
Seal	.....	5604[2] <sup>56</sup>
Bearing	.....	513006[2]
Hub Assy	.....	518501[2] <sup>62</sup>
<b>1988-1984</b>	4-lug wheels	
Seal	.....	5604[2] <sup>56</sup>
Bearing	.....	513006[2]
Hub Assy	.....	518501[2] <sup>62</sup>
<b>1988-1984</b>	5-lug wheels	
Seal	.....	5604[2] <sup>56</sup>
Bearing	.....	513006[2]
Hub Assy	.....	518502[2] <sup>62</sup>
<b>1983-1982</b>	LeBaron, New Yorker	
Seal	.....	5604[2] <sup>56</sup>
Bearing	.....	B39[2]
Hub Assy	.....	518500[2] <sup>62</sup>

### **REAR WHEEL**

<b>1989-1983</b>		
Seal (inner)	.....	4099[2]
Set (inner)	.....	SET46
Cone/Cup (outer)	.....	LM12749F-LM12711[2]
Set (outer) Opt: substitut non-polymer retainer set	.....	SET16
<b>1982</b>		
Seal (inner)	.....	3677[2]
Set (inner)	.....	SET4
Set (outer)	.....	SET2

### **CLUTCH**

#### **Release Bearing**

<b>1989-1986</b>		
Bearing Assy	.....	614066
<b>1985-1982</b>		
Bearing Assy	.....	614007

### **AUTOMATIC TRANSAXLE**

#### **Input Shaft**

<b>1989-1982</b>		
Seal	.....	331228H
Kwik Slv (Opt Rpr)	.....	KWK99149

#### **Output Shaft**

<b>1989-1981</b>		
Seal	.....	3459S[2]
Kwik Slv (Opt Rpr)	.....	KWK99157[2]

### **AUTOMATIC TRANSAXLE**

#### **Differential**

<b>1989-1982</b>		
Set	.....	SET11

#### **Selector Shaft Seal/Man. Shaft**

<b>1988-1981</b>		
Seal	.....	8609

### **4-SPEED AUTOMATIC TRANSAXLE**

#### **Differential**

<b>1989-1988</b>	A604-41TE	
Seal	.....	3459S[2]
Set	.....	SET11[2]
Kwik Slv (Opt Rpr)	.....	KWK99157[2]

### **CAMSHAFT SEAL**

#### **4 Cylinder**

<b>1989</b>	122/2.0L, 135/2.2L	
Seal	.....	3655S
Kwik Slv (Opt Rpr)	.....	KWK99139

<b>1988-1986</b>	153/2.5L	
Seal	.....	3655S
Kwik Slv (Opt Rpr)	.....	KWK99139

### **CRANKSHAFT REAR SEAL**

#### **4 Cylinder**

<b>1989-1983</b>	135/2.2L, 153/2.5L	
Seal Viton	.....	710056
Seal PTFE H/D Opt	.....	5279

#### **6 Cylinder**

<b>1989-1988</b>		
Seal Viton	.....	710056
Seal PTFE H/D Opt	.....	5279

### **TIMING COVER**

#### **4 Cylinder**

<b>1989</b>	135/2.2L, 153/2.5L	
Seal	.....	3638
Kwik Slv (Opt Rpr)	.....	KWK99112

<b>1988-1982</b>	135/2.2L, 153/2.5L	
Seal	.....	3655S
Kwik Slv (Opt Rpr)	.....	KWK99139

**CHRYSLER - REAR DRIVE - C Series, Cordoba, Estate Wagon, Fifth Avenue, LeBaron, Newport, New Yorker, Royal, Saratoga, Town & Country, Windsor, 5-Passenger, 300**

**FRONT WHEEL**

<b>1989-1979</b>	
Seal (inner) .....	5121[2]
Set (inner) .....	SET17
Set (outer) .....	SET2
<b>1978-1975</b> Cordoba, LeBaron	
Seal (inner) .....	5121[2]
Set (inner) .....	SET17
Set (outer) .....	SET2
<b>1978-1974</b> exc. Cordoba, LeBaron	
Seal (inner) .....	3087[2]
Set (inner) .....	SET11
Set (outer) .....	SET16
<b>1973</b>	
Seal (inner) .....	5121[2]
Set (inner) .....	SET17
Set (outer) .....	SET16
<b>1972-1963</b>	
Seal (inner) .....	8121S[2]
Set (inner) .....	SET6
Set (outer) .....	SET2
<b>1962-1956</b> exc. Estate Wagon	
Seal (inner) .....	6840S[2]
Set (inner) .....	SET6
Set (outer) .....	SET2
<b>1956</b> Estate Wagon	
Seal (inner) .....	6960[2]
Set (inner) .....	SET5
Set (outer) .....	SET3

**REAR WHEEL**

<b>1989-1983</b> 7.25" ring gear: 9" brakes	
Seal .....	8835S[2]
Cyl. Bearing .....	6408[2]
Kit .....	TRP1559TV[2] <sup>19</sup>
<b>1989-1973</b> 8.25" ring gear	
Seal .....	8835S[2]
Cyl. Bearing .....	6408[2]
Kit .....	TRP1559TV[2] <sup>19</sup>
<b>1981-1973</b> 7.25" ring gear: 9-bolt housing cover	
Seal .....	8660S[2]
Bearing .....	RWC35YYR[2]
<b>1981-1973</b> 9.25" ring gear	
Seal .....	8835S[2]
Cyl. Bearing .....	6408[2]
Kit .....	TRP1559TV[2] <sup>19</sup>
<b>1974-1973</b> 8.75" ring gear	
Seal (LH) .....	8704S
Acc. Pkg (LH) .....	A7LK <sup>46</sup>
Seal (RH) .....	8704S
Acc. Pkg (RH) .....	A7RK <sup>46</sup>
<b>1972-1965</b>	
Seal (LH) .....	8704S
Acc. Pkg (LH) .....	A7LK <sup>46</sup>
Seal (RH) .....	8704S
Acc. Pkg (RH) .....	A7RK <sup>46</sup>

**REAR WHEEL (cont.)**

<b>1964-1963</b>	
Seal .....	8133S[2]
Cone/Cup .....	25877-25821[2]
<b>1962-1960</b>	
Seal .....	6241S[2]
Cone/Cup .....	25877-25821[2]
<b>1959-1957</b> exc. 300	
Seal .....	6241S[2]
Cone/Cup .....	25877-25821[2]
<b>1959-1957</b> 300	
Seal .....	7886S[2]
Cone/Cup .....	25877-25821[2]
<b>1956-1953</b> 8-Passenger and Estate Wagon	
Seal .....	6966S[2]
Cone/Cup .....	2780-2735X[2]
<b>1956-1951</b> exc. 8-Passenger & Estate Wagon	
Seal .....	6241S[2]
Cone/Cup .....	25877-25821[2]
<b>1950-1941</b> Royal, Windsor, 5-Passenger	
Seal .....	6241S[2]
Cone/Cup .....	25877-25821[2]

**REAR AXLE**

**Differential Rebuild Kit**

<b>1989-1980</b> 7.25" ring gear	
Kit .....	DRK302
<b>1989-1980</b> 8.25" ring gear	
Kit .....	DRK303
<b>1981-1980</b> 9.25" ring gear	
Kit .....	DRK304
<b>1968-1957</b> 8.75" ring gear: 1.75" pinion shaft	
Kit .....	DRK300
<b>1968-1957</b> 8.75" ring gear: 1.875" pinion shaft	
Kit .....	DRK301

**Differential**

<b>1989-1980</b> 7.25" ring gear	
Set .....	SET45
<b>1989-1975</b> 8.25" ring gear from late 1975	
Set .....	SET36
<b>1981-1974</b> 9.25" ring gear	
Cone/Cup .....	JLM704649-JLM704610[2]
<b>1975-1973</b> 8.25" ring gear to early 1975	
Set .....	SET47
<b>1973</b> 8.75" ring gear	
Cone/Cup .....	LM104949-LM104912[2]
<b>1972-1969</b> all	
Cone/Cup .....	LM104949-LM104912[2]
<b>1968</b> 8.75" ring gear w/o Sure Grip	
Cone/Cup .....	LM104949-LM104912[2]
<b>1968</b> 9.25" ring gear	
Cone/Cup .....	25590-25520[2]
<b>1968-1958</b> 8.75" ring gear with Sure Grip	
Cone/Cup .....	25590-25520[2]

[ ] Indicates Quantity Required; Set Components Listed Inside Rear Cover;

<sup>19</sup> Opt. Axle Repair Bearing. Replaces O.E. bearing & seal. 8695S, 8704S

<sup>46</sup> Opt. Kit incl: Metal & Foam gskt, Retainer,

# Bearings and Seals

Mfg./Year    Model & Location    Part No    Mfg./Year    Model & Location    Part No

## **CHRYSLER - REAR DRIVE - C Series, Cordoba, Estate Wagon, Fifth Avenue, LeBaron, Newport, New Yorker, Royal, Saratoga, Town & Country, Windsor, 5-Passenger, 300 (cont.)**

### **REAR AXLE (cont.)**

#### **Differential (cont.)**

**1957-1946**  
Cone/Cup ..... 25580-25520[2]

#### **Pinion**

**1989-1977** 7.25" ring gear  
Cone/Cup (inner) ..... HM88649-HM88610  
Seal (outer) ..... 8516N  
Cone/Cup (outer) ..... M86649-M86610

**1988-1974** 8.25" ring gear  
Cone/Cup (inner) ..... M802048-M802011  
Seal (outer) ..... 8516N  
Cone/Cup (outer) ..... M86649-M86610

**1981-1970** 8.75" ring gear  
Cone/Cup (inner) ..... M804049-M804010  
Seal (outer) ..... 5126  
Cone/Cup (outer) ..... M88048-M88010

**1981-1970** 9.25" ring gear  
Cone/Cup (inner) ..... M804049-M804010  
Seal (outer) ..... 5126  
Cone/Cup (outer) ..... M88048-M88010

**1972-1968** 1.875" shaft  
Cone/Cup (inner) ..... M804049-M804010  
Seal (outer) ..... 8516N  
Cone/Cup (outer) ..... M88048-M88010

**1971-1967** 1.375" shaft  
Cone/Cup (inner) ..... HM89446-HM89410  
Seal (outer) ..... 8516N  
Cone/Cup (outer) ..... M88048-M88010

**1969-1968** 1.75" shaft  
Cone/Cup (inner) ..... M804049-M804010  
Seal (outer) ..... 7216  
Cone/Cup (outer) ..... HM89443-HM89410

**1967-1962** 1.75" shaft  
Cone/Cup (inner) ..... HM803149-HM803110  
Seal (outer) ..... 7216  
Cone/Cup (outer) ..... HM89443-HM89410

**1965-1962** 1.375" shaft  
Cone/Cup (inner) ..... HM89446-HM89410  
Seal (outer) ..... 5126  
Cone/Cup (outer) ..... M88048-M88010

**1962-1959** some Canadian models  
Cone/Cup (inner) ..... HM803149-HM803110  
Seal (outer) ..... 5162  
Cone/Cup (outer) ..... M88048-M88010

**1961-1959** U.S. models  
Cone/Cup (inner) ..... HM803149-HM803110  
Seal (outer) ..... 7261  
Cone/Cup (outer) ..... HM89443-HM89410

**1958** exc. Windsor, Saratoga  
Cone/Cup (inner) ..... HM803149-HM803110  
Cone/Cup (outer) ..... HM89443-HM89410

**1958** Windsor, Saratoga  
Cone/Cup (inner) ..... HM89446-HM89410  
Cone/Cup (outer) ..... HM89443-HM89410

### **REAR AXLE (cont.)**

#### **Pinion (cont.)**

**1957**  
Cone/Cup (inner) ..... HM89446-HM89410  
Cone/Cup (outer) ..... HM89443-HM89410

**1956-1955** exc. Windsor, 5-Passenger  
Cone/Cup (inner) ..... HM803149-HM803110  
Cone/Cup (outer) ..... HM801346-HM801310

**1956-1955** Windsor, 5-Passenger  
Cone/Cup (inner) ..... HM89446-HM89410  
Cone/Cup (outer) ..... HM89443-HM89410

### **AUTOMATIC TRANSMISSION**

#### **Torque Converter**

**1961-1953** Power-flite: 2-speed  
Seal ..... 6879H  
Kwik Slv (Opt Rpr) ..... KWK99212

#### **Rear Seal/Ext. Housing**

**1956-1946** Power-flite: 2-speed  
Seal ..... 8160S  
Bearing ..... 2061

#### **Selector Shaft Seal/Man. Shaft**

**1956-1953** Power-flite: 2-speed  
Seal ..... 470018  
Kwik Slv (Opt Rpr) ..... KWK99062

#### **Input Shaft**

**1953-1946** Power-flite: 2-speed  
Bearing ..... 1307SLI

#### **Output Shaft**

**1953-1946** Power-flite: 2-speed  
Bearing ..... 307TB

### **3-SPEED AUTOMATIC TRANSMISSION**

#### **Torque Converter**

**1989-1974** A904, A999  
Seal ..... 331228H  
Kwik Slv (Opt Rpr) ..... KWK99149

**1989-1961** A727  
Seal ..... 331227H  
Kwik Slv (Opt Rpr) ..... KWK99187

**1961-1956** Torque-Flite  
Seal ..... 6879H  
Kwik Slv (Opt Rpr) ..... KWK99212

**CHRYSLER - REAR DRIVE - C Series, Cordoba, Estate Wagon, Fifth Avenue, LeBaron, Newport, New Yorker, Royal, Saratoga, Town & Country, Windsor, 5-Passenger, 300 (cont.)**

**3-SPEED AUTOMATIC TRANSMISSION**

**Rear Seal/Ext. Housing**

<b>1989-1973</b>	A904, A999	
Seal .....		2506
Bearing .....		206LOE <sup>38</sup>
<b>1989-1961</b>	A727: 1-pc driveshaft	
Seal .....		7300S
Bearing .....		207XLO
Seal Kit Opt. ....		5206 <sup>64</sup>
<b>1979-1961</b>	A727: 2-pc driveshaft	
Seal .....		8160S
Bearing .....		2061
<b>1961-1956</b>	Torque-Flite	
Seal .....		330663
Bearing .....		2061

**Selector Shaft Seal/Man. Shaft**

<b>1989-1974</b>	A904, A999	
Seal .....		8609

**CLUTCH**

**Pilot Bearing**

<b>1971-1946</b>		
Bushing .....		PB286
Bushing H/D .....		PB286HD

**Release Bearing**

<b>1979-1965</b>	exc. 426, 440 engines	
Bearing Assy .....		614036
<b>1972-1966</b>	426 engine with 11" clutch	
Bearing Only .....		PO1666C <sup>20</sup>
<b>1972-1966</b>	440 engine with 11" clutch	
Bearing Only .....		DP1625C
<b>1964</b>	361 engine	
Bearing Assy .....		614036
<b>1964-1961</b>	exc. 361 engine	
Bearing Only .....		PE1605C <sup>20</sup>
<b>1957</b>		
Bearing Only .....		PD1605C <sup>20</sup>
<b>1956-1955</b>		
Bearing Only .....		PC1605C <sup>20</sup>
<b>1954-1953</b>		
Bearing Only .....		PA1605C <sup>20</sup>
<b>1952-1951</b>	C51 Windsor: Conventional drive	
Bearing Only .....		P1605C <sup>20</sup>
<b>1952-1951</b>	C51 Windsor: Fluid Drive	
Bearing Only .....		1972C <sup>20</sup>
<b>1952-1951</b>	C52 New Yorker, C54 Imperial: Torque conv.	
Bearing Only .....		CB1304C <sup>20</sup>
<b>1952-1951</b>	C52 New Yorker, C54 Imperial: w/o T. conv.	
Bearing Only .....		C1972C
<b>1952-1951</b>	C53 Crown Imperial	
Bearing Only .....		CB1304C <sup>20</sup>
<b>1950</b>	C48 Royal, Windsor	
Bearing Only .....		P1605C <sup>20</sup>

**CLUTCH (cont.)**

**Release Bearing (cont.)**

<b>1950</b>	C49, C50 Imperial	
Bearing Only .....		1972C <sup>20</sup>
<b>1949-1946</b>	Fluid Drive	
Bearing Only .....		1972C <sup>20</sup>
<b>1949-1941</b>	Conventional Drive	
Bearing Only .....		CB1310C <sup>20</sup>
<b>1940-1938</b>	Conventional Drive	
Bearing Only .....		CB1309C
<b>1940-1938</b>	Fluid Drive	
Bearing Only .....		CB1311C <sup>20</sup>
<b>1938-1936</b>	C9, 10, 11, 15, 17, 20	
Bearing Only .....		CB1308C <sup>20</sup>
<b>1937-1936</b>	C7, 8, 14, 16, 16X	
Bearing Only .....		CB1094C <sup>20</sup>

**3-SPEED MANUAL TRANSMISSION**

**Front Input Shaft**

<b>1973-1970</b>	A230 New Process	
Seal .....		9376
Bearing .....		307LI
<b>1970-1960</b>	A745 New Process: 23-spline shaft	
Seal .....		9376
Bearing .....		307LI
<b>1970-1960</b>	A745 New Process: 10-spline shaft	
Seal .....		353135
Bearing .....		307LI
Kwik Slv (Opt Rpr) .....		KWK99125
<b>1957</b>	A903 New Process	
Seal .....		9376
Bearing .....		1207L
<b>1957-1942</b>	Chrysler L/D	
Bearing .....		1207L

**Mainshaft Pilot**

<b>1970-1961</b>	New Process A230, A745	
Needle Bearing .....		QBR23549[15]
<b>1957</b>	A903 New Process	
Needle Bearing .....		QBR23549[15]
<b>1957-1946</b>	Chrysler L/D	
Needle Bearing .....		QBR23549[14]

**Rear Output Shaft**

<b>1970</b>	A230 New Process: 30-spline short shaft	
Seal .....		7300S
Bearing .....		1307
Seal Kit Opt. ....		5206 <sup>64</sup>
<b>1970</b>	A230 New Process: 26-spline long shaft	
Seal .....		2506
Bearing .....		307L

[ ] Indicates Quantity Required; Set Components Listed Inside Rear Cover;

<sup>20</sup> Not currently in production; check for availability

<sup>38</sup> Use Old Snap Ring

<sup>64</sup> Opt. Seal and Bushing Kit



# Bearings and Seals

Mfg./Year    Model & Location    Part No    Mfg./Year    Model & Location    Part No

## **CHRYSLER - REAR DRIVE - C Series, Cordoba, Estate Wagon, Fifth Avenue, LeBaron, Newport, New Yorker, Royal, Saratoga, Town & Country, Windsor, 5-Passenger, 300 (cont.)**

### **3-SPEED MANUAL TRANSMISSION (cont.)**

#### **Rear Output Shaft (cont.)**

<b>1970-1966</b>	A745 New Process: 26-spline shaft	
Seal .....	8935S	
Bearing .....	1307	
Seal Kit Opt. ....	5207 <sup>64</sup>	
<b>1970-1960</b>	A745 New Process: 30-spline shaft	
Seal .....	7300S	
Bearing .....	1307	
Seal Kit Opt. ....	5206 <sup>64</sup>	
<b>1970-1960</b>	A745 New Process: 23-spline shaft	
Seal .....	8160S	
Bearing .....	2061	
<b>1957</b>	A903 New Process	
Seal .....	8160S	
Bearing .....	1207L	
<b>1957-1942</b>	Chrysler L/D	
Seal .....	8160S	
Bearing .....	1207L	

#### **Reverse Idler**

<b>1970-1961</b>	New Process A230, A745	
Needle Bearing .....	C1086Q[22]	
<b>1957</b>	A903 New Process	
Needle Bearing .....	C1086Q[22]	
<b>1957-1946</b>	Chrysler L/D	
Needle Bearing .....	C1086Q[22]	

#### **Selector Shaft Seal/Man. Shaft**

<b>1979-1955</b>		
Seal .....	7188S	

### **4-SPEED MANUAL TRANSMISSION**

#### **Input Shaft**

<b>1965-1964</b>	A833 New Process: 18-spline shaft	
Seal .....	9487	
Bearing .....	307L	
Kwik Slv (Opt Rpr) .....	KWK99118	

#### **Mainshaft Pilot**

<b>1965-1964</b>	A833 New Process	
Needle Bearing .....	QBR23549[16]	

### **4-SPEED MANUAL TRANSMISSION**

#### **Rear Output Shaft**

<b>1965-1964</b>	A833 New Process: 30-spline shaft	
Seal .....	7300S	
Bearing .....	308LOE	
Seal Kit .....	5206 <sup>64</sup>	
<b>1965-1964</b>	A833 New Process: 26-spline shaft	
Seal .....	2506	
Bearing .....	307TB	
<b>1965-1964</b>	A833 New Process: 23-spline shaft	
Seal .....	8160S	
Bearing .....	2061	

#### **ALTERNATOR**

<b>1983-1974</b>	86,100,114 Amp	
Bearing (drive end) .....	303SS	
<b>1983-1963</b>	34,41,50,60,65,78 Amp	
Bearing (drive end) .....	203FF	
<b>1983-1960</b>	34,41,50,60,65,78 Amp	
Bearing (rear end) .....	MNJ471S	
<b>1962-1960</b>		
Bearing (drive end) .....	203S	

#### **DRIVESHAFT SUPPORT**

<b>1966-1965</b>		
Needle Bearing .....	X908CC	
<b>1964-1956</b>		
Bearing .....	107DD	
<b>1955-1953</b>		
Bearing .....	206FF	
<b>1952-1946</b>		
Bearing .....	207S	

#### **POWER STEERING**

##### **Pump Shaft**

<b>1983-1969</b>		
Seal .....	70135	
<b>1968-1958</b>	Eaton pump	
Seal .....	8773S	
<b>1957-1951</b>	Eaton pump	
Seal .....	6835S	
Bearing .....	203FF	

##### **Worm Shaft**

<b>1983-1958</b>	Chrysler design	
Seal .....	7188S	

#### **MANUAL STEERING**

##### **Column**

<b>1958-1949</b>		
Seal .....	470567	

Mfg./Year    Model & Location    Part No    Mfg./Year    Model & Location    Part No

**CHRYSLER - REAR DRIVE - C Series, Cordoba, Estate Wagon, Fifth Avenue, LeBaron, Newport, New Yorker, Royal, Saratoga, Town & Country, Windsor, 5-Passenger, 300 (cont.)**

**MANUAL STEERING**

**Sector Shaft**

<b>1971-1955</b>	Chrysler design	
Seal .....		6859S
<b>1954-1946</b>		
Seal .....		240356

**Worm Shaft**

<b>1979-1962</b>	Chrysler design	
Seal .....		7214
Bearing .....		8572[2]
<b>1961-1959</b>		
Seal .....		470567
<b>1958-1955</b>		
Seal .....		41267S
<b>1954-1949</b>		
Seal .....		41267S
Cone/Cup .....		A4059-A4138[2]

**CRANKSHAFT REAR SEAL**

**6 Cylinder**

<b>1983-1979</b>	225/3.7L	
Seal .....		5650
<b>1954-1952</b>	265/4.3L	
Seal .....		221410

**8 Cylinder**

<b>1989-1979</b>	318/5.2L	
Seal .....		5414
<b>1978-1959</b>	383/6.3, 400/6.6, 413/6.7, 440/7.2	
Seal .....		5576

**CRANKSHAFT REAR SEAL (cont.)**

**8 Cylinder (cont.)**

<b>1964-1961</b>	360/5.9L	
Seal .....		5414
<b>1959-1951</b>	301/4.9, 331/5.4, 354/5.8, 392/6.4	
Seal .....		5414

**TIMING COVER**

**6 Cylinder**

<b>1983-1979</b>	225/3.7L	
Seal .....		3095
Kwik Slv (Opt Rpr) .....		KWK99226
<b>1954-1952</b>	265/4.3L	
Seal .....		6636S

**8 Cylinder**

<b>1989-1951</b>		
Seal .....		3103
Kwik Slv (Opt Rpr) .....		KWK99218
Harmonic Balancer		
Sleeves Opt. ....		88218

**CHRYSLER - REAR DRIVE - Imperial**

**FRONT WHEEL**

<b>1983-1981</b>		
Seal (inner) .....		5121[2]
Set (inner) .....		SET17
Set (outer) .....		SET2
<b>1975-1974</b>		
Seal (inner) .....		3087[2]
Set (inner) .....		SET11
Set (outer) .....		SET16
<b>1973-1963</b>		
Seal (inner) .....		8473S[2]
Set (inner) .....		SET5
Set (outer) .....		SET3
<b>1962-1956</b>		
Seal (inner) .....		6960[2]
Set (inner) .....		SET5
Set (outer) .....		SET3

**REAR WHEEL**

<b>1983-1974</b>		
Seal .....		8835S[2]
Cyl. Bearing .....		6408[2]
Kit .....		TRP1559TV[2] <sup>19</sup>
<b>1973-1965</b>		
Seal (LH) .....		8704S
Acc. Pkg (LH) .....		A7LK <sup>46</sup>
Seal (RH) .....		8704S
Acc. Pkg (RH) .....		A7RK <sup>46</sup>
<b>1964-1963</b>		
Seal .....		8597S[2]
Cone/Cup .....		2788A-2735X[2]
<b>1962-1957</b>		
Seal .....		7886S[2]
Cone/Cup .....		2788A-2735X[2]
<b>1955-1953</b>	Custom	
Seal .....		6966S[2]
Cone/Cup .....		2780-2735X[2]
<b>1952-1951</b>	C-54	
Cone/Cup .....		2780-2736[2]

[ ] Indicates Quantity Required; Set Components Listed Inside Rear Cover;

<sup>19</sup> Opt. Axle Repair Bearing. Replaces O.E. bearing & seal. 8695S, 8704S

<sup>46</sup> Opt. Kit incl: Metal & Foam gskt, Retainer,

# Bearings and Seals

Mfg./Year    Model & Location    Part No    Mfg./Year    Model & Location    Part No

## CHRYSLER - REAR DRIVE - Imperial (cont.)

### REAR AXLE

#### Differential Rebuild Kit

<b>1983-1980</b>	7.25" ring gear Kit .....	DRK302
<b>1983-1980</b>	8.25" ring gear Kit .....	DRK303
<b>1981-1980</b>	9.25" ring gear Kit .....	DRK304
<b>1968-1957</b>	8.75" ring gear: 1.75" pinion shaft Kit .....	DRK300
<b>1968-1957</b>	8.75" ring gear: 1.875" pinion shaft Kit .....	DRK301

#### Differential

<b>1983-1980</b>	7.25" ring gear Set .....	SET45
<b>1983-1975</b>	8.25" ring gear from late 1975 Set .....	SET36
<b>1981-1974</b>	9.25" ring gear Cone/Cup .....	JLM704649-JLM704610[2]
<b>1975-1973</b>	8.25" ring gear to early 1975 Set .....	SET47
<b>1973</b>	8.75" ring gear Cone/Cup .....	LM104949-LM104912[2]
<b>1972-1969</b>	all Cone/Cup .....	LM104949-LM104912[2]
<b>1968</b>	8.75" ring gear w/o Sure Grip Cone/Cup .....	LM104949-LM104912[2]
<b>1968</b>	9.25" ring gear Cone/Cup .....	25590-25520[2]
<b>1968-1958</b>	8.75" ring gear with Sure Grip Cone/Cup .....	25590-25520[2]
<b>1957</b>	Cone/Cup .....	25580-25520[2]

#### Pinion

<b>1983-1981</b>	Cone/Cup (inner) .....	M802048-M802011
	Seal (outer) .....	8516N
	Cone/Cup (outer) .....	M86649-M86610
<b>1975-1970</b>	Cone/Cup (inner) .....	M804049-M804010
	Seal (outer) .....	5126
	Cone/Cup (outer) .....	M88048-M88010
<b>1969</b>	Cone/Cup (inner) .....	M804049-M804010
	Seal (outer) .....	8515N
	Cone/Cup (outer) .....	M88048-M88010
<b>1968-1957</b>	Cone/Cup (inner) .....	HM803149-HM803110
	Seal (outer) .....	7216
	Cone/Cup (outer) .....	HM89443-HM89410
<b>1956-1955</b>	Custom Cone/Cup (inner) .....	HM803149-HM803110
	Cone/Cup (outer) .....	HM801346-HM801310
<b>1956-1953</b>	Crown Cone/Cup (inner) .....	59187-59412
	Cone/Cup (outer) .....	HM89443-HM89410

### AUTOMATIC TRANSMISSION

#### Torque Converter

<b>1961-1953</b>	Power-flite: 2-speed Seal .....	6879H
	Kwik Slv (Opt Rpr) .....	KWK99212

#### Rear Seal/Ext. Housing

<b>1955-1946</b>	Power-flite: 2-speed Seal .....	8160S
	Bearing .....	2061

#### Selector Shaft Seal/Man. Shaft

<b>1955-1953</b>	Power-flite: 2-speed Seal .....	470018
	Kwik Slv (Opt Rpr) .....	KWK99062

#### Input Shaft

<b>1953-1946</b>	Power-flite: 2-speed Bearing .....	1307SLI
------------------	---------------------------------------	---------

#### Output Shaft

<b>1953-1946</b>	Power-flite: 2-speed Bearing .....	307TB
------------------	---------------------------------------	-------

### 3-SPEED AUTOMATIC TRANSMISSION

#### Torque Converter

<b>1983-1974</b>	A904, A999 Seal .....	331228H
	Kwik Slv (Opt Rpr) .....	KWK99149
<b>1983-1961</b>	A727 Seal .....	331227H
	Kwik Slv (Opt Rpr) .....	KWK99187
<b>1961-1957</b>	Torque-Flite Seal .....	6879H
	Kwik Slv (Opt Rpr) .....	KWK99212

#### Rear Seal/Ext. Housing

<b>1983-1973</b>	A904, A999 Seal .....	2506
	Bearing .....	206LOE <sup>38</sup>
<b>1983-1961</b>	A727: 1-pc driveshaft Seal .....	7300S
	Bearing .....	207XLO
	Seal Kit Opt. ....	5206 <sup>64</sup>
<b>1975-1961</b>	A727: 2-pc driveshaft Seal .....	8160S
	Bearing .....	2061
<b>1961-1956</b>	Torque-Flite Seal .....	330663
	Bearing .....	2061

#### Selector Shaft Seal/Man. Shaft

<b>1983-1974</b>	A904, A999 Seal .....	8609
------------------	--------------------------	------

150 [ ] Indicates Quantity Required; Set Components Listed Inside Rear Cover;

<sup>38</sup> Use Old Snap Ring    <sup>64</sup> Opt. Seal and Bushing Kit

**CHRYSLER - REAR DRIVE - Imperial (cont.)**

**CLUTCH**

**Pilot Bearing**

<b>1971-1946</b>	
Bushing .....	PB286
Bushing H/D .....	PB286HD

**Release Bearing**

<b>1979-1965</b>	exc. 1966-1972, 426, 440 engines with 11" clutch	
Bearing Assy .....		614036
<b>1972-1966</b>	426 engine with 11" clutch	
Bearing Only .....		PO1666C <sup>20</sup>
<b>1972-1966</b>	440 engine with 11" clutch	
Bearing Only .....		DP1625C
<b>1964</b>	361 engine	
Bearing Assy .....		614036
<b>1964-1961</b>	exc. 1964, 361 engine	
Bearing Only .....		PE1605C <sup>20</sup>
<b>1957</b>		
Bearing Only .....		PD1605C <sup>20</sup>
<b>1956-1955</b>		
Bearing Only .....		PC1605C <sup>20</sup>
<b>1954-1953</b>		
Bearing Only .....		PA1605C <sup>20</sup>
<b>1952-1951</b>	C54 Imperial, C53 Crown Imperial: torque converter.	
Bearing Only .....		CB1304C <sup>20</sup>
<b>1952-1951</b>	C54 Imperial: w/o torque converter.	
Bearing Only .....		C1972C
<b>1950</b>	C49, C50 Imperial	
Bearing Only .....		1972C <sup>20</sup>

**3-SPEED MANUAL TRANSMISSION**

**Front Input Shaft**

<b>1973-1970</b>	A230 New Process	
Seal .....		9376
Bearing .....		307LI
<b>1970-1960</b>	A745 New Process: 23-spline shaft	
Seal .....		9376
Bearing .....		307LI
<b>1970-1960</b>	A745 New Process: 10-spline shaft	
Seal .....		353135
Bearing .....		307LI
Kwik Slv (Opt Rpr) .....		KWK99125
<b>1957</b>	A903 New Process	
Seal .....		9376
Bearing .....		1207L
<b>1957-1950</b>	Chrysler L/D	
Bearing .....		1207L

**Mainshaft Pilot**

<b>1957-1946</b>	Chrysler L/D; New Process A903	
Needle Bearing .....		C1086Q[44]

**3-SPEED MANUAL TRANSMISSION**

**Rear Output Shaft**

<b>1970</b>	A230 New Process: 30-spline short shaft	
Seal .....		7300S
Bearing .....		1307
Seal Kit Opt. ....		5206 <sup>64</sup>
<b>1970</b>	A230 New Process: 26-spline long shaft	
Seal .....		2506
Bearing .....		307L
<b>1970-1966</b>	A745 New Process: 26-spline shaft	
Seal .....		8935S
Bearing .....		1307
Seal Kit Opt. ....		5207 <sup>64</sup>
<b>1970-1960</b>	A745 New Process: 30-spline shaft	
Seal .....		7300S
Bearing .....		1307
Seal Kit Opt. ....		5206 <sup>64</sup>
<b>1970-1960</b>	A745 New Process: 23-spline shaft	
Seal .....		8160S
Bearing .....		2061
<b>1957</b>	A903 New Process	
Seal .....		8160S
Bearing .....		1207L
<b>1957-1942</b>	Chrysler L/D	
Seal .....		8160S
Bearing .....		1207L

**Reverse Idler**

<b>1970-1946</b>	Chrysler L/D; New Process A230, A745, A903	
Needle Bearing .....		C1086Q[22]

**Selector Shaft Seal/Man. Shaft**

<b>1970-1955</b>		
Seal .....		7188S
Kwik Slv (Opt Rpr) .....		KWK99062

**4-SPEED MANUAL TRANSMISSION**

**Input Shaft**

<b>1965-1964</b>	A833 New Process: 18-spline shaft	
Seal .....		9487
Bearing .....		307L
Kwik Slv (Opt Rpr) .....		KWK99118

**Mainshaft Pilot**

<b>1965-1964</b>	A833 New Process	
Needle Bearing .....		QBR23549[16]

[ ] Indicates Quantity Required; Set Components Listed Inside Rear Cover;

<sup>20</sup> Not currently in production; check for availability    <sup>64</sup> Opt. Seal and Bushing Kit

# Bearings and Seals

Mfg./Year    Model & Location    Part No    Mfg./Year    Model & Location    Part No

## CHRYSLER - REAR DRIVE - Imperial (cont.)

### 4-SPEED MANUAL TRANSMISSION

#### Rear Output Shaft

<b>1965-1964</b>	A833 New Process: 30-spline shaft	
Seal .....		7300S
Bearing .....		308LOE
Seal Kit .....		5206 <sup>64</sup>
<b>1965-1964</b>	A833 New Process: 26-spline shaft	
Seal .....		2506
Bearing .....		307TB
<b>1965-1964</b>	A833 New Process: 23-spline shaft	
Seal .....		8160S
Bearing .....		2061

### ALTERNATOR

<b>1983-1974</b>	86,100,114 Amp	
Bearing (drive end) .....		303SS
<b>1983-1963</b>	34,41,50,60,65,78 Amp	
Bearing (drive end) .....		203FF
<b>1983-1960</b>	34,41,50,60,65,78 Amp	
Bearing (rear end) .....		MNJ471S
<b>1962-1960</b>		
Bearing (drive end) .....		203S

### DRIVESHAFT SUPPORT

<b>1966-1965</b>		
Needle Bearing .....		X908CC
<b>1964-1957</b>		
Bearing .....		107DD
<b>1955-1953</b>		
Bearing .....		206FF
<b>1952-1946</b>		
Bearing .....		207S

### POWER STEERING

#### Pump Shaft

<b>1975-1962</b>	Manual Steering Worm Shaft - Chrysler design	
Seal .....		7214
Bearing .....		8572

#### Worm Shaft

<b>1983-1958</b>	Chrysler design	
Seal .....		7188S

### MANUAL STEERING

#### Column

<b>1958-1949</b>		
Seal .....		470567

#### Sector Shaft

<b>1971-1955</b>	Chrysler design	
Seal .....		6859S
<b>1954-1946</b>		
Seal .....		240356

#### Worm Shaft

<b>1971-1962</b>	Chrysler design	
Seal .....		7214
Bearing .....		8572[2]
<b>1961-1959</b>		
Seal .....		470567
<b>1958-1955</b>		
Seal .....		41267S
<b>1954-1949</b>		
Seal .....		41267S
Cone/Cup .....		A4059-A4138[2]

### CRANKSHAFT REAR SEAL

#### 8 Cylinder

<b>1983-1981</b>	318/5.2L	
Seal .....		5414
<b>1975-1959</b>	383/6.3, 400/6.6, 413/6.7, 440/7.2	
Seal .....		5576
<b>1959-1951</b>	301/4.9, 331/5.4, 354/5.8, 392/6.4	
Seal .....		5414

### TIMING COVER

#### 8 Cylinder

<b>1983-1951</b>		
Seal .....		3103
Kwik Slv (Opt Rpr) .....		KWK99218
Harmonic Balancer		
Sleeves Opt. ....		88218

## CHRYSLER TRUCK - MINIVAN, AWD MINIVAN - Town & Country Van, Voyager from 2000 (see also Plymouth)

### FRONT WHEEL

<b>1989-1988</b>	14" wheels	
Seal .....		5604[2] <sup>56</sup>
Bearing .....		513006[2]
Hub Assy Opt:bolt-on		
4-lug .....		518501[2] <sup>62</sup>

### FRONT WHEEL (cont.)

<b>1989-1988</b>	14" wheels	
Seal .....		5604[2] <sup>56</sup>
Bearing .....		513006[2]
Hub Assy Opt:bolt-on		
5-lug .....		518502[2] <sup>62</sup>
<b>1988</b>	15" wheels	
Hub Assy .....		HA590197[2] <sup>45</sup>

152 [ ] Indicates Quantity Required; Set Components Listed Inside Rear Cover;

<sup>45</sup> Bearing Flange has Non-Threaded Mounting Holes    <sup>56</sup> Opt. Kit incl: Seal 3948 & Sleeve    <sup>62</sup> Kit incl:

Hub & Bearing, Seal, Mounting Bolts    <sup>64</sup> Opt. Seal and Bushing Kit

**CHRYSLER TRUCK - MINIVAN, AWD MINIVAN - Town & Country Van, Voyager from 2000 (see also Plymouth) (cont.)**

**REAR WHEEL**

1989  
 Seal (inner) ..... 4249[2]  
 Set (inner) ..... SET17  
 Cone/Cup (outer) ..... LM12749F-LM12711[2]  
 Set (outer) Opt: substitut  
 non-polymer retainer set ..... SET16

**3-SPEED AUTOMATIC TRANSAXLE**

**Output Shaft**

1989  
 Set ..... SET17[2]

**Differential**

1989    A404  
 Cone/Cup ..... JL69349H-JL69310[2]  
 1989    A413  
 Seal ..... 3459S[2]  
 Set ..... SET11  
 Kwik Slv (Opt Rpr) ..... KWK99157[2]

**Selector Shaft Seal/Man. Shaft**

1989  
 Seal ..... 8609

**4-SPEED AUTOMATIC TRANSAXLE**

**Differential**

1989    A604, A670  
 Set ..... SET11

**Torque Convertor**

1989  
 Seal ..... 331228H  
 Kwik Slv (Opt Rpr) ..... KWK99149

**Transfer Shaft**

1989    A604, A670  
 Set ..... SET11

**4-SPEED AUTOMATIC TRANSAXLE**

**Output Shaft**

1989    A604, A670  
 Seal ..... 3459S[2]  
 Set ..... SET17[2]

**Selector Shaft Seal/Man. Shaft**

1989  
 Seal ..... 8609

**POWER STEERING**

**Pump Shaft**

1989-1988  
 Seal ..... 7013S

**Worm Shaft**

1989-1988  
 Seal ..... 7188S

**CRANE-CARRIER TRUCK**

**DRIVESHAFT SUPPORT**

1979-1967    Spicer 1600 series joints  
 Hanger Bearing Assy ..... HB88509

[ ] Indicates Quantity Required; Set Components Listed Inside Rear Cover;

# Bearings and Seals

Mfg./Year    Model & Location    Part No    Mfg./Year    Model & Location    Part No

## CROSLLEY

### FRONT WHEEL

1952-1946 all  
 Seal (inner) ..... 6545[2]  
 Cone/Cup (inner) ..... 1380-1328[2]  
 Cone/Cup (outer) ..... 17580-17520[2]

### REAR WHEEL

1952-1946 all  
 Cone/Cup ..... 15575T-15520[2]

### REAR AXLE

#### Differential

1952-1946  
 Cone/Cup ..... 14138A-14277[2]

### REAR AXLE

#### Pinion

1952-1946  
 Cone/Cup ..... 1380-1328

### CLUTCH

#### Release Bearing

1952-1946 all  
 Bearing Only ..... C1697C

## CUSHMAN

### CLUTCH

#### Release Bearing

1974-1960 all  
 Bearing Only ..... CB1346C

## DACIA

### FRONT WHEEL

1989-1986 all  
 Bearing (inner) ..... 207F[2]  
 Bearing (outer) ..... 207F[2]

### CLUTCH

#### Pilot Bearing

1989-1986 all  
 Bearing ..... 203SS

### CLUTCH

#### Release Bearing

1989-1986 all  
 Bearing Assy ..... 614012

## DAIHATSU - Charade

### FRONT WHEEL

1989 Charade: production from 1/1989 on  
 Bearing ..... 510012[2]  
 1988 Charade: production thru 12/1988  
 Seal ..... 1216N[2]  
 Bearing ..... 510014[2]

### REAR WHEEL

1989-1988 Charade 2-door  
 Bearing (inner) ..... 205F[2]  
 Bearing (outer) ..... 303BB[2]  
 1989-1988 Charade 4-door  
 Hub Assy ..... 512007[2]

### CLUTCH

#### Release Bearing

1989-1988  
 Bearing Assy ..... 614110

### 3-SPEED AUTOMATIC TRANSAXLE

#### Torque Converter

1989-1988 Aisin A210  
 Seal ..... 223830  
 Kwik Slv (Opt Rpr) ..... KWK99147

**DAIHATSU - Charade (cont.)**

**3-SPEED AUTOMATIC TRANSAXLE**

**Output Shaft**

1989-1988    Aisin A210  
 Seal ..... 223540[2]  
 Kwik Slv (Opt Rpr) .....KWK99139[2]

**Differential**

1989-1988    Aisin A210  
 Bearing ..... 207S[2]

**Selector Shaft Seal/Man. Shaft**

1989-1988    Aisin A210  
 Seal ..... 710116

**MANUAL STEERING**

**Pitman Shaft**

1989-1988  
 Bearing ..... 202AG

**CAMSHAFT SEAL**

**3 Cylinder**

1989-1988    993cc/1.0L  
 Seal ..... 712008  
 Kwik Slv (Opt Rpr) .....KWK99111

**4 Cylinder**

1989    1295cc/1.3L  
 Seal ..... 223800

**CRANKSHAFT REAR SEAL**

**3 Cylinder**

1989-1988    993cc/1.0L  
 Seal ..... 710271

**4 Cylinder**

1989    1295cc/1.3L  
 Seal ..... 228009  
 Kwik Slv (Opt Rpr) .....KWK99313

**TIMING COVER**

**3 Cylinder**

1989-1988    993cc/1.0L  
 Seal ..... 223420

**4 Cylinder**

1989    1295cc/1.3L  
 Seal ..... 223420

**DELOREAN**

**CLUTCH**

**Release Bearing**

1983-1979    all  
 Bearing Assy ..... 614025

**3-SPEED AUTOMATIC TRANSAXLE**

**Torque Converter**

1983-1981  
 Seal ..... 223010  
 Kwik Slv (Opt Rpr) .....KWK99114

**Output Shaft**

1983-1981  
 Seal ..... 1962[2]  
 Kwik Slv (Opt Rpr) .....KWK99177[2]

**CRANKSHAFT FRONT SEAL**

**6 Cylinder**

1983-1981    2849cc/2.8L  
 Seal ..... 228010  
 Kwik Slv (Opt Rpr) .....KWK99315

**TIMING COVER**

**6 Cylinder**

1983-1981    2849cc/2.8L  
 Seal ..... 224252  
 Kwik Slv (Opt Rpr) .....KWK99169



# Bearings and Seals

Mfg./Year    Model & Location    Part No    Mfg./Year    Model & Location    Part No

## **DESOTO - Estate Wagon, Firedome, Fireflite, Firesweep, S-Series**

### **FRONT WHEEL**

<b>1961-1959</b>	all	
Seal (inner)	.....	6840S[2]
Set (inner)	.....	SET6
Set (outer)	.....	SET2
<b>1958-1955</b>	exc. 8 Passenger, Estate Wagon late 1955 on	
Seal (inner)	.....	6840S[2]
Set (inner)	.....	SET6
Set (outer)	.....	SET2
<b>1956</b>	8-Passenger, Estate Wagon	
Seal (inner)	.....	6960[2]
Set (inner)	.....	SET5
Set (outer)	.....	SET3
<b>1955</b>	S-21, S-22 exc. Wagon early	
Cone/Cup (inner)	.....	15123-15245[2]
Cone/Cup (outer)	.....	09067-09195[2]
<b>1954-1951</b>	5-Passenger	
Cone/Cup (inner)	.....	15123-15245[2]
Cone/Cup (outer)	.....	09067-09195[2]
<b>1950-1949</b>	5-Passenger: S-13, 14	
Cone/Cup (inner)	.....	15123-15245[2]
Cone/Cup (outer)	.....	09067-09195[2]
<b>1948-1941</b>	5-Passenger: S-8, 10, 11	
Cone/Cup (inner)	.....	14125A-14276[2]
Cone/Cup (outer)	.....	09074-09194[2]
<b>1942-1941</b>	8-Passenger: S-8, 10	
Cone/Cup (inner)	.....	14125A-14276[2]
Cone/Cup (outer)	.....	09074-09194[2]

### **REAR WHEEL**

<b>1961-1959</b>	all	
Seal	.....	6241S[2]
Cone/Cup	.....	25877-25821[2]
<b>1956-1955</b>	Estate Wagon	
Seal	.....	6966S[2]
Cone/Cup	.....	2780-2735X[2]
<b>1948-1941</b>	exc. 8-Passenger and Estate Wagon	
Seal	.....	6241S[2]
Cone/Cup	.....	25877-25821[2]

### **REAR AXLE**

#### **Differential Rebuild Kit**

<b>1961-1946</b>	8.75" ring gear: 1.75" pinion shaft OD	
Kit	.....	DRK300

#### **Differential**

<b>1961-1958</b>	all	
Cone/Cup	.....	25590-25520[2]
<b>1957-1946</b>	all	
Cone/Cup	.....	25580-25520[2]

### **REAR AXLE**

#### **Pinion**

<b>1961-1959</b>	some Canadian models	
Cone/Cup (inner)	.....	HM803149-HM803110
Seal (outer)	.....	5162
Cone/Cup (outer)	.....	M88048-M88010
<b>1961-1959</b>	U.S. models	
Cone/Cup (inner)	.....	HM803149-HM803110
Seal (outer)	.....	7261
Cone/Cup (outer)	.....	HM89443-HM89410
<b>1958</b>	exc. Windsor, Saratoga	
Cone/Cup (inner)	.....	HM803149-HM803110
Cone/Cup (outer)	.....	HM89443-HM89410
<b>1957</b>	all	
Cone/Cup (inner)	.....	HM89446-HM89410
Cone/Cup (outer)	.....	HM89443-HM89410
<b>1956-1955</b>	all	
Cone/Cup (inner)	.....	HM803149-HM803110
Cone/Cup (outer)	.....	HM803146-HM803110

### **CLUTCH**

#### **Release Bearing**

<b>1961-1960</b>	all	
Bearing Only	.....	PE1605C <sup>20</sup>
<b>1959-1957</b>	all	
Bearing Only	.....	PD1605C <sup>20</sup>
<b>1956-1955</b>	all	
Bearing Only	.....	PC1605C <sup>20</sup>
<b>1954-1953</b>	exc. Torque converter	
Bearing Only	.....	PA1605C <sup>20</sup>
<b>1953</b>	with Torque converter.	
Bearing Only	.....	C1972C
<b>1952-1941</b>	exc. Fluid Drive	
Bearing Only	.....	P1605C <sup>20</sup>
<b>1952-1941</b>	Fluid Drive	
Bearing Only	.....	1972C <sup>20</sup>

156 [ ] Indicates Quantity Required; Set Components Listed Inside Rear Cover;

<sup>20</sup> Not currently in production; check for availability

Mfg./Year      Model & Location      Part No      Mfg./Year      Model & Location      Part No

**DIVCO**

**CLUTCH**

**Release Bearing**

1970-1950 all  
Bearing Only ..... F02256C

**DKW**

**FRONT WHEEL**

1962-1960 Junior, 750  
Bearing (inner) ..... 305AG[2]  
Bearing (outer) ..... 107WB[2]

**REAR WHEEL**

1962-1960 Junior, 750  
Bearing (inner) ..... 205F[2]  
Bearing (outer) ..... 204[2]  
1962-1958 AU1000  
Bearing (inner) ..... 206WB[2]  
Bearing (outer) ..... 204[2]

**REAR WHEEL (cont.)**

1958 3-6  
Bearing (inner) ..... 206WB[2]  
Bearing (outer) ..... 304WB[2]

**DODGE - FRONT DRIVE - Aries, Daytona, Dynasty, Lancer, Shadow, Spirit, 600**

**FRONT WHEEL**

1989 Daytona: 14" wheels  
Seal ..... 5604[2]<sup>56</sup>  
Bearing ..... 513006[2]  
Hub Assy ..... 518502[2]<sup>62</sup>  
1989 Daytona: 15" and 16" wheels  
Seal ..... 5604[2]<sup>56</sup>  
Hub Assy ..... 513075[2]  
1989 Dynasty  
Seal ..... 5604[2]<sup>56</sup>  
Hub Assy ..... 513075[2]  
1989 5-lug wheels  
Seal ..... 5604[2]<sup>56</sup>  
Bearing ..... 513006[2]  
Hub Assy ..... 518502[2]<sup>62</sup>  
1989 4-lug wheels  
Seal ..... 5604[2]<sup>56</sup>  
Bearing ..... 513006[2]  
Hub Assy ..... 518501[2]<sup>62</sup>  
1988-1984 4-lug wheels  
Seal ..... 5604[2]<sup>56</sup>  
Bearing ..... 513006[2]  
Hub Assy ..... 518501[2]<sup>62</sup>  
1988-1984 5-lug wheels  
Seal ..... 5604[2]<sup>56</sup>  
Bearing ..... 513006[2]  
Hub Assy ..... 518502[2]<sup>62</sup>  
1983-1981  
Seal ..... 5604[2]<sup>56</sup>  
Bearing ..... B39[2]  
Hub Assy ..... 518500[2]<sup>62</sup>

**REAR WHEEL**

1989-1983 all  
Seal (inner) ..... 4099[2]  
Set (inner) ..... SET46  
Cone/Cup (outer) ..... LM12749F-LM12711[2]  
Set (outer) Opt: substitut  
non-polymer retainer set ..... SET16  
1982-1978  
Seal (inner) ..... 3677[2]  
Set (inner) ..... SET4  
Set (outer) ..... SET2

**CLUTCH**

**Pilot Bearing**

1983-1981 4-cylinder: 1.7 VW engines  
Bushing ..... PB23

**Release Bearing**

1989-1986 4-cylinder  
Bearing Assy ..... 614007  
1985-1981 4-cylinder: 1.6, 2.2, 2.2 turbo  
Bearing Assy ..... 614007  
1983-1981 4-cylinder: A460 Chrysler  
transaxle  
Bearing Assy ..... 614007  
1983-1978 4-cylinder: A412 VW transaxle  
Cyl. Bearing ..... 6408

**3-SPEED AUTOMATIC TRANSAXLE**

**Torque Converter**

1989-1980  
Seal ..... 331228H  
Kwik Slv (Opt Rpr) ..... KWK99149

[ ] Indicates Quantity Required; Set Components Listed Inside Rear Cover;  
<sup>56</sup> Opt. Kit incl: Seal 3948 & Sleeve      <sup>62</sup> Kit incl: Hub & Bearing, Seal, Mounting Bolts

# Bearings and Seals

Mfg./Year    Model & Location    Part No    Mfg./Year    Model & Location    Part No

## **DODGE - FRONT DRIVE - Aries, Daytona, Dynasty, Lancer, Shadow, Spirit, 600 (cont.)**

### **3-SPEED AUTOMATIC TRANSAXLE**

#### **Output Shaft**

**1989-1980**    A404, A413, A470, A670, 31TH  
Set ..... SET17

#### **Differential**

**1989-1980**    A404, A413, A470, A670, 31TH  
Seal ..... 3459S[2]  
Set ..... SET11[2]  
Kwik Slv (Opt Rpr) ..... KWK99157[2]

#### **Selector Shaft Seal/Man. Shaft**

**1989-1980**    A404, A413, A470, A670, 31TH  
Seal ..... 8609

### **4-SPEED AUTOMATIC TRANSAXLE**

#### **Torque Converter**

**1989-1988**    A604, 41TE, 42LE  
Seal ..... 331228H  
Kwik Slv (Opt Rpr) ..... KWK99149

#### **Output Shaft**

**1989-1988**    A604  
Set ..... SET17[2]

#### **Selector Shaft Seal/Man. Shaft**

**1989-1988**    A604, 41TE  
Seal ..... 8609

### **4-SPEED MANUAL TRANSAXLE**

#### **Differential**

**1986-1981**    A460  
Seal ..... 3459S[2]  
Set ..... SET11[2]  
Kwik Slv (Opt Rpr) ..... KWK99157 [2]

**1983-1980**    A412  
Cone/Cup ..... LM29749-LM29710[2]

#### **Input Shaft**

**1986-1981**    A460  
Seal (front) ..... 3732S  
Set (front) ..... SET4  
Kwik Slv (Opt Rpr) ..... KWK99106  
Set (rear) ..... SET5  
**1983-1980**    A412  
Seal ..... 222240  
Kwik Slv (Opt Rpr) ..... KWK99085

#### **Output Shaft**

**1983-1980**    A412  
Seal ..... 474288[2]  
Kwik Slv (Opt Rpr) ..... KWK99146[2]

### **4-SPEED MANUAL TRANSAXLE**

#### **Selector Shaft Seal/Man. Shaft**

**1986-1981**    A460  
Seal ..... 3816  
**1983-1980**    A412  
Seal ..... 221820

### **5-SPEED MANUAL TRANSAXLE**

#### **Differential**

**1989-1983**    A465, A520, A523, A525, A543,  
A555, A568  
Seal ..... 3459S[2]  
Set ..... SET11[2]  
Kwik Slv (Opt Rpr) ..... KWK99157[2]

#### **Input Shaft**

**1989-1983**    A465, A520, A523, A525, A543,  
A555, A568  
Seal (front) ..... 3732S  
Set (front) ..... SET4  
Kwik Slv (Opt Rpr) ..... KWK99106  
Set (rear) ..... SET5

#### **Selector Shaft Seal/Man. Shaft**

**1989-1983**    A465, A520, A523, A525, A543,  
A555, A568  
Seal ..... 3816

### **CAMSHAFT SEAL**

#### **4 Cylinder**

**1989**    135/2.2L, 153/2.5L  
Seal ..... 3655S  
Kwik Slv (Opt Rpr) ..... KWK99139  
**1988-1986**    153/2.5L  
Seal ..... 3655S  
Kwik Slv (Opt Rpr) ..... KWK99139

#### **6 Cylinder**

**1989-1988**    2972cc/3.0L  
Seal ..... 3771  
Kwik Slv (Opt Rpr) ..... KWK99139

### **CRANKSHAFT REAR SEAL**

#### **4 Cylinder**

**1989-1981**    135/2.2L, 153/2.5L  
Seal Viton ..... 710056  
Seal PTFE H/D Opt ..... 5279  
**1985-1981**    156/2.6L  
Seal Viton ..... 228005  
Kwik Slv (Opt Rpr) ..... KWK99315

**DODGE - FRONT DRIVE - Aries, Daytona, Dynasty, Lancer, Shadow, Spirit, 600 (cont.)**

**CRANKSHAFT REAR SEAL**

**6 Cylinder**

<b>1989-1988</b>	181/3.0L	
Seal Viton .....		229005
Kwik Slv (Opt Rpr) .....		KWK99354

**TIMING COVER**

**4 Cylinder**

<b>1989</b>	135/2.2L, 153/2.5L	
Seal .....		3638
Kwik Slv (Opt Rpr) .....		KWK99112
<b>1988-1981</b>	135/2.2L, 153/2.5L	
Seal .....		3655S
Kwik Slv (Opt Rpr) .....		KWK99139

**6 Cylinder**

<b>1989-1988</b>	181/3.0L	
Seal .....		223750

**DODGE - FRONT DRIVE - Charger, GLH, Omni, Rampage, Shelby, 400**

**FRONT WHEEL**

<b>1989-1984</b>	Omni; Charger	
Seal .....		5604[2] <sup>56</sup>
Bearing .....		B39[2]
Hub Assy .....		518500[2] <sup>62</sup>
<b>1989-1984</b>	Charger exc. Shelby	
Seal .....		5604[2] <sup>56</sup>
Bearing .....		B39[2]
Hub Assy .....		518500[2] <sup>62</sup>
<b>1983-1979</b>		
Seal .....		5604[2] <sup>56</sup>
Bearing .....		B39[2]
Hub Assy .....		518500[2] <sup>62</sup>
<b>1978</b>	Omni: early 1978: 2.835" OD bearing	
Bearing .....		B34[2]
<b>1978</b>	Omni: late 1978; 3.000" O.D. bearing	
Seal .....		5604[2] <sup>56</sup>
Bearing .....		B39[2]

**REAR WHEEL**

<b>1989-1983</b>	all	
Seal (inner) .....		4099[2]
Set (inner) .....		SET46
Cone/Cup (outer) .....		LM12749F-LM12711[2]
Set (outer) Opt: substitut non-polymer retainer set .....		SET16
<b>1982-1978</b>	all	
Seal (inner) .....		3677[2]
Set (inner) .....		SET4
Set (outer) .....		SET2

**CLUTCH**

**Pilot Bearing**

<b>1983-1978</b>		
Needle Bearing .....		F85265

**CLUTCH**

**Release Bearing**

<b>1989-1986</b>	4-cylinder	
Bearing Assy .....		614007
<b>1985-1981</b>	4-cylinder: 1.6, 2.2, 2.2 turbo	
Bearing Assy .....		614007
<b>1983-1981</b>	4-cylinder: A460 Chrysler transaxle	
Bearing Assy .....		614007
<b>1983-1978</b>	4-cylinder: A412 VW transaxle	
Cyl. Bearing .....		6408

**3-SPEED AUTOMATIC TRANSAXLE**

**Torque Converter**

<b>1989-1978</b>		
Seal .....		331228H
Kwik Slv (Opt Rpr) .....		KWK99149

**Output Shaft**

<b>1989-1978</b>	A404, A413, A470, A670, 31TH	
Set .....		SET17

**Differential**

<b>1989-1978</b>	A404, A413, A470, A670, 31TH	
Seal .....		3459S[2]
Set .....		SET11[2]
Kwik Slv (Opt Rpr) .....		KWK99157[2]

**Selector Shaft Seal/Man. Shaft**

<b>1989-1978</b>	A404, A413, A470, A670, 31TH	
Seal .....		8609

[ ] Indicates Quantity Required; Set Components Listed Inside Rear Cover;

<sup>56</sup> Opt. Kit incl: Seal 3948 & Sleeve

<sup>62</sup> Kit incl: Hub & Bearing, Seal, Mounting Bolts

# Bearings and Seals

Mfg./Year    Model & Location    Part No    Mfg./Year    Model & Location    Part No

## **DODGE - FRONT DRIVE - Charger, GLH, Omni, Rampage, Shelby, 400 (cont.)**

### **4-SPEED AUTOMATIC TRANSAXLE**

#### **Torque Converter**

**1989-1988**    A604, 41TE, 42LE  
 Seal ..... 331228H  
 Kwik Slv (Opt Rpr) ..... KWK99149

#### **Output Shaft**

**1989-1988**    A604  
 Set ..... SET17[2]

#### **Selector Shaft Seal/Man. Shaft**

**1989-1988**    A604, 41TE  
 Seal ..... 8609

### **4-SPEED MANUAL TRANSAXLE**

#### **Differential**

**1983-1978**    A412  
 Cone/Cup ..... LM29749-LM29710[2]

#### **Input Shaft**

**1983-1978**    A412  
 Seal ..... 222240  
 Kwik Slv (Opt Rpr) ..... KWK99085

#### **Output Shaft**

**1983-1978**    A412  
 Seal ..... 474288[2]  
 Kwik Slv (Opt Rpr) ..... KWK99146[2]

#### **Selector Shaft Seal/Man. Shaft**

**1983-1978**    A412  
 Seal ..... 221820

### **5-SPEED MANUAL TRANSAXLE**

#### **Differential**

**1989-1983**    A465, A520, A523, A525, A543,  
                   A555, A568  
 Seal ..... 3459S[2]  
 Set ..... SET11[2]  
 Kwik Slv (Opt Rpr) ..... KWK99157[2]

### **5-SPEED MANUAL TRANSAXLE**

#### **Input Shaft**

**1989-1983**    A465, A520, A523, A525, A543,  
                   A555, A568  
 Seal (front) ..... 3732S  
 Set (front) ..... SET4  
 Kwik Slv (Opt Rpr) ..... KWK99106  
 Set (rear) ..... SET5

#### **Selector Shaft Seal/Man. Shaft**

**1989-1983**    A465, A520, A523, A525, A543,  
                   A555, A568  
 Seal ..... 3816

### **CRANKSHAFT REAR SEAL**

#### **4 Cylinder**

**1989-1981**    135/2.2L  
 Seal ..... 3655S  
 Kwik Slv (Opt Rpr) ..... KWK99139

### **TIMING COVER**

#### **4 Cylinder**

**1989-1981**    135/2.2L  
 Seal Viton ..... 710056  
 Seal PTFE H/D Opt. .... 5279

## **DODGE - REAR DRIVE - Aspen, Challenger, Dart, Lancer, Police, Taxi**

### **FRONT WHEEL**

**1980-1973**    disc brakes  
 Seal (inner) ..... 5121[2]  
 Set (inner) ..... SET17  
 Set (outer) ..... SET2  
**1976-1973**    drum brakes  
 Seal (inner) ..... 6815[2]  
 Set (inner) ..... SET17  
 Set (outer) ..... SET2  
**1972-1970**    11" brakes  
 Seal (inner) ..... 8121S[2]  
 Set (inner) ..... SET6  
 Set (outer) ..... SET2

### **FRONT WHEEL (cont.)**

**1972-1965**    10" brakes  
 Seal (inner) ..... 6840S[2]  
 Set (inner) ..... SET6  
 Set (outer) ..... SET2  
**1972-1963**    9" brakes  
 Seal (inner) ..... 41257[2]  
 Set (inner) ..... SET4  
 Set (outer) ..... SET1  
**1962**  
 Seal (inner) ..... 8121S[2]  
 Set (inner) ..... SET6  
 Set (outer) ..... SET2

**DODGE - REAR DRIVE - Aspen, Challenger, Dart, Lancer, Police, Taxi (cont.)**

**FRONT WHEEL (cont.)**

<b>1961-1960</b>	
Seal (inner) .....	6840S[2]
Set (inner) .....	SET6
Set (outer) .....	SET2

**REAR WHEEL**

<b>1980-1973</b>	7.25" ring gear: 10" brakes
Seal .....	8660S[2]
Bearing .....	RWC35YYR[2]
<b>1980-1973</b>	8.25" ring gear
Seal .....	8835S[2]
Cyl. Bearing .....	6408[2]
Kit .....	TRP1559TV[2] <sup>19</sup>
<b>1976-1973</b>	7.25" ring gear: 9" brakes
Seal .....	5124[2]
Bearing .....	RWF34R[2]
<b>1972</b>	6-cylinder Challenger
Seal (outer) .....	8704S[2]
Set (outer) .....	SET7
Seal (RH) .....	8695S
Acc. Pkg (RH) (kit) .....	A7RK <sup>46</sup>
Seal (outer) .....	8704S[2]
Set (outer) .....	SET7
Seal (LH) .....	8695S
Acc. Pkg (LH) (kit) .....	A7LK <sup>46</sup>
<b>1972-1966</b>	6-cylinder exc. Challenger
Seal (inner) .....	484058[2]
Bearing (inner) .....	RWF34R[2]
<b>1972-1966</b>	8-cylinder engine
Seal (outer) .....	8704S[2]
Set (outer) .....	SET7
Seal (LH) .....	8695S
Acc. Pkg (LH) (kit) .....	A7LK <sup>46</sup>
<b>1971-1970</b>	6-cylinder Challenger
Seal .....	8660S[2]
Bearing .....	RWC35YYR[2]
<b>1965-1963</b>	
Bearing .....	RWF34R[2]
<b>1962</b>	
Seal .....	6241S[2]
Cone/Cup .....	25877-25821[2]
<b>1961-1960</b>	
Seal .....	8133S[2]
Cone/Cup .....	25877-25821[2]

**REAR AXLE**

**Differential Rebuild Kit**

<b>1980</b>	9.25" ring gear
Kit .....	DRK304
<b>1980</b>	8.25" ring gear
Kit .....	DRK303
<b>1980</b>	7.25" ring gear
Kit .....	DRK302
<b>1974-1968</b>	8.75" ring gear: 1.875" pinion shaft OD
Kit .....	DRK301
<b>1972-1970</b>	Spicer 60 axle
Kit .....	DRK331
<b>1968-1960</b>	8.75" ring gear: 1.75" pinion shaft OD
Kit .....	DRK300

**Differential**

<b>1980-1976</b>	9.25" ring gear
Cone/Cup .....	JLM704649-JLM704610[2]
<b>1980-1975</b>	8.25" ring gear: from early 1975
Set .....	SET36[2]
<b>1980-1966</b>	7.25" ring gear
Set .....	SET45[2]
<b>1975-1970</b>	8.25" ring gear: to early 1975
Set .....	SET47[2]
<b>1974-1970</b>	8.75" ring gear
Cone/Cup .....	LM104949-LM104912[2]
<b>1972-1970</b>	9.75" ring gear
Cone/Cup .....	387A-382S[2]
<b>1969-1968</b>	8.25" ring gear
Set .....	SET45[2]
<b>1969-1966</b>	8.75" ring gear
Cone/Cup .....	25590-25520[2]
<b>1965-1963</b>	
Set .....	SET45[2]
<b>1962-1960</b>	8-cylinder engines
Cone/Cup .....	25590-25520[2]
<b>1962-1960</b>	6-cylinder engines
Cone/Cup .....	25580-25520[2]

**Pinion**

<b>1980-1974</b>	9.25" ring gear
Cone/Cup (inner) .....	M804049-M804010
Seal (outer) .....	5126
Cone/Cup (outer) .....	M88048-M88010
<b>1980-1973</b>	8.25" ring gear
Cone/Cup (inner) .....	M804049-M804010
Seal (outer) .....	8516N
Cone/Cup (outer) .....	M86649-M86610
<b>1980-1966</b>	7.25" ring gear
Cone/Cup (inner) .....	HM88649-HM88610
Seal (outer) .....	8516N
Cone/Cup (outer) .....	M86649-M86610
<b>1974-1973</b>	8.75" ring gear: 1.3125" pilot shaft, 1.875" stem
Cone/Cup (inner) .....	M804049-M804010
Seal (outer) .....	5126
Cone/Cup (outer) .....	M88048-M88010
<b>1972-1967</b>	9.75" ring gear
Cone/Cup (inner) .....	HM803146-HM803110
Seal (outer) .....	6808N
Cone/Cup (outer) .....	HM88542-HM88510
<b>1972-1967</b>	8.75" ring gear: 1.875" shaft
Cone/Cup (inner) .....	M88048-M88010
Cone/Cup (outer) .....	M88048-M88010
<b>1972-1967</b>	8.75" ring gear: 1.375" shaft
Cone/Cup (inner) .....	HM89446-HM89410
Cone/Cup (outer) .....	M88048-M88010
<b>1971-1967</b>	9.25" ring gear
Cone/Cup (inner) .....	M804049-M804010
Seal (outer) .....	6808N
Cone/Cup (outer) .....	HM88542-HM88510
<b>1970-1967</b>	8.75" ring gear: 1.75" shaft
Cone/Cup (inner) .....	HM803149-HM803110
Seal (outer) .....	7216
Cone/Cup (outer) .....	HM89443-HM89410

[ ] Indicates Quantity Required; Set Components Listed Inside Rear Cover;

<sup>19</sup> Opt. Axle Repair Bearing. Replaces O.E. bearing & seal.  
8695S, 8704S

<sup>46</sup> Opt. Kit incl: Metal & Foam gskt, Retainer,

# Bearings and Seals

Mfg./Year    Model & Location    Part No    Mfg./Year    Model & Location    Part No

## **DODGE - REAR DRIVE - Aspen, Challenger, Dart, Lancer, Police, Taxi (cont.)**

### **REAR AXLE (cont.)**

#### **Pinion (cont.)**

<b>1966-1965</b>	1.375" shaft	
	Cone/Cup (inner) .....	HM89446-HM89410
	Seal (outer) .....	5126
	Cone/Cup (outer) .....	M88048-M88010
<b>1966-1964</b>	1.75" shaft	
	Cone/Cup (inner) .....	HM803149-HM803110
	Seal (outer) .....	67216
	Cone/Cup (outer) .....	HM89443-HM89410
<b>1964-1963</b>	383, 413, 426 engines	
	Cone/Cup (inner) .....	HM803149-HM803110
	Cone/Cup (outer) .....	HM89443-HM89410
<b>1964-1963</b>	exc. 383, 413, 426 engines	
	Cone/Cup (inner) .....	HM89446-HM89410
	Cone/Cup (outer) .....	M88048-M88010
<b>1962</b>		
	Cone/Cup (inner) .....	HM89446-HM89410
	Seal (outer) .....	5126
	Cone/Cup (outer) .....	M88048-M88010
<b>1961-1960</b>	361, 383 engines	
	Cone/Cup (inner) .....	HM803149-HM803110
	Seal (outer) .....	7216
	Cone/Cup (outer) .....	HM89443-HM89410
<b>1961-1960</b>	exc. 361, 383 engines	
	Cone/Cup (inner) .....	HM89446-HM89410
	Seal (outer) .....	5126
	Cone/Cup (outer) .....	M88048-M88010

### **AUTOMATIC TRANSMISSION**

#### **Torque Converter**

<b>1960</b>	Power-flite: 2-speed	
	Seal .....	6879H
	Kwik Slv (Opt Rpr) .....	KWK99212

#### **Rear Seal/Ext. Housing**

<b>1960</b>	Power-flite: 2-speed	
	Seal .....	8160S
	Bearing .....	206WB

#### **Selector Shaft Seal/Man. Shaft**

<b>1960</b>	Power-flite: 2-speed	
	Seal .....	470018
	Kwik Slv (Opt Rpr) .....	KWK99062

### **3-SPEED AUTOMATIC TRANSMISSION**

#### **Torque Converter**

<b>1980</b>	A904	
	Seal .....	331228H
	Kwik Slv (Opt Rpr) .....	KWK99149
<b>1980</b>	A727	
	Seal .....	331227H
	Kwik Slv (Opt Rpr) .....	KWK99187
<b>1979-1962</b>	A727, A904	
	Seal .....	331228H
	Kwik Slv (Opt Rpr) .....	KWK99187
<b>1961-1960</b>	Torque-Flite	
	Seal .....	6879H
	Kwik Slv (Opt Rpr) .....	KWK99212

### **Rear Seal/Ext. Housing**

<b>1980-1973</b>	A904	
	Seal .....	2506
	Bearing .....	206LOE <sup>38</sup>
<b>1980-1962</b>	A727: 1-pc driveshaft	
	Seal .....	7300S
	Bearing .....	207XLO
	Seal Kit .....	5206 <sup>64</sup>
<b>1979-1962</b>	A727: 2-pc driveshaft	
	Seal .....	8160S
	Bearing .....	2061
<b>1972-1965</b>	A904	
	Seal .....	8935S
	Bearing .....	206LOE <sup>38</sup>
<b>1961-1960</b>	Torque-Flite	
	Seal .....	330663
	Bearing .....	2061

### **Clutch Cam**

<b>1980-1962</b>	A727	
	Needle Bearing .....	W585Q[12]

### **Selector Shaft Seal/Man. Shaft**

<b>1980-1965</b>	A904	
	Seal .....	8609

### **CLUTCH - 6 CYLINDER**

#### **Pilot Bearing**

<b>1980-1960</b>		
	Bushing .....	PB286
	Bushing H/D Opt. ....	PB286HD

### **CLUTCH - 8 CYLINDER**

#### **Pilot Bearing**

<b>1979-1960</b>		
	Bushing .....	PB286
	Bushing H/D Opt. ....	PB286HD

### **CLUTCH**

#### **Release Bearing**

<b>1978-1974</b>	all	
	Bearing Assy .....	614036
<b>1977-1968</b>	11" clutch: exc. 426, 440 engines	
	Bearing Assy .....	614036
<b>1973-1967</b>	11" clutch: 440 engine	
	Bearing Only .....	DP1625C
<b>1973-1965</b>	exc. 11" clutch	
	Bearing Assy .....	614036
<b>1972-1966</b>	11" clutch: 426 engine	
	Bearing Only .....	PO1666C <sup>20</sup>
<b>1970-1968</b>	6-cylinder: 11" clutch	
	Bearing Only .....	PA1505C
<b>1967-1966</b>	11" clutch: exc. 426, 440 engines	
	Bearing Only .....	PA1505C
<b>1965</b>	11" clutch	
	Bearing Only .....	PA1505C
<b>1964</b>	6-cylinder: exc. 11" clutch	
	Bearing Assy .....	614036
<b>1964</b>	6-cylinder: 11" clutch	
	Bearing Only .....	PA1505C

162 [ ] Indicates Quantity Required; Set Components Listed Inside Rear Cover;

<sup>20</sup> Not currently in production; check for availability    <sup>38</sup> Use Old Snap Ring    <sup>64</sup> Opt. Seal and Bushing Kit

**DODGE - REAR DRIVE - Aspen, Challenger, Dart, Lancer, Police, Taxi (cont.)**

**CLUTCH (cont.)**

**Release Bearing (cont.)**

<b>1964</b>	8-cylinder	
	Bearing Assy .....	614036
<b>1963-1962</b>	all	
	Bearing Assy .....	614036
<b>1961-1960</b>	exc. 6-cylinder	
	Bearing Only .....	PD1605C <sup>20</sup>
<b>1961-1960</b>	6-cylinder	
	Bearing Only .....	D1505C
<b>1959-1957</b>	all	
	Bearing Only .....	PD1605C <sup>20</sup>
<b>1956-1955</b>	all	
	Bearing Only .....	PC1605C <sup>20</sup>
<b>1954-1953</b>	w/o Torque converter: exc. 6-cylinder D-47 engine	
	Bearing Only .....	PA1605C <sup>20</sup>
<b>1954-1953</b>	6-cylinder D-47 engine	
	Bearing Only .....	P1605C <sup>20</sup>
<b>1952-1941</b>	exc. Fluid Drive	
	Bearing Only .....	P1605C <sup>20</sup>
<b>1952-1941</b>	Fluid Drive	
	Bearing Only .....	1972C <sup>20</sup>

**3-SPEED MANUAL TRANSMISSION**

**Front Input Shaft**

<b>1980</b>	A230 New Process: 20-spline	
	Seal .....	9376
	Bearing .....	308LOE
<b>1980</b>	A230 New Process: 18-spline	
	Seal .....	9376
	Bearing .....	307LOI
<b>1979-1974</b>	A230 New Process	
	Seal .....	9376
	Bearing .....	1307L
<b>1974-1973</b>	A250 New Process	
	Seal .....	9376
	Bearing .....	N307LOE
<b>1973-1970</b>	A230 New Process	
	Seal .....	9376
	Bearing .....	307LI
<b>1971-1960</b>	A903 New Process	
	Seal .....	9376
	Bearing .....	1207L
<b>1970-1960</b>	A745 New Process: 23-spline shaft	
	Seal .....	9376
	Bearing .....	307LI
<b>1970-1960</b>	A745 New Process: 10-spline shaft	
	Seal .....	353135
	Bearing .....	307LI
	Kwik Slv (Opt Rpr) .....	KWK99125
<b>1964-1960</b>	T85 Warner	
	Seal .....	353135
	Bearing .....	307L
	Kwik Slv (Opt Rpr) .....	KWK99125

**3-SPEED MANUAL TRANSMISSION**

**Mainshaft Pilot**

<b>1980-1960</b>	New Process A230, A745, A903	
	Needle Bearing .....	QBR23549[15]
<b>1974-1973</b>	New Process A250	
	Needle Bearing .....	QBR23549[14]
<b>1964-1960</b>	Warner T85	
	Needle Bearing .....	W1518Q[14]

**Countershaft**

<b>1974-1973</b>	New Process A250	
	Needle Bearing .....	C407Q[88]
<b>1971-1960</b>	New Process A903	
	Needle Bearing .....	C1086Q[44]
<b>1964-1960</b>	Warner T85	
	Needle Bearing .....	S443Q[80]

**Rear Output Shaft**

<b>1980</b>	A230 New Process: 30-spline short shaft	
	Seal .....	7300S
	Bearing .....	308LOE
	Seal Kit .....	5206 <sup>64</sup>
<b>1980</b>	A230 New Process: 26-spline long shaft	
	Seal .....	2506
	Bearing .....	307LOI
<b>1980</b>	A230 New Process: 23-spline	
	Seal .....	8160S
	Bearing .....	307LOI
<b>1979-1970</b>	A230 New Process: 30-spline short shaft	
	Seal .....	7300S
	Bearing .....	1307
	Seal Kit .....	5206 <sup>64</sup>
<b>1979-1970</b>	A230 New Process: 23-spline	
	Seal .....	8160S
	Bearing .....	307L
<b>1974-1973</b>	A250 New Process: 26-spline shaft	
	Seal .....	2506
	Bearing .....	N207XE
<b>1973</b>	A250 New Process: 30-spline shaft	
	Seal .....	8935S
	Bearing .....	N307LOE
	Seal Kit .....	5207 <sup>64</sup>
<b>1971-1960</b>	A903 New Process	
	Seal .....	8160S
	Bearing .....	1207L
<b>1970-1966</b>	A745 New Process: 26-spline shaft	
	Seal .....	8935S
	Bearing .....	1307
	Seal Kit .....	5207 <sup>64</sup>
<b>1970-1960</b>	A745 New Process: 30-spline shaft	
	Seal .....	7300S
	Bearing .....	1307
	Seal Kit .....	5206 <sup>64</sup>

[ ] Indicates Quantity Required; Set Components Listed Inside Rear Cover;

<sup>20</sup> Not currently in production; check for availability    <sup>64</sup> Opt. Seal and Bushing Kit



# Bearings and Seals

Mfg./Year    Model & Location    Part No    Mfg./Year    Model & Location    Part No

## **DODGE - REAR DRIVE - Aspen, Challenger, Dart, Lancer, Police, Taxi (cont.)**

### **3-SPEED MANUAL TRANSMISSION (cont.)**

#### **Rear Output Shaft (cont.)**

**1970-1960**    A745 New Process: 23-spline shaft  
 Seal ..... 8160S  
 Bearing ..... 2061  
**1964-1960**    Warner  
 Seal ..... 8160S  
 Bearing ..... 1307

#### **Reverse Idler**

**1980-1960**    New Process  
 Needle Bearing ..... C1086Q[22]

#### **Selector Shaft Seal/Man. Shaft**

**1980-1960**  
 Seal ..... 7188S  
 Kwik Slv (Opt Rpr) ..... KWK99062

### **4-SPEED MANUAL TRANSMISSION**

#### **Input Shaft**

**1980-1974**    A833 New Process: 23-spline shaft  
 Seal ..... 9376  
 Bearing ..... 308LOE  
 Kwik Slv (Opt Rpr) ..... KWK99118  
**1973-1964**    A833 New Process: 18-spline shaft  
 Seal ..... 9487  
 Bearing ..... 307L  
 Kwik Slv (Opt Rpr) ..... KWK99118  
**1963**    T10 Warner  
 Seal ..... 9376  
 Bearing ..... 307LI

#### **Mainshaft Pilot**

**1980-1964**    New Process A833  
 Needle Bearing ..... QBR23549[16]  
**1963**    Warner T10  
 Needle Bearing ..... QA19792[14]

#### **Countershaft**

**1963**    Warner T10  
 Needle Bearing ..... S443Q[80]

#### **Rear Output Shaft**

**1979-1970**    A833 New Process: 26-spline shaft  
 Seal ..... 2506  
 Bearing ..... 307L  
**1976-1964**    A833 New Process: 30-spline shaft  
 Seal ..... 7300S  
 Bearing ..... 308LOE  
 Seal Kit ..... 5206<sup>64</sup>

### **4-SPEED MANUAL TRANSMISSION (cont.)**

#### **Rear Output Shaft (cont.)**

**1969-1966**    A833 New Process: 26-spline shaft  
 Seal ..... 2506  
 Bearing ..... 1307  
**1965-1964**    A833 New Process: 26-spline shaft  
 Seal ..... 2506  
 Bearing ..... 307TB  
**1965-1964**    A833 New Process: 23-spline shaft  
 Seal ..... 8160S  
 Bearing ..... 2061  
**1963**    T10 Warner  
 Seal ..... 8160S  
 Bearing ..... 307LI

### **ALTERNATOR**

**1980-1974**    86, 100, 114 amp  
 Bearing (drive end) ..... 303SS  
**1980-1960**    31, 41, 50, 60, 65, 78 amp  
 Bearing (drive end) ..... 203FF  
**1980-1960**    31, 41, 50, 60, 65, 78 amp  
 Bearing (rear end) ..... MNJ471S

### **POWER STEERING**

#### **Pump Shaft**

**1980-1965**    (Saginaw pump)  
 Seal ..... 7013S  
**1967-1960**    (Federal pump)  
 Seal ..... 8773S

#### **Sector Shaft**

**1980-1960**    (Chrysler design)  
 Seal ..... 6859S

#### **Thrust**

**1980-1960**    (Chrysler design)  
 Needle Bearing Thrust ..... FA20157[2]

#### **Worm Shaft**

**1980-1960**    (Chrysler design)  
 Seal ..... 7188S

### **MANUAL STEERING**

#### **Pitman Shaft**

**1961-1960**  
 Seal ..... 240731

#### **Sector Shaft**

**1980-1960**    (Chrysler design)  
 Seal ..... 6859S

**DODGE - REAR DRIVE - Aspen, Challenger, Dart, Lancer, Police, Taxi (cont.)**

**MANUAL STEERING**

**Worm Shaft**

<b>1980-1962</b>	(Chrysler design)	
Seal .....		7214
Bearing .....		8572[2]
<b>1961-1960</b>		
Seal .....		340797

**CRANKSHAFT FRONT SEAL**

**6 Cylinder**

<b>1980-1960</b>	225/3.7L	
Seal .....		5650
<b>1974-1961</b>	170/2.8, 198/3.2	
Seal .....		5576

**CRANKSHAFT REAR SEAL**

**8 Cylinder**

<b>1980-1960</b>	273/4.5, 318/5.2, 340/5.6, 360/5.9	
Seal .....		5414
<b>1971-1960</b>	383/6.3, 426/7.0, 440/7.2	
Seal .....		5576

**TIMING COVER**

**6 Cylinder**

<b>1980-1960</b>		
Seal .....		3095
Kwik Slv (Opt Rpr) .....		KWK99226

**8 Cylinder**

<b>1980-1960</b>		
Seal .....		3103
Kwik Slv (Opt Rpr) .....		KWK99218
Harmonic Balancer		
Sleeves .....		88218

**DODGE - REAR DRIVE - Charger, Magnum**

**FRONT WHEEL**

<b>1979-1973</b>		
Seal (inner) .....		5121[2]
Set (inner) .....		SET17
Set (outer) .....		SET2
<b>1972-1967</b>	10" brakes	
Seal (inner) .....		6840S[2]
Set (inner) .....		SET6
Set (outer) .....		SET2
<b>1972-1967</b>	11" brakes	
Seal (inner) .....		8121S[2]
Set (inner) .....		SET6
Set (outer) .....		SET2
<b>1966</b>		
Seal (inner) .....		8121S[2]
Set (inner) .....		SET6
Set (outer) .....		SET2

**REAR WHEEL**

<b>1983-1971</b>	8.25" ring gear	
Seal .....		8835S[2]
Cyl. Bearing .....		6408[2]
Kit .....		TRP1559TV[2] <sup>19</sup>
<b>1979-1971</b>	9.25" ring gear	
Seal .....		8835S[2]
Cyl. Bearing .....		6408[2]
Kit .....		TRP1559TV[2] <sup>19</sup>
<b>1974-1966</b>	8.75" ring gear	
Seal (outer) .....		8704S[2]
Set .....		SET7
Acc. Pkg (LH) .....		A7LK <sup>46</sup>

**REAR WHEEL (cont.)**

<b>1972-1966</b>	9.75" ring gear	
Seal (outer) .....		8704S[2]
Set .....		SET7
Acc. Pkg (LH) .....		A7LK <sup>46</sup>
<b>1971-1966</b>	7.25" ring gear	
Seal (inner) .....		9342S[2]
Bearing (inner) .....		RWC35YYR[2]
Seal (outer) .....		5124[2]
<b>1970-1969</b>	8.25" ring gear	
Seal .....		8660S[2]
Cyl. Bearing .....		5707[2]
Kit .....		TRP1563TAV[2] <sup>19</sup>

**REAR AXLE**

**Differential Rebuild Kit**

<b>1974-1968</b>	8.75" ring gear: 1.875" pinion shaft OD	
Kit .....		DRK301
<b>1968-1966</b>	8.75" ring gear: 1.75" pinion shaft OD	
Kit .....		DRK300

**Differential**

<b>1983-1975</b>	8.25" ring gear: from early 1975	
Set .....		SET36[2]
<b>1981-1974</b>	9.25" ring gear	
Cone/Cup .....		JLM704649-JLM704610[2]
<b>1975-1970</b>	8.25" ring gear: to early 1975	
Set .....		SET47[2]
<b>1975-1970</b>	8.25" ring gear: to early 1975	
Set .....		SET47[2]

[ ] Indicates Quantity Required; Set Components Listed Inside Rear Cover;

<sup>19</sup> Opt. Axle Repair Bearing. Replaces O.E. bearing & seal.  
8695S, 8704S

<sup>46</sup> Opt. Kit incl: Metal & Foam gskt, Retainer,

# Bearings and Seals

Mfg./Year    Model & Location    Part No    Mfg./Year    Model & Location    Part No

## **DODGE - REAR DRIVE - Charger, Magnum (cont.)**

### **REAR AXLE (cont.)**

#### **Differential (cont.)**

<b>1974-1969</b>	8.75" ring gear	
Cone/Cup	.....	LM104949-LM104912[2]
<b>1972-1967</b>	9.75" ring gear	
Cone/Cup	.....	387A-382S[2]
<b>1971-1970</b>	7.25" ring gear	
Set	.....	SET45[2]
<b>1969-1966</b>	8.25" ring gear	
Set	.....	SET45[2]

#### **Pinion**

<b>1979-1974</b>	9.25" ring gear	
Cone/Cup (inner)	.....	M804049-M804011
Seal (outer)	.....	5126
Cone/Cup (outer)	.....	M88048-M88010
<b>1979-1973</b>	8.25" ring gear	
Cone/Cup (inner)	.....	M804049-M804011
Seal (outer)	.....	8516N
Cone/Cup (outer)	.....	M86649-M86610
<b>1979-1966</b>	7.25" ring gear	
Cone/Cup (inner)	.....	HM88649-HM88610
Seal (outer)	.....	8516N
Cone/Cup (outer)	.....	M86649-M86610
<b>1974-1973</b>	8.75" ring gear: 1.3125" pilot shaft, 1.875" stem	
Cone/Cup (inner)	.....	M804049-M804010
Seal (outer)	.....	5126
Cone/Cup (outer)	.....	M88048-M88010
<b>1972-1967</b>	9.75" ring gear	
Cone/Cup (inner)	.....	HM803146-HM803110
Seal (outer)	.....	6808N
Cone/Cup (outer)	.....	HM88542-HM88510
<b>1972-1967</b>	8.75" ring gear: 1.875" shaft	
Cone/Cup (inner)	.....	M88048-M88010
Cone/Cup (outer)	.....	M88048-M88010
<b>1972-1967</b>	8.75" ring gear: 1.375" shaft	
Cone/Cup (inner)	.....	HM89446-HM89410
Cone/Cup (outer)	.....	M88048-M88010
<b>1971-1967</b>	9.25" ring gear	
Cone/Cup (inner)	.....	M804049-M804011
Seal (outer)	.....	6808N
Cone/Cup (outer)	.....	HM88542-HM88510
<b>1970-1967</b>	8.75" ring gear: 1.75" shaft	
Cone/Cup (inner)	.....	HM803149-HM803110
Seal (outer)	.....	7216
Cone/Cup (outer)	.....	HM89443-HM89410
<b>1966</b>	1.75" shaft	
Cone/Cup (inner)	.....	HM803149-HM803110
Seal (outer)	.....	67216
Cone/Cup (outer)	.....	HM89443-HM89410
<b>1966</b>	1.375" shaft	
Cone/Cup (inner)	.....	HM89446-HM89410
Seal (outer)	.....	5126
Cone/Cup (outer)	.....	M88048-M88010

### **3-SPEED AUTOMATIC TRANSMISSION**

#### **Torque Converter**

<b>1979-1966</b>	A727	
Seal	.....	331227H
Kwik Slv (Opt Rpr)	.....	KWK99187

### **3-SPEED AUTOMATIC TRANSMISSION (cont.)**

#### **Torque Converter (cont.)**

<b>1978-1967</b>	A904	
Seal	.....	331228H
Kwik Slv (Opt Rpr)	.....	KWK99149

#### **Rear Seal/Ext. Housing**

<b>1979-1966</b>	A727: 1-pc driveshaft	
Seal	.....	7300S
Bearing	.....	207XLO
Seal Kit	.....	5206 <sup>64</sup>
<b>1979-1966</b>	A727: 2-pc driveshaft	
Seal	.....	8160S
Bearing	.....	2061
<b>1978-1973</b>	A904	
Seal	.....	2506
Bearing	.....	206LOE <sup>38</sup>
<b>1972-1967</b>	A904	
Seal	.....	8935S
Bearing	.....	206LOE <sup>38</sup>

#### **Clutch Cam**

<b>1979-1966</b>	A727	
Needle Bearing	.....	W585Q[12]

#### **Selector Shaft Seal/Man. Shaft**

<b>1979-1967</b>	A904	
Seal	.....	8609

### **CLUTCH - 6 CYLINDER**

#### **Pilot Bearing**

<b>1976-1968</b>		
Bushing	.....	PB286
Bushing H/D Opt.	.....	PB286HD

### **CLUTCH - 8 CYLINDER**

#### **Pilot Bearing**

<b>1978-1966</b>		
Bushing	.....	PB286
Bushing H/D Opt.	.....	PB286HD

### **CLUTCH**

#### **Release Bearing**

<b>1978-1974</b>		
Bearing Assy	.....	614036
<b>1977-1968</b>	11" clutch: exc. 426, 440 engines	
Bearing Assy	.....	614036
<b>1973-1967</b>	11" clutch: 440 engine	
Bearing Only	.....	DP1625C
<b>1973-1965</b>	exc. 11" clutch	
Bearing Assy	.....	614036
<b>1972-1966</b>	11" clutch: 426 engine	
Bearing Only	.....	PO1666C <sup>20</sup>
<b>1970-1968</b>	6-cylinder: 11" clutch	
Bearing Only	.....	PA1505C

166 [ ] Indicates Quantity Required; Set Components Listed Inside Rear Cover;

<sup>20</sup> Not currently in production; check for availability    <sup>38</sup> Use Old Snap Ring    <sup>64</sup> Opt. Seal and Bushing Kit

**DODGE - REAR DRIVE - Charger, Magnum (cont.)**

**CLUTCH (cont.)**

**Release Bearing (cont.)**

1967-1966    11" clutch: exc. 426, 440 engines  
Bearing Only ..... PA1505C

**3-SPEED MANUAL TRANSMISSION**

**Front Input Shaft**

1977-1974    A230 New Process  
Seal ..... 9376  
Bearing ..... 1307L  
1973-1970    A230 New Process  
Seal ..... 9376  
Bearing ..... 307LI  
1970-1966    A745 New Process: 23-spline shaft  
Seal ..... 9376  
Bearing ..... 307LI  
1970-1966    A745 New Process: 10-spline shaft  
Seal ..... 353135  
Bearing ..... 307LI  
Kwik Slv (Opt Rpr) ..... KWK99125  
1968    A903 New Process  
Seal ..... 9376  
Bearing ..... 1207L

**Mainshaft Pilot**

1977-1966    New Process  
Needle Bearing ..... QBR23549[15]

**Countershaft**

1968    New Process A903  
Needle Bearing ..... C1086Q[44]

**Rear Output Shaft**

1977-1970    A230 New Process: 23-spline  
Seal ..... 8160S  
Bearing ..... 307L  
1977-1970    A230 New Process: 30-spline  
Seal ..... 7300S  
Bearing ..... 1307  
Seal Kit ..... 5206<sup>64</sup>  
1970-1966    A230 New Process: 23-spline  
Seal ..... 8160S  
Bearing ..... 2061  
1970-1966    A745 New Process: 26-spline shaft  
Seal ..... 8935S  
Bearing ..... 1307  
Seal Kit ..... 5207<sup>64</sup>  
1970-1966    A745 New Process: 30-spline shaft  
Seal ..... 7300S  
Bearing ..... 1307  
Seal Kit ..... 5206<sup>64</sup>  
1968    A903 New Process  
Seal ..... 8160S  
Bearing ..... 1207L

**3-SPEED MANUAL TRANSMISSION**

**Reverse Idler**

1977-1966    New Process  
Needle Bearing ..... C1086Q[22]

**Selector Shaft Seal/Man. Shaft**

1977-1966  
Seal ..... 7188S  
Kwik Slv (Opt Rpr) ..... KWK99062

**4-SPEED MANUAL TRANSMISSION**

**Input Shaft**

1978-1974    A833 New Process: 23-spline shaft  
Seal ..... 9376  
Bearing ..... 308LOE  
Kwik Slv (Opt Rpr) ..... KWK99118  
1973-1966    A833 New Process: 18-spline shaft  
Seal ..... 9487  
Bearing ..... 307L  
Kwik Slv (Opt Rpr) ..... KWK99118

**Mainshaft Pilot**

1978-1966    New Process A833  
Needle Bearing ..... QBR23549[16]

**Rear Output Shaft**

1978-1970    A833 New Process: 26-spline shaft  
Seal ..... 2506  
Bearing ..... 307L  
1976-1966    A833 New Process: 30-spline shaft  
Seal ..... 7300S  
Bearing ..... 308LOE  
Seal Kit ..... 5206<sup>64</sup>  
1969-1966    A833 New Process: 26-spline shaft  
Seal ..... 2506  
Bearing ..... 1307

**POWER STEERING**

**Pump Shaft**

1979-1977    (Saginaw pump)  
Seal ..... 7013S  
1967-1966    (Federal pump)  
Seal ..... 8773S

**Sector Shaft**

1979-1966    (Chrysler design)  
Seal ..... 6859S

**Thrust**

1979-1966    (Chrysler design)  
Needle Bearing Thrust ..... FA20157[2]

[ ] Indicates Quantity Required; Set Components Listed Inside Rear Cover;

<sup>64</sup> Opt. Seal and Bushing Kit

# Bearings and Seals

Mfg./Year    Model & Location    Part No    Mfg./Year    Model & Location    Part No

## **DODGE - REAR DRIVE - Charger, Magnum (cont.)**

### **POWER STEERING**

#### **Worm Shaft**

1979-1966 (Chrysler design)  
Seal ..... 7188S

### **MANUAL STEERING**

#### **Pitman Shaft**

1979-1966  
Seal ..... 240731

#### **Sector Shaft**

1979-1966 (Chrysler design)  
Seal ..... 6859S

#### **Worm Shaft**

1979-1966 (Chrysler design)  
Seal ..... 7214  
Bearing ..... 8572[2]

### **CRANKSHAFT FRONT SEAL**

#### **6 Cylinder**

1976-1968 225/3.7L  
Seal ..... 5650

### **CRANKSHAFT REAR SEAL**

#### **8 Cylinder**

1979-1966 273/4.5, 318/5.2, 340/5.6, 360/5.9  
Seal ..... 5414  
1979-1966 383/6.3, 426/7.0, 440/7.2, 400/6.6  
Seal ..... 5576

### **TIMING COVER**

#### **6 Cylinder**

1979-1968  
Seal ..... 3095  
Kwik Slv (Opt Rpr) ..... KWK99226

#### **8 Cylinder**

1979-1966  
Seal ..... 3103  
Kwik Slv (Opt Rpr) ..... KWK99218  
Harmonic Balancer  
Sleeves ..... 88218

## **DODGE - REAR DRIVE - Coronet, Custom Series, Diplomat, Matador, Mirada, Monaco, Polara, Royal, Royal Lancer, Royal Monaco, St. Regis, Sierra, Silver Challenger, 330, 440, 880**

### **FRONT WHEEL**

1989-1977 exc. 1977 Royal Monaco  
Seal (inner) ..... 5121[2]  
Set (inner) ..... SET17  
Set (outer) ..... SET2  
1977 Royal Monaco  
Seal (inner) ..... 3087[2]  
Set (inner) ..... SET11  
Set (outer) ..... SET16  
1976-1974  
Seal (inner) ..... 3087[2]  
Set (inner) ..... SET11  
Set (outer) ..... SET16  
1973  
Seal (inner) ..... 5121[2]  
Set (inner) ..... SET17  
Set (outer) ..... SET16  
1972-1967 10" brakes  
Seal (inner) ..... 6840S[2]  
Set (inner) ..... SET6  
Set (outer) ..... SET2  
1972-1967 11" brakes  
Seal (inner) ..... 8121S[2]  
Set (inner) ..... SET6  
Set (outer) ..... SET2  
1966-1962  
Seal (inner) ..... 8121S[2]  
Set (inner) ..... SET6  
Set (outer) ..... SET2

### **FRONT WHEEL (cont.)**

1961-1955  
Seal (inner) ..... 6840S[2]  
Set (inner) ..... SET6  
Set (outer) ..... SET2

### **REAR WHEEL**

1989-1985  
Seal ..... 8835S[2]  
Cyl. Bearing ..... 6408[2]  
Kit ..... TRP1559TV[2]<sup>19</sup>  
1984-1982 7.25" ring gear: non-pressed bearing  
Seal ..... 8835S[2]  
Cyl. Bearing ..... 6408[2]  
Kit ..... TRP1559TV[2]<sup>19</sup>  
1984-1971 8.25" ring gear: straight roller bearing  
Seal ..... 8835S[2]  
Cyl. Bearing ..... 6408[2]  
Kit ..... TRP1559TV[2]<sup>19</sup>  
1983-1981 7.25" ring gear: pressed bearing  
Seal ..... 8835S[2]  
Bearing ..... RWC35YYR[2]  
1983-1974 9.25" ring gear  
Seal ..... 8835S[2]  
Cyl. Bearing ..... 6408[2]  
Kit ..... TRP1559TV[2]<sup>19</sup>

168 [ ] Indicates Quantity Required; Set Components Listed Inside Rear Cover;

<sup>19</sup> Opt. Axle Repair Bearing. Replaces O.E. bearing & seal.

**DODGE - REAR DRIVE - Coronet, Custom Series, Diplomat, Matador, Mirada, Monaco, Polara, Royal, Royal Lancer, Royal Monaco, St. Regis, Sierra, Silver Challenger, 330, 440, 880 (cont.)**

**REAR WHEEL (cont.)**

<b>1974-1966</b>	8.75" ring gear	
Seal (outer)	.....	8704S[2]
Set (outer)	.....	SET7
Seal (RH)	.....	8695S
Acc. Pkg (RH) (kit)	.....	A7RK <sup>46</sup>
<b>1972-1966</b>	9.75" ring gear	
Seal (outer)	.....	8704S[2]
Set (outer)	.....	SET7
Seal (RH)	.....	8695S
Acc. Pkg (RH) (kit)	.....	A7RK <sup>46</sup>
<b>1971-1970</b>	8.25" ring gear: bearing pressed on shaft	
Seal (outer)	.....	8704S[2]
Set (outer)	.....	SET7
Seal (RH)	.....	8695S
Acc. Pkg (RH) (kit)	.....	A7RK <sup>46</sup>
<b>1971-1966</b>	7.25" ring gear	
Seal (inner)	.....	9342S[2]
Bearing (inner)	.....	RWC35YYR[2]
Seal (outer)	.....	5124[2]
<b>1970-1969</b>	8.25" ring gear: non-pressed bearing	
Seal	.....	8660S[2]
Cyl. Bearing	.....	5707[2]
Kit	.....	TRP1563TAV[2] <sup>19</sup>
<b>1968-1967</b>	9.25" ring gear	
Seal (outer)	.....	8704S[2]
Set (outer)	.....	SET7
Seal (RH)	.....	8695S
Acc. Pkg (RH) (kit)	.....	A7RK <sup>46</sup>
<b>1965</b>		
Seal (outer)	.....	8704S[2]
Set (outer)	.....	SET7
Seal (RH)	.....	8695S
Acc. Pkg (RH) (kit)	.....	A7RK <sup>46</sup>
<b>1964-1962</b>		
Seal	.....	8133S[2]
Cone/Cup	.....	25877-25821[2]
<b>1961-1941</b>	5-Passenger	
Seal	.....	6241S[2]
Cone/Cup	.....	25877-25821[2]

**REAR AXLE**

**Differential Rebuild Kit**

<b>1989-1980</b>	8.25" ring gear	
Kit	.....	DRK303
<b>1981-1980</b>	9.25" ring gear	
Kit	.....	DRK304
<b>1981-1980</b>	7.25" ring gear	
Kit	.....	DRK302
<b>1974-1968</b>	8.75" ring gear: 1.875" pinion shaft OD	
Kit	.....	DRK301
<b>1972-1967</b>	Spicer 60 axle	
Kit	.....	DRK331
<b>1968-1958</b>	8.75" ring gear: 1.75" pinion shaft OD	
Kit	.....	DRK300

**Differential**

<b>1989-1975</b>	8.25" ring gear: from early 1975	
Set	.....	SET36[2]
<b>1989-1968</b>	7.25" ring gear	
Set	.....	SET45[2]
<b>1981-1974</b>	9.25" ring gear	
Cone/Cup	.....	JLM704649-JLM704610[2]
<b>1975-1970</b>	8.25" ring gear: to early 1975	
Set	.....	SET47[2]
<b>1974-1969</b>	8.75" ring gear	
Cone/Cup	.....	LM104949-LM104912[2]
<b>1972-1967</b>	9.75" ring gear	
Cone/Cup	.....	387A-382S[2]
<b>1969-1968</b>	8.25" ring gear	
Set	.....	SET45[2]
<b>1968-1965</b>	8.75" ring gear	
Cone/Cup	.....	25590-25520[2]
<b>1965-1958</b>	6-cylinder engines	
Cone/Cup	.....	25580-25520[2]
<b>1964-1958</b>	8-cylinder engines	
Cone/Cup	.....	25590-25520[2]
<b>1957-1946</b>	all	
Cone/Cup	.....	25580-25520[2]

**Pinion**

<b>1989-1973</b>	8.25" ring gear	
Cone/Cup (inner)	.....	M804049-M804011
Seal (outer)	.....	8516N
Cone/Cup (outer)	.....	M86649-M86610
<b>1989-1966</b>	7.25" ring gear	
Cone/Cup (inner)	.....	HM88649-HM88610
Seal (outer)	.....	8516N
Cone/Cup (outer)	.....	M86649-M86610
<b>1981-1974</b>	9.25" ring gear	
Cone/Cup (inner)	.....	M804049-M804011
Seal (outer)	.....	5126
Cone/Cup (outer)	.....	M88048-M88010
<b>1974-1973</b>	8.75" ring gear: 1.3125" pilot shaft, 1.875" stem	
Cone/Cup (inner)	.....	M804049-M804010
Seal (outer)	.....	5126
Cone/Cup (outer)	.....	M88048-M88010
<b>1972-1967</b>	9.75" ring gear	
Cone/Cup (inner)	.....	HM803146-HM803110
Seal (outer)	.....	6808N
Cone/Cup (outer)	.....	HM88542-HM88510
<b>1972-1967</b>	8.75" ring gear: 1.875" shaft	
Cone/Cup (inner)	.....	M88048-M88010
Cone/Cup (outer)	.....	M88048-M88010
<b>1972-1967</b>	8.75" ring gear: 1.375" shaft	
Cone/Cup (inner)	.....	HM89446-HM89410
Cone/Cup (outer)	.....	M88048-M88010
<b>1971-1967</b>	9.25" ring gear	
Cone/Cup (inner)	.....	M804049-M804011
Seal (outer)	.....	6808N
Cone/Cup (outer)	.....	HM88542-HM88510

[ ] Indicates Quantity Required; Set Components Listed Inside Rear Cover;

<sup>19</sup> Opt. Axle Repair Bearing. Replaces O.E. bearing & seal.  
8695S, 8704S

<sup>46</sup> Opt. Kit incl: Metal & Foam gskt, Retainer,

# Bearings and Seals

Mfg./Year    Model & Location    Part No    Mfg./Year    Model & Location    Part No

## **DODGE - REAR DRIVE - Coronet, Custom Series, Diplomat, Matador, Mirada, Monaco, Polara, Royal, Royal Lancer, Royal Monaco, St. Regis, Sierra, Silver Challenger, 330, 440, 880 (cont.)**

### **REAR AXLE (cont.)**

#### **Pinion (cont.)**

<b>1970-1967</b>	8.75" ring gear: 1.75" shaft
Cone/Cup (inner)	HM803149-HM803110
Seal (outer)	7216
Cone/Cup (outer)	HM89443-HM89410
<b>1966-1965</b>	1.375" shaft
Cone/Cup (inner)	HM89446-HM89410
Seal (outer)	5126
Cone/Cup (outer)	M88048-M88010
<b>1966-1964</b>	1.75" shaft
Cone/Cup (inner)	HM803149-HM803110
Seal (outer)	67216
Cone/Cup (outer)	HM89443-HM89410
<b>1964-1963</b>	383, 413, 426 engines
Cone/Cup (inner)	HM803149-HM803110
Cone/Cup (outer)	HM89443-HM89410
<b>1964-1963</b>	exc. 383, 413, 426 engines
Cone/Cup (inner)	HM89446-HM89410
Cone/Cup (outer)	M88048-M88010
<b>1962</b>	all
Cone/Cup (inner)	HM89446-HM89410
Seal (outer)	5126
Cone/Cup (outer)	M88048-M88010
<b>1961-1960</b>	361, 383 engines
Cone/Cup (inner)	HM803149-HM803110
Seal (outer)	7216
Cone/Cup (outer)	HM89443-HM89410
<b>1961-1960</b>	exc. 361, 383 engines
Cone/Cup (inner)	HM89446-HM89410
Seal (outer)	5126
Cone/Cup (outer)	M88048-M88010
<b>1959-1958</b>	U.S. models exc. 350 engine
Cone/Cup (inner)	HM89446-HM89410
Cone/Cup (outer)	M88048-M88010
<b>1958</b>	U.S. models: 350 engine
Cone/Cup (inner)	HM89446-HM89410
Seal (outer)	7216
Cone/Cup (outer)	HM89443-HM89410
<b>1957</b>	some 5-Passenger
Cone/Cup (inner)	HM89446-HM89410
Cone/Cup (outer)	M88048-M88010
<b>1957-1952</b>	5-Passenger
Cone/Cup (inner)	HM89446-HM89410
Cone/Cup (outer)	HM89443-HM89410

### **AUTOMATIC TRANSMISSION**

#### **Torque Converter**

<b>1960-1953</b>	Power-flite: 2-speed
Seal	6879H
Kwik Slv (Opt Rpr)	KWK99212

#### **Rear Seal/Ext. Housing**

<b>1960-1953</b>	Power-flite: 2-speed
Seal	8160S
Bearing	206WB

### **AUTOMATIC TRANSMISSION**

#### **Selector Shaft Seal/Man. Shaft**

<b>1960-1953</b>	Power-flite: 2-speed
Seal	470018
Kwik Slv (Opt Rpr)	KWK99062

### **3-SPEED AUTOMATIC TRANSMISSION**

#### **Torque Converter**

<b>1979-1965</b>	A904
Seal	331228H
Kwik Slv (Opt Rpr)	KWK99149
<b>1979-1962</b>	A727
Seal	331227H
Kwik Slv (Opt Rpr)	KWK99187
<b>1961-1957</b>	Torque-Flite
Seal	6879H
Kwik Slv (Opt Rpr)	KWK99212

#### **Rear Seal/Ext. Housing**

<b>1980-1962</b>	A727: 1-pc driveshaft
Seal	7300S
Bearing	207XLO
Seal Kit	5206 <sup>64</sup>
<b>1979-1973</b>	A904
Seal	2506
Bearing	206LOE <sup>38</sup>
<b>1979-1962</b>	A727: 2-pc driveshaft
Seal	8160S
Bearing	2061
<b>1972-1965</b>	A904
Seal	8935S
Bearing	206LOE <sup>38</sup>
<b>1961-1957</b>	Torque-Flite
Seal	330663
Bearing	2061

#### **Clutch Cam**

<b>1989-1962</b>	A727
Needle Bearing	W585Q[12]

#### **Selector Shaft Seal/Man. Shaft**

<b>1979-1965</b>	A904
Seal	8609

### **CLUTCH - 6 CYLINDER**

#### **Pilot Bearing**

<b>1978-1946</b>	
Bushing	PB286
Bushing H/D Opt: H/D	PB286HD

### **CLUTCH - 8 CYLINDER**

#### **Pilot Bearing**

<b>1978-1957</b>	
Bushing	PB286
Bushing H/D Opt: H/D	PB286HD

170 [ ] Indicates Quantity Required; Set Components Listed Inside Rear Cover;

<sup>38</sup> Use Old Snap Ring    <sup>64</sup> Opt. Seal and Bushing Kit

**DODGE - REAR DRIVE - Coronet, Custom Series, Diplomat, Matador, Mirada, Monaco, Polara, Royal, Royal Lancer, Royal Monaco, St. Regis, Sierra, Silver Challenger, 330, 440, 880 (cont.)**

**CLUTCH**

**Release Bearing**

<b>1978-1974</b>	all	
	Bearing Assy	614036
<b>1977-1968</b>	11" clutch: exc. 426, 440 engines	
	Bearing Assy	614036
<b>1973-1967</b>	11" clutch: 440 engine	
	Bearing Only	DP1625C
<b>1973-1965</b>	exc. 11" clutch	
	Bearing Assy	614036
<b>1972-1966</b>	11" clutch: 426 engine	
	Bearing Only	PO1666C <sup>20</sup>
<b>1970-1968</b>	6-cylinder: 11" clutch	
	Bearing Only	PA1505C
<b>1967-1966</b>	11" clutch: exc. 426, 440 engines	
	Bearing Only	PA1505C
<b>1965</b>	11" clutch	
	Bearing Only	PA1505C
<b>1964</b>	6-cylinder: exc. 11" clutch	
	Bearing Assy	614036
<b>1964</b>	6-cylinder: 11" clutch	
	Bearing Only	PA1505C
<b>1964</b>	8-cylinder	
	Bearing Assy	614036
<b>1963-1962</b>	all	
	Bearing Assy	614036
<b>1962-1961</b>	Lancer	
	Bearing Assy	614036
<b>1961-1960</b>	exc. 6-cylinder	
	Bearing Only	PD1605C <sup>20</sup>
<b>1961-1960</b>	6-cylinder	
	Bearing Only	D1505C
<b>1959-1957</b>	all	
	Bearing Only	PD1605C <sup>20</sup>
<b>1956-1955</b>	all	
	Bearing Only	PC1605C <sup>20</sup>
<b>1954-1953</b>	w/o Torque converter: exc. 6-cylinder D-47 engine	
	Bearing Only	PA1605C <sup>20</sup>
<b>1954-1953</b>	6-cylinder D-47 engine	
	Bearing Only	P1605C <sup>20</sup>
<b>1952-1941</b>	exc. Fluid Drive	
	Bearing Only	P1605C <sup>20</sup>
<b>1952-1941</b>	Fluid Drive	
	Bearing Only	1972C <sup>20</sup>

**3-SPEED MANUAL TRANSMISSION**

**Front Input Shaft**

<b>1978-1974</b>	A230 New Process	
	Seal	9376
	Bearing	1307L
<b>1973-1970</b>	A230 New Process	
	Seal	9376
	Bearing	307LI
<b>1971-1957</b>	A903 New Process	
	Seal	9376
	Bearing	1207L

**3-SPEED MANUAL TRANSMISSION (cont.)**

**Front Input Shaft (cont.)**

<b>1970-1960</b>	A745 New Process: 23-spline shaft	
	Seal	9376
	Bearing	307LI
<b>1970-1960</b>	A745 New Process: 10-spline shaft	
	Seal	353135
	Bearing	307LI
	Kwik Slv (Opt Rpr)	KWK99125
<b>1964-1960</b>	T85 Warner	
	Seal	353135
	Bearing	307L
	Kwik Slv (Opt Rpr)	KWK99125
<b>1956-1946</b>	Chrysler L/D	
	Bearing	1207L

**Mainshaft Pilot**

<b>1978-1957</b>	New Process A230, A745, A903	
	Needle Bearing	QBR23549[15]
<b>1964-1960</b>	Warner T85	
	Needle Bearing	W1518Q[14]
<b>1956-1946</b>	Chrysler L/D	
	Needle Bearing	QBR23549[14]

**Countershaft**

<b>1971-1957</b>	New Process A903	
	Needle Bearing	C1086Q[44]
<b>1964-1960</b>	Warner T85	
	Needle Bearing	S443Q[80]
<b>1956-1946</b>	Chrysler L/D	
	Needle Bearing	C1086Q[44]

**Rear Output Shaft**

<b>1978-1970</b>	A230 New Process: 23-spline	
	Seal	8160S
	Bearing	307L
<b>1978-1970</b>	A230 New Process: 30-spline short shaft	
	Seal	7300S
	Bearing	1307
	Seal Kit	5206 <sup>64</sup>
<b>1971-1957</b>	A903 New Process	
	Seal	8160S
	Bearing	1207L
<b>1970-1966</b>	A745 New Process: 26-spline shaft	
	Seal	8935S
	Bearing	1307
	Seal Kit	5207 <sup>64</sup>
<b>1970-1960</b>	A745 New Process: 23-spline shaft	
	Seal	8160S
	Bearing	2061

[ ] Indicates Quantity Required; Set Components Listed Inside Rear Cover;

<sup>20</sup> Not currently in production; check for availability    <sup>64</sup> Opt. Seal and Bushing Kit



# Bearings and Seals

Mfg./Year    Model & Location    Part No    Mfg./Year    Model & Location    Part No

## **DODGE - REAR DRIVE - Coronet, Custom Series, Diplomat, Matador, Mirada, Monaco, Polara, Royal, Royal Lancer, Royal Monaco, St. Regis, Sierra, Silver Challenger, 330, 440, 880 (cont.)**

### **3-SPEED MANUAL TRANSMISSION (cont.)**

#### **Rear Output Shaft (cont.)**

<b>1970-1960</b>	A745 New Process: 30-spline shaft	
Seal .....	7300S	
Bearing .....	1307	
Seal Kit .....	5206 <sup>64</sup>	
<b>1964-1960</b>	85 Warner	
Seal .....	8160S	
Bearing .....	1307	
<b>1957-1946</b>	Chrysler L/D	
Seal .....	8160S	
Bearing .....	1207L	

#### **Reverse Idler**

<b>1978-1946</b>	Chrysler L/D; New Process A230, A745, A903	
Needle Bearing .....	C1086Q[22]	

#### **Selector Shaft Seal/Man. Shaft**

<b>1978-1957</b>		
Seal .....	7188S	
Kwik Slv (Opt Rpr) .....	KWK99062	

### **4-SPEED MANUAL TRANSMISSION**

#### **Input Shaft**

<b>1978-1974</b>	A833 New Process: 23-spline shaft	
Seal .....	9376	
Bearing .....	308LOE	
Kwik Slv (Opt Rpr) .....	KWK99118	
<b>1973-1964</b>	A833 New Process: 18-spline shaft	
Seal .....	9487	
Bearing .....	307L	
Kwik Slv (Opt Rpr) .....	KWK99118	
<b>1963</b>	T10 Warner	
Seal .....	9376	
Bearing .....	307LI	

#### **Mainshaft Pilot**

<b>1978-1964</b>	New Process A833	
Needle Bearing .....	QBR23549[16]	
<b>1963</b>	Warner T10	
Needle Bearing .....	QA19792[14]	

#### **Rear Output Shaft**

<b>1978-1970</b>	A833 New Process: 26-spline shaft	
Seal .....	2506	
Bearing .....	307L	
<b>1974-1964</b>	A833 New Process: 30-spline shaft	
Seal .....	7300S	
Bearing .....	308LOE	
Seal Kit .....	5206 <sup>64</sup>	

### **4-SPEED MANUAL TRANSMISSION (cont.)**

#### **Rear Output Shaft (cont.)**

<b>1969-1966</b>	A833 New Process: 26-spline shaft	
Seal .....	2506	
Bearing .....	1307	
<b>1965-1964</b>	A833 New Process: 26-spline shaft	
Seal .....	2506	
Bearing .....	307TB	
<b>1965-1964</b>	A833 New Process: 23-spline shaft	
Seal .....	8160S	
Bearing .....	2061	
<b>1963</b>	T10 Warner	
Seal .....	8160S	
Bearing .....	307LI	

### **OVERDRIVE UNIT**

#### **Output Shaft**

<b>1959-1953</b>	Warner R10	
Seal .....	470059	
Bearing .....	2061	
Kwik Slv (Opt Rpr) .....	KWK99059	

#### **Selector Shaft Seal/Man. Shaft**

<b>1959-1953</b>	Warner R10	
Seal .....	340797	
Kwik Slv (Opt Rpr) .....	KWK99059	

#### **Free Wheel Cam**

<b>1959-1953</b>	Warner R10	
Needle Bearing .....	W585Q[12]	

#### **Solenoid**

<b>1959-1953</b>	Warner R10	
Seal .....	240698	

### **DRIVESHAFT SUPPORT**

<b>1959-1956</b>		
Bearing .....	107DD	
<b>1955-1953</b>		
Bearing .....	206FF	
<b>1952-1946</b>		
Bearing .....	207S	

### **POWER STEERING**

#### **Pump Shaft**

<b>1989-1965</b>	(Saginaw pump)	
Seal .....	7013S	
<b>1967-1958</b>	(Federal pump)	
Seal .....	8773S	
<b>1957-1951</b>	Eaton pump	
Seal .....	6835S	
Bearing .....	203FF	

172 [ ] Indicates Quantity Required; Set Components Listed Inside Rear Cover;

<sup>64</sup> Opt. Seal and Bushing Kit

Mfg./Year    Model & Location    Part No    Mfg./Year    Model & Location    Part No

**DODGE - REAR DRIVE - Coronet, Custom Series, Diplomat, Matador, Mirada, Monaco, Polara, Royal, Royal Lancer, Royal Monaco, St. Regis, Sierra, Silver Challenger, 330, 440, 880 (cont.)**

**POWER STEERING**

**Sector Shaft**

1989-1953 (Chrysler design)  
Seal ..... 6859S

**Thrust**

1979-1958 (Chrysler design)  
Needle Bearing Thrust ..... FA20157[2]

**Worm Shaft**

1989-1958 (Chrysler design)  
Seal ..... 7188S

**MANUAL STEERING**

**Pitman Shaft**

1960  
Seal ..... 240731

**Sector Shaft**

1979-1955 (Chrysler design)  
Seal ..... 6859S  
1954-1946  
Seal ..... 240356

**Worm Shaft**

1979-1962 (Chrysler design)  
Seal ..... 7214  
Bearing ..... 8572[2]  
1961-1960  
Seal ..... 340797  
1959  
Seal ..... 470567  
1958-1955  
Seal ..... 41267S  
1954-1949  
Seal ..... 41267S  
Cone/Cup ..... A4059-A4138[2]

**CRANKSHAFT REAR SEAL**

**6 Cylinder**

1983-1970 225/3.7L  
Seal ..... 5650  
1959-1946 230/3.8, 236/3.9  
Seal ..... 5414

**8 Cylinder**

1989-1957 273/4.5, 318/5.2, 340/5.6, 360/5.9  
Seal ..... 5414  
1978-1963 383/6.3, 426/7.0, 440/7.2  
Seal ..... 5576

**TIMING COVER**

**6 Cylinder**

1983-1963  
Seal ..... 3095  
Kwik Slv (Opt Rpr) ..... KWK99226  
1959-1946 230/3.8, 236/3.9  
Seal ..... 6636S  
Kwik Slv (Opt Rpr) ..... KWK99218  
Harmonic Balancer  
Sleeves ..... 88218

**8 Cylinder**

1989-1957  
Seal ..... 3103  
Kwik Slv (Opt Rpr) ..... KWK99218  
Harmonic Balancer  
Sleeves ..... 88218

**DODGE IMPORT - see also Hillman, Mitsubishi - Challenger, Colt, Colt Vista, Conquest, Stealth**

**FRONT WHEEL**

1989-1985 Colt  
Seal (inner) ..... 474134[2]  
Set (inner) ..... SET41  
Set (outer) ..... SET41  
1989 2000GTX: Canada only  
Seal ..... 225230[2]  
Bearing ..... 513036[2]  
1989-1985 Colt Vista 4x4  
Seal (inner) ..... 225450[2]  
Bearing (inner) ..... 513036[2]  
Seal (outer) ..... 225230[2]

**FRONT WHEEL (cont.)**

1989-1984 Colt Vista 4x2  
Seal (inner) ..... 474134[2]  
Set (inner) ..... SET41  
Seal (outer) ..... 474134[2]  
Set (outer) ..... SET41  
1989-1984 Conquest  
Seal (inner) ..... 494122[2]  
Set (inner) ..... SET6  
Set (outer) ..... SET2

# Bearings and Seals

Mfg./Year    Model & Location    Part No    Mfg./Year    Model & Location    Part No

## **DODGE IMPORT - see also Hillman, Mitsubishi - Challenger, Colt, Colt Vista, Conquest, Stealth (cont.)**

### **FRONT WHEEL (cont.)**

<b>1984</b>	Colt front drive turbo	
	Seal (inner) .....	474134[2]
	Set (inner) .....	SET41
	Set (outer) .....	SET41
<b>1984-1979</b>	Colt front drive exc. turbo	
	Seal (inner) .....	474134[2]
	Cone/Cup (inner) .....	LM29748-LM29710[2]
	Cone/Cup (outer) .....	LM29748-LM29710[2]
<b>1983-1978</b>	Challenger	
	Seal (inner) .....	494122[2]
	Set (inner) .....	SET6
	Set (outer) .....	SET2
<b>1980-1978</b>	Colt rear drive Wagon	
	Seal (inner) .....	494122[2]
	Set (inner) .....	SET6
	Set (outer) .....	SET2
<b>1977-1971</b>	Colt	
	Seal (inner) .....	1196[2]
	Set (inner) .....	SET4
	Set (outer) .....	SET1
<b>1977-1971</b>	Colt rear drive Sedan	
	Seal (inner) .....	1196[2]
	Set (inner) .....	SET4
	Set (outer) .....	SET1

### **REAR WHEEL**

<b>1989-1985</b>	Colt Station Wagon: 4WD	
	Seal (inner) .....	1205N[2]
	Bearing Assy (inner) .....	513029[2]
	Bearing Assy (outer) .....	513029[2]
<b>1989</b>	2000 GTX	
	Seal (inner) .....	1196[2]
	Set (inner) .....	SET4
	Set (outer) .....	SET1
<b>1989</b>	Colt Vista: 4WD	
	Seal (inner) .....	1196[2]
	Set (inner) .....	SET4
	Set (outer) .....	SET1
<b>1989-1985</b>	Colt Vista: front drive	
	Seal (inner) .....	1196[2]
	Set (inner) .....	SET4
	Set (outer) .....	SET1
<b>1989</b>	Colt: disc brakes; 2dr	
	Seal (inner) .....	1205N[2]
	Bearing Assy (inner) .....	516000[2]
	Bearing Assy (outer) .....	516000[2]
<b>1989</b>	Colt: drum brakes; 2dr	
	Seal (inner) .....	1205N[2]
	Bearing Assy (inner) .....	516001WB[2]
	Bearing Assy (outer) .....	516001WB[2]
<b>1989</b>	Colt 4dr	
	Seal (inner) .....	1205N[2]
	Bearing Assy (inner) .....	513029[2]
	Bearing Assy (outer) .....	513029[2]
<b>1989-1984</b>	Conquest	
	Seal (inner) .....	494122[2]
	Set (inner) .....	SET6
	Set (outer) .....	SET2

### **REAR WHEEL (cont.)**

<b>1988</b>	Colt	
	Seal (inner) .....	1205N[2]
	Bearing (inner) .....	513028[2]
	Bearing Assy (outer) .....	513029[2]
<b>1987-1985</b>	Colt	
	Seal (inner) .....	710338[2]
	Bearing Assy (inner) .....	513029[2]
	Bearing Assy (outer) .....	513029[2]
<b>1986-1985</b>	Colt Vista: 4WD	
	Bearing .....	RW122[2]
<b>1984-1979</b>	Colt	
	Seal (inner) .....	1196[2]
	Set (inner) .....	SET4
	Set (outer) .....	SET1
<b>1983-1978</b>	Challenger	
	Seal .....	1955[2]
	Bearing .....	514004[2]
<b>1980-1971</b>	Colt: rear drive	
	Seal .....	1955[2]
	Bearing .....	514004[2]

### **REAR AXLE**

#### **Differential**

<b>1983-1979</b>	Challenger: 2600 engine	
	Bearing .....	207[2]
<b>1979-1971</b>	Challenger: 1600, 2000 engines	
	Bearing Assy .....	30207M[2]
<b>1979-1971</b>	Colt: rear drive	
	Bearing Assy .....	30207M[2]

#### **Pinion**

<b>1988-1985</b>	Conquest	
	Cone/Cup (inner) .....	HM89449-HM89410
	Seal (outer) .....	224255
	Cone/Cup (outer) .....	M86649-M86610
<b>1983-1980</b>	Challenger: 2600 engine	
	Cone/Cup (inner) .....	HM89449-HM89410
	Seal (outer) .....	224255
	Cone/Cup (outer) .....	M86649-M86610
<b>1980-1978</b>	Challenger: 1600, 2000 engines	
	Bearing Assy (inner) .....	32207M
	Bearing Assy (outer) .....	30305M
<b>1980-1976</b>	Colt: 2600 engine	
	Cone/Cup (inner) .....	HM89449-HM89410
	Seal (outer) .....	224255
	Cone/Cup (outer) .....	M86649-M86610
<b>1980-1971</b>	Colt: 1600, 2000 engines	
	Bearing Assy (inner) .....	32207M
	Bearing Assy (outer) .....	30305M

### **3-SPEED AUTOMATIC TRANSMISSION**

#### **Torque Converter**

<b>1982-1980</b>	A94	
	Seal .....	331228H
	Kwik Slv (Opt Rpr) .....	KWK99149
<b>1979-1974</b>	A904	
	Seal .....	331228H
	Kwik Slv (Opt Rpr) .....	KWK99149

**DODGE IMPORT - see also Hillman, Mitsubishi - Challenger, Colt, Colt Vista, Conquest, Stealth (cont.)**

**3-SPEED AUTOMATIC TRANSMISSION (cont.)**

**Torque Converter (cont.)**

<b>1974-1971</b>	Borg Warner	
Seal .....		480479H
Kwik Slv (Opt Rpr) .....		KWK99168

**Rear Seal/Ext. Housing**

<b>1982-1980</b>	A94	
Seal .....		2506
<b>1979-1974</b>	A904	
Seal .....		2506
Bearing .....		206LOE <sup>38</sup>
<b>1974-1971</b>	Borg Warner	
Seal .....		1097N

**Selector Shaft Seal/Man. Shaft**

<b>1982-1980</b>	A94	
Seal .....		8609
<b>1979-1974</b>	A904	
Seal .....		8609
<b>1974-1971</b>	Borg Warner	
Seal .....		311189

**4-SPEED AUTOMATIC TRANSMISSION**

**Torque Converter**

<b>1986-1984</b>		
Seal Viton .....		2025
Kwik Slv (Opt Rpr) .....		KWK99166

**Rear Seal/Ext. Housing**

<b>1986-1984</b>		
Seal .....		223801

**CLUTCH**

**Release Bearing**

<b>1989-1979</b>	Colt: front drive: exc. 4WD	
Bearing Assy .....		614126
<b>1989-1984</b>	Colt Vista: front drive: exc. 4WD	
Bearing Assy .....		614126
<b>1989-1985</b>	Conquest: Intercooled turbo	
Bearing Assy .....		614053
<b>1989-1984</b>	Conquest: exc. Intercooled turbo	
Bearing Assy .....		614016
<b>1983-1978</b>	Challenger 2000, 2600	
Bearing Assy .....		614016
<b>1980-1978</b>	Challenger 1600	
Bearing Only .....		01496
<b>1980-1974</b>	Colt: rear drive: 4-speed	
Bearing Assy .....		614044
<b>1980-1974</b>	Colt: rear drive: 5-speed	
Bearing Assy .....		614016

**4-SPEED MANUAL TRANSMISSION**

**Input Shaft**

<b>1980-1971</b>		
Seal Viton .....		712007
Bearing .....		307L
Kwik Slv (Opt Rpr) .....		KWK99098

**Rear Output Shaft**

<b>1980-1971</b>		
Seal .....		223240
Bearing .....		306L

**5-SPEED MANUAL TRANSMISSION**

**Front Input Shaft**

<b>1986-1985</b>	KM132G	
Seal .....		223014
Bearing .....		307L
Kwik Slv (Opt Rpr) .....		KWK99114
<b>1986-1976</b>	KM132, KM132-B	
Seal .....		223014
Bearing .....		207L
Kwik Slv (Opt Rpr) .....		KWK99114
<b>1983-1976</b>	KM119	
Seal Viton .....		712007
Bearing .....		208L
Kwik Slv (Opt Rpr) .....		KWK99098

**Rear Output Shaft**

<b>1986-1984</b>	KM132B, KM132G	
Seal .....		223608
Bearing .....		511014
<b>1983-1976</b>	KM119	
Seal .....		223240
Bearing .....		205BB
<b>1983-1976</b>	KM132	
Seal .....		223608

**Selector Shaft Seal/Man. Shaft**

<b>1986-1976</b>		
Seal .....		710222

**3-SPEED AUTOMATIC TRANSAXLE**

**Torque Converter**

<b>1989-1979</b>		
Seal .....		320583
Kwik Slv (Opt Rpr) .....		KWK99157

**Output Shaft**

<b>1989-1979</b>		
Seal .....		223543[2]
Kwik Slv (Opt Rpr) .....		KWK99139[2]

[ ] Indicates Quantity Required; Set Components Listed Inside Rear Cover;

<sup>38</sup> Use Old Snap Ring

# Bearings and Seals

Mfg./Year    Model & Location    Part No    Mfg./Year    Model & Location    Part No

## **DODGE IMPORT - see also Hillman, Mitsubishi - Challenger, Colt, Colt Vista, Conquest, Stealth (cont.)**

### **3-SPEED AUTOMATIC TRANSAXLE**

#### **Differential**

<b>1989-1980</b>	exc. KM172-0, KM172-5	
Bearing	.....	207[2]
<b>1989-1984</b>	KM172-0, KM172-5	
Bearing Assy	.....	30207M[2]
<b>1979</b>	KM170-0	
Bearing	.....	207[2]

### **4-SPEED MANUAL TRANSAXLE**

#### **Differential**

<b>1989</b>	F4M21-1	
Bearing	.....	207[2]
<b>1989-1987</b>	KM200-0	
Bearing Assy	.....	30207M[2]
<b>1986-1979</b>	KM160-2, KM161-0	
Bearing	.....	207[2]

#### **Input Shaft**

<b>1989-1987</b>	F4M21-1, KM200-0	
Seal Viton	.....	712007
Kwik Slv (Opt Rpr)	.....	KWK99098
<b>1986-1979</b>	KM160-2, KM161-0	
Seal Viton	.....	712007
Bearing	.....	304WB
Kwik Slv (Opt Rpr)	.....	KWK99098

#### **Output Shaft**

<b>1989-1987</b>	F4M21-1, KM200-0	
Seal	.....	223543[2]
Bearing Assy	.....	30206M[2]
Kwik Slv (Opt Rpr)	.....	KWK99139[2]
<b>1986-1979</b>	KM160-2, KM161-0	
Seal	.....	223543[2]
Bearing Assy	.....	30304[2]
Kwik Slv (Opt Rpr)	.....	KWK99139[2]

#### **Selector Shaft Seal/Man. Shaft**

<b>1989-1979</b>	KM160-2	
Seal	.....	710222

### **5-SPEED MANUAL TRANSAXLE**

#### **Differential**

<b>1989-1985</b>	KM182-2, F5M22-2, KM182-0, KM206-0, KM221-1	
Bearing Assy	.....	30207M[2]
<b>1989-1980</b>	F5M21-1, F5M21-2, W5M31-2, W5M33-2, KM162-0, KM162-0, KM163-0, KM201-0	
Bearing	.....	207[2]
<b>1979</b>	KM162-0	
Bearing	.....	207[2]

### **5-SPEED MANUAL TRANSAXLE**

#### **Input Shaft**

<b>1989-1985</b>	KM182-2, KM182-0, KM221-1	
Seal Viton (center)	.....	712007
Bearing (center)	.....	304WB
Bearing Assy (rear)	.....	30304
Kwik Slv (Opt Rpr)	.....	KWK99098
<b>1989-1987</b>	KM201-0, KM206-0	
Seal Viton (center)	.....	712007
Bearing (center)	.....	304WB
Bearing (rear)	.....	108A
Kwik Slv (Opt Rpr)	.....	KWK99098
<b>1987-1980</b>	KM162-0, KM163-0	
Seal Viton	.....	712007
Bearing	.....	304WB
Kwik Slv (Opt Rpr)	.....	KWK99098
<b>1979</b>	KM162-0	
Seal Viton	.....	712007
Bearing	.....	304WB
Kwik Slv (Opt Rpr)	.....	KWK99098

#### **Output Shaft**

<b>1989-1987</b>	F5M21-1, F5M21-2, F5M22-2, KM201-0, KM206-0	
Seal	.....	223543[2]
Bearing Assy	.....	30206M[2]
Kwik Slv (Opt Rpr)	.....	KWK99139[2]
<b>1989-1980</b>	KM182-2, KM162-0, KM163-0, KM221-1, F5M31-2, F5M33-2,	
Seal	.....	223543[2]
Kwik Slv (Opt Rpr)	.....	KWK99139[2]
<b>1979</b>	KM162-0	
Seal	.....	223543[2]
Bearing Assy	.....	30304[2]
Kwik Slv (Opt Rpr)	.....	KWK99139[2]

### **DRIVESHAFT SUPPORT**

<b>1989-1985</b>	Colt Vista AWD	
Hanger Bearing Assy	.....	HB25

### **CAMSHAFT SEAL**

#### **4 Cylinder**

<b>1989</b>		
Seal	.....	3771[2]
Kwik Slv (Opt Rpr)	.....	KWK99139[2]
<b>1986-1980</b>	2555cc/2.6L	
Seal	.....	222330
<b>1980-1979</b>	1410cc/1.4L, 1597cc/1.6	
Seal	.....	3771
Kwik Slv (Opt Rpr)	.....	KWK99139

### **CRANKSHAFT REAR SEAL**

#### **4 Cylinder**

<b>1989-1984</b>	1595cc/1.6L (DOHC), 1597cc/1.6L, 1755cc/1.8L, 1997cc/2.0L, 2351cc/2.4L	
Seal Viton	.....	228005
Kwik Slv (Opt Rpr)	.....	KWK99315

**DODGE IMPORT - see also Hillman, Mitsubishi - Challenger, Colt, Colt Vista, Conquest, Stealth (cont.)**

**CRANKSHAFT REAR SEAL (cont.)**

**4 Cylinder (cont.)**

<b>1986-1980</b>	1410cc/1.4L, 1468cc/1.5L, 1597cc/1.6L, 1755cc/1.8L0L	
Seal .....		227235
<b>1986-1979</b>	1995cc/2.0, 2555cc/2.6	
Seal Viton .....		228005
Kwik Slv (Opt Rpr) .....		KWK99312
<b>1980-1979</b>	1410cc/1.4L, 1597cc/1.6	
Seal .....		227235

**6 Cylinder**

<b>1989</b>	2970cc/3.0L	
Seal .....		228010
Kwik Slv (Opt Rpr) .....		KWK99315

**TIMING COVER**

**4 Cylinder**

<b>1989-1980</b>	1595cc/1.6L (DOHC), 1597cc/1.6L, 1755cc/1.8L, 1997cc/2.0L, 2351cc/2.4L	
Seal .....		224460
<b>1989-1985</b>	1468cc/1.5L	
Seal .....		223018
Kwik Slv (Opt Rpr) .....		KWK99114
<b>1984-1980</b>	1410cc/1.4L	
Seal .....		712001
Kwik Slv (Opt Rpr) .....		KWK99114

**TIMING COVER (cont.)**

**4 Cylinder (cont.)**

<b>1980-1976</b>	1597cc/1.6L	
Seal .....		224460
<b>1979</b>	1410cc/1.4L	
Seal .....		223018
Kwik Slv (Opt Rpr) .....		KWK99114
<b>1979-1974</b>	1995cc/2.0, 2555cc/2.6	
Seal .....		224840
Kwik Slv (Opt Rpr) .....		KWK99189
<b>1979-1974</b>	2555cc/2.6L	
Seal .....		224840
Kwik Slv (Opt Rpr) .....		KWK99189

**6 Cylinder**

<b>1989</b>	2970cc/3.0L	
Seal Viton .....		710196
Kwik Slv (Opt Rpr) .....		KWK99157

**DODGE TRUCK - MINIVAN, AWD MINIVAN - Caravan, Mini Ram Van**

**FRONT WHEEL**

<b>1989</b>	15" wheels	
Seal .....		5604[2] <sup>56</sup>
Hub Assy .....		513074[2] <sup>44</sup>
<b>1989-1988</b>	14" wheels	
Seal .....		5604[2] <sup>56</sup>
Bearing .....		513006[2]
Hub Assy Opt:bolt-on		
5-lug .....		518502[2] <sup>62</sup>
<b>1989-1988</b>	14" wheels	
Seal .....		5604[2] <sup>56</sup>
Bearing .....		513006[2]
Hub Assy Opt:bolt-on		
4-lug .....		518501[2] <sup>62</sup>
<b>1988</b>	15" wheels	
Hub Assy .....		HA590197[2] <sup>45</sup>
<b>1987-1984</b>	5-lug wheels	
Seal .....		5604[2] <sup>56</sup>
Bearing .....		513006[2]
Hub Assy Opt:bolt-on		
5-lug .....		518502[2] <sup>62</sup>
<b>1987-1984</b>	4-lug wheels	
Seal .....		5604[2] <sup>56</sup>
Bearing .....		B39[2]
Hub Assy .....		518500[2] <sup>62</sup>

**REAR WHEEL**

<b>1989-1984</b>		
Seal (inner) .....		4249[2]
Set (inner) .....		SET17
Set (outer) .....		SET16

**CLUTCH**

**Release Bearing**

<b>1989-1984</b>	4-cylinder	
Bearing Assy (self aligning assy) .....		614007

**3-SPEED AUTOMATIC TRANSAXLE**

**Torque Converter**

<b>1989-1983</b>		
Seal .....		331228H
Kwik Slv (Opt Rpr) .....		KWK99149

[ ] Indicates Quantity Required; Set Components Listed Inside Rear Cover;

<sup>44</sup> Bearing Flange has Threaded Mounting Holes    <sup>45</sup> Bearing Flange has Non-Threaded Mounting Holes

<sup>56</sup> Opt. Kit incl: Seal 3948 & Sleeve    <sup>62</sup> Kit incl: Hub & Bearing, Seal, Mounting Bolts

# Bearings and Seals

Mfg./Year    Model & Location    Part No    Mfg./Year    Model & Location    Part No

## **DODGE TRUCK - MINIVAN, AWD MINIVAN - Caravan, Mini Ram Van (cont.)**

### **3-SPEED AUTOMATIC TRANSAXLE**

#### **Transfer Shaft**

**1989-1984**    A404  
Cone/Cup ..... JL69349H-JL69310

#### **Output Shaft**

**1989-1983**    A404-31TH, A413  
Set ..... SET17[2]

#### **Differential**

**1989-1983**    A404  
Seal ..... 3459S[2]  
Cone/Cup ..... JL69349H-JL69310[2]

#### **Selector Shaft Seal/Man. Shaft**

**1989-1983**  
Seal ..... 8609

### **4-SPEED AUTOMATIC TRANSAXLE**

#### **Differential**

**1989**    A604, A670  
Set ..... SET11[2]

#### **Torque Convertor**

**1989-1988**  
Seal ..... 331228H  
Kwik Slv (Opt Rpr) ..... KWK99149

#### **Transfer Shaft**

**1989-1988**    A604, A670  
Set ..... SET11[2]  
**1988-1984**    A604  
Cone/Cup ..... JL69349H-JL69310[2]

#### **Output Shaft**

**1989**    A604, A670  
Seal ..... 3459S[2]  
Set ..... SET17[2]

#### **Selector Shaft Seal/Man. Shaft**

**1989-1988**  
Seal ..... 8609

### **4-SPEED MANUAL TRANSAXLE**

#### **Differential**

**1986-1984**  
Seal ..... 3459S[2]  
Set ..... SET11[2]  
Kwik Slv (Opt Rpr) ..... KWK99157[2]

### **4-SPEED MANUAL TRANSAXLE**

#### **Input Shaft**

**1986-1984**  
Seal (front) ..... 3732S  
Set (front) ..... SET4  
Kwik Slv (Opt Rpr) ..... KWK99106  
Set (rear) ..... SET5

#### **Selector Shaft Seal/Man. Shaft**

**1986-1984**  
Seal ..... 3816

### **5-SPEED MANUAL TRANSAXLE**

#### **Differential**

**1989-1984**    A465, A520, A523, A525, A555  
Seal ..... 3459S[2]  
Set ..... SET11[2]  
Kwik Slv (Opt Rpr) ..... KWK99157[2]

#### **Input Shaft**

**1989-1984**    A465, A520, A523, A525, A555  
Seal (front) ..... 3732S  
Set (front) ..... SET4  
Set (rear) ..... SET5

#### **Selector Shaft Seal/Man. Shaft**

**1989-1981**    A465, A520, A523, A525, A555  
Seal ..... 3816

### **CAMSHAFT SEAL**

#### **4 Cylinder**

**1989-1987**    153/2.5L  
Seal ..... 3655S  
Kwik Slv (Opt Rpr) ..... KWK99139  
**1987-1984**    156/2.6L  
Seal ..... 222330  
**1987-1984**    135/2.2L  
Seal (front) ..... 3655S  
Kwik Slv (Opt Rpr) ..... KWK99139  
Seal (rear) ..... 4040N  
Kwik Slv (Opt Rpr) ..... KWK99139

#### **6 Cylinder**

**1989-1987**    181/3.0L  
Seal ..... 3771[2]  
Kwik Slv (Opt Rpr) ..... KWK99139[2]

### **CRANKSHAFT REAR SEAL**

#### **4 Cylinder**

**1989-1984**    135/2.2L, 148/2.4L, 153/2.5L  
Seal Viton ..... 710056  
Seal PTFE H/D Opt. .... 5279  
**1987-1984**    156/2.6L  
Seal Viton ..... 228005  
Kwik Slv (Opt Rpr) ..... KWK99315

**DODGE TRUCK - MINIVAN, AWD MINIVAN - Caravan, Mini Ram Van (cont.)**

**CRANKSHAFT REAR SEAL**

**6 Cylinder**

1989-1987    181/3.0L, 201/3.3L, 231/3.8L,  
 Seal Viton ..... 710056  
 Seal PTFE H/D Opt. .... 5279

**TIMING COVER**

**4 Cylinder**

1989    153/2.5L  
 Seal ..... 3638  
 Kwik Slv (Opt Rpr) .....KWK99112  
 1988-1984    135/2.2L, 153/2.5L  
 Seal ..... 3655S  
 Kwik Slv (Opt Rpr) .....KWK99112  
 1987-1984    156/2.6L  
 Seal ..... 224840  
 Kwik Slv (Opt Rpr) .....KWK99189

**6 Cylinder**

1989-1987    181/3.0L  
 Seal ..... 223750

**DODGE - LIGHT TRUCK - D50, Raider, Ram 50**

**FRONT WHEEL**

**2WD**

1989-1979  
 Seal (inner) ..... 225010[2]  
 Set (inner) ..... SET5  
 Set (outer) ..... SET3

**4WD**

1989-1982  
 Seal (inner) ..... 225875[2]  
 Set (inner) ..... SET47  
 Set (outer) ..... SET47

**REAR WHEEL**

1989-1979  
 Seal (inner) ..... 4989[2]  
 Seal (outer) ..... 225110[2]  
 Bearing Assy (outer) ..... 30208M[2]

**4WD FRONT AXLE**

**Differential**

1989    6-cylinder engines  
 Seal ..... 710151[2]  
 Cone/Cup ..... 17887-17831[2]  
 1989-1983    4-cylinder engines  
 Seal ..... 710335[2]  
 Cone/Cup ..... 17887-17831[2]

**Pinion**

1989-1983    4-cylinder engines  
 Cone/Cup (inner) ..... HM89449-HM89410  
 Seal (outer) ..... 224255  
 Cone/Cup (outer) ..... M86649-M86610  
 1989    6-cylinder engines  
 Cone/Cup (inner) ..... HM89449-HM89410  
 Seal (outer) ..... 1943  
 Cone/Cup (outer) ..... M88043-M88010

**4WD FRONT AXLE**

**Steering Knuckle**

1989  
 Seal ..... 710146[2]

**REAR AXLE**

**Differential**

1989-1979  
 Cone/Cup ..... 17887-17831[2]

**Pinion**

1989    4-cyl  
 Cone/Cup (inner) ..... HM89449-HM89410  
 Seal (outer) ..... 224570  
 Cone/Cup (outer) ..... M88043-M88010  
 Kwik Slv (Opt Rpr) .....KWK99177  
 1989    6-cyl  
 Cone/Cup (inner) ..... HM89249-HM89210  
 Seal (outer) ..... 224570  
 Cone/Cup (outer) ..... M88043-M88010  
 Kwik Slv (Opt Rpr) .....KWK99177  
 1988-1979  
 Cone/Cup (inner) ..... HM89449-HM89410  
 Seal (outer) ..... 224570  
 Cone/Cup (outer) ..... M88043-M88010  
 Kwik Slv (Opt Rpr) .....KWK99177

**TRANSFER CASE**

**Input Shaft**

1989-1982    KM100 (M/T)  
 Seal ..... 224560  
 Bearing ..... 5209W  
 Kwik Slv (Opt Rpr) .....KWK99177  
 1989-1982    KM100 (A/T)  
 Seal ..... 1992  
 Bearing ..... 5209W  
 Kwik Slv (Opt Rpr) .....KWK99177



# Bearings and Seals

Mfg./Year    Model & Location    Part No    Mfg./Year    Model & Location    Part No

## **DODGE - LIGHT TRUCK - D50, Raider, Ram 50 (cont.)**

### **TRANSFER CASE**

#### **Front Output Shaft**

**1989-1982**  
 Seal ..... 223608  
 Bearing ..... 306TB[2]  
 Kwik Slv (Opt Rpr) ..... KWK99146

#### **Rear Output Shaft**

**1989-1982**  
 Seal ..... 224052  
 Bearing ..... 211TB  
 Kwik Slv (Opt Rpr) ..... KWK99157

### **3-SPEED AUTOMATIC TRANSMISSION**

#### **Torque Converter**

**1986-1979**  
 Seal ..... 331228H  
 Kwik Slv (Opt Rpr) ..... KWK99149

#### **Rear Seal/Ext. Housing**

**1986-1979**  
 Seal ..... 2506

#### **Selector Shaft Seal/Man. Shaft**

**1986-1979**  
 Seal ..... 8609

### **4-SPEED AUTOMATIC TRANSMISSION**

#### **Torque Converter**

**1989-1987**    Aisin  
 Seal ..... 223830  
 Kwik Slv (Opt Rpr) ..... KWK99147

#### **Rear Seal/Ext. Housing**

**1989-1987**    Aisin  
 Seal ..... 710319

### **CLUTCH**

#### **Pilot Bearing**

**1989**    6-cylinder engines  
 Bearing ..... 203FF  
**1989-1979**    4-cylinder engines  
 Bearing ..... 102CC

#### **Release Bearing**

**1989-1987**    Raider: 4-cylinder exc. 2.6 liter 4-cylinder: hydraulic mechanism  
 Bearing Assy ..... 614016  
**1989-1988**    Raider: 6-cylinder  
 Bearing Assy ..... 614107  
**1989-1987**    50 Series Trucks: 6-cylinder  
 Bearing Assy ..... 614107  
**1989-1979**    50 Series Trucks: 4-cylinder exc. 2.6 liter 4-cylinder hydraulic mechanism  
 Bearing Assy ..... 614016

### **CLUTCH (cont.)**

#### **Release Bearing (cont.)**

**1989-1987**    Raider: 2.6 liter 4-cylinder: hydraulic mechanism  
 Bearing Assy ..... 614053  
**1989-1987**    50 Series Trucks: 2.6 liter 4-cylinder: hydraulic mechanism  
 Bearing Assy ..... 614053

### **4-SPEED MANUAL TRANSMISSION**

#### **Input Shaft**

**1985-1983**    KM130-1, KM130-4, KM144-0, KM144-3  
 Seal ..... 223014  
 Bearing ..... 307L  
 Kwik Slv (Opt Rpr) ..... KWK99114  
**1981-1980**    KM110  
 Seal Viton ..... 712007  
 Bearing ..... 307L  
 Kwik Slv (Opt Rpr) ..... KWK99098

#### **Rear Output Shaft**

**1985-1983**    KM130-1, KM130-4, KM144-0, KM144-3  
 Seal ..... 223608  
 Bearing ..... 207L  
**1981-1980**    KM110  
 Seal ..... 223240  
 Bearing ..... 306L

### **5-SPEED MANUAL TRANSMISSION**

#### **Front Input Shaft**

**1989**    M1S5  
 Seal ..... 223255  
 Kwik Slv (Opt Rpr) ..... KWK99128  
**1989-1982**    exc. KM119, M1S5  
 Seal ..... 223014  
 Bearing ..... 307L  
 Kwik Slv (Opt Rpr) ..... KWK99114  
**1981-1980**    KM119  
 Seal Viton ..... 712007  
 Bearing ..... 208L  
 Kwik Slv (Opt Rpr) ..... KWK99098

#### **Rear Output Shaft**

**1989-1987**    KM132-1, KM145-8, KM145-9  
 Seal ..... 223608  
 Bearing ..... 511014  
**1989-1982**    KM132-J, KM132-K, KM132-8  
 Seal ..... 223608  
 Bearing ..... RW122  
**1986-1982**    KM132-E, KM132-9  
 Seal ..... 223608  
**1986-1982**    KM145-1 thru KM145-5  
 Seal ..... 223608  
 Bearing ..... RW122  
**1981-1980**    KM119  
 Seal ..... 223240  
 Bearing ..... 205BB

**DODGE - LIGHT TRUCK - D50, Raider, Ram 50 (cont.)**

**DRIVESHAFT SUPPORT**

<b>1989-1987</b>	Power Ram 50	
	Hanger Bearing Assy .....	HB30
<b>1989-1983</b>	Ram 50	
	Hanger Bearing Assy .....	HB14
<b>1986-1983</b>	Power Ram 50	
	Hanger Bearing Assy .....	HB14
<b>1982-1980</b>	D50	
	Hanger Bearing Assy .....	HB14

**CAMSHAFT SEAL**

**4 Cylinder**

<b>1989-1983</b>	1997cc/2.0L, 2346cc/2.3L, 2350cc/2.4L	
	Seal .....	3771
	Kwik Slv (Opt Rpr) .....	KWK99139
<b>1989-1980</b>	2555cc/2.6L	
	Seal .....	222330

**6 Cylinder**

<b>1989</b>	2972cc/3.0L	
	Seal .....	3771
	Kwik Slv (Opt Rpr) .....	KWK99139

**CRANKSHAFT REAR SEAL**

**4 Cylinder**

<b>1989-1980</b>	1997cc/2.0L, 2346cc/2.3L, 2350cc/2.4L, 2555cc/2.6L	
	Seal Viton .....	228005
	Kwik Slv (Opt Rpr) .....	KWK99315

**TIMING COVER**

**4 Cylinder**

<b>1989-1983</b>	1997cc/2.0L, 2346cc/2.3L	
	Seal .....	224460
<b>1989-1979</b>	2555cc/2.6L	
	Seal .....	224840
	Kwik Slv (Opt Rpr) .....	KWK99189

**DODGE TRUCK - 1/2 TON - A100 PICKUP / VAN, B100, B150, B1500 VANS, D100, D150 PICKUP, Ramcharger, W100, W150 PICKUP, WM300 Power Wagon PICKUP**

**FRONT WHEEL**

**2WD**

<b>1989-1987</b>	Dakota	
	Seal (inner) .....	3087[2]
	Set (inner) .....	SET11
	Set (outer) .....	SET16
<b>1989-1984</b>	5-lug wheels	
	Seal (inner) .....	3087[2]
	Set (inner) .....	SET11
	Set (outer) .....	SET16
<b>1989-1984</b>	8-lug wheels	
	Seal (inner) .....	493291[2]
	Set (inner) .....	SET45
	Cone/Cup (outer) .....	15101-15245[2]
<b>1983-1973</b>	5-lug wheels	
	Seal (inner) .....	5121[2]
	Set (inner) .....	SET17
	Set (outer) .....	SET16
<b>1983-1973</b>	8-lug wheels	
	Seal (inner) .....	3087[2]
	Set (inner) .....	SET11
	Set (outer) .....	SET16
<b>1972</b>	B100: disc brake	
	Seal (inner) .....	5121[2]
	Set (inner) .....	SET5
	Set (outer) .....	SET3
<b>1972-1969</b>	B100: drum brake	
	Seal (inner) .....	6960[2]
	Set (inner) .....	SET5
	Set (outer) .....	SET2

**FRONT WHEEL (cont.)**

**2WD (cont.)**

<b>1972-1957</b>	D100	
	Seal (inner) .....	6960[2]
	Set (inner) .....	SET5
	Set (outer) .....	SET2
<b>1971</b>	B100: disc brake	
	Seal (inner) .....	8473S[2]
	Set (inner) .....	SET5
	Set (outer) .....	SET3
<b>1971-1964</b>	A100	
	Seal (inner) .....	8121S[2]
	Set (inner) .....	SET6
	Set (outer) .....	SET2
<b>1965-1964</b>	P100	
	Seal (inner) .....	6960[2]
	Set (inner) .....	SET5
	Set (outer) .....	SET3
<b>1956-1948</b>		
	Seal (inner) .....	6960[2]
	Cone/Cup (inner) .....	14138A-14276[2]
	Cone/Cup (outer) .....	09074-09194[2]

# Bearings and Seals

Mfg./Year    Model & Location    Part No    Mfg./Year    Model & Location    Part No

## **DODGE TRUCK - 1/2 TON - A100 PICKUP / VAN, B100, B150, B1500 VANS, D100, D150 PICKUP, Ramcharger, W100, W150 PICKUP, WM300 Power Wagon PICKUP (cont.)**

### **FRONT WHEEL**

#### **4WD**

<b>1989-1986</b>	100/150 Series: locking hub	
Seal (inner)	.....	4250[2]
Cone/Cup (inner)	.....	LM104949-JLM104910[2]
Set (outer)	.....	SET45
<b>1989-1987</b>	Dakota: 5-lug	
Hub Assy	.....	513082[2]
<b>1985-1980</b>	100/150 Series: non-locking hub	
Seal (inner)	.....	413248[2]
Cone/Cup (inner)	.....	LM104949-JLM104910[2]
Set (outer)	.....	SET45
<b>1985-1980</b>	100/150 Series: locking hub	
Seal (inner)	.....	471271[2]
Cone/Cup (inner)	.....	LM104949-JLM104910[2]
Set (outer)	.....	SET45
<b>1979-1975</b>		
Seal	.....	413248[2]
Set	.....	SET25[2]
<b>1974</b>	Ramcharger	
Seal	.....	413248[2]
Set	.....	SET25[2]
<b>1974-1969</b>	exc. 1974 Ramcharger	
Seal (inner)	.....	6960[2]
Set (inner)	.....	SET37
Set (outer)	.....	SET45
<b>1968-1956</b>		
Seal (inner)	.....	40316S[2]
Cone/Cup (inner)	.....	18685-18620[2]
Cone/Cup (outer)	.....	18685-18620[2]

### **REAR WHEEL**

<b>1989-1987</b>	Dakota	
Seal	.....	8835S[2]
Cyl. Bearing	.....	6408[2]
Kit	.....	TRP1559TV[2] <sup>19</sup>
<b>1989-1986</b>	B150; B1500	
Seal	.....	8835S[2]
Cyl. Bearing	.....	6408[2]
Kit	.....	TRP1559TV[2] <sup>19</sup>
<b>1989-1984</b>	H/D axle	
Seal	.....	710067[2]
Cyl. Bearing	.....	R1561TV[2]
Kit	.....	TF01561R[2] <sup>19</sup>
<b>1989-1972</b>	exc. H/D	
Seal	.....	8835S[2]
Cyl. Bearing	.....	6408[2]
Kit	.....	TRP1559TV[2] <sup>19</sup>
<b>1977-1964</b>	8.75" ring gear (flanged axle)	
Seal (inner)	.....	8695S[2]
Seal (outer)	.....	8704S[2]
Set (outer) (tapered bearing)	.....	SET7
<b>1971-1964</b>	A100	
Seal (outer)	.....	8704S[2]
Set (outer)	.....	SET7
Seal (RH)	.....	8695S
Acc. Pkg (RH) (kit)	.....	A7RK <sup>46</sup>

### **REAR WHEEL (cont.)**

<b>1968-1965</b>	D100: flanged axle	
Seal (outer)	.....	8704S[2]
Set (outer)	.....	SET7
Seal (RH)	.....	8695S
Acc. Pkg (RH) (kit)	.....	A7RK <sup>46</sup>
<b>1968-1965</b>	D100: non-flanged axle	
Seal (inner)	.....	450746[2]
Cone/Cup (inner)	.....	25880-25821[2]
Seal (outer)	.....	6966S[2]
<b>1968-1959</b>	100 Series 4x4	
Seal (inner)	.....	410825[2]
Cone/Cup (inner)	.....	368A-362A[2]
Cone/Cup (outer)	.....	359S-354A[2]
<b>1968-1957</b>	D100 exc. 100 series 4x4	
Seal (inner)	.....	450746[2]
Cone/Cup (inner)	.....	25880-25821[2]
Seal (outer)	.....	6966S[2]
<b>1965-1961</b>	P100: flanged axle	
Seal (outer)	.....	8704S[2]
Set (outer)	.....	SET7
Seal (RH)	.....	8695S
Acc. Pkg (RH) (kit)	.....	A7RK <sup>46</sup>
<b>1965-1961</b>	P100: non-flanged axle	
Seal (inner)	.....	450746[2]
Cone/Cup (inner)	.....	25880-25821[2]
Seal (outer)	.....	6966S[2]
<b>1956-1946</b>	B100	
Seal (inner)	.....	450746[2]
Cone/Cup (inner)	.....	2780-2735X[2]
Seal (outer)	.....	6966S[2]

### **4WD FRONT AXLE**

#### **Axle Shaft**

<b>1989-1973</b>	Dana/Spicer 44F-BJ axle	
Seal	.....	5131[2]
Set	.....	SET9
Needle Bearing (pilot)	.....	B228[2]
<b>1989-1986</b>	7.25" ring gear	
Cyl. Bearing	.....	5707[2]
Needle Bearing (intermediate)	.....	B5020[2]
Needle Bearing (pilot)	.....	B2516[2]
<b>1972-1957</b>	Dana/Spicer 44-3CF, 44-3F axles	
Seal	.....	40769S[2]

#### **Differential Rebuild Kit**

<b>1989-1987</b>	Dakota: 7.25" ring gear	
Kit	.....	DRK302
<b>1989-1969</b>	Dana/Spicer 44 axles	
Kit	.....	DRK339B

#### **Differential**

<b>1989-1969</b>	Dana/Spicer 44 axles	
Cone/Cup	.....	25590-25523[2]
<b>1968-1957</b>	Dana/Spicer 44 axles	
Cone/Cup	.....	25577-25523[2]

182 [ ] Indicates Quantity Required; Set Components Listed Inside Rear Cover;

<sup>19</sup> Opt. Axle Repair Bearing. Replaces O.E. bearing & seal.

<sup>46</sup> Opt. Kit incl: Metal & Foam gskt, Retainer,

8695S, 8704S

**DODGE TRUCK - 1/2 TON - A100 PICKUP / VAN, B100, B150, B1500 VANS, D100, D150 PICKUP, Ramcharger, W100, W150 PICKUP, WM300 Power Wagon PICKUP (cont.)**

**4WD FRONT AXLE**

**Pinion**

<b>1989-1986</b>	Dakota: 7.25" ring gear	
	Cone/Cup (inner) .....	HM88649-HM88610
	Seal (outer) .....	8516N
	Cone/Cup (outer) .....	M86649-M86610
	Kwik Slv (Opt Rpr) .....	KWK99168
<b>1989-1957</b>	Dana/Spicer 44 axles	
	Cone/Cup (inner) .....	31594-31520
	Cone/Cup (outer) .....	02872-02820
	Seal (outer) .....	5778
	Seal Viton Opt. ....	5778V
	Kwik Slv (Opt Rpr) .....	KWK99155

**Spindle Kit**

<b>1989-1973</b>	Dana/Spicer 44 axles	
	Bearing & Seal Kit .....	SBK1 <sup>33</sup>

**Spindle**

<b>1989-1973</b>	Dana/Spicer 44 axles	
	Seal (inner) .....	722108[2]
	Needle Bearing (inner) .....	B2110[2]
	Seal (outer) .....	722109[2]
<b>1972-1957</b>	Dana/Spicer 44 series	
	Needle Bearing .....	B2110[2]

**Steering Knuckle**

<b>1968-1957</b>	Dana/Spicer 44 axles	
	Seal .....	204005S[2]
	Cone/Cup .....	11590-11520[2]

**Intermediate Shaft**

<b>1989-1988</b>	Spicer 44 series (intermediate shaft)	
	Seal .....	710241[2]
	Needle Bearing .....	B5020[2]
	Needle Bearing (pilot) .....	SCE108[2]
<b>1987-1983</b>	Spicer 44 series (intermediate shaft)	
	Seal .....	473814[2]
	Needle Bearing .....	B5020[2]
	Needle Bearing (pilot) .....	SCE108[2]

**REAR AXLE**

**Differential Rebuild Kit**

<b>1989-1974</b>	9.25" ring gear	
	Kit .....	DRK304
<b>1989-1969</b>	8.25", 8.375" ring gears	
	Kit .....	DRK303
<b>1989-1986</b>	7.25" ring gear	
	Kit .....	DRK302
<b>1974-1968</b>	8.75" ring gear: 1.875" pinion shaft OD	
	Kit .....	DRK301
<b>1968-1957</b>	8.75" ring gear: 1.75" pinion shaft OD	
	Kit .....	DRK300

**Differential**

<b>1989-1987</b>	Dakota: 8.25"/8.375" ring gear	
	Set .....	SET36[2]
<b>1989-1980</b>	8.25", 8.375" ring gears	
	Set .....	SET36[2]
<b>1989-1969</b>	9.25" ring gear	
	Cone/Cup .....	JLM704649-JLM704610[2]
<b>1989-1987</b>	Dakota: 7.25" ring gear	
	Set .....	SET45[2]
<b>1979-1976</b>	8.375" ring gear	
	Set .....	SET36[2]
<b>1975</b>	8.375" ring gear: marked with "L"	
	Set .....	SET36[2]
<b>1975</b>	8.375" ring gear: not marked with "L"	
	Set .....	SET47[2]
<b>1974-1972</b>	8.375" ring gear	
	Set .....	SET47[2]
<b>1974-1968</b>	8.75" ring gear: 1.875" pinion shaft OD	
	Cone/Cup .....	LM104949-LM104912[2]
<b>1972-1966</b>	8.75" ring gear: 1.375" pinion shaft OD	
	Cone/Cup .....	LM104949-LM104912[2]
<b>1968-1962</b>	Dana/Spicer 70LD axle	
	Set .....	SET37[2]
<b>1968-1957</b>	8.75" ring gear: 1.75" pinion shaft OD	
	Cone/Cup .....	25590-25520[2]
<b>1966-1958</b>	RA-36 axle	
	Cone/Cup .....	25590-25520[2]
<b>1957-1946</b>	RA-36 axle	
	Cone/Cup .....	25580-25520[2]

**Pinion**

<b>1989-1987</b>	Dakota: 8.25" ring gear	
	Cone/Cup (inner) .....	M802048-M802011
	Seal (outer) .....	8516N
	Cone/Cup (outer) .....	M86649-M86610
<b>1989-1980</b>	8.25", 8.375" ring gears	
	Cone/Cup (inner) .....	M802048-M802011
	Seal (outer) .....	8516N
	Cone/Cup (outer) .....	M86649-M86610
<b>1989-1986</b>	Dakota: 7.25" ring gear	
	Cone/Cup (inner) .....	HM88649-HM88610
	Seal (outer) .....	8516N
	Cone/Cup (outer) .....	M86649-M86610
<b>1979-1972</b>	8.375" ring gear	
	Cone/Cup (inner) .....	M802048-M802011
	Seal (outer) .....	8516N
	Cone/Cup (outer) .....	M86649-M86610
<b>1974-1968</b>	8.75" ring gear: 1.875" pinion shaft OD	
	Cone/Cup (inner) .....	M804049-M804010
	Seal (outer) .....	5126
	Cone/Cup (outer) .....	M88048-M88010

[ ] Indicates Quantity Required; Set Components Listed Inside Rear Cover;  
<sup>33</sup> Opt. Kit incl: Bearing B2110; Seals 722108 & 722109

# Bearings and Seals

Mfg./Year    Model & Location    Part No    Mfg./Year    Model & Location    Part No

## **DODGE TRUCK - 1/2 TON - A100 PICKUP / VAN, B100, B150, B1500 VANS, D100, D150 PICKUP, Ramcharger, W100, W150 PICKUP, WM300 Power Wagon PICKUP (cont.)**

### **REAR AXLE (cont.)**

#### **Pinion (cont.)**

<b>1972-1966</b>	8.75" ring gear: 1.375" pinion shaft OD	
	Cone/Cup (inner) .....	HM89446-HM89410
	Seal (outer) .....	8515N
	Cone/Cup (outer) .....	M88048-M88010
<b>1968-1962</b>	Dana/Spicer 70LD axle	
	Cone/Cup (inner) .....	HM807040-HM807010
	Seal (outer) .....	6808N
	Cone/Cup (outer) .....	HM88542-HM88510
<b>1968-1957</b>	8.75" ring gear: 1.75" pinion shaft OD	
	Cone/Cup (inner) .....	HM803149-HM803110
	Seal (outer) .....	7216
	Cone/Cup (outer) .....	HM89443-HM89410
<b>1966-1951</b>	RA-36 axle	
	Cone/Cup (inner) .....	HM89446-HM89410
	Cone/Cup (outer) .....	HM89443-HM89410
<b>1950-1946</b>	RA-36 axle	
	Cone/Cup (inner) .....	31593-31520
	Cone/Cup (outer) .....	31590-31520

### **TRANSFER CASE REBUILD KIT**

<b>1989-1988</b>	New Process 205	
	Kit .....	TCRK205D
<b>1989-1986</b>	New Process 231	
	Kit .....	TCRK231 <sup>51</sup>
<b>1989-1988</b>	New Process 241	
	Kit .....	TCRK241A <sup>48</sup>
<b>1987-1986</b>	New Process 207	
	Kit .....	TCRK207
<b>1987-1969</b>	New Process 205	
	Kit .....	TCRK205G
<b>1986-1981</b>	New Process 208	
	Kit .....	TCRK208SPK <sup>47</sup>
<b>1979-1973</b>	New Process 203	
	Kit .....	TCRK203G

### **TRANSFER CASE**

#### **Input Shaft**

<b>1989-1988</b>	New Process 241	
	Seal .....	3173[2]
	Bearing .....	N5210KLB[2]
	Kwik Slv (Opt Rpr) .....	KWK99193
	Needle Bearing (pilot) .....	SCH1810
<b>1987-1980</b>	New Process 208	
	Seal .....	3173[2]
	Needle Bearing .....	B5020[2]
	Needle Bearing (pilot) .....	B2012
	Needle Bearing Thrust .....	AXK5070
<b>1987-1969</b>	New Process 205	
	Seal .....	473468[2]
	Bearing .....	1307L[2]
	Kwik Slv (Opt Rpr) .....	KWK99212[2]

### **TRANSFER CASE (cont.)**

#### **Input Shaft (cont.)**

<b>1979-1974</b>	New Process 203	
	Seal .....	3173[2]
	Bearing .....	1210L[2]
	Kwik Slv (Opt Rpr) .....	KWK99193[2]
	Needle Bearing (pilot) .....	QAR29523[15]
<b>1968-1957</b>	New Process 201	
	Seal .....	410308[2]
	Bearing .....	307L1
	Kwik Slv (Opt Rpr) .....	KWK99212

#### **Front Output Shaft**

<b>1989-1988</b>	New Process 241	
	Seal .....	3946
	Bearing .....	207
	Kwik Slv (Opt Rpr) .....	KWK99187
	Needle Bearing (pilot) .....	J2416
<b>1987-1980</b>	New Process 208	
	Seal .....	3946
	Needle Bearing .....	B2816
	Kwik Slv (Opt Rpr) .....	KWK99187
	Needle Bearing (pilot) .....	J2416
	Needle Bearing Thrust .....	NTA2840[2]
<b>1987-1969</b>	New Process 205	
	Seal .....	710005
	Bearing .....	307L[2]
	Kwik Slv (Opt Rpr) .....	KWK99212
	Needle Bearing (pilot) .....	M28161
<b>1979-1974</b>	New Process 203	
	Seal .....	710005
	Bearing .....	307L[2]
	Kwik Slv (Opt Rpr) .....	KWK99174
	Needle Bearing (pilot) .....	M28161
<b>1968-1957</b>	New Process 201	
	Seal .....	410308
	Bearing .....	307L[2]
	Kwik Slv (Opt Rpr) .....	KWK99212

#### **Rear Output Shaft**

<b>1989</b>	New Process 241	
	Seal .....	4333N
	Bearing .....	207
	Kwik Slv (Opt Rpr) .....	KWK99187
	Needle Bearing (pilot) .....	B5020[2]
<b>1989-1988</b>	New Process 241	
	Seal .....	3946
	Bearing .....	207
	Kwik Slv (Opt Rpr) .....	KWK99187
	Needle Bearing (pilot) .....	B5020[2]
<b>1987-1980</b>	New Process 208	
	Seal .....	3946
	Bearing .....	1207L
	Kwik Slv (Opt Rpr) .....	KWK99187
	Needle Bearing (pilot) .....	B3616
	Needle Bearing Thrust .....	TC2435

184 [ ] Indicates Quantity Required; Set Components Listed Inside Rear Cover;

<sup>47</sup> Includes Small Parts Kit    <sup>48</sup> BD50-8 I/S Brg., 307 Front O/S Brg.    <sup>51</sup> BD50-8 I/S Brg.

**DODGE TRUCK - 1/2 TON - A100 PICKUP / VAN, B100, B150, B1500 VANS, D100, D150 PICKUP, Ramcharger, W100, W150 PICKUP, WM300 Power Wagon PICKUP (cont.)**

**TRANSFER CASE (cont.)**

**Rear Output Shaft (cont.)**

<b>1987-1969</b>	New Process 205	
Seal	.....	473468
Bearing	.....	307L
Kwik Slv (Opt Rpr)	.....	KWK99212
Needle Bearing (pilot)	.....	B3216
<b>1979-1974</b>	New Process 203	
Seal	.....	473204
Bearing	.....	307L
Kwik Slv (Opt Rpr)	.....	KWK99212
Needle Bearing (pilot)	.....	QAR29523[15]
<b>1968-1957</b>	New Process 201	
Cone/Cup (inner)	.....	3780-3720
Seal (outer)	.....	410308
Cone/Cup (outer)	.....	2793-2720
Kwik Slv (Opt Rpr)	.....	KWK99212
Needle Bearing (pilot)	.....	QBR23549[30]

**Idler Shaft**

<b>1987-1986</b>	New Process 205	
Cone/Cup	.....	2793-2720[2]
<b>1979-1974</b>	New Process 203	
Needle Bearing	.....	QAR29523[72]
<b>1979-1957</b>	New Process 201, 205	
Cone/Cup	.....	2793-2720[2]

**Oil Pump Housing**

<b>1989-1980</b>	New Process 208, 231, 241	
Seal	.....	341022
Kwik Slv (Opt Rpr)	.....	KWK99225

**Selector Shaft Seal/Man. Shaft**

<b>1987-1969</b>	New Process 205	
Seal	.....	2287[2]
Kwik Slv (Opt Rpr)	.....	KWK99076[2]
<b>1968-1957</b>	New Process 201	
Seal	.....	6835S[2]
Kwik Slv (Opt Rpr)	.....	KWK99076[2]

**TRANSMISSION REBUILD KIT**

<b>1989-1987</b>	New Venture 535	
Kit	.....	TRK535

**AUTOMATIC TRANSMISSION**

**Torque Converter**

<b>1960-1956</b>		
Seal	.....	6879H
Kwik Slv (Opt Rpr)	.....	KWK99212
<b>1954</b>		
Seal	.....	331107N
Kwik Slv (Opt Rpr)	.....	KWK99199

**AUTOMATIC TRANSMISSION**

**Rear Seal/Ext. Housing**

<b>1960-1956</b>	Power-flite: 2-speed	
Bearing	.....	206WB
<b>1954</b>	Automatic Drive	
Seal	.....	7300S
Seal Kit	.....	5203 <sup>64</sup>
<b>1954-1948</b>	Fluid Drive	
Seal	.....	8160S
Bearing	.....	206WB

**Input Shaft**

<b>1954-1948</b>		
Bearing	.....	1307SLI

**Output Shaft**

<b>1954-1948</b>		
Bearing	.....	307TB

**3-SPEED AUTOMATIC TRANSMISSION**

**Torque Converter**

<b>1989-1965</b>	A904, A998, A999, 31RH, 32RH	
Seal	.....	331228H
Kwik Slv (Opt Rpr)	.....	KWK99149
<b>1989-1961</b>	A727, 36RH	
Seal	.....	331227H
Kwik Slv (Opt Rpr)	.....	KWK99187
<b>1960-1957</b>		
Seal	.....	6988H
Kwik Slv (Opt Rpr)	.....	KWK99193

**Rear Seal/Ext. Housing**

<b>1989-1987</b>	A998, A999, 31RH, 32RH	
Seal	.....	2506
Bearing	.....	206LOE <sup>38</sup>
<b>1989-1987</b>	A727, 36RH	
Seal	.....	7300S
Bearing	.....	207XLO
Seal Kit	.....	5206 <sup>64</sup>
<b>1986-1980</b>	A727 (non-booted)	
Seal	.....	8160S
Bearing	.....	2061
<b>1986-1980</b>	A727 (booted)	
Seal	.....	7300S
Bearing	.....	207XLO
Seal Kit	.....	5206 <sup>64</sup>
<b>1986-1973</b>	A904 (2WD)	
Seal	.....	2506
Bearing	.....	206LOE <sup>38</sup>
<b>1986-1973</b>	A904 (4WD)	
Seal	.....	710058
Bearing	.....	206LOE <sup>38</sup>
<b>1979-1961</b>	A727: 2-pc driveshaft	
Seal	.....	8160S
Bearing	.....	2061

[ ] Indicates Quantity Required; Set Components Listed Inside Rear Cover;  
<sup>38</sup> Use Old Snap Ring    <sup>64</sup> Opt. Seal and Bushing Kit

# Bearings and Seals

Mfg./Year    Model & Location    Part No    Mfg./Year    Model & Location    Part No

## **DODGE TRUCK - 1/2 TON - A100 PICKUP / VAN, B100, B150, B1500 VANS, D100, D150 PICKUP, Ramcharger, W100, W150 PICKUP, WM300 Power Wagon PICKUP (cont.)**

### **3-SPEED AUTOMATIC TRANSMISSION (cont.)**

#### **Rear Seal/Ext. Housing (cont.)**

<b>1979-1961</b>	A727: 1-pc driveshaft	
Seal	.....	7300S
Bearing	.....	207XLO
Seal Kit	.....	5206 <sup>64</sup>
<b>1972-1965</b>	A904	
Seal	.....	8935S
Bearing	.....	206LOE <sup>38</sup>
<b>1959-1957</b>		
Seal	.....	473234

#### **Clutch Cam**

<b>1989-1961</b>	A727	
Needle Bearing	.....	W585Q[12]

#### **Selector Shaft Seal/Man. Shaft**

<b>1989-1965</b>		
Seal	.....	8609
<b>1959-1957</b>		
Seal	.....	7929S

### **CLUTCH - 6 CYLINDER**

#### **Pilot Bearing**

<b>1989-1957</b>		
Bushing H/D	.....	PB286HD

### **CLUTCH - 8 CYLINDER**

#### **Pilot Bearing**

<b>1989-1959</b>		
Bushing H/D	.....	PB286HD

### **CLUTCH**

#### **Release Bearing**

<b>1989-1988</b>	diesel engines	
Bearing Assy	.....	614070
<b>1989-1988</b>	Dakota	
Bearing Assy	.....	614054
<b>1989-1968</b>	100/150 Series: hydraulic clutch	
Bearing Assy	.....	614054
<b>1987-1969</b>	100/150 Series: exc. hydraulic clutch	
Bearing Assy	.....	614036
<b>1968-1964</b>	A100: 6-cylinder	
Bearing Only	.....	1505
<b>1968-1959</b>	100 Series: exc. A100 6-cylinder	
Bearing Only	.....	DC2065C
<b>1958-1957</b>	300 Series: 3-speed	
Bearing Only	.....	D2065C
<b>1956-1954</b>	B Series	
Bearing Only	.....	D2065C

### **3-SPEED MANUAL TRANSMISSION**

#### **Front Input Shaft**

<b>1981-1980</b>	A230 New Process: 20-spline	
Seal	.....	9376
Bearing	.....	308LOE
<b>1981-1980</b>	A230 New Process: 18-spline	
Seal	.....	9376
Bearing	.....	307LOI
<b>1980-1974</b>	Tremac	
Seal	.....	482208
Bearing	.....	208LO
Kwik Slv (Opt Rpr)	.....	KWK99112
<b>1979-1974</b>	A230 New Process	
Seal	.....	9376
Bearing	.....	1307L
<b>1973-1970</b>	A230 New Process	
Seal	.....	9376
Bearing	.....	307LI
<b>1971-1963</b>	A903 New Process	
Seal	.....	9376
Bearing	.....	1207L
<b>1971-1950</b>	A250 New Process	
Seal	.....	9376
Bearing	.....	N307LOE
<b>1970-1961</b>	A745 New Process: 10-spline shaft	
Seal	.....	353135
Bearing	.....	307LI
Kwik Slv (Opt Rpr)	.....	KWK99125
<b>1970-1961</b>	A745 New Process: 23-spline shaft	
Seal	.....	9376
Bearing	.....	307LI
Seal Kit	.....	5206 <sup>64</sup>
<b>1966-1959</b>	Warner T87	
Bearing	.....	1209L
<b>1960-1959</b>	T85 Warner	
Seal	.....	353135
Bearing	.....	307L
Kwik Slv (Opt Rpr)	.....	KWK99125
<b>1960-1946</b>	Chrysler H/D	
Bearing	.....	1207SL
<b>1958-1946</b>	Chrysler L/D	
Bearing	.....	1207L

#### **Mainshaft Pilot**

<b>1981-1980</b>	New Process A230	
Needle Bearing	.....	QBR23549[15]
<b>1980-1974</b>	Tremec 150T	
Needle Bearing	.....	QBR23549[15]
<b>1979-1961</b>	New Process A230, A745, A903	
Needle Bearing	.....	QBR23549[15]
<b>1975-1971</b>	New Process A250	
Needle Bearing	.....	QBR23549[14]
<b>1966-1959</b>	Warner T87	
Needle Bearing	.....	W1590Q[16]
<b>1960-1959</b>	Warner T85	
Needle Bearing	.....	QBR23549[14]
<b>1960-1953</b>	Chrysler design	
Needle Bearing	.....	QBR23549[14]

186 [ ] Indicates Quantity Required; Set Components Listed Inside Rear Cover;

<sup>38</sup> Use Old Snap Ring    <sup>64</sup> Opt. Seal and Bushing Kit

**DODGE TRUCK - 1/2 TON - A100 PICKUP / VAN, B100, B150, B1500 VANS, D100, D150 PICKUP, Ramcharger, W100, W150 PICKUP, WM300 Power Wagon PICKUP (cont.)**

**3-SPEED MANUAL TRANSMISSION**

**Countershaft**

<b>1980-1974</b>	Tremec 150T	
	Needle Bearing .....	C1086Q[50]
<b>1975-1971</b>	New Process A250	
	Needle Bearing .....	C407Q[88]
<b>1971-1963</b>	New Process A903	
	Needle Bearing .....	C1086Q[44]
<b>1966-1959</b>	Warner T87	
	Journal Bearing .....	J322080[2]
<b>1960-1959</b>	Warner T85	
	Needle Bearing .....	S443Q[88]
<b>1958-1946</b>	Chrysler L/D	
	Needle Bearing .....	C1086Q[44]

**Rear Output Shaft**

<b>1981-1980</b>	A230 New Process: 30-spline	
	Seal .....	7300S
	Bearing .....	308LOE
	Seal Kit .....	5206 <sup>64</sup>
<b>1981-1980</b>	A230 New Process: 26-spline	
	Seal .....	2506
	Bearing .....	307LOI
<b>1981-1970</b>	A230 New Process: 23-spline	
	Seal .....	8160S
	Bearing .....	307L
<b>1980-1974</b>	Tremec	
	Seal .....	7300S
	Bearing .....	207L
	Seal Kit .....	5206 <sup>64</sup>
<b>1979-1970</b>	A230 New Process: 30-spline	
	Seal .....	7300S
	Bearing .....	1307
	Seal Kit .....	5206 <sup>64</sup>
<b>1975-1971</b>	A250 New Process: 30-spline shaft	
	Seal .....	2506
	Bearing .....	N207XE
<b>1975-1971</b>	A250 New Process: 26-spline shaft	
	Seal .....	8935S
	Bearing .....	N307LOE
	Seal Kit .....	5207 <sup>64</sup>
<b>1971-1963</b>	A903 New Process	
	Seal .....	8160S
	Bearing .....	1207L
<b>1970-1961</b>	A745 New Process: 23-spline shaft	
	Seal .....	8160S
	Bearing .....	2061
<b>1970-1961</b>	A745 New Process: 30-spline shaft	
	Seal .....	7300S
	Bearing .....	1307
	Seal Kit .....	5206 <sup>64</sup>
<b>1966-1959</b>	Warner T87	
	Seal .....	450308
	Bearing .....	307LI

**3-SPEED MANUAL TRANSMISSION (cont.)**

**Rear Output Shaft (cont.)**

<b>1960-1959</b>	85 Warner	
	Seal .....	8160S
	Bearing .....	1307
<b>1960-1946</b>	Chrysler L/D	
	Seal .....	8160S
	Bearing .....	1207L

**Selector Shaft Seal/Man. Shaft**

<b>1979-1961</b>	New Process	
	Seal .....	7188S[2]
	Kwik Slv (Opt Rpr) .....	KWK99062[2]
<b>1966-1959</b>	Warner	
	Seal .....	340797
	Kwik Slv (Opt Rpr) .....	KWK99059

**4-SPEED MANUAL TRANSMISSION**

**Transmission Rebuild Kit**

<b>1989-1986</b>	New Process 435	
	Kit .....	TRK127G <sup>53</sup>
<b>1989-1965</b>	New Process 435	
	Kit .....	TRK127B <sup>54</sup>

**Input Shaft**

<b>1989-1988</b>	New Process 435	
	Seal .....	9376
	Bearing .....	308L
<b>1989-1974</b>	A833 New Process	
	Seal .....	9376
	Bearing .....	308LOE
<b>1987-1969</b>	New Process 435, 445	
	Seal .....	482163N
	Cone/Cup .....	HM88649-HM88610
	Kwik Slv (Opt Rpr) .....	KWK99138
<b>1968-1967</b>	New Process 435	
	Seal .....	482163N
	Bearing .....	1308L
	Kwik Slv (Opt Rpr) .....	KWK99138
<b>1966-1963</b>	New Process 435	
	Bearing .....	1308L
<b>1966-1963</b>	New Process 420	
	Bearing .....	1209SL
<b>1963</b>	New Process (1.250")	
	Seal .....	471413
	Cone/Cup .....	HM88649-HM88610
	Kwik Slv (Opt Rpr) .....	KWK99125
<b>1963</b>	New Process 435 (1.500" spline)	
	Seal .....	470059
	Cone/Cup .....	HM88649-HM88610
	Kwik Slv (Opt Rpr) .....	KWK99149
<b>1963</b>	New Process 435 (1.375" spline)	
	Seal .....	482163N
	Cone/Cup .....	HM88649-HM88610
	Kwik Slv (Opt Rpr) .....	KWK99138

[ ] Indicates Quantity Required; Set Components Listed Inside Rear Cover;  
<sup>53</sup> Ball I/S Brg.    <sup>54</sup> Tapered I/S Brg.    <sup>64</sup> Opt. Seal and Bushing Kit



# Bearings and Seals

Mfg./Year    Model & Location    Part No    Mfg./Year    Model & Location    Part No

## **DODGE TRUCK - 1/2 TON - A100 PICKUP / VAN, B100, B150, B1500 VANS, D100, D150 PICKUP, Ramcharger, W100, W150 PICKUP, WM300 Power Wagon PICKUP (cont.)**

### **4-SPEED MANUAL TRANSMISSION**

#### **Mainshaft Pilot**

**1989-1958**    New Process 435, 445  
 Needle Bearing ..... Q15902[14]  
**1989-1974**    New Process A833  
 Needle Bearing ..... QBR23549[16]

#### **Countershaft**

**1989-1963**    New Process 435, 436  
 Needle Bearing (front) ..... BCE2416  
 Needle Bearing (rear) ..... B3216  
 Needle Bearing Thrust ..... NTA2031  
**1981-1970**    New Process 445  
 Needle Bearing (front) ..... BCE2416  
 Needle Bearing (rear) ..... B3216  
**1968-1946**    New Process 420  
 Bearing (front) ..... 1207SL  
 Needle Bearing (rear) ..... M28161

#### **Reverse Idler**

**1989-1963**    New Process 435, 436  
 Needle Bearing ..... C407Q  
**1981-1980**    New Process 445  
 Needle Bearing ..... Q8324[21]

#### **Rear Output Shaft**

**1989-1988**    New Process 435  
 Seal ..... 8160S  
 Bearing ..... 308L  
**1989-1974**    A833 New Process  
 Seal ..... 7300S  
 Bearing ..... 308LOE  
 Seal Kit ..... 5206<sup>64</sup>  
**1987-1969**    New Process 435  
 Seal ..... 8160S  
 Bearing ..... 1308L  
**1981-1970**    New Process 445  
 Seal ..... 8160S  
 Cone/Cup ..... M201047S-M201011  
 Needle Bearing Thrust ..... FA35688  
**1968-1963**    New Process 435, 436  
 Seal ..... 470189  
 Bearing ..... 1308L  
**1968-1946**    New Process 420  
 Seal ..... 450308  
 Bearing ..... 1307

### **5-SPEED MANUAL TRANSMISSION**

#### **Front Input Shaft**

**1989-1988**    New Process A536, 2500  
 Seal ..... 9376  
 Bearing ..... 307LI  
 Kwik Slv (Opt Rpr) ..... KWK99106

### **5-SPEED MANUAL TRANSMISSION**

#### **Countershaft**

**1989-1988**    New Process A536, 2500  
 Cone/Cup (front) ..... LM67048-LM67010BCE  
 Set (rear) ..... SET2

#### **Mainshaft Pilot**

**1989-1988**    New Process A536, 2500  
 Needle Bearing ..... QBR23549[16]

#### **Mainshaft 1st Speed Gear**

**1989-1988**    New Process A536, 2500  
 Needle Bearing ..... FW455017[2]

#### **Rear Output Shaft**

**1989-1988**    New Process A536, 2500 (4WD)  
 Seal ..... 710058  
 Bearing ..... 208  
**1989-1988**    New Process A536, 2500 (2WD)  
 Seal ..... 2506  
 Bearing ..... 208

#### **Extension Housing**

**1989-1988**    New Process A536, 2500  
 Bearing ..... 1207L

### **A/C COMPRESSOR**

**1989-1978**    Nippondenso  
 Bearing ..... 5000KFF  
**1983-1959**    Chrysler / Airtemp  
 Bearing ..... 5206DD  
**1968-1959**  
 Bearing (Frt head) ..... 205BB

### **ALTERNATOR**

**1987-1974**    86, 100, 114 amp  
 Bearing (drive end) ..... 303SS  
**1987-1961**    31, 41, 50, 53, 60, 65, 78 amp  
 Bearing (drive end) ..... 203FF  
**1987-1961**    31, 41, 50, 53, 60, 65, 78 amp  
 Bearing (rear end) ..... MNJ471S

### **DRIVESHAFT SUPPORT**

**1989-1956**    1.378" (35mm) bearing ID  
 Bearing ..... 88107  
 Hanger Bearing Assy ..... HB88107A  
 Hanger Bearing Assy  
 (assembly with slingers) ..... HB88107B

### **POWER STEERING**

#### **Pump Shaft**

**1989-1961**  
 Seal ..... 7013S  
**1960-1959**    Eaton pump  
 Seal ..... 6835S

Mfg./Year    Model & Location    Part No    Mfg./Year    Model & Location    Part No

**DODGE TRUCK - 1/2 TON - A100 PICKUP / VAN, B100, B150, B1500 VANS, D100, D150 PICKUP, Ramcharger, W100, W150 PICKUP, WM300 Power Wagon PICKUP (cont.)**

**MANUAL STEERING**

**Sector Shaft**

<b>1989-1957</b>	Saginaw design	
Seal .....		323126
<b>1987-1962</b>	Chrysler design	
Seal .....		6859S

**Worm Shaft**

<b>1989-1957</b>	Saginaw design	
Seal .....		323138
Bearing .....		8537[2]
<b>1979-1974</b>	Chrysler design	
Bearing .....		8572[2]

**CAMSHAFT SEAL**

**4 Cylinder**

<b>1989-1988</b>	153/2.5L	
Seal .....		3655S
Kwik Slv (Opt Rpr) .....		KWK99139

**CRANKSHAFT REAR SEAL**

**6 Cylinder**

<b>1989-1987</b>	239/3.9L	
Seal .....		5414
<b>1987-1961</b>	225/3.7L	
Seal .....		5650
<b>1971-1961</b>	170/2.8, 198/3.2	
Seal .....		5576

**8 Cylinder**

<b>1989-1979</b>	318/5.2L	
Seal .....		5414
<b>1978-1967</b>	383/6.3, 400/6.6, 413/6.7, 440/7.2	
Seal .....		5576

**TIMING COVER**

**6 Cylinder**

<b>1989-1987</b>	239/3.9L	
Seal .....		3103
Kwik Slv (Opt Rpr) .....		KWK99218

**8 Cylinder**

<b>1989-1960</b>	318/5.2L, 360/5.9L	
Seal .....		3103
Kwik Slv (Opt Rpr) .....		KWK99218

**DODGE TRUCK - 3/4 TON - 200, 250 Series, 2500 Series, Pickup, Power Wagon, Van**

**FRONT WHEEL**

**2WD**

<b>1989-1986</b>	B2500	
Seal (inner) .....		3087[2]
Set (inner) .....		SET11
Set (outer) .....		SET16
<b>1989-1984</b>	5-lug wheels: 3300 lb. axle	
Seal (inner) .....		3087[2]
Set (inner) .....		SET11
Set (outer) .....		SET16
<b>1989-1984</b>	8-lug wheels: 3700 lb. axle	
Seal (inner) .....		493291[2]
Set (inner) .....		SET45
Cone/Cup (outer) .....		15101-15245[2]
<b>1989-1980</b>	8-lug wheels: 3800 lb. axle	
Seal (inner) .....		493291[2]
Set (inner) .....		SET45
Cone/Cup (outer) .....		15101-15245[2]
<b>1989-1980</b>	8-lug wheels: 4000 lb. axle	
Seal (inner) .....		493291[2]
Set (inner) .....		SET45
Cone/Cup (outer) .....		15101-15245[2]

**FRONT WHEEL (cont.)**

**2WD (cont.)**

<b>1983-1980</b>	5-lug wheels: 3300 lb. axle	
Seal (inner) .....		5121[2]
Set (inner) .....		SET17
Set (outer) .....		SET16
<b>1983-1978</b>	8-lug wheels: 3600 lb. axle	
Seal (inner) .....		3087[2]
Set (inner) .....		SET11
Set (outer) .....		SET16
<b>1979-1978</b>	5-lug wheels: 3300 lb. axle	
Seal (inner) .....		5121[2]
Set (inner) .....		SET17
Set (outer) .....		SET16
<b>1979-1973</b>	8-lug wheels: 3800 & 4000 lb. axles	
Seal (inner) .....		493291[2]
Set (inner) .....		SET45
Cone/Cup (outer) .....		15101-15245[2]
<b>1977-1973</b>	5-lug wheels: 3000 lb. axle	
Seal (inner) .....		5121[2]
Set (inner) .....		SET17
Set (outer) .....		SET16

# Bearings and Seals

Mfg./Year    Model & Location    Part No    Mfg./Year    Model & Location    Part No

## **DODGE TRUCK - 3/4 TON - 200, 250 Series, 2500 Series, Pickup, Power Wagon, Van (cont.)**

### **FRONT WHEEL (cont.)**

#### **2WD (cont.)**

<b>1977-1973</b>	8-lug wheels: 3300 lb. axle	
Seal (inner)	.....	3087[2]
Set (inner)	.....	SET11
Set (outer)	.....	SET16
<b>1972-1970</b>	B200: drum brakes	
Seal (inner)	.....	6960[2]
Set (inner)	.....	SET5
Set (outer)	.....	SET2
<b>1972-1970</b>	B200: disc brakes	
Seal (inner)	.....	8473S[2]
Set (inner)	.....	SET5
Set (outer)	.....	SET3
<b>1972-1964</b>	P200	
Seal (inner)	.....	6781[2]
Set (inner)	.....	SET5
Set (outer)	.....	SET3
<b>1972-1964</b>	D200: 12" x 3" brakes	
Seal (inner)	.....	493291[2]
Set (inner)	.....	SET45
Cone/Cup (outer)	.....	15101-15245[2]
<b>1972-1964</b>	D200: 12" x 2.5" brakes	
Seal (inner)	.....	6781[2]
Set (inner)	.....	SET5
Set (outer)	.....	SET3
<b>1963-1958</b>		
Seal (inner)	.....	6781[2]
Set (inner)	.....	SET5
Set (outer)	.....	SET3
<b>1957</b>		
Seal (inner)	.....	6781[2]
Cone/Cup (inner)	.....	14138A-14276[2]
Cone/Cup (outer)	.....	12580-12520[2]
<b>1956-1954</b>		
Seal (inner)	.....	6781[2]
Cone/Cup (inner)	.....	14138A-14276[2]
Cone/Cup (outer)	.....	09074-09194[2]
<b>1953-1946</b>		
Seal (inner)	.....	5836[2]
Cone/Cup (inner)	.....	14125A-14276[2]
Cone/Cup (outer)	.....	09074-09194[2]

#### **4WD**

<b>1989-1986</b>	Dana/Spicer 44F-BJ axle	
Seal (inner)	.....	4250[2]
Cone/Cup (inner)	.....	LM104949-JLM104910[2]
Set (outer)	.....	SET45
<b>1989-1975</b>	Dana/Spicer 60F axle	
Seal (inner)	.....	415009[2]
Cone/Cup (inner)	.....	387A-382A[2]
Set (outer)	.....	SET38
<b>1985-1980</b>	Dana/Spicer 44F-BJ non-locking hub	
Seal (inner)	.....	413248[2]
Cone/Cup (inner)	.....	LM104949-JLM104910[2]
Set (outer)	.....	SET45

### **FRONT WHEEL (cont.)**

#### **4WD (cont.)**

<b>1985-1980</b>	Dana/Spicer 44F-BJ locking hub	
Seal (inner)	.....	471271[2]
Cone/Cup (inner)	.....	LM104949-JLM104910[2]
Set (outer)	.....	SET45
<b>1979-1975</b>	Dana/Spicer 44F-BJ axle	
Seal (inner)	.....	413248[2]
Set (inner)	.....	SET25
Set (outer)	.....	SET25
<b>1974-1969</b>	Dana/Spicer 70F axle	
Seal (inner)	.....	411348[2]
Cone/Cup (inner)	.....	387A-382A[2]
Set (outer)	.....	SET38
<b>1974-1969</b>	Dana/Spicer 44-3CF, 44-3CFHD axles	
Seal (inner)	.....	442380[2]
Set (inner)	.....	SET37
Set (outer)	.....	SET45
<b>1968-1957</b>	Dana/Spicer 44-3F axle	
Seal (inner)	.....	40316S[2]
Cone/Cup (inner)	.....	18685-18620[2]
Cone/Cup (outer)	.....	18685-18620[2]

### **REAR WHEEL**

<b>1989-1980</b>	B 200/250; 8.25", 8.375" ring gear	
Seal	.....	8835S[2]
Cyl. Bearing	.....	6408[2]
Kit	.....	TRP1559TV[2] <sup>19</sup>
<b>1989-1984</b>	9.25" ring gear: Heavy Duty	
Seal	.....	710067[2]
Cyl. Bearing	.....	R1561TV[2]
Kit	.....	TF01561R[2] <sup>19</sup>
<b>1989-1980</b>	D & W 200/250 Series: 9.25" ring gears: std. duty	
Seal	.....	8835S[2]
Cyl. Bearing	.....	6408[2]
Kit	.....	TRP1559TV[2] <sup>19</sup>
<b>1989-1981</b>	D250; W250; Spicer 70; (12x3" brakes)(9000 GVW)	
Seal (inner)	.....	417158[2]
Cone/Cup (inner)	.....	28682-28622[2]
Set (outer)	.....	SET38
<b>1989-1980</b>	D & W 200/250 Series: Spicer 60HD, 70, 71 axles: 12"x3" brakes: exc. 9000 lb. axle	
Seal (inner)	.....	455086[2]
Cone/Cup (inner)	.....	45291-45220[2]
Set (outer)	.....	SET38
<b>1989-1977</b>	D & W 200/250; Spicer 60; (12x2.5")	
Seal (inner)	.....	4250[2]
Set (inner)	.....	SET38
Set (outer)	.....	SET38
<b>1979-1972</b>	D200; W200; Spicer 70; (12x3" brakes)(9000 GVW)	
Seal (inner)	.....	417158[2]
Cone/Cup (inner)	.....	28682-28622[2]
Set (outer)	.....	SET38

**190** [ ] Indicates Quantity Required; Set Components Listed Inside Rear Cover;

<sup>19</sup> Opt. Axle Repair Bearing. Replaces O.E. bearing & seal.

**DODGE TRUCK - 3/4 TON - 200, 250 Series, 2500 Series, Pickup, Power Wagon, Van (cont.)**

**REAR WHEEL (cont.)**

<b>1979-1972</b>	D200; W200; Spicer 60HD, 70; (12x3" brakes)(exc. 9000 GVW)	
Seal (inner)	.....	455086[2]
Cone/Cup (inner)	.....	45291-45220[2]
Set (outer)	.....	SET38
<b>1979-1969</b>	8.25", 8.375", 9.25" ring gears	
Seal (inner)	.....	8835S[2]
Cyl. Bearing (inner)	.....	6408[2]
Kit	.....	TRP1559TV[2] <sup>19</sup>
<b>1977-1970</b>	B200 Series: 8.75" ring gear	
Seal (inner)	.....	8695S[2]
Seal (outer)	.....	8704S[2]
Set (outer)	.....	SET7
<b>1973-1969</b>	D200, P200, W 200; Spicer 60; (12x2.5" brakes)	
Seal (inner)	.....	475458[2]
Cone/Cup (inner)	.....	370A-362A[2]
Cone/Cup (outer)	.....	359S-354A[2]
<b>1968-1959</b>	Spicer 60 axle, (12x2.5" brakes)	
Seal (inner)	.....	410825[2]
Cone/Cup (inner)	.....	368A-362A[2]
Cone/Cup (outer)	.....	359S-354A[2]
<b>1968-1957</b>	D200; W200	
Seal (inner)	.....	417485[2]
Cone/Cup (inner)	.....	28682-28622[2]
Seal (outer)	.....	417485[2]
Cone/Cup (outer)	.....	28580-28521[2]

**4WD FRONT AXLE**

**Axle Shaft**

<b>1989-1985</b>	Dana/Spicer 44F-BJ axle	
Seal	.....	5131[2]
Set	.....	SET9
Needle Bearing (pilot)	.....	B228[2]
<b>1984-1973</b>	Dana/Spicer 44F-BJ axle	
Seal	.....	5131[2]
<b>1979-1975</b>	Dana/Spicer 60F axle	
Seal	.....	470682[2]
<b>1974-1957</b>	Dana/Spicer 44-3CF, 44-3CFHD, 44-3F axles	
Seal	.....	40769S[2]

**Differential Rebuild Kit**

<b>1989-1975</b>	Dana/Spicer 60F axle	
Kit	.....	DRK331
<b>1989-1968</b>	Dana/Spicer 44-3CF, 44-3CFHD, 44F-BJ axles	
Kit	.....	DRK339B
<b>1974-1958</b>	Dana/Spicer 70F axle	
Kit	.....	DRK332

**Differential**

<b>1989-1958</b>	Dana/Spicer 60F, 70F axles	
Cone/Cup	.....	387A-382S[2]
<b>1989-1969</b>	Dana/Spicer 44-3CF, 44-3CFHD, 44F-BJ axles	
Cone/Cup	.....	25590-25523[2]

**4WD FRONT AXLE (cont.)**

**Differential (cont.)**

<b>1968-1957</b>	Dana/Spicer 44-3CF, 44-3CFHD, 44-3F axles	
Cone/Cup	.....	25577-25523[2]

**Pinion**

<b>1989-1975</b>	Dana/Spicer 60F axle	
Cone/Cup (inner)	.....	HM803146-HM803110
Seal (outer)	.....	9316
Cone/Cup (outer)	.....	HM88542-HM88510
<b>1989-1973</b>	Dana/Spicer 44F-BJ axle	
Cone/Cup (inner)	.....	31594-31520
Seal Viton (outer)	.....	5778V
Cone/Cup (outer)	.....	02872-02820
<b>1974-1958</b>	Dana/Spicer 70F axle	
Cone/Cup (inner)	.....	HM807040-HM807010
Seal (outer)	.....	6808N
Cone/Cup (outer)	.....	HM88542-HM88510
<b>1972-1957</b>	Dana/Spicer 44-3CF, 44-3CFHD, 44-3F axles	
Cone/Cup (inner)	.....	31594-31520
Seal (outer)	.....	5778
Cone/Cup (outer)	.....	02872-02820

**Spindle Kit**

<b>1989-1973</b>	Dana/Spicer 44F-BJ axle	
Bearing & Seal Kit	.....	SBK1 <sup>33</sup>
<b>1979-1975</b>	Dana/Spicer 60F axle	
Bearing & Seal Kit	.....	SBK3 <sup>35</sup>

**Spindle**

<b>1989-1973</b>	Dana/Spicer 44F-BJ axle	
Seal (inner)	.....	722108[2]
Needle Bearing (inner)	.....	B2110[2]
Seal (outer)	.....	722109[2]
<b>1989-1986</b>	Dana/Spicer 60F axle	
Seal (inner)	.....	710044[2]
Needle Bearing (inner)	.....	B2414[2]
Seal (outer)	.....	710045[2]
<b>1985-1980</b>	Dana/Spicer 60F axle	
Seal	.....	41461S[2]
Needle Bearing	.....	B2414[2]
<b>1979-1975</b>	Dana/Spicer 60F axle	
Seal (inner)	.....	710044[2]
Needle Bearing (inner)	.....	B2414[2]
Seal (outer)	.....	710045[2]
<b>1974-1957</b>	Dana/Spicer 44-3CF, 44-3CFHD, 44-3F axles	
Needle Bearing	.....	B2110[2]

[ ] Indicates Quantity Required; Set Components Listed Inside Rear Cover;

<sup>19</sup> Opt. Axle Repair Bearing. Replaces O.E. bearing & seal.    <sup>33</sup> Opt. Kit incl: Bearing B2110; Seals 722108 & 722109    <sup>35</sup> Opt. Kit incl: Bearing B2414; Seals 710044 & 710045

# Bearings and Seals

Mfg./Year    Model & Location    Part No    Mfg./Year    Model & Location    Part No

## **DODGE TRUCK - 3/4 TON - 200, 250 Series, 2500 Series, Pickup, Power Wagon, Van (cont.)**

### **4WD FRONT AXLE**

#### **Steering Knuckle**

<b>1989-1966</b>	Spicer 44-3CFHD, 60F axles	
	Seal (upper) .....	710304[2]
	Cone/Cup (upper) .....	23100-23256[2]
	Seal (lower) .....	710385[2]
	Cone/Cup (lower) .....	23100-23256[2]
<b>1974-1958</b>	Spicer 70F axle	
	Cone/Cup .....	23100-23256[2]
<b>1966-1957</b>	Spicer 44-3F axle	
	Seal .....	204005S[2]
	Cone/Cup .....	11590-11520[2]

#### **Intermediate Shaft**

<b>1989-1988</b>	Spicer 44FBJ	
	Seal .....	710241[2]
	Needle Bearing .....	B5020[2]
	Needle Bearing (pilot) .....	SCE108[2]
<b>1987-1983</b>	Spicer 44FBJ	
	Seal .....	473814[2]
	Needle Bearing .....	B5020[2]
	Needle Bearing (pilot) .....	SCE108[2]

### **REAR AXLE**

#### **Differential Rebuild Kit**

<b>1989-1984</b>	Dana/Spicer 70U, 71 axles	
	Kit .....	DRK332U
<b>1989-1961</b>	Dana/Spicer 60, 60HD axles	
	Kit .....	DRK331
<b>1989-1986</b>	8.25" ring gear	
	Kit .....	DRK303
<b>1989-1986</b>	8.375" ring gear	
	Kit .....	DRK303
<b>1989-1980</b>	9.25" ring gear	
	Kit .....	DRK304
<b>1986-1984</b>	Dana/Spicer 70 axles	
	Kit .....	DRK332
<b>1986-1980</b>	8.375" ring gear	
	Kit .....	DRK303
<b>1974-1968</b>	8.75" ring gear: 1.875" pinion shaft OD	
	Kit .....	DRK301
<b>1968-1957</b>	8.75" ring gear: 1.75" pinion shaft OD	
	Kit .....	DRK300

#### **Differential**

<b>1989-1986</b>	8.25" ring gear	
	Set .....	SET36[2]
<b>1989-1969</b>	9.25" ring gear	
	Cone/Cup .....	JLM704649-JLM704610[2]
<b>1989-1961</b>	Dana/Spicer 60, 60HD, 70, 70U, 71 axles	
	Cone/Cup .....	387A-382S[2]
<b>1989-1976</b>	8.375" ring gear	
	Set .....	SET36[2]
<b>1975</b>	8.375" ring gear: marked with "L"	
	Set .....	SET36[2]

### **REAR AXLE (cont.)**

#### **Differential (cont.)**

<b>1975</b>	8.375" ring gear: not marked with "L"	
	Set .....	SET47[2]
<b>1974-1972</b>	8.375" ring gear	
	Set .....	SET47[2]
<b>1974-1968</b>	8.75" ring gear: 1.875" pinion shaft OD	
	Cone/Cup .....	LM104949-LM104912[2]
<b>1972-1966</b>	8.75" ring gear: 1.375" pinion shaft OD	
	Cone/Cup .....	LM104949-LM104912[2]
<b>1968-1958</b>	RA-36 axle	
	Cone/Cup .....	25590-25520[2]
<b>1968-1957</b>	8.75" ring gear: 1.75" pinion shaft OD	
	Cone/Cup .....	25590-25520[2]
<b>1957-1946</b>	RA-36 axle	
	Cone/Cup .....	25580-25520[2]

#### **Pinion**

<b>1989-1986</b>	8.25" ring gear	
	Cone/Cup (inner) .....	M802048-M802011
	Seal (outer) .....	8516N
	Cone/Cup (outer) .....	M86649-M86610
<b>1989-1972</b>	Dana/Spicer 60, 60HD axles	
	Cone/Cup (inner) .....	HM803146-HM803110
	Seal (outer) .....	9316
	Cone/Cup (outer) .....	HM88542-HM88510
<b>1989-1984</b>	Dana/Spicer 70U, 71 axles	
	Cone/Cup (inner) .....	HM803149-HM803110
	Seal (outer) .....	9316
	Cone/Cup (outer) .....	HM88542-HM88510
<b>1989-1969</b>	9.25" ring gear	
	Cone/Cup (inner) .....	M804049-M804010
	Seal (outer) .....	5126
	Cone/Cup (outer) .....	M88048-M88010
<b>1989-1972</b>	8.375" ring gear	
	Cone/Cup (inner) .....	M802048-M802011
	Seal (outer) .....	8516N
	Cone/Cup (outer) .....	M86649-M86610
<b>1986-1984</b>	Dana/Spicer 70 axle: 5380, 7270 companion yokes	
	Cone/Cup (inner) .....	HM807040-HM807010
	Seal (outer) .....	9316
	Cone/Cup (outer) .....	HM88542-HM88510
<b>1974-1968</b>	8.75" ring gear: 1.875" pinion shaft OD	
	Cone/Cup (inner) .....	M804049-M804010
	Seal (outer) .....	5126
	Cone/Cup (outer) .....	M88048-M88010
<b>1972-1966</b>	8.75" ring gear: 1.375" pinion shaft OD	
	Cone/Cup (inner) .....	HM89446-HM89410
	Seal (outer) .....	8515N
	Cone/Cup (outer) .....	M88048-M88010

**DODGE TRUCK - 3/4 TON - 200, 250 Series, 2500 Series, Pickup, Power Wagon, Van (cont.)**

**REAR AXLE (cont.)**

**Pinion (cont.)**

<b>1971-1961</b>	Dana/Spicer 60, 60HD axles
	Cone/Cup (inner) ..... HM803146-HM803110
	Seal (outer) ..... 6808N
	Cone/Cup (outer) ..... HM88542-HM88510
<b>1968-1957</b>	8.75" ring gear: 1.75" pinion shaft
	OD
	Cone/Cup (inner) ..... HM803149-HM803110
	Seal (outer) ..... 7216
	Cone/Cup (outer) ..... HM89443-HM89410
<b>1968-1951</b>	RA-36 axle
	Cone/Cup (inner) ..... HM89446-HM89410
	Cone/Cup (outer) ..... HM89443-HM89410
<b>1960-1958</b>	R65M axle
	Cone/Cup (inner) ..... 59187-59412
	Seal (outer) ..... 6127
<b>1950-1946</b>	RA-36 axle
	Cone/Cup (inner) ..... 31593-31520
	Cone/Cup (outer) ..... 31590-31520

**TRANSFER CASE REBUILD KIT**

<b>1989-1988</b>	New Process 205
	Kit ..... TCRK205D
<b>1989-1988</b>	New Process 241
	Kit ..... TCRK241A <sup>48</sup>
<b>1987-1980</b>	New Process 208
	Kit ..... TCRK208SPK <sup>47</sup>
<b>1987-1969</b>	New Process 205
	Kit ..... TCRK205G
<b>1979-1974</b>	New Process 203
	Kit ..... TCRK203G

**TRANSFER CASE**

**Input Shaft**

<b>1989-1988</b>	New Process 241
	Seal ..... 3173[2]
	Bearing ..... N5210KLB
	Seal Dual Lip Opt. .... 710928[2]
	Kwik Slv (Opt Rpr) ..... KWK99193[2]
	Needle Bearing (pilot) ..... SCH1810
<b>1988-1969</b>	New Process 205
	Seal ..... 473468[2]
	Bearing ..... 1307L[2]
	Kwik Slv (Opt Rpr) ..... KWK99212[2]
<b>1987-1980</b>	New Process 208
	Seal ..... 3173[2]
	Needle Bearing ..... B5020[2]
	Seal Dual Lip Opt. .... 710928[2]
	Kwik Slv (Opt Rpr) ..... KWK99193[2]
	Needle Bearing (pilot) ..... B2012
	Needle Bearing Thrust ..... AXK5070
<b>1979-1974</b>	New Process 203
	Seal ..... 3173[2]
	Bearing ..... 1210L[2]
	Kwik Slv (Opt Rpr) ..... KWK99193[2]
<b>1968-1957</b>	New Process 201
	Seal ..... 410308[2]
	Bearing ..... 307LI[2]
	Kwik Slv (Opt Rpr) ..... KWK99212[2]

**Front Output Shaft**

<b>1989-1988</b>	New Process 241
	Seal ..... 3946
	Bearing ..... 207
	Kwik Slv (Opt Rpr) ..... KWK99187
	Needle Bearing (pilot) ..... J2416
<b>1989-1986</b>	New Process 205
	Seal ..... 473313
	Bearing ..... 307L
	Kwik Slv (Opt Rpr) ..... KWK99174
	Needle Bearing (pilot) ..... M28161
<b>1987-1980</b>	New Process 208
	Seal ..... 3946
	Needle Bearing ..... B2816
	Kwik Slv (Opt Rpr) ..... KWK99187
	Needle Bearing (pilot) ..... J2416
	Needle Bearing Thrust ..... NTA2840[2]
<b>1979-1974</b>	New Process 203
	Seal ..... 710005
	Bearing ..... 307L[2]
	Kwik Slv (Opt Rpr) ..... KWK99174
	Needle Bearing (pilot) ..... M28161
<b>1974-1969</b>	New Process 205
	Seal ..... 473468
	Bearing ..... 307L[2]
	Kwik Slv (Opt Rpr) ..... KWK99212
	Needle Bearing (pilot) ..... M28161
<b>1968-1957</b>	New Process 201
	Seal ..... 410308
	Bearing ..... 307L[2]
	Kwik Slv (Opt Rpr) ..... KWK99212

**Rear Output Shaft**

<b>1989-1988</b>	New Process 241
	Seal ..... 3946
	Bearing ..... 207
	Kwik Slv (Opt Rpr) ..... KWK99187
	Needle Bearing (pilot) ..... B5020[2]
<b>1989-1986</b>	New Process 205
	Seal ..... 473468
	Bearing ..... 307L
	Kwik Slv (Opt Rpr) ..... KWK99212
	Needle Bearing (pilot) ..... B3216
<b>1987-1980</b>	New Process 208
	Seal ..... 3946
	Bearing ..... 1207L
	Kwik Slv (Opt Rpr) ..... KWK99187
	Needle Bearing (pilot) ..... B3616
	Needle Bearing Thrust ..... TC2435
<b>1979-1974</b>	New Process 203
	Seal ..... 473204
	Bearing ..... 307L
	Kwik Slv (Opt Rpr) ..... KWK99212
	Needle Bearing (pilot) ..... QAR29523[15]
<b>1974-1969</b>	New Process 205
	Seal ..... 473468
	Bearing ..... 307L
	Kwik Slv (Opt Rpr) ..... KWK99212
	Needle Bearing (pilot) ..... B3216

[ ] Indicates Quantity Required; Set Components Listed Inside Rear Cover;

<sup>47</sup> Includes Small Parts Kit    <sup>48</sup> BD50-8 I/S Brg., 307 Front O/S Brg.

# Bearings and Seals

Mfg./Year    Model & Location    Part No    Mfg./Year    Model & Location    Part No

## **DODGE TRUCK - 3/4 TON - 200, 250 Series, 2500 Series, Pickup, Power Wagon, Van (cont.)**

### **TRANSFER CASE (cont.)**

#### **Rear Output Shaft (cont.)**

<b>1968-1957</b>	New Process 201	
	Cone/Cup (inner) .....	3780-3720
	Seal (outer) .....	410308
	Cone/Cup (outer) .....	2793-2720
	Kwik Slv (Opt Rpr) .....	KWK99212
	Needle Bearing (pilot) .....	QBR23549[30]

#### **Idler Shaft**

<b>1989-1986</b>	New Process 205	
	Cone/Cup .....	2793-2720[2]
<b>1979-1974</b>	New Process 203	
	Needle Bearing .....	QAR29523[72]
<b>1974-1957</b>	New Process 201, 205	
	Cone/Cup .....	2793-2720[2]

#### **Low Gear Roller**

<b>1987-1980</b>	New Process 208	
	Needle Bearing .....	QBR23549
<b>1974-1969</b>	New Process 205	
	Needle Bearing .....	QBR23549
<b>1968-1957</b>	New Process 201	
	Needle Bearing .....	C1960Q

#### **Oil Pump Housing**

<b>1989-1980</b>	New Process 208, 241	
	Seal .....	341022
	Kwik Slv (Opt Rpr) .....	KWK99225

#### **Drive Sprocket**

<b>1987-1980</b>	New Process 208	
	Needle Bearing .....	C1086Q[82]

#### **Selector Shaft Seal/Man. Shaft**

<b>1989-1986</b>	New Process 205	
	Seal .....	2287[2]
	Kwik Slv (Opt Rpr) .....	KWK99076[2]
<b>1974-1969</b>	New Process 205	
	Seal .....	2287[2]
	Kwik Slv (Opt Rpr) .....	KWK99076[2]
<b>1968-1957</b>	New Process 201	
	Seal .....	6835S[2]
	Kwik Slv (Opt Rpr) .....	KWK99076[2]

### **TRANSMISSION REBUILD KIT**

<b>1989-1986</b>	New Venture 435	
	Kit .....	TRK127G <sup>53</sup>
<b>1985-1965</b>	New Venture 435	
	Kit .....	TRK127B <sup>54</sup>

### **AUTOMATIC TRANSMISSION**

#### **Torque Converter**

<b>1960-1956</b>		
	Seal .....	6879H
	Kwik Slv (Opt Rpr) .....	KWK99212

### **AUTOMATIC TRANSMISSION (cont.)**

#### **Torque Converter (cont.)**

<b>1954</b>		
	Seal .....	331107N
	Kwik Slv (Opt Rpr) .....	KWK99199

#### **Rear Seal/Ext. Housing**

<b>1960-1956</b>	Power-flite: 2-speed	
	Bearing .....	206WB
<b>1954</b>	Automatic Drive	
	Seal .....	7300S
	Seal Kit .....	5203 <sup>64</sup>
<b>1954-1948</b>	Fluid Drive	
	Seal .....	8160S
	Bearing .....	206WB

#### **Selector Shaft Seal/Man. Shaft**

<b>1960-1956</b>	Power-flite: 2-speed	
	Seal .....	470018
	Kwik Slv (Opt Rpr) .....	KWK99062

### **3-SPEED AUTOMATIC TRANSMISSION**

#### **Torque Converter**

<b>1989-1965</b>	A904, A998, A999, 31RH, 32RH	
	Seal .....	331228H
	Kwik Slv (Opt Rpr) .....	KWK99149
<b>1989-1961</b>	A727, 36RH	
	Seal .....	331227H
	Kwik Slv (Opt Rpr) .....	KWK99187
<b>1961-1959</b>	Torque-Flite	
	Seal .....	6879H
	Kwik Slv (Opt Rpr) .....	KWK99193
<b>1960-1957</b>	Flash-o-Matic	
	Seal .....	6988H
	Kwik Slv (Opt Rpr) .....	KWK99193

#### **Rear Seal/Ext. Housing**

<b>1989-1987</b>	A998, A999, 31RH, 32RH	
	Seal .....	2506
	Bearing .....	206LOE <sup>38</sup>
<b>1989-1987</b>	A727, 36RH	
	Seal .....	7300S
	Bearing .....	207XLO
	Seal Kit .....	5206 <sup>64</sup>
<b>1986-1980</b>	A727 (non-booted)	
	Seal .....	8160S
	Bearing .....	2061
<b>1986-1980</b>	A727 (booted)	
	Seal .....	7300S
	Bearing .....	207XLO
	Seal Kit .....	5206 <sup>64</sup>
<b>1986-1973</b>	A904 (2WD)	
	Seal .....	2506
	Bearing .....	206LOE <sup>38</sup>
<b>1986-1973</b>	A904 (4WD)	
	Seal .....	710058
	Bearing .....	206LOE <sup>38</sup>

194 [ ] Indicates Quantity Required; Set Components Listed Inside Rear Cover;

<sup>38</sup> Use Old Snap Ring    <sup>53</sup> Ball I/S Brg.    <sup>54</sup> Tapered I/S Brg.    <sup>64</sup> Opt. Seal and Bushing Kit

**DODGE TRUCK - 3/4 TON - 200, 250 Series, 2500 Series, Pickup, Power Wagon, Van (cont.)**

**3-SPEED AUTOMATIC TRANSMISSION (cont.)**

**Rear Seal/Ext. Housing (cont.)**

<b>1979-1961</b>	A727: 2-pc driveshaft	
Seal	.....	8160S
Bearing	.....	2061
<b>1979-1961</b>	A727: 1-pc driveshaft	
Seal	.....	7300S
Bearing	.....	207XLO
Seal Kit	.....	5206 <sup>64</sup>
<b>1972-1965</b>	A904	
Seal	.....	8935S
Bearing	.....	206LOE <sup>38</sup>
Seal Kit	.....	5207 <sup>64</sup>
<b>1969-1951</b>	Torque-Flite	
Seal	.....	473234
<b>1959-1957</b>	Flash-o-Matic	
Seal	.....	473234

**Clutch Cam**

<b>1989-1962</b>	A727	
Needle Bearing	.....	W585Q[12]

**Selector Shaft Seal/Man. Shaft**

<b>1989-1965</b>		
Seal	.....	8609
<b>1959-1957</b>		
Seal	.....	7929S

**4-SPEED AUTOMATIC TRANSMISSION**

**Torque Converter**

<b>1989-1980</b>	A518	
Seal	.....	331227H
Kwik Slv (Opt Rpr)	.....	KWK99187

**CLUTCH**

**Pilot Bearing**

<b>1989</b>	359/5.9L (diesel)	
Needle Bearing (pilot)	.....	SCE1211
<b>1989-1980</b>		
Bushing H/D	.....	PB286HD
<b>1973-1972</b>	V8 engines	
Bearing	.....	204S

**Release Bearing**

<b>1989</b>	Cummins Turbo Diesel: Getrag 5-speed	
Bearing Assy	.....	614070
<b>1989-1988</b>	exc. Cummins Turbo Diesel	
Bearing Assy	.....	614054
<b>1987-1969</b>		
Bearing Assy	.....	614036
<b>1968-1958</b>	exc. Power Wagon	
Bearing Only	.....	DC2065C
<b>1968-1948</b>	Power Wagon	
Bearing Only	.....	D2065C
<b>1958-1948</b>		
Bearing Only	.....	D2065C

**3-SPEED MANUAL TRANSMISSION**

**Front Input Shaft**

<b>1981-1980</b>	A230 New Process: 20-spline	
Seal	.....	9376
Bearing	.....	308LOE
<b>1981-1980</b>	A230 New Process: 18-spline	
Seal	.....	9376
Bearing	.....	307LOI
<b>1980-1974</b>	Tremac	
Seal	.....	482208
Bearing	.....	208LO
Kwik Slv (Opt Rpr)	.....	KWK99112
<b>1979-1974</b>	A230 New Process	
Seal	.....	9376
Bearing	.....	1307L
<b>1973-1970</b>	A230 New Process	
Seal	.....	9376
Bearing	.....	307LI
<b>1971-1963</b>	A903 New Process	
Seal	.....	9376
Bearing	.....	1207L
<b>1971-1950</b>	A250 New Process	
Seal	.....	9376
Bearing	.....	N307LOE
<b>1970-1961</b>	A745 New Process: 10-spline shaft	
Seal	.....	353135
Bearing	.....	307LI
Kwik Slv (Opt Rpr)	.....	KWK99125
<b>1970-1961</b>	A745 New Process: 23-spline shaft	
Seal	.....	9376
Bearing	.....	307LI
Seal Kit	.....	5206 <sup>64</sup>
<b>1966-1959</b>	Warner T87	
Bearing	.....	1209L
<b>1960-1959</b>	T85 Warner	
Seal	.....	353135
Bearing	.....	307L
Kwik Slv (Opt Rpr)	.....	KWK99125
<b>1960-1946</b>	Chrysler H/D	
Bearing	.....	1207SL
<b>1958-1946</b>	Chrysler L/D	
Bearing	.....	1207L

**Mainshaft Pilot**

<b>1981-1974</b>	Tremec 150T	
Needle Bearing	.....	QBR23549[15]
<b>1981-1961</b>	New Process A230, A745, A903	
Needle Bearing	.....	QBR23549[15]
<b>1975-1971</b>	New Process A250	
Needle Bearing	.....	QBR23549[14]
<b>1966-1959</b>	Warner T87	
Needle Bearing	.....	W1590Q[16]
<b>1960-1959</b>	Warner T85	
Needle Bearing	.....	QBR23549[14]
<b>1956-1946</b>	Chrysler H/D, L/D	
Needle Bearing	.....	QBR23549[14]

[ ] Indicates Quantity Required; Set Components Listed Inside Rear Cover;  
<sup>38</sup> Use Old Snap Ring    <sup>64</sup> Opt. Seal and Bushing Kit



# Bearings and Seals

Mfg./Year    Model & Location    Part No    Mfg./Year    Model & Location    Part No

## **DODGE TRUCK - 3/4 TON - 200, 250 Series, 2500 Series, Pickup, Power Wagon, Van (cont.)**

### **3-SPEED MANUAL TRANSMISSION**

#### **Countershaft**

<b>1981-1974</b>	Tremec 150T	
Needle Bearing	.....	C1086Q[50]
<b>1979-1961</b>	New Process A230, A745	
Needle Bearing	.....	Q8314[88]
<b>1975-1971</b>	New Process A250	
Needle Bearing	.....	C407Q[88]
<b>1971-1963</b>	New Process A903	
Needle Bearing	.....	C1086Q[44]
<b>1966-1959</b>	Warner T87	
Journal Bearing	.....	J322080[2]
<b>1960-1959</b>	Warner T85	
Needle Bearing	.....	S443Q[88]
<b>1956-1946</b>	Chrysler L/D	
Needle Bearing	.....	C1086Q[44]

#### **Rear Output Shaft**

<b>1981-1980</b>	A230 New Process: 30-spline	
Seal	.....	7300S
Bearing	.....	308LOE
Seal Kit	.....	5206 <sup>64</sup>
<b>1981-1980</b>	A230 New Process: 26-spline	
Seal	.....	2506
Bearing	.....	307LOI
<b>1981-1970</b>	A230 New Process: 23-spline	
Seal	.....	8160S
Bearing	.....	307L
<b>1980-1974</b>	Tremac	
Seal	.....	7300S
Bearing	.....	207L
Seal Kit	.....	5206 <sup>64</sup>
<b>1979-1970</b>	A230 New Process: 30-spline	
Seal	.....	7300S
Bearing	.....	1307
Seal Kit	.....	5206 <sup>64</sup>
<b>1975-1971</b>	A250 New Process: 30-spline shaft	
Seal	.....	2506
Bearing	.....	N207XE
<b>1975-1971</b>	A250 New Process: 26-spline shaft	
Seal	.....	8935S
Bearing	.....	N307LOE
Seal Kit	.....	5207 <sup>64</sup>
<b>1971-1963</b>	A903 New Process	
Seal	.....	8160S
Bearing	.....	1207L
<b>1970-1961</b>	A745 New Process: 23-spline shaft	
Seal	.....	8160S
Bearing	.....	2061
<b>1970-1961</b>	A745 New Process: 30-spline shaft	
Seal	.....	7300S
Bearing	.....	1307
Seal Kit	.....	5206 <sup>64</sup>
<b>1966-1959</b>	Warner T87	
Seal	.....	450308
Bearing	.....	307LI

### **3-SPEED MANUAL TRANSMISSION**

#### **(cont.)**

#### **Rear Output Shaft (cont.)**

<b>1960-1959</b>	85 Warner	
Seal	.....	8160S
Bearing	.....	1307
<b>1960-1946</b>	Chrysler L/D	
Seal	.....	8160S
Bearing	.....	1207L

#### **Reverse Idler**

<b>1981-1961</b>	New Process A230, A250, A745, A903	
Needle Bearing	.....	C1086Q[22]
<b>1956-1946</b>	Chrysler H/D, L/D	
Needle Bearing	.....	C1086Q[22]

#### **Selector Shaft Seal/Man. Shaft**

<b>1981-1961</b>	New Process	
Seal	.....	7188S[2]
Kwik Slv (Opt Rpr)	.....	KWK99062[2]
<b>1966-1959</b>	Warner	
Seal	.....	340797
Kwik Slv (Opt Rpr)	.....	KWK99059

### **4-SPEED MANUAL TRANSMISSION**

#### **Transmission Rebuild Kit**

<b>1989-1974</b>	New Process 435	
Kit	.....	TRK127

#### **Input Shaft**

<b>1989-1988</b>	New Process 435	
Seal	.....	9376
Bearing	.....	308L
<b>1989-1974</b>	A833 New Process	
Seal	.....	9376
Bearing	.....	308LOE
<b>1987-1969</b>	New Process 435, 445	
Seal	.....	482163N
Cone/Cup	.....	HM88649-HM88610
Kwik Slv (Opt Rpr)	.....	KWK99138
<b>1968-1967</b>	New Process 435	
Seal	.....	482163N
Bearing	.....	1308L
Kwik Slv (Opt Rpr)	.....	KWK99138
<b>1966-1963</b>	New Process 435	
Bearing	.....	1308L
<b>1966-1963</b>	New Process 420	
Bearing	.....	1209SL
<b>1963</b>	New Process (1.250")	
Seal	.....	471413
Cone/Cup	.....	HM88649-HM88610
Kwik Slv (Opt Rpr)	.....	KWK99125
<b>1963</b>	New Process 435 (1.500" spline)	
Seal	.....	470059
Cone/Cup	.....	HM88649-HM88610
Kwik Slv (Opt Rpr)	.....	KWK99149

**196** [ ] Indicates Quantity Required; Set Components Listed Inside Rear Cover;

<sup>64</sup> Opt. Seal and Bushing Kit

**DODGE TRUCK - 3/4 TON - 200, 250 Series, 2500 Series, Pickup, Power Wagon, Van (cont.)**

**4-SPEED MANUAL TRANSMISSION**

(cont.)

**Input Shaft (cont.)**

<b>1963</b>	New Process 435 (1.375" spline)	
Seal	.....	482163N
Cone/Cup	.....	HM88649-HM88610
Kwik Slv (Opt Rpr)	.....	KWK99138

**Mainshaft Pilot**

<b>1989-1946</b>	New Process 420, 435, 436, 445	
Needle Bearing	.....	Q15902[14]

**Countershaft**

<b>1989-1980</b>	New Process 435	
Needle Bearing (front)	.....	BCE2416
Needle Bearing (rear)	.....	B3216
Needle Bearing Thrust	.....	NTA2031
<b>1981-1980</b>	New Process 445	
Needle Bearing (front)	.....	BCE2416
Needle Bearing (rear)	.....	B3216
<b>1979-1970</b>	New Process 445	
Needle Bearing (front)	.....	BCE2416
Needle Bearing (rear)	.....	B3216
<b>1979-1963</b>	New Process 435, 436	
Needle Bearing (front)	.....	BCE2416
Needle Bearing (rear)	.....	B3216
Needle Bearing Thrust	.....	NTA2031
<b>1968-1946</b>	New Process 420	
Bearing (front)	.....	1207SL
Needle Bearing (rear)	.....	M28161

**Reverse Idler**

<b>1989-1963</b>	New Process 435, 436	
Needle Bearing	.....	C407Q
<b>1981-1980</b>	New Process 445	
Needle Bearing	.....	Q8324[21]

**Rear Output Shaft**

<b>1989-1988</b>	New Process 435	
Seal	.....	8160S
Bearing	.....	308L
<b>1989-1974</b>	A833 New Process	
Seal	.....	7300S
Bearing	.....	308LOE
Seal Kit	.....	5206 <sup>64</sup>
<b>1987-1969</b>	New Process 435	
Seal	.....	8160S
Bearing	.....	1308L
<b>1981-1970</b>	New Process 445	
Seal	.....	8160S
Cone/Cup	.....	M201047S-M201011
Needle Bearing Thrust	.....	FA35688
<b>1968-1963</b>	New Process 435, 436	
Seal	.....	470189
Bearing	.....	1308L
<b>1968-1946</b>	New Process 420	
Seal	.....	450308
Bearing	.....	1307

**5-SPEED MANUAL TRANSMISSION**

**Front Input Shaft**

<b>1989-1988</b>	New Process A535, 2500	
Seal	.....	9376
Bearing	.....	307LI
Kwik Slv (Opt Rpr)	.....	KWK99106

**Countershaft**

<b>1989-1988</b>	New Process A535, 2500	
Cone/Cup (front)	.....	LM67048-LM67010BCE
Set (rear)	.....	SET2

**Mainshaft Pilot**

<b>1989-1988</b>	New Process A535, 2500	
Needle Bearing	.....	QBR23549[16]

**Mainshaft 1st Speed Gear**

<b>1989-1988</b>	New Process A535, 2500	
Needle Bearing	.....	FW455017[2]

**Rear Output Shaft**

<b>1989-1988</b>	New Process A536, 2500 (4WD)	
Seal	.....	710058
Bearing	.....	208
<b>1989-1988</b>	New Process A536, 2500 (2WD)	
Seal	.....	2506
Bearing	.....	208

**Extension Housing**

<b>1989-1988</b>	New Process 2500	
Bearing	.....	1207L
<b>1989-1988</b>	New Process A535	
Bearing	.....	207L

**DRIVESHAFT SUPPORT**

<b>1989-1980</b>	Spicer 1280, 1310: 1.3780" bearing ID	
Bearing	.....	88107
Hanger Bearing Assy	.....	HB88107A
<b>1985-1956</b>	Spicer 1260-1410: 1.3780" bearing ID	
Bearing	.....	88107
Hanger Bearing Assy	.....	HB88107A
<b>1979-1956</b>	Detroit: 1.3780" bearing ID	
Hanger Bearing Assy	.....	HB88107
<b>1979-1956</b>	Spicer: 1.3780" bearing ID	
Hanger Bearing Assy	.....	HB88107
<b>1979-1956</b>	Spicer: 1.5748" bearing ID	
Hanger Bearing Assy	.....	HB88508
<b>1979-1956</b>	Spicer: 1.7717" bearing ID	
Hanger Bearing Assy	.....	HB88509
<b>1979-1956</b>	Spicer: 1.9685" bearing ID	
Hanger Bearing Assy	.....	HB88510
<b>1979-1956</b>	Spicer: 2.3622" bearing ID	
Hanger Bearing Assy	.....	HB88512AHD

[ ] Indicates Quantity Required; Set Components Listed Inside Rear Cover;  
<sup>64</sup> Opt. Seal and Bushing Kit

# Bearings and Seals

Mfg./Year    Model & Location    Part No    Mfg./Year    Model & Location    Part No

## **DODGE TRUCK - 3/4 TON - 200, 250 Series, 2500 Series, Pickup, Power Wagon, Van (cont.)**

### **POWER STEERING**

#### **Pump Shaft**

**1979-1957** Manual Steering Worm Shaft:  
Saginaw Design  
Seal ..... 323138  
Bearing ..... 8537

### **CRANKSHAFT REAR SEAL**

#### **6 Cylinder**

**1989** 359/5.9L (diesel)  
Seal ..... 39805  
Kwik Slv (Opt Rpr) .....KWK99494  
**1989-1988** 239/3.9L  
Seal ..... 5414  
**1987-1961** 225/3.7L  
Seal ..... 5650

#### **8 Cylinder**

**1989-1960** 318/5.2L  
Seal ..... 5414

### **TIMING COVER**

#### **6 Cylinder**

**1989** 359/5.9L (diesel)  
Seal ..... 39803  
Kwik Slv (Opt Rpr) .....KWK99248  
**1989-1988** 239/3.9L  
Seal ..... 3103  
Kwik Slv (Opt Rpr) .....KWK99218  
Harmonic Balancer  
Sleeves ..... 88218  
**1987-1961** 170/2.8, 198/3.2, 225/3.7  
Seal ..... 3095  
Kwik Slv (Opt Rpr) .....KWK99226

#### **8 Cylinder**

**1989-1980** 318/5.2L, 360/5.9L  
Seal ..... 3103  
Kwik Slv (Opt Rpr) .....KWK99218  
Harmonic Balancer  
Sleeves ..... 88218

## **DODGE TRUCK - 1 TON - 300, 350 Series, 3500 Series, WD20, WD21, M375, Motor Home, Pickup, Van**

### **FRONT WHEEL**

#### **2WD**

**1989-1980** 8-lug wheels: 4000 lb. axle  
Seal (inner) ..... 493291[2]  
Set (inner) .....SET45  
Cone/Cup (outer) ..... 15101-15245[2]  
**1989-1982** 5-lug wheels: 3300 lb. axle  
Seal (inner) ..... 3087[2]  
Set (inner) .....SET11  
Set (outer) .....SET16  
**1989-1980** 8-lug wheels: 3800 lb. axle  
Seal (inner) ..... 493291[2]  
Set (inner) .....SET45  
Cone/Cup (outer) ..... 15101-15245[2]  
**1989-1980** 8-lug wheels: 3300 lb. axle  
Seal (inner) ..... 3087[2]  
Set (inner) .....SET11  
Set (outer) .....SET16  
**1989-1984** 8-lug wheels: 3600 lb. axle  
Seal (inner) ..... 493291[2]  
Set (inner) .....SET45  
Cone/Cup (outer) ..... 15101-15245[2]  
**1983-1978** 8-lug wheels: 3600 lb. axle  
Seal (inner) ..... 3087[2]  
Set (inner) .....SET11  
Set (outer) .....SET16  
**1981-1973** 5-lug wheels: 3300 lb. axle  
Seal (inner) ..... 5121[2]  
Set (inner) .....SET17  
Set (outer) .....SET16

### **FRONT WHEEL (cont.)**

#### **2WD (cont.)**

**1980-1973** 5-lug wheels: 3000 lb. axle  
Seal (inner) ..... 5121[2]  
Set (inner) .....SET17  
Set (outer) .....SET16  
**1979-1972** 8-lug wheels: 4000 lb. axle  
Seal (inner) ..... 4092[2]  
Set (inner) .....SET11  
Cone/Cup (outer) ..... 15101-15245[2]  
**1978-1969** 5-lug wheels: 3800 lb. axle  
Seal (inner) ..... 493291[2]  
Set (inner) .....SET37  
Cone/Cup (outer) ..... 15101-15245[2]  
**1972-1971** B300 with disc brakes  
Seal (inner) ..... 8473S[2]  
Set (inner) .....SET5  
Set (outer) .....SET3  
**1972-1969** B300 with drum brakes  
Seal (inner) ..... 6960[2]  
Set (inner) .....SET5  
Set (outer) .....SET3  
**1968-1961** exc. Heavy Duty  
Seal (inner) ..... 493291[2]  
Set (inner) .....SET45  
Cone/Cup (outer) ..... 15101-15245[2]  
**1968-1961** Heavy Duty exc. B300 with drum  
brakes  
Seal (inner) ..... 493291[2]  
Set (inner) .....SET37  
Cone/Cup (outer) ..... 15101-15245[2]

**DODGE TRUCK - 1 TON - 300, 350 Series, 3500 Series, WD20, WD21, M375, Motor Home, Pickup, Van (cont.)**

**FRONT WHEEL (cont.)**

**2WD (cont.)**

<b>1960-1959</b>	Heavy Duty axle: Canada only	
Seal (inner)	.....	493291[2]
Cone/Cup (inner)	.....	14138A-14276[2]
Cone/Cup (outer)	.....	12580-12520[2]
<b>1960-1958</b>	exc. Heavy Duty	
Seal (inner)	.....	6781[2]
Set (inner)	.....	SET5
Set (outer)	.....	SET3
<b>1960-1958</b>	Heavy Duty axle	
Seal (inner)	.....	493291[2]
Set (inner)	.....	SET37
Cone/Cup (outer)	.....	15101-15245[2]
<b>1957</b>	Heavy Duty axle	
Seal (inner)	.....	493291[2]
Cone/Cup (inner)	.....	26884-26823[2]
Cone/Cup (outer)	.....	12580-12520[2]
<b>1957-1948</b>	exc. Heavy Duty	
Seal (inner)	.....	493291[2]
Cone/Cup (inner)	.....	14138A-14276[2]
Cone/Cup (outer)	.....	12580-12520[2]

**4WD**

<b>1989-1974</b>	Spicer 60F axle	
Seal (inner)	.....	415009[2]
Cone/Cup (inner)	.....	387A-382A[2]
Set (outer)	.....	SET38
<b>1989-1984</b>	4000 lb. axle: 8-lug wheels	
Seal (inner)	.....	493291[2]
Set (inner)	.....	SET45
Cone/Cup (outer)	.....	15101-15245[2]
<b>1973-1969</b>		
Seal (inner)	.....	51348[2]
Cone/Cup (inner)	.....	387A-382A[2]
Set (outer)	.....	SET38
<b>1968-1959</b>		
Seal (inner)	.....	51348[2]
Cone/Cup (inner)	.....	469-453X[2]
Cone/Cup (outer)	.....	28580-28521[2]
<b>1958</b>		
Seal (inner)	.....	417485[2]
Cone/Cup (inner)	.....	28682-28622[2]
Cone/Cup (outer)	.....	28580-28521[2]
<b>1957</b>		
Seal (inner)	.....	417485[2]
Cone/Cup (inner)	.....	28682-28622[2]
Cone/Cup (outer)	.....	2984-2924[2]

**REAR WHEEL**

<b>1989-1977</b>	Spicer 60 axle, (12x2.5" brakes)	
Seal (inner)	.....	4250[2]
Set (inner)	.....	SET38
Set (outer)	.....	SET38
<b>1989-1984</b>	B350, D350, W350; Spicer 70; 12x3" brakes; exc. 9000GVW	
Seal (inner)	.....	4250[2]
Set (inner)	.....	SET38
Set (outer)	.....	SET38

**REAR WHEEL (cont.)**

<b>1989-1974</b>	Spicer 70 axle; 12x3" brakes; 9000 GVW	
Seal (inner)	.....	417158[2]
Cone/Cup (inner)	.....	28682-28622[2]
Set (outer)	.....	SET38
<b>1989-1988</b>	D350, W350; Spicer 71; 12x3" brakes	
Seal (inner)	.....	455086[2]
Cone/Cup (inner)	.....	45291-45220[2]
Set (outer)	.....	SET38
<b>1989-1984</b>	9.25" ring gear: Heavy Duty	
Seal	.....	710067[2]
Cyl. Bearing	.....	R1561TV[2]
Kit	.....	TF01561R[2] <sup>19</sup>
<b>1989-1980</b>	CB300; W300; B series, D series; Spicer 60HD, 70; 12x3" brakes; exc 9000GVW	
Seal (inner)	.....	455086[2]
Cone/Cup (inner)	.....	45291-45220[2]
Set (outer)	.....	SET38
<b>1989-1974</b>	300/350: 9.25" ring gear exc. Heavy Duty	
Seal	.....	8835S[2]
Cyl. Bearing	.....	6408[2]
Kit	.....	TRP1559TV[2] <sup>19</sup>
<b>1979-1972</b>	Spicer 60HD, 70 axles; 12x3" brakes; exc. 9000GVW	
Seal (inner)	.....	475458[2]
Cone/Cup (inner)	.....	370A-362A[2]
Cone/Cup (outer)	.....	359S-354A[2]
<b>1976-1974</b>	Spicer 60 axle, (12x2.5" brakes)	
Seal (inner)	.....	475458[2]
Cone/Cup (inner)	.....	370A-362A[2]
Cone/Cup (outer)	.....	359S-354A[2]
<b>1973-1969</b>	Spicer 60 axle, (12x2.5" brakes)	
Seal (inner)	.....	475458[2]
Cone/Cup (inner)	.....	370A-362A[2]
Cone/Cup (outer)	.....	359S-354A[2]
<b>1968-1964</b>	D, P, W, 300 Series; Spicer 60; 12x2.5" brakes	
Seal (inner)	.....	410825[2]
Cone/Cup (inner)	.....	368A-362A[2]
Cone/Cup (outer)	.....	359S-354A[2]
<b>1968-1958</b>	WM300	
Seal (inner)	.....	417485[2]
Cone/Cup (inner)	.....	28682-28622[2]
Seal (outer)	.....	6077[2]
Cone/Cup (outer)	.....	2984-2924[2]
<b>1968-1957</b>	D, P, W, 300 Series	
Seal (inner)	.....	417485[2]
Cone/Cup (inner)	.....	28682-28622[2]
Seal (outer)	.....	417485[2]
Cone/Cup (outer)	.....	28580-28521[2]
<b>1956-1946</b>		
Seal (inner)	.....	417485[2]
Cone/Cup (inner)	.....	28682-28622[2]
Seal (outer)	.....	6077[2]
Cone/Cup (outer)	.....	2984-2924[2]

[ ] Indicates Quantity Required; Set Components Listed Inside Rear Cover;  
<sup>19</sup> Opt. Axle Repair Bearing. Replaces O.E. bearing & seal.

# Bearings and Seals

Mfg./Year    Model & Location    Part No    Mfg./Year    Model & Location    Part No

## **DODGE TRUCK - 1 TON - 300, 350 Series, 3500 Series, WD20, WD21, M375, Motor Home, Pickup, Van (cont.)**

### **4WD FRONT AXLE**

#### **Axle Shaft**

<b>1989-1980</b>	Dana/Spicer 60F axle	
Seal	.....	470682[2]
<b>1979-1975</b>	Dana/Spicer 60F axle	
Seal	.....	41461S[2]

#### **Differential Rebuild Kit**

<b>1989-1975</b>	Dana/Spicer 60 axle	
Kit	.....	DRK331
<b>1989-1969</b>	Dana 44 axle	
Kit	.....	DRK339B

#### **Differential**

<b>1989-1958</b>	Dana/Spicer 60F, 70F axles	
Cone/Cup	.....	387A-382S[2]

#### **Pinion**

<b>1989-1975</b>	Dana/Spicer 60F axle	
Cone/Cup (inner)	.....	HM803146-HM803110
Seal (outer)	.....	9316
Cone/Cup (outer)	.....	HM88542-HM88510
<b>1974-1958</b>	Dana/Spicer 70F axle	
Cone/Cup (inner)	.....	HM807040-HM807010
Seal (outer)	.....	6808N
Cone/Cup (outer)	.....	HM88542-HM88510
<b>1968-1958</b>	R65M axle	
Cone/Cup (inner)	.....	59187-59412
Seal (outer)	.....	6127

#### **Spindle Kit**

<b>1989-1975</b>	Dana/Spicer 60F axle	
Bearing & Seal Kit	.....	SBK3 <sup>35</sup>

#### **Spindle**

<b>1989-1986</b>	Dana/Spicer 60F axle	
Seal (inner)	.....	710044[2]
Needle Bearing (inner)	.....	B2414[2]
Seal (outer)	.....	710045[2]
<b>1985-1980</b>	Dana/Spicer 60F axle	
Seal	.....	41461S[2]
Needle Bearing	.....	B2414[2]
<b>1979-1975</b>	Dana/Spicer 60F axle	
Seal (inner)	.....	710044[2]
Needle Bearing (inner)	.....	B2414[2]
Seal (outer)	.....	710045[2]

#### **Steering Knuckle**

<b>1979-1975</b>	Dana/Spicer 60F axle	
Seal (upper)	.....	710304[2]
Cone/Cup (upper)	.....	23100-23256[2]
Seal (lower)	.....	710304[2]
Cone/Cup (lower)	.....	23100-23256[2]
<b>1974-1958</b>	Dana/Spicer 70F axle	
Cone/Cup (upper)	.....	23100-23256[2]
Cone/Cup (lower)	.....	23100-23256[2]

### **4WD FRONT AXLE (cont.)**

#### **Steering Knuckle (cont.)**

<b>1968-1958</b>	R65M axle	
Cone/Cup (upper)	.....	23100-23256[2]
Cone/Cup (lower)	.....	23100-23256[2]

### **REAR AXLE**

#### **Differential Rebuild Kit**

<b>1989-1975</b>	Dana/Spicer 60 axles	
Kit	.....	DRK331
<b>1989-1974</b>	9.25" ring gear	
Kit	.....	DRK304
<b>1989-1984</b>	Dana/Spicer 70U, 71 axles	
Kit	.....	DRK332U
<b>1986-1957</b>	Dana/Spicer 70 axle	
Kit	.....	DRK332

#### **Differential**

<b>1989-1969</b>	9.25" ring gear	
Cone/Cup	.....	JLM704649-JLM704610[2]
<b>1989-1957</b>	Dana/Spicer 60, 60HD, 70, 70U, 71 axles	
Cone/Cup	.....	387A-382S[2]
<b>1968-1958</b>	RA-36 axle	
Cone/Cup	.....	25590-25520[2]
<b>1957-1946</b>	RA-36 axle	
Cone/Cup	.....	25580-25520[2]
<b>1956-1946</b>	R65M axle	
Cone/Cup	.....	28580-28521[2]

#### **Pinion**

<b>1989-1972</b>	Dana/Spicer 60, 60HD axles	
Cone/Cup (inner)	.....	HM803146-HM803110
Seal Viton (outer)	.....	719316
Cone/Cup (outer)	.....	HM88542-HM88510
Kwik Slv (Opt Rpr)	.....	KWK99187
<b>1989-1978</b>	9.25" ring gear	
Cone/Cup (inner)	.....	M804049-M804010
Seal (outer)	.....	5126
Cone/Cup (outer)	.....	M88048-M88010
Kwik Slv (Opt Rpr)	.....	KWK99187
<b>1989-1984</b>	Dana/Spicer 70U, 71 axles	
Cone/Cup (inner)	.....	HM803149-HM803110
Seal (outer)	.....	9316
Cone/Cup (outer)	.....	HM88542-HM88510
<b>1986-1972</b>	Dana/Spicer 70 axle: 5380, 7270 companion yokes	
Cone/Cup (inner)	.....	HM807040-HM807010
Seal (outer)	.....	9316
Cone/Cup (outer)	.....	HM88542-HM88510
<b>1983-1957</b>	Dana/Spicer 70 axle: 7290 companion yoke	
Cone/Cup (inner)	.....	HM807040-HM807010
Seal (outer)	.....	6808N
Cone/Cup (outer)	.....	HM88542-HM88510

**DODGE TRUCK - 1 TON - 300, 350 Series, 3500 Series, WD20, WD21, M375, Motor Home, Pickup, Van (cont.)**

**REAR AXLE (cont.)**

**Pinion (cont.)**

<b>1971-1957</b>	Dana/Spicer 60, 60HD axles
	Cone/Cup (inner) ..... HM803146-HM803110
	Seal (outer) ..... 6808N
	Cone/Cup (outer) ..... HM88542-HM88510
<b>1968-1951</b>	RA-36 axle
	Cone/Cup (inner) ..... HM89446-HM89410
	Cone/Cup (outer) ..... HM89443-HM89410
<b>1968-1946</b>	R65M axle
	Cone/Cup (inner) ..... 59187-59412
	Seal (outer) ..... 6127
<b>1950-1946</b>	RA-36 axle
	Cone/Cup (inner) ..... 31593-31520
	Cone/Cup (outer) ..... 31590-31520

**TRANSFER CASE REBUILD KIT**

<b>1989-1988</b>	New Process 205
	Kit ..... TCRK205D
<b>1989-1988</b>	New Process 241
	Kit ..... TCRK241A <sup>48</sup>
<b>1987-1969</b>	New Process 205
	Kit ..... TCRK205G
<b>1986-1981</b>	New Process 208
	Kit ..... TCRK208SPK <sup>47</sup>
<b>1979-1973</b>	New Process 203
	Kit ..... TCRK203G

**TRANSFER CASE**

**Input Shaft**

<b>1989</b>	New Process 205: (man trans)
	Seal ..... 3173[2]
	Bearing ..... 1210L[2]
	Seal Dual Lip ..... 710928
	Kwik Slv (Opt Rpr) ..... KWK99193
	Needle Bearing (pilot) ..... QAR29523[15]
<b>1989</b>	New Process 205: (auto trans)
	Seal ..... 473468[2]
	Bearing ..... 1307L[2]
	Kwik Slv (Opt Rpr) ..... KWK99212
	Needle Bearing (pilot) ..... QAR29523[15]
<b>1988-1969</b>	New Process 205
	Seal ..... 473468[2]
	Bearing ..... 1307L[2]
	Kwik Slv (Opt Rpr) ..... KWK99212
	Needle Bearing (pilot) ..... QAR29523[15]
<b>1980</b>	New Process 208
	Seal ..... 3173[2]
	Needle Bearing ..... B5020[2]
	Seal Dual Lip ..... 710928
	Kwik Slv (Opt Rpr) ..... KWK99193
	Needle Bearing (pilot) ..... B2012
	Needle Bearing Thrust ..... AXK5070

**TRANSFER CASE**

**Front Output Shaft**

<b>1989-1969</b>	New Process 205
	Seal ..... 473313
	Bearing ..... 307L[2]
	Kwik Slv (Opt Rpr) ..... KWK99174
	Needle Bearing (pilot) ..... M28161
<b>1980</b>	New Process 208
	Seal ..... 3946
	Needle Bearing ..... B2816
	Kwik Slv (Opt Rpr) ..... KWK99187
	Needle Bearing (pilot) ..... J2416
	Needle Bearing Thrust ..... NTA2840[2]

**Rear Output Shaft**

<b>1989-1981</b>	New Process 205
	Seal ..... 473468
	Bearing ..... 307L
	Kwik Slv (Opt Rpr) ..... KWK99212
	Needle Bearing (pilot) ..... B3216
<b>1980</b>	New Process 208
	Seal ..... 3946
	Bearing ..... 1207L
	Kwik Slv (Opt Rpr) ..... KWK99187
	Needle Bearing (pilot) ..... B3616
	Needle Bearing Thrust ..... TC2435
<b>1979-1974</b>	New Process 203
	Seal ..... 473204
	Bearing ..... 307L
	Kwik Slv (Opt Rpr) ..... KWK99212
	Needle Bearing (pilot) ..... QAR29523
<b>1974-1969</b>	New Process 205
	Seal (inner) ..... 473468
	Bearing (inner) ..... 307L
	Kwik Slv (Opt Rpr) ..... KWK99212
	Needle Bearing (pilot) ..... B3216

**Idler Shaft**

<b>1989-1969</b>	New Process 205
	Cone/Cup ..... 2793-2720[2]
<b>1979-1974</b>	New Process 203
	Needle Bearing ..... QAR29523[72]

**Low Gear Roller**

<b>1989-1969</b>	New Process 205
	Needle Bearing ..... QBR23549

**Oil Pump Housing**

<b>1980</b>	New Process 208
	Seal ..... 341022
	Kwik Slv (Opt Rpr) ..... KWK99225

**Drive Sprocket**

<b>1980</b>	New Process 208
	Needle Bearing ..... C1086Q[82]

[ ] Indicates Quantity Required; Set Components Listed Inside Rear Cover;  
<sup>47</sup> Includes Small Parts Kit    <sup>48</sup> BD50-8 I/S Brg., 307 Front O/S Brg.

# Bearings and Seals

Mfg./Year    Model & Location    Part No    Mfg./Year    Model & Location    Part No

## **DODGE TRUCK - 1 TON - 300, 350 Series, 3500 Series, WD20, WD21, M375, Motor Home, Pickup, Van (cont.)**

### **TRANSFER CASE**

#### **Selector Shaft Seal/Man. Shaft**

<b>1989-1969</b>	New Process 205	
Seal	.....	2287[2]
Kwik Slv (Opt Rpr)	.....	KWK99076
<b>1968-1953</b>	New Process 201	
Seal	.....	6835S[2]
Kwik Slv (Opt Rpr)	.....	KWK99076[2]

### **TRANSMISSION REBUILD KIT**

<b>1989</b>	Getrag G360	
Kit	.....	TRK261

### **AUTOMATIC TRANSMISSION**

#### **Torque Converter**

<b>1960-1956</b>		
Seal	.....	6879H
Kwik Slv (Opt Rpr)	.....	KWK99212
<b>1954</b>		
Seal	.....	331107N
Kwik Slv (Opt Rpr)	.....	KWK99199

#### **Rear Seal/Ext. Housing**

<b>1960-1956</b>	Power-flite: 2-speed	
Bearing	.....	206WB
<b>1954</b>	Automatic Drive	
Seal	.....	7300S
Seal Kit	.....	5203 <sup>64</sup>
<b>1954-1948</b>	Fluid Drive	
Seal	.....	8160S
Bearing	.....	206WB

#### **Input Shaft**

<b>1954-1948</b>		
Bearing	.....	1307SLI

#### **Output Shaft**

<b>1954-1948</b>		
Bearing	.....	307TB

### **3-SPEED AUTOMATIC TRANSMISSION**

#### **Torque Converter**

<b>1989-1961</b>	A727, 36RH	
Seal	.....	331227H
Kwik Slv (Opt Rpr)	.....	KWK99187
<b>1989-1965</b>	A904, A998, A999, 31RH, 32RH	
Seal	.....	331228H
Kwik Slv (Opt Rpr)	.....	KWK99149
<b>1960-1957</b>		
Seal	.....	6988H
Kwik Slv (Opt Rpr)	.....	KWK99193

### **3-SPEED AUTOMATIC TRANSMISSION**

#### **Rear Seal/Ext. Housing**

<b>1989-1987</b>	A727, 36RH	
Seal	.....	7300S
Bearing	.....	207XLO
Seal Kit	.....	5206 <sup>64</sup>
<b>1989-1987</b>	A998, A999, 31RH, 32RH	
Seal	.....	2506
Bearing	.....	206LOE <sup>38</sup>
<b>1986-1980</b>	A727 (non-booted)	
Seal	.....	8160S
Bearing	.....	2061
<b>1986-1980</b>	A727 (booted)	
Seal	.....	7300S
Bearing	.....	207XLO
Seal Kit	.....	5206 <sup>64</sup>
<b>1986-1973</b>	A904 (2WD)	
Seal	.....	2506
Bearing	.....	206LOE <sup>38</sup>
<b>1986-1973</b>	A904 (4WD)	
Seal	.....	710058
Bearing	.....	206LOE <sup>38</sup>
<b>1979-1961</b>	A727: 2-pc driveshaft	
Seal	.....	8160S
Bearing	.....	2061
<b>1979-1961</b>	A727: 1-pc driveshaft	
Seal	.....	7300S
Bearing	.....	207XLO
Seal Kit	.....	5206 <sup>64</sup>
<b>1972-1965</b>	A904	
Seal	.....	8935S
Bearing	.....	206LOE <sup>38</sup>
<b>1959-1957</b>		
Seal	.....	473234

#### **Clutch Cam**

<b>1989-1961</b>	A727	
Needle Bearing	.....	W585Q[12]

#### **Selector Shaft Seal/Man. Shaft**

<b>1989-1965</b>		
Seal	.....	8609
<b>1959-1957</b>		
Seal	.....	7929S

### **CLUTCH**

#### **Pilot Bearing**

<b>1989</b>	Cummins Turbo Diesel	
Needle Bearing	.....	SCE1211
<b>1989-1980</b>		
Bushing H/D	.....	PB286HD

#### **Release Bearing**

<b>1989</b>	Cummins Turbo Diesel: Getrag	
	5-speed	
Bearing Assy	.....	614070
<b>1989-1988</b>	exc. Cummins Turbo Diesel	
Bearing Assy	.....	614054

202 [ ] Indicates Quantity Required; Set Components Listed Inside Rear Cover;

<sup>38</sup> Use Old Snap Ring    <sup>64</sup> Opt. Seal and Bushing Kit

**DODGE TRUCK - 1 TON - 300, 350 Series, 3500 Series, WD20, WD21, M375, Motor Home, Pickup, Van (cont.)**

**CLUTCH (cont.)**

**Release Bearing (cont.)**

<b>1987-1969</b>	300 / 350 Series	
	Bearing Assy .....	614036
<b>1968-1959</b>	300 Series	
	Bearing Only .....	DC2065C
<b>1958-1946</b>	300 Series	
	Bearing Only .....	2065
<b>1956-1948</b>	D Series	
	Bearing Only .....	D2065C

**3-SPEED MANUAL TRANSMISSION**

**Front Input Shaft**

<b>1981-1980</b>	A230 New Process: 20-spline	
	Seal .....	9376
	Bearing .....	308LOE
<b>1981-1980</b>	A230 New Process: 18-spline	
	Seal .....	9376
	Bearing .....	307LOI
<b>1980-1974</b>	Tremac	
	Seal .....	482208
	Bearing .....	208LO
	Kwik Slv (Opt Rpr) .....	KWK99112
<b>1979-1974</b>	A230 New Process	
	Seal .....	9376
	Bearing .....	1307L
<b>1973-1970</b>	A230 New Process	
	Seal .....	9376
	Bearing .....	307LI
<b>1971-1963</b>	A903 New Process	
	Seal .....	9376
	Bearing .....	1207L
<b>1971-1950</b>	A250 New Process	
	Seal .....	9376
	Bearing .....	N307LOE
<b>1970-1961</b>	A745 New Process: 10-spline shaft	
	Seal .....	353135
	Bearing .....	307LI
	Kwik Slv (Opt Rpr) .....	KWK99125
<b>1970-1961</b>	A745 New Process: 23-spline shaft	
	Seal .....	9376
	Bearing .....	307LI
	Seal Kit .....	5206 <sup>64</sup>
<b>1966-1959</b>	Warner T87	
	Bearing .....	1209L
<b>1960-1959</b>	T85 Warner	
	Seal .....	353135
	Bearing .....	307L
	Kwik Slv (Opt Rpr) .....	KWK99125
<b>1960-1946</b>	Chrysler H/D	
	Bearing .....	1207SL
<b>1958-1946</b>	Chrysler L/D	
	Bearing .....	1207L

**3-SPEED MANUAL TRANSMISSION**

**Mainshaft Pilot**

<b>1981-1980</b>	New Process A230, Tremec 150	
	Needle Bearing .....	QBR23549[15]

**Countershaft**

<b>1980</b>	Tremec 150	
	Needle Bearing .....	C1086Q[50]

**Rear Output Shaft**

<b>1981-1980</b>	A230 New Process: 30-spline	
	Seal .....	7300S
	Bearing .....	308LOE
	Seal Kit .....	5206 <sup>64</sup>
<b>1981-1980</b>	A230 New Process: 26-spline	
	Seal .....	2506
	Bearing .....	307LOI
<b>1981-1970</b>	A230 New Process: 23-spline	
	Seal .....	8160S
	Bearing .....	307L
<b>1980-1974</b>	Tremac	
	Seal .....	7300S
	Bearing .....	207L
	Seal Kit .....	5206 <sup>64</sup>
<b>1979-1970</b>	A230 New Process: 30-spline	
	Seal .....	7300S
	Bearing .....	1307
	Seal Kit .....	5206 <sup>64</sup>
<b>1975-1971</b>	A250 New Process: 30-spline shaft	
	Seal .....	2506
	Bearing .....	N207XE
<b>1975-1971</b>	A250 New Process: 26-spline shaft	
	Seal .....	8935S
	Bearing .....	N307LOE
	Seal Kit .....	5207 <sup>64</sup>
<b>1971-1963</b>	A903 New Process	
	Seal .....	8160S
	Bearing .....	1207L
<b>1970-1961</b>	A745 New Process: 23-spline shaft	
	Seal .....	8160S
	Bearing .....	2061
<b>1970-1961</b>	A745 New Process: 30-spline shaft	
	Seal .....	7300S
	Bearing .....	1307
	Seal Kit .....	5206 <sup>64</sup>
<b>1966-1959</b>	Warner T87	
	Seal .....	450308
	Bearing .....	307LI
<b>1960-1959</b>	85 Warner	
	Seal .....	8160S
	Bearing .....	1307
<b>1960-1946</b>	Chrysler L/D	
	Seal .....	8160S
	Bearing .....	1207L

[ ] Indicates Quantity Required; Set Components Listed Inside Rear Cover;  
<sup>64</sup> Opt. Seal and Bushing Kit



# Bearings and Seals

Mfg./Year    Model & Location    Part No    Mfg./Year    Model & Location    Part No

## **DODGE TRUCK - 1 TON - 300, 350 Series, 3500 Series, WD20, WD21, M375, Motor Home, Pickup, Van (cont.)**

### **3-SPEED MANUAL TRANSMISSION**

#### **Reverse Idler**

**1981-1980**    New Process A230  
 Needle Bearing ..... C1086Q[22]

#### **Selector Shaft Seal/Man. Shaft**

**1979-1961**    New Process  
 Seal ..... 7188S[2]  
 Kwik Slv (Opt Rpr) ..... KWK99062[2]  
**1966-1959**    Warner  
 Seal ..... 340797  
 Kwik Slv (Opt Rpr) ..... KWK99059

### **4-SPEED MANUAL TRANSMISSION**

#### **Transmission Rebuild Kit**

**1989-1986**    New Process 435  
 Kit ..... TRK127G<sup>53</sup>  
**1989-1965**    New Process 435  
 Kit ..... TRK127B<sup>54</sup>  
**1965-1962**    New Process 435  
 Kit ..... TRK127G<sup>53</sup>

#### **Input Shaft**

**1989-1988**    New Process 435  
 Seal ..... 9376  
 Bearing ..... 308L  
**1989-1974**    A833 New Process  
 Seal ..... 9376  
 Bearing ..... 308LOE  
**1987-1969**    New Process 435, 445  
 Seal ..... 482163N  
 Cone/Cup ..... HM88649-HM88610  
 Kwik Slv (Opt Rpr) ..... KWK99138  
**1968-1967**    New Process 435  
 Seal ..... 482163N  
 Bearing ..... 1308L  
 Kwik Slv (Opt Rpr) ..... KWK99138  
**1966-1963**    New Process 435  
 Bearing ..... 1308L  
**1966-1963**    New Process 420  
 Bearing ..... 1209SL  
**1963**    New Process (1.250")  
 Seal ..... 471413  
 Cone/Cup ..... HM88649-HM88610  
 Kwik Slv (Opt Rpr) ..... KWK99125  
**1963**    New Process 435 (1.500" spline)  
 Seal ..... 470059  
 Cone/Cup ..... HM88649-HM88610  
 Kwik Slv (Opt Rpr) ..... KWK99149  
**1963**    New Process 435 (1.375" spline)  
 Seal ..... 482163N  
 Cone/Cup ..... HM88649-HM88610  
 Kwik Slv (Opt Rpr) ..... KWK99138

#### **Mainshaft Pilot**

**1989-1946**    New Process 420, 435, 445  
 Needle Bearing ..... Q15902[14]

### **4-SPEED MANUAL TRANSMISSION**

#### **Countershaft**

**1989-1963**    New Process 435  
 Needle Bearing (front) ..... BCE2416  
 Needle Bearing (rear) ..... B3216  
 Needle Bearing Thrust ..... NTA2031  
**1981-1970**    New Process 445  
 Needle Bearing (front) ..... BCE2416  
 Needle Bearing (rear) ..... B3216  
**1968-1946**    New Process 420  
 Bearing (front) ..... 1207SL  
 Needle Bearing (rear) ..... M28161

#### **Reverse Idler**

**1989-1963**    New Process 435  
 Needle Bearing ..... C407Q  
**1981-1980**    New Process 445  
 Needle Bearing ..... Q8324[21]

#### **Rear Output Shaft**

**1989-1988**    New Process 435  
 Seal ..... 8160S  
 Bearing ..... 308L  
**1987-1969**    New Process 435  
 Seal ..... 8160S  
 Bearing ..... 1308L  
**1981-1970**    New Process 445  
 Seal ..... 8160S  
 Cone/Cup ..... M201047S-M201011  
 Needle Bearing Thrust ..... FA35688  
**1968-1963**    New Process 435, 436  
 Seal ..... 470898  
 Bearing ..... 1308L  
**1968-1946**    New Process 420  
 Seal ..... 450308  
 Bearing ..... 1307

### **5-SPEED MANUAL TRANSMISSION**

#### **Front Input Shaft**

**1989-1988**    New Process A536, 2500  
 Seal ..... 9376  
 Bearing ..... 307LI  
 Kwik Slv (Opt Rpr) ..... KWK99106

#### **Rear Output Shaft**

**1989-1988**    New Process A536, 2500 (4WD)  
 Seal ..... 710058  
 Bearing ..... 208  
**1989-1988**    New Process A536, 2500 (2WD)  
 Seal ..... 2506  
 Bearing ..... 208

### **DRIVESHAFT SUPPORT**

**1989-1956**    Spicer: 1.3780" bearing ID  
 Bearing ..... 88107  
 Hanger Bearing Assy ..... HB88107A  
 Hanger Bearing Assy  
 assembly with slingers ..... HB88107B

**DODGE TRUCK - 1 TON - 300, 350 Series, 3500 Series, WD20, WD21, M375, Motor Home, Pickup, Van (cont.)**

**DRIVESHAFT SUPPORT (cont.)**

<b>1985-1956</b>	Spicer 1260-1410: 1.3780" bearing ID	
	Bearing .....	88107
	Hanger Bearing Assy .....	HB88107A
<b>1979-1956</b>	Detroit: 1.3780" bearing ID	
	Hanger Bearing Assy .....	HB88107
<b>1979-1956</b>	Spicer: 1.5748" bearing ID	
	Hanger Bearing Assy .....	HB88508
<b>1979-1956</b>	Spicer: 1.7717" bearing ID	
	Hanger Bearing Assy .....	HB88509
<b>1979-1956</b>	Spicer: 1.9685" bearing ID	
	Hanger Bearing Assy .....	HB88510
<b>1979-1956</b>	Spicer: 2.3622" bearing ID	
	Hanger Bearing Assy .....	HB88512AHD

**POWER STEERING**

**Pump Shaft**

<b>1979-1957</b>	Manual Steering Worm Shaft: Saginaw Design	
	Seal .....	323138
	Bearing .....	8537

**CRANKSHAFT REAR SEAL**

**6 Cylinder**

<b>1989</b>	359/5.9L (diesel)	
	Seal .....	39805
	Kwik Slv (Opt Rpr) .....	KWK99494
<b>1989-1988</b>	239/3.9L	
	Seal .....	5414
<b>1980-1961</b>	225/3.7L	
	Seal .....	5650

**CRANKSHAFT REAR SEAL**

**8 Cylinder**

<b>1989</b>	359/5.9L	
	Seal .....	39805
	Kwik Slv (Opt Rpr) .....	KWK99494
<b>1989-1960</b>	318/5.2L	
	Seal .....	5414

**TIMING COVER**

**6 Cylinder**

<b>1989</b>	359/5.9L (diesel)	
	Seal .....	39803
	Kwik Slv (Opt Rpr) .....	KWK99248
<b>1989-1988</b>	239/3.9L	
	Seal .....	3103
	Harmonic Balancer .....	
	Sleeves .....	88218
<b>1980-1961</b>	225/3.7L	
	Seal .....	3095
	Kwik Slv (Opt Rpr) .....	KWK99226

**8 Cylinder**

<b>1989-1988</b>	359/5.9L	
	Seal .....	39803
	Kwik Slv (Opt Rpr) .....	KWK99248
<b>1989-1960</b>	318/5.2L, 360/5.9L	
	Seal .....	3103
	Kwik Slv (Opt Rpr) .....	KWK99218

**DODGE TRUCK - 1-1/2, 2, 2-1/2 TON - 400, 500, 600, 700 Series Trucks, Motor Home Chassis**

**FRONT WHEEL**

**2WD**

<b>1981-1976</b>	4500 lb. axle	
	Seal (inner) .....	493291[2]
	Set (inner) .....	SET45
	Cone/Cup (outer) .....	15101-15245[2]
<b>1981-1976</b>	3800 lb. axle	
	Seal (inner) .....	493291[2]
	Set (inner) .....	SET45
	Cone/Cup (outer) .....	15101-15245[2]
<b>1981-1959</b>	5000 lb. axle	
	Seal (inner) .....	3210[2]
	Cone/Cup (inner) .....	25590-25520[2]
	Cone/Cup (outer) .....	14116-14276[2]
<b>1979-1977</b>	Spicer 60, 70 axles	
	Seal (inner) .....	411348[2]
	Cone/Cup (inner) .....	387A-382A[2]
	Set (outer) .....	SET38

**FRONT WHEEL (cont.)**

**2WD (cont.)**

<b>1978-1977</b>	Rockwell FDS75 axle	
	Seal (inner) .....	470737N[2]
	Cone/Cup (inner) .....	39590-39520[2]
	Cone/Cup (outer) .....	387S-382A[2]
<b>1977-1970</b>	7000 lb. axle	
	Seal (inner) .....	6780S[2]
	Cone/Cup (inner) .....	45284-45220[2]
	Cone/Cup (outer) .....	3780-3720[2]
<b>1973-1958</b>	4000 lb. axle	
	Seal (inner) .....	493291[2]
	Set (inner) .....	SET37
	Cone/Cup (outer) .....	15101-15245[2]
<b>1969-1965</b>	7000 lb. axle	
	Seal (inner) .....	6780S[2]
	Cone/Cup (inner) .....	45284-45220[2]
	Cone/Cup (outer) .....	2780-2720[2]

# Bearings and Seals

Mfg./Year    Model & Location    Part No    Mfg./Year    Model & Location    Part No

## **DODGE TRUCK - 1-1/2, 2, 2-1/2 TON - 400, 500, 600, 700 Series Trucks, Motor Home Chassis (cont.)**

### **FRONT WHEEL (cont.)**

#### **2WD (cont.)**

<b>1957-1946</b>	Cab Over Engine	
Seal (inner)	.....	3210[2]
Cone/Cup (inner)	.....	3586-3525[2]
Cone/Cup (outer)	.....	2578-2523[2]
<b>1957-1946</b>	exc. Cab Over Engine	
Seal (inner)	.....	493291[2]
Cone/Cup (inner)	.....	26884-26823[2]
Cone/Cup (outer)	.....	1780-1729[2]

#### **4WD**

<b>1977-1976</b>	3800 lb. axle	
Seal (inner)	.....	493291[2]
Set (inner)	.....	SET37
Cone/Cup (outer)	.....	15101-15245[2]
<b>1977-1976</b>	4500 lb. axle	
Seal (inner)	.....	493291[2]
Set (inner)	.....	SET37
Cone/Cup (outer)	.....	15101-15245[2]

### **REAR WHEEL**

<b>1981-1977</b>	Dana/Spicer 60 axle	
Seal (inner)	.....	4250[2]
Set (inner)	.....	SET38
Cone/Cup (outer)	.....	359S-354A[2]
<b>1981-1972</b>	Dana/Spicer 60HD axle	
Seal (inner)	.....	455086[2]
Cone/Cup (inner)	.....	45291-45220[2]
Set (outer)	.....	SET38
<b>1981-1972</b>	Dana/Spicer 70 axle	
Seal (inner)	.....	455086[2]
Cone/Cup (inner)	.....	45291-45220[2]
Set (outer)	.....	SET38
<b>1981-1972</b>	Dana/Spicer 70HD axle	
Seal (inner)	.....	456648[2]
Cone/Cup (inner)	.....	3982-3920[2]
Cone/Cup (outer)	.....	3767-3720[2]
<b>1979-1962</b>	F140D, F147 with Rockwell axles	
Seal (inner)	.....	455249[2]
Cone/Cup (inner)	.....	33287-33462[2]
Cone/Cup (outer)	.....	3982-3920[2]
<b>1979-1962</b>	Eaton 13802, 15201 axles	
Seal (inner)	.....	455249[2]
Cone/Cup (inner)	.....	33287-33462[2]
Cone/Cup (outer)	.....	3982-3920[2]
<b>1979-1959</b>	Eaton 16221, 16244, 16802 axles	
Seal (inner)	.....	455547[2]
Cone/Cup (inner)	.....	42688-42620[2]
Cone/Cup (outer)	.....	39590-39520[2]
<b>1979-1958</b>	H141, H171, H172, H341 with Rockwell axles	
Seal (inner)	.....	455547[2]
Cone/Cup (inner)	.....	42688-42620[2]
Cone/Cup (outer)	.....	39590-39520[2]
<b>1973-1970</b>	Eaton 17120, 17220 axles	
Seal (inner)	.....	456618[2]
Cone/Cup (inner)	.....	47686-47620[2]
Cone/Cup (outer)	.....	39590-39520[2]

### **REAR WHEEL (cont.)**

<b>1973-1957</b>	Chrysler RA115 axle	
Seal (inner)	.....	455336[2]
Cone/Cup (inner)	.....	3984-3920[2]
Cone/Cup (outer)	.....	462-453X[2]
<b>1972-1970</b>	L345 with Rockwell axles	
Seal (inner)	.....	456618[2]
Cone/Cup (inner)	.....	47686-47620[2]
Cone/Cup (outer)	.....	39590-39520[2]
<b>1968-1957</b>	Eaton 1350 axle	
Seal (inner)	.....	455249[2]
Cone/Cup (inner)	.....	33281-33462[2]
Cone/Cup (outer)	.....	3982-3920[2]
<b>1967-1964</b>	Eaton 1614 axle	
Seal (inner)	.....	455547[2]
Cone/Cup (inner)	.....	42688-42620[2]
Cone/Cup (outer)	.....	39590-39520[2]
<b>1963-1958</b>	Eaton 1614 axle	
Seal (inner)	.....	455547[2]
Cone/Cup (inner)	.....	42688-42620[2]
Cone/Cup (outer)	.....	3984-3920[2]
<b>1963-1958</b>	Eaton 1315 axle	
Cone/Cup (inner)	.....	33287-33462[2]
Cone/Cup (outer)	.....	3982-3920[2]
<b>1956-1954</b>	F, G Series	
Seal (inner)	.....	455336[2]
Cone/Cup (inner)	.....	3984-3920[2]
Cone/Cup (outer)	.....	462-453X[2]
<b>1956-1948</b>	DU, EU Route Van	
Seal (inner)	.....	417485[2]
Cone/Cup (inner)	.....	28682-28622[2]
Seal (outer)	.....	6077[2]
Cone/Cup (outer)	.....	2984-2924[2]
<b>1956-1948</b>	H, HM, J, JM Series	
Seal (inner)	.....	455249[2]
Cone/Cup (inner)	.....	33281-33462[2]
Cone/Cup (outer)	.....	3982-3920[2]
<b>1956-1948</b>	K, KM Series	
Seal (inner)	.....	455547[2]
Cone/Cup (inner)	.....	42688-42620[2]
Cone/Cup (outer)	.....	39590-39520[2]

### **4WD FRONT AXLE**

#### **Differential Rebuild Kit**

<b>1981-1977</b>	Dana/Spicer 70F axle	
Kit	.....	DRK332
<b>1981-1958</b>	Dana/Spicer 60F axle	
Kit	.....	DRK331

#### **Differential**

<b>1981-1958</b>	Dana/Spicer 60F, 70F axles	
Cone/Cup	.....	387A-382S[2]
<b>1978-1974</b>	Rockwell FDS75 axle	
Cone/Cup	.....	3994-3920[2]
<b>1973-1958</b>	Rockwell FDS75 axle	
Cone/Cup	.....	3994-3920[2]

**DODGE TRUCK - 1-1/2, 2, 2-1/2 TON - 400, 500, 600, 700 Series Trucks, Motor Home Chassis (cont.)**

**4WD FRONT AXLE**

**Pinion**

<b>1981-1972</b>	Dana/Spicer 60F, 70F axles	
	Cone/Cup (inner) .....	HM803146-HM803110
	Seal (outer) .....	9316
	Cone/Cup (outer) .....	HM88542-HM88510
<b>1978-1974</b>	Rockwell FDS75 axle	
	Cone/Cup (inner) .....	53176-53387
	Cone/Cup (outer) .....	53176-53387
	Cyl. Bearing (pilot) .....	MU1305TDM
<b>1973-1958</b>	Rockwell FDS75 axle	
	Cone/Cup (inner) .....	HM903247-HM903216
	Seal (outer) .....	410316N
	Cone/Cup (outer) .....	HM903244-HM903216
<b>1971-1958</b>	Dana/Spicer 60F axle	
	Cone/Cup (inner) .....	HM803146-HM803110
	Seal (outer) .....	6808N
	Cone/Cup (outer) .....	HM88542-HM88510

**Steering Knuckle**

<b>1981-1980</b>	Dana/Spicer 60F axle	
	Seal (upper) .....	710304[2]
	Cone/Cup (upper) .....	23100-23256[2]
	Seal (lower) .....	710385[2]
	Cone/Cup (lower) .....	23100-23256[2]
<b>1981-1980</b>	Dana/Spicer 70F axle	
	Seal .....	710304[2]
	Cone/Cup .....	23100-23256[2]
<b>1979-1958</b>	Dana/Spicer 60F, 70F axles	
	Seal .....	710304[2]
	Cone/Cup .....	23100-23256[2]
<b>1978-1974</b>	Rockwell FDS74 axle	
	Cone/Cup .....	M86649-M86610[2]

**SINGLE REAR AXLE**

**Differential Rebuild Kit**

<b>1981-1977</b>	Dana/Spicer 60 axle	
	Kit .....	DRK331
<b>1981-1972</b>	Dana/Spicer 70 axle	
	Kit .....	DRK332
<b>1977-1969</b>	Eaton 18221 axle	
	Kit .....	DRK1
<b>1977-1966</b>	Eaton 17120, 17220 axles	
	Kit .....	DRK1A
<b>1977-1966</b>	Eaton 18121 axle	
	Kit .....	DRK1A
<b>1977-1960</b>	Eaton 16221 axle	
	Kit .....	DRK23
<b>1977-1960</b>	Eaton 16244 axle	
	Kit .....	DRK23D
<b>1977-1960</b>	Eaton 16802 axle	
	Kit .....	DRK23
<b>1977-1959</b>	Eaton 1350 axle	
	Kit .....	DRK24
<b>1977-1959</b>	Eaton 15201 axle	
	Kit .....	DRK24
<b>1961</b>	Eaton 17800 axle	
	Kit .....	DRK1

**SINGLE REAR AXLE**

**Differential**

<b>1989-1974</b>	Rockwell F140, F140D, F147 axles: production thru 5/74	
	Cone/Cup .....	3994-3920[2]
<b>1981-1972</b>	Dana/Spicer 60, 70 axles	
	Cone/Cup .....	387A-382S[2]
<b>1977-1975</b>	Rockwell F140, F140D, F147 axles	
	Cone/Cup .....	3994-JM511910[2]
<b>1977-1975</b>	Rockwell H172 axle	
	Cone/Cup .....	JLM714149-JLM714110[2]
<b>1977-1970</b>	Rockwell H170 axle	
	Cone/Cup (LH) .....	47490-47420
	Cone/Cup (RH) .....	33275-33472
<b>1977-1969</b>	Eaton 17220, 18221 axles	
	Cone/Cup (LH) .....	56425-56650
	Cone/Cup (RH) .....	497-493
<b>1977-1966</b>	Eaton 17120, 18121 axles	
	Cone/Cup (LH) .....	567-563
	Cone/Cup (RH) .....	497-493
<b>1977-1960</b>	Eaton 16221, 16244, 16802 axles	
	Cone/Cup (LH) .....	42381-42584
	Cone/Cup (RH) .....	495A-493
<b>1977-1957</b>	Eaton 1350, 15201 axles	
	Cone/Cup (LH) .....	498-493
	Cone/Cup (RH) .....	33275-33472
<b>1975-1957</b>	Rockwell H141 axle	
	Cone/Cup .....	33281-33472[2]
<b>1974</b>	Rockwell F140, F140D, F147 axles: production from 6/74 on	
	Cone/Cup .....	3994-JM511910[2]
<b>1973-1970</b>	Rockwell F140D axle	
	Cone/Cup .....	3994-3920[2]
<b>1971-1960</b>	Rockwell H341 axle	
	Cone/Cup .....	33281-33462[2]
<b>1971-1958</b>	RA-115 axle	
	Cone/Cup .....	28985-28920[2]
<b>1969</b>	Rockwell Q345 axle	
	Cone/Cup (LH) .....	496-493
	Cone/Cup (RH) .....	47686-47620
<b>1969-1968</b>	Rockwell L345 axle	
	Cone/Cup .....	42688-42620[2]
<b>1968</b>	Eaton 1614 axle	
	Cone/Cup .....	3994-3920[2]
<b>1961</b>	Eaton 1614 axle	
	Cone/Cup .....	3994-3920[2]
<b>1961</b>	Eaton 1790A axle	
	Cone/Cup (LH) .....	33281-33472
	Cone/Cup (RH) .....	567-563
<b>1961</b>	Eaton 17800 axle	
	Cone/Cup (LH) .....	56425-56650
	Cone/Cup (RH) .....	497-493
<b>1961</b>	Rockwell L140 axle	
	Cone/Cup (LH) .....	42688-42620
	Cone/Cup (RH) .....	34301-34500
<b>1961</b>	Rockwell L340 axle	
	Cone/Cup .....	42688-42620[2]

# Bearings and Seals

Mfg./Year    Model & Location    Part No    Mfg./Year    Model & Location    Part No

## **DODGE TRUCK - 1-1/2, 2, 2-1/2 TON - 400, 500, 600, 700 Series Trucks, Motor Home Chassis (cont.)**

### **SINGLE REAR AXLE**

#### **Pinion**

<b>1981-1977</b>	Dana/Spicer 60 axle
	Cone/Cup (inner) ..... HM803146-HM803110
	Seal (outer) ..... 9316
	Cone/Cup (outer) ..... HM88542-HM88510
<b>1981-1972</b>	Dana/Spicer 70 axle
	Cone/Cup (inner) ..... HM807040-HM807010
	Seal (outer) ..... 9316
	Cone/Cup (outer) ..... HM88542-HM88510
<b>1977-1975</b>	Rockwell F140, F140D, F147 axles
	Cone/Cup (inner) ..... HM803149-HM803110
	Seal (outer) ..... 475234N
	Cone/Cup (outer) ..... HM803149-HM803110
	Cyl. Bearing (pilot) ..... MUB1305TDM
<b>1977-1975</b>	Rockwell H172 axle
	Cone/Cup (inner) ..... 55200C-55437
	Seal (outer) ..... 415082N
	Cone/Cup (outer) ..... HM804846-HM804810
	Cyl. Bearing (pilot) ..... RU1570UM
<b>1977-1970</b>	Rockwell H170 axle
	Cone/Cup (inner) ..... HM807044-HM807010
	Seal (outer) ..... 470574N
	Cone/Cup (outer) ..... M804049-M804010
	Cyl. Bearing (pilot) ..... RU1570UM
<b>1977-1966</b>	Eaton 17120, 17220 axles
	Cone/Cup (inner) ..... 55200C-55437
	Seal (outer) ..... 9773R
	Cone/Cup (outer) ..... 55200C-55437
	Cyl. Bearing (pilot) ..... MUS1307UM
<b>1977-1966</b>	Eaton 18121, 18221 axles
	Cone/Cup (inner) ..... 55200C-55437
	Seal (outer) ..... 9773R
	Cone/Cup (outer) ..... 55200C-55437
	Cyl. Bearing (pilot) ..... MUS1307UM
<b>1977-1962</b>	Eaton 15201 axle
	Cone/Cup (inner) ..... HM903249-HM903210
	Cone/Cup (outer) ..... HM903249-HM903210
	Cyl. Bearing (pilot) ..... MU1305TDM
	Seal Kit (dust seal) ..... 722250S
	Seal ..... 470737N
<b>1977-1960</b>	Eaton 16221, 16802 axles: 2.625" axle shaft
	Cone/Cup (inner) ..... HM903249-HM903210
	Seal (outer) ..... 712625
	Cone/Cup (outer) ..... HM903249-HM903210
	Cyl. Bearing (pilot) ..... MUS1307UM
<b>1977-1960</b>	Eaton 16221, 16802" axles: 2.375" axle shaft
	Cone/Cup (inner) ..... HM903249-HM903210
	Seal (outer) ..... 712375
	Cone/Cup (outer) ..... HM903249-HM903210
	Cyl. Bearing (pilot) ..... MUS1307UM
<b>1977-1960</b>	Eaton 16244 axle: 2.625" axle shaft
	Cone/Cup (inner) ..... 55175C-55437
	Seal (outer) ..... 9773R
	Cone/Cup (outer) ..... 55175C-55437
	Cyl. Bearing (pilot) ..... MUS1307UM

### **SINGLE REAR AXLE (cont.)**

#### **Pinion (cont.)**

<b>1977-1960</b>	Eaton 16244 axle: 2.375" axle shaft
	Cone/Cup (inner) ..... 55175C-55437
	Seal (outer) ..... 475095N
	Cone/Cup (outer) ..... 55175C-55437
	Cyl. Bearing (pilot) ..... MUS1307UM
<b>1975-1974</b>	Rockwell H141 axle
	Cone/Cup (inner) ..... 55187C-55443
	Seal (outer) ..... 412119
	Cone/Cup (outer) ..... 55176C-55443
<b>1975-1957</b>	Rockwell H141 axle with 1.375" ID
	Cone/Cup (inner) ..... 55187C-55443
	Cyl. Bearing (pilot) ..... MU1306TDM
<b>1975-1957</b>	Rockwell H141 axle with 1.875" ID
	Cone/Cup (inner) ..... 55187C-55443
	Cyl. Bearing (pilot) ..... MU1306TDM
<b>1974-1970</b>	Rockwell F140, F140D, F147 axles
	Cone/Cup (inner) ..... HM903249A-HM903216
	Seal (outer) ..... 475234N
	Cone/Cup (outer) ..... HM903249A-HM903216
	Cyl. Bearing (pilot) ..... MUB1305TDM
<b>1973-1957</b>	Rockwell H141 axle
	Cone/Cup (inner) ..... 55187C-55443
	Seal (outer) ..... 410101N
	Cone/Cup (outer) ..... 55176C-55443
<b>1971-1960</b>	Rockwell H341 axle
	Cone/Cup (inner) ..... HM807046-HM807010
	Seal (outer) ..... 475380N
	Cone/Cup (outer) ..... HM803145-HM803110
<b>1971-1958</b>	RA-115 axle
	Cone/Cup (inner) ..... 49585-49520
	Seal (outer) ..... 5921
	Cone/Cup (outer) ..... NA44163-44363D
<b>1969</b>	Rockwell Q345 axle
	Cone/Cup (inner) ..... HM813844-HM813810
	Seal (outer) ..... 476283N
	Cone/Cup (outer) ..... HM807046-HM807010
<b>1969-1968</b>	Rockwell L345 axle
	Cone/Cup (inner) ..... HM804843-HM804810
	Seal (outer) ..... 475009N
	Cone/Cup (outer) ..... HM804843-HM804810
	Cone/Cup (pilot) ..... HM813842-HM813810
<b>1968-1961</b>	Eaton 1614 axle
	Cone/Cup (inner) ..... 55175C-55437
	Seal (outer) ..... 475003N
	Cone/Cup (outer) ..... 55175C-55437
	Cyl. Bearing (pilot) ..... MU1306UM
<b>1965-1959</b>	Eaton 1350 axle
	Cone/Cup (inner) ..... HM903249-HM903210
	Seal (outer) ..... 470737N
	Cone/Cup (outer) ..... HM903249-HM903210
	Cyl. Bearing (pilot) ..... MU1305TDM

**DODGE TRUCK - 1-1/2, 2, 2-1/2 TON - 400, 500, 600, 700 Series Trucks, Motor Home Chassis (cont.)**

**SINGLE REAR AXLE (cont.)**

**Pinion (cont.)**

<b>1961</b>	Eaton 1790A axle	
	Cone/Cup (inner) .....	55200C-55437
	Seal (outer) .....	475003N
	Cone/Cup (outer) .....	55200C-55437
	Cyl. Bearing (pilot) .....	MUS1307UM
<b>1961</b>	Eaton 17800 axle	
	Cone/Cup (inner) .....	55200C-55437
	Seal (outer) .....	9773R
	Cone/Cup (outer) .....	55200C-55437
	Cyl. Bearing (pilot) .....	MUS1307UM
<b>1961</b>	Rockwell L140 axle	
	Cone/Cup (inner) .....	66200-66462
	Seal (outer) .....	475009N
	Cone/Cup (outer) .....	55187C-55437
	Cyl. Bearing (pilot) .....	MU1306TDM
<b>1961</b>	Rockwell L340 axle	
	Cone/Cup (inner) .....	HM804843-HM804810
	Seal (outer) .....	475009N
	Cone/Cup (outer) .....	HM813842-HM813810
<b>1958-1957</b>	Eaton 1350 axle	
	Cone/Cup (inner) .....	HM903249-HM903210
	Seal (outer) .....	450103
	Cone/Cup (outer) .....	HM903249-HM903210
	Cyl. Bearing (pilot) .....	MU1305TDM

**TANDEM REAR AXLE - FRONTMOST AXLE**

**Differential**

<b>1969</b>	Eaton 30DSC, 30DSE axles: ribbed center section	
	Cone/Cup (LH) .....	495-493
	Cone/Cup (RH) .....	42381-42584
<b>1969</b>	Eaton 30DSC, 30DSE axles: conical center section	
	Cone/Cup (LH) .....	3994-3920
	Cone/Cup (RH) .....	567-563
<b>1969</b>	Rockwell SLHD axle: 1.11 thru 4.63 rear gear	
	Cone/Cup (LH) .....	497-493
	Cone/Cup (RH) .....	496-493
<b>1969</b>	Rockwell SLHD axle: 4.64 thru 9.99 rear gear	
	Cone/Cup .....	496-493[2]
<b>1969-1961</b>	Rockwell SHHD axle	
	Cone/Cup .....	33281-33472[2]
<b>1961</b>	Eaton 30DS axle: ribbed center section	
	Cone/Cup (LH) .....	495A-493
	Cone/Cup (RH) .....	42381-42584
<b>1961</b>	Eaton 30DS axle: conical center section	
	Cone/Cup (LH) .....	3994-3920
	Cone/Cup (RH) .....	567-563
<b>1961</b>	Rockwell SDHD axle	
	Cone/Cup .....	3994-3920[2]

**TANDEM REAR AXLE - FRONTMOST AXLE**

**Pinion**

<b>1969</b>	Eaton 30DSC, 30DSE axles	
	Cone/Cup (inner) .....	55200C-55437
	Cone/Cup (outer) .....	55200C-55437
	Cyl. Bearing (pilot) .....	MUS1307UM
<b>1969</b>	Rockwell SLHD axle: 1.1875" pilot shaft	
	Cone/Cup (inner) .....	72200C-72487
	Seal (outer) .....	476500N
	Cone/Cup (outer) .....	72200C-72487
	Cyl. Bearing (pilot) .....	MU1306TDM
<b>1969</b>	Rockwell SLHD axle: 1.375" pilot shaft	
	Cone/Cup (inner) .....	72200C-72487
	Seal (outer) .....	476500N
	Cone/Cup (outer) .....	72200C-72487
	Cyl. Bearing (pilot) .....	RU1570UM
<b>1969-1961</b>	Rockwell SHHD axle: 1.1875" pilot shaft	
	Cone/Cup (inner) .....	55200C-55443
	Seal (outer) .....	476574N
	Cone/Cup (outer) .....	55200C-55443
	Cyl. Bearing (pilot) .....	MU1306TDM
<b>1969-1961</b>	Rockwell SHHD axle: 1.375" pilot shaft	
	Cone/Cup (inner) .....	55200C-55443
	Seal (outer) .....	476574N
	Cone/Cup (outer) .....	55200C-55443
	Cyl. Bearing (pilot) .....	RU1570UM
<b>1961</b>	Eaton 30DS axle	
	Cone/Cup (inner) .....	55200C-55437
	Cone/Cup (outer) .....	55200C-55437
	Cyl. Bearing (pilot) .....	MUS1307UM
<b>1961</b>	Rockwell SDHD axle	
	Cone/Cup (inner) .....	HM903245-HM903210
	Seal (outer) .....	410101N
	Cone/Cup (outer) .....	44162-44348
	Cyl. Bearing (pilot) .....	MU1305TDM

**Input Shaft**

<b>1969</b>	Eaton 30DSC, 30DSE axles	
	Seal .....	475003N
	Bearing .....	311TB
<b>1969</b>	Rockwell SLHD axle	
	Bearing .....	211B
<b>1969-1961</b>	Rockwell SHHD axle	
	Bearing .....	211TB
<b>1961</b>	Eaton 30DS axle	
	Seal .....	475003N
	Bearing .....	311TB
<b>1961</b>	Rockwell SDHD axle	
	Bearing .....	209BB

# Bearings and Seals

Mfg./Year    Model & Location    Part No    Mfg./Year    Model & Location    Part No

## **DODGE TRUCK - 1-1/2, 2, 2-1/2 TON - 400, 500, 600, 700 Series Trucks, Motor Home Chassis (cont.)**

### **TANDEM REAR AXLE - FRONTMOST AXLE**

#### **Output Shaft**

<b>1969</b>	Eaton 30DSC, 30DSE axles
	Cone/Cup (inner) ..... 34274-34492A
	Seal (outer) ..... 475003N
	Bearing (outer) ..... MA1209EL
<b>1961</b>	Eaton 30DS axle
	Cone/Cup (inner) ..... 34274-34492A
	Seal (outer) ..... 475003N
	Bearing (outer) ..... MA1209EL

#### **Internal Drive Shaft**

<b>1969-1961</b>	Rockwell SHHD, SLHD axles
	Cone/Cup ..... 29675-29630[2]
<b>1961</b>	Rockwell SDHD axle
	Bearing (front) ..... 116SL
	Bearing (rear) ..... 212SL

#### **Internal Idler Shaft**

<b>1969-1961</b>	Rockwell SHHD, SLHD axles
	Cone/Cup ..... 31597-31520[2]
<b>1961</b>	Rockwell SDHD axle
	Set ..... SET5[2]

#### **Internal Thrust shaft**

<b>1969</b>	Rockwell SLHD axle: double row ball bearing
	Seal ..... 475322N
	Bearing ..... 5209W
<b>1969</b>	Rockwell SLHD axle: single row ball bearing
	Seal ..... 475322N
	Bearing ..... 209BB
<b>1969-1961</b>	Rockwell SHHD axle: ball bearing
	Bearing (front) ..... 209BB
	Seal (rear) ..... 410101N
	Bearing (rear) ..... 209BB
<b>1969-1961</b>	Rockwell SHHD axle: tapered bearing
	Set (front) ..... SET37
	Seal (rear) ..... 410101N
	Set (rear) ..... SET37
<b>1961</b>	Rockwell SDHD axle
	Bearing ..... 208

### **TANDEM REAR AXLE - REARMOST AXL**

#### **Differential**

<b>1969</b>	Rockwell SLHD axle: 1.11 thru 4.63 rear gear
	Cone/Cup (LH) ..... 497-493
	Cone/Cup (RH) ..... 496-493
<b>1969</b>	Rockwell SLHD axle: 4.64 thru 9.99 rear gear
	Cone/Cup ..... 496-493[2]
<b>1969-1961</b>	Rockwell SHHD axle
	Cone/Cup ..... 33281-33472[2]

### **TANDEM REAR AXLE - REARMOST AXL (cont.)**

#### **Differential (cont.)**

<b>1961</b>	Rockwell SDHD axle
	Cone/Cup (LH) ..... 3994-3920
	Cone/Cup (RH) ..... 395-394AS

#### **Pinion**

<b>1969</b>	Rockwell SLHD axle: 1.1875" pilot shaft
	Cone/Cup (inner) ..... 72200C-72487
	Seal (outer) ..... 475009N
	Cone/Cup (outer) ..... 72188C-72487
	Cyl. Bearing (pilot) ..... MU1306TDM
<b>1969</b>	Rockwell SLHD axle: 1.375" pilot shaft
	Cone/Cup (inner) ..... 72200C-72487
	Seal (outer) ..... 475009N
	Cone/Cup (outer) ..... 72188C-72487
	Cyl. Bearing (pilot) ..... RU1570UM
<b>1969-1961</b>	Rockwell SHHD axle: 1.1875" pilot shaft
	Cone/Cup (inner) ..... 55187C-55443
	Seal (outer) ..... 410101N
	Cone/Cup (outer) ..... 55176C-55443
	Cyl. Bearing (pilot) ..... MU1306TDM
<b>1969-1961</b>	Rockwell SHHD axle: 1.375" pilot shaft
	Cone/Cup (inner) ..... 55187C-55443
	Seal (outer) ..... 410101N
	Cone/Cup (outer) ..... 55176C-55443
	Cyl. Bearing (pilot) ..... RU1570UM
<b>1961</b>	Rockwell SDHD axle
	Cone/Cup (inner) ..... HM903245-HM903210
	Seal (outer) ..... 470308N
	Cone/Cup (outer) ..... 44143-44348
	Cyl. Bearing (pilot) ..... MU1306TDM

### **CLUTCH**

#### **Pilot Bearing**

<b>1981-1980</b>	8-cylinder 360 engine
	Bushing H/D ..... PB286HD
<b>1979-1959</b>	8-cylinder 318 engine
	Bushing H/D ..... PB286HD
<b>1979-1959</b>	8-cylinder 360 engine
	Bushing H/D ..... PB286HD
<b>1979-1959</b>	8-cylinder 400 engine
	Bushing H/D ..... PB286HD
<b>1979-1959</b>	8-cylinder 470 engine: diesel
	Bushing H/D ..... PB286HD
<b>1977-1973</b>	8-cylinder 361 engine: 13" clutch
	Bearing ..... 205SS
<b>1977-1973</b>	8-cylinder 361 engine: 14" clutch
	Bushing H/D ..... PB286HD
<b>1977-1973</b>	8-cylinder 413 engine: 13" clutch
	Bearing ..... 205SS
<b>1977-1973</b>	8-cylinder 413 engine: 14" clutch
	Bushing H/D ..... PB286HD

**DODGE TRUCK - 1-1/2, 2, 2-1/2 TON - 400, 500, 600, 700 Series Trucks, Motor Home Chassis (cont.)**

**CLUTCH (cont.)**

**Pilot Bearing (cont.)**

<b>1974-1961</b>	6-cylinder 170, 225, 354 engines	
	Bushing H/D .....	PB286HD
<b>1972-1960</b>	8-cylinder 361 engine	
	Bearing .....	205SS
<b>1971-1967</b>	8-cylinder 413 engine	
	Bearing .....	204S
<b>1963-1957</b>	6-cylinder 230, 251, 265 engines	
	Bearing .....	204S

**Release Bearing**

<b>1981-1980</b>	8-cylinder 360 engine	
	Bearing Only .....	DC2065C
<b>1981-1969</b>	400 Series	
	Bearing Assy .....	614036
<b>1977-1969</b>	500 Series: 12" or 13" clutch	
	Bearing Only .....	DC2065C
<b>1977-1969</b>	600 Series: 12" or 13" clutch	
	Bearing Only .....	DC2065C
<b>1973-1970</b>	600 Series: 361-3 engine	
	Bearing Only .....	DA2255C
<b>1973-1961</b>	500 Series: 13" clutch: 318, 361-2 engines	
	Bearing Only .....	DB2255C
<b>1973-1961</b>	600 Series: 13" clutch: 318, 361-2 engines	
	Bearing Only .....	DB2255C
<b>1968-1959</b>	400 Series	
	Bearing Only .....	DC2065C
<b>1958-1946</b>	400 Series	
	Bearing Only .....	2065

**DRIVESHAFT SUPPORT**

<b>1985-1956</b>	Spicer 1260-1410: 1.3780" bearing ID	
	Bearing .....	88107
	Hanger Bearing Assy .....	HB88107A
<b>1979-1956</b>	Detroit: 1.3780" bearing ID	
	Hanger Bearing Assy .....	HB88107
<b>1979-1956</b>	Spicer: 1.3780" bearing ID	
	Hanger Bearing Assy .....	HB88107
<b>1979-1956</b>	Spicer: 1.5748" bearing ID	
	Hanger Bearing Assy .....	HB88508
<b>1979-1956</b>	Spicer: 1.7717" bearing ID	
	Hanger Bearing Assy .....	HB88509
<b>1979-1956</b>	Spicer: 1.9685" bearing ID	
	Hanger Bearing Assy .....	HB88510
<b>1979-1956</b>	Spicer: 2.3622" bearing ID	
	Hanger Bearing Assy .....	HB88512AHD

**TIMING COVER**

**8 Cylinder**

<b>1981-1960</b>	360/5.9L	
	Seal .....	3103
	Kwik Slv (Opt Rpr) .....	KWK99218

**EAGLE - Medallion, Premier, Summit**

**FRONT WHEEL**

<b>1989</b>	Summit	
	Seal .....	474134[2]
	Set .....	SET41[2]
<b>1989-1988</b>	Premier	
	Bearing .....	513144K[2]
<b>1989-1988</b>	Medallion	
	Bearing .....	513144K[2]

**REAR WHEEL**

<b>1989</b>	2000 GTX : disc brakes	
	Hub Assy .....	512158[2]
<b>1989</b>	2000 GTX : drum brakes	
	Seal (inner) .....	1196[2]
	Set (inner) .....	SET4
	Set (outer) .....	SET1
<b>1989</b>	Premier: non-ABS drum brakes	
	Hub Assy .....	513070[2]
<b>1989</b>	Summit 2-door: disc brakes	
	Seal (inner) .....	1205N[2]
	Bearing Assy (inner) .....	516000[2]
	Bearing Assy (outer) .....	516000[2]

**REAR WHEEL (cont.)**

<b>1989</b>	Summit 2-door: Mitsubishi drum brakes	
	Seal (inner) .....	1205N[2]
	Bearing Assy (inner) .....	516001WB[2]
	Bearing Assy (outer) .....	516001WB[2]
<b>1989</b>	Summit 4-door	
	Seal (inner) .....	1205N[2]
	Bearing Assy (inner) .....	513029[2]
	Bearing Assy (outer) .....	513029[2]
<b>1989-1988</b>	Medallion: non-ABS disc brakes	
	Hub Assy .....	513078[2]
<b>1989-1988</b>	Medallion: non-ABS drum brakes	
	Hub Assy .....	513142[2]

**CLUTCH**

**Pilot Bearing**

<b>1989-1988</b>	2.2 4-cylinder engine	
	Bearing .....	203FF
<b>1989-1988</b>	2.5 4-cylinder	
	Needle Bearing .....	FC65446



# Bearings and Seals

Mfg./Year    Model & Location    Part No    Mfg./Year    Model & Location    Part No

## **EAGLE - Medallion, Premier, Summit (cont.)**

### **CLUTCH**

#### **Release Bearing**

**1989-1988** Summit  
Bearing Assy ..... 614126  
**1989-1988** Premier: 3.0 V6  
Bearing Assy ..... 614092  
**1989-1988** Premier: 2.5 4-cylinder  
Bearing Assy ..... 614126

### **3-SPEED AUTOMATIC TRANSAXLE**

#### **Torque Converter**

**1989** F3A22, F3A21-3, KM171-5,  
KM171  
Seal ..... 320583  
Kwik Slv (Opt Rpr) ..... KWK99157  
**1989-1988** Renault MJ3  
Seal ..... 224266  
Kwik Slv (Opt Rpr) ..... KWK99169

#### **Transfer Shaft**

**1989** KM171, KM171-5  
Bearing Assy (inner) ..... 30206M  
Bearing Assy (outer) ..... 30304

#### **Transfer Gear**

**1989** KM171, F3A21-2, KM171-5  
Bearing (inner) ..... 207  
Bearing (outer) ..... 306L

#### **Output Shaft**

**1989** F3A22, F3A21-3, KM171-5,  
KM171  
Seal ..... 223543[2]  
Kwik Slv (Opt Rpr) ..... KWK99139[2]

#### **Differential**

**1989** KM171, F3A21-2, KM171-5  
Bearing ..... 207[2]  
**1989-1988** Renault MJ3  
Bearing Assy ..... 30207M[2]

### **4-SPEED AUTOMATIC TRANSAXLE**

#### **Differential**

**1989-1988** ZF 4 HP18  
Cone/Cup (LH) ..... LM806649-LM806610  
Cone/Cup (RH) ..... LM300849-LM300811  
**1989-1984** A604, A670  
Set ..... SET11[2]

#### **Torque Converter**

**1989-1988** ZF 4 HP18FL: Premier  
Seal ..... 224510  
Kwik Slv (Opt Rpr) ..... KWK99177  
**1989-1988** Renault AR4  
Seal ..... 225110  
Kwik Slv (Opt Rpr) ..... KWK99212

### **4-SPEED AUTOMATIC TRANSAXLE**

#### **Transfer Shaft**

**1989-1988** A604, A670  
Set ..... SET11[2]

#### **Output Shaft**

**1989-1988** A604, A670  
Seal ..... 3459S[2]  
Set ..... SET17

#### **Pinion**

**1989-1988** ZF 4 HP18FL: Premier  
Seal Viton ..... 710279  
Kwik Slv (Opt Rpr) ..... KWK99215

#### **Selector Shaft Seal/Man. Shaft**

**1989-1988** A604, A604-41TE, A670  
Seal ..... 8609

### **4-SPEED MANUAL TRANSAXLE**

#### **Differential**

**1989** F4M21-1  
Bearing ..... 207[2]  
**1989** KM200-0  
Bearing Assy ..... 30207M[2]

#### **Input Shaft**

**1989** F4M21-1, KM200-0  
Seal Viton ..... 712007  
Kwik Slv (Opt Rpr) ..... KWK99098

#### **Countershaft**

**1989** KM200-0  
Bearing (front) ..... RW122  
Bearing (rear) ..... 108A

#### **Mainshaft**

**1989** KM200-0  
Bearing (rear) ..... 108A

#### **Output Shaft**

**1989-1988** F4M21-1, KM200-0  
Seal ..... 223543[2]  
Bearing Assy ..... 30206M[2]  
Kwik Slv (Opt Rpr) ..... KWK99139[2]

#### **Selector Shaft Seal/Man. Shaft**

**1989-1988** F4M21-1, KM200-0  
Seal ..... 710222

### **5-SPEED MANUAL TRANSAXLE**

#### **Differential**

**1989** F5M21-1, F5M21-2, W5M31-2,  
W5M33-2, KM201-0, KM215-0  
Bearing ..... 207[2]

**EAGLE - Medallion, Premier, Summit (cont.)**

**5-SPEED MANUAL TRANSAXLE (cont.)**

**Differential (cont.)**

<b>1989-1988</b>	KM182-2, F5M22-2, KM182-0, KM206-0, KM206, KM221-1	
	Bearing Assy	30207M[2]
<b>1989-1988</b>	Renault NG3	
	Bearing Assy (LH)	30207M

**Input Shaft**

<b>1989-1988</b>	KM182-2, KM182-0	
	Seal Viton (front)	712007
	Kwik Slv (Opt Rpr)	KWK99098
	Bearing (center)	304WB
	Bearing Assy (rear)	30304
<b>1989-1988</b>	KM201-0, KM206-0	
	Seal Viton (front)	712007
	Kwik Slv (Opt Rpr)	KWK99098
	Bearing (center)	304WB
	Bearing (rear)	108A

**Countershaft**

<b>1989</b>	KM201-0, KM206-0	
	Bearing (front)	RW122
	Bearing (rear)	108A

**Output Shaft**

<b>1989</b>	F5M21-1, F5M21-2, F5M22-1, F5M22-2, KM201-0, KM206, KM206-0	
	Seal	223543[2]
	Bearing Assy	30206M[2]
	Kwik Slv (Opt Rpr)	KWK99139[2]
<b>1989-1988</b>	Renault UN1	
	Seal	224235[2]
<b>1989-1988</b>	KM182-2, KM182-0	
	Seal	223543[2]
	Kwik Slv (Opt Rpr)	KWK99139[2]

**Selector Shaft Seal/Man. Shaft**

<b>1989</b>	F5M21-1, F5M21-2, F5M22-2, KM182-2, KM182-0, KM201-0, KM206-0	
	Seal	710222

**CAMSHAFT SEAL**

**4 Cylinder**

<b>1989</b>	1595cc/1.6L (DOHC), 1997cc/2.0L (DOHC)	
	Seal	3771[2]
	Kwik Slv (Opt Rpr)	KWK99139[2]
<b>1989</b>	1468cc/1.5L, 1755cc/1.8L, 1834cc/1.8L, 2351cc/2.4L	
	Seal	3771
	Kwik Slv (Opt Rpr)	KWK99139
<b>1989-1988</b>	2165cc/2.2L	
	Seal	1172S
	Kwik Slv (Opt Rpr)	KWK99139

**CRANKSHAFT REAR SEAL**

**4 Cylinder**

<b>1989-1988</b>	150/2.5L	
	Seal Viton	716445
	Kwik Slv (Opt Rpr)	KWK99294
<b>1989</b>	1468cc/1.5L, 1755cc/1.8L	
	Seal	227235
<b>1989</b>	1595cc/1.6L (DOHC), 1997cc/2.0L (DOHC), 2351cc/2.4L	
	Seal Viton	228005
	Kwik Slv (Opt Rpr)	KWK99315
<b>1989-1988</b>	2165cc/2.2L	
	Seal Viton	229005
	Kwik Slv (Opt Rpr)	KWK99354

**6 Cylinder**

<b>1989-1988</b>	2970cc/3.0L	
	Seal	228010
	Kwik Slv (Opt Rpr)	KWK99315

**TIMING COVER**

**4 Cylinder**

<b>1989</b>	1595cc/1.6L (DOHC), 1597cc/1.6L, 1755cc/1.8L, 1997cc/2.0L, 2351cc/2.4L	
	Seal	224460
<b>1989</b>	1468cc/1.5L	
	Seal	223018
	Kwik Slv (Opt Rpr)	KWK99114
<b>1989-1988</b>	2165cc/2.2L	
	Seal Viton	225020
	Kwik Slv (Opt Rpr)	KWK99196
<b>1989-1988</b>	150/2.5L	
	Seal	321460
	Kwik Slv (Opt Rpr)	KWK99179
	Harmonic Balancer	
	Sleeves Opt.	88179

**6 Cylinder**

<b>1989-1988</b>	2970cc/3.0L	
	Seal Viton	710196
	Kwik Slv (Opt Rpr)	KWK99157

# Bearings and Seals

Mfg./Year    Model & Location    Part No    Mfg./Year    Model & Location    Part No

## **FERRARI - BB512, F40, Testarossa, 3.2 Mondial, 308GT, 328GT, 348 Coupe, 400i, 512TR**

### **FRONT WHEEL**

<b>1989-1987</b>	Testarossa	
Set (inner)	.....	SET5
Set (outer)	.....	SET16
<b>1989</b>	F40	
Set (inner)	.....	SET5
Set (outer)	.....	SET16
<b>1989-1984</b>	Mondial	
Set (inner)	.....	SET5
Set (outer)	.....	SET16
<b>1989-1988</b>	328GTB/GTS	
Set (inner)	.....	SET6
Set (outer)	.....	SET2
<b>1989-1983</b>	400i	
Set (inner)	.....	SET5
Set (outer)	.....	SET16
<b>1988-1987</b>	GTO	
Set (inner)	.....	SET5
Set (outer)	.....	SET16
<b>1988-1980</b>	308 Series	
Set (inner)	.....	SET6
Set (outer)	.....	SET2
<b>1987-1984</b>	512	
Set (inner)	.....	SET5
Set (outer)	.....	SET16
<b>1983-1980</b>	512	
Set (inner)	.....	SET6
Set (outer)	.....	SET2
<b>1979-1975</b>	308S	
Set (inner)	.....	SET5
Cone/Cup (outer)	.....	12580-12520[2]
<b>1979-1975</b>	Dino Series	
Set (inner)	.....	SET5
Cone/Cup (outer)	.....	12580-12520[2]

### **REAR AXLE**

#### **Differential**

<b>1989-1986</b>	412, 412i	
Cone/Cup	.....	28580-28521[2]
<b>1989-1986</b>	GTO, Testarossa	
Cone/Cup (LH)	.....	368A-362A
Cone/Cup (RH)	.....	28580-28521
<b>1989-1986</b>	exc. 412, GTO, Testarossa	
Cone/Cup	.....	368A-362A[2]
<b>1985-1976</b>	all	
Cone/Cup	.....	368A-362A[2]

#### **Pinion**

<b>1989-1988</b>	328 Series	
Cone/Cup (outer)	.....	28158-28300
<b>1989-1988</b>	Testarossa	
Cone/Cup (outer)	.....	28158-28300

### **REAR AXLE (cont.)**

#### **Pinion (cont.)**

<b>1989-1986</b>	412	
Cone/Cup (outer)	.....	27880-27820
<b>1989-1976</b>	all	
Cone/Cup (inner)	.....	M802048-M802011 <sup>14</sup>
<b>1987-1986</b>	GTO	
Cone/Cup (outer)	.....	11162-11300 <sup>14</sup>
<b>1987-1986</b>	Testarossa	
Cone/Cup (outer)	.....	27880-27820
<b>1985-1984</b>	BB512	
Cone/Cup (outer)	.....	28158-28300
<b>1985-1984</b>	400	
Cone/Cup (outer)	.....	27880-27820
<b>1983-1976</b>	308 Series	
Cone/Cup (outer)	.....	28158-28300

### **3-SPEED AUTOMATIC TRANSMISSION**

#### **Torque Converter**

<b>1985-1984</b>	THM400	
Seal	.....	6712NA
Kwik Slv (Opt Rpr)	.....	KWK99187

#### **Rear Seal/Ext. Housing**

<b>1985-1984</b>	THM400	
Seal	.....	9449
Seal Kit Opt.	.....	5208 <sup>64</sup>

#### **Selector Shaft Seal/Man. Shaft**

<b>1985-1984</b>	THM400	
Seal	.....	8792S

**214** [ ] Indicates Quantity Required; Set Components Listed Inside Rear Cover;

<sup>14</sup> Special deviation code on some models.    <sup>64</sup> Opt. Seal and Bushing Kit

**FIAT**

**FRONT WHEEL**

<b>1989-1979</b>	X1/9	
Seal	.....	222510[2]
Bearing	.....	B33[2]
<b>1984</b>	2000	
Seal (inner)	.....	481279[2]
Cone/Cup (inner)	.....	15579X-15520[2]
Set (outer)	.....	SET2
<b>1982-1978</b>	138	
Seal	.....	222510[2]
Bearing	.....	B33[2]
<b>1982-1978</b>	Strada	
Seal	.....	222510[2]
Bearing	.....	B33[2]
<b>1982-1975</b>	131	
Seal (inner)	.....	1999[2]
Set (inner)	.....	SET28
Set (outer)	.....	SET2
<b>1982-1975</b>	Brava	
Seal (inner)	.....	1999[2]
Set (inner)	.....	SET28
Set (outer)	.....	SET2
<b>1979-1970</b>	128	
Bearing	.....	513116[2]
<b>1978-1974</b>	X1/9	
Bearing	.....	513116[2]
<b>1976-1966</b>	124	
Seal (inner)	.....	481279[2]
Cone/Cup (inner)	.....	15579X-15520[2]
Set (outer)	.....	SET2
<b>1974-1969</b>	Dino Coupe 2400, Dino Spider 2400	
Set (inner)	.....	SET6
Set (outer)	.....	SET2
<b>1973-1968</b>	850	
Seal (inner)	.....	223535[2]
Bearing (inner)	.....	513118[2]
Bearing (outer)	.....	513119[2]
<b>1970-1954</b>	600	
Seal (inner)	.....	223535[2]
Cone/Cup (inner)	.....	07090XS-07204[2]
Bearing Assy (outer)	.....	30302[2]
<b>1969-1967</b>	Dino Coupe 2000	
Set (inner)	.....	SET6
Set (outer)	.....	SET2
<b>1969-1967</b>	Dino Spider 2000	
Set (inner)	.....	SET5
Set (outer)	.....	SET2
<b>1969-1963</b>	1500: production from chassis #199408 on	
Set (inner)	.....	SET6
Set (outer)	.....	SET2
<b>1966-1959</b>	1800	
Set (inner)	.....	SET5
Set (outer)	.....	SET3
<b>1966-1959</b>	2100	
Bearing Assy (inner)	.....	32206M[2]
Cone/Cup (outer)	.....	05070XS-05185XS[2]
<b>1966-1953</b>	1100, E	
Seal (inner)	.....	223535[2]
Cone/Cup (inner)	.....	15579X-15520[2]

**FRONT WHEEL (cont.)**

<b>1965-1963</b>	1100D	
Seal (inner)	.....	223535[2]
Set (inner)	.....	SET6
Set (outer)	.....	SET2
<b>1963-1961</b>	1500: production thru chassis #199407	
Cone/Cup (inner)	.....	15579X-15520[2]
Bearing (outer)	.....	509772[2]
<b>1963-1953</b>	1400	
Bearing Assy (inner)	.....	32206M[2]
Cone/Cup (outer)	.....	05070XS-05185XS[2]
<b>1963-1953</b>	1900	
Bearing Assy (inner)	.....	32206M[2]
Cone/Cup (outer)	.....	05070XS-05185XS[2]

**REAR WHEEL**

<b>1988-1979</b>	X1/9	
Bearing	.....	B37[2]
<b>1984</b>	2000 Series	
Bearing	.....	RW103R[2]
<b>1982-1978</b>	138 Series	
Bearing	.....	513116[2]
<b>1982-1978</b>	Strada	
Bearing	.....	513116[2]
<b>1982-1975</b>	131 Series	
Seal	.....	223015[2]
Bearing	.....	RW103R[2]
<b>1982-1975</b>	Brava	
Seal	.....	223015[2]
Bearing	.....	RW103R[2]
<b>1979-1970</b>	128 Series	
Seal	.....	1998[2]
Bearing	.....	513116[2]
<b>1978-1973</b>	X1/9	
Bearing	.....	513116[2]
<b>1976-1966</b>	124 Series: production from chassis #069548 on	
Seal	.....	223015[2]
Bearing	.....	RW103R[2]
<b>1974-1966</b>	124 Wagon	
Seal	.....	223015[2]
Bearing	.....	RW103R[2]
<b>1973-1968</b>	850 Series: production thru chassis #187047	
Seal	.....	223820[2]
Bearing	.....	305AG[2]
<b>1973-1968</b>	850 Series: production from chassis #187048 on	
Seal	.....	2000[2]
Bearing	.....	305AG[2]
<b>1972-1967</b>	125 Series	
Seal	.....	223015[2]
Bearing	.....	RW103R[2]
<b>1972-1960</b>	500 Series	
Cone/Cup	.....	07100-07204[2]
<b>1970-1954</b>	600 Series	
Cone/Cup	.....	07100-07204[2]
<b>1966</b>	124 Series: production thru chassis #069547	
Bearing	.....	RW102R[2]
<b>1966-1963</b>	1500 Cabriolet	
Bearing	.....	206WB[2]

# Bearings and Seals

Mfg./Year	Model & Location	Part No	Mfg./Year	Model & Location	Part No
-----------	------------------	---------	-----------	------------------	---------

## FIAT (cont.)

### REAR WHEEL (cont.)

<b>1966-1957</b>	1100 Series	
Bearing	.....	206WB[2]
<b>1966-1957</b>	1200 Series	
Bearing	.....	206WB[2]
<b>1964-1962</b>	1600S Cabriolet	
Bearing	.....	206WB[2]
<b>1963-1956</b>	1400 Series	
Bearing	.....	306TB[2]
<b>1963-1956</b>	1900 Series	
Bearing	.....	306TB[2]

### REAR AXLE

#### Pinion

<b>1985-1974</b>	2000	
Seal (outer)	.....	223620
<b>1979-1977</b>	124	
Cone/Cup (inner)	.....	23690-23620
Cone/Cup (outer)	.....	02473X-02419
<b>1976-1966</b>	124	
Seal (outer)	.....	223620
Cone/Cup (outer)	.....	HM89443-HM89410
<b>1975-1969</b>	130	
Cone/Cup	.....	HM89443-HM89410
<b>1974-1969</b>	Dino Coupe, Spider: 2400	
Cone/Cup (inner)	.....	HM801346-HM801310
Cone/Cup (outer)	.....	HM89443-HM89410
<b>1972-1969</b>	131	
Cone/Cup	.....	HM89443-HM89410
<b>1969-1967</b>	Dino Coupe, Spider: 2000	
Cone/Cup (inner)	.....	HM801346-HM801310
Cone/Cup (outer)	.....	HM89443-HM89410
<b>1968-1966</b>	1500: production from 12/66 on	
Cone/Cup (inner)	.....	HM801346-HM801310
Cone/Cup (outer)	.....	HM89443-HM89410
<b>1968-1966</b>	2300: production from 12/66 on	
Cone/Cup (inner)	.....	HM801346-HM801310
Cone/Cup (outer)	.....	HM89443-HM89410
<b>1968-1961</b>	1800: std. axle	
Cone/Cup (inner)	.....	31593-31520
Cone/Cup (outer)	.....	02474-02420
<b>1968-1961</b>	1800: H/D axle	
Cone/Cup (inner)	.....	HM801346-HM801310
Cone/Cup (outer)	.....	HM89443-HM89410
<b>1966-1962</b>	1600	
Cone/Cup (outer)	.....	31593-31520
<b>1966-1961</b>	1500: production thru 11/66	
Cone/Cup (inner)	.....	31593-31520
Cone/Cup (outer)	.....	02474-02420
<b>1966-1961</b>	2300: production thru 11/66	
Cone/Cup (inner)	.....	31593-31520
Cone/Cup (outer)	.....	02474-02420
<b>1966-1954</b>	600	
Bearing	.....	205BB
<b>1963-1953</b>	1400	
Cone/Cup (inner)	.....	31593-31520
Cone/Cup (outer)	.....	02872-02820
<b>1963-1953</b>	1900	
Cone/Cup (inner)	.....	31593-31520
Cone/Cup (outer)	.....	02872-02820

### CLUTCH

#### Release Bearing

<b>1989-1988</b>	Tipò	
Bearing Only	.....	FI1710C
<b>1989-1987</b>	Duna	
Bearing Only	.....	FI1710C
<b>1989-1986</b>	Croma	
Bearing Only	.....	FI1710C
<b>1989-1984</b>	Regata	
Bearing Only	.....	FI1710C
<b>1989-1978</b>	Super 85	
Bearing Only	.....	FI1710C
<b>1988-1982</b>	Bertone X1/9	
Bearing Only	.....	FI1710C
<b>1988-1978</b>	Ritmo	
Bearing Only	.....	FI1710C
<b>1988-1973</b>	X1/9	
Bearing Only	.....	FI1710C
<b>1985-1974</b>	Spider 2000, Turbo	
Bearing Only	.....	FI1709C
<b>1985-1974</b>	2000	
Bearing Only	.....	FI1709C
<b>1984-1964</b>	850: Coupe, Special, Spyder, Super	
Bearing Only	.....	FI1708C
<b>1982-1979</b>	Brava	
Bearing Only	.....	FI1709C
<b>1982-1978</b>	Strada	
Bearing Only	.....	FI1710C
<b>1982-1978</b>	138	
Bearing Only	.....	FI1710C
<b>1982-1975</b>	131	
Bearing Only	.....	FI1709C
<b>1979-1969</b>	128	
Bearing Only	.....	FI1710C
<b>1978-1974</b>	124 Sport: 1800 cc	
Bearing Only	.....	CB2030C
<b>1974-1970</b>	124 Special	
Bearing Only	.....	FI1709C
<b>1974-1970</b>	124 Sedan, Wagon	
Bearing Only	.....	FI1709C
<b>1974-1967</b>	124 Sport: 1400 cc: diaphragm clutch	
Bearing Only	.....	FI1709C
<b>1974-1967</b>	124 Sport: 1400 cc: 3-finger clutch	
Bearing Only	.....	CB2030C
<b>1974-1960</b>	500: D, L	
Bearing Only	.....	FI1708C
<b>1973-1967</b>	124 Sport: 1600 cc	
Bearing Only	.....	FI1709C

### ALTERNATOR

<b>1983-1979</b>	Bosch 55 amp	
Bearing (drive end)	.....	303S
<b>1983-1979</b>	Bosch 60 amp	
Bearing (drive end)	.....	303S
<b>1980-1967</b>	Marelli 42, 44, 45 amp	
Bearing (drive end)	.....	302SS
Bearing (rear end)	.....	201SS
<b>1980-1967</b>	Marelli 55 amp	
Bearing (drive end)	.....	302SS
Bearing (rear end)	.....	201SS

Mfg./Year    Model & Location    Part No    Mfg./Year    Model & Location    Part No

**FIAT (cont.)**

**ALTERNATOR (cont.)**

<b>1980-1967</b>	Marelli 60, 65 amp	
	Bearing (drive end) .....	302SS
	Bearing (rear end) .....	201SS
<b>1979-1971</b>	Marelli	
	Bearing (drive end) .....	203SS
	Bearing (rear end) .....	201SS
<b>1978-1971</b>	Bosch	
	Bearing (drive end) .....	203S

**GENERATOR**

<b>1971</b>	all	
	Bearing (rear end) .....	200S
<b>1968-1966</b>	R-90-180/12/2500	
	Bearing (drive end) .....	200S

**GENERATOR (cont.)**

<b>1967-1959</b>	D-115/12/28-4-B	
	Bearing (drive end) .....	302AG

**FLXIBLE**

**CLUTCH**

**Release Bearing**

<b>1967-1964</b>	2363DD1	
	Bearing Only .....	2756T
<b>1965-1960</b>	2362DD1	
	Bearing Only .....	2756T
<b>1965-1960</b>	2183DD1, 2183WA1	
	Bearing Only .....	2756T
<b>1965-1957</b>	218GM1, 218WA1	
	Bearing Only .....	2756T
<b>1961-1958</b>	236DD1	
	Bearing Only .....	2756T

**FORD - FRONT DRIVE - Escort, EXP**

**FRONT WHEEL**

<b>1989-1983</b>	from 2/83	
	Set .....	SET39
	Hub Assy .....	518503[2] <sup>62</sup>
<b>1983-1981</b>	production thru 2/1983	
	Seal .....	3723[2]
	Set .....	SET24[2]

**REAR WHEEL**

<b>1989-1984</b>		
	Seal (inner) .....	473677[2]
	Set (inner) .....	SET8
	Set (outer) .....	SET12
<b>1983-1981</b>		
	Seal (inner) .....	473677[2]
	Set (inner) .....	SET8
	Set (outer) .....	SET1

**CLUTCH**

**Pilot Bearing**

<b>1989</b>	1.8 DOHC Mazda engine: GT model	
	Bearing .....	202SS

**CLUTCH**

**Release Bearing**

<b>1989</b>		
	Bearing Assy .....	614060
	Bearing Assy Opt: bearing and sleeve kit .....	614118
<b>1988</b>	non-centrifugal pressure plate	
	Bearing Assy .....	614021
<b>1988</b>	centrifugal pressure plate	
	Bearing Assy .....	614060
	Bearing Assy Opt: bearing and sleeve kit .....	614118
<b>1987-1984</b>		
	Bearing Assy .....	614021
<b>1983</b>	exc. RGT-AC, RGT-AG trans	
	Bearing Assy .....	614021
<b>1983</b>	RGT-AC, RGT-AG trans	
	Bearing Assy .....	614020
<b>1982-1981</b>		
	Bearing Assy .....	614020

[ ] Indicates Quantity Required; Set Components Listed Inside Rear Cover;

<sup>62</sup> Kit incl: Hub & Bearing, Seal, Mounting Bolts

# Bearings and Seals

Mfg./Year    Model & Location    Part No    Mfg./Year    Model & Location    Part No

## **FORD - FRONT DRIVE - Escort, EXP (cont.)**

### **3-SPEED AUTOMATIC TRANSAXLE**

#### **Torque Converter**

**1989-1981**  
 Seal ..... 4539H  
 Kwik Slv (Opt Rpr) ..... KWK99235

#### **Output Shaft**

**1989-1981**  
 Seal ..... 3622S[2]  
 Kwik Slv (Opt Rpr) ..... KWK99169[2]

#### **Differential**

**1989-1984**  
 Bearing ..... 208[2]  
**1983-1981**  
 Set ..... SET45[2]

#### **Selector Shaft Seal/Man. Shaft**

**1989-1981**  
 Seal ..... 342517  
 Kwik Slv (Opt Rpr) ..... KWK99101

### **4-SPEED MANUAL TRANSAXLE**

#### **Differential**

**1989-1982**    MTX-II: 2 pinion  
 Set ..... SET45[2]

#### **Input Shaft**

**1989-1985**    MTX-II: 2nd design  
 Seal ..... 3638  
 Cone/Cup ..... LM67049A-LM67010[2]  
 Kwik Slv (Opt Rpr) ..... KWK99112[2]  
**1985**    MTX-II: 1st design  
 Seal ..... 710053  
 Set ..... SET30  
**1984-1981**    MTX-II  
 Seal ..... 710053  
 Set ..... SET24

#### **Output Shaft**

**1989-1982**    MTX-II  
 Seal ..... 3622S[2]  
 Set ..... SET30[2]  
 Kwik Slv (Opt Rpr) ..... KWK99169[2]

#### **Selector Shaft Seal/Man. Shaft**

**1989-1982**    MTX-II  
 Seal Viton ..... 710274

### **5-SPEED MANUAL TRANSAXLE**

#### **Differential**

**1989-1984**    MTX-III: 2 pinion  
 Set ..... SET45[2]

### **5-SPEED MANUAL TRANSAXLE**

#### **Input Shaft**

**1989-1984**    MTX-III  
 Seal ..... 3638  
 Cone/Cup ..... LM67049A-LM67010[2]  
 Kwik Slv (Opt Rpr) ..... KWK99112[2]

#### **Countershaft**

**1989-1984**    MTX-III  
 Set ..... SET16[2]

#### **Output Shaft**

**1989-1984**    MTX-III  
 Seal ..... 3622S[2]  
 Set ..... SET30[2]  
 Kwik Slv (Opt Rpr) ..... KWK99169[2]

#### **Selector Shaft Seal/Man. Shaft**

**1989-1984**    MTX-III  
 Seal Viton ..... 710274

### **CAMSHAFT SEAL**

#### **4 Cylinder**

**1989-1985**    119/1.9L  
 Seal ..... 3774S  
 Kwik Slv (Opt Rpr) ..... KWK99169  
**1987-1984**    122/2.0L diesel  
 Seal ..... 223420  
**1985-1981**    98/1.6L  
 Seal ..... 3774S  
 Kwik Slv (Opt Rpr) ..... KWK99169

### **CRANKSHAFT REAR SEAL**

#### **4 Cylinder**

**1989-1985**    119/1.9L  
 Seal ..... 3772  
 Seal PTFE H/D Opt. .... 5287  
**1987-1984**    122/2.0L diesel  
 Seal ..... 229010  
 Kwik Slv (Opt Rpr) ..... KWK99354  
**1985-1981**    98/1.6L  
 Seal ..... 3772  
 Seal PTFE H/D Opt. .... 5287

### **TIMING COVER**

#### **4 Cylinder**

**1989-1985**    119/1.9L  
 Seal ..... 3771  
 Kwik Slv (Opt Rpr) ..... KWK99139  
**1987-1984**    122/2.0L diesel  
 Seal ..... 223012  
 Kwik Slv (Opt Rpr) ..... KWK99114  
**1985-1981**    98/1.6L  
 Seal ..... 3771  
 Kwik Slv (Opt Rpr) ..... KWK99139

**FORD - FRONT DRIVE - Probe**

**FRONT WHEEL**

**1989**  
 Seal ..... 1932S[2]  
 Bearing Assy ..... 513057[2]

**REAR WHEEL**

**1989**  
 Seal ..... 224235[2]  
 Bearing Assy ..... 513055[2]

**CLUTCH**

**Pilot Bearing**

**1989**  
 Bearing ..... 202SS

**Release Bearing**

**1989**    4-cylinder: 2.2  
 Bearing Assy ..... 614067  
**1989**    4-cylinder: 2.2 turbo  
 Bearing Assy ..... 614079

**3-SPEED AUTOMATIC TRANSAXLE**

**Torque Converter**

**1989**  
 Seal ..... 4539H  
 Kwik Slv (Opt Rpr) ..... KWK99235

**Output Shaft**

**1989**  
 Seal ..... 3622S[2]  
 Kwik Slv (Opt Rpr) ..... KWK99169[2]

**Differential**

**1989**  
 Bearing ..... 208[2]

**Selector Shaft Seal/Man. Shaft**

**1989**  
 Seal ..... 342517  
 Kwik Slv (Opt Rpr) ..... KWK99101

**4-SPEED AUTOMATIC TRANSAXLE**

**Differential**

**1989**    AX4, AXOD  
 Bearing ..... 208[2]

**Torque Converter**

**1989**    AX4, AXOD  
 Seal ..... 4189H

**4-SPEED AUTOMATIC TRANSAXLE**

**Output Shaft**

**1989**    AX4, AXOD  
 Seal ..... 3622S[2]  
 Kwik Slv (Opt Rpr) ..... KWK99169[2]

**4-SPEED MANUAL TRANSAXLE**

**Differential**

**1989**    MTX-II: 2 pinion  
 Set ..... SET45[2]

**Input Shaft**

**1989**    MTX-II: 2nd design  
 Seal ..... 3638  
 Cone/Cup ..... LM67049A-LM67010[2]  
 Kwik Slv (Opt Rpr) ..... KWK99112

**Output Shaft**

**1989**    MTX-II  
 Seal ..... 3622S[2]  
 Set ..... SET30[2]  
 Kwik Slv (Opt Rpr) ..... KWK99169[2]

**Selector Shaft Seal/Man. Shaft**

**1989**    MTX-II  
 Seal Viton ..... 710274

**5-SPEED MANUAL TRANSAXLE**

**Differential**

**1989**    Mazda G5M, G5Y  
 Bearing Assy ..... 32008XM[2]

**Input Shaft**

**1989**    Mazda G5M, G5Y  
 Seal (outer) ..... 1990  
 Set (outer) ..... SET32  
 Kwik Slv (Opt Rpr) ..... KWK99106

**Output Shaft**

**1989**    Mazda G5M, G5Y  
 Seal (LH) ..... 223543  
 Kwik Slv (Opt Rpr) (LH) ..... KWK99139  
 Seal (RH) ..... 2007N  
 Kwik Slv (Opt Rpr) (RH) ..... KWK99139

**Selector Shaft Seal/Man. Shaft**

**1989**    Mazda G5M, G5Y  
 Seal ..... 221620

**CAMSHAFT SEAL**

**4 Cylinder**

**1989**    133/2.2L gas  
 Seal ..... 223420



# Bearings and Seals

Mfg./Year    Model & Location    Part No    Mfg./Year    Model & Location    Part No

## **FORD - FRONT DRIVE - Probe (cont.)**

### **CRANKSHAFT REAR SEAL**

#### **4 Cylinder**

**1989**    133/2.2L gas  
 Seal ..... 229010  
 Kwik Slv (Opt Rpr) .....KWK99354

### **TIMING COVER**

#### **4 Cylinder**

**1989**    133/2.2L gas  
 Seal ..... 223420  
 Kwik Slv (Opt Rpr) .....KWK99134

## **FORD - FRONT DRIVE - Taurus**

### **FRONT WHEEL**

**1989-1986**    thru 1/1991  
 Bearing Assy ..... 513058[2]<sup>31</sup>  
 Set ..... SET49<sup>55</sup>  
 Hub Assy Opt. .... 520000[2]

### **REAR WHEEL**

**1989-1986**  
 Seal (inner) ..... 6815[2]  
 Set (inner) ..... SET6  
 Set (outer) ..... SET12

### **CLUTCH**

#### **Pilot Bearing**

**1989**  
 Bearing ..... 202SS

#### **Release Bearing**

**1989**    3.0 DOHC 6-cylinder: SHO  
 Bearing Assy ..... 614060  
 Bearing Assy Opt:  
 bearing and sleeve kit ..... 614118  
**1989**    2.5 4-cylinder  
 Bearing Assy ..... 614060  
 Bearing Assy Opt:  
 bearing and sleeve kit ..... 614118  
**1989**    3.0 6-cylinder  
 Bearing Assy ..... 614079  
**1988**    2.5 4-cylinder: non-centrifugal  
 pressure plate  
 Bearing Assy ..... 614021  
**1988**    2.5 4-cylinder: centrifugal  
 pressure plate  
 Bearing Assy ..... 614060  
 Bearing Assy Opt:  
 bearing and sleeve kit ..... 614118  
**1988**    3.0 6-cylinder: non-centrifugal  
 pressure plate  
 Bearing Assy ..... 614021  
**1988**    3.0 6-cylinder: centrifugal  
 pressure plate  
 Bearing Assy ..... 614060  
 Bearing Assy Opt:  
 bearing and sleeve kit ..... 614118  
**1987-1986**    2.5 4-cylinder  
 Bearing Assy ..... 614021  
**1987-1986**    3.0 6-cylinder  
 Bearing Assy ..... 614021

### **3-SPEED AUTOMATIC TRANSAXLE**

#### **Torque Converter**

**1989-1986**  
 Seal ..... 4539H  
 Kwik Slv (Opt Rpr) .....KWK99235

#### **Output Shaft**

**1989-1986**  
 Seal ..... 3622S[2]  
 Kwik Slv (Opt Rpr) .....KWK99169[2]

#### **Differential**

**1989-1986**  
 Bearing ..... 208[2]

#### **Selector Shaft Seal/Man. Shaft**

**1989-1986**  
 Seal ..... 342517  
 Kwik Slv (Opt Rpr) .....KWK99101

### **4-SPEED AUTOMATIC TRANSAXLE**

#### **Differential**

**1989-1986**    AX4, AXOD  
 Bearing ..... 208[2]

#### **Torque Converter**

**1989-1986**    AX4, AXOD  
 Seal ..... 4189H

#### **Output Shaft**

**1989-1986**    AX4, AXOD  
 Seal ..... 3622S[2]  
 Kwik Slv (Opt Rpr) .....KWK99169[2]

### **4-SPEED MANUAL TRANSAXLE**

#### **Differential**

**1989-1986**    MTX-II: 2 pinion  
 Set ..... SET45[2]

#### **Input Shaft**

**1989-1986**    MTX-II  
 Seal ..... 3638  
 Cone/Cup ..... LM67049A-LM67010[2]  
 Kwik Slv (Opt Rpr) ..... KWK99112[2]

**220** [ ] Indicates Quantity Required; Set Components Listed Inside Rear Cover;

<sup>31</sup> When depleted use number listed directly below    <sup>55</sup> Opt. Replacement If 513058 Is Unavailable

**FORD - FRONT DRIVE - Taurus (cont.)**

**4-SPEED MANUAL TRANSAXLE**

**Output Shaft**

<b>1989-1986</b>	MTX-II	
Seal .....		3622S[2]
Set .....		SET30[2]
Kwik Slv (Opt Rpr) .....		KWK99169[2]

**Selector Shaft Seal/Man. Shaft**

<b>1989-1986</b>	MTX-II	
Seal Viton .....		710274

**5-SPEED MANUAL TRANSAXLE**

**Differential**

<b>1989-1986</b>	MTX-III	
Set .....		SET45[2]

**Input Shaft**

<b>1989-1986</b>	MTX-III	
Seal .....		3638
Cone/Cup .....		LM67049A-LM67010[2]
Kwik Slv (Opt Rpr) .....		KWK99112

**Countershaft**

<b>1989-1986</b>	MTX-III	
Set .....		SET16[2]

**Output Shaft**

<b>1989-1986</b>	MTX-III	
Seal .....		3622S[2]
Set .....		SET30[2]
Kwik Slv (Opt Rpr) .....		KWK99169[2]

**Selector Shaft Seal/Man. Shaft**

<b>1989-1986</b>	MTX-III	
Seal Viton .....		710274

**CAMSHAFT SEAL**

**6 Cylinder**

<b>1989</b>	182/3.0L DOHC	
Seal .....		1213N[4]
Kwik Slv (Opt Rpr) .....		KWK99157[4]

**CRANKSHAFT REAR SEAL**

**4 Cylinder**

<b>1989-1986</b>	153/2.5L	
Seal .....		3772
Seal PTFE H/D Opt. ....		5287

**6 Cylinder**

<b>1989-1986</b>	182/3.0L OHV	
Seal .....		3772
Seal PTFE H/D Opt. ....		5287
<b>1989</b>	182/3.0L DOHC	
Seal .....		710219
Kwik Slv (Opt Rpr) .....		KWK99351
<b>1989-1988</b>	232/3.8L	
Seal Viton .....		3909
Seal PTFE H/D Opt. ....		5277
Kwik Slv (Opt Rpr) .....		KWK99363

**TIMING COVER**

**4 Cylinder**

<b>1989-1986</b>	153/2.5L	
Seal .....		714075
Kwik Slv (Opt Rpr) .....		KWK99177

**6 Cylinder**

<b>1989-1986</b>	182/3.0L OHV	
Seal (front entry) .....		2692
Seal (rear entry) .....		2942
Kwik Slv (Opt Rpr) .....		KWK99187
<b>1989</b>	182/3.0L DOHC	
Seal .....		710220
<b>1989-1988</b>	232/3.8L	
Seal .....		2692

**FORD - FRONT DRIVE, AWD - Tempo**

**FRONT WHEEL**

<b>1989-1983</b>	production from 2/1983 on	
Set .....		SET39
Hub Assy Opt: complete bearing and hub kit .....		518503[2] <sup>62</sup>

**REAR WHEEL**

<b>1989-1984</b>	exc. AWD	
Seal (inner) .....		473677[2]
Set (inner) .....		SET8
Set (outer) .....		SET12

**REAR WHEEL (cont.)**

<b>1989-1987</b>	AWD	
Bearing Assy .....		513001[2]

**TRANSFER CASE**

**Input Shaft**

<b>1989-1987</b>	Input Shaft	
Set .....		SET2[2]
Bearing (pilot) .....		206WB

[ ] Indicates Quantity Required; Set Components Listed Inside Rear Cover;

<sup>62</sup> Kit incl: Hub & Bearing, Seal, Mounting Bolts

# Bearings and Seals

Mfg./Year    Model & Location    Part No    Mfg./Year    Model & Location    Part No

## **FORD - FRONT DRIVE, AWD - Tempo (cont.)**

### **TRANSFER CASE**

#### **Front Output Shaft**

**1989-1987** Front output shaft  
Cone/Cup ..... M86647-M86610

#### **Rear Output Shaft**

**1989-1987** Rear output shaft  
Cone/Cup ..... M86649-M86610  
Needle Bearing (pilot) ..... SCH78

### **CLUTCH**

#### **Release Bearing**

**1989** all  
Bearing Assy ..... 614060  
Bearing Assy Opt:  
bearing and sleeve kit ..... 614118  
**1988** non-centrifugal pressure plate  
Bearing Assy ..... 614021  
**1988** centrifugal pressure plate  
Bearing Assy ..... 614060  
Bearing Assy Opt:  
bearing and sleeve kit ..... 614118  
**1987-1984**  
Bearing Assy ..... 614021

### **5-SPEED MANUAL TRANSMISSION**

#### **Countershaft**

**1989-1984** MTX-III  
Set ..... SET16[2]

### **3-SPEED AUTOMATIC TRANSAXLE**

#### **Torque Converter**

**1989-1984** ATX  
Seal ..... 4539H  
Kwik Slv (Opt Rpr) ..... KWK99235

#### **Output Shaft**

**1989-1984**  
Seal ..... 3622S[2]  
[2]  
Kwik Slv (Opt Rpr) ..... KWK99169[2]

#### **Differential**

**1989-1984**  
Bearing ..... 208[2]

#### **Selector Shaft Seal/Man. Shaft**

**1989-1984**  
Seal ..... 342517  
Kwik Slv (Opt Rpr) ..... KWK99101

### **4-SPEED AUTOMATIC TRANSAXLE**

#### **Differential**

**1989** 4EAT-G  
Bearing Assy ..... 32008XM[2]  
**1989-1986** AX4, AXOD  
Bearing ..... 208[2]  
**1989** 4HAT-G  
Bearing Assy ..... 32009XM[2]

#### **Torque Converter**

**1989** 4EAT-G, 4HAT-G  
Seal ..... 710446  
**1989-1986** AX4, AXOD  
Seal ..... 4189H

#### **Output Shaft**

**1989** 4EAT-G, 4HAT-G  
Seal (LH) ..... 223543  
Kwik Slv (Opt Rpr) (LH) ..... KWK99139  
Seal (RH) ..... 2007N  
Kwik Slv (Opt Rpr) (RH) ..... KWK99139  
**1989-1986** AX4, AXOD  
Seal ..... 3622S[2]  
[2]  
Kwik Slv (Opt Rpr) ..... KWK99169  
[2]

### **4-SPEED MANUAL TRANSAXLE**

#### **Differential**

**1989-1984** MTX-II: 2 pinion  
Set ..... SET45[2]  
**1989-1984** MTX-II: 4 pinion  
Set ..... SET37[2]

#### **Input Shaft**

**1989-1985** MTX-II: 2nd design  
Seal ..... 3638  
Cone/Cup ..... LM67049A-LM67010  
Kwik Slv (Opt Rpr) ..... KWK99112  
**1985-1984** MTX-II: 1st design  
Seal ..... 710053  
Set ..... SET30

#### **Output Shaft**

**1989-1984**  
Seal (LH) ..... 3622S[2]  
Set (LH) ..... SET30[2]  
Kwik Slv (Opt Rpr) ..... KWK99169[2]

#### **Selector Shaft Seal/Man. Shaft**

**1989-1984**  
Seal Viton ..... 710274

### **5-SPEED MANUAL TRANSAXLE**

#### **Differential**

**1989-1984** MTX-III: RWB: 2 pinion  
Set ..... SET45  
**1989-1984** MTX-III: RWB: 4 pinion  
Set ..... SET37

**FORD - FRONT DRIVE, AWD - Tempo (cont.)**

**5-SPEED MANUAL TRANSAXLE**

**Input Shaft**

<b>1989-1984</b>	MTX-III	
Seal .....		3638
Cone/Cup .....	LM67049A-LM67010	
Kwik Slv (Opt Rpr) .....		KWK99112

**Output Shaft**

<b>1989-1984</b>	MTX-III	
Seal .....		3622S[2]
Set .....		SET30[2]
Kwik Slv (Opt Rpr) .....		KWK99169[2]

**Selector Shaft Seal/Man. Shaft**

<b>1989-1984</b>	MTX-III	
Seal Viton .....		710274

**CAMSHAFT SEAL**

**4 Cylinder**

<b>1986-1984</b>	1998/2.0L Diesel	
Seal .....		223420

**CRANKSHAFT REAR SEAL**

**4 Cylinder**

<b>1989-1984</b>	140/2.3L	
Seal .....		3772
Seal PTFE H/D Opt. ....		5287
<b>1986-1984</b>	1998cc/2.0L Diesel	
Seal .....		229010
Kwik Slv (Opt Rpr) .....		KWK99354

**TIMING COVER**

**4 Cylinder**

<b>1989-1984</b>	140/2.3L	
Seal .....		714075
Kwik Slv (Opt Rpr) .....		KWK99177
<b>1986-1984</b>	1998cc/2.0L Diesel	
Seal .....		223012
Kwik Slv (Opt Rpr) .....		KWK99114

**FORD - REAR DRIVE - Brougham, Country Sedan, Country Squire, Crown Victoria, Custom, Edsel, Galaxie, LTD, Parklane, Ranch Wagon, Squire, Skyliner, XL**

**FRONT WHEEL**

<b>1989-1974</b>		
Seal (inner) .....		6815[2]
Set (inner) .....		SET11
Set (outer) .....		SET12
<b>1986-1983</b>	LTD	
Seal (inner) .....		6815[2]
Set (inner) .....		SET17
Set (outer) .....		SET12
<b>1973-1970</b>		
Seal (inner) .....		6815[2]
Set (inner) .....		SET13
Set (outer) .....		SET12
<b>1969-1968</b>		
Seal (inner) .....		6815[2]
Set (inner) .....		SET6
Set (outer) .....		SET2
<b>1967-1966</b>	disc brakes	
Seal (inner) .....		9150S[2]
Set (inner) .....		SET5
Set (outer) .....		SET3
<b>1967-1966</b>	drum brakes	
Seal (inner) .....		6815[2]
Set (inner) .....		SET6
Set (outer) .....		SET2
<b>1966-1963</b>	Taxi	
Set (inner) .....		SET6
Set (outer) .....		SET2
<b>1965-1955</b>	exc. Taxi	
Seal (inner) .....		6815[2]
Set (inner) .....		SET6
Set (outer) .....		SET2

**FRONT WHEEL (cont.)**

<b>1954-1949</b>		
Cone/Cup (inner) .....		15123-15245[2]
Cone/Cup (outer) .....		09067-09195[2]

**REAR WHEEL**

<b>1989-1980</b>	7.5", 8.5", 8.8" ring gears	
Seal .....		8660S[2]
Cyl. Bearing .....		5707[2]
Kit .....		TRP1563TAV[2] <sup>19</sup>
<b>1979-1974</b>	Heavy Duty axles exc. WER	
Seal .....		3195[2]
Set .....		SET20
<b>1979-1967</b>	WER axle	
Seal .....		8660S[2]
Cyl. Bearing .....		5707[2]
Kit .....		TRP1563TAV[2] <sup>19</sup>
<b>1978-1977</b>	axles exc. WER, Heavy Duty	
Seal .....		51098[2]
Bearing .....		514003P[2]
<b>1978-1977</b>	9" ring gear	
Seal .....		51098[2]
Bearing .....		514003P[2]
<b>1972-1967</b>	WDC, WDL, WDT, WFG axles	
Seal .....		51098[2]
Bearing .....		514003P[2]
<b>1967</b>	WDC-CB axle	
Seal .....		6939[2]
Bearing .....		RW207CCRA[2]
<b>1966-1961</b>	8-cylinder: 390, 406, 427, Special Duty	
Seal .....		51098[2]
Bearing .....		514003P[2]

[ ] Indicates Quantity Required; Set Components Listed Inside Rear Cover;  
<sup>19</sup> Opt. Axle Repair Bearing. Replaces O.E. bearing & seal.

# Bearings and Seals

Mfg./Year    Model & Location    Part No    Mfg./Year    Model & Location    Part No

**FORD - REAR DRIVE - Brougham, Country Sedan, Country Squire, Crown Victoria, Custom, Edsel, Galaxie, LTD, Parklane, Ranch Wagon, Squire, Skyliner, XL (cont.)**

## REAR WHEEL (cont.)

<b>1966-1957</b>	exc. Ranchero, Sedan Delivery, Station Wagon	
Seal	.....	6939[2]
Bearing	.....	RW207CCRA[2]
<b>1966-1957</b>	Retractable, Ranchero	
Seal	.....	6939[2]
Bearing	.....	RW207CCRA[2]
<b>1966-1957</b>	Sedan Delivery, Station Wagon	
Seal	.....	6939[2]
Bearing	.....	RW207CCRA[2]
<b>1960-1959</b>	Edsel Station Wagon	
Seal	.....	51098[2]
Bearing	.....	514003P[2]
<b>1960-1959</b>	Edsel Sedan	
Seal	.....	6939[2]
Bearing	.....	RW207CCRA[2]
<b>1958</b>	Edsel	
Seal	.....	450067[2]
Bearing	.....	514003P[2]
Bearing (inner)	.....	514003P[2]
<b>1956-1949</b>	exc. Station Wagon and Sedan Delivery	
Bearing	.....	88107AR[2]
<b>1956-1949</b>	Station Wagon, Sedan Delivery	
Seal	.....	51098[2]
Bearing	.....	514003P[2]
Bearing (inner)	.....	514003P[2]

## CLUTCH RELEASE

### 3-Finger Clutches

<b>1971-1957</b>	10" and 10.4"	
Bearing Assy	.....	614034

### Diaphragm Clutches

<b>1971-1970</b>	exc. 427, 428, 429 engines	
Bearing Assy	.....	614038
<b>1971-1964</b>	427, 428, 429 engines	
Bearing Only	.....	FA2065C
<b>1969-1957</b>	exc. H/D clutch, 427, 428, 429 engines	
Bearing Assy	.....	614038
<b>1969-1957</b>	H/D clutch: exc. 427, 428, 429 engines	
Bearing Only	.....	F1625C

## REAR AXLE

### Differential Rebuild Kit

<b>1989-1985</b>	8.8" ring gear	
Kit	.....	DRK311
<b>1989-1971</b>	8.5" ring gear	
Kit	.....	DRK311
<b>1981-1980</b>	7.5" ring gear	
Kit	.....	DRK315
<b>1979-1970</b>	9" ring gear: production from 5/11/1970 on	
Kit	.....	DRK313
<b>1970-1957</b>	9" ring gear: production thru 5/10/1970	
Kit	.....	DRK312

## Differential

<b>1989</b>	8.8" ring gear	
Seal Viton	.....	714569[2]
Set	.....	SET36[2]
<b>1988-1979</b>	7.5" ring gear	
Cone/Cup	.....	LM501349-LM501314[2]
<b>1988-1979</b>	8.5" ring gear	
Set	.....	SET36[2]
<b>1988-1979</b>	8.8" ring gear	
Set	.....	SET36[2]
<b>1978-1970</b>	8.7" ring gear: WDC, WDL, WFG, WFH axles	
Set	.....	SET47[2]
<b>1978-1970</b>	9" ring gear	
Set	.....	SET47[2]
<b>1978-1969</b>	8.7" ring gear: WER axle	
Set	.....	SET47[2]
<b>1970-1967</b>	9.375" ring gear: WDR, WFH axles	
Cone/Cup	.....	25590-25520[2]
<b>1970-1967</b>	9" ring gear: 1.78125" H/D axle shaft: thru 5/1970	
Set	.....	SET37[2]
<b>1970-1967</b>	9" ring gear: 1.625" axle shaft: thru 5/1970	
Set	.....	SET45[2]
<b>1970-1967</b>	8.5" ring gear: 1.625" axle shaft: thru 5/1970	
Set	.....	SET45[2]
<b>1966</b>	exc. 9.375" ring gear, 406, 427 engines	
Set	.....	SET45[2]
<b>1966</b>	406, 427 engines exc. 9.375" ring gear	
Set	.....	SET37[2]
<b>1966</b>	9.375" ring gear: WDR, WFH axles	
Cone/Cup	.....	25590-25520[2]
<b>1965-1964</b>	Heavy Duty: 406, 427 engines	
Set	.....	SET37[2]
<b>1965-1964</b>	exc. H/D 406, 427 engines	
Set	.....	SET45[2]
<b>1963-1961</b>	390, 406, 427 engines	
Set	.....	SET37[2]
<b>1963-1959</b>	exc. 390, 406, 427 engines	
Set	.....	SET45[2]
<b>1958</b>	Custom, Fairlane with 6-cylinder engine	
Set	.....	SET45[2]
<b>1958-1957</b>	exc. Custom, Fairlane	
Set	.....	SET37[2]
<b>1957</b>	Custom, Fairlane 500 with 272 engine	
Set	.....	SET45[2]
<b>1956</b>	exc. Station Wagon and Sedan Delivery	
Cone/Cup	.....	26882-26822[2]
<b>1956</b>	Station Wagon, Sedan Delivery	
Cone/Cup	.....	25577-25533[2]

**FORD - REAR DRIVE - Brougham, Country Sedan, Country Squire, Crown Victoria, Custom, Edsel, Galaxie, LTD, Parklane, Ranch Wagon, Squire, Skyliner, XL (cont.)**

**REAR AXLE (cont.)**

**Differential (cont.)**

**1955-1949** Station Wagon, Sedan Delivery  
Cone/Cup ..... 25577-25533[2]

**Pinion**

**1989-1979** 8.5" ring gear  
Cone/Cup (inner) ..... M802048-M802011  
Seal Viton (outer) ..... 3604  
Cone/Cup (outer) ..... M88048-M88010

**1989-1979** 8.8" ring gear  
Cone/Cup (inner) ..... M802048-M802011  
Seal Viton (outer) ..... 3604  
Cone/Cup (outer) ..... M88048-M88010

**1988-1979** 7.5" ring gear  
Cone/Cup (inner) ..... M802048-M802011  
Seal Viton (outer) ..... 3604  
Cone/Cup (outer) ..... M88048-M88010

**1982-1979** 6.75" ring gear  
Cone/Cup (inner) ..... HM88648-HM88610  
Seal (outer) ..... 3618  
Cone/Cup (outer) ..... M86649-M86610

**1980** 9" ring gear  
Cone/Cup (inner) ..... M88048-M88010  
Seal (outer) ..... 3700  
Cone/Cup (outer) ..... M88048-M88010  
Cyl. Bearing (pilot) ..... R1535TAV

**1980-1979** 8" ring gear  
Cone/Cup (inner) ..... M86649-M86610  
Seal (outer) ..... 3618  
Cone/Cup (outer) ..... M86649-M86610  
Cyl. Bearing (pilot) ..... R1558TAV

**1979-1967** 9" ring gear  
Cone/Cup (inner) ..... M88048-M88010  
Seal (outer) ..... 7044NA  
Cone/Cup (outer) ..... M88048-M88010  
Cyl. Bearing (pilot) ..... R1535TAV

**1978** 7.5" ring gear  
Cone/Cup (inner) ..... M802048-M802011  
Seal (outer) ..... 9190N  
Cone/Cup (outer) ..... M88048-M88010

**1978-1975** 8" ring gear  
Cone/Cup (inner) ..... M86649-M86610  
Seal (outer) ..... 8181NA  
Cone/Cup (outer) ..... M86649-M86610  
Cyl. Bearing (pilot) ..... R1558TAV

**1978-1967** 8.5" ring gear  
Cone/Cup (inner) ..... M802048-M802011  
Seal (outer) ..... 9190N  
Cone/Cup (outer) ..... M88048-M88010

**1978-1967** 8.7" ring gear  
Cone/Cup (inner) ..... M802048-M802011  
Seal (outer) ..... 9190N  
Cone/Cup (outer) ..... M88048-M88010

**1973-1964** 9" ring gear: Heavy Duty  
Cone/Cup (inner) ..... HM89443-HM89410  
Seal (outer) ..... 7044NA  
Cone/Cup (outer) ..... M88048-M88010  
Cyl. Bearing (pilot) ..... R1535TAV

**REAR AXLE (cont.)**

**Pinion (cont.)**

**1972-1966** 9.375" ring gear  
Cone/Cup (inner) ..... HM89444-HM89410  
Seal (outer) ..... 7044NA  
Cone/Cup (outer) ..... M88048-M88010  
Cyl. Bearing (pilot) ..... M5204TV

**1966-1964** engines smaller than 390: from 4/1964 on  
Cone/Cup (inner) ..... M88048-M88010  
Seal (outer) ..... 7044NA  
Cone/Cup (outer) ..... M88048-M88010  
Cyl. Bearing (pilot) ..... R1535TAV

**1966-1964** engines 390 and larger: from 4/1964 on  
Cone/Cup (inner) ..... M88048-M88010  
Seal (outer) ..... 7044NA  
Cone/Cup (outer) ..... M88048-M88010  
Cyl. Bearing (pilot) ..... R1535TAV

**1963** all  
Cone/Cup (inner) ..... M88048-M88010  
Seal (outer) ..... 7044NA  
Cone/Cup (outer) ..... M88048-M88010  
Cyl. Bearing (pilot) ..... R1535TAV

**1962-1958** with 3" OD seal  
Cone/Cup (inner) ..... M88048-M88010  
Seal (outer) ..... 7044NA  
Cone/Cup (outer) ..... M88048-M88010  
Cyl. Bearing (pilot) ..... R1535TAV

**1958-1957** with 4.125" OD seal  
Cone/Cup (inner) ..... M88048-M88010  
Seal (outer) ..... 6930  
Cone/Cup (outer) ..... M88048-M88010  
Cyl. Bearing (pilot) ..... R1535TAV

**1956-1955** all  
Cone/Cup (inner) ..... HM89449-HM89410  
Cone/Cup (outer) ..... HM88542-HM88510

**1956-1949** Sedan Delivery, Wagon  
Cone/Cup (inner) ..... 31594-31520  
Seal (outer) ..... 5778  
Cone/Cup (outer) ..... 02872-02820

**AUTOMATIC TRANSMISSION**

**Torque Converter**

**1965-1963** Ford-o-Matic: 2-speed  
Seal ..... 331107N  
Kwik Slv (Opt Rpr) ..... KWK99199

**Rear Seal/Ext. Housing**

**1965-1963** Ford-o-Matic: 2-speed with 1.5" shaft  
Seal ..... 7692S  
Seal Kit ..... 5202<sup>64</sup>

[ ] Indicates Quantity Required; Set Components Listed Inside Rear Cover;

<sup>64</sup> Opt. Seal and Bushing Kit

# Bearings and Seals

Mfg./Year    Model & Location    Part No    Mfg./Year    Model & Location    Part No

## **FORD - REAR DRIVE - Brougham, Country Sedan, Country Squire, Crown Victoria, Custom, Edsel, Galaxie, LTD, Parklane, Ranch Wagon, Squire, Skyliner, XL (cont.)**

### **3-SPEED AUTOMATIC TRANSMISSION**

#### **Torque Converter**

<b>1982-1980</b>	C4, C6	
Seal .....		331107N
Kwik Slv (Opt Rpr) .....		KWK99199
<b>1979-1968</b>	C4, C6, MX	
Seal .....		331107N
Kwik Slv (Opt Rpr) .....		KWK99199
<b>1979-1965</b>	Cruise-o-Matic	
Seal .....		331107N
Kwik Slv (Opt Rpr) .....		KWK99199
<b>1978-1971</b>	Ford-o-Matic	
Seal .....		6988H
Kwik Slv (Opt Rpr) .....		KWK99193
<b>1967-1963</b>	FX, MX	
Seal .....		6988H
Kwik Slv (Opt Rpr) .....		KWK99193
<b>1967-1963</b>	C4, C6	
Seal .....		331107N
Kwik Slv (Opt Rpr) .....		KWK99199
<b>1963-1951</b>	Ford-o-Matic	
Seal .....		6988H
Kwik Slv (Opt Rpr) .....		KWK99193

#### **Rear Seal/Ext. Housing**

<b>1982-1963</b>	C4	
Seal .....		7692S
Seal Kit .....		5202 <sup>64</sup>
<b>1980-1966</b>	C6	
Seal .....		7300S
Seal Kit .....		5203 <sup>64</sup>
<b>1979-1965</b>	Cruise-o-Matic	
Seal .....		7300S
Seal Kit .....		5203 <sup>64</sup>
<b>1978-1951</b>	Ford-o-Matic	
Seal .....		7692S
Seal Kit .....		5202 <sup>64</sup>
<b>1968-1963</b>	MX, FX	
Seal .....		473234

#### **Selector Shaft Seal/Man. Shaft**

<b>1982-1963</b>	C4	
Seal .....		240816
Kwik Slv (Opt Rpr) .....		KWK99076
<b>1982-1951</b>	exc. C4	
Seal .....		7929S

### **4-SPEED AUTOMATIC TRANSMISSION**

#### **Torque Converter**

<b>1989-1981</b>	AOT (AOD)	
Seal .....		331107N
Kwik Slv (Opt Rpr) .....		KWK99199

### **4-SPEED AUTOMATIC TRANSMISSION**

#### **Rear Seal/Ext. Housing**

<b>1989-1981</b>	AOT (AOD): long boot	
Seal .....		7692S
Seal Kit .....		5202 <sup>64</sup>
<b>1989-1981</b>	AOT (AOD): short boot	
Seal .....		7692S
Seal Kit .....		5202 <sup>64</sup>

#### **Selector Shaft Seal/Man. Shaft**

<b>1989-1981</b>		
Seal .....		7929S

### **CLUTCH**

#### **Pilot Bearing**

<b>1974-1973</b>	thru 5/1974	
Needle Bearing .....		FC65662
<b>1968-1960</b>	352, 390, 406, 427 engines	
Bearing .....		303S
<b>1968-1958</b>	233, 240, 292 engines	
Bearing .....		203S
<b>1957-1946</b>	all	
Bearing .....		203S

#### **Release Bearing**

<b>1956-1952</b>	all	
Bearing Assy .....		614038
<b>1951-1949</b>	all	
Bearing Only .....		1625C
<b>1948-1941</b>	all	
Bearing Only .....		2065C

### **3-SPEED MANUAL TRANSMISSION**

#### **Front Input Shaft**

<b>1972-1963</b>	Tremec 150, 160, 162	
Seal .....		3638
Bearing .....		208LO
Kwik Slv (Opt Rpr) .....		KWK99112
<b>1967-1962</b>	Warner T86	
Seal .....		450326
Bearing .....		207L
Kwik Slv (Opt Rpr) .....		KWK99149
<b>1966-1954</b>	Warner T85	
Seal .....		482208
Bearing .....		307L
Kwik Slv (Opt Rpr) .....		KWK99112
<b>1964-1951</b>	Warner T86	
Seal .....		450326
Bearing .....		207L
Kwik Slv (Opt Rpr) .....		KWK99149
<b>1962-1955</b>	Ford L/D	
Seal .....		482208
Bearing .....		208SL
Kwik Slv (Opt Rpr) .....		KWK99112

**FORD - REAR DRIVE - Brougham, Country Sedan, Country Squire, Crown Victoria, Custom, Edsel, Galaxie, LTD, Parklane, Ranch Wagon, Squire, Skyliner, XL (cont.)**

**3-SPEED MANUAL TRANSMISSION**

**Rear Output Shaft**

<b>1972-1963</b>	Tremec 150, 160, 162	
Seal .....		7692S
Bearing .....		207L
Seal Kit .....		5202 <sup>64</sup>
<b>1967-1951</b>	Warner T86	
Seal .....		470059
Bearing .....		207L
Seal Kit .....		5201 <sup>64</sup>
<b>1966-1954</b>	Warner T85	
Seal .....		470059
Bearing .....		307L
Seal Kit .....		5201 <sup>64</sup>
<b>1962-1955</b>	Ford L/D	
Seal .....		470059
Bearing .....		208SL
Seal Kit .....		5201 <sup>64</sup>

**Selector Shaft Seal/Man. Shaft**

<b>1967-1951</b>	Warner T85, T86	
Seal .....		340797
Kwik Slv (Opt Rpr) .....		KWK99059

**4-SPEED MANUAL TRANSMISSION**

**Input Shaft**

<b>1979</b>	Tremec 170, 171, 174	
Seal .....		3638
Bearing .....		209L
Kwik Slv (Opt Rpr) .....		KWK99112
<b>1978-1964</b>	Tremec 170, 172	
Seal .....		482208
Bearing .....		209L
Kwik Slv (Opt Rpr) .....		KWK99112
<b>1963-1962</b>	Warner T10	
Seal .....		482208
Bearing .....		307L
Kwik Slv (Opt Rpr) .....		KWK99112

**Rear Output Shaft**

<b>1979-1977</b>	Tremec 170, 171, 174	
Seal .....		7692S
Bearing .....		307L4
Seal Kit .....		5202 <sup>64</sup>
<b>1973-1964</b>	Tremec 170: 31-spline, 1.690" shaft	
Seal .....		473234
Bearing .....		307L
<b>1973-1964</b>	Tremec 170: 28-spline, 1.5" shaft	
Seal .....		470059
Bearing .....		307L
Seal Kit .....		5201 <sup>64</sup>
<b>1963-1962</b>	Warner T10	
Seal .....		7692S
Bearing .....		307L
Seal Kit .....		5202 <sup>64</sup>

**4-SPEED MANUAL TRANSMISSION**

**Selector Shaft Seal/Man. Shaft**

<b>1979-1964</b>		
Seal .....		313156

**A/C COMPRESSOR**

<b>1989-1987</b>	Nippondenso 6E171 (axial)	
Bearing .....		5000KFF
<b>1989-1983</b>	Ford FS6 (axial)	
Bearing .....		5000KFF
<b>1989-1980</b>	Frigidaire A6 (axial drive compressor)	
Bearing .....		907257
<b>1983-1980</b>	Tecumseh; York; (axial)	
Bearing .....		5106WCC
<b>1983-1980</b>	Tecumseh; York; (axial)	
Bearing (rear) .....		203AB

**ALTERNATOR**

<b>1989-1963</b>	Motorcraft	
Bearing (rear end) .....		MNJ471S
<b>1989-1960</b>	Motorcraft	
Bearing (drive end) .....		203FF

**POWER STEERING**

**Input Shaft**

<b>1989-1980</b>		
Seal .....		471645
Needle Bearing .....		FC65753

**Pump Shaft**

<b>1989-1980</b>		
Seal .....		8773S

**Worm Shaft**

<b>1989-1980</b>		
Bearing .....		201CC

**CRANKSHAFT REAR SEAL**

**6 Cylinder**

<b>1972-1965</b>	240/3.9	
Seal Viton .....		2377
Kwik Slv (Opt Rpr) .....		KWK99372

**8 Cylinder**

<b>1989-1984</b>	281/4.6L, 302/5.0L	
Seal Viton .....		3909
Seal PTFE H/D Opt. ....		5277
Kwik Slv (Opt Rpr) .....		KWK99363
<b>1989-1983</b>	281/4.6L, 302/5.0L	
Seal Viton .....		3909
Seal PTFE H/D Opt. ....		5277
Kwik Slv (Opt Rpr) .....		KWK99363
<b>1989-1984</b>	351/5.8L (W)	
Seal Viton .....		2377
Seal PTFE H/D Opt. ....		5278
Kwik Slv (Opt Rpr) .....		KWK99372

[ ] Indicates Quantity Required; Set Components Listed Inside Rear Cover;  
<sup>64</sup> Opt. Seal and Bushing Kit



# Bearings and Seals

Mfg./Year    Model & Location    Part No    Mfg./Year    Model & Location    Part No

## **FORD - REAR DRIVE - Brougham, Country Sedan, Country Squire, Crown Victoria, Custom, Edsel, Galaxie, LTD, Parklane, Ranch Wagon, Squire, Skyliner, XL (cont.)**

### **CRANKSHAFT REAR SEAL (cont.)**

#### **8 Cylinder (cont.)**

<b>1989-1983</b>	351/5.8L	
Seal Viton	.....	2377
Seal PTFE H/D Opt.	.....	5278
Kwik Slv (Opt Rpr)	.....	KWK99372
<b>1983</b>	351/5.8L (W) To 7/10/83	
Seal Rope	.....	5095
Seal Split Opt.	.....	5108
<b>1983</b>	351/5.8L (W) From 7/10/83	
Seal Viton	.....	2377
Seal PTFE H/D Opt.	.....	5278
Kwik Slv (Opt Rpr)	.....	KWK99372
<b>1983</b>	302/5.0L Thru 11/82	
Seal Rope	.....	5095
Seal Split Opt.	.....	5108
<b>1983</b>	302/5.0L From 11/82	
Seal Viton	.....	3909
Seal PTFE H/D Opt.	.....	5277
Kwik Slv (Opt Rpr)	.....	KWK99363
<b>1982-1963</b>	260/4.3, 289/4.7, 302/5.0, 351/5.8 (C), 351/5.8 (W)	
Seal Rope	.....	5095
Seal Split Opt.	.....	5108
<b>1978-1971</b>	351/5.8 (M), 400/6.6	
Seal Rope	.....	5095
Seal Split Opt.	.....	5117
<b>1978-1969</b>	429/7.0, 460/7.5	
Seal Rope	.....	5095
Seal Split Opt.	.....	5118
<b>1971-1962</b>	352/5.8, 390/6.4, 406/6.6, 427/7.0, 428/7.0	
Seal Rope	.....	5095
Seal Split Opt.	.....	5112S

### **TIMING COVER**

#### **6 Cylinder**

<b>1972-1965</b>	240/3.9	
Seal (front entry)	.....	2692
Seal (rear entry)	.....	2942
Kwik Slv (Opt Rpr)	.....	KWK99187
Harmonic Balancer		
Sleeves	.....	88187
<b>1964-1963</b>	223/3.6	
Seal	.....	350936
Kwik Slv (Opt Rpr)	.....	KWK99187
Harmonic Balancer		
Sleeves	.....	88187

#### **8 Cylinder**

<b>1989-1958</b>	exc. 281/4.6, 292/4.8	
Seal (front entry)	.....	2692
Seal (rear entry)	.....	2942
Kwik Slv (Opt Rpr)	.....	KWK99187
Harmonic Balancer		
Sleeves	.....	88187
<b>1962-1955</b>	292/4.8L	
Seal	.....	350936
Kwik Slv (Opt Rpr)	.....	KWK99187
Harmonic Balancer		
Sleeves	.....	88187

## **FORD - REAR DRIVE - Elite, Fairlane, LTD II, Torino, Ranchero**

### **FRONT WHEEL**

<b>1979-1974</b>	
Seal (inner)	..... 6815[2]
Set (inner)	..... SET11
Set (outer)	..... SET12
<b>1973-1970</b>	
Seal (inner)	..... 6815[2]
Set (inner)	..... SET13
Set (outer)	..... SET12
<b>1969-1962</b>	
Seal (inner)	..... 6815[2]
Set (inner)	..... SET6
Set (outer)	..... SET2

### **REAR WHEEL**

<b>1979-1976</b>	ball bearing: 9" ring gear
Seal	..... 51098[2]
Bearing	..... 88128RAP[2]
<b>1979-1974</b>	roller bearing: Heavy Duty axle
Seal	..... 3195[2]
Set	..... SET20

### **REAR WHEEL (cont.)**

<b>1975-1973</b>	ball bearing
Seal	..... 51098[2]
Bearing	..... 514003P[2]
<b>1972-1969</b>	28-spline axle
Seal	..... 9569S[2]
Bearing	..... RW207CCRA[2]
<b>1972-1969</b>	31-spline axle
Seal	..... 9363S[2]
Bearing	..... RW207CCRA[2]
<b>1968-1967</b>	8-cylinder 427 engine
Seal	..... 9363S[2]
Bearing	..... RW207CCRA[2]
<b>1968-1962</b>	2.265" seal OD
Seal	..... 9569S[2]
Bearing	..... RW207CCRA[2]
<b>1968-1962</b>	2.379" seal OD
Seal	..... 6939[2]
Bearing	..... RW207CCRA[2]
<b>1968-1962</b>	2.565" seal OD
Seal	..... 8168[2]
Bearing	..... RW207CCRA[2]

**FORD - REAR DRIVE - Elite, Fairlane, LTD II, Torino, Ranchero (cont.)**

**REAR WHEEL (cont.)**

1964-1962 Heavy Duty  
Bearing ..... 514003P[2]

**CLUTCH RELEASE**

**3-Finger Clutches**

1977-1962 all  
Bearing Assy ..... 614034

**Diaphragm Clutches**

1985-1983 4-cylinder  
Bearing Assy ..... 614013  
1979-1975 8-cylinder  
Bearing Assy ..... 614014  
1974-1972 6-cylinder  
Bearing Assy ..... 614038  
1974-1972 8-cylinder  
Bearing Assy ..... 614038  
1971-1967 6-cylinder: 9" clutch  
Bearing Assy ..... 614038  
1971-1967 8-cylinder: exc. 427, 428, 429  
engines  
Bearing Assy ..... 614038  
1971-1967 8-cylinder: 427, 428, 429 engines  
Bearing Only ..... FA2065C  
1970-1967 6-cylinder: exc. 9" clutch  
Bearing Only ..... F1625C  
1966-1962 6-cylinder: exc. H/D clutch  
Bearing Only ..... F1505C  
1966-1962 6-cylinder: H/D clutch  
Bearing Only ..... F1625C  
1966-1962 8-cylinder  
Bearing Assy ..... 614038

**REAR AXLE**

**Differential Rebuild Kit**

1979-1971 8.5" ring gear  
Kit ..... DRK311  
1979-1970 9" ring gear: production from  
5/11/1970 on  
Kit ..... DRK313  
1976-1965 7.75" ring gear  
Kit ..... DRK310  
1976-1965 8" ring gear  
Kit ..... DRK310  
1970-1957 9" ring gear: production thru  
5/10/1970  
Kit ..... DRK312

**Differential**

1986-1983 7.5" ring gear  
Cone/Cup ..... LM501349-LM501314[2]  
1980-1975 8" ring gear  
Set ..... SET45[2]  
1980-1970 9" ring gear: WEB, WEC, WFA,  
WFC axles: from 5/1970 on  
Set ..... SET47[2]  
1974-1967 7.75" ring gear: 8-cylinder 351  
and smaller  
Set ..... SET45[2]

**REAR AXLE (cont.)**

**Differential (cont.)**

1974-1967 8" ring gear: 8-cylinder 351 and  
smaller  
Set ..... SET45[2]  
1970-1967 9" ring gear exc. 390, 427, 428  
engines: thru 5/1970  
Set ..... SET45[2]  
1970-1967 9" ring gear: 390, 406, 427, 428  
engines: thru 5/1970  
Set ..... SET37[2]  
1968-1967 6-cylinder engine with 7.25" ring  
gear  
Cone/Cup ..... LM29749-LM29710[2]  
1966-1962 all  
Set ..... SET45[2]

**Pinion**

1979-1966 9" ring gear: 28-spline axle shaft  
Cone/Cup (inner) ..... M88048-M88010  
Seal (outer) ..... 7044NA  
Cone/Cup (outer) ..... M88048-M88010  
Cyl. Bearing (pilot) ..... R1535TAV  
1974-1966 7.75" ring gear  
Cone/Cup (inner) ..... M86649-M86610  
Seal (outer) ..... 8181NA  
Cone/Cup (outer) ..... M86649-M86610  
Cyl. Bearing (pilot) ..... R1558TAV  
1974-1966 8" ring gear  
Cone/Cup (inner) ..... M86649-M86610  
Seal (outer) ..... 8181NA  
Cone/Cup (outer) ..... M86649-M86610  
Cyl. Bearing (pilot) ..... R1558TAV  
1972-1968 8.75" ring gear: 31-spline axle  
shaft  
Cone/Cup (inner) ..... HM89443-HM89410  
Seal (outer) ..... 7044NA  
Cone/Cup (outer) ..... M88048-M88010  
Cyl. Bearing (pilot) ..... R1535TAV  
1968-1967 7.25" ring gear: WEZ axle  
Cone/Cup (inner) ..... HM89446-HM89410  
Seal (outer) ..... 8181NA  
Cone/Cup (outer) ..... M86649-M86610  
1966-1962 6-cylinder  
Cone/Cup (inner) ..... HM89446-HM89410  
Seal (outer) ..... 8181NA  
Cone/Cup (outer) ..... M86649-M86610  
1965-1963 289 with 4-bbl. carburetor  
Cone/Cup (inner) ..... M88048-M88010  
Seal (outer) ..... 7044NA  
Cone/Cup (outer) ..... M88048-M88010  
Cyl. Bearing (pilot) ..... R1535TAV  
1965-1962 289 with 2-bbl. carburetor  
Cone/Cup (inner) ..... M86649-M86610  
Seal (outer) ..... 8181NA  
Cone/Cup (outer) ..... M86649-M86610  
Cyl. Bearing (pilot) ..... R1558TAV

# Bearings and Seals

Mfg./Year    Model & Location    Part No    Mfg./Year    Model & Location    Part No

## **FORD - REAR DRIVE - Elite, Fairlane, LTD II, Torino, Ranchero (cont.)**

### **AUTOMATIC TRANSMISSION**

#### **Torque Converter**

**1965-1962** Ford-o-Matic: 2-speed  
 Seal ..... 331107N  
 Kwik Slv (Opt Rpr) ..... KWK99199

#### **Rear Seal/Ext. Housing**

**1965-1962** Ford-o-Matic: 2-speed with 1.5" shaft  
 Seal ..... 7692S  
 Seal Kit ..... 5202<sup>64</sup>

### **3-SPEED AUTOMATIC TRANSMISSION**

#### **Torque Converter**

**1979-1968** Cruise-o-Matic  
 Seal ..... 331107N  
 Kwik Slv (Opt Rpr) ..... KWK99199  
**1979-1965** C4, C6  
 Seal ..... 331107N  
 Kwik Slv (Opt Rpr) ..... KWK99199  
**1978-1955** Ford-o-Matic  
 Seal ..... 6988H  
 Kwik Slv (Opt Rpr) ..... KWK99193  
**1967-1963** FX  
 Seal ..... 6988H  
 Kwik Slv (Opt Rpr) ..... KWK99193

#### **Rear Seal/Ext. Housing**

**1979-1968** Cruise-o-Matic  
 Seal ..... 7300S  
 Seal Kit ..... 5203<sup>64</sup>  
**1979-1966** C6  
 Seal ..... 7300S  
 Seal Kit ..... 5203<sup>64</sup>  
**1979-1965** C4  
 Seal ..... 7692S  
 Seal Kit ..... 5202<sup>64</sup>  
**1978-1955** Ford-o-Matic  
 Seal ..... 7692S  
 Seal Kit ..... 5202<sup>64</sup>  
**1968-1963** FX  
 Seal ..... 473234

#### **Selector Shaft Seal/Man. Shaft**

**1979-1965** C4  
 Seal ..... 240816  
 Kwik Slv (Opt Rpr) ..... KWK99076  
**1979-1955** exc. C4  
 Seal ..... 7929S

### **CLUTCH**

#### **Pilot Bearing**

**1974-1973** production thru 5/1974  
 Needle Bearing ..... FC65662

### **3-SPEED MANUAL TRANSMISSION**

#### **Front Input Shaft**

**1974-1963** Tremec 150, 160, 162  
 Seal ..... 3638  
 Bearing ..... 208LO  
 Kwik Slv (Opt Rpr) ..... KWK99112  
**1968-1963** Ford 2.77 (HED, RED)  
 Seal ..... 480210  
 Bearing ..... 207L  
 Kwik Slv (Opt Rpr) ..... KWK99106  
**1967-1962** Warner T86  
 Seal ..... 450326  
 Bearing ..... 207L  
 Kwik Slv (Opt Rpr) ..... KWK99149  
**1962-1955** Ford L/D  
 Seal ..... 482208  
 Bearing ..... 208SL  
 Kwik Slv (Opt Rpr) ..... KWK99112  
**1961-1955** Warner T86  
 Seal ..... 450326  
 Bearing ..... 207L  
 Kwik Slv (Opt Rpr) ..... KWK99149  
**1960-1956** Warner T85  
 Seal ..... 482208  
 Bearing ..... 307L  
 Kwik Slv (Opt Rpr) ..... KWK99112

#### **Rear Output Shaft**

**1974-1963** Tremec 150, 160, 162  
 Seal ..... 7692S  
 Bearing ..... 207L  
 Seal Kit ..... 5202<sup>64</sup>  
**1968-1963** Ford 2.77 (HED, RED): 1.375" shaft  
 Seal ..... 7495S  
 Bearing ..... 206L  
 Seal Kit ..... 5204<sup>64</sup>  
**1968-1963** Ford 2.77 (HED, RED): 1.5" shaft  
 Seal ..... 470059  
 Bearing ..... 206L  
 Seal Kit ..... 5201<sup>64</sup>  
**1967-1955** Warner T86  
 Seal ..... 470059  
 Bearing ..... 207L  
 Seal Kit ..... 5201<sup>64</sup>  
**1962-1955** Ford L/D  
 Seal ..... 470059  
 Bearing ..... 208SL  
 Seal Kit ..... 5201<sup>64</sup>  
**1960-1956** Warner T85  
 Seal ..... 470059  
 Bearing ..... 307L  
 Seal Kit ..... 5201<sup>64</sup>

#### **Selector Shaft Seal/Man. Shaft**

**1968-1963** Ford 2.77 (HED, RED)  
 Seal ..... 7399S  
 Kwik Slv (Opt Rpr) ..... KWK99062  
**1967-1955** Warner T85, T86  
 Seal ..... 340797  
 Kwik Slv (Opt Rpr) ..... KWK99059

**FORD - REAR DRIVE - Elite, Fairlane, LTD II, Torino, Ranchero (cont.)**

**4-SPEED MANUAL TRANSMISSION**

**Input Shaft**

<b>1979</b>	Tremec 170, 171, 174	
Seal	.....	3638
Bearing	.....	209L
Kwik Slv (Opt Rpr)	.....	KWK99112
<b>1978-1966</b>	Tremec 170, 172	
Seal	.....	482208
Bearing	.....	209L
Kwik Slv (Opt Rpr)	.....	KWK99112
<b>1966-1965</b>	Warner T10	
Seal	.....	482208
Bearing	.....	307L
Kwik Slv (Opt Rpr)	.....	KWK99112

**Rear Output Shaft**

<b>1979-1977</b>	Tremec 170, 171, 174	
Seal	.....	7692S
Bearing	.....	307L4
Seal Kit	.....	5202 <sup>64</sup>
<b>1973-1966</b>	Tremec 170: 31-spline, 1.690" shaft	
Seal	.....	473234
Bearing	.....	307L
<b>1973-1966</b>	Tremec 170: 28-spline, 1.5" shaft	
Seal	.....	470059
Bearing	.....	307L
Seal Kit	.....	5201 <sup>64</sup>
<b>1966-1965</b>	Warner T10	
Seal	.....	7692S
Bearing	.....	307L
Seal Kit	.....	5202 <sup>64</sup>

**Selector Shaft Seal/Man. Shaft**

<b>1979-1966</b>		
Seal	.....	313156

**POWER STEERING**

**Pump Shaft**

<b>1977-1960</b>	Manual Steering Worm Shaft: Saginaw Design	
Bearing	.....	8537

**CRANKSHAFT REAR SEAL**

**6 Cylinder**

<b>1974-1969</b>	250/4.1L	
Seal Rope	.....	5095
Seal Split Opt.	.....	5108
<b>1968-1963</b>	170/2.8, 200/3.3	
Seal Rope	.....	5095
Seal Split Opt.	.....	5116

**8 Cylinder**

<b>1979-1971</b>	351/5.8 (M), 400/6.6	
Seal Rope	.....	5095
Seal Split Opt.	.....	5117
<b>1979-1964</b>	260/4.3, 289/4.7, 302/5.0, 351/5.8 (C), 351/5.8 (W)	
Seal Rope	.....	5095
Seal Split Opt.	.....	5108
<b>1976-1970</b>	429/7.0, 460/7.5	
Seal Rope	.....	5095
Seal Split Opt.	.....	5118
<b>1969-1958</b>	352/5.8, 390/6.4, 406/6.6, 427/7.0, 428/7.0	
Seal Rope	.....	5095
Seal Split Opt.	.....	5112S

**TIMING COVER**

**6 Cylinder**

<b>1974-1969</b>	250/4.1L	
Seal (front entry)	.....	2692
Seal (rear entry)	.....	2942
Kwik Slv (Opt Rpr)	.....	KWK99187
Harmonic Balancer		
Sleeves	.....	88187
<b>1968-1963</b>	170/2.8, 200/3.3	
Seal	.....	7486S
Kwik Slv (Opt Rpr)	.....	KWK99174
<b>1962-1955</b>	223/3.6	
Seal	.....	350936
Kwik Slv (Opt Rpr)	.....	KWK99187
Harmonic Balancer		
Sleeves	.....	88187

**8 Cylinder**

<b>1979-1958</b>	exc. 272/4.4, 292/4.8	
Seal (front entry)	.....	2692
Seal (rear entry)	.....	2942
Kwik Slv (Opt Rpr)	.....	KWK99187
Harmonic Balancer		
Sleeves	.....	88187
<b>1962-1955</b>	272/4.4, 292/4.8	
Seal	.....	350936
Kwik Slv (Opt Rpr)	.....	KWK99187
Harmonic Balancer		
Sleeves	.....	88187

[ ] Indicates Quantity Required; Set Components Listed Inside Rear Cover;  
<sup>64</sup> Opt. Seal and Bushing Kit

# Bearings and Seals

Mfg./Year    Model & Location    Part No    Mfg./Year    Model & Location    Part No

## FORD - REAR DRIVE - Fairmont

### FRONT WHEEL

<b>1983-1978</b>	
Seal (inner) .....	6815[2]
Set (inner) .....	SET17
Set (outer) .....	SET12

### REAR WHEEL

<b>1983-1979</b>	exc. WGX axle
Seal .....	3214[2]
Bearing .....	RW207CCRA[2]
<b>1983-1978</b>	WGX axle
Seal .....	8660S[2]
Cyl. Bearing .....	5707[2]
Kit .....	TRP1563TAV[2] <sup>19</sup>
<b>1978</b>	exc. WGX axle
Bearing .....	RW207CCRA[2]

### REAR AXLE

#### Differential Rebuild Kit

<b>1982-1980</b>	7.5" ring gear
Kit .....	DRK315
<b>1980-1978</b>	8" ring gear
Kit .....	DRK310
<b>1980-1978</b>	9" ring gear
Kit .....	DRK313

#### Differential

<b>1983-1978</b>	
Cone/Cup .....	LM501349-LM501314[2]

#### Pinion

<b>1983-1979</b>	8.5" ring gear
Cone/Cup (inner) .....	M802048-M802011
Seal Viton (outer) .....	3604
Cone/Cup (outer) .....	M88048-M88010
<b>1983-1979</b>	8.8" ring gear
Cone/Cup (inner) .....	M802048-M802011
Seal Viton (outer) .....	3604
Cone/Cup (outer) .....	M88048-M88010
<b>1983-1978</b>	6.75" ring gear
Cone/Cup (inner) .....	HM88648-HM88610
Seal (outer) .....	3618
Cone/Cup (outer) .....	M86649-M86610
<b>1982-1979</b>	7.5" ring gear
Cone/Cup (inner) .....	M802048-M802011
Seal Viton (outer) .....	3604
Cone/Cup (outer) .....	M88048-M88010
<b>1980-1979</b>	8" ring gear
Cone/Cup (inner) .....	M86649-M86610
Seal (outer) .....	3618
Cone/Cup (outer) .....	M86649-M86610
Cyl. Bearing (pilot) .....	R1558TAV
<b>1978</b>	7.5" ring gear
Cone/Cup (inner) .....	M802048-M802011
Seal (outer) .....	9190N
Cone/Cup (outer) .....	M88048-M88010

### 3-SPEED AUTOMATIC TRANSMISSION

#### Torque Converter

<b>1983-1978</b>	C3
Seal .....	2658
<b>1983-1975</b>	C4, C5
Seal .....	331107N
Kwik Slv (Opt Rpr) .....	KWK99199
<b>1980-1975</b>	Jatco 3N71
Seal Viton .....	2025
Kwik Slv (Opt Rpr) .....	KWK99166

#### Rear Seal/Ext. Housing

<b>1983-1978</b>	C3
Seal .....	2655
<b>1983-1975</b>	C4, C5
Seal .....	7692S
Seal Kit .....	5202 <sup>64</sup>
<b>1980-1975</b>	Jatco 3N71
Seal .....	7692S
Seal Kit .....	5202 <sup>64</sup>

#### Selector Shaft Seal/Man. Shaft

<b>1983-1975</b>	C4, C5
Seal .....	240816
Kwik Slv (Opt Rpr) .....	KWK99076
<b>1983-1975</b>	exc. C4
Seal .....	7929S

### CLUTCH

#### Release Bearing

<b>1983-1980</b>	4-cylinder: German trans
Bearing Assy .....	614013
<b>1982-1980</b>	4-cylinder: Ford trans
Bearing Assy .....	614014
<b>1982-1978</b>	6-cylinder
Bearing Assy .....	614014
<b>1979-1978</b>	4-cylinder: Ford trans
Bearing Assy .....	614013
<b>1979-1978</b>	8-cylinder
Bearing Assy .....	614014

### 4-SPEED MANUAL TRANSMISSION

#### Input Shaft

<b>1983-1979</b>	Tremac
Seal .....	3638
Bearing .....	209L
Kwik Slv (Opt Rpr) .....	KWK99112
<b>1983-1975</b>	German Design (ET)
Seal .....	2503N
Bearing .....	207LO
Kwik Slv (Opt Rpr) .....	KWK99111
<b>1979-1975</b>	English Design (WG)
Seal .....	2503N
Bearing .....	207LO
Kwik Slv (Opt Rpr) .....	KWK99111
<b>1978-1975</b>	Tremac
Seal .....	482208
Bearing .....	209L
Kwik Slv (Opt Rpr) .....	KWK99112

232 [ ] Indicates Quantity Required; Set Components Listed Inside Rear Cover;

<sup>19</sup> Opt. Axle Repair Bearing. Replaces O.E. bearing & seal.

<sup>64</sup> Opt. Seal and Bushing Kit

**FORD - REAR DRIVE - Fairmont (cont.)**

**4-SPEED MANUAL TRANSMISSION**

**Rear Output Shaft**

<b>1983-1977</b>	Tremec 170, 171, 174	
Seal .....		7692S
Bearing .....		307L4
Seal Kit .....		5202 <sup>64</sup>
<b>1983-1975</b>	German Design (ET)	
Seal .....		2443
Bearing .....		108A

**Selector Shaft Seal/Man. Shaft**

<b>1983-1975</b>	Tremac	
Seal .....		313156

**CAMSHAFT SEAL**

**4 Cylinder**

<b>1983-1978</b>	140/2.3L	
Seal .....		2955

**CRANKSHAFT REAR SEAL**

**4 Cylinder**

<b>1983-1978</b>	140/2.3L	
Seal Rope .....		5095
Seal Split Opt. ....		5108

**6 Cylinder**

<b>1983-1978</b>	200/3.3L	
Seal Rope .....		5095
Seal Split Opt. ....		5116

**8 Cylinder**

<b>1982-1980</b>	255/4.2	
Seal Rope .....		5095
Seal Split Opt. ....		5108

**CRANKSHAFT REAR SEAL (cont.)**

**8 Cylinder (cont.)**

<b>1979-1978</b>	302/5.0L	
Seal Rope .....		5095
Seal Split Opt. ....		5108

**TIMING COVER**

**4 Cylinder**

<b>1983-1978</b>	140/2.3L	
Seal .....		2955

**6 Cylinder**

<b>1983-1978</b>	200/3.3L	
Seal .....		7486S
Kwik Slv (Opt Rpr) .....		KWK99174

**8 Cylinder**

<b>1979-1978</b>	302/5.0L	
Seal (front entry) .....		2692
Seal (rear entry) .....		2942
Kwik Slv (Opt Rpr) .....		KWK99187
Harmonic Balancer		
Sleeves .....		88187

**FORD - REAR DRIVE - Falcon, Maverick**

**FRONT WHEEL**

<b>1977-1975</b>	6.75" ring gear	
Seal (inner) .....		6815[2]
Set (inner) .....		SET5
Set (outer) .....		SET12
<b>1977-1970</b>	8" ring gear	
Seal (inner) .....		6815[2]
Set (inner) .....		SET13
Set (outer) .....		SET12
<b>1969-1967</b>	all	
Seal (inner) .....		6815[2]
Set (inner) .....		SET6
Set (outer) .....		SET2
<b>1966-1965</b>	disc brakes	
Seal (inner) .....		6815[2]
Set (inner) .....		SET6
Set (outer) .....		SET2

**FRONT WHEEL (cont.)**

<b>1966-1963</b>	8-cylinder and drum brakes	
Seal (inner) .....		6815[2]
Set (inner) .....		SET6
Set (outer) .....		SET2
<b>1966-1960</b>	6-cylinder and drum brakes	
Seal (inner) .....		7994S[2]
Set (inner) .....		SET4
Set (outer) .....		SET1

**REAR WHEEL**

<b>1978-1973</b>		
Seal .....		9569S[2]
Bearing .....		RW207CCRA[2]
<b>1977</b>	8" ring gear	
Seal .....		9569S[2]
Bearing .....		RW207CCRA[2]
<b>1977-1976</b>	exc. 8" ring gear	
Seal .....		3214[2]
Bearing .....		RW207CCRA[2]

[ ] Indicates Quantity Required; Set Components Listed Inside Rear Cover;  
<sup>64</sup> Opt. Seal and Bushing Kit

# Bearings and Seals

Mfg./Year    Model & Location    Part No    Mfg./Year    Model & Location    Part No

## **FORD - REAR DRIVE - Falcon, Maverick (cont.)**

### **REAR WHEEL (cont.)**

<b>1972-1970</b>	4-lug wheels	
Seal .....		9161[2]
Bearing .....		RWF34R[2]
<b>1972-1970</b>	5-lug wheels	
Seal .....		9569S[2]
Bearing .....		RW207CCRA[2]
<b>1970-1969</b>	6-cylinder: exc. Passenger car	
Seal .....		9569S[2]
Bearing .....		RW207CCRA[2]
<b>1970-1969</b>	8-cylinder	
Seal .....		9569S[2]
Bearing .....		RW207CCRA[2]
<b>1970-1966</b>	6-cylinder: Passenger car	
Seal .....		9161[2]
Bearing .....		RWF34R[2]
<b>1968-1965</b>	8-cylinder: Passenger car	
Seal .....		9569S[2]
Bearing .....		RW207CCRA[2]
<b>1967-1960</b>	6-cylinder: Ranchero, Taxi	
Seal .....		484054[2]
Bearing .....		RWF34R[2]
<b>1967-1960</b>	6-cylinder: Sedan Delivery, Wagon	
Seal .....		484054[2]
Bearing .....		RWF34R[2]
<b>1965-1960</b>	6-cylinder: Passenger car	
Seal .....		451182[2]
Bearing .....		88506AR[2]
<b>1964-1963</b>	8-cylinder: Passenger car	
Seal .....		51322[2]
Bearing .....		RW207CCRA[2]

### **CLUTCH RELEASE**

#### **3-Finger Clutches**

<b>1977-1963</b>	10" and 10.4" clutches	
Bearing Assy .....		614034

#### **Diaphragm Clutches**

<b>1977-1975</b>	6-cylinder: 200 engine	
Bearing Assy .....		614038
<b>1977-1975</b>	6-cylinder: 250 engine	
Bearing Assy .....		614014
<b>1977-1975</b>	8-cylinder	
Bearing Assy .....		614014
<b>1974-1972</b>	6-cylinder	
Bearing Assy .....		614038
<b>1974-1972</b>	8-cylinder	
Bearing Assy .....		614038
<b>1971-1970</b>	6-cylinder: 9" clutch	
Bearing Assy .....		614038
<b>1971-1967</b>	8-cylinder	
Bearing Assy .....		614038
<b>1970</b>	6-cylinder: exc. 9" clutch	
Bearing Only .....		F1625C
<b>1970-1966</b>	6-cylinder	
Bearing Assy .....		614038
<b>1966-1963</b>	8-cylinder	
Bearing Only .....		F1625C
<b>1966-1960</b>	6-cylinder	
Bearing Only .....		F1505C

### **REAR AXLE**

#### **Differential Rebuild Kit**

<b>1977-1975</b>	8" ring gear: production from 11/1975 on	
Kit .....		DRK310

#### **Differential**

<b>1977-1970</b>	Maverick: 8" ring gear	
Set .....		SET45[2]
<b>1970</b>	Maverick: 7.25" ring gear	
Cone/Cup .....		LM29749-LM29710[2]
<b>1969-1963</b>	Falcon: 8-cylinder	
Set .....		SET45[2]
<b>1969-1961</b>	Falcon: 6-cylinder	
Cone/Cup .....		LM29749-LM29710[2]
<b>1960</b>	Falcon	
Set .....		SET5[2]

#### **Pinion**

<b>1977-1971</b>	8" ring gear	
Cone/Cup (inner) .....		M86649-M86610
Seal (outer) .....		8181NA
Cone/Cup (outer) .....		M86649-M86610
Cyl. Bearing (pilot) .....		R1558TAV
<b>1970</b>	7.25" ring gear	
Cone/Cup (inner) .....		HM89446A-HM89410
Seal (outer) .....		8181NA
Cone/Cup (outer) .....		M86649-M86610
<b>1970-1967</b>	6-cylinder: 144 engine	
Cone/Cup (inner) .....		HM88649-HM88610
Seal (outer) .....		7457N
Cone/Cup (outer) .....		M86649-M86610
<b>1970-1963</b>	8-cylinder engines	
Cone/Cup (inner) .....		M86649-M86610
Seal (outer) .....		8181NA
Cone/Cup (outer) .....		M86649-M86610
Cyl. Bearing (pilot) .....		R1558TAV
<b>1969-1960</b>	6-cylinder: 170, 200 engines	
Cone/Cup (inner) .....		HM89446A-HM89410
Seal (outer) .....		8181NA
Cone/Cup (outer) .....		M86649-M86610

### **AUTOMATIC TRANSMISSION**

#### **Torque Converter**

<b>1965-1962</b>	Ford-o-Matic: 2-speed	
Seal .....		331107N
Kwik Slv (Opt Rpr) .....		KWK99199

#### **Rear Seal/Ext. Housing**

<b>1965-1962</b>	Ford-o-Matic: 2-speed with 1.5" shaft	
Seal .....		7692S
Seal Kit .....		5202 <sup>64</sup>

### **3-SPEED AUTOMATIC TRANSMISSION**

#### **Torque Converter**

<b>1977-1975</b>	Jatco 3N71	
Seal Viton .....		2025
Kwik Slv (Opt Rpr) .....		KWK99166

**FORD - REAR DRIVE - Falcon, Maverick (cont.)**

**3-SPEED AUTOMATIC TRANSMISSION (cont.)**

**Torque Converter (cont.)**

<b>1977-1964</b>	C4	
Seal .....		331107N
Kwik Slv (Opt Rpr) .....		KWK99199
<b>1967-1963</b>	FX	
Seal .....		6988H
Kwik Slv (Opt Rpr) .....		KWK99193

**Rear Seal/Ext. Housing**

<b>1977-1975</b>	Jatco 3N71	
Seal .....		7692S
Seal Kit .....		5202 <sup>64</sup>
<b>1977-1964</b>	C4	
Seal .....		7692S
Seal Kit .....		5202 <sup>64</sup>
<b>1967-1963</b>	FX	
Seal .....		473234

**Selector Shaft Seal/Man. Shaft**

<b>1977-1964</b>	C4	
Seal .....		240816
Kwik Slv (Opt Rpr) .....		KWK99076
<b>1977-1963</b>	exc. C4	
Seal .....		7929S

**CLUTCH**

**Pilot Bearing**

<b>1974-1973</b>	production thru 5/1974	
Needle Bearing .....		FC65662
<b>1970-1968</b>	6-cylinder 200, 250	
Needle Bearing .....		FC65662
<b>1968-1964</b>	8-cylinder 260, 289	
Bushing .....		PB50F

**3-SPEED MANUAL TRANSMISSION**

**Front Input Shaft**

<b>1976-1963</b>	Tremec 150, 160, 162	
Seal .....		3638
Bearing .....		208LO
Kwik Slv (Opt Rpr) .....		KWK99112
<b>1967-1960</b>	Ford 2.77 (HED, RED)	
Seal .....		480210
Bearing .....		207L
Kwik Slv (Opt Rpr) .....		KWK99106

**Rear Output Shaft**

<b>1976-1963</b>	Tremec 150, 160, 162	
Seal .....		7692S
Bearing .....		207L
Seal Kit .....		5202 <sup>64</sup>
<b>1968-1960</b>	Ford 2.77 (HED, RED): 1.375" shaft	
Seal .....		7495S
Bearing .....		206L
Seal Kit .....		5204 <sup>64</sup>

**3-SPEED MANUAL TRANSMISSION (cont.)**

**Rear Output Shaft (cont.)**

<b>1968-1960</b>	Ford 2.77 (HED, RED): 1.5" shaft	
Seal .....		470059
Bearing .....		206L
Seal Kit .....		5201 <sup>64</sup>

**Selector Shaft Seal/Man. Shaft**

<b>1968-1963</b>	Ford 2.77 (HED, RED)	
Seal .....		7399S
Kwik Slv (Opt Rpr) .....		KWK99062

**4-SPEED MANUAL TRANSMISSION**

**Input Shaft**

<b>1977-1971</b>	English Design (WG)	
Seal .....		2503N
Bearing .....		207LO
Kwik Slv (Opt Rpr) .....		KWK99111
<b>1977-1971</b>	German Design (ET)	
Seal .....		2503N
Bearing .....		207LO
Kwik Slv (Opt Rpr) .....		KWK99111
<b>1977-1965</b>	Tremac	
Seal .....		482208
Bearing .....		209L
Kwik Slv (Opt Rpr) .....		KWK99112
<b>1966-1963</b>	Warner T10	
Seal .....		482208
Bearing .....		307L
Kwik Slv (Opt Rpr) .....		KWK99112

**Rear Output Shaft**

<b>1977</b>	Tremec 170, 171, 174	
Seal .....		7692S
Bearing .....		307L4
Seal Kit .....		5202 <sup>64</sup>
<b>1977-1971</b>	German Design (ET)	
Seal .....		2443
Bearing .....		108A
<b>1973-1971</b>	English Design (WG)	
Seal .....		2551
Bearing .....		207L
<b>1970-1965</b>	Tremec 170: 31-spline, 1.690" shaft	
Seal .....		473234
Bearing .....		307L
<b>1970-1965</b>	Tremec 170: 28-spline, 1.5" shaft	
Seal .....		470059
Bearing .....		307L
Seal Kit .....		5201 <sup>64</sup>
<b>1966-1963</b>	Warner T10	
Seal .....		7692S
Bearing .....		307L
Seal Kit .....		5202 <sup>64</sup>

[ ] Indicates Quantity Required; Set Components Listed Inside Rear Cover;  
<sup>64</sup> Opt. Seal and Bushing Kit



# Bearings and Seals

Mfg./Year    Model & Location    Part No    Mfg./Year    Model & Location    Part No

## **FORD - REAR DRIVE - Falcon, Maverick (cont.)**

### **4-SPEED MANUAL TRANSMISSION**

#### **Selector Shaft Seal/Man. Shaft**

1977-1965 Tremac  
Seal ..... 313156

### **CRANKSHAFT REAR SEAL**

#### **6 Cylinder**

1977-1975 173/2.8L  
Seal Viton ..... 3393  
Kwik Slv (Opt Rpr) ..... KWK99237  
1977-1970 250/4.1L  
Seal Rope ..... 5095  
Seal Split ..... 5108  
1968-1963 144/2.4, 170/2.8, 200/3.3  
Seal Rope ..... 5095  
Seal Split ..... 5116  
1966-1965 240/3.9  
Seal Viton ..... 2377  
Kwik Slv (Opt Rpr) ..... KWK99372

#### **8 Cylinder**

1977-1963 260/4.3, 289/4.7, 302/5.0, 351/5.8  
(W)  
Seal Rope ..... 5095  
Seal Split Opt. .... 5108

### **TIMING COVER**

#### **6 Cylinder**

1977-1975 173/2.8L  
Seal Viton ..... 2012S<sup>31</sup>  
Seal Viton Opt. .... 2012V  
Kwik Slv (Opt Rpr) ..... KWK99166  
1977-1965 240/3.9, 250/4.1  
Seal (front entry) ..... 2692  
Seal (rear entry) ..... 2942  
Kwik Slv (Opt Rpr) ..... KWK99187  
Harmonic Balancer  
Sleeves ..... 88187  
1977-1960 144/2.4, 170/2.8, 200/3.3  
Seal ..... 7486S  
Kwik Slv (Opt Rpr) ..... KWK99174

#### **8 Cylinder**

1977-1963 260/4.3, 289/4.7, 302/5.0, 351/5.8  
(C), 351/5.8 (W)  
Seal (front entry) ..... 2692  
Seal (rear entry) ..... 2942  
Kwik Slv (Opt Rpr) ..... KWK99187  
Harmonic Balancer  
Sleeves ..... 88187

## **FORD - REAR DRIVE - Granada**

### **FRONT WHEEL**

1982-1981  
Seal (inner) ..... 6815[2]  
Set (inner) ..... SET17  
Set (outer) ..... SET12  
1980-1975  
Seal (inner) ..... 6815[2]  
Set (inner) ..... SET13  
Set (outer) ..... SET12

### **REAR WHEEL**

1982-1981  
Seal ..... 8660S[2]  
Cyl. Bearing ..... 5707[2]  
Kit ..... TRP1563TAV[2]<sup>19</sup>  
1980-1978 9" ring gear  
Seal ..... 9569S[2]  
Bearing ..... RW207CCRA[2]  
1979-1975 8.7" ring gear  
Seal ..... 8660S[2]  
Cyl. Bearing ..... 5707[2]  
Kit ..... TRP1563TAV[2]<sup>19</sup>  
1979-1975 8" ring gear  
Seal ..... 9569S[2]  
Bearing ..... RW207CCRA[2]  
1979-1975 rear disc brakes  
Seal (inner) ..... 51098[2]  
Bearing (inner) ..... 88128RAP[2]  
Seal (outer) ..... 3794[2]

### **REAR WHEEL (cont.)**

1977 9" ring gear; w/drum brakes  
Seal (inner) ..... 51098[2]  
Bearing (inner) ..... 514003P[2]

### **CLUTCH RELEASE**

#### **3-Finger Clutches**

1977-1975 all  
Bearing Assy ..... 614034

#### **Diaphragm Clutches**

1982-1981 4-cylinder  
Bearing Assy ..... 614013  
1980-1975 6-cylinder: 250 engine  
Bearing Assy ..... 614014  
1979-1975 8-cylinder  
Bearing Assy ..... 614014  
1977-1975 6-cylinder: 200 engine  
Bearing Assy ..... 614038

### **REAR AXLE**

#### **Differential Rebuild Kit**

1982-1980 7.5" ring gear  
Kit ..... DRK315  
1980-1978 8" ring gear  
Kit ..... DRK310  
1980-1978 9" ring gear  
Kit ..... DRK313

236 [ ] Indicates Quantity Required; Set Components Listed Inside Rear Cover;

<sup>19</sup> Opt. Axle Repair Bearing. Replaces O.E. bearing & seal.

<sup>31</sup> When depleted use number listed directly below

**FORD - REAR DRIVE - Granada (cont.)**

**REAR AXLE**

**Differential**

<b>1982-1981</b>	7.5" ring gear	
	Cone/Cup .....	LM501349-LM501314[2]
<b>1980-1975</b>	9" ring gear: WEB, WEC, WFA, WFC axles	
	Set .....	SET47[2]
<b>1980-1975</b>	8" ring gear	
	Set .....	SET45[2]

**Pinion**

<b>1982-1979</b>	6.75" ring gear	
	Cone/Cup (inner) .....	HM88648-HM88610
	Seal (outer) .....	3618
	Cone/Cup (outer) .....	M86649-M86610
<b>1982-1979</b>	7.5" ring gear	
	Cone/Cup (inner) .....	M802048-M802011
	Seal Viton (outer) .....	3604
	Cone/Cup (outer) .....	M88048-M88010
<b>1982-1979</b>	8.5" ring gear	
	Cone/Cup (inner) .....	M802048-M802011
	Seal Viton (outer) .....	3604
	Cone/Cup (outer) .....	M88048-M88010
<b>1982-1979</b>	8.8" ring gear	
	Cone/Cup (inner) .....	M802048-M802011
	Seal Viton (outer) .....	3604
	Cone/Cup (outer) .....	M88048-M88010
<b>1980</b>	9" ring gear	
	Cone/Cup (inner) .....	M88048-M88010
	Seal (outer) .....	3700
	Cone/Cup (outer) .....	M88048-M88010
	Cyl. Bearing (pilot) .....	R1535TAV
<b>1980-1979</b>	8" ring gear	
	Cone/Cup (inner) .....	M86649-M86610
	Seal (outer) .....	3618
	Cone/Cup (outer) .....	M86649-M86610
	Cyl. Bearing (pilot) .....	R1558TAV
<b>1979-1975</b>	9" ring gear	
	Cone/Cup (inner) .....	M88048-M88010
	Seal (outer) .....	7044NA
	Cone/Cup (outer) .....	M88048-M88010
	Cyl. Bearing (pilot) .....	R1535TAV
<b>1978</b>	7.5" ring gear	
	Cone/Cup (inner) .....	M802048-M802011
	Seal (outer) .....	9190N
	Cone/Cup (outer) .....	M88048-M88010
<b>1978-1975</b>	8" ring gear	
	Cone/Cup (inner) .....	M86649-M86610
	Seal (outer) .....	8181NA
	Cone/Cup (outer) .....	M86649-M86610
	Cyl. Bearing (pilot) .....	R1558TAV
<b>1978-1975</b>	8.5" ring gear	
	Cone/Cup (inner) .....	M802048-M802011
	Seal (outer) .....	9190N
	Cone/Cup (outer) .....	M88048-M88010
<b>1978-1975</b>	8.7" ring gear	
	Cone/Cup (inner) .....	M802048-M802011
	Seal (outer) .....	9190N
	Cone/Cup (outer) .....	M88048-M88010

**3-SPEED AUTOMATIC TRANSMISSION**

**Torque Converter**

<b>1982-1978</b>	C3	
	Seal .....	2658
<b>1982-1975</b>	C4, C5	
	Seal .....	331107N
	Kwik Slv (Opt Rpr) .....	KWK99199
<b>1980-1975</b>	Jatco 3N71	
	Seal Viton .....	2025
	Kwik Slv (Opt Rpr) .....	KWK99166

**Rear Seal/Ext. Housing**

<b>1982-1978</b>	C3	
	Seal .....	2655
<b>1982-1975</b>	C4, C5	
	Seal .....	7692S
	Seal Kit .....	5202 <sup>64</sup>
<b>1980-1975</b>	Jatco 3N71	
	Seal .....	7692S
	Seal Kit .....	5202 <sup>64</sup>

**Selector Shaft Seal/Man. Shaft**

<b>1982-1975</b>	C4, C5	
	Seal .....	240816
	Kwik Slv (Opt Rpr) .....	KWK99076
<b>1982-1975</b>	exc. C4	
	Seal .....	7929S

**4-SPEED MANUAL TRANSMISSION**

**Input Shaft**

<b>1982-1979</b>	Tremac	
	Seal .....	3638
	Bearing .....	209L
	Kwik Slv (Opt Rpr) .....	KWK99112
<b>1982-1975</b>	German Design (ET)	
	Seal .....	2503N
	Bearing .....	207LO
	Kwik Slv (Opt Rpr) .....	KWK99111
<b>1979-1971</b>	English Design (WG)	
	Seal .....	2503N
	Bearing .....	207LO
	Kwik Slv (Opt Rpr) .....	KWK99111
<b>1978-1975</b>	Tremac	
	Seal .....	482208
	Bearing .....	209L
	Kwik Slv (Opt Rpr) .....	KWK99112

**Rear Output Shaft**

<b>1982-1977</b>	Tremec 170, 171, 174	
	Seal .....	7692S
	Bearing .....	307L4
	Seal Kit .....	5202 <sup>64</sup>
<b>1982-1971</b>	German Design (ET)	
	Seal .....	2443
	Bearing .....	108A

[ ] Indicates Quantity Required; Set Components Listed Inside Rear Cover;

<sup>64</sup> Opt. Seal and Bushing Kit

# Bearings and Seals

Mfg./Year	Model & Location	Part No	Mfg./Year	Model & Location	Part No
-----------	------------------	---------	-----------	------------------	---------

## FORD - REAR DRIVE - Granada (cont.)

### 4-SPEED MANUAL TRANSMISSION

#### Selector Shaft Seal/Man. Shaft

1982-1975	Tremac	
Seal		313156

### CRANKSHAFT REAR SEAL

#### 4 Cylinder

1982-1981	140/2.3L	
Seal Rope		5095
Seal Split Opt.		5108

#### 6 Cylinder

1979-1970	250/4.1L	
Seal Rope		5095
Seal Split Opt.		5108
1968-1963	144/2.4, 170/2.8, 200/3.3	
Seal Rope		5095
Seal Split Opt.		5116
1966-1965	240/3.9	
Seal Viton		2377
Kwik Slv (Opt Rpr)		KWK99372

#### 8 Cylinder

1979-1963	260/4.3, 289/4.7, 302/5.0, 351/5.8 (W)	
Seal Rope		5095
Seal Split Opt.		5108

### TIMING COVER

#### 4 Cylinder

1982-1981	140/2.3L	
Seal		2955

#### 6 Cylinder

1979-1965	240/3.9, 250/4.1	
Seal (front entry)		2692
Seal (rear entry)		2942
Kwik Slv (Opt Rpr)		KWK99187
Harmonic Balancer		
Sleeves		88187
1979-1960	144/2.4, 170/2.8, 200/3.3	
Seal		7486S
Kwik Slv (Opt Rpr)		KWK99174

#### 8 Cylinder

1979-1963	260/4.3, 289/4.7, 302/5.0, 351/5.8 (C), 351/5.8 (W)	
Seal (front entry)		2692
Seal (rear entry)		2942
Kwik Slv (Opt Rpr)		KWK99187
Harmonic Balancer		
Sleeves		88187

## FORD - REAR DRIVE - Mustang; incl. Boss, Cobra, GT, Mach I, McLaren, Saleen, Shelby, SVO, SVT

### FRONT WHEEL

1989-1984	GT, SVO, McLaren, Saleen	
Seal (inner)		9150S[2]
Set (inner)		SET5
Set (outer)		SET12
1989-1979	exc. GT, SVO, McLaren, Saleen	
Seal (inner)		6815[2]
Set (inner)		SET17
Set (outer)		SET12
1978-1975	6.75" ring gear	
Seal (inner)		6815[2]
Set (inner)		SET5
Set (outer)		SET12
1978-1970	8" ring gear	
Seal (inner)		6815[2]
Set (inner)		SET13
Set (outer)		SET12
1969	Boss Mustang with disc brakes	
Seal (inner)		9150S[2]
Set (inner)		SET5
Set (outer)		SET3
1969-1967	exc. Boss Mustang w/disc brakes	
Seal (inner)		6815[2]
Set (inner)		SET6
Set (outer)		SET2

### FRONT WHEEL (cont.)

1966-1965	disc brakes	
Seal (inner)		6815[2]
Set (inner)		SET6
Set (outer)		SET2
1966-1964	6-cylinder engine and drum brakes	
Seal (inner)		7994S[2]
Set (inner)		SET4
Set (outer)		SET1
1966-1964	8-cylinder engine and drum brakes	
Seal (inner)		6815[2]
Set (inner)		SET6
Set (outer)		SET2

### REAR WHEEL

1989-1979	(w/o Indep. Rr. Susp.)	
Seal		8660S[2]
Cyl. Bearing		5707[2]
Kit		TRP1563TAV[2] <sup>19</sup>
1983-1976	6.75" ring gear	
Seal		3214[2]
Bearing		RW207CCRA[2]
1979-1976	8" ring gear	
Seal		3214[2]
Bearing		RW207CCRA[2]

238 [ ] Indicates Quantity Required; Set Components Listed Inside Rear Cover;

<sup>19</sup> Opt. Axle Repair Bearing. Replaces O.E. bearing & seal.

**FORD - REAR DRIVE - Mustang; incl. Boss, Cobra, GT, Mach I, McLaren, Saleen, Shelby, SVO, SVT (cont.)**

**REAR WHEEL (cont.)**

<b>1975-1974</b>	1.25" axle shaft	
Seal	.....	3199S[2]
Bearing	.....	RW207CCRA[2]
<b>1975-1974</b>	1.375" axle shaft	
Seal	.....	3214[2]
Bearing	.....	RW207CCRA[2]
<b>1973-1969</b>	1.375" axle shaft exc. WCY	
Seal	.....	9569S[2]
Bearing	.....	RW207CCRA[2]
<b>1973-1969</b>	1.5" axle shaft exc. WCY	
Seal	.....	9363S[2]
Bearing	.....	RW207CCRA[2]
<b>1970-1967</b>	WCY axle	
Seal	.....	9161[2]
Bearing	.....	RWF34R[2]
<b>1968-1967</b>	exc. WCY axle	
Seal	.....	9569S[2]
Bearing	.....	RW207CCRA[2]
<b>1966-1964</b>	6-cylinder engine	
Seal	.....	484054[2]
Bearing	.....	RWF34R[2]
<b>1966-1964</b>	8-cylinder engine	
Seal	.....	51322[2]
Bearing	.....	RW207CCRA[2]

**CLUTCH RELEASE**

**3-Finger Clutches**

<b>1973-1963</b>	10" and 10.4"	
Bearing Assy	.....	614034

**Diaphragm Clutches**

<b>1989-1972</b>	8-cylinder	
Bearing Assy	.....	614014
<b>1989-1974</b>	6-cylinder	
Bearing Assy	.....	614014
<b>1989-1980</b>	4-cylinder: 5-speed	
Bearing Assy	.....	614014
<b>1988-1974</b>	4-cylinder: German trans	
Bearing Assy	.....	614013
<b>1973-1967</b>	8-cylinder: exc. 427, 428, 429 engines	
Bearing Assy	.....	614038
<b>1971-1967</b>	8-cylinder: 427, 428, 429 engines	
Bearing Only	.....	FA2065C
<b>1970-1966</b>	6-cylinder	
Bearing Assy	.....	614038
<b>1966-1963</b>	8-cylinder	
Bearing Only	.....	F1625C
<b>1966-1960</b>	6-cylinder	
Bearing Only	.....	F1505C

**REAR AXLE**

**Differential Rebuild Kit**

<b>1989-1986</b>	8.8" ring gear	
Kit	.....	DRK311
<b>1989-1980</b>	7.5" ring gear	
Kit	.....	DRK315
<b>1978-1964</b>	8" ring gear	
Kit	.....	DRK310

**REAR AXLE (cont.)**

**Differential Rebuild Kit (cont.)**

<b>1973-1970</b>	9" ring gear: production from 5/11/1970 on	
Kit	.....	DRK313
<b>1970-1967</b>	9" ring gear: production thru 5/10/1970	
Kit	.....	DRK312

**Differential**

<b>1989</b>	7.5" ring gear	
Seal Viton	.....	714569[2]
Cone/Cup	.....	LM501349-LM501314[2]
<b>1989</b>	8.8" ring gear	
Set	.....	SET36[2]
<b>1988-1986</b>	8.8" ring gear	
Seal Viton	.....	714569[2]
Set	.....	SET36[2]
<b>1988-1979</b>	7.5" ring gear	
Cone/Cup	.....	LM501349-LM501314[2]
<b>1986-1979</b>	6.75" ring gear	
Cone/Cup	.....	LM501349-LM501314[2]
<b>1978-1974</b>	6.75" ring gear	
Set	.....	SET5[2]
<b>1978-1974</b>	8" ring gear	
Set	.....	SET45[2]
<b>1973-1970</b>	WFU, WFB, WFD, WES axles exc. N, P, R, V: production from 5/1970 on	
Set	.....	SET47[2]
<b>1972-1967</b>	7.75" ring gear	
Set	.....	SET45[2]
<b>1972-1967</b>	8" ring gear	
Set	.....	SET45[2]
<b>1970-1965</b>	9" ring gear: Heavy Duty axle: production thru 5/1970	
Set	.....	SET37[2]
<b>1970-1965</b>	9" ring gear: standard axle: production from 5/1970 on	
Set	.....	SET45[2]
<b>1970-1964</b>	WCY axle	
Cone/Cup	.....	LM29749-LM29710[2]
<b>1966-1964</b>	WCL, WCZ, WDJ axles	
Set	.....	SET45[2]

**Pinion**

<b>1989-1979</b>	7.5" ring gear	
Cone/Cup (inner)	.....	M802048-M802011
Seal Viton (outer)	.....	3604
Cone/Cup (outer)	.....	M88048-M88010
<b>1989-1979</b>	8.8" ring gear	
Cone/Cup (inner)	.....	M802048-M802011
Seal Viton (outer)	.....	3604
Cone/Cup (outer)	.....	M88048-M88010
<b>1983-1979</b>	6.75" ring gear	
Cone/Cup (inner)	.....	HM88648-HM88610
Seal (outer)	.....	3618
Cone/Cup (outer)	.....	M86649-M86610

# Bearings and Seals

Mfg./Year    Model & Location    Part No    Mfg./Year    Model & Location    Part No

## **FORD - REAR DRIVE - Mustang; incl. Boss, Cobra, GT, Mach I, McLaren, Saleen, Shelby, SVO, SVT (cont.)**

### **REAR AXLE (cont.)**

#### **Pinion (cont.)**

<b>1978-1974</b>	6.75" ring gear	
	Cone/Cup (inner) .....	M88048-M88010
	Seal (outer) .....	8181NA
	Cone/Cup (outer) .....	M88048-M88010
	Cyl. Bearing (pilot) .....	R1558TAV
<b>1978-1964</b>	8" ring gear	
	Cone/Cup (inner) .....	M86649-M86610
	Seal (outer) .....	8181NA
	Cone/Cup (outer) .....	M86649-M86610
	Cyl. Bearing (pilot) .....	R1558TAV
<b>1973-1967</b>	9" ring gear: standard	
	Cone/Cup (inner) .....	M88048-M88010
	Seal (outer) .....	7044NA
	Cone/Cup (outer) .....	M88048-M88010
	Cyl. Bearing (pilot) .....	R1535TAV
<b>1973-1967</b>	9" ring gear: Heavy Duty	
	Cone/Cup (inner) .....	HM89443-HM89410
	Seal (outer) .....	7044NA
	Cone/Cup (outer) .....	M88048-M88010
	Cyl. Bearing (pilot) .....	R1535TAV
<b>1970-1964</b>	7.25" ring gear	
	Cone/Cup (inner) .....	HM89446A-HM89410
	Seal (outer) .....	8181NA
	Cone/Cup (outer) .....	M86649-M86610
<b>1968-1966</b>	8.75" ring gear	
	Cone/Cup (inner) .....	M88048-M88010
	Seal (outer) .....	7044NA
	Cone/Cup (outer) .....	M88048-M88010
	Cyl. Bearing (pilot) .....	R1535TAV

### **3-SPEED AUTOMATIC TRANSMISSION**

#### **Torque Converter**

<b>1986-1979</b>	C4, C5	
	Seal .....	331107N
	Kwik Slv (Opt Rpr) .....	KWK99199
<b>1986-1974</b>	C3	
	Seal .....	2658
<b>1976-1975</b>	C4	
	Seal .....	331107N
	Kwik Slv (Opt Rpr) .....	KWK99199
<b>1973-1969</b>	Cruise-o-Matic	
	Seal .....	331107N
	Kwik Slv (Opt Rpr) .....	KWK99199
<b>1973-1967</b>	C4, C6	
	Seal .....	331107N
	Kwik Slv (Opt Rpr) .....	KWK99199
<b>1967-1964</b>	FX	
	Seal .....	6988H
	Kwik Slv (Opt Rpr) .....	KWK99193

#### **Rear Seal/Ext. Housing**

<b>1986-1974</b>	C3	
	Seal .....	2655
<b>1986-1967</b>	C4, C5	
	Seal .....	7692S
	Seal Kit .....	5202 <sup>64</sup>

### **3-SPEED AUTOMATIC TRANSMISSION (cont.)**

#### **Rear Seal/Ext. Housing (cont.)**

<b>1973-1969</b>	Cruise-o-Matic	
	Seal .....	7300S
	Seal Kit .....	5203 <sup>64</sup>
<b>1973-1967</b>	C6	
	Seal .....	7300S
	Seal Kit .....	5203 <sup>64</sup>
<b>1967-1964</b>	FX	
	Seal .....	473234

#### **Selector Shaft Seal/Man. Shaft**

<b>1986-1967</b>	C4	
	Seal .....	240816
	Kwik Slv (Opt Rpr) .....	KWK99076
<b>1986-1964</b>	exc. C4	
	Seal .....	7929S

### **4-SPEED AUTOMATIC TRANSMISSION**

#### **Torque Converter**

<b>1989-1985</b>	A4LD	
	Seal .....	2658
<b>1989-1983</b>	AOT (AOD)	
	Seal .....	331107N
	Kwik Slv (Opt Rpr) .....	KWK99199

#### **Rear Seal/Ext. Housing**

<b>1989-1985</b>	A4LD	
	Seal .....	2655
<b>1989-1983</b>	AOT (AOD): long boot	
	Seal .....	7692S
	Seal Kit .....	5202 <sup>64</sup>

#### **Selector Shaft Seal/Man. Shaft**

<b>1989-1983</b>		
	Seal .....	7929S

### **CLUTCH**

#### **Pilot Bearing**

<b>1989-1974</b>	8-cylinder 302 (5.0 litre): production from 5/1974 on	
	Needle Bearing .....	FC65174
<b>1989-1968</b>	8-cylinder 351	
	Needle Bearing .....	FC65662
<b>1989-1974</b>	4-cylinder 140 (2.3 litre) normally aspirated and turbo	
	Needle Bearing .....	FC65354
<b>1982-1980</b>	6-cylinder 200 (3.3 litre)	
	Needle Bearing .....	FC65174
<b>1979-1974</b>	6-cylinder 171 (2.8 litre)	
	Needle Bearing .....	F33126
<b>1974-1968</b>	8-cylinder 302 (5.0 litre): production thru 4/1974	
	Needle Bearing .....	FC65662
<b>1973-1968</b>	6-cylinder 200, 250	
	Needle Bearing .....	FC65662

**FORD - REAR DRIVE - Mustang; incl. Boss, Cobra, GT, Mach I, McLaren, Saleen, Shelby, SVO, SVT (cont.)**

**CLUTCH (cont.)**

**Pilot Bearing (cont.)**

<b>1971-1967</b>	8-cylinder 390, 428, 429	
	Bushing H/D .....	PB50DHD
<b>1968-1964</b>	8-cylinder 260, 289	
	Bushing .....	PB50F

**3-SPEED MANUAL TRANSMISSION**

**Front Input Shaft**

<b>1973-1964</b>	Tremec 150, 160, 162	
	Seal .....	3638
	Bearing .....	208LO
	Kwik Slv (Opt Rpr) .....	KWK99112
<b>1967-1964</b>	Warner T86	
	Seal .....	480210
	Bearing .....	207L
	Kwik Slv (Opt Rpr) .....	KWK99106

**Mainshaft Pilot**

<b>1973-1964</b>	Tremec 150, 160, 162	
	Needle Bearing .....	QBR23549[15]
<b>1967-1964</b>	Ford 2.77 (HED, RED)	
	Needle Bearing .....	C1110Q[13]

**Countershaft**

<b>1973-1964</b>	Tremec 150, 160, 162	
	Needle Bearing .....	C1086Q[50]
<b>1967-1964</b>	Ford 2.77 (HED, RED)	
	Needle Bearing .....	C407Q[44]

**Rear Output Shaft**

<b>1973-1964</b>	Tremec 150, 160, 162	
	Seal .....	7692S
	Bearing .....	207L
	Seal Kit .....	5202 <sup>64</sup>
<b>1967-1964</b>	Ford 2.77 (HED, RED): 1.375" shaft	
	Seal .....	7495S
	Bearing .....	206L
	Seal Kit .....	5204 <sup>64</sup>
<b>1967-1964</b>	Ford 2.77 (HED, RED): 1.5" shaft	
	Seal .....	470059
	Bearing .....	206L
	Seal Kit .....	5201 <sup>64</sup>

**Selector Shaft Seal/Man. Shaft**

<b>1967-1964</b>	Ford 2.77 (HED, RED)	
	Seal .....	7399S
	Kwik Slv (Opt Rpr) .....	KWK99062

**4-SPEED MANUAL TRANSMISSION**

**Input Shaft**

<b>1986-1974</b>	German Design (ET)	
	Seal .....	2503N
	Bearing .....	207LO
	Kwik Slv (Opt Rpr) .....	KWK99111

**4-SPEED MANUAL TRANSMISSION**

**(cont.)**

**Input Shaft (cont.)**

<b>1983-1980</b>	Tremec 174	
	Seal .....	3638
	Bearing .....	209L
	Kwik Slv (Opt Rpr) .....	KWK99112
<b>1982-1980</b>	Tremec 171	
	Seal .....	3638
	Bearing .....	308LTB
	Kwik Slv (Opt Rpr) .....	KWK99112
<b>1982-1979</b>	Warner SR4	
	Seal .....	3638
	Bearing .....	207LO
	Kwik Slv (Opt Rpr) .....	KWK99112
<b>1978-1974</b>	Warner SR4	
	Seal .....	3638
	Bearing .....	208LO
	Kwik Slv (Opt Rpr) .....	KWK99112
<b>1973-1964</b>	Tremec 170	
	Seal .....	482208
	Bearing .....	209L
	Kwik Slv (Opt Rpr) .....	KWK99112
<b>1966-1964</b>	Warner T10	
	Seal .....	482208
	Bearing .....	307L
	Kwik Slv (Opt Rpr) .....	KWK99112
<b>1966-1964</b>	Dagenham Design	
	Seal .....	482208
	Bearing .....	307L
	Kwik Slv (Opt Rpr) .....	KWK99112

**Mainshaft Pilot**

<b>1983-1980</b>	Tremec 171, 174	
	Needle Bearing .....	QBR23549[15]
<b>1982-1980</b>	Warner SR4	
	Needle Bearing .....	QBR23549[15]
<b>1979-1964</b>	Warner SR4, Tremac 170	
	Needle Bearing .....	QBR23549[15]
<b>1966-1964</b>	Warner T10	
	Needle Bearing .....	QA19792[14]

**Countershaft**

<b>1986-1979</b>	German Design (ET)	
	Needle Bearing (front) .....	C407Q[21]
	Needle Bearing (rear) .....	B1316Q[21]
<b>1983-1980</b>	Tremec 171, 174	
	Needle Bearing .....	QAR33724[42]
<b>1982-1974</b>	Warner SR4	
	Needle Bearing .....	C1086Q[50]
<b>1974</b>	German Design (ET)	
	Needle Bearing (front) .....	C407Q[21]
	Needle Bearing (rear) .....	B1316Q[21]
<b>1973-1964</b>	Tremec 170	
	Needle Bearing .....	QAR33724[42]
<b>1966-1964</b>	Warner T10	
	Needle Bearing .....	S443Q[80]

[ ] Indicates Quantity Required; Set Components Listed Inside Rear Cover;

<sup>64</sup> Opt. Seal and Bushing Kit

# Bearings and Seals

Mfg./Year    Model & Location    Part No    Mfg./Year    Model & Location    Part No

## **FORD - REAR DRIVE - Mustang; incl. Boss, Cobra, GT, Mach I, McLaren, Saleen, Shelby, SVO, SVT (cont.)**

### **4-SPEED MANUAL TRANSMISSION**

#### **Reverse Idler**

<b>1983-1980</b>	Tremec 171, 174	
	Needle Bearing .....	C407Q[44]
<b>1973-1964</b>	Tremec 170	
	Needle Bearing .....	C407Q[44]

#### **Rear Output Shaft**

<b>1986-1979</b>	German Design (ET)	
	Seal .....	2443
	Bearing .....	108A
<b>1983-1980</b>	Tremec 174	
	Seal .....	7692S
	Bearing .....	307L
	Seal Kit .....	5202 <sup>64</sup>
<b>1982-1980</b>	Tremec 171	
	Seal .....	7692S
	Bearing .....	308LTB
	Seal Kit .....	5202 <sup>64</sup>
<b>1982-1974</b>	Warner SR4: 25-spline, 1.375" shaft	
	Seal .....	3116N
	Bearing .....	207L
<b>1979-1974</b>	Warner SR4: 28-spline, 1.5" shaft	
	Seal .....	7692S
	Bearing .....	207L
	Seal Kit .....	5202 <sup>64</sup>
<b>1974</b>	German Design (ET)	
	Seal .....	2443
	Bearing .....	108A
<b>1973-1964</b>	Tremec 170: 31-spline, 1.690" shaft	
	Seal .....	473234
	Bearing .....	307L
<b>1973-1964</b>	Tremec 170: 28-spline, 1.5" shaft	
	Seal .....	470059
	Bearing .....	307L
	Seal Kit .....	5201 <sup>64</sup>
<b>1966-1964</b>	Warner T10	
	Seal .....	7692S
	Bearing .....	307L
	Seal Kit .....	5202 <sup>64</sup>
<b>1966-1964</b>	Dagenham Design	
	Seal .....	7495S
	Bearing .....	206L
	Seal Kit .....	5204 <sup>64</sup>

#### **Selector Shaft Seal/Man. Shaft**

<b>1979-1964</b>	Tremac, Warner	
	Seal .....	313156
<b>1966-1964</b>	Dagenham Design	
	Seal .....	7399S
	Kwik Slv (Opt Rpr) .....	KWK99062

### **5-SPEED MANUAL TRANSMISSION**

#### **Front Input Shaft**

<b>1989-1980</b>	Tremec 3550	
	Seal .....	3638
	Cone/Cup .....	355-354A
	Kwik Slv (Opt Rpr) .....	KWK99112
<b>1989-1987</b>	Warner T5 World Class (L4 eng.)	
	Seal .....	7412S
	Cone/Cup .....	M88048-M88010
	Kwik Slv (Opt Rpr) .....	KWK99125
	Needle Bearing Thrust .....	FA55505
<b>1989-1987</b>	Warner T5 World Class (V6 eng.) (V8 eng.)	
	Seal .....	7412S
	Set .....	SET5
	Kwik Slv (Opt Rpr) .....	KWK99125
	Needle Bearing Thrust .....	FA55505
<b>1986-1983</b>	Warner T5, T5 World Class	
	Seal .....	7412S
	Set .....	SET5
	Kwik Slv (Opt Rpr) .....	KWK99125
	Needle Bearing Thrust .....	FA55505
<b>1983-1980</b>	Tremec 140, 141	
	Seal .....	482163N
	Set .....	SET5
	Kwik Slv (Opt Rpr) .....	KWK99138

#### **Countershaft**

<b>1989-1985</b>	Warner T5 World Class	
	Cone/Cup (front) .....	LM67048-LM67010BCE
	Set (rear) .....	SET6
	Needle Bearing Thrust .....	NTA1423
<b>1989-1980</b>	Tremec 3550	
	Cone/Cup (front) .....	1380-1328
	Cone/Cup (rear) .....	1380-1328
<b>1984-1983</b>	Warner T5	
	Needle Bearing (front) .....	DK55836
	Cyl. Bearing (rear) .....	5707
	Needle Bearing Thrust .....	NTA1423
<b>1983-1980</b>	Tremec 140, 141	
	Set (front) .....	SET2
	Set (rear) .....	SET6

#### **Mainshaft Pilot**

<b>1989-1980</b>	Tremec 3550	
	Needle Bearing .....	QBR23549[17]
<b>1989-1983</b>	Warner T5, T5 World Class	
	Needle Bearing .....	QBR23549[15]
<b>1983-1980</b>	Tremec 140, 141	
	Needle Bearing .....	QBR23549[15]

#### **Mainshaft 1st Speed Gear**

<b>1989-1985</b>	Warner T5 World Class	
	Needle Bearing .....	F218255

**FORD - REAR DRIVE - Mustang; incl. Boss, Cobra, GT, Mach I, McLaren, Saleen, Shelby, SVO, SVT (cont.)**

**5-SPEED MANUAL TRANSMISSION**

**Mainshaft 2nd Speed Gear**

<b>1989-1985</b>	Warner T5 World Class	
	Needle Bearing .....	F93934

**Reverse Idler**

<b>1989-1980</b>	Tremec 3550	
	Needle Bearing .....	C407Q[44]

**Rear Output Shaft**

<b>1989-1980</b>	Tremec 3550	
	Seal .....	7692S
	Seal Kit .....	5202 <sup>64</sup>
	Needle Bearing Thrust .....	FA35688
<b>1989-1983</b>	Warner T5, T5 World Class	
	Seal .....	7692S
	Cone/Cup .....	25877-25821
	Seal Kit .....	5202 <sup>64</sup>
<b>1983-1980</b>	Tremec 140, 141	
	Seal .....	222820
	Set .....	SET5

**Selector Shaft Seal/Man. Shaft**

<b>1983-1980</b>	Tremec 140, 141	
	Seal .....	314267N
	Kwik Slv (Opt Rpr) .....	KWK99062

**CAMSHAFT SEAL**

**4 Cylinder**

<b>1989-1974</b>		
	Seal .....	2955

**CRANKSHAFT REAR SEAL**

**4 Cylinder**

<b>1989-1982</b>		
	Seal Viton .....	3909
	Seal PTFE H/D Opt. ....	5277
	Kwik Slv (Opt Rpr) .....	KWK99363
<b>1981-1974</b>		
	Seal Rope .....	5095
	Seal Split Opt. ....	5108

**6 Cylinder**

<b>1989-1983</b>	232/3.8L from 12/31/82	
	Seal Viton .....	3909
	Seal PTFE H/D Opt. ....	5277
	Kwik Slv (Opt Rpr) .....	KWK99363
<b>1983</b>	232/3.8L to 12/31/82	
	Seal Rope .....	5095
	Seal Split Opt. ....	5108
<b>1982-1964</b>	170/2.8, 200/3.3	
	Seal Rope .....	5095
	Seal Split Opt. ....	5116
<b>1979-1974</b>	171/2.8L	
	Seal Viton .....	3393
	Kwik Slv (Opt Rpr) .....	KWK99237

**CRANKSHAFT REAR SEAL (cont.)**

**6 Cylinder (cont.)**

<b>1973-1969</b>	250/4.1L	
	Seal Rope .....	5095
	Seal Split Opt. ....	5108

**8 Cylinder**

<b>1989-1984</b>	281/4.6L, 302/5.0L	
	Seal Viton .....	3909
	Seal PTFE H/D Opt. ....	5277
	Kwik Slv (Opt Rpr) .....	KWK99363
<b>1983</b>	302/5.0L From 12/82	
	Seal Viton .....	3909
	Seal PTFE H/D Opt. ....	5277
	Kwik Slv (Opt Rpr) .....	KWK99363
<b>1983</b>	302/5.0L Thru 11/82	
	Seal Rope .....	5095
	Seal Split Opt. ....	5108
<b>1982-1964</b>	255/4.2, 260/4.3, 289/4.7, 302/5.0, 351/5.8 (C), 351/5.8 (W)	
	Seal Rope .....	5095
	Seal Split Opt. ....	5108
<b>1971</b>	429/7.0	
	Seal Rope .....	5095
	Seal Split Opt. ....	5118
<b>1970-1967</b>	390 and larger engines	
	Seal Rope .....	5095
	Seal Split Opt. ....	5112S

**TIMING COVER**

**4 Cylinder**

<b>1989-1974</b>		
	Seal .....	2955

**6 Cylinder**

<b>1989-1983</b>	232/3.8L	
	Seal (front) .....	2692
	Seal (rear) .....	2942
	Kwik Slv (Opt Rpr) .....	KWK99187
	Harmonic Balancer	
	Sleeves .....	88187
<b>1982-1964</b>	170/2.8, 200/3.3	
	Seal .....	7486S
	Kwik Slv (Opt Rpr) .....	KWK99174
<b>1979-1974</b>	171/2.8L	
	Seal Viton .....	2012S <sup>31</sup>
	Kwik Slv (Opt Rpr) .....	KWK99166
<b>1973-1969</b>	250/4.1L	
	Seal (front entry) .....	2692
	Seal (rear entry) .....	2942
	Kwik Slv (Opt Rpr) .....	KWK99187
	Harmonic Balancer	
	Sleeves .....	88187

[ ] Indicates Quantity Required; Set Components Listed Inside Rear Cover;

<sup>31</sup> When depleted use number listed directly below    <sup>64</sup> Opt. Seal and Bushing Kit



# Bearings and Seals

Mfg./Year    Model & Location    Part No    Mfg./Year    Model & Location    Part No

## **FORD - REAR DRIVE - Mustang; incl. Boss, Cobra, GT, Mach I, McLaren, Saleen, Shelby, SVO, SVT (cont.)**

### **TIMING COVER**

#### **8 Cylinder**

<b>1989-1980</b>	255/4.2L, 302/5.0L, 351/5.8L (W)
Seal (front entry) .....	2692
Seal (rear entry) .....	2942
Kwik Slv (Opt Rpr) .....	KWK99187
Harmonic Balancer	
Sleeves .....	88187

### **TIMING COVER (cont.)**

#### **8 Cylinder (cont.)**

<b>1979-1964</b>	
Seal (front entry) .....	2692
Seal (rear entry) .....	2942
Kwik Slv (Opt Rpr) .....	KWK99187
Harmonic Balancer	
Sleeves .....	88187

## **FORD - REAR DRIVE - Pinto**

### **FRONT WHEEL**

<b>1980-1971</b>	
Seal (inner) .....	6815[2]
Set (inner) .....	SET13
Set (outer) .....	SET12

### **REAR WHEEL**

<b>1980-1979</b>	
Seal .....	3214[2]
Bearing .....	RW207CCRA[2]
<b>1978</b>	8" ring gear
Seal .....	3214[2]
Bearing .....	RW207CCRA[2]
<b>1978</b>	6.75" ring gear
Seal .....	3199S[2]
Bearing .....	RW207CCRA[2]
<b>1977-1976</b>	
Seal .....	3214[2]
Bearing .....	RW207CCRA[2]
<b>1975-1974</b>	
Seal .....	3199S[2]
Bearing .....	RW207CCRA[2]
<b>1973-1971</b>	
Seal .....	2669[2]
Bearing .....	RWP30YYR[2]

### **REAR AXLE**

#### **Differential Rebuild Kit**

<b>1980-1971</b>	8.75" ring gear
Kit .....	DRK310

#### **Differential**

<b>1980-1979</b>	6.75" ring gear
Cone/Cup .....	LM501349-LM501314[2]
<b>1980-1975</b>	8" ring gear
Set .....	SET45[2]
<b>1978-1971</b>	6.75" ring gear
Set .....	SET5[2]

### **REAR AXLE**

#### **Pinion**

<b>1980-1979</b>	8" ring gear
Cone/Cup (inner) .....	M86649-M86610
Seal (outer) .....	3618
Cone/Cup (outer) .....	M86649-M86610
Cyl. Bearing (pilot) .....	R1558TAV
<b>1980-1979</b>	6.75" ring gear
Cone/Cup (inner) .....	HM88648-HM88610
Seal (outer) .....	3618
Cone/Cup (outer) .....	M86649-M86610
<b>1978-1973</b>	8" ring gear
Cone/Cup (inner) .....	M86649-M86610
Seal (outer) .....	8181NA
Cone/Cup (outer) .....	M86649-M86610
Cyl. Bearing (pilot) .....	R1558TAV
<b>1978-1971</b>	6.75" ring gear
Cone/Cup (inner) .....	M88048-M88010
Seal (outer) .....	8181NA
Cone/Cup (outer) .....	M86649-M86610
Cyl. Bearing (pilot) .....	R1558TAV

### **3-SPEED AUTOMATIC TRANSMISSION**

#### **Torque Converter**

<b>1980-1978</b>	C3
Seal .....	2658
<b>1980-1971</b>	C4, C5
Seal .....	331107N
Kwik Slv (Opt Rpr) .....	KWK99199
<b>1979-1975</b>	Jatco 3N71
Seal Viton .....	2025
Kwik Slv (Opt Rpr) .....	KWK99166

#### **Rear Seal/Ext. Housing**

<b>1980-1978</b>	C3
Seal .....	2655
<b>1980-1971</b>	C4, C5
Seal .....	7692S
Seal Kit .....	5202 <sup>64</sup>
<b>1979-1975</b>	Jatco 3N71
Seal .....	7692S
Seal Kit .....	5202 <sup>64</sup>

**FORD - REAR DRIVE - Pinto (cont.)**

**3-SPEED AUTOMATIC TRANSMISSION**

**Selector Shaft Seal/Man. Shaft**

<b>1980-1971</b>	C4, C5	
Seal .....		240816
Kwik Slv (Opt Rpr) .....		KWK99076
<b>1979-1971</b>	exc. C4	
Seal .....		7929S

**CLUTCH**

**Release Bearing**

<b>1980</b>	4-cylinder: Ford trans	
Bearing Assy .....		614014
<b>1980</b>	4-cylinder: German trans	
Bearing Assy .....		614013
<b>1980-1978</b>	6-cylinder	
Bearing Assy .....		614014
<b>1979-1971</b>	4-cylinder: Ford trans	
Bearing Assy .....		614013

**4-SPEED MANUAL TRANSMISSION**

**Input Shaft**

<b>1980-1979</b>	Tremac	
Seal .....		3638
Bearing .....		209L
Kwik Slv (Opt Rpr) .....		KWK99112
<b>1980-1971</b>	German Design (ET)	
Seal .....		2503N
Bearing .....		207LO
Kwik Slv (Opt Rpr) .....		KWK99111
<b>1979-1971</b>	English Design (WG)	
Seal .....		2503N
Bearing .....		207LO
Kwik Slv (Opt Rpr) .....		KWK99111
<b>1978-1971</b>	Tremac	
Seal .....		482208
Bearing .....		209L
Kwik Slv (Opt Rpr) .....		KWK99112

**Rear Output Shaft**

<b>1980-1977</b>	Tremec 170, 171, 174	
Seal .....		7692S
Bearing .....		307L4
Seal Kit .....		5202 <sup>64</sup>
<b>1980-1971</b>	German Design (ET)	
Seal .....		2443
Bearing .....		108A
<b>1973-1971</b>	English Design (WG)	
Seal .....		2551
Bearing .....		207L

**4-SPEED MANUAL TRANSMISSION**

**Selector Shaft Seal/Man. Shaft**

<b>1980-1971</b>	Tremac	
Seal .....		313156

**CAMSHAFT SEAL**

**4 Cylinder**

<b>1980-1974</b>	140/2.3L	
Seal .....		2955
<b>1974-1971</b>	122/2.0L	
Seal Viton .....		2012S[2] <sup>31</sup>
Seal Viton Opt. ....		2012V[2]
Kwik Slv (Opt Rpr) .....		KWK99166[2]

**CRANKSHAFT REAR SEAL**

**4 Cylinder**

<b>1980-1974</b>	140/2.3L	
Seal Rope .....		5095
Seal Split Opt. ....		5108
<b>1974-1971</b>	98/1.6L, 122/2.0	
Seal Viton .....		3393
Kwik Slv (Opt Rpr) .....		KWK99237

**6 Cylinder**

<b>1979-1975</b>	173/2.8L	
Seal Viton .....		3393
Kwik Slv (Opt Rpr) .....		KWK99237

**TIMING COVER**

**4 Cylinder**

<b>1980-1974</b>	140/2.3L	
Seal .....		2955
<b>1974-1971</b>	122/2.0L	
Seal Viton .....		2012S <sup>31</sup>
Seal Viton Opt. ....		2012V
Kwik Slv (Opt Rpr) .....		KWK99166
<b>1973-1971</b>	98/1.6L	
Seal .....		3394
Kwik Slv (Opt Rpr) .....		KWK99144

**6 Cylinder**

<b>1979-1975</b>	173/2.8L	
Seal Viton .....		2012S <sup>31</sup>
Seal Viton Opt. ....		2012V
Kwik Slv (Opt Rpr) .....		KWK99166

[ ] Indicates Quantity Required; Set Components Listed Inside Rear Cover;

<sup>31</sup> When depleted use number listed directly below    <sup>64</sup> Opt. Seal and Bushing Kit

# Bearings and Seals

Mfg./Year	Model & Location	Part No	Mfg./Year	Model & Location	Part No
-----------	------------------	---------	-----------	------------------	---------

## FORD - REAR DRIVE - Thunderbird

### FRONT WHEEL

<b>1989</b>	non-ABS brakes	
Hub Assy	.....	513077[2]
<b>1989</b>	ABS brakes	
Hub Assy	.....	513076[2]
<b>1988-1984</b>	Turbo Coupe	
Seal (inner)	.....	9150S[2]
Set (inner)	.....	SET5
Set (outer)	.....	SET12
<b>1988-1980</b>	exc. turbo	
Seal (inner)	.....	6815[2]
Set (inner)	.....	SET17
Set (outer)	.....	SET12
<b>1979-1974</b>		
Seal (inner)	.....	6815[2]
Set (inner)	.....	SET11
Set (outer)	.....	SET12
<b>1973-1970</b>		
Seal (inner)	.....	6815[2]
Set (inner)	.....	SET13
Set (outer)	.....	SET12
<b>1969-1968</b>		
Seal (inner)	.....	6815[2]
Set (inner)	.....	SET6
Set (outer)	.....	SET2
<b>1967-1965</b>		
Seal (inner)	.....	9150S[2]
Set (inner)	.....	SET5
Set (outer)	.....	SET3
<b>1964-1963</b>		
Seal (inner)	.....	9150S[2]
Set (inner)	.....	SET6
Set (outer)	.....	SET3
<b>1962-1955</b>		
Seal (inner)	.....	6815[2]
Set (inner)	.....	SET6
Set (outer)	.....	SET2

### REAR WHEEL

<b>1989</b>		
Bearing Assy	.....	513058[2] <sup>31</sup>
Set	.....	SET49 <sup>55</sup>
<b>1988-1980</b>	solid axle: 7.5", 8.5", 8.8" ring gears	
Seal	.....	8660S[2]
Cyl. Bearing	.....	5707[2]
Kit	.....	TRP1563TAV[2] <sup>19</sup>
<b>1979-1977</b>	ball bearing	
Seal	.....	51098[2]
Bearing	.....	88128RAP[2]
<b>1979-1975</b>	rear disc brakes	
Seal	.....	3186[2]
Set	.....	SET20
<b>1979-1974</b>	rear drum brakes	
Seal	.....	3195[2]
Set	.....	SET20
<b>1973</b>	ball bearing	
Seal	.....	51098[2]
Bearing	.....	514003P[2]
<b>1972-1962</b>		
Seal	.....	51098[2]
Bearing	.....	514003P[2]

### REAR WHEEL (cont.)

<b>1961</b>	small bearing	
Seal	.....	6939[2]
Bearing	.....	RW207CCRA[2]
<b>1961</b>	large bearing	
Seal	.....	6939[2]
Bearing	.....	514003P[2]
<b>1960-1955</b>		
Seal	.....	51098[2]
Bearing	.....	514003P[2]

### REAR AXLE

#### Axle Shaft

<b>1989-1980</b>	7.5", 8.8" ring gears	
Seal Viton	.....	714569[2]
Needle Bearing	.....	FC66998[2]
Kwik Slv (Opt Rpr)	.....	KWK99157[2]

#### Differential Rebuild Kit

<b>1989-1987</b>	8.8" ring gear	
Kit	.....	DRK311
<b>1989-1980</b>	7.5" ring gear	
Kit	.....	DRK315
<b>1979-1970</b>	9" ring gear: production from 5/11/1970 on	
Kit	.....	DRK313
<b>1970-1957</b>	9" ring gear: production thru 5/10/1970	
Kit	.....	DRK312

#### Differential

<b>1989-1987</b>	8.8" ring gear	
Set	.....	SET36[2]
<b>1989-1980</b>	7.5" ring gear	
Cone/Cup	.....	LM501349-LM501314[2]
<b>1979-1970</b>	9" ring gear: production from 5/1970 on	
Set	.....	SET47[2]
<b>1972-1966</b>	9.375" ring gear: WDT, WEF axles	
Cone/Cup	.....	25590-25520[2]
<b>1970-1965</b>	9" ring gear: Heavy Duty: production thru 5/1970	
Set	.....	SET37[2]
<b>1964-1961</b>	exc. WTD, WEF axles	
Set	.....	SET37[2]
<b>1960</b>	352 engine	
Set	.....	SET45[2]
<b>1960</b>	430 engine	
Set	.....	SET37[2]
<b>1959-1957</b>		
Set	.....	SET37[2]
<b>1956-1955</b>		
Cone/Cup	.....	25577-25523[2]

246 [ ] Indicates Quantity Required; Set Components Listed Inside Rear Cover;

<sup>19</sup> Opt. Axle Repair Bearing. Replaces O.E. bearing & seal.

<sup>31</sup> When depleted use number listed directly below

<sup>55</sup> Opt. Replacement If 513058 Is Unavailable

**FORD - REAR DRIVE - Thunderbird (cont.)**

**REAR AXLE**

**Pinion**

<b>1989-1979</b>	7.5" ring gear	
	Cone/Cup (inner) .....	M802048-M802011
	Seal Viton (outer) .....	3604
	Cone/Cup (outer) .....	M88048-M88010
<b>1989-1979</b>	8.8" ring gear	
	Cone/Cup (inner) .....	M802048-M802011
	Seal Viton (outer) .....	3604
	Cone/Cup (outer) .....	M88048-M88010
<b>1988-1979</b>	8.5" ring gear	
	Cone/Cup (inner) .....	M802048-M802011
	Seal Viton (outer) .....	3604
	Cone/Cup (outer) .....	M88048-M88010
<b>1982-1979</b>	6.75" ring gear	
	Cone/Cup (inner) .....	HM88648-HM88610
	Seal (outer) .....	3618
	Cone/Cup (outer) .....	M86649-M86610
	Kwik Slv (Opt Rpr) .....	KWK99181
<b>1980</b>	9" ring gear	
	Cone/Cup (inner) .....	M88048-M88010
	Seal (outer) .....	3700
	Cone/Cup (outer) .....	M88048-M88010
	Cyl. Bearing (pilot) .....	R1535TAV
<b>1980-1979</b>	8" ring gear	
	Cone/Cup (inner) .....	M86649-M86610
	Seal (outer) .....	3618
	Cone/Cup (outer) .....	M86649-M86610
	Cyl. Bearing (pilot) .....	R1558TAV
<b>1979-1967</b>	9" ring gear	
	Cone/Cup (inner) .....	M88048-M88010
	Seal (outer) .....	7044NA
	Cone/Cup (outer) .....	M88048-M88010
	Cyl. Bearing (pilot) .....	R1535TAV
<b>1978</b>	7.5" ring gear	
	Cone/Cup (inner) .....	M802048-M802011
	Seal (outer) .....	9190N
	Cone/Cup (outer) .....	M88048-M88010
<b>1978-1975</b>	8" ring gear	
	Cone/Cup (inner) .....	M86649-M86610
	Seal (outer) .....	8181NA
	Cone/Cup (outer) .....	M86649-M86610
	Cyl. Bearing (pilot) .....	R1558TAV
<b>1978-1967</b>	8.5" ring gear	
	Cone/Cup (inner) .....	M802048-M802011
	Seal (outer) .....	9190N
	Cone/Cup (outer) .....	M88048-M88010
<b>1978-1967</b>	8.7" ring gear	
	Cone/Cup (inner) .....	M802048-M802011
	Seal (outer) .....	9190N
	Cone/Cup (outer) .....	M88048-M88010
<b>1966-1964</b>		
	Cone/Cup (inner) .....	M88048-M88010
	Seal (outer) .....	7044NA
	Cone/Cup (outer) .....	M88048-M88010
	Cyl. Bearing (pilot) .....	R1535TAV
<b>1963</b>		
	Cone/Cup (inner) .....	M88048-M88010
	Seal (outer) .....	7044NA
	Cone/Cup (outer) .....	M88048-M88010
	Cyl. Bearing (pilot) .....	R1535TAV

**REAR AXLE (cont.)**

**Pinion (cont.)**

<b>1962-1958</b>	with 3" OD seal	
	Cone/Cup (inner) .....	M88048-M88010
	Seal (outer) .....	7044NA
	Cone/Cup (outer) .....	M88048-M88010
	Cyl. Bearing (pilot) .....	R1535TAV
<b>1958-1957</b>	with 4.125" OD seal	
	Cone/Cup (inner) .....	M88048-M88010
	Seal (outer) .....	6930
	Cone/Cup (outer) .....	M88048-M88010
	Cyl. Bearing (pilot) .....	R1535TAV
<b>1955-1954</b>		
	Cone/Cup (inner) .....	31594-31520
	Seal (outer) .....	5778
	Cone/Cup (outer) .....	02872-02820

**3-SPEED AUTOMATIC TRANSMISSION**

**Torque Converter**

<b>1986-1980</b>	C3	
	Seal .....	2658
<b>1986-1968</b>	exc. C3	
	Seal .....	331107N
	Kwik Slv (Opt Rpr) .....	KWK99199
<b>1967-1966</b>	C6	
	Seal .....	331107N
	Kwik Slv (Opt Rpr) .....	KWK99199
<b>1967-1963</b>	MX	
	Seal .....	6988H
	Kwik Slv (Opt Rpr) .....	KWK99193
<b>1962-1955</b>	Ford-o-Matic	
	Seal .....	6988H
	Kwik Slv (Opt Rpr) .....	KWK99193

**Rear Seal/Ext. Housing**

<b>1986-1982</b>	C5	
	Seal .....	7692S
<b>1986-1980</b>	C3	
	Seal .....	2655
<b>1982-1966</b>	C6	
	Seal .....	7300S
	Seal Kit .....	5203 <sup>64</sup>
<b>1980-1977</b>	C4	
	Seal .....	7692S
	Seal Kit .....	5202 <sup>64</sup>
<b>1979-1977</b>	Cruise-o-Matic	
	Seal .....	7300S
	Seal Kit .....	5203 <sup>64</sup>
<b>1968-1963</b>	MX	
	Seal .....	473234
<b>1962-1955</b>	Ford-o-Matic	
	Seal .....	7692S
	Seal Kit .....	5202 <sup>64</sup>

**Selector Shaft Seal/Man. Shaft**

<b>1986-1980</b>	C3	
	Seal .....	7929S
<b>1986-1980</b>	C5	
	Seal .....	240816
	Kwik Slv (Opt Rpr) .....	KWK99076

[ ] Indicates Quantity Required; Set Components Listed Inside Rear Cover;

<sup>64</sup> Opt. Seal and Bushing Kit

# Bearings and Seals

Mfg./Year    Model & Location    Part No    Mfg./Year    Model & Location    Part No

## **FORD - REAR DRIVE - Thunderbird (cont.)**

### **3-SPEED AUTOMATIC TRANSMISSION (cont.)**

#### **Selector Shaft Seal/Man. Shaft (cont.)**

**1980-1977**    C4  
 Seal ..... 240816  
 Kwik Slv (Opt Rpr) .....KWK99076  
**1979-1955**    exc. C4  
 Seal ..... 7929S

### **4-SPEED AUTOMATIC TRANSMISSION Torque Converter**

**1989-1981**    AOT (AOD)  
 Seal ..... 331107N  
 Kwik Slv (Opt Rpr) .....KWK99199  
**1988-1987**    A4LD  
 Seal ..... 2658

#### **Rear Seal/Ext. Housing**

**1989-1981**    AOT (AOD): long boot  
 Seal ..... 7692S  
 Seal Kit ..... 5202<sup>64</sup>  
**1988-1987**    A4LD  
 Seal ..... 2655

#### **Selector Shaft Seal/Man. Shaft**

**1987-1981**  
 Seal ..... 7929S

### **CLUTCH**

#### **Pilot Bearing**

**1989**    3.8 6-cylinder  
 Needle Bearing ..... FC65174  
**1988-1983**    2.3 4-cylinder turbo  
 Needle Bearing ..... FC65354  
**1957-1955**    292, 312 engines  
 Bearing ..... 203S  
**1957-1955**    352, 430 engines  
 Bushing ..... PB50D  
 Bushing H/D ..... PB50DHD

#### **Release Bearing**

**1957-1955**    exc. H/D  
 Bearing Only ..... 1625

### **3-SPEED MANUAL TRANSMISSION**

#### **Front Input Shaft**

**1960-1956**    Warner T85  
 Seal ..... 482208  
 Bearing ..... 307L  
 Kwik Slv (Opt Rpr) .....KWK99112  
**1960-1955**    Warner T86  
 Seal ..... 450326  
 Bearing ..... 207L  
 Kwik Slv (Opt Rpr) .....KWK99149  
**1960-1955**    Ford L/D  
 Seal ..... 482208  
 Bearing ..... 208SL  
 Kwik Slv (Opt Rpr) .....KWK99112

### **Mainshaft Pilot**

**1960-1956**    Warner T85  
 Needle Bearing ..... W1518Q[14]  
**1960-1955**    Warner T86  
 Needle Bearing ..... QAR35319[21]  
**1960-1955**    Ford L/D  
 Needle Bearing ..... QBR23549[15]

### **Countershaft**

**1960-1956**    Warner T85  
 Needle Bearing ..... S443Q[80]  
**1960-1955**    Warner T86  
 Needle Bearing ..... C407Q[44]  
**1960-1955**    Ford L/D  
 Needle Bearing ..... C407Q[44]

### **Rear Output Shaft**

**1960-1956**    Warner T85  
 Seal ..... 470059  
 Bearing ..... 307L  
 Seal Kit ..... 5201<sup>64</sup>  
**1960-1955**    Warner T86  
 Seal ..... 470059  
 Bearing ..... 207L  
 Seal Kit ..... 5201<sup>64</sup>  
**1960-1955**    Ford L/D  
 Seal ..... 470059  
 Bearing ..... 208SL  
 Seal Kit ..... 5201<sup>64</sup>

### **Selector Shaft Seal/Man. Shaft**

**1960-1955**    Warner T85, T86  
 Seal ..... 340797  
 Kwik Slv (Opt Rpr) .....KWK99059

### **5-SPEED MANUAL TRANSMISSION**

#### **Front Input Shaft**

**1989**    Mazda  
 Seal ..... 223012  
 Kwik Slv (Opt Rpr) .....KWK99114  
**1988-1987**    Warner(exc. 4 cyl.)  
 Seal ..... 7412S  
 Set ..... SET5  
 Kwik Slv (Opt Rpr) .....KWK99125  
 Needle Bearing Thrust ..... FA55505  
**1988-1987**    Warner (4cyl.)  
 Seal ..... 7412S  
 Cone/Cup ..... M88048-M88010  
 Kwik Slv (Opt Rpr) .....KWK99125  
 Needle Bearing Thrust ..... FA55505  
**1986-1983**    Warner  
 Seal ..... 7412S  
 Set ..... SET5  
 Kwik Slv (Opt Rpr) .....KWK99125  
 Needle Bearing Thrust ..... FA55505

**FORD - REAR DRIVE - Thunderbird (cont.)**

**5-SPEED MANUAL TRANSMISSION**

**Countershaft**

<b>1989</b>	Mazda M5R2	
	Cyl. Bearing (center) .....	MR1207EL
	Bearing (rear) .....	304WB
<b>1988-1985</b>	Warner T5 World Class	
	Cone/Cup (front) .....	LM67048-LM67010BCE
	Set (rear) .....	SET6
	Needle Bearing Thrust .....	NTA1423
<b>1984-1983</b>	Warner T15	
	Needle Bearing (front) .....	DK55836
	Cyl. Bearing (rear) .....	5707
	Needle Bearing Thrust .....	NTA1423

**Mainshaft Pilot**

<b>1988-1983</b>	Warner T5, T5 World Class	
	Needle Bearing .....	QBR23549[15]

**Mainshaft 1st Speed Gear**

<b>1988-1985</b>	Warner T5 World Class	
	Needle Bearing .....	F218255

**Mainshaft 2nd Speed Gear**

<b>1988-1985</b>	Warner T5 World Class	
	Needle Bearing .....	F93934

**Rear Output Shaft**

<b>1988-1983</b>	Warner T5, T5 World Class	
	Seal .....	7692S
	Cone/Cup .....	25877-25821
	Seal Kit .....	5202 <sup>64</sup>

**Extension Housing**

<b>1989</b>	Mazda M5R2	
	Seal .....	710415

**OVERDRIVE UNIT**

**Output Shaft**

<b>1960-1956</b>	Warner R11	
	Seal .....	473234
	Bearing .....	207L
<b>1960-1955</b>	Warner R10	
	Seal .....	470059
	Seal Kit .....	5201 <sup>64</sup>

**Selector Shaft Seal/Man. Shaft**

<b>1960-1955</b>	Warner R10, R11	
	Seal .....	340797
	Kwik Slv (Opt Rpr) .....	KWK99059

**Free Wheel Cam**

<b>1960-1955</b>	Warner R10	
	Needle Bearing .....	W585Q[12]

**OVERDRIVE UNIT**

**Solenoid**

<b>1960-1955</b>	Warner R10, R11	
	Seal .....	240698

**A/C COMPRESSOR**

<b>1989</b>	Nippondenso FX 15 (axial)	
	Bearing .....	5106WCC
<b>1989-1983</b>	Ford FS6 (axial)	
	Bearing .....	5000KFF
<b>1989-1982</b>	Nippondenso 6P148 (axial)	
	Bearing .....	5001KFF
<b>1989-1973</b>	Frigidaire A6 (axial drive compressor)	
	Bearing .....	907257
<b>1988-1984</b>	Tecumseh HR980 (radial)	
	Bearing .....	5000KFF
<b>1981-1960</b>	Tecumseh; York; (axial)	
	Bearing .....	5106WCC

**ALTERNATOR**

<b>1989-1963</b>	Motorcraft	
	Bearing (drive end) .....	203FF
<b>1989-1963</b>	Motorcraft	
	Bearing (rear end) .....	MNJ471S

**POWER STEERING**

**Input Shaft**

<b>1989-1983</b>		
	Seal .....	471645
	Needle Bearing .....	FC65753
<b>1982-1980</b>	Ford design	
	Seal .....	471645
	Needle Bearing .....	FC65753

**Pitman Shaft**

<b>1982-1980</b>	TRW design	
	Seal .....	240733
<b>1979-1977</b>	Saginaw design	
	Seal Kit .....	PSK1 <sup>24</sup>

**Pump Shaft**

<b>1989-1983</b>		
	Seal .....	8773S
<b>1982-1965</b>	Ford pump	
	Seal .....	8773S
<b>1979-1977</b>	Saginaw pump	
	Seal .....	7013S
<b>1967-1955</b>	Eaton pump	
	Seal .....	6835S

**Worm Shaft**

<b>1989-1985</b>		
	Bearing .....	201CC
<b>1984-1980</b>		
	Bearing .....	201CC
	Needle Bearing Thrust .....	NTA1423
<b>1979-1975</b>	Ford design	
	Seal .....	471465
	Bearing .....	201CC

[ ] Indicates Quantity Required; Set Components Listed Inside Rear Cover;

<sup>24</sup> Opt. Kit incl. seals 5683 & 5684. Not sold separately

<sup>64</sup> Opt. Seal and Bushing Kit

# Bearings and Seals

Mfg./Year    Model & Location    Part No    Mfg./Year    Model & Location    Part No

## **FORD - REAR DRIVE - Thunderbird (cont.)**

### **MANUAL STEERING**

#### **Pitman Shaft**

<b>1960-1958</b>		
Seal .....	340151	
<b>1957-1956</b>	(3 tooth type)	
Seal .....	240356	
<b>1956-1955</b>	Saginaw design	
Seal .....	240151	

#### **Sector Shaft**

<b>1973-1966</b>	Saginaw design	
Seal .....	340151	
Needle Bearing .....	B1816	

#### **Worm Shaft**

<b>1973-1962</b>	Saginaw design	
Bearing .....	8537[2]	

### **AUXILIARY SHAFT**

#### **4 Cylinder**

<b>1988-1983</b>	140/2.3L	
Seal .....	2955	

### **CAMSHAFT SEAL**

#### **4 Cylinder**

<b>1988-1983</b>	140/2.3L	
Seal .....	2955	

### **CRANKSHAFT REAR SEAL**

#### **4 Cylinder**

<b>1988-1983</b>	140/2.3L	
Seal Viton .....	3909	
Seal PTFE H/D Opt. ....	5277	
Kwik Slv (Opt Rpr) .....	KWK99363	

#### **6 Cylinder**

<b>1989-1983</b>	232/3.8L from 12/31/82	
Seal Viton .....	3909	
Seal PTFE H/D Opt. ....	5277	
Kwik Slv (Opt Rpr) .....	KWK99363	
<b>1983</b>	232/3.8L to 12/31/82	
Seal Rope .....	5095	
Seal Split Opt. ....	5108	
<b>1982</b>	232/3.8L	
Seal Rope .....	5095	
Seal Split Opt. ....	5108	
<b>1982-1980</b>	200/3.3L	
Seal Rope .....	5095	
Seal Split Opt. ....	5116	

#### **8 Cylinder**

<b>1989-1984</b>	281/4.6L, 302/5.0L	
Seal Viton .....	3909	
Seal PTFE H/D Opt. ....	5277	
Kwik Slv (Opt Rpr) .....	KWK99363	

### **CRANKSHAFT REAR SEAL (cont.)**

#### **8 Cylinder (cont.)**

<b>1983</b>	302/5.0L Thru 11/82	
Seal Rope .....	5095	
Seal Split Opt. ....	5108	
Kwik Slv (Opt Rpr) .....	KWK99372	
<b>1983</b>	302/5.0L From 12/82	
Seal Viton .....	3909	
Seal PTFE H/D Opt. ....	5277	
Kwik Slv (Opt Rpr) .....	KWK99363	
<b>1982-1980</b>	255/4.2L, 302/5.0L	
Seal Rope .....	5095	
Seal Split Opt. ....	5108	
<b>1979-1977</b>	302/5.0L, 351/5.8 (W)	
Seal Rope .....	5095	
Seal Split Opt. ....	5108	
<b>1979-1977</b>	351/5.8 (M), 400/6.6	
Seal Rope .....	5095	
Seal Split Opt. ....	5117	
<b>1976-1968</b>	429/7.0, 460/7.5	
Seal Rope .....	5095	
Seal Split Opt. ....	5118	
<b>1968-1958</b>	352/5.8, 390/6.4, 428/7.0	
Seal Rope .....	5095	
Seal Split Opt. ....	5112S	

### **TIMING COVER**

#### **4 Cylinder**

<b>1988-1983</b>	140/2.3L	
Seal .....	2955	

#### **6 Cylinder**

<b>1989-1983</b>	232/3.8L	
Seal (front) .....	2692	
Seal (rear) .....	2942	
Kwik Slv (Opt Rpr) .....	KWK99187	
Harmonic Balancer		
Sleeves .....	88187	
<b>1982-1980</b>	200/3.3L	
Seal .....	7486S	
Kwik Slv (Opt Rpr) .....	KWK99174	

#### **8 Cylinder**

<b>1989-1958</b>		
Seal (front entry) .....	2692	
Seal (rear entry) .....	2942	
Kwik Slv (Opt Rpr) .....	KWK99187	
Harmonic Balancer		
Sleeves .....	88187	
<b>1957-1955</b>		
Seal .....	350936	
Kwik Slv (Opt Rpr) .....	KWK99187	
Harmonic Balancer		
Sleeves .....	88187	

Mfg./Year    Model & Location    Part No    Mfg./Year    Model & Location    Part No

**FORD - ANTIQUE - Model B**

**FRONT WHEEL**

1932    all  
 Cone/Cup (inner) ..... 15118-15250X[2]  
 Cone/Cup (outer) ..... 09074-09196[2]

**REAR AXLE**

**Differential**

1932    all  
 Cone/Cup ..... 28156-28317[2]

**REAR AXLE**

**Pinion**

1932    all  
 Cone/Cup (inner) ..... 28156-28314XD  
 Cone/Cup (outer) ..... 28156-28314XD

**FORD - ANTIQUE - Model T**

**FRONT WHEEL**

1927-1908    left side  
 Cone/Cup (inner) ..... 14120-14273[2]  
 Cone/Cup (outer) ..... 09075-09194[2]

1927-1908    right side  
 Cone/Cup (inner) ..... 14120-14273[2]  
 Cone/Cup (outer) ..... 09076-09194[2]

**FORD IMPORT - British, German, Korean, Brazilian Models**

**FRONT WHEEL**

1982-1976    Fiesta, S  
 Seal (inner) ..... 3723[2]  
 Set (inner) ..... SET22<sup>32</sup>  
 Set (outer) ..... SET22<sup>32</sup>

1979-1971    Cortina: exc. Lotus, Twin Cam,  
 GT, 1600  
 Set (inner) ..... SET4  
 Set (outer) ..... SET1

1979-1968    Cortina GT, 1600  
 Set (inner) ..... SET4  
 Set (outer) ..... SET1

1979-1964    Cortina Lotus  
 Seal (inner) ..... 1192[2]  
 Set (inner) ..... SET21  
 Set (outer) ..... SET2

1979-1964    Cortina Twin Cam  
 Seal (inner) ..... 1192[2]  
 Set (inner) ..... SET21  
 Set (outer) ..... SET2

1978-1969    Capri  
 Seal (inner) ..... 1192[2]  
 Set (inner) ..... SET21  
 Set (outer) ..... SET2

1978-1968    Escort exc. Twin Cam, RS2000  
 Set (inner) ..... SET4  
 Set (outer) ..... SET1

1978-1968    Escort Twin Cam, RS2000  
 Seal (inner) ..... 1192[2]  
 Set (inner) ..... SET21  
 Set (outer) ..... SET2

1975-1965    Corsair  
 Seal (inner) ..... 1192[2]  
 Set (inner) ..... SET21  
 Set (outer) ..... SET2

**FRONT WHEEL (cont.)**

1972-1963    Consul  
 Seal (inner) ..... 2551[2]  
 Set (inner) ..... SET21  
 Set (outer) ..... SET2

1972-1962    Zephyr  
 Set (inner) ..... SET21  
 Set (outer) ..... SET2

1972-1962    Zodiac  
 Set (inner) ..... SET21  
 Set (outer) ..... SET2

1968-1955    Anglia  
 Cone/Cup ..... 03062-03162[2]

1966-1960    Popular, Prefect  
 Cone/Cup (inner) ..... 07100S-07210X[2]  
 Cone/Cup (outer) ..... 03062-03162[2]

1962-1961    Consul  
 Seal (inner) ..... 1192[2]  
 Set (inner) ..... SET21  
 Set (outer) ..... SET2

**REAR WHEEL**

1982-1976    Fiesta  
 Seal (inner) ..... 3395[2]  
 Set (inner) ..... SET4  
 Set (outer) ..... SET1

1978-1969    Capri  
 Bearing ..... RW109R[2]

1973-1968    Escort  
 Bearing ..... RW109R[2]

1970-1967    Cortina  
 Bearing ..... RW109R[2]

1968-1955    Anglia  
 Bearing ..... RW109R[2]

[ ] Indicates Quantity Required; Set Components Listed Inside Rear Cover;

<sup>32</sup> Set 22 contains 2 cups & 2 cones - replacing both inner and outer bearings on Ford Imports



# Bearings and Seals

Mfg./Year    Model & Location    Part No    Mfg./Year    Model & Location    Part No

## **FORD IMPORT - British, German, Korean, Brazilian Models (cont.)**

### **REAR WHEEL (cont.)**

<b>1966-1962</b>	Cortina	
Bearing	.....	88506[2]
<b>1965-1963</b>	Corsair	
Bearing	.....	88506[2]
<b>1965-1962</b>	Zephyr	
Bearing	.....	209S[2]
<b>1965-1962</b>	Zodiac Mk. III	
Bearing	.....	209S[2]
<b>1961-1955</b>	Zephyr	
Bearing	.....	209BB[2]
<b>1961-1955</b>	Zodiac	
Bearing	.....	209BB[2]
<b>1960-1955</b>	Consul	
Bearing	.....	209BB[2]
<b>1954</b>	Consul	
Bearing	.....	208[2]

### **REAR AXLE**

#### **Differential**

<b>1972-1963</b>	Cortina	
Cone/Cup	.....	LM48549X-LM48510[2]
<b>1970-1969</b>	Capri	
Cone/Cup	.....	LM48549X-LM48510[2]
<b>1968-1959</b>	Anglia	
Cone/Cup	.....	LM48549X-LM48510[2]
<b>1965-1959</b>	Prefect	
Cone/Cup	.....	LM48549X-LM48510[2]
<b>1962-1956</b>	Consul Series	
Cone/Cup	.....	LM48549X-LM48510[2]
<b>1961-1956</b>	Zodiac	
Cone/Cup	.....	16150-16284[2]
<b>1961-1956</b>	Zephyr	
Cone/Cup	.....	16150-16284[2]
<b>1960-1958</b>	Taurus	
Cone/Cup	.....	16150-16283[2]
<b>1958-1955</b>	Anglia	
Cone/Cup	.....	14138A-14276[2]
<b>1958-1953</b>	Prefect	
Cone/Cup	.....	14138A-14276[2]

#### **Pinion**

<b>1978-1970</b>	Capri: England with Salisbury axle	
Cone/Cup (inner)	.....	M88043-M88011
Cone/Cup (outer)	.....	HM89449-HM89410
<b>1978-1970</b>	Capri: England with Banjo axle	
Cone/Cup (inner)	.....	M88043-M88011
Cone/Cup (outer)	.....	M88043-M88011
<b>1978-1969</b>	Capri: Germany	
Cone/Cup (inner)	.....	M88043-M88011
Cone/Cup (outer)	.....	M88043-M88011
<b>1972-1971</b>	Cortina: 1600 GT	
Cone/Cup (inner)	.....	HM89449-HM89410
Cone/Cup (outer)	.....	HM88542-HM88510
<b>1972-1971</b>	Cortina: 1600	
Cone/Cup (inner)	.....	HM88649-HM88610
Cone/Cup (outer)	.....	M86647-M86610

### **REAR AXLE (cont.)**

#### **Pinion (cont.)**

<b>1970-1963</b>	Cortina Series	
Cone/Cup (inner)	.....	M88043-M88011
Cone/Cup (outer)	.....	M88043-M88011
<b>1970-1963</b>	Cortina Series	
Cone/Cup (inner)	.....	M88043-M88011
Cone/Cup (outer)	.....	M88043-M88011
<b>1968-1955</b>	Anglia	
Cone/Cup (inner)	.....	M88043-M88011
Cone/Cup (outer)	.....	M88043-M88011
<b>1965-1962</b>	Zodiac	
Cone/Cup (inner)	.....	HM801346-HM801310
Cone/Cup (outer)	.....	HM88547-HM88510
<b>1965-1962</b>	Zephyr	
Cone/Cup (inner)	.....	HM801346-HM801310
Cone/Cup (outer)	.....	HM88547-HM88510
<b>1965-1959</b>	Prefect	
Cone/Cup (inner)	.....	M88043-M88010
Cone/Cup (outer)	.....	M88043-M88010
<b>1962-1956</b>	Consul Corsair	
Cone/Cup (inner)	.....	HM801346-HM801310
Cone/Cup (outer)	.....	HM88542-HM88510
<b>1961-1956</b>	Zodiac	
Cone/Cup (inner)	.....	HM803146-HM803110
Cone/Cup (outer)	.....	HM88542-HM88510
<b>1961-1956</b>	Zephyr	
Cone/Cup (inner)	.....	HM803146-HM803110
Cone/Cup (outer)	.....	HM88542-HM88510
<b>1960-1958</b>	Taurus	
Cone/Cup (outer)	.....	02473-02420

### **CLUTCH**

#### **Pilot Bearing**

<b>1972-1966</b>	Zephyr, Zodiac	
Bearing	.....	207LO
<b>1968-1955</b>	Anglia	
Bearing	.....	203S
<b>1966-1960</b>	Popular, Prefect	
Bearing	.....	203S
<b>1962-1954</b>	Consul	
Bearing	.....	207LO

#### **Release Bearing**

<b>1989-1988</b>	Festiva	
Bearing Assy	.....	614107
<b>1989-1980</b>	Orion	
Bearing Assy	.....	614011
<b>1986-1976</b>	Fiesta, S, XR2	
Bearing Assy	.....	614011
<b>1979-1960</b>	Cortina 1200, 1500	
Bearing Only	.....	1375
<b>1978-1969</b>	Capri	
Bearing Only	.....	1375
<b>1975-1963</b>	Corsair, Consul Corsair	
Bearing Only	.....	1375
<b>1968-1955</b>	Anglia	
Bearing Only	.....	1375
<b>1966-1960</b>	Popular	
Bearing Only	.....	1505
<b>1966-1960</b>	Prefect	
Bearing Only	.....	1375

**FORD IMPORT - British, German, Korean, Brazilian Models (cont.)**

**CLUTCH (cont.)**

**Release Bearing (cont.)**

<b>1965-1962</b>	Zephyr	
	Bearing Only	1505
<b>1965-1962</b>	Zodiac Mk. III	
	Bearing Only	1505

**FORD IMPORT - Festiva**

**FRONT WHEEL**

<b>1989-1988</b>		
	Seal (inner)	4990[2]
	Set (inner)	SET11
	Seal (outer)	710323[2]
	Set (outer)	SET11

**REAR WHEEL**

<b>1989-1988</b>		
	Seal (inner)	1126S[2]
	Set (inner)	SET4
	Set (outer)	SET1

**CLUTCH**

**Pilot Bearing**

<b>1989-1988</b>		
	Bearing	202SS

**Release Bearing**

<b>1989-1988</b>		
	Bearing Assy	614127

**3-SPEED AUTOMATIC TRANSAXLE**

**Torque Converter**

<b>1989-1988</b>		
	Seal	1012N
	Kwik Slv (Opt Rpr)	KWK99177

**Output Shaft**

<b>1989-1988</b>		
	Seal	2007N[2]
	Kwik Slv (Opt Rpr)	KWK99139[2]

**Differential**

<b>1989-1988</b>		
	Bearing Assy	32008XM[2]

**4-SPEED MANUAL TRANSAXLE**

**Differential**

<b>1989-1988</b>		
	Set	SET13[2]

**4-SPEED MANUAL TRANSAXLE**

**Input Shaft**

<b>1989-1988</b>		
	Seal	222238
	Kwik Slv (Opt Rpr)	KWK99085

**Output Shaft**

<b>1989-1988</b>		
	Seal (LH)	223543
	Set (LH)	SET3
	Kwik Slv (Opt Rpr)	KWK99139
	Seal (RH)	2007N
	Bearing Assy (RH)	32204
	Kwik Slv (Opt Rpr)	KWK99139

**Selector Shaft Seal/Man. Shaft**

<b>1989-1988</b>		
	Seal	221620

**CAMSHAFT SEAL**

**4 Cylinder**

<b>1989-1988</b>	1324cc/1.3L	
	Seal	223012
	Kwik Slv (Opt Rpr)	KWK99114

**CRANKSHAFT REAR SEAL**

**4 Cylinder**

<b>1989-1988</b>	1324cc/1.3L	
	Seal	228250
	Kwik Slv (Opt Rpr)	KWK99328

# Bearings and Seals

Mfg./Year    Model & Location    Part No    Mfg./Year    Model & Location    Part No

## FORD IMPORT - Fiesta

### FRONT WHEEL

**1980-1978**  
 Seal (inner) ..... 3723[2]  
 Set (inner) ..... SET22<sup>32</sup>  
 Seal (outer) ..... 3743[2]  
 Set (outer) ..... SET22<sup>32</sup>

### REAR WHEEL

**1980-1978**  
 Seal (inner) ..... 3395[2]  
 Set (inner) ..... SET4  
 Set (outer) ..... SET1

### CLUTCH

#### Release Bearing

**1980-1978** all  
 Bearing Assy ..... 614011

### 4-SPEED MANUAL TRANSAXLE

#### Differential

**1980-1978**  
 Seal ..... 3392[2]  
 Cone/Cup ..... LM29749-LM29711[2]  
 Kwik Slv (Opt Rpr) ..... KWK99157[2]

### 4-SPEED MANUAL TRANSAXLE

#### Output Shaft

**1980-1978**  
 Seal ..... 224020[2]  
 Kwik Slv (Opt Rpr) ..... KWK99157[2]  
 Bearing (rear) ..... 305L

### CRANKSHAFT REAR SEAL

#### 4 Cylinder

**1980-1978** 98/1.6L  
 Seal Viton ..... 3393  
 Seal PTFE H/D Opt. .... 5288  
 Kwik Slv (Opt Rpr) ..... KWK99237

### TIMING COVER

#### 4 Cylinder

**1980-1978** 98/1.6L  
 Seal ..... 3394  
 Kwik Slv (Opt Rpr) ..... KWK99144

## FORD TRUCK - LT TRUCK & LT SUV - Aerostar, Bronco II, Explorer, Ranger

### FRONT WHEEL

#### 2WD

**1989-1983** Aerostar  
 Seal (inner) ..... 6815[2]  
 Set (inner) ..... SET6  
 Set (outer) ..... SET2  
**1989-1982** Ranger  
 Seal (inner) ..... 6815[2]  
 Set (inner) ..... SET6  
 Set (outer) ..... SET2  
**1989-1983** Bronco II  
 Seal (inner) ..... 6815[2]  
 Set (inner) ..... SET6  
 Set (outer) ..... SET2

#### 4WD

**1989-1983** Bronco II: Dana/Spicer 28 axle  
 Seal (inner) ..... 8312S[2]  
 Set (inner) ..... SET45  
 Set (outer) ..... SET45  
**1989-1983**  
 Seal (inner) ..... 8312S[2]  
 Set (inner) ..... SET45  
 Set (outer) ..... SET45

### REAR WHEEL

**1989-1982** Ranger: 7.5" ring gear  
 Seal ..... 8660S[2]  
 Cyl. Bearing ..... 5707[2]  
 Kit ..... TRP1563TAV[2]<sup>19</sup>

### REAR WHEEL (cont.)

**1989-1984** Ranger: 8.8" ring gear  
 Seal ..... 8835S[2]  
 Cyl. Bearing ..... 6408[2]  
 Kit ..... TRP1559TV[2]<sup>19</sup>  
**1989-1984** Aerostar: 7.5" ring gear  
 Seal ..... 8660S[2]  
 Cyl. Bearing ..... 5707[2]  
 Kit ..... TRP1563TAV[2]<sup>19</sup>  
**1989-1987** Aerostar: Dana/Spicer 30 axle  
 Seal ..... 2146[2]  
 Set ..... SET9  
**1989-1983** Bronco II  
 Seal ..... 8660S[2]  
 Cyl. Bearing ..... 5707[2]  
 Kit ..... TRP1563TAV[2]<sup>19</sup>  
**1984-1982** Ranger: 6.7" ring gear  
 Seal ..... 9569S[2]  
 Bearing ..... RW207CCRA[2]

### 4WD FRONT AXLE

#### Axle Shaft

**1989-1983** Dana/Spicer 28IFS axle  
 Seal (LH) ..... 3543  
 Seal (RH) ..... 710065

254 [ ] Indicates Quantity Required; Set Components Listed Inside Rear Cover;

<sup>19</sup> Opt. Axle Repair Bearing. Replaces O.E. bearing & seal.  
 both inner and outer bearings on Ford Imports

<sup>32</sup> Set 22 contains 2 cups & 2 cones - replacing

**FORD TRUCK - LT TRUCK & LT SUV - Aerostar, Bronco II, Explorer, Ranger (cont.)**

**4WD FRONT AXLE**

**Differential Rebuild Kit**

1989-1983 Dana/Spicer 28 axles  
Kit .....DRK333

**Differential**

1989-1983 Dana/Spicer 28 axles  
Cone/Cup ..... LM29749-LM29710[2]

**Pinion**

1989-1983 Dana/Spicer 28 axles  
Cone/Cup (inner) ..... M88048-M88010  
Seal (outer) .....4244  
Cone/Cup (outer) .....M86649-M86610

**Spindle Kit**

1989-1983 Dana/Spicer 28IFS axle  
Bearing & Seal Kit ..... SBK2<sup>34</sup>

**Spindle**

1989-1983 Dana/Spicer 28IFS axle  
Seal (inner) ..... 340835[2]  
Needle Bearing (inner) ..... SCE188[2]  
Seal (outer) ..... 8314S[2]

**REAR AXLE**

**Differential Rebuild Kit**

1989-1983 7.5" ring gear  
Kit .....DRK315  
1989-1983 8.8" ring gear  
Kit .....DRK311  
1989-1983 Dana/Spicer 28 axle  
Kit .....DRK333  
1989-1986 Dana/Spicer 30 axle  
Kit .....DRK338

**Differential**

1989-1983 7.5" ring gear  
Cone/Cup ..... LM501349-LM501314[2]  
1989-1983 8.8" ring gear  
Set ..... SET36[2]  
1989-1986 Dana/Spicer 30 axle  
Cone/Cup ..... LM501349-LM501314[2]

**Pinion**

1989-1983 7.5", 8.8" ring gears  
Cone/Cup (inner) ..... M802048-M802011  
Seal Viton (outer) ..... 3604  
Cone/Cup (outer) ..... M88048-M88010  
1989-1986 Dana/Spicer 30 axle  
Cone/Cup (inner) ..... HM88649-HM88610  
Seal Viton (outer) ..... 5778V  
Cone/Cup (outer) ..... M86647-M86610

**TRANSFER CASE REBUILD KIT**

1989 Aerostar  
Kit .....TCRK28

**TRANSFER CASE REBUILD KIT (cont.)**

1989-1987 Warner 1359  
Kit .....TCRK1359  
1989-1983 Warner 1350 exc. external yoke  
Kit .....TCRK1350

**TRANSFER CASE**

**Input Shaft**

1989-1987 Warner 1359  
Seal ..... 710062  
Bearing ..... 109FFL  
Kwik Slv (Opt Rpr) .....KWK99175  
Needle Bearing (pilot) ..... M18161  
1989-1983 Warner 1350  
Seal ..... 710062  
Bearing ..... 109L  
Kwik Slv (Opt Rpr) .....KWK99175  
Needle Bearing (pilot) ..... M18161

**Front Output Shaft**

1989-1987 Warner 1350 (external yoke)  
Bearing (inner) .....206WB  
Seal (outer) .....710402  
Bearing (outer) ..... 108TB  
1989-1987 Warner 1350 (exc. external yoke)  
Bearing (inner) .....206WB  
Seal (outer) .....4141  
Bearing (outer) ..... 108TB  
Kwik Slv (Opt Rpr) .....KWK99157  
1986-1983 Warner 1350  
Bearing (inner) .....206WB  
Seal (outer) .....4141  
Bearing (outer) ..... 108TB  
Kwik Slv (Opt Rpr) .....KWK99157

**Rear Output Shaft**

1989-1983 Warner 1350, 1354  
Seal .....4143  
Bearing .....206WB  
Needle Bearing (pilot) .....JH1612  
1989-1987 Warner 1359  
Seal .....4143  
Bearing .....206WB  
Kwik Slv (Opt Rpr) .....KWK99175

**Selector Shaft Seal/Man. Shaft**

1989-1983  
Seal .....330385

**TRANSMISSION REBUILD KIT**

1989-1988 Mazda M5R1  
Kit ..... TRK247  
1989-1988 Miitsubishi FM146  
Kit ..... TRK50  
1987-1983 Toyo Kogyo TK5 (gas)  
Kit ..... TRK12  
1986-1983 Toyo Kogyo TK5D (diesel)  
Kit ..... TRK12B

[ ] Indicates Quantity Required; Set Components Listed Inside Rear Cover;  
<sup>34</sup> Opt. Kit incl: Bearing SCE148; Seal 8314S

# Bearings and Seals

Mfg./Year    Model & Location    Part No    Mfg./Year    Model & Location    Part No

## **FORD TRUCK - LT TRUCK & LT SUV - Aerostar, Bronco II, Explorer, Ranger** (cont.)

### **3-SPEED AUTOMATIC TRANSMISSION**

#### **Torque Converter**

<b>1985-1983</b>	C5	
Seal	.....	331107N
Kwik Slv (Opt Rpr)	.....	KWK99199
<b>1985-1983</b>	C3	
Seal	.....	2658

#### **Rear Seal/Ext. Housing**

<b>1985-1983</b>	C5	
Seal	.....	7692S
Seal Kit	.....	5202 <sup>64</sup>
<b>1985-1983</b>	C3	
Seal	.....	2655

#### **Selector Shaft Seal/Man. Shaft**

<b>1985-1983</b>	C5	
Seal	.....	240816
Kwik Slv (Opt Rpr)	.....	KWK99076
<b>1985-1983</b>	C3	
Seal	.....	7929S

### **4-SPEED AUTOMATIC TRANSMISSION**

#### **Torque Converter**

<b>1989-1985</b>	A4LD, 4R44E, 4R55E	
Seal	.....	2658

#### **Rear Seal/Ext. Housing**

<b>1989-1985</b>	A4LD, 4R44E, 4R55E	
Seal	.....	2655

#### **Selector Shaft Seal/Man. Shaft**

<b>1989-1985</b>		
Seal	.....	7929S

### **CLUTCH**

#### **Pilot Bearing**

<b>1989-1983</b>	4-cylinder: exc. diesel	
Needle Bearing	.....	FC65354
<b>1989-1986</b>	6-cylinder: 3.0	
Needle Bearing	.....	FC65354
<b>1989-1983</b>	6-cylinder: 2.8, 2.9: Mitsubishi trans	
Bushing	.....	PB52
<b>1989-1983</b>	6-cylinder: 2.8, 2.9: Mazda trans	
Needle Bearing	.....	F33126
<b>1984-1983</b>	4-cylinder diesel	
Bearing	.....	202SS

#### **Release Bearing**

<b>1989-1988</b>	hydraulic piston type	
Bearing Assy	.....	614061
<b>1987-1985</b>	all	
Bearing Assy	.....	614040
<b>1984-1983</b>	2.2 diesel	
Bearing Assy	.....	614067

### **CLUTCH (cont.)**

#### **Release Bearing (cont.)**

<b>1984-1982</b>	exc. 2.2 diesel	
Bearing Assy	.....	614014

### **4-SPEED MANUAL TRANSMISSION**

#### **Transmission Rebuild Kit**

<b>1986-1983</b>	Mazda/Toyo Kogyo (gas)	
Kit	.....	TRK12C
<b>1986-1983</b>	Mazda/Toyo Kogyo (diesel)	
Kit	.....	TRK12A

#### **Input Shaft**

<b>1984-1983</b>	Mazda/Toyo Kogyo 4E, 4TB	
Seal	.....	1990
Bearing	.....	306L
Kwik Slv (Opt Rpr)	.....	KWK99106

#### **Countershaft**

<b>1984-1983</b>	Mazda/Toyo Kogyo, 4TB	
Bearing (front)	.....	5205KLE
<b>1984-1983</b>	Mazda/Toyo Kogyo, 4E	
Bearing (front)	.....	205FF
Bearing (rear)	.....	304WB

#### **Rear Output Shaft**

<b>1984-1983</b>	Mazda/Toyo Kogyo 4E, 4TB	
Seal	.....	2443
Bearing	.....	306L

### **5-SPEED MANUAL TRANSMISSION**

#### **Transmission Rebuild Kit**

<b>1989-1988</b>	FM 146	
Kit	.....	TRK50
<b>1989-1987</b>	M5R1	
Kit	.....	TRK247
<b>1989-1985</b>	FM 145	
Kit	.....	TRK50

#### **Front Input Shaft**

<b>1989-1988</b>	Mazda M5R1	
Seal	.....	1990
Kwik Slv (Opt Rpr)	.....	KWK99106
<b>1989-1984</b>	Mitsubishi	
Seal	.....	223014
Kwik Slv (Opt Rpr)	.....	KWK99114
<b>1987-1983</b>	Mazda 5D, 5E, 5TB	
Seal	.....	1990
Bearing	.....	306L
Kwik Slv (Opt Rpr)	.....	KWK99106

**FORD TRUCK - LT TRUCK & LT SUV - Aerostar, Bronco II, Explorer, Ranger  
(cont.)**

**5-SPEED MANUAL TRANSMISSION**

**Countershaft**

<b>1989-1984</b>	Mitsubishi	
	Cone/Cup (rear) .....	XAA30205-YAA30205
	Cone/Cup (center) .....	XAA30205-YAA30205
<b>1987-1983</b>	Mazda 5D, 5E, 5TB	
	Bearing (front) .....	5205KLE
	Bearing (rear) .....	304WB

**Intermediate Shaft**

<b>1987-1983</b>	Mazda 5E, 5TB	
	Bearing .....	306L

**Rear Output Shaft**

<b>1989-1988</b>	Mazda M5R1 (4WD)	
	Seal .....	1981
<b>1989-1988</b>	Mazda M5R1 (2WD)	
	Seal .....	7692S
<b>1989-1984</b>	Mitsubishi	
	Seal .....	223608
	Bearing .....	206L
<b>1987-1983</b>	Mazda 5D, 5TB	
	Seal .....	2443
<b>1984-1983</b>	Mazda 5E	
	Seal .....	2443
	Bearing .....	305AG

**DRIVESHAFT SUPPORT**

<b>1989-1985</b>	Spicer 1210: 1.2595" (32mm) bearing ID	
	Hanger Bearing Assy .....	HB106FF

**AUXILIARY SHAFT**

**4 Cylinder**

<b>1989-1983</b>	122/2.0, 140/2.3, 150/2.5	
	Seal .....	2955

**BALANCE SHAFT**

**4 Cylinder**

<b>1987-1985</b>	2346cc/2.3L (diesel)	
	Seal Viton .....	712007
	Kwik Slv (Opt Rpr) .....	KWK99098

**CAMSHAFT SEAL**

**4 Cylinder**

<b>1989-1983</b>	122/2.0, 140/2.3, 150/2.5	
	Seal .....	2955
<b>1987-1985</b>	2346cc/2.3L (diesel)	
	Seal .....	3771
	Kwik Slv (Opt Rpr) .....	KWK99139

**CRANKSHAFT REAR SEAL**

**4 Cylinder**

<b>1989-1983</b>	122/2.0L, 140/2.3L, 150/2.5L	
	Seal Viton .....	3909
	Seal PTFE H/D Opt. ....	5277
	Kwik Slv (Opt Rpr) .....	KWK99363
<b>1987-1985</b>	2346cc/2.3L (diesel)	
	Seal Viton .....	228005
	Kwik Slv (Opt Rpr) .....	KWK99315
<b>1984-1983</b>	2209cc/2.2L (diesel)	
	Seal .....	710061
	Kwik Slv (Opt Rpr) .....	KWK99399

**6 Cylinder**

<b>1989-1986</b>	183/3.0L	
	Seal Viton .....	3909
	Seal PTFE H/D Opt. ....	5287
<b>1989-1984</b>	171/2.8L, 177/2.9, 244/4.0L	
	Seal Viton .....	3393
	Seal PTFE H/D Opt. ....	5288
	Kwik Slv (Opt Rpr) .....	KWK99237

**TIMING COVER**

**4 Cylinder**

<b>1989-1983</b>	122/2.0L, 140/2.3L, 150/2.5L	
	Seal .....	2955
<b>1987-1985</b>	2346cc/2.3L (diesel)	
	Seal .....	224460
<b>1984-1983</b>	2209cc/2.2L (diesel)	
	Seal .....	8316N
	Kwik Slv (Opt Rpr) .....	KWK99199
	Harmonic Balancer	
	Sleeves .....	88199

**6 Cylinder**

<b>1989-1986</b>	183/3.0L	
	Seal (front entry) .....	2692
	Kwik Slv (Opt Rpr) .....	KWK99187
	Harmonic Balancer	
	Sleeves .....	88187
<b>1989-1983</b>	171/2.8L, 177/2.9, 244/4.0L	
	Seal Viton .....	2012V
	Kwik Slv (Opt Rpr) .....	KWK99166

# Bearings and Seals

Mfg./Year    Model & Location    Part No    Mfg./Year    Model & Location    Part No

## **FORD TRUCK - LT TRUCK & LT SUV - Courier**

### **FRONT WHEEL**

**1982-1972**  
 Seal (inner) ..... 1992[2]  
 Bearing Assy (inner) ..... 30206M[2]  
 Bearing Assy (outer) ..... 30204M[2]

### **REAR WHEEL**

**1982-1972**  
 Seal (inner) ..... 473823[2]  
 Seal (outer) ..... 1994[2]  
 Bearing Assy (outer) ..... 30208M[2]

### **REAR AXLE**

#### **Pinion**

**1982-1972**  
 Bearing Assy (inner) ..... 30307M  
 Seal (outer) ..... 712011  
 Bearing Assy (outer) ..... 30306M

### **3-SPEED AUTOMATIC TRANSMISSION**

#### **Torque Converter**

**1982-1972**  
 Seal Viton ..... 2025  
 Kwik Slv (Opt Rpr) ..... KWK99166

#### **Rear Seal/Ext. Housing**

**1982-1972**  
 Seal ..... 3771

### **CLUTCH**

#### **Pilot Bearing**

**1982-1977**    2.3 litre  
 Needle Bearing ..... FC65354  
**1982-1972**    exc. 2.3 litre engine  
 Bearing ..... 202SS

#### **Release Bearing**

**1982-1979**  
 Bearing Assy ..... 614067  
**1978-1972**  
 Bearing Only ..... FC1723C

### **4-SPEED MANUAL TRANSMISSION**

#### **Input Shaft**

**1982-1972**  
 Seal ..... 1990  
 Bearing ..... 306L  
 Kwik Slv (Opt Rpr) ..... KWK99106

#### **Countershaft**

**1982-1972**    Mazda  
 Bearing ..... 5205KLE

### **4-SPEED MANUAL TRANSMISSION**

#### **Rear Output Shaft**

**1982-1972**  
 Seal ..... 2443  
 Bearing ..... 306L

### **5-SPEED MANUAL TRANSMISSION**

#### **Front Input Shaft**

**1982-1976**  
 Seal ..... 1990  
 Bearing ..... 307L  
 Kwik Slv (Opt Rpr) ..... KWK99106

#### **Intermediate Shaft**

**1982-1976**    Mazda  
 Bearing ..... 306L

#### **Rear Output Shaft**

**1982-1976**  
 Seal ..... 2443  
 Bearing ..... 305AG

### **DRIVESHAFT SUPPORT**

**1982-1973**    1.8 engine: 0.9843" bearing ID  
 Bearing ..... 205BB

### **CAMSHAFT SEAL**

#### **4 Cylinder**

**1979-1977**    2300/2.3L  
 Seal ..... 2955

### **CRANKSHAFT REAR SEAL**

#### **4 Cylinder**

**1982-1980**    2300/2.3L  
 Seal Rope ..... 5095  
 Seal Split Opt. .... 5108  
**1982-1979**    2000cc/2.0L  
 Seal ..... 228020  
 Kwik Slv (Opt Rpr) ..... KWK99315  
**1979-1977**    2300/2.3L  
 Seal Rope ..... 5095  
 Seal Split Opt. .... 5108  
**1978-1972**    1800cc/1.8L  
 Seal ..... 228020  
 Kwik Slv (Opt Rpr) ..... KWK99315

### **TIMING COVER**

#### **4 Cylinder**

**1982-1979**    2000cc/2.0L  
 Seal ..... 1994  
 Kwik Slv (Opt Rpr) ..... KWK99189  
**1982-1977**    140/2.3L  
 Seal ..... 2955  
**1978-1972**    1800cc/1.8L  
 Seal ..... 1994  
 Kwik Slv (Opt Rpr) ..... KWK99189

**FORD TRUCK - FULL SIZE SUV - Bronco - Full-Size**

**FRONT WHEEL**

<b>1989-1987</b>	manual locking front hubs	
Seal (inner)	.....	710091[2]
Set (inner)	.....	SET38
Set (outer)	.....	SET45
<b>1989-1987</b>	auto locking front hubs	
Seal (inner)	.....	4250[2]
Set (inner)	.....	SET37
Set (outer)	.....	SET45
<b>1986-1969</b>	production from chassis #F30,002 on	
Seal (inner)	.....	4250[2]
Set (inner)	.....	SET37
Set (outer)	.....	SET45
<b>1969-1966</b>	production thru chassis #F30,001	
Seal (inner)	.....	442380[2]
Set (inner)	.....	SET37
Set (outer)	.....	SET45

**REAR WHEEL**

<b>1989-1983</b>	8.8" ring gear (Sterling axle)	
Seal	.....	8835S[2]
Cyl. Bearing	.....	6408[2]
Kit	.....	TRP1559TV[2] <sup>19</sup>
<b>1987-1978</b>	9" ring gear	
Seal	.....	3195[2]
Set	.....	SET20
<b>1983-1980</b>	2800 lb. axle	
Seal	.....	51098[2]
Bearing	.....	88128RAP[2]
<b>1977-1973</b>	3300 lb. axle	
Seal	.....	51098[2]
Bearing	.....	514003P[2]
<b>1977-1969</b>	2780 lb. axle	
Seal	.....	9568[2]
Bearing	.....	RW207CCRA[2]
<b>1977-1969</b>	2900 lb. axle	
Seal	.....	9568[2]
Bearing	.....	RW207CCRA[2]
<b>1972-1966</b>	3300 lb. axle	
Seal	.....	51098[2]
Bearing	.....	514003P[2]
<b>1968-1966</b>	2780 lb. axle	
Seal	.....	6939[2]
Bearing	.....	RW207CCRA[2]

**4WD FRONT AXLE**

**Differential Rebuild Kit**

<b>1989-1967</b>	Kit	.....	DRK339B
------------------	-----	-------	---------

**Differential**

<b>1989-1967</b>	Cone/Cup	.....	25590-25523[2]
<b>1966</b>	Cone/Cup	.....	25577-25523[2]

**4WD FRONT AXLE**

**Pinion**

<b>1989-1971</b>	production from chassis #K20002 on	
Cone/Cup (inner)	.....	31594-31520
Seal (outer)	.....	5778
Cone/Cup (outer)	.....	02872-02820
<b>1971-1966</b>	production from chassis #816002 thru #K20001	
Cone/Cup (inner)	.....	HM88649-HM88610
Seal (outer)	.....	5778
Cone/Cup (outer)	.....	02872-02820
<b>1966</b>	production thru chassis #816001	
Cone/Cup (inner)	.....	HM88649-HM88610
Seal (outer)	.....	5778
Cone/Cup (outer)	.....	M86647-M86610

**Spindle Kit**

<b>1989-1985</b>	Bearing & Seal Kit	.....	SBK4 <sup>36</sup>
<b>1984</b>	early non-bonded V-ring		
Bearing & Seal Kit	.....	SBK1 <sup>33</sup>	
<b>1984</b>	late bonded V-ring		
Bearing & Seal Kit	.....	SBK4 <sup>36</sup>	
<b>1983-1973</b>	Bearing & Seal Kit	.....	SBK1 <sup>33</sup>

**Spindle**

<b>1989-1980</b>	Seal (inner)	.....	722108[2]
	Needle Bearing (inner)	.....	B2110[2]
	Seal (outer)	.....	722109[2]

**Steering Knuckle**

<b>1972-1966</b>	Seal	.....	204005S[2]
	Cone/Cup	.....	11590-11520[2]

**REAR AXLE**

**Differential Rebuild Kit**

<b>1989-1983</b>	8.8" ring gear	
Kit	.....	DRK311
<b>1986-1971</b>	9" ring gear: production from 5/11/1970 on	
Kit	.....	DRK313
<b>1970-1966</b>	9" ring gear: production thru 5/10/1970	
Kit	.....	DRK312

**Differential**

<b>1989-1983</b>	8.8" ring gear	
Set	.....	SET36[2]
<b>1986-1984</b>	9" ring gear	
Set	.....	SET47[2]
<b>1982-1976</b>	9" ring gear	
Set	.....	SET47[2]

[ ] Indicates Quantity Required; Set Components Listed Inside Rear Cover;

<sup>19</sup> Opt. Axle Repair Bearing. Replaces O.E. bearing & seal.    <sup>33</sup> Opt. Kit incl: Bearing B2110; Seals 722108 & 722109    <sup>36</sup> Opt. Kit incl: Bearing B2110; Seals 722108 & 722109; Ring/not sold separately



# Bearings and Seals

Mfg./Year    Model & Location    Part No    Mfg./Year    Model & Location    Part No

## **FORD TRUCK - FULL SIZE SUV - Bronco - Full-Size (cont.)**

### **REAR AXLE**

#### **Pinion**

<b>1989-1983</b>	8.8" ring gear	
	Cone/Cup (inner) .....	M802048-M802011
	Seal Viton (outer) .....	3604
	Cone/Cup (outer) .....	M88048-M88010
<b>1988-1980</b>	9" ring gear	
	Cone/Cup (inner) .....	M88048-M88010
	Seal (outer) .....	7044NA
	Cone/Cup (outer) .....	M88048-M88010
	Cyl. Bearing (pilot) .....	R1535TAV
<b>1979-1966</b>		
	Cone/Cup (inner) .....	M88048-M88010
	Seal (outer) .....	7044NA
	Cone/Cup (outer) .....	M88048-M88010

### **TRANSFER CASE REBUILD KIT**

<b>1989-1987</b>	Warner 1356	
	Kit .....	TCRK1356
<b>1989-1980</b>	Warner 1345	
	Kit .....	TCRK1345
<b>1986-1980</b>	New Process 208	
	Kit .....	TCRK208SPK <sup>47</sup>
<b>1979-1976</b>	New Process 205: manual trans	
	Kit .....	TCRK205F
<b>1979-1976</b>	New Process 205: automatic trans	
	Kit .....	TCRK205FA
<b>1979-1976</b>	New Process 203	
	Kit .....	TCRK203F
<b>1976-1972</b>	Dana/Spicer 20: from chassis N40001	
	Kit .....	TCRK20C

### **TRANSFER CASE**

#### **Input Shaft**

<b>1989-1987</b>	Warner 1356	
	Seal .....	714503
	Bearing .....	110CB
	Needle Bearing (pilot) .....	BK3026
<b>1989-1980</b>	Warner 1345	
	Seal .....	710062
	Kwik Slv (Opt Rpr) .....	KWK99175
<b>1986-1980</b>	New Process 208	
	Seal .....	3173[2]
	Needle Bearing .....	B5020[2]
	Seal Dual Lip .....	710928
	Kwik Slv (Opt Rpr) .....	KWK99193
	Needle Bearing (pilot) .....	B2012
	Needle Bearing Thrust .....	AXK5070
<b>1979</b>	New Process 203	
	Seal .....	3173[2]
	Bearing .....	1210L[2]
	Kwik Slv (Opt Rpr) .....	KWK99193[2]
	Needle Bearing (pilot) .....	QAR29523[15]
<b>1979-1976</b>	New Process 205: manual trans	
	Seal .....	473468[2]
	Bearing .....	1307L[2]
	Kwik Slv (Opt Rpr) .....	KWK99212[2]

### **TRANSFER CASE (cont.)**

#### **Input Shaft (cont.)**

<b>1979-1976</b>	New Process 205: automatic trans	
	Seal .....	471869[2]
	Bearing .....	1210L[2]
	Kwik Slv (Opt Rpr) .....	KWK99193[2]
<b>1978-1976</b>	New Process 203	
	Seal .....	473468[2]
	Bearing .....	1210L[2]
	Kwik Slv (Opt Rpr) .....	KWK99212[2]
	Needle Bearing (pilot) .....	QAR29523[15]
<b>1976-1966</b>	Spicer 20, 21	
	Seal .....	473179
	Bearing .....	307L
	Kwik Slv (Opt Rpr) .....	KWK99187

#### **Front Output Shaft**

<b>1989-1987</b>	Warner 1356	
	Seal .....	714503
	Bearing .....	110CB
	Needle Bearing (pilot) .....	BK3026
<b>1989-1980</b>	Warner 1345	
	Seal .....	710062
	Bearing .....	207
	Kwik Slv (Opt Rpr) .....	KWK99187
<b>1986-1980</b>	New Process 208	
	Seal .....	3946
	Needle Bearing .....	B2816
	Kwik Slv (Opt Rpr) .....	KWK99187
	Needle Bearing (pilot) .....	J2416
	Needle Bearing Thrust .....	NTA2840[2]
<b>1979</b>	New Process 203 (2.125" shaft)	
	Seal .....	473468
	Bearing .....	307L[2]
	Kwik Slv (Opt Rpr) .....	KWK99212
	Needle Bearing (pilot) .....	M28161
<b>1979</b>	New Process 203 (2.062" shaft)	
	Seal .....	450307
	Bearing .....	307L[2]
	Kwik Slv (Opt Rpr) .....	KWK99205
	Needle Bearing (pilot) .....	M28161
<b>1979-1976</b>	New Process 205	
	Seal .....	473468
	Bearing .....	307L[2]
	Kwik Slv (Opt Rpr) .....	KWK99212
	Needle Bearing (pilot) .....	M28161
<b>1978</b>	New Process 203	
	Seal .....	473457
	Bearing .....	307L[2]
	Kwik Slv (Opt Rpr) .....	KWK99187
	Needle Bearing (pilot) .....	M28161
<b>1977-1976</b>	New Process 203	
	Seal .....	710005
	Bearing .....	307L[2]
	Kwik Slv (Opt Rpr) .....	KWK99174
	Needle Bearing (pilot) .....	M28161
<b>1976-1966</b>	Spicer 20, 21	
	Seal .....	450185
	Cone/Cup .....	14131-14276[2]
	Kwik Slv (Opt Rpr) .....	KWK99156

**FORD TRUCK - FULL SIZE SUV - Bronco - Full-Size (cont.)**

**TRANSFER CASE**

**Rear Output Shaft**

<b>1989-1987</b>	Warner 1356 (slip yoke)	
Seal	.....	4503N
Bearing	.....	207
<b>1989-1987</b>	Warner (fixed yoke)	
Seal	.....	4333N
Bearing	.....	207
<b>1989</b>	Warner 1345 (booted)	
Seal	.....	4333N
Bearing	.....	207
Needle Bearing (pilot)	.....	B2812
<b>1989-1980</b>	Warner 1345 (non-booted)	
Seal	.....	3946
Bearing	.....	207
Kwik Slv (Opt Rpr)	.....	KWK99187
Needle Bearing (pilot)	.....	B2812
<b>1986-1980</b>	New Process 208 (slip yoke)	
Seal	.....	4333N
Bearing	.....	1207L
Needle Bearing (pilot)	.....	B3616
Needle Bearing Thrust	.....	TC2435
<b>1986-1980</b>	New Process 208 (fixed yoke)	
Seal	.....	3946
Bearing	.....	1207L
Kwik Slv (Opt Rpr)	.....	KWK99187
Needle Bearing (pilot)	.....	B3616
Needle Bearing Thrust	.....	TC2435
<b>1979</b>	New Process 205	
Seal	.....	473457
Bearing	.....	307L
Kwik Slv (Opt Rpr)	.....	KWK99187
Needle Bearing (pilot)	.....	B3216
<b>1979</b>	New Process 203	
Seal	.....	473468
Bearing	.....	307L
Kwik Slv (Opt Rpr)	.....	KWK99212
Needle Bearing (pilot)	.....	QAR29523[15]
<b>1978-1976</b>	New Process 205	
Seal	.....	473468
Bearing	.....	307L
Kwik Slv (Opt Rpr)	.....	KWK99212
Needle Bearing (pilot)	.....	B3616
<b>1978-1976</b>	New Process 203	
Seal	.....	473204
Bearing	.....	307L
Kwik Slv (Opt Rpr)	.....	KWK99212
Needle Bearing (pilot)	.....	QAR29523[15]
<b>1976-1966</b>	Spicer 21	
Cone/Cup (front)	.....	25877-25821
Seal (rear)	.....	470682
Cone/Cup (rear)	.....	M86649-M86610
Kwik Slv (Opt Rpr)	.....	KWK99156
<b>1976-1966</b>	Spicer 20	
Cone/Cup (front)	.....	25877-25821
Seal (rear)	.....	450185
Cone/Cup (rear)	.....	15117-15245
Kwik Slv (Opt Rpr)	.....	KWK99156

**TRANSFER CASE**

**Oil Pump Housing**

<b>1986-1976</b>	New Process 208	
Seal	.....	341022
Kwik Slv (Opt Rpr)	.....	KWK99225

**Selector Shaft Seal/Man. Shaft**

<b>1989-1987</b>	Warner	
Seal	.....	330385
<b>1979-1976</b>	New Process 205	
Seal	.....	2287[2]
Kwik Slv (Opt Rpr)	.....	KWK99076[2]
<b>1976-1966</b>	Spicer 21	
Seal	.....	470009[2]
Kwik Slv (Opt Rpr)	.....	KWK99062[2]
<b>1976-1966</b>	Spicer 20	
Seal	.....	471466[2]
Kwik Slv (Opt Rpr)	.....	KWK99062[2]

**TRANSMISSION REBUILD KIT**

<b>1989-1988</b>	Mazda M5R2	
Kit	.....	TRK248
<b>1989-1987</b>	ZF S5-42	
Kit	.....	TRK300ZF
<b>1989-1979</b>	Warner T18	
Kit	.....	TRKBW18

**3-SPEED AUTOMATIC TRANSMISSION**

**Torque Converter**

<b>1989-1966</b>	C4, C5, C6	
Seal	.....	331107N
Kwik Slv (Opt Rpr)	.....	KWK99199

**Rear Seal/Ext. Housing**

<b>1989-1978</b>	C6 (3.066" O.D.)	
Seal	.....	410308
<b>1985-1966</b>	C4 (booted), C5	
Seal	.....	7692S
Seal Kit	.....	5202 <sup>64</sup>
<b>1979-1978</b>	C6 (2.506" O.D.)	
Seal	.....	7300S
Seal Kit	.....	5203 <sup>64</sup>
<b>1972-1966</b>	C4 (non-booted)	
Seal	.....	470687

**Selector Shaft Seal/Man. Shaft**

<b>1989-1978</b>	C6	
Seal	.....	7929S
<b>1986-1966</b>	C4, C5	
Seal	.....	240816
Kwik Slv (Opt Rpr)	.....	KWK99076

**4-SPEED AUTOMATIC TRANSMISSION**

**Torque Converter**

<b>1989</b>	AODE, E4OD	
Seal	.....	3404
<b>1989-1980</b>	AOT (AOD)	
Seal	.....	331107N
Kwik Slv (Opt Rpr)	.....	KWK99199

[ ] Indicates Quantity Required; Set Components Listed Inside Rear Cover;

<sup>64</sup> Opt. Seal and Bushing Kit

# Bearings and Seals

Mfg./Year    Model & Location    Part No    Mfg./Year    Model & Location    Part No

## **FORD TRUCK - FULL SIZE SUV - Bronco - Full-Size (cont.)**

### **4-SPEED AUTOMATIC TRANSMISSION**

#### **Rear Seal/Ext. Housing**

<b>1989</b>	E4OD	
Seal .....		7300S
Seal Kit .....		5203 <sup>64</sup>
<b>1989-1980</b>	AOT (AOD): long boot	
Seal .....		7692S
Seal Kit .....		5202 <sup>64</sup>

#### **Selector Shaft Seal/Man. Shaft**

<b>1989-1980</b>		
Seal .....		7929S

### **CLUTCH**

#### **Pilot Bearing**

<b>1989-1983</b>	all	
Needle Bearing .....		FC65662

#### **Release Bearing**

<b>1989-1987</b>	5-speed: hydraulic piston type	
Bearing Assy .....		614061
<b>1989-1983</b>	4-speed	
Bearing Assy .....		614014
<b>1982-1967</b>	diaphragm clutch	
Bearing Assy .....		614038
<b>1982-1967</b>	3-finger clutch: 10", 10.4"	
Bearing Assy .....		614034
<b>1966</b>	diaphragm clutch	
Bearing Only .....		F1625C

### **4-SPEED MANUAL TRANSMISSION**

#### **Transmission Rebuild Kit**

<b>1987-1966</b>	New Process 435	
Kit .....		TRK127
<b>1982-1966</b>	Warner T18	
Kit .....		TRK82F

#### **Input Shaft**

<b>1989-1983</b>	Warner T18	
Seal .....		7412S
Bearing .....		308LTB
Kwik Slv (Opt Rpr) .....		KWK99125
<b>1987-1980</b>	New Process 435	
Seal .....		482163N
Cone/Cup .....		HM88649-HM88610
Kwik Slv (Opt Rpr) .....		KWK99138
<b>1982-1966</b>	Warner T18	
Seal .....		7412S
Bearing .....		308LI
Kwik Slv (Opt Rpr) .....		KWK99062

### **4-SPEED MANUAL TRANSMISSION**

#### **Rear Output Shaft**

<b>1989-1984</b>	Warner T18: 28-spline	
Seal .....		7692S
Bearing .....		308LI
Seal Kit .....		5202 <sup>64</sup>
<b>1987-1980</b>	New Process	
Seal .....		471271
Bearing .....		1308L
<b>1987-1973</b>	Warner T18 (35 spline)(3.256" O.D.)	
Seal .....		450519
Bearing .....		308L
<b>1983-1980</b>	Warner T18: 28-spline	
Seal .....		7692S
Bearing .....		1308L
Seal Kit .....		5202 <sup>64</sup>
<b>1979</b>	New Process 435 (2.378" O.D.)	
Seal .....		7692S
Bearing .....		1308L
Seal Kit .....		5201 <sup>64</sup>
<b>1979-1977</b>	New Process 435 (3.066" O.D.)	
Seal .....		473468
Bearing .....		1308L
<b>1979-1966</b>	Warner T18: 28-spline	
Seal .....		470059
Bearing .....		308L
<b>1978-1966</b>	New Process 435 (2.378" O.D.)	
Seal .....		470059
Bearing .....		1308L
Seal Kit .....		5201 <sup>64</sup>
<b>1978-1966</b>	New Process 435 (3.256" O.D.)	
Seal .....		450519
Bearing .....		1308L

### **DRIVESHAFT SUPPORT**

<b>1979-1966</b>	Spicer 1280-1310: 1.3780" bearing ID: slip yoke style	
Bearing .....		88107
Hanger Bearing Assy .....		HB88107A

### **POWER STEERING**

#### **Pump Shaft**

<b>1979-1966</b>	Manual Steering Worm Shaft	
Bearing .....		8537

### **CRANKSHAFT REAR SEAL**

#### **6 Cylinder**

<b>1989-1980</b>	300/4.9L	
Seal Viton .....		2377
Seal PTFE H/D Opt .....		5278
Kwik Slv (Opt Rpr) .....		KWK99372
<b>1974-1973</b>	200/3.3L	
Seal Viton .....		2377
Kwik Slv (Opt Rpr) .....		KWK99372
<b>1972-1966</b>	170/2.8	
Seal Rope .....		5095
Seal Split Opt .....		5116

**FORD TRUCK - FULL SIZE SUV - Bronco - Full-Size (cont.)**

**CRANKSHAFT REAR SEAL**

**8 Cylinder**

<b>1989-1983</b>	351/5.8L (W) From 7/10/83	
Seal Viton .....		2377
Seal PTFE H/D Opt. ....		5278
Kwik Slv (Opt Rpr) .....		KWK99372
<b>1989-1983</b>	302/5.0L From 1/1/83	
Seal Viton .....		3909
Seal PTFE H/D Opt. ....		5277
Kwik Slv (Opt Rpr) .....		KWK99363
<b>1983-1978</b>	351/5.8L (W) To 7/10/83	
Seal Rope .....		5095
Seal Split Opt. ....		5117
<b>1983-1969</b>	302/5.0L To 12/31/82	
Seal Rope .....		5095
Seal Split Opt. ....		5108
<b>1979-1978</b>	400/6.6L	
Seal Rope .....		5095
Seal Split Opt. ....		5117
<b>1968-1966</b>	289/4.7L	
Seal Rope .....		5095
Seal Split Opt. ....		5108

**TIMING COVER**

**6 Cylinder**

<b>1989-1980</b>	300/4.9L	
Seal (front entry) .....		2692
Seal (rear entry) .....		2942
Kwik Slv (Opt Rpr) .....		KWK99187
Harmonic Balancer		
Sleeves .....		88187
<b>1974-1973</b>	200/3.3L	
Seal .....		7486S
Kwik Slv (Opt Rpr) .....		KWK99174

**TIMING COVER (cont.)**

**6 Cylinder (cont.)**

<b>1972-1966</b>	170/2.8	
Seal .....		7486S
Kwik Slv (Opt Rpr) .....		KWK99174

**8 Cylinder**

<b>1989-1978</b>	351/5.8L	
Seal (front entry) .....		2692
Seal (rear entry) .....		2942
Kwik Slv (Opt Rpr) .....		KWK99187
Harmonic Balancer		
Sleeves .....		88187
<b>1989-1969</b>	302/5.0L	
Seal (front entry) .....		2692
Seal (rear entry) .....		2942
Kwik Slv (Opt Rpr) .....		KWK99187
Harmonic Balancer		
Sleeves .....		88187
<b>1979-1978</b>	400/6.6L	
Seal (front entry) .....		2692
Seal (rear entry) .....		2942
Kwik Slv (Opt Rpr) .....		KWK99187
Harmonic Balancer		
Sleeves .....		88187
<b>1968-1966</b>	289/4.7L	
Seal (front entry) .....		2692
Seal (rear entry) .....		2942
Kwik Slv (Opt Rpr) .....		KWK99187
Harmonic Balancer		
Sleeves .....		88187

**FORD TRUCK - 1/2 TON - E100, F100, E150, F150, Econoline, Parcel Delivery, Pickup**

**FRONT WHEEL**

**2WD**

<b>1989-1988</b>	E150	
Seal (inner) .....		4148[2]
Set (inner) .....		SET13
Set (outer) .....		SET12F <sup>59</sup>
<b>1987-1975</b>	E100, E150	
Seal (inner) .....		4148[2]
Set (inner) .....		SET13
Set (outer) .....		SET12
<b>1987-1973</b>	F100, F150	
Seal (inner) .....		4148[2]
Set (inner) .....		SET13
Set (outer) .....		SET12
<b>1974-1968</b>	E100: 2500 lb. axle and up	
Seal (inner) .....		4148[2]
Set (inner) .....		SET5
Set (outer) .....		SET3

**FRONT WHEEL (cont.)**

**2WD (cont.)**

<b>1972-1967</b>	F100	
Seal (inner) .....		4148[2]
Set (inner) .....		SET5
Set (outer) .....		SET3
<b>1970-1961</b>	E100: 2150 lb. axle	
Seal (inner) .....		7834[2]
Set (inner) .....		SET6
Set (outer) .....		SET2
<b>1967-1960</b>	P100	
Seal (inner) .....		44053[2]
Set (inner) .....		SET5
Set (outer) .....		SET2
<b>1966-1965</b>	F100	
Seal (inner) .....		4148[2]
Set (inner) .....		SET5
Set (outer) .....		SET2

[ ] Indicates Quantity Required; Set Components Listed Inside Rear Cover;  
<sup>59</sup> O.E. Polymer Cage

# Bearings and Seals

Mfg./Year    Model & Location    Part No    Mfg./Year    Model & Location    Part No

## **FORD TRUCK - 1/2 TON - E100, F100, E150, F150, Econoline, Parcel Delivery, Pickup (cont.)**

### **FRONT WHEEL (cont.)**

#### **2WD (cont.)**

<b>1964-1957</b>	F100	
Seal (inner)	.....	44053[2]
Set (inner)	.....	SET5
Set (outer)	.....	SET2
<b>1956-1948</b>		
Seal (inner)	.....	5827[2]
Cone/Cup (inner)	.....	14130-14276[2]
Cone/Cup (outer)	.....	09067-09195[2]
<b>1947-1946</b>		
Seal (inner)	.....	5796[2]
Cone/Cup (inner)	.....	15118-15250X[2]
Cone/Cup (outer)	.....	09074-09194[2]

#### **4WD**

<b>1989-1988</b>	production from 6/1988 on	
Seal (inner)	.....	4250[2]
Set (inner)	.....	SET37
Set (outer)	.....	SET45
<b>1988</b>	manual locking hub: limited slip differential: production 3/1988 thru 5/1988	
Seal (inner)	.....	710091[2]
Set (inner)	.....	SET37
Set (outer)	.....	SET45
<b>1988</b>	manual locking hub: open differential: production 3/1988 thru 5/1988	
Seal (inner)	.....	710091[2]
Set (inner)	.....	SET38
Set (outer)	.....	SET45
<b>1988-1987</b>	manual locking hub: production thru 3/1988	
Seal (inner)	.....	710091[2]
Set (inner)	.....	SET38
Set (outer)	.....	SET38
<b>1988-1987</b>	auto locking hub: production thru 5/1988	
Seal (inner)	.....	4250[2]
Set (inner)	.....	SET37
Set (outer)	.....	SET45
<b>1986-1969</b>	production from chassis #F70001 on	
Seal (inner)	.....	4250[2]
Set (inner)	.....	SET37
Set (outer)	.....	SET45
<b>1969-1959</b>	production thru chassis #F70000	
Seal (inner)	.....	442380[2]
Set (inner)	.....	SET37
Set (outer)	.....	SET45

### **REAR WHEEL**

<b>1989</b>	E100, E150	
Seal	.....	8835S[2]
Cyl. Bearing	.....	6408[2]
Kit	.....	TRP1559TV[2] <sup>19</sup>

### **REAR WHEEL (cont.)**

<b>1989-1983</b>	F100, F150: 8.8" ring gear Sterling axle	
Seal	.....	8835S[2]
Cyl. Bearing	.....	6408[2]
Kit	.....	TRP1559TV[2] <sup>19</sup>
<b>1988-1983</b>	E100, E150: 8.8" ring gear Sterling axle	
Seal	.....	8835S[2]
Cyl. Bearing	.....	6408[2]
Kit	.....	TRP1559TV[2] <sup>19</sup>
<b>1988-1980</b>	E100, E150 Econoline: 3750 lb. axle	
Seal	.....	3195[2]
Set	.....	SET20
<b>1986-1980</b>	F100, F150: 3750 lb. axle: 9" ring gear	
Seal	.....	3195[2]
Set	.....	SET20
<b>1983-1980</b>	F100, F150: 2800 lb. axle	
Seal	.....	51098[2]
Bearing	.....	88128RAP[2]
<b>1983-1980</b>	F100: Dana/Spicer 44-3 axle	
Seal	.....	9912S[2]
Set	.....	SET10
<b>1983-1975</b>	F100, F150: Dana/Spicer 44 axle from chassis #A25001 on	
Seal	.....	2689S[2]
Set	.....	SET10
<b>1983-1974</b>	F100, F150: 3300 lb. axle: tapered bearing	
Seal	.....	3195[2]
Set	.....	SET20
<b>1983-1974</b>	F100, F150: 3600 lb. axle	
Seal	.....	482253[2]
Cyl. Bearing	.....	RUB1580EBFR[2]
<b>1983-1974</b>	F100, F150: 3750 lb. axle	
Seal	.....	482253[2]
Cyl. Bearing	.....	RUB1580EBFR[2]
<b>1979-1976</b>	E100, E150 Econoline: 3300 lb. axle with ball bearings	
Seal	.....	51098[2]
Bearing	.....	88128RAP[2]
<b>1979-1975</b>	E100, E150 Econoline: 3600 lb. axle	
Seal	.....	482253[2]
Cyl. Bearing	.....	RUB1580EBFR[2]
<b>1979-1975</b>	E100, E150 Econoline: 3750 lb. axle	
Seal	.....	482253[2]
Cyl. Bearing	.....	RUB1580EBFR[2]
<b>1979-1975</b>	E100, E150 Econoline: Dana/Spicer 44 axle from chassis #A25001	
Seal	.....	2689S[2]
Set	.....	SET10
<b>1979-1974</b>	E100, E150 Econoline: 3300 lb. axle with OEM tapered bearings	
Seal	.....	3195[2]
Set	.....	SET20

264 [ ] Indicates Quantity Required; Set Components Listed Inside Rear Cover;

<sup>19</sup> Opt. Axle Repair Bearing. Replaces O.E. bearing & seal.

**FORD TRUCK - 1/2 TON - E100, F100, E150, F150, Econoline, Parcel Delivery, Pickup (cont.)**

**REAR WHEEL (cont.)**

<b>1979-1974</b>	F100, F150: 3300 lb. axle: ball bearing.	
Seal .....	51098[2]	
Bearing .....	88128RAP[2]	
<b>1975-1973</b>	E100, E150 Econoline: Dana/Spicer 44 axle to chassis #A25000	
Seal .....	472747[2]	
Set .....	SET7	
<b>1975-1973</b>	F100, F150: Dana/Spicer 44 axle thru chassis #A25000	
Seal .....	472747[2]	
Set .....	SET7	
<b>1975-1961</b>	E100, E150 Econoline: 3300 lb. axle with ball bearings	
Seal .....	51098[2]	
Bearing .....	514003P[2]	
<b>1975-1958</b>	F100, F150: 3300 lb. axle	
Seal .....	51098[2]	
Bearing .....	514003P[2]	
<b>1974</b>	E100 Econoline: 3050 lb. axle	
Seal .....	51098[2]	
Bearing .....	RW207CCRA[2]	
<b>1973-1970</b>	E100 Econoline: 3050 lb. axle	
Seal .....	9568[2]	
Bearing .....	RW207CCRA[2]	
<b>1969-1963</b>	E100 Econoline: 2700 lb. axle	
Seal .....	6939[2]	
Bearing .....	RW207CCRA[2]	
<b>1969-1963</b>	E100 Econoline: 3050 lb. axle	
Seal .....	6939[2]	
Bearing .....	RW207CCRA[2]	
<b>1968-1961</b>	E100 Econoline: 2300 lb. axle	
Seal .....	51322[2]	
Bearing .....	RW207CCRA[2]	
<b>1967-1964</b>	P100	
Seal .....	51098[2]	
Bearing .....	514003P[2]	
<b>1967-1948</b>	F1, F100 exc. Dana/Spicer axle	
Seal .....	472856[2]	
Bearing .....	514003P[2]	
<b>1960-1953</b>	3300 lb. Ford axle	
Seal .....	51098[2]	
Bearing .....	514003P[2]	
<b>1952-1948</b>	3300 lb. Ford axle	
Seal .....	472856[2]	
Bearing .....	514003P[2]	

**4WD FRONT AXLE**

**Axle Shaft**

<b>1989-1983</b>	Dana/Spicer 44-IFS axle	
Seal (LH) .....	710043	
Seal (RH) .....	470672	
Cyl. Bearing (RH) .....	5707	
<b>1982-1980</b>	Dana/Spicer 44-IFS axle	
Seal (LH) .....	710043	
Seal (RH) .....	2146	
Set (RH) .....	SET9	

**4WD FRONT AXLE**

**Differential Rebuild Kit**

<b>1989-1959</b>	Dana/Spicer 44 series axles	
Kit .....	DRK339B	

**Differential**

<b>1989-1967</b>	Dana/Spicer 44 series axles	
Cone/Cup .....	25590-25523[2]	
<b>1971-1966</b>	Dana/Spicer 30 series axles	
Cone/Cup .....	LM501349-LM501314[2]	
<b>1966-1959</b>	Dana/Spicer 44 series axles	
Cone/Cup .....	25577-25523[2]	

**Pinion**

<b>1989-1980</b>	Dana/Spicer 44 series axles	
Cone/Cup (inner) .....	HM88649-HM88610	
Seal (outer) .....	5778	
Cone/Cup (outer) .....	02872-02820	
<b>1979-1959</b>	Dana/Spicer 44 series axles	
Cone/Cup (inner) .....	31594-31520	
Seal (outer) .....	5778	
Cone/Cup (outer) .....	02872-02820	
<b>1971-1966</b>	Dana/Spicer 30 series axles	
Cone/Cup (inner) .....	HM88649-HM88610	
Seal (outer) .....	5778	
Cone/Cup (outer) .....	02872-02820	

**Spindle Kit**

<b>1989-1985</b>	Bearing & Seal Kit .....	SBK4 <sup>36</sup>
<b>1984</b>	early: non-bonded V-ring	
Bearing & Seal Kit .....	SBK1 <sup>33</sup>	
<b>1984</b>	late: bonded V-ring	
Bearing & Seal Kit .....	SBK4 <sup>36</sup>	
<b>1983-1973</b>	Bearing & Seal Kit .....	SBK1 <sup>33</sup>

**Spindle**

<b>1989-1980</b>		
Seal (inner) .....	722108[2]	
Needle Bearing (inner) .....	B2110[2]	
Seal (outer) .....	722109[2]	
<b>1979-1973</b>	Dana/Spicer 44 series axles	
Seal (inner) .....	722108[2]	
Needle Bearing (inner) .....	B2110[2]	
Seal (outer) .....	722109[2]	
<b>1972-1959</b>	Dana/Spicer 30 and 44 series axles	
Seal .....	472934[2]	
Needle Bearing .....	B2110[2]	

**REAR AXLE**

**Differential Rebuild Kit**

<b>1989-1983</b>	8.8" ring gear	
Kit .....	DRK311	
<b>1986-1970</b>	9" ring gear: production from 5/12/1970 on	
Kit .....	DRK313	

[ ] Indicates Quantity Required; Set Components Listed Inside Rear Cover;

<sup>33</sup> Opt. Kit incl: Bearing B2110; Seals 722108 & 722109

<sup>36</sup> Opt. Kit incl: Bearing B2110; Seals 722108 &

722109; Ring/not sold separately

# Bearings and Seals

Mfg./Year    Model & Location    Part No    Mfg./Year    Model & Location    Part No

## **FORD TRUCK - 1/2 TON - E100, F100, E150, F150, Econoline, Parcel Delivery, Pickup (cont.)**

### **REAR AXLE (cont.)**

#### **Differential Rebuild Kit (cont.)**

<b>1979-1967</b>	Dana/Spicer 44 series axles	
Kit	.....	DRK339B
<b>1978-1966</b>	7.75", 8" ring gears	
Kit	.....	DRK310
<b>1970-1957</b>	9" ring gear: production thru 5/11/1970	
Kit	.....	DRK312
<b>1969-1964</b>	Dana/Spicer 60-2, 60-3 axles	
Kit	.....	DRK331

#### **Differential**

<b>1989-1983</b>	8.8" ring gear	
Set	.....	SET36[2]
<b>1986-1972</b>	9" ring gear H/D axle: late	
Set	.....	SET47[2]
<b>1979-1970</b>	9" ring gear: std. duty axle: production from 5/11/1970 on	
Set	.....	SET47[2]
<b>1979-1967</b>	Dana/Spicer 44-3 axle	
Cone/Cup	.....	25590-25523[2]
<b>1978-1959</b>	7.75", 8", 8.375" ring gear axles	
Set	.....	SET45[2]
<b>1975-1964</b>	9.375" ring gear	
Cone/Cup	.....	25590-25520[2]
<b>1972-1964</b>	9" ring gear H/D axle: early	
Set	.....	SET37[2]
<b>1970-1957</b>	9" ring gear: std. duty axle: production thru 5/10/1970	
Set	.....	SET45[2]
<b>1969-1967</b>	Dana/Spicer 44-1 axle	
Cone/Cup	.....	25577-25523[2]
<b>1969-1964</b>	Dana/Spicer 60 axles	
Cone/Cup	.....	387A-382S[2]
<b>1969-1961</b>	7", 7.25" ring gears	
Cone/Cup	.....	LM29749-LM29710[2]
<b>1969-1959</b>	8.75" ring gear	
Set	.....	SET45[2]
<b>1966-1948</b>	Dana/Spicer 44 series axles	
Cone/Cup	.....	25577-25523[2]
<b>1958-1957</b>	8.75" ring gear	
Set	.....	SET37[2]
<b>1955-1953</b>	Rockwell A150 axle	
Cone/Cup (LH)	.....	28580-28521
Cone/Cup (RH)	.....	18790-18720

#### **Pinion**

<b>1989-1983</b>	8.8" ring gear	
Cone/Cup (inner)	.....	M802048-M802011
Seal Viton (outer)	.....	3604
Cone/Cup (outer)	.....	M88048-M88010
<b>1988-1961</b>	8.375" ring gear	
Cone/Cup (inner)	.....	M88048-M88010
Seal (outer)	.....	7044NA
Cone/Cup (outer)	.....	M88048-M88010
Cyl. Bearing (pilot)	.....	R1535TAV

### **REAR AXLE (cont.)**

#### **Pinion (cont.)**

<b>1988-1957</b>	9" ring gear: 3" OD pinion shaft seal	
Cone/Cup (inner)	.....	M88048-M88010
Seal (outer)	.....	7044NA
Cone/Cup (outer)	.....	M88048-M88010
Cyl. Bearing (pilot)	.....	R1535TAV
<b>1979-1948</b>	Dana/Spicer 44 series axles	
Cone/Cup (inner)	.....	02872-02820
Seal (outer)	.....	5778
Cone/Cup (outer)	.....	31594-31520
<b>1978-1966</b>	7.75" ring gear	
Cone/Cup (inner)	.....	M86649-M86610
Seal (outer)	.....	8181NA
Cone/Cup (outer)	.....	M86649-M86610
Cyl. Bearing (pilot)	.....	R1558TAV
<b>1978-1966</b>	8" ring gear	
Cone/Cup (inner)	.....	M86649-M86610
Seal (outer)	.....	8181NA
Cone/Cup (outer)	.....	M86649-M86610
Cyl. Bearing (pilot)	.....	R1558TAV
<b>1976-1964</b>	9" ring gear: H/D axle	
Cone/Cup (inner)	.....	HM89443-HM89410
Seal (outer)	.....	7044NA
Cone/Cup (outer)	.....	M88048-M88010
Cyl. Bearing (pilot)	.....	R1535TAV
<b>1975-1964</b>	9.375" ring gear	
Cone/Cup (inner)	.....	HM89444-HM89410
Seal (outer)	.....	7044NA
Cone/Cup (outer)	.....	M88048-M88010
Cyl. Bearing (pilot)	.....	M5204TV
<b>1972-1957</b>	8.75" ring gear	
Cone/Cup (inner)	.....	M88048-M88010
Seal (outer)	.....	7044NA
Cone/Cup (outer)	.....	M88048-M88010
Cyl. Bearing (pilot)	.....	R1535TAV
<b>1969-1964</b>	Dana/Spicer 60 series axles	
Cone/Cup (inner)	.....	HM803146-HM803110
Seal (outer)	.....	6808N
Cone/Cup (outer)	.....	HM88542-HM88510
<b>1969-1961</b>	7" ring gear	
Cone/Cup (inner)	.....	HM88649-HM88610
Seal (outer)	.....	7457N
Cone/Cup (outer)	.....	M86649-M86610
<b>1969-1961</b>	7.25" ring gear	
Cone/Cup (inner)	.....	HM89446A-HM89410
Seal (outer)	.....	7457N
Cone/Cup (outer)	.....	M86649-M86610
<b>1960-1957</b>	9" ring gear: 4.125" OD pinion shaft seal	
Cone/Cup (inner)	.....	M88048-M88010
Seal (outer)	.....	6930
Cone/Cup (outer)	.....	M88048-M88010
Cyl. Bearing (pilot)	.....	R1535TAV
<b>1955-1953</b>	Rockwell A150 axle	
Cone/Cup (inner)	.....	HM804840-HM804810
Seal (outer)	.....	451078
Cone/Cup (outer)	.....	HM89443-HM89410

**FORD TRUCK - 1/2 TON - E100, F100, E150, F150, Econoline, Parcel Delivery, Pickup (cont.)**

**TRANSFER CASE REBUILD KIT**

<b>1989-1987</b>	Warner 1356	
Kit	.....	TCRK1356
<b>1989-1980</b>	Warner 1345	
Kit	.....	TCRK1345
<b>1986-1980</b>	New Process 208	
Kit	.....	TCRK208SPK <sup>47</sup>
<b>1979-1976</b>	New Process 203	
Kit	.....	TCRK203F
<b>1979-1976</b>	New Process 205: manual trans	
Kit	.....	TCRK205F
<b>1979-1976</b>	New Process 203	
Kit	.....	TCRK203F
<b>1976-1972</b>	Dana/Spicer 20: production from chassis N40001 on	
Kit	.....	TCRK20C

**TRANSFER CASE  
Input Shaft**

<b>1989-1987</b>	Warner 1356	
Seal	.....	714503
Bearing	.....	110CB
Needle Bearing (pilot)	.....	BK3026
<b>1989-1980</b>	Warner 1345	
Seal	.....	710062
Kwik Slv (Opt Rpr)	.....	KWK99175
<b>1986-1980</b>	New Process 208	
Seal	.....	3173[2]
Needle Bearing	.....	B5020[2]
Seal Dual Lip	.....	710928
Kwik Slv (Opt Rpr)	.....	KWK99193
Needle Bearing (pilot)	.....	B2012
Needle Bearing Thrust	.....	AXK5070
<b>1979</b>	New Process 203	
Seal	.....	3173[2]
Bearing	.....	1210L[2]
Kwik Slv (Opt Rpr)	.....	KWK99193[2]
Needle Bearing (pilot)	.....	QAR29523[15]
<b>1979-1976</b>	New Process 205: manual trans	
Seal	.....	473468[2]
Bearing	.....	1307L[2]
Kwik Slv (Opt Rpr)	.....	KWK99212[2]
<b>1979-1976</b>	New Process 205: automatic trans	
Seal	.....	471869[2]
Bearing	.....	1210L[2]
Kwik Slv (Opt Rpr)	.....	KWK99193[2]
<b>1978-1976</b>	New Process 203	
Seal	.....	473468[2]
Bearing	.....	1210L[2]
Kwik Slv (Opt Rpr)	.....	KWK99212[2]
Needle Bearing (pilot)	.....	QAR29523[15]
<b>1976-1966</b>	Spicer 20, 21	
Seal	.....	473179
Bearing	.....	307L
Kwik Slv (Opt Rpr)	.....	KWK99187

**TRANSFER CASE**

**Front Output Shaft**

<b>1989-1987</b>	Warner 1356	
Seal	.....	714503
Bearing	.....	110CB
Needle Bearing (pilot)	.....	BK3026
<b>1989-1980</b>	Warner 1345	
Seal	.....	710062
Bearing	.....	207
Kwik Slv (Opt Rpr)	.....	KWK99187
<b>1986-1980</b>	New Process 208	
Seal	.....	3946
Needle Bearing	.....	B2816
Kwik Slv (Opt Rpr)	.....	KWK99187
Needle Bearing (pilot)	.....	J2416
Needle Bearing Thrust	.....	NTA2840[2]
<b>1979</b>	New Process 203 (2.125" shaft)	
Seal	.....	473468
Bearing	.....	307L[2]
Kwik Slv (Opt Rpr)	.....	KWK99212
Needle Bearing (pilot)	.....	M28161
<b>1979</b>	New Process 203 (2.062" shaft)	
Seal	.....	450307
Bearing	.....	307L[2]
Kwik Slv (Opt Rpr)	.....	KWK99205
Needle Bearing (pilot)	.....	M28161
<b>1979-1976</b>	New Process 205	
Seal	.....	473468
Bearing	.....	307L[2]
Kwik Slv (Opt Rpr)	.....	KWK99212
Needle Bearing (pilot)	.....	M28161
<b>1978</b>	New Process 203	
Seal	.....	473457
Bearing	.....	307L[2]
Kwik Slv (Opt Rpr)	.....	KWK99187
Needle Bearing (pilot)	.....	M28161
<b>1977-1976</b>	New Process 203	
Seal	.....	710005
Bearing	.....	307L[2]
Kwik Slv (Opt Rpr)	.....	KWK99174
Needle Bearing (pilot)	.....	M28161
<b>1976-1966</b>	Spicer 20, 21	
Seal	.....	450185
Cone/Cup	.....	14131-14276[2]
Kwik Slv (Opt Rpr)	.....	KWK99156

**Rear Output Shaft**

<b>1989-1987</b>	Warner 1356 (slip yoke)	
Seal	.....	4503N
Bearing	.....	207
<b>1989-1987</b>	Warner (fixed yoke)	
Seal	.....	4333N
Bearing	.....	207
<b>1989</b>	Warner 1345 (booted)	
Seal	.....	4333N
Bearing	.....	207
Needle Bearing (pilot)	.....	B2812

[ ] Indicates Quantity Required; Set Components Listed Inside Rear Cover;

<sup>47</sup> Includes Small Parts Kit



# Bearings and Seals

Mfg./Year    Model & Location    Part No    Mfg./Year    Model & Location    Part No

## **FORD TRUCK - 1/2 TON - E100, F100, E150, F150, Econoline, Parcel Delivery, Pickup (cont.)**

### **TRANSFER CASE (cont.)**

#### **Rear Output Shaft (cont.)**

<b>1989-1980</b>	Warner 1345 (non-booted)	
Seal .....	3946	
Bearing .....	207	
Kwik Slv (Opt Rpr) .....	KWK99187	
Needle Bearing (pilot) .....	B2812	
<b>1986-1980</b>	New Process 208 (slip yoke)	
Seal .....	4333N	
Bearing .....	1207L	
Needle Bearing (pilot) .....	B3616	
Needle Bearing Thrust .....	TC2435	
<b>1986-1980</b>	New Process 208 (fixed yoke)	
Seal .....	3946	
Bearing .....	1207L	
Kwik Slv (Opt Rpr) .....	KWK99187	
Needle Bearing (pilot) .....	B3616	
Needle Bearing Thrust .....	TC2435	
<b>1979</b>	New Process 205	
Seal .....	473457	
Bearing .....	307L	
Kwik Slv (Opt Rpr) .....	KWK99187	
Needle Bearing (pilot) .....	B3216	
<b>1979</b>	New Process 203	
Seal .....	473468	
Bearing .....	307L	
Kwik Slv (Opt Rpr) .....	KWK99212	
Needle Bearing (pilot) .....	QAR29523[15]	
<b>1978-1976</b>	New Process 205	
Seal .....	473468	
Bearing .....	307L	
Kwik Slv (Opt Rpr) .....	KWK99212	
Needle Bearing (pilot) .....	B3616	
<b>1978-1976</b>	New Process 203	
Seal .....	473204	
Bearing .....	307L	
Kwik Slv (Opt Rpr) .....	KWK99212	
Needle Bearing (pilot) .....	QAR29523[15]	
<b>1976-1966</b>	Spicer 21	
Cone/Cup (front) .....	25877-25821	
Seal (rear) .....	470682	
Cone/Cup (rear) .....	M86649-M86610	
Kwik Slv (Opt Rpr) .....	KWK99156	
<b>1976-1966</b>	Spicer 20	
Cone/Cup (front) .....	25877-25821	
Seal (rear) .....	450185	
Cone/Cup (rear) .....	15117-15245	
Kwik Slv (Opt Rpr) .....	KWK99156	

#### **Oil Pump Housing**

<b>1986-1976</b>	New Process 208	
Seal .....	341022	
Kwik Slv (Opt Rpr) .....	KWK99225	

#### **Selector Shaft Seal/Man. Shaft**

<b>1989-1987</b>	Warner	
Seal .....	330385	
<b>1979-1976</b>	New Process 205	
Seal .....	2287[2]	
Kwik Slv (Opt Rpr) .....	KWK99076[2]	

### **TRANSFER CASE (cont.)**

#### **Selector Shaft Seal/Man. Shaft (cont.)**

<b>1976-1966</b>	Spicer 21	
Seal .....	470009[2]	
Kwik Slv (Opt Rpr) .....	KWK99062[2]	
<b>1976-1966</b>	Spicer 20	
Seal .....	471466[2]	
Kwik Slv (Opt Rpr) .....	KWK99062[2]	

### **TRANSMISSION REBUILD KIT**

<b>1989-1988</b>	Mazda M5R2	
Kit .....	TRK248	
<b>1989-1987</b>	ZF S5-42	
Kit .....	TRK300ZF	
<b>1987-1980</b>	New Venture 435	
Kit .....	TRK127F	
<b>1982-1968</b>	Warner T18, 20mm Wide I/S Brg.	
Kit .....	TRKBW18	
<b>1982-1968</b>	Warner T18, 23mm Wide I/S Brg.	
Kit .....	TRKBW18A	

### **AUTOMATIC TRANSMISSION**

#### **Torque Converter**

<b>1964-1961</b>	Ford-o-Matic	
Seal .....	331107N	
Kwik Slv (Opt Rpr) .....	KWK99199	

#### **Rear Seal/Ext. Housing**

<b>1964-1961</b>	Ford-o-Matic	
Seal .....	7692S	
Seal Kit .....	5202 <sup>64</sup>	

### **3-SPEED AUTOMATIC TRANSMISSION**

#### **Torque Converter**

<b>1989-1964</b>	C4, C5, C6	
Seal .....	331107N	
Kwik Slv (Opt Rpr) .....	KWK99199	
<b>1976-1965</b>	Cruise-o-Matic	
Seal .....	331107N	
Kwik Slv (Opt Rpr) .....	KWK99199	
<b>1964-1953</b>	Ford-o-Matic	
Seal .....	6988H	
Kwik Slv (Opt Rpr) .....	KWK99193	

#### **Rear Seal/Ext. Housing**

<b>1989-1980</b>	C6	
Seal .....	410308	
<b>1986-1964</b>	C4 (booted), C5	
Seal .....	7692S	
Seal Kit .....	5202 <sup>64</sup>	
<b>1979-1965</b>	C6 (3.066" O.D.)	
Seal .....	410308	
<b>1979-1965</b>	C6 (2.506" O.D.)	
Seal .....	7300S	
Seal Kit .....	5203 <sup>64</sup>	
<b>1976-1965</b>	Cruise-o-Matic	
Seal .....	7300S	
Seal Kit .....	5203 <sup>64</sup>	

268 [ ] Indicates Quantity Required; Set Components Listed Inside Rear Cover;

<sup>64</sup> Opt. Seal and Bushing Kit

**FORD TRUCK - 1/2 TON - E100, F100, E150, F150, Econoline, Parcel Delivery, Pickup (cont.)**

**3-SPEED AUTOMATIC TRANSMISSION (cont.)**

**Rear Seal/Ext. Housing (cont.)**

<b>1972-1964</b>	C4 (non-booted)	
Seal		470687
<b>1964-1953</b>	Ford-o-Matic	
Seal		7692S
Seal Kit		5202 <sup>64</sup>

**Selector Shaft Seal/Man. Shaft**

<b>1989-1964</b>	C6	
Seal		7929S
<b>1986-1964</b>	C4, C5	
Seal		240816
Kwik Slv (Opt Rpr)		KWK99076
<b>1976-1953</b>	exc. C4, C5, C6	
Seal		7929S

**4-SPEED AUTOMATIC TRANSMISSION**

**Torque Converter**

<b>1989</b>	AODE-E; E4OD; 4R70W; A0DEW	
Seal		3404
<b>1989-1980</b>	AOT (AOD)	
Seal		331107N
Kwik Slv (Opt Rpr)		KWK99199

**Rear Seal/Ext. Housing**

<b>1989</b>	E4OD	
Seal		7300S
Seal Kit		5203 <sup>64</sup>
<b>1989-1980</b>	AOT (AOD): long boot	
Seal		7692S
Seal Kit		5202 <sup>64</sup>

**Selector Shaft Seal/Man. Shaft**

<b>1989-1980</b>		
Seal		7929S

**CLUTCH - 6 CYLINDER**

**Pilot Bearing**

<b>1989-1965</b>	170/2.8L, 240/3.9L, 232/3.8L, 265/4.2L, 300/4.9L	
Needle Bearing		FC65662

**CLUTCH - 8 CYLINDER**

**Pilot Bearing**

<b>1989-1978</b>	281/4.6L, 302/5.0L, 351/5.8L (M) (W)	
Needle Bearing		FC65662
<b>1980</b>	400 (6.6)	
Bushing H/D		PB50DHD

**CLUTCH**

**Release Bearing**

<b>1989-1987</b>	5-speed: hydraulic piston type	
Bearing Assy		614061
<b>1989-1983</b>	4-speed: cable mechanism	
Bearing Assy		614014
<b>1982-1965</b>	diaphragm clutches	
Bearing Assy		614038
<b>1980-1965</b>	H/D 3-finger clutch: 10", 10.4"	
Bearing Assy		614034
<b>1970-1961</b>	E100 Econoline: 6-cylinder 170 engine	
Bearing Only		F1505C
<b>1964-1953</b>	exc. 1961-1964 E100 Econoline & diesel	
Bearing Only		F2065C

**3-SPEED MANUAL TRANSMISSION**

**Front Input Shaft**

<b>1979-1963</b>	Tremac	
Seal		3638
Bearing		208LO
Kwik Slv (Opt Rpr)		KWK99112
<b>1971-1965</b>	Warner T85	
Seal		7412S
Bearing		307L
Kwik Slv (Opt Rpr)		KWK99125
<b>1971-1959</b>	Warner T89	
Bearing		307L
<b>1967-1959</b>	Warner T87	
Bearing		1209L
<b>1966-1965</b>	Ford 2.77 (HED, RED)	
Seal		480210
Kwik Slv (Opt Rpr)		KWK99106
<b>1964-1953</b>	Warner T86	
Seal		450326
Bearing		207L
Kwik Slv (Opt Rpr)		KWK99149
<b>1962-1953</b>	Ford L/D	
Seal		482208
Bearing		207L
Kwik Slv (Opt Rpr)		KWK99112

**Rear Output Shaft**

<b>1979-1963</b>	Tremac	
Seal		7692S
Bearing		207L
Seal Kit		5202 <sup>64</sup>
<b>1977-1959</b>	Warner T87, T89	
Seal		473468
Bearing		307L
<b>1971-1965</b>	Warner T85	
Seal		470059
Bearing		307L
Seal Kit		5201 <sup>64</sup>
<b>1966-1965</b>	Ford 2.77 (HED, RED): 1.5" shaft	
Seal		470059
Bearing		206L
Seal Kit		5201 <sup>64</sup>

[ ] Indicates Quantity Required; Set Components Listed Inside Rear Cover;  
<sup>64</sup> Opt. Seal and Bushing Kit

# Bearings and Seals

Mfg./Year    Model & Location    Part No    Mfg./Year    Model & Location    Part No

## **FORD TRUCK - 1/2 TON - E100, F100, E150, F150, Econoline, Parcel Delivery, Pickup (cont.)**

### **3-SPEED MANUAL TRANSMISSION**

**(cont.)**

#### **Rear Output Shaft (cont.)**

<b>1966-1965</b>	Ford 2.77 (HED, RED): 1.375" shaft	
Seal .....	7495S	
Bearing .....	206L	
Seal Kit .....	5204 <sup>64</sup>	
<b>1964-1953</b>	Warner T86	
Seal .....	470059	
Bearing .....	207L	
Seal Kit .....	5201 <sup>64</sup>	
<b>1962-1953</b>	Ford L/D (1.378" shaft)	
Seal .....	470059	
Bearing .....	207L	
<b>1962-1953</b>	Ford L/D (1.181" shaft)	
Seal .....	470059	
Bearing .....	306L	
Seal Kit .....	5201 <sup>64</sup>	

#### **Selector Shaft Seal/Man. Shaft**

<b>1971-1953</b>	Warner T85, T86, T89	
Seal .....	340797	
Kwik Slv (Opt Rpr) .....	KWK99059	
<b>1967-1948</b>	Warner T87	
Seal .....	7399S	
Kwik Slv (Opt Rpr) .....	KWK99062	

### **4-SPEED MANUAL TRANSMISSION**

#### **Transmission Rebuild Kit**

<b>1987-1966</b>	New Process 435	
Kit .....	TRK127	
<b>1982-1966</b>	Warner T18	
Kit .....	TRK82F	

#### **Input Shaft**

<b>1989-1983</b>	Warner T18	
Seal .....	7412S	
Bearing .....	308LTB	
Kwik Slv (Opt Rpr) .....	KWK99125	
<b>1989-1980</b>	Tremac	
Seal .....	3638	
Bearing .....	308LTB	
Kwik Slv (Opt Rpr) .....	KWK99112	
<b>1987-1965</b>	New Process 435	
Seal .....	482163N	
Cone/Cup .....	HM88649-HM88610	
Kwik Slv (Opt Rpr) .....	KWK99138	
<b>1982-1980</b>	Warner T18	
Seal .....	7412S	
Bearing .....	308LI	
Kwik Slv (Opt Rpr) .....	KWK99125	
<b>1979-1978</b>	Tremac	
Seal .....	482208	
Bearing .....	308LTB	
Kwik Slv (Opt Rpr) .....	KWK99112	

### **4-SPEED MANUAL TRANSMISSION**

**(cont.)**

#### **Input Shaft (cont.)**

<b>1979-1965</b>	Warner T18	
Seal .....	7412S	
Bearing .....	308LTB	
Kwik Slv (Opt Rpr) .....	KWK99125	
<b>1964-1963</b>	Dagenham Design	
Seal .....	482208	
Bearing .....	307L	
Kwik Slv (Opt Rpr) .....	KWK99112	
<b>1964-1948</b>	Warner T98	
Bearing .....	308LI	
<b>1952-1946</b>	Warner T9	
Bearing .....	209BB	
<b>1952-1946</b>	Warner T8	
Bearing .....	1209L	

#### **Rear Output Shaft**

<b>1989-1984</b>	Warner T18: 28-spline	
Seal .....	7692S	
Bearing .....	308LI	
Seal Kit .....	5202 <sup>64</sup>	
<b>1989-1985</b>	Tremac 2nd design	
Seal .....	7692S	
Bearing .....	308L	
Seal Kit .....	5202 <sup>64</sup>	
<b>1987-1984</b>	Warner T18 (31 spline)	
Seal .....	473442	
Bearing .....	308LI	
<b>1987-1980</b>	New Process 435	
Seal .....	471271	
Bearing .....	1308L	
<b>1985-1978</b>	Tremac 1st design	
Seal .....	7692S	
Bearing .....	308LTB	
Seal Kit .....	5202 <sup>64</sup>	
<b>1983-1980</b>	Warner T18 (31 spline)	
Seal .....	473442	
Bearing .....	1308L	
<b>1983-1980</b>	Warner T18: 28-spline	
Seal .....	7692S	
Bearing .....	1308L	
Seal Kit .....	5202 <sup>64</sup>	
<b>1979</b>	New Process 435 (3.066" O.D.)	
Seal .....	473468	
Bearing .....	1308L	
<b>1979</b>	New Process 435 (2.378" O.D.)	
Seal .....	7692S	
Bearing .....	1308L	
Seal Kit .....	5202 <sup>64</sup>	
<b>1979-1973</b>	Warner T18 (35 spline)(3.256" O.D.)	
Seal .....	450519	
Bearing .....	308L	
<b>1979-1965</b>	Warner T18: 28-spline	
Seal .....	470059	
Bearing .....	308L	

270 [ ] Indicates Quantity Required; Set Components Listed Inside Rear Cover;

<sup>64</sup> Opt. Seal and Bushing Kit

**FORD TRUCK - 1/2 TON - E100, F100, E150, F150, Econoline, Parcel Delivery, Pickup (cont.)**

**4-SPEED MANUAL TRANSMISSION**

(cont.)

**Rear Output Shaft (cont.)**

<b>1978-1977</b>	New Process 435 (3.066" O.D.)	
Seal	.....	473468
Bearing	.....	1308L
<b>1978-1965</b>	New Process 435 (2.378" O.D.)	
Seal	.....	470059
Bearing	.....	1308L
Seal Kit	.....	5201 <sup>64</sup>
<b>1978-1965</b>	New Process 435 (3.256" O.D.)	
Seal	.....	450519
Bearing	.....	1308L
<b>1972-1965</b>	Warner T18: 10-splines: 3.066" OD	
Seal	.....	450308
Bearing	.....	308L
<b>1964-1963</b>	Dagenham Design	
Seal	.....	7495S
Bearing	.....	206L
Seal Kit	.....	5204 <sup>64</sup>
<b>1964-1948</b>	Warner T98	
Seal	.....	450308
Bearing	.....	307L
<b>1952-1946</b>	Warner T8, T9	
Seal	.....	450308
Bearing	.....	307L

**Selector Shaft Seal/Man. Shaft**

<b>1989-1978</b>	Tremac	
Seal	.....	313156
<b>1964-1963</b>	Dagenham Design	
Seal	.....	7399S
Kwik Slv (Opt Rpr)	.....	KWK99062

**5-SPEED MANUAL TRANSMISSION**

**Front Input Shaft**

<b>1989-1988</b>	Mazda	
Seal	.....	223012
Kwik Slv (Opt Rpr)	.....	KWK99114
<b>1989-1987</b>	ZF S5-42	
Seal Viton	.....	713771
Cone/Cup	.....	28580-28521
Kwik Slv (Opt Rpr)	.....	KWK99139

**Front Input Shaft Pocket**

<b>1989-1987</b>	ZF S5-42	
Cone	.....	JH13349

**Countershaft**

<b>1989-1987</b>	ZF S5-42	
Cone/Cup	.....	2580-2520[2]

**5-SPEED MANUAL TRANSMISSION**

**Rear Output Shaft**

<b>1989-1988</b>	Mazda	
Seal	.....	710415
<b>1989-1987</b>	ZF S5-42: 4x4 application	
Seal	.....	1217
Cone/Cup	.....	J28573-28521
<b>1989-1987</b>	ZF S5-42: 4x2 application	
Seal	.....	225010
Cone/Cup	.....	J28573-28521

**A/C COMPRESSOR**

<b>1989-1966</b>	Nippondenso FX 15; Tecumseh; York; (Axial)	
Bearing	.....	5106WCC
<b>1984-1966</b>	Tecumseh; York	
Bearing (rear)	.....	203AB

**DRIVESHAFT SUPPORT**

<b>1989-1975</b>	Spicer 1280, 1310: 1.3780" bearing ID	
Bearing	.....	88107
Hanger Bearing Assy	.....	HB88107A
<b>1988-1955</b>	Spicer 1260, 1410: 1.3780" bearing ID	
Bearing	.....	88107
Hanger Bearing Assy	.....	HB88107A
<b>1985-1955</b>	Spicer 1260, 1480: 1.3780" bearing ID	
Bearing	.....	88107
Hanger Bearing Assy	.....	HB88107A
<b>1983-1973</b>	Cleveland 055: 1.5748" bearing ID, 2.25" height	
Hanger Bearing Assy	.....	HB88508A
<b>1983-1973</b>	Spicer 1410: 1.5748" bearing ID, 2.25" height	
Hanger Bearing Assy	.....	HB88508A
<b>1983-1955</b>	Spicer 1410, 1650: 1.7717" bearing ID	
Bearing	.....	88509
Hanger Bearing Assy	.....	HB88509
<b>1979-1955</b>	Spicer: 1.9685" bearing ID	
Hanger Bearing Assy	.....	HB88510A
<b>1979-1955</b>	Spicer: 2.3622" bearing ID	
Hanger Bearing Assy	.....	HB88512AHD
<b>1979-1955</b>	Spicer 1410, 1480: 1.5748" bearing ID, 2.5" height	
Bearing	.....	88508
Hanger Bearing Assy	.....	HB88508
<b>1975-1965</b>	Cleveland 055: 1.5000" bearing ID	
Hanger Bearing Assy	.....	HB2
<b>1975-1965</b>	Cleveland R55: 1.3750" bearing ID	
Hanger Bearing Assy	.....	HB1
<b>1975-1965</b>	Cleveland S55: 1.3750" bearing ID	
Hanger Bearing Assy	.....	HB1

# Bearings and Seals

Mfg./Year    Model & Location    Part No    Mfg./Year    Model & Location    Part No

## **FORD TRUCK - 1/2 TON - E100, F100, E150, F150, Econoline, Parcel Delivery, Pickup (cont.)**

### **POWER STEERING**

#### **Pitman Shaft**

**1982-1972**  
Seal Kit .....PSK1<sup>24</sup>

#### **Pump Shaft**

**1989-1965**    Ford pump  
Seal .....8773S  
**1989-1975**    Saginaw pump  
Seal .....7013S  
**1974-1967**    Eaton pump  
Seal .....6835S  
Bearing .....203FF

### **MANUAL STEERING**

#### **Pitman Shaft**

**1982-1980**    Saginaw design  
Seal .....313842  
**1982-1961**    Ford design  
Seal .....340151

#### **Worm Shaft**

**1989-1983**  
Seal .....221922  
**1982-1966**  
Seal .....480821  
Bearing .....8537[2]

### **CRANKSHAFT REAR SEAL**

#### **6 Cylinder**

**1989-1965**    240/3.9, 300/4.9L  
Seal Viton .....2377  
Seal PTFE H/D Opt. ....5278  
Kwik Slv (Opt Rpr) .....KWK99372  
**1983**    232/3.8L From 1/1/83  
Seal Viton .....3909  
Seal PTFE H/D Opt. ....5277  
Kwik Slv (Opt Rpr) .....KWK99363  
**1983-1982**    232/3.8L to 12/31/82  
Seal Viton .....3909  
Seal PTFE H/D Opt. ....5277  
Kwik Slv (Opt Rpr) .....KWK99363  
**1974-1961**    144/2.4, 170/2.8, 200/3.3  
Seal Rope .....5095  
Seal Split Opt. ....5116

#### **8 Cylinder**

**1989-1984**    281/4.6L, 302/5.0L,330/5.4L  
Seal Viton .....3909  
Seal PTFE H/D Opt. ....5277  
Kwik Slv (Opt Rpr) .....KWK99363  
**1989-1983**    302/5.0L From 12/82  
Seal Viton .....3909  
Seal PTFE H/D Opt. ....5277  
Kwik Slv (Opt Rpr) .....KWK99363

### **CRANKSHAFT REAR SEAL (cont.)**

#### **8 Cylinder (cont.)**

**1989-1983**    351/5.8L (W) From 7/10/83  
Seal Viton .....2377  
Seal PTFE H/D Opt. ....5278  
Kwik Slv (Opt Rpr) .....KWK99372  
**1983**    351/5.8L (W) To 7/10/83  
Seal Rope .....5095  
Seal Split .....5117  
**1983-1968**    302/5.0L Thru 11/82  
Seal Rope .....5095  
Seal Split Opt. ....5108  
**1982-1968**    400/6.6L  
Seal Rope .....5095  
Seal Split Opt. ....5117  
**1982-1968**    351/5.8L, 360/5.9L, 400/6.6L  
Seal Rope .....5095  
Seal Split Opt. ....5117  
**1979-1973**    460/7.5L  
Seal Rope .....5095  
Seal Split Opt. ....5118  
**1976-1965**    352/5.8, 390/6.4  
Seal Rope .....5095  
Seal Split Opt. ....5112S

### **TIMING COVER**

#### **6 Cylinder**

**1989-1980**    232/3.8L, 256/4.2L, 300/4.9L  
Seal (front entry) .....2692  
Seal (rear entry) .....2942  
Kwik Slv (Opt Rpr) .....KWK99187  
Harmonic Balancer  
Sleeves .....88187  
**1979-1965**    240/3.9, 300/4.9L  
Seal (front) .....2692  
Seal (rear entry) .....2942  
Kwik Slv (Opt Rpr) .....KWK99187  
Harmonic Balancer  
Sleeves .....88187  
**1974-1961**    144/2.4, 170/2.8, 200/3.3  
Seal .....7486S  
Kwik Slv (Opt Rpr) .....KWK99174

#### **8 Cylinder**

**1989-1965**    255/4.2L, 302/5.0L, 351/5.8L,  
352/5.8L, 360/5.9L, 390/6.4L,  
400/6.6L, 460/7.5L  
Seal (front entry) .....2692  
Seal (rear entry) .....2942  
Kwik Slv (Opt Rpr) .....KWK99187  
Harmonic Balancer  
Sleeves .....88187  
**1964-1963**    292/4.8L  
Seal .....350936  
Kwik Slv (Opt Rpr) .....KWK99187  
Harmonic Balancer  
Sleeves .....88187

272 [ ] Indicates Quantity Required; Set Components Listed Inside Rear Cover;

<sup>24</sup> Opt. Kit incl. seals 5683 & 5684. Not sold separately

**FORD TRUCK - 3/4 TON - E200, F200, E250, F250, Econoline, Parcel Delivery, Pickup**

**FRONT WHEEL**

**2WD**

<b>1989-1980</b>	E250 Econoline: production from 11/4/1980 on	
	Seal (inner) .....	4160[2]
	Set (inner) .....	SET47
	Cone/Cup (outer) .....	15101-15245[2]
<b>1989-1980</b>	F250: L/D	
	Seal (inner) .....	4148[2]
	Cone/Cup (inner) .....	JL69349P-JL69310P[2]
	Set (outer) .....	SET12FP <sup>60</sup>
	Cone/Cup (outer) Opt. ....	LM12749FP-LM12710P[2]
<b>1989-1980</b>	F250: H/D: GVW over 8,500 lb.	
	Seal (inner) .....	4160[2]
	Set (inner) .....	SET47
	Cone/Cup (outer) .....	15101-15245[2]
<b>1980-1975</b>	E250 Econoline: production thru 11/3/1980	
	Seal (inner) .....	493637[2]
	Set (inner) .....	SET47
	Cone/Cup (outer) .....	15101-15245[2]
<b>1979-1975</b>	F250: H/D disc brakes: dual piston calipers: production from chassis #V80001 on	
	Seal (inner) .....	493637[2]
	Set (inner) .....	SET47
	Cone/Cup (outer) .....	15101-15245[2]
<b>1979-1973</b>	F250: std. duty single piston disc brakes	
	Seal (inner) .....	4148[2]
	Set (inner) .....	SET13
	Set (outer) .....	SET12
<b>1975</b>	F250: H/D disc brakes: dual piston calipers: production thru chassis #V80000	
	Seal (inner) .....	6954S[2]
	Set (inner) .....	SET45
	Cone/Cup (outer) .....	15101-15245[2]
<b>1974-1973</b>	F250: H/D disc brakes: dual piston calipers	
	Seal (inner) .....	6954S[2]
	Set (inner) .....	SET45
	Cone/Cup (outer) .....	15101-15245[2]
<b>1974-1968</b>	E200 Econoline	
	Seal (inner) .....	4148[2]
	Set (inner) .....	SET5
	Set (outer) .....	SET3
<b>1972-1968</b>	F250: H/D 2.5" wide drum brakes	
	Seal (inner) .....	6954S[2]
	Set (inner) .....	SET45
	Cone/Cup (outer) .....	15101-15245[2]
<b>1972-1968</b>	F250: disc brakes	
	Seal (inner) .....	4148[2]
	Set (inner) .....	SET45
	Cone/Cup (outer) .....	15101-15245[2]
<b>1972-1965</b>	F250 std. duty 2" wide drum brakes	
	Seal (inner) .....	4148[2]
	Cone/Cup (inner) .....	LM29748-LM29710[2]
	Set (outer) .....	SET3

**FRONT WHEEL (cont.)**

**2WD (cont.)**

<b>1967-1965</b>	H/D: 2.5" wide drum brakes	
	Seal (inner) .....	6954S[2]
	Set (inner) .....	SET45
	Cone/Cup (outer) .....	1380-1328[2]
<b>1967-1965</b>	F250: H/D 2.5" wide drum brakes	
	Seal (inner) .....	6954S[2]
	Set (inner) .....	SET45
	Cone/Cup (outer) .....	1380-1328[2]
<b>1964-1957</b>		
	Seal (inner) .....	44053[2]
	Set (inner) .....	SET5
	Set (outer) .....	SET2
<b>1956-1948</b>		
	Seal (inner) .....	5827[2]
	Cone/Cup (inner) .....	14130-14276[2]
	Cone/Cup (outer) .....	09067-09195[2]
<b>1947-1946</b>		
	Seal (inner) .....	5796[2]
	Cone/Cup (inner) .....	15118-15250X[2]
	Cone/Cup (outer) .....	09074-09196[2]

**4WD**

<b>1989-1977</b>	Dana/Spicer 50, 60 series axles	
	Seal (inner) .....	415960[2]
	Cone/Cup (inner) .....	387A-382A[2]
	Set (outer) .....	SET38
<b>1989-1983</b>	Dana/Spicer 44 series axles	
	Seal (inner) .....	4250[2]
	Cone/Cup (inner) .....	LM104949-JLM104910[2]
	Set (outer) .....	SET45
<b>1982-1980</b>	Dana/Spicer 44 series axles	
	Seal (inner) .....	4250[2]
	Set (inner) .....	SET37
	Set (outer) .....	SET45
<b>1979-1976</b>	Dana/Spicer 44-6CF, 44-9F axles	
	Seal (inner) .....	4250[2]
	Cone/Cup (inner) .....	LM104949-JLM104910[2]
	Set (outer) .....	SET45
<b>1977-1976</b>	Dana/Spicer 60 axle: thru chassis #Y20001	
	Seal (inner) .....	4250[2]
	Cone/Cup (inner) .....	368A-362A[2]
	Set (outer) .....	SET45
<b>1977-1959</b>	Dana/Spicer 44-6CF-HD axle	
	Seal (inner) .....	416273[2]
	Cone/Cup (inner) .....	368A-362A[2]
	Set (outer) .....	SET45
<b>1975-1969</b>	Dana/Spicer 44-6E, 44-6F axles	
	Seal (inner) .....	4250[2]
	Set (inner) .....	SET37
	Set (outer) .....	SET45
<b>1969-1959</b>	Dana/Spicer 44 series axles	
	Seal (inner) .....	442380[2]
	Set (inner) .....	SET37
	Set (outer) .....	SET45

[ ] Indicates Quantity Required; Set Components Listed Inside Rear Cover;  
<sup>60</sup> O.E. Polymer Cage - Customized For Performance

# Bearings and Seals

Mfg./Year    Model & Location    Part No    Mfg./Year    Model & Location    Part No

## **FORD TRUCK - 3/4 TON - E200, F200, E250, F250, Econoline, Parcel Delivery, Pickup (cont.)**

### **REAR WHEEL**

<b>1989-1980</b>	E250 Econoline: semi-floating axle: 10.25" ring gear	
Seal .....	710067[2]	
Cyl. Bearing .....	R1561TV[2]	
Kit .....	TF01561R[2] <sup>19</sup>	
<b>1989-1981</b>	E250 Econoline: Spicer 60, 61, 70 full-floating axles	
Seal (inner) .....	9864S[2]	
Cone/Cup (inner) .....	387AS-382A[2]	
Set (outer) .....	SET38	
<b>1989-1985</b>	E250 Econoline: full-floating axle: 10.25" ring gear	
Seal (inner) .....	370047A[2] <sup>57</sup>	
Cone/Cup (inner) .....	3994-3920[2]	
Set (outer) .....	SET38	
<b>1989-1981</b>	F250: Spicer 60, 61, 70 full-floating axles	
Seal (inner) .....	9864S[2]	
Cone/Cup (inner) .....	387AS-382A[2]	
Set (outer) .....	SET38	
<b>1989-1980</b>	F250: semi-floating axle: 10.25" ring gear	
Seal .....	710067[2]	
Cyl. Bearing .....	R1561TV[2]	
Kit .....	TF01561R[2] <sup>19</sup>	
<b>1989-1985</b>	F250: full-floating axle: 10.25" ring gear: production thru 3/1994	
Seal (inner) .....	370047A[2] <sup>57</sup>	
Cone/Cup (inner) .....	3994-3920[2]	
Set (outer) .....	SET38	
<b>1980-1975</b>	E250 Econoline: 5300 lb. axle	
Seal (inner) .....	4250[2]	
Set (inner) .....	SET38	
Set (outer) .....	SET38	
<b>1979-1969</b>	F250: Spicer 60, 60-2 full-floating axles: from chassis #F70001 on	
Seal (inner) .....	4250[2]	
Set (inner) .....	SET38	
Set (outer) .....	SET38	
<b>1979-1968</b>	E200 Econoline: Dana/Spicer 60-1, 60-3 full-floating axles	
Seal (inner) .....	4250[2]	
Set (inner) .....	SET38	
Set (outer) .....	SET38	
<b>1979-1968</b>	E250 Econoline: Dana/Spicer 60-1, 60-3 full-floating axles	
Seal (inner) .....	4250[2]	
Set (inner) .....	SET38	
Set (outer) .....	SET38	
<b>1974-1973</b>	E200 Econoline: 3300 lb. Ford axle: tapered bearing	
Seal .....	3195[2]	
Set .....	SET20	
<b>1974-1973</b>	E200 Econoline: 3600 lb. axle: ball bearing	
Cyl. Bearing .....	RUB1580EBFR[2]	
<b>1974-1973</b>	E200 Econoline: 3600 lb. Ford axle: tapered bearing	
Seal .....	3195[2]	
Set .....	SET20	

### **REAR WHEEL (cont.)**

<b>1974-1969</b>	E200 Econoline: Dana Power Lock	
Seal .....	472747[2]	
Set .....	SET7	
<b>1974-1968</b>	E200 Econoline: 3300 lb. Ford axle: ball bearing	
Seal .....	51098[2]	
Bearing .....	514003P[2]	
<b>1969</b>	E250 Econoline: 4800 lb. axle: to chassis #30001	
Cone/Cup (inner) .....	18790-18720[2]	
Cone/Cup (outer) .....	25592-25520[2]	
<b>1969-1966</b>	F250: H/D brakes: thru chassis #F70000	
Seal (inner) .....	472856[2]	
Cone/Cup (inner) .....	18790-18720[2]	
Cone/Cup (outer) .....	25592-25520[2]	
<b>1969-1953</b>	F250: std duty brakes: thru chassis #F70000	
Seal (inner) .....	410987[2]	
Cone/Cup (inner) .....	18790-18720[2]	
Cone/Cup (outer) .....	18690-18620[2]	
<b>1952-1948</b>		
Seal (inner) .....	410987[2]	
Cone/Cup (inner) .....	18790-18720[2]	
Cone/Cup (outer) .....	18690-18620[2]	
<b>1947-1946</b>		
Seal (inner) .....	450103[2]	
Cone/Cup (inner) .....	18790-18720[2]	
Cone/Cup (outer) .....	18690-18620[2]	

### **FRONT AXLE**

#### **Spindle Kit**

<b>1989-1984</b>	Spicer 44 IFS (second design)	
Bearing & Seal Kit .....	SBK4 <sup>36</sup>	
<b>1989-1980</b>	Spicer 50.5	
Bearing & Seal Kit .....	SBK3 <sup>35</sup>	
<b>1984-1980</b>	Spicer 44 IFS (first design)	
Bearing & Seal Kit .....	SBK1 <sup>33</sup>	

#### **Spindle**

<b>1989-1980</b>	Spicer 50.5	
Seal (inner) .....	710044	
Needle Bearing (inner) .....	B2414	
Seal (outer) .....	710045	
<b>1989-1977</b>	Spicer 44	
Seal (inner) .....	722109	
Needle Bearing (inner) .....	B2110	
Seal (outer) .....	722108	

### **4WD FRONT AXLE**

#### **Axle Shaft**

<b>1989-1983</b>	Dana/Spicer 44 series, 50 series axles	
Seal (LH) .....	710043	
Seal (RH) .....	470672	
Cyl. Bearing (RH) .....	5707	

**274** [ ] Indicates Quantity Required; Set Components Listed Inside Rear Cover;

<sup>19</sup> Opt. Axle Repair Bearing. Replaces O.E. bearing & seal.    <sup>33</sup> Opt. Kit incl: Bearing B2110; Seals 722108 & 722109    <sup>35</sup> Opt. Kit incl: Bearing B2414; Seals 710044 & 710045    <sup>36</sup> Opt. Kit incl: Bearing B2110; Seals 722108 & 722109; Ring/not sold separately    <sup>57</sup> Oil Bath Seal

**FORD TRUCK - 3/4 TON - E200, F200, E250, F250, Econoline, Parcel Delivery, Pickup (cont.)**

**4WD FRONT AXLE (cont.)**

**Axle Shaft (cont.)**

<b>1982-1980</b>	Dana/Spicer 44 series axles	
Seal (LH)	.....	710043
Seal (RH)	.....	2146
Set (RH)	.....	SET9

**Differential Rebuild Kit**

<b>1989-1980</b>	Dana/Spicer 50 series axles	
Kit	.....	DRK336
<b>1989-1967</b>	Dana/Spicer 44 series axles	
Kit	.....	DRK339B
<b>1979-1973</b>	Dana/Spicer 60 series axles	
Kit	.....	DRK331

**Differential**

<b>1989-1967</b>	Dana/Spicer 44 series axles	
Cone/Cup	.....	25590-25523[2]
<b>1989-1980</b>	Dana/Spicer 50 series axle	
Cone/Cup	.....	JLM104948-LM104911A[2]
<b>1979-1973</b>	Dana/Spicer 60 series axle	
Cone/Cup	.....	387A-382S[2]
<b>1966-1959</b>	Dana/Spicer 44 series axles	
Cone/Cup	.....	25577-25523[2]

**Pinion**

<b>1989-1980</b>	Dana/Spicer 50 series axle	
Cone/Cup (inner)	.....	HM88649-HM88610
Seal (outer)	.....	5778
Cone/Cup (outer)	.....	02872-02820
<b>1989-1959</b>	Dana/Spicer 44 series axles	
Cone/Cup (inner)	.....	31594-31520
Seal (outer)	.....	5778
Cone/Cup (outer)	.....	02872-02820
<b>1979-1973</b>	Dana/Spicer 60 series axle	
Cone/Cup (inner)	.....	HM803146-HM803110
Seal (outer)	.....	9316
Cone/Cup (outer)	.....	HM88542-HM88510

**Spindle Kit**

<b>1989-1985</b>	Dana/Spicer 44 series axles	
Bearing & Seal Kit	.....	SBK4 <sup>36</sup>
<b>1989-1980</b>	Dana/Spicer 50 series axle	
Bearing & Seal Kit	.....	SBK3 <sup>35</sup>
<b>1984</b>	Dana/Spicer 44 series axles: early: non-bonded v-ring	
Bearing & Seal Kit	.....	SBK1 <sup>33</sup>
<b>1984</b>	Dana/Spicer 44 series axles: late: bonded v-ring	
Bearing & Seal Kit	.....	SBK4 <sup>36</sup>
<b>1983-1973</b>	Dana/Spicer 44 series axles	
Bearing & Seal Kit	.....	SBK1 <sup>33</sup>
<b>1979-1973</b>	Dana/Spicer 60 series axle	
Bearing & Seal Kit	.....	SBK3 <sup>35</sup>

**4WD FRONT AXLE**

**Spindle**

<b>1989-1980</b>	Dana/Spicer 50 series axle	
Seal (inner)	.....	710044[2]
Needle Bearing (inner)	.....	B2414[2]
Seal (outer)	.....	710045[2]
<b>1989-1976</b>	Dana/Spicer 44 series axles: from chassis #B50000	
Seal (inner)	.....	722108[2]
Needle Bearing (inner)	.....	B2110[2]
Seal (outer)	.....	722109[2]
<b>1979-1973</b>	Dana/Spicer 60 series axle	
Seal (inner)	.....	710044[2]
Needle Bearing (inner)	.....	B2414[2]
Seal (outer)	.....	710045[2]
<b>1976-1973</b>	Dana/Spicer 44 series axles: thru chassis #B49999	
Seal (inner)	.....	4250[2]
Needle Bearing (inner)	.....	B2110[2]
Seal (outer)	.....	7780N[2]
<b>1972-1959</b>	Dana/Spicer 44 series axles	
Seal	.....	472394[2]
Needle Bearing	.....	B2110[2]

**Steering Knuckle**

<b>1989-1980</b>	Dana/Spicer 50 series axle	
Seal	.....	710304[2]
Cone/Cup	.....	23100-23256[2]
<b>1979-1973</b>	Dana/Spicer 60-3 axle	
Seal	.....	710304[2]
Cone/Cup	.....	23100-23256[2]
<b>1979-1959</b>	Dana/Spicer 44-6CFHD axle	
Seal	.....	710304[2]
Cone/Cup	.....	23100-23256[2]
<b>1977-1959</b>	Dana/Spicer 44, 44-6E, 44-6F axles	
Seal	.....	204005S[2]
Cone/Cup	.....	11590-11520[2]

**Differential: Output Shaft**

<b>1983-1980</b>	Bearing Assy	.....	U298-9A010[2]
------------------	--------------	-------	---------------

**REAR AXLE**

**Differential Rebuild Kit**

<b>1989-1985</b>	10.25" ring gear	
Kit	.....	DRK314
<b>1989-1954</b>	Dana/Spicer 60, 61 series axles	
Kit	.....	DRK331
<b>1985-1983</b>	Dana/Spicer 70 series axle	
Kit	.....	DRK332U
<b>1974-1970</b>	9" ring gear: production from 5/11/1970 on	
Kit	.....	DRK313
<b>1970-1969</b>	9" ring gear: production thru 5/10/1970	
Kit	.....	DRK312

[ ] Indicates Quantity Required; Set Components Listed Inside Rear Cover;

<sup>33</sup> Opt. Kit incl: Bearing B2110; Seals 722108 & 722109    <sup>35</sup> Opt. Kit incl: Bearing B2414; Seals 710044 & 710045    <sup>36</sup> Opt. Kit incl: Bearing B2110; Seals 722108 & 722109; Ring/not sold separately



# Bearings and Seals

Mfg./Year    Model & Location    Part No    Mfg./Year    Model & Location    Part No

## **FORD TRUCK - 3/4 TON - E200, F200, E250, F250, Econoline, Parcel Delivery, Pickup (cont.)**

### **REAR AXLE**

#### **Differential**

<b>1989-1985</b>	10.25", 10,5" ring gear	
Cone/Cup	.....	469-453X[2]
<b>1989-1954</b>	Dana/Spicer 60, 61, 70 series axles	
Cone/Cup	.....	387A-382S[2]
<b>1988-1970</b>	9" ring gear: production from 5/11/1970 on	
Set	.....	SET47[2]
<b>1970-1968</b>	9" ring gear: production thru 5/10/1970	
Set	.....	SET45[2]
<b>1969-1968</b>	8.375" ring gear	
Cone/Cup	.....	28580-28521[2]
<b>1955-1953</b>	Rockwell A150 axle	
Cone/Cup (LH)	.....	28580-28521
Cone/Cup (RH)	.....	18790-18720

#### **Pinion**

<b>1989</b>	Dana/Spicer 60-1U axle	
Cone/Cup (inner)	.....	HM803146-HM803110
Seal Viton (outer)	.....	719316
Cone/Cup (outer)	.....	HM88542-HM88510
<b>1988-1987</b>	Dana/Spicer 60-3, 61-2 axles	
Cone/Cup (inner)	.....	HM803146-HM803110
Seal (outer)	.....	9316
Cone/Cup (outer)	.....	HM88542-HM88510
<b>1988-1987</b>	Dana/Spicer 61-1 axle	
Cone/Cup (inner)	.....	HM803146-HM803110
Seal Viton (outer)	.....	719316
Cone/Cup (outer)	.....	HM88542-HM88510
<b>1988-1969</b>	9" ring gear	
Cone/Cup (inner)	.....	M88048-M88010
Seal (outer)	.....	7044NA
Cone/Cup (outer)	.....	M88048-M88010
<b>1986-1970</b>	Dana/Spicer 60, 61 series axles: from chassis#G90001	
Cone/Cup (inner)	.....	HM803146-HM803110
Seal (outer)	.....	9316
Cone/Cup (outer)	.....	HM88542-HM88510
<b>1985-1983</b>	Dana/Spicer 70 series axle	
Cone/Cup (inner)	.....	HM803149-HM803110
Seal (outer)	.....	9316
Cone/Cup (outer)	.....	HM88542-HM88510
<b>1972-1968</b>	8.375" ring gear	
Cone/Cup (inner)	.....	M88048-M88010
Seal (outer)	.....	7044NA
Cone/Cup (outer)	.....	M88048-M88010
<b>1970-1954</b>	Dana/Spicer 60 series axles: thru chassis #G90000	
Cone/Cup (inner)	.....	HM803146-HM803110
Seal (outer)	.....	6808N
Cone/Cup (outer)	.....	HM88542-HM88510
<b>1955-1953</b>	Rockwell A150 axle	
Cone/Cup (inner)	.....	HM804840-HM804810
Seal (outer)	.....	451078
Cone/Cup (outer)	.....	HM89443-HM89410

### **TRANSFER CASE REBUILD KIT**

<b>1989-1987</b>	Warner 1356	
Kit	.....	TCRK1356
<b>1989-1981</b>	Warner 1345	
Kit	.....	TCRK1345
<b>1986-1980</b>	New Process 208	
Kit	.....	TCRK208SPK <sup>47</sup>
<b>1979-1973</b>	New Process 205: manual trans	
Kit	.....	TCRK205F
<b>1979-1973</b>	New Process 205: automatic trans	
Kit	.....	TCRK205FA
<b>1979-1973</b>	New Process 203	
Kit	.....	TCRK203F

### **TRANSFER CASE**

#### **Input Shaft**

<b>1989-1987</b>	Warner 1356	
Seal	.....	714503
Bearing	.....	110CB
Needle Bearing (pilot)	.....	BK3026
<b>1989-1981</b>	Warner 1345	
Seal	.....	710062
Kwik Slv (Opt Rpr)	.....	KWK99175
<b>1986-1980</b>	New Process 208	
Seal	.....	3173[2]
Needle Bearing	.....	B5020[2]
Seal Dual Lip	.....	710928[2]
Kwik Slv (Opt Rpr)	.....	KWK99193
Needle Bearing (pilot)	.....	B2012
Needle Bearing Thrust	.....	AXK5070
<b>1979</b>	New Process 203	
Seal	.....	3173[2]
Bearing	.....	1210L[2]
Kwik Slv (Opt Rpr)	.....	KWK99193[2]
<b>1979-1973</b>	New Process 205: manual trans	
Seal	.....	473468[2]
Bearing	.....	1307L[2]
Kwik Slv (Opt Rpr)	.....	KWK99212[2]
<b>1979-1973</b>	New Process 205: automatic trans	
Seal	.....	471869[2]
Bearing	.....	1210L[2]
Kwik Slv (Opt Rpr)	.....	KWK99193[2]
<b>1978-1973</b>	New Process 203	
Seal	.....	473468[2]
Bearing	.....	1210L[2]
Kwik Slv (Opt Rpr)	.....	KWK99212[2]
<b>1972-1966</b>	Spicer 21	
Seal	.....	473179
Bearing	.....	307L
Kwik Slv (Opt Rpr)	.....	KWK99187

#### **Front Output Shaft**

<b>1989-1987</b>	Warner 1356	
Seal	.....	714503
Bearing	.....	207
Needle Bearing (pilot)	.....	B2012

**276** [ ] Indicates Quantity Required; Set Components Listed Inside Rear Cover;

<sup>47</sup> Includes Small Parts Kit

**FORD TRUCK - 3/4 TON - E200, F200, E250, F250, Econoline, Parcel Delivery, Pickup (cont.)**

**TRANSFER CASE (cont.)**

**Front Output Shaft (cont.)**

<b>1989-1981</b>	Warner 1345	
Seal	.....	3946
Bearing	.....	207
Kwik Slv (Opt Rpr)	.....	KWK99187
Needle Bearing (pilot)	.....	B2012
<b>1986-1980</b>	New Process 208	
Seal	.....	3946
Needle Bearing	.....	B2816
Kwik Slv (Opt Rpr)	.....	KWK99187
Needle Bearing (pilot)	.....	J2416
Needle Bearing Thrust	.....	NTA2840[2]
<b>1979</b>	New Process 203 (2.125" shaft)	
Seal	.....	473468
Bearing	.....	307L[2]
Kwik Slv (Opt Rpr)	.....	KWK99212
Needle Bearing (pilot)	.....	M28161
<b>1979</b>	New Process 203 (2.062" shaft)	
Seal	.....	450307
Bearing	.....	307L[2]
Kwik Slv (Opt Rpr)	.....	KWK99205
Needle Bearing (pilot)	.....	M28161
<b>1979-1973</b>	New Process 205	
Seal	.....	473468
Bearing	.....	307L[2]
Kwik Slv (Opt Rpr)	.....	KWK99212
Needle Bearing (pilot)	.....	M28161
<b>1978</b>	New Process 203	
Seal	.....	473457
Bearing	.....	307L[2]
Kwik Slv (Opt Rpr)	.....	KWK99187
Needle Bearing (pilot)	.....	M28161
<b>1977-1973</b>	New Process 203	
Seal	.....	710005
Bearing	.....	307L[2]
Kwik Slv (Opt Rpr)	.....	KWK99174
Needle Bearing (pilot)	.....	M28161
<b>1976-1966</b>	Spicer 21	
Seal	.....	450185
Cone/Cup	.....	14131-14276[2]
Kwik Slv (Opt Rpr)	.....	KWK99156

**Rear Output Shaft**

<b>1989-1987</b>	Warner 1356 (slip yoke)	
Seal	.....	4503N
Bearing	.....	207
<b>1989-1987</b>	Warner 1356 (fixed yoke)	
Seal	.....	4333N
Bearing	.....	207
<b>1989</b>	Warner 1345 (booted)	
Seal	.....	4333N
Bearing	.....	207
Needle Bearing (pilot)	.....	B2812
<b>1989-1981</b>	Warner 1345 (non-booted)	
Seal	.....	3946
Bearing	.....	207
Kwik Slv (Opt Rpr)	.....	KWK99187
Needle Bearing (pilot)	.....	B2812

**TRANSFER CASE (cont.)**

**Rear Output Shaft (cont.)**

<b>1986-1980</b>	New Process 208 (slip yoke)	
Seal	.....	4333N
Bearing	.....	1207L
Needle Bearing (pilot)	.....	B3616
Needle Bearing Thrust	.....	TC2435
<b>1986-1980</b>	New Process 208 (fixed yoke)	
Seal	.....	3946
Bearing	.....	1207L
Kwik Slv (Opt Rpr)	.....	KWK99187
Needle Bearing (pilot)	.....	B3616
Needle Bearing Thrust	.....	TC2435
<b>1979</b>	New Process 205	
Seal	.....	473457
Bearing	.....	307L
Kwik Slv (Opt Rpr)	.....	KWK99187
Needle Bearing (pilot)	.....	B3216
<b>1979</b>	New Process 203	
Seal	.....	473468
Bearing	.....	307L
Kwik Slv (Opt Rpr)	.....	KWK99212
Needle Bearing (pilot)	.....	B3216
<b>1978-1973</b>	New Process 205	
Seal	.....	473468
Bearing	.....	307L
Kwik Slv (Opt Rpr)	.....	KWK99212
Needle Bearing (pilot)	.....	B3616
<b>1978-1973</b>	New Process 203	
Seal	.....	473204
Bearing	.....	307L
Kwik Slv (Opt Rpr)	.....	KWK99212
Needle Bearing (pilot)	.....	QAR29523[15]
<b>1976-1966</b>	Spicer 21	
Cone/Cup (front)	.....	25877-25821
Seal (rear)	.....	470682
Cone/Cup (rear)	.....	M86649-M86610
Kwik Slv (Opt Rpr)	.....	KWK99156

**Intermediate Shaft**

<b>1979-1973</b>	New Process	
Cone/Cup	.....	2793-2720[2]
<b>1979-1966</b>	Spicer	
Bearing	.....	1207L[2]

**Oil Pump Housing**

<b>1986-1973</b>	New Process	
Seal	.....	341022
Kwik Slv (Opt Rpr)	.....	KWK99225

**Selector Shaft Seal/Man. Shaft**

<b>1989-1987</b>	Warner	
Seal	.....	330385
Kwik Slv (Opt Rpr)	.....	KWK99225
<b>1979-1973</b>	New Process 205	
Seal	.....	2287[2]
Kwik Slv (Opt Rpr)	.....	KWK99076
<b>1976-1966</b>	Spicer	
Seal	.....	470009[2]
Kwik Slv (Opt Rpr)	.....	KWK99076[2]

# Bearings and Seals

Mfg./Year    Model & Location    Part No    Mfg./Year    Model & Location    Part No

## **FORD TRUCK - 3/4 TON - E200, F200, E250, F250, Econoline, Parcel Delivery, Pickup (cont.)**

### **TRANSMISSION REBUILD KIT**

**1989-1987**    ZF S5-42, S5-47  
 Kit .....TRK300ZFI

### **3-SPEED AUTOMATIC TRANSMISSION**

#### **Torque Converter**

**1989-1964**    C4, C5, C6  
 Seal .....331107N  
 Kwik Slv (Opt Rpr) .....KWK99199

**1976-1965**    Cruise-o-Matic  
 Seal .....331107N  
 Kwik Slv (Opt Rpr) .....KWK99199

**1964-1953**    Ford-o-Matic  
 Seal .....6988H  
 Kwik Slv (Opt Rpr) .....KWK99193

#### **Rear Seal/Ext. Housing**

**1989-1980**    C6  
 Seal .....410308

**1986-1964**    C4 (booted), C5  
 Seal .....7692S  
 Seal Kit .....5202<sup>64</sup>

**1979-1965**    C6 (3.066" O.D.)  
 Seal .....410308

**1979-1965**    C6 (2.506" O.D.)  
 Seal .....7300S  
 Seal Kit .....5203<sup>64</sup>

**1976-1965**    Cruise-o-Matic  
 Seal .....7300S  
 Seal Kit .....5203<sup>64</sup>

**1972-1964**    C4 (non-booted)  
 Seal .....470687

**1964-1953**    Ford-o-Matic  
 Seal .....7692S  
 Seal Kit .....5202<sup>64</sup>

#### **Selector Shaft Seal/Man. Shaft**

**1989-1964**    C6  
 Seal .....7929S

**1986-1964**    C4, C5  
 Seal .....240816  
 Kwik Slv (Opt Rpr) .....KWK99076

**1976-1953**    exc. C4, C5, C6  
 Seal .....7929S

### **4-SPEED AUTOMATIC TRANSMISSION**

#### **Torque Converter**

**1989**    4R70W, AODEW, E4OD  
 Seal .....3404

**1989-1980**    AOT (AOD)  
 Seal .....331107N  
 Kwik Slv (Opt Rpr) .....KWK99199

### **4-SPEED AUTOMATIC TRANSMISSION**

#### **Rear Seal/Ext. Housing**

**1989**    E4OD  
 Seal .....7300S  
 Seal Kit .....5203<sup>64</sup>

**1989-1980**    AOT (AOD): long boot  
 Seal .....7692S  
 Seal Kit .....5202<sup>64</sup>

#### **Selector Shaft Seal/Man. Shaft**

**1989-1980**  
 Seal .....7929S

### **CLUTCH - 6 CYLINDER**

#### **Pilot Bearing**

**1989-1968**    6-cylinder 300 (4.9)  
 Needle Bearing .....FC65662

**1974-1965**    6-cylinder 240 (3.9)  
 Needle Bearing .....FC65662

**1970-1967**    6-cylinder 170 (2.8)  
 Needle Bearing .....FC65174

**1959-1954**    6-cylinder 223 (3.6)  
 Bearing .....203S

**1953-1951**    6-cylinder 215 (3.5)  
 Bearing .....203S

**1950-1948**    6-cylinder 226 (3.7)  
 Bearing .....203S

### **CLUTCH**

#### **Pilot Bearing**

**1989-1988**    8-cylinder 444 (7.3) diesel  
 Needle Bearing .....FC65662

**1989-1983**    8-cylinder 460 (7.5)  
 Needle Bearing .....FC66067

**1989-1968**    8-cylinder 302 (5.0)  
 Needle Bearing .....FC65662

**1989-1968**    8-cylinder 351 (5.8)  
 Needle Bearing .....FC65662

**1987-1983**    8-cylinder 420 (6.9) diesel  
 Needle Bearing .....FC65662

**1982-1965**    8-cylinder 400 (6.6)  
 Bushing H/D .....PB50DHD

**1979-1965**    8-cylinder 360 (5.9)  
 Bushing H/D .....PB50DHD

**1979-1965**    8-cylinder 390 (6.4)  
 Bushing H/D .....PB50DHD

**1975-1965**    8-cylinder 360 (5.9)  
 Bushing H/D .....PB50DHD

**1967**    8-cylinder 352 (5.8)  
 Bushing H/D .....PB50DHD

**1964-1963**    8-cylinder 292 (4.8)  
 Bearing .....203S

**1956-1953**    8-cylinder 272 (4.4)  
 Bearing .....203S

**1956-1946**    8-cylinder 239 (3.9)  
 Bearing .....203S

**FORD TRUCK - 3/4 TON - E200, F200, E250, F250, Econoline, Parcel Delivery, Pickup (cont.)**

**CLUTCH**

**Release Bearing**

<b>1989-1988</b>	8-cylinder 444 (7.3) diesel	
	Bearing Assy .....	614062
<b>1989-1987</b>	8-cylinder 420 (6.9) diesel:	
	5-speed	
	Bearing Assy .....	614062
<b>1989-1987</b>	8-cylinder 460 (7.5): 5-speed	
	Bearing Assy .....	614062
<b>1989-1988</b>	6-cylinder 300 (4.9): 4-speed:	
	mechanical mechanism	
	Bearing Assy .....	614014
<b>1989-1988</b>	8-cylinder 302 (5.0): 4-speed:	
	mechanical mechanism	
	Bearing Assy .....	614014
<b>1989-1988</b>	8-cylinder 351 (5.8): 4-speed:	
	mechanical mechanism	
	Bearing Assy .....	614014
<b>1989-1983</b>	8-cylinder 460 (7.5): 4-speed	
	Bearing Assy .....	614014
<b>1989-1988</b>	8-cylinder 302 (5.0): 5-speed:	
	hydraulic mechanism	
	Bearing Assy .....	614061
<b>1989-1988</b>	8-cylinder 351 (5.8): 5-speed:	
	hydraulic mechanism	
	Bearing Assy .....	614061
	Bearing Assy .....	614169
<b>1987-1983</b>	6-cylinder 300 (4.9)	
	Bearing Assy .....	614014
<b>1987-1983</b>	8-cylinder 302 (5.0)	
	Bearing Assy .....	614014
<b>1987-1983</b>	8-cylinder 351 (5.8)	
	Bearing Assy .....	614014
<b>1986-1983</b>	8-cylinder 420 (6.9) diesel:	
	4-speed	
	Bearing Assy .....	614014
<b>1982-1980</b>	8-cylinder 400 (6.6)	
	Bearing Assy .....	614034
<b>1982-1978</b>	6-cylinder 300 (4.9)	
	Bearing Assy .....	614038
<b>1982-1978</b>	8-cylinder 302 (5.0)	
	Bearing Assy .....	614038
<b>1982-1978</b>	8-cylinder 351 (5.8)	
	Bearing Assy .....	614038
<b>1979-1965</b>	8-cylinder 360 (5.9)	
	Bearing Assy .....	614034
<b>1979-1965</b>	8-cylinder 390 (6.4)	
	Bearing Assy .....	614034
<b>1979-1965</b>	8-cylinder 400 (6.6)	
	Bearing Assy .....	614034
<b>1977-1968</b>	8-cylinder 302 (5.0): 10" disc and	
	smaller	
	Bearing Assy .....	614038
<b>1977-1968</b>	8-cylinder 302 (5.0): 10.4" disc	
	and larger: H/D	
	Bearing Assy .....	614034
<b>1977-1968</b>	8-cylinder 351 (5.8): 10" disc and	
	smaller	
	Bearing Assy .....	614038

**CLUTCH (cont.)**

**Release Bearing (cont.)**

<b>1977-1968</b>	8-cylinder 351 (5.8): 10.4" disc	
	and larger: H/D	
	Bearing Assy .....	614034
<b>1977-1965</b>	6-cylinder 240 (3.9): 10" disc and	
	smaller	
	Bearing Assy .....	614038
<b>1977-1965</b>	6-cylinder 240 (3.9): 10.4" disc	
	and larger: H/D	
	Bearing Assy .....	614034
<b>1977-1965</b>	6-cylinder 300 (4.9): 10" disc and	
	smaller	
	Bearing Assy .....	614038
<b>1977-1965</b>	6-cylinder 300 (4.9): 10.4" disc	
	and larger: H/D	
	Bearing Assy .....	614034
<b>1975-1965</b>	8-cylinder 352 (5.8)	
	Bearing Assy .....	614034
<b>1970-1968</b>	6-cylinder 170 (2.8): 8.5" disc	
	Bearing Assy .....	614038
<b>1970-1968</b>	6-cylinder 170 (2.8): 10" disc	
	Bearing Only .....	F1505C
<b>1964</b>	6-cylinder 262 (4.3)	
	Bearing Only .....	2065C
<b>1964-1963</b>	8-cylinder 292 (4.8)	
	Bearing Only .....	F2065C
<b>1964-1957</b>	6-cylinder 215 (3.5)	
	Bearing Only .....	F2065C
<b>1964-1957</b>	6-cylinder 223 (3.6)	
	Bearing Only .....	F2065C
<b>1964-1957</b>	6-cylinder 226 (3.7)	
	Bearing Only .....	F2065C
<b>1956-1953</b>		
	Bearing Only .....	F2065C
<b>1952-1946</b>		
	Bearing Only .....	2065

**3-SPEED MANUAL TRANSMISSION**

**Front Input Shaft**

<b>1986-1963</b>	Tremac	
	Seal .....	3638
	Bearing .....	208LO
	Kwik Slv (Opt Rpr) .....	KWK99112
<b>1971-1965</b>	Warner T85	
	Seal .....	7412S
	Bearing .....	307L
	Kwik Slv (Opt Rpr) .....	KWK99125
<b>1971-1959</b>	Warner T89	
	Bearing .....	307L
<b>1967-1959</b>	Warner T87	
	Bearing .....	1209L
<b>1966-1965</b>	Ford 2.77 (HED, RED)	
	Seal .....	480210
	Kwik Slv (Opt Rpr) .....	KWK99106
<b>1964-1953</b>	Warner T86	
	Seal .....	450326
	Bearing .....	207L
	Kwik Slv (Opt Rpr) .....	KWK99149

# Bearings and Seals

Mfg./Year    Model & Location    Part No    Mfg./Year    Model & Location    Part No

## **FORD TRUCK - 3/4 TON - E200, F200, E250, F250, Econoline, Parcel Delivery, Pickup (cont.)**

### **3-SPEED MANUAL TRANSMISSION**

(cont.)

#### **Front Input Shaft (cont.)**

<b>1962-1953</b>	Ford L/D	
Seal	.....	482208
Bearing	.....	207L
Kwik Slv (Opt Rpr)	.....	KWK99112

#### **Rear Output Shaft**

<b>1986-1963</b>	Tremac	
Seal	.....	7692S
Bearing	.....	207L
Seal Kit	.....	5202 <sup>64</sup>
<b>1977-1959</b>	Warner T87, T89	
Seal	.....	473468
Bearing	.....	307L
<b>1971-1965</b>	Warner T85	
Seal	.....	470059
Bearing	.....	307L
Seal Kit	.....	5201 <sup>64</sup>
<b>1966-1965</b>	Ford 2.77 (HED, RED): 1.5" shaft	
Seal	.....	470059
Bearing	.....	206L
Seal Kit	.....	5201 <sup>64</sup>
<b>1966-1965</b>	Ford 2.77 (HED, RED): 1.375" shaft	
Seal	.....	7495S
Bearing	.....	206L
Seal Kit	.....	5204 <sup>64</sup>
<b>1964-1953</b>	Warner T86	
Seal	.....	470059
Bearing	.....	207L
Seal Kit	.....	5201 <sup>64</sup>
<b>1962-1953</b>	Ford L/D (1.378" shaft)	
Seal	.....	470059
Bearing	.....	207L
<b>1962-1953</b>	Ford L/D (1.181" shaft)	
Seal	.....	470059
Bearing	.....	306L
Seal Kit	.....	5201 <sup>64</sup>

#### **Selector Shaft Seal/Man. Shaft**

<b>1971-1953</b>	Warner T85, T86, T89	
Seal	.....	340797
Kwik Slv (Opt Rpr)	.....	KWK99059
<b>1967-1948</b>	Warner T87	
Seal	.....	7399S
Kwik Slv (Opt Rpr)	.....	KWK99062

### **4-SPEED MANUAL TRANSMISSION**

#### **Transmission Rebuild Kit**

<b>1987-1966</b>	New Process 435	
Kit	.....	TRK127
<b>1982-1966</b>	Warner T18	
Kit	.....	TRK82F

### **4-SPEED MANUAL TRANSMISSION**

#### **Input Shaft**

<b>1989-1983</b>	Warner T18	
Seal	.....	7412S
Bearing	.....	308LTB
Kwik Slv (Opt Rpr)	.....	KWK99125
<b>1989-1980</b>	Tremac	
Seal	.....	3638
Bearing	.....	308LTB
Kwik Slv (Opt Rpr)	.....	KWK99112
<b>1987-1965</b>	New Process 435	
Seal	.....	482163N
Cone/Cup	.....	HM88649-HM88610
Kwik Slv (Opt Rpr)	.....	KWK99138
<b>1982-1980</b>	Warner T18	
Seal	.....	7412S
Bearing	.....	308LI
Kwik Slv (Opt Rpr)	.....	KWK99125
<b>1979-1978</b>	Tremac	
Seal	.....	482208
Bearing	.....	308LTB
Kwik Slv (Opt Rpr)	.....	KWK99112
<b>1979-1965</b>	Warner T18	
Seal	.....	7412S
Bearing	.....	308LTB
Kwik Slv (Opt Rpr)	.....	KWK99125
<b>1964-1963</b>	Dagenham Design	
Seal	.....	482208
Bearing	.....	307L
Kwik Slv (Opt Rpr)	.....	KWK99112
<b>1964-1948</b>	Warner T98	
Bearing	.....	308LI
<b>1952-1946</b>	Warner T9	
Bearing	.....	209BB
<b>1952-1946</b>	Warner T8	
Bearing	.....	1209L

#### **Rear Output Shaft**

<b>1989-1984</b>	Warner T18: 28-spline	
Seal	.....	7692S
Bearing	.....	308LI
Seal Kit	.....	5202 <sup>64</sup>
<b>1989-1985</b>	Tremac 2nd design	
Seal	.....	7692S
Bearing	.....	308L
Seal Kit	.....	5202 <sup>64</sup>
<b>1987-1984</b>	Warner T18 (31 spline)	
Seal	.....	473442
Bearing	.....	308LI
<b>1987-1980</b>	New Process 435	
Seal	.....	471271
Bearing	.....	1308L
<b>1985-1978</b>	Tremac 1st design	
Seal	.....	7692S
Bearing	.....	308LTB
Seal Kit	.....	5202 <sup>64</sup>
<b>1983-1980</b>	Warner T18 (31 spline)	
Seal	.....	473442
Bearing	.....	1308L

**FORD TRUCK - 3/4 TON - E200, F200, E250, F250, Econoline, Parcel Delivery, Pickup (cont.)**

**4-SPEED MANUAL TRANSMISSION**

(cont.)

**Rear Output Shaft (cont.)**

<b>1983-1980</b>	Warner T18: 28-spline	
Seal .....		7692S
Bearing .....		1308L
Seal Kit .....		5202 <sup>64</sup>
<b>1979</b>	New Process 435 (3.066" O.D.)	
Seal .....		473468
Bearing .....		1308L
<b>1979</b>	New Process 435 (2.378" O.D.)	
Seal .....		7692S
Bearing .....		1308L
Seal Kit .....		5202 <sup>64</sup>
<b>1979-1973</b>	Warner T18 (35 spline)(3.256" O.D.)	
Seal .....		450519
Bearing .....		308L
<b>1979-1965</b>	Warner T18: 28-spline	
Seal .....		470059
Bearing .....		308L
<b>1978-1977</b>	New Process 435 (3.066" O.D.)	
Seal .....		473468
Bearing .....		1308L
<b>1978-1965</b>	New Process 435 (2.378" O.D.)	
Seal .....		470059
Bearing .....		1308L
Seal Kit .....		5201 <sup>64</sup>
<b>1978-1965</b>	New Process 435 (3.256" O.D.)	
Seal .....		450519
Bearing .....		1308L
<b>1972-1965</b>	Warner T18: 10-splines: 3.066" OD	
Seal .....		450308
Bearing .....		308L
<b>1964-1963</b>	Dagenham Design	
Seal .....		7495S
Bearing .....		206L
Seal Kit .....		5204 <sup>64</sup>
<b>1964-1948</b>	Warner T98	
Seal .....		450308
Bearing .....		307L
<b>1952-1946</b>	Warner T8, T9	
Seal .....		450308
Bearing .....		307L

**Selector Shaft Seal/Man. Shaft**

<b>1989-1978</b>	Tremac	
Seal .....		313156
<b>1964-1963</b>	Dagenham Design	
Seal .....		7399S
Kwik Slv (Opt Rpr) .....		KWK99062

**5-SPEED MANUAL TRANSMISSION**

**Front Input Shaft**

<b>1989-1987</b>	ZF S5-42, S5-47	
Seal Viton .....		713771
Cone/Cup .....		28580-28521
Kwik Slv (Opt Rpr) .....		KWK99139
<b>1989-1988</b>	Mazda	
Seal .....		223012
Kwik Slv (Opt Rpr) .....		KWK99114

**Front Input Shaft Pocket**

<b>1989-1987</b>	ZF S5-42	
Cone .....		JH13349

**Countershaft**

<b>1989-1987</b>	ZF S5-42	
Cone/Cup .....		2580-2520[2]

**Rear Output Shaft**

<b>1989-1988</b>	Mazda	
Seal .....		710415
<b>1989-1987</b>	ZF S5-42: 4x4 application	
Seal .....		1217
Cone/Cup .....		J28573-28521
<b>1989-1987</b>	ZF S5-42: 4x2 application	
Seal .....		225010
Cone/Cup .....		J28573-28521

**A/C COMPRESSOR**

<b>1989</b>	Nippondenso FX 15 (axial)	
Bearing .....		5106WCC
<b>1989-1988</b>	Sanden SD 709 (axial)	
Bearing .....		5001KFF
<b>1989-1982</b>	Ford FS6 (axial)	
Bearing .....		5000KFF
<b>1987-1984</b>	Tecumseh HR980 (radial); Nippondenso 6E171 (axial)	
Bearing .....		5000KFF
<b>1984-1966</b>	Tecumseh; York; (axial)	
Bearing .....		5106WCC
Bearing (rear) .....		203AB

**DRIVESHAFT SUPPORT**

<b>1989-1973</b>	Spicer 1410: 1.5748" bearing ID, 2.25" height	
Hanger Bearing Assy .....		HB88508A
<b>1989-1955</b>	Spicer 1260, 1280, 1310, 1410, 1480: 1.3780 bearing ID	
Bearing .....		88107
Hanger Bearing Assy .....		HB88107A
<b>1983-1973</b>	Cleveland 055: 1.5748" bearing ID, 2.25" height	
Hanger Bearing Assy .....		HB88508A
<b>1983-1955</b>	Spicer 1410, 1650: 1.7717" bearing ID	
Bearing .....		88509
Hanger Bearing Assy .....		HB88509
<b>1979-1955</b>	Spicer: 1.9685" bearing ID	
Hanger Bearing Assy .....		HB88510A

[ ] Indicates Quantity Required; Set Components Listed Inside Rear Cover;  
<sup>64</sup> Opt. Seal and Bushing Kit

# Bearings and Seals

Mfg./Year    Model & Location    Part No    Mfg./Year    Model & Location    Part No

## **FORD TRUCK - 3/4 TON - E200, F200, E250, F250, Econoline, Parcel Delivery, Pickup (cont.)**

### **DRIVESHAFT SUPPORT (cont.)**

<b>1979-1955</b>	Spicer: 2.3622" bearing ID	
	Hanger Bearing Assy .....	HB88512AHD
<b>1979-1955</b>	Spicer 1410, 1480: 1.5748" bearing ID, 2.5" height	
	Bearing .....	88508
	Hanger Bearing Assy .....	HB88508
<b>1975-1965</b>	Cleveland 055: 1.5000" bearing ID	
	Hanger Bearing Assy .....	HB2
<b>1975-1965</b>	Cleveland R55: 1.3750" bearing ID	
	Hanger Bearing Assy .....	HB1
<b>1975-1965</b>	Cleveland S55: 1.3750" bearing ID	
	Hanger Bearing Assy .....	HB1
<b>1954-1948</b>	1.378" bearing ID	
	Bearing .....	207

### **POWER STEERING**

#### **Pitman Shaft**

<b>1982-1974</b>	E200; E250	
	Seal Kit .....	PSK1 <sup>24</sup>

#### **Pump Shaft**

<b>1989-1975</b>	Saginaw pump	
	Seal .....	7013S
<b>1989-1969</b>	Ford pump	
	Seal .....	8773S

### **MANUAL STEERING**

#### **Pitman Shaft**

<b>1982-1980</b>	Saginaw design	
	Seal .....	313842
<b>1982-1966</b>	Ford design	
	Seal .....	340151

#### **Worm Shaft**

<b>1989-1983</b>		
	Seal .....	221922
<b>1982-1966</b>	Saginaw	
	Seal .....	480821
	Bearing .....	8537[2]

### **CRANKSHAFT REAR SEAL**

#### **6 Cylinder**

<b>1989-1965</b>	240/3.9, 300/4.9L	
	Seal Viton .....	2377
	Seal PTFE H/D Opt. ....	5278
	Kwik Slv (Opt Rpr) .....	KWK99372
<b>1970-1968</b>	170/2.8	
	Seal Rope .....	5095
	Seal Split Opt. ....	5116

### **CRANKSHAFT REAR SEAL**

#### **8 Cylinder**

<b>1989-1984</b>	281/4.6L, 302/5.0L, 330/5.4L	
	Seal Viton .....	3909
	Seal PTFE H/D Opt. ....	5277
	Kwik Slv (Opt Rpr) .....	KWK99363
<b>1989-1984</b>	351/5.8L	
	Seal Viton .....	2377
	Seal PTFE H/D Opt. ....	5278
	Kwik Slv (Opt Rpr) .....	KWK99372
<b>1989-1973</b>	460/7.5L	
	Seal Rope .....	5095
	Seal Split Opt. ....	5118
<b>1989-1983</b>	420/6.9L, 444/7.3L Diesels	
	Seal Viton .....	3893V
	Kwik Slv (Opt Rpr) .....	KWK99372
<b>1983</b>	351/5.8L (W) To 7/10/83	
	Seal Rope .....	5095
	Seal Split Opt. ....	5117
<b>1983</b>	351/5.8L (W) From 7/10/83	
	Seal Viton .....	2377
	Seal PTFE H/D Opt. ....	5278
	Kwik Slv (Opt Rpr) .....	KWK99372
<b>1983</b>	302/5.0L Thru 11/82	
	Seal Rope .....	5095
	Seal Split Opt. ....	5108
<b>1983</b>	302/5.0L From 12/82	
	Seal Viton .....	3909
	Seal PTFE H/D Opt. ....	5277
	Kwik Slv (Opt Rpr) .....	KWK99363
<b>1982-1968</b>	351/5.8L, 360/5.9L, 400/6.6L	
	Seal Rope .....	5095
	Seal Split Opt. ....	5117
<b>1982-1968</b>	302/5.0L	
	Seal Rope .....	5095
	Seal Split Opt. ....	5108
<b>1976-1965</b>	352/5.8, 390/6.4	
	Seal Rope .....	5095
	Seal Split Opt. ....	5112S

### **TIMING COVER**

#### **6 Cylinder**

<b>1989-1965</b>	256/4.2L, 300/4.9L	
	Seal (front entry) .....	2692
	Seal (rear entry) .....	2942
	Kwik Slv (Opt Rpr) .....	KWK99187
<b>1970-1968</b>	170/2.8	
	Seal .....	7486S
	Kwik Slv (Opt Rpr) .....	KWK99174
<b>1964-1952</b>	215/3.5L, 223/3.6L	
	Seal .....	350936
	Kwik Slv (Opt Rpr) .....	KWK99187
	Harmonic Balancer	
	Sleeves .....	88187

**FORD TRUCK - 3/4 TON - E200, F200, E250, F250, Econoline, Parcel Delivery, Pickup (cont.)**

**TIMING COVER**

**8 Cylinder**

<b>1989-1983</b>	420/6.9L, 444/7.3L Diesels	
Seal Viton .....	3894V	
Seal .....	5066 <sup>26</sup>	
<b>1989-1965</b>	302/5.0L, 351/5.8L, 352/5.8L, 360/5.9L, 390/6.4L, 400/6.6L, 460/7.5L	
Seal (front entry) .....	2692	
Seal (rear entry) .....	2942	
Kwik Slv (Opt Rpr) .....	KWK99187	
Harmonic Balancer		
Sleeves .....	88187	

**TIMING COVER (cont.)**

**8 Cylinder (cont.)**

<b>1964-1963</b>	292/4.8L	
Seal .....	350936	
Kwik Slv (Opt Rpr) .....	KWK99187	
Harmonic Balancer		
Sleeves .....	88187	

**FORD TRUCK - 1 TON - F3, F53, F59, E300, E350, F350, M400, P400, 3500 Series, Econoline, Motor Home, Parcel Delivery, Pickup, F450 Super Duty, Van**

**FRONT WHEEL**

**2WD**

<b>1989-1980</b>	E350 Econoline: production from 11/1980 on	
Seal (inner) .....	4160[2]	
Set (inner) .....	SET47	
Cone/Cup (outer) .....	15101-15245[2]	
<b>1989-1980</b>	F350	
Seal (inner) .....	4160[2]	
Set (inner) .....	SET47	
Cone/Cup (outer) .....	15101-15245[2]	
<b>1989-1988</b>	F450 Super Duty	
Seal (inner) .....	4160[2]	
Set (inner) .....	SET47	
Cone/Cup (outer) .....	15101-15245[2]	
<b>1980-1975</b>	E350 Econoline: production thru 11/1980	
Seal (inner) .....	493637[2]	
Set (inner) .....	SET47	
Cone/Cup (outer) .....	15101-15245[2]	
<b>1979-1975</b>	F350 from chassis #V80002 on	
Seal (inner) .....	493637[2]	
Set (inner) .....	SET47	
Cone/Cup (outer) .....	15101-15245[2]	
<b>1976-1968</b>	P400	
Seal (inner) .....	6954S[2]	
Set (inner) .....	SET45	
Cone/Cup (outer) .....	1380-1328[2]	
<b>1976-1957</b>	P350	
Seal (inner) .....	6954S[2]	
Set (inner) .....	SET45	
Cone/Cup (outer) .....	1380-1328[2]	
<b>1975-1968</b>	F350 thru chassis #V80001	
Seal (inner) .....	6954S[2]	
Set (inner) .....	SET45	
Cone/Cup (outer) .....	15101-15245[2]	
<b>1974-1969</b>	E300 Econoline	
Seal (inner) .....	6954S[2]	
Set (inner) .....	SET45	
Cone/Cup (outer) .....	15101-15245[2]	

**FRONT WHEEL (cont.)**

**2WD (cont.)**

<b>1973-1972</b>	M400	
Seal (inner) .....	2222[2]	
Cone/Cup (inner) .....	3778-3720[2]	
Cone/Cup (outer) .....	25877-25820[2]	
<b>1967-1957</b>		
Seal (inner) .....	6954S[2]	
Set (inner) .....	SET45	
Cone/Cup (outer) .....	1380-1328[2]	
<b>1967-1957</b>	F350	
Seal (inner) .....	6954S[2]	
Set (inner) .....	SET45	
Cone/Cup (outer) .....	1380-1328[2]	
<b>1967-1957</b>	P3500	
Seal (inner) .....	6954S[2]	
Set (inner) .....	SET45	
Set (outer) .....	SET45	
<b>1956-1953</b>	F350	
Seal (inner) .....	6547[2]	
Cone/Cup (inner) .....	2788-2726[2]	
Cone/Cup (outer) .....	1380-1328[2]	
<b>1956-1953</b>	P350	
Seal (inner) .....	6547[2]	
Cone/Cup (inner) .....	2788-2726[2]	
Cone/Cup (outer) .....	1380-1328[2]	
<b>1952-1948</b>		
Seal (inner) .....	5827[2]	
Cone/Cup (inner) .....	14130-14276[2]	
Cone/Cup (outer) .....	09067-09195[2]	
<b>1947-1946</b>		
Seal (inner) .....	5827[2]	
Cone/Cup (inner) .....	14130-14276[2]	
Cone/Cup (outer) .....	09074-09196[2]	



# Bearings and Seals

Mfg./Year    Model & Location    Part No    Mfg./Year    Model & Location    Part No

## **FORD TRUCK - 1 TON - F3, F53, F59, E300, E350, F350, M400, P400, 3500 Series, Econoline, Motor Home, Parcel Delivery, Pickup, F450 Super Duty, Van (cont.)**

### **FRONT WHEEL**

#### **4WD**

##### **1989-1980**

Seal (inner) ..... 415960[2]  
Cone/Cup (inner) ..... 387A-382A[2]  
Set (outer) ..... SET38

##### **1979**

Seal (inner) ..... 4250[2]  
Cone/Cup (inner) ..... 387A-382A[2]  
Set (outer) ..... SET38

### **REAR WHEEL**

##### **1989-1981** E350 Econoline

Seal (inner) ..... 9864S[2]  
Cone/Cup (inner) ..... 387AS-382A[2]  
Set (outer) ..... SET38

##### **1989-1968** F350: Spicer 60, 61, 70 series axles

Seal (inner) ..... 9864S[2]  
Cone/Cup (inner) ..... 387AS-382A[2]  
Set (outer) ..... SET38

##### **1989-1985** F350: 10.25" ring gear: production thru 3/1994

Seal (inner) ..... 370047A[2]<sup>57</sup>  
Cone/Cup (inner) ..... 3994-3920[2]  
Set (outer) ..... SET38

##### **1989-1988** F53

Seal (inner) ..... 370018A[2]<sup>57</sup>  
Cone/Cup (inner) ..... 39585-39520[2]  
Cone/Cup (outer) ..... 368A-362A[2]

##### **1989-1988** F59

Seal (inner) ..... 370018A[2]<sup>57</sup>  
Cone/Cup (inner) ..... 39585-39520[2]  
Cone/Cup (outer) ..... 368A-362A[2]

##### **1989-1988** F450

Seal (inner) ..... 370018A[2]<sup>57</sup>  
Cone/Cup (inner) ..... 39585-39520[2]  
Cone/Cup (outer) ..... 368A-362A[2]

##### **1980-1976** E350 Econoline: dual rear wheels: from chassis #A75001 on

Seal (inner) ..... 3385[2]  
Cone/Cup (inner) ..... JLM710949C-JLM710910[2]  
Set (outer) ..... SET38

##### **1980-1975** E350 Econoline: single rear wheels

Seal (inner) ..... 9864S[2]  
Cone/Cup (inner) ..... 387AS-382A[2]  
Set (outer) ..... SET38

##### **1976-1975** E350 Econoline: dual rear wheels: thru chassis #A75000

Seal (inner) ..... 9864S[2]  
Cone/Cup (inner) ..... 387AS-382A[2]  
Set (outer) ..... SET38

##### **1976-1970** P350: light duty axle

Seal (inner) ..... 4250[2]  
Set (inner) ..... SET38  
Set (outer) ..... SET38

### **REAR WHEEL (cont.)**

##### **1976-1970** P400: light duty axle

Seal (inner) ..... 4250[2]  
Set (inner) ..... SET38  
Set (outer) ..... SET38

##### **1976-1968** P350: Spicer 60HD, 70B, 70HD Heavy Duty axles

Seal (inner) ..... 9864S[2]  
Cone/Cup (inner) ..... 387AS-382A[2]  
Set (outer) ..... SET38

##### **1976-1968** P400: Spicer 60HD, 70B, 70HD Heavy Duty axles

Seal (inner) ..... 9864S[2]  
Cone/Cup (inner) ..... 387AS-382A[2]  
Set (outer) ..... SET38

##### **1974-1973** E300 Econoline: dual rear wheels

Seal (inner) ..... 9864S[2]  
Cone/Cup (inner) ..... 387AS-382A[2]  
Set (outer) ..... SET38

##### **1974-1969** E300 Econoline: from chassis #30001: single rear wheel

Seal (inner) ..... 4250[2]  
Set (inner) ..... SET38  
Set (outer) ..... SET38

##### **1973-1972** M400: Rockwell C100 axle

Seal (inner) ..... 416297[2]  
Cone/Cup (inner) ..... 3984-3920[2]  
Seal (outer) ..... 370046A[2]<sup>57</sup>  
Cone/Cup (outer) ..... 462-453X[2]

##### **1969** E300 Econoline: thru chassis #30000

Seal (inner) ..... 472856[2]  
Cone/Cup (inner) ..... 18790-18720[2]  
Cone/Cup (outer) ..... 25592-25520[2]

##### **1969-1967** P350: light duty axle

Seal (inner) ..... 4250[2]  
Set (inner) ..... SET38  
Cone/Cup (outer) ..... 25592-25520[2]

##### **1969-1967** P400: light duty axle

Seal (inner) ..... 4250[2]  
Set (inner) ..... SET38  
Cone/Cup (outer) ..... 25592-25520[2]

##### **1968** E300 Econoline

Seal (inner) ..... 472856[2]  
Cone/Cup (inner) ..... 18790-18720[2]  
Cone/Cup (outer) ..... 25592-25520[2]

##### **1967** thru chassis #A84000

Seal (inner) ..... 415960[2]  
Cone/Cup (inner) ..... 387A-382A[2]  
Set (outer) ..... SET38

##### **1967** from chassis #A84001: Spicer 70 full-floating axle

Seal (inner) ..... 9864S[2]  
Cone/Cup (inner) ..... 387AS-382A[2]  
Set (outer) ..... SET38

##### **1966-1953**

Seal (inner) ..... 415960[2]  
Cone/Cup (inner) ..... 387A-382A[2]  
Cone/Cup (outer) ..... 368A-362A[2]<sup>57</sup>

**FORD TRUCK - 1 TON - F3, F53, F59, E300, E350, F350, M400, P400, 3500 Series, Econoline, Motor Home, Parcel Delivery, Pickup, F450 Super Duty, Van (cont.)**

**REAR WHEEL (cont.)**

<b>1952-1951</b>	
Seal (inner) .....	410987[2]
Cone/Cup (inner) .....	368A-362A[2]
Cone/Cup (outer) .....	359S-354A[2]
<b>1950-1942</b>	
Cone/Cup (inner) .....	368A-362A[2]
Cone/Cup (outer) .....	359S-354A[2]

**4WD FRONT AXLE**

**Axle Shaft**

<b>1989-1985</b> Spicer 60 axle	
Seal .....	470682[2]
<b>1989-1985</b> exc. Spicer 60	
Seal (inner) .....	710414[2]
Seal (outer) .....	710413[2]
<b>1985-1983</b> Spicer 50.5 IFS	
Seal (LH) .....	710043
Seal (RH) .....	470672
Cyl. Bearing (RH) .....	5707
<b>1982-1980</b> Spicer	
Seal (LH) .....	710043
Seal (RH) .....	2146
Set (RH) .....	SET9

**Differential Rebuild Kit**

<b>1989-1979</b> Dana/Spicer 60 series axles	
Kit .....	DRK331
<b>1989-1980</b> Dana/Spicer 50 series axles	
Kit .....	DRK336

**Differential**

<b>1989-1979</b> Dana/Spicer 60 series axles: monobeam	
Cone/Cup .....	387A-382S[2]
<b>1989-1980</b> Dana/Spicer 50, 60 series axles: exc. monobeam	
Cone/Cup .....	JLM104946-LM104911A[2]
<b>1989-1980</b> Dana/Spicer 50 series axles: independent	
Cone/Cup .....	JLM104948-LM104911A[2]

**Pinion**

<b>1989-1987</b> Spicer	
Cone/Cup (inner) .....	HM803146-HM803110
Seal Viton (outer) .....	719316
Cone/Cup (outer) .....	HM88542-HM88510
Kwik Slv (Opt Rpr) .....	KWK99187
<b>1989-1980</b> Dana/Spicer 50 series axles: independent	
Cone/Cup (inner) .....	HM88649-HM88610
Seal (outer) .....	5778
Cone/Cup (outer) .....	02872-02820

**4WD FRONT AXLE (cont.)**

**Pinion (cont.)**

<b>1986-1979</b> Dana/Spicer 60 series axle	
Cone/Cup (inner) .....	HM803146-HM803110
Seal (outer) .....	9316
Cone/Cup (outer) .....	HM88542-HM88510

**Spindle Kit**

<b>1989-1979</b> Dana/Spicer 50, 60 series axles	
Bearing & Seal Kit .....	SBK3 <sup>35</sup>

**Spindle**

<b>1989-1979</b> Dana/Spicer 50, 60 series axles	
Seal (inner) .....	710044[2]
Needle Bearing (inner) .....	B2414[2]
Seal (outer) .....	710045[2]

**Steering Knuckle**

<b>1989-1985</b> Dana/Spicer 60-7 axle	
Seal .....	710304[2]
Cone/Cup .....	23100-23256[2]
<b>1983-1979</b> Dana/Spicer 60-3 axle	
Seal .....	710304[2]
Cone/Cup .....	23100-23256[2]

**REAR AXLE**

**Differential Rebuild Kit**

<b>1989-1980</b> Dana/Spicer 70-2U, 70-U axles	
Kit .....	DRK332U
<b>1989-1980</b> Dana/Spicer 70-HD axle	
Kit .....	DRK332HD
<b>1989-1954</b> Dana/Spicer 60 series axles	
Kit .....	DRK331
<b>1989-1988</b> Dana/Spicer 80 axle	
Kit .....	DRK337
<b>1989-1985</b> 10.25" ring gear	
Kit .....	DRK314
<b>1983-1980</b> Dana/Spicer 70-B axle	
Kit .....	DRK332
<b>1979-1961</b> Dana/Spicer 70 series axles	
Kit .....	DRK332

**Differential**

<b>1989-1988</b> Dana/Spicer 80 axle: F Super Duty chassis	
Cone/Cup .....	469-453X[2]
<b>1989-1985</b> 10.25", 10,5" ring gear	
Cone/Cup .....	469-453X[2]
<b>1989-1954</b> Dana/Spicer 60, 60-U, 60-1U, 61-1, 61 axles	
Cone/Cup .....	387A-382S[2]
<b>1989-1972</b> Dana/Spicer 70-HD, 70-1HD, 70-2U, 80 series axles: 10.25" ring gear	
Cone/Cup .....	469-453X[2]

[ ] Indicates Quantity Required; Set Components Listed Inside Rear Cover;  
<sup>35</sup> Opt. Kit incl: Bearing B2414; Seals 710044 & 710045

# Bearings and Seals

Mfg./Year    Model & Location    Part No    Mfg./Year    Model & Location    Part No

## **FORD TRUCK - 1 TON - F3, F53, F59, E300, E350, F350, M400, P400, 3500 Series, Econoline, Motor Home, Parcel Delivery, Pickup, F450 Super Duty, Van (cont.)**

### **REAR AXLE (cont.)**

#### **Differential (cont.)**

<b>1988-1954</b>	Dana/Spicer 70-D, 70-B, 70-U, 70-2U axles	
	Cone/Cup	387A-382S[2]
<b>1973-1972</b>	Rockwell C100 axle	
	Cone/Cup	395-394AS[2]
<b>1962-1959</b>	Rockwell B140 axle	
	Cone/Cup (LH)	28682-28622
	Cone/Cup (RH)	387A-382
<b>1958-1957</b>	Rockwell B100 axle	
	Cone/Cup (LH)	28682-28622
	Cone/Cup (RH)	387A-382
<b>1955-1954</b>	Rockwell A150 axle	
	Cone/Cup (LH)	28580-28521
	Cone/Cup (RH)	18790-18720

#### **Pinion**

<b>1989-1988</b>	11.25" ring gear	
	Cone/Cup (inner)	HM807046-HM807010
	Seal Viton (outer)	4525V
	Cone/Cup (outer)	M802048-M802011
<b>1989-1987</b>	Dana/Spicer 70-2U axle	
	Cone/Cup (inner)	HM803149-HM803110
	Seal Viton (outer)	719316
	Cone/Cup (outer)	HM88542-HM88510
<b>1989-1985</b>	10.25", 10.5" ring gear	
	Cone/Cup (inner)	HM807044-HM807010
	Seal Viton (outer)	4278
	Cone/Cup (outer)	HM89443-HM89411
<b>1989-1987</b>	Dana/Spicer 70-1HD, 70-HD axles	
	Cone/Cup (inner)	HM807040-HM807010
	Seal Viton (outer)	719316
	Cone/Cup (outer)	HM88542-HM88510
<b>1988-1987</b>	Dana/Spicer 61-1 axle	
	Cone/Cup (inner)	HM803146-HM803110
	Seal (outer)	9316
	Cone/Cup (outer)	HM88542-HM88510
<b>1986-1981</b>	Dana/Spicer 70-U, 70-2U axles: production from 11/1981 on	
	Cone/Cup (inner)	HM803149-HM803110
	Seal (outer)	9316
	Cone/Cup (outer)	HM88542-HM88510
<b>1986-1970</b>	Dana/Spicer 60, 60-U, 61, 61-1 axles: from chassis #G90001 on	
	Cone/Cup (inner)	HM803146-HM803110
	Seal (outer)	9316
	Cone/Cup (outer)	HM88542-HM88510
<b>1986-1970</b>	Dana/Spicer 70-1HD, 70-B, 70-HD axles: from chassis #G90001 on	
	Cone/Cup (inner)	HM807040-HM807010
	Seal (outer)	9316
	Cone/Cup (outer)	HM88542-HM88510

### **REAR AXLE (cont.)**

#### **Pinion (cont.)**

<b>1973-1972</b>	Rockwell C100 axle	
	Cone/Cup (inner)	M903345-M903310
	Seal (outer)	470308N
	Cone/Cup (outer)	44143-44348
	Cyl. Bearing (pilot)	MU1305TDM
<b>1970-1961</b>	Dana/Spicer 70 series axles: thru chassis #G90000	
	Cone/Cup (inner)	HM807040-HM807010
	Seal (outer)	6808N
	Cone/Cup (outer)	HM88542-HM88510
<b>1970-1954</b>	Dana/Spicer 60 series axles: thru chassis #G90000	
	Cone/Cup (inner)	HM803146-HM803110
	Seal (outer)	6808N
	Cone/Cup (outer)	HM88542-HM88510
<b>1962-1959</b>	Rockwell B140 axle	
	Cone/Cup (inner)	HM807044-HM807010
	Seal (outer)	410312N
	Cone/Cup (outer)	HM89443-HM89410
<b>1958-1957</b>	Rockwell B100 axle	
	Cone/Cup (inner)	27875-27820
	Seal (outer)	470308N
	Cone/Cup (outer)	44156-44348
	Cyl. Bearing (pilot)	MU1205TM
<b>1955-1954</b>	Rockwell A150 axle	
	Cone/Cup (inner)	HM804840-HM804810
	Seal (outer)	451078
	Cone/Cup (outer)	HM89443-HM89410

### **TRANSFER CASE REBUILD KIT**

<b>1989-1987</b>	Warner 1356	
	Kit	TCRK1356
<b>1986-1980</b>	New Process 208	
	Kit	TCRK208SPK <sup>47</sup>
<b>1979</b>	New Process 203	
	Kit	TCRK203F
<b>1979</b>	New Process 205: manual trans	
	Kit	TCRK205F
<b>1979</b>	New Process 205: automatic trans	
	Kit	TCRK205F

### **TRANSFER CASE**

#### **Input Shaft**

<b>1989-1987</b>	Warner 1356	
	Seal	714503
	Bearing	110CB
	Needle Bearing (pilot)	BK3026
<b>1989-1980</b>	Warner 1345	
	Seal	710062
	Kwik Slv (Opt Rpr)	KWK99175

**FORD TRUCK - 1 TON - F3, F53, F59, E300, E350, F350, M400, P400, 3500 Series, Econoline, Motor Home, Parcel Delivery, Pickup, F450 Super Duty, Van (cont.)**

**TRANSFER CASE (cont.)**

**Input Shaft (cont.)**

<b>1986-1980</b>	New Process 208	
Seal	.....	3173[2]
Needle Bearing	.....	B5020[2]
Seal Dual Lip	.....	710928[2]
Kwik Slv (Opt Rpr)	.....	KWK99193[2]
Needle Bearing (pilot)	.....	B2012
Needle Bearing Thrust	.....	AXK5070
<b>1979</b>	New Process 205: manual trans	
Seal	.....	473468[2]
Bearing	.....	1307L[2]
Kwik Slv (Opt Rpr)	.....	KWK99212
		[2]
<b>1979</b>	New Process 205: automatic trans	
Seal	.....	471869[2]
Bearing	.....	1210L[2]
Kwik Slv (Opt Rpr)	.....	KWK99193[2]
<b>1979</b>	New Process 203	
Seal	.....	3173[2]
Bearing	.....	1210L[2]
Kwik Slv (Opt Rpr)	.....	KWK99193[2]

**Front Output Shaft**

<b>1989-1987</b>	Warner 1356	
Seal	.....	714503
Bearing	.....	207
Needle Bearing (pilot)	.....	B2012
<b>1989-1980</b>	Warner 1345	
Seal	.....	3946
Bearing	.....	207
Kwik Slv (Opt Rpr)	.....	KWK99187
Needle Bearing (pilot)	.....	B2012
<b>1986-1980</b>	New Process 208	
Seal	.....	3946
Needle Bearing	.....	B2816
Kwik Slv (Opt Rpr)	.....	KWK99187
Needle Bearing (pilot)	.....	J2416
Needle Bearing Thrust	.....	NTA2840[2]
<b>1979</b>	New Process 205	
Seal	.....	473468
Bearing	.....	307L[2]
Kwik Slv (Opt Rpr)	.....	KWK99212
Needle Bearing (pilot)	.....	M28161
<b>1979</b>	New Process 203 (2.125" shaft)	
Seal	.....	473468
Bearing	.....	307L[2]
Kwik Slv (Opt Rpr)	.....	KWK99212
Needle Bearing (pilot)	.....	M28161
<b>1979</b>	New Process 203 (2.062" shaft)	
Seal	.....	450307
Bearing	.....	307L[2]
Kwik Slv (Opt Rpr)	.....	KWK99205
Needle Bearing (pilot)	.....	M28161

**TRANSFER CASE**

**Rear Output Shaft**

<b>1989-1987</b>	Warner 1356 (slip yoke)	
Seal	.....	4503N
Bearing	.....	207
<b>1989-1987</b>	Warner 1356 (fixed yoke)	
Seal	.....	4333N
Bearing	.....	207
<b>1989-1980</b>	Warner 1345 (non-booted)	
Seal	.....	3946
Bearing	.....	207
Kwik Slv (Opt Rpr)	.....	KWK99187
Needle Bearing (pilot)	.....	B2812
<b>1989</b>	Warner 1345 (booted)	
Seal	.....	4333N
Bearing	.....	207
Needle Bearing (pilot)	.....	B2812
<b>1986-1980</b>	New Process 208 (slip yoke)	
Seal	.....	4333N
Bearing	.....	1207L
Needle Bearing (pilot)	.....	B3616
Needle Bearing Thrust	.....	TC2435
<b>1986-1980</b>	New Process 208 (fixed yoke)	
Seal	.....	3946
Bearing	.....	1207L
Kwik Slv (Opt Rpr)	.....	KWK99187
Needle Bearing (pilot)	.....	B3616
Needle Bearing Thrust	.....	TC2435
<b>1979</b>	New Process 205	
Seal	.....	473457
Bearing	.....	307L
Kwik Slv (Opt Rpr)	.....	KWK99187
Needle Bearing (pilot)	.....	B3216
<b>1979</b>	New Process 203	
Seal	.....	473468
Bearing	.....	307L
Kwik Slv (Opt Rpr)	.....	KWK99212
Needle Bearing (pilot)	.....	QAR29523[15]

**Intermediate Shaft**

<b>1979</b>	New Process 205	
Cone/Cup	.....	2793-2720[2]

**Oil Pump Housing**

<b>1986-1980</b>	New Process 208	
Seal	.....	341022
Kwik Slv (Opt Rpr)	.....	KWK99225
<b>1979</b>	New Process 203	
Seal	.....	341022
Kwik Slv (Opt Rpr)	.....	KWK99225

**Selector Shaft Seal/Man. Shaft**

<b>1989-1987</b>	Warner 1356; 4407	
Seal	.....	330385
<b>1979</b>	New Process 205	
Seal	.....	2287[2]
Kwik Slv (Opt Rpr)	.....	KWK99076[2]

# Bearings and Seals

Mfg./Year    Model & Location    Part No    Mfg./Year    Model & Location    Part No

## **FORD TRUCK - 1 TON - F3, F53, F59, E300, E350, F350, M400, P400, 3500 Series, Econoline, Motor Home, Parcel Delivery, Pickup, F450 Super Duty, Van (cont.)**

### **TRANSMISSION REBUILD KIT**

**1989-1987**    ZF S5-42, S5-47  
 Kit ..... TRK300ZF1

### **3-SPEED AUTOMATIC TRANSMISSION**

#### **Torque Converter**

**1989-1964**    C4, C5, C6  
 Seal ..... 331107N  
 Kwik Slv (Opt Rpr) ..... KWK99199  
**1977-1965**    Cruise-o-Matic  
 Seal ..... 331107N  
 Kwik Slv (Opt Rpr) ..... KWK99199  
**1964-1953**    Ford-o-Matic  
 Seal ..... 6988H  
 Kwik Slv (Opt Rpr) ..... KWK99193

#### **Rear Seal/Ext. Housing**

**1989-1980**    C6  
 Seal ..... 410308  
**1986-1964**    C4 (booted), C5  
 Seal ..... 7692S  
 Seal Kit ..... 5202<sup>64</sup>  
**1979-1965**    C6 (3.066" O.D.)  
 Seal ..... 410308  
**1979-1965**    C6 (2.506" O.D.)  
 Seal ..... 7300S  
 Seal Kit ..... 5203<sup>64</sup>  
**1976-1965**    Cruise-o-Matic  
 Seal ..... 7300S  
 Seal Kit ..... 5203<sup>64</sup>  
**1972-1964**    C4 (non-booted)  
 Seal ..... 470687  
**1964-1953**    Ford-o-Matic  
 Seal ..... 7692S  
 Seal Kit ..... 5202<sup>64</sup>

#### **Selector Shaft Seal/Man. Shaft**

**1989-1964**    C6  
 Seal ..... 7929S  
**1986-1964**    C4, C5  
 Seal ..... 240816  
 Kwik Slv (Opt Rpr) ..... KWK99076  
**1976-1953**    exc. C4, C5, C6  
 Seal ..... 7929S

### **4-SPEED AUTOMATIC TRANSMISSION**

#### **Torque Converter**

**1989**    AODE, E4OD  
 Seal ..... 3404  
**1989-1980**    AOT (AOD)  
 Seal ..... 331107N  
 Kwik Slv (Opt Rpr) ..... KWK99199

### **4-SPEED AUTOMATIC TRANSMISSION**

#### **Rear Seal/Ext. Housing**

**1989**    E4OD  
 Seal ..... 7300S  
 Seal Kit ..... 5203<sup>64</sup>  
**1989-1980**    AOT (AOD): long boot  
 Seal ..... 7692S  
 Seal Kit ..... 5202<sup>64</sup>

#### **Selector Shaft Seal/Man. Shaft**

**1989-1980**  
 Seal ..... 7929S

### **CLUTCH**

#### **Pilot Bearing**

**1989-1988**    8-cylinder 444 (7.3) diesel  
 Needle Bearing ..... FC65662  
**1989-1983**    8-cylinder 460 (7.5)  
 Needle Bearing ..... FC66067  
**1989-1968**    8-cylinder 302 (5.0)  
 Needle Bearing ..... FC65662  
**1989-1968**    8-cylinder 351 (5.8)  
 Needle Bearing ..... FC65662  
**1989-1965**    6-cylinder 300 (4.9)  
 Needle Bearing ..... FC65662  
**1987-1983**    8-cylinder 420 (6.9) diesel  
 Needle Bearing ..... FC65662  
**1982-1965**    8-cylinder 400 (6.6)  
 Bushing H/D ..... PB50DHD  
**1979-1965**    8-cylinder 360 (5.9)  
 Bushing H/D ..... PB50DHD  
**1979-1965**    8-cylinder 390 (6.4)  
 Bushing H/D ..... PB50DHD  
**1977-1965**    6-cylinder 240 (3.9)  
 Needle Bearing ..... FC65662  
**1975-1965**    8-cylinder 352 (5.8)  
 Bushing H/D ..... PB50DHD  
**1975-1965**    8-cylinder 360 (5.9)  
 Bushing H/D ..... PB50DHD  
**1972-1967**    4-cylinder 242 (4.0) diesel  
 Bearing ..... 203S  
**1972-1967**    4-cylinder 254 (4.2) diesel  
 Bearing ..... 203S  
**1970-1968**    6-cylinder 170 (2.8)  
 Needle Bearing ..... FC65174  
**1966-1964**    4-cylinder 223 (3.6) diesel  
 Bearing ..... 203S  
**1964-1963**    8-cylinder 292 (4.8)  
 Bearing ..... 203S  
**1964-1948**    6-cylinder 215 (3.5)  
 Bearing ..... 203S  
**1964-1948**    6-cylinder 223 (3.6)  
 Bearing ..... 203S  
**1964-1948**    6-cylinder 226 (3.7)  
 Bearing ..... 203S  
**1964-1948**    6-cylinder 262 (4.3)  
 Bearing ..... 203S  
**1956-1953**    8-cylinder 272 (4.4)  
 Bearing ..... 203S

**FORD TRUCK - 1 TON - F3, F53, F59, E300, E350, F350, M400, P400, 3500 Series, Econoline, Motor Home, Parcel Delivery, Pickup, F450 Super Duty, Van (cont.)**

**CLUTCH (cont.)**

**Pilot Bearing (cont.)**

1956-1946 8-cylinder 239 (3.9)  
Bearing ..... 203S

**Release Bearing**

1989-1988 8-cylinder 444 (7.3) diesel  
Bearing Assy ..... 614062  
1989-1987 8-cylinder 420 (6.9) diesel:  
5-speed  
Bearing Assy ..... 614062  
1989-1987 8-cylinder 460 (7.5): 5-speed  
Bearing Assy ..... 614062  
1989-1988 8-cylinder 302 (5.0): 4-speed:  
mechanical mechanism  
Bearing Assy ..... 614014  
1989-1988 8-cylinder 351 (5.8): 4-speed:  
mechanical mechanism  
Bearing Assy ..... 614014  
1989-1983 6-cylinder 300 (4.9): 4-speed:  
mechanical mechanism  
Bearing Assy ..... 614014  
1989-1983 8-cylinder 460 (7.5): 4-speed  
Bearing Assy ..... 614014  
1989-1988 6-cylinder 300 (4.9): 5-speed:  
hydraulic piston type  
Bearing Assy ..... 614061  
1989-1988 8-cylinder 302 (5.0): 5-speed:  
hydraulic piston type  
Bearing Assy ..... 614061  
1989-1988 8-cylinder 351 (5.8): 5-speed:  
hydraulic piston type  
Bearing Assy ..... 614061  
1987-1983 8-cylinder 302 (5.0)  
Bearing Assy ..... 614014  
1987-1983 8-cylinder 351 (5.8)  
Bearing Assy ..... 614014  
1986-1983 8-cylinder 420 (6.9) diesel:  
4-speed  
Bearing Assy ..... 614014  
1982-1978 6-cylinder 300 (4.9)  
Bearing Assy ..... 614038  
1982-1978 8-cylinder 302 (5.0)  
Bearing Assy ..... 614038  
1982-1978 8-cylinder 351 (5.8)  
Bearing Assy ..... 614038  
1982-1965 8-cylinder 400 (6.6)  
Bearing Assy ..... 614034  
1979-1965 8-cylinder 360 (5.9)  
Bearing Assy ..... 614034  
1979-1965 8-cylinder 390 (6.4)  
Bearing Assy ..... 614034  
1977-1968 8-cylinder 302 (5.0): 10" disc and  
smaller  
Bearing Assy ..... 614038  
1977-1968 8-cylinder 302 (5.0): 10.4" disc  
and larger: H/D  
Bearing Assy ..... 614034

**CLUTCH (cont.)**

**Release Bearing (cont.)**

1977-1968 8-cylinder 351 (5.8): 10" disc and  
smaller  
Bearing Assy ..... 614038  
1977-1968 8-cylinder 351 (5.8): 10.4" disc  
and larger: H/D  
Bearing Assy ..... 614034  
1977-1965 6-cylinder 240 (3.9): 10" disc and  
smaller  
Bearing Assy ..... 614038  
1977-1965 6-cylinder 240 (3.9): 10.4" disc  
and larger: H/D  
Bearing Assy ..... 614034  
1977-1965 6-cylinder 300 (4.9): 10" disc and  
smaller  
Bearing Assy ..... 614038  
1977-1965 6-cylinder 300 (4.9): 10.4" disc  
and larger: H/D  
Bearing Assy ..... 614034  
1975-1965 8-cylinder 352 (5.8)  
Bearing Assy ..... 614034  
1972-1967 4-cylinder 242 (4.0) diesel  
Bearing Only ..... FA2255C  
1972-1967 4-cylinder 254 (4.2) diesel  
Bearing Only ..... FA2255C  
1970-1968 6-cylinder 170 (2.8): 8.5" disc  
Bearing Assy ..... 614038  
1970-1968 6-cylinder 170 (2.8): 10" disc  
Bearing Only ..... F1505C  
1966-1964 4-cylinder 223 (3.6) diesel  
Bearing Only ..... FB2065C  
1964 6-cylinder 262 (4.3)  
Bearing Only ..... 2065C  
1964-1963 8-cylinder 292 (4.8)  
Bearing Only ..... F2065C  
1964-1957 6-cylinder 215 (3.5)  
Bearing Only ..... F2065C  
1964-1957 6-cylinder 223 (3.6)  
Bearing Only ..... F2065C  
1964-1957 6-cylinder 226 (3.7)  
Bearing Only ..... F2065C  
1956-1953 all  
Bearing Only ..... F2065C  
1952-1946 all  
Bearing Only ..... 2065

**3-SPEED MANUAL TRANSMISSION**

**Front Input Shaft**

1984-1963 Tremac  
Seal ..... 3638  
Bearing ..... 208LO  
Kwik Slv (Opt Rpr) ..... KWK99112  
1971-1965 Warner T85  
Seal ..... 7412S  
Bearing ..... 307L  
Kwik Slv (Opt Rpr) ..... KWK99125  
1971-1959 Warner T89  
Bearing ..... 307L

# Bearings and Seals

Mfg./Year    Model & Location    Part No    Mfg./Year    Model & Location    Part No

## **FORD TRUCK - 1 TON - F3, F53, F59, E300, E350, F350, M400, P400, 3500 Series, Econoline, Motor Home, Parcel Delivery, Pickup, F450 Super Duty, Van (cont.)**

### **3-SPEED MANUAL TRANSMISSION (cont.)**

#### **Front Input Shaft (cont.)**

<b>1967-1959</b>	Warner T87	
Bearing	.....	1209L
<b>1966-1965</b>	Ford 2.77 (HED, RED)	
Seal	.....	480210
Kwik Slv (Opt Rpr)	.....	KWK99106
<b>1964-1953</b>	Warner T86	
Seal	.....	450326
Bearing	.....	207L
Kwik Slv (Opt Rpr)	.....	KWK99149
<b>1962-1953</b>	Ford L/D	
Seal	.....	482208
Bearing	.....	207L
Kwik Slv (Opt Rpr)	.....	KWK99112

#### **Rear Output Shaft**

<b>1984-1963</b>	Tremac	
Seal	.....	7692S
Bearing	.....	207L
Seal Kit	.....	5202 <sup>64</sup>
<b>1977-1959</b>	Warner T87, T89	
Seal	.....	473468
Bearing	.....	307L
<b>1971-1965</b>	Warner T85	
Seal	.....	470059
Bearing	.....	307L
Seal Kit	.....	5201 <sup>64</sup>
<b>1966-1965</b>	Ford 2.77 (HED, RED): 1.5" shaft	
Seal	.....	470059
Bearing	.....	206L
Seal Kit	.....	5201 <sup>64</sup>
<b>1966-1965</b>	Ford 2.77 (HED, RED): 1.375" shaft	
Seal	.....	7495S
Bearing	.....	206L
Seal Kit	.....	5204 <sup>64</sup>
<b>1964-1953</b>	Warner T86	
Seal	.....	470059
Bearing	.....	207L
Seal Kit	.....	5201 <sup>64</sup>
<b>1962-1953</b>	Ford L/D (1.378" shaft)	
Seal	.....	470059
Bearing	.....	207L
<b>1962-1953</b>	Ford L/D (1.181" shaft)	
Seal	.....	470059
Bearing	.....	306L
Seal Kit	.....	5201 <sup>64</sup>

#### **Selector Shaft Seal/Man. Shaft**

<b>1971-1953</b>	Warner T85, T86, T89	
Seal	.....	340797
Kwik Slv (Opt Rpr)	.....	KWK99059
<b>1967-1948</b>	Warner T87	
Seal	.....	7399S
Kwik Slv (Opt Rpr)	.....	KWK99062

### **4-SPEED MANUAL TRANSMISSION Transmission Rebuild Kit**

<b>1987-1966</b>	New Process 435	
Kit	.....	TRK127
<b>1982-1966</b>	Warner T18	
Kit	.....	TRK82F

#### **Input Shaft**

<b>1989-1983</b>	Warner T18	
Seal	.....	7412S
Bearing	.....	308LTB
Kwik Slv (Opt Rpr)	.....	KWK99125
<b>1989-1980</b>	Tremac	
Seal	.....	3638
Bearing	.....	308LTB
Kwik Slv (Opt Rpr)	.....	KWK99112
<b>1987-1965</b>	New Process 435	
Seal	.....	482163N
Cone/Cup	.....	HM88649-HM88610
Kwik Slv (Opt Rpr)	.....	KWK99138
<b>1982-1980</b>	Warner T18	
Seal	.....	7412S
Bearing	.....	308LI
Kwik Slv (Opt Rpr)	.....	KWK99125
<b>1979-1978</b>	Tremac	
Seal	.....	482208
Bearing	.....	308LTB
Kwik Slv (Opt Rpr)	.....	KWK99112
<b>1979-1965</b>	Warner T18	
Seal	.....	7412S
Bearing	.....	308LTB
Kwik Slv (Opt Rpr)	.....	KWK99125
<b>1964-1963</b>	Dagenham Design	
Seal	.....	482208
Bearing	.....	307L
Kwik Slv (Opt Rpr)	.....	KWK99112
<b>1964-1948</b>	Warner T98	
Bearing	.....	308LI
<b>1952-1946</b>	Warner T9	
Bearing	.....	209BB
<b>1952-1946</b>	Warner T8	
Bearing	.....	1209L

#### **Rear Output Shaft**

<b>1989-1984</b>	Warner T18: 28-spline	
Seal	.....	7692S
Bearing	.....	308LI
Seal Kit	.....	5202 <sup>64</sup>
<b>1989-1985</b>	Tremac 2nd design	
Seal	.....	7692S
Bearing	.....	308L
Seal Kit	.....	5202 <sup>64</sup>
<b>1987-1984</b>	Warner T18 (31 spline)	
Seal	.....	473442
Bearing	.....	308LI
<b>1987-1980</b>	New Process 435	
Seal	.....	471271
Bearing	.....	1308L

290 [ ] Indicates Quantity Required; Set Components Listed Inside Rear Cover;

<sup>64</sup> Opt. Seal and Bushing Kit

**FORD TRUCK - 1 TON - F3, F53, F59, E300, E350, F350, M400, P400, 3500 Series, Econoline, Motor Home, Parcel Delivery, Pickup, F450 Super Duty, Van (cont.)**

**4-SPEED MANUAL TRANSMISSION**

(cont.)

**Rear Output Shaft (cont.)**

<b>1985-1978</b>	Tremac 1st design	
Seal	.....	7692S
Bearing	.....	308LTB
Seal Kit	.....	5202 <sup>64</sup>
<b>1983-1980</b>	Warner T18 (31 spline)	
Seal	.....	473442
Bearing	.....	1308L
<b>1983-1980</b>	Warner T18: 28-spline	
Seal	.....	7692S
Bearing	.....	1308L
Seal Kit	.....	5202 <sup>64</sup>
<b>1979</b>	New Process 435 (3.066" O.D.)	
Seal	.....	473468
Bearing	.....	1308L
<b>1979</b>	New Process 435 (2.378" O.D.)	
Seal	.....	7692S
Bearing	.....	1308L
Seal Kit	.....	5202 <sup>64</sup>
<b>1979-1973</b>	Warner T18 (35 spline)(3.256" O.D.)	
Seal	.....	450519
Bearing	.....	308L
<b>1979-1965</b>	Warner T18: 28-spline	
Seal	.....	470059
Bearing	.....	308L
<b>1978-1977</b>	New Process 435 (3.066" O.D.)	
Seal	.....	473468
Bearing	.....	1308L
<b>1978-1965</b>	New Process 435 (2.378" O.D.)	
Seal	.....	470059
Bearing	.....	1308L
Seal Kit	.....	5201 <sup>64</sup>
<b>1978-1965</b>	New Process 435 (3.256" O.D.)	
Seal	.....	450519
Bearing	.....	1308L
<b>1972-1965</b>	Warner T18: 10-splines: 3.066" OD	
Seal	.....	450308
Bearing	.....	308L
<b>1964-1963</b>	Dagenham Design	
Seal	.....	7495S
Bearing	.....	206L
Seal Kit	.....	5204 <sup>64</sup>
<b>1964-1948</b>	Warner T98	
Seal	.....	450308
Bearing	.....	307L
<b>1952-1946</b>	Warner T8, T9	
Seal	.....	450308
Bearing	.....	307L

**4-SPEED MANUAL TRANSMISSION**

**Selector Shaft Seal/Man. Shaft**

<b>1989-1978</b>	Tremac	
Seal	.....	313156
<b>1964-1963</b>	Dagenham Design	
Seal	.....	7399S
Kwik Slv (Opt Rpr)	.....	KWK99062

**5-SPEED MANUAL TRANSMISSION**

**Front Input Shaft**

<b>1989-1987</b>	ZF S5-42, S5-47	
Seal Viton	.....	713771
Cone/Cup	.....	28580-28521
Kwik Slv (Opt Rpr)	.....	KWK99139
<b>1989-1988</b>	Mazda	
Seal	.....	223012
Kwik Slv (Opt Rpr)	.....	KWK99114

**Front Input Shaft Pocket**

<b>1989-1987</b>	ZF S5-42	
Cone	.....	JH13349

**Countershaft**

<b>1989-1987</b>	ZF S5-42	
Cone/Cup	.....	2580-2520[2]

**Rear Output Shaft**

<b>1989-1987</b>	ZF S5-42, S5-47 (4WD)	
Seal	.....	1217
Cone/Cup	.....	J28573-28521
<b>1989-1987</b>	ZF S5-42, S5-47 (2WD)	
Seal	.....	225010
Cone/Cup	.....	J28573-28521
<b>1989-1988</b>	Mazda	
Seal	.....	710415

**DRIVESHAFT SUPPORT**

<b>1989-1955</b>	Spicer 1260, 1280, 1310, 1410, 1480: 1.3780" bearing ID	
Bearing	.....	88107
Hanger Bearing Assy	.....	HB88107A
<b>1983-1973</b>	Cleveland 055: 1.5748" bearing ID, 2.25" height	
Hanger Bearing Assy	.....	HB88508A
<b>1983-1973</b>	Spicer 1410: 1.5748" bearing ID, 2.25" height	
Hanger Bearing Assy	.....	HB88508A
<b>1983-1955</b>	Spicer 1410, 1650: 1.7717" bearing ID	
Bearing	.....	88509
Hanger Bearing Assy	.....	HB88509
<b>1979-1955</b>	Spicer: 1.9685" bearing ID	
Hanger Bearing Assy	.....	HB88510A
<b>1979-1955</b>	Spicer: 2.3622" bearing ID	
Hanger Bearing Assy	.....	HB88512AHD

[ ] Indicates Quantity Required; Set Components Listed Inside Rear Cover;  
<sup>64</sup> Opt. Seal and Bushing Kit



# Bearings and Seals

Mfg./Year    Model & Location    Part No    Mfg./Year    Model & Location    Part No

## **FORD TRUCK - 1 TON - F3, F53, F59, E300, E350, F350, M400, P400, 3500 Series, Econoline, Motor Home, Parcel Delivery, Pickup, F450 Super Duty, Van (cont.)**

### **DRIVESHAFT SUPPORT (cont.)**

<b>1979-1955</b>	Spicer 1410, 1480: 1.5748" bearing ID, 2.5" height	
	Bearing .....	88508
	Hanger Bearing Assy .....	HB88508
<b>1975-1965</b>	Cleveland 055: 1.5000" bearing ID	
	Hanger Bearing Assy .....	HB2
<b>1971-1965</b>	Cleveland R55: 1.3750" bearing ID	
	Hanger Bearing Assy .....	HB1
<b>1971-1965</b>	Cleveland S55: 1.3750" bearing ID	
	Hanger Bearing Assy .....	HB1
<b>1954-1948</b>	1.378" bearing ID	
	Bearing .....	207

### **POWER STEERING**

#### **Pitman Shaft**

<b>1982-1974</b>	E300; E350	
	Seal Kit .....	PSK1 <sup>24</sup>

#### **Pump Shaft**

<b>1989-1980</b>	E350; Saginaw pump	
	Seal .....	7013S
<b>1989-1980</b>	F series	
	Seal .....	8773S
<b>1979-1975</b>	E350; Saginaw pump	
	Seal .....	7013S
<b>1979-1969</b>	E300; F350; P400; Ford pump	
	Seal .....	8773S

### **MANUAL STEERING**

#### **Pitman Shaft**

<b>1982-1980</b>	Saginaw design	
	Seal .....	313842
<b>1982-1980</b>	Ford design	
	Seal .....	340151
	Needle Bearing .....	B1816
<b>1979-1967</b>		
	Seal .....	340151

#### **Worm Shaft**

<b>1989-1983</b>	E350	
	Seal .....	221922
<b>1982-1967</b>	Saginaw design	
	Seal .....	480821
	Bearing .....	8537[2]

### **CRANKSHAFT REAR SEAL**

#### **6 Cylinder**

<b>1989-1965</b>	300/4.9L	
	Seal Viton .....	2377
	Seal PTFE H/D Opt. ....	5278
	Kwik Slv (Opt Rpr) .....	KWK99372

### **CRANKSHAFT REAR SEAL**

#### **8 Cylinder**

<b>1989-1984</b>	351/5.8L	
	Seal Viton .....	2377
	Seal PTFE H/D Opt. ....	5278
	Kwik Slv (Opt Rpr) .....	KWK99372
<b>1989-1980</b>	460/7.5L	
	Seal Rope .....	5095
	Seal Split Opt. ....	5118
<b>1989-1983</b>	420/6.9L, 444/7.3L Diesels	
	Seal Viton .....	3893V
	Kwik Slv (Opt Rpr) .....	KWK99372
<b>1983</b>	351/5.8L (W) From 7/10/83	
	Seal Viton .....	2377
	Seal PTFE H/D Opt. ....	5278
	Kwik Slv (Opt Rpr) .....	KWK99372
<b>1983</b>	351/5.8L (W) To 7/10/83	
	Seal Rope .....	5095
	Seal Split Opt. ....	5117
<b>1982-1968</b>	351/5.8L, 360/5.9L, 400/6.6L	
	Seal Rope .....	5095
	Seal Split Opt. ....	5117
<b>1979-1973</b>	460/7.5L	
	Seal Rope .....	5095
	Seal Split Opt. ....	5118
<b>1979-1968</b>	302/5.0L	
	Seal Rope .....	5095
	Seal Split Opt. ....	5108
<b>1976-1965</b>	352/5.8, 390/6.4	
	Seal Rope .....	5095
	Seal Split Opt. ....	5112S

### **TIMING COVER**

#### **6 Cylinder**

<b>1989-1965</b>	240/3.9, 300/4.9L	
	Seal (front entry) .....	2692
	Seal (rear entry) .....	2942
	Kwik Slv (Opt Rpr) .....	KWK99187
	Harmonic Balancer	
	Sleeves .....	88187
<b>1964-1952</b>	215/3.5L, 223/3.6L	
	Seal .....	350936
	Kwik Slv (Opt Rpr) .....	KWK99187
	Harmonic Balancer	
	Sleeves .....	88187

#### **8 Cylinder**

<b>1989-1983</b>	420/6.9L, 444/7.3L Diesels	
	Seal Viton .....	3894V
	Seal Opt. ....	5066 <sup>26</sup>
<b>1989-1980</b>	351/5.8L, 400/6.6L, 460/7.5L	
	Seal (front entry) .....	2692
	Seal (rear entry) .....	2942
	Kwik Slv (Opt Rpr) .....	KWK99187

292 [ ] Indicates Quantity Required; Set Components Listed Inside Rear Cover;

<sup>24</sup> Opt. Kit incl. seals 5683 & 5684. Not sold separately

<sup>26</sup> Opt. Kit incl. 3894V seal & sleeve

**FORD TRUCK - 1 TON - F3, F53, F59, E300, E350, F350, M400, P400, 3500 Series, Econoline, Motor Home, Parcel Delivery, Pickup, F450 Super Duty, Van (cont.)**

**TIMING COVER (cont.)**

**8 Cylinder (cont.)**

<b>1989-1965</b>	302/5.0L, 351/5.8L, 352/5.8L, 360/5.9L, 390/6.4L, 400/6.6L, 460/7.5L	
Seal (front entry)	.....	2692
Seal (rear entry)	.....	2942
Kwik Slv (Opt Rpr)	.....	KWK99187
Harmonic Balancer	.....	
Sleeves	.....	88187

**TIMING COVER (cont.)**

**8 Cylinder (cont.)**

<b>1964-1956</b>	272/4.4, 292/4.8	
Seal	.....	350936
Kwik Slv (Opt Rpr)	.....	KWK99187
Harmonic Balancer	.....	
Sleeves	.....	88187

**FORD TRUCK - 1-1/2, 2, 2-1/2 TON - 400, 450, 500, 600, 700, 4000, 4500 Series, Pickup, Parcel Delivery, Motor Home Chassis**

**FRONT WHEEL**

**2WD**

<b>1989-1984</b>	600, 700 Series: 6000, 7000 lb. axles and disc brakes	
Seal (inner)	.....	2674[2]
Cone/Cup (inner)	.....	45284-45220[2]
Cone/Cup (outer)	.....	25880-25820[2]
<b>1989-1980</b>	600, 700 Series: 7500, 9000, 12000 lb. axles	
Seal (inner)	.....	370132A[2] <sup>57</sup>
Cone/Cup (inner)	.....	39581-39520[2]
Cone/Cup (outer)	.....	3585-3525[2]
<b>1983-1978</b>	500 Series: 5500 lb. axle	
Cone/Cup (inner)	.....	25590-25520[2]
Cone/Cup (outer)	.....	25877-25820[2]
<b>1983-1978</b>	600, 700 Series: 5500 lb. axle	
Cone/Cup (inner)	.....	25590-25520[2]
Cone/Cup (outer)	.....	25877-25820[2]
<b>1979-1971</b>	P500 Series: from chassis #J70002 on	
Seal (inner)	.....	44052[2]
Cone/Cup (inner)	.....	25590-25520[2]
Cone/Cup (outer)	.....	14125A-14272[2]
<b>1977-1969</b>	500 Series: exc. P500: from chassis #F90002 on	
Seal (inner)	.....	2222[2]
Cone/Cup (inner)	.....	3778-3720[2]
Cone/Cup (outer)	.....	25877-25820[2]
<b>1977-1969</b>	600, 700 Series	
Cone/Cup (inner)	.....	3778-3720[2]
Cone/Cup (outer)	.....	25877-25820[2]
<b>1976-1973</b>	450 Series	
Seal (inner)	.....	2222[2]
Cone/Cup (inner)	.....	3778-3720[2]
Cone/Cup (outer)	.....	25877-25820[2]
<b>1976-1957</b>	4000 Series	
Seal (inner)	.....	6954S[2]
Set (inner)	.....	SET45
Cone/Cup (outer)	.....	1380-1328[2]

**FRONT WHEEL (cont.)**

**2WD (cont.)**

<b>1973-1957</b>	400 Series	
Seal (inner)	.....	6954S[2]
Set (inner)	.....	SET45
Cone/Cup (outer)	.....	1380-1328[2]
<b>1971-1969</b>	P500 Series: thru chassis #J70001	
Seal (inner)	.....	44052[2]
Cone/Cup (inner)	.....	25590-25520[2]
Set (outer)	.....	SET6
<b>1971-1968</b>	C550: 6000 lb. axle	
Seal (inner)	.....	6780S[2]
Cone/Cup (inner)	.....	45284-45220[2]
Cone/Cup (outer)	.....	25877-25820[2]
<b>1969-1963</b>	500 Series: thru chassis #F90001	
Seal (inner)	.....	44052[2]
Cone/Cup (inner)	.....	25590-25520[2]
Set (outer)	.....	SET6
<b>1967-1961</b>	C550: 6000 lb. axle	
Seal (inner)	.....	7780N[2]
Cone/Cup (inner)	.....	3778-3720[2]
Cone/Cup (outer)	.....	25877-25820[2]
<b>1962-1957</b>	F500	
Seal (inner)	.....	44052[2]
Cone/Cup (inner)	.....	25590-25520[2]
Cone/Cup (outer)	.....	15106-15250X[2]
<b>1962-1957</b>	P500	
Seal (inner)	.....	44052[2]
Cone/Cup (inner)	.....	25590-25520[2]
Cone/Cup (outer)	.....	15106-15250X[2]
<b>1956-1953</b>	500 Series	
Seal (inner)	.....	5924[2]
Cone/Cup (inner)	.....	25578-25522[2]
Cone/Cup (outer)	.....	15106-15250X[2]
<b>1956-1948</b>	all	
Seal (inner)	.....	5924[2]
Cone/Cup (inner)	.....	25578-25522[2]
Cone/Cup (outer)	.....	15106-15250X[2]

[ ] Indicates Quantity Required; Set Components Listed Inside Rear Cover;  
<sup>57</sup> Oil Bath Seal

# Bearings and Seals

Mfg./Year    Model & Location    Part No    Mfg./Year    Model & Location    Part No

## **FORD TRUCK - 1-1/2, 2, 2-1/2 TON - 400, 450, 500, 600, 700, 4000, 4500 Series, Pickup, Parcel Delivery, Motor Home Chassis (cont.)**

### **FRONT WHEEL**

#### **4WD**

<b>1979-1978</b>	all	
Seal (inner)	.....	44052[2]
Cone/Cup (inner)	.....	25590-25520[2]
Cone/Cup (outer)	.....	25877-25820[2]
<b>1977-1971</b>	from chassis #F90001	
Seal (inner)	.....	2222[2]
Cone/Cup (inner)	.....	3778-3720[2]
Cone/Cup (outer)	.....	25877-25820[2]

### **REAR WHEEL**

<b>1989-1984</b>	15000 lb. axle: 15"x5" drum brakes and Dayton wheels	
Seal (inner)	.....	370047A[2] <sup>57</sup>
Seal (inner)	.....	455858[2]
Cone/Cup (inner)	.....	33287-33462[2]
Seal (outer)	.....	5487[2]
Cone/Cup (outer)	.....	3982-3920[2]
<b>1989-1988</b>	F-Super Duty: Dana 80 axle	
Seal (inner)	.....	370018A[2] <sup>57</sup>
Cone/Cup (inner)	.....	39585-39520[2]
Cone/Cup (outer)	.....	368A-362A[2]
<b>1989-1978</b>	13000 lb. axle: 13"x5" drum brakes and Budd wheel	
Seal (inner)	.....	370047A[2] <sup>57</sup>
Cone/Cup (inner)	.....	3984-3920[2]
Seal (inner)	.....	455858[2]
Cone/Cup (outer)	.....	462-453X[2]
<b>1989-1969</b>	15000 lb. axle: 15"x6" drum brakes and Dayton wheels	
Seal (inner)	.....	370047A[2] <sup>57</sup>
Seal (inner)	.....	455858[2]
Cone/Cup (inner)	.....	33287-33462[2]
Seal (outer)	.....	5487[2]
Cone/Cup (outer)	.....	3982-3920[2]
<b>1989-1987</b>	CF600 Series: 17500 lb. axle	
Seal (inner)	.....	370023A[2] <sup>57</sup>
Cone/Cup (inner)	.....	47686-47620[2]
Cone/Cup (outer)	.....	39590-39520[2]
<b>1989-1987</b>	CF600 Series: 20000 lb., 23000 lb. axles	
Seal (inner)	.....	370003A[2] <sup>57</sup>
Cone/Cup (inner)	.....	594A-592A[2]
Cone/Cup (outer)	.....	580-572[2]
<b>1977-1969</b>	C550, N500, P500: 11000 lb., 13000 lb. axles: from chassis #F70001	
Seal (inner)	.....	370047A[2] <sup>57</sup>
Cone/Cup (inner)	.....	3984-3920[2]
Seal (inner)	.....	455858[2]
<b>1977-1969</b>	B500, C500, LN500, M500, P550: 11000 lb., 13000 lb. axles: from chassis #F70001 on	
Seal (inner)	.....	370047A[2] <sup>57</sup>
Cone/Cup (inner)	.....	3984-3920[2]
Seal (inner)	.....	455858[2]
Cone/Cup (outer)	.....	462-453X[2]

### **REAR WHEEL (cont.)**

<b>1977-1968</b>	15000 lb. axle: from chassis #C42001 on	
Seal (inner)	.....	370046A[2] <sup>57</sup>
Cone/Cup (inner)	.....	33287-33462[2]
Seal (inner)	.....	455858[2]
Seal (outer)	.....	5487[2]
Cone/Cup (inner)	.....	3982-3920[2]
<b>1977-1957</b>	F500: 11000 lb., 13000 lb. axles: exc. for some F500, N500 in 1969	
Seal (inner)	.....	370047A[2] <sup>57</sup>
Cone/Cup (inner)	.....	3984-3920[2]
<b>1976</b>	450 Series: 7200 lb., 7400 lb. axles: from chassis #A84002 on	
Seal (inner)	.....	9864S[2]
Cone/Cup (inner)	.....	387AS-382A[2]
Set (outer)	.....	SET38
<b>1976-1974</b>	M450	
Seal (inner)	.....	370046A[2] <sup>57</sup>
Cone/Cup (inner)	.....	3984-3920[2]
Cone/Cup (outer)	.....	462-453X[2]
<b>1976-1970</b>	LN750: 15000 lb. axle: 15"x5" drum brakes and Dayton wheels	
Seal (inner)	.....	370047A[2] <sup>57</sup>
Cone/Cup (inner)	.....	33287-33462[2]
Seal (outer)	.....	5487[2]
Cone/Cup (outer)	.....	3982-3920[2]
<b>1976-1967</b>	P400: from chassis #84002	
Seal (inner)	.....	9864S[2]
Cone/Cup (inner)	.....	387AS-382A[2]
Set (outer)	.....	SET38
<b>1970-1968</b>	P400: 6-lug wheels	
Seal (inner)	.....	4250[2]
Cone/Cup (inner)	.....	387AS-382A[2]
Set (outer)	.....	SET38
<b>1969</b>	F500, N500: 11000 lb., 13000 lb. axles: some: thru chassis #F70000	
Seal (inner)	.....	416297[2]
Cone/Cup (inner)	.....	3984-3920[2]
Cone/Cup (outer)	.....	462-453X[2]
<b>1968-1957</b>	C550, N500, P500: 11000 lb., 13000 lb. axles: thru chassis #F70000	
Seal (inner)	.....	416297[2]
Cone/Cup (inner)	.....	3984-3920[2]
Cone/Cup (outer)	.....	462-453X[2]
<b>1968-1955</b>	B500, C550, F500, P500, N500: 15000 lb. axle: thru chassis #C42000	
Seal (inner)	.....	455858[2]
Cone/Cup (inner)	.....	33281-33462[2]
Cone/Cup (outer)	.....	3982-3920[2]
<b>1967</b>	P400: thru chassis #84001	
Seal (inner)	.....	475960[2]
Cone/Cup (inner)	.....	387AS-382A[2]
Set (outer)	.....	SET38

**FORD TRUCK - 1-1/2, 2, 2-1/2 TON - 400, 450, 500, 600, 700, 4000, 4500 Series, Pickup, Parcel Delivery, Motor Home Chassis (cont.)**

**REAR WHEEL (cont.)**

<b>1966-1957</b>	P400	
Seal (inner)	.....	475960[2]
Cone/Cup (inner)	.....	387AS-382A[2]
Cone/Cup (outer)	.....	368A-362A[2]
<b>1956-1954</b>	P500	
Seal (inner)	.....	416297[2]
Cone/Cup (inner)	.....	3984-3920[2]
Cone/Cup (outer)	.....	462-453X[2]
<b>1954-1953</b>	all	
Seal (inner)	.....	455858[2]
Cone/Cup (inner)	.....	33281-33462[2]
Cone/Cup (outer)	.....	3982-3920[2]
<b>1952-1948</b>	all	
Seal (inner)	.....	5751S[2]
Cone/Cup (inner)	.....	3984-3920[2]
Cone/Cup (outer)	.....	462-453X[2]

**FRONT AXLE**

**Differential**

<b>1979-1971</b>	Rockwell FDS75 axle	
Cone/Cup	.....	3994-3920[2]

**Pinion**

<b>1979-1971</b>	Rockwell FDS75 axle	
Cone/Cup	.....	53176-53387[2]
Cyl. Bearing (pilot)	.....	MU1305TDM

**REAR AXLE**

**Differential Rebuild Kit**

<b>1989-1987</b>	Rockwell 13120, 15120 axles	
Kit	.....	DRK218
<b>1989-1987</b>	Rockwell 19220 axle	
Kit	.....	DRK216
<b>1989-1987</b>	Rockwell 17140 axle	
Kit	.....	DRK215
<b>1989-1987</b>	Rockwell 17220 axle	
Kit	.....	DRK216
<b>1988-1980</b>	Eaton 23121 axle	
Kit	.....	DRK18E
<b>1988-1976</b>	Eaton 23221 axle	
Kit	.....	DRK72A
<b>1988-1973</b>	Rockwell R170 axle	
Kit	.....	DRK50A
<b>1988-1964</b>	Eaton 17100, 17101, 17120, 17121, 18121 axles	
Kit	.....	DRK1A
<b>1988-1961</b>	Eaton 17201, 17221, 18221 axles	
Kit	.....	DRK1
<b>1986-1980</b>	Dana/Spicer M185T, M190T, M220T axles	
Kit	.....	DRK214
<b>1986-1980</b>	Dana/Spicer G175T axle	
Kit	.....	DRK213
<b>1986-1964</b>	Eaton 16244 axle	
Kit	.....	DRK23D
<b>1986-1954</b>	Eaton 15201 axle	
Kit	.....	DRK24

**REAR AXLE (cont.)**

**Differential Rebuild Kit (cont.)**

<b>1979-1961</b>	Eaton 17200, 17220, 17800, 17801, 7800 axles	
Kit	.....	DRK1
<b>1979-1954</b>	Eaton 1350, 13800, 13802 axles	
Kit	.....	DRK24
<b>1969-1964</b>	Eaton 16220 axle: 15" ring gear	
Kit	.....	DRK23
<b>1969-1964</b>	Eaton 16220 axle: 15.5" ring gear	
Kit	.....	DRK23D
<b>1969-1961</b>	Eaton 16221, 16802, 16803 axle	
Kit	.....	DRK23

**Differential**

<b>1989-1987</b>	Rockwell 13120, 15120 axles	
Cone/Cup (LH)	.....	3994-JM511910
Cone/Cup (RH)	.....	34306-34478
<b>1989-1987</b>	Rockwell 15210 axle	
Cone/Cup (LH)	.....	JP10049-JP10010
Cone/Cup (RH)	.....	JLM714149-JLM714110
<b>1989-1987</b>	Rockwell 17140, 21145 axles: with 3200-M-1547 carrier	
Cone/Cup (LH)	.....	JM716649-JM716610
Cone/Cup (RH)	.....	JP10049-JP10010
<b>1989-1987</b>	Rockwell 17140, 21145 axles: with 3200-L-1676 carrier	
Cone/Cup	.....	JM716649-JM716610[2]
<b>1989-1987</b>	Rockwell 21145 axle: 3200-R-1500 carrier	
Bearing Assy	.....	32020X[2]
<b>1989-1987</b>	Rockwell 21230 axle	
Cone/Cup (LH)	.....	52400-52618
Cone/Cup (RH)	.....	JM716649-JM716610
<b>1989-1987</b>	Rockwell 23160 axle	
Bearing Assy	.....	32021X[2]
<b>1989-1987</b>	Rockwell 23240 axle	
Cone/Cup (LH)	.....	JP12049-JP12010
Cone/Cup (RH)	.....	JM716649-JM716610
<b>1989-1987</b>	Rockwell 23180 axle	
Cone/Cup (LH)	.....	JHM720249-JHM720210
Cone/Cup (RH)	.....	64450-64700
<b>1989-1987</b>	Rockwell 17220, 19220 axles	
Cone/Cup (LH)	.....	42381-42584
Cone/Cup (RH)	.....	JLM714149-JLM714110
<b>1988-1980</b>	Eaton 23121 axle	
Cone/Cup (LH)	.....	663-665
Cone/Cup (RH)	.....	42381-42584
<b>1988-1976</b>	Eaton 23221 axle with 27950 case	
Cone/Cup (LH)	.....	68450-68712
Cone/Cup (RH)	.....	42346-42584
<b>1988-1976</b>	Eaton 23221 axle with 103537 case	
Cone/Cup (LH)	.....	68462-68712
Cone/Cup (RH)	.....	42346-42584
<b>1988-1973</b>	Rockwell R170 axle	
Cone/Cup (LH)	.....	52387-52618
Cone/Cup (RH)	.....	598-592A

# Bearings and Seals

Mfg./Year    Model & Location    Part No    Mfg./Year    Model & Location    Part No

## **FORD TRUCK - 1-1/2, 2, 2-1/2 TON - 400, 450, 500, 600, 700, 4000, 4500 Series, Pickup, Parcel Delivery, Motor Home Chassis (cont.)**

### **REAR AXLE (cont.)**

#### **Differential (cont.)**

<b>1988-1964</b>	Eaton 17100, 17101, 17120, 17121, 18121, 22121 axles	
	Cone/Cup (LH) .....	567-563
	Cone/Cup (RH) .....	497-493
<b>1988-1961</b>	Eaton 17200, 17201, 17220, 17221, 17800, 17801, 18221, 22221, 7800 axles	
	Cone/Cup (LH) .....	56425-56650
	Cone/Cup (RH) .....	497-493
<b>1988-1954</b>	Eaton 13800, 13802, 15201 axles	
	Cone/Cup (LH) .....	498-493
	Cone/Cup (RH) .....	33275-33472
<b>1986-1980</b>	Rockwell M185T, M190T axles	
	Cone/Cup (LH) .....	JM822049-JM822010
	Cone/Cup (RH) .....	JM716649-JM716610
<b>1986-1980</b>	Rockwell M220S, M220T axles	
	Cone/Cup (LH) .....	JM822049-JM822010
	Cone/Cup (RH) .....	JM716649-JM716610
<b>1986-1980</b>	Dana/Spicer G175T axle	
	Cone/Cup (LH) .....	42381-42584
	Cone/Cup (RH) .....	495-493
<b>1986-1961</b>	Eaton 16220, 16221, 16244, 16802, 16803 axles	
	Cone/Cup (LH) .....	42381-42584
	Cone/Cup (RH) .....	495A-493
<b>1979-1977</b>	Rockwell H172, H173 axles	
	Cone/Cup .....	JLM714149-JLM714110[2]
<b>1979-1974</b>	Rockwell D100, D140, F106 axles: production from 6/1974 on	
	Cone/Cup .....	3994-JM511910[2]
<b>1979-1954</b>	Eaton 1350 axle	
	Cone/Cup (LH) .....	498-493
	Cone/Cup (RH) .....	33275-33472
<b>1977-1964</b>	Rockwell H170 axle	
	Cone/Cup (LH) .....	47490-47420
	Cone/Cup (RH) .....	33275-33472
<b>1974-1954</b>	Rockwell C100 axle	
	Cone/Cup .....	395-394AS[2]
<b>1974-1954</b>	Rockwell D100, D140, F106 axles: production thru 5/1974	
	Cone/Cup (LH) .....	3994-3920
	Cone/Cup (RH) .....	395-394A
<b>1969-1968</b>	Rockwell L346 axle	
	Cone/Cup .....	42688-42620[2]
<b>1969-1964</b>	Rockwell H140 axle	
	Cone/Cup .....	33281-33472[2]
<b>1969-1961</b>	Eaton 1614 axle	
	Cone/Cup .....	3994-3920[2]
<b>1969-1961</b>	Eaton 1790, 1791 axles	
	Cone/Cup (LH) .....	33281-33472
	Cone/Cup (RH) .....	567-563
<b>1969-1959</b>	Rockwell F104 axle	
	Cone/Cup .....	3994-3920[2]

### **REAR AXLE**

#### **Pinion**

<b>1989-1988</b>	Rockwell 15210 axle: production from 12/1987 on	
	Cone/Cup (inner) .....	55200C-55437
	Seal (outer) .....	415082N
	Cone/Cup (outer) .....	M804049-M804010
	Cyl. Bearing (pilot) .....	RU1570UM
<b>1989-1987</b>	Rockwell 13120, 15120 axles	
	Cone/Cup (inner) .....	55200C-55437
	Seal (outer) .....	415082N
	Cone/Cup (outer) .....	HM804846-HM804810
	Cyl. Bearing (pilot) .....	MUB1305UDM
<b>1989-1987</b>	Rockwell 19145, 21145 axles	
	Cone/Cup (inner) .....	72212C-72487
	Seal (outer) .....	3905
	Cone/Cup (outer) .....	55206C-55437
	Cyl. Bearing (pilot) .....	RU1570UM
<b>1989-1987</b>	Rockwell 21230 axle	
	Cone/Cup (inner) .....	55200C-55437
	Seal (outer) .....	415082N
	Cone/Cup (outer) .....	HM804846-HM804810
<b>1989-1987</b>	Rockwell 23160 axle	
	Cone/Cup (inner) .....	9278-9220
	Seal (outer) .....	417987N
	Cone/Cup (outer) .....	HM813843-HM813810
<b>1989-1987</b>	Rockwell 23240 axle	
	Cone/Cup (inner) .....	78225C-78551
	Seal (outer) .....	3905
	Cone/Cup (outer) .....	55206C-55437
<b>1989-1987</b>	Rockwell 23180 axle	
	Cone/Cup (inner) .....	9278-9220
	Seal (outer) .....	417987N
	Cone/Cup (outer) .....	H715334-H715311
	Cyl. Bearing (pilot) .....	MUB7309UM
<b>1989-1987</b>	Rockwell 17140 axle with 3200-L-1676 carrier	
	Cone/Cup (inner) .....	55200C-55437
	Seal (outer) .....	415082N
	Cone/Cup (outer) .....	M804049-M804010
	Cyl. Bearing (pilot) .....	RU1570UM
<b>1989-1987</b>	Rockwell 17220, 19220 axles	
	Cone/Cup (inner) .....	55200C-55437
	Seal (outer) .....	415082N
	Cone/Cup (outer) .....	M804049-M804010
	Cyl. Bearing (pilot) .....	RU1570UM
<b>1988-1980</b>	Eaton 22121, 22221 axles	
	Cone/Cup (inner) .....	72200C-72487
	Seal (outer) .....	9773R
	Cone/Cup (outer) .....	55200C-55437
	Cyl. Bearing (pilot) .....	MUS1307UM
<b>1988-1976</b>	Eaton 23121, 23221 axles	
	Cone/Cup (inner) .....	78215C-78551
	Seal (outer) .....	712937
	Cone/Cup (outer) .....	72212C-72487
	Cyl. Bearing (pilot) .....	MUS1308UM

**FORD TRUCK - 1-1/2, 2, 2-1/2 TON - 400, 450, 500, 600, 700, 4000, 4500 Series, Pickup, Parcel Delivery, Motor Home Chassis (cont.)**

**REAR AXLE (cont.)**

**Pinion (cont.)**

<b>1988-1973</b>	Rockwell R170 axle: exc. 7.40 final drive ratio	
	Cone/Cup (inner) .....	H715343-H715311
	Seal (outer) .....	475012N
	Cone/Cup (outer) .....	HM813843-HM813810
	Cyl. Bearing (pilot) .....	MUB1309UM
<b>1988-1973</b>	Rockwell R170 axle: 7.40 final drive ratio	
	Cone/Cup (inner) .....	H715343-H715311
	Seal (outer) .....	475012N
	Cone/Cup (outer) .....	HM813843-HM813810
	Cyl. Bearing (pilot) .....	MUC1309UM
<b>1988-1964</b>	Eaton 17121 axle	
	Cone/Cup .....	55200C-55437[2]
	Seal (outer) .....	9773R
	Cyl. Bearing (pilot) .....	MUS1307UM
<b>1988-1961</b>	Eaton 17100, 17101, 17120 axles	
	Cone/Cup .....	55200C-55437[2]
	Seal (outer) .....	9773R
	Cyl. Bearing (pilot) .....	MUS1307UM
<b>1988-1961</b>	Eaton 17200, 17220, 17221 axles	
	Cone/Cup .....	55200C-55437[2]
	Seal (outer) .....	9773R
	Cyl. Bearing (pilot) .....	MUS1307UM
<b>1988-1961</b>	Eaton 18121, 18221 axles	
	Cone/Cup .....	55200C-55437[2]
	Seal (outer) .....	9773R
	Cyl. Bearing (pilot) .....	MUS1307UM
<b>1987</b>	Rockwell 15210 axle: production thru 11/1987	
	Cone/Cup (inner) .....	55200C-55437
	Seal (outer) .....	415082N
	Cone/Cup (outer) .....	M804049-M804010
	Cyl. Bearing (pilot) .....	MUB1305TDM
<b>1986-1980</b>	Dana/Spicer M185T, M190T, M220S, M220T axles	
	Cone/Cup (inner) .....	72225C-72487
	Seal (outer) .....	477163N
	Cone/Cup (outer) .....	55200C-55437
	Cyl. Bearing (pilot) .....	MUS1308UM
<b>1986-1980</b>	Dana/Spicer G175T axle	
	Cone/Cup .....	55200C-55437[2]
	Seal (outer) .....	477163N
	Cyl. Bearing (pilot) .....	MUS1307UM
<b>1986-1977</b>	Rockwell H172, H173 axles	
	Cone/Cup (inner) .....	55200C-55437
	Seal (outer) .....	415082N
	Cone/Cup (outer) .....	HM804846-HM804810
	Cyl. Bearing (pilot) .....	RU1570UM
<b>1986-1975</b>	Rockwell D100, D140, F106 axles	
	Cone/Cup (inner) .....	HM803146-HM803110
	Seal (outer) .....	470308N
	Cone/Cup (outer) .....	44143-44348
	Cyl. Bearing (pilot) .....	MU1305TDM
<b>1986-1964</b>	Eaton 16244 axle	
	Cone/Cup .....	55175C-55437[2]
	Seal (outer) .....	9773R
	Cyl. Bearing (pilot) .....	MUS1307UM

**REAR AXLE (cont.)**

**Pinion (cont.)**

<b>1986-1954</b>	Eaton 15201 axle	
	Cone/Cup .....	HM903249-HM903210[2]
	Cyl. Bearing (pilot) .....	MU1305TDM
	Seal Kit .....	722250S
	Seal .....	470737N
<b>1979-1961</b>	Eaton 7800 axle	
	Cone/Cup .....	55200C-55437[2]
	Seal (outer) .....	9773R
	Cyl. Bearing (pilot) .....	MUS1307UM
<b>1979-1961</b>	Eaton 17800 axle	
	Cone/Cup .....	55200C-55437[2]
	Seal (outer) .....	9773R
	Cyl. Bearing (pilot) .....	MUS1307UM
<b>1977-1964</b>	Rockwell H170 axle	
	Cone/Cup (inner) .....	HM807044-HM807010
	Seal (outer) .....	470574N
	Cone/Cup (outer) .....	M804049-M804010
	Cyl. Bearing (pilot) .....	RU1570UM
<b>1974-1954</b>	Rockwell C100 axle	
	Cone/Cup (inner) .....	M903345-M903310
	Seal (outer) .....	470308N
	Cone/Cup (outer) .....	44143-44348
	Cyl. Bearing (pilot) .....	MU1305TDM
<b>1974-1954</b>	Rockwell D100, D140, F106 axles	
	Cone/Cup (inner) .....	HM903244-HM903210
	Seal (outer) .....	470308N
	Cone/Cup (outer) .....	44143-44348
	Cyl. Bearing (pilot) .....	MU1305TDM
<b>1969-1968</b>	Rockwell L346 axle	
	Cone/Cup (inner) .....	HM804843-HM804810
	Seal (outer) .....	475009N
	Cone/Cup (outer) .....	HM813842-HM813810
<b>1969-1964</b>	Eaton 17801 axle	
	Cone/Cup .....	55200C-55437[2]
	Seal (outer) .....	9773R
	Cyl. Bearing (pilot) .....	MUS1307UM
<b>1969-1964</b>	Rockwell H140 axle: 1.375" pinion shaft OD	
	Cone/Cup (inner) .....	55187C-55443
	Seal (outer) .....	410101N
	Cone/Cup (outer) .....	55176C-55443
	Cyl. Bearing (pilot) .....	RU1570UM
<b>1969-1964</b>	Rockwell H140 axle: 1.875" pinion shaft OD	
	Cone/Cup (inner) .....	55187C-55443
	Seal (outer) .....	410101N
	Cone/Cup (outer) .....	55176C-55443
	Cyl. Bearing (pilot) .....	MU1306TDM
<b>1969-1961</b>	Eaton 1614 axle	
	Cone/Cup .....	55175C-55437[2]
	Seal (outer) .....	475003N
	Cyl. Bearing (pilot) .....	MU1306UM
<b>1969-1961</b>	Eaton 1790, 1791 axles	
	Cone/Cup (inner) .....	55200C-55437[2]
	Seal (outer) .....	475003N
	Cyl. Bearing (pilot) .....	MUS1307UM

# Bearings and Seals

Mfg./Year    Model & Location    Part No    Mfg./Year    Model & Location    Part No

## **FORD TRUCK - 1-1/2, 2, 2-1/2 TON - 400, 450, 500, 600, 700, 4000, 4500 Series, Pickup, Parcel Delivery, Motor Home Chassis (cont.)**

### **REAR AXLE (cont.)**

#### **Pinion (cont.)**

<b>1969-1961</b>	Eaton 13800, 13802 axles
	Cone/Cup ..... HM903249-HM903210[2]
	Seal (outer) ..... 470737N
	Cyl. Bearing (pilot) ..... MU1305TDM
<b>1969-1961</b>	Eaton 16220, 16221 axles: 2.375"
	pinion shaft OD
	Cone/Cup ..... HM903249-HM903210[2]
	Seal (outer) ..... 712375
	Cyl. Bearing (pilot) ..... MUS1307UM
<b>1969-1961</b>	Eaton 16220, 16221 axles: 2.625"
	pinion shaft OD
	Cone/Cup ..... HM903249-HM903210[2]
	Seal (outer) ..... 712265
	Cyl. Bearing (pilot) ..... MUS1307UM
<b>1969-1961</b>	Eaton 16802, 16803 axles: 2.375"
	pinion shaft OD
	Cone/Cup ..... HM903249-HM903210[2]
	Seal (outer) ..... 712375
	Cyl. Bearing (pilot) ..... MUS1307UM
<b>1969-1961</b>	Eaton 16802, 16803 axles: 2.625"
	pinion shaft OD
	Cone/Cup ..... HM903249-HM903210[2]
	Seal (outer) ..... 712265
	Cyl. Bearing (pilot) ..... MUS1307UM
<b>1969-1959</b>	Rockwell F104 axle
	Cone/Cup ..... 53176-53387[2]
	Seal (outer) ..... 410737
	Cyl. Bearing (pilot) ..... MU1305TDM
<b>1961</b>	Eaton 1350 axle
	Cone/Cup ..... HM903249-HM903210[2]
	Seal (outer) ..... 470737N
	Cyl. Bearing (pilot) ..... MU1305TDM

#### **Crossshaft**

<b>1969-1968</b>	Rockwell L346 axle
	Cone/Cup (LH) ..... HM807040-HM807010
	Cone/Cup (RH) ..... HM807046-HM807010

### **CLUTCH**

#### **Pilot Bearing**

<b>1989-1986</b>	600 Series: Clark 5-speed trans
	Bearing ..... 206FF
<b>1989-1986</b>	700 Series: Clark 5-speed trans
	Bearing ..... 206FF
<b>1989-1973</b>	600 Series: gas engine, single plate clutch: exc. 1979-1988 P600 series
	Bearing ..... 202SS
<b>1989-1973</b>	600 Series: 359, 361, 389, 391, 429
	Bearing ..... 205SS
<b>1989-1973</b>	600 Series: diesel: exc. 1986-1992 Clark 5-speed trans
	Bearing ..... 205SS
<b>1989-1973</b>	700 Series: gas engine, single plate clutch
	Bearing ..... 202SS

### **CLUTCH (cont.)**

#### **Pilot Bearing (cont.)**

<b>1989-1973</b>	700 Series: 359, 361, 389, 391, 429
	Bearing ..... 205SS
<b>1989-1973</b>	700 Series: diesel engine: exc. 1986-1992 Clark 5-speed trans
	Bearing ..... 205SS
<b>1988-1979</b>	600 Series: 370
	Bearing ..... 105SSI
<b>1988-1979</b>	700 Series: 370
	Bearing ..... 105SSI
<b>1988-1973</b>	600 Series: 401, 475, 477, 534
	Bearing ..... 305S
<b>1988-1973</b>	700 Series: 401, 475, 477, 534
	Bearing ..... 305S
<b>1981-1964</b>	700 Series school bus: 391
	Bearing ..... 105SSI
<b>1979-1978</b>	P600: gas engine, single plate clutch
	Bearing ..... 105CB
<b>1979-1973</b>	600 Series: 300
	Bearing ..... 105CC
<b>1979-1973</b>	600 Series: diesel engine
	Bearing ..... 205SS
<b>1972-1964</b>	550 Series: 330HD, 361, 391
	Bearing ..... 205SS
<b>1968-1957</b>	P400 Series
	Bearing ..... 203S
<b>1968-1957</b>	500 Series
	Bearing ..... 203S

#### **Release Bearing**

<b>1989</b>	700 Series: 3208 Cat diesel: 13" & 14" double plate clutches
	Bearing Only ..... FA02256C
<b>1989-1973</b>	600, 700 Series: gas engine, single plate clutch
	Bearing Only ..... F01757C
<b>1989-1973</b>	600, 700 Series: diesel engine, single plate clutch
	Bearing Only ..... FA02256C
<b>1989-1973</b>	600, 700 Series: gas engine, double plate clutch
	Bearing Only ..... FD02256C
<b>1989-1973</b>	600, 700 Series: diesel engine, double plate clutch
	Bearing Only ..... FB02256C
<b>1977-1973</b>	500 Series: 300, 330 engines
	Bearing Only ..... F01757C
<b>1977-1965</b>	400, 500 Series: diaphragm spring clutch
	Bearing Assy ..... 614038
<b>1977-1965</b>	400, 500 Series: 3-finger clutch
	Bearing Assy ..... 614034
<b>1972-1964</b>	500, 550 Series from chassis #530002 on: exc. 12" H/D, 13" clutches
	Bearing Only ..... FB2065C

**FORD TRUCK - 1-1/2, 2, 2-1/2 TON - 400, 450, 500, 600, 700, 4000, 4500 Series, Pickup, Parcel Delivery, Motor Home Chassis (cont.)**

**CLUTCH (cont.)**

**Release Bearing (cont.)**

<b>1972-1964</b>	500, 550 Series from chassis #530002 on: 12" H/D, 13" clutches	
	Bearing Only .....	F01757C
<b>1971-1965</b>	diesel engines	
	Bearing Only .....	F01757C
<b>1964</b>	500, 550 Series thru chassis #530001: exc. 330 engine	
	Bearing Only .....	F2065C
<b>1964</b>	500, 550 Series thru chassis #530001: 330 engine	
	Bearing Only .....	FA2255C
<b>1964-1953</b>	gas engines	
	Bearing Only .....	F2065C
<b>1964-1953</b>	diesel engines	
	Bearing Only .....	FA2255C

**DRIVESHAFT SUPPORT**

<b>1989-1955</b>	Spicer 1260, 1280, 1310, 1380, 1410, 1480: 1.3780" bearing ID	
	Bearing .....	88107
	Hanger Bearing Assy .....	HB88107A
<b>1983-1973</b>	Cleveland 055: 1.5748" bearing ID, 2.25" height	
	Hanger Bearing Assy .....	HB88508A
<b>1983-1973</b>	Spicer 1410: 1.5748" bearing ID, 2.25" height	
	Hanger Bearing Assy .....	HB88508A

**DRIVESHAFT SUPPORT (cont.)**

<b>1983-1955</b>	Spicer 1410, 1650: 1.7717" bearing ID	
	Bearing .....	88509
	Hanger Bearing Assy .....	HB88509
<b>1979-1955</b>	Spicer: 1.9685" bearing ID	
	Hanger Bearing Assy .....	HB88510A
<b>1979-1955</b>	Spicer: 2.3622" bearing ID	
	Hanger Bearing Assy .....	HB88512AHD
<b>1979-1955</b>	Spicer 1410, 1480: 1.5748" bearing ID, 2.5" height	
	Bearing .....	88508
	Hanger Bearing Assy .....	HB88508
<b>1975-1965</b>	Cleveland 055: 1.5000" bearing ID	
	Hanger Bearing Assy .....	HB2
<b>1975-1965</b>	Cleveland R55: 1.3750" bearing ID	
	Hanger Bearing Assy .....	HB1
<b>1975-1965</b>	Cleveland S55: 1.3750" bearing ID	
	Hanger Bearing Assy .....	HB1

**FRAZER - see also Kaiser, Henry J - Manhattan, Vagabond**

**FRONT WHEEL**

<b>1951-1949</b>	
	Seal (inner) ..... 471831[2]
	Cone/Cup (inner) ..... 15123-15245[2]
	Cone/Cup (outer) ..... 09067-09195[2]
<b>1948-1947</b>	
	Seal (inner) ..... 5836[2]
	Cone/Cup (inner) ..... 14125A-14276[2]
	Cone/Cup (outer) ..... 09074-09194[2]

**REAR WHEEL**

<b>1951-1947</b>	
	Seal (inner) ..... 7245[2]
	Seal (outer) ..... 8676S[2]
	Cone/Cup (outer) ..... 25877-25821[2]

**REAR AXLE**

**Differential**

<b>1951-1946</b>	all
	Cone/Cup ..... 25577-25523[2]

**REAR AXLE**

**Pinion**

<b>1951-1946</b>	all
	Cone/Cup (inner) ..... 31593-31520
	Seal (outer) ..... 5778
	Cone/Cup (outer) ..... 02872-02820

**CLUTCH**

**Pilot Bearing**

<b>1951-1946</b>	6-cylinder 226
	Bearing ..... 7109

**Release Bearing**

<b>1951-1946</b>	6-cylinder 226
	Bearing Only ..... 1562



# Bearings and Seals

Mfg./Year    Model & Location    Part No    Mfg./Year    Model & Location    Part No

## **FUSO TRUCK - FE Series, FG Series**

### **FRONT WHEEL**

**1989-1987** with exhaust brake  
 Bearing Assy (outer) ..... 32207M[2]  
**1989-1987** exc. exhaust brake  
 Bearing Assy (inner) ..... 30210M[2]  
 Bearing Assy (outer) ..... 32207M[2]

### **REAR WHEEL**

**1989-1987**  
 Bearing Assy (inner) ..... 30212M[2]  
 Bearing Assy (outer) ..... 30211M[2]

### **REAR AXLE**

#### **Differential**

**1989-1987** R2T axle  
 Cone/Cup ..... 28985-28921[2]

### **REAR AXLE**

#### **Pinion**

**1989-1987** R2T axle  
 Cone/Cup (inner) ..... HM803149-HM803112  
 Cone/Cup (outer) ..... HM801346-HM801310

### **CLUTCH**

#### **Pilot Bearing**

**1989-1987** 4-cylinder 3.3 turbodiesel  
 Bearing ..... 203FF

#### **Release Bearing**

**1989-1987** 4-cylinder 3.3 turbodiesel  
 Bearing Assy ..... 614107

## **FUSO TRUCK - FH Series, FK Series, FM Series**

### **FRONT WHEEL**

**1989-1985** exc. FM Series  
 Bearing Assy (inner) ..... 32312[2]  
 Bearing Assy (outer) ..... 32309M[2]  
 Bearing Assy (outer) ..... 32207M[2]  
**1989-1985** FM Series  
 Bearing Assy (outer) ..... 32310[2]

### **REAR WHEEL**

**1989-1985** FM Series  
 Bearing Assy (inner) ..... 32218M[2]  
 Bearing Assy (outer) ..... 32217M[2]  
**1989-1985** exc. FM Series  
 Bearing Assy (inner) ..... 32215[2]  
 Bearing Assy (outer) ..... 32213M[2]

### **REAR AXLE**

#### **Differential**

**1989-1985** R4T, R6T axles  
 Bearing Assy ..... 32217M[2]

#### **Pinion**

**1989-1985** R6T axle  
 Bearing Assy (inner) ..... 31312M  
 Bearing Assy (outer) ..... 30311  
**1989-1985** R4T axle  
 Bearing Assy (inner) ..... 30309M  
 Bearing Assy (outer) ..... 30311

### **CLUTCH**

#### **Pilot Bearing**

**1989-1987** 4-cylinder 4.9 turbodiesel  
 Bearing ..... 204FF  
**1989-1985** 6-cylinder 6.6 diesel, turbodiesel  
 Bearing ..... 204FF

#### **Release Bearing**

**1989-1987** 4-cylinder 4.9 turbodiesel  
 Bearing Only ..... 613017  
**1989-1985** 6-cylinder 6.6 turbodiesel:  
 350mm clutch  
 Bearing Only ..... 613016  
**1989-1985** 6-cylinder 6.6 turbodiesel:  
 325mm clutch  
 Bearing Only ..... 613017  
**1989-1985** 6-cylinder 6.6 diesel: 300mm  
 clutch  
 Bearing Only ..... 613017

### **DRIVESHAFT SUPPORT**

**1989-1985** PB Series: 1.7717" (45mm)  
 bearing ID  
 Bearing ..... 209BB  
**1989-1985** PB Series: 2.1654" (55mm)  
 bearing ID  
 Bearing ..... 211TB

**GEO - also see Chevrolet Imports from 1998 on - Metro, Prizm, Spectrum, Storm**

**FRONT WHEEL**

<b>1989</b>	Prizm	
	Seal (inner) .....	1993[2]
	Bearing (inner) .....	510007[2]
	Seal (outer) .....	4898[2]
<b>1989</b>	Metro exc. turbo	
	Seal (inner) .....	4904[2]
	Bearing .....	107DD[2]
<b>1989</b>	Metro turbo	
	Seal .....	710175[2]
	Bearing .....	510001[2]
<b>1989</b>	Spectrum	
	Seal (inner) .....	710098[2]
	Seal (outer) .....	224254[2]
	Set .....	SET35

**REAR WHEEL**

<b>1989</b>	Metro	
	Bearing (inner) .....	205F[2]
	Bearing (outer) .....	204F[2]
<b>1989</b>	Prizm	
	Seal .....	1180S[2]
	Bearing .....	513031[2]
<b>1989</b>	Spectrum	
	Seal (inner) .....	710309[2]
	Set (inner) .....	SET4
	Set (outer) .....	SET1

**CLUTCH**

**Pilot Bearing**

<b>1989</b>	3 cylinder 1.0, turbo	
	Bearing .....	200CC
<b>1989</b>	4-cylinder 1.3	
	Bearing .....	200CC
<b>1989</b>	4-cylinder 1.6 DOHC	
	Bearing .....	200CC

**Release Bearing**

<b>1989</b>	Metro 1.0	
	Bearing Assy .....	614082
<b>1989</b>	Prizm 1.6 DOHC	
	Bearing Assy .....	614043
<b>1989</b>	Spectrum	
	Bearing Assy .....	614108

**3-SPEED AUTOMATIC TRANSAXLE**

**Torque Converter**

<b>1989</b>	Metro	
	Seal .....	223830
	Kwik Slv (Opt Rpr) .....	KWK99147
<b>1989</b>	Prizm	
	Seal .....	223830
	Kwik Slv (Opt Rpr) .....	KWK99147

**3-SPEED AUTOMATIC TRANSAXLE**

**Output Shaft**

<b>1989</b>	Metro	
	Seal .....	223540[2]
	Kwik Slv (Opt Rpr) .....	KWK99139[2]
<b>1989</b>	Prizm	
	Seal .....	710110[2]

**Differential**

<b>1989</b>	Aisin A131	
	Seal .....	710416[2]
<b>1989</b>	Jatco F3A	
	Cone/Cup .....	XAA32008X-Y32008X[2]
<b>1989</b>	Aisin A210 (exc. turbo)	
	Bearing .....	207S[2]
<b>1989</b>	Aisin A210 (turbo)	
	Bearing .....	207[2]

**Selector Shaft Seal/Man. Shaft**

<b>1989</b>	Prizm	
	Seal .....	221207
	Kwik Slv (Opt Rpr) .....	KWK99049
<b>1989</b>	Metro	
	Seal .....	710116

**4-SPEED AUTOMATIC TRANSAXLE**

**Torque Converter**

<b>1989</b>	Prizm	
	Seal .....	223830
	Kwik Slv (Opt Rpr) .....	KWK99147
<b>1989</b>	Spectrum	
	Seal Viton .....	710078
	Kwik Slv (Opt Rpr) .....	KWK99177

**Output Shaft**

<b>1989</b>	Spectrum	
	Seal .....	3543[2]
	Kwik Slv (Opt Rpr) .....	KWK99138[2]

**ALTERNATOR**

<b>1989</b>	Metro	
	Bearing (drive end) .....	302CC

**CAMSHAFT SEAL**

**3 Cylinder**

<b>1989</b>	Metro 1.0	
	Seal .....	710310
	Kwik Slv (Opt Rpr) .....	KWK99128

**4 Cylinder**

<b>1989</b>	Prizm	
	Seal .....	1987S
	Kwik Slv (Opt Rpr) .....	KWK99139
<b>1989</b>	Spectrum	
	Seal .....	1217
	Kwik Slv (Opt Rpr) .....	KWK99157

# Bearings and Seals

Mfg./Year    Model & Location    Part No    Mfg./Year    Model & Location    Part No

## **GEO** - also see *Chevrolet Imports from 1998 on - Metro, Prizm, Spectrum, Storm (cont.)*

### **CRANKSHAFT FRONT SEAL**

**1989**    Metro 1.0  
 Seal ..... 710310  
 Kwik Slv (Opt Rpr) .....KWK99128

### **4 Cylinder**

**1989**    Prizm  
 Seal ..... 223235  
 Kwik Slv (Opt Rpr) .....KWK99128  
**1989**    Spectrum  
 Seal ..... 223220  
 Kwik Slv (Opt Rpr) .....KWK99128

### **CRANKSHAFT REAR SEAL**

### **3 Cylinder**

**1989**    Metro 1.0  
 Seal ..... 710334

### **4 Cylinder**

**1989**    Prizm  
 Seal ..... 227045  
 Kwik Slv (Opt Rpr) .....KWK99276  
**1989**    Spectrum  
 Seal ..... 228700

## **GOLIATH**

### **REAR WHEEL**

**1960-1956**    all  
 Bearing (inner) ..... 206WB[2]  
 Bearing (outer) ..... 304WB[2]

## **GRUMMAN** - rear drive - Postal Vehicle

### **FRONT WHEEL**

**1989-1987**    4x2  
 Seal (inner) ..... 4739[2]  
 Set (inner) ..... SET6  
 Set (outer) ..... SET34

### **REAR WHEEL**

**1989-1987**  
 Cyl. Bearing ..... 513023[2]  
 Kit ..... TRP57509[2]<sup>19</sup>

### **REAR AXLE**

### **Differential Rebuild Kit**

**1989-1987**  
 Kit ..... DRK320

## **HILLMAN**

### **FRONT WHEEL**

**1975-1970**    Avenger  
 Set (inner) ..... SET4  
 Set (outer) ..... SET2  
**1975-1965**    Imp  
 Set (inner) ..... SET4  
 Set (outer) ..... SET2  
**1970-1967**    Californian  
 Set (inner) ..... SET4  
 Set (outer) ..... SET2  
**1970-1967**    Hunter  
 Set (inner) ..... SET4  
 Set (outer) ..... SET2

### **FRONT WHEEL (cont.)**

**1970-1967**    Husky  
 Set (inner) ..... SET4  
 Set (outer) ..... SET2  
**1968-1956**    Minx  
 Set (inner) ..... SET21  
 Set (outer) ..... SET2  
**1966-1956**    Husky  
 Set (inner) ..... SET21  
 Set (outer) ..... SET2

**302** [ ] Indicates Quantity Required; Set Components Listed Inside Rear Cover;

<sup>19</sup> Opt. Axle Repair Bearing. Replaces O.E. bearing & seal.

**HILLMAN (cont.)**

**REAR WHEEL**

1975-1970 Avenger  
 Bearing (outer) ..... 207FF[2]

**REAR AXLE**

**Differential**

1967-1961 Husky, Minx, Super Minx  
 Set ..... SET45  
 1960-1955 all  
 Cone/Cup ..... 16150-16284[2]

**Pinion**

1975-1972 Avenger  
 Cone/Cup (inner) ..... M88048-M88010  
 1975-1965 Imp  
 Set (inner) ..... SET5  
 Cone/Cup (outer) ..... 21075-21212  
 1971-1970 Avenger  
 Cone/Cup (inner) ..... M88048-M88010  
 Seal (outer) ..... 450059  
 1971-1967 Hunter  
 Cone/Cup (inner) ..... M88048-M88010  
 Seal (outer) ..... 450059

**REAR AXLE (cont.)**

**Pinion (cont.)**

1970-1967 Californian  
 Set (inner) ..... SET5  
 Cone/Cup (outer) ..... 21075-21212  
 1970-1967 Husky  
 Set (inner) ..... SET5  
 Cone/Cup (outer) ..... 21075-21212  
 1966-1961 Minx  
 Cone/Cup (inner) ..... M88048-M88010  
 Seal (outer) ..... 470625

**HINO TRUCK - FA, FB Series**

**FRONT WHEEL**

1989-1987 all  
 Seal (inner) ..... 710294[2]  
 Bearing Assy (inner) ..... 32210M[2]  
 Bearing Assy (outer) ..... 32207M[2]

**REAR WHEEL**

1989-1987 all  
 Seal (inner) ..... 710295[2]  
 Cone/Cup (inner) ..... 29586-29522[2]  
 Seal (outer) ..... 710296[2]  
 Cone/Cup (outer) ..... 28680-28622[2]

**CLUTCH**

**Pilot Bearing**

1989-1987 4-cylinder 3.8 turbodiesel  
 Bearing ..... 203FF

**Release Bearing**

1989-1987 4-cylinder 3.8 turbodiesel  
 Bearing Only ..... 613013

**HINO TRUCK - FD, FE, FF, FG, GC, SF, SG Series**

**FRONT WHEEL**

1989-1985 FD, FD, GC Series  
 Seal (inner) ..... 710371[2]  
 Bearing Assy (inner) ..... 30310[2]  
 Bearing Assy (outer) ..... 32307[2]  
 1989-1985 FE, FF, SF, SG Series  
 Seal (inner) ..... 710368[2]  
 Bearing Assy (inner) ..... 30313[2]  
 Bearing Assy (outer) ..... 30310[2]

**REAR WHEEL**

1989-1985 FE, FF, FG, SF, SG Series  
 Seal (inner) ..... 710369[2]  
 Bearing Assy (inner) ..... 32215[2]  
 Bearing Assy (outer) ..... 32217M[2]

**REAR WHEEL (cont.)**

1989-1985 FD, GC Series  
 Bearing Assy (inner) ..... 32215[2]  
 Bearing Assy (outer) ..... 32213M[2]

**REAR AXLE**

**Differential**

1989-1985 SS17-3 axle  
 Cone/Cup ..... JM515649-JM515610[2]  
 1989-1985 SS13, SS15 series axles  
 Bearing Assy ..... 32214[2]

# Bearings and Seals

Mfg./Year    Model & Location    Part No    Mfg./Year    Model & Location    Part No

## HINO TRUCK - FD, FE, FF, FG, GC, SF, SG Series (cont.)

### REAR AXLE

#### Pinion

<b>1989-1985</b>	SS13, SS17 series axles	
	Bearing Assy (inner) .....	30311
	Bearing Assy (outer) .....	30310
<b>1989-1985</b>	SS15 series axles	
	Bearing Assy (inner) .....	30310
	Bearing Assy (outer) .....	30309M

### CLUTCH

#### Pilot Bearing

<b>1989-1985</b>	6-cylinder 6.0, 6.7 diesels	
	Bearing .....	204FF
<b>1989-1985</b>	6-cylinder 6.5, 6.7 turbodiesels	
	Bearing .....	204FF

### CLUTCH

#### Release Bearing

<b>1989-1985</b>	6-cylinder 6.5 and 6.7 engines	
	Bearing Only .....	613016
<b>1988-1985</b>	6-cylinder 6.0 diesel: 325mm clutch	
	Bearing Only .....	613013

### DRIVESHAFT SUPPORT

<b>1989-1985</b>	1.7717" (45mm) bearing ID	
	Bearing .....	209BB

## HOLDEN

### FRONT WHEEL

<b>1972-1971</b>	Statesman	
	Set (inner) .....	SET6
	Set (outer) .....	SET2
<b>1972-1968</b>	Belmont	
	Set (inner) .....	SET6
	Set (outer) .....	SET2
<b>1972-1968</b>	Kingswood	
	Set (inner) .....	SET6
	Set (outer) .....	SET2
<b>1972-1968</b>	Monaro Coupe	
	Set (inner) .....	SET6
	Set (outer) .....	SET2
<b>1972-1968</b>	Monaro GTS	
	Set (inner) .....	SET6
	Set (outer) .....	SET2
<b>1972-1968</b>	Premier	
	Set (inner) .....	SET6
	Set (outer) .....	SET2
<b>1971-1967</b>	Torana	
	Set (inner) .....	SET4
	Set (outer) .....	SET1
<b>1969-1968</b>	Brougham	
	Set (inner) .....	SET6
	Set (outer) .....	SET2
<b>1967-1963</b>	EH, HD, HR	
	Set (inner) .....	SET6
	Set (outer) .....	SET2

### REAR WHEEL

<b>1979-1971</b>	all	
	Seal .....	712146[2]
	Set .....	SET9
<b>1970-1961</b>	all	
	Bearing .....	RW507ER[2]

### REAR AXLE

#### Pinion

<b>1979-1967</b>	Torana: 6-cylinder	
	Cone/Cup (inner) .....	HM88649-HM88610
	Cone/Cup (outer) .....	M86649-M86610
<b>1973-1968</b>	Monaro: 8-cylinder	
	Cone/Cup (inner) .....	M802048-M802011
	Cone/Cup (outer) .....	M88048-M88010
<b>1973-1968</b>	Monaro GTS	
	Cone/Cup (inner) .....	HM89449-HM89410
	Cone/Cup (outer) .....	M86649-M86610
<b>1973-1968</b>	Premier	
	Cone/Cup (inner) .....	HM88649-HM88610
	Cone/Cup (outer) .....	M86649-M86610
<b>1972-1971</b>	Statesman	
	Cone/Cup (inner) .....	HM88649-HM88610
	Cone/Cup (outer) .....	M86649-M86610
<b>1972-1968</b>	Belmont	
	Cone/Cup (inner) .....	HM88649-HM88610
	Cone/Cup (outer) .....	M86649-M86610
<b>1972-1968</b>	Kingswood: 6-cylinder	
	Cone/Cup (inner) .....	HM88649-HM88610
	Cone/Cup (outer) .....	M86649-M86610
<b>1972-1968</b>	Kingswood: 8-cylinder	
	Cone/Cup (inner) .....	M802048-M802011
	Cone/Cup (outer) .....	M88048-M88010
<b>1970-1969</b>	Brougham	
	Cone/Cup (inner) .....	HM88649-HM88610
	Cone/Cup (outer) .....	M86649-M86610
<b>1967-1960</b>	EH, EJ, EK, FB, HD, HR	
	Cone/Cup (inner) .....	HM88649-HM88610
	Cone/Cup (outer) .....	M86649-M86610

### CLUTCH

#### Release Bearing

<b>1979-1967</b>	Torana	
	Bearing Assy .....	614037 <sup>42</sup>
<b>1973-1968</b>	Monaro: 327, 350 engines	
	Bearing Assy .....	614018 <sup>42</sup>

304 [ ] Indicates Quantity Required; Set Components Listed Inside Rear Cover;

<sup>42</sup> Sealed Self-Aligning Bearing

**HOLDEN (cont.)**

**CLUTCH (cont.)**

**Release Bearing (cont.)**

<b>1972-1971</b> Statesman	
Bearing Assy .....	614037 <sup>42</sup>
<b>1972-1968</b> Belmont	
Bearing Assy .....	614037 <sup>42</sup>
<b>1972-1968</b> Kingswood	
Bearing Assy .....	614037 <sup>42</sup>
<b>1972-1968</b> Premier	
Bearing Assy .....	614037 <sup>42</sup>
<b>1970-1969</b> Brougham	
Bearing Assy .....	614037 <sup>42</sup>
<b>1967-1960</b> EH, EJ, EK, FB, HD, HR	
Bearing Assy .....	614037 <sup>42</sup>

**HONDA - 600**

**FRONT WHEEL**

<b>1972-1970</b>	
Seal (inner) .....	473823[2]
Seal (outer) .....	224465[2]
Bearing .....	305D[2]

**REAR WHEEL**

<b>1972-1970</b>	
Bearing (inner) .....	205F[2]
Bearing (outer) .....	204F[2]

**4-SPEED MANUAL TRANSAXLE**

**Differential**

<b>1972-1970</b>	
Bearing .....	109TB[2]

**Input Shaft**

<b>1972-1970</b>	
Seal .....	222220
Kwik Slv (Opt Rpr) .....	KWK99085

**4-SPEED MANUAL TRANSAXLE**

**Output Shaft**

<b>1972-1970</b>	
Seal (LH) .....	223580
Kwik Slv (Opt Rpr) (LH) .....	KWK99139
Seal (RH) .....	2007N
Kwik Slv (Opt Rpr) (RH) .....	KWK99139

**CRANKSHAFT FRONT SEAL**

<b>1972-1970</b>	
Seal .....	451143

**TIMING COVER**

**4 Cylinder**

<b>1972-1970</b>	
Seal .....	710332
Seal Viton Opt. ....	1121

**HONDA - Accord**

**FRONT WHEEL**

<b>1989-1988</b> LXI	
Hub Assy .....	HA594460[2]
<b>1989-1986</b>	
Bearing .....	513053[2]
Hub Assy .....	518505[2] <sup>62</sup>
<b>1985-1984</b> Sei	
Seal (inner) .....	1936[2]
Bearing (inner) .....	513025[2]
Seal (outer) .....	710148[2]
<b>1985-1984</b> exc. Sei	
Seal (inner) .....	1937[2]
Bearing (inner) .....	B32[2]
Seal (outer) .....	710337[2]

**FRONT WHEEL (cont.)**

<b>1983</b> from chassis #DC099355, DC101604	
Seal (inner) .....	1937[2]
Bearing (inner) .....	B32[2]
Seal (outer) .....	710337[2]
<b>1983-1981</b> thru chassis #DC099354, DC101603	
Seal (inner) .....	1939[2]
Bearing (inner) .....	B32[2]
Seal (outer) .....	1943[2]
Hub Assy .....	518504[2] <sup>62</sup>
<b>1980</b>	
Seal (inner) .....	1938[2]
Bearing (inner) .....	B36[2]
Seal (outer) .....	1943[2]

[ ] Indicates Quantity Required; Set Components Listed Inside Rear Cover;  
<sup>42</sup> Sealed Self-Aligning Bearing    <sup>62</sup> Kit incl: Hub & Bearing, Seal, Mounting Bolts

# Bearings and Seals

Mfg./Year    Model & Location    Part No    Mfg./Year    Model & Location    Part No

## HONDA - Accord (cont.)

### FRONT WHEEL (cont.)

<b>1979-1976</b>	
Seal (inner) .....	1951[2]
Bearing (inner) .....	B36[2]
Seal (outer) .....	1952[2]

### REAR WHEEL

<b>1989-1986</b>	
Hub Assy .....	513033[2]
<b>1985-1982</b>	
Seal (inner) .....	494117[2]
Set (inner) .....	SET8
Set (outer) .....	SET2
<b>1981-1976</b>	
Seal (inner) .....	1953S[2]
Set (inner) .....	SET8
Set (outer) .....	SET2

### TRANSMISSION REBUILD KIT

<b>1989-1986</b> Accord	
Kit .....	TRKH120

### CLUTCH

#### Pilot Bearing

<b>1987-1976</b>	
Bearing .....	102CC

#### Release Bearing

<b>1989-1982</b>	
Bearing Assy .....	614031
<b>1981-1979</b>	
Bearing Only .....	613001
<b>1978-1976</b>	
Bearing Assy .....	01296
Bearing Only .....	HN1719C

### 2-SPEED and 3-SPEED AUTOMATIC TRANSAXLE

#### Torque Converter

<b>1982-1976</b>	
Seal .....	350609

#### Output Shaft

<b>1982-1976</b>	
Seal (LH) .....	223580
Kwik Slv (Opt Rpr) (LH) .....	KWK99139
Seal (RH) .....	2007N
Kwik Slv (Opt Rpr) (RH) .....	KWK99139

#### Differential

<b>1982-1976</b>	
Bearing .....	207[2]

### 4-SPEED AUTOMATIC TRANSAXLE

#### Differential

<b>1989-1983</b>	
Bearing .....	208[2]

#### Torque Converter

<b>1989-1976</b>	
Seal .....	350609

#### Output Shaft

<b>1989-1986</b>	
Seal (LH) .....	1146S
Kwik Slv (Opt Rpr) (LH) .....	KWK99139
Seal (RH) .....	224045
Kwik Slv (Opt Rpr) (RH) .....	KWK99139
<b>1985-1984</b>	
Seal (LH) .....	1146S
Kwik Slv (Opt Rpr) (LH) .....	KWK99157
Seal (RH) .....	224045
Kwik Slv (Opt Rpr) (RH) .....	KWK99157
<b>1983</b>	
Seal .....	470074[2]
Kwik Slv (Opt Rpr) .....	KWK99139[2]

#### Selector Shaft Seal/Man. Shaft

<b>1989-1976</b>	
Seal .....	221207
Kwik Slv (Opt Rpr) .....	KWK99049

### 5-SPEED MANUAL TRANSAXLE

#### Differential

<b>1989-1979</b>	
Bearing .....	208[2]
<b>1978-1976</b>	
Bearing .....	207[2]

#### Input Shaft

<b>1989-1984</b>	
Seal Viton .....	222742
Kwik Slv (Opt Rpr) .....	KWK99106
<b>1983-1976</b>	
Seal .....	222540
Kwik Slv (Opt Rpr) .....	KWK99098

#### Output Shaft

<b>1989</b>	
Seal (LH) .....	2007N
Kwik Slv (Opt Rpr) (LH) .....	KWK99139
Seal (RH) .....	3459S
Kwik Slv (Opt Rpr) (RH) .....	KWK99157
<b>1988-1986</b>	
Seal (LH) .....	239146
Kwik Slv (Opt Rpr) (LH) .....	KWK99147
Seal (RH) .....	1036
Kwik Slv (Opt Rpr) (RH) .....	KWK99157
<b>1985-1984</b>	
Seal (LH) .....	239146
Kwik Slv (Opt Rpr) (LH) .....	KWK99147
Seal (RH) .....	1147
Kwik Slv (Opt Rpr) (RH) .....	KWK99139

**HONDA - Accord (cont.)**

**5-SPEED MANUAL TRANSAXLE (cont.)**

**Output Shaft (cont.)**

<b>1983-1976</b>	
Seal (LH) .....	223580
Kwik Slv (Opt Rpr) (LH) .....	KWK99139
Seal (RH) .....	1147
Kwik Slv (Opt Rpr) (RH) .....	KWK99139

**Selector Shaft Seal/Man. Shaft**

<b>1989-1976</b>	
Seal .....	221607

**ALTERNATOR**

<b>1989-1976</b> Nippondenso	
Bearing (drive end) .....	203FF
Bearing (rear end) .....	201CC
<b>1989-1984</b> Mitsubishi	
Bearing (drive end) .....	303CC
Bearing (rear end) .....	201CC

**CAMSHAFT SEAL**

**4 Cylinder**

<b>1989-1984</b>	
Seal .....	320595
<b>1983-1976</b>	
Seal .....	1990
Kwik Slv (Opt Rpr) .....	KWK99106

**CRANKSHAFT FRONT SEAL**

**4 Cylinder**

<b>1989-1984</b>	
Seal Viton .....	710331
Kwik Slv (Opt Rpr) .....	KWK99139
<b>1983-1976</b>	
Seal .....	3771
Kwik Slv (Opt Rpr) .....	KWK99139

**CRANKSHAFT REAR SEAL**

**4 Cylinder**

<b>1989-1984</b>	
Seal .....	228015
Kwik Slv (Opt Rpr) .....	KWK99315
<b>1983-1976</b>	
Seal .....	227410
Kwik Slv (Opt Rpr) .....	KWK99299

**TIMING COVER**

**4 Cylinder**

<b>1989-1983</b>	
Seal Viton .....	710331
Kwik Slv (Opt Rpr) .....	KWK99139
<b>1983-1976</b>	
Seal .....	710329
Kwik Slv (Opt Rpr) .....	KWK99139

**HONDA - Civic, Civic CVCC**

**FRONT WHEEL**

<b>1989-1984</b>	
Bearing .....	513024[2]
<b>1983-1980</b>	
Seal (inner) .....	1938[2]
Bearing (inner) .....	B36[2]
Seal (outer) .....	1943[2]
<b>1979-1973</b>	
Seal (inner) .....	1951[2]
Bearing (inner) .....	B36[2]
Seal (outer) .....	1952[2]

**REAR WHEEL**

<b>1989-1988</b> 2 WD Wagon	
Hub Assy .....	513033[2]
<b>1989-1988</b> Wagon 4WD	
Set .....	SET35
<b>1989-1985</b> exc. 4wd	
Hub Assy .....	513035[2]
<b>1987-1985</b> Wagon 4WD	
Bearing .....	513032[2]
<b>1984</b>	
Hub Assy .....	513034[2]
<b>1983-1980</b>	
Seal (inner) .....	494117[2]
Set (inner) .....	SET8
Set (outer) .....	SET2

**REAR WHEEL (cont.)**

<b>1979-1973</b> Wagon	
Seal (inner) .....	473367[2]
Bearing (inner) .....	RW101[2]
Bearing (outer) .....	304WB[2]
<b>1979-1973</b> Sedan	
Seal (inner) .....	1953S[2]
Bearing (inner) .....	RW122[2]
Bearing (outer) .....	304WB[2]

**TRANSMISSION REBUILD KIT**

<b>1989-1986</b> 5 Spd Black Tin Cover	
Kit .....	TRKH120
<b>1987-1984</b> 5 Spd, Aluminum Cover	
Kit .....	TRKH110

**CLUTCH**

**Pilot Bearing**

<b>1989-1973</b>	
Bearing .....	102CC



# Bearings and Seals

Mfg./Year    Model & Location    Part No    Mfg./Year    Model & Location    Part No

## HONDA - Civic, Civic CVCC (cont.)

### CLUTCH

#### Release Bearing

<b>1989</b>	1.6L, 4wd	
	Bearing Assy .....	614031
<b>1989</b>	1.6, 2wd	
	Bearing Assy .....	614146
<b>1989-1988</b>	1.5 litre	
	Bearing Assy .....	614146
<b>1988</b>	1.6L	
	Bearing Assy .....	614031
<b>1987-1985</b>	exc. 4wd	
	Bearing Assy .....	614033
<b>1987-1985</b>	4wd	
	Bearing Assy .....	614031
<b>1984</b>		
	Bearing Assy .....	614033
<b>1983-1973</b>		
	Bearing Assy .....	01296
	Bearing Only .....	HN1719C

### 2-SPEED and 3-SPEED AUTOMATIC TRANSAXLE

#### Torque Converter

<b>1985-1973</b>		
	Seal .....	350609

#### Output Shaft

<b>1985-1984</b>		
	Seal (LH) .....	223580
	Kwik Slv (Opt Rpr) (LH) .....	KWK99139
	Seal (RH) .....	4901
	Kwik Slv (Opt Rpr) (RH) .....	KWK99139
<b>1983-1973</b>		
	Seal (LH) .....	223580
	Kwik Slv (Opt Rpr) (LH) .....	KWK99139
	Seal (RH) .....	223543
	Kwik Slv (Opt Rpr) (RH) .....	KWK99139

#### Differential

<b>1985-1973</b>		
	Bearing .....	207[2]

#### Selector Shaft Seal/Man. Shaft

<b>1985-1973</b>		
	Seal .....	221207
	Kwik Slv (Opt Rpr) .....	KWK99049

### 4-SPEED AUTOMATIC TRANSAXLE

#### Differential

<b>1989-1984</b>		
	Bearing .....	208[2]

### 4-SPEED AUTOMATIC TRANSAXLE

#### Torque Converter

<b>1989-1984</b>		
	Seal .....	350609

#### Output Shaft

<b>1989-1988</b>		
	Seal (LH) .....	223543
	Kwik Slv (Opt Rpr) (LH) .....	KWK99139
	Seal (RH) .....	1147
	Kwik Slv (Opt Rpr) (RH) .....	KWK99139
<b>1987-1986</b>		
	Seal (LH) .....	1146S
	Kwik Slv (Opt Rpr) (LH) .....	KWK99157
	Seal (RH) .....	4901
	Kwik Slv (Opt Rpr) (RH) .....	KWK99139

#### Selector Shaft Seal/Man. Shaft

<b>1989-1984</b>		
	Seal .....	221207
	Kwik Slv (Opt Rpr) .....	KWK99049

### 4-SPEED MANUAL TRANSAXLE

#### Differential

<b>1987-1980</b>		
	Bearing .....	207[2]

#### Input Shaft

<b>1987-1973</b>		
	Seal .....	222220
	Kwik Slv (Opt Rpr) .....	KWK99085

#### Output Shaft

<b>1987-1973</b>		
	Seal (LH) .....	223580
	Kwik Slv (Opt Rpr) (LH) .....	KWK99139
	Seal (RH) .....	2007N
	Kwik Slv (Opt Rpr) (RH) .....	KWK99139

### 5-SPEED MANUAL TRANSAXLE

#### Differential

<b>1989-1984</b>		
	Bearing .....	207[2]
<b>1983</b>	1st Design	
	Bearing .....	208[2]
<b>1983</b>	2nd Design	
	Bearing .....	208[2]
<b>1982-1975</b>		
	Bearing .....	207[2]

#### Input Shaft

<b>1989-1988</b>		
	Seal Viton .....	222742
	Kwik Slv (Opt Rpr) .....	KWK99106
<b>1987-1975</b>		
	Seal .....	222220
	Kwik Slv (Opt Rpr) .....	KWK99085

**HONDA - Civic, Civic CVCC (cont.)**

**5-SPEED MANUAL TRANSAXLE**

**Output Shaft**

<b>1989-1988</b>	
Seal (LH) .....	710315
Kwik Slv (Opt Rpr) (LH) .....	KWK99139
Seal (RH) .....	4901
Kwik Slv (Opt Rpr) (RH) .....	KWK99139
<b>1987-1975</b>	
Seal (LH) .....	223580
Kwik Slv (Opt Rpr) (LH) .....	KWK99139
Seal (RH) .....	1147
Kwik Slv (Opt Rpr) (RH) .....	KWK99139

**Selector Shaft Seal/Man. Shaft**

<b>1989-1988</b>	
Seal .....	221607

**ALTERNATOR**

<b>1989-1984</b> Mitsubishi	
Bearing (drive end) .....	303CC
Bearing (rear end) .....	201CC
<b>1987-1980</b> Nippondenso	
Bearing (drive end) .....	203FF
Bearing (rear end) .....	201CC
<b>1979-1973</b> Nippondenso	
Bearing (drive end) .....	303CC
Bearing (rear end) .....	201S

**CAMSHAFT SEAL**

**4 Cylinder**

<b>1989-1975</b>	
Seal .....	320595

**CRANKSHAFT REAR SEAL**

**4 Cylinder**

<b>1989-1984</b>	
Seal .....	228015
<b>1983-1980</b>	
Seal .....	227410
<b>1979-1975</b> 1.5 litre	
Seal .....	228015
Kwik Slv (Opt Rpr) .....	KWK99315
<b>1979-1973</b> 1.2L	
Seal .....	227610

**TIMING COVER**

**4 Cylinder**

<b>1989-1980</b>	
Seal .....	710332
Seal Viton Opt. ....	1121
Kwik Slv (Opt Rpr) .....	KWK99125
<b>1983-1980</b> 1.3L	
Seal .....	710329
Kwik Slv (Opt Rpr) .....	KWK99139
<b>1983-1975</b> 1.5 litre	
Seal .....	224840
Kwik Slv (Opt Rpr) .....	KWK99139
<b>1979-1973</b> 1.2L	
Seal .....	3771
Kwik Slv (Opt Rpr) .....	KWK99139

**HONDA - CRX**

**FRONT WHEEL**

<b>1989-1988</b>	
Bearing .....	513024[2]
<b>1987-1984</b> DX, SI	
Bearing .....	513024[2]
<b>1987-1984</b> HF	
Set .....	SET35

**REAR WHEEL**

<b>1989-1985</b>	
Hub Assy .....	513035[2]
<b>1984</b>	
Hub Assy .....	513034[2]

**TRANSMISSION REBUILD KIT**

<b>1989-1986</b> 5 Spd Black Tin Cover	
Kit .....	TRKH120
<b>1987-1984</b> 5 Spd, Aluminum Cover	
Kit .....	TRKH110

**CLUTCH**

**Pilot Bearing**

<b>1989-1984</b>	
Bearing .....	102CC

**Release Bearing**

<b>1989-1988</b>	
Bearing Assy .....	614077
<b>1987-1984</b>	
Bearing Assy .....	614033

**3-SPEED AUTOMATIC TRANSAXLE**

**Torque Converter**

<b>1985-1984</b>	
Seal .....	350609

# Bearings and Seals

Mfg./Year    Model & Location    Part No    Mfg./Year    Model & Location    Part No

## HONDA - CRX (cont.)

### 3-SPEED AUTOMATIC TRANSAXLE

#### Output Shaft

**1985-1984**  
 Seal (LH) ..... 223580  
 Seal (RH) ..... 2007N

#### Differential

**1985-1984**  
 Bearing ..... 208[2]

#### Selector Shaft Seal/Man. Shaft

**1985-1984**  
 Seal ..... 221207  
 Kwik Slv (Opt Rpr) ..... KWK99049

### 4-SPEED AUTOMATIC TRANSAXLE

#### Differential

**1989-1986**  
 Bearing ..... 208[2]

#### Torque Convertor

**1989-1986**  
 Seal ..... 350609

#### Output Shaft

**1989-1986**  
 Seal (LH) ..... 4901  
 Kwik Slv (Opt Rpr) (LH) ..... KWK99139  
 Seal (RH) ..... 1147  
 Kwik Slv (Opt Rpr) (RH) ..... KWK99139

#### Selector Shaft Seal/Man. Shaft

**1989-1986**  
 Seal ..... 221207  
 Kwik Slv (Opt Rpr) ..... KWK99049

### 5-SPEED MANUAL TRANSAXLE

#### Differential

**1989-1988**  
 Bearing (LH) ..... 207  
 Bearing (RH) ..... 208  
**1987-1984**  
 Bearing ..... 207[2]

#### Input Shaft

**1989-1988**  
 Seal Viton ..... 222742  
 Kwik Slv (Opt Rpr) ..... KWK99106  
**1987-1984**  
 Seal ..... 222220  
 Kwik Slv (Opt Rpr) ..... KWK99085

### 5-SPEED MANUAL TRANSAXLE

#### Output Shaft

**1989-1988**    1.5L  
 Seal (LH) ..... 2007N  
 Kwik Slv (Opt Rpr) (LH) ..... KWK99139  
 Seal (RH) ..... 4901  
 Kwik Slv (Opt Rpr) (RH) ..... KWK99139  
**1987-1984**  
 Seal (LH) ..... 223580  
 Kwik Slv (Opt Rpr) (LH) ..... KWK99139  
 Seal (RH) ..... 710314  
 Kwik Slv (Opt Rpr) (RH) ..... KWK99134

#### Selector Shaft Seal/Man. Shaft

**1989-1984**  
 Seal ..... 710243  
 Kwik Slv (Opt Rpr) ..... KWK99058

### ALTERNATOR

**1989-1984**    Mitsubishi  
 Bearing (drive end) ..... 303CC  
 Bearing (rear end) ..... 201CC  
**1987-1984**    Nippondenso  
 Bearing (drive end) ..... 203FF  
 Bearing (rear end) ..... 201CC

### CAMSHAFT SEAL

#### 4 Cylinder

**1989-1988**    1.6L  
 Seal ..... 320595  
 Kwik Slv (Opt Rpr) ..... KWK99112  
**1989-1984**    1.5L  
 Seal ..... 320595  
 Kwik Slv (Opt Rpr) ..... KWK99112  
**1984**    1.3L  
 Seal ..... 320595  
 Kwik Slv (Opt Rpr) ..... KWK99112

### CRANKSHAFT REAR SEAL

#### 4 Cylinder

**1989-1988**    1.6L  
 Seal ..... 228015  
**1989-1984**    1.5L  
 Seal ..... 228015  
**1984**    1.3L  
 Seal ..... 228015

### TIMING COVER

#### 4 Cylinder

**1989-1988**    1.6L  
 Seal ..... 710332  
 Seal Viton Opt ..... 1121  
 Kwik Slv (Opt Rpr) ..... KWK99125  
**1989-1984**    1.5L  
 Seal ..... 710332  
 Seal Viton Opt ..... 1121  
 Kwik Slv (Opt Rpr) ..... KWK99125

**HONDA - CRX (cont.)**

**TIMING COVER (cont.)**

**4 Cylinder (cont.)**

<b>1984</b>	1.3L	
Seal	.....	710332
Seal Viton Opt.	.....	1121
Kwik Slv (Opt Rpr)	.....	KWK99125

**HONDA - Prelude**

**FRONT WHEEL**

<b>1989-1988</b>		
Bearing	.....	513241[2]
<b>1987-1985</b>	SI	
Seal (inner)	.....	1936[2]
Bearing (inner)	.....	513025[2]
Seal (outer)	.....	710148[2]
<b>1987-1985</b>	exc. SI	
Seal (inner)	.....	1937[2]
Bearing (inner)	.....	B32[2]
Seal (outer)	.....	710337[2]
<b>1984-1983</b>		
Seal (inner)	.....	1937[2]
Bearing (inner)	.....	B32[2]
Seal (outer)	.....	710337[2]
<b>1982-1981</b>		
Seal (inner)	.....	1938[2]
Bearing (inner)	.....	B32[2]
Seal (outer)	.....	1943[2]
<b>1980-1979</b>		
Seal (inner)	.....	1938[2]
Bearing (inner)	.....	B36[2]
Seal (outer)	.....	1943[2]

**REAR WHEEL**

<b>1989-1988</b>		
Bearing	.....	513182[2]
<b>1987-1984</b>		
Seal (inner)	.....	710097[2]
Set (inner)	.....	SET8
Set (outer)	.....	SET2
<b>1983-1979</b>		
Seal (inner)	.....	494117[2]
Set (inner)	.....	SET8
Set (outer)	.....	SET2

**TRANSMISSION REBUILD KIT**

<b>1987-1985</b>		
Kit	.....	TRKH120
<b>1983-1979</b>	ACC, Full tin Cover	
Kit	.....	TRKH100

**CLUTCH**

**Pilot Bearing**

<b>1987-1979</b>		
Bearing	.....	102CC

**CLUTCH**

**Release Bearing**

<b>1989-1988</b>		
Bearing Assy	.....	614068
<b>1987-1983</b>		
Bearing Assy	.....	614031
<b>1982</b>		
Bearing Only	.....	613003
<b>1981-1979</b>		
Bearing Only	.....	613006

**3-SPEED AUTOMATIC TRANSAXLE**

**Torque Converter**

<b>1982-1979</b>		
Seal	.....	350609

**Output Shaft**

<b>1982-1979</b>		
Seal (LH)	.....	223580
Kwik Slv (Opt Rpr) (LH)	.....	KWK99139
Seal (RH)	.....	2007N
Kwik Slv (Opt Rpr) (RH)	.....	KWK99139

**Differential**

<b>1982-1979</b>		
Bearing	.....	207[2]

**Selector Shaft Seal/Man. Shaft**

<b>1982-1979</b>		
Seal	.....	221207
Kwik Slv (Opt Rpr)	.....	KWK99049

**4-SPEED AUTOMATIC TRANSAXLE**

**Differential**

<b>1989-1988</b>		
Bearing Assy (LH)	.....	30208M
Bearing Assy (RH)	.....	32010X
<b>1987-1983</b>		
Bearing	.....	208[2]

**Torque Converter**

<b>1989-1983</b>		
Seal	.....	350609

# Bearings and Seals

Mfg./Year    Model & Location    Part No    Mfg./Year    Model & Location    Part No

## HONDA - Prelude (cont.)

### 4-SPEED AUTOMATIC TRANSAXLE

#### Output Shaft

<b>1989-1988</b>		
Seal (LH) .....	239146	
Kwik Slv (Opt Rpr) .....	KWK99147	
Seal (RH) .....	224066	
Kwik Slv (Opt Rpr) .....	KWK99157	
<b>1987-1983</b>		
Seal (LH) .....	4901	
Kwik Slv (Opt Rpr) (LH) .....	KWK99139	
Seal (RH) .....	1147	
Kwik Slv (Opt Rpr) (RH) .....	KWK99139	

#### Selector Shaft Seal/Man. Shaft

<b>1989-1983</b>		
Seal .....	221207	
Kwik Slv (Opt Rpr) .....	KWK99049	

### 5-SPEED MANUAL TRANSAXLE

#### Differential

<b>1989-1988</b>		
Bearing Assy (LH) .....	30208M	
<b>1987-1985</b>		
Bearing .....	208[2]	
<b>1982-1979</b>		
Bearing .....	208[2]	

#### Input Shaft

<b>1989-1988</b>		
Seal .....	222830	
<b>1987-1984</b>		
Seal Viton .....	222742	
Kwik Slv (Opt Rpr) .....	KWK99106	
<b>1983-1979</b>		
Seal .....	222540	
Kwik Slv (Opt Rpr) .....	KWK99098	

#### Output Shaft

<b>1989-1988</b>		
Seal (LH) .....	239146	
Kwik Slv (Opt Rpr) (LH) .....	KWK99147	
Seal (RH) .....	224063	
Kwik Slv (Opt Rpr) (RH) .....	KWK99157	
<b>1987-1985</b> SI		
Seal (LH) .....	239146	
Kwik Slv (Opt Rpr) (LH) .....	KWK99147	
Seal (RH) .....	1036	
Kwik Slv (Opt Rpr) (RH) .....	KWK99157	
<b>1987-1984</b> DX		
Seal (LH) .....	239146	
Kwik Slv (Opt Rpr) (LH) .....	KWK99147	
Seal (RH) .....	1147	
Kwik Slv (Opt Rpr) (RH) .....	KWK99139	
<b>1983-1979</b>		
Seal (LH) .....	1147	
Kwik Slv (Opt Rpr) (LH) .....	KWK99139	
Seal (RH) .....	4901	
Kwik Slv (Opt Rpr) (RH) .....	KWK99139	

### 5-SPEED MANUAL TRANSAXLE

#### Selector Shaft Seal/Man. Shaft

<b>1989-1979</b>		
Seal .....	221607	

### ALTERNATOR

<b>1989-1988</b> Mitsubishi		
Bearing (drive end) .....	303CC	
Bearing (rear end) .....	201CC	
<b>1987-1979</b> Nippondenso		
Bearing (drive end) .....	203FF	
Bearing (rear end) .....	201CC	

### CAMSHAFT SEAL

#### 4 Cylinder

<b>1987-1985</b> 2.0L SOHC, DOHC		
Seal .....	320595	
<b>1987-1983</b> 1.8L		
Seal .....	320595	
<b>1982-1979</b> 1.8L		
Seal .....	222743	
Kwik Slv (Opt Rpr) .....	KWK99106	

### CRANKSHAFT FRONT SEAL

#### 4 Cylinder

<b>1989-1988</b> 2.0L SOHC, DOHC		
Seal Viton .....	1120S	
Kwik Slv (Opt Rpr) .....	KWK99147	
<b>1987-1985</b> 2.0L SOHC		
Seal Viton .....	710331	
Kwik Slv (Opt Rpr) .....	KWK99139	
<b>1987-1983</b> 1.8L		
Seal Viton .....	710331	
Kwik Slv (Opt Rpr) .....	KWK99139	
<b>1982-1979</b> 1.8L		
Seal .....	3771	
Kwik Slv (Opt Rpr) .....	KWK99139	

### CRANKSHAFT REAR SEAL

#### 4 Cylinder

<b>1989-1985</b> 2.0L SOHC, DOHC		
Seal .....	228015	
Kwik Slv (Opt Rpr) .....	KWK99315	
<b>1987-1983</b> 1.8L		
Seal .....	228015	
Kwik Slv (Opt Rpr) .....	KWK99317	
<b>1982-1979</b> 1.8L		
Seal .....	227410	

**HUDSON - Big Boy, Commodore, Country Club, DeLuxe, Hollywood, Hornet, Italia, Jet, Jet Liner, Pacemaker, Rambler, Super 6, Super 8, Super Jet, Super Wasp, Traveller, Wasp, 10-20 Series**

**FRONT WHEEL**

<b>1957-1955</b>	all	
Seal (inner)	.....	203008[2]
Set (inner)	.....	SET6
Set (outer)	.....	SET2
<b>1954-1948</b>	all	
Seal (inner)	.....	471831[2]
Cone/Cup (inner)	.....	15123-15245[2]
Cone/Cup (outer)	.....	09067-09195[2]
<b>1947-1946</b>	Rambler	
Seal (inner)	.....	6356[2]
Cone/Cup (inner)	.....	15118-15250X[2]
Cone/Cup (outer)	.....	09067-09195[2]
<b>1947-1941</b>	exc. Rambler	
Seal (inner)	.....	6356[2]
Cone/Cup (inner)	.....	15118-15250X[2]
Cone/Cup (outer)	.....	09078-09195[2]

**REAR WHEEL**

<b>1957-1956</b>	Rambler	
Seal	.....	41787S[2]
Cone/Cup	.....	15121T-15245[2]
Seal	.....	340356[2]
Cone/Cup	.....	15126-15245[2]
<b>1957-1951</b>	Hornet	
Cone/Cup	.....	25877-25821[2]
<b>1956-1955</b>	Wasp	
Cone/Cup	.....	14132T-14276[2]
<b>1955</b>	Rambler	
Seal	.....	41787S[2]
Cone/Cup	.....	15121T-15245[2]
<b>1955-1954</b>	Italia	
Cone/Cup	.....	15125-15245[2]
<b>1954-1953</b>	Jet Series	
Cone/Cup	.....	15125-15245[2]
<b>1954-1953</b>	Wasp, Super Wasp	
Cone/Cup	.....	25877-25821[2]
<b>1954-1950</b>	Rambler	
Cone/Cup	.....	25877-25821[2]
<b>1952-1950</b>	Commodore	
Cone/Cup	.....	25877-25821[2]
<b>1952-1950</b>	Pacemaker Series	
Cone/Cup	.....	25877-25821[2]
<b>1950</b>	DeLuxe Series	
Cone/Cup	.....	25877-25821[2]
<b>1949-1946</b>	all	
Cone/Cup	.....	25877-25820[2]

**REAR AXLE**

**Differential**

<b>1957-1956</b>	8-cylinder: Hornet, Rambler, Wasp	
Cone/Cup	.....	25577-25523[2]
<b>1957-1953</b>	6-cylinder: Italia, Hornet, Jet, Rambler	
Cone/Cup	.....	24780-24721[2]
<b>1957-1948</b>	Commodore, Hornet, Pacemaker, Rebel, Super, Wasp	
Cone/Cup	.....	25580-25523[2]
<b>1947-1946</b>	all	
Cone/Cup	.....	24780-24720[2]

**CLUTCH**

**Release Bearing**

<b>1957-1955</b>	6-cylinder	
Bearing Only	.....	H1505C
Bearing Only	.....	1505
<b>1957-1955</b>	8-cylinder	
Bearing Only	.....	NH1752C
Bearing Only	.....	1752
<b>1954-1953</b>	Jet, Jet Liner, Super Jet	
Bearing Only	.....	H1505C
Bearing Only	.....	1505

**HUMBER - Hawk, Imperial, Sceptre, Snipe, Super Snipe**

**FRONT WHEEL**

<b>1977-1968</b>	Sceptre	
Set (inner)	.....	SET4
Set (outer)	.....	SET2
<b>1961-1960</b>	Hawk	
Cone/Cup (inner)	.....	LM67047-LM67010[2]
Set (outer)	.....	SET2

**FRONT WHEEL (cont.)**

<b>1961-1959</b>	Snipe	
Cone/Cup (inner)	.....	LM67047-LM67010[2]
Set (outer)	.....	SET2

# Bearings and Seals

Mfg./Year    Model & Location    Part No    Mfg./Year    Model & Location    Part No

## **HUMBER - Hawk, Imperial, Sceptre, Snipe, Super Snipe (cont.)**

### **FRONT WHEEL (cont.)**

**1959-1954** Hawk  
 Cone/Cup (inner) ..... 15112-15250[2]  
 Cone/Cup (outer) ..... 09067-09195[2]  
**1958-1954** Snipe  
 Cone/Cup (inner) ..... 14125A-14274[2]  
 Cone/Cup (outer) ..... 1380-1329[2]

### **REAR WHEEL**

**1967-1964** Imperial  
 Bearing ..... 307TB[2]  
**1967-1959** Snipe Series  
 Bearing ..... 307TB[2]  
**1967-1954** Hawk Series  
 Bearing ..... 307TB[2]

### **REAR AXLE**

#### **Differential**

**1967-1957** Hawk Series, Super Snipe  
 Cone/Cup ..... 368A-362A[2]

#### **Pinion**

**1972-1967** Sceptre: some  
 Cone/Cup (inner) ..... M88048-M88011  
 Cone/Cup (outer) ..... M84548-M84510  
**1972-1963** Sceptre: some  
 Cone/Cup (inner) ..... M88048-M88011  
 Cone/Cup (outer) ..... 23101-23250

### **REAR AXLE (cont.)**

#### **Pinion (cont.)**

**1967-1964** Hawk  
 Cone/Cup (inner) ..... 3490-3420  
 Cone/Cup (outer) ..... 02475-02420  
**1967-1964** Imperial  
 Cone/Cup (inner) ..... 3490-3420  
 Cone/Cup (outer) ..... 02475-02420  
**1967-1959** Snipe Series  
 Cone/Cup (inner) ..... 3490-3420  
 Cone/Cup (outer) ..... 02475-02420

## **HYUNDAI - FRONT DRIVE - Excel, Scoupe, Sonata**

### **FRONT WHEEL**

**1989** Sonata  
 Seal (inner) ..... 225082[2]  
 Bearing (inner) ..... 513036[2]  
 Seal (outer) ..... 225230[2]  
**1989-1986** Excel  
 Seal ..... 229522[2]  
 Set ..... SET41[2]  
**1987-1984** Pony  
 Seal (inner) ..... 1196[2]  
 Set (inner) ..... SET4  
 Set (outer) ..... SET1  
**1987-1984** Stellar  
 Seal (inner) ..... 1196[2]  
 Set (inner) ..... SET4  
 Set (outer) ..... SET1

### **REAR WHEEL**

**1989** Excel  
 Seal (inner) ..... 710404[2]  
 Bearing Assy (inner) ..... 516000[2]  
 Bearing Assy (outer) ..... 516000[2]  
**1989** Sonata  
 Seal (inner) ..... 494122[2]  
 Set (inner) ..... SET6  
 Set (outer) ..... SET2

### **REAR WHEEL (cont.)**

**1988-1986** Excel  
 Seal (inner) ..... 1196[2]  
 Set (inner) ..... SET4  
 Set (outer) ..... SET1  
**1987-1984** Pony  
 Seal ..... 1955[2]  
 Bearing ..... 514004[2]  
**1987-1984** Stellar: Spicer KSC axle  
 Seal ..... 2146[2]  
 Set ..... SET9  
**1987-1984** Stellar: MIP axle  
 Seal ..... 1955[2]  
 Bearing ..... 514004[2]

### **CLUTCH**

#### **Pilot Bearing**

**1987-1984** 4-cylinder  
 Bearing ..... 102CC

### **CLUTCH - 4 CYLINDER**

#### **Release Bearing**

**1989-1986** exc. Tiburon  
 Bearing Assy ..... 614126

**HYUNDAI - FRONT DRIVE - Excel, Scoupe, Sonata (cont.)**

**3-SPEED AUTOMATIC TRANSAXLE**

**Torque Converter**

**1989-1986**    KM170-1, KM171-1, KM171-5  
 Seal ..... 320583  
 Kwik Slv (Opt Rpr) .....KWK99157

**Transfer Shaft**

**1989-1986**    KM170-1, KM171-1, KM171-5  
 Bearing Assy (inner) ..... 30206M  
 Bearing Assy (outer) ..... 30304

**Transfer Gear**

**1989-1986**    KM170-1, KM171-1, KM171-5  
 Bearing (inner) ..... 207  
 Bearing (outer) ..... 306L

**Transfer Idler**

**1989-1986**    KM170-1, KM171-1, KM171-5  
 Bearing Assy ..... 30206M

**Output Shaft**

**1989-1986**    KM170-1, KM171-1, KM171-5  
 Seal ..... 223543[2]  
 Kwik Slv (Opt Rpr) .....KWK99139[2]

**Differential**

**1989-1986**    KM170-1, KM171-1, KM171-5  
 Bearing ..... 207[2]

**4-SPEED AUTOMATIC TRANSAXLE**

**Differential**

**1989**    F4A21-2, F4A22-2, F4A33-1  
 Bearing ..... 207[2]

**4-SPEED MANUAL TRANSAXLE**

**Differential**

**1989**    F4M21-1  
 Bearing ..... 207[2]  
**1989-1987**    KM200-0  
 Bearing Assy ..... 30207M[2]  
**1986**    KM161-0  
 Bearing ..... 207[2]

**Input Shaft**

**1989-1987**    F4M21-1, KM200-0  
 Seal Viton ..... 712007  
 Kwik Slv (Opt Rpr) .....KWK99098  
**1986**    KM161-0  
 Seal Viton ..... 712007  
 Bearing ..... 304WB  
 Kwik Slv (Opt Rpr) .....KWK99098

**Intermediate Shaft**

**1986**    KM161-0  
 Bearing ..... 32004WB

**4-SPEED MANUAL TRANSAXLE**

**Countershaft**

**1989-1987**    KM200-0  
 Bearing (front) ..... RW122  
 Bearing (rear) ..... 108A

**Mainshaft**

**1989-1987**    KM200-0  
 Bearing (rear) ..... 108A

**Output Shaft**

**1989-1987**    F4M21-1, KM200-0  
 Seal ..... 223543[2]  
 Bearing Assy ..... 30206M[2]  
 Kwik Slv (Opt Rpr) .....KWK99139[2]  
**1986**    KM161-0  
 Seal ..... 223543[2]  
 Bearing ..... 32004WB[2]  
 Kwik Slv (Opt Rpr) .....KWK99139[2]

**Selector Shaft Seal/Man. Shaft**

**1989-1986**  
 Seal ..... 710222

**5-SPEED MANUAL TRANSAXLE**

**Differential**

**1989-1987**    F5M21-1, KM201-0, KM210-0  
 Bearing ..... 207[2]

**Input Shaft**

**1989**    KM210-0  
 Seal Viton (front) ..... 712007  
 Kwik Slv (Opt Rpr) .....KWK99098  
 Bearing (center) ..... 304WB  
 Bearing (rear) ..... 306F  
**1989-1987**    KM201-0  
 Seal Viton ..... 712007  
 Bearing ..... 304WB  
 Kwik Slv (Opt Rpr) .....KWK99098

**Output Shaft**

**1989-1987**    F5M21-1, F5M22-2, KM201-0,  
 KM210-0  
 Seal ..... 223543[2]  
 Bearing Assy ..... 30206M[2]  
 Kwik Slv (Opt Rpr) .....KWK99139[2]

**Selector Shaft Seal/Man. Shaft**

**1989-1987**  
 Seal ..... 710222

**ALTERNATOR**

**1988-1986**    Mitsubishi 50 & 55 amp  
 Bearing (drive end) .....203FF



# Bearings and Seals

Mfg./Year    Model & Location    Part No    Mfg./Year    Model & Location    Part No

## HYUNDAI - FRONT DRIVE - Excel, Scoupe, Sonata (cont.)

### OIL PUMP

#### 4 Cylinder

**1989**    1997cc/2.0L (DOHC),  
2351cc/2.4L, 2351cc/2.4L  
(DOHC)  
Seal ..... 222025  
Kwik Slv (Opt Rpr) ..... KWK99078

### CAMSHAFT SEAL

#### 4 Cylinder

**1989-1986**    1468cc/1.5L, 1495cc/1.5L,  
2351cc/2.4L  
Seal ..... 3771  
Kwik Slv (Opt Rpr) ..... KWK99139

### CRANKSHAFT REAR SEAL

#### 4 Cylinder

**1989**    1595cc/1.6L, 1997cc/2.0L,  
2351cc/2.4L  
Seal Viton ..... 228005  
Kwik Slv (Opt Rpr) ..... KWK99315  
**1989-1986**    1468cc/1.5L  
Seal ..... 227235

### TIMING COVER

#### 4 Cylinder

**1989**    1595cc/1.6L, 1997cc/2.0L,  
2351cc/2.4L  
Seal ..... 224460  
**1989-1986**    1468cc/1.5L  
Seal ..... 223018  
Kwik Slv (Opt Rpr) ..... KWK99114

## INTERNATIONAL TRUCK - SUV - Scout, Scout 80, Scout 800, Scout II, Travelall

### FRONT WHEEL

#### 2WD

**1981-1973**  
Seal (inner) ..... 442874[2]  
Set (inner) ..... SET47  
Set (outer) ..... SET45  
**1972**  
Seal (inner) ..... 442874[2]  
Set ..... SET45[2]  
**1971-1961**  
Seal (inner) ..... 442874[2]  
Cone/Cup (inner) ..... 15123-15245[2]  
Cone/Cup (outer) ..... 09067-09195[2]

#### 4WD

**1981-1973**  
Seal (inner) ..... 442874[2]  
Set (inner) ..... SET47  
Set (outer) ..... SET45  
**1972-1963**  
Seal (inner) ..... 42101S[2]  
Set ..... SET45[2]  
**1962-1961**  
Seal (inner) ..... 40566S[2]  
Cone/Cup ..... 18590-18520[2]

### REAR WHEEL

**1981-1972**    RA-18, RA28 axles  
Seal (inner) ..... 481837[2]  
Set (inner) ..... SET10  
Seal (outer) ..... 9912S[2]  
**1971-1961**    RA-9, RA-23 axles  
Seal (inner) ..... 40185[2]  
Cone/Cup (inner) ..... 3382T-3320[2]  
Seal (outer) ..... 451948[2]

### 4WD FRONT AXLE

#### Differential Rebuild Kit

**1981-1973**    Dana/Spicer 44-1F axle  
Kit ..... DRK339B

#### Differential

**1980-1973**    Dana/Spicer 44-1F axle  
Cone/Cup ..... 25590-25523[2]  
**1980-1961**    Dana/Spicer 27F, 30AF axles  
Cone/Cup ..... LM501349-LM501311[2]

#### Pinion

**1980-1973**    Dana/Spicer 44-1F axle  
Cone/Cup (inner) ..... 31594-31520  
Seal (outer) ..... 5778  
Cone/Cup (outer) ..... 02872-02820  
**1980-1961**    Dana/Spicer 27F, 30AF axles:  
production from 4/1961 on  
Cone/Cup (inner) ..... HM88649-HM88610  
Seal (outer) ..... 5778  
Cone/Cup (outer) ..... 02872-02820

#### Spindle Kit

**1981-1973**    Dana/Spicer 30AF, 44-1F axles  
Bearing & Seal Kit ..... SBK1<sup>33</sup>

#### Spindle

**1981-1973**    Dana/Spicer 30AF, 44-1F axles  
Seal (inner) ..... 722108[2]  
Needle Bearing (inner) ..... B2110[2]  
Seal (outer) ..... 722109[2]

**316** [ ] Indicates Quantity Required; Set Components Listed Inside Rear Cover;

<sup>33</sup> Opt. Kit incl: Bearing B2110; Seals 722108 & 722109

**INTERNATIONAL TRUCK - SUV - Scout, Scout 80, Scout 800, Scout II, Travelall (cont.)**

**4WD FRONT AXLE**

**Steering Knuckle**

<b>1972-1961</b>	Dana/Spicer 27F	
	Cone/Cup .....	11590-11520[2]

**REAR AXLE**

**Differential Rebuild Kit**

<b>1980-1967</b>	Dana/Spicer 44 axle	
	Kit .....	DRK339B
<b>1968-1961</b>	Dana/Spicer 27A axle	
	Kit .....	DRK197A

**Differential**

<b>1980-1967</b>	Dana/Spicer 44 axle	
	Cone/Cup .....	25590-25523[2]
<b>1968-1961</b>	Dana/Spicer 27A axle	
	Cone/Cup .....	LM501349-LM501311[2]
<b>1966-1962</b>	Dana/Spicer 44 axle	
	Cone/Cup .....	25577-25523[2]

**Pinion**

<b>1980-1962</b>	Dana/Spicer 44 axle	
	Cone/Cup (inner) .....	31594-31520
	Seal (outer) .....	5778
	Cone/Cup (outer) .....	02872-02820
<b>1968-1961</b>	Dana/Spicer 27A axle	
	Cone/Cup (inner) .....	HM88649-HM88610
	Seal (outer) .....	5778
	Cone/Cup (outer) .....	02872-02820

**TRANSFER CASE REBUILD KIT**

<b>1980</b>	TC146: Dana/Spicer 300 axle	
	Kit .....	TRK182
<b>1979-1961</b>	TC145: Dana/Spicer 20 axle	
	Kit .....	TRK166A
<b>1972-1961</b>	TC144: Dana/Spicer 18 axle	
	Kit .....	TRK161

**CLUTCH**

**Pilot Bearing**

<b>1981-1972</b>	Scout II: 8-cylinder	
	Bearing .....	8505
<b>1981-1961</b>	exc. 8-cylinder Scout II	
	Bearing .....	7109

**Release Bearing**

<b>1981-1972</b>	Scout II	
	Bearing Only .....	IB2005C
<b>1971-1961</b>	all	
	Bearing Only .....	IA2005C

**ALTERNATOR**

<b>1980-1964</b>	Delco-Remy 32, 37, 61 amp	
	Bearing (drive end) .....	203S
	Bearing (rear end) .....	MNJ471S

**GENERATOR**

<b>1971-1964</b>	SA & SM 25 amp	
	Bearing (drive end) .....	203AB
	Bearing (rear end) .....	8503
<b>1971-1961</b>	Standard	
	Bearing (drive end) .....	203AB
	Bearing (rear end) .....	203F
<b>1971-1961</b>	Heavy Duty	
	Bearing (drive end) .....	8605

**DRIVESHAFT SUPPORT**

<b>1981-1966</b>	Spicer 1280-1310: 1.1811"	
	bearing ID	
	Bearing .....	206FF
	Hanger Bearing Assy .....	HB206FF
<b>1981-1966</b>	Spicer 1280-1410: 1.3780"	
	bearing ID	
	Bearing .....	88107
	Hanger Bearing Assy .....	HB88107A
<b>1977-1962</b>	Cleveland 055: 1.5000" bearing	
	ID	
	Hanger Bearing Assy .....	HB2
<b>1977-1962</b>	Cleveland R55: 1.3750" bearing	
	ID	
	Hanger Bearing Assy .....	HB1
<b>1977-1962</b>	Spicer: 1.5748" bearing ID	
	Hanger Bearing Assy .....	HB88508
<b>1977-1962</b>	Spicer: 1.7717" bearing ID	
	Hanger Bearing Assy .....	HB88509
<b>1977-1962</b>	Spicer: 1.9685" bearing ID	
	Hanger Bearing Assy .....	HB88510
<b>1977-1962</b>	Spicer: 2.3622" bearing ID	
	Hanger Bearing Assy .....	HB88512AHD

# Bearings and Seals

Mfg./Year    Model & Location    Part No    Mfg./Year    Model & Location    Part No

## **INTERNATIONAL TRUCK - 1/2, 3/4, 1, 1-1/2, 2 TON - All Models - by axle designation**

### **FRONT WHEEL**

#### **2WD**

<b>1981-1979</b>	FA-64	
	Cone/Cup (inner)	566-563[2]
	Cone/Cup (outer)	33269-33462[2]
<b>1981-1979</b>	FA-78	
	Cone/Cup (inner)	566-563[2]
	Cone/Cup (outer)	33269-33462[2]
<b>1981-1979</b>	FA-81	
	Cone/Cup (inner)	566-563[2]
	Cone/Cup (outer)	33269-33462[2]
<b>1981-1979</b>	FA-100	
	Cone/Cup (inner)	39581-39520[2]
	Cone/Cup (outer)	3585-3525[2]
<b>1981-1979</b>	FA-101	
	Cone/Cup (inner)	JM207049A-JM207010[2]
	Cone/Cup (outer)	25877-25820[2]
<b>1981-1979</b>	FA-102	
	Cone/Cup (inner)	39581-39520[2]
	Cone/Cup (outer)	3585-3525[2]
<b>1981-1979</b>	FA-103	
	Cone/Cup (inner)	JM207049A-JM207010[2]
	Cone/Cup (outer)	25877-25820[2]
<b>1981-1979</b>	FA-105	
	Cone/Cup (inner)	39581-39520[2]
	Cone/Cup (outer)	3585-3525[2]
<b>1981-1979</b>	FA-109	
	Cone/Cup (inner)	641-632[2]
	Cone/Cup (outer)	3979-3920[2]
<b>1981-1979</b>	FA-110	
	Cone/Cup (inner)	39581-39520[2]
	Cone/Cup (outer)	3585-3525[2]
<b>1981-1979</b>	FA-118	
	Cone/Cup (inner)	641-632[2]
	Cone/Cup (outer)	3979-3920[2]
<b>1981-1979</b>	FA-208	
	Cone/Cup (inner)	39581-39520[2]
	Cone/Cup (outer)	3585-3525[2]
<b>1981-1979</b>	FA-209	
	Cone/Cup (inner)	39581-39520[2]
	Cone/Cup (outer)	3585-3525[2]
<b>1981-1979</b>	FA-309	
	Cone/Cup (inner)	HM212049-HM212011[2]
	Cone/Cup (outer)	28682-28622[2]
<b>1981-1979</b>	FA-329	
	Cone/Cup (inner)	HM212049-HM212011[2]
	Cone/Cup (outer)	28682-28622[2]
<b>1981-1978</b>	Coleman #9 axle	
	Cone/Cup	36691-36620[2]
<b>1981-1976</b>	FA-68	
	Cone/Cup (inner)	3578-3525[2]
	Cone/Cup (outer)	2689-2620[2]
<b>1981-1976</b>	FA-69	
	Seal (inner)	455005[2]
	Cone/Cup (inner)	3778-3720[2]
	Cone/Cup (outer)	2689-2620[2]
<b>1981-1976</b>	FA-70	
	Cone/Cup (inner)	3578-3525[2]
	Cone/Cup (outer)	2689-2620[2]

### **FRONT WHEEL (cont.)**

#### **2WD (cont.)**

<b>1981-1976</b>	FA-71	
	Cone/Cup (inner)	JM205149A-JM205110[2]
	Cone/Cup (outer)	25877-25820[2]
<b>1981-1976</b>	FA-72	
	Cone/Cup (inner)	3578-3525[2]
	Cone/Cup (outer)	2689-2620[2]
<b>1981-1976</b>	FA-73	
	Cone/Cup (inner)	JM205149A-JM205110[2]
	Cone/Cup (outer)	25877-25820[2]
<b>1981-1976</b>	FA-74	
	Cone/Cup (inner)	JM205149A-JM205110[2]
	Cone/Cup (outer)	25877-25820[2]
<b>1981-1972</b>	FA-48: 1600 Series	
	Seal (inner)	S5MR71[2]
	Cone/Cup (inner)	26884-26823[2]
	Cone/Cup (outer)	1779-1729X[2]
<b>1981-1972</b>	FA-52	
	Seal (inner)	455009[2]
	Cone/Cup (inner)	28682-28622[2]
	Cone/Cup (outer)	LM104949-JLM104910[2]
<b>1981-1972</b>	FA-53	
	Seal (inner)	455009[2]
	Cone/Cup (inner)	28682-28622[2]
	Cone/Cup (outer)	LM104949-JLM104910[2]
<b>1981-1963</b>	FA-54: Dana 70 axle	
	Seal (inner)	51348[2]
	Cone/Cup (inner)	459-453X[2]
	Cone/Cup (outer)	3780-3720[2]
<b>1981-1962</b>	FA-89	
	Seal (inner)	S5MR1009[2]
	Cone/Cup (inner)	33895-33821[2]
	Cone/Cup (outer)	3196-3120[2]
<b>1981-1962</b>	FA-91	
	Seal (inner)	S5MR1009[2]
	Cone/Cup (inner)	33895-33821[2]
	Cone/Cup (outer)	3196-3120[2]
<b>1981-1962</b>	FA-98	
	Seal (inner)	S5MR1009[2]
	Cone/Cup (inner)	33895-33821[2]
	Cone/Cup (outer)	3196-3120[2]
<b>1981-1962</b>	FA-99	
	Seal (inner)	S5MR1009[2]
	Cone/Cup (inner)	33895-33821[2]
	Cone/Cup (outer)	3196-3120[2]
<b>1975-1974</b>	FA-5	
	Seal (inner)	40389S[2]
	Set (inner)	SET17
	Set (outer)	SET16
<b>1975-1973</b>	FA-46	
	Seal (inner)	442380[2]
	Set	SET45[2]
<b>1975-1972</b>	FA-10	
	Seal (inner)	7600S[2]
	Cone/Cup (inner)	26884-26823[2]
	Cone/Cup (outer)	15100-15245[2]
<b>1975-1972</b>	FA-15	
	Seal (inner)	40316S[2]
	Cone/Cup	18690-18620[2]

**INTERNATIONAL TRUCK - 1/2, 3/4, 1, 1-1/2, 2 TON - All Models - by axle designation (cont.)**

**FRONT WHEEL (cont.)**

**2WD (cont.)**

<b>1975-1972</b>	FA-18	
Seal (inner)	.....	40316S[2]
Cone/Cup	.....	18690-18620[2]
<b>1975-1972</b>	FA-25	
Seal (inner)	.....	40316S[2]
Cone/Cup	.....	18690-18620[2]
<b>1975-1970</b>	FA-45	
Seal (inner)	.....	40316S[2]
Cone/Cup	.....	18690-18620[2]
<b>1975-1969</b>	FA-12: 1.686" OD knuckle	
Seal (inner)	.....	7600S[2]
Cone/Cup (inner)	.....	26884-26823[2]
Cone/Cup (outer)	.....	15100-15245[2]
<b>1975-1969</b>	FA-28: 1.686" OD knuckle	
Seal (inner)	.....	40316S[2]
Cone/Cup (inner)	.....	26884-26823[2]
Cone/Cup (outer)	.....	1779-1729X[2]
<b>1975-1969</b>	FA-48: 1.686" OD knuckle	
Seal (inner)	.....	40316S[2]
Cone/Cup (inner)	.....	26884-26823[2]
Cone/Cup (outer)	.....	1779-1729X[2]
<b>1975-1965</b>	FA-49	
Cone/Cup (inner)	.....	3578-3525[2]
Cone/Cup (outer)	.....	2689-2620[2]
<b>1975-1964</b>	FA-16	
Seal (inner)	.....	442380[2]
Set (inner)	.....	SET37
Set (outer)	.....	SET45
<b>1975-1963</b>	FA-8	
Seal (inner)	.....	2207[2]
Set (inner)	.....	SET5
Set (outer)	.....	SET3
<b>1975-1963</b>	FA-9	
Seal (inner)	.....	2207[2]
Set (inner)	.....	SET5
Set (outer)	.....	SET3
<b>1975-1958</b>	FA-1: 12" brakes	
Seal (inner)	.....	7600S[2]
Set (inner)	.....	SET5
Set (outer)	.....	SET3
<b>1974</b>	FA-62	
Seal (inner)	.....	2207[2]
Set (inner)	.....	SET47
Set (outer)	.....	SET45
<b>1974</b>	FA-63	
Seal (inner)	.....	43290S[2]
Cone/Cup	.....	18690-18620[2]
<b>1973-1969</b>	FA-1: 11" brakes: 1100 Series	
Seal (inner)	.....	203006S[2]
Set (inner)	.....	SET5
Set (outer)	.....	SET3
<b>1973-1969</b>	FA-12: 1.562" OD knuckle	
Seal (inner)	.....	40316S[2]
Cone/Cup (inner)	.....	26881-26823[2]
Cone/Cup (outer)	.....	15100-15245[2]

**FRONT WHEEL (cont.)**

**2WD (cont.)**

<b>1973-1965</b>	FA-48: 1.562" OD knuckle	
Seal (inner)	.....	S5MR71[2]
Cone/Cup (inner)	.....	26881-26823[2]
Cone/Cup (outer)	.....	1779-1729X[2]
<b>1973-1963</b>	FA-28: 1.562" OD knuckle	
Seal (inner)	.....	S5MR71[2]
Cone/Cup (inner)	.....	26881-26823[2]
Cone/Cup (outer)	.....	1779-1729X[2]
<b>1972-1964</b>	FA-17	
Seal (inner)	.....	442380[2]
Set (inner)	.....	SET37
Set (outer)	.....	SET45
<b>1972-1964</b>	FA-46	
Seal (inner)	.....	442380[2]
Set (inner)	.....	SET37
Set (outer)	.....	SET45
<b>1971-1965</b>	FA-1: 11" brakes exc. 1100 Series	
Seal (inner)	.....	7600S[2]
Cone/Cup (inner)	.....	14130-14274[2]
Cone/Cup (outer)	.....	12580-12520[2]
<b>1971-1963</b>	FA-15	
Seal (inner)	.....	40316S[2]
Cone/Cup	.....	18685-18620[2]
<b>1971-1963</b>	FA-18	
Seal (inner)	.....	40316S[2]
Cone/Cup	.....	18685-18620[2]
<b>1971-1963</b>	FA-52	
Cone/Cup (inner)	.....	459-453X[2]
Cone/Cup (outer)	.....	3780-3720[2]
<b>1971-1963</b>	FA-53	
Cone/Cup (inner)	.....	459-453X[2]
Cone/Cup (outer)	.....	3780-3720[2]
<b>1971-1950</b>	FA-10	
Seal (inner)	.....	7600S[2]
Cone/Cup (inner)	.....	14130-14274[2]
Cone/Cup (outer)	.....	12580-12520[2]
<b>1969-1962</b>	FA-57	
Cone/Cup	.....	36690-36620[2]
<b>1968-1962</b>	FA-58	
Cone/Cup (inner)	.....	469-453X[2]
Cone/Cup (outer)	.....	3780-3720[2]
<b>1962-1961</b>	FA-9	
Seal (inner)	.....	203006S[2]
Set (inner)	.....	SET5
Set (outer)	.....	SET3
<b>1962-1961</b>	130 Series	
Cone/Cup (inner)	.....	469-453X[2]
Cone/Cup (outer)	.....	3780-3720[2]
<b>1962-1956</b>	120 Series	
Seal (inner)	.....	40316S[2]
Cone/Cup	.....	18685-18620[2]
<b>1962-1950</b>	FA-30: 1.562" OD knuckle	
Seal (inner)	.....	S5MR71[2]
Cone/Cup (inner)	.....	26881-26823[2]
Cone/Cup (outer)	.....	1779-1729X[2]

# Bearings and Seals

Mfg./Year    Model & Location    Part No    Mfg./Year    Model & Location    Part No

## **INTERNATIONAL TRUCK - 1/2, 3/4, 1, 1-1/2, 2 TON - All Models - by axle designation (cont.)**

### **FRONT WHEEL (cont.)**

#### **2WD (cont.)**

<b>1961-1957</b>	FA-56	
	Cone/Cup (inner)	47490-47420[2]
	Cone/Cup (outer)	395A-394A
<b>1961-1954</b>	FA-50	
	Cone/Cup (inner)	33275-33472[2]
	Cone/Cup (outer)	399A-394A

### **REAR WHEEL**

<b>1980-1979</b>	RA-189 axle	
	Seal (inner)	455958S[2]
	Cone/Cup (inner)	47678-47620[2]
	Cone/Cup (outer)	39585-39520[2]
<b>1980-1976</b>	RA-30 axle	
	Seal (inner)	415437[2]
	Cone/Cup (inner)	33281-33462[2]
	Seal (outer)	5957S[2]
	Cone/Cup (outer)	39585-39520[2]
<b>1980-1976</b>	RA-39 axle	
	Seal (inner)	455958S[2]
	Cone/Cup (inner)	47678-47620[2]
	Cone/Cup (outer)	39585-39520[2]
<b>1980-1976</b>	RA-126 axle	
	Seal (inner)	456648[2]
	Cone/Cup (inner)	3984-3920[2]
	Cone/Cup (outer)	29585-29520[2]
<b>1980-1976</b>	RA-187 axle	
	Seal (inner)	415437[2]
	Cone/Cup (inner)	33281-33462[2]
	Cone/Cup (outer)	39585-39520[2]
<b>1980-1957</b>	RA-25 axle	
	Seal (inner)	456648[2]
	Cone/Cup (inner)	3984-3920[2]
	Seal (outer)	5957S[2]
	Cone/Cup (outer)	29585-29520[2]
<b>1975</b>	RA-84 axle	
	Seal (inner)	481837[2]
	Cyl. Bearing (inner)	RSN1584EV[2]
<b>1975-1974</b>	RA-83 axle	
	Seal (inner)	481837[2]
	Cyl. Bearing (inner)	RSN1584EV[2]
<b>1975-1972</b>	RA-18 axle	
	Seal (inner)	481837[2]
	Set (inner)	SET10
	Seal (outer)	472747[2]
<b>1975-1972</b>	RA-28 axle	
	Seal (inner)	481837[2]
	Set (inner)	SET10
	Seal (outer)	472747[2]
<b>1975-1969</b>	RA-15 axle	
	Seal (inner)	416292[2]
	Cone/Cup (inner)	LM104949-JLM104910[2]
<b>1975-1969</b>	RA-63 axle	
	Seal (inner)	416292[2]
	Cone/Cup (inner)	LM104949-JLM104910[2]
<b>1975-1968</b>	RA-53 axle	
	Seal	481837[2]
	Cyl. Bearing	RSN1584EV[2]

### **REAR WHEEL (cont.)**

<b>1975-1968</b>	RA-54 axle	
	Seal	481837[2]
	Cyl. Bearing	RSN1584EV[2]
<b>1975-1965</b>	RA-30 axle	
	Seal (inner)	455173[2]
	Cone/Cup (inner)	33281-33462[2]
	Seal (outer)	5957S[2]
	Cone/Cup (outer)	39585-39520[2]
<b>1975-1965</b>	RA-39 axle	
	Seal (inner)	455173[2]
	Cone/Cup (inner)	33281-33462[2]
	Seal (outer)	5957S[2]
	Cone/Cup (outer)	39585-39520[2]
<b>1975-1965</b>	RA-44 axle	
	Seal (inner)	455173[2]
	Cone/Cup (inner)	33281-33462[2]
	Seal (outer)	5957S[2]
	Cone/Cup (outer)	39585-39520[2]
<b>1975-1965</b>	RA-127 axle	
	Seal (inner)	455173[2]
	Cone/Cup (inner)	33281-33462[2]
	Seal (outer)	5957S[2]
	Cone/Cup (outer)	39585-39520[2]
<b>1975-1963</b>	RA-184 axle	
	Seal (inner)	456648[2]
	Cone/Cup (inner)	3984-3920[2]
	Seal (outer)	5957S[2]
	Cone/Cup (outer)	29585-29520[2]
<b>1975-1950</b>	RA-10 axle	
	Seal (inner)	455008[2]
	Cone/Cup	25584-25521[2]
<b>1975-1950</b>	RA-11 axle	
	Seal (inner)	455008[2]
	Cone/Cup (inner)	28584-28521[2]
	Cone/Cup (outer)	25584-25521[2]
<b>1974-1969</b>	RA-84 axle	
	Seal (inner)	481837[2]
	Set (inner)	SET7
	Seal (outer)	472747[2]
<b>1973-1969</b>	RA-83 axle	
	Seal (inner)	481837[2]
	Set (inner)	SET7
	Seal (outer)	472747[2]
<b>1973-1965</b>	RA-20 axle: 1400, 1500 Series	
	Seal (inner)	456648[2]
	Cone/Cup (inner)	3982-3920[2]
	Seal (outer)	6090S[2]
<b>1971-1969</b>	RA-28 axle	
	Seal (inner)	481837[2]
	Set (inner)	SET7
	Seal (outer)	472747[2]
<b>1971-1965</b>	RA-20 axle: 1200 Series	
	Seal (inner)	456648[2]
	Cone/Cup (inner)	395-394A[2]
<b>1971-1964</b>	RA-18 axle	
	Seal (inner)	6426[2]
	Set (inner)	SET7
	Seal (outer)	472747[2]

**INTERNATIONAL TRUCK - 1/2, 3/4, 1, 1-1/2, 2 TON - All Models - by axle designation (cont.)**

**REAR WHEEL (cont.)**

<b>1971-1963</b>	RA-5 axle	
	Seal (inner) .....	472287[2]
	Cone/Cup (inner) .....	3382T-3320[2]
	Seal (outer) .....	451948[2]
<b>1971-1963</b>	RA-6 axle	
	Seal (inner) .....	472287[2]
	Cone/Cup (inner) .....	3382T-3320[2]
	Seal (outer) .....	451948[2]
<b>1971-1961</b>	RA-19 axle	
	Seal (inner) .....	40185[2]
	Cone/Cup (inner) .....	3382T-3320[2]
	Seal (outer) .....	451948[2]
<b>1971-1961</b>	RA-24 axle	
	Seal (inner) .....	40185[2]
	Cone/Cup (inner) .....	3382T-3320[2]
	Seal (outer) .....	451948[2]
<b>1971-1950</b>	RA-1 axle	
	Seal (inner) .....	40185[2]
	Cone/Cup (inner) .....	3382T-3320[2]
	Seal (outer) .....	451948[2]
<b>1971-1950</b>	RA-3 axle	
	Seal (inner) .....	40185[2]
	Cone/Cup (inner) .....	3382T-3320[2]
	Seal (outer) .....	451948[2]
<b>1968-1965</b>	RA-51 axle	
	Seal (inner) .....	450169[2]
<b>1968-1964</b>	RA-28 axle	
	Seal (inner) .....	6426[2]
	Set (inner) .....	SET7
<b>1968-1958</b>	RA-2 axle	
	Seal (inner) .....	40769S[2]
	Cone/Cup (inner) .....	14130-14276[2]
<b>1968-1950</b>	RA-15 axle	
	Seal (inner) .....	456648[2]
	Cone/Cup (inner) .....	395-394A[2]
	Seal (outer) .....	6090S[2]
<b>1965-1961</b>	RA-9 axle	
	Seal (inner) .....	40185[2]
	Cone/Cup (inner) .....	3382T-3320[2]
	Seal (outer) .....	451948[2]
<b>1965-1961</b>	RA-23 axle	
	Seal (inner) .....	40185[2]
	Cone/Cup (inner) .....	3382T-3320[2]
	Seal (outer) .....	451948[2]
<b>1965-1958</b>	RA-4 axle	
	Seal (inner) .....	40769S[2]
	Cone/Cup (inner) .....	14130-14276[2]
<b>1965-1958</b>	RA-12 axle	
	Seal (inner) .....	40769S[2]
	Cone/Cup (inner) .....	14130-14276[2]
<b>1965-1958</b>	RA-13 axle	
	Seal (inner) .....	40769S[2]
	Cone/Cup (inner) .....	14130-14276[2]
<b>1965-1958</b>	RA-21 axle	
	Seal (inner) .....	40769S[2]
	Cone/Cup (inner) .....	14130-14276[2]
<b>1965-1956</b>	RA-16 axle	
	Seal (inner) .....	455008[2]
	Cone/Cup .....	25584-25521[2]

**REAR WHEEL (cont.)**

<b>1965-1956</b>	RA-17 axle	
	Seal (inner) .....	455008[2]
	Cone/Cup .....	25584-25521[2]
<b>1962-1957</b>	RA-26 axle	
	Seal (inner) .....	456648[2]
	Cone/Cup (inner) .....	3984-3920[2]
	Seal (outer) .....	5957S[2]
	Cone/Cup (outer) .....	29585-29520[2]
<b>1962-1957</b>	RA-125 axle	
	Seal (inner) .....	456648[2]
	Cone/Cup (inner) .....	3984-3920[2]
	Seal (outer) .....	5957S[2]
	Cone/Cup (outer) .....	29585-29520[2]
<b>1962-1950</b>	RA-5 axle	
	Seal (inner) .....	450143[2]
	Cone/Cup (inner) .....	3382T-3320[2]
<b>1962-1950</b>	RA-6 axle	
	Seal (inner) .....	450143[2]
	Cone/Cup (inner) .....	3382T-3320[2]
<b>1962-1950</b>	RA-20 axle: 130 Series	
	Seal (inner) .....	456648[2]
	Cone/Cup (inner) .....	395-394A[2]
<b>1962-1950</b>	RA-20 axle: 150 Series	
	Seal (inner) .....	456648[2]
	Cone/Cup (inner) .....	3982-3920[2]
	Seal (outer) .....	6090S[2]

**4WD FRONT AXLE**

**Differential Rebuild Kit**

<b>1975-1972</b>	Dana/Spicer 44 axles	
	Kit .....	DRK339B

**Differential**

<b>1975-1972</b>	Dana/Spicer 44 axles	
	Cone/Cup .....	25590-25523[2]
<b>1971-1953</b>	Dana/Spicer 44 axles	
	Cone/Cup .....	25577-25523[2]

**Pinion**

<b>1975-1953</b>	Dana/Spicer 44 axles	
	Cone/Cup (inner) .....	31594-31520
	Seal (outer) .....	5778
	Cone/Cup (outer) .....	02872-02820

**Spindle Kit**

<b>1975-1971</b>	Dana/Spicer 44 axles	
	Bearing & Seal Kit .....	SBK1 <sup>33</sup>

**Spindle**

<b>1975-1971</b>	Dana/Spicer 44 axles	
	Seal (inner) .....	722108[2]
	Needle Bearing (inner) .....	B2110[2]
	Seal (outer) .....	722109[2]
<b>1970-1953</b>	Dana/Spicer 44 axles	
	Needle Bearing .....	B2110[2]

[ ] Indicates Quantity Required; Set Components Listed Inside Rear Cover;  
<sup>33</sup> Opt. Kit incl: Bearing B2110; Seals 722108 & 722109

# Bearings and Seals

Mfg./Year    Model & Location    Part No    Mfg./Year    Model & Location    Part No

## **INTERNATIONAL TRUCK - 1/2, 3/4, 1, 1-1/2, 2 TON - All Models - by axle designation (cont.)**

### **4WD FRONT AXLE**

#### **Steering Knuckle**

<b>1975-1953</b>	Dana/Spicer 44-1FHD axle	
Seal	.....	710304[2]
Cone/Cup	.....	23100-23256[2]
<b>1971-1953</b>	Dana/Spicer 44 axles: exc. 44-1FHD	
Cone/Cup	.....	11590-11520[2]

### **REAR AXLE**

#### **Differential Rebuild Kit**

<b>1983-1960</b>	Eaton 16802 axle	
Kit	.....	DRK23
<b>1983-1960</b>	Eaton 17500-1, 17800, 17810, 18812, 7810 axles	
Kit	.....	DRK1
<b>1981</b>	Eaton 15201 axle	
Kit	.....	DRK24
<b>1978-1960</b>	Eaton 1350, 13800, 13802 axles	
Kit	.....	DRK24
<b>1975-1968</b>	Dana/Spicer 70 axles	
Kit	.....	DRK332
<b>1975-1967</b>	Dana/Spicer 44 axles	
Kit	.....	DRK339B
<b>1975-1965</b>	Dana/Spicer 60 axles	
Kit	.....	DRK331

#### **Differential**

<b>1989-1987</b>	14038 axle	
Bearing Assy	.....	32218M[2]
<b>1983-1960</b>	Eaton 16600, 16802 axles	
Cone/Cup (LH)	.....	42381-42584
Cone/Cup (RH)	.....	495A-493
<b>1983-1960</b>	Eaton 17500-1, 17800, 17810, 18812, 7810 axles	
Cone/Cup (LH)	.....	56425-56650
Cone/Cup (RH)	.....	497-493
<b>1981</b>	Eaton 15201 axle	
Cone/Cup (LH)	.....	498-493
Cone/Cup (RH)	.....	33275-33472
<b>1978-1960</b>	Eaton 1350, 13600, 13800, 13802 axles	
Cone/Cup (LH)	.....	498-493
Cone/Cup (RH)	.....	33275-33472
<b>1975-1967</b>	Dana/Spicer 44 axles	
Cone/Cup	.....	25590-25523[2]
<b>1975-1965</b>	Dana/Spicer 60, 70 series axles	
Cone/Cup	.....	387A-382S[2]
<b>1973-1950</b>	RA-10, RA-11, RA-15	
Cone/Cup	.....	28584-28521[2]
<b>1967</b>	R1060	
Cone/Cup	.....	28584-28521[2]
<b>1966-1950</b>	Dana/Spicer 44 axles	
Cone/Cup	.....	25577-25523[2]
<b>1961</b>	RA-25, RA-26	
Cone/Cup	.....	3984-3925[2]

### **REAR AXLE**

#### **Pinion**

<b>1989-1987</b>	14021, 14022 axles	
Bearing Assy (inner)	.....	30311
Bearing Assy (outer)	.....	30309M
<b>1989-1987</b>	14038 axle	
Bearing Assy (inner)	.....	30311
<b>1983-1960</b>	Eaton 16802 axle: 2.375" pinion shaft	
Cone/Cup	.....	HM903249-HM903210[2]
Seal (outer)	.....	712375
Cyl. Bearing (pilot)	.....	MUS1307UM
<b>1983-1960</b>	Eaton 16802 axle: 2.625" pinion shaft	
Cone/Cup	.....	HM903249-HM903210[2]
Seal (outer)	.....	712625
Cyl. Bearing (pilot)	.....	MUS1307UM
<b>1983-1960</b>	Eaton 17500-1, 17800, 17810, 18812, 7810 axles	
Cone/Cup	.....	55200C-55437[2]
Seal (outer)	.....	9773R
Cyl. Bearing (pilot)	.....	MUS1307UM
<b>1981</b>	Eaton 15201 axle	
Cone/Cup	.....	HM903249-HM903210[2]
Cyl. Bearing (pilot)	.....	MU1305TDM
Seal Kit	.....	722250S
Seal	.....	470737N
<b>1978-1960</b>	Eaton 1350, 13800, 13802 axles	
Cone/Cup	.....	HM903249-HM903210[2]
Seal (outer)	.....	470737N
Cyl. Bearing (pilot)	.....	MU1305TDM
<b>1975-1968</b>	Dana/Spicer 70 axle	
Cone/Cup (inner)	.....	HM807040-HM807010
Seal (outer)	.....	9316
Cone/Cup (outer)	.....	HM88542-HM88510
<b>1975-1965</b>	Dana/Spicer 60 axle	
Cone/Cup (inner)	.....	HM803146-HM803110
Seal (outer)	.....	9316
Cone/Cup (outer)	.....	HM88542-HM88510
<b>1975-1950</b>	Dana/Spicer 44 axles	
Cone/Cup (inner)	.....	31594-31520
Seal (outer)	.....	5778
Cone/Cup (outer)	.....	02872-02820
<b>1973-1960</b>	Eaton 16600 axle: 2.375" pinion shaft	
Cone/Cup (inner)	.....	65237-65500
Seal (outer)	.....	450103
Cone/Cup (outer)	.....	HM807040-HM807010
<b>1973-1960</b>	Eaton 16600 axle: 2.625" pinion shaft	
Cone/Cup (inner)	.....	65237-65500
Seal (outer)	.....	475003N
Cone/Cup (outer)	.....	HM807040-HM807010
<b>1973-1950</b>	RA-10, RA-11, RA-15, RA-20	
Cone/Cup	.....	27881-27820[2]
Seal (outer)	.....	410085N
Cyl. Bearing (pilot)	.....	MUB5204TM

**INTERNATIONAL TRUCK - 1/2, 3/4, 1, 1-1/2, 2 TON - All Models - by axle designation (cont.)**

**REAR AXLE (cont.)**

**Pinion (cont.)**

<b>1971-1960</b>	Eaton 13600 axle: 2.25" pinion shaft	
	Cone/Cup (inner) .....	5583-5535
	Seal (outer) .....	470737N
	Cone/Cup (outer) .....	49576-49520
<b>1971-1960</b>	Eaton 13600 axle: 2.375" pinion shaft	
	Cone/Cup (inner) .....	5583-5535
	Seal (outer) .....	450103
	Cone/Cup (outer) .....	49576-49520
<b>1967</b>	R1060	
	Cone/Cup .....	27881-27820[2]
	Seal (outer) .....	410085N
	Cyl. Bearing (pilot) .....	MUB5204TM
<b>1961</b>	RA-25, RA-26	
	Cone/Cup .....	55175C-55437[2]
	Cyl. Bearing (pilot) .....	MUB5206UM

**TRANSFER CASE REBUILD KIT**

<b>1975-1969</b>	TC142 (NPG205)	
	Kit .....	TCRK172
<b>1972-1961</b>	TC141 (NPG202)	
	Kit .....	TRK165

**CLUTCH**

**Pilot Bearing**

<b>1977-1959</b>	12" clutch: exc. V266, V304, BG248, BG265 engine	
	Bearing .....	7109
<b>1977-1959</b>	with 13015, 13034, 13035, 13036 trans	
	Bearing .....	8505
<b>1977-1959</b>	11" clutch: exc. 1600, 1700: 5-speed trans	
	Bearing .....	7109
<b>1977-1959</b>	11" clutch: 1600, 1700: 5-speed trans	
	Bearing .....	8505
<b>1971-1966</b>	Metro M1200, M1400, M1500: 13" clutch: BG-265 engine	
	Bearing .....	8505
<b>1971-1946</b>	13" clutch: exc. 1966-1971 Metro M1200, M1400, M1500	
	Bearing .....	7109

**Release Bearing**

<b>1980-1972</b>	1/2 thru 1 Ton: 5-speed	
	Bearing Only .....	I2005C
<b>1980-1972</b>	1/2 thru 1 Ton: 6-cylinder	
	Bearing Only .....	I1697C
<b>1980-1972</b>	1/2 thru 1 Ton: 8-cylinder: 3-speed & 4-speed	
	Bearing Assy .....	2005C
<b>1971-1965</b>	1500, 1500A: 5-speed	
	Bearing Only .....	I2005C

**CLUTCH (cont.)**

**Release Bearing (cont.)**

<b>1971-1946</b>	exc. 1965-1968: M1400, M1500 & 1965- 1971: 1500, 1500A	
	Bearing Assy .....	2005C
<b>1968-1965</b>	M1400, M1500: 4-speed: BG engine	
	Bearing Only .....	I2005C

**ALTERNATOR**

<b>1980-1964</b>	Delco-Remy 32, 37, 61 amp	
	Bearing (drive end) .....	203S
	Bearing (rear end) .....	MNJ471S

**GENERATOR**

<b>1971-1964</b>	SA & SM 25 amp	
	Bearing (drive end) .....	203AB
	Bearing (rear end) .....	8503
<b>1971-1961</b>	Standard	
	Bearing (drive end) .....	203AB
	Bearing (rear end) .....	203F
<b>1971-1961</b>	Heavy Duty	
	Bearing (drive end) .....	8605

**DRIVESHAFT SUPPORT**

<b>1981-1966</b>	Spicer 1280-1310: 1.1811" bearing ID	
	Bearing .....	206FF
	Hanger Bearing Assy .....	HB206FF
<b>1981-1966</b>	Spicer 1280-1410: 1.3780" bearing ID	
	Bearing .....	88107
	Hanger Bearing Assy .....	HB88107A
<b>1977-1962</b>	Cleveland 055: 1.5000" bearing ID	
	Hanger Bearing Assy .....	HB2
<b>1977-1962</b>	Cleveland R55: 1.3750" bearing ID	
	Hanger Bearing Assy .....	HB1
<b>1977-1962</b>	Spicer: 1.5748" bearing ID	
	Hanger Bearing Assy .....	HB88508
<b>1977-1962</b>	Spicer: 1.7717" bearing ID	
	Hanger Bearing Assy .....	HB88509
<b>1977-1962</b>	Spicer: 1.9685" bearing ID	
	Hanger Bearing Assy .....	HB88510
<b>1977-1962</b>	Spicer: 2.3622" bearing ID	
	Hanger Bearing Assy .....	HB88512AHD



# Bearings and Seals

Mfg./Year	Model & Location	Part No	Mfg./Year	Model & Location	Part No
<b>ISUZU - FRONT DRIVE - I-Mark, Impulse, Impulse AWD, Stylus</b>					

## FRONT WHEEL

<b>1989-1986</b>	I-Mark	
Seal	.....	710098[2]
Bearing Assy	.....	517006[2]

## REAR WHEEL

<b>1989-1985</b>	I-Mark	
Seal (inner)	.....	1174S[2]
Set (inner)	.....	SET4
Set (outer)	.....	SET1
<b>1989-1985</b>	Impulse Turbo	
Seal	.....	1012N[2]
Bearing	.....	511018[2]
<b>1989-1983</b>	Impulse: exc. turbo	
Bearing	.....	RW127R[2]

## TRANSMISSION REBUILD KIT

<b>1989-1985</b>	MSG5G	
Kit	.....	TRKFI120

## CLUTCH

### Pilot Bearing

<b>1989-1981</b>	4-cylinder	
Bearing	.....	203FF
<b>1989</b>	6-cylinder 2.8	
Bushing H/D	.....	PB652HD
<b>1989</b>	6-cylinder 3.1	
Bushing H/D	.....	PB652HD

### Release Bearing

<b>1989-1988</b>	4-cylinder 1.9: 215mm clutch	
Bearing Only	.....	01496
<b>1989-1987</b>	4-cylinder 2.6: 246mm clutch	
Bearing Only	.....	613012
<b>1989-1987</b>	4-cylinder 3.9 diesel: 300mm clutch	
Bearing Only	.....	613014
<b>1989-1987</b>	4-cylinder 3.9 turbodiesel: 300mm clutch	
Bearing Only	.....	613014
<b>1989-1981</b>	4-cylinder 2.3: 215mm clutch	
Bearing Only	.....	01496
<b>1989-1987</b>	4-cylinder 1.5 turbo: 215mm clutch	
Bearing Assy	.....	614108
<b>1989-1987</b>	4-cylinder 1.6: 215mm clutch	
Bearing Assy	.....	614108
<b>1989-1987</b>	4-cylinder 1.6 DOHC: 215mm clutch	
Bearing Assy	.....	614108
<b>1989-1987</b>	4-cylinder 1.6 DOHC turbo: 215mm clutch	
Bearing Assy	.....	614108
<b>1989-1987</b>	4-cylinder 1.8 DOHC: 215mm clutch	
Bearing Assy	.....	614108
<b>1989</b>	6-cylinder 2.8: 235mm clutch	
Bearing Only	.....	613012
<b>1989-1985</b>	4-cylinder 1.5: 184mm clutch	
Bearing Assy	.....	614108

## CLUTCH (cont.)

### Release Bearing (cont.)

<b>1989-1985</b>	4-cylinder 2.0 turbo	
Bearing Assy	.....	614078
<b>1989-1985</b>	4-cylinder 2.3: 225mm clutch	
Bearing Assy	.....	614078
<b>1987-1986</b>	4-cylinder 2.2 turbodiesel	
Bearing Assy	.....	614078
<b>1987-1985</b>	4-cylinder 3.9 diesel: 275mm clutch	
Bearing Assy	.....	614076
<b>1987-1985</b>	4-cylinder 3.9 turbodiesel: 275mm clutch	
Bearing Assy	.....	614076
<b>1987-1983</b>	4-cylinder 1.9: 215mm clutch	
Bearing Assy	.....	614078
<b>1985-1981</b>	4-cylinder 1.8: 200mm clutch	
Bearing Only	.....	01496
<b>1985-1981</b>	4-cylinder 1.8 diesel: 200mm clutch	
Bearing Only	.....	01496
<b>1985-1981</b>	4-cylinder 2.2 diesel	
Bearing Only	.....	01496
<b>1985-1981</b>	4-cylinder 2.2 turbodiesel	
Bearing Only	.....	01496

## 3-SPEED AUTOMATIC TRANSAXLE

### Torque Converter

<b>1989-1985</b>	F3A	
Seal Viton	.....	710078
Kwik Slv (Opt Rpr)	.....	KWK99177

### Output Shaft

<b>1989-1985</b>	Stylus, Imark (F3A)	
Seal	.....	223542[2]
Kwik Slv (Opt Rpr)	.....	KWK99139[2]

### Differential

<b>1989-1985</b>	F3A	
Bearing Assy	.....	32008XM[2]

## 5-SPEED MANUAL TRANSAXLE

### Differential

<b>1989-1985</b>	MFD5M	
Bearing Assy	.....	32008XM[2]

### Input Shaft

<b>1989-1985</b>	MFD5M, MFD5T	
Seal	.....	222835
Kwik Slv (Opt Rpr)	.....	KWK99111
Bearing Assy (front)	.....	32206M
Bearing Assy (rear)	.....	30306M

**ISUZU - FRONT DRIVE - I-Mark, Impulse, Impulse AWD, Stylus (cont.)**

**5-SPEED MANUAL TRANSAXLE**

**Output Shaft**

<b>1989-1985</b>	MFD5M	
Set (LH) .....		SET5
Seal (RH) .....		223542
Bearing Assy (RH) .....		32206M
Kwik Slv (Opt Rpr) .....		KWK99139

**Selector Shaft Seal/Man. Shaft**

<b>1989-1985</b>	MFD5M, MFD5T	
Seal .....		3667

**ALTERNATOR**

<b>1989-1988</b>	Hitachi 60 amp	
Bearing (drive end) .....		303CC
Bearing (rear end) .....		201CC
<b>1987-1981</b>	Hitachi 60 amp	
Bearing (drive end) .....		203FF
Bearing (rear end) .....		201CC
<b>1986-1981</b>	Hitachi 40 amp	
Bearing (drive end) .....		203FF
Bearing (rear end) .....		201CC
<b>1986-1981</b>	Hitachi 50 amp	
Bearing (drive end) .....		303CC
Bearing (rear end) .....		202FF
<b>1986-1981</b>	Hitachi 55 amp	
Bearing (drive end) .....		203FF
Bearing (rear end) .....		201CC

**OIL PUMP**

**4 Cylinder**

<b>1989-1985</b>	1471cc/1.5L	
Seal .....		224020
Kwik Slv (Opt Rpr) .....		KWK99157

**CAMSHAFT SEAL**

**4 Cylinder**

<b>1989</b>	1588cc/1.6L DOHC	
Seal .....		710308[2]
Kwik Slv (Opt Rpr) .....		KWK99157[2]

**CRANKSHAFT REAR SEAL**

**4 Cylinder**

<b>1989-1985</b>	1471cc/1.5L, 1471cc/1.5L (Turbo), 1588cc/1.6L, 1588cc/1.6L (DOHC), 1808CC/ 1.8L (DOHC)	
Seal .....		228700

**TIMING COVER**

**4 Cylinder**

<b>1989-1985</b>	1471cc/1.5L, 1471cc/1.5L (Turbo), 1588cc/1.6L, 1588cc/1.6L (DOHC), 1808CC/ 1.8L (DOHC)	
Seal .....		223220
Kwik Slv (Opt Rpr) .....		KWK99128
<b>1989-1981</b>	1817cc/1.8L, 1994cc/2.0L	
Seal .....		224025
Kwik Slv (Opt Rpr) .....		KWK99157

**ISUZU - REAR DRIVE - I-Mark, Impulse**

**FRONT WHEEL**

<b>1989-1983</b>	Impulse	
Seal (inner) .....		239201[2]
Set (inner) .....		SET8
Set (outer) .....		SET1
<b>1985-1981</b>	I-Mark	
Seal (inner) .....		710309[2]
Set (inner) .....		SET4
Set (outer) .....		SET1

**REAR WHEEL**

<b>1989-1985</b>	Impulse Turbo	
Seal .....		1012N[2]
Bearing .....		511018[2]
<b>1989-1985</b>	Impulse: exc. turbo	
Bearing .....		RW127R[2]
<b>1985-1981</b>		
Bearing .....		RW127R[2]

**REAR AXLE**

**Differential**

<b>1989-1985</b>	Impulse Turbo	
Set .....		SET45[2]
<b>1989-1985</b>	Impulse exc. turbo	
Set .....		SET45[2]
<b>1985-1981</b>	I-Mark	
Cone/Cup .....		19150-19268[2]

**Pinion**

<b>1989-1985</b>	Impulse Turbo	
Bearing Assy (inner) .....		32307
Seal (outer) .....		474133
Bearing Assy (outer) .....		30306M
Kwik Slv (Opt Rpr) .....		KWK99157
<b>1989-1985</b>	Impulse exc. turbo	
Seal (outer) .....		225230
<b>1985-1981</b>	I-Mark	
Seal (outer) .....		225230

# Bearings and Seals

Mfg./Year    Model & Location    Part No    Mfg./Year    Model & Location    Part No

## ISUZU - REAR DRIVE - I-Mark, Impulse (cont.)

### TRANSMISSION REBUILD KIT

1985-1981    MSG4K  
 Kit ..... TRKFI220  
 1985-1981    MSG5K  
 Kit ..... TRKFI110

### 3-SPEED AUTOMATIC TRANSMISSION

#### Torque Converter

1985-1981    Aisin 03-55, 03-56  
 Seal ..... 223830  
 Kwik Slv (Opt Rpr) ..... KWK99147

#### Rear Seal/Ext. Housing

1985-1981    Aisin 03-55, 03-56  
 Seal ..... 710319

### 4-SPEED AUTOMATIC TRANSMISSION

#### Torque Converter

1989-1983    Aisin 03-70, 03-72  
 Seal ..... 223830  
 Kwik Slv (Opt Rpr) ..... KWK99147

#### Rear Seal/Ext. Housing

1989-1983    Aisin 03-70, 03-72  
 Seal ..... 710319

### CLUTCH - 4 CYLINDER

#### Pilot Bearing

1989-1981    1817cc/1.8L, 1949cc/1.9L,  
 1994cc/ 2.0L, 2254cc/ 2.3L  
 Bearing ..... 203FF

#### Release Bearing

1985-1981    1817cc/1.8L  
 Bearing Only ..... 01496

### 4-SPEED MANUAL TRANSMISSION

#### Input Shaft

1985-1981    MSG4A, MSG4K  
 Seal ..... 1990  
 Bearing ..... 208LO  
 Kwik Slv (Opt Rpr) ..... KWK99106

#### Countershaft

1985-1981    MSG4K  
 Bearing (rear) ..... 204  
 1985-1981    MSG4A  
 Bearing (rear) ..... 5205KLE

#### Rear Output Shaft

1985-1981    MSG4A, MSG4K  
 Seal ..... 1987S

### 5-SPEED MANUAL TRANSMISSION

#### Front Input Shaft

1989-1981    MSG5A, MSG5B, MSG5K,  
 MSG5R  
 Seal ..... 1990  
 Bearing ..... 208LO  
 Kwik Slv (Opt Rpr) ..... KWK99106

#### Countershaft

1989-1981    MSG5A, MSG5B, MSG5K,  
 MSG5R  
 Bearing (rear) ..... 204

#### Rear Countershaft

1989-1981    MSG5B, MSG5K, MSG5R  
 Seal ..... 1987S  
 1987-1983    MSG5A  
 Seal ..... 1987S  
 Bearing ..... RW122

### ALTERNATOR

1989-1988    Hitachi 60 amp  
 Bearing (drive end) ..... 303CC  
 Bearing (rear end) ..... 201CC  
 1987-1981    Hitachi 60 amp  
 Bearing (drive end) ..... 203FF  
 Bearing (rear end) ..... 201CC  
 1986-1981    Hitachi 40 amp  
 Bearing (drive end) ..... 203FF  
 Bearing (rear end) ..... 201CC  
 1986-1981    Hitachi 50 amp  
 Bearing (drive end) ..... 303CC  
 Bearing (rear end) ..... 202FF  
 1986-1981    Hitachi 55 amp  
 Bearing (drive end) ..... 203FF  
 Bearing (rear end) ..... 201CC

### DRIVESHAFT SUPPORT

1985-1981    I-Mark  
 Bearing ..... 205FF

### CAMSHAFT SEAL

#### 4 Cylinder

1989-1985    1994cc/2.0L, 2254cc/2.3L  
 Seal ..... 223014  
 Kwik Slv (Opt Rpr) ..... KWK99114

### CRANKSHAFT REAR SEAL

#### 4 Cylinder

1989-1985    1994cc/2.0L, 2254cc/2.3L  
 Seal ..... 710060  
 Kwik Slv (Opt Rpr) ..... KWK99364  
 1987-1981    1817cc/1.8L, 1949cc/1.9L  
 Seal ..... 228480  
 Kwik Slv (Opt Rpr) ..... KWK99328  
 1985-1981    1817cc/1.8L (diesel)  
 Seal ..... 717005  
 Kwik Slv (Opt Rpr) ..... KWK99364

**ISUZU - REAR DRIVE - I-Mark, Impulse (cont.)**

**TIMING COVER**

**4 Cylinder**

<b>1989-1981</b>	1817cc/1.8L, 1994cc/2.0L, 2254CC/ 2.3L	
Seal .....		224025
Kwik Slv (Opt Rpr) .....		KWK99157
<b>1987-1981</b>	1817cc/1.9L, 1949cc/1.9L	
Seal Viton .....		225020
Kwik Slv (Opt Rpr) .....		KWK99196

**ISUZU TRUCK - MINIVAN, PICKUP, SUV - Amigo, P'up, Pickup, Trooper, Trooper II**

**FRONT WHEEL**

**2WD**

<b>1989</b>	Amigo 4x2	
Seal (inner) .....		710168[2]
Bearing Assy (inner) .....		32009XM[2]
Bearing Assy (outer) .....		32008XM[2]
<b>1989-1988</b>	Trooper 4x2	
Seal (inner) .....		1974[2]
Set (inner) .....		SET5
Set (outer) .....		SET3
<b>1989-1988</b>	Trooper 4x2	
Seal (inner) .....		1974[2]
Set (inner) .....		SET5
Set (outer) .....		SET3
<b>1989-1988</b>	Pup, Pickup 4x2	
Seal (inner) .....		1974[2]
Set (inner) .....		SET5
Set (outer) .....		SET3
<b>1987-1981</b>	Pup, Pickup 4x2	
Seal (inner) .....		1949[2]
Bearing Assy (inner) .....		32206M[2]
Bearing Assy (outer) .....		32304M[2]

**4WD**

<b>1989-1988</b>	Trooper 4x4	
Seal (inner) .....		710168[2]
Cone (inner) .....		32009XA[2]
Cone (outer) .....		A140[2]
<b>1989</b>	Amigo 4x4	
Seal (inner) .....		710168[2]
Cone (inner) .....		32009XA[2]
Cone (outer) .....		A140[2]
<b>1989-1988</b>	Pup, Pickup 4x4	
Seal (inner) .....		710168[2]
Cone (inner) .....		32009XA[2]
Cone (outer) .....		A140[2]
<b>1987-1986</b>	Trooper 4x4: production from 2/1986 on	
Seal (inner) .....		471950[2]
Bearing Assy (inner) .....		32008XM[2]
Bearing Assy (outer) .....		32007XM[2]
<b>1987-1983</b>	Pup, Pickup 4x4	
Seal (inner) .....		471950[2]
Bearing Assy (inner) .....		32008XM[2]
Bearing Assy (outer) .....		32007XM[2]

**FRONT WHEEL (cont.)**

**4WD (cont.)**

<b>1986-1984</b>	Trooper 4x4: production thru 1/1986	
Bearing Assy (inner) .....		32008XM[2]
Bearing Assy (outer) .....		32007XM[2]
<b>1982</b>	Pup, Pickup 4x4	
Bearing Assy (inner) .....		32008XM[2]
Bearing Assy (outer) .....		32007XM[2]
<b>1981</b>	Pup, Pickup 4x4	
Seal (inner) .....		1960[2]
Bearing Assy (inner) .....		32008XM[2]
Bearing Assy (outer) .....		32007XM[2]

**REAR WHEEL**

<b>1989-1988</b>	Pickup: 4-cylinder 2.3	
Seal (inner) .....		473812[2]
Bearing Assy (inner) .....		30208M[2]
Seal (outer) .....		473179[2]
<b>1989-1988</b>	Pickup: 4-cylinder 2.6	
Seal (inner) .....		225230[2]
Bearing (inner) .....		511016[2]
Seal (outer) .....		473179[2]
<b>1989-1988</b>	Amigo: 4-cylinder 2.6	
Seal (inner) .....		225230[2]
Bearing (inner) .....		511016[2]
Seal (outer) .....		473179[2]
<b>1989-1988</b>	Amigo: 4-cylinder 2.3	
Seal (inner) .....		473812[2]
Bearing Assy (inner) .....		30208M[2]
Seal (outer) .....		473179[2]
<b>1989-1981</b>	Pup	
Seal (inner) .....		473179[2]
Bearing Assy (inner) .....		30208M[2]
Seal (outer) .....		473812[2]
<b>1988</b>	Trooper, Trooper II from 7/87	
Seal .....		473179[2]
Bearing .....		511016[2]
<b>1987-1984</b>	Trooper, Trooper II to 6/87	
Seal (inner) .....		225230[2]
Seal (outer) .....		473179[2]
Bearing Assy .....		30208M[2]

# Bearings and Seals

Mfg./Year    Model & Location    Part No    Mfg./Year    Model & Location    Part No

## ISUZU TRUCK - MINIVAN, PICKUP, SUV - Amigo, P'up, Pickup, Trooper, Trooper II (cont.)

### 4WD FRONT AXLE

#### Axle Shaft

<b>1989-1988</b>	Amigo, Pickup, Rodeo, Trooper, Trooper II	
	Seal (inner) .....	710169[2]
	Bearing (inner) .....	106FL[2]
	Seal (outer) .....	710170[2]
<b>1987-1981</b>	pickup, Trooper II	
	Seal (inner) .....	710169[2]
	Bearing (inner) .....	105FLI[2]
	Seal (outer) .....	710443[2]

#### Differential

<b>1989-1988</b>	10-bolt housing cover	
	Set .....	SET45
<b>1989-1981</b>	8-bolt housing cover	
	Set .....	SET5

#### Pinion

<b>1989-1988</b>	10-bolt housing cover	
	Bearing Assy (inner) .....	32307
	Seal (outer) .....	474133
	Bearing Assy (outer) .....	30306M
<b>1987-1981</b>	8-bolt housing cover	
	Cone/Cup (inner) .....	02475-02420
	Seal (outer) .....	471847N
	Bearing Assy (outer) .....	30305M

### REAR AXLE

#### Differential

<b>1989-1988</b>	10-bolt housing cover: 2.6 engine	
	Bearing Assy .....	30210M[2]
<b>1989-1988</b>	10-bolt housing cover: 2.3 engine	
	Set .....	SET45
<b>1989-1985</b>	KS22, NPR (R040) axle	
	Cone/Cup .....	29590-29522[2]
<b>1989-1981</b>	8-bolt housing cover	
	Cone/Cup .....	19150-19268[2]
<b>1987-1981</b>	10-bolt housing cover	
	Set .....	SET45

#### Pinion

<b>1988-1984</b>	Trooper II	
	Bearing Assy (inner) .....	32307
	Seal (outer) .....	474133
	Bearing Assy (outer) .....	30306M
<b>1987-1981</b>	Pup	
	Bearing Assy (inner) .....	32307
	Seal (outer) .....	474133
	Bearing Assy (outer) .....	30306M

### TRANSFER CASE

#### Input Shaft

<b>1989-1988</b>		
	Seal .....	710247
	Bearing .....	207
	Kwik Slv (Opt Rpr) .....	KWK99149

### TRANSFER CASE (cont.)

#### Input Shaft (cont.)

<b>1987-1981</b>		
	Seal .....	1990
	Kwik Slv (Opt Rpr) .....	KWK99106

#### Front Output Shaft

<b>1987-1981</b>		
	Seal (front) .....	224045
	Bearing (front) .....	206WB
	Kwik Slv (Opt Rpr) .....	KWK99157
	Bearing (rear) .....	305L

#### Rear Output Shaft

<b>1989-1988</b>		
	Bearing .....	307TB
<b>1987-1981</b>		
	Seal .....	471689
	Bearing .....	307L

### TRANSMISSION REBUILD KIT

<b>1989</b>	MSG5K	
	Kit .....	TRKFI110
<b>1989-1987</b>	MSG5F	
	Kit .....	TRKFI130

### 3-SPEED AUTOMATIC TRANSMISSION

#### Torque Converter

<b>1987-1983</b>	Aisin 03-55, 03-56	
	Seal .....	223830
	Kwik Slv (Opt Rpr) .....	KWK99147
<b>1982-1981</b>	THM2004R	
	Seal .....	3227
	Kwik Slv (Opt Rpr) .....	KWK99174

#### Rear Seal/Ext. Housing

<b>1987-1983</b>	Aisin 03-55, 03-56	
	Seal .....	710319
<b>1982-1981</b>	THM2004R	
	Seal .....	9613S
	Seal Kit Opt. ....	5200 <sup>64</sup>

#### Selector Shaft Seal/Man. Shaft

<b>1982-1981</b>	THM2004R	
	Seal .....	8792S

### 4-SPEED AUTOMATIC TRANSMISSION

#### Torque Converter

<b>1989-1988</b>	Aisin 03-75, 03-80	
	Seal .....	223830
	Kwik Slv (Opt Rpr) .....	KWK99147

**ISUZU TRUCK - MINIVAN, PICKUP, SUV - Amigo, P'up, Pickup, Trooper, Trooper II (cont.)**

**4-SPEED AUTOMATIC TRANSMISSION**

**Rear Seal/Ext. Housing**

<b>1989-1988</b>	Aisin 03-75, 03-80	
Seal	.....	710319

**CLUTCH**

**Pilot Bearing**

<b>1989-1981</b>	4-cylinder	
Bearing	.....	203FF
<b>1989</b>	6-cylinder 2.8	
Bushing H/D	.....	PB652HD
<b>1989</b>	6-cylinder 3.1	
Bushing H/D	.....	PB652HD

**Release Bearing**

<b>1989-1988</b>	4-cylinder 1.9: 215mm clutch	
Bearing Only	.....	01496
<b>1989-1987</b>	4-cylinder 2.6: 246mm clutch	
Bearing Only	.....	613012
<b>1989-1987</b>	4-cylinder 3.9 diesel: 300mm clutch	
Bearing Only	.....	613014
<b>1989-1987</b>	4-cylinder 3.9 turbodiesel: 300mm clutch	
Bearing Only	.....	613014
<b>1989-1981</b>	4-cylinder 2.3: 215mm clutch	
Bearing Only	.....	01496
<b>1989-1987</b>	4-cylinder 1.5 turbo: 215mm clutch	
Bearing Assy	.....	614108
<b>1989-1987</b>	4-cylinder 1.6: 215mm clutch	
Bearing Assy	.....	614108
<b>1989-1987</b>	4-cylinder 1.6 DOHC: 215mm clutch	
Bearing Assy	.....	614108
<b>1989-1987</b>	4-cylinder 1.6 DOHC turbo: 215mm clutch	
Bearing Assy	.....	614108
<b>1989-1987</b>	4-cylinder 1.8 DOHC: 215mm clutch	
Bearing Assy	.....	614108
<b>1989</b>	6-cylinder 2.8: 235mm clutch	
Bearing Only	.....	613012
<b>1989-1985</b>	4-cylinder 1.5: 184mm clutch	
Bearing Assy	.....	614108
<b>1989-1985</b>	4-cylinder 2.0 turbo	
Bearing Assy	.....	614078
<b>1989-1985</b>	4-cylinder 2.3: 225mm clutch	
Bearing Assy	.....	614078
<b>1987-1986</b>	4-cylinder 2.2 turbodiesel	
Bearing Assy	.....	614078
<b>1987-1985</b>	4-cylinder 3.9 diesel: 275mm clutch	
Bearing Assy	.....	614076
<b>1987-1985</b>	4-cylinder 3.9 turbodiesel: 275mm clutch	
Bearing Assy	.....	614076
<b>1987-1983</b>	4-cylinder 1.9: 215mm clutch	
Bearing Assy	.....	614078

**CLUTCH (cont.)**

**Release Bearing (cont.)**

<b>1985-1981</b>	4-cylinder 1.8: 200mm clutch	
Bearing Only	.....	01496
<b>1985-1981</b>	4-cylinder 1.8 diesel: 200mm clutch	
Bearing Only	.....	01496
<b>1985-1981</b>	4-cylinder 2.2 diesel	
Bearing Only	.....	01496
<b>1985-1981</b>	4-cylinder 2.2 turbodiesel	
Bearing Only	.....	01496

**5-SPEED MANUAL TRANSMISSION**

**Front Input Shaft**

<b>1989-1981</b>	MSG5A, MAG5C, MSG5T	
Seal	.....	1990
Bearing	.....	208LO
Kwik Slv (Opt Rpr)	.....	KWK99106
<b>1989-1987</b>	MSA5D, MSG5D, MSG5R	
Seal	.....	1990
Kwik Slv (Opt Rpr)	.....	KWK99106
<b>1989</b>	MUA5, MUA5T	
Seal	.....	710157
Kwik Slv (Opt Rpr)	.....	KWK99103
<b>1988</b>	MSG5E, MSG5D	
Seal	.....	710157
Bearing	.....	208LO
Kwik Slv (Opt Rpr)	.....	KWK99103
<b>1986</b>	MSG5D, MSG5R	
Seal	.....	1990
Kwik Slv (Opt Rpr)	.....	KWK99106

**Countershaft**

<b>1987-1981</b>	MSG5A, MSG5T	
Bearing (rear)	.....	204

**Rear Output Shaft**

<b>1989</b>	MUA5T, MUA5CT	
Seal	.....	224250
<b>1989-1988</b>	MUA5, MSG5C, MUA5C, MSG5F	
Seal	.....	710247
<b>1989-1987</b>	MSA5D	
Bearing	.....	308FFL
<b>1987-1986</b>	MSG5D, MSG5R, MSG5T	
Seal	.....	1987S
<b>1987-1983</b>	MSG5A	
Seal	.....	1987S
<b>1985-1981</b>	MSG5T	
Seal	.....	1987S

**ALTERNATOR**

<b>1989-1988</b>	Hitachi 60 amp	
Bearing (drive end)	.....	303CC
Bearing (rear end)	.....	201CC
<b>1987-1981</b>	Hitachi 60 amp	
Bearing (drive end)	.....	203FF
Bearing (rear end)	.....	201CC

# Bearings and Seals

Mfg./Year    Model & Location    Part No    Mfg./Year    Model & Location    Part No

## ISUZU TRUCK - MINIVAN, PICKUP, SUV - Amigo, P'up, Pickup, Trooper, Trooper II (cont.)

### ALTERNATOR (cont.)

<b>1986-1981</b>	Hitachi 40 amp	
	Bearing (drive end) .....	203FF
	Bearing (rear end) .....	201CC
<b>1986-1981</b>	Hitachi 50 amp	
	Bearing (drive end) .....	303CC
	Bearing (rear end) .....	202FF
<b>1986-1981</b>	Hitachi 55 amp	
	Bearing (drive end) .....	203FF
	Bearing (rear end) .....	201CC

### DRIVESHAFT SUPPORT

<b>1987-1984</b>	Trooper II	
	Hanger Bearing Assy .....	HB21
<b>1987-1981</b>	Pickup (4WD)	
	Hanger Bearing Assy .....	HB21
<b>1987-1981</b>	Pickup (2WD)	
	Hanger Bearing Assy .....	HB20

### CAMSHAFT SEAL

#### 4 Cylinder

<b>1989-1986</b>	2254cc/2.3L, 2559cc/2.6L	
	Seal .....	223014
	Kwik Slv (Opt Rpr) .....	KWK99114
<b>1987-1981</b>	2238cc/2.2L diesel	
	Seal .....	224205
	Kwik Slv (Opt Rpr) .....	KWK99166

### CRANKSHAFT REAR SEAL

#### 4 Cylinder

<b>1989-1985</b>	3856cc/3.9L Diesel, 3856cc/3.9L Turbo-Diesel	
	Seal .....	710391
	Kwik Slv (Opt Rpr) .....	KWK99393
<b>1989-1986</b>	2254cc/2.3L, 2559cc/2.6L	
	Seal .....	710060
	Kwik Slv (Opt Rpr) .....	KWK99364
<b>1989-1985</b>	1994cc/2.0L, 2254cc/2.3L	
	Seal .....	710060
	Kwik Slv (Opt Rpr) .....	KWK99364

### CRANKSHAFT REAR SEAL (cont.)

#### 4 Cylinder (cont.)

<b>1987-1981</b>	1817cc/1.9L, 1949cc/1.9L, 2238cc/2.2L	
	Seal .....	228480
	Kwik Slv (Opt Rpr) .....	KWK99328
<b>1985-1981</b>	1817cc/1.8L	
	Seal .....	717005
	Kwik Slv (Opt Rpr) .....	KWK99364

#### 6 Cylinder

<b>1989</b>	173/2.8L, 189/3.1L	
	Seal .....	4307V
	Seal PTFE H/D Opt .....	5273
	Kwik Slv (Opt Rpr) .....	KWK99298

### TIMING COVER

#### 4 Cylinder

<b>1989-1986</b>	2254cc/2.3L, 2559cc/2.6L	
	Seal .....	224025
	Kwik Slv (Opt Rpr) .....	KWK99157
<b>1987-1981</b>	1817cc/1.9L, 1949cc/1.9L	
	Seal Viton .....	225020
	Kwik Slv (Opt Rpr) .....	KWK99196
<b>1987-1981</b>	2238cc/2.2L diesel	
	Seal .....	712005
	Kwik Slv (Opt Rpr) .....	KWK99254

#### 6 Cylinder

<b>1989</b>	173/2.8L, 189/3.1L	
	Seal .....	9845
	Kwik Slv (Opt Rpr) .....	KWK99176

## ISUZU TRUCK MEDIUM DUTY - EVR, FRR, FSR, FTR, FVR, NRR

### FRONT WHEEL

<b>1989</b>	FTR: air brakes	
	Seal (inner) .....	710084[2]
	Cone/Cup (inner) .....	H414245A-H414210[2]
	Bearing Assy (outer) .....	513047[2]
<b>1989-1988</b>	FRR	
	Seal (inner) .....	710087[2]
	Bearing Assy (inner) .....	513046[2]
	Bearing Assy (outer) .....	513045[2]
<b>1989-1988</b>	FSR	
	Seal (inner) .....	710087[2]
	Bearing Assy (inner) .....	513046[2]
	Bearing Assy (outer) .....	513045[2]

### FRONT WHEEL (cont.)

<b>1989-1987</b>	FTR: air/hydraulic brakes	
	Seal (inner) .....	710088[2]
	Cone/Cup (inner) .....	HM212047-HM212011[2]
	Cone/Cup (outer) .....	4388-4335[2]
<b>1989-1987</b>	FVR	
	Seal (inner) .....	710084[2]
	Cone/Cup (inner) .....	H414245X-H414210[2]
	Bearing Assy (outer) .....	513047[2]
<b>1989-1988</b>	NRR	
	Seal (inner) .....	710087[2]
	Bearing Assy (inner) .....	32310[2]
	Bearing Assy (outer) .....	513045[2]

**ISUZU TRUCK MEDIUM DUTY - EVR, FRR, FSR, FTR, FVR, NRR (cont.)**

**FRONT WHEEL (cont.)**

<b>1989-1987</b>	EVR	
Seal (inner)	.....	710084[2]
Cone/Cup (inner)	.....	H414245X-H414210[2]
Bearing Assy (outer)	.....	513047[2]

**REAR WHEEL**

<b>1989-1987</b>	FTR: Isuzu R094 axle	
Seal (inner)	.....	710278[2]
Bearing Assy (inner)	.....	32216[2]
Seal (outer)	.....	710277[2]
Bearing Assy (outer)	.....	32215[2]
<b>1989-1988</b>	NRR	
Seal (inner)	.....	710085[2]
Bearing Assy (inner)	.....	32215[2]
Seal (outer)	.....	710086[2]
Bearing Assy (outer)	.....	32213M[2]
<b>1989-1987</b>	EVR	
Seal (inner)	.....	710089[2]
Bearing Assy (inner)	.....	32219M[2]
Seal (outer)	.....	710090[2]
Bearing Assy (outer)	.....	32218M[2]
<b>1989-1987</b>	FVR	
Seal (inner)	.....	710089[2]
Bearing Assy (inner)	.....	32219M[2]
Seal (outer)	.....	710090[2]
Bearing Assy (outer)	.....	32218M[2]

**REAR AXLE**

**Differential Rebuild Kit**

<b>1989-1987</b>	Spicer M220T axle	
Kit	.....	DRK214

**TRANSMISSION REBUILD KIT**

<b>1989-1987</b>	7/1987 Trooper, Rodeo, Amigo	
Kit	.....	TRK1130

**CLUTCH**

**Pilot Bearing**

<b>1989-1987</b>	all	
Bearing	.....	205FF
Bearing Opt: high temperature seals	.....	205VV

**Release Bearing**

<b>1989-1987</b>	all	
Bearing Assy	.....	614009

**IVECO TRUCK - LIGHT Z100, Z110, 1014AS, 110, 120TA, 1211, 1212, 1214, 1214AS, 1216AS, 1314, 1314AS**

**FRONT WHEEL**

<b>1989-1982</b>	all	
Seal (inner)	.....	227540[2]
Bearing Assy (inner)	.....	30309M[2]
Bearing Assy (outer)	.....	30307M[2]

**REAR WHEEL**

<b>1989</b>	1014AS, 1211, 1213, 1214AS, 1216AS, 1314, 1314AS	
Bearing Assy (inner)	.....	30214[2]
Bearing Assy (outer)	.....	30214[2]
<b>1989</b>	Z100, Z110, 110, 120TA	
Bearing Assy (inner)	.....	33113[2]
Bearing Assy (outer)	.....	33113[2]
<b>1989</b>	1214: manual trans	
Bearing Assy (inner)	.....	30214[2]
Bearing Assy (outer)	.....	30214[2]

**REAR WHEEL (cont.)**

<b>1989</b>	1214: automatic trans	
Bearing Assy (inner)	.....	33113[2]
Bearing Assy (outer)	.....	33113[2]
<b>1988-1985</b>	production from chassis #3677 on	
Bearing Assy (inner)	.....	33113[2]
Bearing Assy (outer)	.....	33113[2]
<b>1984-1982</b>	production thru chassis #3676	
Bearing Assy (inner)	.....	32014XM[2]
Bearing Assy (outer)	.....	32014XM[2]



# Bearings and Seals

Mfg./Year	Model & Location	Part No	Mfg./Year	Model & Location	Part No
<b>IVECO TRUCK - MEDIUM 200, 300, 400, 1500, 1800</b>					

## FRONT WHEEL

<b>1989-1983</b>	all	
Seal (inner)	.....	227540[2]
Bearing Assy (inner)	.....	30309M[2]
Seal (outer)	.....	717006[2]
Bearing Assy (outer)	.....	30307M[2]

## REAR WHEEL

<b>1989-1986</b>	220, 220T, Z220, Z220T, 230T, Z230, Z230T, 1514, 1514AS, 1814, 1816	
Bearing Assy	.....	33113[2]
<b>1989-1985</b>	Z340T, 335T, 340T, 435T, 450T	
Cone/Cup (inner)	.....	567-563[2]
Cone/Cup (outer)	.....	3984-3920[2]
<b>1987-1985</b>	Z450T	
Bearing Assy (inner)	.....	32217M[2]
Cone/Cup (outer)	.....	JM714249-JM714210[2]

## REAR WHEEL (cont.)

<b>1985</b>	Z220, Z220T, Z230T: from chassis #3677 on	
Bearing Assy	.....	33113[2]
<b>1984-1983</b>	production thru chassis #3676	
Bearing Assy	.....	32014XM[2]

# JAGUAR

## FRONT WHEEL

<b>1989-1988</b>	XJ6	
Set (inner)	.....	SET17
Set (outer)	.....	SET8
<b>1989-1988</b>	XJS	
Seal (inner)	.....	473454[2]
Set (inner)	.....	SET13
Set (outer)	.....	SET12
<b>1987-1977</b>	XJ6	
Seal (inner)	.....	473454[2]
Set (inner)	.....	SET13
Set (outer)	.....	SET12
<b>1987-1977</b>	XJS	
Seal (inner)	.....	481195[2]
Set (inner)	.....	SET17
Set (outer)	.....	SET12
<b>1979-1977</b>	XJ12	
Set (inner)	.....	SET12
Set (outer)	.....	SET12
<b>1976</b>	XJS	
Seal (inner)	.....	239127[2]
Set (inner)	.....	SET6
Set (outer)	.....	SET2
<b>1976-1974</b>	XJ12	
Seal (inner)	.....	239127[2]
Set (inner)	.....	SET6
Set (outer)	.....	SET2
<b>1976-1968</b>	XJ6	
Set (inner)	.....	SET6
Set (outer)	.....	SET2
<b>1975-1961</b>	E-Type	
Set (inner)	.....	SET6
Set (outer)	.....	SET2
<b>1974-1961</b>	XKE	
Seal (inner)	.....	239127[2]
Set (inner)	.....	SET6
Set (outer)	.....	SET2
<b>1970-1967</b>	340	
Set (inner)	.....	SET6
Set (outer)	.....	SET2

## FRONT WHEEL (cont.)

<b>1970-1966</b>	420	
Seal (inner)	.....	239127[2]
Set (inner)	.....	SET6
Set (outer)	.....	SET2
<b>1969-1967</b>	240	
Set (inner)	.....	SET6
Set (outer)	.....	SET2
<b>1968-1963</b>	S-Type	
Set (inner)	.....	SET6
Set (outer)	.....	SET2
<b>1968-1960</b>	2.4	
Set (inner)	.....	SET6
Set (outer)	.....	SET2
<b>1968-1960</b>	3.4	
Seal (inner)	.....	239127[2]
Set (inner)	.....	SET6
Set (outer)	.....	SET2
<b>1968-1960</b>	3.8	
Seal (inner)	.....	239127[2]
Set (inner)	.....	SET6
Set (outer)	.....	SET2
<b>1967-1960</b>	Mark II	
Set (inner)	.....	SET6
Set (outer)	.....	SET2
<b>1966-1962</b>	Mark X	
Set (inner)	.....	SET6
Set (outer)	.....	SET2
<b>1966-1960</b>	Mark VII	
Cone/Cup (inner)	.....	14138A-14276[2]
Cone/Cup (outer)	.....	09067-09195[2]
<b>1966-1960</b>	Mark VIII	
Cone/Cup (inner)	.....	14138A-14276[2]
Cone/Cup (outer)	.....	09067-09195[2]
<b>1966-1960</b>	XK120	
Cone/Cup (inner)	.....	14138A-14276[2]
Cone/Cup (outer)	.....	09067-09195[2]

**JAGUAR (cont.)**

**FRONT WHEEL (cont.)**

<b>1966-1960</b>	XK140	
	Cone/Cup (inner)	14138A-14276[2]
	Cone/Cup (outer)	09067-09195[2]
<b>1961-1959</b>	Mark IX	
	Cone/Cup (inner)	14138A-14276[2]
	Cone/Cup (outer)	09067-09195[2]
<b>1961-1958</b>	XK150, S	
	Cone/Cup (inner)	14138A-14276[2]
	Cone/Cup (outer)	09067-09195[2]
<b>1960</b>	XKE	
	Set (inner)	SET6
	Set (outer)	SET2

**REAR WHEEL**

<b>1989-1988</b>	XJ12, XJS	
	Cone/Cup (inner)	18590-18520[2]
	Cone/Cup (outer)	18690-18620[2]
<b>1989-1988</b>	XJ6, Sovereign, Vanden Plas	
	Set (inner)	SET45
	Cone/Cup (outer)	LM503349A-LM503310[2]
<b>1987-1963</b>	XJ6, XJ12, XJS, Sovereign, Vanden Plas	
	Cone/Cup (inner)	18590-18520[2]
	Cone/Cup (outer)	18690-18620[2]
<b>1975-1961</b>	E-Type, XKE	
	Cone/Cup (inner)	18590-18520[2]
	Cone/Cup (outer)	18690-18620[2]
<b>1970-1966</b>	240, 340, 420	
	Cone/Cup (inner)	18590-18520[2]
	Cone/Cup (outer)	18690-18620[2]
<b>1968-1964</b>	3.4S, 3.8S	
	Cone/Cup (inner)	18590-18520[2]
	Cone/Cup (outer)	18690-18620[2]
<b>1968-1963</b>	S-Type: 3.4, 3.8	
	Cone/Cup (inner)	18590-18520[2]
	Cone/Cup (outer)	18690-18620[2]
<b>1967-1960</b>	Mark II Series	
	Cone/Cup	14130-14276[2]
<b>1966-1961</b>	Mark IX, Mark X	
	Cone/Cup (inner)	18590-18520[2]
	Cone/Cup (outer)	18690-18620[2]
<b>1961-1960</b>	XK150, S: ENV axle	
	Cone/Cup	25577-25522[2]
<b>1961-1960</b>	XK150, S: Salisbury axle	
	Cone/Cup	25877-25820[2]
<b>1961-1959</b>	E-Type	
	Cone/Cup	18590-18520[2]
<b>1961-1959</b>	Mark IX 3.8	
	Cone/Cup	25877-25821[2]

**REAR AXLE**

**Axle Shaft**

<b>1989-1972</b>	Salisbury axle	
	Set	SET17[2]

**REAR AXLE**

**Differential**

<b>1989-1976</b>	all	
	Cone/Cup	25577-25523[2]
<b>1971-1967</b>	XKE	
	Cone/Cup	25577-25523[2]
<b>1970-1958</b>	Mk. 9, Mk. 10, XKE, 420: with Salisbury IRS	
	Cone/Cup	25577-25523[2]
<b>1970-1950</b>	exc. Mk. 9, Mk. 10, XKE, 420	
	Cone/Cup	24780-24721[2]
<b>1954-1950</b>	ENV axle	
	Cone/Cup	28155-28300[2]

**Pinion**

<b>1988-1976</b>	XJS Series	
	Cone/Cup (inner)	M88043-M88010
	Cone/Cup (outer)	HM89446-HM89410
<b>1988-1968</b>	XJ6 Series	
	Cone/Cup (inner)	M88043-M88010
	Cone/Cup (outer)	HM89446-HM89410
<b>1979-1974</b>	XJ12	
	Cone/Cup (inner)	M88043-M88010
	Cone/Cup (outer)	HM89446-HM89410
<b>1975-1970</b>	E-Type: differential type 2	
	Cone/Cup (inner)	02872-02820
	Cone/Cup (outer)	31593-31520
<b>1975-1970</b>	E-Type: differential type 3	
	Cone/Cup (inner)	M88043-M88010
	Cone/Cup (outer)	HM89446-HM89410
<b>1974-1961</b>	XKE	
	Cone/Cup (inner)	M88043-M88010
	Cone/Cup (outer)	HM89446-HM89410
<b>1972-1967</b>	E-Type 2+2	
	Cone/Cup (outer)	HM89446-HM89410
<b>1970-1966</b>	240, 340, 420	
	Cone/Cup (inner)	02872-02820
	Cone/Cup (outer)	31593-31520
<b>1969-1965</b>	E-Type	
	Cone/Cup (inner)	02872-02820
	Cone/Cup (outer)	31593-31520
<b>1968-1964</b>	3.4S, 3.8S	
	Cone/Cup (inner)	02872-02820
	Cone/Cup (outer)	31593-31520
<b>1967-1960</b>	Mark II Series	
	Cone/Cup (inner)	02872-02820
	Cone/Cup (outer)	31593-31520
<b>1966-1962</b>	Mark X Series	
	Cone/Cup (inner)	02872-02820
	Cone/Cup (outer)	31593-31520
<b>1966-1959</b>	Mark IX Series	
	Cone/Cup (inner)	02872-02820
	Cone/Cup (outer)	31593-31520
<b>1961-1960</b>	XK150 Series	
	Cone/Cup (inner)	02872-02820
	Cone/Cup (outer)	31593-31520

# Bearings and Seals

Mfg./Year    Model & Location    Part No    Mfg./Year    Model & Location    Part No

## JAGUAR (cont.)

### 3-SPEED AUTOMATIC TRANSMISSION

#### Torque Converter

<b>1989-1977</b>	GMC THM400	
Seal .....		6712NA
Kwik Slv (Opt Rpr) .....		KWK99187
<b>1987-1980</b>	Borg Warner T65, T66	
Seal .....		480479H
Kwik Slv (Opt Rpr) .....		KWK99168
<b>1979-1965</b>	Borg Warner T35, T65, T66	
Seal .....		480479H
Kwik Slv (Opt Rpr) .....		KWK99168
<b>1977-1964</b>	Borg Warner T8, T12	
Seal .....		6988H
Kwik Slv (Opt Rpr) .....		KWK99193

#### Rear Seal/Ext. Housing

<b>1989-1980</b>	GMC THM400	
Seal .....		9449
Seal Kit Opt. ....		5208 <sup>64</sup>
<b>1979-1977</b>	GMC THM400 (1.890" Shaft)	
Seal .....		9449
Seal Kit Opt. ....		5208 <sup>64</sup>
<b>1977</b>	GMC THM400 (1.687" Shaft)	
Seal .....		7038SA
<b>1977-1964</b>	Borg Warner T8, T12	
Seal .....		473234
<b>1973-1965</b>	Borg Warner T35	
Seal .....		1097N

#### Selector Shaft Seal/Man. Shaft

<b>1989-1977</b>	GMC THM400	
Seal .....		8792S
<b>1977-1964</b>	Borg Warner T8, T12	
Seal .....		7929S
<b>1973-1965</b>	Borg Warner T35	
Seal .....		311189

### 4-SPEED AUTOMATIC TRANSMISSION

#### Torque Converter

<b>1989-1987</b>	ZF 4HP-22, ZF 4HP-24	
Seal .....		224052

#### Rear Seal/Ext. Housing

<b>1989-1987</b>	ZF 4HP-22, ZF 4HP-24	
Seal .....		224045

### 5-SPEED MANUAL TRANSMISSION

#### Front Input Shaft

<b>1987-1984</b>	Rover CL	
Cone/Cup .....		LM48548-LM48514
<b>1983-1980</b>	Rover CL	
Cone/Cup .....		15123-15245
<b>1979-1976</b>	Rover CL	
Set .....		SET6

### 5-SPEED MANUAL TRANSMISSION

#### Countershaft

<b>1987-1976</b>	Rover CL	
Set .....		SET4

#### Rear Output Shaft

<b>1987-1984</b>	Rover CL	
Cone/Cup .....		19150-19268
<b>1983-1976</b>	Rover CL	
Set (inner) .....		SET1
Set (outer) .....		SET6

### ALTERNATOR

<b>1975-1973</b>	Lucas 16ACR	
Bearing (drive end) .....		203AB

### GENERATOR

<b>1974-1955</b>	Lucas 22 amp	
Bearing (drive end) .....		202AG
<b>1971-1959</b>	Lucas C40	
Bearing (drive end) .....		202AG
Bearing (rear end) .....		203AB
<b>1969-1958</b>	Lucas C42	
Bearing (drive end) .....		303BB
Bearing (rear end) .....		202SS
<b>1959-1958</b>	Lucas C42, C48	
Bearing (drive end) .....		303BB
Bearing (rear end) .....		202SS

### TIMING COVER

#### 6 Cylinder

<b>1987-1980</b>	4230cc/4.2L	
Seal .....		472492
Kwik Slv (Opt Rpr) .....		KWK99199

#### 12 Cylinder

<b>1989-1980</b>	5343cc/5.3L, 5994cc/6.0L	
Seal .....		450867
Kwik Slv (Opt Rpr) .....		KWK99212

**JEEP - SPORT UTILITY VEHICLES - Cherokee**

**FRONT WHEEL**

**2WD**

<b>1989</b>	Cherokee, Grand Cherokee	
	Hub Assy .....	513084[2]
<b>1988-1986</b>	hub/rotor one unit	
	Seal (inner) .....	6815[2]
	Set (inner) .....	SET6
	Set (outer) .....	SET2
<b>1987-1984</b>	hub/rotor separate units	
	Seal (inner) .....	4122[2]
	Seal (middle) .....	4019N[2]
	Seal (outer) .....	3942[2]
	Cone/Cup .....	JLM603048F-JLM603013Z[2]

**4WD**

<b>1989-1984</b>	Cherokee	
	Seal (inner) .....	4122[2]
	Cone/Cup (inner) .....	JLM603048F-JLM603013Z[2]
	Seal (middle) .....	4019N[2]
	Seal (outer) .....	3942[2]
	Cone/Cup (outer) .....	JLM603048F-JLM603013Z[2]
	Hub Assy .....	513107[2]

**REAR WHEEL**

<b>1989-1984</b>	Cherokee: Dana/Spicer 35 axle	
	Seal (inner) .....	2146[2]
	Set (inner) .....	SET9
	Seal (outer) .....	9912S[2]
<b>1989-1984</b>	Cherokee: Dana/Spicer 44 axle	
	Seal (inner) .....	481837[2]
	Set (inner) .....	SET10
	Seal (outer) .....	9912S[2]

**4WD FRONT AXLE**

**Differential Rebuild Kit**

<b>1989-1984</b>	Dana/Spicer 30 axle	
	Kit .....	DRK334
<b>1989-1984</b>	Dana/Spicer 44 axles	
	Kit .....	DRK339B

**Differential**

<b>1989-1984</b>	Dana/Spicer 30, 35 axle	
	Cone/Cup .....	LM501349-LM501314[2]
<b>1989-1984</b>	Dana/Spicer 44 axles	
	Cone/Cup .....	25590-25523[2]

**Pinion**

<b>1989-1984</b>	Dana/Spicer 30 axle	
	Cone/Cup (inner) .....	HM88649-HM88610
	Seal (outer) .....	5778
	Cone/Cup (outer) .....	02872-02820
<b>1989-1984</b>	Dana/Spicer 44 axles	
	Cone/Cup (inner) .....	31594-31520
	Seal (outer) .....	5778
	Cone/Cup (outer) .....	02872-02820

**4WD FRONT AXLE**

**Spindle Kit**

<b>1989-1984</b>	Bearing & Seal Kit .....	SBK1 <sup>33</sup>
------------------	--------------------------	--------------------

**Spindle**

<b>1989-1984</b>		
	Seal (inner) .....	722108[2]
	Needle Bearing (inner) .....	B2110[2]
	Seal (outer) .....	722109[2]

**REAR AXLE**

**Differential Rebuild Kit**

<b>1989-1984</b>	Dana/Spicer 44 axles	
	Kit .....	DRK339B
<b>1989-1984</b>	Dana/Spicer 35C axle	
	Kit .....	DRK335J
<b>1985-1984</b>	AMC 20 axle	
	Kit .....	DRK311J

**Differential**

<b>1989-1984</b>	Dana/Spicer 35C axle	
	Cone/Cup .....	LM501349-LM501314[2]
<b>1989-1984</b>	Dana/Spicer 44 axles	
	Cone/Cup .....	25590-25523[2]
<b>1985-1984</b>	AMC 20 axle	
	Set .....	SET36

**Pinion**

<b>1989-1984</b>	Dana/Spicer 44 axles	
	Cone/Cup (inner) .....	31594-31520
	Seal (outer) .....	5778
	Cone/Cup (outer) .....	02872-02820
<b>1989-1984</b>	Dana/Spicer 35C axle	
	Cone/Cup (inner) .....	HM88648-HM88610
	Seal (outer) .....	470331N
	Cone/Cup (outer) .....	M86649-M86610
<b>1985-1984</b>	AMC 20 axle	
	Cone/Cup (inner) .....	M802048-M802011
	Seal (outer) .....	470331N
	Cone/Cup (outer) .....	M88048-M88010

**TRANSFER CASE REBUILD KIT**

<b>1989-1986</b>	New Process 231	
	Kit .....	TCRK231 <sup>51</sup>
<b>1989-1986</b>	New Process 242: exc. cases	
	52098383/4/5	
	Kit .....	TCRK242
<b>1989-1984</b>	New Process 228	
	Kit .....	TCRK229
<b>1989-1984</b>	New Process 229	
	Kit .....	TCRK229
<b>1988-1984</b>	New Process 208	
	Kit .....	TCRK208SPK <sup>47</sup>
<b>1987-1984</b>	New Process 207	
	Kit .....	TCRK207

[ ] Indicates Quantity Required; Set Components Listed Inside Rear Cover;

<sup>33</sup> Opt. Kit incl: Bearing B2110; Seals 722108 & 722109

<sup>47</sup> Includes Small Parts Kit

<sup>51</sup> BD50-8 I/S

Brg.

# Bearings and Seals

Mfg./Year    Model & Location    Part No    Mfg./Year    Model & Location    Part No

## JEEP - SPORT UTILITY VEHICLES - Cherokee (cont.)

### TRANSFER CASE

#### Input Shaft

<b>1989-1986</b>	New Process 231	
Seal .....	3173[2]	
Bearing .....	N5210KLB	
Seal Dual Lip Opt. ....	710928	
Kwik Slv (Opt Rpr) .....	KWK99193	
Needle Bearing (pilot) .....	SCH1810	
<b>1989-1986</b>	New Process 242, 249 (1st design)	
Seal .....	3173[2]	
Bearing .....	N5210KLB	
Seal Dual Lip Opt. ....	710928	
Kwik Slv (Opt Rpr) .....	KWK99193	
Needle Bearing (pilot) .....	FC66561	
<b>1989-1981</b>	New Process 228, 229	
Seal .....	3173[2]	
Needle Bearing .....	B5020[2]	
Seal Dual Lip Opt. ....	710928	
Kwik Slv (Opt Rpr) .....	KWK99193	
Needle Bearing (pilot) .....	B2012	
Needle Bearing Thrust .....	NTA3244	
<b>1988-1980</b>	New Process 208, 219	
Seal .....	3173[2]	
Needle Bearing .....	B5020[2]	
Seal Dual Lip Opt. ....	710928	
Kwik Slv (Opt Rpr) .....	KWK99193	
Needle Bearing (pilot) .....	B2012	
Needle Bearing Thrust .....	AXK5070	
<b>1987-1984</b>	New Process 207	
Seal .....	3173[2]	
Needle Bearing .....	B3210[2]	
Seal Dual Lip Opt. ....	710928	
Kwik Slv (Opt Rpr) .....	KWK99193	
<b>1979-1974</b>	Warner 1305	
Seal .....	5872S	
Kwik Slv (Opt Rpr) .....	KWK99193	

#### Front Output Shaft

<b>1989-1986</b>	New Process 231	
Seal .....	710046	
Bearing .....	206WB	
Kwik Slv (Opt Rpr) .....	KWK99155	
Needle Bearing (pilot) .....	J2416	
<b>1989-1986</b>	New Process 242	
Seal .....	3946	
Bearing .....	207	
Kwik Slv (Opt Rpr) .....	KWK99187	
Needle Bearing (pilot) .....	J2416	
<b>1989-1980</b>	New Process 208, 219, 228, 229	
Seal .....	3946	
Needle Bearing .....	B2816	
Kwik Slv (Opt Rpr) .....	KWK99187	
Needle Bearing (pilot) .....	J2416	
Needle Bearing Thrust .....	NTA2840[2]	
<b>1987-1984</b>	New Process 207	
Seal .....	710046	
Bearing .....	206WB	
Kwik Slv (Opt Rpr) .....	KWK99155	
Needle Bearing (pilot) .....	B228	

### TRANSFER CASE (cont.)

#### Front Output Shaft (cont.)

<b>1979-1974</b>	Spicer 20 (1.187" shaft)	
Seal .....	473229	
Cone/Cup .....	14116-14276[2]	
Kwik Slv (Opt Rpr) .....	KWK99156	
<b>1979-1974</b>	Warner 1305	
Seal .....	473229	
Kwik Slv (Opt Rpr) .....	KWK99156	

#### Rear Output Shaft

<b>1989-1986</b>	New Process 231	
Seal .....	2506	
Bearing .....	206WB	
Kwik Slv (Opt Rpr) .....	KWK99149	
Needle Bearing (pilot) .....	B5020[2]	
<b>1989-1981</b>	New Process 228, 229	
Seal .....	3946	
Bearing .....	207	
Kwik Slv (Opt Rpr) .....	KWK99187	
Needle Bearing (pilot) .....	B3612	
Needle Bearing Thrust .....	TC2435	
<b>1988-1980</b>	New Process 208, 219 (slip yoke)	
Seal .....	4333N	
Bearing .....	1207L	
Needle Bearing (pilot) .....	B3616	
Needle Bearing Thrust .....	TC2435	
<b>1988-1980</b>	New Process 208, 219 (fixed yoke)	
Seal .....	3946	
Bearing .....	1207L	
Kwik Slv (Opt Rpr) .....	KWK99187	
Needle Bearing (pilot) .....	B3616	
Needle Bearing Thrust .....	TC2435	
<b>1987-1984</b>	New Process 207	
Seal .....	4370N	
Bearing .....	206WB	
Kwik Slv (Opt Rpr) .....	KWK99149	
Needle Bearing (pilot) .....	F4020	
<b>1979-1974</b>	Spicer 20	
Cone/Cup (front) .....	25877-25821	
Seal (rear) .....	473229	
Cone/Cup (rear) .....	15117-15245	
Kwik Slv (Opt Rpr) .....	KWK99156	
<b>1979-1974</b>	Warner 1305	
Seal .....	473229	
Kwik Slv (Opt Rpr) .....	KWK99156	

### TRANSMISSION REBUILD KIT

<b>1989-1987</b>	Aisin AX5	
Kit .....	TRKFT160	
<b>1989-1985</b>	Aisin AX15	
Kit .....	TRKFT300	

### 3-SPEED AUTOMATIC TRANSMISSION

#### Torque Converter

<b>1989-1980</b>	Chrysler A727	
Seal .....	331227H	
Kwik Slv (Opt Rpr) .....	KWK99187	

**JEEP - SPORT UTILITY VEHICLES - Cherokee (cont.)**

**3-SPEED AUTOMATIC TRANSMISSION (cont.)**

**Torque Converter (cont.)**

<b>1979-1974</b>	General Motors Turbo 400	
Seal	.....	6712NA
Kwik Slv (Opt Rpr)	.....	KWK99187

**Rear Seal/Ext. Housing**

<b>1989-1980</b>	Chrysler A727	
Seal	.....	7300S
Bearing	.....	207XLO
Seal Kit Opt.	.....	5206 <sup>64</sup>
<b>1986-1984</b>	Chrysler A904, A999, 30RH	
Seal	.....	2506
Bearing	.....	206LOE <sup>38</sup>
<b>1979-1974</b>	General Motors Turbo 400: 1.687" shaft	
Seal	.....	7038SA
Seal Kit Opt.	.....	5201 <sup>64</sup>
<b>1979-1974</b>	General Motors Turbo 400: 1.890" shaft	
Seal	.....	9449
Seal Kit Opt.	.....	5208 <sup>64</sup>

**Selector Shaft Seal/Man. Shaft**

<b>1989-1984</b>	Chrysler A904, A999, 30RH, 31RH, 32RH	
Seal	.....	8609
<b>1979-1974</b>	General Motors Turbo 400	
Seal	.....	8792S

**4-SPEED AUTOMATIC TRANSMISSION**

**Torque Converter**

<b>1989-1987</b>	Aisin 03-40	
Seal	.....	223830
Kwik Slv (Opt Rpr)	.....	KWK99147

**Rear Seal/Ext. Housing**

<b>1989-1987</b>	Aisin 03-40: 4x2	
Seal	.....	710319
<b>1989-1987</b>	Aisin 03-40: 4x4	
Seal	.....	225005

**Selector Shaft Seal/Man. Shaft**

<b>1989-1987</b>	Aisin 03-40	
Seal	.....	221207
Kwik Slv (Opt Rpr)	.....	KWK99049

**CLUTCH**

**Pilot Bearing**

<b>1989-1984</b>	4-cylinder	
Needle Bearing	.....	FC65446
<b>1989-1987</b>	6-cylinder 242 (4.0)	
Needle Bearing	.....	FC66426
<b>1988-1980</b>	6-cylinder 258 (4.2)	
Bushing	.....	PB79
<b>1986-1985</b>	6-cylinder 173 (2.8)	
Bushing H/D	.....	PB652HD

**Release Bearing**

<b>1989-1987</b>	4-cylinder 150 (2.5): hydraulic piston type	
Hydraulic Bearing Assy	.....	619007 <sup>58</sup>
<b>1989</b>	6-cylinder 242 (4.0): Peugeot split case: hydraulic piston type	
Hydraulic Bearing Assy	.....	619002 <sup>58</sup>
<b>1989</b>	6-cylinder 242 (4.0): Aisin 1-piece case: hydraulic piston type	
Hydraulic Bearing Assy	.....	619008 <sup>58</sup>
<b>1988-1987</b>	6-cylinder 242 (4.0): hydraulic piston type	
Hydraulic Bearing Assy	.....	619002 <sup>58</sup>
<b>1988-1980</b>	8-cylinder 360 (5.9)	
Bearing Assy	.....	614115
<b>1986-1984</b>	4-cylinder 150 (2.5)	
Bearing Assy	.....	614030
<b>1986-1984</b>	6-cylinder 173 (2.8)	
Bearing Assy	.....	614052
<b>1986-1984</b>	6-cylinder 258 (4.2)	
Bearing Assy	.....	614115

**3-SPEED MANUAL TRANSMISSION**

**Front Input Shaft**

<b>1979-1974</b>	Warner T15	
Seal	.....	482208
Bearing	.....	308LI
Kwik Slv (Opt Rpr)	.....	KWK99112
<b>1975-1974</b>	Warner T14	
Seal	.....	482208
Bearing	.....	N307LOE
Kwik Slv (Opt Rpr)	.....	KWK99112

**Rear Output Shaft**

<b>1979-1974</b>	Warner T15	
Seal	.....	470059
Bearing	.....	308LOE
Seal Kit Opt.	.....	5201 <sup>64</sup>
<b>1975-1974</b>	Warner T14	
Seal	.....	470059
Bearing	.....	1207LOE
Seal Kit Opt.	.....	5201 <sup>64</sup>

**Selector Shaft Seal/Man. Shaft**

<b>1979-1974</b>	Warner T14, T15, T86, T90, T96	
Seal	.....	340797

**4-SPEED MANUAL TRANSMISSION**

**Transmission Rebuild Kit**

<b>1986-1974</b>	Warner T18	
Kit	.....	TRK82F

**Input Shaft**

<b>1989-1984</b>	Aisin AX4	
Seal	.....	1981
Kwik Slv (Opt Rpr)	.....	KWK99114
<b>1988-1980</b>	Tremec 176, 177, 178	
Seal	.....	3638
Bearing	.....	209L
Kwik Slv (Opt Rpr)	.....	KWK99112

[ ] Indicates Quantity Required; Set Components Listed Inside Rear Cover;  
<sup>38</sup> Use Old Snap Ring    <sup>58</sup> Hydraulic Unit    <sup>64</sup> Opt. Seal and Bushing Kit

# Bearings and Seals

Mfg./Year    Model & Location    Part No    Mfg./Year    Model & Location    Part No

## JEEP - SPORT UTILITY VEHICLES - Cherokee (cont.)

### 4-SPEED MANUAL TRANSMISSION (cont.)

#### Input Shaft (cont.)

<b>1986-1982</b>	Warner T4	
Seal	.....	7412S
Set	.....	SET5
Needle Bearing Thrust	.....	FA55505
<b>1986-1974</b>	Warner T18	
Seal	.....	7412S
Bearing	.....	308LI
Kwik Slv (Opt Rpr)	.....	KWK99125

#### Rear Output Shaft

<b>1989-1984</b>	Aisin AX4: 4x4	
Seal	.....	1209N
Bearing	.....	205BB
<b>1988-1980</b>	Tremec 176, 177, 178	
Seal	.....	3173
Bearing	.....	308L
<b>1986-1982</b>	Warner T4	
Seal	.....	472439
Cone/Cup	.....	25877-25821
<b>1986-1974</b>	Warner T18: 10-splines: 3.066" OD	
Seal	.....	473468
Bearing	.....	1308L
<b>1986-1974</b>	Warner T18: 31-splines: 2.381" OD	
Seal	.....	9613S
Bearing	.....	1308L

### 5-SPEED MANUAL TRANSMISSION

#### Front Input Shaft

<b>1989-1984</b>	Aisin AX5	
Seal	.....	1981
Kwik Slv (Opt Rpr)	.....	KWK99114
<b>1989-1987</b>	Peugeot BA10/5	
Seal Viton	.....	710164
Kwik Slv (Opt Rpr)	.....	KWK99128
<b>1986-1982</b>	Warner T5	
Seal	.....	7412S
Set	.....	SET5
Kwik Slv (Opt Rpr)	.....	KWK99125
Needle Bearing Thrust	.....	FA55505

#### Rear Countershaft

<b>1989</b>	Aisin AX15	
Cyl. Bearing (front)	.....	MSNB5305GTBV
<b>1989-1984</b>	Aisin AX5	
Bearing (rear)	.....	204
<b>1986-1982</b>	Warner T5	
Needle Bearing (front)	.....	DK55836
Cyl. Bearing (rear)	.....	5707
Needle Bearing Thrust	.....	NTA1423

### 5-SPEED MANUAL TRANSMISSION Rear Output Shaft

<b>1989</b>	Aisin AX15: 4x2	
Seal	.....	710319
<b>1989</b>	Aisin AX15: 4x4	
Seal	.....	1209N
<b>1989-1984</b>	Aisin AX5: 4x2	
Seal	.....	710319
Bearing	.....	205BB
<b>1989-1984</b>	Aisin AX5: 4x4	
Seal	.....	1209N
Bearing	.....	205BB
<b>1989-1987</b>	Peugeot BA10/5	
Seal	.....	710319
<b>1986-1982</b>	Warner T5: 23-spline	
Seal	.....	472439
Cone/Cup	.....	25877-25821
<b>1986-1982</b>	Warner T5: 26-spline	
Seal	.....	2506
Cone/Cup	.....	25877-25821

### ALTERNATOR

<b>1989-1984</b>	Delco-Remy 42, 56, 63, 66, 78 amp (Type II)	
Bearing (drive end)	.....	203S
<b>1989-1983</b>	Delco-Remy 42, 56, 63, 66, 78 amp (Type II)	
Bearing (drive end)	.....	203FF
<b>1989-1980</b>	Delco-Remy 37, 42, 55, 63, 78 amp	
Bearing (rear end)	.....	MNJ471S
<b>1986-1980</b>	Delco-Remy 37, 42, 55, 63 amp (Type I)	
Bearing (drive end)	.....	203S
<b>1979-1976</b>	Motorcraft	
Bearing (drive end)	.....	203FF
<b>1979-1975</b>	Delco-Remy 37, 42, 55, 63 amp (Type I)	
Bearing (drive end)	.....	203S
<b>1979-1974</b>	Delco-Remy 37, 42, 55, 63, 78 amp	
Bearing (rear end)	.....	MNJ471S
<b>1979-1965</b>	Motorola 35, 37, 51, 55, 62 amp	
Bearing (drive end)	.....	203FF
<b>1977-1976</b>	Motorcraft	
Bearing (rear end)	.....	MNJ471S
<b>1973-1965</b>	Leece-Neville 35, 40, 55 amp	
Bearing (rear end)	.....	MNJ471S
<b>1973-1962</b>	Leece-Neville 35, 40, 55 amp	
Bearing (drive end)	.....	203FF

### CRANKSHAFT REAR SEAL

#### 4 Cylinder

<b>1989-1984</b>	150/2.5L	
Seal Viton	.....	716445
Kwik Slv (Opt Rpr)	.....	KWK99294

**JEEP - SPORT UTILITY VEHICLES - Cherokee (cont.)**

**CRANKSHAFT REAR SEAL**

**6 Cylinder**

<b>1989-1980</b>	258/4.2L, 242/4.0L	
Seal	.....	5111S
<b>1986</b>	173/2.8L	
Seal	.....	4307V
Seal PTFE H/D Opt.	.....	5273
Kwik Slv (Opt Rpr)	.....	KWK99298
<b>1984</b>	173/2.8L	
Seal	.....	5210

**8 Cylinder**

<b>1989-1974</b>	304/5.0L, 360/5.9L, 401/6.6L	
Seal	.....	472341
Kwik Slv (Opt Rpr)	.....	KWK99200

**TIMING COVER**

**4 Cylinder**

<b>1989-1984</b>	150/2.5L	
Seal	.....	321460
Kwik Slv (Opt Rpr)	.....	KWK99179

**TIMING COVER**

**6 Cylinder**

<b>1989-1980</b>	258/4.2L, 242/4.0L	
Seal	.....	321460
Kwik Slv (Opt Rpr)	.....	KWK99179
<b>1986-1984</b>	173/2.8L	
Seal	.....	9845
Kwik Slv (Opt Rpr)	.....	KWK99176

**8 Cylinder**

<b>1983-1974</b>	304/5.0L, 360/5.9L, 401/6.6L	
Seal	.....	472341
Kwik Slv (Opt Rpr)	.....	KWK99200

**JEEP - LIGHT TRUCK - Jeep, Jeepster, CJ5, CJ7, CJ8, DJ, Scrambler, TJ, Wrangler**

**FRONT WHEEL**

**2WD**

<b>1974-1972</b>		
Seal (inner)	.....	8430S[2]
Set	.....	SET45[2]
<b>1971-1956</b>		
Cone/Cup (inner)	.....	15123-15245[2]
Cone/Cup (outer)	.....	09067-09195[2]

**4WD**

<b>1989</b>	Wrangler, TJ	
Hub Assy	.....	513084[2]
<b>1989-1987</b>	complete unitized hub assembly	
Hub Assy	.....	513107[2]
<b>1989-1987</b>	component bearings for OEM hub assembly	
Seal (inner)	.....	4122[2]
Cone/Cup (inner)	.....	JLM603048F-JLM603013Z[2]
Seal (middle)	.....	4019N[2]
Seal (outer)	.....	3942[2]
Cone/Cup (outer)	.....	JLM603048F-JLM603013Z[2]
<b>1986-1984</b>		
Seal (inner)	.....	493637[2]
Set (inner)	.....	SET47
Set (outer)	.....	SET45
<b>1983-1976</b>		
Seal (inner)	.....	4131[2]
Set (inner)	.....	SET47
Set (outer)	.....	SET45
<b>1975-1970</b>	production from 7/1970 on	
Set	.....	SET45[2]

**FRONT WHEEL (cont.)**

**4WD (cont.)**

<b>1970-1962</b>	from chassis #89008 on: production thru 6/1970	
Seal (inner)	.....	8430S[2]
Set (outer)	.....	SET45[2]
<b>1961-1946</b>	thru chassis #89007	
Seal (inner)	.....	6626S[2]
Cone/Cup	.....	18590-18520[2]

**REAR WHEEL**

<b>1989-1988</b>		
Seal (inner)	.....	473212[2]
Set (inner)	.....	SET9
Seal (outer)	.....	2146[2]
<b>1987</b>	Dana/Spicer 35 standard 1.312" axle	
Seal (inner)	.....	473212[2]
Set (inner)	.....	SET9
Seal (outer)	.....	2146[2]
<b>1987</b>	Dana/Spicer 35 Heavy Duty 1.375" axle	
Seal (inner)	.....	473214[2]
Set (inner)	.....	SET9
Seal (outer)	.....	2146[2]
<b>1986-1976</b>		
Seal (inner)	.....	7687S[2]
Set (inner)	.....	SET5
Seal (outer)	.....	8549S[2]
<b>1975-1972</b>		
Seal (inner)	.....	481837[2]
Set (inner)	.....	SET10
Seal (outer)	.....	9912S[2]



# Bearings and Seals

Mfg./Year    Model & Location    Part No    Mfg./Year    Model & Location    Part No

## **JEEP - LIGHT TRUCK - Jeep, Jeepster, CJ5, CJ7, CJ8, DJ, Scrambler, TJ, Wrangler (cont.)**

### **REAR WHEEL (cont.)**

<b>1971-1966</b>	Jeepster: Dana/Spicer 44 axle: flanged axle shaft	
Seal (inner)	.....	481837[2]
Set (inner)	.....	SET10
Seal (outer)	.....	9912S[2]
<b>1971-1966</b>	Jeepster: Dana/Spicer 30, 44 axles: tapered shaft	
Seal (inner)	.....	7245[2]
Cone/Cup (inner)	.....	25877-25821[2]
Seal (outer)	.....	8676S[2]
<b>1971-1966</b>	CJ: Dana/Spicer 44 axle: flanged axle shaft	
Seal (inner)	.....	481837[2]
Set (inner)	.....	SET10
Seal (outer)	.....	9912S[2]
<b>1971-1956</b>	DJ Series	
Seal	.....	41787S[2]
Cone/Cup	.....	15121T-15245[2]
<b>1971-1946</b>	CJ: Dana/Spicer 25, 27 axle: tapered axle shaft	
Seal (inner)	.....	42763[2]
Cone/Cup (inner)	.....	25877-25821[2]
Seal (outer)	.....	8676S[2]

### **4WD FRONT AXLE**

#### **Axle Shaft**

<b>1989-1987</b>	Spicer 30-F (Disconnect)	
Seal (LH)	.....	710068
Needle Bearing (LH)	.....	BH208[2]
Seal (RH)	.....	710202
<b>1989-1982</b>	Spicer 30-F (Non-Disconnect)	
Seal	.....	710068[2]
<b>1986-1985</b>	Spicer 30-F (Disconnect)	
Seal (LH)	.....	710068
Needle Bearing (LH)	.....	BH208[2]
Seal (RH)	.....	710204
<b>1984-1982</b>	Spicer 30-F (Disconnect)	
Seal (LH)	.....	710068
Needle Bearing (LH)	.....	B5020[2]
Seal (RH)	.....	710204
<b>1981-1974</b>	Spicer 30-F	
Seal	.....	710068[2]
<b>1973-1946</b>		
Seal	.....	40576S[2]

#### **Differential Rebuild Kit**

<b>1989-1974</b>	Dana/Spicer 30 axle	
Kit	.....	DRK334
<b>1971-1966</b>	Dana/Spicer 27 axle	
Kit	.....	DRK197A

#### **Differential**

<b>1989-1974</b>	Dana/Spicer 30 axle	
Cone/Cup	.....	LM501349-LM501314[2]
<b>1973-1966</b>	Dana/Spicer 27 axle	
Cone/Cup	.....	LM501349-LM501311[2]
<b>1972-1946</b>	Dana/Spicer 25 axle	
Cone/Cup	.....	24780-24721[2]

### **Pinion**

<b>1989-1974</b>	Dana/Spicer 30 axle	
Cone/Cup (inner)	.....	HM88649-HM88610
Seal (outer)	.....	5778
Cone/Cup (outer)	.....	02872-02820
Seal Viton Opt.	.....	5778V
Kwik Slv (Opt Rpr)	.....	KWK99155
<b>1973-1972</b>	Dana/Spicer 27 axle	
Cone/Cup (inner)	.....	HM88649-HM88610
Seal (outer)	.....	5778
Cone/Cup (outer)	.....	M86647-M86610
<b>1972-1946</b>	Dana/Spicer 25 axle	
Cone/Cup (inner)	.....	31594-31520
Seal (outer)	.....	5778
Cone/Cup (outer)	.....	02872-02820
<b>1971-1966</b>	Dana/Spicer 27 axle	
Cone/Cup (inner)	.....	HM88649-HM88610
Seal (outer)	.....	5778
Cone/Cup (outer)	.....	02872-02820

### **Spindle Kit**

<b>1989-1974</b>	Spicer 30-F	
Bearing & Seal Kit	.....	SBK1 <sup>33</sup>

### **Spindle**

<b>1989-1974</b>	Dana/Spicer 30 axle	
Seal (inner)	.....	722108[2]
Needle Bearing (inner)	.....	B2110[2]
Seal (outer)	.....	722109[2]

### **Steering Knuckle**

<b>1973-1946</b>	Dana/Spicer 25, 27 axles	
Seal	.....	2064[4]
Cone/Cup	.....	11590-11250[4]

### **REAR AXLE**

#### **Differential Rebuild Kit**

<b>1989-1970</b>	Dana/Spicer 44-1HD axle; 44M	
Kit	.....	DRK339B
<b>1989-1987</b>	Dana/Spicer 35 axle	
Kit	.....	DRK335J
<b>1986-1980</b>	AMC 20 axle	
Kit	.....	DRK311J
<b>1971-1962</b>	Dana/Spicer 27 axle	
Kit	.....	DRK197A

#### **Differential**

<b>1989-1987</b>	Dana/Spicer 35C axle	
Cone/Cup	.....	LM501349-LM501314[2]
<b>1989-1970</b>	Dana/Spicer 44-1HD axle; 44M	
Cone/Cup	.....	25590-25523[2]
<b>1986-1976</b>	AMC 20 axle	
Set	.....	SET36[2]
<b>1971-1966</b>	Dana/Spicer 30 axle	
Cone/Cup	.....	LM501349-LM501311[2]
<b>1971-1962</b>	Dana/Spicer 27 axle	
Cone/Cup	.....	LM501349-LM501311[2]

**340** [ ] Indicates Quantity Required; Set Components Listed Inside Rear Cover;

<sup>33</sup> Opt. Kit incl: Bearing B2110; Seals 722108 & 722109

**JEEP - LIGHT TRUCK - Jeep, Jeepster, CJ5, CJ7, CJ8, DJ, Scrambler, TJ, Wrangler (cont.)**

**REAR AXLE (cont.)**

**Differential (cont.)**

**1961-1946** Dana/Spicer 25 axle  
Cone/Cup ..... 24780-24721[2]

**Pinion**

**1989-1987** Dana/Spicer 35C axle  
Cone/Cup (inner) ..... HM88648-HM88610  
Seal (outer) ..... 470331N  
Cone/Cup (outer) ..... M86649-M86610

**1986-1976** AMC 20 axle  
Cone/Cup (inner) ..... M802048-M802011  
Seal (outer) ..... 470331N  
Cone/Cup (outer) ..... M88048-M88010

**1979-1974** Dana/Spicer 30 AF  
Cone/Cup (inner) ..... HM88649-HM88610  
Seal (outer) ..... 5778  
Cone/Cup (outer) ..... 02872-02820  
Kwik Slv (Opt Rpr) ..... KWK99155

**1973-1972** Dana/Spicer 27F  
Cone/Cup (inner) ..... HM88649-HM88610  
Seal (outer) ..... 5778  
Cone/Cup (outer) ..... M86647-M86610  
Kwik Slv (Opt Rpr) ..... KWK99155

**1972-1946** Dana/Spicer 25 axle  
Cone/Cup (inner) ..... 31594-31520  
Seal (outer) ..... 5778  
Cone/Cup (outer) ..... 02872-02820  
Kwik Slv (Opt Rpr) ..... KWK99155

**1971-1962** Dana/Spicer 27AF axle  
Cone/Cup (inner) ..... HM88649-HM88610  
Seal (outer) ..... 5778  
Cone/Cup (outer) ..... 02872-02820  
Kwik Slv (Opt Rpr) ..... KWK99155

**TRANSFER CASE REBUILD KIT**

**1989-1987** New Process 231  
Kit ..... TCRK231<sup>51</sup>

**1987-1984** New Process 207  
Kit ..... TCRK207

**1986-1981** New Process 229  
Kit ..... TCRK229

**1986-1980** Dana/Spicer 300  
Kit ..... TCRK182

**1979-1972** Dana/Spicer 20: 1.187" shaft  
Kit ..... TCRK20A

**1971-1946** Dana/Spicer 18  
Kit ..... TCRK18

**TRANSFER CASE**

**Input Shaft**

**1989-1988** New Process 231  
Seal ..... 3173  
Bearing ..... 110L  
Seal Dual Lip ..... 710928  
Kwik Slv (Opt Rpr) ..... KWK99193  
Bearing (pilot) ..... N5210KLB

**TRANSFER CASE (cont.)**

**Input Shaft (cont.)**

**1987-1984** New Process 207  
Seal ..... 3173  
Needle Bearing ..... B3210  
Seal Dual Lip ..... 710928  
Kwik Slv (Opt Rpr) ..... KWK99193  
Needle Bearing (pilot) ..... SCH1810  
Needle Bearing Thrust ..... NTA3244

**1986-1981** New Process 229  
Seal ..... 3173  
Needle Bearing ..... B5020  
Seal Dual Lip ..... 710928  
Kwik Slv (Opt Rpr) ..... KWK99193  
Needle Bearing (pilot) ..... B2012  
Needle Bearing Thrust ..... NTA3244

**1986-1980** Spicer 300  
Seal ..... 471869  
Bearing ..... 209BB  
Kwik Slv (Opt Rpr) ..... KWK99193

**Front Output Shaft**

**1989-1988** New Process 231  
Seal ..... 710046  
Bearing ..... 206WB  
Kwik Slv (Opt Rpr) ..... KWK99155  
Needle Bearing (pilot) ..... J2416

**1987-1984** New Process 207  
Seal ..... 710046  
Bearing ..... 206WB  
Kwik Slv (Opt Rpr) ..... KWK99155  
Needle Bearing (pilot) ..... B228

**1986-1981** New Process 229  
Seal ..... 3946  
Needle Bearing ..... B2816  
Kwik Slv (Opt Rpr) ..... KWK99187  
Needle Bearing (pilot) ..... J2416  
Needle Bearing Thrust ..... NTA2840[2]

**1986-1980** Spicer 300  
Seal ..... 711552  
Cone/Cup ..... M86649-M86610[2]  
Kwik Slv (Opt Rpr) ..... KWK99155

**1979-1972** Spicer 20 (1.187" shaft)  
Seal ..... 473229  
Cone/Cup ..... 14116-14276[2]  
Kwik Slv (Opt Rpr) ..... KWK99156

**1976-1946** Spicer 18  
Seal ..... 472635  
Bearing ..... 206WB  
Kwik Slv (Opt Rpr) ..... KWK99155

**1973-1966** Spicer 20 (1.312" shaft)  
Seal ..... 450185  
Cone/Cup ..... 14131-14276[2]  
Kwik Slv (Opt Rpr) ..... KWK99156

[ ] Indicates Quantity Required; Set Components Listed Inside Rear Cover;

<sup>51</sup> BD50-8 I/S Brg.

# Bearings and Seals

Mfg./Year    Model & Location    Part No    Mfg./Year    Model & Location    Part No

## **JEEP - LIGHT TRUCK - Jeep, Jeepster, CJ5, CJ7, CJ8, DJ, Scrambler, TJ, Wrangler (cont.)**

### **TRANSFER CASE**

#### **Rear Output Shaft**

<b>1987-1984</b>	New Process 207	
Seal	.....	4370N
Bearing	.....	206WB
Kwik Slv (Opt Rpr)	.....	KWK99149
Needle Bearing (pilot)	.....	F4020[2]
<b>1986-1981</b>	New Process 229	
Seal	.....	3946
Bearing	.....	207
Kwik Slv (Opt Rpr)	.....	KWK99187
Needle Bearing (pilot)	.....	B3612
Needle Bearing Thrust	.....	TC2435
<b>1986-1980</b>	Spicer 300	
Cone/Cup (inner)	.....	25877-25821
Seal (outer)	.....	711552
Cone/Cup (outer)	.....	15117-15245
Kwik Slv (Opt Rpr)	.....	KWK99155
Needle Bearing (pilot)	.....	JH1612
<b>1979-1974</b>	Spicer 20	
Cone/Cup (front)	.....	25877-25821
Seal (rear)	.....	473229
Cone/Cup (rear)	.....	15117-15245
Kwik Slv (Opt Rpr)	.....	KWK99156
<b>1973-1966</b>	Spicer 20	
Cone/Cup (front)	.....	25877-25821
Seal (rear)	.....	450185
Cone/Cup (rear)	.....	15117-15245
Kwik Slv (Opt Rpr)	.....	KWK99156
<b>1971-1946</b>	Spicer 18	
Seal	.....	472635
Cone/Cup	.....	14131-14276[2]
Kwik Slv (Opt Rpr)	.....	KWK99155

#### **Intermediate Shaft**

<b>1986-1980</b>	Spicer 300	
Needle Bearing	.....	Q13367[48]
<b>1971-1946</b>	Spicer 18	
Needle Bearing	.....	F54970[2]

#### **Idler Shaft**

<b>1979-1972</b>	Spicer 20 (1.187" shaft)	
Needle Bearing	.....	Q13367[48]
<b>1973-1966</b>	Spicer 20 (1.312" shaft)	
Needle Bearing	.....	C678Q[48]
<b>1971-1946</b>	Spicer 18	
Needle Bearing	.....	Q13367[48]

#### **Oil Pump Housing**

<b>1989-1981</b>	New Process 207, 229, 231	
Seal	.....	341022
Kwik Slv (Opt Rpr)	.....	KWK99225

#### **Side Gear**

<b>1986-1981</b>	New Process 229	
Needle Bearing	.....	QAR29523[15]

### **TRANSFER CASE**

#### **Selector Shaft Seal/Man. Shaft**

<b>1986-1980</b>	Spicer 300	
Seal	.....	471466[2]
Kwik Slv (Opt Rpr)	.....	KWK99062[2]
<b>1979-1946</b>	Spicer	
Seal	.....	470009
Kwik Slv (Opt Rpr)	.....	KWK99062

### **TRANSMISSION REBUILD KIT**

<b>1989-1987</b>	Aisin AX5	
Kit	.....	TRKFT160

### **3-SPEED AUTOMATIC TRANSMISSION**

#### **Torque Converter**

<b>1989-1976</b>	Chrysler A904, A999, 30RH, 31RH, 32RH	
Seal	.....	331228H
Kwik Slv (Opt Rpr)	.....	KWK99149
<b>1979-1964</b>	General Motors Turbo 400	
Seal	.....	6712NA
Kwik Slv (Opt Rpr)	.....	KWK99187

#### **Rear Seal/Ext. Housing**

<b>1989-1976</b>	Chrysler A904, A999, 30RH	
Seal	.....	2506
Bearing	.....	206LOE <sup>38</sup>
<b>1979-1964</b>	General Motors Turbo 400: 1.687" shaft	
Seal	.....	7038SA
Seal Kit Opt.	.....	5201 <sup>64</sup>
<b>1979-1964</b>	General Motors Turbo 400: 1.890" shaft	
Seal	.....	9449
Seal Kit Opt.	.....	5208 <sup>64</sup>

#### **Selector Shaft Seal/Man. Shaft**

<b>1989-1980</b>	Chrysler A904, A999, 30RH, 31RH, 32RH	
Seal	.....	8609
<b>1979-1964</b>	General Motors Turbo 400	
Seal	.....	8792S

### **CLUTCH - 4 CYLINDER**

#### **Pilot Bearing**

<b>1989-1983</b>	150/2.5L	
Needle Bearing	.....	FC65446
<b>1987-1985</b>	126/2.1L (diesel)	
Bearing	.....	203FF
<b>1983-1980</b>	151/2.5L	
Bushing H/D	.....	PB656HD
<b>1971-1946</b>		
Bushing	.....	PB70

342 [ ] Indicates Quantity Required; Set Components Listed Inside Rear Cover;

<sup>38</sup> Use Old Snap Ring    <sup>64</sup> Opt. Seal and Bushing Kit

**JEEP - LIGHT TRUCK - Jeep, Jeepster, CJ5, CJ7, CJ8, DJ, Scrambler, TJ, Wrangler (cont.)**

**CLUTCH - 6 CYLINDER**

**Pilot Bearing**

<b>1989-1987</b>	242/4.0L; 258/4.2L	
	Needle Bearing	FC66426
<b>1985-1980</b>	258/4.2L	
	Bushing	PB79
<b>1979-1976</b>	232/3.8L, 258/4.2L	
	Bushing H/D	PB76HD
<b>1975-1972</b>	232/3.8L, 258/4.2L	
	Bushing H/D	PB77HD
<b>1971</b>	232/3.8L, 258/4.2L	
	Bushing	PB74
<b>1971-1966</b>	225/3.7L	
	Bushing H/D	PB656HD

**CLUTCH - 8 CYLINDER**

**Pilot Bearing**

<b>1981-1980</b>	304/5.0L	
	Bushing	PB79
<b>1979-1976</b>	304/5.0L	
	Bushing H/D	PB76HD
<b>1975-1972</b>	304/5.0L	
	Bushing H/D	PB77HD
<b>1971</b>	304/5.0L	
	Bushing	PB74

**CLUTCH - 4 CYLINDER**

**Release Bearing**

<b>1989-1987</b>	150/2.5L	
	Hydraulic Bearing Assy	619007 <sup>58</sup>
<b>1986-1984</b>	150/2.5L	
	Bearing Assy	614030
<b>1983</b>	150/2.5L (AMC)	
	Bearing Assy	614030
<b>1983</b>	151/2.5L (GMC)	
	Bearing Assy	614017
<b>1982-1980</b>	151/2.5L, 2369CC/2.4L (Diesel)	
	Bearing Assy	614017
<b>1971-1946</b>	134/2.2L, 192/3.1L (Diesel)	
	Bearing Only	W1505C

**CLUTCH - 6 CYLINDER**

**Release Bearing**

<b>1989</b>	258/4.2L (Aisin AX15)	
	Hydraulic Bearing Assy	619008 <sup>58</sup>
<b>1989</b>	258/4.2L (Peugeot BA10/5)	
	Hydraulic Bearing Assy	619002 <sup>58</sup>
<b>1988-1987</b>	258/4.2L	
	Hydraulic Bearing Assy	619002 <sup>58</sup>
<b>1986-1979</b>	258/4.2L	
	Bearing Assy	614115
<b>1978-1976</b>	232/3.8L, 258/4.2L (Cone Diaph)	
	Bearing Assy	614115
<b>1978-1976</b>	232/3.8L, 258/4.2L (3 Lever Type)	
	Bearing Assy	614034
<b>1975-1974</b>	232/3.8L, 258/4.2L	
	Bearing Assy	RBO1658C

**CLUTCH - 6 CYLINDER (cont.)**

**Release Bearing (cont.)**

<b>1973-1972</b>	258/4.2L	
	Bearing Assy	RBO1658C
<b>1973-1972</b>	232/3.8L	
	Bearing Assy	1377C
<b>1971-1966</b>	225/3.7L	
	Bearing Assy	1377C

**CLUTCH - 8 CYLINDER**

**Release Bearing**

<b>1981-1980</b>	304/5.0L	
	Bearing Assy	614115
<b>1979-1976</b>	305/5.0L cone diaph	
	Bearing Assy	614115
<b>1979-1976</b>	304/5.0L (3 Lever Type)	
	Bearing Assy	614034
<b>1975-1974</b>	304/5.0L	
	Bearing Assy	RB01658C
<b>1973-1971</b>	304/5.0L	
	Bearing Assy	R1625C

**3-SPEED MANUAL TRANSMISSION**

**Front Input Shaft**

<b>1979-1976</b>	Tremec 150T	
	Seal	482208
	Bearing	208LO
	Kwik Slv (Opt Rpr)	KWK99112
<b>1979-1971</b>	Warner T15	
	Seal	482208
	Bearing	308LI
	Kwik Slv (Opt Rpr)	KWK99112
<b>1975-1971</b>	Warner T14	
	Seal	482208
	Bearing	N307LOE
	Kwik Slv (Opt Rpr)	KWK99112
<b>1971-1966</b>	Warner T86	
	Seal	482208
	Bearing	207L
	Kwik Slv (Opt Rpr)	KWK99112
<b>1971-1946</b>	Warner T90	
	Bearing	208L
<b>1971-1946</b>	Warner T96	
	Bearing	207LO

**Mainshaft Pilot**

<b>1979-1976</b>	Tremec 150T	
	Needle Bearing	QBR23549[15]
<b>1979-1966</b>	Warner T14, T15, T86	
	Needle Bearing	QAR35319[22]
<b>1971-1946</b>	Warner T90	
	Needle Bearing	W1518Q[14]
<b>1971-1946</b>	Warner T96	
	Needle Bearing	C1110Q[13]

[ ] Indicates Quantity Required; Set Components Listed Inside Rear Cover;  
<sup>58</sup> Hydraulic Unit

# Bearings and Seals

Mfg./Year    Model & Location    Part No    Mfg./Year    Model & Location    Part No

## **JEEP - LIGHT TRUCK - Jeep, Jeepster, CJ5, CJ7, CJ8, DJ, Scrambler, TJ, Wrangler (cont.)**

### **3-SPEED MANUAL TRANSMISSION**

#### **Rear Output Shaft**

<b>1979-1976</b>	Tremec 150T	
Seal .....	482267	
Bearing .....	307L	
<b>1979-1971</b>	Warner T15	
Seal .....	470059	
Bearing .....	308LOE	
Seal Kit Opt. ....	5201 <sup>64</sup>	
<b>1975-1971</b>	Warner T14	
Seal .....	470059	
Bearing .....	1207LOE	
Seal Kit Opt. ....	5201 <sup>64</sup>	
<b>1971-1966</b>	Warner T86: 6-splines	
Seal .....	8160S	
Bearing .....	307TB	
<b>1971-1966</b>	Warner T86: 10-splines	
Seal .....	8160S	
Bearing .....	206L	
<b>1971-1966</b>	Warner T86: 16-splines	
Seal .....	9613S	
Bearing .....	207L	
<b>1971-1964</b>	Warner T96	
Seal .....	8160S	
Bearing .....	206L	
<b>1971-1946</b>	Warner T90: 6-splines	
Seal .....	8160S	
Bearing .....	1307	
<b>1971-1946</b>	Warner T90: 16-splines	
Seal .....	9613S	
Bearing .....	207L	
<b>1963-1946</b>	Warner T96: non-overdrive	
Seal .....	8160S	
Bearing .....	206L	
<b>1963-1946</b>	Warner T96: with overdrive	
Seal .....	8160S	
Bearing .....	206WB	

#### **Reverse Idler**

<b>1975-1971</b>	Warner T14	
Needle Bearing .....	C407Q[20]	

#### **Selector Shaft Seal/Man. Shaft**

<b>1979-1946</b>	Warner T14, T15, T86, T90, T96	
Seal .....	340797	
Kwik Slv (Opt Rpr) .....	KWK99059	

### **4-SPEED MANUAL TRANSMISSION**

#### **Transmission Rebuild Kit**

<b>1981-1965</b>	Warner T18	
Kit .....	TRK82F	

### **4-SPEED MANUAL TRANSMISSION**

#### **Input Shaft**

<b>1986-1982</b>	Warner T4	
Seal .....	7412S	
Set .....	SET5	
Kwik Slv (Opt Rpr) .....	KWK99125	
Needle Bearing Thrust .....	FA55505	
<b>1986-1980</b>	Tremec 176, 177, 178	
Seal .....	482208	
Bearing .....	209L	
Kwik Slv (Opt Rpr) .....	KWK99112	
<b>1981-1980</b>	Warner SR4	
Seal .....	3638	
Bearing .....	1207L	
Kwik Slv (Opt Rpr) .....	KWK99112	
<b>1981-1965</b>	Warner T18	
Seal .....	7412S	
Bearing .....	308LI	
Kwik Slv (Opt Rpr) .....	KWK99125	
<b>1971-1955</b>	Warner T98	
Bearing .....	308LI	

#### **Mainshaft Pilot**

<b>1986-1980</b>	Warner SR4, T4; Tremac 176, 177, 178	
Needle Bearing .....	QBR23549[15]	
<b>1981-1966</b>	Warner T18	
Needle Bearing .....	C436Q[22]	
<b>1971-1955</b>	Warner T98	
Needle Bearing .....	W1590Q[16]	

#### **Countershaft**

<b>1986-1982</b>	Warner T4	
Cyl. Bearing (rear) .....	5707	
Needle Bearing Thrust .....	NTA1423	
<b>1986-1980</b>	Tremec 176, 177, 178	
Needle Bearing .....	QAR33724[42]	
<b>1981-1980</b>	Warner SR4	
Needle Bearing .....	C1086Q[50]	
<b>1981-1955</b>	Warner T18, T98	
Needle Bearing .....	C436Q[88]	

#### **Reverse Idler**

<b>1986-1980</b>	Tremec 176, 177, 178	
Needle Bearing .....	C407Q[44]	
<b>1981-1966</b>	Warner T18	
Needle Bearing .....	B1316Q[74]	
<b>1971-1955</b>	Warner T98	
Needle Bearing .....	Q6283[74]	

#### **Rear Output Shaft**

<b>1986-1982</b>	Warner	
Seal .....	472439	
Cone/Cup .....	25877-25821	
<b>1986-1980</b>	Tremec 176, 177, 178	
Seal .....	3173	
Bearing .....	308L	
<b>1981-1980</b>	Warner SR4	
Seal .....	472439	
Bearing .....	207L	

344 [ ] Indicates Quantity Required; Set Components Listed Inside Rear Cover;

<sup>64</sup> Opt. Seal and Bushing Kit

**JEEP - LIGHT TRUCK - Jeep, Jeepster, CJ5, CJ7, CJ8, DJ, Scrambler, TJ, Wrangler (cont.)**

**4-SPEED MANUAL TRANSMISSION**

(cont.)

**Rear Output Shaft (cont.)**

<b>1981-1980</b>	Warner T18: 31-splines: 2.381" OD	
Seal .....		9613S
Bearing .....		1308L
<b>1981-1979</b>	Warner T18: 10-splines: 3.066" OD	
Seal .....		473468
Bearing .....		1308L
<b>1979-1965</b>	Warner T18: 31-splines: 2.381" OD	
Seal .....		9613S
Bearing .....		308L
<b>1978-1965</b>	Warner T18: 10-splines: 3.066" OD	
Seal .....		473463
Bearing .....		308L
<b>1978-1965</b>	Warner T18: 6-splines: 3.068" OD	
Seal .....		473468
Bearing .....		308L
<b>1971-1955</b>	Warner T98	
Seal .....		450308
Bearing .....		1308L

**Selector Shaft Seal/Man. Shaft**

<b>1986-1980</b>	Warner SR4; Tremac 176, 177, 178	
Seal .....		313156

**5-SPEED MANUAL TRANSMISSION**

**Front Input Shaft**

<b>1989-1987</b>	Aisin AX5	
Seal .....		1981
Kwik Slv (Opt Rpr) .....		KWK99114
<b>1989-1987</b>	Peugeot BA10/5	
Seal Viton .....		710164
Kwik Slv (Opt Rpr) .....		KWK99128
<b>1986-1982</b>	Warner T5	
Seal .....		7412S
Set .....		SET5
Kwik Slv (Opt Rpr) .....		KWK99125
Needle Bearing Thrust .....		FA55505

**Mainshaft Pilot**

<b>1989-1987</b>	Peugeot BA10/5	
Bearing .....		32004WB
<b>1986-1982</b>	Warner T5	
Needle Bearing .....		QBR23549[15]

**5-SPEED MANUAL TRANSMISSION**

**Rear Countershaft**

<b>1989-1987</b>	Aisin AX5	
Bearing (rear) .....		204
<b>1986-1982</b>	Warner T5	
Needle Bearing (front) .....		DK55836
Cyl. Bearing (rear) .....		5707
Needle Bearing Thrust .....		NTA1423

**Rear Output Shaft**

<b>1989-1984</b>	Aisin AX5: 4x2	
Seal .....		710319
Bearing .....		205BB
<b>1989-1984</b>	Aisin AX5: 4x4	
Seal .....		1209N
Bearing .....		205BB
<b>1989-1987</b>	Peugeot BA10/5	
Seal .....		710319
<b>1986-1982</b>	Warner T5: 26-spline	
Seal .....		472439
Cone/Cup .....		25877-25821

**OVERDRIVE UNIT**

**Output Shaft**

<b>1964-1946</b>	Warner R10	
Bearing .....		206WB

**Selector Shaft Seal/Man. Shaft**

<b>1964-1946</b>	Warner R10	
Seal .....		8160S

**Free Wheel Cam**

<b>1964-1946</b>	Warner R10	
Needle Bearing .....		W585Q[12]

**Solenoid**

<b>1964-1946</b>	Warner R10	
Seal .....		240698

**ALTERNATOR**

<b>1989-1987</b>	Leece-Neville 35, 40, 55 amp	
Bearing (rear end) .....		MNJ471S
<b>1989-1983</b>	Delco-Remy 42, 56, 63, 66, 78 amp (Type II)	
Bearing (drive end) .....		203F
<b>1986-1975</b>	Delco-Remy 37, 42, 55, 63 amp (Type I)	
Bearing (drive end) .....		203S
<b>1986-1974</b>	Delco-Remy 37, 42, 55, 63, 78 amp	
Bearing (rear end) .....		MNJ471S
<b>1977-1976</b>	Motorcraft	
Bearing (drive end) .....		203FF
<b>1976-1973</b>	Motorola 35, 37, 51, 55, 62 amp	
Bearing (drive end) .....		203FS
<b>1973</b>	Leece-Neville 35, 40, 55 amp	
Bearing (rear end) .....		MNJ471S

# Bearings and Seals

Mfg./Year    Model & Location    Part No    Mfg./Year    Model & Location    Part No

## **JEEP - LIGHT TRUCK - Jeep, Jeepster, CJ5, CJ7, CJ8, DJ, Scrambler, TJ, Wrangler (cont.)**

### **ALTERNATOR (cont.)**

<b>1973-1972</b>	Motorola 35, 37, 51, 55, 62 amp	
	Bearing (rear end) .....	200CC
<b>1973-1962</b>	Leece-Neville 35, 40, 55 amp	
	Bearing (drive end) .....	203FF
<b>1973-1962</b>	60 amp	
	Bearing (rear end) .....	203FF

### **MANUAL STEERING**

#### **Pitman Shaft**

<b>1961-1946</b>		
	Seal .....	340413

### **CRANKSHAFT REAR SEAL**

#### **4 Cylinder**

<b>1989-1983</b>	150/2.5L	
	Seal Viton .....	228410
	Kwik Slv (Opt Rpr) .....	KWK99294
<b>1983-1980</b>	151/2.5L	
	Seal .....	3698

#### **6 Cylinder**

<b>1989-1971</b>	258/4.2L	
	Seal .....	5111S
<b>1971-1966</b>	225/3.7L	
	Seal .....	5650

#### **8 Cylinder**

<b>1981-1979</b>	304/5.0L	
	Seal Split .....	5112S

### **TIMING COVER**

#### **4 Cylinder**

<b>1989-1983</b>	150/2.5L	
	Seal .....	321460
	Kwik Slv (Opt Rpr) .....	KWK99179

### **TIMING COVER (cont.)**

#### **4 Cylinder (cont.)**

<b>1983-1980</b>	151/2.5L	
	Seal .....	9845
	Kwik Slv (Opt Rpr) .....	KWK99176
	Harmonic Balancer	
	Sleeves Opt. ....	88176
<b>1971-1946</b>	134/2.2L	
	Seal .....	471504
	Kwik Slv (Opt Rpr) .....	KWK99174

#### **6 Cylinder**

<b>1989-1971</b>	258/4.2L	
	Seal .....	321460
	Kwik Slv (Opt Rpr) .....	KWK99179
<b>1979-1971</b>	232/3.8L	
	Seal .....	321460
	Kwik Slv (Opt Rpr) .....	KWK99179
<b>1971-1966</b>	225/3.7L	
	Seal .....	3095
	Kwik Slv (Opt Rpr) .....	KWK99226

#### **8 Cylinder**

<b>1981-1980</b>	304/5.0L	
	Seal Viton .....	3604
<b>1979-1971</b>	304/5.0L	
	Seal .....	472341
	Kwik Slv (Opt Rpr) .....	KWK99200

## **JEEP - FULL-SIZE WAGONEER, Grand Wagoneer, Wagoneer, Wagoneer Limited**

### **FRONT WHEEL**

#### **2WD**

<b>1971-1963</b>	Standard suspension	
	Seal (inner) .....	8430S[2]
	Cone/Cup (inner) .....	24780-24720[2]
	Set (outer) .....	SET45
<b>1971-1963</b>	Heavy Duty suspension	
	Seal (inner) .....	8430S[2]
	Set .....	SET45[2]

### **FRONT WHEEL**

#### **4WD**

<b>1989-1977</b>		
	Seal (inner) .....	471271[2]
	Cone/Cup (inner) .....	LM104949-JLM104910[2]
	Set (outer) .....	SET45
<b>1973-1963</b>	Dana/Spicer 44 axle	
	Seal (inner) .....	8430S[2]
	Cone/Cup (inner) .....	24780-24720[2]
	Set (outer) .....	SET45
<b>1972-1963</b>	Dana/Spicer 25, 27 axles	
	Seal (inner) .....	8430S[2]
	Set .....	SET45[2]

**JEEP - FULL-SIZE WAGONEER, Grand Wagoneer, Wagoneer, Wagoneer Limited (cont.)**

**REAR WHEEL**

<b>1989-1986</b>	Spicer 44	
Seal (inner)	.....	481837[2]
Set (inner)	.....	SET10
Seal (outer)	.....	9912S[2]
<b>1983-1980</b>		
Seal (inner)	.....	9912S[2]
Set (inner)	.....	SET10
Seal (outer)	.....	481837[2]
<b>1979-1963</b>	Spicer 44 axle: flanged axle shaft	
Seal (inner)	.....	481837[2]
Set (inner)	.....	SET10
Seal (outer)	.....	9912S[2]
<b>1973-1971</b>	Dana/Spicer 60 axle	
Cyl. Bearing	.....	RSN1584EV[2]
<b>1973-1963</b>	Dana/Spicer 44 axle: tapered axle shaft	
Seal (inner)	.....	7245[2]
Cone/Cup (inner)	.....	25877-25821[2]
Seal (outer)	.....	8676S[2]

**4WD FRONT AXLE**

**Differential Rebuild Kit**

<b>1989-1984</b>	Dana/Spicer 30 axles	
Kit	.....	DRK334
<b>1989-1967</b>	Dana/Spicer 44 axles	
Kit	.....	DRK339B
<b>1973-1963</b>	Dana/Spicer 27AF axle	
Kit	.....	DRK197A

**Differential**

<b>1989-1984</b>	Dana/Spicer 30 axles	
Cone/Cup	.....	LM501349-LM501314[2]
<b>1989-1967</b>	Dana/Spicer 44 axles	
Cone/Cup	.....	25590-25523[2]
<b>1973-1963</b>	Dana/Spicer 27 axles	
Cone/Cup	.....	LM501349-LM501311[2]
<b>1969-1963</b>	Dana/Spicer 25 axles	
Cone/Cup	.....	24780-24721[2]

**Pinion**

<b>1989-1984</b>	Dana/Spicer 30 axle	
Cone/Cup (inner)	.....	HM88649-HM88610
Seal (outer)	.....	5778
Cone/Cup (outer)	.....	02872-02820
<b>1989-1980</b>	Dana/Spicer 44 axles	
Cone/Cup (inner)	.....	31594-31520
Seal (outer)	.....	5778
Cone/Cup (outer)	.....	02872-02820

**Spindle Kit**

<b>1989-1974</b>	Bearing & Seal Kit	.....	SBK1 <sup>33</sup>
------------------	--------------------	-------	--------------------

**4WD FRONT AXLE**

**Spindle**

<b>1989-1974</b>		
Seal (inner)	.....	722108[2]
Needle Bearing (inner)	.....	B2110[2]
Seal (outer)	.....	722109[2]

**REAR AXLE**

**Differential Rebuild Kit**

<b>1979-1974</b>	Dana/Spicer 44 series axles	
Kit	.....	DRK339B
<b>1976-1970</b>	Dana/Spicer 60 series axles	
Kit	.....	DRK331
<b>1973-1967</b>	Dana/Spicer 44 axle: flanged axle shaft	
Kit	.....	DRK339B
<b>1973-1961</b>	Dana/Spicer 44-1HD axle	
Kit	.....	DRK339B
<b>1971-1963</b>	Dana/Spicer 70 axle	
Kit	.....	DRK332

**Differential**

<b>1989-1986</b>	Dana/Spicer 44 axle	
Cone/Cup	.....	25590-25523[2]
<b>1985-1984</b>		
Set	.....	SET36[2]

**Pinion**

<b>1989-1986</b>	Dana/Spicer 44 axle	
Cone/Cup (inner)	.....	31594-31520
Cone/Cup (outer)	.....	02872-02820
<b>1985-1984</b>		
Cone/Cup (inner)	.....	M802048-M802011
Cone/Cup (outer)	.....	M88048-M88010

**TRANSFER CASE REBUILD KIT**

<b>1979-1972</b>	Dana/Spicer 20 axle: 1.187" shaft	
Kit	.....	TCRK20A

**TRANSFER CASE**

**Input Shaft**

<b>1989-1986</b>	New Process 242, 249 (1st design)	
Seal	.....	3173[2]
Bearing	.....	N5210KLB
Seal Dual Lip Opt.	.....	710928
Kwik Slv (Opt Rpr)	.....	KWK99193
Needle Bearing (pilot)	.....	FC66561
<b>1989-1986</b>	New Process 231	
Seal	.....	3173[2]
Bearing	.....	N5210KLB
Seal Dual Lip Opt.	.....	710928
Kwik Slv (Opt Rpr)	.....	KWK99193
Needle Bearing (pilot)	.....	SCH1810

[ ] Indicates Quantity Required; Set Components Listed Inside Rear Cover;  
<sup>33</sup> Opt. Kit incl: Bearing B2110; Seals 722108 & 722109



# Bearings and Seals

Mfg./Year    Model & Location    Part No    Mfg./Year    Model & Location    Part No

## **JEEP - FULL-SIZE WAGONEER, Grand Wagoneer, Wagoneer, Wagoneer Limited (cont.)**

### **TRANSFER CASE (cont.)**

#### **Input Shaft (cont.)**

<b>1989-1981</b>	New Process 228, 229	
Seal	.....	3173[2]
Needle Bearing	.....	B5020[2]
Seal Dual Lip Opt.	.....	710928
Kwik Slv (Opt Rpr)	.....	KWK99193
Needle Bearing (pilot)	.....	B2012
Needle Bearing Thrust	.....	NTA3244
<b>1988-1980</b>	New Process 208, 219	
Seal	.....	3173[2]
Needle Bearing	.....	B5020[2]
Seal Dual Lip Opt.	.....	710928
Kwik Slv (Opt Rpr)	.....	KWK99193
Needle Bearing (pilot)	.....	B2012
Needle Bearing Thrust	.....	AXK5070
<b>1987-1984</b>	New Process 207	
Seal	.....	3173[2]
Needle Bearing	.....	B3210[2]
Seal Dual Lip Opt.	.....	710928
Kwik Slv (Opt Rpr)	.....	KWK99193
<b>1979-1974</b>	Warner 1305	
Seal	.....	5872S
Kwik Slv (Opt Rpr)	.....	KWK99193

#### **Front Output Shaft**

<b>1989-1986</b>	New Process 242	
Seal	.....	3946
Bearing	.....	207
Kwik Slv (Opt Rpr)	.....	KWK99187
Needle Bearing (pilot)	.....	J2416
<b>1989-1980</b>	New Process 208, 219, 228, 229	
Seal	.....	3946
Needle Bearing	.....	B2816
Kwik Slv (Opt Rpr)	.....	KWK99187
Needle Bearing (pilot)	.....	J2416
Needle Bearing Thrust	.....	NTA2840[2]
<b>1987-1984</b>	New Process 207	
Seal	.....	710046
Bearing	.....	206WB
Kwik Slv (Opt Rpr)	.....	KWK99155
Needle Bearing (pilot)	.....	B228
<b>1979-1972</b>	Spicer 20 (1.187" shaft)	
Seal	.....	473229
Cone/Cup	.....	14116-14276[2]
Kwik Slv (Opt Rpr)	.....	KWK99156
<b>1979-1972</b>	Warner 1305	
Seal	.....	473229
Kwik Slv (Opt Rpr)	.....	KWK99156
<b>1973-1954</b>	Spicer 20 (1.312" shaft)	
Seal	.....	450185
Cone/Cup	.....	14131-14276[2]
Kwik Slv (Opt Rpr)	.....	KWK99156

### **TRANSFER CASE**

#### **Rear Output Shaft**

<b>1989-1986</b>	New Process 231	
Seal	.....	2506
Bearing	.....	206WB
Kwik Slv (Opt Rpr)	.....	KWK99149
Needle Bearing (pilot)	.....	B5020[2]
<b>1989-1981</b>	New Process 228, 229	
Seal	.....	3946
Bearing	.....	207
Kwik Slv (Opt Rpr)	.....	KWK99187
Needle Bearing (pilot)	.....	B3612
Needle Bearing Thrust	.....	TC2435
<b>1988-1980</b>	New Process 208, 219 (slip yoke)	
Seal	.....	4333N
Bearing	.....	1207L
Needle Bearing (pilot)	.....	B3616
Needle Bearing Thrust	.....	TC2435
<b>1988-1980</b>	New Process 208, 219 (fixed yoke)	
Seal	.....	3946
Bearing	.....	1207L
Kwik Slv (Opt Rpr)	.....	KWK99187
Needle Bearing (pilot)	.....	B3616
Needle Bearing Thrust	.....	TC2435
<b>1987-1984</b>	New Process 207	
Seal	.....	4370N
Bearing	.....	206WB
Kwik Slv (Opt Rpr)	.....	KWK99149
Needle Bearing (pilot)	.....	F4020
<b>1979-1974</b>	Spicer 20	
Cone/Cup (front)	.....	25877-25821
Seal (rear)	.....	473229
Cone/Cup (rear)	.....	15117-15245
Kwik Slv (Opt Rpr)	.....	KWK99156
<b>1979-1974</b>	Warner 1305	
Seal	.....	473229
Kwik Slv (Opt Rpr)	.....	KWK99156
<b>1973-1954</b>	Spicer 20	
Cone/Cup (front)	.....	25877-25821
Seal (rear)	.....	450185
Cone/Cup (rear)	.....	15117-15245
Kwik Slv (Opt Rpr)	.....	KWK99156

### **3-SPEED AUTOMATIC TRANSMISSION**

#### **Torque Converter**

<b>1989-1980</b>	Chrysler A727	
Seal	.....	331227H
Kwik Slv (Opt Rpr)	.....	KWK99187
<b>1979-1964</b>	General Motors Turbo 400	
Seal	.....	6712NA
Kwik Slv (Opt Rpr)	.....	KWK99187

**JEEP - FULL-SIZE WAGONEER, Grand Wagoneer, Wagoneer, Wagoneer Limited (cont.)**

**3-SPEED AUTOMATIC TRANSMISSION**

**Rear Seal/Ext. Housing**

<b>1989-1980</b>	Chrysler A727	
Seal	.....	7300S
Bearing	.....	207XLO
Seal Kit Opt.	.....	5206 <sup>64</sup>
<b>1986-1984</b>	Chrysler A904, A999, 30RH	
Seal	.....	2506
Bearing	.....	206LOE <sup>38</sup>
<b>1979-1964</b>	General Motors Turbo 400: 1.687" shaft	
Seal	.....	7038SA
Seal Kit Opt.	.....	5201 <sup>64</sup>
<b>1979-1964</b>	General Motors Turbo 400: 1.890" shaft	
Seal	.....	9449
Seal Kit Opt.	.....	5208 <sup>64</sup>

**Selector Shaft Seal/Man. Shaft**

<b>1989-1984</b>	Chrysler A904, A999, 30RH, 31RH, 32RH	
Seal	.....	8609
<b>1979-1964</b>	General Motors Turbo 400	
Seal	.....	8792S

**4-SPEED AUTOMATIC TRANSMISSION**

**Torque Converter**

<b>1989-1987</b>	Aisin 03-40	
Seal	.....	223830
Kwik Slv (Opt Rpr)	.....	KWK99147

**Rear Seal/Ext. Housing**

<b>1989-1987</b>	Aisin 03-40: 4x2	
Seal	.....	710319
<b>1989-1987</b>	Aisin 03-40: 4x4	
Seal	.....	225005

**Selector Shaft Seal/Man. Shaft**

<b>1989-1987</b>	Aisin 03-40	
Seal	.....	221207
Kwik Slv (Opt Rpr)	.....	KWK99049

**CLUTCH**

**Pilot Bearing**

<b>1979-1972</b>	8-cylinder 304 (5.0), 360 (5.9)	
Bushing H/D	.....	PB77HD
<b>1971</b>	8-cylinder 304 (5.0)	
Bushing	.....	PB74
<b>1971-1968</b>	8-cylinder 350 (5.7)	
Bushing H/D	.....	PB656HD

**Release Bearing**

<b>1989-1980</b>	8-cylinder	
Bearing Assy	.....	614038
<b>1988-1980</b>	6-cylinder	
Bearing Assy	.....	614038
<b>1979-1978</b>	6-cylinder	
Bearing Assy	.....	R1605C

**CLUTCH (cont.)**

**Release Bearing (cont.)**

<b>1979-1974</b>	8-cylinder	
Bearing Assy	.....	R1605C

**3-SPEED MANUAL TRANSMISSION**

**Front Input Shaft**

<b>1979-1967</b>	Warner T15	
Seal	.....	482208
Bearing	.....	308LI
Kwik Slv (Opt Rpr)	.....	KWK99112
<b>1975-1967</b>	Warner T14	
Seal	.....	482208
Bearing	.....	N307LOE
Kwik Slv (Opt Rpr)	.....	KWK99112
<b>1967-1961</b>	Warner T96	
Bearing	.....	207LO
<b>1967-1954</b>	Warner T85, T86, T89	
Seal	.....	482208
Bearing	.....	207L
Kwik Slv (Opt Rpr)	.....	KWK99112
<b>1967-1954</b>	Warner T90	
Bearing	.....	208L

**Rear Output Shaft**

<b>1979-1967</b>	Warner T15	
Seal	.....	470059
Bearing	.....	308LOE
Seal Kit Opt.	.....	5201 <sup>64</sup>
<b>1975-1967</b>	Warner T14	
Seal	.....	470059
Bearing	.....	1207LOE
Seal Kit Opt.	.....	5201 <sup>64</sup>
<b>1967-1961</b>	Warner T96: non-overdrive	
Seal	.....	8160S
Bearing	.....	206L
<b>1967-1954</b>	Warner T86: 16-splines	
Seal	.....	9613S
Bearing	.....	207L
<b>1967-1954</b>	Warner T90: 6-splines	
Seal	.....	8160S
Bearing	.....	1307
<b>1967-1954</b>	Warner T90: 16-splines	
Seal	.....	9613S
Bearing	.....	207L
<b>1964</b>	Warner T96	
Seal	.....	8160S
Bearing	.....	206L
<b>1964-1962</b>	Warner T86: 6-splines	
Seal	.....	8160S
Bearing	.....	307TB
<b>1964-1962</b>	Warner T86: 10-splines	
Seal	.....	8160S
Bearing	.....	206L
<b>1963-1961</b>	Warner T96: with overdrive	
Seal	.....	8160S
Bearing	.....	206WB

[ ] Indicates Quantity Required; Set Components Listed Inside Rear Cover;  
<sup>38</sup> Use Old Snap Ring    <sup>64</sup> Opt. Seal and Bushing Kit

# Bearings and Seals

Mfg./Year    Model & Location    Part No    Mfg./Year    Model & Location    Part No

## **JEEP - FULL-SIZE WAGONEER, Grand Wagoneer, Wagoneer, Wagoneer Limited (cont.)**

### **3-SPEED MANUAL TRANSMISSION**

#### **Selector Shaft Seal/Man. Shaft**

**1979-1946**    Warner T14, T15, T86, T90, T96  
Seal ..... 340797

### **4-SPEED MANUAL TRANSMISSION**

#### **Transmission Rebuild Kit**

**1986-1965**    Warner T18  
Kit ..... TRK82F

#### **Input Shaft**

**1989-1984**    Aisin AX4  
Seal ..... 1981  
Kwik Slv (Opt Rpr) ..... KWK99114  
**1988-1980**    Tremec 176, 177, 178  
Seal ..... 3638  
Bearing ..... 209L  
Kwik Slv (Opt Rpr) ..... KWK99112  
**1986-1982**    Warner T4  
Seal ..... 7412S  
Set ..... SET5  
Needle Bearing Thrust ..... FA55505  
**1986-1965**    Warner T18  
Seal ..... 7412S  
Bearing ..... 308LI  
Kwik Slv (Opt Rpr) ..... KWK99125  
**1967-1955**    Warner T98  
Bearing ..... 308LI

#### **Rear Output Shaft**

**1989-1984**    Aisin AX4: 4x4  
Seal ..... 1209N  
Bearing ..... 205BB  
**1988-1980**    Tremec 176, 177, 178  
Seal ..... 3173  
Bearing ..... 308L  
**1986-1982**    Warner T4  
Seal ..... 472439  
Cone/Cup ..... 25877-25821  
**1986-1965**    Warner T18: 10-splines: 3.066"  
OD  
Seal ..... 473468  
Bearing ..... 1308L  
**1986-1965**    Warner T18: 31-splines: 2.381"  
OD  
Seal ..... 9613S  
Bearing ..... 1308L  
**1973-1965**    Warner T18: 6-splines: 3.068" OD  
Seal ..... 473468  
Bearing ..... 308L  
**1967-1955**    Warner T98  
Seal ..... 450308  
Bearing ..... 1308L

### **5-SPEED MANUAL TRANSMISSION**

#### **Front Input Shaft**

**1989-1984**    Aisin AX5  
Seal ..... 1981  
Kwik Slv (Opt Rpr) ..... KWK99114  
**1989-1987**    Peugeot BA10/5  
Seal Viton ..... 710164  
Kwik Slv (Opt Rpr) ..... KWK99128  
**1986-1982**    Warner T5  
Seal ..... 7412S  
Set ..... SET5  
Kwik Slv (Opt Rpr) ..... KWK99125  
Needle Bearing Thrust ..... FA55505

#### **Rear Countershaft**

**1989**    Aisin AX15  
Cyl. Bearing (front) ..... MSNB5305GTBV  
**1989-1984**    Aisin AX5  
Bearing (rear) ..... 204  
**1986-1982**    Warner T5  
Needle Bearing (front) ..... DK55836  
Cyl. Bearing (rear) ..... 5707  
Needle Bearing Thrust ..... NTA1423

#### **Rear Output Shaft**

**1989**    Aisin AX15: 4x2  
Seal ..... 710319  
**1989**    Aisin AX15: 4x4  
Seal ..... 1209N  
**1989-1984**    Aisin AX5: 4x2  
Seal ..... 710319  
Bearing ..... 205BB  
**1989-1984**    Aisin AX5: 4x4  
Seal ..... 1209N  
Bearing ..... 205BB  
**1989-1987**    Peugeot BA10/5  
Seal ..... 710319  
**1986-1982**    Warner T5: 23-spline  
Seal ..... 472439  
Cone/Cup ..... 25877-25821  
**1986-1982**    Warner T5: 26-spline  
Seal ..... 2506  
Cone/Cup ..... 25877-25821

### **ALTERNATOR**

**1989-1984**    Delco-Remy 37, 42, 55, 63, 78  
amp (Type I)  
Bearing (drive end) ..... 203S  
**1989-1983**    Delco-Remy 42, 56, 63, 66, 78  
amp (Type II)  
Bearing (drive end) ..... 203F  
**1989-1974**    Delco-Remy 37, 42, 55, 63, 78  
amp  
Bearing (rear end) ..... MNJ471S  
**1986-1980**    Delco-Remy 37, 42, 55, 63 amp  
(Type I)  
Bearing (drive end) ..... 203S  
**1979-1976**    Motorcraft  
Bearing (drive end) ..... 203FF

**JEEP - FULL-SIZE WAGONEER, Grand Wagoneer, Wagoneer, Wagoneer Limited (cont.)**

**ALTERNATOR (cont.)**

<b>1979-1975</b>	Delco-Remy 37, 42, 55, 63 amp (Type I)	
	Bearing (drive end)	203S
<b>1979-1965</b>	Motorola 35, 37, 51, 55, 62 amp	
	Bearing (drive end)	203FS
<b>1977-1976</b>	Motorcraft	
	Bearing (rear end)	MNJ471S
<b>1973-1965</b>	Leece-Neville 35, 40, 55 amp	
	Bearing (rear end)	MNJ471S
<b>1973-1962</b>	Leece-Neville 35, 40, 55 amp	
	Bearing (drive end)	203FF

**CRANKSHAFT REAR SEAL**

**4 Cylinder**

<b>1989-1984</b>	150/2.5L	
	Seal Viton	716445
	Kwik Slv (Opt Rpr)	KWK99294
<b>1987-1985</b>	2068cc/2.1L (Turbo Diesel)	
	Seal Viton	229005
	Kwik Slv (Opt Rpr)	KWK99354

**6 Cylinder**

<b>1989-1966</b>	232/3.8L, 242/4.0L, 258/4.2L	
	Seal	5115
<b>1986-1985</b>	173/2.8L 2nd design	
	Seal	4307V
	Seal PTFE H/D Opt.	5273
	Kwik Slv (Opt Rpr)	KWK99298
<b>1985-1984</b>	173/2.8L 1st design	
	Seal	5210

**8 Cylinder**

<b>1989-1971</b>	304/5.0L, 360/5.9L, 401/6.6L	
	Seal Split	5112S
<b>1971-1968</b>	350/5.7L	
	Seal Split	5112S

**TIMING COVER**

**4 Cylinder**

<b>1989-1984</b>	150/2.5L	
	Seal	321460
	Kwik Slv (Opt Rpr)	KWK99179
	Harmonic Balancer	
	Sleeves Opt.	88179

**TIMING COVER (cont.)**

**4 Cylinder (cont.)**

<b>1987-1985</b>	2068cc/2.1L (Turbo Diesel)	
	Seal Viton	225020
	Kwik Slv (Opt Rpr)	KWK99196
<b>1965-1957</b>	134/2.2L	
	Seal	471504
	Kwik Slv (Opt Rpr)	KWK99174

**6 Cylinder**

<b>1989-1980</b>	232/3.8L, 242/4.0L, 258/4.2L	
	Seal	321460
	Kwik Slv (Opt Rpr)	KWK99179
<b>1986-1984</b>	173/2.8L	
	Seal	9845
	Kwik Slv (Opt Rpr)	KWK99176
<b>1967-1962</b>	230/3.8L	
	Seal	450096
	Kwik Slv (Opt Rpr)	KWK99205
<b>1965-1954</b>	226/3.7L	
	Seal	471504
	Kwik Slv (Opt Rpr)	KWK99172

**8 Cylinder**

<b>1989-1971</b>	304/5.0L, 360/5.9L, 401/6.6L	
	Seal	472341
	Kwik Slv (Opt Rpr)	KWK99200
<b>1972-1971</b>	304/5.0L	
	Seal	472341
	Kwik Slv (Opt Rpr)	KWK99200
<b>1971-1968</b>	350/5.7L	
	Seal	472341
	Kwik Slv (Opt Rpr)	KWK99200
<b>1968-1965</b>	327/5.3L	
	Seal	481195
	Kwik Slv (Opt Rpr)	KWK99193

**JEEP - TRUCK - Comanche, FC Series, Gladiator, J Series, Pickup Truck, Sedan Delivery, Utility Wagon**

**FRONT WHEEL**

**2WD**

<b>1989-1984</b>	Comanche	
	Seal (inner)	6815[2]
	Set (inner)	SET6
	Set (outer)	SET2

**FRONT WHEEL (cont.)**

**2WD (cont.)**

<b>1973-1972</b>	exc. Camper	
	Seal (inner)	8430S[2]
	Set (inner)	SET45
	Set (outer)	SET37

# Bearings and Seals

Mfg./Year    Model & Location    Part No    Mfg./Year    Model & Location    Part No

## **JEEP - TRUCK - Comanche, FC Series, Gladiator, J Series, Pickup Truck, Sedan Delivery, Utility Wagon (cont.)**

### **FRONT WHEEL (cont.)**

#### **2WD (cont.)**

<b>1973-1969</b>	Camper	
Seal (inner)	.....	40316S[2]
Cone/Cup (inner)	.....	18690-18620[2]
Cone/Cup (outer)	.....	18685-18620[2]
<b>1971-1963</b>	with Heavy Duty suspension	
Seal (inner)	.....	8430S[2]
Cone/Cup (inner)	.....	24780-24720[2]
Set (outer)	.....	SET45
<b>1971-1963</b>	with standard suspension	
Seal (inner)	.....	8430S[2]
Set	.....	SET45[2]
<b>1971-1963</b>	J162: standard suspension	
Seal (inner)	.....	8430S[2]
Set	.....	SET45[2]
<b>1965-1952</b>	475, 6-226	
Cone/Cup (inner)	.....	14125A-14274[2]
Cone/Cup (outer)	.....	09074-09194[2]
<b>1956-1952</b>	685	
Cone/Cup (inner)	.....	15118-15250X[2]
Cone/Cup (outer)	.....	09074-09194[2]

#### **4WD**

<b>1989-1977</b>	Dana/Spicer 44-1F axle	
Seal (inner)	.....	471271[2]
Cone/Cup (inner)	.....	LM104949-JLM104910[2]
Set (outer)	.....	SET45
<b>1989-1984</b>	Comanche, Pickup: Dana/Spicer 30 axle: complete unit hub assembly	
Hub Assy	.....	513107[2]
<b>1989-1984</b>	Comanche, Pickup: Dana/Spicer 30 axle: component bearings for OEM hub assembly	
Seal (inner)	.....	4122[2]
Cone/Cup (inner)	.....	JLM603048F-JLM603013Z[2]
Seal (middle)	.....	4019N[2]
Seal (outer)	.....	3942[2]
Cone/Cup (outer)	.....	JLM603048F-JLM603013Z[2]
<b>1988-1981</b>	J20	
Seal (inner)	.....	471271[2]
Cone/Cup (inner)	.....	LM104949-JLM104910[2]
Set (outer)	.....	SET45
<b>1980</b>	J20: early	
Seal (inner)	.....	471271[2]
Set (inner)	.....	SET38
Set (outer)	.....	SET45
<b>1980</b>	J20: late	
Seal (inner)	.....	471271[2]
Cone/Cup (inner)	.....	LM104949-JLM104910[2]
Set (outer)	.....	SET45
<b>1977-1974</b>	drum brakes exc. J20	
Seal (inner)	.....	442380[2]
Set (inner)	.....	SET37
Set (outer)	.....	SET45
<b>1977-1974</b>	disc brakes exc. J20	
Seal (inner)	.....	471271[2]
Set (inner)	.....	SET37
Set (outer)	.....	SET45

### **FRONT WHEEL (cont.)**

#### **4WD (cont.)**

<b>1977-1974</b>	J20	
Seal (inner)	.....	416273[2]
Cone/Cup (inner)	.....	368A-362A[2]
Set (outer)	.....	SET45
<b>1973-1969</b>	Camper	
Seal (inner)	.....	40316S[2]
Cone/Cup (inner)	.....	18690-18620[2]
Cone/Cup (outer)	.....	18685-18620[2]
<b>1973-1962</b>	Standard suspension	
Seal (inner)	.....	8430S[2]
Set (inner)	.....	SET45
Set (outer)	.....	SET45
<b>1973-1962</b>	Heavy Duty suspension	
Seal (inner)	.....	8430S[2]
Cone/Cup (inner)	.....	24780-24720[2]
Set (outer)	.....	SET45
<b>1961-1947</b>		
Cone/Cup (inner)	.....	18590-18520[2]
Cone/Cup (outer)	.....	18590-18520[2]

### **REAR WHEEL**

<b>1989-1974</b>	Dana/Spicer 60 axle: tapered axle shaft	
Seal (inner)	.....	455860[2]
Cone/Cup (inner)	.....	28578-28522[2]
Cone/Cup (outer)	.....	18690-18620[2]
<b>1989-1962</b>	Dana/Spicer 44: flanged axle shaft	
Seal	.....	2689S[2]
Set	.....	SET10
<b>1989-1967</b>	Comanche: Dana/Spicer 44: flanged axle shaft	
Seal	.....	2689S[2]
Set	.....	SET10
<b>1989-1984</b>	Dana/Spicer 35 axle	
Seal	.....	712146[2]
Set	.....	SET9
<b>1988-1980</b>	J20: Dana/Spicer 60 axle	
Seal (inner)	.....	455860[2]
Cone/Cup (inner)	.....	28678-28622[2]
Cone/Cup (outer)	.....	18690-18620[2]
<b>1988-1980</b>	J20: Dana/Spicer 44 axle	
Seal (inner)	.....	40286[2]
Cone/Cup (inner)	.....	26882T-25822[2]
Seal (outer)	.....	5329[2]
<b>1985-1963</b>	J2000, J10: Dana/Spicer 44: flanged axle shaft	
Seal (inner)	.....	481837[2]
Set (inner)	.....	SET10
Seal (outer)	.....	9912S[2]
<b>1973</b>	Camper Special	
Seal (inner)	.....	475458[2]
Cone/Cup (outer)	.....	359S-354A[2]
Cone/Cup (inner)	.....	370A-362A[2]
<b>1973-1970</b>	Dana/Spicer 60-2 axle	
Cyl. Bearing	.....	RSN1584EV[2]

**JEEP - TRUCK - Comanche, FC Series, Gladiator, J Series, Pickup Truck, Sedan Delivery, Utility Wagon (cont.)**

**REAR WHEEL (cont.)**

<b>1973-1963</b>	J Series: Dana/Spicer 60 & 70 flanged axles	
	Seal (inner) .....	455009[2]
	Cone/Cup (inner) .....	368A-362A[2]
	Cone/Cup (outer) .....	387A-382A[2]
<b>1973-1963</b>	J Series: Dana/Spicer 44-1 & 53 axles	
	Seal (inner) .....	40286[2]
	Cone/Cup (outer) .....	26882T-26822[2]
<b>1973-1963</b>	J162, J164-4x4: tapered axle shaft	
	Seal .....	7245[2]
	Cone/Cup .....	25877-25821[2]
<b>1971-1963</b>	J Series: Dana/Spicer 44-1 standard axle	
	Seal .....	7245[2]
	Cone/Cup .....	25877-25821[2]
<b>1965-1962</b>	4x4-75	
	Cone/Cup .....	25877-25821[2]
<b>1965-1956</b>	FC170 4x4: Heavy Duty axle	
	Seal (inner) .....	455009[2]
	Cone/Cup (inner) .....	387A-382A[2]
	Cone/Cup (outer) .....	368A-362A[2]
<b>1965-1956</b>	FC170 4x4: standard axle	
	Seal (inner) .....	40286[2]
	Cone/Cup (outer) .....	26882T-26822[2]
<b>1965-1956</b>	FC150 4x4	
	Seal (inner) .....	42763[2]
	Cone/Cup (outer) .....	25877-25821[2]
<b>1965-1952</b>	4x2-75, 475, 685	
	Seal (inner) .....	40769S[2]
	Cone/Cup (outer) .....	25877-25821[2]
<b>1965-1947</b>	4x4 exc. FC Series	
	Seal (inner) .....	40286[2]
	Cone/Cup (outer) .....	26882T-26822[2]
<b>1962-1949</b>	4x4-63, 4x4-73, 6-226, 4x4-6-226	
	Seal (inner) .....	47263[2]
	Cone/Cup (outer) .....	25877-25821[2]

**4WD FRONT AXLE**

**Axle Shaft**

<b>1989-1985</b>	Spicer 30-F (Disconnect)	
	Seal (LH) .....	710068
	Needle Bearing (LH) .....	BH208[2]
	Seal (RH) .....	710204
<b>1989-1984</b>	Spicer 30-F (Non-Disconnect)	
	Seal .....	710068[2]
<b>1989-1974</b>	Spicer 44-1F (2.250" O.D.)	
	Seal .....	5131[2]
<b>1984</b>	Spicer 30-F (Disconnect)	
	Seal (LH) .....	710068
	Needle Bearing (LH) .....	B5020[2]
	Seal (RH) .....	710204
<b>1984-1974</b>	Spicer 44-1F (2.620" O.D.)	
	Seal .....	2300[2]
<b>1983-1974</b>	Spicer 44-8F	
	Seal .....	472319[2]
<b>1973-1962</b>	Spicer 44-1F	
	Seal .....	5131[2]

**4WD FRONT AXLE (cont.)**

**Axle Shaft (cont.)**

<b>1973-1954</b>	Spicer 25F, 27AF, 27F	
	Seal .....	40576S[2]
<b>1961-1954</b>	Spicer 44-1F	
	Seal .....	40652S[2]

**Differential Rebuild Kit**

<b>1989-1974</b>	Dana/Spicer 30 axle Kit .....	DRK334
<b>1989-1967</b>	Dana/Spicer 44 axle Kit .....	DRK339B
<b>1973-1963</b>	Dana/Spicer 27 axle Kit .....	DRK197A

**Differential**

<b>1989-1974</b>	Dana/Spicer 30 axle Cone/Cup .....	LM501349-LM501314[2]
<b>1989-1967</b>	Dana/Spicer 44 axle Cone/Cup .....	25590-25523[2]
<b>1973-1963</b>	Dana/Spicer 27 axle Cone/Cup .....	LM501349-LM501311[2]
<b>1972-1946</b>	Dana/Spicer 25 axle Cone/Cup .....	24780-24721[2]
<b>1966-1954</b>	Dana/Spicer 44 axle Cone/Cup .....	25577-25523[2]

**Pinion**

<b>1989-1974</b>	Dana/Spicer 30 axle Cone/Cup (inner) .....	HM88649-HM88610
	Seal (outer) .....	5778
	Cone/Cup (outer) .....	02872-02820
<b>1989-1954</b>	Dana/Spicer 44 axle Cone/Cup (inner) .....	31594-31520
	Seal (outer) .....	5778
	Cone/Cup (outer) .....	02872-02820
<b>1979-1946</b>	Dana/Spicer 25 axle Cone/Cup (inner) .....	31594-31520
	Seal (outer) .....	5778
	Cone/Cup (outer) .....	02872-02820
<b>1973-1972</b>	Dana/Spicer 27F axle Cone/Cup (inner) .....	HM88649-HM88610
	Seal (outer) .....	5778
	Cone/Cup (outer) .....	M86647-M86610
<b>1973-1963</b>	Dana/Spicer 27AF axle Cone/Cup (inner) .....	HM88649-HM88610
	Seal (outer) .....	5778
	Cone/Cup (outer) .....	02872-02820

**Spindle Kit**

<b>1989-1974</b>	Bearing & Seal Kit .....	SBK1 <sup>33</sup>
------------------	--------------------------	--------------------

[ ] Indicates Quantity Required; Set Components Listed Inside Rear Cover;

<sup>33</sup> Opt. Kit incl: Bearing B2110; Seals 722108 & 722109

# Bearings and Seals

Mfg./Year    Model & Location    Part No    Mfg./Year    Model & Location    Part No

## **JEEP - TRUCK - Comanche, FC Series, Gladiator, J Series, Pickup Truck, Sedan Delivery, Utility Wagon (cont.)**

### **4WD FRONT AXLE**

#### **Spindle**

<b>1989-1974</b>	
Seal (inner) .....	722108[2]
Needle Bearing (inner) .....	B2110[2]
Seal (outer) .....	722109[2]
<b>1973-1954</b>	
Needle Bearing .....	B2110[2]

#### **Steering Knuckle**

<b>1973-1946</b>	Dana/Spicer 25, 27 axles
Seal .....	2064[4]
Cone/Cup .....	11590-11250[2]

### **REAR AXLE**

#### **Differential Rebuild Kit**

<b>1989-1961</b>	Dana/Spicer 44 axle
Kit .....	DRK339B
<b>1989-1984</b>	Dana/Spicer 35 axle
Kit .....	DRK335J
<b>1988-1970</b>	Dana/Spicer 60 axle
Kit .....	DRK331
<b>1986-1980</b>	AMC 20 axle
Kit .....	DRK311J
<b>1971-1962</b>	Dana/Spicer 27 axle
Kit .....	DRK197A
<b>1971-1957</b>	Dana/Spicer 70 axle
Kit .....	DRK332

#### **Differential**

<b>1989-1984</b>	Dana/Spicer 35 axle
Cone/Cup .....	LM501349-LM501314[2]
<b>1989-1974</b>	Dana/Spicer 44 axle
Cone/Cup .....	25590-25523[2]
<b>1989-1954</b>	Dana/Spicer 44-1HD axle
Cone/Cup .....	25590-25523[2]
<b>1988-1963</b>	Dana/Spicer 60 axle
Cone/Cup .....	387A-382S[2]
<b>1986-1976</b>	AMC 20 axle
Set .....	SET36
<b>1976-1957</b>	Dana/Spicer 70 axle
Cone/Cup .....	387A-382S[2]
<b>1973-1967</b>	Dana/Spicer 44-1 axle: tapered axle shaft
Cone/Cup .....	25577-25523[2]
<b>1973-1967</b>	Dana/Spicer 44-1 axle: flanged shaft
Cone/Cup .....	25590-25523[2]
<b>1973-1954</b>	Dana/Spicer 53 axle
Cone/Cup .....	25590-25523[2]
<b>1971-1966</b>	Dana/Spicer 30 axle
Cone/Cup .....	LM501349-LM501311[2]
<b>1971-1962</b>	Dana/Spicer 27 axle
Cone/Cup .....	LM501349-LM501311[2]
<b>1966-1957</b>	Dana/Spicer 44-1 axle
Cone/Cup .....	25577-25523[2]
<b>1961-1946</b>	Dana/Spicer 25 axle
Cone/Cup .....	24780-24721[2]

### **REAR AXLE**

#### **Pinion**

<b>1989-1957</b>	Dana/Spicer 44 axle
Cone/Cup (inner) .....	31594-31520
Seal (outer) .....	5778
Cone/Cup (outer) .....	02872-02820
<b>1989-1984</b>	Dana/Spicer 35 axle
Cone/Cup (inner) .....	HM88648-HM88610
Seal (outer) .....	470331N
Cone/Cup (outer) .....	M86649-M86610
<b>1988-1980</b>	Dana/Spicer 60-3 axle
Cone/Cup (inner) .....	HM803146-HM803110
Seal (outer) .....	9316
Cone/Cup (outer) .....	HM88542-HM88510
<b>1986-1976</b>	AMC 20 axle
Cone/Cup (inner) .....	M802048-M802011
Seal (outer) .....	470331N
Cone/Cup (outer) .....	M88048-M88010
<b>1979-1970</b>	Dana/Spicer 60-2 axle
Cone/Cup (inner) .....	HM803146-HM803110
Seal (outer) .....	9316
Cone/Cup (outer) .....	HM88542-HM88510
<b>1974</b>	Dana/Spicer 60-3 axle: 2nd design
Cone/Cup (inner) .....	HM803146-HM803110
Seal (outer) .....	9316
Cone/Cup (outer) .....	HM88542-HM88510
<b>1974-1970</b>	Dana/Spicer 60-3 axle: 1st design
Cone/Cup (inner) .....	HM803146-HM803110
Seal (outer) .....	6808N
Cone/Cup (outer) .....	HM88542-HM88510
<b>1971-1966</b>	Dana/Spicer 30 axle
Cone/Cup (inner) .....	HM88649-HM88610
Seal (outer) .....	5778
Cone/Cup (outer) .....	M86647-M86610
<b>1971-1962</b>	Dana/Spicer 27 axle
Cone/Cup (inner) .....	HM88649-HM88610
Seal (outer) .....	5778
Cone/Cup (outer) .....	02872-02820
<b>1971-1957</b>	Dana/Spicer 70 axle
Cone/Cup (inner) .....	HM807040-HM807010
Seal (outer) .....	6808N
Cone/Cup (outer) .....	HM88542-HM88510
<b>1971-1954</b>	Dana/Spicer 53 axle
Cone/Cup (inner) .....	3877-3820
Seal (outer) .....	5778
Cone/Cup (outer) .....	02872-02820
<b>1961-1946</b>	Dana/Spicer 25 axle
Cone/Cup (inner) .....	31594-31520
Seal (outer) .....	5778
Cone/Cup (outer) .....	02872-02820

### **TRANSFER CASE REBUILD KIT**

<b>1989-1986</b>	New Process 231
Kit .....	TCRK231 <sup>51</sup>
<b>1989-1986</b>	New Process 242: exc. cases 52098383/4/5
Kit .....	TCRK242
<b>1989-1984</b>	New Process 228
Kit .....	TCRK229

354 [ ] Indicates Quantity Required; Set Components Listed Inside Rear Cover;

<sup>51</sup> BD50-8 I/S Brg.

**JEEP - TRUCK - Comanche, FC Series, Gladiator, J Series, Pickup Truck, Sedan Delivery, Utility Wagon (cont.)**

**TRANSFER CASE REBUILD KIT (cont.)**

<b>1989-1984</b>	New Process 229	
Kit	.....	TCRK229
<b>1988-1984</b>	New Process 208	
Kit	.....	TCRK208SPK <sup>47</sup>
<b>1987-1984</b>	New Process 207	
Kit	.....	TCRK207
<b>1979-1972</b>	Dana/Spicer 20: 1.187" shaft	
Kit	.....	TCRK20A

**TRANSFER CASE**

**Input Shaft**

<b>1989-1986</b>	New Process 231	
Seal	.....	3173[2]
Bearing	.....	N5210KLB
Seal Dual Lip Opt.	.....	710928
Kwik Slv (Opt Rpr)	.....	KWK99193
Needle Bearing (pilot)	.....	SCH1810
<b>1989-1986</b>	New Process 242, 249 (1st design)	
Seal	.....	3173[2]
Bearing	.....	N5210KLB
Seal Dual Lip Opt.	.....	710928
Kwik Slv (Opt Rpr)	.....	KWK99193
Needle Bearing (pilot)	.....	FC66561
<b>1989-1981</b>	New Process 228, 229	
Seal	.....	3173[2]
Needle Bearing	.....	B5020[2]
Seal Dual Lip Opt.	.....	710928
Kwik Slv (Opt Rpr)	.....	KWK99193
Needle Bearing (pilot)	.....	B2012
Needle Bearing Thrust	.....	NTA3244
<b>1988-1980</b>	New Process 208, 219	
Seal	.....	3173[2]
Needle Bearing	.....	B5020[2]
Seal Dual Lip Opt.	.....	710928
Kwik Slv (Opt Rpr)	.....	KWK99193
Needle Bearing (pilot)	.....	B2012
Needle Bearing Thrust	.....	AXK5070
<b>1987-1984</b>	New Process 207	
Seal	.....	3173[2]
Needle Bearing	.....	B3210[2]
Seal Dual Lip Opt.	.....	710928
Kwik Slv (Opt Rpr)	.....	KWK99193
<b>1979-1974</b>	Warner 1305	
Seal	.....	5872S
Kwik Slv (Opt Rpr)	.....	KWK99193

**Front Output Shaft**

<b>1989-1986</b>	New Process 231	
Seal	.....	710046
Bearing	.....	206WB
Kwik Slv (Opt Rpr)	.....	KWK99155
Needle Bearing (pilot)	.....	J2416
<b>1989-1986</b>	New Process 242	
Seal	.....	3946
Bearing	.....	207
Kwik Slv (Opt Rpr)	.....	KWK99187
Needle Bearing (pilot)	.....	J2416

**TRANSFER CASE (cont.)**

**Front Output Shaft (cont.)**

<b>1989-1980</b>	New Process 208, 219, 228, 229	
Seal	.....	3946
Needle Bearing	.....	B2816
Kwik Slv (Opt Rpr)	.....	KWK99187
Needle Bearing (pilot)	.....	J2416
Needle Bearing Thrust	.....	NTA2840[2]
<b>1987-1984</b>	New Process 207	
Seal	.....	710046
Bearing	.....	206WB
Kwik Slv (Opt Rpr)	.....	KWK99155
Needle Bearing (pilot)	.....	B228
<b>1979-1972</b>	Spicer 20 (1.187" shaft)	
Seal	.....	473229
Cone/Cup	.....	14116-14276[2]
Kwik Slv (Opt Rpr)	.....	KWK99156
<b>1979-1972</b>	Warner 1305	
Seal	.....	473229
Kwik Slv (Opt Rpr)	.....	KWK99156
<b>1973-1954</b>	Spicer 20 (1.312" shaft)	
Seal	.....	450185
Cone/Cup	.....	14131-14276[2]
Kwik Slv (Opt Rpr)	.....	KWK99156

**Rear Output Shaft**

<b>1989-1986</b>	New Process 231	
Seal	.....	2506
Bearing	.....	206WB
Kwik Slv (Opt Rpr)	.....	KWK99149
Needle Bearing (pilot)	.....	B5020[2]
<b>1989-1981</b>	New Process 228, 229	
Seal	.....	3946
Bearing	.....	207
Kwik Slv (Opt Rpr)	.....	KWK99187
Needle Bearing (pilot)	.....	B3612
Needle Bearing Thrust	.....	TC2435
<b>1988-1980</b>	New Process 208, 219 (slip yoke)	
Seal	.....	4333N
Bearing	.....	1207L
Needle Bearing (pilot)	.....	B3616
Needle Bearing Thrust	.....	TC2435
<b>1988-1980</b>	New Process 208, 219 (fixed yoke)	
Seal	.....	3946
Bearing	.....	1207L
Kwik Slv (Opt Rpr)	.....	KWK99187
Needle Bearing (pilot)	.....	B3616
Needle Bearing Thrust	.....	TC2435
<b>1987-1984</b>	New Process 207	
Seal	.....	4370N
Bearing	.....	206WB
Kwik Slv (Opt Rpr)	.....	KWK99149
Needle Bearing (pilot)	.....	F4020
<b>1979-1974</b>	Spicer 20	
Cone/Cup (front)	.....	25877-25821
Seal (rear)	.....	473229
Cone/Cup (rear)	.....	15117-15245
Kwik Slv (Opt Rpr)	.....	KWK99156

[ ] Indicates Quantity Required; Set Components Listed Inside Rear Cover;

<sup>47</sup> Includes Small Parts Kit



# Bearings and Seals

Mfg./Year    Model & Location    Part No    Mfg./Year    Model & Location    Part No

## **JEEP - TRUCK - Comanche, FC Series, Gladiator, J Series, Pickup Truck, Sedan Delivery, Utility Wagon (cont.)**

### **TRANSFER CASE (cont.)**

#### **Rear Output Shaft (cont.)**

<b>1979-1974</b>	Warner 1305	
Seal	.....	473229
Kwik Slv (Opt Rpr)	.....	KWK99156
<b>1973-1954</b>	Spicer 20	
Cone/Cup (front)	.....	25877-25821
Seal (rear)	.....	450185
Cone/Cup (rear)	.....	15117-15245
Kwik Slv (Opt Rpr)	.....	KWK99156

### **TRANSMISSION REBUILD KIT**

<b>1984-1980</b>	Tremec 176	
Kit	.....	TRK175
<b>1979-1967</b>	Warner T15	
Kit	.....	TRKBW15J

### **3-SPEED AUTOMATIC TRANSMISSION**

#### **Torque Converter**

<b>1989-1980</b>	Chrysler A727	
Seal	.....	331227H
Kwik Slv (Opt Rpr)	.....	KWK99187
<b>1979-1964</b>	General Motors Turbo 400	
Seal	.....	6712NA
Kwik Slv (Opt Rpr)	.....	KWK99187

#### **Rear Seal/Ext. Housing**

<b>1989-1980</b>	Chrysler A727	
Seal	.....	7300S
Bearing	.....	207XLO
Seal Kit Opt.	.....	5206 <sup>64</sup>
<b>1986-1984</b>	Chrysler A904, A999, 30RH	
Seal	.....	2506
Bearing	.....	206LOE <sup>38</sup>
<b>1979-1964</b>	General Motors Turbo 400: 1.687" shaft	
Seal	.....	7038SA
Seal Kit Opt.	.....	5201 <sup>64</sup>
<b>1979-1964</b>	General Motors Turbo 400: 1.890" shaft	
Seal	.....	9449
Seal Kit Opt.	.....	5208 <sup>64</sup>

#### **Selector Shaft Seal/Man. Shaft**

<b>1989-1984</b>	Chrysler A904, A999, 30RH, 31RH, 32RH	
Seal	.....	8609
<b>1979-1964</b>	General Motors Turbo 400	
Seal	.....	8792S

### **4-SPEED AUTOMATIC TRANSMISSION**

#### **Torque Converter**

<b>1989-1987</b>	Aisin 03-40	
Seal	.....	223830
Kwik Slv (Opt Rpr)	.....	KWK99147

### **4-SPEED AUTOMATIC TRANSMISSION**

#### **Rear Seal/Ext. Housing**

<b>1989-1987</b>	Aisin 03-40: 4x2	
Seal	.....	710319
<b>1989-1987</b>	Aisin 03-40: 4x4	
Seal	.....	225005

#### **Selector Shaft Seal/Man. Shaft**

<b>1989-1987</b>	Aisin 03-40	
Seal	.....	221207
Kwik Slv (Opt Rpr)	.....	KWK99049

### **CLUTCH**

#### **Pilot Bearing**

<b>1989-1986</b>	4-cylinder 150 (2.5): AMC engine	
Needle Bearing	.....	FC65446
<b>1989-1987</b>	6-cylinder 242 (4.0)	
Needle Bearing	.....	FC66426
<b>1989-1987</b>	6-cylinder 258 (4.2)	
Needle Bearing	.....	FC66426
<b>1985-1980</b>	6-cylinder 258 (4.2)	
Bushing	.....	PB79
<b>1979-1976</b>	6-cylinder 258 (4.2)	
Bushing H/D	.....	PB76HD
<b>1975-1972</b>	6-cylinder 258 (4.2)	
Bushing H/D	.....	PB77HD
<b>1975-1972</b>	8-cylinder 304 (5.0)	
Bushing H/D	.....	PB77HD
<b>1971</b>	6-cylinder 232 (3.8)	
Bushing	.....	PB74
<b>1971</b>	6-cylinder 258 (4.2)	
Bushing	.....	PB74
<b>1971</b>	8-cylinder 304 (5.0)	
Bushing	.....	PB74
<b>1966</b>	6-cylinder 225 (3.7)	
Bushing H/D	.....	PB656HD

#### **Release Bearing**

<b>1989-1987</b>	4-cylinder 150 (2.5): hydraulic piston type	
Hydraulic Bearing Assy	.....	619007 <sup>58</sup>
<b>1988-1987</b>	6-cylinder 258 (4.2): hydraulic piston type	
Hydraulic Bearing Assy	.....	619002 <sup>58</sup>
<b>1986-1984</b>	4-cylinder 150 (2.5): AMC engine	
Bearing Assy	.....	614030
<b>1986-1979</b>	6-cylinder 258 (4.2): diaphragm pressure plate	
Bearing Assy	.....	614115
<b>1978-1976</b>	6-cylinder 258 (4.2): 3-lever pressure plate	
Bearing Assy	.....	614034
<b>1978-1976</b>	6-cylinder 258 (4.2): diaphragm pressure plate	
Bearing Assy	.....	614115
<b>1975-1971</b>	6-cylinder 258 (4.2)	
Bearing Assy	.....	RB01658C
<b>1973-1972</b>	6-cylinder 232 (3.8)	
Bearing Assy	.....	1377C

356 [ ] Indicates Quantity Required; Set Components Listed Inside Rear Cover;

<sup>38</sup> Use Old Snap Ring    <sup>58</sup> Hydraulic Unit    <sup>64</sup> Opt. Seal and Bushing Kit

**JEEP - TRUCK - Comanche, FC Series, Gladiator, J Series, Pickup Truck, Sedan Delivery, Utility Wagon (cont.)**

**CLUTCH (cont.)**

**Release Bearing (cont.)**

<b>1973-1971</b>	8-cylinder 304 (5.0)	
	Bearing Assy	R1625C
<b>1971</b>	6-cylinder 232 (3.8)	
	Bearing Assy	RB01658C
<b>1971-1946</b>	4-cylinder	
	Bearing Only	W1505C
<b>1968-1962</b>	8-cylinder 327	
	Bearing Only	NH1752C
<b>1966</b>	6-cylinder 225 (3.7)	
	Bearing Assy	1377C
<b>1965-1962</b>	6-226, F170: 4x4	
	Bearing Only	1562C
<b>1965-1946</b>	exc. 1962- 1965: 6-226, F170 & 1963- 1964: J-262, J-364	
	Bearing Only	W1505C
<b>1964-1963</b>	J-262, J364: 4x4	
	Bearing Only	1562C

**3-SPEED MANUAL TRANSMISSION**

**Front Input Shaft**

<b>1979-1967</b>	Warner T15	
	Seal	482208
	Bearing	308LI
	Kwik Slv (Opt Rpr)	KWK99112
<b>1975-1967</b>	Warner T14	
	Seal	482208
	Bearing	N307LOE
	Kwik Slv (Opt Rpr)	KWK99112
<b>1967-1961</b>	Warner T96	
	Bearing	207LO
<b>1967-1954</b>	Warner T85, T86, T89	
	Seal	482208
	Bearing	207L
	Kwik Slv (Opt Rpr)	KWK99112
<b>1967-1954</b>	Warner T90	
	Bearing	208L

**Rear Output Shaft**

<b>1979-1967</b>	Warner T15	
	Seal	470059
	Bearing	308LOE
	Seal Kit Opt.	5201 <sup>64</sup>
<b>1975-1967</b>	Warner T14	
	Seal	470059
	Bearing	1207LOE
	Seal Kit Opt.	5201 <sup>64</sup>
<b>1967-1961</b>	Warner T96: non-overdrive	
	Seal	8160S
	Bearing	206L
<b>1967-1954</b>	Warner T86: 16-splines	
	Seal	9613S
	Bearing	207L
<b>1967-1954</b>	Warner T90: 6-splines	
	Seal	8160S
	Bearing	1307
<b>1967-1954</b>	Warner T90: 16-splines	
	Seal	9613S
	Bearing	207L

**3-SPEED MANUAL TRANSMISSION**

**(cont.)**

**Rear Output Shaft (cont.)**

<b>1964</b>	Warner T96	
	Seal	8160S
	Bearing	206L
<b>1964-1962</b>	Warner T86: 6-splines	
	Seal	8160S
	Bearing	307TB
<b>1964-1962</b>	Warner T86: 10-splines	
	Seal	8160S
	Bearing	206L
<b>1963-1961</b>	Warner T96: with overdrive	
	Seal	8160S
	Bearing	206WB

**Selector Shaft Seal/Man. Shaft**

<b>1979-1946</b>	Warner T14, T15, T86, T90, T96	
	Seal	340797

**4-SPEED MANUAL TRANSMISSION**

**Transmission Rebuild Kit**

<b>1986-1965</b>	Warner T18	
	Kit	TRK82F

**Input Shaft**

<b>1989-1984</b>	Aisin AX4	
	Seal	1981
	Kwik Slv (Opt Rpr)	KWK99114
<b>1988-1980</b>	Tremec 176, 177, 178	
	Seal	3638
	Bearing	209L
	Kwik Slv (Opt Rpr)	KWK99112
<b>1986-1982</b>	Warner T4	
	Seal	7412S
	Set	SET5
	Needle Bearing Thrust	FA55505
<b>1986-1965</b>	Warner T18	
	Seal	7412S
	Bearing	308LI
	Kwik Slv (Opt Rpr)	KWK99125
<b>1967-1955</b>	Warner T98	
	Bearing	308LI

**Rear Output Shaft**

<b>1989-1984</b>	Aisin AX4: 4x4	
	Seal	1209N
	Bearing	205BB
<b>1988-1980</b>	Tremec 176, 177, 178	
	Seal	3173
	Bearing	308L
<b>1986-1982</b>	Warner T4	
	Seal	472439
	Cone/Cup	25877-25821
<b>1986-1965</b>	Warner T18: 10-splines: 3.066" OD	
	Seal	473468
	Bearing	1308L

[ ] Indicates Quantity Required; Set Components Listed Inside Rear Cover;  
<sup>64</sup> Opt. Seal and Bushing Kit

# Bearings and Seals

Mfg./Year    Model & Location    Part No    Mfg./Year    Model & Location    Part No

## **JEEP - TRUCK - Comanche, FC Series, Gladiator, J Series, Pickup Truck, Sedan Delivery, Utility Wagon (cont.)**

### **4-SPEED MANUAL TRANSMISSION**

**(cont.)**

#### **Rear Output Shaft (cont.)**

<b>1986-1965</b>	Warner T18: 31-splines: 2.381" OD	
	Seal .....	9613S
	Bearing .....	1308L
<b>1973-1965</b>	Warner T18: 6-splines: 3.068" OD	
	Seal .....	473468
	Bearing .....	308L
<b>1967-1955</b>	Warner T98	
	Seal .....	450308
	Bearing .....	1308L

### **5-SPEED MANUAL TRANSMISSION**

#### **Front Input Shaft**

<b>1989-1984</b>	Aisin AX5	
	Seal .....	1981
	Kwik Slv (Opt Rpr) .....	KWK99114
<b>1989-1987</b>	Peugeot BA10/5	
	Seal Viton .....	710164
	Kwik Slv (Opt Rpr) .....	KWK99128
<b>1986-1982</b>	Warner T5	
	Seal .....	7412S
	Set .....	SET5
	Kwik Slv (Opt Rpr) .....	KWK99125
	Needle Bearing Thrust .....	FA55505

#### **Rear Countershaft**

<b>1989</b>	Aisin AX15	
	Cyl. Bearing (front) .....	MSNB5305GTBV
<b>1989-1984</b>	Aisin AX5	
	Bearing (rear) .....	204
<b>1986-1982</b>	Warner T5	
	Needle Bearing (front) .....	DK55836
	Cyl. Bearing (rear) .....	5707
	Needle Bearing Thrust .....	NTA1423

#### **Rear Output Shaft**

<b>1989</b>	Aisin AX15: 4x2	
	Seal .....	710319
<b>1989</b>	Aisin AX15: 4x4	
	Seal .....	1209N
<b>1989-1984</b>	Aisin AX5: 4x2	
	Seal .....	710319
	Bearing .....	205BB
<b>1989-1984</b>	Aisin AX5: 4x4	
	Seal .....	1209N
	Bearing .....	205BB
<b>1989-1987</b>	Peugeot BA10/5	
	Seal .....	710319
<b>1986-1982</b>	Warner T5: 23-spline	
	Seal .....	472439
	Cone/Cup .....	25877-25821
<b>1986-1982</b>	Warner T5: 26-spline	
	Seal .....	2506
	Cone/Cup .....	25877-25821

### **ALTERNATOR**

<b>1988-1983</b>	Delco-Remy 42, 56, 63, 66, 78 amp (Type II)	
	Bearing (drive end) .....	203F
<b>1988-1980</b>	Delco-Remy 37, 42, 55, 63, 78 amp	
	Bearing (rear end) .....	MNJ471S
<b>1986-1980</b>	Delco-Remy 37, 42, 55, 63 amp (Type I)	
	Bearing (drive end) .....	203S

### **CRANKSHAFT REAR SEAL**

#### **4 Cylinder**

<b>1989-1984</b>	150/2.5L	
	Seal Viton .....	716445
	Kwik Slv (Opt Rpr) .....	KWK99294
<b>1987-1985</b>	2068cc/2.1L (Turbo Diesel)	
	Seal Viton .....	229005
	Kwik Slv (Opt Rpr) .....	KWK99354

#### **6 Cylinder**

<b>1989-1966</b>	232/3.8L, 242/4.0L, 258/4.2L	
	Seal .....	5115
<b>1986</b>	173/2.8L 2nd design	
	Seal .....	4307V
	Seal PTFE H/D Opt. ....	5273
	Kwik Slv (Opt Rpr) .....	KWK99298

#### **8 Cylinder**

<b>1989-1971</b>	304/5.0L, 360/5.9L, 401/6.6L	
	Seal Split .....	5112S
<b>1971-1968</b>	350/5.7L	
	Seal Split .....	5112S

### **TIMING COVER**

#### **4 Cylinder**

<b>1989-1984</b>	150/2.5L	
	Seal .....	321460
	Kwik Slv (Opt Rpr) .....	KWK99179
<b>1987-1985</b>	2068cc/2.1L (Turbo Diesel)	
	Seal Viton .....	225020
	Kwik Slv (Opt Rpr) .....	KWK99196
<b>1965-1957</b>	134/2.2L	
	Seal .....	471504
	Kwik Slv (Opt Rpr) .....	KWK99174

#### **6 Cylinder**

<b>1989-1980</b>	258/4.2L, 242/4.0L	
	Seal .....	321460
	Kwik Slv (Opt Rpr) .....	KWK99179
<b>1986-1984</b>	173/2.8L	
	Seal .....	9845
	Kwik Slv (Opt Rpr) .....	KWK99176
<b>1967-1962</b>	230/3.8L	
	Seal .....	450096
	Kwik Slv (Opt Rpr) .....	KWK99205
<b>1965-1954</b>	226/3.7L	
	Seal .....	471504
	Kwik Slv (Opt Rpr) .....	KWK99172

Mfg./Year    Model & Location    Part No    Mfg./Year    Model & Location    Part No

**JEEP - TRUCK - Comanche, FC Series, Gladiator, J Series, Pickup Truck, Sedan Delivery, Utility Wagon (cont.)**

**TIMING COVER**

**8 Cylinder**

**1989-1971**    304/5.0L, 360/5.9L, 401/6.6L  
 Seal ..... 472341  
 Kwik Slv (Opt Rpr) .....KWK99200  
**1972-1971**    304/5.0L  
 Seal ..... 472341  
 Kwik Slv (Opt Rpr) .....KWK99200  
**1971-1968**    350/5.7L  
 Seal ..... 472341  
 Kwik Slv (Opt Rpr) .....KWK99200

**TIMING COVER (cont.)**

**8 Cylinder (cont.)**

**1968-1965**    327/5.3L  
 Seal ..... 481195  
 Kwik Slv (Opt Rpr) .....KWK99193

**JENSEN / JENSEN-HEALEY**

**FRONT WHEEL**

**1976-1971**    Interceptor  
 Set (inner) .....SET6  
 Set (outer) .....SET2  
**1975-1972**    Healey  
 Set (inner) .....SET4  
 Set (outer) .....SET1

**REAR WHEEL**

**1975-1972**    Healey  
 Bearing .....RW109R[2]

**KAISER - includes Henry J, see also Frazer**

**FRONT WHEEL**

**1955-1949**  
 Cone/Cup (inner) ..... 15123-15245[2]  
 Cone/Cup (outer) ..... 09067-09195[2]  
**1948-1946**  
 Cone/Cup (inner) ..... 14125A-14276[2]  
 Cone/Cup (outer) ..... 09074-09194[2]

**REAR WHEEL**

**1955-1947**  
 Cone/Cup ..... 25877-25821[2]

**REAR AXLE**

**Differential**

**1955-1947**  
 Cone/Cup ..... 25577-25523[2]

**Pinion**

**1955-1947**  
 Cone/Cup (inner) ..... 31593-31520  
 Cone/Cup (outer) ..... 02872-02820

**CLUTCH**

**Release Bearing**

**1966-1947**    exc. Henry J: bearing only  
 Bearing Only .....CB1104

**CLUTCH (cont.)**

**Release Bearing (cont.)**

**1955-1947**    exc. Henry J: bearing and collar  
 Bearing Only ..... 1562C  
**1954-1951**    Henry J: bearing and collar  
 Bearing Only ..... CB1341C  
**1954-1951**    Henry J: bearing only  
 Bearing Only ..... CB1054

# Bearings and Seals

Mfg./Year    Model & Location    Part No    Mfg./Year    Model & Location    Part No

## LADA

### FRONT WHEEL

**1989-1987**    Samura, Signet  
 Set ..... SET35  
**1989-1981**    Niva truck  
 Bearing Assy (inner) ..... 32008XM[2]  
 Bearing Assy (outer) ..... 32008XM[2]  
**1989-1981**    1500S  
 Seal (inner) ..... 472213[2]  
 Cone/Cup (inner) ..... 15579X-15520[2]  
 Set (outer) ..... SET2

### REAR WHEEL

**1989-1987**  
 Bearing ..... 513116[2]  
**1986-1981**  
 Seal ..... 1981[2]  
 Bearing ..... 306FF[2]  
**1979-1966**  
 Seal ..... 1981[2]  
 Bearing ..... RW103R[2]

### REAR AXLE

#### Pinion

**1988-1979**  
 Cone/Cup (inner) ..... 23690-23620  
 Cone/Cup (outer) ..... 02473X-02419

### CLUTCH

#### Release Bearing

**1989-1975**  
 Bearing Only ..... FI1709C

### ALTERNATOR

**1989-1979**  
 Bearing (drive end) ..... 302CC  
 Bearing (rear end) ..... 201CC

## LAMBORGHINI

### REAR AXLE

#### Differential

**1989-1988**    Countach  
 Cone/Cup ..... JM207049-JM207010[2]

### REAR AXLE

#### Pinion

**1989-1988**    Countach  
 Cone/Cup (inner) ..... M802048-M802011  
 Cone/Cup (outer) ..... HM88649-HM88610

## LANCIA

### FRONT WHEEL

**1983-1979**    Zagato Series  
 Bearing ..... 513116[2]  
**1974-1966**    Appia Series III  
 Bearing (inner) ..... 305AG[2]  
 Bearing (outer) ..... 303BB[2]  
**1965-1956**    Appia Series I, II  
 Bearing (inner) ..... 5205KE[2]  
 Bearing (outer) ..... 303BB[2]

### REAR WHEEL

**1983-1979**    Zagato Series  
 Bearing ..... 513116[2]  
**1974-1956**    Appia Series I, II, III  
 Bearing ..... 206WB[2]

### CLUTCH

#### Release Bearing

**1989-1984**    Thema  
 Bearing Only ..... FI1710C  
**1988-1983**    Prisma  
 Bearing Only ..... FI1710C  
**1988-1979**    Delta  
 Bearing Only ..... FI1710C

### CLUTCH (cont.)

#### Release Bearing (cont.)

**1983-1979**    Zagato  
 Bearing Only ..... FI1709C  
**1982-1974**    Beta  
 Bearing Only ..... FI1709C  
**1978-1976**    Scorpion  
 Bearing Only ..... FI1709C

### ALTERNATOR

**1982-1980**    Bosch  
 Bearing (drive end) ..... 303S  
 Bearing (rear end) ..... 201S

**LINCOLN - FRONT DRIVE - Continental**

**FRONT WHEEL**

<b>1989-1988</b>	To 1/91	
Bearing Assy	.....	513058[2] <sup>31</sup>
Set	.....	SET49 <sup>55</sup>
Hub Assy Opt.	.....	520000[2]

**REAR WHEEL**

<b>1989-1988</b>		
Seal (inner)	.....	6815[2]
Set (inner)	.....	SET6
Set (outer)	.....	SET12

**4-SPEED AUTOMATIC TRANSAXLE**

**Differential**

<b>1989-1988</b>		
Bearing	.....	208[2]

**Torque Converter**

<b>1989-1988</b>		
Seal	.....	4189H

**Output Shaft**

<b>1989-1988</b>		
Seal	.....	3622S[2]
Kwik Slv (Opt Rpr)	.....	KWK99169[2]

**ALTERNATOR**

<b>1989-1988</b>	Motorcraft	
Bearing (drive end)	.....	203FF
<b>1989-1988</b>	Motorcraft	
Bearing (rear end)	.....	MNJ471S

**POWER STEERING**

**Input Shaft**

<b>1989-1988</b>		
Seal	.....	471645
Needle Bearing	.....	FC65753

**POWER STEERING**

**Pitman Shaft**

<b>1989-1988</b>		
Seal	.....	710504

**Pump Shaft**

<b>1989-1988</b>		
Seal	.....	8773S

**Worm Shaft**

<b>1989-1988</b>		
Bearing	.....	201CC

**CRANKSHAFT REAR SEAL**

**6 Cylinder**

<b>1989-1988</b>	232/3.8L	
Seal Viton	.....	3909
Seal PTFE H/D Opt.	.....	5277
Kwik Slv (Opt Rpr)	.....	KWK99363

**TIMING COVER**

**6 Cylinder**

<b>1989-1988</b>	232/3.8L	
Seal (front entry)	.....	2692
Seal (rear entry)	.....	2942
Kwik Slv (Opt Rpr)	.....	KWK99187
Harmonic Balancer		
Sleeves	.....	88187

**LINCOLN - REAR DRIVE - Continental, Mark Series, Town Car, Versailles**

**FRONT WHEEL**

<b>1989-1982</b>	exc. Town Car	
Seal (inner)	.....	9150S[2]
Set (inner)	.....	SET5
Set (outer)	.....	SET12
<b>1989-1982</b>	Town Car	
Seal (inner)	.....	6815[2]
Set (inner)	.....	SET11
Set (outer)	.....	SET12
<b>1981-1974</b>	exc. Versailles	
Seal (inner)	.....	6815[2]
Set (inner)	.....	SET11
Set (outer)	.....	SET12
<b>1980-1977</b>	Versailles	
Seal (inner)	.....	6815[2]
Set (inner)	.....	SET13
Set (outer)	.....	SET12

**FRONT WHEEL (cont.)**

<b>1973-1970</b>		
Seal (inner)	.....	6815[2]
Set (inner)	.....	SET13
Set (outer)	.....	SET12
<b>1969-1968</b>	Mark III	
Seal (inner)	.....	6815[2]
Set (inner)	.....	SET6
Set (outer)	.....	SET2
<b>1969-1961</b>	exc. Mark III	
Seal (inner)	.....	9150S[2]
Set (inner)	.....	SET5
Set (outer)	.....	SET3
<b>1960-1958</b>		
Set (inner)	.....	SET5
Set (outer)	.....	SET3

[ ] Indicates Quantity Required; Set Components Listed Inside Rear Cover;

<sup>31</sup> When depleted use number listed directly below    <sup>55</sup> Opt. Replacement If 513058 Is Unavailable

# Bearings and Seals

Mfg./Year    Model & Location    Part No    Mfg./Year    Model & Location    Part No

## **LINCOLN - REAR DRIVE - Continental, Mark Series, Town Car, Versailles (cont.)**

### **FRONT WHEEL (cont.)**

**1957-1951**  
 Seal (inner) ..... 6429[2]  
 Cone/Cup (inner) ..... 14130-14276[2]  
 Cone/Cup (outer) ..... 12580-12520[2]

### **REAR WHEEL**

**1989-1981**    Town Car exc. Limousine chassis  
 Seal ..... 8660S[2]  
 Cyl. Bearing ..... 5707[2]  
 Kit Opt. .... TRP1563TAV[2]<sup>19</sup>

**1989-1980**    exc. Limousine chassis  
 Seal ..... 8660S[2]  
 Cyl. Bearing ..... 5707[2]  
 Kit Opt. .... TRP1563TAV[2]<sup>19</sup>

**1980-1978**    9" ring gear: OEM ball bearing  
 Seal ..... 51098[2]  
 Bearing ..... 514003P[2]

**1979-1974**    rear disc brakes  
 Seal ..... 3195[2]  
 Set ..... SET20

**1976-1974**    rear drum brakes  
 Seal ..... 3195[2]  
 Set ..... SET20

**1973**  
 Seal ..... 51098[2]  
 Bearing ..... 514003P[2]

**1972**  
 Seal ..... 9363S[2]  
 Bearing ..... RW207CCRA[2]

**1971-1970**  
 Seal ..... 51098[2]  
 Bearing ..... 514003P[2]

**1969**    exc. Mark III  
 Seal ..... 482253[2]  
 Bearing ..... RW509FR[2]

**1969**    Mark III  
 Seal ..... 51098[2]  
 Bearing ..... 514003P[2]

**1968-1961**  
 Seal ..... 482253[2]  
 Bearing ..... RW509FR[2]

**1960-1949**  
 Seal ..... 51098[2]  
 Bearing ..... 514003P[2]

### **REAR AXLE**

#### **Differential Rebuild Kit**

**1989-1980**    8.5", 8.8" ring gears  
 Kit ..... DRK311

**1987-1982**    7.5" ring gear  
 Kit ..... DRK315

#### **Differential**

**1989-1981**    Town Car  
 Set ..... SET36[2]

**1988-1984**    exc. Town Car  
 Cone/Cup ..... LM501349-LM501314[2]

**1983-1982**    exc. Continental  
 Set ..... SET36[2]

### **REAR AXLE (cont.)**

#### **Differential (cont.)**

**1983-1982**    Continental  
 Cone/Cup ..... LM501349-LM501314[2]

**1981-1980**    8.5" ring gear  
 Set ..... SET36[2]

**1979-1973**  
 Set ..... SET47[2]

**1972**    Heavy Duty axle  
 Cone/Cup ..... 25590-25520[2]

**1972**    Standard axle  
 Set ..... SET47[2]

**1971-1966**  
 Cone/Cup ..... 25590-25520[2]

**1965-1949**  
 Cone/Cup ..... 25590-25527[2]

#### **Pinion**

**1989-1980**  
 Cone/Cup (inner) ..... M802048-M802011  
 Seal Viton (outer) ..... 3604  
 Cone/Cup (outer) ..... M88048-M88010  
 Cyl. Bearing (pilot) ..... R1535TAV

**1979-1973**  
 Cone/Cup (inner) ..... M88048-M88010  
 Seal (outer) ..... 7044NA  
 Cone/Cup (outer) ..... M88048-M88010  
 Cyl. Bearing (pilot) ..... R1535TAV

**1972-1966**  
 Cone/Cup (inner) ..... HM89444-HM89410  
 Seal (outer) ..... 7044NA  
 Cone/Cup (outer) ..... M88048-M88010  
 Cyl. Bearing (pilot) ..... M5204TV

**1965-1964**  
 Cone/Cup (inner) ..... 3877-3820  
 Seal (outer) ..... 6808N  
 Cone/Cup (outer) ..... HM88542-HM88510

**1963-1949**  
 Cone/Cup (inner) ..... 3877-3820  
 Seal (outer) ..... 5778  
 Cone/Cup (outer) ..... 02872-02820

### **AUTOMATIC TRANSMISSION**

#### **Torque Converter**

**1954-1949**    Hydramatic  
 Seal ..... 450725N<sup>20</sup>

#### **Rear Seal/Ext. Housing**

**1954-1949**    Hydramatic  
 Seal ..... 7038SA  
 Bearing ..... 106WB  
 Seal Kit ..... 5205<sup>64</sup>

### **3-SPEED AUTOMATIC TRANSMISSION**

#### **Torque Converter**

**1980-1966**    C6  
 Seal ..... 331107N  
 Kwik Slv (Opt Rpr) ..... KWK99199

**362** [ ] Indicates Quantity Required; Set Components Listed Inside Rear Cover;

<sup>19</sup> Opt. Axle Repair Bearing. Replaces O.E. bearing & seal.

<sup>20</sup> Not currently in production; check for availability

<sup>64</sup> Opt. Seal and Bushing Kit

**LINCOLN - REAR DRIVE - Continental, Mark Series, Town Car, Versailles (cont.)**

**3-SPEED AUTOMATIC TRANSMISSION (cont.)**

**Torque Converter (cont.)**

<b>1965-1955</b>	Ford-o-Matic	
Seal	.....	6988H
Kwik Slv (Opt Rpr)	.....	KWK99193

**Rear Seal/Ext. Housing**

<b>1980-1966</b>	C6	
Seal	.....	7300S
Seal Kit	.....	5203 <sup>64</sup>
<b>1965-1955</b>	Ford-o-Matic	
Seal	.....	7692S
Seal Kit	.....	5202 <sup>64</sup>

**Selector Shaft Seal/Man. Shaft**

<b>1980-1955</b>		
Seal	.....	7929S

**4-SPEED AUTOMATIC TRANSMISSION**

**Torque Converter**

<b>1989-1981</b>	AOT (AOD)	
Seal	.....	331107N
Kwik Slv (Opt Rpr)	.....	KWK99199
<b>1985-1984</b>	ZF 4HP-22	
Seal	.....	224015
Kwik Slv (Opt Rpr)	.....	KWK99157

**Rear Seal/Ext. Housing**

<b>1989-1981</b>	AODE	
Seal	.....	7692S
Seal Kit	.....	5202 <sup>64</sup>
<b>1989-1981</b>	AOT (AOD): long boot	
Seal	.....	7692S
Seal Kit	.....	5202 <sup>64</sup>
<b>1985-1984</b>	ZF 4HP-22	
Seal	.....	2655

**Selector Shaft Seal/Man. Shaft**

<b>1989-1981</b>		
Seal	.....	7929S

**CLUTCH**

**Release Bearing**

<b>1950-1935</b>		
Bearing Only	.....	2065C

**3-SPEED MANUAL TRANSMISSION**

**Front Input Shaft**

<b>1951-1949</b>	Warner T89	
Bearing	.....	307L
<b>1951-1949</b>	Warner T86	
Seal	.....	450326
Bearing	.....	207L
Kwik Slv (Opt Rpr)	.....	KWK99149

**3-SPEED MANUAL TRANSMISSION**

**Rear Output Shaft**

<b>1951-1949</b>	Warner T89	
Seal	.....	450308
Bearing	.....	307L
<b>1951-1949</b>	Warner T86	
Seal	.....	470059
Bearing	.....	207L
Seal Kit	.....	5201 <sup>64</sup>

**Selector Shaft Seal/Man. Shaft**

<b>1951-1949</b>		
Seal	.....	340797
Kwik Slv (Opt Rpr)	.....	KWK99059

**ALTERNATOR**

<b>1989-1980</b>	Motorcraft	
Bearing (drive end)	.....	203FF
<b>1989-1980</b>	Motorcraft	
Bearing (rear end)	.....	MNJ471S

**CRANKSHAFT REAR SEAL**

**6 Cylinder**

<b>1984</b>	2443cc/2.4L (diesel)	
Seal Viton	.....	229005
Kwik Slv (Opt Rpr)	.....	KWK99354
<b>1982</b>	232/3.8L	
Seal Rope	.....	5095
Seal Split	.....	5108

**8 Cylinder**

<b>1989-1984</b>	281/4.6L, 302/5.0L	
Seal Viton	.....	3909
Seal PTFE H/D Opt.	.....	5277
Kwik Slv (Opt Rpr)	.....	KWK99363
<b>1983</b>	302/5.0L Thru 11/82	
Seal Rope	.....	5095
Seal Split Opt.	.....	5108
<b>1983</b>	302/5.0L From 11/82	
Seal Viton	.....	3909
Seal PTFE H/D Opt.	.....	5277
Kwik Slv (Opt Rpr)	.....	KWK99363
<b>1982-1977</b>	302/5.0L, 351/5.8L	
Seal Rope	.....	5095
Seal Split Opt.	.....	5108
<b>1979-1977</b>	400/6.6L	
Seal Rope	.....	5095
Seal Split Opt.	.....	5117
<b>1978-1972</b>	460/7.5L	
Seal Rope	.....	5095
Seal Split Opt.	.....	5118

**TIMING COVER**

**6 Cylinder**

<b>1984</b>	2443cc/2.4L (diesel)	
Seal Viton	.....	716484
Kwik Slv (Opt Rpr)	.....	KWK99189

[ ] Indicates Quantity Required; Set Components Listed Inside Rear Cover;  
<sup>64</sup> Opt. Seal and Bushing Kit



# Bearings and Seals

Mfg./Year    Model & Location    Part No    Mfg./Year    Model & Location    Part No

## **LINCOLN - REAR DRIVE - Continental, Mark Series, Town Car, Versailles (cont.)**

### **TIMING COVER (cont.)**

#### **6 Cylinder (cont.)**

**1982**    232/3.8L  
 Seal (front entry) .....2692  
 Seal (rear entry) .....2942  
 Kwik Slv (Opt Rpr) .....KWK99187  
 Harmonic Balancer  
 Sleeves .....88187

#### **8 Cylinder**

**1989-1981**    281/4.6L  
 Seal .....482041N  
 Kwik Slv (Opt Rpr) .....KWK99187  
 Harmonic Balancer  
 Sleeves .....88187

### **TIMING COVER (cont.)**

#### **8 Cylinder (cont.)**

**1989-1972**    302/5.0L, 351/5.8L, 400/6.6L,  
 460/7.5L  
 Seal (front entry) .....2692  
 Seal (rear entry) .....2942  
 Kwik Slv (Opt Rpr) .....KWK99187  
 Harmonic Balancer  
 Sleeves .....88187

## **LLOYD**

### **REAR WHEEL**

**1960-1956**    600  
 Bearing .....205BB[2]

## **LOTUS**

### **FRONT WHEEL**

**1989-1981**    Esprit  
 Set (inner) .....SET4  
 Set (outer) .....SET2  
**1981-1976**    Eclat  
 Set (inner) .....SET4  
 Set (outer) .....SET2  
**1981-1974**    Elite  
 Set (inner) .....SET4  
 Set (outer) .....SET2  
**1980-1976**    Esprit  
 Set (inner) .....SET8  
 Set (outer) .....SET1  
**1975-1967**    Europa  
 Set (inner) .....SET4  
 Set (outer) .....SET2  
**1974-1967**    Elan  
 Set (inner) .....SET4  
 Set (outer) .....SET2

### **REAR WHEEL**

**1975-1967**    Europa  
 Bearing .....206FF[2]  
**1974-1967**    Elan  
 Bearing .....206FF[2]

### **REAR AXLE**

#### **Differential**

**1984-1976**    Elite  
 Cone/Cup .....LM501349-LM501311[2]

### **REAR AXLE (cont.)**

#### **Differential (cont.)**

**1983-1976**    Eclat  
 Cone/Cup .....LM501349-LM501311[2]  
**1972-1964**    Elan  
 Set .....SET5  
**1970-1968**    Europa  
 Bearing Assy .....30207M[2]

#### **Pinion**

**1984-1976**    Elite  
 Cone/Cup (inner) .....M86649-M86610  
 Cone/Cup (outer) .....HM88649-HM88610  
**1983-1976**    Eclat  
 Cone/Cup (inner) .....M86649-M86610  
 Cone/Cup (outer) .....HM88649-HM88610  
**1972-1964**    Elan  
 Cone/Cup (inner) .....M88043-M88010  
 Cone/Cup (outer) .....M88043-M88010

**MACK TRUCK - 200 Series, 250 Series, 300 Series**

**FRONT WHEEL**

<b>1989-1984</b>	RVI 408.06 axle	
Seal (inner)	.....	717004[2]
Bearing Assy (inner)	.....	33214[2]
Bearing Assy (outer)	.....	33210[2]
<b>1989-1979</b>	RVI axles: 1.2600" wide bearing	
Seal (inner)	.....	717005[2]
Bearing Assy (inner)	.....	33211[2]
Bearing Assy (outer)	.....	32208M[2]
<b>1989-1979</b>	RVI axles: 0.9744" wide bearing	
Seal (inner)	.....	717005[2]
Bearing Assy (inner)	.....	33211[2]
Bearing Assy (outer)	.....	33208[2]

**REAR WHEEL**

<b>1989-1979</b>		
Seal (inner)	.....	370220A[2] <sup>57</sup>
Cone/Cup (inner)	.....	594-593X[2]
Cone/Cup (outer)	.....	594-593X[2]

**REAR AXLE**

**Differential Rebuild Kit**

<b>1989-1979</b>	Eaton 16247 axle	
Kit	.....	DRK23D
<b>1989-1979</b>	Eaton 18207 axle	
Kit	.....	DRK1
<b>1989-1979</b>	Eaton 18227 axle	
Kit	.....	DRK1

**Differential**

<b>1989-1979</b>	RVI axles	
Cone/Cup	.....	JM716649-JM716610[2]
<b>1989-1979</b>	Eaton 16247 axle	
Cone/Cup (LH)	.....	495A-493
Cone/Cup (RH)	.....	42381-42584
<b>1989-1979</b>	Eaton 18207, 18227, 22127, 22227 axles	
Cone/Cup (LH)	.....	56425-56650
Cone/Cup (RH)	.....	497-493

**Pinion**

<b>1989-1979</b>	RVI axles	
Cone/Cup (inner)	.....	65390-65320
Cone/Cup (outer)	.....	HM807040-HM807010

**REAR AXLE (cont.)**

**Pinion (cont.)**

<b>1989-1979</b>	Eaton 16247 axle	
Cone/Cup (inner)	.....	55175C-55437
Seal (outer)	.....	9773R
Cone/Cup (outer)	.....	55175C-55437
Cyl. Bearing (pilot)	.....	MUS1307UM
<b>1989-1979</b>	Eaton 18207, 18227 axles	
Cone/Cup (inner)	.....	55200C-55437
Seal (outer)	.....	9773R
Cone/Cup (outer)	.....	55200C-55437
Cyl. Bearing (pilot)	.....	MUS1307UM
<b>1989-1979</b>	Eaton 22127, 22227 axles	
Cone/Cup (inner)	.....	72200C-72487
Seal (outer)	.....	9773R
Cone/Cup (outer)	.....	72200C-72487
Cyl. Bearing (pilot)	.....	MUS1307UM

**CLUTCH**

**Pilot Bearing**

<b>1989-1984</b>	8.8 turbodiesel	
Bearing	.....	305DD
<b>1989-1980</b>	5.5 turbodiesel	
Bearing	.....	105CC

**DRIVESHAFT SUPPORT**

<b>1989-1964</b>	Spicer 1550, 1610, 1650: 1.7717" bearing ID	
Hanger Bearing Assy	.....	HB88509A
<b>1976-1964</b>	Spicer: 1.3780" bearing ID	
Hanger Bearing Assy	.....	HB88107
<b>1976-1964</b>	Spicer: 1.5748" bearing ID	
Hanger Bearing Assy	.....	HB88508
<b>1976-1964</b>	Spicer: 1.9685" bearing ID	
Hanger Bearing Assy	.....	HB88510
<b>1976-1964</b>	Spicer: 2.3622" bearing ID	
Hanger Bearing Assy	.....	HB88512AHD

**MASERATI**

**FRONT WHEEL**

<b>1989-1988</b>	Spyder	
Set (inner)	.....	SET6
Set (outer)	.....	SET2
<b>1989-1977</b>	Quattroporte	
Set (inner)	.....	SET6
Set (outer)	.....	SET2
<b>1988-1984</b>	Biturbo	
Set (inner)	.....	SET6
Set (outer)	.....	SET2

**FRONT WHEEL (cont.)**

<b>1980-1977</b>	Khamsin	
Cone/Cup (inner)	.....	15123-15245[2]
Cone/Cup (outer)	.....	09067-09195[2]
<b>1980-1977</b>	Kyalami	
Set (inner)	.....	SET6
Set (outer)	.....	SET2

[ ] Indicates Quantity Required; Set Components Listed Inside Rear Cover;  
<sup>57</sup> Oil Bath Seal

# Bearings and Seals

Mfg./Year    Model & Location    Part No    Mfg./Year    Model & Location    Part No

## MASERATI (cont.)

### REAR WHEEL

<b>1989</b>	228	
	Cone/Cup (inner)	LM78349-LM78310A[2]
	Cone/Cup (outer)	LM300849-LM300811[2]
<b>1989</b>	430	
	Cone/Cup (inner)	LM78349-LM78310A[2]
	Cone/Cup (outer)	LM300849-LM300811[2]
<b>1989-1987</b>	Spyder	
	Cone/Cup (inner)	LM78349-LM78310A[2]
	Cone/Cup (outer)	LM300849-LM300811[2]
<b>1989-1979</b>	Quattroporte	
	Cone/Cup (inner)	JLM506849-JLM506810[2]
	Cone/Cup (outer)	JLM104948-JLM104910[2]
<b>1988-1984</b>	Biturbo	
	Cone/Cup (inner)	LM78349-LM78310A[2]
	Cone/Cup (outer)	LM300849-LM300811[2]
<b>1980-1977</b>	Kyalami	
	Cone/Cup (inner)	JLM506849-JLM506810[2]
	Cone/Cup (outer)	JLM104948-JLM104910[2]

### REAR AXLE

#### Differential

<b>1989</b>	228, 430	
	Cone/Cup	LM501349-LM501311[2]
<b>1988-1985</b>	Biturbo, Spyder	
	Cone/Cup	LM501349-LM501311[2]
<b>1984-1977</b>	Merak	
	Bearing Assy	30208M[2]
<b>1980-1978</b>	Kyalami	
	Cone/Cup	25577-25523[2]
<b>1980-1977</b>	Bora	
	Cone/Cup	25590-25520[2]
<b>1980-1977</b>	Khamsin	
	Cone/Cup	25577-25523[2]

### REAR AXLE

#### Pinion

<b>1989-1984</b>	Biturbo	
	Cone/Cup (inner)	LM501349-LM501311
	Cone/Cup (outer)	M86649-M86610
<b>1986-1979</b>	Quattroporte I	
	Cone/Cup (inner)	JLM506849-JLM506810
	Cone/Cup (outer)	JLM104948-JLM104910
<b>1981-1977</b>	Khamsin	
	Cone/Cup (inner)	HM89446-HM89410
	Cone/Cup (outer)	M88043-M88010

## MAZDA - FRONT WHEEL DRIVE - GLC (84-85), MX6, 323, 323 AWD, 626 (83->)

### FRONT WHEEL

<b>1989</b>	MX-6	
	Seal	1932S[2]
	Bearing Assy	513057[2]
<b>1989-1988</b>	626	
	Seal	1932S[2]
	Bearing Assy	513057[2]
<b>1989-1986</b>	323	
	Seal (inner)	4990[2]
	Set (inner)	SET11
	Seal (outer)	710323[2]
	Set (outer)	SET11
<b>1987-1983</b>	626	
	Set	SET39
<b>1985-1981</b>	GLC exc. Wagon	
	Seal (inner)	4990[2]
	Set (inner)	SET11
	Seal (outer)	710323[2]
	Set (outer)	SET11

### FRONT WHEEL (cont.)

<b>1983-1981</b>	GLC Wagon	
	Seal (inner)	1213N[2]
	(inner)	XAA30205-YAA30205
	Seal (outer)	1214N[2]
	Set (outer)	SET1

### REAR WHEEL

<b>1989-1988</b>	626	
	Seal	224235[2]
	Bearing Assy	513055[2]
<b>1989-1988</b>	MX-6	
	Seal	224235[2]
	Bearing Assy	513055[2]
<b>1989-1988</b>	323 (AWD)	
	Seal (inner)	4990[2]
	Set (inner)	SET11
	Seal (outer)	710323[2]
	Set (outer)	SET11
<b>1989-1987</b>	323 exc. GTX and Wagon	
	Seal (inner)	710311[2]
	Set (inner)	SET8
	Set (outer)	SET2

**MAZDA - FRONT WHEEL DRIVE - GLC (84-85), MX6, 323, 323 AWD, 626 (83->)**  
**(cont.)**

**REAR WHEEL (cont.)**

<b>1988-1987</b>	323 Wagon	
Seal (inner)	.....	1973[2]
Cone/Cup (inner)	.....	15123-15245[2]
Set (outer)	.....	SET2
<b>1987-1983</b>	626	
Seal (inner)	.....	1126S[2]
Set (inner)	.....	SET4
Set (outer)	.....	SET2
<b>1986</b>	323	
Seal (inner)	.....	710311[2]
Set (inner)	.....	SET8
Set (outer)	.....	SET2
<b>1985-1981</b>	GLC	
Seal (inner)	.....	710217[2]
Set (inner)	.....	SET4
Set (outer)	.....	SET1

**REAR AXLE**

**Pinion**

<b>1989-1988</b>	Protege AWD, 323 AWD	
Bearing Assy (inner)	.....	32206M
Seal (outer)	.....	710217
Bearing Assy (outer)	.....	32205
Kwik Slv (Opt Rpr)	.....	KWK99139

**CLUTCH**

**Pilot Bearing**

<b>1989-1970</b>		
Bearing	.....	202SS

**Release Bearing**

<b>1989-1988</b>	MX-6: non-turbo	
Bearing Assy	.....	614067
<b>1989</b>	MX-6: Turbo	
Bearing Assy	.....	614079
<b>1989-1988</b>	929	
Bearing Assy	.....	614079
<b>1989-1986</b>	626: non-turbo	
Bearing Assy	.....	614067
<b>1989-1986</b>	626: turbo	
Bearing Assy	.....	614079
<b>1989-1984</b>	RX-7: turbo	
Bearing Assy	.....	614079
<b>1989-1988</b>	323: Turbo	
Bearing Assy	.....	614079
<b>1989-1988</b>	323 GTX 4WD turbo	
Bearing Assy	.....	614079
<b>1989-1987</b>	323: non-turbo	
Bearing Assy	.....	614063
<b>1988-1979</b>	RX-7: non-turbo	
Bearing Assy	.....	614067
<b>1987-1986</b>	323	
Bearing Assy	.....	614026
<b>1985-1984</b>	GLC: front drive	
Bearing Assy	.....	614026
<b>1985-1984</b>	GLC: rear drive	
Bearing Assy	.....	614026
<b>1985-1984</b>	626: diesel	
Bearing Assy	.....	614067

**CLUTCH (cont.)**

**Release Bearing (cont.)**

<b>1985-1979</b>	626: gas	
Bearing Assy	.....	614067
<b>1983-1981</b>	GLC Sedan	
Bearing Assy	.....	614026
<b>1983-1980</b>	GLC Wagon	
Bearing Assy	.....	614026
<b>1980-1977</b>	GLC	
Bearing Assy	.....	614026
<b>1978-1976</b>	Cosmo	
Bearing Only	.....	FC1723C
<b>1978-1974</b>	RX-4	
Bearing Only	.....	FC1723C
<b>1978-1972</b>	RX-3	
Bearing Only	.....	FC1723C
<b>1977-1976</b>	Mizer: 3-finger clutch	
Bearing Only	.....	TO1710
<b>1977-1976</b>	Mizer: diaphragm clutch	
Bearing Assy	.....	614026
<b>1977-1972</b>	808	
Bearing Only	.....	FC1723C
<b>1974-1971</b>	RX-2	
Bearing Only	.....	FC1723C
<b>1972</b>	618	
Bearing Only	.....	FC1723C
<b>1972-1970</b>	616	
Bearing Only	.....	FC1723C
<b>1972-1970</b>	R100	
Bearing Only	.....	FC1723C

**3-SPEED AUTOMATIC TRANSAXLE**

**Torque Converter**

<b>1989-1983</b>	F3A	
Seal	.....	1012N
Kwik Slv (Opt Rpr)	.....	KWK99177

**Output Shaft**

<b>1989-1983</b>	F3A	
Seal	.....	223543[2]
Kwik Slv (Opt Rpr)	.....	KWK99139[2]

**Differential**

<b>1989-1983</b>	F3A	
Bearing Assy	.....	32008XM[2]

**4-SPEED AUTOMATIC TRANSAXLE**

**Differential**

<b>1989-1988</b>	F4A-EL	
Set	.....	SET17[2]
<b>1989-1987</b>	G4A-EL	
Bearing Assy	.....	32008XM[2]

# Bearings and Seals

Mfg./Year    Model & Location    Part No    Mfg./Year    Model & Location    Part No

## **MAZDA - FRONT WHEEL DRIVE - GLC (84-85), MX6, 323, 323 AWD, 626 (83->)** **(cont.)**

### **4-SPEED AUTOMATIC TRANSAXLE**

#### **Torque Converter**

**1989-1987**    F4A-EL, G4A-EL, G4A-HL  
Seal ..... 710446

#### **Output Shaft**

**1989-1987**    F4A-EL, G4A-EL, G4A-HL  
Seal (LH) ..... 223543  
Kwik Slv (Opt Rpr) (LH) ..... KWK99139  
Seal (RH) ..... 2007N  
Kwik Slv (Opt Rpr) (RH) ..... KWK99139

### **4-SPEED MANUAL TRANSAXLE**

#### **Differential**

**1989-1983**    F4A  
Set ..... SET17[2]

#### **Input Shaft**

**1989-1983**    F4A  
Seal ..... 222430  
Kwik Slv (Opt Rpr) ..... KWK99098

#### **Output Shaft**

**1989-1983**    F4A  
Seal (LH) ..... 223543  
Kwik Slv (Opt Rpr) (LH) ..... KWK99139  
Seal (RH) ..... 2007N  
Kwik Slv (Opt Rpr) (RH) ..... KWK99139

### **5-SPEED MANUAL TRANSAXLE**

#### **Input Shaft**

**1989-1983**    F5A, F52, F501  
Seal ..... 222430  
Kwik Slv (Opt Rpr) ..... KWK99098  
**1989-1983**    F5F, G5A, G5M, G5Y, H5Y,  
G501  
Seal (outer) ..... 1990  
Set (outer) ..... SET32  
Kwik Slv (Opt Rpr) ..... KWK99106

#### **Countershaft**

**1989-1983**    F5A, F52, F501  
Bearing Assy (front) ..... 32205

#### **Output Shaft**

**1989-1983**    F5A, F5F, F52, G5A, G5M, G5Y,  
H5Y, F501, G501  
Seal (LH) ..... 223543  
Kwik Slv (Opt Rpr) (LH) ..... KWK99139  
Seal (RH) ..... 2007N  
Kwik Slv (Opt Rpr) (RH) ..... KWK99139

### **5-SPEED MANUAL TRANSAXLE**

#### **Selector Shaft Seal/Man. Shaft**

**1989-1988**    G5M, G5Y, H5Y  
Seal ..... 221620

### **DRIVESHAFT SUPPORT**

**1989-1988**    323 (AWD)  
Hanger Bearing Assy ..... HB29

### **CV JOINT HALF SHAFT**

**1989-1988**    626  
Seal (dust seal) ..... 710253  
Seal (inner) ..... 710224  
Seal (outer) ..... 710223  
**1989-1988**    MX-6  
Seal (dust seal) ..... 710253  
Seal (inner) ..... 710224  
Seal (outer) ..... 710223

### **CAMSHAFT SEAL**

#### **4 Cylinder**

**1989-1988**    1489cc/1.5L, 1597cc/1.6L,  
1839cc/1.8L, 1991cc/2.0  
Seal ..... 223420[2]  
**1989-1986**    1597cc/1.6L, 1839cc/1.8L  
Seal ..... 223012  
**1989-1984**    1998cc/2.0L, 2184cc/2.2L  
Seal ..... 223420

### **CRANKSHAFT REAR SEAL**

#### **4 Cylinder**

**1989-1986**    1489cc/1.5L, 1597cc/1.6L,  
1839cc/1.8L  
Seal ..... 228250  
Kwik Slv (Opt Rpr) ..... KWK99328  
**1989-1984**    1998cc/2.0L, 2184cc/2.2L  
Seal ..... 229010  
Kwik Slv (Opt Rpr) ..... KWK99354  
**1986-1981**    1490cc/1.5L  
Seal ..... 227020  
Kwik Slv (Opt Rpr) ..... KWK99272

### **TIMING COVER**

#### **4 Cylinder**

**1989-1984**    1998cc/2.0L, 2184cc/2.2L  
Seal ..... 223420  
**1989-1986**    1597cc/1.6L, 1839cc/1.8L  
Seal ..... 223012  
Kwik Slv (Opt Rpr) ..... KWK99114  
**1986-1981**    1490cc/1.5L  
Seal ..... 224020  
Kwik Slv (Opt Rpr) ..... KWK99157

**MAZDA - REAR WHEEL DRIVE - Cosmo, GLC, Mizer, MX5 Miata, 616, 618, 626, 808, 929, RX2, RX3, RX4, RX7**

**FRONT WHEEL**

<b>1989-1986</b>	RX-7	
Seal (inner)	.....	1975S[2]
Bearing Assy (inner)	.....	32204[2]
Set (outer)	.....	SET11
<b>1989-1988</b>	929	
Seal	.....	1207N[2]
Bearing	.....	510035[2]
<b>1985-1984</b>		
Seal (inner)	.....	1213N[2]
Set (inner)	.....	SET32
Bearing Assy (outer)	.....	32204[2]
<b>1983-1980</b>	GLC	
Seal (inner)	.....	1213N[2]
Bearing Assy (inner)	.....	30205M[2]
Set (outer)	.....	SET11
<b>1983-1979</b>	RX-7	
Seal (inner)	.....	1213N[2]
Set (inner)	.....	SET32
Set (outer)	.....	SET1
<b>1982-1979</b>	626	
Seal (inner)	.....	1213N[2]
Set (inner)	.....	SET32
Set (outer)	.....	SET2
<b>1979-1977</b>	GLC	
Seal (inner)	.....	1213N[2]
Cone/Cup (inner)	.....	XAA30205-YAA30205[2]
Set (outer)	.....	SET1
<b>1978-1976</b>	Cosmo	
Seal (inner)	.....	1188S[2]
Set (inner)	.....	SET6
Set (outer)	.....	SET2
<b>1978-1974</b>	RX-4	
Seal (inner)	.....	1213N[2]
Set (inner)	.....	SET32
Set (outer)	.....	SET2
<b>1977-1976</b>	Mizer	
Seal (inner)	.....	1213N[2]
Cone/Cup (inner)	.....	XAA30205-YAA30205[2]
Set (outer)	.....	SET2
<b>1977-1975</b>	RX-3	
Seal (inner)	.....	1213N[2]
Cone/Cup (inner)	.....	XAA30205-YAA30205[2]
Set (outer)	.....	SET2
<b>1977-1971</b>	808	
Seal (inner)	.....	1213N[2]
Cone/Cup (inner)	.....	XAA30205-YAA30205[2]
Set (outer)	.....	SET2
<b>1974-1971</b>	RX-2	
Seal (inner)	.....	1213N[2]
Cone/Cup (inner)	.....	XAA30205-YAA30205[2]
Set (outer)	.....	SET2
<b>1973-1970</b>	616	
Seal (inner)	.....	1213N[2]
Cone/Cup (inner)	.....	XAA30205-YAA30205[2]
Set (outer)	.....	SET2
<b>1972-1970</b>	R100	
Seal (inner)	.....	1213N[2]
Cone/Cup (inner)	.....	XAA30205-YAA30205[2]
Set (outer)	.....	SET2

**REAR WHEEL**

<b>1989-1986</b>	RX-7	
Seal	.....	225872[2]
Bearing	.....	510010[2]
<b>1989-1988</b>	929	
Bearing Assy	.....	513057[2]
<b>1987-1983</b>	626	
Seal (inner)	.....	1126S[2]
Set (inner)	.....	SET4
Set (outer)	.....	SET2
<b>1985-1984</b>	RX-7	
Seal	.....	710320[2]
Bearing	.....	511017[2]
<b>1985-1981</b>	GLC	
Seal (inner)	.....	710311[2]
Set (inner)	.....	SET4
Set (outer)	.....	SET1
<b>1983-1981</b>	GLC Wagon	
Seal	.....	1180S[2]
Bearing	.....	RW102R[2]
<b>1983-1979</b>	RX-7	
Seal	.....	1214N[2]
Bearing	.....	RW102R[2]
<b>1982-1979</b>	626	
Bearing	.....	RW102R[2]
<b>1980-1977</b>	GLC	
Seal	.....	1180S[2]
Bearing	.....	RW102R[2]
<b>1978-1976</b>	Cosmo	
Seal	.....	224820[2]
Bearing	.....	RW128R[2]
<b>1978-1971</b>	RX-2, RX-3, RX-4	
Seal	.....	1214N[2]
Bearing	.....	RW102R[2]
<b>1977-1976</b>	Mizer	
Bearing	.....	RW102R[2]
<b>1977-1972</b>	808	
Bearing	.....	RW102R[2]
<b>1973-1970</b>	616	
Bearing	.....	RW102R[2]
<b>1973-1970</b>	618	
Bearing	.....	RW102R[2]
<b>1972-1970</b>	R100	
Seal	.....	1214N[2]
Bearing	.....	RW102R[2]

**REAR AXLE**

**Differential**

<b>1989-1988</b>	929	
Seal	.....	223840[2]
Kwik Slv (Opt Rpr)	.....	KWK99147[2]
<b>1989-1987</b>	RX-7: limited slip differential	
Seal Viton	.....	710218[2]
Kwik Slv (Opt Rpr)	.....	KWK99139[2]
<b>1989-1987</b>	RX-7 (exc. Posi-Trac)	
Seal	.....	2007N[2]
Cone/Cup	.....	XAA32008X-Y32008X[2]
Kwik Slv (Opt Rpr)	.....	KWK99139[2]
<b>1986-1970</b>		
Cone/Cup	.....	XAA32008X-Y32008X[2]

# Bearings and Seals

Mfg./Year    Model & Location    Part No    Mfg./Year    Model & Location    Part No

## **MAZDA - REAR WHEEL DRIVE - Cosmo, GLC, Mizer, MX5 Miata, 616, 618, 626, 808, 929, RX2, RX3, RX4, RX7 (cont.)**

### **REAR AXLE**

#### **Pinion**

<b>1989-1988</b>	929	
	Bearing Assy (inner)	32307
	Bearing Assy (outer)	30306M
<b>1989-1987</b>	RX-7: limited slip differential	
	Bearing Assy (inner)	32207M
	Bearing Assy (outer)	30306M
	Bearing (pilot)	108TB
<b>1989-1987</b>	RX-7 (exc. Posi-Trac)	
	Bearing Assy (inner)	32207M
	Seal (outer)	712010
	Bearing Assy (outer)	32206M
	Kwik Slv (Opt Rpr)	KWK99189
<b>1986-1979</b>	RX-7, 626	
	Bearing Assy (inner)	32207M
	Seal (outer)	710326
	Bearing Assy (outer)	32206M
	Kwik Slv (Opt Rpr)	KWK99157
<b>1983-1977</b>	GLC	
	Bearing Assy (inner)	32206M
	Seal (outer)	2008S
	Kwik Slv (Opt Rpr)	KWK99157
<b>1978-1974</b>	Cosmo, Mizer, RX2, RX3, RX4, 808 (M/T)	
	Cone/Cup (inner)	HM803146-HM803110
	Seal (outer)	1216N
	Bearing Assy (outer)	32206M
	Kwik Slv (Opt Rpr)	KWK99157
<b>1978-1974</b>	Cosmo, Mizer, RX2, RX3, RX4, 808 (A/T)	
	Bearing Assy (inner)	32207M
	Seal (outer)	1216N
	Bearing Assy (outer)	32206M
	Kwik Slv (Opt Rpr)	KWK99157
<b>1973-1970</b>		
	Bearing Assy (inner)	32207M
	Seal (outer)	1216N
	Bearing Assy (outer)	32206M
	Kwik Slv (Opt Rpr)	KWK99157

### **TRANSMISSION REBUILD KIT**

<b>1989-1978</b>	Single Ball front	
	Kit	TRKZ100
<b>1989-1978</b>	Double Ball Front Bearing	
	Kit	TRKZ110

### **3-SPEED AUTOMATIC TRANSMISSION**

#### **Torque Converter**

<b>1983-1971</b>	3N71B	
	Seal Viton	2025
	Kwik Slv (Opt Rpr)	KWK99166

### **3-SPEED AUTOMATIC TRANSMISSION**

#### **Rear Seal/Ext. Housing**

<b>1983-1971</b>	3N71B	
	Seal	1216N

### **4-SPEED AUTOMATIC TRANSMISSION**

#### **Torque Converter**

<b>1989-1984</b>	L4N71B	
	Seal Viton	2025
	Kwik Slv (Opt Rpr)	KWK99166

#### **Rear Seal/Ext. Housing**

<b>1989-1984</b>	L4N71B	
	Seal	223801

### **CLUTCH**

#### **Pilot Bearing**

<b>1989-1972</b>	Rotary engines	
	Bearing	152016
<b>1989-1970</b>	exc. rotary engines	
	Bearing	202SS

### **CLUTCH - ROTARY**

#### **Release Bearing**

<b>1989-1986</b>	1308cc/130L (Turbo)(240mm clutch)	
	Bearing Assy	614079
<b>1989-1983</b>	1146cc/1.1L, 1308cc/1.3L, (225mm clutch)	
	Bearing Assy	614067
<b>1982-1979</b>		
	Bearing Assy	614067
<b>1978-1971</b>		
	Bearing Only	FC1723C

### **CLUTCH - 4 CYLINDER**

#### **Release Bearing**

<b>1982-1979</b>	1970cc/2.0L (215mm clutch)	
	Bearing Assy	614067
<b>1979-1976</b>	1272cc/1.3L, 1415cc/1.4L (185mm clutch)	
	Bearing Assy	614026
<b>1977-1976</b>	1272cc/1.3L (185mm clutch)	
	Bearing Assy	614026
<b>1977-1971</b>	1587cc/1.6L, (200mm Clutch)	
	Bearing Only	FC1723C
<b>1972-1971</b>	1796cc/1.8L (215mm clutch)	
	Bearing Only	FC1723C
<b>1971</b>	1169cc/1.2L (180mm clutch)	
	Bearing Assy	614026

### **CLUTCH - 6 CYLINDER**

#### **Release Bearing**

<b>1989-1988</b>	2954cc/3.0L (240mm Clutch)	
	Bearing Assy	614079

**MAZDA - REAR WHEEL DRIVE - Cosmo, GLC, Mizer, MX5 Miata, 616, 618, 626, 808, 929, RX2, RX3, RX4, RX7 (cont.)**

**4-SPEED MANUAL TRANSMISSION**

**Input Shaft**

<b>1982-1980</b>	4B	
Seal	.....	1990
Bearing	.....	306L
Kwik Slv (Opt Rpr)	.....	KWK99106
<b>1982-1970</b>	4G	
Seal	.....	1990
Bearing	.....	108A
Kwik Slv (Opt Rpr)	.....	KWK99106

**Countershaft**

<b>1982-1980</b>	4G	
Bearing (front)	.....	5205KLE
Bearing (rear)	.....	304WB
<b>1982-1980</b>	4B	
Bearing (front)	.....	5205KLE
<b>1979-1970</b>	4G	
Bearing (rear)	.....	304WB

**Rear Output Shaft**

<b>1982-1970</b>	4B, 4G	
Seal	.....	1215N
Bearing	.....	306L

**5-SPEED MANUAL TRANSMISSION**

**Front Input Shaft**

<b>1989-1987</b>	5HC	
Seal	.....	1990
Bearing	.....	108A
Kwik Slv (Opt Rpr)	.....	KWK99106
<b>1988-1971</b>	5A, 5B, 5C, 5D, M51, 5TR	
Seal	.....	1990
Bearing	.....	306L
Kwik Slv (Opt Rpr)	.....	KWK99106
<b>1982-1977</b>	5G	
Seal	.....	1990
Bearing	.....	108A
Kwik Slv (Opt Rpr)	.....	KWK99106

**Countershaft**

<b>1989-1987</b>	5HC	
Bearing (front)	.....	5205KLE
<b>1988-1977</b>	5B, 5C, 5D, 5G, M51, 5TR	
Bearing (front)	.....	5205KLE
Bearing (rear)	.....	304WB

**Intermediate Shaft**

<b>1989-1977</b>	exc. 5HC	
Bearing	.....	306L

**5-SPEED MANUAL TRANSMISSION**

**Rear Output Shaft**

<b>1988-1971</b>	5A, 5B, 5C, 5D, 5G, M51, 5TR	
Seal	.....	1215N
Bearing	.....	305AG

**ALTERNATOR**

<b>1989-1986</b>	60 amp	
Bearing (drive end)	.....	302CC
<b>1989-1986</b>	65 amp	
Bearing (drive end)	.....	302CC
<b>1989-1986</b>	70 amp	
Bearing (drive end)	.....	302CC
<b>1985-1983</b>	60 amp	
Bearing (drive end)	.....	302CC
Bearing (rear end)	.....	201CC
<b>1985-1983</b>	70 amp	
Bearing (drive end)	.....	302CC
Bearing (rear end)	.....	201CC
<b>1985-1978</b>	50 amp	
Bearing (drive end)	.....	202SS
Bearing (rear end)	.....	201CC
<b>1985-1978</b>	55 amp	
Bearing (drive end)	.....	202SS
Bearing (rear end)	.....	201CC
<b>1985-1977</b>	65 amp	
Bearing (drive end)	.....	302CC
Bearing (rear end)	.....	201CC
<b>1982-1977</b>	60 amp	
Bearing (drive end)	.....	302CC
Bearing (rear end)	.....	201CC
<b>1982-1977</b>	70 amp	
Bearing (drive end)	.....	302CC
Bearing (rear end)	.....	201CC
<b>1977-1971</b>	50 amp	
Bearing (drive end)	.....	203FF
Bearing (rear end)	.....	201CC
<b>1977-1971</b>	63 amp	
Bearing (drive end)	.....	203FF
Bearing (rear end)	.....	201CC

**CAMSHAFT SEAL**

**6 Cylinder**

<b>1989-1988</b>	2954/3.0L (SOHC)	
Seal	.....	1940[2]

**CRANKSHAFT FRONT SEAL**

**Rotary**

<b>1989-1971</b>		
Seal Viton	.....	226840

**CRANKSHAFT REAR SEAL**

**4 Cylinder**

<b>1989-1986</b>	1489cc/1.5L, 1597cc/1.6L, 1839cc/1.8L	
Seal	.....	228250
Kwik Slv (Opt Rpr)	.....	KWK99328



# Bearings and Seals

Mfg./Year    Model & Location    Part No    Mfg./Year    Model & Location    Part No

## MAZDA - REAR WHEEL DRIVE - Cosmo, GLC, Mizer, MX5 Miata, 616, 618, 626, 808, 929, RX2, RX3, RX4, RX7 (cont.)

### CRANKSHAFT REAR SEAL (cont.)

#### 4 Cylinder (cont.)

<b>1986-1980</b>	1490cc/1.5L	
Seal	.....	227020
Kwik Slv (Opt Rpr)	.....	KWK99272
<b>1983-1980</b>	1415cc/1.4L	
Seal	.....	227020
Kwik Slv (Opt Rpr)	.....	KWK99272
<b>1982-1979</b>	1970cc/2.0L	
Seal	.....	228020
Kwik Slv (Opt Rpr)	.....	KWK99315
<b>1979-1976</b>	1272cc/1.3L, 1415cc/1.4L	
Seal	.....	227020
Kwik Slv (Opt Rpr)	.....	KWK99272
<b>1977-1971</b>	1586cc/1.6L, 1796cc/1.8L	
Seal	.....	228020
Kwik Slv (Opt Rpr)	.....	KWK99315

#### 6 Cylinder

<b>1989-1988</b>	2954cc/3.0L	
Seal	.....	1019S
Kwik Slv (Opt Rpr)	.....	KWK99298

### TIMING COVER

#### Rotary

<b>1989-1971</b>		
Seal Viton	.....	2025
Kwik Slv (Opt Rpr)	.....	KWK99169

### TIMING COVER

#### 4 Cylinder

<b>1989-1986</b>	1597cc/1.6L (To 2/1/91)	
Seal	.....	223012
Kwik Slv (Opt Rpr)	.....	KWK99114
<b>1982-1979</b>	1970cc/2.0L	
Seal	.....	712010
Kwik Slv (Opt Rpr)	.....	KWK99189
<b>1982-1976</b>	1272cc/1.3L, 1415cc/1.4L, 1490cc/1.5L	
Seal	.....	224020
Kwik Slv (Opt Rpr)	.....	KWK99157
<b>1977-1971</b>	1586cc/1.6L, 1796cc/1.8L	
Seal	.....	1994
Kwik Slv (Opt Rpr)	.....	KWK99189

#### 6 Cylinder

<b>1989-1988</b>	2954cc/3.0L	
Seal	.....	224660
Kwik Slv (Opt Rpr)	.....	KWK99181

## MAZDA TRUCK - PICKUP, SUV - B2000, B2200, B2600, MPV

### FRONT WHEEL

#### 2WD

<b>1989</b>	MPV	
Hub Assy	.....	513131[2]
<b>1989-1986</b>	B-Series trucks	
Seal (inner)	.....	225225[2]
Set (inner)	.....	SET5
Bearing Assy (outer)	.....	30205M[2]
<b>1984-1972</b>	B-Series trucks	
Seal (inner)	.....	1992[2]
Bearing Assy (inner)	.....	30206M[2]
Bearing Assy (outer)	.....	30204M[2]
<b>1977-1972</b>	Rotary Pickup	
Seal (inner)	.....	1992[2]
Bearing Assy (inner)	.....	30206M[2]
Bearing Assy (outer)	.....	30204M[2]

#### 4WD

<b>1989</b>	MPV	
Seal (inner)	.....	1932S[2]
Bearing (inner)	.....	510010[2]
Seal (outer)	.....	710225[2]

### FRONT WHEEL (cont.)

#### 4WD (cont.)

<b>1989-1987</b>	B2600 truck	
Seal (inner)	.....	710094[2]
Set (inner)	.....	SET47
Seal (outer)	.....	710093[2]
Set (outer)	.....	SET11

### REAR WHEEL

<b>1989</b>	MPV (drum brakes)	
Seal (inner)	.....	224820[2]
Bearing (inner)	.....	307FF[2]
Seal (outer)	.....	710150[2]
<b>1989-1987</b>	B2200 truck	
Seal (inner)	.....	223550[2]
Bearing Assy (inner)	.....	30208M[2]
Seal (outer)	.....	1994[2]
<b>1989-1987</b>	B2600 truck	
Seal (inner)	.....	223550[2]
Bearing Assy (inner)	.....	30208M[2]
Seal (outer)	.....	1994[2]
<b>1987</b>	B2000: from chassis #505889	
Seal (inner)	.....	223550[2]
Bearing Assy (inner)	.....	30208M[2]
Seal (outer)	.....	1994[2]

**MAZDA TRUCK - PICKUP, SUV - B2000, B2200, B2600, MPV (cont.)**

**REAR WHEEL (cont.)**

<b>1987-1986</b>	B2000: thru chassis #505888	
Seal (inner)	.....	225530[2]
Bearing Assy (inner)	.....	30208M[2]
Seal (outer)	.....	1994[2]
<b>1986-1985</b>	trucks	
Seal (inner)	.....	225530[2]
Bearing Assy (inner)	.....	30208M[2]
Seal (outer)	.....	1994[2]
<b>1984-1972</b>	trucks	
Seal (inner)	.....	473823[2]
Bearing Assy (inner)	.....	30208M[2]
Seal (outer)	.....	1994[2]
<b>1984-1972</b>	Rotary Pickup	
Seal (inner)	.....	473823[2]
Bearing Assy (inner)	.....	30208M[2]
Seal (outer)	.....	1994[2]

**REAR AXLE**

**Differential**

<b>1989-1977</b>	exc. Ford axle	
Bearing Assy	.....	32008XM[2]

**Pinion**

<b>1989-1987</b>	B2600, MPV	
Bearing Assy (inner)	.....	30307M
Seal (outer)	.....	712011
Bearing Assy (outer)	.....	30306M
Kwik Slv (Opt Rpr)	.....	KWK99157
<b>1989-1986</b>	B2000, B2200	
Bearing Assy (inner)	.....	32307
Seal (outer)	.....	1216N
Bearing Assy (outer)	.....	32206M
Kwik Slv (Opt Rpr)	.....	KWK99157
<b>1984-1980</b>		
Bearing Assy (inner)	.....	30307M
Seal (outer)	.....	710326
Bearing Assy (outer)	.....	30306M
Kwik Slv (Opt Rpr)	.....	KWK99157
<b>1979-1972</b>		
Bearing Assy (inner)	.....	30307M
Seal (outer)	.....	712011
Bearing Assy (outer)	.....	30306M
Kwik Slv (Opt Rpr)	.....	KWK99157

**TRANSFER CASE REBUILD KIT**

<b>1989-1986</b>	Pickup	
Kit	.....	TRKFMZ220

**TRANSMISSION REBUILD KIT**

<b>1989-1988</b>	B5V	
Kit	.....	TRKFMZ210
<b>1989</b>	M5R1	
Kit	.....	TRK247
<b>1989-1987</b>	B2600 pickup	
Kit	.....	TRKFMZ210
<b>1989-1986</b>	B2200 Pickup, 5 Speed With Double Ball Front C/S Brg.	
Kit	.....	TRKFMZ200

**TRANSMISSION REBUILD KIT (cont.)**

<b>1989-1986</b>	B2200 Pickup, 5 Speed With Single Ball Front C/S Brg.	
Kit	.....	TRKFMZ120
<b>1984-1979</b>	B2000 Pickup, 5 Speed With Single Ball Front C/S Brg.	
Kit	.....	TRKFMZ100
<b>1984-1979</b>	B2000 Pickup, 5 Speed With Double Ball Front C/S Brg.	
Kit	.....	TRKFMZ110
<b>1984-1979</b>	B2000 Pickup, 4 Speed	
Kit	.....	TRKFMZ290
<b>1978-1974</b>	Pickup, 4 Speed	
Kit	.....	TRKF100
<b>1978-1974</b>	Pickup, 5 Speed	
Kit	.....	TRKF110

**3-SPEED AUTOMATIC TRANSMISSION**

**Torque Converter**

<b>1988-1986</b>	Jatco L3N71B, 3N71B	
Seal Viton	.....	2025
Kwik Slv (Opt Rpr)	.....	KWK99166
<b>1984-1980</b>	Jatco 3N71B	
Seal Viton	.....	2025
Kwik Slv (Opt Rpr)	.....	KWK99166
<b>1979-1972</b>	Jatco 3N71	
Seal Viton	.....	2025
Kwik Slv (Opt Rpr)	.....	KWK99166

**Rear Seal/Ext. Housing**

<b>1988-1986</b>	Jatco L3N71B, 3N71B	
Seal	.....	1216N
<b>1984-1980</b>	Jatco 3N71B	
Seal	.....	1216N
<b>1979-1972</b>	Jatco 3N71	
Seal	.....	1216N

**4-SPEED AUTOMATIC TRANSMISSION**

**Torque Converter**

<b>1989</b>	Jatco R4AEL	
Seal	.....	224663
Kwik Slv (Opt Rpr)	.....	KWK99181
<b>1989-1987</b>	JatCO N4A, L4N71B	
Seal Viton	.....	2025
Kwik Slv (Opt Rpr)	.....	KWK99166

**CLUTCH**

**Pilot Bearing**

<b>1989</b>	6-cylinder 3.0	
Bearing	.....	202SS
<b>1989-1987</b>	4-cylinder 2.6	
Bearing	.....	102CC
<b>1988-1972</b>	Rotary engines	
Bearing	.....	152016
<b>1986-1970</b>	4-cylinder	
Bearing	.....	202SS

# Bearings and Seals

Mfg./Year    Model & Location    Part No    Mfg./Year    Model & Location    Part No

## MAZDA TRUCK - PICKUP, SUV - B2000, B2200, B2600, MPV (cont.)

### CLUTCH

#### Release Bearing

<b>1989</b>	B2600 truck	
	Bearing Assy .....	614079
<b>1989-1985</b>	B2200 truck	
	Bearing Assy .....	614079
<b>1987-1979</b>	B2000 truck	
	Bearing Assy .....	614067
<b>1984-1982</b>	B2200 truck	
	Bearing Assy .....	614067
<b>1984-1972</b>	Rotary Pickup	
	Bearing Only .....	FC1723C

### 4-SPEED MANUAL TRANSMISSION

#### Input Shaft

<b>1987-1986</b>	4TB	
	Seal .....	1990
	Bearing .....	306L
	Kwik Slv (Opt Rpr) .....	KWK99106
<b>1984-1980</b>	4B	
	Seal .....	1990
	Bearing .....	306L
	Kwik Slv (Opt Rpr) .....	KWK99106
<b>1979-1972</b>	4B, 4TA	
	Seal .....	1990
	Bearing .....	306L
	Kwik Slv (Opt Rpr) .....	KWK99106
<b>1977-1974</b>	4R	
	Seal .....	1990
	Bearing .....	307L
	Kwik Slv (Opt Rpr) .....	KWK99106

#### Countershaft

<b>1987-1986</b>	4TB	
	Bearing (front) .....	5205KLE
<b>1984-1980</b>	4B	
	Bearing (front) .....	5205KLE

#### Rear Output Shaft

<b>1987-1986</b>	4TB	
	Seal .....	1215N
	Bearing .....	306L
<b>1984-1979</b>	4B	
	Seal .....	1215N
	Bearing .....	306L
<b>1978-1972</b>	4R, 4TA	
	Seal .....	1215N

### 5-SPEED MANUAL TRANSMISSION

#### Front Input Shaft

<b>1989-1987</b>	5HC	
	Seal .....	1990
	Bearing .....	108A
	Kwik Slv (Opt Rpr) .....	KWK99106
<b>1989-1986</b>	5E, 5TB	
	Seal .....	1990
	Bearing .....	306L
	Kwik Slv (Opt Rpr) .....	KWK99106

### 5-SPEED MANUAL TRANSMISSION (cont.)

#### Front Input Shaft (cont.)

<b>1984-1982</b>	5D	
	Seal .....	1990
	Bearing .....	306L
	Kwik Slv (Opt Rpr) .....	KWK99106
<b>1977-1974</b>	5R	
	Seal .....	1990
	Bearing .....	307L
	Kwik Slv (Opt Rpr) .....	KWK99106

#### Countershaft

<b>1989-1987</b>	5HC	
	Bearing (front) .....	5205KLE
<b>1989-1986</b>	5E, 5TB	
	Bearing (front) .....	5205KLE
	Bearing (rear) .....	304WB
<b>1984-1982</b>	5D	
	Bearing (front) .....	5205KLE
	Bearing (rear) .....	304WB
<b>1977-1974</b>	5R	
	Bearing (front) .....	5205KLE

#### Intermediate Shaft

<b>1989-1986</b>	5E, 5TB	
	Bearing .....	306L
<b>1984-1982</b>	5D	
	Bearing .....	306L

#### Rear Output Shaft

<b>1989-1987</b>	5E	
	Seal .....	2443
	Bearing .....	305AG
<b>1987-1986</b>	5TB	
	Seal .....	1215N
	Bearing .....	305AG
<b>1984-1982</b>	5D	
	Seal .....	1215N
	Bearing .....	305AG
<b>1977-1974</b>	5R	
	Seal .....	1215N
	Bearing .....	305AG

### ALTERNATOR

<b>1989-1986</b>	60 amp	
	Bearing (drive end) .....	302CC
<b>1989-1986</b>	65 amp	
	Bearing (drive end) .....	302CC
<b>1989-1986</b>	70 amp	
	Bearing (drive end) .....	302CC
<b>1985-1983</b>	60 amp	
	Bearing (drive end) .....	302CC
	Bearing (rear end) .....	201CC
<b>1985-1983</b>	65 amp	
	Bearing (drive end) .....	302CC
	Bearing (rear end) .....	201CC
<b>1985-1983</b>	70 amp	
	Bearing (drive end) .....	302CC
	Bearing (rear end) .....	201CC

**MAZDA TRUCK - PICKUP, SUV - B2000, B2200, B2600, MPV (cont.)**

**ALTERNATOR (cont.)**

<b>1985-1978</b>	50, 55 amp	
	Bearing (drive end) .....	202SS
	Bearing (rear end) .....	201CC
<b>1982-1977</b>	60 amp	
	Bearing (drive end) .....	302CC
	Bearing (rear end) .....	201CC
<b>1982-1977</b>	65 amp	
	Bearing (drive end) .....	302CC
	Bearing (rear end) .....	201CC
<b>1982-1977</b>	70 amp	
	Bearing (drive end) .....	302CC
	Bearing (rear end) .....	201CC
<b>1977-1971</b>	50 amp	
	Bearing (drive end) .....	203FF
	Bearing (rear end) .....	201CC
<b>1977-1971</b>	63 amp	
	Bearing (drive end) .....	203FF
	Bearing (rear end) .....	201CC

**DRIVESHAFT SUPPORT**

<b>1989-1978</b>	0.9843" bearing ID	
	Bearing .....	205SS
<b>1984-1982</b>	B2200	
	Hanger Bearing Assy .....	HB29
<b>1979-1972</b>		
	Bearing .....	205BB

**MANUAL STEERING**

**Worm Shaft**

<b>1984-1980</b>	B2000	
	Seal .....	221720
<b>1979-1977</b>	B1800, B2000	
	Seal .....	221720
<b>1976-1972</b>	B1600	
	Seal .....	221710

**CRANKSHAFT REAR SEAL**

**4 Cylinder**

<b>1989-1987</b>	2555cc/2.6L	
	Seal Viton .....	228005
	Kwik Slv (Opt Rpr) .....	KWK99315
<b>1989-1986</b>	1998cc/2.0L, 2184cc/2.2L, 2606cc/2.6L	
	Seal .....	229010
	Kwik Slv (Opt Rpr) .....	KWK99354

**CRANKSHAFT REAR SEAL (cont.)**

**4 Cylinder (cont.)**

<b>1984-1982</b>	2209cc/2.2L	
	Seal .....	710061
	Kwik Slv (Opt Rpr) .....	KWK99399
<b>1984-1980</b>	1970cc/2.0L	
	Seal .....	228020
	Kwik Slv (Opt Rpr) .....	KWK99315
<b>1979-1972</b>	1586cc/1.6L, 1796cc/1.8L, 1970cc/2.0L	
	Seal .....	228020
	Kwik Slv (Opt Rpr) .....	KWK99315

**6 Cylinder**

<b>1989</b>	2954cc/3.0L	
	Seal .....	1019S
	Kwik Slv (Opt Rpr) .....	KWK99298

**TIMING COVER**

**4 Cylinder**

<b>1989</b>	2606cc/2.6L	
	Seal .....	224460
	Kwik Slv (Opt Rpr) .....	KWK99181
<b>1989-1986</b>	1998cc/2.0L, 2184cc/2.2L	
	Seal .....	223420
<b>1989-1987</b>	2555cc/2.6L	
	Seal .....	224840
	Kwik Slv (Opt Rpr) .....	KWK99189
<b>1984-1982</b>	2209cc/2.2L	
	Seal .....	8316N
	Kwik Slv (Opt Rpr) .....	KWK99199
<b>1984-1980</b>	1970cc/2.0L	
	Seal .....	712010
	Kwik Slv (Opt Rpr) .....	KWK99189
<b>1979-1972</b>	1586cc/1.6L, 1796cc/1.8L, 1970cc/2.0L	
	Seal .....	1994
	Kwik Slv (Opt Rpr) .....	KWK99189

**6 Cylinder**

<b>1989</b>	2954cc/3.0L	
	Seal .....	224660
	Kwik Slv (Opt Rpr) .....	KWK99181

**MERCEDES BENZ**

**FRONT WHEEL**

<b>1989-1984</b>	100 Series (exc. 2.3L 16V Eng)	
	Seal (inner) .....	239134[2]
	Set (inner) .....	SET6
	Set (outer) .....	SET1
<b>1989-1986</b>	300 Series; 300CE, D, E, TD, TE	
	Seal (inner) .....	239134[2]
	Set (inner) .....	SET6
	Set (outer) .....	SET2

**FRONT WHEEL (cont.)**

<b>1989-1986</b>	400 Series	
	Seal (inner) .....	1960[2]
	Set (inner) .....	SET5
	Set (outer) .....	SET3
<b>1989-1984</b>	500 Series; 560SEC, SEL	
	Seal (inner) .....	1960[2]
	Set (inner) .....	SET5
	Set (outer) .....	SET3

# Bearings and Seals

Mfg./Year	Model & Location	Part No	Mfg./Year	Model & Location	Part No
-----------	------------------	---------	-----------	------------------	---------

## MERCEDES BENZ (cont.)

### FRONT WHEEL (cont.)

<b>1989-1982</b>	300 Series; 300CDT, SD, SDL, SE, SEL; 350SDL	
	Seal (inner) .....	1960[2]
	Set (inner) .....	SET5
	Set (outer) .....	SET3
<b>1989-1987</b>	200 Series	
	Seal (inner) .....	239134[2]
	Set (inner) .....	SET6
	Set (outer) .....	SET2
<b>1988-1986</b>	100 Series (2.3L - 16valve Eng)	
	Seal (inner) .....	239134[2]
	Set (inner) .....	SET6
	Set (outer) .....	SET2
<b>1988-1986</b>	500 Series; 560SL	
	Seal (inner) .....	1960[2]
	Set (inner) .....	SET5
	Set (outer) .....	SET3
<b>1987-1986</b>	500 Series; 560 SL	
	Set (inner) .....	SET6
	Set (outer) .....	SET2
<b>1985-1981</b>	300 Series; 380SE, SEC, SEL, SL, SLC	
	Seal (inner) .....	1012N[2]
	Set (inner) .....	SET6
	Set (outer) .....	SET2
<b>1983-1977</b>	200 Series	
	Seal (inner) .....	1960[2]
	Set (inner) .....	SET5
	Set (outer) .....	SET2
<b>1981-1975</b>	300 Series; exc. 380SEC, SEL, SL, SLC	
	Seal (inner) .....	1960[2]
	Set (inner) .....	SET5
	Set (outer) .....	SET3
<b>1980-1973</b>	400 Series; 450 SE, SEL	
	Seal (inner) .....	1960[2]
	Set (inner) .....	SET5
	Set (outer) .....	SET3
<b>1980-1973</b>	400 Series; 450 SL, SLC	
	Seal (inner) .....	1012N[2]
	Set (inner) .....	SET6
	Set (outer) .....	SET2
<b>1976-1961</b>	200 Series (late production 1961)	
	Seal (inner) .....	1012N[2]
	Set (inner) .....	SET6
	Set (outer) .....	SET2
<b>1975-1965</b>	600, D, Pullman	
	Set (inner) .....	SET5
	Set (outer) .....	SET2
<b>1973-1968</b>	300 Series; 300, 350	
	Seal (inner) .....	1012N[2]
	Set (inner) .....	SET6
	Set (outer) .....	SET2
<b>1965-1961</b>	100 Series (late production 1961)	
	Seal (inner) .....	1012N[2]
	Set (inner) .....	SET6
	Set (outer) .....	SET2
<b>1961-1956</b>	200 Series (early production 1961)	
	Seal (inner) .....	1992[2]
	Bearing Assy (inner) .....	32206M[2]
	Bearing Assy (outer) .....	32303[2]

### FRONT WHEEL (cont.)

<b>1961-1953</b>	100 Series (early production 1961)	
	Seal (inner) .....	1992[2]
	Bearing Assy (inner) .....	32206M[2]
	Bearing Assy (outer) .....	32303[2]

### REAR WHEEL

<b>1989-1984</b>	100 Series	
	Bearing .....	513130[2]
<b>1989-1987</b>	300 Series; 300CE; 300D; 300E; 300SL; 300TD; 300TE; 350SDL	
	Bearing .....	513130[2]
<b>1989-1987</b>	300 Series; 300SDL; 300SE; 300SEL	
	Seal (inner) .....	1174S[2]
	Cone/Cup (inner) .....	LM300849-LM300811[2]
	Cone/Cup (outer) .....	LM503349A-LM503310[2]
<b>1989-1986</b>	400 Series	
	Seal (inner) .....	1174S[2]
	Cone/Cup (inner) .....	LM300849-LM300811[2]
	Cone/Cup (outer) .....	LM503349A-LM503310[2]
<b>1989-1984</b>	500 Series; 500SEC, SEL; 560SEC, SEL, SL	
	Seal (inner) .....	1174S[2]
	Cone/Cup (inner) .....	LM300849-LM300811[2]
	Cone/Cup (outer) .....	LM503349A-LM503310[2]
<b>1989-1987</b>	200 Series; 260E	
	Bearing .....	513130[2]
<b>1986</b>	300 Series; 300E	
	Bearing .....	513130[2]
<b>1986-1972</b>	300 Series; exc. 300E	
	Seal (inner) .....	1174S[2]
	Cone/Cup (inner) .....	LM300849-LM300811[2]
	Cone/Cup (outer) .....	LM503349A-LM503310[2]
<b>1983-1975</b>	200 Series	
	Seal (inner) .....	1174S[2]
	Cone/Cup (inner) .....	LM300849-LM300811[2]
	Cone/Cup (outer) .....	LM503349A-LM503310[2]
<b>1980-1973</b>	400 Series	
	Seal (inner) .....	1174S[2]
	Cone/Cup (inner) .....	LM300849-LM300811[2]
	Cone/Cup (outer) .....	LM503349A-LM503310[2]
<b>1975-1965</b>	600D, Pullman	
	Bearing .....	513129[2]
<b>1974-1968</b>	200 Series: 220, D; 240D; 250, C; 280, C	
	Seal (inner) .....	1174S[2]
	Cone/Cup (inner) .....	LM300849-LM300811[2]
	Cone/Cup (outer) .....	LM503349A-LM503310[2]
<b>1972-1955</b>	200 Series: 250S, SE, SEC, SL; 280S, SE, SEC, SEL, SL	
	Seal .....	224045[2]
	Bearing .....	208[2]
<b>1970-1961</b>	300 Series	
	Seal .....	224045[2]
	Bearing .....	206WB[2]

**MERCEDES BENZ (cont.)**

**REAR WHEEL (cont.)**

<b>1969-1968</b>	200 Series; 230 (114 chassis)
Seal (inner)	..... 1174S[2]
Cone/Cup (inner)	..... LM300849-LM300811[2]
Cone/Cup (outer)	..... LM503349A-LM503310[2]
<b>1968</b>	200 Series; 230S
Seal (inner)	..... 224045[2]
Bearing (inner)	..... 208[2]
<b>1965-1959</b>	100 Series
Seal (inner)	..... 224045[2]
Bearing (inner)	..... 208[2]
<b>1960-1951</b>	300 Series
Seal	..... 7208S[2]

**REAR AXLE**

**Pinion**

<b>1989-1984</b>	190 Series
Cone/Cup (inner)	..... M84548-M84510
Cone/Cup (outer)	..... HM88649-HM88610
<b>1988-1986</b>	560 Series
Cone/Cup (inner)	..... M86649-M86610
Cone/Cup (outer)	..... M802048-M802011
<b>1988-1984</b>	500 Series
Cone/Cup (inner)	..... M86649-M86610
Cone/Cup (outer)	..... M802048-M802011
<b>1988-1981</b>	380 Series
Cone/Cup (inner)	..... M86649-M86610
Cone/Cup (outer)	..... M802048-M802011
<b>1988-1975</b>	300 Series
Cone/Cup (inner)	..... M86649-M86610
Cone/Cup (outer)	..... HM89449-HM89410
<b>1985-1974</b>	240 Series
Cone/Cup (inner)	..... M86649-M86610
Cone/Cup (outer)	..... HM89449-HM89410
<b>1981-1973</b>	280 Series
Cone/Cup (inner)	..... M86649-M86610
Cone/Cup (outer)	..... HM89449-HM89410
<b>1980-1973</b>	450 Series
Cone/Cup (inner)	..... M86649-M86610
Cone/Cup (outer)	..... M802048-M802011
<b>1974-1961</b>	300 Series
Seal (inner)	..... 224045
Cone/Cup (inner)	..... M88046-M88010
Cone/Cup (outer)	..... HM89449-HM89410
<b>1973-1968</b>	220 Series
Cone/Cup (inner)	..... M86649-M86610
Cone/Cup (outer)	..... HM89449-HM89410
<b>1973-1966</b>	250 Series
Cone/Cup (inner)	..... M86649-M86610
Cone/Cup (outer)	..... HM89449-HM89410
<b>1972</b>	350 Series
Cone/Cup (inner)	..... M86649-M86610
Cone/Cup (outer)	..... M802048-M802011
<b>1972-1968</b>	280 Series
Seal (inner)	..... 224045
Cone/Cup (inner)	..... M88046-M88010
Cone/Cup (outer)	..... HM89449-HM89410
<b>1972-1965</b>	600,D,Pullman
Cone/Cup (inner)	..... HM89443-HM89410
Cone/Cup (outer)	..... HM803149-HM803110

**REAR AXLE (cont.)**

**Pinion (cont.)**

<b>1969-1963</b>	230 Series
Cone/Cup (inner)	..... M88048-M88010
Cone/Cup (outer)	..... HM89449-HM89410
<b>1968-1965</b>	200 Series
Cone/Cup (inner)	..... M88048-M88010
Cone/Cup (outer)	..... HM89449-HM89410
<b>1967-1958</b>	220 Series
Cone/Cup (inner)	..... M88048-M88010
Cone/Cup (outer)	..... HM89449-HM89410
<b>1965-1962</b>	190 Series
Cone/Cup (inner)	..... M88048-M88010
Cone/Cup (outer)	..... HM89449-HM89410

**CLUTCH**

**Pilot Bearing**

<b>1988-1953</b>	all
Bearing	..... 202AG

**Release Bearing**

<b>1989-1987</b>	260E
Bearing Assy	..... 614125
<b>1989-1982</b>	190 Series
Bearing Assy	..... 614125
<b>1989-1981</b>	300 Series
Bearing Assy	..... 614125
<b>1989-1978</b>	280SE: W126 chassis
Bearing Assy	..... 614125
<b>1989-1981</b>	240D, TD
Bearing Assy	..... 614125
<b>1986-1976</b>	280
Bearing Assy	..... 614123
<b>1985-1968</b>	280SE, SEL, SLC: W108 chassis
Bearing Assy	..... 614123
<b>1981-1978</b>	300 Series
Bearing Assy	..... 614123
<b>1981-1977</b>	280C, CE
Bearing Assy	..... 614123
<b>1981-1976</b>	280E
Bearing Assy	..... 614123
<b>1981-1972</b>	280SE: W116 chassis
Bearing Assy	..... 614123
<b>1981-1972</b>	280SEL: W116 chassis
Bearing Assy	..... 614123
<b>1981-1972</b>	280SL: W107 chassis
Bearing Assy	..... 614123
<b>1981-1972</b>	280SLC: W107 chassis
Bearing Assy	..... 614123
<b>1980-1968</b>	240D
Bearing Assy	..... 614123
<b>1980-1966</b>	230, C
Bearing Assy	..... 614123
<b>1980-1965</b>	200 Series
Bearing Assy	..... 614123
<b>1979-1967</b>	280S: from chassis #027-623 on
Bearing Assy	..... 614123
<b>1978-1959</b>	220, B, D, SB, SE, SEB
Bearing Assy	..... 614123
<b>1972-1963</b>	250S, SE, SEL
Bearing Assy	..... 614123

# Bearings and Seals

Mfg./Year    Model & Location    Part No    Mfg./Year    Model & Location    Part No

## MERCEDES BENZ (cont.)

### CLUTCH (cont.)

#### Release Bearing (cont.)

<b>1971-1967</b>	280SE: from chassis #028-986 on	
	Bearing Assy .....	614123
<b>1971-1967</b>	280SEC: from chassis #002-864 on	
	Bearing Assy .....	614123
<b>1971-1967</b>	280SEL: from chassis #029-326 on	
	Bearing Assy .....	614123
<b>1954-1951</b>	220 Series	
	Bearing Only .....	1573

### ALTERNATOR

<b>1989-1968</b>	Bosch 55 amp	
	Bearing (drive end) .....	303CC
	Bearing (rear end) .....	201S
<b>1989-1968</b>	Bosch 65 amp	
	Bearing (drive end) .....	303CC
	Bearing (rear end) .....	201CC
<b>1989-1968</b>	Bosch 70 amp	
	Bearing (drive end) .....	303CC
	Bearing (rear end) .....	201CC
<b>1989-1968</b>	Motorola 55 amp	
	Bearing (drive end) .....	203FF
<b>1989-1986</b>	Bosch 80 amp	
	Bearing (drive end) .....	303CC

### CRANKSHAFT REAR SEAL

#### 4 Cylinder

<b>1985-1984</b>	2197cc/2.2L	
	Seal .....	710288

#### 5 Cylinder

<b>1989-1986</b>	2497cc/2.5L	
	Seal .....	710288

### CRANKSHAFT REAR SEAL

#### 6 Cylinder

<b>1989-1986</b>	2599cc/2.6L, 2797cc/2.8L, 2962cc/3.0L, 2997cc/3.0L, 3199cc/3.2L	
	Seal .....	710288

#### 8 Cylinder

<b>1989-1984</b>	4973cc/5.0L, 5547cc/5.6L	
	Seal Viton .....	710290
	Kwik Slv (Opt Rpr) .....	KWK99393
<b>1985-1981</b>	3839cc/3.8L	
	Seal Viton .....	710290
	Kwik Slv (Opt Rpr) .....	KWK99393

### TIMING COVER

#### 4 Cylinder

<b>1985-1984</b>	2197cc/2.2L	
	Seal .....	710289
	Kwik Slv (Opt Rpr) .....	KWK99177

#### 5 Cylinder

<b>1989-1986</b>	2497cc/2.5L	
	Seal .....	710289
	Kwik Slv (Opt Rpr) .....	KWK99177

#### 6 Cylinder

<b>1989-1986</b>	2599cc/2.6L, 2797cc/2.8L, 2962cc/3.0L, 2997cc/3.0L, 3199cc/3.2L	
	Seal .....	710289
	Kwik Slv (Opt Rpr) .....	KWK99177

## MERCEDES BENZ TRUCK - L, LP, LPK, LPS, LS, O309D Series

### FRONT WHEEL

<b>1989-1986</b>	L1319: VL 4/3-6	
	Bearing Assy (inner) .....	33214[2]
	Bearing Assy (outer) .....	32309M[2]
<b>1989-1986</b>	LP1419: VL 3/8D-6	
	Bearing Assy (inner) .....	33214[2]
	Bearing Assy (outer) .....	33210[2]
<b>1989-1986</b>	LP1219, L1319: HL5/1-10	
	Seal (inner) .....	231204[2]
	Cone/Cup (inner) .....	598-592A[2]
	Bearing Assy (outer) .....	32215[2]
<b>1989-1986</b>	LP1219, LP1419: HL4/8-10	
	Bearing Assy (inner) .....	33019[2]
	Bearing Assy (outer) .....	33215[2]
<b>1989-1986</b>	LP1219: HL 4/16-7	
	Cone/Cup (inner) .....	580-572[2]

### FRONT WHEEL (cont.)

<b>1989-1984</b>	L1117: VL 3/11D-4	
	Seal (inner) .....	231002[2]
	Bearing Assy (inner) .....	33213M[2]
	Bearing Assy (outer) .....	33208[2]
<b>1989-1984</b>	L1117: VL 2/11-3	
	Bearing Assy (inner) .....	33211[2]
<b>1989-1984</b>	LP1219, L1317, L1319, LP1419: HL 4/17-9	
	Bearing Assy (inner) .....	33217[2]
<b>1989-1984</b>	L1117: HL 4/28-7	
	Cone/Cup (inner) .....	580-572[2]
<b>1989-1976</b>	L1013, L1113, L1317, L1319, L1418, LS1418: VL 3/4-5	
	Seal (inner) .....	417967[2]
	Cone/Cup (inner) .....	559-552A[2]
	Bearing Assy (outer) .....	32307[2]

**MERCEDES BENZ TRUCK - L, LP, LPK, LPS, LS, O309D Series (cont.)**

**FRONT WHEEL (cont.)**

<b>1989-1976</b>	LP1219, L1319, L1418, LS1418, LP1419: VL 3/7D-5	
	Seal (inner) .....	231002[2]
	Bearing Assy (inner) .....	33213M[2]
	Bearing Assy (outer) .....	33208[2]
<b>1989-1976</b>	L1317, L1319, L1418, LS1418,; HL 4/8-10	
	Seal (inner) .....	231204[2]
	Bearing Assy (inner) .....	33019[2]
	Bearing Assy (outer) .....	33215[2]
<b>1988-1980</b>	L1013, L1113: VL 3/1-3	
	Seal (inner) .....	229520[2]
	Bearing Assy (inner) .....	30312[2]
	Bearing Assy (outer) .....	32307[2]
<b>1988-1980</b>	L1013, L1113: VL 3/1-3	
	Seal (inner) .....	229520[2]
	Bearing Assy (inner) .....	30312[2]
	Bearing Assy (outer) .....	32307[2]
<b>1988-1980</b>	L1013, L1113	
	Bearing Assy (inner) .....	32216[2]
	Seal (outer) .....	231108[2]
	Bearing Assy (outer) .....	32213M[2]
<b>1978-1976</b>	O309D	
	Bearing Assy (inner) .....	32207M[2]
	Bearing Assy (outer) .....	32304M[2]
<b>1978-1976</b>	O309D	
	Cone/Cup (inner) .....	28985-28921[2]
	Bearing Assy (outer) .....	32210M[2]
<b>1975-1973</b>	L508D-4, O309D	
	Cone/Cup (inner) .....	2789-2720[2]
	Cone/Cup (outer) .....	1380-1328[2]
<b>1975-1973</b>	L508D-4, O309D	
	Bearing Assy (inner) .....	32211M[2]
	Bearing Assy (outer) .....	32210M[2]
<b>1973-1969</b>	LPK1317/1319 LP/LPS/1317/1319, LP1013, LP1113	
	Seal (inner) .....	229250[2]
	Bearing Assy (inner) .....	30312[2]
	Bearing Assy (outer) .....	32307[2]

**FRONT WHEEL (cont.)**

<b>1973-1969</b>	LPK1317/1319 LP/LPS/1317/1319, LP1013, LP1113	
	Seal (inner) .....	231204[2]
	Cone/Cup (inner) .....	598-592A[2]
	Bearing Assy (outer) .....	32215[2]

**CLUTCH**

**Pilot Bearing**

<b>1989-1969</b>	6-cylinder 6.0 turbodiesel	
	Bearing .....	205FF
<b>1984-1970</b>	6-cylinder 5.7 turbodiesel	
	Bearing .....	204FF
<b>1978-1973</b>	4-cylinder 3.8 diesel	
	Bearing .....	204FF
<b>1973</b>	5 cylinder 9.7 diesel	
	Bearing .....	205FF

**Release Bearing**

<b>1989-1986</b>	6-cylinder 6.0 turbodiesel: 350mm clutch	
	Bearing Assy .....	614113
<b>1989-1985</b>	5 cylinder 10.0 turbodiesel	
	Bearing Assy .....	614113
<b>1989-1984</b>	6-cylinder 6.0 turbodiesel: 330mm clutch	
	Bearing Assy .....	614112

**DRIVESHAFT SUPPORT**

<b>1978-1973</b>	1.378" (35mm) bearing ID	
	Bearing .....	207FF

**MERCURY - FRONT DRIVE - Lynx, LN7**

**FRONT WHEEL**

<b>1987-1983</b>	production from 2/1983 on	
	Set .....	SET39
	Hub Assy Opt: complete bearing and hub kit .....	518503[2] <sup>62</sup>
<b>1983-1981</b>	production thru 2/1983	
	Seal (inner) .....	3723[2]
	Set .....	SET24[2]

**REAR WHEEL**

<b>1987-1984</b>		
	Seal (inner) .....	473677[2]
	Set (inner) .....	SET8
	Set (outer) .....	SET12

**REAR WHEEL (cont.)**

<b>1983-1981</b>		
	Seal (inner) .....	473677[2]
	Set (inner) .....	SET8
	Set (outer) .....	SET1

**CLUTCH**

**Release Bearing**

<b>1987-1984</b>		
	Bearing Assy .....	614021
<b>1983</b>	exc. RGT-AC, RGT-AG trans	
	Bearing Assy .....	614021
<b>1983</b>	RGT-AC, RGT-AG trans	
	Bearing Assy .....	614020
<b>1982-1981</b>		
	Bearing Assy .....	614020

[ ] Indicates Quantity Required; Set Components Listed Inside Rear Cover;

<sup>62</sup> Kit incl: Hub & Bearing, Seal, Mounting Bolts



# Bearings and Seals

Mfg./Year    Model & Location    Part No    Mfg./Year    Model & Location    Part No

## MERCURY - FRONT DRIVE - Lynx, LN7 (cont.)

### AUTOMATIC TRANSAXLE

#### Input Shaft

**1987-1981**  
 Seal ..... 4539H  
 Kwik Slv (Opt Rpr) ..... KWK99235

#### Output Shaft

**1987-1981**  
 Seal ..... 3622S[2]  
 Kwik Slv (Opt Rpr) ..... KWK99169[2]

#### Differential

**1987-1983**    w/ Ball brg  
 Bearing ..... 208[2]  
**1983-1981**    w/ Tapered brg  
 Set ..... SET45[2]

#### Selector Shaft Seal/Man. Shaft

**1987-1981**  
 Seal ..... 342517  
 Kwik Slv (Opt Rpr) ..... KWK99101

### 4-SPEED MANUAL TRANSAXLE

#### Differential

**1987-1984**    MTX-II: 4 pinion  
 Set ..... SET37[2]  
**1987-1981**    MTX-II: 2 pinion  
 Set ..... SET45[2]

#### Input Shaft

**1987-1985**    MTX-II: RJS (2nd design)  
 Seal ..... 3638  
 Cone/Cup ..... LM67049A-LM67010  
 Kwik Slv (Opt Rpr) ..... KWK99112  
**1985-1981**    MTX-II: RGT (1st design)  
 Seal ..... 710053  
 Set ..... SET30

#### Output Shaft

**1987-1981**    MTX-II  
 Seal ..... 3622S[2]  
 Set ..... SET30[2]  
 Kwik Slv (Opt Rpr) ..... KWK99169[2]

#### Selector Shaft Seal/Man. Shaft

**1987-1981**    MTX-II  
 Seal Viton ..... 710274

### 5-SPEED MANUAL TRANSAXLE

#### Differential

**1987-1983**    MTX-III: 2 pinion  
 Set ..... SET45[2]  
**1987-1983**    MTX-III: RWB: 4 pinion  
 Set ..... SET37[2]

### 5-SPEED MANUAL TRANSAXLE

#### Input Shaft

**1987-1983**    MTX-III  
 Seal ..... 3638  
 Cone/Cup ..... LM67049A-LM67010  
 Kwik Slv (Opt Rpr) ..... KWK99112

#### Countershaft : 5th Gear Shaft

**1987-1983**    MTX-III  
 Set ..... SET16[2]

#### Output Shaft

**1987-1983**    MTX-III  
 Seal ..... 3622S[2]  
 Set ..... SET30[2]  
 Kwik Slv (Opt Rpr) ..... KWK99169

#### Selector Shaft Seal/Man. Shaft

**1987-1983**  
 Seal Viton ..... 710274

### ALTERNATOR

**1987-1981**    Motorcraft  
 Bearing (drive end) ..... 203FF  
**1987-1981**    Motorcraft  
 Bearing (rear end) ..... MNJ471S

### CAMSHAFT SEAL

#### 4 Cylinder

**1987-1985**    116/1.9L  
 Seal ..... 3774S  
 Kwik Slv (Opt Rpr) ..... KWK99169  
**1987-1984**    122/2.0L  
 Seal ..... 223420  
**1985-1981**    98/1.6L  
 Seal ..... 3774S  
 Kwik Slv (Opt Rpr) ..... KWK99169

### CRANKSHAFT REAR SEAL

#### 4 Cylinder

**1987-1985**    116/1.9L  
 Seal ..... 3772  
 Seal PTFE H/D Opt. .... 5287  
**1987-1984**    122/2.0L  
 Seal ..... 229010  
 Kwik Slv (Opt Rpr) ..... KWK99354  
**1985-1981**    98/1.6L  
 Seal ..... 3772  
 Seal PTFE H/D Opt. .... 5287

### TIMING COVER

#### 4 Cylinder

**1987-1985**    116/1.9L  
 Seal ..... 3771  
 Kwik Slv (Opt Rpr) ..... KWK99139  
**1987-1984**    122/2.0L  
 Seal ..... 223012  
 Kwik Slv (Opt Rpr) ..... KWK99114

**MERCURY - FRONT DRIVE - Lynx, LN7 (cont.)**

**TIMING COVER (cont.)**

**4 Cylinder (cont.)**

<b>1985-1981</b>	98/1.6L	
Seal	.....	3771
Kwik Slv (Opt Rpr)	.....	KWK99139

**MERCURY - FRONT DRIVE - Sable**

**FRONT WHEEL**

<b>1989-1986</b>	thru 1/1991	
Bearing Assy	.....	513058[2] <sup>31</sup>
Set	.....	SET49 <sup>55</sup>
Hub Assy Opt.	.....	520000[2]

**REAR WHEEL**

<b>1989-1986</b>		
Seal (inner)	.....	6815[2]
Set (inner)	.....	SET6
Set (outer)	.....	SET12

**CLUTCH**

**Release Bearing**

<b>1989</b>	all	
Bearing Assy	.....	614060
Bearing Assy Opt:		
bearing and sleeve kit	.....	614118
<b>1988</b>	non-centrifugal pressure plate	
Bearing Assy	.....	614021
<b>1988</b>	centrifugal pressure plate	
Bearing Assy	.....	614060
Bearing Assy Opt:		
bearing and sleeve kit	.....	614118

**4-SPEED AUTOMATIC TRANSAXLE**

**Differential**

<b>1989-1986</b>	AX4, AXOD	
Bearing	.....	208[2]

**Torque Converter**

<b>1989-1986</b>	AX4, AXOD	
Seal	.....	4189H

**Output Shaft**

<b>1989-1986</b>	AX4, AXOD	
Seal	.....	3622S[2]
Kwik Slv (Opt Rpr)	.....	KWK99169[2]

**ALTERNATOR**

<b>1989-1986</b>	Motorcraft	
Bearing (drive end)	.....	203FF
<b>1989-1986</b>	Motorcraft	
Bearing (rear end)	.....	MNJ471S

**CRANKSHAFT REAR SEAL**

**4 Cylinder**

<b>1986</b>	153/2.5L	
Seal	.....	3772
Seal PTFE H/D Opt.	.....	5287

**6 Cylinder**

<b>1989-1986</b>	182/3.0L OHV	
Seal	.....	3772
Seal PTFE H/D Opt.	.....	5287
<b>1989-1988</b>	232/3.8L	
Seal Viton	.....	3909
Seal PTFE H/D Opt.	.....	5277
Kwik Slv (Opt Rpr)	.....	KWK99363

**TIMING COVER**

**4 Cylinder**

<b>1986</b>	153/2.5L	
Seal	.....	714075
Kwik Slv (Opt Rpr)	.....	KWK99177

**6 Cylinder**

<b>1989-1986</b>	182/3.0L OHV	
Seal (front entry)	.....	2692
Seal (rear entry)	.....	2942
Kwik Slv (Opt Rpr)	.....	KWK99187
Harmonic Balancer		
Sleeves	.....	88187
<b>1989-1988</b>	232/3.8L	
Seal (front entry)	.....	2692
Seal (rear entry)	.....	2942
Kwik Slv (Opt Rpr)	.....	KWK99187
Harmonic Balancer		
Sleeves	.....	88187

[ ] Indicates Quantity Required; Set Components Listed Inside Rear Cover;

<sup>31</sup> When depleted use number listed directly below    <sup>55</sup> Opt. Replacement If 513058 Is Unavailable

# Bearings and Seals

Mfg./Year    Model & Location    Part No    Mfg./Year    Model & Location    Part No

## MERCURY - FRONT DRIVE - Tracer

### FRONT WHEEL

**1989-1987**  
 Seal (inner) ..... 225220[2]  
 Seal (outer) ..... 710323[2]  
 Set ..... SET11[2]

### REAR WHEEL

**1989-1987**    Sedan  
 Seal (inner) ..... 710311[2]  
 Set (inner) ..... SET8  
 Set (outer) ..... SET2  
**1989-1987**    Wagon  
 Seal (inner) ..... 1973[2]  
 Cone/Cup (inner) ..... 15123-15245[2]  
 Set (outer) ..... SET2

### CLUTCH - 4 CYLINDER

#### Pilot Bearing

**1989-1987**    1598cc/1.6  
 Bearing ..... 202SS

### CLUTCH

#### Release Bearing

**1989-1987**    1598cc/1.6  
 Bearing Assy ..... 614063

### 3-SPEED AUTOMATIC TRANSAXLE

#### Torque Converter

**1989-1987**  
 Seal ..... 4539H  
 Kwik Slv (Opt Rpr) ..... KWK99235

#### Output Shaft

**1989-1987**  
 Seal ..... 3622S[2]  
 Kwik Slv (Opt Rpr) ..... KWK99169[2]

#### Differential

**1989-1987**  
 Bearing ..... 208[2]

#### Selector Shaft Seal/Man. Shaft

**1989-1987**  
 Seal ..... 342517  
 Kwik Slv (Opt Rpr) ..... KWK99101

### 5-SPEED MANUAL TRANSAXLE

#### Differential

**1989-1987**    MTX-III  
 Set ..... SET45[2]

### 5-SPEED MANUAL TRANSAXLE

#### Input Shaft

**1989-1987**    MTX-III  
 Seal ..... 3638  
 Cone/Cup ..... LM67049A-LM67010[2]  
 Kwik Slv (Opt Rpr) ..... KWK99112

#### Output Shaft

**1989-1987**    MTX-III  
 Seal ..... 3622S[2]  
 Set ..... SET30[2]  
 Kwik Slv (Opt Rpr) ..... KWK99169[2]

#### Selector Shaft Seal/Man. Shaft

**1989-1987**    MTX-III  
 Seal Viton ..... 710274

### ALTERNATOR

**1989-1987**    Motorcraft  
 Bearing (drive end) ..... 203FF  
**1989-1987**    Motorcraft  
 Bearing (rear end) ..... MNJ471S

### CAMSHAFT SEAL

#### 4 Cylinder

**1989-1987**    1598cc/1.6  
 Seal ..... 223012  
 Kwik Slv (Opt Rpr) ..... KWK99114

### CRANKSHAFT REAR SEAL

#### 4 Cylinder

**1989-1987**    1598cc/1.6  
 Seal ..... 228250  
 Kwik Slv (Opt Rpr) ..... KWK99328

### TIMING COVER

#### 4 Cylinder

**1989-1987**    1597cc/1.6L  
 Seal ..... 223012  
 Kwik Slv (Opt Rpr) ..... KWK99114

**MERCURY - FRONT DRIVE, AWD - Topaz**

**FRONT WHEEL**

<b>1989-1984</b>	
Set .....	SET39
Hub Assy .....	518503[2] <sup>62</sup>

**REAR WHEEL**

<b>1989-1984</b> exc. AWD	
Seal (inner) .....	473677[2]
Set (inner) .....	SET8
Set (outer) .....	SET12
<b>1989-1988</b> Topaz AWD	
Bearing Assy .....	513001[2]

**TRANSFER CASE**

**Input Shaft**

<b>1989-1988</b> Spicer	
Set .....	SET2[2]
Bearing (pilot) .....	206WB

**Front Output Shaft**

<b>1989-1988</b> Spicer	
Cone/Cup .....	M86647-M86610

**Rear Output Shaft**

<b>1989-1988</b> Spicer	
Cone/Cup .....	M86649-M86610
Needle Bearing (pilot) .....	SCH78

**CLUTCH**

**Release Bearing**

<b>1989</b>	
Bearing Assy .....	614060
Bearing Assy Opt: bearing and sleeve kit .....	614118
<b>1988</b> non-centrifugal pressure plate	
Bearing Assy .....	614021
<b>1988</b> centrifugal pressure plate	
Bearing Assy .....	614060
Bearing Assy Opt: bearing and sleeve kit .....	614118
<b>1987-1984</b>	
Bearing Assy .....	614021

**3-SPEED AUTOMATIC TRANSAXLE**

**Torque Converter**

<b>1989-1984</b> ATX	
Seal .....	4539H
Kwik Slv (Opt Rpr) .....	KWK99235

**Output Shaft**

<b>1989-1984</b> ATX	
Seal .....	3622S[2]
Kwik Slv (Opt Rpr) .....	KWK99169[2]

**3-SPEED AUTOMATIC TRANSAXLE**

**Differential**

<b>1989-1984</b>	
Bearing .....	208[2]

**Selector Shaft Seal/Man. Shaft**

<b>1989-1984</b>	
Seal .....	342517
Kwik Slv (Opt Rpr) .....	KWK99101

**5-SPEED MANUAL TRANSAXLE**

**Differential**

<b>1989-1984</b> MTX-III: 2 pinion	
Set .....	SET45[2]
<b>1989-1984</b> MTX-III: 4 pinion	
Set .....	SET37[2]

**Input Shaft**

<b>1989-1984</b> MTX-III	
Seal .....	3638
Cone/Cup .....	LM67049A-LM67010[2]
Kwik Slv (Opt Rpr) .....	KWK99112

**Countershaft**

<b>1989-1984</b> MTX-III	
Set .....	SET16[2]

**Output Shaft**

<b>1989-1984</b> MTX-III	
Seal .....	3622S[2]
Set .....	SET30[2]
Kwik Slv (Opt Rpr) .....	KWK99169[2]

**Selector Shaft Seal/Man. Shaft**

<b>1989-1984</b> MTX-III	
Seal Viton .....	710274

**ALTERNATOR**

<b>1989-1987</b> Mazda 65 amp	
Bearing (drive end) .....	303CC
<b>1989-1984</b> Motorcraft	
Bearing (drive end) .....	203FF
<b>1989-1984</b> Motorcraft	
Bearing (rear end) .....	MNJ471S

**CRANKSHAFT REAR SEAL**

**4 Cylinder**

<b>1989-1984</b> 140/2.3L	
Seal .....	3772
Seal PTFE H/D Opt. ....	5287
<b>1986-1984</b> 1998cc/2.0L Diesel	
Seal .....	229010
Kwik Slv (Opt Rpr) .....	KWK99354

[ ] Indicates Quantity Required; Set Components Listed Inside Rear Cover;

<sup>62</sup> Kit incl: Hub & Bearing, Seal, Mounting Bolts

# Bearings and Seals

Mfg./Year    Model & Location    Part No    Mfg./Year    Model & Location    Part No

## MERCURY - FRONT DRIVE, AWD - Topaz (cont.)

### TIMING COVER

#### 4 Cylinder

**1989-1984** 140/2.3L  
 Seal ..... 714075  
 Kwik Slv (Opt Rpr) .....KWK99177  
**1986-1984** 1998/2.0L Diesel  
 Seal ..... 223012  
 Kwik Slv (Opt Rpr) .....KWK99114

## MERCURY - REAR DRIVE - Bobcat

### FRONT WHEEL

**1980-1975**  
 Seal (inner) ..... 6815[2]  
 Set (inner) .....SET13  
 Set (outer) .....SET12

### REAR WHEEL

**1980-1979**  
 Seal ..... 3214[2]  
 Bearing .....RW207CCRA[2]  
**1978** 8" ring gear  
 Seal ..... 3214[2]  
 Bearing .....RW207CCRA[2]  
**1978** 6.75" ring gear  
 Seal ..... 3199S[2]  
 Bearing .....RW207CCRA[2]  
**1977-1976**  
 Seal ..... 3214[2]  
 Bearing .....RW207CCRA[2]  
**1975**  
 Seal ..... 3199S[2]  
 Bearing .....RW207CCRA[2]

### REAR AXLE

#### Differential Rebuild Kit

**1980-1976** 8" ring gear  
 Kit .....DRK310

#### Differential

**1982-1976** 8" ring gear  
 Set .....SET45  
**1980-1979** 6.75" ring gear  
 Cone/Cup .....LM501349-LM501314[2]  
**1978-1975** 6.75" ring gear  
 Set .....SET5

#### Pinion

**1980-1979** 6.75" ring gear  
 Cone/Cup (inner) .....HM88648-HM88610  
 Seal (outer) ..... 3618  
 Cone/Cup (outer) .....M86649-M86610  
**1980-1979** 8" ring gear  
 Cone/Cup ..... M86649-M86610[2]  
 Seal (outer) ..... 3618  
 Cyl. Bearing (pilot) ..... R1558TAV

### REAR AXLE (cont.)

#### Pinion (cont.)

**1978-1976** 8" ring gear: production from  
 11/1976 on  
 Cone/Cup ..... M86649-M86610[2]  
 Seal (outer) ..... 8181NA  
 Cyl. Bearing (pilot) ..... R1558TAV  
**1978-1974** 6.75" ring gear  
 Cone/Cup (inner) ..... M88048-M88010  
 Seal (outer) ..... 8181NA  
 Cone/Cup (outer) .....M86649-M86610  
**1976-1975** 8" ring gear: production thru  
 11/1976  
 Cone/Cup ..... M86649-M86610[2]  
 Seal (outer) ..... 8181NA  
 Cyl. Bearing (pilot) ..... R1558TAV

### 3-SPEED AUTOMATIC TRANSMISSION

#### Torque Converter

**1980-1975** C4  
 Seal ..... 331107N  
 Kwik Slv (Opt Rpr) .....KWK99199

#### Rear Seal/Ext. Housing

**1980-1975** C4  
 Seal ..... 7692S  
 Seal Kit ..... 5202<sup>64</sup>

#### Selector Shaft Seal/Man. Shaft

**1980-1975** C4  
 Seal ..... 240816  
 Kwik Slv (Opt Rpr) .....KWK99076

### CLUTCH

#### Pilot Bearing

**1980-1974** 2.3 litre  
 Needle Bearing ..... FC65354

#### Release Bearing

**1977-1963**  
 Bearing Assy ..... 614013

**MERCURY - REAR DRIVE - Bobcat (cont.)**

**3-SPEED MANUAL TRANSMISSION**

**Front Input Shaft**

<b>1976-1975</b>	Tremec 150, 160, 162	
Seal .....		3638
Bearing .....		208LO
Kwik Slv (Opt Rpr) .....		KWK99112

**Rear Output Shaft**

<b>1976-1975</b>	Tremec 150, 160, 162	
Seal .....		7692S
Bearing .....		207L
Seal Kit .....		5202 <sup>64</sup>

**4-SPEED MANUAL TRANSMISSION**

**Input Shaft**

<b>1980-1975</b>	German Design (ET)	
Seal .....		2503N
Bearing .....		207LO
Kwik Slv (Opt Rpr) .....		KWK99111

**Rear Output Shaft**

<b>1980-1975</b>	German Design (ET)	
Seal .....		2443
Bearing .....		108A

**ALTERNATOR**

<b>1980-1974</b>	Motorcraft	
Bearing (drive end) .....		203FF
<b>1980-1974</b>	Motorcraft	
Bearing (rear end) .....		MNJ471S
<b>1978-1974</b>	Bosch	
Bearing (drive end) .....		203S
<b>1978-1974</b>	Bosch	
Bearing (rear end) .....		201S

**CRANKSHAFT REAR SEAL**

**4 Cylinder**

<b>1980-1975</b>	140/2.3L	
Seal Rope .....		5095
Seal Split .....		5108

**6 Cylinder**

<b>1979-1975</b>	171/2.8L	
Seal Viton .....		3393
Kwik Slv (Opt Rpr) .....		KWK99237

**TIMING COVER**

**4 Cylinder**

<b>1980-1975</b>	140/2.3L	
Seal .....		2955

**6 Cylinder**

<b>1979-1975</b>	171/2.8L	
Seal Viton .....		2012S <sup>31</sup>
Seal Viton .....		2012V
Kwik Slv (Opt Rpr) .....		KWK99166

**MERCURY - REAR DRIVE - Brougham, Colony Park, Commuter, Grand Marquis, Marquis, Marauder, Medalist, Montclair, Monterey, Park Lane**

**FRONT WHEEL**

<b>1989-1974</b>		
Seal (inner) .....		6815[2]
Set (inner) .....		SET11
Set (outer) .....		SET12
<b>1973-1970</b>		
Seal (inner) .....		6815[2]
Set (inner) .....		SET13
Set (outer) .....		SET2
<b>1969-1968</b>		
Seal (inner) .....		6815[2]
Set (inner) .....		SET6
Set (outer) .....		SET2
<b>1967-1966</b>	disc brakes	
Seal (inner) .....		9150S[2]
Set (inner) .....		SET5
Set (outer) .....		SET3
<b>1967-1961</b>	drum brakes	
Seal (inner) .....		6815[2]
Set (inner) .....		SET6
Set (outer) .....		SET2

**FRONT WHEEL (cont.)**

<b>1960-1959</b>	exc. Monterey and wagon	
Seal (inner) .....		9150S[2]
Set (inner) .....		SET5
Set (outer) .....		SET3
<b>1960-1959</b>	Monterey Sedan and Wagon	
Seal (inner) .....		6815[2]
Set (inner) .....		SET6
Set (outer) .....		SET2
<b>1958</b>	Montclair, Monterey	
Seal (inner) .....		6815[2]
Set (inner) .....		SET6
Set (outer) .....		SET2
<b>1958</b>	Park Lane	
Seal (inner) .....		9150S[2]
Set (inner) .....		SET5
Set (outer) .....		SET3
<b>1957-1955</b>		
Seal (inner) .....		6815[2]
Set (inner) .....		SET6
Set (outer) .....		SET2

[ ] Indicates Quantity Required; Set Components Listed Inside Rear Cover;

<sup>31</sup> When depleted use number listed directly below    <sup>64</sup> Opt. Seal and Bushing Kit

# Bearings and Seals

Mfg./Year    Model & Location    Part No    Mfg./Year    Model & Location    Part No

## **MERCURY - REAR DRIVE - Brougham, Colony Park, Commuter, Grand Marquis, Marquis, Marauder, Medalist, Montclair, Monterey, Park Lane (cont.)**

### **REAR WHEEL**

<b>1989-1980</b>	7.5", 8.5", 8.8" ring gears	
Seal	.....	8660S[2]
Cyl. Bearing	.....	5707[2]
Kit	.....	TRP1563TAV[2] <sup>19</sup>
<b>1979-1974</b>	with OEM roller bearing and rear drum brakes: exc. WER axle	
Seal	.....	3195[2]
Set	.....	SET20
<b>1979-1971</b>	WER axle	
Seal	.....	8660S[2]
Cyl. Bearing	.....	5707[2]
Kit	.....	TRP1563TAV[2] <sup>19</sup>
<b>1979-1966</b>	with OEM ball bearing	
Seal	.....	51098[2]
Bearing	.....	514003P[2]
<b>1973-1967</b>	with OEM roller bearing	
Seal	.....	8660S[2]
Cyl. Bearing	.....	5707[2]
Kit	.....	TRP1563TAV[2] <sup>19</sup>
<b>1965</b>	WDD-D1 axle	
Seal	.....	6939[2]
Bearing	.....	RW207CCRA[2]
<b>1965-1964</b>	exc. 1965 WDD-D1 axle	
Seal	.....	51098[2]
Bearing	.....	514003P[2]
<b>1963-1961</b>	standard axle	
Seal	.....	6939[2]
Bearing	.....	RW207CCRA[2]
<b>1963-1961</b>	Heavy Duty axle	
Seal	.....	51098[2]
Bearing	.....	514003P[2]
<b>1960-1957</b>		
Seal	.....	51098[2]
Bearing	.....	514003P[2]
<b>1956-1955</b>		
Seal	.....	450067[2]
Bearing	.....	514003P[2]
<b>1954-1952</b>	exc. station Wagon	
Bearing	.....	88107AR[2]
<b>1954-1952</b>	Station Wagon	
Bearing	.....	514003P[2]
<b>1951-1949</b>		
Bearing	.....	514003P[2]

### **CLUTCH RELEASE**

#### **3-Finger Clutches**

<b>1971-1961</b>	
Bearing Assy	..... 614034

#### **Diaphragm Clutches**

<b>1970-1966</b>	exc. 410, 427, 428
Bearing Assy	..... 614038
<b>1970-1966</b>	410, 427, 428 engines
Bearing Only	..... FA2065C
<b>1965</b>	exc. 427 engine with 4-speed trans
Bearing Assy	..... 614038
<b>1965</b>	427 engine with 4-speed trans
Bearing Only	..... FA2065C

### **CLUTCH RELEASE (cont.)**

#### **Diaphragm Clutches (cont.)**

<b>1964</b>	4-speed trans	
Bearing Only	.....	FA2065C
<b>1964-1961</b>	exc. 1964 4-speed trans	
Bearing Assy	.....	614038

### **REAR AXLE**

#### **Differential Rebuild Kit**

<b>1989-1985</b>	8.8" ring gear	
Kit	.....	DRK311
<b>1989-1971</b>	8.5" ring gear	
Kit	.....	DRK311
<b>1981-1980</b>	7.5" ring gear	
Kit	.....	DRK315
<b>1979-1970</b>	9" ring gear: production from 5/11/1970 on	
Kit	.....	DRK313
<b>1970-1957</b>	9" ring gear: production thru 5/10/1970	
Kit	.....	DRK312

#### **Differential**

<b>1989-1979</b>	8.5", 8.8" ring gears	
Set	.....	SET36[2]
<b>1981-1979</b>	7.5" ring gear	
Cone/Cup	.....	LM501349-LM501314[2]
<b>1979-1972</b>	9" ring gear	
Set	.....	SET47[2]
<b>1978-1970</b>	production from 5/1970 on	
Set	.....	SET47[2]
<b>1972-1966</b>	WDT axle	
Cone/Cup	.....	25590-25520[2]
<b>1970-1966</b>	exc. WDC-CAX, WDL, WDT axles: production thru 4/1970	
Set	.....	SET37[2]
<b>1968-1966</b>	WDC-CAX, WDL axles	
Set	.....	SET45[2]
<b>1965</b>	exc. WDD-D1 axle	
Set	.....	SET37[2]
<b>1965</b>	WDD-D1 axle	
Set	.....	SET45[2]
<b>1964</b>		
Set	.....	SET37[2]
<b>1963-1961</b>	390 and larger engines	
Set	.....	SET37[2]
<b>1963-1961</b>	351 and smaller engines	
Set	.....	SET45[2]
<b>1960-1959</b>	exc. 312 engine	
Set	.....	SET37[2]
<b>1960-1959</b>	312 engine	
Set	.....	SET45[2]
<b>1958-1957</b>	exc. 9.5" ring gear	
Set	.....	SET37[2]
<b>1958-1957</b>	9.5" ring gear	
Set	.....	SET45[2]
<b>1956-1955</b>	Dana/Spicer 53 axle	
Cone/Cup	.....	25590-25523[2]

**MERCURY - REAR DRIVE - Brougham, Colony Park, Commuter, Grand Marquis, Marquis, Marauder, Medalist, Montclair, Monterey, Park Lane (cont.)**

**REAR AXLE (cont.)**

**Differential (cont.)**

<b>1956-1955</b>	
Cone/Cup .....	25590-25523[2]
<b>1954-1949</b> 10-bolt housing cover	
Cone/Cup .....	24780-24720[2]
<b>1954-1949</b> Dana/Spicer 41 axle	
Cone/Cup .....	25577-25523[2]

**Pinion**

<b>1989-1979</b> 7.5", 8.5", 8.8" ring gears	
Cone/Cup (inner) .....	M802048-M802011
Seal Viton (outer) .....	3604
Cone/Cup (outer) .....	M88048-M88010
Kwik Slv (Opt Rpr) .....	KWK99181
<b>1979-1961</b> WDC, WDD, WDL, WFG axles: 9" ring gear	
Cone/Cup .....	M88048-M88010[2]
Seal (outer) .....	7044NA
Cyl. Bearing (pilot) .....	R1535TAV
<b>1979-1961</b> 9" ring gear	
Cone/Cup .....	M88048-M88010[2]
Seal (outer) .....	7044NA
<b>1978-1973</b> WER axle: 8.7" ring gear	
Cone/Cup (inner) .....	M802048-M802011
Seal Viton (outer) .....	3604
Cone/Cup (outer) .....	M88048-M88010
<b>1973-1964</b> 9" ring gear Heavy Duty axle	
Cone/Cup (inner) .....	HM89443-HM89410
Seal (outer) .....	7044NA
Cone/Cup (outer) .....	M88048-M88010
Cyl. Bearing (pilot) .....	R1535TAV
<b>1972-1970</b> WER axle: 8.7" ring gear	
Cone/Cup (inner) .....	M802048-M802011
Seal Viton (outer) .....	3604
Cone/Cup (outer) .....	M88048-M88010
<b>1972-1963</b> 9.375" ring gear: WFH, WDT axles	
Cone/Cup (inner) .....	HM89444-HM89410
Seal (outer) .....	7044NA
Cone/Cup (outer) .....	M88048-M88010
Cyl. Bearing (pilot) .....	M5204TV
<b>1971-1957</b> 8.75" ring gear	
Cone/Cup .....	M88048-M88010[2]
Seal (outer) .....	6930
Cyl. Bearing (pilot) .....	R1535TAV
<b>1965-1963</b> exc. 427 engine	
Cone/Cup .....	M88048-M88010[2]
Seal (outer) .....	7044NA
Cyl. Bearing (pilot) .....	R1535TAV
<b>1965-1963</b> 427 engine	
Seal (inner) .....	7044NA
Cone/Cup (inner) .....	M88048-M88010
Cone/Cup (outer) .....	HM89443-HM89410
<b>1960-1957</b> 9" ring gear: 4.125" OD pinion seal	
Cone/Cup .....	M88048-M88010[2]
Seal (outer) .....	6930
Cyl. Bearing (pilot) .....	R1535TAV

**REAR AXLE (cont.)**

**Pinion (cont.)**

<b>1960-1957</b> 9" ring gear: 3" OD pinion seal	
Cone/Cup .....	M88048-M88010[2]
Seal (outer) .....	7044NA
Cyl. Bearing (pilot) .....	R1535TAV
<b>1956-1955</b>	
Cone/Cup (inner) .....	3877-3820
Seal (outer) .....	5778
Cone/Cup (outer) .....	02872-02820
<b>1954-1949</b> 10-bolt housing cover	
Cone/Cup (inner) .....	31597-31520
Seal (outer) .....	6371
Cone/Cup (outer) .....	02876-02820
<b>1954-1949</b> Dana/Spicer 41 axle	
Cone/Cup (inner) .....	31594-31520
Seal (outer) .....	5778
Cone/Cup (outer) .....	02872-02820

**AUTOMATIC TRANSMISSION**

**Torque Converter**

<b>1965-1961</b> Ford-o-Matic: 2-speed	
Seal .....	331107N
Kwik Slv (Opt Rpr) .....	KWK99199

**Rear Seal/Ext. Housing**

<b>1965-1963</b> Ford-o-Matic: 2-speed with 1.5" shaft	
Seal .....	7692S
Seal Kit .....	5202 <sup>64</sup>

**3-SPEED AUTOMATIC TRANSMISSION**

**Torque Converter**

<b>1980</b> C4, C6	
Seal .....	331107N
Kwik Slv (Opt Rpr) .....	KWK99199
<b>1979-1971</b> Cruise-o-Matic	
Seal .....	331107N
Kwik Slv (Opt Rpr) .....	KWK99199
<b>1979-1968</b> C4, C6, MX	
Seal .....	331107N
Kwik Slv (Opt Rpr) .....	KWK99199
<b>1978-1971</b> Ford-o-Matic	
Seal .....	6988H
Kwik Slv (Opt Rpr) .....	KWK99193
<b>1967-1963</b> FX, MX	
Seal .....	6988H
Kwik Slv (Opt Rpr) .....	KWK99193
<b>1967-1962</b> C4, C6	
Seal .....	331107N
Kwik Slv (Opt Rpr) .....	KWK99199
<b>1963-1949</b> Ford-o-Matic	
Seal .....	6988H
Kwik Slv (Opt Rpr) .....	KWK99193

[ ] Indicates Quantity Required; Set Components Listed Inside Rear Cover;

<sup>64</sup> Opt. Seal and Bushing Kit



# Bearings and Seals

Mfg./Year    Model & Location    Part No    Mfg./Year    Model & Location    Part No

## **MERCURY - REAR DRIVE - Brougham, Colony Park, Commuter, Grand Marquis, Marquis, Marauder, Medalist, Montclair, Monterey, Park Lane (cont.)**

### **3-SPEED AUTOMATIC TRANSMISSION**

#### **Rear Seal/Ext. Housing**

<b>1980-1966</b>	C6	
Seal .....		7300S
Seal Kit .....		5203 <sup>64</sup>
<b>1980-1963</b>	C4	
Seal .....		7692S
Seal Kit .....		5202 <sup>64</sup>
<b>1979-1971</b>	Cruise-o-Matic	
Seal .....		7300S
Seal Kit .....		5203 <sup>64</sup>
<b>1978-1949</b>	Ford-o-Matic	
Seal .....		7692S
Seal Kit .....		5202 <sup>64</sup>
<b>1968-1963</b>	MX, FX	
Seal .....		473234

#### **Selector Shaft Seal/Man. Shaft**

<b>1980-1978</b>	C4	
Seal .....		240816
Kwik Slv (Opt Rpr) .....		KWK99076
<b>1980-1949</b>	exc. C4	
Seal .....		7929S

### **4-SPEED AUTOMATIC TRANSMISSION**

#### **Torque Converter**

<b>1989-1981</b>	AOT (AOD)	
Seal .....		331107N
Kwik Slv (Opt Rpr) .....		KWK99199

#### **Rear Seal/Ext. Housing**

<b>1989-1981</b>	AOT (AOD): long boot	
Seal .....		7692S
Seal Kit .....		5202 <sup>64</sup>
<b>1989-1981</b>	AOT (AOD): short boot	
Seal .....		2194

#### **Selector Shaft Seal/Man. Shaft**

<b>1989-1981</b>		
Seal .....		7929S

### **CLUTCH**

#### **Pilot Bearing**

<b>1963</b>		
Bearing .....		203S
<b>1962-1961</b>	233, 292 engines	
Bearing .....		203S
<b>1960-1958</b>	312 engine	
Bearing .....		203S
<b>1957-1946</b>		
Bearing .....		203S

#### **Release Bearing**

<b>1960-1954</b>		
Bearing Only .....		MA1625C
<b>1953-1952</b>		
Bearing Only .....		M1625C

### **CLUTCH (cont.)**

#### **Release Bearing (cont.)**

<b>1951-1941</b>		
Bearing Only .....		2065C

### **3-SPEED MANUAL TRANSMISSION**

#### **Front Input Shaft**

<b>1971-1964</b>	Tremec 150, 160, 162	
Seal .....		3638
Bearing .....		208LO
Kwik Slv (Opt Rpr) .....		KWK99112
<b>1967-1949</b>	Warner T86	
Seal .....		450326
Bearing .....		207L
Kwik Slv (Opt Rpr) .....		KWK99149
<b>1962-1955</b>	Ford L/D	
Seal .....		482208
Bearing .....		208SL
Kwik Slv (Opt Rpr) .....		KWK99112
<b>1960-1954</b>	Warner T85	
Seal .....		482208
Bearing .....		307L
Kwik Slv (Opt Rpr) .....		KWK99112

#### **Mainshaft Pilot**

<b>1971-1964</b>	Tremec 150, 160, 162	
Needle Bearing .....		QBR23549[15]
<b>1967-1961</b>	Warner T86	
Needle Bearing .....		QAR35319[21]
<b>1962-1955</b>	Ford L/D	
Needle Bearing .....		QBR23549[15]
<b>1960-1954</b>	Warner T85	
Needle Bearing .....		W1518Q[14]
<b>1954-1949</b>	Warner T86	
Needle Bearing .....		QAR35319[21]

#### **Countershaft**

<b>1971-1964</b>	Tremec 150, 160, 162	
Needle Bearing .....		C1086Q[50]
<b>1967-1961</b>	Warner T86	
Needle Bearing .....		C407Q[44]
<b>1962-1955</b>	Ford L/D	
Needle Bearing .....		C407Q[44]
<b>1960-1954</b>	Warner T85	
Needle Bearing .....		S443Q[80]
<b>1954-1949</b>	Warner T86	
Needle Bearing .....		C407Q[44]

#### **Rear Output Shaft**

<b>1971-1964</b>	Tremec 150, 160, 162	
Seal .....		7692S
Bearing .....		207L
Seal Kit .....		5202 <sup>64</sup>
<b>1967-1949</b>	Warner T86	
Seal .....		470059
Bearing .....		207L
Seal Kit .....		5201 <sup>64</sup>

**MERCURY - REAR DRIVE - Brougham, Colony Park, Commuter, Grand Marquis, Marquis, Marauder, Medalist, Montclair, Monterey, Park Lane (cont.)**

**3-SPEED MANUAL TRANSMISSION**

(cont.)

**Rear Output Shaft (cont.)**

<b>1962-1955</b>	Ford L/D	
Seal	.....	470059
Bearing	.....	208SL
Seal Kit	.....	5201 <sup>64</sup>
<b>1960-1954</b>	Warner T85	
Seal	.....	470059
Bearing	.....	307L
Seal Kit	.....	5201 <sup>64</sup>

**Selector Shaft Seal/Man. Shaft**

<b>1967-1949</b>	Warner T85, T86	
Seal	.....	340797
Kwik Slv (Opt Rpr)	.....	KWK99059

**4-SPEED MANUAL TRANSMISSION**

**Input Shaft**

<b>1973-1964</b>	Tremec 170	
Seal	.....	482208
Bearing	.....	209L
Kwik Slv (Opt Rpr)	.....	KWK99112
<b>1965-1960</b>	Warner T10	
Seal	.....	482208
Bearing	.....	307L
Kwik Slv (Opt Rpr)	.....	KWK99112

**Mainshaft Pilot**

<b>1973-1964</b>	Tremec 170	
Needle Bearing	.....	QBR23549[15]
<b>1965-1960</b>	Warner T10	
Needle Bearing	.....	QA19792[14]

**Countershaft**

<b>1973-1964</b>	Tremec 170	
Needle Bearing	.....	QAR33724[42]
<b>1965-1960</b>	Warner T10	
Needle Bearing	.....	S443Q[80]

**Reverse Idler**

<b>1973-1964</b>	Tremec 170	
Needle Bearing	.....	C407Q[44]

**Rear Output Shaft**

<b>1973-1964</b>	Tremec 170: 28-spline, 1.5" shaft	
Seal	.....	470059
Bearing	.....	307L
Seal Kit	.....	5201 <sup>64</sup>
<b>1973-1964</b>	Tremec 170: 31-spline, 1.690" shaft	
Seal	.....	473234
Bearing	.....	307L
<b>1965-1960</b>	Warner T10	
Seal	.....	7692S
Bearing	.....	307L
Seal Kit	.....	5202 <sup>64</sup>

**Selector Shaft Seal/Man. Shaft**

<b>1973-1964</b>	Tremec 170	
Seal	.....	313156

**OVERDRIVE UNIT**

**Output Shaft**

<b>1967-1961</b>	Warner R10	
Seal	.....	470059
Seal Kit	.....	5201 <sup>64</sup>
<b>1960-1954</b>	Warner R11	
Seal	.....	473234
Bearing	.....	207L
<b>1954-1953</b>	Warner R10	
Seal	.....	470059
Seal Kit	.....	5201 <sup>64</sup>

**Selector Shaft Seal/Man. Shaft**

<b>1967-1953</b>	Warner R10, R11	
Seal	.....	340797
Kwik Slv (Opt Rpr)	.....	KWK99059

**Free Wheel Cam**

<b>1967-1961</b>	Warner R10	
Needle Bearing	.....	W585Q[12]
<b>1954-1953</b>	Warner R10	
Needle Bearing	.....	W585Q[12]

**Solenoid**

<b>1967-1953</b>	Warner R10, R11	
Seal	.....	240698

**ALTERNATOR**

<b>1989-1971</b>	Motorcraft	
Bearing (drive end)	.....	203FF
<b>1989-1971</b>	Motorcraft	
Bearing (rear end)	.....	MNJ471S

**CRANKSHAFT REAR SEAL**

**6 Cylinder**

<b>1970</b>	250/4.1L	
Seal Rope	.....	5095
Seal Split Opt.	.....	5108
<b>1969-1965</b>	240/3.9	
Seal Viton	.....	2377
Kwik Slv (Opt Rpr)	.....	KWK99372

**8 Cylinder**

<b>1989-1984</b>	281/4.6L, 302/5.0L	
Seal Viton	.....	3909
Seal PTFE H/D Opt.	.....	5277
Kwik Slv (Opt Rpr)	.....	KWK99363
<b>1989-1984</b>	351/5.8L (W)	
Seal Viton	.....	2377
Seal PTFE H/D Opt.	.....	5278
Kwik Slv (Opt Rpr)	.....	KWK99372
<b>1983</b>	351/5.8L (W) To 7/10/83	
Seal Rope	.....	5095
Seal Split Opt.	.....	5108

[ ] Indicates Quantity Required; Set Components Listed Inside Rear Cover;  
<sup>64</sup> Opt. Seal and Bushing Kit

# Bearings and Seals

Mfg./Year    Model & Location    Part No    Mfg./Year    Model & Location    Part No

## **MERCURY - REAR DRIVE - Brougham, Colony Park, Commuter, Grand Marquis, Marquis, Marauder, Medalist, Montclair, Monterey, Park Lane (cont.)**

### **CRANKSHAFT REAR SEAL (cont.)**

#### **8 Cylinder (cont.)**

<b>1983</b>	351/5.8L (W) From 7/10/83	
	Seal Viton .....	2377
	Kwik Slv (Opt Rpr) .....	KWK99372
	Seal PTFE H/D Opt. ....	5278
<b>1983</b>	302/5.0L Thru 11/82	
	Seal Rope .....	5095
	Seal Split Opt. ....	5108
<b>1983</b>	302/5.0L From 11/82	
	Seal Viton .....	3909
	Seal PTFE H/D Opt. ....	5277
	Kwik Slv (Opt Rpr) .....	KWK99363
<b>1982-1963</b>	260/4.3, 289/4.7, 302/5.0, 351/5.8 (C), 351/5.8 (W)	
	Seal Rope .....	5095
	Seal Split Opt. ....	5108
<b>1978-1971</b>	351/5.8 (M), 400/6.6	
	Seal Rope .....	5095
	Seal Split Opt. ....	5117
<b>1978-1969</b>	429/7.0, 460/7.5	
	Seal Rope .....	5095
	Seal Split Opt. ....	5118
<b>1971-1962</b>	352/5.8, 390/6.4, 406/6.6, 427/7.0, 428/7.0	
	Seal Rope .....	5095
	Seal Split Opt. ....	5112S

### **TIMING COVER**

#### **6 Cylinder**

<b>1970</b>	250/4.1L	
	Seal (front entry) .....	2692
	Seal (rear entry) .....	2942
	Kwik Slv (Opt Rpr) .....	KWK99187
	Harmonic Balancer	
	Sleeves .....	88187
<b>1969-1965</b>	240/3.9	
	Seal (front entry) .....	2692
	Seal (rear entry) .....	2942
	Kwik Slv (Opt Rpr) .....	KWK99187
	Harmonic Balancer	
	Sleeves .....	88187
<b>1964-1963</b>	223/3.6	
	Seal .....	350936
	Kwik Slv (Opt Rpr) .....	KWK99187
	Harmonic Balancer	
	Sleeves .....	88187

#### **8 Cylinder**

<b>1989-1958</b>	exc. 281/4.6, 292/4.8	
	Seal (front entry) .....	2692
	Seal (rear entry) .....	2942
	Kwik Slv (Opt Rpr) .....	KWK99187
	Harmonic Balancer	
	Sleeves .....	88187
<b>1962-1955</b>	292/4.8L	
	Seal .....	350936
	Kwik Slv (Opt Rpr) .....	KWK99187
	Harmonic Balancer	
	Sleeves .....	88187

## **MERCURY - REAR DRIVE - Capri**

### **FRONT WHEEL**

<b>1986-1984</b>	Capri GT	
	Seal (inner) .....	9150S[2]
	Set (inner) .....	SET5
	Set (outer) .....	SET12
<b>1986-1979</b>	exc. Capri GT	
	Seal (inner) .....	6815[2]
	Set (inner) .....	SET17
	Set (outer) .....	SET12
<b>1978-1971</b>		
	Seal (inner) .....	1192[2]
	Set (inner) .....	SET21
	Set (outer) .....	SET2

### **REAR WHEEL**

<b>1986-1979</b>	7.5", 8.8" ring gears	
	Seal .....	8660S[2]
	Cyl. Bearing .....	5707[2]
	Kit .....	TRP1563TAV[2] <sup>19</sup>
<b>1983-1979</b>	6.75" ring gear	
	Seal .....	3214[2]
	Bearing .....	RW207CCRA[2]

### **REAR WHEEL (cont.)**

<b>1978-1975</b>		
	Bearing .....	RW110R[2]
<b>1974-1971</b>		
	Seal .....	1181[2]
	Bearing .....	RW109R[2]

### **REAR AXLE**

#### **Differential Rebuild Kit**

<b>1986</b>	8.8" ring gear	
	Kit .....	DRK311
<b>1986-1980</b>	7.5" ring gear	
	Kit .....	DRK315

#### **Differential**

<b>1986</b>	8.8" ring gear	
	Set .....	SET36[2]
<b>1986-1979</b>	6.75" ring gear	
	Cone/Cup .....	LM501349-LM501314[2]
<b>1986-1979</b>	7.5" ring gear	
	Cone/Cup .....	LM501349-LM501314[2]

**390** [ ] Indicates Quantity Required; Set Components Listed Inside Rear Cover;

<sup>19</sup> Opt. Axle Repair Bearing. Replaces O.E. bearing & seal.

**MERCURY - REAR DRIVE - Capri (cont.)**

**REAR AXLE (cont.)**

**Differential (cont.)**

**1978-1971**  
Cone/Cup ..... 16150-16283[2]

**Pinion**

**1986-1979**    7.5", 8.8" ring gears  
Cone/Cup (inner) ..... M802048-M802011  
Seal Viton (outer) ..... 3604  
Cone/Cup (outer) ..... M88048-M88010  
Kwik Slv (Opt Rpr) ..... KWK99181  
**1982-1979**    6.75" ring gear  
Cone/Cup (inner) ..... HM88648-HM88610  
Seal (outer) ..... 3618  
Cone/Cup (outer) ..... M86649-M86610  
Kwik Slv (Opt Rpr) ..... KWK99181  
**1978-1971**  
Cone/Cup (inner) ..... HM89449-HM89410  
Seal (outer) ..... 2642  
Cone/Cup (outer) ..... HM88542-HM88510

**3-SPEED AUTOMATIC TRANSMISSION**

**Torque Converter**

**1986-1980**    C3  
Seal ..... 2658  
**1986-1980**    C5  
Seal ..... 331107N  
Kwik Slv (Opt Rpr) ..... KWK99199  
**1986-1972**    C4  
Seal ..... 331107N  
Kwik Slv (Opt Rpr) ..... KWK99199  
**1973-1971**    Ford-o-Matic  
Seal ..... 6988H  
Kwik Slv (Opt Rpr) ..... KWK99193  
**1971**    Borg Warner  
Seal ..... 480479H

**Rear Seal/Ext. Housing**

**1979-1972**    C4  
Seal ..... 7692S  
Seal Kit ..... 5202<sup>64</sup>  
**1973-1971**    Ford-o-Matic  
Seal ..... 7692S  
Seal Kit ..... 5202<sup>64</sup>  
**1971**    Borg Warner  
Seal ..... 7692S  
Seal Kit ..... 5202<sup>64</sup>

**Selector Shaft Seal/Man. Shaft**

**1986-1980**    C4, C5  
Seal ..... 240816  
Kwik Slv (Opt Rpr) ..... KWK99076  
**1986-1980**    C3  
Seal ..... 7929S  
**1979-1972**    C4  
Seal ..... 240816  
Kwik Slv (Opt Rpr) ..... KWK99076  
**1973-1971**    Ford-o-Matic  
Seal ..... 7929S  
**1971**    Borg Warner  
Seal ..... 311189

**4-SPEED AUTOMATIC TRANSMISSION**

**Torque Converter**

**1986-1982**    AOT (AOD)  
Seal ..... 331107N  
Kwik Slv (Opt Rpr) ..... KWK99199

**Rear Seal/Ext. Housing**

**1986-1982**    AOT (AOD): long boot  
Seal ..... 7692S  
Seal Kit ..... 5202<sup>64</sup>  
**1986-1982**    AOT (AOD): short boot  
Seal ..... 2194

**Selector Shaft Seal/Man. Shaft**

**1986-1982**    AOT (AOD)  
Seal ..... 7929S

**CLUTCH**

**Pilot Bearing**

**1986-1979**    5.0 V8  
Needle Bearing ..... FC65174  
**1986-1974**    2.3 litre  
Needle Bearing ..... FC65354  
**1982-1979**    3.3 litre  
Needle Bearing ..... FC65174  
**1974-1971**    1.6, 2.0 litre  
Needle Bearing ..... FC65354

**Release Bearing**

**1986-1979**    2.3 litre engine: German trans  
Bearing Assy ..... 614013  
**1986-1979**    5.0 V8 and 2.3 litre: U.S. trans  
Bearing Assy ..... 614014  
**1978-1971**    exc. 1600  
Bearing Only ..... F01267C  
**1973-1971**    1600  
Bearing Only ..... CB2055C

**4-SPEED MANUAL TRANSMISSION**

**Input Shaft**

**1986-1971**    German Design (ET)  
Seal ..... 2503N  
Bearing ..... 207LO  
Kwik Slv (Opt Rpr) ..... KWK99111  
**1983-1982**    Tremec 174  
Seal ..... 3638  
Bearing ..... 209L  
Kwik Slv (Opt Rpr) ..... KWK99112  
**1982-1980**    Warner SR4  
Seal ..... 3638  
Bearing ..... 208LO  
Kwik Slv (Opt Rpr) ..... KWK99112  
**1982-1980**    Tremec 171  
Seal ..... 3638  
Bearing ..... 308LTB  
Kwik Slv (Opt Rpr) ..... KWK99112  
**1978-1971**    English Design (WG)  
Seal ..... 2503N  
Bearing ..... 207LO  
Kwik Slv (Opt Rpr) ..... KWK99111

[ ] Indicates Quantity Required; Set Components Listed Inside Rear Cover;  
<sup>64</sup> Opt. Seal and Bushing Kit

# Bearings and Seals

Mfg./Year    Model & Location    Part No    Mfg./Year    Model & Location    Part No

## MERCURY - REAR DRIVE - Capri (cont.)

### 4-SPEED MANUAL TRANSMISSION

#### Mainshaft Pilot

<b>1983-1980</b>	Tremec 171, 174	
	Needle Bearing .....	QBR23549[15]
<b>1982-1980</b>	Warner SR4	
	Needle Bearing .....	QBR23549[15]

#### Countershaft

<b>1986-1980</b>	German Design	
	Needle Bearing (front) .....	C407Q[21]
	Needle Bearing (rear) .....	B1316Q
<b>1983-1980</b>	Tremec 171, 174	
	Needle Bearing .....	QAR33724[42]
<b>1982-1980</b>	Warner SR4	
	Needle Bearing .....	C1086Q[50]

#### Reverse Idler

<b>1983-1980</b>	Tremec 171, 174	
	Needle Bearing .....	C407Q[44]

#### Rear Output Shaft

<b>1986-1980</b>	German Design	
	Seal .....	2443
	Bearing .....	108A
<b>1983-1982</b>	Tremec 174	
	Seal .....	7692S
	Bearing .....	307L
	Seal Kit .....	5202 <sup>64</sup>
<b>1982-1980</b>	Tremec 171	
	Seal .....	7692S
	Bearing .....	308LTB
	Seal Kit .....	5202 <sup>64</sup>
<b>1982-1980</b>	Warner SR4: 25-spline, 1.375" shaft	
	Seal .....	3116N
	Bearing .....	207L
<b>1978-1971</b>	German Design (ET)	
	Seal .....	2443
	Bearing .....	108A
<b>1972-1971</b>	English Design (WG)	
	Seal .....	2551
	Bearing .....	207L

#### Selector Shaft Seal/Man. Shaft

<b>1983-1980</b>		
	Seal .....	313156

### 5-SPEED MANUAL TRANSMISSION

#### Front Input Shaft

<b>1986-1983</b>	Warner T5, T5 World Class	
	Seal .....	7412S
	Set .....	SET5
	Kwik Slv (Opt Rpr) .....	KWK99125
	Needle Bearing Thrust .....	FA55505
<b>1983-1980</b>	Tremec 140, 141	
	Seal .....	482163N
	Set .....	SET5
	Kwik Slv (Opt Rpr) .....	KWK99138

### 5-SPEED MANUAL TRANSMISSION

#### Countershaft

<b>1986-1985</b>	Warner T5 World Class	
	Cone/Cup (front) .....	LM67048-LM67010BCE
	Set (rear) .....	SET6
<b>1984-1983</b>	Warner T5	
	Needle Bearing (front) .....	DK55836
	Cyl. Bearing (rear) .....	5707
<b>1983-1980</b>	Tremec 140, 141	
	Set (front) .....	SET2
	Set (rear) .....	SET6

#### Mainshaft Pilot

<b>1986-1983</b>	Warner T5, T5 World Class	
	Seal .....	7692S
	Cone/Cup .....	25877-25821
	Seal Kit .....	5202 <sup>64</sup>
<b>1983-1980</b>	Tremec 140, 141	
	Seal .....	222820
	Set .....	SET5

#### Mainshaft 1st Speed Gear

<b>1986-1985</b>	Warner T5 World Class	
	Needle Bearing .....	F218255

#### Mainshaft 2nd Speed Gear

<b>1986-1985</b>	Warner T5 World Class	
	Needle Bearing .....	F93934

#### Rear Output Shaft

<b>1986-1983</b>	Warner T5, T5 World Class	
	Seal .....	7692S
	Cone/Cup .....	25877-25821
	Seal Kit .....	5202 <sup>64</sup>
<b>1983-1980</b>	Tremec 140, 141	
	Seal .....	222820
	Set .....	SET5

#### Selector Shaft Seal/Man. Shaft

<b>1983-1980</b>	Tremec 140, 141	
	Seal .....	314267N
	Kwik Slv (Opt Rpr) .....	KWK99062

### ALTERNATOR

<b>1986-1979</b>	Motorcraft	
	Bearing (drive end) .....	203FF
<b>1986-1979</b>	Motorcraft	
	Bearing (rear end) .....	MNJ471S

### CAMSHAFT SEAL

#### 4 Cylinder

<b>1986-1976</b>	140/2.3L	
	Seal .....	2955
<b>1974-1971</b>	122/2.0L	
	Seal Viton .....	2012S[2] <sup>31</sup>
	Seal Viton .....	2012V[2]
	Kwik Slv (Opt Rpr) .....	KWK99166[2]

392 [ ] Indicates Quantity Required; Set Components Listed Inside Rear Cover;

<sup>31</sup> When depleted use number listed directly below    <sup>64</sup> Opt. Seal and Bushing Kit

**MERCURY - REAR DRIVE - Capri (cont.)**

**CRANKSHAFT REAR SEAL**

**4 Cylinder**

<b>1986-1982</b>	140/2.3L	
Seal Viton .....		3909
Kwik Slv (Opt Rpr) .....		KWK99363
Seal PTFE H/D Opt. ....		5277
<b>1981-1978</b>	140/2.3L	
Seal Rope .....		5095
Seal Split Opt. ....		5108
<b>1974-1971</b>	98/1.6L, 122/2.0	
Seal Viton .....		3393

**6 Cylinder**

<b>1986-1983</b>	232/3.8L From 1/1/83	
Seal Viton .....		3909
Seal PTFE H/D Opt. ....		5277
Kwik Slv (Opt Rpr) .....		KWK99363
<b>1983</b>	232/3.8L to 12/31/82	
Seal Rope .....		5095
Seal Split Opt. ....		5108
<b>1982-1980</b>	200/3.3L	
Seal Rope .....		5095
Seal Split Opt. ....		5116
<b>1978-1974</b>	171/2.8L	
Seal Viton .....		3393
Kwik Slv (Opt Rpr) .....		KWK99237

**8 Cylinder**

<b>1986-1983</b>	302/5.0L From 12/82	
Seal Viton .....		3909
Seal PTFE H/D Opt. ....		5277
Kwik Slv (Opt Rpr) .....		KWK99363
<b>1983-1980</b>	302/5.0L Thru 11/82	
Seal Rope .....		5095
Seal Split Opt. ....		5108
<b>1982-1980</b>	255/4.2	
Seal Rope .....		5095
Seal Split Opt. ....		5108

**TIMING COVER**

**4 Cylinder**

<b>1986-1976</b>	140/2.3L	
Seal .....		2955
<b>1974-1971</b>	122/2.0L	
Seal Viton .....		2012S <sup>31</sup>
Seal Viton .....		2012V
Kwik Slv (Opt Rpr) .....		KWK99166
<b>1972-1971</b>	98/1.6L	
Seal .....		3394
Kwik Slv (Opt Rpr) .....		KWK99144

**6 Cylinder**

<b>1986-1983</b>	232/3.8L	
Seal (front entry) .....		2692
Seal (rear entry) .....		2942
Kwik Slv (Opt Rpr) .....		KWK99187
Harmonic Balancer		
Sleeves .....		88187
<b>1982-1980</b>	200/3.3L	
Seal .....		7486S
Kwik Slv (Opt Rpr) .....		KWK99174
<b>1978-1974</b>	171/2.8L	
Seal Viton .....		2012S <sup>31</sup>
Seal Viton .....		2012V
Kwik Slv (Opt Rpr) .....		KWK99166

**8 Cylinder**

<b>1986-1980</b>	255/4.2L, 302/5.0L	
Seal (front entry) .....		2692
Seal (rear entry) .....		2942
Kwik Slv (Opt Rpr) .....		KWK99187
Harmonic Balancer		
Sleeves .....		88187

**MERCURY - REAR DRIVE - Comet, Cyclone, Meteor, Montego**

**FRONT WHEEL**

<b>1977-1974</b>	Comet	
Seal (inner) .....		6815[2]
Set (inner) .....		SET13
Set (outer) .....		SET12
<b>1976-1974</b>	Montego	
Seal (inner) .....		6815[2]
Set (inner) .....		SET11
Set (outer) .....		SET12
<b>1973-1970</b>		
Seal (inner) .....		6815[2]
Set (inner) .....		SET13
Set (outer) .....		SET12
<b>1969-1966</b>		
Seal (inner) .....		6815[2]
Set (inner) .....		SET6
Set (outer) .....		SET2

**FRONT WHEEL (cont.)**

<b>1965-1963</b>	8-cylinder and Meteor	
Seal (inner) .....		6815[2]
Set (inner) .....		SET6
Set (outer) .....		SET2
<b>1965-1960</b>	6-cylinder	
Seal (inner) .....		7994S[2]
Set (inner) .....		SET4
Set (outer) .....		SET1

**REAR WHEEL**

<b>1977-1976</b>	Comet	
Seal .....		3214[2]
Bearing .....		RW207CCRA[2]
<b>1976</b>	Montego: standard axle	
Seal .....		51098[2]
Bearing .....		88128RAP[2]

[ ] Indicates Quantity Required; Set Components Listed Inside Rear Cover;

<sup>31</sup> When depleted use number listed directly below

# Bearings and Seals

Mfg./Year    Model & Location    Part No    Mfg./Year    Model & Location    Part No

## MERCURY - REAR DRIVE - Comet, Cyclone, Meteor, Montego (cont.)

### REAR WHEEL (cont.)

<b>1976-1974</b>	Montego: Heavy Duty axle	
Seal .....		3195[2]
Set .....		SET20
<b>1975-1971</b>	Comet: 5-lug wheels	
Seal .....		9569S[2]
Bearing .....		RW207CCRA[2]
<b>1974-1973</b>	Montego: OEM ball bearing	
Seal .....		51098[2]
Bearing .....		514003P[2]
<b>1973</b>	Cyclone	
Seal .....		51098[2]
Bearing .....		514003P[2]
<b>1972</b>	Montego: 8-cylinder: production from 4/2/1972 on	
Seal .....		9363S[2]
Bearing .....		RW207CCRA[2]
<b>1972-1971</b>	Comet: 4-lug wheels	
Seal .....		9161[2]
Bearing .....		RWF34R[2]
<b>1972-1968</b>	Montego: 8-cylinder: production thru 4/1/1972	
Seal .....		9569S[2]
Bearing .....		RW207CCRA[2]
<b>1971-1969</b>	28-spline axle	
Seal .....		9569S[2]
Bearing .....		RW207CCRA[2]
<b>1971-1969</b>	31-spline axle	
Seal .....		9363S[2]
Bearing .....		RW207CCRA[2]
<b>1968-1967</b>	8-cylinder 427 engine	
Seal .....		9363S[2]
Bearing .....		RW207CCRA[2]
<b>1968-1967</b>	6-cylinder 200 engine	
Seal .....		9569S[2]
Bearing .....		RW207CCRA[2]
<b>1967</b>	exc. 8-cylinder 427 engine	
Seal .....		9569S[2]
Bearing .....		RW207CCRA[2]
<b>1966</b>		
Seal .....		9569S[2]
Bearing .....		RW207CCRA[2]
<b>1965-1964</b>	6-cylinder	
Seal .....		484054[2]
Bearing .....		RWF34R[2]
<b>1965-1963</b>	8-cylinder	
Seal .....		51322[2]
Bearing .....		88506AR[2]
<b>1963-1962</b>	Meteor	
Seal .....		8168[2]
Bearing .....		RW207CCRA[2]
<b>1963-1961</b>	6-cylinder: Wagon and convertible	
Seal .....		484054[2]
Bearing .....		RWF34R[2]
<b>1963-1960</b>	6-cylinder: exc. Wagon & convertible	
Seal .....		451182[2]
Bearing .....		88506AR[2]
<b>1961-1960</b>	Station Wagon	
Seal .....		51249[2]
Bearing .....		RWF34R[2]

### CLUTCH RELEASE

#### 3-Lever Pressure Plates

<b>1977-1963</b>		
Bearing Assy .....		614034

#### Diaphragm Spring Pressure Plates

<b>1977-1975</b>	exc. 6-cylinder 200 engine	
Bearing Assy .....		614014
<b>1977-1975</b>	6-cylinder 200 engine	
Bearing Assy .....		614038
<b>1974-1971</b>	Comet, Montego	
Bearing Assy .....		614038
<b>1973-1962</b>	8-cylinder: exc. 427, 428, 429	
Bearing Assy .....		614038
<b>1971-1966</b>	8-cylinder: 427, 428, 429	
Bearing Only .....		FA2065C
<b>1967</b>	6-cylinder: exc. H/D	
Bearing Assy .....		614038
<b>1967-1966</b>	6-cylinder: 200 and all H/D	
Bearing Only .....		F1625C
<b>1966-1960</b>	6-cylinder: exc. 1966: 200 and all H/D	
Bearing Only .....		F1505C

### REAR AXLE

#### Differential Rebuild Kit

<b>1977-1970</b>	9" ring gear: production from 5/11/1970 on	
Kit .....		DRK313
<b>1977-1964</b>	7.75", 8" ring gears	
Kit .....		DRK310
<b>1970-1957</b>	9" ring gear: production thru 5/10/1970	
Kit .....		DRK312

#### Differential

<b>1977-1966</b>	7.75" ring gear	
Set .....		SET45
<b>1977-1966</b>	8" ring gear	
Set .....		SET45
<b>1976-1970</b>	9" ring gear: production from 5/1970 on	
Set .....		SET47
<b>1970-1965</b>	9" ring gear: production thru 5/1970	
Set .....		SET37
<b>1968-1967</b>	7.5" ring gear: WEZ axle	
Cone/Cup .....		LM29749-LM29710[2]
<b>1965-1963</b>	8-cylinder	
Set .....		SET45
<b>1965-1961</b>	6-cylinder	
Cone/Cup .....		LM29749-LM29710[2]
<b>1960</b>		
Set .....		SET45

**MERCURY - REAR DRIVE - Comet, Cyclone, Meteor, Montego (cont.)**

**REAR AXLE**

**Pinion**

<b>1977-1966</b>	7.75", 8" ring gears	
	Cone/Cup .....	M86649-M86610[2]
	Seal (outer) .....	8181NA
	Cyl. Bearing (pilot) .....	R1558TAV
<b>1976-1966</b>	9" ring gear: 28-spline shaft	
	Cone/Cup .....	M88048-M88010[2]
	Seal (outer) .....	7044NA
	Cyl. Bearing (pilot) .....	R1535TAV
<b>1974-1966</b>	9" ring gear: 31-spline shaft	
	Cone/Cup (inner) .....	HM89443-HM89410
	Cone/Cup (outer) .....	M88048-M88010
	Seal (outer) .....	7044NA
	Cyl. Bearing (pilot) .....	R1535TAV
<b>1968-1966</b>	7.5" ring gear: WCY, WEZ axles	
	Cone/Cup (inner) .....	HM89446-HM89410
	Seal (outer) .....	8181NA
	Cone/Cup (outer) .....	M86649-M86610
<b>1965</b>	6-cylinder: manual trans	
	Cone/Cup (inner) .....	HM89446-HM89410
	Seal (outer) .....	7457N
	Cone/Cup (outer) .....	M86649-M86610
<b>1965</b>	6-cylinder: automatic trans	
	Cone/Cup (inner) .....	HM89446-HM89410
	Seal (outer) .....	8181NA
	Cone/Cup (outer) .....	M86649-M86610
<b>1965</b>	8-cylinder: Special Performance	
	Cone/Cup .....	M86649-M86610[2]
	Seal (outer) .....	8181NA
	Cyl. Bearing (pilot) .....	R1535TAV
<b>1965-1963</b>	8-cylinder: exc. Special Performance	
	Cone/Cup .....	M86649-M86610[2]
	Seal (outer) .....	8181NA
	Cyl. Bearing (pilot) .....	R1558TAV
<b>1964-1961</b>	6-cylinder	
	Cone/Cup .....	HM89446-HM89410[2]
	Seal (outer) .....	7457N
<b>1963-1962</b>	Meteor	
	Cone/Cup .....	M86649-M86610[2]
	Seal (outer) .....	8181NA
	Cyl. Bearing (pilot) .....	R1558TAV
<b>1960</b>		
	Cone/Cup .....	HM88649-HM88610[2]
	Seal (outer) .....	7457N

**AUTOMATIC TRANSMISSION**

**Torque Converter**

<b>1964-1962</b>	Ford-o-Matic: 2-speed	
	Seal .....	331107N
	Kwik Slv (Opt Rpr) .....	KWK99199

**Rear Seal/Ext. Housing**

<b>1964-1962</b>	Ford-o-Matic: 2-speed with 1.5" shaft	
	Seal .....	7692S
	Seal Kit .....	5202 <sup>64</sup>

**3-SPEED AUTOMATIC TRANSMISSION**

**Torque Converter**

<b>1983-1964</b>	C4, C5, C6	
	Seal .....	331107N
	Kwik Slv (Opt Rpr) .....	KWK99199
<b>1980-1975</b>	Jatco 3N71: 3-speed	
	Seal Viton .....	2025
	Kwik Slv (Opt Rpr) .....	KWK99166
<b>1971</b>	Cruise-o-Matic	
	Seal .....	331107N
	Kwik Slv (Opt Rpr) .....	KWK99199
<b>1967-1962</b>	FX	
	Seal .....	6988H
	Kwik Slv (Opt Rpr) .....	KWK99193
<b>1961</b>	Ford-o-Matic: 3-speed	
	Seal .....	6988H
	Kwik Slv (Opt Rpr) .....	KWK99193

**Rear Seal/Ext. Housing**

<b>1983-1963</b>	C4, C5	
	Seal .....	7692S
	Seal Kit .....	5202 <sup>64</sup>
<b>1980-1975</b>	Jatco 3N71	
	Seal .....	3771
<b>1976-1966</b>	C6	
	Seal .....	7300S
	Seal Kit .....	5203 <sup>64</sup>
<b>1971</b>	Cruise-o-Matic	
	Seal .....	7300S
	Seal Kit .....	5203 <sup>64</sup>
<b>1967-1962</b>	FX	
	Seal .....	473234
<b>1961</b>	Ford-o-Matic	
	Seal .....	7692S
	Seal Kit .....	5202 <sup>64</sup>

**Selector Shaft Seal/Man. Shaft**

<b>1983-1963</b>	C4, C5	
	Seal .....	240816
	Kwik Slv (Opt Rpr) .....	KWK99076
<b>1976-1968</b>	Cruise-o-Matic	
	Seal .....	7929S
<b>1976-1968</b>	C6	
	Seal .....	7929S
<b>1971-1962</b>	FX	
	Seal .....	7929S
<b>1961</b>	Ford-o-Matic	
	Seal .....	7929S

**CLUTCH**

**Pilot Bearing**

<b>1974-1973</b>	250, 302 engines	
	Needle Bearing .....	FC65662

**3-SPEED MANUAL TRANSMISSION**

**Front Input Shaft**

<b>1976-1963</b>	Tremec 150, 160, 162	
	Seal .....	3638
	Bearing .....	208LO

[ ] Indicates Quantity Required; Set Components Listed Inside Rear Cover;

<sup>64</sup> Opt. Seal and Bushing Kit



# Bearings and Seals

Mfg./Year    Model & Location    Part No    Mfg./Year    Model & Location    Part No

## MERCURY - REAR DRIVE - Comet, Cyclone, Meteor, Montego (cont.)

### 3-SPEED MANUAL TRANSMISSION (cont.)

#### Front Input Shaft (cont.)

<b>1967-1962</b>	Ford 2.77 (HED, RED)	
Seal	.....	480210
Bearing	.....	207L
<b>1967-1961</b>	Warner T86	
Seal	.....	450326
Bearing	.....	207L
Kwik Slv (Opt Rpr)	.....	KWK99149
<b>1961</b>	Ford L/D	
Seal	.....	482208
Bearing	.....	208SL

#### Rear Output Shaft

<b>1976-1963</b>	Tremec 150, 160, 162	
Seal	.....	7692S
Bearing	.....	207L
Seal Kit	.....	5202 <sup>64</sup>
<b>1967-1962</b>	Ford 2.77 (HED, RED): 1.375" shaft	
Seal	.....	7495S
Bearing	.....	206L
Seal Kit	.....	5204 <sup>64</sup>
<b>1967-1962</b>	Ford 2.77 (HED, RED): 1.5" shaft	
Seal	.....	470059
Bearing	.....	206L
Seal Kit	.....	5201 <sup>64</sup>
<b>1967-1961</b>	Warner T86	
Seal	.....	470059
Bearing	.....	207L
Seal Kit	.....	5201 <sup>64</sup>
<b>1961</b>	Ford L/D	
Seal	.....	470059
Bearing	.....	208SL
Seal Kit	.....	5201 <sup>64</sup>

#### Selector Shaft Seal/Man. Shaft

<b>1967-1962</b>	Ford 2.77 (HED, RED)	
Seal	.....	7399S
Kwik Slv (Opt Rpr)	.....	KWK99062
<b>1967-1961</b>	Warner T85, T86	
Seal	.....	340797
Kwik Slv (Opt Rpr)	.....	KWK99059

### 4-SPEED MANUAL TRANSMISSION Input Shaft

<b>1979-1974</b>	German Design (ET)	
Seal	.....	2503N
Bearing	.....	207LO
<b>1978-1963</b>	Tremec 170	
Seal	.....	482208
Bearing	.....	209L
Kwik Slv (Opt Rpr)	.....	KWK99112
<b>1966-1962</b>	Warner T10	
Seal	.....	482208
Bearing	.....	307L
Kwik Slv (Opt Rpr)	.....	KWK99112
<b>1964</b>	Dagenham Design	
Bearing	.....	307L

### Rear Output Shaft

<b>1979-1974</b>	German Design (ET)	
Seal	.....	2443
Bearing	.....	108A
<b>1978-1977</b>	Tremec 170	
Seal	.....	7692S
Bearing	.....	209L
Seal Kit	.....	5202 <sup>64</sup>
<b>1973-1964</b>	Tremec 170: 28-spline, 1.5" shaft	
Seal	.....	470059
Bearing	.....	307L
Seal Kit	.....	5201 <sup>64</sup>
<b>1973-1964</b>	Tremec 170: 31-spline, 1.690" shaft	
Seal	.....	473234
Bearing	.....	307L
<b>1966-1962</b>	Warner T10	
Seal	.....	7692S
Bearing	.....	307L
Seal Kit	.....	5202 <sup>64</sup>
<b>1964</b>	Dagenham Design	
Seal	.....	7495S
Bearing	.....	206L
Seal Kit	.....	5204 <sup>64</sup>

### Selector Shaft Seal/Man. Shaft

<b>1973-1963</b>	Tremec 170	
Seal	.....	313156
<b>1964</b>	Dagenham Design	
Seal	.....	7399S
Kwik Slv (Opt Rpr)	.....	KWK99062

### ALTERNATOR

<b>1977-1971</b>	Motorcraft	
Bearing (drive end)	.....	203FF
<b>1977-1971</b>	Motorcraft	
Bearing (rear end)	.....	MNJ471S

### CRANKSHAFT REAR SEAL

#### 6 Cylinder

<b>1977-1969</b>	250/4.1L	
Seal Rope	.....	5095
Seal Split Opt.	.....	5108
<b>1977-1963</b>	144/2.4, 170/2.8, 200/3.3	
Seal Rope	.....	5095
Seal Split Opt.	.....	5116
<b>1972-1971</b>	171/2.8L	
Seal Viton	.....	3393
Kwik Slv (Opt Rpr)	.....	KWK99237

#### 8 Cylinder

<b>1982-1962</b>	260/4.3, 289/4.7, 302/5.0, 351/5.8 (C), 351/5.8 (W)	
Seal Rope	.....	5095
Seal Split Opt.	.....	5108
<b>1978-1971</b>	400/6.6L	
Seal Rope	.....	5095
Seal Split Opt.	.....	5117
<b>1971-1970</b>	429/7.0, 460/7.5	
Seal Rope	.....	5095
Seal Split Opt.	.....	5118

**MERCURY - REAR DRIVE - Comet, Cyclone, Meteor, Montego (cont.)**

**CRANKSHAFT REAR SEAL (cont.)**

**8 Cylinder (cont.)**

<b>1969-1961</b>	352/5.8, 390/6.4, 406/6.6, 427/7.0, 428/7.0	
Seal Rope	.....	5095
Seal Split Opt.	.....	5112S

**TIMING COVER**

**6 Cylinder**

<b>1977-1969</b>	250/4.1L	
Seal (front entry)	.....	2692
Seal (rear entry)	.....	2942
Kwik Slv (Opt Rpr)	.....	KWK99187
Harmonic Balancer		
Sleeves	.....	88187
<b>1977-1963</b>	144/2.4, 170/2.8, 200/3.3	
Seal	.....	7486S
Kwik Slv (Opt Rpr)	.....	KWK99174
<b>1972-1971</b>	171/2.8L	
Seal Viton	.....	2012S <sup>31</sup>
Seal Viton	.....	2012V
Kwik Slv (Opt Rpr)	.....	KWK99166

**8 Cylinder**

<b>1982-1961</b>	exc. 281/4.6, 292/4.8	
Seal (front entry)	.....	2692
Seal (rear entry)	.....	2942
Kwik Slv (Opt Rpr)	.....	KWK99187
Harmonic Balancer		
Sleeves	.....	88187
<b>1962</b>	292/4.8L	
Seal	.....	350936
Kwik Slv (Opt Rpr)	.....	KWK99187
Harmonic Balancer		
Sleeves	.....	88187

**MERCURY - REAR DRIVE - Cougar, XR-7**

**FRONT WHEEL**

<b>1989</b>	non-ABS brakes	
Hub Assy	.....	513077[2]
<b>1989</b>	ABS brakes	
Hub Assy	.....	513076[2]
<b>1988-1984</b>	XR7 Turbo	
Seal (inner)	.....	9150S[2]
Set (inner)	.....	SET5
Set (outer)	.....	SET12
<b>1988-1980</b>	exc. XR7 turbo	
Seal (inner)	.....	6815[2]
Set (inner)	.....	SET17
Set (outer)	.....	SET12
<b>1979-1974</b>		
Seal (inner)	.....	6815[2]
Set (inner)	.....	SET11
Set (outer)	.....	SET12
<b>1973-1970</b>		
Seal (inner)	.....	6815[2]
Set (inner)	.....	SET13
Set (outer)	.....	SET12
<b>1969-1967</b>		
Seal (inner)	.....	6815[2]
Set (inner)	.....	SET6
Set (outer)	.....	SET2

**REAR WHEEL**

<b>1989</b>		
Bearing Assy	.....	513058[2] <sup>31</sup>
Set	.....	SET49 <sup>55</sup>
<b>1988-1980</b>		
Seal	.....	8660S[2]
Cyl. Bearing	.....	5707[2]
Kit	.....	TRP1563TAV[2] <sup>19</sup>

**REAR WHEEL (cont.)**

<b>1979-1977</b>	9" ring gear; Disc brakes	
Seal (inner)	.....	3186[2]
Bearing (inner)	.....	88128RAP[2]
Seal (outer)	.....	3794[2]
<b>1979-1974</b>	H/D axle; Roller bearing	
Seal	.....	3195[2]
Set	.....	SET20
<b>1979-1974</b>	exc. H/D; Roller ball bearing	
Seal	.....	51098[2]
Bearing	.....	514003P[2]
<b>1973-1967</b>	28-spline axle	
Seal	.....	9569S[2]
Bearing	.....	RW207CCRA[2]
<b>1973-1967</b>	31-spline axle	
Seal	.....	9363S[2]
Bearing	.....	RW207CCRA[2]

**CLUTCH RELEASE**

**3-Lever Pressure Plates**

<b>1977-1963</b>		
Bearing Assy	.....	614034

**Diaphragm Spring Pressure Plates**

<b>1989</b>	6-cylinder: including Supercharged	
Bearing Assy	.....	614061
<b>1988-1983</b>	6-cylinder	
Bearing Assy	.....	614014
<b>1983-1980</b>	4-speed	
Bearing Assy	.....	614013
<b>1980-1975</b>	exc. 6-cylinder 200 engine	
Bearing Assy	.....	614014

[ ] Indicates Quantity Required; Set Components Listed Inside Rear Cover;

<sup>19</sup> Opt. Axle Repair Bearing. Replaces O.E. bearing & seal.  
below    <sup>55</sup> Opt. Replacement If 513058 Is Unavailable

<sup>31</sup> When depleted use number listed directly

# Bearings and Seals

Mfg./Year    Model & Location    Part No    Mfg./Year    Model & Location    Part No

## MERCURY - REAR DRIVE - Cougar, XR-7 (cont.)

### CLUTCH RELEASE (cont.)

#### Diaphragm Spring Pressure Plates (con

<b>1973-1962</b>	8-cylinder: exc. 427, 428, 429	
	Bearing Assy .....	614038
<b>1971-1966</b>	8-cylinder: 427, 428, 429	
	Bearing Only .....	FA2065C

### REAR AXLE

#### Differential Rebuild Kit

<b>1989-1988</b>	8.8" ring gear	
	Kit .....	DRK311
<b>1989-1980</b>	7.5" ring gear	
	Kit .....	DRK315
<b>1979-1970</b>	9" ring gear: production from 5/11/1970 on	
	Kit .....	DRK313
<b>1970-1967</b>	9" ring gear: production thru 5/10/1970	
	Kit .....	DRK312
<b>1968-1967</b>	8" ring gear	
	Kit .....	DRK310

#### Differential

<b>1989</b>	7.5" ring gear	
	Seal Viton .....	714569[2]
	Cone/Cup .....	LM501349-LM501314[2]
<b>1989-1986</b>	8.8" ring gear	
	Set .....	SET36[2]
<b>1988-1980</b>	7.5" ring gear	
	Cone/Cup .....	LM501349-LM501314[2]
<b>1979-1970</b>	production from 5/1970 on	
	Set .....	SET47
<b>1970-1967</b>	351 and larger engines: production thru 5/1970	
	Set .....	SET37
<b>1968-1967</b>	289, 302 engines	
	Set .....	SET45

#### Pinion

<b>1989-1980</b>	7.5", 8.8" ring gears	
	Cone/Cup (inner) .....	M802048-M802011
	Seal Viton (outer) .....	3604
	Cone/Cup (outer) .....	M88048-M88010
<b>1979-1967</b>	9" ring gear: 28-spline axle shaft	
	Cone/Cup .....	M88048-M88010[2]
	Seal (outer) .....	7044NA
	Cyl. Bearing (pilot) .....	R1535TAV
<b>1974</b>	WEC Heavy Duty axle: 9" ring gear	
	Cone/Cup (inner) .....	HM89443-HM89410
	Seal (outer) .....	7044NA
	Cone/Cup (outer) .....	M88048-M88010
	Cyl. Bearing (pilot) .....	R1535TAV
<b>1974-1966</b>	9" ring gear: 31-spline axle shaft	
	Cone/Cup (inner) .....	HM89443-HM89410
	Seal (outer) .....	7044NA
	Cone/Cup (outer) .....	M88048-M88010
	Cyl. Bearing (pilot) .....	R1535TAV

### REAR AXLE (cont.)

#### Pinion (cont.)

<b>1968-1967</b>	WCZ, WDJ axles: 8" ring gear	
	Cone/Cup .....	M86649-M86610[2]
	Seal (outer) .....	8181NA
	Cyl. Bearing (pilot) .....	R1558TAV

### 3-SPEED AUTOMATIC TRANSMISSION

#### Torque Converter

<b>1986-1981</b>	C3	
	Seal .....	2658
<b>1982-1967</b>	C4, C5, C6	
	Seal .....	331107N
	Kwik Slv (Opt Rpr) .....	KWK99199
<b>1979-1968</b>	Cruise-o-Matic	
	Seal .....	331107N
	Kwik Slv (Opt Rpr) .....	KWK99199
<b>1967</b>	FX	
	Seal .....	6988H
	Kwik Slv (Opt Rpr) .....	KWK99193

#### Rear Seal/Ext. Housing

<b>1986-1981</b>	C3	
	Seal .....	2655
<b>1982-1967</b>	C4, C5	
	Seal .....	7692S
	Seal Kit .....	5202 <sup>64</sup>
<b>1979-1968</b>	Cruise-o-Matic	
	Seal .....	7300S
	Seal Kit .....	5203 <sup>64</sup>
<b>1979-1967</b>	C6	
	Seal .....	7300S
	Seal Kit .....	5203 <sup>64</sup>
<b>1967</b>	FX: 3-speed	
	Seal .....	473234

#### Selector Shaft Seal/Man. Shaft

<b>1986-1981</b>	C3	
	Seal .....	7929S
<b>1982-1967</b>	C4, C5	
	Seal .....	240816
	Kwik Slv (Opt Rpr) .....	KWK99076
<b>1979-1968</b>	Cruise-o-Matic	
	Seal .....	7929S
<b>1979-1967</b>	C6	
	Seal .....	7929S
<b>1967</b>	FX	
	Seal .....	7929S

### 4-SPEED AUTOMATIC TRANSMISSION

#### Torque Converter

<b>1989-1981</b>	AOT (AOD)	
	Seal .....	331107N
	Kwik Slv (Opt Rpr) .....	KWK99199

**MERCURY - REAR DRIVE - Cougar, XR-7 (cont.)**

**4-SPEED AUTOMATIC TRANSMISSION**

**Rear Seal/Ext. Housing**

<b>1989-1981</b>	AOT (AOD): long boot	
Seal .....		7692S
Seal Kit .....		5202 <sup>64</sup>
<b>1989-1981</b>	AOT (AOD): short boot	
Seal .....		2194

**Selector Shaft Seal/Man. Shaft**

<b>1989-1981</b>		
Seal .....		7929S

**CLUTCH**

**Pilot Bearing**

<b>1989</b>	exc. 4.6 V8	
Needle Bearing .....		FC65174
<b>1988-1983</b>		
Needle Bearing .....		FC65354
<b>1974-1973</b>	250, 302 engines	
Needle Bearing .....		FC65662

**3-SPEED MANUAL TRANSMISSION**

**Front Input Shaft**

<b>1976-1967</b>	Tremec 150, 160, 162	
Seal .....		3638
Bearing .....		208LO
Kwik Slv (Opt Rpr) .....		KWK99112
<b>1967</b>	Warner T86	
Seal .....		450326
Bearing .....		207L
Kwik Slv (Opt Rpr) .....		KWK99149

**Rear Output Shaft**

<b>1976-1967</b>	Tremec 150, 160, 162	
Seal .....		7692S
Bearing .....		207L
Seal Kit .....		5202 <sup>64</sup>
<b>1967</b>	Warner T86	
Seal .....		470059
Bearing .....		207L
Seal Kit .....		5201 <sup>64</sup>

**Selector Shaft Seal/Man. Shaft**

<b>1967</b>	Warner T86	
Seal .....		340797
Kwik Slv (Opt Rpr) .....		KWK99059

**4-SPEED MANUAL TRANSMISSION**

**Input Shaft**

<b>1982-1981</b>	German Design (ET)	
Seal .....		2503N
Bearing .....		207LO
Kwik Slv (Opt Rpr) .....		KWK99111
<b>1973-1967</b>	Tremec 170	
Seal .....		482208
Bearing .....		209L
Kwik Slv (Opt Rpr) .....		KWK99112

**4-SPEED MANUAL TRANSMISSION**

**Rear Output Shaft**

<b>1982-1981</b>	German Design (ET)	
Seal .....		2443
Bearing .....		108A
<b>1973-1967</b>	Tremec 170: 31-spline, 1.690" shaft	
Seal .....		473234
Bearing .....		307L
<b>1973-1967</b>	Tremec 170: 28-spline, 1.5" shaft	
Seal .....		470059
Bearing .....		307L
Seal Kit .....		5201 <sup>64</sup>

**Selector Shaft Seal/Man. Shaft**

<b>1973-1967</b>	Tremec 170	
Seal .....		313156

**5-SPEED MANUAL TRANSMISSION**

**Front Input Shaft**

<b>1989</b>	Mazda M5R2	
Seal .....		223012
Kwik Slv (Opt Rpr) .....		KWK99114
<b>1986-1984</b>	Warner T5, T5 World Class	
Seal .....		7412S
Set .....		SET5
Needle Bearing Thrust .....		FA55505
Kwik Slv (Opt Rpr) .....		KWK99125

**Countershaft**

<b>1989</b>	Mazda M5R2	
Cyl. Bearing (center) .....		MR1207EL
Bearing (rear) .....		304WB
<b>1986-1985</b>	Warner T5 World Class	
Cone/Cup (front) .....		LM67048-LM67010BCE
Set (rear) .....		SET6
Needle Bearing Thrust .....		NTA1423
<b>1984</b>	Warner T5	
Needle Bearing (front) .....		DK55836
Cyl. Bearing (rear) .....		5707
Needle Bearing Thrust .....		NTA1423

**Mainshaft Pilot**

<b>1986-1984</b>	Warner T5, T5 World Class	
Needle Bearing .....		QBR23549[15]

**Mainshaft 1st Speed Gear**

<b>1986-1985</b>	Warner T5 World Class	
Needle Bearing .....		F218255

**Mainshaft 2nd Speed Gear**

<b>1986-1985</b>	Warner T5 World Class	
Needle Bearing .....		F93934

[ ] Indicates Quantity Required; Set Components Listed Inside Rear Cover;

<sup>64</sup> Opt. Seal and Bushing Kit

# Bearings and Seals

Mfg./Year    Model & Location    Part No    Mfg./Year    Model & Location    Part No

## MERCURY - REAR DRIVE - Cougar, XR-7 (cont.)

### 5-SPEED MANUAL TRANSMISSION

#### Rear Output Shaft

<b>1989</b>	Mazda M5R2	
Seal	.....	710414
<b>1986-1984</b>	Warner T5, T5 World Class	
Seal	.....	7692S
Cone/Cup	.....	25877-25821
Seal Kit	.....	5202 <sup>64</sup>

#### Extension Housing

<b>1989</b>	Mazda M5R2	
Seal	.....	710415

### ALTERNATOR

<b>1989-1971</b>	Motorcraft	
Bearing (drive end)	.....	203FF
<b>1989-1971</b>	Motorcraft	
Bearing (rear end)	.....	MNJ471S

### CAMSHAFT SEAL

#### 4 Cylinder

<b>1986-1981</b>	140/2.3L	
Seal	.....	2955

### CRANKSHAFT REAR SEAL

#### 4 Cylinder

<b>1986-1982</b>	140/2.3L	
Seal Viton	.....	3909
Seal PTFE H/D Opt.	.....	5277
Kwik Slv (Opt Rpr)	.....	KWK99363
<b>1981</b>	140/2.3L	
Seal Rope	.....	5095
Seal Split Opt.	.....	5108

#### 6 Cylinder

<b>1989-1984</b>	232/3.8L From 1/1/83	
Seal Viton	.....	3909
Seal PTFE H/D Opt.	.....	5277
Kwik Slv (Opt Rpr)	.....	KWK99363
<b>1983</b>	232/3.8L to 12/31/82	
Seal Rope	.....	5095
Seal Split Opt.	.....	5108
<b>1983</b>	232/3.8L From 1/1/83	
Seal Viton	.....	3909
Seal PTFE H/D Opt.	.....	5277
Kwik Slv (Opt Rpr)	.....	KWK99363
<b>1982</b>	232/3.8L	
Seal Rope	.....	5095
Seal Split Opt.	.....	5108
<b>1982-1980</b>	200/3.3L	
Seal Rope	.....	5095
Seal Split Opt.	.....	5116

### CRANKSHAFT REAR SEAL

#### 8 Cylinder

<b>1989-1984</b>	281/4.6L, 302/5.0L	
Seal Viton	.....	3909
Seal PTFE H/D Opt.	.....	5277
Kwik Slv (Opt Rpr)	.....	KWK99363
<b>1983</b>	302/5.0L Thru 11/82	
Seal Rope	.....	5095
Seal Split Opt.	.....	5108
<b>1983</b>	302/5.0L From 12/82	
Seal Viton	.....	3909
Seal PTFE H/D Opt.	.....	5277
Kwik Slv (Opt Rpr)	.....	KWK99363
<b>1982-1967</b>	255/4.2, 260/4.3, 289/4.7, 302/5.0, 351/5.8 (C), 351/5.8 (W)	
Seal Rope	.....	5095
Seal Split Opt.	.....	5108
<b>1979-1974</b>	351/5.8 (M), 400/6.6	
Seal Rope	.....	5095
Seal Split Opt.	.....	5117
<b>1976-1974</b>	460/7.5L	
Seal Rope	.....	5095
Seal Split Opt.	.....	5118
<b>1971-1970</b>	429/7.0	
Seal Rope	.....	5095
Seal Split Opt.	.....	5118
<b>1970-1967</b>	390/6.4, 427/7.0, 428/7.5	
Seal Rope	.....	5095
Seal Split Opt.	.....	5112S

### TIMING COVER

#### 4 Cylinder

<b>1986-1981</b>	140/2.3L	
Seal	.....	2955

#### 6 Cylinder

<b>1987-1982</b>	232/3.8L	
Seal (front)	.....	2692
Seal (rear entry)	.....	2942
Kwik Slv (Opt Rpr)	.....	KWK99187
Harmonic Balancer	.....	
Sleeves	.....	88187
<b>1982-1980</b>	200/3.3L	
Seal	.....	7486S
Kwik Slv (Opt Rpr)	.....	KWK99174

#### 8 Cylinder

<b>1989-1967</b>	exc. 281/4.6	
Seal (front entry)	.....	2692
Seal (rear entry)	.....	2942
Kwik Slv (Opt Rpr)	.....	KWK99187
Harmonic Balancer	.....	
Sleeves	.....	88187

400 [ ] Indicates Quantity Required; Set Components Listed Inside Rear Cover;

<sup>64</sup> Opt. Seal and Bushing Kit

**MERCURY - REAR DRIVE - Monarch**

**FRONT WHEEL**

**1980-1975**

Seal (inner) .....	6815[2]
Set (inner) .....	SET13
Set (outer) .....	SET12

**REAR WHEEL**

**1980**

Seal .....	9569S[2]
Bearing .....	RW207CCRA[2]

**1979-1975**    drum brakes: exc. WER axle

Seal .....	9569S[2]
Bearing .....	RW207CCRA[2]

**1979-1975**    drum brakes: WER axle

Seal .....	8660S[2]
Cyl. Bearing .....	5707[2]
Kit .....	TRP1563TAV[2] <sup>19</sup>

**1979-1975**    disc brakes

Seal .....	51098[2]
Bearing .....	88128RAP[2]

**REAR AXLE**

**Differential Rebuild Kit**

**1980-1975**    9" ring gear: production from 5/11/1970 on

Kit .....	DRK313
-----------	--------

**1979-1975**    7.75", 8" ring gears

Kit .....	DRK310
-----------	--------

**Differential**

**1980-1975**    8" ring gear

Set .....	SET45
-----------	-------

**1980-1975**    9" ring gear

Set .....	SET47
-----------	-------

**1978-1975**    8.7" ring gear

Set .....	SET47
-----------	-------

**Pinion**

**1980**    9" ring gear

Cone/Cup .....	M88048-M88010[2]
Seal (outer) .....	3700
Cyl. Bearing (pilot) .....	R1535TAV

**1980-1979**    6.75" ring gear

Cone/Cup (inner) .....	HM88648-HM88610
Seal (outer) .....	3618
Cone/Cup (outer) .....	M86649-M86610

**1980-1979**    7.5" ring gear

Cone/Cup (inner) .....	M802048-M802011
Seal Viton (outer) .....	3604
Cone/Cup (outer) .....	M88048-M88010

**1980-1979**    8" ring gear

Cone/Cup .....	M86649-M86610[2]
Seal (outer) .....	3618
Set (pilot) .....	SET45

**1978**    7.5" ring gear

Cone/Cup (inner) .....	M802048-M802011
Seal (outer) .....	9190N
Cone/Cup (outer) .....	M88048-M88010

**REAR AXLE (cont.)**

**Pinion (cont.)**

**1978-1975**    8" ring gear

Cone/Cup .....	M86649-M86610[2]
Seal (outer) .....	8181NA
Set (pilot) .....	SET45

**1978-1975**    8.7" ring gear

Cone/Cup (inner) .....	M802048-M802011
Seal (outer) .....	9190N
Cone/Cup (outer) .....	M88048-M88010

**1978-1975**    9" ring gear

Cone/Cup .....	M88048-M88010[2]
Seal (outer) .....	7044NA
Cyl. Bearing (pilot) .....	R1535TAV

**3-SPEED AUTOMATIC TRANSMISSION**

**Torque Converter**

**1980**    C3

Seal .....	2658
------------	------

**1980-1975**    C4, C5, C6

Seal .....	331107N
Kwik Slv (Opt Rpr) .....	KWK99199

**1980-1975**    Jatco 3N71: 3-speed

Seal Viton .....	2025
Kwik Slv (Opt Rpr) .....	KWK99166

**Rear Seal/Ext. Housing**

**1980**    C3

Seal .....	2655
------------	------

**1980-1975**    C4, C5

Seal .....	7692S
Seal Kit .....	5202 <sup>64</sup>

**1980-1975**    Jatco 3N71

Seal .....	3771
------------	------

**1976-1975**    C6

Seal .....	7300S
Seal Kit .....	5203 <sup>64</sup>

**Selector Shaft Seal/Man. Shaft**

**1980**    C3

Seal .....	7929S
------------	-------

**1980-1975**    C4, C5

Seal .....	240816
Kwik Slv (Opt Rpr) .....	KWK99076

**1976-1975**    Cruise-o-Matic

Seal .....	7929S
------------	-------

**1976-1975**    C6

Seal .....	7929S
------------	-------

**CLUTCH**

**Pilot Bearing**

**1976-1975**    250, 302 engines

Needle Bearing .....	FC65662
----------------------	---------

[ ] Indicates Quantity Required; Set Components Listed Inside Rear Cover;

<sup>19</sup> Opt. Axle Repair Bearing. Replaces O.E. bearing & seal.

<sup>64</sup> Opt. Seal and Bushing Kit

# Bearings and Seals

Mfg./Year    Model & Location    Part No    Mfg./Year    Model & Location    Part No

## MERCURY - REAR DRIVE - Monarch (cont.)

### 3-SPEED MANUAL TRANSMISSION

#### Front Input Shaft

**1976-1975**    Tremec 150, 160, 162  
 Seal ..... 3638  
 Bearing ..... 208LO

#### Rear Output Shaft

**1976-1975**    Tremec 150, 160, 162  
 Seal ..... 7692S  
 Bearing ..... 207L  
 Seal Kit ..... 5202<sup>64</sup>

### 4-SPEED MANUAL TRANSMISSION

#### Input Shaft

**1979**    Tremec 170, 171, 172, 173, 179  
 Seal ..... 3638  
 Bearing ..... 209L  
 Kwik Slv (Opt Rpr) ..... KWK99112  
**1979-1975**    German Design (ET)  
 Seal ..... 2503N  
 Bearing ..... 207LO  
**1978-1975**    Tremec 170  
 Seal ..... 482208  
 Bearing ..... 209L  
 Kwik Slv (Opt Rpr) ..... KWK99112

#### Rear Output Shaft

**1979**    Tremec 170, 171, 174  
 Seal ..... 7692S  
 Bearing ..... 307L4  
 Seal Kit ..... 5202<sup>64</sup>  
**1979-1975**    German Design (ET)  
 Seal ..... 2443  
 Bearing ..... 108A  
**1978-1977**    Tremec 170  
 Seal ..... 7692S  
 Bearing ..... 209L  
 Seal Kit ..... 5202<sup>64</sup>

### ALTERNATOR

**1980-1975**    Motorcraft  
 Bearing (drive end) ..... 203FF  
**1980-1975**    Motorcraft  
 Bearing (rear end) ..... MNJ471S

### CRANKSHAFT REAR SEAL

#### 6 Cylinder

**1980-1975**    250/4.1L  
 Seal Rope ..... 5095  
 Seal Split Opt. .... 5108  
**1977-1975**    200/3.3L  
 Seal Rope ..... 5095  
 Seal Split Opt. .... 5116

#### 8 Cylinder

**1982-1962**    255/4.2L, 302/5.0L, 351/5.8L  
 Seal Rope ..... 5095  
 Seal Split Opt. .... 5108

### TIMING COVER

#### 6 Cylinder

**1980-1975**    250/4.1L  
 Seal (front entry) ..... 2692  
 Seal (rear entry) ..... 2942  
 Kwik Slv (Opt Rpr) ..... KWK99187  
 Harmonic Balancer  
 Sleeves ..... 88187  
**1977-1975**    200/3.3L  
 Seal ..... 7486S  
 Kwik Slv (Opt Rpr) ..... KWK99174

#### 8 Cylinder

**1980-1975**    255/4.2L, 302/5.0L, 351/5.8L  
 Seal (front entry) ..... 2692  
 Seal (rear entry) ..... 2942  
 Kwik Slv (Opt Rpr) ..... KWK99187  
 Harmonic Balancer  
 Sleeves ..... 88187

## MERCURY - REAR DRIVE - Zephyr

### FRONT WHEEL

**1983-1978**  
 Seal (inner) ..... 6815[2]  
 Set (inner) ..... SET17  
 Set (outer) ..... SET12

### REAR WHEEL

**1983-1980**    6.75" ring gear  
 Seal ..... 3214[2]  
 Bearing ..... RW207CCRA[2]

### REAR WHEEL (cont.)

**1983-1978**    7.5" ring gear: WGX axle  
 Seal ..... 8660S[2]  
 Cyl. Bearing ..... 5707[2]  
 Kit ..... TRP1563TAV[2]<sup>19</sup>  
**1979-1978**    6.75" ring gear  
 Bearing ..... RW207CCRA[2]

402 [ ] Indicates Quantity Required; Set Components Listed Inside Rear Cover;

<sup>19</sup> Opt. Axle Repair Bearing. Replaces O.E. bearing & seal.

<sup>64</sup> Opt. Seal and Bushing Kit

**MERCURY - REAR DRIVE - Zephyr (cont.)**

**REAR AXLE**

**Differential Rebuild Kit**

1983-1978  
Kit .....DRK315

**Differential**

1983-1978  
Cone/Cup .....LM501349-LM501314[2]

**Pinion**

1983-1978  
Cone/Cup (inner) ..... M802048-M802011  
Seal Viton (outer) ..... 3604  
Cone/Cup (outer) ..... M88048-M88010

**3-SPEED AUTOMATIC TRANSMISSION**

**Torque Converter**

1983-1980    C3  
Seal ..... 2658  
1983-1980    C4, C5  
Seal ..... 331107N  
Kwik Slv (Opt Rpr) .....KWK99199

**Rear Seal/Ext. Housing**

1983-1980    C3  
Seal ..... 2655  
1983-1980    C4, C5  
Seal ..... 7692S  
Seal Kit ..... 5202<sup>64</sup>

**Selector Shaft Seal/Man. Shaft**

1983-1980    C3  
Seal ..... 7929S  
1983-1980    C4, C5  
Seal ..... 240816  
Kwik Slv (Opt Rpr) .....KWK99076

**4-SPEED AUTOMATIC TRANSMISSION**

**Selector Shaft Seal/Man. Shaft**

1983-1978    Tremec 171  
Seal ..... 313156

**CLUTCH**

**Pilot Bearing**

1983-1978    2.3 litre  
Needle Bearing ..... FC65354

**Release Bearing**

1986-1979    2.3 litre engine: German trans  
Bearing Assy ..... 614013  
1982-1978    2.3, 3.3 engines: U.S. trans  
Bearing Assy ..... 614014  
1979-1978    5.0 V8 engine  
Bearing Assy ..... 614014

**4-SPEED MANUAL TRANSMISSION**

**Input Shaft**

1983-1980    Tremec 171  
Seal ..... 3638  
Bearing .....308LTB  
1983-1978    German Design  
Seal ..... 2503N  
Bearing ..... 207LO  
Kwik Slv (Opt Rpr) .....KWK99111

**Mainshaft Pilot**

1983-1980    Tremec 171  
Needle Bearing ..... QBR23549

**Countershaft**

1983-1980    Tremec 171  
Needle Bearing ..... QAR33724  
1983-1978    German Design  
Needle Bearing (front) ..... C407Q  
Needle Bearing (rear) ..... B1316Q

**Rear Output Shaft**

1983-1980    Tremec 171  
Seal ..... 7692S  
Bearing .....308LTB  
Seal Kit ..... 5202<sup>64</sup>

**ALTERNATOR**

1983-1978    Motorcraft  
Bearing (drive end) .....203FF  
1983-1978    Motorcraft  
Bearing (rear end) .....MNJ471S

**CAMSHAFT SEAL**

**4 Cylinder**

1983-1978    140/2.3L  
Seal ..... 2955

**CRANKSHAFT REAR SEAL**

**4 Cylinder**

1983-1982    140/2.3L  
Seal Viton ..... 3909  
Kwik Slv (Opt Rpr) .....KWK99363  
Seal PTFE H/D Opt. .... 5277  
1981-1978    140/2.3L  
Seal Rope ..... 5095  
Seal Split Opt. .... 5108

**6 Cylinder**

1983-1978    200/3.3L  
Seal Rope ..... 5095  
Seal Split Opt. .... 5116

[ ] Indicates Quantity Required; Set Components Listed Inside Rear Cover;  
<sup>64</sup> Opt. Seal and Bushing Kit



# Bearings and Seals

Mfg./Year    Model & Location    Part No    Mfg./Year    Model & Location    Part No

## MERCURY - REAR DRIVE - Zephyr (cont.)

### CRANKSHAFT REAR SEAL

#### 8 Cylinder

1982-1978 255/4.2L, 302/5.0L  
 Seal Rope .....5095  
 Seal Split Opt. ....5108

### TIMING COVER

#### 4 Cylinder

1983-1978 140/2.3L  
 Seal .....2955

#### 6 Cylinder

1983-1978 200/3.3L  
 Seal .....7486S  
 Kwik Slv (Opt Rpr) .....KWK99174

### TIMING COVER

#### 8 Cylinder

1983-1978 255/4.2L, 302/5.0L  
 Seal (front entry) .....2692  
 Seal (rear entry) .....2942  
 Kwik Slv (Opt Rpr) .....KWK99187  
 Harmonic Balancer  
 Sleeves .....88187

## MERKUR

### FRONT WHEEL

1989-1986 Scorpio  
 Seal (inner) .....536810XX[2]  
 Set .....SET24[2]  
 1989-1985 XR4Ti  
 Seal (inner) .....3743[2]  
 Set .....SET24[2]

### REAR WHEEL

1989-1985  
 Seal .....224252[2]  
 Set .....SET24

### REAR AXLE

#### Differential

1989-1987 Scorpio  
 Cone/Cup .....LM29749-LM29711[2]  
 1988-1985 XR4Ti  
 Cone/Cup .....LM501349-LM501310[2]

### REAR AXLE

#### Pinion

1988-1985 all  
 Cone/Cup (inner) .....HM89449-HM89410  
 Cone/Cup (outer) .....HM88542-HM88510

### CLUTCH

#### Pilot Bearing

1989-1987 Scorpio  
 Needle Bearing .....FC65354  
 1989-1985 XR4Ti  
 Needle Bearing .....FC65354

#### Release Bearing

1989-1987 Scorpio  
 Bearing Only .....F01267C  
 1989-1985 XR4Ti  
 Bearing Assy .....614014

## METROPOLITAN - see also AUSTIN

### FRONT WHEEL

1962-1956 540: ball bearing  
 Seal (inner) .....471192[2]  
 Bearing (inner) .....7205[2]  
 Bearing (outer) .....7303[2]  
 1962-1956 540: roller bearing conversion  
 Seal (inner) .....471192[2]  
 Bearing Assy (inner) .....30205M[2]<sup>21</sup>  
 Bearing Assy (outer) .....30303[2]  
 1962-1956 560: ball bearing  
 Seal (inner) .....471192[2]  
 Bearing (inner) .....7205[2]  
 Bearing (outer) .....7303[2]

### FRONT WHEEL (cont.)

1962-1956 560: roller bearing conversion  
 Seal (inner) .....471192[2]  
 Bearing Assy (inner) .....30205M[2]<sup>21</sup>  
 Bearing Assy (outer) .....30303[2]

### REAR WHEEL

1962-1956 540  
 Seal .....472164[2]  
 Bearing .....1207TB[2]  
 1962-1956 560  
 Seal .....472164[2]  
 Bearing .....1207TB[2]

404 [ ] Indicates Quantity Required; Set Components Listed Inside Rear Cover;

<sup>21</sup> Tapered bearing conv.: Discard spacer, replace 1/8" washer w/1/16" washer. If rubber seal, machine off 1/16", press fit flush w/hub.

**METROPOLITAN - see also AUSTIN (cont.)**

**REAR AXLE**

**Differential**

**1962-1957**    560  
 Bearing ..... 7207[2]

**Pinion**

**1962-1956**    540  
 Cone/Cup (inner) ..... 15100-15250X  
 Cone/Cup (outer) ..... 02473-02420  
**1962-1956**    560  
 Cone/Cup (outer) ..... M88043-M88010

**M.G. - see also AUSTIN-MORRIS**

**FRONT WHEEL**

**1980-1963**    MGB, MGB-GT, MGB-V8  
 Seal (inner) ..... 224820[2]  
 Set (inner) ..... SET6  
 Set (outer) ..... SET2  
**1980-1960**    Midget: ball bearing  
 Seal (inner) ..... 471192[2]  
 Bearing (inner) ..... 7205[2]  
 Bearing (outer) ..... 7303[2]  
**1980-1960**    Midget: roller bearing conversion  
 Seal (inner) ..... 471192[2]  
 Bearing Assy (inner) ..... 30205M[2]<sup>21</sup>  
 Bearing Assy (outer) ..... 30303[2]  
**1974-1967**    MGC  
 Set (inner) ..... SET6  
 Set (outer) ..... SET2  
**1967-1954**    Magnette: drum brakes  
 Seal (inner) ..... 451948[2]  
 Cone/Cup (inner) ..... LM67048-LM67010[2]  
 Set (outer) ..... SET2  
**1967-1954**    Magnette: disc brakes  
 Set (inner) ..... SET6  
 Set (outer) ..... SET2  
**1963-1954**    MGA: drum brakes  
 Seal (inner) ..... 451948[2]  
 Cone/Cup (inner) ..... LM67048-LM67010[2]  
 Set (outer) ..... SET2  
**1963-1954**    MGA: disc brakes  
 Set (inner) ..... SET6  
 Set (outer) ..... SET2

**REAR WHEEL**

**1980-1963**    MGB  
 Seal ..... 473234[2]  
 Bearing ..... RW118[2]  
**1980-1963**    MGB-GT  
 Seal ..... 473234[2]  
 Bearing ..... RW118[2]  
**1980-1960**    Midget  
 Seal ..... 472164[2]  
 Bearing ..... 207[2]

**REAR AXLE**

**Differential**

**1979-1966**    MGB, MGB-GT: integral carrier  
 Set ..... SET36  
**1979-1961**    Midget  
 Bearing ..... 7207[2]

**Pinion**

**1980-1968**    MGB: banjo type differential  
 Cone/Cup (inner) ..... HM801346X-HM801310  
 Seal (outer) ..... 481837  
 Cone/Cup (outer) ..... M88048-M88010  
**1980-1968**    MGB: tube type differential  
 Cone/Cup (inner) ..... HM801346X-HM801310  
 Seal (outer) ..... 224470  
 Cone/Cup (outer) ..... M88048-M88010  
**1980-1968**    MGB-GT  
 Cone/Cup (inner) ..... HM801346X-HM801310  
 Seal (outer) ..... 224470  
 Cone/Cup (outer) ..... M88048-M88010  
**1980-1965**    Midget  
 Cone/Cup (inner) ..... M88048-M88010  
 Seal (outer) ..... 51098  
 Cone/Cup (outer) ..... M84548-M84510  
**1971-1967**    MGC, MGC-GT  
 Cone/Cup (inner) ..... HM801346X-HM801310  
 Seal (outer) ..... 224470  
 Cone/Cup (outer) ..... M88048-M88010  
**1968-1963**    MGB: banjo type differential  
 Cone/Cup (inner) ..... 3188S-3120  
 Seal (outer) ..... 481837  
 Cone/Cup (outer) ..... 15100S-15250X  
**1968-1963**    MGB: tube type differential  
 Cone/Cup (inner) ..... 3188S-3120  
 Seal (outer) ..... 224470  
 Cone/Cup (outer) ..... 15100S-15250X  
**1968-1963**    MGB-GT  
 Cone/Cup (inner) ..... 3188S-3120  
 Seal (outer) ..... 224470  
 Cone/Cup (outer) ..... 15100S-15250X

[ ] Indicates Quantity Required; Set Components Listed Inside Rear Cover;

<sup>21</sup> Tapered bearing conv.: Discard spacer, replace 1/8" washer w/1/16" washer. If rubber seal, machine off 1/16", press fit flush w/hub.

# Bearings and Seals

Mfg./Year    Model & Location    Part No    Mfg./Year    Model & Location    Part No

## **M.G. - see also AUSTIN-MORRIS (cont.)**

### **REAR AXLE (cont.)**

#### **Pinion (cont.)**

<b>1967-1954</b>	Magnette	
	Cone/Cup (inner) .....	3188-3120
	Seal (outer) .....	51098
	Cone/Cup (outer) .....	15100-15250X

### **CLUTCH**

#### **Release Bearing**

<b>1980-1975</b>	Midget: 1500cc	
	Bearing Only .....	TR1716 <sup>30</sup>
<b>1980-1963</b>	MGB	
	Bearing Only .....	MG1716 <sup>30</sup>
<b>1975-1960</b>	Midget: 1275cc	
	Bearing Only .....	AU1715C <sup>30</sup>
<b>1969-1968</b>	MGC	
	Bearing Only .....	MG1716 <sup>30</sup>
<b>1967-1963</b>	1100	
	Bearing Assy .....	614104 <sup>30</sup>

### **CLUTCH (cont.)**

#### **Release Bearing (cont.)**

<b>1962-1956</b>	MGA	
	Bearing Only .....	AU1715C <sup>30</sup>
<b>1955-1954</b>	MG TF	
	Bearing Only .....	AU1715C <sup>30</sup>
<b>1953-1951</b>	MG TD	
	Bearing Only .....	AU1715C <sup>30</sup>
<b>1951-1947</b>	MG TC	
	Bearing Only .....	AU1715C <sup>30</sup>

## **MITSUBISHI - FRONT DRIVE - Cordia, Galant, Galant AWD, Galant Sigma, Mirage, Precis, Tredia**

### **FRONT WHEEL**

<b>1989-1988</b>	Galant	
	Seal (inner) .....	225450[2]
	Bearing (inner) .....	513036[2]
	Seal (outer) .....	225230[2]
<b>1989-1988</b>	Precis	
	Seal (inner) .....	474134[2]
	Set .....	SET41[2]
<b>1989-1988</b>	Mirage	
	Seal (inner) .....	474134[2]
	Set .....	SET41[2]
<b>1989-1983</b>	Starion	
	Seal (inner) .....	494122[2]
	Set (inner) .....	SET6
	Set (outer) .....	SET2
<b>1988-1983</b>	Cordia	
	Seal (inner) .....	474134[2]
	Set .....	SET41[2]
<b>1988-1983</b>	Tredia	
	Seal (inner) .....	474134[2]
	Set .....	SET41[2]
<b>1987-1985</b>	Galant	
	Seal (inner) .....	225082[2]
	Bearing (inner) .....	513036[2]
	Seal (outer) .....	225230[2]

### **REAR WHEEL**

<b>1989</b>	Eclipse: front drive: ABS brakes	
	Hub Assy .....	512011[2]
<b>1989</b>	Precis	
	Seal (inner) .....	710404[2]
	Bearing Assy .....	516000[2]
<b>1989</b>	Galant w/ disc brakes	
	Hub Assy .....	512158[2]

### **REAR WHEEL (cont.)**

<b>1989-1983</b>	Galant: front drive: drum brakes	
	Seal (inner) .....	1196[2]
	Set (inner) .....	SET4
	Set (outer) .....	SET1
<b>1989</b>	Mirage: drum brakes	
	Seal (inner) .....	1205N[2]
	Bearing Assy .....	516001WB[2]
<b>1989-1985</b>	Galant Sigma: front drive	
	Seal (inner) .....	494122[2]
	Set (inner) .....	SET6
	Set (outer) .....	SET2
<b>1989</b>	Mirage: disc brakes	
	Seal (inner) .....	1205N[2]
	Bearing Assy .....	516000[2]
<b>1989-1983</b>	Starion	
	Seal (inner) .....	474161[2]
	Bearing (inner) .....	206F[2]
	Bearing (outer) .....	207F[2]
<b>1988</b>	Precis	
	Seal (inner) .....	474134[2]
	Set (inner) .....	SET4
	Set (outer) .....	SET1
<b>1988-1985</b>	Mirage	
	Seal (inner) .....	1205N[2]
	Bearing Assy .....	513029[2]
<b>1988-1984</b>	Tredia	
	Seal (inner) .....	1196[2]
	Set (inner) .....	SET4
	Set (outer) .....	SET1
<b>1988-1983</b>	Cordia	
	Seal (inner) .....	1196[2]
	Set (inner) .....	SET4
	Set (outer) .....	SET1

***MITSUBISHI - FRONT DRIVE - Cordia, Galant, Galant AWD, Galant Sigma, Mirage, Precis, Tredia (cont.)***

**REAR WHEEL (cont.)**

<b>1987</b>	Precis	
	Seal (inner)	..... 1196[2]
	Set (inner)	..... SET4
	Set (outer)	..... SET1
<b>1987-1985</b>	Galant	
	Seal (inner)	..... 1196[2]
	Set (inner)	..... SET4
	Set (outer)	..... SET1

**REAR AXLE**

**Differential**

<b>1989-1984</b>	Starion Turbo	
	Seal	..... 710335[2]
	Cone/Cup	..... 17887-17831[2]

**Pinion**

<b>1988-1986</b>	Starion: Intercooled turbo	
	Cone/Cup (inner)	..... HM89449-HM89410
	Seal (outer)	..... 224570
	Cone/Cup (outer)	..... M88043-M88010
<b>1988-1983</b>	Starion: non-Intercooled turbo	
	Cone/Cup (inner)	..... HM89449-HM89410
	Seal (outer)	..... 224255
	Cone/Cup (outer)	..... M86649-M86610

**TRANSMISSION REBUILD KIT**

<b>1989-1986</b>	4 & 5 spd w/Tapered Bearings & Kit	..... TRKM100
<b>1989-1987</b>	Precis 5 spd Kit	..... TRKC110
<b>1988-1983</b>	Tredia/Cordia 4 & 5 spd Kit	..... TRKC110
<b>1986-1985</b>	fwd 5 spd Kit	..... TRKC110

**CLUTCH**

**Pilot Bearing**

<b>1989</b>	6-cylinder 3.0	
	Bearing	..... 203FF
<b>1989-1983</b>	4-cylinder 2.0, 2.4, 2.6	
	Bearing	..... 102CC

**Release Bearing**

<b>1989-1984</b>	Galant Series: front drive	
	Bearing Assy	..... 614126
<b>1989-1984</b>	Mirage: front drive	
	Bearing Assy	..... 614126
<b>1989-1987</b>	Precis	
	Bearing Assy	..... 614126
<b>1989</b>	Sigma	
	Bearing Assy	..... 614126
<b>1989-1988</b>	Starion: V6	
	Bearing Assy	..... 614107
<b>1989-1985</b>	Starion: Intercooled turbo	
	Bearing Assy	..... 614053
<b>1988-1983</b>	Cordia	
	Bearing Assy	..... 614126

**CLUTCH (cont.)**

**Release Bearing (cont.)**

<b>1988-1982</b>	Tredia	
	Bearing Assy	..... 614126
<b>1987-1983</b>	Starion: non-turbo	
	Bearing Assy	..... 614016

**3-SPEED AUTOMATIC TRANSAXLE**

**Torque Converter**

<b>1989-1984</b>		
	Seal	..... 320583
	Kwik Slv (Opt Rpr)	..... KWK99157

**Transfer Shaft**

<b>1989-1984</b>	KM171-1, KM171-2, KM172-0, KM171-5	
	Bearing Assy (inner)	..... 30206M
	Bearing Assy (outer)	..... 30304

**Output Shaft**

<b>1989-1984</b>		
	Seal	..... 223543[2]
	Kwik Slv (Opt Rpr)	..... KWK99139[2]

**Differential**

<b>1988-1985</b>	KM171-1, KM171-2	
	Bearing	..... 207[2]
<b>1988-1984</b>	KM172-0	
	Bearing Assy	..... 30207M[2]

**4-SPEED AUTOMATIC TRANSAXLE**

**Differential**

<b>1989-1985</b>	F4A21-2, F4A22-2, F4A33-1, KM176-5, KM177-0	
	Bearing	..... 207[2]
<b>1989-1985</b>	KM177-8	
	Bearing	..... 206WB[2]

**Torque Converter**

<b>1989-1985</b>	F4A21-2, F4A22-2, F4A33-1, KM176-5, KM175-5, KM177-0, KM177-8, W4A32-1, W4A33-1	
	Seal	..... 320583
	Kwik Slv (Opt Rpr)	..... KWK99157

**Output Shaft**

<b>1989-1985</b>	F4A21-2, F4A22-2, F4A33-1, KM176-5, KM175-5, KM177-0, KM177-8	
	Seal	..... 223543[2]
	Kwik Slv (Opt Rpr)	..... KWK99139

# Bearings and Seals

Mfg./Year    Model & Location    Part No    Mfg./Year    Model & Location    Part No

## **MITSUBISHI - FRONT DRIVE - Cordia, Galant, Galant AWD, Galant Sigma, Mirage, Precis, Tredia (cont.)**

### **ALTERNATOR**

<b>1989-1984</b>	65 amp	
	Bearing (drive end) .....	302CC
<b>1989-1987</b>	50 amp	
	Bearing (drive end) .....	203FF
	Bearing (rear end) .....	201SS
<b>1989-1987</b>	55 amp	
	Bearing (drive end) .....	203FF
	Bearing (rear end) .....	201SS
<b>1986-1985</b>	45 amp	
	Bearing (drive end) .....	202FF
	Bearing (rear end) .....	201SS
<b>1986-1985</b>	55 amp	
	Bearing (drive end) .....	202FF
	Bearing (rear end) .....	201SS
<b>1986-1983</b>	50 amp	
	Bearing (drive end) .....	202FF
	Bearing (rear end) .....	201SS
<b>1986-1983</b>	65 amp	
	Bearing (drive end) .....	302SS
	Bearing (rear end) .....	201S
<b>1985-1983</b>	55 amp	
	Bearing (drive end) .....	302SS
	Bearing (rear end) .....	201SS

### **CRANKSHAFT REAR SEAL**

#### **4 Cylinder**

<b>1989-1985</b>	1468cc/1.5L, 1597cc/1.6L, 1755cc/1.8L	
	Seal .....	227235
<b>1989-1983</b>	1595cc/1.6L, 1795cc/1.8L, 1997cc/2.0L, 2351cc/2.4L	
	Seal Viton .....	228005
	Kwik Slv (Opt Rpr) .....	KWK99315

### **CRANKSHAFT REAR SEAL (cont.)**

#### **4 Cylinder (cont.)**

<b>1989-1983</b>	2555cc/2.6L	
	Seal Viton .....	228005
	Kwik Slv (Opt Rpr) .....	KWK99315

#### **6 Cylinder**

<b>1989-1988</b>	2497cc/2.5L, 2972cc/3.0L	
	Seal Viton .....	710056
	Seal PTFE H/D Opt. ....	5279

### **TIMING COVER**

#### **4 Cylinder**

<b>1989-1985</b>	1468cc/1.5L	
	Seal .....	223018
	Kwik Slv (Opt Rpr) .....	KWK99114
<b>1989-1983</b>	1595cc/1.6L, 1755cc/1.8L, 1795cc/1.8L, 1997cc/2.0L, 2351cc/2.4L	
	Seal .....	224460
<b>1989-1983</b>	2555cc/2.6L	
	Seal .....	224840
	Kwik Slv (Opt Rpr) .....	KWK99189

#### **6 Cylinder**

<b>1989-1988</b>	2497cc/2.5L, 2972cc/3.0L, 3496cc/3.5L	
	Seal .....	223750

## **MITSUBISHI - REAR DRIVE - Starion**

### **FRONT WHEEL**

<b>1989-1983</b>	
	Seal (inner) .....
	Set (inner) .....
	Set (outer) .....

### **REAR WHEEL**

<b>1989-1983</b>	
	Seal (inner) .....
	Bearing (inner) .....
	Bearing (outer) .....

### **REAR AXLE**

#### **Differential**

<b>1989-1984</b>	
	Seal .....
	Cone/Cup .....
	Kwik Slv (Opt Rpr) .....

### **REAR AXLE**

#### **Pinion**

<b>1989-1988</b>	
	Cone/Cup (inner) .....
	Seal (outer) .....
	Cone/Cup (outer) .....
	Kwik Slv (Opt Rpr) .....
<b>1987-1984</b>	(Posi-trac)
	Cone/Cup (inner) .....
	Seal (outer) .....
	Cone/Cup (outer) .....
	Kwik Slv (Opt Rpr) .....
<b>1987-1984</b>	(exc. Posi-trac)
	Cone/Cup (inner) .....
	Seal (outer) .....
	Cone/Cup (outer) .....
	Kwik Slv (Opt Rpr) .....

***MITSUBISHI - REAR DRIVE - Starion (cont.)***

**4-SPEED AUTOMATIC TRANSMISSION**

**Torque Converter**

**1989-1983**    L4N71B  
 Seal Viton ..... 2025  
 Kwik Slv (Opt Rpr) .....KWK99166

**Rear Seal/Ext. Housing**

**1989-1983**    L4N71B  
 Seal ..... 223801

**CLUTCH - 4 CYLINDER**

**Pilot Bearing**

**1989-1984**    2555cc/2.6L  
 Bearing ..... 102CC

**Release Bearing**

**1989-1984**    2555cc/2.6L (225mm Clutch)  
 Bearing Assy ..... 614016  
**1989-1984**    2555cc/2.6L (Intercooled)(225mm  
 Clutch)  
 Bearing Assy ..... 614053

**5-SPEED MANUAL TRANSMISSION**

**Front Input Shaft**

**1989-1988**    KM132M  
 Seal ..... 223014  
 Kwik Slv (Opt Rpr) .....KWK99114  
**1987-1985**    KM132G  
 Seal ..... 223014  
 Bearing ..... 307L  
 Kwik Slv (Opt Rpr) .....KWK99114  
**1984**    KM132B  
 Seal ..... 223014  
 Bearing ..... 207L  
 Kwik Slv (Opt Rpr) .....KWK99114

**Countershaft**

**1989-1983**    KM132G, KM132M  
 Bearing Assy ..... 30205M[2]

**5-SPEED MANUAL TRANSMISSION**

**Rear Output Shaft**

**1989-1984**    KM132-B, KM145-G, KM145-M  
 Seal ..... 223608  
 Bearing ..... 511014

**Selector Shaft Seal/Man. Shaft**

**1989-1984**    KM132B, KM132G  
 Seal ..... 710222

**ALTERNATOR**

**1989-1983**    Mitsubishi 65 amp  
 Bearing (drive end) ..... 302SS  
**1989-1983**    Mitsubishi 65 amp  
 Bearing (rear end) ..... 210S

**CAMSHAFT SEAL**

**4 Cylinder**

**1989-1983**    2555cc/2.6L  
 Seal ..... 222330

**CRANKSHAFT REAR SEAL**

**4 Cylinder**

**1989-1983**    2555cc/2.6L  
 Seal Viton ..... 228005  
 Kwik Slv (Opt Rpr) .....KWK99315

**TIMING COVER**

**4 Cylinder**

**1989-1983**    2555cc/2.6L  
 Seal ..... 224840  
 Kwik Slv (Opt Rpr) .....KWK99139

***MITSUBISHI TRUCK - MINIVAN, PICKUP, SUV - Mighty Max, Montero, Nativa, Van, Wagon***

**FRONT WHEEL**

**2WD**

**1989-1983**  
 Seal (inner) ..... 225010[2]  
 Set (inner) ..... SET5  
 Set (outer) ..... SET3

**FRONT WHEEL**

**4WD**

**1989-1983**  
 Seal (inner) ..... 225875[2]  
 Set ..... SET47[2]

**REAR WHEEL**

**1989-1983**    Pickups  
 Seal (inner) ..... 4989[2]  
 Bearing Assy (inner) ..... 30208M[2]  
 Seal (outer) ..... 225010[2]

# Bearings and Seals

Mfg./Year    Model & Location    Part No    Mfg./Year    Model & Location    Part No

## **MITSUBISHI TRUCK - MINIVAN, PICKUP, SUV - Mighty Max, Montero, Nativa, Van, Wagon (cont.)**

### **REAR WHEEL (cont.)**

<b>1989-1988</b>	VanWagon	
Seal (inner)	.....	223550[2]
Cone/Cup (inner)	.....	LM29749-LM29710[2]
Seal (outer)	.....	224510[2]

### **FRONT AXLE**

#### **Differential**

<b>1989</b>	6-cyl	
Seal	.....	710151[2]
Cone/Cup	.....	17887-17831[2]
<b>1989</b>	4-cyl	
Seal	.....	710335[2]
Cone/Cup	.....	17887-17831[2]
Kwik Slv (Opt Rpr)	.....	KWK99139[2]
<b>1988-1983</b>		
Seal	.....	710335[2]
Cone/Cup	.....	17887-17831[2]
Kwik Slv (Opt Rpr)	.....	KWK99139[2]

#### **Pinion**

<b>1989</b>	4-cyl	
Cone/Cup (inner)	.....	HM89449-HM89410
Seal (outer)	.....	224255
Cone/Cup (outer)	.....	M86649-M86610
Kwik Slv (Opt Rpr)	.....	KWK99169
<b>1989</b>	6-cyl	
Cone/Cup (inner)	.....	HM89449-HM89410
Seal (outer)	.....	1943
Cone/Cup (outer)	.....	M88043-M88010
Kwik Slv (Opt Rpr)	.....	KWK99169
<b>1988-1983</b>		
Cone/Cup (inner)	.....	HM89449-HM89410
Seal (outer)	.....	224255
Cone/Cup (outer)	.....	M86649-M86610
Kwik Slv (Opt Rpr)	.....	KWK99169

### **REAR AXLE**

#### **Differential**

<b>1989-1983</b>		
Cone/Cup	.....	17887-17831[2]

#### **Pinion**

<b>1989</b>	Mighty Max, Montero; (4-cyl)	
Cone/Cup (inner)	.....	HM89449-HM89410
Seal (outer)	.....	224570
Cone/Cup (outer)	.....	M88043-M88010
Kwik Slv (Opt Rpr)	.....	KWK99177
<b>1989</b>	Mighty Max, Montero; (6-cyl)	
Cone/Cup (inner)	.....	HM89249-HM89210
Seal (outer)	.....	224570
Cone/Cup (outer)	.....	M88043-M88010
Kwik Slv (Opt Rpr)	.....	KWK99177

### **REAR AXLE (cont.)**

#### **Pinion (cont.)**

<b>1989</b>	Van / Wagon	
Cone/Cup (inner)	.....	HM89449-HM89410
Seal (outer)	.....	224570
Cone/Cup (outer)	.....	M88043-M88010
Kwik Slv (Opt Rpr)	.....	KWK99177
<b>1988-1983</b>		
Cone/Cup (inner)	.....	HM89449-HM89410
Seal (outer)	.....	224255
Cone/Cup (outer)	.....	M88043-M88010
Kwik Slv (Opt Rpr)	.....	KWK99177

### **TRANSFER CASE REBUILD KIT**

<b>1989-1983</b>	KM100	
Kit	.....	TRKFM230

### **TRANSMISSION REBUILD KIT**

<b>1989-1988</b>	Montero 4x4, V6	
Kit	.....	TRKFM200
<b>1989-1986</b>	Montero	
Kit	.....	TRKFM130
<b>1989-1987</b>	KM145-8	
Kit	.....	TRKFM120
<b>1989-1986</b>	V5MT2	
Kit	.....	TRKFM200
<b>1989-1987</b>	KM132-9	
Kit	.....	TRKFM120
<b>1988-1982</b>	KM132-9	
Kit	.....	TRKFM110
<b>1988-1982</b>	KM132-8	
Kit	.....	TRKFM140
<b>1986-1983</b>	Montero 1/83-3/86	
Kit	.....	TRKFM110
<b>1986-1982</b>	KM132-E, KM145-1, KM145-2	
Kit	.....	TRKFM110
<b>1985-1981</b>	KM130, KM144	
Kit	.....	TRKFM190

### **3-SPEED AUTOMATIC TRANSMISSION**

#### **Torque Converter**

<b>1986-1983</b>	A904	
Seal	.....	331228H
Kwik Slv (Opt Rpr)	.....	KWK99149

#### **Rear Seal/Ext. Housing**

<b>1986-1983</b>	A904	
Seal	.....	2506
Bearing	.....	206LOE <sup>38</sup>

#### **Selector Shaft Seal/Man. Shaft**

<b>1986-1983</b>	A904	
Seal	.....	8609

**410** [ ] Indicates Quantity Required; Set Components Listed Inside Rear Cover;

<sup>38</sup> Use Old Snap Ring

**MITSUBISHI TRUCK - MINIVAN, PICKUP, SUV - Mighty Max, Montero, Nativa, Van, Wagon (cont.)**

**4-SPEED AUTOMATIC TRANSMISSION**

**Torque Converter**

<b>1989-1987</b>	Aisin	
Seal	.....	223830
Kwik Slv (Opt Rpr)	.....	KWK99147

**Rear Seal/Ext. Housing**

<b>1989-1987</b>	Aisin 03-72	
Seal	.....	710319

**CLUTCH**

**Pilot Bearing**

<b>1989</b>	6-cylinder 3.0	
Bearing	.....	203FF
<b>1989-1983</b>	4-cylinder 2.0, 2.4, 2.6	
Bearing	.....	102CC

**Release Bearing**

<b>1989</b>	2972cc/3.0L	
Bearing Assy	.....	614107
<b>1989-1987</b>	2350cc/2.4L	
Bearing Assy	.....	614016
<b>1989-1983</b>	2555cc/2.6L	
Bearing Assy	.....	614016
<b>1989-1983</b>	2000cc/2.0L	
Bearing Assy	.....	614016
<b>1985-1983</b>	2300/2.3L diesel	
Bearing Assy	.....	614016

**4-SPEED MANUAL TRANSMISSION**

**Input Shaft**

<b>1985-1983</b>		
Seal	.....	223014
Bearing	.....	307L
Kwik Slv (Opt Rpr)	.....	KWK99114

**Countershaft**

<b>1985-1983</b>	KM130-1, KM130-4	
Bearing (front)	.....	5205KLE
<b>1984-1983</b>	KM144-0, KM144-3	
Bearing (center)	.....	5205KLE

**Rear Output Shaft**

<b>1985-1983</b>		
Seal	.....	223608
Bearing	.....	207L

**5-SPEED MANUAL TRANSMISSION**

**Front Input Shaft**

<b>1989-1983</b>		
Seal	.....	223014
Bearing	.....	307L
Kwik Slv (Opt Rpr)	.....	KWK99114

**5-SPEED MANUAL TRANSMISSION**

**Countershaft**

<b>1989-1987</b>	KM132-1	
Bearing Assy	.....	30205M[2]
<b>1989-1983</b>	KM132-E, KM132-9, KM145-2, KM145-4, KM145-8	
Cone/Cup	.....	XAA30205-YAA30205[2]
<b>1989-1983</b>	KM145-1, KM145-5, KM145-9	
Cone/Cup (front)	.....	XAA30205-YAA30205
Bearing (rear)	.....	304WB
<b>1989-1983</b>	KM132-J, KM132-K, KM132-8	
Bearing (center)	.....	5205KLE

**Rear Output Shaft**

<b>1989-1987</b>	KM132-1, KM145-8, KM145-9	
Seal	.....	223608
Bearing	.....	511014
<b>1989-1983</b>	KM132-J, KM132-K, KM132-8	
Seal	.....	223608
Bearing	.....	RW122
<b>1986-1983</b>	KM145-1 thru KM145-5	
Seal	.....	223608
Bearing	.....	205BB
<b>1986-1983</b>	KM132-E, KM132-9	
Seal	.....	223608

**ALTERNATOR**

<b>1989-1984</b>	65 amp	
Bearing (drive end)	.....	302CC
<b>1989-1987</b>	50 amp	
Bearing (drive end)	.....	203FF
Bearing (rear end)	.....	201SS
<b>1989-1987</b>	55 amp	
Bearing (drive end)	.....	203FF
Bearing (rear end)	.....	201SS
<b>1986-1985</b>	45 amp	
Bearing (drive end)	.....	202FF
Bearing (rear end)	.....	201SS
<b>1986-1985</b>	55 amp	
Bearing (drive end)	.....	202FF
Bearing (rear end)	.....	201SS
<b>1986-1983</b>	50 amp	
Bearing (drive end)	.....	202FF
Bearing (rear end)	.....	201SS
<b>1986-1983</b>	65 amp	
Bearing (drive end)	.....	302SS
Bearing (rear end)	.....	201S
<b>1985-1983</b>	55 amp	
Bearing (drive end)	.....	302SS
Bearing (rear end)	.....	201SS

**DRIVESHAFT SUPPORT**

<b>1989-1987</b>	Mighty Max 4x4	
Hanger Bearing Assy	.....	HB30
<b>1989-1987</b>	Mighty Max 4x2	
Hanger Bearing Assy	.....	HB14
<b>1986-1983</b>	Mighty Max	
Hanger Bearing Assy	.....	HB14



# Bearings and Seals

Mfg./Year    Model & Location    Part No    Mfg./Year    Model & Location    Part No

## **MITSUBISHI TRUCK - MINIVAN, PICKUP, SUV - Mighty Max, Montero, Nativa, Van, Wagon (cont.)**

### **CAMSHAFT SEAL**

#### **4 Cylinder**

**1989-1983** 2000/2.0L, 2300/2.3L (diesel),  
2350/2.4L  
Seal ..... 3771  
Kwik Slv (Opt Rpr) .....KWK99139  
**1989-1983** 2555cc/2.6L  
Seal ..... 222330

#### **6 Cylinder**

**1989** 2972cc/3.0L  
Seal ..... 3771[2]  
Kwik Slv (Opt Rpr) .....KWK99139[2]

### **CRANKSHAFT REAR SEAL**

#### **4 Cylinder**

**1989-1983** 2000/2.0L, 2300/2.3L (diesel),  
2350/2.4L  
Seal Viton ..... 228005  
Kwik Slv (Opt Rpr) .....KWK99315  
**1989-1983** 2555cc/2.6L  
Seal Viton ..... 228005  
Kwik Slv (Opt Rpr) .....KWK99315

### **CRANKSHAFT REAR SEAL**

#### **6 Cylinder**

**1989** 2972cc/3.0L  
Seal Viton ..... 710056  
Seal PTFE H/D Opt. .... 5279

### **TIMING COVER**

#### **4 Cylinder**

**1989-1983** 2000/2.0L, 2300/2.3L (diesel),  
2350/2.4L  
Seal ..... 224460  
**1989-1983** 2555cc/2.6L  
Seal ..... 224840  
Kwik Slv (Opt Rpr) .....KWK99189

#### **6 Cylinder**

**1989** 2972cc/3.0L  
Seal ..... 223750

## **MORGAN**

### **FRONT WHEEL**

**1967-1957** TR3+4, Plus 4 Plus  
Set (inner) .....SET21  
Cone/Cup (outer) .....03062-03162[2]

### **REAR WHEEL**

**1967-1957** TR3+4, Plus 4 Plus  
Cone/Cup ..... 14130-14276[2]

### **CLUTCH**

#### **Release Bearing**

**1966-1960** 4+4: Ford engine  
Bearing Only ..... 1375

## **MORRIS - see also AUSTIN-MORRIS**

### **FRONT WHEEL**

**1973-1971** Marina  
Set (inner) .....SET4  
Set (outer) .....SET1  
**1970-1965** 1800, S, MKI-III  
Set ..... SET5[2]  
**1962-1959** Minor: ball bearing  
Seal (inner) ..... 471192[2]  
Bearing (inner) ..... 7205[2]  
Bearing (outer) ..... 7303[2]  
**1962-1959** Minor: roller bearing conversion  
Seal (inner) ..... 471192[2]  
Bearing Assy (inner) ..... 30205M[2]<sup>21</sup>  
Bearing Assy (outer) ..... 30303[2]  
**1960-1954** Isis  
Bearing (inner) ..... 307TB[2]  
Bearing (outer) ..... 305AG[2]

### **FRONT WHEEL (cont.)**

**1957-1954** Cowley, Oxford  
Bearing (inner) ..... 306TB[2]  
Bearing (outer) ..... 304WB[2]

### **REAR WHEEL**

**1973-1971** Marina  
Bearing ..... RW119[2]  
**1970-1965** 1800  
Set (inner) .....SET6  
Set (outer) .....SET4  
**1966-1956** Minor  
Seal ..... 472164[2]  
Bearing ..... 207[2]

412 [ ] Indicates Quantity Required; Set Components Listed Inside Rear Cover;

<sup>21</sup> Tapered bearing conv.: Discard spacer, replace 1/8" washer w/1/16" washer. If rubber seal, machine off 1/16", press fit flush w/hub.

**MORRIS - see also AUSTIN-MORRIS (cont.)**

**REAR AXLE**

**Pinion**

<b>1972-1971</b>	Marina	
	Cone/Cup (inner)	M88048-M88011
<b>1971-1957</b>	Minor, Minor 100	
	Seal (outer)	481837
<b>1967-1962</b>	Minor 1000	
	Cone/Cup (inner)	M88048-M88011

**CLUTCH**

**Release Bearing**

<b>1976-1962</b>	Mini Cooper, S.	
	Bearing Assy	614104
<b>1976-1959</b>	Mini Clubman, Minor, etc.	
	Bearing Assy	614104

**CLUTCH (cont.)**

**Release Bearing (cont.)**

<b>1973-1971</b>	Marina	
	Bearing Only	TR1715
<b>1971-1956</b>	Minor 1000.	
	Bearing Assy	614104

**NASH - Air Flyte, Ambassador, Brougham, Club Coupe, Custom, Deluxe, Rambler, Rebel, Statesman, Super, 600 and all Numbered Series**

**FRONT WHEEL**

<b>1957-1955</b>	all	
	Set (inner)	SET6
	Set (outer)	SET2
<b>1954-1948</b>	all	
	Cone/Cup (inner)	15123-15245[2]
	Cone/Cup (outer)	09067-09195[2]
<b>1948-1941</b>	6-cylinder: 4100, 4200, Ambassador	
	Cone/Cup (inner)	14138A-14276[2]
	Cone/Cup (outer)	12580-12520[2]
<b>1947-1946</b>	4640, 4740 600	
	Cone/Cup (inner)	15118-15244[2]
	Cone/Cup (outer)	09078-09195[2]

**REAR WHEEL**

<b>1958</b>	5880 Ambassador	
	Set	SET5
<b>1957</b>	8-cylinder Rebel	
	Cone/Cup	25877-25821[2]
<b>1957-1956</b>	8-cylinder Ambassador	
	Cone/Cup	25877-25821[2]
<b>1956</b>	5640, 5650 Statesman	
	Cone/Cup	14132T-14276[2]
<b>1956</b>	6-cylinder 5660	
	Cone/Cup	25877-25821[2]
<b>1955</b>	5540 Statesman	
	Cone/Cup	14132T-14276[2]
<b>1955</b>	5560, 5580 Ambassador	
	Cone/Cup	25877-25821[2]
<b>1954</b>	5440 Statesman	
	Cone/Cup	14132T-14276[2]
<b>1953</b>	5340 Series	
	Cone/Cup	14132T-14276[2]
<b>1952-1951</b>	5140, 5240 Series, Statesman	
	Cone/Cup	14132T-14276[2]
<b>1950-1948</b>	4840, 4940 600 Series, 5040 Statesman	
	Cone/Cup	14132T-14276[2]

**REAR AXLE**

**Differential**

<b>1957-1956</b>	Rambler, Statesman: 8-cylinder	
	Cone/Cup	25577-25523[2]
<b>1957-1946</b>	Rambler, Statesman, 600: 6-cylinder	
	Cone/Cup	24780-24721[2]
<b>1957-1946</b>	Ambassador, Rebel	
	Cone/Cup	25580-25523[2]

**Pinion**

<b>1957-1956</b>	Rambler, Statesman: 8-cylinder	
	Cone/Cup (inner)	31594-31520
	Seal (outer)	450117
	Cone/Cup (outer)	02872-02820
<b>1957-1946</b>	Rambler, Statesman, 600: 6-cylinder	
	Cone/Cup (outer)	02474-02420
<b>1957-1946</b>	Ambassador, Rebel	
	Cone/Cup (inner)	3877-3820
	Cone/Cup (outer)	31590-31520

**CLUTCH**

**Release Bearing**

<b>1958-1957</b>	exc. 6-cylinder Rambler	
	Bearing Only	NH1752C
<b>1957-1955</b>	6-cylinder: Rambler	
	Bearing Only	N1605C
	Bearing Only	CB1054
<b>1956</b>	8-cylinder: 5650 Statesman	
	Bearing Only	NH1752C
<b>1956-1955</b>	6-cylinder: 5560, 5580 Ambassador	
	Bearing Only	NH1752C
<b>1956-1954</b>	5440, 5540, 5540 Statesman, 5640 Statesman	
	Bearing Only	N1605C
	Bearing Only	CB1054

# Bearings and Seals

Mfg./Year    Model & Location    Part No    Mfg./Year    Model & Location    Part No

## ***NASH - Air Flyte, Ambassador, Brougham, Club Coupe, Custom, Deluxe, Rambler, Rebel, Statesman, Super, 600 and all Numbered Series (cont.)***

### **CLUTCH (cont.)**

#### **Release Bearing (cont.)**

<b>1954</b>	5460 Ambassador	
	Bearing Only .....	N1852C
	Bearing Only .....	CB995
<b>1954-1950</b>	5010, 5040 Rambler, Statesman	
	Bearing Only .....	N1605C
	Bearing Only .....	CB1054
<b>1954-1949</b>	Ambassador: conventional drive	
	Bearing Only .....	N1852C
	Bearing Only .....	CB995
<b>1953</b>	5310, 5410	
	Bearing Only .....	N1605C
	Bearing Only .....	CB1054
<b>1953</b>	5360	
	Bearing Only .....	N1852C
	Bearing Only .....	CB995
<b>1952-1951</b>	5140, 5240, Statesman	
	Bearing Only .....	N1605C
	Bearing Only .....	CB1054
<b>1952-1949</b>	5160, 5260	
	Bearing Only .....	N1852C
	Bearing Only .....	CB995

### **CLUTCH (cont.)**

#### **Release Bearing (cont.)**

<b>1949-1941</b>	600 Series: bearing and collar	
	Bearing Only .....	CB1209C
	Bearing Only .....	CB1054
<b>1948-1941</b>	exc. Ambassador & 600	
	Bearing Only .....	N1605C
	Bearing Only .....	CB1054
<b>1948-1941</b>	Ambassador: bearing and collar	
	Bearing Only .....	CB1332C
	Bearing Only .....	CB995
<b>1940-1937</b>	bearing and collar	
	Bearing Only .....	CB1332C
	Bearing Only .....	CB995

## ***NISSAN/DATSUN - FRONT WHEEL DRIVE - Maxima, Pulsar, Sentra, Sentra AWD, Stanza, Stanza AWD, 200SX, 310, F10,***

### **FRONT WHEEL**

<b>1989</b>	Maxima	
	Bearing (inner) .....	510009[2]
	Seal .....	710108[2]
<b>1989</b>	240SX	
	Bearing .....	510031[2]
<b>1989-1987</b>	Pulsar	
	Seal .....	710107[2]
	Bearing .....	510008[2]
<b>1989-1987</b>	Sentra	
	Seal .....	710107[2]
	Bearing .....	510008[2]
<b>1989-1987</b>	300ZX	
	Seal (inner) .....	710126[2]
	Set (inner) .....	SET6
	Set (outer) .....	SET2
<b>1989-1987</b>	Stanza	
	Seal (inner) .....	225650[2]
	Bearing Assy (inner) .....	513015[2]
	Seal (outer) .....	710069[2]
<b>1988-1987</b>	200SX	
	Seal (inner) .....	710128[2]
	Set (inner) .....	SET6
	Set (outer) .....	SET2
<b>1988-1986</b>	Stanza Wagon AWD	
	Seal (inner) .....	225650[2]
	Bearing Assy (inner) .....	513015[2]
	Seal (outer) .....	710069[2]
<b>1988-1985</b>	Maxima	
	Seal (inner) .....	225650[2]
	Bearing Assy (inner) .....	513015[2]
	Seal (outer) .....	710069[2]

### **FRONT WHEEL (cont.)**

<b>1988-1985</b>	Stanza Wagon fwd	
	Seal (inner) .....	225650[2]
	Bearing Assy (inner) .....	513015[2]
	Seal (outer) .....	710069[2]
<b>1986-1984</b>	200SX	
	Seal (inner) .....	444116[2]
	Set (inner) .....	SET6
	Set (outer) .....	SET2
<b>1986-1984</b>	300ZX	
	Seal (inner) .....	444116[2]
	Set (inner) .....	SET6
	Set (outer) .....	SET2
<b>1986-1983</b>	Pulsar	
	Seal (inner) .....	710312[2]
	Seal (outer) .....	1883[2]
	Cone/Cup .....	LM29748-LM29710[2]
<b>1986-1982</b>	Sentra	
	Seal (inner) .....	710312[2]
	Seal (outer) .....	1883[2]
	Cone/Cup .....	LM29748-LM29710[2]
<b>1986-1982</b>	Stanza Sedan	
	Seal (inner) .....	225650[2]
	Seal (outer) .....	225540[2]
	Cone/Cup .....	LM300849-LM300811[2]
<b>1984-1981</b>	Maxima	
	Seal (inner) .....	444116[2]
	Set (inner) .....	SET6
	Set (outer) .....	SET2

**NISSAN/DATSUN - FRONT WHEEL DRIVE - Maxima, Pulsar, Sentra, Sentra AWD, Stanza, Stanza AWD, 200SX, 310, F10, (cont.)**

**FRONT WHEEL (cont.)**

<b>1983-1977</b>	200SX	
Seal (inner)	.....	1188S[2]
Set (inner)	.....	SET6
Set (outer)	.....	SET2
<b>1982-1979</b>	310	
Seal (inner)	.....	710310[2]
Seal (outer)	.....	1883[2]
Kwik Slv (Opt Rpr)	.....	KWK99128
Cone/Cup	.....	LM29748-LM29710[2]
<b>1978-1976</b>	F10	
Seal (inner)	.....	1884[2]
Cone/Cup	.....	LM29748-LM29710[2]

**REAR WHEEL**

<b>1989</b>	Maxima: ABS brakes	
Hub Assy	.....	512015[2]
<b>1989-1987</b>	Pulsar	
Bearing	.....	513071[2]
<b>1989-1987</b>	Sentra	
Bearing	.....	513071[2]
<b>1989-1987</b>	Sentra 4WD	
Seal (inner)	.....	710069[2]
Bearing Assy (inner)	.....	513015[2]
Set (outer)	.....	SET2
<b>1989</b>	Stanza	
Seal (inner)	.....	224400[2]
Bearing Assy (inner)	.....	513007[2]
Set (outer)	.....	SET2
<b>1989-1987</b>	300ZX	
Seal (inner)	.....	710131[2]
Bearing (inner)	.....	RW101[2]
Bearing (outer)	.....	RW132[2]
<b>1988-1987</b>	Stanza Sedan, Wagon	
Seal (inner)	.....	224400[2]
Bearing Assy (inner)	.....	513007[2]
Set (outer)	.....	SET2
<b>1988-1986</b>	Stanza Wagon: AWD	
Seal	.....	710069[2]
Bearing Assy	.....	513015[2]
<b>1988-1985</b>	Maxima	
Seal (inner)	.....	224400[2]
Bearing Assy (inner)	.....	513007[2]
Set (outer)	.....	SET2
<b>1988-1984</b>	200SX: independent suspension: V6 engine.	
Seal (inner)	.....	224045[2]
Bearing (inner)	.....	RW101[2]
Bearing (outer)	.....	RW132[2]
<b>1987-1977</b>	200SX: solid axle	
Seal	.....	1181[2]
Bearing	.....	RW114R[2]
<b>1986-1985</b>	Stanza Wagon	
Seal (inner)	.....	224400[2]
Bearing Assy (inner)	.....	513007[2]
Set (outer)	.....	SET2
<b>1986-1984</b>	200SX: independent suspension: 4-cylinderturbo	
Seal (inner)	.....	224045[2]
Bearing (inner)	.....	RW101[2]
Bearing (outer)	.....	RW128R[2]

**REAR WHEEL (cont.)**

<b>1986-1983</b>	Pulsar	
Seal (inner)	.....	334111[2]
Set (inner)	.....	SET8
Set (outer)	.....	SET2
<b>1986-1982</b>	Sentra	
Seal (inner)	.....	334111[2]
Set (inner)	.....	SET8
Set (outer)	.....	SET2
<b>1986-1982</b>	Stanza	
Seal (inner)	.....	334111[2]
Bearing Assy (inner)	.....	513007[2]
Set (outer)	.....	SET2
<b>1984-1981</b>	Maxima Sedan	
Seal (inner)	.....	224045[2]
Bearing (inner)	.....	RW101[2]
Bearing (outer)	.....	RW125[2]
<b>1984-1981</b>	Maxima Wagon	
Seal	.....	1181[2]
Bearing	.....	RW114R[2]
<b>1982-1979</b>	310	
Seal (inner)	.....	334111[2]
Set (inner)	.....	SET8
Set (outer)	.....	SET2
<b>1978-1976</b>	F10	
Seal (inner)	.....	1128S[2]
Bearing Assy (inner)	.....	32005X[2]
Bearing Assy (outer)	.....	30302[2]

**REAR AXLE**

**Differential**

<b>1989-1986</b>	R180, R180A	
Seal	.....	1167S[2]
Bearing Assy	.....	30208M[2]

**Pinion**

<b>1989-1986</b>	R180, R180A	
Bearing Assy (inner)	.....	32307
Seal (outer)	.....	1173
Bearing Assy (outer)	.....	32305
Kwik Slv (Opt Rpr)	.....	KWK99166
Bearing (pilot)	.....	30565

**TRANSFER CASE REBUILD KIT**

<b>1989-1986</b>	TY10	
Kit	.....	TRKFN460
<b>1988-1985</b>	TY10A	
Kit	.....	TRKFN430

**TRANSFER CASE**

**Input Shaft**

<b>1989-1986</b>	TY10	
Seal	.....	710120

# Bearings and Seals

Mfg./Year    Model & Location    Part No    Mfg./Year    Model & Location    Part No

## **NISSAN/DATSUN - FRONT WHEEL DRIVE - Maxima, Pulsar, Sentra, Sentra AWD, Stanza, Stanza AWD, 200SX, 310, F10, (cont.)**

### **TRANSFER CASE**

#### **Front Output Shaft**

1989-1986    TY10  
Seal ..... 225210

#### **Rear Output Shaft**

1989-1986    TY10  
Seal ..... 710121  
Kwik Slv (Opt Rpr) .....KWK99235

#### **Selector Shaft Seal/Man. Shaft**

1989-1986    TY10  
Seal ..... 710243  
Kwik Slv (Opt Rpr) .....KWK99098

### **CLUTCH - 4 CYLINDER**

#### **Pilot Bearing**

1989-1980  
Bushing .....PB22

### **CLUTCH - 6 CYLINDER**

#### **Pilot Bearing**

1989-1985  
Bushing .....PB22

### **CLUTCH - 4 CYLINDER**

#### **Release Bearing**

1989-1987    1597cc/1.6L (190mm Clutch)  
Bearing Assy ..... 614047  
1989-1988    1809cc/1.8 (DOHC)(215mm  
Clutch)  
Bearing Assy ..... 614130  
1989-1987    1597cc/1.6L (200mm Clutch)  
Bearing Assy ..... 614022  
1989-1986    1974cc/2.0L (225mm Clutch)  
Bearing Assy ..... 614048  
1987    1598cc/1.6 (DOHC)(200mm  
Clutch)  
Bearing Assy ..... 614048  
1986-1983    1680cc/1.7L (diesel)(180mm  
Clutch)  
Bearing Assy ..... 614055  
1986-1982    1487cc/1.5L, 1597cc/1.6L,  
(180mm Clutch)  
Bearing Assy ..... 614022  
1986-1982    1487cc/1.5L, 1974cc/2.0,  
(200mm Clutch)  
Bearing Assy ..... 614022

### **CLUTCH - 6 CYLINDER**

#### **Release Bearing**

1989-1985    2960cc/3.0L, 2988cc/3.0 (DOHC)  
Bearing Assy ..... 614049

### **3-SPEED AUTOMATIC TRANSAXLE**

#### **Torque Converter**

1989-1981    RL3F01A, RN3F01A  
Seal ..... 224979

#### **Output Shaft**

1989-1981    RL3F01A  
Seal Viton ..... 224026[2]  
Kwik Slv (Opt Rpr) .....KWK99157[2]  
Bearing (RH) ..... 32006  
Bearing Assy (LH) ..... 32007XM  
1989-1981    RN3F01A  
Seal ..... 710122[2]  
Bearing (RH) ..... 32006  
Bearing Assy (LH) ..... 32007XM

#### **Differential**

1989-1981    RL3F01A, RN3F01A  
Bearing Assy (LH) ..... 32013X  
Bearing Assy (RH) ..... 30208M

### **4-SPEED AUTOMATIC TRANSAXLE**

#### **Differential**

1989-1985    RE4F02A, RL4F02A  
Bearing Assy (LH) ..... 32013X  
Bearing Assy (RH) ..... 30208M

#### **Torque Converter**

1989-1985    RE4F02A, RE4F02V, RL4F02A,  
RE4F04A, RE4F04V  
Seal ..... 224663  
Kwik Slv (Opt Rpr) .....KWK99181

#### **Output Shaft**

1989    RE4F02A, RE4F02V  
Seal (LH) ..... 710123  
Seal (RH) ..... 710124  
1989-1985    RL4F02A (4WD)  
Seal (LH) ..... 710118  
Seal (RH) ..... 710069  
1989-1985    RL4F02A (2WD)  
Seal (LH) ..... 710122  
Seal (RH) ..... 710124

### **4-SPEED MANUAL TRANSAXLE**

#### **Differential**

1989-1988    RN4F31A  
Bearing Assy ..... 30208M[2]  
1981-1976    F4WF60A  
Bearing ..... 209BB[2]

**NISSAN/DATSUN - FRONT WHEEL DRIVE - Maxima, Pulsar, Sentra, Sentra AWD, Stanza, Stanza AWD, 200SX, 310, F10, (cont.)**

**4-SPEED MANUAL TRANSAXLE**

**Input Shaft**

<b>1989-1988</b>	RN4F31A	
Seal	.....	710316
Bearing	.....	305AG
Kwik Slv (Opt Rpr)	.....	KWK99098
<b>1981-1976</b>	F4WF60A	
Seal	.....	222820
Bearing	.....	306TB

**Mainshaft**

<b>1981-1976</b>	F4WF60A	
Bearing (center)	.....	406

**Output Shaft**

<b>1989-1988</b>	RN4F31A	
Seal Viton	.....	224026[2]
Kwik Slv (Opt Rpr)	.....	KWK99157[2]
<b>1981-1976</b>	F4WF60A	
Seal	.....	2003N[2]
Kwik Slv (Opt Rpr)	.....	KWK99146[2]

**5-SPEED MANUAL TRANSAXLE**

**Differential**

<b>1989-1983</b>	RS5F30A	
Bearing Assy	.....	30208M[2]
<b>1989-1987</b>	RS5F31A (4WD)	
Bearing Assy	.....	30208M[2]
<b>1989-1987</b>	RS5F31A (2WD)	
Bearing Assy	.....	32010X[2]
<b>1989-1986</b>	RS5F50A (2WD)	
Cone	.....	A140[2]
<b>1986-1983</b>	RS5F31A	
Bearing Assy	.....	32010X[2]
<b>1985</b>	RS5F50A	
Cone	.....	A140[2]
<b>1982-1976</b>	F5WF60A	
Bearing	.....	209BB[2]

**Input Shaft**

<b>1989-1985</b>	RS5F50A, RS5F50V	
Seal	.....	710119
Bearing	.....	108A
Kwik Slv (Opt Rpr)	.....	KWK99111
<b>1989-1983</b>	RS5F30A, RS5F31A	
Seal	.....	710316
Bearing	.....	305AG
Kwik Slv (Opt Rpr)	.....	KWK99098
<b>1982-1976</b>	F5WF60A	
Seal	.....	222820
Bearing	.....	306TB

**5-SPEED MANUAL TRANSAXLE**

**Countershaft**

<b>1982-1976</b>	F5WF60A	
Bearing (front)	.....	106WB
Bearing (center)	.....	305AG[2]
Bearing (rear)	.....	206WB

**Mainshaft**

<b>1982-1976</b>	F5WF60A	
Bearing Assy (front)	.....	32206M
Bearing Assy (center)	.....	30205M
Bearing Assy (rear)	.....	30205M

**Output Shaft**

<b>1989-1983</b>	RS5F31A	
Seal (LH)	.....	225210
Seal (RH)	.....	710134
<b>1989-1983</b>	RS5F30A	
Seal Viton	.....	224026[2]
Bearing Assy	.....	30304[2]
Kwik Slv (Opt Rpr)	.....	KWK99157[2]
<b>1989-1986</b>	RS5F50A (4WD)	
Seal (LH)	.....	710133
Bearing Assy (LH)	.....	32206M
Seal (RH)	.....	226018
Bearing Assy (RH)	.....	30306M
<b>1989-1986</b>	RS5F50A (2WD)	
Seal (LH)	.....	710118
Bearing Assy (LH)	.....	32206M
Seal (RH)	.....	710124
Bearing Assy (RH)	.....	30306M
<b>1985</b>	RS5F50A	
Seal (LH)	.....	710118
Bearing Assy (LH)	.....	32206M
Seal (RH)	.....	710124
Bearing Assy (RH)	.....	30306M
<b>1982-1976</b>	F5WF60A	
Seal	.....	2003N[2]
Kwik Slv (Opt Rpr)	.....	KWK99146[2]

**ALTERNATOR**

<b>1989-1984</b>	Hitachi 70 amp	
Bearing (drive end)	.....	303CC
<b>1989-1984</b>	Hitachi 80 amp	
Bearing (drive end)	.....	303CC
<b>1989-1984</b>	Hitachi 90 amp	
Bearing (drive end)	.....	303CC
<b>1988-1977</b>	Mitsubishi 70 amp	
Bearing (drive end)	.....	302CC
<b>1988-1970</b>	Hitachi 50 amp	
Bearing (drive end)	.....	203FF
Bearing (rear end)	.....	202SS
<b>1988-1970</b>	Hitachi 60 amp	
Bearing (drive end)	.....	203FF
Bearing (rear end)	.....	202SS
<b>1974</b>	Mitsubishi 35 amp	
Bearing (drive end)	.....	202SS
Bearing (rear end)	.....	201CC

# Bearings and Seals

Mfg./Year    Model & Location    Part No    Mfg./Year    Model & Location    Part No

## **NISSAN/DATSUN - FRONT WHEEL DRIVE - Maxima, Pulsar, Sentra, Sentra AWD, Stanza, Stanza AWD, 200SX, 310, F10, (cont.)**

### **ALTERNATOR (cont.)**

<b>1974</b>	Mitsubishi 50 amp	
	Bearing (drive end) .....	203FF
	Bearing (rear end) .....	201CC
<b>1973-1967</b>	Hitachi 30 amp	
	Bearing (drive end) .....	202FF
	Bearing (rear end) .....	201SS
<b>1973-1967</b>	Hitachi 33 amp	
	Bearing (drive end) .....	202FF
	Bearing (rear end) .....	201SS
<b>1973-1967</b>	Hitachi 35 amp	
	Bearing (drive end) .....	202FF
	Bearing (rear end) .....	201SS
<b>1973-1967</b>	Hitachi 45 amp	
	Bearing (drive end) .....	202FF
	Bearing (rear end) .....	201SS
<b>1970-1960</b>	Mitsubishi 25 amp	
	Bearing (drive end) .....	203SS
	Bearing (rear end) .....	202SS
<b>1970-1960</b>	Mitsubishi 30 amp	
	Bearing (drive end) .....	203SS
	Bearing (rear end) .....	202SS
<b>1966-1960</b>	Hitachi 30 amp	
	Bearing (drive end) .....	202SS
	Bearing (rear end) .....	202S

### **DRIVESHAFT SUPPORT**

<b>1988-1986</b>	Stanza Wagon: AWD	
	Hanger Bearing Assy .....	HB6

### **BALANCE SHAFT**

#### **4 Cylinder**

<b>1989-1983</b>	1597cc/1.6L	
	Seal .....	710415
	Kwik Slv (Opt Rpr) .....	KWK99128

### **CAMSHAFT SEAL**

#### **4 Cylinder**

<b>1989-1981</b>	1487cc/1.5L, 1597cc/1.6L	
	Seal .....	224020
	Kwik Slv (Opt Rpr) .....	KWK99157
<b>1989-1988</b>	1809cc/1.8 (DOHC)	
	Seal .....	223420[2]
	Kwik Slv (Opt Rpr) .....	KWK99134[2]
<b>1989-1982</b>	1974cc/2.0L	
	Seal .....	223420
	Kwik Slv (Opt Rpr) .....	KWK99134
<b>1987</b>	1598cc/1.6 (DOHC)	
	Seal .....	224052[2]
	Kwik Slv (Opt Rpr) .....	KWK99157[2]
<b>1986-1983</b>	1680cc/1.7L (diesel)	
	Seal (front) .....	223420
	Kwik Slv (Opt Rpr) .....	KWK99134
	Seal (rear) .....	710341
	Kwik Slv (Opt Rpr) .....	KWK99146

### **CAMSHAFT SEAL**

#### **6 Cylinder**

<b>1989-1985</b>	2960cc/3.0L	
	Seal .....	223420[2]
	Kwik Slv (Opt Rpr) .....	KWK99134[2]

### **CRANKSHAFT REAR SEAL**

#### **4 Cylinder**

<b>1989-1982</b>	1597cc/1.6L, 1598cc/1.6L, 1680cc/1.7L, 1809cc/1.8L, 1974cc/2.0L, 1998cc/2.0L	
	Seal Viton .....	228410
<b>1988-1981</b>	1487cc/1.5L, 1597cc/1.6L	
	Seal .....	228010
	Kwik Slv (Opt Rpr) .....	KWK99315
<b>1983-1968</b>	1595cc/1.6L, 1770cc/1.8L, 1952cc/2.0L	
	Seal .....	228010
	Kwik Slv (Opt Rpr) .....	KWK99315
<b>1982-1980</b>	1397cc/1.4L, 1487cc/1.5L	
	Seal .....	712006
	Kwik Slv (Opt Rpr) .....	KWK99235
<b>1982-1976</b>	1171CC/1.2L, 1288cc/1.3L, 1397cc/1.4L	
	Seal .....	712006
	Kwik Slv (Opt Rpr) .....	KWK99235

#### **6 Cylinder**

<b>1989-1984</b>	2960cc/3.0L	
	Seal Viton .....	228410
<b>1984-1970</b>	2393cc/2.4L, 2753cc/2.8L, 2793cc/2.8L	
	Seal .....	228010
	Kwik Slv (Opt Rpr) .....	KWK99315

### **TIMING COVER**

#### **4 Cylinder**

<b>1989</b>	2389cc/2.4L	
	Seal .....	224650
<b>1989-1983</b>	1600/ 1.6L (SOHC)	
	Seal .....	223602
	Kwik Slv (Opt Rpr) .....	KWK99146
<b>1989-1984</b>	1800/1.8L	
	Seal .....	223340
<b>1989-1982</b>	1974cc/2.0L	
	Seal .....	223340
<b>1987-1983</b>	1680cc/1.7L (diesel)	
	Seal .....	710308
<b>1984-1980</b>	1488cc/1.5L	
	Seal .....	223830
	Kwik Slv (Opt Rpr) .....	KWK99147
<b>1983-1982</b>	2164cc/2.2L	
	Seal .....	712010
<b>1982-1975</b>	1397cc/1.4L	
	Seal .....	223830
	Kwik Slv (Opt Rpr) .....	KWK99147
<b>1982-1963</b>	1171/1.2L, 1237/1.2L	
	Seal .....	223830
	Kwik Slv (Opt Rpr) .....	KWK99147

Mfg./Year      Model & Location      Part No      Mfg./Year      Model & Location      Part No

**NISSAN/DATSUN - FRONT WHEEL DRIVE - Maxima, Pulsar, Sentra, Sentra AWD, Stanza, Stanza AWD, 200SX, 310, F10, (cont.)**

**TIMING COVER (cont.)**

**4 Cylinder (cont.)**

<b>1981-1968</b>	1951/2.0L, 1952/ 2.0L, 1982/ 2.0L	
Seal	.....	712010
<b>1974</b>	1288/1.3L	
Seal	.....	223830
Kwik Slv (Opt Rpr)	.....	KWK99147
<b>1974-1973</b>	1800/1.8L	
Seal	.....	712010
Kwik Slv (Opt Rpr)	.....	KWK99189
<b>1973-1966</b>	1595cc/1.6L	
Seal	.....	712010
Kwik Slv (Opt Rpr)	.....	KWK99189

**TIMING COVER**

**6 Cylinder**

<b>1989-1984</b>	2960cc/3.0L	
Seal	.....	223340
<b>1984-1970</b>	2393cc/2.4L, 2753cc/2.8L, 2793cc/2.8L	
Seal	.....	712010
Kwik Slv (Opt Rpr)	.....	KWK99189

**NISSAN/DATSUN - REAR WHEEL DRIVE - Bluebird, B110, B210, Maxima, Sedan, 1000, 1200, 1500, 1600, 200SX, 2000, 210, 240SX, 240Z, 260Z, 280Z, 280ZX, 300ZX, 410, 411, 510, 610, 710, 810,**

**FRONT WHEEL**

<b>1989</b>	240SX	
Bearing	.....	510031[2]
<b>1989</b>	Micra, Multi Wagon, Multi Wagon AWD	
Bearing	.....	510054[2]
<b>1989-1987</b>	300ZX	
Seal (inner)	.....	710126[2]
Set (inner)	.....	SET6
Set (outer)	.....	SET2
<b>1988-1987</b>	200SX	
Seal (inner)	.....	710128[2]
Set (inner)	.....	SET6
Set (outer)	.....	SET2
<b>1988-1985</b>	Micra	
Set	.....	SET13[2]
<b>1986-1984</b>	200SX	
Seal (inner)	.....	444116[2]
Set (inner)	.....	SET6
Set (outer)	.....	SET2
<b>1986-1984</b>	300ZX	
Seal (inner)	.....	444116[2]
Set (inner)	.....	SET6
Set (outer)	.....	SET2
<b>1984-1981</b>	Maxima	
Seal (inner)	.....	444116[2]
Set (inner)	.....	SET6
Set (outer)	.....	SET2
<b>1983-1979</b>	310	
Seal (inner)	.....	710310[2]
Seal (outer)	.....	1883[2]
Kwik Slv (Opt Rpr)	.....	KWK99128
Cone/Cup	.....	LM29748-LM29710[2]
<b>1983-1977</b>	200SX	
Seal (inner)	.....	1188S[2]
Set (inner)	.....	SET6
Set (outer)	.....	SET2

**FRONT WHEEL (cont.)**

<b>1983-1975</b>	280Z, ZX	
Seal (inner)	.....	1188S[2]
Set (inner)	.....	SET6
Set (outer)	.....	SET2
<b>1982-1979</b>	210	
Seal (inner)	.....	1183[2]
Set (inner)	.....	SET4
Set (outer)	.....	SET1
<b>1982-1978</b>	510	
Seal (inner)	.....	1188S[2]
Set (inner)	.....	SET6
Set (outer)	.....	SET2
Kwik Slv (Opt Rpr)	.....	KWK99193
<b>1981-1977</b>	810	
Seal (inner)	.....	1188S[2]
Set (inner)	.....	SET6
Set (outer)	.....	SET2
<b>1978-1976</b>	B210: disc brakes	
Seal (inner)	.....	1188S[2]
Set (inner)	.....	SET6
Set (outer)	.....	SET2
<b>1977-1974</b>	710	
Seal (inner)	.....	1188S[2]
Set (inner)	.....	SET6
Set (outer)	.....	SET2
<b>1976-1974</b>	B210: drum brakes	
Seal (inner)	.....	1183[2]
Set (inner)	.....	SET4
Bearing Assy (outer)	.....	30302[2]
<b>1976-1974</b>	610	
Seal (inner)	.....	1188S[2]
Set (inner)	.....	SET6
Set (outer)	.....	SET2
<b>1975-1974</b>	B210: disc brakes	
Seal (inner)	.....	1183[2]
Set (inner)	.....	SET4
Set (outer)	.....	SET1



# Bearings and Seals

Mfg./Year    Model & Location    Part No    Mfg./Year    Model & Location    Part No

## **NISSAN/DATSUN - REAR WHEEL DRIVE - Bluebird, B110, B210, Maxima, Sedan, 1000, 1200, 1500, 1600, 200SX, 2000, 210, 240SX, 240Z, 260Z, 280Z, 280ZX, 300ZX, 410, 411, 510, 610, 710, 810, (cont.)**

### **FRONT WHEEL (cont.)**

<b>1974</b>	260Z	
Seal (inner)	.....	1188S[2]
Set (inner)	.....	SET6
Set (outer)	.....	SET2
<b>1973</b>	610 exc. Wagon	
Seal (inner)	.....	1183[2]
Set (inner)	.....	SET4
Set (outer)	.....	SET1
<b>1973</b>	610 Wagon	
Seal (inner)	.....	1188S[2]
Set (inner)	.....	SET6
<b>1973-1970</b>	B110	
Seal (inner)	.....	1174S[2]
Bearing Assy (inner)	.....	30205M[2]
Bearing Assy (outer)	.....	30302[2]
Kwik Slv (Opt Rpr)	.....	KWK99193
<b>1973-1970</b>	240Z	
Seal (inner)	.....	1188S[2]
Set (inner)	.....	SET6
Set (outer)	.....	SET2
Kwik Slv (Opt Rpr)	.....	KWK99328
<b>1973-1968</b>	510	
Seal (inner)	.....	1183[2]
Set (inner)	.....	SET4
Set (outer)	.....	SET1
<b>1973-1968</b>	1200	
Seal (inner)	.....	1174S[2]
Bearing Assy (inner)	.....	30205M[2]
Bearing Assy (outer)	.....	30302[2]
<b>1970-1965</b>	1600 Roadster	
Bearing Assy (inner)	.....	30206M[2]
Bearing Assy (outer)	.....	30204M[2]
<b>1970-1965</b>	2000 Roadster	
Bearing Assy (inner)	.....	30206M[2]
Bearing Assy (outer)	.....	30204M[2]
<b>1970-1961</b>	310	
Seal (inner)	.....	1977[2]
Bearing Assy (inner)	.....	30206M[2]
Bearing Assy (outer)	.....	30204M[2]
<b>1970-1961</b>	311	
Seal (inner)	.....	1977[2]
Bearing Assy (inner)	.....	30206M[2]
Bearing Assy (outer)	.....	30204M[2]
<b>1968-1961</b>	410	
Seal (inner)	.....	1977[2]
Bearing Assy (inner)	.....	30206M[2]
Bearing Assy (outer)	.....	30304[2]
<b>1968-1961</b>	411	
Seal (inner)	.....	1977[2]
Bearing Assy (inner)	.....	30206M[2]
Bearing Assy (outer)	.....	30304[2]

### **REAR WHEEL**

<b>1989</b>	240SX	
Bearing Module	.....	512014
<b>1989</b>	300ZX non-turbo: production thru 2/1990	
Bearing Module	.....	512014

### **REAR WHEEL (cont.)**

<b>1989-1987</b>	300ZX	
Seal (inner)	.....	710131[2]
Bearing (inner)	.....	RW101[2]
Bearing (outer)	.....	RW132[2]
<b>1989-1985</b>	Micra	
Set (inner)	.....	SET4
Set (outer)	.....	SET2
<b>1988-1984</b>	200SX: independent suspension: V6 engine.	
Seal (inner)	.....	224045[2]
Bearing (inner)	.....	RW101[2]
Bearing (outer)	.....	RW132[2]
<b>1987-1977</b>	200SX: solid axle	
Seal	.....	1181[2]
Bearing	.....	RW114R[2]
<b>1986-1984</b>	200SX: independent suspension: 4-cylinderturbo	
Seal (inner)	.....	224045[2]
Bearing (inner)	.....	RW101[2]
Bearing (outer)	.....	RW128R[2]
<b>1986-1984</b>	300ZX	
Seal (inner)	.....	224045[2]
Bearing (inner)	.....	RW101[2]
Bearing (outer)	.....	RW128R[2]
<b>1984-1981</b>	Maxima Sedan	
Seal (inner)	.....	224045[2]
Bearing (inner)	.....	RW101[2]
Bearing (outer)	.....	RW125[2]
<b>1984-1981</b>	Maxima Wagon	
Seal	.....	1181[2]
Bearing	.....	RW114R[2]
<b>1984-1977</b>	810 Sedan	
Seal (inner)	.....	224045[2]
Bearing (inner)	.....	RW101[2]
Bearing (outer)	.....	RW125[2]
<b>1984-1977</b>	810 Wagon	
Seal	.....	1181[2]
Bearing	.....	RW114R[2]
<b>1983-1979</b>	280Z, ZX	
Seal (inner)	.....	224045[2]
Bearing (inner)	.....	RW101[2]
Bearing (outer)	.....	RW125[2]
<b>1983-1979</b>	310	
Seal (inner)	.....	334111[2]
Set (inner)	.....	SET8
Set (outer)	.....	SET2
<b>1982-1979</b>	210	
Seal	.....	1181[2]
Bearing	.....	RW114R[2]
<b>1981-1978</b>	510	
Seal	.....	1181[2]
Bearing	.....	RW114R[2]
<b>1978-1975</b>	280Z, ZX	
Seal (inner)	.....	224270[2]
Bearing (inner)	.....	RW116[2]
Bearing (outer)	.....	RW117[2]
<b>1978-1974</b>	B210	
Seal	.....	1181[2]
Bearing	.....	RW114R[2]

**NISSAN/DATSUN - REAR WHEEL DRIVE - Bluebird, B110, B210, Maxima, Sedan, 1000, 1200, 1500, 1600, 200SX, 2000, 210, 240SX, 240Z, 260Z, 280Z, 280ZX, 300ZX, 410, 411, 510, 610, 710, 810, (cont.)**

**REAR WHEEL (cont.)**

<b>1977-1974</b>	710	
Seal	.....	1181[2]
Bearing	.....	RW114R[2]
<b>1976-1973</b>	610 Sedan	
Seal (inner)	.....	224045[2]
Bearing (inner)	.....	RW101[2]
Bearing (outer)	.....	RW125[2]
<b>1976-1973</b>	610 Wagon	
Seal	.....	1181[2]
Bearing	.....	RW114R[2]
<b>1974</b>	260Z	
Seal (inner)	.....	224270[2]
Bearing (inner)	.....	RW116[2]
Bearing (outer)	.....	RW117[2]
<b>1973-1970</b>	B110	
Seal	.....	1181[2]
Bearing	.....	RW115R[2]
<b>1973-1970</b>	240Z	
Seal (inner)	.....	224270[2]
Bearing (inner)	.....	RW116[2]
Bearing (outer)	.....	RW117[2]
<b>1973-1968</b>	510 Sedan	
Seal (inner)	.....	224045[2]
Bearing (inner)	.....	RW101[2]
Bearing (outer)	.....	RW125[2]
<b>1973-1968</b>	510 Wagon	
Seal	.....	1181[2]
Bearing	.....	RW114R[2]
<b>1973-1968</b>	1200	
Seal	.....	1181[2]
Bearing	.....	RW115R[2]
<b>1970-1968</b>	2000 Roadster	
Seal	.....	1181[2]
Bearing	.....	RW115R[2]
<b>1970-1965</b>	1600 Roadster	
Seal	.....	1181[2]
Bearing	.....	RW115R[2]
<b>1968-1964</b>	410	
Seal	.....	1181[2]
Bearing	.....	RW115R[2]
<b>1968-1964</b>	411	
Seal	.....	1181[2]
Bearing	.....	RW115R[2]

**REAR AXLE**

**Differential**

<b>1989-1986</b>	H233, H233B, H233BS	
Cone/Cup	.....	17887-17831[2]
<b>1989</b>	R230	
Seal	.....	710135[2]
Bearing Assy	.....	32211M[2]
<b>1989-1975</b>	R200, R200A, R200KV, R200V	
Seal	.....	223542[2]
Cone	.....	30209C[2]
<b>1989-1966</b>	H190, H190A, H190B axles	
Seal	.....	1167S[2]
Bearing Assy	.....	30208M[2]

**REAR AXLE (cont.)**

**Differential (cont.)**

<b>1989-1966</b>	R180, R180A	
Seal	.....	1167S[2]
Bearing Assy	.....	30208M[2]
<b>1989-1983</b>	C200, C200B	
Cone	.....	30209C[2]
<b>1982-1971</b>	H150 axle	
Bearing Assy	.....	30206M[2]
<b>1981-1965</b>	H165B axle	
Bearing Assy	.....	30207M[2]
<b>1979-1971</b>	H145 axle	
Bearing Assy	.....	30206M[2]
<b>1965-1960</b>	Bluebird (510) Sedan	
Bearing Assy	.....	30207M[2]
<b>1965-1960</b>	1200 Sedan	
Bearing Assy	.....	30207M[2]
<b>1965-1960</b>	1500 Sedan	
Bearing Assy	.....	30207M[2]
<b>1965-1960</b>	410 Sedan	
Bearing Assy	.....	30207M[2]
<b>1959-1958</b>	1000 Sedan	
Bearing Assy	.....	30208M[2]

**3-SPEED AUTOMATIC TRANSMISSION**

**Torque Converter**

<b>1984-1970</b>	L3N71A, L3N71B, 3N71B	
Seal Viton	.....	2025
<b>1971-1967</b>	Borg Warner	
Seal	.....	480479H

**Rear Seal/Ext. Housing**

<b>1984-1970</b>	L3N71A, L3N71B, 3N71B	
Seal	.....	710324
<b>1971-1967</b>	Borg Warner	
Seal	.....	1097N

**4-SPEED AUTOMATIC TRANSMISSION**

**Torque Converter**

<b>1989</b>	RE4R01A, RE4R03A	
Seal	.....	224450
Kwik Slv (Opt Rpr)	.....	KWK99181
<b>1989-1983</b>	E4N71B, L4N71B, 4N71B	
Seal Viton	.....	2025
Kwik Slv (Opt Rpr)	.....	KWK99166

**Rear Seal/Ext. Housing**

<b>1989-1984</b>	E4N71B, RE4R01A, RE4R03A	
Seal	.....	223801
<b>1988-1984</b>	4N71B	
Seal	.....	710234
<b>1984-1983</b>	L4N71B	
Seal	.....	710324

# Bearings and Seals

Mfg./Year    Model & Location    Part No    Mfg./Year    Model & Location    Part No

## **NISSAN/DATSUN - REAR WHEEL DRIVE - Bluebird, B110, B210, Maxima, Sedan, 1000, 1200, 1500, 1600, 200SX, 2000, 210, 240SX, 240Z, 260Z, 280Z, 280ZX, 300ZX, 410, 411, 510, 610, 710, 810, (cont.)**

### **4-SPEED AUTOMATIC TRANSMISSION**

#### **Selector Shaft Seal/Man. Shaft**

**1989-1988** RE4R01A, RE4R03A  
Seal ..... 2027

### **CLUTCH**

#### **Pilot Bearing**

**1989-1970** 6-cylinder  
Bushing ..... PB22  
**1989-1976** 4-cylinder under 1.6  
Bushing ..... PB21  
**1989-1976** 4-cylinder 1.6 and larger  
Bushing ..... PB22

#### **Release Bearing**

**1989** 240SX  
Bearing Only ..... 613015  
**1989-1985** 200SX  
Bearing Only ..... DNE01576C  
**1989-1987** 300ZX Turbo  
Bearing Only ..... 01576  
**1989-1984** 300ZX non-turbo  
Bearing Only ..... DNE01576C  
**1988-1986** Micra (Canada)  
Bearing Assy ..... 614150  
**1986-1984** 300ZX Turbo  
Bearing Only ..... 01576  
**1984-1980** 200SX  
Bearing Only ..... DNF01576C  
**1984-1980** Maxima  
Bearing Only ..... DNF01576C  
**1983-1975** 280Z, ZX: exc. 2+2  
Bearing Only ..... DNF01576C  
**1983-1975** 280Z, ZX: 2+2  
Bearing Only ..... DNE01576C  
**1982** 310  
Bearing Assy ..... 614022  
**1982-1979** B210  
Bearing Only ..... DNB01576C  
**1982-1978** 510  
Bearing Only ..... DNE01576C  
**1981-1979** 310  
Bearing Only ..... DN01575C  
**1981-1977** 810  
Bearing Only ..... DNF01576C  
**1979-1977** 200SX  
Bearing Only ..... DNE01576C  
**1978-1975** 210: 5-speed  
Bearing Only ..... 01576  
**1978-1974** 210: 4-speed: production from  
9/1974 on  
Bearing Only ..... DNB01576C  
**1977-1973** 710  
Bearing Only ..... DNE01576C  
**1974** 260Z  
Bearing Only ..... DNC01576C  
**1974-1973** 210: production thru 8/1974  
Bearing Only ..... DND01576C

### **CLUTCH (cont.)**

#### **Release Bearing (cont.)**

**1973-1970** B110  
Bearing Only ..... 01576  
**1973-1970** 240Z  
Bearing Only ..... DNC01576C  
**1973-1968** 510  
Bearing Only ..... DNA01577C  
**1973-1968** 610: 1.8  
Bearing Only ..... DNA01577C  
**1973-1968** 1200  
Bearing Only ..... DNB01576C  
**1970-1968** 2000 Roadster (SRL311)  
Bearing Only ..... DNA01577C  
**1970-1965** 1600 Roadster  
Bearing Only ..... 613002  
**1970-1961** 311  
Bearing Only ..... DNA01577C  
**1968-1964** 411: 1.6  
Bearing Only ..... 613002  
**1968-1961** 410: 1.2  
Bearing Only ..... 1573  
**1968-1961** 411: 1.3  
Bearing Only ..... CB2020

### **3-SPEED MANUAL TRANSMISSION**

#### **Front Input Shaft**

**1970-1967**  
Bearing ..... 306L

#### **Rear Output Shaft**

**1970-1967** exc. overdrive  
Bearing ..... 306L  
**1970-1967** overdrive  
Bearing ..... 205BB

### **4-SPEED MANUAL TRANSMISSION**

#### **Transmission Rebuild Kit**

**1982-1975** F4W60  
Kit ..... TRKFN320  
**1981-1970** F4W63  
Kit ..... TRKFN260  
**1980-1974** F4W71B  
Kit ..... TRKFN230  
**1977-1971** F4W56A  
Kit ..... TRKFN310  
**1973-1970** F4W70B  
Kit ..... TRKFN280

**NISSAN/DATSUN - REAR WHEEL DRIVE - Bluebird, B110, B210, Maxima, Sedan, 1000, 1200, 1500, 1600, 200SX, 2000, 210, 240SX, 240Z, 260Z, 280Z, 280ZX, 300ZX, 410, 411, 510, 610, 710, 810, (cont.)**

**4-SPEED MANUAL TRANSMISSION**

**Input Shaft**

<b>1982-1980</b>	F4W56A (A14, A15 engines)	
Seal	.....	710316
Bearing	.....	206L
Kwik Slv (Opt Rpr)	.....	KWK99098
<b>1982-1980</b>	F4W56A (AA12 engine)	
Seal	.....	710315
Bearing	.....	305AG
Kwik Slv (Opt Rpr)	.....	KWK99098
<b>1982-1979</b>	F4WF60, F4WF60L	
Seal	.....	1981
Bearing	.....	206L
Kwik Slv (Opt Rpr)	.....	KWK99114
<b>1980-1974</b>	F4W71B	
Seal	.....	1981
Bearing	.....	306L
Kwik Slv (Opt Rpr)	.....	KWK99114
<b>1979-1967</b>	R4W71A	
Seal	.....	1981
Bearing	.....	306L
Kwik Slv (Opt Rpr)	.....	KWK99114
<b>1978-1975</b>	F4WF60, F4WF60L	
Seal	.....	1981
Bearing	.....	306L
Kwik Slv (Opt Rpr)	.....	KWK99114
<b>1976-1965</b>	F4W63, F4W63A, F4W63L	
Seal	.....	710417
Bearing	.....	207L
<b>1974-1971</b>	F4W56A	
Seal	.....	222540
Bearing	.....	306L
Kwik Slv (Opt Rpr)	.....	KWK99098
<b>1974-1971</b>	F4W56L	
Seal	.....	222540
Bearing	.....	305L
Kwik Slv (Opt Rpr)	.....	KWK99098

**Countershaft**

<b>1982-1980</b>	F4W60, F4W60L	
Bearing (rear)	.....	304DD
<b>1982-1980</b>	F4W56A (A14, A15 engines)	
Bearing (rear)	.....	304WB
<b>1982-1980</b>	F4W56A (AA12 engine)	
Bearing (rear)	.....	303SS
<b>1980-1972</b>	F4W71B	
Bearing (front)	.....	304WB
Bearing (center)	.....	305AG
Bearing (rear)	.....	204
<b>1979-1975</b>	F4W60, F4W60L, F4WF60, F4WF60L	
Bearing (rear)	.....	304DD
<b>1979-1967</b>	R4W71A	
Bearing (front)	.....	304WB
Bearing (rear)	.....	305AG
<b>1974-1971</b>	F4W56A	
Bearing (front)	.....	304WB
Bearing (rear)	.....	205BB

**4-SPEED MANUAL TRANSMISSION**

**(cont.)**

**Countershaft (cont.)**

<b>1974-1971</b>	F4W56L	
Bearing (front)	.....	305AG
Bearing (rear)	.....	303SS

**Rear Output Shaft**

<b>1982-1980</b>	F4W60, F4W60L	
Seal	.....	2016
Bearing	.....	305L
<b>1982-1980</b>	F4W56A (A14, A15 engines)	
Seal	.....	2016
Bearing	.....	305L
<b>1980-1974</b>	F4W71B	
Seal	.....	710324
Bearing	.....	306TB
<b>1979-1971</b>	F4W56A, F4W56L, F4W60, F4W60L, F4WF60, F4WF60L	
Seal	.....	2016
Bearing	.....	305L
<b>1979-1965</b>	F4W63, F4W63A, F4W63L, F4W71B, R4W71A	
Seal	.....	3771
Bearing	.....	306L

**5-SPEED MANUAL TRANSMISSION**

**Transmission Rebuild Kit**

<b>1989-1986</b>	FS5R30A	
Kit	.....	TRKFN150
<b>1989-1983</b>	FS5W71H, FS5W71M, FS5W71N, FS5W71S	
Kit	.....	TRKFN110
<b>1986-1984</b>	FS5R90A/T5	
Kit	.....	TRK5N
<b>1984-1974</b>	FS5W71A, FS5W71C	
Kit	.....	TRKFN100
<b>1983</b>	FS5R90A/T5	
Kit	.....	TRK5NA
<b>1982-1979</b>	FS5W60A	
Kit	.....	TRKFN330
<b>1979-1977</b>	FS5W63A	
Kit	.....	TRKFN350
<b>1979-1976</b>	FS5W60L	
Kit	.....	TRKFN340

**Front Input Shaft**

<b>1989-1986</b>	FS5R30A	
Seal	.....	1981
Bearing	.....	1308L
Kwik Slv (Opt Rpr)	.....	KWK99114
<b>1989-1974</b>	FS5W71A, FS5W71B, FS5W71C	
Seal	.....	1981
Bearing	.....	306LO
Kwik Slv (Opt Rpr)	.....	KWK99114

# Bearings and Seals

Mfg./Year    Model & Location    Part No    Mfg./Year    Model & Location    Part No

## **NISSAN/DATSUN - REAR WHEEL DRIVE - Bluebird, B110, B210, Maxima, Sedan, 1000, 1200, 1500, 1600, 200SX, 2000, 210, 240SX, 240Z, 260Z, 280Z, 280ZX, 300ZX, 410, 411, 510, 610, 710, 810, (cont.)**

### **5-SPEED MANUAL TRANSMISSION**

**(cont.)**

#### **Front Input Shaft (cont.)**

<b>1988-1981</b>	FS5R90A	
Seal	.....	7412S
Set	.....	SET5
Kwik Slv (Opt Rpr)	.....	KWK99125
Needle Bearing Thrust	.....	FA55505
<b>1982-1979</b>	FSW60A, FSW60L	
Seal	.....	1981
Bearing	.....	206SL
Kwik Slv (Opt Rpr)	.....	KWK99114
<b>1981-1975</b>	FS5W63, FS5W63A	
Seal	.....	710417
Bearing	.....	207L

#### **Countershaft**

<b>1989-1980</b>	FS5W71A, FS5W71B, FS5W71C	
Bearing (center)	.....	305AG
Bearing (rear)	.....	204
<b>1988-1981</b>	FS5R90A	
Needle Bearing (front)	.....	DK55836
Cyl. Bearing (rear)	.....	5707
Needle Bearing Thrust	.....	NTA1423
<b>1982-1979</b>	FS5W60A	
Bearing (center)	.....	304DD
Needle Bearing (rear)	.....	B1616
<b>1981-1978</b>	FS5W63	
Bearing Assy (front)	.....	30204M
Bearing (center)	.....	205BB
Bearing Assy (rear)	.....	30204M
<b>1979-1974</b>	FS5W71A, FS5W71B	
Bearing (center)	.....	305AG
Bearing (rear)	.....	204
<b>1978-1975</b>	FS5W63A	
Bearing Assy (front)	.....	30204M
Bearing (center)	.....	205BB
Bearing Assy (rear)	.....	30204M

#### **Rear Output Shaft**

<b>1989-1986</b>	FS5R30A	
Seal	.....	224215
Bearing	.....	307L
<b>1989-1980</b>	FS5W71A, FS5W71B, FS5W71C	
Seal	.....	710324
Bearing	.....	306TB
<b>1988-1981</b>	FS5R90A	
Cone/Cup	.....	25877-25821
<b>1982-1979</b>	FS5W60A, FS5W60L	
Seal	.....	2016
Bearing	.....	305L
<b>1981-1980</b>	FS5W63	
Seal	.....	710324
Bearing	.....	306L
<b>1979-1977</b>	FS5W71B	
Seal	.....	3771
Bearing	.....	306LO
<b>1979-1974</b>	FS5W63A, FS5W71A	
Bearing	.....	306LO

### **Extension Housing**

<b>1989-1986</b>	FS5R30A	
Bearing	.....	307L
<b>1989-1980</b>	FS5W71A, FS5W71B, FS5W71C	
Bearing	.....	205BB

### **ALTERNATOR**

<b>1989-1984</b>	Hitachi 70 amp	
Bearing (drive end)	.....	303CC
<b>1989-1984</b>	Hitachi 80 amp	
Bearing (drive end)	.....	303CC
<b>1989-1984</b>	Hitachi 90 amp	
Bearing (drive end)	.....	303CC
<b>1988-1977</b>	Mitsubishi 70 amp	
Bearing (drive end)	.....	302CC
<b>1988-1970</b>	Hitachi 50 amp	
Bearing (drive end)	.....	203FF
Bearing (rear end)	.....	202SS
<b>1988-1970</b>	Hitachi 60 amp	
Bearing (drive end)	.....	203FF
Bearing (rear end)	.....	202SS
<b>1974</b>	Mitsubishi 35 amp	
Bearing (drive end)	.....	202SS
Bearing (rear end)	.....	201CC
<b>1974</b>	Mitsubishi 50 amp	
Bearing (drive end)	.....	203FF
Bearing (rear end)	.....	201CC
<b>1973-1967</b>	Hitachi 30 amp	
Bearing (drive end)	.....	202FF
Bearing (rear end)	.....	201SS
<b>1973-1967</b>	Hitachi 33 amp	
Bearing (drive end)	.....	202FF
Bearing (rear end)	.....	201SS
<b>1973-1967</b>	Hitachi 35 amp	
Bearing (drive end)	.....	202FF
Bearing (rear end)	.....	201SS
<b>1973-1967</b>	Hitachi 45 amp	
Bearing (drive end)	.....	202FF
Bearing (rear end)	.....	201SS
<b>1970-1960</b>	Mitsubishi 25 amp	
Bearing (drive end)	.....	203SS
Bearing (rear end)	.....	202SS
<b>1970-1960</b>	Mitsubishi 30 amp	
Bearing (drive end)	.....	203SS
Bearing (rear end)	.....	202SS
<b>1966-1960</b>	Hitachi 30 amp	
Bearing (drive end)	.....	202SS
Bearing (rear end)	.....	202S

### **DRIVESHAFT SUPPORT**

<b>1989</b>	240SX	
Hanger Bearing Assy	.....	HB6
Bearing	.....	206FF
<b>1988-1984</b>	200SX	
Hanger Bearing Assy	.....	HB6
Bearing	.....	206FF
<b>1984-1982</b>	Maxima	
Hanger Bearing Assy	.....	HB6
Bearing	.....	206FF

**NISSAN/DATSUN - REAR WHEEL DRIVE - Bluebird, B110, B210, Maxima, Sedan, 1000, 1200, 1500, 1600, 200SX, 2000, 210, 240SX, 240Z, 260Z, 280Z, 280ZX, 300ZX, 410, 411, 510, 610, 710, 810, (cont.)**

**DRIVESHAFT SUPPORT (cont.)**

<b>1983-1980</b>	200SX	
	Hanger Bearing Assy	HB19
<b>1981-1980</b>	810	
	Hanger Bearing Assy	HB19
<b>1979-1977</b>	Brg. I.D. 1.181" (30mm)	
	Hanger Bearing Assy	HB12
	Bearing	206FF

**CAMSHAFT SEAL**

**4 Cylinder**

<b>1988-1984</b>	1809cc/1.8 (DOHC), 1974cc/2.0	
	Seal	223420
	Kwik Slv (Opt Rpr)	KWK99134

**6 Cylinder**

<b>1989-1984</b>	2960cc/3.0L	
	Seal	223420[2]
	Kwik Slv (Opt Rpr)	KWK99134[2]

**CRANKSHAFT REAR SEAL**

**4 Cylinder**

<b>1989</b>	2389cc/2.4L	
	Seal	228009
	Kwik Slv (Opt Rpr)	KWK99315
<b>1989-1982</b>	1597cc/1.6L, 1598cc/1.6L, 1680cc/1.7L, 1809cc/1.8L, 1974cc/2.0L, 1998cc/2.0L	
	Seal Viton	228410
<b>1989-1980</b>	2389cc/2.4L, 2488cc/2.5L	
	Seal	228010
	Kwik Slv (Opt Rpr)	KWK99315
<b>1988-1981</b>	1487cc/1.5L, 1597cc/1.6L	
	Seal	228010
	Kwik Slv (Opt Rpr)	KWK99315
<b>1983-1968</b>	1595cc/1.6L, 1770cc/1.8L, 1952cc/2.0L	
	Seal	228010
	Kwik Slv (Opt Rpr)	KWK99315
<b>1982-1980</b>	1397cc/1.4L, 1487cc/1.5L	
	Seal	712006
	Kwik Slv (Opt Rpr)	KWK99235
<b>1982-1971</b>	1171CC/1.2L, 1288cc/1.3L, 1397cc/1.4L	
	Seal	712006
	Kwik Slv (Opt Rpr)	KWK99235

**6 Cylinder**

<b>1989-1986</b>	3274cc/3.3L	
	Seal Viton	228410
<b>1989-1984</b>	2960cc/3.0L	
	Seal Viton	228410
<b>1984-1970</b>	2393cc/2.4L, 2753cc/2.8L, 2793cc/2.8L	
	Seal	228010
	Kwik Slv (Opt Rpr)	KWK99315

**TIMING COVER**

**4 Cylinder**

<b>1989</b>	1998cc/2.0L, 2389cc/2.4L	
	Seal	224650
	Kwik Slv (Opt Rpr)	KWK99181
<b>1989</b>	1597cc/1.6L	
	Seal	710308
	Kwik Slv (Opt Rpr)	KWK99157
<b>1989-1982</b>	1598cc/1.6L, 1809cc/1.8L, 1974cc/2.0L	
	Seal	223340
<b>1989-1967</b>	1595cc/1.6L, 1770cc/1.8L, 1952cc/2.0L, 1982cc, 2.0L, 2187cc/2.2L	
	Seal	712010
	Kwik Slv (Opt Rpr)	KWK99189
<b>1988-1981</b>	1487cc/1.5L, 1597cc/1.6L	
	Seal	223602
	Kwik Slv (Opt Rpr)	KWK99146
<b>1986-1983</b>	1680cc/1.7L	
	Seal	710308
<b>1986-1981</b>	2164cc/2.2L, 2488cc/2.5L	
	Seal	225880
<b>1982-1976</b>	1397cc/1.4L, 1487cc/1.5L	
	Seal	223830
	Kwik Slv (Opt Rpr)	KWK99147
<b>1979-1971</b>	1171/1.2L, 1288cc/1.3L, 1397cc/1.4L	
	Seal	223830
	Kwik Slv (Opt Rpr)	KWK99147
<b>1979-1969</b>	1595cc/1.6L, 1770cc/1.8L, 1952cc/2.0L	
	Seal	712010
	Kwik Slv (Opt Rpr)	KWK99189
<b>1970-1962</b>	1488cc/1.5L, 1595cc/1.6L	
	Seal	224560
	Kwik Slv (Opt Rpr)	KWK99177

**6 Cylinder**

<b>1989-1984</b>	2960cc/3.0L	
	Seal	223340
<b>1984-1970</b>	2393cc/2.4L, 2753cc/2.8L, 2793cc/2.8L	
	Seal	712010
	Kwik Slv (Opt Rpr)	KWK99189

# Bearings and Seals

Mfg./Year    Model & Location    Part No    Mfg./Year    Model & Location    Part No

## **NISSAN/DATSUN TRUCK - MINIVAN, PICKUP, SUV - Frontier, Hardbody, Murano, Pathfinder, Patrol, Titan, Van, 520, 521, 620, 720**

### **FRONT WHEEL**

#### **2WD**

<b>1989-1988</b>	Pathfinder	
Seal (inner)	.....	710072[2]
Set (inner)	.....	SET37
Cone/Cup (outer)	.....	LM300849-LM300811[2]
<b>1989-1986</b>	D21 Hardbody	
Seal (inner)	.....	710073[2]
Set (inner)	.....	SET5
Set (outer)	.....	SET3
<b>1989-1987</b>	Van (exc. AWD)	
Bearing	.....	510023[2]
<b>1986-1980</b>	720 Pickup	
Seal (inner)	.....	2002[2]
Set (inner)	.....	SET5
Set (outer)	.....	SET3
<b>1979-1978</b>	620 Pickup	
Seal (inner)	.....	2002[2]
Set (inner)	.....	SET5
Set (outer)	.....	SET3
<b>1977-1972</b>	620 Pickup	
Seal (inner)	.....	1973[2]
Set (inner)	.....	SET27
Bearing Assy (outer)	.....	30304[2]
<b>1972-1969</b>	521 Pickup	
Seal (inner)	.....	1977[2]
Bearing Assy (inner)	.....	30206M[2]
Bearing Assy (outer)	.....	30304[2]
<b>1968-1965</b>	520 Pickup	
Seal (inner)	.....	1977[2]
Bearing Assy (inner)	.....	30206M[2]
Bearing Assy (outer)	.....	30304[2]

#### **4WD**

<b>1989-1987</b>	Pathfinder	
Seal (inner)	.....	710072[2]
Set (inner)	.....	SET37
Cone/Cup (outer)	.....	LM300849-LM300811[2]
<b>1989-1986</b>	Hardbody	
Seal (inner)	.....	710072[2]
Set (inner)	.....	SET37
Cone/Cup (outer)	.....	LM300849-LM300811[2]
<b>1986-1983</b>	720 Pickup (From 1/83)	
Seal (inner)	.....	225035[2]
Cone/Cup (inner)	.....	LM104949-LM104912[2]
Seal (outer)	.....	710072[2]
Cone/Cup (outer)	.....	LM300849-LM300811[2]
<b>1983</b>	720 Pickup (To 12/82)	
Seal (inner)	.....	1986S[2]
Cone/Cup (inner)	.....	LM104949-LM104912[2]
Cone/Cup (outer)	.....	LM300849-LM300811[2]
<b>1982-1980</b>	720 Pickup	
Seal (inner)	.....	1985S[2]
Cone/Cup	.....	LM104949-LM104912[2]

### **REAR WHEEL**

<b>1989-1986</b>	D21 Hardbody Pickup: single wheels	
Seal	.....	473823[2]
Bearing Assy	.....	30208M[2]
Seal	.....	710305[2]
<b>1989-1987</b>	Pathfinder: drum brakes	
Seal (inner)	.....	473823[2]
Bearing Assy (inner)	.....	30208M[2]
Seal (outer)	.....	710305[2]
<b>1989-1987</b>	Pathfinder: disc brakes	
Seal	.....	710176[2]
Bearing Assy	.....	513246[2]
<b>1989-1986</b>	D21 Hardbody Pickup: dual wheels	
Seal (inner)	.....	226530[2]
Seal (outer)	.....	223400[2]
Bearing Assy	.....	32010X[2]
<b>1989-1987</b>	Van	
Seal	.....	223542[2]
<b>1986-1980</b>	720 Pickup: single wheels	
Seal (inner)	.....	1974[2]
Bearing Assy (inner)	.....	30208M[2]
Seal (outer)	.....	223542[2]
<b>1986-1980</b>	720 Pickup: dual wheels	
Seal (inner)	.....	226530[2]
Seal (outer)	.....	710070[2]
Bearing Assy	.....	32010X[2]
<b>1979-1972</b>	620 Pickup	
Seal (inner)	.....	1974[2]
Bearing Assy (inner)	.....	30208M[2]
Seal (outer)	.....	223542[2]
<b>1972-1969</b>	521 Pickup	
Seal (inner)	.....	1974[2]
Bearing Assy (inner)	.....	30208M[2]
Seal (outer)	.....	223542[2]
<b>1968-1965</b>	520 Pickup	
Seal (inner)	.....	1974[2]
Bearing Assy (inner)	.....	30208M[2]
Seal (outer)	.....	223542[2]

### **FRONT AXLE**

#### **Differential**

<b>1989-1986</b>	R200, R200A	
Seal	.....	223542[2]
Cone	.....	30209C[2]
Kwik Slv (Opt Rpr)	.....	KWK99139[2]
<b>1989-1980</b>	R180, R180A	
Seal	.....	1167S[2]
Bearing Assy	.....	30208M[2]
Kwik Slv (Opt Rpr)	.....	KWK99128[2]

#### **Pinion**

<b>1989-1986</b>	R200A	
Seal (outer)	.....	712020
Cone (outer)	.....	32306C
Kwik Slv (Opt Rpr)	.....	KWK99157

**NISSAN/DATSUN TRUCK - MINIVAN, PICKUP, SUV - Frontier, Hardbody, Murano, Pathfinder, Patrol, Titan, Van, 520, 521, 620, 720 (cont.)**

**FRONT AXLE (cont.)**

**Pinion (cont.)**

<b>1989-1980</b>	R180, R180A	
Bearing Assy (inner)	.....	32307
Seal (outer)	.....	2011S
Bearing Assy (outer)	.....	32305
Kwik Slv (Opt Rpr)	.....	KWK99139
Bearing (pilot)	.....	30565

**REAR AXLE**

**Differential**

<b>1989-1986</b>	H233, H233B, H233BS	
Cone/Cup	.....	17887-17831[2]
<b>1989-1966</b>	H190, H190A, H190B axles	
Seal	.....	1167S[2]
Bearing Assy	.....	30208M[2]
<b>1989</b>	R230	
Seal	.....	710135[2]
Bearing Assy	.....	32211M[2]
<b>1989-1966</b>	R180, R180A	
Seal	.....	1167S[2]
Bearing Assy	.....	30208M[2]
<b>1989-1983</b>	C200, C200B	
Cone	.....	30209C[2]

**Pinion**

<b>1989-1987</b>	C200B	
Seal (outer)	.....	710245
Cone (outer)	.....	32306C
Kwik Slv (Opt Rpr)	.....	KWK99166
<b>1989-1974</b>	H190, H190A, H190B axles	
Bearing Assy (inner)	.....	32307
Seal (outer)	.....	1979
Bearing Assy (outer)	.....	30306M
<b>1989-1983</b>	C200	
Bearing Assy (inner)	.....	32307
Seal (outer)	.....	2011S
Cone (outer)	.....	32306C
Kwik Slv (Opt Rpr)	.....	KWK99157
<b>1986</b>	H233	
Bearing Assy (inner)	.....	32307
Seal (outer)	.....	710245
Cone (outer)	.....	32306C
Kwik Slv (Opt Rpr)	.....	KWK99166
<b>1973-1966</b>	Patrol, 520, 521, 620	
Bearing Assy (inner)	.....	30306M
Seal (outer)	.....	223555
Cone (outer)	.....	30305C
Kwik Slv (Opt Rpr)	.....	KWK99139

**TRANSFER CASE REBUILD KIT**

<b>1989-1986</b>	TX10	
Kit	.....	TRKFN240
<b>1986-1981</b>	T100L	
Kit	.....	TRKFN180

**TRANSFER CASE**

**Input Shaft**

<b>1989-1986</b>	TX10, TX10A (M/T)	
Seal	.....	225030
Bearing	.....	306TB[2]
Kwik Slv (Opt Rpr)	.....	KWK99196
<b>1989-1986</b>	TX10, TX10A (A/T)	
Seal	.....	225035
Bearing	.....	306TB[2]
Kwik Slv (Opt Rpr)	.....	KWK99196
<b>1989-1986</b>	TY10	
Seal	.....	710120
<b>1986-1980</b>	T100L	
Bearing (inner)	.....	309
Seal (outer)	.....	1943
Bearing (outer)	.....	306TB
Kwik Slv (Opt Rpr)	.....	KWK99177

**Front Output Shaft**

<b>1989-1986</b>	TX10, TX10A	
Seal	.....	710113
Bearing	.....	212L
<b>1989-1986</b>	TY10	
Seal	.....	225210
<b>1986-1980</b>	T100L	
Seal	.....	1943
Bearing	.....	206WB
Kwik Slv (Opt Rpr)	.....	KWK99177

**Rear Output Shaft**

<b>1989-1986</b>	TX10, TX10A	
Seal	.....	224266
Bearing	.....	213SL
Kwik Slv (Opt Rpr)	.....	KWK99166
<b>1989-1986</b>	TY10	
Seal	.....	710121
Kwik Slv (Opt Rpr)	.....	KWK99235
<b>1986-1980</b>	T100L	
Seal	.....	1943
Bearing	.....	308WB[2]
Kwik Slv (Opt Rpr)	.....	KWK99177

**Drive Sprocket**

<b>1989-1986</b>	TX10, TX10A	
Bearing	.....	208[2]

**Selector Shaft Seal/Man. Shaft**

<b>1989-1986</b>	TX10, TX10A	
Seal	.....	221710
Kwik Slv (Opt Rpr)	.....	KWK99068
<b>1989-1986</b>	TY10, TY10A	
Seal	.....	710243
Kwik Slv (Opt Rpr)	.....	KWK99098

**TRANSMISSION REBUILD KIT**

<b>1989</b>	FS5W71G	
Kit	.....	TRKFN190
<b>1989-1986</b>	FS5R30A, FS5R30B	
Kit	.....	TRKFN150



# Bearings and Seals

Mfg./Year    Model & Location    Part No    Mfg./Year    Model & Location    Part No

## **NISSAN/DATSUN TRUCK - MINIVAN, PICKUP, SUV - Frontier, Hardbody, Murano, Pathfinder, Patrol, Titan, Van, 520, 521, 620, 720 (cont.)**

### **TRANSMISSION REBUILD KIT (cont.)**

<b>1989-1986</b>	FS5W71E	
Kit .....		TRKFN110
<b>1989-1986</b>	FS5W71G	
Kit .....		TRKFN160
<b>1986-1984</b>	FS5W71C, FS5W71F	
Kit .....		TRKFN110
<b>1984-1974</b>	FS5W71A, FS5W71C, FS5W71F	
Kit .....		TRKFN100
<b>1983-1980</b>	F4W71B (4X2)	
Kit .....		TRKFN230
<b>1983-1980</b>	F4W71B, 4X4	
Kit .....		TRKFN270
<b>1973-1967</b>	F4W63	
Kit .....		TRKFN260

### **3-SPEED AUTOMATIC TRANSMISSION**

#### **Torque Converter**

<b>1987-1969</b>	L3N71A, L3N71B, 3N71B	
Seal Viton .....		2025
Kwik Slv (Opt Rpr) .....		KWK99166
<b>1971-1967</b>	Borg Warner	
Seal .....		480479H
Kwik Slv (Opt Rpr) .....		KWK99168

#### **Rear Seal/Ext. Housing**

<b>1987-1970</b>	L3N71A, L3N71B, 3N71B	
Seal .....		710324
<b>1971-1964</b>	Borg Warner	
Seal .....		1097N

### **4-SPEED AUTOMATIC TRANSMISSION**

#### **Torque Converter**

<b>1989</b>	RE4R01A, RL4R01A	
Seal .....		224663
Kwik Slv (Opt Rpr) .....		KWK99181
<b>1989-1983</b>	E4N71B, L4N71B, 4N71B	
Seal Viton .....		2025
Kwik Slv (Opt Rpr) .....		KWK99166

#### **Rear Seal/Ext. Housing**

<b>1989-1988</b>	RL4R01A	
Seal .....		224464
<b>1989-1984</b>	E4N71B, RE4R01A	
Seal .....		223801
<b>1988-1984</b>	4N71B	
Seal .....		710234
<b>1984-1983</b>	L4N71B	
Seal .....		710324

#### **Selector Shaft Seal/Man. Shaft**

<b>1989-1988</b>	RE4R01A, RL4R01A	
Seal .....		2027

### **4-SPEED MANUAL TRANSMISSION**

#### **Transmission Rebuild Kit**

<b>1985-1980</b>	F4W71B (4X4)	
Kit .....		TRKFN270
<b>1983-1974</b>	F4W71B (4X2)	
Kit .....		TRKFN230

#### **Input Shaft**

<b>1988</b>	F4W71C	
Seal .....		1981
Bearing .....		306L
Kwik Slv (Opt Rpr) .....		KWK99114
<b>1985-1971</b>	F4W71B	
Seal .....		1981
Bearing .....		306L
Kwik Slv (Opt Rpr) .....		KWK99114
<b>1976-1965</b>	F4W63, F4W63A, F4W63L	
Seal .....		223430
Bearing .....		207L

#### **Countershaft**

<b>1988</b>	F4W71C	
Bearing (center) .....		305AG
Bearing (rear) .....		204
<b>1985-1972</b>	F4W71B	
Bearing (front) .....		304WB
Bearing (center) .....		305AG
Bearing (rear) .....		204

#### **Rear Output Shaft**

<b>1988</b>	F4W71C	
Seal .....		710324
Bearing .....		306TB
<b>1985-1974</b>	F4W71B	
Seal .....		710324
Bearing .....		1306TB
<b>1974-1965</b>	F4W63, F4W63A, F4W63L	
Seal .....		223520
Bearing .....		306L

#### **Rear Extension Housing**

<b>1988</b>	F4W71C	
Seal .....		710324
Bearing .....		205BB
<b>1985-1974</b>	F4W71B	
Seal .....		710324
Bearing .....		205BB
<b>1974-1965</b>	F4W63, F4W63A, F4W63L	
Seal .....		3771
Bearing .....		306L

### **5-SPEED MANUAL TRANSMISSION**

#### **Transmission Rebuild Kit**

<b>1989-1986</b>	FS5R30A	
Kit .....		TRKFN150
<b>1989-1984</b>	FS5W71C	
Kit .....		TRKFN110
<b>1983-1974</b>	FS5W71A, FS5W71C	
Kit .....		TRKFN100

**NISSAN/DATSUN TRUCK - MINIVAN, PICKUP, SUV - Frontier, Hardbody, Murano, Pathfinder, Patrol, Titan, Van, 520, 521, 620, 720 (cont.)**

**5-SPEED MANUAL TRANSMISSION**

**Front Input Shaft**

<b>1989-1986</b>	FS5R30A	
Seal	.....	1981
Bearing	.....	1308L
Kwik Slv (Opt Rpr)	.....	KWK99114
<b>1989-1974</b>	FS5W71A, FS5W71B, FS5W71C	
Seal	.....	1981
Bearing	.....	306LO
Kwik Slv (Opt Rpr)	.....	KWK99114

**Countershaft**

<b>1989-1980</b>	FS5W71A, FS5W71B, FS5W71C	
Bearing (center)	.....	305AG
Bearing (rear)	.....	204
<b>1979-1974</b>	FS5W71A, FS5W71B	
Bearing (center)	.....	305AG
Bearing (rear)	.....	204

**Rear Output Shaft**

<b>1989-1986</b>	FS5R30A	
Seal	.....	224215
Bearing	.....	1308L
<b>1989-1980</b>	FS5W71A, FS5W71B, FS5W71C	
Seal	.....	710324
Bearing	.....	306TB

**Extension Housing**

<b>1989-1986</b>	FS5R30A	
Seal	.....	224215
Bearing	.....	307L
<b>1989-1980</b>	FS5W71A, FS5W71B, FS5W71C	
Seal	.....	3771
Bearing	.....	205BB

**4-SPEED AUTOMATIC TRANSAXLE**

**Torque Converter**

<b>1989-1985</b>	RL4F02A, RE4F04A	
Seal	.....	224663
Kwik Slv (Opt Rpr)	.....	KWK99181

**5-SPEED MANUAL TRANSAXLE**

**Output Shaft**

<b>1989-1986</b>	RS5F50A (4WD)	
Seal (LH)	.....	710246
Bearing Assy (LH)	.....	32206M
Seal (RH)	.....	226018
Bearing Assy (RH)	.....	30306M
<b>1989-1986</b>	RS5F50A (2WD)	
Seal (LH)	.....	710246
Bearing Assy (LH)	.....	32206M
Seal (RH)	.....	710124
Bearing Assy (RH)	.....	30306M

**DRIVESHAFT SUPPORT**

<b>1989-1987</b>	Pathfinder 4x2	
Hanger Bearing Assy	.....	HB6
Bearing	.....	206FF
<b>1989-1986</b>	Hardbody Pickup 4x2	
Hanger Bearing Assy	.....	HB6
Bearing	.....	206FF
<b>1989-1986</b>	Hardbody Pickup 4x4; V6	
Hanger Bearing Assy	.....	HB13
Bearing	.....	206FF
<b>1986-1980</b>	720 Pickup; 3S63H - brg I.D.= 1.181 (30mm)	
Hanger Bearing Assy	.....	HB12
Bearing	.....	206FF

**CAMSHAFT SEAL**

**6 Cylinder**

<b>1989-1986</b>	2960cc/3.0L	
Seal	.....	223420[2]
Kwik Slv (Opt Rpr)	.....	KWK99134[2]

**CRANKSHAFT REAR SEAL**

**4 Cylinder**

<b>1989-1968</b>	1595cc/1.6L, 1770cc/1.8L, 1952cc/2.0L, 2187cc/2.2L, 2389cc/2.4, 2488cc/2.5 (diesel)	
Seal	.....	228010
Kwik Slv (Opt Rpr)	.....	KWK99315

**6 Cylinder**

<b>1989-1986</b>	2960cc/3.0L	
Seal Viton	.....	228410

**TIMING COVER**

**4 Cylinder**

<b>1989-1969</b>	1595cc/1.6L, 1770cc/1.8L, 1952cc/2.0L, 2187cc/2.2L, 2389cc/2.4	
Seal	.....	712010
Kwik Slv (Opt Rpr)	.....	KWK99189

<b>1986-1981</b>	2164cc/2.2L, 2488cc/2.5L, (diesel engines)	
Seal	.....	225880

**6 Cylinder**

<b>1989-1986</b>	2960cc/3.0L	
Seal	.....	223340

# Bearings and Seals

Mfg./Year	Model & Location	Part No	Mfg./Year	Model & Location	Part No
-----------	------------------	---------	-----------	------------------	---------

## NSU

### FRONT WHEEL

<b>1973-1966</b>	110, 1200	
Set (inner)	.....	SET4
Set (outer)	.....	SET1
<b>1972-1958</b>	Prinz, Spider, Sport Prinz, 1000	
Bearing (inner)	.....	205BB[2]
Bearing (outer)	.....	203AB[2]

## OLDSMOBILE - FRONT DRIVE - Cutlass Calais, Cutlass Calais International, Cutlass Calais Supreme

### FRONT WHEEL

<b>1989-1988</b>	Cutlass Supreme, International	
Hub Assy	.....	513044[2]
<b>1989-1985</b>	Cutlass Calais, International, Quad 442	
Hub Assy	.....	513017K[2] <sup>61</sup>

### REAR WHEEL

<b>1989-1988</b>	Cutlass Supreme: non-ABS brakes	
Hub Assy	.....	513018[2]
<b>1989-1988</b>	Cutlass Supreme: ABS brakes	
Hub Assy	.....	513042[2]
<b>1989-1985</b>	Calais series: w/o stabilizer bar	
Hub Assy	.....	513012[2]
<b>1989-1985</b>	Calais series: w/stabilizer bar	
Hub Assy	.....	512001[2]

### CLUTCH

#### Release Bearing

<b>1989-1988</b>	5-speed: Quad4: Muncie trans	
Bearing Assy	.....	614069
<b>1989-1985</b>	5-speed: 4-cylinder: exc. Quad4	
Bearing Assy	.....	614108
<b>1989-1987</b>	5-speed: 6-cylinder	
Bearing Assy	.....	614069
<b>1987-1985</b>	4-speed	
Bearing Assy	.....	614009

### 3-SPEED AUTOMATIC TRANSAXLE

#### Torque Converter

<b>1989-1988</b>	HM3T40	
Seal	.....	4072N
<b>1989-1985</b>	THM125	
Seal	.....	4072N

#### Output Shaft

<b>1989-1985</b>	THM125, 3T40	
Seal	.....	3543[2]
Kwik Slv (Opt Rpr)	.....	KWK99139[2]

### 3-SPEED AUTOMATIC TRANSAXLE

#### Selector Shaft Seal/Man. Shaft

<b>1989-1985</b>		
Seal	.....	8792S

### 4-SPEED AUTOMATIC TRANSAXLE

#### Torque Converter

<b>1989-1986</b>	THM440-T4, HM4T60, HM4T60-E, 4T40	
Seal	.....	4072N
<b>1985-1982</b>	THM325-4L	
Seal	.....	3227
Kwik Slv (Opt Rpr)	.....	KWK99174

#### Output Shaft

<b>1989-1986</b>	THM440-T4, HM4T60, HM4T60-E	
Seal (LH)	.....	710096
Seal (RH)	.....	3543
Kwik Slv (Opt Rpr)	.....	KWK99139[2]
<b>1985-1982</b>	THM325-4L	
Seal	.....	3907[2]
Kwik Slv (Opt Rpr)	.....	KWK99114[2]

#### Selector Shaft Seal/Man. Shaft

<b>1989-1982</b>		
Seal	.....	8792S

### 4-SPEED MANUAL TRANSAXLE

#### Differential

<b>1987-1980</b>	Muncie GMX-4 (76mm)	
Set	.....	SET11

#### Input Shaft

<b>1987-1980</b>	Muncie GMX-4 (76mm)	
Cone/Cup (LH)	.....	15101-15245
Seal (RH)	.....	3732S
Seal (RH)	.....	SET4

430 [ ] Indicates Quantity Required; Set Components Listed Inside Rear Cover;

<sup>61</sup> Kit incl: Seal, Hub Nut, and Bearing Unit

**OLDSMOBILE - FRONT DRIVE - Cutlass Calais, Cutlass Calais International, Cutlass Calais Supreme (cont.)**

**4-SPEED MANUAL TRANSAXLE**

**Output Shaft**

<b>1987-1980</b>	Muncie GMX-4 (76mm)	
Seal	.....	3543[2]
Cone/Cup (RH)	.....	15101-15245
Set (LH)	.....	SET5

**Selector Shaft Seal/Man. Shaft**

<b>1987-1980</b>	Muncie GMX-4 (76mm)	
Seal	.....	3667

**5-SPEED MANUAL TRANSAXLE**

**Differential**

<b>1989-1985</b>	Isuzu	
Bearing Assy	.....	32008XM[2]
<b>1989-1987</b>	Getrag	
Set	.....	SET11

**Input Shaft**

<b>1989-1985</b>	Isuzu	
Seal	.....	222835
Kwik Slv (Opt Rpr)	.....	KWK99111
<b>1989-1987</b>	Getrag	
Bearing	.....	305DD

**Output Shaft**

<b>1989-1985</b>	Isuzu	
Seal	.....	3543[2]
Kwik Slv (Opt Rpr)	.....	KWK99139[2]
Bearing Assy (RH)	.....	32206M
Set (LH)	.....	SET5
<b>1989-1987</b>	Getrag	
Seal	.....	3543[2]
Kwik Slv (Opt Rpr)	.....	KWK99139[2]

**Selector Shaft Seal/Man. Shaft**

<b>1989-1985</b>		
Seal	.....	3667

**POWER STEERING**

**Pump Shaft**

<b>1989-1983</b>	with integral reservoir	
Seal	.....	221925
Bearing	.....	203FF
<b>1986-1980</b>	with remote reservoir	
Seal	.....	7013S

**Worm Shaft**

<b>1989-1985</b>		
Seal	.....	222510

**CRANKSHAFT REAR SEAL**

**4 Cylinder**

<b>1989-1988</b>	138/2.3L, 146/2.4L	
Seal	.....	40375

**CRANKSHAFT REAR SEAL (cont.)**

**4 Cylinder (cont.)**

<b>1989-1985</b>	151/2.5L	
Seal	.....	3698

**6 Cylinder**

<b>1989-1986</b>	173/2.8L, 189/3.1L, 207/3.4L	
Seal	.....	4307V
Kwik Slv (Opt Rpr)	.....	KWK99298
Seal PTFE H/D Opt.	.....	5273
<b>1989</b>	204/3.3L, 231/3.8L	
Seal Viton	.....	320691
Kwik Slv (Opt Rpr)	.....	KWK99328
<b>1989-1986</b>	173/2.8L 2nd design	
Seal	.....	4307V
Seal PTFE H/D Opt.	.....	5273
Kwik Slv (Opt Rpr)	.....	KWK99298
<b>1989</b>	204/3.3L, 231/3.8L	
Seal Viton	.....	320691
Kwik Slv (Opt Rpr)	.....	KWK99328
<b>1989-1985</b>	181/3.0L, 231/3.8L, 252/4.0L	
Seal	.....	5591
Seal PTFE H/D Opt.	.....	5291
<b>1988-1985</b>	183/3.0L, 231/3.8L, 252/4.1L	
Seal	.....	5591

**TIMING COVER**

**4 Cylinder**

<b>1989-1985</b>	138/2.3L, 146/2.4L	
Seal Viton	.....	320259
Kwik Slv (Opt Rpr)	.....	KWK99199
<b>1989-1985</b>	112/1.8L, 121/2.0L, 134/2.2L, 151/2.5L	
Seal	.....	9845
Kwik Slv (Opt Rpr)	.....	KWK99176
Harmonic Balancer	.....	
Sleeves	.....	88176

**6 Cylinder**

<b>1989-1988</b>	173/2.8L, 189/3.1L, 207/3.4L	
Seal	.....	9845
Kwik Slv (Opt Rpr)	.....	KWK99176
<b>1989-1986</b>	181/3.0L, 204/3.3L	
Seal Viton	.....	710162
Kwik Slv (Opt Rpr)	.....	KWK99193
<b>1985</b>	181/3.0L	
Seal	.....	710163

# Bearings and Seals

Mfg./Year Model & Location Part No Mfg./Year Model & Location Part No

## **OLDSMOBILE - FRONT DRIVE - Toronado, Toronado Trofeo**

### **FRONT WHEEL**

<b>1989</b>	Hub Assy .....	513059[2]
<b>1988-1986</b>	Hub Assy .....	513016K[2] <sup>61</sup>
<b>1985-1979</b>	Hub Assy .....	513013[2]
<b>1978-1969</b>	Seal (inner) .....	5109[2]
	Set (inner) .....	SET23
	Seal (outer) .....	5123[2]

### **REAR WHEEL**

<b>1989-1987</b>	ABS brakes	
	Hub Assy .....	513041[2]
<b>1989-1986</b>	Non-ABS Brakes	
	Hub Assy .....	513018[2]
<b>1985-1979</b>	rear drum brakes	
	Hub Assy .....	513010[2]
<b>1985-1979</b>	rear disc brakes	
	Hub Assy .....	513009[2] <sup>16</sup>
<b>1978-1975</b>	Seal (inner) .....	9049N[2]
	Set (inner) .....	SET5
	Set (outer) .....	SET3
<b>1974-1966</b>	Seal (inner) .....	9049N[2]
	Set (inner) .....	SET5
	Set (outer) .....	SET2

### **3-SPEED AUTOMATIC TRANSAXLE**

#### **Torque Converter**

<b>1989-1986</b>	Seal .....	4072N
------------------	------------	-------

#### **Output Shaft**

<b>1989-1986</b>	Seal (LH) .....	710096
	Kwik Slv (Opt Rpr) .....	KWK99139
	Seal (RH) .....	3543
	Kwik Slv (Opt Rpr) .....	KWK99138

#### **Differential**

<b>1981-1979</b>	Cone/Cup .....	LM501349-LM501314[2]
<b>1978-1966</b>	Cone/Cup .....	387A-382S[2]

#### **Pinion**

<b>1981-1979</b>	Cone/Cup (inner) .....	M802048-M802011
	Seal (outer) .....	3606
	Cone/Cup (outer) .....	M804049-M804010
<b>1978-1966</b>	Set (inner) .....	SET5

### **3-SPEED AUTOMATIC TRANSAXLE**

#### **Selector Shaft Seal/Man. Shaft**

<b>1989-1986</b>	Seal .....	340847
	Kwik Slv (Opt Rpr) .....	KWK99050

### **4-SPEED AUTOMATIC TRANSAXLE**

#### **Differential**

<b>1985-1982</b>	Cone/Cup .....	LM501349-LM501314[2]
------------------	----------------	----------------------

#### **Torque Converter**

<b>1989-1986</b>	Seal .....	4072N
<b>1985-1982</b>	Seal .....	3227
	Kwik Slv (Opt Rpr) .....	KWK99174
<b>1981-1979</b>	Seal .....	3227
	Kwik Slv (Opt Rpr) .....	KWK99174

#### **Output Shaft**

<b>1989-1979</b>	Seal (pass side) .....	3543
	Seal (driver side) .....	710096

#### **Pinion**

<b>1985-1982</b>	Cone/Cup (inner) .....	M802048-M802011
	Seal (outer) .....	3606
	Cone/Cup (outer) .....	M804049-M804010

#### **Selector Shaft Seal/Man. Shaft**

<b>1989-1979</b>	Seal .....	8792S
------------------	------------	-------

### **ALTERNATOR**

<b>1989-1979</b>	Bearing (drive end) .....	203FF
	Bearing (rear end) .....	100CCAB

### **POWER STEERING**

#### **Pitman Shaft**

<b>1985-1980</b>	Seal Kit .....	PSK1 <sup>24</sup>
------------------	----------------	--------------------

#### **Pump Shaft**

<b>1989-1986</b>	Seal .....	221925
	Bearing .....	203FF
<b>1985-1979</b>	Seal .....	480821

432 [ ] Indicates Quantity Required; Set Components Listed Inside Rear Cover;

<sup>16</sup> Check for availability, while supplies last      <sup>24</sup> Opt. Kit incl. seals 5683 & 5684. Not sold separately      61

Kit incl: Seal, Hub Nut, and Bearing Unit

**OLDSMOBILE - FRONT DRIVE - Toronado, Toronado Trofeo (cont.)**

**POWER STEERING**

**Worm Shaft**

1985-1980  
Seal ..... 222025

**CRANKSHAFT REAR SEAL**

**6 Cylinder**

1989-1981  
Seal ..... 5591  
Seal PTFE H/D Opt. .... 5291

**8 Cylinder**

1985-1966  
Seal Rope ..... 5095

**TIMING COVER**

**6 Cylinder**

1989-1986    231/3.8L  
Seal Viton ..... 710162  
Kwik Slv (Opt Rpr) .....KWK99193

**TIMING COVER (cont.)**

**6 Cylinder (cont.)**

1984-1981    252/4.1L  
Seal ..... 471424  
Kwik Slv (Opt Rpr) .....KWK99199  
Harmonic Balancer  
Sleeves ..... 88199

**8 Cylinder**

1985-1966  
Seal ..... 472082  
Kwik Slv (Opt Rpr) .....KWK99199  
Harmonic Balancer  
Sleeves ..... 88199

**OLDSMOBILE - FRONT DRIVE - Eighty-Eight's, Ninety-Eight's, Touring Sedan**

**FRONT WHEEL**

1989-1985    88, 98: non-ABS brakes  
Hub Assy ..... 513016K[2]<sup>61</sup>  
1989-1988    88, 98, Touring Sedan: ABS  
brakes  
Hub Assy ..... 513016K[2]<sup>61</sup>

**REAR WHEEL**

1989-1985    88, 98: non-ABS brakes  
Hub Assy ..... 513018[2]  
1989-1988    88, 98, Touring Sedan: ABS  
brakes  
Hub Assy ..... 513041[2]

**4-SPEED AUTOMATIC TRANSAXLE**

**Torque Converter**

1989-1986  
Seal ..... 4072N

**Output Shaft**

1989-1986  
Seal (LH) ..... 710096  
Seal (RH) ..... 3543  
Kwik Slv (Opt Rpr) .....KWK99139[2]

**Selector Shaft Seal/Man. Shaft**

1989-1986  
Seal ..... 8792S

**POWER STEERING**

**Pump Shaft**

1989-1986  
Seal ..... 480821

**Worm Shaft**

1989-1986  
Seal ..... 222510

**CRANKSHAFT REAR SEAL**

**6 Cylinder**

1989-1986  
Seal ..... 5591  
Seal PTFE H/D Opt. .... 5291

**TIMING COVER**

**6 Cylinder**

1989-1986  
Seal Viton ..... 710162  
Kwik Slv (Opt Rpr) .....KWK99193

[ ] Indicates Quantity Required; Set Components Listed Inside Rear Cover;

<sup>61</sup> Kit incl: Seal, Hub Nut, and Bearing Unit

# Bearings and Seals

Mfg./Year    Model & Location    Part No    Mfg./Year    Model & Location    Part No

## **OLDSMOBILE - FRONT DRIVE - Cutlass Ciera, Cutlass Cruiser, Omega**

### **FRONT WHEEL**

<b>1989-1985</b>	JA8 brakes	
Hub Assy	.....	513016K[2] <sup>61</sup>
<b>1989-1983</b>	JA1, J41 brakes	
Hub Assy	.....	513011K[2] <sup>61</sup>
<b>1989-1983</b>	JA2, JA3 brakes	
Hub Assy	.....	513016K[2] <sup>61</sup>
<b>1989-1983</b>	JA4, JA6 brakes	
Hub Assy	.....	513011K[2] <sup>61</sup>
<b>1984-1983</b>	JA8 brakes	
Hub Assy	.....	513011K[2] <sup>61</sup>
<b>1982-1980</b>		
Hub Assy	.....	513011K[2] <sup>61</sup>

### **REAR WHEEL**

<b>1989-1985</b>	JA8 brakes	
Hub Assy	.....	513018[2]
<b>1989-1983</b>	JA1 brakes	
Hub Assy	.....	513003[2]
<b>1989-1983</b>	JA2, JA3 brakes	
Hub Assy	.....	513018[2]
<b>1989-1983</b>	J41 brakes	
Hub Assy	.....	513003[2]
<b>1984-1983</b>	JA8 brakes	
Hub Assy	.....	513003[2]
<b>1982-1980</b>		
Hub Assy	.....	513003[2]

### **CLUTCH**

#### **Pilot Bearing**

<b>1984-1980</b>	4-cylinder: 2.5 litre	
Bushing H/D	.....	PB656HD

#### **Release Bearing**

<b>1989-1988</b>	5-speed: Quad4: Muncie trans	
Bearing Assy	.....	614069
<b>1989-1987</b>	5-speed: 6-cylinder	
Bearing Assy	.....	614069
<b>1989-1983</b>	5-speed: 4-cylinder: exc. Quad4 engine	
Bearing Assy	.....	614108
<b>1987-1980</b>	4-speed	
Bearing Assy	.....	614009

### **3-SPEED AUTOMATIC TRANSAXLE**

#### **Torque Converter**

<b>1989-1980</b>		
Seal	.....	4072N

#### **Output Shaft**

<b>1989-1982</b>		
Seal	.....	3543[2]
Kwik Slv (Opt Rpr)	.....	KWK99138[2]

### **3-SPEED AUTOMATIC TRANSAXLE**

#### **Selector Shaft Seal/Man. Shaft**

<b>1989-1980</b>		
Seal	.....	340847

### **POWER STEERING**

#### **Pump Shaft**

<b>1989-1980</b>		
Seal	.....	480821

#### **Worm Shaft**

<b>1988-1980</b>		
Seal	.....	222510

### **CRANKSHAFT REAR SEAL**

#### **4 Cylinder**

<b>1989-1980</b>	151/2.5L	
Seal	.....	3698

#### **6 Cylinder**

<b>1989-1980</b>	173/2.8L, 189/3.1L	
Seal	.....	4307V
Seal PTFE H/D Opt.	.....	5273
Kwik Slv (Opt Rpr)	.....	KWK99298
<b>1989</b>	204/3.3L	
Seal Viton	.....	320691
<b>1988-1980</b>	181/3.0L, 231/3.8L	
Seal	.....	5591
<b>1984-1980</b>	173/2.8L	
Seal	.....	5210

### **TIMING COVER**

#### **4 Cylinder**

<b>1989-1980</b>	134/2.2L, 151/2.5L	
Seal	.....	9845
Kwik Slv (Opt Rpr)	.....	KWK99176

#### **6 Cylinder**

<b>1989-1980</b>	173/2.8L, 189/3.1L	
Seal	.....	9845
Kwik Slv (Opt Rpr)	.....	KWK99176
<b>1989-1984</b>	204/3.3L, 231/3.8L	
Seal Viton	.....	710162
Kwik Slv (Opt Rpr)	.....	KWK99193
<b>1985-1982</b>	diesel	
Seal Viton	.....	320259
Kwik Slv (Opt Rpr)	.....	KWK99199
<b>1985-1980</b>	exc. diesel	
Seal	.....	710163

434 [ ] Indicates Quantity Required; Set Components Listed Inside Rear Cover;

<sup>61</sup> Kit incl: Seal, Hub Nut, and Bearing Unit

**OLDSMOBILE - FRONT DRIVE - Firenza**

**FRONT WHEEL**

<b>1988-1985</b>	
Hub Assy .....	513017K[2] <sup>61</sup>
<b>1984</b> 12mm flange holes	
Hub Assy .....	513017K[2] <sup>61</sup>
<b>1984-1982</b> 10mm flange holes	
Hub Assy .....	513004K[2] <sup>61</sup>

**REAR WHEEL**

<b>1988-1982</b>	
Hub Assy .....	513012[2]

**CLUTCH**

**Release Bearing**

<b>1988</b> 5-speed: Quad4: Muncie trans	
Bearing Assy .....	614069
<b>1988-1987</b> 5-speed: 6-cylinder	
Bearing Assy .....	614069
<b>1988-1983</b> 5-speed: 4-cylinder: exc. Quad4	
Bearing Assy .....	614108
<b>1987-1982</b> 4-speed	
Bearing Assy .....	614009

**3-SPEED AUTOMATIC TRANSAXLE**

**Torque Converter**

<b>1988-1982</b>	
Seal .....	4072N

**Output Shaft**

<b>1988-1982</b>	
Seal .....	3543[2]
Kwik Slv (Opt Rpr) .....	KWK99139[2]

**Selector Shaft Seal/Man. Shaft**

<b>1988-1984</b>	
Seal .....	8792S
<b>1983-1982</b>	
Seal .....	240385

**4-SPEED MANUAL TRANSAXLE**

**Differential**

<b>1987-1982</b>	
Set .....	SET11

**Input Shaft**

<b>1987-1982</b>	
Seal .....	3732S
Set .....	SET4
Kwik Slv (Opt Rpr) .....	KWK99106

**4-SPEED MANUAL TRANSAXLE**

**Output Shaft**

<b>1987-1982</b>	
Seal .....	3543[2]
Kwik Slv (Opt Rpr) .....	KWK99139[2]
Cone/Cup (RH) .....	15101-15245
Set (LH) .....	SET5

**Selector Shaft Seal/Man. Shaft**

<b>1987-1982</b>	
Seal .....	472705
Kwik Slv (Opt Rpr) .....	KWK99058

**5-SPEED MANUAL TRANSAXLE**

**Input Shaft**

<b>1988-1983</b>	
Seal (front) .....	222835
Bearing Assy (front) .....	30306M
Kwik Slv (Opt Rpr) .....	KWK99111

**Output Shaft**

<b>1988-1983</b>	
Set (pass side) .....	SET5
Seal .....	223542[2]
Kwik Slv (Opt Rpr) .....	KWK99139[2]

**Selector Shaft Seal/Man. Shaft**

<b>1988-1983</b>	
Seal .....	710243
Kwik Slv (Opt Rpr) .....	KWK99058

**ALTERNATOR**

<b>1988-1987</b>	
Bearing (drive end) .....	203FF
Bearing (rear end) .....	100CCAB
<b>1986-1983</b>	
Bearing (drive end) .....	203FF
Bearing (rear end) .....	MNJ471S
<b>1982</b>	
Bearing (drive end) .....	203S
Bearing (rear end) .....	MNJ471S

**POWER STEERING**

**Pump Shaft**

<b>1989-1982</b>	
Seal .....	221925

**Worm Shaft**

<b>1988-1982</b> exc. H.D. and Touring suspension	
Seal .....	222510

**CRANKSHAFT REAR SEAL**

**4 Cylinder**

<b>1986-1982</b> 112/1.8L, 121/2.0L	
Seal Viton .....	710232

[ ] Indicates Quantity Required; Set Components Listed Inside Rear Cover;

<sup>61</sup> Kit incl: Seal, Hub Nut, and Bearing Unit



# Bearings and Seals

Mfg./Year    Model & Location    Part No    Mfg./Year    Model & Location    Part No

## **OLDSMOBILE - FRONT DRIVE - Firenza (cont.)**

### **CRANKSHAFT REAR SEAL**

#### **6 Cylinder**

**1987-1986**    173/2.8L  
 Seal ..... 4307V  
 Seal PTFE H/D Opt. .... 5273  
 Kwik Slv (Opt Rpr) .....KWK99298

### **TIMING COVER**

#### **4 Cylinder**

**1988-1982**    112/1.8L, 121/2.0L  
 Seal Viton ..... 710164  
 Kwik Slv (Opt Rpr) .....KWK99128

### **TIMING COVER**

#### **6 Cylinder**

**1987-1985**    173/2.8L  
 Seal ..... 9845  
 Kwik Slv (Opt Rpr) .....KWK99176

## **OLDSMOBILE - REAR DRIVE - Classic 98, Cruiser Wagon, Custom Cruiser, Delta 88, Delmont 88, Dynamic 88, Holiday, Ninety-Eight, Starfire, Super 88, 88, 88 Royale, 98**

### **FRONT WHEEL**

**1989-1979**  
 Seal (inner) ..... 8871[2]  
 Set (inner) .....SET6  
 Set (outer) .....SET3  
**1978**    Standard axle: 11" rotor  
 Seal (inner) ..... 8871[2]  
 Set (inner) .....SET6  
 Set (outer) .....SET2  
**1978**    Heavy Duty axle: 12" rotor  
 Seal (inner) ..... 8871[2]  
 Set (inner) .....SET6  
 Set (outer) .....SET3  
**1977**  
 Seal (inner) ..... 8871[2]  
 Set (inner) .....SET6  
 Set (outer) .....SET2  
**1976-1971**  
 Seal (inner) ..... 8871[2]  
 Set (inner) .....SET5  
 Set (outer) .....SET3  
**1970-1969**  
 Seal (inner) ..... 9762S[2]  
 Set (inner) .....SET5  
 Set (outer) .....SET3  
**1968-1966**  
 Seal (inner) ..... 8139[2]  
 Set (inner) .....SET5  
 Set (outer) .....SET3  
**1965**    Standard axle: 11" rotor  
 Seal (inner) ..... 7607[2]  
 Set (inner) .....SET6  
 Set (outer) .....SET2  
**1965**    Heavy Duty axle: 12" rotor  
 Seal (inner) ..... 8139[2]  
 Set (inner) .....SET5  
 Set (outer) .....SET3  
**1964-1962**  
 Seal (inner) ..... 8139[2]  
 Set (inner) .....SET5  
 Set (outer) .....SET3

### **FRONT WHEEL (cont.)**

**1961-1959**  
 Seal (inner) ..... 8139[2]  
 Bearing (inner) .....B66[2]  
 Bearing (outer) ..... B73[2]  
**1958-1957**  
 Seal (inner) ..... 6732[2]  
 Bearing (inner) .....B62[2]  
 Bearing (outer) ..... B65[2]  
**1956-1953**  
 Seal (inner) ..... 6732[2]  
 Bearing (inner) .....B62[2]  
 Bearing (outer) ..... B67[2]

### **REAR WHEEL**

**1989-1977**    8.875" ring gear  
 Seal ..... 8660S[2]  
 Cyl. Bearing .....5707[2]  
 Kit ..... TRP1563TAV[2]<sup>19</sup>  
**1989-1977**    8.5" ring gear: Wagon  
 Seal ..... 8835S[2]  
 Cyl. Bearing ..... 6408[2]  
 Kit ..... TRP1559TV[2]<sup>19</sup>  
**1989-1977**    8.75" ring gear: Wagon  
 Seal ..... 8835S[2]  
 Cyl. Bearing ..... 6408[2]  
 Kit ..... TRP1559TV[2]<sup>19</sup>  
**1987-1980**    8.5" ring gear: exc. Wagon  
 Seal ..... 8660S[2]  
 Cyl. Bearing ..... 5707[2]  
 Kit ..... TRP1563TAV[2]<sup>19</sup>  
**1987-1977**    7.5" ring gear  
 Seal ..... 8660S[2]  
 Cyl. Bearing ..... 5707[2]  
 Kit ..... TRP1563TAV[2]<sup>19</sup>  
**1979-1977**    8.5" ring gear: B, O axles  
 Seal ..... 712146[2]  
 Set ..... SET9

436 [ ] Indicates Quantity Required; Set Components Listed Inside Rear Cover;

<sup>19</sup> Opt. Axle Repair Bearing. Replaces O.E. bearing & seal.

**OLDSMOBILE - REAR DRIVE - Classic 98, Cruiser Wagon, Custom Cruiser, Delta 88, Delmont 88, Dynamic 88, Holiday, Ninety-Eight, Starfire, Super 88, 88, 88 Royale, 98 (cont.)**

**REAR WHEEL (cont.)**

<b>1979-1976</b>	8.5" ring gear: C, G, K axles	
Seal	.....	8660S[2]
Cyl. Bearing	.....	5707[2]
Kit	.....	TRP1563TAV[2] <sup>19</sup>
<b>1976-1973</b>	8.5" ring gear: C, P, M axles	
Seal	.....	8835S[2]
Cyl. Bearing	.....	6408[2]
Kit	.....	TRP1559TV[2] <sup>19</sup>
<b>1976-1973</b>	8.5" ring gear: B, O axles	
Seal	.....	2689S[2]
Set	.....	SET10
<b>1976-1973</b>	8.875" ring gear: C, P, M axles	
Seal	.....	8835S[2]
Cyl. Bearing	.....	6408[2]
Kit	.....	TRP1559TV[2] <sup>19</sup>
<b>1975-1973</b>	9.375" ring gear	
Seal	.....	2689S[2]
Set	.....	SET10
<b>1972-1971</b>		
Seal	.....	2689S[2]
Set	.....	SET10
<b>1970-1968</b>		
Seal	.....	8940S[2]
Bearing	.....	88131R[2]
<b>1967-1965</b>		
Seal	.....	8940S[2]
Bearing	.....	514003P[2]
<b>1964-1946</b>		
Seal	.....	450059[2]
Bearing	.....	514003P[2]

**REAR AXLE**

**Differential Rebuild Kit**

<b>1989-1970</b>	8.5" ring gear	
Kit	.....	DRK321
<b>1989-1980</b>	7.5" ring gear	
Kit	.....	DRK320
<b>1983-1976</b>	8.75", 8.875" ring gears	
Kit	.....	DRK323

**Differential**

<b>1989-1971</b>	B, C, G, K, O axles	
Cone/Cup	.....	LM501349-LM501314[2]
<b>1986-1973</b>	8.875", 9.375" ring gears: P, M axles	
Set	.....	SET36
<b>1972-1971</b>	455 engine	
Set	.....	SET36
<b>1972-1971</b>	Station Wagon	
Set	.....	SET36
<b>1970-1967</b>		
Cone/Cup	.....	LM501349-LM501314[2]
<b>1970-1965</b>	exc. 350 engine	
Set	.....	SET36
<b>1964-1953</b>		
Cone/Cup	.....	25584-25520[2]

**REAR AXLE**

**Pinion**

<b>1989-1971</b>	8.5" ring gear	
Cone/Cup (inner)	.....	M802048-M802011
Seal (outer)	.....	2043
Cone/Cup (outer)	.....	M88048-M88010
<b>1988-1971</b>	8.75" ring gear	
Cone/Cup (inner)	.....	M802048-M802011
Seal (outer)	.....	2043
Cone/Cup (outer)	.....	M88048-M88010
<b>1986-1980</b>	7.5" ring gear: 3.125" OD	
Cone/Cup (inner)	.....	HM89249-HM89210
Seal (outer)	.....	8610
Cone/Cup (outer)	.....	M86649-M86610
<b>1981-1976</b>	7.5" ring gear: 3" OD	
Cone/Cup (inner)	.....	HM89449-HM89410
Seal (outer)	.....	8610
Cone/Cup (outer)	.....	M86649-M86610
<b>1976-1971</b>	8.875" ring gear	
Cone/Cup (inner)	.....	M804049-M804010
Seal (outer)	.....	2043
Cone/Cup (outer)	.....	M88048-M88010
<b>1976-1971</b>	9.375" ring gear	
Cone/Cup (inner)	.....	M804049-M804010
Seal (outer)	.....	2043
Cone/Cup (outer)	.....	M88048-M88010
<b>1970-1966</b>		
Cone/Cup (inner)	.....	M804049-M804010
Seal (outer)	.....	2043
Cone/Cup (outer)	.....	M88048-M88010
<b>1965</b>		
Cone/Cup (inner)	.....	M804049-M804010
Cone/Cup (outer)	.....	M88048-M88010
<b>1964-1963</b>		
Cone/Cup (inner)	.....	M804049-M804010
Cone/Cup (outer)	.....	HM88649-HM88610
<b>1962-1957</b>		
Cone/Cup (inner)	.....	HM804846-HM804810
Cone/Cup (outer)	.....	HM89446-HM89410
<b>1956-1953</b>		
Cone/Cup (inner)	.....	3779-3720
Cone/Cup (outer)	.....	HM89446-HM89410

**AUTOMATIC TRANSMISSION**

**Torque Converter**

<b>1969-1964</b>	Super Turbine 300	
Seal	.....	6712NA
Kwik Slv (Opt Rpr)	.....	KWK99187
<b>1957-1946</b>	Hydramatic	
Seal	.....	450725N <sup>20</sup>

**Rear Seal/Ext. Housing**

<b>1969-1964</b>	Super Turbine 300	
Seal	.....	9613S
<b>1964-1946</b>	Hydramatic: 1.687" shaft	
Seal	.....	9613S
Bearing	.....	107WB
Seal Kit	.....	5205 <sup>64</sup>

[ ] Indicates Quantity Required; Set Components Listed Inside Rear Cover;

<sup>19</sup> Opt. Axle Repair Bearing. Replaces O.E. bearing & seal. availability

<sup>20</sup> Not currently in production; check for

<sup>64</sup> Opt. Seal and Bushing Kit

# Bearings and Seals

Mfg./Year    Model & Location    Part No    Mfg./Year    Model & Location    Part No

## **OLDSMOBILE - REAR DRIVE - Classic 98, Cruiser Wagon, Custom Cruiser, Delta 88, Delmont 88, Dynamic 88, Holiday, Ninety-Eight, Starfire, Super 88, 88, 88 Royale, 98 (cont.)**

### **AUTOMATIC TRANSMISSION (cont.)**

#### **Rear Seal/Ext. Housing (cont.)**

<b>1958-1946</b>	Hydramatic: 1.5" shaft	
Seal	.....	7038SA
Seal Kit	.....	5200 <sup>64</sup>

### **3-SPEED AUTOMATIC TRANSMISSION**

#### **Torque Converter**

<b>1988-1976</b>	THM200	
Seal	.....	3227
Kwik Slv (Opt Rpr)	.....	KWK99174
<b>1984-1964</b>	THM350, THM400, THM350C	
Seal	.....	6712NA
Kwik Slv (Opt Rpr)	.....	KWK99187
<b>1964-1961</b>	Roto-Hydramatic	
Seal	.....	7442H
<b>1960-1958</b>	Jetaway 315	
Seal	.....	7018N

#### **Rear Seal/Ext. Housing**

<b>1988-1970</b>	THM200 THM350 THM350C	
Seal	.....	9613S
Kwik Slv (Opt Rpr)	.....	KWK99149
Seal Kit	.....	5200 <sup>64</sup>
<b>1980-1964</b>	THM400: 1.890" shaft	
Seal	.....	9449
Kwik Slv (Opt Rpr)	.....	KWK99189
Seal Kit	.....	5208 <sup>64</sup>
<b>1977-1965</b>	Hydramatic: 1.687" shaft	
Seal	.....	9613S
Seal Kit	.....	5205 <sup>64</sup>
<b>1964-1954</b>	Jetaway 315	
Seal	.....	7038SA
<b>1964-1954</b>	Roto-Hydramatic 375	
Seal	.....	7038SA

#### **Selector Shaft Seal/Man. Shaft**

<b>1988-1965</b>		
Seal	.....	8792S
<b>1964-1961</b>		
Seal	.....	342805

### **4-SPEED AUTOMATIC TRANSMISSION**

#### **Torque Converter**

<b>1989-1988</b>		
Seal	.....	3227
Kwik Slv (Opt Rpr)	.....	KWK99174

### **4-SPEED AUTOMATIC TRANSMISSION**

#### **Rear Seal/Ext. Housing**

<b>1989-1988</b>		
Seal	.....	9613S
Kwik Slv (Opt Rpr)	.....	KWK99149
Seal Kit	.....	5200 <sup>64</sup>

#### **Selector Shaft Seal/Man. Shaft**

<b>1988-1982</b>		
Seal	.....	8792S

### **CLUTCH**

#### **Pilot Bearing**

<b>1970-1966</b>	all	
Bearing	.....	7109
<b>1965</b>	8-cylinder	
Bearing	.....	7109

#### **Release Bearing**

<b>1978-1977</b>	1.609" long release bearing	
Bearing Assy	.....	614037 <sup>42</sup>
<b>1978-1977</b>	1.22" long release bearing	
Bearing Assy	.....	614018 <sup>42</sup>
<b>1978-1975</b>	exc. 1.609", 1.220" long	
Bearing Assy	.....	1377C
<b>1974-1967</b>	Delmont: 330, 350: standard clutch	
Bearing Assy	.....	614037 <sup>42</sup>
<b>1972-1966</b>	exc. 1967- 1972 Delmont:330, 350: standard clutch	
Bearing Assy	.....	614018 <sup>42</sup>
<b>1964-1950</b>		
Bearing Only	.....	1755C

### **3-SPEED MANUAL TRANSMISSION**

#### **Transmission Rebuild Kit**

<b>1987-1966</b>	SM326 Saginaw: 76mm shaft	
Kit	.....	TRK301

#### **Front Input Shaft**

<b>1971-1966</b>	Saginaw	
Seal	.....	7412S
Bearing	.....	207SLB
Kwik Slv (Opt Rpr)	.....	KWK99125
<b>1970-1965</b>	Tremac	
Seal	.....	482208
Bearing	.....	208LO
Kwik Slv (Opt Rpr)	.....	KWK99112
<b>1965</b>	Warner	
Seal	.....	7412S
Bearing	.....	307L
Kwik Slv (Opt Rpr)	.....	KWK99125
<b>1965-1964</b>	SM318, SM319: with overdrive	
Seal	.....	7412S
Bearing	.....	1207SLB
Kwik Slv (Opt Rpr)	.....	KWK99125

438 [ ] Indicates Quantity Required; Set Components Listed Inside Rear Cover;

<sup>42</sup> Sealed Self-Aligning Bearing    <sup>64</sup> Opt. Seal and Bushing Kit

**OLDSMOBILE - REAR DRIVE - Classic 98, Cruiser Wagon, Custom Cruiser, Delta 88, Delmont 88, Dynamic 88, Holiday, Ninety-Eight, Starfire, Super 88, 88, 88 Royale, 98 (cont.)**

**3-SPEED MANUAL TRANSMISSION**

(cont.)

**Front Input Shaft (cont.)**

<b>1965-1964</b>	SM318, SM319: exc. overdrive	
Seal .....	7412S	
Bearing .....	207SLB	
Kwik Slv (Opt Rpr) .....	KWK99125	
<b>1960-1942</b>		
Bearing .....	207SL	

**Rear Output Shaft**

<b>1971-1966</b>	Saginaw	
Seal .....	9613S	
Bearing .....	306SLVB	
Seal Kit .....	5200 <sup>64</sup>	
<b>1970-1965</b>	Tremac	
Seal .....	9613S	
Bearing .....	207L	
Seal Kit .....	5200 <sup>64</sup>	
<b>1965</b>	Warner	
Seal .....	9613S	
Bearing .....	1307L	
<b>1965-1964</b>	SM319	
Seal .....	9613S	
Bearing .....	306LO	
Seal Kit .....	5200 <sup>64</sup>	
<b>1960-1946</b>	exc. 40 & 50 Series, Special, Super	
Bearing .....	306L	
<b>1955-1953</b>	50 Series, Super	
Bearing .....	306L	
<b>1955-1946</b>	40 Series, Special	
Bearing .....	206WB	
<b>1952-1946</b>	50 Series, Super	
Bearing .....	206WB	

**Selector Shaft Seal/Man. Shaft**

<b>1971-1966</b>		
Seal .....	240735	
Kwik Slv (Opt Rpr) .....	KWK99076	
<b>1960-1946</b>		
Seal .....	340724	

**4-SPEED MANUAL TRANSMISSION**

**Input Shaft**

<b>1972-1964</b>	Muncie	
Seal .....	7412S	
Bearing .....	N1307L	
Kwik Slv (Opt Rpr) .....	KWK99125	
<b>1965</b>	Warner	
Seal .....	7412S	
Bearing .....	307L	
Kwik Slv (Opt Rpr) .....	KWK99125	

**4-SPEED MANUAL TRANSMISSION**

**Rear Output Shaft**

<b>1972-1964</b>	Muncie: 83mm 32-spline shaft	
Seal .....	9449	
Bearing .....	308L	
Seal Kit .....	5208 <sup>64</sup>	
<b>1972-1964</b>	Muncie: 83mm 27-spline shaft	
Seal .....	9613S	
Bearing .....	308L	
Seal Kit .....	5200 <sup>64</sup>	
<b>1965</b>	T10 Warner: 27-spline shaft	
Seal .....	9613S	
Bearing .....	307L	
Seal Kit .....	5200 <sup>64</sup>	

**Selector Shaft Seal/Man. Shaft**

<b>1979-1978</b>	Saginaw: 76mm shaft	
Seal .....	240735	
Kwik Slv (Opt Rpr) .....	KWK99076	

**POWER STEERING**

**Pitman Shaft**

<b>1989-1960</b>		
Seal Kit .....	PSK1 <sup>24</sup>	

**Pump Shaft**

<b>1989-1958</b>	Saginaw	
Seal .....	7013S	
<b>1967-1961</b>	Federal pump	
Seal .....	8773S	
<b>1957-1953</b>	Vickers pump	
Bearing (inner) .....	201AB	
Seal (outer) .....	8059S	
<b>1952</b>		
Bearing (inner) .....	201AB	
Bearing (outer) .....	204SS	

**MANUAL STEERING**

**Pitman Shaft**

<b>1972-1964</b>		
Seal .....	313842	
<b>1963-1954</b>		
Seal .....	50151S	

**Worm Shaft**

<b>1972-1954</b>		
Seal .....	474131	

**CRANKSHAFT REAR SEAL**

**6 Cylinder**

<b>1985-1977</b>		
Seal .....	5591	
Seal PTFE H/D Opt. ....	5291	

[ ] Indicates Quantity Required; Set Components Listed Inside Rear Cover;

<sup>24</sup> Opt. Kit incl. seals 5683 & 5684. Not sold separately

<sup>64</sup> Opt. Seal and Bushing Kit

# Bearings and Seals

Mfg./Year    Model & Location    Part No    Mfg./Year    Model & Location    Part No

## **OLDSMOBILE - REAR DRIVE - Classic 98, Cruiser Wagon, Custom Cruiser, Delta 88, Delmont 88, Dynamic 88, Holiday, Ninety-Eight, Starfire, Super 88, 88, 88 Royale, 98 (cont.)**

### **CRANKSHAFT REAR SEAL**

#### **8 Cylinder**

<b>1989</b>	307/5.0L	
Seal .....		5419
<b>1988-1975</b>	260/4.3, 307/5.0, Diesel, 403/6.6, 455/7.5	
Seal .....		5591
<b>1982-1977</b>	267/4.4L, 350/5.7L (G) & (L)	
Seal .....		5092
<b>1979</b>	301/4.9	
Seal .....		5073
<b>1975</b>	400/6.6L Small Block	
Seal .....		5073
<b>1974-1964</b>		
Seal .....		5591
<b>1964-1959</b>	394/6.5L	
Seal .....		5072

### **TIMING COVER**

#### **6 Cylinder**

<b>1985-1977</b>	231/3.8L	
Seal .....		710163
<b>1983-1981</b>	252/4.1L	
Seal .....		471424
Kwik Slv (Opt Rpr) .....		KWK99199
Harmonic Balancer		
Sleeves .....		88199

### **TIMING COVER**

#### **8 Cylinder**

<b>1989-1980</b>		
Seal .....		472082
Kwik Slv (Opt Rpr) .....		KWK99199
Harmonic Balancer		
Sleeves .....		88199
<b>1979</b>	301/4.9	
Seal .....		332062
Kwik Slv (Opt Rpr) .....		KWK99186
Harmonic Balancer		
Sleeves .....		88186
<b>1979-1978</b>	350/5.7L Diesel	
Seal .....		472082
Kwik Slv (Opt Rpr) .....		KWK99199
Harmonic Balancer		
Sleeves .....		88199
<b>1979-1964</b>	exc. 350/5.7L (L), 350/5.7L diesel, 301/4.9L	
Seal .....		472082
Kwik Slv (Opt Rpr) .....		KWK99199
Harmonic Balancer		
Sleeves .....		88199
<b>1977</b>	350/5.7L engine code (L)	
Seal .....		9845
Kwik Slv (Opt Rpr) .....		KWK99176
Harmonic Balancer		
Sleeves .....		88176
<b>1964-1959</b>	394/6.5L	
Seal .....		473231
Kwik Slv (Opt Rpr) .....		KWK99162

## **OLDSMOBILE - REAR DRIVE - Cutlass, Cutlass Cruiser, F-85 Series, Vista Cruiser, 4-4-2, Jetstar 1**

### **FRONT WHEEL**

<b>1988-1982</b>		
Seal (inner) .....		8871[2]
Set (inner) .....		SET6
Set (outer) .....		SET34
<b>1981-1979</b>		
Seal (inner) .....		8871[2]
Set (inner) .....		SET6
Set (outer) .....		SET3
<b>1978-1973</b>		
Seal (inner) .....		8871[2]
Set (inner) .....		SET6
Set (outer) .....		SET2
<b>1972-1969</b>		
Seal (inner) .....		8705S[2]
Set (inner) .....		SET6
Set (outer) .....		SET2
<b>1968-1967</b>	disc brakes	
Seal (inner) .....		8705S[2]
Set (inner) .....		SET6
Set (outer) .....		SET2

### **FRONT WHEEL (cont.)**

<b>1968-1961</b>	drum brakes	
Seal (inner) .....		7607[2]
Set (inner) .....		SET6
Set (outer) .....		SET2

### **REAR WHEEL**

<b>1988-1978</b>	7.5" ring gear	
Seal .....		8660S[2]
Cyl. Bearing .....		5707[2]
Kit .....		TRP1563TAV[2] <sup>19</sup>
<b>1978-1973</b>	Vista Cruiser	
Seal .....		8835S[2]
Cyl. Bearing .....		6408[2]
Kit .....		TRP1559TV[2] <sup>19</sup>
<b>1977-1973</b>	8.5" ring gear: C, G, K axles	
Seal .....		8660S[2]
Cyl. Bearing .....		5707[2]
Kit .....		TRP1563TAV[2] <sup>19</sup>
<b>1977-1970</b>	8.5" ring gear: B, O axles	
Seal .....		712146[2]
Set .....		SET9

440 [ ] Indicates Quantity Required; Set Components Listed Inside Rear Cover;

<sup>19</sup> Opt. Axle Repair Bearing. Replaces O.E. bearing & seal.

**OLDSMOBILE - REAR DRIVE - Cutlass, Cutlass Cruiser, F-85 Series, Vista Cruiser, 4-4-2, Jetstar 1 (cont.)**

**REAR WHEEL (cont.)**

<b>1976</b>	8.875" ring gear	
Seal	.....	8835S[2]
Cyl. Bearing	.....	6408[2]
Kit	.....	TRP1559TV[2] <sup>19</sup>
<b>1972-1969</b>	Vista Cruiser	
Seal	.....	2689S[2]
Set	.....	SET10
<b>1969-1968</b>	C axle exc. Vista Cruiser	
Seal	.....	8660S[2]
Cyl. Bearing	.....	5707[2]
Kit	.....	TRP1563TAV[2] <sup>19</sup>
<b>1969-1968</b>	O axle exc. Vista Cruiser	
Seal	.....	8594S[2]
Bearing	.....	RW507CR[2]
<b>1968-1966</b>	Vista Cruiser	
Seal	.....	9116S[2]
Bearing	.....	RW507GR[2]
<b>1967-1964</b>	exc. Vista Cruiser	
Seal	.....	8594S[2]
Bearing	.....	RW507CR[2]
<b>1966</b>	Jetstar	
Seal	.....	8594S[2]
Bearing	.....	RW101R[2]
<b>1965-1964</b>	Jetstar I	
Seal	.....	8940S[2]
Bearing	.....	514003P[2]
<b>1965-1964</b>	Vista Cruiser	
Seal	.....	8594S[2]
Bearing	.....	RW507AR[2]
<b>1964</b>	Jetstar: Canadian	
Seal	.....	450059[2]
Bearing	.....	514003P[2]
<b>1963-1961</b>	exc. Vista Cruiser	
Bearing	.....	88107AR[2]

**REAR AXLE**

**Differential Rebuild Kit**

<b>1988-1982</b>	7.625" ring gear	
Kit	.....	DRK320
<b>1988-1980</b>	7.5" ring gear	
Kit	.....	DRK320
<b>1987-1970</b>	8.5" ring gear	
Kit	.....	DRK321
<b>1977-1973</b>	8.75" ring gear	
Kit	.....	DRK323

**Differential**

<b>1988-1973</b>	B, C, G, K, O axles	
Cone/Cup	.....	LM501349-LM501314[2]
<b>1988-1973</b>	7.5", 7.625", 8.5" ring gears	
Cone/Cup	.....	LM501349-LM501314[2]
<b>1977-1973</b>	8.75", 8.875" ring gears	
Set	.....	SET36
<b>1972-1964</b>	exc. Jetstar I	
Cone/Cup	.....	LM501349-LM501314[2]
<b>1965-1964</b>	Jetstar I	
Set	.....	SET36
<b>1963-1961</b>	all	
Cone/Cup	.....	LM603049-LM603015[2]

**Pinion**

<b>1988-1980</b>	7.5" ring gear: 3.125" bearing OD	
Cone/Cup (inner)	.....	HM89249-HM89210
Seal (outer)	.....	8610
Cone/Cup (outer)	.....	M86649-M86610
<b>1981-1978</b>	7.5" ring gear: 3" bearing OD	
Cone/Cup (inner)	.....	HM89449-HM89410
Seal (outer)	.....	8610
Cone/Cup (outer)	.....	M86649-M86610
<b>1977-1973</b>	8.5" ring gear	
Cone/Cup (inner)	.....	M802048-M802011
Seal (outer)	.....	2043
Cone/Cup (outer)	.....	M88048-M88010
<b>1977-1973</b>	8.75" ring gear	
Cone/Cup (inner)	.....	M802048-M802011
Seal (outer)	.....	2043
Cone/Cup (outer)	.....	M88048-M88010
<b>1976-1973</b>	8.875" ring gear	
Cone/Cup (inner)	.....	M804049-M804010
Seal (outer)	.....	2043
Cone/Cup (outer)	.....	M88048-M88010
<b>1976-1973</b>	9.375" ring gear	
Cone/Cup (inner)	.....	M804049-M804010
Seal (outer)	.....	2043
Cone/Cup (outer)	.....	M88048-M88010
<b>1972-1971</b>	all	
Cone/Cup (inner)	.....	M802048-M802011
Seal (outer)	.....	2043
Cone/Cup (outer)	.....	M88048-M88010
<b>1970-1966</b>	O, P axles	
Cone/Cup (inner)	.....	M802048-M802011
Seal (outer)	.....	2043
Cone/Cup (outer)	.....	M86649-M86610
<b>1967-1966</b>	B axle	
Cone/Cup (inner)	.....	M802048-M802011
Cone/Cup (outer)	.....	M86649-M86610
<b>1965-1964</b>	exc. Jetstar I	
Cone/Cup (inner)	.....	HM89449-HM89410
Cone/Cup (outer)	.....	M86649-M86610
<b>1965-1964</b>	Jetstar I	
Cone/Cup (inner)	.....	M804049-M804010
Cone/Cup (outer)	.....	M88048-M88010
<b>1963-1961</b>	all	
Cone/Cup (inner)	.....	M802048-M802011
Cone/Cup (outer)	.....	M88048-M88010

**AUTOMATIC TRANSMISSION**

**Torque Converter**

<b>1970-1964</b>	Super Turbine 300	
Seal	.....	6712NA
Kwik Slv (Opt Rpr)	.....	KWK99187
<b>1964-1961</b>	Roto-Hydrumatic	
Seal	.....	7442H

**Rear Seal/Ext. Housing**

<b>1970-1964</b>	Super Turbine 300	
Seal	.....	9613S
<b>1964-1961</b>	Roto-Hydrumatic 240	
Seal	.....	473234

[ ] Indicates Quantity Required; Set Components Listed Inside Rear Cover;  
<sup>19</sup> Opt. Axle Repair Bearing. Replaces O.E. bearing & seal.

# Bearings and Seals

Mfg./Year    Model & Location    Part No    Mfg./Year    Model & Location    Part No

## **OLDSMOBILE - REAR DRIVE - Cutlass, Cutlass Cruiser, F-85 Series, Vista Cruiser, 4-4-2, Jetstar 1 (cont.)**

### **AUTOMATIC TRANSMISSION**

#### **Selector Shaft Seal/Man. Shaft**

**1964-1961** Roto-Hydrumatic  
Seal ..... 342805

### **3-SPEED AUTOMATIC TRANSMISSION**

#### **Torque Converter**

**1988-1976** THM200  
Seal ..... 3227  
Kwik Slv (Opt Rpr) ..... KWK99174  
**1984-1965** THM250, 350, 375, 400  
Seal ..... 6712NA  
Kwik Slv (Opt Rpr) ..... KWK99187

#### **Rear Seal/Ext. Housing**

**1988-1967** THM200, 250, 350, 350C  
Seal ..... 9613S  
Kwik Slv (Opt Rpr) ..... KWK99149  
Seal Kit ..... 5200<sup>64</sup>  
**1977-1965** THM400: 1.890" shaft  
Seal ..... 9449  
Kwik Slv (Opt Rpr) ..... KWK99189  
Seal Kit ..... 5208<sup>64</sup>  
**1977-1965** THM400: 1.687" shaft  
Seal ..... 7038SA  
Kwik Slv (Opt Rpr) ..... KWK99168  
Seal Kit ..... 5205<sup>64</sup>

#### **Selector Shaft Seal/Man. Shaft**

**1988-1965**  
Seal ..... 8792S

### **4-SPEED AUTOMATIC TRANSMISSION**

#### **Torque Converter**

**1988**  
Seal ..... 3227  
Kwik Slv (Opt Rpr) ..... KWK99174

#### **Rear Seal/Ext. Housing**

**1988**  
Seal ..... 9613S  
Kwik Slv (Opt Rpr) ..... KWK99149  
Seal Kit ..... 5200<sup>64</sup>

#### **Selector Shaft Seal/Man. Shaft**

**1988**  
Seal ..... 8792S

### **CLUTCH**

#### **Pilot Bearing**

**1981-1976** 8-cyl  
Bearing ..... 7109  
**1981-1965** 6-cylinder  
Bushing ..... PB656  
Bushing H/D Opt ..... PB656HD  
**1975-1965** 8-cylinder  
Bearing ..... 7109

### **CLUTCH (cont.)**

#### **Pilot Bearing (cont.)**

**1964** 6-cylinder  
Bearing ..... 7109

### **CLUTCH - 6 CYLINDER**

#### **Release Bearing**

**1981-1964**  
Bearing Assy ..... 614018<sup>42</sup>

### **CLUTCH - 8 CYLINDER**

#### **Release Bearing**

**1980-1975** 260/4.3  
Bearing Assy ..... 614037<sup>42</sup>  
**1979-1978** 305/5.0L, 350/5.7L  
Bearing Assy ..... 614018<sup>42</sup>  
**1972-1968** 350/5.7L 4bbl carb  
Bearing Assy ..... 614018<sup>42</sup>  
**1972-1968** 350/5.7L 2bbl carb  
Bearing Assy ..... 614037<sup>42</sup>  
**1972-1968** exc. 350 engine  
Bearing Assy ..... 614018<sup>42</sup>  
**1967-1965** 330/5.4L w/11" clutch  
Bearing Assy ..... 614018<sup>42</sup>  
**1967-1965** 330/5.4L w/10.5" clutch  
Bearing Assy ..... 614037<sup>42</sup>  
**1965** 425/7.0L  
Bearing Assy ..... 614018<sup>42</sup>

### **3-SPEED MANUAL TRANSMISSION**

#### **Transmission Rebuild Kit**

**1987-1966** SM326 Saginaw: 76mm shaft  
Kit ..... TRK301

#### **Front Input Shaft**

**1981-1966** Saginaw  
Seal ..... 7412S  
Bearing ..... 207SLB  
Kwik Slv (Opt Rpr) ..... KWK99125  
**1970-1965** Tremac  
Seal ..... 482208  
Bearing ..... 208LO  
Kwik Slv (Opt Rpr) ..... KWK99112  
**1965** Warner  
Seal ..... 7412S  
Bearing ..... 307L  
Kwik Slv (Opt Rpr) ..... KWK99125  
**1965-1963** SM318, SM319: with overdrive  
Seal ..... 7412S  
Bearing ..... 1207SLB  
Kwik Slv (Opt Rpr) ..... KWK99125  
**1965-1963** SM318, SM319: exc. overdrive  
Seal ..... 7412S  
Bearing ..... 207SLB  
Kwik Slv (Opt Rpr) ..... KWK99125  
**1963-1961** Warner  
Bearing ..... 1207L

442 [ ] Indicates Quantity Required; Set Components Listed Inside Rear Cover;

<sup>42</sup> Sealed Self-Aligning Bearing    <sup>64</sup> Opt. Seal and Bushing Kit

**OLDSMOBILE - REAR DRIVE - Cutlass, Cutlass Cruiser, F-85 Series, Vista Cruiser, 4-4-2, Jetstar 1 (cont.)**

**3-SPEED MANUAL TRANSMISSION**

**Rear Output Shaft**

<b>1981-1980</b>	Saginaw	
Seal .....		9613S
Bearing .....		1306SLVB
Seal Kit .....		5200 <sup>64</sup>
<b>1979-1966</b>	Saginaw	
Seal .....		9613S
Bearing .....		306SLVB
Seal Kit .....		5200 <sup>64</sup>
<b>1965</b>	T16 Warner	
Seal .....		9613S
Bearing .....		1307L
Seal Kit .....		5200 <sup>64</sup>
<b>1965-1963</b>	SM318, SM319	
Seal .....		9613S
Bearing .....		306LO
Seal Kit .....		5200 <sup>64</sup>
<b>1963-1961</b>	T86 Warner	
Seal .....		9613S
Bearing .....		1207L

**Selector Shaft Seal/Man. Shaft**

<b>1981-1966</b>		
Seal .....		240735
Kwik Slv (Opt Rpr) .....		KWK99076
<b>1963-1961</b>		
Seal .....		340797
Kwik Slv (Opt Rpr) .....		KWK99059

**4-SPEED MANUAL TRANSMISSION**

**Input Shaft**

<b>1981-1980</b>	Saginaw	
Seal .....		7412S
Bearing .....		1207SLB
Kwik Slv (Opt Rpr) .....		KWK99125
<b>1979-1978</b>	Saginaw	
Seal .....		7412S
Bearing .....		207SLB
Kwik Slv (Opt Rpr) .....		KWK99125
<b>1972-1964</b>	Muncie	
Seal .....		7412S
Bearing .....		N1307L
Kwik Slv (Opt Rpr) .....		KWK99125
<b>1963-1962</b>	Warner	
Seal .....		7412S
Bearing .....		307L
Kwik Slv (Opt Rpr) .....		KWK99125

**Rear Output Shaft**

<b>1981-1980</b>	Saginaw	
Seal .....		9613S
Bearing .....		1306SLVB
Seal Kit .....		5200 <sup>64</sup>
<b>1979-1978</b>	Saginaw	
Seal .....		9613S
Bearing .....		306SLVB
Seal Kit .....		5200 <sup>64</sup>

**4-SPEED MANUAL TRANSMISSION**

**(cont.)**

**Rear Output Shaft (cont.)**

<b>1972-1963</b>	Muncie 32-spline	
Seal .....		9449
Bearing .....		308L
Seal Kit .....		5208 <sup>64</sup>
<b>1972-1963</b>	Muncie 27-spline	
Seal .....		9613S
Bearing .....		308L
Seal Kit .....		5200 <sup>64</sup>
<b>1963-1962</b>	T10 Warner: 27-spline shaft	
Seal .....		9613S
Bearing .....		307L
Seal Kit .....		5200 <sup>64</sup>

**Selector Shaft Seal/Man. Shaft**

<b>1981-1975</b>	Saginaw	
Seal .....		240735
Kwik Slv (Opt Rpr) .....		KWK99076

**5-SPEED MANUAL TRANSMISSION**

**Front Input Shaft**

<b>1979-1976</b>		
Seal .....		251511
Kwik Slv (Opt Rpr) .....		KWK99125

**Rear Output Shaft**

<b>1980-1975</b>		
Seal .....		9613S
Kwik Slv (Opt Rpr) .....		KWK99149
Seal Kit .....		5200 <sup>64</sup>

**DRIVESHAFT SUPPORT**

<b>1963-1961</b>		
Needle Bearing .....		X908CC

**POWER STEERING**

**Pitman Shaft**

<b>1988-1984</b>		
Seal Kit .....		PSK1 <sup>24</sup>
<b>1983-1978</b>	605 Gear with round side cover	
Seal .....		710285
<b>1983-1961</b>	800 Gear with 4 bolt side cover	
Seal Kit .....		PSK1 <sup>24</sup>

**Pump Shaft**

<b>1988-1963</b>	Saginaw pump	
Seal .....		7013S
<b>1967-1961</b>	Federal pump	
Seal .....		8773S

[ ] Indicates Quantity Required; Set Components Listed Inside Rear Cover;

<sup>24</sup> Opt. Kit incl. seals 5683 & 5684. Not sold separately

<sup>64</sup> Opt. Seal and Bushing Kit



# Bearings and Seals

Mfg./Year    Model & Location    Part No    Mfg./Year    Model & Location    Part No

## **OLDSMOBILE - REAR DRIVE - Cutlass, Cutlass Cruiser, F-85 Series, Vista Cruiser, 4-4-2, Jetstar 1 (cont.)**

### **POWER STEERING**

#### **Worm Shaft**

**1988-1980**  
Seal ..... 222025

### **MANUAL STEERING**

#### **Pitman Shaft**

**1981-1963**  
Seal ..... 313842  
**1963-1961**  
Seal ..... 50151S

#### **Worm Shaft**

**1981-1963**  
Seal ..... 474131  
Bearing ..... 8537[2]  
**1962-1961**  
Seal ..... 340495

### **CRANKSHAFT REAR SEAL**

#### **6 Cylinder**

**1987-1977**    231/3.8L  
Seal ..... 5591  
Seal PTFE H/D Opt. .... 5291  
**1976-1966**    250/4.1L  
Seal ..... 5092  
**1965-1964**    225/3.7L  
Seal ..... 5650

#### **8 Cylinder**

**1988-1980**    exc. 305 engine  
Seal Rope ..... 5095  
**1980**    305/5.0L  
Seal ..... 5092  
**1979**    350/5.7L (R)  
Seal ..... 5591  
Seal PTFE H/D Opt. .... 5291  
**1979-1978**    305/5.0L, 350/5.7L (L)  
Seal ..... 5092  
**1979-1972**    exc. 350/5.7L engine code (H),  
(J), & (R)  
Seal Rope ..... 5095  
**1977-1972**    350/5.7L engine code (H), (J), &  
(R)  
Seal ..... 5591  
Seal PTFE H/D Opt. .... 5291  
**1971-1963**    exc. 394/6.5  
Seal Rope ..... 5095  
**1964**    394/6.5L  
Seal ..... 5072  
**1963-1961**  
Seal ..... 5591  
Seal PTFE H/D Opt. .... 5291

### **TIMING COVER**

#### **6 Cylinder**

**1987-1986**    231/3.8L  
Seal Viton ..... 710162  
Kwik Slv (Opt Rpr) ..... KWK99193  
**1985-1982**    262/4.3L diesel  
Seal ..... 9845  
Kwik Slv (Opt Rpr) ..... KWK99176  
Harmonic Balancer  
Sleeves ..... 88176  
**1985-1977**    231/3.8L  
Seal ..... 710163  
**1976-1966**    250/4.1L  
Seal ..... 9845  
Kwik Slv (Opt Rpr) ..... KWK99176  
Harmonic Balancer  
Sleeves ..... 88176  
**1965-1964**    225/3.7L  
Seal ..... 3095  
Kwik Slv (Opt Rpr) ..... KWK99226

#### **8 Cylinder**

**1988-1980**    exc. 305 engine  
Seal ..... 472082  
Kwik Slv (Opt Rpr) ..... KWK99199  
Harmonic Balancer  
Sleeves ..... 88199  
**1980-1978**    305/5.0L, 350/5.7L  
Seal ..... 9845  
Kwik Slv (Opt Rpr) ..... KWK99176  
Harmonic Balancer  
Sleeves ..... 88176  
**1979-1972**    exc. 305/5.0, 350/5.7 (J) & (L)  
Seal ..... 472082  
Kwik Slv (Opt Rpr) ..... KWK99199  
Harmonic Balancer  
Sleeves ..... 88199  
**1972**    350/5.7L engine code (J)  
Seal ..... 710173  
Kwik Slv (Opt Rpr) ..... KWK99196  
**1971-1963**    330/5.4, 350/5.7, 400/6.6,  
425/7.0, 455/7.5  
Seal ..... 472082  
Kwik Slv (Opt Rpr) ..... KWK99199  
Harmonic Balancer  
Sleeves ..... 88199  
**1964**    394/6.5L  
Seal ..... 473231  
Kwik Slv (Opt Rpr) ..... KWK99162

**OLDSMOBILE - REAR DRIVE - Omega, Starfire**

**FRONT WHEEL**

<b>1980-1975</b>	Omega	
Seal (inner)	.....	8871[2]
Set (inner)	.....	SET6
Set (outer)	.....	SET3
<b>1980-1975</b>	Starfire	
Seal (inner)	.....	8705S[2]
Set (inner)	.....	SET6
Set (outer)	.....	SET1
<b>1974-1973</b>	Omega	
Seal (inner)	.....	8705S[2]
Set (inner)	.....	SET6
Set (outer)	.....	SET2

**REAR WHEEL**

<b>1980-1973</b>		
Seal	.....	8660S[2]
Cyl. Bearing	.....	5707[2]
Kit	.....	TRP1563TAV[2] <sup>19</sup>

**REAR AXLE**

**Differential Rebuild Kit**

<b>1979-1973</b>	8.5" ring gear	
Kit	.....	DRK321

**Differential**

<b>1980-1973</b>	7.5" ring gear	
Cone/Cup	.....	LM501349-LM501314[2]
<b>1980-1973</b>	8.5" ring gear	
Cone/Cup	.....	LM501349-LM501314[2]
<b>1977-1976</b>	6.5" ring gear: Starfire	
Cone/Cup	.....	LM48548-LM48511[2]

**Pinion**

<b>1980-1976</b>	Omega: 7.5" ring gear	
Cone/Cup (inner)	.....	HM89449-HM89410
Seal (outer)	.....	8610
Cone/Cup (outer)	.....	M86649-M86610
<b>1980-1976</b>	Starfire: 7.5" ring gear	
Cone/Cup (inner)	.....	HM88649-HM88610
Seal (outer)	.....	8610
Cone/Cup (outer)	.....	M86649-M86610
<b>1980-1973</b>	Omega: 8.5" ring gear	
Cone/Cup (inner)	.....	M802048-M802011
Seal (outer)	.....	2043
Cone/Cup (outer)	.....	M88048-M88010
<b>1977-1976</b>	Starfire: 6.5" ring gear	
Cone/Cup (inner)	.....	M88048-M88010
Seal (outer)	.....	8610
Cone/Cup (outer)	.....	M86649-M86610
<b>1975</b>	Starfire	
Cone/Cup (inner)	.....	HM88649-HM88610
Seal (outer)	.....	8611N
Cone/Cup (outer)	.....	M86649-M86610

**3-SPEED AUTOMATIC TRANSMISSION**

**Torque Converter**

<b>1980-1977</b>	THM200	
Seal	.....	3227
Kwik Slv (Opt Rpr)	.....	KWK99174
<b>1980-1973</b>	THM350, 350C	
Seal	.....	6712NA
Kwik Slv (Opt Rpr)	.....	KWK99187

**Rear Seal/Ext. Housing**

<b>1980-1973</b>		
Seal	.....	9613S
Kwik Slv (Opt Rpr)	.....	KWK99149
Seal Kit	.....	5200 <sup>64</sup>

**Selector Shaft Seal/Man. Shaft**

<b>1980-1973</b>		
Seal	.....	8792S

**CLUTCH**

**Pilot Bearing**

<b>1980-1973</b>	exc. 260/4.3	
Bushing	.....	PB656
Bushing H/D	.....	PB656HD
<b>1977-1975</b>	260/4.3	
Bearing	.....	7109

**CLUTCH - 4 CYLINDER**

**Release Bearing**

<b>1980-1976</b>		
Bearing Assy	.....	614018 <sup>42</sup>

**CLUTCH - 6 CYLINDER**

**Release Bearing**

<b>1980-1979</b>		
Bearing Assy	.....	614018 <sup>42</sup>
<b>1978-1975</b>	cone diaph	
Bearing Assy	.....	1377C
<b>1978-1973</b>	exc. cone diaph	
Bearing Assy	.....	614037 <sup>42</sup>

**CLUTCH - 8 CYLINDER**

**Release Bearing**

<b>1979-1977</b>	305/5.0L	
Bearing Assy	.....	614018 <sup>42</sup>
<b>1977-1975</b>	260/4.3	
Bearing Assy	.....	614037 <sup>42</sup>

**3-SPEED MANUAL TRANSMISSION**

**Transmission Rebuild Kit**

<b>1979-1973</b>	Saginaw	
Kit	.....	TRK301

[ ] Indicates Quantity Required; Set Components Listed Inside Rear Cover;

<sup>19</sup> Opt. Axle Repair Bearing. Replaces O.E. bearing & seal.  
Opt. Seal and Bushing Kit

<sup>42</sup> Sealed Self-Aligning Bearing

# Bearings and Seals

Mfg./Year    Model & Location    Part No    Mfg./Year    Model & Location    Part No

## **OLDSMOBILE - REAR DRIVE - Omega, Starfire (cont.)**

### **3-SPEED MANUAL TRANSMISSION**

#### **Front Input Shaft**

**1979-1973**    Saginaw  
 Seal ..... 7412S  
 Bearing ..... 207SLB  
 Kwik Slv (Opt Rpr) .....KWK99125

#### **Rear Output Shaft**

**1979-1973**    Saginaw  
 Seal ..... 9613S  
 Bearing ..... 306SLVB  
 Kwik Slv (Opt Rpr) .....KWK99149  
 Seal Kit ..... 5200<sup>64</sup>

#### **Selector Shaft Seal/Man. Shaft**

**1979-1973**    Saginaw  
 Seal ..... 240735  
 Kwik Slv (Opt Rpr) .....KWK99076

### **4-SPEED MANUAL TRANSMISSION**

#### **Input Shaft**

**1980-1975**    Saginaw  
 Seal ..... 7412S  
 Bearing ..... 207SLB  
 Kwik Slv (Opt Rpr) .....KWK99125

#### **Rear Output Shaft**

**1980-1975**    Saginaw  
 Seal ..... 9613S  
 Bearing ..... 306SLVB  
 Kwik Slv (Opt Rpr) .....KWK99149  
 Seal Kit ..... 5200<sup>64</sup>

#### **Selector Shaft Seal/Man. Shaft**

**1980-1975**    Saginaw  
 Seal ..... 240735  
 Kwik Slv (Opt Rpr) .....KWK99076

### **5-SPEED MANUAL TRANSMISSION**

#### **Front Input Shaft**

**1980-1975**  
 Seal ..... 251511  
 Kwik Slv (Opt Rpr) .....KWK99149

#### **Rear Output Shaft**

**1980-1975**  
 Seal ..... 9613S  
 Seal Kit ..... 5200<sup>64</sup>

### **POWER STEERING**

#### **Pitman Shaft**

**1980-1977**    605 Gear with round side cover  
 Seal ..... 710285  
**1980-1973**    800 Gear with 4 bolt side cover  
 Seal Kit ..... PSK1<sup>24</sup>

### **POWER STEERING**

#### **Pump Shaft**

**1980-1973**    Saginaw  
 Seal ..... 7013S

#### **Worm Shaft**

**1980-1973**  
 Seal ..... 222025

### **MANUAL STEERING**

#### **Pitman Shaft**

**1980-1973**  
 Seal ..... 313842

#### **Worm Shaft**

**1980-1973**  
 Seal ..... 474131  
 Bearing ..... 8537[2]

### **CRANKSHAFT REAR SEAL**

#### **4 Cylinder**

**1980-1978**  
 Seal ..... 3698

#### **6 Cylinder**

**1980-1975**    231/3.8L  
 Seal ..... 5591  
 Seal PTFE H/D Opt. .... 5291  
**1976-1973**    250/4.1L  
 Seal ..... 5092

#### **8 Cylinder**

**1979-1977**    305/5.0L  
 Seal ..... 5092  
**1979-1977**    350/5.7L engine code (L)  
 Seal ..... 5092  
**1977-1975**    260/4.3  
 Seal Rope ..... 5095  
**1977-1973**    350/5.7L engine code (H), (J), &  
 (R)  
 Seal ..... 5591  
 Seal PTFE H/D Opt. .... 5291

### **TIMING COVER**

#### **4 Cylinder**

**1980-1978**  
 Seal ..... 9845  
 Kwik Slv (Opt Rpr) .....KWK99176  
 Harmonic Balancer  
 Sleeves ..... 88176

#### **6 Cylinder**

**1980-1975**    231/3.8L  
 Seal ..... 710163

446 [ ] Indicates Quantity Required; Set Components Listed Inside Rear Cover;

<sup>24</sup> Opt. Kit incl. seals 5683 & 5684. Not sold separately    <sup>64</sup> Opt. Seal and Bushing Kit

**OLDSMOBILE - REAR DRIVE - Omega, Starfire (cont.)**

**TIMING COVER (cont.)**

**6 Cylinder (cont.)**

<b>1976-1973</b>	250/4.1L	
Seal .....		9845
Kwik Slv (Opt Rpr) .....		KWK99176
Harmonic Balancer		
Sleeves .....		88176

**8 Cylinder**

<b>1979-1977</b>	305/5.0L, 350/5.7L	
Seal .....		9845
Kwik Slv (Opt Rpr) .....		KWK99176
Harmonic Balancer		
Sleeves .....		88176

**TIMING COVER (cont.)**

**8 Cylinder (cont.)**

<b>1977-1975</b>	260/4.3	
Seal .....		472082
Kwik Slv (Opt Rpr) .....		KWK99199
Harmonic Balancer		
Sleeves .....		88199
<b>1976-1975</b>	350/5.7L	
Seal .....		710173
Kwik Slv (Opt Rpr) .....		KWK99196

**PACKARD - Caribbean, Cavalier, Clipper Series, Commodore, Convertible, Custom 8, Darrin, Eight, Executive, Hawk, Hearse, Limousine, Mayfair, Pacific, Panama, Patrician, Sport Convertible Coupe, Station Sedan, Super CI**

**FRONT WHEEL**

<b>1958-1957</b>	all	
Set (inner) .....		SET6
Set (outer) .....		SET2
<b>1956</b>	Clipper Series	
Set (inner) .....		SET6
Set (outer) .....		SET2
<b>1956-1955</b>	Caribbean, Patrician	
Cone/Cup (inner) .....		14130-14276[2]
Cone/Cup (outer) .....		12580-12520[2]
<b>1955-1954</b>	Clipper Series	
Cone/Cup (inner) .....		15123-15245[2]
Cone/Cup (outer) .....		09067-09195[2]
<b>1954</b>	Cavalier, Convertible, Pacific, Patrician	
Cone/Cup (inner) .....		14130-14276[2]
Cone/Cup (outer) .....		12580-12520[2]
<b>1953</b>	Clipper Series	
Cone/Cup (inner) .....		14130-14276[2]
Cone/Cup (outer) .....		12580-12520[2]
<b>1952-1951</b>	2400 & 2500 Series	
Cone/Cup (inner) .....		14130-14276[2]
Cone/Cup (outer) .....		12580-12520[2]
<b>1950-1942</b>	6 Clipper, 8 Clipper, 8 Deluxe Clipper, 2200, 2201, 2201	
Cone/Cup (inner) .....		14130-14276[2]
Cone/Cup (outer) .....		12580-12520[2]
<b>1950-1942</b>	2211, 2232, 2240, 2301, 2302, 2320, 2332, 2372	
Cone/Cup (inner) .....		14130-14276[2]
Cone/Cup (outer) .....		12580-12520[2]
<b>1941</b>	6, 110, 1900	
Cone/Cup (inner) .....		14130-14276[2]
Cone/Cup (outer) .....		09074-09195[2]

**REAR WHEEL**

<b>1958-1957</b>	all	
Cone/Cup .....		14132T-14276[2]
<b>1956</b>	Clipper Series	
Bearing .....		514003P[2]

**REAR WHEEL (cont.)**

<b>1956</b>	Patrician Series	
Bearing .....		514003P[2]
<b>1956</b>	Caribbean Series	
Bearing .....		514003P[2]
<b>1955-1954</b>	Clipper Series	
Cone/Cup .....		25877-25821[2]
<b>1952-1951</b>	2400 & 2500 Series	
Cone/Cup .....		25877-25821[2]
<b>1950-1942</b>	2232, 2240, 2301, 2302, 2320, 2332, 2372	
Cone/Cup .....		25877-25821[2]
<b>1941</b>	6, 110, 1900	
Cone/Cup .....		25877-25821[2]

**REAR AXLE**

**Differential**

<b>1958-1957</b>	Dana/Spicer 44 axle	
Cone/Cup .....		25577-25523[2]

**Pinion**

<b>1958-1957</b>	Dana/Spicer 44 axle	
Cone/Cup (inner) .....		31594-31520
Seal (outer) .....		5778
Cone/Cup (outer) .....		02872-02820

**CLUTCH**

**Release Bearing**

<b>1958-1957</b>		
Bearing Only .....		1752SC
<b>1950-1942</b>	6, 8 Clipper	
Bearing Only .....		1755C
<b>1950-1942</b>	Deluxe Clipper	
Bearing Only .....		1755C
<b>1941</b>		
Bearing Only .....		2065C

# Bearings and Seals

Mfg./Year    Model & Location    Part No    Mfg./Year    Model & Location    Part No

## PANHARD

### FRONT WHEEL

#### 1962-1954

Bearing (inner) ..... 207[2]  
 Bearing (outer) ..... 208[2]

### REAR WHEEL

#### 1962-1954

Bearing (inner) ..... 306TB[2]  
 Bearing (outer) ..... 208[2]

## PAYCAN

### FRONT WHEEL

#### 1989-1970

Set (inner) ..... SET4  
 Set (outer) ..... SET2

## PEUGEOT

### FRONT WHEEL

#### 1989 405

Bearing ..... 513073[2]

#### 1989-1980 505: exc. 2.8 engine

Seal (inner) ..... 224520[2]  
 Set (inner) ..... SET33  
 Bearing Assy (outer) ..... 32005X[2]

#### 1987-1977 604

Seal (inner) ..... 224520[2]  
 Set (inner) ..... SET33  
 Bearing Assy (outer) ..... 32005X[2]

#### 1982-1970 504

Seal (inner) ..... 224520[2]  
 Set (inner) ..... SET33  
 Bearing Assy (outer) ..... 32005X[2]

### REAR WHEEL

#### 1989 405: non-ABS brakes

Hub Assy ..... 512017[2]

#### 1989-1982 505 Sedan

Seal (inner) ..... 225460[2]  
 Bearing (inner) ..... 513151[2]  
 Seal (outer) ..... 557008XX[2]

#### 1984-1981 604

Seal (inner) ..... 225460[2]  
 Bearing (inner) ..... 513151[2]  
 Seal (outer) ..... 557008XX[2]

#### 1982-1970 504 Wagon exc. V6 engine

Seal ..... 1178S[2]  
 Bearing ..... 308WB[2]

#### 1982-1969 504 Sedan: solid axle

Seal (inner) ..... 225420[2]  
 Bearing (inner) ..... 511005[2]  
 Seal (outer) ..... 225500[2]

#### 1981 505 Sedan: production thru chassis #1214586

Seal (inner) ..... 225460[2]  
 Bearing (inner) ..... 511005[2]  
 Seal (outer) ..... 557008XX[2]

### REAR WHEEL (cont.)

#### 1981 505 Sedan: production from chassis #1214587 on

Seal (inner) ..... 225460[2]  
 Bearing (inner) ..... 513151[2]  
 Seal (outer) ..... 557008XX[2]

#### 1980 505 Sedan

Seal (inner) ..... 225420[2]  
 Bearing (inner) ..... 511005[2]  
 Seal (outer) ..... 557008XX[2]

#### 1980 604

Seal (inner) ..... 225420[2]  
 Bearing (inner) ..... 511005[2]  
 Seal (outer) ..... 557008XX[2]

#### 1979-1977 604

Seal (inner) ..... 225420[2]  
 Bearing (inner) ..... 510005[2]  
 Seal (outer) ..... 225500[2]

#### 1972-1971 304

Seal (inner) ..... 224010[2]  
 Bearing Assy (inner) ..... 30205M[2]  
 Bearing Assy (outer) ..... 30204M[2]

#### 1970-1964 404 Sedan

Seal ..... 224520[2]  
 Bearing ..... 207[2]

#### 1970-1964 404 Wagon

Bearing ..... 308WB[2]

#### 1967-1955 403 Sedan

Seal ..... 224520[2]  
 Bearing ..... 207[2]

#### 1967-1955 403 Wagon

Bearing ..... 308WB[2]

### REAR AXLE

#### Differential

#### 1989-1980 504, 505, 604

Set ..... SET37

**PEUGEOT (cont.)**

**REAR AXLE**

**Pinion**

<b>1988-1970</b>	504, 505, 604	
	Cone/Cup (inner) .....	HM89449-HM89410
	Seal (outer) .....	1012N
	Cone/Cup (outer) .....	M88048-M88010
<b>1975-1965</b>	404L, U6, U8, U10	
	Cone/Cup (inner) .....	HM89449-HM89410
	Seal (outer) .....	1012N
	Cone/Cup (outer) .....	M88048-M88010

**CLUTCH**

**Pilot Bearing**

<b>1989-1985</b>	4-cylinder: 2.5 turbo diesel	
	Bearing .....	103CC
<b>1989-1970</b>	4-cylinder: non-turbo: gas	
	Bushing .....	PB38
<b>1989-1970</b>	4-cylinder: turbo: gas	
	Bearing .....	103CC
<b>1989-1970</b>	4-cylinder: non-turbo: diesel	
	Bushing .....	PB38
<b>1989-1970</b>	4-cylinder: 2.2 turbo diesel	
	Bushing .....	PB38
<b>1988-1977</b>	6-cylinder	
	Bearing .....	203FF

**Release Bearing**

<b>1988-1980</b>	505: exc. turbo	
	Bearing Assy .....	614129
<b>1987-1977</b>	604	
	Bearing Assy .....	614129
<b>1982-1970</b>	504	
	Bearing Assy .....	614129
<b>1970-1968</b>	404/8	
	Bearing Assy .....	614129

**ALTERNATOR**

<b>1989-1982</b>	Motorola 70 amp	
	Bearing (drive end) .....	203FF
	Bearing (rear end) .....	200CC
<b>1985-1971</b>	Bosch	
	Bearing (drive end) .....	203FF
	Bearing (rear end) .....	201CC
<b>1985-1969</b>	Paris-Rhone 50 amp	
	Bearing (drive end) .....	203FF
	Bearing (rear end) .....	201CC
<b>1985-1969</b>	Paris-Rhone 70 amp	
	Bearing (drive end) .....	203FF
	Bearing (rear end) .....	201CC
<b>1985-1969</b>	Paris-Rhone 75 amp	
	Bearing (drive end) .....	203FF
	Bearing (rear end) .....	201CC
<b>1972-1969</b>	Marchal	
	Bearing (drive end) .....	203FF
	Bearing (rear end) .....	200CC

**GENERATOR**

<b>1967-1955</b>	Ducellier	
	Bearing .....	203AB[2]

**PLYMOUTH - FRONT DRIVE - Acclaim, Caravelle, Reliant, Sundance**

**FRONT WHEEL**

<b>1989-1984</b>	Reliant Caravelle Acclaim Sundance (5 stud hub)	
	Seal .....	5604[2] <sup>56</sup>
	Bearing .....	513006[2]
	Hub Assy .....	518502[2] <sup>62</sup>
<b>1989-1984</b>	Reliant Caravelle Acclaim Sundance (4 stud hub)	
	Seal .....	5604[2] <sup>56</sup>
	Bearing .....	513006[2]
	Hub Assy .....	518501[2] <sup>62</sup>
<b>1983-1980</b>		
	Seal .....	5604[2] <sup>56</sup>
	Bearing .....	B39[2]
	Hub Assy .....	518500[2] <sup>62</sup>

**REAR WHEEL**

<b>1989-1983</b>		
	Seal (inner) .....	4099[2]
	Set (inner) .....	SET46
	Set (outer) .....	SET16

**REAR WHEEL (cont.)**

<b>1982-1978</b>		
	Seal (inner) .....	3677[2]
	Set (inner) .....	SET4
	Set (outer) .....	SET2

**CLUTCH**

**Release Bearing**

<b>1989-1986</b>	4-cylinder	
	Bearing Assy .....	614066
<b>1985-1984</b>	4-cylinder: 1.6, 2.2, 2.2 turbo	
	Bearing Assy .....	614007
<b>1983-1981</b>	4-cylinder: A460 transaxle	
	Bearing Assy .....	614007
<b>1983-1978</b>	4-cylinder: A412 VW transaxle	
	Cyl. Bearing .....	6408

[ ] Indicates Quantity Required; Set Components Listed Inside Rear Cover;

<sup>56</sup> Opt. Kit incl: Seal 3948 & Sleeve

<sup>62</sup> Kit incl: Hub & Bearing, Seal, Mounting Bolts

# Bearings and Seals

Mfg./Year    Model & Location    Part No    Mfg./Year    Model & Location    Part No

## **PLYMOUTH - FRONT DRIVE - Acclaim, Caravelle, Reliant, Sundance (cont.)**

### **3-SPEED AUTOMATIC TRANSAXLE**

#### **Torque Converter**

**1989-1980**  
 Seal ..... 331228H  
 Kwik Slv (Opt Rpr) ..... KWK99149

#### **Transfer Shaft**

**1989-1980**    A404, A413, A470, A670, 31TH  
 Set ..... SET11[2]

#### **Output Shaft**

**1989-1980**    A404, A413, A470, A670  
 Set ..... SET17[2]

#### **Differential**

**1989-1980**    A404, A413, A470, A670, 31TH  
 Seal ..... 3459S[2]  
 Set ..... SET11[2]  
 Kwik Slv (Opt Rpr) ..... KWK99157[2]

#### **Selector Shaft Seal/Man. Shaft**

**1989-1980**    A404, A413, A470, A670, 31TH  
 Seal ..... 8609

### **4-SPEED AUTOMATIC TRANSAXLE**

#### **Differential**

**1989**    A604, 41TE  
 Seal ..... 3459S[2]  
 Set ..... SET11[2]  
 Kwik Slv (Opt Rpr) ..... KWK99157[2]

#### **Torque Converter**

**1989**    A604, 41TE  
 Seal ..... 331228H  
 Kwik Slv (Opt Rpr) ..... KWK99149

#### **Transfer Shaft**

**1989**    A604  
 Set ..... SET11[2]

#### **Output Shaft**

**1989**    A604  
 Set ..... SET17[2]

#### **Selector Shaft Seal/Man. Shaft**

**1989**    A604, 41TE  
 Seal ..... 8609

### **4-SPEED MANUAL TRANSAXLE**

#### **Differential**

**1986-1981**    A460  
 Seal ..... 3459S[2]  
 Set ..... SET11[2]  
 Kwik Slv (Opt Rpr) ..... KWK99157[2]  
**1983-1980**    A412  
 Cone/Cup ..... LM29749-LM29710[2]

#### **Input Shaft**

**1986-1981**    A460  
 Seal (front) ..... 3732S  
 Set (front) ..... SET4  
 Kwik Slv (Opt Rpr) ..... KWK99106  
 Set (rear) ..... SET5  
**1983-1980**    A412  
 Seal ..... 222240  
 Kwik Slv (Opt Rpr) ..... KWK99085

#### **Intermediate Shaft**

**1986-1981**    A460  
 Cyl. Bearing (front) ..... 5707

#### **Mainshaft**

**1983-1980**    A412  
 Set (RH) ..... SET8

#### **Output Shaft**

**1983-1980**    A412  
 Seal ..... 474288[2]  
 Kwik Slv (Opt Rpr) ..... KWK99146[2]

#### **Selector Shaft Seal/Man. Shaft**

**1986-1981**    A460  
 Seal ..... 3816  
**1983-1980**    A412  
 Seal ..... 221820

### **5-SPEED MANUAL TRANSAXLE**

#### **Differential**

**1989-1981**    A465, A520, A523, A525, A543,  
                   A555, A568  
 Seal ..... 3459S[2]  
 Set ..... SET11[2]  
 Kwik Slv (Opt Rpr) ..... KWK99157[2]

#### **Input Shaft**

**1989-1981**    A465, A520, A523, A525, A543,  
                   A555, A568  
 Seal (front) ..... 3732S  
 Set (front) ..... SET4  
 Kwik Slv (Opt Rpr) ..... KWK99106  
 Set (rear) ..... SET5

#### **Intermediate Shaft**

**1986-1981**    A465  
 Cyl. Bearing (front) ..... 5707

#### **Selector Shaft Seal/Man. Shaft**

**1989-1981**    A465, A520, A523, A525, A543,  
                   A555, A568  
 Seal ..... 3816

**PLYMOUTH - FRONT DRIVE - Acclaim, Caravelle, Reliant, Sundance (cont.)**

**CAMSHAFT SEAL**

**4 Cylinder**

<b>1989</b>	135/2.2L, 153/2.5L	
Seal	.....	3655S
Kwik Slv (Opt Rpr)	.....	KWK99139
<b>1988-1986</b>	153/2.5L	
Seal	.....	3655S
Kwik Slv (Opt Rpr)	.....	KWK99139

**6 Cylinder**

<b>1989</b>	181/3.0L	
Seal	.....	3771[2]
Kwik Slv (Opt Rpr)	.....	KWK99139[2]

**CRANKSHAFT REAR SEAL**

**4 Cylinder**

<b>1989-1981</b>	135/2.2L, 153/2.5L	
Seal Viton	.....	710056
Seal PTFE H/D	.....	5279

**CRANKSHAFT REAR SEAL**

**6 Cylinder**

<b>1989</b>	181/3.0L	
Seal Viton	.....	710056
Seal PTFE H/D	.....	5279

**TIMING COVER**

**4 Cylinder**

<b>1989</b>	135/2.2L, 153/2.5L	
Seal	.....	3638
Kwik Slv (Opt Rpr)	.....	KWK99112
<b>1988-1981</b>	135/2.2L, 153/2.5L	
Seal	.....	3655S
Kwik Slv (Opt Rpr)	.....	KWK99139

**6 Cylinder**

<b>1989</b>	181/3.0L	
Seal	.....	223750

**PLYMOUTH - FRONT DRIVE - Horizon, Scamp, TC3, Turismo**

**FRONT WHEEL**

<b>1989-1979</b>		
Seal	.....	5604[2] <sup>56</sup>
Bearing	.....	B39[2]
Hub Assy	.....	518500[2] <sup>62</sup>
<b>1978</b>	Horizon: early 1978: 2.835" OD bearing	
Bearing	.....	B34[2]
<b>1978</b>	Horizon: late 1978	
Seal	.....	5604[2] <sup>56</sup>
Bearing	.....	B39[2]
Hub Assy	.....	518500[2] <sup>62</sup>

**REAR WHEEL**

<b>1989-1983</b>		
Seal (inner)	.....	4099[2]
Set (inner)	.....	SET46
Set (outer)	.....	SET16
<b>1982-1978</b>		
Seal (inner)	.....	3677[2]
Set (inner)	.....	SET4
Set (outer)	.....	SET2

**CLUTCH**

**Pilot Bearing**

<b>1983-1978</b>	4-cylinder: 1.7 VW engines	
Bushing	.....	PB23

**Release Bearing**

<b>1989-1986</b>	4-cylinder	
Bearing Assy	.....	614066
<b>1985-1981</b>	4-cylinder: 1.6, 2.2, 2.2 turbo	
Bearing Assy	.....	614007
<b>1983-1981</b>	4-cylinder: A460 transaxle	
Bearing Assy	.....	614007

**CLUTCH (cont.)**

**Release Bearing (cont.)**

<b>1983-1978</b>	4-cylinder: A412 VW transaxle	
Cyl. Bearing	.....	6408

**3-SPEED AUTOMATIC TRANSAXLE**

**Torque Converter**

<b>1989-1978</b>		
Seal	.....	331228H
Kwik Slv (Opt Rpr)	.....	KWK99149

**Transfer Shaft**

<b>1989-1978</b>	A404, A413, A470, A670, 31TH	
Set	.....	SET11[2]

**Output Shaft**

<b>1989-1978</b>	A404, A413, A470, A670	
Set	.....	SET17[2]

**Differential**

<b>1989-1978</b>	A404, A413, A470, A670, 31TH	
Seal	.....	3459S[2]
Set	.....	SET11[2]
Kwik Slv (Opt Rpr)	.....	KWK99157[2]

**Selector Shaft Seal/Man. Shaft**

<b>1989-1978</b>	A404, A413, A470, A670, 31TH	
Seal	.....	8609

[ ] Indicates Quantity Required; Set Components Listed Inside Rear Cover;  
<sup>56</sup> Opt. Kit incl: Seal 3948 & Sleeve    <sup>62</sup> Kit incl: Hub & Bearing, Seal, Mounting Bolts



# Bearings and Seals

Mfg./Year    Model & Location    Part No    Mfg./Year    Model & Location    Part No

## PLYMOUTH - FRONT DRIVE - Horizon, Scamp, TC3, Turismo (cont.)

### 4-SPEED MANUAL TRANSAXLE

#### Differential

1983-1978    A412  
Cone/Cup ..... LM29749-LM29710[2]

#### Input Shaft

1983-1978    A412  
Seal ..... 222240  
Kwik Slv (Opt Rpr) ..... KWK99085

#### Output Shaft

1983-1978    A412  
Seal ..... 474288[2]  
Kwik Slv (Opt Rpr) ..... KWK99146[2]

#### Selector Shaft Seal/Man. Shaft

1983-1978    A412  
Seal ..... 221820

### 5-SPEED MANUAL TRANSAXLE

#### Differential

1989-1981  
Seal ..... 3459S[2]  
Set ..... SET11[2]  
Kwik Slv (Opt Rpr) ..... KWK99157[2]

#### Input Shaft

1989-1981  
Seal (front) ..... 3732S  
Set (front) ..... SET4  
Kwik Slv (Opt Rpr) ..... KWK99106  
Set (rear) ..... SET5

### 5-SPEED MANUAL TRANSAXLE

#### Selector Shaft Seal/Man. Shaft

1989-1981  
Seal ..... 3816

### CAMSHAFT SEAL

#### 4 Cylinder

1989-1981    135/2.2L  
Seal (front) ..... 3655S  
Kwik Slv (Opt Rpr) ..... KWK99139

### CRANKSHAFT REAR SEAL

#### 4 Cylinder

1989-1981    135/2.2L  
Seal Viton ..... 710056  
Seal PTFE H/D Opt. .... 5279

### TIMING COVER

#### 4 Cylinder

1989    135/2.2L  
Seal ..... 3638  
Kwik Slv (Opt Rpr) ..... KWK99112  
1988-1981    135/2.2L  
Seal ..... 3655S  
Kwik Slv (Opt Rpr) ..... KWK99139

## PLYMOUTH - REAR DRIVE - Barracuda, Duster, Valiant, Volare

### FRONT WHEEL

1980-1973    disc brakes  
Seal (inner) ..... 5121[2]  
Set (inner) ..... SET17  
Set (outer) ..... SET2  
1977-1973    drum brakes  
Seal (inner) ..... 6815[2]  
Set (inner) ..... SET17  
Set (outer) ..... SET2  
1972-1970    11" brakes  
Seal (inner) ..... 8121S[2]  
Set (inner) ..... SET6  
Set (outer) ..... SET2  
1972-1965    10" brakes  
Seal (inner) ..... 6840S[2]  
Set (inner) ..... SET6  
Set (outer) ..... SET2  
1972-1960    9" brakes  
Seal (inner) ..... 41257[2]  
Set (inner) ..... SET4  
Set (outer) ..... SET1

### REAR WHEEL

1980-1973    7.25" ring gear: 10" brakes  
Seal ..... 8660S[2]  
Bearing ..... RWC35YYR[2]  
1980-1973    8.25" ring gear  
Seal ..... 8835S[2]  
Cyl. Bearing ..... 6408[2]  
Kit ..... TRP1559TV[2]<sup>19</sup>  
1976-1973    7.25" ring gear: 9" brakes  
Seal ..... 5124[2]  
Bearing ..... RWF34R[2]  
1974-1972    6-cylinder Barracuda  
Seal (outer) ..... 8704S[2]  
Set (outer) ..... SET7  
Seal (inner) ..... 8695S[2]  
Acc. Pkg (RH) (kit) ..... A7RK<sup>46</sup>  
Acc. Pkg (LH) (kit) ..... A7LK<sup>46</sup>

452 [ ] Indicates Quantity Required; Set Components Listed Inside Rear Cover;

<sup>19</sup> Opt. Axle Repair Bearing. Replaces O.E. bearing & seal.    <sup>46</sup> Opt. Kit incl: Metal & Foam gskt, Retainer, 8695S, 8704S

**PLYMOUTH - REAR DRIVE - Barracuda, Duster, Valiant, Volare (cont.)**

**REAR WHEEL (cont.)**

<b>1974-1966</b>	8-cylinder exc. 426, 440 engine, 8.25" ring gear	
Seal (outer)	.....	8704S[2]
Seal (inner)	.....	8695S[2]
Acc. Pkg (LH) (kit)	.....	A7LK <sup>46</sup>
Acc. Pkg (RH) (kit)	.....	A7RK <sup>46</sup>
Set	.....	SET7[2]
<b>1972-1970</b>	6-cylinder exc. Barracuda	
Seal	.....	484058[2]
Bearing	.....	RWF34R[2]
<b>1972-1966</b>	8-cylinder 426, 440 engine	
Seal (outer)	.....	8704S[2]
Set	.....	SET7[2]
Seal (inner)	.....	8695S[2]
Acc. Pkg (RH)	.....	A7RK <sup>46</sup>
Acc. Pkg (LH)	.....	A7LK <sup>46</sup>
<b>1971-1970</b>	6-cylinder Barracuda	
Seal	.....	8660S[2]
Bearing	.....	RWC35YYR[2]
<b>1969-1966</b>	6-cylinder	
Seal	.....	484058[2]
Bearing	.....	RWF34R[2]
<b>1965-1963</b>		
Seal	.....	484058[2]
Bearing	.....	RWF34R[2]

**REAR AXLE**

**Differential Rebuild Kit**

<b>1974-1968</b>	8.75" ring gear: 1.875" pinion shaft	
Kit	.....	DRK301
<b>1972-1967</b>	Dana/Spicer 60 axle	
Kit	.....	DRK331
<b>1968-1965</b>	8.75" ring gear: 1.75" pinion shaft	
Kit	.....	DRK300

**Differential**

<b>1988-1975</b>	8.25" ring gear from early 1975	
Set	.....	SET36
<b>1980-1966</b>	7.25" ring gear	
Set	.....	SET45
<b>1975-1973</b>	8.25" ring gear to early 1975	
Set	.....	SET47
<b>1974-1969</b>	8.75" ring gear	
Cone/Cup	.....	LM104949-LM104912[2]
<b>1972-1968</b>	9.75" ring gear	
Cone/Cup	.....	387A-382S[2]
<b>1966-1960</b>		
Set	.....	SET45

**Pinion**

<b>1980-1973</b>	8.25" ring gear	
Cone/Cup (inner)	.....	M802048-M802011
Seal (outer)	.....	8516N
Cone/Cup (outer)	.....	M86649-M86610
<b>1980-1968</b>	7.25" ring gear	
Cone/Cup (inner)	.....	HM88649-HM88610
Seal (outer)	.....	8516N
Cone/Cup (outer)	.....	M86649-M86610

**REAR AXLE (cont.)**

**Pinion (cont.)**

<b>1974-1970</b>	8.75" ring gear: 1.375" shaft	
Cone/Cup (inner)	.....	HM89446-HM89410
Seal (outer)	.....	5126
Cone/Cup (outer)	.....	M88048-M88010
<b>1974-1970</b>	8.75" ring gear: 1.875" shaft	
Cone/Cup (inner)	.....	HM89446-HM89410
Seal (outer)	.....	5126
Cone/Cup (outer)	.....	M88048-M88010
<b>1974-1970</b>	8.75" ring gear: 1.3125" shaft	
Cone/Cup (inner)	.....	HM89446-HM89410
Seal (outer)	.....	5126
Cone/Cup (outer)	.....	M88048-M88010
<b>1972-1968</b>	9.75" ring gear	
Cone/Cup (inner)	.....	HM803146-HM803110
Seal (outer)	.....	6808N
Cone/Cup (outer)	.....	HM88542-HM88510
<b>1969-1966</b>	8.75" ring gear: 1.375" shaft	
Cone/Cup (inner)	.....	HM89446-HM89410
Seal (outer)	.....	8515N
Cone/Cup (outer)	.....	M88048-M88010
<b>1969-1966</b>	8.75" ring gear: 1.875" shaft	
Cone/Cup (inner)	.....	HM89446-HM89410
Seal (outer)	.....	8515N
Cone/Cup (outer)	.....	M88048-M88010
<b>1969-1966</b>	8.75" ring gear: 1.3125" shaft	
Cone/Cup (inner)	.....	HM89446-HM89410
Seal (outer)	.....	8515N
Cone/Cup (outer)	.....	M88048-M88010
<b>1965-1960</b>		
Cone/Cup (inner)	.....	HM88649-HM88610
Seal (outer)	.....	8516N
Cone/Cup (outer)	.....	M86649-M86610

**AUTOMATIC TRANSMISSION**

**Torque Converter**

<b>1961-1955</b>	Power-flite: 2-speed	
Seal	.....	6879H
Kwik Slv (Opt Rpr)	.....	KWK99212

**Rear Seal/Ext. Housing**

<b>1961</b>	Power-flite: 2-speed	
Seal	.....	8160S
Bearing	.....	2061
<b>1960-1955</b>	Power-flite: 2-speed	
Seal	.....	8160S
Bearing	.....	206WB

**Selector Shaft Seal/Man. Shaft**

<b>1961-1955</b>	Power-flite: 2-speed	
Seal	.....	470018
Kwik Slv (Opt Rpr)	.....	KWK99062

**3-SPEED AUTOMATIC TRANSMISSION**

**Torque Converter**

<b>1980-1966</b>	A727	
Seal	.....	331227H
Kwik Slv (Opt Rpr)	.....	KWK99187

[ ] Indicates Quantity Required; Set Components Listed Inside Rear Cover;

<sup>46</sup> Opt. Kit incl: Metal & Foam gskt, Retainer, 8695S, 8704S

# Bearings and Seals

Mfg./Year    Model & Location    Part No    Mfg./Year    Model & Location    Part No

## PLYMOUTH - REAR DRIVE - Barracuda, Duster, Valiant, Volare (cont.)

### 3-SPEED AUTOMATIC TRANSMISSION (cont.)

#### Torque Converter (cont.)

<b>1980-1965</b>	A904	
Seal	.....	331228H
Kwik Slv (Opt Rpr)	.....	KWK99149
<b>1964-1962</b>	A727	
Seal	.....	331227H
Kwik Slv (Opt Rpr)	.....	KWK99187
<b>1961-1960</b>	Torque-Flite	
Seal	.....	6879H
Kwik Slv (Opt Rpr)	.....	KWK99212

#### Rear Seal/Ext. Housing

<b>1980-1973</b>	A904	
Seal	.....	2506
Bearing	.....	206LOE <sup>38</sup>
<b>1980-1962</b>	A727: 1-pc driveshaft	
Seal	.....	7300S
Bearing	.....	207XLO
Seal Kit	.....	5206 <sup>64</sup>
<b>1979-1962</b>	A727: 2-pc driveshaft	
Seal	.....	8160S
Bearing	.....	2061
<b>1972-1965</b>	A904	
Seal	.....	8935S
Bearing	.....	206LOE <sup>38</sup>
<b>1961-1960</b>	Torque-Flite	
Seal	.....	330663
Bearing	.....	2061

#### Selector Shaft Seal/Man. Shaft

<b>1980-1965</b>	A904	
Seal	.....	8609

### CLUTCH

#### Release Bearing

<b>1978-1960</b>	exc. 426, 440 engines	
Bearing Assy	.....	614036
<b>1973-1967</b>	426, 440 engines: exc. 1967-1971: 426 engine with 11" clutch	
Bearing Only	.....	DP1625C
<b>1971-1966</b>	426 engine: 11" clutch	
Bearing Only	.....	PO1666C <sup>20</sup>

### 3-SPEED MANUAL TRANSMISSION

#### Front Input Shaft

<b>1980</b>	A230 New Process: 20-spline	
Seal	.....	9376
Bearing	.....	308LOE
<b>1980</b>	A230 New Process: 18-spline	
Seal	.....	9376
Bearing	.....	307LOI
<b>1979-1974</b>	A230 New Process	
Seal	.....	9376
Bearing	.....	1307L

### 3-SPEED MANUAL TRANSMISSION (cont.)

#### Front Input Shaft (cont.)

<b>1979-1966</b>	A745 New Process: 10-spline shaft	
Seal	.....	353135
Bearing	.....	307LI
Kwik Slv (Opt Rpr)	.....	KWK99125
<b>1976-1975</b>	Tremac	
Seal	.....	482208
Bearing	.....	208LO
Kwik Slv (Opt Rpr)	.....	KWK99112
<b>1974-1973</b>	A250 New Process	
Seal	.....	9376
Bearing	.....	N307LOE
<b>1973-1970</b>	A230 New Process	
Seal	.....	9376
Bearing	.....	307LI
<b>1971-1960</b>	A903 New Process	
Seal	.....	9376
Bearing	.....	1207L
<b>1969-1966</b>	A745 New Process: 23-spline shaft	
Seal	.....	9376
Bearing	.....	307LI
<b>1961-1960</b>	T85 Warner	
Seal	.....	353135
Bearing	.....	307L
Kwik Slv (Opt Rpr)	.....	KWK99125

#### Mainshaft Pilot

<b>1979-1961</b>	New Process A230, A745, A903	
Needle Bearing	.....	QBR23549[15]
<b>1976-1975</b>	Tremec 150T	
Needle Bearing	.....	QBR23549[15]
<b>1974-1973</b>	New Process A250	
Needle Bearing	.....	QBR23549[14]
<b>1961-1960</b>	Warner T85	
Needle Bearing	.....	W1518Q[14]

#### Countershaft

<b>1979-1966</b>	New Process A230, A745	
Needle Bearing	.....	Q8314[88]
<b>1976-1975</b>	Tremec 150T	
Needle Bearing	.....	C1086Q[50]
<b>1974-1973</b>	New Process A250	
Needle Bearing	.....	C407Q[88]
<b>1974-1961</b>	New Process A903	
Needle Bearing	.....	C1086Q[44]
<b>1961-1960</b>	Warner T85	
Needle Bearing	.....	S443Q[80]

#### Rear Output Shaft

<b>1980</b>	A230 New Process: 30-spline short shaft	
Seal	.....	7300S
Bearing	.....	308LOE
Seal Kit	.....	5206 <sup>64</sup>

454 [ ] Indicates Quantity Required; Set Components Listed Inside Rear Cover;

<sup>20</sup> Not currently in production; check for availability    <sup>38</sup> Use Old Snap Ring    <sup>64</sup> Opt. Seal and Bushing Kit

**PLYMOUTH - REAR DRIVE - Barracuda, Duster, Valiant, Volare (cont.)**

**3-SPEED MANUAL TRANSMISSION (cont.)**

**Rear Output Shaft (cont.)**

<b>1980</b>	A230 New Process: 26-spline long shaft	
Seal .....		2506
Bearing .....		307LOI
<b>1980</b>	A230 New Process: 23-spline	
Seal .....		8160S
Bearing .....		307LOI
<b>1979-1970</b>	A230 New Process: 30-spline short shaft	
Seal .....		7300S
Bearing .....		1307
Seal Kit .....		5206 <sup>64</sup>
<b>1979-1970</b>	A230 New Process: 23-spline	
Seal .....		8160S
Bearing .....		307L
<b>1976-1975</b>	Tremac	
Seal .....		7300S
Bearing .....		207L
Seal Kit .....		5206 <sup>64</sup>
<b>1974-1973</b>	A250 New Process: 30-spline shaft	
Seal .....		2506
Bearing .....		N207XE
<b>1974-1961</b>	A903 New Process	
Seal .....		8160S
Bearing .....		1207L
<b>1973</b>	A250 New Process: 26-spline shaft	
Seal .....		8935S
Bearing .....		N307LOE
Seal Kit .....		5207 <sup>64</sup>
<b>1969-1966</b>	A745 New Process: 26-spline shaft	
Seal .....		8935S
Bearing .....		1307
Seal Kit .....		5207 <sup>64</sup>
<b>1969-1966</b>	A745 New Process: 30-spline shaft	
Seal .....		7300S
Bearing .....		1307
Seal Kit .....		5206 <sup>64</sup>
<b>1969-1966</b>	A745 New Process: 23-spline shaft	
Seal .....		8160S
Bearing .....		2061
<b>1961-1960</b>	Warner	
Seal .....		8160S
Bearing .....		1307

**Reverse Idler**

<b>1979-1961</b>	New Process A230, A250, A745, A903	
Needle Bearing .....		C1086Q[22]

**3-SPEED MANUAL TRANSMISSION Selector Shaft Seal/Man. Shaft**

<b>1980-1961</b>		
Seal .....		7188S
Kwik Slv (Opt Rpr) .....		KWK99062

**4-SPEED MANUAL TRANSMISSION Input Shaft**

<b>1979-1974</b>	A833 New Process: 23-spline shaft	
Seal .....		9376
Bearing .....		308LOE
Kwik Slv (Opt Rpr) .....		KWK99118
<b>1973-1964</b>	A833 New Process: 18-spline shaft	
Seal .....		9487
Bearing .....		307L
Kwik Slv (Opt Rpr) .....		KWK99118

**Mainshaft Pilot**

<b>1978-1964</b>	New Process A833	
Needle Bearing .....		QBR23549[16]

**Rear Output Shaft**

<b>1978-1970</b>	A833 New Process: 26-spline shaft	
Seal .....		2506
Bearing .....		307L
<b>1976-1964</b>	A833 New Process: 30-spline shaft	
Seal .....		7300S
Bearing .....		308LOE
Seal Kit .....		5206 <sup>64</sup>
<b>1969-1966</b>	A833 New Process: 26-spline shaft	
Seal .....		2506
Bearing .....		1307
<b>1965-1964</b>	A833 New Process: 26-spline shaft	
Seal .....		2506
Bearing .....		307TB
<b>1965-1964</b>	A833 New Process: 23-spline shaft	
Seal .....		8160S
Bearing .....		2061

**CRANKSHAFT REAR SEAL**

**6 Cylinder**

<b>1980-1963</b>	225/3.7L	
Seal .....		5650
<b>1974-1960</b>	170/2.8, 198/3.2	
Seal .....		5576

**8 Cylinder**

<b>1980-1965</b>		
Seal .....		5414

[ ] Indicates Quantity Required; Set Components Listed Inside Rear Cover;  
<sup>64</sup> Opt. Seal and Bushing Kit

# Bearings and Seals

Mfg./Year    Model & Location    Part No    Mfg./Year    Model & Location    Part No

## PLYMOUTH - REAR DRIVE - Barracuda, Duster, Valiant, Volare (cont.)

### TIMING COVER

#### 6 Cylinder

**1980-1960**  
 Seal ..... 3095  
 Kwik Slv (Opt Rpr) .....KWK99226

### TIMING COVER

#### 8 Cylinder

**1980-1965**  
 Seal ..... 3103  
 Kwik Slv (Opt Rpr) .....KWK99218  
 Harmonic Balancer  
 Sleeves ..... 88218

## PLYMOUTH - REAR DRIVE - Belvedere, Caravelle, Fury, Gran Fury, GTX, Roadrunner, Satellite

### FRONT WHEEL

**1989-1980** Gran Fury  
 Seal (inner) ..... 5121[2]  
 Set (inner) .....SET17  
 Set (outer) .....SET2

**1978-1975** Fury  
 Seal (inner) ..... 5121[2]  
 Set (inner) .....SET17  
 Set (outer) .....SET2

**1978-1975** Gran Fury  
 Seal (inner) ..... 3087[2]  
 Set (inner) .....SET11  
 Set (outer) .....SET16

**1974** exc. Belvedere, Satellite  
 Seal (inner) ..... 3087[2]  
 Set (inner) .....SET11  
 Set (outer) .....SET16

**1974-1973** Belvedere, Satellite  
 Seal (inner) ..... 5121[2]  
 Set (inner) .....SET17  
 Set (outer) .....SET2

**1973** exc. Belvedere, Satellite  
 Seal (inner) ..... 5121[2]  
 Set (inner) .....SET17  
 Set (outer) .....SET16

**1972-1967** 10" brakes  
 Seal (inner) .....6840S[2]  
 Set (inner) .....SET6  
 Set (outer) .....SET2

**1972-1967** 11" brakes  
 Seal (inner) .....8121S[2]  
 Set (inner) .....SET6  
 Set (outer) .....SET2

**1966-1962**  
 Seal (inner) .....8121S[2]  
 Set (inner) .....SET6  
 Set (outer) .....SET2

**1961-1955**  
 Seal (inner) .....6840S[2]  
 Set (inner) .....SET6  
 Set (outer) .....SET2

### REAR WHEEL (cont.)

**1989-1970** 8.25" ring gear: straight roller bearing  
 Seal ..... 8835S[2]  
 Cyl. Bearing ..... 6408[2]  
 Kit .....TRP1559TV[2]<sup>19</sup>

**1983-1981** 7.25" ring gear: pressed-on bearing  
 Seal ..... 8835S[2]  
 Bearing .....RWC35YYR[2]

**1978-1973** 9.25" ring gear  
 Seal ..... 8835S[2]  
 Cyl. Bearing ..... 6408[2]  
 Kit .....TRP1559TV[2]<sup>19</sup>

**1974-1966** 8.75" ring gear  
 Seal (outer) ..... 8704S[2]  
 Set (outer) .....SET7  
 Seal (inner) .....8695S[2]  
 Acc. Pkg (LH) .....A7LK<sup>46</sup>  
 Acc. Pkg (RH) .....A7RK<sup>46</sup>

**1972-1966** 9.75" ring gear  
 Seal (outer) ..... 8704S[2]  
 Set (outer) .....SET7  
 Seal (inner) .....8695S[2]  
 Acc. Pkg (LH) .....A7LK<sup>46</sup>  
 Acc. Pkg (RH) .....A7RK<sup>46</sup>

**1971-1970** 8.25" ring gear: tapered bearing w/adjusters  
 Seal (inner) .....8695S[2]  
 Seal (outer) ..... 8704S[2]  
 Set (outer) .....SET7  
 Acc. Pkg (LH) .....A7LK<sup>46</sup>  
 Acc. Pkg (RH) .....A7RK<sup>46</sup>

**1971-1966** 7.25" ring gear  
 Seal (inner) .....9342S[2]  
 Bearing (inner) .....RWC35YYR[2]

**1970-1969** 8.25" ring gear: straight roller bearing  
 Seal ..... 8660S[2]  
 Cyl. Bearing ..... 5707[2]  
 Kit .....TRP1563TAV[2]<sup>19</sup>

**1968-1966** 9.25" ring gear  
 Seal (outer) ..... 8704S[2]  
 Set (outer) .....SET7  
 Seal (inner) .....8695S[2]  
 Acc. Pkg (LH) .....A7LK<sup>46</sup>  
 Acc. Pkg (RH) .....A7RK<sup>46</sup>

### REAR WHEEL

**1989-1982** 7.25" ring gear: straight roller bearing  
 Seal ..... 8835S[2]  
 Cyl. Bearing ..... 6408[2]  
 Kit .....TRP1559TV[2]<sup>19</sup>

456 [ ] Indicates Quantity Required; Set Components Listed Inside Rear Cover;

<sup>19</sup> Opt. Axle Repair Bearing. Replaces O.E. bearing & seal.    <sup>46</sup> Opt. Kit incl: Metal & Foam gskt, Retainer, 8695S, 8704S

**PLYMOUTH - REAR DRIVE - Belvedere, Caravelle, Fury, Gran Fury, GTX, Roadrunner, Satellite (cont.)**

**REAR WHEEL (cont.)**

<b>1965</b>		
Seal (outer)	.....	8704S[2]
Set (outer)	.....	SET7
Seal (inner)	.....	8695S[2]
Acc. Pkg (LH)	.....	A7LK <sup>46</sup>
Acc. Pkg (RH)	.....	A7RK <sup>46</sup>
<b>1964-1962</b>		
Seal (inner)	.....	450487[2]
Seal (outer)	.....	8133S[2]
Cone/Cup (outer)	.....	25877-25821[2]
<b>1961-1941</b>	exc. P12 7-Passenger	
Seal	.....	6241S[2]
Cone/Cup	.....	25877-25821[2]
<b>1941</b>	P12 7-Passenger	
Cone/Cup	.....	2780-2736[2]

**REAR AXLE**

**Differential Rebuild Kit**

<b>1974-1968</b>	8.75" ring gear: 1.875" pinion shaft	
Kit	.....	DRK301
<b>1972-1967</b>	Dana/Spicer 60 axle	
Kit	.....	DRK331
<b>1968-1954</b>	8.75" ring gear: 1.75" pinion shaft	
Kit	.....	DRK300

**Differential**

<b>1988-1975</b>	8.25" ring gear from early 1975	
Set	.....	SET36[2]
<b>1988-1968</b>	7.25" ring gear	
Set	.....	SET45[2]
<b>1978-1974</b>	9.25" ring gear	
Cone/Cup	.....	JLM704649-JLM704610[2]
<b>1975-1970</b>	8.25" ring gear to early 1975	
Set	.....	SET47[2]
<b>1974-1969</b>	8.75" ring gear	
Cone/Cup	.....	LM104949-LM104912[2]
<b>1972-1967</b>	9.75" ring gear	
Cone/Cup	.....	387A-382S[2]
<b>1969-1968</b>	8.25" ring gear	
Set	.....	SET45[2]
<b>1968-1967</b>	9.25" ring gear	
Cone/Cup	.....	25590-25520[2]
<b>1968-1965</b>	8.75" ring gear	
Cone/Cup	.....	25590-25520[2]
<b>1966-1958</b>	6-cylinder engine exc. Station Wagon and Taxi	
Cone/Cup	.....	25580-25520[2]
<b>1966-1958</b>	Station Wagon and Taxi: 6-cylinder engine	
Cone/Cup	.....	25590-25520[2]
<b>1966-1958</b>	8-cylinder engines	
Cone/Cup	.....	25590-25520[2]
<b>1962-1960</b>	Canadian models with Dual-Trac	
Cone/Cup	.....	HM803149-HM803110[2]
<b>1959-1951</b>	all	
Cone/Cup	.....	HM89446-HM89410[2]

**REAR AXLE**

**Pinion**

<b>1988-1966</b>	7.25" ring gear	
Cone/Cup (inner)	.....	HM88649-HM88610
Seal (outer)	.....	8516N
Cone/Cup (outer)	.....	M86649-M86610
<b>1988-1966</b>	8.25" ring gear	
Cone/Cup (inner)	.....	M802048-M802011
Seal (outer)	.....	8516N
Cone/Cup (outer)	.....	M86649-M86610
<b>1978-1973</b>	9.25" ring gear	
Cone/Cup (inner)	.....	M804049-M804010
Seal (outer)	.....	5126
Cone/Cup (outer)	.....	M88048-M88010
<b>1974-1973</b>	8.75" ring gear	
Cone/Cup (inner)	.....	M804049-M804010
Seal (outer)	.....	5126
Cone/Cup (outer)	.....	M88048-M88010
<b>1972-1967</b>	9.75" ring gear	
Cone/Cup (inner)	.....	HM803146-HM803110
Seal (outer)	.....	6808N
Cone/Cup (outer)	.....	HM88542-HM88510
<b>1972-1966</b>	8.75" ring gear: 1.375" shaft	
Cone/Cup (inner)	.....	HM89446-HM89410
Seal (outer)	.....	8515N
Cone/Cup (outer)	.....	M88048-M88010
<b>1972-1966</b>	8.75" ring gear: 1.75" shaft	
Cone/Cup (inner)	.....	HM803149-HM803110
Seal (outer)	.....	7216
Cone/Cup (outer)	.....	HM89443-HM89410
<b>1972-1966</b>	8.75" ring gear: 1.875" shaft	
Cone/Cup (inner)	.....	M804049-M804010
Seal (outer)	.....	8515N
Cone/Cup (outer)	.....	M88048-M88010
<b>1968-1967</b>	9.25" ring gear	
Cone/Cup (inner)	.....	3877-3820
Seal (outer)	.....	6808N
Cone/Cup (outer)	.....	HM88542-HM88510
<b>1965-1963</b>	1.375" axle shaft	
Cone/Cup (inner)	.....	HM89446-HM89410
Seal (outer)	.....	5126
Cone/Cup (outer)	.....	M88048-M88010
<b>1965-1963</b>	1.75" axle shaft	
Cone/Cup (inner)	.....	HM803149-HM803110
Seal (outer)	.....	7216
Cone/Cup (outer)	.....	HM89443-HM89410
<b>1962-1960</b>	all	
Cone/Cup (inner)	.....	HM89446-HM89410
Seal (outer)	.....	5126
Cone/Cup (outer)	.....	M88048-M88010
<b>1962-1960</b>	Canadian models exc. Dual Trac	
Cone/Cup (inner)	.....	HM89446-HM89410
Seal (outer)	.....	5126
Cone/Cup (outer)	.....	M88048-M88010
<b>1962-1960</b>	Canadian models with Dual Trac	
Cone/Cup (inner)	.....	HM803149-HM803110
Seal (outer)	.....	7216
Cone/Cup (outer)	.....	HM89443-HM89410

[ ] Indicates Quantity Required; Set Components Listed Inside Rear Cover;  
<sup>46</sup> Opt. Kit incl: Metal & Foam gskt, Retainer, 8695S, 8704S

# Bearings and Seals

Mfg./Year    Model & Location    Part No    Mfg./Year    Model & Location    Part No

## **PLYMOUTH - REAR DRIVE - Belvedere, Caravelle, Fury, Gran Fury, GTX, Roadrunner, Satellite (cont.)**

### **REAR AXLE (cont.)**

#### **Pinion (cont.)**

<b>1959</b>	Canadian models: early 1959
Cone/Cup (inner)	HM89446-HM89410
Seal (outer)	7216
Cone/Cup (outer)	HM89443-HM89410
<b>1959</b>	Canadian models: late 1959
Cone/Cup (inner)	HM89446-HM89410
Seal (outer)	5126
Cone/Cup (outer)	M88048-M88010
<b>1959-1958</b>	exc. 350 engine
Cone/Cup (inner)	HM89446-HM89410
Seal (outer)	5129
Cone/Cup (outer)	M88048-M88010
<b>1959-1958</b>	350 engine
Cone/Cup (inner)	HM89446-HM89410
Seal (outer)	7216
Cone/Cup (outer)	M88048-M88010
<b>1958</b>	Canadian models exc. Dual Trac
Cone/Cup (inner)	HM89446-HM89410
Cone/Cup (outer)	HM89443-HM89410
<b>1958</b>	Canadian models with Dual Trac: early 1958
Cone/Cup (inner)	HM89446-HM89410
Seal (outer)	5126
Cone/Cup (outer)	M88048-M88010
<b>1958</b>	Canadian models with Dual Trac: late 1958
Cone/Cup (inner)	HM89446-HM89410
Seal (outer)	7216
Cone/Cup (outer)	HM89443-HM89410
<b>1958-1957</b>	production from 6/1957 on
Cone/Cup (inner)	HM89446-HM89410
Seal (outer)	5126
Cone/Cup (outer)	M88048-M88010
<b>1957-1950</b>	production thru 6/1957
Cone/Cup (inner)	HM89446-HM89410
Cone/Cup (outer)	HM89443-HM89410

### **AUTOMATIC TRANSMISSION**

#### **Torque Converter**

<b>1961-1955</b>	Power-flite: 2-speed
Seal	6879H
Kwik Slv (Opt Rpr)	KWK99212

#### **Rear Seal/Ext. Housing**

<b>1961</b>	Power-flite: 2-speed
Seal	8160S
Bearing	2061
<b>1960-1955</b>	Power-flite: 2-speed
Seal	8160S
Bearing	206WB

#### **Selector Shaft Seal/Man. Shaft**

<b>1961-1955</b>	Power-flite: 2-speed
Seal	470018
Kwik Slv (Opt Rpr)	KWK99062

### **3-SPEED AUTOMATIC TRANSMISSION**

#### **Torque Converter**

<b>1989-1965</b>	A904, A999
Seal	331228H
Kwik Slv (Opt Rpr)	KWK99149
<b>1989-1962</b>	A727
Seal	331227H
Kwik Slv (Opt Rpr)	KWK99187
<b>1961-1957</b>	Torque-Flite
Seal	6879H
Kwik Slv (Opt Rpr)	KWK99212

#### **Rear Seal/Ext. Housing**

<b>1989-1973</b>	A904, A999
Seal	2506
Bearing	206LOE <sup>38</sup>
<b>1989-1962</b>	A727: 1-pc driveshaft
Seal	7300S
Bearing	207XLO
Seal Kit	5206 <sup>64</sup>
<b>1978-1962</b>	A727: 2-pc driveshaft
Seal	8160S
Bearing	2061
<b>1972-1965</b>	A904
Seal	8935S
Bearing	206LOE <sup>38</sup>
<b>1957-1960</b>	Torque-Flite
Seal	330663
Bearing	2061

#### **Clutch Cam**

<b>1979-1962</b>	A727
Needle Bearing	W585Q[12]

#### **Selector Shaft Seal/Man. Shaft**

<b>1989-1965</b>	A904
Seal	8609

### **CLUTCH**

#### **Release Bearing**

<b>1978-1974</b>	
Bearing Assy	614036
<b>1977-1968</b>	11" clutch: exc. 426, 440 engines
Bearing Assy	614036
<b>1973-1967</b>	11" clutch: 440 engine
Bearing Only	DP1625C
<b>1973-1965</b>	exc. 11" clutch
Bearing Assy	614036
<b>1972-1966</b>	11" clutch: 426 engine
Bearing Only	PO1666C <sup>20</sup>
<b>1970-1968</b>	11" clutch: 6-cylinder engines
Bearing Only	PA1505C
<b>1967-1966</b>	11" clutch: exc. 426, 440 engines
Bearing Only	PA1505C
<b>1965</b>	11" clutch
Bearing Only	PA1505C
<b>1964</b>	6-cylinder: exc. 11" clutch
Bearing Assy	614036

458 [ ] Indicates Quantity Required; Set Components Listed Inside Rear Cover;

<sup>20</sup> Not currently in production; check for availability    <sup>38</sup> Use Old Snap Ring    <sup>64</sup> Opt. Seal and Bushing Kit

**PLYMOUTH - REAR DRIVE - Belvedere, Caravelle, Fury, Gran Fury, GTX, Roadrunner, Satellite (cont.)**

**CLUTCH (cont.)**

**Release Bearing (cont.)**

<b>1964</b>	8-cylinder	
	Bearing Assy	614036
<b>1963-1962</b>		
	Bearing Assy	614036
<b>1961-1960</b>	6-cylinder	
	Bearing Only	D1505C
<b>1961-1960</b>	6-cylinder: 11" clutch	
	Bearing Only	PA1505C
<b>1956-1942</b>		
	Bearing Only	P1605C <sup>20</sup>

**3-SPEED MANUAL TRANSMISSION**

**Front Input Shaft**

<b>1978-1974</b>	A230 New Process	
	Seal	9376
	Bearing	1307L
<b>1973-1970</b>	A230 New Process	
	Seal	9376
	Bearing	307LI
<b>1972-1955</b>	A903 New Process	
	Seal	9376
	Bearing	1207L
<b>1969-1961</b>	A745 New Process: 10-spline shaft	
	Seal	353135
	Bearing	307LI
	Kwik Slv (Opt Rpr)	KWK99125
<b>1969-1961</b>	A745 New Process: 23-spline shaft	
	Seal	9376
	Bearing	307LI
<b>1962-1960</b>	T85 Warner	
	Seal	353135
	Bearing	307L
	Kwik Slv (Opt Rpr)	KWK99125

**Mainshaft Pilot**

<b>1978-1970</b>	New Process A230	
	Needle Bearing	QBR23549[15]
<b>1964-1957</b>	New Process A745, A903	
	Needle Bearing	QBR23549[15]
<b>1962-1960</b>	Warner T85	
	Needle Bearing	W1518Q[14]

**Countershaft**

<b>1978-1970</b>	New Process A230	
	Needle Bearing	Q8314[88]
<b>1964-1961</b>	New Process A745	
	Needle Bearing	Q8314[88]
<b>1963-1957</b>	New Process A903	
	Needle Bearing	C1086Q[44]
<b>1962-1960</b>	Warner T85	
	Needle Bearing	S443Q[80]

**3-SPEED MANUAL TRANSMISSION**

**Rear Output Shaft**

<b>1978-1970</b>	A230 New Process: 30-spline short shaft	
	Seal	7300S
	Bearing	1307
	Seal Kit	5206 <sup>64</sup>
<b>1978-1970</b>	A230 New Process: 23-spline	
	Seal	8160S
	Bearing	307L
<b>1972-1955</b>	A903 New Process	
	Seal	8160S
	Bearing	1207L
<b>1969-1966</b>	A745 New Process: 26-spline shaft	
	Seal	8935S
	Bearing	1307
	Seal Kit	5207 <sup>64</sup>
<b>1969-1961</b>	A745 New Process: 30-spline shaft	
	Seal	7300S
	Bearing	1307
	Seal Kit	5206 <sup>64</sup>
<b>1969-1961</b>	A745 New Process: 23-spline shaft	
	Seal	8160S
	Bearing	2061
<b>1962-1960</b>	Warner	
	Seal	8160S
	Bearing	1307

**Reverse Idler**

<b>1978-1970</b>	New Process A230	
	Needle Bearing	C1086Q[22]
<b>1964-1957</b>	New Process A745, A903	
	Needle Bearing	C1086Q[22]

**Selector Shaft Seal/Man. Shaft**

<b>1978-1955</b>		
	Seal	7188S
	Kwik Slv (Opt Rpr)	KWK99062

**4-SPEED MANUAL TRANSMISSION**

**Input Shaft**

<b>1974</b>	A833 New Process: 23-spline shaft	
	Seal	9376
	Bearing	308LOE
	Kwik Slv (Opt Rpr)	KWK99106
<b>1973-1964</b>	A833 New Process: 18-spline shaft	
	Seal	9487
	Bearing	307L
	Kwik Slv (Opt Rpr)	KWK99118
<b>1963</b>	Warner T10	
	Seal	9376
	Bearing	307LI

[ ] Indicates Quantity Required; Set Components Listed Inside Rear Cover;

<sup>20</sup> Not currently in production; check for availability    <sup>64</sup> Opt. Seal and Bushing Kit



# Bearings and Seals

Mfg./Year    Model & Location    Part No    Mfg./Year    Model & Location    Part No

## **PLYMOUTH - REAR DRIVE - Belvedere, Caravelle, Fury, Gran Fury, GTX, Roadrunner, Satellite (cont.)**

### **4-SPEED MANUAL TRANSMISSION**

#### **Mainshaft Pilot**

<b>1974-1964</b>	New Process A833	
	Needle Bearing .....	QBR23549[16]
<b>1963</b>	Warner T10	
	Needle Bearing .....	QA19792[14]

#### **Countershaft**

<b>1963</b>	Warner T10	
	Needle Bearing .....	S443Q[80]

#### **Rear Output Shaft**

<b>1974-1970</b>	A833 New Process: 26-spline shaft	
	Seal .....	2506
	Bearing .....	307L
<b>1974-1964</b>	A833 New Process: 30-spline shaft	
	Seal .....	7300S
	Bearing .....	308LOE
	Seal Kit .....	5206 <sup>64</sup>
<b>1969-1966</b>	A833 New Process: 26-spline shaft	
	Seal .....	2506
	Bearing .....	1307
<b>1965-1964</b>	A833 New Process: 26-spline shaft	
	Seal .....	2506
	Bearing .....	307TB
<b>1965-1964</b>	A833 New Process: 23-spline shaft	
	Seal .....	8160S
	Bearing .....	2061
<b>1963</b>	Warner T10	
	Seal .....	8160S
	Bearing .....	307LI

### **CRANKSHAFT REAR SEAL**

#### **6 Cylinder**

<b>1989-1960</b>	225/3.7L	
	Seal .....	5650
<b>1959-1958</b>	230/3.8L	
	Seal .....	5576

#### **8 Cylinder**

<b>1989-1979</b>	318/5.2L	
	Seal .....	5414
<b>1978-1969</b>	383/6.3, 426/7.0, 440/7.2, 400/6.6	
	Seal .....	5576
<b>1978-1955</b>	273/4.5, 227/4.5, 318/5.2, 340/5.6, 360/5.9	
	Seal .....	5414

### **TIMING COVER**

#### **6 Cylinder**

<b>1989-1960</b>	225/3.7L	
	Seal .....	3095
	Kwik Slv (Opt Rpr) .....	KWK99226
<b>1959-1958</b>	230/3.8L	
	Seal .....	6636S
	Kwik Slv (Opt Rpr) .....	KWK99218
	Harmonic Balancer	
	Sleeves .....	88218

#### **8 Cylinder**

<b>1989-1955</b>		
	Seal .....	3103
	Kwik Slv (Opt Rpr) .....	KWK99218
	Harmonic Balancer	
	Sleeves .....	88218

## **PLYMOUTH IMPORT - see also MITSUBISHI - Arrow, Champ, Colt, Conquest, Cricket, Lancer, Laser, Sapporo**

### **FRONT WHEEL**

<b>1989-1985</b>	Colt	
	Seal .....	229522[2]
	Set .....	SET41[2]
<b>1989-1985</b>	Colt Vista AWD	
	Seal (inner) .....	225082[2]
	Bearing (inner) .....	513036[2]
	Seal (outer) .....	225230[2]
<b>1989-1984</b>	Colt Vista	
	Seal .....	229522[2]
	Set .....	SET41[2]
<b>1986-1984</b>	Conquest	
	Seal (inner) .....	494122[2]
	Set (inner) .....	SET6
	Set (outer) .....	SET2

### **FRONT WHEEL (cont.)**

<b>1985-1979</b>	Champ	
	Seal .....	229522[2]
	Cone/Cup .....	LM29748-LM29710[2]
<b>1984</b>	Colt exc. turbo	
	Seal .....	229522[2]
	Cone/Cup .....	LM29748-LM29710[2]
<b>1984</b>	Colt Turbo	
	Seal .....	229522[2]
	Set .....	SET41[2]
<b>1984-1978</b>	Sapporo	
	Seal (inner) .....	494122[2]
	Set (inner) .....	SET6
	Set (outer) .....	SET2
<b>1982-1979</b>	Arrow Pickup	
	Seal (inner) .....	225010[2]
	Set (inner) .....	SET5
	Set (outer) .....	SET3

**460** [ ] Indicates Quantity Required; Set Components Listed Inside Rear Cover;

<sup>64</sup> Opt. Seal and Bushing Kit

**PLYMOUTH IMPORT - see also MITSUBISHI - Arrow, Champ, Colt, Conquest, Cricket, Lancer, Laser, Sapporo (cont.)**

**FRONT WHEEL (cont.)**

<b>1980-1978</b>	Lancer (station wagon)	
Seal (inner)	.....	494122[2]
Set (inner)	.....	SET6
Set (outer)	.....	SET2
<b>1980-1978</b>	Lancer (sedan)	
Seal (inner)	.....	1196[2]
Set (inner)	.....	SET4
Set (outer)	.....	SET1
<b>1973-1971</b>	Cricket	
Seal (inner)	.....	1198[2]
Set (inner)	.....	SET4
Set (outer)	.....	SET2

**REAR WHEEL**

<b>1989-1985</b>	Colt Vista	
Seal (inner)	.....	1196[2]
Set (inner)	.....	SET4
Set (outer)	.....	SET1
<b>1989-1985</b>	Colt Vista AWD	
Seal (inner)	.....	710152[2]
Bearing (inner)	.....	511014[2]
Bearing (outer)	.....	511015[2]
<b>1989</b>	Colt: disc brakes; 2dr	
Seal (inner)	.....	1205N[2]
Bearing Assy	.....	516000[2]
<b>1989</b>	Colt: drum brakes; 2dr	
Seal (inner)	.....	1205N[2]
Bearing Assy	.....	516001[2]
<b>1989</b>	Colt 4dr	
Seal (inner)	.....	1205N[2]
Bearing Assy	.....	513029[2]
<b>1989</b>	Colt Wagon: AWD	
Seal (inner)	.....	1955[2]
<b>1988</b>	Colt	
Seal (inner)	.....	1205N[2]
Bearing Assy	.....	513029[2]
<b>1987-1985</b>	Colt	
Seal (inner)	.....	710338[2]
Bearing Assy	.....	513029[2]
<b>1986-1984</b>	Conquest	
Seal (inner)	.....	224100[2]
Bearing (inner)	.....	206F[2]
Bearing (outer)	.....	207F[2]
<b>1985-1979</b>	Champ	
Seal (inner)	.....	1196[2]
Set (inner)	.....	SET4
Set (outer)	.....	SET1
<b>1984-1978</b>	Sapporo	
Bearing	.....	RW128R[2]
<b>1982-1979</b>	Arrow Pickup	
Seal (inner)	.....	4989[2]
Bearing Assy (inner)	.....	30208M[2]
Seal (outer)	.....	225110[2]
<b>1980-1976</b>	Arrow	
Seal	.....	1955[2]
Bearing	.....	RW128R[2]
<b>1980-1971</b>	Colt: rear drive	
Bearing	.....	RW128R[2]
<b>1973-1971</b>	Cricket	
Bearing	.....	RW109R[2]

**REAR AXLE**

**Differential**

<b>1989-1985</b>	Colt Series: AWD	
Seal	.....	710396[2]
Bearing Assy	.....	30207M[2]
Kwik Slv (Opt Rpr)	.....	KWK99139[2]
<b>1989-1985</b>	Laser: AWD	
Seal	.....	710396[2]
Bearing Assy	.....	30207M[2]
Kwik Slv (Opt Rpr)	.....	KWK99139[2]
<b>1986-1984</b>	Conquest 2.6 turbo, Intercooled turbo	
Seal	.....	710335[2]
Cone/Cup	.....	17887-17831[2]
Kwik Slv (Opt Rpr)	.....	KWK99139[2]
<b>1983-1978</b>	Arrow: 2600 engine	
Bearing	.....	207[2]
<b>1983-1978</b>	Sapporo: 2600 engine	
Bearing	.....	207[2]
<b>1980-1974</b>	Arrow: 1600, 2000 engines	
Bearing Assy	.....	30207M[2]

**Pinion**

<b>1983-1978</b>	Arrow: 2600 engine	
Cone/Cup (inner)	.....	HM89449-HM89410
Seal (outer)	.....	224255
Cone/Cup (outer)	.....	M86649-M86610
Kwik Slv (Opt Rpr)	.....	KWK99169
<b>1983-1978</b>	Sapporo: 2600 engine	
Cone/Cup (inner)	.....	HM89449-HM89410
Seal (outer)	.....	224255
Cone/Cup (outer)	.....	M86649-M86610
Kwik Slv (Opt Rpr)	.....	KWK99169
<b>1982-1979</b>	Arrow Pickup	
Cone/Cup (inner)	.....	HM89449-HM89410
Seal (outer)	.....	224570
Cone/Cup (outer)	.....	M88043-M88010
<b>1980-1978</b>	Sapporo: 1600, 2000 engines	
Bearing Assy (inner)	.....	32207M
Seal (outer)	.....	471847N
Bearing Assy (outer)	.....	30305M
Kwik Slv (Opt Rpr)	.....	KWK99139
<b>1980-1974</b>	Arrow: 1600, 2000 engines	
Bearing Assy (inner)	.....	32207M
Seal (outer)	.....	471847N
Bearing Assy (outer)	.....	30305M
Kwik Slv (Opt Rpr)	.....	KWK99139
<b>1973-1971</b>	Cricket	
Cone/Cup (inner)	.....	M88048-M88010
Seal (outer)	.....	470380
Set (outer)	.....	SET5

**3-SPEED AUTOMATIC TRANSMISSION**

**Torque Converter**

<b>1982-1980</b>	A94	
Seal	.....	331228H
Kwik Slv (Opt Rpr)	.....	KWK99149
<b>1979-1976</b>	A904	
Seal	.....	331228H
Kwik Slv (Opt Rpr)	.....	KWK99149

# Bearings and Seals

Mfg./Year    Model & Location    Part No    Mfg./Year    Model & Location    Part No

**PLYMOUTH IMPORT - see also MITSUBISHI - Arrow, Champ, Colt, Conquest, Cricket, Lancer, Laser, Sapporo (cont.)**

## 3-SPEED AUTOMATIC TRANSMISSION (cont.)

### Torque Converter (cont.)

1973-1971 Borg Warner  
Seal ..... 480479H  
Kwik Slv (Opt Rpr) ..... KWK99168

### Rear Seal/Ext. Housing

1982-1980 A94  
Seal ..... 2506  
1979-1976 A904  
Seal ..... 2506  
Bearing ..... 206LOE<sup>38</sup>  
1973-1971 Borg Warner  
Seal ..... 1097N

### Selector Shaft Seal/Man. Shaft

1982-1980 A94  
Seal ..... 8609  
1979-1976 A904  
Seal ..... 8609  
1973-1971 Borg Warner  
Seal ..... 31189

## 4-SPEED AUTOMATIC TRANSMISSION

### Torque Converter

1986-1984  
Seal Viton ..... 2025  
Kwik Slv (Opt Rpr) ..... KWK99166

### Rear Seal/Ext. Housing

1986-1984  
Seal ..... 223801

## CLUTCH

### Release Bearing

1989-1983 Colt  
Bearing Assy ..... 614126  
1989-1984 Colt Vista  
Bearing Assy ..... 614126  
1988-1985 Conquest Intercooled turbo  
Bearing Assy ..... 614053  
1988-1984 Conquest: exc. Intercooled  
Bearing Assy ..... 614016  
1985-1979 Champ  
Bearing Assy ..... 614126  
1983-1978 Sapporo 2000, 2600  
Bearing Assy ..... 614016  
1982-1979 Arrow Pickup  
Bearing Assy ..... 614016  
1982-1968 Colt  
Bearing Only ..... 01496  
Bearing Assy ..... 614001  
1980-1976 Arrow 1600  
Bearing Only ..... 01496  
Bearing Assy ..... 614001  
1980-1976 Arrow 2000, 2600  
Bearing Assy ..... 614016

## CLUTCH (cont.)

### Release Bearing (cont.)

1979-1978 Sapporo 1600  
Bearing Only ..... 01496  
Bearing Assy ..... 614001  
1973-1971 Cricket  
Bearing Only ..... 01496  
Bearing Assy ..... 614001

## 4-SPEED MANUAL TRANSMISSION

### Input Shaft

1980-1976  
Seal Viton ..... 712007  
Bearing ..... 307L  
Kwik Slv (Opt Rpr) ..... KWK99098

### Rear Output Shaft

1980-1976  
Seal ..... 223240  
Bearing ..... 306L

## 5-SPEED MANUAL TRANSMISSION

### Front Input Shaft

1986-1985 KM132G  
Seal ..... 223014  
Bearing ..... 307L  
Kwik Slv (Opt Rpr) ..... KWK99114  
1986-1976 KM132, KM132-B  
Seal ..... 223014  
Bearing ..... 207L  
Kwik Slv (Opt Rpr) ..... KWK99114  
1983-1976 KM119  
Seal Viton ..... 712007  
Bearing ..... 208L  
Kwik Slv (Opt Rpr) ..... KWK99098

### Countershaft

1986-1985 KM132G  
Bearing Assy ..... 30205M[2]  
1983-1976 KM119  
Bearing (center) ..... 5205KLE  
Bearing (rear) ..... 304WB

### Rear Output Shaft

1986-1984 KM132B, KM132G  
Seal ..... 223608  
Bearing ..... 511014  
1983-1980 KM132  
Seal ..... 223608  
Bearing ..... RW122  
1983-1976 KM119  
Seal ..... 223240  
Bearing ..... 205BB

**PLYMOUTH IMPORT - see also MITSUBISHI - Arrow, Champ, Colt, Conquest, Cricket, Lancer, Laser, Sapporo (cont.)**

**5-SPEED MANUAL TRANSMISSION**

**Selector Shaft Seal/Man. Shaft**

**1986-1976**  
Seal ..... 710222

**3-SPEED AUTOMATIC TRANSAXLE**

**Torque Converter**

**1989-1979**  
Seal ..... 320583  
Kwik Slv (Opt Rpr) .....KWK99157

**Output Shaft**

**1989-1979**  
Seal ..... 223543[2]  
Kwik Slv (Opt Rpr) .....KWK99139[2]

**Differential**

**1989-1980**    exc. KM172-0, KM172-5  
Bearing ..... 207[2]  
**1989-1984**    KM172-0, KM172-5  
Bearing Assy ..... 30207M[2]  
**1979**    KM170-0  
Bearing ..... 207[2]

**4-SPEED MANUAL TRANSAXLE**

**Differential**

**1989**    F4M21-1  
Bearing ..... 207[2]  
**1989-1987**    KM200-0  
Bearing Assy ..... 30207M[2]  
**1986-1979**    KM160-2, KM161-0  
Bearing ..... 207[2]

**Input Shaft**

**1989-1987**    F4M21-1, KM200-0  
Seal Viton ..... 712007  
Kwik Slv (Opt Rpr) .....KWK99098  
**1986-1979**    KM160-2, KM161-0  
Seal Viton ..... 712007  
Bearing ..... 304WB  
Kwik Slv (Opt Rpr) .....KWK99098

**Intermediate Shaft**

**1986-1985**    KM161-0  
Bearing ..... 32004WB  
**1984-1980**    KM160-2  
Bearing Assy ..... 30304

**Countershaft**

**1989-1987**    KM200-0  
Bearing (front) .....RW122  
Bearing (rear) ..... 108A  
**1986-1985**    KM161-0  
Bearing ..... 32004WB[2]  
**1984-1980**    KM160-2  
Bearing Assy ..... 30304[2]

**Mainshaft**

**1989-1987**    KM200-0  
Bearing (rear) ..... 108A

**Output Shaft**

**1989-1987**    F4M21-1, KM200-0  
Seal ..... 223543[2]  
Bearing Assy ..... 30206M[2]  
Kwik Slv (Opt Rpr) .....KWK99139[2]  
**1986-1979**    KM160-2, KM161-0  
Seal ..... 223543[2]  
Bearing Assy ..... 30304[2]  
Kwik Slv (Opt Rpr) .....KWK99139[2]

**Selector Shaft Seal/Man. Shaft**

**1989-1979**    KM160-2  
Seal ..... 710222

**5-SPEED MANUAL TRANSAXLE**

**Differential**

**1989-1985**    KM182-2, F5M22-2, KM182-0,  
KM206-0, KM221-1  
Bearing Assy ..... 30207M[2]  
**1989-1980**    F5M21-1, F5M21-2, W5M31-2,  
W5M33-2, KM162-0, KM162-0,  
KM163-0, KM201-0  
Bearing ..... 207[2]  
**1979**    KM162-0  
Bearing ..... 207[2]

**Input Shaft**

**1989-1985**    KM182-2, KM182-0, KM221-1  
Seal Viton ..... 712007  
Bearing (center) ..... 304WB  
Bearing Assy (rear) .....30304  
Kwik Slv (Opt Rpr) .....KWK99098  
**1989-1987**    KM201-0, KM206-0  
Seal Viton ..... 712007  
Bearing (center) ..... 304WB  
Bearing (rear) ..... 108A  
Kwik Slv (Opt Rpr) .....KWK99098  
**1987-1979**    KM162-0, KM163-0  
Seal Viton ..... 712007  
Bearing ..... 304WB  
Kwik Slv (Opt Rpr) .....KWK99098

**Countershaft**

**1989-1985**    KM182-0, KM182-2, KM221-1  
Bearing Assy ..... 30304[2]  
**1989-1987**    KM201-0, KM206-0  
Bearing (front) .....RW122  
Bearing (rear) ..... 108A  
**1987-1980**    KM162-0, KM163-0  
Bearing Assy (front) .....32205  
Bearing Assy (rear) .....30304

# Bearings and Seals

Mfg./Year    Model & Location    Part No    Mfg./Year    Model & Location    Part No

## **PLYMOUTH IMPORT - see also MITSUBISHI - Arrow, Champ, Colt, Conquest, Cricket, Lancer, Laser, Sapporo (cont.)**

### **5-SPEED MANUAL TRANSAXLE**

#### **Intermediate Shaft**

**1987-1980**    KM162-0, KM163-0  
 Bearing Assy ..... 30304

#### **Output Shaft**

**1989-1987**    F5M21-1, F5M21-2, F5M22-2,  
 KM201-0, KM206-0  
 Seal ..... 223543[2]  
 Bearing Assy ..... 30206M[2]  
 Kwik Slv (Opt Rpr) ..... KWK99139[2]  
**1989-1980**    KM182-2, KM162-0, KM163-0,  
 KM221-1, F5M31-2, F5M33-2,  
 Seal ..... 223543[2]  
 Kwik Slv (Opt Rpr) ..... KWK99139[2]  
**1979**    KM162-0  
 Seal ..... 223543[2]  
 Bearing Assy ..... 30304[2]  
 Kwik Slv (Opt Rpr) ..... KWK99139[2]

#### **Selector Shaft Seal/Man. Shaft**

**1989-1979**    KM162-0  
 Seal ..... 710222

#### **Extension Housing**

**1989-1985**    KM182-0, KM182-2, KM221-1  
 Seal ..... 223240  
 Bearing Assy ..... 30206M[2]  
 Kwik Slv (Opt Rpr) ..... KWK99128

### **DRIVESHAFT SUPPORT**

**1989-1985**    Colt Vista 4x4  
 Hanger Bearing Assy ..... HB25

### **CAMSHAFT SEAL**

#### **4 Cylinder**

**1989-1979**    1410cc/1.4L, 1468cc/1.5L,  
 1597cc/1.6L, 1755cc/1.8L,  
 1834cc/1.8L, 1997cc/2.0L,  
 2351cc/2.4L  
 Seal ..... 3771  
 Kwik Slv (Opt Rpr) ..... KWK99139

### **CRANKSHAFT FRONT SEAL**

#### **4 Cylinder**

**1989-1984**    1595cc/1.6L (DOHC),  
 1834cc/1.8L, 1997cc/2.0L  
 (DOHC), 2351cc/2.4L  
 Seal Viton ..... 228005  
 Kwik Slv (Opt Rpr) ..... KWK99315  
**1989-1980**    1410cc/1.4L, 1468cc/1.5L,  
 1597cc/1.6L, 1755cc/1.8L  
 Seal ..... 227235

### **TIMING COVER**

#### **4 Cylinder**

**1989-1985**    1468cc/1.5L  
 Seal ..... 223018  
 Kwik Slv (Opt Rpr) ..... KWK99114  
**1989-1980**    1595cc/1.6L (DOHC),  
 1597cc/1.6L, 1755cc/1.8L,  
 1997cc/2.0L, 2351cc/2.4L  
 Seal ..... 224460  
**1984-1979**    1410cc/1.4L  
 Seal ..... 712001  
 Kwik Slv (Opt Rpr) ..... KWK99114

## **PLYMOUTH TRUCK - MINIVAN, AWD MINIVAN - Voyager**

### **FRONT WHEEL**

**1989**    15" wheels  
 Hub Assy ..... 513074[2]<sup>44</sup>  
**1989-1988**    14" wheels (4 stud)  
 Seal ..... 5604[2]<sup>56</sup>  
 Bearing ..... 513006[2]  
 Hub Assy ..... 518501[2]<sup>62</sup>  
**1989-1988**    14" wheels (5 stud)  
 Seal ..... 5604[2]<sup>56</sup>  
 Bearing ..... 513006[2]  
 Hub Assy ..... 518502[2]<sup>62</sup>  
**1988**    15" wheels  
 Hub Assy ..... HA590197[2]<sup>45</sup>  
**1987-1984**    (4 stud)  
 Seal ..... 5604[2]<sup>56</sup>  
 Bearing ..... 513006[2]  
 Hub Assy ..... 518501[2]<sup>62</sup>  
**1987-1984**    (5 stud)  
 Seal ..... 5604[2]<sup>56</sup>  
 Bearing ..... 513006[2]  
 Hub Assy ..... 518502[2]<sup>62</sup>

### **REAR WHEEL**

**1989-1983**    FWD  
 Seal (inner) ..... 4249[2]  
 Set (inner) ..... SET17  
 Set (outer) ..... SET16

### **3-SPEED AUTOMATIC TRANSAXLE**

#### **Torque Converter**

**1989-1983**    A404-31TH, A413  
 Seal ..... 331228H  
 Kwik Slv (Opt Rpr) ..... KWK99149

#### **Transfer Shaft**

**1989-1983**    A413, A670, 31TH  
 Set ..... SET11[2]

464 [ ] Indicates Quantity Required; Set Components Listed Inside Rear Cover;

<sup>44</sup> Bearing Flange has Threaded Mounting Holes    <sup>45</sup> Bearing Flange has Non-Threaded Mounting Holes    56

Opt. K 62    Kit incl: Hub & Bearing, Seal, Mounting Bolts

**PLYMOUTH TRUCK - MINIVAN, AWD MINIVAN - Voyager (cont.)**

**3-SPEED AUTOMATIC TRANSAXLE**

**Output Shaft**

1989-1983    A404-31TH, A413  
 Set ..... SET17[2]

**Differential**

1989-1983    A413, A670, 31TH  
 Seal ..... 3459S[2]  
 Set ..... SET11[2]  
 Kwik Slv (Opt Rpr) ..... KWK99157[2]  
 1989-1983    A404  
 Seal ..... 3459S[2]  
 Cone/Cup ..... JL69349H-JL69310[2]

**Selector Shaft Seal/Man. Shaft**

1989-1983    A413, 31TH  
 Seal ..... 8609

**4-SPEED AUTOMATIC TRANSAXLE**

**Differential**

1989    A604, A670  
 Set ..... SET11[2]

**Torque Converter**

1989-1988    A604, A604-41TE (incl. AWD),  
 A670  
 Seal ..... 331228H

**Transfer Shaft**

1989    A604, A670  
 Set ..... SET11[2]

**Output Shaft**

1989    A604, A670  
 Seal ..... 3459S[2]  
 Set ..... SET17

**Selector Shaft Seal/Man. Shaft**

1989-1988    A604, A604-41TE, A670  
 Seal ..... 8609

**CAMSHAFT SEAL**

**4 Cylinder**

1989-1988    153/2.5L  
 Seal ..... 3655S  
 Kwik Slv (Opt Rpr) ..... KWK99139

**6 Cylinder**

1989-1987    2972cc/3.0L  
 Seal ..... 3771[2]  
 Kwik Slv (Opt Rpr) ..... KWK99139[2]

**CRANKSHAFT REAR SEAL**

**4 Cylinder**

1989-1984    135/2.2L, 153/2.5L  
 Seal Viton ..... 710056  
 Seal PTFE H/D Opt. .... 5279

**TIMING COVER**

**4 Cylinder**

1989    153/2.5L  
 Seal ..... 3638  
 Kwik Slv (Opt Rpr) ..... KWK99112  
 1988-1984    135/2.2L, 153/2.5L  
 Seal ..... 3655S  
 Kwik Slv (Opt Rpr) ..... KWK99139

**PLYMOUTH TRUCK - LIGHT & 1/2 TON - Trailblazer, Trailduster, Voyager full-size Van, PB100, 150, 200, 250, 300, 350 Series**

**FRONT WHEEL**

**2WD**

1983-1982    5-lug wheels  
 Seal (inner) ..... 3087[2]  
 Set (inner) ..... SET11  
 Set (outer) ..... SET16  
 1983-1982    8-lug wheels  
 Seal (inner) ..... 493291[2]  
 Set (inner) ..... SET45  
 Cone/Cup (outer) ..... 15101-15245[2]

**FRONT WHEEL (cont.)**

**2WD (cont.)**

1981-1973    5-lug wheels  
 Seal (inner) ..... 5121[2]  
 Set (inner) ..... SET17  
 Set (outer) ..... SET16  
 1981-1973    8-lug wheels: 3300 & 3600 lb.  
 axles  
 Seal (inner) ..... 3087[2]  
 Set (inner) ..... SET11  
 Set (outer) ..... SET16

# Bearings and Seals

Mfg./Year    Model & Location    Part No    Mfg./Year    Model & Location    Part No

## PLYMOUTH TRUCK - LIGHT & 1/2 TON - Trailblazer, Trailduster, Voyager full-size Van, PB100, 150, 200, 250, 300, 350 Series (cont.)

### FRONT WHEEL (cont.)

#### 2WD (cont.)

**1981-1973** 8-lug wheels: 3800 & 4000 lb. axles  
Seal (inner) ..... 493291[2]  
Set (inner) ..... SET45  
Cone/Cup (outer) ..... 15101-15245[2]

#### 4WD

**1983-1980** non-locking hub  
Seal (inner) ..... 413248[2]  
Cone/Cup (inner) ..... LM104949-JLM104910[2]  
Set (outer) ..... SET45  
**1983-1980** locking hub  
Seal (inner) ..... 471271[2]  
Cone/Cup (inner) ..... LM104949-JLM104910[2]  
Set (outer) ..... SET45  
**1979-1974**  
Seal ..... 413248[2]  
Set ..... SET25

### REAR WHEEL

**1983-1977** PB300, 350: Dana/Spicer 60 axle: 12"x2.5" brakes  
Seal (inner) ..... 4250[2]  
Set (inner) ..... SET38  
Set (outer) ..... SET38  
**1983-1974** Trailblazer, Trailduster: 9.25" ring gear  
Seal ..... 8835S[2]  
Cyl. Bearing ..... 6408[2]  
Kit ..... TRP1559TV[2]<sup>19</sup>  
**1983-1974** PB100, 150: 8.375" ring gear  
Seal ..... 8835S[2]  
Cyl. Bearing ..... 6408[2]  
Kit ..... TRP1559TV[2]<sup>19</sup>  
**1983-1974** PB100, 150: 9.25" ring gear  
Seal ..... 8835S[2]  
Cyl. Bearing ..... 6408[2]  
Kit ..... TRP1559TV[2]<sup>19</sup>  
**1983-1974** PB200, 250: 8.375" ring gear  
Seal ..... 8835S[2]  
Cyl. Bearing ..... 6408[2]  
Kit ..... TRP1559TV[2]<sup>19</sup>  
**1983-1974** PB300, 350: Dana/Spicer 60, 70 axles: 12"x3" brakes exc. 9000 lb. GVW  
Seal (inner) ..... 455086[2]  
Cone/Cup (inner) ..... 45291-45220[2]  
Set (outer) ..... SET38  
**1983-1974** PB300, 350: H/D: Dana/Spicer 60, 70 axles: 12"x3" brakes: 9000 lb. GVW  
Seal (inner) ..... 417158[2]  
Cone/Cup (inner) ..... 28682-28622[2]  
Set (outer) ..... SET38  
**1977-1974** PB100: 8.75" ring gear  
Seal ..... 8704S[2]  
Acc. Pkg (RH) ..... A7RK<sup>46</sup>  
Acc. Pkg (LH) ..... A7LK<sup>46</sup>

### REAR WHEEL (cont.)

**1977-1974** PB200: 8.75" ring gear  
Seal ..... 8704S[2]  
Acc. Pkg (RH) ..... A7RK<sup>46</sup>  
Acc. Pkg (LH) ..... A7LK<sup>46</sup>  
**1976-1974** PB300: Dana/Spicer 60 axle: 12"x2.5" brakes  
Seal (inner) ..... 475458[2]  
Cone/Cup (inner) ..... 370A-362A[2]  
Cone/Cup (outer) ..... 395S-354A[2]

### 4WD FRONT AXLE

#### Axle Shaft

**1983-1973** Dana/Spicer 44F-BJ axle  
Seal ..... 5131[2]

#### Differential Rebuild Kit

**1983-1973** Dana/Spicer 44-3CF, 44F-BJ axles  
Kit ..... DRK339B

#### Differential

**1983-1978** 8.25", 8.375" ring gears  
Set ..... SET36  
**1983-1978** 9.25" ring gear  
Cone/Cup ..... JLM704649-JLM704610[2]  
**1983-1974** Dana/Spicer 44-3CF, 44F-BJ axles  
Cone/Cup ..... 25590-25523[2]

#### Pinion

**1983-1978** 8.25", 8.375" ring gears  
Cone/Cup (inner) ..... M802048-M802011  
Seal (outer) ..... 8516N  
Cone/Cup (outer) ..... M86649-M86610  
**1983-1978** 9.25" ring gear  
Cone/Cup (inner) ..... M804049-M804010  
Seal (outer) ..... 5126  
Cone/Cup (outer) ..... M88048-M88010  
**1983-1974** Dana/Spicer 44F-BJ axle  
Cone/Cup (inner) ..... 31594-31520  
Seal Viton (outer) ..... 5778V  
Cone/Cup (outer) ..... 02872-02820

#### Spindle Kit

**1983-1973** Dana/Spicer 44F-BJ axle  
Bearing & Seal Kit ..... SBK1<sup>33</sup>

#### Spindle

**1983-1973** Dana/Spicer 44-3CF, 44-3F axles  
Needle Bearing ..... B2110[2]  
**1983-1973** Dana/Spicer 44F-BJ axle  
Seal (inner) ..... 722108[2]  
Needle Bearing (inner) ..... B2110[2]  
Seal (outer) ..... 722109[2]

466 [ ] Indicates Quantity Required; Set Components Listed Inside Rear Cover;

<sup>19</sup> Opt. Axle Repair Bearing. Replaces O.E. bearing & seal. <sup>33</sup> Opt. Kit incl: Bearing B2110; Seals 722108 &

722109 <sup>46</sup> Opt. Kit incl: Metal & Foam gskt, Retainer, 8695S, 8704S

**PLYMOUTH TRUCK - LIGHT & 1/2 TON - Trailblazer, Trailduster, Voyager  
full-size Van, PB100, 150, 200, 250, 300, 350 Series (cont.)**

**REAR AXLE**

**Differential Rebuild Kit**

<b>1983-1974</b>	9.25" ring gear	
Kit		DRK304
<b>1974</b>	8.75" ring gear: 1.875" pinion shaft OD	
Kit		DRK301

**Differential**

<b>1983-1980</b>	8.25" ring gear	
Set		SET36[2]
<b>1983-1980</b>	8.375" ring gear	
Set		SET36[2]
<b>1983-1974</b>	9.25" ring gear	
Cone/Cup		JLM704649-JLM704610[2]
<b>1979-1976</b>	8.375" ring gear	
Set		SET36[2]
<b>1975</b>	8.375" ring gear: marked with "L"	
Set		SET36[2]
<b>1975</b>	8.375" ring gear: not marked with "L"	
Set		SET47[2]
<b>1974</b>	8.75" ring gear: 1.875" pinion shaft OD	
Cone/Cup		LM104949-LM104912[2]
<b>1974-1972</b>	8.375" ring gear	
Set		SET47[2]

**Pinion**

<b>1983-1980</b>	8.25" ring gear	
Cone/Cup (inner)		M802048-M802011
Seal (outer)		8516N
Cone/Cup (outer)		M86649-M86610
<b>1983-1974</b>	9.25" ring gear	
Cone/Cup (inner)		M804049-M804010
Seal (outer)		5126
Cone/Cup (outer)		M88048-M88010
<b>1983-1972</b>	8.375" ring gear	
Cone/Cup (inner)		M802048-M802011
Seal (outer)		8516N
Cone/Cup (outer)		M86649-M86610
<b>1974</b>	8.75" ring gear: 1.875" pinion shaft OD	
Cone/Cup (inner)		M804049-M804010
Seal (outer)		5126
Cone/Cup (outer)		M88048-M88010

**TRANSFER CASE REBUILD KIT**

<b>1983-1980</b>	New Process 208	
Kit		TCRK208
<b>1979-1974</b>	New Process 203	
Kit		TCRK203
<b>1979-1974</b>	New Process 205	
Kit		TCRK172

**AUTOMATIC TRANSMISSION**

**Torque Converter**

<b>1983-1974</b>	A904	
Seal		331228H
Kwik Slv (Opt Rpr)		KWK99149
<b>1983-1974</b>	A727	
Seal		331227H
Kwik Slv (Opt Rpr)		KWK99187

**Rear Seal/Ext. Housing**

<b>1983</b>	A904 (2WD)	
Seal		2506
Bearing		206LOE <sup>38</sup>
<b>1983-1980</b>	A727 (booted)	
Seal		7300S
Bearing		207XLO
Seal Kit		5206 <sup>64</sup>
<b>1983-1980</b>	A727 (non-booted)	
Seal		8160S
Bearing		2061
<b>1982-1974</b>	A904	
Seal		2506
Bearing		206LOE <sup>38</sup>
<b>1979-1974</b>	A727: 2-pc driveshaft	
Seal		8160S
Bearing		2061
<b>1979-1974</b>	A727: 1-pc driveshaft	
Seal		7300S
Bearing		207XLO
Seal Kit		5206 <sup>64</sup>

**Selector Shaft Seal/Man. Shaft**

<b>1983-1974</b>	A904	
Seal		8609

**CLUTCH**

**Release Bearing**

<b>1983-1974</b>		
Bearing Assy		614036

**3-SPEED MANUAL TRANSMISSION**

**Front Input Shaft**

<b>1981-1980</b>	A230 New Process: 20-spline	
Seal		9376
Bearing		308LOE
<b>1981-1980</b>	A230 New Process: 18-spline	
Seal		9376
Bearing		307LOI
<b>1980-1974</b>	A390 Tremec 150T	
Seal		482208
Bearing		208LO
Kwik Slv (Opt Rpr)		KWK99112
<b>1979-1974</b>	A230 New Process	
Seal		9376
Bearing		1307L
<b>1975-1974</b>	A250 New Process	
Seal		9376
Bearing		N307LOE

[ ] Indicates Quantity Required; Set Components Listed Inside Rear Cover;  
<sup>38</sup> Use Old Snap Ring    <sup>64</sup> Opt. Seal and Bushing Kit



# Bearings and Seals

Mfg./Year    Model & Location    Part No    Mfg./Year    Model & Location    Part No

## **PLYMOUTH TRUCK - LIGHT & 1/2 TON - Trailblazer, Trailduster, Voyager full-size Van, PB100, 150, 200, 250, 300, 350 Series (cont.)**

### **3-SPEED MANUAL TRANSMISSION**

#### **Rear Output Shaft**

<b>1981-1980</b>	A230 New Process: 30-spline	
Seal .....	7300S	
Bearing .....	308LOE	
Seal Kit .....	5206 <sup>64</sup>	
<b>1981-1980</b>	A230 New Process: 26-spline	
Seal .....	2506	
Bearing .....	307LOI	
<b>1981-1980</b>	A230 New Process: 23-spline	
Seal .....	8160S	
Bearing .....	307LOI	
<b>1980-1974</b>	A390 Tremec 150T	
Seal .....	7300S	
Bearing .....	207L	
Seal Kit .....	5206 <sup>64</sup>	
<b>1979-1974</b>	A230 New Process: 30-spline	
Seal .....	7300S	
Bearing .....	1307	
Seal Kit .....	5206 <sup>64</sup>	
<b>1979-1974</b>	A230 New Process: 23-spline	
Seal .....	8160S	
Bearing .....	307L	
<b>1975-1974</b>	A250 New Process: 30-spline shaft	
Seal .....	2506	
Bearing .....	N207XE	
<b>1975-1974</b>	A250 New Process: 26-spline shaft	
Seal .....	8935S	
Bearing .....	N307LOE	
Seal Kit .....	5207 <sup>64</sup>	

#### **Selector Shaft Seal/Man. Shaft**

<b>1981-1974</b>	
Seal .....	7188S
Kwik Slv (Opt Rpr) .....	KWK99062

### **4-SPEED MANUAL TRANSMISSION**

#### **Transmission Rebuild Kit**

<b>1983-1974</b>	New Process 435
Kit .....	TRK127

#### **Input Shaft**

<b>1983-1974</b>	A833 New Process
Seal .....	9376
Bearing .....	308LOE
<b>1981</b>	New Process 445
Seal .....	482163N
Cone/Cup .....	HM88649-HM88610
Kwik Slv (Opt Rpr) .....	KWK99138
<b>1974</b>	New Process 435
Seal .....	482163N
Cone/Cup .....	HM88649-HM88610
Kwik Slv (Opt Rpr) .....	KWK99138

### **4-SPEED MANUAL TRANSMISSION**

#### **Rear Output Shaft**

<b>1983-1974</b>	A833 New Process: 30-spline shaft
Seal .....	7300S
Bearing .....	308LOE
Seal Kit .....	5206 <sup>64</sup>
<b>1981</b>	New Process 445
Cone/Cup .....	M201047S-M201011
Needle Bearing Thrust .....	FA35688
<b>1981</b>	New Process 435
Seal .....	8160S
Bearing .....	1308L
<b>1974</b>	New Process 435
Seal .....	8160S
Bearing .....	1308L

### **CRANKSHAFT REAR SEAL**

#### **6 Cylinder**

<b>1983-1974</b>	225/3.7L
Seal .....	5650

#### **8 Cylinder**

<b>1983-1974</b>	318/5.2L, 360/5.9L
Seal .....	5414
<b>1979-1974</b>	400/6.6, 440/7.2
Seal .....	5576

### **TIMING COVER**

#### **6 Cylinder**

<b>1983-1974</b>	225/3.7L
Seal .....	3095
Kwik Slv (Opt Rpr) .....	KWK99226

#### **8 Cylinder**

<b>1983-1974</b>	318/5.2L, 360/5.9L, 400/6.6, 440/7.2
Seal .....	3103
Kwik Slv (Opt Rpr) .....	KWK99218
Harmonic Balancer	
Sleeves .....	88218

468 [ ] Indicates Quantity Required; Set Components Listed Inside Rear Cover;

<sup>64</sup> Opt. Seal and Bushing Kit

Mfg./Year    Model & Location    Part No    Mfg./Year    Model & Location    Part No

**PONTIAC - FRONT DRIVE - Bonneville**

**FRONT WHEEL**

1989-1987  
Hub Assy ..... 513016K[2]<sup>61</sup>

**REAR WHEEL**

1989-1987    non-ABS brakes  
Hub Assy ..... 513018[2]  
1989-1987    ABS brakes  
Hub Assy ..... 513041[2]

**4-SPEED AUTOMATIC TRANSAXLE**

**Torque Converter**

1989-1987  
Seal ..... 4072N

**Output Shaft**

1989-1987  
Seal (LH) ..... 710096  
Seal (RH) ..... 3543  
Kwik Slv (Opt Rpr) ..... KWK99139[2]

**Selector Shaft Seal/Man. Shaft**

1989-1987  
Seal ..... 8792S

**ALTERNATOR**

1989-1986    AC-Delco  
Bearing (rear end) ..... 100CCAB  
Bearing (drive end) ..... 203FF

**CRANKSHAFT REAR SEAL**

**6 Cylinder**

1989-1987    231/3.8L  
Seal ..... 5591  
Seal PTFE H/D ..... 5291

**TIMING COVER**

**6 Cylinder**

1989-1986    231/3.8L  
Seal Viton ..... 710162  
Kwik Slv (Opt Rpr) ..... KWK99193

**PONTIAC - FRONT DRIVE - Grand Am**

**FRONT WHEEL**

1989-1985  
Hub Assy ..... 513017K[2]<sup>61</sup>  
Seal Kit ..... 5697<sup>12</sup>

**REAR WHEEL**

1989-1985    non- ABS Brakes  
Hub Assy ..... 513012[2]

**CLUTCH**

**Pilot Bearing**

1989-1985    4-cyl  
Bushing ..... PB650

**Release Bearing**

1989-1988    5-speed: Quad4: Muncie trans  
Bearing Assy ..... 614069  
1989-1987    5-speed: 6-cylinder  
Bearing Assy ..... 614069  
1989-1985    5-speed: 4-cylinder: exc. Quad4  
Bearing Assy ..... 614108  
1987-1985    4-speed  
Bearing Assy ..... 614009

**3-SPEED AUTOMATIC TRANSAXLE**

**Torque Converter**

1989-1985  
Seal ..... 4072N

**Output Shaft**

1989-1985  
Seal ..... 3543[2]  
Kwik Slv (Opt Rpr) ..... KWK99139[2]

**Selector Shaft Seal/Man. Shaft**

1989-1985  
Seal ..... 8792S

**4-SPEED AUTOMATIC TRANSAXLE**

**Torque Converter**

1989-1987  
Seal ..... 4072N

**Output Shaft**

1989-1987    THM440-T4, HM4T60, HM4T60-E  
Seal (LH) ..... 710096  
Seal (RH) ..... 3543  
Kwik Slv (Opt Rpr) ..... KWK99139[2]

**Selector Shaft Seal/Man. Shaft**

1989-1985  
Seal ..... 8792S

[ ] Indicates Quantity Required; Set Components Listed Inside Rear Cover;

<sup>12</sup> Opt. Kit includes seal and O ring; kit included w/hub assembly

<sup>61</sup> Kit incl: Seal, Hub Nut, and Bearing

Unit

# Bearings and Seals

Mfg./Year    Model & Location    Part No    Mfg./Year    Model & Location    Part No

## PONTIAC - FRONT DRIVE - Grand Am (cont.)

### 4-SPEED MANUAL TRANSAXLE

#### Differential

1987-1985  
Set ..... SET11

#### Input Shaft

1987-1985  
Seal (front) ..... 3732S  
Set (front) ..... SET4  
Kwik Slv (Opt Rpr) ..... KWK99106  
Cone/Cup (rear) ..... 15101-15245

#### Output Shaft

1987-1985  
Seal ..... 3543[2]  
Kwik Slv (Opt Rpr) ..... KWK99139[2]  
Cone/Cup (LH) ..... 15101-15245  
Set (RH) ..... SET5

#### Selector Shaft Seal/Man. Shaft

1987-1985  
Seal ..... 3667

### 5-SPEED MANUAL TRANSAXLE

#### Input Shaft

1989-1987  
Seal ..... 222835  
Bearing ..... 306VVL  
Kwik Slv (Opt Rpr) ..... KWK99111

#### Output Shaft

1989-1985  
Seal ..... 3543[2]  
Kwik Slv (Opt Rpr) ..... KWK99139[2]  
Bearing Assy (RH) ..... 32206M  
Set (LH) ..... SET5

#### Selector Shaft Seal/Man. Shaft

1989-1985  
Seal ..... 3667

### ALTERNATOR

1989-1985    AC-Delco  
Bearing (drive end) ..... 203FF  
Bearing (rear end) ..... 100CCAB

### CAMSHAFT SEAL

#### 4 Cylinder

1989-1988    138/2.3L DOHC  
Seal Viton ..... 713771  
Kwik Slv (Opt Rpr) ..... KWK99139  
1989-1987    121/2.0/L  
Seal Viton ..... 1108  
Kwik Slv (Opt Rpr) ..... KWK99139

### CRANKSHAFT REAR SEAL

#### 4 Cylinder

1989-1988    138/2.3L DOHC  
Seal ..... 40375  
1989-1985    151/2.5L  
Seal ..... 3698  
1989-1987    121/2.0/L  
Seal Viton ..... 710237  
Kwik Slv (Opt Rpr) ..... KWK99354

#### 6 Cylinder

1987-1985    181/3.0L  
Seal ..... 5591

### TIMING COVER

#### 4 Cylinder

1989-1988    138/2.3L DOHC  
Seal Viton ..... 320259  
1989-1985    151/2.5L  
Seal ..... 9845  
Kwik Slv (Opt Rpr) ..... KWK99176  
Harmonic Balancer  
Sleeves ..... 88176  
1989-1987    121/2.0/L  
Seal Viton ..... 710164  
Kwik Slv (Opt Rpr) ..... KWK99128

#### 6 Cylinder

1989-1986    181/3.0L  
Seal Viton ..... 710162  
Kwik Slv (Opt Rpr) ..... KWK99193  
1985    181/3.0L  
Seal ..... 710163

## PONTIAC - FRONT DRIVE - Grand Prix

### FRONT WHEEL

1989-1988  
Hub Assy ..... 513044[2]

### REAR WHEEL

1989-1988    non-ABS brakes  
Hub Assy ..... 513018[2]

### REAR WHEEL (cont.)

1989-1988    ABS brakes  
Hub Assy ..... 513042[2]

**PONTIAC - FRONT DRIVE - Grand Prix (cont.)**

**CLUTCH**

**Release Bearing**

<b>1989-1988</b>	5-speed: 4-cylinder: exc. Quad4 & turbo	
	Bearing Assy .....	614108
<b>1989-1988</b>	5-speed: Quad4: Muncie trans	
	Bearing Assy .....	614069
<b>1989-1988</b>	5-speed: 6-cylinder	
	Bearing Assy .....	614069

**3-SPEED AUTOMATIC TRANSAXLE**

**Torque Converter**

<b>1989-1985</b>		
	Seal .....	4072N

**Output Shaft**

<b>1989-1985</b>		
	Seal .....	3543[2]
	Kwik Slv (Opt Rpr) .....	KWK99139[2]

**Selector Shaft Seal/Man. Shaft**

<b>1989-1985</b>		
	Seal .....	8792S

**4-SPEED AUTOMATIC TRANSAXLE**

**Torque Converter**

<b>1989-1987</b>		
	Seal .....	4072N

**Output Shaft**

<b>1989-1987</b>	THM440-T4, HM4T60, HM4T60-E	
	Seal (LH) .....	710096
	Seal (RH) .....	3543
	Kwik Slv (Opt Rpr) .....	KWK99139[2]

**Selector Shaft Seal/Man. Shaft**

<b>1989-1985</b>		
	Seal .....	8792S

**5-SPEED MANUAL TRANSAXLE**

**Input Shaft**

<b>1989-1987</b>		
	Seal .....	222835
	Bearing .....	306VVL
	Kwik Slv (Opt Rpr) .....	KWK99111

**5-SPEED MANUAL TRANSAXLE**

**Output Shaft**

<b>1989-1985</b>		
	Seal (LH) .....	3543[2]
	Kwik Slv (Opt Rpr) .....	KWK99139[2]
	Bearing Assy (RH) .....	32206M
	Set (LH) .....	SET5

**Selector Shaft Seal/Man. Shaft**

<b>1989-1985</b>		
	Seal .....	3667

**ALTERNATOR**

<b>1989-1988</b>	AC-Delco	
	Bearing (drive end) .....	203FF
	Bearing (rear end) .....	100CCAB

**CRANKSHAFT REAR SEAL**

**6 Cylinder**

<b>1989</b>	189/3.1L, 207/3.4L	
	Seal .....	4307V
	Seal PTFE H/D Opt. ....	5273
	Kwik Slv (Opt Rpr) .....	KWK99298
<b>1987-1985</b>	231/3.8L	
	Seal .....	5591

**TIMING COVER**

**6 Cylinder**

<b>1989-1988</b>	173/2.8L, 189/3.1L, 207/3.4L	
	Seal .....	9845
	Kwik Slv (Opt Rpr) .....	KWK99176

**PONTIAC - FRONT DRIVE - J2000, Sunbird**

**FRONT WHEEL**

<b>1989-1985</b>		
	Hub Assy .....	513017K[2] <sup>61</sup>
<b>1984</b>	12mm flange holes	
	Hub Assy .....	513017K[2] <sup>61</sup>
<b>1984</b>	10mm flange holes	
	Hub Assy .....	513004K[2] <sup>61</sup>

**FRONT WHEEL (cont.)**

<b>1983-1982</b>		
	Hub Assy .....	513004K[2] <sup>61</sup>

**REAR WHEEL**

<b>1989-1982</b>		
	Hub Assy .....	513012[2]

[ ] Indicates Quantity Required; Set Components Listed Inside Rear Cover;

<sup>61</sup> Kit incl: Seal, Hub Nut, and Bearing Unit

# Bearings and Seals

Mfg./Year    Model & Location    Part No    Mfg./Year    Model & Location    Part No

## **PONTIAC - FRONT DRIVE - J2000, Sunbird (cont.)**

### **CLUTCH**

#### **Release Bearing**

<b>1989-1987</b>	5-speed: 4-cylinder: 2.0 turbo	
	Bearing Assy .....	614069
<b>1989-1986</b>	5-speed: 6-cylinder	
	Bearing Assy .....	614069
<b>1989-1983</b>	5-speed: 4-cylinder: exc. Quad4 & turbo	
	Bearing Assy .....	614108
<b>1989-1985</b>	5-speed: 4-cylinder: 1.8 turbo	
	Bearing Assy .....	614108
<b>1987-1982</b>	4-speed	
	Bearing Assy .....	614009

### **3-SPEED AUTOMATIC TRANSAXLE**

#### **Torque Converter**

<b>1989-1982</b>		
	Seal .....	4072N

#### **Output Shaft**

<b>1989-1982</b>		
	Seal .....	3543[2]
	Kwik Slv (Opt Rpr) .....	KWK99139[2]

#### **Selector Shaft Seal/Man. Shaft**

<b>1989-1982</b>		
	Seal .....	8792S

### **4-SPEED MANUAL TRANSAXLE**

#### **Differential**

<b>1986-1982</b>		
	Set .....	SET11

#### **Input Shaft**

<b>1986-1982</b>		
	Seal (front) .....	3732S
	Set (front) .....	SET4
	Kwik Slv (Opt Rpr) .....	KWK99106
	Cone/Cup (rear) .....	15101-15245

#### **Output Shaft**

<b>1986-1982</b>		
	Seal (LH) .....	3543[2]
	Kwik Slv (Opt Rpr) .....	KWK99139[2]
	Cone/Cup (LH) .....	15101-15245
	Set (LH) .....	SET5

#### **Selector Shaft Seal/Man. Shaft**

<b>1986-1982</b>		
	Seal .....	3667

### **5-SPEED MANUAL TRANSAXLE**

#### **Input Shaft**

<b>1989-1983</b>		
	Seal .....	222835
	Bearing .....	306VVL
	Kwik Slv (Opt Rpr) .....	KWK99111

### **Output Shaft**

<b>1989-1983</b>		
	Seal .....	3543[2]
	Kwik Slv (Opt Rpr) .....	KWK99139[2]
	Bearing Assy (RH) .....	32206M
	Set (LH) .....	SET5

### **Selector Shaft Seal/Man. Shaft**

<b>1989-1983</b>		
	Seal .....	3667

### **ALTERNATOR**

<b>1989-1987</b>	AC-Delco	
	Bearing (rear end) .....	100CCAB
<b>1989-1982</b>	AC-Delco	
	Bearing (drive end) .....	203FF

### **CRANKSHAFT REAR SEAL**

#### **4 Cylinder**

<b>1989-1987</b>	122/2.0L	
	Seal Opt. .....	4307V
	Seal PTFE H/D Opt. .....	5273
	Kwik Slv (Opt Rpr) .....	KWK99298
<b>1986-1982</b>	112/1.8L, 121/2.0L	
	Seal Viton .....	710232

### **TIMING COVER**

#### **4 Cylinder**

<b>1989-1982</b>	112/1.8L, 122/2.0L, 151/2.5L	
	Seal .....	9845
	Kwik Slv (Opt Rpr) .....	KWK99176

**PONTIAC - FRONT DRIVE - Phoenix**

**FRONT WHEEL**

1984-1980  
Hub Assy ..... 513011K[2]<sup>61</sup>

**REAR WHEEL**

1984-1980  
Hub Assy ..... 513012[2]

**CLUTCH**

**Pilot Bearing**

1984-1980    4-cylinder: 2.5 litre  
Bushing H/D ..... PB656HD

**Release Bearing**

1984-1983    5-speed: 4-cylinder  
Bearing Assy ..... 614108  
1984-1980    4-speed  
Bearing Assy ..... 614009

**3-SPEED AUTOMATIC TRANSAXLE**

**Torque Converter**

1984-1982  
Seal ..... 4072N  
1981-1980  
Seal ..... 3583S  
Kwik Slv (Opt Rpr) ..... KWK99172

**Output Shaft**

1984-1980  
Seal ..... 3543[2]  
Kwik Slv (Opt Rpr) ..... KWK99139[2]

**Selector Shaft Seal/Man. Shaft**

1984-1980  
Seal ..... 8792S

**4-SPEED MANUAL TRANSAXLE**

**Differential**

1986-1982  
Set ..... SET11

**Input Shaft**

1986-1982  
Seal (front) ..... 3732S  
Set (front) ..... SET4  
Kwik Slv (Opt Rpr) ..... KWK99106  
Cone/Cup (rear) ..... 15101-15245

**4-SPEED MANUAL TRANSAXLE**

**Output Shaft**

1986-1982  
Seal ..... 3543[2]  
Kwik Slv (Opt Rpr) ..... KWK99139[2]  
Cone/Cup (LH) ..... 15101-15245  
Set (RH) ..... SET5

**Selector Shaft Seal/Man. Shaft**

1986-1982  
Seal ..... 3667

**CRANKSHAFT REAR SEAL**

**4 Cylinder**

1984-1980    151/2.5L  
Seal ..... 3698

**6 Cylinder**

1984-1980    173/2.8L  
Seal ..... 5210  
Seal Split ..... 5433

**TIMING COVER**

**4 Cylinder**

1984-1980    151/2.5L  
Seal ..... 9845  
Kwik Slv (Opt Rpr) ..... KWK99176

**6 Cylinder**

1984-1980    173/2.8L  
Seal ..... 9845  
Kwik Slv (Opt Rpr) ..... KWK99176  
Harmonic Balancer  
Sleeves ..... 88176

[ ] Indicates Quantity Required; Set Components Listed Inside Rear Cover;

<sup>61</sup> Kit incl: Seal, Hub Nut, and Bearing Unit

# Bearings and Seals

Mfg./Year    Model & Location    Part No    Mfg./Year    Model & Location    Part No

## PONTIAC - FRONT DRIVE, AWD - 6000

### FRONT WHEEL

<b>1989-1988</b>	JL9 ABS brakes	
Hub Assy	.....	513016K[2] <sup>61</sup>
<b>1989</b>	4WD	
Hub Assy	.....	513016K[2] <sup>61</sup>
<b>1989-1985</b>	JM4 brakes	
Hub Assy	.....	513016K[2] <sup>61</sup>
<b>1989-1985</b>	JA8, J65 brakes	
Hub Assy	.....	513016K[2] <sup>61</sup>
<b>1989-1983</b>	JA1, J41 brakes	
Hub Assy	.....	513011K[2] <sup>61</sup>
<b>1989-1983</b>	JA2, JA3 brakes	
Hub Assy	.....	513016K[2] <sup>61</sup>
<b>1989-1983</b>	JA4, JA6 brakes	
Hub Assy	.....	513011K[2] <sup>61</sup>
<b>1984-1983</b>	JA8 brakes	
Hub Assy	.....	513011K[2] <sup>61</sup>
<b>1982</b>		
Hub Assy	.....	513011K[2] <sup>61</sup>

### REAR WHEEL

<b>1989</b>	JL9 brakes with ABS	
Hub Assy	.....	513039[2]
<b>1989</b>	4WD	
Hub Assy	.....	513016K[2] <sup>61</sup>
<b>1989-1985</b>	JM4, JA8, J65 brakes	
Hub Assy	.....	513018[2]
<b>1989-1983</b>	JA1, JA4, JA6, J41 brakes	
Hub Assy	.....	513003[2]
<b>1989-1983</b>	JA2, JA3 brakes	
Hub Assy	.....	513018[2]
<b>1984-1983</b>	JA8 brakes	
Hub Assy	.....	513003[2]
<b>1982</b>		
Hub Assy	.....	513003[2]

### AWD REAR AXLE

#### Differential

<b>1989-1988</b>	AWD	
Set	.....	SET11[2]

#### Pinion

<b>1989-1988</b>	AWD	
Cone/Cup (inner)	.....	M88048S-M88010
Cone/Cup (outer)	.....	M86649-M86610

### TRANSFER CASE

#### Input Shaft

<b>1989-1988</b>	Pinion shaft	
Bearing Assy	.....	32205B

#### Rear Output Shaft

<b>1989-1988</b>	Output Shaft adj output	
Cone/Cup	.....	M86649-M86610
<b>1989-1988</b>	Output Shaft adj pinion	
Cone/Cup	.....	M88048-M88010

### CLUTCH

#### Pilot Bearing

<b>1984-1982</b>	4-cylinder: 2.5 litre	
Bushing H/D	.....	PB656HD

#### Release Bearing

<b>1989-1986</b>	5-speed: 6-cylinder	
Bearing Assy	.....	614069
<b>1989-1983</b>	5-speed: 4-cylinder: exc. Quad4 & turbo	
Bearing Assy	.....	614108
<b>1987-1982</b>	4-speed	
Bearing Assy	.....	614009

### 3-SPEED AUTOMATIC TRANSAXLE

#### Torque Converter

<b>1989-1985</b>		
Seal	.....	4072N

#### Output Shaft

<b>1989-1985</b>		
Seal	.....	3543[2]
Kwik Slv (Opt Rpr)	.....	KWK99139[2]

#### Selector Shaft Seal/Man. Shaft

<b>1989-1985</b>		
Seal	.....	8792S

### 4-SPEED AUTOMATIC TRANSAXLE

#### Torque Converter

<b>1989-1987</b>		
Seal	.....	4072N

#### Output Shaft

<b>1989-1987</b>	THM440-T4, HM4T60, HM4T60-E	
Seal (LH)	.....	710096
Seal (RH)	.....	3543
Kwik Slv (Opt Rpr)	.....	KWK99139[2]

#### Selector Shaft Seal/Man. Shaft

<b>1989-1985</b>		
Seal	.....	8792S

### 4-SPEED MANUAL TRANSAXLE

#### Differential

<b>1988-1982</b>		
Set	.....	SET11

#### Input Shaft

<b>1988-1982</b>		
Seal (front)	.....	3732S
Set (front)	.....	SET4
Kwik Slv (Opt Rpr)	.....	KWK99106
Cone/Cup (rear)	.....	15101-15245

474 [ ] Indicates Quantity Required; Set Components Listed Inside Rear Cover;

<sup>61</sup> Kit incl: Seal, Hub Nut, and Bearing Unit

**PONTIAC - FRONT DRIVE, AWD - 6000 (cont.)**

**4-SPEED MANUAL TRANSAXLE**

**Output Shaft**

**1988-1982**

Seal .....	3543[2]
Kwik Slv (Opt Rpr) .....	KWK99139[2]
Cone/Cup (LH) .....	15101-15245
Set (RH) .....	SET5

**Selector Shaft Seal/Man. Shaft**

**1988-1982**

Seal .....	3667
------------	------

**5-SPEED MANUAL TRANSAXLE**

**Input Shaft**

**1989-1985**

Seal .....	222835
Bearing .....	306VVL
Kwik Slv (Opt Rpr) .....	KWK99111

**Output Shaft**

**1989-1985**

Seal .....	3543[2]
Kwik Slv (Opt Rpr) .....	KWK99139[2]
Bearing Assy (RH) .....	32206M
Set (LH) .....	SET5

**Selector Shaft Seal/Man. Shaft**

**1989-1985**

Seal .....	3667
------------	------

**ALTERNATOR**

**1989-1982**    AC-Delco

Bearing (drive end) .....	203FF
Bearing (rear end) .....	100CCAB

**CRANKSHAFT REAR SEAL**

**4 Cylinder**

**1989-1982**    151/2.5L

Seal .....	3698
------------	------

**6 Cylinder**

**1989-1985**    173/2.8L, 189/3.1L

Seal .....	4307V
Seal PTFE H/D Opt. ....	5273
Kwik Slv (Opt Rpr) .....	KWK99298

**1985-1982**    260/4.3 diesel

Seal Rope .....	5095
-----------------	------

**1984-1982**    173/2.8L

Seal .....	5210
------------	------

**TIMING COVER**

**4 Cylinder**

**1989-1982**    151/2.5L

Seal .....	9845
Kwik Slv (Opt Rpr) .....	KWK99176
Harmonic Balancer	
Sleeves .....	88176

**6 Cylinder**

**1989-1982**    173/2.8L, 189/3.1L

Seal .....	9845
Kwik Slv (Opt Rpr) .....	KWK99176
Harmonic Balancer	
Sleeves .....	88176

**1985-1982**    260/4.3 diesel

Seal .....	9845
Kwik Slv (Opt Rpr) .....	KWK99176
Harmonic Balancer	
Sleeves .....	88176

**PONTIAC - REAR DRIVE - Astre, Sunbird**

**FRONT WHEEL**

**1980-1975**

Seal (inner) .....	8705S[2]
Set (inner) .....	SET6
Set (outer) .....	SET1

**REAR WHEEL**

**1980-1975**

Seal .....	8660S[2]
Cyl. Bearing .....	5707[2]
Kit .....	TRP1563TAV[2] <sup>19</sup>

**REAR AXLE**

**Differential Rebuild Kit**

**1980-1975**    7.5" ring gear

Kit .....	DRK320
-----------	--------

**Differential**

**1980-1975**    7.5" ring gear

Cone/Cup .....	LM501349-LM501314[2]
----------------	----------------------

**1977-1975**    6.5" ring gear

Cone/Cup .....	LM48548-LM48511[2]
----------------	--------------------

[ ] Indicates Quantity Required; Set Components Listed Inside Rear Cover;  
<sup>19</sup> Opt. Axle Repair Bearing. Replaces O.E. bearing & seal.



# Bearings and Seals

Mfg./Year    Model & Location    Part No    Mfg./Year    Model & Location    Part No

## PONTIAC - REAR DRIVE - Astre, Sunbird (cont.)

### REAR AXLE

#### Pinion

<b>1980-1976</b>	7.5" ring gear	
	Cone/Cup .....	HM88649-HM88610[2]
	Seal (outer) .....	8610
	Kwik Slv (Opt Rpr) .....	KWK99152
<b>1977-1976</b>	6.5" ring gear W/3.165" OD	
	Cone/Cup (inner) .....	M88048-M88010
	Seal (outer) .....	5778
	Cone/Cup (outer) .....	M86649-M86610
	Kwik Slv (Opt Rpr) .....	KWK99155
<b>1977-1975</b>	6.5" ring gear W/2.660" OD	
	Cone/Cup (inner) .....	M88048-M88010
	Seal (outer) .....	8611N
	Cone/Cup (outer) .....	M86649-M86610
	Kwik Slv (Opt Rpr) .....	KWK99152
<b>1975</b>	7.5" ring gear	
	Cone/Cup .....	HM88649-HM88610[2]
	Seal (outer) .....	8611N

### 3-SPEED AUTOMATIC TRANSMISSION

#### Torque Converter

<b>1980-1975</b>	THM350, 350C	
	Seal .....	6712NA
	Kwik Slv (Opt Rpr) .....	KWK99187
<b>1978-1976</b>	THM200	
	Seal .....	3227
	Kwik Slv (Opt Rpr) .....	KWK99174

#### Rear Seal/Ext. Housing

<b>1980-1975</b>		
	Seal .....	9613S
	Seal Kit .....	5200 <sup>64</sup>
	Kwik Slv (Opt Rpr) .....	KWK99149

#### Selector Shaft Seal/Man. Shaft

<b>1980-1975</b>		
	Seal .....	340847
	Kwik Slv (Opt Rpr) .....	KWK99049

### CLUTCH

#### Release Bearing

<b>1987-1981</b>	all	
	Bearing Assy .....	614018 <sup>42</sup>
<b>1980-1975</b>	all	
	Bearing Assy .....	614018 <sup>42</sup>

### 3-SPEED MANUAL TRANSMISSION

#### Front Input Shaft

<b>1977-1975</b>		
	Seal .....	7412S
	Bearing .....	207SLB
	Kwik Slv (Opt Rpr) .....	KWK99125

### 3-SPEED MANUAL TRANSMISSION

#### Rear Output Shaft

<b>1977-1975</b>		
	Seal .....	9613S
	Bearing .....	306SLVB
	Seal Kit .....	5200 <sup>64</sup>

#### Selector Shaft Seal/Man. Shaft

<b>1977-1975</b>		
	Seal .....	240735
	Kwik Slv (Opt Rpr) .....	KWK99076

### 4-SPEED MANUAL TRANSMISSION

#### Input Shaft

<b>1980-1975</b>		
	Seal .....	7412S
	Bearing .....	207SLB
	Kwik Slv (Opt Rpr) .....	KWK99125

#### Rear Output Shaft

<b>1980-1975</b>		
	Seal .....	9613S
	Bearing .....	306SLVB
	Seal Kit .....	5200 <sup>64</sup>

#### Selector Shaft Seal/Man. Shaft

<b>1980-1975</b>		
	Seal .....	240735
	Kwik Slv (Opt Rpr) .....	KWK99078

### 5-SPEED MANUAL TRANSMISSION

#### Front Input Shaft

<b>1979-1976</b>		
	Seal .....	9613S
	Seal Kit .....	5200 <sup>64</sup>

#### Rear Output Shaft

<b>1979-1976</b>		
	Seal .....	9613S
	Kwik Slv (Opt Rpr) .....	KWK99149
	Seal Kit .....	5200 <sup>64</sup>

#### Selector Shaft Seal/Man. Shaft

<b>1979-1976</b>		
	Seal .....	312518
	Kwik Slv (Opt Rpr) .....	KWK99078

### ALTERNATOR

<b>1980-1975</b>	AC-Delco	
	Bearing (drive end) .....	203S
	Bearing (rear end) .....	MNJ471S

476 [ ] Indicates Quantity Required; Set Components Listed Inside Rear Cover;

<sup>42</sup> Sealed Self-Aligning Bearing    <sup>64</sup> Opt. Seal and Bushing Kit

**PONTIAC - REAR DRIVE - Astre, Sunbird (cont.)**

**POWER STEERING**

**Pitman Shaft**

<b>1980-1975</b>	800 Gear with 4 bolt side cover	
	Seal (inner) .....	471413
	Seal (outer) .....	7412S
	Seal Kit Opt. ....	PSK1 <sup>24</sup>
<b>1977</b>	605 Gear with round side cover	
	Seal .....	710285

**Pump Shaft**

<b>1980-1975</b>		
	Seal .....	480821

**Worm Shaft**

<b>1980-1975</b>	800 Gear with 4 bolt side cover	
	Seal .....	351267
<b>1977</b>	605 Gear with round side cover	
	Seal .....	351267

**MANUAL STEERING**

**Pitman Shaft**

<b>1980-1975</b>		
	Seal .....	313842

**Worm Shaft**

<b>1980-1975</b>		
	Seal .....	7013S

**CRANKSHAFT FRONT SEAL**

**4 Cylinder**

<b>1980-1977</b>	151/2.5L	
	Seal .....	3698

**CRANKSHAFT REAR SEAL**

**6 Cylinder**

<b>1980-1975</b>	231/3.8L	
	Seal .....	5591

**CRANKSHAFT REAR SEAL**

**8 Cylinder**

<b>1980-1978</b>		
	Seal .....	5092

**TIMING COVER**

**4 Cylinder**

<b>1980-1977</b>	151/2.5L	
	Seal .....	9845
	Kwik Slv (Opt Rpr) .....	KWK99176
	Harmonic Balancer	
	Sleeves .....	88176
<b>1977-1975</b>	140/2.3L	
	Seal .....	5115
	Kwik Slv (Opt Rpr) .....	KWK99149

**6 Cylinder**

<b>1980-1975</b>	231/3.8L	
	Seal .....	710163

**8 Cylinder**

<b>1980-1978</b>		
	Seal .....	9845
	Kwik Slv (Opt Rpr) .....	KWK99176
	Harmonic Balancer	
	Sleeves .....	88176

**PONTIAC - REAR DRIVE - Bonneville, Catalina, Chieftain, Grand Safari, Executive, Grandville, Parisienne, Safari, Star Chief, 2+2**

**FRONT WHEEL**

<b>1986-1983</b>	Parisienne, Safari	
	Seal (inner) .....	8871[2]
	Set (inner) .....	SET6
	Set (outer) .....	SET3
<b>1986-1982</b>	Bonneville	
	Seal (inner) .....	8871[2]
	Set (inner) .....	SET6
	Set (outer) .....	SET34
<b>1981-1979</b>		
	Seal (inner) .....	8871[2]
	Set (inner) .....	SET6
	Set (outer) .....	SET3

**FRONT WHEEL (cont.)**

<b>1978</b>	Standard: 11" rotor	
	Seal (inner) .....	8871[2]
	Set (inner) .....	SET6
	Set (outer) .....	SET2
<b>1978</b>	Heavy Duty: 12" rotor	
	Seal (inner) .....	8871[2]
	Set (inner) .....	SET6
	Set (outer) .....	SET3
<b>1977</b>		
	Seal (inner) .....	8871[2]
	Set (inner) .....	SET6
	Set (outer) .....	SET2

[ ] Indicates Quantity Required; Set Components Listed Inside Rear Cover;  
<sup>24</sup> Opt. Kit incl. seals 5683 & 5684. Not sold separately

# Bearings and Seals

Mfg./Year    Model & Location    Part No    Mfg./Year    Model & Location    Part No

## **PONTIAC - REAR DRIVE - Bonneville, Catalina, Chieftain, Grand Safari, Executive, Grandville, Parisienne, Safari, Star Chief, 2+2 (cont.)**

### **FRONT WHEEL (cont.)**

<b>1976-1971</b>	
Seal (inner) .....	8871[2]
Set (inner) .....	SET5
Set (outer) .....	SET2
<b>1970-1969</b>	
Seal (inner) .....	292594[2]
Set (inner) .....	SET5
Set (outer) .....	SET2
<b>1968-1962</b>	
Set (inner) .....	SET6
Set (outer) .....	SET2
<b>1961-1958</b>	
Seal (inner) .....	291146[2]
Bearing (inner) .....	B70[2]
Bearing (outer) .....	B67[2]
<b>1957-1946</b>	
Seal (inner) .....	41081[2]
Bearing (inner) .....	B60[2]
Bearing (outer) .....	B67[2]

### **REAR WHEEL**

<b>1989-1982</b>	8.5" ring gear: Wagon
Seal .....	8835S[2]
Cyl. Bearing .....	6408[2]
Kit .....	TRP1559TV[2] <sup>19</sup>
<b>1987-1976</b>	7.5" ring gear
Seal .....	8660S[2]
Cyl. Bearing .....	5707[2]
Kit .....	TRP1563TAV[2] <sup>19</sup>
<b>1986-1982</b>	8.5" ring gear: exc. Wagon
Seal .....	8660S[2]
Cyl. Bearing .....	5707[2]
Kit .....	TRP1563TAV[2] <sup>19</sup>
<b>1981-1976</b>	8.5" ring gear: C, G, K axles
Seal .....	8660S[2]
Cyl. Bearing .....	5707[2]
Kit .....	TRP1563TAV[2] <sup>19</sup>
<b>1979-1977</b>	8.5" ring gear: B, O axles
Seal .....	712146[2]
Set .....	SET9
<b>1976-1971</b>	8.5" ring gear: B, O axles
Seal .....	2689S[2]
Set .....	SET10
<b>1976-1971</b>	8.5" ring gear: C, P, M axles
Seal .....	8835S[2]
Cyl. Bearing .....	6408[2]
Kit .....	TRP1559TV[2] <sup>19</sup>
<b>1976-1971</b>	8.875" ring gear: C, P, M axles
Seal .....	8835S[2]
Cyl. Bearing .....	6408[2]
Kit .....	TRP1559TV[2] <sup>19</sup>
<b>1975-1973</b>	9.375" ring gear
Seal .....	2689S[2]
Set .....	SET10
<b>1970-1965</b>	
Seal .....	8940S[2]
Bearing .....	88131R[2]
<b>1964-1959</b>	
Seal .....	450059[2]
Bearing .....	514003P[2]

### **REAR WHEEL (cont.)**

<b>1958-1941</b>	
Bearing .....	514003P[2]

### **REAR AXLE**

#### **Differential Rebuild Kit**

<b>1979-1977</b>	8.75", 8.875" ring gears
Kit .....	DRK323
<b>1979-1971</b>	8.5" ring gear
Kit .....	DRK321

#### **Differential**

<b>1988-1985</b>	7.75" ring gear
Cone/Cup .....	LM102949-LM102911[2]
<b>1988-1972</b>	7.5", 7.625", 8.5" ring gears: B, C, G, K, O axles
Cone/Cup .....	LM501349-LM501314[2]
<b>1981-1972</b>	8.75", 8.875" ring gears: P, M axles
Set .....	SET36
<b>1971-1965</b>	10-bolt housing cover
Cone/Cup .....	LM501349-LM501314[2]
<b>1971-1965</b>	12-bolt housing cover
Set .....	SET36
<b>1965-1947</b>	
Cone/Cup .....	25584-25520[2]

#### **Pinion**

<b>1988-1982</b>	7.5" ring gear
Cone/Cup (inner) .....	HM89249-HM89210
Seal (outer) .....	8610
Cone/Cup (outer) .....	M86649-M86610
<b>1986-1972</b>	8.5" ring gear
Cone/Cup (inner) .....	M802048-M802011
Seal (outer) .....	2043
Cone/Cup (outer) .....	M88048-M88010
<b>1981-1976</b>	7.5" ring gear
Cone/Cup (inner) .....	HM89449-HM89410
Seal (outer) .....	8610
Cone/Cup (outer) .....	M86649-M86610
<b>1981-1972</b>	8.75" ring gear
Cone/Cup (inner) .....	M802048-M802011
Seal (outer) .....	2043
Cone/Cup (outer) .....	M88048-M88010
<b>1976-1972</b>	8.875" ring gear
Cone/Cup (inner) .....	M804049-M804010
Seal (outer) .....	2043
Cone/Cup (outer) .....	M88048-M88010
<b>1971</b>	10-bolt housing cover
Cone/Cup (inner) .....	M804049-M804010
Seal (outer) .....	2043
Cone/Cup (outer) .....	M88048-M88010
<b>1971</b>	12-bolt housing cover
Cone/Cup (inner) .....	M802048-M802011
Seal (outer) .....	2043
Cone/Cup (outer) .....	M88048-M88010

478 [ ] Indicates Quantity Required; Set Components Listed Inside Rear Cover;

<sup>19</sup> Opt. Axle Repair Bearing. Replaces O.E. bearing & seal.

**PONTIAC - REAR DRIVE - Bonneville, Catalina, Chieftain, Grand Safari, Executive, Grandville, Parisienne, Safari, Star Chief, 2+2 (cont.)**

**REAR AXLE (cont.)**

**Pinion (cont.)**

<b>1970-1966</b>	
Cone/Cup (inner) .....	M804049-M804010
Seal (outer) .....	2043
Cone/Cup (outer) .....	M88048-M88010
<b>1965</b>	
Cone/Cup (inner) .....	M804049-M804010
Cone/Cup (outer) .....	M88048-M88010
<b>1964-1963</b> production from 6/1963 on	
Cone/Cup (inner) .....	M804049-M804010
Cone/Cup (outer) .....	HM88649-HM88610
<b>1963-1957</b> production thru 6/1963	
Cone/Cup (inner) .....	HM804846-HM804810
Cone/Cup (outer) .....	HM89446-HM89410
<b>1956-1947</b>	
Cone/Cup (inner) .....	3779-3720
Cone/Cup (outer) .....	31590-31520

**AUTOMATIC TRANSMISSION**

**Torque Converter**

<b>1956-1948</b>	
Seal .....	450725N <sup>20</sup>

**Rear Seal/Ext. Housing**

<b>1958-1946</b> Hydramatic: 1.687" shaft	
Seal .....	7038SA
Seal Kit .....	5205 <sup>64</sup>
<b>1958-1946</b> Hydramatic: 1.5" shaft	
Seal .....	9613S
Seal Kit .....	5200 <sup>64</sup>

**3-SPEED AUTOMATIC TRANSMISSION**

**Torque Converter**

<b>1989-1977</b> THM200	
Seal .....	3227
Kwik Slv (Opt Rpr) .....	KWK99174
<b>1984-1965</b> exc. THM200	
Seal .....	6712NA
Kwik Slv (Opt Rpr) .....	KWK99187
<b>1964-1958</b>	
Seal .....	7018N

**Rear Seal/Ext. Housing**

<b>1989-1972</b> exc. THM400	
Seal .....	9613S
Seal Kit .....	5200 <sup>64</sup>
<b>1977-1965</b> THM400: 1.890" shaft	
Seal .....	9449
Kwik Slv (Opt Rpr) .....	KWK99189
Seal Kit .....	5208 <sup>64</sup>
<b>1977-1965</b> THM400: 1.687" shaft	
Seal .....	7038SA
Kwik Slv (Opt Rpr) .....	KWK99168
Seal Kit .....	5205 <sup>64</sup>
<b>1964-1957</b>	
Seal .....	7038SA
Seal Kit .....	5205 <sup>64</sup>

**Selector Shaft Seal/Man. Shaft**

<b>1989-1965</b>	
Seal .....	8792S

**4-SPEED AUTOMATIC TRANSMISSION**

**Torque Converter**

<b>1989-1983</b>	
Seal .....	3227
Kwik Slv (Opt Rpr) .....	KWK99174

**Rear Seal/Ext. Housing**

<b>1989-1983</b>	
Seal .....	9613S
Kwik Slv (Opt Rpr) .....	KWK99149
Seal Kit .....	5200 <sup>64</sup>

**Selector Shaft Seal/Man. Shaft**

<b>1989-1983</b>	
Seal .....	8792S

**CLUTCH**

**Pilot Bearing**

<b>1975-1946</b> all	
Bearing .....	7109

**Release Bearing**

<b>1975-1963</b> exc. H/D clutch	
Bearing Assy .....	614037 <sup>42</sup>
<b>1975-1963</b> H/D clutch	
Bearing Assy .....	614018 <sup>42</sup>
<b>1962-1957</b> all	
Bearing Assy .....	614018 <sup>42</sup>
<b>1956-1946</b> all	
Bearing Assy .....	1377C

**3-SPEED MANUAL TRANSMISSION**

**Transmission Rebuild Kit**

<b>1987-1966</b> SM326 Saginaw: 76mm shaft	
Kit .....	TRK301

**Front Input Shaft**

<b>1979-1966</b> Saginaw	
Seal .....	7412S
Bearing .....	207SLB
Kwik Slv (Opt Rpr) .....	KWK99125
<b>1971-1964</b> Tremac	
Seal .....	482208
Bearing .....	208LO
Kwik Slv (Opt Rpr) .....	KWK99112
<b>1965-1958</b> SM318, SM319: with overdrive	
Seal .....	7412S
Bearing .....	1207SLB
Kwik Slv (Opt Rpr) .....	KWK99125

[ ] Indicates Quantity Required; Set Components Listed Inside Rear Cover;

<sup>20</sup> Not currently in production; check for availability

<sup>42</sup> Sealed Self-Aligning Bearing

<sup>64</sup> Opt. Seal

and Bushing Kit

# Bearings and Seals

Mfg./Year    Model & Location    Part No    Mfg./Year    Model & Location    Part No

## **PONTIAC - REAR DRIVE - Bonneville, Catalina, Chieftain, Grand Safari, Executive, Grandville, Parisienne, Safari, Star Chief, 2+2 (cont.)**

### **3-SPEED MANUAL TRANSMISSION**

**(cont.)**

#### **Front Input Shaft (cont.)**

<b>1965-1958</b>	SM318, SM319: exc. overdrive	
Seal	.....	7412S
Bearing	.....	207SLB
Kwik Slv (Opt Rpr)	.....	KWK99125
<b>1964-1958</b>	Warner	
Seal	.....	7412S
Bearing	.....	307L
Kwik Slv (Opt Rpr)	.....	KWK99125
<b>1957-1946</b>		
Bearing	.....	207SL

#### **Rear Output Shaft**

<b>1979-1966</b>	Saginaw	
Seal	.....	9613S
Bearing	.....	306SLVB
Seal Kit	.....	5200 <sup>64</sup>
<b>1971-1964</b>	Tremac	
Seal	.....	9613S
Bearing	.....	207L
Seal Kit	.....	5200 <sup>64</sup>
<b>1965-1958</b>	SM318, SM319	
Seal	.....	9613S
Bearing	.....	306LO
Seal Kit	.....	5200 <sup>64</sup>
<b>1964-1958</b>	Warner	
Seal	.....	9613S
Bearing	.....	1307L
<b>1960-1946</b>	exc. 40 & 50 Series, Special, Super	
Bearing	.....	306L
<b>1955-1953</b>	50 Series, Super	
Bearing	.....	306L
<b>1955-1946</b>	40 Series, Special	
Bearing	.....	206WB
<b>1952-1946</b>	50 Series, Super	
Bearing	.....	206WB

#### **Selector Shaft Seal/Man. Shaft**

<b>1979-1966</b>		
Seal	.....	240735
Kwik Slv (Opt Rpr)	.....	KWK99076
<b>1957-1946</b>		
Seal	.....	340724

### **4-SPEED MANUAL TRANSMISSION**

#### **Input Shaft**

<b>1979-1978</b>	Saginaw: 76mm shaft	
Seal	.....	7412S
Bearing	.....	207SLB
Kwik Slv (Opt Rpr)	.....	KWK99125
<b>1971-1964</b>	Muncie	
Seal	.....	7412S
Bearing	.....	N1307L
Kwik Slv (Opt Rpr)	.....	KWK99125

### **4-SPEED MANUAL TRANSMISSION**

**(cont.)**

#### **Input Shaft (cont.)**

<b>1964-1960</b>	Warner	
Seal	.....	7412S
Bearing	.....	307L
Kwik Slv (Opt Rpr)	.....	KWK99125

#### **Rear Output Shaft**

<b>1979-1978</b>	Saginaw: 76mm shaft	
Seal	.....	9613S
Bearing	.....	306SLVB
<b>1971-1964</b>	Muncie: 83mm 32-spline shaft	
Seal	.....	9449
Bearing	.....	308L
Seal Kit	.....	5208 <sup>64</sup>
<b>1971-1964</b>	Muncie: 83mm 27-spline shaft	
Seal	.....	9613S
Bearing	.....	308L
Seal Kit	.....	5200 <sup>64</sup>
<b>1964-1960</b>	Warner	
Seal	.....	9613S
Bearing	.....	307L
Seal Kit	.....	5200 <sup>64</sup>

#### **Selector Shaft Seal/Man. Shaft**

<b>1979-1978</b>	Saginaw: 76mm shaft	
Seal	.....	240735
Kwik Slv (Opt Rpr)	.....	KWK99076

### **POWER STEERING**

#### **Pitman Shaft**

<b>1989-1982</b>	800 Gear with 4 bolt side cover	
Seal (inner)	.....	471413
Seal (outer)	.....	7412S
Seal Kit	.....	PSK1 <sup>24</sup>
<b>1981-1980</b>	800 Gear with 4 bolt side cover	
Seal (inner)	.....	471413
Seal (outer)	.....	7412S
Seal Kit	.....	PSK1 <sup>24</sup>
<b>1981-1980</b>	605 Gear with round side cover	
Seal	.....	710285

#### **Pump Shaft**

<b>1989-1980</b>		
Seal	.....	7013S

#### **Worm Shaft**

<b>1989-1980</b>		
Seal	.....	222025

### **MANUAL STEERING**

#### **Pitman Shaft**

<b>1979-1964</b>		
Seal	.....	313842

480 [ ] Indicates Quantity Required; Set Components Listed Inside Rear Cover;

<sup>24</sup> Opt. Kit incl. seals 5683 & 5684. Not sold separately    <sup>64</sup> Opt. Seal and Bushing Kit

**PONTIAC - REAR DRIVE - Bonneville, Catalina, Chieftain, Grand Safari, Executive, Grandville, Parisienne, Safari, Star Chief, 2+2 (cont.)**

**MANUAL STEERING**

**Worm Shaft**

<b>1979-1964</b>	
Seal .....	7013S

**CRANKSHAFT REAR SEAL**

**6 Cylinder**

<b>1986</b>	262/4.3L	
Seal Viton .....		4359V
Kwik Slv (Opt Rpr) .....		KWK99364
Seal PTFE H/D Opt. ....		5274
<b>1986-1977</b>	231/3.8L	
Seal .....		5591
Seal PTFE H/D Opt. ....		5291
<b>1985</b>	262/4.3L	
Seal .....		5092
<b>1983</b>	229/3.8L	
Seal .....		5092

**8 Cylinder**

<b>1989-1980</b>	307/5.0L, 350/5.7L, 350/5.7 diesel	
Seal Rope .....		5095
<b>1986</b>	305/5.0L, 350/5.7L	
Seal Viton .....		4359V
Seal PTFE H/D Opt. ....		5274
Kwik Slv (Opt Rpr) .....		KWK99364
<b>1985-1981</b>	267/4.4L, 305/5.0, 350/5.7	
Seal .....		5092
<b>1981-1976</b>	265/4.3, 301/4.9, 350/5.7 (M) (P),	
Seal .....		5073
<b>1980-1977</b>	350/5.7L (R) (X)	
Seal .....		5591
<b>1979-1961</b>	350/5.7L, 403/6.6, 421/6.9, 428/7.0, 455/7.5	
Seal Rope .....		5095
<b>1973-1972</b>	350/5.7L (M) (N)	
Seal .....		5073
<b>1966-1959</b>	389/6.4L	
Seal .....		5073

**TIMING COVER**

**6 Cylinder**

<b>1986</b>	231/3.8L	
Seal Viton .....		710162
Kwik Slv (Opt Rpr) .....		KWK99193
<b>1986-1985</b>	262/4.3L	
Seal .....		9845
Kwik Slv (Opt Rpr) .....		KWK99176
Harmonic Balancer		
Sleeves .....		88176

**TIMING COVER (cont.)**

**6 Cylinder (cont.)**

<b>1985-1977</b>	231/3.8L	
Seal .....		710163
<b>1983</b>	229/3.8L	
Seal .....		9845
Kwik Slv (Opt Rpr) .....		KWK99176
Harmonic Balancer		
Sleeves .....		88176

**8 Cylinder**

<b>1989-1980</b>	307/5.0L, 350/5.7L, 350/5.7 diesel	
Seal .....		472082
Kwik Slv (Opt Rpr) .....		KWK99199
Harmonic Balancer		
Sleeves .....		88199
<b>1986-1978</b>	267/4.4L, 305/5.0L, 350/5.7L	
Seal .....		9845
Kwik Slv (Opt Rpr) .....		KWK99176
Harmonic Balancer		
Sleeves .....		88176
<b>1981-1980</b>	265/4.3L, 301/4.9	
Seal .....		332062
Kwik Slv (Opt Rpr) .....		KWK99186
Harmonic Balancer		
Sleeves .....		88186
<b>1980</b>	350/5.7L engine code (L)	
Seal .....		710173
Kwik Slv (Opt Rpr) .....		KWK99196
<b>1979-1977</b>	403/6.6L	
Seal .....		472082
Kwik Slv (Opt Rpr) .....		KWK99199
Harmonic Balancer		
Sleeves .....		88199
<b>1979-1957</b>	301/4.9, 350/5.7 (M) (N) (P), 370/6.1, 389/6.4, 421/6.9, 428/7.0, 455/7.5	
Seal .....		332062
Kwik Slv (Opt Rpr) .....		KWK99186
Harmonic Balancer		
Sleeves .....		88186
<b>1971</b>	350/5.7L engine code (L)	
Seal .....		472082
Kwik Slv (Opt Rpr) .....		KWK99199
Harmonic Balancer		
Sleeves .....		88199
<b>1966-1959</b>	394/6.5L	
Seal .....		473231
Kwik Slv (Opt Rpr) .....		KWK99162

# Bearings and Seals

Mfg./Year    Model & Location    Part No    Mfg./Year    Model & Location    Part No

## **PONTIAC - REAR DRIVE - Grand Am, Grand Prix, GTO, LeMans, Mid Size Bonneville, Tempest**

### **FRONT WHEEL**

<b>1986-1982</b>	Grand Prix	
Seal (inner)	.....	8871[2]
Set (inner)	.....	SET6
Set (outer)	.....	SET34
<b>1981-1979</b>		
Seal (inner)	.....	8871[2]
Set (inner)	.....	SET6
Set (outer)	.....	SET3
<b>1978-1973</b>		
Seal (inner)	.....	8871[2]
Set (inner)	.....	SET6
Set (outer)	.....	SET2
<b>1972-1968</b>		
Seal (inner)	.....	8705S[2]
Set (inner)	.....	SET6
Set (outer)	.....	SET2
<b>1967</b>	disc brakes	
Seal (inner)	.....	8705S[2]
Set (inner)	.....	SET6
Set (outer)	.....	SET2
<b>1967-1964</b>	drum brakes	
Seal (inner)	.....	7607[2]
Set (inner)	.....	SET6
Set (outer)	.....	SET2
<b>1963-1961</b>		
Seal (inner)	.....	291295[2]
Set (inner)	.....	SET6
Set (outer)	.....	SET2

### **REAR WHEEL**

<b>1988-1978</b>	7.5" ring gear	
Seal	.....	8660S[2]
Cyl. Bearing	.....	5707[2]
Kit	.....	TRP1563TAV[2] <sup>19</sup>
<b>1977-1973</b>	8.5" ring gear: C, G, K, W axles	
Seal	.....	8660S[2]
Cyl. Bearing	.....	5707[2]
Kit	.....	TRP1563TAV[2] <sup>19</sup>
<b>1977-1973</b>	8.5" ring gear: B, O axles	
Seal	.....	712146[2]
Set	.....	SET9
<b>1977-1973</b>	8.875" ring gear: M, P axles: Grand Prix, Wagon	
Seal	.....	8835S[2]
Cyl. Bearing	.....	6408[2]
Kit	.....	TRP1559TV[2] <sup>19</sup>
<b>1972-1970</b>	10-bolt housing cover	
Seal	.....	712146[2]
Set	.....	SET9
<b>1972-1970</b>	12-bolt housing cover	
Seal	.....	8660S[2]
Cyl. Bearing	.....	5707[2]
Kit	.....	TRP1563TAV[2] <sup>19</sup>
<b>1970</b>	early 1970	
Seal	.....	8594S[2]
Bearing	.....	RW507CR[2]
<b>1969</b>	Grand Prix	
Seal	.....	8940S[2]
Bearing	.....	RW507CR[2]

### **REAR WHEEL (cont.)**

<b>1969-1964</b>	exc. Grand Prix	
Seal	.....	8594S[2]
Bearing	.....	RW507CR[2]
<b>1968-1965</b>	Grand Prix	
Seal	.....	8940S[2]
Bearing	.....	RW508BR[2]
<b>1964-1963</b>	Grand Prix	
Seal	.....	450059[2]
Bearing	.....	514003P[2]

### **REAR AXLE**

#### **Differential Rebuild Kit**

<b>1986-1980</b>	7.5" ring gear: 3.125" inner pinion bearing OD	
Kit	.....	DRK320
<b>1986-1973</b>	8.5" ring gear	
Kit	.....	DRK321
<b>1977</b>	8.875" ring gear	
Kit	.....	DRK323
<b>1977-1973</b>	8.75" ring gear	
Kit	.....	DRK323

#### **Differential**

<b>1988-1985</b>	7.75" ring gear	
Cone/Cup	.....	LM102949-LM102911[2]
<b>1988-1972</b>	7.5", 7.625", 8.5" ring gears: B, C, G, K, O axles	
Cone/Cup	.....	LM501349-LM501314[2]
<b>1981-1972</b>	8.75", 8.875" ring gears: P, M axles	
Set	.....	SET36
<b>1971-1965</b>	10-bolt housing cover	
Cone/Cup	.....	LM501349-LM501314[2]
<b>1971-1965</b>	12-bolt housing cover	
Set	.....	SET36
<b>1965-1947</b>		
Cone/Cup	.....	25584-25520[2]

#### **Pinion**

<b>1986-1982</b>	7.5" ring gear	
Cone/Cup (inner)	.....	HM89249-HM89210
Seal (outer)	.....	8610
Cone/Cup (outer)	.....	M86649-M86610
<b>1981-1978</b>	7.5" ring gear	
Cone/Cup (inner)	.....	HM89449-HM89410
Seal (outer)	.....	8610
Cone/Cup (outer)	.....	M86649-M86610
<b>1981-1973</b>	8.5" ring gear	
Cone/Cup (inner)	.....	M802048-M802011
Seal (outer)	.....	2043
Cone/Cup (outer)	.....	M88048-M88010
<b>1981-1973</b>	8.75" ring gear	
Cone/Cup (inner)	.....	M802048-M802011
Seal (outer)	.....	2043
Cone/Cup (outer)	.....	M88048-M88010

482 [ ] Indicates Quantity Required; Set Components Listed Inside Rear Cover;

<sup>19</sup> Opt. Axle Repair Bearing. Replaces O.E. bearing & seal.

**PONTIAC - REAR DRIVE - Grand Am, Grand Prix, GTO, LeMans, Mid Size  
Bonneville, Tempest (cont.)**

**REAR AXLE (cont.)**

**Pinion (cont.)**

<b>1976-1973</b>	8.875" ring gear: Grand Prix and Wagon
	Cone/Cup (inner) ..... M804049-M804010
	Seal (outer) ..... 2043
	Cone/Cup (outer) ..... M88048-M88010
<b>1972</b>	exc. Grand Prix
	Cone/Cup (inner) ..... M802048-M802011
	Seal (outer) ..... 2043
	Cone/Cup (outer) ..... M88048-M88010
<b>1972-1970</b>	Grand Prix: 10-bolt housing cover
	Cone/Cup (inner) ..... HM89449-HM89410
	Seal (outer) ..... 2043
	Cone/Cup (outer) ..... M88048-M88010
<b>1972-1970</b>	Grand Prix: 12-bolt housing cover
	Cone/Cup (inner) ..... M802048-M802011
	Seal (outer) ..... 8460N
	Cone/Cup (outer) ..... M88048-M88010
<b>1971-1970</b>	exc. Grand Prix: 10-bolt housing cover
	Cone/Cup (inner) ..... HM89449-HM89410
	Cone/Cup (outer) ..... M86649-M86610
<b>1971-1970</b>	exc. Grand Prix: 12-bolt housing cover
	Cone/Cup (inner) ..... M802048-M802011
	Seal (outer) ..... 2043
	Cone/Cup (outer) ..... M88048-M88010
<b>1969-1966</b>	Grand Prix: 10-bolt housing cover
	Cone/Cup (inner) ..... HM89449-HM89410
	Seal (outer) ..... 2043
	Cone/Cup (outer) ..... M88048-M88010
<b>1969-1964</b>	exc. Grand Prix
	Cone/Cup (inner) ..... HM89449-HM89410
	Seal (outer) ..... 2043
	Cone/Cup (outer) ..... M86649-M86610
<b>1965</b>	Grand Prix
	Cone/Cup (inner) ..... HM89449-HM89410
	Cone/Cup (outer) ..... M88048-M88010
<b>1964-1963</b>	Grand Prix: late 63 on
	Cone/Cup (inner) ..... HM89449-HM89410
	Cone/Cup (outer) ..... HM88649-HM88610
<b>1963</b>	Grand Prix: early year
	Cone/Cup (inner) ..... HM804846-HM804810
	Cone/Cup (outer) ..... HM89446-HM89410
<b>1963-1961</b>	exc. Grand Prix
	Cone/Cup (outer) ..... M88048-M88010

**AUTOMATIC TRANSMISSION**

**Torque Converter**

<b>1979-1964</b>	
	Seal ..... 6712NA
	Kwik Slv (Opt Rpr) ..... KWK99187

**Rear Seal/Ext. Housing**

<b>1972-1962</b>	
	Seal ..... 9613S
	Seal Kit ..... 5200 <sup>64</sup>

**3-SPEED AUTOMATIC TRANSMISSION**

**Torque Converter**

<b>1987-1977</b>	THM200
	Seal ..... 3227
	Kwik Slv (Opt Rpr) ..... KWK99174
<b>1984-1965</b>	exc. THM200
	Seal ..... 6712NA
	Kwik Slv (Opt Rpr) ..... KWK99187
<b>1964-1958</b>	
	Seal ..... 7018N

**Rear Seal/Ext. Housing**

<b>1987-1972</b>	exc. THM400
	Seal ..... 9613S
	Seal Kit ..... 5200 <sup>64</sup>
<b>1977-1965</b>	THM400: 1.890" shaft
	Seal ..... 9449
	Kwik Slv (Opt Rpr) ..... KWK99189
	Seal Kit ..... 5208 <sup>64</sup>
<b>1977-1965</b>	THM400: 1.687" shaft
	Seal ..... 7038SA
	Kwik Slv (Opt Rpr) ..... KWK99168
	Seal Kit ..... 5205 <sup>64</sup>
<b>1964-1957</b>	
	Seal ..... 7038SA
	Seal Kit ..... 5205 <sup>64</sup>

**Selector Shaft Seal/Man. Shaft**

<b>1987-1965</b>	
	Seal ..... 8792S

**4-SPEED AUTOMATIC TRANSMISSION**

**Torque Converter**

<b>1989-1983</b>	
	Seal ..... 3227
	Kwik Slv (Opt Rpr) ..... KWK99174

**Rear Seal/Ext. Housing**

<b>1989-1983</b>	
	Seal ..... 9613S
	Kwik Slv (Opt Rpr) ..... KWK99149
	Seal Kit ..... 5200 <sup>64</sup>

**Selector Shaft Seal/Man. Shaft**

<b>1989-1983</b>	
	Seal ..... 8792S

**CLUTCH**

**Pilot Bearing**

<b>1988-1963</b>	Grand Prix: 8-cylinder
	Bearing ..... 7109
<b>1980-1978</b>	301 engine
	Bearing ..... 7109
<b>1977-1965</b>	exc. 6-cylinder and 305 8-cylinder engines
	Bearing ..... 7109
<b>1964-1961</b>	
	Bearing ..... 7109

[ ] Indicates Quantity Required; Set Components Listed Inside Rear Cover;  
<sup>64</sup> Opt. Seal and Bushing Kit



# Bearings and Seals

Mfg./Year    Model & Location    Part No    Mfg./Year    Model & Location    Part No

## **PONTIAC - REAR DRIVE - Grand Am, Grand Prix, GTO, LeMans, Mid Size Bonneville, Tempest (cont.)**

### **CLUTCH**

#### **Release Bearing**

<b>1981-1980</b>	6-cylinder: 231A engine	
Bearing Assy	.....	614018 <sup>42</sup>
<b>1980-1978</b>	8-cylinder: incl. 301W engine with M20 trans	
Bearing Assy	.....	614018 <sup>42</sup>
<b>1979-1978</b>	6-cylinder	
Bearing Assy	.....	614037 <sup>42</sup>
<b>1977</b>		
Bearing Assy	.....	1377C
<b>1976</b>		
Bearing Assy	.....	614037 <sup>42</sup>
<b>1975</b>	3-speed	
Bearing Assy	.....	614037 <sup>42</sup>
<b>1975-1966</b>	1 bbl. carburetor	
Bearing Assy	.....	614037 <sup>42</sup>
<b>1975-1963</b>	Grand Prix: exc. H/D clutch	
Bearing Assy	.....	614037 <sup>42</sup>
<b>1974-1968</b>	2 bbl. carburetor	
Bearing Assy	.....	614037 <sup>42</sup>
<b>1974-1968</b>	4 bbl. carburetor	
Bearing Assy	.....	614018 <sup>42</sup>
<b>1974-1963</b>	Grand Prix: H/D clutch	
Bearing Assy	.....	614018 <sup>42</sup>
<b>1968-1966</b>	6-cylinder: 4 bbl. carburetor	
Bearing Assy	.....	614018 <sup>42</sup>
<b>1968-1966</b>	8-cylinder: exc. GTO	
Bearing Assy	.....	614037 <sup>42</sup>
<b>1968-1964</b>	GTO	
Bearing Assy	.....	614018 <sup>42</sup>
<b>1965-1963</b>	exc. GTO	
Bearing Assy	.....	614037 <sup>42</sup>

### **3-SPEED MANUAL TRANSMISSION**

#### **Transmission Rebuild Kit**

<b>1987-1966</b>	SM326 Saginaw: 76mm shaft	
Kit	.....	TRK301

#### **Front Input Shaft**

<b>1979-1966</b>	Saginaw	
Seal	.....	7412S
Bearing	.....	207SLB
Kwik Slv (Opt Rpr)	.....	KWK99125
<b>1974-1970</b>	SM330 Muncie: H/D	
Seal	.....	7412S
Bearing	.....	307L
Kwik Slv (Opt Rpr)	.....	KWK99125
<b>1971-1964</b>	Tremac	
Seal	.....	482208
Bearing	.....	208LO
Kwik Slv (Opt Rpr)	.....	KWK99112
<b>1965-1964</b>	SM318, SM319: with overdrive	
Seal	.....	7412S
Bearing	.....	1207SLB
Kwik Slv (Opt Rpr)	.....	KWK99125

### **3-SPEED MANUAL TRANSMISSION**

#### **(cont.)**

#### **Front Input Shaft (cont.)**

<b>1965-1964</b>	SM318, SM319: exc. overdrive	
Seal	.....	7412S
Bearing	.....	207SLB
Kwik Slv (Opt Rpr)	.....	KWK99125
<b>1957-1946</b>		
Bearing	.....	207SL

#### **Rear Output Shaft**

<b>1979-1966</b>	Saginaw	
Seal	.....	9613S
Bearing	.....	306SLVB
Seal Kit	.....	5200 <sup>64</sup>
<b>1974-1970</b>	SM330 Muncie: H/D	
Seal	.....	9613S
Bearing	.....	307L
<b>1971-1964</b>	Tremac	
Seal	.....	9613S
Bearing	.....	207L
Seal Kit	.....	5200 <sup>64</sup>
<b>1965-1964</b>	SM318, SM319	
Seal	.....	9613S
Bearing	.....	306LO
Seal Kit	.....	5200 <sup>64</sup>

#### **Selector Shaft Seal/Man. Shaft**

<b>1979-1966</b>		
Seal	.....	240735
Kwik Slv (Opt Rpr)	.....	KWK99076
<b>1957-1946</b>		
Seal	.....	340724

### **4-SPEED MANUAL TRANSMISSION**

#### **Input Shaft**

<b>1979-1966</b>	Saginaw: 76mm shaft	
Seal	.....	7412S
Bearing	.....	207SLB
Kwik Slv (Opt Rpr)	.....	KWK99125
<b>1975-1974</b>	Warner	
Seal	.....	7412S
Bearing	.....	1307SL
Kwik Slv (Opt Rpr)	.....	KWK99125
<b>1974-1964</b>	Muncie	
Seal	.....	7412S
Bearing	.....	N1307L
Kwik Slv (Opt Rpr)	.....	KWK99125

#### **Rear Output Shaft**

<b>1979-1966</b>	Saginaw: 76mm shaft	
Seal	.....	9613S
Bearing	.....	306SLVB
<b>1975-1974</b>	Warner	
Seal	.....	472572
Bearing	.....	1307L
Seal Kit	.....	5200 <sup>64</sup>

484 [ ] Indicates Quantity Required; Set Components Listed Inside Rear Cover;

<sup>42</sup> Sealed Self-Aligning Bearing    <sup>64</sup> Opt. Seal and Bushing Kit

**PONTIAC - REAR DRIVE - Grand Am, Grand Prix, GTO, LeMans, Mid Size  
Bonneville, Tempest (cont.)**

**4-SPEED MANUAL TRANSMISSION**

(cont.)

**Rear Output Shaft (cont.)**

<b>1974-1964</b>	Muncie: 83mm 32-spline shaft	
Seal .....		9449
Bearing .....		308L
Seal Kit .....		5208 <sup>64</sup>
<b>1974-1964</b>	Muncie: 83mm 27-spline shaft	
Seal .....		9613S
Bearing .....		308L
Seal Kit .....		5200 <sup>64</sup>

**Selector Shaft Seal/Man. Shaft**

<b>1979-1966</b>	Saginaw: 76mm shaft	
Seal .....		240735
Kwik Slv (Opt Rpr) .....		KWK99076
<b>1975-1974</b>	Warner	
Seal .....		7399S
Kwik Slv (Opt Rpr) .....		KWK99062

**AUTOMATIC TRANSAXLE**

**Tempestorque**

<b>1969-1960</b>	Front Pump (Tempest)	
Seal .....		451169N
<b>1969-1960</b>	Differential (Tempest)	
Seal .....		471707N[2]
Set .....		SET37[2]
<b>1969-1960</b>	Pinion (Tempest)	
Seal .....		471193N
Cone/Cup .....		M88048-M88010

**3-SPEED MANUAL TRANSAXLE**

**Input Shaft**

<b>1969-1965</b>	Input Shaft (Tempest)	
Bearing .....		207SLB
<b>1964-1960</b>	Input Shaft (Tempest)	
Cone .....		43207C

**Output Shaft**

<b>1969-1965</b>	Output Shaft (Tempest)	
Bearing .....		207SL1
<b>1964-1960</b>	Output Shaft (Tempest)	
Bearing .....		206SL

**Differential**

<b>1969-1960</b>	Differential (Tempest)	
Seal .....		471707N[2]
Set .....		SET37[2]

**Pinion**

<b>1969-1960</b>	Pinion (Tempest)	
Cone/Cup .....		M88048-M88010

**3-SPEED MANUAL TRANSAXLE**

**Selector Shaft Seal/Man. Shaft**

<b>1969-1960</b>	Shift Shaft (Tempset)	
Seal .....		472705

**4-SPEED MANUAL TRANSAXLE**

**Differential**

<b>1969-1960</b>	Differential (Tempest)	
Seal .....		471707N[2]
Set .....		SET37[2]

**Input Shaft**

<b>1969-1966</b>	Input Shaft (Tempest)	
Bearing .....		207SLB
<b>1965-1964</b>	Input Shaft (Tempest)	
Bearing .....		1207SLB
<b>1963-1961</b>	Input Shaft (Tempest)	
Cone .....		43207C

**Output Shaft**

<b>1969-1966</b>	Output Shaft (Tempest)	
Bearing .....		207SL1[2]
<b>1965-1961</b>	Output Shaft(Tempest): 2nd design	
Bearing .....		207SL[2]
<b>1961</b>	Output Shaft (Tempest): 1st design	
Cone .....		43207C

**Pinion**

<b>1969-1961</b>	Pinion (Tempest)	
Cone/Cup .....		M88048-M88010

**Selector Shaft Seal/Man. Shaft**

<b>1969-1961</b>	Shift Shaft (Tempest)	
Seal .....		472705

**POWER STEERING**

**Pitman Shaft**

<b>1987-1982</b>		
Seal Kit .....		PSK1 <sup>24</sup>
<b>1981-1980</b>	800 Gear with 4 bolt side cover	
Seal (inner) .....		471413
Seal (outer) .....		7412S
Seal Kit .....		PSK1 <sup>24</sup>
<b>1981-1980</b>	605 Gear with round side cover	
Seal .....		710285

**Pump Shaft**

<b>1987-1980</b>		
Seal .....		7013S

[ ] Indicates Quantity Required; Set Components Listed Inside Rear Cover;

<sup>24</sup> Opt. Kit incl. seals 5683 & 5684. Not sold separately

<sup>64</sup> Opt. Seal and Bushing Kit

# Bearings and Seals

Mfg./Year    Model & Location    Part No    Mfg./Year    Model & Location    Part No

## **PONTIAC - REAR DRIVE - Grand Am, Grand Prix, GTO, LeMans, Mid Size Bonneville, Tempest (cont.)**

### **POWER STEERING**

#### **Worm Shaft**

**1987-1980**  
Seal ..... 222025

### **MANUAL STEERING**

#### **Pitman Shaft**

**1979-1964**  
Seal ..... 313842

#### **Worm Shaft**

**1979-1964**  
Seal ..... 474131  
Bearing ..... 8537[2]

### **CRANKSHAFT REAR SEAL**

#### **6 Cylinder**

**1987-1986** 262/4.3L  
Seal Viton .....4359V  
Kwik Slv (Opt Rpr) .....KWK99364  
Seal PTFE H/D Opt. .... 5274  
**1987-1977** 231/3.8L, 252/4.1L  
Seal ..... 5591  
Seal PTFE H/D Opt. .... 5291  
**1981-1980** 229/3.8L  
Seal ..... 5092  
**1967-1963** 250/4.1L  
Seal ..... 5092

#### **8 Cylinder**

**1989-1980** 350/5.7L Diesel  
Seal Rope .....5095  
**1987-1986** 305/5.0L, 350/5.7L  
Seal Viton .....4359V  
Seal PTFE H/D Opt. .... 5274  
Kwik Slv (Opt Rpr) .....KWK99364  
**1985-1980** 267/4.4L, 305/5.0L  
Seal ..... 5092  
**1981-1980** 265/4.3L, 301/4.9  
Seal ..... 5073  
**1979-1977** 305/5.0L, 350/5.7L (L)  
Seal ..... 5092  
**1979-1970** 301/4.9, 350/5.7 (M) (N) (P)  
Seal ..... 5073  
**1977-1975** 350/5.7L engine code (H), (J), &  
(R)  
Seal ..... 5591  
**1977-1970** 260/4.3, 350/5.7, 403/6.6, 455/7.5  
Seal Rope ..... 5095  
**1972-1971** 307/5.0L  
Seal ..... 5092  
**1967-1963** 326/5.3L, 389/6.4L  
Seal ..... 5073  
**1966-1959** 389/6.4L  
Seal ..... 5073

### **TIMING COVER**

#### **6 Cylinder**

**1987-1986** 231/3.8L  
Seal Viton ..... 710162  
Kwik Slv (Opt Rpr) .....KWK99193  
**1987-1986** 262/4.3L  
Seal ..... 9845  
Kwik Slv (Opt Rpr) .....KWK99176  
Harmonic Balancer  
Sleeves ..... 88176  
**1985-1980** 231/3.8L  
Seal ..... 710163  
**1983-1982** 252/4.1L  
Seal ..... 471424  
Kwik Slv (Opt Rpr) .....KWK99199  
Harmonic Balancer  
Sleeves ..... 88199  
**1981-1980** 229/3.8L  
Seal ..... 9845  
Kwik Slv (Opt Rpr) .....KWK99176  
Harmonic Balancer  
Sleeves ..... 88176  
**1976-1964** 215/3.5L, 230/3.8, 250/4.1  
Seal ..... 9845  
Kwik Slv (Opt Rpr) .....KWK99176  
Harmonic Balancer  
Sleeves ..... 88176

#### **8 Cylinder**

**1987-1977** 267/4.4, 305/5.0L, 350/5.7L (L)  
Seal ..... 9845  
Kwik Slv (Opt Rpr) .....KWK99176  
Harmonic Balancer  
Sleeves ..... 88176  
**1984-1981** 350/5.7L Diesel  
Seal ..... 472082  
Kwik Slv (Opt Rpr) .....KWK99199  
Harmonic Balancer  
Sleeves ..... 88199  
**1981-1980** 265/4.3L, 301/4.9  
Seal ..... 332062  
Kwik Slv (Opt Rpr) .....KWK99186  
Harmonic Balancer  
Sleeves ..... 88186  
**1979-1970** 301/4.9, 350/5.7 (M) (N) (P),  
370/6.1, 389/6.4, 421/6.9,  
428/7.0, 455/7.5  
Seal ..... 332062  
Kwik Slv (Opt Rpr) .....KWK99186  
Harmonic Balancer  
Sleeves ..... 88186  
**1977-1975** 260/4.3, 403/6.6  
Seal ..... 472082  
Kwik Slv (Opt Rpr) .....KWK99199  
Harmonic Balancer  
Sleeves ..... 88199  
**1976-1975** 350/5.7L engine code (J)  
Seal ..... 710173  
Kwik Slv (Opt Rpr) .....KWK99196

**PONTIAC - REAR DRIVE - Grand Am, Grand Prix, GTO, LeMans, Mid Size  
Bonneville, Tempest (cont.)**

**TIMING COVER (cont.)**

**8 Cylinder (cont.)**

<b>1971</b>	350/5.7L engine code (L)	
Seal	.....	472082
Kwik Slv (Opt Rpr)	.....	KWK99199
Harmonic Balancer		
Sleeves	.....	88199
<b>1967-1963</b>	326/5.3L, 389/6.4L	
Seal	.....	332062
Kwik Slv (Opt Rpr)	.....	KWK99186
Harmonic Balancer		
Sleeves	.....	88186

**PONTIAC - REAR DRIVE - Fiero**

**FRONT WHEEL**

<b>1988</b>		
Hub Assy	.....	513040[2] <sup>16</sup>
<b>1987-1984</b>		
Seal (inner)	.....	3357[2]
Set (inner)	.....	SET4
Set (outer)	.....	SET1

**REAR WHEEL**

<b>1988-1984</b>		
Hub Assy	.....	513011K[2] <sup>61</sup>

**CLUTCH**

**Pilot Bearing**

<b>1988-1984</b>	151/2.5L	
Bushing	.....	PB650

**Release Bearing**

<b>1988-1986</b>	5-speed: 6-cylinder	
Bearing Assy	.....	614069
<b>1988-1985</b>	5-speed: 4-cylinder	
Bearing Assy	.....	614108
<b>1986-1984</b>	4-speed	
Bearing Assy	.....	614009

**3-SPEED AUTOMATIC TRANSAXLE**

**Torque Converter**

<b>1988-1984</b>		
Seal	.....	4072N

**Output Shaft**

<b>1988-1984</b>		
Seal	.....	3543[2]
Kwik Slv (Opt Rpr)	.....	KWK99139[2]
Seal Kit	.....	PSK1[2] <sup>24</sup>

**3-SPEED AUTOMATIC TRANSAXLE**

**Selector Shaft Seal/Man. Shaft**

<b>1988-1984</b>		
Seal	.....	8792S

**4-SPEED MANUAL TRANSAXLE**

**Differential**

<b>1986-1984</b>		
Set	.....	SET11

**Input Shaft**

<b>1986-1984</b>		
Seal (front)	.....	3732S
Set (front)	.....	SET4
Kwik Slv (Opt Rpr)	.....	KWK99106
Cone/Cup (rear)	.....	15101-15245

**Output Shaft**

<b>1986-1984</b>		
Set (LH)	.....	SET5
Cone/Cup (RH)	.....	15101-15245
Seal	.....	3543[2]
Kwik Slv (Opt Rpr)	.....	KWK99139[2]

**Selector Shaft Seal/Man. Shaft**

<b>1986-1984</b>		
Seal	.....	3667

**5-SPEED MANUAL TRANSAXLE**

**Differential**

<b>1988-1986</b>	Getrag	
Set	.....	SET11
<b>1988-1985</b>	Isuzu	
Bearing Assy	.....	32008XM[2]

**Input Shaft**

<b>1988-1986</b>	Getrag	
Bearing	.....	305DD

[ ] Indicates Quantity Required; Set Components Listed Inside Rear Cover;

<sup>16</sup> Check for availability, while supplies last    <sup>24</sup> Opt. Kit incl. seals 5683 & 5684. Not sold separately    61

Kit incl: Seal, Hub Nut, and Bearing Unit

# Bearings and Seals

Mfg./Year    Model & Location    Part No    Mfg./Year    Model & Location    Part No

## PONTIAC - REAR DRIVE - Fiero (cont.)

### 5-SPEED MANUAL TRANSAXLE (cont.)

#### Input Shaft (cont.)

<b>1988-1985</b>	Isuzu	
Seal (front)	.....	222835
Bearing Assy (front)	.....	32206M
Kwik Slv (Opt Rpr)	.....	KWK99111
Bearing Assy (rear)	.....	30306M

#### Output Shaft

<b>1988-1986</b>	Getrag	
Seal	.....	3543[2]
Kwik Slv (Opt Rpr)	.....	KWK99139[2]
<b>1988-1985</b>	Isuzu	
Seal	.....	3543[2]
Kwik Slv (Opt Rpr)	.....	KWK99139
Bearing Assy (RH)	.....	32206M
Set (LH)	.....	SET5

#### Selector Shaft Seal/Man. Shaft

<b>1988-1985</b>		
Seal	.....	3667

### CRANKSHAFT REAR SEAL

#### 4 Cylinder

<b>1988-1984</b>	151/2.5L	
Seal	.....	3698

### CRANKSHAFT REAR SEAL

#### 6 Cylinder

<b>1988-1985</b>	173/2.8L 2nd design	
Seal	.....	4307V
Seal PTFE H/D Opt.	.....	5273
Kwik Slv (Opt Rpr)	.....	KWK99298
<b>1985</b>	173/2.8L 1st design	
Seal	.....	5210

### TIMING COVER

#### 4 Cylinder

<b>1988-1984</b>	151/2.5L	
Seal	.....	9845
Kwik Slv (Opt Rpr)	.....	KWK99176
Harmonic Balancer		
Sleeves	.....	88176

#### 6 Cylinder

<b>1988-1985</b>	173/2.8L	
Seal	.....	9845
Kwik Slv (Opt Rpr)	.....	KWK99176
Harmonic Balancer		
Sleeves	.....	88176

## PONTIAC - REAR DRIVE - Firebird, Formula, Trans-Am, GTA

### FRONT WHEEL

<b>1989-1988</b>	Performance Pkg, Trans Am, GTA	
Seal (inner)	.....	8871[2]
Set (inner)	.....	SET6
Set (outer)	.....	SET3
<b>1989-1988</b>	exc. Performance Pkg, Trans Am, GTA	
Seal (inner)	.....	8871[2]
Set (inner)	.....	SET6
Set (outer)	.....	SET34
<b>1987-1982</b>		
Seal (inner)	.....	8871[2]
Set (inner)	.....	SET6
Set (outer)	.....	SET34
<b>1981-1979</b>		
Seal (inner)	.....	8871[2]
Set (inner)	.....	SET6
Set (outer)	.....	SET3
<b>1978-1970</b>		
Seal (inner)	.....	8871[2]
Set (inner)	.....	SET6
Set (outer)	.....	SET2
<b>1969-1968</b>	drum brakes	
Seal (inner)	.....	8705S[2]
Set (inner)	.....	SET6
Set (outer)	.....	SET2

### FRONT WHEEL (cont.)

<b>1969-1967</b>	disc brakes	
Seal (inner)	.....	8705S[2]
Set (inner)	.....	SET6
Set (outer)	.....	SET2
<b>1967</b>	drum brakes	
Seal (inner)	.....	7607[2]
Set (inner)	.....	SET6
Set (outer)	.....	SET2

### REAR WHEEL

<b>1989-1970</b>	exc. 7.75" ring gear	
Seal	.....	8660S[2]
Cyl. Bearing	.....	5707[2]
Kit	.....	TRP1563TAV[2] <sup>19</sup>
<b>1989-1985</b>	7.75" ring gear	
Set	.....	SET9[2]
Seal (RH)	.....	710179
Seal (LH)	.....	224255
<b>1969-1967</b>		
Seal	.....	8594S[2]
Bearing	.....	RW507CR[2]

### REAR AXLE

#### Differential Rebuild Kit

<b>1987-1982</b>	7.5", 7.625" ring gears	
Kit	.....	DRK320

488 [ ] Indicates Quantity Required; Set Components Listed Inside Rear Cover;

<sup>19</sup> Opt. Axle Repair Bearing. Replaces O.E. bearing & seal.

**PONTIAC - REAR DRIVE - Firebird, Formula, Trans-Am, GTA (cont.)**

**REAR AXLE (cont.)**

**Differential Rebuild Kit (cont.)**

1981-1973    8.5" ring gear  
Kit .....DRK321

**Differential**

1989-1972    7.5", 7.625", 8.5" ring gears: B, C,  
G, K, O axles  
Cone/Cup .....LM501349-LM501314[2]  
1989-1985    7.75" ring gear  
Set .....SET47  
1981-1972    8.75", 8.875" ring gears: P, M  
axles  
Set .....SET36  
1971-1967    10-bolt housing cover  
Cone/Cup .....LM501349-LM501314[2]  
1971-1967    12-bolt housing cover  
Set .....SET36

**Pinion**

1989-1982    7.5", 7.625" ring gears  
Cone/Cup (inner) .....HM89249-HM89210  
Seal (outer) .....8610  
Cone/Cup (outer) .....M86649-M86610  
1989-1985    7.75" ring gear  
Cone/Cup (inner) .....HM89446-HM89410  
Seal (outer) .....7457N  
Cone/Cup (outer) .....M86649-M86610  
1981-1972    8.5" ring gear  
Cone/Cup (inner) .....M802048-M802011  
Seal (outer) .....2043  
Cone/Cup (outer) .....M88048-M88010  
1981-1972    8.75" ring gear  
Cone/Cup (inner) .....M802048-M802011  
Seal (outer) .....2043  
Cone/Cup (outer) .....M88048-M88010  
1971-1970    10-bolt housing cover  
Cone/Cup (inner) .....M804049-M804010  
Seal (outer) .....8611N  
Cone/Cup (outer) .....M88048-M88010  
1971-1970    12-bolt housing cover  
Cone/Cup (inner) .....M802048-M802011  
Seal (outer) .....8460N  
Cone/Cup (outer) .....M88048-M88010  
1969-1967  
Cone/Cup (inner) .....HM89449-HM89410  
Seal (outer) .....2043  
Cone/Cup (outer) .....M86649-M86610

**AUTOMATIC TRANSMISSION**

**Torque Converter**

1972-1967  
Seal .....6712NA  
Kwik Slv (Opt Rpr) .....KWK99187

**AUTOMATIC TRANSMISSION**

**Rear Seal/Ext. Housing**

1972-1967  
Seal .....9613S  
Seal Kit .....5200<sup>64</sup>

**3-SPEED AUTOMATIC TRANSMISSION**

**Torque Converter**

1989-1980    THM200  
Seal .....3227  
Kwik Slv (Opt Rpr) .....KWK99174  
1981-1965    exc. THM200  
Seal .....6712NA  
Kwik Slv (Opt Rpr) .....KWK99187

**Rear Seal/Ext. Housing**

1989-1969    exc. THM400  
Seal .....9613S  
Seal Kit .....5200<sup>64</sup>  
1976-1969    THM400: 1.890" shaft  
Seal .....9449  
Kwik Slv (Opt Rpr) .....KWK99189  
Seal Kit .....5208<sup>64</sup>  
1976-1969    THM400: 1.687" shaft  
Seal .....7038SA  
Kwik Slv (Opt Rpr) .....KWK99168  
Seal Kit .....5205<sup>64</sup>

**Selector Shaft Seal/Man. Shaft**

1989-1967  
Seal .....8792S

**4-SPEED AUTOMATIC TRANSMISSION**

**Torque Converter**

1989-1983  
Seal .....3227  
Kwik Slv (Opt Rpr) .....KWK99174

**Rear Seal/Ext. Housing**

1989-1983  
Seal .....9613S  
Kwik Slv (Opt Rpr) .....KWK99149  
Seal Kit .....5200<sup>64</sup>

**Selector Shaft Seal/Man. Shaft**

1989-1983  
Seal .....8792S

**CLUTCH**

**Pilot Bearing**

1989-1982    6-cylinder  
Bushing H/D .....PB652HD  
1989-1980    8-cylinder  
Bushing H/D .....PB656HD  
1986-1982    4-cylinder  
Bushing H/D .....PB656HD  
1981-1967    6-cylinder  
Bushing H/D .....PB656HD

# Bearings and Seals

Mfg./Year    Model & Location    Part No    Mfg./Year    Model & Location    Part No

## **PONTIAC - REAR DRIVE - Firebird, Formula, Trans-Am, GTA (cont.)**

### **CLUTCH (cont.)**

#### **Pilot Bearing (cont.)**

1979-1967    8-cylinder  
Bearing ..... 7109

### **CLUTCH - 4 CYLINDER**

#### **Release Bearing**

1986-1985    151/2.5L  
Bearing Assy ..... 614083  
1984-1982    151/2.5L  
Bearing Assy ..... 614018<sup>42</sup>

### **CLUTCH - 6 CYLINDER**

#### **Release Bearing**

1989-1985    173/2.8L, 189/3.1L, 231/3.8L,  
207/3.4L  
Bearing Assy ..... 614083  
1984-1979    173/2.8L, 231/3.8L  
Bearing Assy ..... 614018<sup>42</sup>  
1978-1977    231/3.8L (Cone Diaph)  
Bearing Assy ..... 1377C  
1978-1977    231/3.8L (Flat Diaph)  
Bearing Assy ..... 614037<sup>42</sup>  
1976-1970    250/4.1L  
Bearing Assy ..... 614018<sup>42</sup>  
1969-1967    230/3.8L, 250/4.1L (10" clutch)  
Bearing Assy ..... 614037<sup>42</sup>  
1969-1967    230/3.8L, 250/4.1L (10.5" clutch)  
Bearing Assy ..... 614018<sup>42</sup>

### **CLUTCH - 8 CYLINDER**

#### **Release Bearing**

1989-1985    305/5.0L  
Bearing Assy ..... 614083  
1984-1979    305/5.0L  
Bearing Assy ..... 614018<sup>42</sup>  
1979-1967    301/4.9L, 326/5.3L, 350/5.7L (L),  
400/6.6L, 403/6.6L, 455/7.5L  
Bearing Assy ..... 614018<sup>42</sup>  
1978-1977    305/5.0L  
Bearing Assy ..... 614037<sup>42</sup>  
1977-1968    350/5.7L 4bbl carb  
Bearing Assy ..... 614018<sup>42</sup>  
1977-1968    350/5.7L 2bbl carb (exc. Vin  
Code L)  
Bearing Assy ..... 614037<sup>42</sup>

### **3-SPEED MANUAL TRANSMISSION**

#### **Transmission Rebuild Kit**

1981-1967    Saginaw  
Kit ..... TRK301

### **3-SPEED MANUAL TRANSMISSION**

#### **Front Input Shaft**

1981-1967    Saginaw  
Seal ..... 7412S  
Bearing ..... 207SLB  
Kwik Slv (Opt Rpr) ..... KWK99125  
1974-1970    Muncie  
Seal ..... 7412S  
Bearing ..... 307L  
Kwik Slv (Opt Rpr) ..... KWK99125  
1969-1967    Tremac  
Seal ..... 482208  
Bearing ..... 208LO  
Kwik Slv (Opt Rpr) ..... KWK99112  
1967    Warner  
Seal ..... 7412S  
Bearing ..... 307L  
Kwik Slv (Opt Rpr) ..... KWK99125

#### **Rear Output Shaft**

1981-1980    Saginaw  
Seal ..... 9613S  
Bearing ..... 1306SLVB  
Seal Kit ..... 5200<sup>64</sup>  
1979-1967    Saginaw  
Seal ..... 9613S  
Bearing ..... 306SLVB  
Seal Kit ..... 5200<sup>64</sup>  
1974-1970    Muncie  
Seal ..... 9613S  
Bearing ..... 307L  
Seal Kit ..... 5200<sup>64</sup>  
1969-1967    Tremac  
Seal ..... 9613S  
Bearing ..... 207L  
Seal Kit ..... 5200<sup>64</sup>  
1967    Warner  
Seal ..... 9613S  
Bearing ..... 1307L  
Seal Kit ..... 5200<sup>64</sup>

#### **Selector Shaft Seal/Man. Shaft**

1981-1967  
Seal ..... 240735

### **4-SPEED MANUAL TRANSMISSION**

#### **Input Shaft**

1984-1983    Warner  
Seal ..... 7412S  
Set ..... SET5  
Kwik Slv (Opt Rpr) ..... KWK99125  
Needle Bearing Thrust ..... FA55505  
1984-1980    Saginaw  
Seal ..... 7412S  
Bearing ..... 207SLB  
Kwik Slv (Opt Rpr) ..... KWK99125  
1982-1980    Warner  
Seal ..... 7412S  
Bearing ..... 1307SL  
Kwik Slv (Opt Rpr) ..... KWK99125

490 [ ] Indicates Quantity Required; Set Components Listed Inside Rear Cover;

<sup>42</sup> Sealed Self-Aligning Bearing    <sup>64</sup> Opt. Seal and Bushing Kit

**PONTIAC - REAR DRIVE - Firebird, Formula, Trans-Am, GTA (cont.)**

**4-SPEED MANUAL TRANSMISSION  
(cont.)**

**Input Shaft (cont.)**

<b>1975-1967</b>	Muncie	
Seal .....		7412S
Bearing .....		N1307L
Kwik Slv (Opt Rpr) .....		KWK99125

**Rear Output Shaft**

<b>1984-1983</b>	Warner	
Seal .....		9613S
Cone/Cup .....		25877-25821
Seal Kit .....		5200 <sup>64</sup>
<b>1984-1967</b>	Saginaw	
Seal .....		9613S
Bearing .....		306SLVB
Seal Kit .....		5200 <sup>64</sup>
<b>1982-1974</b>	Warner 32 spline	
Seal .....		472572
Bearing .....		1307L
<b>1975-1967</b>	Muncie 27-spline	
Seal .....		9613S
Bearing .....		308L
Seal Kit .....		5200 <sup>64</sup>
<b>1975-1967</b>	Muncie 32-spline	
Seal .....		9449
Bearing .....		308L
Seal Kit .....		5208 <sup>64</sup>

**Selector Shaft Seal/Man. Shaft**

<b>1984-1974</b>	Warner	
Seal .....		7399S
Kwik Slv (Opt Rpr) .....		KWK99062
<b>1984-1967</b>	Saginaw	
Seal .....		240735
Kwik Slv (Opt Rpr) .....		KWK99076

**5-SPEED MANUAL TRANSMISSION**

**Front Input Shaft**

<b>1989-1982</b>		
Seal .....		7412S
Set .....		SET5
Kwik Slv (Opt Rpr) .....		KWK99125
Needle Bearing Thrust .....		FA55505

**Countershaft**

<b>1989-1988</b>		
Cone/Cup (front) .....	LM67048-LM67010BCE	
Cone/Cup (rear) .....	LM67048-LM67010	
Needle Bearing Thrust .....	NTA1423	
<b>1987-1982</b>		
Needle Bearing (front) .....	DK55836	
Cyl. Bearing (rear) .....	5707	
Needle Bearing Thrust .....	NTA1423	

**5-SPEED MANUAL TRANSMISSION**

**Rear Output Shaft**

<b>1989-1988</b>		
Seal .....		9613S
Cone/Cup .....		25877-25821
Seal Kit .....		5200 <sup>64</sup>

**ALTERNATOR**

<b>1989-1983</b>	AC-Delco	
Bearing (drive end) .....		203FF
<b>1982-1971</b>	AC-Delco	
Bearing (drive end) .....		203S

**POWER STEERING**

**Pitman Shaft**

<b>1987-1982</b>		
Seal Kit .....		PSK1 <sup>24</sup>
<b>1981-1980</b>	800 Gear with 4 bolt side cover	
Seal (inner) .....		471413
Seal (outer) .....		7412S
Seal Kit .....		PSK1 <sup>24</sup>
<b>1981-1980</b>	605 Gear with round side cover	
Seal .....		710285

**Pump Shaft**

<b>1987-1980</b>		
Seal .....		7013S

**Worm Shaft**

<b>1987-1980</b>		
Seal .....		222025

**MANUAL STEERING**

**Pitman Shaft**

<b>1979-1964</b>		
Seal .....		313842

**Worm Shaft**

<b>1979-1964</b>		
Seal .....		474131
Bearing .....		8537[2]

**CRANKSHAFT REAR SEAL**

**4 Cylinder**

<b>1986-1982</b>	151/2.5L	
Seal .....		3698

**6 Cylinder**

<b>1989-1985</b>	173/2.8L 2nd design	
Seal .....		4307V
Kwik Slv (Opt Rpr) .....		KWK99298
Seal PTFE H/D Opt. ....		5273
<b>1989</b>	231/3.8L	
Seal .....		5591
Seal PTFE H/D Opt. ....		5291
<b>1984-1982</b>	173/2.8L 1st design	
Seal .....		5210

[ ] Indicates Quantity Required; Set Components Listed Inside Rear Cover;

<sup>24</sup> Opt. Kit incl. seals 5683 & 5684. Not sold separately

<sup>64</sup> Opt. Seal and Bushing Kit



# Bearings and Seals

Mfg./Year    Model & Location    Part No    Mfg./Year    Model & Location    Part No

## **PONTIAC - REAR DRIVE - Firebird, Formula, Trans-Am, GTA (cont.)**

### **CRANKSHAFT REAR SEAL (cont.)**

#### **6 Cylinder (cont.)**

<b>1981-1977</b>	231/3.8L	
Seal .....		5591
Seal PTFE H/D Opt. ....		5291
<b>1976-1968</b>	250/4.1L	
Seal .....		5092

#### **8 Cylinder**

<b>1989-1986</b>	305/5.0L, 350/5.7L	
Seal Viton .....		4359V
Kwik Slv (Opt Rpr) .....		KWK99364
Seal PTFE H/D Opt. ....		5274
<b>1985-1980</b>	305/5.0L	
Seal .....		5092
<b>1979-1976</b>	301/4.9, 350/5.7 (M) (P),	
Seal .....		5073
<b>1979-1976</b>	265/4.3L, 301/4.9	
Seal .....		5073
<b>1979-1969</b>	403/6.6L, 455/7.5	
Seal Rope .....		5095
<b>1977-1975</b>	350/5.7L (H) (R)	
Seal .....		5591
<b>1975-1967</b>	326/5.3L, 350/5.7 (M) (N) (P), 400/6.6	
Seal .....		5591

### **TIMING COVER**

#### **4 Cylinder**

<b>1986-1982</b>		
Seal .....		9845
Kwik Slv (Opt Rpr) .....		KWK99176
Harmonic Balancer		
Sleeves .....		88176

#### **6 Cylinder**

<b>1989</b>	231/3.8L	
Seal Viton .....		710162
Kwik Slv (Opt Rpr) .....		KWK99193
<b>1989-1982</b>	173/2.8L, 189/3.1L, 207/3.4L	
Seal .....		9845
Kwik Slv (Opt Rpr) .....		KWK99176
Harmonic Balancer		
Sleeves .....		88176
<b>1981-1977</b>	231/3.8L	
Seal .....		710163

### **TIMING COVER (cont.)**

#### **6 Cylinder (cont.)**

<b>1976-1967</b>	230/3.8L, 250/4.1L	
Seal .....		9845
Kwik Slv (Opt Rpr) .....		KWK99176
Harmonic Balancer		
Sleeves .....		88176

#### **8 Cylinder**

<b>1989-1980</b>	305/5.0L, 350/5.7L	
Seal .....		9845
Kwik Slv (Opt Rpr) .....		KWK99176
Harmonic Balancer		
Sleeves .....		88176
<b>1981-1980</b>	265/4.3L, 301/4.9	
Seal .....		332062
Kwik Slv (Opt Rpr) .....		KWK99186
Harmonic Balancer		
Sleeves .....		88186
<b>1979-1977</b>	301/4.9, 350/5.7 (M) (P), 455/7.5	
Seal .....		332062
Kwik Slv (Opt Rpr) .....		KWK99186
Harmonic Balancer		
Sleeves .....		88186
<b>1979-1977</b>	305/5.0L, 350/5.7L (L)	
Seal .....		9845
Kwik Slv (Opt Rpr) .....		KWK99176
Harmonic Balancer		
Sleeves .....		88176
<b>1979-1977</b>	403/6.6L	
Seal .....		472082
Kwik Slv (Opt Rpr) .....		KWK99199
Harmonic Balancer		
Sleeves .....		88199
<b>1976-1967</b>	326/5.3L, 350/5.7, 400/6.6, 455/7.4	
Seal .....		332062
Kwik Slv (Opt Rpr) .....		KWK99186
Harmonic Balancer		
Sleeves .....		88186

## **PONTIAC - REAR DRIVE - Phoenix, Ventura II**

### **FRONT WHEEL**

<b>1979</b>		
Seal (inner) .....		8871[2]
Set (inner) .....		SET6
Set (outer) .....		SET3
<b>1978-1975</b>		
Seal (inner) .....		8871[2]
Set (inner) .....		SET6
Set (outer) .....		SET2

### **FRONT WHEEL (cont.)**

<b>1974-1971</b>		
Seal (inner) .....		8705S[2]
Set (inner) .....		SET6
Set (outer) .....		SET2

**PONTIAC - REAR DRIVE - Phoenix, Ventura II (cont.)**

**REAR WHEEL**

1979-1975  
 Seal ..... 8660S[2]  
 Cyl. Bearing ..... 5707[2]  
 Kit ..... TRP1563TAV[2]<sup>19</sup>

**REAR AXLE**

**Differential Rebuild Kit**

1979-1973    8.5" ring gear  
 Kit ..... DRK321  
 1977    8.875" ring gear  
 Kit ..... DRK323  
 1977-1973    8.75" ring gear  
 Kit ..... DRK323

**Differential**

1979-1971    7.5", 8.125", 8.5" ring gears  
 Cone/Cup ..... LM501349-LM501314[2]  
 1977-1973    8.75", 8.875" ring gears  
 Set ..... SET36

**Pinion**

1979-1977    8.5", 8.75", 8.875" ring gears  
 Cone/Cup (inner) ..... M802048-M802011  
 Seal (outer) ..... 2043  
 Cone/Cup (outer) ..... M88048-M88010  
 1979-1976    7.5" ring gear  
 Cone/Cup (inner) ..... HM89449-HM89410  
 Seal (outer) ..... 8610  
 Cone/Cup (outer) ..... M86649-M86610  
 1975-1972  
 Cone/Cup (inner) ..... M802048-M802011  
 Seal (outer) ..... 2043  
 Cone/Cup (outer) ..... M88048-M88010  
 1971  
 Cone/Cup (inner) ..... HM89449-HM89410  
 Seal (outer) ..... 8611N  
 Cone/Cup (outer) ..... M86649-M86610

**3-SPEED AUTOMATIC TRANSMISSION**

**Torque Converter**

1979-1976    THM200  
 Seal ..... 3227  
 Kwik Slv (Opt Rpr) ..... KWK99174  
 1979-1971    exc. THM200  
 Seal ..... 6712NA  
 Kwik Slv (Opt Rpr) ..... KWK99187

**Rear Seal/Ext. Housing**

1979-1971  
 Seal ..... 9613S  
 Seal Kit ..... 5200<sup>64</sup>

**3-SPEED AUTOMATIC TRANSMISSION**

**Selector Shaft Seal/Man. Shaft**

1979-1971  
 Seal ..... 8792S

**3-SPEED MANUAL TRANSMISSION**

**Transmission Rebuild Kit**

1979-1971    SM326 Saginaw: 76mm shaft  
 Kit ..... TRK301

**Front Input Shaft**

1979-1971    Saginaw  
 Seal ..... 7412S  
 Bearing ..... 207SLB  
 Kwik Slv (Opt Rpr) ..... KWK99125  
 1974-1971    SM330 Muncie: H/D  
 Seal ..... 7412S  
 Bearing ..... 307L  
 Kwik Slv (Opt Rpr) ..... KWK99125  
 1971-1961    Tremac  
 Seal ..... 482208  
 Bearing ..... 208LO  
 Kwik Slv (Opt Rpr) ..... KWK99112

**Rear Output Shaft**

1979-1971    Saginaw  
 Seal ..... 9613S  
 Bearing ..... 306SLVB  
 Seal Kit ..... 5200<sup>64</sup>  
 1974-1971    SM330 Muncie: H/D  
 Seal ..... 9613S  
 Bearing ..... 307L  
 1971    Tremac  
 Seal ..... 9613S  
 Bearing ..... 207L  
 Seal Kit ..... 5200<sup>64</sup>

**Selector Shaft Seal/Man. Shaft**

1979-1971  
 Seal ..... 240735  
 Kwik Slv (Opt Rpr) ..... KWK99076

**4-SPEED MANUAL TRANSMISSION**

**Input Shaft**

1979-1971    Saginaw: 76mm shaft  
 Seal ..... 7412S  
 Bearing ..... 207SLB  
 Kwik Slv (Opt Rpr) ..... KWK99125  
 1975-1974    Warner  
 Seal ..... 7412S  
 Bearing ..... 1307SL  
 Kwik Slv (Opt Rpr) ..... KWK99125  
 1974-1971    Muncie  
 Seal ..... 7412S  
 Bearing ..... N1307L  
 Kwik Slv (Opt Rpr) ..... KWK99125

[ ] Indicates Quantity Required; Set Components Listed Inside Rear Cover;

<sup>19</sup> Opt. Axle Repair Bearing. Replaces O.E. bearing & seal.

<sup>64</sup> Opt. Seal and Bushing Kit

# Bearings and Seals

Mfg./Year    Model & Location    Part No    Mfg./Year    Model & Location    Part No

## **PONTIAC - REAR DRIVE - Phoenix, Ventura II (cont.)**

### **4-SPEED MANUAL TRANSMISSION**

#### **Rear Output Shaft**

<b>1979-1971</b>	Saginaw: 76mm shaft	
Seal .....		9613S
Bearing .....		306SLVB
<b>1975-1974</b>	Warner	
Seal .....		472572
Bearing .....		1307L
Seal Kit .....		5200 <sup>64</sup>
<b>1974-1971</b>	Muncie: 83mm 32-spline shaft	
Seal .....		9449
Bearing .....		308L
Seal Kit .....		5208 <sup>64</sup>
<b>1974-1971</b>	Muncie: 83mm 27-spline shaft	
Seal .....		9613S
Bearing .....		308L
Seal Kit .....		5200 <sup>64</sup>

#### **Selector Shaft Seal/Man. Shaft**

<b>1979-1971</b>	Saginaw: 76mm shaft	
Seal .....		240735
Kwik Slv (Opt Rpr) .....		KWK99076
<b>1975-1974</b>	Warner	
Seal .....		7399S
Kwik Slv (Opt Rpr) .....		KWK99062

### **ALTERNATOR**

<b>1979-1971</b>	AC-Delco	
Bearing (drive end) .....		203S
Bearing (rear end) .....		MNJ471S

### **CRANKSHAFT REAR SEAL**

#### **4 Cylinder**

<b>1979-1977</b>	151/2.5L	
Seal .....		3698

#### **6 Cylinder**

<b>1979-1977</b>	231/3.8L	
Seal .....		5591
<b>1976-1971</b>	250/4.1L	
Seal .....		5092

#### **8 Cylinder**

<b>1979-1972</b>	350/5.7L	
Seal .....		5073
<b>1979-1971</b>	305/5.0L, 307/5.0L	
Seal .....		5092
<b>1977</b>	301/4.9	
Seal .....		5073

### **CRANKSHAFT REAR SEAL (cont.)**

#### **8 Cylinder (cont.)**

<b>1976-1975</b>	260/4.3	
Seal Rope .....		5095

### **TIMING COVER**

#### **4 Cylinder**

<b>1979-1977</b>	151/2.5L	
Seal .....		9845
Kwik Slv (Opt Rpr) .....		KWK99176
Harmonic Balancer		
Sleeves .....		88176

#### **6 Cylinder**

<b>1979-1977</b>	231/3.8L	
Seal .....		710163
<b>1976-1971</b>	250/4.1L	
Seal .....		9845
Kwik Slv (Opt Rpr) .....		KWK99176
Harmonic Balancer		
Sleeves .....		88176

#### **8 Cylinder**

<b>1979-1972</b>	350/5.7L (M) (N) (P)	
Seal .....		332062
Kwik Slv (Opt Rpr) .....		KWK99186
Harmonic Balancer		
Sleeves .....		88186
<b>1979-1971</b>	305/5.0L, 307/5.0L	
Seal .....		9845
Kwik Slv (Opt Rpr) .....		KWK99176
Harmonic Balancer		
Sleeves .....		88176
<b>1977</b>	301/4.9	
Seal .....		332062
Kwik Slv (Opt Rpr) .....		KWK99186
Harmonic Balancer		
Sleeves .....		88186
<b>1977-1975</b>	260/4.3, 403/6.6	
Seal .....		472082
Kwik Slv (Opt Rpr) .....		KWK99199
Harmonic Balancer		
Sleeves .....		88199

494 [ ] Indicates Quantity Required; Set Components Listed Inside Rear Cover;

<sup>64</sup> Opt. Seal and Bushing Kit

**PONTIAC - REAR DRIVE - T1000**

**FRONT WHEEL**

**1987-1981**

Seal (inner) .....	3357[2]
Set (inner) .....	SET4
Set (outer) .....	SET1

**REAR WHEEL**

**1987-1981**

Seal .....	3348[2]
Cyl. Bearing .....	C5107EV[2]

**REAR AXLE**

**Differential**

**1987-1980**

Cone/Cup .....	LM29749-LM29711[2]
----------------	--------------------

**Pinion**

**1988-1976**    all

Cone/Cup (inner) .....	M88048S-M88010
Cone/Cup (inner) Opt: substitute for M88048S .....	M88047-M88010
Seal (outer) .....	2440
Cone/Cup (outer) .....	M84548-M84510

**3-SPEED AUTOMATIC TRANSMISSION**

**Torque Converter**

**1987-1981**    gas engine

Seal .....	6712NA
Kwik Slv (Opt Rpr) .....	KWK99187

**1985-1984**    diesel

Seal .....	3227
Kwik Slv (Opt Rpr) .....	KWK99174

**Rear Seal/Ext. Housing**

**1987-1981**

Seal .....	9613S
Seal Kit .....	5200 <sup>64</sup>

**Selector Shaft Seal/Man. Shaft**

**1987-1981**

Seal .....	8792S
------------	-------

**CLUTCH**

**Pilot Bearing**

**1987-1981**    gas engine

Bushing .....	PB652
Bushing H/D Opt. ....	PB652HD

**1985-1984**    diesel

Bearing .....	203FF
---------------	-------

**Release Bearing**

**1987-1981**    exc. diesel

Bearing Assy .....	614018 <sup>42</sup>
--------------------	----------------------

**1986-1983**    diesel

Bearing Only .....	01496
--------------------	-------

**4-SPEED MANUAL TRANSMISSION**

**Input Shaft**

**1987-1981**

Seal .....	483488
Bearing .....	206SL
Kwik Slv (Opt Rpr) .....	KWK99122

**Rear Output Shaft**

**1987-1981**

Seal .....	9613S
Bearing .....	206L
Seal Kit .....	5200 <sup>64</sup>

**5-SPEED MANUAL TRANSMISSION**

**Front Input Shaft**

**1987-1982**    Warner

Seal .....	7412S
Set .....	SET5
Kwik Slv (Opt Rpr) .....	KWK99125

**1986-1981**    Isuzu

Seal .....	1990
Bearing .....	208LO
Kwik Slv (Opt Rpr) .....	KWK99106

**Rear Output Shaft**

**1987-1982**    Warner

Seal .....	9613S
Cone/Cup .....	25877-25821
Seal Kit .....	5200 <sup>64</sup>

**1986-1981**    Isuzu

Seal .....	1987S
------------	-------

**ALTERNATOR**

**1988-1984**    AC-Delco

Bearing (drive end) .....	203FF
Bearing (rear end) .....	MNJ471S

**POWER STEERING**

**Pitman Shaft**

**1987-1981**

Seal Kit .....	PSK1 <sup>24</sup>
----------------	--------------------

**Pump Shaft**

**1987-1981**

Seal .....	7013S
------------	-------

**Worm Shaft**

**1987-1981**

Seal .....	222025
------------	--------

**CAMSHAFT SEAL**

**4 Cylinder**

**1987-1981**    98/1.6L

Seal .....	6936S
Kwik Slv (Opt Rpr) .....	KWK99176

[ ] Indicates Quantity Required; Set Components Listed Inside Rear Cover;

<sup>24</sup> Opt. Kit incl. seals 5683 & 5684. Not sold separately  
Seal and Bushing Kit

<sup>42</sup> Sealed Self-Aligning Bearing

<sup>64</sup> Opt.

# Bearings and Seals

Mfg./Year    Model & Location    Part No    Mfg./Year    Model & Location    Part No

## **PONTIAC - REAR DRIVE - T1000 (cont.)**

### **CRANKSHAFT REAR SEAL**

#### **4 Cylinder**

**1987-1981**    98/1.6L  
 Seal ..... 3698  
 Kwik Slv (Opt Rpr) .....KWK99300

### **TIMING COVER**

#### **4 Cylinder**

**1987-1981**    98/1.6L  
 Seal ..... 9845  
 Kwik Slv (Opt Rpr) .....KWK99176  
 Harmonic Balancer  
 Sleeves ..... 88176

## **PONTIAC IMPORT - FRONT DRIVE - Firefly (Canada), Optima, Sunburst**

### **FRONT WHEEL**

**1989**    Firefly  
 Seal (inner) ..... 710394[2]  
 Bearing (inner) ..... 510001[2]  
 Seal (outer) ..... 710175[2]  
**1989-1985**    Sunburst  
 Seal ..... 710098[2]  
 Bearing Assy ..... 517006[2]  
**1988-1987**    Firefly (Turbo)  
 Seal (inner) ..... 710394[2]  
 Bearing (inner) ..... 510001[2]  
 Seal (outer) ..... 710175[2]  
**1988-1985**    Firefly: late 1985 on  
 Seal (inner) ..... 224462[2]  
 Bearing ..... 107DD[2]  
**1985**    Firefly: early 1985  
 Seal (inner) ..... 224462[2]  
 Bearing ..... 107WB[2]

### **ALTERNATOR (cont.)**

**1989-1988**    Bosch  
 Bearing (drive end) ..... 203FF  
 Bearing (rear end) ..... 201CC

### **CAMSHAFT SEAL**

#### **4 Cylinder**

**1989-1988**    1598cc/1.6  
 Seal Viton ..... 1108  
 Kwik Slv (Opt Rpr) .....KWK99139  
**1989**    1998cc/2.0L  
 Seal Viton ..... 1108  
 Kwik Slv (Opt Rpr) .....KWK99139  
**1989-1985**    1471cc/1.5L  
 Seal ..... 710308  
 Kwik Slv (Opt Rpr) .....KWK99157

### **REAR WHEEL**

**1989-1985**    Firefly  
 Bearing (inner) ..... 205F[2]  
 Bearing (outer) ..... 204F[2]  
**1987-1985**    Sunburst (Canada)  
 Seal (inner) ..... 710309[2]  
 Set (inner) ..... SET4  
 Set (outer) ..... SET1

### **CRANKSHAFT REAR SEAL**

#### **4 Cylinder**

**1989-1988**    1598cc/1.6  
 Seal Viton ..... 228008  
 Kwik Slv (Opt Rpr) .....KWK99315  
**1989**    1998cc/2.0L  
 Seal Viton ..... 710237  
 Kwik Slv (Opt Rpr) .....KWK99354  
**1989-1985**    1471cc/1.5L  
 Seal ..... 228700

### **CLUTCH**

#### **Release Bearing**

**1989**    Firefly (Canada)  
 Bearing Assy ..... 614082  
**1989-1988**    Optima 5-speed  
 Bearing Assy ..... 614171  
**1988**    Optima 4-speed  
 Bearing Assy ..... 614172

### **TIMING COVER**

#### **4 Cylinder**

**1989-1988**    1598cc/1.6  
 Seal ..... 710399  
 Kwik Slv (Opt Rpr) .....KWK99166  
**1989**    1998cc/2.0L  
 Seal Viton ..... 710164  
 Kwik Slv (Opt Rpr) .....KWK99128  
**1989-1985**    1471cc/1.5L  
 Seal ..... 223220  
 Kwik Slv (Opt Rpr) .....KWK99128

### **ALTERNATOR**

**1989-1985**    Nippondenso  
 Bearing (drive end) ..... 302CC  
 Bearing (rear end) ..... 201CC

**PONTIAC IMPORT - FRONT DRIVE - LeMans**

**FRONT WHEEL**

<b>1989</b>	1.6 engine	
Bearing	.....	513113[2]
<b>1989</b>	2.0 engine	
Set	.....	SET35
<b>1988</b>		
Set	.....	SET35

**REAR WHEEL**

<b>1989-1988</b>		
Seal (inner)	.....	4175[2]
Set (inner)	.....	SET8
Set (outer)	.....	SET1

**CLUTCH**

**Release Bearing**

<b>1989-1988</b>	4 speed	
Bearing Assy	.....	614172
<b>1989-1988</b>	5-speed	
Bearing Assy	.....	614171

**3-SPEED AUTOMATIC TRANSAXLE**

**Torque Converter**

<b>1989-1988</b>		
Seal	.....	4072N

**Output Shaft**

<b>1989-1988</b>		
Seal	.....	3543[2]
Kwik Slv (Opt Rpr)	.....	KWK99139[2]

**Selector Shaft Seal/Man. Shaft**

<b>1989-1988</b>		
Seal	.....	8792S

**4-SPEED MANUAL TRANSAXLE**

**Output Shaft**

<b>1989-1988</b>		
Seal	.....	3543[2]
Kwik Slv (Opt Rpr)	.....	KWK99139[2]

**5-SPEED MANUAL TRANSAXLE**

**Output Shaft**

<b>1989-1988</b>		
Seal	.....	3543[2]
Kwik Slv (Opt Rpr)	.....	KWK99139[2]

**ALTERNATOR**

<b>1989-1985</b>	Nippondenso	
Bearing (drive end)	.....	302CC
Bearing (rear end)	.....	201CC
<b>1989-1988</b>	Bosch	
Bearing (drive end)	.....	203FF
Bearing (rear end)	.....	201CC

**CAMSHAFT SEAL**

**4 Cylinder**

<b>1989-1988</b>		
Seal Viton	.....	1108
Kwik Slv (Opt Rpr)	.....	KWK99139

**CRANKSHAFT REAR SEAL**

**4 Cylinder**

<b>1989-1988</b>	1598cc/1.6	
Seal Viton	.....	228008
Kwik Slv (Opt Rpr)	.....	KWK99315
<b>1989</b>	1998cc/2.0L	
Seal Viton	.....	710237
Kwik Slv (Opt Rpr)	.....	KWK99354

**TIMING COVER**

**4 Cylinder**

<b>1989-1988</b>	1598cc/1.6	
Seal	.....	710399
Kwik Slv (Opt Rpr)	.....	KWK99166
<b>1989</b>	1998cc/2.0L	
Seal Viton	.....	710164
Kwik Slv (Opt Rpr)	.....	KWK99128

**PORSCHE**

**FRONT WHEEL**

<b>1989-1986</b>	928 from chassis #861000 on	
Seal (inner)	.....	1012N[2]
Set (inner)	.....	SET17
Set (outer)	.....	SET3
<b>1989-1987</b>	944	
Seal (inner)	.....	1012N[2]
Set (inner)	.....	SET17
Set (outer)	.....	SET3
<b>1989-1965</b>	911: all chassis exc. 930, SC, C4	
Seal (inner)	.....	1012N[2]
Set (inner)	.....	SET6
Set (outer)	.....	SET2

**FRONT WHEEL (cont.)**

<b>1988-1987</b>	924S	
Seal (inner)	.....	1012N[2]
Set (inner)	.....	SET6
Set (outer)	.....	SET2
<b>1988-1978</b>	911 SC	
Seal (inner)	.....	224530[2]
Set (inner)	.....	SET6
Set (outer)	.....	SET2
<b>1986-1983</b>	944	
Seal (inner)	.....	1012N[2]
Set (inner)	.....	SET6
Set (outer)	.....	SET2

# Bearings and Seals

Mfg./Year	Model & Location	Part No	Mfg./Year	Model & Location	Part No
-----------	------------------	---------	-----------	------------------	---------

## PORSCHE (cont.)

### FRONT WHEEL (cont.)

<b>1986-1978</b>	928 thru chassis #860999	
Seal (inner)	.....	1012N[2]
Set (inner)	.....	SET17
Set (outer)	.....	SET16
<b>1982-1980</b>	924 Turbo	
Seal (inner)	.....	1012N[2]
Set (inner)	.....	SET6
Set (outer)	.....	SET2
<b>1982-1977</b>	924 exc. turbo	
Seal (inner)	.....	1195[2]
Set (inner)	.....	SET8
Set (outer)	.....	SET1
<b>1979-1978</b>	930 Turbo	
Seal (inner)	.....	1012N[2]
Set (inner)	.....	SET6
Set (outer)	.....	SET2
<b>1976-1970</b>	914/4-cylinder	
Seal (inner)	.....	1195[2]
Set (inner)	.....	SET8
Set (outer)	.....	SET1
<b>1973-1970</b>	914/6-cylinder	
Seal (inner)	.....	1012N[2]
Set (inner)	.....	SET6
Set (outer)	.....	SET2
<b>1969-1965</b>	912	
Seal (inner)	.....	1012N[2]
Set (inner)	.....	SET6
Set (outer)	.....	SET2
<b>1965-1963</b>	356C	
Seal (inner)	.....	22045[2]
Set (inner)	.....	SET6
Set (outer)	.....	SET2
<b>1963-1958</b>	356B	
Seal (inner)	.....	22045[2]
Bearing Assy (inner)	.....	30206M[2]
Bearing Assy (outer)	.....	30305M[2]
<b>1958-1955</b>	356A	
Seal (inner)	.....	22045[2]
Bearing Assy (inner)	.....	30206M[2]
Bearing Assy (outer)	.....	30305M[2]

### REAR WHEEL

<b>1989-1985</b>	911 C2, C4 exc. turbo	
Bearing	.....	513180[2]
<b>1989-1978</b>	928	
Bearing	.....	513136[2]
<b>1989</b>	944 Series	
Bearing	.....	513180[2]
<b>1989-1977</b>	911 Turbo	
Seal (inner)	.....	226520[2]
Cone/Cup (inner)	.....	LM503349A-LM503310[2]
Cone/Cup (outer)	.....	JLM104948-JLM104910[2]
<b>1988-1987</b>	924S	
Bearing	.....	513180[2]
<b>1988-1983</b>	944 Series	
Seal (inner)	.....	224462[2]
Bearing (inner)	.....	RW101[2]
Cyl. Bearing (outer)	.....	MA1206EL[2]
<b>1984-1978</b>	911 Carrera, SC	
Bearing	.....	513180[2]

### REAR WHEEL (cont.)

<b>1984-1971</b>	911 Series exc. Carrera, SC, turbo	
Bearing	.....	513134[2]
<b>1982-1977</b>	924	
Seal	.....	1012N[2]
Cyl. Bearing	.....	MA1206EF[2]
<b>1979-1978</b>	930 Turbo	
Seal (inner)	.....	226520[2]
Cone/Cup (inner)	.....	LM503349A-LM503310[2]
Cone/Cup (outer)	.....	JLM104948-JLM104910[2]
<b>1976-1970</b>	914, 914/6	
Bearing	.....	513106[2]
<b>1968-1965</b>	911 Series	
Seal (outer)	.....	1180S[2]
Bearing (outer)	.....	208[2]
<b>1965-1955</b>	356 Series	
Seal	.....	1012N[2]

### REAR AXLE

#### Differential

<b>1989-1985</b>	911 C2 Cab, C4 Cab	
Cone	.....	XAA32010XM[2]
<b>1989-1985</b>	911 Targa	
Cone	.....	XAA32010XM[2]
<b>1989-1981</b>	928 Series	
Cone	.....	XAA32010XM[2]
<b>1989-1981</b>	944: automatic trans	
Cone/Cup	.....	LM300849-LM300811[2]
<b>1989-1981</b>	944, 944 Turbo: manual trans	
Set (LH)	.....	SET45
Cone/Cup (RH)	.....	LM300849-LM300811
<b>1989-1981</b>	924: 5-speed manual trans	
Set (LH)	.....	SET45
Cone/Cup (RH)	.....	LM300849-LM300811
<b>1989-1981</b>	924: automatic trans	
Cone/Cup (LH)	.....	LM300849-LM300811
<b>1985-1981</b>	911 Carrera	
Cone	.....	XAA32010XM[2]
<b>1985-1981</b>	911 SC	
Cone	.....	XAA32010XM[2]
<b>1983-1981</b>	924 Turbo: 5-speed manual trans	
Cone	.....	XAA32010XM[2]
<b>1982-1977</b>	924: 4-speed manual trans	
Set (LH)	.....	SET45
Cone/Cup (RH)	.....	LM300849-LM300811
<b>1980</b>	924 Turbo: 5-speed manual trans	
Bearing Assy	.....	32010X[2]
<b>1980-1978</b>	928 Series	
Bearing Assy	.....	32010X[2]
<b>1980-1977</b>	924: 5-speed manual trans	
Bearing Assy	.....	32010X[2]
<b>1980-1976</b>	911 E, L, S, T	
Bearing Assy	.....	32010X[2]
<b>1980-1976</b>	911 Carrera	
Bearing Assy	.....	32010X[2]
<b>1980-1976</b>	911 SC	
Bearing Assy	.....	32010X[2]
<b>1973-1970</b>	914/6	
Bearing Assy	.....	32010X[2]
<b>1969-1965</b>	912 Series	
Bearing Assy	.....	32010X[2]

**PORSCHE (cont.)**

**REAR AXLE**

**Pinion**

<b>1988-1983</b>	944 with automatic trans	
	Cone/Cup (inner) .....	M86649-M86610
	Cone/Cup (outer) .....	M88048-M88010
<b>1988-1977</b>	924 with automatic trans	
	Cone/Cup (inner) .....	M86649-M86610
	Cone/Cup (outer) .....	M88048-M88010

**CLUTCH**

**Release Bearing**

<b>1989-1987</b>	911: 6-cylinder	
	Bearing Assy .....	614137 <sup>30</sup>
<b>1989-1980</b>	944	
	Bearing Assy .....	614132 <sup>30</sup>
<b>1988-1987</b>	924S	
	Bearing Assy .....	614132 <sup>30</sup>
<b>1982-1977</b>	924: 2.0 4-cylinder	
	Bearing Assy .....	614015 <sup>30</sup>
<b>1965-1963</b>	356C, SC, Super 90	
	Bearing Only .....	MG1716 <sup>30</sup>
<b>1962-1959</b>	Spyder	
	Bearing Only .....	MG1716 <sup>30</sup>
<b>1962-1958</b>	356B, Super 90	
	Bearing Only .....	MG1716 <sup>30</sup>
<b>1958-1955</b>	356A, Super	
	Bearing Only .....	VW1006C <sup>30</sup>
<b>1955-1952</b>	356	
	Bearing Only .....	VW1006C <sup>30</sup>

**3-SPEED AUTOMATIC TRANSAXLE**

**Torque Converter**

<b>1989-1977</b>	VW 087	
	Seal .....	3083
	Kwik Slv (Opt Rpr) .....	KWK99169

**Output Shaft**

<b>1989-1977</b>	VW 087	
	Seal .....	224520[2]
	Kwik Slv (Opt Rpr) .....	KWK99177

**Differential**

<b>1989-1977</b>	VW 087	
	Cone/Cup .....	LM300849-LM300811[2]

**Pinion**

<b>1989-1977</b>	VW 087	
	Seal (inner) .....	222820
	Cone/Cup (inner) .....	M88048-M88010
	Kwik Slv (Opt Rpr) .....	KWK99111
	Seal (outer) .....	1012N
	Cone/Cup (outer) .....	M86649-M86610
	Kwik Slv (Opt Rpr) .....	KWK99177

**4-SPEED MANUAL TRANSAXLE**

**Differential**

<b>1979-1976</b>	930	
	Bearing Assy .....	32010X[2]
<b>1969</b>	901	
	Bearing Assy .....	32010X[2]
<b>1968-1965</b>	901	
	Set .....	SET37

**Input Shaft**

<b>1979-1977</b>	VW 088	
	Seal .....	222030
	Kwik Slv (Opt Rpr) .....	KWK99078

**Output Shaft**

<b>1979-1977</b>	VW 088	
	Seal .....	224015[2]
	Kwik Slv (Opt Rpr) .....	KWK99157
<b>1979-1976</b>	930	
	Seal .....	224560[2]
	Kwik Slv (Opt Rpr) .....	KWK99177
<b>1969-1965</b>	901	
	Seal .....	224560[2]
	Kwik Slv (Opt Rpr) .....	KWK99177

**5-SPEED MANUAL TRANSAXLE**

**Differential**

<b>1989-1980</b>	Getrag G28, G50, G64	
	Bearing Assy .....	32010X[2]
<b>1986-1980</b>	915, 923	
	Bearing Assy .....	32010X[2]
<b>1985-1979</b>	VW 016	
	Set (LH) .....	SET45
	Bearing Assy (RH) .....	32010X
<b>1979</b>	016/9	
	Set (LH) .....	SET45
	Cone/Cup (RH) .....	LM300849-LM300811
<b>1979-1978</b>	G28/03	
	Bearing Assy .....	32010X[2]
<b>1979-1970</b>	902, 915	
	Bearing Assy .....	32010X[2]

**Input Shaft**

<b>1989-1980</b>	VW 016	
	Seal .....	222540
	Kwik Slv (Opt Rpr) .....	KWK99098
<b>1979</b>	016/9	
	Seal .....	222540
	Kwik Slv (Opt Rpr) .....	KWK99098
<b>1979-1978</b>	G28/03	
	Seal .....	1966
<b>1976-1970</b>	914	
	Seal .....	222242
	Kwik Slv (Opt Rpr) .....	KWK99085

[ ] Indicates Quantity Required; Set Components Listed Inside Rear Cover;  
<sup>30</sup> Ball bearing style release bearing replaces original style carbon bearing



# Bearings and Seals

Mfg./Year    Model & Location    Part No    Mfg./Year    Model & Location    Part No

## PORSCHE (cont.)

### 5-SPEED MANUAL TRANSAXLE

#### Output Shaft

<b>1989-1986</b>	Getrag G50, G64	
Seal .....	224560[2]	
Kwik Slv (Opt Rpr) .....	KWK99177	
<b>1989-1980</b>	VW 016	
Seal .....	224520[2]	
Kwik Slv (Opt Rpr) .....	KWK99177	
<b>1989-1980</b>	Getrag G28	
Seal .....	224820[2]	
Kwik Slv (Opt Rpr) .....	KWK99189	
<b>1986-1980</b>	915, 923	
Seal .....	224560[2]	
Kwik Slv (Opt Rpr) .....	KWK99177	
<b>1979</b>	016/9	
Seal .....	224520[2]	
Kwik Slv (Opt Rpr) .....	KWK99177	
<b>1979-1978</b>	G28/03	
Seal .....	224820[2]	
Kwik Slv (Opt Rpr) .....	KWK99189	
<b>1979-1970</b>	902, 914, 915	
Seal .....	224560[2]	
Kwik Slv (Opt Rpr) .....	KWK99177	

### ALTERNATOR

<b>1982-1977</b>	Bosch 75 amp	
Bearing .....	200CC[2]	
<b>1975-1970</b>	Bosch 50 amp	
Bearing .....	200CC[2]	
<b>1975-1970</b>	Bosch 55 amp	
Bearing .....	200CC[2]	

### CAMSHAFT SEAL

#### 4 Cylinder

<b>1989-1986</b>	2474cc/2.5L, 2980cc/3.0L	
Seal .....	223020	
Kwik Slv (Opt Rpr) .....	KWK99114	
<b>1988-1983</b>	2474cc/2.5L	
Seal .....	223020	
Kwik Slv (Opt Rpr) .....	KWK99114	
<b>1982-1977</b>	1984cc/2.0L	
Seal .....	3476S	
Kwik Slv (Opt Rpr) .....	KWK99128	
<b>1979-1977</b>	1984cc/2.0L	
Seal .....	3476S	
Kwik Slv (Opt Rpr) .....	KWK99128	

#### 8 Cylinder

<b>1989-1985</b>	4957cc/5.0L, 5397cc/5.4L	
Seal .....	223020	
Kwik Slv (Opt Rpr) .....	KWK99114	
<b>1984-1978</b>	4474cc/4.5L, 4670cc/4.7L	
Seal .....	223020	
Kwik Slv (Opt Rpr) .....	KWK99114	

### CRANKSHAFT REAR SEAL

#### 4 Cylinder

<b>1989-1983</b>	2474cc/2.5L, 2980cc/3.0L	
Seal .....	229010	
Kwik Slv (Opt Rpr) .....	KWK99354	
<b>1979-1977</b>	1984cc/2.0L	
Seal Viton .....	710205	
<b>1976-1970</b>	1679cc/1.7L, 1795cc/1.8L, 1970cc/2.0L	
Seal .....	227530	
Kwik Slv (Opt Rpr) .....	KWK99294	
<b>1969-1950</b>	1086cc/1.1L, 1286cc/1.3L, 1488cc/1.5L, 1582cc/1.6L	
Seal .....	226020	
Kwik Slv (Opt Rpr) .....	KWK99235	

#### 6 Cylinder

<b>1989-1980</b>	2994cc/3.0L, 3164cc/3.2L, 3299cc/3.3L, 3608cc/3.6L	
Seal .....	229010	
Kwik Slv (Opt Rpr) .....	KWK99354	
<b>1979-1978</b>	2994cc/3.0L, 3299cc/3.3L	
Seal .....	229010	
Kwik Slv (Opt Rpr) .....	KWK99354	
<b>1977-1965</b>	1991cc/2.0L, 2195cc/2.2L, 2341cc/2.3L, 2687cc/2.7L	
Seal .....	226520	
Kwik Slv (Opt Rpr) .....	KWK99254	

#### 8 Cylinder

<b>1989-1978</b>	4474cc/4.5L, 4670cc/4.7L, 4957cc/5.0L, 5397cc/5.4L	
Seal .....	229010	
Kwik Slv (Opt Rpr) .....	KWK99354	

### TIMING COVER

#### 4 Cylinder

<b>1989-1983</b>	2474cc/2.5L	
Seal .....	223830	
Kwik Slv (Opt Rpr) .....	KWK99147	
<b>1982-1980</b>	1984cc/2.0L	
Seal Viton .....	710331	
Kwik Slv (Opt Rpr) .....	KWK99139	
<b>1979-1977</b>	1984cc/2.0L	
Seal Viton .....	1119	
Kwik Slv (Opt Rpr) .....	KWK99139	
<b>1976-1970</b>	1679cc/1.7L, 1795cc/1.8L, 1970cc/2.0L	
Seal .....	224252	
Kwik Slv (Opt Rpr) .....	KWK99166	
<b>1969-1950</b>	1086cc/1.1L, 1286cc/1.3L, 1488cc/1.5L, 1582cc/1.6L	
Seal .....	1973	
Kwik Slv (Opt Rpr) .....	KWK99189	

**PORSCHE (cont.)**

**TIMING COVER**

**6 Cylinder**

<b>1989-1984</b>	3164cc/3.2L, 3299cc/3.3L	
Seal .....		226020
Kwik Slv (Opt Rpr) .....		KWK99235
<b>1983-1980</b>	2994cc/3.0L	
Seal .....		223050
Kwik Slv (Opt Rpr) .....		KWK99114

**TIMING COVER (cont.)**

**6 Cylinder (cont.)**

<b>1979-1965</b>	1991cc/2.0L, 2195cc/2.2L, 2341cc/2.3L, 2687cc/2.7L, 2994cc/3.0L, 3299cc/3.3L	
Seal .....		226020
Kwik Slv (Opt Rpr) .....		KWK99235

**RENAULT**

**FRONT WHEEL**

<b>1989-1983</b>	Alliance R9	
Tapered Brg Assy .....	JRM3535A-90U02[2]	
<b>1988-1983</b>	Encore	
Tapered Brg Assy .....	JRM3535A-90U02[2]	
<b>1985-1984</b>	SportsWagon	
Bearing .....	513144K[2]	
<b>1985-1983</b>	18i	
Bearing .....	513144K[2]	
<b>1985-1982</b>	Fuego	
Bearing .....	513144K[2]	
<b>1985-1976</b>	LeCar R5	
Bearing (inner) .....	513005[2]	
Bearing (outer) .....	B37[2]	
<b>1983-1976</b>	R17	
Bearing (inner) .....	513240[2] <sup>20</sup>	
Bearing (outer) .....	207F[2]	
<b>1982-1981</b>	18i	
Bearing .....	513141[2]	
<b>1975-1972</b>	R15	
Bearing (outer) .....	207F[2]	
<b>1971-1959</b>	R10 R1190, R1192	
Bearing Assy (inner) .....	30204M[2]	
Bearing Assy (outer) .....	30203[2]	
<b>1969-1968</b>	R16	
Bearing Assy (inner) .....	30205M[2]	
Bearing (outer) .....	513141[2]	
<b>1967-1965</b>	R12	
Bearing .....	207F[2]	
<b>1967-1962</b>	R3, R4, R4L	
Bearing .....	206F[2]	
<b>1967-1956</b>	Caravelle (R1131, R1133)	
Bearing Assy (inner) .....	30204M[2]	
Bearing Assy (outer) .....	30203[2]	
<b>1967-1956</b>	Dauphine	
Bearing Assy (inner) .....	30204M[2]	
Bearing Assy (outer) .....	30203[2]	
<b>1966-1961</b>	R1094, R1095	
Bearing Assy (inner) .....	30204M[2]	
Bearing Assy (outer) .....	30203[2]	
<b>1966-1961</b>	4CV	
Bearing Assy (inner) .....	30204M[2]	
Bearing Assy (outer) .....	30203[2]	
<b>1963-1955</b>	Fregate	
Bearing Assy (inner) .....	32206M[2]	
Bearing Assy (outer) .....	32304M[2]	

**REAR WHEEL**

<b>1988-1983</b>	Alliance (R9)	
Bearing Assy .....	513001[2]	
<b>1988-1983</b>	Encore, GTA (R11)	
Bearing Assy .....	513001[2]	
<b>1986-1984</b>	SportsWagon	
Bearing Assy (inner) .....	30205M[2]	
Bearing Assy (outer) .....	30204M[2]	
<b>1986-1983</b>	18i	
Bearing Assy (inner) .....	30205M[2]	
Bearing Assy (outer) .....	30204M[2]	
<b>1986-1982</b>	Fuego exc. turbo	
Seal (inner) .....	1906[2]	
Bearing Assy (inner) .....	30205M[2]	
Bearing Assy (outer) .....	30204M[2]	
<b>1986-1982</b>	Fuego Turbo	
Bearing Assy (inner) .....	30205M[2]	
Bearing Assy (outer) .....	30204M[2]	
<b>1983-1978</b>	R18, 18i Sedan	
Bearing Assy (inner) .....	32005X[2]	
Bearing Assy (outer) .....	32004X[2]	
<b>1983-1978</b>	R18, 18i Wagon	
Seal (inner) .....	1906[2]	
Bearing Assy (inner) .....	30205M[2]	
Bearing Assy (outer) .....	30204M[2]	
<b>1983-1977</b>	LeCar (R5)	
Seal (inner) .....	1906[2]	
Bearing Assy (inner) .....	32005X[2]	
Bearing Assy (outer) .....	32004X[2]	
<b>1979-1972</b>	R15	
Bearing Assy (inner) .....	30205M[2]	
Bearing Assy (outer) .....	30204M[2]	
<b>1979-1972</b>	R17, TL exc. R1328	
Bearing Assy (inner) .....	30205M[2]	
Bearing Assy (outer) .....	30204M[2]	
<b>1979-1972</b>	R17: R1328	
Bearing Assy (inner) .....	32005X[2]	
Bearing Assy (outer) .....	32004X[2]	
<b>1977</b>	R12	
Bearing Assy (inner) .....	32005X[2]	
Bearing Assy (outer) .....	32004X[2]	
<b>1976</b>	LeCar (R5)	
Bearing Assy (inner) .....	30205M[2]	
Bearing Assy (outer) .....	30204M[2]	
<b>1976-1965</b>	R12	
Seal (inner) .....	1906[2]	
Bearing Assy (inner) .....	30205M[2]	
Bearing Assy (outer) .....	30204M[2]	

[ ] Indicates Quantity Required; Set Components Listed Inside Rear Cover;

<sup>20</sup> Not currently in production; check for availability

# Bearings and Seals

Mfg./Year	Model & Location	Part No	Mfg./Year	Model & Location	Part No
-----------	------------------	---------	-----------	------------------	---------

## RENAULT (cont.)

### REAR WHEEL (cont.)

<b>1975-1965</b>	R16, TS	
	Bearing Assy (inner)	30205M[2]
	Bearing Assy (outer)	30204M[2]
<b>1968</b>	R1180	
	Bearing Assy	30203[2]
<b>1967-1965</b>	R10	
	Bearing Assy	30205M[2]
<b>1967-1962</b>	R3, R4, R4L	
	Seal (inner)	1906[2]
	Bearing Assy (inner)	30204M[2]
	Bearing Assy (outer)	30203[2]
<b>1967-1962</b>	4CV	
	Bearing (inner)	305AG[2]
<b>1967-1960</b>	Caravelle	
	Bearing (outer)	305AG[2]
<b>1966-1961</b>	R1094, R1095	
	Bearing	305AG[2]
<b>1966-1960</b>	Gordini	
	Bearing	305AG[2]
<b>1966-1956</b>	Dauphine	
	Bearing	305AG[2]
<b>1964-1962</b>	R8 thru chassis #6188	
	Bearing	305AG[2]
<b>1963-1955</b>	Fregate	
	Bearing (inner)	306TB[2]
	Seal (outer)	224045[2]
	Bearing (outer)	206WB[2]

### CLUTCH

#### Pilot Bearing

<b>1983-1976</b>	R17	
	Bearing	203SS
<b>1977-1965</b>	R12	
	Bearing	203SS
<b>1975-1972</b>	R15	
	Bearing	203SS
<b>1971-1968</b>	R16	
	Bearing	203SS

#### Release Bearing

<b>1988-1984</b>	Encore, GTA (R11)	
	Bearing Assy	614023
<b>1988-1983</b>	Alliance (R9)	
	Bearing Assy	614023
<b>1985-1984</b>	SportWagon	
	Bearing Assy	614025
<b>1985-1982</b>	Fuego: including turbo	
	Bearing Assy	614025
<b>1985-1976</b>	LeCar (R5)	
	Bearing Assy	614012
<b>1983-1980</b>	R18: NG0, NG1 trans	
	Bearing Assy	614025
<b>1983-1976</b>	R17	
	Bearing Assy	614025
<b>1977-1976</b>	R12 (R1331, R1332, R1170)	
	Bearing Assy	614012
<b>1975-1972</b>	R15 (R1300 - R1304)	
	Bearing Assy	614025
<b>1975-1972</b>	R17	
	Bearing Assy	614025

### CLUTCH (cont.)

#### Release Bearing (cont.)

<b>1975-1965</b>	R12 (R1331, R1332, R1170)	
	Bearing Assy	614025
<b>1971-1969</b>	R10	
	Bearing Assy	614012

### 3-SPEED AUTOMATIC TRANSAXLE

#### Torque Converter

<b>1989-1983</b>	MB1, MB3, MJ3	
	Seal	224266
	Kwik Slv (Opt Rpr)	KWK99169
<b>1983-1981</b>	4139	
	Seal Viton	716484
	Kwik Slv (Opt Rpr)	KWK99189
<b>1979-1968</b>	139, 4139	
	Seal	1973
	Kwik Slv (Opt Rpr)	KWK99189

#### Differential

<b>1989-1988</b>	MJ3	
	Bearing Assy	30207M[2]
<b>1986-1981</b>	MJ3, 4139	
	Bearing Assy	30207M[2]
<b>1979-1968</b>	139, 4139	
	Bearing Assy	30207M[2]

### 4-SPEED AUTOMATIC TRANSAXLE

#### Input Shaft

<b>1983-1976</b>	354	
	Seal	221710
	Kwik Slv (Opt Rpr)	KWK99068

#### Output Shaft

<b>1983-1980</b>	354	
	Seal	710197[2]
	Kwik Slv (Opt Rpr)	KWK99146
<b>1979-1976</b>	354	
	Seal	223610[2]
	Kwik Slv (Opt Rpr)	KWK99146

### 4-SPEED MANUAL TRANSAXLE

#### Differential

<b>1983-1980</b>	354	
	Bearing Assy	30207M[2]
<b>1979-1963</b>	352, 354	
	Bearing Assy	30207M[2]
<b>1971-1958</b>	334	
	Bearing Assy	30206M[2]

### 5-SPEED MANUAL TRANSAXLE

#### Differential

<b>1989-1988</b>	NG3	
	Bearing Assy (LH)	30207M
<b>1986-1981</b>	NG0, NG1, NG3	
	Bearing Assy (LH)	30207M

**RENAULT (cont.)**

**5-SPEED MANUAL TRANSAXLE**

**Countershaft**

1983-1981    NG0  
Bearing Assy (rear) .....30205M

**ALTERNATOR**

1987-1983    Ducellier 60 & 70 amp  
Bearing (drive end) .....204FF  
Bearing (rear end) .....200CC  
1985-1983    Ducellier 50 amp  
Bearing (drive end) .....203FF  
Bearing (rear end) .....200CC

**CAMSHAFT SEAL**

**4 Cylinder**

1989-1988    2165cc/2.2L  
Seal .....1172S  
Kwik Slv (Opt Rpr) .....KWK99139  
1987-1985    1721cc/1.7L, 1965cc/2.0L  
Seal (front) .....222556  
Kwik Slv (Opt Rpr) .....KWK99098  
Seal (rear) .....222267  
Kwik Slv (Opt Rpr) .....KWK99085  
1987-1980    1397cc/1.4L  
Seal .....223010  
Kwik Slv (Opt Rpr) .....KWK99114  
1986-1984    2165cc/2.2L  
Seal .....1172S  
Kwik Slv (Opt Rpr) .....KWK99139  
1984-1982    1565cc/1.6L  
Seal .....223230  
Kwik Slv (Opt Rpr) .....KWK99128  
1979-1976    1289cc/1.3L  
Seal .....223010  
Kwik Slv (Opt Rpr) .....KWK99114  
1975-1968    1565cc/1.6L  
Seal .....223230  
Kwik Slv (Opt Rpr) .....KWK99129  
1971-1970    1289cc/1.3L  
Seal .....223010  
Kwik Slv (Opt Rpr) .....KWK99114

**CRANKSHAFT REAR SEAL**

**4 Cylinder**

1989-1988    2165cc/2.2L  
Seal Viton .....229005  
Kwik Slv (Opt Rpr) .....KWK99354  
1987-1985    1721cc/1.7L, 1965cc/2.0L  
Seal .....716102  
Kwik Slv (Opt Rpr) .....KWK99333  
1987-1980    1397cc/1.4L, 1565cc/1.6L,  
1647cc/1.6L  
Seal .....228010  
Kwik Slv (Opt Rpr) .....KWK99315  
1986-1984    2165cc/2.2L  
Seal Viton .....229005  
Kwik Slv (Opt Rpr) .....KWK99354  
1979-1974    1289cc/1.3L, 1565cc/1.6L,  
1647cc/1.6L  
Seal .....228010  
Kwik Slv (Opt Rpr) .....KWK99315  
1973-1968    1289cc/1.3L, 1565cc/1.6L  
Seal .....228010  
Kwik Slv (Opt Rpr) .....KWK99315  
1971-1963    1108cc/1.1L  
Seal .....227040  
Kwik Slv (Opt Rpr) .....KWK99272

**TIMING COVER**

**4 Cylinder**

1989-1984    1721cc/1.7L, 1965cc/2.0L,  
2165cc/2.2L  
Seal Viton .....225020  
Kwik Slv (Opt Rpr) .....KWK99196  
1987-1980    1397cc/1.4L  
Seal .....3771  
Kwik Slv (Opt Rpr) .....KWK99139  
1984-1968    1565cc/1.6L, 1647cc/1.6L  
Seal .....224520  
Kwik Slv (Opt Rpr) .....KWK99177  
1979-1976    1289cc/1.3L  
Seal .....3771  
Kwik Slv (Opt Rpr) .....KWK99139  
1971-1963    1108cc/1.1L, 1289cc/1.3  
Seal .....3771  
Kwik Slv (Opt Rpr) .....KWK99139  
1967-1951    603cc, 747cc, 845cc  
Seal .....223250  
Kwik Slv (Opt Rpr) .....KWK99128

**RILEY - see also AUSTIN-MORRIS**

**FRONT WHEEL**

1965-1958    1.5 litre  
Bearing Assy (inner) .....30205M[2]  
Bearing Assy (outer) .....30303[2]

**REAR WHEEL**

1965-1962    4/72  
Bearing .....208L[2]  
1965-1958    1.5 litre  
Seal .....472164[2]  
Bearing .....207[2]

**REAR WHEEL (cont.)**

1963-1958    2.6  
Seal .....450867[2]  
Bearing .....209L[2]  
1961-1959    4/68  
Bearing .....208L[2]

# Bearings and Seals

Mfg./Year    Model & Location    Part No    Mfg./Year    Model & Location    Part No

## RILEY - see also AUSTIN-MORRIS (cont.)

### REAR AXLE

#### Pinion

**1969-1962** 4/72  
 Cone/Cup (outer) ..... 3188S-3120  
 Cone/Cup (inner) ..... 15100-15250X

### CLUTCH

#### Release Bearing

**1972-1965** Kestrel 1100, 1300  
 Bearing Assy ..... 614104  
**1969-1962** Elf: Mk I, II, III  
 Bearing Assy ..... 614104

## ROLLS ROYCE - includes BENTLEY chassis

### FRONT WHEEL

**1989-1976** Corniche  
 Cone/Cup (inner) ..... LM29749-LM29710[2]  
 Set (outer) ..... SET4  
**1989-1975** Silver Spur  
 Cone/Cup (inner) ..... LM29749-LM29710[2]  
 Set (outer) ..... SET4  
**1989-1972** Silver Spirit  
 Cone/Cup (inner) ..... LM29749-LM29710[2]  
 Set (outer) ..... SET4  
**1988-1976** Camargue  
 Cone/Cup (inner) ..... LM29749-LM29710[2]  
 Set (outer) ..... SET4  
**1971-1965** Silver Shadow  
 Cone/Cup (inner) ..... LM29749-LM29710[2]  
 Set (outer) ..... SET4  
**1970-1969** Phantom VI  
 Cone/Cup (inner) ..... 2788-2720[2]  
 Cone/Cup (outer) ..... 15112-15250X[2]  
**1968-1966** Phantom V  
 Cone/Cup (inner) ..... 2788-2720[2]  
 Cone/Cup (outer) ..... 15112-15250X[2]  
**1965-1964** Silver Cloud Mk. III  
 Cone/Cup (inner) ..... 2788-2720[2]  
 Cone/Cup (outer) ..... 15112-15250X[2]  
**1963-1959** Silver Cloud Mk. II  
 Cone/Cup (inner) ..... 2788-2720[2]  
 Cone/Cup (outer) ..... 15112-15250X[2]

### REAR WHEEL

**1989-1976** Corniche I, II, III  
 Cone/Cup (inner) ..... 18790-18720[2]  
 Cone/Cup (outer) ..... 18690-18620[2]  
**1989-1976** Silver Spur I, II  
 Cone/Cup (inner) ..... 18790-18720[2]  
 Cone/Cup (outer) ..... 18690-18620[2]  
**1989-1972** Silver Spirit I, II  
 Cone/Cup (inner) ..... 18790-18720[2]  
 Cone/Cup (outer) ..... 18690-18620[2]  
**1988-1976** Camargue  
 Cone/Cup (inner) ..... 18790-18720[2]  
 Cone/Cup (outer) ..... 18690-18620[2]

### REAR WHEEL (cont.)

**1971-1965** Silver Shadow  
 Cone/Cup (inner) ..... 18790-18720[2]  
 Cone/Cup (outer) ..... 18690-18620[2]  
**1970-1966** Phantom V, VI  
 Cone/Cup (inner) ..... 18790-18720[2]  
 Cone/Cup (outer) ..... 18690-18620[2]  
**1965-1959** Silver Cloud Mk. II, III  
 Cone/Cup (inner) ..... 18790-18720[2]  
 Cone/Cup (outer) ..... 18690-18620[2]

### REAR AXLE

#### Differential

**1989-1971** all  
 Cone/Cup (LH) ..... 29590-29520  
 Cone/Cup (RH) ..... 368A-362A  
**1970-1959** all  
 Cone/Cup (RH) ..... 28584-28521  
 Cone/Cup (LH) ..... 358X-354X

#### Pinion

**1989-1976** Corniche  
 Cone/Cup (inner) ..... 18790-18720  
 Cone/Cup (outer) ..... 18690-18620  
**1989-1975** Silver Spur  
 Cone/Cup (inner) ..... 18790-18720  
 Cone/Cup (outer) ..... 18690-18620  
**1989-1972** Silver Spirit  
 Cone/Cup (inner) ..... 18790-18720  
 Cone/Cup (outer) ..... 18690-18620  
**1988-1976** Camargue  
 Cone/Cup (inner) ..... 18790-18720  
 Cone/Cup (outer) ..... 18690-18620  
**1971-1965** Silver Shadow  
 Cone/Cup (inner) ..... HM88649-HM88610  
 Cone/Cup (outer) ..... HM903249-HM903210

### 3-SPEED AUTOMATIC TRANSMISSION

#### Torque Converter

**1989-1980** GMC THM400  
 Seal ..... 6712NA  
 Kwik Slv (Opt Rpr) ..... KWK99187

**ROLLS ROYCE - includes BENTLEY chassis (cont.)**

**3-SPEED AUTOMATIC TRANSMISSION**

**Rear Seal/Ext. Housing**

<b>1989-1980</b>	GMC THM400	
Seal .....		9449
Seal Kit .....		5208 <sup>64</sup>

**3-SPEED AUTOMATIC TRANSMISSION**

**Selector Shaft Seal/Man. Shaft**

<b>1989-1980</b>	GMC THM400	
Seal .....		8792S

**ROVER - 60, 75, 80, 90, 100, 105, 2000, 3000, 3500**

**FRONT WHEEL**

<b>1982-1980</b>		
Set (inner) .....		SET6
Set (outer) .....		SET2
<b>1979-1963</b>	2000, 3500	
Set (inner) .....		SET6
Set (outer) .....		SET2
<b>1967-1959</b>	3000	
Cone/Cup (inner) .....		14125A-14274[2]
Cone/Cup (outer) .....		09067-09195[2]

**Rear Seal/Ext. Housing**

<b>1973-1963</b>	Borg Warner T35	
Seal .....		1097N

**Selector Shaft Seal/Man. Shaft**

<b>1973-1963</b>	Borg Warner T35	
Seal .....		311189

**CLUTCH - 8 CYLINDER**

**Release Bearing**

<b>1982-1976</b>	3528cc/3.5L (240mm clutch)	
Bearing Only .....		TR1716

**REAR WHEEL**

<b>1982-1976</b>		
Seal (inner) .....		223535[2]
Seal (outer) .....		224100[2]

**4-SPEED MANUAL TRANSMISSION**

**Input Shaft**

<b>1975-1968</b>	P6B	
Bearing .....		306TB

**REAR AXLE**

**Axle Shaft**

<b>1975-1963</b>	2000, 3500	
Bearing .....		306TB[2]

**Countershaft**

<b>1975-1968</b>	P6B	
Set .....		SET3

**Differential**

<b>1982-1976</b>	3500	
Cone/Cup .....		LM29749-LM29710[2]
<b>1975-1963</b>	2000, 3500	
Set .....		SET45[2]
<b>1967-1959</b>	3000	
Cone/Cup .....		2788-2729[2]

**5-SPEED MANUAL TRANSMISSION**

**Front Input Shaft**

<b>1982-1980</b>	CL	
Cone/Cup .....		15123-15245
<b>1979-1976</b>	CL	
Set .....		SET6

**Pinion**

<b>1982-1976</b>	3500	
Cone/Cup (inner) .....		M88046-M88010
Cone/Cup (outer) .....		HM88649-HM88610
<b>1975-1963</b>	2000, 3500	
Cone/Cup (inner) .....		HM89449-HM89410
Cone/Cup (outer) .....		M88043-M88010
Bearing (pilot) .....		205BB
<b>1967-1959</b>	3000	
Cone/Cup (inner) .....		3193-3120
Cone/Cup (outer) .....		3490-3420

**Countershaft**

<b>1982-1976</b>	CL	
Set .....		SET4[2]

**Rear Output Shaft**

<b>1982-1976</b>	CL	
Set (inner) .....		SET1
Set (outer) .....		SET6

**3-SPEED AUTOMATIC TRANSMISSION**

**Torque Converter**

<b>1982-1973</b>	Borg Warner T65	
Seal .....		480479H
Kwik Slv (Opt Rpr) .....		KWK99168
<b>1973-1963</b>	Borg Warner T35	
Seal .....		480479H
Kwik Slv (Opt Rpr) .....		KWK99168

**DRIVESHAFT SUPPORT**

<b>1982-1980</b>		
Bearing .....		88506

[ ] Indicates Quantity Required; Set Components Listed Inside Rear Cover;  
<sup>64</sup> Opt. Seal and Bushing Kit

# Bearings and Seals

Mfg./Year	Model & Location	Part No	Mfg./Year	Model & Location	Part No
<b>ROVER - 60, 75, 80, 90, 100, 105, 2000, 3000, 3500 (cont.)</b>					

## CRANKSHAFT REAR SEAL

### 8 Cylinder

1981-1969	3528cc/3.5L	
Seal		5591

## ROVER TRUCK - SUV - Defender 90, Defender 110, Discovery, Range Rover

### FRONT WHEEL

1989-1970	Range Rover	
Set		SET37[2]
1973-1958	Land Rover	
Cone/Cup (outer)		11162-11300[2]

### REAR WHEEL

1989-1970	Range Rover	
Set		SET37[2]
1973-1958	Land Rover	
Cone/Cup (outer)		11162-11300[2]

### 4WD FRONT AXLE

#### Differential

1989-1982	To Mid Year 1993	
Set		SET45[2]
1981-1958		
Cone/Cup		2788-2729X[2]

#### Pinion

1989-1958		
Cone/Cup (inner)		M88046-M88010
Cone/Cup (outer)		HM801346X-HM801310

#### Steering Knuckle

1989-1958		
Cone/Cup		11590-11520[2]

### REAR AXLE

#### Differential

1989-1982	To Mid Year 1993	
Set		SET45[2]
1981-1958		
Cone/Cup		2788-2729X[2]

#### Pinion

1989-1958		
Cone/Cup (inner)		M88046-M88010
Cone/Cup (outer)		HM801346X-HM801310

### TRANSFER CASE REBUILD KIT

1989-1988	Range Rover	
Kit		TCRK1361

### TRANSFER CASE

#### Front Output Shaft

1988-1970	LT230	
Cone/Cup		JLM506849-JLM506810

#### Rear Output Shaft

1988-1970	LT230	
Cone/Cup (front)		JLM104948-JLM104910
Bearing (rear)		207

### 3-SPEED AUTOMATIC TRANSMISSION

#### Torque Converter

1986-1970	Chrysler A727	
Seal		331227H
Kwik Slv (Opt Rpr)		KWK99187

#### Rear Seal/Ext. Housing

1986-1970	Chrysler A727	
Seal		472164

#### Clutch Cam

1986-1970	Chrysler A727	
Needle Bearing		W585Q[12]

### 4-SPEED AUTOMATIC TRANSMISSION

#### Torque Converter

1989-1987	ZF 4HP-22, ZF 4HP-24	
Seal		224052
Kwik Slv (Opt Rpr)		KWK99157

#### Rear Seal/Ext. Housing

1989	ZF4HP22, ZF4HP24	
Seal		710140
1988-1987	ZF 4HP-22	
Seal		3459S

### CLUTCH

#### Release Bearing

1980-1968	3500 V8	
Bearing Only		TR1716

### CRANKSHAFT REAR SEAL

#### 8 Cylinder

1988-1970	3528cc/3.5L	
Seal		5591

Mfg./Year	Model & Location	Part No	Mfg./Year	Model & Location	Part No
-----------	------------------	---------	-----------	------------------	---------

**SAAB - 900, 9000, 99**

**FRONT WHEEL**

<b>1989-1981</b>	900	
Bearing	.....	513106[2]
<b>1989-1986</b>	9000	
Hub Assy	.....	513127[2]
<b>1982-1975</b>	99	
Bearing	.....	513106[2]
<b>1980-1979</b>	900	
Bearing	.....	513147[2]
<b>1974-1968</b>	97 Sonett series	
Seal	.....	224840[2]
Cone/Cup	.....	LM29749-LM29710[2]
<b>1974-1968</b>	99	
Seal	.....	224840[2]
Cone/Cup	.....	LM29749-LM29710[2]

**REAR WHEEL**

<b>1989-1988</b>	900	
Hub Assy	.....	HA590102[2]
<b>1987-1986</b>	9000 w/o ABS	
Hub Assy	.....	HA590102[2]
<b>1987-1982</b>	900	
Hub Assy	.....	512147[2]
<b>1982-1979</b>	900	
Set (inner)	.....	SET17
Set (outer)	.....	SET16
<b>1980-1979</b>	99 Series	
Seal (inner)	.....	1973[2]
Set (inner)	.....	SET17
Set (outer)	.....	SET16
<b>1978-1969</b>	99 Series	
Seal (inner)	.....	239146[2]
Set	.....	SET4[2]
<b>1974-1968</b>	97 Sonett	
Seal (inner)	.....	239146[2]
Set	.....	SET4[2]
<b>1973-1967</b>	95 V4 Wagon	
Seal (inner)	.....	239146[2]
Bearing (inner)	.....	206WB[2]
Bearing (outer)	.....	304WB[2]
<b>1973-1967</b>	96 V4	
Bearing (inner)	.....	302AG[2]
Bearing (outer)	.....	304WB[2]
<b>1968-1965</b>	95 Estate	
Bearing (inner)	.....	305AG[2]
Bearing (outer)	.....	304WB[2]
<b>1968-1965</b>	96 Estate, Sport Estate	
Bearing (inner)	.....	206WB[2]
Bearing (outer)	.....	304WB[2]
<b>1968-1965</b>	96, Sport	
Bearing (inner)	.....	305AG[2]
Bearing (outer)	.....	304WB[2]
<b>1968-1965</b>	850 Monte Carlo Estate	
Bearing (inner)	.....	206WB[2]
Bearing (outer)	.....	304WB[2]
<b>1968-1965</b>	850 Monte Carlo	
Bearing (inner)	.....	305AG[2]
Bearing (outer)	.....	304WB[2]

**CLUTCH**

**Pilot Bearing**

<b>1989-1979</b>	900	
Bearing	.....	202FF
<b>1980-1970</b>	99	
Bearing	.....	202FF

**Release Bearing**

<b>1989-1986</b>	900, 9000	
Bearing Assy	.....	614080
<b>1985-1979</b>	900	
Bearing Assy	.....	614143
<b>1980-1976</b>	99	
Bearing Assy	.....	614143
<b>1975-1970</b>	99	
Bearing Assy	.....	614200
<b>1974-1968</b>	97: Sonett	
Bearing Only	.....	VW1006C
<b>1973-1967</b>	95, 96: V4	
Bearing Only	.....	VW1006C
<b>1968-1960</b>	93	
Bearing Only	.....	VW1006C
<b>1968-1960</b>	95, 96: 3 cylinder	
Bearing Only	.....	VW1006C

**3-SPEED AUTOMATIC TRANSAXLE**

**Torque Converter**

<b>1989-1979</b>	Borg Warner T35TB, T37TB	
Seal	.....	480479H
Kwik Slv (Opt Rpr)	.....	KWK99168
<b>1978</b>	Borg Warner T35TB, T37TB (To Ch# 9978-1017767)	
Seal	.....	473234
Kwik Slv (Opt Rpr)	.....	KWK99168
<b>1978</b>	Borg Warner T35TB, T37TB (From Ch# 9978-1017768)	
Seal	.....	480479H
<b>1977-1969</b>	Borg Warner T269U, T35RB, T37TB, T393K, T399R	
Seal	.....	473234
Kwik Slv (Opt Rpr)	.....	KWK99168

**Differential**

<b>1989-1973</b>	Borg Warner T35TB, T37TB	
Seal	.....	223510[2]
Set	.....	SET45
Kwik Slv (Opt Rpr)	.....	KWK99139[2]
<b>1974-1969</b>	Borg Warner T269U, T35RB, T393K, T399R	
Cone/Cup	.....	LM29749-LM29710[2]

**Pinion**

<b>1980-1973</b>	Borg Warner T35TB, T37TB	
Set (inner)	.....	SET45
Cone/Cup (outer)	.....	19138-19268
<b>1972-1969</b>	Borg Warner T35	
Cone/Cup (inner)	.....	18590-18520
Cone/Cup (outer)	.....	19138-19268



# Bearings and Seals

Mfg./Year    Model & Location    Part No    Mfg./Year    Model & Location    Part No

## SAAB - 900, 9000, 99 (cont.)

### 4-SPEED AUTOMATIC TRANSAXLE

#### Differential

**1989-1987** ZF 4HP-14, 4HP-18Q  
 Cone/Cup (LH) .....LM806649-LM806610  
 Cone/Cup (RH) .....LM300849-LM300811

#### Torque Converter

**1989-1987** ZF 4HP-14  
 Seal ..... 225110  
 Kwik Slv (Opt Rpr) .....KWK99187

### 4-SPEED MANUAL TRANSAXLE

#### Differential

**1982-1975** 99, 900  
 Seal ..... 223510[2]  
 Set .....SET45  
 Kwik Slv (Opt Rpr) .....KWK99139

#### Input Shaft

**1982-1979** 900  
 Bearing (rear) ..... 208S

#### Intermediate Shaft

**1982-1969** 99, 900  
 Set (rear) ..... SET3

#### Pinion

**1982-1969** 99, 900  
 Cone/Cup (inner) .....HM88649-HM88610  
 Cone/Cup (outer) .....M88048-M88010

### 5-SPEED MANUAL TRANSAXLE

#### Differential

**1989-1986** 9000  
 Cone/Cup (LH) .....LM300849-LM300811  
 Set (RH) .....SET45  
**1989-1980** 99, 900  
 Seal ..... 223510[2]  
 Set .....SET45  
 Kwik Slv (Opt Rpr) .....KWK99139

#### Input Shaft

**1989-1986** 9000  
 Set (front) .....SET4  
 Cone/Cup (rear) ..... 15106-15245  
**1989-1980** 99, 900  
 Cone/Cup ..... M84548-M84510  
**1983-1980** 900  
 Cone/Cup ..... M84548-M84510[2]  
**1979-1978** 99  
 Cone/Cup ..... M84548-M84510

### 5-SPEED MANUAL TRANSAXLE

#### Output Shaft

**1989-1986** 9000  
 Bearing Assy (LH) ..... 32008XM  
 Cone/Cup (RH) ..... 15106-15245

#### Pinion

**1989-1980** 99, 900  
 Cone/Cup (inner) .....HM88649-HM88610  
 Cone/Cup (outer) .....M88048-M88010  
**1979-1978** 99  
 Cone/Cup (inner) .....HM88649-HM88610  
 Cone/Cup (outer) .....M88048-M88010

### ALTERNATOR

**1983-1981** Bosch 70 amp  
 Bearing (drive end) .....203FF  
 Bearing (rear end) ..... 201CC  
**1980-1973** Bosch 55 amp  
 Bearing (drive end) .....203S  
 Bearing (rear end) ..... 201S  
**1980-1973** Bosch 65 amp  
 Bearing (drive end) .....203S  
 Bearing (rear end) ..... 201S  
**1980-1969** Marchal  
 Bearing (drive end) .....203FF  
**1974-1966** Bosch 35 amp  
 Bearing (drive end) .....203S  
 Bearing (rear end) ..... 201S

### GENERATOR

**1966-1960** Bosch  
 Bearing (drive end) .....202AG

### CRANKSHAFT REAR SEAL

#### 4 Cylinder

**1989-1973** 1985cc/2.0L, 2119cc/2.1L,  
 2290cc/2.3L  
 Seal ..... 3772  
**1974-1966** 1498cc/1.5L, 1699cc/1.7L  
 Seal Viton ..... 3393  
 Kwik Slv (Opt Rpr) .....KWK99237  
**1972-1971** 1854cc/1.9L  
 Seal ..... 416956

### TIMING COVER

#### 4 Cylinder

**1989-1980** 1985cc/2.0L, 2119cc/2.1L,  
 2290cc/2.3L  
 Seal .....331227H  
 Kwik Slv (Opt Rpr) .....KWK99187  
**1979-1973** 1985cc/2.0L  
 Seal ..... 331227H  
 Kwik Slv (Opt Rpr) .....KWK99187  
**1974-1966** 1498cc/1.5L, 1699cc/1.7L  
 Seal Viton .....2012S<sup>31</sup>

508 [ ] Indicates Quantity Required; Set Components Listed Inside Rear Cover;

<sup>31</sup> When depleted use number listed directly below

**SIMCA**

**FRONT WHEEL**

<b>1980-1972</b>	Rallye	
Seal (inner)	.....	224045[2]
Set (inner)	.....	SET4
Bearing Assy (outer)	.....	30204M[2]
<b>1975-1969</b>	1000	
Seal (inner)	.....	224045[2]
Set (inner)	.....	SET4
Bearing Assy (outer)	.....	30204M[2]
<b>1975-1969</b>	1100	
Seal (inner)	.....	224045[2]
Set (inner)	.....	SET4
Bearing Assy (outer)	.....	30204M[2]
<b>1975-1969</b>	1200	
Seal (inner)	.....	224045[2]
Set (inner)	.....	SET4
Bearing Assy (outer)	.....	30204M[2]
<b>1975-1968</b>	Sim 4	
Seal (inner)	.....	224045[2]
Set (inner)	.....	SET4
Bearing Assy (outer)	.....	30204M[2]
<b>1975-1968</b>	900	
Seal (inner)	.....	224045[2]
Set (inner)	.....	SET4
Bearing Assy (outer)	.....	30204M[2]
<b>1975-1960</b>	1300, 1301	
Seal (inner)	.....	224045[2]
Set (inner)	.....	SET4
Set (outer)	.....	SET1
<b>1975-1960</b>	1500, 1501	
Seal (inner)	.....	224045[2]
Set (inner)	.....	SET4
Set (outer)	.....	SET1
<b>1968-1960</b>	1100	
Seal (inner)	.....	224045[2]
Set (inner)	.....	SET4
Set (outer)	.....	SET1
<b>1966-1962</b>	Aronde	
Seal (inner)	.....	1174S[2]
Set (inner)	.....	SET4
Bearing Assy (outer)	.....	30204M[2]
<b>1963-1958</b>	Presidence	
Cone/Cup (inner)	.....	15590-15520[2]
Set (outer)	.....	SET2
<b>1963-1957</b>	Marly Vedette	
Cone/Cup (inner)	.....	15590-15520[2]
Set (outer)	.....	SET2
<b>1963-1957</b>	Vedette	
Cone/Cup (inner)	.....	15590-15520[2]
Set (outer)	.....	SET2
<b>1962-1958</b>	Ariane Series	
Cone/Cup (inner)	.....	15590-15520[2]
Set (outer)	.....	SET2
<b>1962-1958</b>	Beaulieu	
Cone/Cup (inner)	.....	15590-15520[2]
Set (outer)	.....	SET2
<b>1961-1956</b>	Aronde	
Seal (inner)	.....	224045[2]
Bearing Assy (inner)	.....	30305M[2]
Bearing Assy (outer)	.....	30204M[2]

**REAR WHEEL**

<b>1980-1972</b>	Rallye	
Set	.....	SET4
<b>1975-1968</b>	Sim 4	
Set	.....	SET4
<b>1975-1968</b>	900	
Set (inner)	.....	SET4
Bearing Assy (outer)	.....	30204M[2]
<b>1975-1968</b>	1100	
Bearing Assy	.....	30204M[2]
<b>1975-1968</b>	1200	
Set (inner)	.....	SET4
Bearing Assy (outer)	.....	30204M[2]
<b>1975-1960</b>	1300 Series	
Set (inner)	.....	SET4
Bearing Assy (outer)	.....	30204M[2]
<b>1975-1960</b>	1500 Series	
Set (inner)	.....	SET4
Bearing Assy (outer)	.....	30204M[2]
<b>1967-1964</b>	1000	
Set (inner)	.....	SET4
Bearing Assy (outer)	.....	30204M[2]
<b>1966-1957</b>	Aronde	
Seal	.....	224045[2]
Bearing	.....	306TB[2]
<b>1963-1957</b>	Marly Vedette	
Bearing	.....	307TB[2]
<b>1962-1958</b>	Ariane	
Bearing	.....	307TB[2]
<b>1962-1958</b>	Beaulieu	
Bearing	.....	307TB[2]
<b>1962-1958</b>	Chambord	
Bearing	.....	307TB[2]
<b>1962-1958</b>	Presidence	
Bearing	.....	307TB[2]

**CLUTCH**

**Pilot Bearing**

<b>1975-1968</b>	1100	
Bearing	.....	201CC
<b>1963-1957</b>	Ariane	
Bearing	.....	203SS
<b>1963-1957</b>	Vedette	
Bearing	.....	203SS
<b>1962-1958</b>	Beaulieu	
Bearing	.....	203SS
<b>1962-1958</b>	Chambord	
Bearing	.....	203SS
<b>1962-1958</b>	Presidence	
Bearing	.....	203SS
<b>1962-1956</b>	Aronde	
Bearing	.....	202AG
<b>1962-1955</b>	Marly Vedette	
Bearing	.....	203SS

**ALTERNATOR**

<b>1971-1968</b>	all	
Bearing	.....	203FF[2]

# Bearings and Seals

Mfg./Year    Model & Location    Part No    Mfg./Year    Model & Location    Part No

## SINGER

### FRONT WHEEL

<b>1970-1967</b>	Vogue	
Set (inner)	.....	SET4
Set (outer)	.....	SET2
<b>1970-1964</b>	Chamois	
Set (inner)	.....	SET4
Set (outer)	.....	SET2
<b>1968-1956</b>	Gazelle	
Set (inner)	.....	SET21
Set (outer)	.....	SET2
<b>1966-1961</b>	Vogue	
Set (inner)	.....	SET21
Set (outer)	.....	SET2
<b>1956-1955</b>	Hunter: late	
Set (inner)	.....	SET21
Set (outer)	.....	SET2
<b>1955-1954</b>	Hunter: early	
Cone/Cup (inner)	.....	15112-15250[2]
Cone/Cup (outer)	.....	09067-09195[2]

### REAR WHEEL

<b>1966-1956</b>	Gazelle	
Seal	.....	472492[2]
Cone/Cup	.....	2585-2523S[2]
<b>1956</b>	Hunter	
Cone/Cup	.....	25877-25820[2]
<b>1955-1954</b>	Hunter	
Cone/Cup	.....	14130-14276[2]

### REAR AXLE

#### Pinion

<b>1970-1967</b>	Vogue	
Cone/Cup (inner)	.....	M84548-M84510
Cone/Cup (outer)	.....	M88048-M88010
<b>1970-1964</b>	Chamois Mk. I, Mk. II	
Cone/Cup (inner)	.....	21075-21212
Cone/Cup (inner)	.....	M84548-M84510
<b>1970-1956</b>	Gazelle	
Cone/Cup (inner)	.....	M84548-M84510
Cone/Cup (outer)	.....	M88048-M88010

## SKODA (RUSSIA)

### FRONT WHEEL

<b>1989-1970</b>		
Bearing Assy	.....	30304[2]

## STERLING - Honda automobiles - England

### FRONT WHEEL

<b>1989</b>	825, 827	
Bearing	.....	513052[2]
<b>1988-1987</b>	825, 827	
Bearing	.....	513054[2]

### REAR WHEEL

<b>1989-1987</b>	825, 827	
Bearing	.....	513051[2]

### CLUTCH

#### Release Bearing

<b>1989</b>	827SLi	
Bearing Assy	.....	614068
<b>1988-1987</b>	825SL	
Bearing Assy	.....	614068

### 4-SPEED AUTOMATIC TRANSAXLE

#### Differential

<b>1989</b>	G3T4	
Bearing Assy	.....	30208M[2]
<b>1988-1987</b>	G4	
Bearing Assy (LH)	.....	30208M
Bearing Assy (RH)	.....	32010X

#### Torque Convertor

<b>1989-1987</b>	G3T4, G4	
Seal	.....	350609

**STERLING - Honda automobiles - England (cont.)**

**4-SPEED AUTOMATIC TRANSAXLE**

**Output Shaft**

1989-1987    G3T4, G4  
 Seal Viton ..... 224026[2]  
 Kwik Slv (Opt Rpr) .....KWK99157

**Selector Shaft Seal/Man. Shaft**

1989-1987    G3T4, G4  
 Seal ..... 221207  
 Kwik Slv (Opt Rpr) .....KWK99049

**5-SPEED MANUAL TRANSAXLE**

**Differential**

1989-1987    C3P4, PL5X  
 Cone/Cup (LH) ..... XAA32008X-Y32008X  
 Bearing Assy (RH) .....32010X

**Output Shaft**

1989-1987    C3P4, PL5X  
 Seal Viton ..... 224026[2]  
 Kwik Slv (Opt Rpr) .....KWK99157

**A/C COMPRESSOR**

1989-1987    Nippondenso 10P15 Axial  
 Bearing ..... 5000KFF  
 1989-1987    Nippondenso 10P17 Axial  
 Bearing ..... 5000KFF

**ALTERNATOR**

1989    Nippondenso  
 Bearing (drive end) .....203FF  
 1989    Nippondenso  
 Bearing (rear end) ..... 201CC

**POWER STEERING**

**Pump Shaft**

1989    827 Series  
 Seal ..... 221620

**CAMSHAFT SEAL**

**6 Cylinder**

1989-1987    2494cc/2.5L, 2675cc/2.7L  
 Seal Viton ..... 713771  
 Kwik Slv (Opt Rpr) .....KWK99139

**CRANKSHAFT REAR SEAL**

**6 Cylinder**

1989-1987    2494cc/2.5L, 2675cc/2.7L  
 Seal Viton ..... 228008  
 Kwik Slv (Opt Rpr) .....KWK99315

**TIMING COVER**

**6 Cylinder**

1989-1987    2494cc/2.5L, 2675cc/2.7L  
 Seal ..... 711181

**STUDEBAKER - Avanti, Broadmoor, Challenger, Champion, Commander, Conestoga, Cruiser, Daytona, Hawk Series, Land Cruiser, Lark, Parkview, Pelham, President, Provincial, Scotsman, Station Wagon, Taxi, Wagonaire**

**FRONT WHEEL**

1966-1956  
 Seal (inner) ..... 205017[2]  
 Set (inner) .....SET6  
 Set (outer) .....SET2  
 1955    exc. Champion  
 Cone/Cup (inner) ..... 15123-15245[2]  
 Cone/Cup (outer) ..... 09067-09195[2]  
 1955-1948    Champion  
 Cone/Cup (inner) ..... 15123-15245[2]  
 Cone/Cup (outer) ..... 09067-09195[2]  
 1954-1950    Commander  
 Cone/Cup (inner) ..... 15123-15245[2]  
 Cone/Cup (outer) ..... 09067-09195[2]  
 1954-1950    Land Cruiser  
 Cone/Cup (inner) ..... 15123-15245[2]  
 Cone/Cup (outer) ..... 09067-09195[2]

**FRONT WHEEL (cont.)**

1949-1946    Commander  
 Cone/Cup (outer) ..... 09074-09194[2]  
 1942-1941    Commander  
 Cone/Cup (inner) ..... 14125A-14274[2]  
 Cone/Cup (outer) ..... 09074-09194[2]  
 1942-1941    President  
 Cone/Cup (inner) ..... 14125A-14274[2]  
 Cone/Cup (outer) ..... 09074-09194[2]

**REAR WHEEL**

1966-1951  
 Seal ..... 40769S[2]  
 Cone/Cup ..... 14132T-14276[2]  
 1950-1941    Commander  
 Cone/Cup ..... 25877-25821[2]

# Bearings and Seals

Mfg./Year    Model & Location    Part No    Mfg./Year    Model & Location    Part No

## **STUDEBAKER - Avanti, Broadmoor, Challenger, Champion, Commander, Conestoga, Cruiser, Daytona, Hawk Series, Land Cruiser, Lark, Parkview, Pelham, President, Provincial, Scotsman, Station Wagon, Taxi, Wagonaire (cont.)**

### **REAR WHEEL (cont.)**

<b>1950-1941</b>	President	
Cone/Cup	.....	25877-25821[2]
<b>1950-1941</b>	Land Cruiser	
Cone/Cup	.....	25877-25821[2]

### **REAR AXLE**

#### **Differential Rebuild Kit**

<b>1966-1965</b>	Dana/Spicer 44 axle: flanged axle shaft	
Kit	.....	DRK339B

#### **Differential**

<b>1966-1965</b>	Type 44 axle: flanged shaft	
Cone/Cup	.....	25590-25523[2]
<b>1966-1965</b>	Type 44 axle: tapered shaft	
Cone/Cup	.....	25577-25523[2]
<b>1966-1959</b>	Type 27 axle	
Cone/Cup	.....	LM501349-LM501314[2]
<b>1964-1963</b>	Avanti R1, R2	
Cone/Cup	.....	25577-25523[2]
<b>1964-1959</b>	Type 44 axle	
Cone/Cup	.....	25577-25523[2]
<b>1960-1959</b>	Type 23 axle	
Cone/Cup	.....	24780-24721[2]
<b>1958-1957</b>	6-cylinder exc. Taxi, Station Wagon	
Cone/Cup	.....	24780-24721[2]
<b>1958-1957</b>	6-cylinder Taxi	
Cone/Cup	.....	25577-25523[2]
<b>1958-1957</b>	6-cylinder Station Wagon	
Cone/Cup	.....	25577-25523[2]
<b>1958-1957</b>	8-cylinder	
Cone/Cup	.....	25577-25523[2]
<b>1956-1950</b>	exc. Champion, Flight Hawk	
Cone/Cup	.....	25577-25523[2]
<b>1956-1946</b>	Champion, Flight Hawk	
Cone/Cup	.....	24780-24721[2]

#### **Pinion**

<b>1966-1959</b>	Dana/Spicer 27A axle	
Cone/Cup (inner)	.....	HM88649-HM88610[2]
Seal (outer)	.....	5778
<b>1966-1946</b>	Dana/Spicer 23, 44 axles	
Cone/Cup (inner)	.....	31594-31520
Seal (outer)	.....	5778
Cone/Cup (outer)	.....	02872-02820

### **CLUTCH**

#### **Release Bearing**

<b>1964-1958</b>	6-cylinder: exc. Taxi	
Bearing Only	.....	CB1340C
Bearing Only	.....	1505
<b>1964-1958</b>	8-cylinder: exc. Taxi	
Bearing Only	.....	CB1137C
Bearing Only	.....	CB995

### **CLUTCH (cont.)**

#### **Release Bearing (cont.)**

<b>1957-1956</b>	Flight Hawk	
Bearing Only	.....	CB1340C
Bearing Only	.....	1505
<b>1957-1956</b>	Power Hawk, Sky Hawk	
Bearing Only	.....	CB1137C
Bearing Only	.....	CB995
<b>1957-1955</b>	President	
Bearing Only	.....	CB1137C
Bearing Only	.....	CB995
<b>1957-1939</b>	Champion	
Bearing Only	.....	CB1340C
Bearing Only	.....	1505
<b>1957-1938</b>	Commander	
Bearing Only	.....	CB1137C
Bearing Only	.....	CB995
<b>1942-1939</b>	President	
Bearing Only	.....	CB1339C
Bearing Only	.....	CB1085
<b>1938</b>	President	
Bearing Only	.....	CB1137C
Bearing Only	.....	CB995
<b>1938-1934</b>	Dictator	
Bearing Only	.....	CB1137C
Bearing Only	.....	CB995

### **DRIVESHAFT SUPPORT**

<b>1964-1946</b>	Spicer 1280-1480: 1.3780" bearing ID	
Bearing	.....	88107

**STUDEBAKER TRUCK - LIGHT - 1-7, 10, 11, 12, 13, 14, 15**

**REAR WHEEL**

<b>1965-1956</b>	10, 11, 12	
Seal (inner)	.....	410987[2]
Cone/Cup	.....	18790-18720[2]
<b>1965-1956</b>	1-7 single axle	
Seal (inner)	.....	7245[2]
Cone/Cup (inner)	.....	25877-25821[2]
<b>1965-1956</b>	13, 14, 15: banjo axle	
Seal (inner)	.....	455009[2]
Cone/Cup (inner)	.....	387A-382A[2]
Cone/Cup (outer)	.....	368A-362A[2]
<b>1956-1954</b>	13, 14, 15: split axle	
Seal (inner)	.....	455009[2]
Cone/Cup (inner)	.....	387A-382A[2]
Cone/Cup (outer)	.....	2984-2924[2]
<b>1956-1949</b>	10, 11, 12	
Cone/Cup (inner)	.....	368A-362A[2]
Cone/Cup (outer)	.....	359S-354A[2]

**CLUTCH**

**Pilot Bearing**

<b>1965-1955</b>	all	
Bearing	.....	205S
<b>1941-1936</b>	Various	
Bearing	.....	205S

**CLUTCH**

**Release Bearing**

<b>1965-1955</b>	exc. Clark, New Process trans	
Bearing Only	.....	CB1137C
Bearing Only	.....	CB995
<b>1953-1941</b>	M16,2R6,2R11,2R14,2R16A,2R17A	
Bearing Only	.....	CB1339C
Bearing Only	.....	CB1085
<b>1953-1938</b>	K5,L5,M15,M15-28,2R5,2R10,2R15	
Bearing Only	.....	CB1137C
Bearing Only	.....	CB995

**DRIVESHAFT SUPPORT**

<b>1964-1946</b>	Spicer 1280-1480: 1.3780" bearing ID	
Bearing	.....	88107

**SUBARU AWD - Chaser, Deluxe, DL, FE, GF, GL, GLF, Justy, Legacy, Loyale, RX, Standard, Star, XT**

**FRONT WHEEL**

<b>1989</b>	Justy	
Bearing	.....	206WB[2]
Seal (outer)	.....	224462[2]
Seal (inner)	.....	1974[2]
<b>1989</b>	Touring Wagon	
Bearing (inner)	.....	207[2]
Seal (outer)	.....	225230[2]
Seal (inner)	.....	710230[2]
<b>1989-1988</b>	XT6	
Seal (inner)	.....	710230[2]
Bearing Assy (inner)	.....	513015[2]
Seal (outer)	.....	225230[2]
<b>1989-1985</b>	XT Series exc. XT6	
Bearing	.....	207[2]
Seal (outer)	.....	225230[2]
Seal (inner)	.....	710230[2]
<b>1988-1987</b>	Justy	
Seal (inner)	.....	1974[2]
Bearing (inner)	.....	305AG[2]
Seal (outer)	.....	224462[2]
<b>1988-1972</b>	DL, GF, GL, GLF	
Seal	.....	225230[2]
Bearing	.....	207[2]
<b>1988-1972</b>	Wagon	
Bearing	.....	207[2]
Seal (outer)	.....	225230[2]
Seal (inner)	.....	710230[2]

**FRONT WHEEL (cont.)**

<b>1971-1970</b>	Star	
Bearing	.....	207[2]
Seal (outer)	.....	224462[2]
Seal (inner)	.....	1974[2]

**REAR WHEEL**

<b>1989-1988</b>	Justy 4x4	
Seal (inner)	.....	710228[2]
Bearing (inner)	.....	305AG[2]
Seal (outer)	.....	710227[2]
Bearing (outer)	.....	206WB[2]
<b>1989-1987</b>	Justy 4x2	
Seal (inner)	.....	223830[2]
Bearing Assy (inner)	.....	30205M[2]
Bearing Assy (outer)	.....	30204M[2]
<b>1989-1986</b>	XT 4x2 incl. turbo	
Seal (inner)	.....	1984[2]
Bearing Assy (inner)	.....	30206M[2]
Bearing Assy (outer)	.....	30204M[2]
<b>1989-1986</b>	XT 4x4	
Seal (inner)	.....	224015[2]
Bearing Assy (inner)	.....	513056[2]
Seal (outer)	.....	225005[2]
<b>1989-1980</b>	DL, GL, GLF: 4x4:	
Seal (inner)	.....	224015[2]
Bearing Assy (inner)	.....	513056[2]
Seal (outer)	.....	225005[2]

# Bearings and Seals

Mfg./Year    Model & Location    Part No    Mfg./Year    Model & Location    Part No

## ***SUBARU AWD - Chaser, Deluxe, DL, FE, GF, GL, GLF, Justy, Legacy, Loyale, RX, Standard, Star, XT (cont.)***

### **REAR WHEEL (cont.)**

<b>1989-1978</b>	Wagon 4x4: production from 5/1978 on	
	Seal (inner) .....	224015[2]
	Bearing Assy (inner) .....	513056[2]
	Seal (outer) .....	225005[2]
<b>1989-1972</b>	DL, GF, GLF: 4x2:	
	Seal (inner) .....	1984[2]
	Bearing Assy (inner) .....	30206M[2]
	Bearing Assy (outer) .....	30204M[2]
<b>1989-1972</b>	Wagon 4x2	
	Seal (inner) .....	1984[2]
	Bearing Assy (inner) .....	30206M[2]
	Bearing Assy (outer) .....	30204M[2]
<b>1980-1972</b>	Leone Sedan	
	Seal (inner) .....	1984[2]
	Bearing (inner) .....	305AG[2]
	Bearing (outer) .....	204[2]
<b>1980-1972</b>	Leone Wagon	
	Seal (inner) .....	1984[2]
	Bearing Assy (inner) .....	30206M[2]
	Bearing Assy (outer) .....	30204M[2]
<b>1978-1975</b>	Wagon 4x4: production thru 4/1978	
	Seal (inner) .....	2013[2]
	Bearing (inner) .....	513026[2]
	Seal (outer) .....	225005[2]
<b>1972-1970</b>	FF-1, FF-1G Sedan	
	Seal (inner) .....	1984[2]
	Bearing (inner) .....	305AG[2]
	Bearing (outer) .....	204[2]
<b>1972-1970</b>	FF-1, FF-1G Wagon	
	Seal (inner) .....	1984[2]
	Bearing Assy (inner) .....	30206M[2]
	Bearing Assy (outer) .....	30204M[2]

### **4WD FRONT AXLE**

#### **Differential**

<b>1989-1976</b>	all	
	Seal .....	223255[2]
	Bearing Assy .....	30208M[2]

#### **Pinion**

<b>1989-1976</b>		
	Bearing Assy (inner) .....	32306
	Seal (outer) .....	1173
	Bearing Assy (outer) .....	32305

### **REAR AXLE**

#### **Differential**

<b>1989-1976</b>	exc. Justy 4WD	
	Seal .....	223255[2]
	Bearing Assy .....	30208M[2]
<b>1989-1988</b>	Justy 4WD	
	Seal .....	222745[2]
	Bearing Assy .....	32007XM[2]

### **REAR AXLE**

#### **Pinion**

<b>1989-1976</b>	exc. Justy 4WD	
	Bearing Assy (inner) .....	32306
	Seal (outer) .....	1173
	Bearing Assy (outer) .....	32305
	Bearing (pilot) .....	30565
<b>1989-1988</b>	Justy 4WD	
	Bearing Assy (inner) .....	30206M
	Seal (outer) .....	710267

### **CLUTCH**

#### **Pilot Bearing**

<b>1989-1981</b>	4WD	
	Bearing .....	201CC
<b>1980</b>	1595cc/1.6L	
	Bearing .....	HK1210

### **CLUTCH - 2 CYLINDER**

#### **Release Bearing**

<b>1969-1968</b>	358cc/.4L	
	Bearing Only .....	01496

### **CLUTCH - 4 CYLINDER**

#### **Release Bearing**

<b>1989-1985</b>	1781cc/1.8L, 1781cc/1.8L Turbo	
	Bearing Assy .....	614059
<b>1984-1983</b>	1781cc/1.8L	
	Bearing Only .....	TO1710
<b>1982-1970</b>	4-cyl	
	Bearing Only .....	613001

### **CLUTCH - 6 CYLINDER**

#### **Release Bearing**

<b>1989-1988</b>	2672CC/2.7L	
	Bearing Assy .....	614059

### **AUTOMATIC TRANSAXLE**

#### **Output Shaft**

<b>1989-1987</b>	TB40, TS40: CVT	
	Seal .....	222745
	Kwik Slv (Opt Rpr) .....	KWK99106

#### **Countershaft**

<b>1989-1987</b>	TB40, TS40: CVT	
	Needle Bearing .....	HK1512

#### **Differential**

<b>1989-1987</b>	TB40, TS40: CVT	
	Bearing (LH) .....	207S
	Bearing (RH) .....	207

**SUBARU AWD - Chaser, Deluxe, DL, FE, GF, GL, GLF, Justy, Legacy, Loyale, RX, Standard, Star, XT (cont.)**

**3-SPEED AUTOMATIC TRANSAXLE**

**Torque Converter**

<b>1989-1980</b>	TA86, TX86, T71T, T81M, T81T, T81X	
Seal Viton	.....	2025
Kwik Slv (Opt Rpr)	.....	KWK99169
<b>1987-1981</b>	TX86, T81X, T81Z	
Seal Viton	.....	2025
Kwik Slv (Opt Rpr)	.....	KWK99169
<b>1979-1973</b>	T63T, T71T	
Seal Viton	.....	2025
Kwik Slv (Opt Rpr)	.....	KWK99169

**Output Shaft**

<b>1989-1980</b>	TA86, TX86, T71T, T81M, T81T, T81X	
Seal	.....	222745[2]
Kwik Slv (Opt Rpr)	.....	KWK99106
<b>1979-1973</b>	T63T, T71T	
Seal	.....	222745[2]
Kwik Slv (Opt Rpr)	.....	KWK99106

**Differential**

<b>1980</b>	T71T	
Bearing Assy	.....	30207M[2]
<b>1979-1973</b>	T63T, T71T	
Bearing Assy	.....	30207M[2]

**4-SPEED AUTOMATIC TRANSAXLE**

**Differential**

<b>1989-1988</b>	TZ1A2, TZ102	
Bearing Assy	.....	30208M[2]

**Torque Converter**

<b>1989-1988</b>	TZ1A2, TA102, TZ102	
Seal	.....	225010
Kwik Slv (Opt Rpr)	.....	KWK99196

**Output Shaft**

<b>1989-1988</b>	TZ1A2, TA102, TZ102	
Seal	.....	223050[2]
Kwik Slv (Opt Rpr)	.....	KWK99114

**Oil Pump**

<b>1989-1988</b>	TZ1A2, TA102, TZ102	
Seal	.....	710265

**Extension Housing**

<b>1989-1988</b>	TA102, TZ102	
Seal	.....	3771
Kwik Slv (Opt Rpr)	.....	KWK99139

**4-SPEED MANUAL TRANSAXLE**

**Differential**

<b>1987-1985</b>	TW70F	
Bearing Assy	.....	30208M[2]
<b>1980-1978</b>	TM48F	
Bearing Assy	.....	30207M[2]
<b>1979-1970</b>	T61A, T62A, T63A, T63W	
Bearing Assy	.....	30207M[2]

**Input Shaft**

<b>1988-1981</b>	TM40F, TM45F	
Seal	.....	222558
Kwik Slv (Opt Rpr)	.....	KWK99098
<b>1980-1978</b>	TM48F	
Seal	.....	222050
Kwik Slv (Opt Rpr)	.....	KWK99078
<b>1979-1970</b>	T61A, T62A, T63A, T63W	
Seal	.....	222050
Kwik Slv (Opt Rpr)	.....	KWK99078

**Output Shaft**

<b>1988-1980</b>	TM40F, TM44F, TM45F, TM48F, TW70F, T71A, T72A, T81J, T81K, T81W	
Seal	.....	222745[2]
Kwik Slv (Opt Rpr)	.....	KWK99106
<b>1979-1970</b>	TM44F, T61A, T62A, T63A, T63W, T71A	
Seal	.....	222745[2]
Kwik Slv (Opt Rpr)	.....	KWK99106

**5-SPEED MANUAL TRANSAXLE**

**Differential**

<b>1989-1987</b>	TM64F, TW64F	
Bearing (LH)	.....	.207S
Bearing (RH)	.....	.207
<b>1989-1985</b>	TW75F, TY75F, TY75Z	
Bearing Assy	.....	30208M[2]
<b>1987-1985</b>	TM65F	
Bearing Assy	.....	30208M[2]
<b>1980-1978</b>	T71W	
Bearing Assy	.....	30207M[2]

**Input Shaft**

<b>1989-1987</b>	TM64F, TW64F	
Seal	.....	222030
Bearing	.....	205BB
Kwik Slv (Opt Rpr)	.....	KWK99078
<b>1989-1985</b>	TW75F, TY75F	
Seal	.....	222558
Bearing	.....	305AG
Kwik Slv (Opt Rpr)	.....	KWK99098
<b>1989-1980</b>	TM55F, TM70F, TM75F, TY75Z	
Seal	.....	222558
Kwik Slv (Opt Rpr)	.....	KWK99098
<b>1980-1978</b>	T71W	
Seal	.....	222050
Kwik Slv (Opt Rpr)	.....	KWK99078



# Bearings and Seals

Mfg./Year    Model & Location    Part No    Mfg./Year    Model & Location    Part No

## ***SUBARU AWD - Chaser, Deluxe, DL, FE, GF, GL, GLF, Justy, Legacy, Loyale, RX, Standard, Star, XT (cont.)***

### **5-SPEED MANUAL TRANSAXLE (cont.)**

#### **Input Shaft (cont.)**

**1979-1977**    TM55F  
 Seal ..... 222580  
 Kwik Slv (Opt Rpr) .....KWK99098

#### **Output Shaft**

**1989-1980**    TM50F, TM55F, TM60F, TM64F,  
 TW64F, TM70F,  
 Seal ..... 222745[2]  
 Kwik Slv (Opt Rpr) .....KWK99106  
**1989-1980**    TM702, T71G, T71W, T72G,  
 TM75F, TW75F, TM752, T81G  
 Seal ..... 222745[2]  
 Kwik Slv (Opt Rpr) .....KWK99106  
**1979-1976**    TM50F, TM55F, T71G  
 Seal ..... 222745[2]  
 Kwik Slv (Opt Rpr) .....KWK99106

#### **Extension Housing**

**1989-1980**    TM55F, T71W, TY75F, TY752  
 Seal ..... 3771  
 Kwik Slv (Opt Rpr) .....KWK99139  
**1989-1980**    TM50F, TM60F, TM70F, T71G,  
 T72G, TM75F, TW75F, T81G  
 Seal ..... 221820  
**1979-1977**    TM55F  
 Seal ..... 3771  
 Kwik Slv (Opt Rpr) .....KWK99139  
**1979-1976**    TM50F, T71G  
 Seal ..... 221820

### **ALTERNATOR**

**1989-1975**    Hitachi 50, 55, 60, 65 amp  
 Bearing (drive end) ..... 303CC  
 Bearing (rear end) ..... 201CC  
**1974-1970**    Hitachi 35 amp  
 Bearing (drive end) .....202S  
 Bearing (rear end) ..... 201CC

### **CAMSHAFT SEAL**

#### **3 Cylinder**

**1989-1987**    1189cc/1.2  
 Seal ..... 223018  
 Kwik Slv (Opt Rpr) .....KWK99114

#### **4 Cylinder**

**1989-1985**    1781cc/1.8L, 1781cc/1.8L Turbo  
 Seal ..... 223830  
 Kwik Slv (Opt Rpr) .....KWK99147

#### **6 Cylinder**

**1989-1988**    2672cc/2.7L  
 Seal ..... 223830  
 Kwik Slv (Opt Rpr) .....KWK99147

### **CRANKSHAFT REAR SEAL**

#### **3 Cylinder**

**1989-1987**    1189cc/1.2  
 Seal ..... 710234

#### **4 Cylinder**

**1989**    1781cc/1.8L, 1781cc/1.8L Turbo  
 Seal ..... 1019S  
 Kwik Slv (Opt Rpr) .....KWK99298  
**1988-1981**    1781cc/1.8L, 1781cc/1.8L Turbo  
 Seal ..... 1019S  
 Kwik Slv (Opt Rpr) .....KWK99298  
**1988-1980**    1595cc/1.6L  
 Seal Viton ..... 1021V  
 Kwik Slv (Opt Rpr) .....KWK99272  
**1979-1970**    1088cc/1.1L, 1267cc/1.3L,  
 1361cc/1.4L, 1595cc/1.6L  
 Seal Viton ..... 1021V  
 Kwik Slv (Opt Rpr) .....KWK99272

#### **6 Cylinder**

**1989-1988**    2672cc/2.7L  
 Seal ..... 1019S  
 Kwik Slv (Opt Rpr) .....KWK99298

### **TIMING COVER**

#### **3 Cylinder**

**1989-1987**    1189cc/1.2  
 Seal ..... 710233

#### **4 Cylinder**

**1989-1980**    1781cc/1.8L  
 Seal ..... 1038  
 Kwik Slv (Opt Rpr) .....KWK99147  
**1988-1980**    1595cc/1.6L  
 Seal ..... 223830  
 Kwik Slv (Opt Rpr) .....KWK99147  
**1979-1970**    1088cc/1.1L, 1267cc/1.3L,  
 1361cc/1.4L, 1595cc/1.6L  
 Seal ..... 223830  
 Kwik Slv (Opt Rpr) .....KWK99147

#### **6 Cylinder**

**1989-1988**    2672cc/2.7L  
 Seal ..... 223230  
 Kwik Slv (Opt Rpr) .....KWK99147

**SUBARU TRUCK - Pickup, SUV - Baja, Brat**

**FRONT WHEEL**

<b>1987-1978</b>	Brat	
Seal .....		225230[2]
Bearing .....		207[2]

**REAR WHEEL**

<b>1987-1978</b>	Brat	
Seal (inner) .....		224015[2]
Bearing Assy (inner) .....		513056[2]
Seal (outer) .....		225005[2]

**REAR AXLE**

**Differential**

<b>1987-1978</b>	Brat	
Seal .....		223255[2]
Bearing Assy .....		30208M[2]

**Pinion**

<b>1987-1978</b>	Brat	
Bearing Assy (inner) .....		32306
Seal (outer) .....		1173
Bearing Assy (outer) .....		32305
Kwik Slv (Opt Rpr) .....		KWK99193
Bearing (pilot) .....		30565

**CLUTCH**

**Pilot Bearing**

<b>1987-1981</b>	Brat	
Bearing .....		201CC
<b>1980-1978</b>	1595cc/1.6L	
Bearing .....		HK1210

**CLUTCH - 4 CYLINDER**

**Release Bearing**

<b>1987-1985</b>	1781cc/1.8L, 1781cc/1.8L Turbo	
Bearing Assy .....		614059
<b>1984-1983</b>	1781cc/1.8L Turbo	
Bearing Assy .....		614059
<b>1984-1983</b>	1781cc/1.8L	
Bearing Only .....		TO1710

**3-SPEED AUTOMATIC TRANSAXLE**

**Torque Converter**

<b>1987-1981</b>	TX86, T81X, T81Z	
Seal Viton .....		2025
Kwik Slv (Opt Rpr) .....		KWK99169

**Output Shaft**

<b>1987-1981</b>	TX86, T81X, T81Z	
Seal .....		222745[2]
Kwik Slv (Opt Rpr) .....		KWK99106

**4-SPEED MANUAL TRANSAXLE**

**Differential**

<b>1987-1985</b>	TW70F	
Bearing Assy .....		30208M[2]
<b>1980-1978</b>	TM48F	
Bearing Assy .....		30207M[2]

**Input Shaft**

<b>1980-1978</b>	TM48F	
Seal .....		222050
Kwik Slv (Opt Rpr) .....		KWK99078

**5-SPEED MANUAL TRANSAXLE**

**Differential**

<b>1987-1985</b>	TM65F	
Bearing Assy .....		30208M[2]
<b>1980-1978</b>	T71W	
Bearing Assy .....		30207M[2]

**Input Shaft**

<b>1980-1978</b>	T71W	
Seal .....		222050
Kwik Slv (Opt Rpr) .....		KWK99078

**Output Shaft**

<b>1987-1978</b>	T71W	
Seal .....		222745[2]
Kwik Slv (Opt Rpr) .....		KWK99106

**Extension Housing**

<b>1987-1985</b>	TM50F, TM60F, TM70F, T71G, T72G, TM75F, TW75F, T81G	
Seal .....		221820
<b>1987-1978</b>	TM55F, T71W, TY75F, TY75Z	
Seal .....		3771
Kwik Slv (Opt Rpr) .....		KWK99139

**CAMSHAFT SEAL**

**4 Cylinder**

<b>1984-1983</b>	1781cc/1.8L Turbo	
Seal .....		223830
Kwik Slv (Opt Rpr) .....		KWK99147

**CRANKSHAFT REAR SEAL**

**4 Cylinder**

<b>1987-1980</b>	1781cc/1.8L (DOHC), (Turbo)	
Seal .....		1019S
Kwik Slv (Opt Rpr) .....		KWK99298
<b>1980-1978</b>	1595cc/1.6L	
Seal Viton .....		1021V
Kwik Slv (Opt Rpr) .....		KWK99272

# Bearings and Seals

Mfg./Year    Model & Location    Part No    Mfg./Year    Model & Location    Part No

## SUBARU TRUCK - Pickup, SUV - Baja, Brat (cont.)

### TIMING COVER

#### 4 Cylinder

<b>1987-1980</b>	1781cc/1.8L	
Seal .....		1038
Kwik Slv (Opt Rpr) .....		KWK99147
<b>1980-1978</b>	1595cc/1.6L	
Seal .....		223830
Kwik Slv (Opt Rpr) .....		KWK99147

## SUNBEAM

### FRONT WHEEL

<b>1976-1970</b>	1250	
Set (inner) .....		SET4
Set (outer) .....		SET2
<b>1976-1970</b>	1500	
Set (inner) .....		SET4
Set (outer) .....		SET2
<b>1976-1967</b>	Rapier	
Set (inner) .....		SET4
Set (outer) .....		SET2
<b>1975-1967</b>	Alpine	
Set (inner) .....		SET4
Set (outer) .....		SET2
<b>1975-1963</b>	Imp, Sport	
Set (inner) .....		SET4
Set (outer) .....		SET2
<b>1973-1968</b>	Sport	
Set (inner) .....		SET4
Set (outer) .....		SET2
<b>1973-1968</b>	Stiletto	
Set (inner) .....		SET4
Set (outer) .....		SET2
<b>1972-1961</b>	LeMans	
Set (inner) .....		SET21
Set (outer) .....		SET2
<b>1968-1966</b>	Hunter	
Set (inner) .....		SET4
Set (outer) .....		SET2
<b>1968-1964</b>	Tiger Mk. I, Mk. II	
Set (inner) .....		SET21
Set (outer) .....		SET2
<b>1966-1959</b>	Alpine	
Set (inner) .....		SET21
Set (outer) .....		SET2
<b>1966-1956</b>	Rapier	
Set (inner) .....		SET21
Set (outer) .....		SET2
<b>1960-1956</b>	Rapier: some	
Set (inner) .....		SET21
Cone/Cup (outer) .....		16150-16284[2]

### REAR WHEEL

<b>1976-1970</b>	1250	
Bearing .....		RW109[2]
<b>1976-1970</b>	1500	
Bearing .....		RW109[2]
<b>1968-1964</b>	Tiger Mk. I, II	
Cone/Cup .....		14130-14276[2]

### REAR AXLE

#### Differential

<b>1975-1968</b>	Rapier Series	
Set .....		SET45
<b>1975-1965</b>	Alpine Series	
Set .....		SET45
<b>1968-1965</b>	Tiger	
Cone/Cup .....		25577-25523[2]
<b>1967-1965</b>	Imp Series	
Cone/Cup (LH) .....		LM67047-LM67010
Set (RH) .....		SET5

#### Pinion

<b>1975-1969</b>	Rapier: H120	
Cone/Cup (inner) .....		M88048-M88010
Seal (outer) .....		470059
Cone/Cup (outer) .....		M84548-M84510
<b>1975-1968</b>	Alpine Coupe	
Cone/Cup (inner) .....		M88048-M88010
Seal (outer) .....		470059
Cone/Cup (outer) .....		M84548-M84510
<b>1975-1968</b>	Alpine Sport	
Set (inner) .....		SET5
Cone/Cup (outer) .....		21075-21212
<b>1975-1968</b>	Sport	
Set (inner) .....		SET5
Cone/Cup (outer) .....		21075-21212
<b>1975-1968</b>	Stiletto	
Set (inner) .....		SET5
Cone/Cup (outer) .....		21075-21212
<b>1975-1965</b>	Imp Series	
Set (inner) .....		SET5
Cone/Cup (outer) .....		21075-21212
<b>1971-1968</b>	Rapier	
Seal (outer) .....		470059
Cone/Cup (outer) .....		M84548-M84510
<b>1968-1965</b>	Tiger	
Cone/Cup (inner) .....		31593-31520
Seal (outer) .....		5778
Cone/Cup (outer) .....		02872-02820

### CLUTCH

#### Release Bearing

<b>1976-1956</b>	Rapier	
Bearing Only .....		MG1716 <sup>30</sup>
<b>1968</b>	Tiger: 289 Ford	
Bearing Only .....		F1625C <sup>30</sup>

518 [ ] Indicates Quantity Required; Set Components Listed Inside Rear Cover;

<sup>30</sup> Ball bearing style release bearing replaces original style carbon bearing

Mfg./Year	Model & Location	Part No	Mfg./Year	Model & Location	Part No
-----------	------------------	---------	-----------	------------------	---------

**SUNBEAM (cont.)**

**CLUTCH (cont.)**

**Release Bearing (cont.)**

<b>1968-1964</b>	Tiger: 260 Ford	
	Bearing Assy	614038 <sup>30</sup>
<b>1967-1959</b>	Alpine	
	Bearing Only	MG1716 <sup>30</sup>

**ALTERNATOR**

<b>1970-1968</b>	all	
	Bearing (drive end)	202AG
<b>1967-1956</b>	all	
	Bearing (drive end)	203AB

**SUZUKI - FRONT DRIVE - Aerio, Forsa, Swift**

**FRONT WHEEL**

<b>1989</b>	Swift exc. GT and GTi	
	Seal (inner)	710394[2]
	Bearing (inner)	510001[2]
	Seal (outer)	710175[2]
<b>1989</b>	Swift GT and GTi	
	Seal (inner)	710394[2]
	Bearing (inner)	510018[2]
	Seal (outer)	710393[2]
<b>1988-1987</b>	Forsa: exc. turbo	
	Seal (inner)	224462[2]
	Bearing	107DD[2]
<b>1988-1987</b>	Forsa: (turbo)	
	Seal	710175[2]
	Bearing	510001[2]
<b>1986-1985</b>	Forsa: early	
	Seal (inner)	224462[2]
	Bearing	107DD[2]

**REAR WHEEL**

<b>1989</b>	Swift exc. GT and GTi	
	Bearing (inner)	205F[2]
	Bearing (outer)	204F[2]
<b>1989</b>	GT, GTi	
	Hub Assy	512182[2]
<b>1988-1985</b>	Forsa	
	Bearing (inner)	205F[2]
	Bearing (outer)	204F[2]

**TRANSMISSION REBUILD KIT**

<b>1989-1988</b>	Swift	
	Kit	TRKFS110

**CLUTCH - 3 CYLINDER**

**Pilot Bearing**

<b>1988-1985</b>		
	Bearing	200CC

**CLUTCH - 4 CYLINDER**

**Pilot Bearing**

<b>1989</b>		
	Bearing	200CC

**CLUTCH - 3 CYLINDER**

**Release Bearing**

<b>1988-1985</b>		
	Bearing Assy	614050

**CLUTCH - 4 CYLINDER**

**Release Bearing**

<b>1989</b>		
	Bearing Assy	614082

**3-SPEED AUTOMATIC TRANSAXLE**

**Torque Converter**

<b>1989-1985</b>	Aisin A210	
	Seal	223830
	Kwik Slv (Opt Rpr)	KWK99177

**Output Shaft**

<b>1989-1985</b>	Aisin A210	
	Seal	223540[2]
	Kwik Slv (Opt Rpr)	KWK99139[2]

**Differential**

<b>1989</b>	Aisin A210 (SOHC)	
	Bearing	207S[2]
<b>1989</b>	Aisin A210 (DOHC)	
	Bearing	207[2]
<b>1988-1985</b>	Aisin A210	
	Bearing	207S[2]

**Selector Shaft Seal/Man. Shaft**

<b>1989-1985</b>	Aisin A210	
	Seal	710116

**5-SPEED MANUAL TRANSAXLE**

**Differential**

<b>1989</b>	MX1	
	Bearing (LH)	207
	Bearing (RH)	107WB
<b>1988-1985</b>	MX1	
	Bearing	207S[2]

[ ] Indicates Quantity Required; Set Components Listed Inside Rear Cover;  
<sup>30</sup> Ball bearing style release bearing replaces original style carbon bearing

# Bearings and Seals

Mfg./Year    Model & Location    Part No    Mfg./Year    Model & Location    Part No

## **SUZUKI - FRONT DRIVE - Aerio, Forsa, Swift (cont.)**

### **5-SPEED MANUAL TRANSAXLE**

#### **Input Shaft**

<b>1989</b>	MX1	
Seal (RH)	.....	222030
Bearing Assy (RH)	.....	32204
Kwik Slv (Opt Rpr)	.....	KWK99078
<b>1988-1985</b>	MX1	
Bearing Assy	.....	32204[2]
Seal (RH)	.....	222030
Kwik Slv (Opt Rpr)	.....	KWK99078

#### **Countershaft**

<b>1988-1985</b>	MX1	
Bearing Assy (LH)	.....	32204
Bearing Assy (RH)	.....	32005X

#### **Output Shaft**

<b>1989</b>	MX1	
Seal (LH)	.....	223552
Seal (RH)	.....	223535
Kwik Slv (Opt Rpr)	.....	KWK99139[2]
<b>1988-1985</b>	MX1	
Seal (LH)	.....	223552
Kwik Slv (Opt Rpr)	.....	KWK99139

### **ALTERNATOR**

<b>1989</b>		
Bearing (drive end)	.....	202FF
<b>1988-1985</b>	Nippondenso 45 amp	
Bearing (drive end)	.....	302CC
Bearing (rear end)	.....	201CC
<b>1988-1985</b>	Nippondenso 50 amp	
Bearing (drive end)	.....	302CC
Bearing (rear end)	.....	201CC

### **CAMSHAFT SEAL**

#### **4 Cylinder**

<b>1989</b>	1300cc/1.3L (DOHC)	
Seal	.....	710310[2]
Kwik Slv (Opt Rpr)	.....	KWK99128[2]

### **CRANKSHAFT REAR SEAL**

#### **3 Cylinder**

<b>1988-1985</b>	993cc/1.0L	
Seal	.....	710334

#### **4 Cylinder**

<b>1989</b>	1300cc/1.3L (DOHC)	
Seal	.....	710334

### **TIMING COVER**

#### **3 Cylinder**

<b>1988-1985</b>	993cc/1.0L	
Seal	.....	710310
Kwik Slv (Opt Rpr)	.....	KWK99128

#### **4 Cylinder**

<b>1989</b>	1300cc/1.3L (DOHC)	
Seal	.....	710310
Kwik Slv (Opt Rpr)	.....	KWK99128

## **SUZUKI TRUCK - SUV - Samurai, Sidekick, XL7**

### **FRONT WHEEL**

<b>1989</b>	Sidekick	
Seal (inner)	.....	710240[2]
Bearing Assy (inner)	.....	517009[2]
Seal (outer)	.....	710239[2]
<b>1989-1985</b>	Samurai	
Seal (inner)	.....	1948[2]
Cone/Cup	.....	LM300849-LM300811[2]

### **REAR WHEEL**

<b>1989</b>	Sidekick	
Seal (inner)	.....	224820[2]
Bearing (inner)	.....	511004[2]
Seal (outer)	.....	710193[2]
<b>1989-1985</b>	Samuari	
Seal	.....	224820[2]
Bearing	.....	511002[2]

### **4WD**

<b>1989</b>	Sidekick	
Seal (inner)	.....	710240[2]
Bearing Assy (inner)	.....	517009[2]
Seal (outer)	.....	710239[2]
<b>1989-1985</b>	Samuari	
Seal (inner)	.....	1948[2]
Cone/Cup	.....	LM300849-LM300811[2]

### **4WD FRONT AXLE**

#### **Axle Shaft**

<b>1989-1986</b>	SJF, SKF	
Seal	.....	710330[2]
Bearing	.....	206FF[2]

**SUZUKI TRUCK - SUV - Samurai, Sidekick, XL7 (cont.)**

**4WD FRONT AXLE**

**Differential**

**1989-1986**    SJF, SKF  
Cone/Cup ..... 17887-17831[2]

**Pinion**

**1989**    SKF  
Bearing Assy (inner) ..... 30307M  
Seal (outer) ..... 710523  
Bearing Assy (outer) ..... 30306M  
**1989-1982**    SJF  
Bearing Assy (inner) ..... 30307M  
Seal Viton (outer) ..... 350572  
Bearing Assy (outer) ..... 30306M  
Kwik Slv (Opt Rpr) ..... KWK99147

**Steering Knuckle**

**1989-1986**    SJF, SKF  
Seal (inner) ..... 710255  
Seal (outer) ..... 710256

**REAR AXLE**

**Differential**

**1989-1986**    SJR, SKR  
Cone/Cup ..... 17887-17831[2]

**Pinion**

**1989**    SKR  
Bearing Assy (inner) ..... 30307M  
Seal (outer) ..... 710523  
Bearing Assy (outer) ..... 30306M  
**1989-1986**    SJR  
Bearing Assy (inner) ..... 30307M  
Seal Viton (outer) ..... 350572  
Bearing Assy (outer) ..... 30306M  
Kwik Slv (Opt Rpr) ..... KWK99147

**TRANSFER CASE REBUILD KIT**

**1989**    Sidekick  
Kit ..... TRKFS140  
**1989-1985**    Samuari  
Kit ..... TRKFS120

**TRANSFER CASE**

**Input Shaft**

**1989**    Sidekick  
Seal ..... 223540  
Bearing ..... 207  
Kwik Slv (Opt Rpr) ..... KWK99139  
**1989-1986**    Samuari  
Seal (outer) ..... 223843  
Bearing (outer) ..... RW122  
Kwik Slv (Opt Rpr) ..... KWK99147

**TRANSFER CASE**

**Front Output Shaft**

**1989**    Sidekick  
Bearing (inner) ..... 306L  
Seal (outer) ..... 1213N  
Bearing (outer) ..... RW122  
Kwik Slv (Opt Rpr) ..... KWK99157  
**1989-1986**    Samuari  
Bearing (inner) ..... 306L  
Seal Viton (outer) ..... 1965  
Bearing (outer) ..... RW122

**Rear Output Shaft**

**1989**    Sidekick  
Seal ..... 1213N  
Bearing ..... RW122[2]  
Kwik Slv (Opt Rpr) ..... KWK99157  
**1989-1986**    Samuari  
Seal Viton ..... 1965  
Bearing ..... RW122  
Kwik Slv (Opt Rpr) ..... KWK99147

**TRANSMISSION REBUILD KIT**

**1989-1987**    Sidekick  
Kit ..... TRKFS130  
**1989-1986**    Samuari  
Kit ..... TRKFS100

**3-SPEED AUTOMATIC TRANSMISSION**

**Torque Converter**

**1989**    3L30  
Seal ..... 6712NA  
Kwik Slv (Opt Rpr) ..... KWK99187

**Rear Seal/Ext. Housing**

**1989**    3L30  
Seal ..... 473823

**Selector Shaft Seal/Man. Shaft**

**1989**    3L30  
Seal ..... 8792S

**4-SPEED AUTOMATIC TRANSMISSION**

**Torque Converter**

**1988-1986**    Aisin A440  
Seal Viton ..... 2025  
Kwik Slv (Opt Rpr) ..... KWK99269

**Rear Seal/Ext. Housing**

**1988-1986**    Aisin A440  
Seal ..... 224820

# Bearings and Seals

Mfg./Year    Model & Location    Part No    Mfg./Year    Model & Location    Part No

## **SUZUKI TRUCK - SUV - Samurai, Sidekick, XL7 (cont.)**

### **4-SPEED AUTOMATIC TRANSMISSION**

#### **Selector Shaft Seal/Man. Shaft**

**1988-1986**    Aisin A440  
 Seal ..... 221207  
 Kwik Slv (Opt Rpr) .....KWK99049

### **CLUTCH - 4 CYLINDER**

#### **Pilot Bearing**

**1989-1986**  
 Bearing ..... 200CC

#### **Release Bearing**

**1989-1986**  
 Bearing Assy ..... 614056  
 Bearing Only .....01496

### **5-SPEED MANUAL TRANSMISSION**

#### **Front Input Shaft**

**1989**    Sidekick  
 Seal ..... 222535  
 Kwik Slv (Opt Rpr) .....KWK99098

#### **Countershaft**

**1989-1986**    Samuari  
 Bearing (rear) .....304WB

#### **Rear Output Shaft**

**1989**    Sidekick  
 Seal ..... 222580  
 Kwik Slv (Opt Rpr) .....KWK99098  
**1989-1986**    Samuari  
 Bearing (rear) ..... 305AG

#### **Extension Housing**

**1989-1986**    Samuari  
 Seal ..... 223215

### **A/C COMPRESSOR**

**1989-1987**    Nippondenso Axial  
 Bearing ..... 5000KFF

### **ALTERNATOR**

**1989-1982**  
 Bearing (drive end) .....202FF

### **CAMSHAFT SEAL**

#### **4 Cylinder**

**1989**    1590cc/1.6L  
 Seal ..... 710310  
 Kwik Slv (Opt Rpr) .....KWK99128  
**1989-1985**    1300cc/1.3L  
 Seal ..... 710310  
 Kwik Slv (Opt Rpr) .....KWK99128

### **CRANKSHAFT REAR SEAL**

#### **4 Cylinder**

**1989**    1590cc/1.6L  
 Seal ..... 710334  
**1989-1985**    1300cc/1.3L  
 Seal ..... 710334

### **TIMING COVER**

#### **4 Cylinder**

**1989**    1590cc/1.6L  
 Seal ..... 710310  
 Kwik Slv (Opt Rpr) .....KWK99128  
**1989-1985**    1300cc/1.3L  
 Seal ..... 710310  
 Kwik Slv (Opt Rpr) .....KWK99128

## **TOYOTA - FRONT DRIVE - Camry, Camry AWD, Celica, Celica AWD, Corolla, Corolla AWD, Corolla FX, Tercel, Tercel Wagon 4WD**

### **FRONT WHEEL**

**1989-1988**    Corolla (w/o ABS)  
 Seal (inner) ..... 1993[2]  
 Bearing (inner) ..... 510007[2]  
 Seal (outer) ..... 4898[2]  
 Hub Assy ..... 518507[2]<sup>62</sup>  
**1989-1987**    Tercel  
 Seal (inner) ..... 225673[2]  
 Bearing (inner) ..... 510002[2]  
 Seal (outer) ..... 225410[2]

### **FRONT WHEEL (cont.)**

**1989-1983**    Camry  
 Seal (inner) ..... 4899[2]  
 Bearing (inner) ..... 514002B[2]  
 Seal (outer) ..... 225220[2]  
 Hub Assy ..... 518506[2]<sup>62</sup>  
**1989-1988**    Corolla FX  
 Seal (inner) ..... 4899[2]  
 Bearing (inner) ..... 514002B[2]  
 Seal (outer) ..... 225220[2]

522 [ ] Indicates Quantity Required; Set Components Listed Inside Rear Cover;

<sup>62</sup> Kit incl: Hub & Bearing, Seal, Mounting Bolts

**TOYOTA - FRONT DRIVE - Camry, Camry AWD, Celica, Celica AWD, Corolla, Corolla AWD, Corolla FX, Tercel, Tercel Wagon 4WD (cont.)**

**FRONT WHEEL (cont.)**

<b>1989-1986</b>	Celica	
	Seal (inner) .....	4899[2]
	Bearing (inner) .....	514002B[2]
	Seal (outer) .....	225220[2]
<b>1987-1984</b>	Corolla front-drive	
	Bearing .....	514002B[2]
	Seal (inner) .....	4899[2]
	Seal (outer) .....	225220[2]
<b>1986-1983</b>	Tercel	
	Bearing .....	513002[2]

**REAR WHEEL**

<b>1989-1986</b>	Celica: FWD	
	Seal .....	224210[2]
	Bearing .....	513022[2]
<b>1989-1984</b>	Corolla: FWD	
	Seal .....	1180S[2]
	Bearing .....	513031[2]
<b>1989-1988</b>	Camry All-Trac: 4WD	
	Seal (inner) .....	4899[2]
	Bearing (inner) .....	514002B[2]
	Seal (outer) .....	225275[2]
<b>1989-1987</b>	Camry: FWD	
	Seal .....	224210[2]
	Bearing .....	513022[2]
<b>1989-1987</b>	Camry Station Wagon	
	Seal .....	224210[2]
	Bearing Module .....	512009
<b>1988-1983</b>	Cressida: independent suspension	
	Seal (inner) .....	223840[2]
	Bearing Assy (inner) .....	32006X[2]
	Seal (outer) .....	224820[2]
	Set (outer) .....	SET17
<b>1988-1983</b>	Tercel Wagon: 4WD	
	Seal .....	224210[2]
	Bearing .....	88506BR[2]
<b>1987-1984</b>	Tercel Wagon: fwd	
	Seal .....	1180S[2]
	Bearing .....	513031[2]
<b>1987-1980</b>	Tercel Sedan	
	Seal (inner) .....	223605[2]
	Bearing Assy (inner) .....	32005X[2]
	Set (outer) .....	SET1

**FRONT AXLE**

**Pinion**

<b>1988-1987</b>	Camry	
	Bearing Assy (inner) .....	30208M
<b>1988-1987</b>	Celica	
	Bearing Assy (inner) .....	30208M
<b>1988-1984</b>	Corolla	
	Bearing Assy (inner) .....	30208M
	Bearing Assy (outer) .....	30207M
<b>1988-1980</b>	Tercel	
	Bearing Assy (inner) .....	30208M
<b>1986-1983</b>	Camry	
	Bearing Assy (inner) .....	30208M
	Bearing Assy (outer) .....	30207M

**REAR AXLE**

**Differential**

<b>1989-1988</b>	Corolla All-Trac: 4WD	
	Set .....	SET45
<b>1988-1983</b>	Tercel Wagon: 4WD	
	Set .....	SET5

**Pinion**

<b>1989-1988</b>	Corolla All-Trac: 4WD	
	Cone/Cup .....	HM88649-HM88610[2]
	Seal (outer) .....	1176S
	Kwik Slv (Opt Rpr) .....	KWK99147
<b>1989-1988</b>	Camry All-Trac: 4WD	
	Cone/Cup .....	HM88649-HM88610[2]
	Seal (outer) .....	1176S
<b>1989-1988</b>	Celica All-Trac 4WD	
	Cone/Cup .....	HM88649-HM88610[2]
	Seal (outer) .....	1176S
<b>1988-1983</b>	Tercel Wagon: 4WD	
	Cone/Cup (inner) .....	M86649-M86610
	Seal (outer) .....	223542
	Bearing (outer) .....	32005C
	Kwik Slv (Opt Rpr) .....	KWK99139

**TRANSFER CASE REBUILD KIT**

<b>1989</b>	S100	
	Kit .....	TRKFT740
<b>1989-1988</b>	S125	
	Kit .....	TRKFT750
<b>1989-1987</b>	S110	
	Kit .....	TRKFT740
<b>1989-1987</b>	S120	
	Kit .....	TRKFT750

**TRANSFER CASE**

**Rear Output Shaft**

<b>1989-1987</b>	S100, S110, S120	
	Seal .....	1175
	Kwik Slv (Opt Rpr) .....	KWK99147

**Idler Shaft**

<b>1989-1987</b>	S110, S120	
	Seal (LH) .....	710528
	Seal (RH) .....	710527

**Side Gear**

<b>1989-1988</b>	S100	
	Seal .....	710143
<b>1989-1988</b>	S110, S120: automatic trans	
	Seal .....	710137
<b>1989-1988</b>	S110, S120: manual trans.	
	Seal .....	710143



# Bearings and Seals

Mfg./Year    Model & Location    Part No    Mfg./Year    Model & Location    Part No

## **TOYOTA - FRONT DRIVE - Camry, Camry AWD, Celica, Celica AWD, Corolla, Corolla AWD, Corolla FX, Tercel, Tercel Wagon 4WD (cont.)**

### **CLUTCH - 4 CYLINDER**

#### **Pilot Bearing**

**1989-1984** 1456cc/1.5L, 1496/1.5L,  
1587cc/1.6L, 1762cc/1.8L  
Cyl. Bearing .....MSNB5305GTBV  
**1988-1980** 1452cc/1.5L  
Bearing ..... 101SS

#### **Release Bearing**

**1989-1988** 1456cc/1.5L, 1496/1.5L (190mm  
Clutch)  
Bearing Assy ..... 614043  
**1989-1988** 1998cc/2.0L (DOHC & TURBO)  
(235mm Clutch)  
Bearing Assy ..... 614084  
**1989-1987** 1998cc/2.0L (DOHC), (225mm  
Clutch)  
Bearing Assy ..... 614147  
**1989** 1456cc/1.5L, (212mm Clutch)  
Bearing Assy ..... 614043  
**1989-1984** 1587cc/1.6L, (200mm Clutch)  
Bearing Assy ..... 614043  
**1988-1980** 1452cc/1.5L, (190mm Clutch)  
Bearing Only ..... 613010  
**1986-1983** 1839cc/1.8L, 1974cc/2.0L:  
(Diesels), (225mm Clutch)  
Bearing Assy ..... 614147  
**1985-1984** 1839cc/1.8L, (Diesel), (212mm  
Clutch)  
Bearing Assy ..... 614147

### **CLUTCH - 6 CYLINDER**

#### **Release Bearing**

**1989-1988** 2507cc/2.5L, (235mm Clutch)  
Bearing Assy ..... 614084

### **3-SPEED AUTOMATIC TRANSAXLE**

#### **Torque Converter**

**1989-1980** A55, A55F, A130L, A131L,  
A132L  
Seal ..... 223830  
Kwik Slv (Opt Rpr) .....KWK99147

#### **Output Shaft**

**1989-1984** A130L, A131L, A132L  
Seal ..... 710110[2]  
**1988-1980** A55, A55F  
Seal ..... 223240[2]

#### **Differential**

**1989-1984** A130L, A131L, A132L  
Seal ..... 710416[2]  
**1988-1980** A55, A55F  
Bearing .....32007C[2]

### **3-SPEED AUTOMATIC TRANSAXLE**

#### **Pinion**

**1989** A132L  
Bearing Assy (rear) .....30208M

#### **Selector Shaft Seal/Man. Shaft**

**1989-1984** A130L, A131L, A132L  
Seal ..... 221207  
Kwik Slv (Opt Rpr) .....KWK99049  
**1988-1980** A55, A55F  
Seal ..... 220818

### **4-SPEED AUTOMATIC TRANSAXLE**

#### **Differential**

**1989-1983** A140E, A140L, A242L, A245E  
Seal ..... 710416[2]

#### **Torque Converter**

**1989-1983** A140E, A140L, A240E, A240L,  
A241E, A241H, A241L, A242L,  
A243L, A244E, A245E, A246E,  
A540E, A540H, A541E  
Seal ..... 223830  
Kwik Slv (Opt Rpr) .....KWK99147

#### **Input Shaft**

**1989-1985** A240E, A240L, A241E, A241H,  
A241L, A243L, A244E, A246E  
Seal ..... 710138  
Kwik Slv (Opt Rpr) .....KWK99139

#### **Output Shaft**

**1989-1985** A240E, A240L, A241E, A241H,  
A241L, A242L, A243L, A244E,  
A245E, A246E  
Seal (LH) ..... 710109  
Seal (RH) ..... 710110  
**1989-1983** A140E, A140L  
Seal ..... 223540[2]  
Kwik Slv (Opt Rpr) .....KWK99139[2]  
**1989-1988** A540E, A540H, A541E  
Seal (LH) ..... 712551  
Seal (RH) ..... 710112

#### **Selector Shaft Seal/Man. Shaft**

**1989-1983** A140E, A140L, A240E, A240L,  
A241E, A241H, A241L, A242L,  
A243L, A244E, A245E, A246E,  
A540E, A540H, A541E  
Seal ..... 221207  
Kwik Slv (Opt Rpr) .....KWK99049

**TOYOTA - FRONT DRIVE - Camry, Camry AWD, Celica, Celica AWD, Corolla, Corolla AWD, Corolla FX, Tercel, Tercel Wagon 4WD (cont.)**

**4-SPEED MANUAL TRANSAXLE**

**Differential**

<b>1989-1986</b> C141	
Bearing Assy (LH) .....	32207M
<b>1989-1980</b> Z41, Z42, Z44, Z46	
Bearing .....	32007C[2]

**Input Shaft**

<b>1989-1986</b> C140, C141	
Seal .....	320603
Bearing .....	101SS
Kwik Slv (Opt Rpr) .....	KWK99098
<b>1988-1980</b> Z41, Z42, Z44, Z46	
Seal .....	222655
Kwik Slv (Opt Rpr) .....	KWK99103

**Output Shaft**

<b>1989-1986</b> C140, C141	
Seal (LH) .....	710109
Seal (RH) .....	710110
<b>1988-1980</b> Z41, Z42, Z44, Z46	
Seal .....	223240[2]

**Selector Shaft Seal/Man. Shaft**

<b>1989-1986</b> C140, C141	
Seal .....	1015N
Kwik Slv (Opt Rpr) .....	KWK99085

**5-SPEED MANUAL TRANSAXLE**

**Differential**

<b>1989-1986</b> C150, C151	
Bearing Assy (LH) .....	32207M
<b>1988-1980</b> Z51, Z52, Z53	
Bearing .....	32007C[2]

**Input Shaft**

<b>1989-1984</b> C50, C51, C52, C150, C151	
Seal .....	320603
Bearing .....	101SS
Kwik Slv (Opt Rpr) .....	KWK99098
<b>1989-1983</b> S50, S51, E53, S53	
Seal .....	223010
Kwik Slv (Opt Rpr) .....	KWK99114
<b>1989-1986</b> E50F2, E55F2, E55F5, E56F2, E56F5, E57F5, E150F, S54	
Seal Viton .....	710172
Kwik Slv (Opt Rpr) .....	KWK99123
<b>1986-1980</b> Z51, Z52, Z53	
Seal .....	222655
Kwik Slv (Opt Rpr) .....	KWK99103

**Output Shaft**

<b>1989-1984</b> C50, C51, C52, C150, C151	
Seal (LH) .....	710109
Seal (RH) .....	710110
<b>1989-1983</b> S50, S51, S53, S54	
Seal .....	223540[2]
Kwik Slv (Opt Rpr) .....	KWK99139[2]

**5-SPEED MANUAL TRANSAXLE (cont.)**

**Output Shaft (cont.)**

<b>1989-1988</b> E50F2, E55F2, E55F5 (non-ABS)	
Seal (LH) .....	710115
Seal (RH) .....	710143
<b>1989-1988</b> E50F2, E55F2, E55F5 (ABS)	
Seal (LH) .....	710112
Seal (RH) .....	710143
<b>1989-1988</b> E56F2, E56F5, E57F5	
Seal (LH) .....	710115
Seal (RH) .....	710143
<b>1989-1986</b> E52, E150F	
Seal .....	710112[2]
<b>1988-1986</b> Z51, Z52, Z53	
Seal .....	223240[2]

**Selector Shaft Seal/Man. Shaft**

<b>1989-1984</b> exc. S50, S51, S53, S54	
Seal .....	1015N
Kwik Slv (Opt Rpr) .....	KWK99085
<b>1989-1983</b> S50, S51, S53, S54	
Seal .....	221207
Kwik Slv (Opt Rpr) .....	KWK99049

**Extension Housing**

<b>1989-1986</b> E50F2, E55F2, E55F5, E56F2, E56F5, E57F5, E150F	
Seal .....	1175
<b>1988-1980</b> Z51, Z52, Z53	
Seal .....	221410

**6-SPEED MANUAL TRANSAXLE**

**Input Shaft**

<b>1988-1980</b> Z52F, Z54F	
Seal .....	222655
Kwik Slv (Opt Rpr) .....	KWK99103

**Output Shaft**

<b>1988-1980</b> Z52F, Z54F	
Seal .....	223240[2]

**Differential**

<b>1988-1980</b> Z52F, Z54F	
Bearing .....	32007C[2]

**ALTERNATOR**

<b>1989-1987</b> Nippondenso 70 amp	
Bearing (rear end) .....	302CC
<b>1989-1987</b> Nippondenso 55 amp	
Bearing (drive end) .....	303CC
Bearing (rear end) .....	302CC
<b>1989-1987</b> Nippondenso 60 amp	
Bearing (drive end) .....	204FF
Bearing (rear end) .....	302CC
<b>1989-1985</b> Nippondenso 50 amp	
Bearing (drive end) .....	303CC
Bearing (rear end) .....	201CC

# Bearings and Seals

Mfg./Year    Model & Location    Part No    Mfg./Year    Model & Location    Part No

## **TOYOTA - FRONT DRIVE - Camry, Camry AWD, Celica, Celica AWD, Corolla, Corolla AWD, Corolla FX, Tercel, Tercel Wagon 4WD (cont.)**

### **ALTERNATOR (cont.)**

<b>1986-1983</b>	Nippondenso 60 amp	
	Bearing (drive end) .....	302CC
	Bearing (rear end) .....	204FF
<b>1986-1980</b>	Nippondenso 55 amp	
	Bearing (drive end) .....	203FF
	Bearing (rear end) .....	201CC
<b>1985-1980</b>	Nippondenso 50 amp	
	Bearing (drive end) .....	203FF
	Bearing (rear end) .....	201CC

### **DRIVESHAFT SUPPORT**

<b>1988-1983</b>	Tercel Wagon: 4WD	
	Hanger Bearing Assy .....	HB7

### **POWER STEERING**

#### **Pitman Shaft**

<b>1989-1983</b>	Camry, Celica, Corolla, Paseo, Tercel, Wagon	
	Seal .....	221510

#### **Pump Shaft**

<b>1989-1984</b>	Avalon, Corolla	
	Seal .....	710412
<b>1989-1983</b>	Camry, Celica, Corolla, Paseo, Tercel, Wagon	
	Seal .....	710156

#### **Sector Shaft**

<b>1989-1983</b>	Camry, Camry AWD	
	Seal .....	222820

#### **Worm Shaft**

<b>1989-1986</b>	Celica	
	Seal .....	710303
<b>1989-1986</b>	Corolla	
	Seal (lower) .....	710155
	Seal (upper) .....	710154

### **CAMSHAFT SEAL**

#### **4 Cylinder**

<b>1989-1987</b>	1496cc/1.5L, 1587cc/1.6L, 1762cc/1.8,	
	Seal .....	1987S
	Kwik Slv (Opt Rpr) .....	KWK99139
<b>1989-1983</b>	1839cc/1.8L, (Diesle)	
	Seal .....	223801
	Kwik Slv (Opt Rpr) .....	KWK99147
<b>1989-1980</b>	1452cc/1.5L, 1456cc/1.5L, 1497cc/1.5L, 1587cc/1.6L, 1762cc/1.8L	
	Seal .....	1987S
	Kwik Slv (Opt Rpr) .....	KWK99139
<b>1989-1986</b>	1998cc/2.0L (w/o Turbo)	
	Seal .....	223801
	Kwik Slv (Opt Rpr) .....	KWK99147

### **CAMSHAFT SEAL (cont.)**

#### **4 Cylinder (cont.)**

<b>1989-1986</b>	1998cc/2.0L (w/ Turbo)	
	Seal .....	1987S
	Kwik Slv (Opt Rpr) .....	KWK99139
<b>1986</b>	1974cc/2.0L: (Turbo-Diesel)	
	Seal .....	223802
	Kwik Slv (Opt Rpr) .....	KWK99147

#### **6 Cylinder**

<b>1989-1988</b>	2507cc/2.5L	
	Seal .....	223801
	Kwik Slv (Opt Rpr) .....	KWK99147

### **CRANKSHAFT REAR SEAL**

#### **4 Cylinder**

<b>1989-1987</b>	1456cc/1.5L, 1497/1.5L	
	Seal .....	228015
	Kwik Slv (Opt Rpr) .....	KWK99315
<b>1989-1986</b>	1998cc/2.0L, 2164cc/2.2L	
	Seal .....	716102
	Kwik Slv (Opt Rpr) .....	KWK99333
<b>1989-1980</b>	1452cc/1.5L, 1587cc/1.6L, 1762cc/1.8L	
	Seal .....	227045
	Kwik Slv (Opt Rpr) .....	KWK99272
<b>1989-1988</b>	1998cc/2.0L	
	Seal Viton .....	710189
	Kwik Slv (Opt Rpr) .....	KWK99349
<b>1989-1986</b>	1998cc/2.0L	
	Seal .....	716102
	Kwik Slv (Opt Rpr) .....	KWK99333
<b>1986-1984</b>	1839cc/1.8L, 1974cc/2.0L: (diesels)	
	Seal .....	229010
	Kwik Slv (Opt Rpr) .....	KWK99354

#### **6 Cylinder**

<b>1989-1988</b>	2507cc/2.5L, 2958cc/3.0L, 2995cc/3.0L	
	Seal Viton .....	229210
	Kwik Slv (Opt Rpr) .....	KWK99360

### **TIMING COVER**

#### **4 Cylinder**

<b>1989-1987</b>	1456cc/1.5L, 1497/1.5L	
	Seal .....	223235
	Kwik Slv (Opt Rpr) .....	KWK99139
<b>1989-1983</b>	1839cc/1.8L, 1974cc/2.0L, 1995cc/2.0L, 1998cc/2.0L	
	Seal .....	1953S
	Seal Viton Opt .....	2025
	Kwik Slv (Opt Rpr) .....	KWK99169
<b>1988-1980</b>	1452cc/1.5L	
	Seal .....	223235
	Kwik Slv (Opt Rpr) .....	KWK99128

**TOYOTA - FRONT DRIVE - Camry, Camry AWD, Celica, Celica AWD, Corolla, Corolla AWD, Corolla FX, Tercel, Tercel Wagon 4WD (cont.)**

**TIMING COVER**

**6 Cylinder**

<b>1989-1988</b>	2507cc/2.5L, 2958cc/3.0L	
Seal .....		224020
Kwik Slv (Opt Rpr) .....		KWK99157

**TOYOTA - REAR DRIVE - Carina, Celica, Corolla, Corona, Corona Mark II, Cressida, Starlet, Supra**

**FRONT WHEEL**

<b>1989</b>	Cressida	
Seal .....		224870[2]
Bearing .....		513150[2]
<b>1989-1978</b>	Supra	
Seal .....		1941[2]
Bearing .....		510017[2]
<b>1989-1985</b>	MR2	
Seal .....		1180S[2]
Bearing .....		513031[2]
<b>1988-1976</b>	Cressida	
Seal (inner) .....		224820[2]
Set (inner) .....		SET6
Set (outer) .....		SET2
<b>1987-1975</b>	Corolla	
Seal (inner) .....		1950[2]
Set (inner) .....		SET8
Set (outer) .....		SET1
<b>1986-1980</b>	Cressida	
Seal (inner) .....		224820[2]
Set (inner) .....		SET6
Set (outer) .....		SET2
<b>1986-1979</b>	Supra	
Seal (inner) .....		224820[2]
Set (inner) .....		SET6
Set (outer) .....		SET2
<b>1985-1976</b>	Celica	
Seal (inner) .....		224820[2]
Set (inner) .....		SET6
Set (outer) .....		SET2
<b>1984-1981</b>	Starlet	
Seal (inner) .....		224015[2]
Set (inner) .....		SET4
Set (outer) .....		SET1
<b>1982-1974</b>	Corona	
Seal (inner) .....		224820[2]
Set (inner) .....		SET6
Set (outer) .....		SET2
<b>1976-1973</b>	Mark II	
Seal (inner) .....		224820[2]
Set (inner) .....		SET6
Set (outer) .....		SET2
<b>1975</b>	Celica	
Seal (inner) .....		1950[2]
Set (inner) .....		SET8
Set (outer) .....		SET1

**FRONT WHEEL (cont.)**

<b>1974</b>	Celica: production from 4/74 on	
Seal (inner) .....		1950[2]
Set (inner) .....		SET8
Set (outer) .....		SET1
<b>1974</b>	Corolla: production from 4/74 on	
Seal (inner) .....		1950[2]
Set (inner) .....		SET8
Set (outer) .....		SET1
<b>1974-1971</b>	Celica: production thru 4/74	
Seal (inner) .....		1178S[2]
Set (inner) .....		SET4
Set (outer) .....		SET1
<b>1974-1967</b>	Corolla: production thru 4/74	
Seal (inner) .....		1178S[2]
Set (inner) .....		SET4
Set (outer) .....		SET1
<b>1973-1972</b>	Carina	
Seal (inner) .....		1178S[2]
Set (inner) .....		SET4
Set (outer) .....		SET1
<b>1973-1972</b>	Corona	
Seal (inner) .....		1178S[2]
Set (inner) .....		SET4
Set (outer) .....		SET1
<b>1972</b>	Mark II: from 1/72	
Seal (inner) .....		224820[2]
Set (inner) .....		SET6
Set (outer) .....		SET2
<b>1972</b>	Mark II: to 1/72	
Seal (inner) .....		1178S[2]
Set (inner) .....		SET4
Set (outer) .....		SET1
<b>1972-1965</b>	Crown	
Seal (inner) .....		224820[2]
Set (inner) .....		SET6
Set (outer) .....		SET2
<b>1971-1967</b>	Corona	
Seal (inner) .....		1178S[2]
Set (inner) .....		SET4
Set (outer) .....		SET1
<b>1971-1967</b>	Mark II	
Seal (inner) .....		1178S[2]
Set (inner) .....		SET4
Set (outer) .....		SET1
<b>1964-1958</b>	all	
Cone/Cup (inner) .....		15123-15245[2]
Cone/Cup (outer) .....		09067-09195[2]

# Bearings and Seals

Mfg./Year    Model & Location    Part No    Mfg./Year    Model & Location    Part No

## **TOYOTA - REAR DRIVE - Carina, Celica, Corolla, Corona, Corona Mark II, Cressida, Starlet, Supra (cont.)**

### **REAR WHEEL**

<b>1989-1987</b>	Supra	
Seal (inner)	.....	1935[2]
Bearing (inner)	.....	511007[2]
Seal (outer)	.....	1928[2]
<b>1989</b>	Cressida	
Seal (inner)	.....	1935[2]
Bearing (inner)	.....	511007[2]
Seal (outer)	.....	1928[2]
<b>1989-1988</b>	Tercel	
Seal (inner)	.....	223605[2]
Bearing Assy (inner)	.....	32005X[2]
Seal (outer)	.....	225775[2]
Set (outer)	.....	SET1
<b>1989-1985</b>	MR2	
Seal	.....	5696[2]
Bearing	.....	514002B[2]
<b>1987-1984</b>	Corolla GTS: disc brakes	
Seal	.....	1955[2]
Bearing	.....	514000[2]
<b>1987-1984</b>	Corolla: drum brakes	
Seal	.....	224210[2]
Bearing	.....	88506BR[2]
<b>1986-1982</b>	Supra	
Seal (inner)	.....	223840[2]
Bearing Assy (inner)	.....	32006X[2]
Seal (outer)	.....	224820[2]
Set (outer)	.....	SET17
<b>1986-1982</b>	Celica: independent suspension	
Seal (inner)	.....	223840[2]
Bearing Assy (inner)	.....	32006X[2]
Seal (outer)	.....	224820[2]
Set (outer)	.....	SET17
<b>1986-1976</b>	Celica: solid axle	
Seal	.....	1955[2]
Bearing	.....	RW124R[2]
<b>1984-1981</b>	Starlet	
Seal	.....	224810[2]
Bearing	.....	88506BR[2]
<b>1983</b>	Cressida: solid axle	
Seal	.....	1955[2]
Bearing	.....	RW124R[2]
<b>1983-1980</b>	Corolla Sedan	
Seal	.....	224210[2]
Bearing	.....	88506BR[2]
<b>1983-1978</b>	Corolla 1800 Wagon	
Seal	.....	224210[2]
Bearing	.....	RW129R[2]
<b>1983-1975</b>	Corolla 1600 Wagon	
Seal	.....	224210[2]
Bearing	.....	RW124R[2]
<b>1982-1978</b>	Cressida	
Seal	.....	1955[2]
Bearing	.....	RW124R[2]
<b>1982-1974</b>	Corona	
Seal	.....	1955[2]
Bearing	.....	RW124R[2]
<b>1981-1979</b>	Supra	
Seal	.....	1955[2]
Bearing	.....	514000[2]

### **REAR WHEEL (cont.)**

<b>1981-1979</b>	Celica Supra	
Seal	.....	1955[2]
Bearing	.....	514000[2]
<b>1979-1975</b>	Corolla 1600 SR-5	
Seal	.....	1955[2]
Bearing	.....	RW124R[2]
<b>1979-1966</b>	Corolla 1200, 1600	
Seal	.....	224210[2]
Bearing	.....	88506BR[2]
<b>1975-1970</b>	Celica	
Seal	.....	224210[2]
Bearing	.....	88506BR[2]
<b>1973-1972</b>	Carina	
Seal	.....	224210[2]
Bearing	.....	88506BR[2]
<b>1973-1968</b>	Corona Wagon and 6-cylinder	
Seal	.....	1955[2]
Bearing	.....	RW124R[2]
<b>1973-1968</b>	Corona exc. Wagon and 6-cylinder	
Seal	.....	224210[2]
Bearing	.....	88506BR[2]
<b>1972-1965</b>	Crown Wagon	
Seal	.....	1960[2]
Bearing	.....	88107AR[2]
<b>1972-1965</b>	Crown Sedan	
Seal	.....	1955[2]
Bearing	.....	RW124R[2]

### **REAR AXLE**

#### **Differential Rebuild Kit**

<b>1989-1987</b>	7.5" ring gear, w/o Turbo	
Kit	.....	DRK350

#### **Differential**

<b>1989-1987</b>	7.8" ring gear	
Seal	.....	710142[2]
<b>1988-1983</b>	7.3" ring gear	
Seal	.....	223843[2]
<b>1988-1980</b>	7.1" ring gear	
Cone/Cup	.....	17887-17831[2]
<b>1987-1971</b>	6.7" ring gear	
Set	.....	SET45
<b>1986-1984</b>	7.5" ring gear	
Seal	.....	2009S[2]
Cone/Cup	.....	17887-17831[2]
<b>1984-1967</b>	6.38" ring gear	
Set	.....	SET5
<b>1984-1967</b>	6" ring gear	
Set	.....	SET5
<b>1983-1982</b>	7.5" ring gear: exc. posi-trac	
Cone/Cup	.....	17887-17831[2]
<b>1983-1982</b>	7.5" ring gear: posi-trac	
Bearing Assy	.....	32010X[2]
<b>1982-1981</b>	5.6" ring gear	
Cone/Cup	.....	15123-15245[2]
<b>1979-1972</b>	7.5" ring gear: exc. posi-trac	
Cone/Cup	.....	17887-17831[2]

**TOYOTA - REAR DRIVE - Carina, Celica, Corolla, Corona, Corona Mark II, Cressida, Starlet, Supra (cont.)**

**REAR AXLE (cont.)**

**Differential (cont.)**

<b>1979-1958</b>	7.1" ring gear	
	Cone/Cup	17887-17831[2]

**Pinion**

<b>1989-1980</b>	7.3" ring gear	
	Bearing Assy (inner)	32307
	Seal (outer)	1177
	Bearing Assy (outer)	30306M
<b>1989-1980</b>	7.8" ring gear	
	Bearing Assy (inner)	32307
	Seal (outer)	1177
	Bearing Assy (outer)	30306M
<b>1989-1958</b>	7.1" ring gear	
	Bearing Assy (inner)	32307
	Seal (outer)	1177
	Bearing Assy (outer)	30306M
<b>1989-1958</b>	7.5" ring gear	
	Bearing Assy (inner)	32307
	Seal (outer)	1177
	Bearing Assy (outer)	30306M
<b>1987-1971</b>	6.7" ring gear	
	Cone/Cup (inner)	HM88649-HM88610
	Seal (outer)	1176S
	Cone/Cup (outer)	M86649-M86610
	Kwik Slv (Opt Rpr)	KWK99147
<b>1984-1981</b>	5.6" ring gear	
	Cone/Cup (inner)	M86649-M86610
	Seal (outer)	223542
	Kwik Slv (Opt Rpr)	KWK99147
<b>1984-1981</b>	6" ring gear	
	Cone/Cup (inner)	M86649-M86610
	Seal (outer)	223542
	Kwik Slv (Opt Rpr)	KWK99147
<b>1983-1967</b>	6.38" ring gear	
	Cone/Cup (inner)	M88048-M88010
	Seal (outer)	1176S
	Cone/Cup (outer)	M86649-M86610
<b>1979-1968</b>	6" ring gear	
	Cone/Cup (inner)	M86649-M86610
	Seal (outer)	223542
	Bearing (outer)	32005C
	Kwik Slv (Opt Rpr)	KWK99139

**TRANSMISSION REBUILD KIT**

<b>1989-1984</b>	W55, W56, W58 EFI Motor	
	Kit	TRKFT150
<b>1984-1974</b>	W50	
	Kit	TRKFT100

**3-SPEED AUTOMATIC TRANSMISSION**

**Torque Converter**

<b>1982-1971</b>	A40	
	Seal	223830
	Kwik Slv (Opt Rpr)	KWK99147
<b>1976-1967</b>	A30	
	Seal	320564
	Kwik Slv (Opt Rpr)	KWK99177

**Rear Seal/Ext. Housing**

<b>1982-1980</b>	A40	
	Seal	710319
<b>1979</b>	A43D	
	Seal	1177
<b>1979-1967</b>	A30	
	Seal	1177
<b>1979-1967</b>	A40	
	Seal	1177

**4-SPEED AUTOMATIC TRANSMISSION**

**Torque Converter**

<b>1989-1980</b>	A40D, A42DL, A43D, A43DL, A43DE, A340E	
	Seal	223830
	Kwik Slv (Opt Rpr)	KWK99147
<b>1979</b>	A43D	
	Seal	223830
	Kwik Slv (Opt Rpr)	KWK99147

**Rear Seal/Ext. Housing**

<b>1989-1986</b>	A340E	
	Seal	3459S
<b>1987-1980</b>	A40D, A42DL, A43D, A43DL, A43DE	
	Seal	710319

**Selector Shaft Seal/Man. Shaft**

<b>1989-1986</b>	A340E	
	Seal	221207
	Kwik Slv (Opt Rpr)	KWK99049

**CLUTCH - 4 CYLINDER**

**Pilot Bearing**

<b>1989-1985</b>	1587cc/1.6L	
	Cyl. Bearing	MSNB5305GTBV
<b>1987-1980</b>	1587cc/1.6L	
	Bearing	101SS
<b>1985-1980</b>	2366cc/2.4L	
	Bearing	201CC
<b>1985-1961</b>	2189cc/2.2L	
	Bearing	201CC
<b>1984-1980</b>	1290cc/1.3L	
	Bearing	101SS
<b>1982-1980</b>	1770cc/1.8L	
	Bearing	101SS
<b>1979-1968</b>	1077cc/1.1L	
	Bearing	101SS
<b>1979-1968</b>	1166cc/1.2L	
	Bearing	101SS
<b>1979-1968</b>	1588cc/1.6L	
	Bearing	101SS
<b>1979-1961</b>	1858cc/1.9L	
	Bearing	201CC
<b>1979-1961</b>	1897cc/1.9L	
	Bearing	201CC
<b>1979-1961</b>	1968cc/2.0L	
	Bearing	201CC

# Bearings and Seals

Mfg./Year    Model & Location    Part No    Mfg./Year    Model & Location    Part No

## **TOYOTA - REAR DRIVE - Carina, Celica, Corolla, Corona, Corona Mark II, Cressida, Starlet, Supra (cont.)**

### **CLUTCH - 4 CYLINDER (cont.)**

#### **Pilot Bearing (cont.)**

1964-1958    1453cc/1.5L  
Bearing .....201S

### **CLUTCH - 6 CYLINDER**

#### **Pilot Bearing**

1989-1986    2954/3.0L  
Bearing .....201CC  
1989-1980    2759cc/2.8L  
Bearing .....201CC  
1981-1979    2563cc/2.6L  
Bearing .....201CC  
1976-1968    2253cc/2.3L  
Bearing .....201CC  
1976-1968    2563cc/2.6L  
Bearing .....201CC

### **CLUTCH - 4 CYLINDER**

#### **Release Bearing**

1989-1988    1587cc/1.6L, (225mm Clutch)  
Bearing Assy ..... 614084  
1989-1986    1587cc/1.6L, (212mm Clutch)  
Bearing Assy ..... 614043  
1987-1983    1587cc/1.6L, (200mm Clutch)  
Bearing Only ..... 613010  
1985    1587cc/1.6L, (200mm Clutch)  
Bearing Assy ..... 614043  
1985-1980    2366cc/2.4L  
Bearing Only ..... 613010  
1985-1979    2189cc/2.2L  
Bearing Only ..... 613010  
1982-1980    1770cc/1.8L  
Bearing Only ..... 613010  
1979-1978    1588cc/1.6L  
Bearing Assy ..... 614003  
1979-1975    1166cc/1.2L  
Bearing Assy ..... 614004  
1978    2189cc/2.2L  
Bearing Assy ..... 614002  
1977-1975    1588cc/1.6L  
Bearing Assy ..... 614001  
1977-1972    1968cc/2.0L  
Bearing Assy ..... 614000  
1973-1971    1588cc/1.6L  
Bearing Only .....01496  
1972-1969    1858cc/1.9L  
Bearing Assy ..... 614000

### **CLUTCH - 6 CYLINDER**

#### **Release Bearing**

1989    2954cc/3.0L (236mm Clutch)  
Bearing Assy ..... 614088  
1989-1987    2954cc/3.0L (DOHC & TURBO),  
240mm Clutch  
Bearing Assy ..... 614085  
1988-1982    2759cc/2.8L  
Bearing Only ..... 613010

### **CLUTCH - 6 CYLINDER (cont.)**

#### **Release Bearing (cont.)**

1988-1982    2954/3.0L  
Bearing Only ..... 613010  
1981-1980    2759cc/2.8L  
Bearing Only ..... 613010  
1981-1979    2563cc/2.6L  
Bearing Only ..... 613010  
1976-1968    2253cc/2.3L  
Bearing Assy ..... 614006  
1976-1968    2563cc/2.6L  
Bearing Assy ..... 614006

### **3-SPEED MANUAL TRANSMISSION**

#### **Front Input Shaft**

1970-1958    N30, N31  
Seal ..... 222535  
Bearing .....207SL  
Kwik Slv (Opt Rpr) .....KWK99098

#### **Rear Output Shaft**

1970-1958    N30, N31  
Seal ..... 223840  
Bearing ..... 306L

### **4-SPEED MANUAL TRANSMISSION**

#### **Input Shaft**

1984-1980    K40, T40  
Seal ..... 222535  
Bearing ..... 206L  
1980-1968    W40  
Seal ..... 223240  
Kwik Slv (Opt Rpr) .....KWK99128

#### **Countershaft**

1982-1971    T40  
Bearing (front) .....304L  
1980    W40  
Bearing (front) .....205L  
1979-1968    W40  
Bearing (front) .....205L  
Bearing (rear) ..... RW122

#### **Rear Output Shaft**

1984-1980    K40, T40  
Seal ..... 710306  
Bearing ..... 305L  
1980    W40  
Seal ..... 710319  
Bearing ..... RW122  
1979-1971    T40  
Seal ..... 710306  
1979-1971    K40  
Seal ..... 710306  
Bearing ..... 305L  
1979-1968    W40  
Seal ..... 223840

**TOYOTA - REAR DRIVE - Carina, Celica, Corolla, Corona, Corona Mark II, Cressida, Starlet, Supra (cont.)**

**4-SPEED MANUAL TRANSMISSION**

(cont.)

**Rear Output Shaft (cont.)**

<b>1974-1961</b>	L40, N40	
Seal .....		223840

**Selector Shaft Seal/Man. Shaft**

<b>1984-1980</b>	K40, T40	
Seal .....		221122

**5-SPEED MANUAL TRANSMISSION**

**Front Input Shaft**

<b>1989-1987</b>	R154	
Seal .....		223253
<b>1989-1980</b>	W50, W55, W58	
Seal .....		1981
Kwik Slv (Opt Rpr) .....		KWK99114
<b>1987-1980</b>	T50, T50A, K51	
Seal .....		222535
Kwik Slv (Opt Rpr) .....		KWK99098
<b>1979-1974</b>	W50	
Seal .....		1981
Bearing .....		108A
Kwik Slv (Opt Rpr) .....		KWK99114
<b>1979-1971</b>	K50, T50	
Seal .....		222535
Bearing .....		206L
Kwik Slv (Opt Rpr) .....		KWK99098

**Countershaft**

<b>1987-1980</b>	T50	
Bearing (front) .....		304L
Bearing (rear) .....		204
<b>1979-1974</b>	W50	
Bearing (front) .....		205L
Bearing (rear) .....		RW122
<b>1979-1971</b>	T50	
Bearing (front) .....		304L

**Rear Output Shaft**

<b>1989-1987</b>	R154	
Seal .....		3459S
<b>1989-1981</b>	W55, W58	
Seal .....		223840
<b>1987-1980</b>	T50, T50A, K51	
Seal .....		710306
Bearing .....		305L
<b>1981-1980</b>	W50	
Seal .....		710319
Bearing .....		RW122
<b>1979-1974</b>	W50	
Seal .....		223840
Bearing .....		108A
<b>1979-1971</b>	K50, T50	
Seal .....		710306

**4-SPEED AUTOMATIC TRANSAXLE**

**Differential**

<b>1986</b>	A141E	
Seal .....		710416[2]

**Torque Converter**

<b>1989-1986</b>	A141E, A240E, A241E	
Seal .....		223830
Kwik Slv (Opt Rpr) .....		KWK99147

**Input Shaft**

<b>1989-1987</b>	A240E, A241E	
Seal .....		710138
Kwik Slv (Opt Rpr) .....		KWK99139

**Output Shaft**

<b>1989-1986</b>	A141E, A240E, A241E	
Seal (LH) .....		710109
Seal (RH) .....		710110

**Selector Shaft Seal/Man. Shaft**

<b>1989-1986</b>	A141E, A240E, A241E	
Seal .....		221207
Kwik Slv (Opt Rpr) .....		KWK99049

**5-SPEED MANUAL TRANSAXLE**

**Input Shaft**

<b>1989-1988</b>	E51	
Seal .....		223010
Kwik Slv (Opt Rpr) .....		KWK99114
<b>1989-1987</b>	C52	
Seal .....		320603
Bearing .....		101SS
Kwik Slv (Opt Rpr) .....		KWK99098

**Output Shaft**

<b>1989-1988</b>	E51	
Seal Viton (LH) .....		224026
Kwik Slv (Opt Rpr) .....		KWK99157
Seal (RH) .....		710110
<b>1989-1987</b>	C52	
Seal (LH) .....		710109
Seal (RH) .....		710110

**Selector Shaft Seal/Man. Shaft**

<b>1989-1987</b>	C52	
Seal .....		1015N
<b>1989-1987</b>	E153	
Seal .....		1015N

**ALTERNATOR**

<b>1989-1982</b>	Nippondenso 70 amp	
Bearing (rear end) .....		302CC
<b>1989-1985</b>	Nippondenso 100 amp	
Bearing (rear end) .....		302CC
<b>1989-1982</b>	Nippondenso 80 amp	
Bearing (rear end) .....		302CC



# Bearings and Seals

Mfg./Year    Model & Location    Part No    Mfg./Year    Model & Location    Part No

## **TOYOTA - REAR DRIVE - Carina, Celica, Corolla, Corona, Corona Mark II, Cressida, Starlet, Supra (cont.)**

### **ALTERNATOR (cont.)**

<b>1987</b>	Nippondenso 50 amp	
	Bearing (drive end) .....	303CC
	Bearing (rear end) .....	201CC
<b>1987</b>	Nippondenso 55 amp	
	Bearing (drive end) .....	303CC
	Bearing (rear end) .....	201CC
<b>1987</b>	Nippondenso 60 amp	
	Bearing (drive end) .....	303CC
	Bearing (rear end) .....	201CC
<b>1986-1980</b>	Nippondenso 50 amp	
	Bearing (drive end) .....	203FF
	Bearing (rear end) .....	201CC
<b>1986-1980</b>	Nippondenso 55 amp	
	Bearing (drive end) .....	203FF
	Bearing (rear end) .....	201CC
<b>1984-1974</b>	Nippondenso 60 amp	
	Bearing (drive end) .....	303CC
	Bearing (rear end) .....	201CC
<b>1982-1981</b>	Nippondenso 40 amp	
	Bearing (drive end) .....	203FF
	Bearing (rear end) .....	201S
<b>1982-1981</b>	Nippondenso 45 amp	
	Bearing (drive end) .....	203FF
	Bearing (rear end) .....	201S
<b>1979-1971</b>	Nippondenso 45 amp	
	Bearing (drive end) .....	203SS
	Bearing (rear end) .....	201S
<b>1979-1971</b>	Nippondenso 50 amp	
	Bearing (drive end) .....	303CC
	Bearing (rear end) .....	201SS
<b>1979-1971</b>	Nippondenso 55 amp	
	Bearing (drive end) .....	303CC
	Bearing (rear end) .....	201SS
<b>1974-1971</b>	Nippondenso 30 amp	
	Bearing (drive end) .....	202S
	Bearing (rear end) .....	201S
<b>1974-1968</b>	Nippondenso 40 amp	
	Bearing (drive end) .....	203S
	Bearing (rear end) .....	201S
<b>1973-1971</b>	Nippondenso 60 amp	
	Bearing (drive end) .....	303CC
	Bearing (rear end) .....	201SS
<b>1970-1968</b>	Nippondenso 30 amp	
	Bearing (drive end) .....	202AG
	Bearing (rear end) .....	201S

### **GENERATOR**

<b>1968-1965</b>	all	
	Bearing (drive end) .....	203AB
	Bearing (rear end) .....	202AG

### **DRIVESHAFT SUPPORT**

<b>1988-1985</b>	Cressida	
	Hanger Bearing Assy .....	HB15
<b>1985-1982</b>	Celica	
	Hanger Bearing Assy .....	HB7
<b>1985-1982</b>	Supra	
	Hanger Bearing Assy .....	HB7
<b>1984-1980</b>	Cressida	
	Hanger Bearing Assy .....	HB8

### **DRIVESHAFT SUPPORT (cont.)**

<b>1983-1971</b>	Corolla	
	Hanger Bearing Assy .....	HB11
<b>1982-1980</b>	Corona	
	Hanger Bearing Assy .....	HB15
<b>1979-1978</b>	Cressida	
	Hanger Bearing Assy .....	HB8

### **MANUAL STEERING**

#### **Sector Shaft**

<b>1982-1980</b>	Celica, Corolla, Corona	
	Seal .....	222820
<b>1979-1971</b>	Carina, Celica, Corolla, Corona, Mark II	
	Seal .....	222820
<b>1970-1968</b>	Corolla	
	Seal .....	222535
<b>1970-1967</b>	Corona, Mark II	
	Seal .....	222820

#### **Worm Shaft**

<b>1974-1971</b>	Corolla	
	Seal .....	223005
<b>1964-1958</b>		
	Bearing Assy .....	30205M

### **CAMSHAFT SEAL**

#### **4 Cylinder**

<b>1989-1986</b>	1998cc/2.0L (w/ Turbo)	
	Seal .....	1987S
	Kwik Slv (Opt Rpr) .....	KWK99139
<b>1989-1980</b>	1452cc/1.5L, 1456cc/1.5L, 1497cc/1.5L, 1587cc/1.6L, 1762cc/1.8L	
	Seal .....	1987S
	Kwik Slv (Opt Rpr) .....	KWK99139

#### **6 Cylinder**

<b>1989-1986</b>	2954/3.0L	
	Seal .....	1987S
	Kwik Slv (Opt Rpr) .....	KWK99139
<b>1988-1982</b>	2759cc/2.8L	
	Seal .....	710318
	Kwik Slv (Opt Rpr) .....	KWK99147

### **CRANKSHAFT REAR SEAL**

#### **4 Cylinder**

<b>1989-1983</b>	1587cc/1.6L	
	Seal .....	227045
	Kwik Slv (Opt Rpr) .....	KWK99272
<b>1989-1981</b>	1290cc/1.3L	
	Seal .....	227045
	Kwik Slv (Opt Rpr) .....	KWK99272
<b>1985-1980</b>	2366cc/2.4L	
	Seal .....	228010
	Kwik Slv (Opt Rpr) .....	KWK99315

**TOYOTA - REAR DRIVE - Carina, Celica, Corolla, Corona, Corona Mark II, Cressida, Starlet, Supra (cont.)**

**CRANKSHAFT REAR SEAL (cont.)**

**4 Cylinder (cont.)**

<b>1982-1980</b>	1770cc/1.8L	
Seal	.....	227550
Kwik Slv (Opt Rpr)	.....	KWK99294
<b>1980-1975</b>	2189cc/2.2L	
Seal	.....	228010
Kwik Slv (Opt Rpr)	.....	KWK99315
<b>1979-1971</b>	1588cc/1.6L	
Seal	.....	227550
Kwik Slv (Opt Rpr)	.....	KWK99294
<b>1979-1969</b>	1858cc/1.9L, 1968cc/2.0L, 2189cc/2.2L	
Seal	.....	228010
Kwik Slv (Opt Rpr)	.....	KWK99315
<b>1979-1968</b>	1077cc/1.1L, 1166cc/1.2L	
Seal	.....	227045
Kwik Slv (Opt Rpr)	.....	KWK99272

**6 Cylinder**

<b>1989-1986</b>	2954cc/3.0L (DOHC & TURBO)	
Seal	.....	228010
Kwik Slv (Opt Rpr)	.....	KWK99315
<b>1989-1980</b>	2563cc/2.6L, 2759cc/2.8L	
Seal	.....	228010
Kwik Slv (Opt Rpr)	.....	KWK99315
<b>1979-1968</b>	2253cc/2.3L, 2563cc/2.6L	
Seal	.....	228010
Kwik Slv (Opt Rpr)	.....	KWK99315

**TIMING COVER**

**4 Cylinder**

<b>1985-1980</b>	2189cc/2.2L, 2366cc/2.4L	
Seal	.....	710345
Kwik Slv (Opt Rpr)	.....	KWK99177
<b>1984-1980</b>	1290cc/1.3L, 1770cc/1.8L	
Seal	.....	710318
Kwik Slv (Opt Rpr)	.....	KWK99147

**TIMING COVER (cont.)**

**4 Cylinder (cont.)**

<b>1979-1969</b>	1858cc/1.9L, 1968cc/2.0L, 2189cc/2.2L	
Seal	.....	320564
Kwik Slv (Opt Rpr)	.....	KWK99177
<b>1979-1961</b>	1077cc/1.1L, 1166cc/1.2L, 1588cc/1.6L, 1897cc/1.9L	
Seal	.....	223840
Kwik Slv (Opt Rpr)	.....	KWK99147

**6 Cylinder**

<b>1989-1986</b>	2954cc/3.0L (DOHC & TURBO)	
Seal	.....	710187
<b>1988-1982</b>	2759cc/2.8L (DOHC)	
Seal	.....	710313
Kwik Slv (Opt Rpr)	.....	KWK99189
<b>1982-1980</b>	2563cc/2.6L	
Seal	.....	710345
Kwik Slv (Opt Rpr)	.....	KWK99177
<b>1982-1980</b>	2759cc/2.8L	
Seal	.....	710345
Kwik Slv (Opt Rpr)	.....	KWK99177
<b>1979-1971</b>	2563cc/2.6L	
Seal	.....	320564
Kwik Slv (Opt Rpr)	.....	KWK99177
<b>1972-1968</b>	2253cc/2.3L	
Seal	.....	320564
Kwik Slv (Opt Rpr)	.....	KWK99177

**TOYOTA TRUCK - PICKUP, MINIVAN, SUV - Landcruiser, Pickup, Van Wagon, 4Runner**

**FRONT WHEEL**

**2WD**

<b>1989-1984</b>	4Runner 4x2	
Seal (inner)	.....	1948[2]
Set (inner)	.....	SET5
Set (outer)	.....	SET3
<b>1989-1975</b>	Pickup 4x2 exc. T100	
Seal (inner)	.....	1948[2]
Set (inner)	.....	SET5
Set (outer)	.....	SET3
<b>1989-1984</b>	Van Wagon 4x2	
Seal (inner)	.....	224820[2]
Set (inner)	.....	SET6
Set (outer)	.....	SET2

**FRONT WHEEL (cont.)**

**2WD (cont.)**

<b>1974-1969</b>	Hi-Lux Pickup	
Cone/Cup (inner)	.....	15123-15245[2]
Cone/Cup (outer)	.....	09067-09195[2]

**4WD**

<b>1989-1975</b>	Land Cruiser	
Seal (inner)	.....	226285[2]
Cone/Cup (inner)	.....	JLM104948-JLM104910[2]
Set (outer)	.....	SET47

# Bearings and Seals

Mfg./Year    Model & Location    Part No    Mfg./Year    Model & Location    Part No

## TOYOTA TRUCK - PICKUP, MINIVAN, SUV - Landcruiser, Pickup, Van Wagon, 4Runner (cont.)

### FRONT WHEEL (cont.)

#### 4WD (cont.)

<b>1989-1984</b>	4Runner 4x4	
Seal (inner)	.....	710092[2]
Cone/Cup (inner)	..... JLM104948-JLM104910[2]	
Set (outer)	.....	SET47
<b>1989-1975</b>	Pickup 4x4 exc. T100	
Seal (inner)	.....	710092[2]
Cone/Cup (inner)	..... JLM104948-JLM104910[2]	
Set (outer)	.....	SET47
<b>1989-1987</b>	Van w/4wd	
Seal (inner)	.....	226610[2]
Bearing Assy (inner)	.....	517012[2]
Set (outer)	.....	SET47

### REAR WHEEL

<b>1989-1984</b>	4Runner (exc. ABS)	
Seal (inner)	.....	1960[2]
Bearing (inner)	.....	RW130R[2]
Seal (outer)	.....	1956S[2]
<b>1989-1980</b>	Land Cruiser: full floating axle	
Seal (inner)	.....	226285[2]
Cone/Cup (inner)	..... JLM104948-JLM104910[2]	
Seal (outer)	.....	710076[2]
Set (outer)	.....	SET47
<b>1989-1980</b>	Land Cruiser: semi floating axle	
Seal	.....	1959[2]
Cyl. Bearing	.....	513008[2]
<b>1989-1986</b>	Pickup: dual wheels: full floating axle	
Seal (inner)	.....	226285[2]
Cone/Cup (inner)	..... JLM104948-JLM104910[2]	
Seal (outer)	.....	710076[2]
Set (outer)	.....	SET47
<b>1989-1969</b>	Pickup: single wheels: semi-floating axle	
Seal (inner)	.....	1960[2]
Bearing (inner)	.....	RW130R[2]
Seal (outer)	.....	1956S[2]
<b>1989-1986</b>	VanWagon	
Seal	.....	1955[2]
Bearing	.....	514001WB[2]
<b>1989-1974</b>	Land Cruiser: semi-floating axle exc. limited slip differential	
Seal	.....	1959[2]
Cyl. Bearing	.....	513008[2]
<b>1989-1974</b>	Land Cruiser: semi-floating axle: limited slip differential	
Seal	.....	710076[2]
Cyl. Bearing	.....	513008[2]
<b>1985-1984</b>	VanWagon	
Seal	.....	1955[2]
Bearing	.....	RW124R[2]
<b>1985-1969</b>	Hi-Lux	
Seal (inner)	.....	1960[2]
Bearing (inner)	.....	RW130R[2]
Seal (outer)	.....	1956S[2]

### REAR WHEEL (cont.)

<b>1979-1975</b>	Land Cruiser: full floating axle	
Seal (inner)	.....	226285[2]
Cone/Cup (inner)	..... JLM104948-JLM104910[2]	
Seal (outer)	.....	226285[2]
Set (outer)	.....	SET47
<b>1979-1975</b>	SR5	
Seal	.....	1955[2]
Bearing	.....	RW124R[2]
<b>1973-1965</b>	Land Cruiser: semi-floating axle	
Seal	.....	1959[2]
Bearing	.....	RW123[2]

### 4WD FRONT AXLE

#### Axle Shaft

<b>1989-1986</b>	IFS 7.5", 6.7" ring gear	
Bearing	.....	B30[2]
<b>1985-1979</b>	7.8" ring gear	
Seal	.....	710070[2]

#### Differential Rebuild Kit

<b>1989-1979</b>	Pickup, 7.5" ring gear	
Kit	.....	DRK350
<b>1989-1986</b>	4Runner, 7.5" ring gear	
Kit	.....	DRK350
<b>1985-1984</b>	8" ring gear	
Kit	.....	DRK351

#### Differential

<b>1989-1980</b>	7.8" , 9.25" , 9.5" ring gear	
Cone/Cup	.....	17887-17831[2]
<b>1989-1986</b>	IFS 7.5" ring gear	
Seal	.....	710419[2]
Cone/Cup	.....	17887-17831[2]
<b>1979-1964</b>	K052, solid suspension	
Cone/Cup	.....	17887-17831[2]

#### Pinion

<b>1989-1986</b>	IFS 7.5" ring gear	
Bearing Assy (inner)	.....	32307
Seal (outer)	.....	1177
<b>1989-1987</b>	6.7" ring gear	
Cone/Cup (inner)	.....	HM88649-HM88610
Seal (outer)	.....	1176S
Cone/Cup (outer)	.....	M86649-M86610
<b>1989-1982</b>	9.5" ring gear	
Seal (outer)	.....	1177
Bearing Assy (outer)	.....	30306M
<b>1985-1979</b>	7.8" ring gear	
Bearing Assy (inner)	.....	32307
Seal (outer)	.....	1177
Bearing Assy (outer)	.....	30306M
<b>1981-1980</b>	9.25" ring gear	
Cone (inner)	.....	31308A
Seal (outer)	.....	1177

**TOYOTA TRUCK - PICKUP, MINIVAN, SUV - Landcruiser, Pickup, Van Wagon, 4Runner (cont.)**

**4WD FRONT AXLE**

**Steering Knuckle**

<b>1989-1980</b>	9.25", 9.5" ring gear	
	Bearing Assy	30303[2]

**REAR AXLE**

**Differential Rebuild Kit**

<b>1989-1988</b>	Pickup, 8" ring gear	
	Kit	DRK352
<b>1989-1986</b>	Pickup, 7.5" ring gear, 4Cyl. Non Turbo	
	Kit	DRK353
<b>1989-1979</b>	Pickup, 8" ring gear	
	Kit	DRK351
<b>1989-1979</b>	Pickup, 7.5" ring gear	
	Kit	DRK350
<b>1989-1987</b>	4Runner, 8" ring gear, V6/Turbo	
	Kit	DRK352
<b>1989-1984</b>	8" ring gear	
	Kit	DRK351

**Differential**

<b>1989-1984</b>	7.1", 9.5" ring gear	
	Cone/Cup	17887-17831[2]
<b>1989-1984</b>	7.8" ring gear	
	Cone/Cup	17887-17831[2]
<b>1983-1980</b>	7.8" , 9.25" , 9.5" ring gear	
	Cone/Cup	17887-17831[2]
<b>1979-1964</b>	K052, 7.8", 8", 9" ring gear	
	Cone/Cup	17887-17831[2]

**Pinion**

<b>1989-1969</b>	7.8" ring gear	
	Bearing Assy (inner)	32307
	Seal (outer)	1177
	Bearing Assy (outer)	30306M
<b>1989-1987</b>	7.1" ring gear	
	Bearing Assy (inner)	32307
	Seal (outer)	1177
	Bearing Assy (outer)	30306M
<b>1989-1982</b>	9.5" ring gear	
	Seal (outer)	1177
	Bearing Assy (outer)	30306M
<b>1981-1980</b>	9.25" ring gear	
	Cone (inner)	31308A
	Seal (outer)	1177
<b>1979-1969</b>	8", 9" ring gear	
	Bearing Assy (inner)	32307
	Seal (outer)	1177
	Bearing Assy (outer)	30306M
<b>1969-1964</b>	K052	
	Bearing Assy (inner)	30308M
	Seal (outer)	1177
	Bearing Assy (outer)	30306M

**TRANSFER CASE REBUILD KIT**

<b>1987-1980</b>	Land Cruiser	
	Kit	TRKFT240

**TRANSFER CASE REBUILD KIT (cont.)**

<b>1980-1973</b>	Land Cruiser	
	Kit	TRKFT360
<b>1975-1969</b>	Land Cruiser	
	Kit	TRKFT490

**TRANSFER CASE**

**Input Shaft**

<b>1989-1979</b>	RF1A (M/T)	
	Bearing	307L
<b>1989-1982</b>	H55F (A/T)	
	Seal	224874
	Bearing	210CC
	Kwik Slv (Opt Rpr)	KWK99189
<b>1987-1982</b>	H55F (M/T)	
	Seal	224872
	Bearing	207
	Kwik Slv (Opt Rpr)	KWK99189

**Front Output Shaft**

<b>1989-1988</b>	VF1A (M/T)	
	Seal	710114
<b>1989-1988</b>	VF1A (A/T)	
	Seal	710140
<b>1989-1979</b>	RF1A (M/T)	
	Seal	223840
	Bearing	308L
<b>1989-1979</b>	RF1A (A/T)	
	Seal	225874
<b>1989-1985</b>	H55F (2nd design)	
	Seal	224815
	Kwik Slv (Opt Rpr)	KWK99189
<b>1985-1982</b>	H55F (1st design)	
	Seal	224874
	Kwik Slv (Opt Rpr)	KWK99189

**Rear Output Shaft**

<b>1989-1988</b>	VF1A (M/T)	
	Seal	710114
<b>1989-1988</b>	VF1A (A/T)	
	Seal	710140
<b>1989-1980</b>	RF1A	
	Seal	223840
<b>1989-1982</b>	H55F	
	Bearing Assy	30307M

**Idler Shaft**

<b>1989-1979</b>	RF1A (M/T)	
	Bearing	306L

**TRANSMISSION REBUILD KIT**

<b>1989-1986</b>	H42	
	Kit	TRKFT470
<b>1989-1983</b>	G53	
	Kit	TRKFT440
<b>1988-1983</b>	G52 32TM03NX Front Bearing	
	Kit	TRKFT130
<b>1988-1983</b>	G52 B32-14 Front Bearing	
	Kit	TRKFT140

# Bearings and Seals

Mfg./Year    Model & Location    Part No    Mfg./Year    Model & Location    Part No

## **TOYOTA TRUCK - PICKUP, MINIVAN, SUV - Landcruiser, Pickup, Van Wagon, 4Runner (cont.)**

### **TRANSMISSION REBUILD KIT (cont.)**

<b>1986-1981</b>	H42	
Kit .....		TRKFT310
<b>1984-1974</b>	pickup	
Kit .....		TRKFT110
<b>1983-1980</b>	L52 74mm Front Bearing	
Kit .....		TRKFT110
<b>1983-1980</b>	L52 80mm Front Bearing	
Kit .....		TRKFT120
<b>1980-1973</b>	H41	
Kit .....		TRKFT290
<b>1973-1958</b>	J30	
Kit .....		TRKFT480

### **3-SPEED AUTOMATIC TRANSMISSION**

#### **Torque Converter**

<b>1980-1978</b>	A40	
Seal .....		223830
Kwik Slv (Opt Rpr) .....		KWK99147
<b>1977-1972</b>	A30	
Seal .....		224560
Kwik Slv (Opt Rpr) .....		KWK99177

#### **Rear Seal/Ext. Housing**

<b>1980-1978</b>	A40	
Seal .....		710319
<b>1977-1972</b>	A30	
Seal .....		223840

### **4-SPEED AUTOMATIC TRANSMISSION**

#### **Torque Converter**

<b>1989-1984</b>	A46DE, A46DF, A44DL, A45DL, A340E, A340H, A343F	
Seal .....		223830
Kwik Slv (Opt Rpr) .....		KWK99147
<b>1989-1985</b>	A440H, A440L, A442F	
Seal Viton .....		2025
Kwik Slv (Opt Rpr) .....		KWK99169

#### **Rear Seal/Ext. Housing**

<b>1989-1985</b>	A340E, A340F, A340H, A343F	
Seal .....		3459S
<b>1989-1985</b>	A440H, A440L, A442F	
Seal .....		224820
<b>1989-1984</b>	A46DE, A46DF, A44DL, A45DL	
Seal .....		710319

#### **Selector Shaft Seal/Man. Shaft**

<b>1989-1985</b>		
Seal .....		221207
Kwik Slv (Opt Rpr) .....		KWK99049

### **CLUTCH**

#### **Pilot Bearing**

<b>1989-1980</b>	Land Cruiser: gas	
Bearing .....		201CC
<b>1989-1972</b>	4Runner	
Bearing .....		201CC
<b>1989-1971</b>	Pickup	
Bearing .....		201CC
<b>1989-1972</b>	Hi-Lux	
Bearing .....		201CC
<b>1984</b>	Van Wagon	
Bearing .....		201CC
<b>1984-1978</b>	Land Cruiser: diesel	
Bearing .....		201CC
<b>1984-1972</b>	Pickup	
Bearing .....		201CC
<b>1974-1969</b>	Land Cruiser	
Bearing .....		202S

#### **Release Bearing**

<b>1989</b>	4Runner: L4	
Bearing Assy .....		614088
<b>1989</b>	4Runner: V6	
Bearing Assy .....		614086
<b>1989</b>	Pickup: 4WD	
Bearing Assy .....		614086
<b>1989</b>	Pickup: 2WD	
Bearing Assy .....		614086
<b>1989</b>	Land Cruiser: gas engine	
Bearing Assy .....		614086
<b>1989-1981</b>	Hi-Lux	
Bearing Only .....		613010
<b>1988-1984</b>	Van Wagon	
Bearing Only .....		613010
<b>1988-1981</b>	4Runner	
Bearing Only .....		613010
<b>1988-1981</b>	Pickup: 4WD	
Bearing Only .....		613010
<b>1988-1981</b>	Pickup: 2WD	
Bearing Only .....		613010
<b>1988-1975</b>	Land Cruiser: gas engine	
Bearing Only .....		613008
<b>1984-1978</b>	Land Cruiser: diesel engine	
Bearing Only .....		1773
<b>1980-1979</b>	Pickup: 4WD	
Bearing Assy .....		614000
<b>1980-1979</b>	Pickup: 2WD	
Bearing Assy .....		614005
<b>1980-1979</b>	Hi-Lux: 4WD	
Bearing Assy .....		614000
<b>1980-1979</b>	Hi-Lux: exc. 4WD	
Bearing Assy .....		614005
<b>1978-1972</b>	Pickup: 2WD	
Bearing Assy .....		614000
<b>1978-1972</b>	Hi-Lux	
Bearing Assy .....		614000
<b>1974-1969</b>	Land Cruiser: gas engine	
Bearing Only .....		1773
<b>1971-1970</b>	Pickup: 2WD	
Bearing Only .....		01496

**TOYOTA TRUCK - PICKUP, MINIVAN, SUV - Landcruiser, Pickup, Van Wagon, 4Runner (cont.)**

**CLUTCH (cont.)**

**Release Bearing (cont.)**

<b>1969</b>	Pickup: 2WD	
Bearing Only		CB2059
<b>1969</b>	Hi-Lux	
Bearing Only		CB2059

**3-SPEED MANUAL TRANSMISSION**

**Front Input Shaft**

<b>1974-1964</b>	J30	
Seal		1989
Bearing		307L
Kwik Slv (Opt Rpr)		KWK99112

**Rear Output Shaft**

<b>1974-1964</b>	J30	
Seal		710319
Bearing		306TB

**4-SPEED MANUAL TRANSMISSION**

**Input Shaft**

<b>1989-1981</b>	G40, N40, W42, W46	
Seal		1981
Kwik Slv (Opt Rpr)		KWK99114
<b>1988-1975</b>	H41, H42	
Seal		1989
Kwik Slv (Opt Rpr)		KWK99112
<b>1983-1981</b>	L45, L48	
Seal		223240
Kwik Slv (Opt Rpr)		KWK99128
<b>1980</b>	L43	
Seal		710327
Bearing		207L
Kwik Slv (Opt Rpr)		KWK99128
<b>1979-1971</b>	L42, L43	
Seal		223240
Bearing		207L
Kwik Slv (Opt Rpr)		KWK99128
<b>1977-1965</b>	L40	
Seal		223240
Bearing		207SL
Kwik Slv (Opt Rpr)		KWK99128

**Rear Output Shaft**

<b>1989-1984</b>	G40, W46	
Seal		223840
<b>1988-1980</b>	H41, H42	
Seal		710323
<b>1984-1983</b>	W42	
Seal		223840
Bearing		RW122
<b>1983-1965</b>	L40, L42, L43, L45, L48	
Seal		710319
Bearing		306L
<b>1982-1981</b>	N40	
Seal		1177

**5-SPEED MANUAL TRANSMISSION**

**Front Input Shaft**

<b>1989-1985</b>	R150, R150F, R151F, R154	
Seal		223253
<b>1989-1980</b>	G50, G52, G53, G54, G57, G58, G59, W50, W52, W55, W56, W58	
Seal		1981
Kwik Slv (Opt Rpr)		KWK99114
<b>1987-1983</b>	H52	
Seal		1989
Kwik Slv (Opt Rpr)		KWK99112
<b>1984-1980</b>	L50, L52	
Seal		223240
Kwik Slv (Opt Rpr)		KWK99128
<b>1979-1975</b>	W50	
Seal		1981
Bearing		108A
Kwik Slv (Opt Rpr)		KWK99114

**Countershaft**

<b>1989-1988</b>	R154	
Cyl. Bearing (front)		MSNB5305GTBV
<b>1979-1975</b>	W50	
Bearing (front)		205L
Bearing (rear)		RW122

**Rear Output Shaft**

<b>1989-1985</b>	R150, R150F, R151F, R154	
Seal		3459S
<b>1989-1983</b>	G50, G52, G53, G54, G57, G58, G59, W50, W52, W55, W56, W58	
Seal		710319
<b>1987-1983</b>	H52	
Seal		710321
<b>1985-1980</b>	W50, W52	
Seal		710319
Bearing		RW122
<b>1984-1980</b>	L50, L52	
Seal		710319
<b>1979-1975</b>	W50	
Seal		710319
Bearing		108A

**DRIVESHAFT SUPPORT**

<b>1989</b>	Pickup 4x2; V6	
Hanger Bearing Assy		HB27
<b>1989</b>	Pickup 4x4	
Hanger Bearing Assy		HB24
<b>1989</b>	Pickup 4x2; 4-cyl	
Hanger Bearing Assy		HB9
<b>1988-1984</b>	Pickup 4x4	
Hanger Bearing Assy		HB17
<b>1988-1984</b>	Pickup 4x2	
Hanger Bearing Assy		HB10
<b>1983-1978</b>	Pickup	
Hanger Bearing Assy		HB9
Bearing		106CC
<b>1975-1964</b>		
Bearing		205FF

# Bearings and Seals

Mfg./Year    Model & Location    Part No    Mfg./Year    Model & Location    Part No

## TOYOTA TRUCK - PICKUP, MINIVAN, SUV - Landcruiser, Pickup, Van Wagon, 4Runner (cont.)

### POWER STEERING

#### Pump Shaft

<b>1989-1980</b>		
Seal .....	222450	
Bearing .....	203AB	

#### Sector Shaft

<b>1989-1983</b>	Pickup	
Seal .....		223400
<b>1989-1981</b>	Land Cruiser	
Seal .....		223210
<b>1982-1980</b>	Pickup	
Seal .....		222820

### MANUAL STEERING

#### Pitman Shaft

<b>1989-1986</b>	Land Cruiser, Pickup, 4Runner	
Seal .....		710343
<b>1985-1983</b>	Pickup, 4Runner	
Seal .....		710343
<b>1985-1969</b>	Land Cruiser	
Seal .....		223605

#### Sector Shaft

<b>1989-1984</b>	4Runner	
Seal .....		223400
<b>1989-1983</b>	Pickup	
Seal .....		223400
<b>1982-1969</b>	Pickup	
Seal .....		222820

#### Worm Shaft

<b>1988-1984</b>	4Runner	
Seal .....		221820
<b>1988-1969</b>	Pickup	
Seal .....		221820
<b>1975-1969</b>	Land Cruiser	
Bearing Assy (lower) .....		30206M
Bearing Assy (upper) .....		30205M
<b>1968-1965</b>	Stout	
Bearing Assy (lower) .....		30206M
Bearing Assy (upper) .....		30205M

### CAMSHAFT SEAL

#### 4 Cylinder

<b>1987-1981</b>	2188cc/2.2L (Diesel), 2446cc/2.4L (Diesel)	
Seal Viton .....		2025
Kwik Slv (Opt Rpr) .....		KWK99169
<b>1985-1984</b>	1998cc/2.0L	
Seal .....		1987S
Kwik Slv (Opt Rpr) .....		KWK99139

### CAMSHAFT SEAL

#### 6 Cylinder

<b>1989-1988</b>	2958cc/3.0L	
Seal .....		224205

### CRANKSHAFT REAR SEAL

#### 4 Cylinder

<b>1989-1986</b>	1998cc/2.0L, 2188cc/2.2L, 2446cc/2.4L	
Seal .....		716102
<b>1989-1987</b>	1858cc/1.9L, 1968cc/2.0L, 2189cc/2.2L, 2237cc/2.2L, 2366cc/2.4L	
Seal .....		228010
Kwik Slv (Opt Rpr) .....		KWK99315
<b>1979-1970</b>	1858cc/1.9L, 1968cc/2.0L, 2189cc/2.2L	
Seal .....		228010
Kwik Slv (Opt Rpr) .....		KWK99315

#### 6 Cylinder

<b>1989-1988</b>	2958cc/3.0L, 2995cc/3.0L, 3378cc/3.4L	
Seal Viton .....		229210
Kwik Slv (Opt Rpr) .....		KWK99360
<b>1989-1988</b>	3955cc/4.0L	
Seal .....		231052
Kwik Slv (Opt Rpr) .....		KWK99413
<b>1987-1964</b>	3878cc/3.9L, 4230cc/4.2L	
Seal .....		231004
Kwik Slv (Opt Rpr) .....		KWK99393

### TIMING COVER

#### 4 Cylinder

<b>1989-1980</b>	2189cc/2.2L, 2366cc/2.4L	
Seal .....		710345
Kwik Slv (Opt Rpr) .....		KWK99177
<b>1989-1981</b>	1998cc/2.0L, 2188cc/2.2L, 2446cc/2.4L	
Seal Viton .....		2025
Kwik Slv (Opt Rpr) .....		KWK99169
<b>1985-1978</b>	3168cc/3.2, 3431cc/3.4L (diesels)	
Seal .....		225040
Kwik Slv (Opt Rpr) .....		KWK99196
<b>1979-1970</b>	1858cc/1.9L, 1968cc/2.0L, 2189cc/2.2L	
Seal .....		320564
Kwik Slv (Opt Rpr) .....		KWK99177
<b>1970-1965</b>	1897cc/1.9L	
Seal .....		223840
Kwik Slv (Opt Rpr) .....		KWK99147

#### 6 Cylinder

<b>1989-1988</b>	2958cc/3.0L, 3378cc/3.4L	
Seal .....		224020
Kwik Slv (Opt Rpr) .....		KWK99157
<b>1989-1980</b>	3955cc/4.0L, 4230cc/4.2L	
Seal .....		710345
Kwik Slv (Opt Rpr) .....		KWK99177

**TOYOTA TRUCK - PICKUP, MINIVAN, SUV - Landcruiser, Pickup, Van Wagon, 4Runner (cont.)**

**TIMING COVER (cont.)**

**6 Cylinder (cont.)**

<b>1979-1964</b>	3878cc/3.9L, 4230cc/4.2L	
Seal	.....	320564
Kwik Slv (Opt Rpr)	.....	KWK99177

**TRIUMPH**

**FRONT WHEEL**

<b>1982-1975</b>	TR7, TR8	
Seal (inner)	.....	480991[2]
Set (inner)	.....	SET4
Set (outer)	.....	SET1
<b>1980-1962</b>	Spitfire	
Seal (inner)	.....	1110[2]
Cone/Cup (inner)	.....	07100S-07210X[2]
Cone/Cup (outer)	.....	03062-03162[2]
<b>1976-1953</b>	TR2, TR3/3A, TR4/4A, TR5, TR6	
Seal (inner)	.....	1110[2]
Cone/Cup (inner)	.....	07100S-07210X[2]
Cone/Cup (outer)	.....	03062-03162[2]
<b>1975-1972</b>	Dolomite, Sprint	
Set (inner)	.....	SET4
Set (outer)	.....	SET2
<b>1974-1966</b>	1300, 1500	
Set (inner)	.....	SET6
Cone/Cup (outer)	.....	LM29749-LM29710[2]
<b>1973-1970</b>	Stag	
Set (inner)	.....	SET4
Set (outer)	.....	SET2
<b>1973-1970</b>	Toledo	
Set (inner)	.....	SET4
Set (outer)	.....	SET2
<b>1973-1968</b>	GT6	
Seal (inner)	.....	1110[2]
Set (inner)	.....	SET4
Set (outer)	.....	SET1
<b>1972-1962</b>	Vitesse, 2.5	
Set (inner)	.....	SET4
Set (outer)	.....	SET2
<b>1971-1965</b>	1200	
Seal (inner)	.....	1110[2]
Cone/Cup (inner)	.....	07100S-07210X[2]
Cone/Cup (outer)	.....	03062-03162[2]
<b>1971-1960</b>	Herald	
Seal (inner)	.....	1110[2]
Cone/Cup (inner)	.....	07100S-07210X[2]
Cone/Cup (outer)	.....	03062-03162[2]
<b>1968</b>	TR250	
Set (inner)	.....	SET4
Set (outer)	.....	SET2
<b>1967-1966</b>	2000	
Set (inner)	.....	SET4
Set (outer)	.....	SET2

**REAR WHEEL**

<b>1981-1977</b>	TR8	
Seal (inner)	.....	223535[2]
Bearing (inner)	.....	RW126[2]
Seal (outer)	.....	224100[2]
<b>1981-1975</b>	TR7 exc. 5-speed	
Bearing	.....	RW119[2]
<b>1981-1975</b>	TR7: 5-speed	
Seal (inner)	.....	223535[2]
Bearing Assy (inner)	.....	U298-90011[2]
Bearing (inner) Opt.	.....	RW126[2]
Seal (outer)	.....	224100[2]
<b>1980-1962</b>	Spitfire	
Seal (inner)	.....	471224[2]
Needle Bearing (inner)	.....	B168[2]
Bearing (outer)	.....	LS10[2]
<b>1976-1969</b>	TR6	
Seal (inner)	.....	223510[2]
Set (inner)	.....	SET4
Cone/Cup (outer)	.....	LM29749-LM29710[2]
<b>1975-1968</b>	2.5	
Seal (inner)	.....	223510[2]
Set (inner)	.....	SET4
Cone/Cup (outer)	.....	LM29749-LM29710[2]
<b>1974-1970</b>	1500	
Set (inner)	.....	SET4
Set (outer)	.....	SET2
<b>1973-1970</b>	Stag	
Seal (inner)	.....	223510[2]
Set (inner)	.....	SET4
Cone/Cup (outer)	.....	LM29749-LM29710[2]
<b>1973-1968</b>	GT6: from chassis #50001 on	
Set (inner)	.....	SET5
Cone/Cup (outer)	.....	LM29749-LM29710[2]
<b>1972-1962</b>	Vitesse	
Seal (inner)	.....	223510[2]
Set (inner)	.....	SET4
Cone/Cup (outer)	.....	LM29749-LM29710[2]
<b>1971-1960</b>	Herald	
Seal (inner)	.....	471224[2]
Needle Bearing (inner)	.....	B168[2]
Bearing (outer)	.....	LS10[2]
<b>1970-1966</b>	1300	
Cone/Cup (inner)	.....	07100S-07210X[2]
Cone/Cup (outer)	.....	03062-03162[2]
<b>1969-1968</b>	TR5	
Seal (inner)	.....	223510[2]
Set (inner)	.....	SET4
Cone/Cup (outer)	.....	LM29749-LM29710[2]



# Bearings and Seals

Mfg./Year    Model & Location    Part No    Mfg./Year    Model & Location    Part No

## TRIUMPH (cont.)

### REAR WHEEL (cont.)

<b>1968</b>	GT6: thru chassis #50000	
Seal (inner)	.....	471224[2]
Needle Bearing (inner)	.....	B168[2]
Bearing (outer)	.....	LS10[2]
<b>1968</b>	TR250	
Seal (inner)	.....	223510[2]
Set (inner)	.....	SET4
Cone/Cup (outer)	.....	LM29749-LM29710[2]
<b>1967</b>	TR4A	
Seal (inner)	.....	223510[2]
Set (inner)	.....	SET4
Cone/Cup (outer)	.....	LM29749-LM29710[2]
<b>1967-1966</b>	2000	
Seal (inner)	.....	223510[2]
Set (inner)	.....	SET4
Cone/Cup (outer)	.....	LM29749-LM29710[2]
<b>1966-1963</b>	TR4	
Cone/Cup	.....	2585-2523[2]
<b>1963-1955</b>	TR3	
Cone/Cup	.....	2585-2523[2]
<b>1955</b>	TR2: from chassis #13047 on	
Cone/Cup	.....	2585-2523[2]
<b>1955-1953</b>	TR2: thru chassis #13046	
Bearing	.....	206S[2]

### REAR AXLE

#### Differential

<b>1981-1978</b>	TR7: removable carrier	
Set	.....	SET13
<b>1981-1978</b>	TR8: removable carrier	
Set	.....	SET13
<b>1981-1975</b>	TR7: integral carrier	
Set	.....	SET16
<b>1981-1975</b>	TR8: integral carrier	
Set	.....	SET16
<b>1980-1976</b>	Spitfire	
Set	.....	SET6
<b>1977</b>	TR8: removable carrier	
Set	.....	SET6
<b>1977-1975</b>	TR7: removable carrier	
Set	.....	SET6
<b>1976-1969</b>	TR6	
Cone/Cup	.....	16150-16283[2]
<b>1975</b>	Spitfire: integral carrier	
Cone/Cup	.....	15123-15245[2]
<b>1975</b>	Spitfire: removable carrier	
Set	.....	SET6
<b>1974-1962</b>	Spitfire	
Cone/Cup	.....	15123-15245[2]
<b>1973-1970</b>	Stag	
Cone/Cup	.....	16150-16283[2]
<b>1973-1968</b>	GT6	
Cone/Cup	.....	15123-15245[2]
<b>1971-1965</b>	1200	
Cone/Cup	.....	15123-15245[2]
<b>1971-1960</b>	Herald	
Cone/Cup	.....	15123-15245[2]
<b>1968</b>	TR250	
Cone/Cup	.....	16150-16283[2]
<b>1967-1966</b>	2000	
Cone/Cup	.....	16150-16283[2]

### REAR AXLE (cont.)

#### Differential (cont.)

<b>1967-1963</b>	TR4, TR4A	
Cone/Cup	.....	16150-16283[2]
<b>1963-1955</b>	TR3, TR3A	
Cone/Cup	.....	16150-16283[2]
<b>1955-1953</b>	TR2	
Cone/Cup	.....	16150-16283[2]

#### Pinion

<b>1981-1977</b>	TR8: removable carrier	
Cone/Cup (inner)	.....	M88040-M88010
Cone/Cup (outer)	.....	M84548-M84510
<b>1981-1977</b>	TR8: integral carrier	
Cone/Cup (inner)	.....	M88040-M88010
Seal (outer)	.....	223020
Cone/Cup (outer)	.....	M88046-M88010
<b>1981-1975</b>	TR7: removable carrier	
Cone/Cup (inner)	.....	M88040-M88010
Cone/Cup (outer)	.....	M84548-M84510
<b>1981-1975</b>	TR7: integral carrier	
Cone/Cup (inner)	.....	HM88649-HM88610
Seal (outer)	.....	223020
Cone/Cup (outer)	.....	M88046-M88010
<b>1980-1976</b>	Spitfire	
Cone/Cup (inner)	.....	M88040-M88010
Cone/Cup (outer)	.....	M84548-M84510
<b>1976-1973</b>	Dolomite Sprint	
Cone/Cup (inner)	.....	3188-3120
Seal (outer)	.....	470487N
Cone/Cup (outer)	.....	15100-15245
<b>1976-1972</b>	Dolomite	
Cone/Cup (inner)	.....	M88040-M88010
Cone/Cup (outer)	.....	M84548-M84510
<b>1976-1969</b>	TR6	
Cone/Cup (inner)	.....	3188-3120
Seal (outer)	.....	470487N
Cone/Cup (outer)	.....	15100-15245
<b>1975</b>	Spitfire: integral carrier	
Cone/Cup (inner)	.....	02473-02420
Seal (outer)	.....	8133S
Cone/Cup (outer)	.....	21075-21212
<b>1975</b>	Spitfire: removable carrier	
Cone/Cup (inner)	.....	M88040-M88010
Cone/Cup (outer)	.....	M84548-M84510
<b>1974-1967</b>	Spitfire	
Cone/Cup (inner)	.....	02473-02420
Seal (outer)	.....	8133S
Cone/Cup (outer)	.....	21075-21212
<b>1973-1970</b>	Stag	
Cone/Cup (inner)	.....	3188-3120
Seal (outer)	.....	470487N
Cone/Cup (outer)	.....	15100-15245
<b>1973-1968</b>	GT6	
Cone/Cup (inner)	.....	M88040-M88010
Cone/Cup (outer)	.....	M84548-M84510
<b>1971-1966</b>	Vitesse: 2.0	
Cone/Cup (inner)	.....	M88040-M88010
Cone/Cup (outer)	.....	M84548-M84510

**TRIUMPH (cont.)**

**REAR AXLE (cont.)**

**Pinion (cont.)**

<b>1971-1960</b>	Herald	
	Cone/Cup (inner)	02475-02420
	Cone/Cup (outer)	21075-21212
<b>1969-1965</b>	2000	
	Cone/Cup (inner)	3188-3120
	Seal (outer)	470487N
	Cone/Cup (outer)	15100-15245
<b>1968</b>	TR250	
	Cone/Cup (inner)	3188-3120
	Seal (outer)	470487N
	Cone/Cup (outer)	15100-15245
<b>1967-1964</b>	TR4, TR4A	
	Cone/Cup (inner)	3188-3120
	Seal (outer)	470487N
	Cone/Cup (outer)	15100-15245
<b>1966-1963</b>	Vitesse: 1.6	
	Cone/Cup (inner)	02475-02420
	Cone/Cup (outer)	21075-21212
<b>1966-1962</b>	Spitfire	
	Cone/Cup (inner)	02475-02420
	Cone/Cup (outer)	21075-21212
<b>1963-1955</b>	TR3, TR3A	
	Cone/Cup (inner)	3188-3120
	Seal (outer)	470487N
	Cone/Cup (outer)	15100-15245
<b>1955-1953</b>	TR2	
	Cone/Cup (inner)	3188-3120
	Seal (outer)	470487N
	Cone/Cup (outer)	15100-15245

**CLUTCH**

**Release Bearing**

<b>1981-1977</b>	TR8	
	Bearing Only	TR1716 <sup>30</sup>
<b>1981-1975</b>	TR7	
	Bearing Only	TR1716 <sup>30</sup>
<b>1980-1973</b>	Dolomite Sprint	
	Bearing Only	TR1716 <sup>30</sup>
<b>1980-1965</b>	Spitfire	
	Bearing Only	TR1716 <sup>30</sup>
<b>1976-1969</b>	TR6	
	Bearing Only	TR1714 <sup>30</sup>
<b>1974-1968</b>	Princess 1300	
	Bearing Assy	614104 <sup>30</sup>
<b>1973-1970</b>	Stag	
	Bearing Only	TR1714 <sup>30</sup>
<b>1973-1968</b>	GT6	
	Bearing Only	TR1716 <sup>30</sup>
<b>1972-1966</b>	Vitesse	
	Bearing Only	TR1716 <sup>30</sup>
<b>1972-1962</b>	Vitesse	
	Bearing Only	1505 <sup>30</sup>
<b>1971-1960</b>	Herald	
	Bearing Only	1505 <sup>30</sup>
<b>1969-1968</b>	2.5	
	Bearing Only	TR1716 <sup>30</sup>
<b>1969-1967</b>	TR5	
	Bearing Only	TR1714 <sup>30</sup>
<b>1969-1963</b>	Wolseley Hornet Mk. I, II	
	Bearing Assy	614104 <sup>30</sup>

**CLUTCH (cont.)**

**Release Bearing (cont.)**

<b>1968</b>	TR250	
	Bearing Only	TR1714 <sup>30</sup>
<b>1967</b>	TR4A	
	Bearing Only	TR1714 <sup>30</sup>
<b>1967-1966</b>	2000 Mk. I	
	Bearing Only	TR1716 <sup>30</sup>
<b>1966-1963</b>	TR4	
	Bearing Only	2065 <sup>30</sup>
<b>1965-1962</b>	Spitfire	
	Bearing Only	1505 <sup>30</sup>
<b>1963-1955</b>	TR3, TR3A	
	Bearing Only	2065 <sup>30</sup>
<b>1961-1958</b>	TR10: 948cc	
	Bearing Only	1505 <sup>30</sup>
<b>1955-1953</b>	TR2	
	Bearing Only	2065 <sup>30</sup>

**5-SPEED MANUAL TRANSMISSION**

**Countershaft**

<b>1981-1975</b>	Rover CL (TR7, TR8) - front and rear	
	Set	SET4

**Rear Output Shaft**

<b>1981-1975</b>	Rover CL (TR7, TR8) - center	
	Set	SET6
<b>1981-1975</b>	Rover CL (TR7, TR8) - (front input)	
	Set	SET6
<b>1981-1975</b>	Rover CL (TR7, TR8) - (rear output)	
	Set (front)	SET1
	Set (rear)	SET6
<b>1981-1975</b>	spigot	
	Set	SET1

**Extension Housing**

<b>1981-1975</b>	Bearing	205BB
------------------	---------	-------

**CRANKSHAFT REAR SEAL**

**4 Cylinder**

<b>1979-1973</b>	1493cc/1.5L	
	Seal	6985
	Kwik Slv (Opt Rpr)	KWK99287

**6 Cylinder**

<b>1976-1968</b>	2498cc/2.5L	
	Seal	6985
	Kwik Slv (Opt Rpr)	KWK99287

**8 Cylinder**

<b>1981-1980</b>	3528cc/3.5L	
	Seal	5591

[ ] Indicates Quantity Required; Set Components Listed Inside Rear Cover;  
<sup>30</sup> Ball bearing style release bearing replaces original style carbon bearing

# Bearings and Seals

Mfg./Year    Model & Location    Part No    Mfg./Year    Model & Location    Part No

## TRIUMPH (cont.)

### TIMING COVER

#### 4 Cylinder

**1981-1975** 1998cc/2.0L  
 Seal ..... 50266  
 Kwik Slv (Opt Rpr) .....KWK99179  
**1980-1973** 1493cc/1.5L  
 Seal ..... 472397  
 Kwik Slv (Opt Rpr) .....KWK99199  
**1972-1968** 1296cc/1.3L  
 Seal .....8516N  
 Kwik Slv (Opt Rpr) .....KWK99162  
**1968-1955** 1991cc/2.0L, 2138cc/2.1L  
 Seal ..... 450494  
 Kwik Slv (Opt Rpr) .....KWK99174

### TIMING COVER

#### 6 Cylinder

**1976-1967** 1998/2.0L, 2498cc/2.5  
 Seal ..... 472397  
 Kwik Slv (Opt Rpr) .....KWK99199

## TVR

### FRONT WHEEL

**1988-1984** 280i  
 Set (inner) .....SET8  
 Set (outer) .....SET1  
**1988-1982** Tasmin  
 Set (inner) .....SET8  
 Set (outer) .....SET1  
**1985-1976** Taimar  
 Cone/Cup (inner) ..... 07100S-07210X[2]  
 Cone/Cup (outer) ..... 03062-03162[2]  
**1979-1976** 2500  
 Seal (inner) ..... 340823[2]  
 Cone/Cup (inner) ..... 07100S-07210X[2]  
 Cone/Cup (outer) ..... 03062-03162[2]  
**1979-1976** 3000S  
 Seal (inner) ..... 340823[2]  
 Cone/Cup (inner) ..... 07100S-07210X[2]  
 Cone/Cup (outer) ..... 03062-03162[2]

### REAR WHEEL

**1988-1982**  
 Seal (inner) ..... 239128[2]  
 Cone/Cup (inner) ..... 18590-18520[2]  
 Seal (outer) ..... 239129[2]  
 Cone/Cup (outer) ..... 18690-18620[2]  
**1981-1980**  
 Seal (inner) ..... 223510[2]  
 Set (inner) .....SET4  
 Cone/Cup (outer) .....LM29749-LM29710[2]

### REAR AXLE

#### Differential

**1988-1984** 280i  
 Cone/Cup ..... 25577-25523[2]  
**1988-1982** Tasmin  
 Cone/Cup ..... 25577-25523[2]  
**1985-1976** Taimar  
 Cone/Cup ..... 16150-16283[2]  
**1985-1976** 3000S  
 Cone/Cup ..... 16150-16283[2]

### REAR AXLE (cont.)

#### Differential (cont.)

**1979-1976** 2500  
 Cone/Cup ..... 16150-16283[2]

#### Pinion

**1988-1984** 280i  
 Cone/Cup (inner) ..... HM89446-HM89410  
 Cone/Cup (outer) ..... M88043-M88010  
**1988-1982** Tasmin  
 Cone/Cup (inner) ..... HM89446-HM89410  
 Cone/Cup (outer) ..... M88043-M88010  
**1985-1976** Taimar  
 Cone/Cup (inner) .....3188S-3120  
 Cone/Cup (outer) ..... 15100SR-15245  
**1985-1976** 3000S  
 Cone/Cup (inner) .....3188S-3120  
 Seal (outer) ..... 470487N  
 Cone/Cup (outer) ..... 15100SR-15245  
 Cone/Cup (outer) Opt:  
 substitute for 15100SR ..... 15100-15245  
**1979-1976** 2500  
 Cone/Cup (inner) .....3188S-3120  
 Seal (outer) ..... 470487N  
 Cone/Cup (outer) ..... 15100SR-15245  
 Cone/Cup (outer) Opt:  
 substitute for 15100SR ..... 15100-15245

**UD TRUCK - LIGHT - 1100 Series**

**FRONT WHEEL**

**1989**

Bearing Assy (inner) .....	32208M[2]
Bearing Assy (outer) .....	32305[2]

**REAR WHEEL**

**1989**

Bearing Assy (inner) .....	33013[2]
Bearing Assy (outer) .....	32011XM[2]

**CLUTCH**

**Pilot Bearing**

**1989**      6-cylinder 3.5 turbodiesel

Bushing .....	PB22
---------------	------

**Release Bearing**

**1989**      6-cylinder 3.5 turbodiesel

Bearing Only .....	613015
--------------------	--------

**UD TRUCK - MEDIUM - C, 550, 600, 1800, 2000 - 3300 Series, Xpress**

**FRONT WHEEL**

**1989**      2600, 2800

Seal (inner) .....	710405[2]
Bearing Assy (outer) .....	30312[2]

**1989-1986**    CLA83, CMA83, 2300

Bearing Assy .....	32211M[2]
--------------------	-----------

**REAR WHEEL**

**1989**      2600, 2800

Seal (inner) .....	710406[2]
Bearing Assy (inner) .....	32215[2]
Seal (outer) .....	710407[2]
Bearing Assy (outer) .....	32217M[2]

**1989-1986**    CLA83, CMA83, 1800, 2000, 2300

Bearing Assy (inner) .....	32215[2]
Bearing Assy (outer) .....	32213M[2]

**1989-1986**    3300, 600

Bearing Assy (inner) .....	32215[2]
Bearing Assy (outer) .....	32217M[2]

**1989-1985**    CPB12, CPC12, 3000, 550

Bearing Assy (outer) .....	32217M[2]
----------------------------	-----------

**REAR AXLE**

**Pinion**

**1989-1987**    LFE700

Bearing Assy (inner) .....	30311
----------------------------	-------

**1989-1987**    LFE400

Bearing Assy (inner) .....	30311
Bearing Assy (outer) .....	30309M

**CLUTCH**

**Release Bearing**

**1988-1986**    6-cylinder 6.9 diesel

Bearing Assy .....	613011
--------------------	--------

**VAUXHALL**

**FRONT WHEEL**

**1980-1963**    Viva Series

Set (inner) .....	SET4
Set (outer) .....	SET1

**1975-1972**    Victor with 13" wheels

Set (inner) .....	SET4
Set (outer) .....	SET1

**1975-1972**    Victor with 14" wheels

Set (inner) .....	SET6
Set (outer) .....	SET1

**1975-1971**    Firenza Series

Set (inner) .....	SET4
Set (outer) .....	SET1

**1972-1966**    Viscount

Bearing Assy (inner) .....	30206M[2]
Bearing Assy (outer) .....	30204M[2]

**FRONT WHEEL (cont.)**

**1972-1965**    Cresta

Bearing Assy (inner) .....	30206M[2]
Bearing Assy (outer) .....	30204M[2]

**1971-1969**    VX 4/90

Set (inner) .....	SET4
Set (outer) .....	SET1

**1971-1968**    Ventora 6-cylinder

Set (inner) .....	SET4
Set (outer) .....	SET1

**1971-1968**    Victor 4-cylinder

Set (inner) .....	SET4
Set (outer) .....	SET1

**1971-1968**    Victor 6-cylinder

Set (inner) .....	SET4
Set (outer) .....	SET1

# Bearings and Seals

Mfg./Year	Model & Location	Part No	Mfg./Year	Model & Location	Part No
-----------	------------------	---------	-----------	------------------	---------

## VAUXHALL (cont.)

### FRONT WHEEL (cont.)

<b>1970-1963</b>	Epic	
	Set (inner)	SET4
	Set (outer)	SET1
<b>1967-1962</b>	Victor	
	Set (inner)	SET4
	Set (outer)	SET1
<b>1966-1964</b>	Beagle	
	Set (inner)	SET4
	Set (outer)	SET1
<b>1966-1958</b>	Wyvern	
	Bearing Assy (inner)	30206M[2]
	Bearing Assy (outer)	30204M[2]
<b>1965-1963</b>	Cresta	
	Bearing Assy (inner)	30206M[2]
	Bearing Assy (outer)	30204M[2]
<b>1965-1963</b>	Velox	
	Bearing Assy (inner)	30206M[2]
	Bearing Assy (outer)	30204M[2]
<b>1962</b>	Victor VX 4/90	
	Bearing Assy (inner)	30206M[2]
	Bearing Assy (outer)	30204M[2]
<b>1962-1958</b>	Cresta with drum brakes	
	Bearing Assy (inner)	30206M[2]
	Bearing Assy (outer)	30204M[2]
<b>1962-1958</b>	Velox with drum brakes	
	Bearing Assy (inner)	30206M[2]
	Bearing Assy (outer)	30204M[2]
<b>1961-1960</b>	Envoy	
	Bearing Assy (inner)	30206M[2]
	Bearing Assy (outer)	30203[2]
<b>1961-1960</b>	Sherwood	
	Bearing Assy (inner)	30206M[2]
	Bearing Assy (outer)	30203[2]
<b>1961-1957</b>	Victor	
	Bearing Assy (inner)	30206M[2]
	Bearing Assy (outer)	30203[2]

### REAR WHEEL

<b>1970-1963</b>	Epic	
	Bearing Assy	30206M[2]
<b>1970-1963</b>	Viva	
	Bearing Assy	30206M[2]
<b>1963-1956</b>	Sedan	
	Bearing	88506[2]
<b>1963-1956</b>	Wagon	
	Bearing	88606[2]

### REAR AXLE

#### Pinion

<b>1979-1970</b>	Viva	
	Bearing Assy (inner)	32206M
<b>1974-1968</b>	Victor exc. 3300	
	Bearing Assy (inner)	32206M
<b>1974-1968</b>	Victor 3300	
	Bearing Assy (inner)	30207M
	Cone/Cup (outer)	3490-3420
<b>1973-1965</b>	Firenza	
	Bearing Assy (inner)	32206M
<b>1972-1965</b>	Cresta	
	Bearing Assy (inner)	30207M
	Cone/Cup (outer)	3490-3420
<b>1970-1963</b>	Epic	
	Bearing Assy (inner)	32206M

## VOLKSWAGEN - VW TYPE I : Beetle, Karmann Ghia, Thing

### FRONT WHEEL

<b>1979-1969</b>	drum brakes	
	Seal (inner)	1217[2]
	Set (inner)	SET8
	Set (outer)	SET1
<b>1979-1969</b>	disc brakes	
	Seal (inner)	1195[2]
	Set (inner)	SET8
	Set (outer)	SET1
<b>1968-1965</b>	production from 8/1965 on	
	Seal (inner)	1165[2]
	Set (inner)	SET4
	Bearing Assy (outer)	30304[2]
<b>1965-1949</b>	1200: production thru 8/1965	
	Seal (inner)	224045[2]
	Bearing Assy (inner)	30305M[2]
	Bearing Assy (outer)	30304[2]

### REAR WHEEL

<b>1979-1969</b>		
	Seal (inner)	1012N[2]
	Bearing (inner)	206WB[2]
	Cyl. Bearing (outer)	MA1206EF[2]
<b>1968-1955</b>		
	Seal	1012N[2]
	Bearing	306TB[2]
<b>1967-1949</b>		
	Seal	224462[2]
	Bearing	306TB[2]

### CLUTCH

#### Release Bearing

<b>1979-1971</b>	manual trans	
	Bearing Only	VW1339C
<b>1970-1952</b>	manual trans	
	Bearing Only	VW1006C

**VOLKSWAGEN - VW TYPE I : Beetle, Karmann Ghia, Thing (cont.)**

**AUTOMATIC TRANSAXLE**

**Differential**

1979-1968    Auto-Stick  
Cone/Cup ..... LM300849-LM300811[2]

**Pinion**

1979-1968    Auto-Stick  
Bearing (front) ..... 5305KE

**3-SPEED AUTOMATIC TRANSAXLE**

**Torque Converter**

1979-1969  
Seal ..... 3051N  
Kwik Slv (Opt Rpr) ..... KWK99169

**Output Shaft**

1975-1969  
Seal ..... 224520[2]  
Kwik Slv (Opt Rpr) ..... KWK99177[2]

**Differential**

1975-1969  
Cone/Cup ..... LM300849-LM300811[2]

**Pinion**

1975-1969  
Cone/Cup ..... M86649-M86610[2]  
Seal (rear) ..... 239146  
Seal (front) ..... 223010  
Kwik Slv (Opt Rpr) ..... KWK99114

**4-SPEED MANUAL TRANSAXLE**

**Differential**

1979-1949    002, 004  
Cone/Cup ..... LM300849-LM300811[2]

**4-SPEED MANUAL TRANSAXLE**

**Input Shaft**

1979-1949    002, 004  
Seal ..... 222050  
Kwik Slv (Opt Rpr) ..... KWK99085

**CRANKSHAFT REAR SEAL**

**4 Cylinder**

1979-1962    1192cc/1.2L, 1285cc/1.3L,  
1493cc/1.5L, 1584cc/1.6L  
Seal ..... 227040  
Kwik Slv (Opt Rpr) ..... KWK99272  
1975-1971    1679cc/1.7L, 1795cc/1.8L  
Seal ..... 227530  
Kwik Slv (Opt Rpr) ..... KWK99294  
1960-1954    1192cc/1.2L  
Seal ..... 226020  
Kwik Slv (Opt Rpr) ..... KWK99235

**TIMING COVER**

**4 Cylinder**

1975-1971    1679cc/1.7L, 1795cc/1.8L  
Seal ..... 224252  
Kwik Slv (Opt Rpr) ..... KWK99166

**VOLKSWAGEN - Cabrio, Cabriolet, Corrado, Dasher, Fox, Golf, GTI, Jetta, New Beetle, Passat, Rabbit, Scirocco, Quantum, Quantum Synchro**

**FRONT WHEEL**

1989-1987    Golf, GTI production from 8/1987  
chassis #J010565 on  
Bearing ..... 510004[2]  
1989-1987    Jetta production from 8/1987  
chassis #J010565 on  
Bearing ..... 510004[2]  
1989-1987    Fox  
Set ..... SET39  
1989-1985    Cabriolet  
Set ..... SET35  
1989-1985    Scirocco  
Set ..... SET35  
1988-1982    Quantum, Quantum Synchro  
Set ..... SET39

**FRONT WHEEL (cont.)**

1987-1985    Golf, GTI production thru 7/1987  
chassis #J010564  
Bearing ..... 513021[2]  
1987-1985    Jetta production thru 7/1987  
chassis #J010564  
Bearing ..... 513021[2]  
1984-1980    Jetta  
Set ..... SET35  
1984-1975    Rabbit and convertible  
Set ..... SET35  
1984-1975    Scirocco  
Set ..... SET35  
1980-1974    Dasher  
Set ..... SET39

# Bearings and Seals

Mfg./Year    Model & Location    Part No    Mfg./Year    Model & Location    Part No

## **VOLKSWAGEN - Cabrio, Cabriolet, Corrado, Dasher, Fox, Golf, GTI, Jetta, New Beetle, Passat, Rabbit, Scirocco, Quantum, Quantum Synchro (cont.)**

### **REAR WHEEL**

<b>1989-1974</b>	exc. Fox and Synchro models	
	Seal (inner) .....	1962[2]
	Set (inner) .....	SET8
	Set (outer) .....	SET1
<b>1989-1987</b>	Fox	
	Seal (inner) .....	1174S[2]
	Set (inner) .....	SET8
	Set (outer) .....	SET1
<b>1989-1985</b>	Golf Synchro, Quantum Synchro	
	Set .....	SET39

### **REAR AXLE**

#### **Differential**

<b>1988-1985</b>	Quantum Synchro w/Synchro 4WD	
	Set (LH) .....	SET37
	Seal (RH) .....	224520
	Set (RH) .....	SET45
	Kwik Slv (Opt Rpr) .....	KWK99177

#### **Pinion**

<b>1988-1985</b>	Quantum Synchro w/Synchro 4WD	
	Cone/Cup (inner) .....	HM801346X-HM801310
	Cone/Cup (outer) .....	M88048-M88010
	Bearing (pilot) .....	206WB

### **CLUTCH - 4 CYLINDER**

#### **Pilot Bearing**

<b>1989-1974</b>		
	Needle Bearing .....	F85265

### **CLUTCH**

#### **Release Bearing**

<b>1989-1987</b>	4-cylinder 1.8: 210mm clutch: VW014 trans	
	Bearing Assy .....	614015
<b>1989</b>	4-cylinder 1.6 diesel: 210mm clutch	
	Bearing Assy .....	614041
<b>1989</b>	4-cylinder 1.8: 210mm clutch: exc. VW014 trans	
	Bearing Assy .....	614041
<b>1989</b>	4-cylinder 2.0 DOHC: 210mm clutch	
	Bearing Assy .....	614041
<b>1989-1987</b>	Fox: 4-speed	
	Bearing Only .....	VW1339C
<b>1989-1987</b>	4-cylinder 1.8 DOHC: 210mm clutch	
	Bearing Assy .....	614041
<b>1989-1980</b>	4-cylinder 2.0: 228mm clutch	
	Bearing Assy .....	614015
<b>1988-1985</b>	5-cylinder 2.2: 228mm clutch	
	Bearing Assy .....	614015
<b>1988-1983</b>	Quantum	
	Bearing Assy .....	614015

### **CLUTCH (cont.)**

#### **Release Bearing (cont.)**

<b>1988-1983</b>	4-cylinder 1.8: 210mm clutch: 5-speed	
	Bearing Assy .....	614041
<b>1987-1980</b>	4-cylinder 1.6 diesel: 190mm clutch	
	Bearing Assy .....	614041
<b>1986-1985</b>	4-cylinder 1.6 turbodiesel: 210mm clutch	
	Bearing Assy .....	614041
<b>1985-1984</b>	4-cylinder 1.8: 220mm clutch	
	Bearing Assy .....	614015
<b>1985-1982</b>	4-cylinder 1.6 turbodiesel: 200mm clutch: VW014 trans	
	Bearing Assy .....	614015
<b>1984-1983</b>	4-cylinder 1.6 turbodiesel: 200mm clutch: 4-speed	
	Cyl. Bearing .....	6408
<b>1984-1983</b>	4-cylinder 1.6 turbodiesel: 210mm clutch: 5-speed	
	Bearing Assy .....	614041
<b>1984-1983</b>	5-cylinder 2.1: 215mm clutch	
	Bearing Assy .....	614015
<b>1984-1982</b>	4-cylinder 1.6 diesel: 215mm clutch	
	Bearing Assy .....	614015
<b>1984-1981</b>	4-cylinder 1.6 diesel: 200mm clutch: 4-speed	
	Cyl. Bearing .....	6408
<b>1984-1981</b>	4-cylinder 1.6 diesel: 210mm clutch: 5-speed	
	Bearing Assy .....	614041
<b>1984-1981</b>	4-cylinder 1.7: 200mm clutch: 4-speed	
	Cyl. Bearing .....	6408
<b>1984-1981</b>	4-cylinder 1.7: 200mm clutch: 5-speed	
	Bearing Assy .....	614041
<b>1984-1981</b>	4-cylinder 1.7: 210mm clutch: 5-speed	
	Bearing Assy .....	614041
<b>1983-1982</b>	4-cylinder 1.7: 200mm clutch: VW014 trans	
	Bearing Assy .....	614015
<b>1983-1980</b>	4-cylinder 1.5 diesel: 190mm clutch: 4-speed	
	Cyl. Bearing .....	6408
<b>1983-1980</b>	4-cylinder 1.6: 190mm clutch: 4-speed	
	Cyl. Bearing .....	6408
<b>1983-1980</b>	4-cylinder 1.7: 190mm clutch: 4-speed	
	Cyl. Bearing .....	6408
<b>1983-1980</b>	4-cylinder 1.7: 190mm clutch: 5-speed	
	Bearing Assy .....	614041
<b>1983-1979</b>	4-cylinder 1.6: 190mm clutch: 5-speed	
	Bearing Assy .....	614041
<b>1982-1981</b>	Quantum: 4-speed	
	Bearing Only .....	VW1339C

**VOLKSWAGEN - Cabrio, Cabriolet, Corrado, Dasher, Fox, Golf, GTI, Jetta, New Beetle, Passat, Rabbit, Scirocco, Quantum, Quantum Synchro (cont.)**

**CLUTCH (cont.)**

**Release Bearing (cont.)**

<b>1982-1974</b>	Dasher: 4-speed	
	Bearing Only .....	VW1339C
<b>1981-1980</b>	4-cylinder 1.6 diesel: 200mm clutch: VW014 trans	
	Bearing Assy .....	614015
<b>1981-1979</b>	4-cylinder 1.5 diesel: 200mm clutch: VW014 trans	
	Bearing Assy .....	614015
<b>1981-1976</b>	4-cylinder 1.6: 200mm clutch: VW014 trans	
	Bearing Assy .....	614015

**AUTOMATIC TRANSAXLE**

**Input Shaft**

<b>1989-1976</b>	exc. 1.3 litre	
	Set .....	SET6

**Idler Shaft**

<b>1989-1976</b>	exc. 1.3 litre	
	Set .....	SET6

**Differential**

<b>1989-1985</b>	Golf	
	Cone/Cup .....	LM29749-LM29710[2]
<b>1989-1985</b>	Jetta	
	Cone/Cup .....	LM29749-LM29710[2]
<b>1989-1976</b>	Scirocco: exc. 1.1 litre	
	Cone/Cup .....	LM29749-LM29710[2]
<b>1989-1987</b>	Fox	
	Cone/Cup .....	LM29749-LM29710[2]
<b>1988-1982</b>	Quantum: automatic trans	
	Cone/Cup .....	LM29749-LM29710[2]
<b>1984-1977</b>	Rabbit	
	Cone/Cup .....	LM29749-LM29710[2]
<b>1983-1976</b>	Dasher	
	Cone/Cup .....	LM29749-LM29710[2]
<b>1977-1976</b>	Scirocco: 1.1 litre	
	Cone/Cup .....	LM78349-LM78310A[2]

**Pinion**

<b>1989-1982</b>	Quantum: 4-cylinder	
	Cone/Cup .....	M86649-M86610[2]
<b>1989-1982</b>	Quantum: 5-cylinder	
	Cone/Cup .....	M88048-M88010[2]
<b>1988-1985</b>	exc. Quantum	
	Set .....	SET6[2]
<b>1984-1975</b>	exc. Dasher, Quantum	
	Set .....	SET6[2]
<b>1981-1974</b>	Dasher	
	Cone/Cup .....	M86649-M86610[2]

**3-SPEED AUTOMATIC TRANSAXLE**

**Torque Converter**

<b>1989-1980</b>		
	Seal .....	3083
	Kwik Slv (Opt Rpr) .....	KWK99169

**4-SPEED MANUAL TRANSAXLE**

**Differential**

<b>1989-1975</b>	020	
	Cone/Cup .....	LM29749-LM29710[2]
<b>1989-1974</b>	014	
	Cone/Cup .....	LM300849-LM300811[2]

**Input Shaft**

<b>1989-1975</b>	020	
	Seal .....	222240
	Kwik Slv (Opt Rpr) .....	KWK99085
<b>1989-1974</b>	014	
	Seal .....	222030
	Kwik Slv (Opt Rpr) .....	KWK99078

**Mainshaft**

<b>1989-1975</b>	020	
	Set (RH) .....	SET8

**Output Shaft**

<b>1989-1985</b>	020	
	Seal Viton .....	1965[2]
	Kwik Slv (Opt Rpr) .....	KWK99146[2]
<b>1989-1974</b>	014	
	Seal .....	224052[2]
	Kwik Slv (Opt Rpr) .....	KWK99157[2]
<b>1984-1975</b>	020	
	Seal .....	474288[2]
	Kwik Slv (Opt Rpr) .....	KWK99146[2]

**Selector Shaft Seal/Man. Shaft**

<b>1989-1975</b>	020	
	Seal .....	221820

**5-SPEED MANUAL TRANSAXLE**

**Differential**

<b>1988-1983</b>	093	
	Set (LH) .....	SET45
	Cone/Cup (RH) .....	LM300849-LM300811
<b>1985-1982</b>	013	
	Cone/Cup .....	LM300849-LM300811[2]

**Input Shaft**

<b>1989-1983</b>	01A; 012; 093	
	Seal .....	222540
	Kwik Slv (Opt Rpr) .....	KWK99098
<b>1985-1982</b>	013	
	Seal .....	222030
	Kwik Slv (Opt Rpr) .....	KWK99078



# Bearings and Seals

Mfg./Year    Model & Location    Part No    Mfg./Year    Model & Location    Part No

## **VOLKSWAGEN - Cabrio, Cabriolet, Corrado, Dasher, Fox, Golf, GTI, Jetta, New Beetle, Passat, Rabbit, Scirocco, Quantum, Quantum Synchro (cont.)**

### **5-SPEED MANUAL TRANSAXLE**

#### **Output Shaft**

**1989-1983** 01A; 012; 093  
 Seal ..... 224520[2]  
 Kwik Slv (Opt Rpr) .....KWK99177[2]  
**1985-1982** 013  
 Seal ..... 224052[2]  
 Kwik Slv (Opt Rpr) .....KWK99157[2]

### **CAMSHAFT SEAL**

#### **4 Cylinder**

**1989-1980** exc. 1781cc/1.8 (DOHC)  
 Seal ..... 3476S[2]  
 Kwik Slv (Opt Rpr) .....KWK99128[2]  
**1989-1986** 1781cc/1.8L (DOHC)  
 Seal ..... 3476S[2]  
 Kwik Slv (Opt Rpr) .....KWK99128[2]  
**1979-1974** 1457cc/1.5L, 1471cc/1.5L (gas & diesel), 1588cc/1.6L  
 Seal ..... 3476S  
 Kwik Slv (Opt Rpr) .....KWK99128

#### **5 Cylinder**

**1988-1983** 2144cc/2.1L, 2226cc/2.2L  
 Seal ..... 3476S  
 Kwik Slv (Opt Rpr) .....KWK99128

### **CRANKSHAFT REAR SEAL**

#### **4 Cylinder**

**1989-1980**  
 Seal ..... 716102  
 Kwik Slv (Opt Rpr) .....KWK99333

### **CRANKSHAFT REAR SEAL (cont.)**

#### **4 Cylinder (cont.)**

**1979-1974** 1457cc/1.5L, 1471cc/1.5L (gas & diesel), 1588cc/1.6L  
 Seal ..... 716102  
 Kwik Slv (Opt Rpr) .....KWK99333

#### **5 Cylinder**

**1988-1983** 2144cc/2.1L, 2226cc/2.2L  
 Seal ..... 716102  
 Kwik Slv (Opt Rpr) .....KWK99333

### **TIMING COVER**

#### **4 Cylinder**

**1989-1980**  
 Seal ..... 3476S  
 Kwik Slv (Opt Rpr) .....KWK99128  
**1979-1974** 1457cc/1.5L, 1471cc/1.5L (gas & diesel), 1588cc/1.6L  
 Seal ..... 3476S  
 Kwik Slv (Opt Rpr) .....KWK99128

#### **5 Cylinder**

**1988-1983** 2144cc/2.1L, 2226cc/2.2L  
 Seal Viton ..... 1108  
 Kwik Slv (Opt Rpr) .....KWK99139

## **VOLKSWAGEN - VW TYPE II : Bus, EuroVan, Transporter, Van, Vanagon, Camper, Westfalia**

### **FRONT WHEEL**

**1989-1985** Vanagon  
 Seal (inner) ..... 225500[2]  
 Cone/Cup (inner) ..... LM300849-LM300811[2]  
 Set (outer) .....SET12  
**1984** production from #24E023828 on  
 Seal (inner) ..... 225500[2]  
 Cone/Cup (inner) ..... LM300849-LM300811[2]  
 Set (outer) .....SET12  
**1984-1980** from chassis #24A0024012 thru #24E023827  
 Seal (inner) ..... 225500[2]  
 Cone/Cup (inner) ..... LM300849-LM300811[2]  
 Set (outer) .....SET2  
**1984-1975** Pickup  
 Set .....SET35  
**1980-1968** thru chassis #24A0024011  
 Seal (inner) ..... 1209N[2]  
 Set (inner) .....SET6  
 Set (outer) .....SET2

### **FRONT WHEEL (cont.)**

**1967-1964** all  
 Seal (inner) ..... 1967[2]  
 Set (inner) .....SET6  
 Set (outer) .....SET2  
**1963-1954** all  
 Bearing Assy (inner) ..... 30306M[2]  
 Bearing Assy (outer) ..... 30305M[2]

### **4WD**

**1989-1986** Vanagon Synchro  
 Seal ..... 226515[2]  
 Bearing ..... 513180[2]

### **REAR WHEEL**

**1989-1971**  
 Seal ..... 1208S[2]  
 Bearing (outer) .....RW111[2]  
 Bearing (inner) ..... 207[2]

**VOLKSWAGEN - VW TYPE II : Bus, EuroVan, Transporter, Van, Vanagon, Camper, Westfalia (cont.)**

**REAR WHEEL (cont.)**

<b>1970-1968</b>	
Seal .....	1208S[2]
Cyl. Bearing (outer) .....	MU1207CF[2] <sup>20</sup>
Bearing (inner) .....	207[2]
<b>1967-1963</b>	
Cyl. Bearing .....	MU1207CF[2] <sup>20</sup>
<b>1963-1959</b>	
Seal .....	1012N[2]
Bearing .....	306TB[2]

**CLUTCH**

**Release Bearing**

<b>1989-1980</b>	4-cylinder 2.0: 228mm clutch
Bearing Assy .....	614015
<b>1979-1976</b>	4-cylinder 1.6 diesel: 215mm clutch
Bearing Assy .....	614015
<b>1975-1968</b>	production thru 6/1975
Bearing Only .....	VW1339C
<b>1967-1957</b>	all
Bearing Only .....	VW1006C

**3-SPEED AUTOMATIC TRANSAXLE**

**Torque Converter**

<b>1989-1968</b>	003, 090
Seal .....	3051N
Kwik Slv (Opt Rpr) .....	KWK99169
<b>1983-1980</b>	010
Seal .....	3083
Kwik Slv (Opt Rpr) .....	KWK99169

**Output Shaft**

<b>1989-1968</b>	003, 090
Seal .....	224520[2]
Kwik Slv (Opt Rpr) .....	KWK99177[2]
<b>1983-1980</b>	010
Seal Viton .....	1965[2]
Kwik Slv (Opt Rpr) .....	KWK99146[2]

**Differential**

<b>1989-1968</b>	003, 090
Cone/Cup .....	LM300849-LM300811[2]
<b>1983-1980</b>	010
Cone/Cup .....	LM29749-LM29710[2]

**Pinion**

<b>1989-1968</b>	003, 090
Cone/Cup .....	M86649-M86610[2]
Seal (rear) .....	239146
Seal (front) .....	223010
Kwik Slv (Opt Rpr) .....	KWK99114
<b>1983-1980</b>	010
Seal (front) .....	223010
Kwik Slv (Opt Rpr) .....	KWK99114
Seal (rear) .....	1174S
Kwik Slv (Opt Rpr) .....	KWK99147
Set .....	SET6[2]

**4-SPEED MANUAL TRANSAXLE**

**Differential**

<b>1985-1968</b>	091
Bearing Assy .....	32010X[2]
<b>1983-1980</b>	020
Cone/Cup .....	LM29749-LM29710[2]

**Input Shaft**

<b>1985-1968</b>	091
Seal .....	222050
Kwik Slv (Opt Rpr) .....	KWK99085
<b>1983-1980</b>	020
Seal .....	222240
Kwik Slv (Opt Rpr) .....	KWK99085

**Mainshaft**

<b>1983-1980</b>	020
Set .....	SET8

**Output Shaft**

<b>1985-1968</b>	091
Seal .....	1943[2]
Kwik Slv (Opt Rpr) .....	KWK99177[2]
<b>1983-1980</b>	020
Seal .....	474288[2]
Kwik Slv (Opt Rpr) .....	KWK99146[2]

**Selector Shaft Seal/Man. Shaft**

<b>1983-1980</b>	020
Seal .....	221820

**5-SPEED MANUAL TRANSAXLE**

**Differential**

<b>1989-1986</b>	094
Bearing Assy .....	32010X[2]

**Input Shaft**

<b>1989-1986</b>	094
Seal .....	222050
Kwik Slv (Opt Rpr) .....	KWK99085

**Output Shaft**

<b>1989-1986</b>	094
Seal .....	1943[2]
Kwik Slv (Opt Rpr) .....	KWK99177[2]

**DRIVESHAFT SUPPORT**

<b>1989-1986</b>	Vanagon Synchro
Bearing (front) .....	107WB
Bearing (rear) .....	206WB

[ ] Indicates Quantity Required; Set Components Listed Inside Rear Cover;

<sup>20</sup> Not currently in production; check for availability

# Bearings and Seals

Mfg./Year    Model & Location    Part No    Mfg./Year    Model & Location    Part No

## **VOLKSWAGEN - VW TYPE II : Bus, EuroVan, Transporter, Van, Vanagon, Camper, Westfalia (cont.)**

### **CAMSHAFT SEAL**

#### **4 Cylinder**

**1984-1980** 1.5L, 1.6L, 1.7L (incl. diesels)  
 Seal ..... 3476S  
 Kwik Slv (Opt Rpr) .....KWK99128

### **CRANKSHAFT REAR SEAL**

#### **4 Cylinder**

**1989-1974** 1.8L, 1.9L, 2.0L, 2.1L  
 Seal ..... 227530  
 Kwik Slv (Opt Rpr) .....KWK99294  
**1984-1980** 1.5L, 1.6L, 1.7L (incl. diesels)  
 Seal ..... 716102  
 Kwik Slv (Opt Rpr) .....KWK99333  
**1971-1961** 1192cc/1.2L, 1493cc/1.5L,  
 1584cc/1.6L  
 Seal ..... 227040  
 Kwik Slv (Opt Rpr) .....KWK99272  
**1960-1959** 1192cc/1.2L  
 Seal ..... 226020  
 Kwik Slv (Opt Rpr) .....KWK99235

### **TIMING COVER**

#### **4 Cylinder**

**1984-1980** 1471cc/1.5L, 1588cc/1.6L,  
 1715cc/1.7L (incl. diesels)  
 Seal ..... 3476S  
 Kwik Slv (Opt Rpr) .....KWK99128  
**1983-1981** 1951cc/1.9L, 2109cc/2.1L  
 Seal ..... 1973  
 Kwik Slv (Opt Rpr) .....KWK99189  
**1983-1980** 1971cc/2.0L  
 Seal ..... 224250  
 Kwik Slv (Opt Rpr) .....KWK99166  
**1979-1972** 1679cc/1.7L, 1795cc/1.8L,  
 1970cc/2.0L  
 Seal ..... 224252  
 Kwik Slv (Opt Rpr) .....KWK99166

## **VOLKSWAGEN - VW TYPE III : Fastback, Sedan, Squareback**

### **FRONT WHEEL**

**1974-1969**  
 Seal (inner) ..... 1195[2]  
 Set (inner) .....SET8  
 Set (outer) .....SET1  
**1968-1961**  
 Seal (inner) ..... 1968[2]  
 Set (inner) .....SET4  
 Set (outer) .....SET1

### **REAR WHEEL**

**1973-1968**  
 Seal (inner) ..... 1012N[2]  
 Bearing (inner) .....206WB[2]  
 Cyl. Bearing (outer) ..... MA1206EF[2]  
**1967-1966**  
 Bearing .....306TB[2]

### **CLUTCH**

#### **Release Bearing**

**1973-1970**  
 Bearing Only ..... VW1339C  
**1969-1961**  
 Bearing Only ..... VW1006C

### **AUTOMATIC TRANSAXLE**

#### **Differential**

**1979-1968** Auto-Stick  
 Cone/Cup .....LM300849-LM300811[2]

### **AUTOMATIC TRANSAXLE**

#### **Pinion**

**1979-1968** Auto-Stick  
 Bearing (front) ..... 5305KE

### **3-SPEED AUTOMATIC TRANSAXLE**

#### **Torque Converter**

**1979-1969**  
 Seal ..... 3051N  
 Kwik Slv (Opt Rpr) .....KWK99169

#### **Output Shaft**

**1979-1969**  
 Seal ..... 224520[2]  
 Kwik Slv (Opt Rpr) .....KWK99177[2]

#### **Differential**

**1975-1969**  
 Cone/Cup .....LM300849-LM300811[2]

**VOLKSWAGEN - VW TYPE III : Fastback, Sedan, Squareback (cont.)**

**3-SPEED AUTOMATIC TRANSAXLE**

**Pinion**

**1975-1969**  
 Seal (front) ..... 223010  
 Cone/Cup (front) ..... M86649-M86610  
 Kwik Slv (Opt Rpr) ..... KWK99114  
 Seal (rear) ..... 239146  
 Cone/Cup (rear) ..... M86649-M86610

**4-SPEED MANUAL TRANSAXLE**

**Differential**

**1979-1949**    002, 004  
 Cone/Cup ..... LM300849-LM300811[2]

**Input Shaft**

**1979-1949**    002, 004  
 Seal ..... 222050  
 Kwik Slv (Opt Rpr) ..... KWK99085

**CRANKSHAFT REAR SEAL**

**4 Cylinder**

**1979-1961**    1192cc/1.2L, 1285cc/1.3L,  
                   1493cc/1.5L, 1584cc/1.6L  
 Seal ..... 227040  
 Kwik Slv (Opt Rpr) ..... KWK99272

**CRANKSHAFT REAR SEAL (cont.)**

**4 Cylinder (cont.)**

**1975-1971**    1679cc/1.7L, 1795cc/1.8L  
 Seal ..... 227530  
 Kwik Slv (Opt Rpr) ..... KWK99294  
**1960-1954**    1192cc/1.2L  
 Seal ..... 226020  
 Kwik Slv (Opt Rpr) ..... KWK99235

**TIMING COVER**

**4 Cylinder**

**1975-1971**    1679cc/1.7L, 1795cc/1.8L  
 Seal ..... 224252  
 Kwik Slv (Opt Rpr) ..... KWK99166

**VOLKSWAGEN - VW TYPE IV : 411, 412**

**FRONT WHEEL**

**1974-1971**  
 Seal (inner) ..... 1195[2]  
 Set (inner) ..... SET8  
 Set (outer) ..... SET1

**REAR WHEEL**

**1974-1971**  
 Seal ..... 1969[2]  
 Cone/Cup ..... LM78349-LM78310A[2]

**CLUTCH**

**Release Bearing**

**1974-1971**  
 Bearing Assy ..... 614148

**3-SPEED AUTOMATIC TRANSAXLE**

**Torque Converter**

**1974-1971**  
 Seal ..... 3051N  
 Kwik Slv (Opt Rpr) ..... KWK99169

**3-SPEED AUTOMATIC TRANSAXLE**

**Output Shaft**

**1974-1971**  
 Seal ..... 224520[2]  
 Kwik Slv (Opt Rpr) ..... KWK99177[2]

**Differential**

**1974-1971**  
 Cone/Cup ..... LM300849-LM300811[2]

**Pinion**

**1974-1971**  
 Seal (front) ..... 223010  
 Cone/Cup (front) ..... M86649-M86610  
 Kwik Slv (Opt Rpr) ..... KWK99114  
 Seal (rear) ..... 239146  
 Cone/Cup (rear) ..... M86649-M86610

**4-SPEED MANUAL TRANSAXLE**

**Differential**

**1974-1971**    002, 004  
 Cone/Cup ..... LM300849-LM300811[2]

# Bearings and Seals

Mfg./Year    Model & Location    Part No    Mfg./Year    Model & Location    Part No

## VOLKSWAGEN - VW TYPE IV : 411, 412 (cont.)

### 4-SPEED MANUAL TRANSAXLE

#### Input Shaft

1974-1971    002, 004  
 Seal ..... 222050  
 Kwik Slv (Opt Rpr) .....KWK99085

### CRANKSHAFT REAR SEAL

#### 4 Cylinder

1974-1971    1679cc/1.7L, 1795cc/1.8L  
 Seal ..... 227530  
 Kwik Slv (Opt Rpr) .....KWK99294

### TIMING COVER

#### 4 Cylinder

1975-1971    1679cc/1.7L, 1795cc/1.8L  
 Seal ..... 224252  
 Kwik Slv (Opt Rpr) .....KWK99166

## VOLVO

### FRONT WHEEL

1989    760,780.940 series (w/ABS)  
 Hub Assy ..... HA590056K[2]  
 1989-1982    240, 260 Series  
 Set (outer) .....SET16  
 1989-1982    DL, GL, GLT  
 Seal (inner) ..... 482126[2]  
 Set (inner) .....SET17  
 Set (outer) .....SET16  
 1989-1988    780 Series (non-ABS)  
 Hub Assy ..... 513128[2]  
 1989-1988    740 Series  
 Seal (inner) ..... 710215[2]  
 Set (inner) .....SET17  
 Set (outer) .....SET16  
 1989-1988    760 Series (non-ABS)  
 Hub Assy ..... 513128[2]  
 1988    760, 780 series (w/ABS)  
 Hub Assy ..... HA590055K[2]  
 1987-1983    740, 760, 780 Series  
 Set (inner) .....SET17  
 Set (outer) .....SET16  
 1987-1977    264TE  
 Set (inner) .....SET17  
 Set (outer) .....SET16  
 1981-1975    240, 260 Series  
 Seal (inner) ..... 482126[2]  
 Set (inner) .....SET6  
 Set (outer) .....SET2  
 1981-1967    140, 160 Series  
 Seal (inner) ..... 482126[2]  
 Set (inner) .....SET6  
 Set (outer) .....SET2  
 1968-1957    110, 120, 130 Series  
 Seal (inner) ..... 224045[2]  
 Cone/Cup (inner) ..... 15112-15245[2]  
 Cone/Cup (outer) .....09074-09195[2]  
 1968-1957    220 Series  
 Seal (inner) ..... 224045[2]  
 Cone/Cup (inner) ..... 15112-15245[2]  
 Cone/Cup (outer) .....09074-09195[2]

### FRONT WHEEL (cont.)

1966-1957    440, 540 Series  
 Seal (inner) ..... 224045[2]  
 Cone/Cup (inner) ..... 15112-15245[2]  
 Cone/Cup (outer) .....09074-09195[2]  
 1966-1957    P1800  
 Seal (inner) ..... 224045[2]  
 Cone/Cup (inner) ..... 15112-15245[2]  
 Cone/Cup (outer) .....09074-09195[2]

### REAR WHEEL

1989-1975    240 Series  
 Seal (inner) ..... 1955[2]  
 Set .....SET10  
 Seal (outer) ..... 9912S[2]  
 1989-1988    740 Series ( Electronic Traction Control)  
 Seal (inner) ..... 1955[2]  
 Set .....SET10  
 Seal (outer) ..... 9912S[2]  
 1989-1988    740 Series (Exc. Electronic Traction Control)  
 Seal (inner) ..... 1176S[2]  
 Set .....SET10  
 Seal (outer) ..... 9912S[2]  
 1989-1988    760 Series  
 Bearing ..... 513130[2]  
 1989-1980    DL, GL, GLE  
 Seal (inner) ..... 1955[2]  
 Set .....SET10  
 Seal (outer) ..... 9912S[2]  
 1987-1986    740, 760, 780 Series (Electronic Traction Control)  
 Seal (inner) ..... 1955[2]  
 Set .....SET10  
 Seal (outer) ..... 9912S[2]  
 1987-1986    740, 760, 780 Series (Exc. Electronic Traction Control)  
 Seal (inner) ..... 1176S[2]  
 Set .....SET10  
 Seal (outer) ..... 9912S[2]  
 1979-1976    260 Series  
 Seal (inner) ..... 1955[2]  
 Set .....SET10  
 Seal (outer) ..... 9912S[2]

**VOLVO (cont.)**

**REAR WHEEL (cont.)**

<b>1975-1971</b>	160 Series	
Seal (inner)	.....	1955[2]
Set	.....	SET10
Seal (outer)	.....	9912S[2]
<b>1974-1972</b>	140 Series	
Seal (inner)	.....	1955[2]
Set	.....	SET10
Seal (outer)	.....	9912S[2]
<b>1973-1969</b>	P1800 Series	
Seal (inner)	.....	1955[2]
Set	.....	SET10
Seal (outer)	.....	9912S[2]
<b>1971-1967</b>	140 Series	
Seal (inner)	.....	40769S[2]
Set (inner)	.....	SET5
<b>1970-1966</b>	120 Series: late: ENV axle	
Cone/Cup	.....	14132T-14276[2]
<b>1970-1966</b>	120 Series: late: Spicer axle	
Cone/Cup	.....	14132T-14276[2]
<b>1970-1966</b>	130 Series: late: ENV axle	
Cone/Cup	.....	14132T-14276[2]
<b>1970-1966</b>	130 Series: late: Spicer axle	
Cone/Cup	.....	14132T-14276[2]
<b>1970-1966</b>	130 Series: late: 1030 axle	
Cone/Cup	.....	14132T-14276[2]
<b>1968-1962</b>	P1800 Series: late: ENV axle	
Seal	.....	450135[2]
Cone/Cup	.....	14132T-14276[2]
<b>1968-1962</b>	P1800 Series: late: Spicer axle	
Seal	.....	450135[2]
Cone/Cup	.....	14132T-14276[2]
<b>1968-1962</b>	P1800 Series: late: 1030 axle	
Seal	.....	450135[2]
Cone/Cup	.....	14132T-14276[2]
<b>1966-1962</b>	440 Series: late: ENV axle	
Seal	.....	450135[2]
Cone/Cup	.....	14132T-14276[2]
<b>1966-1962</b>	440 Series: late: Spicer axle	
Seal	.....	450135[2]
Cone/Cup	.....	14132T-14276[2]
<b>1966-1962</b>	440 Series: late: 1030 axle	
Seal	.....	450135[2]
Cone/Cup	.....	14132T-14276[2]
<b>1966-1962</b>	540 Series: late: ENV axle	
Seal	.....	450135[2]
Cone/Cup	.....	14132T-14276[2]
<b>1966-1962</b>	540 Series: late: Spicer axle	
Seal	.....	450135[2]
Cone/Cup	.....	14132T-14276[2]
<b>1966-1962</b>	540 Series: late: 1030 axle	
Seal	.....	450135[2]
Cone/Cup	.....	14132T-14276[2]
<b>1966-1957</b>	110 Series	
Cone/Cup	.....	14132T-14276[2]
<b>1966-1957</b>	440 Series: ENV axle	
Seal	.....	471192[2]
Bearing Assy	.....	32207M[2]
<b>1966-1957</b>	440 Series: early: Salisbury axle	
Bearing Assy	.....	32207M[2]
<b>1966-1957</b>	540 Series: ENV axle	
Seal	.....	471192[2]
Bearing Assy	.....	32207M[2]

**REAR WHEEL (cont.)**

<b>1966-1957</b>	540 Series: early: Salisbury axle	
Bearing Assy	.....	32207M[2]
<b>1965-1962</b>	P1800 Series: ENV axle	
Seal	.....	471192[2]
Bearing Assy	.....	32207M[2]
<b>1965-1962</b>	P1800 Series: early: Salisbury axle	
Bearing Assy	.....	32207M[2]
<b>1965-1957</b>	120 Series: ENV axle	
Seal	.....	471192[2]
Bearing Assy	.....	32207M[2]
<b>1965-1957</b>	120 Series: early: Salisbury axle	
Bearing Assy	.....	32207M[2]
<b>1965-1957</b>	130 Series: ENV axle	
Seal	.....	471192[2]
Bearing Assy	.....	32207M[2]
<b>1965-1957</b>	130 Series: early: Salisbury axle	
Bearing Assy	.....	32207M[2]

**REAR AXLE**

**Differential Rebuild Kit**

<b>1989-1980</b>	1030	
Kit	.....	DRK338

**Differential**

<b>1989-1988</b>	1045 axle	
Set	.....	SET45
<b>1989-1980</b>	1041 axle	
Cone/Cup	.....	LM501349-LM501314[2]
<b>1989-1965</b>	1030, 1031 axle	
Cone/Cup	.....	LM501349-LM501314[2]
<b>1989-1982</b>	DL, GL, GLT	
Cone/Cup	.....	LM501349-LM501314[2]
<b>1989-1976</b>	240 Series	
Cone/Cup	.....	LM501349-LM501314[2]
<b>1989-1983</b>	740 Series	
Cone/Cup	.....	LM501349-LM501314[2]
<b>1987-1983</b>	760 Series	
Cone/Cup	.....	LM501349-LM501314[2]
<b>1982-1976</b>	260 Series	
Cone/Cup	.....	LM501349-LM501314[2]
<b>1981-1976</b>	140 Series	
Cone/Cup	.....	LM501349-LM501314[2]
<b>1976</b>	164	
Cone/Cup	.....	LM501349-LM501314[2]
<b>1961-1956</b>	Spicer M25	
Cone/Cup	.....	24780-24721[2]

**Pinion**

<b>1989-1980</b>	1031, 1041, 1045 axle	
Cone/Cup (inner)	.....	HM89449-HM89410
Seal Viton (outer)	.....	4941V
Cone/Cup (outer)	.....	M86647-M86610
Kwik Slv (Opt Rpr)	.....	KWK99155
<b>1989-1980</b>	1030 axle	
Cone/Cup (inner)	.....	HM88649-HM88610
Seal Viton (outer)	.....	4941V
Cone/Cup (outer)	.....	M86648-M86610
Kwik Slv (Opt Rpr)	.....	KWK99155

# Bearings and Seals

Mfg./Year	Model & Location	Part No	Mfg./Year	Model & Location	Part No
-----------	------------------	---------	-----------	------------------	---------

## VOLVO (cont.)

### REAR AXLE (cont.)

#### Pinion (cont.)

<b>1988-1983</b>	740, 760 Series: axles 1216087, 1216148, 1216149	
	Cone/Cup (inner) .....	HM88649-HM88610
	Seal (outer) .....	5778
	Cone/Cup (outer) .....	M86647-M86610
<b>1988-1983</b>	740, 760 Series: axle 1216091, 1216144, 1216147, 1216125	
	Cone/Cup (inner) .....	HM89449-HM89410
	Seal (outer) .....	5778
	Cone/Cup (outer) .....	M86647-M86610
<b>1988-1975</b>	240 Series: std. pinion	
	Cone/Cup (inner) .....	HM88649-HM88610
	Seal (outer) .....	5778
	Cone/Cup (outer) .....	M86647-M86610
<b>1988-1975</b>	240 Series: reinforced pinion	
	Cone/Cup (inner) .....	HM89449-HM89410
	Seal (outer) .....	5778
	Cone/Cup (outer) .....	M86647-M86610
<b>1982-1975</b>	260 Series: std. pinion	
	Cone/Cup (inner) .....	HM88649-HM88610
	Seal (outer) .....	5778
	Cone/Cup (outer) .....	M86647-M86610
<b>1982-1975</b>	260 Series: reinforced pinion	
	Cone/Cup (inner) .....	HM89449-HM89410
	Seal (outer) .....	5778
	Cone/Cup (outer) .....	M86647-M86610
<b>1975-1969</b>	150 Series exc. PC	
	Cone/Cup (inner) .....	HM89449-HM89410
	Seal (outer) .....	5778
	Cone/Cup (outer) .....	M86647-M86610
<b>1974-1967</b>	140 Series	
	Cone/Cup (inner) .....	HM88649-HM88610
	Seal (outer) .....	5778
	Cone/Cup (outer) .....	M86647-M86610
<b>1968-1962</b>	120 Series: 1030, Spicer axle	
	Cone/Cup (inner) .....	HM88649-HM88610
	Seal (outer) .....	5778
	Cone/Cup (outer) .....	M86647-M86610
<b>1968-1962</b>	130 Series: 1030, Spicer axle	
	Cone/Cup (inner) .....	HM88649-HM88610
	Seal (outer) .....	5778
	Cone/Cup (outer) .....	M86647-M86610
<b>1966-1962</b>	440, 540, 1800 Series: 1030 axle	
	Cone/Cup (inner) .....	HM88649-HM88610
	Seal (outer) .....	5778
	Cone/Cup (outer) .....	M86647-M86610
<b>1966-1962</b>	440, 540, 1800 Series: Spicer M27 axle	
	Cone/Cup (inner) .....	HM88649-HM88610
	Seal (outer) .....	5778
	Cone/Cup (outer) .....	M86647-M86610
<b>1965-1957</b>	120 Series: Salisbury axle	
	Cone/Cup (inner) .....	31593-31520
	Seal (outer) .....	5778
	Cone/Cup (outer) .....	02872-02820
<b>1965-1957</b>	130 Series: Salisbury axle	
	Cone/Cup (inner) .....	31593-31520
	Seal (outer) .....	5778
	Cone/Cup (outer) .....	02872-02820

### REAR AXLE (cont.)

#### Pinion (cont.)

<b>1965-1957</b>	440, 540, 1800 Series: Salisbury axle	
	Cone/Cup (inner) .....	31593-31520
	Seal (outer) .....	5778
	Cone/Cup (outer) .....	02872-02820
	Kwik Slv (Opt Rpr) .....	KWK99155
<b>1965-1957</b>	440, 540, 1800 Series: Spicer #25 axle	
	Cone/Cup (inner) .....	31594-31520
	Seal (outer) .....	5778
	Cone/Cup (outer) .....	02872-02820
	Kwik Slv (Opt Rpr) .....	KWK99155

### 3-SPEED AUTOMATIC TRANSMISSION

#### Torque Converter

<b>1984-1975</b>	Borg Warner T55	
	Seal .....	224320
<b>1982-1973</b>	Aisin	
	Seal .....	223830
	Kwik Slv (Opt Rpr) .....	KWK99147
<b>1975-1962</b>	Borg Warner T35	
	Seal .....	480479H
	Kwik Slv (Opt Rpr) .....	KWK99168

#### Rear Seal/Ext. Housing

<b>1984-1962</b>	Borg Warner	
	Seal .....	1097N
<b>1982-1973</b>	Aisin	
	Seal .....	223840

### CLUTCH - 4 CYLINDER

#### Pilot Bearing

<b>1989-1969</b>	Bearing .....	202FF
------------------	---------------	-------

### CLUTCH - 6 CYLINDER

#### Pilot Bearing

<b>1986-1980</b>	diesel engine	
	Needle Bearing .....	F85706
<b>1984-1976</b>	exc. diesel	
	Bearing .....	203FF
<b>1975-1969</b>	Bearing .....	202FF

### CLUTCH - 4 CYLINDER

#### Release Bearing

<b>1989-1982</b>	240 Series; 740 Series; 940	
	Bearing Assy .....	614039
<b>1984-1968</b>	140 Series; 1800 Series; 240 Series; 260 Series; 760GLE exc. B28 eng.	
	Bearing Assy .....	614028

**VOLVO (cont.)**

**CLUTCH - 6 CYLINDER**

**Release Bearing**

<b>1989-1985</b>	740 GLE; 760 GLE	
	Bearing Assy .....	614039
<b>1984-1980</b>	2383cc/2.4L Diesel	
	w/Fichtel-Sachs clutch	
	Bearing Assy .....	614028
<b>1979-1976</b>	2673cc/2.7L (DOHC)	
	Bearing Assy .....	614029

**3-SPEED MANUAL TRANSMISSION**

**Front Input Shaft**

<b>1968-1956</b>	M30	
	Seal .....	222820
	Bearing .....	207SL
	Kwik Slv (Opt Rpr) .....	KWK99111
<b>1967-1956</b>	H6	
	Seal .....	222820
	Bearing .....	206SL
	Kwik Slv (Opt Rpr) .....	KWK99111

**Rear Output Shaft**

<b>1968-1956</b>	M30	
	Seal .....	472258
	Bearing .....	206WB
<b>1967-1956</b>	H6	
	Seal .....	472258
	Bearing .....	206WB

**4-SPEED MANUAL TRANSMISSION**

**Input Shaft**

<b>1989-1976</b>	M45, M46	
	Seal .....	222820
	Bearing .....	207SL
	Kwik Slv (Opt Rpr) .....	KWK99111
<b>1975-1969</b>	M400, M410	
	Seal .....	222820
	Bearing .....	207SL
	Kwik Slv (Opt Rpr) .....	KWK99111
<b>1975-1956</b>	M4, M40, M41	
	Seal .....	222820
	Bearing .....	207SL
	Kwik Slv (Opt Rpr) .....	KWK99111

**Countershaft**

<b>1989-1985</b>	M46	
	Set .....	SET4[2]
<b>1984-1976</b>	M46	
	Set (center) .....	SET4
	Set (rear) .....	SET14
<b>1981-1979</b>	M45	
	Set .....	SET4[2]
<b>1978-1976</b>	M45	
	Set (front) .....	SET4
	Set (center) .....	SET14
<b>1975-1969</b>	M400, M410	
	Bearing (front) .....	304WB
	Bearing (rear) .....	305AG

**4-SPEED MANUAL TRANSMISSION**

**Rear Output Shaft**

<b>1989-1976</b>	M45, M46	
	Seal .....	224010
<b>1975-1969</b>	M400, M410	
	Seal .....	224010
	Bearing .....	306L
<b>1975-1956</b>	M4, M40, M41	
	Seal .....	472258
	Bearing .....	306TB

**5-SPEED MANUAL TRANSMISSION**

**Front Input Shaft**

<b>1989-1987</b>		
	Seal .....	222820
	Kwik Slv (Opt Rpr) .....	KWK99111

**Countershaft**

<b>1989-1987</b>		
	Set (center) .....	SET4
	Set (rear) .....	SET17

**Rear Output Shaft**

<b>1989-1987</b>		
	Seal .....	1962

**A/C COMPRESSOR**

<b>1989-1975</b>	A6 Axial	
	Bearing .....	907257
<b>1987-1983</b>	R4 Radial	
	Bearing (clutch pulley) .....	907257
	Bearing (Frt head) .....	S128
<b>1986-1980</b>	Sanden SD 510 Axial	
	Bearing .....	5001KFF
<b>1984-1973</b>	York Mini 206	
	Bearing .....	206FF

**ALTERNATOR**

<b>1989-1967</b>	Bosch 70 amp	
	Bearing (drive end) .....	303CC
	Bearing (rear end) .....	201CC
<b>1989-1967</b>	Bosch 90 amp	
	Bearing (drive end) .....	303CC
	Bearing (rear end) .....	201CC
<b>1987-1967</b>	Bosch 55 amp	
	Bearing (drive end) .....	303CC
	Bearing (rear end) .....	201CC
<b>1981-1975</b>	Marchal	
	Bearing (drive end) .....	303CC
	Bearing (rear end) .....	200CC
<b>1975-1967</b>	Bosch 35 amp	
	Bearing (drive end) .....	203FF
	Bearing (rear end) .....	201CC
<b>1974-1967</b>	Marchal	
	Bearing (drive end) .....	203FF
	Bearing (rear end) .....	200CC
<b>1973-1969</b>	all	
	Bearing (drive end) .....	203FF
	Bearing (rear end) .....	200AB



# Bearings and Seals

Mfg./Year	Model & Location	Part No	Mfg./Year	Model & Location	Part No
-----------	------------------	---------	-----------	------------------	---------

## VOLVO (cont.)

### GENERATOR

<b>1969-1958</b>	Bosch	
	Bearing (drive end) .....	203AB
	Bearing (rear end) .....	202AG

### DRIVESHAFT SUPPORT

<b>1989-1983</b>	w/Type 03 driveshaft	
	Bearing .....	109FF
<b>1989-1975</b>	240 & 260 Series w/45mm driveshaft	
	Bearing .....	109FF
<b>1989-1988</b>	w/Type 13 driveshaft	
	Bearing .....	107DD
<b>1986-1983</b>	740; 760 Series w/type 02HD driveshaft	
	Bearing .....	107DD
<b>1984-1983</b>	760 Series w/type 03HD driveshaft	
	Bearing .....	108FFN
<b>1984-1975</b>	200 Series w/35mm shaft	
	Bearing .....	107DD
<b>1975-1965</b>	140 Series; 164 & 1800 w/type 1310	
	Bearing .....	109FF

### MANUAL STEERING

#### Pitman Shaft

<b>1989-1975</b>	Saginaw pump	
	Seal .....	7013S

#### Worm Shaft

<b>1984-1979</b>	200 Series	
	Seal .....	441130
<b>1975-1970</b>	164	
	Seal .....	254270
<b>1974-1969</b>	P1800, 140, Series	
	Seal .....	222210

### AUXILIARY SHAFT

#### 4 Cylinder

<b>1989-1976</b>	1780cc/1.8L; 1990cc/2.0L; 2127cc/2.1L; 2316cc/2.3L	
	Seal .....	1172S
	Kwik Slv (Opt Rpr) .....	KWK99139

### CAMSHAFT SEAL

#### 4 Cylinder

<b>1989-1976</b>	2127cc/2.1L; 2316cc/2.3L	
	Seal .....	1172S
	Kwik Slv (Opt Rpr) .....	KWK99139
<b>1989</b>	2316cc/2.3L DOHC	
	Seal .....	1172S[2]
	Kwik Slv (Opt Rpr) .....	KWK99139[2]

### 6 Cylinder

<b>1986-1980</b>	2383cc/2.4L Diesel; Turbo Diesel	
	Seal .....	3476S
	Kwik Slv (Opt Rpr) .....	KWK99128

### CRANKSHAFT REAR SEAL

#### 4 Cylinder

<b>1989-1961</b>	1780cc/1.8L; 1990cc/2.0L; 2127cc/2.1L; 2316cc/2.3L	
	Seal Viton .....	229210

#### 6 Cylinder

<b>1986-1980</b>	2383cc/2.4L Diesel; Turbo Diesel	
	Seal .....	716102
	Kwik Slv (Opt Rpr) .....	KWK99333
<b>1984-1983</b>	2849cc/2.8L	
	Seal .....	228010
	Kwik Slv (Opt Rpr) .....	KWK99315
<b>1979-1976</b>	2673cc/2.7L DOHC	
	Seal .....	228010
	Kwik Slv (Opt Rpr) .....	KWK99315
<b>1975-1969</b>	2980cc/3.0L	
	Seal Viton .....	229210
	Kwik Slv (Opt Rpr) .....	KWK99360

### TIMING COVER

#### 4 Cylinder

<b>1989-1976</b>	2127cc/2.1L; 2316cc/2.3L	
	Seal Viton .....	710190

#### 6 Cylinder

<b>1986-1980</b>	2383cc/2.4L Diesel; Turbo Diesel	
	Seal Viton .....	1108
	Kwik Slv (Opt Rpr) .....	KWK99139
<b>1984-1983</b>	2849cc/2.8L	
	Seal .....	224252
	Kwik Slv (Opt Rpr) .....	KWK99169
<b>1979-1976</b>	2673cc/2.7L DOHC	
	Seal .....	224252
	Kwik Slv (Opt Rpr) .....	KWK99169
<b>1975-1969</b>	2980cc/3.0L	
	Seal Viton .....	710190
	Kwik Slv (Opt Rpr) .....	KWK99204

**VOLVO TRUCK - FE Series**

**FRONT WHEEL**

<b>1989-1987</b>	FE613, FE614	
	Cone/Cup (inner) .....	JM207049-JM207010[2]
	Bearing Assy (outer) .....	32208M[2]
<b>1989-1987</b>	FE715, FE716: FA7.5 axle	
	Cone/Cup (inner) .....	JF7049A-JF7010[2]
	Cone/Cup (outer) .....	39580-39520[2]
<b>1989-1987</b>	FE715, FE716: FA6.5 axle	
	Cone/Cup (inner) .....	6386-6320[2]
	Cone/Cup (outer) .....	537-532X[2]
<b>1989-1987</b>	FE615	
	Cone/Cup (inner) .....	HM212044-HM212011[2]
	Cone/Cup (outer) .....	JM205149-JM205110[2]
<b>1986-1980</b>	3.937" bearing OD	
	Seal (inner) .....	228520[2]
	Bearing Assy (inner) .....	32211M[2]
	Bearing Assy (outer) .....	32208M[2]
<b>1986-1980</b>	3.740" bearing OD	
	Cone/Cup (inner) .....	JM207049-JM207010[2]
	Bearing Assy (outer) .....	32208M[2]

**REAR WHEEL**

<b>1989-1987</b>	FE715, FE716	
	Cone/Cup (inner) .....	683-672[2]
	Cone/Cup (outer) .....	663-653[2]
<b>1989-1987</b>	FE615	
	Cone/Cup (inner) .....	594-592A[2]
	Cone/Cup (outer) .....	580-572[2]
<b>1989-1980</b>	F/FE 600 Series: exc. FE615	
	Seal (inner) .....	231004[2]
	Bearing Assy (inner) .....	33018[2]
	Bearing Assy (outer) .....	33015[2]

**REAR AXLE**

**Differential**

<b>1989-1987</b>	EV85B	
	Cone/Cup .....	687-672[2]
<b>1989-1987</b>	EV80	
	Cone/Cup .....	594-592A[2]
<b>1989-1978</b>	EV75	
	Cone/Cup (LH) .....	56425-56650
	Cone/Cup (RH) .....	497-493
<b>1986-1978</b>	EV41, EV45	
	Cone/Cup .....	42687-42620[2]

**Pinion**

<b>1989-1987</b>	EV85B	
	Cone/Cup (outer) .....	H913842-H913810
<b>1989-1987</b>	EV80	
	Cone/Cup (outer) .....	HM911245-HM911210
<b>1989-1978</b>	EV75	
	Seal (outer) .....	9773R
	Kwik Slv (Opt Rpr) .....	KWK99262
<b>1986-1978</b>	EV41	
	Cone/Cup (inner) .....	66200-66462
	Cone/Cup (outer) .....	55187C-55443
<b>1986-1978</b>	EV45	
	Cone/Cup (inner) .....	HM911242-HM911210
	Cone/Cup (outer) .....	55187C-55443

**4-SPEED AUTOMATIC TRANSMISSION**

**Torque Converter**

<b>1989-1987</b>	Allison MT640, MT643	
	Seal Viton .....	710180
	Kwik Slv (Opt Rpr) .....	KWK99325
<b>1989-1978</b>	Allison AT545	
	Seal .....	6712NA
	Kwik Slv (Opt Rpr) .....	KWK99187

**Rear Seal/Ext. Housing**

<b>1989-1980</b>	Allison MT640	
	Seal .....	415988
<b>1989-1978</b>	Allison AT545	
	Seal .....	415988

**Selector Shaft Seal/Man. Shaft**

<b>1989-1980</b>	Allison MT640, MT643	
	Seal .....	340847
<b>1989-1978</b>	Allison AT545	
	Seal .....	340847

**Output Shaft**

<b>1989-1987</b>	Allison MT640, MT643	
	Seal .....	476424N
	Bearing .....	209L

**CLUTCH**

**Pilot Bearing**

<b>1989-1980</b>	5.5 turbodiesel, 6.7 turbodiesel	
	Bearing .....	205FF

**Release Bearing**

<b>1989-1987</b>	6.7 turbodiesel	
	Bearing Assy .....	614119

**5-SPEED MANUAL TRANSMISSION**

**Front Input Shaft Pocket**

<b>1989-1978</b>	ZF S5-35	
	Seal .....	224252
	Kwik Slv (Opt Rpr) .....	KWK99169

**Countershaft**

<b>1989-1978</b>	ZF S5-35	
	Bearing Assy .....	30208M

**Rear Output Shaft**

<b>1989-1978</b>	ZF S5-35	
	Seal Viton .....	226001

**6-SPEED MANUAL TRANSMISSION**

**Front Input Shaft**

<b>1989-1978</b>	ZF S6-65	
	Seal .....	1973
	Kwik Slv (Opt Rpr) .....	KWK99189

# Bearings and Seals

Mfg./Year	Model & Location	Part No	Mfg./Year	Model & Location	Part No
-----------	------------------	---------	-----------	------------------	---------

## **VOLVO TRUCK - FE Series (cont.)**

<b>6-SPEED MANUAL TRANSMISSION</b>			<b>6-SPEED MANUAL TRANSMISSION</b>		
<b>Countershaft</b>			<b>Selector Shaft Seal/Man. Shaft</b>		
<b>1989-1978</b>	ZF S6-65		<b>1989-1978</b>	ZF S6-65	
	Bearing (front) .....	203FF		Seal .....	222510
				Kwik Slv (Opt Rpr) .....	KWK99098
<b>Rear Output Shaft</b>					
<b>1989-1978</b>	ZF S6-65				
	Seal .....	227040			
	Bearing .....	311L			

## **WARD LA FRANCE Truck**

<b>DRIVESHAFT SUPPORT</b>					
<b>1976-1965</b>	Spicer: 1.7717" bearing ID				
	Hanger Bearing Assy .....	HB88509			
<b>1976-1965</b>	Spicer: 1.9685" bearing ID				
	Hanger Bearing Assy .....	HB88510			
<b>1976-1965</b>	Spicer: 2.3622" bearing ID				
	Hanger Bearing Assy .....	HB88512AHD			

## **WHITE - DIAMOND T - REO Truck**

<b>DRIVESHAFT SUPPORT</b>					
<b>1976-1958</b>	Spicer: 1.3780" bearing ID				
	Hanger Bearing Assy .....	HB88107			
<b>1976-1958</b>	Spicer: 1.5748" bearing ID				
	Hanger Bearing Assy .....	HB88508			
<b>1976-1958</b>	Spicer: 1.7717" bearing ID				
	Hanger Bearing Assy .....	HB88509			
<b>1976-1958</b>	Spicer: 1.9685" bearing ID				
	Hanger Bearing Assy .....	HB88510			
<b>1976-1958</b>	Spicer: 2.3622" bearing ID				
	Hanger Bearing Assy .....	HB88512AHD			

## **YUGO**

<b>FRONT WHEEL</b>			<b>5-SPEED MANUAL TRANSAXLE</b>		
<b>1989-1986</b>			<b>Input Shaft</b>		
	Bearing .....	513116[2]	<b>1989-1986</b>		
				Seal .....	222240
				Kwik Slv (Opt Rpr) .....	KWK99085
<b>REAR WHEEL</b>			<b>Output Shaft</b>		
<b>1989-1986</b>			<b>1989-1986</b>		
	Bearing .....	513116[2]		Bearing (drive end) .....	203S
				Bearing (rear end) .....	201SS
				Seal .....	222510[2]
				Kwik Slv (Opt Rpr) .....	KWK99098
<b>CLUTCH</b>			<b>ALTERNATOR</b>		
<b>Release Bearing</b>			<b>1989-1986</b>		
<b>1989-1986</b>				Bearing (drive end) .....	203S
	Bearing Only .....	F11710C	<b>1989-1986</b>		
				Bearing (rear end) .....	201SS

558 [ ] Indicates Quantity Required; Set Components Listed Inside Rear Cover;

Mfg./Year	Model & Location	Part No	Mfg./Year	Model & Location	Part No
-----------	------------------	---------	-----------	------------------	---------

---

**YUGO (cont.)**

---

**CAMSHAFT SEAL****4 Cylinder**

1989-1986

Seal ..... 223035

**MODEL TO MANUFACTURER CROSS REFERENCE**

A4 .....Audi	Camry .....Toyota	Cougar .....Mercury	Explorer .....Ford Trk.
A6 .....Audi	Capri .....Mercury	Country Sedan .....Ford	F10 .....Nissan
Acclaim .....Plymouth	Caprice .....Chevrolet	Country Squire .....Ford	F40 .....Ferrari
Accord .....Honda	Caravan .....Dodge Trk.	Coupe 5S .....Audi	Fairmont .....Ford
Achieva .....Oldsmobile	Caravelle .....Plymouth	Courier .....Ford Trk.	Fastback .....Volkswagen
Aerostar .....Ford Trk.	Carrera .....Porsche	Countach .....Lamborghini	Festiva .....Ford
Alfetta .....Alfa Romeo	Catalina .....Pontiac	CRX .....Honda	Fiero .....Pontiac
Allante .....Cadillac	Cavalier .....Chevrolet	Cressida .....Toyota	Fiesta .....Ford
Alliance .....Renault	CD .....Bitter	Crown Victoria .....Ford	Fifth Avenue .....Chrysler
AMX .....AMC	Celebrity .....Chevrolet	Custom Cruiser .....Oldsmobile	Firebird .....Pontiac
Amigo .....Isuzu	Celica .....Toyota	Cutlass .....Oldsmobile	Firenza .....Oldsmobile
Aries .....Dodge	Century .....Buick	Cutlass Supreme .....Oldsmobile	Fleetwood .....Cadillac
Arrow .....Plymouth	Challenger .....Dodge	Cutlass Ciera .....Oldsmobile	Fox .....Audi
Aspen .....Dodge	Champ .....Plymouth	D21 Hardbody P.U. ....Nissan	Fox .....Volkswagen
Astre .....Pontiac	Charade .....Daihatsu	D50 Trk. ....Dodge Trk.	Fuego .....Renault
Astro .....Chevy Trk.	Charger .....Dodge	DBS .....Aston Martin	Fury .....Plymouth
Avenger .....Dodge	Cherokee .....Jeep	Dakota .....Dodge Trk.	Galaxie 500 .....Ford
B210 .....Nissan	Chevelle .....Chevrolet	Dart .....Dodge	Galant .....Mitsubishi
B1600 .....Mazda	Chevette .....Chevrolet	Dasher .....Volkswagen	GLC .....Mazda
B1800, B2000 .....Mazda	Ciera .....Oldsmobile	Daytona .....Dodge	Gladiator .....Jeep
B2200, B2600 .....Mazda	Cimarron .....Cadillac	Delta 88, 98 .....Oldsmobile	Golf .....Volkswagen
BB512i .....Ferrari	Cirrus .....Chrysler	De Ville .....Cadillac	Gordini .....Renault
Bavaria .....BMW	Citation .....Chevrolet	Diamante .....Mitsubishi	Graduate .....Alfa Romeo
Beetle .....Volkswagen	Civic .....Honda	Dino .....Ferrari	Gran Fury .....Plymouth
Beretta .....Chevrolet	CJ5/7 .....Jeep	Diplomat .....Dodge	Granada .....Ford
Berlina .....Alfa Romeo	Colony Park .....Mercury	DL & GL .....Volvo	Grand Am .....Pontiac
Biturbo .....Maserati	Colt .....Dodge	Duster .....Plymouth	Grand Cherokee .....Jeep
Blazer .....Chevy Trk.	Comanche .....Jeep	Dynasty .....Dodge	Grand Marquis .....Mercury
Bobcat .....Mercury	Comet .....Mercury	Eagle (thru 1987) .....AMC	Grand Prix .....Pontiac
Bonneville .....Pontiac	Concord .....AMC	E Class .....Chrysler	Grand Voyager .....Plymouth Trk.
Bora .....Maserati	Concorde .....Chrysler	Eclipse .....Mitsubishi	Grand Wagoneer .....Jeep
Brat .....Subaru	Continental .....Bentley	Econoline Van .....Ford Trk.	Gremlin .....AMC
Brava .....Fiat	Continental .....Lincoln	El Camino .....Chevy Trk.	GS 300 .....Lexus
Bravada .....Oldsmobile	Conquest .....Dodge	Elcat .....Lotus	GS 400 .....Lexus
Bronco .....Ford Trk.	Cordia .....Mitsubishi	Eldorado .....Cadillac	GT .....Alfa Romeo
Bronco II .....Ford Trk.	Cordoba .....Chrysler	Electra .....Buick	GT6 .....Triumph
Brougham .....Cadillac	Corniche .....Rolls Royce	Elite .....Lotus	GTI .....Volkswagen
Bug .....Volkswagen	Corolla .....Toyota	Encore .....Renault	GTV-6 .....Alfa Romeo
Caballero .....GMC Trk.	Corona .....Toyota	ES 250 .....Lexus	Horizon .....Plymouth
Cabriolet .....Volkswagen	Coronet .....Dodge	ES300 .....Lexus	Hornet .....AMC
Calais .....Cadillac	Corrado .....Volkswagen	Escort .....Ford	I-Mark .....Isuzu
Calais .....Oldsmobile	Corsa .....Toyota	Esprit .....Lotus	Impala .....Chevrolet
Celeste .....Mitsubishi	Corsica .....Chevrolet	Estate Wagon .....Buick	Imperial .....Chrysler
Camarague .....Rolls Royce	Corvette .....Chevrolet	Excel .....Hyundai	Impulse .....Isuzu
Camaro .....Chevrolet	Cosmo .....Mazda	EXP .....Ford	Integra .....Acura

## MODEL TO MANUFACTURER CROSS REFERENCE *continued*

Intrepid.....Dodge	Micra.....Nissan	R-3, R-4, R-6, R-8...Renault	Silver Spur.....Rolls Royce
J30.....Infiniti	Midget.....MG	R-12, R-17, R-18....Renault	Skyhawk.....Buick
J2000.....Pontiac	Milano.....Alfa Romeo	RX-2, RX-3, RX-4....Mazda	Skylark.....Buick
Jetta.....Volkswagen	Mirada.....Dodge	RX-7.....Mazda	Somerset Regal.....Buick
Jimmy.....GMC Trk.	Mirage.....Mitsubishi	Rabbit.....Volkswagen	Sonata.....Hyundai
Justy.....Subaru	Mizer.....Mazda	Raider.....Dodge Trk.	Spectrum.....Chevrolet
Karmann Ghia.....Volkswagen	Monaco.....Dodge	Ram 50.....Dodge Trk.	Spider.....Fiat
Khamsin.....Maserati	Monarch.....Mercury	Ramcharger.....Dodge Trk.	Spider Veloce.....Alfa Romeo
Kyalami.....Maserati	Mondial.....Ferrari	Rampage.....Dodge Trk.	Spirit.....AMC
Lagondra.....Aston Martin	Monte Carlo.....Chevrolet	Ranchero.....Ford Trk.	Spirit.....Dodge
Lancer.....Dodge	Montego.....Mercury	Ranch Wagon.....Ford	Spitfire.....Triumph
Land Cruiser.....Toyota Trk.	Montero.....Mitsubishi	Ranger.....Ford Trk.	Sprite.....Austin-Healey
Laredo.....Jeep	Montreal.....Alfa Romeo	Reatta.....Buick	Sprint.....Chevrolet
Laser.....Chrysler	Monza.....Chevrolet	Regal.....Buick	Sprint.....GMC Trk.
Le Baron.....Chrysler	MX6.....Mazda	Reliant.....Plymouth	Squareback.....Volkswagen
Le Car.....Renault	Mulsanne.....Bentley	Riviera.....Buick	Stag.....Triumph
Legacy.....Subaru	Mustang.....Ford	Roadmaster.....Buick	Stanza.....Nissan
Legend.....Acura	Mustang II.....Ford	Rocky.....Daihatsu	Starfire.....Oldsmobile
Le Mans.....Pontiac	Mustang SVO.....Ford	Rodeo.....Isuzu	Starion.....Mitsubishi
Le Sabre.....Buick	Neon.....Dodge	Royal Monaco.....Dodge	Starlet.....Toyota
LHS.....Chrysler	Neon.....Plymouth	S-10.....Chevy Trk.	Stealth.....Dodge
Limousine.....Cadillac	New Yorker.....Chrysler	S-1500.....GMC Trk.	Stellar.....Hyundai
Limousine.....Checker	Newport.....Chrysler	Sable.....Mercury	Storm.....Geo
LN-7.....Mercury	Ninety-Eight.....Oldsmobile	Safari.....Pontiac	Strada.....Fiat
Loyale.....Subaru	Nova.....Chevrolet	Safari.....GMC Trk.	Stratus.....Dodge
LP500.....Lamborghini	NSX.....Acura	Samara.....Jeep	St. Regis.....Dodge
LS400.....Lexus	Omega.....Oldsmobile	Sapporo.....Plymouth	Summit.....Eagle
LTD, LTD II.....Ford	Omni.....Dodge	SC.....Bitter	Sunbird.....Pontiac
Lumina.....Chevrolet	Pacer.....AMC	SC 300.....Lexus	Sundance.....Plymouth
LUV Trk.....Chevy Trk.	Parisienne.....Pontiac	SC 400.....Lexus	Super 90.....Audi
Lynx.....Mercury	Park Avenue.....Buick	Scamp.....Plymouth	Supra.....Toyota
M3/M5.....BMW	Paseo.....Toyota	Scirocco.....Volkswagon	Swift.....Suzuki
M6.....BMW	Passat.....Volkswagen	Scout.....IHC Truck	T1000.....Pontiac
M10.....Nissan	Pathfinder.....Nissan	Scrambler.....Jeep	TC3.....Plymouth
Magnum XE.....Dodge	Phoenix.....Pontiac	Sebring.....Chrysler	Talon.....Eagle
Malibu.....Chevrolet	Pinto.....Ford	Sentra.....Nissan	Taurus.....Ford
Mark III, IV, V, V1.....Lincoln	Pony.....Hyundai	Sephia.....Kia	Tempest.....Pontiac
Marquis.....Mercury	Power Ram.....Dodge Trk.	Seville.....Cadillac	Tempo.....Ford
Matador.....AMC	Prelude.....Honda	Shadow.....Dodge	Tercel.....Toyota
Maverick.....Ford	Probe.....Ford	Shelby Charger.....Dodge	Testarossa.....Ferari
Maxima.....Nissan	Pulsar.....Nissan	Sigma.....Mitsubishi	Thing.....Volkswagen
Medallion.....Eagle	P'up.....Isuzu	Silhouette.....Oldsmobile	Thunderbird.....Ford
Metro.....Geo	Q45.....Infinity	Silver Cloud.....Rolls Royce	Topaz.....Mercury
MGA, MGC.....MG	Quantum.....Volkswagen	Silver Shadow.....Rolls Royce	Torino.....Ford
MGB, MGB-GT.....MG	Quattro.....Audi	Silver Spirit.....Rolls Royce	Toronado.....Oldsmobile

**MODEL TO MANUFACTURER CROSS REFERENCE** *continued*

Town & Country.....Chrysler	024.....Dodge	325ix.....BMW	960.....Volvo
Town & Ctry Van.....Chrysler	3.0.....BMW	350.....Mercedes	965.....Volvo
Town Car.....Lincoln	4Runner.....Toyota Trk.	356.....Porsche	968.....Porsche
TR2,TR3,TR4.....Triumph	80.....Audi	356GT.....Ferrari	1500S.....Lada
TR6,TR7,TR8.....Triumph	90.....Audi	380.....Mercedes	1800 E/ES.....Volvo
Tracer.....Mercury	88.....Oldsmobile	400.....Dodge	2000.....Alfa Romeo
Trailduster.....Plymouth Trk.	98.....Oldsmobile	405.....Peugeot	2002, 2002Ti.....BMW
Trans Sport.....Pontiac	99.....Saab	420.....Mercedes	3000.....Austin-Healey
Tredia.....Mitsubishi	100.....Audi	450.....Mercedes	4000.....Audi
Trofeo.....Oldsmobile	100.....Austin-Healey	500.....Mercedes	5000.....Audi
Trooper II.....Isuzu	124.....Fiat	504,505.....Peugeot	6000.....Pontiac
Turbo R.....Bentley	128.....Fiat	510.....Nissan	9000.....Saab
Turismo.....Plymouth	131.....Fiat	525i.....BMW	
Type 3.....Bitter	142.....Volvo	528i,530i.....BMW	
Universal.....Jeep	144.....Volvo	533i.....BMW	
V8.....Audi	145.....Volvo	535i.....BMW	
Valiant.....Plymouth	164.....Alfa Romeo	540.....BMW	
Vanagon.....Volkswagen	164.....Volvo	560.....Mercedes	
Vantage.....Aston Martin	190.....Mercedes	600.....Dodge	
Van Wagon.....Toyota Trk.	200.....Audi	604.....Peugeot	
Vega.....Chevrolet	200SX.....Nissan	610.....Nissan	
Ventura.....Pontiac	210.....Nissan	620.....Nissan	
Versailles.....Lincoln	220.....Mercedes	626.....Mazda	
Vigor.....Acura	230.....Mercedes	630CSi.....BMW	
Viper.....Dodge	240.....Volvo	633CSi.....BMW	
Virage.....Aston Martin	240D.....Mercedes	635CSi.....BMW	
Vision.....Eagle	240Z.....Nissan	720 Pickup.....Nissan	
Vista.....Eagle	242.....Nissan	733i.....BMW	
Vista Cruiser.....Oldsmobile	244.....Volvo	735i.....BMW	
Volare.....Plymouth	245.....Volvo	735iL.....BMW	
Volante.....Aston Martin	260Z.....Nissan	740.....Volvo	
Voyager.....Plymouth Trk.	264.....Volvo	740.....BMW	
Wagoneer.....Jeep	265.....Volvo	750.....BMW	
Wagovan.....Honda	280.....Mercedes	760.....Volvo	
Windstar.....Ford	280Z, ZX.....Nissan	780.....Volvo	
Wrangler.....Jeep	300.....Mercedes	810.....Nissan	
XJS.....Jaguar	300ZX.....Nissan	850.....BMW	
XJ6.....Jaguar	304.....Peugeot	900.....Saab	
XJ12.....Jaguar	308-GTB/GTS/GT4..Ferrari	911.....Porsche	
XJ40.....Jaguar	310.....Nissan	912.....Porsche	
XKE.....Jaguar	318i.....BMW	914.....Porsche	
XR4Ti.....Merkur	320i.....BMW	924.....Porsche	
XT Turbo.....Subaru	323.....Mazda	928.....Porsche	
Yukon.....GMC Trk.	325e.....BMW	940.....Volvo	
Zephyr.....Mercury	325i.....BMW	944.....Porsche	

## REAR WHEEL REPAIR PACKAGE BEARINGS



Repair package bearings replace the original bearing and seal on axles, which are still in good condition, whose original bearing and/or seal contact paths are not suitable for continued use.

The extra-wide Repair Package Bearing repositions the rollers and seal to ride on unworn portions of the axle closer to the flange.

The Repair Package Bearing is lubricated through the axle tube by differential fluid, just like the original equipment design.

### Six Part Numbers Now Available

**TF01561R** Cylindrical roller bearing - replaces R 1561 TV bearing and seal used on Ford and Dodge 1.700" axles.

**TGM1561R** Cylindrical roller bearing - replaces R 1561 TV bearing and seal used on Chevrolet and GMC 1.700" axles.

**TRP57509** Cylindrical roller bearings - replaces 513023 bearing and seal used on Chevrolet and GMC axles.

**TRP1559TV** Cylindrical roller bearings - replaces R 1559 TV bearing and seal used on a variety of GM, Ford and Chrysler cars and pickup trucks with 1.618" axles. 12 bolts.

**TRP1563TAV** Cylindrical roller bearing - replaces R 1563 TAV bearing and seal used on a variety of GM, Ford and Chrysler cars and pickup trucks with 1.399" axles. 10 bolts.

**TRP59047** Cylindrical roller bearing - replaces 513067 bearing and seal used on a variety of Chevrolet and GM truck axles with 8.5" ring gear. Available only as a repair package bearing.



## WHEEL BEARING REPLACEMENT

Proper wheel bearing removal and installation is essential in avoiding premature damage to bearings and surrounding components. The following are the steps for replacing tapered single wheel bearings for passenger cars and light trucks.

### Wheel end disassembly



**1** Follow vehicle manufacturer's recommended procedure to remove tire and wheel assembly, disk brake caliper, dust cap, cotter pin, adjusting nut and washers.

Pull rotor toward you to loosen outer bearing cone, then remove the outer bearing cone. Pull the rotor and assembly off the spindle; the inner bearing cup and seal will come with it.

To remove the inner cone, use a seal puller or pull out the inner seal. Discard the seal after removal. Re-move the cups from the housing with a mild steel bar.

### Lubricate



**4** Pack cones fresh from carton. A pressure grease packer is recommended. To hand pack cones, force grease under the cage between the rollers from the large end of the rollers until it shows at the small end.

Fill the hub with grease to the inside diameter of the outer races and also fill hub grease cap. This layer combats moisture and retains grease in cones.

**WARNING:** Failure to correctly lubricate bearing and maintain proper lubrication may result in damage that could cause wheel to lock or come off during operation, creating a risk of serious bodily harm.

### Clean and inspect hubs and spindles



**2** Remove all old lubricant from rotor/hub assembly and spindle, then clean them with kerosene or mineral seal. Inspect spindle for scoring, bending, thread or other damage. File off nicks and burrs.

Follow manufacturer's recommendation for permissible spindle wear. A light grease coating on the cone seats will make installation easier and prevent fretting.

### Install grease seal



**5** Grease seals must be replaced when they leak or when bearings are being repacked or replaced. Install inner cone in hub, then the seal. Make sure the seal lips are pointed in the right direction. Use the proper seal installation tool.

### Install cup



**3** Use a cup driver or mild steel bar to press or drive the new cup into the hub until it is solidly seated against the hub shoulder. Be careful not to damage the cup surfaces. Never use a cone to drive a cup.

### Install rotor/hub assembly



**6** Slide the rotor/hub assembly back over the spindle, being careful not to damage the seal against the spindle. Insert the grease-packed outer cone, washer and adjusting nut.

## WHEEL BEARING REPLACEMENT *continued*

### Adjust bearing

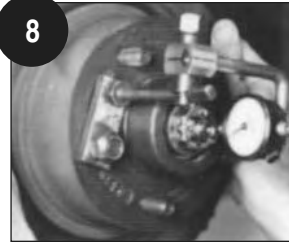


Use a 12" wrench to tighten the adjusting nut while turning the rotor. When the rotor binds slightly, all the bearing parts are seated properly.

Back off the nut 1/6 to 1/4 turn or sufficiently to allow 0.001" to 0.007" end play. Then lock the nut with a new cotter pin.

**WARNING:** Failure to back off the adjusting nut may cause the bearing to run hot and be damaged, which could cause wheel to lock or come off during operation, creating a risk of serious bodily harm.

### Check bearing adjustment



Use a dial indicator to measure end play. Mount the indicator base as close to the center of the hub/ rotor as possible. With the indicator tip against the end of the spindle, set the indicator at zero.

Grasp the rotor at nine o'clock and three o'clock. Push the rotor in while oscillating and read the dial indicator. Then pull the rotor out while oscillating and read the dial indicator again.

The bearing endplay is equal to the total indicator movement. Reinstall all components as manufacturer recommends.

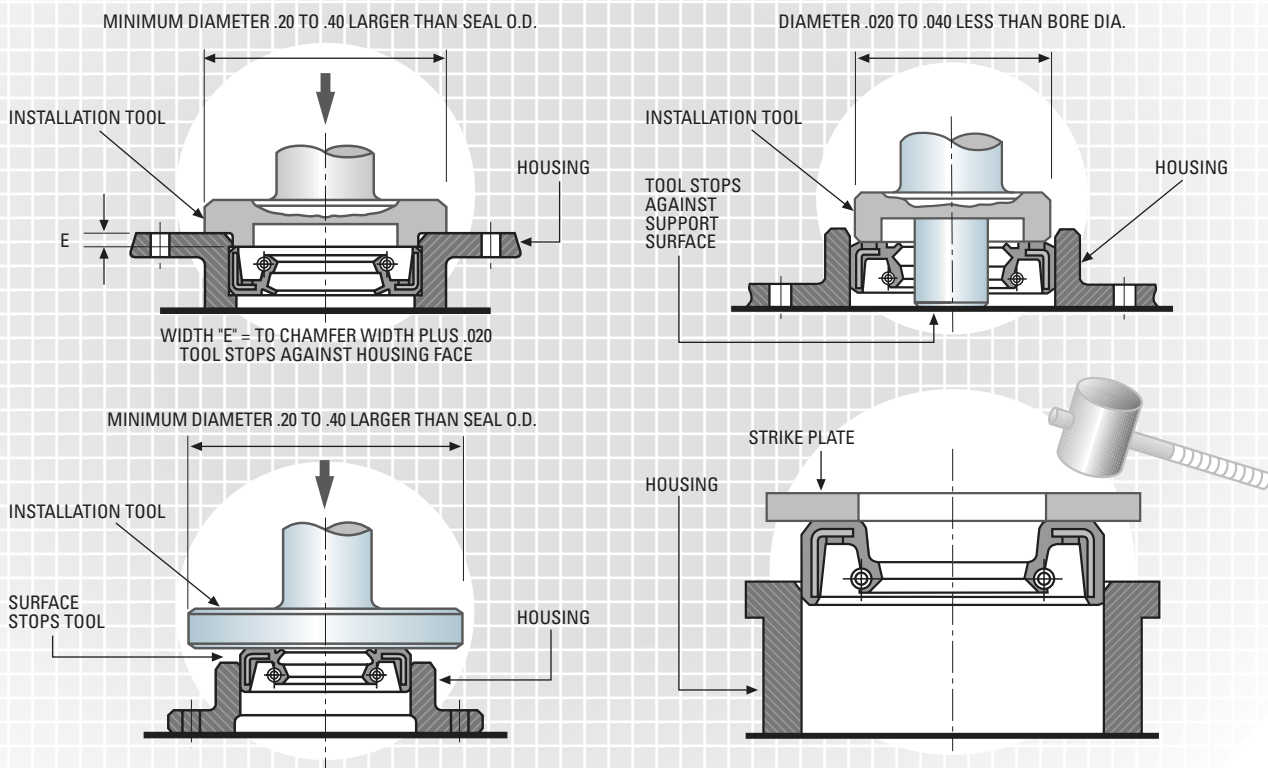
**WARNING:** Failure to follow recommended procedure for removal and installation may cause damage resulting in wheel locking or coming off during operation, creating a risk of serious bodily harm.

## SEAL AND SHAFT INSTALLATION PROCEDURES

The subject of installation is commonly overlooked when selecting an oil seal for an application. Possibly, this is one of the major causes of premature seal failure. To assist the installation, the seal should be prelubricated with grease or oil to reduce sliding friction of contact surfaces. This also helps protect the seal lips during initial run-in.

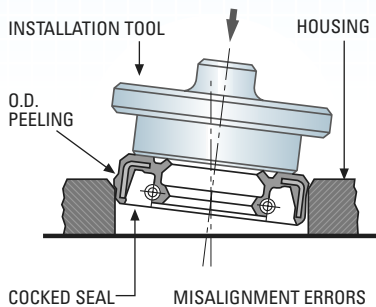
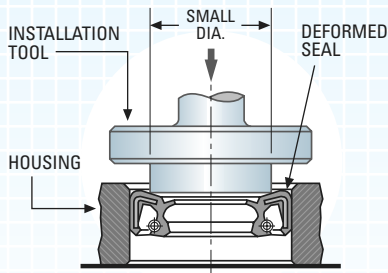
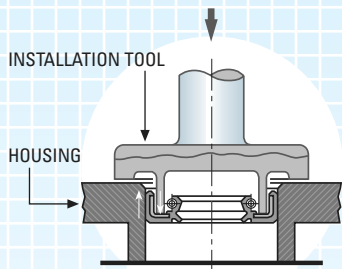
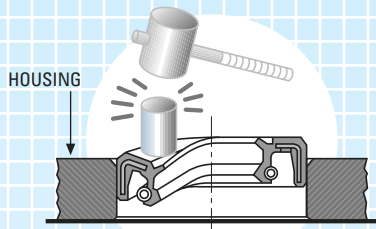
An installation tool should always be used when installing an oil seal. Using a tool improves ease of installation and reduces the possibility of seal cocking (non-perpendicular to shaft). A hydraulic or pneumatic press is advised to supply necessary force to install the seal. Following are examples of both recommended and improper installation methods.

### ACCEPTABLE METHOD OF SEAL INSTALLATION



In each preferred method, installation load is absorbed by either housing or bottom plate to prevent seal damage and to assist in locating the seal properly within the bore.

## IMPROPER METHOD OF SEAL INSTALLATION

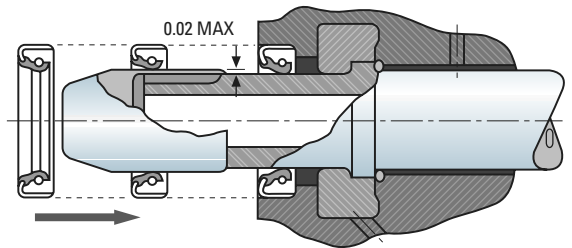


## SHAFT INSTALLATION

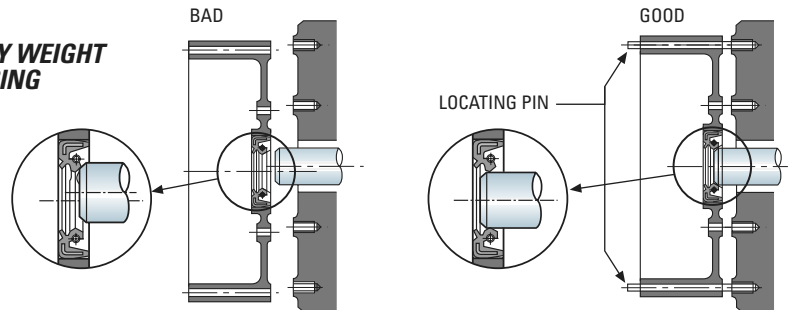
The advisable sequence of installation is to install the seal over the shaft and then into the housing bore. Care should be exercised not to damage or deform the seal lip. The proper chamfer angle will minimize this problem. When installing over a keyway or spine, a sleeve or bullet should be employed to protect the seal lip from cuts.

Where the shaft must be installed through the seal, centering guides for the shaft will prevent lip deformation and dislodging of the spring. When possible, the shaft should be rotated as it passes through the seal to reduce sliding friction.

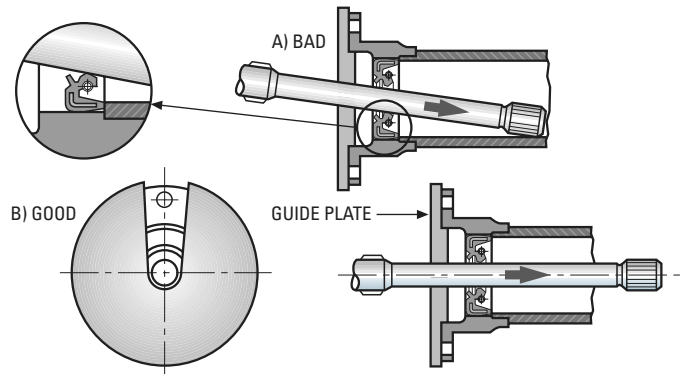
## SEAL INSTALLATION OVER SHAFT SPLINES



## HEAVY WEIGHT HOUSING



## LONG SHAFT



**WARNING:** Proper maintenance and handling practices are critical. Follow the equipment manufacturer's installation instructions. Failure to follow installation instructions and to maintain proper lubrication can result in equipment failure and could lead to a risk of serious bodily harm.

# BEARING AND SEAL APPLICATION CATALOG

1989 and Older

## INTRODUCTION

*Original equipment quality is what you get with every aftermarket bearing, seal and hub unit sold by Timken. Vehicle manufacturers from around the world choose the Timken name because of its reputation for quality. You too can choose Timken with the same confidence vehicle manufacturers have had for more than a century.*

*Use this catalog as a complete reference for a full-line of Timken automotive aftermarket parts. An expanded listing of hub units is included in this edition.*

*As a leader in hub technology for Original Equipment manufacturers, The Timken Company is also a leader in the automotive aftermarket for this product line.*

*If you have comments on the 2004 BSAC 1989 or Older, please complete the postage paid card found in the back of this catalog or send an e-mail to [auto-am@timken.com](mailto:auto-am@timken.com).*

## Bearings

- Ball Bearings
- Clutch Release Bearings
- Cylindrical Bearings
- Cylindrical Axle Repair Bearings
- Driveline Center Support Bearings
- Needle Bearings
- Tapered Bearings

## Harmonic Balancer Repair Kits

### Hub Assemblies

- ABS Hub Assemblies
- ABS Hub Assemblies with SENSOR-PAC™ Bearings
- Non-ABS Hub Assemblies
- Non-ABS Hub Assemblies with UNIPAC™ – Bearings
- Non-ABS Hub Assemblies with UNIPAC-PLUS™ – Bearings

## KWIK-Sleeves™ – Components

### Sensor Kits

### Seals

- Automotive
- Industrial
- Light Duty Oil Bath Seals
- Metric

### Specialty Kits

- DT Components® Drivetrain Products
- Differential Kits
- MileMate® Matched Wheel Bearing Sets
- Transmission Kits
- Transaxle & Transfer Case Kits
- Trailer Kits
- Kits with Standard Bearings
- Premium Kits with AquaSpexx™ Bearings

DT Components® Drivetrain Products and MileMate® Matched Wheel Bearing Sets are trademarks of The Timken Company.

## DRIVELINE CENTER SUPPORT BEARINGS

### Interchangeability, Quality, Durability, Decreased Costs

Driveline Center Support Bearings For:

- Light duty pick-ups
- Light duty vans
- Mid-size trucks
- School buses
- Heavy duty highway vehicles

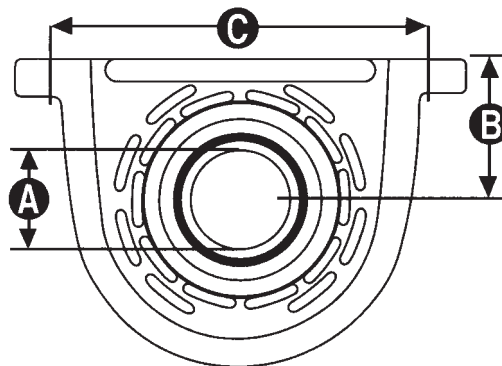
Now you can get Driveline Center Support Bearings through The Timken Company – interchangeable with all major truck applications.

The eight part numbers listed in the Quick Reference Dimension Guide can equip the most popular light-duty pick-ups, vans, mid-size trucks, school buses and heavy duty highway vehicles, including Chevrolet, Ford, Freightliner, Navistar and Volvo-GM.

Consult the application data for a complete listing bearings for your drive shaft applications.

Those Driveline Center Support Bearings are constructed with frames made from heavy gauge cold-rolled steel. The 100% USA-made bearing inserts are pregreased and sealed at the factory, with a second grease barrier applied between the sealed bearing and dust shields to maximize protection – ready to install right out of the box.

Interchangeability. Increased quality and durability. Extended service life. It all adds up to more value and decreased operating costs-per-mile for your customers.



### QUICK REFERENCE DIMENSION GUIDE

Part Number	A	B	C
HB206FF	1.1811"	3-1/2"	N.A.
HB88107A	1.3780	2-1/4"	6-5/8"
HB88508	1.5748"	2-1/2"	6-5/8"
HB88508A	1.5748"	2-1/4"	6-5/8"
HB88509	1.7717"	2-3/4"	7-5/8"
HB88510	1.9685"	2-7/8"	7-5/8"
HB88512AHD (vented rubber cushion)	2.3622"	3-3/8"	8-5/8"
HB88512ASHD (solid rubber cushion)	2.3622"	3-3/8"	8-5/8"

**Note: HB88512ASHD (solid rubber cushion) is directly interchangeable with HB88512AHD (vented rubber cushion).**

# TIMKEN SET INTERCHANGE

## Interchange Data

BEARING SET NUMBERS			BEARING NUMBERS
Timken	CR	Federal Mogul	Cone/Cup
SET1	BR1	A-1	LM11749/LM11710
SET2	BR2	A-2	LM11949/LM11910
SET3	BR3	A-3	M12649/M12610
SET4	BR4	A-4	L44649/L44610
SET5	BR5	A-5	LM48548/LM48510
SET6	BR6	A-6	LM67048/LM67010
SET7	BR7	A-7	M201047/M201011 w/ locking collar
SET8	BR8	A-15	L45449/L45410
SET9	BR9	A-9	U298/U261L w/ locking collar
SET10	BR10	A-10	U399/U360L w/ locking collar
SET11	BR11	A-18	JL69349/JL69310
SET12	BR12	A-12	LM12749/LM12710
SET12F	NA	NA	L68149/L68110
SET12P	NA	NA	L44643/L44610
SET13	BR13	A-13	07100/07196
SET14	BR14	A-14	LM12749/LM12711
SET15	BR15	A-19	L68149/L68111
SET16	BR16	A-16	U399A/U365L w/ locking collar & seal
SET17	BR17	A-17	1988/1922
SET20	BR20	A-20	2 of (LM67045)/2 of (LM67010-Z)
SET21	BR21	A-21	LM104949E-904A2
SET22	BR22	A-29	JL68145/JL68111-Z (Sold as Set Only)
SET23	BR23	A-23	JLM506848E-90K02
SET24	BR24	A-31	JLM104946/JLM104910-Z
SET25	BR25	A-22	Components - Not Sold Separately
SET26	BR26	A-40	J15585/15520
SET27	BR31	A-24	JLM67042/LM67010 (Sold as Set Only)
SET28	BR28	A-28	Components - Not Sold Separately
SET30	BR30	A-30	Components - Not Sold Separately
SET32	BR32	A-32	LM12748F/LM12710
SET33	BR33	A-33	JRM3534-90U01
SET34	BR34	A-34	LM603049/LM603012
SET35	B35	B35	LM603049/LM603011
SET36	BR36	A-36	LM104949/LM104911
SET37	BR37	A-37	JRM3939-90U08
SET38	BR38	A-38	JRM4040A-90U02 When depleted use B39
SET39	FW113	B38	Components - Not Sold Separately
SET40	B39	B39	JLM506849A/JLM506811
SET41	BR41	A-41	Components - Not Sold Separately
SET42	BR42	A-42	LM501349/LM501310
SET43	BR43	A-43	JL26749F/JL26710
SET45	BR35	A-35	LM102949/LM102910
SET46	BR39	A-39	JRM4042-90UA1 When depleted use 513006
SET47	BR50	None	JRM4249-90UA1
SET48	B42	513006	LM12749F/LM12710
SET49	FW115	513058	LM12749FP/LM12710P

## MileMate® Matched Wheel Bearing Sets

Timken MileMate No.	Timken Part Number	Timken MileMate No.	Timken Part Number
SET401	580/572	SET420	H715345/H715311
SET402	582/572	SET421	HM516449A/HM516410
SET403	594A/592A	SET422	HM516449C/HM516410
SET404	598A/592A	SET423	6461A/6420
SET405	663/653	SET424	555-S/552A
SET406	3782/3720	SET425	567/563
SET407	28682/28622	SET426	47679/47620
SET408	39590/39520	SET427	NP899357/NP026773
SET409	45280/45220	SET428	NP874005/NP435398
SET410	45284/45220	SET429	NP034946/NP363298
SET411	47686/47620	SET430	NP840302/NP053874
SET412	HM212047/HM212011	SET431	NP965350/NP503727
SET413	HM212049/HM212011	SET432	NP174964/NP593561
SET414	HM218248/HM218210	SET433	NP431952/NP378092
SET415	HM518445/HM518410	SET434	NP555065/NP720703
SET416	45291/45220	SET435	NP568900/NP107783
SET417	47890/47820	SET436	NP577914/NP975161
SET418	H715334/H715311	SET437	NP022333/NP250023
SET419	H715343/H715311	SET438	NP417549/NP156827
		SET439	HM212049X/HM212011



US \$10

## TIMKEN

A LEADER IN MANUFACTURING  
AND BEARING HUB TECHNOLOGY

### HUB ASSEMBLIES

- ABS Hub Assemblies
- ABS Hub Assemblies with SENSOR-PAC™ Bearings
- Non-ABS Hub Assemblies
- Non-ABS Hub Assemblies with UNIPAC™ - Bearings
- Non-ABS Hub Assemblies with UNIPAC-PLUS™ - Bearings

### BEARINGS

- Ball Bearings
- Clutch Release Bearings
- Cylindrical Bearings
- Cylindrical Axle Repair Bearings
- Driveline Center Support Bearings
- Needle Bearings
- Tapered Bearings

### Harmonic Balancer Repair Kits

### KWIK-Sleeves™ - Components

### Sensor Kits

### SEALS

- Automotive
- Industrial
- Light Duty Oil Bath Seals
- Metric

### SPECIALTY KITS

- DT Components® Drivetrain Products
- Differential Kits
- MileMate® Matched Wheel Bearing Sets
- Transmission Kits
- Transaxle & Transfer Case Kits
- Trailer Kits
  - Kits with Standard Bearings
  - Premium Kits with AquaSpexx™ Bearings

DT Components® Drivetrain Products and MileMate® Matched Wheel Bearing Sets are trademarks of The Timken Company.

Timken® is the registered trademark of The Timken Company.  
www.timken.com  
www.timkeninfo.com  
©2004 The Timken Corporation



# TIMKEN

WORLDWIDE LEADER IN BEARINGS AND STEEL