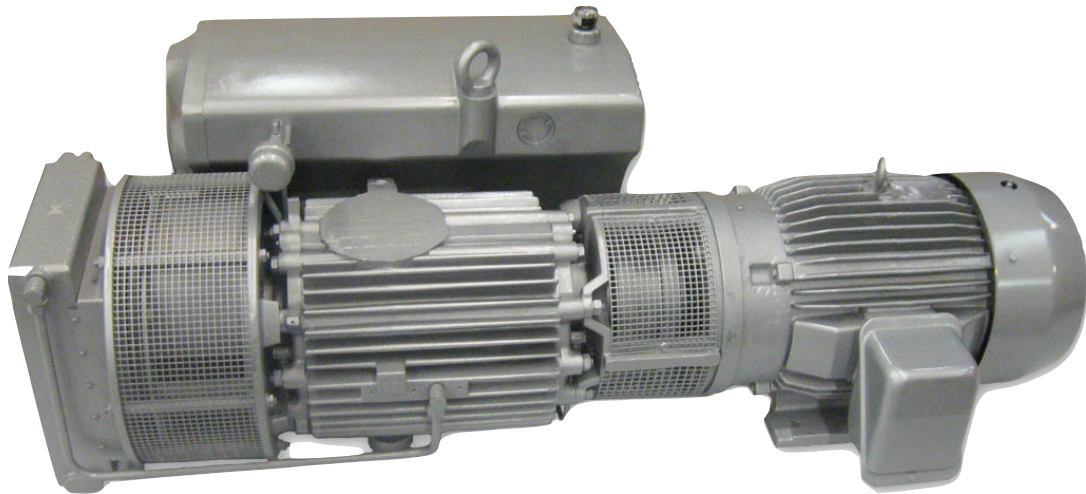




Total Maintenance Solutions

A Service Based Company



Service Center

3407- 78th Avenue West
Rock Island IL 61201
Phone: 309.756.0955
Fax:309.756.0957
info@tmsvacuum.com

www.tmsvacuum.com

Complete Vacuum Pump Repair & Service

Total Maintenance Solutions, Inc. (TMS) is A full line vacuum repair facility. *TMS* reconditions all brands of pumps, including but not limited to, Busch, Kinney, Leybold, Rietschle, Beach Russ, Tuthill. ECT...



WE OFFER THE FOLLOWING SERVICES

REPAIR – Free disassembly, evaluation and quote, proceed only on customer approval. Our standard repair cost includes the following parts and labor on rotary vane pumps.

- ❖ BEARINGS, SEALS, AND SLEEVES
- ❖ GASKETS AND ORINGS
- ❖ VANES
- ❖ EXHAUST FILTERS, OIL FILTER AND OIL
- ❖ ASSEMBLY, BENCH TEST AND PAINT
- ❖ ONE YEAR WARRANTY



MACHINING- We have A full line machine shop to bore cylinders, repair rotor shafts and mill end plates if needed. This service is in addition to the standard repair cost, along with any missing or damaged parts needed to bring the unit back to manufacturer specs.

EXCHANGE PROGRAM- *TMS* will bring you A pump, bring your unit back to the repair shop, disassemble, evaluate, and quote you the cost to bring it back to manufacturer specs. All you have to do is approve the repair, issue A purchase order number, you keep the pump we brought you, we keep yours and the transaction is complete. This saves A lot of labor on both ends. Our stock is always rotating so call for availability.



Loaner/Exchange Program

LOANER PROGRAM- *TMS* has A rotating stock of R5 Busch Vane Pumps and Busch Panda Boosters, along with other brands of pumps and boosters available for loan.

TMS will loan you A pump, pick up your unit and go through the quoting process, you then have 30 days to issue A purchase order. We will then repair and return your unit and pick up the loaner. There is no charge for the loaner if repair is approved within 30 days.

ON-SITE PUMP EVALUATION PROGRAM- *TMS* personnel will come to your facility during non-production hours, we perform A blank off vacuum test using A Micron/Torr gauge. Record temperatures in critical areas of the rotating module, and an audial, visual and safety inspection of all your pumps and boosters. A detailed report is then issued the following week.

Total Gear Reducer Repair & Service

TMS is your source for all gear reducer repairs and service. Our technicians can assist you with all of your repairs from bearing and seal replacements to complete overhauls. We offer more than 50 years of total experience and have the knowledge to get the job done right the first time.



Gear Reducers

Upon receipt of your gearbox we do a thorough inspection free of charge. We document every aspect of the tear-down and provide you with a detailed quote of all the parts and labor.

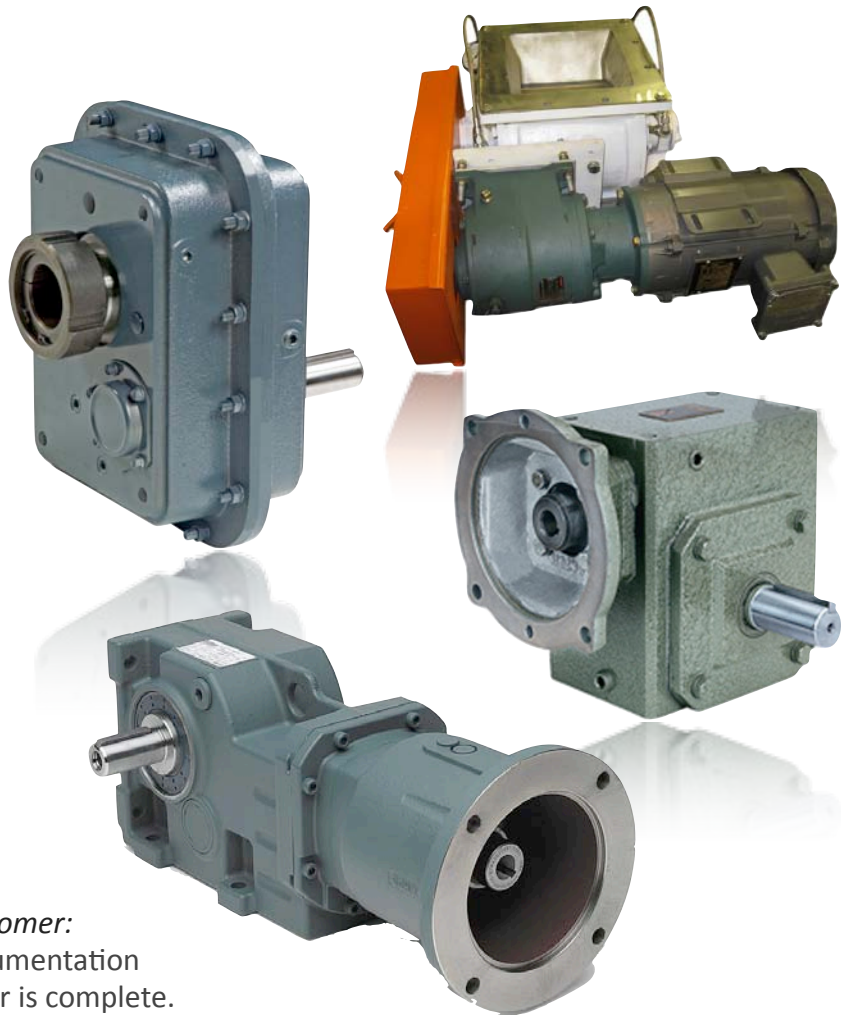
We have the capabilities to work on all types and sizes of gearing; as well as all of your other mechanical equipment needs, including all types of blowers and rotary air locks. We offer a full range of parts for all of your needs. Also with our in-house machine shop we can fix and repair all types of equipment as well as custom manufacture parts.

Some of the major brands we repair include:

- ❖ DODGE
- ❖ REXNORD
- ❖ FALK
- ❖ BROWNING
- ❖ MORSE
- ❖ SEW-EURODRIVE
- ❖ WINSMITH
- ❖ BOSTON
- ❖ FOOTE JONES
- ❖ CONE DRIVE
- ❖ ELECTRA GEAR
- ❖ SUMITOMO

Some of the industries we service include:

- ❖ Aggregate
- ❖ Cement
- ❖ Utility Plants
- ❖ Steel
- ❖ Food Processing
- ❖ Agriculture
- ❖ Waste Water Treatment



What we offer for the customer:

- Free inspection and documentation
- Free delivery when repair is complete.

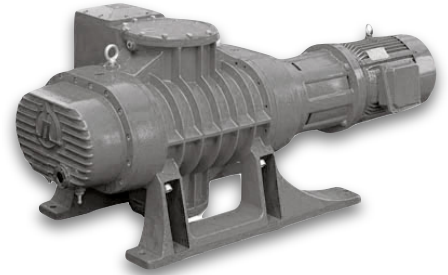
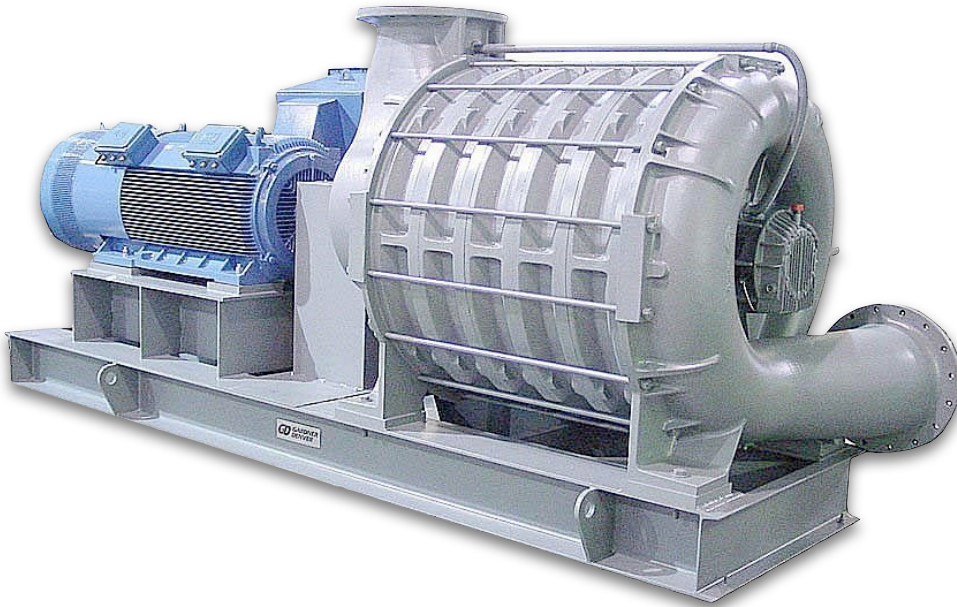
Don't just throw away those old gear boxes. Total Maintenance Solutions is your one stop shop for all your repair needs. Give us a call!



Contact Info: Office: 309. 756.0955

Fax: 309.756.0957

info@tmsvacuum.com



Your Complete Blower Resource

Apart from the unparalleled customer satisfaction the technicians at *TMS* offer for all your vacuum pump needs, we also specialize in all your blower repair needs.

The standard repair includes all bearings, seals, sleeves, gaskets and o-rings. Impeller balancing, shaft repairs or fabrication may be needed, at an additional cost, to bring your blower back to manufacturer specifications.

With free delivery and a standard one year warranty included on blower repairs, there is no time to waste.

Give us a call today, our dedicated staff looks forward to providing you the best service in the industry.

TMS services:

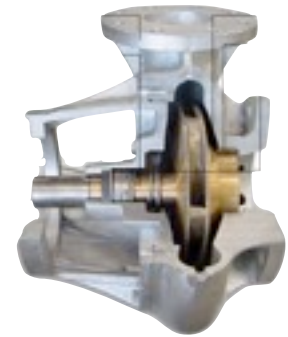
- ❖ Hoffman
- ❖ Lamson
- ❖ Spencer
- ❖ Roots
- ❖ Sutorbilt
- ❖ MD Pneumatic
- ❖ Gardner Denver



Contact Info: Office: 309. 756.0955

Fax: 309.756.0957

info@tmsvacuum.com



Liquid Handling Pump Solutions

Bring your centrifugal pumps back to life with *TMS*. Our trained technicians will bring all worn pump casings, back plates, and stuffing boxes back to manufacturer specifications. We can also repair or fabricate new shafts, as well as trim and balance impellers.

Servicing leading brands such as:

- ❖ Gould
- ❖ Summit
- ❖ Wakasha
- ❖ Fristam
- ❖ Gorman-Rupp
- ❖ Ingersoll Rand
- ❖ Carver
- ❖ Moyno
- ❖ APV

Give us a call today, our dedicated staff looks forward to providing you the best service in the industry.



Contact Info: Office: 309. 756.0955

Fax: 309.756.0957

info@tmsvacuum.com



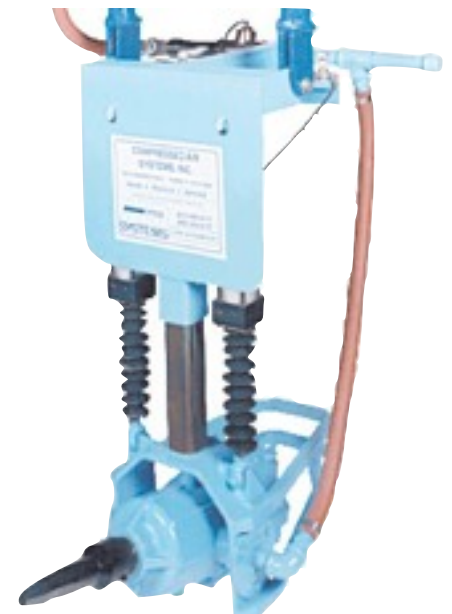
Pneumatically Operated Gate Openers

The POGO series gate openers increase productivity, and reduce risks associated with manual opening of railroad hopper car gates. So when your POGO system breaks down, let TMS get your series I, II, or III opener back to proper operating conditions.

TMS can repair or fabricate frame work for your POGO series, as well as repair the pneumatic openers and controls.

Contact Dan Gremmels at TMS to see how we can serve you.

Give us a call today, our dedicated staff looks forward to providing you the best service in the industry.





Contact Info: Office: 309.756.0955

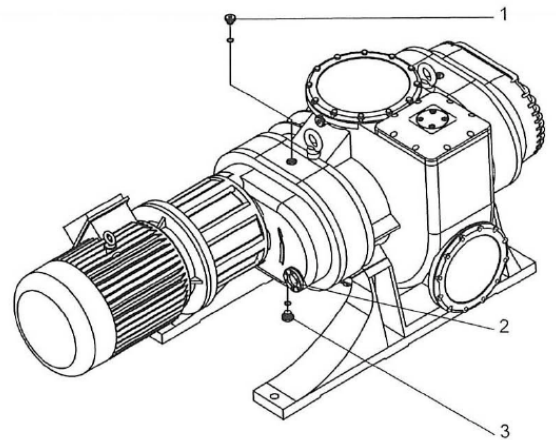
Fax: 309.756.0957

info@tmsvacuum.com



Models Available:

- ❖ SB3
- ❖ SB6
- ❖ SB12



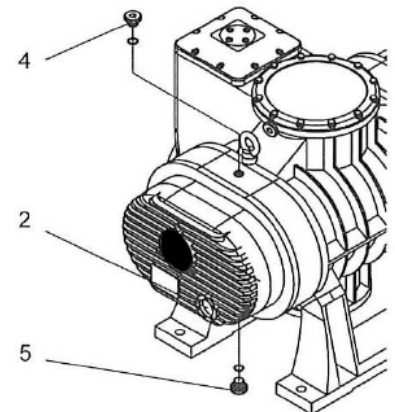
The New SB Series Booster

A step up from the most common booster series, the TMS SB Series Booster has alleviated some points of pain usually found with your existing booster.

The SB Booster has a magnetic drive which transmits shaft torque, this reduces the risk of bending or cracking rotor shafts, and also allows for the use of static seals. This means no framework oil seal or mechanical seals are needed, resulting in zero oil leakage and zero vacuum loss. Utilizing a magnetic drive also means there is no need for an external oil cup, so there is less chance for contamination and resulting equipment failure.

With many more features, the SB Booster will increase your facilities operation efficiency, to learn more please contact one of our sales representatives.

Give us a call today, our dedicated staff looks forward to providing you the best service in the industry.



- 1 3/8" oil-fill screw
- 2 Oil sight glass
- 3 3/8" oil-drain screw
- 4 3/8" oil-fill screw
- 5 3/8" oil-drain screw



Contact Info: Office: 309. 756.0955

Fax: 309.756.0957

info@tmsvacuum.com

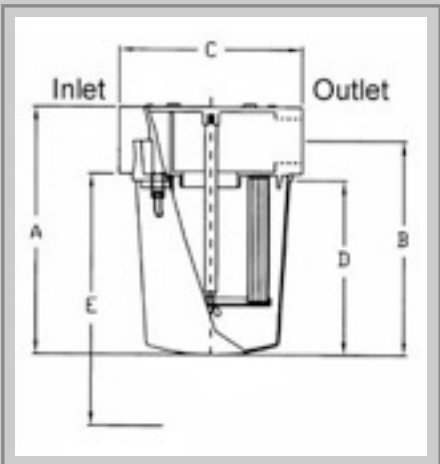
See Through Inlet Vacuum Filters

ST Series "T" Style

2" to 4" FPT Connections



- Easy Maintenance Checks
- In-Stock
- Vacuum Tested
- Save Costs
- For CT 2", 2-1/2", 3", & 4" Connections



BENEFITS

- ♦ Maintenance checks are simplified with visual inspections
- ♦ Reduce downtime by eliminating need to shut down system to check filter
- ♦ Tested to withstand impacts and fractures at full vacuum
- ♦ Extended bucket for additional holding capacity
- ♦ Great for extreme duty applications
- ♦ High heat resistance for sterile environments

FEATURES & SPECS

- ♦ Bucket made from polycarbonate material
- ♦ **Vacuum level:** Typically 1x10⁻³ mmHg (1.3x10⁻³ mbar)
- ♦ High tensile strength permits dimensional stability
- ♦ Temperature Ratings:
 - Complete Assembly max: 220°F
 - See-Through bucket max: 290°F
- ♦ Increased holding capacity over carbon steel CT Series version
- ♦ **Compact** design for space restrictions; **Minimal** service area needed
- ♦ **Integrated Inlet Baffle**
- ♦ Inlet is above the element to **Extend** element life and maintenance intervals
- ♦ "T" style design **Minimizes** piping requirements
- ♦ "Drop-Down" housing for easy servicing and dirt containment

OPTIONS

- ♦ Pressure designs: T-bolt or J-hook configurations
- ♦ Low flow - high capacity configurations
- ♦ Extreme duty SpinMeister design
- ♦ 1/2" FPT drain port
- ♦ Epoxy coating on head piece
- ♦ Liquid Separator, STS Series model
- ♦ Stainless steel coating on head piece
- ♦ Heavy duty CT series (with carbon steel buckets) available 2" to 6" FPT connections

Model	FPT Inlet & Outlet	DIMENSIONS - inches					Nominal SCFM Rating	Holding Capacity Gal.
		A	B	C	D	E		
STS-200C	2"	16 1/4	14 1/4	9	12 1/2	22	175	1
STS-250C	2-1/2"	16 1/4	14 1/4	9	12 1/2	22	210	1
STS-300C	3"	19 3/4	17	13 1/2	14	25	300	2
STS-400C	4"	19 3/4	17	13 1/2	14	25	500	2



Contact Info: Office: 309. 756.0955

Fax: 309.756.0957

info@tmsvacuum.com

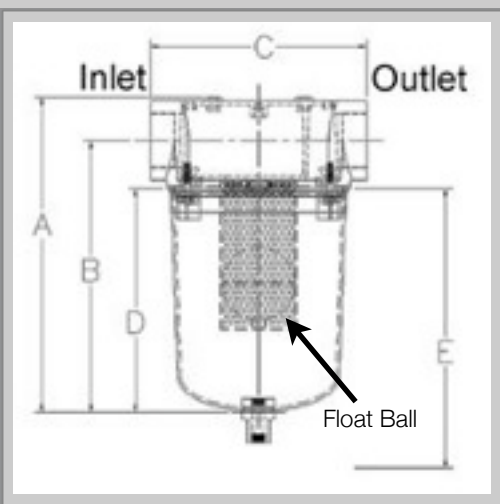
See Through Liquid Separator

STS Series

2" to 4" FPT Connections



- Protect Vacuum Pump & Systems
- See Through Housing
- Vacuum Tested
- Save Costs



BENEFITS

- Easy visual inspection for simplified maintenance
- Prohibit liquid and debris from damaging vacuum valves and pumps
- Easy release configuration for disassembly (No tools needed)
- Minimize piping costs with "T" style configuration

OPERATIONS

- Inlet air with potentially harmful liquid and large particulate enters the STS and is separated by a baffling mechanism and directional air flow changes.
- The larger particles and liquid drops down and collects at the bottom of the separator.
- The float ball within the separator screen rises with the liquid level until max capacity and cuts off the flow thereby protecting the pump from damage.

FEATURES & SPECS

- High impact, shatter resistant see through polycarbonate bucket
- Corrosion resistant cast aluminum head with integrated knock-out baffle
- Cast head includes tap hole guides for mounting brackets
- 50 mesh 304SS separator screen prevents large debris from entering pump
- Stainless steel float ball for emergency shut off
- Clamp style T-bolts for 3" & 4" connections
- Durable stainless steel torsion clips for 2" & 2-1/2" connections
- 3/4" FPT drain
- 1/4" differential gauge ports
- Compact design for space restrictions
- Temperature Ratings: - Complete Assembly max: 220°F
- See-Through bucket max: 290°F

OPTIONS

- Cast head protective coatings: Stainless steel coating, epoxy finish, Teflon finish
- Float level port and switch
- Heavy duty carbon steel buckets available with 2" to 6" FPT connections
- Accessories: Vacuum gauges, valves

Model	FPT Inlet & Outlet	DIMENSIONS - inches					Nominal SCFM Rating	Holding Capacity Gal.
		A	B	C	D	E		
STS-200C	2"	16 1/4	14 1/4	9	12 1/2	22	175	1
STS-250C	2-1/2"	16 1/4	14 1/4	9	12 1/2	22	210	1
STS-300C	3"	19 3/4	17	13 1/2	14	25	300	2
STS-400C	4"	19 3/4	17	13 1/2	14	25	500	2



Contact Info: Office: 309. 756.0955

Fax: 309.756.0957

info@tmsvacuum.com



TMS Custom Welding & Fabrication

TMS offers a full line of fabrication and welding for all your stainless steel and mild steel and aluminum needs. All work is guaranteed to meet OSHA requirements.

Our capabilities include but are not limited to:

- ❖ Stairways, Handrails, Ladders, Catwalks, Platforms
- ❖ Structural and miscellaneous steel for buildings
- ❖ Pump bases, Belt conveyors, Screw conveyors
- ❖ Motor, Belt, Pinch Point Guards
- ❖ Manufacturing of paint booths, Prep tables, Mixing rooms, and ornamental fencing

Give us a call today, our dedicated staff looks forward to providing you the best service in the industry.



For more information on how TMS Custom Welding & Fabrication can serve you, please contact our **Fabrication Manager Mike Cothron**. He has over 35 years experience, and would be glad to give you a quote.



Contact Info: Office: 309. 756.0955

Fax: 309.756.0957

info@tmsvacuum.com



CNC Milling And Lathe Operations

Our machine shop has the capabilities to replicate O.E.M. parts, and custom fabricate all your broken or hard to find parts. Utilizing the HAAS SL20, VF2, and the newest addition the VF5, we can fabricate your parts from prints, CAD documents, hand drawn diagrams, or from an existing part.

Remanufacturing parts from materials such as:

- ❖ stainless steel
- ❖ steel
- ❖ aluminum
- ❖ plastic
- ❖ composite materials

Give us a call today, our dedicated staff looks forward to providing you the best service in the industry.

Price Sheet

Total Maintenance Solutions

A Service Based Company



Contact Info: Office: 309. 756.0955

Fax: 309.756.0957

info@tmsvacuum.com

Oil:		
TMS93-100-HT Semi Synthetic	5 Gallon Pail	\$145.00
	55 Gallon Drum	\$1,485.00
TMS-FMO-100 Full Synthetic	5 Gallon Pail	\$270.00
	55 Gallon Drum	\$2,887.50
Filter Kits: (Includes exhaust filter elements w/O-ring, oil drain plug gasket, and strainer baffle)		
TMSFK 001	Busch 0010B & 0016B	\$49.00
TMSFK 002	Busch 0010C,D & 0016B,C,D	\$66.00
TMSFK 003	0012B & 0021B	\$45.00
TMSFK 004	0025B & 0040B	\$80.00
TMSFK 005	0025C,E & 0040C,E & 0055C,E	\$81.00
TMSFK 006	0063B & 0100B	\$115.00
TMSFK 007	0063C,E & 0100C,E	\$115.00
TMSFK 077A	0100-7001 Low Profile	\$240.00
TMSFK 008	0160B, 0160-116, 0250B & 0250-116	\$290.00
TMSFK 009	0160D (2 Filter Type) & 0160C	\$160.00
TMSFK 010	0165D, 0205D, 0255D & 0305D	\$235.00
TMSFK 011	0160D (3 Filter Type) & 0202D	\$235.00
TMSFK 012	0250C,D & 0302D	\$240.00
TMSFK 013	0400 thru 0630	\$585.00
TMSFK 014	1000B & 1600B	\$1,100.00
Oil Filters:		
TMSW712	0100, 0063, 0040, 0025B,C,E	\$9.50
TMSW940	0160, 0250B,C,D	\$23.50
TMSW962	0400, 0630	\$26.50

Price Sheet Continued

Total Maintenance Solutions

A Service Based Company



Contact Info: Office: 309. 756.0955

Fax: 309.756.0957

info@tmsvacuum.com

Exhaust Filters:		
TMSEF53250001	0010, 0016B	\$26.50
TMSEF532105216	0010, 0016C,D	\$55.50
TMSEF53251001	0012, 0021B	\$29.50
TMSEF53251201	0025, 0040, 0055C,E	\$42.00
TMSEF53230100	0100-7001 Low Profile Spin On Filter	\$105.00
TMSEF53230201	0025B, 0040B, 0063, 0100B,C,E	\$39.50
TMSEF53208201	0160, 0250B,C,D	\$52.00
TMSEF53230401	0400, 0630, 1000, 1600	\$56.00
0630 Oil Cooler Prefilter:		
TMS-2010EOCB	External Radiator Bracket w/Filter (Specify Original or New Style Radiator)	\$250.00
TMS-12D14A	Replacement Washable Filter Elements	\$85.00
Carbon Steel Inlet Canister:		
TMS239300C	3" NPT Inlet Filter Canister w/Filter 0400, 0630	\$625.00
TMSEF53200600	Replacement Filter for 0400/0630	\$75.00
TMS851200HC	2" NPT Inlet Filter Canister w/Filter 0160 thru 0305	\$305.00
TMSEF53200400	Replacement Filter for 0160 thru 0305	\$45.00
Liquid Separator (Clear Bulb):		
TMSWS-300C	3" NPT See Through Bulb Water Separator 0400, 0630	\$750.00
Inlet Filter (Clear Bulb):		
TMSCF-300C	3" NPT See Through Particulate Inline Filter 0400, 0630	\$675.00
TMS235-300C	Replacement Filter Element 0400, 0630	\$50.00
Panda:		
TMSPISK015	Busch WV1000 Input Kit: 2 Viton O-ring, 1 Shaft Seal Race, 2 Viton Shaft Seal, 1 Rotex Pump Side Coupling & Element, and all necessary parts	\$525.00
Torr Gauge:		
TMSDTC-531-115	Digitl Micron Vacuum Gauge w/Thermo Coupler	\$295.00
TMSDTC-531	Replacement Thermo Coupler for Micron Gauge	\$65.00
TMSCG16K	Dial Torr Gauge, Range 0-40 Torr	\$595.00



3407- 78th Avenue West
Rock Island IL 61201
Phone: 309.756.0955
Fax:309.756.0957
info@tmsvacuum.com