



**A120**

# **CUTMASTER™**

## **AUTOMATED PLASMA CUTTING SYSTEM**



# **Operating Manual**

Rev. AB

Date: September 19, 2008

Manual # 0-4989

Operating Features:



120 AMP	DC	1 PHASE	3 PHASE	208- 230 V	380- 400 V	460 V
------------	----	------------	------------	------------------	------------------	----------



### **WE APPRECIATE YOUR BUSINESS!**

Congratulations on your new Thermal Dynamics product. We are proud to have you as our customer and will strive to provide you with the best service and reliability in the industry. This product is backed by our extensive warranty and world-wide service network. To locate your nearest distributor or service agency call 1-800-426-1888, or visit us on the web at [www.thermal-dynamics.com](http://www.thermal-dynamics.com).

This Operating Manual has been designed to instruct you on the correct use and operation of your Thermal Dynamics product. Your satisfaction with this product and its safe operation is our ultimate concern. Therefore please take the time to read the entire manual, especially the Safety Precautions. They will help you to avoid potential hazards that may exist when working with this product.

### **YOU ARE IN GOOD COMPANY!**

#### **The Brand of Choice for Contractors and Fabricators Worldwide.**

Thermal Dynamics is a Global Brand of manual and automation Plasma Cutting Products for Thermadyne Industries Inc.

We distinguish ourselves from our competition through market-leading, dependable products that have stood the test of time. We pride ourselves on technical innovation, competitive prices, excellent delivery, superior customer service and technical support, together with excellence in sales and marketing expertise.

Above all, we are committed to developing technologically advanced products to achieve a safer working environment within the welding industry.



## WARNINGS

---

*Read and understand this entire Manual and your employer's safety practices before installing, operating, or servicing the equipment.*

*While the information contained in this Manual represents the Manufacturer's best judgement, the Manufacturer assumes no liability for its use.*

---

Plasma Cutting Power Supply  
CutMaster™ A120  
SL100 1Torch™  
Operating Manual Number 0-4989

Published by:  
Thermal Dynamics Corporation  
82 Benning Street  
West Lebanon, New Hampshire, USA 03784  
(603) 298-5711

[www.thermal-dynamics.com](http://www.thermal-dynamics.com)

Copyright 2008 by  
Thermadyne Corporation

All rights reserved.

Reproduction of this work, in whole or in part, without written permission of the publisher is prohibited.

The publisher does not assume and hereby disclaims any liability to any party for any loss or damage caused by any error or omission in this Manual, whether such error results from negligence, accident, or any other cause.

Printed in the United States of America

Original Publication Date: June 30, 2008  
Revision date: September 19, 2008

**Record the following information for Warranty purposes:**

Where Purchased: \_\_\_\_\_

Purchase Date: \_\_\_\_\_

Power Supply Serial #: \_\_\_\_\_

Torch Serial #: \_\_\_\_\_

This Page Intentionally Blank

# TABLE OF CONTENTS

SECTION 1:GENERAL INFORMATION .....	1-1
1.01 Notes, Cautions and Warnings .....	1-1
1.02 Important Safety Precautions .....	1-1
1.03 Publications .....	1-2
1.04 Note, Attention et Avertissement .....	1-3
1.05 Precautions De Securite Importantes.....	1-3
1.06 Documents De Reference .....	1-5
1.07 Declaration of Conformity .....	1-6
1.08 Statement of Warranty.....	1-7
SECTION 2 SYSTEM:INTRODUCTION .....	2-1
2.01 How To Use This Manual .....	2-1
2.02 Equipment Identification .....	2-1
2.03 Receipt Of Equipment .....	2-1
2.04 Power Supply Specifications.....	2-2
2.05 Input Wiring Specifications .....	2-3
2.06 Power Supply Features.....	2-4
SECTION 2 TORCH:INTRODUCTION .....	2T-1
2T.01 Scope of Manual.....	2T-1
2T.02 General Description.....	2T-1
2T.03 Specifications .....	2T-1
2T.04 Options And Accessories .....	2T-2
2T.05 Introduction to Plasma.....	2T-2
SECTION 3 SYSTEM: INSTALLATION .....	3-1
3.01 Unpacking 3-1	
3.02 Lifting Options.....	3-1
3.03 Power Supply location and Mounting.....	3-1
3.04 Primary Input Power Connections .....	3-1
3.05 Gas Connections .....	3-4
SECTION 3 TORCH: INSTALLATION .....	3T-1
3T.01 Torch Connections.....	3T-1
3T.02 CNC Connection.....	3T-1
SECTION 4 SYSTEM: OPERATION.....	4-1
4.01 Front Panel Controls / Features.....	4-1
4.02 Preparations for Operation .....	4-2
SECTION 4 TORCH:OPERATION .....	4T-1
4T.01 Machine and Automated Torch Operation .....	4T-1
4T.02 Automation Torch Parts Selection.....	4T-2
4T.03 Machine and Hand Torch Parts Selection.....	4T-2
4T.04 Cut Quality.....	4T-3
4T.05 General Cutting Information.....	4T-4
4T.06 Hand Torch Operation.....	4T-5
4T.07 Gouging 4T-8	
4T.08 Recommended Cutting Speeds for Machine and Automated Torches With Exposed Tip4T-10	
4T.09 Recommended Cutting Speeds for Machine and Automated Torches With Shielded Tip4T-36	

## TABLE OF CONTENTS

SECTION 5 SYSTEM:SERVICE .....	5-1
5.01 General Maintenance .....	5-1
5.02 Maintenance Schedule .....	5-2
5.03 Common Faults .....	5-2
5.04 Fault Indicator .....	5-3
5.05 Basic Troubleshooting Guide .....	5-4
SECTION 5 TORCH:SERVICE .....	5T-1
5T.01 General Maintenance .....	5T-1
5T.02 Inspection and Replacement of Consumable Torch Parts .....	5T-2
SECTION 6:PARTS LISTS .....	6-1
6.01 Introduction .....	6-1
6.02 Ordering Information .....	6-1
6.03 Power Supply Replacement .....	6-1
6.04 Replacement Power Supply Parts .....	6-2
6.05 Options and Accessories .....	6-2
6.06 Torch Replacement Parts SL100SV Torch (with Solenoid on Mounting Tube) .....	6-4
6.07 Replacement Parts - for Machine Torches with Unshielded Leads .....	6-6
6.08 Torch Consumable Parts (SL100) .....	6-8
6.09 Replacement Parts for Hand Torch .....	6-9
APPENDIX 1: SEQUENCE OF OPERATION(BLOCK DIAGRAM) .....	A-1
APPENDIX 2: DATA TAG INFORMATION .....	A-2
APPENDIX 3: TORCH PIN - OUT DIAGRAMS .....	A-3
APPENDIX 4: TORCH CONNECTION DIAGRAMS .....	A-4
APPENDIX 5: SYSTEM SCHEMATIC, 208/460V UNITS .....	A-6
APPENDIX 6: SYSTEM SCHEMATIC, 400V UNITS .....	A-8
APPENDIX 7: Publication History .....	A-10
GLOBAL CUSTOMER SERVICE CONTACT INFORMATION .....	Inside Rear Cover

# SECTION 1: GENERAL INFORMATION

## 1.01 Notes, Cautions and Warnings

Throughout this manual, notes, cautions, and warnings are used to highlight important information. These highlights are categorized as follows:

**NOTE**

*An operation, procedure, or background information which requires additional emphasis or is helpful in efficient operation of the system.*



**CAUTION**

*A procedure which, if not properly followed, may cause damage to the equipment.*



**WARNING**

*A procedure which, if not properly followed, may cause injury to the operator or others in the operating area.*

## 1.02 Important Safety Precautions



**WARNINGS**

**OPERATION AND MAINTENANCE OF PLASMA ARC EQUIPMENT CAN BE DANGEROUS AND HAZARDOUS TO YOUR HEALTH.**

*Plasma arc cutting produces intense electric and magnetic emissions that may interfere with the proper function of cardiac pacemakers, hearing aids, or other electronic health equipment. Persons who work near plasma arc cutting applications should consult their medical health professional and the manufacturer of the health equipment to determine whether a hazard exists.*

*To prevent possible injury, read, understand and follow all warnings, safety precautions and instructions before using the equipment. Call 1-603-298-5711 or your local distributor if you have any questions.*



**GASES AND FUMES**

Gases and fumes produced during the plasma cutting process can be dangerous and hazardous to your health.

- Keep all fumes and gases from the breathing area. Keep your head out of the welding fume plume.
- Use an air-supplied respirator if ventilation is not adequate to remove all fumes and gases.

- The kinds of fumes and gases from the plasma arc depend on the kind of metal being used, coatings on the metal, and the different processes. You must be very careful when cutting or welding any metals which may contain one or more of the following:

Antimony	Chromium	Mercury
Arsenic	Cobalt	Nickel
Barium	Copper	Selenium
Beryllium	Lead	Silver
Cadmium	Manganese	Vanadium

- Always read the Material Safety Data Sheets (MSDS) that should be supplied with the material you are using. These MSDSs will give you the information regarding the kind and amount of fumes and gases that may be dangerous to your health.
- For information on how to test for fumes and gases in your workplace, refer to item 1 in Subsection 1.03, Publications in this manual.
- Use special equipment, such as water or down draft cutting tables, to capture fumes and gases.
- Do not use the plasma torch in an area where combustible or explosive gases or materials are located.
- Phosgene, a toxic gas, is generated from the vapors of chlorinated solvents and cleansers. Remove all sources of these vapors.
- This product, when used for welding or cutting, produces fumes or gases which contain chemicals known to the State of California to cause birth defects and, in some cases, cancer. (California Health & Safety Code Sec. 25249.5 et seq.)



**ELECTRIC SHOCK**

Electric Shock can injure or kill. The plasma arc process uses and produces high voltage electrical energy. This electric energy can cause severe or fatal shock to the operator or others in the workplace.

- Never touch any parts that are electrically “live” or “hot.”
- Wear dry gloves and clothing. Insulate yourself from the work piece or other parts of the welding circuit.
- Repair or replace all worn or damaged parts.
- Extra care must be taken when the workplace is moist or damp.
- Install and maintain equipment according to NEC code, refer to item 9 in Subsection 1.03, Publications.
- Disconnect power source before performing any service or repairs.
- Read and follow all the instructions in the Operating Manual.



**FIRE AND EXPLOSION**

Fire and explosion can be caused by hot slag, sparks, or the plasma arc.

- Be sure there is no combustible or flammable material in the workplace. Any material that cannot be removed must be protected.
- Ventilate all flammable or explosive vapors from the workplace.

# CUTMASTER A120

- Do not cut or weld on containers that may have held combustibles.
- Provide a fire watch when working in an area where fire hazards may exist.
- Hydrogen gas may be formed and trapped under aluminum workpieces when they are cut underwater or while using a water table. **DO NOT** cut aluminum alloys underwater or on a water table unless the hydrogen gas can be eliminated or dissipated. Trapped hydrogen gas that is ignited will cause an explosion.



## NOISE

Noise can cause permanent hearing loss. Plasma arc processes can cause noise levels to exceed safe limits. You must protect your ears from loud noise to prevent permanent loss of hearing.

- To protect your hearing from loud noise, wear protective ear plugs and/or ear muffs. Protect others in the workplace.
- Noise levels should be measured to be sure the decibels (sound) do not exceed safe levels.
- For information on how to test for noise, see item 1 in Subsection 1.03, Publications, in this manual.



## PLASMA ARC RAYS

Plasma Arc Rays can injure your eyes and burn your skin. The plasma arc process produces very bright ultra violet and infra red light. These arc rays will damage your eyes and burn your skin if you are not properly protected.

- To protect your eyes, always wear a welding helmet or shield. Also always wear safety glasses with side shields, goggles or other protective eye wear.
- Wear welding gloves and suitable clothing to protect your skin from the arc rays and sparks.
- Keep helmet and safety glasses in good condition. Replace lenses when cracked, chipped or dirty.
- Protect others in the work area from the arc rays. Use protective booths, screens or shields.
- Use the shade of lens as suggested in the following per ANSI/ASC Z49.1:

Arc Current	Minimum Protective Shade No.	Suggested Shade No.
Less Than 300*	8	9
300 - 400*	9	12
400 - 800*	10	14

\* These values apply where the actual arc is clearly seen. Experience has shown that lighter filters may be used when the arc is hidden by the workpiece.



## LEAD WARNING

This product contains chemicals, including lead, or otherwise produces chemicals known to the State of California to cause cancer, birth defects and other reproductive harm. **Wash hands after handling.** (California Health & Safety Code § 25249.5 et seq.)

## 1.03 Publications

Refer to the following standards or their latest revisions for more information:

1. OSHA, SAFETY AND HEALTH STANDARDS, 29CFR 1910, obtainable from the Superintendent of Documents, U.S. Government Printing Office, Washington, D.C. 20402
2. ANSI Standard Z49.1, SAFETY IN WELDING AND CUTTING, obtainable from the American Welding Society, 550 N.W. LeJeune Rd, Miami, FL 33126
3. NIOSH, SAFETY AND HEALTH IN ARC WELDING AND GAS WELDING AND CUTTING, obtainable from the Superintendent of Documents, U.S. Government Printing Office, Washington, D.C. 20402
4. ANSI Standard Z87.1, SAFE PRACTICES FOR OCCUPATION AND EDUCATIONAL EYE AND FACE PROTECTION, obtainable from American National Standards Institute, 1430 Broadway, New York, NY 10018
5. ANSI Standard Z41.1, STANDARD FOR MEN'S SAFETY-TOE FOOTWEAR, obtainable from the American National Standards Institute, 1430 Broadway, New York, NY 10018
6. ANSI Standard Z49.2, FIRE PREVENTION IN THE USE OF CUTTING AND WELDING PROCESSES, obtainable from American National Standards Institute, 1430 Broadway, New York, NY 10018
7. AWS Standard A6.0, WELDING AND CUTTING CONTAINERS WHICH HAVE HELD COMBUSTIBLES, obtainable from American Welding Society, 550 N.W. LeJeune Rd, Miami, FL 33126
8. NFPA Standard 51, OXYGEN-FUEL GAS SYSTEMS FOR WELDING, CUTTING AND ALLIED PROCESSES, obtainable from the National Fire Protection Association, Batterymarch Park, Quincy, MA 02269
9. NFPA Standard 70, NATIONAL ELECTRICAL CODE, obtainable from the National Fire Protection Association, Batterymarch Park, Quincy, MA 02269
10. NFPA Standard 51B, CUTTING AND WELDING PROCESSES, obtainable from the National Fire Protection Association, Batterymarch Park, Quincy, MA 02269
11. CGA Pamphlet P-1, SAFE HANDLING OF COMPRESSED GASES IN CYLINDERS, obtainable from the Compressed Gas Association, 1235 Jefferson Davis Highway, Suite 501, Arlington, VA 22202
12. CSA Standard W117.2, CODE FOR SAFETY IN WELDING AND CUTTING, obtainable from the Canadian Standards Association, Standards Sales, 178 Rexdale Boulevard, Rexdale, Ontario, Canada M9W 1R3
13. NWSA booklet, WELDING SAFETY BIBLIOGRAPHY obtainable from the National Welding Supply Association, 1900 Arch Street, Philadelphia, PA 19103
14. American Welding Society Standard AWSF4.1, RECOMMENDED SAFE PRACTICES FOR THE PREPARATION FOR WELDING AND CUTTING OF CONTAINERS AND PIPING THAT HAVE HELD HAZARDOUS SUBSTANCES, obtainable from the American Welding Society, 550 N.W. LeJeune Rd, Miami, FL 33126
15. ANSI Standard Z88.2, PRACTICE FOR RESPIRATORY PROTECTION, obtainable from American National Standards Institute, 1430 Broadway, New York, NY 10018



**1.04 Note, Attention et Avertissement**

Dans ce manuel, les mots “note,” “attention,” et “avertissement” sont utilisés pour mettre en relief des informations à caractère important. Ces mises en relief sont classifiées comme suit :

**NOTE**

*Toute opération, procédure ou renseignement général sur lequel il importe d'insister davantage ou qui contribue à l'efficacité de fonctionnement du système.*



**ATTENTION**

*Toute procédure pouvant résulter l'endommagement du matériel en cas de non-respect de la procédure en question.*



**AVERTISSEMENT**

*Toute procédure pouvant provoquer des blessures de l'opérateur ou des autres personnes se trouvant dans la zone de travail en cas de non-respect de la procédure en question.*

**1.05 Précautions De Sécurité Importantes**



**AVERTISSEMENTS**

**L'OPÉRATION ET LA MAINTENANCE DU MATÉRIEL DE SOUDAGE À L'ARC AU JET DE PLASMA PEUVENT PRÉSENTER DES RISQUES ET DES DANGERS DE SANTÉ.**

*Coupant à l'arc au jet de plasma produit de l'énergie électrique haute tension et des émissions magnétique qui peuvent interférer la fonction propre d'un "pacemaker" cardiaque, les appareils auditif, ou autre matériel de santé électronique. Ceux qui travail près d'une application à l'arc au jet de plasma devrait consulter leur membre professionnel de médication et le manufacturier de matériel de santé pour déterminer s'il existe des risques de santé.*

*Il faut communiquer aux opérateurs et au personnel TOUS les dangers possibles. Afin d'éviter les blessures possibles, lisez, comprenez et suivez tous les avertissements, toutes les précautions de sécurité et toutes les consignes avant d'utiliser le matériel. Composez le + 603-298-5711 ou votre distributeur local si vous avez des questions.*



**FUMÉE et GAZ**

La fumée et les gaz produits par le procédé de jet de plasma peuvent présenter des risques et des dangers de santé.

- Eloignez toute fumée et gaz de votre zone de respiration. Gardez votre tête hors de la plume de fumée provenant du chalumeau.
- Utilisez un appareil respiratoire à alimentation en air si l'aération fournie ne permet pas d'éliminer la fumée et les gaz.

- Les sortes de gaz et de fumée provenant de l'arc de plasma dépendent du genre de métal utilisé, des revêtements se trouvant sur le métal et des différents procédés. Vous devez prendre soin lorsque vous coupez ou soudez tout métal pouvant contenir un ou plusieurs des éléments suivants:

antimoine	cadmium	mercure
argent	chrome	nickel
arsenic	cobalt	plomb
baryum	cuivre	sélénium
béryllium	manganèse	vanadium

- Lisez toujours les fiches de données sur la sécurité des matières (sigle américain "MSDS"); celles-ci devraient être fournies avec le matériel que vous utilisez. Les MSDS contiennent des renseignements quant à la quantité et la nature de la fumée et des gaz pouvant poser des dangers de santé.
- Pour des informations sur la manière de tester la fumée et les gaz de votre lieu de travail, consultez l'article 1 et les documents cités à la page 5.
- Utilisez un équipement spécial tel que des tables de coupe à débit d'eau ou à courant descendant pour capter la fumée et les gaz.
- N'utilisez pas le chalumeau au jet de plasma dans une zone où se trouvent des matières ou des gaz combustibles ou explosifs.
- Le phosgène, un gaz toxique, est généré par la fumée provenant des solvants et des produits de nettoyage chlorés. Éliminez toute source de telle fumée.
- Ce produit, dans le procédé de soudage et de coupe, produit de la fumée ou des gaz pouvant contenir des éléments reconnu dans L'état de la Californie, qui peuvent causer des défauts de naissance et le cancer. (La sécurité de santé en Californie et la code sécurité Sec. 25249.5 et seq.)



**CHOC ELECTRIQUE**

Les chocs électriques peuvent blesser ou même tuer. Le procédé au jet de plasma requiert et produit de l'énergie électrique haute tension. Cette énergie électrique peut produire des chocs graves, voire mortels, pour l'opérateur et les autres personnes sur le lieu de travail.

- Ne touchez jamais une pièce "sous tension" ou "vive"; portez des gants et des vêtements secs. Isolez-vous de la pièce de travail ou des autres parties du circuit de soudage.
- Réparez ou remplacez toute pièce usée ou endommagée.
- Prenez des soins particuliers lorsque la zone de travail est humide ou moite.
- Montez et maintenez le matériel conformément au Code électrique national des Etats-Unis. (Voir la page 5, article 9.)
- Débranchez l'alimentation électrique avant tout travail d'entretien ou de réparation.
- Lisez et respectez toutes les consignes du Manuel de consignes.



**INCENDIE ET EXPLOSION**

Les incendies et les explosions peuvent résulter des scories chaudes, des étincelles ou de l'arc de plasma. Le procédé à l'arc de plasma

# CUTMASTER A120

produit du métal, des étincelles, des scories chaudes pouvant mettre le feu aux matières combustibles ou provoquer l'explosion de fumées inflammables.

- Soyez certain qu'aucune matière combustible ou inflammable ne se trouve sur le lieu de travail. Protégez toute telle matière qu'il est impossible de retirer de la zone de travail.
- Procurez une bonne aération de toutes les fumées inflammables ou explosives.
- Ne coupez pas et ne soudez pas les conteneurs ayant pu renfermer des matières combustibles.
- Prévoyez une veille d'incendie lors de tout travail dans une zone présentant des dangers d'incendie.
- Le gas hydrogène peut se former ou s'accumuler sous les pièces de travail en aluminium lorsqu'elles sont coupées sous l'eau ou sur une table d'eau. NE PAS couper les alliages en aluminium sous l'eau ou sur une table d'eau à moins que le gas hydrogène peut s'échapper ou se dissiper. Le gas hydrogène accumulé explosera si enflammé.



## RAYONS D'ARC DE PLASMA

Les rayons provenant de l'arc de plasma peuvent blesser vos yeux et brûler votre peau. Le procédé à l'arc de plasma produit une lumière infra-rouge et des rayons ultra-violet très forts. Ces rayons d'arc nuiront à vos yeux et brûleront votre peau si vous ne vous protégez pas correctement.

- Pour protéger vos yeux, portez toujours un casque ou un écran de soudeur. Portez toujours des lunettes de sécurité munies de parois latérales ou des lunettes de protection ou une autre sorte de protection oculaire.
- Portez des gants de soudeur et un vêtement protecteur approprié pour protéger votre peau contre les étincelles et les rayons de l'arc.
- Maintenez votre casque et vos lunettes de protection en bon état. Remplacez toute lentille sale ou comportant fissure ou rognure.
- Protégez les autres personnes se trouvant sur la zone de travail contre les rayons de l'arc en fournissant des cabines ou des écrans de protection.
- Utilisez la nuance de lentille qui est suggérée dans la recommandation qui suivent ANSI/ASC Z49.1:

<b>Courant Arc</b>	<b>Nuance Minimum Protective Numéro</b>	<b>Nuance Suggérée Numéro</b>
Moins de 300*	8	9
300 - 400*	9	12
400 - 800*	10	14

\* Ces valeurs s'appliquent ou l'arc actuel est observé clairement. L'expérience a démontré que les filtres moins foncés peuvent être utilisés quand l'arc est caché par moicseau de travail.



## BRUIT

Le bruit peut provoquer une perte permanente de l'ouïe. Les procédés de soudage à l'arc de plasma peuvent provoquer des niveaux sonores supérieurs aux limites normalement acceptables. Vous devez vous protéger les oreilles contre les bruits forts afin d'éviter une perte permanente de l'ouïe.

- Pour protéger votre ouïe contre les bruits forts, portez des tampons protecteurs et/ou des protections auriculaires. Protégez également les autres personnes se trouvant sur le lieu de travail.
- Il faut mesurer les niveaux sonores afin d'assurer que les décibels (le bruit) ne dépassent pas les niveaux sûrs.
- Pour des renseignements sur la manière de tester le bruit, consultez l'article 1, page 5.



## PLOMB AVERTISSEMENT

Ce produit contient des produits chimiques, comme le plomb, ou engendre des produits chimiques, reconnus par l'état de Californie comme pouvant être à l'origine de cancer, de malformations fœtales ou d'autres problèmes de reproduction. **Il faut se laver les mains après toute manipulation.** (Code de Californie de la sécurité et santé, paragraphe 25249.5 et suivants)

**1.06 Documents De Reference**

Consultez les normes suivantes ou les révisions les plus récentes ayant été faites à celles-ci pour de plus amples renseignements :

1. OSHA, NORMES DE SÉCURITÉ DU TRAVAIL ET DE PROTECTION DE LA SANTÉ, 29CFR 1910, disponible auprès du Superintendent of Documents, U.S. Government Printing Office, Washington, D.C. 20402
2. Norme ANSI Z49.1, LA SÉCURITÉ DES OPÉRATIONS DE COUPE ET DE SOUDAGE, disponible auprès de la Société Américaine de Soudage (American Welding Society), 550 N.W. LeJeune Rd., Miami, FL 33126
3. NIOSH, LA SÉCURITÉ ET LA SANTÉ LORS DES OPÉRATIONS DE COUPE ET DE SOUDAGE À L'ARC ET AU GAZ, disponible auprès du Superintendent of Documents, U.S. Government Printing Office, Washington, D.C. 20402
4. Norme ANSI Z87.1, PRATIQUES SURES POUR LA PROTECTION DES YEUX ET DU VISAGE AU TRAVAIL ET DANS LES ECOLES, disponible de l'Institut Américain des Normes Nationales (American National Standards Institute), 1430 Broadway, New York, NY 10018
5. Norme ANSI Z41.1, NORMES POUR LES CHAUSSURES PROTECTRICES, disponible auprès de l'American National Standards Institute, 1430 Broadway, New York, NY 10018
6. Norme ANSI Z49.2, PRÉVENTION DES INCENDIES LORS DE L'EMPLOI DE PROCÉDÉS DE COUPE ET DE SOUDAGE, disponible auprès de l'American National Standards Institute, 1430 Broadway, New York, NY 10018
7. Norme A6.0 de l'Association Américaine du Soudage (AWS), LE SOUDAGE ET LA COUPE DE CONTENEURS AYANT RENFERMÉ DES PRODUITS COMBUSTIBLES, disponible auprès de la American Welding Society, 550 N.W. LeJeune Rd., Miami, FL 33126
8. Norme 51 de l'Association Américaine pour la Protection contre les Incendies (NFPA), LES SYSTEMES À GAZ AVEC ALIMENTATION EN OXYGENE POUR LE SOUDAGE, LA COUPE ET LES PROCÉDÉS ASSOCIÉS, disponible auprès de la National Fire Protection Association, Batterymarch Park, Quincy, MA 02269
9. Norme 70 de la NFPA, CODE ELECTRIQUE NATIONAL, disponible auprès de la National Fire Protection Association, Batterymarch Park, Quincy, MA 02269
10. Norme 51B de la NFPA, LES PROCÉDÉS DE COUPE ET DE SOUDAGE, disponible auprès de la National Fire Protection Association, Batterymarch Park, Quincy, MA 02269
11. Brochure GCA P-1, LA MANIPULATION SANS RISQUE DES GAZ COMPRIMÉS EN CYLINDRES, disponible auprès de l'Association des Gaz Comprimés (Compressed Gas Association), 1235 Jefferson Davis Highway, Suite 501, Arlington, VA 22202
12. Norme CSA W117.2, CODE DE SÉCURITÉ POUR LE SOUDAGE ET LA COUPE, disponible auprès de l'Association des Normes Canadiennes, Standards Sales, 178 Rexdale Boulevard, Rexdale, Ontario, Canada, M9W 1R3
13. Livret NWSA, BIBLIOGRAPHIE SUR LA SÉCURITÉ DU SOUDAGE, disponible auprès de l'Association Nationale de Fournitures de Soudage (National Welding Supply Association), 1900 Arch Street, Philadelphia, PA 19103
14. Norme AWSF4.1 de l'Association Américaine de Soudage, RECOMMANDATIONS DE PRATIQUES SURES POUR LA PRÉPARATION À LA COUPE ET AU SOUDAGE DE CONTENEURS ET TUYAUX AYANT RENFERMÉ DES PRODUITS DANGEREUX , disponible auprès de la American Welding Society, 550 N.W. LeJeune Rd., Miami, FL 33126
15. Norme ANSI Z88.2, PRATIQUES DE PROTECTION RESPIRATOIRE, disponible auprès de l'American National Standards Institute, 1430 Broadway, New York, NY 10018

# CUTMASTER A120

---

## 1.07 Declaration of Conformity

Manufacturer: Thermal Dynamics Corporation  
Address: 82 Benning Street  
West Lebanon, New Hampshire 03784  
USA


age Directive' (European Council Directive 73/23/EEC as amended by Council Directive 93/68/EEC) and to the National legislation for the enforcement of this Directive.

The equipment described in this manual conforms to all applicable aspects and regulations of the "EMC Directive" (European Council Directive 89/336/EEC) and to the National legislation for the enforcement of this Directive.

Serial numbers are unique with each individual piece of equipment and details description, parts used to manufacture a unit and date of manufacture.

### National Standard and Technical Specifications

The product is designed and manufactured to a number of standards and technical requirements. Among them are:

- \* UL (Underwriters Laboratory) rating 94VO flammability testing for all printed-circuit boards used.
- \* For environments with increased hazard of electrical shock, Power Supplies bearing the  mark conform to EN50192 when used in conjunction with hand torches with exposed cutting tips, if equipped with properly installed standoff guides.
- \* Extensive product design verification is conducted at the manufacturing facility as part of the routine design and manufacturing process. This is to ensure the product is safe, when used according to instructions in this manual and related industry standards, and performs as specified. Rigorous testing is incorporated into the manufacturing process to ensure the manufactured product meets or exceeds all design specifications.

Thermal Dynamics has been manufacturing products for more than 30 years, and will continue to achieve excellence in our area of manufacture.

Manufacturers responsible representative: Steve Ward  
Operations Director  
Thermadyne Europe  
Europa Building  
Chorley N Industrial Park  
Chorley, Lancashire,  
England PR6 7BX

**1.08 Statement of Warranty**

**LIMITED WARRANTY:** Subject to the terms and conditions established below, Thermal Dynamics® Corporation warrants to the original retail purchaser that new Thermal Dynamics CUTMASTER™ plasma cutting systems sold after the effective date of this warranty are free of defects in material and workmanship. Should any failure to conform to this warranty appear within the applicable period stated below, Thermal Dynamics Corporation shall, upon notification thereof and substantiation that the product has been stored operated and maintained in accordance with Thermal Dynamics' specifications, instructions, recommendations and recognized industry practice, correct such defects by suitable repair or replacement.

**This warranty is exclusive and in lieu of any warranty of merchantability or fitness for a particular purpose.**

Thermal Dynamics will repair or replace, at its discretion, any warranted parts or components that fail due to defects in material or workmanship within the time periods set out below. Thermal Dynamics Corporation must be notified within 30 days of any failure, at which time Thermal Dynamics Corporation will provide instructions on the warranty procedures to be implemented.

Thermal Dynamics Corporation will honor warranty claims submitted within the warranty periods listed below. All warranty periods begin on the date of sale of the product to the original retail customer or 1 year after sale to an authorized Thermal Dynamics Distributor.

**LIMITED WARRANTY PERIOD**

Product	Power Supply Components (Parts and Labor)	Torch and Leads (Parts and Labor)
CUTMASTER™ A40	4 Years	1 Year
CUTMASTER™ A60	4 Years	1 Year
CUTMASTER™ A80	4 Years	1 Year
CUTMASTER™ A120	4 Years	1 Year

This warranty does not apply to:

1. Consumable Parts, such as tips, electrodes, shield cups, o - rings, starter cartridges, gas distributors, fuses, filters.
2. Equipment that has been modified by an unauthorized party, improperly installed, improperly operated or misused based upon industry standards.

In the event of a claim under this warranty, the remedies shall be, at the discretion of Thermal Dynamics Corporation:

1. Repair of the defective product.
2. Replacement of the defective product.
3. Reimbursement of reasonable costs of repair when authorized in advance by Thermal Dynamics.
4. Payment of credit up to the purchase price less reasonable depreciation based on actual use.

These remedies may be authorized by Thermal Dynamics and are FOB West Lebanon, NH or an authorized Thermadyne service station. Product returned for service is at the owner's expense and no reimbursement of travel or transportation is authorized.

**LIMITATION OF LIABILITY:** Thermal Dynamics Corporation shall not under any circumstances be liable for special or consequential damages such as, but not limited to, damage or loss of purchased or replacement goods or claims of customer or distributors (hereinafter "Purchaser") for service interruption. The remedies of the Purchaser set forth herein are exclusive and the liability of Thermal Dynamics with respect to any contract, or anything done in connection therewith such as the performance or breach thereof, or from the manufacture, sale, delivery, resale, or use of the goods covered by or furnished by Thermal Dynamics whether arising out of contract, negligence, strict tort, or under any warranty, or otherwise, shall not, except as expressly provided herein, exceed the price of the goods upon which liability is based.

**This warranty becomes invalid if replacement parts or accessories are used which may impair the safety or performance of any Thermal Dynamics product.**

**This warranty is invalid if the Thermal Dynamics product is sold by non - authorized persons.**

Effective September 4, 2007



## SECTION 2 SYSTEM: INTRODUCTION

### 2.01 How To Use This Manual

This Owner's Manual applies to just specification or part numbers listed on page i.

To ensure safe operation, read the entire manual, including the chapter on safety instructions and warnings.

Throughout this manual, the words **WARNING**, **CAUTION**, and **NOTE** may appear. Pay particular attention to the information provided under these headings. These special annotations are easily recognized as follows:



#### **WARNING**

*A WARNING gives information regarding possible personal injury.*



#### **CAUTION**

*A CAUTION refers to possible equipment damage.*

#### **NOTE**

*A NOTE offers helpful information concerning certain operating procedures.*

Additional copies of this manual may be purchased by contacting Thermadyne at the address and phone number in your area listed in the inside back cover of this manual. Include the Owner's Manual number and equipment identification numbers.

Electronic copies of this manual can also be downloaded at no charge in Acrobat PDF format by going to the

Thermal Dynamics web site listed below and clicking on Thermal Dynamics and then on the Literature link:

<http://www.thermal-dynamics.com>

### 2.02 Equipment Identification

The unit's identification number (specification or part number), model, and serial number usually appear on a data tag attached to the rear panel. Equipment which does not have a data tag such as torch and cable assemblies are identified only by the specification or part number printed on loosely attached card or the shipping container. Record these numbers on the bottom of page 1 for future reference.

### 2.03 Receipt Of Equipment

When you receive the equipment, check it against the invoice to make sure it is complete and inspect the equipment for possible damage due to shipping. If there is any damage, notify the carrier immediately to file a claim. Furnish complete information concerning damage claims or shipping errors to the location in your area listed in the inside back cover of this manual.

Include all equipment identification numbers as described above along with a full description of the parts in error.

Move the equipment to the installation site before un-crating the unit. Use care to avoid damaging the equipment when using bars, hammers, etc., to un-crate the unit.

# CUTMASTER A120

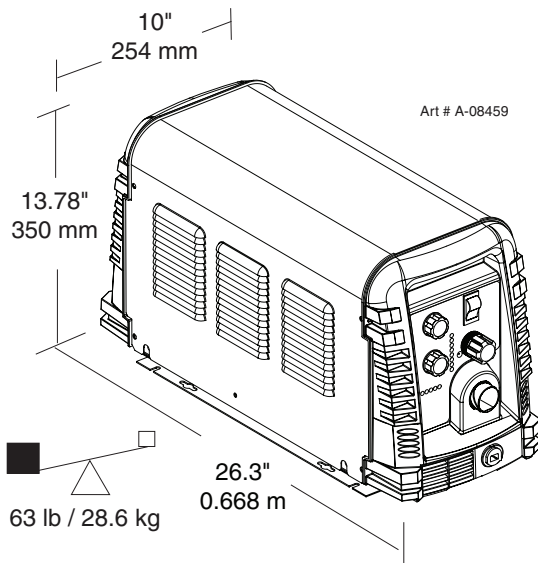
## 2.04 Power Supply Specifications

CutMaster A120 Power Supply Specifications				
Input Power	208 / 230 VAC (187 - 253 VAC), Single Phase, 60 Hz			
	230 VAC (187 - 253 VAC), Three Phase, 50/60 Hz			
	380 VAC (360 - 440 VAC), Three Phase, 50/60 Hz			
	400 VAC (360 - 440 VAC), Three Phase, 50/60 Hz			
	460 VAC (414 - 506 VAC), Single Phase, 60 Hz			
	460 VAC (414 - 506 VAC), Three Phase, 60 Hz			
Input Power Cable	Power Supply includes input cable.			
Output Current	30 - 120 Amps, Continuously Adjustable			
Power Supply Gas Filtering Ability	Particulates to 5 Microns			
CutMaster A120 Power Supply Duty Cycle *				
Ambient Temperature	Duty Cycle Ratings @ 40° C (104° F) Operating Range 0° - 50° C			
All Units	Duty Cycle	N/A	80%**	100%
	Current		120	110
		IEC	IEC	IEC
	DC Voltage		128	124
* NOTE: The duty cycle will be reduced if the primary input power (AC) is low or the output voltage (DC) is higher than shown in this chart.				
**Using a 208/230 VAC input will reduce this duty cycle to 50%				

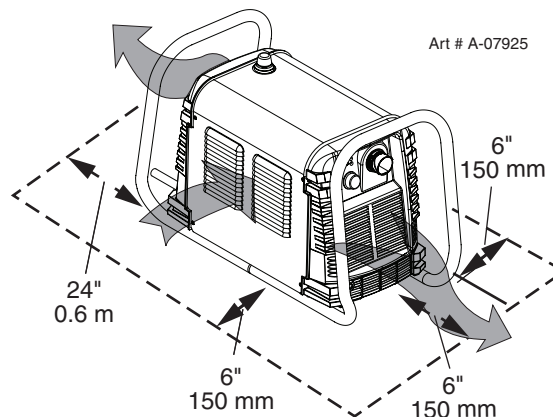
**NOTE**

IEC Rating is determined as specified by the International Electro-Technical Commission. These specifications include calculating an output voltage based upon power supply rated current. To facilitate comparison between power supplies, all manufacturers use this output voltage to determine duty cycle.

### Power Supply Dimensions & Weight



### Ventilation Clearance Requirements





**2.05 Input Wiring Specifications**

CutMaster A120 Power Supply Input Cable Wiring Requirements							
	Input voltage	Freq	Power Input			Suggested Sizes	
	Volts	Hz	kVA	I max	I eff	Fuse (amps)	Flexible Cord (Min. AWG)
1 Phase	208	60	26.2	126	115	150	4 Type W
	230	60	27.6	120	106	125	4 Type W
	460	60	35	76	38	100	8
3 Phase	208	60	21.6	60	55	60	4
	230	60	22.3	56	50	60	4
	380	50	23	35	32	40	8
	400	50	23.6	34	31	40	8
	460	60	29.5	37	33	40	8

Line Voltages with Suggested Circuit Protection and Wire Sizes  
Based on National Electric Code and Canadian Electric Code

**NOTES**

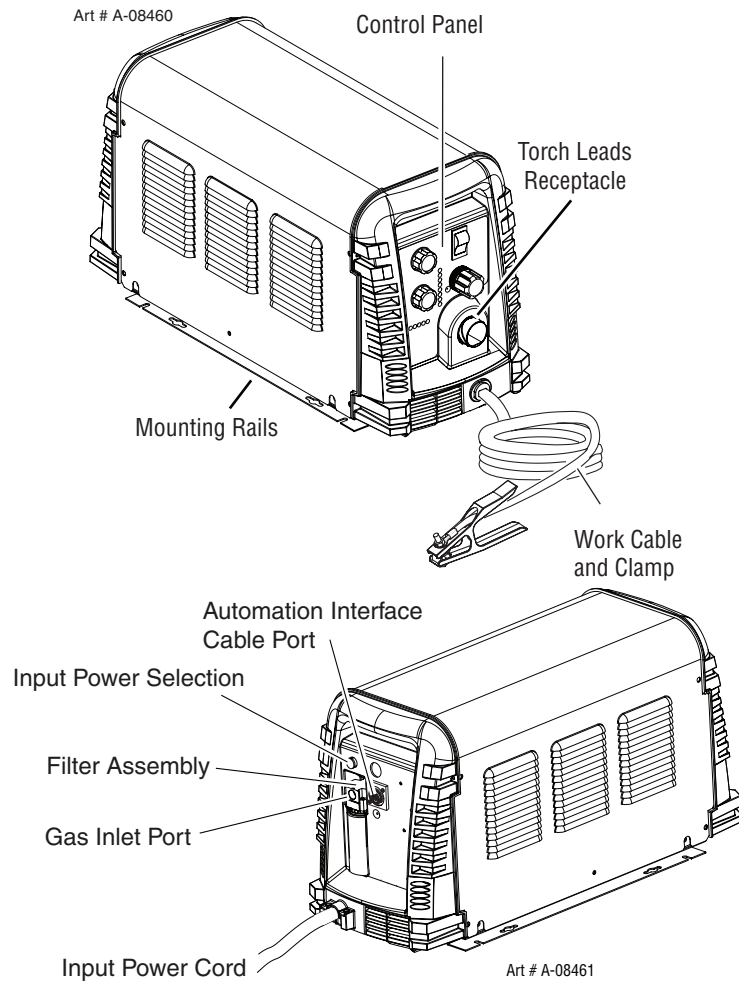
*Refer to Local and National Codes or local authority having jurisdiction for proper wiring requirements.*

*The suggested sizes are based on flexible power cable with power plug installations. For hard-wired installations refer to local or national codes.*

*I<sub>1max</sub> is taken at TDC rated minimum duty cycle.*

*I<sub>1eff</sub> is taken at TDC 100% rated duty cycle*

## 2.06 Power Supply Features



# SECTION 2 TORCH: INTRODUCTION

## 2T.01 Scope of Manual

This manual contains descriptions, operating instructions and maintenance procedures for the 1 Torch Models SL100/Manual and SL100/Mechanized Plasma Cutting Torches. Service of this equipment is restricted to properly trained personnel; unqualified personnel are strictly cautioned against attempting repairs or adjustments not covered in this manual, at the risk of voiding the Warranty.

Read this manual thoroughly. A complete understanding of the characteristics and capabilities of this equipment will assure the dependable operation for which it was designed.

## 2T.02 General Description

Plasma torches are similar in design to the automotive spark plug. They consist of negative and positive sections separated by a center insulator. Inside the torch, the pilot arc starts in the gap between the negatively charged electrode and the positively charged tip. Once the pilot arc has ionized the plasma gas, the superheated column of gas flows through the small orifice in the torch tip, which is focused on the metal to be cut. A single torch lead provides gas from a single source to be used as both the plasma and secondary gas. The air flow is divided inside the torch head. Single - gas operation provides a smaller sized torch and inexpensive operation.

**NOTE**

*Refer to Section 2T.05, Introduction To Plasma, for a more detailed description of plasma torch operation.*

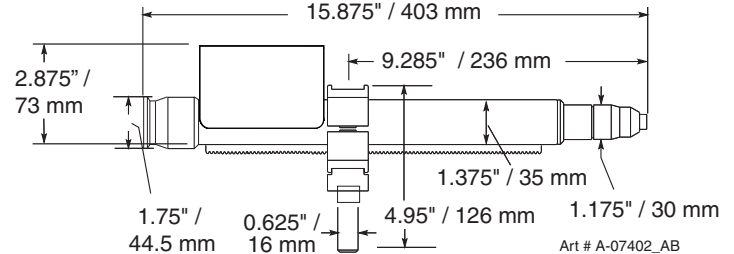
*Refer to the Appendix Pages for additional specifications as related to the Power Supply used.*

## 2T.03 Specifications

### A. Torch Configurations

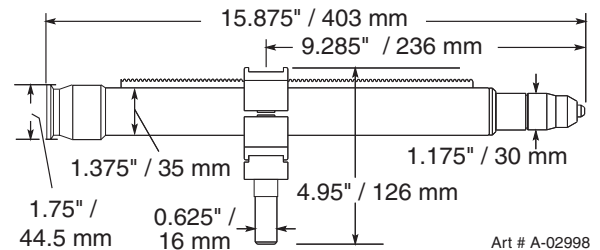
#### 1. Automation Torch, Model

The standard automation torch has a positioning tube with rack & pinch block assembly and a solenoid valve.



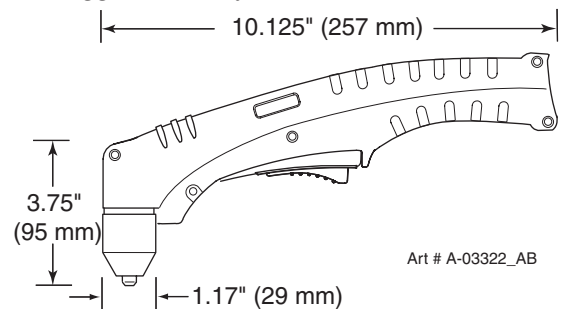
#### 2. Machine Torch, Model

The standard machine torch has a positioning tube with rack & pinch block assembly.



#### 3. Hand/Manual Torch, Models

The hand torch head is at 75° to the torch handle. The hand torches include a torch handle and torch trigger assembly.



### B. Torch Leads Lengths

**Hand Torches** are available as follows:

- 20 ft / 6.1 m, with ATC connectors
- 50 ft / 15.2 m, with ATC connectors

**Machine / Automation Torches** are available as follows:

- 5 foot / 1.5 m, with ATC connectors
- 10 foot / 3.05 m, with ATC connectors
- 25 foot / 7.6 m, with ATC connectors
- 50 foot / 15.2 m, with ATC connectors

# CUTMASTER A120

## C. Torch Parts

Starter Cartridge, Electrode, Tip, Shield Cup

## D. Parts - In - Place (PIP)

Torch Head has built - in switch

12 vdc circuit rating

## E. Type Cooling

Combination of ambient air and gas stream through torch.

## F. Torch Ratings

Automated / Machine Torch Ratings	
Ambient Temperature	104° F 40° C
Duty Cycle	100% @ 100 Amps @ 400 scfh 80% @ 120 Amps @ 400 scfh
Maximum Current	120 Amps
Voltage (V <sub>peak</sub> )	500V
Arc Striking Voltage	7kV

Manual Torch Ratings	
Ambient Temperature	104° F 40° C
Duty Cycle	100% @ 120 Amps @ 400 scfh
Maximum Current	120 Amps
Voltage (V <sub>peak</sub> )	500V
Arc Striking Voltage	7kV

## G. Gas Requirements

Automated, Manual and Machine Torch Gas Specifications	
Gas (Plasma and Secondary)	Compressed Air
Operating Pressure <i>Refer to NOTE</i>	60 - 95 psi 4.1 - 6.5 bar
Maximum Input Pressure	125 psi / 8.6 bar
Gas Flow (Cutting and Gouging)	300 - 500 scfh 142 - 235 lpm



**WARNING**

*This torch is not to be used with oxygen (O<sub>2</sub>).*

## NOTE

*Operating pressure varies with torch model, operating amperage, and torch leads length. Refer to gas pressure settings charts for each model.*

## H. Direct Contact Hazard

For standoff tip the recommended standoff is 3/16 inches / 4.7 mm.

## 2T.04 Options And Accessories

For options and accessories, see section 6.

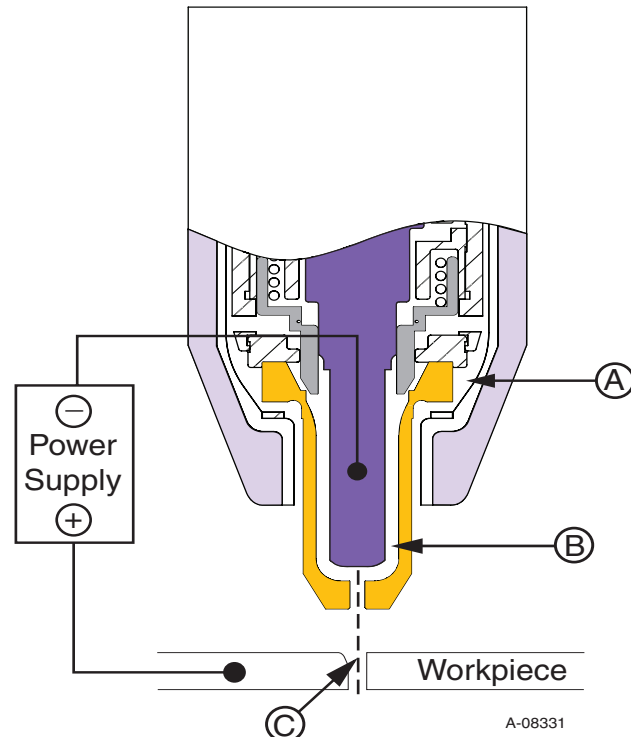
## 2T.05 Introduction to Plasma

### A. Plasma Gas Flow

Plasma is a gas which has been heated to an extremely high temperature and ionized so that it becomes electrically conductive. The plasma arc cutting and gouging processes use this plasma to transfer an electrical arc to the workpiece. The metal to be cut or removed is melted by the heat of the arc and then blown away.

While the goal of plasma arc cutting is separation of the material, plasma arc gouging is used to remove metals to a controlled depth and width.

In a Plasma Cutting Torch a cool gas enters Zone B, where a pilot arc between the electrode and the torch tip heats and ionizes the gas. The main cutting arc then transfers to the workpiece through the column of plasma gas in Zone C.



Typical Torch Head Detail

By forcing the plasma gas and electric arc through a small orifice, the torch delivers a high concentration of heat to a small area. The stiff, constricted plasma arc is shown in Zone C. Direct current (DC) straight polarity is used for plasma cutting, as shown in the illustration.

Zone A channels a secondary gas that cools the torch. This gas also assists the high velocity plasma gas in blowing the molten metal out of the cut allowing for a fast, slag - free cut.

**B. Gas Distribution**

The single gas used is internally split into plasma and secondary gases.

The plasma gas flows into the torch through the negative lead, through the starter cartridge, around the electrode, and out through the tip orifice.

The secondary gas flows down around the outside of the torch starter cartridge, and out between the tip and shield cup around the plasma arc.

**C. Pilot Arc**

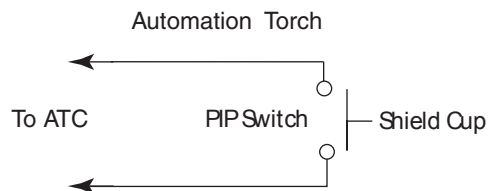
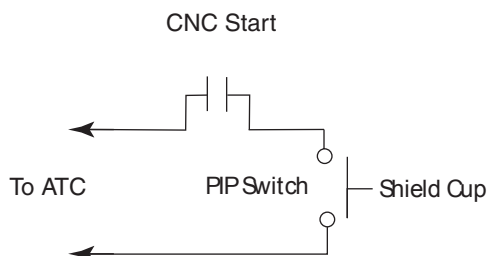
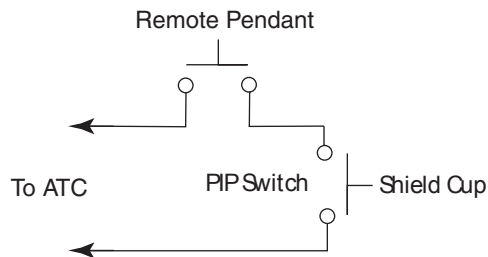
When the torch is started a pilot arc is established between the electrode and cutting tip. This pilot arc creates a path for the main arc to transfer to the work.

**D. Main Cutting Arc**

DC power is also used for the main cutting arc. The negative output is connected to the torch electrode through the torch lead. The positive output is connected to the workpiece via the work cable and to the torch through a pilot wire.

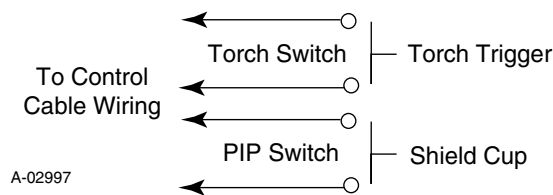
**E. Parts - In - Place (PIP)**

The torch includes a 'Parts - In - Place' (PIP) circuit. When the shield cup is properly installed, it closes a switch. The torch will not operate if this switch is open.



Art # A-08168

Parts - In - Place Circuit Diagram for Machine Torch



A-02997

Parts - In - Place Circuit Diagram for Hand Torch

This Page Intentionally Blank

## SECTION 3 SYSTEM: INSTALLATION

### 3.01 Unpacking

1. Use the packing lists to identify and account for each item.
2. Inspect each item for possible shipping damage. If damage is evident, contact your distributor and / or shipping company before proceeding with the installation.
3. Record Power Supply and Torch model and serial numbers, purchase date and vendor name, in the information block at the front of this manual.

### 3.02 Lifting Options

The Power Supply includes hand holds in the front and rear panels for **hand lifting only**. Be sure unit is lifted and transported safely and securely.



#### WARNING

*Do not touch live electrical parts.*

*Disconnect input power cord before moving unit.*


***FALLING EQUIPMENT** can cause serious personal injury and can damage equipment.*

- Only persons of adequate physical strength should lift the unit.
- Lift unit by the handles, using two hands. Do not use straps for lifting.
- Use optional cart or similar device of adequate capacity to move unit.
- Place unit on a proper skid and secure in place before transporting with a fork lift or other vehicle.

### 3.03 Power Supply location and Mounting

#### NOTE

*It is recommended that the unit be secured to a suitable surface using the mounting rails.*

1. First choose an appropriate location for mounting the power supply. Choose one that allows for free movement of torch leads, complies with ventilation per section 2.04 and provides a safe firm surface where the unit can be secured.
2. Place the unit in the desired position and mark where the four keyway holes  in the mounting rails touch.
3. Remove the unit and using these markings, prepare holes for mounting hardware.
4. Insert proper hardware. If using hardware that screws into the mounting surface, leave all four loose enough for the thickness of the rail to slide under the head and washer if used.
5. Lower the power supply over the mounting hardware and slide forward or backward until the keyway stops against the mounting hardware.
6. Secure the hardware to the rail.

### 3.04 Primary Input Power Connections



#### CAUTION

*Check your power source for correct voltage before plugging in or connecting the unit. Check the Voltage Selector at the rear of the unit for correct setting before plugging in or connecting the unit. The primary power source, fuse, and any extension cords used must conform to local electrical code and the recommended circuit protection and wiring requirements as specified in Section 2.*

Most units are shipped from the factory with a 230Volt input power cable wired to the input contactor in the single - phase configuration. The following illustrations and directions are for changing that configuration to a different voltage and or to three - phase operation or back again if a change had already been made.

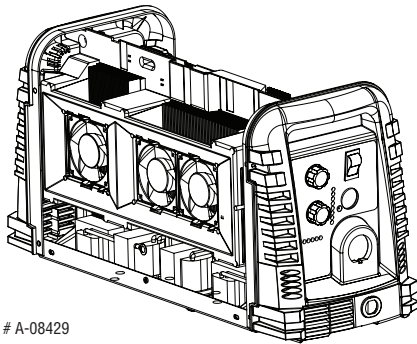
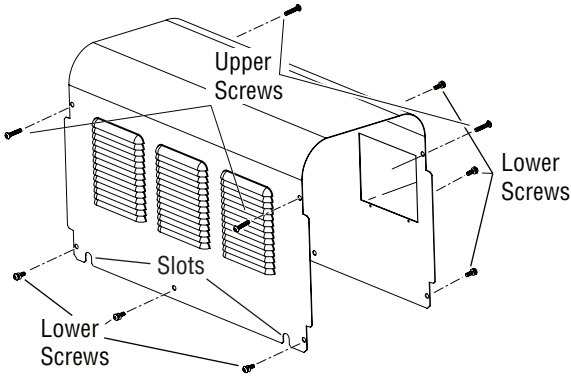
# CUTMASTER A120

## A. Cover Removal

1. Remove the upper and lower screws which secure the cover to the main assembly. Do not loosen the lower screws inside the cut out slots in the bottom of the cover.

**Note**

The upper screws and lower screws are not the same. Do not mix them. The upper screws are for threading into the plastic of the front and rear panels. DO NOT use the finer threaded lower screws for this.



Art # A-08429

2. Carefully pull the Cover up and away from the unit.

## B. Cover Installation

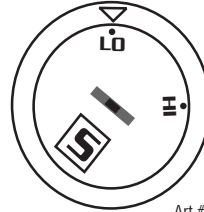
1. Reverse previous procedures for cover installation.

**NOTE**

When installing the upper screws, attempt to reuse the original threads. The easiest way to do this is by turning the screw counter-clockwise until you feel the threads line up, then begin to turn the screw clockwise to tighten. **Do not over tighten.**

## C. Input Power Selection

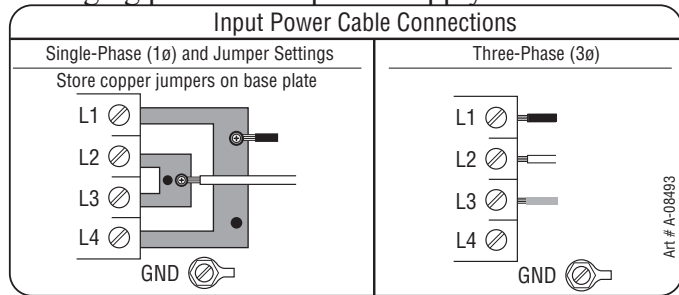
Set the Input Voltage Selection Switch at the rear of the unit based on the primary input voltage it is connected to. Low is 208/230 VAC and high is 460 VAC.



Art # A-08316

## D. Quick Guide to Phase Wiring

The following illustration and directions are for changing phase of the power supply.



Art # A-08493

Single and Three Phase Input Power Wiring

**NOTE**

There are two jumpers used for the single phase 230V setting and none for three phase.



**E. Connections to Single Phase Input Power****WARNING**


---

*Disconnect input power from the power supply and input cable before attempting this procedure.*

---

These instructions are for changing the input power and or cable on the 208/230, 400, 460 VAC Power Supply to Single - Phase input power.

1. Remove the Power Supply cover per instructions found in this subsection A.
2. Disconnect the original input power cable from the main input contactor and the chassis ground connection.
3. Loosen the through - hole protector on the back panel of the power supply. Pull the original power cable out of the power supply.
4. If the power cable being used is not the factory - supplied cable, use a three - conductor input power cable for the voltage desired and strip back the insulation on the individual wires.
5. Pass the cable being used through the access opening in the back panel of the power supply. Refer to Section 2 for power cable specifications.

**CAUTION**


---

*The primary power source and power cable must conform to local electrical code and the recommended circuit protection and wiring requirements (refer to table in Section 2).*

---

6. Connect the wires as follows.
  - Connect Bus Bar Jumpers on the contactor as shown in prior illustration and on label in the power supply.
  - Green / Yellow wire to Ground.
7. With a little slack in the wires, tighten the through - hole protector to secure the power cable.
8. Reinstall the Power Supply cover see subsection B.

9. Connect the opposite end of individual wires to a customer supplied plug or main disconnect.
10. Connect the input power cable (or close the main disconnect switch) to supply power.

**F. Connections to Three Phase Input Power****WARNING**


---

*Disconnect input power from the power supply and input cable before attempting this procedure.*

---

These instructions are for changing the input power and or cable on the 208/230, 400, 460 VAC Power Supply to Three - Phase input power.

1. Remove the Power Supply cover per instructions found in this subsection A.
2. Disconnect the original input power cable from the main input contactor and the chassis ground connection.
3. Loosen the through - hole protector on the back panel of the power supply. Pull the original power cable out of the power supply.
4. Using a customer supplied four - conductor input power cable for the voltage desired, strip back the insulation on the individual wires.
5. Pass the cable being used through the access opening in the back panel of the power supply. Refer to Section 2 for power cable specifications.

**CAUTION**


---

*The primary power source and power cable must conform to local electrical code and the recommended circuit protection and wiring requirements (refer to table in Section 2).*

---

6. Connect the wires as follows.
  - Wires to L1, L2 and L3 input. It does not matter what order these wires are attached. See previous illustration and on label in the power supply.
  - Green / Yellow wire to Ground.
7. With a little slack in the wires, tighten the through - hole protector to secure the power cable.
8. Reinstall the Power Supply cover see subsection B.
9. Connect the opposite end of individual wires to a customer supplied plug or main disconnect.
10. Connect the input power cable (or close the main disconnect switch) to supply power.

## 3.05 Gas Connections

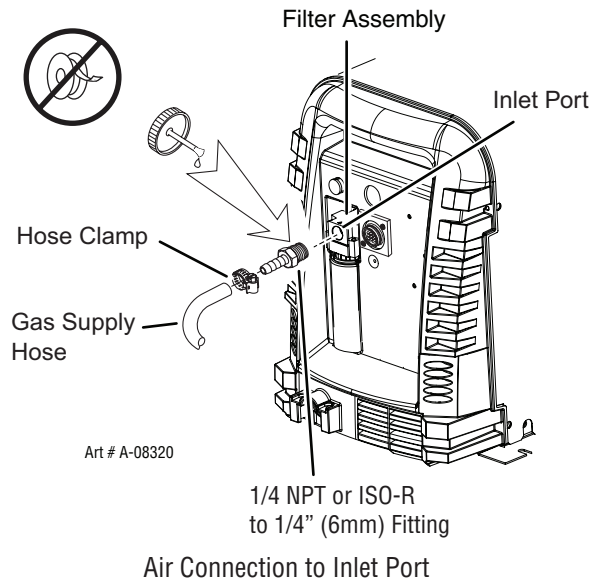
### Connecting Gas Supply to Unit

The connection is the same for compressed air or high pressure cylinders. Refer to the following subsections if an optional air line filter is to be installed.

1. Connect the air line to the inlet port. The illustration shows typical fittings as an example.

#### NOTE

*For a secure seal, apply thread sealant to the fitting threads, according to manufacturer's instructions. Do not use Teflon tape as a thread sealer, as small particles of the tape may break off and block the small air passages in the torch.*



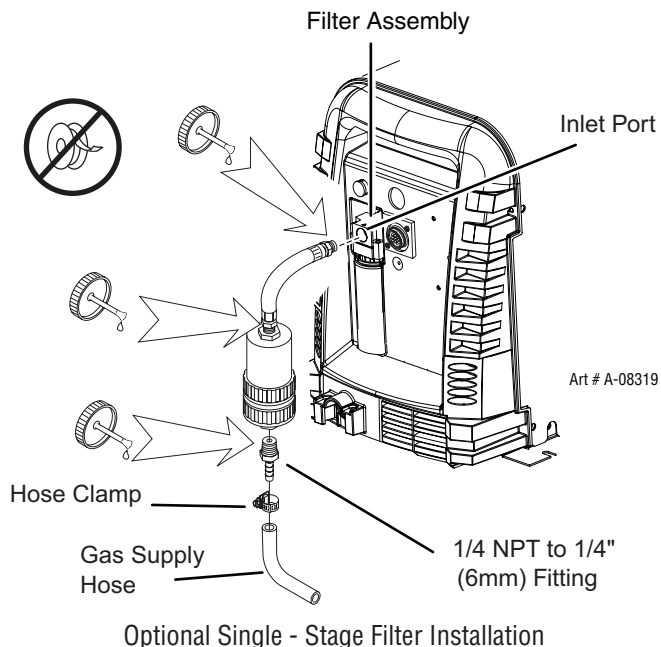
### Installing Optional Single - Stage Air Filter

An optional filter kit is recommended for improved filtering with compressed air, to keep moisture and debris out of the torch.

1. Attach the Single - Stage Filter Hose to the Inlet Port.
2. Attach the Filter Assembly to the filter hose.
3. Connect the air line to the Filter. The illustration shows typical fittings as an example.

#### NOTE

*For a secure seal, apply thread sealant to the fitting threads, according to the manufacturer's instructions. Do Not use Teflon tape as a thread sealer, as small particles of the tape may break off and block the small air passages in the torch. Connect as follows:*



Optional Single - Stage Filter Installation

## Using High Pressure Air Cylinders

When using high pressure air cylinders as the air supply:

1. Refer to the manufacturer's specifications for installation and maintenance procedures for high pressure regulators.
2. Examine the cylinder valves to be sure they are clean and free of oil, grease or any foreign material. Briefly open each cylinder valve to blow out any dust which may be present.
3. The cylinder must be equipped with an adjustable high - pressure regulator capable of outlet pressures up to 100 psi (6.9 bar) maximum and flows of at least 300 scfh (141.5 lpm).
4. Connect supply hose to the cylinder.

### NOTE

Pressure should be set at 100 psi (6.9 bar) at the high pressure cylinder regulator.

Supply hose must be at least 1/4 inch (6 mm) I.D.

For a secure seal, apply thread sealant to the fitting threads, according to manufacturer's instructions. Do Not use Teflon tape as a thread sealer, as small particles of the tape may break off and block the small air passages in the torch.

## Installing Optional Two - Stage Air Filter Kit

This optional two - stage air line filter is also for use on compressed air shop systems. Filter removes moisture and contaminants to at least 5 microns.

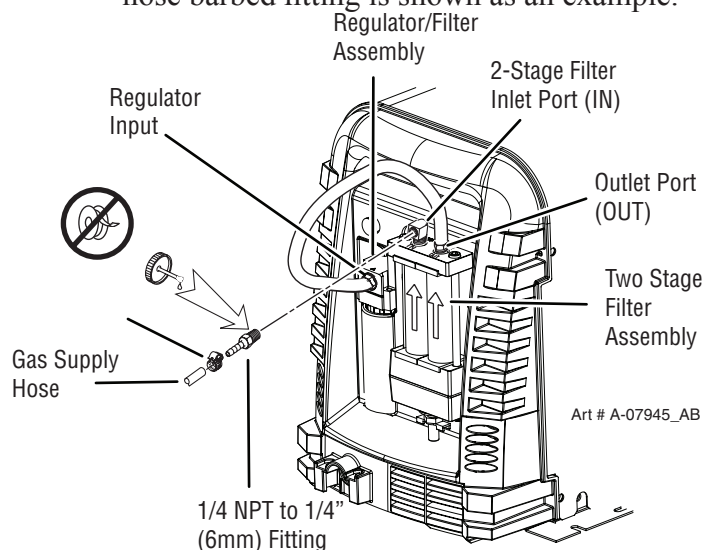
Connect the air supply as follows:

1. Attach the Two Stage Filter bracket to the back of the power supply per instructions supplied with the filter assembly.

### NOTE

For a secure seal, apply thread sealant to the fitting threads according to manufacturer's instructions. Do Not use Teflon tape as a thread sealer as small particles of the tape may break off and block the small air passages in the torch.

2. Connect the two stage filter outlet hose to the inlet port of the Regulator / Filter Assembly.
3. Use customer - supplied fittings to connect the air line to the Filter. A 1/4 NPT to 1/4" hose barbed fitting is shown as an example.



Optional Two - Stage Filter Installation

# CUTMASTER A120

---

## Using High Pressure Air Cylinders

When using high pressure air cylinders as the air supply:

1. Refer to the manufacturer's specifications for installation and maintenance procedures for high pressure regulators.
2. Examine the cylinder valves to be sure they are clean and free of oil, grease or any foreign material. Briefly open each cylinder valve to blow out any dust which may be present.
3. The cylinder must be equipped with an adjustable high - pressure regulator capable of outlet pressures up to 100 psi (6.9 bar) maximum and flows of at least 300 scfh (141.5 lpm).
4. Connect supply hose to the cylinder.

---

### NOTE

---

*Pressure should be set at 100 psi (6.9 bar) at the high pressure cylinder regulator.*

*Supply hose must be at least 1/4 inch (6 mm) I.D.*

*For a secure seal, apply thread sealant to the fitting threads, according to manufacturer's instructions. Do Not use Teflon tape as a thread sealer, as small particles of the tape may break off and block the small air passages in the torch.*

## SECTION 3 TORCH: INSTALLATION

### 3T.01 Torch Connections

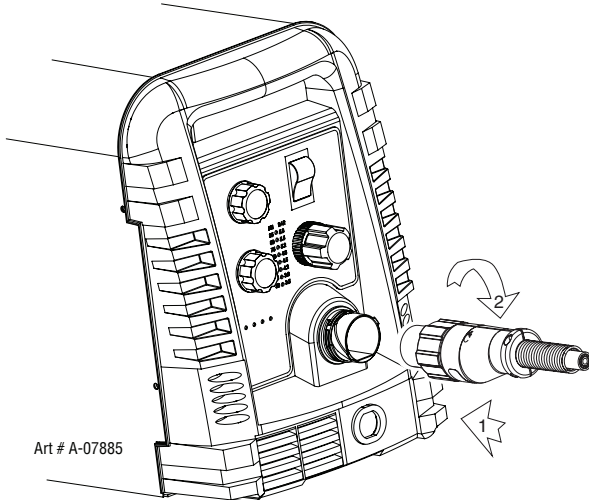
If necessary, connect the torch to the Power Supply. Connect only the Thermal Dynamics model SL100SV / Automation, SL100 / Mechanical or SL100 / Manual Torch to this power supply. Maximum torch leads length is 100 feet / 30.5 m, including extensions.



#### WARNING

*Disconnect primary power at the source before connecting the torch.*

1. Align the ATC male connector (on the torch lead) with the female receptacle. Push the male connector into the female receptacle. The connectors should push together with a small amount of pressure.
2. Secure the connection by turning the locking nut clockwise until it clicks. **DO NOT** use the locking nut to pull the connection together. Do not use tools to secure the connection.



Connecting the Torch to the Power Supply  
3. The system is now ready for operation.

### Check Air Quality

To test the quality of air:

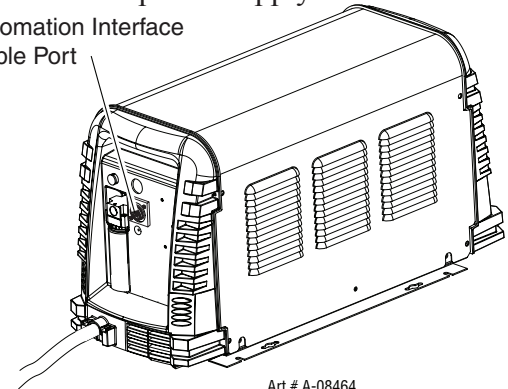
1. Put the ON / OFF switch in the ON (up) position.
2. Put the Function Control switch in the SET position.
3. Place a welding filter lens in front of the torch and turn on the air. **Do not start an arc!**

Any oil or moisture in the air will be visible on the lens.

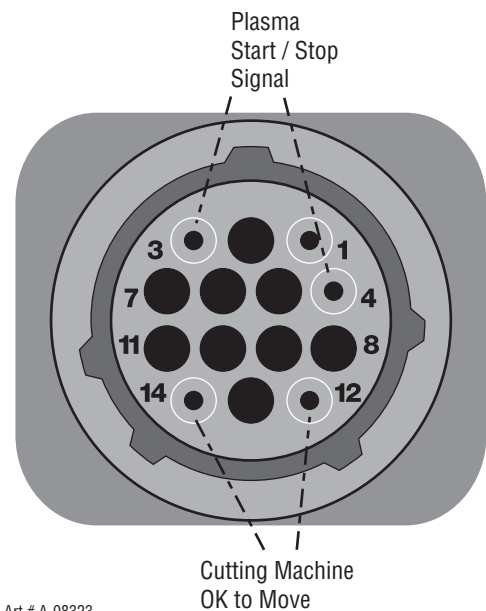
### 3T.02 CNC Connection

1. Locate the interface connection port on the rear of the power supply.

Automation Interface  
Cable Port



2. Note the pin-out of the connector and that the customer supplied connector matches.



Art # A-08323

3. Connect CNC to the power supply.

## 3T.03 Setting Up Automation or Machine Torch

### NOTE

An adapter is required to be installed in the power supply if converting a hand torch system to operate a machine or automation torch.

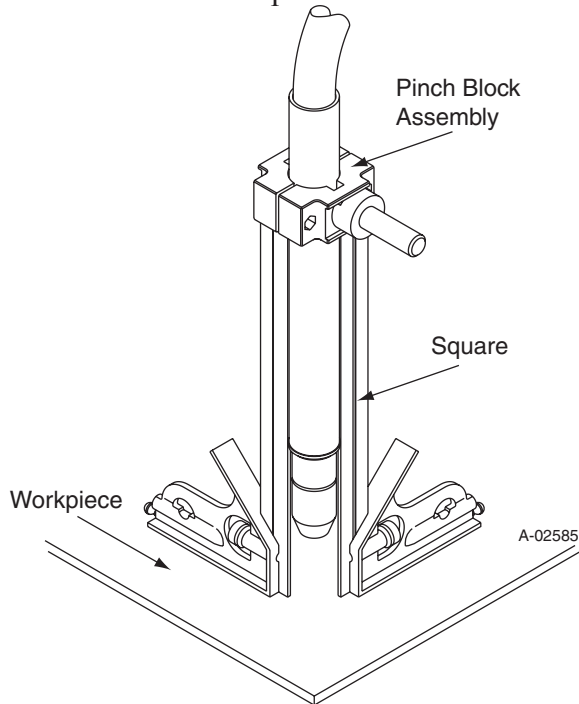


### WARNING

Disconnect primary power at the source before disassembling the torch or torch leads.

The Automation and Machine torch include a positioning tube with rack and pinch block assembly.

1. Mount the torch assembly on the cutting table.
2. To obtain a clean vertical cut, use a square to align the torch perpendicular to the surface of the workpiece.



Automated and Machine Torch Set - Up

3. The proper torch parts (shield cup, tip, start cartridge, and electrode) must be installed for the type of operation. Refer to Section 4T.08, Torch Parts Selection for details.

# SECTION 4 SYSTEM: OPERATION

## 4.01 Front Panel Controls / Features


See Illustration for numbering Identification


### 1. Output Current Control


Sets the desired output current. Output settings up to 60 Amps may be used for drag cutting (with the torch tip contacting the workpiece) or higher for standoff cutting.



### 2. Function Control

Function Control Knob, Used to select between the different operating modes.

**SET**  Used to purge the air through the unit and torch and leads and to adjust gas pressure.

**RUN**  Used for general cutting operations


**RAPID AUTO RESTART**  Allows for faster restarting of the Pilot Arc for uninterrupted cutting.

**LATCH**   Used for longer hand held or mechanical cuts. (Does not apply to automation). Once a cutting arc is established, the torch switch can be released. The cutting arc will remain on until the torch is lifted away from the work piece, the torch leaves the edge of the work piece the torch switch is activated again or if one of the system interlocks is activated.

### 3. On Off Power Switch

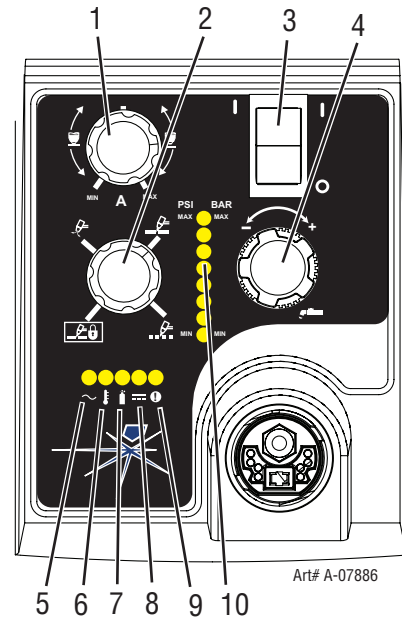
**ON**  / **OFF**  Switch controls input power to the power supply. Up is ON, down is OFF.

### 4. Air/Gas Pressure Control

The Pressure  Control is used in the "SET" mode to adjust the air/gas pressure. Pull the knob out to adjust and push in to lock.

### 5. AC Indicator

Steady light indicates power supply is ready for operation. Blinking light indicates unit is in protective interlock mode. Shut unit off, shut off or disconnect input power, correct the fault, and restart the unit. Refer to Section 5 for details.



### 6. Temp Indicator

Indicator is normally OFF. Indicator is ON when internal temperature exceeds normal limits. Let the unit cool before continuing operation.

### 7. Gas Indicator

Indicator is ON when minimum input gas pressure for power supply operation is present. Minimum pressure for power supply operation is not sufficient for torch operation.

### 8. DC Indicator

Indicator is ON when DC output circuit is active.

### 9. Fault Error Indicator

Indicator is ON when Fault circuit is active. See section 5 for explanations of fault lights.

### 10. Pressure Indicators

PSI	BAR
MAX	MAX
90	6.3
85	5.9
80	5.5
75	5.2
70	4.8
65	4.5
MIN	MIN

Art # A-08170

The Indicators will illuminate according to the pressure set by the Pressure Control Knob (number 4).

## 4.02 Preparations for Operation

At the start of each operating session:



**WARNING**

Disconnect primary power at the source before assembling or disassembling power supply, torch parts, or torch and leads assemblies.

### Torch Parts Selection

Check the torch for proper assembly and appropriate torch parts. The torch parts must correspond with the type of operation, and with the amperage output of this Power Supply (120 amps maximum). Refer to Section 4T.07 and following for torch parts selection.

### Torch Connection

Check that the torch is properly connected. Only Thermal Dynamics model SL100 / Manual or SL100 / Mechanical Torches may be connected to this Power Supply. See Section 3T of this manual.

### Check Primary Input Power Source

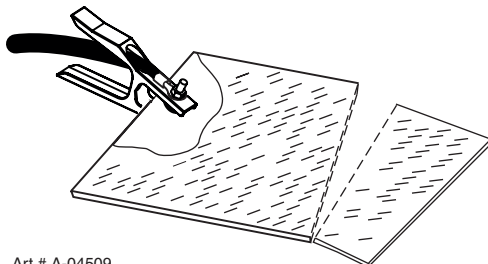
1. Check the power source for proper input voltage. Make sure the input power source meets the power requirements for the unit per Section 2, Specifications.
2. Connect the input power cable (or close the main disconnect switch) to supply power to the system.

### Air Source

Ensure source meets requirements (refer to Section 2). Check connections and turn air supply on.

### Connect Work Cable


Clamp the work cable to the workpiece or cutting table. The area must be free from oil, paint and rust. Connect only to the main part of the workpiece; do not connect to the part to be cut off.



Art # A-04509

### Power On

Place the Power Supply ON / OFF switch to the ON (up) position. AC indicator  turns on. Gas

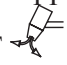
indicator  turns on if there is sufficient gas pressure for power supply operation and the cooling fans turn on.

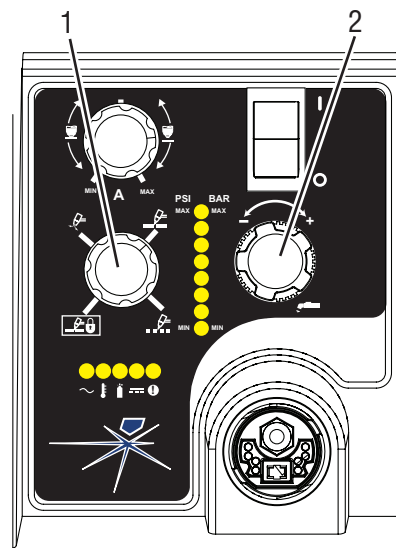
### NOTE

Minimum pressure for power supply operation is lower than minimum for torch operation.

The cooling fans will turn on as soon as the unit is turned on. After the unit is idle for ten (10) minutes the fans will turn off. The fans will come back on as soon as the torch switch (Start Signal) is activated or if the unit is turned off, then turned on again. If an over temperature condition occurs, the fans will continue to run while the condition exists and for a ten (10) minute period once the condition is cleared.

### Set Operating Pressure

1. Place the Power Supply Function Control knob to the SET  position. Gas will flow.
2. For Standoff cutting, adjust gas pressure from 70 - 85 psi / 4.8 - 5.9 bar (LED's in center of control panel). Refer to the Standoff chart for pressure setting details.



Art# A-07946



STANDOFF		
CutMaster A120 Gas Pressure Settings		
Leads Length	SL100 (Hand Torch)	SL100 (Mechanized Torch) SL100 SV (Automation Torch)
Up to 50' (7.6 m)	75 psi 5.2 bar	75 psi 5.2 bar
Each additional 25' (7.6 m)	Add 5 psi 0.4 bar	Add 5 psi 0.4 bar

- For Drag cutting (60 Amps and below), adjust gas pressure from 75 - 95 psi / 5.2 - 6.5 bar (LED's in center of control panel). Refer to the Drag Cutting chart for pressure setting details.

DRAG (60 Amps or less)	
CutMaster A120 Gas Pressure Settings	
Leads Length	SL100 (Hand Torch)
Up to 25' (7.6 m)	80 psi 5.5 bar
Each additional 25' (7.6 m)	Add 5 psi 0.4 bar

**Select Current Output Level**

- Place the Function Control Knob in one of the three operating positions available:

RUN 

RAPID AUTO RESTART 

or LATCH  . Gas flow stops.

- Set the output current to desired amperage with the Output Current Control Knob.

**Pre-flow**

With hand or mechanical torch, there will be a .5 second pre-flow of the gas. Pre-flow does not apply to automation torch use.

**Cutting Operation**

When the torch leaves the workpiece during cutting operations with the Function Control Knob in the RUN position, there is a brief delay in restarting the pilot arc. With the knob in the **RAPID AUTO RESTART** position, when the torch leaves the workpiece the pilot arc restarts instantly, and the cutting arc restarts instantly when the pilot arc contacts the workpiece. (Use the 'Rapid Auto Restart' position when cutting expanded metal or gratings, or in gouging or trimming operations when an uninterrupted restart is desired). And with the knob in the LATCH position the main cutting arc will be maintained after the torch switch is released.

**Typical Cutting Speeds**




Cutting speeds vary according to torch output amperage, the type of material being cut, and operator skill. Refer to Section 4T.08 and following for greater details.

Output current setting or cutting speeds may be reduced to allow slower cutting when following a line, or using a template or cutting guide while still producing cuts of excellent quality.

**Postflow**

Release the trigger to stop the cutting arc. Gas continues to flow for approximately 20 seconds. During post - flow, if the user moves the trigger release to the rear and presses the trigger, the pilot arc starts. The main arc transfers to the workpiece if the torch tip is within transfer distance to the workpiece.

**Shutdown**

Turn the ON  / OFF  switch to OFF  (down). All Power Supply indicators shut off. Unplug the input power cord or disconnect input power. Power is removed from the system.

This Page Intentionally Blank

## SECTION 4 TORCH: OPERATION

### 4T.01 Machine and Automated Torch Operation

#### Cutting With Machine or Automated Torch

These torches are activated by remote control pendant or by a remote interface device such as CNC.

1. To start a cut at the plate edge, position the center of the torch along the edge of the plate.

#### Travel Speed

Proper travel speed is indicated by the trail of the arc which is seen below the plate. The arc can be one of the following:

##### 1. Straight Arc

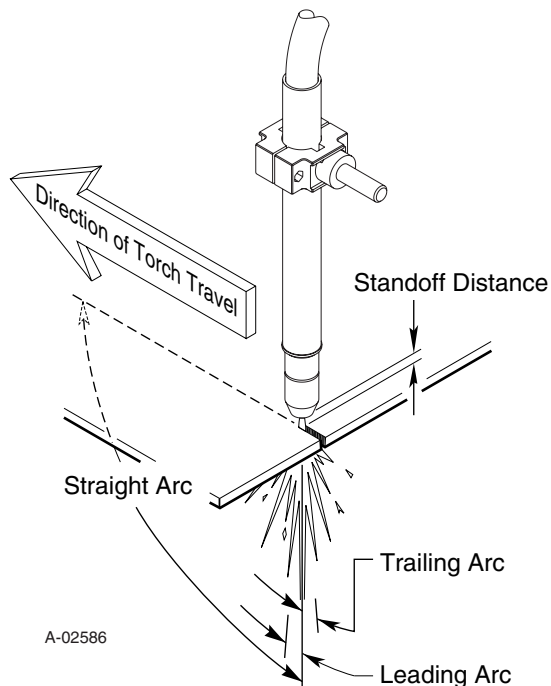
A straight arc is perpendicular to the workpiece surface. This arc is generally recommended for the best cut using air plasma on stainless or aluminum.

##### 2. Leading Arc

The leading arc is directed in the same direction as torch travel. A five degree leading arc is generally recommended for air plasma on mild steel.

##### 3. Trailing Arc

The trailing arc is directed in the opposite direction as torch travel.



Automation and Machine Torch Operation

For optimum smooth surface quality, the travel speed should be adjusted so that only the leading edge of the arc column produces the cut. If the travel speed is too slow, a rough cut will be produced as the arc moves from side to side in search of metal for transfer.

Travel speed also affects the bevel angle of a cut. When cutting in a circle or around a corner, slowing down the travel speed will result in a squarer cut. The power source output should be reduced also. Refer to the appropriate Control Module Operating Manual for any Corner Slowdown adjustments that may be required.

#### Piercing With Machine or Automated Torch

To pierce, the arc should be started with the torch positioned as high as possible above the plate while allowing the arc to transfer and pierce. This standoff helps avoid having molten metal blow back onto the front end of the torch.

When operating with a cutting machine, a pierce or dwell time is required. Torch travel should not be enabled until the arc penetrates the bottom of the plate. As motion begins, torch standoff should be reduced to the recommended 1/8 - 1/4 inch (3-6 mm) distance for optimum speed and cut quality. Clean spatter and scale from the shield cup and the tip as soon as possible. Spraying or dipping the shield cup in anti-spatter compound will minimize the amount of scale which adheres to it.

## 4T.02 Automation Torch Parts Selection

Check the torch for proper consumable parts. The parts supplied in the torch may not be correct for the operator's chosen amperage level. The torch parts must correspond with the type of operation.

### Torch parts:

Shield Cup, Cutting Tip, Electrode and Starter Cartridge

#### NOTE

Refer to Sections 4T.08 and following for additional information on torch parts.

Change the torch parts for a different operation as follows:



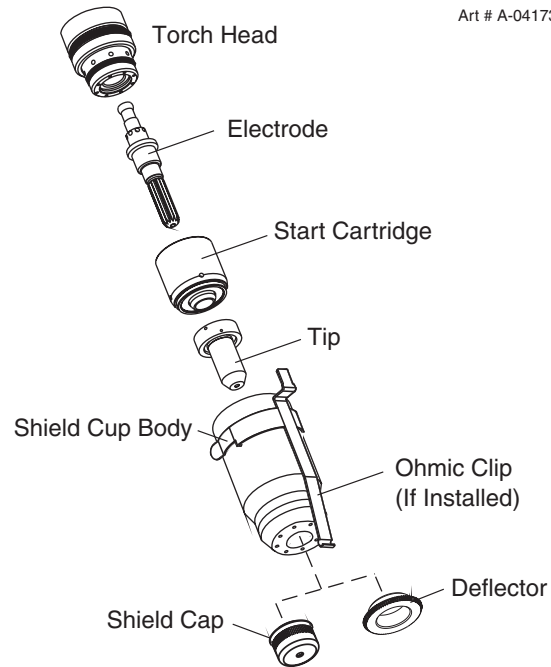
### WARNING

Disconnect primary power at the source before assembling or disassembling torch parts, or torch and leads assemblies.

#### NOTE

The shield cup holds the tip and starter cartridge in place. Position the torch with the shield cup facing upward to keep these parts from falling out when the cup is removed.

1. If attached, remove the ohmic clip then unscrew and remove the shield cup assembly from the torch head. Wipe it clean or replace if damaged
2. Remove the Electrode by pulling it straight out of the Torch Head.



Automation Torch Parts

3. Install the replacement Electrode by pushing it straight into the torch head until it clicks.
4. Install the starter cartridge and desired tip for the operation into the torch head.
5. Hand tighten the shield cup assembly until it is seated on the torch head. If resistance is felt when installing the cup, check the threads before proceeding
6. If used, attach the ohmic clip to the shield cup.

## 4T.03 Machine and Hand Torch Parts Selection

Depending on the type of operation to be done determines the torch parts to be used.

### Type of operation:

Drag cutting, standoff cutting or gouging

### Torch parts:

Shield Cup, Cutting Tip, Electrode and Starter Cartridge

**NOTE**

Refer to Section 4T.08 and following for additional information on torch parts.

Change the torch parts for a different operation as follows:



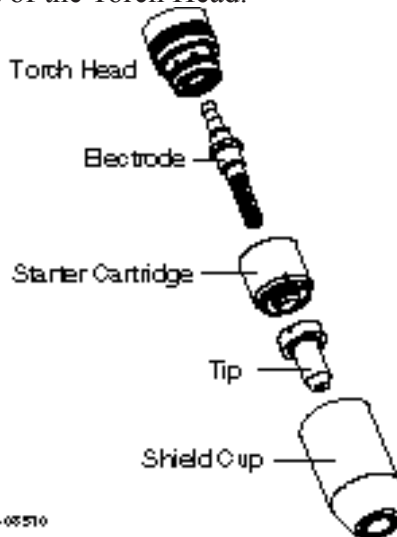
**WARNING**

Disconnect primary power at the source before assembling or disassembling torch parts, or torch and leads assemblies.

**NOTE**

The shield cup holds the tip and starter cartridge in place. Position the torch with the shield cup facing upward to keep these parts from falling out when the cup is removed.

1. Unscrew and remove the shield cup assembly from the torch head.
2. Remove the Electrode by pulling it straight out of the Torch Head.



Torch Parts (Drag Shield Cap & Shield Cup Body Shown)

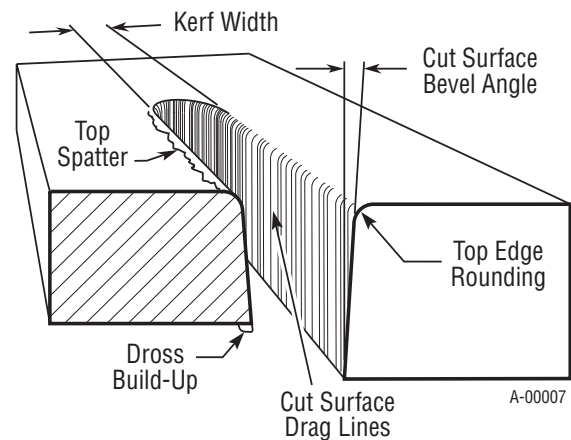
3. Install the replacement Electrode by pushing it straight into the torch head until it clicks.
4. Install the starter cartridge and desired tip for the operation into the torch head.
5. Hand tighten the shield cup assembly until it is seated on the torch head. If resistance is felt when installing the cup, check the threads before proceeding.

**4T.04 Cut Quality**

**NOTES**

Cut quality depends heavily on setup and parameters such as torch standoff, alignment with the workpiece, cutting speed, gas pressures, and operator ability.

Cut quality requirements differ depending on application. For instance, nitride build - up and bevel angle may be major factors when the surface will be welded after cutting. Dross - free cutting is important when finish cut quality is desired to avoid a secondary cleaning operation. The following cut quality characteristics are illustrated in the following figure:



Cut Quality Characteristics

**Cut Surface**

The desired or specified condition (smooth or rough) of the face of the cut.

**Nitride Build - Up**

Nitride deposits can be left on the surface of the cut when nitrogen is present in the plasma gas stream. These buildups may create difficulties if the material is to be welded after the cutting process.

**Bevel Angle**

The angle between the surface of the cut edge and a plane perpendicular to the surface of the plate. A perfectly perpendicular cut would result in a 0° bevel angle.

**Top - Edge Rounding**

Rounding on the top edge of a cut due to wearing from the initial contact of the plasma arc on the workpiece.

# CUTMASTER A120

## Bottom Dross Buildup

Molten material which is not blown out of the cut area and resolidifies on the plate. Excessive dross may require secondary cleanup operations after cutting.

## Kerf Width

The width of the cut (or the width of material removed during the cut).

## Top Spatter (Dross)

Top spatter or dross on the top of the cut caused by slow travel speed, excess cutting height, or cutting tip whose orifice has become elongated.

## 4T.05 General Cutting Information



### WARNINGS

Disconnect primary power at the source before disassembling the power supply, torch, or torch leads.

Frequently review the Important Safety Precautions at the front of this manual. Be sure the operator is equipped with proper gloves, clothing, eye and ear protection. Make sure no part of the operator's body comes into contact with the workpiece while the torch is activated.



### CAUTION

Sparks from the cutting process can cause damage to coated, painted, and other surfaces such as glass, plastic and metal.

### NOTE

Handle torch leads with care and protect them from damage.

## Piloting

Piloting is harder on parts life than actual cutting because the pilot arc is directed from the electrode to the tip rather than to a workpiece. Whenever possible, avoid excessive pilot arc time to improve parts life.

## Torch Standoff

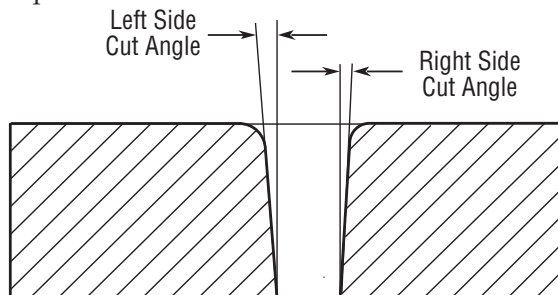
Improper standoff (the distance between the torch tip and workpiece) can adversely affect tip life as well as shield cup life. Standoff may also significantly affect the bevel angle. Reducing standoff will generally result in a more square cut.

## Edge Starting

For edge starts, hold the torch perpendicular to the workpiece with the front of the tip near (not touching) the edge of the workpiece at the point where the cut is to start. When starting at the edge of the plate, do not pause at the edge and force the arc to "reach" for the edge of the metal. Establish the cutting arc as quickly as possible.

## Direction of Cut

In the torches, the plasma gas stream swirls as it leaves the torch to maintain a smooth column of gas. This swirl effect results in one side of a cut being more square than the other. Viewed along the direction of travel, the right side of the cut is more square than the left.



Side Characteristics Of Cut

To make a square - edged cut along an inside diameter of a circle, the torch should move counterclockwise around the circle. To keep the square edge along an outside diameter cut, the torch should travel in a clockwise direction.

## Dross

When dross is present on carbon steel, it is commonly referred to as either "high speed, slow speed, or top dross". Dross present on top of the plate is normally caused by too great a torch to plate distance. "Top dross" is normally very easy to remove and can often be wiped off with a welding glove. "Slow speed dross" is normally present on the bottom edge of the plate. It can vary from a light to heavy bead, but does not adhere tightly to the cut edge, and can be easily scraped off. "High speed dross" usually forms a narrow bead along the bottom of the cut edge and is very difficult to remove. When cutting a troublesome steel, it is sometimes useful to reduce the cutting speed to produce "slow speed dross". Any resultant cleanup can be accomplished by scraping, not grinding.

## 4T.06 Hand Torch Operation

### Standoff Cutting With Hand Torch

**NOTE**

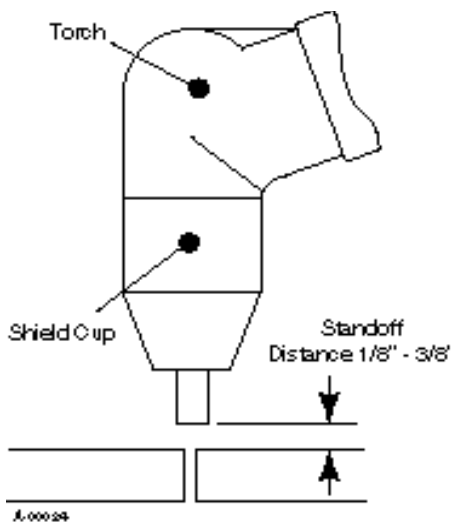
*For best performance and parts life, always use the correct parts for the type of operation.*

1. The torch can be comfortably held in one hand or steadied with two hands. Position the hand to press the Trigger on the torch handle. With the hand torch, the hand may be positioned close to the torch head for maximum control or near the back end for maximum heat protection. Choose the holding technique that feels most comfortable and allows good control and movement.

**NOTE**

*The tip should never come in contact with the workpiece except during drag cutting operations.*

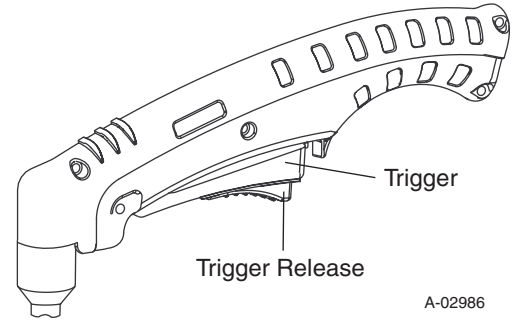
2. Depending on the cutting operation, do one of the following:
  - a. For **edge starts**, hold the torch perpendicular to the workpiece with the front of the tip on the edge of the workpiece at the point where the cut is to start.
  - b. For **standoff cutting**, hold the torch 1/8 - 3/8 in (3-9 mm) from the workpiece as shown below.



Standoff Distance

3. Hold the torch away from your body.

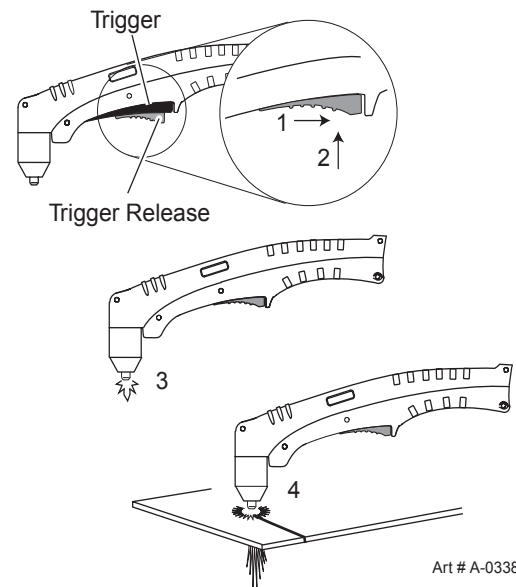
4. Slide the trigger release toward the back of the torch handle while simultaneously squeezing the trigger. The pilot arc will start.



5. Bring the torch within transfer distance to the work. The main arc will transfer to the work, and the pilot arc will shut off.

**NOTE**

*The gas preflow and postflow are a characteristic of the power supply and not a function of the torch.*

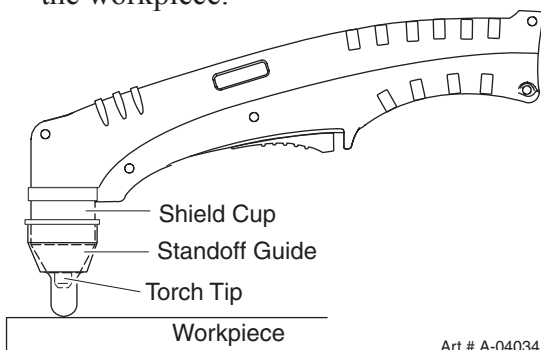


6. Cut as usual. Simply release the trigger assembly to stop cutting.
7. Follow normal recommended cutting practices as provided in the power supply operator's manual.

## NOTE

When the shield cup is properly installed, there is a slight gap between the shield cup and the torch handle. Gas vents through this gap as part of normal operation. Do not attempt to force the shield cup to close this gap. Forcing the shield cup against the torch head or torch handle can damage components.

- For a consistent standoff height from the workpiece, install the standoff guide by sliding it onto the torch shield cup. Install the guide with the legs at the sides of the shield cup body to maintain good visibility of the cutting arc. During operation, position the legs of the standoff guide against the workpiece.



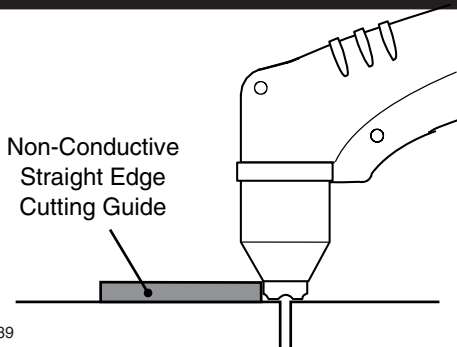
## Shield Cup With Straight Edge

The drag shield cup can be used with a non conductive straight edge to make straight cuts by hand.



## WARNING

The straight edge **must be non-conductive**.



## Using Drag Shield Cup With Straight Edge

The crown shield cup functions best when cutting 3/16 inch (4.7 mm) solid metal with relatively smooth surface.

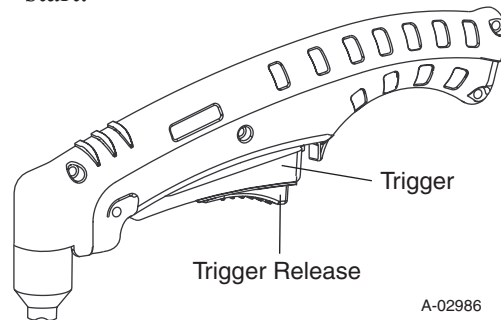
## Drag Cutting With a Hand Torch

Drag cutting works best on metal 1/4" (6 mm) thick or less.

## NOTE

For best parts performance and life, always use the correct parts for the type of operation.

- Install the drag cutting tip and set the output current.
- The torch can be comfortably held in one hand or steadied with two hands. Position the hand to press the Trigger on the torch handle. With the hand torch, the hand may be positioned close to the torch head for maximum control or near the back end for maximum heat protection. Choose the holding technique that feels most comfortable and allows good control and movement.
- Keep the torch in contact with the workpiece during the cutting cycle.
- Hold the torch away from your body.
- Slide the trigger release toward the back of the torch handle while simultaneously squeezing the trigger. The pilot arc will start.

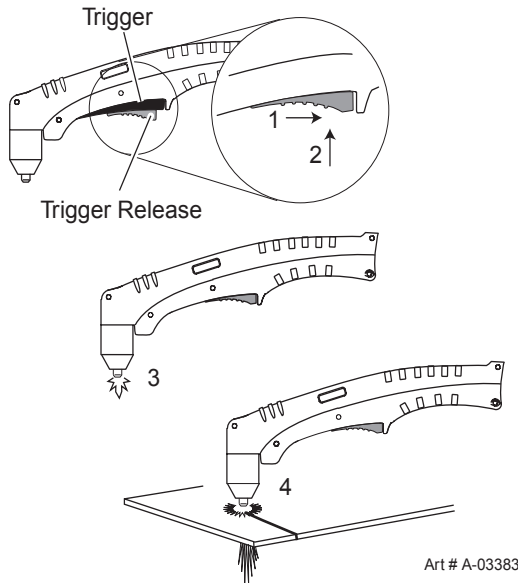


- Bring the torch within transfer distance to the work. The main arc will transfer to the work, and the pilot arc will shut off.

## NOTE

The gas preflow and postflow are a characteristic of the power supply and not a function of the torch.





8. Cut as usual. Simply release the trigger assembly to stop cutting.
9. Follow normal recommended cutting practices as provided in the power supply operator's manual.

### NOTE

When the shield cup is properly installed, there is a slight gap between the shield cup and the torch handle. Gas vents through this gap as part of normal operation. Do not attempt to force the shield cup to close this gap. Forcing the shield cup against the torch head or torch handle can damage components.

### Piercing With Hand Torch

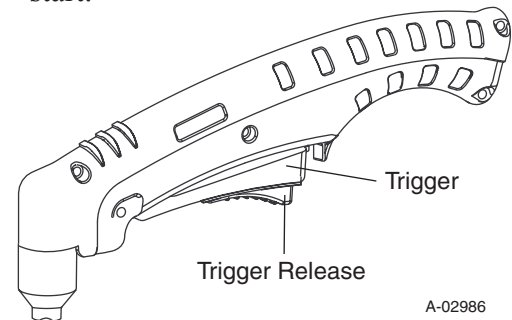
1. The torch can be comfortably held in one hand or steadied with two hands. Position the hand to press the Trigger on the torch handle. With the hand torch, the hand may be positioned close to the torch head for maximum control or near the back end for maximum heat protection. Choose the technique that feels most comfortable and allows good control and movement.

### NOTE

The tip should never come in contact with the workpiece except during drag cutting operations.

2. Angle the torch slightly to direct blowback particles away from the torch tip (and operator) rather than directly back into it until the pierce is complete.

3. In a portion of the unwanted metal start the pierce off the cutting line and then continue the cut onto the line. Hold the torch perpendicular to the workpiece after the pierce is complete.
4. Hold the torch away from your body.
5. Slide the trigger release toward the back of the torch handle while simultaneously squeezing the trigger. The pilot arc will start.



6. Bring the torch within transfer distance to the work. The main arc will transfer to the work, and the pilot arc will shut off.

### NOTES

The gas preflow and postflow are a characteristic of the power supply and not a function of the torch.

When the shield cup is properly installed, there is a slight gap between the shield cup and the torch handle. Gas vents through this gap as part of normal operation. Do not attempt to force the shield cup to close this gap. Forcing the shield cup against the torch head or torch handle can damage components.

7. Clean spatter and scale from the shield cup and the tip as soon as possible. Spraying the shield cup in anti - spatter compound will minimize the amount of scale which adheres to it.

# CUTMASTER A120

Cutting speed depends on material, thickness, and the operator's ability to accurately follow the desired cut line. The following factors may have an impact on system performance:

- Torch parts wear
- Air quality
- Line voltage fluctuations
- Torch standoff height
- Proper work cable connection

## 4T.07 Gouging



### WARNINGS

Be sure the operator is equipped with proper gloves, clothing, eye and ear protection and that all safety precautions at the front of this manual have been followed. Make sure no part of the operator's body comes in contact with the workpiece when the torch is activated.

Disconnect primary power to the system before disassembling the torch, leads, or power supply.



### CAUTION

Sparks from plasma gouging can cause damage to coated, painted or other surfaces such as glass, plastic, and metal.

Check torch parts. The torch parts must correspond with the type of operation. Refer to Section 4T.09, Torch Parts Selection.

## Gouging Parameters

Gouging performance depends on parameters such as torch travel speed, current level, lead angle (the angle between the torch and workpiece), and the distance between the torch tip and workpiece (standoff).



### CAUTION

Touching the torch tip or shield cup to the work surface will cause excessive parts wear.

## Torch Travel Speed

### NOTE

Refer to Appendix Pages for additional information as related to the Power Supply used.

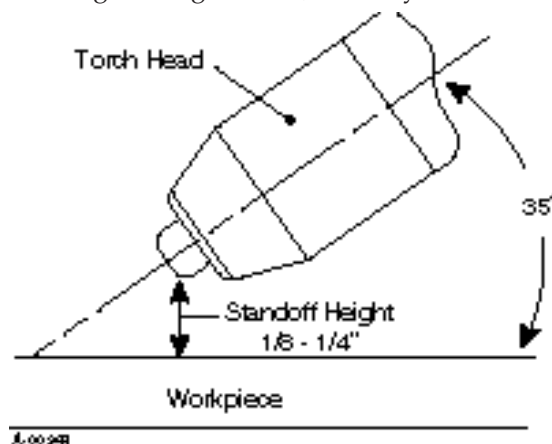
Optimum torch travel speed is dependent on current setting, lead angle, and mode of operation (hand or machine torch).

## Current Setting

Current settings depend on torch travel speed, mode of operation (hand or machine torch), and the amount of material to be removed.

## Lead Angle

The angle between the torch and workpiece depends on the output current setting and torch travel speed. The recommended lead angle is 35°. At a lead angle greater than 45° the molten metal will not be blown out of the gouge and may be blown back onto the torch. If the lead angle is too small (less than 35°), less material may be removed, requiring more passes. In some applications, such as removing welds or working with light metal, this may be desirable.



Gouging Angle and Standoff Distance

## Standoff Distance

The tip to work distance affects gouge quality and depth. Standoff distance of 1/8 - 1/4 inch (3 - 6 mm) allows for smooth, consistent metal removal. Smaller standoff distances may result in a severance cut rather than a gouge. Standoff distances greater than 1/4 inch (6 mm) may result in minimal metal removal or loss of transferred main arc.

**Slag Buildup**

Slag generated by gouging on materials such as carbon and stainless steels, nickels, and alloyed steels, can be removed easily in most cases. Slag does not obstruct the gouging process if it accumulates to the side of the gouge path. However, slag build - up can cause inconsistencies and irregular metal removal if large amounts of material build up in front of the arc. The build - up is most often a result of improper travel speed, lead angle, or standoff height.

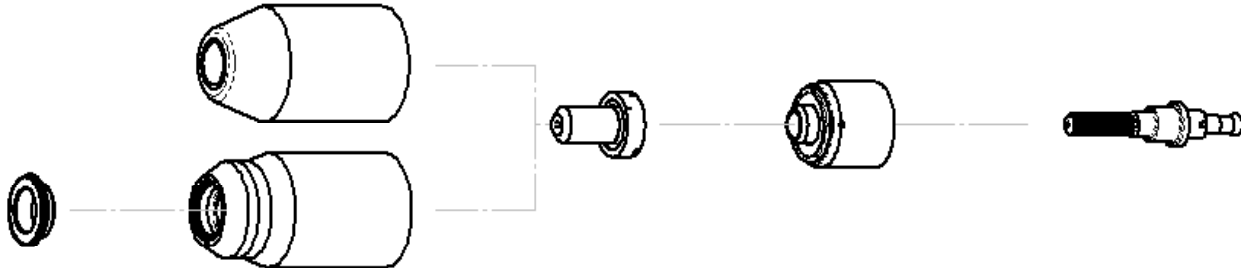
# CUTMASTER A120

## 4T.08 Recommended Cutting Speeds for Machine and Automated Torches With Exposed Tip

Mild Steel

40A

Air Plasma / Air Shield



Deflector	Standard Shield Cup Maximum Life Shield Cup	Tip	Starter Cartridge	Electrode
9-8243	9-8218 9-8237	9-8208	9-8213	9-8215

Material Thickness			Gas Pressure (Air)	Arc Voltage	Torch Working Height	Travel Speed	Initial Piercing Height	Pierce Delay	Kerf Width @ Rec. Speed
(GA)	(in)	inch	PSI (torch lead length)	Volts	(in)	(ipm)	(in)	(sec)	(in)
20		0.036	70 (25') 75 (50')	101	0.14	160	0.18	0.0	0.05
16		0.060		103	0.14	140	0.18	0.0	0.05
14		0.075		105	0.14	120	0.18	0.1	0.06
12		0.105		108	0.14	80	0.18	0.2	0.06
10		0.135		110	0.14	60	0.18	0.3	0.06
	3/16	0.188		111	0.14	55	0.18	0.4	0.06
	1/4	0.250		117	0.14	40	0.18	0.5	0.07
	3/8	0.375		119	0.14	25	0.18	1.2	0.07
	1/2	0.500		120	0.14	15	0.2	2.0	0.07

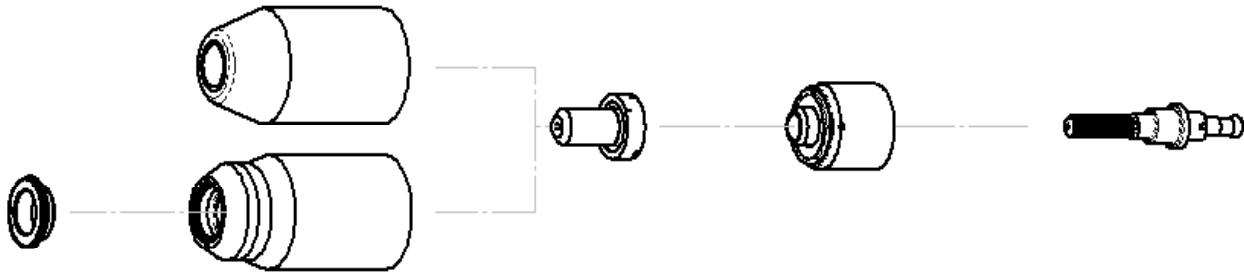
**CUTMASTER A120**

Material Thickness	Gas Pressure (Air)	Arc Voltage	Torch Working Height	Travel Speed	Initial Piercing Height	Pierce Delay	Kerf Width @ Rec. Speed	
(mm)	Bar (torch lead length)	Volts	(mm)	(mm/min)	(mm)	(sec)	(mm)	
1	4.8 (7.6m)	101	3.6	3990	4.6	0.0	1.1	
2		105	3.6	2920	4.6	0.1	1.4	
3		109	3.6	1810	4.6	0.3	1.5	
4		110	3.6	1470	4.6	0.3	1.6	
5		112	3.6	1345	4.6	0.4	1.6	
6		5.2 (15.2m)	116	3.6	1100	4.6	0.5	1.7
8			118	3.6	815	4.6	1.0	1.7
10			119	3.6	595	4.6	1.5	1.8
12			120	3.6	435	5.1	2.0	1.8

**BOLD TYPE** indicates maximum piercing parameters.

# CUTMASTER A120

## Stainless Steel 40A Air Plasma / Air Shield



Deflector	Standard Shield Cup Maximum Life Shield Cup	Tip	Starter Cartridge	Electrode
9-8243	9-8218 9-8237	9-8208	9-8213	9-8215

Material Thickness			Gas Pressure (Air)	Arc Voltage	Torch Working Height	Travel Speed	Initial Piercing Height	Pierce Delay	Kerf Width @ Rec. Speed
(GA)	(in)	inch	PSI (torch lead length)	Volts	(in)	(ipm)	(in)	(sec)	(in)
18		0.050	75 (25') 80 (50')	110	0.19	60	0.20	0.00	0.07
16		0.063		100	0.19	50	0.20	0.00	0.07
14		0.078		105	0.19	45	0.20	0.10	0.07
12		0.109		110	0.19	40	0.20	0.20	0.07
10		0.141		108	0.19	35	0.20	0.30	0.07
	3/16	0.188		110	0.19	30	0.20	0.40	0.07
	1/4	0.250		120	0.19	18	0.20	0.50	0.08
	3/8	0.375		126	0.19	10	0.20	2.00	0.08
	1/2	0.500		118	0.19	8	<i>Edge start</i>		0.09

**CUTMASTER A120**

Material Thickness	Gas Pressure (Air)	Arc Voltage	Torch Working Height	Travel Speed	Initial Piercing Height	Pierce Delay	Kerf Width @ Rec. Speed
(mm)	Bar (torch lead length)	Volts	(mm)	(mm/min)	(mm)	(sec)	(mm)
1	5.2 (7.6) 5.5 (15.2)	112	4.8	1670	4.8	0.0	1.7
2		105	4.8	1140	5.1	0.1	1.8
3		109	4.8	980	5.1	0.2	1.8
4		109	4.8	845	5.1	0.3	1.8
5		111	4.8	715	5.1	0.4	1.8
6		118	4.8	525	5.1	0.5	2.0
8		123	4.8	350	5.1	1.5	2.0
<b>10</b>		<b>125</b>	<b>4.8</b>	<b>245</b>	<b>5.1</b>	<b>2.0</b>	<b>2.0</b>
<b>12</b>		<b>120</b>	<b>4.8</b>	<b>215</b>	<b>Edge Start</b>		<b>2.2</b>

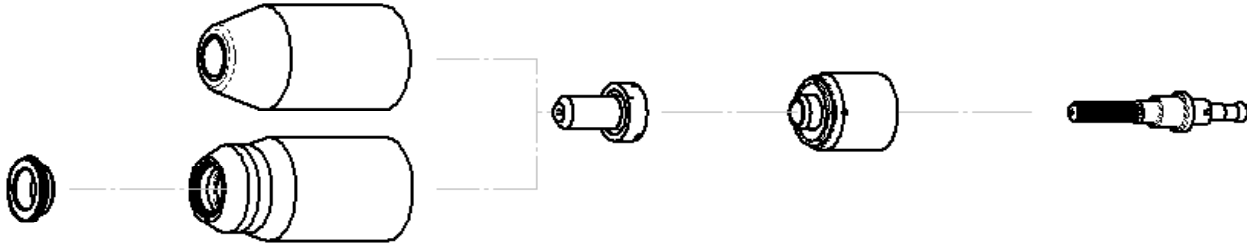
**BOLD TYPE** indicates maximum piercing parameters. **BOLD ITALIC** indicates edge starts only.

# CUTMASTER A120

## Aluminum

### 40A

### Air Plasma / Air Shield



Deflector	Standard Shield Cup Maximum Life Shield Cup	Tip	Starter Cartridge	Electrode
9-8243	9-8218 9-8237	9-8208	9-8213	9-8215

Material Thickness			Gas Pressure (Air)	Arc Voltage	Torch Working Height	Travel Speed	Initial Piercing Height	Pierce Delay	Kerf Width @ Rec. Speed
(GA)	(in)	inch	PSI (torch lead length)	Volts	(in)	(ipm)	(in)	(sec)	(in)
20		0.040	70 (25') 75 (50')	95	0.16	300	0.16	0.0	0.06
16		0.063		97	0.16	170	0.16	0.0	0.06
12		0.097		113	0.16	100	0.16	0.2	0.07
11		0.125		115	0.16	90	0.18	0.3	0.07
9		0.160		113	0.18	85	0.18	0.4	0.07
	3/16	0.188		116	0.18	75	0.18	0.5	0.07
	1/4	0.250		128	0.18	30	0.18	1.0	0.08
	3/8	0.375		150	0.18	10	<i>Edge Start</i>		0.09



**CUTMASTER A120**

Material Thickness	Gas Pressure (Air)	Arc Voltage	Torch Working Height	Travel Speed	Initial Piercing Height	Pierce Delay	Kerf Width @ Rec. Speed
(mm)	Bar (torch lead length)	Volts	(mm)	(mm/min)	(mm)	(sec)	(mm)
1.0	4.8 (7.6m) 5.2 (15.2m)	95	4.1	7620	4.1	0.0	1.5
2.0		104	4.1	3500	4.1	0.2	1.6
3.0		115	4.1	2350	4.6	0.3	1.7
4.0		113	4.6	2170	4.6	0.4	1.7
5.0		118	4.6	1740	4.6	0.5	1.8
<b>6.0</b>		<b>125</b>	<b>4.6</b>	<b>1015</b>	<b>4.6</b>	<b>0.8</b>	<b>1.9</b>
<b>8.0</b>		<b>139</b>	<b>4.6</b>	<b>500</b>	<b><i>Edge Start</i></b>		<b>2.0</b>
<b>10.0</b>		<b>153</b>	<b>4.6</b>	<b>180</b>	<b><i>Edge Start</i></b>		<b>2.2</b>

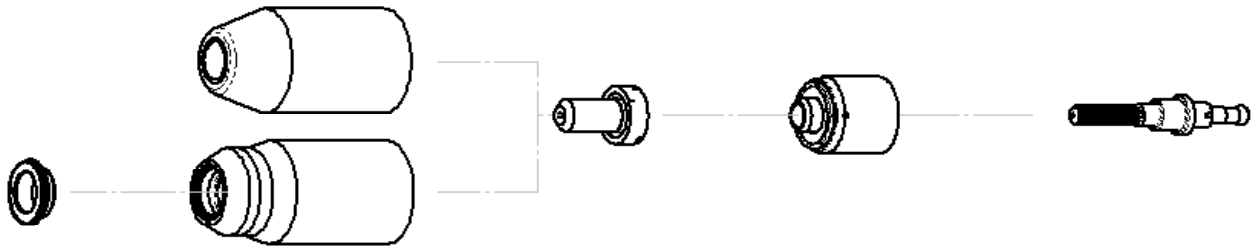
**BOLD TYPE** indicates maximum piercing parameters. ***BOLD ITALIC*** indicates edge starts only.

# CUTMASTER A120

Mild Steel

60A

Air Plasma / Air Shield



Deflector	Standard Shield Cup Maximum Life Shield Cup	Tip	Starter Cartridge	Electrode
9-8243	9-8218 9-8237	9-8210	9-8213	9-8215

Material Thickness			Gas Pressure (Air)	Arc Voltage	Torch Working Height	Travel Speed	Initial Piercing Height	Pierce Delay	Kerf Width @ Rec. Speed
(GA)	(in)	inch	PSI (torch lead length)	Volts	(in)	(ipm)	(in)	(sec)	(in)
16		0.060	85 (25')	118	0.19	290	0.19	0.00	0.08
14		0.075		120	0.19	285	0.19	0.10	0.08
11		0.120		118	0.19	180	0.19	0.10	0.08
10		0.135		119	0.19	176	0.19	0.10	0.07
	3/16	0.188		121	0.19	100	0.19	0.20	0.08
	1/4	0.250		122	0.19	80	0.19	0.30	0.08
	3/8	0.375		124	0.19	50	0.19	0.50	0.09
	1/2	0.500		132	0.19	26	0.19	0.75	0.10
	5/8	0.625		135	0.19	19	<i>Edge Start</i>		0.10
	3/4	0.750		136	0.19	14	<i>Edge Start</i>		0.08
	1	1.000	150	0.19	6	<i>Edge Start</i>		0.11	

# CUTMASTER A120

Material Thickness	Gas Pressure (Air)	Arc Voltage	Torch Working Height	Travel Speed	Initial Piercing Height	Pierce Delay	Kerf Width @ Rec. Speed
(mm)	Bar (torch lead length)	Volts	(mm)	(mm/min)	(mm)	(sec)	(mm)
1	5.9 (7.6m) 6.2 (15.2m)	115	4.8	7540	4.8	0	2.1
2		120	4.8	7015	4.0	0.10	1.9
3		118	4.8	4570	4.8	0.10	0.1
4		120	4.8	3650	4.8	0.20	1.9
5		121	4.8	2465	4.8	0.20	2.1
6		122	4.8	2145	4.8	0.30	2.0
8		123	4.8	1635	4.8	0.40	2.2
10		125	4.8	1180	4.8	0.60	2.4
<b>12</b>		<b>130</b>	<b>4.8</b>	<b>795</b>	<b>4.8</b>	<b>0.75</b>	<b>2.4</b>
<b>15</b>		<b>134</b>	<b>4.8</b>	<b>530</b>	<b>Edge Start</b>		<b>2.4</b>
<b>20</b>		<b>138</b>	<b>4.8</b>	<b>325</b>	<b>Edge Start</b>		<b>2.2</b>
<b>25</b>		<b>149</b>	<b>4.8</b>	<b>165</b>	<b>Edge Start</b>		<b>2.7</b>

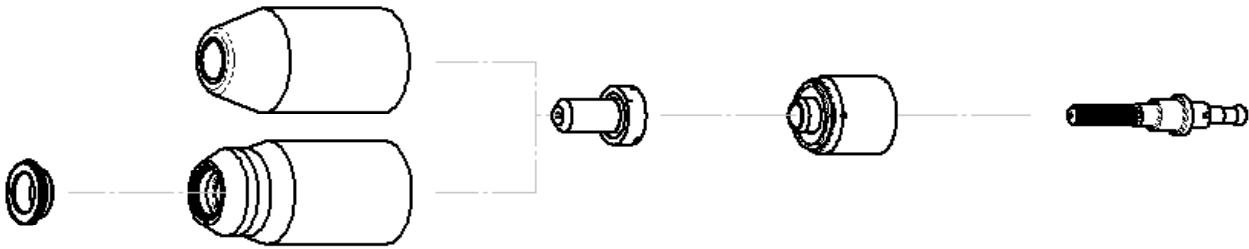
**BOLD TYPE** indicates maximum piercing parameters. **BOLD ITALIC** indicates edge starts only.

# CUTMASTER A120

## Stainless Steel

### 60A

### Air Plasma / Air Shield



Deflector	Standard Shield Cup Maximum Life Shield Cup	Tip	Starter Cartridge	Electrode
9-8243	9-8218 9-8237	9-8210	9-8213	9-8215

Material Thickness			Gas Pressure (Air)	Arc Voltage	Torch Working Height	Travel Speed	Initial Piercing Height	Pierce Delay	Kerf Width @ Rec. Speed
(GA)	(in)	inch	PSI (torch lead length)	Volts	(in)	(ipm)	(in)	(sec)	(in)
16		0.063	85 (25')	119	0.19	350	0.20	0.00	0.05
14		0.078		116	0.19	300	0.20	0.10	0.07
11		0.125		123	0.19	150	0.20	0.10	0.07
10		0.141		118	0.19	125	0.20	0.10	0.08
	3/16	0.188		122	0.19	90	0.20	0.20	0.08
	1/4	0.250		123	0.19	65	0.20	0.30	0.09
	3/8	0.375		130	0.19	30	0.20	0.50	0.09
	1/2	0.500		132	0.19	21	0.20	0.90	0.08
	5/8	0.625		132	0.19	14	<b>Edge Start</b>		0.11
	3/4	0.750		135	0.19	10	<b>Edge Start</b>		0.10

# CUTMASTER A120

Material Thickness	Gas Pressure (Air)	Arc Voltage	Torch Working Height	Travel Speed	Initial Piercing Height	Pierce Delay	Kerf Width @ Rec. Speed
(mm)	Bar (torch lead length)	Volts	(mm)	(mm/min)	(mm)	(sec)	(mm)
1	5.9 (7.6m) 6.2 (15.2m)	124	4.8	10890	5.1	0.00	0.8
2		116	4.8	7560	5.1	0.10	1.7
3		122	4.8	4365	5.1	0.10	1.7
4		119	4.8	2865	5.1	0.20	2.1
5		122	4.8	2195	5.1	0.20	2.1
6		123	4.8	1790	5.1	0.30	2.2
8		127	4.8	1190	5.1	0.40	2.2
10		130	4.8	725	5.1	0.50	2.2
<b>12</b>		<b>132</b>	<b>4.8</b>	<b>580</b>	<b>5.1</b>	<b>0.90</b>	<b>2.1</b>
<b>15</b>		<b>132</b>	<b>4.8</b>	<b>405</b>	<b><i>Edge Start</i></b>		<b>2.6</b>
<b>20</b>		<b>136</b>	<b>4.8</b>	<b>230</b>	<b><i>Edge Start</i></b>		<b>2.5</b>

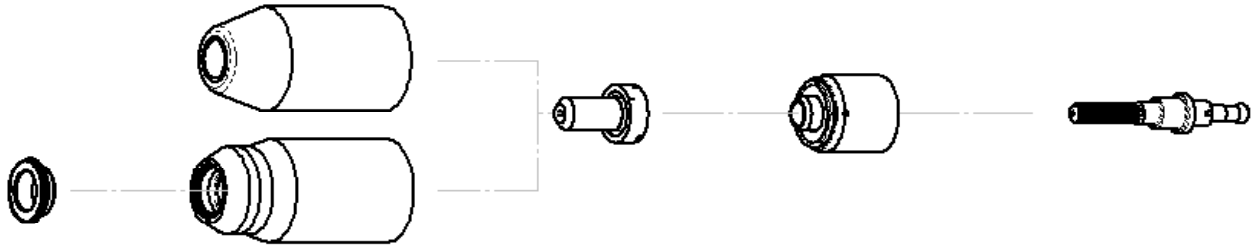
**BOLD TYPE** indicates maximum piercing parameters. **BOLD ITALIC** indicates edge starts only.

# CUTMASTER A120

## Aluminum

### 60A

### Air Plasma / Air Shield



Deflector	Standard Shield Cup Maximum Life Shield Cup	Tip	Starter Cartridge	Electrode
9-8243	9-8218 9-8237	9-8210	9-8213	9-8215

Material Thickness			Gas Pressure (Air)	Arc Voltage	Torch Working Height	Travel Speed	Initial Piercing Height	Pierce Delay	Kerf Width @ Rec. Speed
(GA)	(in)	inch	PSI (torch lead length)	Volts	(in)	(ipm)	(in)	(sec)	(in)
16		0.064	85 (25') 90 (50')	123	0.25	440	0.25	0.00	0.08
14		0.079		126	0.25	300	0.25	0.10	0.09
11		0.120		128	0.25	250	0.25	0.10	0.09
	3/16	0.188		132	0.25	170	0.25	0.20	0.09
	1/4	0.250		132	0.25	85	0.25	0.30	0.09
	3/8	0.375		141	0.25	45	0.25	0.50	0.10
	1/2	0.500		148	0.25	30	0.25	0.80	0.09
	5/8	0.625		145	0.19	18	<i>Edge Start</i>		0.08
	3/4	0.750		147	0.19	12	<i>Edge Start</i>		0.10

**CUTMASTER A120**

Material Thickness	Gas Pressure (Air)	Arc Voltage	Torch Working Height	Travel Speed	Initial Piercing Height	Pierce Delay	Kerf Width @ Rec. Speed
(mm)	Bar (torch lead length)	Volts	(mm)	(mm/min)	(mm)	(sec)	(mm)
1	5.9 (7.6m) 6.2 (15.2m)	118	6.4	17010	6.4	0.00	1.8
2		126	6.4	7680	6.4	0.10	2.3
3		128	6.4	6410	6.4	0.10	2.3
4		130	6.4	5230	6.4	0.20	2.3
5		132	6.4	4010	6.4	0.20	2.4
6		132	6.4	2640	6.4	0.30	2.4
8		137	6.4	1630	6.4	0.40	2.4
10		142	6.4	1085	6.4	0.60	2.4
12		<b>146</b>	<b>6.4</b>	<b>845</b>	<b>6.4</b>	<b>0.70</b>	<b>2.3</b>
15		<b>146</b>	<b>4.8</b>	<b>540</b>	<b><i>Edge Start</i></b>		<b>2.1</b>
20		<b>148</b>	<b>4.8</b>	<b>260</b>	<b><i>Edge Start</i></b>		<b>2.5</b>

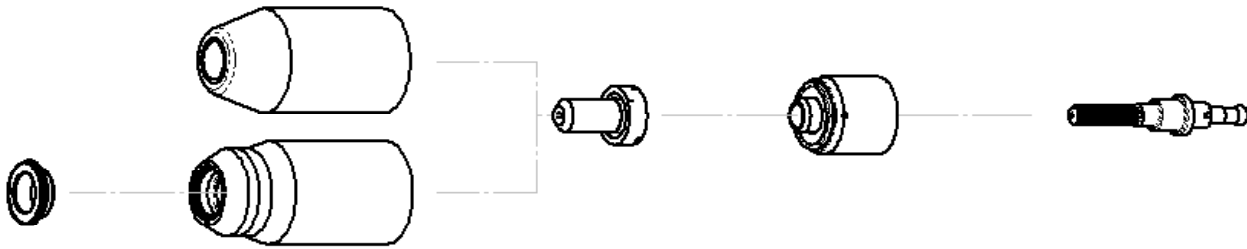
**BOLD TYPE** indicates maximum piercing parameters. **BOLD ITALIC** indicates edge starts only.

# CUTMASTER A120

Mild Steel

80A

Air Plasma / Air Shield



Deflector	Standard Shield Cup Maximum Life Shield Cup	Tip	Starter Cartridge	Electrode
9-8243	9-8218 9-8237	9-8211	9-8213	9-8215

Material Thickness			Gas Pressure (Air)	Arc Voltage	Torch Working Height	Travel Speed	Initial Piercing Height	Pierce Delay	Kerf Width @ Rec. Speed
(GA)	(in)	inch	PSI (torch lead length)	Volts	(in)	(ipm)	(in)	(sec)	(in)
16		0.060	85 (25')	110	0.19	320	0.20	0.00	0.06
11		0.120		113	0.19	230	0.20	0.10	0.07
10		0.135		110	0.19	180	0.20	0.20	0.07
	3/16	0.188		110	0.19	136	0.20	0.30	0.07
	1/4	0.250		115	0.19	100	0.20	0.40	0.09
	3/8	0.375		125	0.19	42	0.20	0.50	0.09
	1/2	0.500		123	0.19	40	0.20	0.60	0.09
	5/8	0.625		133	0.19	18	0.20	0.75	0.10
	3/4	0.750		140	0.25	18	<i>Edge Start</i>		0.11
	7/8	0.875		150	0.25	10	<i>Edge Start</i>		0.11
	1	1.000	152	0.25	8	<i>Edge Start</i>		0.13	



# CUTMASTER A120

Material Thickness	Gas Pressure (Air)	Arc Voltage	Torch Working Height	Travel Speed	Initial Piercing Height	Pierce Delay	Kerf Width @ Rec. Speed
(mm)	Bar (torch lead length)	Volts	(mm)	(mm/min)	(mm)	(sec)	(mm)
1	5.9 (7.6m) 6.2 (15.2m)	109	4.8	8915	5.1	0.00	1.5
2		111	4.8	7415	5.1	0.10	1.7
3		113	4.8	5915	5.1	0.10	1.8
4		110	4.8	4095	5.1	0.30	1.7
5		111	4.8	3325	5.1	0.30	1.8
6		114	4.8	2745	5.1	0.40	2.2
8		120	4.8	1775	5.1	0.50	2.3
10		125	4.8	1060	5.1	0.50	2.3
12		123	4.8	1025	5.1	0.60	2.3
<b>15</b>		<b>130</b>	<b>4.8</b>	<b>610</b>	<b>5.1</b>	<b>0.75</b>	<b>2.5</b>
<b>20</b>		<b>143</b>	<b>6.4</b>	<b>395</b>	<b>Edge Start</b>		<b>2.7</b>
<b>25</b>		<b>152</b>	<b>6.4</b>	<b>210</b>	<b>Edge Start</b>		<b>3.2</b>

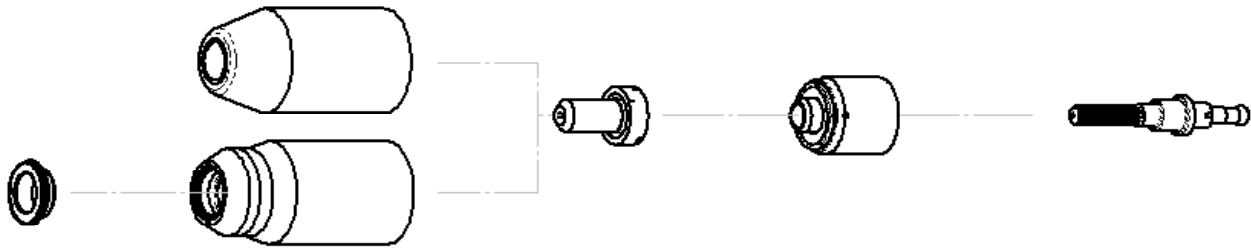
**BOLD TYPE** indicates maximum piercing parameters. **BOLD ITALIC** indicates edge starts only.

# CUTMASTER A120

## Stainless Steel

### 80A

### Air Plasma / Air Shield



Deflector	Standard Shield Cup Maximum Life Shield Cup	Tip	Starter Cartridge	Electrode
9-8243	9-8218 9-8237	9-8211	9-8213	9-8215

Material Thickness			Gas Pressure (Air)	Arc Voltage	Torch Working Height	Travel Speed	Initial Piercing Height	Pierce Delay	Kerf Width @ Rec. Speed
(GA)	(in)	inch	PSI (torch lead length)	Volts	(in)	(ipm)	(in)	(sec)	(in)
16		0.063	85 (25') 90 (50')	110	0.19	340	0.25	0.00	0.06
11		0.125		115	.0.19	300	0.25	0.10	0.06
10		0.141		115	0.19	280	0.25	0.10	0.06
	3/16	0.188		115	0.19	140	0.25	0.20	0.07
	1/4	0.250		118	0.19	100	0.25	0.30	0.08
	3/8	0.375		119	0.19	45	0.25	0.40	0.08
	1/2	0.500		124	0.19	26	0.25	0.80	0.10
	5/8	0.625		133	0.19	16	<i>Edge Start</i>		0.10
	3/4	0.750		136	0.19	10	<i>Edge Start</i>		0.11

# CUTMASTER A120

Material Thickness	Gas Pressure (Air)	Arc Voltage	Torch Working Height	Travel Speed	Initial Piercing Height	Pierce Delay	Kerf Width @ Rec. Speed
(mm)	Bar (torch lead length)	Volts	(mm)	(mm/min)	(mm)	(sec)	(mm)
1	5.9 (7.6m) 6.2 (15.2m)	108	4.8	9020	6.4	0.00	1.5
2		111	4.8	8380	6.4	0.00	1.5
3		114	4.8	7730	6.4	0.10	1.5
4		115	4.8	5865	6.4	0.20	1.6
5		115	4.8	3410	6.4	0.20	1.8
6		117	4.8	2765	6.4	0.30	1.9
8		119	4.8	1815	6.4	0.40	2.0
10		120	4.8	1070	6.4	0.60	2.1
12		<b>123</b>	<b>4.8</b>	<b>765</b>	<b>6.4</b>	<b>0.80</b>	<b>2.3</b>
15		<b>131</b>	<b>4.8</b>	<b>475</b>	<b><i>Edge Start</i></b>		<b>2.5</b>
20		<b>137</b>	<b>4.8</b>	<b>205</b>	<b><i>Edge Start</i></b>		<b>3.0</b>

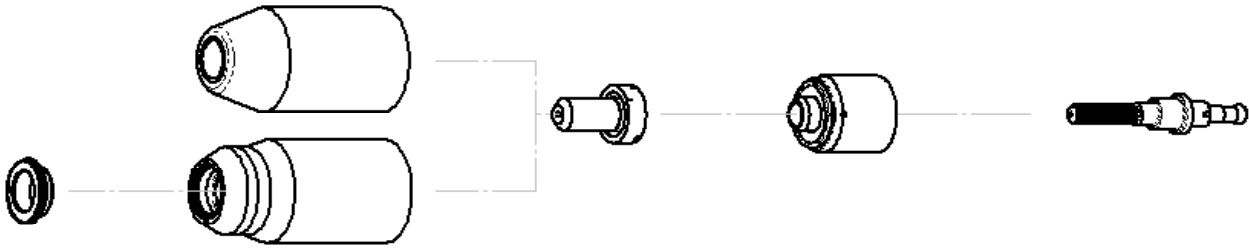
**BOLD TYPE** indicates maximum piercing parameters. **BOLD ITALIC** indicates edge starts only.

# CUTMASTER A120

## Aluminum

### 80A

### Air Plasma / Air Shield



Deflector	Standard Shield Cup Maximum Life Shield Cup	Tip	Starter Cartridge	Electrode
9-8243	9-8218 9-8237	9-8211	9-8213	9-8215

Material Thickness			Gas Pressure (Air)	Arc Voltage	Torch Working Height	Travel Speed	Initial Piercing Height	Pierce Delay	Kerf Width @ Rec. Speed
(GA)	(in)	inch	PSI (torch lead length)	Volts	(in)	(ipm)	(in)	(sec)	(in)
16		0.064	85 (25') 90 (50')	116	0.25	350	0.25	0.00	0.10
11		0.120		120	0.25	280	0.25	0.10	0.10
	3/16	0.188		124	0.25	180	0.25	0.20	0.10
	1/4	0.250		130	0.25	110	0.25	0.30	0.09
	3/8	0.375		136	0.25	55	0.25	0.40	0.11
	1/2	0.500		139	0.25	38	0.25	0.60	0.11
	5/8	0.625		136	0.19	26	0.25	0.75	0.10
	3/4	0.750		150	0.19	14	<i>Edge Start</i>		0.12
	7/8	0.875		153	0.19	10	<i>Edge Start</i>		0.11

**CUTMASTER A120**

Material Thickness	Gas Pressure (Air)	Arc Voltage	Torch Working Height	Travel Speed	Initial Piercing Height	Pierce Delay	Kerf Width @ Rec. Speed
(mm)	Bar (torch lead length)	Volts	(mm)	(mm/min)	(mm)	(sec)	(mm)
1	5.9 (7.6m) 6.2 (15.2m)	114	6.4	8890	6.4	0.00	2.4
2		117	6.4	8420	6.4	0.00	2.5
3		120	6.4	7170	6.4	0.10	2.5
4		122	6.4	5710	6.4	0.20	2.5
5		125	6.4	4315	6.4	0.20	2.5
6		129	6.4	3190	6.4	0.30	2.4
8		133	6.4	2070	6.4	0.40	2.5
10		136	6.4	1330	6.4	0.50	2.7
12		138	6.4	1060	6.4	0.50	2.9
<b>15</b>		<b>137</b>	<b>4.8</b>	<b>745</b>	<b>6.4</b>	<b>0.75</b>	<b>2.5</b>
<b>20</b>		<b>151</b>	<b>4.8</b>	<b>325</b>	<b>Edge Start</b>		<b>3.0</b>

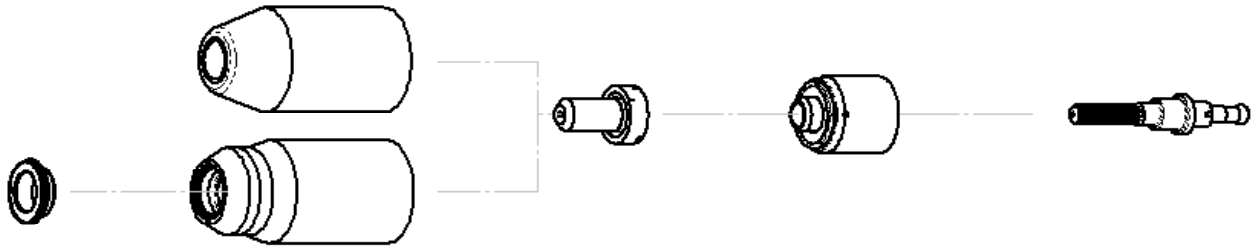
**BOLD TYPE** indicates maximum piercing parameters. **BOLD ITALIC** indicates edge starts only.

# CUTMASTER A120

Mild Steel

100A

Air Plasma / Air Shield



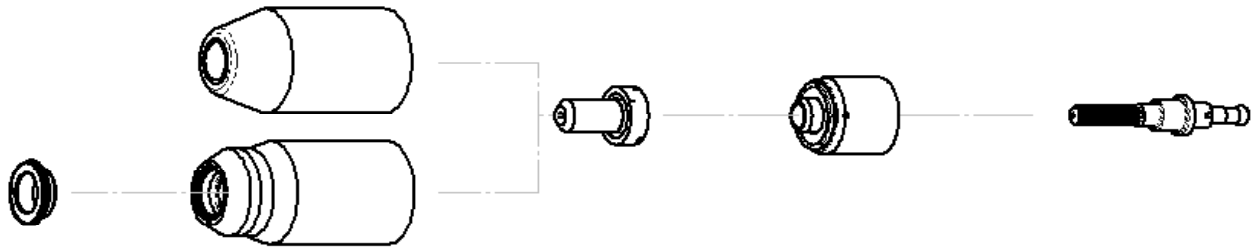
Deflector	Standard Shield Cup Maximum Life Shield Cup	Tip	Starter Cartridge	Electrode
9-8243	9-8218 9-8237	9-8212	9-8213	9-8215

Material Thickness			Gas Pressure (Air)	Arc Voltage	Torch Working Height	Travel Speed	Initial Piercing Height	Pierce Delay	Kerf Width @ Rec. Speed
(GA)	(in)	inch	PSI (torch lead length)	Volts	(in)	(ipm)	(in)	(sec)	(in)
	1/4	0.250	75 (25') 75 (50')	110	0.18	85	0.20	0.10	0.09
	3/8	0.375		112	0.18	75	0.20	0.20	0.09
	1/2	0.500		115	0.18	45	0.20	0.40	0.10
	5/8	0.625		118	0.18	30	0.20	0.60	0.11
	<b>3/4</b>	<b>0.750</b>		<b>120</b>	<b>0.18</b>	<b>20</b>	<b>0.20</b>	<b>1.20</b>	<b>0.12</b>
	<b>1</b>	<b>1.000</b>		<b>123</b>	<b>0.18</b>	<b>15</b>	<b>Edge Start</b>		<b>0.12</b>
	<b>1-1/4</b>	<b>1.250</b>		<b>128</b>	<b>0.18</b>	<b>8</b>	<b>Edge Start</b>		<b>0.13</b>

Material Thickness		Gas Pressure (Air)	Arc Voltage	Torch Working Height	Travel Speed	Initial Piercing Height	Pierce Delay	Kerf Width @ Rec. Speed
(mm)		Bar (torch lead length)	Volts	(mm)	(mm/min)	(mm)	(sec)	(mm)
6	5.2 (7.6m) 5.2 (15.2m)	5.2 (7.6m) 5.2 (15.2m)	110	4.6	2200	5.1	0.10	2.3
8			111	4.6	2030	5.1	0.10	2.3
10			112	4.6	1790	5.1	0.20	2.3
12			114	4.6	1310	5.1	0.40	2.5
15			117	4.6	870	5.1	0.60	2.7
<b>20</b>			<b>120</b>	<b>4.6</b>	<b>490</b>	<b>5.0</b>	<b>1.20</b>	<b>3.0</b>
<b>25</b>			<b>123</b>	<b>4.6</b>	<b>390</b>	<b>Edge Start</b>		<b>3.0</b>
<b>30</b>			<b>127</b>	<b>4.6</b>	<b>250</b>	<b>Edge Start</b>		<b>3.2</b>

**BOLD TYPE** indicates maximum piercing parameters. **BOLD ITALIC** indicates edge starts only.

**Stainless Steel  
100A  
Air Plasma / Air Shield**



Deflector	Standard Shield Cup Maximum Life Shield Cup	Tip	Starter Cartridge	Electrode
9-8243	9-8218 9-8237	9-8212	9-8213	9-8215

Material Thickness			Gas Pressure (Air)	Arc Voltage	Torch Working Height	Travel Speed	Initial Piercing Height	Pierce Delay	Kerf Width @ Rec. Speed
(GA)	(in)	inch	PSI (torch lead length)	Volts	(in)	(ipm)	(in)	(sec)	(in)
	1/4	0.250	75 (25')	102	0.16	100	0.18	0.00	0.09
	3/8	0.375		106	0.16	65	0.18	0.10	0.10
	1/2	0.500	75 (50')	<b>109</b>	0.16	45	0.18	0.30	0.10
	<b>5/8</b>	<b>0.625</b>		<b>123</b>	<b>0.19</b>	<b>20</b>	<b>0.23</b>	<b>2.00</b>	<b>0.11</b>
	<b>3/4</b>	<b>0.750</b>		<b>128</b>	<b>0.19</b>	<b>15</b>	<b>Edge Start</b>		<b>0.12</b>
	<b>1</b>	<b>1.000</b>		135	<b>0.19</b>	<b>10</b>	<b>Edge Start</b>		<b>0.13</b>
Material Thickness			Gas Pressure (Air)	Arc Voltage	Torch Working Height	Travel Speed	Initial Piercing Height	Pierce Delay	Kerf Width @ Rec. Speed
(mm)			Bar (torch lead length)	Volts	(mm)	(mm/min)	(mm)	(sec)	(mm)
6			5.2 (7.6m) 5.2 (15.2m)	102	4.1	2630	4.6	0.00	2.3
8				104	4.1	2080	4.6	0.10	2.4
10				106	4.1	1575	4.6	0.20	2.4
12				108	4.1	1255	4.6	0.30	2.4
<b>15</b>				<b>119</b>	<b>4.6</b>	<b>685</b>	<b>5.7</b>	<b>2.00</b>	<b>2.7</b>
<b>20</b>				<b>129</b>	<b>4.8</b>	<b>360</b>	<b>Edge Start</b>		<b>3.1</b>
<b>25</b>				<b>135</b>	<b>4.8</b>	<b>260</b>	<b>Edge Start</b>		<b>3.2</b>

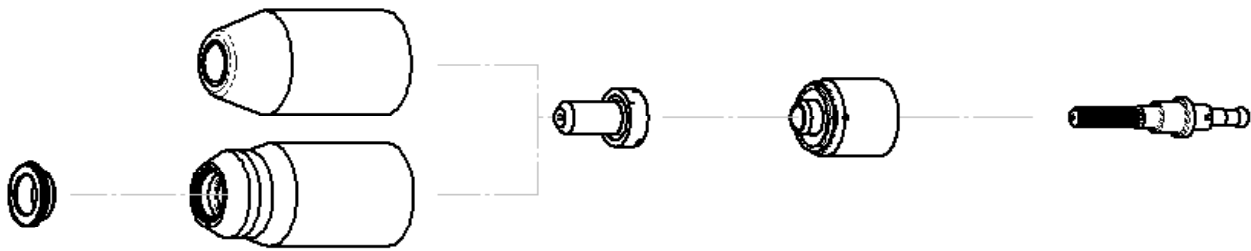
**BOLD TYPE** indicates maximum piercing parameters. **BOLD ITALIC** indicates edge starts only.

# CUTMASTER A120

## Aluminum

### 100A

### Air Plasma / Air Shield



Deflector	Standard Shield Cup Maximum Life Shield Cup	Tip	Starter Cartridge	Electrode
9-8243	9-8218 9-8237	9-8212	9-8213	9-8215

Material Thickness			Gas Pressure (Air)	Arc Voltage	Torch Working Height	Travel Speed	Initial Piercing Height	Pierce Delay	Kerf Width @ Rec. Speed
(GA)	(in)	inch	PSI (torch lead length)	Volts	(in)	(ipm)	(in)	(sec)	(in)
	1/4	0.250	75 (25') 75 (50')	110	0.19	100	0.20	0.00	0.09
	3/8	0.375		124	0.19	65	0.20	0.20	0.10
	1/2	0.500		128	0.19	45	0.20	0.30	0.11
	5/8	0.625		132	0.19	35	0.20	0.50	0.11
	<b>3/4</b>	<b>0.750</b>		<b>135</b>	<b>0.19</b>	<b>20</b>	<b>0.20</b>	<b>2.00</b>	<b>0.13</b>
	<b>1</b>	<b>1.000</b>		<b>140</b>	<b>0.19</b>	<b>10</b>	<b>Edge Start</b>		<b>0.13</b>
Material Thickness			Gas Pressure (Air)	Arc Voltage	Torch Working Height	Travel Speed	Initial Piercing Height	Pierce Delay	Kerf Width @ Rec. Speed
(mm)			Bar (torch lead length)	Volts	(mm)	(mm/min)	(mm)	(sec)	(mm)
6			5.2 (7.6m) 5.2 (15.2m)	109	4.8	2630	5.1	0.00	2.3
8				117	4.8	2080	5.1	0.10	2.5
10				125	4.8	1575	5.1	0.20	2.7
12				127	4.8	1255	5.1	0.30	2.7
15				131	4.8	960	5.1	0.50	2.8
20				<b>136</b>	<b>4.8</b>	<b>470</b>	<b>6.0</b>	<b>2.00</b>	<b>3.3</b>
25				<b>140</b>	<b>4.8</b>	<b>270</b>	<b>Edge Start</b>		<b>3.4</b>

**BOLD TYPE** indicates maximum piercing parameters. **BOLD ITALIC** indicates edge starts only.



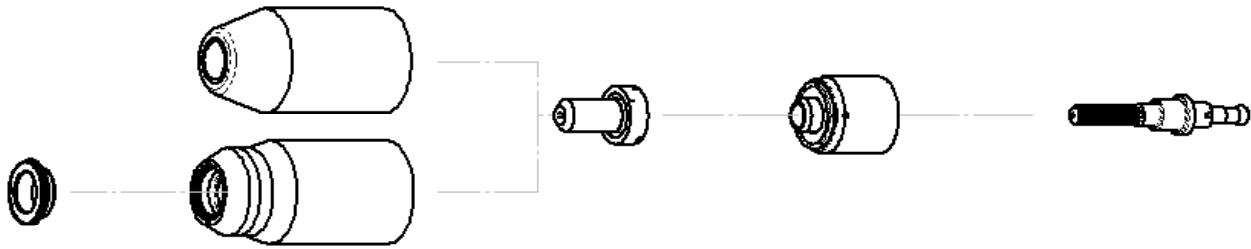
This Page Intentionally Blank

# CUTMASTER A120

Mild Steel

120A

Air Plasma / Air Shield



Deflector	Standard Shield Cup Maximum Life Shield Cup	Tip	Starter Cartridge	Electrode
9-8243	9-8218 9-8237	9-8253	9-8213	9-8215

Material Thickness			Gas Pressure (Air)	Arc Voltage	Torch Working Height	Travel Speed	Initial Piercing Height	Pierce Delay	Kerf Width @ Rec. Speed
(GA)	(in)	inch	PSI (torch lead length)	Volts	(in)	(ipm)	(in)	(sec)	(in)
	1/4	0.250	80 (25') 80 (50')	134	0.19	150	0.25	0.10	0.11
	3/8	0.375		141	0.19	85	0.25	0.30	0.11
	1/2	0.500		141	0.19	70	0.25	0.80	0.12
	5/8	0.625		146	0.19	45	0.25	1.00	0.12
	<b>3/4</b>	<b>0.750</b>		<b>150</b>	<b>0.19</b>	<b>30</b>	<b>0.25</b>	<b>1.20</b>	<b>0.12</b>
	<b>7/8</b>	<b>0.875</b>		<b>160</b>	<b>0.25</b>	<b>25</b>	<b>Edge Start</b>		<b>0.14</b>
	<b>1</b>	<b>1.000</b>		<b>163</b>	<b>0.25</b>	<b>19</b>	<b>Edge Start</b>		<b>0.14</b>
	<b>1-1/4</b>	<b>1.250</b>		<b>168</b>	<b>0.25</b>	<b>12</b>	<b>Edge Start</b>		<b>0.15</b>
	<b>1-1/2</b>	<b>1.500</b>		<b>172</b>	<b>0.25</b>	<b>8</b>	<b>Edge Start</b>		<b>0.16</b>

# CUTMASTER A120

Material Thickness	Gas Pressure (Air)	Arc Voltage	Torch Working Height	Travel Speed	Initial Piercing Height	Pierce Delay	Kerf Width @ Rec. Speed
(mm)	Bar (torch lead length)	Volts	(mm)	(mm/min)	(mm)	(sec)	(mm)
6.0	5.5 (7.6m) 5.5 (15.2m)	133	4.8	3990	6.4	0.1	2.5
8.0		138	4.8	2950	6.4	0.2	2.7
10.0		141	4.8	2100	6.4	0.4	2.8
12.0		141	4.8	1860	6.4	0.6	2.9
15.0		145	4.8	1320	6.4	1.0	3.0
<b>20.0</b>		<b>153</b>	<b>4.8</b>	<b>720</b>	<b>6.4</b>	<b>1.2</b>	<b>3.2</b>
<b>25.0</b>		<b>163</b>	<b>6.4</b>	<b>500</b>	<b>Edge Start</b>		<b>3.6</b>
<b>30.0</b>		<b>167</b>	<b>6.4</b>	<b>355</b>	<b>Edge Start</b>		<b>3.8</b>
<b>35.0</b>		<b>170</b>	<b>6.4</b>	<b>255</b>	<b>Edge Start</b>		<b>4.0</b>
<b>40.0</b>		<b>173</b>	<b>6.4</b>	<b>175</b>	<b>Edge Start</b>		<b>4.2</b>

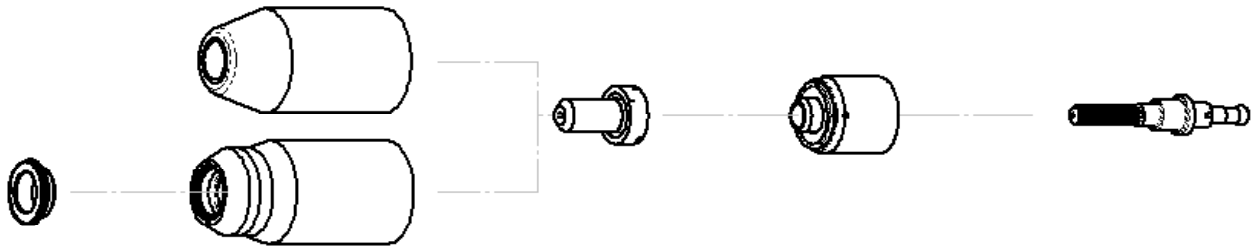
**BOLD TYPE** indicates maximum piercing parameters. **BOLD ITALIC** indicates edge starts only.

# CUTMASTER A120

## Stainless Steel

### 120A

### Air Plasma / Air Shield

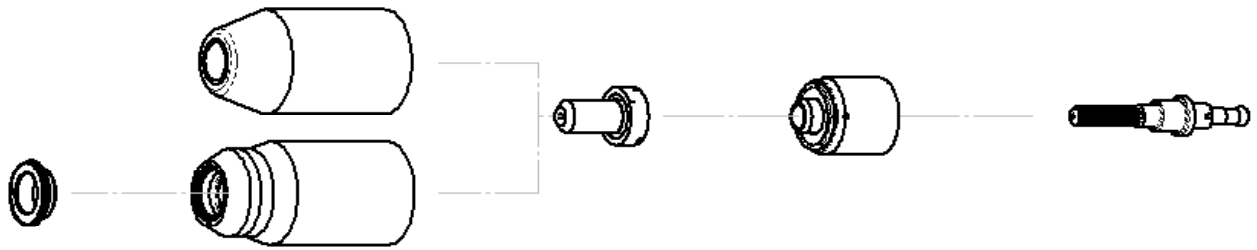


Deflector	Standard Shield Cup Maximum Life Shield Cup	Tip	Starter Cartridge	Electrode
9-8243	9-8218 9-8237	9-8253	9-8213	9-8215

Material Thickness			Gas Pressure (Air)	Arc Voltage	Torch Working Height	Travel Speed	Initial Piercing Height	Pierce Delay	Kerf Width @ Rec. Speed
(GA)	(in)	inch	PSI (torch lead length)	Volts	(in)	(ipm)	(in)	(sec)	(in)
	1/4	0.250	80 (25') 80 (50')	133	0.19	180	0.25	0.20	0.10
	3/8	0.375		136	0.19	100	0.25	0.40	0.11
	1/2	0.500		140	0.19	60	0.25	0.80	0.11
	<b>5/8</b>	<b>0.625</b>		<b>152</b>	<b>0.25</b>	<b>40</b>	<b>0.30</b>	<b>1.20</b>	<b>0.13</b>
	<b>3/4</b>	<b>0.750</b>		<b>154</b>	<b>0.25</b>	<b>26</b>	<b>Edge Start</b>		<b>0.14</b>
	<b>1</b>	<b>1.000</b>		<b>159</b>	<b>0.25</b>	<b>16</b>	<b>Edge Start</b>		<b>0.14</b>
	<b>1-1/4</b>	<b>1.250</b>		<b>167</b>	<b>0.25</b>	<b>8</b>	<b>Edge Start</b>		<b>0.14</b>
Material Thickness			Gas Pressure (Air)	Arc Voltage	Torch Working Height	Travel Speed	Initial Piercing Height	Pierce Delay	Kerf Width @ Rec. Speed
(mm)			Bar (torch lead length)	Volts	(mm)	(mm/min)	(mm)	(sec)	(mm)
	6		5.5 (7.6m) 5.5 (15.2m)	133	4.8	4800	6.4	0.2	2.6
	8			135	4.8	3520	6.4	0.2	2.7
	10			137	4.8	2390	6.4	0.5	2.8
	12			139	4.8	1750	6.4	0.8	2.9
	<b>15</b>			<b>149</b>	<b>6.4</b>	<b>1160</b>	<b>7.6</b>	<b>1.2</b>	<b>3.4</b>
	<b>20</b>			<b>155</b>	<b>6.4</b>	<b>625</b>	<b>Edge Start</b>		<b>3.6</b>
	<b>25</b>			<b>159</b>	<b>6.4</b>	<b>425</b>	<b>Edge Start</b>		<b>3.6</b>
	<b>30</b>			<b>165</b>	<b>6.4</b>	<b>260</b>	<b>Edge Start</b>		<b>3.6</b>

**BOLD TYPE** indicates maximum piercing parameters. **BOLD ITALIC** indicates edge starts only.

**Aluminum  
120A  
Air Plasma / Air Shield**



Deflector	Standard Shield Cup Maximum Life Shield Cup	Tip	Starter Cartridge	Electrode
9-8243	9-8218 9-8237	9-8253	9-8213	9-8215

Material Thickness			Gas Pressure (Air)	Arc Voltage	Torch Working Height	Travel Speed	Initial Piercing Height	Pierce Delay	Kerf Width @ Rec. Speed
(GA)	(in)	inch	PSI (torch lead length)	Volts	(in)	(ipm)	(in)	(sec)	(in)
	1/4	0.250	80 (25') 80 (50')	139	0.19	180	0.25	0.30	0.11
	3/8	0.375		140	0.19	110	0.25	0.50	0.11
	1/2	0.500		143	0.19	75	0.25	0.80	0.11
	<b>5/8</b>	<b>0.625</b>		<b>156</b>	<b>0.25</b>	<b>50</b>	<b>0.30</b>	<b>1.00</b>	<b>0.12</b>
	<b>3/4</b>	<b>0.750</b>		<b>161</b>	<b>0.25</b>	<b>34</b>	<b>Edge Start</b>		<b>0.13</b>
	<b>1</b>	<b>1.000</b>		<b>167</b>	<b>0.25</b>	<b>23</b>	<b>Edge Start</b>		<b>0.14</b>
Material Thickness			Gas Pressure (Air)	Arc Voltage	Torch Working Height	Travel Speed	Initial Piercing Height	Pierce Delay	Kerf Width @ Rec. Speed
(mm)			Bar (torch lead length)	Volts	(mm)	(mm/min)	(mm)	(sec)	(mm)
6			5.5 (7.6m) 5.5 (15.2m)	139	4.8	4770	6.4	0.2	2.8
8				140	4.8	3650	6.4	0.2	2.8
10				140	4.8	2660	6.4	0.5	2.8
12				142	4.8	2100	6.4	0.8	2.8
<b>15</b>				<b>152</b>	<b>6.4</b>	<b>1445</b>	<b>7.6</b>	<b>1.2</b>	<b>3.0</b>
<b>20</b>				<b>162</b>	<b>6.4</b>	<b>820</b>	<b>Edge Start</b>		<b>3.4</b>
<b>25</b>				<b>167</b>	<b>6.4</b>	<b>600</b>	<b>Edge Start</b>		<b>3.4</b>

**BOLD TYPE** indicates maximum piercing parameters. **BOLD ITALIC** indicates edge starts only.

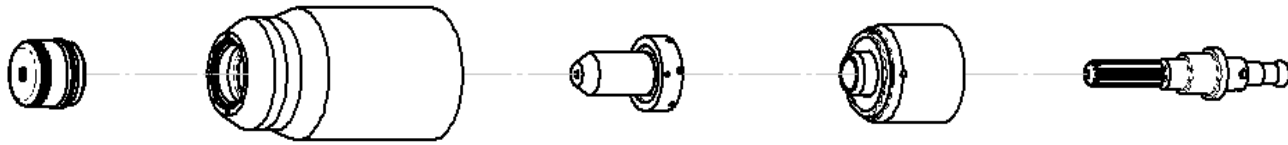
# CUTMASTER A120

## 4T.09 Recommended Cutting Speeds for Machine and Automated Torches With Shielded Tip

Mild Steel

40A

Air Plasma / Air Shield

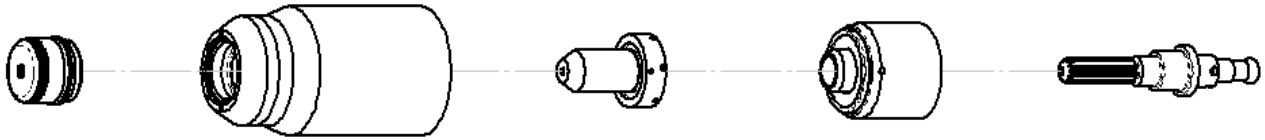


Shield Cap	Maximum Life Shield Cup	Tip	Starter Cartridge	Electrode
9-8245	9-8237	9-8208	9-8213	9-8215

Material Thickness			Gas Pressure (Air)	Arc Voltage	Torch Working Height	Travel Speed	Initial Piercing Height	Pierce Delay	Kerf Width @ Rec. Speed
(GA)	(in)	inch	PSI (torch lead length)	Volts	(in)	(ipm)	(in)	(sec)	(in)
20		0.036	75 (25') 80 (50')	107	0.16	130	0.16	0.0	0.06
16		0.060		113	0.16	120	0.16	0.0	0.06
14		0.075		108	0.16	90	0.16	0.1	0.06
12		0.105		111	0.16	75	0.16	0.2	0.06
10		0.135		114	0.16	65	0.16	0.3	0.07
	3/16	0.188		115	0.16	65	0.16	0.4	0.07
	1/4	0.250		118	0.16	45	0.16	0.5	0.07
	3/8	0.375		123	0.16	23	0.16	1.2	0.08
	1/2	<b>0.500</b>		<b>128</b>	<b>0.16</b>	<b>18</b>	<b>0.16</b>	<b>2.0</b>	<b>0.08</b>
Material Thickness			Gas Pressure (Air)	Arc Voltage	Torch Working Height	Travel Speed	Initial Piercing Height	Pierce Delay	Kerf Width @ Rec. Speed
(mm)			Bar (torch lead length)	Volts	(mm)	(mm/min)	(mm)	(sec)	(mm)
1			5.2 (7.6) 5.5 (15.2)	108	4.1	3266	4.1	0.0	1.4
2				108	4.1	2239	4.1	0.0	1.5
3				112	4.1	1794	4.1	0.1	1.7
4				114	4.1	1651	4.1	0.2	1.7
5				115	4.1	1578	4.1	0.3	1.7
6				117	4.1	1256	4.1	0.4	1.7
8				121	4.1	853	4.1	0.5	1.7
10				124	4.1	565	4.1	1.2	1.8
12				<b>127</b>	<b>4.1</b>	<b>485</b>	<b>4.1</b>	<b>2.0</b>	<b>1.9</b>

**BOLD TYPE** indicates maximum piercing parameters.

**Stainless Steel  
40A  
Air Plasma / Air Shield**



Shield Cap	Maximum Life Shield Cup	Tip	Starter Cartridge	Electrode
9-8245	9-8237	9-8208	9-8213	9-8215

Material Thickness			Gas Pressure (Air)	Arc Voltage	Torch Working Height	Travel Speed	Initial Piercing Height	Pierce Delay	Kerf Width @ Rec. Speed
(GA)	(in)	inch	PSI (torch lead length)	Volts	(in)	(ipm)	(in)	(sec)	(in)
18		0.050	75 (25') 80 (50')	110	0.16	60	4.1	0.0	0.06
16		0.063		108	0.16	50	4.1	0.1	0.07
14		0.078		114	0.16	45	4.1	0.1	0.07
12		0.109		113	0.16	40	4.1	0.2	0.07
10		0.141		116	0.16	35	4.1	0.3	0.07
	3/16	0.188		115	0.16	30	4.1	0.4	0.07
	1/4	0.250		118	0.16	20	4.1	1.2	0.07
	3/8	0.375		125	0.16	15	4.1	1.8	0.08
	1/2	0.500		<b>127</b>	<b>0.16</b>	<b>10</b>	<b>4.1</b>	<b>2.0</b>	<b>0.08</b>
Material Thickness				Gas Pressure (Air)	Arc Voltage	Torch Working Height	Travel Speed	Initial Piercing Height	Pierce Delay
(mm)			Bar (torch lead length)	Volts	(mm)	(mm/min)	(mm)	(sec)	(mm)
1			5.2 (7.6) 5.5 (15.2)	109	4.1	1670	4.1	0.0	1.7
2				114	4.1	1140	4.1	0.1	1.8
3				114	4.1	980	4.1	0.2	1.8
4				116	4.1	845	4.1	0.3	1.8
5				115	4.1	725	4.1	0.4	1.8
6				117	4.1	565	4.1	0.5	2.0
8				122	4.1	440	4.1	1.5	2.0
10				125	4.1	360	4.1	1.8	2.0
12				<b>127</b>	<b>4.1</b>	<b>280</b>	<b>4.1</b>	<b>2.0</b>	<b>2.2</b>

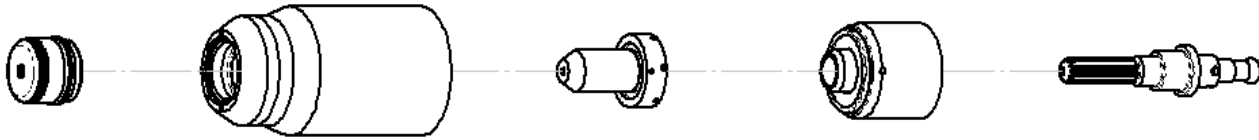
**BOLD TYPE** indicates maximum piercing parameters.

# CUTMASTER A120

## Aluminum

### 40A

### Air Plasma / Air Shield



Shield Cap	Maximum Life Shield Cup	Tip	Starter Cartridge	Electrode
9-8245	9-8237	9-8208	9-8213	9-8215

Material Thickness			Gas Pressure (Air)	Arc Voltage	Torch Working Height	Travel Speed	Initial Piercing Height	Pierce Delay	Kerf Width @ Rec. Speed
(GA)	(in)	inch	PSI (torch lead length)	Volts	(in)	(ipm)	(in)	(sec)	(in)
20		0.040	75 (25') 80 (50')	110	0.19	300	0.20	0.0	0.06
16		0.063		113	0.19	170	0.20	0.1	0.07
12		0.097		120	0.19	100	0.20	0.2	0.07
11		0.125		125	0.19	90	0.20	0.3	0.07
9		0.160		126	0.19	85	0.20	0.4	0.07
	3/16	0.188		128	0.19	70	0.20	0.5	0.07
	1/4	0.250		137	0.19	30	0.20	1.0	0.08
	<b>3/8</b>	<b>0.375</b>		<b>145</b>	<b>0.19</b>	<b>10</b>	<b>0.20</b>	<b>2.0</b>	<b>0.09</b>
Material Thickness				Gas Pressure (Air)	Arc Voltage	Torch Working Height	Travel Speed	Initial Piercing Height	Pierce Delay
(mm)			Bar (torch lead length)	Volts	(mm)	(mm/min)	(mm)	(sec)	(mm)
1.0			5.2 (7.6) 5.5 (15.2)	110	4.8	7660	5.1	0.0	1.6
2.0				116	4.8	3490	5.1	0.2	1.8
3.0				124	4.8	2350	5.1	0.3	1.8
4.0				126	4.8	2170	5.1	0.4	1.8
5.0				129	4.8	1630	5.1	0.6	1.8
6.0				135	4.8	990	5.1	1.0	1.9
8.0				141	4.8	500	5.1	1.6	2.0
<b>10.0</b>				<b>146</b>	<b>4.8</b>	<b>180</b>	<b>5.1</b>	<b>2.1</b>	<b>2.3</b>

**BOLD TYPE** indicates maximum piercing parameters.



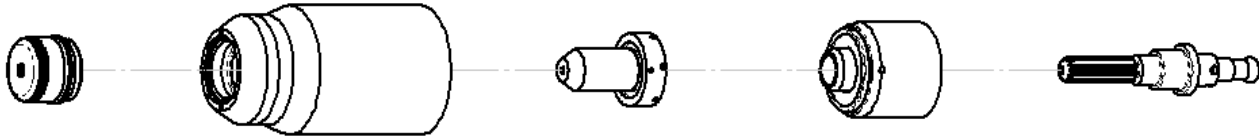
This Page Intentionally Blank

# CUTMASTER A120

Mild Steel

60A

Air Plasma / Air Shield



Shield Cap	Maximum Life Shield Cup	Tip	Starter Cartridge	Electrode
9-8238	9-8237	9-8210	9-8213	9-8215

Material Thickness			Gas Pressure (Air)	Arc Voltage	Torch Working Height	Travel Speed	Initial Piercing Height	Pierce Delay	Kerf Width @ Rec. Speed
(GA)	(in)	inch	PSI (torch lead length)	Volts	(in)	(ipm)	(in)	(sec)	(in)
16		0.060	85 (25')	128	0.19	250	0.20	0.00	0.09
14		0.075		129	0.19	237	0.20	0.10	0.09
11		0.120		126	0.19	200	0.20	0.10	0.08
10		0.135		128	0.19	142	0.20	0.10	0.09
	3/16	0.188		132	0.19	115	0.20	0.20	0.09
	1/4	0.250		134	0.19	80	0.20	0.30	0.08
	3/8	0.375		132	0.19	34	0.20	0.70	0.10
	1/2	0.500		144	0.19	23	0.20	0.75	0.10
	5/8	0.625		150	0.19	14	<b>Edge Start</b>		0.10
	3/4	0.750		145	0.19	14	<b>Edge Start</b>		0.10
	1	1.000	160	0.19	4	<b>Edge Start</b>		0.12	

# CUTMASTER A120

Material Thickness	Gas Pressure (Air)	Arc Voltage	Torch Working Height	Travel Speed	Initial Piercing Height	Pierce Delay	Kerf Width @ Rec. Speed
(mm)	Bar (torch lead length)	Volts	(mm)	(mm/min)	(mm)	(sec)	(mm)
1	5.9 (7.6m) 6.2 (15.2m)	127	4.8	6804	5.1	0	2.2
2		129	4.8	5942	5.1	0.10	2.2
3		126	4.8	5080	5.1	0.10	0.1
4		130	4.8	3316	5.1	0.20	2.3
5		132	4.8	2794	5.1	0.20	2.2
6		134	4.8	2230	5.1	0.30	2.1
8		133	4.8	1425	5.1	0.40	2.3
10		134	4.8	822	5.1	0.60	2.5
12		141	4.8	646	5.1	0.75	2.5
15		148	4.8	419	<i>Edge Start</i>		2.6
20		147	4.8	318	<i>Edge Start</i>		2.7
25		159	4.8	118	<i>Edge Start</i>		3.0

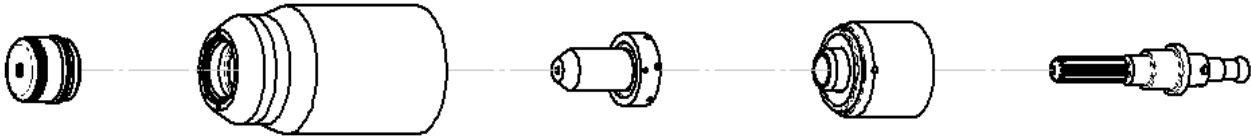
**BOLD TYPE** indicates maximum piercing parameters. **BOLD ITALIC** indicates edge starts only.

# CUTMASTER A120

## Stainless Steel

### 60A

### Air Plasma / Air Shield



Shield Cap	Maximum Life Shield Cup	Tip	Starter Cartridge	Electrode
9-8238	9-8237	9-8210	9-8213	9-8215

Material Thickness			Gas Pressure (Air)	Arc Voltage	Torch Working Height	Travel Speed	Initial Piercing Height	Pierce Delay	Kerf Width @ Rec. Speed	
(GA)	(in)	inch	PSI (torch lead length)	Volts	(in)	(ipm)	(in)	(sec)	(in)	
16		0.063	85 (25')	110	0.13	165	0.20	0.00	0.06	
14		0.078		116	0.13	155	0.20	0.10	0.07	
11		0.125		118	0.13	125	0.20	0.10	0.07	
10		0.141		126	0.13	80	0.20	0.10	0.09	
	3/16	0.188		125	0.13	75	0.20	0.20	0.09	
	1/4	0.250		90 (50')	127	0.13	60	0.20	0.30	0.08
	3/8	0.375			134	0.13	28	0.20	0.50	0.08
	1/2	0.500			136	0.19	17	0.25	0.75	0.09
	5/8	0.625			131	0.13	14	<b>Edge Start</b>		0.08
	3/4	0.750			142	0.19	10	<b>Edge Start</b>		0.11

**CUTMASTER A120**

Material Thickness	Gas Pressure (Air)	Arc Voltage	Torch Working Height	Travel Speed	Initial Piercing Height	Pierce Delay	Kerf Width @ Rec. Speed
(mm)	Bar (torch lead length)	Volts	(mm)	(mm/min)	(mm)	(sec)	(mm)
1	5.9 (7.6m) 6.2 (15.2m)	101	3.3	4590	5.1	0.00	1.2
2		116	3.3	3925	5.1	0.10	1.7
3		118	3.3	3285	5.1	0.10	1.7
4		126	3.3	1985	5.1	0.20	2.2
5		125	3.3	1850	5.1	0.20	2.1
6		127	3.3	1605	5.1	0.30	2.1
8		131	3.3	1100	5.1	0.40	2.1
10		134	3.3	670	5.1	0.50	2.1
<b>12</b>		<b>136</b>	<b>4.8</b>	<b>490</b>	<b>6.4</b>	<b>0.90</b>	<b>2.2</b>
<b>15</b>		<b>132</b>	<b>3.3</b>	<b>375</b>	<b><i>Edge Start</i></b>		<b>2.6</b>
<b>20</b>		<b>144</b>	<b>4.8</b>	<b>230</b>	<b><i>Edge Start</i></b>		<b>2.5</b>

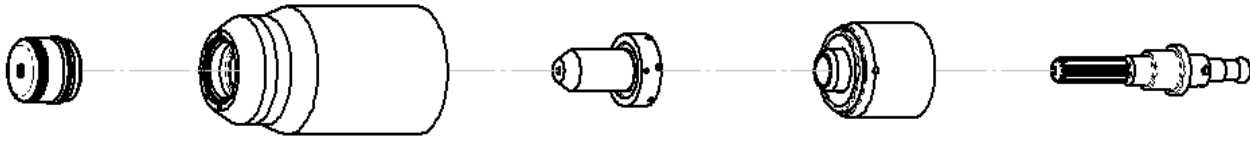
**BOLD TYPE** indicates maximum piercing parameters. **BOLD ITALIC** indicates edge starts only.

# CUTMASTER A120

Aluminum

60A

Air Plasma / Air Shield



Shield Cap	Maximum Life Shield Cup	Tip	Starter Cartridge	Electrode
9-8238	9-8237	9-8210	9-8213	9-8215

Material Thickness			Gas Pressure (Air)	Arc Voltage	Torch Working Height	Travel Speed	Initial Piercing Height	Pierce Delay	Kerf Width @ Rec. Speed
(GA)	(in)	inch	PSI (torch lead length)	Volts	(in)	(ipm)	(in)	(sec)	(in)
16		0.064	85 (25') 90 (50')	118	0.13	350	0.20	0.00	0.07
14		0.079		118	0.13	350	0.20	0.10	0.08
11		0.120		123	0.13	275	0.20	0.10	0.08
	3/16	0.188		125	0.13	140	0.20	0.20	0.08
	1/4	0.250		132	0.13	80	0.20	0.30	0.08
	3/8	0.375		135	0.13	45	0.20	0.50	0.08
	1/2	0.500		140	0.13	26	0.20	0.80	0.08
	5/8	0.625		148	0.19	18	<i>Edge start</i>		0.10
	3/4	0.750		155	0.19	12	<i>Edge start</i>		0.11

# CUTMASTER A120

Material Thickness	Gas Pressure (Air)	Arc Voltage	Torch Working Height	Travel Speed	Initial Piercing Height	Pierce Delay	Kerf Width @ Rec. Speed
(mm)	Bar (torch lead length)	Volts	(mm)	(mm/min)	(mm)	(sec)	(mm)
1	5.9 (7.6m) 6.2 (15.2m)	118	6.4	8890	6.4	0.00	2
2		118	6.4	8890	6.4	0.10	2.0
3		123	6.4	7070	6.4	0.10	2.1
4		124	6.4	5095	6.4	0.20	2.0
5		126	6.4	3335	6.4	0.20	2.0
6		130	6.4	2370	6.4	0.30	2.0
8		134	6.4	1570	6.4	0.40	2.0
10		136	6.4	1070	6.4	0.60	2.0
<b>12</b>		<b>139</b>	<b>6.4</b>	<b>765</b>	<b>6.4</b>	<b>0.70</b>	<b>2.0</b>
<b>15</b>		<b>146</b>	<b>4.8</b>	<b>515</b>	<b><i>Edge start</i></b>		<b>2.4</b>
<b>20</b>		<b>157</b>	<b>4.8</b>	<b>260</b>	<b><i>Edge start</i></b>		<b>2.7</b>

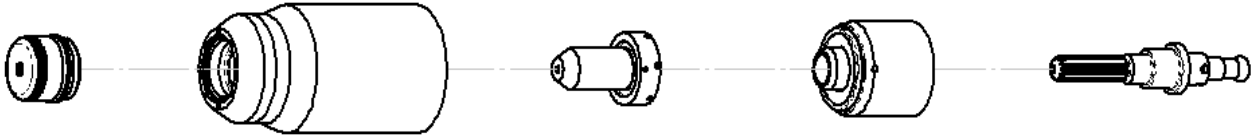
**BOLD TYPE** indicates maximum piercing parameters. **BOLD ITALIC** indicates edge starts only.

# CUTMASTER A120

Mild Steel

80A

Air Plasma / Air Shield



Shield Cap	Maximum Life Shield Cup	Tip	Starter Cartridge	Electrode
9-8239	9-8237	9-8211	9-8213	9-8215

Material Thickness			Gas Pressure (Air)	Arc Voltage	Torch Working Height	Travel Speed	Initial Piercing Height	Pierce Delay	Kerf Width @ Rec. Speed
(GA)	(in)	inch	PSI (torch lead length)	Volts	(in)	(ipm)	(in)	(sec)	(in)
16		0.060	85 (25') 90 (50')	115	0.13	280	0.20	0.00	0.06
11		0.120		112	0.13	190	0.20	0.10	0.06
10		0.135		110	0.13	176	0.20	0.20	0.06
	3/16	0.188		122	0.19	135	0.20	0.30	0.08
	1/4	0.250		127	0.19	100	0.20	0.40	0.09
	3/8	0.375		134	0.19	40	0.20	0.50	0.10
	1/2	0.500		136	0.19	36	0.20	0.60	0.10
	5/8	0.625		145	0.19	18	<i>Edge Start</i>		0.11
	3/4	0.750		147	0.19	14	<i>Edge Start</i>		0.11
	7/8	0.875		146	0.19	10	<i>Edge Start</i>		0.12
	1.000	1.000		152	0.187	8	<i>Edge Start</i>		0.13



**CUTMASTER A120**

Material Thickness	Gas Pressure (Air)	Arc Voltage	Torch Working Height	Travel Speed	Initial Piercing Height	Pierce Delay	Kerf Width @ Rec. Speed
(mm)	Bar (torch lead length)	Volts	(mm)	(mm/min)	(mm)	(sec)	(mm)
1	5.9 (7.6m) 6.2 (15.2m)	116	3.3	7895	5.1	0.00	1.6
2		114	3.3	6395	5.1	0.10	1.6
3		112	3.3	4895	5.1	0.10	1.5
4		115	4.8	4025	5.1	0.30	1.7
5		123	4.8	3300	5.1	0.30	2.0
6		126	4.8	2735	5.1	0.40	2.2
8		131	4.8	1745	5.1	0.50	2.5
10		134	4.8	1000	5.1	0.50	2.6
12		<b>136</b>	<b>4.8</b>	<b>935</b>	<b>5.1</b>	<b>0.60</b>	<b>2.6</b>
15		<b>143</b>	<b>4.8</b>	<b>580</b>	<b>5.1</b>	<b>0.80</b>	<b>2.8</b>
20		<b>147</b>	<b>4.8</b>	<b>325</b>	<b><i>Edge Start</i></b>		<b>2.9</b>
25		<b>151</b>	<b>4.8</b>	<b>210</b>	<b><i>Edge Start</i></b>		<b>3.2</b>

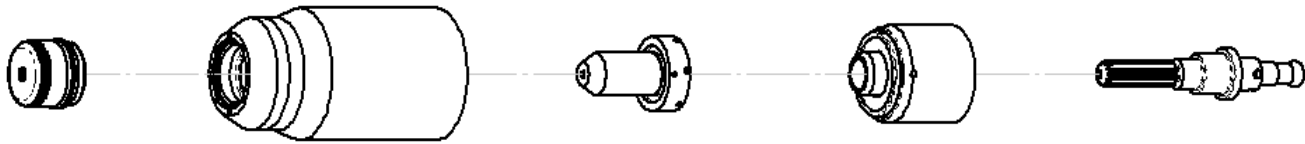
**BOLD TYPE** indicates maximum piercing parameters. **BOLD ITALIC** indicates edge starts only.

# CUTMASTER A120

## Stainless Steel

### 80A

### Air Plasma / Air Shield



Shield Cap	Maximum Life Shield Cup	Tip	Starter Cartridge	Electrode
9-8239	9-8237	9-8211	9-8213	9-8215

Material Thickness			Gas Pressure (Air)	Arc Voltage	Torch Working Height	Travel Speed	Initial Piercing Height	Pierce Delay	Kerf Width @ Rec. Speed
(GA)	(in)	inch	PSI (torch lead length)	Volts	(in)	(ipm)	(in)	(sec)	(in)
16		0.063	85 (25') 90 (50')	114	0.125	340	0.2	0.00	0.06
11		0.125		115	0.125	260	0.2	0.10	0.06
10		0.141		116	0.125	250	0.2	0.10	0.06
	3/16	0.188		115	0.125	170	0.2	0.20	0.07
	1/4	0.250		118	0.125	85	0.2	0.30	0.08
	3/8	0.375		127	0.19	45	0.25	0.40	0.09
	1/2	0.500		136	0.19	16	0.25	0.75	0.11
	5/8	0.625		143	0.19	10	<b>Edge Start</b>		0.12
	3/4	0.750		146	0.19	8	<b>Edge Start</b>		0.11

Material Thickness	Gas Pressure (Air)	Arc Voltage	Torch Working Height	Travel Speed	Initial Piercing Height	Pierce Delay	Kerf Width @ Rec. Speed
(mm)	Bar (torch lead length)	Volts	(mm)	(mm/min)	(mm)	(sec)	(mm)
1	5.9 (7.6m) 6.2 (15.2m)	114	3.2	9410	5.1	0.00	1.5
2		114	3.2	8120	5.1	0.00	1.4
3		115	3.2	6830	5.1	0.10	1.4
4		116	3.2	5635	5.1	0.20	1.5
5		115	3.2	4010	5.1	0.20	1.8
6		117	3.2	2640	5.1	0.30	2.0
8		123	4.8	1630	6.4	0.40	2.1
10		128	4.8	1030	6.4	0.60	2.2
<b>12</b>		<b>134</b>	<b>4.8</b>	<b>565</b>	<b>6.4</b>	<b>0.75</b>	<b>2.6</b>
<b>15</b>		<b>141</b>	<b>4.8</b>	<b>295</b>	<b><i>Edge Start</i></b>		<b>3.0</b>
<b>20</b>		<b>147</b>	<b>4.8</b>	<b>185</b>	<b><i>Edge Start</i></b>		<b>2.8</b>

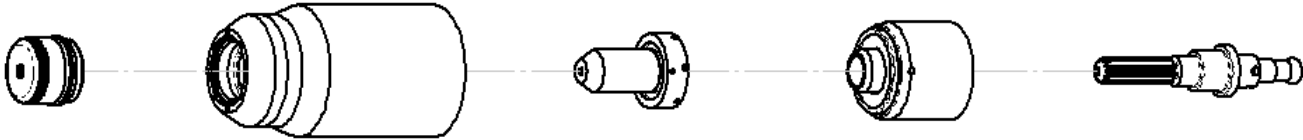
**BOLD TYPE** indicates maximum piercing parameters. **BOLD ITALIC** indicates edge starts only.

# CUTMASTER A120

## Aluminum

### 80A

### Air Plasma / Air Shield



Shield Cap	Maximum Life Shield Cup	Tip	Starter Cartridge	Electrode
9-8239	9-8237	9-8211	9-8213	9-8215

Material Thickness			Gas Pressure (Air)	Arc Voltage	Torch Working Height	Travel Speed	Initial Piercing Height	Pierce Delay	Kerf Width @ Rec. Speed
(GA)	(in)	inch	PSI (torch lead length)	Volts	(in)	(ipm)	(in)	(sec)	(in)
16		0.064	85 (25') 90 (50')	115	0.13	320	0.2	0.00	0.09
11		0.120		120	0.13	240	0.2	0.10	0.08
	3/16	0.188		122	0.13	165	0.2	0.20	0.08
	1/4	0.250		124	0.13	100	0.2	0.30	0.10
	3/8	0.375		140	0.19	60	0.2	0.40	0.09
	1/2	0.500		142	0.19	36	0.2	0.60	0.11
	<b>5/8</b>	<b>0.625</b>		<b>148</b>	<b>0.19</b>	<b>26</b>	<b>0.2</b>	<b>0.75</b>	<b>0.11</b>
	<b>3/4</b>	<b>0.750</b>		<b>155</b>	<b>0.19</b>	<b>16</b>	<b>Edge Start</b>		<b>0.12</b>
Material Thickness				Gas Pressure (Air)	Arc Voltage	Torch Working Height	Travel Speed	Initial Piercing Height	Pierce Delay
(mm)			Bar (torch lead length)	Volts	(mm)	(mm/min)	(mm)	(sec)	(mm)

1	5.9 (7.6m) 6.2 (15.2m)	113	3.3	9020	5.1	0.00	2.4
2		116	3.3	7595	5.1	0.00	2.2
3		120	3.3	6165	5.1	0.10	2.0
4		121	3.3	5045	5.1	0.20	2.1
5		122	3.3	3955	5.1	0.20	2.2
6		124	3.3	2905	5.1	0.30	2.3
8		132	4.8	2010	5.1	0.40	2.3
10		140	4.8	1430	5.1	0.50	2.3
12		142	4.8	1045	5.1	0.60	2.6
15		<b>146</b>	<b>4.8</b>	<b>730</b>	<b>5.1</b>	<b>0.75</b>	<b>2.7</b>
<b>20</b>		<b>157</b>	<b>4.8</b>	<b>330</b>	<i>Edge Start</i>		<b>3.2</b>

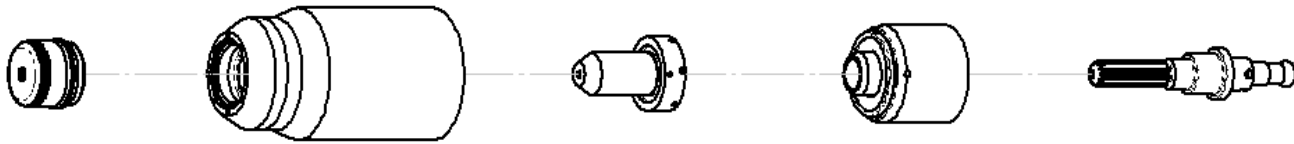
**BOLD TYPE** indicates maximum piercing parameters. **BOLD ITALIC** indicates edge starts only.

# CUTMASTER A120

Mild Steel

100A

Air Plasma / Air Shield

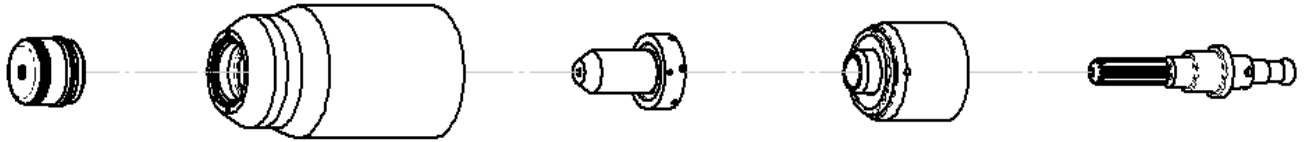


Shield Cap	Maximum Life Shield Cup	Tip	Starter Cartridge	Electrode
9-8239	9-8237	9-8253	9-8213	9-8215

Material Thickness			Gas Pressure (Air)	Arc Voltage	Torch Working Height	Travel Speed	Initial Piercing Height	Pierce Delay	Kerf Width @ Rec. Speed
(GA)	(in)	inch	PSI (torch lead length)	Volts	(in)	(ipm)	(in)	(sec)	(in)
	1/4	0.250	75 (25') 75 (50')	114	0.16	85	0.18	0.00	0.08
	3/8	0.375		112	0.16	70	0.18	0.20	0.09
	1/2	0.500		115	0.16	40	0.18	0.30	0.10
	5/8	0.625		123	0.16	30	0.18	0.40	0.10
	<b>3/4</b>	<b>0.750</b>		<b>127</b>	<b>0.16</b>	<b>20</b>	<b>0.18</b>	<b>0.80</b>	<b>0.11</b>
	<b>1</b>	<b>1.000</b>		<b>133</b>	<b>0.16</b>	<b>12</b>	<b>Edge Start</b>		<b>0.12</b>
	<b>1-1/4</b>	<b>1.250</b>		<b>135</b>	<b>0.16</b>	<b>8</b>	<b>Edge Start</b>		<b>0.12</b>
Material Thickness			Gas Pressure (Air)	Arc Voltage	Torch Working Height	Travel Speed	Initial Piercing Height	Pierce Delay	Kerf Width @ Rec. Speed
(mm)			Bar (torch lead length)	Volts	(mm)	(mm/min)	(mm)	(sec)	(mm)
6				114	4.1	2210	4.6	0.00	2.0
8				113	4.1	1960	4.6	0.10	2.2
10				112	4.1	1665	4.6	0.20	2.3
12				114	4.1	1185	4.6	0.30	2.4
15				121	4.1	830	4.6	0.40	2.5
20				128	4.1	475	5.0	0.80	2.8
25				133	4.1	315	<b>Edge Start</b>		<b>2.9</b>
30				134	4.1	230	<b>Edge Start</b>		<b>3.1</b>

**BOLD TYPE** indicates maximum piercing parameters. **BOLD ITALIC** indicates edge starts only.

**Stainless Steel  
100A  
Air Plasma / Air Shield**



Shield Cap	Maximum Life Shield Cup	Tip	Starter Cartridge	Electrode
9-8239	9-8237	9-8212	9-8213	9-8215

Material Thickness			Gas Pressure (Air)	Arc Voltage	Torch Working Height	Travel Speed	Initial Piercing Height	Pierce Delay	Kerf Width @ Rec. Speed
(GA)	(in)	inch	PSI (torch lead length)	Volts	(in)	(ipm)	(in)	(sec)	(in)
	1/4	0.250	75 (25') 75 (50')	114	0.16	110	0.18	0.00	0.08
	3/8	0.375		116	0.16	70	0.18	0.10	0.09
	1/2	0.500		119	0.16	45	0.18	0.30	0.10
	5/8	0.625		130	0.19	20	0.23	2.00	0.11
	<b>3/4</b>	<b>0.750</b>		<b>135</b>	<b>0.19</b>	<b>15</b>	<b>0.23</b>	<b>2.80</b>	<b>0.11</b>
	<b>1</b>	<b>1.000</b>		<b>140</b>	<b>0.19</b>	<b>10</b>	<b>Edge Start</b>		<b>0.11</b>

Material Thickness		Gas Pressure (Air)	Arc Voltage	Torch Working Height	Travel Speed	Initial Piercing Height	Pierce Delay	Kerf Width @ Rec. Speed
(mm)		Bar (torch lead length)	Volts	(mm)	(mm/min)	(mm)	(sec)	(mm)
6	5.2 (7.6m) 5.2 (15.2m)	5.2 (7.6m) 5.2 (15.2m)	114	4.1	2900	4.6	0.00	2.0
8			115	4.1	2265	4.6	0.10	2.2
10			116	4.1	1685	4.6	0.20	2.4
12			118	4.1	1285	4.6	0.30	2.4
15			127	4.6	685	5.7	2.00	2.7
<b>20</b>			<b>136</b>	<b>4.8</b>	<b>360</b>	<b>5.7</b>	<b>2.80</b>	<b>2.8</b>
<b>25</b>			<b>140</b>	<b>4.8</b>	<b>260</b>	<b>Edge Start</b>		<b>2.8</b>

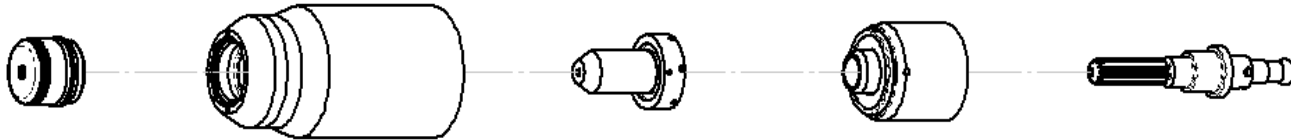
**BOLD TYPE** indicates maximum piercing parameters. **BOLD ITALIC** indicates edge starts only.

# CUTMASTER A120

## Aluminum

### 100A

### Air Plasma / Air Shield



Shield Cap	Maximum Life Shield Cup	Tip	Starter Cartridge	Electrode
9-8239	9-8237	9-8212	9-8213	9-8215

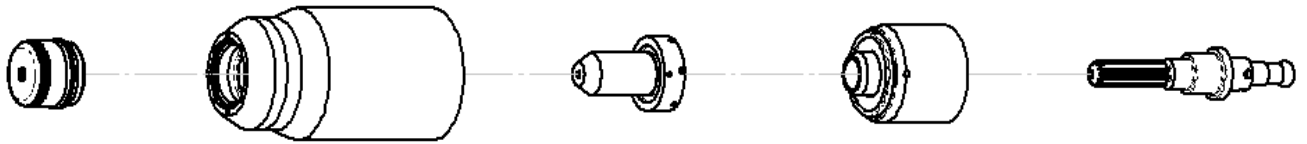
Material Thickness			Gas Pressure (Air)	Arc Voltage	Torch Working Height	Travel Speed	Initial Piercing Height	Pierce Delay	Kerf Width @ Rec. Speed
(GA)	(in)	inch	PSI (torch lead length)	Volts	(in)	(ipm)	(in)	(sec)	(in)
	1/4	0.250	75 (25')	121	0.18	110	0.19	0.00	0.10
	3/8	0.375		129	0.18	60	0.19	0.20	0.10
	1/2	0.500		135	0.18	45	0.19	0.30	0.11
	5/8	0.625		133	0.18	32	0.19	0.60	0.11
	<b>3/4</b>	<b>0.750</b>		<b>138</b>	<b>0.18</b>	<b>25</b>	<b>0.19</b>	<b>2.00</b>	<b>0.11</b>
	<b>1</b>	<b>1.000</b>		<b>143</b>	<b>0.18</b>	<b>15</b>	<b>Edge Start</b>		<b>0.14</b>

Material Thickness		Gas Pressure (Air)	Arc Voltage	Torch Working Height	Travel Speed	Initial Piercing Height	Pierce Delay	Kerf Width @ Rec. Speed
(mm)		Bar (torch lead length)	Volts	(mm)	(mm/min)	(mm)	(sec)	(mm)
6	5.2 (7.6m) 5.2 (15.2m)	5.2 (7.6m) 5.2 (15.2m)	120	4.6	2920	4.8	0.00	2.5
8			125	4.6	2135	4.8	0.10	2.5
10			130	4.6	1470	4.8	0.20	2.6
12			134	4.6	1230	4.8	0.30	2.7
15			134	4.6	905	4.8	0.60	2.9
20			<b>139</b>	<b>4.6</b>	<b>595</b>	<b>6.0</b>	<b>2.00</b>	<b>3.0</b>
25			<b>143</b>	<b>4.6</b>	<b>395</b>	<b>Edge Start</b>		<b>3.6</b>

**BOLD TYPE** indicates maximum piercing parameters. **BOLD ITALIC** indicates edge starts only.



**Mild Steel  
120A  
Air Plasma / Air Shield**



Shield Cap	Maximum Life Shield Cup	Tip	Starter Cartridge	Electrode
9-8256	9-8237	9-8253	9-8213	9-8215

Material Thickness			Gas Pressure (Air)	Arc Voltage	Torch Working Height	Travel Speed	Initial Piercing Height	Pierce Delay	Kerf Width @ Rec. Speed
(GA)	(in)	inch	PSI (torch lead length)	Volts	(in)	(ipm)	(in)	(sec)	(in)
	1/4	0.250	80 (25') 80 (50')	139	0.125	160	0.20	0.20	0.11
	3/8	0.375		140	0.125	85	0.20	0.20	0.11
	1/2	0.500		142	0.125	75	0.20	0.50	0.10
	5/8	0.625		144	0.125	45	0.20	0.70	0.11
	<b>3/4</b>	<b>0.750</b>		<b>150</b>	<b>0.125</b>	<b>30</b>	<b>0.25</b>	<b>1.50</b>	<b>0.12</b>
	<b>7/8</b>	<b>0.875</b>		<b>158</b>	<b>0.175</b>	<b>25</b>	<b>Edge Start</b>		<b>0.13</b>
	<b>1</b>	<b>1.000</b>		<b>160</b>	<b>0.175</b>	<b>22</b>	<b>Edge Start</b>		<b>0.14</b>
	<b>1-1/4</b>	<b>1.250</b>		<b>165</b>	<b>0.175</b>	<b>15</b>	<b>Edge Start</b>		<b>0.17</b>
	<b>1-1/2</b>	<b>1.500</b>		<b>171</b>	<b>0.175</b>	<b>8</b>	<b>Edge Start</b>		<b>0.15</b>

Material Thickness		Gas Pressure (Air)	Arc Voltage	Torch Working Height	Travel Speed	Initial Piercing Height	Pierce Delay	Kerf Width @ Rec. Speed
(mm)		Bar (torch lead length)	Volts	(mm)	(mm/min)	(mm)	(sec)	(mm)
6	5.5 (7.6m) 5.5 (15.2m)	5.5 (7.6m) 5.5 (15.2m)	139	4.8	4270	5.08	0.20	2.8
8			140	4.8	3070	5.1	0.2	2.8
10			140	6.4	2120	5.08	0.30	2.8
12			142	6.4	1960	5.08	0.50	2.8
15			143	4.8	1355	5.08	0.70	2.8
<b>20</b>			<b>152</b>	<b>4.8</b>	<b>725</b>	<b>6.4</b>	<b>1.6</b>	<b>3.1</b>
<b>25</b>			<b>160</b>	<b>4.8</b>	<b>570</b>	<b>Edge Start</b>		<b>3.6</b>
<b>30</b>			<b>164</b>	<b>4.8</b>	<b>430</b>	<b>Edge Start</b>		<b>4.0</b>
<b>35</b>			<b>168</b>	<b>4.8</b>	<b>290</b>	<b>Edge Start</b>		<b>4.3</b>
<b>40</b>			<b>173</b>	<b>4.45</b>	<b>150</b>	<b>Edge Start</b>		<b>4.4</b>

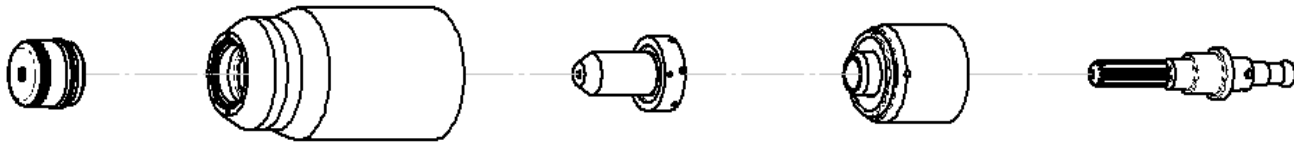
**BOLD TYPE** indicates maximum piercing parameters. **BOLD ITALIC** indicates edge starts only.

# CUTMASTER A120

## Stainless Steel

### 120A

### Air Plasma / Air Shield



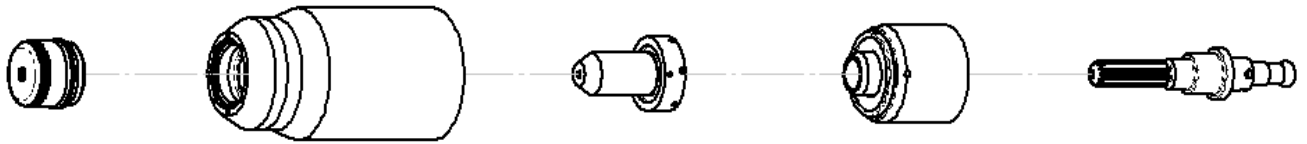
Shield Cap	Maximum Life Shield Cup	Tip	Starter Cartridge	Electrode
9-8256	9-8237	9-8253		9-8215

Material Thickness			Gas Pressure (Air)	Arc Voltage	Torch Working Height	Travel Speed	Initial Piercing Height	Pierce Delay	Kerf Width @ Rec. Speed	
(GA)	(in)	inch	PSI (torch lead length)	Volts	(in)	(ipm)	(in)	(sec)	(in)	
	1/4	0.250	80 (25')	140	0.13	180	0.20	0.30	0.11	
	3/8	0.375		140	0.13	100	0.20	0.40	0.12	
	1/2	0.500		142	0.15	65	0.25	0.80	0.12	
	<b>5/8</b>	<b>0.625</b>		<b>152</b>	<b>0.15</b>	<b>40</b>	<b>0.25</b>	<b>1.00</b>	<b>0.12</b>	
	<b>3/4</b>	<b>0.750</b>		80 (50')	<b>150</b>	<b>0.15</b>	<b>26</b>	<b>Edge Start</b>		<b>0.13</b>
	<b>1</b>	<b>1.000</b>			<b>155</b>	<b>0.15</b>	<b>16</b>	<b>Edge Start</b>		<b>0.13</b>
	<b>1-1/4</b>	<b>1.250</b>			<b>165</b>	<b>0.15</b>	<b>8</b>	<b>Edge Start</b>		<b>0.13</b>

Material Thickness		Gas Pressure (Air)	Arc Voltage	Torch Working Height	Travel Speed	Initial Piercing Height	Pierce Delay	Kerf Width @ Rec. Speed
(mm)		Bar (torch lead length)	Volts	(mm)	(mm/min)	(mm)	(sec)	(mm)
6	5.5 (7.6m)	5.5 (15.2m)	140	4.8	4800	5.1	0.3	2.8
8			140	4.8	3520	5.1	0.4	2.7
10			140	4.8	2410	5.1	0.6	3.0
12			142	4.8	1850	6.4	0.8	3.1
<b>15</b>			<b>149</b>	<b>6.4</b>	<b>1190</b>	<b>6.4</b>	<b>1.0</b>	<b>3.1</b>
<b>20</b>			<b>151</b>	<b>6.4</b>	<b>620</b>	<b>Edge Start</b>		<b>3.3</b>
<b>25</b>			<b>155</b>	<b>6.4</b>	<b>420</b>	<b>Edge Start</b>		<b>3.3</b>
<b>30</b>			<b>162</b>	<b>6.4</b>	<b>260</b>	<b>Edge Start</b>		<b>3.3</b>

**BOLD TYPE** indicates maximum piercing parameters. **BOLD ITALIC** indicates edge starts only.

**Aluminum  
120A  
Air Plasma / Air Shield**



Shield Cap	Maximum Life Shield Cup	Tip	Starter Cartridge	Electrode
9-8256	9-8237	9-8253	9-8213	9-8215

Material Thickness			Gas Pressure (Air)	Arc Voltage	Torch Working Height	Travel Speed	Initial Piercing Height	Pierce Delay	Kerf Width @ Rec. Speed
(GA)	(in)	inch	PSI (torch lead length)	Volts	(in)	(ipm)	(in)	(sec)	(in)
	1/4	0.250	80 (25') 80 (50')	140	0.13	180	0.20	0.20	0.10
	3/8	0.375		142	0.13	110	0.20	0.30	0.11
	1/2	0.500		148	0.13	75	0.20	0.50	0.11
	<b>5/8</b>	<b>0.625</b>		<b>156</b>	<b>0.15</b>	<b>45</b>	<b>0.25</b>	<b>0.80</b>	<b>0.11</b>
	<b>3/4</b>	<b>0.750</b>		<b>158</b>	<b>0.15</b>	<b>35</b>	<b>Edge Start</b>		<b>0.11</b>
	<b>1</b>	<b>1.000</b>		<b>164</b>	<b>0.15</b>	<b>23</b>	<b>Edge Start</b>		<b>0.12</b>

Material Thickness		Gas Pressure (Air)	Arc Voltage	Torch Working Height	Travel Speed	Initial Piercing Height	Pierce Delay	Kerf Width @ Rec. Speed
(mm)		Bar (torch lead length)	Volts	(mm)	(mm/min)	(mm)	(sec)	(mm)
6	5.5 (7.6m) 5.5 (15.2m)	5.5 (7.6m) 5.5 (15.2m)	140	4.8	4770	5.1	0.2	2.6
8			141	4.8	3650	5.1	0.3	2.6
10			143	4.8	2660	5.1	0.4	2.7
12			147	4.8	2100	5.1	0.5	2.8
<b>15</b>			<b>154</b>	<b>4.8</b>	<b>1355</b>	<b>6.4</b>	<b>0.8</b>	<b>2.8</b>
<b>20</b>			<b>159</b>	<b>4.8</b>	<b>845</b>	<b>Edge Start</b>		<b>2.9</b>
<b>25</b>			<b>164</b>	<b>4.8</b>	<b>605</b>	<b>Edge Start</b>		<b>3.0</b>

**BOLD TYPE** indicates maximum piercing parameters. **BOLD ITALIC** indicates edge starts only.

**PATENT INFORMATION****Plasma Cutting Torch Patents**

The following parts are covered under U.S. and Foreign Patents as follows:

<b>Catalog #</b>	<b>Description</b>	<b>Patent(s)</b>
9-8215	Electrode	US Pat No(s) 6163008; 6987238 Other Pat(s) Pending
9-8213	Cartridge	US Pat No(s) 6903301; 6717096; 6936786; 6703581; D496842; D511280; D492709; D499620; D504142 Other Pat(s) Pending
9-8205	Tip	US Pat No(s) 6774336; 7145099; 6933461 Other Pat(s) Pending
9-8206	Tip	US Pat No(s) 6774336; 7145099; 6933461 Other Pat(s) Pending
9-8207	Tip	US Pat No(s) 6774336; 7145099; 6933461 Other Pat(s) Pending
9-8252	Tip	US Pat No(s) 6774336; 7145099; 6933461 Other Pat(s) Pending
9-8208	Tip	US Pat No(s) 6774336; 7145099; 6933461 Other Pat(s) Pending
9-8209	Tip	US Pat No(s) 6774336; 7145099; 6933461 Other Pat(s) Pending
9-8210	Tip	US Pat No(s) 6774336; 7145099; 6933461 Other Pat(s) Pending
9-8231	Tip	US Pat No(s) 6774336; 7145099; 6933461 Other Pat(s) Pending
9-8211	Tip	US Pat No(s) 6774336; 7145099; 6933461 Other Pat(s) Pending
9-8212	Tip	US Pat No(s) 6774336; 7145099; 6933461 Other Pat(s) Pending
9-8253	Tip	US Pat No(s) 6774336; 7145099; 6933461 Other Pat(s) Pending
9-8225	Tip	US Pat No(s) 6774336; 7145099; 6933461 Other Pat(s) Pending
9-8226	Tip	US Pat No(s) 6774336; 7145099; 6933461 Other Pat(s) Pending
9-8227	Tip	US Pat No(s) 6774336; 7145099; 6933461 Other Pat(s) Pending
9-8228	Tip	US Pat No(s) 6774336; 7145099; 6933461 Other Pat(s) Pending
9-8241	Shield Cap	US Pat No(s) 6914211; D505309 Other Pat(s) Pending
9-8243	Shield Cap	US Pat No(s) 6914211; D493183 Other Pat(s) Pending
9-8235	Shield Cap	US Pat No(s) 6914211; D505309 Other Pat(s) Pending
9-8236	Shield Cap	US Pat No(s) 6914211; D505309 Other Pat(s) Pending
9-8237	Shield Cup	US Pat No(s) 6914211; D501632; D511633 Other Pat(s) Pending
9-8238	Shield Cap	US Pat No(s) 6914211; D496951 Other Pat(s) Pending
9-8239	Shield Cap	US Pat No(s) 6914211; D496951 Other Pat(s) Pending
9-8244	Shield Cap	US Pat No(s) 6914211; D505309 Other Pat(s) Pending

<b>Catalog #</b>	<b>Description</b>	<b>Patent(s)</b>
9-8245	Shield Cap	US Pat No(s) 6914211; D496951 Other Pat(s) Pending

The following parts are also licensed under U.S. Patent No. 5,120,930 and 5,132,512:

<b>Catalog #</b>	<b>Description</b>
9-8235	Shield Cap
9-8236	Shield Cap
9-8237	Shield Cup
9-8238	Shield Cap
9-8239	Shield Cap
9-8244	Shield Cap
9-8245	Shield Cap

This Page Intentionally Blank

# SECTION 5 SYSTEM: SERVICE

## 5.01 General Maintenance



**Warning!**  
**Disconnect input power before maintaining.**

Maintain more often  
if used under severe  
conditions

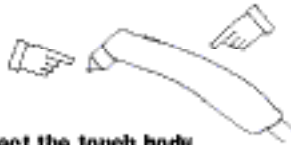
Each Use

Visual check of  
torch tip and electrode

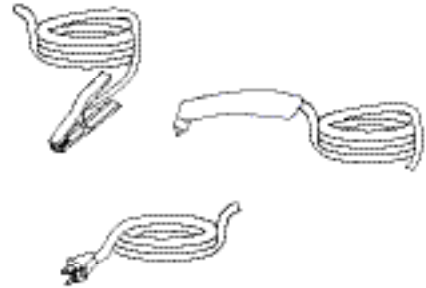


Weekly

Visually inspect the torch body  
tip, electrode and shield cup

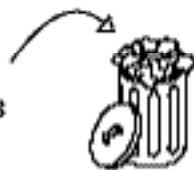


Visually inspect the  
cables and leads.  
Replace as needed

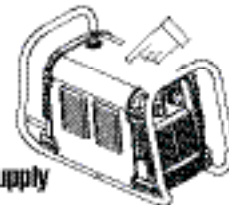


3 Months

Replace all  
broken parts

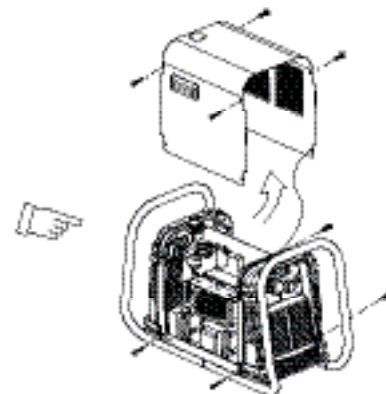


Clean  
exterior  
of power supply



6 Months

Visually check and  
Carefully clean the  
interior



# CUTMASTER A120

## 5.02 Maintenance Schedule

### NOTE

*The actual frequency of maintenance may need to be adjusted according to the operating environment.*

### Daily Operational Checks or Every Six Cutting Hours:

1. Check torch consumable parts, replace if damaged or worn.
2. Check plasma and secondary supply and pressure/flow.
3. Purge plasma gas line to remove any moisture build-up.

### Weekly or Every 30 Cutting Hours:

1. Check fan for proper operation and adequate air flow.
2. Inspect torch for any cracks or exposed wires, replace if necessary.
3. Inspect input power cable for damage or exposed wires, replace if necessary.

### Six Months or Every 720 Cutting Hours:

1. Check the in-line air filter(s), clean or replace as required
2. Check cables and hoses for leaks or cracks, replace if necessary.
3. Check all contactor points for severe arcing or pits, replace if necessary.
4. Vacuum dust and dirt *out* of the entire machine.



### CAUTION

*Do not blow air into the power supply during cleaning. Blowing air into the unit can cause metal particles to interfere with sensitive electrical components and cause damage to the unit.*

## 5.03 Common Faults

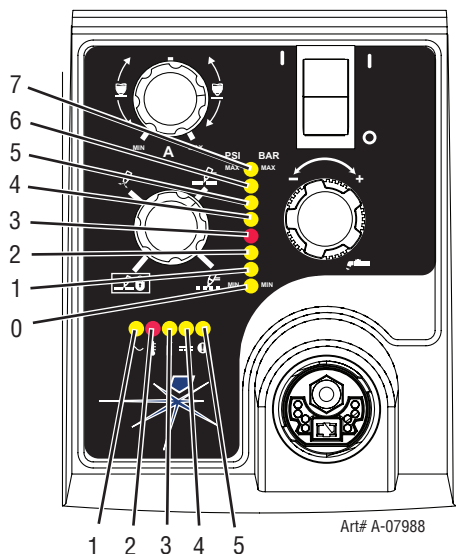
Problem - Symptom	Common Cause
Insufficient Penetration	<ol style="list-style-type: none"> <li>1. Cutting speed too fast.</li> <li>2. Torch tilted too much.</li> <li>3. Metal too thick.</li> <li>4. Worn torch parts</li> <li>5. Cutting current too low.</li> <li>6. Non - Genuine Thermal Dynamics parts used</li> <li>7. Incorrect gas pressure</li> </ol>
Main Arc Extinguishes	<ol style="list-style-type: none"> <li>1. Cutting speed too slow.</li> <li>2. Torch standoff too high from workpiece.</li> <li>3. Cutting current too high.</li> <li>4. Work cable disconnected.</li> <li>5. Worn torch parts.</li> <li>6. Non - Genuine Thermal Dynamics parts used</li> </ol>
Excessive Dross Formation	<ol style="list-style-type: none"> <li>1. Cutting speed too slow.</li> <li>2. Torch standoff too high from workpiece.</li> <li>3. Worn torch parts.</li> <li>4. Improper cutting current.</li> <li>5. Non - Genuine Thermal Dynamics parts used</li> <li>6. Incorrect gas pressure</li> </ol>
Short Torch Parts Life	<ol style="list-style-type: none"> <li>1. Oil or moisture in air source.</li> <li>2. Exceeding system capability (material too thick).</li> <li>3. Excessive pilot arc time</li> <li>4. Gas pressure too low.</li> <li>5. Improperly assembled torch.</li> <li>6. Non - Genuine Thermal Dynamics parts used</li> </ol>
Difficult Starting	<ol style="list-style-type: none"> <li>1. Worn torch parts.</li> <li>2. Non - Genuine Thermal Dynamics parts used.</li> <li>3. Incorrect gas pressure.</li> </ol>



### 5.04 Fault Indicator

At initial power up, two lights will temporarily illuminate for 2-3 seconds to show the version of software used.

To determine the first digit, count the function indicators left to right, 1 through 5. To determine the second digit count the pressure indicators, reading from bottom to top, 0 through 7. In the example below the Temp indicator and 76 psi indicators are on indicating the version would be 2.3.



When the "Fault" indicator is on or blinking it will be accompanied by one of the pressure indicator lights depending on what the Fault is. The following table explains each of those Faults.

Pressure Indicator	Fault
Max	Over Pressure
90	Internal Error
85	Shorted Torch
80	Consumables Missing
75	Start Error
70	Parts in Place
65	Input Power
Min	Under Pressure

**NOTE**

*Fault explanations are covered in the following tables.*

## 5.05 Basic Troubleshooting Guide



### WARNING

*There are extremely dangerous voltage and power levels present inside this unit. Do not attempt to diagnose or repair unless you have had training in power electronics measurement and troubleshooting techniques.*

Problem - Symptom	Possible Cause	Recommended Action
ON / OFF Switch is on but the A/C Indicator does not light	<ol style="list-style-type: none"> <li>1. Primary power disconnect is in OFF position.</li> <li>2. Primary fuses / breakers are blown or tripped.</li> <li>3. Units internal fuse blown.</li> <li>4. Faulty components in unit.</li> </ol>	<ol style="list-style-type: none"> <li>1. Turn primary power disconnect switch to ON position.</li> <li>2. a) Have qualified person check primary fuses / breakers. b) Connect unit to known good primary power receptacle</li> <li>3. a) Replace fuse. b) If fuse blows again, return to authorized service center for repair or replacement.</li> <li>4. Return to authorized service center for repair or replacement.</li> </ol>
Fault indicator flashing, 65 PSI indicator flashing	<ol style="list-style-type: none"> <li>1. INPUT VOLTAGE SELECTION SWITCH set for incorrect voltage.</li> <li>2. Primary input voltage problem.</li> <li>3. Faulty components in unit.</li> </ol>	<ol style="list-style-type: none"> <li>1. Set INPUT VOLTAGE SELECTION SWITCH to match primary input voltage.</li> <li>2. Have qualified person check primary voltage to insure it meets unit requirements see section 2.05.</li> <li>3. Return to authorized service center for repair or replacement.</li> </ol>
TEMPERATURE indicator on. FAULT indicator flashing.	<ol style="list-style-type: none"> <li>1. Air flow through or around the unit is obstructed.</li> <li>2. Duty cycle of the unit has been exceeded</li> <li>3. Failed components in unit</li> </ol>	<ol style="list-style-type: none"> <li>1. Refer to clearance information – section 2.04</li> <li>2. Allow unit to cool.</li> <li>3. Return to authorized service center for repair or replacement.</li> </ol>
GAS LED off, FAULT and MIN pressure indicators flashing.	<ol style="list-style-type: none"> <li>1. Gas supply not connected to unit.</li> <li>2. Gas supply not turned on.</li> <li>3. Gas supply pressure too low.</li> <li>4. AIR PRESSURE CONTROL regulator set too low.</li> <li>5. Failed components in unit.</li> </ol>	<ol style="list-style-type: none"> <li>1. Connect gas supply to unit.</li> <li>2. Turn gas supply on.</li> <li>3. Set air supply inlet pressure to unit to 120 psi.</li> <li>4. Adjust regulator to set air pressure - see section 4.02.</li> <li>5. Return to authorized service center for repair or replacement.</li> </ol>
FAULT and 70 PSI indicators flashing.	<ol style="list-style-type: none"> <li>1. Shield Cup loose.</li> <li>2. Torch not properly connected to power supply.</li> <li>3. Problem in torch and leads PIP circuit.</li> <li>4. Failed components in unit.</li> </ol>	<ol style="list-style-type: none"> <li>1. Hand tighten the shield cup until it is snug.</li> <li>2. Insure torch ATC is securely fastened to unit.</li> <li>3. Replace torch and leads or return to authorized service center for repair or replacement.</li> <li>4. Return to authorized service center for repair or replacement.</li> </ol>
FAULT and 75 PSI indicators flashing.	<ol style="list-style-type: none"> <li>1. Start signal is active when ON/OFF SWITCH is turned to ON position.</li> <li>2. Problem in the torch and leads switch circuit.</li> <li>3. Failed components in unit.</li> </ol>	<ol style="list-style-type: none"> <li>1. Start can be active for one of the following: <ul style="list-style-type: none"> <li>• Hand torch switch held closed</li> <li>• Hand pendant switch held closed</li> <li>• CNC START signal is active low</li> </ul>                     Release the START signal source                 </li> <li>2. Replace torch and leads or return to authorized service center for repair or replacement.</li> <li>3. Return to authorized service center for repair or replacement.</li> </ol>

<b>Problem - Symptom</b>	<b>Possible Cause</b>	<b>Recommended Action</b>
FAULT & 80 PSI indicators flashing. Gas flow is cycling on and off.	<ol style="list-style-type: none"> <li>1. Torch shield cup is loose.</li> <li>2. Torch tip, electrode or starter cartridge missing.</li> <li>3. Torch start cartridge is stuck.</li> <li>4. Open conductor in torch leads.</li> <li>5. Problem in the torch and leads switch circuit.</li> <li>6. Failed components in unit.</li> </ol>	<ol style="list-style-type: none"> <li>1. Tighten shield cup by hand. Do not overtighten.</li> <li>2. Turn off power supply. Remove shield cup. Install missing parts.</li> <li>3. Turn off power supply. Bleed down system pressure. Remove shield cup, tip and start cartridge. Check start cartridge lower end fitting for free movement. Replace if fitting does not move freely.</li> <li>4. Replace torch and leads or return to authorized service center for repair or replacement.</li> <li>5. Replace torch and leads or return to authorized service center for repair or replacement.</li> <li>6. Return to authorized service center for repair or replacement.</li> </ol>
Nothing happens when torch switch or remote switch is closed ( Or CNC START signal is active) No gas flow, DC LED OFF.	<ol style="list-style-type: none"> <li>1. Problem in the torch and leads switch circuit (Remote pendant switch circuit).</li> <li>2. CNC Contoller device not providing Start signal.</li> <li>3. Failed components in unit.</li> </ol>	<ol style="list-style-type: none"> <li>1. Take Torch and Leads (Remote Pendant) to Authorized Repair Facility.</li> <li>2. Contact Controller manufacturer.</li> <li>3. Return to authorized service center for repair or replacement.</li> </ol>
FAULT and 85 PSI indicators flashing.	<ol style="list-style-type: none"> <li>1. Upper O-Ring on torch head is in wrong position.</li> <li>2. Torch starter cartridge is stuck.</li> <li>3. Worn or faulty torch parts.</li> <li>4. Shorted Torch.</li> <li>5. Temporary Short indicated by 5 blinks per second.</li> <li>6. Power Supply Failure (Standard rate of blinking)</li> </ol>	<ol style="list-style-type: none"> <li>1. Remove shield cup from torch; check upper O-Ring position; correct if necessary.</li> <li>2. Turn off power supply. Bleed down system pressure. Remove shield cup, tip and starter cartridge. Check starter cartridge lower end fitting for free movement. Replace if fitting does not move freely.</li> <li>3. Inspect torch consumable parts. Replace if necessary.</li> <li>4. Replace torch and leads or return to an authorized service center for repair.</li> <li>5. Release torch switch and reactivate.</li> <li>6. Return to authorized service center for repair or replacement.</li> </ol>
No Fault lights on, no arc in torch.	<ol style="list-style-type: none"> <li>1. Failed components in unit.</li> </ol>	<ol style="list-style-type: none"> <li>1. Return to an authorized service center for repair.</li> </ol>
FAULT and 85 PSI indicators flashing	<ol style="list-style-type: none"> <li>1. Internal Error</li> </ol>	<ol style="list-style-type: none"> <li>1. Turn the ON / OFF switch OFF then back ON again. If that does not clear the fault, return to an authorized service center for repair.</li> </ol>
Pilot arc is on but cutting arc will not establish	<ol style="list-style-type: none"> <li>1. Work cable not connected to work piece.</li> <li>2. Work cable/connector broken.</li> <li>3. Failed components in unit.</li> </ol>	<ol style="list-style-type: none"> <li>1. Connect work cable.</li> <li>2. Replace work cable.</li> <li>3. Return to an authorized service center for repair.</li> </ol>
Torch cutting is diminished	<ol style="list-style-type: none"> <li>1. Incorrect current setting.</li> <li>2. Worn torch consumables.</li> <li>3. Poor work cable connection to work piece.</li> <li>4. Torch being moved too fast.</li> <li>5. Excessive oil or water in torch.</li> <li>6. Failed components in unit.</li> </ol>	<ol style="list-style-type: none"> <li>1. Check and adjust to proper setting.</li> <li>2. Check torch consumables and replace as needed.</li> <li>3. Check the connection of the Work Lead to the work piece.</li> <li>4. Reduce cutting speed.</li> <li>5. Refer to "Check air quality" in section 3 Torch.</li> <li>6. Return to an authorized service center for repair.</li> </ol>

## 5.06 Power Supply Basic Parts Replacement



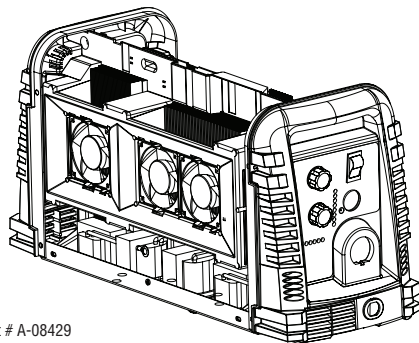
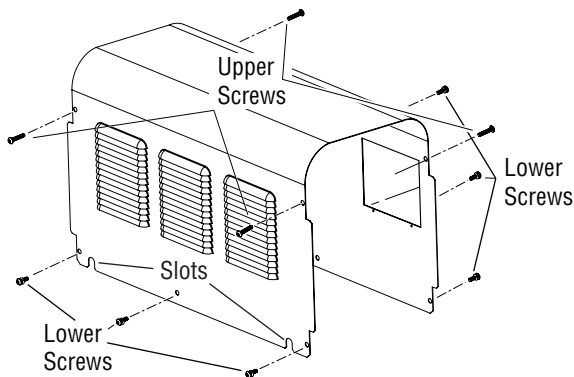
### WARNING

*Disconnect primary power to the system before disassembling the torch, leads, or power supply.*

This section describes procedures for basic parts replacement. For more detailed parts replacement procedures, refer to the Power Supply Service Manual.

### A. Cover Removal

1. Remove the upper and lower screws which secure the cover to the main assembly. Do not loosen the lower screws inside the cut out slots in the bottom of the cover.



Art # A-08429

2. Carefully pull the Cover up and away from the unit.

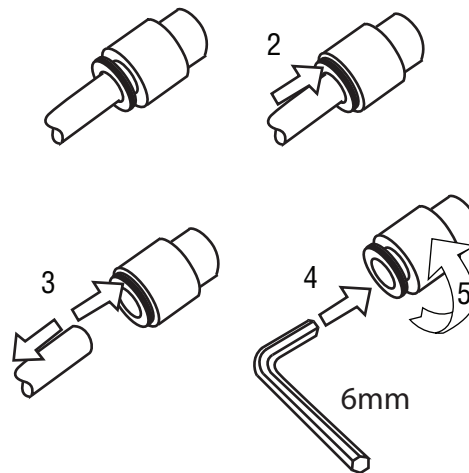
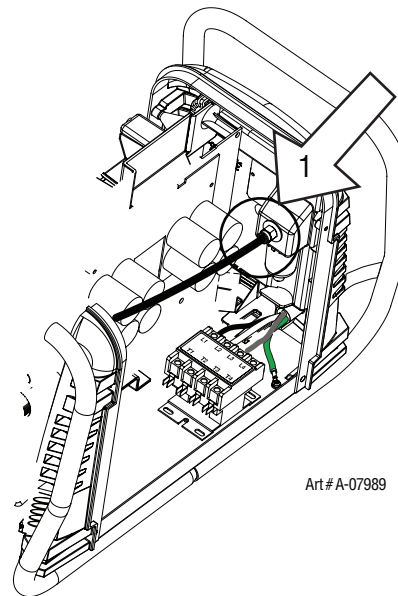
### B. Cover Installation

1. Reconnect the ground wire, if necessary.
2. Place the cover onto the power supply so that slots in the bottom edges of the cover engage the lower screws.
3. Tighten lower screws.
4. Reinstall and tighten the upper screws.

### C. Filter Element Assembly Replacement

The Filter Element Assembly is in the rear panel. For better system performance, the filter element should be checked per the Maintenance Schedule (Subsection 5.02), and either cleaned or replaced.

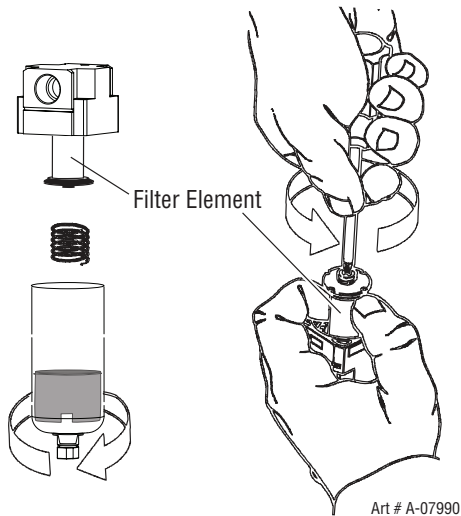
1. Remove power from the power supply; turn off the gas supply and bleed down the system.
2. Remove the system cover. See "A Cover Removal" in this section.
3. Locate the internal air line and the fitting from the filter assembly. Number 1 in the following illustration.
4. Hold a wrench or similar tool against the locking ring on the filter assembly fitting, then pull on the hose to release it. (Numbers 2 and 3 in the following illustration).



5. Remove the fitting from the filter element assembly by inserting a 6 mm hex wrench into the internal hex fitting and turning it counter clock-wise (left). Numbers 4 and 5 in the previous illustration.
6. Disconnect the input line from the filter element assembly.
7. Remove the filter element assembly through the rear opening.

**NOTE**

*If replacing or cleaning just the filter element refer to the following illustration for disassembly.*



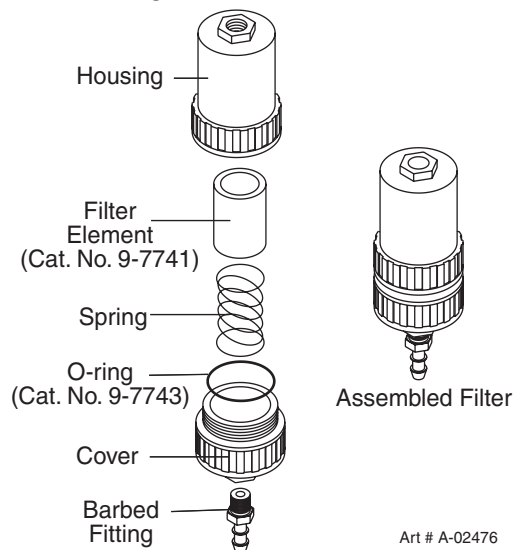
8. Install the new or cleaned assembly by reversing these procedures.
9. Turn on the air supply and check for leaks before reinstalling the cover.

## Optional Single-Stage Filter Element Replacement

These instructions apply to power supplies where the optional Single-Stage Filter has been installed.

The Power Supply shuts down automatically when the Filter Element becomes completely saturated. The Filter Element can be removed from its housing, dried, and reused. Allow 24 hours for Element to dry. Refer to Section 6, Parts List, for replacement filter element catalog number.

1. Remove power from power supply.
2. Shut off air supply and bleed down system before disassembling Filter to change Filter Element.
3. Disconnect gas supply hose.
4. Turn the Filter Housing Cover counter-clockwise and remove it. The Filter Element is located inside the Housing.



## Optional Single-Stage Filter Element Replacement

5. Remove the Filter Element from the Housing and set Element aside to dry.
6. Wipe inside of housing clean, then insert the replacement Filter Element open side first.
7. Replace Housing on Cover.
8. Reattach gas supply.

**NOTE**

*If unit leaks between housing and cover, inspect the "O" Ring for cuts or other damage.*

# CUTMASTER A120

## Optional Two-Stage Filter Element Replacement

The Two-Stage Air Filter has two Filter Elements. When the Filter Elements become dirty the Power Supply will continue to operate but cut quality may become unacceptable. Refer to Section 6, Parts List, for replacement filter element catalog number.

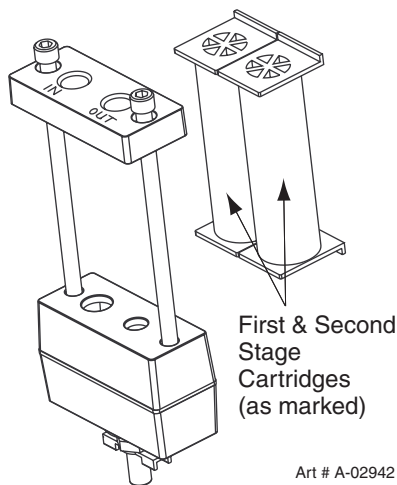
1. Shut off primary input power.
2. Shut off air supply and bleed down system.



### WARNING

*Always turn off the air supply and bleed the system before disassembling the Filter Assembly as injury could result.*

3. Loosen the two bolts on the top of the Filter Assembly enough to allow the Filter Elements to move freely.
4. Note the location and orientation of the old Filter Elements.
5. Slide out the old Filter Elements.



### Optional Two-Stage Filter Replacement

6. Slide the replacement Filter Elements into the Filter Assembly, with the same orientation as noted in Step 4 above.
7. Hand tighten the two bolts evenly, then torque each bolt to 20 - 30 in-lbs (2.3 - 3.4 Nm). Improper torque may damage the gasket.
8. Slowly apply air pressure to the assembly, checking for leaks.

### NOTE

*A small amount of air leakage from the bottom fitting is normal.*

This completes the parts replacement procedures.

# SECTION 5 TORCH: SERVICE

It is recommended to apply a very light film of o-ring lubricant (Catalog # 8-4025) to the o-rings on a weekly basis.

## 5T.01 General Maintenance

**NOTE**

*Refer to Previous "Section 5 System" for common and fault indicator descriptions.*

### Cleaning Torch

Even if precautions are taken to use only clean air with a torch, eventually the inside of the torch becomes coated with residue. This buildup can affect the pilot arc initiation and the overall cut quality of the torch.



**WARNINGS**

*Disconnect primary power to the system before disassembling the torch or torch leads.*

*DO NOT touch any internal torch parts while the AC indicator light of the Power Supply is ON.*

The inside of the torch should be cleaned with electrical contact cleaner using a cotton swab or soft wet rag. In severe cases, the torch can be removed from the leads and cleaned more thoroughly by pouring electrical contact cleaner into the torch and blowing it through with compressed air.

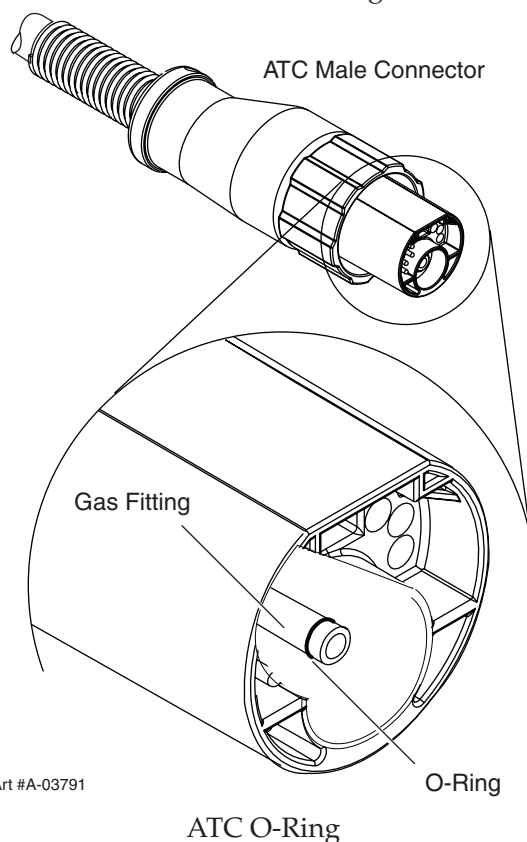
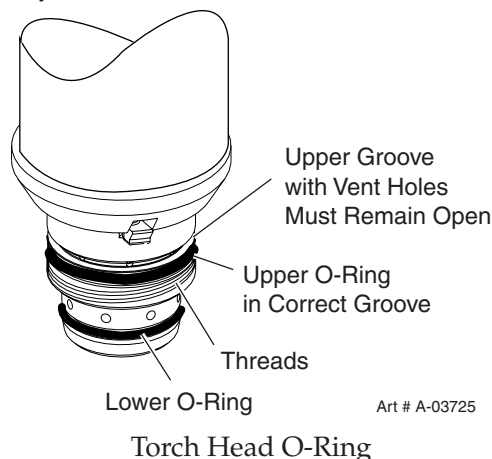


**CAUTION**

*Dry the torch thoroughly before reinstalling.*

### O-Ring Lubrication

An o-ring on the Torch Head and ATC Male Connector requires lubrication on a scheduled basis. This will allow the o-rings to remain pliable and provide a proper seal. The o-rings will dry out, becoming hard and cracked if the lubricant is not used on a regular basis. This can lead to potential performance problems.



**NOTE**

*DO NOT use other lubricants or grease, they may not be designed to operate within high temperatures or may contain "unknown elements" that may react with the atmosphere. This reaction can leave contaminants inside the torch. Either of these conditions can lead to inconsistent performance or poor parts life.*

## 5T.02 Inspection and Replacement of Consumable Torch Parts



### WARNINGS

Disconnect primary power to the system before disassembling the torch or torch leads.

DO NOT touch any internal torch parts while the AC indicator light of the Power Supply is ON.

Remove the consumable torch parts as follows:

### NOTE

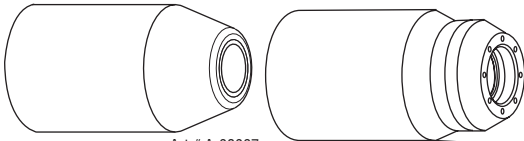
The shield cup holds the tip and starter cartridge in place. Position the torch with the shield cup facing upward to prevent these parts from falling out when the cup is removed.

1. Unscrew and remove the shield cup from the torch.

### NOTE

Slag built up on the shield cup that cannot be removed may effect the performance of the system.

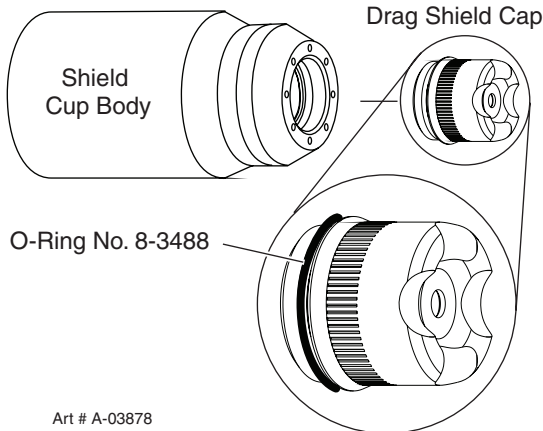
2. Inspect the cup for damage. Wipe it clean or replace if damaged.



Art # A-08067

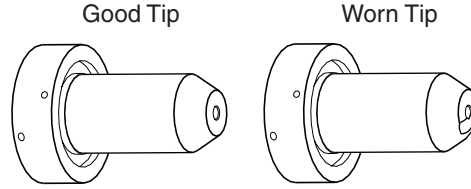
Shield Cups

3. On torches with a shield cup body and a shield cap or deflector, ensure that the cap or deflector is threaded snugly against the shield cup body. In shielded drag cutting operations (only), there may be an O-ring between the shield cup body and drag shield cap. Do not lubricate the O-ring.



Art # A-03878

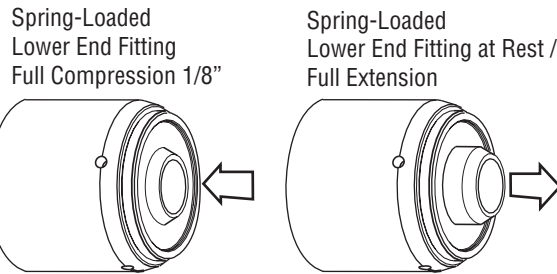
4. Remove the tip. Check for excessive wear (indicated by an elongated or oversized orifice). Clean or replace the tip if necessary.



A-03406

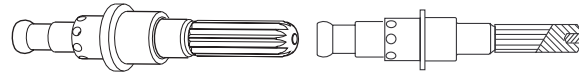
Example of Tip Wear

5. Remove the starter cartridge. Check for excessive wear, plugged gas holes, or discoloration. Check the lower end fitting for free motion. Replace if necessary.

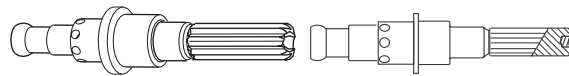


Art # A-08064

6. Pull the Electrode straight out of the Torch Head. Check the face of the electrode for excessive wear. Refer to the following figure.



New Electrode



Worn Electrode

Art # A-03284

Electrode Wear

7. Reinstall the Electrode by pushing it straight into the torch head until it clicks.
8. Reinstall the desired starter cartridge and tip into the torch head.
9. Hand tighten the shield cup until it is seated on the torch head. If resistance is felt when installing the cup, check the threads before proceeding.

This completes the parts replacement procedures.



## SECTION 6: PARTS LISTS

### 6.01 Introduction

#### A. Parts List Breakdown

The parts list provide a breakdown of all replaceable components. The parts lists are arranged as follows:

- Section 6.03 Complete Power Supply Replacement
- Section 6.04 Replacement Power Supply Parts
- Section 6.05 Options and Accessories
- Section 6.06 Torch Replacement Parts SL100SV Torch (with Solenoid on Mounting Tube)
- Section 6.07 Replacement Parts - for Machine Torches with Unshielded Leads
- Section 6.08 Torch Consumable Parts (SL100)
- Section 6.09 Replacement Parts for Hand Torch

#### NOTE

*Parts listed without item numbers are not shown, but may be ordered by the catalog number shown.*

#### B. Returns

If a product must be returned for service, contact your distributor. Materials returned without proper authorization will not be accepted.

### 6.02 Ordering Information

Order replacement parts by catalog number and complete description of the part or assembly, as listed in the parts list for each type item. Also include the model and serial number of the power supply. Address all inquiries to your authorized distributor.

### 6.03 Power Supply Replacement

The following items are included with the replacement power supply: work cable & clamp, input power cable, gas pressure regulator / filter, and operating manual.

Qty	Description	Catalog #
1	CutMaster A120 Power Supply 208/230 - 460VAC, Single or 3 Phase, 60Hz, with 208/230 single phase input power cable and plug	3-1734-1
	With 460 single phase input power cable	3-1734-2
1	400VAC, Non CE Power Supply With 400V, 3 Phase input power cable	3-1734-3
1	400VAC, CE Power Supply With 400V, 3 Phase input power cable	3-1734-4

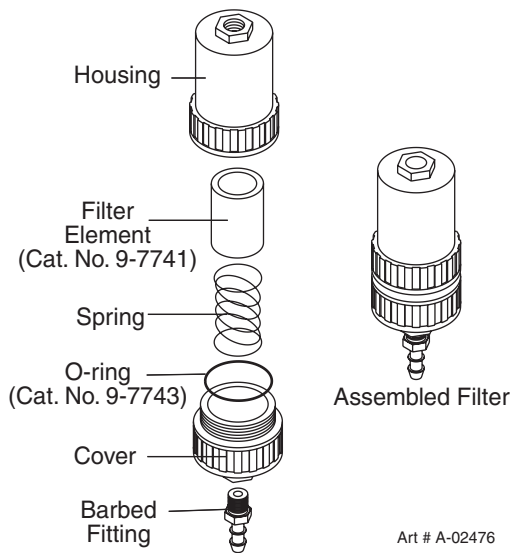
# CUTMASTER A120

## 6.04 Replacement Power Supply Parts

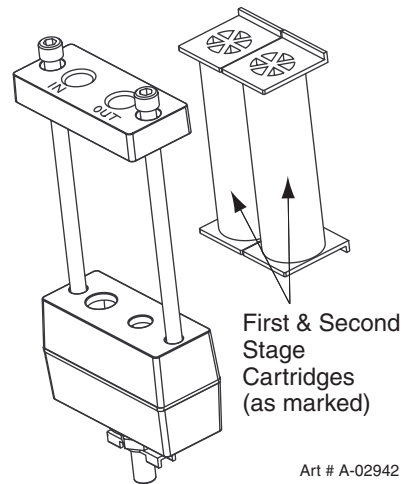
Qty	Description	Catalog #
1	Regulator	9-0115
1	Filter Assembly Replacement Element	9-0116
1	Input Power Cord for 208 / 230 V Power Supply	8-4384
1	Input Power Cord for 400 V Power Supply	9-8562

## 6.05 Options and Accessories

Qty	Description	Catalog #
1	Single - Stage Filter Kit (includes Filter & Hose)	7-7507
1	Replacement Filter Body	9-7740
1	Replacement Filter Hose (not shown)	9-7742
2	Replacement Filter Element	9-7741
1	Two - Stage Filter Kit (includes Hose & Mounting Screws)	9-9387
1	Two - Stage Air Filter Assembly	9-7527
1	First Stage Cartridge	9-1021
1	Second Stage Cartridge	9-1022
1	Extended Work Cable ( 50 ft / 15.2 m ) with Clamp	9-8529
1	Multi - Purpose Cart	7-8888
1	Automation Interface Kit	9-8311
1	Automation Harness	9-9385
1	25' / 7.6 m CNC Cable for Automation Interface Kit	9-8312
1	50' /15.2 m CNC Cable for Automation Interface Kit	9-8313
1	Nylon Dust Cover	9-7071



Optional Single - Stage Filter Kit



Optional Two - Stage Filter Kit

This Page Intentionally Blank

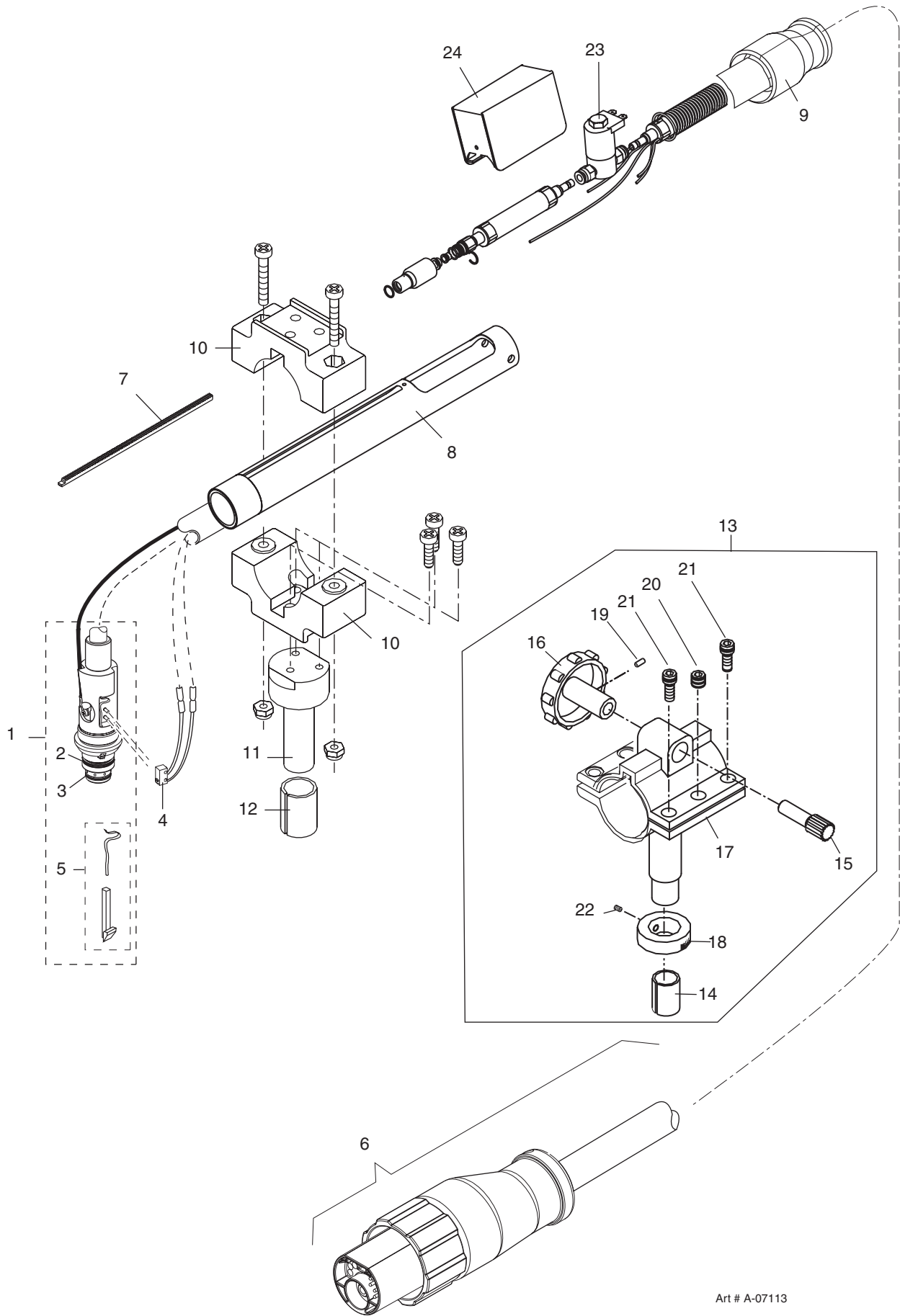
# CUTMASTER A120

## 6.06 Torch Replacement Parts SL100SV Torch (with Solenoid on Mounting Tube)

Item No.	Qty	Description	Catalog No.
1	1	Torch Head Assembly without leads (includes items 2, 3, and 14)	9-8220
2	1	Large O - Ring	8-3487
3	1	Small O - Ring	8-3486
4	1	PIP Switch Kit	9-7036
5	1	PIP Plunger and Return Spring Kit	9-7045
6		Automated Leads Assemblies with ATC connectors	
	1	25 - foot / 7.6 m Leads Assembly with ATC connector	4-3058
	1	35 - foot / 10.6 m Leads Assembly with ATC connector	4-3059
	1	50 - foot / 15.2 m Leads Assembly with ATC connector	4-3060
7	1	Rack	9-9448
8	1	Mounting Tube	9-9445
9	1	End Cap Assembly	9-7044
10	2	Body, Mounting, Pinch Block	9-4513
11	1	Pin, Mounting, Pinch Block	9-4521
12	1	Torch Holder Sleeve	7-2896
13	1	Pinion Assembly (does not include positioning tube)	7-2827
14	1	Torch Holder Sleeve	7-2896
15	1	Pinion Gear-Short	8-6074
16	1	Handwheel (Torch Holder)	9-4514
17	1	Low Profile Torch Holder (1 3/8 Dia) w/o Hardware	9-4515
18	1	Calibrated Torch Holder Bushing	9-4366
19	1	5/32 Dia x 5/8 Lg Slotted Spring Pin	See Note 1
20	1	3/8-24 x 3/8 Soc Hd Set Screw, Cup Point	See Note 1
21	2	1/4-20 x 5/8 Hex Socket Head Screw	See Note 1
22	1	#10-24 x 3/8 Hex Socket Set Screw, Cup Point	See Note 1
23	1	Solenoid Assembly	9-9447
24	1	Solenoid Cover	9-9446

### NOTE 1

*Purchase these parts locally.*



Art # A-07113

# CUTMASTER A120

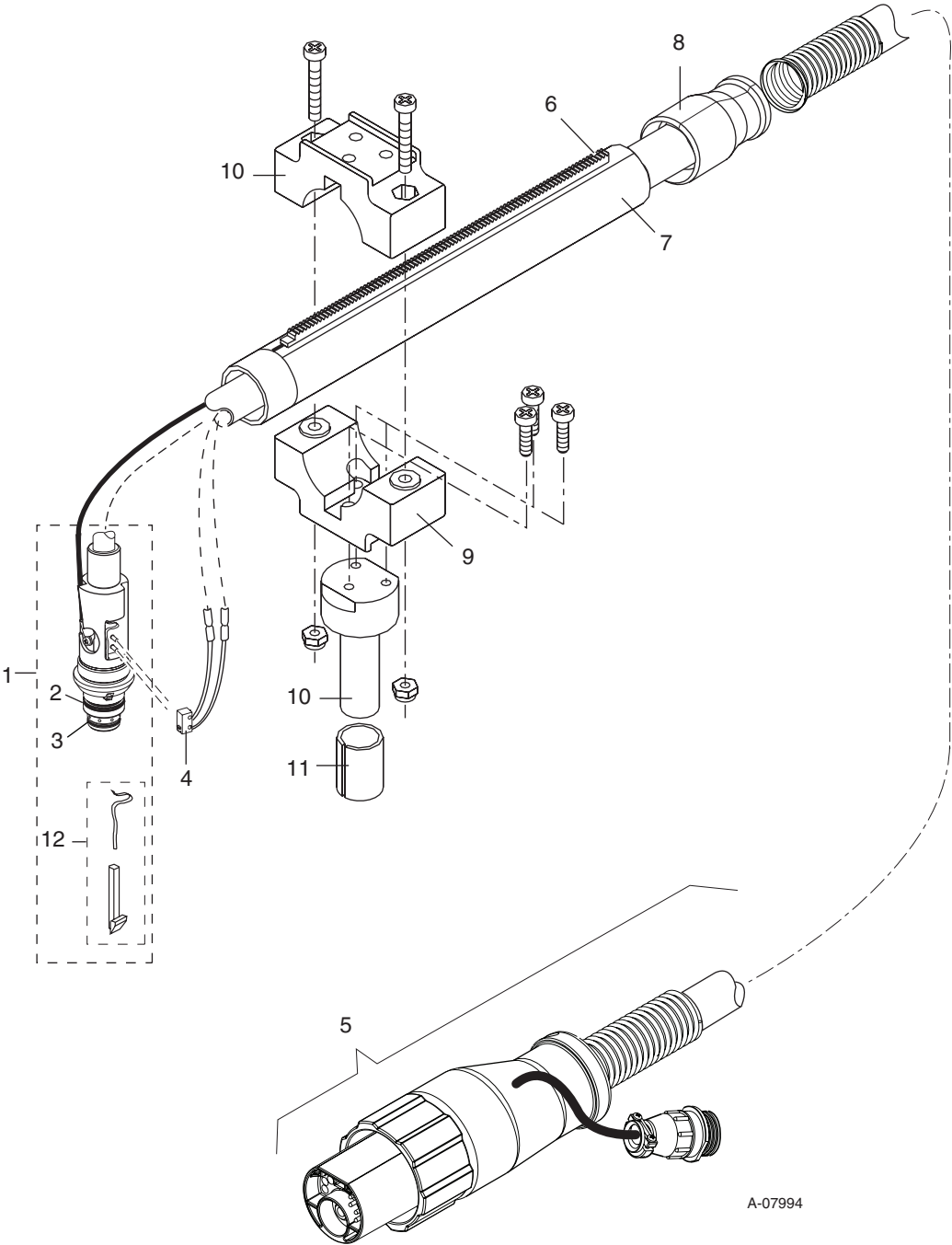
## 6.07 Replacement Parts - for Machine Torches with Unshielded Leads

Item No.	Qty	Description	Catalog No.
1	1	Torch Head Assembly without leads (includes items 2, 3, and 14)	9-8220
2	1	Large O - Ring	8-3487
3	1	Small O - Ring	8-3486
4	1	PIP Switch Kit	9-7036
5		Unshielded Automated Leads Assemblies with ATC connectors	
	1	5 - foot / 1.5 m Leads Assembly with ATC connector	4-7850
	1	10 - foot / 3.05 m Leads Assembly with ATC connector	4-7851
	1	25 - foot / 7.6 m Leads Assembly with ATC connector	4-7852
	1	50 - foot / 15.2 m Leads Assembly with ATC connector	4-7853
6		Unshielded Mechanized Leads Assemblies with ATC connectors	
	1	5 - foot / 1.5 m Leads Assembly with ATC connector	4-7842
	1	10 - foot / 3.05 m Leads Assembly with ATC connector	4-7843
	1	25 - foot / 7.6 m Leads Assembly with ATC connector	4-7844
	1	50 - foot / 15.2 m Leads Assembly with ATC connector	4-7845
7	1	11" / 279 mm Rack	9-7041
8	1	11" / 279 mm Mounting Tube	9-7043
9	1	End Cap Assembly	9-7044
10	2	Body, Mounting, Pinch Block	9-4513
11	1	Pin, Mounting, Pinch Block	9-4521
12	1	Torch Holder Sleeve	7-2896
13	1	PIP Plunger and Return Spring Kit	9-7045
	1	Pinion Assembly (Not shown)	7-2827
	1	5" / 126 mm Positioning Tube (Not shown)	9-7042

### NOTE

\* Does not include Control Cable Adapter or Through - Hole Protector.

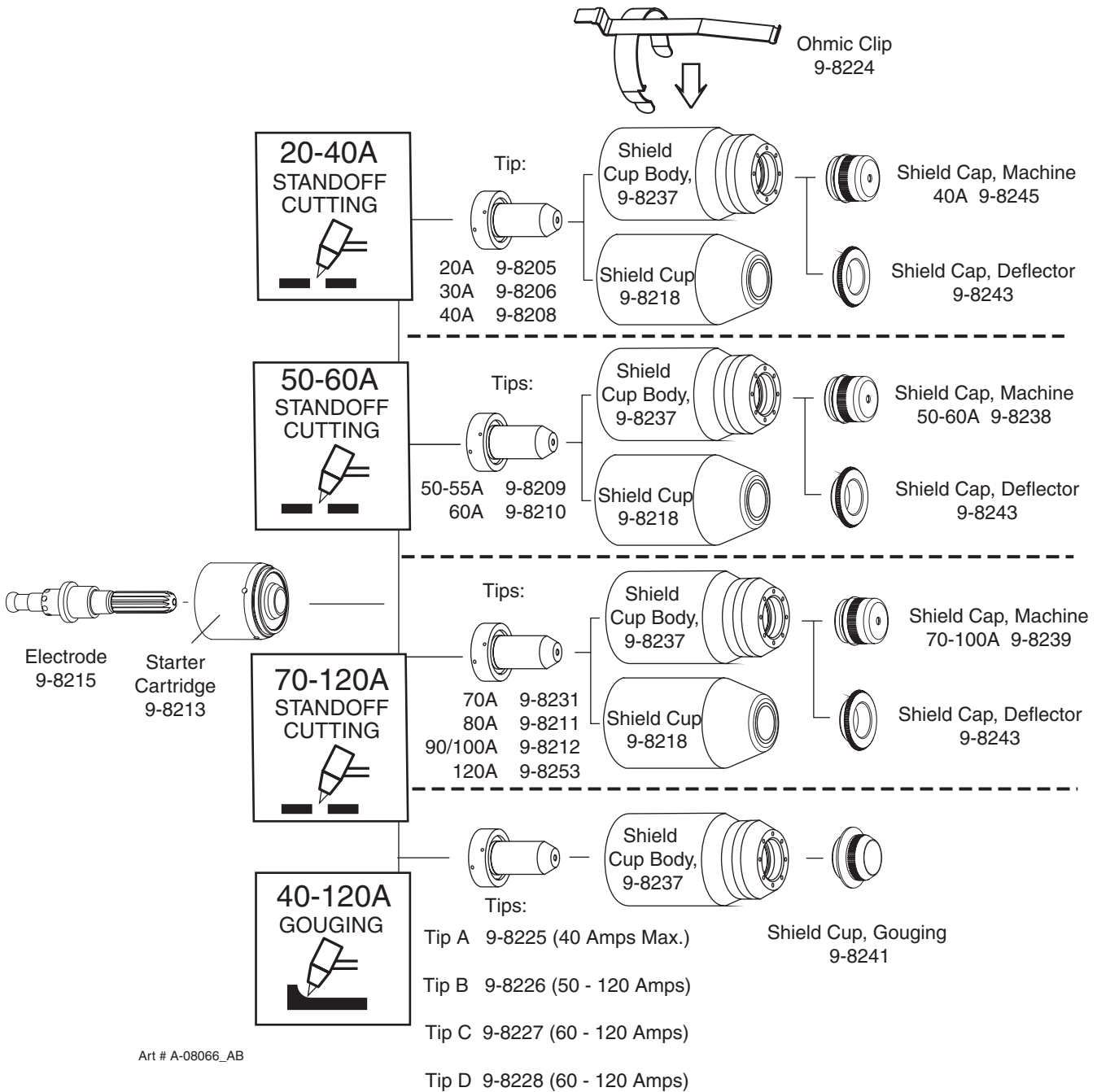
Refer to Section 6.09 for Replacement Shielded Leads Assemblies.



A-07994

# CUTMASTER A120

## 6.08 Torch Consumable Parts (SL100)

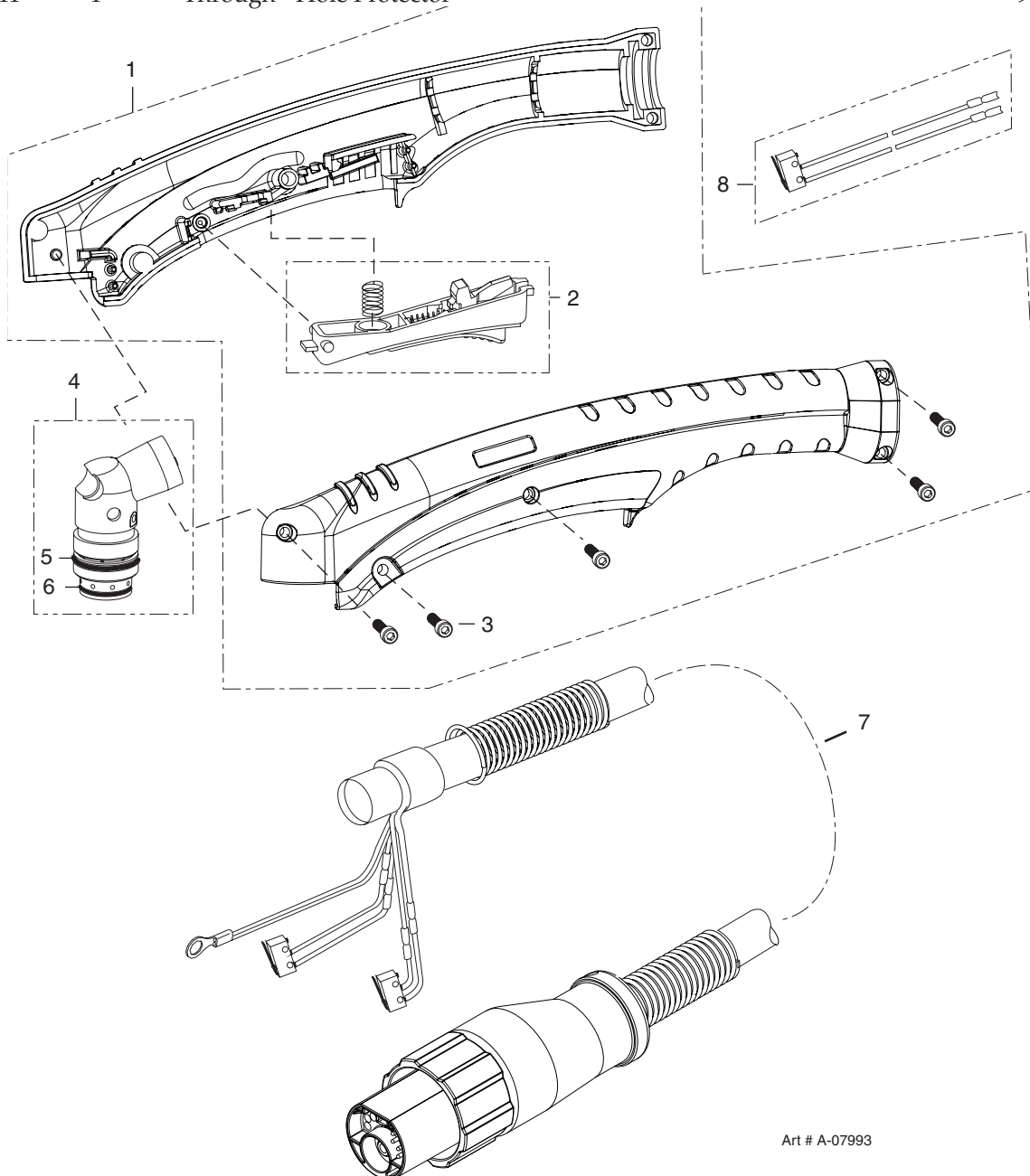


Art # A-08066\_AB



**6.09 Replacement Parts for Hand Torch**

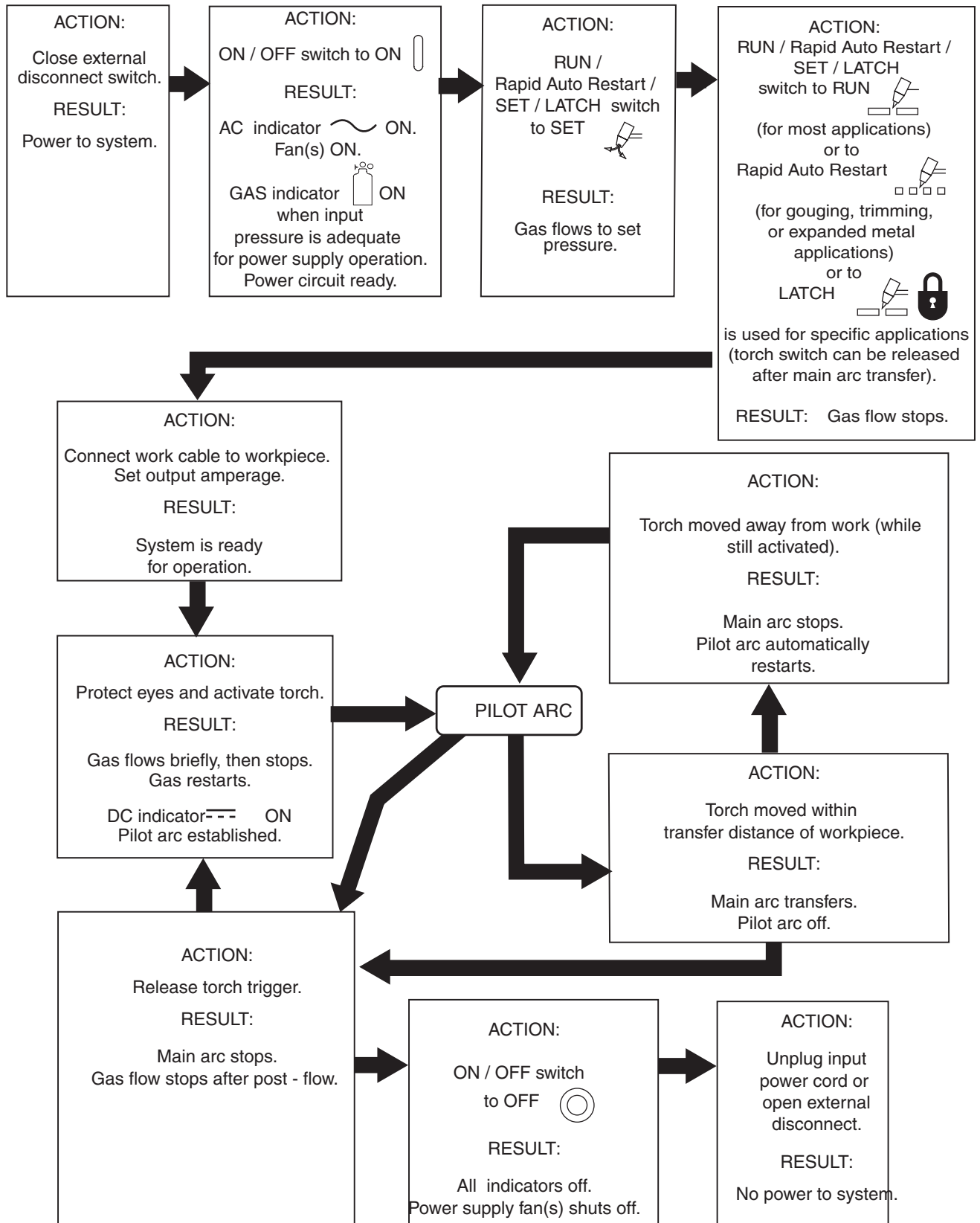
Item #	Qty	Description	Catalog #
1	1	Torch Handle Replacement Kit (includes items No. 2 & 3)	9-7030
2	1	Trigger Assembly Replacement Kit	9-7034
3	1	Handle Screw Kit (5 each, 6-32 x 1/2" cap screw, and wrench)	9-8062
4	1	Torch Head Assembly Replacement Kit (includes items No. 5 & 6)	9-8219
5	1	Large O - Ring	8-3487
6	1	Small O - Ring	8-3486
7		Leads Assemblies with ATC connectors (includes switch assemblies)	
	1	SL100, 20 - foot Leads Assembly with ATC connector	4-7836
	1	SL100 , 50 - foot Leads Assembly with ATC connector	4-7837
8	1	Switch Kit	9-7031
10	1	Torch Control Cable Adapter (includes item # 11)	7-3447
11	1	Through - Hole Protector	9-8103



Art # A-07993

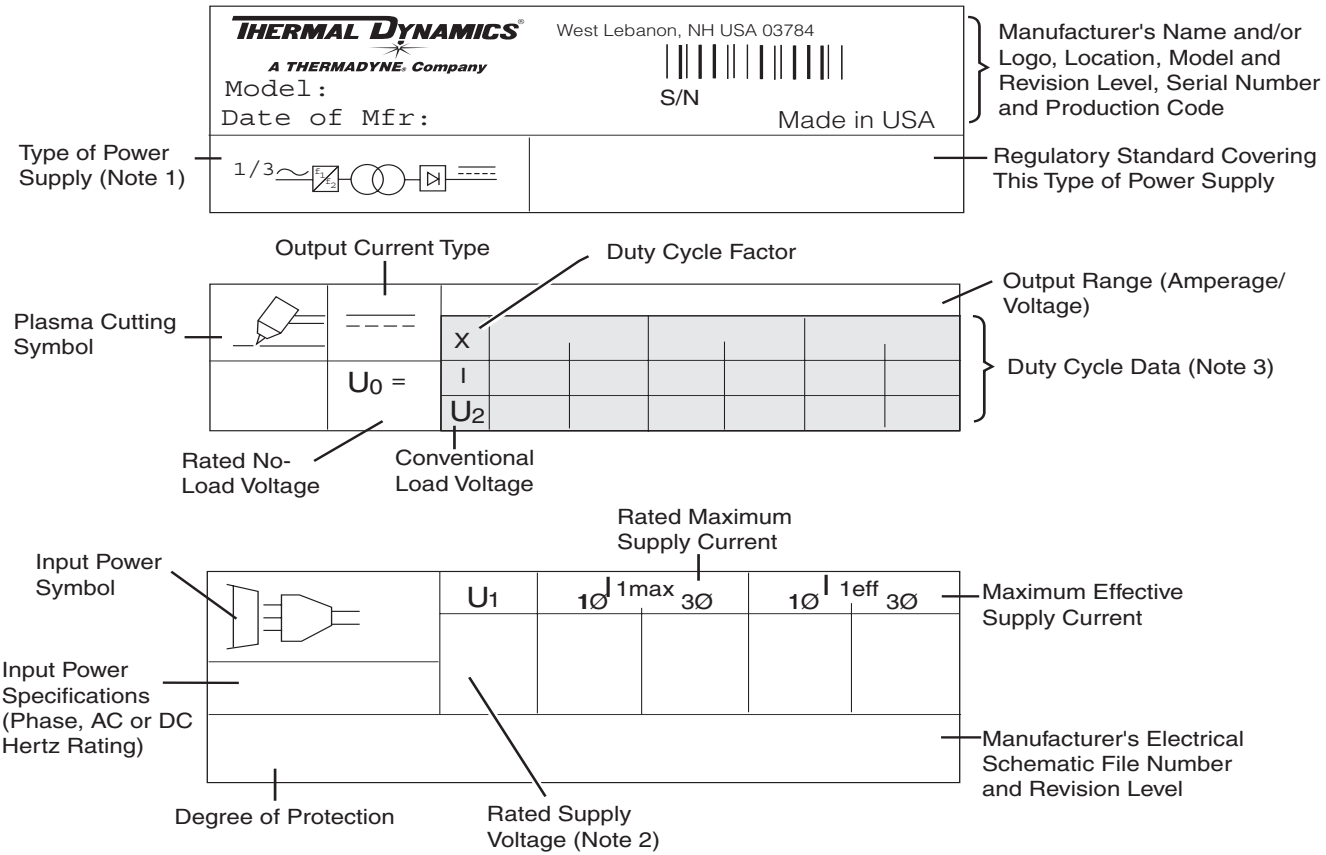
This Page Intentionally Blank

# APPENDIX 1: SEQUENCE OF OPERATION (BLOCK DIAGRAM)



Art #A-07979

**APPENDIX 2: DATA TAG INFORMATION**



**NOTES:**

- Symbol shown indicates single- or three-phase AC input, static frequency converter-transformer-rectifier, DC output.
- Indicates input voltages for this power supply. Most power supplies carry a label at the input power cord showing input voltage requirements for the power supply as built.
- Top row: Duty cycle values.  
IEC duty cycle value is calculated as specified by the International ElectroTechnical Commission.  
TDC duty cycle value is determined under the power supply manufacturer's test procedures.  
Second row: Rated cutting current values.  
Third row: Conventional load voltage values.
- Sections of the Data Tag may be applied to separate areas of the power supply.

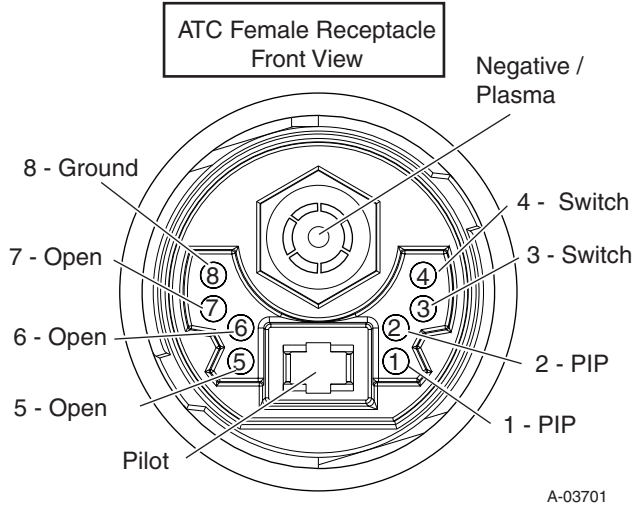
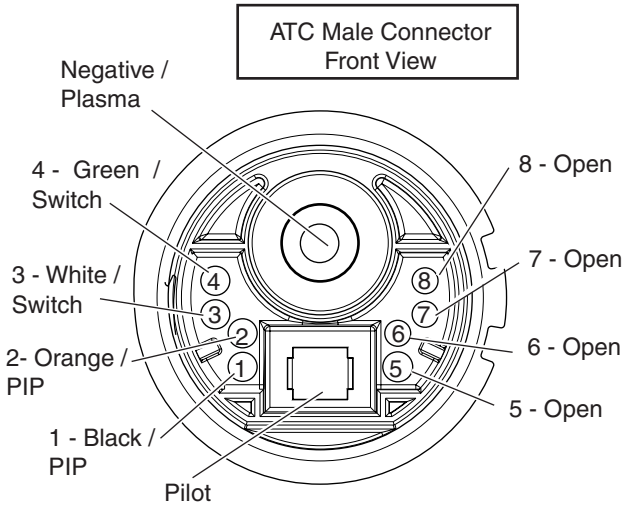
Standard Symbols

- ~ AC
- DC
- ∅ Phase

Art # A-03288

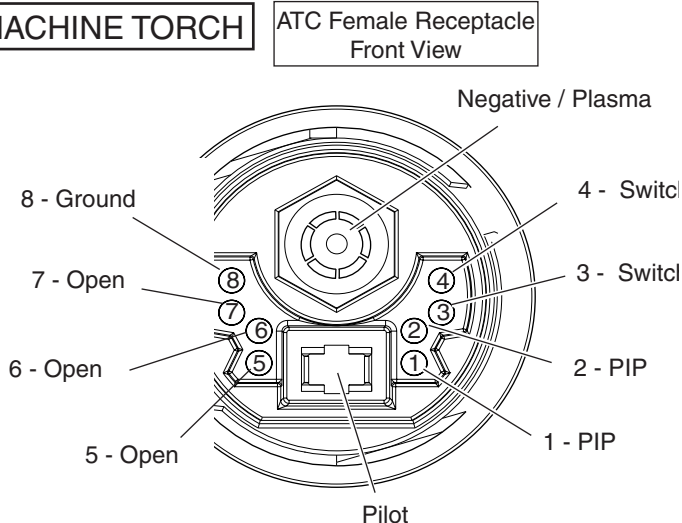
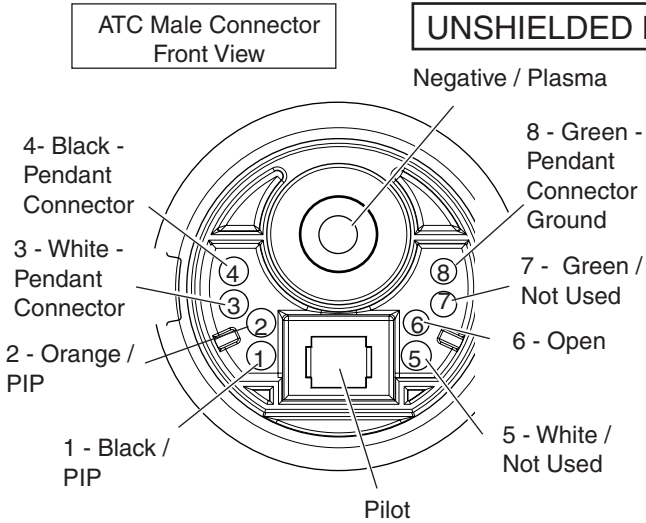
# APPENDIX 3: TORCH PIN - OUT DIAGRAMS

## A. Hand Torch Pin - Out Diagram



A-03701

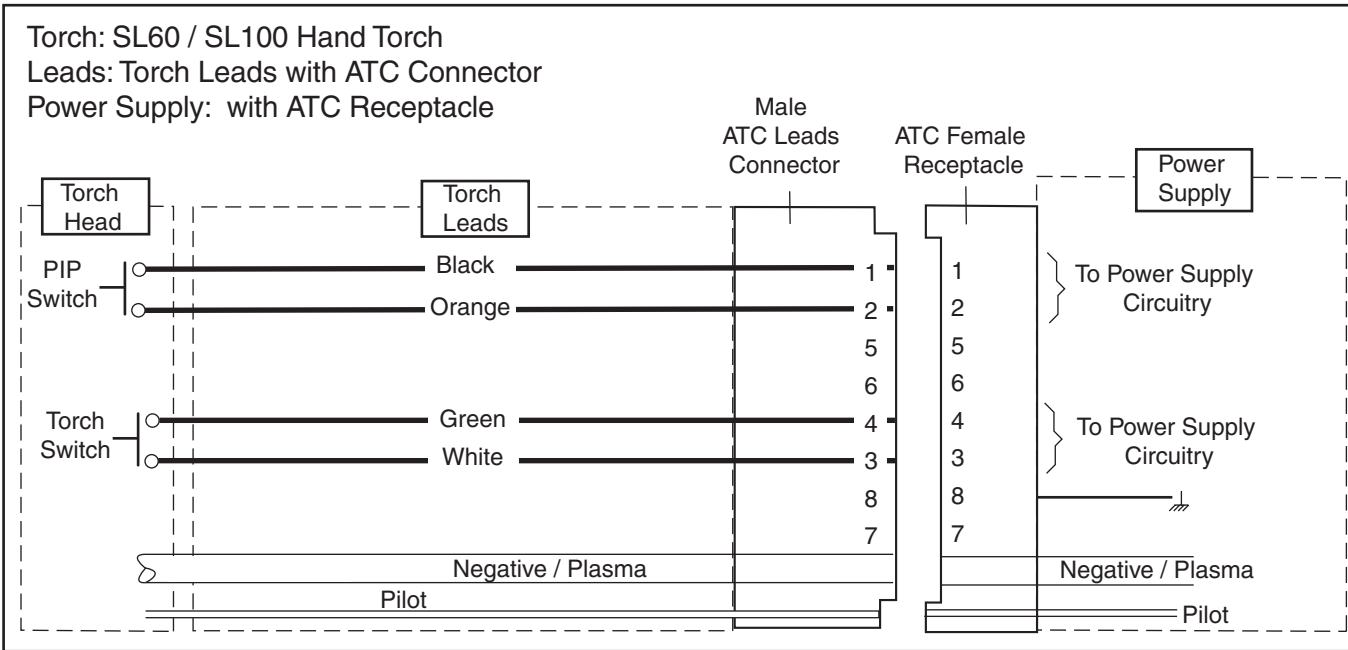
## B. Mechanized (Machine) Torch Pin - Out Diagram



Art # A-03799

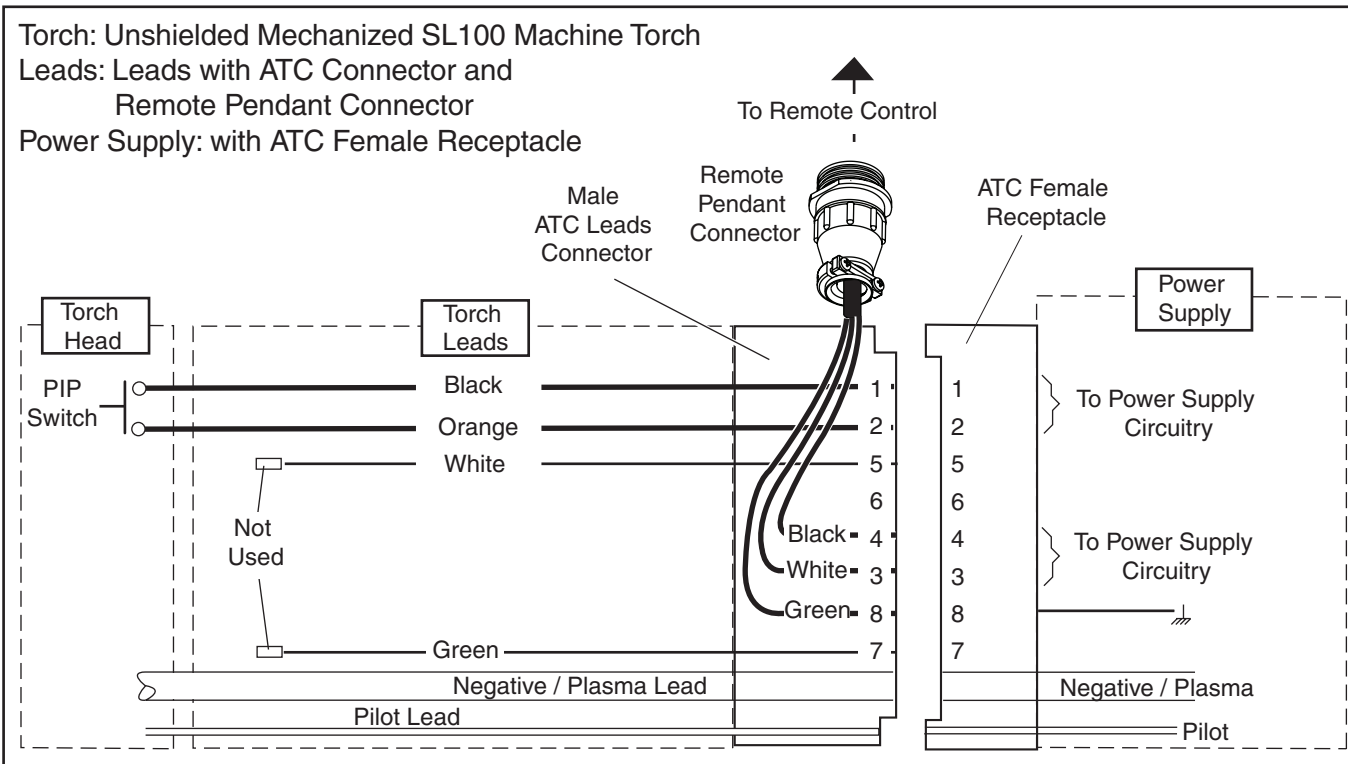
**APPENDIX 4: TORCH CONNECTION DIAGRAMS**

**A. Hand Torch Connection Diagram**



Art # A-03797

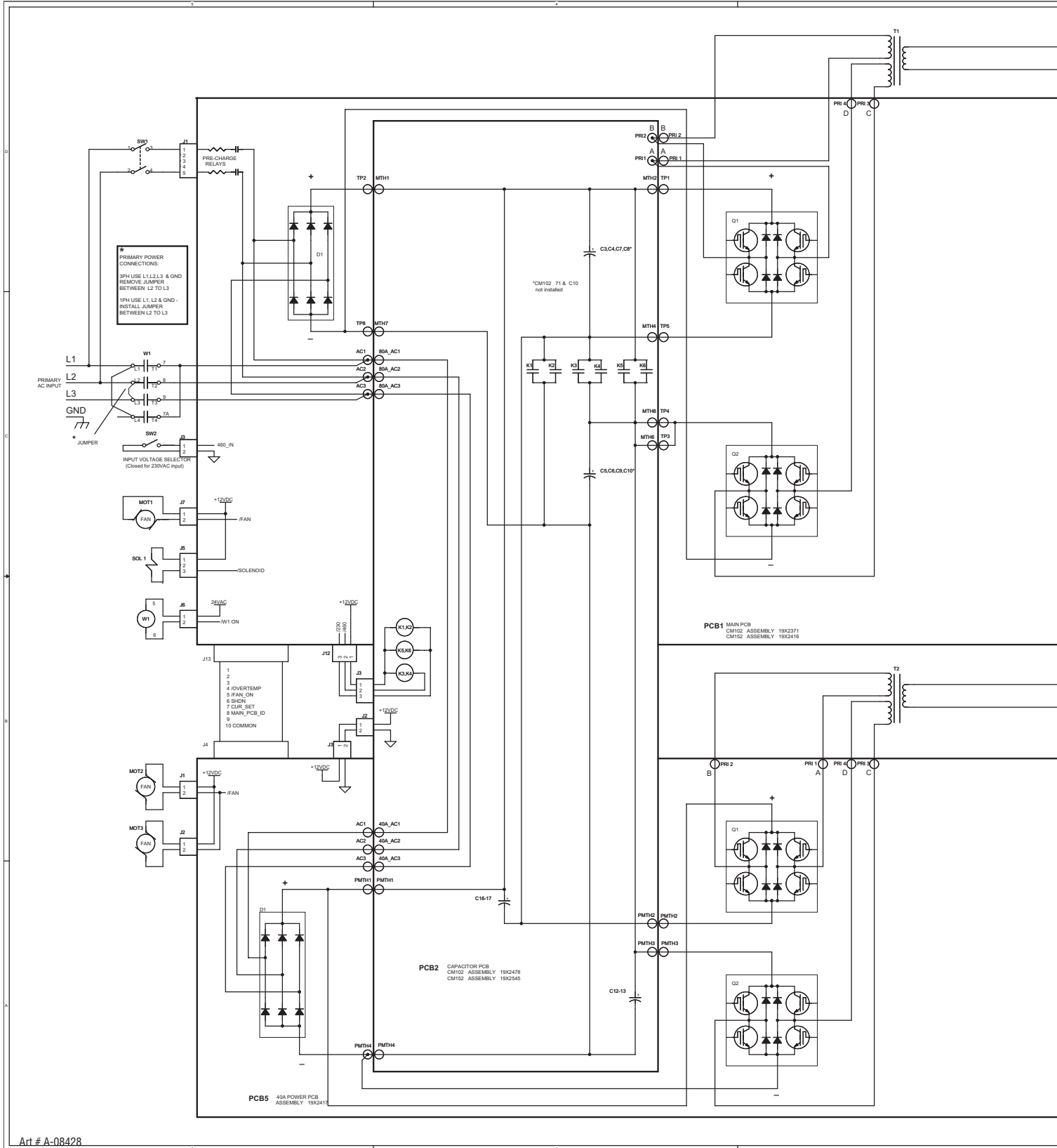
**B. Mechanized Torch Connection Diagram**



Art # A-03798

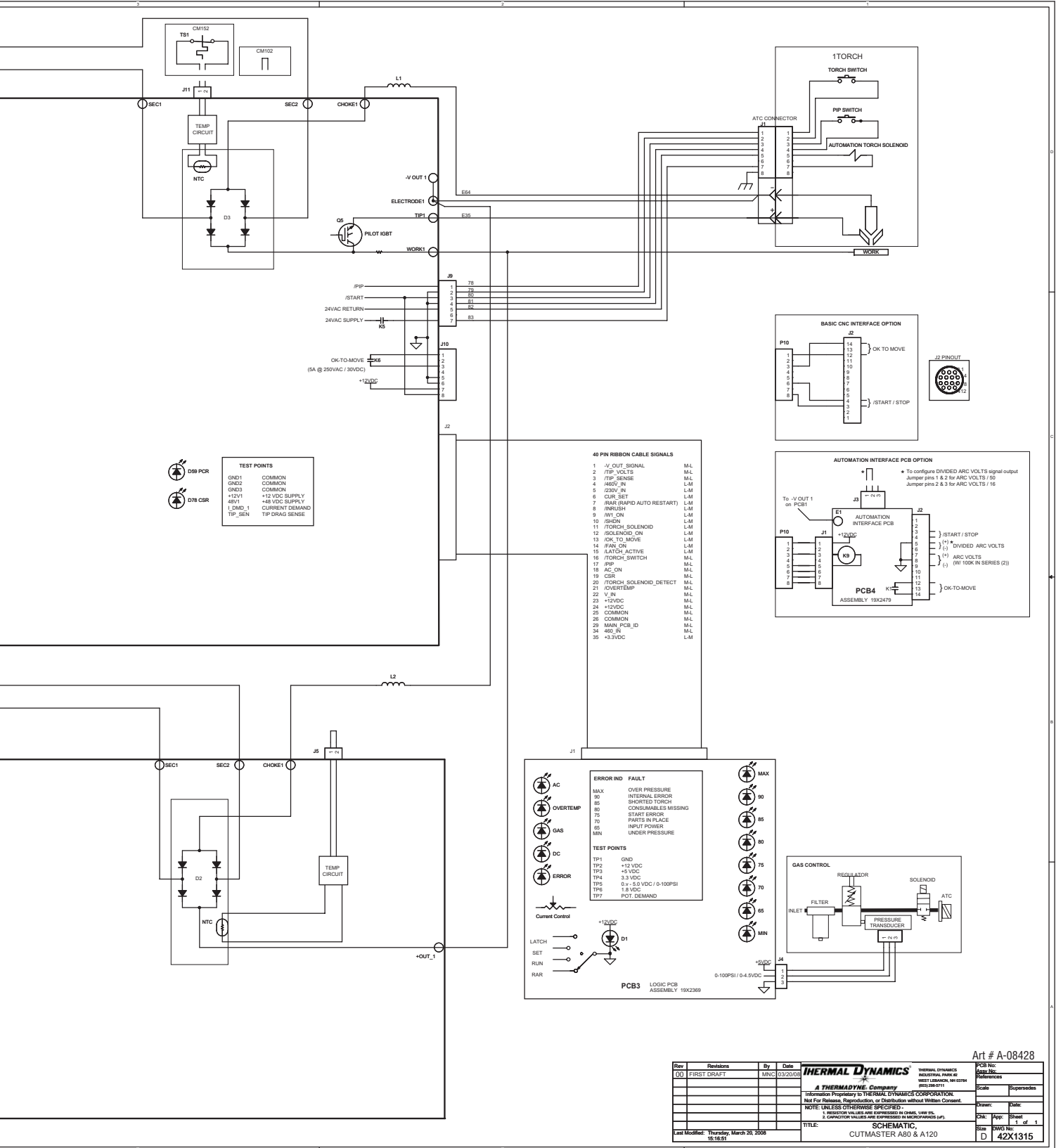
This Page Intentionally Blank

APPENDIX 5: SYSTEM SCHEMATIC, 208/460V UNITS

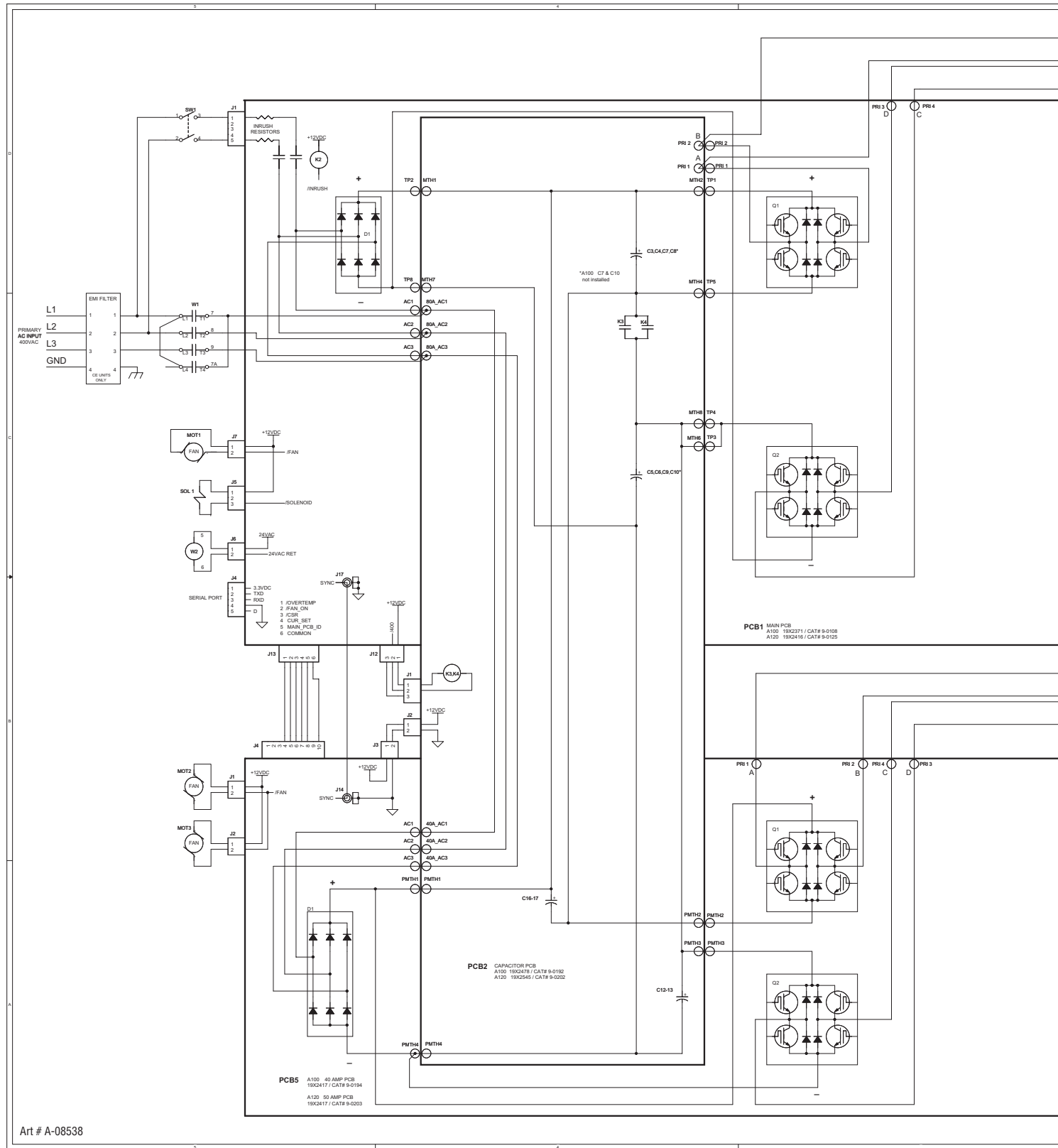


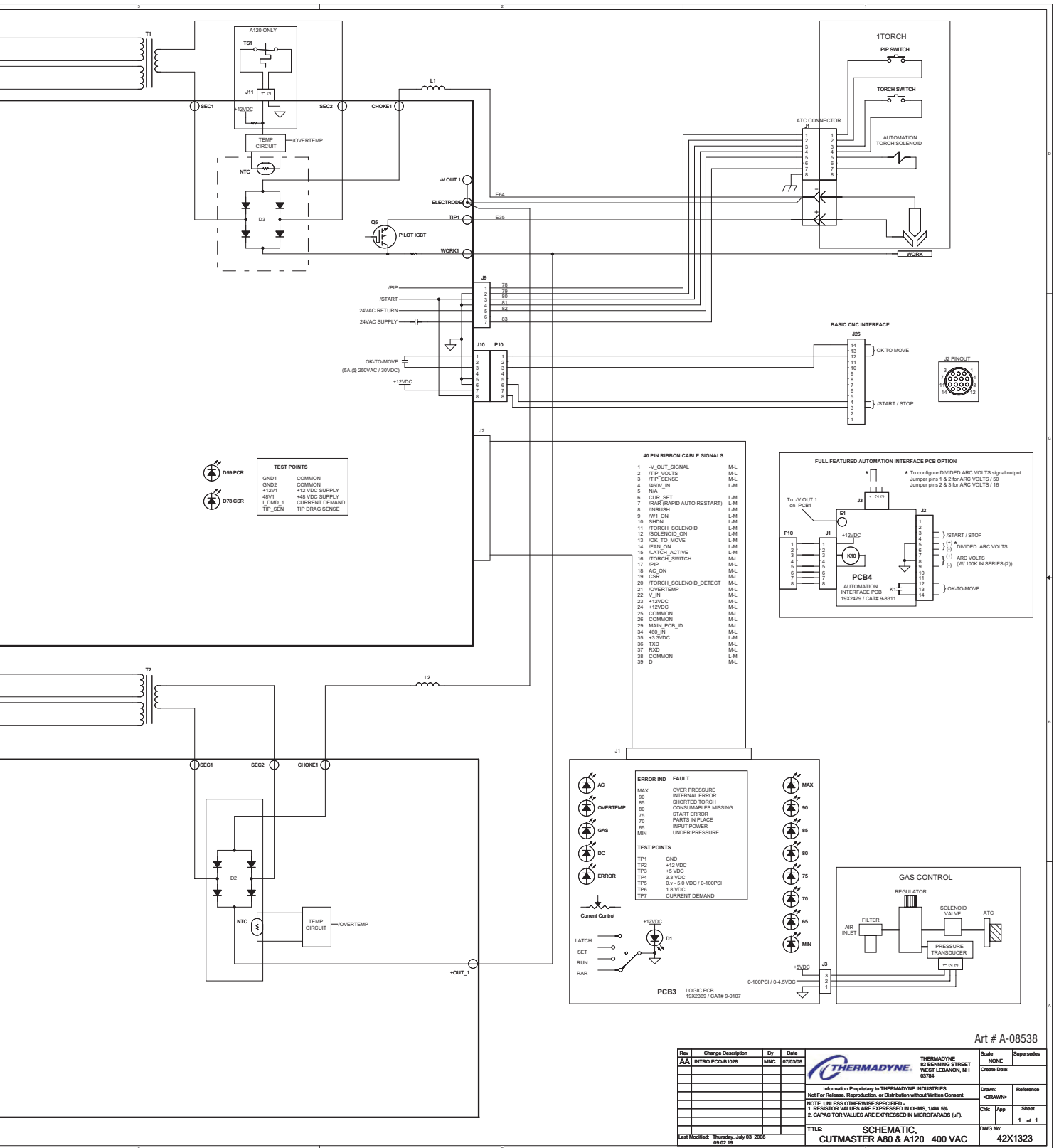
Art # A-08428





APPENDIX 6: SYSTEM SCHEMATIC, 400V UNITS





**APPENDIX 7: Publication History**

---

<b>Cover Date</b>	<b>Rev.</b>	<b>Change(s)</b>
June 30, 2008	AA	Manual released.
Sept. 19, 2008	AB	Added CE information Per ECOB.



## GLOBAL CUSTOMER SERVICE CONTACT

### **Thermadyne USA**

2800 Airport Road  
Denton, Tx 76207 USA  
Telephone: (940) 566-2000  
800-426-1888  
Fax: 800-535-0557

### **Thermadyne Canada**

2070 Wycroft Road  
Oakville, Ontario  
Canada, L6L5V6  
Telephone: (905)-827-1111  
Fax: 905-827-3648

### **Thermadyne Europe**

Europe Building  
Chorley North Industrial Park  
Chorley, Lancashire  
England, PR6 7Bx  
Telephone: 44-1257-261755  
Fax: 44-1257-224800

### **Thermadyne, China**

RM 102A  
685 Ding Xi Rd  
Chang Ning District  
Shanghai, PR, 200052  
Telephone: 86-21-69171135  
Fax: 86-21-69171139

### **Thermadyne Asia Sdn Bhd**

Lot 151, Jalan Industri 3/5A  
Rawang Integrated Industrial Park - Jln Batu Arang  
48000 Rawang Selangor Darul Ehsan  
West Malaysia  
Telephone: 603+ 6092 2988  
Fax : 603+ 6092 1085

### **Cigweld, Australia**

71 Gower Street  
Preston, Victoria  
Australia, 3072  
Telephone: 61-3-9474-7400  
Fax: 61-3-9474-7510

### **Thermadyne Italy**

OCIM, S.r.L.  
Via Benaco, 3  
20098 S. Giuliano  
Milan, Italy  
Tel: (39) 02-98 80320  
Fax: (39) 02-98 281773

### **Thermadyne International**

2070 Wycroft Road  
Oakville, Ontario  
Canada, L6L5V6  
Telephone: (905)-827-9777  
Fax: 905-827-9797

---

**Corporate Headquarters**  
16052 Swingley Ridge Road  
Suite 300  
St. Louis, MO 63017  
Telephone: 636-728-3000  
Email: [TDCSales@Thermadyne.com](mailto:TDCSales@Thermadyne.com)  
**[www.thermadyne.com](http://www.thermadyne.com)**

