

A2-ADJ-LED

2" Architectural New Construction
Adjustable LED Downlight

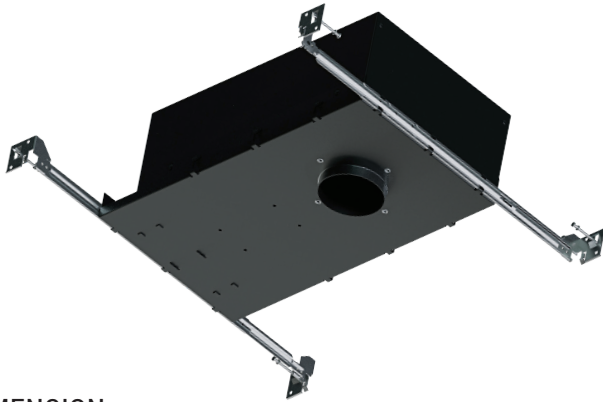
up to 17 Watts / up to 1000 Lumens

Catalog Number:

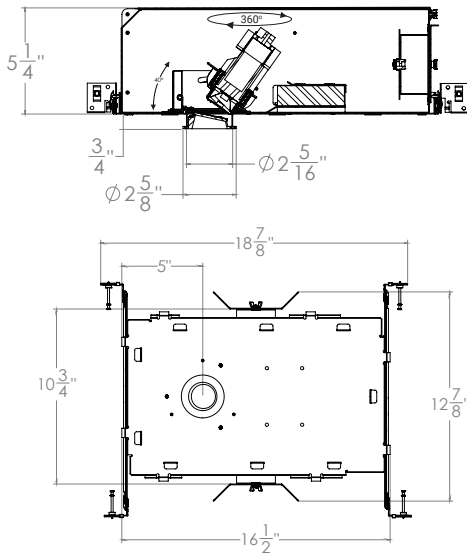
Project Name:

Note:

Type:



DIMENSION



OPTICS



DESCRIPTION

The A2-ADJ-LED architectural adjustable downlight provides unparalleled versatility in a small 2" aperture, delivering a powerful and precise beam of light, with uniform, glare-free illumination.

TECHNOLOGY

A2-ADJ provides multiple beam distributions, 90+ CRI, with lumen packages up to 1000 lumens, and a dimming standard down to 1%. A2 features field-changeable optics for versatility and easy updating of optics in the field. Tilt angles are available from 0 degree to 40 degree with a full 360-degree horizontal rotation.

HOUSING

The downlight mounting frame is a fabricated assembly constructed of 18-gauge steel, with C-channel mounting brackets, included. The versatility of the mounting brackets allow for an adjustability of up to 24" horizontally, and 1.5" vertically, locking into place. With the added die-formed construction of the mounting frame, it provides maximum heat dissipation and rust protection. Also has WallWash Option.

TRIMS

Offered with interchangeable round and square trims, multiple finish options, it provides the Elite source in flexibility.

THERMAL MANAGEMENT SYSTEM

Passive cooling Diecast Aluminum Heat Sink, LED light engine and driver are tency in the quality of light is delivered with precision performance by the use of a unique locking mechanism that aligns the reflector with the light engine.

MOUNTING FRAME & BRACKETS

The downlight mounting frame is a fabricated assembly constructed of 18-gauge steel, with C-channel mounting brackets, included. The versatility of the mounting brackets allow for an adjustability of up to 24" horizontally, and 1.5" vertically, locking into place. With the added die-formed construction of the mounting frame, it provides maximum heat dissipation and rust protection.

Available with optional wet location trim.

SPECIFICATIONS:

LUMENS	800 / 1000 lumens
WATTAGE	13W / 17W
CCT	27K, 30K, 35K, 40K
CRI	90
LIGHT EFFICIENCY	up to 63 lumens/watt
DIMMING	0-10V Dimming / Triac Dimming
VOLTAGE	120-277 VAC
POWER FREQUENCY	50/60 Hz
FINISH	Black
APPLICABLE ENVIRONMENT	Dry/Damp Location

Ordering Guide > Example: A2-ADJ-LED-800L-DIM10-MVOLT-MD-30K-90-A2R-F-1201-W-WH

A2-ADJ-LED																																
SERIES	PERFORMANCE	DIMMING	VOLTAGE	OPTICS	CCT	CRI	TRIMS/COLORS																									
A2-ADJ-LED- 2" Architectural New Construction Adjustable Downlight	800L - 800 lumens 1000L - 1000 lumens	DIM10 - 0-10V Dimming DIMTR / Triac Dimming	MVOLT- 120-277V 120V- Only for DIMTR	SP - (Spot) ND - (Narrow) MD - (Medium) WD - (Wide)	27K - 2700K 30K - 3000K 35K - 3500K 40K - 4000K	90 - 90 CRI	<table border="1"> <thead> <tr> <th>ROUND</th> <th>COLORS</th> </tr> </thead> <tbody> <tr><td>A2R-F-1201</td><td>W-WH, SN-SN</td></tr> <tr><td>A2R-F-1202</td><td>W-WH, CL-WH, SN-SN</td></tr> <tr><td>A2R-F-1227</td><td>W-WH, SN-SN</td></tr> <tr><td>A2R-F-1228</td><td>W-WH, CL-WH, SN-SN</td></tr> <tr><td>A2R-F-1263</td><td>W-WH</td></tr> <tr> <th>SQUARE</th> <th>COLORS</th> </tr> <tr><td>A2S-F-1201</td><td>W-WH</td></tr> <tr><td>A2S-F-1202</td><td>W-WH</td></tr> <tr><td>A2S-F-1227</td><td>W-WH</td></tr> <tr><td>A2S-F-1228</td><td>W-WH</td></tr> <tr><td>A2S-F-1263</td><td>W-WH</td></tr> </tbody> </table>		ROUND	COLORS	A2R-F-1201	W-WH, SN-SN	A2R-F-1202	W-WH, CL-WH, SN-SN	A2R-F-1227	W-WH, SN-SN	A2R-F-1228	W-WH, CL-WH, SN-SN	A2R-F-1263	W-WH	SQUARE	COLORS	A2S-F-1201	W-WH	A2S-F-1202	W-WH	A2S-F-1227	W-WH	A2S-F-1228	W-WH	A2S-F-1263	W-WH
ROUND	COLORS																															
A2R-F-1201	W-WH, SN-SN																															
A2R-F-1202	W-WH, CL-WH, SN-SN																															
A2R-F-1227	W-WH, SN-SN																															
A2R-F-1228	W-WH, CL-WH, SN-SN																															
A2R-F-1263	W-WH																															
SQUARE	COLORS																															
A2S-F-1201	W-WH																															
A2S-F-1202	W-WH																															
A2S-F-1227	W-WH																															
A2S-F-1228	W-WH																															
A2S-F-1263	W-WH																															

A2-ADJ-LED

2" Architectural New Construction
Adjustable LED Downlight

Catalog Number:

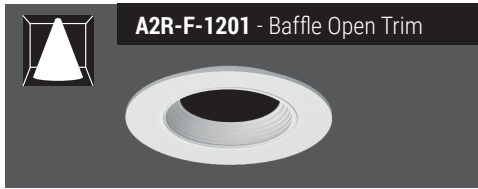
Project Name:

Note:

Type:

ROUND / SQUARE TRIMS

Round Flanged Trims



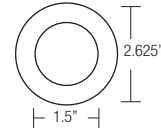
AVAILABLE COLOR OPTIONS:
W-WH (White-White)
SN-SN (Satin Nickel-Satin Nickel)



FOR WET LOCATION
AVAILABLE COLOR OPTIONS:
W-WH (White-White)
SN-SN (Satin Nickel-Satin Nickel)

TRIM OPTION:

Post painted powder coated Die-Cast trim available in white and custom colors. Please consult factory for custom paint color options. Trims attach to the housing with piano springs for snug fit and zero light leakage.



AVAILABLE COLOR OPTIONS:
W-WH (White-White)
CL-WH (Clear-White)
SN-SN (Satin Nickel-Satin Nickel)



FOR WET LOCATION
AVAILABLE COLOR OPTIONS:
W-WH (White-White)
CL-WH (Clear-White)
SN-SN (Satin Nickel-Satin Nickel)



AVAILABLE COLOR OPTIONS:
W-WH (White-White)

Square Flanged Trims



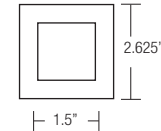
AVAILABLE COLOR OPTION:
W-WH (White-White)



FOR WET LOCATION
AVAILABLE COLOR OPTION:
W-WH (White-White)

TRIM OPTION:

Post painted powder coated Die-Cast trim available in white and custom colors. Please consult factory for custom paint color options. Trims attach to the housing with piano springs for snug fit and zero light leakage.



AVAILABLE COLOR OPTION:
W-WH (White-White)



FOR WET LOCATION
AVAILABLE COLOR OPTION:
W-WH (White-White)



AVAILABLE COLOR OPTIONS:
W-WH (White-White)

A2-ADJ-LED-1000L-DIM10-MVOLT-SP-40K-90-A2R-F-1227

TEST NO.: EL092619166

INPUT WATTS: 17.1591

LUMENS: 1100

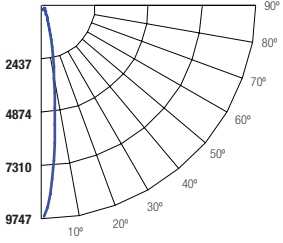
CRI: 90

EFFICACY: 64

CCT: 4000K

SPACING CRITERIA: 0.30

Candle Power Distribution (Candelas)



Zonal Lumens Summary

Table with columns: Zone, Lumens, %Lamp, %Fixt. Rows: 0-20, 0-30, 0-40, 0-60, 0-80, 0-90.

Luminance (Average candela/M²)

Table with columns: Angle in Degrees, Average 0°, Average 45°, Average 90°. Rows: 45, 55, 65, 75, 85.

Lumens Per Zone

Table with columns: Zone, Lumens. Rows: 0-10, 10-20, 20-30, 30-40, 40-50, 50-60, 60-70, 70-80, 80-90.

Candela Tabulation

Table with columns: Q, Candela values. Rows: 0, 5, 15, 25, 35, 45, 55, 65, 75, 85, 90.

Cone of Light table with columns: Beam Dia, 2, 4, 6, 8, 10, 12. Rows: 0.5, 1.0, 1.4, 1.9, 2.4, 2.8.

Coefficients of Utilization - Zonal Cavity Method

Effective Floor Cavity Reflectance 0.20

Large table for Coefficients of Utilization with columns for RC, RW, and various reflectance percentages (70%, 80%, 10%, 50%, 30%, 10%, 0%).

A2-ADJ-LED-1000L-DIM10-MVOLT-SP-40K-90-A2S-F-1201

TEST NO.: EL092619169

INPUT WATTS: 17.1515

LUMENS: 1162

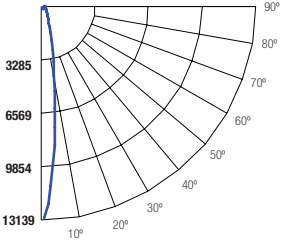
CRI: 90

EFFICACY: 68

CCT: 4000K

SPACING CRITERIA: 0.28

Candle Power Distribution (Candelas)



Zonal Lumens Summary

Table with columns: Zone, Lumens, %Lamp, %Fixt. Rows: 0-20, 0-30, 0-40, 0-60, 0-80, 0-90.

Luminance (Average candela/M²)

Table with columns: Angle in Degrees, Average 0°, Average 45°, Average 90°. Rows: 45, 55, 65, 75, 85.

Lumens Per Zone

Table with columns: Zone, Lumens. Rows: 0-10, 10-20, 20-30, 30-40, 40-50, 50-60, 60-70, 70-80, 80-90.

Candela Tabulation

Table with columns: Q, Candela values. Rows: 0, 5, 15, 25, 35, 45, 55, 65, 75, 85, 90.

Cone of Light table for model A2S-F-1201 with columns: Beam Dia, 2, 4, 6, 8, 10, 12. Rows: 0.4, 0.8, 1.3, 1.7, 2.1, 2.5.

Coefficients of Utilization - Zonal Cavity Method

Effective Floor Cavity Reflectance 0.20

Large table for Coefficients of Utilization for model A2S-F-1201 with columns for RC, RW, and various reflectance percentages.

A2-ADJ-LED-1000L-DIM10-MVOLT-SP-40K-90-A2S-F-1227

TEST NO.: EL092619167

INPUT WATTS: 17.1406

LUMENS: 1062

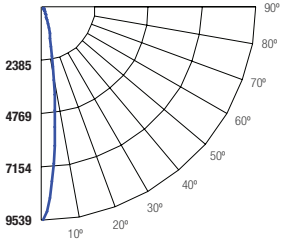
CRI: 90

EFFICACY: 62

CCT: 4000K

SPACING CRITERIA: 0.30

Candle Power Distribution (Candelas)



Zonal Lumens Summary

Table with columns: Zone, Lumens, %Lamp, %Fixt. Rows: 0-20, 0-30, 0-40, 0-60, 0-80, 0-90.

Luminance (Average candela/M²)

Table with columns: Angle in Degrees, Average 0°, Average 45°, Average 90°. Rows: 45, 55, 65, 75, 85.

Lumens Per Zone

Table with columns: Zone, Lumens. Rows: 0-10, 10-20, 20-30, 30-40, 40-50, 50-60, 60-70, 70-80, 80-90.

Candela Tabulation

Table with columns: Q, Candela values. Rows: 0, 5, 15, 25, 35, 45, 55, 65, 75, 85, 90.

Cone of Light table for model A2S-F-1227 with columns: Beam Dia, 2, 4, 6, 8, 10, 12. Rows: 0.5, 1.0, 1.4, 1.9, 2.4, 2.8.

Coefficients of Utilization - Zonal Cavity Method

Effective Floor Cavity Reflectance 0.20

Large table for Coefficients of Utilization for model A2S-F-1227 with columns for RC, RW, and various reflectance percentages.

A2-ADJ-LED-1000L-DIM10-MVOLT-WD-40K-90-A2R-F-1201

TEST NO.: EL09121974

INPUT WATTS: 17.292

LUMENS: 820

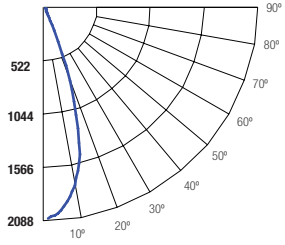
CRI: 90

EFFICACY: 47

CCT: 4000K

SPACING CRITERIA: 0.58

Candle Power Distribution (Candelas)



Zonal Lumens Summary

Table with columns: Zone, Lumens, %Lamp, %Fixt. Rows: 0-20, 0-30, 0-40, 0-60, 0-80, 0-90.

Luminance (Average candela/M²)

Table with columns: Angle in Degrees, Average 0°, Average 45°, Average 90°. Rows: 45, 55, 65, 75, 85.

Lumens Per Zone

Table with columns: Zone, Lumens. Rows: 0-10, 10-20, 20-30, 30-40, 40-50, 50-60, 60-70, 70-80, 80-90.

Candela Tabulation

Table with columns: Q, Candela values. Rows: 0, 10, 20, 30, 40, 50, 60, 70, 80, 90.

Cone of Light table with columns: Beam Dia, Initial Footcandle at Nadir, Beam Vert. Spread, Beam Horiz. Spread. Rows: 2, 4, 6, 8, 10, 12.

Coefficients of Utilization - Zonal Cavity Method

Effective Floor Cavity Reflectance 0.20

Large table for Coefficients of Utilization with columns for RC, RW, and various reflectance percentages (70%, 50%, 30%, 10%, 0%). Rows for Room Cavity Ratio from 0 to 10.

RC - Ceiling Cavity Reflectance RW - Wall Reflectance

A2-ADJ-LED-1000L-DIM10-MVOLT-WD-40K-90-A2R-F-1227

TEST NO.: EL09121976

INPUT WATTS: 17.0165

LUMENS: 694

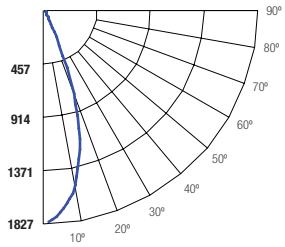
CRI: 90

EFFICACY: 41

CCT: 4000K

SPACING CRITERIA: 0.58

Candle Power Distribution (Candelas)



Zonal Lumens Summary

Table with columns: Zone, Lumens, %Lamp, %Fixt. Rows: 0-20, 0-30, 0-40, 0-60, 0-80, 0-90.

Luminance (Average candela/M²)

Table with columns: Angle in Degrees, Average 0°, Average 45°, Average 90°. Rows: 45, 55, 65, 75, 85.

Lumens Per Zone

Table with columns: Zone, Lumens. Rows: 0-10, 10-20, 20-30, 30-40, 40-50, 50-60, 60-70, 70-80, 80-90.

Candela Tabulation

Table with columns: Q, Candela values. Rows: 0, 5, 15, 25, 35, 45, 55, 65, 75, 85, 90.

Cone of Light table for model A2R-F-1227.

Coefficients of Utilization - Zonal Cavity Method

Effective Floor Cavity Reflectance 0.20

Large table for Coefficients of Utilization for model A2R-F-1227.

RC - Ceiling Cavity Reflectance RW - Wall Reflectance

A2-ADJ-LED-1000L-DIM10-MVOLT-WD-40K-90-A2S-F-1227

TEST NO.: EL09121977

INPUT WATTS: 17.0136

LUMENS: 653

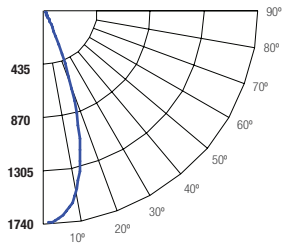
CRI: 90

EFFICACY: 38

CCT: 4000K

SPACING CRITERIA: 0.58

Candle Power Distribution (Candelas)



Zonal Lumens Summary

Table with columns: Zone, Lumens, %Lamp, %Fixt. Rows: 0-20, 0-30, 0-40, 0-60, 0-80, 0-90.

Luminance (Average candela/M²)

Table with columns: Angle in Degrees, Average 0°, Average 45°, Average 90°. Rows: 45, 55, 65, 75, 85.

Lumens Per Zone

Table with columns: Zone, Lumens. Rows: 0-10, 10-20, 20-30, 30-40, 40-50, 50-60, 60-70, 70-80, 80-90.

Candela Tabulation

Table with columns: Q, Candela values. Rows: 0, 5, 15, 25, 35, 45, 55, 65, 75, 85, 90.

Cone of Light table for model A2S-F-1227.

Coefficients of Utilization - Zonal Cavity Method

Effective Floor Cavity Reflectance 0.20

Large table for Coefficients of Utilization for model A2S-F-1227.

RC - Ceiling Cavity Reflectance RW - Wall Reflectance