

SOUTHLAND[®]

ILLUSTRATED PARTS BOOK

43cc Cultivator

S-CV-43

SCV43

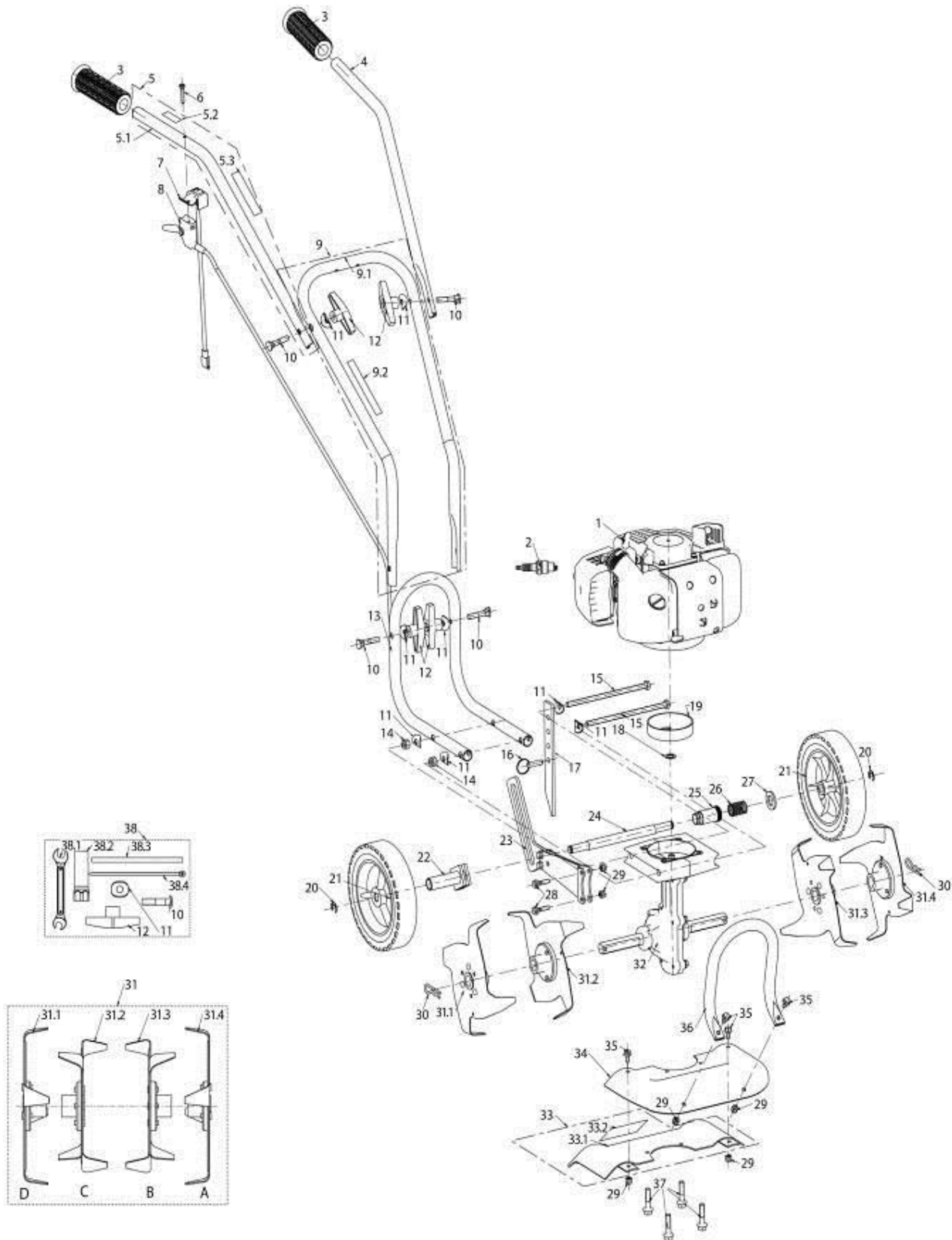
SCV43.1



Table of Contents

| | |
|----------------------------------------|----|
| Unit Assembly..... | 2 |
| Engine Sub Assemblies: | |
| Air Filter & Carburetor Assembly | 6 |
| Muffler Assembly..... | 8 |
| Fuel Tank Assembly..... | 9 |
| Clutch Assembly | 10 |
| Recoil Starter Assembly | 11 |
| Decal Kit | 12 |

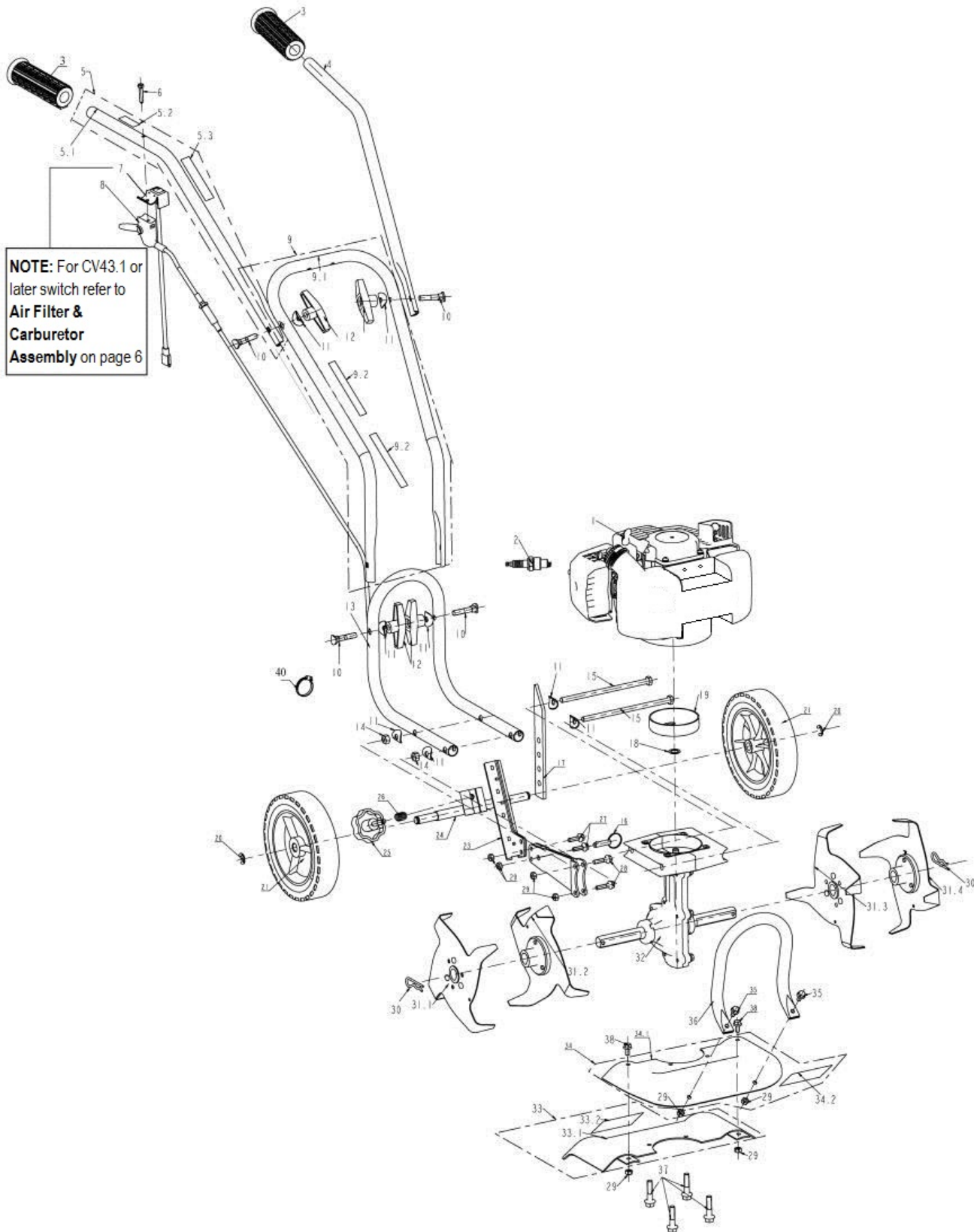
Unit Assembly- Model produced before October 2010



Unit Assembly

| REF. NO. | DESCRIPTION | PART NO. | QTY |
|----------|-----------------------------|---------------------------|-----|
| 1 | Engine | A200729 | 1 |
| 2 | Spark Plug | A200730 | 1 |
| 3 | Grip, Handle | A200731 | 2 |
| 4 | Handle, Upper Left | A200732 | 1 |
| 5 | Handle Assy, Upper Right | A200733 | 1 |
| 5.1 | Handle, Upper Right | <i>For Reference Only</i> | 1 |
| 5.2 | Label, Switch | A200734 | 1 |
| 5.3 | Label, Throttle | A200735 | 1 |
| 6 | Screw ST4.8x32 | A200736 | 1 |
| 7 | Switch, Ignition | A200737 | 1 |
| 8 | Throttle Trigger & Cable | A200738 | 1 |
| 9 | Handle Assy, Middle | A200739 | 1 |
| 9.1 | Handle, Middle | <i>For Reference Only</i> | 1 |
| 9.2 | Label, Start Instruction | A200740 | 1 |
| 10 | Bolt M8x34 | A101050 | 4 |
| 11 | Curved Washer | A200741 | 8 |
| 12 | Knob, Attachment | A200190 | 4 |
| 13 | Handle, Lower | A200742 | 1 |
| 14 | Nut M8 | A200138 | 2 |
| 15 | Bolt M8x165 | A200743 | 2 |
| 16 | Detent Pin | A200744 | 1 |
| 17 | Drag Stake | A200745 | 1 |
| 18 | Washer | A200746 | 1 |
| 19 | Clutch Drum | A200747 | 1 |
| 20 | Clip | A200748 | 2 |
| 21 | Tire & Rim | A101384 | 2 |
| 22 | Bracket, Sliding | A200749 | 1 |
| 23 | Bracket, Wheel Adjust | A200750 | 1 |
| 24 | Axle | A200751 | 1 |
| 25 | Collar | A200752 | 1 |
| 26 | Spring | A200753 | 1 |
| 27 | Washer 16 | A200754 | 1 |
| 28 | Bolt M6x25 | A200755 | 2 |
| 29 | Nut M6 | A200756 | 6 |
| 30 | Cotter Pin | A200757 | 2 |
| 31 | Tine Assembly | A200758 | 1 |
| 31.1 | "D" Tine | A200791 | 1 |
| 31.2 | "C" Tine | A200792 | 1 |
| 31.3 | "B" Tine | A200793 | 1 |
| 31.4 | "A" Tine | A200794 | 1 |
| 32 | Transmission | A200759 | 1 |
| 33 | Shield Assy, Southland Rear | A200760 | 1 |
| 33.1 | Shield, Southland Rear | <i>For Reference Only</i> | 1 |
| 33.2 | Label, Warning | A201882 | 1 |
| 34 | Shield, Southland Front | A200762 | 1 |
| 35 | Bolt M6x12 | A200763 | 4 |
| 36 | Handle, Front Carry | A200764 | 1 |
| 37 | Bolt M6x35 | A200765 | 4 |
| 38 | Hardware Bag | A200766 | 1 |
| 38.1 | Wrench | <i>For Reference Only</i> | 1 |
| 38.2 | Spark Plug Wrench | <i>For Reference Only</i> | 1 |
| 38.3 | Spark Plug Rod | <i>For Reference Only</i> | 1 |
| 38.4 | Cable Tie | A100522 | 3 |

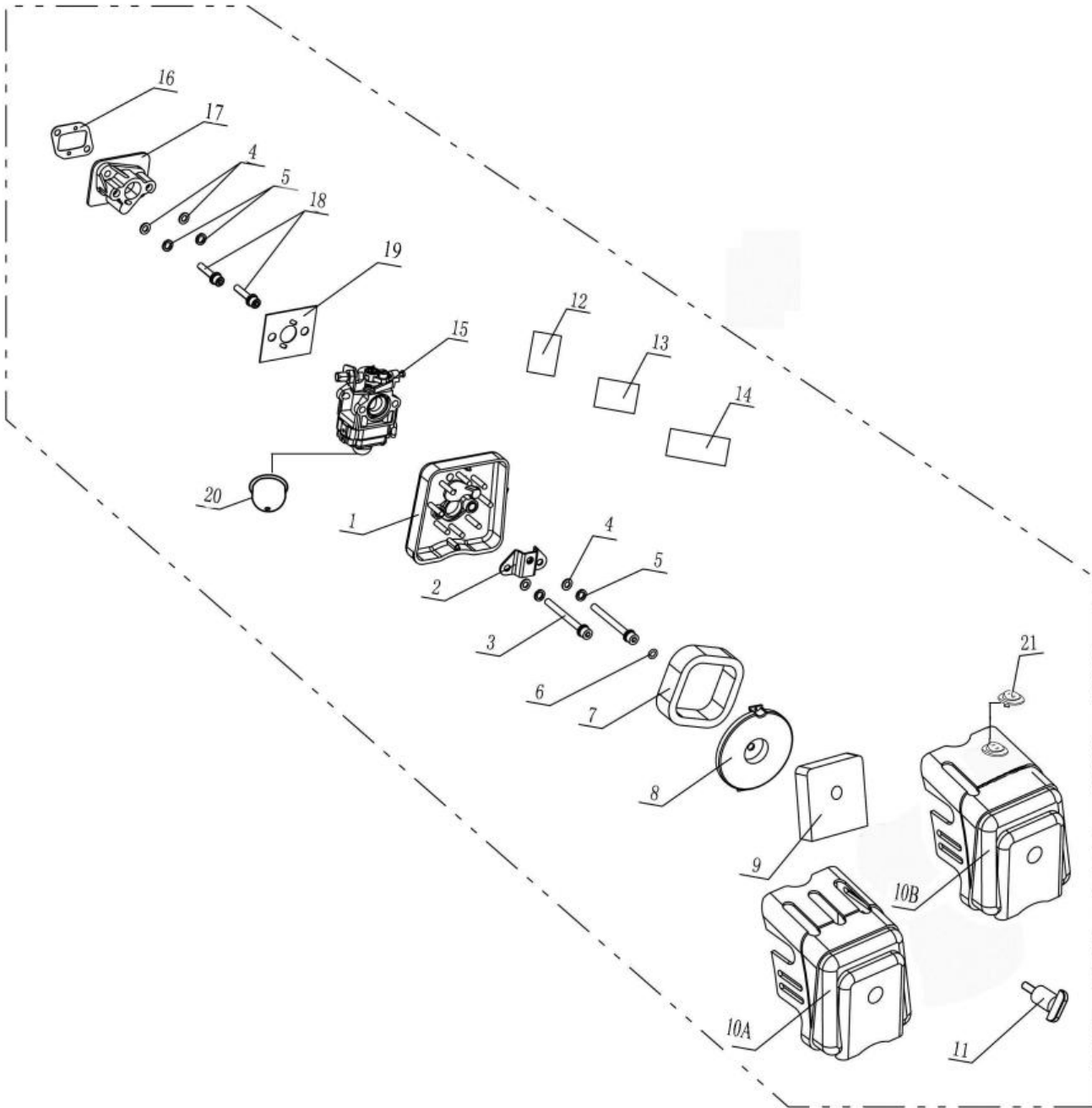
Unit Assembly- Model produced after October 2010



Unit Assembly

| REF. NO. | DESCRIPTION | PART NO. | QTY |
|----------|-----------------------------|---------------------------|-----|
| 1 | Engine, CV43 | A200729 | 1 |
| | Engine, CV43.1 | A203162 | |
| 2 | Spark Plug | A200730 | 1 |
| 3 | Grip, Handle | A200731 | 2 |
| 4 | Handle, Upper Left | A200732 | 1 |
| 5 | Handle Assy, Upper Right | A200733 | 1 |
| 5.1 | Handle, Upper Right | <i>For Reference Only</i> | 1 |
| 5.2 | Label, Switch | A200734 | 1 |
| 5.3 | Label, Throttle | A200735 | 1 |
| 6 | Screw ST4.8x32 | A200736 | 1 |
| 7 | Switch, Ignition | A200737 | 1 |
| 8 | Throttle Trigger & Cable | A200738 | 1 |
| 9 | Handle Assy, Middle | A200739 | 1 |
| 9.1 | Handle, Middle | <i>For Reference Only</i> | 1 |
| 9.2 | Label, Start Instruction | A200740 | 1 |
| 10 | Bolt M8x34 | A101050 | 4 |
| 11 | Curved Washer | A200741 | 8 |
| 12 | Knob, Attachment | A200190 | 4 |
| 13 | Handle, Lower | A200742 | 1 |
| 14 | Nut M8 | A200138 | 2 |
| 15 | Bolt M8x165 | A200743 | 2 |
| 16 | Detent Pin | A200744 | 1 |
| 17 | Drag Stake | A200745 | 1 |
| 18 | Washer | A200746 | 1 |
| 19 | Clutch Drum | A200747 | 1 |
| 20 | Clip | A200748 | 2 |
| 21 | Tire & Rim | A101384 | 2 |
| 23 | Bracket, New Wheel Adjust | A201876 | 1 |
| 24 | Axle, Wheel | A201877 | 1 |
| 25 | Knob, Wheel Adjust | A201878 | 1 |
| 26 | Spring, Wheel Adjust | A201879 | 1 |
| 27 | Washer 16 | A200754 | 1 |
| 28 | Bolt M6x25 | A200755 | 2 |
| 29 | Nut M6 | A200756 | 6 |
| 30 | Cotter Pin | A200757 | 2 |
| 31 | Tine Assembly | A200758 | 1 |
| 31.1 | "D" Tine | A200791 | 1 |
| 31.2 | "C" Tine | A200792 | 1 |
| 31.3 | "B" Tine | A200793 | 1 |
| 31.4 | "A" Tine | A200794 | 1 |
| 32 | Transmission | A200759 | 1 |
| 33 | Shield Assy, Southland Rear | A200760 | 1 |
| 33.1 | Shield, Southland Rear | <i>For Reference Only</i> | 1 |
| 33.2 | Label, Warning | A201882 | 1 |
| 34 | Shield, Southland Front | A200762 | 1 |
| 35 | Bolt M6x12 | A200763 | 4 |
| 36 | Handle, Front Carry | A200764 | 1 |
| 37 | Bolt M6x35 | A200765 | 4 |
| 38 | Bolt M6X16 | A201884 | 2 |

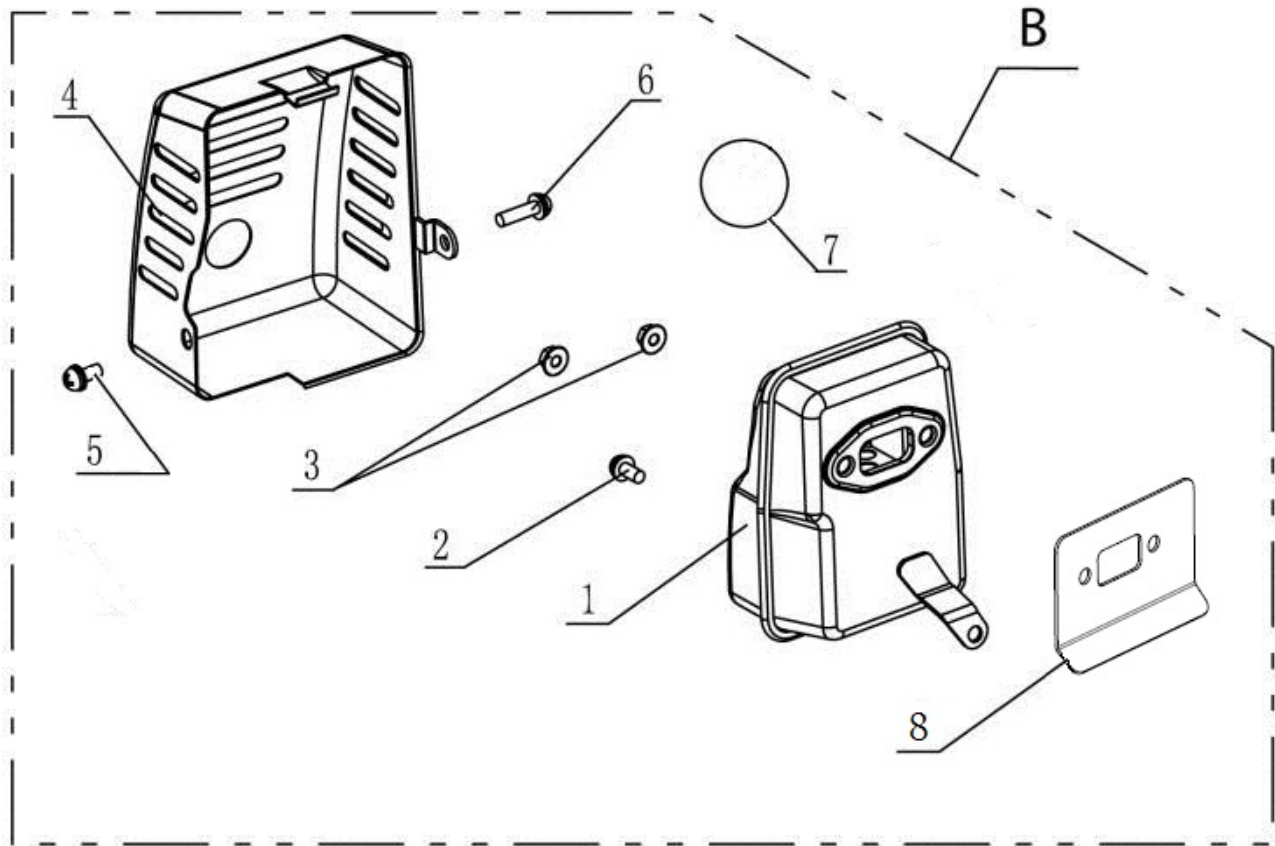
Air Filter & Carburetor Assembly



Air Filter & Carburetor Assembly

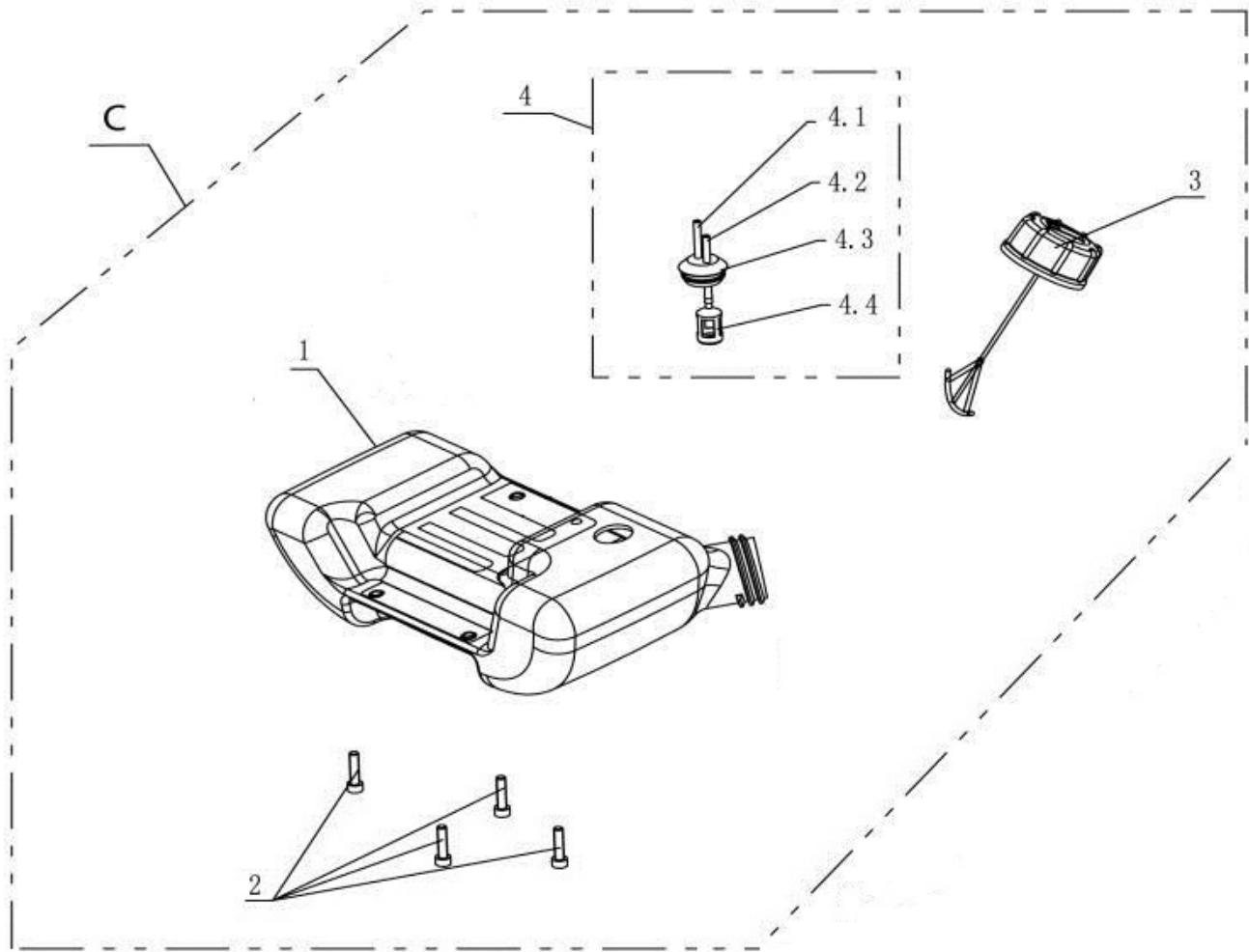
| REF. NO. | DESCRIPTION | PART NO. | QTY |
|----------|--------------------------------------------------|---------------------------|-----|
| 1 | Housing, Air Filter | A200832 | 1 |
| 2 | Bracket, Air Filter Mounting | A200833 | 1 |
| 3 | Bolt M5x55 | A200834 | 2 |
| 4 | Washer 5 | A101197 | 4 |
| 5 | Spring Washer 5 | A101198 | 4 |
| 6 | O Washer 3.15x1.8 | <i>For Reference Only</i> | 1 |
| 7 | Foam Element, Filter | A200768 | 1 |
| 8 | Mounting Plate, Air Filter | A200836 | 1 |
| 9 | Foam Element, Pre-Filter | A200769 | 1 |
| 10A | Cover, Air Filter (produced before October 2010) | A200837 | 1 |
| 10B | Cover, Air Filter (produced after October 2010) | A203059 | 1 |
| 11 | Knob, Screw | A200770 | 1 |
| 12 | Label, Primer Function | A200771 | 1 |
| 13 | Label, Air Filter Service | A200772 | 1 |
| 14 | Label, Choke Function | A200773 | 1 |
| 15 | Carburetor | A200774 | 1 |
| 16 | Gasket, Cylinder Intake | A200838 | 1 |
| 17 | Isolator Block | A200839 | 1 |
| 18 | Bolt M5x25 | A200840 | 2 |
| 19 | Gasket, Carburetor | A200841 | 1 |
| 20 | Primer Bulb | A202743 | 1 |
| 21 | ON/OFF Switch (produced after October 2010) | A203060 | 1 |

Muffler Assembly



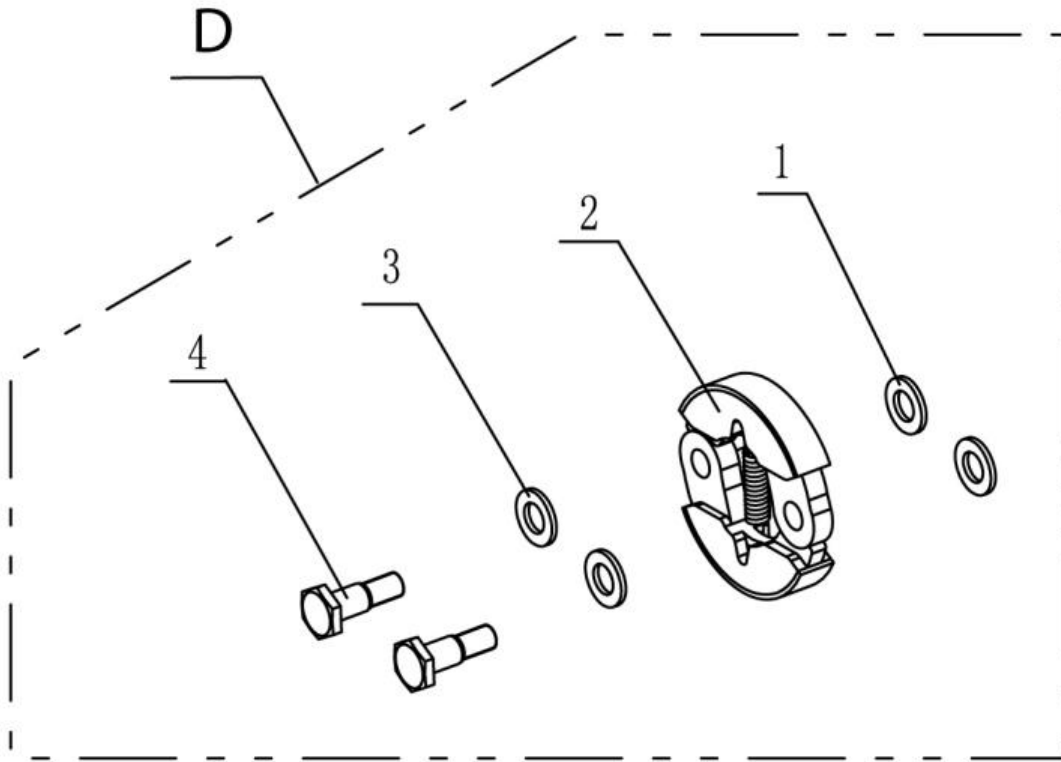
| REF. NO. | DESCRIPTION | PART NO. | QTY |
|----------|------------------|---------------------------|-----|
| B | Muffler Assembly | A200775 | 1 |
| 1 | Muffler | <i>For Reference Only</i> | 1 |
| 2 | Bolt M5x10 | <i>For Reference Only</i> | 1 |
| 3 | Nut M6 | <i>For Reference Only</i> | 2 |
| 4 | Cover, Muffler | A200844 | 1 |
| 5 | Bolt M5x12 | <i>For Reference Only</i> | 1 |
| 6 | Bolt M5x25 | <i>For Reference Only</i> | 1 |
| 7 | Label, Hot | A200776 | 1 |
| 8 | Gasket, Muffler | A201107 | 1 |

Fuel Tank Assembly



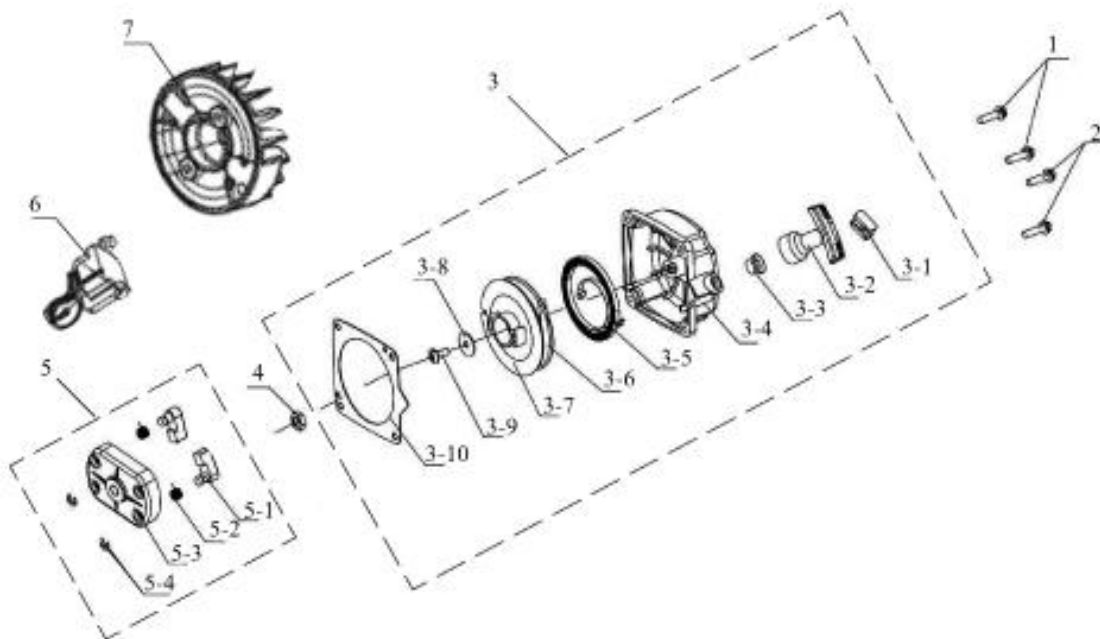
| REF. NO. | DESCRIPTION | PART NO. | QTY |
|----------|---------------------------|---------------------------|-----|
| C | Fuel Tank Assembly | A200777 | 1 |
| 1 | Fuel Tank Sub-Assy | A200778 | 1 |
| 2 | Bolt M5x20 | A200785 | 4 |
| 3 | Fuel Cap | A200781 | 1 |
| 4 | Fuel Line/Filter Sub-Assy | A200780 | 1 |
| 4.1 | Fuel Line 1 | <i>For Reference Only</i> | 1 |
| 4.2 | Fuel Line 2 | <i>For Reference Only</i> | 1 |
| 4.3 | Seal, Fuel Lines | <i>For Reference Only</i> | 1 |
| 4.4 | Fuel Filter | A200851 | 1 |

Clutch Assembly



| REF. NO. | DESCRIPTION | PART NO. | QTY |
|----------|-------------------------|---------------------------|-----|
| D | Clutch Assembly | A200782 | 1 |
| 1 | Washer | <i>For Reference Only</i> | 2 |
| 2 | Clutch Shoes and Spring | <i>For Reference Only</i> | 1 |
| 3 | Wave Spring Washer | <i>For Reference Only</i> | 2 |
| 4 | Standing Bolt | <i>For Reference Only</i> | 2 |

Recoil Starter Assembly



| REF. NO. | DESCRIPTION | PART NO. | QTY |
|----------|---------------------------------------------|---------------------------|-----|
| E | Recoil Starter Assembly (includes #1-#5) | A200783 | 1 |
| 1 | Bolt M5x25 | <i>For Reference Only</i> | 2 |
| 2 | Bolt M5x20 | <i>For Reference Only</i> | 2 |
| 3 | Recoil Starter | A200696 | 1 |
| 3.1 | Rope Clamp | <i>For Reference Only</i> | 1 |
| 3.2 | Handle, Recoil Starter | <i>For Reference Only</i> | 1 |
| 3.3 | Guide Sleeve | <i>For Reference Only</i> | 1 |
| 3.4 | Cover, Recoil Starter | <i>For Reference Only</i> | 1 |
| 3.5 | Spring, Recoil Starter | <i>For Reference Only</i> | 1 |
| 3.6 | Robe, Recoil Starter | <i>For Reference Only</i> | 1 |
| 3.7 | Spool | <i>For Reference Only</i> | 1 |
| 3.8 | Washer | <i>For Reference Only</i> | 1 |
| 3.9 | Bolt M5x10 | <i>For Reference Only</i> | 1 |
| 3.10 | Gasket, Recoil Starter | A200865 | 1 |
| 4 | Nut | A200866 | 1 |
| 5 | Pawl, Starter ASM | A200697 | 1 |
| 5.1 | Starting Ratchet | <i>For Reference Only</i> | 2 |
| 5.2 | Returning Spring | <i>For Reference Only</i> | 2 |
| 5.3 | Base, Starting Ratchet | <i>For Reference Only</i> | 1 |
| 5.4 | Clip | <i>For Reference Only</i> | 2 |
| 6 | Ignition Module | A202703 | 1 |
| 7 | Flywheel | A202704 | 1 |

Decal Kit



| REF. NO. | DESCRIPTION | PART NO. | QTY |
|----------|-------------|----------|-----|
| F | Decal Kit | A203514 | 1 |