

QUEST

leisure products



A3602 3 x 4 California gazebo

• Full item instructions and extended details •



Thank you

for purchasing this product. At Quest we take every care to ensure that the product fulfils your expectations. We hope you enjoy using this product

General Use

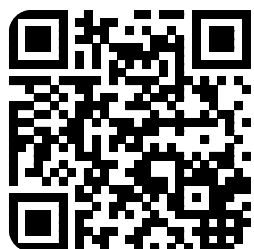
Failure to follow the general use instructions below could lead to damage to the gazebo or injury to your person. Always read and follow these instructions when using the product.

- Always ensure that all the bolts and screws are fully tightened before use.
- Always ensure all legs remain in contact with the ground and take extra care when using the gazebo on uneven ground as this can lead the gazebo to move about.
- Always secure the gazebo to the ground using the legs before use as failure to do so could lead to the gazebo being moved or upended by the weather or other external influences.
- The screws and bolts of this gazebo could become loose over time, so they should be checked at regular intervals if the Gazebo is left up for extended periods.
- We recommend taking the roof panels out if the gazebo is going to be left up when not in use. This helps maintain the roof panels and will help the product last longer..
- Please retain all information for further reference

Care and Cleaning Instructions

Never use and harsh or abrasive cleaners or brushes when cleaning this product as the frame and fabric may be damaged when doing so. Never fold and put the sides away when wet as this can trap water in them, which can lead to mould and mildew build up.

- **Fabric** : We recommend using a dedicated fabric cleaner for the fabric, if one is not available simply warm soapy water. After it has been cleaned, rinse with clean water to make sure there's no soap or cleaner left inside the fabric. Once rinsed allow the product to dry naturally before folding away and storing.
- **Frame** : First allow any dirt to dry and brush with a soft brush to remove loose dirt. Once this is done wipe the frame down with warm soapy water and a soft cloth. Once cleaned allow to dry naturally before storing away.



Quest manual download site


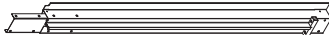


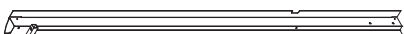











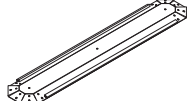



The quest manual download site can be found at the url below or the QR code to the left

<http://www.questleisure.com/manuals>.



Contents

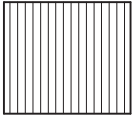
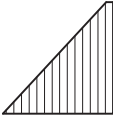
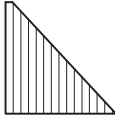
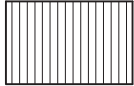
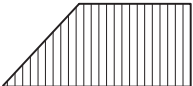
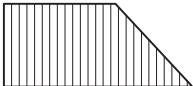
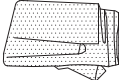









Contents of your gazebo

 A 4x	 B 2x		
 B1 2x	 C 2x		
 C1 2x	 D 4x		
 E 6x	 F 2x		
 F1 4x	 F2 4x		
 G 2x	 G1 8x		
 H 8x	 J 4x	 K 4x	 K1 4x
 L 1x	 M 1x	 N 4x	 P 6x



Contents


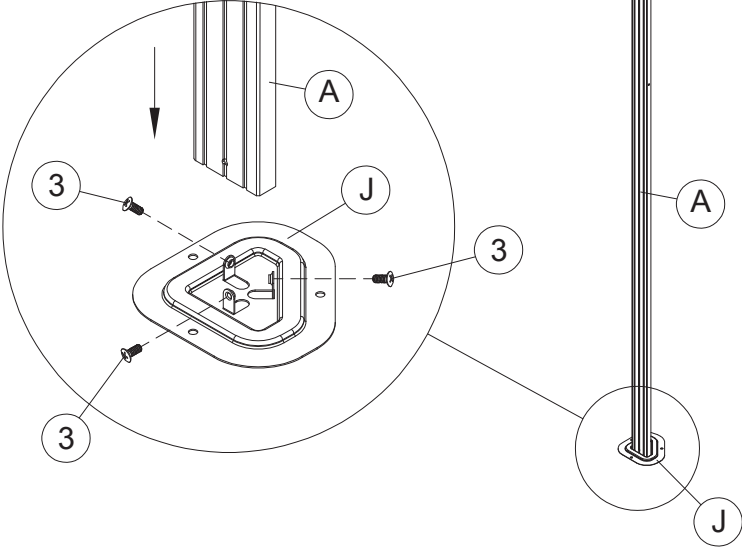


Contents of your gazebo

 Q 2x	 Q1 4x	 Q2 4x	 R 2x
 R1 4x	 R2 4x	 S 4x	 T 4x
 U 104x	 V 4x		S4  1x
 1 91x M6x15	 2 16x M6x35	 3 16x M5x12	 4 24x ST5x12
 5 2x			



Assembly

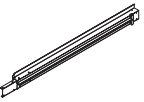
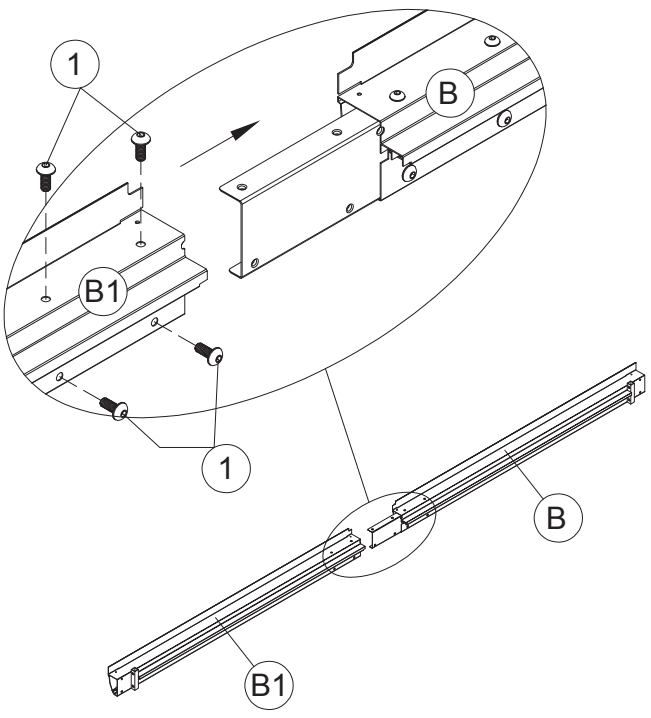
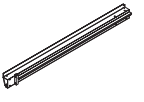
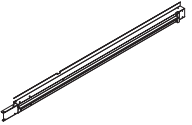
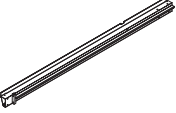

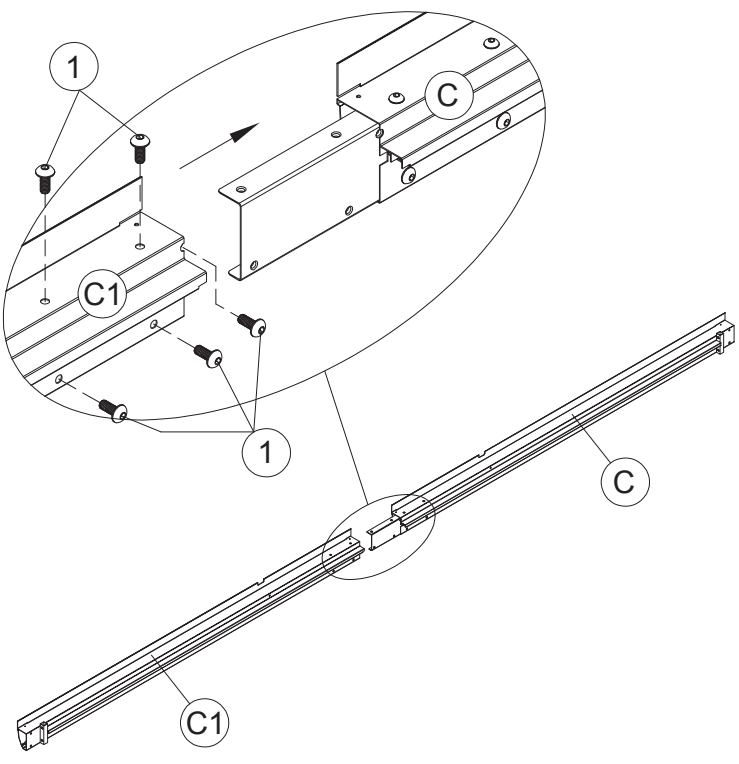
How to assemble your gazebo

 <p>(A) 4x</p>	<p><1></p> 
 <p>(J) 4x</p>	
 <p>(3) 12x M5x12</p>	



Assembly


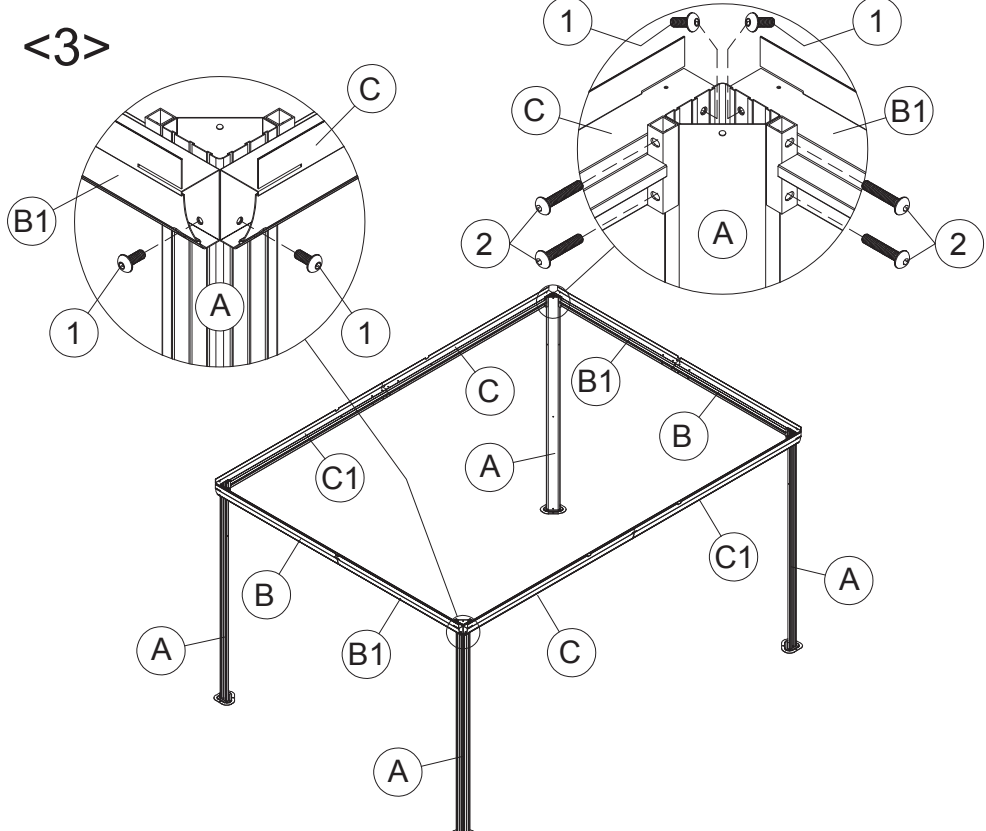

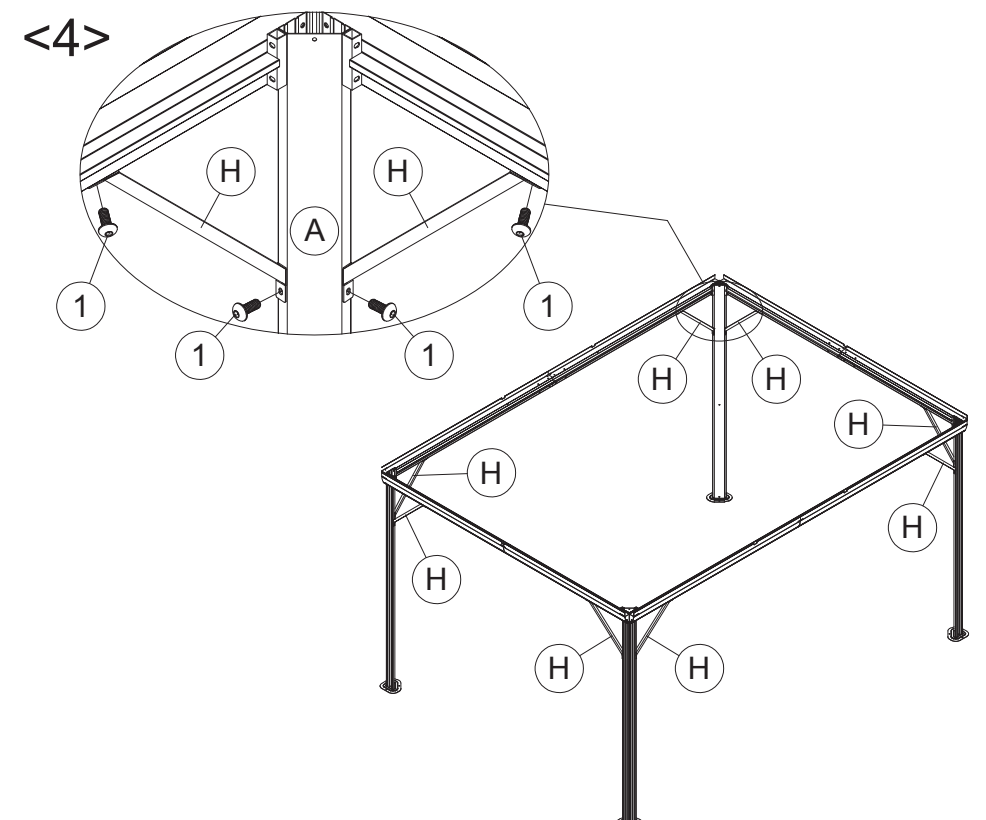
How to assemble your gazebo

 (B) 2x	<p><2></p> 
 (B1) 2x	
 (C) 2x	
 (C1) 2x	
 (1) 18x M6x15	
	



Assembly

How to assemble your gazebo

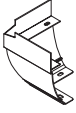





 <p>1 16x M6x15</p>	<p><3></p> 
 <p>2 16x M6x35</p>	<p><4></p> 

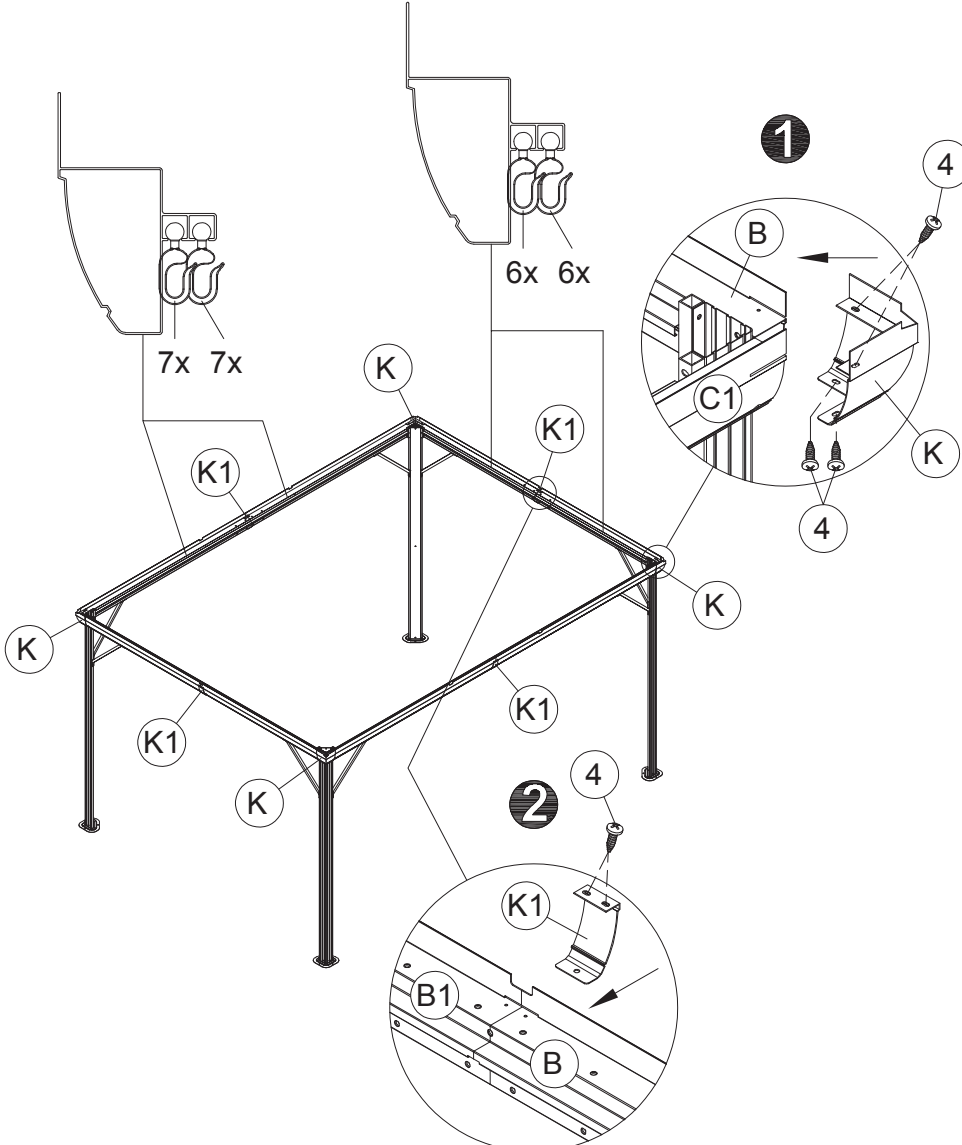


Assembly

How to assemble your gazebo

<5>

	(K) 4x
	(K1) 4x
	(U) 104x
	(V) 4x
	(3) 4x M5x12
	(4) 24x ST5x12

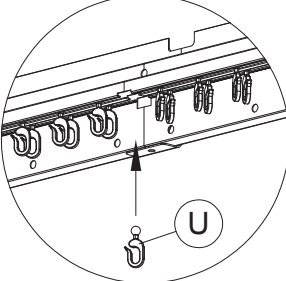


1

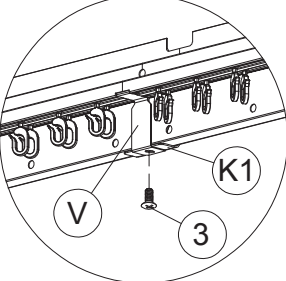
2

3

4




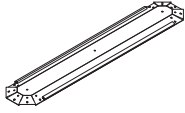


4





Assembly


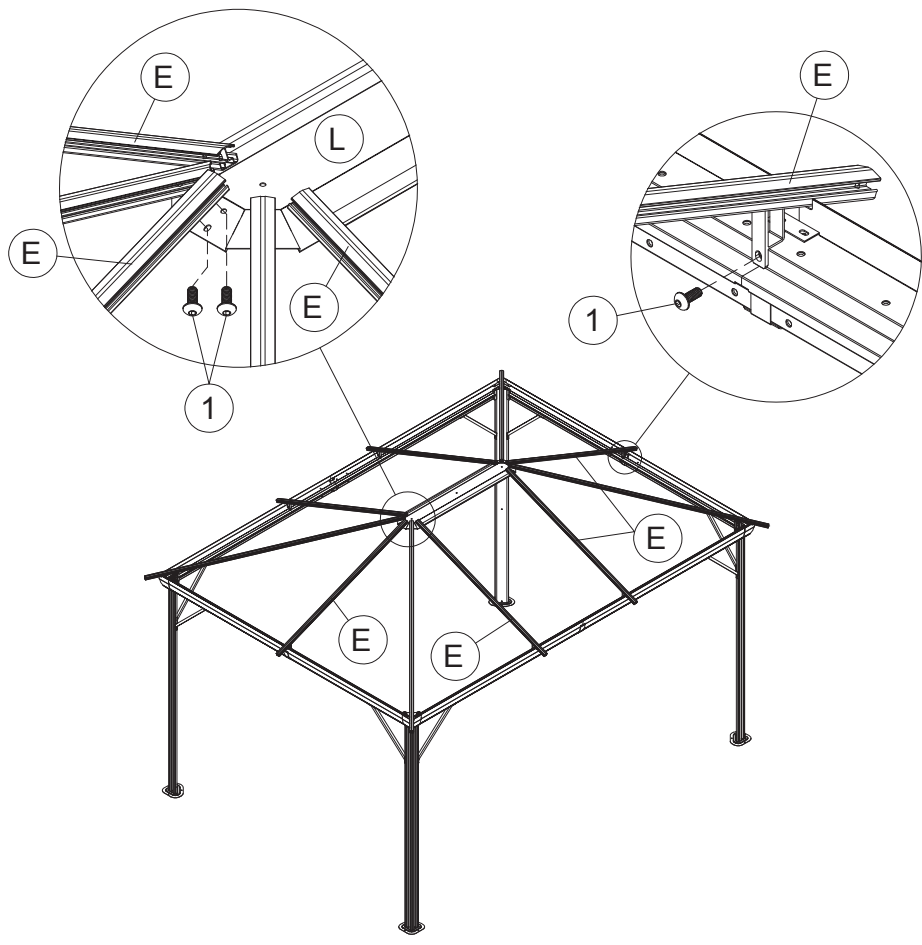

How to assemble your gazebo

<p> <6></p> <p>(D) 4x</p> <p> (L) 1x</p> <p> (1) 8x M6x15</p>	
<p> (1) 4x M6x15</p>	<p><7></p>



Assembly

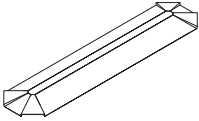
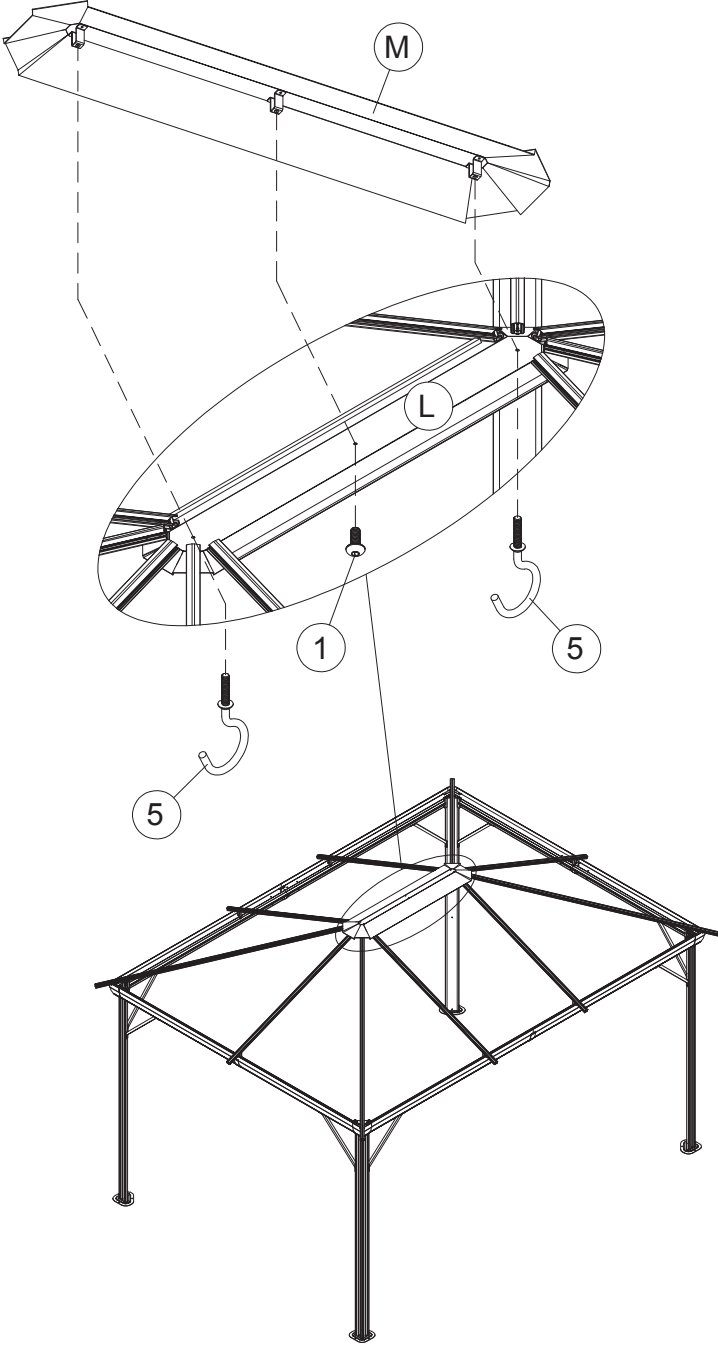


How to assemble your gazebo

 <p>(E) 6x</p>	<p><8></p> 
 <p>(1) 18x M6x15</p>	



Assembly

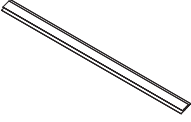
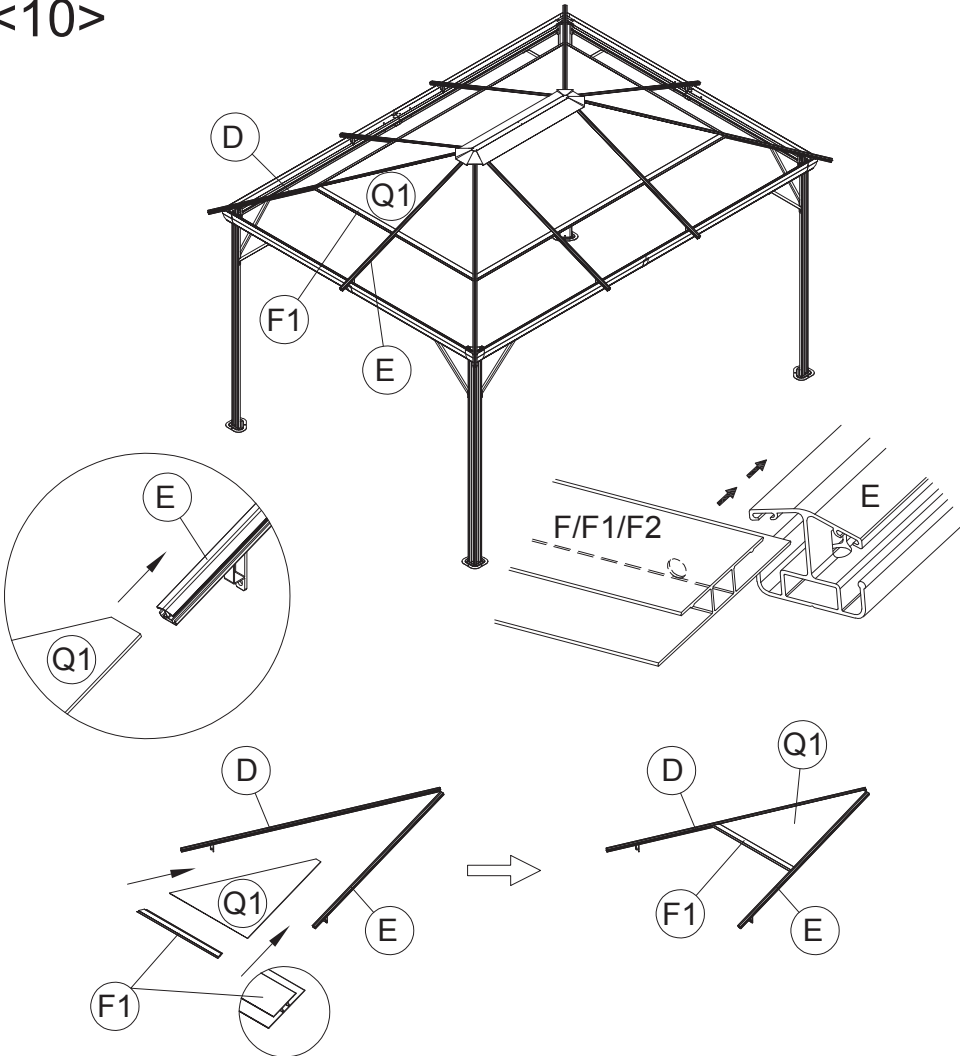
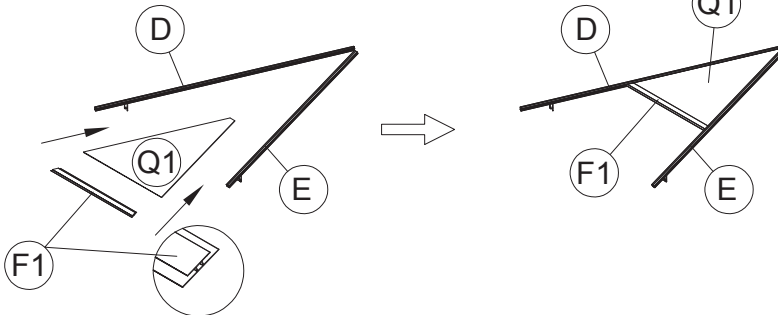
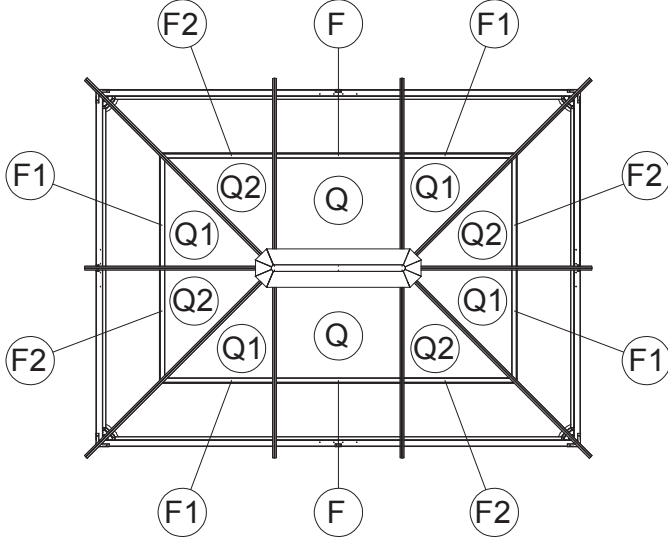
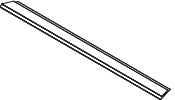
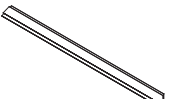
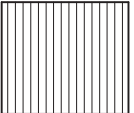


How to assemble your gazebo

 <p>(M) 1x</p>	<p><9></p> 
 <p>(1) 1x M6x15</p>	
 <p>(5) 2x</p>	



Assembly

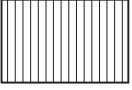
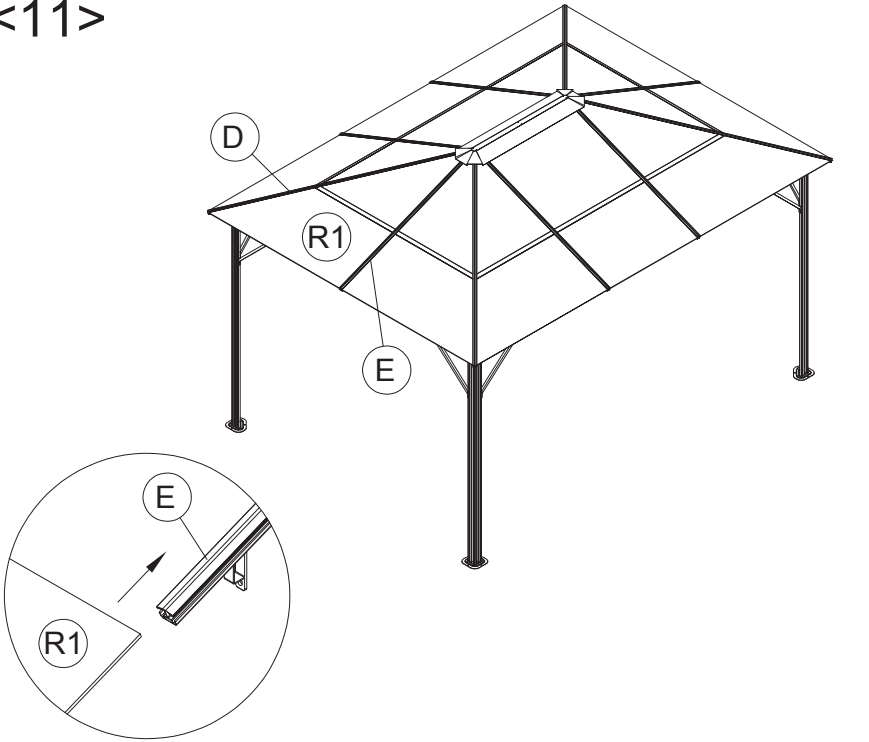
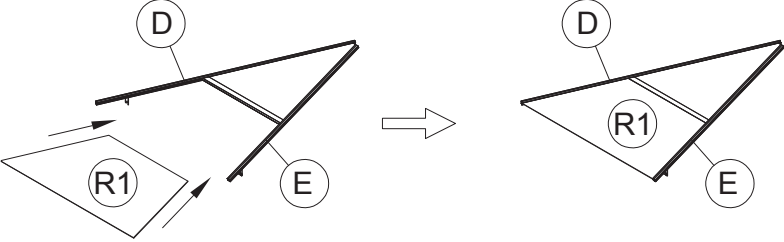
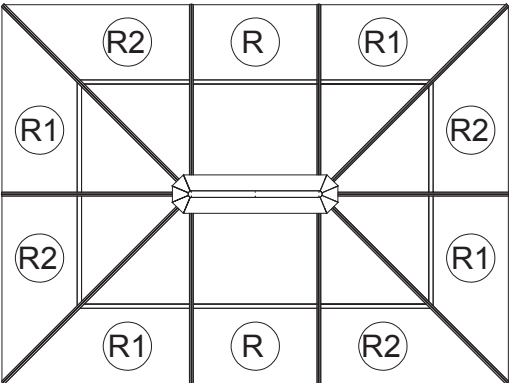
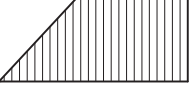
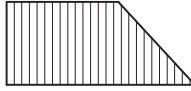
How to assemble your gazebo

	<p><10></p>   
(F) 2x	
	
(F1) 4x	
	
(F2) 4x	
	
(Q) 2x	
	
(Q1) 4x	
	
(Q2) 4x	



Assembly


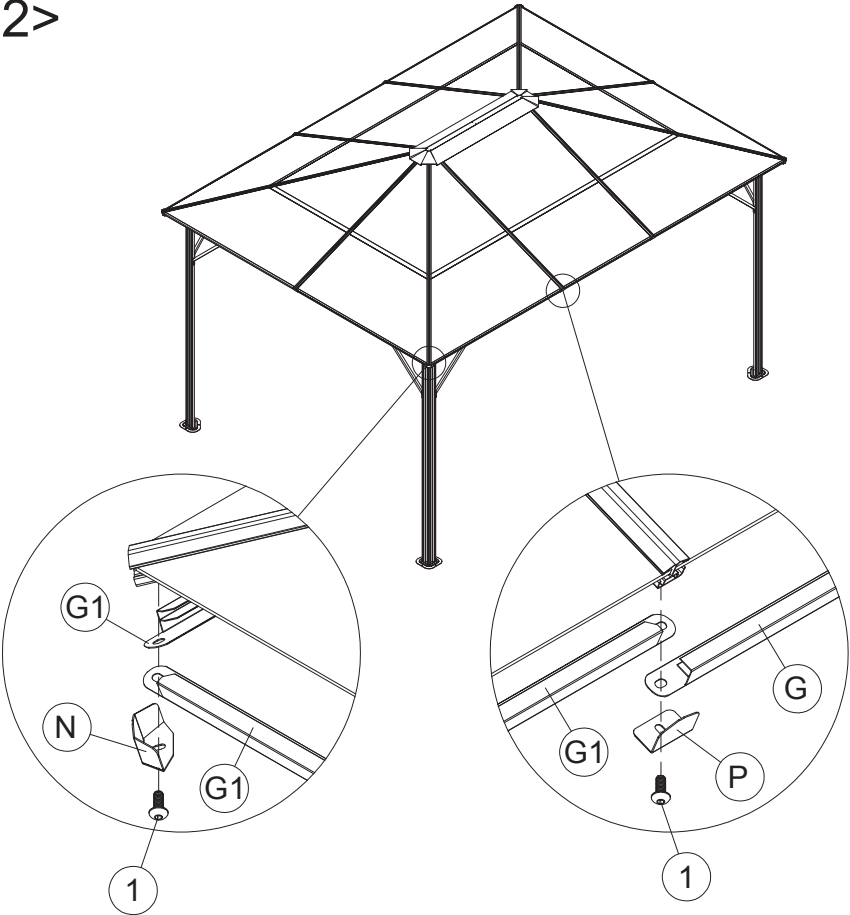




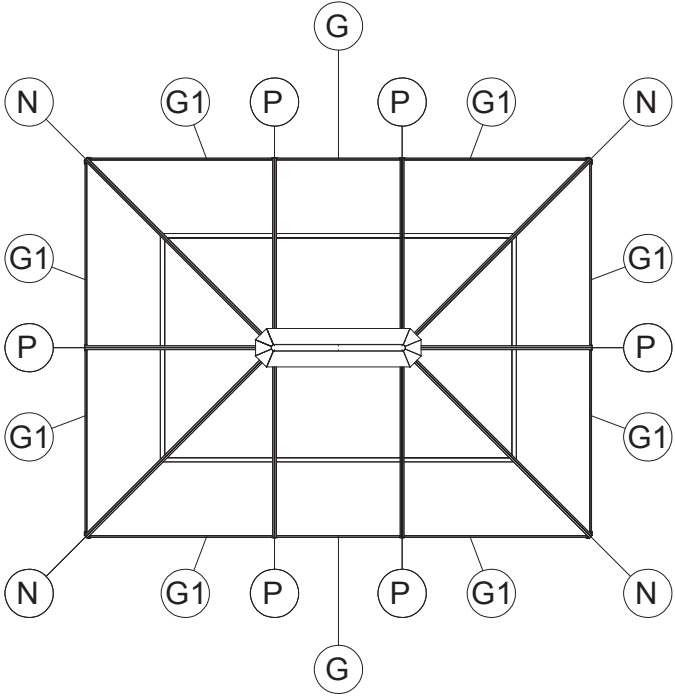
How to assemble your gazebo

 (R) 2x	<p><11></p>   
 (R1) 4x	
 (R2) 4x	



Assembly

How to assemble your gazebo

 G 2x	<p><12></p> 
 G1 8x	
 N 4x	
 P 6x	
 1 10x M6x15	
	



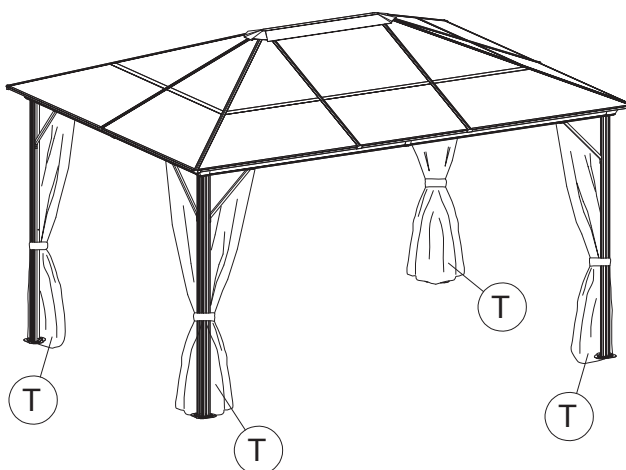
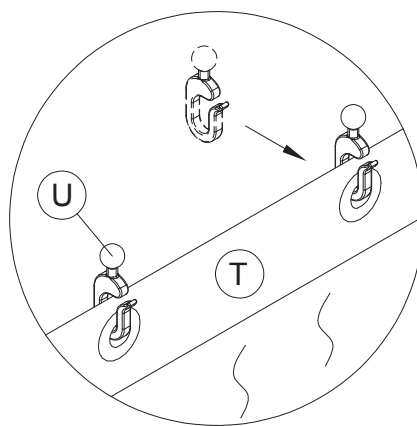
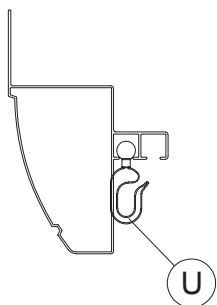
Assembly

How to assemble your gazebo



T 4x

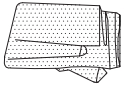
<13>





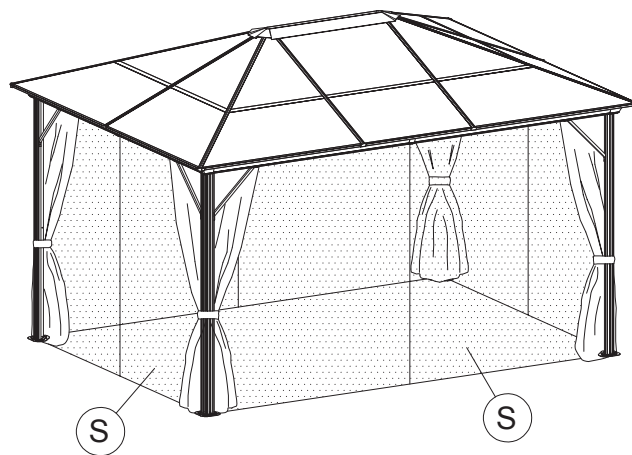
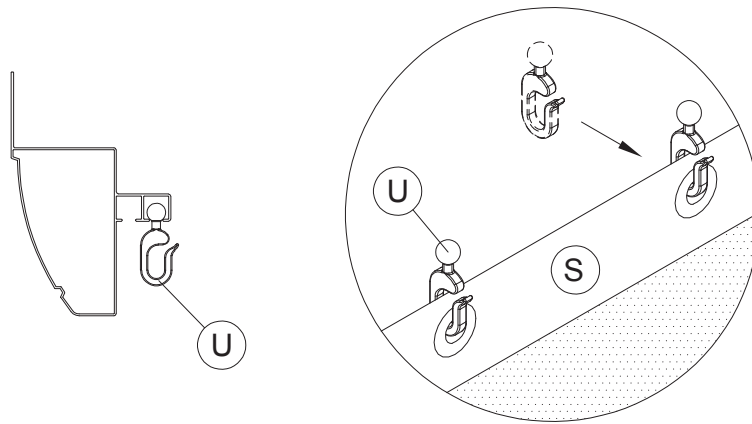
Assembly

How to assemble your gazebo



<14>

(S) 4x





Warranty

Details on the warranty that comes with your product.

Warranty : 12 Months (1 Year) warranty.

Warranty Claim

- In the unlikely event of a warranty claim, you must contact your retailer.
- If you have not registered your product, first fill out the registration form overleaf and take this with you when you go to your retailer.
- Take the product to your retailer that you purchased it from along with your proof of purchase and explain the issue with the retailer.
- The retailer will then check the product and get in touch with the wholesaler or manufacturer.
- The retailer will keep you informed of the progress of the claim.
- The wholesaler or manufacturer will not (unless under special circumstances) get in touch with you as all information will be passed back directly to the retailer.

Warranty Information

- This product comes with a full 12 month manufacturers defect warranty and covers any manufacturers defects for one (1) year from the date of the original purchase. It does not cover any damage occurred though:
 - The product falling, being dropped, scratched or damaged in any way.
 - The product has been technically changed by the owner or another third party
 - Improper use of the product.
 - Normal wear and tear - which includes (but is not limited to): colour fading, wearing, stretching.
 - Weather damage - which includes (but is not limited to) U.V. degradation and colour changing.
- The affected part will be replaced or repaired (manufacturers option) if they are found to be defective within the one (1) year time frame.
- The warranty will be void if the product has been subject to neglect, misuse, improper installation, misapplication, alteration or accident including, but not limited to, improper installation, maintenance or use of unauthorised parts or attachments.
- Damage caused by not following the instruction manual in full will invalidate the warranty, if this results in consequential damages, Quest will not be liable for these damages or any costs incurred due to these damages.
- Quest will not be liable for material damage or personal injury caused by improper use or if the safety instructions are not properly executed in full.
- All claims must be made through the retailer you purchased the product from and not direct with the wholesaler or manufacturer.
- Warranty claims cannot be honoured without an original dated receipt and or proof of purchase.
- By executing repairs the original warranty period of one (1) year will not be extended, nor the right to a complied new warranty. This warranty is only legal on European soil.
- This warranty does not overrule the European directive 2011/83/EU.
- This product may not be amended or changed.



Cat No A3600

3 x 3 Florida gazebo

- Lightweight alloy frame • Durable polycarbonite roof • Full mesh sides
- Includes additional full side curtains • Mesh sides and side curtains have their own rails for ease of use.
- Polycarbonite roof can be slid out for winter storage • Can be used for the entire season
- Size: 300 x 300 cm • Height: 195-265 cm..



Cat No A3601

3 x 4 Florida gazebo

- Lightweight alloy frame • Durable polycarbonite roof • Full mesh sides
- Includes additional full side curtains • Mesh sides and side curtains have their own rails for ease of use.
- Polycarbonite roof can be slid out for winter storage • Can be used for the entire season
- Size: 300 x 400 cm • Height: 195-265 cm.



Cat No A3602

3 x 4 California gazebo

- Lightweight aluminium frame • Durable polycarbonite roof • Full mesh sides
- Includes additional full side curtains • Mesh sides and side curtains have their own rails for ease of use.
- Polycarbonite roof can be slid out for winter storage • Can be used for the entire season
- Size: 300 x 400 cm • Height: 195-265 cm..



Cat No A3603

3 x 3 Arizona gazebo

- Lightweight alloy frame • Premium aluminium roof • Full mesh sides
- Includes additional full side curtains • Mesh sides and side curtains have their own rails for ease of use.
- Aluminium roof can be slid out for winter storage • Can be used for the entire season
- Size: 300 x 300 cm • Height: 195-265 cm..



Cat No A3605

3 x 4 Arizona gazebo

- Lightweight aluminium frame • Premium aluminium roof • Full mesh sides
- Includes additional full side curtains • Mesh sides and side curtains have their own rails for ease of use.
- Aluminium roof can be slid out for winter storage • Can be used for the entire season
- Size: 300 x 400 cm • Height: 195-265 cm..



Cat No A3607

3.65 x 6 Texas gazebo

- Lightweight aluminium frame • Premium zinc coated steel roof • Full mesh sides
- Includes additional full side curtains • Mesh sides and side curtains have their own rails for ease of use.
- Steel roof can be slid out for winter storage • Can be used for the entire season
- Size: 300 x 400 cm • Height: 195-265 cm..

Welcome

to the great outdoors

www.questleisure.com



twitter.com/questleisure



facebook.com/questleisure



youtube.com/questleisure