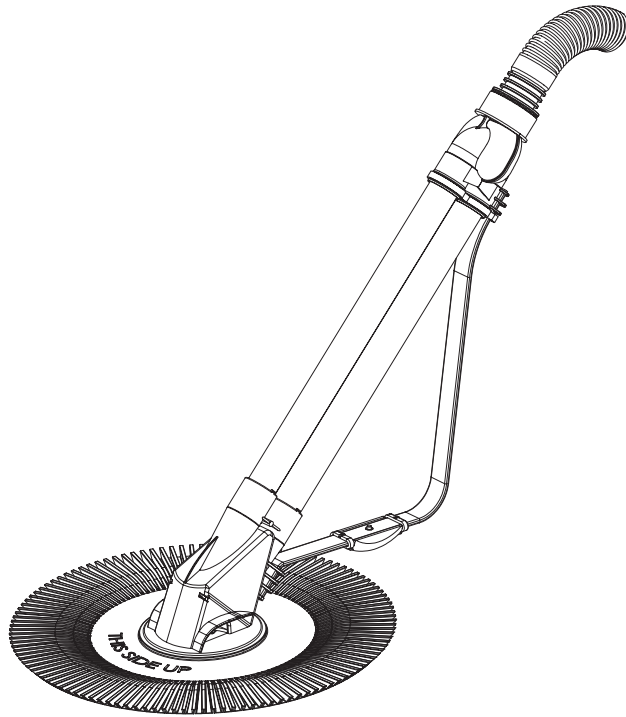




KREEPY KRAULY® E-Z VAC®

ABOVEGROUND POOL CLEANER



INSTALLATION AND USER'S GUIDE

IMPORTANT SAFETY INSTRUCTIONS
READ AND FOLLOW ALL INSTRUCTIONS
SAVE THESE INSTRUCTIONS

CUSTOMER SERVICE / TECHNICAL SUPPORT

If you have questions about ordering Pentair Aquatic Systems replacement parts and pool products, please contact:

Customer Service and Technical Support, USA

(8 A.M. to 5 P.M. — Eastern/Pacific Times)

Phone: (800) 831-7133

Fax: (800) 284-4151

Web site

Visit www.pentairpool.com or www.staritepool.com

Sanford, North Carolina (8 A.M. to 5 P.M. ET)

Phone: (919) 566-8000

Fax: (919) 566-8920

Moorpark, California (8 A.M. to 5 P.M. PT)

Phone: (805) 553-5000 (Ext. 5591)

Fax: (805) 553-5515

TABLE OF CONTENTS

| | | | |
|--|-----------|--|----------|
| Important Warning and Safety Instructions | ii | Cleaner Adjustments and Maintenance | 5 |
| Pool Preparation | 1 | Hose Length | 5 |
| Pool Requirements | 1 | Installing the Eyeball Diverter | 5 |
| Pool Preparation | 1 | Eyeball Diverter Positions | 6 |
| Cleaner Components | 1 | Removing Debris from the Flapper | 6 |
| Assembling the Cleaner | 2 | Troubleshooting | 7 |
| Cleaner Assembly Procedures | 2 | Replacement Parts | 8 |
| Installing the Cleaner | 3 | | |
| Standard Installation | 3 | | |
| Adjusting Flow with the Flow Gauge | 4 | | |
| Too Much Vacuum/Flow? | 4 | | |
| Not Enough Vacuum/Flow? | 4 | | |

IMPORTANT WARNING AND SAFETY INSTRUCTIONS



Important Notice:

Attention Installer: This guide contains important information about the installation, operation and safe use of this product. This information should be given to the owner and/or operator of this equipment after installation of the pool cleaner.

Attention User: This manual contains important information that will help you in operating and maintaining this pool cleaner. Please retain it for future reference. Consult Pentair with any questions regarding this equipment.

WARNING Before installing this product, read and follow all warning notices and instructions which are included. Failure to follow safety warnings and instructions can result in severe injury, death, or property damage. Call (800) 831-7133 for additional free copies of these instructions.

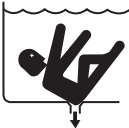
Consumer Information and Safety

This pool cleaner is designed and manufactured to provide many years of safe and reliable service when installed, operated and maintained according to the information in this manual. Throughout the manual, safety warnings and cautions are identified by the “▲” symbol. Be sure to read and comply with all of the warnings and cautions.

WARNING **HAZARDOUS SUCTION.** Do not play with cleaner or hose or apply to body. Can trap and tear hair or body parts. Hose can trip or entangle swimmers which could result in drowning.



WARNING **SUCTION ENTRAPMENT, INJURY, AND DROWNING HAZARD.** If your pool has a dedicated suction port (“vac port”) for vacuuming or for an automatic pool cleaner, it must be covered when not in use. A spring loaded safety cover (a “vac port fitting”) is included with your cleaner. Install it on the suction port to prevent entrapment and injury. If the cover provided does not fit, purchase one that does from your local pool store and install it instead. The cover should conform to IAPMO SPS4-99A.



WARNING **Stop pump** before attempting to clean unit. Do not allow swimmers in pool while pool cleaner is operating.

WARNING To reduce the risk of injury, do not let children use or play with pool cleaner.

WARNING Do not allow swimmers in the pool while pool cleaner is operating. Hose can trip or entangle swimmers which could result in drowning.

CAUTION Moving parts may injure hands or fingers. Stop pump before attempting to clean out pool cleaner head or main body.



General Installation Information

Pre-Installation Check List

Before installing your cleaner, review and understand all warnings and safety information in this guide. Failure to follow these instructions or improper installation of the cleaner can result in damage to the pool finish or the vinyl liner, Pentair Water Pool and Spa, Inc. disclaims any liability for repairs or replacement to any of these structures or components of the customer’s pool.

Before installing the cleaner in a vinyl liner pool:

Check liner closely for signs of deterioration or damage from age, chemicals, pool wall damage, etc. If any damage is found, have a qualified pool professional make all the necessary repairs. Also, if there are stones, roots, etc., under the liner, remove them before installing the cleaner.

Before installing the cleaner in a gunite pool or a pool that is partially or completely tiled:

Repair loose tiles and tighten any loose light rings.

Before installing the cleaner, clean your filter system:

Make sure you have cleaned the filter, including backwashing, rinsing, and emptying all baskets. A clean system is necessary for proper cleaner operation and coverage.

Before installing the cleaner, understand cleaner coverage:

The cleaner is designed to rid your pool of debris in approximately 4-6 hours. Less time could be needed, depending on the pool size. The cleaner was not designed to automatically clean steps or swimouts or to work under a solar cover. It was also not designed to do initial cleanup for a new pool or when opening your pool for the season.

AFTER installing the cleaner, make sure the cleaner is operating correctly:

The cleaner may need some minor adjustments to make sure it is operating properly so there is no damage to the pool finish. Certain vinyl liner patterns are particularly susceptible to surface wear, pattern removal, ink rubbing off of, or serious scratches to the pattern caused by objects coming into contact with the vinyl surface, including automatic pool cleaners. Pentair Water Pool and Spa, Inc. is not responsible for any pattern removal, abrasions or markings on vinyl liners.

Warnings and safety instructions for Pentair Water Pool and Spa, Inc. pumps and other related products are available at: <http://www.pentairpool.com/pool-owner/safety-warnings/> or call (800) 831-7133 for additional free copies of these instructions.

Please refer to <http://www.pentairpool.com/pool-owner/safetywarnings/> for warning and safety instructions related to this product.

IMPORTANT WARNING AND SAFETY INSTRUCTIONS

Disclaimer of Liability About your Pool and Cleaner

There are a multitude of factors that contribute to the life of your pool. The pool cleaner is a very passive product that will have no impact on pool life.

Please be aware that over time, deterioration, discoloration and brittleness of any pool finish can be caused separately by, or in combination with, age, an imbalance in pool water chemistry, improper installation and other factors. Suction side pool cleaners, such as the pool cleaner, will not remove or cause wear on “good” pool plaster. In fact, the opposite is true—pool plaster will eventually cause wear on the cleaner.

The same situation holds true for vinyl-lined in-ground swimming pools, because vinyl liners are also affected by the environment and factors such as pool water chemistry, sunlight and the pool’s surroundings. Therefore over time, vinyl can become brittle and weak. In addition, vinyl-lined pools are affected by the workmanship, composition and installation of the liner and the workmanship and quality of construction of the supporting walls and pool base. These are all factors which can contribute to liner failure. The existence of any of these type of conditions in your pool is not caused by the use or operation of the pool cleaner. The manufacturer disclaims any liability for repairs or replacement to any of these structures or components of the customer’s pool.

The pool owner must assume all responsibility for the condition and maintenance of the pool’s surface, water and deck.

Before you begin to install the cleaner in your pool, please record the serial number of your cleaner in the space provided below. This way, if you need to refer to the serial number in the future, it will be readily available. Figure 2, on page 1 shows where the cleaner’s serial number is located.

Serial Number: _____

Activating the Warranty

You will also need to record the serial number on E-Z Vac’s warranty registration card. Complete and return the card to activate E-Z Vac’s limited warranty. The registration card is self-addressed and postage-paid for your convenience. Please thoroughly review the warranty card and additional warranty information in this Installation and Operation Guide so you are familiar with the terms of your warranty coverage.

Warranty Note

Cleaners purchased in the United States of America from entities outside the United States do not qualify for any United States programs including warranty, trade-in, or rebate programs.

SAVE THESE INSTRUCTIONS

POOL PREPARATION

Congratulations on the purchase of your new E-Z Vac® Aboveground Pool Cleaner. You'll soon see that E-Z Vac really is the easy way to keep your aboveground pool clean. First, however, you'll have to install the cleaner and perhaps make some minor adjustments.

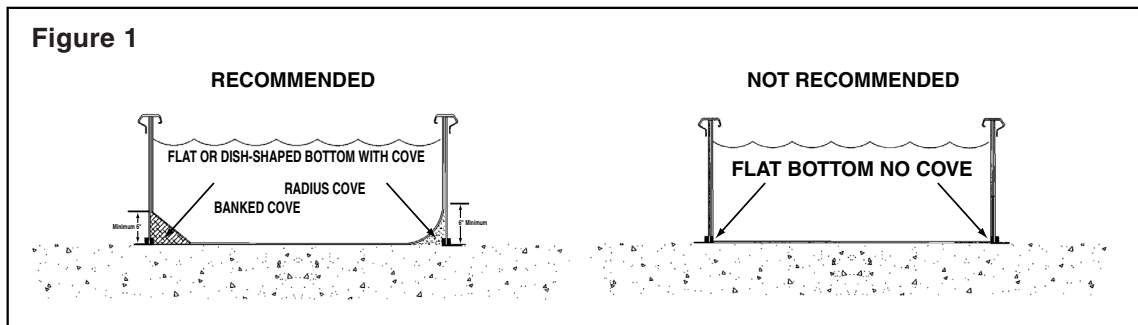
This manual covers the steps needed to install and adjust your new E-Z Vac cleaner.

Pool Requirements

- This cleaner is recommended for use in pools that have a cove* height of at least 6 inches. Pool coves less than 6 inches may inhibit the cleaner's operation.

Note: The pool "cove" is the embankment between the pool wall and floor. It is generally constructed with either a banked or radius shape as shown in **Figure 1** below.

- This cleaner is not recommended for use in pools with no cove (with a 90° floor-to-wall angle). The absence of a cove may affect the cleaner's operation by inhibiting its random-pattern coverage.



Pool Preparation

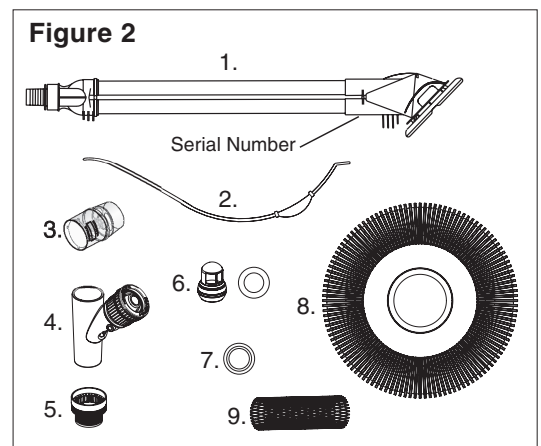
Before assembling and installing your cleaner, your pool should be clean and algae-free so as not to inhibit the cleaner's traction. If necessary, make the following preparations before proceeding:

1. Chemically balance the pool water.
2. Brush pool and let the debris settle.
3. Hand vacuum thoroughly.
4. Clean filter and pump strainer basket.

Cleaner Components

Remove the cleaner and all of its parts from the box and check to make sure that all components were included. Refer to **Figure 2**.

1. E-Z Vac Cleaner Body
2. Weighted Bumper Strap
3. Flow Gauge
4. Regulator Valve
5. Threaded Compression Adapter
6. Eyeball Diverter & Outer Ring
7. Hose Weight
8. Aboveground Seal
9. Hose Protector
10. Hose - 32 ft. total length (not shown)



ASSEMBLING THE CLEANER

Cleaner Assembly Procedures

1. Attach The Seal

Slide the seal over the top of the swivel head and down over the main body as illustrated in **Figure 3**. The seal should seat in the groove just above the footpad. Once in place, the seal should rotate and turn freely.

2. Attach The Bumper Strap

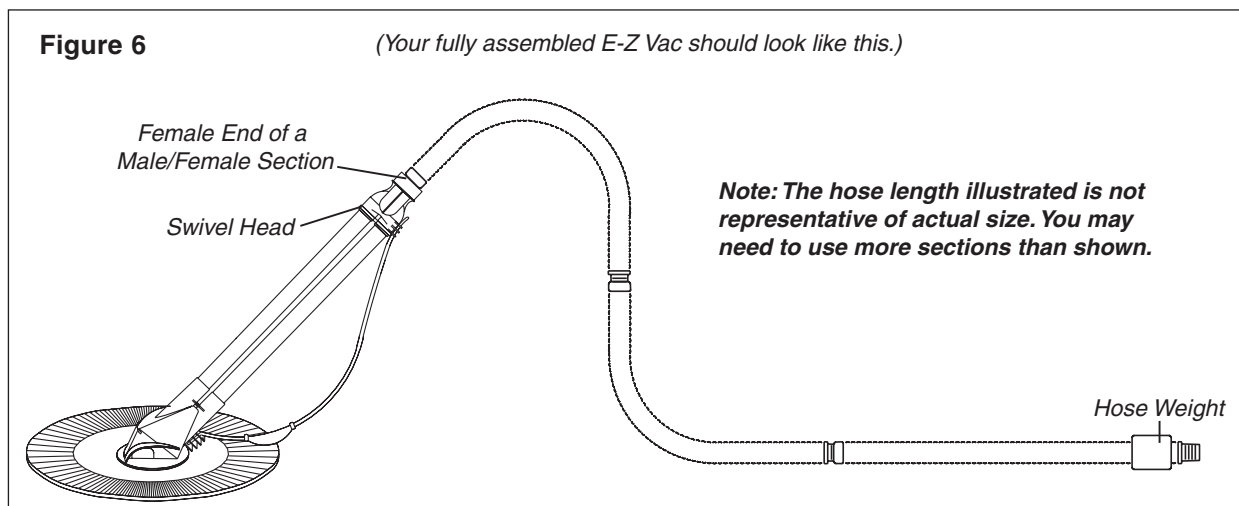
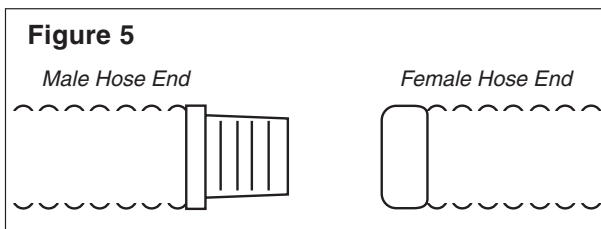
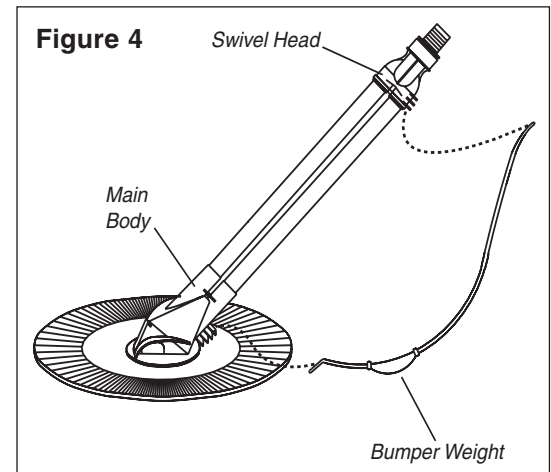
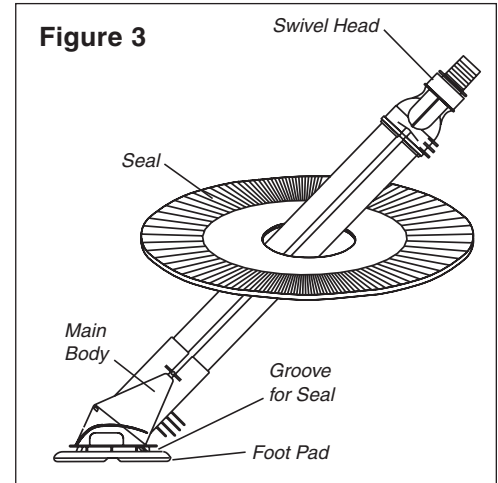
Insert the bottom end of the bumper strap (end closest to the bumper weight) into the slot provided on the main body. Insert the top end of the bumper into the slot provided in the swivel head, see **Figure 4**.

3. Attach The Hose Weight And Assemble The Hose

The E-Z Vac® Aboveground Pool Cleaner hose comes in sections which must be assembled. You will also have to attach one hose weight to the end of the third hose section, see **Figure 6** below.

Begin by attaching the female end of a male/female hose section to the swivel head of the cleaner, see **Figure 6**. Connect two more male/female hose sections to the first section. Then install the hose weight near the male end of the third hose section as shown in **Figure 6**. Finally, assemble the complete hose, ending with the male/female section.

Note: To ease the assembly of the hose, dampen the hose ends with water as you assemble them together.



INSTALLING THE CLEANER

Standard Installation

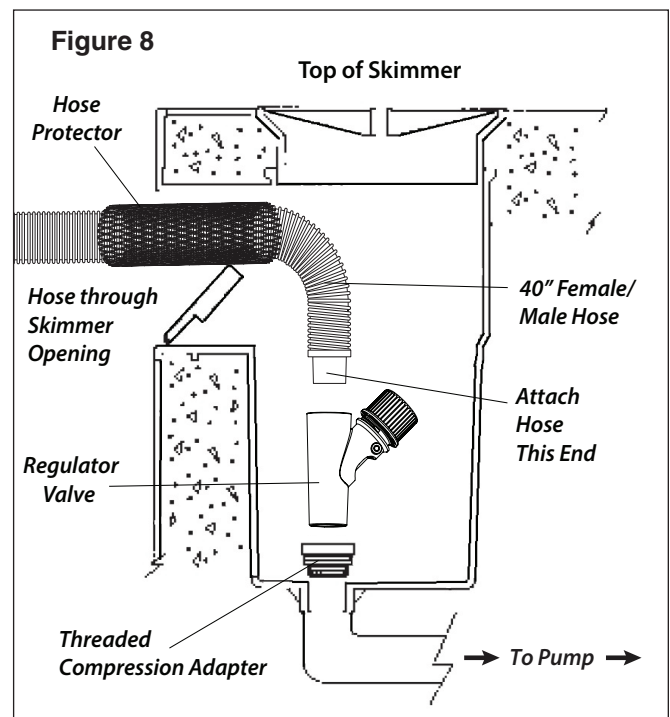
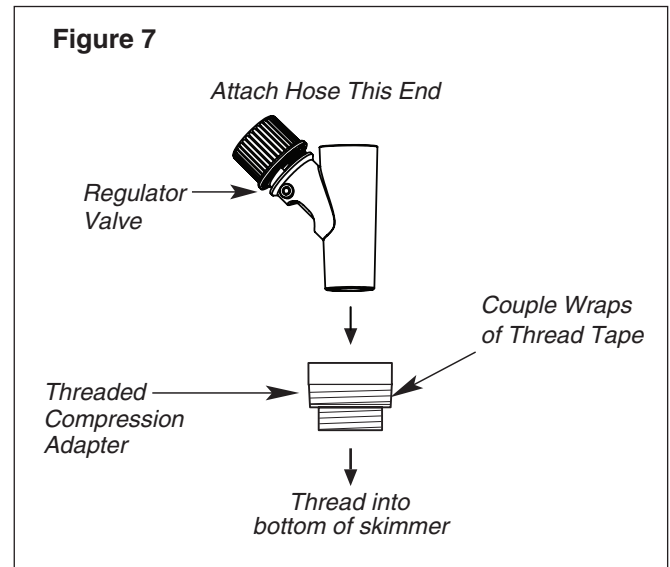
The E-Z Vac® Aboveground Pool Cleaner is designed to work in a wide variety of swimming pools. Both the standard in-skimmer installation and optional vacuum line installation are covered in this section. Check to see which most closely fits your pool configuration and follow the directions.

Note: Depending on the particular features of your pool, the valve cap for the regulator valve may not be needed.

1. Turn the pool pump off.
2. Close the main drain and all suction lines, except the line from the skimmer to which the cleaner will be connected.
3. Remove skimmer basket.
4. Thread the compression adapter into the vacuum connection in the bottom of the skimmer. See **Figure 8**.

Note: Use two wraps of thread seal tape around threads to ensure easy removal.

5. Press the regulator valve into the compression adapter. The valve's adjustment knob should be pointing up.
6. Place cleaner into the pool. Turn it side to side and front to back to release any trapped air, allowing the cleaner to sink to the floor of the pool. Continue to feed the hose vertically down into the pool until it is completely filled with water and purged of air.
- Note:** If air is pulled into the pool plumbing it may cause your pump to lose prime.
7. Slide the hose protector into position on the hose to prevent the hose body from rubbing against the skimmer wall.
8. Insert the end of the hose through the skimmer opening and connect the hose directly onto the regulator valve. See **Figure 8**.



Adjusting Flow to the Cleaner With the Flow Gauge

1. Turn the pool pump off.
2. Disconnect the E-Z Vac® Aboveground Pool Cleaner from the leader hose and connect the flow gauge.

Note: Make sure the hose remains submerged to prevent suction of air.

3. Turn the pump on.
4. Turn the regulator valve adjustment knob clockwise to increase flow or counterclockwise to decrease flow, until the disc indicator in the flow gauge settles between “Maximum” and “Minimum” flow. See **Figure 9**.

Note: The flow gauge is calibrated for use with the “Y” shaped regulator valve supplied with the cleaner. The flow gauge will not indicate the correct flow if you are using any other regulator valve.

5. Turn the pool pump off and remove the flow gauge and reconnect the cleaner.
6. Lower the cleaner in to the pool and allow it to drop to the pool floor.
7. Restart the pool pump.

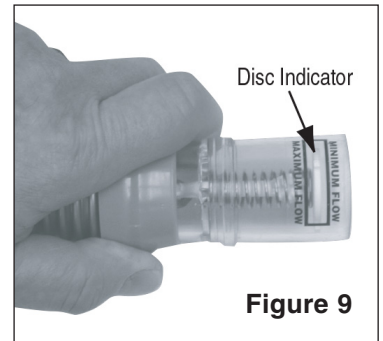


Figure 9

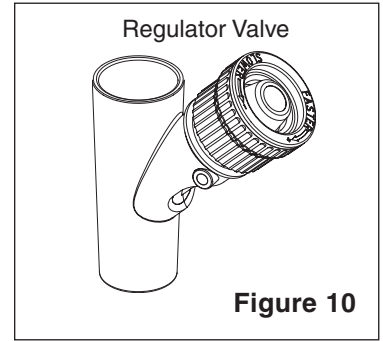


Figure 10

Too much Vacuum/Flow?

You have too much vacuum if the cleaner sticks to the pool bottom or moves slightly or not at all or if the cleaner climbs up the pool wall past the water line to the point that the cleaner sucks air and the pump loses prime. Frequent loss of prime will damage the pump. To correct this, adjust the regulator valve by turning the adjustment knob counterclockwise. This will decrease the suction.

Not enough Vacuum/Flow?

You don't have enough vacuum if the cleaner moves sluggishly, or not at all. Be sure the filter system is clean and the regulator valve and all valves are adjusted to give you maximum vacuum. If the cleaner is still not moving, your pump may not be strong enough to operate the cleaner. Please refer to the *Troubleshooting* on page 7.

CLEANER ADJUSTMENTS AND MAINTENANCE

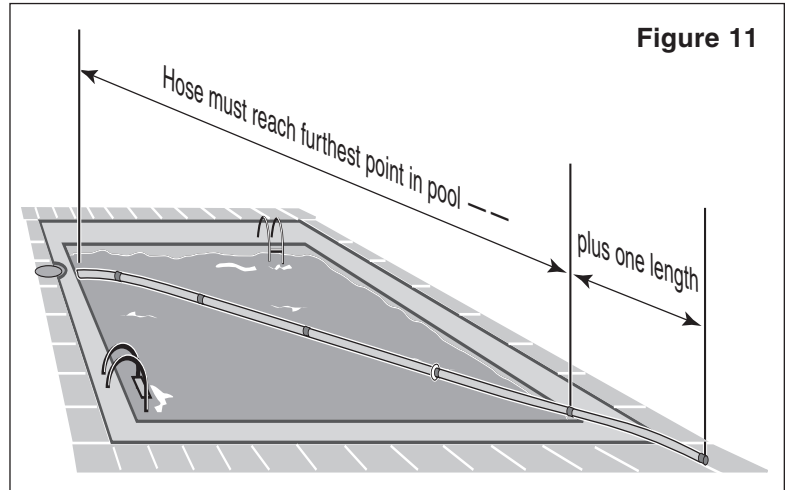
Hose Length

Note: The pump must be on when you check the hose length. The hose contracts when the pump is operating and will be longer when the pump is off.

While the E-Z Vac® Aboveground Pool Cleaner is operating:

1. Position cleaner at the furthest point of the pool from where it's attached. Use a pool pole and brush to easily position the cleaner in the pool.
2. The hose should be long enough to reach the end of the pool, plus one hose section. See **Figure 11**.
3. Remove any excess hose lengths from the middle of the hose assembly. This will ensure you do not alter the position of the hose float.
4. Save extra hose sections for use as needed for replacement.

Note: Turn pool pump off when adding or removing hose sections.



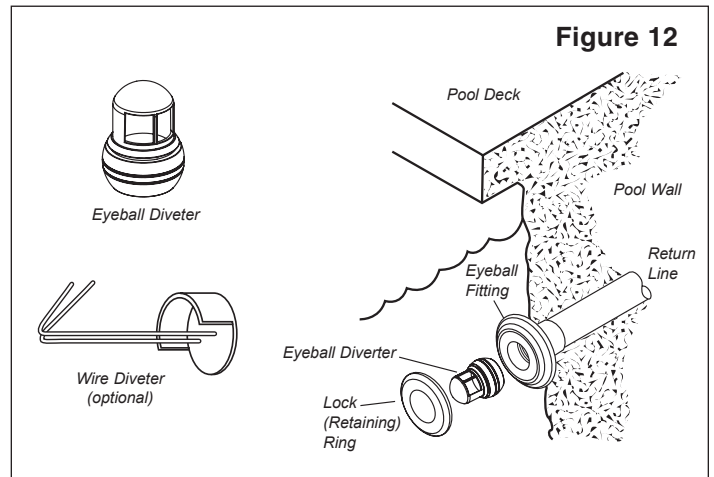
Installing the Eyeball Diverter

The water flow from your return line can push the cleaner's hose and affect its performance. It may cause the cleaner to steer away from the end of the pool where the return line is located, or it may cause your cleaner to remain in one section of the pool. To correct this, use the eyeball diverter included. If the eyeball does not fit your pool, use the wire diverter.

(P/N K121620) Wire diverter available for purchase from your Pentair dealer.

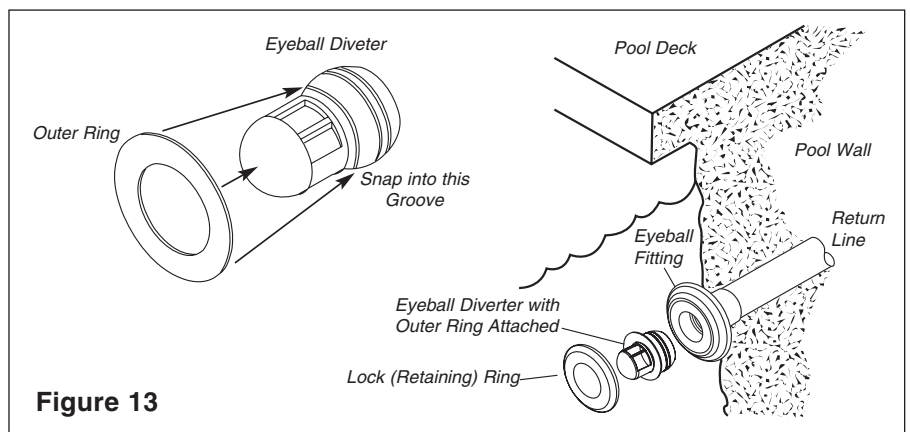
To install the eyeball diverter (refer to Figure 12):

1. Ensure your pool pump is off. Remove the original eyeball from the return line at the pool by unscrewing the lock ring.
2. Replace the original eyeball with the eyeball diverter that came with your cleaner.
3. Replace the lock ring and tighten. Make sure the opening of the eyeball diverter points in the proper direction before tightening fully.



IMPORTANT: The eyeball diverter must fit snugly into the eyeball fitting. Some eyeball fittings may be too large for the eyeball diverter. In this situation, use the outer ring supplied with your cleaner to adjust for the discrepancy in size.

1. Snap the outer ring onto the eyeball diverter and position it in the first groove as shown in **Figure 13**.
2. Insert the eyeball diverter/outer ring assembly into the eyeball fitting in the return line, see **Figure 13**.
3. Install the lock (retaining) ring and tighten.



Eyeball Diverter Positions

The best position for the eyeball diverter will depend on your pool's design and shape. However, you should follow the suggestions below to maximize the effectiveness of your E-Z Vac® Aboveground Pool Cleaner.

- Make sure the opening of the eyeball diverter points to the side, at a "9 o'clock position", before tightening fully.
- In most cases, directing the return line water flow against the side of the pool, as described above, works best. However, you may want to try pointing the flow downward or in different positions to see which works best in your pool.

After installing the eyeball diverter, turn the pool pump on. Your cleaner should begin moving across the pool floor vacuuming up debris in its path.

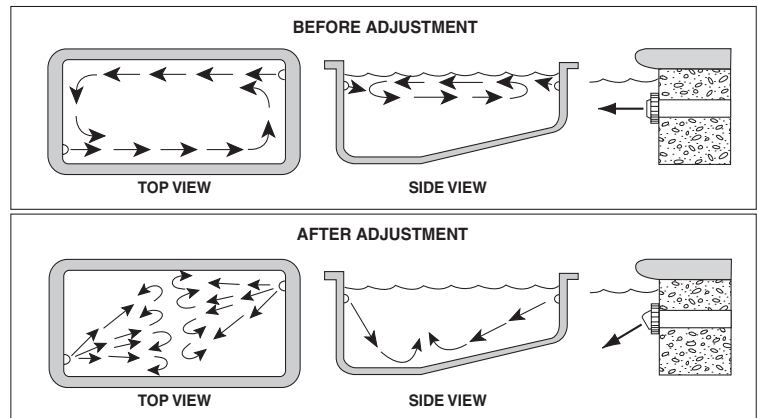


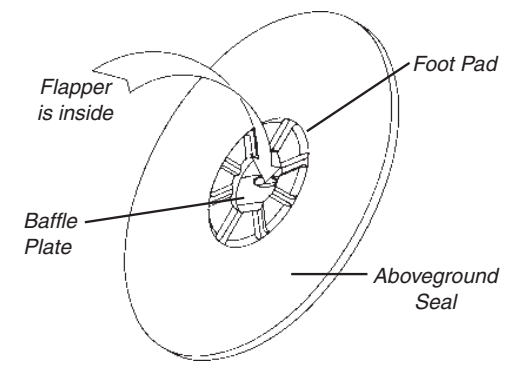
Figure 14

Removing Debris from the Flapper

- Sometimes debris may clog the bottom of the cleaner and prevent flapper movement or restrict flow. The flapper is located inside the main body and must move freely at all times.
- You can see the flapper through the opening in the baffle plate, when you turn the cleaner upside down as shown in **Figure 15**. Jiggle the flapper with your finger or flush the cavity with a hose to force out any debris lodged inside the main body.
- If debris is still lodged inside, you must remove the flapper. First, lift the lip of the foot pad up and insert a flat-headed screwdriver along side one of the two tabs found on either side of the baffle plate, see **Figure 16**. Push the tab inward with the screwdriver until the baffle plate releases. Place a finger into the center opening of the baffle plate and pull up until it pops out. Then pull the flapper out. **NOTE: You should be able to do this without taking the foot pad off.**

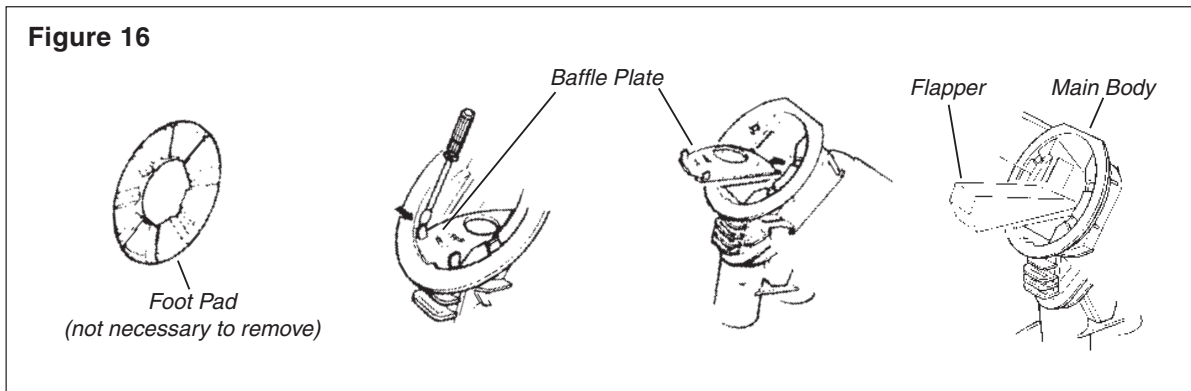
Figure 15

BOTTOM VIEW OF CLEANER



- Once the debris is dislodged, insert the flapper back into the main body and snap the baffle plate back into position. Be sure that it is securely in place. See **Figure 16**.

Figure 16



TROUBLESHOOTING

Because of the individual characteristics of your pool, some additional adjustments may be required to get the best performance from your E-Z Vac® Aboveground Pool Cleaner. Use the following information to resolve possible issues.

| | |
|---|-----------------------|
| <input type="checkbox"/> Is filter clean? | Clean filter |
| <input type="checkbox"/> Is pump strainer basket clean? | Clean basket |
| <input type="checkbox"/> Is debris blocking flapper at the bottom of the cleaner? | Remove debris |
| <input type="checkbox"/> Are there any leaks in the hose? | Replace leaky section |
| <input type="checkbox"/> Is automatic regulator valve free of debris? | Clean valve |

NOTE: When the cleaner is operating, we recommend that you remove your pool's ladder, steps or similar obstructions. Otherwise, the ladder, steps, or similar obstructions can "trap" the cleaner and prevent it from moving about the pool.

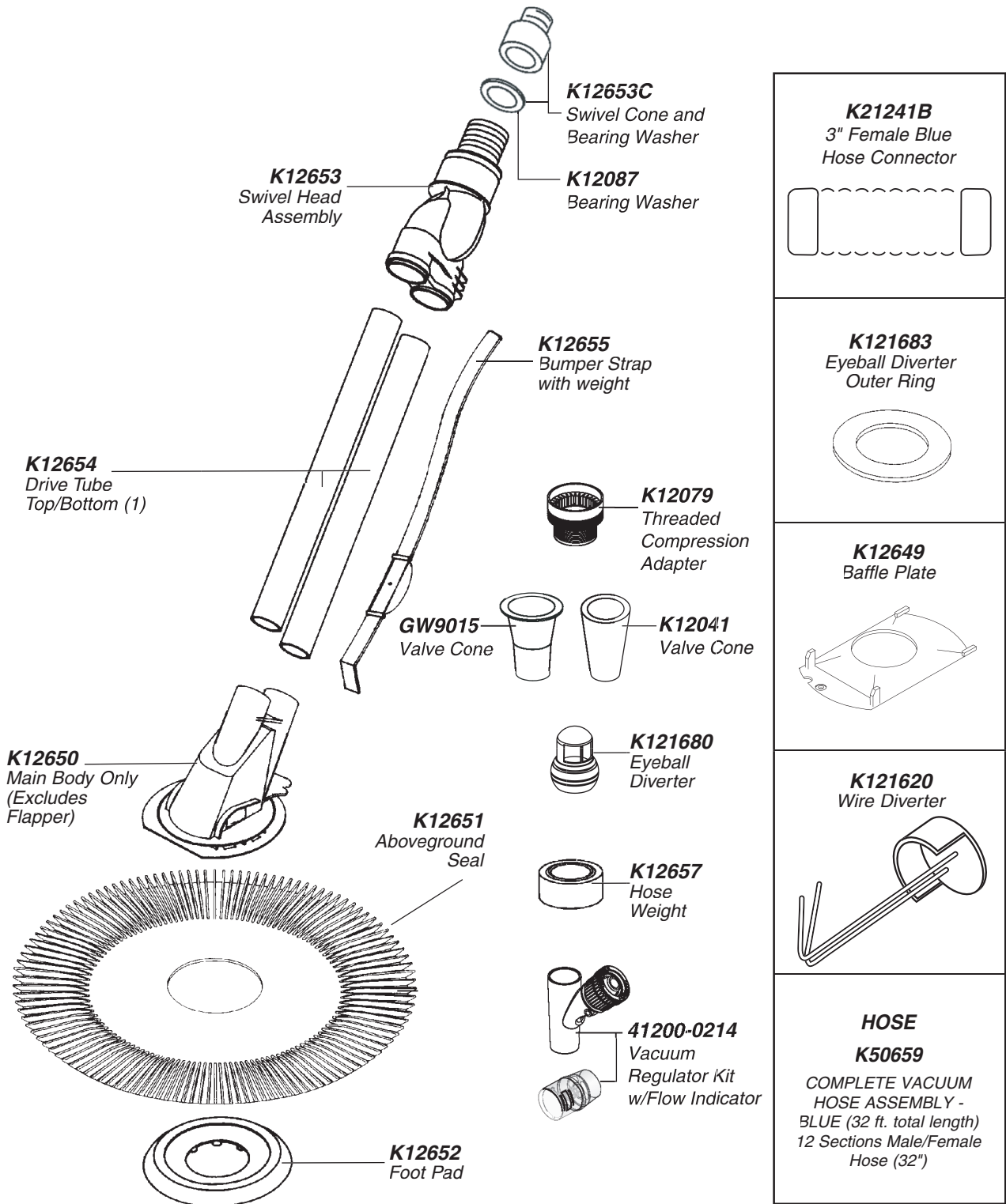
If cleaner is not moving or pulsating:

- Check to ensure that the main drain and all suction lines are closed, except for the suction line to which the cleaner is attached.
- Check for sufficient flow through the cleaner hose using the flow gauge.
- Check for debris in the filter, pump basket, regulator valve or leaks in the hose.
- Check for debris in the cleaner's flapper. Debris may prevent flapper movement or restrict flow. See page 6 for instructions.
- Pool pump and filter system may be too small (incapable of providing 14 gallons per minute water flow). Consult your pool professional.

If cleaner tracks in a repetitive pattern

- Check the swivel on the top of cleaner. It should turn freely.
- Check the return line water flow and re-direct as necessary with an eyeball diverter.
- Refer to page 6, "Eyeball Diverter Positions".
- Check cleaner hose to ensure it has not become bent or kinked. It only takes one bent or kinked hose section to hinder the cleaning coverage. One way to check for kinks in your hose is to lay each section flat on your pool's deck (or other flat surface). The hose should be perfectly straight and flat. **Do not coil the hose when taking your cleaner out of the pool because it will retain the coil shape forming a bend or kink.**

REPLACEMENT PARTS



NOTES



1620 HAWKINS AVE., SANFORD, NC 27330 • (919) 566-8000
10951 WEST LOS ANGELES AVE., MOORPARK, CA 93021 • (805) 553-5000

WWW.PENTAIRPOOL.COM

All Pentair trademarks and logos are owned by Pentair or one of its global affiliates. Pentair Aquatic Systems®, Kreepy Krauly® and E-Z Vac® are registered trademarks of Pentair Water Pool and Spa, Inc. and/or its affiliated companies in the United States and/ or other countries. Unless expressly noted, names and brands of third parties that may be used in this document are not used to indicate an affiliation or endorsement between the owners of these names and brands and Pentair Water Pool and Spa, Inc. Those names and brands may be the trademarks or registered trademarks of those third parties. Because we are continuously improving our products and services, Pentair reserves the right to change specifications without prior notice. Pentair is an equal opportunity employer.

© 2015 Pentair Water Pool and Spa, Inc. All rights reserved. This document is subject to change without notice.



P/N K50677 REV. D 10/27/15