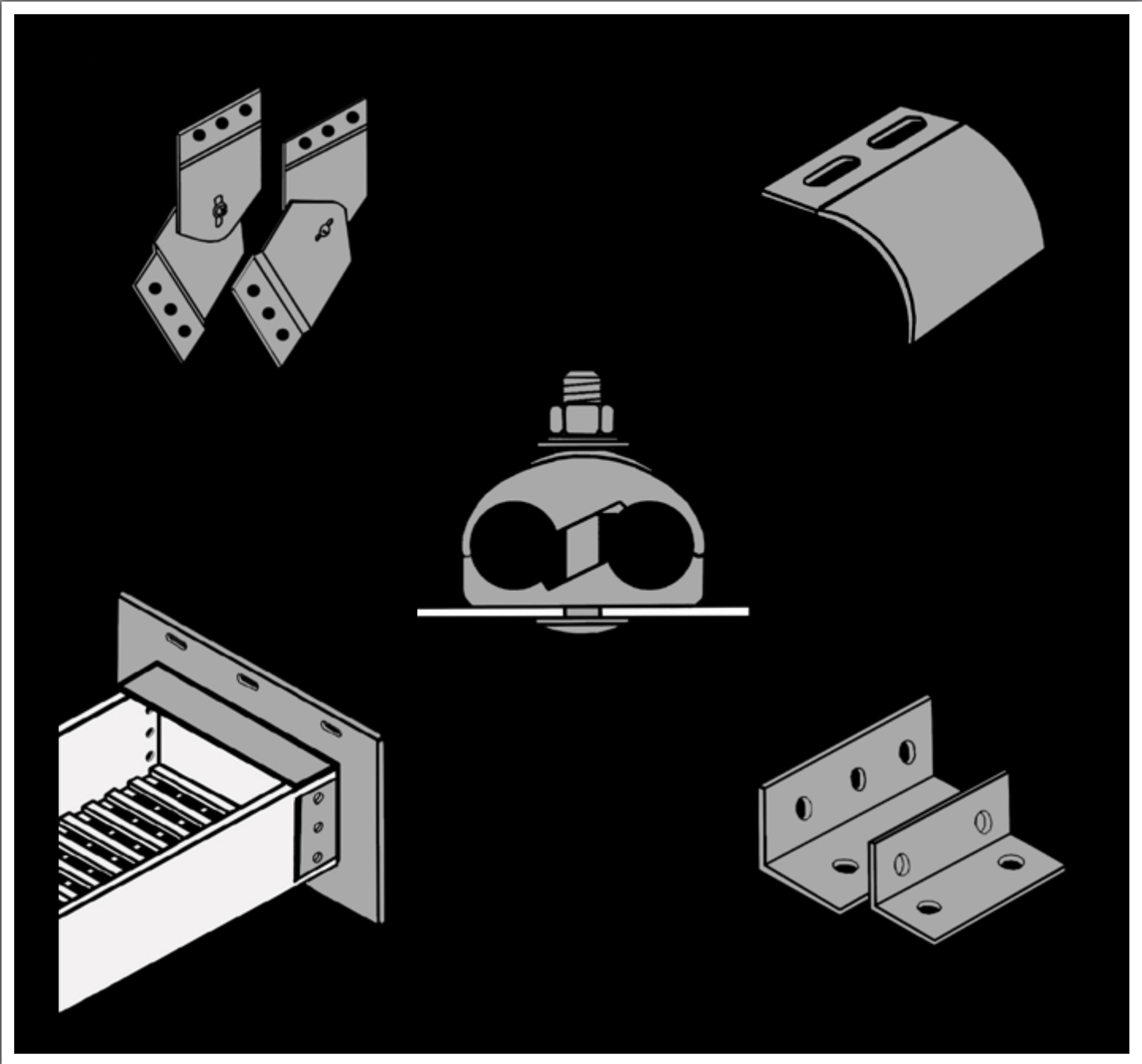




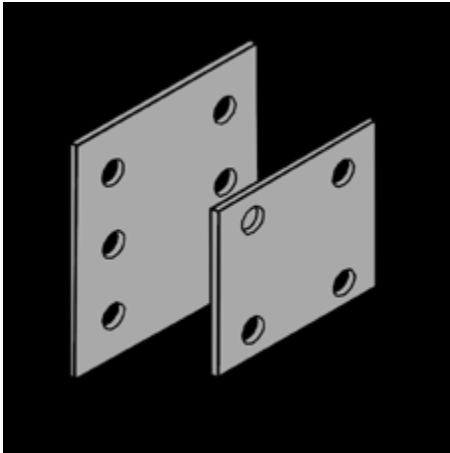
Accessories, Splices and Connectors

Splices and Connectors.....	Pgs. 137-142
Misc. Accessories	Pg. 143
Ground Connectors.....	Pgs. 143-144
Separators.....	Pgs. 145-147



Universal Splice Connectors for All Straight Sections and Fittings

These connectors are furnished with trays and are also available to purchase separately, if required for field cuts. Sold as EACH. (Hardware included)

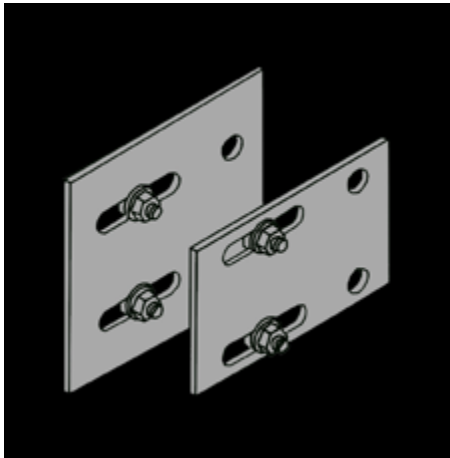


Note: Add 1B to the catalog number for a splice plate with MP Husky hole pattern on one side and a blank side for field drilling to match another make tray system.

Tray Height	Alum.	HDGAF Steel	SS 304	SS 316	Galvannealed (Husky Way)
3-3/8", 4", 4-1/2"	ASP-H2	SSP-H2	4SP-H2	6SP-H2	NSP-H2
6", 6-1/4", 7"	ASP-M2	SSP-M2	4SP-M2	6SP-M2	NSP-M2
I6 (10 Bolt)	ASP-E2	---	---	---	---
I8 (10 Bolt)	ASP-I8	---	---	---	---
8" (Except I8)	ASP-L1				
10"	ASP-D1				
WITH (1) BLANK SIDE					
3-3/8", 4", 4-1/2"	ASP-H2-1B	SSP-H2-1B	4SP-H2-1B	6SP-H2-1B	NSP-H2-1B
6", 6-1/4", 7" (Except I6)	ASP-M2-1B	SSP-M2-1B	4SP-M2-1B	6SP-M2-1B	NSP-M2-1B
8" (Except I8)	ASP-L1-1B				
10"	ASP-D1-1B				

Expansion Joint Splice Plates

Expansion splice plates for Ladder or Trough are designed to allow 1-1/2" free movement between adjacent straight lengths. When using expansion splices, it is important that the straight run be fixed permanently to its support at the approximate center between expansion joints whenever possible, and that all other points be supported in a manner that the longitudinal expansion is not restricted. Supports should be provided within one foot on each side of an expansion joint to ensure its proper functioning. Sold as EACH. (Hardware included)

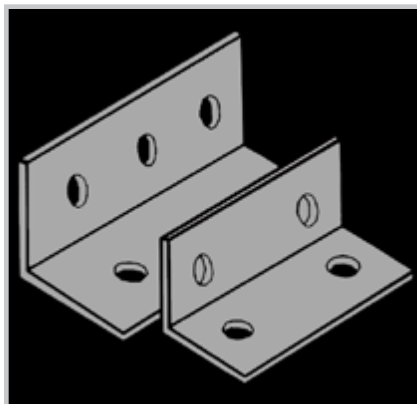


TIP: See NEMA VE-2 for proper installation instructions regarding frequency of use and setting the gap during installation. **Bonding jumpers required.**

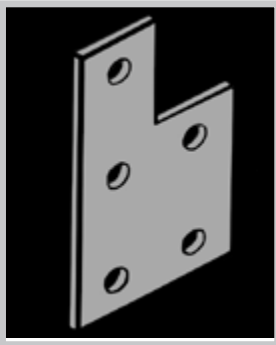
Tray Height Or Type	Alum.	HDGAF	SS 304	SS 316	Galvannealed (Husky Way)
3-3/8", 4", 4-1/2", G4	ASP-4-EX	SSP-4-EX	4SP-4-EX	6SP-4-EX	NSP-4-EX
6", 6-1/4", 7", G6	ASP-6-EX	SSP-6-EX	4SP-6-EX	6SP-6-EX	NSP-6-EX
I6	ASP-I6-EX	---	---	---	---
I8	ASP-I8-EX	---	---	---	---
8" (Except I8)	ASP-8-EX	---	---	---	---
10"	ASP-10-EX	---	---	---	---

90° Splices for Trough, Ladder and Channel

These splices are used for field cut tees if there is no room for bends or fittings. Also used for attachment to metal enclosures. Sold as EACH. (Hardware included)



Tray Height Or Type	Alum.	HDGAF	SS 304	SS 316	Galvannealed (Husky Way)
3-3/8", 4", 4-1/2", G4	ASP-4-90	SSP-4-90	4SP-4-90	6SP-4-90	NSP-4-90
6", 6-1/4", 7", G6	ASP-6-90	SSP-6-90	4SP-6-90	6SP-6-90	NSP-6-90
I6	ASP-I6-90	---	---	---	---
I8	ASP-I8-90	---	---	---	---
8" (Except I8)	ASP-8-90	---	---	---	---
10"	ASP-10-90	---	---	---	---



Step Down Splice

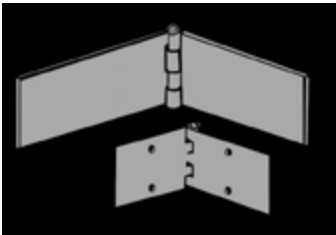
Used to connect 6"-7" tray to 3-3/8"- 4-1/2" tray (Except I6).
(Hardware included)

Alum.	HDGAF	SS 304	SS 316	Galvannealed (Husky Way)
ASP-MH2	SSP-MH2	4SP-MH2	6SP-MH2	NSP-MH2

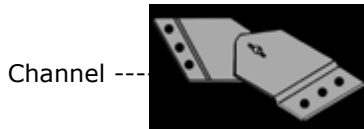
Hinged Splices

Horizontal and vertical hinged splices offer field flexibility to go around pipes, ducts, and other obstacles that occur during installation. Electrical continuity is maintained by using bonding jumpers such as AFS-C, which are purchased separately. Hinged splices for Ladder or Trough come in sets of two. Hinged splices for 4" and 6" Channel come as single units. Horizontal hinged splices require field drilling of the long hinge member and all hinged splices require additional supports, as they are not considered to be full strength mechanical splices. Sold in PAIRS. (Hardware included)

Horizontal

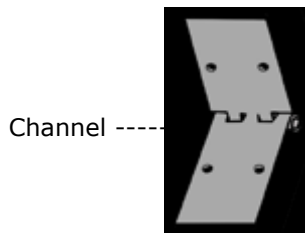
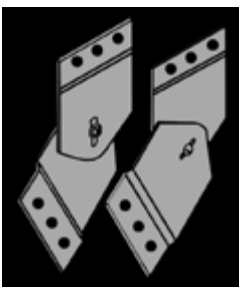


NOTE: Only for use with an angle of 30° or less



Tray Depth or Type	Alum.	Mill Galv.	SS 304	SS 316	HDGAF	Galvan. (Husky Way)
3-3/8",4",4-1/2"	AFS-H4	SFS-H4	4FS-H4	6FS-H4	n/a	NSF-H4
6",6-1/4",7" (Except I6 & I8)	AFS-H6	SFS-H6	4FS-H6	6FS-H6	n/a	NSF-H6
I6	AFS-HI6	---	---	---	---	---
I8	AFS-HI8	---	---	---	---	---
8" (Except I8)	AFS-H8	---	---	---	---	---
10"	AFS-H10	---	---	---	---	---
4" CHANNEL(G4)	AFS-H4G	SFS-H4G	4FS-H4G	6FS-H4G	GFS-H4G	---
6" CHANNEL(G6)	AFS-H6G	SFS-H6G	4FS-H6G	6FS-H6G	GFS-H6G	---

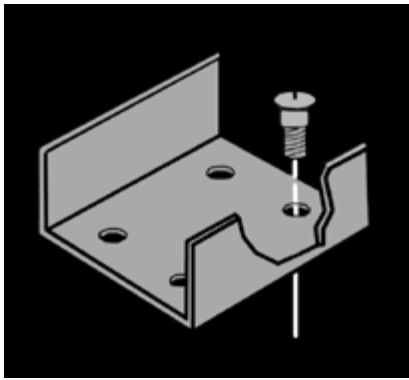
Vertical



Tray Depth or Type	Alum.	Mill Galv.	SS 304	SS 316	HDGAF	Galvan. (Husky Way)
3-3/8",4",4-1/2"	AFS-V4	SFS-V4	4FS-V4	6FS-V4	GFS-V4	NSF-V4
6",6-1/4", 7" (Except I6 & I8)	AFS-V6	SFS-V6	4FS-V6	6FS-V6	GFS-V6	NSF-V6
I6	AFS-VI6	---	---	---	---	---
I8	AFS-VI8	---	---	---	---	---
8" (Except I8)	AFS-V8	---	---	---	---	---
10"	AFS-V10	---	---	---	---	---
4" CHANNEL(G4)	AFS-V4G	SFS-V4G	4FS-V4G	6FS-V4G	n/a	---
6" CHANNEL(G6)	AFS-V6G	SFS-V6G	4FS-V6G	6FS-V6G	n/a	---

***Above part numbers are for 1 pair (with the exception of G4 & G6—they are 1 ea). Hardware is included with the above items.**

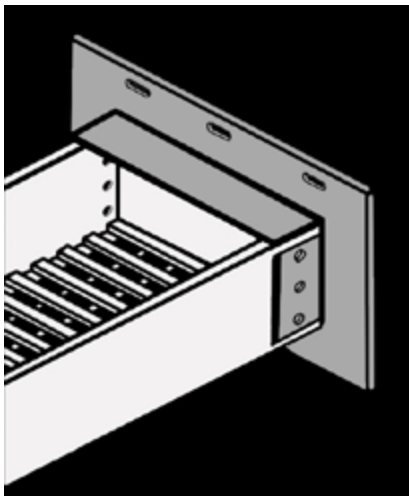
11-ACCESSORIES



Channel Splice Plates

Husky 4" and 6" wide Channel systems are supplied with the following wrap-around splice plates and hardware. Additional splice plates for field cuts can be ordered by the following catalog numbers. (Hardware included)

Type	Width	Alum.	HDGAF	SS 304	SS 316
4" G4 Channel	4	ASP-Y2	SSP-Y2	4SP-Y2	6SP-Y2
6" G6 Channel	6	ASP-X2	SSP-X2	4SP-X2	6SP-X2



Box Connectors for Ladder and Trough

Box connectors terminate Ladder or Trough at Switchgear housings or other metal structures. (Splice hardware included)

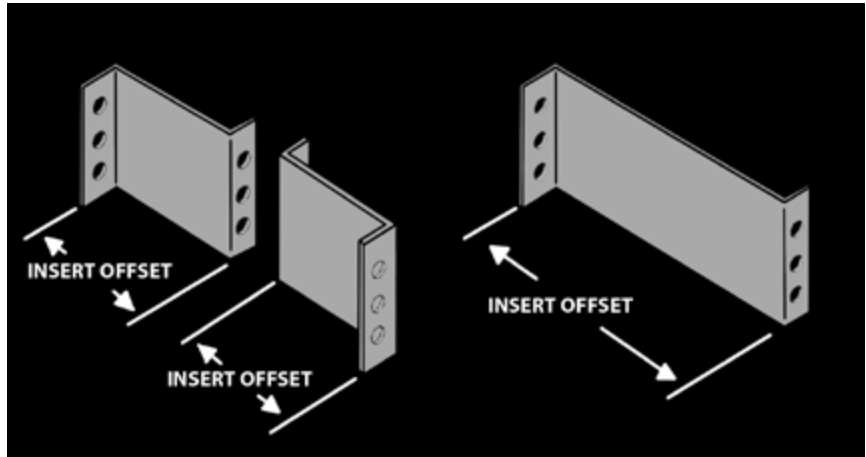

11-ACCESSORIES

Tray Type	Alum.	Mill Galv.	HDGAF	SS 304	SS 316	Galvannealed (Husky Way)
HA, ASH6, PSH0, NSH0	AVBC-()-3-3/8	VBC-()-3-3/8	GBC-()-3-3/8	4VBC-()-3-3/8	6VBC-()-3-3/8	NVBC-()-3-3/8
J2, NSJ0, PSJ0, ASJ6	AVBC-()-4	VBC-()-4	GBC-()-4	4VBC-()-4	6VBC-()-4	NVBC-()-4
JA, JB, KC, YA2, YD, IJA, IJB, IJC, IYA, IYB, IYC	AVBC-()-4-1/2	VBC-()-4-1/2	GBC-()-4-1/2	4VBC-()-4-1/2	6VBC-()-4-1/2	---
M61, MB1, MC, MD4, X, X1, X1M, XA, PSM0, NSM0, ASM6, IMB, IMC, IMD, IXA, IXB, IXC, IXD	AVBC-()-6	VBC-()-6	GBC-()-6	4VBC-()-6	6VBC-()-6	NVBC-()-6
XB, XC, XD	AVBC-()-6-1/4	VBC-()-6-1/4	GBC-()-6-1/4	4VBC-()-6-1/4	6VBC-()-6-1/4	---
X7, X71, IXD7, MD7, MD74, XA7, XB7, XC7, XD7	AVBC-()-7	VBC-()-7	GBC-()-7	4VBC-()-7	6VBC-()-7	---
B2	---	SBC-()-4	GSBC-()-4	4SBC-()-4	6SBC-()-4	---
BB, FC, CA2, CD	ABC-()-4-1/2	SBC-()-4-1/2	GSBC-()-4-1/2	4SBC-()-4-1/2	6SBC-()-4-1/2	---
P61, PB1, PC, PD, EA, E, E1	ABC-()-6	SBC-()-6	GSBC-()-6	4SBC-()-6	6SBC-()-6	---
EB, EC, ED	ABC-()-6-1/4	SBC-()-6-1/4	GSBC-()-6-1/4	4SBC-()-6-1/4	6SBC-()-6-1/4	---
E7, E71, PD7, PD74, EB7, EC7	ABC-()-7	---	---	---	---	---
I6	ABC-()-I6	---	---	---	---	---
I8	ABC-()-I8	---	---	---	---	---
L1	AVBC-()-L1	---	---	---	---	---
D1	AVBC-()-D1	---	---	---	---	---

() = Insert Tray Width

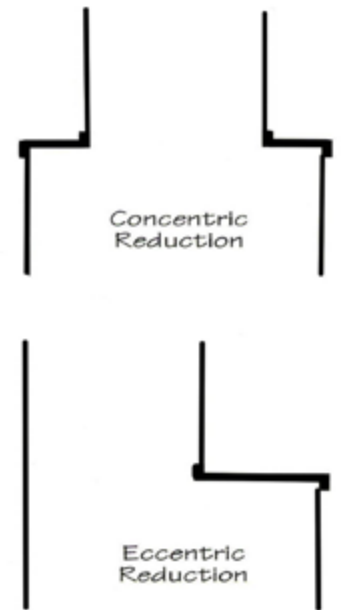
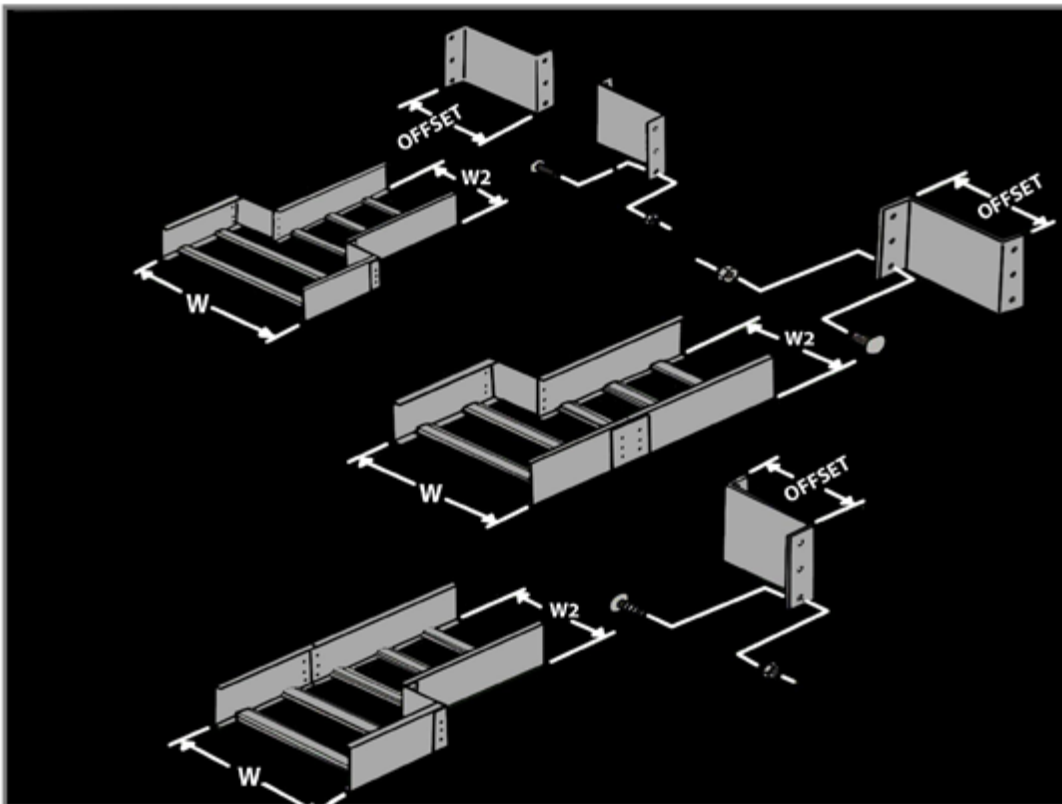
Offset Splice Plates for Concentric and Eccentric Reductions

Reducing splice plates are used instead of reducer fittings and offer better versatility and economy since they are less expensive and do not require covers. For concentric reductions, two plates of equal offset are used. For eccentric reductions, one plate is used along with a standard splice connector, not included. (Splice hardware is included)



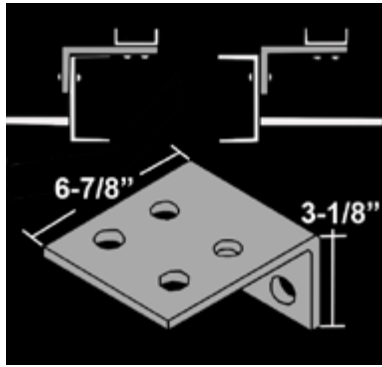
Tray Depth	Aluminum	HDGAF Steel	Stainless Steel 304	Stainless Steel 316	Galvannealed (Husky Way)
3-3/8", 4", 4-1/2"	ASP-HOR-()	SSP-HOR-()	4SP-HOR-()	6SP-HOR-()	NSP-HOR-()
6" & 7" (Except I6)	ASP-XOR-()	SSP-XOR-()	4SP-XOR-()	6SP-XOR-()	NSP-XOR-()
I6	ASP-I6OR-()	--	--	--	--
8" (Except I8)	ASP-L1OR-()	SSP-L1OR-()	4SP-L1OR-()	6SP-L1OR-()	NSP-L1OR-()
I8	ASP-I8OR-()	--	--	--	--
10"	ASP-D1OR-()	SSP-D1OR-()	4SP-D1OR-()	6SP-D1OR-()	NSP-D1OR-()

() = Insert offset of plate in inches.



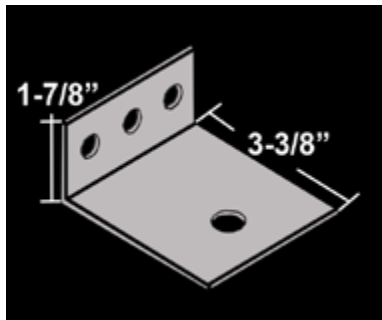
11-ACCESSORIES




Trough and Ladder to Single Channel Connectors For All Trays

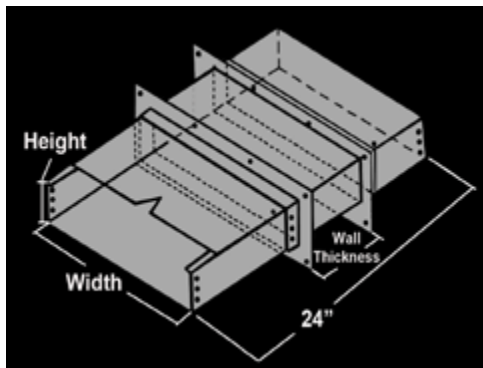
These connectors take a single Channel off a Ladder or Trough sideways or downward. (Hardware included)

Channel Type	Alum.	HDGAF	SS 304	SS 316	Galvannealed (Husky Way)
G4,G6	ACC-GU	SCC-GU	4CC-GU	6CC-GU	NCC-GU


Structural Connector For Ladders and Trough

Structural connectors terminate Ladder or Trough on top of concrete floors. Tray hardware is included. Use 1/2" hardware at floor connection.

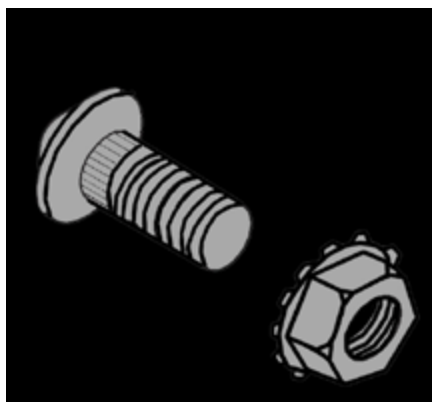
Channel Type	Alum.	HDGAF	SS 304	SS 316	Galvannealed (Husky Way)
All Trays	ASC-U	SSC-U	4SC-U	6SC-U	NSC-U

11-ACCESSORIES

Wall Penetration Sleeve

The wall penetration sleeve is a 24" long pan with wall flanges, cover & cover screws, that allows tray to be connected on both sides of the wall. Gaskets and sealants (not included), may be applied in the field.

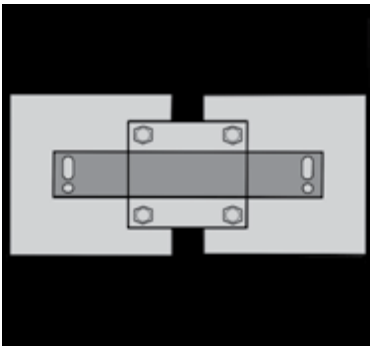
(W)=insert Width
(D)=insert Depth

Channel Type	Alum.	Mill-Galv.	HDGAF	SS 304	SS 316	Galvannealed (Husky Way)
All Trays	AWPS-(W)-(D)	PWPS-(W)-(D)	SWPS-(W)-(D)	4WPS-(W)-(D)	6WPS-(W)-(D)	NWPS-(W)-(D)


Hardware for Splice Connectors

Splice hardware is offered in standard zinc plated steel finish, or in 316 stainless steel to withstand corrosive attack under many atmospheric conditions.

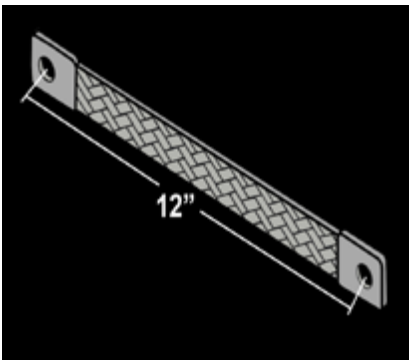
Hardware Item	Plated Steel	SS 316
3/8" Splice Bolt	B-100	B-100-6S
Splice Nut/Washer Comb.	N-100	N-100-6S



Bonding Jumpers

Bonding jumpers are available to maintain electrical continuity across hinged and expansion splices. The aluminum jumpers are used with oxidation inhibitor under the contact points. The short circuit rating is 600 Amperes. Hardware included. Sold as each.

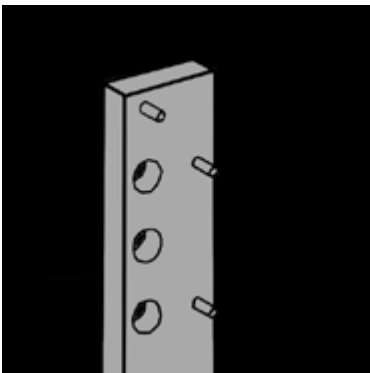
Catalog Number
AFS-C



Bonding Jumper/Grounding Strap

Tin plated braided copper. 12" long hole to hole.
Hardware Included

Tray Type	Catalog Number	
All Trays Except Husky Centray	AFS-CT-600 (600 amps)	#1 AWG
	AFS-CT-1000 (1000 amps)	#2 / 0
	AFS-CT-1200 (1200 amps)	#3 / 0
	AFS-CT-1600 (1600 amps)	#4 / 0
	AFS-CT-2000 (2000 amps)	250 KCMIL
Husky Centray Center Spine & Wall Mount	AFS-CT-600-CR (600amps)	#1 AWG
	AFS-CT-1000-CR (1000 amps)	#2 / 0
	AFS-CT-1600-CR (1600 amps)	#4 / 0



Drill Jigs

Using drill jigs on field-cut ends ensures the proper alignment of holes, allowing full design strength of the splice. A splice plate can also be clamped to the side rail and used as a template for a small quantity of field cuts.

Tray Depth	Catalog No.
3-3/8"	VDJ
4"	JDJ
4-1/2"	KDJ
6"	MDJ
6-1/4"	XBDJ
7"	MDDJ
8"	L1DJ
10"	D1DJ

Note: These drill jigs are for C-Channel rails and will not work on I-Beam type trays.

11-ACCESSORIES



Oxidation Inhibitor

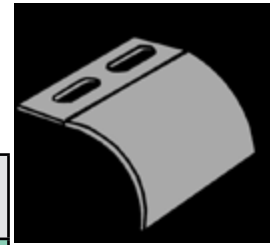
An oxidation inhibitor is used where permanent electrical continuity is important. For best results, clean connecting surfaces from dirt and oil by wiping clean and removing oxide coating by abrasion once over with emery cloth. Apply a thin coat of oxidation inhibitor on the cleaned surfaces and make connection immediately. Each container of compound is sufficient to effect approximately eighty splices.

Catalog Number
OI

*Above part numbers are for 1 each.

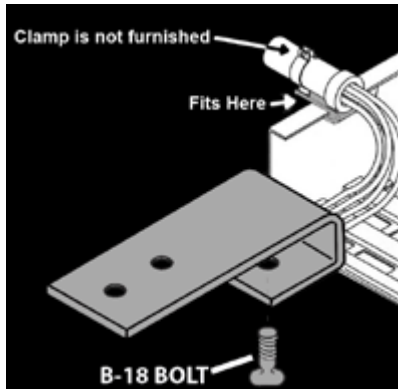
End Dropout

This dropout is used at the end of a cable tray system, or to provide a smooth drop off for small cables or any point between the rungs in the ladder system. It can be used in pairs, where dropping cable from both directions, or singly, when dropping cable in one direction. Hardware Included.



()=insert width
Hardware included.
Part # is for 1 each.

Tray Type	Alum.	Mill-Galv.	SS 304	SS 316	HDGAF	Galvann. (Husky Way)
JA,JB,MD4,XB,XC,IJA, IJB,IJCMD7,MD74	AVD-()	SVD-()	4VD-()	6VD-()	GVD-()	N/A
MB1,M61,XA	AVD-()-XA	SVD-()-XA	4VD-()-XA	6VD-()-XA	GVD-()-XA	N/A
HA,J2,MC,KC	AVD-()-HA	SVD-()-HA	4VD-()-HA	6VD-()-HA	GVD-()-HA	N/A
YA2,I8,IYA,IYB,IYC,IMB, IMC,IMD,IXA,IXB,IXC,IXD7	AVD-()-YA	SVD-()-YA	4VD-()-YA	6VD-()-YA	GVD-()-YA	N/A
XD,YD,X,X1,X1M,X7, X71,I6,XA,XB7,XC7,XD7	AVD-()-X	SVD-()-X	4VD-()-X	6VD-()-X	GVD-()-X	N/A
All Electray & Husky Way	ABD-()	SBD-()	4BD-()	6BD-()	GBD-()	NBD-()



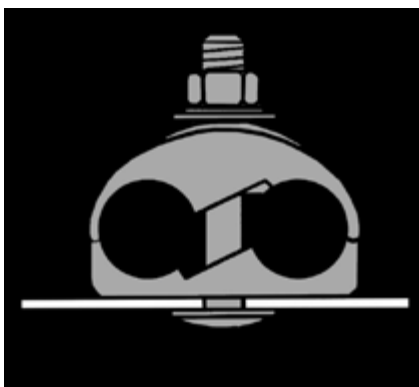
Conduit Side Type Dropouts

The conduit side type dropout is a bracket used to secure a conduit clamp (not included), to the side rail of the tray, allowing cables to exit the tray into conduit drops to the equipment.

Tray Type	Zinc Plated	SS 304	SS 316	HDGAF
All Trays	VDS-U	4VDS-U	6VDS-U	GVDS-U

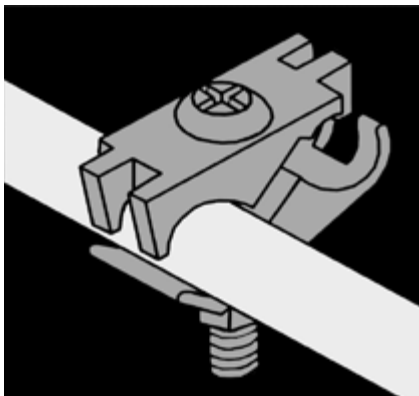
Part # is for 1 ea.

11-ACCESSORIES

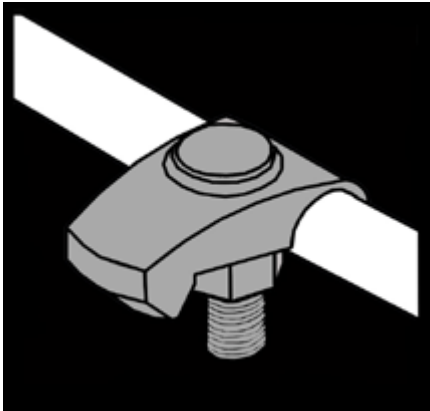
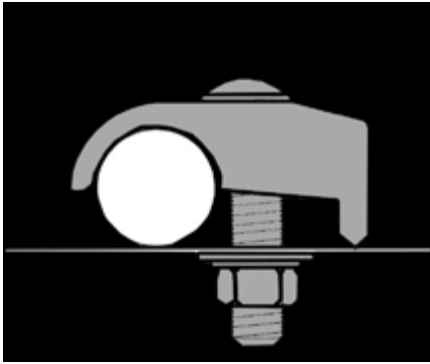


Grounding Connectors

Type GC Connectors hold a single through cable and a tap cable while separating the ground conductor from the cable tray surface. Note that the bolt head is mounted on the inside wall of the cable tray to avoid damage to the cable insulation. Grounding connectors may be used with aluminum or galvanized steel cable trays and aluminum or copper conductors. When mounted horizontally, the bolt may be used to replace one of the bolts in a splice plate, eliminating the need to drill the tray. When used on aluminum conductors the cable must be scratch brushed and Oxidation Inhibitor (OI) must be used on the cable and connector. Clamps are tin plated.



Conductor	Catalog No.
#6(SOL),#4,#3,#2,#1 & 1/0 STR (.162-.372 Dia)	GC-2525-CT
#2 Sol, #1, 1/0 & 2/0 STR (.258-.419 Dia)	GC-2626-CT
2/0 (STR),3/0, 4/0, 250KCMIL (.414-.575 Dia)	GC-2929-CT



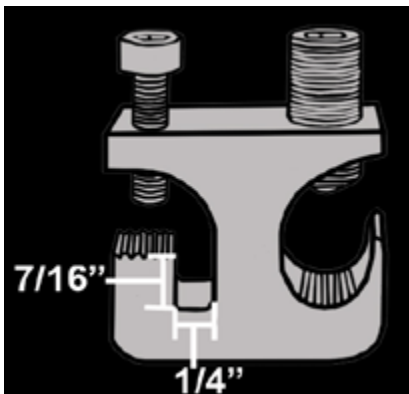
Grounding Clamps

Type GBM high copper alloy Clamps hold a single through cable directly on the cable tray surface. One wrench installation and UL467 listed. Copper alloy cast body with Durium bolts, nuts and washers.

GB style clamps have a back piece that separates the cable from the tray surface. GB style not shown.

Conductor	GBM Catalog No.	GB Catalog No.
#4 (SOL), #3, #2, #1, 1/0 & 2/0 Str	GBM-26G3	GB-26G3
2/0 (SOL), 3/0, 4/0 & 250MCM	GBM-29G3	GB-29G3
300, 350, 400 & 500MCM	GBM-34G3	GB-34G3
550-750MCM	GBM-39G3	GB-39G3

These copper clamps are furnished in copper alloy, however tin plating is available as an option.



Grounding Clamp (NEW)

Ground Clamp for fastening ground wire to Cable Tray or Cable Bus. Clamp is tin plated extruded aluminum with Zinc Electroplated Steel hardware. Use for aluminum or copper conductors. Clamp has serrations to bite through insulating oxides on aluminum tray and grip the tray. Screws tighten with 1/4" hex wrench.

Third Party Certification:

UL Listed E-24264

CSA Certified LR9795 (for copper conductors only)

Applicable Third Party standards:

UL Standard 467

CSA Standard C22.2 No. 41

NEC 250.77 and 392.6

Conductor	Catalog No.
#6, #4, #3, #2, #1, 1/0, 2/0, 3/0, 4/0 AWG to 250KCMIL	HP-CTGC



Double Grounding Clamp (NEW)

This zinc plated Double Grounding Clamp is used to clamp ground wire to the tray or structure. The hole is 5/16".

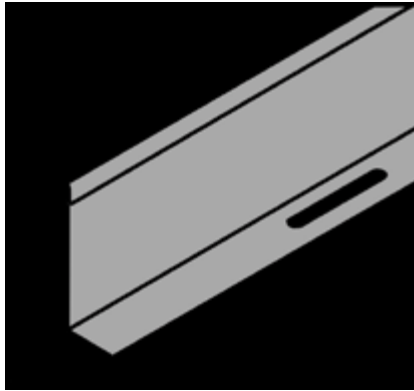
Cable Size	Catalog No.
5/16"	HCM-28
3/8"	HCM-29
1/2"	HCM-30

11-ACCESSORIES

Cable Separators / Divider Strips

Cable separators (divider strips) are available for all tray types in aluminum, HDGAF, mill-galvanized, galvanized and 304 or 316 stainless steel. Separators come in either 3", 5", 6", 7", 8", or 10" heights and are slotted at regular intervals for ease of installation without field drilling. Each separator is furnished with all necessary splice clips and the required number of nuts, bolts, and captive lock washers. Separator Rung Fasteners must be ordered separately for attachment to Ladder rungs without drilling. One (CSS) separator splice included with each.

Straight Lengths: Standard length is 10 or 12 feet. HDGAF will be provided in lengths no longer than 72". The grouping of slots is designed to fit the hole pattern of MP Husky corrugated ventilated Troughs and Ladder Rungs.



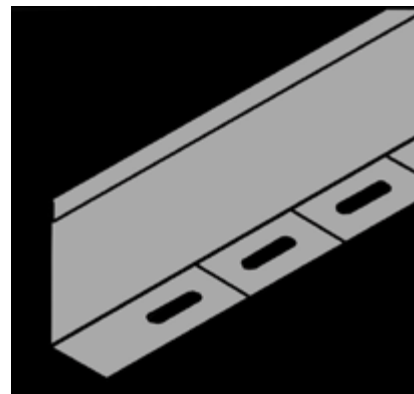
For 10 ft lengths, change the -144 to -120 on the end of the part number.

For 6 ft. lengths, use -72

For 5 ft. lengths, use -60

Sep Hgt	Tray Hgt	Alum.	Mill-Galv.	SS 304	SS 316	HDGAF	Galvann. (Husky Way)
2-3/4"	3-3/8"-4-1/2"	A3S-144	S3S-144	43S-144	63S-144	G3S-72	N3S-144
4-3/4"	6"-6-1/4"	A5S-144	S5S-144	45S-144	65S-144	G5S-72	N5S-144
5-3/4"	7"	A6S-144	S6S-144	46S-144	66S-144	G6S-72	---
6-3/4"	8"	A7S-144	---	---	---	---	---
8-3/4"	10"	A9S-144	---	---	---	---	---

Horizontal Bends: Standard length is 6 feet. Each piece is punched and slotted for easy field adjustment to any degree of radius curvature. Sections may be field cut or continued along a straight run. One (CSS) separator splice included with each.



Sep Hgt	Alum.	Mill-Galv.	SS 304	SS 316	HDGAF	Galvanized (Husky Way)
2-3/4"	A3S-HA	S3S-HA	43S-HA	63S-HA	G3S-HA	N3S-HA
4-3/4"	A5S-HA	S5S-HA	45S-HA	65S-HA	G5S-HA	N5S-HA
5-3/4"	A6S-HA	S6S-HA	46S-HA	66S-HA	G6S-HA	---
6-3/4"	A7S-HA	---	---	---	---	---
8-3/4"	A9S-HA	---	---	---	---	---

For Vertical Bends: Vertical separators must be factory formed to the proper radius needed. Vertical separators can be ordered to the degree of bend or the customer can order all 90° separators and field cut them to the proper degree bends. One (CSS) separator splice included with each.

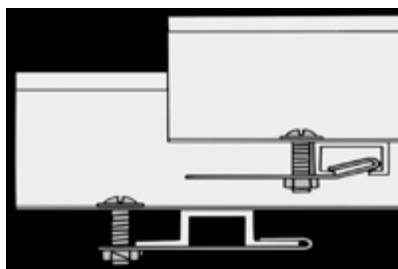


The following information is required at the time of order:

1. Inside or outside bend
2. Type of material
3. Degree of bend
4. Radius of bend
5. Separator height

Example: A3V-VI45-24

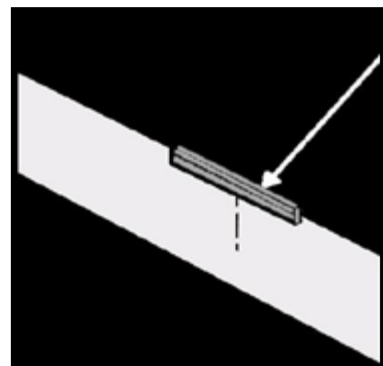
Sep Hgt	Alum.	Mill-Galv.	SS 304	SS 316	HDGAF	Galvanized (Husky Way)
2-3/4"	A3V-()	S3V-()	43V-()	63V-()	G3V-()	N3V-()
4-3/4"	A5V-()	S5V-()	45V-()	65V-()	G5V-()	N5V-()
5-3/4"	A6V-()	S6V-()	46V-()	66V-()	G6V-()	---
6-3/4"	A7V-()	---	---	---	---	---
8-3/4"	A9V-()	---	---	---	---	---



Separator Fasteners for Ladders

Separator fasteners allow attachment of separators to Ladder rungs without drilling the rungs (except I6 & I8). Order 4 per straight section, 3 per horizontal fitting and 2 per vertical fitting. Rung fasteners are stainless steel. Part number is for one each.

Catalog Number
SSUSC-U



Separator Splice

Our CSS Separator Splice (sold separately) is applied to ensure a smooth transition between barrier strips.

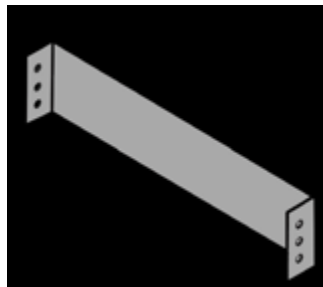
Catalog Number
CSS

End Plates

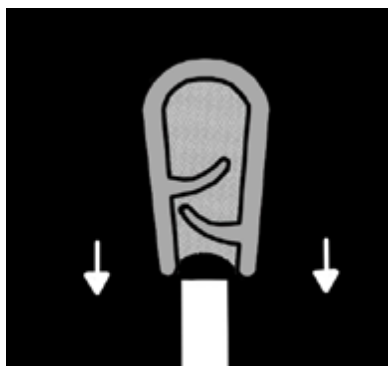
Blind end plates are available for all tray types and are furnished with mounting hardware.

() = Insert Tray Width Hardware included.

Siderail Height	Alum.	Mill-Galv.	SS 304	SS 316	HDGAF	Galvan. (Husky Way)
3-3/8"	AEP-()-3-3/8	SEP-()-3-3/8	4EP-()-3-3/8	6EP-()-3-3/8	GEP-()-3-3/8	NEP-()-3-3/8
4"	AEP-()-4	SEP-()-4	4EP-()-4	6EP-()-4	GEP-()-4	NEP-()-4
4-1/2"	AEP-()-4-1/2	SEP-()-4-1/2	4EP-()-4-1/2	6EP-()-4-1/2	GEP-()-4-1/2	---
6", I6	AEP-()-6	SEP-()-6	4EP-()-6	6EP-()-6	GEP-()-6	NEP-()-6
6-1/4"	AEP-()-6-1/4	SEP-()-6-1/4	4EP-()-6-1/4	6EP-()-6-1/4	GEP-()-6-1/4	---
7"	AEP-()-7	SEP-()-7	4EP-()-7	6EP-()-7	GEP-()-7	---
8", I8	AEP-()-8	---	---	---	---	---
10"	AEP-()-10	---	---	---	---	---



11-ACCESSORIES



Mini Trim

Mini trim can be used as a protective edging to protect cables from sharp surfaces that cables may contact. Mini trim is a vinyl embossed extrusion with a segmented metal core that can be cut with a knife between the metal core segments. It will grip edges from .010" to .050" thick, and is supplied in 100 ft. and 250 ft. rolls in black.

Length	Catalog Number
100 ft.	MINI TRIM-100
250 ft.	MINI TRIM-250

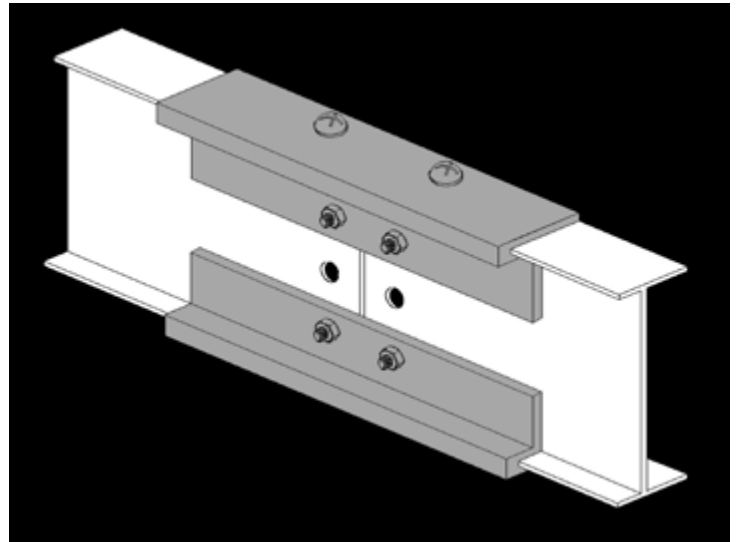


MP Husky Mid-Span Splice (NEW)

MP Husky's Mid-Span Splice option provides the ability to place a splice at any point within the support span without diminishing the load rating of certain tray types based on an installation of 3 spans or more. Requires some field drilling. (Hardware Included)

Catalog Number
ASP-MS-()

() = insert tray height



NOTE: Please contact manufacturer for list of approved tray types

To ensure data available is most current, please visit www.MPHUSKY.com