

# FILTERS

Air, Cabin, Fuel & Oil

Catalogue: Issue 12



**ACDelco**



# Filters

## warranty

If an ACDelco Automotive Part is defective (other than for the warranty exclusions specified below) during the applicable period, we will replace or repair it at our cost. To make a claim please return the part to the place of purchase, or your nearest authorised ACDelco stockist. This voluntary warranty is given by GM Holden Ltd (trading as ACDelco).

Our goods come with guarantees that cannot be excluded under the Australian Consumer Law. You are entitled to a replacement or refund for a major failure and for compensation for any other reasonably foreseeable loss or damage. You are also entitled to have the goods repaired or replaced if the goods fail to be of acceptable quality and the failure does not amount to a major failure. The benefits under this warranty are in addition to other rights and remedies you may have at law.

### **WARRANTY CONDITIONS**

**This warranty does not cover:**

- / Normal wear and tear.
- / Labour for removal, and replacement of the unit, from the vehicle unless prior written approval has been obtained from ACDelco.
- / Parts which have been subjected to deliberate abuse.
- / Conditions resulting from abnormal wear, negligence, alterations or accidents.
- / Incorrect fitment.
- / Parts used in an incorrect application or parts that are not used for their intended purpose.

### **WARRANTY QUESTIONS AND ANSWERS**

**Q. Will using ACDelco parts void my new vehicle warranty offered by the vehicle manufacturer?**

**A.** As ACDelco products are made to exacting standards, their use should not affect your vehicle warranty provided the correct part is used and is correctly fitted. However, if the use of a correctly installed ACDelco part causes a component failure in your vehicle that is not covered by the manufacturer, ACDelco will, subject to the above Warranty Conditions, cover the cost of repair.

**Q. The manufacturer of my vehicle has rejected a warranty claim as they are claiming the failure was caused by a faulty ACDelco part, will ACDelco cover the repairs?**

**A.** In the unlikely event that it is determined that an ACDelco part has led to a component failure in your vehicle ACDelco will cover the cost of the repair, subject to the above Warranty Conditions.

**Q. How do I make a warranty claim?**

**A.** In the first instance contact the place of purchase. Should you require further assistance contact ACDelco.

### **COPYRIGHT STATEMENT**

No part of this publication may be reproduced, stored in any retrieval system or transmitted in any form or by any means, including but not limited to electronic, mechanical, photocopying, recording or otherwise, without the prior written permission of ACDelco. This includes all texts, illustrations, tables and charts.



# Filter Catalogue

## issue 12 - contents

### WARRANTY

---

ACDelco Filter Warranty	2
-------------------------	---

### PRODUCT INFORMATION

---

Why Fit ACDelco Air, Cabin, Fuel & Oil Filters	4
About ACDelco Air Filters	5
About ACDelco Cabin Air Filters	6
About ACDelco Fuel Filters	7
About ACDelco Oil Filters	8
About ACDelco Dual Flow Oil Filters	9
Why Is Changing An Oil Filter Important	10
Oil Filter Fault Diagnosis	12

### APPLICATION LIST

---

Oil, Air, Fuel & Cabin Filters - Applications By Make and Model	13
---	----

### OTHER REFERENCES

---

Supersessions	303
Filter Specifications by Part Number (Photograph, Dimensions, Carton Quantity)	304
ACDelco Interchange Guide	305

### CROSS REFERENCE LISTS

---

Baldwin	322
Bosch	323
Donaldson	325
Fleetguard	327
SFA	328
OEM	332
Purolator	336
RepcO	337
Ryco	340
Sakura	344
Wesfil	348
WIX	352
ACDelco Online Product Catalogue	355

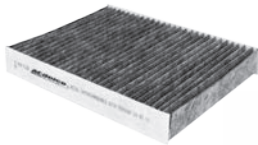


# Why Fit ACDelco air, cabin, fuel & oil filters

Oil, air and fuel filters are vital components in any engine. They provide the first line of defence from harmful contaminants that can seriously degrade engine performance and lifespan. The decision to use ACDelco Filters is one of the easiest and most cost effective ways of providing the protection engines need, with the quality and price customers expect. ACDelco Filters are a premium range of filters for the Australian market. They consist of Oil, Air, Fuel and Cabin Filters covering numerous different applications from automotive to light commercial to off road. ACDelco Filters are manufactured to ISO TS16949:2002 and ISO 9001 international standards.

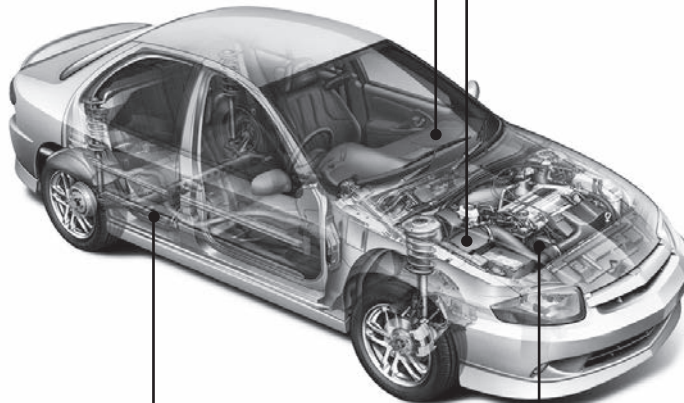
## Cabin Filter

ACDelco Cabin Filters help protect vehicle passengers from harmful gases and airborne allergy irritants, and helps protect the vehicle's interior surfaces and trim from airborne dust and dirt.



## Air Filter

ACDelco Air Filters are vital in preventing the contamination of the intake system. It prevents contaminated air being mixed with the fuel before entering the combustion chamber.



## Fuel Filter

ACDelco Fuel Filters make up the other component in keeping the intake system clean. Clean fuel will prolong the life span of the injector and maintain higher fuel efficiency.



## Oil Filter

ACDelco Oil Filters are easy to install and their primary aim is to reduce wear and tear on the engine. The oil filter removes contaminants from the frictional parts which helps the cooling and sealing of the engine to promote efficiency and a cleaner environment.



# About ACDelco air filters

## BACKGROUND

ACDelco Panel and round Air Filters trap microscopic particles that can damage the engine, cylinder walls, pistons and piston rings. ACDelco Air Filters have been designed and developed with the original equipment and application needs considered. They meet or exceed the application requirements with soft, pliable seals for leak free installations, excellent high temperature integrity and engine vibration and temperature durability.

## Features & Benefits

ACDelco Air Filters employ resin impregnated media and optimal pleat counts to increase their contaminant holding capacity.

ACDelco adheres to strict quality control standards in the production of ACDelco Air Filters. Raw materials used are tested to ensure compliance to specifications and filters are tested to meet customer expectations for fit, form and function.

## PANEL TYPE AIR FILTERS

- / Urethane gasket, low effort installation provides maximum seal.
- / Linear airflow direction allows only clean air to enter the engine.
- / Bonded folds prevent dust from entering engine.

## ROUND TYPE AIR FILTERS

- / Plastisol end seals prevent dirt from entering combustion chamber.
- / Metal clips keep dirt and dust in the filter.
- / Inner screen provides backfire protection for media.
- / Resin impregnated media provides greater dust and dirt holding capacity.





# About ACDelco cabin air filters

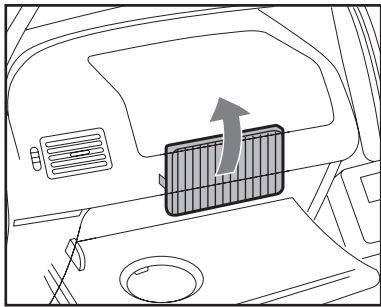
## BACKGROUND

Unfiltered air inside a vehicle contains minuscule pollutants that can aggravate health concerns of the millions who suffer from respiratory problems (including asthma which is a real problem for many Australians).

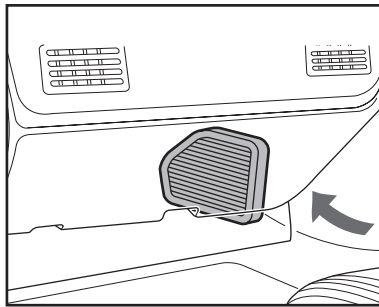
A lot of people do not realize that since the 1990's many cars sold in Australia have been fitted with cabin air filters to ensure a filtered air supply into the cabin. These filters are generally a paper or plastic bodied panel and can typically be found in one of three places:

- / In the engine compartment where the air is initially drawn into the ventilation system.
- / Behind the glove box.
- / Behind the dash panel above the kick panel.

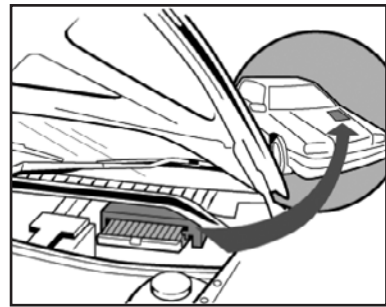
## Typical Cabin Air Filter Locations



Glove Box



Under Dash



Under Bonnet

## Features & Benefits

- / ACDelco Cabin Air Filters have advanced filter media technology which helps keep pollutants out of the interior for more comfortable travel.
- / Are highly durable and reliable.
- / Can remove most allergens from the air entering the vehicles ventilation system.
- / ACDelco Cabin Air Filters are available to suit most makes and models.
- / Since pollution inside a vehicle can be many time worse than the normal outside air, it is important to replace your filter as a general rule every 30,000 km's, but more frequently in harsher conditions.

ACDelco Cabin Air Filters help improve cabin air quality by reducing air borne particles and contaminates such as:

- / Pollen
- / Mould
- / Odors
- / Fumes
- / Smoke
- / Dust





# About ACDelco fuel filters

## BACKGROUND

Fuel filters are used to protect the vehicle fuel system from dirt, rust, scale and water contaminants. These may block or wear out carburettors/fuel injectors, causing poor vehicle performance or even engine failure. ACDelco Fuel Filters are important in preventing engine contamination and help provide a long, trouble free engine life. They are available for inline carburettor and fuel injected applications. ACDelco Fuel Filters are designed and developed with the original equipment and application needs in mind. They meet or exceed all application requirements and assist in providing the correct overall mix of filtration performance, materials compatibility, flow management and durability.

## Features & Benefits

ACDelco adheres to high quality control standards in the production of ACDelco Fuel Filters. Raw materials used are thoroughly tested to ensure compliance to specifications, and filters are tested to meet customer expectations for fit, form and function. The complete range of ACDelco Fuel Filters are E85 compatible.

## FUEL FILTERS TO SUIT CARBURETTOR APPLICATIONS

- / Direct installation into the fuel line adds greater versatility when used with other fuel system protectors.
- / Resin impregnated pleated paper filtering media increases filter capacity.
- / Tube type fittings allow easy installation in all types of fuel lines.

## FILTERS TO SUIT FUEL INJECTED APPLICATIONS

Meets the filtering requirements of all types of fuel injection systems. The design includes:

- / Seams designed to withstand the high pressure of fuel injected systems.
- / Filter media phenolic impregnated to increase filter capacity, efficiency and rigidity.
- / Inner end plates made of specially coated material that is chemically resistant to all fuels currently available.
- / Fittings in a variety of styles including O-ring, tube and new quick connect style providing easy installation with less labour and tooling.





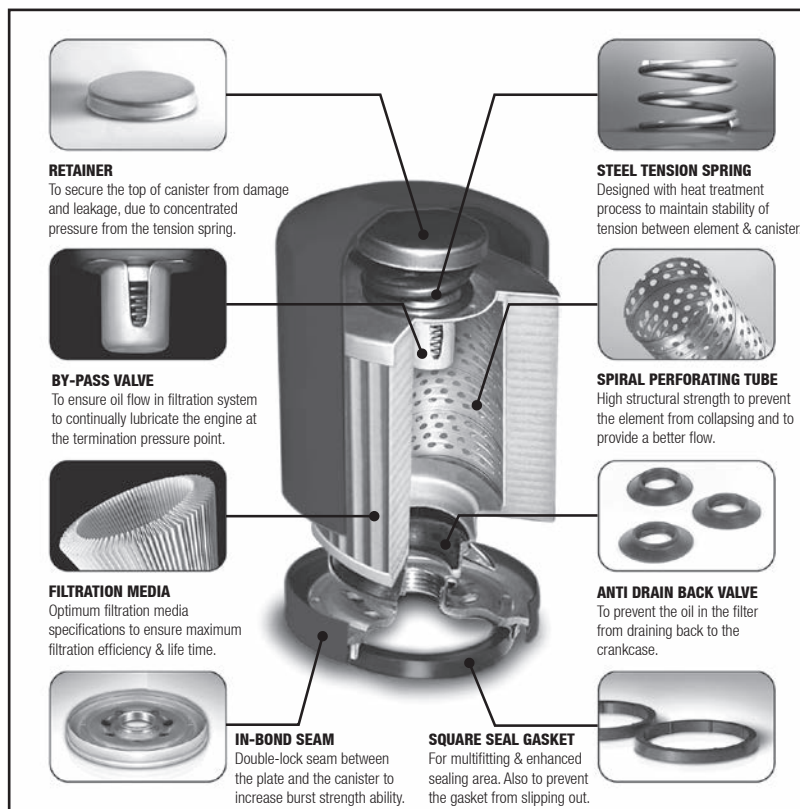
# About ACDelco oil filters

## BACKGROUND

ACDelco Oil Filters are used to remove harmful contaminants from the engine lubrication system, and contribute to consistent oil flow management. ACDelco products meet or exceed all application requirements and provide a mix of filtration performance, flow management (hot, cold, and with water present) and product durability.

## Features & Benefits

ACDelco adheres to high quality control standards in the production of ACDelco Oil Filters. Raw materials used are thoroughly tested to ensure compliance to specifications and filters are tested to meet customer expectations for fit, form and function. The advanced design of ACDelco Oil Filters helps prevent contaminants from entering the engine by filtering out microscopic particles.



## DURAGUARD ADVANTAGE

The advanced ACDelco Oil Filter design helps trap harmful microscopic contaminants. The cellulose and synthetic fibres used in Duraguard oil filters can effectively trap contaminants as small as 25 microns, (one third the width of a human hair). The filter media determines efficiency, performance and useful life of an oil filter. Duraguard filters are designed to have high efficiency capabilities throughout the entire life of the filter. Other filters may only provide high efficiency at the latter part of the filter life.







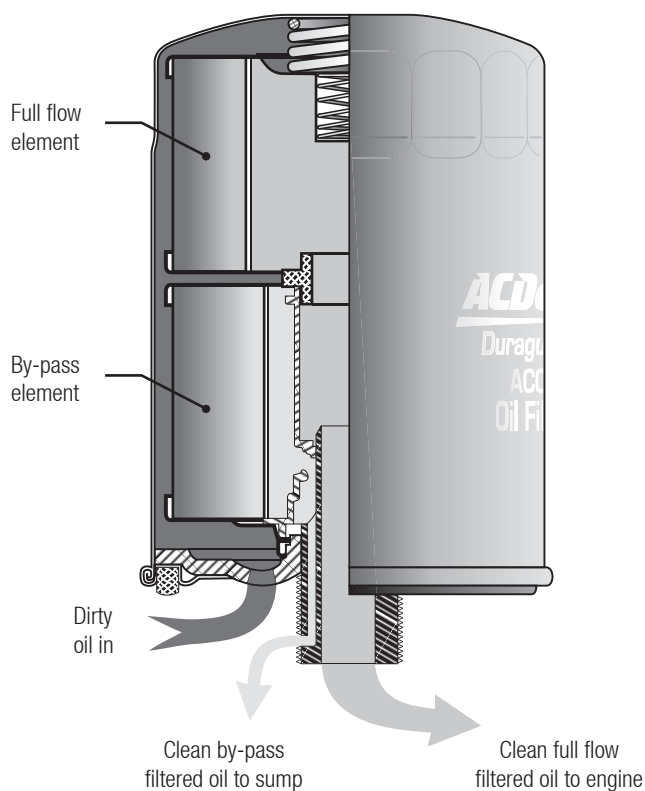
# About ACDelco dual flow oil filters

## DUAL FLOW OIL FILTERS

ACDelco Dual Flow Oil Filters contain two separate elements inside the one housing. This allows for clean oil to be delivered to the engine lubrication circuit while providing the additional filtering required by Diesel engines. One of these is a full flow element which filters the oil and supplies it to the engine's lubrication circuit. The other element is a by-pass element, the oil which passes through this element is returned back to the sump. The by-pass element has a finer micron rating, and is therefore a more efficient filter than the normal full flow elements. This arrangement allows the engine to maintain constant clean oil supply, while providing continual high filtration of the oil in the sump.

The two different oil streams are separated by an internal tube arrangement. Once oil has passed through each of the elements, (from the outside to the inside), there are two separate chambers. One of these is for oil going back to the sump and one is for oil going to the engine. The spigot that the filter threads onto has two different outlets. Generally the engine outlet will be on the inside of the spigot and the by-pass outlet will be on the outside of the spigot.

ACDelco have a range of quality dual flow oil filters to suit numerous Diesel vehicles.



Dual flow filter oil flow diagram



Cut away view of ACDelco Dual Flow Filter

# Why is Changing an Oil Filter Important?

## FILTER FUNCTION

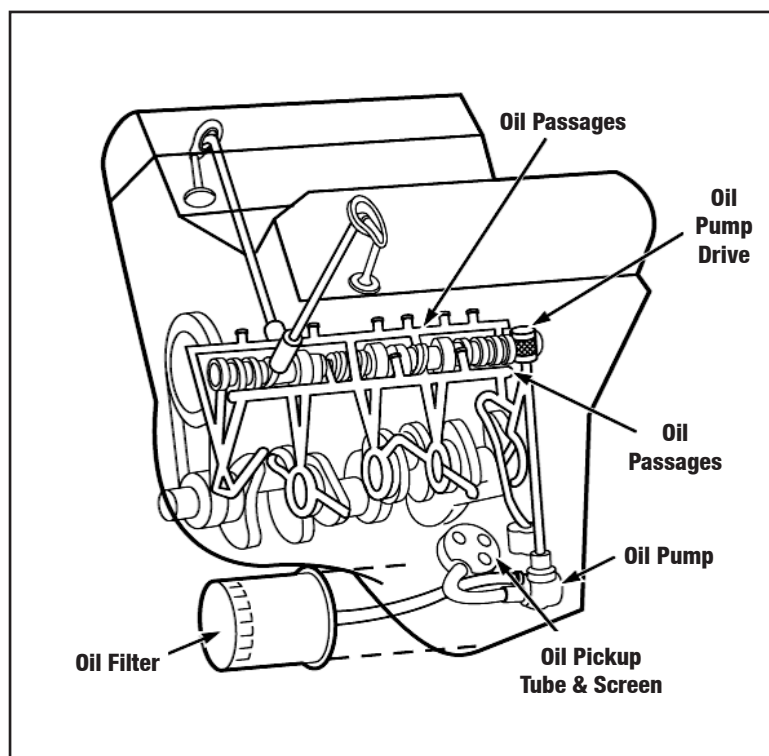
The engine oil filter traps harmful abrasive contaminants and prevents them from damaging engine parts. The importance of the oil filter becomes clear with an understanding of the operation of engine parts that are protected by the filter.

When the engine is running, oil enters the oil pump through a screened intake (oil pick-up). The screened intake is located in the crankcase near the bottom of the oil pan. Oil is drawn through the screened intake and forced by the oil pump through the oil filter and on to the engine's moving parts.

All moving parts and the cylinder walls require clean oil for proper operation. The oil filter cleans the oil, which is the "life blood" of the lubrication system. Cleaning takes place as oil passes through the filter element or filtering material.

ACDelco offers a variety of filters to effectively and efficiently remove harmful contaminants from the engine's fluid systems. The filter must withstand extreme fluid temperatures and resist high fluid pressures, without losing its filtering capacity. By using the best possible filtering material for the specific application, and designing its filters with unique features to accommodate the special needs of each system or vehicle, ACDelco provides maximum filtration efficiency to your customer's vehicle.

/ Oil has a big job to do. It cleans, cools, and lubricates. Use the best filter possible to protect the oil, and the engine.



Typical engine lubrication system.



# Why is Changing an Oil Filter Important? (continued)

## Not All Oil Filters Are Created Equal

ACDelco has designed its filters to be durable in construction and to give optimum performance and filtration. For instance, a standard ACDelco Oil Filter can trap virtually all contaminants larger than 25 microns.

### Micron Rating

- / A Micron Rating represents the size of the contaminant particles the material will filter. A micron is a metric unit of measure used to determine the distance from one point to another. It is used like the centimetre and millimetre to measure the length, width, or diameter of objects. Approximately 40 to 90 microns equal the diameter of human hair.

### Oil Filter Features

The primary features for oil filter elements are:

#### Particle Size Retention

- / ACDelco has developed optimum particle size retention in filters by extensive testing. For example, the ACDelco Full-Flow Oil Filter traps virtually all contaminants larger than 25 microns.

#### Dirt-Holding Capacity

- / Dirt-holding capacity is the amount of contaminant that can be removed and held by the filter until the filter stops filtering. ACDelco Filter capacity exceeds filter change periods specified by the vehicle manufacturers.

#### Resistance To Oil Flow

- / When new, an ACDelco Full-Flow Filter with heavyweight paper and a maximised number of folds has a less than two psi pressure drop at a filtering rate of 15.1 litres per minute. At normal operating temperature, this low restriction to oil flow permits full engine oil pump pressure to reach the bearings.

#### Ability To Withstand Environmental Conditions

- / The ACDelco heavyweight filter is reinforced with polyester fibres and impregnated with high quality resin to withstand extreme engine temperatures and pressures.

#### ACDelco Oil Filters Feature

- / Small particle retention.
- / Increased dirt holding capacity.
- / Low flow restriction.
- / Excellent resistance to temperature and pressure.

# Oil Filter Fault diagnosis

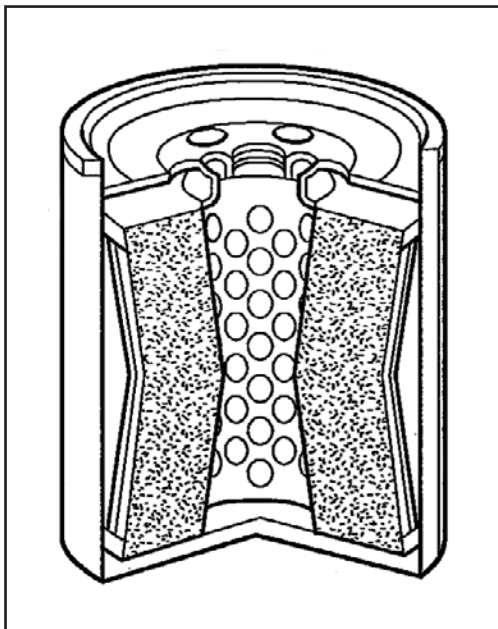
## **COLLAPSED OIL FILTER**

Oil filter components are designed to withstand differential pressures much greater than those experienced during normal operating conditions.

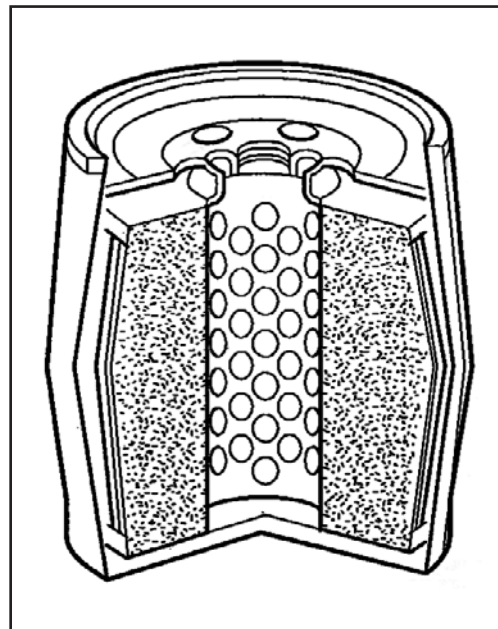
However, if the oil regulating valve, which regulates how much oil pressure is allowed through the filter and lubricating system, and the by-pass valve on the engine become “sticky” from dirt and contaminants, it may allow too much pressure into the filter. If a collapsed filter element is discovered, perform a complete inspection of the filter by-pass valve and the pressure regulator valve, as well as a review of the engine and its maintenance history.

## **BULGED OIL FILTER**

When the regulating valve has become excessively dirty, it can get stuck in the closed position. When this happens, the oil that the oil pump sends to the engine increases in pressure. The excessive pressure can cause the oil filter to bulge out. In some cases, the oil filter can burst. A system that reaches 150 psi will deform most oil filters.



**Collapsed**



**Bulged**



# Filters

## application list

Information in this application listing section has been compiled from data published from Original Equipment Manufacturers and other third parties prior to the date of publication. This data may change from time to time and ACDelco is unable to warrant the accuracy of this data and does not accept responsibility for loss or damage of any kind caused as a result of such data being inaccurate.

The Fuel column identifies the fuel type of the vehicle: P = Petrol, D = Diesel and LPG = Liquid Petroleum Gas.

MAKE	MODEL	SERIES	BADGE	CYLS	ENG SIZE	ENGINE CODE	FUEL	FUEL DELIVERY / AIR INTAKE	FROM	TO	BODY	REMARKS	OIL	AIR	FUEL	CABIN
<b>ALFA ROMEO</b>																
ALFA ROMEO	147		SELESPEED TWIN SPARK	4	2.0L	TWIN SPARK	P	MPFI	2001	2005	HATCH		AC0142			
ALFA ROMEO	147		TWIN SPARK	4	2.0L	TWIN SPARK	P	MPFI	2001	2010	HATCH		AC0142			
ALFA ROMEO	147		SELESPEED - TI	4	2.0L	TWIN SPARK	P	MPFI	2003	2005	HATCH		AC0142			
ALFA ROMEO	147		GTA	6	3.2L	932A000	P	MPFI	2003	2006	HATCH		AC024			
ALFA ROMEO	147		TI	4	2.0L	TWIN SPARK	P	MPFI	2003	2008	HATCH		AC0142			
ALFA ROMEO	147		GTA SELESPEED	6	3.2L	932A000	P	MPFI	2004	2006	HATCH		AC024			
ALFA ROMEO	147		GTA MONZA	6	3.2L	932A000	P	MPFI	2005	2005	HATCH		AC024			
ALFA ROMEO	147		SELESPEED	4	2.0L	TWIN SPARK	P	MPFI	2005	2010	HATCH		AC0142			
ALFA ROMEO	147		TI SELESPEED	4	2.0L	TWIN SPARK	P	MPFI	2006	2008	HATCH		AC0142			
ALFA ROMEO	147		SELESPEED - MONZA	4	2.0L	TWIN SPARK	P	MPFI	2008	2009	HATCH		AC0142			
ALFA ROMEO	147		TWIN SPARK MONZA	4	2.0L	TWIN SPARK	P	MPFI	2008	2009	HATCH		AC0142			
ALFA ROMEO	156		SELESPEED	4	2.0L	AR32301	P	MPFI	1999	1999	SEDAN		AC0142			
ALFA ROMEO	156		V6	6	2.5L		P	MPFI	1999	2006	SEDAN		AC0142			
ALFA ROMEO	156		SELESPEED LIMITED EDITION	4	2.0L	AR32301	P	MPFI	2000	2000	SEDAN		AC0142			
ALFA ROMEO	156		TWIN SPARK LIMITED ED	4	2.0L	AR32301	P	MPFI	2000	2000	WAGON		AC0142			
ALFA ROMEO	156		SELESPEED TWIN SPARK	4	2.0L	AR32301	P	MPFI	2000	2001	SEDAN		AC0142			
ALFA ROMEO	156		TWIN SPARK	4	2.0L	AR32301	P	MPFI	2000	2001	SEDAN		AC0142			
ALFA ROMEO	156		MONZA SELESPEED	4	2.0L	AR32301	P	MPFI	2000	2002	SEDAN		AC0142			
ALFA ROMEO	156		MONZA TWIN SPARK	4	2.0L	AR32301	P	MPFI	2000	2002	SEDAN		AC0142			
ALFA ROMEO	156		SELESPEED TWIN SPARK	4	2.0L	AR32301	P	MPFI	2000	2002	WAGON		AC0142			
ALFA ROMEO	156		TWIN SPARK	4	2.0L	AR32301	P	MPFI	2000	2002	WAGON		AC0142			
ALFA ROMEO	156		MONZA V6	6	2.5L	AR3240	P	MPFI	2000	2002	SEDAN		AC0142			
ALFA ROMEO	156		GTA	6	3.2L		P	MPFI	2002	2003	SEDAN		AC024			
ALFA ROMEO	156		JTS	4	2.0L	937A1	P	MPFI	2002	2006	SEDAN		AC097		ACF92	
ALFA ROMEO	156		TI	4	2.0L	AR32301	P	MPFI	2004	2006	SEDAN		AC0142			
ALFA ROMEO	156		TI SELESPEED	4	2.0L	AR32301	P	MPFI	2004	2006	SEDAN		AC0142			

MAKE	MODEL	SERIES	BADGE	CYLS	ENG SIZE	ENGINE CODE	FUEL	FUEL DELIVERY / AIR INTAKE	FROM	TO	BODY	REMARKS	OIL	AIR	FUEL	CABIN
ALFA ROMEO	159		JTS Q4	6	3.2L	939A0	P	DIRECT INJ	2006	2008	WAGON		AC088			ACC37
ALFA ROMEO	159		JTS	4	2.2L	939A5	P	DIRECT INJ	2006	2009	WAGON		AC089			ACC37
ALFA ROMEO	159		JTS Q4	6	3.2L	939A0	P	DIRECT INJ	2006	2009	SEDAN		AC088			ACC37
ALFA ROMEO	159		JTS	4	2.2L	939A5	P	DIRECT INJ	2006	2010	SEDAN		AC089			ACC37
ALFA ROMEO	159		JTD	5	2.4L	939A3	D	TURBO DIRECT INJ	2006	2011	SEDAN					ACC37
ALFA ROMEO	159		JTD	5	2.4L	939A3	D	TURBO DIRECT INJ	2006	2011	WAGON					ACC37
ALFA ROMEO	159		JTS SELESPEED	4	2.2L	939A5	P	DIRECT INJ	2007	2009	WAGON		AC089			ACC37
ALFA ROMEO	159		JTS TI	4	2.2L	939A5	P	DIRECT INJ	2007	2009	SEDAN		AC089			ACC37
ALFA ROMEO	159		JTS TI	6	3.2L	939A0	P	DIRECT INJ	2007	2009	SEDAN		AC088			ACC37
ALFA ROMEO	159		JTD	4	1.9L	939A2	D	TURBO DIRECT INJ	2007	2010	SEDAN		AC0106			ACC37
ALFA ROMEO	159		JTD	4	1.9L	939A2	D	TURBO DIRECT INJ	2007	2010	WAGON		AC0106			ACC37
ALFA ROMEO	159		JTS SELESPEED	4	2.2L	939A5	P	DIRECT INJ	2007	2010	SEDAN		AC089			ACC37
ALFA ROMEO	159		JTS TI	4	2.2L	939A5	P	DIRECT INJ	2008	2008	WAGON		AC089			ACC37
ALFA ROMEO	159		JTD TI	5	2.4L	939A3	D	TURBO DIRECT INJ	2008	2011	SEDAN					ACC37
ALFA ROMEO	159		JTD TI	5	2.4L	939A3	D	TURBO DIRECT INJ	2008	2011	WAGON					ACC37
ALFA ROMEO	159		JTS TI	6	3.2L	939A0	P	DIRECT INJ	2008	2011	WAGON		AC088			ACC37
ALFA ROMEO	164			6	3.0L	AR064	P	MPFI	1989	1993	SEDAN				ACF36	
ALFA ROMEO	164		SCALA	6	3.0L	AR064	P	MPFI	1991	1991	SEDAN				ACF36	
ALFA ROMEO	164		QV	6	3.0L	AR064301	P	MPFI	1991	1993	SEDAN				ACF36	
ALFA ROMEO	164		LUXURY	6	3.0L	AR064	P	MPFI	1992	1993	SEDAN				ACF36	
ALFA ROMEO	166			6	3.0L	AR34301	P	MPFI	1999	2006	SEDAN		AC024			
ALFA ROMEO	166		TI	6	3.0L	AR36101	P	MPFI	2006	2008	SEDAN		AC024			
ALFA ROMEO	2000		BERLINA	4	2.0L		P	CARB	1972	1976	SEDAN		AC09			
ALFA ROMEO	2600		BERLINA	6	2.6L		P	CARB	1964	1966	SEDAN		AC01			
ALFA ROMEO	2600		SPRINT	6	2.6L		P	CARB	1964	1966	COUPE		AC01			
ALFA ROMEO	ALFA 75			6	2.5L	AR01911	P	MPFI	1986	1990	SEDAN				ACF3	
ALFA ROMEO	ALFA 75			6	3.0L	AR06124	P	MPFI	1988	1992	SEDAN				ACF3	
ALFA ROMEO	ALFASUD		TI	4	1.2L	AS3010	P	CARB	1975	1978	COUPE		AC09			
ALFA ROMEO	ALFASUD		TI	4	1.5L	AR3016	P	CARB	1979	1982	COUPE		AC09			
ALFA ROMEO	ALFASUD		TI	4	1.5L	AR3016	P	CARB	1982	1984	HATCH		AC09			
ALFA ROMEO	ALFETTA		GTV	4	2.0L	AR01655	P	CARB	1977	1986	COUPE		AC09			
ALFA ROMEO	ALFETTA		GT2000L	4	2.0L	AR01655	P	CARB	1979	1981	COUPE		AC09			
ALFA ROMEO	ALFETTA		GT2.0	4	2.5L		P	MULTI CARB	1981	1982	COUPE		AC09			
ALFA ROMEO	ALFETTA		GTV6	4	2.5L		P	MPFI	1987	1983	COUPE		AC09			
ALFA ROMEO	BRERA		JTS	4	2.2L	939A5	P	MPFI	2006	2010	COUPE		AC089			ACC37
ALFA ROMEO	BRERA		V6	6	3.2L	939A0	P	MPFI	2006	2011	COUPE		AC088			ACC37
ALFA ROMEO	BRERA		JTS SELESPEED	4	2.2L	939A5	P	MPFI	2007	2010	COUPE		AC089			ACC37
ALFA ROMEO	BRERA		1750 TBI	4	1.7L	939B1	P	TURBO DIRECT INJ	2011	2011	COUPE					ACC37
ALFA ROMEO	GIULIETTA			4	1.8L	AR01678	P	CARB	1980	1983	SEDAN		AC09			
ALFA ROMEO	GIULIETTA			4	2.0L	AR01655	P	CARB	1984	1986	HATCH		AC09			
ALFA ROMEO	GIULIETTA			4	1.4L	198A4	P	TURBO MPFI	2011	2014	HATCH		AC0120			
ALFA ROMEO	GIULIETTA			4	1.4L	940A2	P	TURBO MPFI	2011	2014	HATCH		AC0120			

MAKE	MODEL	SERIES	BADGE	CYLS	ENG SIZE	ENGINE CODE	FUEL	FUEL DELIVERY / AIR INTAKE	FROM	TO	BODY	REMARKS	OIL	AIR	FUEL	CABIN
ALFA ROMEO	GIULIETTA			4	2.0L	940A	P	CRD TURBO	2011	2014	HATCH		AC0120			
ALFA ROMEO	GT			4	1.8L		P	MPFI	1974	1987			AC09			
ALFA ROMEO	GT		SELESPEED JTS	4	2.0L	937A1	P	MPFI	2005	2010	COUPE		AC097			
ALFA ROMEO	GT		JTS	4	2.0L	937A1	P	MPFI	2007	2010	COUPE		AC097			
ALFA ROMEO	GT		JTS MONZA	4	2.0L	937A1	P	MPFI	2008	2010	COUPE		AC097			
ALFA ROMEO	GT		100TH ANNIV	6	3.2L	936A00	P	MPFI	2010	2010	COUPE		AC024			
ALFA ROMEO	GTV		TWIN SPARK	4	2.0L	AR32301	P	MPFI	1998	2003	COUPE		AC0142			
ALFA ROMEO	GTV		V6	6	3.0L	AR16102	P	MPFI	1998	2004	COUPE				ACF36	
ALFA ROMEO	GTV		V6	6	3.2L	936A00	P	MPFI	1998	2004	COUPE				ACF36	
ALFA ROMEO	GTV		JTS	4	2.0L	937A1	P	MPFI	2003	2004	COUPE		AC0142			
ALFA ROMEO	MITO			4	1.4L	198A4	P	TURBO INT-COOL MPFI	2009	2011	HATCH		AC0120			
ALFA ROMEO	MITO		SPORT	4	1.4L	199A4	P	TURBO INT-COOL MPFI	2009	2011	HATCH		AC0120			
ALFA ROMEO	MITO		QV	4	1.4L	940A2	P	TURBO INT-COOL MPFI	2009	2013	HATCH		AC0120			
ALFA ROMEO	MONTREAL			8	2.6L		P	MPFI	1974	1976	COUPE		AC09			
ALFA ROMEO	SPIDER		TWIN SPARK	4	2.0L	AR32310	P	MPFI	1998	2003	CONV		AC0142			
ALFA ROMEO	SPIDER		TWIN SPARK LUXURY	4	2.0L	AR32310	P	MPFI	2000	2002	CONV		AC0142			
ALFA ROMEO	SPIDER		V6	6	3.0L	AR161	P	MPFI	2001	2002	CONV		AC024			
ALFA ROMEO	SPIDER		TWIN SPARK VELOCE	4	2.0L	AR32310	P	MPFI	2002	2003	CONV		AC0142			
ALFA ROMEO	SPIDER		JTS	4	2.0L	AR32310	P	DIRECT INJ	2003	2004	CONV		AC0142			
ALFA ROMEO	SPIDER		JTS LUSO	4	2.0L	AR32310	P	DIRECT INJ	2003	2004	CONV		AC0142			
ALFA ROMEO	SPIDER		V6	6	3.2L	936A00	P	MPFI	2003	2004	CONV		AC024			
ALFA ROMEO	SPIDER		JTS	4	2.2L	939A5	P	MPFI	2006	2010	CONV		AC089			
ALFA ROMEO	SPIDER		JTS V6	6	3.2L	939A0	P	MPFI	2006	2011	CONV		AC088			
ALFA ROMEO	SPIDER		JTS SELSPEED	4	2.2L	939A5	P	MPFI	2007	2010	CONV		AC089			
<b>ASIA</b>																
ASIA	COMBI VAN	AM815		6	4.1L	LZB	D		1993	1997						ACF79
<b>ATLAS COPCO</b>																
ATLAS COPCO	VT6					4.203G	P				LIFT TRUCK		AC068			
<b>AUDI</b>																
AUDI	80			4	1.7L		P	CARB	1960	1970	SEDAN		AC085			
AUDI	80	B2		4	1.8L	JN	P	MPFI	1986	1987	SEDAN		AC085			
AUDI	80	B2	E	4	1.9L	SD	P	MPFI	1987	1989	SEDAN		AC085			
AUDI	80	B4	E	5	2.3L	NG	P	MPFI	1992	1994	SEDAN		AC085	ACA292	ACF36	
AUDI	80	B4	E	6	2.8L	AAH	P	MPFI	1992	1994	SEDAN	FROM VIN # S034001	AC09		ACF36	
AUDI	80	B4	E	6	2.8L	AAH	P	MPFI	1992	1994	SEDAN	UP TO VIN # S034000	AC06		ACF36	
AUDI	80	B4	E QUATTRO	6	2.8L	AAH	P	MPFI	1992	1994	SEDAN		AC06		ACF36	
AUDI	80	B4	E	6	2.6L	ABC	P	MPFI	1993	1995	SEDAN	FROM VIN # S034001	AC09		ACF36	
AUDI	80	B4	E	6	2.6L	ABC	P	MPFI	1993	1995	SEDAN	UP TO VIN # S034000	AC06		ACF36	
AUDI	90		QUATTRO 20V	5	2.3L	7A	P	MPFI	1989	1991	SEDAN		AC085		ACF67	

MAKE	MODEL	SERIES	BADGE	CYLS	ENG SIZE	ENGINE CODE	FUEL	FUEL DELIVERY / AIR INTAKE	FROM	TO	BODY	REMARKS	OIL	AIR	FUEL	CABIN
AUDI	90		SPORT	5	2.3L	NG	P	MPFI	1989	1991	SEDAN		AC085		ACF67	
AUDI	100		LS	4	1.8L		P	CARB	1970	1973	SEDAN		AC085			
AUDI	100		GL	4	1.9L		P	CARB	1974	1977	SEDAN		AC085			
AUDI	100		CD	5	2.1L	KF	P	MPFI	1984	1984	SEDAN		AC085			
AUDI	100		CD	5	2.2L	HX	P	MPFI	1985	1987	SEDAN		AC085			
AUDI	100		CD	5	2.3L	AAR	P	MPFI	1991	1994	SEDAN		AC085			
AUDI	5+5		GLE	5	2.1L	WE	P	MPFI	1982	1983	SEDAN		AC085			
AUDI	5+5		STANDARD	5	2.1L	WE	P	MPFI	1983	1983	SEDAN		AC085			
AUDI	5E	100	EXECUTIVE	5	2.2L	WB	P	MPFI	1978	1978	SEDAN		AC085			
AUDI	5E	100	CD	5	2.1L	WC	P	MPFI	1979	1982	SEDAN		AC085			
AUDI	5E	100	GL	5	2.1L	WC	P	MPFI	1980	1982	SEDAN		AC085			
AUDI	A1	8X		4	1.4L	CAX	P	TURBO DIRECT INJ	12/10	ON	HATCH		AC0140	ACA290	ACF214	ACC91
AUDI	A1	8X	AMBITION	4	1.4L	CAX	P	TURBO DIRECT INJ	12/10	ON	HATCH		AC0140	ACA290	ACF214	ACC91
AUDI	A1	8X	ATTRACTION	4	1.4L	CAX	P	TURBO DIRECT INJ	12/10	ON	HATCH		AC0140	ACA290	ACF214	ACC91
AUDI	A1	8X	SPORT	4	1.4L	CAV	P	TURBO S-CHARGED DIRECT INJ	06/11	ON	HATCH		AC0140	ACA290	ACF214	ACC91
AUDI	A1	8X	TDI	4	1.6L	CAY	D	TURBO DIRECT INJ	11/11	ON	HATCH		AC0137	ACA290		ACC91
AUDI	A1	8X	ATTRACTION	4	1.2L	CBZ	P	TURBO DIRECT INJ	06/12	ON	HATCH		AC0140	ACA290	ACF214	ACC91
AUDI	A1	8X	SPORT	4	1.4L	CTH	P	TURBO S-CHARGED DIRECT INJ	06/12	ON	HATCH			ACA290	ACF214	
AUDI	A1	8X	SPORT	4	1.4L	CZCA	P	TURBO DIRECT INJ	06/15	ON	HATCH		AC0151	ACA333	ACF214	
AUDI	A3	8L	1.6	4	1.6L	AEH	P	MPFI	1997	1999	HATCH		AC06	ACA269	ACF213	ACC18
AUDI	A3	8L		4	1.8L	AGN/APG	P	MPFI	1997	2004	HATCH		AC06	ACA269	ACF213	ACC18
AUDI	A3	8L		4	1.8L	AGU/AQA	P	TURBO MPFI	1998	2004	HATCH		AC06	ACA269	ACF213	ACC18
AUDI	A3	8L	1.6	4	1.6L	AVU	P	MPFI	2000	2004	HATCH		AC06	ACA269	ACF213	ACC18
AUDI	A3	8P	FSI ATTRACTION	4	2.0L	BMB	P	DIRECT INJ	2004	2005	HATCH		AC0129	ACA268	ACF90	ACC66
AUDI	A3	8P	TDI AMBITION	4	2.0L	BKD	D	TURBO DIRECT INJ	2004	2005	HATCH		AC0123	ACA250	ACF217	ACC66
AUDI	A3	8P	QUATTRO	4	3.2L	BMJ	P	MPFI	2004	2005	HATCH		AC0123	ACA291	ACF203	ACC66
AUDI	A3	8P	AMBITION	4	3.2L	BDB	P	MPFI	2004	2006	HATCH		AC0123		ACF90	ACC66
AUDI	A3	8P	1.6	4	1.6L	BGU/BSE	P	MPFI	2004	03/11	HATCH		AC06	ACA268	ACF203	ACC66
AUDI	A3	8P	SPORTSBACK	4	3.2L	BUB	P	MPFI	2005	2009	HATCH		AC0123	ACA291	ACF203	ACC66
AUDI	A3	8P		4	2.0L	BMN	P	TURBO DIRECT INJ	2006	2007	HATCH		AC0123	ACA250	ACF155	ACC66
AUDI	A3	8P	AMBITION	4	2.0L	AXX/BWA	P	TURBO DIRECT INJ	2006	2007	HATCH	WHERE CARTRIDGE OIL FILTER IS FITTED	AC0129	ACA289	ACF214	ACC66
AUDI	A3	8P	AMBITION	4	2.0L	AXX/BWA	P	TURBO DIRECT INJ	2006	2007	HATCH	WHERE SPIN ON OIL FILTER IS FITTED	AC0136	ACA289	ACF214	ACC66
AUDI	A3	8P	TFSI AMBITION	4	2.0L	AXX	P	DIRECT INJ	2006	2007	CONV		AC0129	ACA289	ACF214	ACC66
AUDI	A3	8P	S-LINE	4	3.2L	BDB	P	MPFI	2006	2008	HATCH		AC0123		ACF90	ACC66
AUDI	A3	8P	TFSI AMBITION	4	1.8L	BYT	P	TURBO MPFI	2007	2008	HATCH		AC0136	ACA250	ACF214	ACC66



MAKE	MODEL	SERIES	BADGE	CYLS	ENG SIZE	ENGINE CODE	FUEL	FUEL DELIVERY / AIR INTAKE	FROM	TO	BODY	REMARKS	OIL	AIR	FUEL	CABIN
AUDI	A3	8P	TFSI AMBITION	4	1.8L	BZB	P	TURBO MPFI	2007	2008	HATCH		AC0136	ACA250	ACF214	ACC66
AUDI	A3	8P	E	4	1.9L	BLS	D	TURBO DIRECT INJ	2007	2010	HATCH		AC0123	ACA250	ACF155	ACC66
AUDI	A3	8P	TDI AMBITION	4	2.0L	CBBB	D	TURBO DIRECT INJ	2008	2010	HATCH		AC0123	ACA250	ACF217	ACC66
AUDI	A3	8P	TFSI ATTRACTION	4	1.4L	CAXC	P	TURBO DIRECT INJ	2008	2011	HATCH		AC0140	ACA268	ACF214	ACC66
AUDI	A3	8P	AMBITION	4	2.0L	CCZ	P	TURBO DIRECT INJ	2008	2011	HATCH		AC0136	ACA250	ACF214	ACC66
AUDI	A3	8P	TFSI AMBITION	4	1.8L	CDA	P	TURBO MPFI	2008	2013	HATCH		AC0136	ACA250	ACF214	ACC66
AUDI	A3	8P	TFSI SPORTSBACK	4	1.4L	CAXC	P	TURBO DIRECT INJ	2008	05/13	HATCH		AC0140	ACA268	ACF214	ACC66
AUDI	A3	8P	1.6TDI	4	1.6L	CAY	D	TURBO DIRECT INJ	2011	03/13	HATCH		AC0137	ACA250	ACF155	ACC66
AUDI	A3	8P	TFSI ATTRACTION	4	1.4L	CAXC	P	TURBO DIRECT INJ	2011	05/13	HATCH		AC0140	ACA268	ACF214	ACC66
AUDI	A3	8V	SPORTSBACK	4	1.4L	CMB	P	TURBO DIRECT INJ	05/13	ON	HATCH		AC0151	ACA333		
AUDI	A3	8V	SPORTSBACK	4	1.4L	CXS	P	TURBO DIRECT INJ	05/13	ON	HATCH		AC0151	ACA333		
AUDI	A3	8V	SPORTSBACK	4	1.4L	CZC	P	TURBO DIRECT INJ	05/13	ON	HATCH		AC0151	ACA333		
AUDI	A3	8V	SPORTSBACK	4	1.4L	CZE	P	TURBO DIRECT INJ	05/13	ON	HATCH		AC0151	ACA333		
AUDI	A3	8V	SPORTSBACK	4	1.4L	CPT	P	TURBO DIRECT INJ	09/13	ON	HATCH		AC0151	ACA333		
AUDI	A3	8V	TFSI ATTRACTION	4	1.4L	CPT	P	TURBO DIRECT INJ	01/14	ON	SEDAN		AC0151	ACA333		
AUDI	A3	8V	TFSI ATTRACTION	4	1.4L	CZE	P	TURBO DIRECT INJ	2014	ON	SED/ CONV		AC0151	ACA333		
AUDI	A3	8V	TFSI ATTRACTION	4	1.4L	CPT	P	TURBO DIRECT INJ	09/14	ON	CONV		AC0151	ACA333		
AUDI	A4	B5		4	1.8L	ADR	P	MPFI	1995	1999	WAGON		AC06	ACA292	ACF3	
AUDI	A4	B5		6	2.4L	APS/AGA	P	MPFI	1997	2001	SEDAN		AC09	ACA292	ACF3	
AUDI	A4	B5		4	1.8L	AEB	P	MPFI	1998	1998	SEDAN		AC06	ACA292	ACF3	
AUDI	A4	B5		6	2.4L	ABC	P	MPFI	1998	1998	SEDAN		AC09	ACA292	ACF3	
AUDI	A4	B5		6	2.8L	ABC	P	MPFI	1998	1998	SEDAN		AC09	ACA292	ACF3	
AUDI	A4	B5		6	2.8L	ACK	P	MPFI	1998	1999	SEDAN		AC09	ACA292	ACF3	
AUDI	A4	B5		4	1.8L	ADR	P	MPFI	1998	2001	SEDAN		AC06	ACA292	ACF3	
AUDI	A4	B5		6	2.4L	APS	P	MPFI	1998	2002	SEDAN		AC09	ACA292	ACF3	
AUDI	A4	B5		4	1.8L	AJL	P	TURBO MPFI	1999	2001	SEDAN		AC06	ACA292	ACF36	
AUDI	A4	B5		4	1.8L	APU	P	TURBO MPFI	1999	2001	WAGON		AC06	ACA292	ACF3	
AUDI	A4	B5		6	2.8L	APR	P	MPFI	1999	2001	SEDAN		AC09	ACA292	ACF3	
AUDI	A4	B6	QUATTRO	4	1.8L	AVJ	P	TURBO MPFI	2001	2005	SEDAN		AC06	ACA292	ACF3	ACC17
AUDI	A4	B6	TURBO	4	1.8L	AVJ	P	TURBO MPFI	2001	2005	SEDAN		AC06	ACA292	ACF3	ACC17
AUDI	A4	B6		6	3.0L	ASN	P	MPFI	2001	2005	SEDAN		AC09		ACF213	ACC17
AUDI	A4	B6		6	3.0L	BBJ	P	MPFI	2002	2006	CABRIO		AC09		ACF213	ACC17
AUDI	A4	B6	S-LINE	4	1.8L	BEX	P	TURBO MPFI	2003	2005	SEDAN		AC06	ACA292	ACF36	ACC17
AUDI	A4	B6	S-LINE	4	1.8L	BEX	P	TURBO MPFI	2003	2005	WAGON		AC06	ACA292	ACF36	ACC17
AUDI	A4	B6		4	1.8L	BFB	P	TURBO MPFI	2003	2006	CABRIO		AC06	ACA292	ACF3	ACC17
AUDI	A4	B6		6	2.4L	BDV	P	MPFI	2004	2005	SEDAN		AC09	ACA292	ACF3	ACC17
AUDI	A4	B7	SPORTS EDITION	4	2.0L	ALT	P	MPFI	2005	2005	SEDAN		AC06		ACF213	ACC17

MAKE	MODEL	SERIES	BADGE	CYLS	ENG SIZE	ENGINE CODE	FUEL	FUEL DELIVERY / AIR INTAKE	FROM	TO	BODY	REMARKS	OIL	AIR	FUEL	CABIN
AUDI	A4	B7	S-LINE	4	2.0L	BGB	P	MPFI	2005	2006	WAGON		AC0129			ACC17
AUDI	A4	B7		6	3.2L	AUK	P	MPFI	2005	2006	SEDAN					ACC17
AUDI	A4	B7		4	1.8L	BFB	P	TURBO MPFI	2005	2008	WAGON		AC06	ACA292	ACF3	ACC17
AUDI	A4	B7		4	2.0L	ALT	P	MPFI	2005	2008	SEDAN		AC06		ACF213	ACC17
AUDI	A4	B7		4	2.0L	ALT	P	MPFI	2005	2008	WAGON		AC06		ACF213	ACC17
AUDI	A4	B7	TDI	4	2.0L	BLB	D	TURBO MPFI	2005	2008	SEDAN		AC06			ACC17
AUDI	A4	B7	S-LINE	4	1.8L	BFB	P	TURBO MPFI	2006	2006	WAGON		AC06	ACA292	ACF3	ACC17
AUDI	A4	B7	S-LINE	4	2.0L	BGB	P	TURBO MPFI	2006	2006	SEDAN		AC0129			ACC17
AUDI	A4	B7		6	3.2L	AUK	P	MPFI	2006	2007	CABRIO					ACC17
AUDI	A4	B7	S-LINE	4	2.0L	BWE	P	TURBO MPFI	2006	2008	SEDAN		AC0129			ACC17
AUDI	A4	B7	S-LINE	4	2.0L	BWE	P	MPFI	2006	2008	WAGON		AC0129			ACC17
AUDI	A4	B7		4	1.8L	BFB	P	TURBO MPFI	2006	2009	CABRIO		AC06	ACA292	ACF3	ACC17
AUDI	A4	B7	SE	4	2.0L	ALT	P	MPFI	2007	2007	SEDAN		AC06		ACF213	ACC17
AUDI	A4	B7	TDI	4	2.0L	BLB	D	TURBO MPFI	2007	2008	WAGON		AC06			ACC17
AUDI	A4	B7	S-LINE	6	3.2L	AUK	P	MPFI	2007	2008	CABRIO					ACC17
AUDI	A4	B7	S-LINE	6	3.2L	AUK	P	MPFI	2007	2008	SEDAN					ACC17
AUDI	A4	B7	S-LINE	4	2.0L	BWE	P	TURBO MPFI	2008	2009	CABRIO		AC0129			ACC17
AUDI	A4	B8	TDI	6	3.0L	CCWA	D	TURBO DIRECT INJ	2008	2011	SEDAN		AC0161			
AUDI	A4	B8		4	1.8L	CABB	P	TURBO DIRECT INJ	2008	02/12	SEDAN		AC0136	ACA332		
AUDI	A4	B8		4	1.8L	CABB	P	TURBO DIRECT INJ	2008	06/12	WAGON		AC0136	ACA332		
AUDI	A4	B8	TDI	4	2.0L	CAGA/GAGB	D	TURBO DIRECT INJ	2008	06/12	SEDAN		AC0123	ACA332		
AUDI	A4	B8	TDI	4	2.0L	CAGA/GAGB	D	TURBO DIRECT INJ	2008	06/12	WAGON		AC0123	ACA332		
AUDI	A4	B8	TDI	6	2.7L	CAMA	D	TURBO DIRECT INJ	2008	06/12	SEDAN		AC0161			
AUDI	A4	B8	TDI	6	2.7L	CGKA	D	TURBO DIRECT INJ	2008	06/12	SEDAN		AC0161			
AUDI	A4	B8	TDI QUATTRO	6	3.0L	CCWA	D	TURBO DIRECT INJ	2008	06/12	SEDAN		AC0161			
AUDI	A4	B8		4	1.8L	CDHB	P	TURBO DIRECT INJ	04/08	06/12	SED/WAG		AC0136	ACA332		
AUDI	A4	B8		4	2.0L	CDNB	P	TURBO MPFI	10/08	06/12	SED/WAG		AC0136	ACA332		
AUDI	A4	B8		4	2.0L	CDNC	P	TURBO MPFI	10/08	08/13	SED/WAG		AC0136	ACA332		
AUDI	A4	B8	TDI AVANT	6	2.7L	CGKA	D	TURBO DIRECT INJ	2009	06/12	WAGON		AC0161			
AUDI	A4	B8	TDI	4	2.0L	CAGA/GAGB	D	TURBO DIRECT INJ	2010	2012	SEDAN		AC0123	ACA332		
AUDI	A4	B8	TDI	6	3.0L	CCWA	D	TURBO DIRECT INJ	2011	2011	SEDAN		AC0161			
AUDI	A4	B8		4	1.8L	CJEB	P	TURBO DIRECT INJ	07/12	0N	SED/WAG			ACA332		
AUDI	A4	B8	TDI	4	2.0L	CGLC	D	TURBO DIRECT INJ	07/12	0N	SED/WAG		AC0137	ACA332		
AUDI	A4	B8	QUATTRO	4	2.0L	CNC	P	TURBO DIRECT INJ	09/13	0N	SED/WAG			ACA332		
AUDI	A5	8T	TDI QUATTRO	6	3.0L	CCWA	D	TURBO DIRECT INJ	2008	02/12	COUPE/CONV		AC0161			
AUDI	A5	8T	TFSI	4	2.0L	CDNB	P	TURBO MPFI	05/09	02/12	COUPE		AC0136	ACA332		
AUDI	A5	8T	TFSI QUATTRO	4	2.0L	CDNC	P	TURBO MPFI	05/09	08/13	COUPE		AC0136	ACA332		

MAKE	MODEL	SERIES	BADGE	CYLS	ENG SIZE	ENGINE CODE	FUEL	FUEL DELIVERY / AIR INTAKE	FROM	TO	BODY	REMARKS	OIL	AIR	FUEL	CABIN
AUDI	A5	8T	TDI SPORTBACK	6	3.0L	CCWA	D	TURBO DIRECT INJ	2010	02/12	HATCH		AC0161			
AUDI	A5	8T	TFSI	4	1.8L	CJEB	P	TURBO MPFI	03/12	ON	COUPE/HATCH			ACA332		
AUDI	A5	8T	TDI	4	2.0L	CGLC	D	TURBO DIRECT INJ	03/12	ON	COUPE/HATCH			ACA332		
AUDI	A5	8T	TFSI QUATTRO	4	2.0L	CNC	P	TURBO DIRECT INJ	09/13	ON	COUPE/HATCH			ACA332		
AUDI	A6	C4		6	2.8L	ACK	P	MPFI	1997	1997	SEDAN		AC09	ACA292	ACF3	
AUDI	A6	C5		6	2.4L	AGA/APS	P	MPFI	1997	2001	SEDAN		AC09		ACF67	ACC17
AUDI	A6	C5		6	2.6L	ABC	P	MPFI	1997	2001	SEDAN		AC09	ACA292	ACF3	
AUDI	A6	C5		6	2.4L	AGA/APS	P	MPFI	1998	2001	WAGON		AC09	ACA292	ACF36	ACC17
AUDI	A6	C5		6	2.8L	ACK	P	MPFI	1998	2001	SEDAN		AC09	ACA292	ACF36	
AUDI	A6	C5		6	2.8L	ACK	P	MPFI	2000	2000	SEDAN		AC09	ACA292	ACF36	
AUDI	A6	C6		6	2.7L	ARE	P	TWIN TURBO MPFI	2002	2004	SEDAN		AC09	ACA292	ACF36	
AUDI	A6	C5		8	4.2L	ASG	P	MPFI	2002	2004	SEDAN			ACA292	ACF36	ACC17
AUDI	A6	C6		8	4.2L	BAT	P	MPFI	2002	2004	SEDAN			ACA292	ACF36	
AUDI	A6	C6		6	3.0L	BBJ	P	MPFI	2004	2005	SEDAN		AC09		ACF213	
AUDI	A6	C6		4	2.0L	BPJ	P	MPFI	2006	2011	SED/WAG		AC0129			
AUDI	A6	C7 4F		4	2.0L	CDNC	P	DIRECT INJ	2011	ON	SEDAN		AC0136			
AUDI	A6	C7 4F		4	2.0L	CGL	D	TURBO DIRECT INJ	2011	ON	SEDAN		AC0137			
AUDI	A8	D2		6	2.8L	AAH	P	MPFI	1995	1996	SEDAN		AC09		ACF36	
AUDI	A8	D2		8	4.2L	AQF	P	MPFI	1995	2003	SEDAN				ACF36	
AUDI	A8	D3		8	3.7L	BFL	P	MPFI	2003	2006	SEDAN				ACF213	
AUDI	A8	D3	LW12	12	6.0L	BHT	P	MPFI	2005	2010	SEDAN				ACF213	
AUDI	ALLROAD	C5		6	2.7L	ARE	P	TWIN TURBO MPFI	2001	2005	WAGON		AC09	ACA292	ACF36	ACC17
AUDI	ALLROAD	C5		6	2.5L	AKE	D	TWIN TURBO MPFI	2002	2005	WAGON					ACC17
AUDI	ALLROAD	4F		6	3.0L	ASB	D	TURBO DIRECT INJ	2007	2009	WAGON		AC0161			
AUDI	CABRIOLET			6	2.6L	ABC	P	MPFI	1993	1999	CABRIO		AC06		ACF36	
AUDI	CABRIOLET	SE		6	2.6L	ABC	P	MPFI	1998	1999	CABRIO		AC06		ACF36	
AUDI	Q3	8U	TDI	4	2.0L	CFFB	D	TURBO DIRECT INJ	2012	ON	WAGON		AC0137	ACA250		ACC66
AUDI	Q3	8U	TDI	4	2.0L	CFGC	D	TURBO DIRECT INJ	2012	ON	WAGON		AC0137	ACA250		ACC66
AUDI	Q3	8U	TFSI	4	2.0L	CCZC	P	MPFI	2012	ON	WAGON		AC0136	ACA250		ACC66
AUDI	Q3	8U	1.4 TFSI	4	1.4L	CHP	P	TURBO DIRECT INJ	02/14	ON	WAGON		AC0151	ACA333		ACC66
AUDI	Q5	8R	TDI QUATTRO	6	3.0L	CCWA	D	TURBO DIRECT INJ	2009	09/12	WAGON		AC0161			
AUDI	Q5	8R	TDI QUATTRO	4	2.0L	CAH	D	TURBO DIRECT INJ	03/09	09/10	WAGON		AC0123	ACA332		
AUDI	Q5	8R	TFSI QUATTRO	4	2.0L	CDNC	P	TURBO MPFI	03/09	09/12	WAGON		AC0136	ACA332		
AUDI	Q5	8R	TDI QUATTRO	4	2.0L	CGLB	D	TURBO DIRECT INJ	10/10	ON	WAGON		AC0137	ACA332		
AUDI	Q5	8R	TFSI QUATTRO	4	2.0L	CNC	P	TURBO MPFI	10/12	ON	WAGON			ACA332		
AUDI	Q7	4L	FSI QUATTRO	8	4.2L	BAR	P	DIRECT INJ	2006	09/10	WAGON					ACC77
AUDI	Q7	4L	FSI QUATTRO	6	3.6L	BHK	P	DIRECT INJ	2006	09/10	WAGON					ACC77
AUDI	Q7	4L	TDI QUATTRO	6	3.0L	BUG	D	TURBO DIRECT INJ	2006	06/07	WAGON		AC0161			ACC77

MAKE	MODEL	SERIES	BADGE	CYLS	ENG SIZE	ENGINE CODE	FUEL	FUEL DELIVERY / AIR INTAKE	FROM	TO	BODY	REMARKS	OIL	AIR	FUEL	CABIN
AUDI	Q7	4L	TDI QUATTRO	8	4.2L	BTR	D	TWIN TURBO DIRECT INJ	2007	10/09	WAGON		AC0161			ACC77
AUDI	Q7	4L	TDI QUATTRO	6	3.0L	CASA	D	TURBO DIRECT INJ	2007	09/10	WAGON		AC0161			ACC77
AUDI	Q7	4L	TDI QUATTRO	8	4.2L	CCF	D	TWIN TURBO DIRECT INJ	2009	ON	WAGON		AC0161			ACC77
AUDI	Q7	4L	TDI QUATTRO	6	6.0L	CCGA	D	TWIN TURBO DIRECT INJ	2009	ON	WAGON		AC0161			ACC77
AUDI	Q7	4L	TDI QUATTRO	6	3.0L	CJGA	D	TURBO DIRECT INJ	10/10	09/11	WAGON					ACC77
AUDI	Q7	4L	TDI QUATTRO	6	3.0L	CJT	P	TURBO DIRECT INJ	2010	ON	WAGON					ACC77
AUDI	Q7	4L	TDI QUATTRO	6	3.0L	CRC	D	TURBO DIRECT INJ	10/11	ON	WAGON					ACC77
AUDI	RS Q3	8U	TFSI QUATTRO	5	2.5L	CTSA	P	TURBO DIRECT INJ	02/14	ON	WAGON		AC0129	ACA291		ACC66
AUDI	S2	B4		5	2.2L	AAN/ABY	P	TURBO MPFI	1993	1996	HATCH		AC06		ACF67	
AUDI	S3	8L		4	1.8L	APY	P	TURBO MPFI	1999	2002	HATCH		AC06	ACA269	ACF213	ACC18
AUDI	S3	8L		4	1.8L	AMK	P	TURBO MPFI	2000	2002	HATCH		AC06	ACA269	ACF213	ACC18
AUDI	S3	8L		4	1.8L	BAM	P	TURBO MPFI	2002	2005	HATCH		AC06	ACA269	ACF213	ACC18
AUDI	S3	8P		4	2.0L	BZC	P	TURBO MPFI	2007	2011	HATCH		AC0129	ACA291	ACF214	ACC66
AUDI	S3	8P	SPORTBACK	4	2.0L	CDL	P	TURBO DIRECT INJ	2008	08/13	HATCH		AC0129	ACA291	ACF214	ACC66
AUDI	S4	C4		6	2.2L	AAN/ABY	P	TURBO MPFI	1993	1995	SEDAN		AC06		ACF36	
AUDI	S4	B5		6	2.7L	APB/AGB	P	TWIN TURBO MPFI	1999	2003	SEDAN		AC09	ACA292	ACF36	
AUDI	S4	B6		8	4.2L	BBK	P	MPFI	2003	2005	SEDAN					ACC17
AUDI	S4	B6		8	4.2L	BBK	P	MPFI	2005	2006	SEDAN					ACC17
AUDI	S4	B7		8	4.2L	BBK	P	MPFI	2005	2008	SEDAN					ACC17
AUDI	S6	C5		8	4.2L	AQJ	P	MPFI	2001	2001	SEDAN			ACA292	ACF36	ACC17
AUDI	S6	C6		8	4.2L	ANK	P	MPFI	2002	2004	SEDAN			ACA292		
AUDI	S8	D2		8	4.2L	AHC	P	MPFI	1998	1999	SEDAN				ACF36	
AUDI	S8	D2		8	4.2L	AQH/AUX	P	MPFI	1999	2002	SEDAN				ACF36	
AUDI	TT	8N		4	1.8L	APP	P	TURBO MPFI	1999	2003	COUPE		AC06	ACA269	ACF213	ACC18
AUDI	TT	8N		4	1.8L	BAM	P		1999	2006	COUPE		AC06	ACA269	ACF213	ACC18
AUDI	TT	8N		4	1.8L	APX	P		2000	2003	COUPE		AC06	ACA269	ACF213	ACC18
AUDI	TT	8N	S-LINE	4	1.8L	AUQ/ARY	P	TURBO MPFI	2005	2005	COUPE		AC06	ACA269	ACF213	ACC18
AUDI	TT	8N		4	1.8L	AUM	P	TURBO MPFI	2005	2006	COUPE		AC06	ACA269	ACF213	ACC18
AUDI	TT	8N	S-LINE	4	1.8L	BVP	P	TURBO MPFI	2005	2006	COUPE		AC06	ACA269	ACF213	ACC18
AUDI	TT	8N	S-LINE	4	1.8L	BVR	P	TURBO MPFI	2005	2006	COUPE		AC06	ACA269	ACF213	ACC18
AUDI	TT	8N		6	3.2L	BPF	P	MPFI	2005	2006	COUPE	WHERE CARTRIDGE OIL FILTER IS FITTED	AC0123	ACA269	ACF213	ACC18
AUDI	TT	8N		6	3.2L	BPF	P	MPFI	2005	2006	COUPE	WHERE SPIN ON OIL FILTER IS FITTED	AC06	ACA269	ACF213	ACC18
AUDI	TT	8N		6	3.2L	BHE	P	MPFI	2006	2006	COUPE		AC06	ACA269	ACF213	ACC18
AUDI	TT	8J		4	2.0L	BWA	P	TURBO DIRECT INJ	2006	2010	COUPE	WHERE CARTRIDGE OIL FILTER IS FITTED	AC0129	ACA289	ACF214	ACC66
AUDI	TT	8J		4	2.0L	BWA	P	TURBO DIRECT INJ	2006	2010	COUPE	WHERE SPIN ON OIL FILTER IS FITTED	AC0136	ACA289	ACF214	ACC66

MAKE	MODEL	SERIES	BADGE	CYLS	ENG SIZE	ENGINE CODE	FUEL	FUEL DELIVERY / AIR INTAKE	FROM	TO	BODY	REMARKS	OIL	AIR	FUEL	CABIN
AUDI	TT	8J		4	2.0L	BWA	P	TURBO MPFI	2006	2010	COUPE		AC0129	ACA289	ACF214	ACC66
AUDI	TT	8J	QUATTRO	6	3.2L	BUB	P	MPFI	2006	01/10	COUPE		AC0123	ACA291	ACF203	ACC66
AUDI	TT	8J	QUATTRO	6	3.2L	BUB	P	MPFI	2007	05/10	R-STER		AC0123	ACA291	ACF203	ACC66
AUDI	TT	8J		4	2.0L	CBBB	D	TURBO DIRECT INJ	2009	2010	COUPE		AC0123	ACA250		ACC66
AUDI	TT	8J	RS	5	2.5L	CEPA	P	TURBO MPFI	2009	2013	COUPE		AC0129	ACA291	ACF214	ACC66
AUDI	TT	8J		4	1.8L	CDA	P	TURBO MPFI	2009	ON	COUPE		AC0136	ACA250	ACF214	ACC66
AUDI	TT	8J		4	2.0L	CCZA	P	TURBO MPFI	2009	ON	COUPE		AC0136			ACC66
AUDI	TT	8J		4	2.0L	CFG	D	TURBO DIRECT INJ	2010	2010	COUPE		AC0123	ACA250	ACF155	ACC66
AUDI	TT	8J		4	2.0L	CES	P	TURBO MPFI	2011	2011	COUPE		AC0136	ACA250	ACF214	ACC66
AUDI	TT	8J	RS PLUS	5	2.5L	CEPB	P	TURBO MPFI	2013	ON	COUPE		AC0129	ACA291	ACF214	ACC66
AUDI	TTS	8J	QUATTRO	4	2.0L	CDL	P	TURBO DIRECT INJ	2008	ON	COUPE		AC0129	ACA291	ACF214	ACC66
AUDI	TTS	8J	QUATTRO	4	2.0L	CDL	P	TURBO DIRECT INJ	2008	ON	R-STER		AC0129	ACA291	ACF214	ACC66
<b>BMW</b>																
BMW	320	E21		4	2.0L		P		1976	1980	SEDAN		AC024			
BMW	1600	E10		4	1.6L	M116	P	CARB	1967	1971	SEDAN		AC024			
BMW	1602	E10		4	1.6L	M116	P	CARB	1971	1972	SEDAN	WHERE SPIN ON OIL FILTER IS FITTED	AC024			
BMW	1800	E10		4	1.8L	M118	P	CARB	1967	1969	SEDAN		AC024			
BMW	2000	E10		4	2.0L	M10B20	P	CARB	1967	1972	SEDAN		AC024			
BMW	2500	E3		6	2.5L	M30B25	P	CARB	1969	1977	SEDAN		AC068			
BMW	2800	E3		6	2.8L	M30B28	P	CARB	1971	1971	SEDAN		AC068			
BMW	2800	E3		6	2.8L	M30B28	P	CARB	1972	1976	SEDAN		AC068			
BMW	116I	E87		4	1.6L	N45B16AB	P	MPFI	2004	2007	HATCH		AC0122			
BMW	118D	E87		4	2.0L	N47D20C	D	TURBO DIRECT INJ	2000	2011	HATCH		AC0149	ACA331	ACF233	
BMW	118D	E88		4	2.0L	N47D20C	D	TURBO DIRECT INJ	2009	2011	CONV		AC0149	ACA331	ACF233	
BMW	118I	E87		4	2.0L	N46B20BY	P	MPFI	2004	2011	HATCH		AC0122			
BMW	118I	E87		4	2.0L	N46B20	P	MPFI	2011	2014	HATCH		AC0122			
BMW	118I	E88		4	2.0L	N43B20	P	MPFI	2009	2014	CONV		AC0122			
BMW	120D	E87		4	2.0L	M47N20	D	TURBO MPFI	2006	02/07	HATCH				ACF233	
BMW	120D	E87		4	2.0L	N47D20A	D	TURBO MPFI	2009	2010	HATCH		AC0149	ACA331	ACF233	
BMW	120D	E87		4	2.0L	N47D20A	D	TURBO MPFI	03/07	2009	HATCH		AC0149		ACF233	
BMW	120I	E82		4	2.0L	N46B20BD	P	MPFI	2011	ON	COUPE		AC0122			
BMW	120I	E87		4	2.0L	N46B20BA	P	MPFI	2004	2011	HATCH		AC0122			
BMW	120I	E88		4	2.0L	N46B20BA	P	MPFI	2008	ON	CONV		AC0122			
BMW	123D	E82		4	2.0L	N47D20D	D	TWIN TURBO CRD	2009	2011	COUPE		AC0149	ACA331	ACF233	
BMW	123D	E87		4	2.0L	N47D20D	D	TWIN TURBO CRD	2009	2011	HATCH		AC0149	ACA331	ACF233	
BMW	123D	E88		4	2.0L	N47D20D	D	TWIN TURBO CRD	2009	2011	CONV		AC0149	ACA331	ACF233	
BMW	125I	E82		6	3.0L	N52B30AE	P	MPFI	2008	2011	COUPE		AC0148			
BMW	125I	E88		6	3.0L	N52B30AE	P	MPFI	2008	2011	CONV		AC0148			
BMW	130I	E87		6	3.0L	N52B30AF	P	MPFI	2005	2009	HATCH		AC0148			
BMW	135I	E82		6	3.0L	N54B30A	P	TURBO MPFI	2008	2011	COUPE		AC0148			
BMW	135I	E88		6	3.0L	N54B30A	P	TURBO MPFI	2008	2010	CONV		AC0148			
BMW	135I	E88		6	3.0L	N54B30A	P	TURBO MPFI	2010	ON	CONV		AC0148			

MAKE	MODEL	SERIES	BADGE	CYLS	ENG SIZE	ENGINE CODE	FUEL	FUEL DELIVERY / AIR INTAKE	FROM	TO	BODY	REMARKS	OIL	AIR	FUEL	CABIN
BMW	2002TI	E10		4	2.0L	M10B20	P	CARB	1973	1975	SEDAN		AC024			
BMW	3.0CSI	E3		6	3.0L	M30B30	P	CARB	1972	1976	SEDAN		AC068			
BMW	316I	E36	OPEN AIR	4	1.9L	M43B19	P	MPFI	1995	1998	HATCH		AC0135		ACF235	
BMW	316I	E36	CONTOUR	4	1.6L	M43B16	P	MPFI	1998	2000	HATCH		AC0135		ACF235	
BMW	316I	E36	CONTOUR	4	1.9L	M43B19	P	MPFI	1998	2000	HATCH		AC0135		ACF235	
BMW	316I	E36	EXCLUSIVE	4	1.9L	M43B19	P	MPFI	2000	2000	HATCH		AC0135		ACF235	
BMW	316TI	E46/5		4	1.8L	N42B18	P	MPFI	2001	2005	HATCH		AC0122	ACA330	ACF234	ACC90
BMW	318I	E21		4	1.8L	M10B18	P	MPFI	1980	1983	SEDAN		AC024			
BMW	318I	E30	CABRIOLET	4	1.8L	M10B18	P	MPFI	1983	1987	CONV		AC024		ACF3	
BMW	318I	E30	JOHN PLAYER SPECIAL	4	1.8L	M10B18	P	MPFI	1983	1987	CONV		AC024		ACF3	
BMW	318I	E30		4	1.8L	M10B18	P	MPFI	1983	1988	SEDAN		AC024		ACF3	
BMW	318I	E30		4	1.8L	M40B18	P	MPFI	1988	1990	SEDAN		AC024		ACF3	
BMW	318I	E36		4	1.8L	M40B18	P	MPFI	1991	1998	SEDAN				ACF3	
BMW	318I	E36		4	1.8L	M43B18	P	MPFI	1993	1998	SEDAN		AC0135		ACF3	
BMW	318I	E46		4	1.9L	M43B19	P	MPFI	1998	2001	SEDAN		AC0135	ACA206	ACF235	ACC90
BMW	318I	E46		4	2.0L	N42B20AA	P	MPFI	1998	2005	SEDAN		AC0122	ACA330	ACF234	ACC90
BMW	318I	E46	SPORT	4	2.0L	N42B20AA	P	MPFI	2004	2005	SEDAN		AC0122	ACA330	ACF234	ACC90
BMW	318I	E30		4	1.8L	M40B18	P	MPFI	1983	1991	SEDAN		AC024		ACF3	
BMW	318IS	E36		4	1.9L	M44B19	P	MPFI	1992	1999	COUPE		AC0135		ACF235	
BMW	318TI	E36		4	1.9L	M44B19	P	MPFI	1996	2001	HATCH		AC0135		ACF235	
BMW	318TI	E46/5		4	2.0L	N42B20	P	MPFI	2001	2005	HATCH		AC0122	ACA330	ACF234	ACC90
BMW	320	E21		4	2.0L	M10B20	P	MPFI	1976	1980	SEDAN		AC024			
BMW	320CI	E46		6	2.2L	M54	P	MPFI	2000	2006	COUPE		AC0146	ACA206	ACF234	ACC90
BMW	320CI	E46	SPORT	6	2.2L	M54	P	MPFI	2004	2006	COUPE		AC0146	ACA206	ACF234	ACC90
BMW	320CI	E46	SPECIAL EDITION	6	2.2L	M54	P	MPFI	2005	2006	COUPE		AC0146	ACA206	ACF234	ACC90
BMW	320CI	E46	SPORT SPECIAL EDITION	6	2.2L	M54	P	MPFI	2005	2006	COUPE		AC0146	ACA206	ACF234	ACC90
BMW	320D	E90		4	2.0L	M47D20C	D	TURBO CRD	2006	2008	SEDAN		AC0149	ACA331	ACF233	
BMW	320D	E90	EXECUTIVE	4	2.0L	N47D20C	D	TURBO CRD	2006	01/10	SEDAN		AC0149	ACA331	ACF233	
BMW	320D	E90	LIFESTYLE	4	2.0L	N47D20C	D	TURBO CRD	2006	01/10	SEDAN		AC0149	ACA331	ACF233	
BMW	320D	E90		4	2.0L	N47D20C	D	TURBO CRD	2008	01/10	SEDAN		AC0149	ACA331	ACF233	
BMW	320D	E90	EXECUTIVE	4	2.0L	N47D20C	D	TURBO CRD	04/10	2011	SEDAN		AC0149	ACA331		
BMW	320D	E90	LIFESTYLE	4	2.0L	N47D20C	D	TURBO CRD	04/10	2011	SEDAN		AC0149	ACA331		
BMW	320D	E90		4	2.0L	N47D20C	D	TURBO CRD	04/10	2011	SEDAN		AC0149	ACA331		
BMW	320D	E91	EXECUTIVE TOURING	4	2.0L	N47D20C	D	TURBO CRD	2009	2010	WAGON		AC0149	ACA331	ACF233	
BMW	320D	E91	LIFESTYLE TOURING	4	2.0L	N47D20C	D	TURBO CRD	2010	2011	WAGON			ACA331	ACF233	
BMW	320D	E92		4	2.0L	N47D20C	D	TURBO CRD	2009	04/10	COUPE		AC0149	ACA331	ACF233	
BMW	320D	E92		4	2.0L	N47D20C	D	TURBO CRD	05/10	2013	COUPE			ACA331	ACF233	
BMW	320D	E93		4	2.0L	N47D20C	D	TURBO CRD	2009	04/10	CONV		AC0149	ACA331	ACF233	
BMW	320D	E93		4	2.0L	N47D20C	D	TURBO CRD	05/10	2013	CONV			ACA331	ACF233	
BMW	320I	E21		4	2.0L	M10B20	P	MPFI	1976	1978	SEDAN		AC024		ACF3	
BMW	320I	E30		6	2.0L	M20B20	P	MPFI	1988	1990	SEDAN				ACF3	
BMW	320I	E36		6	2.0L	M50B20	P	MPFI	1991	1995	SEDAN			ACA206		
BMW	320I	E46		6	2.2L	M54B22	P	MPFI	2000	2005	SEDAN		AC0146	ACA206	ACF234	ACC90

MAKE	MODEL	SERIES	BADGE	CYLS	ENG SIZE	ENGINE CODE	FUEL	FUEL DELIVERY / AIR INTAKE	FROM	TO	BODY	REMARKS	OIL	AIR	FUEL	CABIN
BMW	320I	E46	TOURING WAGON	6	2.2L	M54B22	P	MPFI	2002	2005	WAGON		AC0146	ACA206	ACF234	ACC90
BMW	320I	E46	EXECUTIVE	6	2.2L	M54B22	P	MPFI	2004	2005	SEDAN		AC0146	ACA206	ACF234	ACC90
BMW	320I	E46	SPORT	6	2.2L	M54B22	P	MPFI	2004	2005	SEDAN		AC0146	ACA206	ACF234	ACC90
BMW	320I	E90	EXECUTIVE	4	2.0L	N46B20 OL	P	MPFI	2005	2010	SEDAN		AC0122			
BMW	320I	E90	LIFESTYLE	4	2.0L	N46B20 OL	P	MPFI	2010	2011	SEDAN		AC0149			
BMW	320I	E91	TOURING	4	2.0L	N46B20 OL	P	MPFI	2007	2008	WAGON		AC0122			
BMW	320I	E91	EXECUTIVE TOURING	4	2.0L	N46B20 OL	P	MPFI	2007	2010	WAGON		AC0122			
BMW	320I	E91	LIFESTYLE TOURING	4	2.0L	N46B20 OL	P	MPFI	2010	2011	WAGON		AC0122			
BMW	323CI	E46		6	2.5L	M52B25	P	MPFI	1999	2000	COUPE		AC0146	ACA206	ACF235	ACC90
BMW	323I	E21		6	2.3L	M20B23	P	MPFI	1979	1982	COUPE		AC085		ACF3	
BMW	323I	E30		6	2.3L	M20B23	P	MPFI	1983	1985	CONV		AC085		ACF3	
BMW	323I	E30		6	2.3L	M20B23	P	MPFI	1983	1985	COUPE		AC085		ACF3	
BMW	323I	E30		6	2.3L	M20B23	P	MPFI	1983	1985	SEDAN		AC085		ACF3	
BMW	323I	E36		6	2.5L	M52B25	P	MPFI	1996	1998	SEDAN		AC0146	ACA206	ACF235	
BMW	323I	E36	EXECUTIVE	6	2.5L	N52B25AE	P	MPFI	1997	1998	SEDAN		AC0146	ACA206	ACF235	
BMW	323I	E46		6	2.5L	M52B25	P	MPFI	1998	2000	SEDAN		AC0146	ACA206	ACF235	ACC90
BMW	323I	E90		6	2.5L	N52B25AE	P	MPFI	2006	2010	SEDAN		AC0148			
BMW	323I	E90	LIFESTYLE	6	2.5L	N52B25AE	P	MPFI	2010	2011	SEDAN		AC0148			
BMW	323I	E91		6	2.5L	N52B25AE	P	MPFI	2006	2010	WAGON		AC0148			
BMW	323I	E91	LIFESTYLE	6	2.5L	N52B25AE	P	MPFI	2010	2012	WAGON		AC0148			
BMW	323I	E92		6	2.5L	N52B25A	P	MPFI	2006	2009	COUPE		AC0148			
BMW	325CI	E46		6	2.5L	M54B25	P	MPFI	2000	2006	COUPE		AC0146	ACA206	ACF234	ACC90
BMW	325CI	E46	HIGH LINE	6	2.5L	M54B25	P	MPFI	2004	2006	CONV		AC0146	ACA206	ACF234	ACC90
BMW	325CI	E46	SPORT	6	2.5L	M54B25	P	MPFI	2004	2006	COUPE		AC0146	ACA206	ACF234	ACC90
BMW	325CI	E46	SPECIAL EDITION	6	2.5L	M54B25	P	MPFI	2005	2006	COUPE		AC0146	ACA206	ACF234	ACC90
BMW	325CI	E46	SPORT SPECIAL EDITION	6	2.5L	M54B25	P	MPFI	2005	2006	COUPE		AC0146	ACA206	ACF234	ACC90
BMW	325E	E30		6	2.7L	M20B27	P	MPFI	1986	1987	CONV		AC085		ACF3	
BMW	325E	E30		6	2.7L	M20B27	P	MPFI	1986	1987	COUPE		AC085		ACF3	
BMW	325E	E30	EXECUTIVE	6	2.7L	M20B27	P	MPFI	1986	1987	SEDAN		AC085		ACF3	
BMW	325I	E30		6	2.5L	M20B25	P	MPFI	1988	1991	SEDAN		AC085		ACF3	
BMW	325I	E36		6	2.5L	M50B25	P	MPFI	1991	1995	SEDAN			ACA203	ACF3	
BMW	325I	E36		6	2.5L	M50B25	P	MPFI	1992	1995	COUPE			ACA203	ACF3	
BMW	325I	E36		6	2.5L	M50B25	P	MPFI	1994	1995	CONV			ACA203	ACF3	
BMW	325I	E46		6	2.5L	M54B25	P	MPFI	2000	2005	SEDAN		AC0146	ACA206	ACF234	ACC90
BMW	325I	E46	EXECUTIVE	6	2.5L	M54B25	P	MPFI	2004	2005	SEDAN		AC0146	ACA206	ACF234	ACC90
BMW	325I	E46	SPORT	6	2.5L	M54B25	P	MPFI	2004	2005	SEDAN		AC0146	ACA206	ACF234	ACC90
BMW	325I	E90		6	2.5L	N52B25 OL	P	MPFI	2005	2010	SEDAN		AC0148			
BMW	325I	E90	EXCLUSIVE	6	2.5L	N52B25 OL	P	MPFI	2010	2011	SEDAN		AC0148			
BMW	325I	E90	EXCLUSIVE INNOVATIONS	6	2.5L	N52B25 OL	P	MPFI	2011	2011	SEDAN		AC0148			
BMW	325I	E92		6	2.5L	N52B25A	P	MPFI	2006	2011	COUPE		AC0148			
BMW	325I	E93		6	2.5L	N52B25A	P	MPFI	2007	2011	CONV		AC0148			
BMW	325I	E30		6	2.5L	M20B25	P	MPFI	1990	1993	CONV		AC085		ACF3	

MAKE	MODEL	SERIES	BADGE	CYLS	ENG SIZE	ENGINE CODE	FUEL	FUEL DELIVERY / AIR INTAKE	FROM	TO	BODY	REMARKS	OIL	AIR	FUEL	CABIN
BMW	325IS	E30		6	2.5L	M20B25	P	MPFI	1988	1990	SEDAN		AC085		ACF3	
BMW	325TI	E46/5	SPORT	6	2.5L	M54 B25	P	MPFI	2003	2005	HATCH		AC0146	ACA206	ACF234	ACC90
BMW	325TI	E46/5		6	2.5L	M54 B25	P	MPFI	2003	2005	HATCH		AC0146	ACA206	ACF234	ACC90
BMW	328CI	E46		6	2.8L	M52B28	P	MPFI	1999	2000	COUPE		AC0146	ACA206	ACF235	ACC90
BMW	328I	E36		6	2.8L	M52B28	P	MPFI	1995	1996	CONV		AC0146	ACA206	ACF235	
BMW	328I	E36		6	2.8L	M52B28	P	MPFI	1995	1996	COUPE		AC0146	ACA206	ACF235	
BMW	328I	E36		6	2.8L	M52B28	P	MPFI	1995	1996	SEDAN		AC0146	ACA206	ACF235	
BMW	328I	E36	EXECUTIVE	6	2.8L	M52B28	P	MPFI	1997	2000	CONV		AC0146	ACA206	ACF235	
BMW	328I	E36	EXECUTIVE	6	2.8L	M52B28	P	MPFI	1997	2000	COUPE		AC0146	ACA206	ACF235	
BMW	328I	E36	EXECUTIVE	6	2.8L	M52B28	P	MPFI	1997	2000	SEDAN		AC0146	ACA206	ACF235	
BMW	328I	E36	HIGH LINE	6	2.8L	M52B28	P	MPFI	1997	2000	CONV		AC0146	ACA206	ACF235	
BMW	328I	E36	HIGH LINE	6	2.8L	M52B28	P	MPFI	1997	2000	COUPE		AC0146	ACA206	ACF235	
BMW	328I	E36	HIGH LINE	6	2.8L	M52B28	P	MPFI	1997	2000	SEDAN		AC0146	ACA206	ACF235	
BMW	328I	E46		6	2.8L	M52B28	P	MPFI	1998	2000	SEDAN		AC0146	ACA206	ACF235	ACC90
BMW	328I	E46	EXECUTIVE	4	2.0L	N42B20	P	MPFI	2000	2004	SEDAN		AC0122	ACA330	ACF234	ACC90
BMW	330CI	E46		6	3.0L	M54B30	P	MPFI	2000	2005	CONV		AC0146	ACA206	ACF234	ACC90
BMW	330CI	E46		6	3.0L	M54B30	P	MPFI	2000	2006	COUPE		AC0146	ACA206	ACF234	ACC90
BMW	330CI	E46	CLUBSPORT	6	3.0L	M54B30	P	MPFI	2004	2006	COUPE		AC0146	ACA206	ACF234	ACC90
BMW	330CI	E46	SPORT	6	3.0L	M54B30	P	MPFI	2004	2006	COUPE		AC0146	ACA206	ACF234	ACC90
BMW	330CI	E46	HIGHLINE	6	3.0L	M54B30	P	MPFI	2005	2006	CONV		AC0146	ACA206	ACF234	ACC90
BMW	330CI	E46	SPECIAL EDITION	6	3.0L	M54B30	P	MPFI	2005	2006	COUPE		AC0146	ACA206	ACF234	ACC90
BMW	330CI	E46	SPORT SPECIAL EDITION	6	3.0L	M54B30	P	MPFI	2005	2006	COUPE		AC0146	ACA206	ACF234	ACC90
BMW	330D	E90		6	3.0L	N57D30A	D	TURBO CRD	2009	01/10	SEDAN			ACA331	ACF233	
BMW	330D	E90		6	3.0L	N57D30A	D	TURBO CRD	02/10	2011	SEDAN			ACA331		
BMW	330D	E92		6	3.0L	N57D30A	D	TURBO CRD	2009	01/10	COUPE			ACA331	ACF233	
BMW	330D	E92		6	3.0L	N57D30A	D	TURBO CRD	02/10	2013	COUPE			ACA331		
BMW	330D	E93		6	3.0L	N57D30A	D	TURBO CRD	2009	01/10	CONV			ACA331	ACF233	
BMW	330D	E93		6	3.0L	N57D30A	D	TURBO CRD	02/10	2013	CONV			ACA331		
BMW	330I	E46		6	3.0L	M54B30	P	MPFI	2000	2005	SEDAN		AC0146	ACA206	ACF234	ACC90
BMW	330I	E90		6	3.0L	N52B30	P	MPFI	2005	2006	SEDAN		AC0148			
BMW	335I	E90		6	3.0L	N54B30A	P	TWIN TURBO DIRECT INJ	2006	2010	SEDAN		AC0148			
BMW	335I	E90	M SPORT	6	3.0L	N54B30A	P	TWIN TURBO DIRECT INJ	2010	2011	SEDAN		AC0148			
BMW	335I	E91	TOURING	6	3.0L	N54B30A	P	TWIN TURBO DIRECT INJ	2008	2010	WAGON		AC0148			
BMW	335I	E91	TOURING M SPORT	6	3.0L	N55B30A	P	TURBO DIRECT INJ	2010	2011	WAGON		AC0148			
BMW	335I	E92	M SPORT	6	3.0L	N55B30A	P	TURBO DIRECT INJ	2010	2011	COUPE		AC0148			
BMW	335I	E93	M SPORT	6	3.0L	N55B30A	P	TURBO DIRECT INJ	2010	2011	CONV		AC0148			
BMW	335I	E92		6	3.0L	N54B30A	P	TWIN TURBO DIRECT INJ	2006	2010	COUPE		AC0148			
BMW	335I	E93		6	3.0L	N54B30A	P	TWIN TURBO DIRECT INJ	2007	2010	CONV		AC0148			
BMW	520D	E60		4	2.0L	N47D20A	D	TURBO DIRECT INJ	2007	2010	SEDAN		AC0149		ACF233	
BMW	520I	E28		6	2.0L	M20B20	P	MPFI	1983	1985	SEDAN		AC085		ACF3	
BMW	520I	E34		6	2.0L	M20B20	P	MPFI	1988	1990	SEDAN		AC085		ACF3	



MAKE	MODEL	SERIES	BADGE	CYLS	ENG SIZE	ENGINE CODE	FUEL	FUEL DELIVERY / AIR INTAKE	FROM	TO	BODY	REMARKS	OIL	AIR	FUEL	CABIN
BMW	520I	E34		6	2.0L	M50B20	P	MPFI	1990	1996	SEDAN				ACF3	
BMW	520I	E34	ANNIV	6	2.0L	M50B20	P	MPFI	1992	1992	SEDAN				ACF3	
BMW	520I	E34	EXECUTIVE	6	2.0L	M50B20	P	MPFI	1995	1996	SEDAN				ACF3	
BMW	523I	E39		6	2.5L	M52B25	P	MPFI	1996	2000	SEDAN		AC0146	ACA206	ACF235	ACC16
BMW	523I	E60		6	2.5L	N52B25AF	P	MPFI	2007	2009	SEDAN		AC0148			
BMW	525E	E28		6	2.7L	M20B27	P	MPFI	1986	1988	SEDAN		AC085		ACF3	
BMW	525E	E28	EXECUTIVE	6	2.7L	M20B27	P	MPFI	1986	1988	SEDAN		AC085		ACF3	
BMW	525I	E34	EXECUTIVE	6	2.5L	M50B25	P	MPFI	1988	1996	SEDAN				ACF235	
BMW	525I	E34	ANNIV	6	2.5L	M50B25	P	MPFI	1992	1992	SEDAN				ACF235	
BMW	525I	E34	TOURING	6	2.5L	M50B25	P	MPFI	1992	1996	WAGON				ACF235	
BMW	525I	E60		6	2.5L	M54B25	P	MPFI	2003	05/05	SEDAN		AC0146			
BMW	525I	E60		6	2.5L	N52B25AF	P	MPFI	06/05	2010	SEDAN		AC0148			
BMW	528I	E28		6	2.8L	M30B28	P	MPFI	1982	1985	SEDAN				ACF3	
BMW	528I	E28	EXECUTIVE	6	2.8L	M30B28	P	MPFI	1982	1985	SEDAN				ACF3	
BMW	528I	E28	MOTOR-SPORT	6	2.8L	M30B28	P	MPFI	1983	1985	SEDAN				ACF3	
BMW	528I	E39	TOURING	6	2.8L	M52	P	MPFI	1996	2000	WAGON		AC0146	ACA206	ACF235	ACC16
BMW	528I	E39		6	2.8L	M52B28	P	MPFI	1996	2000	SEDAN		AC0146	ACA206	ACF235	ACC16
BMW	530D	E60		6	3.0L	M57TUD30	D	TURBO DIRECT INJ	2005	2008	SEDAN		AC0147	ACA329		
BMW	530D	E60		6	3.0L	M57D30	D	TURBO DIRECT INJ	2008	2010	SEDAN		AC0147	ACA329	ACF233	
BMW	530I	E34		6	3.0L	M60B30	P	MPFI	1993	1996	SEDAN			ACA292		
BMW	530I	E39	530I SPORT	6	3.0L	M54B30	P	MPFI	2000	2003	SEDAN		AC0146	ACA206	ACF234	ACC16
BMW	530I	E39	EXECUTIVE	6	3.0L	M54B30	P	MPFI	2000	2003	SEDAN		AC0146	ACA206	ACF234	ACC16
BMW	530I	E39	HIGH-LINE	6	3.0L	M54B30	P	MPFI	2002	2003	SEDAN		AC0146	ACA206	ACF234	ACC16
BMW	530I	E39	HIGH-LINE EXECUTIVE	6	3.0L	M54B30	P	MPFI	2002	2003	SEDAN		AC0146	ACA206	ACF234	ACC16
BMW	530I	E39	HIGH-TECH SPORT	6	3.0L	M54B30	P	MPFI	2002	2003	SEDAN		AC0146	ACA206	ACF234	ACC16
BMW	530I	E39	HIGH-TECH TOURING	6	3.0L	M54B30	P	MPFI	2002	2003	WAGON		AC0146	ACA206	ACF234	ACC16
BMW	530I	E60	SPORT	6	3.0L	M54B30	P	MPFI	2003	05/05	SEDAN		AC0146			
BMW	530I	E60		6	3.0L	N52B30	P	MPFI	06/05	2006	SEDAN		AC0146			
BMW	530I	E61	TOURING	6	3.0L	N52B30	P	MPFI	2005	02/07	WAGON		AC0146			
BMW	530I	E61	TOURING	6	3.0L	N52B30	P	MPFI	03/07	08/10	WAGON		AC0148			
BMW	530I	E60		6	3.0L	N52B30	P	MPFI	2006	02/07	SEDAN		AC0146			
BMW	530I	E60		6	3.0L	N52B30	P	MPFI	03/07	06/10	SEDAN		AC0148			
BMW	535I	E34	EXECUTIVE	6	3.4L	M30B35	P	MPFI	1988	1990	SEDAN				ACF3	
BMW	535I	E34		6	3.4L	M30B35	P	MPFI	1988	1993	SEDAN				ACF3	
BMW	535I	E34	S	6	3.4L	M30B3	P	MPFI	1989	1990	SEDAN				ACF3	
BMW	535I	E34	ANNIV	6	3.4L	M30B35	P	MPFI	1992	1992	SEDAN				ACF3	
BMW	535I	E39		6	3.5L	M62B35	P	MPFI	1996	1998	SEDAN			ACA292	ACF235	ACC16
BMW	535I	E39	EXECUTIVE	6	3.5L	M62B35	P	MPFI	1998	2003	SEDAN			ACA292	ACF234	ACC16
BMW	535I	E39	SPORT	6	3.5L	M62B44	P	MPFI	1998	2003	SEDAN			ACA292	ACF234	ACC16
BMW	535I	E39	HIGH-LINE EXECUTIVE	6	3.5L	M62B35	P	MPFI	2002	2003	SEDAN			ACA292	ACF234	ACC16
BMW	535I	E39	HIGH-TECH SPORT	6	3.5L	M62B35	P	MPFI	2002	2003	SEDAN			ACA292	ACF234	ACC16
BMW	540I	E34	LIMITED EDITION	8	4.0L	M60B40	P	MPFI	1995	1996	SEDAN			ACA292		
BMW	540I	E39		8	4.4L	M62B44	P	MPFI	1996	1998	SEDAN			ACA292	ACF235	ACC16

MAKE	MODEL	SERIES	BADGE	CYLS	ENG SIZE	ENGINE CODE	FUEL	FUEL DELIVERY / AIR INTAKE	FROM	TO	BODY	REMARKS	OIL	AIR	FUEL	CABIN
BMW	540I	E39	EXECUTIVE	8	4.4L	M62TUB44	P	MPFI	1998	2003	SEDAN			ACA292	ACF234	ACC16
BMW	540I	E39	SPORT	8	4.4L	M62TUB44	P	MPFI	1998	2003	SEDAN			ACA292	ACF234	ACC16
BMW	540I	E39		8	4.4L	M62TUB44	P	MPFI	1998	2003	SEDAN			ACA292	ACF234	ACC16
BMW	540I	E39	HIGH LINE	8	4.4L	M62TUB44	P	MPFI	2002	2003	SEDAN			ACA292	ACF234	ACC16
BMW	540I	E39	HIGH-TECH SPORT	8	4.4L	M62TUB44	P	MPFI	2002	2003	SEDAN			ACA292	ACF234	ACC16
BMW	540I	E34		8	4.0L	M60B40	P	MPFI	1993	1995	SEDAN			ACA292		
BMW	635CSI	E24		6	3.3L	M30	P	MPFI	1977	1980	COUPE				ACF3	
BMW	635CSI	E24		6	3.4L	M30	P	MPFI	1986	1989	COUPE				ACF3	
BMW	730I	E32		6	3.0L	M30B30	P	MPFI	1990	1992	SEDAN				ACF3	
BMW	730IL	E32		8	3.0L	M60B30	P	MPFI	1992	1994	SEDAN			ACA292	ACF3	
BMW	730IL	E32	EXECUTIVE	8	3.0L	M60B30	P	MPFI	1993	1994	SEDAN			ACA292	ACF3	
BMW	733I	E23		6	3.2L	M30B32	P	MPFI	1978	1982	SEDAN				ACF3	
BMW	735I	E23		6	3.2L	M30B32	P	MPFI	1983	1984	SEDAN				ACF3	
BMW	735I	E23	EXECUTIVE	6	3.4L	M30B34	P	MPFI	1987	1988	SEDAN				ACF3	
BMW	735I	E23		6	3.4L	M30B34	P	MPFI	1987	1990	SEDAN				ACF3	
BMW	735I	E38	HIGH LINE	8	3.5L	M62B35	P	MPFI	1998	2001	SEDAN			ACA292	ACF235	
BMW	735I	E65		8	3.6L	N62B36AA	P	MPFI	2002	2005	SEDAN				ACF234	
BMW	735I	E38		8	3.5L	M62B35	P	MPFI	1998	2001	SEDAN			ACA292	ACF235	
BMW	735IL	E32	EXECUTIVE	6	3.4L		P	MPFI	1988	1990	SEDAN				ACF3	
BMW	735IL	E32		6	3.4L		P	MPFI	1988	1992	SEDAN				ACF3	
BMW	735IL	E38		8	3.5L	M62	P	MPFI	1996	1998	SEDAN			ACA292	ACF235	
BMW	735IL	E38		8	3.5L	M62	P	MPFI	1998	2001	SEDAN			ACA292	ACF235	
BMW	735LI	E66		8	3.6L	N62B36AA	P	MPFI	2002	2005	SEDAN				ACF234	
BMW	740I	E65		8	4.0L	N62B40A	P	MPFI	2005	2008	SEDAN				ACF234	
BMW	740I	E65	LUMINANCE	8	4.0L	N62B40A	P	MPFI	2006	2006	SEDAN				ACF234	
BMW	740I	E65	EXECUTIVE	8	4.0L	N62B40A	P	MPFI	2007	2008	SEDAN				ACF234	
BMW	740I	E65	SPORT	8	4.0L	N62B40A	P	MPFI	2007	2008	SEDAN				ACF234	
BMW	740I	F01		6	3.0L	N54B30A	P	TWIN TURBO DIRECT INJ	2009	2011	SEDAN		AC0148			
BMW	740IL	E32		8	4.0L	M60B40	P	MPFI	1992	1994	SEDAN			ACA292		
BMW	740IL	E38		8	4.4L	M62B44	P	MPFI	1996	2001	SEDAN			ACA292	ACF235	
BMW	740IL	E38	HIGH-LINE	8	4.4L	M62B44	P	MPFI	2001	2001	SEDAN			ACA292	ACF235	
BMW	740LI	E66		8	4.0L	N62B40A	P	MPFI	2005	2008	SEDAN				ACF234	
BMW	740LI	E66	LUMINANCE	8	4.0L	N62B40A	P	MPFI	2006	2006	SEDAN				ACF234	
BMW	740LI	E66	EXECUTIVE	8	4.0L	N62B40A	P	MPFI	2007	2008	SEDAN				ACF234	
BMW	740LI	E66	SPORT	8	4.0L	N62B40A	P	MPFI	2007	2008	SEDAN				ACF234	
BMW	740LI	F02		6	3.0L	N54B30A	P	TWIN TURBO DIRECT INJ	2009	2011	SEDAN		AC0148			
BMW	745I	E65		8	4.4L	N62B44AA	P	MPFI	2002	2005	SEDAN				ACF234	
BMW	745LI	E66		8	4.4L	N62B44AA	P	MPFI	2002	2005	SEDAN				ACF234	
BMW	750I	E65		8	4.8L	N62B48B	P	MPFI	2005	2008	SEDAN				ACF234	
BMW	750I	E65	LUMINANCE	8	4.8L	N62B48B	P	MPFI	2006	2006	SEDAN				ACF234	
BMW	750I	E65	EXECUTIVE	8	4.8L	N62B48B	P	MPFI	2007	2008	SEDAN				ACF234	
BMW	750I	E65	SPORT	8	4.8L	N62B48B	P	MPFI	2007	2008	SEDAN				ACF234	
BMW	750IL	E38		8	5.4L	M73B54	P	MPFI	1995	2001	SEDAN			ACA235	ACF235	
BMW	750IL	E38	HIGH-LINE	8	5.4L	M73B54	P	MPFI	2001	2001	SEDAN			ACA235	ACF235	
BMW	750LI	E66	LUMINANCE	8	4.8L	N62B48B	P	MPFI	2006	2006	SEDAN				ACF234	
BMW	750LI	E66	SPORT	8	4.8L	N62B48B	P	MPFI	2007	2008	SEDAN				ACF234	

MAKE	MODEL	SERIES	BADGE	CYLS	ENG SIZE	ENGINE CODE	FUEL	FUEL DELIVERY / AIR INTAKE	FROM	TO	BODY	REMARKS	OIL	AIR	FUEL	CABIN
BMW	750LI	E66	EXECUTIVE	8	4.8L	N62B48B	P	MPFI	2008	2007	SEDAN				ACF234	
BMW	750LI	F02		8	4.4L	N63B44A	P	MPFI	2009	2011	SEDAN				ACF234	
BMW	840CI	E31		8	4.0L	M60B40	P	MPFI	1993	1996	SEDAN			ACA292		
BMW	840CI	E31		8	4.4L	M62B44	P	MPFI	1996	1999	SEDAN			ACA292	ACF235	
BMW	ACTIVEHYBRID 3	F30		6	3.0L	N55B30A	P	TURBO DIRECT INJ	2013	ON	SEDAN		AC0148			
BMW	ACTIVEHYBRID 5	F10		6	3.0L	N55B30	P	TWIN TURBO DIRECT INJ	10/12	ON	SEDAN		AC0148			
BMW	M3	E36		6	3.0L	S50B30	P	MPFI	1994	1996	COUPE			ACA206		
BMW	M3	E36	R	6	3.0L	S50B30	P	MPFI	1995	1995	COUPE			ACA206		
BMW	M3	E36		6	3.2L	S50B32	P	MPFI	1997	1999	COUPE			ACA206		
BMW	M3	E36	ANNIV EDITION	6	3.2L	S50B32	P	MPFI	1998	1998	COUPE			ACA206		
BMW	M3	E36		6	3.2L	S50B32	P	MPFI	1999	1999	CONV			ACA206		
BMW	M3	E46		6	3.2L	S54B32	P	MPFI	2001	2006	COUPE			ACA206		ACC90
BMW	M3	E46	CSL	6	3.2L	S54B32	P	MPFI	2003	2004	COUPE			ACA206		ACC90
BMW	M5	E34		6	3.5L	S38	P	MPFI	1990	1993	SEDAN				ACF3	
BMW	M5	E39		8	5.0L	S62B50	P	MPFI	1999	2003	SEDAN			ACA292		
BMW	X1	E84	SDRIVE18I	4	2.0L	N46B20BD	P	MPFI	04/10	08/12	WAGON		AC0122			
BMW	X1	E84	SDRIVE20D	4	2.0L	N47D20C	D	TURBO DIRECT INJ	04/10	ON	WAGON		AC0149	ACA331		
BMW	X1	E84	XDRIVE20D	4	2.0L	N47D20C	D	TURBO DIRECT INJ	04/10	ON	WAGON		AC0149	ACA331		
BMW	X1	E84	XDRIVE23D	4	2.0L	N47D20D	D	TWIN TURBO DIRECT INJ	04/10	ON	WAGON		AC0149	ACA331		
BMW	X1	E84	XDRIVE25I	6	3.0L	N52B30U1	P	MPFI	04/10	ON	WAGON		AC0148			
BMW	X1	E84	SDRIVE18D	4	2.0L	N47D20C	D	TURBO DIRECT INJ	09/12	ON	WAGON		AC0149	ACA331		
BMW	X3	E83	XDRIVE30D	6	3.0L	M57TUD30	D	TURBO DIRECT INJ	2005	11/06	WAGON		AC0147	ACA329	ACF233	ACC90
BMW	X3	E83	2.5SI	6	2.5L	N52B25A	P	MPFI	2006	2008	WAGON		AC0148			ACC90
BMW	X3	E83	XDRIVE30I	6	3.0L	N52B30AF	P	MPFI	2008	2010	WAGON		AC0148			ACC90
BMW	X3	E83	2.5I	6	2.5L	M54B25	P	MPFI	06/04	11/06	WAGON		AC0146	ACA206		ACC90
BMW	X3	E83	3.0I	6	3.0L	M54B30	P	MPFI	06/04	11/06	WAGON		AC0146	ACA206		ACC90
BMW	X3	E83	XDRIVE25I	6	2.5L	M54B25	P	MPFI	12/06	02/11	WAGON		AC0146	ACA206		ACC90
BMW	X3	E83	XDRIVE30D	6	3.0L	M57TUD30	D	TURBO DIRECT INJ	12/06	02/11	WAGON		AC0147		ACF233	ACC90
BMW	X3	E83	3.0SI	6	3.0L	N52B30AF	P	MPFI	12/06	02/11	WAGON		AC0148			ACC90
BMW	X3	E83	2.0D	4	2.0L	N47D20	D	TURBO INT-COOL	12/07	02/11	WAGON		AC0149		ACF233	ACC90
BMW	X3	E83	XDRIVE20D	4	2.0L	N47D20	D	TURBO DIRECT INJ	12/07	02/11	WAGON		AC0149		ACF233	ACC90
BMW	X3	F25	XDRIVE28I	6	3.0L	N52B30AF	P	MPFI	03/11	ON	WAGON		AC0148			
BMW	X3	F25	XDRIVE20I	4	2.0L	N20B20A	P	MPFI	12/11	ON	WAGON		AC0148			
BMW	X5	E53		6	3.0L	M57D29/ M57D30	D	TURBO DIESEL	2000	12/03	WAGON			ACA329		
BMW	X5	E53		6	3.0L	M54B30	P	MPFI	2001	2007	WAGON		AC0146	ACA235	ACF234	
BMW	X5	E53	IS	8	4.6L	M62B46	P	MPFI	2002	2003	WAGON			ACA292		
BMW	X5	E53	IS	8	4.8L	N62B48	P	MPFI	2004	2006	WAGON			ACA292	ACF234	
BMW	X5	E53	D	6	3.0L	M57TUD30	D	TURBO INT-COOL MPFI	2004	2007	WAGON		AC0147	ACA329		
BMW	X5	E53		8	4.4L	M62B44	P	MPFI	2001	10/03	WAGON			ACA292	ACF234	
BMW	X5	E53		8	4.4L	N62B44	P	MPFI	11/03	2007	WAGON			ACA292		

MAKE	MODEL	SERIES	BADGE	CYLS	ENG SIZE	ENGINE CODE	FUEL	FUEL DELIVERY / AIR INTAKE	FROM	TO	BODY	REMARKS	OIL	AIR	FUEL	CABIN
BMW	X5	E70	D	6	3.0L	M57TU 2D30	D	TURBO DIRECT INJ	2007	2008	WAGON		AC0147	ACA329		
BMW	X5	E70	D EXECUTIVE	6	3.0L	M57TU 2D30	D	TURBO DIRECT INJ	2007	2008	WAGON		AC0147	ACA329		
BMW	X5	E70	SI	6	3.0L	N52B30AF	P	MPFI	2007	2010	WAGON		AC0148			
BMW	X5	E70	SI EXECUTIVE	6	3.0L	N52B30AF	P	MPFI	2007	2010	WAGON		AC0148			
BMW	X5	E70	SD	6	3.0L	M57TU 2D30	D	TWIN TURBO DIRECT INJ	2008	2008	WAGON		AC0147	ACA329		
BMW	X5	E70	XDRIVE30 EXECUTIVE	6	3.0L	N52B30AF	P	MPFI	2008	2009	WAGON		AC0148			
BMW	X5	E70	XDRIVE35	6	3.0L	M57TU 2D30	D	TWIN TURBO DIRECT INJ	2008	2010	WAGON			ACA329		
BMW	X5	E70	XDRIVE30I	6	3.0L	N52B30AF	P	MPFI	2008	2010	WAGON		AC0148			
BMW	X5	E70	XDRIVE30D	6	3.0L	M57TU 2D30	D	TURBO DIRECT INJ	2008	05/10	WAGON		AC0147	ACA329		
BMW	X5	E70	XDRIVE35I	6	3.0L	N55B30A	P	TWIN TURBO DIRECT INJ	06/10	2013	WAGON		AC0148			
BMW	X5	E70	XDRIVE30D	6	3.0L	N57D30A	D	TURBO DIRECT INJ	06/10	2013	WAGON		AC0147		ACF233	
BMW	X5	E70	XDRIVE40D SPORT	8	3.0L	N57D30B	D	TWIN TURBO DIRECT INJ	06/10	2013	WAGON		AC0147		ACF233	
BMW	X6	E71	XDRIVE35D	6	3.0L	M57D 30N2	D	TWIN TURBO DIRECT INJ	2008	2010	WAGON		AC0147		ACF233	
BMW	X6	E71	XDRIVE35I	6	3.0L	N54B30A	P	TWIN TURBO DIRECT INJ	2008	0N	WAGON		AC0148			
BMW	X6	E71	XDRIVE35I	6	3.0L	N55B30A	P	TWIN TURBO DIRECT INJ	2008	0N	WAGON		AC0148			
BMW	X6	E71	XDRIVE30D	6	3.0L	N57D30A	D	TURBO DIRECT INJ	2010	0N	WAGON				ACF233	
BMW	X6	E71	XDRIVE40D	6	3.0L	N57D30B	D	TWIN TURBO DIRECT INJ	2010	0N	WAGON				ACF233	
BMW	X6	E71	M50D	6	3.0L	N57D30C	D	TRIPLE TURBO CRD	2012	0N	WAGON		AC0149			
BMW	Z3	E36-7		4	1.9L	M44	P	MPFI	01/97	06/99	R-STER		AC0135		ACF235	
BMW	Z3	E36-7		6	2.8L	M52	P	MPFI	04/97	07/00	R-STER		AC0146	ACA206		
BMW	Z3	E36-7		6	2.0L	M52	P	MPFI	06/99	10/00	R-STER		AC0146	ACA206		
BMW	Z3	E36-7		6	3.0L	M54B30	P	MPFI	09/00	12/02	R-STER		AC0146	ACA206	ACF234	
BMW	Z3	E36-7		6	2.2L	M54B22	P	MPFI	10/00	12/02	R-STER		AC0146	ACA206	ACF234	
BMW	Z4	E85		6	2.5L	M54B25	P	MPFI	2003	2006	R-STER		AC0146	ACA206		
BMW	Z4	E85		6	3.0L	M54B30	P	MPFI	2003	2006	R-STER		AC0146	ACA206		
<b>CHERY</b>																
CHERY	J1	S2X		4	1.3L		P	MPFI	2011	2011	HATCH		AC024		ACF213	
CHERY	J11	T1X 2WD		4	2.0L		P	MPFI	2011	2011	WAGON		AC061			
CHERY	J3	M1X	-	4	1.6L		P	MPFI	2011	0N	HATCH		AC061			
<b>CHRYSLER</b>																
CHRYSLER	300	LX	C	6	3.6L	GCH	P	MPFI	07/12	06/13	SEDAN		AC0163			
CHRYSLER	300	LX	C LUXURY	6	3.6L	GCH	P	MPFI	07/12	06/13	SEDAN		AC0163			
CHRYSLER	300	LX	LIMITED	6	3.6L	GCH	P	MPFI	07/12	06/13	SEDAN		AC0163			
CHRYSLER	300	LX	C	6	3.0L	MCH	D	TURBO DIRECT INJ	07/12	0N	SEDAN		AC0154	ACA348	ACF196	
CHRYSLER	300	LX	C LUXURY	6	3.0L	MCH	D	TURBO DIRECT INJ	07/12	0N	SEDAN		AC0154	ACA348	ACF196	
CHRYSLER	300	LX	LIMITED	6	3.0L	MCH	D	TURBO DIRECT INJ	07/12	0N	SEDAN		AC0154	ACA348	ACF196	
CHRYSLER	300	LX	SRT-8	8	6.4L	JCH	P	MPFI	07/12	0N	SEDAN		AC084			

MAKE	MODEL	SERIES	BADGE	CYLS	ENG SIZE	ENGINE CODE	FUEL	FUEL DELIVERY / AIR INTAKE	FROM	TO	BODY	REMARKS	OIL	AIR	FUEL	CABIN
CHRYSLER	300	LX	SRT-8 CORE	8	6.4L	JCH	P	MPFI	2013	ON	SEDAN		AC084			
CHRYSLER	300C	LE		6	3.5L	Y1	P	MPFI	2005	02/08	SEDAN		AC09			ACC36
CHRYSLER	300C	LE	TOURING	6	3.5L	Y1	P	MPFI	2005	02/08	WAGON		AC09			ACC36
CHRYSLER	300C	LE	HEMI	8	5.7L	Y1	P	MPFI	2005	02/08	SEDAN		AC09			ACC36
CHRYSLER	300C	LE	HEMI TOURING	8	5.7L	Y1	P	MPFI	2005	02/08	WAGON		AC09			ACC36
CHRYSLER	300C	LE	SRT-8	8	6.1L	Y1	P	MPFI	2005	02/08	SEDAN		AC09			ACC36
CHRYSLER	300C	LE	SRT-8 TOURING	8	6.1L	Y1	P	MPFI	2005	02/08	WAGON		AC09			ACC36
CHRYSLER	300C	LE	TOURING	6	3.0L	OM642	D	TURBO DIRECT INJ	2006	2009	WAGON		AC0160			ACC36
CHRYSLER	300C	LE		6	3.0L	OM642	D	TURBO DIRECT INJ	2006	2012	SEDAN		AC0160			ACC36
CHRYSLER	300C	LE	SIGNATURE	6	3.5L	Y1	P	MPFI	2007	2007	SEDAN		AC09			ACC36
CHRYSLER	300C	LE	SIGNATURE TOURING	6	3.5L	Y1	P	MPFI	2007	2007	WAGON		AC09			ACC36
CHRYSLER	300C	LE		6	3.5L	Y1	P	MPFI	03/08	2011	SEDAN		AC084			ACC36
CHRYSLER	300C	LE	TOURING	6	3.5L	Y1	P	MPFI	03/08	2012	WAGON		AC084			ACC36
CHRYSLER	300C	LE	HEMI	8	5.7L	Y1	P	MPFI	03/08	2012	SEDAN		AC084			ACC36
CHRYSLER	300C	LE	HEMI TOURING	8	5.7L	Y1	P	MPFI	03/08	2012	WAGON		AC084			ACC36
CHRYSLER	300C	LE	SRT-8	8	6.1L	Y1	P	MPFI	03/08	2012	SEDAN		AC084			ACC36
CHRYSLER	300C	LE	SRT-8 TOURING	8	6.1L	Y1	P	MPFI	03/08	2012	WAGON		AC084			ACC36
CHRYSLER	CROSSFIRE	ZH	MY2004	6	3.2L	SRT-6	P		2003	2004	COUPE		AC0157		ACF230	ACC8
CHRYSLER	CROSSFIRE	ZH	MY2005	6	3.2L	SRT-6	P		2004	2008	R-STER		AC0157		ACF230	ACC8
CHRYSLER	GRAND VOYAGER	RS	LE	6	3.3L	A4	P		1997	2001	WAGON		AC09			
CHRYSLER	GRAND VOYAGER	RS	SE	6	3.3L	A4	P		1997	2001	WAGON		AC09			
CHRYSLER	GRAND VOYAGER	RS	LE LTD	6	3.3L	A4	P		1998	1998	WAGON		AC09			
CHRYSLER	GRAND VOYAGER	RS	LX	6	3.3L	A4	P		2000	2001	WAGON		AC09			
CHRYSLER	GRAND VOYAGER	4TH GEN	LIMITED	6	3.3L	2U	P	MPFI	2001	2002	WAGON		AC09	ACA210		
CHRYSLER	GRAND VOYAGER	4TH GEN	LX	6	3.3L	2U	P		2001	2002	WAGON		AC09	ACA210		
CHRYSLER	GRAND VOYAGER	4TH GEN	SE	6	3.3L	2U	P		2001	2002	WAGON		AC09	ACA210		
CHRYSLER	GRAND VOYAGER	4TH GEN	20TH ANNIV LX	6	3.3L	2U	P		2003	2003	WAGON		AC09	ACA210		
CHRYSLER	GRAND VOYAGER	4TH GEN	LIMITED	6	3.3L	2U	P		2003	2003	WAGON		AC09	ACA210		
CHRYSLER	GRAND VOYAGER	4TH GEN	SE	6	3.3L	2U	P		2003	2003	WAGON		AC09	ACA210		
CHRYSLER	GRAND VOYAGER	4TH GEN	LX	6	3.3L	2U	P	MPFI	2003	2004	WAGON		AC09	ACA210		
CHRYSLER	GRAND VOYAGER	4TH GEN	LIMITED	6	3.3L	2U	P		2004	2004	WAGON		AC09	ACA210		
CHRYSLER	GRAND VOYAGER	4TH GEN	SE	6	3.3L	2U	P		2004	2004	WAGON		AC09	ACA210		
CHRYSLER	GRAND VOYAGER	4TH GEN	SE	6	3.3L	2U	P		2004	2006	WAGON		AC09	ACA210		
CHRYSLER	GRAND VOYAGER	4TH GEN	LIMITED	6	3.3L	2U	P		2004	2006	WAGON		AC09	ACA210		

MAKE	MODEL	SERIES	BADGE	CYLS	ENG SIZE	ENGINE CODE	FUEL	FUEL DELIVERY / AIR INTAKE	FROM	TO	BODY	REMARKS	OIL	AIR	FUEL	CABIN
CHRYSLER	GRAND VOYAGER	4TH GEN	LIMITED VI-SION SERIES	6	3.3L	2U	P	MPFI	2005	2005	WAGON		AC09	ACA210		
CHRYSLER	GRAND VOYAGER	4TH GEN	LX VISION SERIES	6	3.3L	2U	P		2005	2005	WAGON		AC09	ACA210		
CHRYSLER	GRAND VOYAGER	4TH GEN	SE VISION SERIES	6	3.3L	2U	P		2005	2005	WAGON		AC09	ACA210		
CHRYSLER	GRAND VOYAGER	4TH GEN	LX	6	3.3L	2U	P		2005	2006	WAGON		AC09	ACA210		
CHRYSLER	GRAND VOYAGER	4TH GEN	LIMITED	6	3.3L	2U	P		2006	2006	WAGON		AC09	ACA210		
CHRYSLER	GRAND VOYAGER	4TH GEN	LX	6	3.3L	2U	P		2006	2006	WAGON		AC09	ACA210		
CHRYSLER	GRAND VOYAGER	4TH GEN	SE	6	3.3L	2U	P		2006	2006	WAGON		AC09	ACA210		
CHRYSLER	GRAND VOYAGER	4TH GEN	LIMITED	6	3.3L	2U	P		2007	2007	WAGON		AC09	ACA210		
CHRYSLER	GRAND VOYAGER	4TH GEN	LX SIGNATURE	6	3.3L	2U	P	MPFI	2007	2007	WAGON		AC09	ACA210		
CHRYSLER	GRAND VOYAGER	4TH GEN	SE	6	3.3L	2U	P	MPFI	2007	2007	WAGON		AC09	ACA210		
CHRYSLER	GRAND VOYAGER	5TH GEN	LIMITED	4	2.8L		D	TURBO INT-COOL	2008	2008	WAGON			ACA210		
CHRYSLER	GRAND VOYAGER	5TH GEN	LX	4	2.8L		D	TURBO INT-COOL	2008	2008	WAGON			ACA210		
CHRYSLER	GRAND VOYAGER	5TH GEN	TOURING	4	2.8L		D	TURBO INT-COOL	2008	2008	WAGON			ACA210		
CHRYSLER	GRAND VOYAGER	5TH GEN	LIMITED	6	3.8L		P		2008	2008	WAGON		AC024	ACA210		
CHRYSLER	GRAND VOYAGER	5TH GEN	TOURING	6	3.8L		P	MPFI	2008	2008	WAGON		AC024	ACA210		
CHRYSLER	GRAND VOYAGER	5TH GEN		4	2.8L		D	TURBO INT-COOL	2009	2009	WAGON			ACA210		
CHRYSLER	GRAND VOYAGER	5TH GEN	LIMITED	4	2.8L		D	TURBO INT-COOL	2010	2011	WAGON			ACA210		
CHRYSLER	GRAND VOYAGER	5TH GEN	LX	4	2.8L		D	TURBO INT-COOL	2010	2011	WAGON			ACA210		
CHRYSLER	GRAND VOYAGER	5TH GEN	LIMITED	6	3.8L		P	MPFI	2010	2011	WAGON		AC024	ACA210		
CHRYSLER	GRAND VOYAGER	5TH GEN	LX	6	3.8L		P	MPFI	2010	2011	WAGON		AC024	ACA210		
CHRYSLER	NEON	PL2000		4	2.0L	YD5	P		1999	2000	SEDAN		AC024			
CHRYSLER	NEON	PL2000	LE	4	2.0L	YD5	P		2001	2001	SEDAN		AC024			
CHRYSLER	NEON	PL2000	SE	4	2.0L	YD5	P		2001	2001	SEDAN		AC024			
CHRYSLER	PT CRUISER	PT	CLASSIC	4	2.0L	IT	P	MPFI	2000	2002	WAGON		AC024	ACA347		
CHRYSLER	PT CRUISER	PT	LIMITED	4	2.0L	IT	P		2000	2002	WAGON		AC024	ACA347		
CHRYSLER	PT CRUISER	PG		4	2.0L	IT	P	MPFI	2002	2002	WAGON		AC024	ACA347		
CHRYSLER	PT CRUISER	PG	LIMITED	4	2.0L	IT	P		2002	2003	WAGON		AC024	ACA347		
CHRYSLER	PT CRUISER	PG	CLASSIC	4	2.0L	IT	P	MPFI	2003	2003	WAGON		AC024	ACA347		
CHRYSLER	PT CRUISER	PG	STREET CRUISER 2	4	2.0L	IT	P	MPFI	2003	2003	WAGON		AC024	ACA347		
CHRYSLER	PT CRUISER	PG	TOURING	4	2.0L	IT	P		2003	2003	WAGON		AC024	ACA347		
CHRYSLER	PT CRUISER	PG	CLASSIC	4	2.0L	IT	P	MPFI	2004	2004	WAGON		AC024	ACA347		
CHRYSLER	PT CRUISER	PG	LIMITED	4	2.0L	IT	P	MPFI	2004	2004	WAGON		AC024	ACA347		
CHRYSLER	PT CRUISER	PG	CLASSIC	4	2.4L	5T	P		2005	2005	WAGON		AC024	ACA347		
CHRYSLER	PT CRUISER	PG	GRAND TOURER	4	2.4L	5T	P		2005	2005	WAGON		AC024	ACA347		
CHRYSLER	PT CRUISER	PG	LIMITED	4	2.4L	5T	P		2005	2005	WAGON		AC024	ACA347		

MAKE	MODEL	SERIES	BADGE	CYLS	ENG SIZE	ENGINE CODE	FUEL	FUEL DELIVERY / AIR INTAKE	FROM	TO	BODY	REMARKS	OIL	AIR	FUEL	CABIN
CHRYSLER	PT CRUISER	PG	CLASSIC	4	2.4L	5T	P		2005	2006	WAGON		AC024	ACA347		
CHRYSLER	PT CRUISER	PG	GT	4	2.4L	5T	P	MPFI	2005	2006	WAGON		AC024	ACA347		
CHRYSLER	PT CRUISER	PG	LIMITED	4	2.4L	5T	P		2005	2006	CONV/ WAG		AC024	ACA347		
CHRYSLER	PT CRUISER	PG	ROUTE 66	4	2.4L	5T	P		2005	2006	WAGON		AC024	ACA347		
CHRYSLER	PT CRUISER	PG	TOURING	4	2.4L	5T	P	MPFI	2006	2006	CONV		AC024	ACA347		
CHRYSLER	PT CRUISER	PG	LIMITED	4	2.4L	5T	P		2006	2008	CONV/ WAG		AC024	ACA347		
CHRYSLER	PT CRUISER	PG	TOURING	4	2.4L	5T	P	MPFI	2006	2008	CONV		AC024	ACA347		
CHRYSLER	PT CRUISER	PG	TOURING GT	4	2.4L	5T	P	MPFI	2006	2010	WAGON		AC024	ACA347		
CHRYSLER	PT CRUISER	PG	CLASSIC	4	2.4L	5T	P		2007	2007	WAGON		AC024	ACA347		
CHRYSLER	PT CRUISER	PG	PACIFIC COAST HIGHWAY ED	4	2.4L	5T	P		2007	2007	WAGON		AC024	ACA347		
CHRYSLER	PT CRUISER	PG	SPECIAL EDITION	4	2.4L	5T	P		2009	2009	WAGON		AC024	ACA347		
CHRYSLER	SEBRING	JS	LIMITED	6	2.7L	8N	P	MPFI	2007	2007	CONV/ SED		AC092	ACA210		ACC5
CHRYSLER	SEBRING	JS	TOURING	6	2.7L	8N	P	MPFI	2007	2007	CONV		AC092	ACA210		ACC5
CHRYSLER	SEBRING	JS	LIMITED	4	2.4L	7N	P	MPFI	2007	2008	SEDAN		AC092	ACA210		
CHRYSLER	SEBRING	JS	TOURING	4	2.4L	7N	P	MPFI	2007	2008	SEDAN		AC092	ACA210		
CHRYSLER	SEBRING	JS	LIMITED	4	2.0L	9N	D	DIRECT INJ	2007	2010	SEDAN	WHERE SPIN ON OIL FILTER IS FITTED	AC086		ACF134	
CHRYSLER	SEBRING	JS	LIMITED	4	2.0L	9N	D	DIRECT INJ	2007	2010	SEDAN	WHERE CARTRIDGE OIL FILTER IS FITTED	AC0123		ACF134	
CHRYSLER	SEBRING	JS	TOURING	6	2.7L	8N	P	MPFI	2008	2008	CONV		AC084	ACA210		ACC5
CHRYSLER	SEBRING	JS	LIMITED	6	2.7L	8N	P	MPFI	2008	2011	CONV/ SED		AC084	ACA210		ACC5
CHRYSLER	SEBRING	JS	LIMITED	4	2.4L	7N	P	MPFI	2009	2009	SEDAN		AC092	ACA210		
CHRYSLER	SEBRING	JS	TOURING	4	2.4L	7N	P	MPFI	2009	2009	SEDAN		AC092	ACA210		
CHRYSLER	VALIANT	CL	265 HEMI	6	4.3L		P	CARB	1973	1975	SEDAN		AC035			
CHRYSLER	VALIANT	CL	318 HEMI	8	5.2L		P	CARB	1973	1981	SEDAN		AC035			
CHRYSLER	VALIANT	CM	265 HEMI	6	4.3L		P	CARB	1973	1975	SEDAN		AC035			
CHRYSLER	VALIANT	CM	318 HEMI	8	5.2L		P	CARB	1973	1981	SEDAN		AC035			
CHRYSLER	VALIANT	VK	265 HEMI	6	4.3L		P	CARB	1973	1975	SEDAN		AC035			
CHRYSLER	VALIANT	VK	245 HEMI	6	4.0L		P	CARB	1973	1981	SEDAN		AC035			
CHRYSLER	VALIANT	VK	318 HEMI	8	5.2L		P	CARB	1973	1981	SEDAN		AC035			
CHRYSLER	VOYAGER	4TH GEN		6	3.3L	2U	P		2002	2002	WAGON		AC09	ACA210		
CHRYSLER	VOYAGER	4TH GEN		6	3.3L	2U	P		2003	2003	WAGON		AC09	ACA210		
CHRYSLER	VOYAGER	4TH GEN		6	3.3L	2U	P	MPFI	2004	2004	WAGON		AC09	ACA210		
<b>CITROEN</b>																
CITROEN	BERLINGO	M49		4	1.4L	TU3JP	P	MPFI	1999	09/03	VAN	WHERE CARTRIDGE OIL FILTER IS FITTED	AC0155		ACF136	
CITROEN	BERLINGO	M49		4	1.4L	TU3JP	P	MPFI	1999	09/03	VAN	WHERE SPIN ON OIL FILTER IS FITTED	AC086		ACF136	
CITROEN	BERLINGO	M59		4	1.4L	TU3JP	P	MPFI	10/03	2010	VAN	WHERE OIL FILTER IS APPROX. 70MM HIGH	AC0125		ACF136	

MAKE	MODEL	SERIES	BADGE	CYLS	ENG SIZE	ENGINE CODE	FUEL	FUEL DELIVERY / AIR INTAKE	FROM	TO	BODY	REMARKS	OIL	AIR	FUEL	CABIN
CITROEN	BERLINGO	M59		4	1.4L	TU3JP	P	MPFI	10/03	2010	VAN	WHERE OIL FILTER IS APPROX. 140MM HIGH	AC0155		ACF136	
CITROEN	BERLINGO	B9C	1.6 SHORT	4	1.6L	TU5JP4	P	MPFI	2009	ON	VAN		AC0125			
CITROEN	BERLINGO	B9C	1.6 HDI	4	1.6L	DV6AUT-ED4	D	TURBO CRD	2009	ON	VAN		AC0109			
CITROEN	C2		VTR	4	1.6L	TU5JP4	P	MPFI	2004	2008	HATCH		AC0125		ACF136	
CITROEN	C2		VTS	4	1.6L	TU5JP4S	P	MPFI	2004	2008	HATCH		AC0125		ACF136	
CITROEN	C3		EXCLUSIVE / SX	4	1.4L	TU3JP	P	MPFI	12/02	03/09	HATCH	UP TO ENGINE # 4717577	AC0155		ACF136	
CITROEN	C3		EXCLUSIVE / SX	4	1.4L	TU3JP	P	MPFI	12/02	03/09	HATCH	FROM ENGINE # 4717578	AC0125		ACF136	
CITROEN	C3		SENSODRIVE	4	1.6L	TU5JP4	P	MPFI	2003	06/04	HATCH		AC0155		ACF136	
CITROEN	C3		PLURIEL	4	1.4L	TU3JP	P	MPFI	2004	2006	CONV	UP TO ENGINE # 4717577	AC0155		ACF136	
CITROEN	C3		PLURIEL	4	1.4L	TU3JP	P	MPFI	2004	2006	CONV	FROM ENGINE # 4717578	AC0125		ACF136	
CITROEN	C3		SENSODRIVE	4	1.6L	TU5JP4	P	MPFI	07/04	01/06	HATCH		AC0125		ACF136	
CITROEN	C3		PLURIEL	4	1.6L	TU5JP4	P	MPFI	09/04	08/10	CONV		AC0125		ACF136	
CITROEN	C3		XTR	4	1.6L	TU5JP4	P	MPFI	2005	2006	HATCH		AC0125		ACF136	
CITROEN	C3		EXCLUSIVE	4	1.6L	TU5JP4	P	MPFI	02/06	05/10	HATCH		AC0125		ACF136	
CITROEN	C3	A5	EXCLUSIVE	4	1.6L	DV6ATED4	D	CRD TURBO	10/07	03/09	HATCH		AC0109			
CITROEN	C3	A5	EXCLUSIVE	4	1.6L	EP6C	P	MPFI	2010	01/12	HATCH		AC0125	ACA314	ACF136	
CITROEN	C3	A5	VTR+	4	1.6L	DV6ATED4	D	CRD TURBO	2010	01/12	HATCH		AC0109			
CITROEN	C3	A5	VTR+	4	1.6L	EP6C	P	MPFI	2010	01/12	HATCH		AC0125	ACA314	ACF136	
CITROEN	C3	A5	VT	4	1.4L	TU3A	P	MPFI	11/10	ON	HATCH		AC0125	ACA314	ACF136	
CITROEN	C3	A5	SEDUCTION	4	1.6L	EP6C	P	MPFI	2012	01/13	HATCH		AC0125	ACA314	ACF136	
CITROEN	C3	A51	SEDUCTION	3	1.2L	EB2	P	MPFI	09/13	ON	HATCH		AC086		ACF136	
CITROEN	C3	A51	EXCLUSIVE	4	1.6L	EP6C	P	MPFI	09/13	ON	HATCH		AC0125	ACA314	ACF136	
CITROEN	C3	A51	SEDUCTION	4	1.6L	EP6C	P	MPFI	09/13	ON	HATCH		AC0125	ACA314	ACF136	
CITROEN	C4		VTS	4	2.0L	EW10A	P		2005	2009	COUPE		AC0125		ACF136	
CITROEN	C4		2.0HDI	4	2.0L	DW10BT-ED4	D	CRD TURBO	2005	2010	HATCH		AC0125	ACA315		
CITROEN	C4		VTR	4	2.0L	EW10A	P		2005	2011	COUPE/HATCH		AC0125		ACF136	
CITROEN	C4		HDI	4	1.6L	DV6TED4	D	TURBO CRD	2006	09/11	HATCH		AC0109			
CITROEN	C4		HDI EGS	4	1.6L	DV6TED4	D	TURBO CRD	2007	09/11	HATCH		AC0109			
CITROEN	C4		VTI EGS	4	1.6L	DV6TED4	D	TURBO CRD	2010	2010	HATCH		AC0109			
CITROEN	C4 PICASSO		HDI	4	2.0L	DW10BT-ED4	D	CRD TURBO	2007	2010	WAGON		AC0125	ACA315		
CITROEN	C4 PICASSO		EXCLUSIVE HDI	4	2.0L	DW10BT-ED4	D	CRD TURBO	2008	2008	WAGON		AC0125	ACA315		
CITROEN	C4 PICASSO		HDI	4	2.0L	DW10BT-ED4	D	CRD TURBO	2010	2012	WAGON		AC0125	ACA315		
CITROEN	C4 PICASSO		HDI	4	2.0L	DW10BT-ED4	D	CRD TURBO	2012	2013	WAGON		AC0125	ACA315		
CITROEN	C5		HDI	4	2.0L	DW10A-TED	D	TURBO CRD	2001	01/05	HATCH/WAG	WHERE CARTRIDGE OIL FILTER IS FITTED	AC0125			



MAKE	MODEL	SERIES	BADGE	CYLS	ENG SIZE	ENGINE CODE	FUEL	FUEL DELIVERY / AIR INTAKE	FROM	TO	BODY	REMARKS	OIL	AIR	FUEL	CABIN
CITROEN	C5		HDI	4	2.0L	DW10A-TED	D	TURBO CRD	2001	01/05	HATCH/WAG	WHERE SPIN ON OIL FILTER IS FITTED	AC086			
CITROEN	C5			4	2.0L	EW10J4	P	MPFI	06/01	01/05	HATCH		AC086		ACF136	
CITROEN	C5		V6 EXCLUSIVE	6	3.0L	ES9J4S	P	MPFI	06/01	01/05	HATCH				ACF136	
CITROEN	C5			4	2.0L	EW10J4	P	MPFI	08/01	01/05	WAGON		AC086		ACF136	
CITROEN	C5		SX HDI	4	2.2L	DW-12TED4	D	TURBO CRD	2005	05/06	HATCH		AC086			
CITROEN	C5		SX HDI	4	2.2L	DW-12TED4	D	TURBO CRD	2005	05/06	WAGON		AC086			
CITROEN	C5		V6	6	3.0L	ES9A	P	MPFI	06/05	08/08	HATCH		AC086			
CITROEN	C5		SX ESTATE 16V	4	2.0L	EW10A	P	MPFI	2006	2006	WAGON		AC086		ACF136	
CITROEN	C5		SX 16V	4	2.0L	EW10A	P	MPFI	2006	2007	HATCH		AC086		ACF136	
CITROEN	C5		SX HDI	4	2.0L	DW10BT-ED4	D	TURBO DIRECT INJ	2006	08/08	HATCH		AC0125		ACF216	
CITROEN	C5		SX HDI	4	2.0L	DW10BT-ED4	D	TURBO DIRECT INJ	2006	08/08	WAGON		AC0125		ACF216	
CITROEN	C5		SX HDI	4	2.2L	DW12BT-ED4	D	TWIN TURBO CRD	2007	2008	HATCH		AC086			
CITROEN	C5	X7	V6 EXCLUSIVE HDI	6	2.7L	DT17TED4	D	TWIN TURBO CRD	2008	01/10	SEDAN		AC0143			
CITROEN	C5	X7	V6 EXCLUSIVE TOURING HDI	6	2.7L	DT17TED4	D	TWIN TURBO CRD	2008	01/10	WAGON		AC0143			
CITROEN	C5	X7	COMFORT HDI	4	2.0L	DW10BT-ED4	D	TURBO DIRECT INJ	09/08	01/10	SEDAN		AC0125		ACF216	
CITROEN	C5	X7	COMFORT TOURING HDI	4	2.0L	DW10BT-ED4	D	TURBO DIRECT INJ	09/08	01/10	WAGON		AC0125		ACF216	
CITROEN	C5	X7	EXCLUSIVE HDI	4	2.0L	DW10BT-ED4	D	TURBO DIRECT INJ	09/08	01/10	SEDAN		AC0125		ACF216	
CITROEN	C5	X7	EXCLUSIVE TOURING HDI	4	2.0L	DW10BT-ED4	D	TURBO DIRECT INJ	09/08	01/10	WAGON		AC0125		ACF216	
CITROEN	C5	X7	COMFORT HDI	4	2.0L	DW10CT-ED4	D	TURBO DIRECT INJ	02/10	01/12	SEDAN		AC0125			
CITROEN	C5	X7	COMFORT TOURING HDI	4	2.0L	DW10CT-ED4	D	TURBO DIRECT INJ	02/10	01/12	WAGON		AC0125			
CITROEN	C5	X7	EXCLUSIVE HDI	4	2.0L	DW10CT-ED4	D	TURBO DIRECT INJ	02/10	ON	SEDAN		AC0125			
CITROEN	C5	X7	EXCLUSIVE TOURING HDI	4	2.0L	DW10CT-ED4	D	TURBO DIRECT INJ	02/10	ON	WAGON		AC0125			
CITROEN	C5	X7	COMFORT	4	2.0L	EW10A	P	MPFI	03/10	ON	SEDAN		AC0125		ACF136	
CITROEN	C5	X7	ATTRACTION HDI	4	2.0L	DW10CT-ED4	D	TURBO DIRECT INJ	02/12	2013	SEDAN		AC0125			
CITROEN	C5	X7	ATTRACTION TOURING HDI	4	2.0L	DW10CT-ED4	D	TURBO DIRECT INJ	02/12	2013	WAGON		AC0125			
CITROEN	C5	X7	SEDUCTION HDI	4	2.0L	DW10CT-ED4	D	TURBO DIRECT INJ	02/12	ON	SEDAN		AC0125			
CITROEN	C5	X7	SEDUCTION TOURING HDI	4	2.0L	DW10CT-ED4	D	TURBO DIRECT INJ	02/12	ON	WAGON		AC0125			
CITROEN	C5	X7	EXCLUSIVE HDI	4	2.2L	DW12	D	TURBO CRD	06/13	ON	WAGON		AC0125			
CITROEN	C6		HDI	6	2.7L	DT17TED4	D	TWIN TURBO CRD	2006	2010	SEDAN		AC0143			
CITROEN	DISPATCH		SWB	4	2.0L	DW10OUT-ED4	D	TURBO DIRECT INJ	2007	2008	VAN		AC0125		ACF216	
CITROEN	DISPATCH		LWB	4	2.0L	DW10OUT-ED4	D	TURBO DIRECT INJ	2007	2008	VAN		AC0125		ACF216	

MAKE	MODEL	SERIES	BADGE	CYLS	ENG SIZE	ENGINE CODE	FUEL	FUEL DELIVERY / AIR INTAKE	FROM	TO	BODY	REMARKS	OIL	AIR	FUEL	CABIN
CITROEN	DS3		DSPORT	4	1.6L	EP6DT	P	TURBO DIRECT INJ	2010	ON	CONV/HATCH		AC0125		ACF136	
CITROEN	DS3		DSTYLE	4	1.6L	EP6C	P	DIRECT INJ	2010	ON	CONV/HATCH		AC0125	ACA314	ACF136	
CITROEN	DS3		DSTYLE	4	1.4L	EP3C	P	MPFI	02/12	ON	HATCH		AC0125	ACA314		
CITROEN	DS4	F7	DSPORT E-HDI	4	1.6L	DV6C	D	CRD TURBO	2012	2013	WAGON		AC0109			
CITROEN	DS4	F7	DSPORT	4	1.6L	EP6CDT	P	TURBO DIRECT INJ	2012	ON	WAGON		AC0125		ACF136	
CITROEN	DS4	F7	DSTYLE	4	1.6L	EP6DT	P	TURBO DIRECT INJ	2012	ON	WAGON		AC0125			
CITROEN	DS4	F7	HDI	4	2.0L	DW10CT-ED4	D	TURBO DIRECT INJ	2013	ON	WAGON		AC0125			
CITROEN	DS5		DSPORT	4	1.6L	EP6DT	P	TURBO DIRECT INJ	2012	ON	WAGON		AC0125		ACF136	
CITROEN	DS5		DSPORT HDI	4	2.0L	DW10CT-ED4	D	TURBO DIRECT INJ	2013	ON	WAGON		AC0125	ACA315		
CITROEN	XANTIA		IMAGE	4	2.0L	XU10J4R	P	MPFI	1995	2000	HATCH				ACF136	
CITROEN	XANTIA		SX	4	2.0L	XU10J4R	P		1995	2000	HATCH				ACF136	
CITROEN	XANTIA		VSX CT	4	2.0L	XU10JTE	P	TURBO	1995	2000	HATCH				ACF136	
CITROEN	XSARA	N7		4	1.6L	TU5 JP4	P		1998	2004	HATCH		AC0125	ACA204	ACF136	
CITROEN	XSARA	N7		4	2.0L	EW10J4	P		1998	2004	HATCH		AC086		ACF136	
<b>DAEWOO</b>																
DAEWOO	1.5i			4	1.5L	G15MF	P		1994	1995	HATCH		AC018	ACA104	ACF115	
DAEWOO	CIELO		GL	4	1.5L	G15MF	P		1995	1997	SED/HATCH		AC018	ACA104	ACF115	
DAEWOO	CIELO		GLX	4	1.5L	A15MF	P		1995	1997	SED/HATCH		AC018	ACA104	ACF115	
DAEWOO	CIELO		LOAD RUNNER	4	1.5L	G15MF	P	MPFI	1995	1997	SED/HATCH		AC018	ACA104	ACF115	
DAEWOO	ESPERO			4	2.0L	C20JE	P		1995	1997	SEDAN		AC018	ACA104	ACF115	
DAEWOO	KALOS	T200		4	1.5L	F15S3	P	MPFI	2003	2004	SED/HATCH		AC018	ACA158	ACF134	ACC41
DAEWOO	LACETTI	J200		4	1.8L	C18SED	P		2003	2004	SEDAN		AC018	ACA159	ACF134	
DAEWOO	LANOS		LIMITED EDITION	4	1.5L	A15SMS	P		1997	2003	HATCH		AC018		ACF134	
DAEWOO	LANOS		LIMITED SE	4	1.5L	A15SMS	P	MPFI	1997	2003	HATCH		AC018		ACF134	
DAEWOO	LANOS		SE	4	1.5L	A15SMS	P		1997	2003	HATCH		AC018		ACF134	
DAEWOO	LANOS		X SERIES SE	4	1.5L	A15SMS	P	MPFI	1997	2003	HATCH		AC018		ACF134	
DAEWOO	LANOS		SPORTS	4	1.6L	A16DMS	P		1997	2003	HATCH		AC018		ACF115	
DAEWOO	LANOS		SX	4	1.6L	A16DMS	P		1997	2003	HATCH		AC018		ACF115	
DAEWOO	LEGANZA			4	2.0L	C20SED	P		1997	2002	SEDAN		AC018	ACA326	ACF134	ACC15
DAEWOO	LEGANZA			4	2.2L	T22SED	P		1997	2002	SEDAN		AC018	ACA326	ACF134	ACC15
DAEWOO	MATIZ	M100		3	0.8L	F8CV	P		1999	2001	HATCH		AC078	ACA327	ACF134	
DAEWOO	MATIZ	M150		3	0.8L	F8CV	P		2002	2004	HATCH		AC078	ACA327	ACF134	
DAEWOO	NUBIRA	J100	SE	4	1.6L	A16DM	P		1997	1999	SEDAN		AC018	ACA285	ACF134	ACC14
DAEWOO	NUBIRA	J100	SE EUROWAGON	4	1.6L	A16DM	P		1997	1999	WAGON		AC018	ACA285	ACF134	ACC14
DAEWOO	NUBIRA	J100	SX	4	1.6L	A16DM	P	MPFI	1997	1999	SEDAN		AC018	ACA285	ACF134	ACC14
DAEWOO	NUBIRA	J100	SX EUROWAGON	4	1.6L	A16DM	P	MPFI	1997	1999	WAGON		AC018	ACA285	ACF134	ACC14
DAEWOO	NUBIRA	J100	X SERIES EUROWAGON	4	1.6L	A16DM	P	MPFI	1997	1999	WAGON		AC018	ACA285	ACF134	ACC14
DAEWOO	NUBIRA	J100	X SERIES SE	4	1.6L	A16DM	P	MPFI	1997	1999	HATCH		AC018	ACA285	ACF134	ACC14

MAKE	MODEL	SERIES	BADGE	CYLS	ENG SIZE	ENGINE CODE	FUEL	FUEL DELIVERY / AIR INTAKE	FROM	TO	BODY	REMARKS	OIL	AIR	FUEL	CABIN
DAEWOO	NUBIRA	J100	CDX	4	2.0L	X20SED	P		1997	1999	SEDAN		AC018	ACA285	ACF134	ACC14
DAEWOO	NUBIRA	J100	CDX EUROWAGON	4	2.0L	X20SED	P		1997	1999	WAGON		AC018	ACA285	ACF134	ACC14
DAEWOO	NUBIRA	J150	CDX	4	2.0L	X20SED	P		1999	2003	SED/WAG		AC018	ACA285	ACF134	ACC14
DAEWOO	NUBIRA	J150	LIMITED CDX	4	2.0L	X20SED	P	MPFI	1999	2003	SED/WAG		AC018	ACA285	ACF134	ACC14
DAEWOO	NUBIRA	J150	SPORTS CDX	4	2.0L	X20SED	P		1999	2003	SEDAN		AC018	ACA285	ACF134	ACC14
DAEWOO	NUBIRA	J150	X SERIES CDX	4	2.0L	X20SED	P		1999	2003	SED/WAG		AC018	ACA285	ACF134	ACC14
DAEWOO	TACUMA	U100		4	2.0L	T20SED	P		2000	2003	WAGON		AC018		ACF134	
<b>DAIHATSU</b>																
DAIHATSU	APPLAUSE	A101		4	1.6L	HD-E	P	MPFI	1989	1992	SEDAN		AC078	ACA13	ACF58	
DAIHATSU	APPLAUSE	A101	XI	4	1.6L	HD-E	P	MPFI	1992	1997	SEDAN		AC078	ACA13		
DAIHATSU	APPLAUSE	A101B		4	1.6L	HD-E1	P	MPFI	1997	1999	SEDAN		AC078	ACA13		
DAIHATSU	CHARADE	G11	CC, CS, CX, CXA, DUET	3	1.0L	CB22	P	CARB	1983	1985	HATCH		AC013			
DAIHATSU	CHARADE	G11	CXT, TURBO	3	1.0L	CB50/CB60	P	CARB	1984	1987	HATCH		AC013			
DAIHATSU	CHARADE	G11	CC, CS, CX, CXA, DUET	3	1.0L	CB22	P	CARB	1985	1987	HATCH		AC013			
DAIHATSU	CHARADE	G100	CXT	3	1.0L	CB61T	P	MPFI	1987	1989	HATCH		AC022	ACA13		
DAIHATSU	CHARADE	G100	CS, CX, CXA, CXT, TS	3	1.0L	CB23	P	CARB	1987	1993	HATCH		AC022			
DAIHATSU	CHARADE	G102	CXA, CX	4	1.3L	HC-E	P	MPFI	1987	1998	HATCH		AC022			
DAIHATSU	CHARADE	G102	CR, SGA, SG, VOLARE	4	1.3L	HC-E	P	MPFI	1988	1993	HATCH		AC022	ACA13	ACF1	
DAIHATSU	CHARADE	G100	TS, CS, MIZUNO	4	1.3L	HC-E	P	MPFI	1988	1998	HATCH		AC022	ACA13		
DAIHATSU	CHARADE	G200		4	1.3L	HC-E	P	MPFI	1988	1998	HATCH		AC022	ACA13		
DAIHATSU	CHARADE	G200		3	1.0L	CB24	P	CARB	1993	1996	HATCH		AC022			
DAIHATSU	CHARADE	G200		4	1.3L	HC-E	P	MPFI	1993	1996	HATCH		AC022	ACA13	ACF1	
DAIHATSU	CHARADE	G203	DI, SI, STRATOS	4	1.5L	HE-E	P	MPFI	1994	1996	HATCH		AC078	ACA13	ACF1	
DAIHATSU	CHARADE	CENTRO	L500	3	0.7L	EF-EL	P	MPFI	1995	1998	HATCH		AC078			
DAIHATSU	CHARADE	G203	CS, CSP, DI, F2, SI, TS	4	1.5L	HC-E 1.5	P	MPFI	1995	2000	HATCH		AC078	ACA13		
DAIHATSU	CHARADE	G202B	TE, CE	3	1.0L	CB24	P	CARB	1996	1998	HATCH		AC022			
DAIHATSU	CHARADE	G200B	TS	4	1.3L	HC-E	P	MPFI	1996	1998	HATCH		AC022	ACA13		
DAIHATSU	CUORE		L700S	3	1.0L	EJ-DE	P	MPFI	2000	2003	HATCH		AC078	ACA294		
DAIHATSU	DELTA	V30/V31/V32/V34/V35		4	2.0L	5R	P	CARB	1979	1984	UTE		AC01	ACA1		
DAIHATSU	DELTA	V90, V92		4	3.0L	B	D	MPFI	1981	1984	UTE		AC015		ACF27	
DAIHATSU	DELTA	V47, V48		4	3.4L	3B	D	MPFI	1982	1984	UTE		AC01	ACA1	ACF27	
DAIHATSU	DELTA	V50, V52, V54		4	2.8L	DL	D	MPFI	1983	1984	UTE/VAN			ACA1		
DAIHATSU	DELTA	V67, V68, V69		4	2.0L	3Y	P	MPFI	1984	1988	UTE		AC09	ACA1		
DAIHATSU	DELTA	V76, V78, V79		4	3.4L	13B	D	MPFI	1984	1990	TIPPER		AC01	ACA1	ACF27	
DAIHATSU	DELTA	V98, V99		4	3.0L	B	D	MPFI	1984	1996	UTE		AC01	ACA1	ACF27	
DAIHATSU	DELTA	V55, V57		4	2.8L	DL	D	CARB	1984	2000	UTE/VAN			ACA1		
DAIHATSU	DELTA	V54, V57		4	2.8L	DL	D	MPFI	1984	2003	UTE/VAN			ACA1		

MAKE	MODEL	SERIES	BADGE	CYLS	ENG SIZE	ENGINE CODE	FUEL	FUEL DELIVERY / AIR INTAKE	FROM	TO	BODY	REMARKS	OIL	AIR	FUEL	CABIN
DAIHATSU	DELTA	V108		4	2.2L	4Y	P	CARB	1987	1999	UTE		AC09	ACA1		
DAIHATSU	DELTA	V116, V118, V119		4	3.7L	14B	D	MPFI	1989	2003	CAB CHASS		AC01	ACA1	ACF27	
DAIHATSU	F SERIES	F10	L, LK, V	4	1.0L		P	CARB	1975	1976	S-TOP		AC09			
DAIHATSU	F SERIES	F20, F25		4	1.6L	12R	P	MPFI	1977	1984	H-TOP/S-TOP		AC02			
DAIHATSU	FEROZA	F300	CXI, DX, EL, HT, SE, SPV	4	1.6L	HD-E	P	MPFI	1989	1995	H-TOP/S-TOP		AC022			
DAIHATSU	FEROZA	F310	SX, SXP	4	1.6L	HD-E	P	MPFI	1989	1995	H-TOP/S-TOP		AC078			
DAIHATSU	FEROZA	F300	CXI, HT, ST	4	1.6L	HD-E	P	MPFI	1995	1999	H-TOP/S-TOP		AC022			
DAIHATSU	FEROZA	F310	SX, SXP	4	1.6L	HD-E	P	MPFI	1995	1999	H-TOP/S-TOP		AC078			
DAIHATSU	HANDI	L701		3	1.0L	EJ-DE	P	MPFI	1999	2003	VAN		AC078	ACA294		
DAIHATSU	HANDIVAN	L55V		2	0.6L	AB30	P	CARB	1981	1982	VAN		AC013			
DAIHATSU	HANDIVAN	L60V	DELUXE	2	0.6L	AD10	P	CARB	1982	1985	VAN		AC013			
DAIHATSU	HANDIVAN	L80V, L80VK, L80VM		3	0.9L	ED10	P	CARB	1986	1990	VAN		AC07		ACF9	
DAIHATSU	HI-JET	S60T/S60V/S65T/S65V		2	0.5L	AB20	P	CARB	1981	1992	VAN		AC013			
DAIHATSU	HI-JET	S70T, S70V		3	0.8L	CD20	P	CARB	1981	1992	VAN		AC013			
DAIHATSU	HI-JET	S75T, S75V		3	1.0L	CB22	P	CARB	1981	1992	VAN		AC013			
DAIHATSU	HI-JET	S76D, S76T, S76V		3	1.0L	CB22	P	CARB	1981	1992	VAN		AC013			
DAIHATSU	HI-JET	S85T, S85V		3	1.0L	CB22	P	CARB	1981	1992	VAN		AC013			
DAIHATSU	HI-JET	S85T, S85V		3	1.0L	CB22	P	CARB	1987	1992	VAN		AC022			
DAIHATSU	MIRA	L201		3	0.9L	ED10	P	MPFI	1990	1992	HATCH		AC022			
DAIHATSU	MIRA	L200	MS, MX	3	0.7L	EF-EL	P	MPFI	1992	1995	HATCH		AC022			
DAIHATSU	MIRA	L201V	MS, MX	3	0.7L	EF-EL	P	MPFI	1993	1995	HATCH		AC022	ACA253		
DAIHATSU	MOVE	L601		3	0.9L	ED10	P	MPFI	1997	1999	WAGON		AC078			
DAIHATSU	PYZAR	G303	GRV, GRVXI	4	1.5L	HE-EG	P	MPFI	1997	1998	WAGON		AC078	ACA13		
DAIHATSU	PYZAR	G301	GRV	4	1.6L	HD-EP	P	MPFI	1998	2000	WAGON		AC078	ACA13		
DAIHATSU	ROCKY	F80, F85		4	2.0L	3Y	P	CARB	1984	1990	WAGON		AC02	ACA2		
DAIHATSU	ROCKY	F80, F87		4	2.0L	3YC	P	CARB	1987	1989	WAGON		AC02	ACA2	ACF5	
DAIHATSU	SIRION	M100		3	1.0L	EJ-DE	P	MPFI	1998	2005	HATCH		AC078	ACA294		
DAIHATSU	SIRION	M101	GTVI	4	1.3L	K3-VE	P	MPFI	2000	2005	HATCH		AC078	ACA294		
DAIHATSU	SIRION	M301		4	1.3L	K3-VE	P	MPFI	2005	2005	HATCH		AC0116			
DAIHATSU	TERIOS	J100		4	1.3L	HC-EJ	P	MPFI	1997	2000	WAGON		AC078	ACA43		
DAIHATSU	TERIOS	J102		4	1.3L	K3-VE	P	MPFI	10/00	2005	WAGON		AC078			
DAIHATSU	YRV	M200	RG	4	1.3L	K3-VE	P	MPFI	2001	2005	WAGON		AC078	ACA294		
DAIHATSU	YRV	M201	RG	4	1.3L	K3-VE	P	MPFI	2001	2005	WAGON		AC078			
<b>DATSUN</b>																
DATSUN	620			4	1.5L	J15	P	CARB	1973	1975	UTE/T-TOP		AC04	ACA29	ACF9	
DATSUN	620			4	1.5L	J15	P	CARB	1975	1979	UTE/T-TOP		AC011	ACA29	ACF9	
DATSUN	1000	B10	DELUXE	4	1.0L	A10	P	CARB	1967	1970	SED/UTE		AC04	ACA29	ACF9	

MAKE	MODEL	SERIES	BADGE	CYLS	ENG SIZE	ENGINE CODE	FUEL	FUEL DELIVERY / AIR INTAKE	FROM	TO	BODY	REMARKS	OIL	AIR	FUEL	CABIN
DATSUN	1200	B110		4	1.2L	A12	P	CARB	1967	1973	SED/UTE		AC04	ACA29	ACF9	
DATSUN	1200	B120		4	1.2L	A12	P	CARB	1973	1974	SED/UTE		AC011	ACA29	ACF9	
DATSUN	1600	510	GL/ SPORTS	4	1.6L	L16	P	CARB	1968	1972	SEDAN		AC012	ACA30	ACF9	
DATSUN	2000			4	2.0L	L20	P	CARB	1966	1968	SED/ WAG		AC04			
DATSUN	2000	SR-311	SPECIAL, SPORTS	4	2.0L	U20	P	CARB	1966	1968	R-STER		AC012			
DATSUN	2300		PERSONAL 6	6	2.3L	L23	P	CARB	1969	1970	SEDAN		AC04			
DATSUN	2300		SUPER 6	6	2.3L	L23	P	CARB	1969	1970	SEDAN		AC012			
DATSUN	2400		PERSONAL 6. SUPER DELUXE	6	2.4L	L24	P	CARB	1969	1970	SEDAN		AC04			
DATSUN	180B	P610	GL, GX, DELUXE, SPORTS	4	1.8L	L18	P	CARB	1974	1977	SED/ WAG		AC012	ACA30		
DATSUN	200B		GL, GX, SSS, SX	4	2.0L	L20B	P	CARB	1977	1981	SED/ WAG		AC012		ACF9	
DATSUN	240C	P230	DELUXE, GL	6	2.4L	L24	P	CARB	1971	1978	SEDAN		AC012	ACA30	ACF9	
DATSUN	240K	C110		6	2.4L	L24	P	CARB	1971	1978	SEDAN		AC012	ACA30	ACF9	
DATSUN	240Z	H30		6	2.4L	L24	P	CARB	1970	1974	SEDAN		AC012		ACF10	
DATSUN	240Z			6	2.4L	L24	P	CARB	1973	1976	SEDAN		AC012		ACF10	
DATSUN	260C		DELUXE, GL, 21 PACK	6	2.6L	L26	P	CARB	1971	1978	SEDAN		AC012	ACA30	ACF9	
DATSUN	260Z		2+2	6	2.6L	L26	P	CARB	1973	1976	COUPE		AC012		ACF10	
DATSUN	280C			6	2.8L	L28	P	CARB	1979	1982	SED/ WAG		AC012	ACA30		
DATSUN	280C			6	2.8L	L28E	P	MPFI	1982	1984	SED/ WAG		AC029	ACA21	ACF8	
DATSUN	280ZX			6	2.8L	L28	P	MPFI	1979	1981	COUPE		AC012		ACF8	
DATSUN	280ZX			6	2.8L	L28	P	MPFI	1981	1984	COUPE		AC012		ACF8	
DATSUN	BLUEBIRD	312		4	1.2L	E1	P	CARB	1964	1965	SED/ WAG			ACA30		
DATSUN	BLUEBIRD	312		4	1.3L	E1	P	CARB	1965	1968	SED/ WAG			ACA30		
DATSUN	BLUEBIRD	910	SERIES I	4	2.0L	L20B	P	CARB	1981	1983	SED/ WAG		AC012	ACA27	ACF9	
DATSUN	BLUEBIRD	910	SERIES II	4	2.0L	L20B	P	CARB	1983	1985	SED/ WAG		AC012	ACA27	ACF80	
DATSUN	BLUEBIRD	910	SERIES III	4	2.0L	CA20S	P	CARB	1985	1986	SED/ WAG		AC011		ACF80	
DATSUN	E20			4	2.0L	Z20	P	CARB	1974	1980	BUS/VAN		AC04	ACA30	ACF9	
DATSUN	SKYLINE	C210		6	2.4L	L24	P	CARB	1978	1981	SEDAN		AC012	ACA30	ACF9	
DATSUN	STANZA	A10	GL, GX	4	1.6L	L16	P	DUAL CARB	1978	1983	SEDAN		AC012		ACF9	
DATSUN	STANZA	A10	GL, GX	4	1.6L	L16	P	CARB	1978	1983	SEDAN		AC012	ACA30	ACF9	
DATSUN	SUNNY	B310		4	1.2L	A12	P	CARB	1977	1984	SED/ WAG		AC011	ACA29	ACF9	
DATSUN	SUNNY	B310		4	1.4L	A14	P	CARB	1979	1981	SED/ WAG		AC011	ACA29	ACF9	
<b>DODGE</b>																
DODGE	AVENGER	JS	SX	4	2.0L	8N	P	MPFI	2007	2008	SEDAN		AC092			
DODGE	AVENGER	JS	SX	4	2.0L	8N	D	TURBO DIRECT INJ	2007	2008	SEDAN		AC0123			
DODGE	AVENGER	JS	SXT	4	2.4L	8N	P	MPFI	2007	2009	SEDAN		AC092			
DODGE	AVENGER	JS	SX	4	2.4L	8N	P	MPFI	2007	2010	SEDAN		AC092			
DODGE	AVENGER	JS	SXT	4	2.0L	8N	D	TURBO DIRECT INJ	2008	2010	SEDAN		AC0123			

MAKE	MODEL	SERIES	BADGE	CYLS	ENG SIZE	ENGINE CODE	FUEL	FUEL DELIVERY / AIR INTAKE	FROM	TO	BODY	REMARKS	OIL	AIR	FUEL	CABIN
DODGE	AVENGER	JS	SXT	6	2.7L	8N	P	MPFI	2008	2010	SEDAN		AC092			
DODGE	CALIBER	PM	SXT	4	1.8L	6D	P	MPFI	2006	2007	HATCH		AC092	ACA340		ACC5
DODGE	CALIBER	PM	R/T	4	2.4L	6D	P	MPFI	2006	2007	HATCH		AC092	ACA340		ACC5
DODGE	CALIBER	PM	ST	4	1.8L	6D	P	MPFI	2006	2008	HATCH		AC092	ACA340		ACC5
DODGE	CALIBER	PM	SX	4	1.8L	6D	P	MPFI	2006	08/10	HATCH		AC092	ACA340		ACC5
DODGE	CALIBER	PM	SX	4	2.0L	9D	P	MPFI	2006	08/10	HATCH		AC092	ACA340		ACC5
DODGE	CALIBER	PM	SXT	4	2.0L	9D	P	MPFI	2006	08/10	HATCH		AC092	ACA340		ACC5
DODGE	CALIBER	PM	ST	4	2.0L	6D	D	TURBO DIRECT INJ	2007	2007	HATCH		AC0123	ACA340		ACC5
DODGE	CALIBER	PM	SX	4	2.0L	640	D	TURBO DIRECT INJ	2007	2008	HATCH		AC0123	ACA340		ACC5
DODGE	CALIBER	PM	SXT	4	2.0L	640	D	TURBO DIRECT INJ	2007	08/10	HATCH		AC0123	ACA340		ACC5
DODGE	CALIBER	PM	SXT	4	2.0L	ECN	P	MPFI	09/10	ON	HATCH		AC092			ACC5
DODGE	JOURNEY	JC	R/T	4	2.0L	7D	D	TURBO DIRECT INJ	2008	01/12	WAGON		AC0123			ACC5
DODGE	JOURNEY	JC	R/T	6	2.7L	EER	P	MPFI	2008	01/12	WAGON	WHERE SPIN ON OIL FILTER IS FITTED	AC092			ACC5
DODGE	JOURNEY	JC	R/T	6	2.7L	EER	P	MPFI	2008	01/12	WAGON	WHERE CARTRIDGE OIL FILTER IS FITTED	AC0157			ACC5
DODGE	JOURNEY	JC	SXT	6	2.7L	EER	P	MPFI	2008	01/12	WAGON	WHERE SPIN ON OIL FILTER IS FITTED	AC092			ACC5
DODGE	JOURNEY	JC	SXT	6	2.7L	EER	P	MPFI	2008	01/12	WAGON	WHERE CARTRIDGE OIL FILTER IS FITTED	AC0157			ACC5
DODGE	JOURNEY	JC	SXT	6	3.6L	ERB	P	MPFI	01/12	06/13	WAGON		AC0163			ACC5
DODGE	JOURNEY	JC	R/T	6	3.6L	ERB	P	MPFI	01/12	06/13	WAGON		AC0163			ACC5
DODGE	JOURNEY	JC	SXT	6	3.6L	ERB	P	MPFI	07/13	ON	WAGON					ACC5
DODGE	JOURNEY	JC	R/T	6	3.6L	ERB	P	MPFI	07/13	ON	WAGON					ACC5
DODGE	NITRO	KA	SX	6	3.7L	EKG	P	MPFI	2007	08/08	WAGON		AC0110			
DODGE	NITRO	KA	SX-R	6	3.7L	EKG	P	MPFI	2007	08/08	WAGON		AC0110			
DODGE	NITRO	KA	SXT	6	3.7L	EKG	P	MPFI	2007	08/08	WAGON		AC0110			
<b>FIAT</b>																
FIAT	500	150	POP	4	1.2L	169A4000	P	MPFI	2008	2009	HATCH		AC028			
FIAT	500	150	LOUNGE	4	1.3L	169A1.000	D	TURBO MPFI	2008	2009	HATCH		AC0120		ACF183	
FIAT	500	150	POP JTD	4	1.3L	169A1.000	D	TURBO MPFI	2008	2009	HATCH				ACF183	
FIAT	500	150	LOUNGE	4	1.4L	169A3000	P	MPFI	2008	2009	HATCH		AC028			
FIAT	500	150	POP	4	1.4L	169A3000	P	MPFI	2008	2009	HATCH		AC028			
FIAT	500	150	SPORT	4	1.4L	169A3000	P	MPFI	2008	2011	HATCH		AC028			
FIAT	500	150	C	4	1.4L	169A3000	P	MPFI	2010	2011	CONV		AC028			
FIAT	500	150	BY DIESEL	4	1.4L	169A3000	P	MPFI	2011	2011	HATCH		AC028			
FIAT	500	ABARTH	TRIBUTO FERRARI	4	1.4L	312A3	P	TURBO MPFI	2012	ON	HATCH		AC0120			
FIAT	DUCATO		MAXI	4	2.3L	JTD	D	TURBO DIRECT INJ	2005	01/07	VAN				ACF183	
FIAT	DUCATO		MAXI	4	2.8L	8140.43S	D	TURBO DIRECT INJ	01/05	01/07	CAB CHASS/ VAN				ACF183	

MAKE	MODEL	SERIES	BADGE	CYLS	ENG SIZE	ENGINE CODE	FUEL	FUEL DELIVERY / AIR INTAKE	FROM	TO	BODY	REMARKS	OIL	AIR	FUEL	CABIN
FIAT	DUCATO	SERIES II	JTD EXTRA LONG	4	3.0L	JTD	D	TURBO DIRECT INJ	02/07	2010	VAN				ACF183	
FIAT	DUCATO	SERIES II	JTD	4	2.3L	JTD	D	TURBO DIRECT INJ	02/07	01/12	CAB CHASS				ACF183	
FIAT	DUCATO	SERIES II	JTD	4	2.3L	JTD	D	TURBO DIRECT INJ	02/07	01/12	VAN				ACF183	
FIAT	DUCATO	SERIES II	JTD	4	3.0L	JTD	D	TURBO DIRECT INJ	2008	2011	VAN				ACF183	
FIAT	FREEMONT	JF	URBAN	4	2.0L	21K	D	CRD	2013	ON	WAGON					ACC5
FIAT	FREEMONT	JF	LOUNGE	4	2.4L	26K	P	MPFI	2013	ON	WAGON		AC092			ACC5
FIAT	FREEMONT	JF	URBAN	4	2.4L	26K	P	MPFI	2013	ON	WAGON		AC092			ACC5
FIAT	FREEMONT	JF	CROSSROAD	6	3.6L	3.6	P	MPFI	2013	ON	WAGON		AC0163			ACC5
FIAT	PUNTO		DYNAMIC DUALOGIC	4	1.3L	JTDM	D	TURBO DIRECT INJ	2006	2008	HATCH		AC0120			
FIAT	PUNTO		EMOTION	4	1.9L	JTDM	P	TURBO MPFI	2006	2008	HATCH		AC0106			
FIAT	PUNTO		TURBO	4	1.9L	JTDM	P	TURBO MPFI	2006	2008	HATCH		AC0106		ACF183	
FIAT	PUNTO		DYNAMIC	4	1.3L	JTDM	D	TURBO DIRECT INJ	2006	2009	HATCH		AC0120			
FIAT	PUNTO		DYNAMIC	4	1.4L	MULTIJET	P	MPFI	2006	2009	HATCH		AC028			
FIAT	PUNTO		DYNAMIC DUALOGIC	4	1.4L	MULTIJET	P	MPFI	2006	2009	HATCH		AC028			
FIAT	PUNTO		SPORT	4	1.4L	T-JET	P	TURBO MPFI	2008	2009	HATCH		AC028			
<b>FORD</b>																
FORD	BRONCO			6	4.1L	250	P	CARB	1982	1985	WAGON		AC01	ACA28		
FORD	CAPRI		GT	6	3.0L	ESSEX	P	CARB	1969	1971	COUPE		AC039			
FORD	CAPRI	SA		4	1.6L	B6F	P	MPFI	1989	1990	CONV		AC07			
FORD	CAPRI	SA	TURBO	4	1.6L	B6T	P	TURBO	1989	1990	CONV		AC07			
FORD	CAPRI	SA II		4	1.6L	B6D	P	MPFI	1990	1992	CONV		AC07			
FORD	CAPRI	SA II	TURBO	4	1.6L	B6T	P	TURBO	1990	1992	CONV		AC07			
FORD	CAPRI	SB		4	1.6L	B6	P	MPFI	1990	1992	CONV		AC07			
FORD	CAPRI	SB	TURBO	4	1.6L	B6T	P	TURBO	1990	1992	CONV		AC07			
FORD	CAPRI	SC	BARCETTA	4	1.6L	B6D	P	MPFI	1992	1993	CONV		AC07			
FORD	CAPRI	SC	CLUBSPRINT	4	1.6L	B6T	P	TURBO	1992	1993	CONV		AC07			
FORD	CAPRI	SC	XR2	4	1.6L	B6D	P	MPFI	1992	1993	CONV		AC07			
FORD	CAPRI	SE	BARCETTA	4	1.6L	B6D	P	MPFI	1993	1994	CONV		AC07			
FORD	CAPRI	SE	XR2	4	1.6L	B6D	P	MPFI	1993	1994	CONV		AC07			
FORD	CAPRI	SE	XR2 TURBO	4	1.6L	B6T	P	TURBO	1993	1994	CONV		AC07			
FORD	CARGO	1313		6	6.2L	Y130 RED ENGINE	D	DIESEL INJ	08/82	1990	T-TOP				ACF25	
FORD	CORSAIR	UA	GL	4	2.0L		P	MPFI	1989	1992	HATCH		AC011	ACA21	ACF3	
FORD	CORSAIR	UA	GL	4	2.0L	CA20E	P	MPFI	1989	1992	SEDAN		AC011	ACA21	ACF3	
FORD	CORSAIR	UA	GHIA	4	2.4L	KA24E	P	MPFI	1989	1992	SED/HATCH		AC011	ACA21	ACF3	
FORD	CORTINA	MK I		4	1.5L	116E	P	CARB	1963	1967	SEDAN				ACF64	
FORD	CORTINA	MK II	GT	4	1.6L	3036E	P	CARB	1968	1970	SEDAN		AC01		ACF64	
FORD	CORTINA	TC	XL	4	2.0L	OHC	P	CARB	1972	1974	SEDAN		AC09			
FORD	CORTINA	TD	XL	4	2.0L		P	CARB	1975	1977	SEDAN		AC09			
FORD	CORTINA	TE	GHIA	4	2.0L		P	CARB	1978	1980	SEDAN		AC01	ACA24		
FORD	CORTINA	TE	GL	4	2.0L		P	CARB	1978	1980	SEDAN		AC01	ACA24		
FORD	CORTINA	TF		4	2.0L	OHC	P	CARB	1980	1982	SEDAN		AC09			
FORD	COUGAR	SW		6	2.5L	DURATEC	P	MPFI	1999	2002	COUPE		AC084		ACF117	ACC9
FORD	COUGAR	SW	EIBACH	6	2.5L	DURATEC	P	MPFI	1999	2002	COUPE		AC084		ACF117	ACC9

MAKE	MODEL	SERIES	BADGE	CYLS	ENG SIZE	ENGINE CODE	FUEL	FUEL DELIVERY / AIR INTAKE	FROM	TO	BODY	REMARKS	OIL	AIR	FUEL	CABIN
FORD	COUGAR	SX		6	2.5L	DURATEC	P	MPFI	2001	2002	COUPE		AC084		ACF117	ACC9
FORD	COURIER	PA		4	1.8L	VC	P	CARB	1978	1982	UTE	CHASSIS SGCD	AC05	ACA23	ACF64	
FORD	COURIER	PC		4	2.0L	FE	P	CARB	1985	1992	UTE	CHASSIS SGHE	AC05	ACA23	ACF12	
FORD	COURIER	PC		4	2.2L	R2	D	DIESEL INJ	1989	1996	UTE	CHASSIS SGHW	AC05		ACF79	
FORD	COURIER	PC		4	2.6L	G6	P	SPFI	1989	1996	UTE	CHASSIS SGHC	AC028	ACA70	ACF68	
FORD	COURIER	PD	XL CREW CAB	4	2.5L	WL	D	DIESEL INJ	1996	1999	UTE		AC041		ACF79	
FORD	COURIER	PD	XL CREW CAB	4	2.6L	G6E	P	SPFI	1996	1999	UTE		AC028	ACA70	ACF116	
FORD	COURIER	PD	XL SUPER CAB	4	2.6L	G6E	P	SPFI	1996	1999	UTE		AC028	ACA70	ACF116	
FORD	COURIER	PD	XL	4	2.6L	G6E	P	SPFI	1997	1998	CAB CHASS		AC028	ACA70	ACF116	
FORD	COURIER	PE	GL	4	2.5L	WL	D	TURBO	1999	2000	CAB CHASS/ UTE	AIR FILTER WITH PANEL HOUSING	AC032	ACA113	ACF201	
FORD	COURIER	PE	GL	4	2.5L	WL	D	TURBO	1999	2000	CAB CHASS/ UTE	AIR FILTER WITH RADIAL HOUSING	AC032	ACA127	ACF201	
FORD	COURIER	PE	GL CREW CAB	4	2.5L	WL	D	TURBO	1999	2000	CAB CHASS/ UTE	AIR FILTER WITH PANEL HOUSING	AC032	ACA113	ACF201	
FORD	COURIER	PE	GL CREW CAB	4	2.5L	WL	D	TURBO	1999	2000	CAB CHASS/ UTE	AIR FILTER WITH RADIAL HOUSING	AC032	ACA127	ACF201	
FORD	COURIER	PE	XL CREW CAB	4	2.5L	WL	D	TURBO	1999	2000	UTE	AIR FILTER WITH PANEL HOUSING	AC032	ACA113	ACF201	
FORD	COURIER	PE	XL CREW CAB	4	2.5L	WL	D	TURBO	1999	2000	UTE	AIR FILTER WITH RADIAL HOUSING	AC032	ACA127	ACF201	
FORD	COURIER	PE	XL SUPER CAB	4	2.5L	WL	D	TURBO	1999	2000	CAB CHASS/ UTE	AIR FILTER WITH PANEL HOUSING	AC032	ACA113	ACF201	
FORD	COURIER	PE	XL SUPER CAB	4	2.5L	WL	D	TURBO	1999	2000	CAB CHASS/ UTE	AIR FILTER WITH RADIAL HOUSING	AC032	ACA127	ACF201	
FORD	COURIER	PE	GL	4	2.6L	G6E	P	MPFI	1999	2002	CAB CHASS/ UTE		AC028	ACA70	ACF116	
FORD	COURIER	PE	GL CREW CAB	4	2.6L	G6E	P	MPFI	1999	2002	CAB CHASS/ UTE		AC028	ACA70	ACF116	
FORD	COURIER	PE	XL CREW CAB	4	2.6L	G6E	P	MPFI	1999	2002	UTE		AC028	ACA70	ACF116	
FORD	COURIER	PE	XL SUPER CAB	4	2.6L	G6E	P	MPFI	1999	2002	CAB CHASS/ UTE		AC028	ACA70	ACF116	
FORD	COURIER	PE	XLT CREW CAB	4	2.5L	WL	D	TURBO	2000	2001	UTE	AIR FILTER WITH PANEL HOUSING	AC01	ACA113	ACF201	
FORD	COURIER	PE	XLT CREW CAB	4	2.5L	WL	D	TURBO	2000	2001	UTE	AIR FILTER WITH RADIAL HOUSING	AC01	ACA127	ACF201	



MAKE	MODEL	SERIES	BADGE	CYLS	ENG SIZE	ENGINE CODE	FUEL	FUEL DELIVERY / AIR INTAKE	FROM	TO	BODY	REMARKS	OIL	AIR	FUEL	CABIN
FORD	COURIER	PE	GL CREW CAB	4	2.5L	WL	D	TURBO	2000	2002	CAB CHASS/UTE	AIR FILTER WITH PANEL HOUSING	AC01	ACA113	ACF201	
FORD	COURIER	PE	GL CREW CAB	4	2.5L	WL	D	TURBO	2000	2002	CAB CHASS/UTE	AIR FILTER WITH RADIAL HOUSING	AC01	ACA127	ACF201	
FORD	COURIER	PE	XL CREW CAB	4	2.5L	WL	D	TURBO	2000	2002	UTE	AIR FILTER WITH RADIAL HOUSING	AC01	ACA127	ACF201	
FORD	COURIER	PE	XL CREW CAB	4	2.5L	WL	D	TURBO	2000	2002	UTE	AIR FILTER WITH PANEL HOUSING	AC01	ACA113	ACF201	
FORD	COURIER	PE	XL SUPER CAB	4	2.5L	WL	D	TURBO	2000	2002	CAB CHASS/UTE	AIR FILTER WITH RADIAL HOUSING	AC01	ACA127	ACF201	
FORD	COURIER	PE	XL SUPER CAB	4	2.5L	WL	D	TURBO	2000	2002	CAB CHASS/UTE	AIR FILTER WITH PANEL HOUSING	AC01	ACA113	ACF201	
FORD	COURIER	PG	GL	4	2.5L	WL	D	TURBO	2002	2004	CAB CHASS	AIR FILTER WITH PANEL HOUSING	AC01	ACA113	ACF201	
FORD	COURIER	PG	GL	4	2.5L	WL	D	TURBO	2002	2004	CAB CHASS	AIR FILTER WITH RADIAL HOUSING	AC01	ACA127	ACF201	
FORD	COURIER	PG	GL CREW CAB	4	2.5L	WL	D	TURBO	2002	2004	UTE	AIR FILTER WITH PANEL HOUSING	AC01	ACA113	ACF201	
FORD	COURIER	PG	GL CREW CAB	4	2.5L	WL	D	TURBO	2002	2004	UTE	AIR FILTER WITH RADIAL HOUSING	AC01	ACA127	ACF201	
FORD	COURIER	PG	XL SUPER CAB	4	2.5L	WL	D	TURBO	2002	2004	CAB CHASS/UTE	AIR FILTER WITH PANEL HOUSING	AC01	ACA113	ACF201	
FORD	COURIER	PG	XL SUPER CAB	4	2.5L	WL	D	TURBO	2002	2004	CAB CHASS/UTE	AIR FILTER WITH RADIAL HOUSING	AC01	ACA127	ACF201	
FORD	COURIER	PG	XLT CREW CAB	4	2.5L	WL	D	TURBO	2002	2004	UTE	AIR FILTER WITH PANEL HOUSING	AC01	ACA113	ACF201	
FORD	COURIER	PG	XLT CREW CAB HURRICANE	4	2.5L	WL	D	TURBO	2002	2004	UTE	AIR FILTER WITH PANEL HOUSING	AC01	ACA113	ACF201	
FORD	COURIER	PG	XLT CREW CAB HURRICANE	4	2.5L	WL	D	TURBO	2002	2004	UTE	AIR FILTER WITH RADIAL HOUSING	AC01	ACA127	ACF201	
FORD	COURIER	PG	GL	4	2.6L	G6E	P	MPFI	2002	2004	CAB CHASS		AC028	ACA70	ACF116	
FORD	COURIER	PG	GL CREW CAB	4	2.6L	G6E	P	MPFI	2002	2004	UTE		AC028	ACA70	ACF116	
FORD	COURIER	PG	XL SUPER CAB	4	2.6L	G6E	P	MPFI	2002	2004	CAB CHASS/UTE		AC028	ACA70	ACF116	
FORD	COURIER	PG	XLT CREW CAB	4	2.6L	G6E	P	MPFI	2002	2004	UTE		AC028	ACA70	ACF116	
FORD	COURIER	PG	XL CREW CAB	4	2.5L	WL	D	TURBO	2003	2004	UTE	AIR FILTER WITH PANEL HOUSING	AC01	ACA113	ACF201	

MAKE	MODEL	SERIES	BADGE	CYLS	ENG SIZE	ENGINE CODE	FUEL	FUEL DELIVERY / AIR INTAKE	FROM	TO	BODY	REMARKS	OIL	AIR	FUEL	CABIN
FORD	COURIER	PG	XL CREW CAB	4	2.5L	WL	D	TURBO	2003	2004	UTE	AIR FILTER WITH RADIAL HOUSING	AC01	ACA127	ACF201	
FORD	COURIER	PG	XL CREW CAB	4	2.6L	G6E	P	MPFI	2003	2004	UTE		AC028	ACA70	ACF116	
FORD	COURIER	PH	GL CREW CAB	4	2.5L	WL	D	TURBO	2004	06/05	CAB CHASS/UTE	AIR FILTER WITH PANEL HOUSING	AC01	ACA113	ACF201	
FORD	COURIER	PH	GL CREW CAB	4	2.5L	WL	D	TURBO	2004	06/05	CAB CHASS/UTE	AIR FILTER WITH RADIAL HOUSING	AC01	ACA127	ACF201	
FORD	COURIER	PH	XL CREW CAB	4	2.5L	WL	D	TURBO	2004	06/05	UTE	AIR FILTER WITH RADIAL HOUSING	AC01	ACA127	ACF201	
FORD	COURIER	PH	XL CREW CAB	4	2.5L	WL	D	TURBO	2004	06/05	UTE	AIR FILTER WITH PANEL HOUSING	AC01	ACA113	ACF201	
FORD	COURIER	PH	XL SUPER CAB	4	2.5L	WL	D	TURBO	2004	06/05	CAB CHASS/UTE	AIR FILTER WITH RADIAL HOUSING	AC01	ACA127	ACF201	
FORD	COURIER	PH	XL SUPER CAB	4	2.5L	WL	D	TURBO	2004	06/05	CAB CHASS/UTE	AIR FILTER WITH PANEL HOUSING	AC01	ACA113	ACF201	
FORD	COURIER	PH	XLT CREW CAB	4	2.5L	WL	D	TURBO	2004	06/05	UTE	AIR FILTER WITH RADIAL HOUSING	AC01	ACA127	ACF201	
FORD	COURIER	PH	XLT CREW CAB	4	2.5L	WL	D	TURBO	2004	06/05	UTE	AIR FILTER WITH PANEL HOUSING	AC01	ACA113	ACF201	
FORD	COURIER	PH	XLT CREW CAB HURRICANE	4	2.5L	WL	D	TURBO	2004	06/05	UTE	AIR FILTER WITH RADIAL HOUSING	AC01	ACA127	ACF201	
FORD	COURIER	PH	XLT CREW CAB HURRICANE	4	2.5L	WL	D	TURBO	2004	06/05	UTE	AIR FILTER WITH PANEL HOUSING	AC01	ACA113	ACF201	
FORD	COURIER	PH	GL	4	2.6L	G6E	P	MPFI	2004	06/05	CAB CHASS/UTE		AC028	ACA70	ACF116	
FORD	COURIER	PH	GL CREW CAB	4	2.6L	G6E	P	MPFI	2004	06/05	CAB CHASS/UTE		AC028	ACA70	ACF116	
FORD	COURIER	PH	XL CREW CAB	4	2.6L	G6E	P	MPFI	2004	06/05	UTE		AC028	ACA70	ACF116	
FORD	COURIER	PH	XL SUPER CAB	4	2.6L	G6E	P	MPFI	2004	06/05	CAB CHASS/UTE		AC028	ACA70	ACF116	
FORD	COURIER	PH	GL CREW CAB	6	4.0L	13V	P	MPFI	2004	06/05	CAB CHASS/UTE	SOHC 24V	AC084	ACA221	ACF116	
FORD	COURIER	PH	GL SUPER CAB	6	4.0L	13V	P	MPFI	2004	06/05	UTE	SOHC 24V	AC084	ACA221	ACF116	
FORD	COURIER	PH	XLT CREW CAB	6	4.0L	13V	P	MPFI	2004	06/05	UTE	SOHC 24V	AC084	ACA221	ACF116	
FORD	COURIER	PH UPGRADE	GL	4	2.5L	WL	D	TURBO	07/05	2006	CAB CHASS/UTE	AIR FILTER WITH PANEL HOUSING	AC01	ACA113	ACF201	
FORD	COURIER	PH UPGRADE	GL CREW CAB	4	2.5L	WL	D	TURBO	07/05	2006	CAB CHASS/UTE	AIR FILTER WITH RADIAL HOUSING	AC01	ACA127	ACF201	

MAKE	MODEL	SERIES	BADGE	CYLS	ENG SIZE	ENGINE CODE	FUEL	FUEL DELIVERY / AIR INTAKE	FROM	TO	BODY	REMARKS	OIL	AIR	FUEL	CABIN
FORD	COURIER	PH UPGRADE	GL CREW CAB	4	2.5L	WL	D	TURBO	07/05	2006	CAB CHASS/UTE	AIR FILTER WITH PANEL HOUSING	AC01	ACA113	ACF201	
FORD	COURIER	PH UPGRADE	GL SUPER CAB	4	2.5L	WL	D	TURBO	07/05	2006	UTE	AIR FILTER WITH RADIAL HOUSING	AC01	ACA127	ACF201	
FORD	COURIER	PH UPGRADE	GL SUPER CAB	4	2.5L	WL	D	TURBO	07/05	2006	UTE	AIR FILTER WITH PANEL HOUSING	AC01	ACA113	ACF201	
FORD	COURIER	PH UPGRADE	XL CREW CAB	4	2.5L	WL	D	TURBO	07/05	2006	UTE	AIR FILTER WITH RADIAL HOUSING	AC01	ACA127	ACF201	
FORD	COURIER	PH UPGRADE	XL CREW CAB	4	2.5L	WL	D	TURBO	07/05	2006	UTE	AIR FILTER WITH PANEL HOUSING	AC01	ACA113	ACF201	
FORD	COURIER	PH UPGRADE	XL SUPER CAB	4	2.5L	WL	D	TURBO	07/05	2006	CAB CHASS/UTE	AIR FILTER WITH RADIAL HOUSING	AC01	ACA127	ACF201	
FORD	COURIER	PH UPGRADE	XL SUPER CAB	4	2.5L	WL	D	TURBO	07/05	2006	CAB CHASS/UTE	AIR FILTER WITH PANEL HOUSING	AC01	ACA113	ACF201	
FORD	COURIER	PH UPGRADE	XLT CREW CAB	4	2.5L	WL	D	TURBO	07/05	2006	UTE	AIR FILTER WITH RADIAL HOUSING	AC01	ACA127	ACF201	
FORD	COURIER	PH UPGRADE	XLT CREW CAB	4	2.5L	WL	D	TURBO	07/05	2006	UTE	AIR FILTER WITH PANEL HOUSING	AC01	ACA113	ACF201	
FORD	COURIER	PH UPGRADE	XLT SUPER CAB	4	2.5L	WL	D	TURBO	07/05	2006	UTE	AIR FILTER WITH PANEL HOUSING	AC01	ACA113	ACF201	
FORD	COURIER	PH UPGRADE	XLT SUPER CAB	4	2.5L	WL	D	TURBO	07/05	2006	UTE	AIR FILTER WITH RADIAL HOUSING	AC01	ACA127	ACF201	
FORD	COURIER	PH UPGRADE	XLT SUPER CAB	4	2.5L	WL	D	TURBO	07/05	2006	UTE	AIR FILTER WITH RADIAL HOUSING	AC01	ACA127	ACF201	
FORD	COURIER	PH UPGRADE	XLT SUPER CAB	4	2.5L	WL	D	TURBO	07/05	2006	UTE	AIR FILTER WITH PANEL HOUSING	AC01	ACA113	ACF201	
FORD	COURIER	PH UPGRADE	GL	4	2.6L	G6E	P	MPFI	07/05	2006	CAB CHASS/UTE		AC028	ACA70	ACF116	
FORD	COURIER	PH UPGRADE	GL CREW CAB	4	2.6L	G6E	P	MPFI	07/05	2006	CAB CHASS/UTE		AC028	ACA70	ACF116	
FORD	COURIER	PH UPGRADE	XL CREW CAB	4	2.6L	G6E	P	MPFI	07/05	2006	UTE		AC028	ACA70	ACF116	
FORD	COURIER	PH UPGRADE	XL SUPER CAB	4	2.6L	G6E	P	MPFI	07/05	2006	CAB CHASS/UTE		AC028	ACA70	ACF116	
FORD	COURIER	PH UPGRADE	GL CREW CAB	6	4.0L	13V	P	MPFI	07/05	2006	CAB CHASS/UTE	SOHC 24V	AC084	ACA221	ACF116	
FORD	COURIER	PH UPGRADE	GL SUPER CAB	6	4.0L	13V	P	MPFI	07/05	2006	UTE	SOHC 24V	AC084	ACA221	ACF116	
FORD	COURIER	PH UPGRADE	XLT CREW CAB	6	4.0L	13V	P	MPFI	07/05	2006	UTE	SOHC 24V	AC084	ACA221	ACF116	
FORD	ECONOVAN			4	1.6L	NA	P	CARB	1979	04/84	VAN	CHASSIS SGMB	AC05		ACF64	

MAKE	MODEL	SERIES	BADGE	CYLS	ENG SIZE	ENGINE CODE	FUEL	FUEL DELIVERY / AIR INTAKE	FROM	TO	BODY	REMARKS	OIL	AIR	FUEL	CABIN
FORD	ECONOVAN			4	2.2L	S2	D	DIESEL INJ	07/81	1984	VAN	CHASSIS SGMW	AC072			
FORD	ECONOVAN			4	2.2L	R2	D	DIESEL INJ	04/84	1997	VAN	CHASSIS SGMW / BY PASS OIL FILTER AC033	AC033		ACF79	
FORD	ECONOVAN			4	2.2L	R2	D	DIESEL INJ	04/84	1997	VAN	CHASSIS SGMW / FULL FLOW OIL FILTER AC05	AC05		ACF79	
FORD	ECONOVAN			4	2.0L	FE	P	CARB	04/84	05/97	VAN	CHASSIS SGMW	AC05	ACA61	ACF12	
FORD	ECONOVAN			4	1.4L	UC	P	CARB	05/84	10/85	VAN	CHASSIS SGMW	AC07	ACA61	ACF12	
FORD	ECONOVAN			4	1.8L	F8	P	CARB	05/84	05/97	VAN	CHASSIS SGMW	AC05	ACA61	ACF12	
FORD	ECONOVAN			4	2.0L	FE	P		1986	1988	VAN	CHASSIS SGRM / 4WD / SOHC	AC05	ACA61	ACF12	
FORD	ECONOVAN	JG		4	2.0L	FE	P	CARB	1997	2000	VAN		AC026	ACA61	ACF12	
FORD	ECONOVAN	JG	MAXI	4	2.0L	FE	P	CARB	1997	2000	VAN		AC026	ACA61	ACF12	
FORD	ECONOVAN	JH		4	2.0L	FE	P	CARB	1999	2003	VAN		AC026	ACA61	ACF12	
FORD	ECONOVAN	JH	MAXI	4	2.0L	FE	P	CARB	1999	2003	VAN		AC026	ACA61	ACF12	
FORD	ECONOVAN	JH		4	1.8L	F8	P	CARB	03/03	07/06	VAN		AC026	ACA140	ACF33	
FORD	ECONOVAN	JH		4	2.0L	FE-E	P	MPFI	03/03	07/06	VAN		AC026	ACA140	ACF33	
FORD	ECOSPORT	BK	TITANIUM	3	1.0L	ECO-BOOST	P	TURBO DIRECT INJ	12/13	ON	SUV		AC024	ACA270		ACC65
FORD	ECOSPORT	BK	TREND	3	1.0L	ECO-BOOST	P	TURBO DIRECT INJ	12/13	ON	SUV		AC024	ACA270		ACC65
FORD	ECOSPORT	BK	AMBIENTE	4	1.5L	DURATEC	P	MPFI	12/13	ON	SUV		AC0132	ACA270		ACC65
FORD	ECOSPORT	BK	TITANIUM	4	1.5L	DURATEC	P	MPFI	12/13	ON	SUV		AC0132	ACA270		ACC65
FORD	ECOSPORT	BK	TREND	4	1.5L	DURATEC	P	MPFI	12/13	ON	SUV		AC0132	ACA270		ACC65
FORD	ESCAPE	BA	XLS	6	3.0L	AJ	P	MPFI	2001	03/03	WAGON		AC084	ACA215	ACF117	ACC10
FORD	ESCAPE	BA	XLS SUMMER	6	3.0L	AJ	P	MPFI	2001	03/03	WAGON		AC084	ACA215	ACF117	ACC10
FORD	ESCAPE	BA	XLT	6	3.0L	AJ	P	MPFI	2001	03/03	WAGON		AC084	ACA215	ACF117	ACC10
FORD	ESCAPE	BA	XLT SUMMER	6	3.0L	AJ	P	MPFI	2001	03/03	WAGON		AC084	ACA215	ACF117	ACC10
FORD	ESCAPE	BA	LIMITED	6	3.0L	AJ	P	MPFI	2002	03/03	WAGON		AC084	ACA215	ACF117	ACC10
FORD	ESCAPE	ZA	LIMITED	6	3.0L	AJ	P	MPFI	04/03	01/04	WAGON		AC084	ACA215	ACF117	ACC10
FORD	ESCAPE	ZA	XLS	6	3.0L	AJ	P	MPFI	04/03	01/04	WAGON		AC084	ACA215	ACF117	ACC10
FORD	ESCAPE	ZA	XLT	6	3.0L	AJ	P	MPFI	04/03	01/04	WAGON		AC084	ACA215	ACF117	ACC10
FORD	ESCAPE	ZB	XLS	4	2.3L	LF/MZR	P	MPFI	01/04	05/06	WAGON		AC087	ACA201	ACF117	
FORD	ESCAPE	ZB	XLT	4	2.3L	LF/MZR	P	MPFI	01/04	05/06	WAGON		AC087	ACA201	ACF117	
FORD	ESCAPE	ZB	LIMITED	6	3.0L	AJ	P	MPFI	01/04	05/06	WAGON		AC084	ACA215	ACF117	ACC10
FORD	ESCAPE	ZB	XLS	6	3.0L	AJ	P	MPFI	01/04	05/06	WAGON		AC084	ACA215	ACF117	ACC10
FORD	ESCAPE	ZB	XLT	6	3.0L	AJ	P	MPFI	01/04	05/06	WAGON		AC084	ACA215	ACF117	ACC10
FORD	ESCAPE	ZC	XLS	4	2.3L	LF/MZR	P	MPFI	06/06	2008	WAGON		AC087	ACA201	ACF117	
FORD	ESCAPE	ZC	XLT	4	2.3L	LF/MZR	P	MPFI	06/06	2008	WAGON		AC087	ACA201	ACF117	
FORD	ESCAPE	ZC	LIMITED	6	3.0L	AJ	P	MPFI	06/06	2008	WAGON		AC084	ACA215	ACF117	ACC10
FORD	ESCAPE	ZC	XLT	6	3.0L	AJ	P	MPFI	06/06	2008	WAGON		AC084	ACA215	ACF117	ACC10
FORD	ESCAPE	ZC	XLT SPORT	6	3.0L	AJ	P	MPFI	06/06	2008	WAGON		AC084	ACA215	ACF117	ACC10

MAKE	MODEL	SERIES	BADGE	CYLS	ENG SIZE	ENGINE CODE	FUEL	FUEL DELIVERY / AIR INTAKE	FROM	TO	BODY	REMARKS	OIL	AIR	FUEL	CABIN
FORD	ESCAPE	ZD		4	2.3L	L3 MZR	P	MPFI	04/08	2012	WAGON	WHERE CARTRIDGE OIL FILTER IS FITTED	AC087	ACA201	ACF117	
FORD	ESCAPE	ZD		4	2.3L	L3 MZR	P	MPFI	04/08	2012	WAGON	WHERE SPIN ON OIL FILTER IS FITTED	AC095	ACA201	ACF117	
FORD	ESCORT		XL	4	1.6L		P	CARB	1972	1977	SEDAN				ACF64	
FORD	ESCORT		L	4	1.6L		P	CARB	1974	1980	SEDAN				ACF64	
FORD	ESCORT		GHIA	4	1.6L		P	CARB	1975	1982	SEDAN				ACF64	
FORD	ESCORT		RS	4	2.0L		P	CARB	1976	1980	SEDAN		AC09		ACF64	
FORD	ESCORT		GL	4	1.6L		P	CARB	1977	1980	SED/VAN				ACF64	
FORD	ESCORT		XR3i COSWORTH	4	1.6L		P	MPFI	1989	1989	HATCH				ACF64	
FORD	EXPLORER	UN	LIMITED	6	4.0L	VGE4	P	MPFI	1996	09/97	WAGON	AUTOMATIC ONLY	AC01	ACA221	ACF90	
FORD	EXPLORER	UN	LIMITED	6	4.0L	VGE4	P	MPFI	1996	09/97	WAGON	MANUAL ONLY	AC01	ACA222	ACF90	
FORD	EXPLORER	UN	XL	6	4.0L	VGE4	P	MPFI	1996	09/97	WAGON	AUTOMATIC ONLY	AC01	ACA221	ACF90	
FORD	EXPLORER	UN	XL	6	4.0L	VGE4	P	MPFI	1996	09/97	WAGON	MANUAL ONLY	AC01	ACA222	ACF90	
FORD	EXPLORER	UN	XLT	6	4.0L	VGE4	P	MPFI	1996	09/97	WAGON	AUTOMATIC ONLY	AC01	ACA221	ACF90	
FORD	EXPLORER	UN	XLT	6	4.0L	VGE4	P	MPFI	1996	09/97	WAGON	MANUAL ONLY	AC01	ACA222	ACF90	
FORD	EXPLORER	UP	LIMITED	6	4.0L	VGE4	P	MPFI	10/97	05/99	WAGON	AUTOMATIC ONLY	AC01	ACA221	ACF90	
FORD	EXPLORER	UP	LIMITED	6	4.0L	VGE4	P	MPFI	10/97	05/99	WAGON	MANUAL ONLY	AC01	ACA222	ACF90	
FORD	EXPLORER	UP	XL	6	4.0L	VGE4	P	MPFI	10/97	05/99	WAGON	AUTOMATIC ONLY	AC01	ACA221	ACF90	
FORD	EXPLORER	UP	XL	6	4.0L	VGE4	P	MPFI	10/97	05/99	WAGON	MANUAL ONLY	AC01	ACA222	ACF90	
FORD	EXPLORER	UP	XLT	6	4.0L	VGE4	P	MPFI	10/97	05/99	WAGON	AUTOMATIC ONLY	AC01	ACA221	ACF90	
FORD	EXPLORER	UP	XLT	6	4.0L	VGE4	P	MPFI	10/97	05/99	WAGON	MANUAL ONLY	AC01	ACA222	ACF90	
FORD	EXPLORER	UP	LIMITED	6	4.0L	VGE4	P	MPFI	06/99	2000	WAGON	AUTOMATIC ONLY	AC01	ACA221	ACF90	
FORD	EXPLORER	UP	LIMITED	6	4.0L	VGE4	P	MPFI	06/99	2000	WAGON	MANUAL ONLY	AC01	ACA222	ACF90	
FORD	EXPLORER	UQ	XL	6	4.0L	VGE4	P	MPFI	06/99	2000	WAGON	AUTOMATIC ONLY	AC01	ACA221	ACF90	
FORD	EXPLORER	UQ	XL	6	4.0L	VGE4	P	MPFI	06/99	2000	WAGON	MANUAL ONLY	AC01	ACA222	ACF90	
FORD	EXPLORER	UQ	XLT	6	4.0L	VGE4	P	MPFI	06/99	2000	WAGON	AUTOMATIC ONLY	AC01	ACA221	ACF90	
FORD	EXPLORER	UQ	XLT	6	4.0L	VGE4	P	MPFI	06/99	2000	WAGON	MANUAL ONLY	AC01	ACA222	ACF90	
FORD	EXPLORER	US	LIMITED	6	4.0L	VGE4	P	MPFI	01/00	10/01	WAGON	AUTOMATIC ONLY	AC01	ACA221		
FORD	EXPLORER	US	LIMITED	6	4.0L	VGE4	P	MPFI	01/00	10/01	WAGON	MANUAL ONLY	AC01	ACA222		
FORD	EXPLORER	US	XL	6	4.0L	VGE4	P	MPFI	01/00	10/01	WAGON	AUTOMATIC ONLY	AC01	ACA221		
FORD	EXPLORER	US	XL	6	4.0L	VGE4	P	MPFI	01/00	10/01	WAGON	MANUAL ONLY	AC01	ACA222		

MAKE	MODEL	SERIES	BADGE	CYLS	ENG SIZE	ENGINE CODE	FUEL	FUEL DELIVERY / AIR INTAKE	FROM	TO	BODY	REMARKS	OIL	AIR	FUEL	CABIN
FORD	EXPLORER	US	XLT	6	4.0L	VGE4	P	MPFI	01/00	10/01	WAGON	AUTOMATIC ONLY	AC01	ACA221		
FORD	EXPLORER	US	XLT	6	4.0L	VGE4	P	MPFI	01/00	10/01	WAGON	MANUAL ONLY	AC01	ACA222		
FORD	EXPLORER	UT	XLT	6	4.0L	XZA	P	MPFI	11/01	02/03	WAGON		AC084	ACA223	ACF177	
FORD	EXPLORER	UT	LIMITED	8	4.6L	2ZA	P	MPFI	11/01	02/03	WAGON		AC084	ACA223	ACF177	
FORD	EXPLORER	UT	XLT	8	4.6L	2ZA	P	MPFI	11/01	02/03	WAGON		AC084	ACA223	ACF177	
FORD	EXPLORER	UX	XLT	6	4.0L	XZA	P	MPFI	03/03	10/03	WAGON		AC084	ACA223	ACF177	
FORD	EXPLORER	UX	LIMITED	8	4.6L	2ZA	P	MPFI	03/03	10/03	WAGON		AC084	ACA223	ACF177	
FORD	EXPLORER	UX	XLT	8	4.6L	2ZA	P	MPFI	03/03	10/03	WAGON		AC084	ACA223	ACF177	
FORD	EXPLORER	UZ	XLT	6	4.0L	XZA	P	MPFI	11/03	01/08	WAGON		AC084	ACA223	ACF177	
FORD	EXPLORER	UZ	LIMITED	8	4.6L	2ZA	P	MPFI	11/03	01/08	WAGON		AC084	ACA223	ACF177	
FORD	EXPLORER	UZ	XLT	8	4.6L	2ZA	P	MPFI	11/03	01/08	WAGON		AC084	ACA223	ACF177	
FORD	EVEREST	UA		5	3.2L	P5AT	D	TURBO DIESEL	07/15	ON	WAGON	10 MINUTE OIL DRAIN AND REFILL	AC0130	ACA249	ACF193	ACC57
FORD	F100			6	3.9L	240	P	CARB	1960	1974	UTE		AC01			
FORD	F100		XLT	8	4.9L	302	P	CARB	1974	1977	UTE		AC01			
FORD	F100			6	4.1L	250	P	CARB	1974	1985	UTE		AC01			
FORD	F100		XLT	8	5.8L	351W CID	P	CARB	1979	1986	UTE		AC01			
FORD	F100			8	4.9L	302	P	CARB	1985	1987	UTE		AC01		ACF117	
FORD	F150	1012		8	4.9L	302 CID	P	MPFI	1987	1990	UTE		AC01		ACF117	
FORD	F150	1012		8	5.8L	351W CID	P	MPFI	1989	1991	UTE		AC01			
FORD	F150	1022		8	5.8L	351W CID	P	MPFI	1990	1992	UTE		AC01			
FORD	F150	XLT	4X4	8	5.0L	302 CID	P	CARB	1991	1991	UTE		AC084			
FORD	F150	XLT	EXTRA CAB	8	5.4L	330 CID	P	MPFI	1999	2000	UTE		AC084			
FORD	F150	NA		8	4.6L	281 CID	P	S-CHARGED	1999	ON	UTE		AC084			
FORD	F150	HARLEY DAVIDSON		8	5.0L	302 CID	P	FUEL INJ	2001	2003	UTE		AC084			
FORD	F150	HARLEY DAVIDSON		8	5.4L	330 CID SC	P	S-CHARGED	2001	2003	UTE		AC084			
FORD	F150	100 YEAR EDITION	HARLEY DAVIDSON	8	5.4L	330 CID SC	P	S-CHARGED	2003	2004	UTE		AC084			
FORD	F150	PN	LIGHTENING	8	5.4L	330 CID SC	P	S-CHARGED	2004	2005	UTE		AC084			
FORD	F150	PN	SVT LIGHTENING	8	5.4L	330 CID	P	DIRECT INJ	2004	2005	UTE		AC084			
FORD	F150	SVT		8	5.4L	330 CID	P	MPFI	2004	ON	UTE		AC084			
FORD	F150	SUPERCREW	PLATINUM	8	5.4L	330 CID	P	MPFI	2010	ON	UTE		AC084			
FORD	F150	SUPERCREW	HARLEY DAVIDSON	8	6.2L	379 CID	P	MPFI	2011	ON	UTE		AC084			
FORD	F250			6	3.9L	240	P	CARB	1970	1974	UTE		AC01			
FORD	F250	RM		8	5.4L	TRITON	P	MPFI	2001	2003	UTE		AC084	ACA238	ACF90	
FORD	F250	RN		8	5.4L	TRITON	P	MPFI	11/03	2007	UTE		AC084		ACF90	
FORD	F350			6	4.1L	250	P	CARB	03/82	1985	UTE		AC01	ACA28		
FORD	F350			8	4.9L	302	P	EFI	1986	1989	CAB CHASS		AC01			
FORD	F350	2000		8	5.8L	351 CID	P	CARB	1987	1993	CAB CHASS		AC01		ACF117	
FORD	F350	RM		8	5.4L	TRITON	P	MPFI	07/01	2003	CAB CHASS		AC084	ACA238		
FORD	F550	SUPER DUTY		10	6.8L	415CID	D		2004	2010	UTE		AC084			
FORD	FAIRLANE	ZA	CUSTOM	6	3.3L	200	P	CARB	03/67	02/68	SEDAN		AC01			

MAKE	MODEL	SERIES	BADGE	CYLS	ENG SIZE	ENGINE CODE	FUEL	FUEL DELIVERY / AIR INTAKE	FROM	TO	BODY	REMARKS	OIL	AIR	FUEL	CABIN
FORD	FAIRLANE	ZA	500	8	4.7L	289	P	CARB	03/67	02/68	SEDAN		AC01			
FORD	FAIRLANE	ZB	CUSTOM	6	3.3L	221	P	CARB	03/68	06/69	SEDAN		AC01			
FORD	FAIRLANE	ZB	500	8	5.0L	302	P	CARB	03/68	06/69	SEDAN		AC01			
FORD	FAIRLANE	ZC	CUSTOM	6	3.6L	221	P	CARB	07/69	10/70	SEDAN		AC01			
FORD	FAIRLANE	ZC	500	8	5.0L	302	P	CARB	07/69	10/70	SEDAN		AC01			
FORD	FAIRLANE	ZC	CUSTOM	8	5.0L	302	P	CARB	07/69	10/70	SEDAN		AC01			
FORD	FAIRLANE	ZC	500	8	5.8L	351	P	CARB	07/69	10/70	SEDAN		AC01			
FORD	FAIRLANE	ZD	CUSTOM	6	4.1L	250	P	CARB	11/70	03/72	SEDAN	1 VENTURI CARB	AC01			
FORD	FAIRLANE	ZD	CUSTOM	6	4.1L	250	P	CARB	11/70	03/72	SEDAN	2 VENTURI CARB	AC01			
FORD	FAIRLANE	ZD	500/ CUSTOM	8	5.0L	302	P	CARB	11/70	03/72	SEDAN		AC01			
FORD	FAIRLANE	ZD	500/ CUSTOM	8	5.8L	351	P	CARB	11/70	03/72	SEDAN		AC01			
FORD	FAIRLANE	ZF	CUSTOM	6	4.1L	250	P	CARB	04/72	10/73	SEDAN	1 VENTURI CARB	AC01			
FORD	FAIRLANE	ZF	CUSTOM	6	4.1L	250	P	CARB	04/72	10/73	SEDAN	2 VENTURI CARB	AC01			
FORD	FAIRLANE	ZF	500/ CUSTOM	8	5.0L	302	P	CARB	04/72	10/73	SEDAN		AC01			
FORD	FAIRLANE	ZF	500/ CUSTOM	8	5.8L	351	P	CARB	04/72	10/73	SEDAN		AC01			
FORD	FAIRLANE	ZG	CUSTOM	6	4.1L	250	P	CARB	11/73	05/76	SEDAN		AC01			
FORD	FAIRLANE	ZG	500/ CUSTOM	8	5.0L	302	P	CARB	11/73	05/76	SEDAN		AC01			
FORD	FAIRLANE	ZG	500/ CUSTOM	8	5.8L	351	P	CARB	11/73	05/76	SEDAN		AC01			
FORD	FAIRLANE	ZH	500	8	5.0L	302	P	CARB	05/76	04/79	SEDAN		AC01			
FORD	FAIRLANE	ZH	MARQUIS	8	5.0L	302	P	CARB	05/76	04/79	SEDAN		AC01			
FORD	FAIRLANE	ZH	500	8	5.8L	351	P	CARB	05/76	04/79	SEDAN		AC01			
FORD	FAIRLANE	ZH	MARQUIS	8	5.8L	351	P	CARB	05/76	04/79	SEDAN		AC01			
FORD	FAIRLANE	ZJ		6	4.1L	250	P	CARB	03/79	06/80	SEDAN	CAST IRON HEAD	AC01			
FORD	FAIRLANE	ZJ		8	5.0L	302	P	CARB	03/79	02/82	SEDAN		AC01			
FORD	FAIRLANE	ZJ		8	5.8L	351	P	CARB	03/79	02/82	SEDAN		AC01			
FORD	FAIRLANE	ZJ		6	4.1L	250	P	CARB	07/80	02/82	SEDAN	ALLOY HEAD	AC01			
FORD	FAIRLANE	ZK		8	5.0L	302	P	CARB	03/82	03/83	SEDAN		AC01			
FORD	FAIRLANE	ZK		6	4.1L	250	P	CARB	03/82	09/84	SEDAN		AC01			
FORD	FAIRLANE	ZK		6	4.1L	250	P	EFI	03/83	09/84	SEDAN		AC01		ACF3	
FORD	FAIRLANE	ZL		6	4.1L	250	P	EFI	10/84	05/88	SEDAN		AC01		ACF3	
FORD	FAIRLANE	NA		6	3.9L	P	P	MPFI	06/88	10/89	SEDAN		AC01	ACA9	ACF4	
FORD	FAIRLANE	NA II		6	3.9L	P	P	MPFI	11/89	06/91	SEDAN		AC01	ACA9	ACF4	
FORD	FAIRLANE	NC	GHIA	6	3.9L	P	P	MPFI	07/91	04/92	SEDAN		AC01	ACA9		
FORD	FAIRLANE	NC II	GHIA	8	5.0L	Z	P	MPFI	05/92	12/94	SEDAN		AC01	ACA17	ACF2	
FORD	FAIRLANE	NC II	GHIA	6	4.0L	P	P	MPFI	05/92	03/95	SEDAN		AC01	ACA9		
FORD	FAIRLANE	NC	GHIA	8	5.0L	Z	P	MPFI	05/92	03/95	SEDAN		AC01	ACA17	ACF2	
FORD	FAIRLANE	NF	GHIA	6	4.0L	4.0 - H	P	MPFI	03/95	09/95	SEDAN		AC01	ACA9	ACF2	
FORD	FAIRLANE	NF	GHIA	8	5.0L	5.0 - Z	P	MPFI	03/95	09/95	SEDAN		AC01	ACA17	ACF2	
FORD	FAIRLANE	NF II	GHIA	6	4.0L	4.0 - H	P	MPFI	10/95	09/96	SEDAN		AC01	ACA9	ACF2	
FORD	FAIRLANE	NF II	GHIA	8	5.0L	5.0 - Z	P	MPFI	10/95	09/96	SEDAN		AC01	ACA17	ACF2	

MAKE	MODEL	SERIES	BADGE	CYLS	ENG SIZE	ENGINE CODE	FUEL	FUEL DELIVERY / AIR INTAKE	FROM	TO	BODY	REMARKS	OIL	AIR	FUEL	CABIN
FORD	FAIRLANE	NL	CONCORDE/ GHIA	6	4.0L	4.0	P	MPFI	09/96	12/98	SEDAN		AC01	ACA9	ACF2	
FORD	FAIRLANE	NL	TICKFORD/ CONCORDE/ GHIA	8	5.0L	5.0	P	MPFI	09/96	12/98	SEDAN		AC01	ACA17	ACF2	
FORD	FAIRLANE	AU	GHIA	6	4.0L	4.0 - Y	P	MPFI	03/99	06/00	SEDAN	WITH INDEPEND- ENT REAR SUSPEN- SION	AC01	ACA17	ACF2	
FORD	FAIRLANE	AU	GHIA	6	4.0L	4.0 - Y	P	MPFI	03/99	06/00	SEDAN	WITHOUT INDEPEND- ENT REAR SUSPEN- SION	AC01	ACA17	ACF93	
FORD	FAIRLANE	AU	MILLENNIUM GHIA	6	4.0L	4.0 - Y	P	MPFI	03/99	06/00	SEDAN	WITH INDEPEND- ENT REAR SUSPEN- SION	AC01	ACA17	ACF2	
FORD	FAIRLANE	AU	MILLENNIUM GHIA	6	4.0L	4.0 - Y	P	MPFI	03/99	06/00	SEDAN	WITHOUT INDEPEND- ENT REAR SUSPEN- SION	AC01	ACA17	ACF93	
FORD	FAIRLANE	AU	GHIA	8	5.0L	5.0 - Z	P	MPFI	03/99	06/00	SEDAN		AC01	ACA17	ACF2	
FORD	FAIRLANE	AU II	GHIA	6	4.0L	4.0 - Y	P	MPFI	07/00	06/03	SEDAN	WITH INDEPEND- ENT REAR SUSPEN- SION	AC01	ACA17	ACF2	
FORD	FAIRLANE	AU II	GHIA	6	4.0L	4.0 - Y	P	MPFI	07/00	06/03	SEDAN	WITHOUT INDEPEND- ENT REAR SUSPEN- SION	AC01	ACA17	ACF93	
FORD	FAIRLANE	AU II	GHIA 75TH ANNIV	6	4.0L	4.0 - Y	P	MPFI	07/00	06/03	SEDAN	WITH INDEPEND- ENT REAR SUSPEN- SION	AC01	ACA17	ACF2	
FORD	FAIRLANE	AU II	GHIA 75TH ANNIV	6	4.0L	4.0 - Y	P	MPFI	07/00	06/03	SEDAN	WITHOUT INDEPEND- ENT REAR SUSPEN- SION	AC01	ACA17	ACF93	
FORD	FAIRLANE	AU II	SPORTSMAN GHIA	6	4.0L	4.0 - Y	P	MPFI	07/00	06/03	SEDAN	WITH INDEPEND- ENT REAR SUSPEN- SION	AC01	ACA17	ACF2	
FORD	FAIRLANE	AU II	SPORTSMAN GHIA	6	4.0L	4.0 - Y	P	MPFI	07/00	06/03	SEDAN	WITHOUT INDEPEND- ENT REAR SUSPEN- SION	AC01	ACA17	ACF93	
FORD	FAIRLANE	AU II	GHIA	8	5.0L	5.0 - Z	P	MPFI	07/00	06/03	SEDAN		AC01	ACA17	ACF2	
FORD	FAIRLANE	AU II	SPORTSMAN GHIA	8	5.0L	5.0 - Z	P	MPFI	07/00	06/03	SEDAN		AC01	ACA17	ACF2	
FORD	FAIRLANE	BA	GHIA	6	4.0L	BARRA 182	P	MPFI	07/03	02/05	SEDAN		AC01	ACA120	ACF2	ACC23
FORD	FAIRLANE	BA	G220	8	5.4L	BARRA 220	P	MPFI	07/03	02/05	SEDAN		AC084	ACA120	ACF2	ACC23
FORD	FAIRLANE	BA	GHIA	8	5.4L	BARRA 220	P	MPFI	07/03	02/05	SEDAN		AC084	ACA120	ACF2	ACC23



MAKE	MODEL	SERIES	BADGE	CYLS	ENG SIZE	ENGINE CODE	FUEL	FUEL DELIVERY / AIR INTAKE	FROM	TO	BODY	REMARKS	OIL	AIR	FUEL	CABIN
FORD	FAIRLANE	BA MK II	GHIA	6	4.0L	BARRA 182	P	MPFI	03/05	09/05	SEDAN		AC01	ACA120	ACF2	ACC23
FORD	FAIRLANE	BA MK II	G220	8	5.4L	BARRA 220	P	MPFI	03/05	09/05	SEDAN		AC084	ACA120	ACF2	ACC23
FORD	FAIRLANE	BA MK II	GHIA	8	5.4L	BARRA 220	P	MPFI	03/05	09/05	SEDAN		AC084	ACA120	ACF2	ACC23
FORD	FAIRLANE	BF	GHIA	6	4.0L	BARRA 190	P	MPFI	10/05	12/07	SEDAN		AC084	ACA120	ACF2	ACC23
FORD	FAIRLANE	BF	G8	8	5.4L	BARRA 230	P	MPFI	10/05	12/07	SEDAN		AC084	ACA120	ACF2	ACC23
FORD	FAIRLANE	BF	GHIA	8	5.4L	BARRA 230	P	MPFI	10/05	12/07	SEDAN		AC084	ACA120	ACF2	ACC23
FORD	FAIRMONT	XP		6	3.3L	200	P	CARB	08/65	09/66	SEDAN		AC01			
FORD	FAIRMONT	XP		6	3.3L	200	P	CARB	08/65	09/66	WAGON		AC01			
FORD	FAIRMONT	XR		6	3.3L	200	P	CARB	09/66	12/67	SEDAN		AC01			
FORD	FAIRMONT	XR		8	4.7L	289	P	CARB	09/66	12/67	SEDAN		AC01			
FORD	FAIRMONT	XT		6	3.6L	221	P	CARB	1968	05/69	SED/ WAG		AC01			
FORD	FAIRMONT	XT		8	5.0L	302	P	CARB	1968	05/69	SED/ WAG		AC01			
FORD	FAIRMONT	XW		6	3.6L	221	P	CARB	1969	1970	SEDAN		AC01			
FORD	FAIRMONT	XW		8	4.9L	302	P	CARB	1969	1970	SEDAN		AC01			
FORD	FAIRMONT	XY		6	4.1L	250	P	CARB	1970	1972	SEDAN	1V CARB	AC01			
FORD	FAIRMONT	XY		6	4.1L	250	P	CARB	1970	1972	SEDAN	2V CARB	AC01			
FORD	FAIRMONT	XY		8	5.0L	302	P	CARB	1970	1972	SEDAN		AC01			
FORD	FAIRMONT	XY		8	5.8L	351	P	CARB	1970	1972	SEDAN	MANUAL ONLY	AC01			
FORD	FAIRMONT	XY		8	5.8L	351	P	CARB	1970	1972	SEDAN	AUTOMATIC ONLY	AC01			
FORD	FAIRMONT	XA		6	4.1L	250	P	CARB	03/72	11/73	H-TOP/ SED/ WAG		AC01			
FORD	FAIRMONT	XA		8	5.0L	302	P	CARB	03/72	11/73	H-TOP/ SED/ WAG		AC01			
FORD	FAIRMONT	XA		8	5.8L	351	P	CARB	03/72	11/73	H-TOP/ SED	AUTOMATIC ONLY	AC01			
FORD	FAIRMONT	XA		8	5.8L	351	P	CARB	03/72	11/73	H-TOP/ SED	MANUAL ONLY	AC01			
FORD	FAIRMONT	XB		8	5.0L	302	P	CARB	11/73	11/74	H-TOP/ SED/ WAG		AC01			
FORD	FAIRMONT	XB		6	4.1L	250	P	CARB	11/73	08/76	H-TOP/ SED/ WAG		AC01			
FORD	FAIRMONT	XB		8	5.8L	351	P	CARB	11/73	08/76	H-TOP/ SED	MANUAL ONLY	AC01			
FORD	FAIRMONT	XB		8	5.8L	351	P	CARB	11/73	08/76	H-TOP/ SED	AUTOMATIC ONLY	AC01			
FORD	FAIRMONT	XB		8	5.0L	302	P	CARB	12/74	08/76	H-TOP/ SED/ WAG		AC01			
FORD	FAIRMONT	XC		6	4.1L	250	P	CARB	08/76	02/79	SED/ WAG		AC01	ACA24		
FORD	FAIRMONT	XC		8	5.0L	302	P	CARB	08/76	02/79	SED/ WAG		AC01			
FORD	FAIRMONT	XC		8	5.8L	351	P	CARB	08/76	02/79	SED/ WAG		AC01			

MAKE	MODEL	SERIES	BADGE	CYLS	ENG SIZE	ENGINE CODE	FUEL	FUEL DELIVERY / AIR INTAKE	FROM	TO	BODY	REMARKS	OIL	AIR	FUEL	CABIN
FORD	FAIRMONT	XD		6	4.1L	250	P	CARB	03/79	02/82	SEDAN		AC01	ACA24		
FORD	FAIRMONT	XD		8	5.0L	302	P	CARB	03/79	02/82	SEDAN		AC01			
FORD	FAIRMONT	XD		8	5.8L	351	P	CARB	03/79	02/82	SEDAN		AC01			
FORD	FAIRMONT	XE		8	5.8L	351	P	CARB	03/82	03/83	SEDAN		AC01			
FORD	FAIRMONT	XE		6	4.1L	250	P	CARB	03/82	09/84	SEDAN		AC01	ACA28		
FORD	FAIRMONT	XE		6	4.1L	250	P	EFI	03/82	09/84	SEDAN		AC01	ACA34		
FORD	FAIRMONT	XE		8	5.0L	302	P	CARB	03/82	09/84	SEDAN		AC01			
FORD	FAIRMONT	XF		6	4.1L	250	P	CARB	10/84	02/88	SEDAN		AC01	ACA28		
FORD	FAIRMONT	XF		6	4.1L	250	P	EFI	10/84	02/88	SEDAN		AC01	ACA34		
FORD	FAIRMONT	EA		6	3.9L	P	P	CARB	03/88	06/91	SED/WAG		AC01	ACA28	ACF4	
FORD	FAIRMONT	EA		6	3.9L	P	P	MPFI	03/88	06/91	SED/WAG		AC01	ACA9	ACF4	
FORD	FAIRMONT	EB		6	3.9L	P	P	MPFI	08/91	03/92	SED/WAG		AC01	ACA9	ACF2	
FORD	FAIRMONT	EB II		8	5.0L	5.0 - Z	P	MPFI	08/91	08/93	SED/WAG		AC01	ACA17	ACF2	
FORD	FAIRMONT	EB II		6	4.0L	4.0 - H	P	MPFI	04/92	08/93	SED/WAG		AC01	ACA9	ACF2	
FORD	FAIRMONT	ED		6	4.0L	4.0 - H	P	MPFI	08/93	08/94	SED/WAG		AC01	ACA9	ACF2	
FORD	FAIRMONT	ED		8	5.0L	5.0 - Z	P	MPFI	08/93	08/94	SED/WAG		AC01	ACA17	ACF2	
FORD	FAIRMONT	EF		6	4.0L	4.0 - H	P	MPFI	08/94	09/95	SED/WAG		AC01	ACA17	ACF2	
FORD	FAIRMONT	EF		8	5.0L	5.0 - Z	P	MPFI	08/94	09/95	SED/WAG		AC01	ACA17	ACF2	
FORD	FAIRMONT	EF II		6	4.0L	4.0 - H	P	MPFI	09/95	09/96	SED/WAG		AC01	ACA17	ACF2	
FORD	FAIRMONT	EF II		8	5.0L	5.0 - Z	P	MPFI	09/95	09/96	SED/WAG		AC01	ACA17	ACF2	
FORD	FAIRMONT	EL		6	4.0L	4.0 - H	P	MPFI	09/96	08/98	SED/WAG		AC01	ACA17	ACF2	
FORD	FAIRMONT	EL		8	5.0L	5.0 - Z	P	MPFI	09/96	08/98	SED/WAG		AC01	ACA17	ACF2	
FORD	FAIRMONT	AU	GHIA	6	4.0L	4.0 - H	P	MPFI	09/98	04/00	SEDAN	WITH INDEPENDENT REAR SUSPENSION	AC01	ACA17	ACF2	
FORD	FAIRMONT	AU	GHIA	6	4.0L	4.0 - H	P	MPFI	09/98	04/00	SEDAN	WITHOUT INDEPENDENT REAR SUSPENSION	AC01	ACA17	ACF93	
FORD	FAIRMONT	AU	GHIA	8	5.0L	5.0 - Z	P	MPFI	09/98	04/00	SEDAN	WITH OIL COOLER	AC09	ACA17	ACF2	
FORD	FAIRMONT	AU	GHIA	8	5.0L	5.0 - Z	P	MPFI	09/98	04/00	SEDAN	WITHOUT OIL COOLER	AC01	ACA17	ACF2	
FORD	FAIRMONT	AU II		6	4.0L	4.0 - H	P	MPFI	04/00	10/01	SEDAN	WITH INDEPENDENT REAR SUSPENSION	AC01	ACA17	ACF2	
FORD	FAIRMONT	AU II		6	4.0L	4.0 - H	P	MPFI	04/00	10/01	SEDAN	WITHOUT INDEPENDENT REAR SUSPENSION	AC01	ACA17	ACF93	

MAKE	MODEL	SERIES	BADGE	CYLS	ENG SIZE	ENGINE CODE	FUEL	FUEL DELIVERY / AIR INTAKE	FROM	TO	BODY	REMARKS	OIL	AIR	FUEL	CABIN
FORD	FAIRMONT	AU II		8	5.0L	5.0 - Z	P	MPFI	04/00	10/01	SEDAN	WITH OIL COOLER	AC09	ACA17	ACF2	
FORD	FAIRMONT	AU II		8	5.0L	5.0 - Z	P	MPFI	04/00	10/01	SEDAN	WITHOUT OIL COOLER	AC01	ACA17	ACF2	
FORD	FAIRMONT	AU III		6	4.0L	4.0 - H	P	MPFI	11/01	09/02	SED/WAG	WITH INDEPENDENT REAR SUSPENSION	AC01	ACA17	ACF2	
FORD	FAIRMONT	AU III		6	4.0L	4.0 - H	P	MPFI	11/01	09/02	SED/WAG	WITHOUT INDEPENDENT REAR SUSPENSION	AC01	ACA17	ACF93	
FORD	FAIRMONT	AU III		8	5.0L	5.0 - Z	P	MPFI	11/01	09/02	SED/WAG	WITH OIL COOLER	AC09	ACA17	ACF2	
FORD	FAIRMONT	AU III		8	5.0L	5.0 - Z	P	MPFI	11/01	09/02	SED/WAG	WITHOUT OIL COOLER	AC01	ACA17	ACF2	
FORD	FAIRMONT	BA	GHIA	6	4.0L	BARRA 182	P	MPFI	09/02	09/04	SEDAN		AC01	ACA120	ACF2	ACC23
FORD	FAIRMONT	BA	GHIA	8	5.4L	BARRA 220	P	MPFI	09/02	09/04	SEDAN		AC084	ACA120	ACF2	ACC23
FORD	FAIRMONT	BA MK II	GHIA	6	4.0L	BARRA 182	P	MPFI	10/04	09/05	SEDAN		AC01	ACA120	ACF2	ACC23
FORD	FAIRMONT	BA MK II	GHIA	8	5.4L	BARRA 220	P	MPFI	10/04	09/05	SEDAN		AC084	ACA120	ACF2	ACC23
FORD	FAIRMONT	BF		6	4.0L	BARRA 190	P	MPFI	10/05	09/06	SEDAN		AC084	ACA120	ACF2	ACC23
FORD	FAIRMONT	BF		8	5.4L	BARRA 230	P	MPFI	10/05	09/06	SEDAN		AC084	ACA120	ACF2	
FORD	FAIRMONT	BF		6	4.0L	BARRA E-GAS	LPG	SPFI	02/06	09/06	SEDAN		AC084	ACA128	ACF2	ACC23
FORD	FAIRMONT	BF MK II		6	4.0L	BARRA 190	P	MPFI	10/06	04/08	SEDAN		AC084	ACA120	ACF2	ACC23
FORD	FAIRMONT	BF MK II		6	4.0L	BARRA E-GAS	LPG	SPFI	10/06	04/08	SEDAN		AC084	ACA128	ACF2	ACC23
FORD	FAIRMONT	BF MK II		8	5.4L	BARRA 230	P	MPFI	10/06	04/08	SEDAN		AC084	ACA120	ACF2	
FORD	FALCON	XY		6	3.3L	200	P	CARB	1970	1972	WAGON		AC01		ACF64	
FORD	FALCON	XY		6	4.1L	250	P	CARB	1970	1972	SED/WAG	1V CARB	AC01		ACF64	
FORD	FALCON	XY		6	4.1L	250	P	CARB	1970	1972	SED/WAG	2V CARB	AC01		ACF64	
FORD	FALCON	XY		8	5.0L	302	P	CARB	1970	1972	SED/WAG	302 CLEVELAND	AC01			
FORD	FALCON	XY		8	5.0L	302	P	CARB	1970	1972	SED/WAG	302 WINDSOR	AC01			
FORD	FALCON	XY		8	5.8L	351	P	CARB	1970	1972	SEDAN		AC01			
FORD	FALCON	XC		6	3.3L	200	P	CARB	1976	1979	SED/WAG		AC01	ACA24	ACF64	
FORD	FALCON	XC	500	6	4.1L	250	P	CARB	1976	1979	SED/WAG		AC01	ACA24	ACF64	
FORD	FALCON	XC		8	5.0L	302	P	CARB	1976	1979	SED/WAG		AC01			
FORD	FALCON	XC		8	5.8L	351	P	CARB	1976	1979	SED/WAG	AUTOMATIC ONLY	AC01			
FORD	FALCON	XC		8	5.8L	351	P	CARB	1976	1979	SED/WAG	MANUAL ONLY	AC01			
FORD	FALCON	XD		6	3.3L	200	P	CARB	1979	1982	SED/WAG		AC01	ACA24		

MAKE	MODEL	SERIES	BADGE	CYLS	ENG SIZE	ENGINE CODE	FUEL	FUEL DELIVERY / AIR INTAKE	FROM	TO	BODY	REMARKS	OIL	AIR	FUEL	CABIN
FORD	FALCON	XD		6	4.1L	250	P	CARB	1979	1982	SED/WAG		AC01	ACA24		
FORD	FALCON	XD		8	5.0L	302	P	CARB	1979	1982	SED/WAG		AC01			
FORD	FALCON	XD		8	5.8L	351	P	CARB	1979	1982	SED/WAG	AUTOMATIC ONLY	AC01			
FORD	FALCON	XD		8	5.8L	351	P	CARB	1979	1982	SED/WAG	MANUAL ONLY	AC01			
FORD	FALCON	XE		6	3.3L	200	P	CARB	1982	1984	SED/WAG		AC01	ACA28		
FORD	FALCON	XE		6	3.3L	200	P	EFI	1982	1984	SED/WAG		AC01	ACA34	ACF3	
FORD	FALCON	XE		6	4.1L	250	P	CARB	1982	1984	SED/WAG		AC01	ACA28	ACF3	
FORD	FALCON	XE		8	5.0L	302	P	CARB	1982	1984	SED/WAG		AC01			
FORD	FALCON	XE		8	5.8L	351	P	CARB	1982	1984	SED/WAG	AUTOMATIC ONLY	AC01			
FORD	FALCON	XE		8	5.8L	351	P	CARB	1982	1984	SED/WAG	MANUAL ONLY	AC01			
FORD	FALCON	XF		6	3.3L	200	P	CARB	1984	1988	SED/WAG		AC01	ACA28		
FORD	FALCON	XF		6	4.1L	250	P	CARB	1984	1988	SED/WAG		AC01	ACA28	ACF3	
FORD	FALCON	XF		6	4.1L	250	P	EFI	1984	1988	SED/WAG		AC01	ACA34	ACF3	
FORD	FALCON	EA	GL	6	3.2L	A	P	CARB	1988	1988	SED/WAG		AC01	ACA28	ACF4	
FORD	FALCON	EA	S	6	3.9L	P	P	MPFI	1988	1989	SED/WAG		AC01	ACA9	ACF4	
FORD	FALCON	EA	GL	6	3.9L	D	P	CARB	1988	1991	SED/WAG		AC01	ACA28	ACF4	
FORD	FALCON	EA	GL	6	3.9L	P	P	MPFI	1988	1991	SED/WAG		AC01	ACA9	ACF4	
FORD	FALCON	EA II	GL	6	3.9L	P	P	MPFI	1989	1991	SED/WAG		AC01	ACA9	ACF4	
FORD	FALCON	EA II	S	6	3.9L	P	P	MPFI	1989	1991	SED/WAG		AC01	ACA9	ACF4	
FORD	FALCON	EB	GL	6	3.9L	D	P	CARB	1991	1992	SED/WAG		AC01	ACA28	ACF4	
FORD	FALCON	EB	GL	6	3.9L	P	P	MPFI	1991	1992	SED/WAG		AC01	ACA9	ACF2	
FORD	FALCON	EB II	GLI	6	4.0L	H	P	MPFI	1992	1993	SED/WAG		AC01	ACA9	ACF2	
FORD	FALCON	EB II	S	6	4.0L	X	P	MPFI	1992	1993	SEDAN		AC01	ACA9	ACF2	
FORD	FALCON	EB II	SXR6	6	4.0L	X	P	MPFI	1992	1993	SEDAN		AC01	ACA9	ACF2	
FORD	FALCON	EB II	GT	8	5.0L	Z	P	MPFI	1992	1993	SEDAN		AC01	ACA17	ACF2	
FORD	FALCON	EB II	SXR8	8	5.0L	X	P	MPFI	1992	1993	SEDAN		AC01	ACA17	ACF2	
FORD	FALCON	ED	FUTURA	6	4.0L	4.0 - H	P	MPFI	1993	1994	SED/WAG		AC01	ACA9	ACF2	
FORD	FALCON	ED	FUTURA CLASSIC	6	4.0L	4.0 - H	P	MPFI	1993	1994	SED/WAG		AC01	ACA9	ACF2	
FORD	FALCON	ED	GLI	6	4.0L	4.0 - H	P	MPFI	1993	1994	SED/WAG		AC01	ACA9	ACF2	
FORD	FALCON	ED	GLI CLASSIC	6	4.0L	4.0 - H	P	MPFI	1993	1994	SED/WAG		AC01	ACA9	ACF2	
FORD	FALCON	ED	XR6	6	4.0L	4.0 - X	P	MPFI	1993	1994	SED/WAG		AC01	ACA9	ACF2	

MAKE	MODEL	SERIES	BADGE	CYLS	ENG SIZE	ENGINE CODE	FUEL	FUEL DELIVERY / AIR INTAKE	FROM	TO	BODY	REMARKS	OIL	AIR	FUEL	CABIN
FORD	FALCON	ED	FUTURA	8	5.0L	5.0 - Z	P	MPFI	1993	1994	SED/WAG		AC01	ACA17	ACF2	
FORD	FALCON	ED	SPRINT XR8	8	5.0L	5.0 - X	P	MPFI	1993	1994	SEDAN		AC01	ACA17	ACF2	
FORD	FALCON	ED	XR8	8	5.0L	5.0 - X	P	MPFI	1993	1994	SEDAN		AC01	ACA17	ACF2	
FORD	FALCON	EF	FUTURA	6	4.0L	4.0 - H	P	MPFI	1994	1995	SED/WAG		AC01	ACA17	ACF2	
FORD	FALCON	EF	GLI	6	4.0L	4.0 - H	P	MPFI	1994	1995	SED/WAG		AC01	ACA17	ACF2	
FORD	FALCON	EF	XR6	6	4.0L	4.0 - X	P	MPFI	1994	1995	SED/WAG		AC01	ACA17	ACF2	
FORD	FALCON	EF	FUTURA	8	5.0L	5.0 - Z	P	MPFI	1994	1995	SED/WAG		AC01	ACA17	ACF2	
FORD	FALCON	EF	GLI	8	5.0L	5.0 - Z	P	MPFI	1994	1995	SED/WAG		AC01	ACA17	ACF2	
FORD	FALCON	EF	XR8	8	5.0L	5.0 - X	P	MPFI	1994	1995	SEDAN		AC01	ACA17	ACF2	
FORD	FALCON	EF II	GLI	8	5.0L	5.0 - Z	P	MPFI	1994	1995	SED/WAG		AC01	ACA17	ACF2	
FORD	FALCON	EF II	FUTURA	6	4.0L	4.0 - H	P	MPFI	1995	1996	SED/WAG		AC01	ACA17	ACF2	
FORD	FALCON	EF II	FUTURA CLASSIC	6	4.0L	4.0 - H	P	MPFI	1995	1996	SEDAN		AC01	ACA17	ACF2	
FORD	FALCON	EF II	GLI	6	4.0L	4.0 - H	P	MPFI	1995	1996	SED/WAG		AC01	ACA17	ACF2	
FORD	FALCON	EF II	GLI CLASSIC	6	4.0L	4.0 - H	P	MPFI	1995	1996	SED/WAG		AC01	ACA17	ACF2	
FORD	FALCON	EF II	XR6	6	4.0L	4.0 - X	P	MPFI	1995	1996	SEDAN		AC01	ACA17	ACF2	
FORD	FALCON	EF II	FUTURA	8	5.0L	5.0 - Z	P	MPFI	1995	1996	SED/WAG		AC01	ACA17	ACF2	
FORD	FALCON	EF II	XR8	8	5.0L	5.0 - X	P	MPFI	1995	1996	SEDAN		AC01	ACA17	ACF2	
FORD	FALCON	EL	FUTURA	6	4.0L	4.0 - H	P	MPFI	1996	1998	SED/WAG		AC01	ACA17	ACF2	
FORD	FALCON	EL	GLI	6	4.0L	4.0 - H	P	MPFI	1996	1998	SED/WAG		AC01	ACA17	ACF2	
FORD	FALCON	EL	XR6	6	4.0L	4.0 - X	P	MPFI	1996	1998	SEDAN		AC01	ACA17	ACF2	
FORD	FALCON	EL	FUTURA	8	5.0L	5.0 - Z	P	MPFI	1996	1998	SED/WAG		AC01	ACA17	ACF2	
FORD	FALCON	EL	GLI	8	5.0L	5.0 - Z	P	MPFI	1996	1998	SED/WAG		AC01	ACA17	ACF2	
FORD	FALCON	EL	GT	8	5.0L	GT40	P	MPFI	1996	1998	SEDAN		AC01	ACA17	ACF2	
FORD	FALCON	EL	XR8	8	5.0L	5.0 - X	P	MPFI	1996	1998	SEDAN		AC01	ACA17	ACF2	
FORD	FALCON	AU	CLASSIC	6	4.0L	4.0 - H	P	MPFI	1998	2000	SEDAN	WITH INDEPENDENT REAR SUSPENSION	AC01	ACA17	ACF2	
FORD	FALCON	AU	CLASSIC	6	4.0L	4.0 - H	P	MPFI	1998	2000	SED/WAG	WITHOUT INDEPENDENT REAR SUSPENSION	AC01	ACA17	ACF93	
FORD	FALCON	AU	CLASSIC FORTE	6	4.0L	4.0 - H	P	MPFI	1998	2000	SEDAN	WITH INDEPENDENT REAR SUSPENSION	AC01	ACA17	ACF2	
FORD	FALCON	AU	CLASSIC FORTE	6	4.0L	4.0 - H	P	MPFI	1998	2000	SEDAN	WITHOUT INDEPENDENT REAR SUSPENSION	AC01	ACA17	ACF93	

MAKE	MODEL	SERIES	BADGE	CYLS	ENG SIZE	ENGINE CODE	FUEL	FUEL DELIVERY / AIR INTAKE	FROM	TO	BODY	REMARKS	OIL	AIR	FUEL	CABIN
FORD	FALCON	AU	FORTE	6	4.0L	4.0 - H	P	MPFI	1998	2000	SEDAN	WITH INDEPENDENT REAR SUSPENSION	AC01	ACA17	ACF2	
FORD	FALCON	AU	FORTE	6	4.0L	4.0 - H	P	MPFI	1998	2000	SED/WAG	WITHOUT INDEPENDENT REAR SUSPENSION	AC01	ACA17	ACF93	
FORD	FALCON	AU	FUTURA	6	4.0L	4.0 - H	P	MPFI	1998	2000	SEDAN	WITH INDEPENDENT REAR SUSPENSION	AC01	ACA17	ACF2	
FORD	FALCON	AU	FUTURA	6	4.0L	4.0 - H	P	MPFI	1998	2000	SED/WAG	WITHOUT INDEPENDENT REAR SUSPENSION	AC01	ACA17	ACF93	
FORD	FALCON	AU	S	6	4.0L	4.0 - H	P	MPFI	1998	2000	SEDAN	WITH INDEPENDENT REAR SUSPENSION	AC01	ACA17	ACF2	
FORD	FALCON	AU	S	6	4.0L	4.0 - H	P	MPFI	1998	2000	SEDAN	WITHOUT INDEPENDENT REAR SUSPENSION	AC01	ACA17	ACF93	
FORD	FALCON	AU	XR6	6	4.0L	4.0 - X	P	MPFI	1998	2000	SEDAN	WITH INDEPENDENT REAR SUSPENSION	AC01	ACA17	ACF2	
FORD	FALCON	AU	XR6	6	4.0L	4.0 - X	P	MPFI	1998	2000	SEDAN	WITHOUT INDEPENDENT REAR SUSPENSION	AC01	ACA17	ACF93	
FORD	FALCON	AU	XR6 VCT	6	4.0L	Y	P	MPFI	1998	2000	SEDAN	WITH INDEPENDENT REAR SUSPENSION	AC01	ACA17	ACF2	
FORD	FALCON	AU	XR6 VCT	6	4.0L	Y	P	MPFI	1998	2000	SEDAN	WITHOUT INDEPENDENT REAR SUSPENSION	AC01	ACA17	ACF93	
FORD	FALCON	AU	XR8	8	5.0L	5.0 - Z	P	MPFI	1998	2000	SEDAN	WITH OIL COOLER	AC09	ACA17	ACF2	
FORD	FALCON	AU	XR8	8	5.0L	5.0 - Z	P	MPFI	1998	2000	SEDAN	WITHOUT OIL COOLER	AC01	ACA17	ACF2	
FORD	FALCON	AU II	75TH ANNIV FUTURA	6	4.0L	4.0 - H	P	MPFI	2000	2001	SEDAN	WITH INDEPENDENT REAR SUSPENSION	AC01	ACA17	ACF2	
FORD	FALCON	AU II	75TH ANNIV FUTURA	6	4.0L	4.0 - H	P	MPFI	2000	2001	SEDAN	WITHOUT INDEPENDENT REAR SUSPENSION	AC01	ACA17	ACF93	

MAKE	MODEL	SERIES	BADGE	CYLS	ENG SIZE	ENGINE CODE	FUEL	FUEL DELIVERY / AIR INTAKE	FROM	TO	BODY	REMARKS	OIL	AIR	FUEL	CABIN
FORD	FALCON	AU II	CLASSIC FUTURA	6	4.0L	4.0 - H	P	MPFI	2000	2001	SEDAN	WITH INDEPENDENT REAR SUSPENSION	AC01	ACA17	ACF2	
FORD	FALCON	AU II	CLASSIC FUTURA	6	4.0L	4.0 - H	P	MPFI	2000	2001	SEDAN	WITHOUT INDEPENDENT REAR SUSPENSION	AC01	ACA17	ACF93	
FORD	FALCON	AU II	FORTE	6	4.0L	4.0 - H	P	MPFI	2000	2001	SEDAN	WITH INDEPENDENT REAR SUSPENSION	AC01	ACA17	ACF2	
FORD	FALCON	AU II	FORTE	6	4.0L	4.0 - H	P	MPFI	2000	2001	SED/WAG	WITHOUT INDEPENDENT REAR SUSPENSION	AC01	ACA17	ACF93	
FORD	FALCON	AU II	FORTE	6	4.0L	4.0 - H	LPG	SPFI	2000	2001	SED/WAG		AC01	ACA17		
FORD	FALCON	AU II	FUTURA	6	4.0L	4.0 - H	P	MPFI	2000	2001	SEDAN	WITH INDEPENDENT REAR SUSPENSION	AC01	ACA17	ACF2	
FORD	FALCON	AU II	FUTURA	6	4.0L	4.0 - H	P	MPFI	2000	2001	SED/WAG	WITHOUT INDEPENDENT REAR SUSPENSION	AC01	ACA17	ACF93	
FORD	FALCON	AU II	FUTURA	6	4.0L	4.0 - H	LPG	SPFI	2000	2001	SED/WAG		AC01	ACA17		
FORD	FALCON	AU II	S	6	4.0L	4.0 - H	P	MPFI	2000	2001	SEDAN	WITH INDEPENDENT REAR SUSPENSION	AC01	ACA17	ACF2	
FORD	FALCON	AU II	S	6	4.0L	4.0 - H	P	MPFI	2000	2001	SEDAN	WITHOUT INDEPENDENT REAR SUSPENSION	AC01	ACA17	ACF93	
FORD	FALCON	AU II	S	6	4.0L	4.0 - H	LPG	SPFI	2000	2001	SED/WAG		AC01	ACA17		
FORD	FALCON	AU II	SR FORTE	6	4.0L	4.0 - H	P	MPFI	2000	2001	SEDAN	WITH INDEPENDENT REAR SUSPENSION	AC01	ACA17	ACF2	
FORD	FALCON	AU II	SR FORTE	6	4.0L	4.0 - H	P	MPFI	2000	2001	SED/WAG	WITHOUT INDEPENDENT REAR SUSPENSION	AC01	ACA17	ACF93	
FORD	FALCON	AU II	XR6	6	4.0L	4.0 - H	P	MPFI	2000	2001	SEDAN	WITH INDEPENDENT REAR SUSPENSION	AC01	ACA17	ACF2	
FORD	FALCON	AU II	XR6	6	4.0L	4.0 - H	P	MPFI	2000	2001	SEDAN	WITHOUT INDEPENDENT REAR SUSPENSION	AC01	ACA17	ACF93	

MAKE	MODEL	SERIES	BADGE	CYLS	ENG SIZE	ENGINE CODE	FUEL	FUEL DELIVERY / AIR INTAKE	FROM	TO	BODY	REMARKS	OIL	AIR	FUEL	CABIN
FORD	FALCON	AU II	XR6 VCT	6	4.0L	4.0 - H	P	MPFI	2000	2001	SEDAN	WITH INDEPENDENT REAR SUSPENSION	AC01	ACA17	ACF2	
FORD	FALCON	AU II	XR6 VCT	6	4.0L	4.0 - H	P	MPFI	2000	2001	SEDAN	WITHOUT INDEPENDENT REAR SUSPENSION	AC01	ACA17	ACF93	
FORD	FALCON	AU II	SR FORTE	8	5.0L	5.0 - Z	P	MPFI	2000	2001	SEDAN	WITH OIL COOLER	AC09	ACA17	ACF2	
FORD	FALCON	AU II	SR FORTE	8	5.0L	5.0 - Z	P	MPFI	2000	2001	SEDAN	WITHOUT OIL COOLER	AC01	ACA17	ACF2	
FORD	FALCON	AU II	XR8	8	5.0L	5.0 - Z	P	MPFI	2000	2001	SEDAN	WITH OIL COOLER	AC09	ACA17	ACF2	
FORD	FALCON	AU II	XR8	8	5.0L	5.0 - Z	P	MPFI	2000	2001	SEDAN	WITHOUT OIL COOLER	AC01	ACA17	ACF2	
FORD	FALCON	AU II	XR8 REBEL	8	5.0L	5.0 - Z	P	MPFI	2000	2001	SEDAN	WITH OIL COOLER	AC09	ACA17	ACF2	
FORD	FALCON	AU II	XR8 REBEL	8	5.0L	5.0 - Z	P	MPFI	2000	2001	SEDAN	WITHOUT OIL COOLER	AC01	ACA17	ACF2	
FORD	FALCON	AU III	FORTE	6	4.0L	INTECH	P	MPFI	2001	2002	SEDAN	WITH INDEPENDENT REAR SUSPENSION	AC01	ACA17	ACF2	
FORD	FALCON	AU III	FORTE	6	4.0L	INTECH	P	MPFI	2001	2002	SED/WAG	WITHOUT INDEPENDENT REAR SUSPENSION	AC01	ACA17	ACF93	
FORD	FALCON	AU III	FORTE	6	4.0L	INTECH	LPG	SPFI	2001	2002	SED/WAG		AC01	ACA17		
FORD	FALCON	AU III	FUTURA	6	4.0L	INTECH	P	MPFI	2001	2002	SEDAN	WITH INDEPENDENT REAR SUSPENSION	AC01	ACA17	ACF2	
FORD	FALCON	AU III	FUTURA	6	4.0L	INTECH	P	MPFI	2001	2002	SED/WAG	WITHOUT INDEPENDENT REAR SUSPENSION	AC01	ACA17	ACF93	
FORD	FALCON	AU III	FUTURA	6	4.0L	INTECH	LPG	SPFI	2001	2002	SED/WAG		AC01	ACA17		
FORD	FALCON	AU III	SR FORTE	6	4.0L	INTECH	P	MPFI	2001	2002	SEDAN	WITH INDEPENDENT REAR SUSPENSION	AC01	ACA17	ACF2	
FORD	FALCON	AU III	SR FORTE	6	4.0L	INTECH	P	MPFI	2001	2002	SED/WAG	WITHOUT INDEPENDENT REAR SUSPENSION	AC01	ACA17	ACF93	
FORD	FALCON	AU III	XR6	6	4.0L	INTECH	P	MPFI	2001	2002	SEDAN	WITH INDEPENDENT REAR SUSPENSION	AC01	ACA17	ACF2	
FORD	FALCON	AU III	XR6	6	4.0L	INTECH	P	MPFI	2001	2002	SEDAN	WITHOUT INDEPENDENT REAR SUSPENSION	AC01	ACA17	ACF93	



MAKE	MODEL	SERIES	BADGE	CYLS	ENG SIZE	ENGINE CODE	FUEL	FUEL DELIVERY / AIR INTAKE	FROM	TO	BODY	REMARKS	OIL	AIR	FUEL	CABIN
FORD	FALCON	AU III	XR6 VCT	6	4.0L	INTECH VCT	P	MPFI	2001	2002	SEDAN	WITH INDEPENDENT REAR SUSPENSION	AC01	ACA17	ACF2	
FORD	FALCON	AU III	XR6 VCT	6	4.0L	INTECH VCT	P	MPFI	2001	2002	SEDAN	WITHOUT INDEPENDENT REAR SUSPENSION	AC01	ACA17	ACF93	
FORD	FALCON	AU III	FORTE	8	5.0L	JGSW	P	MPFI	2001	2002	SEDAN	WITH OIL COOLER	AC09	ACA17	ACF2	
FORD	FALCON	AU III	FORTE	8	5.0L	JGSW	P	MPFI	2001	2002	SEDAN	WITHOUT OIL COOLER	AC01	ACA17	ACF2	
FORD	FALCON	AU III	SR FORTE	8	5.0L	JGSW	P	MPFI	2001	2002	SEDAN	WITH OIL COOLER	AC09	ACA17	ACF2	
FORD	FALCON	AU III	SR FORTE	8	5.0L	JGSW	P	MPFI	2001	2002	SEDAN	WITHOUT OIL COOLER	AC01	ACA17	ACF2	
FORD	FALCON	AU III	XR8	8	5.0L	JGSW	P	MPFI	2001	2002	SEDAN	WITH OIL COOLER	AC09	ACA17	ACF2	
FORD	FALCON	AU III	XR8	8	5.0L	JGSW	P	MPFI	2001	2002	SEDAN	WITHOUT OIL COOLER	AC01	ACA17	ACF2	
FORD	FALCON	BA	CLASSIC XT	6	4.0L	BARRA 182	P	MPFI	2002	2004	SEDAN		AC01	ACA120	ACF2	ACC23
FORD	FALCON	BA	FUTURA	6	4.0L	BARRA 182	P	MPFI	2002	2004	SED/WAG		AC01	ACA120	ACF2	ACC23
FORD	FALCON	BA	FUTURA	6	4.0L	E-GAS	LPG	SPFI	2002	2004	SED/WAG		AC01	ACA128	ACF2	ACC23
FORD	FALCON	BA	XR6	6	4.0L	BARRA 182	P	MPFI	2002	2004	SEDAN		AC01	ACA120	ACF2	ACC23
FORD	FALCON	BA	XR6 TURBO	6	4.0L	BARRA 240T	P	TURBO INT-COOL	2002	2004	SEDAN		AC01	ACA120	ACF2	ACC23
FORD	FALCON	BA	XT	6	4.0L	BARRA 182	P	MPFI	2002	2004	SED/WAG		AC01	ACA120	ACF2	ACC23
FORD	FALCON	BA	XT	6	4.0L	E-GAS	LPG	SPFI	2002	2004	SED/WAG		AC01	ACA128	ACF2	ACC23
FORD	FALCON	BA	XR8	8	5.4L	BOSS 260	P	MPFI	2002	2004	SEDAN		AC084	ACA238	ACF2	ACC23
FORD	FALCON	BA	XT	8	5.4L	BARRA 220	P	MPFI	2002	2004	SEDAN		AC084	ACA120	ACF2	ACC23
FORD	FALCON	BA	CLASSIC XT	6	4.0L	E-GAS	LPG	SPFI	2004	2004	SEDAN		AC01	ACA128	ACF2	ACC23
FORD	FALCON	BA	SR XT	6	4.0L	BARRA 182	P	MPFI	2004	2004	SEDAN		AC01	ACA120	ACF2	ACC23
FORD	FALCON	BA	SR XT	8	5.4L	BARRA 220	P	MPFI	2004	2004	SEDAN		AC084	ACA120	ACF2	ACC23
FORD	FALCON	BA MK II	FUTURA	6	4.0L	BARRA 182	P	MPFI	2004	2005	SED/WAG		AC01	ACA120	ACF2	ACC23
FORD	FALCON	BA MK II	FUTURA	6	4.0L	E-GAS	LPG	SPFI	2004	2005	SED/WAG		AC01	ACA128	ACF2	ACC23
FORD	FALCON	BA MK II	SR	6	4.0L	BARRA 182	P	MPFI	2004	2005	SEDAN		AC01	ACA120	ACF2	ACC23
FORD	FALCON	BA MK II	XR6	6	4.0L	BARRA 182	P	MPFI	2004	2005	SEDAN		AC01	ACA120	ACF2	ACC23
FORD	FALCON	BA MK II	XR6 TURBO	6	4.0L	BARRA 240T	P	TURBO INT-COOL	2004	2005	SEDAN		AC01	ACA120	ACF2	ACC23
FORD	FALCON	BA MK II	XT	6	4.0L	BARRA 182	P	MPFI	2004	2005	SED/WAG		AC01	ACA120	ACF2	ACC23
FORD	FALCON	BA MK II	XT	6	4.0L	E-GAS	LPG	SPFI	2004	2005	SED/WAG		AC01	ACA128	ACF2	ACC23
FORD	FALCON	BA MK II	SR	8	5.4L	BARRA 220	P	MPFI	2004	2005	SEDAN		AC084	ACA120	ACF2	ACC23

MAKE	MODEL	SERIES	BADGE	CYLS	ENG SIZE	ENGINE CODE	FUEL	FUEL DELIVERY / AIR INTAKE	FROM	TO	BODY	REMARKS	OIL	AIR	FUEL	CABIN
FORD	FALCON	BA MK II	XR8	8	5.4L	BOSS 260	P	MPFI	2004	2005	SEDAN		AC084	ACA238	ACF2	ACC23
FORD	FALCON	BA MK II	XR8 DEVIL R	8	5.4L	BOSS 260	P	MPFI	2004	2005	SEDAN		AC084	ACA238	ACF2	ACC23
FORD	FALCON	BA MK II	XR8 ENFORCER	8	5.4L	BOSS 260	P	MPFI	2004	2005	SEDAN		AC084	ACA238	ACF2	ACC23
FORD	FALCON	BA MK II	XT	8	5.4L	BARRA 220	P	MPFI	2004	2005	SEDAN		AC084	ACA120	ACF2	ACC23
FORD	FALCON	BF	FUTURA	6	4.0L	BARRA 190	P	MPFI	2005	2006	SED/WAG		AC084	ACA120	ACF2	ACC23
FORD	FALCON	BF	FUTURA	6	4.0L	E-GAS	LPG	SPFI	2005	2006	SED/WAG		AC084	ACA128	ACF2	ACC23
FORD	FALCON	BF	XR6	6	4.0L	BARRA 190	P	MPFI	2005	2006	SEDAN		AC084	ACA120	ACF2	ACC23
FORD	FALCON	BF	XR6 TURBO	6	4.0L	BARRA 245T	P	TURBO INT-COOL	2005	2006	SEDAN		AC084	ACA120	ACF2	ACC23
FORD	FALCON	BF	XT	6	4.0L	BARRA 190	P	MPFI	2005	2006	SED/WAG		AC084	ACA120	ACF2	ACC23
FORD	FALCON	BF	XT	6	4.0L	E-GAS	LPG	SPFI	2005	2006	SED/WAG		AC084	ACA128	ACF2	ACC23
FORD	FALCON	BF	XR8	8	5.4L	BOSS 260	P	MPFI	2005	2006	SEDAN		AC084	ACA238	ACF2	ACC23
FORD	FALCON	BF	XT	8	5.4L	BARRA 230	P	MPFI	2005	2006	SED/WAG		AC084	ACA120	ACF2	ACC23
FORD	FALCON	BF	SR	6	4.0L	BARRA 190	P	MPFI	2006	2006	SEDAN		AC084	ACA120	ACF2	ACC23
FORD	FALCON	BF	SR	6	4.0L	E-GAS	LPG	SPFI	2006	2006	SEDAN		AC084	ACA128	ACF2	ACC23
FORD	FALCON	BF	SR	8	5.4L	BARRA 230	P	MPFI	2006	2006	SEDAN		AC084	ACA120	ACF2	ACC23
FORD	FALCON	BF MK II	ES	6	4.0L	BARRA 190	P	MPFI	2006	2008	SEDAN		AC084	ACA120	ACF2	ACC23
FORD	FALCON	BF MK II	FUTURA	6	4.0L	BARRA 190	P	MPFI	2006	2008	SED/WAG		AC084	ACA120	ACF2	ACC23
FORD	FALCON	BF MK II	XR6	6	4.0L	BARRA 190	P	MPFI	2006	2008	SEDAN		AC084	ACA120	ACF2	ACC23
FORD	FALCON	BF MK II	XR6 TURBO	6	4.0L	BARRA 240T	P	TURBO INT-COOL	2006	2008	SEDAN		AC084	ACA120	ACF2	ACC23
FORD	FALCON	BF MK II	XT	6	4.0L	BARRA 190	P	MPFI	2006	2008	SED/WAG		AC084	ACA120	ACF2	ACC23
FORD	FALCON	BF MK II	XR8	8	5.4L	BOSS 260	P	MPFI	2006	2008	SEDAN		AC084	ACA238	ACF2	ACC23
FORD	FALCON	BF MK II	XT	8	5.4L	BARRA 230	P	MPFI	2006	2008	SEDAN		AC084	ACA120	ACF2	ACC23
FORD	FALCON	BF MK II	ES	6	4.0L	E-GAS	LPG	SPFI	2007	2007	SEDAN		AC084	ACA128	ACF2	ACC23
FORD	FALCON	BF MK II	SR	6	4.0L	BARRA 190	P	MPFI	2008	2008	SEDAN		AC084	ACA120	ACF2	ACC23
FORD	FALCON	BF MK II	FUTURA	6	4.0L	E-GAS	LPG	SPFI	2006	03/08	SED/WAG		AC084	ACA128	ACF2	ACC23
FORD	FALCON	BF MK II	FUTURA	6	4.0L	E-GAS	LPG	SPFI	03/08	04/08	SED/WAG		AC084	ACA224	ACF2	ACC23
FORD	FALCON	BF MK II	SR	6	4.0L	E-GAS	LPG	SPFI	2008	03/08	SEDAN		AC084	ACA128	ACF2	ACC23
FORD	FALCON	BF MK II	SR	6	4.0L	E-GAS	LPG	SPFI	03/08	04/08	SEDAN		AC084	ACA224	ACF2	ACC23
FORD	FALCON	BF MK II	XT	6	4.0L	E-GAS	LPG	SPFI	2006	03/08	SED/WAG		AC084	ACA128	ACF2	ACC23
FORD	FALCON	BF MK III	XT	6	4.0L	E-GAS	LPG	SPFI	03/08	2011	WAGON		AC084	ACA224	ACF2	ACC23
FORD	FALCON	BF MK III	XT	6	4.0L	E-GAS	LPG	SPFI	03/08	2011	WAGON		AC084	ACA224	ACF2	ACC23
FORD	FALCON	BF MK III	XT	6	4.0L	BARRA 190	P	MPFI	2008	2010	WAGON		AC084	ACA120	ACF2	ACC23
FORD	FALCON	FG	G6	6	4.0L	E-GAS	LPG	SPFI	2008	2010	SEDAN		AC084	ACA224		ACC23
FORD	FALCON	FG	G6E	6	4.0L	E-GAS	LPG	SPFI	2008	2010	SEDAN		AC084	ACA224		ACC23
FORD	FALCON	FG	XT	6	4.0L	E-GAS	LPG	SPFI	2008	2010	SEDAN		AC084	ACA224		ACC23

MAKE	MODEL	SERIES	BADGE	CYLS	ENG SIZE	ENGINE CODE	FUEL	FUEL DELIVERY / AIR INTAKE	FROM	TO	BODY	REMARKS	OIL	AIR	FUEL	CABIN
FORD	FALCON	FG	XR8	8	5.4L	BOSS 290	P	MPFI	2008	2010	SEDAN		AC084	ACA199	ACF2	ACC23
FORD	FALCON	FG	G6	6	4.0L	BARRA 195	P	MPFI	2008	2011	SEDAN		AC084	ACA199	ACF2	ACC23
FORD	FALCON	FG	G6E	6	4.0L	BARRA 195	P	MPFI	2008	2011	SEDAN		AC084	ACA199	ACF2	ACC23
FORD	FALCON	FG	G6E TURBO	6	4.0L	BARRA 270T	P	TURBO INT-COOL	2008	2011	SEDAN		AC084	ACA199	ACF2	ACC23
FORD	FALCON	FG	XR6	6	4.0L	BARRA 195	P	MPFI	2008	2011	SEDAN		AC084	ACA199	ACF2	ACC23
FORD	FALCON	FG	XR6 TURBO	6	4.0L	BARRA 270T	P	TURBO INT-COOL	2008	2011	SEDAN		AC084	ACA199	ACF2	ACC23
FORD	FALCON	FG	XT	6	4.0L	BARRA 195	P	MPFI	2008	2011	SEDAN		AC084	ACA199	ACF2	ACC23
FORD	FALCON	FG	G6 LIMITED EDITION	6	4.0L	BARRA 195	P	MPFI	2009	2010	SEDAN		AC084	ACA199	ACF2	ACC23
FORD	FALCON	FG	G6 LIMITED EDITION	6	4.0L	E-GAS	LPG	SPFI	2009	2010	SEDAN		AC084	ACA224		ACC23
FORD	FALCON	FG	XR6	6	4.0L	E-GAS	LPG	SPFI	2009	2010	SEDAN		AC084	ACA224		ACC23
FORD	FALCON	FG	G6 50TH ANNIV	6	4.0L	BARRA 195	P	MPFI	2010	2011	SEDAN		AC084	ACA199	ACF2	ACC23
FORD	FALCON	FG	G6E 50TH ANNIV	6	4.0L	BARRA 195	P	MPFI	2010	2011	SEDAN		AC084	ACA199	ACF2	ACC23
FORD	FALCON	FG	G6E TURBO 50TH ANNIV	6	4.0L	BARRA 270T	P	TURBO INT-COOL	2010	2011	SEDAN		AC084	ACA199	ACF2	ACC23
FORD	FALCON	FG	XR6 50TH ANNIV	6	4.0L	BARRA 195	P	MPFI	2010	2011	SEDAN		AC084	ACA199	ACF2	ACC23
FORD	FALCON	FG	XR6 TURBO 50TH ANNIV	6	4.0L	BARRA 270T	P	TURBO INT-COOL	2010	2011	SEDAN		AC084	ACA199	ACF2	ACC23
FORD	FALCON	FG	ECOLPI	6	4.0L	ECOLPI	LPG	MPFI	2011	2011	SEDAN		AC084	ACA224		ACC23
FORD	FALCON	FG	G6 ECOLPI	6	4.0L	ECOLPI	LPG	MPFI	2011	2011	SEDAN		AC084	ACA224		ACC23
FORD	FALCON	FG	XR6 ECOLPI	6	4.0L	ECOLPI	LPG	MPFI	2011	2011	SEDAN		AC084	ACA224		ACC23
FORD	FALCON	FG	XT ECOLPI	6	4.0L	ECOLPI	LPG	MPFI	2011	2011	SEDAN		AC084	ACA224		ACC23
FORD	FALCON	FG MK II	G6	6	4.0L	BARRA 195	P	MPFI	2011	11/14	SEDAN		AC084	ACA199	ACF2	ACC23
FORD	FALCON	FG MK II	G6 ECOLPI	6	4.0L	ECOLPI	LPG	MPFI	2011	11/14	SEDAN		AC084	ACA224		ACC23
FORD	FALCON	FG MK II	G6E	6	4.0L	BARRA 195	P	MPFI	2011	11/14	SEDAN		AC084	ACA199	ACF2	ACC23
FORD	FALCON	FG MK II	G6E ECOLPI	6	4.0L	ECOLPI	LPG	MPFI	2011	11/14	SEDAN		AC084	ACA224		ACC23
FORD	FALCON	FG MK II	G6E TURBO	6	4.0L	BARRA 270T	P	TURBO INT-COOL	2011	11/14	SEDAN		AC084	ACA199	ACF2	ACC23
FORD	FALCON	FG MK II	XR6	6	4.0L	BARRA 195	P	MPFI	2011	11/14	SEDAN		AC084	ACA199	ACF2	ACC23
FORD	FALCON	FG MK II	XR6 ECOLPI	6	4.0L	ECOLPI	LPG	MPFI	2011	11/14	SEDAN		AC084	ACA224		ACC23
FORD	FALCON	FG MK II	XR6 TURBO	6	4.0L	BARRA 270T	P	TURBO INT-COOL	2011	11/14	SEDAN		AC084	ACA199	ACF2	ACC23
FORD	FALCON	FG MK II	XT	6	4.0L	BARRA 195	P	MPFI	2011	11/14	SEDAN		AC084	ACA199	ACF2	ACC23
FORD	FALCON	FG MK II	XT ECOLPI	6	4.0L	ECOLPI	LPG	MPFI	2011	11/14	SEDAN		AC084	ACA224		ACC23
FORD	FALCON	FG MK II	G6 ECOBOOST	4	2.0L	ECO-BOOST	P	DIRECT INJ	2012	2012	SEDAN		AC024	ACA199	ACF2	ACC23
FORD	FALCON	FG MK II	G6 ECOBOOST	4	2.0L	ECO-BOOST	P	DIRECT INJ	2012	2012	SEDAN		AC024	ACA199	ACF2	ACC23
FORD	FALCON	FG MK II	G6E ECOBOOST	4	2.0L	ECO-BOOST	P	DIRECT INJ	2012	2012	SEDAN		AC024	ACA199	ACF2	ACC23
FORD	FALCON	FG MK II	G6 LIMITED EDITION	6	4.0L	BARRA 195	P	MPFI	2012	2012	SEDAN		AC084	ACA199	ACF2	ACC23

MAKE	MODEL	SERIES	BADGE	CYLS	ENG SIZE	ENGINE CODE	FUEL	FUEL DELIVERY / AIR INTAKE	FROM	TO	BODY	REMARKS	OIL	AIR	FUEL	CABIN
FORD	FALCON	FG MK II	G6 LIMITED EDITION ECOLPI	6	4.0L	ECOLPI	LPG	MPFI	2012	2012	SEDAN		AC084	ACA224		ACC23
FORD	FALCON	FG MK II	XT ECO-BOOST	4	2.0L	ECO-BOOST	P	DIRECT INJ	2012	11/14	SEDAN		AC024	ACA199	ACF2	ACC23
FORD	FALCON	FG X	ECOBOOST	4	2.0L	ECO-BOOST	P	TURBO DIRECT INJ	12/14	ON	SEDAN		AC024	ACA199	ACF2	ACC23
FORD	FALCON	FG X	G6E	6	4.0L	BARRA 195	P	MPFI	12/14	ON	SEDAN		AC084	ACA199	ACF2	ACC23
FORD	FALCON	FG X	G6E ECO-BOOST	4	2.0L	ECO-BOOST	P	TURBO DIRECT INJ	12/14	ON	SEDAN		AC024	ACA199	ACF2	ACC23
FORD	FALCON	FG X	LPI	6	4.0L	ECOLPI	LPG	SPFI	12/14	ON	SEDAN		AC084	ACA224		ACC23
FORD	FALCON	FG X	XR-6	6	4.0L	BARRA 195	P	MPFI	12/14	ON	SEDAN		AC084	ACA199	ACF2	ACC23
FORD	FALCON	FG X	XR-6 LPI	6	4.0L	ECOLPI	LPG	SPFI	12/14	ON	SEDAN		AC084	ACA224		ACC23
FORD	FALCON	FG X	XR-6T	6	4.0L	BARRA 270T	P	TURBO MPFI	12/14	ON	SEDAN		AC084	ACA199	ACF2	ACC23
FORD	FALCON	FG X	XR-8	8	5.0L	BOSS 335	P	S/CHARGED MPFI	12/14	ON	SEDAN				ACF2	ACC23
FORD	FALCON UTE	XL	UTE	6	2.4L	170	P	CARB	1962	1963	UTE		AC01			
FORD	FALCON UTE	XL	DELUXE UTE	6	2.8L	144	P	CARB	1962	1963	UTE		AC01			
FORD	FALCON UTE	XM		6	2.8L	144	P	CARB	1963	1964	UTE		AC01			
FORD	FALCON UTE	XP	UTE	6	2.4L	144	P	CARB	1965	1966	UTE		AC01			
FORD	FALCON UTE	XP	DELUXE UTE	6	2.8L	170	P	CARB	1965	1966	UTE		AC01			
FORD	FALCON UTE	XR	UTE	6	2.8L	170	P	CARB	1966	1967	UTE		AC01			
FORD	FALCON UTE	XR	500 UTE	6	3.3L	200	P	CARB	1966	1967	UTE		AC01			
FORD	FALCON UTE	XT		6	3.1L	188	P	CARB	1968	1969	UTE		AC01			
FORD	FALCON UTE	XT		6	3.6L	221	P	CARB	1968	1969	UTE		AC01			
FORD	FALCON UTE	XT	500 UTE	8	5.0L	302	P	CARB	1968	1969	UTE	AUTOMATIC ONLY	AC01			
FORD	FALCON UTE	XT	500 UTE	8	5.0L	302	P	CARB	1968	1969	UTE	MANUAL ONLY	AC01			
FORD	FALCON UTE	XW	UTE	6	3.1L	188	P	CARB	1968	1970	UTE		AC01		ACF64	
FORD	FALCON UTE	XW	500 UTE	6	3.6L	221	P	CARB	1968	1970	UTE		AC01		ACF64	
FORD	FALCON UTE	XW	500 UTE	8	5.0L	302	P	CARB	1968	1970	UTE	AUTOMATIC ONLY	AC01			
FORD	FALCON UTE	XW	500 UTE	8	5.0L	302	P	CARB	1968	1970	UTE	MANUAL ONLY	AC01			
FORD	FALCON UTE	XY	UTE	6	4.1L	250	P	CARB	1970	1972	UTE	1V CARB	AC01		ACF64	
FORD	FALCON UTE	XY	UTE	6	4.1L	250	P	CARB	1970	1972	UTE	2V CARB	AC01		ACF64	
FORD	FALCON UTE	XY	500 UTE	8	5.0L	302	P	CARB	1970	1972	UTE	302 CLEVELAND	AC01			
FORD	FALCON UTE	XY	500 UTE	8	5.0L	302	P	CARB	1970	1972	UTE	302 WINDSOR	AC01			
FORD	FALCON UTE	XB		6	3.3L	200	P	CARB	1974	1976	UTE		AC01		ACF64	
FORD	FALCON UTE	XB	500 UTE	6	4.1L	250	P	CARB	1974	1976	UTE		AC01			
FORD	FALCON UTE	XB	500 UTE	8	5.0L	302	P	CARB	1974	1976	UTE		AC01			
FORD	FALCON UTE	XB	500 UTE	8	5.8L	351	P	CARB	1974	1976	UTE	AUTOMATIC ONLY	AC01			
FORD	FALCON UTE	XB	500 UTE	8	5.8L	351	P	CARB	1974	1976	UTE	MANUAL ONLY	AC01			
FORD	FALCON UTE	XC	500 UTE	6	4.1L	250	P	CARB	1977	1979	UTE		AC01	ACA24	ACF64	
FORD	FALCON UTE	XC	500 UTE	8	5.0L	302	P	CARB	1977	1979	UTE		AC01			
FORD	FALCON UTE	XC	500 UTE	8	5.8L	351	P	CARB	1977	1979	UTE	AUTOMATIC ONLY	AC01			

MAKE	MODEL	SERIES	BADGE	CYLS	ENG SIZE	ENGINE CODE	FUEL	FUEL DELIVERY / AIR INTAKE	FROM	TO	BODY	REMARKS	OIL	AIR	FUEL	CABIN
FORD	FALCON UTE	XC	500 UTE	8	5.8L	351	P	CARB	1977	1979	UTE	MANUAL ONLY	AC01			
FORD	FALCON UTE	XD		6	3.3L	200	P	CARB	1979	1981	UTE		AC01	ACA24		
FORD	FALCON UTE	XD		6	4.1L	250	P	CARB	1979	1981	UTE		AC01	ACA24		
FORD	FALCON UTE	XD		8	5.0L	302	P	CARB	1979	1981	UTE		AC01			
FORD	FALCON UTE	XD	GL	8	5.8L	351	P	CARB	1979	1981	UTE	AUTOMATIC ONLY	AC01			
FORD	FALCON UTE	XD	GL	8	5.8L	351	P	CARB	1979	1981	UTE	MANUAL ONLY	AC01			
FORD	FALCON UTE	XE		6	3.3L	200	P	CARB	1982	1984	UTE		AC01	ACA28		
FORD	FALCON UTE	XE	GL	6	4.1L	250	P	CARB	1982	1984	UTE		AC01	ACA28	ACF3	
FORD	FALCON UTE	XF		6	3.3L	200	P	CARB	1984	1988	P-VAN/ UTE		AC01	ACA28		
FORD	FALCON UTE	XF		6	4.1L	250	P	EFI	1984	1988	P-VAN/ UTE		AC01	ACA34	ACF3	
FORD	FALCON UTE	XF	GL	6	4.1L	250	P	CARB	1988	1992	P-VAN/ UTE		AC01	ACA28	ACF3	
FORD	FALCON UTE	XG	GLI LONGREACH	6	4.0L		P	MPFI	1995	1996	P-VAN		AC01	ACA9	ACF2	
FORD	FALCON UTE	XG	GLI UTE LONGREACH	6	4.0L		P	MPFI	1995	1996	UTE		AC01	ACA9	ACF2	
FORD	FALCON UTE	XG	OUTBACK UTE LONGREACH	6	4.0L		P	MPFI	1995	1996	UTE		AC01	ACA65	ACF2	
FORD	FALCON UTE	XG	S UTE LONGREACH	6	4.0L		P	MPFI	1995	1996	UTE		AC01	ACA9	ACF2	
FORD	FALCON UTE	XG	XR6 UTE LONGREACH	6	4.0L		P	MPFI	1995	1996	UTE		AC01	ACA9	ACF2	
FORD	FALCON UTE	XH	GLI LONGREACH	6	4.0L		P	MPFI	1996	1997	UTE		AC01	ACA9	ACF2	
FORD	FALCON UTE	XH	GLI UTE LONGREACH	6	4.0L		P	MPFI	1996	1997	UTE		AC01	ACA9	ACF2	
FORD	FALCON UTE	XH	OUTBACK UTE LONGREACH	6	4.0L		P	MPFI	1996	1997	UTE		AC01		ACF2	
FORD	FALCON UTE	XH	S UTE LONGREACH	6	4.0L		P	MPFI	1996	1997	UTE		AC01	ACA9	ACF2	
FORD	FALCON UTE	XH	SPLASH UTE LONGREACH S	6	4.0L		P	MPFI	1996	1997	UTE		AC01	ACA9	ACF2	
FORD	FALCON UTE	XH	XR6 UTE LONGREACH	6	4.0L		P	MPFI	1996	1997	UTE		AC01		ACF2	
FORD	FALCON UTE	XH II	GLI LONGREACH	6	4.0L		P	MPFI	1997	1999	P-VAN		AC01	ACA17	ACF2	
FORD	FALCON UTE	XH II	GLI UTE LONGREACH	6	4.0L		P	MPFI	1997	1999	UTE		AC01	ACA9	ACF2	
FORD	FALCON UTE	XH II	LONGREACH GLI	6	4.0L		P	MPFI	1997	1999	UTE		AC01	ACA9	ACF2	
FORD	FALCON UTE	XH II	OUTBACK UTE LONGREACH	6	4.0L		P	MPFI	1997	1999	UTE		AC01		ACF2	
FORD	FALCON UTE	XH II	S UTE LONGREACH	6	4.0L		P	MPFI	1997	1999	UTE		AC01	ACA9	ACF2	
FORD	FALCON UTE	XH II	TRADESMAN LONGREACH GLI	6	4.0L		P	MPFI	1997	1999	UTE		AC01	ACA9	ACF2	
FORD	FALCON UTE	XH II	XR6 UTE LONGREACH	6	4.0L		P	MPFI	1997	1999	UTE		AC01		ACF2	

MAKE	MODEL	SERIES	BADGE	CYLS	ENG SIZE	ENGINE CODE	FUEL	FUEL DELIVERY / AIR INTAKE	FROM	TO	BODY	REMARKS	OIL	AIR	FUEL	CABIN
FORD	FALCON UTE	XH II	S UTE LONG-REACH	8	5.0L		P	MPFI	1997	1999	UTE		AC01		ACF2	
FORD	FALCON UTE	XH II	XR8 UTE LONGREACH	8	5.0L		P	MPFI	1997	1999	UTE		AC01		ACF2	
FORD	FALCON UTE	AU	XL SUPER CAB	6	4.0L	INTECH	P	MPFI	1999	1999	CAB CHASS		AC01	ACA17	ACF2	
FORD	FALCON UTE	AU	XL UTE SUPER CAB	6	4.0L	INTECH	P	MPFI	1999	1999	UTE		AC01	ACA17	ACF2	
FORD	FALCON UTE	AU	XLS SUPER CAB	6	4.0L	INTECH	P	MPFI	1999	1999	CAB CHASS		AC01	ACA17	ACF2	
FORD	FALCON UTE	AU	XLS UTE SUPER CAB	6	4.0L	INTECH	P	MPFI	1999	1999	UTE		AC01	ACA17	ACF2	
FORD	FALCON UTE	AU	XR6 UTE SUPER CAB	6	4.0L	VCT	P	MPFI	1999	1999	UTE		AC01	ACA17	ACF2	
FORD	FALCON UTE	AU	XL SUPER CAB	8	5.0L		P	MPFI	1999	2000	CAB CHASS	WITH OIL COOLER	AC09	ACA17	ACF2	
FORD	FALCON UTE	AU	XL SUPER CAB	8	5.0L		P	MPFI	1999	2000	CAB CHASS	WITHOUT OIL COOLER	AC01	ACA17	ACF2	
FORD	FALCON UTE	AU	XL UTE SUPER CAB	8	5.0L		P	MPFI	1999	2000	UTE	WITH OIL COOLER	AC09	ACA17	ACF2	
FORD	FALCON UTE	AU	XL UTE SUPER CAB	8	5.0L		P	MPFI	1999	2000	UTE	WITHOUT OIL COOLER	AC01	ACA17	ACF2	
FORD	FALCON UTE	AU	XLS SUPER CAB	8	5.0L		P	MPFI	1999	2000	CAB CHASS	WITH OIL COOLER	AC09	ACA17	ACF2	
FORD	FALCON UTE	AU	XLS SUPER CAB	8	5.0L		P	MPFI	1999	2000	CAB CHASS	WITHOUT OIL COOLER	AC01	ACA17	ACF2	
FORD	FALCON UTE	AU	XLS UTE SUPER CAB	8	5.0L		P	MPFI	1999	2000	UTE	WITH OIL COOLER	AC09	ACA17	ACF2	
FORD	FALCON UTE	AU	XLS UTE SUPER CAB	8	5.0L		P	MPFI	1999	2000	UTE	WITHOUT OIL COOLER	AC01	ACA17	ACF2	
FORD	FALCON UTE	AU	XR8 UTE SUPER CAB	8	5.0L		P	MPFI	1999	2000	UTE	WITH OIL COOLER	AC09	ACA17	ACF2	
FORD	FALCON UTE	AU	XR8 UTE SUPER CAB	8	5.0L		P	MPFI	1999	2000	UTE	WITHOUT OIL COOLER	AC01	ACA17	ACF2	
FORD	FALCON UTE	AU	XL SUPER CAB	6	4.0L	INTECH	P	MPFI	2000	2000	CAB CHASS		AC01	ACA17	ACF2	
FORD	FALCON UTE	AU	XL UTE SUPER CAB	6	4.0L	INTECH	P	MPFI	2000	2000	UTE		AC01	ACA17	ACF2	
FORD	FALCON UTE	AU	XLS SUPER CAB	6	4.0L	INTECH	P	MPFI	2000	2000	CAB CHASS		AC01	ACA17	ACF2	
FORD	FALCON UTE	AU	XLS UTE SUPER CAB	6	4.0L	INTECH	P	MPFI	2000	2000	UTE		AC01	ACA17	ACF2	
FORD	FALCON UTE	AU	XR6 UTE SUPER CAB	6	4.0L	VCT	P	MPFI	2000	2000	UTE		AC01	ACA17	ACF2	
FORD	FALCON UTE	AU II	MARLIN UTE SUPERCAB XLS	6	4.0L	INTECH	P	MPFI	2000	2001	UTE		AC01	ACA17	ACF2	
FORD	FALCON UTE	AU II	PURSUIT UTE SUPERCAB XR6	6	4.0L	INTECH	P	MPFI	2000	2001	UTE		AC01	ACA17	ACF2	
FORD	FALCON UTE	AU II	XL SPORTS EDITION	6	4.0L	INTECH	P	MPFI	2000	2001	UTE		AC01	ACA17	ACF2	
FORD	FALCON UTE	AU II	XL SUPER CAB	6	4.0L	INTECH	P	MPFI	2000	2001	CAB CHASS		AC01	ACA17	ACF2	
FORD	FALCON UTE	AU II	XL SUPER CAB TRADESMAN	6	4.0L	INTECH	P	MPFI	2000	2001	T-TOP		AC01	ACA17	ACF2	
FORD	FALCON UTE	AU II	XL UTE SUPER CAB	6	4.0L	INTECH	P	MPFI	2000	2001	UTE		AC01	ACA17	ACF2	
FORD	FALCON UTE	AU II	XLS SUPER CAB	6	4.0L	INTECH	P	MPFI	2000	2001	CAB CHASS		AC01	ACA17	ACF2	

MAKE	MODEL	SERIES	BADGE	CYLS	ENG SIZE	ENGINE CODE	FUEL	FUEL DELIVERY / AIR INTAKE	FROM	TO	BODY	REMARKS	OIL	AIR	FUEL	CABIN
FORD	FALCON UTE	AU II	XLS UTE SUPER CAB	6	4.0L	INTECH	P	MPFI	2000	2001	UTE		AC01	ACA17	ACF2	
FORD	FALCON UTE	AU II	XR6 UTE SUPER CAB	6	4.0L	VCT	P	MPFI	2000	2001	UTE		AC01	ACA17	ACF2	
FORD	FALCON UTE	AU II	XR6 VCT UTE SUPER CAB	6	4.0L	INTECH	P	MPFI	2000	2001	UTE		AC01	ACA17	ACF2	
FORD	FALCON UTE	AU II	MARLIN UTE SUPERCAB XLS	8	5.0L		P	MPFI	2000	2002	UTE	WITH OIL COOLER	AC09	ACA17	ACF2	
FORD	FALCON UTE	AU II	MARLIN UTE SUPERCAB XLS	8	5.0L		P	MPFI	2000	2002	UTE	WITHOUT OIL COOLER	AC01	ACA17	ACF2	
FORD	FALCON UTE	AU II	PURSUIT UTE SUPERCAB XR8	8	5.0L		P	MPFI	2000	2002	UTE	WITH OIL COOLER	AC09	ACA17	ACF2	
FORD	FALCON UTE	AU II	PURSUIT UTE SUPERCAB XR8	8	5.0L		P	MPFI	2000	2002	UTE	WITHOUT OIL COOLER	AC01	ACA17	ACF2	
FORD	FALCON UTE	AU II	XLS SUPER CAB	8	5.0L		P	MPFI	2000	2002	CAB CHASS	WITH OIL COOLER	AC09	ACA17	ACF2	
FORD	FALCON UTE	AU II	XLS SUPER CAB	8	5.0L		P	MPFI	2000	2002	CAB CHASS	WITHOUT OIL COOLER	AC01	ACA17	ACF2	
FORD	FALCON UTE	AU II	XLS UTE SUPER CAB	8	5.0L		P	MPFI	2000	2002	UTE	WITH OIL COOLER	AC09	ACA17	ACF2	
FORD	FALCON UTE	AU II	XLS UTE SUPER CAB	8	5.0L		P	MPFI	2000	2002	UTE	WITHOUT OIL COOLER	AC01	ACA17	ACF2	
FORD	FALCON UTE	AU II	XR8 UTE SUPER CAB	8	5.0L		P	MPFI	2000	2002	UTE	WITH OIL COOLER	AC09	ACA17	ACF2	
FORD	FALCON UTE	AU II	XR8 UTE SUPER CAB	8	5.0L		P	MPFI	2000	2002	UTE	WITHOUT OIL COOLER	AC01	ACA17	ACF2	
FORD	FALCON UTE	AU II	XR8 250 PURSUIT	8	5.6L		P	MPFI	2001	2001	UTE		AC09	ACA238	ACF2	
FORD	FALCON UTE	AU II	MARLIN UTE SUPERCAB XLS	6	4.0L	INTECH	P	MPFI	2001	2002	UTE		AC01	ACA17	ACF2	
FORD	FALCON UTE	AU II	PURSUIT UTE SUPERCAB XR6	6	4.0L	INTECH	P	MPFI	2001	2002	UTE		AC01	ACA17	ACF2	
FORD	FALCON UTE	AU II	XL SPORTS EDITION	6	4.0L	INTECH	P	MPFI	2001	2002	UTE		AC01	ACA17	ACF2	
FORD	FALCON UTE	AU II	XL SUPER CAB	6	4.0L	INTECH	P	MPFI	2001	2002	CAB CHASS		AC01	ACA17	ACF2	
FORD	FALCON UTE	AU II	XL SUPER CAB TRADESMAN	6	4.0L	INTECH	P	MPFI	2001	2002	T-TOP		AC01	ACA17	ACF2	
FORD	FALCON UTE	AU II	XL UTE SUPER CAB	6	4.0L	INTECH	P	MPFI	2001	2002	UTE		AC01	ACA17	ACF2	
FORD	FALCON UTE	AU II	XLS SUPER CAB	6	4.0L	INTECH	P	MPFI	2001	2002	CAB CHASS		AC01	ACA17	ACF2	
FORD	FALCON UTE	AU II	XLS UTE SUPER CAB	6	4.0L	INTECH	P	MPFI	2001	2002	UTE		AC01	ACA17	ACF2	
FORD	FALCON UTE	AU II	XR6 UTE SUPER CAB	6	4.0L	VCT	P	MPFI	2001	2002	UTE		AC01	ACA17	ACF2	
FORD	FALCON UTE	AU II	XR6 VCT UTE SUPER CAB	6	4.0L	INTECH	P	MPFI	2001	2002	UTE		AC01	ACA17	ACF2	
FORD	FALCON UTE	AU III	MARLIN UTE SUPERCAB XLS	6	4.0L	INTECH	P	MPFI	2002	2002	UTE		AC01	ACA17	ACF2	
FORD	FALCON UTE	AU III	TRADESMAN SUPERCAB XL	6	4.0L	INTECH	P	MPFI	2002	2002	T-TOP		AC01	ACA17	ACF2	

MAKE	MODEL	SERIES	BADGE	CYLS	ENG SIZE	ENGINE CODE	FUEL	FUEL DELIVERY / AIR INTAKE	FROM	TO	BODY	REMARKS	OIL	AIR	FUEL	CABIN
FORD	FALCON UTE	AU III	XL SPORTS EDITION	6	4.0L	INTECH	P	MPFI	2002	2002	UTE		AC01	ACA17	ACF2	
FORD	FALCON UTE	AU III	XL SUPER CAB	6	4.0L	INTECH	P	MPFI	2002	2002	CAB CHASS		AC01	ACA17	ACF2	
FORD	FALCON UTE	AU III	XL UTE SUPER CAB	6	4.0L	INTECH	P	MPFI	2002	2002	UTE		AC01	ACA17	ACF2	
FORD	FALCON UTE	AU III	XLS SUPER CAB	6	4.0L	INTECH	P	MPFI	2002	2002	UTE		AC01	ACA17	ACF2	
FORD	FALCON UTE	AU III	XLS UTE SUPER CAB	6	4.0L	INTECH	P	MPFI	2002	2002	UTE		AC01	ACA17	ACF2	
FORD	FALCON UTE	AU III	XR6 VCT UTE SUPER CAB	6	4.0L	VCT	P	MPFI	2002	2002	UTE		AC01	ACA17	ACF2	
FORD	FALCON UTE	AU III	XR8 250 PURSUIT	8	5.6L		P	MPFI	2002	2002	UTE		AC09	ACA238	ACF2	
FORD	FALCON UTE	AU III	TRADESMAN SUPERCAB XL	8	5.0L		P	MPFI	2002	2003	T-TOP	WITH OIL COOLER	AC09	ACA17	ACF2	
FORD	FALCON UTE	AU III	TRADESMAN SUPERCAB XL	8	5.0L		P	MPFI	2002	2003	T-TOP	WITHOUT OIL COOLER	AC01	ACA17	ACF2	
FORD	FALCON UTE	AU III	XL SUPER CAB	8	5.0L		P	MPFI	2002	2003	CAB CHASS	WITH OIL COOLER	AC09	ACA17	ACF2	
FORD	FALCON UTE	AU III	XL SUPER CAB	8	5.0L		P	MPFI	2002	2003	CAB CHASS	WITHOUT OIL COOLER	AC01	ACA17	ACF2	
FORD	FALCON UTE	AU III	XL UTE SUPER CAB	8	5.0L		P	MPFI	2002	2003	UTE	WITH OIL COOLER	AC09	ACA17	ACF2	
FORD	FALCON UTE	AU III	XL UTE SUPER CAB	8	5.0L		P	MPFI	2002	2003	UTE	WITHOUT OIL COOLER	AC01	ACA17	ACF2	
FORD	FALCON UTE	AU III	XR8 PURSUIT 250	8	5.0L		P	MPFI	2002	2003	UTE	WITH OIL COOLER	AC09	ACA17	ACF2	
FORD	FALCON UTE	AU III	XR8 PURSUIT 250	8	5.0L		P	MPFI	2002	2003	UTE	WITHOUT OIL COOLER	AC01	ACA17	ACF2	
FORD	FALCON UTE	AU III	MARLIN UTE SUPERCAB XLS	6	4.0L	INTECH	P	MPFI	2003	2003	UTE		AC01	ACA17	ACF2	
FORD	FALCON UTE	AU III	TRADESMAN SUPERCAB XL	6	4.0L	INTECH	P	MPFI	2003	2003	T-TOP		AC01	ACA17	ACF2	
FORD	FALCON UTE	AU III	XL SPORTS EDITION	6	4.0L	INTECH	P	MPFI	2003	2003	UTE		AC01	ACA17	ACF2	
FORD	FALCON UTE	AU III	XL SUPER CAB	6	4.0L	INTECH	P	MPFI	2003	2003	CAB CHASS		AC01	ACA17	ACF2	
FORD	FALCON UTE	AU III	XL UTE SUPER CAB	6	4.0L	INTECH	P	MPFI	2003	2003	UTE		AC01	ACA17	ACF2	
FORD	FALCON UTE	AU III	XLS SUPER CAB	6	4.0L	INTECH	P	MPFI	2003	2003	UTE		AC01	ACA17	ACF2	
FORD	FALCON UTE	AU III	XLS UTE SUPER CAB	6	4.0L	INTECH	P	MPFI	2003	2003	UTE		AC01	ACA17	ACF2	
FORD	FALCON UTE	AU III	XR6 VCT UTE SUPER CAB	6	4.0L	VCT	P	MPFI	2003	2003	UTE		AC01	ACA17	ACF2	
FORD	FALCON UTE	BA		6	4.0L	BARRA 156	LPG		2002	2004	UTE	DOHC 24V	AC01	ACA128	ACF2	ACC23
FORD	FALCON UTE	BA	MARLIN SUPERCAB XLS	6	4.0L	BARRA 182	P	MPFI	2003	2004	CAB CHASS		AC01	ACA120	ACF2	ACC23
FORD	FALCON UTE	BA	MARLIN UTE SUPER CAB XLS	6	4.0L	BARRA 182	P	MPFI	2003	2004	UTE		AC01	ACA120	ACF2	ACC23
FORD	FALCON UTE	BA	RTV SUPER CAB	6	4.0L	BARRA 182	P	MPFI	2003	2004	CAB CHASS		AC01	ACA120	ACF2	ACC23
FORD	FALCON UTE	BA	RTV UTE SUPER CAB	6	4.0L	BARRA 182	P	MPFI	2003	2004	UTE		AC01	ACA120	ACF2	ACC23



MAKE	MODEL	SERIES	BADGE	CYLS	ENG SIZE	ENGINE CODE	FUEL	FUEL DELIVERY / AIR INTAKE	FROM	TO	BODY	REMARKS	OIL	AIR	FUEL	CABIN
FORD	FALCON UTE	BA	SE UTE SUPER CAB XL	6	4.0L	BARRA 182	P	MPFI	2003	2004	UTE		AC01	ACA120	ACF2	ACC23
FORD	FALCON UTE	BA	TRADESMAN SUPERCAB XL	6	4.0L	BARRA 182	P	MPFI	2003	2004	T-TOP		AC01	ACA120	ACF2	ACC23
FORD	FALCON UTE	BA	XL SUPER CAB	6	4.0L	BARRA 182	P	MPFI	2003	2004	CAB CHASS		AC01	ACA120	ACF2	ACC23
FORD	FALCON UTE	BA	XL UTE SUPER CAB	6	4.0L	BARRA 182	P	MPFI	2003	2004	UTE		AC01	ACA120	ACF2	ACC23
FORD	FALCON UTE	BA	XLS SUPER CAB	6	4.0L	BARRA 182	P	MPFI	2003	2004	CAB CHASS		AC01	ACA120	ACF2	ACC23
FORD	FALCON UTE	BA	XLS UTE SUPER CAB	6	4.0L	BARRA 182	P	MPFI	2003	2004	UTE		AC01	ACA120	ACF2	ACC23
FORD	FALCON UTE	BA	XR6 TURBO UTE SUPER CAB	6	4.0L	BARRA 240	P	TURBO INT-COOL	2003	2004	UTE		AC01	ACA120	ACF2	ACC23
FORD	FALCON UTE	BA	XR6 UTE SUPER CAB	6	4.0L	BARRA 182	P	MPFI	2003	2004	UTE		AC01	ACA120	ACF2	ACC23
FORD	FALCON UTE	BA	RTV UTE SUPER CAB	8	5.4L	BARRA 220	P	MPFI	2003	2004	UTE		AC084	ACA120	ACF2	ACC23
FORD	FALCON UTE	BA	SE UTE SUPER CAB XL	8	5.4L	BARRA 220	P	MPFI	2003	2004	UTE		AC084	ACA120	ACF2	ACC23
FORD	FALCON UTE	BA	TRADESMAN SUPERCAB XL	8	5.4L	BARRA 220	P	MPFI	2003	2004	T-TOP		AC084	ACA120	ACF2	ACC23
FORD	FALCON UTE	BA	XL SUPER CAB	8	5.4L	BARRA 220	P	MPFI	2003	2004	CAB CHASS		AC084	ACA120	ACF2	ACC23
FORD	FALCON UTE	BA	XLS SUPER CAB	8	5.4L	BARRA 220	P	MPFI	2003	2004	CAB CHASS		AC084	ACA120	ACF2	ACC23
FORD	FALCON UTE	BA	XLS UTE SUPER CAB	8	5.4L	BARRA 220	P	MPFI	2003	2004	UTE		AC084	ACA120	ACF2	ACC23
FORD	FALCON UTE	BA	XR8 UTE SUPER CAB	8	5.4L	BOSS 260	P	MPFI	2003	2004	UTE		AC084	ACA238	ACF2	ACC23
FORD	FALCON UTE	BA MK II		6	4.0L	BARRA 156	LPG		2002	2004	UTE	DOHC 24V	AC01	ACA128	ACF2	ACC23
FORD	FALCON UTE	BA MK II	RTV SUPER CAB	6	4.0L	BARRA 182	P	MPFI	2004	2005	CAB CHASS		AC01	ACA120	ACF2	ACC23
FORD	FALCON UTE	BA MK II	RTV UTE SUPER CAB	6	4.0L	BARRA 182	P	MPFI	2004	2005	UTE		AC01	ACA120	ACF2	ACC23
FORD	FALCON UTE	BA MK II	SE UTE SUPER CAB	6	4.0L	BARRA 182	P	MPFI	2004	2005	UTE		AC01	ACA120	ACF2	ACC23
FORD	FALCON UTE	BA MK II	TRADESMAN SUPERCAB	6	4.0L	BARRA 182	P	MPFI	2004	2005	T-TOP		AC01	ACA120	ACF2	ACC23
FORD	FALCON UTE	BA MK II	XL SUPER CAB	6	4.0L	BARRA 182	P	MPFI	2004	2005	CAB CHASS		AC01	ACA120	ACF2	ACC23
FORD	FALCON UTE	BA MK II	XL UTE SUPER CAB	6	4.0L	BARRA 182	P	MPFI	2004	2005	UTE		AC01	ACA120	ACF2	ACC23
FORD	FALCON UTE	BA MK II	XLS SUPER CAB	6	4.0L	BARRA 182	P	MPFI	2004	2005	CAB CHASS		AC01	ACA120	ACF2	ACC23
FORD	FALCON UTE	BA MK II	XLS UTE SUPER CAB	6	4.0L	BARRA 182	P	MPFI	2004	2005	UTE		AC01	ACA120	ACF2	ACC23
FORD	FALCON UTE	BA MK II	XR6 TURBO UTE SUPER CAB	6	4.0L	BARRA 240	P	TURBO INT-COOL	2004	2005	UTE		AC01	ACA120	ACF2	ACC23
FORD	FALCON UTE	BA MK II	XR6 UTE SUPER CAB	6	4.0L	BARRA 182	P	MPFI	2004	2005	UTE		AC01	ACA120	ACF2	ACC23
FORD	FALCON UTE	BA MK II	XR6 UTE SUPER CAB MAGNET	6	4.0L	BARRA 182	P	MPFI	2004	2005	UTE		AC01	ACA120	ACF2	ACC23
FORD	FALCON UTE	BA MK II	XR6 UTE SUPER CAB MAGNET	6	4.0L	BARRA 240	P	TURBO INT-COOL	2004	2005	UTE		AC01	ACA120	ACF2	ACC23

MAKE	MODEL	SERIES	BADGE	CYLS	ENG SIZE	ENGINE CODE	FUEL	FUEL DELIVERY / AIR INTAKE	FROM	TO	BODY	REMARKS	OIL	AIR	FUEL	CABIN
FORD	FALCON UTE	BA MK II	XLS SUPER CAB	8	5.4L	BARRA 220	P	MPFI	2004	2005	CAB CHASS		AC084	ACA120	ACF2	ACC23
FORD	FALCON UTE	BA MK II	XLS UTE SUPER CAB	8	5.4L	BARRA 220	P	MPFI	2004	2005	UTE		AC084	ACA120	ACF2	ACC23
FORD	FALCON UTE	BA MK II	XR8 MAGNET UTE SUPER CAB	8	5.4L	BOSS 260	P	MPFI	2004	2005	UTE		AC084	ACA238	ACF2	ACC23
FORD	FALCON UTE	BA MK II	XR8 UTE SUPER CAB	8	5.4L	BOSS 260	P	MPFI	2004	2005	UTE		AC084	ACA238	ACF2	ACC23
FORD	FALCON UTE	BF		6	4.0L	E-GAS	LPG	MPFI	2005	2006	UTE		AC084	ACA128	ACF2	ACC23
FORD	FALCON UTE	BF	RTV SUPER CAB	6	4.0L	BARRA 190	P	MPFI	2005	2006	CAB CHASS		AC084	ACA120	ACF2	ACC23
FORD	FALCON UTE	BF	RTV UTE SUPER CAB	6	4.0L	BARRA 190	P	MPFI	2005	2006	UTE		AC084	ACA120	ACF2	ACC23
FORD	FALCON UTE	BF	XL SUPER CAB	6	4.0L	BARRA 190	P	MPFI	2005	2006	CAB CHASS		AC084	ACA120	ACF2	ACC23
FORD	FALCON UTE	BF	XL UTE SUPER CAB	6	4.0L	BARRA 190	P	MPFI	2005	2006	UTE		AC084	ACA120	ACF2	ACC23
FORD	FALCON UTE	BF	XLS SUPER CAB	6	4.0L	BARRA 190	P	MPFI	2005	2006	CAB CHASS		AC084	ACA120	ACF2	ACC23
FORD	FALCON UTE	BF	XLS UTE SUPER CAB	6	4.0L	BARRA 190	P	MPFI	2005	2006	UTE		AC084	ACA120	ACF2	ACC23
FORD	FALCON UTE	BF	XR6 SUPER CAB	6	4.0L	BARRA 190	P	MPFI	2005	2006	CAB CHASS		AC084	ACA120	ACF2	ACC23
FORD	FALCON UTE	BF	XR6 TURBO UTE SUPER CAB	6	4.0L	BARRA 245T	P	MPFI	2005	2006	UTE		AC084	ACA120	ACF2	ACC23
FORD	FALCON UTE	BF	XR6 UTE SUPER CAB	6	4.0L	BARRA 190	P	MPFI	2005	2006	UTE		AC084	ACA120	ACF2	ACC23
FORD	FALCON UTE	BF	RTV SUPER CAB	8	5.4L	BARRA 220	P	MPFI	2005	2006	CAB CHASS		AC084	ACA120	ACF2	ACC23
FORD	FALCON UTE	BF	XL SUPER CAB	8	5.4L	BARRA 220	P	MPFI	2005	2006	CAB CHASS		AC084	ACA120	ACF2	ACC23
FORD	FALCON UTE	BF	XLS SUPER CAB	8	5.4L	BARRA 220	P	MPFI	2005	2006	CAB CHASS		AC084	ACA120	ACF2	ACC23
FORD	FALCON UTE	BF	XLS UTE SUPER CAB	8	5.4L	BARRA 220	P	MPFI	2005	2006	UTE		AC084	ACA120	ACF2	ACC23
FORD	FALCON UTE	BF	XR8 UTE SUPER CAB	8	5.4L	BOSS 260	P	MPFI	2005	2006	UTE		AC084	ACA238	ACF2	ACC23
FORD	FALCON UTE	BF MK II		6	4.0L	E-GAS	LPG	MPFI	2006	2008	UTE		AC084	ACA128	ACF2	ACC23
FORD	FALCON UTE	BF MK II	RTV SUPER CAB	6	4.0L	BARRA 190	P	MPFI	2006	2008	CAB CHASS		AC084	ACA120	ACF2	ACC23
FORD	FALCON UTE	BF MK II	RTV UTE SUPER CAB	6	4.0L	BARRA 190	P	MPFI	2006	2008	UTE		AC084	ACA120	ACF2	ACC23
FORD	FALCON UTE	BF MK II	UTE SUPER CAB	6	4.0L	E-GAS	LPG	MPFI	2006	2008	UTE		AC084	ACA128	ACF2	ACC23
FORD	FALCON UTE	BF MK II	XL SUPER CAB	6	4.0L	BARRA 190	P	MPFI	2006	2008	CAB CHASS		AC084	ACA120	ACF2	ACC23
FORD	FALCON UTE	BF MK II	XL UTE SUPER CAB	6	4.0L	E-GAS	LPG	MPFI	2006	2008	UTE		AC084	ACA128	ACF2	ACC23
FORD	FALCON UTE	BF MK II	XLS SUPER CAB	6	4.0L	BARRA 190	P	MPFI	2006	2008	CAB CHASS		AC084	ACA120	ACF2	ACC23
FORD	FALCON UTE	BF MK II	XLS UTE SUPER CAB	6	4.0L	BARRA 190	P	MPFI	2006	2008	UTE		AC084	ACA120	ACF2	ACC23
FORD	FALCON UTE	BF MK II	XR6 CRAIG LOWNDES	6	4.0L	BARRA 190	P	MPFI	2006	2008	UTE		AC084	ACA120	ACF2	ACC23
FORD	FALCON UTE	BF MK II	XR6 CRAIG LOWNDES	6	4.0L	BARRA 245T	P	TURBO INT-COOL	2006	2008	UTE		AC084	ACA120	ACF2	ACC23
FORD	FALCON UTE	BF MK II	XR6 SUPER CAB	6	4.0L	BARRA 190	P	MPFI	2006	2008	CAB CHASS		AC084	ACA120	ACF2	ACC23

MAKE	MODEL	SERIES	BADGE	CYLS	ENG SIZE	ENGINE CODE	FUEL	FUEL DELIVERY / AIR INTAKE	FROM	TO	BODY	REMARKS	OIL	AIR	FUEL	CABIN
FORD	FALCON UTE	BF MK II	XR6 TURBO UTE SUPER CAB	6	4.0L	BARRA 245T	P	TURBO INT-COOL	2006	2008	UTE		AC084	ACA120	ACF2	ACC23
FORD	FALCON UTE	BF MK II	XR6 UTE SUPER CAB	6	4.0L	BARRA 190	P	MPFI	2006	2008	UTE		AC084	ACA120	ACF2	ACC23
FORD	FALCON UTE	BF MK II	XL UTE SUPER CAB	8	5.4L	BARRA 220	P	MPFI	2006	2008	UTE		AC084	ACA120	ACF2	ACC23
FORD	FALCON UTE	BF MK II	XR8 UTE SUPER CAB	8	5.4L	BOSS 260	P	MPFI	2006	2008	UTE		AC084	ACA238	ACF2	ACC23
FORD	FALCON UTE	BF MK II	XR8 UTE SUPER CAB	8	5.4L	BOSS 260	P	MPFI	2006	2008	UTE		AC084	ACA238	ACF2	ACC23
FORD	FALCON UTE	FG	R6	6	4.0L	BARRA 195	P	MPFI	2008	2011	CAB CHASS		AC084	ACA199	ACF2	ACC23
FORD	FALCON UTE	FG	R6	6	4.0L	BARRA 195	P	MPFI	2008	2011	UTE		AC084	ACA199	ACF2	ACC23
FORD	FALCON UTE	FG	R6 ECOLPI	6	4.0L	ECOLPI	LPG	SPFI	2008	2011	CAB CHASS		AC084	ACA224		ACC23
FORD	FALCON UTE	FG	R6 ECOLPI	6	4.0L	ECOLPI	LPG	SPFI	2008	2011	UTE		AC084	ACA224		ACC23
FORD	FALCON UTE	FG	UTE	6	4.0L	BARRA 195	P	MPFI	2008	2011	UTE		AC084	ACA199	ACF2	ACC23
FORD	FALCON UTE	FG	UTE	6	4.0L	E-GAS	LPG	SPFI	2008	2011	UTE		AC084	ACA224		ACC23
FORD	FALCON UTE	FG	XR6	6	4.0L	BARRA 195	P	MPFI	2008	2011	CAB CHASS		AC084	ACA199	ACF2	ACC23
FORD	FALCON UTE	FG	XR6	6	4.0L	E-GAS	LPG	SPFI	2008	2011	UTE		AC084	ACA224		ACC23
FORD	FALCON UTE	FG	XR6 TURBO UTE 50TH ANNIV	6	4.0L	BARRA 270T	P	TURBO INT-COOL	2008	2011	UTE		AC084	ACA199	ACF2	ACC23
FORD	FALCON UTE	FG	XR6 UTE	6	4.0L	BARRA 195	P	MPFI	2008	2011	UTE		AC084	ACA199	ACF2	ACC23
FORD	FALCON UTE	FG	XR6 UTE 50TH ANNIV	6	4.0L	BARRA 195	P	MPFI	2008	2011	UTE		AC084	ACA199	ACF2	ACC23
FORD	FALCON UTE	FG	XR6 UTE TURBO	6	4.0L	BARRA 270T	P	TURBO INT-COOL	2008	2011	UTE		AC084	ACA199	ACF2	ACC23
FORD	FALCON UTE	FG	XR8 UTE	8	5.4L	BOSS 290	P	MPFI	2008	2011	UTE		AC084	ACA199	ACF2	ACC23
FORD	FALCON UTE	FG MK II	ECOLPI	6	4.0L	ECOLPI	LPG	SPFI	12/11	ON	CAB CHASS		AC084	ACA224		ACC23
FORD	FALCON UTE	FG MK II	UTE	6	4.0L	BARRA 195	P	MPFI	12/11	ON	UTE		AC084	ACA199	ACF2	ACC23
FORD	FALCON UTE	FG MK II	XR6	6	4.0L	BARRA 195	P	MPFI	12/11	ON	UTE		AC084	ACA199	ACF2	ACC23
FORD	FALCON UTE	FG MK II	XR6 ECOLPI	6	4.0L	ECOLPI	LPG	SPFI	12/11	ON	UTE		AC084	ACA224		ACC23
FORD	FALCON UTE	FG MK II	XR6 TURBO	6	4.0L	BARRA 270T	P	MPFI	12/11	ON	UTE		AC084	ACA199	ACF2	ACC23
FORD	FALCON UTE	FG X	G6ET	6	4.0L	BARRA 270T	P	TURBO MPFI	12/14	ON	UTE		AC084	ACA199	ACF2	ACC23
FORD	FALCON UTE	FG X	STD	6	4.0L	BARRA 195	P	MPFI	12/14	ON	CAB CHASS		AC084	ACA199	ACF2	ACC23
FORD	FALCON UTE	FG X	STD	6	4.0L	BARRA 195	P	MPFI	12/14	ON	UTE		AC084	ACA199	ACF2	ACC23
FORD	FALCON UTE	FG X	STD LPI	6	4.0L	ECOLPI	LPG	SPFI	12/14	ON	CAB CHASS		AC084	ACA224		ACC23
FORD	FALCON UTE	FG X	STD LPI	6	4.0L	ECOLPI	LPG	SPFI	12/14	ON	UTE		AC084	ACA224		ACC23
FORD	FALCON UTE	FG X	XR-6	6	4.0L	BARRA 195	P	MPFI	12/14	ON	CAB CHASS		AC084	ACA199	ACF2	ACC23
FORD	FALCON UTE	FG X	XR-6	6	4.0L	BARRA 195	P	MPFI	12/14	ON	UTE		AC084	ACA199	ACF2	ACC23
FORD	FALCON UTE	FG X	XR-6 LPI	6	4.0L	ECOLPI	LPG	SPFI	12/14	ON	CAB CHASS		AC084	ACA224		ACC23
FORD	FALCON UTE	FG X	XR-6 LPI	6	4.0L	ECOLPI	LPG	SPFI	12/14	ON	UTE		AC084	ACA224		ACC23

MAKE	MODEL	SERIES	BADGE	CYLS	ENG SIZE	ENGINE CODE	FUEL	FUEL DELIVERY / AIR INTAKE	FROM	TO	BODY	REMARKS	OIL	AIR	FUEL	CABIN
FORD	FALCON UTE	FG X	XR-6T	6	4.0L	BARRA 270T	P	TURBO MPFI	12/14	ON	UTE		AC084	ACA199	ACF2	ACC23
FORD	FESTIVA	WA		4	1.3L	B3	P	CARB	1991	1994	HATCH		AC07	ACA55	ACF12	
FORD	FESTIVA	WB	GLI	4	1.3L	B3	P	MPFI	1994	1997	HATCH		AC07	ACA80	ACF118	
FORD	FESTIVA	WB	TRIO	4	1.3L	B3	P	MPFI	1994	1997	HATCH		AC07	ACA80	ACF118	
FORD	FESTIVA	WD	GLI	4	1.3L	B3	P	MPFI	1997	1998	HATCH		AC07	ACA80	ACF118	
FORD	FESTIVA	WD	TRIO	4	1.3L	B3	P	MPFI	1997	1998	HATCH		AC07	ACA80	ACF118	
FORD	FESTIVA	WD	GLXI	4	1.5L	B5	P	MPFI	1997	1998	HATCH		AC07	ACA80	ACF118	
FORD	FESTIVA	WD	TRIO S	4	1.5L	B5	P	MPFI	1997	1998	HATCH		AC07	ACA80	ACF118	
FORD	FESTIVA	WF	GLI	4	1.3L	B3	P	MPFI	1998	2000	HATCH		AC073	ACA80	ACF118	
FORD	FESTIVA	WF	TRIO	4	1.3L	B3	P	MPFI	1998	2000	HATCH		AC073	ACA80	ACF118	
FORD	FESTIVA	WF	GLXI	4	1.5L	B5	P	MPFI	1998	2000	HATCH		AC073	ACA80	ACF118	
FORD	FESTIVA	WF	TRIO S	4	1.5L	B5	P	MPFI	1998	2000	HATCH		AC073	ACA80	ACF118	
FORD	FIESTA	WP	Ghia	4	1.6L	DURATEC	P	MPFI	2004	01/06	HATCH		AC085	ACA190	ACF149	ACC46
FORD	FIESTA	WP	LX	4	1.6L	DURATEC	P	MPFI	2004	01/06	HATCH		AC085	ACA190	ACF149	ACC46
FORD	FIESTA	WP	ZETEC	4	1.6L	DURATEC	P	MPFI	2004	01/06	HATCH		AC085	ACA190	ACF149	ACC46
FORD	FIESTA	WQ	Ghia	4	1.6L	DURATEC	P	MPFI	02/06	12/08	HATCH		AC0132	ACA190	ACF149	ACC46
FORD	FIESTA	WQ	LX	4	1.6L	DURATEC	P	MPFI	02/06	12/08	HATCH		AC0132	ACA190	ACF149	ACC46
FORD	FIESTA	WQ	ZETEC	4	1.6L	DURATEC	P	MPFI	02/06	12/08	HATCH		AC0132	ACA190	ACF149	ACC46
FORD	FIESTA	WQ	XR4	4	2.0L	4S	P	MPFI	02/06	12/08	HATCH		AC095		ACF149	ACC46
FORD	FIESTA	WS	CL	4	1.4L	SPJ	P	MPFI	01/09	09/10	HATCH		AC0132	ACA270		ACC65
FORD	FIESTA	WS	LX	4	1.4L	SPJ	P	MPFI	01/09	09/10	HATCH		AC0132	ACA270		ACC65
FORD	FIESTA	WS	ZETEC	4	1.4L	SPJ	P	MPFI	01/09	09/10	HATCH		AC0132	ACA270		ACC65
FORD	FIESTA	WS	CL	4	1.6L	HXJ	P	MPFI	01/09	09/10	HATCH		AC0132	ACA270		ACC65
FORD	FIESTA	WS	ECONETIC	4	1.6L	HHJ	D	TURBO INT-COOL	01/09	09/10	HATCH	DELPHI FILTRATION	AC0109	ACA270		ACC65
FORD	FIESTA	WS	LX	4	1.6L	HXJ	P	MPFI	01/09	09/10	HATCH		AC0132	ACA270		ACC65
FORD	FIESTA	WS	METAL	4	1.6L	HXJ	P	MPFI	01/09	09/10	HATCH		AC0132	ACA270		ACC65
FORD	FIESTA	WS	ZETEC	4	1.6L	HXJ	P	MPFI	01/09	09/10	HATCH		AC0132	ACA270		ACC65
FORD	FIESTA	WT	ZETEC PWRSHIFT	4	1.6L	HXJ	P	MPFI	10/10	2011	HATCH		AC0132	ACA270		ACC80
FORD	FIESTA	WT	CL	4	1.6L	HXJ	P	MPFI	10/10	08/13	HATCH		AC0132	ACA270		ACC80
FORD	FIESTA	WT	CL PWRSHIFT	4	1.6L	HXJ	P	MPFI	10/10	08/13	SED/HATCH		AC0132	ACA270		ACC80
FORD	FIESTA	WT	ECONETIC	4	1.6L	HHJ	D	TURBO INT-COOL	10/10	08/13	HATCH	DELPHI FILTRATION	AC0109	ACA270		ACC80
FORD	FIESTA	WT	LX	4	1.6L	HHJ	D	TURBO INT-COOL	10/10	08/13	HATCH	DELPHI FILTRATION	AC0109	ACA270		ACC80
FORD	FIESTA	WT	LX	4	1.6L	HXJ	P	MPFI	10/10	08/13	SED/HATCH		AC0132	ACA270		ACC80
FORD	FIESTA	WT	LX PWRSHIFT	4	1.6L	HXJ	P	MPFI	10/10	08/13	SED/HATCH		AC0132	ACA270		ACC80
FORD	FIESTA	WT	METAL	4	1.6L	HXJ	P	MPFI	10/10	08/13	HATCH		AC0132	ACA270		ACC80
FORD	FIESTA	WT	ZETEC	4	1.6L	HHJ	D	TURBO INT-COOL	10/10	08/13	HATCH	DELPHI FILTRATION	AC0109	ACA270		ACC80
FORD	FIESTA	WZ	ST ECO-BOOST	4	1.6L	JTJA	P	TURBO DIRECT INJ	08/13	ON	HATCH		AC0132	ACA270		ACC65
FORD	FIESTA	WZ	AMBIENTE	4	1.5L	UEJD	P	MPFI	09/13	ON	HATCH		AC024	ACA270		ACC65
FORD	FIESTA	WZ	SPORT ECOBOOST	3	1.0L	M1JE	P	TURBO DIRECT INJ	09/13	ON	HATCH		AC024	ACA270		ACC65
FORD	FIESTA	WZ	TREND	4	1.5L	UEJD	P	MPFI	09/13	ON	HATCH		AC024	ACA270		ACC65
FORD	FOCUS	LR	CL	4	1.8L	EY	P	MPFI	2002	04/05	SED/HATCH		AC085	ACA200	ACF119	ACC26

MAKE	MODEL	SERIES	BADGE	CYLS	ENG SIZE	ENGINE CODE	FUEL	FUEL DELIVERY / AIR INTAKE	FROM	TO	BODY	REMARKS	OIL	AIR	FUEL	CABIN
FORD	FOCUS	LR	LX	4	1.8L	EY	P	MPFI	2002	04/05	SED/HATCH		AC085	ACA200	ACF119	ACC26
FORD	FOCUS	LR	SR CL	4	1.8L	EY	P	MPFI	2002	04/05	SED/HATCH		AC085	ACA200	ACF119	ACC26
FORD	FOCUS	LR	CL	4	2.0L	ED	P	MPFI	2002	04/05	SED/HATCH		AC095	ACA200	ACF119	ACC26
FORD	FOCUS	LR	GHIA	4	2.0L	ED	P	MPFI	2002	04/05	SEDAN		AC095	ACA200	ACF119	ACC26
FORD	FOCUS	LR	LX	4	2.0L	ED	P	MPFI	2002	04/05	SED/HATCH		AC095	ACA200	ACF119	ACC26
FORD	FOCUS	LR	SR CL	4	2.0L	ED	P	MPFI	2002	04/05	SED/HATCH		AC095	ACA200	ACF119	ACC26
FORD	FOCUS	LR	ST170	4	2.0L	ED	P	MPFI	2002	04/05	HATCH		AC095	ACA200	ACF119	ACC26
FORD	FOCUS	LR	ZETEC	4	2.0L	ED	P	MPFI	2002	04/05	HATCH		AC095	ACA200	ACF119	ACC26
FORD	FOCUS	LR	ZETEC R	4	2.0L	ED	P	MPFI	2002	04/05	HATCH		AC095	ACA200	ACF119	ACC26
FORD	FOCUS	LS	CL	4	2.0L	C3	P	MPFI	06/05	07/05	SED/HATCH		AC024	ACA197	ACF119	ACC38
FORD	FOCUS	LS	GHIA	4	2.0L	C3	P	MPFI	06/05	07/05	SEDAN		AC024	ACA197	ACF119	ACC38
FORD	FOCUS	LS	LX	4	2.0L	C3	P	MPFI	06/05	07/05	SED/HATCH		AC024	ACA197	ACF119	ACC38
FORD	FOCUS	LS	ZETEC	4	2.0L	C3	P	MPFI	06/05	07/05	HATCH		AC024	ACA197	ACF119	ACC38
FORD	FOCUS	LS	XR5 TURBO	5	2.5L	B5254T3 MPFI	P	TURBO INT-COOL	06/05	06/07	HATCH		AC0138	ACA225		ACC38
FORD	FOCUS	LS	CL	4	2.0L	C3	P	MPFI	08/05	06/07	SED/HATCH		AC024	ACA197		ACC38
FORD	FOCUS	LS	GHIA	4	2.0L	C3	P	MPFI	08/05	06/07	SEDAN		AC024	ACA197		ACC38
FORD	FOCUS	LS	LX	4	2.0L	C3	P	MPFI	08/05	06/07	SED/HATCH		AC024	ACA197		ACC38
FORD	FOCUS	LS	ZETEC	4	2.0L	C3	P	MPFI	08/05	06/07	HATCH		AC024	ACA197		ACC38
FORD	FOCUS	LT	XR5 TURBO	5	2.5L	B5254T	P	TURBO MPFI	07/07	05/08	HATCH		AC0138	ACA225		ACC38
FORD	FOCUS	LT	CL	4	2.0L	DURATEC	P	MPFI	07/07	03/09	SED/HATCH		AC095	ACA197		ACC38
FORD	FOCUS	LT	COUPE CABRIOLET	4	2.0L	DURATEC	P	MPFI	07/07	03/09	CONV		AC095	ACA197		ACC38
FORD	FOCUS	LT	GHIA	4	2.0L	DURATEC	P	MPFI	07/07	03/09	SED/HATCH		AC095	ACA197		ACC38
FORD	FOCUS	LT	LX	4	2.0L	DURATEC	P	MPFI	07/07	03/09	SED/HATCH		AC095	ACA197		ACC38
FORD	FOCUS	LT	TDCI	4	2.0L	D4204T	D	TURBO CRD	07/07	03/09	HATCH		AC0125	ACA261	ACF216	ACC38
FORD	FOCUS	LT	ZETEC	4	2.0L	DURATEC	P	MPFI	07/07	03/09	SED/HATCH		AC095	ACA197		ACC38
FORD	FOCUS	LV	XR5 TURBO	5	2.5L	B5254T	P	TURBO MPFI	06/08	06/11	HATCH		AC0138	ACA225		ACC38
FORD	FOCUS	LV	CL	4	2.0L	DURATEC	P	MPFI	04/09	2010	SED/HATCH		AC095	ACA261		ACC38
FORD	FOCUS	LV	LX	4	2.0L	DURATEC	P	MPFI	04/09	2010	SED/HATCH		AC095	ACA261		ACC38
FORD	FOCUS	LV	TDCI	4	2.0L	D4204T	D	TURBO CRD	04/09	2010	HATCH		AC0125	ACA261	ACF216	ACC38
FORD	FOCUS	LV	TDCI PWRSHIFT	4	2.0L	D4204T	D	TURBO CRD	04/09	2010	HATCH		AC0125	ACA261	ACF216	ACC38
FORD	FOCUS	LV	ZETEC	4	2.0L	DURATEC	P	MPFI	04/09	2010	HATCH		AC095	ACA261		ACC38
FORD	FOCUS	LV MK II	CL	4	2.0L	DURATEC	P	MPFI	2010	06/11	SED/HATCH		AC095	ACA261		ACC38
FORD	FOCUS	LV MK II	LX	4	2.0L	DURATEC	P	MPFI	2010	06/11	SED/HATCH		AC095	ACA261		ACC38
FORD	FOCUS	LV MK II	TDCI	4	2.0L	D4204T	D	TURBO CRD	2010	06/11	HATCH		AC0125	ACA261	ACF216	ACC38
FORD	FOCUS	LV MK II	TDCI PWRSHIFT	4	2.0L	D4204T	D	TURBO CRD	2010	06/11	HATCH		AC0125	ACA261	ACF216	ACC38

MAKE	MODEL	SERIES	BADGE	CYLS	ENG SIZE	ENGINE CODE	FUEL	FUEL DELIVERY / AIR INTAKE	FROM	TO	BODY	REMARKS	OIL	AIR	FUEL	CABIN
FORD	FOCUS	LV MK II	ZETEC	4	2.0L	DURATEC	P	MPFI	2010	06/11	HATCH		AC095	ACA261		ACC38
FORD	FOCUS	LV MK II	XR5 TURBO	5	2.5L	B5254T	P	TURBO MPFI	06/10	06/11	HATCH		AC0138	ACA225		ACC38
FORD	FOCUS	LV	RS	5	2.5L	B5254T	P	TURBO MPFI	09/10	06/12	HATCH		AC0138	ACA225		ACC38
FORD	FOCUS	LW	AMBIENTE	4	1.6L	DURATEC	P	MPFI	08/11	07/12	HATCH		AC0132	ACA261		
FORD	FOCUS	LW	DURATEC Ti-VCT	4	1.6L	DURATEC	P	MPFI	08/11	07/12	HATCH		AC0132	ACA261		
FORD	FOCUS	LW		4	2.0L	DURATORQ	D	DIRECT INJ	08/11	07/12	SED/HATCH		AC0125	ACA261		
FORD	FOCUS	LW	SPORT	4	2.0L	DURATEC	P	MPFI	08/11	07/12	SED/HATCH		AC024	ACA261		
FORD	FOCUS	LW	TITANIUM	4	2.0L	DURATEC	P	MPFI	08/11	07/12	SED/HATCH		AC024	ACA261		
FORD	FOCUS	LW	TREND	4	2.0L	DURATEC	P	MPFI	08/11	07/12	SED/HATCH		AC024	ACA261		
FORD	FOCUS	LW II	AMBIANTE	4	1.6L	DURATEC	P	MPFI	08/12	09/15	SED/HATCH		AC0132	ACA261		
FORD	FOCUS	LW II	SPORT	4	2.0L	DURATEC	P	DIRECT INJ	10/12	09/15	SED/HATCH		AC024	ACA261		
FORD	FOCUS	LW II	SPORT	4	2.0L	DURATORQ	D	DIRECT INJ	10/12	09/15	SED/HATCH		AC0125	ACA261		
FORD	FOCUS	LW II	ST	4	2.0L	ECO-BOOST	P	TURBO INT-COOL	08/12	09/15	HATCH		AC024	ACA261		
FORD	FOCUS	LW II	TITANIUM	4	2.0L	DURATEC	P	DIRECT INJ	10/12	09/15	SED/HATCH		AC024	ACA261		
FORD	FOCUS	LW II	TREND	4	2.0L	DURATEC	P	DIRECT INJ	10/12	09/15	SED/HATCH		AC024	ACA261		
FORD	FOCUS	LW II	TREND	4	2.0L	DURATORQ	D	DIRECT INJ	10/12	09/15	SED/HATCH		AC0125	ACA261		
FORD	FOCUS	LZ	SPORT	4	1.5L	M9DD	P	TURBO DIRECT INJ	10/15	ON	SED/HATCH		AC0132	ACA261		
FORD	FOCUS	LZ	ST2	4	2.0L	R9DA ECO-BOOST	P	TURBO DIRECT INJ	10/15	ON	HATCH		AC024	ACA261		
FORD	FOCUS	LZ	TITANIUM	4	1.5L	M9DD	P	TURBO DIRECT INJ	10/15	ON	SED/HATCH		AC0132	ACA261		
FORD	FOCUS	LZ	TREND	4	1.5L	M9DD	P	TURBO DIRECT INJ	10/15	ON	SED/HATCH		AC0132	ACA261		
FORD	FPV	BA	GT	8	5.4L	BOSS 290	P	MPFI	2003	2005	SEDAN		AC084	ACA238	ACF2	ACC23
FORD	FPV	BA	GT-P	8	5.4L	BOSS 290	P	MPFI	2003	2005	SEDAN		AC084	ACA238	ACF2	ACC23
FORD	FPV	BA	PURSUIT UTE	8	5.4L	BOSS 290	P	MPFI	2003	2005	UTE		AC084	ACA238	ACF2	ACC23
FORD	FPV	BA	SUPER PURSUIT UTE	8	5.4L	BOSS 290	P	MPFI	2005	2005	UTE		AC084	ACA238	ACF2	ACC23
FORD	FPV	BF	GT	8	5.4L	BOSS 290	P	MPFI	2005	2008	SEDAN		AC084	ACA238	ACF2	ACC23
FORD	FPV	BF	GT-P	8	5.4L	BOSS 290	P	MPFI	2005	2008	SEDAN		AC084	ACA238	ACF2	ACC23
FORD	FPV	BF	PURSUIT UTE	8	5.4L	BOSS 290	P	MPFI	2005	2008	UTE		AC084	ACA238	ACF2	ACC23
FORD	FPV	BF	SUPER PURSUIT UTE	8	5.4L	BOSS 290	P	MPFI	2005	2008	UTE		AC084	ACA238	ACF2	ACC23
FORD	FPV	BF MK II	GT	8	5.4L	BOSS 290	P	MPFI	2008	2008	SEDAN		AC084	ACA238	ACF2	ACC23
FORD	FPV	BF MK II	GT-P	8	5.4L	BOSS 290	P	MPFI	2008	2008	SEDAN		AC084	ACA238	ACF2	ACC23
FORD	FPV	BF MK II	PURSUIT UTE	8	5.4L	BOSS 290	P	MPFI	2008	2008	UTE		AC084	ACA238	ACF2	ACC23
FORD	FPV	BF MK II	SUPER PURSUIT UTE	8	5.4L	BOSS 290	P	MPFI	2008	2008	UTE		AC084	ACA238	ACF2	ACC23
FORD	FPV	SY	F6X	6	4.0L	F6270	P	MPFI	2008	2009	WAGON	AWD	AC084	ACA199	ACF2	ACC23
FORD	FPV	FG	PURSUIT UTE	8	5.4L	BOSS 315	P	MPFI	05/08	10/10	UTE		AC084	ACA199	ACF2	ACC23
FORD	FPV	FG	SUPER PURSUIT UTE	8	5.4L	BOSS 315	P	MPFI	05/08	10/10	UTE		AC084	ACA199	ACF2	ACC23

MAKE	MODEL	SERIES	BADGE	CYLS	ENG SIZE	ENGINE CODE	FUEL	FUEL DELIVERY / AIR INTAKE	FROM	TO	BODY	REMARKS	OIL	AIR	FUEL	CABIN
FORD	FPV	FG	F6	6	4.0L	BARRA 310T	P	TURBO MPFI	05/08	ON	SEDAN		AC084	ACA199	ACF2	ACC23
FORD	FPV	FG	GS	8	5.4L	BOSS 302	P	MPFI	09/09	10/10	UTE		AC084	ACA199	ACF2	ACC23
FORD	FPV	FG	GS	8	5.0L	BOSS 315	P	S-CHARGED MPFI	10/10	ON	SEDAN				ACF2	ACC23
FORD	FPV	FG	GS	8	5.0L	BOSS 315	P	S-CHARGED MPFI	10/10	ON	UTE				ACF2	ACC23
FORD	FPV	FG	GT	8	5.0L	BOSS 335	P	S-CHARGED MPFI	10/10	ON	SEDAN				ACF2	ACC23
FORD	FPV	FG	GT-E	8	5.0L	BOSS 335	P	S-CHARGED MPFI	10/10	ON	SEDAN				ACF2	ACC23
FORD	FPV	FG	GT-P	8	5.0L	BOSS 335	P	S-CHARGED MPFI	10/10	ON	SEDAN				ACF2	ACC23
FORD	GALAXIE	289		8	5.0L		P	CARB	1963	1963	CONV		AC01			
FORD	GALAXIE	500		8	6.4L		P	CARB	1965	1968	CONV/H-TOP/SED		AC01			
FORD	KA	TA		4	1.3L	ENDURA-E	P	MPFI	1999	2000	HATCH		AC024	ACA203	ACF117	ACC33
FORD	KA	TB		4	1.3L	ENDURA-E	P	MPFI	2001	2002	HATCH		AC024	ACA203	ACF117	ACC33
FORD	KUGA	TE	TITANIUM	5	2.5L	DURATEC	P	MPFI	02/12	02/13	WAGON		AC0138	ACA225		ACC52
FORD	KUGA	TE	TREND	5	2.5L	DURATEC	P	MPFI	02/12	02/13	WAGON		AC0138	ACA225		ACC52
FORD	KUGA	TF	AMBIENTE	4	1.6L	ECO-BOOST	P	TURBO INT-COOL	04/13	01/15	WAGON		AC0132	ACA261		
FORD	KUGA	TF	TITANIUM	4	2.0L	DURATORQ	D	DIRECT INJ	04/13	01/15	WAGON		AC0125	ACA261		
FORD	KUGA	TF	TITANIUM	4	1.6L	ECO-BOOST	P	TURBO INT-COOL	04/13	01/15	WAGON		AC0132	ACA261		
FORD	KUGA	TF	TREND	4	2.0L	DURATORQ	D	DIRECT INJ	04/13	01/15	WAGON		AC0125	ACA261		
FORD	KUGA	TF	TREND	4	1.6L	ECO-BOOST	P	TURBO INT-COOL	04/13	01/15	WAGON		AC0132	ACA261		
FORD	KUGA	TF II	AMBIENTE	4	1.5L	ECO-BOOST	P	TURBO DIRECT INJ	01/15	ON	WAGON	110KW	AC0132	ACA261		
FORD	KUGA	TF II	AMBIENTE	4	1.5L	ECO-BOOST	P	TURBO DIRECT INJ	01/15	ON	WAGON	134KW	AC0132	ACA261		
FORD	KUGA	TF II	TITANIUM	4	2.0L	DURATORQ	D	DIRECT INJ	01/15	ON	WAGON			ACA261		
FORD	KUGA	TF II	TITANIUM	4	2.0L	ECO-BOOST	P	TURBO DIRECT INJ	01/15	ON	WAGON		AC0132	ACA261		
FORD	KUGA	TF II	TREND	4	2.0L	DURATORQ	D	DIRECT INJ	01/15	ON	WAGON			ACA261		
FORD	KUGA	TF II	TREND	4	2.0L	ECO-BOOST	P	TURBO DIRECT INJ	01/15	ON	WAGON		AC0132	ACA261		
FORD	LASER	KA	GL/L	4	1.3L	E3	P	CARB	1981	1983	HATCH		AC07	ACA26	ACF64	
FORD	LASER	KA	GHIA/GL	4	1.5L	E5	P	CARB	1981	1983	HATCH		AC07	ACA26	ACF64	
FORD	LASER	KA	SPORT	4	1.5L	E5	P	CARB	1981	1983	HATCH		AC07		ACF12	
FORD	LASER	KB	GHIA/GL	4	1.3L	E3	P	CARB	03/83	1985	HATCH		AC07	ACA26	ACF64	
FORD	LASER	KB	GL/L	4	1.5L	E5	P	CARB	03/83	1985	HATCH		AC07	ACA26	ACF64	
FORD	LASER	KB	SPORT	4	1.5L	E5	P	CARB	03/83	1985	HATCH		AC07		ACF12	
FORD	LASER	KC	GL/L	4	1.3L	E3	P	CARB	10/85	1987	HATCH		AC07	ACA26	ACF12	
FORD	LASER	KC	GHIA/GL	4	1.6L	B6	P	CARB	10/85	1987	HATCH		AC07	ACA10	ACF12	
FORD	LASER	KC	GHIA/TX3	4	1.6L	B6	P	MPFI	10/85	1987	HATCH		AC07			
FORD	LASER	KE	GL/L	4	1.3L	E3	P	CARB	10/87	1990	HATCH		AC07	ACA26	ACF12	
FORD	LASER	KE	GHIA/TX3	4	1.6L	B6	P	MPFI	10/87	1990	HATCH		AC07			
FORD	LASER	KE	GHIA/GL	4	1.6L	B6	P	CARB	1988	1990	HATCH		AC07	ACA10	ACF12	
FORD	LASER	KE	TX3 TURBO	4	1.6L	B6T	P	TURBO	1988	1990	HATCH		AC07			
FORD	LASER	KF	GL/L	4	1.6L	B6(B)	P	CARB	1990	1991	HATCH		AC07	ACA42	ACF81	
FORD	LASER	KF	GHIA/S/TX3	4	1.8L	BP(N)	P	MPFI	1990	1991	HATCH		AC07	ACA48	ACF33	

MAKE	MODEL	SERIES	BADGE	CYLS	ENG SIZE	ENGINE CODE	FUEL	FUEL DELIVERY / AIR INTAKE	FROM	TO	BODY	REMARKS	OIL	AIR	FUEL	CABIN
FORD	LASER	KF	TX3 TURBO	4	1.8L	BP(H)	P	TURBO	1990	1991	HATCH		AC07	ACA48		
FORD	LASER	KH	GL/XL	4	1.6L	B6(B)	P	CARB	1991	1994	HATCH		AC07	ACA42	ACF81	
FORD	LASER	KH	Ghia/GLiS/ TX3	4	1.8L	BP(H)	P	MPFI	1991	1994	HATCH		AC07	ACA48	ACF33	
FORD	LASER	KH	TX3 TURBO	4	1.8L	BP(H)	P	TURBO	1991	1994	HATCH		AC07	ACA48		
FORD	LASER	KJ	LIATA LXi	4	1.6L	B6D(B)	P	MPFI	1994	1996	HATCH		AC07	ACA82	ACF33	
FORD	LASER	KJ	LXi	4	1.6L	B6D(B)	P	MPFI	1994	1996	HATCH		AC07	ACA82	ACF33	
FORD	LASER	KJ	LIATA GHIA	4	1.8L	BPD(N)	P	MPFI	1994	1996	HATCH		AC07	ACA82	ACF33	
FORD	LASER	KJ	LIATA LXi	4	1.8L	BPD(N)	P	MPFI	1994	1996	HATCH		AC07	ACA82	ACF33	
FORD	LASER	KJ	LXi	4	1.8L	BPD(N)	P	MPFI	1994	1996	HATCH		AC07	ACA82	ACF33	
FORD	LASER	KJ	LYNX	4	1.8L	BPD(N)	P	MPFI	1994	1996	HATCH		AC07	ACA82	ACF33	
FORD	LASER	KL	LIATA LXi	4	1.6L	B6D(B)	P	MPFI	1996	1997	HATCH		AC07	ACA82	ACF33	
FORD	LASER	KL	LXi	4	1.6L	B6D(B)	P	MPFI	1996	1997	HATCH		AC07	ACA82	ACF33	
FORD	LASER	KL	GLXi	4	1.8L	BPD(N)	P	MPFI	1996	1997	HATCH		AC07	ACA82	ACF33	
FORD	LASER	KL	LIATA GLXi	4	1.8L	BPD(N)	P	MPFI	1996	1997	HATCH		AC07	ACA82	ACF33	
FORD	LASER	KJ II	LXi	4	1.6L	B6D(B)	P	MPFI	1996	1998	HATCH		AC07	ACA82	ACF33	
FORD	LASER	KJ II	GLXi	4	1.8L	BPD(N)	P	MPFI	1996	1998	HATCH		AC07	ACA82	ACF33	
FORD	LASER	KM	LXi	4	1.6L	B6D(B)	P	MPFI	1997	1998	HATCH		AC07	ACA82	ACF33	
FORD	LASER	KM	LXi SPECIAL VALUE PACK	4	1.6L	B6D(B)	P	MPFI	1997	1998	HATCH		AC07	ACA82	ACF33	
FORD	LASER	KM	GLXi	4	1.8L	BPD(N)	P	MPFI	1997	1998	HATCH		AC07	ACA82	ACF33	
FORD	LASER	KN	LXi	4	1.6L	ZM	P	MPFI	1999	2001	HATCH		AC07	ACA82	ACF132	
FORD	LASER	KN	R LXi	4	1.6L	ZM	P	MPFI	1999	2001	HATCH		AC07	ACA82	ACF132	
FORD	LASER	KN	GLXi	4	1.8L	FP	P	MPFI	1999	2001	HATCH		AC07	ACA82	ACF132	
FORD	LASER	KQ	LXi	4	1.6L	ZM	P	MPFI	2001	2002	HATCH		AC026	ACA82	ACF132	
FORD	LASER	KQ	GLXi	4	1.8L	FP	P	MPFI	2001	2002	HATCH		AC026	ACA82	ACF132	
FORD	LASER	KQ	SR	4	1.8L	FP	P	MPFI	2001	2002	HATCH		AC026	ACA82	ACF132	
FORD	LASER	KQ	SR2	4	2.0L	FS	P	MPFI	2001	2002	HATCH		AC026	ACA82	ACF132	
FORD	LTD	FC		8	5.8L		P	CARB	1979	1981	SEDAN		AC01			
FORD	LTD	FD		8	5.8L		P	CARB	1981	1982	SEDAN		AC01			
FORD	LTD	FE		6	4.1L		P	MPFI	1986	1987	SEDAN		AC01			
FORD	LTD	DA		6	3.9L		P	MPFI	1988	1989	SEDAN		AC01	ACA9	ACF4	
FORD	LTD	DA II		6	3.9L		P	MPFI	1989	1990	SEDAN		AC01	ACA9	ACF4	
FORD	LTD	DC		6	4.0L		P	MPFI	1992	1994	SEDAN		AC01		ACF2	
FORD	LTD	DC		8	5.0L		P	MPFI	1992	1994	SEDAN		AC01	ACA17	ACF2	
FORD	LTD	DF		6	4.0L		P	MPFI	1994	1995	SEDAN		AC01		ACF2	
FORD	LTD	DF		8	5.0L		P	MPFI	1994	1995	SEDAN		AC01	ACA17	ACF2	
FORD	LTD	DF II		8	5.0L		P	MPFI	1995	1996	SEDAN		AC01	ACA17	ACF2	
FORD	LTD	DL		6	4.0L		P	MPFI	1996	1998	SEDAN		AC01		ACF2	
FORD	LTD	DL		8	5.0L		P	MPFI	1996	1998	SEDAN		AC01	ACA17	ACF2	
FORD	LTD	AU		6	4.0L	4.0 - Y	P	MPFI	06/99	06/00	SEDAN		AC01	ACA17	ACF93	
FORD	LTD	AU		8	5.0L	5.0 - Z	P	MPFI	06/99	06/00	SEDAN		AC01	ACA17	ACF2	
FORD	LTD	AU II		6	4.0L	4.0 - Y	P	MPFI	07/00	12/02	SEDAN		AC01	ACA17	ACF93	
FORD	LTD	AU II		8	5.0L	5.0 - Z	P	MPFI	07/00	12/02	SEDAN		AC01	ACA17	ACF2	
FORD	LTD	BA		8	5.4L	BARRA 220	P	MPFI	2003	2004	SEDAN		AC084	ACA120	ACF2	ACC23
FORD	LTD	BA MK II		8	5.4L	BARRA 220	P	MPFI	2004	2005	SEDAN		AC084	ACA120	ACF2	ACC23
FORD	LTD	BF		8	5.4L	BARRA 230	P	MPFI	10/05	2007	SEDAN		AC084	ACA120	ACF2	ACC23



MAKE	MODEL	SERIES	BADGE	CYLS	ENG SIZE	ENGINE CODE	FUEL	FUEL DELIVERY / AIR INTAKE	FROM	TO	BODY	REMARKS	OIL	AIR	FUEL	CABIN
FORD	MAVERICK	DA	XL	6	4.2L	TD42	D	MPFI	1988	1994	CAB CHASS		AC012	ACA15	ACF24	
FORD	MAVERICK	DA	XL	6	4.2L	TD42	D	MPFI	1988	1994	WAG/H-TOP		AC029	ACA15	ACF24	
FORD	MAVERICK	DA	XL/XLT	6	4.2L	TB42	P	CARB	1988	1994	WAG/H-TOP		AC012	ACA15	ACF82	
FORD	METEOR	GA	GHIA/GL	4	1.5L	E5	P	CARB	1982	1983	SEDAN		AC07	ACA26	ACF12	
FORD	METEOR	GA	GHIA/GL	4	1.5L	E5	P	TWIN CARB	1982	1983	SEDAN		AC07		ACF12	
FORD	METEOR	GB	GHIA/GL	4	1.5L	E5	P	CARB	1983	1985	SEDAN		AC07	ACA26	ACF12	
FORD	METEOR	GB	GHIA/GL	4	1.5L	E5	P	TWIN CARB	1983	1985	SEDAN		AC07		ACF12	
FORD	METEOR	GC	GHIA/GL	4	1.6L	B6	P	CARB	1985	1987	SEDAN		AC07	ACA10	ACF12	
FORD	METEOR	GC	GHIA	4	1.6L	B6	P	EFI	1986	1987	SEDAN		AC07			
FORD	MONDEO	HA		4	2.0L	ZETEC	P	MPFI	1995	1996	SED/HATCH		AC085	ACA349	ACF117	ACC9
FORD	MONDEO	HB	GLX	4	2.0L	ZETEC	P	MPFI	1996	1997	SED/HATCH		AC085	ACA349	ACF117	ACC9
FORD	MONDEO	HB	LX	4	2.0L	ZETEC	P	MPFI	1996	1997	SEDAN		AC085	ACA349	ACF117	ACC9
FORD	MONDEO	HC	GLX	4	2.0L	ZETEC	P	MPFI	1997	1998	SED/HATCH		AC085	ACA349	ACF117	ACC9
FORD	MONDEO	HC	LX	4	2.0L	ZETEC	P	MPFI	1997	1998	SED/WAG		AC085	ACA349	ACF117	ACC9
FORD	MONDEO	HD	GLX	4	2.0L	ZETEC	P	MPFI	1998	1999	SEDAN		AC085	ACA349	ACF117	ACC9
FORD	MONDEO	HD	LX	4	2.0L	ZETEC	P	MPFI	1998	1999	SEDAN		AC085	ACA349	ACF117	ACC9
FORD	MONDEO	HE	GHIA	4	2.0L	ZETEC	P	MPFI	1999	2000	SED/HATCH		AC085	ACA349	ACF117	ACC9
FORD	MONDEO	HE	VERONA	4	2.0L	ZETEC	P	MPFI	1999	2000	SEDAN		AC085	ACA349	ACF117	ACC9
FORD	MONDEO	HE	ST24	6	2.5L	ZT25	P	MPFI	2000	2001	SEDAN		AC084		ACF117	ACC9
FORD	MONDEO	MA	TDCI	4	2.0L	DURATORQ	D	TURBO INT-COOL	2007	2009	SED/HATCH		AC0125	ACA271	ACF175	ACC52
FORD	MONDEO	MA	LX	4	2.3L	DURATEC	P	MPFI	2007	2009	SEDAN	WHERE CARTRIDGE OIL FILTER IS FITTED	AC087	ACA271		ACC52
FORD	MONDEO	MA	LX	4	2.3L	DURATEC	P	MPFI	2007	2009	SEDAN	WHERE SPIN ON OIL FILTER IS FITTED	AC024	ACA271		ACC52
FORD	MONDEO	MA	ZETEC	4	2.3L	DURATEC	P	MPFI	2007	2009	SED/HATCH	WHERE CARTRIDGE OIL FILTER IS FITTED	AC087	ACA271		ACC52
FORD	MONDEO	MA	ZETEC	4	2.3L	DURATEC	P	MPFI	2007	2009	SED/HATCH	WHERE SPIN ON OIL FILTER IS FITTED	AC024	ACA271		ACC52
FORD	MONDEO	MA	XR5 TURBO	5	2.5L	B5254T	P	TURBO INT-COOL	2007	2009	HATCH		AC0138	ACA225		ACC52
FORD	MONDEO	MB	TITANIUM TDCI	4	2.0L	DURATORQ	D	TURBO INT-COOL	2009	2010	HATCH		AC0125	ACA271	ACF175	ACC52
FORD	MONDEO	MB	ZETEC TDCI	4	2.0L	DURATORQ	D	TURBO INT-COOL	2009	2010	HATCH		AC0125	ACA271	ACF175	ACC52
FORD	MONDEO	MB	LX	4	2.3L	DURATEC	P	MPFI	2009	2010	HATCH/WAG	WHERE SPIN ON OIL FILTER IS FITTED	AC095	ACA271		ACC52
FORD	MONDEO	MB	LX	4	2.3L	DURATEC	P	MPFI	2009	2010	HATCH/WAG	WHERE CARTRIDGE OIL FILTER IS FITTED	AC087	ACA271		ACC52

MAKE	MODEL	SERIES	BADGE	CYLS	ENG SIZE	ENGINE CODE	FUEL	FUEL DELIVERY / AIR INTAKE	FROM	TO	BODY	REMARKS	OIL	AIR	FUEL	CABIN
FORD	MONDEO	MB	TITANIUM	4	2.3L	DURATEC	P	MPFI	2009	2010	HATCH	WHERE SPIN ON OIL FILTER IS FITTED	AC095	ACA271		ACC52
FORD	MONDEO	MB	TITANIUM	4	2.3L	DURATEC	P	MPFI	2009	2010	HATCH	WHERE CARTRIDGE OIL FILTER IS FITTED	AC087	ACA271		ACC52
FORD	MONDEO	MB	ZETEC	4	2.3L	DURATEC	P	MPFI	2009	2010	HATCH/WAG	WHERE SPIN ON OIL FILTER IS FITTED	AC095	ACA271		ACC52
FORD	MONDEO	MB	ZETEC	4	2.3L	DURATEC	P	MPFI	2009	2010	HATCH/WAG	WHERE CARTRIDGE OIL FILTER IS FITTED	AC087	ACA271		ACC52
FORD	MONDEO	MB	XR5 TURBO	5	2.5L	B5254T3	P	TURBO INT-COOL	2009	2010	HATCH		AC0138	ACA225		ACC52
FORD	MONDEO	MB	LX PWRSHIFT	4	2.0L	DURATORQ	D	TURBO INT-COOL	2010	2011	WAGON		AC0125	ACA271	ACF175	ACC52
FORD	MONDEO	MB	LX PWRSHIFT TDCI	4	2.0L	DURATORQ	D	TURBO INT-COOL	2010	2011	WAGON		AC0125	ACA271	ACF175	ACC52
FORD	MONDEO	MB	TITANIUM PWRSHIFT	4	2.0L	DURATORQ	D	TURBO INT-COOL	2010	2011	WAGON		AC0125	ACA271	ACF175	ACC52
FORD	MONDEO	MB	TITANIUM PWRSHIFT TDCI	4	2.0L	DURATORQ	D	TURBO INT-COOL	2010	2011	WAGON		AC0125	ACA271	ACF175	ACC52
FORD	MONDEO	MB	ZETEC	4	2.0L	DURATORQ	D	TURBO INT-COOL	2010	2011	WAGON		AC0125	ACA271	ACF175	ACC52
FORD	MONDEO	MB	ZETEC PWR-SHIFT TDCI	4	2.0L	DURATORQ	D	TURBO INT-COOL	2010	2011	HATCH		AC0125	ACA271	ACF175	ACC52
FORD	MONDEO	MB	LX	4	2.3L	DURATEC	P	MPFI	2010	2011	HATCH/WAG	WHERE SPIN ON OIL FILTER IS FITTED	AC095	ACA271		ACC52
FORD	MONDEO	MB	LX	4	2.3L	DURATEC	P	MPFI	2010	2011	HATCH/WAG	WHERE CARTRIDGE OIL FILTER IS FITTED	AC087	ACA271		ACC52
FORD	MONDEO	MB	ZETEC	4	2.3L	DURATEC	P	MPFI	2010	2011	WAGON	WHERE SPIN ON OIL FILTER IS FITTED	AC095	ACA271		ACC52
FORD	MONDEO	MB	ZETEC	4	2.3L	DURATEC	P	MPFI	2010	2011	WAGON	WHERE CARTRIDGE OIL FILTER IS FITTED	AC087	ACA271		ACC52
FORD	MONDEO	MC	LX	4	2.3L	DURATEC	P	MPFI	2011	04/15	HATCH/WAG	WHERE SPIN ON OIL FILTER IS FITTED	AC095	ACA271		ACC52
FORD	MONDEO	MC	LX	4	2.3L	DURATEC	P	MPFI	2011	04/15	HATCH/WAG	WHERE CARTRIDGE OIL FILTER IS FITTED	AC087	ACA271		ACC52
FORD	MONDEO	MC	LX PWRSHIFT TDCI	4	2.0L	DURATORQ	D	TURBO DIRECT INJ	11/10	04/12	HATCH/WAG		AC0125	ACA271	ACF175	ACC52
FORD	MONDEO	MC	LX PWRSHIFT TDCI	4	2.0L	DURATORQ	D	TURBO DIRECT INJ	05/12	04/15	HATCH/WAG		AC0125	ACA271		ACC52
FORD	MONDEO	MC	TITANIUM	4	2.3L	DURATEC	P	MPFI	2011	04/15	HATCH	WHERE SPIN ON OIL FILTER IS FITTED	AC095	ACA271		ACC52
FORD	MONDEO	MC	TITANIUM	4	2.3L	DURATEC	P	MPFI	2011	04/15	HATCH	WHERE CARTRIDGE OIL FILTER IS FITTED	AC087	ACA271		ACC52

MAKE	MODEL	SERIES	BADGE	CYLS	ENG SIZE	ENGINE CODE	FUEL	FUEL DELIVERY / AIR INTAKE	FROM	TO	BODY	REMARKS	OIL	AIR	FUEL	CABIN
FORD	MONDEO	MC	TITANIUM	4	2.0L	ECO-BOOST	P	TURBO DIRECT INJ	07/11	04/15	HATCH		AC024	ACA271		ACC52
FORD	MONDEO	MC	TITANIUM PWRSHIFT TDCI	4	2.0L	DURATORQ	D	TURBO DIRECT INJ	11/10	04/12	HATCH/WAG		AC0125	ACA271	ACF175	ACC52
FORD	MONDEO	MC	TITANIUM PWRSHIFT TDCI	4	2.0L	DURATORQ	D	TURBO DIRECT INJ	05/12	04/15	HATCH/WAG		AC0125	ACA271		ACC52
FORD	MONDEO	MC	ZETEC	4	2.3L	DURATEC	P	MPFI	2011	04/15	WAGON	WHERE SPIN ON OIL FILTER IS FITTED	AC095	ACA271		ACC52
FORD	MONDEO	MC	ZETEC	4	2.3L	DURATEC	P	MPFI	2011	04/15	WAGON	WHERE CARTRIDGE OIL FILTER IS FITTED	AC087	ACA271		ACC52
FORD	MONDEO	MC	ZETEC	4	2.0L	ECO-BOOST	P	TURBO DIRECT INJ	07/11	04/15	HATCH		AC024	ACA271		ACC52
FORD	MONDEO	MC	ZETEC PWRSHIFT TDCI	4	2.0L	DURATORQ	D	TURBO DIRECT INJ	11/10	04/12	HATCH/WAG		AC0125	ACA271	ACF175	ACC52
FORD	MONDEO	MC	ZETEC PWRSHIFT TDCI	4	2.0L	DURATORQ	D	TURBO DIRECT INJ	05/12	04/15	HATCH/WAG		AC0125	ACA271		ACC52
FORD	MONDEO	MD	AMBIENTE	4	2.0L	TNC ECO-BOOST	P	TURBO DIRECT INJ	05/15	ON	HATCH/WAG	149KW	AC024	ACA271		
FORD	MONDEO	MD	TITANIUM	4	2.0L	R9CC ECO-BOOST	P	TURBO DIRECT INJ	05/15	ON	HATCH	177KW	AC024	ACA271		
FORD	MONDEO	MD	TREND	4	2.0L	R9CC ECO-BOOST	P	TURBO DIRECT INJ	05/15	ON	HATCH	177KW	AC024	ACA271		
FORD	MUSTANG			6	3.3L	200	P	CARB	1965	1965	CONV/H-TOP		AC01			
FORD	MUSTANG	GTA		8	6.4L	390 CID	P	CARB	1967	1967	F-BACK		AC01			
FORD	MUSTANG	GT		8	6.4L	390 CID	P	CARB	1969	1969	F-BACK		AC01			
FORD	MUSTANG	GT	ROADSTER	8	5.0L	302 CID	P	DIRECT INJ	1986	1986	CONV		AC01	ACA17		
FORD	MUSTANG		35TH ANNIV	8	4.6L	281 CID	P	MPFI	1999	2000	CONV		AC084			
FORD	MUSTANG	BULLITT		8	4.6L	281 CID	P	MPFI	2000	2000	COUPE		AC084			
FORD	MUSTANG	COBRA		8	4.6L		P	MPFI	2001	2003	CONV/COUPE	DOHC 32V	AC084	ACA238		
FORD	MUSTANG	GT		8	4.6L	281 CID	P	MPFI	2004	2004	CONV/COUPE		AC084			
FORD	MUSTANG	RONAEE		8	4.6L	281 CID	P	MPFI	2007	2007	COUPE		AC084			
FORD	MUSTANG	SHELBY GT500		8	5.4L	330 CID SC	P	S-CHARGED	2007	2007	CONV/COUPE		AC084			
FORD	MUSTANG	SUPER SNAKE		8	5.4L	330 CID SC	P	S-CHARGED	2008	2008	COUPE		AC084			
FORD	PROBE	ST		6	2.5L		P	MPFI	06/94	1996	L-BACK		AC028			
FORD	PROBE	SU		6	2.5L		P	MPFI	03/96	1997	L-BACK		AC028			
FORD	PROBE	SV		6	2.5L		P	MPFI	02/97	1998	L-BACK		AC028			
FORD	RAIDER	UV		4	2.6L	G6	P	MPFI	1991	1997	WAGON		AC028	ACA70	ACF68	
FORD	RANGER	PJ	XL	4	2.5L	WLAT	D	TURBO INT-COOL	2006	2009	CAB CHASS/UTE		AC095	ACA155	ACF28	
FORD	RANGER	PJ	XL CREW CAB	4	3.0L	WEAT	D	TURBO INT-COOL	2006	2009	CAB CHASS/UTE		AC095	ACA155	ACF28	
FORD	RANGER	PJ	XL CREW CAB HIGH RIDER	4	3.0L	WEAT	D	TURBO INT-COOL	2006	2009	UTE		AC095	ACA155	ACF28	

MAKE	MODEL	SERIES	BADGE	CYLS	ENG SIZE	ENGINE CODE	FUEL	FUEL DELIVERY / AIR INTAKE	FROM	TO	BODY	REMARKS	OIL	AIR	FUEL	CABIN
FORD	RANGER	PJ	XL HIGH RIDER	4	3.0L	WEAT	D	TURBO INT-COOL	2006	2009	CAB CHASS		AC095	ACA155	ACF28	
FORD	RANGER	PJ	XL SUPER CAB	4	3.0L	WEAT	D	TURBO INT-COOL	2006	2009	CAB CHASS/ UTE		AC095	ACA155	ACF28	
FORD	RANGER	PJ	XL SUPER CAB HIGH RIDER	4	3.0L	WEAT	D	TURBO INT-COOL	2006	2009	CAB CHASS/ UTE		AC095	ACA155	ACF28	
FORD	RANGER	PJ	XLT CREW CAB	4	3.0L	WEAT	D	TURBO INT-COOL	2006	2009	UTE		AC095	ACA155	ACF28	
FORD	RANGER	PJ	XLT SUPER CAB	4	3.0L	WEAT	D	TURBO INT-COOL	2006	2009	UTE		AC095	ACA155	ACF28	
FORD	RANGER	PK	XL	4	2.5L	WLAT	D	TURBO INT-COOL	2009	2011	CAB CHASS/ UTE		AC095	ACA155	ACF28	
FORD	RANGER	PK	XL CREW CAB	4	2.5L	WLAT	D	TURBO INT-COOL	2009	2011	UTE		AC095	ACA155	ACF28	
FORD	RANGER	PK	WILDTRAK CREW CAB	4	3.0L	WEAT	D	TURBO INT-COOL	2009	2011	UTE		AC095	ACA155	ACF28	
FORD	RANGER	PK	XL	4	3.0L	WEAT	D	TURBO INT-COOL	2009	2011	CAB CHASS/ UTE		AC095	ACA155	ACF28	
FORD	RANGER	PK	XL CREW CAB	4	3.0L	WEAT	D	TURBO INT-COOL	2009	2011	UTE		AC095	ACA155	ACF28	
FORD	RANGER	PK	XL CREW CAB HIGH RIDER	4	3.0L	WEAT	D	TURBO INT-COOL	2009	2011	UTE		AC095	ACA155	ACF28	
FORD	RANGER	PK	XL HIGH RIDER	4	3.0L	WEAT	D	TURBO INT-COOL	2009	2011	CAB CHASS		AC095	ACA155	ACF28	
FORD	RANGER	PK	XL SUPER CAB	4	3.0L	WEAT	D	TURBO INT-COOL	2009	2011	CAB CHASS/ UTE		AC095	ACA155	ACF28	
FORD	RANGER	PK	XL SUPER CAB HIGH RIDER	4	3.0L	WEAT	D	TURBO INT-COOL	2009	2011	CAB CHASS/ UTE		AC095	ACA155	ACF28	
FORD	RANGER	PK	XLT CREW CAB	4	3.0L	WEAT	D	TURBO INT-COOL	2009	2011	UTE		AC095	ACA155	ACF28	
FORD	RANGER	PK	XLT CREW CAB HIGH RIDER	4	3.0L	WEAT	D	TURBO INT-COOL	2009	2011	UTE		AC095	ACA155	ACF28	
FORD	RANGER	PK	XLT SUPER CAB	4	3.0L	WEAT	D	TURBO INT-COOL	2009	2011	UTE		AC095	ACA155	ACF28	
FORD	RANGER	PX	XL	4	2.2L	P4AT	D	DIRECT INJ	2011	ON	UTE		AC0130	ACA249	ACF193	ACC57
FORD	RANGER	PX	XL HIGH RIDER	4	2.2L	P4AT	D	DIRECT INJ	2011	ON	UTE		AC0130	ACA249	ACF193	ACC57
FORD	RANGER	PX	XLT	4	2.2L	P4AT	D	DIRECT INJ	2011	ON	UTE		AC0130	ACA249	ACF193	ACC57
FORD	RANGER	PX	XLT HIGH RIDER	4	2.2L	P4AT	D	DIRECT INJ	2011	ON	UTE		AC0130	ACA249	ACF193	ACC57
FORD	RANGER	PX		4	2.5L	DPAT	P	MPFI	2011	ON	UTE		AC024	ACA249		ACC57
FORD	RANGER	PX	XL	5	3.2L	P5AT	D	DIRECT INJ	2011	ON	UTE	10 MINUTE OIL DRAIN AND REFILL	AC0130	ACA249	ACF193	ACC57
FORD	RANGER	PX	XL HIGH RIDER	5	3.2L	P5AT	D	DIRECT INJ	2011	ON	UTE	10 MINUTE OIL DRAIN AND REFILL	AC0130	ACA249	ACF193	ACC57
FORD	RANGER	PX	XLT	5	3.2L	P5AT	D	DIRECT INJ	2011	ON	UTE	10 MINUTE OIL DRAIN AND REFILL	AC0130	ACA249	ACF193	ACC57
FORD	RANGER	PX	XLT HIGH RIDER	5	3.2L	P5AT	D	DIRECT INJ	2011	ON	UTE	10 MINUTE OIL DRAIN AND REFILL	AC0130	ACA249	ACF193	ACC57

MAKE	MODEL	SERIES	BADGE	CYLS	ENG SIZE	ENGINE CODE	FUEL	FUEL DELIVERY / AIR INTAKE	FROM	TO	BODY	REMARKS	OIL	AIR	FUEL	CABIN
FORD	TAURUS	DN		6	3.0L	TA	P	MPFI	03/96	10/96	SEDAN		AC084	ACA215	ACF117	
FORD	TAURUS	DP		6	3.0L	TA	P	MPFI	10/96	1998	SEDAN		AC084	ACA215	ACF117	
FORD	TE50	AU	T1	8	4.9L		P	MPFI	1999	2001	SEDAN	WITH OIL COOLER	AC09	ACA17	ACF2	
FORD	TE50	AU	T1	8	4.9L		P	MPFI	1999	2001	SEDAN	WITHOUT OIL COOLER	AC01	ACA17	ACF2	
FORD	TE50	AU II	T2	8	4.9L		P	MPFI	2001	2002	SEDAN	WITH OIL COOLER	AC09	ACA17	ACF2	
FORD	TE50	AU II	T2	8	4.9L		P	MPFI	2001	2002	SEDAN	WITHOUT OIL COOLER	AC01	ACA17	ACF2	
FORD	TE50	AU II	T3	8	5.6L		P	MPFI	2001	2002	SEDAN		AC09	ACA238	ACF2	
FORD	TELSTAR	AR	GHIA/GL/S/ TX5	4	2.0L	FE	P	CARB	1983	1985	SEDAN		AC05	ACA238	ACF12	
FORD	TELSTAR	AS	GHIA/GL/TX5	4	2.0L	FE	P	CARB	1985	1987	SEDAN		AC05	ACA238	ACF12	
FORD	TELSTAR	AX	GHIA/GLX	4	2.0L	FS(N)	P	MPFI	1992	1994	SEDAN		AC026	ACA92	ACF44	
FORD	TELSTAR	AX	GHIA	6	2.5L	KL(U)	P	MPFI	1992	1994	SEDAN		AC028	ACA92	ACF44	
FORD	TELSTAR	AY	GHIA/GLX	4	2.0L	FS(N)	P	MPFI	1994	1996	SEDAN		AC026	ACA92	ACF44	
FORD	TELSTAR	AY	GHIA	6	2.5L	KL(U)	P	MPFI	1994	1996	SEDAN		AC028	ACA92	ACF44	
FORD	TELSTAR TX5	AS	GHIA	4	2.0L	FE	P	CARB	1985	1986	SEDAN		AC05	ACA238	ACF12	
FORD	TELSTAR TX5	AS	TURBO	4	2.0L	FET	P	TURBO	1985	1986	SEDAN		AC05			
FORD	TELSTAR TX5	AT	GL	4	2.0L	FE	P	CARB	1988	1989	HATCH		AC05	ACA238	ACF12	
FORD	TELSTAR TX5	AT	GHIA	4	2.2L	F2	P	MPFI	1988	1989	HATCH		AC05	ACA16	ACF31	
FORD	TELSTAR TX5	AT	TURBO	4	2.2L	F2T	P	TURBO	1988	1989	HATCH		AC05	ACA16		
FORD	TELSTAR TX5	AV	GHIA	4	2.2L	F2	P	MPFI	1990	1992	HATCH		AC05	ACA16	ACF31	
FORD	TELSTAR TX5	AV	TURBO	4	2.2L	F2T	P	MPFI	1990	1992	SEDAN		AC05	ACA16		
FORD	TELSTAR TX5	AX	GHIA	4	2.0L	FS(N)	P	MPFI	1993	1994	HATCH		AC026	ACA92	ACF44	
FORD	TELSTAR TX5	AX	GHIA	6	2.5L	KL(U)	P	MPFI	1993	1994	HATCH		AC028	ACA92	ACF44	
FORD	TELSTAR TX5	AY	GHIA	4	2.0L	FS(N)	P	MPFI	1994	1995	HATCH		AC026	ACA92	ACF44	
FORD	TELSTAR TX5	AY	GHIA	6	2.5L	KL(U)	P	MPFI	1994	1996	HATCH		AC028	ACA92	ACF44	
FORD	TERRITORY	SX	GHIA AWD	6	4.0L	BARRA 182	P	MPFI	2004	2005	WAGON		AC01	ACA120	ACF2	ACC23
FORD	TERRITORY	SX	GHIA RWD	6	4.0L	BARRA 182	P	MPFI	2004	2005	WAGON		AC01	ACA120	ACF2	ACC23
FORD	TERRITORY	SX	TS AWD	6	4.0L	BARRA 182	P	MPFI	2004	2005	WAGON		AC01	ACA120	ACF2	ACC23
FORD	TERRITORY	SX	TS RWD	6	4.0L	BARRA 182	P	MPFI	2004	2005	WAGON		AC01	ACA120	ACF2	ACC23
FORD	TERRITORY	SX	TX AWD	6	4.0L	BARRA 182	P	MPFI	2004	2005	WAGON		AC01	ACA120	ACF2	ACC23
FORD	TERRITORY	SX	TX RWD	6	4.0L	BARRA 182	P	MPFI	2004	2005	WAGON		AC01	ACA120	ACF2	ACC23
FORD	TERRITORY	SY	GHIA AWD	6	4.0L	BARRA 190	P	MPFI	10/05	04/08	WAGON		AC084	ACA120	ACF2	ACC23
FORD	TERRITORY	SY	GHIA RWD	6	4.0L	BARRA 190	P	MPFI	10/05	04/08	WAGON		AC084	ACA120	ACF2	ACC23
FORD	TERRITORY	SY	SR AWD	6	4.0L	BARRA 190	P	MPFI	10/05	04/08	WAGON		AC084	ACA120	ACF2	ACC23
FORD	TERRITORY	SY	SR RWD	6	4.0L	BARRA 190	P	MPFI	10/05	04/08	WAGON		AC084	ACA120	ACF2	ACC23
FORD	TERRITORY	SY	SR2 AWD	6	4.0L	BARRA 190	P	MPFI	10/05	04/08	WAGON		AC084	ACA120	ACF2	ACC23
FORD	TERRITORY	SY	SR2 RWD	6	4.0L	BARRA 190	P	MPFI	10/05	04/08	WAGON		AC084	ACA120	ACF2	ACC23
FORD	TERRITORY	SY	TS AWD	6	4.0L	BARRA 190	P	MPFI	10/05	04/08	WAGON		AC084	ACA120	ACF2	ACC23

MAKE	MODEL	SERIES	BADGE	CYLS	ENG SIZE	ENGINE CODE	FUEL	FUEL DELIVERY / AIR INTAKE	FROM	TO	BODY	REMARKS	OIL	AIR	FUEL	CABIN
FORD	TERRITORY	SY	TS RWD	6	4.0L	BARRA 190	P	MPFI	10/05	04/08	WAGON		AC084	ACA120	ACF2	ACC23
FORD	TERRITORY	SY	TX AWD	6	4.0L	BARRA 190	P	MPFI	10/05	04/08	WAGON		AC084	ACA120	ACF2	ACC23
FORD	TERRITORY	SY	TX RWD	6	4.0L	BARRA 190	P	MPFI	10/05	04/08	WAGON		AC084	ACA120	ACF2	ACC23
FORD	TERRITORY	SY	TURBO AWD	6	4.0L	BARRA 245T	P	TURBO INT-COOL	06/06	03/08	WAGON		AC084	ACA120	ACF2	ACC23
FORD	TERRITORY	SY	TURBO AWD GHIA	6	4.0L	BARRA 245T	P	TURBO INT-COOL	06/06	03/08	WAGON		AC084	ACA120	ACF2	ACC23
FORD	TERRITORY	SY MKII	TURBO AWD GHIA	6	4.0L	BARRA 245T	P	TURBO INT-COOL	03/08	10/10	WAGON		AC084	ACA199	ACF2	ACC23
FORD	TERRITORY	SY MKII	GHIA AWD	6	4.0L	BARRA 190	P	MPFI	04/08	04/11	WAGON		AC084	ACA199	ACF2	ACC23
FORD	TERRITORY	SY MKII	GHIA RWD	6	4.0L	BARRA 190	P	MPFI	04/08	04/11	WAGON		AC084	ACA199	ACF2	ACC23
FORD	TERRITORY	SY MKII	TS AWD	6	4.0L	BARRA 190	P	MPFI	04/08	04/11	WAGON		AC084	ACA199	ACF2	ACC23
FORD	TERRITORY	SY MKII	TS AWD LIMITED EDITION	6	4.0L	BARRA 190	P	MPFI	04/08	04/11	WAGON		AC084	ACA199	ACF2	ACC23
FORD	TERRITORY	SY MKII	TS RWD	6	4.0L	BARRA 190	P	MPFI	04/08	04/11	WAGON		AC084	ACA199	ACF2	ACC23
FORD	TERRITORY	SY MKII	TS RWD LIMITED EDITION	6	4.0L	BARRA 190	P	MPFI	04/08	04/11	WAGON		AC084	ACA199	ACF2	ACC23
FORD	TERRITORY	SY MKII	TX AWD	6	4.0L	BARRA 190	P	MPFI	04/08	04/11	WAGON		AC084	ACA199	ACF2	ACC23
FORD	TERRITORY	SY MKII	TX RWD	6	4.0L	BARRA 190	P	MPFI	04/08	04/11	WAGON		AC084	ACA199	ACF2	ACC23
FORD	TERRITORY	SZ	TITANIUM SEQ SPORT SHIFT	6	2.7L	DURATORQ 276DT	D	TURBO INT-COOL	2011	ON	WAGON	AWD	AC0143	ACA199		ACC23
FORD	TERRITORY	SZ	TITANIUM SEQ SPORT SHIFT	6	2.7L	DURATORQ 276DT	D	TURBO INT-COOL	2011	ON	WAGON		AC0143	ACA199		ACC23
FORD	TERRITORY	SZ	TS SEQ SPORT SHIFT AWD	6	2.7L	DURATORQ 276DT	D	TURBO INT-COOL	2011	ON	WAGON		AC0143	ACA199		ACC23
FORD	TERRITORY	SZ	TS SEQ SPORT SHIFT RWD	6	2.7L	DURATORQ 276DT	D	TURBO INT-COOL	2011	ON	WAGON		AC0143	ACA199		ACC23
FORD	TERRITORY	SZ	TX SEQ SPORT SHIFT AWD	6	2.7L	DURATORQ 276DT	D	TURBO INT-COOL	2011	ON	WAGON		AC0143	ACA199		ACC23
FORD	TERRITORY	SZ	TX SEQ SPORT SHIFT RWD	6	2.7L	DURATORQ 276DT	D	TURBO INT-COOL	2011	ON	WAGON		AC0143	ACA199		ACC23
FORD	TERRITORY	SZ	TS SEQ SPORT SHIFT RWD	6	4.0L	BARRA 195	P	MPFI	2011	ON	WAGON	DI-VCT I6	AC084	ACA199	ACF2	ACC23
FORD	TERRITORY	SZ	TX SEQ SPORT SHIFT AWD	6	4.0L	BARRA 195	P	MPFI	2011	ON	WAGON	DI-VCT I6	AC084	ACA199	ACF2	ACC23
FORD	TERRITORY	SZ	TX SEQ SPORT SHIFT RWD	6	4.0L	BARRA 195	P	MPFI	2011	ON	WAGON	DI-VCT I6	AC084	ACA199	ACF2	ACC23
FORD	THUNDERBIRD			8	6.4L	390 CID	P	CARB	1965	1966	CONV/H-TOP		AC01			
FORD	THUNDERBIRD			8	5.8L	351M CID	P	CARB	1977	1977	COUPE		AC01			
FORD	THUNDERBIRD			8	5.0L	302 CID	P	FUEL INJ	1985	1985	COUPE		AC01			

MAKE	MODEL	SERIES	BADGE	CYLS	ENG SIZE	ENGINE CODE	FUEL	FUEL DELIVERY / AIR INTAKE	FROM	TO	BODY	REMARKS	OIL	AIR	FUEL	CABIN
FORD	TL50	AU	T1	8	4.9L		P	MPFI	1999	10/00	SEDAN	WITH OIL COOLER	AC09	ACA17	ACF2	
FORD	TL50	AU	T1	8	4.9L		P	MPFI	1999	10/00	SEDAN	WITHOUT OIL COOLER	AC01	ACA17	ACF2	
FORD	TL50	AU II	T2	8	4.9L		P	MPFI	10/00	11/01	SEDAN	WITH OIL COOLER	AC09	ACA17	ACF2	
FORD	TL50	AU II	T2	8	4.9L		P	MPFI	10/00	11/01	SEDAN	WITHOUT OIL COOLER	AC01	ACA17	ACF2	
FORD	TL50	AU	T3	8	5.6L		P	MPFI	12/01	12/02	SEDAN		AC09	ACA238	ACF2	
FORD	TL50	AU II	T3	8	5.6L		P	MPFI	12/01	12/02	SEDAN		AC09	ACA238	ACF2	
FORD	TRADER	409		4	2.0L	VA	P	CARB	1979	1981	CAB CHASS		AC05			
FORD	TRADER	409		4	3.0L	HA	D	CARB	1979	1984	CAB CHASS				ACF25	
FORD	TRADER	509		4	3.0L	HA	D	CARB	1979	1984	CAB CHASS				ACF25	
FORD	TRADER	711		6	4.1L	ZB	D	DIESEL INJ	1981	1984	CAB CHASS				ACF25	
FORD	TRADER	811		6	4.1L	ZB	D	DIESEL INJ	1983	1995	CAB CHASS				ACF25	
FORD	TRADER	409		4	3.5L	SL	D	DIESEL INJ	1984	1989	CAB CHASS	FULL FLOW OIL FILTER AC043	AC043			
FORD	TRADER	509		4	3.5L	SL	D	DIESEL INJ	1984	1989	CAB CHASS	FULL FLOW OIL FILTER AC043	AC043			
FORD	TRADER	409		4	3.5L	SL	D	DIESEL INJ	1990	1995	CAB CHASS	FULL FLOW OIL FILTER AC043 / BY PASS OIL FILTER AC055	AC043 / AC055	ACA8	ACF16	
FORD	TRADER	509		4	3.5L	SL	D	DIESEL INJ	1990	1995	CAB CHASS	FULL FLOW OIL FILTER AC043 / BY PASS OIL FILTER AC055	AC043 / AC055	ACA8	ACF16	
FORD	TRADER	811		4	4.0L	TF	D	DIESEL INJ	1995	1999	CAB CHASS	FULL FLOW OIL FILTER AC043 / BY PASS OIL FILTER AC055	AC043 / AC055	ACA8	ACF16	
FORD	TRADER	811		4	4.6L	TM	D	DIESEL INJ	1995	1999	CAB CHASS	FULL FLOW OIL FILTER AC043 / BY PASS OIL FILTER AC055	AC043 / AC055	ACA8	ACF16	
FORD	TRANSIT VAN	VE		4	2.5L	4D	D	DIESEL INJ	1994	1996	VAN		AC079			
FORD	TRANSIT VAN	VF		4	2.5L	4ED	D	TURBO	1996	09/97	VAN	W/OUT A/C	AC079			
FORD	TRANSIT VAN	VF		4	2.5L	4ED	D	TURBO	1996	09/97	VAN	WITH A/C	AC079			
FORD	TRANSIT VAN	VG		4	2.5L	4EB	D	TURBO	1996	09/97	CAB CHASS/ VAN	W/OUT A/C	AC079			
FORD	TRANSIT VAN	VG		4	2.5L	4EB	D	TURBO	1996	09/97	CAB CHASS/ VAN	WITH A/C	AC079			
FORD	TRANSIT VAN	VG		4	2.0L	NSJ	P	EFI	1996	2000	CAB CHASS/ VAN	WITH A/C	AC09		ACF117	

MAKE	MODEL	SERIES	BADGE	CYLS	ENG SIZE	ENGINE CODE	FUEL	FUEL DELIVERY / AIR INTAKE	FROM	TO	BODY	REMARKS	OIL	AIR	FUEL	CABIN
FORD	TRANSIT VAN	VG		4	2.0L	NSJ	P	EFI	1996	2000	CAB CHASS/ VAN	W/OUT A/C	AC085		ACF117	
FORD	TRANSIT VAN	VF		4	2.5L	4ED	D	TURBO	10/97	11/00	VAN	WITH A/C	AC079			
FORD	TRANSIT VAN	VF		4	2.5L	4ED	D	TURBO	10/97	11/00	VAN	W/OUT A/C	AC079			
FORD	TRANSIT VAN	VG		4	2.5L	4GB	D	TURBO	10/97	11/00	CAB CHASS/ VAN	WITH A/C	AC079			
FORD	TRANSIT VAN	VG		4	2.5L	4GB	D	TURBO	10/97	11/00	CAB CHASS/ VAN	W/OUT A/C	AC079			
FORD	TRANSIT VAN	VH		4	2.3L		P	MPFI	2000	04/04	CAB CHASS/ VAN		AC085	ACA168		
FORD	TRANSIT VAN	VH		4	2.4L		D	TURBO	2000	10/04	CAB CHASS/ VAN		AC098	ACA168		
FORD	TRANSIT VAN	VH		4	2.4L		D	TURBO	2000	10/04	CAB CHASS/ VAN		AC098	ACA168		
FORD	TRANSIT VAN	VJ		4	2.4L		D	TURBO	05/04	10/04	BUS/VAN		AC098	ACA168		
FORD	TRANSIT VAN	VJ		4	2.4L		D	TURBO	05/04	10/04	BUS/VAN		AC098	ACA168		
FORD	TRANSIT VAN	VJ		4	2.3L		P	MPFI	05/04	10/06	BUS/VAN		AC085	ACA168		
FORD	TRANSIT VAN	VJ		4	2.4L		D	TURBO	11/04	10/06	BUS/VAN		AC098	ACA168		
FORD	TRANSIT VAN	VM V348RWD		4	2.3L		P	MPFI	2006	2008	VAN		AC095	ACA168		
FORD	TRANSIT VAN	VM V347FWD		4	2.2L	6T	D	TURBO	2006	02/12	VAN		AC0125			
FORD	TRANSIT VAN	VM V348RWD		4	2.4L	6T	D	TURBO	2006	ON	VAN		AC0125	ACA168		
FORD	TRANSIT VAN	VM		4	2.2L	CVRC	D	TURBO DIESEL	03/12	01/14	VAN	WHERE CARTRIDGE OIL FILTER IS FITTED	AC0125	ACA168		
FORD	TRANSIT VAN	VM		4	2.2L	CVRC	D	TURBO DIESEL	03/12	01/14	VAN	WHERE SPIN-ON OIL FILTER IS FITTED	AC092	ACA168		
FORD	TRANSIT VAN	VN	CUSTOM 290S	4	2.2L	CYF4	D	TURBO DIESEL	01/14	ON	VAN	WHERE CARTRIDGE OIL FILTER IS FITTED	AC0125			
FORD	TRANSIT VAN	VN	CUSTOM 290S	4	2.2L	CYF4	D	TURBO DIESEL	01/14	ON	VAN	WHERE SPIN-ON OIL FILTER IS FITTED	AC092			
FORD	TRANSIT VAN	VN	CUSTOM 330L	4	2.2L	CYF4	D	TURBO DIESEL	03/14	ON	VAN	WHERE CARTRIDGE OIL FILTER IS FITTED	AC0125			
FORD	TRANSIT VAN	VN	CUSTOM 330L	4	2.2L	CYF4	D	TURBO DIESEL	03/14	ON	VAN	WHERE SPIN-ON OIL FILTER IS FITTED	AC092			
FORD	TRANSIT VAN	VO	350 LWB	4	2.2L	CVRC	D	TURBO DIESEL	09/14	ON	VAN		AC092	ACA168		
FORD	TRANSIT VAN	VO	470E LWB	4	2.2L	CVRC	D	TURBO DIESEL	09/14	ON	VAN		AC092	ACA168		
FORD	TS50	AU I	T1	8	4.9L		P	MPFI	1999	10/00	SEDAN	WITH OIL COOLER	AC09	ACA17	ACF2	
FORD	TS50	AU I	T1	8	4.9L		P	MPFI	1999	10/00	SEDAN	WITHOUT OIL COOLER	AC01	ACA17	ACF2	
FORD	TS50	AU II	T2	8	4.9L		P	MPFI	10/00	11/01	SEDAN	WITH OIL COOLER	AC09	ACA17	ACF2	



MAKE	MODEL	SERIES	BADGE	CYLS	ENG SIZE	ENGINE CODE	FUEL	FUEL DELIVERY / AIR INTAKE	FROM	TO	BODY	REMARKS	OIL	AIR	FUEL	CABIN
FORD	TS50	AU II	T2	8	4.9L		P	MPFI	10/00	11/01	SEDAN	WITHOUT OIL COOLER	AC01	ACA17	ACF2	
FORD	TS50	AU II	T3	8	5.6L		P	MPFI	12/01	2002	SEDAN		AC09	ACA238	ACF2	
<b>GEELY</b>																
GEELY	MK		GL	4	1.5L	MR479Q	P	MPFI	2009	ON	SEDAN		AC022			
GEELY	MK		GT	4	1.5L	MR479Q	P	MPFI	2009	ON	HATCH/ SED		AC022			
<b>GREAT WALL</b>																
GREAT WALL	SA220	CC	SUPER LUXURY	4	2.2L	4910E	P	MPFI	2009	2010	UTE				ACF4	ACC92
GREAT WALL	V200	K2		4	2.0L	GW4D20	D	TURBO CRD	09/11	ON	CAB CHASS/ UTE	WHERE SPIN ON FUEL FILTER IS FITTED	AC084	ACA342	ACF27	ACC92
GREAT WALL	V200	K2		4	2.0L	GW4D20	D	TURBO CRD	09/11	ON	CAB CHASS/ UTE	WHERE IN LINE FUEL FILTER IS FITTED	AC084	ACA342	ACF237	ACC92
GREAT WALL	V240	K2	SUPER LUXURY	4	2.4L	4G69S4N	P	MPFI	2009	2011	UTE		AC07	ACA341	ACF4	ACC92
GREAT WALL	V240	K2		4	2.4L	4G69S4N	P	MPFI	2010	ON	CAB CHASS/ UTE		AC07	ACA341	ACF4	ACC92
GREAT WALL	X200	K2		4	2.0L	GW4D20	D	TURBO CRD	2011	ON	WAGON	WHERE SPIN ON FUEL FILTER IS FITTED	AC084		ACF27	
GREAT WALL	X200	K2		4	2.0L	GW4D20	D	TURBO CRD	2011	ON	WAGON	WHERE IN LINE FUEL FILTER IS FITTED	AC084		ACF237	
GREAT WALL	X240	CC		4	2.4L	4G69S4N	P	MPFI	2009	2011	WAGON	HOVER SERIES	AC07	ACA336	ACF4	
GREAT WALL	X240	CC		4	2.4L	4G69S4N	P	MPFI	2011	ON	WAGON	HAVAL SERIES	AC07		ACF4	
<b>HINO</b>																
HINO	DUTRO	XZU305 SERIES		4	4.0L	N04C	D	FUEL INJ	2003	ON	TRUCK			ACA175		
HINO	DUTRO	XZU345 SERIES		4	4.0L	N04C	D	FUEL INJ	2003	ON	TRUCK			ACA175		
HINO	DUTRO	PB	XZU413M	6	4.7L	J05D-T	D	TURBO DIRECT INJ	2004	2011	CAB CHASS		AC050			
HINO	DUTRO	PB	XZU423M	6	4.7L	J05D-T	D	TURBO DIRECT INJ	2004	2011	CAB CHASS		AC050			
HINO	DUTRO	PB	XZU433M	6	4.7L	J05D-T	D	TURBO DIRECT INJ	2004	2011	CAB CHASS		AC050			
HINO	HAWK	550			7.4L	H07D	D		1991	1995	TRUCK		AC050	ACA7	ACF22	
HINO	HAWK	550			7.4L	H07D	D		1991	1995	TRUCK	SECONDARY FUEL FILTER ACF22			ACF22	
HINO	MERLIN	FC3	500	6	6.0L	W06E	D	DIESEL INJ	1993	1996				ACA7	ACF22	
HINO	RANGER	K	FD121, FD126	6	5.0L	EC100	D	DIRECT INJ	1980	1983	CAB CHASS		AC047			
HINO	RANGER	K	FD151, FD158	6	6.2L	EH500	D	DIRECT INJ	1980	1983	CAB CHASS		AC047			
HINO	RANGER	K	FD170, FF170	6	6.4L	EH700	D	DIRECT INJ	1980	1983	CAB CHASS		AC047			
HINO	RANGER	P	FD170/ FF170/ FT170/ FC170	6	6.7L	H07C	D	DIRECT INJ	1983	1986	CAB CHASS		AC047			

MAKE	MODEL	SERIES	BADGE	CYLS	ENG SIZE	ENGINE CODE	FUEL	FUEL DELIVERY / AIR INTAKE	FROM	TO	BODY	REMARKS	OIL	AIR	FUEL	CABIN
HINO	RANGER	FM3M		6	9.9L	M10C	D	DIESEL INJ TURBO	1993	2001		FUEL WATER SEPARATOR ACF71		ACA7	ACF22	
HINO	RANGER	FF1J		6	8.0L	J08C	D	DIESEL INJ TURBO	1994	2003			AC050		ACF22	
HINO	RANGER	GD1J		6	8.0L	J08C	D	DIESEL INJ TURBO	1994	2003			AC050		ACF22	
HINO	RANGER	FD1J (RANGER 6)		6	8.0L	J08C	D	DIESEL INJ	1996	2003		FUEL WATER SEPARATOR ACF71			ACF22	
HINO	RANGER	FG1J		6	8.0L	J08CT	D	DIESEL INJ TURBO	1997	2002					ACF71	
HINO	RANGER	GH1J (RANGER 10)		6	8.0L	J08CT	D	DIESEL INJ TURBO	1997	2002		FUEL WATER SEPARATOR ACF71	Ac050	ACA7	ACF22	
HINO	RANGER	FM1 (RANGER 14)		6	8.0L	J08CT	D	DIESEL INJ TURBO	1997	2003		FUEL WATER SEPARATOR ACF71	AC050	ACA7	ACF22	
HINO	RANGER	GT1J		6	8.0L	J08CT	D	DIESEL INJ TURBO	1998	2002		FUEL WATER SEPARATOR ACF71	AC050	ACA7	ACF22	
HINO	RANGER	FB4J (RANGER 4)		4	5.3L	J05C	D	DIESEL INJ	1999	2000		FUEL WATER SEPARATOR ACF71			ACF22	
HINO	RANGER	FB4J (RANGER 4)		4	5.3L	J05C	D	DIESEL INJ	2000	2003		FUEL WATER SEPARATOR ACF71			ACF22	
HINO	RANGER	FC4J (RANGER PRO 5)		4	5.3L	J05CT	D	DIESEL INJ TURBO	2003	2005					ACF71	
HINO	RANGER	FM1 (RANGER PRO 14)		6	8.0L	J08CUK	D	DIESEL INJ TURBO	2003	2008					ACF16	
HINO	RANGER	FT1J (RANGER PRO 5Z)		6	8.0L	J08C	D	DIESEL INJ TURBO	2003	2008					ACF16	
HINO	RANGER	GD1J (RANGER PRO 7)		6	8.0L	J08CT	D	DIESEL INJ TURBO	2003	2008			AC050		ACF16 / ACF22	
HINO	RANGER	GH1J (RANGER PRO 10)		6	8.0L	J08CUK	D	DIESEL INJ TURBO	2003	2008					ACF16	
HINO	RANGER	GT1J (RANGER PRO 8Z)		6	8.0L	J08CT	D	DIESEL INJ TURBO	2003	2008					ACF16	
HINO	RANGER	FG1J (RANGER PRO 9)		6	8.0L	J08CUK	D	DIESEL INJ TURBO	2003	2009			AC050		ACF22	
HINO	RANGER	FC4J (RANGER PRO 5)		4	5.3L	J05CT	D	DIESEL INJ TURBO	2005	2008					ACF71	
<b>HOLDEN</b>																
HOLDEN	ADVENTRA	VY SERIES II	CX8	8	5.7L	LS1	P	MPFI	09/03	08/04	WAGON	235KW GEN III	AC025	ACA85	ACF120	
HOLDEN	ADVENTRA	VY SERIES II	LX8	8	5.7L	LS1	P	MPFI	09/03	08/04	WAGON	235KW GEN III	AC025	ACA85	ACF120	
HOLDEN	ADVENTRA	VZ	CX6	6	3.6L	LY7	P	MPFI	08/04	12/05	WAGON	190KW HFV6 ALLOYTEC	AC088	ACA85	ACF120	
HOLDEN	ADVENTRA	VZ	LX6	6	3.6L	LY7	P	MPFI	08/04	12/05	WAGON	190KW HFV6 ALLOYTEC	AC088	ACA85	ACF120	
HOLDEN	ADVENTRA	VZ	SX6	6	3.6L	LY7	P	MPFI	08/04	12/05	WAGON	190KW HFV6 ALLOYTEC	AC088	ACA85	ACF120	

MAKE	MODEL	SERIES	BADGE	CYLS	ENG SIZE	ENGINE CODE	FUEL	FUEL DELIVERY / AIR INTAKE	FROM	TO	BODY	REMARKS	OIL	AIR	FUEL	CABIN
HOLDEN	ADVENTRA	VZ	LX8	8	5.7L	LS1	P	MPFI	08/04	12/05	WAGON	250KW GEN III	AC025	ACA85	ACF120	
HOLDEN	APOLLO	JK	EXECUTIVE	4	2.0L	3S-FC	P	CARB	08/89	08/91	SED/WAG		AC022	ACA101	ACF105	
HOLDEN	APOLLO	JK	SL	4	2.0L	3S-FC	P	CARB	08/89	08/91	SED/WAG		AC022	ACA101	ACF105	
HOLDEN	APOLLO	JK	SLE	4	2.0L	3S-FE	P	MPFI	08/89	08/91	SED/WAG		AC022	ACA13	ACF1	
HOLDEN	APOLLO	JK	SLX	4	2.0L	3S-FC	P	CARB	08/89	08/91	SED/WAG		AC022	ACA101	ACF105	
HOLDEN	APOLLO	JL	GS	4	2.0L	3S-FE	P	MPFI	08/91	04/93	SED/WAG		AC022	ACA13	ACF1	
HOLDEN	APOLLO	JL	SL	4	2.0L	3S-FE	P	MPFI	08/91	04/93	SED/WAG		AC022	ACA13	ACF1	
HOLDEN	APOLLO	JL	SLE	4	2.0L	3S-FE	P	MPFI	08/91	04/93	SEDAN		AC022	ACA13	ACF1	
HOLDEN	APOLLO	JL	SLX	4	2.0L	3S-FE	P	MPFI	08/91	04/93	SED/WAG		AC022	ACA13	ACF1	
HOLDEN	APOLLO	JM	GS	4	2.2L	5S-FE	P	MPFI	04/93	08/95	SED/WAG		AC022	ACA49	ACF1	
HOLDEN	APOLLO	JM	SLX	4	2.2L	5S-FE	P	MPFI	04/93	08/95	SED/WAG		AC022	ACA49	ACF1	
HOLDEN	APOLLO	JM	GS	6	3.0L	3VZ-FE	P	MPFI	04/93	08/95	SED/WAG		AC024	ACA49	ACF1	
HOLDEN	APOLLO	JM	SLX	6	3.0L	3VZ-FE	P	MPFI	04/93	08/95	SED/WAG		AC024	ACA49	ACF1	
HOLDEN	APOLLO	JP	GS	4	2.2L	5S-FE	P	MPFI	08/95	12/96	SED/WAG		AC022	ACA49	ACF1	
HOLDEN	APOLLO	JP	SLX	4	2.2L	5S-FE	P	MPFI	08/95	12/96	SED/WAG		AC022	ACA49	ACF1	
HOLDEN	APOLLO	JP	GS	6	3.0L	3VZ-FE	P	MPFI	08/95	12/96	SED/WAG		AC024	ACA49	ACF1	
HOLDEN	APOLLO	JP	SLX	6	3.0L	3VZ-FE	P	MPFI	08/95	12/96	SED/WAG		AC024	ACA49	ACF1	
HOLDEN	ASTRA	LB	SL/E	4	1.5L	E15	P		08/84	01/86	5 DR HATCH		AC011	ACA29	ACF80	
HOLDEN	ASTRA	LB	SL/X	4	1.5L	E15	P		08/84	01/86	5 DR HATCH		AC011	ACA29	ACF80	
HOLDEN	ASTRA	LC	SL	4	1.6L	E16	P		02/86	06/87	5 DR HATCH		AC011	ACA29		
HOLDEN	ASTRA	LC	SL/E	4	1.6L	E16	P		02/86	06/87	5 DR HATCH		AC011	ACA29		
HOLDEN	ASTRA	LC	SL/X	4	1.6L	E16	P		02/86	06/87	5 DR HATCH		AC011	ACA29		
HOLDEN	ASTRA	LD	SL	4	1.6L	16LF	P	MPFI	07/87	1989	5 DR HATCH		AC018	ACA32	ACF3	
HOLDEN	ASTRA	LD	SL/E	4	1.8L	18LE	P	MPFI	07/87	1989	5 DR HATCH		AC018	ACA36	ACF3	
HOLDEN	ASTRA	LD	SL/X	4	1.8L	18LE	P	MPFI	07/87	1989	5 DR HATCH		AC018	ACA36	ACF3	
HOLDEN	ASTRA	LD	SL/E	4	1.8L	18LE	P	MPFI	10/87	1989	4 DR SED		AC018	ACA36	ACF3	
HOLDEN	ASTRA	LD	SL/X	4	1.8L	18LE	P	MPFI	10/87	1989	4 DR SED		AC018	ACA36	ACF3	
HOLDEN	ASTRA	TR	CITY	4	1.6L	C16SE	P	MPFI	09/96	09/98	4 DR SED		AC018	ACA105	ACF4	ACC53
HOLDEN	ASTRA	TR	CITY	4	1.6L	C16SE	P	MPFI	09/96	09/98	5 DR HATCH		AC018	ACA105	ACF4	ACC53
HOLDEN	ASTRA	TR	GL	4	1.8L	C18SEL	P	MPFI	09/96	09/98	4 DR SED		AC018	ACA105	ACF4	ACC53

MAKE	MODEL	SERIES	BADGE	CYLS	ENG SIZE	ENGINE CODE	FUEL	FUEL DELIVERY / AIR INTAKE	FROM	TO	BODY	REMARKS	OIL	AIR	FUEL	CABIN
HOLDEN	ASTRA	TR	GL	4	1.8L	C18SEL	P	MPFI	09/96	09/98	5 DR HATCH		AC018	ACA105	ACF4	ACC53
HOLDEN	ASTRA	TR	GSI	4	2.0L	X20XEV	P	MPFI	09/96	09/98	5 DR HATCH		AC018	ACA105	ACF4	ACC53
HOLDEN	ASTRA	TS	CD	4	1.8L	X18XE1	P	MPFI	10/98	12/00	5 DR HATCH		AC081	ACA129	ACF90	ACC22
HOLDEN	ASTRA	TS	CD	4	1.8L	X18XE1	P	MPFI	10/98	12/00	5 DR HATCH		AC018	ACA129	ACF90	ACC22
HOLDEN	ASTRA	TS	CITY	4	1.8L	X18XE1	P	MPFI	10/98	12/00	5 DR HATCH		AC018	ACA129	ACF90	ACC22
HOLDEN	ASTRA	TS	CITY	4	1.8L	X18XE1	P	MPFI	10/98	12/00	4 DR SED		AC081	ACA129	ACF90	ACC22
HOLDEN	ASTRA	TS	OLYMPIC CD	4	1.8L	X18XE1	P	MPFI	10/99	11/00	5 DR HATCH		AC018	ACA129	ACF90	ACC22
HOLDEN	ASTRA	TS	OLYMPIC CD	4	1.8L	X18XE1	P	MPFI	10/99	11/00	4 DR SED		AC081	ACA129	ACF90	ACC22
HOLDEN	ASTRA	TS	OLYMPIC CITY	4	1.8L	X18XE1	P	MPFI	10/99	11/00	5 DR HATCH		AC018	ACA129	ACF90	ACC22
HOLDEN	ASTRA	TS	OLYMPIC CITY	4	1.8L	X18XE1	P	MPFI	10/99	11/00	4 DR SED		AC081	ACA129	ACF90	ACC22
HOLDEN	ASTRA	TS II	CONVERT- IBLE	4	2.0L	Z20LET	P	TURBO	12/00	2005	CONV		AC018	ACA129	ACF90	ACC22
HOLDEN	ASTRA	TS II	CD	4	2.2L	Z22SE	P	MPFI	12/00	2005	5 DR WAG		AC089	ACA157	ACF90	ACC22
HOLDEN	ASTRA	TS II	CITY	4	2.2L	Z22SE	P	MPFI	12/00	2005	5 DR WAG		AC089	ACA129	ACF90	ACC22
HOLDEN	ASTRA	TS II	CONVERT- IBLE	4	2.2L	Z22SE	P	MPFI	12/00	2005	CONV		AC089	ACA157	ACF90	ACC22
HOLDEN	ASTRA	TS II	EQUIPE CITY	4	1.8L	Z18XE	P	MPFI	05/01	2003	4 DR SED		AC081	ACA129	ACF90	ACC22
HOLDEN	ASTRA	TS II	EQUIPE CITY	4	1.8L	Z18XE	P	MPFI	05/01	2003	5 DR HATCH		AC018	ACA129	ACF90	ACC22
HOLDEN	ASTRA	TS II	CD	4	1.8L	Z18XE	P	MPFI	10/01	2004	4 DR SED		AC081	ACA129	ACF90	ACC22
HOLDEN	ASTRA	TS II	CD	4	1.8L	Z18XE	P	MPFI	10/01	2004	5 DR HATCH		AC018	ACA129	ACF90	ACC22
HOLDEN	ASTRA	TS II	CDX	4	1.8L	Z18XE	P	MPFI	10/01	2004	4 DR SED		AC081	ACA129	ACF90	ACC22
HOLDEN	ASTRA	TS II	CDX	4	1.8L	Z18XE	P	MPFI	10/01	2004	5 DR HATCH		AC018	ACA129	ACF90	ACC22
HOLDEN	ASTRA	TS II	CITY	4	1.8L	Z18XE	P	MPFI	10/01	2004	5 DR HATCH		AC081	ACA129	ACF90	ACC22
HOLDEN	ASTRA	TS II	CITY	4	1.8L	Z18XE	P	MPFI	10/01	2004	3 DR HATCH		AC018	ACA129	ACF90	ACC22
HOLDEN	ASTRA	TS II	Sri	4	2.2L	Z22SE	P	MPFI	10/01	2005	3 DR HATCH		AC089	ACA157	ACF90	ACC22
HOLDEN	ASTRA	TS II	SXi	4	1.8L	Z18XE	P	MPFI	2002	2004	3 DR HATCH		AC018	ACA129	ACF90	ACC22
HOLDEN	ASTRA	TS II	SRI TURBO	4	2.0L	Z20LET	P	TURBO	05/03	2005	3 DR HATCH		AC018	ACA129	ACF90	ACC22
HOLDEN	ASTRA	TS II	CD CLASSIC	4	1.8L	Z18XE	P	MPFI	07/04	2005	4 DR SED		AC081	ACA129	ACF90	ACC22
HOLDEN	ASTRA	TS II	CD CLASSIC	4	1.8L	Z18XE	P	MPFI	07/04	2005	4 DR SED		AC018	ACA129	ACF90	ACC22
HOLDEN	ASTRA	TS II	CLASSIC	4	1.8L	Z18XE	P	MPFI	07/04	2005	4 DR SED		AC081	ACA129	ACF90	ACC22
HOLDEN	ASTRA	TS II	CLASSIC	4	1.8L	Z18XE	P	MPFI	07/04	2005	5 DR HATCH		AC018	ACA129	ACF90	ACC22
HOLDEN	ASTRA	TS II	CLASSIC EQUIPE	4	1.8L	Z18XE	P	MPFI	2005	2006	4 DR SED		AC081	ACA129	ACF90	ACC22

MAKE	MODEL	SERIES	BADGE	CYLS	ENG SIZE	ENGINE CODE	FUEL	FUEL DELIVERY / AIR INTAKE	FROM	TO	BODY	REMARKS	OIL	AIR	FUEL	CABIN
HOLDEN	ASTRA	TS II	CLASSIC EQUIPE	4	1.8L	Z18XE	P	MPFI	2005	2006	5 DR HATCH		AC018	ACA129	ACF90	ACC22
HOLDEN	ASTRA	AH	CDXi	4	1.8L	Z18XE	P	MPFI	11/04	11/06	5 DR HATCH		AC018	ACA129		ACC22
HOLDEN	ASTRA	AH	CD	4	1.8L	Z18XE	P	MPFI	11/04	04/07	5 DR HATCH		AC018	ACA129		ACC22
HOLDEN	ASTRA	AH	CDX	4	1.8L	Z18XE	P	MPFI	11/04	04/07	5 DR HATCH		AC018	ACA129		ACC22
HOLDEN	ASTRA	AH	CD	4	1.8L	Z18XE	P	MPFI	08/05	04/07	3 DR HATCH		AC018	ACA129		ACC22
HOLDEN	ASTRA	AH	CD	4	1.8L	Z18XE	P	MPFI	08/05	04/07	5 DR WAG		AC018	ACA129		ACC22
HOLDEN	ASTRA	AH	CDX	4	1.8L	Z18XE	P	MPFI	08/05	04/07	3 DR HATCH		AC018	ACA129		ACC22
HOLDEN	ASTRA	AH	CDX	4	1.8L	Z18XE	P	MPFI	08/05	04/07	5 DR WAG		AC018	ACA129		ACC22
HOLDEN	ASTRA	AH	CD EQUIPE	4	1.8L	Z18XE	P	MPFI	2006	2007	5 DR HATCH		AC018	ACA129		ACC22
HOLDEN	ASTRA	AH	CDTi	4	1.9L	Z19DTH4	D	MPFI	06/06	2009	5 DR HATCH		AC0106	ACA185	ACF183	ACC22
HOLDEN	ASTRA	AH	SRI TURBO	4	2.0L	Z20LER	P	TURBO	06/06	2009	3 DR HATCH		AC018	ACA129		ACC22
HOLDEN	ASTRA	AH	SRI	4	2.2L	Z22YH	P	MPFI	11/06	10/07	5 DR HATCH		AC089	ACA157		ACC22
HOLDEN	ASTRA	AH	SRI	4	2.2L	Z22YH	P	MPFI	11/06	10/08	3 DR HATCH		AC089	ACA157		ACC22
HOLDEN	ASTRA	AH	VXR	4	2.0L	Z20LER	P	TURBO	11/06	2009	3 DR HATCH		AC018	ACA129		ACC22
HOLDEN	ASTRA	AH	TWIN TOP	4	2.2L	Z22YH	P	MPFI	11/06	2009	CONV		AC089	ACA157		ACC22
HOLDEN	ASTRA	AH	CD	4	1.8L	Z18XER	P	MPFI	04/07	2008	3 DR HATCH		AC0108	ACA129		ACC22
HOLDEN	ASTRA	AH	CDX	4	1.8L	Z18XER	P	MPFI	04/07	2008	3 DR HATCH		AC0108	ACA129		ACC22
HOLDEN	ASTRA	AH	CD	4	1.8L	Z18XER	P	MPFI	04/07	2009	5 DR HATCH		AC0108	ACA129		ACC22
HOLDEN	ASTRA	AH	CD	4	1.8L	Z18XER	P	MPFI	04/07	2009	5 DR WAG		AC0108	ACA129		ACC22
HOLDEN	ASTRA	AH	CDX	4	1.8L	Z18XER	P	MPFI	04/07	2009	5 DR HATCH		AC0108	ACA129		ACC22
HOLDEN	ASTRA	AH	CDX	4	1.8L	Z18XER	P	MPFI	04/07	2009	5 DR WAG		AC0108	ACA129		ACC22
HOLDEN	ASTRA	AH	CDTi	4	1.9L	Z19DTH4	D	MPFI	04/07	2009	5 DR WAG		AC0106	ACA185	ACF183	ACC22
HOLDEN	ASTRA	AH	60TH ANNIV	4	1.8L	Z18XE	P	MPFI	05/08	2009	5 DR HATCH		AC018	ACA129		ACC22
HOLDEN	ASTRA	AH	60TH ANNIV	4	1.8L	Z18XE	P	MPFI	05/08	2009	5 DR WAG		AC018	ACA129		ACC22
HOLDEN	ASTRA	AH	SRI	4	1.8L	Z18XER	P	MPFI	10/08	2009	5 DR HATCH		AC0108	ACA129		ACC22
HOLDEN	ASTRA	PJ	GTC	4	1.6L	B16SHL	P	TURBO DIRECT INJ	2015	ON	HATCH	AUTOMATIC TRANSMISSION	AC0108	ACA192		ACC49
HOLDEN	ASTRA	PJ	GTC	4	1.6L	B16SHT	P	TURBO DIRECT INJ	2015	ON	HATCH	MANUAL TRANSMISSION	AC0108	ACA192		ACC49
HOLDEN	ASTRA	PJ	GTC SPORT	4	1.6L	B16SHL	P	TURBO DIRECT INJ	2015	ON	HATCH	AUTOMATIC TRANSMISSION	AC0108	ACA192		ACC49
HOLDEN	ASTRA	PJ	GTC SPORT	4	1.6L	B16SHT	P	TURBO DIRECT INJ	2015	ON	HATCH	MANUAL TRANSMISSION	AC0108	ACA192		ACC49

MAKE	MODEL	SERIES	BADGE	CYLS	ENG SIZE	ENGINE CODE	FUEL	FUEL DELIVERY / AIR INTAKE	FROM	TO	BODY	REMARKS	OIL	AIR	FUEL	CABIN
HOLDEN	ASTRA	PJ	VXR	4	2.0L	A20NFT	P	TURBO DIRECT INJ	2015	ON	HATCH		AC089	ACA192		ACC49
HOLDEN	BARINA	MB		4	1.3L	G13A	P	CARB	02/85	1986	HATCH		AC013		ACF88	
HOLDEN	BARINA	ML		4	1.3L	G13A	P	CARB	1986	1988	HATCH		AC013		ACF88	
HOLDEN	BARINA	MF		4	1.3L	G13B	P	CARB	1989	1991	HATCH		AC013	ACA58	ACF89	
HOLDEN	BARINA	MH		4	1.3L	G13B	P	CARB	1991	1993	HATCH		AC013	ACA58	ACF89	
HOLDEN	BARINA	SB	JOY	4	1.4L	C14NZ	P	MPFI	04/94	1996	3 DR HATCH		AC018	ACA106	ACF90	ACC21
HOLDEN	BARINA	SB	CITY	4	1.2L	C12NZ	P	MPFI	04/94	1997	3 DR HATCH		AC018	ACA106	ACF90	ACC21
HOLDEN	BARINA	SB	SWING	4	1.4L	C14NZ	P	MPFI	04/94	1997	5 DR HATCH		AC018	ACA106	ACF90	ACC21
HOLDEN	BARINA	SB	GSi	4	1.6L	C16XE	P	MPFI	04/95	11/95	3 DR HATCH		AC018	ACA106	ACF90	ACC21
HOLDEN	BARINA	SB	GSi	4	1.6L	X16XE	P	MPFI	12/95	1998	3 DR HATCH		AC018	ACA106	ACF90	ACC21
HOLDEN	BARINA	SB	CITY	4	1.4L	C14NZ	P	MPFI	1996	1997	3 DR HATCH		AC018	ACA106	ACF90	ACC21
HOLDEN	BARINA	SB	GP	4	1.4L	C14NZ	P	MPFI	02/96	05/96	5 DR HATCH		AC018	ACA106	ACF90	ACC21
HOLDEN	BARINA	SB	COMBO	4	1.4L	C14NZ	P	MPFI	02/96	08/97	2 DR P-VAN		AC018	ACA106	ACF90	ACC21
HOLDEN	BARINA	SB	CITY	4	1.4L	C14SE	P	MPFI	1997	04/01	3 DR HATCH		AC018	ACA106	ACF90	ACC21
HOLDEN	BARINA	SB	SWING	4	1.4L	C14SE	P	MPFI	1997	04/01	5 DR HATCH		AC018	ACA106	ACF90	ACC21
HOLDEN	BARINA	SB	LAMBADA	4	1.4L	C14SE	P	MPFI	04/97	04/01	3 DR HATCH		AC018	ACA106	ACF90	ACC21
HOLDEN	BARINA	SB	COMBO	4	1.4L	C14SE	P	MPFI	08/97	04/01	2 DR P-VAN		AC018	ACA106	ACF90	ACC21
HOLDEN	BARINA	SB	CABRIO	4	1.4L	C14SE	P	MPFI	11/97	04/01	3 DR HATCH/CABRIO		AC018	ACA106	ACF90	ACC21
HOLDEN	BARINA	SB	CITY OLYMPIC	4	1.4L	C14SE	P	MPFI	10/99	11/00	3 DR HATCH		AC018	ACA106	ACF90	ACC21
HOLDEN	BARINA	SB	SWING OLYMPIC	4	1.4L	C14SE	P	MPFI	10/99	11/00	5 DR HATCH		AC018	ACA106	ACF90	ACC21
HOLDEN	BARINA	XC		4	1.4L	Z14XEP	P	MPFI	2001	2005			AC09	ACA130	ACF90	ACC27
HOLDEN	BARINA	XC	SRI	4	1.8L	Z18XE	P	MPFI	2001	2005	3 DR HATCH		AC018	ACA130	ACF90	ACC27
HOLDEN	BARINA	XC	EQUIPE	4	1.4L	Z14XE	P	MPFI	2002	2002	5 DR HATCH		AC018	ACA130	ACF90	ACC27
HOLDEN	BARINA	XC	EQUIPE	4	1.4L	Z14XE	P	MPFI	2002	2002	3 DR HATCH		AC018	ACA130	ACF90	ACC27
HOLDEN	BARINA	XC	CD	4	1.4L	Z14XE	P	MPFI	2003	2004	5 DR HATCH		AC018	ACA130	ACF90	ACC27
HOLDEN	BARINA	XC	SXi	4	1.4L	Z14XE	P	MPFI	2003	2004	3 DR HATCH		AC018	ACA130	ACF90	ACC27
HOLDEN	BARINA	TK		4	1.6L	F16D3	P	MPFI	11/05	2011	3 DR HATCH		AC018	ACA158		ACC41
HOLDEN	BARINA	TK		4	1.6L	F16D3	P	MPFI	11/05	2011	5 DR HATCH		AC018	ACA158		ACC41
HOLDEN	BARINA	TK		4	1.6L	F16D3	P	MPFI	02/06	2011	4 DR SED		AC018	ACA158		ACC41
HOLDEN	BARINA	TM	CD	4	1.6L	F16D4	P	MPFI	10/11	ON	HATCH		AC0108	ACA251		ACC49
HOLDEN	BARINA	TM	CD	4	1.6L	F16D4	P	MPFI	10/11	ON	SEDAN		AC0108	ACA251		ACC49
HOLDEN	BARINA	TM	CDX	4	1.6L	F16D4	P	MPFI	10/11	ON	HATCH		AC0108	ACA251		ACC49
HOLDEN	BARINA	TM	CDX	4	1.6L	F16D4	P	MPFI	10/11	ON	SEDAN		AC0108	ACA251		ACC49

MAKE	MODEL	SERIES	BADGE	CYLS	ENG SIZE	ENGINE CODE	FUEL	FUEL DELIVERY / AIR INTAKE	FROM	TO	BODY	REMARKS	OIL	AIR	FUEL	CABIN
HOLDEN	BARINA	TM	CD	4	1.4L	A14NET	P	MPFI	07/13	ON	SEDAN		AC0113	ACA251		ACC49
HOLDEN	BARINA	TM	CD	4	1.4L	A14NET	P	MPFI	07/13	ON	HATCH		AC0113	ACA251		ACC49
HOLDEN	BARINA	TM	CDX	4	1.4L	A14NET	P	MPFI	07/13	ON	SEDAN		AC0113	ACA251		ACC49
HOLDEN	BARINA	TM	CDX	4	1.4L	A14NET	P	MPFI	07/13	ON	HATCH		AC0113	ACA251		ACC49
HOLDEN	BARINA	TM	RS	4	1.4L	A14NET	P	MPFI	07/13	ON	HATCH		AC0113	ACA251		ACC49
HOLDEN	BARINA SPARK	MJ	CD	4	1.2L	B12D1	P	MPFI	10/10	ON	HATCH		AC0118	ACA241		ACC50
HOLDEN	BARINA SPARK	MJ	CDX	4	1.2L	B12D1	P	MPFI	10/10	ON	HATCH		AC0118	ACA241		ACC50
HOLDEN	BARINA SPARK	MJ	CD	4	1.2L	B12D2	P	MPFI	2012	ON	HATCH		AC0118			ACC50
HOLDEN	BELMONT	HK		6	3.0L		P	CARB	1968	1970	P-VAN		AC03	ACA25		
HOLDEN	BELMONT	HG		6	2.6L		P	CARB	1970	1971	WAG/UTE		AC03	ACA25		
HOLDEN	BELMONT	HG		6	3.0L		P	CARB	1970	1971	P-VAN		AC03	ACA25		
HOLDEN	BELMONT	HG		8	5.0L		P	CARB	1970	1971	P-VAN		AC03	ACA25		
HOLDEN	BELMONT	HJ		6	3.3L		P	CARB	1972	1975	UTE		AC03	ACA25		
HOLDEN	BELMONT	HQ		6	3.3L		P	CARB	1973	1974	UTE		AC03	ACA25		
HOLDEN	CAMIRA	JB	SL	4	1.6L	L16	P	CARB	08/82	11/84	SEDAN		AC018	ACA32	ACF10	
HOLDEN	CAMIRA	JB	SL/E	4	1.6L	L16	P	CARB	08/82	11/84	SEDAN		AC018	ACA32	ACF10	
HOLDEN	CAMIRA	JB	SL/X	4	1.6L	L16	P	CARB	08/82	11/84	SEDAN		AC018	ACA32	ACF10	
HOLDEN	CAMIRA	JB	SL	4	1.6L	L16	P	CARB	03/83	11/84	WAGON		AC018	ACA32	ACF10	
HOLDEN	CAMIRA	JB	SL/E	4	1.6L	L16	P	CARB	03/83	11/84	WAGON		AC018	ACA32	ACF10	
HOLDEN	CAMIRA	JB	SL/X	4	1.6L	L16	P	CARB	03/83	11/84	WAGON		AC018	ACA32	ACF10	
HOLDEN	CAMIRA	JB	SJ	4	1.6L	L16	P	CARB	10/83	11/84	SEDAN		AC018	ACA32	ACF10	
HOLDEN	CAMIRA	JD	SL	4	1.6L	L16	P	CARB	11/84	01/86	SED/WAG		AC018	ACA32	ACF10	
HOLDEN	CAMIRA	JD	SL	4	1.8L	LV6	P	MPFI	11/84	01/86	SED/WAG		AC018	ACA51	ACF3	
HOLDEN	CAMIRA	JD	SL/E	4	1.8L	LV6	P	MPFI	11/84	01/86	SED/WAG		AC018	ACA51	ACF3	
HOLDEN	CAMIRA	JD	SL/X	4	1.8L	LV6	P	MPFI	11/84	01/86	SED/WAG		AC018	ACA51	ACF3	
HOLDEN	CAMIRA	JD	SL	4	1.8L	LJ9	P		01/86	04/87	SED/WAG		AC018	ACA51	ACF3	
HOLDEN	CAMIRA	JD	SL/E	4	1.8L	LJ9	P		01/86	04/87	SED/WAG		AC018	ACA51	ACF3	
HOLDEN	CAMIRA	JD	SL/X	4	1.8L	LJ9	P		01/86	04/87	SED/WAG		AC018	ACA51	ACF3	
HOLDEN	CAMIRA	JE	SL	4	2.0L	LE4	P	MPFI	04/87	1989	SED/WAG		AC018	ACA51	ACF3	
HOLDEN	CAMIRA	JE	SL/E	4	2.0L	LE4	P	MPFI	04/87	1989	SED/WAG		AC018	ACA51	ACF3	
HOLDEN	CAMIRA	JE	SL/X	4	2.0L	LE4	P	MPFI	04/87	1989	SED/WAG		AC018	ACA51	ACF3	
HOLDEN	CAMIRA	JE	SLi2000	4	2.0L	LE4	P	MPFI	04/87	1989	SEDAN		AC018	ACA51	ACF3	
HOLDEN	CAMIRA	JE	VACATIONER	4	2.0L	LE4	P	MPFI	10/87	1989	SED/WAG		AC018	ACA51	ACF3	
HOLDEN	CAPTIVA	CG	CX	6	3.2L	LU1	P	MPFI	11/06	03/11	WAGON	HFV6 ALLOYTEC	AC090	ACA176		ACC40
HOLDEN	CAPTIVA	CG	LX	6	3.2L	LU1	P	MPFI	11/06	03/11	WAGON	HFV6 ALLOYTEC	AC090	ACA176		ACC40
HOLDEN	CAPTIVA	CG	SX	6	3.2L	LU1	P	MPFI	11/06	03/11	WAGON	HFV6 ALLOYTEC	AC090	ACA176		ACC40
HOLDEN	CAPTIVA	CG	MAXX	6	3.2L	LU1	P	MPFI	12/06	12/08	WAGON	HFV6 ALLOYTEC	AC090	ACA176		ACC40
HOLDEN	CAPTIVA	CG	60TH ANNIV	6	3.2L	LU1	P	MPFI	04/08	12/08	WAGON	HFV6 ALLOYTEC	AC090	ACA176		ACC40

MAKE	MODEL	SERIES	BADGE	CYLS	ENG SIZE	ENGINE CODE	FUEL	FUEL DELIVERY / AIR INTAKE	FROM	TO	BODY	REMARKS	OIL	AIR	FUEL	CABIN
HOLDEN	CAPTIVA	CG	5	4	2.4L	LD9	P	MPFI	12/09	03/11	WAGON	FAM II L4	AC018	ACA176		ACC40
HOLDEN	CAPTIVA	CG	60TH ANNIV	4	2.0L	Z20S1	D	TURBO DIRECT INJ	04/08	12/08	WAGON	SINGLE OHC L4	AC0105	ACA176	ACF183	ACC40
HOLDEN	CAPTIVA	CG	CX	4	2.0L	Z20S1	D	TURBO DIRECT INJ	11/06	03/11	WAGON	SINGLE OHC L4	AC0105	ACA176	ACF183	ACC40
HOLDEN	CAPTIVA	CG	LX	4	2.0L	Z20S1	D	TURBO DIRECT INJ	11/06	03/11	WAGON	SINGLE OHC L4	AC0105	ACA176	ACF183	ACC40
HOLDEN	CAPTIVA	CG	SX	4	2.0L	Z20S1	D	TURBO DIRECT INJ	11/06	03/11	WAGON	SINGLE OHC L4	AC0105	ACA176	ACF183	ACC40
HOLDEN	CAPTIVA	CG SERIES II	5	4	2.2L	Z22D1	D	TURBO DIRECT INJ	01/11	16/12 /12	WAGON	DOHC	AC0127	ACA176	ACF196	ACC40
HOLDEN	CAPTIVA	CG SERIES II	7 CX	4	2.2L	Z22D1	D	TURBO DIRECT INJ	01/11	16/12 /12	WAGON	DOHC	AC0127	ACA176	ACF196	ACC40
HOLDEN	CAPTIVA	CG SERIES II	7 LX	4	2.2L	Z22D1	D	TURBO DIRECT INJ	01/11	16/12 /12	WAGON	DOHC	AC0127	ACA176	ACF196	ACC40
HOLDEN	CAPTIVA	CG SERIES II	7 SX	4	2.2L	Z22D1	D	TURBO DIRECT INJ	01/11	16/12 /12	WAGON	DOHC	AC0127	ACA176	ACF196	ACC40
HOLDEN	CAPTIVA	CG SERIES II	5	4	2.2L	Z22D1	D	TURBO DIRECT INJ	17/12 /12	ON	WAGON	DOHC	AC0127	ACA176		ACC40
HOLDEN	CAPTIVA	CG SERIES II	7 CX	4	2.2L	Z22D1	D	TURBO DIRECT INJ	17/12 /12	ON	WAGON	DOHC	AC0127	ACA176		ACC40
HOLDEN	CAPTIVA	CG SERIES II	7 LX	4	2.2L	Z22D1	D	TURBO DIRECT INJ	17/12 /12	ON	WAGON	DOHC	AC0127	ACA176		ACC40
HOLDEN	CAPTIVA	CG SERIES II	7 SX	4	2.2L	Z22D1	D	TURBO DIRECT INJ	17/12 /12	ON	WAGON	DOHC	AC0127	ACA176		ACC40
HOLDEN	CAPTIVA	CG SERIES II	5	4	2.4L	LE5	P	MPFI	03/11	05/12	WAGON	DOHC	AC089	ACA176		ACC40
HOLDEN	CAPTIVA	CG SERIES II	7 SX	4	2.4L	LE5	P	MPFI	03/11	05/12	WAGON	DOHC	AC089	ACA176		ACC40
HOLDEN	CAPTIVA	CG SERIES II	7 CX	6	3.0L	LF1	P	MPFI	03/11	05/12	WAGON	HFV6 ALLOYTEC SIDI	AC092	ACA248		ACC40
HOLDEN	CAPTIVA	CG SERIES II	7 LX	6	3.0L	LF1	P	MPFI	03/11	05/12	WAGON	HFV6 ALLOYTEC SIDI	AC092	ACA248		ACC40
HOLDEN	CAPTIVA	CG SERIES II	5	4	2.4L	LE9	P	MPFI	06/12	ON	WAGON	DOHC	AC089	ACA176		ACC40
HOLDEN	CAPTIVA	CG SERIES II	7 SX	4	2.4L	LE9	P	MPFI	06/12	ON	WAGON	DOHC	AC089	ACA176		ACC40
HOLDEN	CAPTIVA	CG SERIES II	7 CX	6	3.0L	LFW	P	MPFI	06/12	01/14	WAGON		AC0150	ACA248		ACC40
HOLDEN	CAPTIVA	CG SERIES II	7 LX	6	3.0L	LFW	P	MPFI	06/12	01/14	WAGON		AC0150	ACA248		ACC40
HOLDEN	CAPTIVA	CG SERIES II	7 LT	6	3.0L	LFW	P	MPFI	02/14	ON	WAGON		AC0150	ACA248		ACC40
HOLDEN	CAPTIVA	CG SERIES II	7 LTZ	6	3.0L	LFW	P	MPFI	02/14	ON	WAGON		AC0150	ACA248		ACC40
HOLDEN	CASCADA	CJ		4	1.6L	A16XHT	P	TURBO DIRECT INJ	2015	ON	CONV		AC0108	ACA192		ACC49
HOLDEN	CASCADA	CJ	LAUNCH EDITION	4	1.6L	A16XHT	P	TURBO DIRECT INJ	2015	ON	CONV		AC0108	ACA192		ACC49
HOLDEN	COLORADO	RC	LT	6	3.6L	LCA	P	MPFI	07/08	2009	4X2 CREW CAB P-UP	157KW HFV6 ALLOYTEC	AC0111	ACA135	ACF90	
HOLDEN	COLORADO	RC	DX	4	2.4L	Y24SE	P	MPFI	07/08	2010	4X2 SINGLE CAB CHASS		AC018	ACA135	ACF90	
HOLDEN	COLORADO	RC	DX	4	3.0L	4JJ1TC	D	TURBO	07/08	05/12	4X4 SINGLE CAB CHASS		AC083	ACA173	ACF138	ACC75
HOLDEN	COLORADO	RC	LT-R	4	3.0L	4JJ1TC	D	TURBO	07/08	05/12	4X4 CREW CAB P-UP		AC083	ACA173	ACF138	ACC75
HOLDEN	COLORADO	RC	LX	4	3.0L	4JJ1TC	D	TURBO	07/08	05/12	4X2 CREW CAB P-UP		AC083	ACA173	ACF138	ACC75



MAKE	MODEL	SERIES	BADGE	CYLS	ENG SIZE	ENGINE CODE	FUEL	FUEL DELIVERY / AIR INTAKE	FROM	TO	BODY	REMARKS	OIL	AIR	FUEL	CABIN
HOLDEN	COLORADO	RC	LX	4	3.0L	4JJ1TC	D	TURBO	07/08	05/12	4X2 SINGLE CAB CHASS		AC083	ACA173	ACF138	ACC75
HOLDEN	COLORADO	RC	LX	4	3.0L	4JJ1TC	D	TURBO	07/08	05/12	4X4 CREW CAB CHASS		AC083	ACA173	ACF138	ACC75
HOLDEN	COLORADO	RC	LX	4	3.0L	4JJ1TC	D	TURBO	07/08	05/12	4X4 CREW CAB P-UP		AC083	ACA173	ACF138	ACC75
HOLDEN	COLORADO	RC	LX	4	3.0L	4JJ1TC	D	TURBO	07/08	05/12	4X4 SINGLE CAB CHASS		AC083	ACA173	ACF138	ACC75
HOLDEN	COLORADO	RC	LT-R	6	3.6L	LCA	P	MPFI	07/08	05/12	4X4 CREW CAB P-UP	157KW HFV6 ALLOYTEC	AC0111	ACA135	ACF90	
HOLDEN	COLORADO	RC	LT-R	6	3.6L	LCA	P	MPFI	07/08	05/12	4X2 CREW CAB P-UP	157KW HFV6 ALLOYTEC	AC0111	ACA135	ACF90	
HOLDEN	COLORADO	RC	LX	6	3.6L	LCA	P	MPFI	07/08	05/12	4X2 CREW CAB P-UP	157KW HFV6 ALLOYTEC	AC0111	ACA135	ACF90	
HOLDEN	COLORADO	RC	LX	6	3.6L	LCA	P	MPFI	07/08	05/12	4X2 SINGLE CAB CHASS	157KW HFV6 ALLOYTEC	AC0111	ACA135	ACF90	
HOLDEN	COLORADO	RC	LX	6	3.6L	LCA	P	MPFI	07/08	05/12	4X2 SPACE CAB CHASS/P-UP	157KW HFV6 ALLOYTEC	AC0111	ACA135	ACF90	
HOLDEN	COLORADO	RC	LX	6	3.6L	LCA	P	MPFI	07/08	05/12	4X4 CREW CAB P-UP	157KW HFV6 ALLOYTEC	AC0111	ACA135	ACF90	
HOLDEN	COLORADO	RC	LX-R	6	3.6L	LCA	P	MPFI	2009	2010	4X4 CREW CAB P-UP	157KW HFV6 ALLOYTEC	AC0111	ACA135	ACF90	
HOLDEN	COLORADO	RC	LX-R	4	3.0L	4JJ1TC	D	TURBO	2009	05/12	4X4 CREW CAB P-UP		AC083	ACA173	ACF138	ACC75
HOLDEN	COLORADO	RG	DX	4	2.5L	LVN	D	DIRECT INJ	06/12	ON	4X2 CAB CHASS	2 X ACF192 FUEL FILTER REQ'D	AC0128	ACA272	ACF192	
HOLDEN	COLORADO	RG	DX	4	2.8L	LWH	D	DIRECT INJ	06/12	ON	4X4 CAB CHASS	2 X ACF192 FUEL FILTER REQ'D	AC0128	ACA272	ACF192	
HOLDEN	COLORADO	RG	LT	4	2.8L	LWH	D	DIRECT INJ	06/12	ON	4X2 DUAL CAB	2 X ACF192 FUEL FILTER REQ'D	AC0128	ACA272	ACF192	
HOLDEN	COLORADO	RG	LT	4	2.8L	LWH	D	DIRECT INJ	06/12	ON	4X4 DUAL CAB	2 X ACF192 FUEL FILTER REQ'D	AC0128	ACA272	ACF192	
HOLDEN	COLORADO	RG	LTZ	4	2.8L	LWH	D	DIRECT INJ	06/12	ON	4X2 DUAL CAB	2 X ACF192 FUEL FILTER REQ'D	AC0128	ACA272	ACF192	
HOLDEN	COLORADO	RG	LTZ	4	2.8L	LWH	D	DIRECT INJ	06/12	ON	4X4 DUAL CAB	2 X ACF192 FUEL FILTER REQ'D	AC0128	ACA272	ACF192	

MAKE	MODEL	SERIES	BADGE	CYLS	ENG SIZE	ENGINE CODE	FUEL	FUEL DELIVERY / AIR INTAKE	FROM	TO	BODY	REMARKS	OIL	AIR	FUEL	CABIN
HOLDEN	COLORADO	RG	LTZ	4	2.8L	LWH	D	DIRECT INJ	06/12	ON	4X4 SINGLE CAB	2 X ACF192 FUEL FILTER REQ'D	AC0128	ACA272	ACF192	
HOLDEN	COLORADO	RG	LX	4	2.8L	LWH	D	DIRECT INJ	06/12	ON	4X4 CAB CHASS	2 X ACF192 FUEL FILTER REQ'D	AC0128	ACA272	ACF192	
HOLDEN	COLORADO	RG	LX	4	2.8L	LWH	D	DIRECT INJ	06/12	ON	4X4 DUAL CAB CHASS	2 X ACF192 FUEL FILTER REQ'D	AC0128	ACA272	ACF192	
HOLDEN	COLORADO	RG	LX	4	2.8L	LWH	D	DIRECT INJ	06/12	ON	4X4 DUAL CAB	2 X ACF192 FUEL FILTER REQ'D	AC0128	ACA272	ACF192	
HOLDEN	COLORADO	RG	LX	4	2.8L	LWH	D	DIRECT INJ	06/12	ON	4X2 CAB CHASS	2 X ACF192 FUEL FILTER REQ'D	AC0128	ACA272	ACF192	
HOLDEN	COLORADO	RG	LX	4	2.8L	LWH	D	DIRECT INJ	06/12	ON	4X2 DUAL CAB CHASS	2 X ACF192 FUEL FILTER REQ'D	AC0128	ACA272	ACF192	
HOLDEN	COLORADO	RG	LX	4	2.8L	LWH	D	DIRECT INJ	06/12	ON	4X2 DUAL CAB	2 X ACF192 FUEL FILTER REQ'D	AC0128	ACA272	ACF192	
HOLDEN	COLORADO 7	RG	LT	4	2.8L	LWH	D	CRD TURBO	11/12	ON	WAGON	2 X ACF192 FUEL FILTER REQ'D	AC0128	ACA272	ACF192	
HOLDEN	COLORADO 7	RG	LTZ	4	2.8L	LWH	D	CRD TURBO	11/12	ON	WAGON	2 X ACF192 FUEL FILTER REQ'D	AC0128	ACA272	ACF192	
HOLDEN	COMBO	XC		4	1.6L	Z16SE	P	MPFI	04/01	10/05	2 DR P-VAN		AC018	ACA130	ACF90	ACC27
HOLDEN	COMBO	XC		4	1.4L	Z14XEP	P	MPFI	10/05	ON	2 DR P-VAN	UP TO ENGINE # MR-19MA9234	AC099	ACA130	ACF90	ACC27
HOLDEN	COMBO	XC		4	1.4L	Z14XEP	P	MPFI	10/05	ON	2 DR P-VAN	FROM ENGINE # MR-19MA9235	AC0108	ACA130	ACF90	ACC27
HOLDEN	COMMODORE	VB		6	2.8L	LD1	P	CARB	10/78	03/80	SEDAN		AC03	ACA25	ACF10	
HOLDEN	COMMODORE	VB		6	3.3L	L14	P	CARB	10/78	03/80	SEDAN		AC03	ACA25	ACF10	
HOLDEN	COMMODORE	VB	SL	6	3.3L	L14	P	CARB	10/78	03/80	SEDAN		AC03	ACA25	ACF10	
HOLDEN	COMMODORE	VB	SL/E	6	3.3L	L14	P	CARB	10/78	03/80	SEDAN		AC03	ACA25	ACF10	
HOLDEN	COMMODORE	VB		8	4.2L	L36	P	CARB	10/78	03/80	SEDAN		AC03		ACF10	
HOLDEN	COMMODORE	VB	SL	8	4.2L	L36	P	CARB	10/78	03/80	SEDAN		AC03		ACF10	
HOLDEN	COMMODORE	VB	SL/E	8	4.2L	L36	P	CARB	10/78	03/80	SEDAN		AC03		ACF10	
HOLDEN	COMMODORE	VB	SL/E	8	5.0L	L31	P	CARB	10/78	03/80	SEDAN		AC03		ACF10	
HOLDEN	COMMODORE	VB		6	2.8L	LD1	P	CARB	08/79	03/80	WAGON		AC03	ACA25	ACF10	
HOLDEN	COMMODORE	VB		6	3.3L	L14	P	CARB	08/79	03/80	WAGON		AC03	ACA25	ACF10	
HOLDEN	COMMODORE	VB	SL	6	3.3L	L14	P	CARB	08/79	03/80	WAGON		AC03	ACA25	ACF10	
HOLDEN	COMMODORE	VB		8	4.2L	L36	P	CARB	08/79	03/80	WAGON		AC03		ACF10	
HOLDEN	COMMODORE	VB	SL	8	4.2L	L36	P	CARB	08/79	03/80	WAGON		AC03		ACF10	
HOLDEN	COMMODORE	VC	L	6	2.8L	LD1	P	CARB	03/80	09/81	SED/WAG		AC03	ACA25	ACF10	
HOLDEN	COMMODORE	VC	SL	6	2.8L	LD1	P	CARB	03/80	09/81	SEDAN		AC03	ACA25	ACF10	
HOLDEN	COMMODORE	VC	L	6	3.3L	L14	P	CARB	03/80	09/81	SED/WAG		AC03	ACA25	ACF10	
HOLDEN	COMMODORE	VC	SL	6	3.3L	L14	P	CARB	03/80	09/81	SEDAN		AC03	ACA25	ACF10	
HOLDEN	COMMODORE	VC	SL/E	6	3.3L	L14	P	CARB	03/80	09/81	SEDAN		AC03	ACA25	ACF10	
HOLDEN	COMMODORE	VC	L	8	4.2L	L36	P	CARB	03/80	09/81	SED/WAG		AC03		ACF10	

MAKE	MODEL	SERIES	BADGE	CYLS	ENG SIZE	ENGINE CODE	FUEL	FUEL DELIVERY / AIR INTAKE	FROM	TO	BODY	REMARKS	OIL	AIR	FUEL	CABIN
HOLDEN	COMMODORE	VC	SL	8	4.2L	L36	P	CARB	03/80	09/81	SEDAN		AC03		ACF10	
HOLDEN	COMMODORE	VC	SL/E	8	4.2L	L36	P	CARB	03/80	09/81	SEDAN		AC03		ACF10	
HOLDEN	COMMODORE	VC	SL/E	8	5.0L	L31	P	CARB	03/80	09/81	SEDAN		AC03		ACF10	
HOLDEN	COMMODORE	VC	L	4	1.9L	L18	P	CARB	06/80	09/81	SED/WAG		AC03	ACA25	ACF10	
HOLDEN	COMMODORE	VC	SL	4	1.9L	L18	P	CARB	06/80	09/81	SEDAN		AC03	ACA25	ACF10	
HOLDEN	COMMODORE	VC	VACATIONER	6	2.8L	LD1	P	CARB	11/80	09/81	SED/WAG		AC03	ACA25	ACF10	
HOLDEN	COMMODORE	VC	VACATIONER	6	3.3L	L14	P	CARB	11/80	09/81	SED/WAG		AC03	ACA25	ACF10	
HOLDEN	COMMODORE	VH	SL	4	1.9L	L18	P	CARB	09/81	02/84	SED/WAG		AC03	ACA25	ACF10	
HOLDEN	COMMODORE	VH	SL/X	4	1.9L	L18	P	CARB	09/81	02/84	SED/WAG		AC03	ACA25	ACF10	
HOLDEN	COMMODORE	VH	SL	6	2.8L	LD1	P	CARB	09/81	02/84	SED/WAG		AC03	ACA25	ACF10	
HOLDEN	COMMODORE	VH	SL/X	6	2.8L	LD1	P	CARB	09/81	02/84	SED/WAG		AC03	ACA25	ACF10	
HOLDEN	COMMODORE	VH	SL	6	3.3L	L14	P	CARB	09/81	02/84	SED/WAG		AC03	ACA25	ACF10	
HOLDEN	COMMODORE	VH	SL/E	6	3.3L	L14	P	CARB	09/81	02/84	SEDAN		AC03	ACA25	ACF10	
HOLDEN	COMMODORE	VH	SL/X	6	3.3L	L14	P	CARB	09/81	02/84	SED/WAG		AC03	ACA25	ACF10	
HOLDEN	COMMODORE	VH	SL	8	4.2L	L36	P	CARB	09/81	02/84	SED/WAG		AC03		ACF10	
HOLDEN	COMMODORE	VH	SL/E	8	4.2L	L36	P	CARB	09/81	02/84	SEDAN		AC03		ACF10	
HOLDEN	COMMODORE	VH	SL/X	8	4.2L	L36	P	CARB	09/81	02/84	SED/WAG		AC03		ACF10	
HOLDEN	COMMODORE	VH	SL/E	8	5.0L	L31	P	CARB	09/81	02/84	SEDAN		AC03		ACF10	
HOLDEN	COMMODORE	VH	VACATIONER	6	2.8L	LD1	P	CARB	10/81	1982	SED/WAG		AC03	ACA25	ACF10	
HOLDEN	COMMODORE	VH	VACATIONER	6	3.3L	L14	P	CARB	10/81	1982	SED/WAG		AC03	ACA25	ACF10	
HOLDEN	COMMODORE	VH	SS	8	4.2L	L36	P	CARB	09/82	02/84	SEDAN		AC03		ACF10	
HOLDEN	COMMODORE	VH	SS	8	5.0L	L31	P	CARB	09/82	02/84	SEDAN		AC03		ACF10	
HOLDEN	COMMODORE	VH	VACATIONER	6	2.8L	LD1	P	CARB	11/82	1983	SED/WAG		AC03	ACA25	ACF10	
HOLDEN	COMMODORE	VH	VACATIONER	6	3.3L	L14	P	CARB	11/82	1983	SED/WAG		AC03	ACA25	ACF10	
HOLDEN	COMMODORE	VH	VACATIONER	6	2.8L	LD1	P	CARB	10/83	02/84	SED/WAG		AC03	ACA25	ACF10	
HOLDEN	COMMODORE	VH	VACATIONER	6	3.3L	L14	P	CARB	10/83	02/84	SED/WAG		AC03	ACA25	ACF10	
HOLDEN	COMMODORE	VH	VACATIONER	8	4.2L	L36	P	CARB	10/83	02/84	SED/WAG		AC03		ACF10	
HOLDEN	COMMODORE	VK		4	1.9L	1X	P	CARB	1984	1987	SED/WAG	STARFIRE	AC03	ACA25	ACF10	
HOLDEN	COMMODORE	VK	BERLINA	6	3.3L	L14	P	CARB	02/84	01/86	SED/WAG		AC03	ACA25	ACF10	
HOLDEN	COMMODORE	VK	BERLINA	6	3.3L	LL9	P	EFI	02/84	01/86	SED/WAG		AC03	ACA53	ACF3	
HOLDEN	COMMODORE	VK	CALAIS	6	3.3L	LL9	P	EFI	02/84	01/86	SEDAN		AC03	ACA53	ACF3	
HOLDEN	COMMODORE	VK	EXECUTIVE	6	3.3L	L14	P	CARB	02/84	01/86	SED/WAG		AC03	ACA25	ACF10	
HOLDEN	COMMODORE	VK	EXECUTIVE	6	3.3L	LL9	P	EFI	02/84	01/86	SED/WAG		AC03	ACA53	ACF3	
HOLDEN	COMMODORE	VK	SL	6	3.3L	L14	P	CARB	02/84	01/86	SED/WAG		AC03	ACA25	ACF10	

MAKE	MODEL	SERIES	BADGE	CYLS	ENG SIZE	ENGINE CODE	FUEL	FUEL DELIVERY / AIR INTAKE	FROM	TO	BODY	REMARKS	OIL	AIR	FUEL	CABIN
HOLDEN	COMMODORE	VK	SL	6	3.3L	LL9	P	EFI	02/84	01/86	SED/WAG		AC03	ACA53	ACF3	
HOLDEN	COMMODORE	VK	BERLINA	8	5.0L	L31	P	CARB	02/84	01/86	SED/WAG		AC03		ACF10	
HOLDEN	COMMODORE	VK	CALAIS	8	5.0L	L31	P	CARB	02/84	01/86	SEDAN		AC03		ACF10	
HOLDEN	COMMODORE	VK	SL	8	5.0L	L31	P	CARB	02/84	01/86	SED/WAG		AC03		ACF10	
HOLDEN	COMMODORE	VK	VACATIONER	6	3.3L	L14	P	CARB	10/84	1985	SED/WAG		AC03	ACA25	ACF10	
HOLDEN	COMMODORE	VK	VACATIONER	8	5.0L	L31	P	CARB	10/84	1985	SED/WAG		AC03		ACF10	
HOLDEN	COMMODORE	VK	VACATIONER	6	3.3L	L14	P	CARB	10/85	01/86	SED/WAG		AC03	ACA25	ACF10	
HOLDEN	COMMODORE	VK	VACATIONER	8	5.0L	L31	P	CARB	10/85	01/86	SED/WAG		AC03		ACF10	
HOLDEN	COMMODORE	VL	BERLINA	6	3.0L	LF1	P	EFI	01/86	08/88	SED/WAG		AC011	ACA21	ACF3	
HOLDEN	COMMODORE	VL	BERLINA	6	3.0L	LW5	P	TURBO	01/86	08/88	SED/WAG		AC011	ACA21	ACF3	
HOLDEN	COMMODORE	VL	CALAIS	6	3.0L	LF1	P	EFI	01/86	08/88	SEDAN		AC011	ACA21	ACF3	
HOLDEN	COMMODORE	VL	CALAIS	6	3.0L	LW5	P	TURBO	01/86	08/88	SEDAN		AC011	ACA21	ACF3	
HOLDEN	COMMODORE	VL	SL	6	3.0L	LF1	P	EFI	01/86	08/88	SED/WAG		AC011	ACA21	ACF3	
HOLDEN	COMMODORE	VL	SL	6	3.0L	LW5	P	TURBO	01/86	08/88	SEDAN		AC011	ACA21	ACF3	
HOLDEN	COMMODORE	VL	BERLINA	8	5.0L	LV2	P	CARB	07/86	08/88	SED/WAG		AC03		ACF3	
HOLDEN	COMMODORE	VL	CALAIS	8	5.0L	LV2	P	CARB	07/86	08/88	SEDAN		AC03		ACF3	
HOLDEN	COMMODORE	VL	SL	8	5.0L	LV2	P	CARB	07/86	08/88	SED/WAG		AC03		ACF3	
HOLDEN	COMMODORE	VL	VACATIONER	6	3.0L	LF1	P	EFI	10/87	08/88	SED/WAG		AC011	ACA21	ACF3	
HOLDEN	COMMODORE	VL	VACATIONER	8	5.0L	LV2	P	CARB	10/87	08/88	SED/WAG		AC03		ACF3	
HOLDEN	COMMODORE	VN	BERLINA	6	3.8L	LG2	P	MPFI	08/88	01/89	SED/WAG	127KW ECOTEC	AC018	ACA21	ACF3	
HOLDEN	COMMODORE	VN	CALAIS	6	3.8L	LG2	P	MPFI	08/88	01/89	SEDAN	127KW ECOTEC	AC018	ACA21	ACF3	
HOLDEN	COMMODORE	VN	EXECUTIVE	6	3.8L	LG2	P	MPFI	08/88	01/89	SED/WAG	127KW ECOTEC	AC018	ACA21	ACF3	
HOLDEN	COMMODORE	VN	S	6	3.8L	LG2	P	MPFI	08/88	01/89	SEDAN	127KW ECOTEC	AC018	ACA21	ACF3	
HOLDEN	COMMODORE	VN	BERLINA	8	5.0L	LB9	P	MPFI	08/88	09/91	SED/WAG	165KW	AC025	ACA21	ACF4	
HOLDEN	COMMODORE	VN	CALAIS	8	5.0L	LB9	P	MPFI	08/88	09/91	SEDAN	165KW	AC025	ACA21	ACF4	
HOLDEN	COMMODORE	VN	EXECUTIVE	8	5.0L	LB9	P	MPFI	08/88	09/91	SED/WAG	165KW	AC025	ACA21	ACF4	
HOLDEN	COMMODORE	VN	BERLINA	6	3.8L	LG2	P	MPFI	02/89	09/91	SED/WAG	127KW ECOTEC	AC018	ACA21	ACF4	
HOLDEN	COMMODORE	VN	CALAIS	6	3.8L	LG2	P	MPFI	02/89	09/91	SEDAN	127KW ECOTEC	AC018	ACA21	ACF4	
HOLDEN	COMMODORE	VN	EXECUTIVE	6	3.8L	LG2	P	MPFI	02/89	09/91	SED/WAG	127KW ECOTEC	AC018	ACA21	ACF4	
HOLDEN	COMMODORE	VN	S	6	3.8L	LG2	P	MPFI	02/89	09/91	SEDAN	127KW ECOTEC	AC018	ACA21	ACF4	
HOLDEN	COMMODORE	VN	SS	8	5.0L	LB9	P	MPFI	02/89	09/91	SEDAN	165KW	AC025	ACA21	ACF4	
HOLDEN	COMMODORE	VN	VACATIONER	6	3.8L	LG2	P	MPFI	10/90	09/91	SED/WAG	127KW ECOTEC	AC018	ACA21	ACF4	
HOLDEN	COMMODORE	VN	VACATIONER	8	5.0L	LB9	P	MPFI	10/90	09/91	SED/WAG	165KW	AC025	ACA21	ACF4	

MAKE	MODEL	SERIES	BADGE	CYLS	ENG SIZE	ENGINE CODE	FUEL	FUEL DELIVERY / AIR INTAKE	FROM	TO	BODY	REMARKS	OIL	AIR	FUEL	CABIN
HOLDEN	COMMODORE	VG	S	6	3.8L	LG2	P	MPFI	08/90	09/91	UTE	127KW ECOTEC	AC018	ACA21	ACF4	
HOLDEN	COMMODORE	VG	S	8	5.0L	LB9	P	MPFI	08/90	09/91	UTE	165KW	AC025	ACA21	ACF4	
HOLDEN	COMMODORE	VP	VACATIONER	6	3.8L	LG2	P	MPFI	09/91	1992	SED/WAG	128KW ECOTEC	AC018	ACA21	ACF4	
HOLDEN	COMMODORE	VP		6	3.8L	LG2	P	MPFI	09/91	06/93	UTE	128KW ECOTEC	AC018	ACA21	ACF4	
HOLDEN	COMMODORE	VP	CALAIS	6	3.8L	LG2	P	MPFI	09/91	06/93	SEDAN	128KW ECOTEC	AC018	ACA21	ACF4	
HOLDEN	COMMODORE	VP	EXECUTIVE	6	3.8L	LG2	P	MPFI	09/91	06/93	SED/WAG	128KW ECOTEC	AC018	ACA21	ACF4	
HOLDEN	COMMODORE	VP	S	6	3.8L	LG2	P	MPFI	09/91	06/93	SEDAN	128KW ECOTEC	AC018	ACA21	ACF4	
HOLDEN	COMMODORE	VP	S	6	3.8L	LG2	P	MPFI	09/91	06/93	UTE	128KW ECOTEC	AC018	ACA21	ACF4	
HOLDEN	COMMODORE	VP	SS	6	3.8L	LG2	P	MPFI	09/91	06/93	SEDAN	128KW ECOTEC	AC018	ACA21	ACF4	
HOLDEN	COMMODORE	VP	CALAIS	8	5.0L	LB9	P	MPFI	09/91	06/93	SEDAN	165KW	AC025	ACA21	ACF4	
HOLDEN	COMMODORE	VP	EXECUTIVE	8	5.0L	LB9	P	MPFI	09/91	06/93	SED/WAG	165KW	AC025	ACA21	ACF4	
HOLDEN	COMMODORE	VP	S	8	5.0L	LB9	P	MPFI	09/91	06/93	UTE	165KW	AC025	ACA21	ACF4	
HOLDEN	COMMODORE	VP	SS	8	5.0L	LB9	P	MPFI	09/91	06/93	SEDAN	165KW	AC025	ACA21	ACF4	
HOLDEN	COMMODORE	VP	BERLINA	6	3.8L	LG2	P	MPFI	03/92	06/93	SED/WAG	128KW ECOTEC	AC018	ACA21	ACF4	
HOLDEN	COMMODORE	VP	BERLINA	8	5.0L	LB9	P	MPFI	03/92	06/93	SED/WAG	165KW	AC025	ACA21	ACF4	
HOLDEN	COMMODORE	VP	BERLINA LX	6	3.8L	LG2	P	MPFI	04/92	06/93	SED/WAG	128KW ECOTEC	AC018	ACA21	ACF4	
HOLDEN	COMMODORE	VP	BERLINA LX	8	5.0L	LB9	P	MPFI	04/92	06/93	SED/WAG	165KW	AC025	ACA21	ACF4	
HOLDEN	COMMODORE	VP	CALAIS INTERNATIONAL	8	5.0L	LB9	P	MPFI	10/92	06/93	SEDAN	165KW	AC025	ACA21	ACF4	
HOLDEN	COMMODORE	VP	VACATIONER	6	3.8L	LG2	P	MPFI	11/92	06/93	SED/WAG	128KW ECOTEC	AC018	ACA21	ACF4	
HOLDEN	COMMODORE	VR		6	3.8L	LG2	P	MPFI	07/93	03/95	UTE	130KW ECOTEC	AC018	ACA21	ACF4	
HOLDEN	COMMODORE	VR	BERLINA	6	3.8L	LG2	P	MPFI	07/93	03/95	SED/WAG	130KW ECOTEC	AC018	ACA21	ACF4	
HOLDEN	COMMODORE	VR	EXECUTIVE	6	3.8L	LG2	P	MPFI	07/93	03/95	SED/WAG	130KW ECOTEC	AC018	ACA21	ACF4	
HOLDEN	COMMODORE	VR	S	6	3.8L	LG2	P	MPFI	07/93	03/95	SED/WAG	130KW ECOTEC	AC018	ACA21	ACF4	
HOLDEN	COMMODORE	VR	S	6	3.8L	LG2	P	MPFI	07/93	03/95	UTE	130KW ECOTEC	AC018	ACA21	ACF4	
HOLDEN	COMMODORE	VR	BERLINA	8	5.0L	LB9	P	MPFI	07/93	03/95	SED/WAG	165KW	AC025	ACA21	ACF4	
HOLDEN	COMMODORE	VR	EXECUTIVE	8	5.0L	LB9	P	MPFI	07/93	03/95	SED/WAG	165KW	AC025	ACA21	ACF4	
HOLDEN	COMMODORE	VR	S	8	5.0L	LB9	P	MPFI	07/93	03/95	UTE	165KW	AC025	ACA21	ACF4	
HOLDEN	COMMODORE	VR	ACCLAIM	6	3.8L	LG2	P	MPFI	08/93	03/95	SED/WAG	130KW ECOTEC	AC018	ACA21	ACF4	
HOLDEN	COMMODORE	VR	CALAIS	6	3.8L	LG2	P	MPFI	05/94	03/95	SEDAN	130KW ECOTEC	AC018	ACA21	ACF4	
HOLDEN	COMMODORE	VR	CALAIS	8	5.0L	LB9	P	MPFI	05/94	03/95	SEDAN	165KW	AC025	ACA21	ACF4	
HOLDEN	COMMODORE	VR	EQUIPE	6	3.8L	LG2	P	MPFI	01/95	03/95	SED/WAG	130KW ECOTEC	AC018	ACA21	ACF4	
HOLDEN	COMMODORE	VS		6	3.8L	LG2	P	MPFI	04/95	05/96	UTE	147KW ECOTEC	AC018	ACA21	ACF4	

MAKE	MODEL	SERIES	BADGE	CYLS	ENG SIZE	ENGINE CODE	FUEL	FUEL DELIVERY / AIR INTAKE	FROM	TO	BODY	REMARKS	OIL	AIR	FUEL	CABIN
HOLDEN	COMMODORE	VS	ACCLAIM	6	3.8L	LG2	P	MPFI	04/95	05/96	SED/WAG	147KW ECOTEC	AC018	ACA21	ACF4	
HOLDEN	COMMODORE	VS	BERLINA	6	3.8L	LG2	P	MPFI	04/95	05/96	SED/WAG	147KW ECOTEC	AC018	ACA21	ACF4	
HOLDEN	COMMODORE	VS	CALAIS	6	3.8L	LG2	P	MPFI	04/95	05/96	SEDAN	147KW ECOTEC	AC018	ACA21	ACF4	
HOLDEN	COMMODORE	VS	EXECUTIVE	6	3.8L	LG2	P	MPFI	04/95	05/96	SED/WAG	147KW ECOTEC	AC018	ACA21	ACF4	
HOLDEN	COMMODORE	VS	S	6	3.8L	LG2	P	MPFI	04/95	05/96	SEDAN	147KW ECOTEC	AC018	ACA21	ACF4	
HOLDEN	COMMODORE	VS	S	6	3.8L	LG2	P	MPFI	04/95	05/96	UTE	147KW ECOTEC	AC018	ACA21	ACF4	
HOLDEN	COMMODORE	VS	BERLINA	8	5.0L	LB9	P	MPFI	04/95	05/96	SED/WAG	165KW	AC025	ACA21	ACF4	
HOLDEN	COMMODORE	VS	CALAIS	8	5.0L	LB9	P	MPFI	04/95	05/96	SEDAN	165KW	AC025	ACA21	ACF4	
HOLDEN	COMMODORE	VS	EXECUTIVE	8	5.0L	LB9	P	MPFI	04/95	05/96	SED/WAG	165KW	AC025	ACA21	ACF4	
HOLDEN	COMMODORE	VS	S	8	5.0L	LB9	P	MPFI	04/95	05/96	UTE	165KW	AC025	ACA21	ACF4	
HOLDEN	COMMODORE	VS	SS	8	5.0L	LB9	P	MPFI	04/95	05/96	SEDAN	165KW	AC025	ACA21	ACF4	
HOLDEN	COMMODORE	VS	VACATIONER	6	3.8L	LG2	P	MPFI	09/95	06/96	SED/WAG	147KW ECOTEC	AC018	ACA21	ACF4	
HOLDEN	COMMODORE	VS	EQUIPE	6	3.8L	LG2	P	MPFI	03/96	06/96	SED/WAG	147KW ECOTEC	AC018	ACA21	ACF4	
HOLDEN	COMMODORE	VS SERIES II	EQUIPE	6	3.8L	LG2	P	MPFI	03/96	1997	SED/WAG	147KW ECOTEC	AC018	ACA21	ACF4	
HOLDEN	COMMODORE	VS SERIES II		6	3.8L	LG2	P	MPFI	06/96	07/97	UTE	147KW ECOTEC	AC018	ACA21	ACF4	
HOLDEN	COMMODORE	VS SERIES II	ACCLAIM	6	3.8L	LG2	P	MPFI	06/96	07/97	SED/WAG	147KW ECOTEC	AC018	ACA21	ACF4	
HOLDEN	COMMODORE	VS SERIES II	BERLINA	6	3.8L	LG2	P	MPFI	06/96	07/97	SED/WAG	147KW ECOTEC	AC018	ACA21	ACF4	
HOLDEN	COMMODORE	VS SERIES II	CALAIS	6	3.8L	L67	P	S-CHARGED	06/96	07/97	SEDAN	165KW ECOTEC	AC018	ACA21	ACF4	
HOLDEN	COMMODORE	VS SERIES II	EXECUTIVE	6	3.8L	LG2	P	MPFI	06/96	07/97	SED/WAG	147KW ECOTEC	AC018	ACA21	ACF4	
HOLDEN	COMMODORE	VS SERIES II	S	6	3.8L	LG2	P	MPFI	06/96	07/97	SEDAN	147KW ECOTEC	AC018	ACA21	ACF4	
HOLDEN	COMMODORE	VS SERIES II	S	6	3.8L	LG2	P	MPFI	06/96	07/97	UTE	147KW ECOTEC	AC018	ACA21	ACF4	
HOLDEN	COMMODORE	VS SERIES II	BERLINA	8	5.0L	LB9	P	MPFI	06/96	07/97	SED/WAG	165KW	AC025	ACA21	ACF4	
HOLDEN	COMMODORE	VS SERIES II	CALAIS	8	5.0L	LB9	P	MPFI	06/96	07/97	SEDAN	165KW	AC025	ACA21	ACF4	
HOLDEN	COMMODORE	VS SERIES II	EXECUTIVE	8	5.0L	LB9	P	MPFI	06/96	07/97	SED/WAG	165KW	AC025	ACA21	ACF4	
HOLDEN	COMMODORE	VS SERIES II	S	8	5.0L	LB9	P	MPFI	06/96	07/97	UTE	165KW	AC025	ACA21	ACF4	
HOLDEN	COMMODORE	VS SERIES II	SS	8	5.0L	LB9	P	MPFI	06/96	07/97	SEDAN	165KW	AC025	ACA21	ACF4	
HOLDEN	COMMODORE	VS SERIES II	50TH ANNIV	6	3.8L	LG2	P	MPFI	01/98	09/00	UTE	147KW ECOTEC	AC018	ACA21	ACF4	
HOLDEN	COMMODORE	VS SERIES III		6	3.8L	LG2	P	MPFI	05/98	09/00	UTE	147KW ECOTEC	AC018	ACA21	ACF4	
HOLDEN	COMMODORE	VS SERIES III	S	6	3.8L	LG2	P	MPFI	05/98	09/00	UTE	147KW ECOTEC	AC018	ACA21	ACF4	
HOLDEN	COMMODORE	VS SERIES III	S	8	5.0L	LB9	P	MPFI	05/98	09/00	UTE	165KW	AC025	ACA21	ACF4	
HOLDEN	COMMODORE	VS SERIES III	SS	8	5.0L	LB9	P	MPFI	05/98	09/00	UTE	165KW	AC025	ACA21	ACF4	
HOLDEN	COMMODORE	VS SERIES III	OLYMPIC EDITION	6	3.8L	LG2	P	MPFI	04/00	09/00	UTE	147KW ECOTEC	AC018	ACA21	ACF4	
HOLDEN	COMMODORE	VS SERIES III	OLYMPIC EDITION	8	5.0L	LB9	P	MPFI	04/00	09/00	UTE	165KW	AC025	ACA21	ACF4	

MAKE	MODEL	SERIES	BADGE	CYLS	ENG SIZE	ENGINE CODE	FUEL	FUEL DELIVERY / AIR INTAKE	FROM	TO	BODY	REMARKS	OIL	AIR	FUEL	CABIN
HOLDEN	COMMODORE	VT	ACCLAIM	6	3.8L	LN3	P	MPFI	09/97	06/99	SED/WAG	147KW ECOTEC	AC018	ACA85	ACF90	
HOLDEN	COMMODORE	VT	BERLINA	6	3.8L	LN3	P	MPFI	09/97	06/99	SED/WAG	147KW ECOTEC	AC018	ACA85	ACF90	
HOLDEN	COMMODORE	VT	CALAIS	6	3.8L	L67	P	S-CHARGED	09/97	06/99	SEDAN	171KW ECOTEC	AC018	ACA85	ACF90	
HOLDEN	COMMODORE	VT	CALAIS	6	3.8L	LN3	P	MPFI	09/97	06/99	SEDAN	147KW ECOTEC	AC018	ACA85	ACF90	
HOLDEN	COMMODORE	VT	EXECUTIVE	6	3.8L	LN3	P	MPFI	09/97	06/99	SED/WAG	147KW ECOTEC	AC018	ACA85	ACF90	
HOLDEN	COMMODORE	VT	S	6	3.8L	L67	P	S-CHARGED	09/97	06/99	SEDAN	171KW ECOTEC	AC018	ACA85	ACF90	
HOLDEN	COMMODORE	VT	S	6	3.8L	LN3	P	MPFI	09/97	06/99	SEDAN	147KW ECOTEC	AC018	ACA85	ACF90	
HOLDEN	COMMODORE	VT	SS	6	3.8L	L67	P	S-CHARGED	09/97	06/99	SEDAN	171KW ECOTEC	AC018	ACA85	ACF90	
HOLDEN	COMMODORE	VT	BERLINA	8	5.0L	LB9	P	MPFI	09/97	06/99	SED/WAG	180KW	AC025	ACA85	ACF90	
HOLDEN	COMMODORE	VT	CALAIS	8	5.0L	LB9	P	MPFI	09/97	06/99	SEDAN	180KW	AC025	ACA85	ACF90	
HOLDEN	COMMODORE	VT	EXECUTIVE	8	5.0L	LB9	P	MPFI	09/97	06/99	SED/WAG	180KW	AC025	ACA85	ACF90	
HOLDEN	COMMODORE	VT	SS	8	5.0L	LB9	P	MPFI	09/97	06/99	SEDAN	180KW	AC025	ACA85	ACF90	
HOLDEN	COMMODORE	VT	50TH ANNIV	6	3.8L	LN3	P	MPFI	06/98	06/99	SED/WAG	147KW ECOTEC	AC018	ACA85	ACF90	
HOLDEN	COMMODORE	VT	CALAIS 50TH ANNIV	6	3.8L	L67	P	S-CHARGED	08/98	06/99	SEDAN	171KW ECOTEC	AC018	ACA85	ACF90	
HOLDEN	COMMODORE	VT	CALAIS 50TH ANNIV	6	3.8L	LN3	P	MPFI	08/98	06/99	SEDAN	147KW ECOTEC	AC018	ACA85	ACF90	
HOLDEN	COMMODORE	VT	EQUIPE	6	3.8L	LN3	P	MPFI	03/99	06/99	SED/WAG	147KW ECOTEC	AC018	ACA85	ACF90	
HOLDEN	COMMODORE	VT SERIES II	ACCLAIM	6	3.8L	LN3	P	MPFI	06/99	09/00	SED/WAG	147KW ECOTEC	AC018	ACA85	ACF90	
HOLDEN	COMMODORE	VT SERIES II	BERLINA	6	3.8L	L67	P	S-CHARGED	06/99	09/00	SED/WAG	171KW ECOTEC	AC018	ACA85	ACF90	
HOLDEN	COMMODORE	VT SERIES II	BERLINA	6	3.8L	LN3	P	MPFI	06/99	09/00	SED/WAG	147KW ECOTEC	AC018	ACA85	ACF90	
HOLDEN	COMMODORE	VT SERIES II	CALAIS	6	3.8L	L67	P	S-CHARGED	06/99	09/00	SEDAN	171KW ECOTEC	AC018	ACA85	ACF90	
HOLDEN	COMMODORE	VT SERIES II	CALAIS	6	3.8L	LN3	P	MPFI	06/99	09/00	SEDAN	147KW ECOTEC	AC018	ACA85	ACF90	
HOLDEN	COMMODORE	VT SERIES II	EXECUTIVE	6	3.8L	LN3	P	MPFI	06/99	09/00	SED/WAG	147KW ECOTEC	AC018	ACA85	ACF90	
HOLDEN	COMMODORE	VT SERIES II	S	6	3.8L	L67	P	S-CHARGED	06/99	09/00	SEDAN	171KW ECOTEC	AC018	ACA85	ACF90	
HOLDEN	COMMODORE	VT SERIES II	S	6	3.8L	LN3	P	MPFI	06/99	09/00	SEDAN	147KW ECOTEC	AC018	ACA85	ACF90	
HOLDEN	COMMODORE	VT SERIES II	BERLINA	8	5.7L	LS1	P	MPFI	06/99	09/00	SED/WAG	220KW GEN III	AC025	ACA85	ACF120	
HOLDEN	COMMODORE	VT SERIES II	CALAIS	8	5.7L	LS1	P	MPFI	06/99	09/00	SEDAN	220KW GEN III	AC025	ACA85	ACF120	
HOLDEN	COMMODORE	VT SERIES II	EXECUTIVE	8	5.7L	LS1	P	MPFI	06/99	09/00	SED/WAG	220KW GEN III	AC025	ACA85	ACF120	
HOLDEN	COMMODORE	VT SERIES II	SS	8	5.7L	LS1	P	MPFI	06/99	09/00	SEDAN	220KW GEN III	AC025	ACA85	ACF120	
HOLDEN	COMMODORE	VT SERIES II	OLYMPIC EDITION	6	3.8L	LN3	P	MPFI	09/99	09/00	SED/WAG	147KW ECOTEC	AC018	ACA85	ACF90	
HOLDEN	COMMODORE	VT SERIES II	CALAIS INTERNATIONAL	6	3.8L	L67	P	S-CHARGED	02/00	09/00	SEDAN	171KW ECOTEC	AC018	ACA85	ACF90	

MAKE	MODEL	SERIES	BADGE	CYLS	ENG SIZE	ENGINE CODE	FUEL	FUEL DELIVERY / AIR INTAKE	FROM	TO	BODY	REMARKS	OIL	AIR	FUEL	CABIN
HOLDEN	COMMODORE	VU		6	3.8L	LN3	P	MPFI	09/00	08/01	UTE	152KW ECOTEC	AC018	ACA85	ACF90	
HOLDEN	COMMODORE	VU	S	6	3.8L	LN3	P	MPFI	09/00	08/01	UTE	152KW ECOTEC	AC018	ACA85	ACF90	
HOLDEN	COMMODORE	VU	S	8	5.7L	LS1	P	MPFI	09/00	08/01	UTE	225KW GEN III	AC025	ACA85	ACF120	
HOLDEN	COMMODORE	VU	SS	8	5.7L	LS1	P	MPFI	09/00	08/01	UTE	225KW GEN III	AC025	ACA85	ACF120	
HOLDEN	COMMODORE	VU SERIES II		6	3.8L	LN3	P	MPFI	08/01	10/02	UTE	152KW ECOTEC	AC018	ACA85	ACF90	
HOLDEN	COMMODORE	VU SERIES II	S	6	3.8L	LN3	P	MPFI	08/01	10/02	UTE	152KW ECOTEC	AC018	ACA85	ACF90	
HOLDEN	COMMODORE	VU SERIES II	S	8	5.7L	LS1	P	MPFI	08/01	10/02	UTE	225KW GEN III	AC025	ACA85	ACF120	
HOLDEN	COMMODORE	VU SERIES II	SS	8	5.7L	LS1	P	MPFI	08/01	10/02	UTE	225KW GEN III	AC025	ACA85	ACF120	
HOLDEN	COMMODORE	VU SERIES II	STORM	6	3.8L	LN3	P	MPFI	05/02	10/02	UTE	152KW ECOTEC	AC018	ACA85	ACF90	
HOLDEN	COMMODORE	VX	ACCLAIM	6	3.8L	L67	P	S-CHARGED	09/00	08/01	SED/WAG	171KW ECOTEC	AC018	ACA85	ACF90	
HOLDEN	COMMODORE	VX	ACCLAIM	6	3.8L	LN3	P	MPFI	09/00	08/01	SED/WAG	152KW ECOTEC	AC018	ACA85	ACF90	
HOLDEN	COMMODORE	VX	BERLINA	6	3.8L	L67	P	S-CHARGED	09/00	08/01	SED/WAG	171KW ECOTEC	AC018	ACA85	ACF90	
HOLDEN	COMMODORE	VX	BERLINA	6	3.8L	LN3	P	MPFI	09/00	08/01	SED/WAG	152KW ECOTEC	AC018	ACA85	ACF90	
HOLDEN	COMMODORE	VX	CALAIS	6	3.8L	L67	P	S-CHARGED	09/00	08/01	SEDAN	171KW ECOTEC	AC018	ACA85	ACF90	
HOLDEN	COMMODORE	VX	CALAIS	6	3.8L	LN3	P	MPFI	09/00	08/01	SEDAN	152KW ECOTEC	AC018	ACA85	ACF90	
HOLDEN	COMMODORE	VX	EXECUTIVE	6	3.8L	L67	P	S-CHARGED	09/00	08/01	SED/WAG	171KW ECOTEC	AC018	ACA85	ACF90	
HOLDEN	COMMODORE	VX	EXECUTIVE	6	3.8L	LN3	P	MPFI	09/00	08/01	SED/WAG	152KW ECOTEC	AC018	ACA85	ACF90	
HOLDEN	COMMODORE	VX	S	6	3.8L	L67	P	S-CHARGED	09/00	08/01	SEDAN	171KW ECOTEC	AC018	ACA85	ACF90	
HOLDEN	COMMODORE	VX	S	6	3.8L	LN3	P	MPFI	09/00	08/01	SEDAN	152KW ECOTEC	AC018	ACA85	ACF90	
HOLDEN	COMMODORE	VX	BERLINA	8	5.7L	LS1	P	MPFI	09/00	08/01	SED/WAG	225KW GEN III	AC025	ACA85	ACF120	
HOLDEN	COMMODORE	VX	CALAIS	8	5.7L	LS1	P	MPFI	09/00	08/01	SEDAN	225KW GEN III	AC025	ACA85	ACF120	
HOLDEN	COMMODORE	VX	EXECUTIVE	8	5.7L	LS1	P	MPFI	09/00	08/01	SED/WAG	225KW GEN III	AC025	ACA85	ACF120	
HOLDEN	COMMODORE	VX	SS	8	5.7L	LS1	P	MPFI	09/00	08/01	SEDAN	225KW GEN III	AC025	ACA85	ACF120	
HOLDEN	COMMODORE	VX	LUMINA	6	3.8L	LN3	P	MPFI	12/00	08/01	SED/WAG	152KW ECOTEC	AC018	ACA85	ACF90	
HOLDEN	COMMODORE	VX	CALAIS INTERNATIONAL V8	8	5.7L	LS1	P	MPFI	04/01	10/02	SEDAN	225KW GEN III	AC025	ACA85	ACF120	
HOLDEN	COMMODORE	VX	EQUIPE	6	3.8L	LN3	P	MPFI	05/01	08/01	SED/WAG	152KW ECOTEC	AC018	ACA85	ACF90	
HOLDEN	COMMODORE	VX SERIES II	ACCLAIM	6	3.8L	LN3	P	MPFI	08/01	10/02	SED/WAG	152KW ECOTEC	AC018	ACA85	ACF90	
HOLDEN	COMMODORE	VX SERIES II	BERLINA	6	3.8L	L67	P	S-CHARGED	08/01	10/02	SED/WAG	171KW ECOTEC	AC018	ACA85	ACF90	
HOLDEN	COMMODORE	VX SERIES II	BERLINA	6	3.8L	LN3	P	MPFI	08/01	10/02	SED/WAG	152KW ECOTEC	AC018	ACA85	ACF90	



MAKE	MODEL	SERIES	BADGE	CYLS	ENG SIZE	ENGINE CODE	FUEL	FUEL DELIVERY / AIR INTAKE	FROM	TO	BODY	REMARKS	OIL	AIR	FUEL	CABIN
HOLDEN	COMMODORE	VX SERIES II	CALAIS	6	3.8L	L67	P	S-CHARGED	08/01	10/02	SEDAN	171KW ECOTEC	AC018	ACA85	ACF90	
HOLDEN	COMMODORE	VX SERIES II	CALAIS	6	3.8L	LN3	P	MPFI	08/01	10/02	SEDAN	152KW ECOTEC	AC018	ACA85	ACF90	
HOLDEN	COMMODORE	VX SERIES II	EXECUTIVE	6	3.8L	LN3	P	MPFI	08/01	10/02	SED/WAG	152KW ECOTEC	AC018	ACA85	ACF90	
HOLDEN	COMMODORE	VX SERIES II	S	6	3.8L	L67	P	S-CHARGED	08/01	10/02	SEDAN	171KW ECOTEC	AC018	ACA85	ACF90	
HOLDEN	COMMODORE	VX SERIES II	S	6	3.8L	LN3	P	MPFI	08/01	10/02	SEDAN	152KW ECOTEC	AC018	ACA85	ACF90	
HOLDEN	COMMODORE	VX SERIES II	BERLINA	8	5.7L	LS1	P	MPFI	08/01	10/02	SED/WAG	225KW GEN III	AC025	ACA85	ACF120	
HOLDEN	COMMODORE	VX SERIES II	CALAIS	8	5.7L	LS1	P	MPFI	08/01	10/02	SEDAN	225KW GEN III	AC025	ACA85	ACF120	
HOLDEN	COMMODORE	VX SERIES II	EXECUTIVE	8	5.7L	LS1	P	MPFI	08/01	10/02	SED/WAG	225KW GEN III	AC025	ACA85	ACF120	
HOLDEN	COMMODORE	VX SERIES II	SS	8	5.7L	LS1	P	MPFI	08/01	10/02	SEDAN	225KW GEN III	AC025	ACA85	ACF120	
HOLDEN	COMMODORE	VX SERIES II	LUMINA	6	3.8L	LN3	P	MPFI	10/01	10/02	SED/WAG	152KW ECOTEC	AC018	ACA85	ACF90	
HOLDEN	COMMODORE	VX SERIES II	EQUIPE	6	3.8L	LN3	P	MPFI	03/02	10/02	SED/WAG	152KW ECOTEC	AC018	ACA85	ACF90	
HOLDEN	COMMODORE	VY	ACCLAIM	6	3.8L	LN3	P	MPFI	10/02	08/03	SED/WAG	152KW ECOTEC	AC018	ACA85	ACF90	
HOLDEN	COMMODORE	VY	BERLINA	6	3.8L	LN3	P	MPFI	10/02	08/03	SED/WAG	152KW ECOTEC	AC018	ACA85	ACF90	
HOLDEN	COMMODORE	VY	CALAIS	6	3.8L	L67	P	S-CHARGED	10/02	08/03	SEDAN	171KW ECOTEC	AC018	ACA85	ACF90	
HOLDEN	COMMODORE	VY	CALAIS	6	3.8L	LN3	P	MPFI	10/02	08/03	SEDAN	152KW ECOTEC	AC018	ACA85	ACF90	
HOLDEN	COMMODORE	VY	EXECUTIVE	6	3.8L	LN3	P	MPFI	10/02	08/03	SED/WAG	152KW ECOTEC	AC018	ACA85	ACF90	
HOLDEN	COMMODORE	VY	S	6	3.8L	L67	P	S-CHARGED	10/02	08/03	SEDAN	171KW ECOTEC	AC018	ACA85	ACF90	
HOLDEN	COMMODORE	VY	S	6	3.8L	LN3	P	MPFI	10/02	08/03	SED/UTE	152KW ECOTEC	AC018	ACA85	ACF90	
HOLDEN	COMMODORE	VY	BERLINA	8	5.7L	LS1	P	MPFI	10/02	08/03	SED/WAG	225KW GEN III	AC025	ACA85	ACF120	
HOLDEN	COMMODORE	VY	CALAIS	8	5.7L	LS1	P	MPFI	10/02	08/03	SEDAN	225KW GEN III	AC025	ACA85	ACF120	
HOLDEN	COMMODORE	VY	SS	8	5.7L	LS1	P	MPFI	10/02	08/03	SED/UTE	225KW GEN III	AC025	ACA85	ACF120	
HOLDEN	COMMODORE	VY	SV8	8	5.7L	LS1	P	MPFI	10/02	08/03	SEDAN	225KW GEN III	AC025	ACA85	ACF120	
HOLDEN	COMMODORE	VY	BERLINA INTERNATIONAL	6	3.8L	LN3	P	MPFI	11/02	03/03	WAGON	152KW ECOTEC	AC018	ACA85	ACF90	
HOLDEN	COMMODORE	VY	LUMINA	6	3.8L	LN3	P	MPFI	12/02	04/03	SED/WAG	152KW ECOTEC	AC018	ACA85	ACF90	
HOLDEN	COMMODORE	VY	EQUIPE	6	3.8L	LN3	P	MPFI	05/03	08/03	SED/WAG	152KW ECOTEC	AC018	ACA85	ACF90	
HOLDEN	COMMODORE	VY	STORM	6	3.8L	LN3	P	MPFI	05/03	08/03	UTE	152KW ECOTEC	AC018	ACA85	ACF90	
HOLDEN	COMMODORE	VY	STORM	8	5.7L	LS1	P	MPFI	05/03	08/03	UTE	225KW GEN III	AC025	ACA85	ACF120	
HOLDEN	COMMODORE	VY	SS	8	5.7L	LS1	P	MPFI	06/03	08/03	WAGON	225KW GEN III	AC025	ACA85	ACF120	
HOLDEN	COMMODORE	VY SERIES II	ACCLAIM	6	3.8L	LN3	P	MPFI	08/03	08/04	SED/WAG	152KW ECOTEC	AC018	ACA85	ACF90	

MAKE	MODEL	SERIES	BADGE	CYLS	ENG SIZE	ENGINE CODE	FUEL	FUEL DELIVERY / AIR INTAKE	FROM	TO	BODY	REMARKS	OIL	AIR	FUEL	CABIN
HOLDEN	COMMODORE	VY SERIES II	BERLINA	6	3.8L	LN3	P	MPFI	08/03	08/04	SED/WAG	152KW ECOTEC	AC018	ACA85	ACF90	
HOLDEN	COMMODORE	VY SERIES II	CALAIS	6	3.8L	L67	P	S-CHARGED	08/03	08/04	SEDAN	171KW ECOTEC	AC018	ACA85	ACF90	
HOLDEN	COMMODORE	VY SERIES II	CALAIS	6	3.8L	LN3	P	MPFI	08/03	08/04	SEDAN	152KW ECOTEC	AC018	ACA85	ACF90	
HOLDEN	COMMODORE	VY SERIES II	EQUIPE	6	3.8L	LN3	P	MPFI	08/03	08/04	SED/WAG	152KW ECOTEC	AC018	ACA85	ACF90	
HOLDEN	COMMODORE	VY SERIES II	EXECUTIVE	6	3.8L	LN3	P	MPFI	08/03	08/04	SED/WAG	152KW ECOTEC	AC018	ACA85	ACF90	
HOLDEN	COMMODORE	VY SERIES II	S	6	3.8L	L67	P	S-CHARGED	08/03	08/04	SEDAN	171KW ECOTEC	AC018	ACA85	ACF90	
HOLDEN	COMMODORE	VY SERIES II	S	6	3.8L	LN3	P	MPFI	08/03	08/04	SED/UTE	152KW ECOTEC	AC018	ACA85	ACF90	
HOLDEN	COMMODORE	VY SERIES II	STORM	6	3.8L	LN3	P	MPFI	08/03	08/04	UTE	152KW ECOTEC	AC018	ACA85	ACF90	
HOLDEN	COMMODORE	VY SERIES II	BERLINA	8	5.7L	LS1	P	MPFI	08/03	08/04	SED/WAG	225KW GEN III	AC025	ACA85	ACF120	
HOLDEN	COMMODORE	VY SERIES II	CALAIS	8	5.7L	LS1	P	MPFI	08/03	08/04	SEDAN	225KW GEN III	AC025	ACA85	ACF120	
HOLDEN	COMMODORE	VY SERIES II	SS	8	5.7L	LS1	P	MPFI	08/03	08/04	SED/WAG/UTE	225KW GEN III	AC025	ACA85	ACF120	
HOLDEN	COMMODORE	VY SERIES II	STORM	8	5.7L	LS1	P	MPFI	08/03	08/04	UTE	225KW GEN III	AC025	ACA85	ACF120	
HOLDEN	COMMODORE	VY SERIES II	SV8	8	5.7L	LS1	P	MPFI	08/03	08/04	SEDAN	225KW GEN III	AC025	ACA85	ACF120	
HOLDEN	COMMODORE	VY SERIES II	25th ANNIV	6	3.8L	LN3	P	MPFI	10/03	05/04	SED/WAG	152KW ECOTEC	AC018	ACA85	ACF90	
HOLDEN	COMMODORE	VZ	SS	8	5.7L	LS1	P	MPFI	08/04	12/05	SEDAN	250KW GEN III	AC025	ACA85	ACF120	
HOLDEN	COMMODORE	VZ	SV8	8	5.7L	LS1	P	MPFI	08/04	12/05	SEDAN	250KW GEN III	AC025	ACA85	ACF120	
HOLDEN	COMMODORE	VZ	SS	8	5.7L	LS1	P	MPFI	08/04	03/06	UTE	250KW GEN III	AC025	ACA85	ACF120	
HOLDEN	COMMODORE	VZ	ACCLAIM	6	3.6L	LE0	P	MPFI	08/04	06/06	SED/WAG	175KW HFV6 ALLOYTEC	AC088	ACA85	ACF120	
HOLDEN	COMMODORE	VZ	BERLINA	6	3.6L	LE0	P	MPFI	08/04	06/06	SED/WAG	175KW HFV6 ALLOYTEC	AC088	ACA85	ACF120	
HOLDEN	COMMODORE	VZ	CALAIS	6	3.6L	LY7	P	MPFI	08/04	06/06	SEDAN	190KW HFV6 ALLOYTEC	AC088	ACA85	ACF120	
HOLDEN	COMMODORE	VZ	EXECUTIVE	6	3.6L	LE0	P	MPFI	08/04	06/06	SED/WAG	175KW HFV6 ALLOYTEC	AC088	ACA85	ACF120	
HOLDEN	COMMODORE	VZ	SV6	6	3.6L	LY7	P	MPFI	08/04	06/06	SEDAN	190KW HFV6 ALLOYTEC	AC088	ACA85	ACF120	
HOLDEN	COMMODORE	VZ	BERLINA	8	5.7L	LS1	P	MPFI	08/04	06/06	SED/WAG	235KW GEN III	AC025	ACA85	ACF120	
HOLDEN	COMMODORE	VZ	CALAIS	8	5.7L	LS1	P	MPFI	08/04	06/06	SEDAN	235KW GEN III	AC025	ACA85	ACF120	
HOLDEN	COMMODORE	VZ	S	6	3.6L	LE0	P	MPFI	08/04	10/06	UTE	175KW HFV6 ALLOYTEC	AC088	ACA85	ACF120	
HOLDEN	COMMODORE	VZ	UTE	6	3.6L	LE0	P	MPFI	08/04	10/07	UTE	175KW HFV6 ALLOYTEC	AC088	ACA85	ACF120	

MAKE	MODEL	SERIES	BADGE	CYLS	ENG SIZE	ENGINE CODE	FUEL	FUEL DELIVERY / AIR INTAKE	FROM	TO	BODY	REMARKS	OIL	AIR	FUEL	CABIN
HOLDEN	COMMODORE	VZ	LUMINA	6	3.6L	LE0	P	MPFI	12/04	04/05	SED/WAG	175KW HFV6 ALLOYTEC	AC088	ACA85	ACF120	
HOLDEN	COMMODORE	VZ	EQUIPE	6	3.6L	LE0	P	MPFI	04/05	09/05	SED/WAG	175KW HFV6 ALLOYTEC	AC088	ACA85	ACF120	
HOLDEN	COMMODORE	VZ	SSZ	8	5.7L	LS1	P	MPFI	09/05	03/06	UTE	250KW GEN III	AC025	ACA85	ACF120	
HOLDEN	COMMODORE	VZ	LUMINA	6	3.6L	LE0	P	MPFI	09/05	06/06	SED/WAG	175KW HFV6 ALLOYTEC	AC088	ACA85	ACF120	
HOLDEN	COMMODORE	VZ	SSZ	8	5.7L	LS1	P	MPFI	09/05	06/06	SEDAN	250KW GEN III	AC025	ACA85	ACF120	
HOLDEN	COMMODORE	VZ	SS	8	6.0L	L76	P	MPFI	01/06	06/06	SEDAN	260KW GEN IV	AC025	ACA85	ACF120	
HOLDEN	COMMODORE	VZ	SV8	8	6.0L	L76	P	MPFI	01/06	06/06	SEDAN	260KW GEN IV	AC025	ACA85	ACF120	
HOLDEN	COMMODORE	VZ	SS	8	6.0L	L76	P	MPFI	03/06	07/06	UTE	260KW GEN IV	AC025	ACA85	ACF120	
HOLDEN	COMMODORE	VZ	SSZ	8	6.0L	L76	P	MPFI	03/06	07/06	UTE	260KW GEN IV	AC025	ACA85	ACF120	
HOLDEN	COMMODORE	VZ	SVZ	6	3.6L	LE0	P	MPFI	04/06	06/06	SED/WAG	175KW HFV6 ALLOYTEC	AC088	ACA85	ACF120	
HOLDEN	COMMODORE	VZ	THUNDER S	6	3.6L	LE0	P	MPFI	04/06	07/06	UTE	175KW HFV6 ALLOYTEC	AC088	ACA85	ACF120	
HOLDEN	COMMODORE	VZ	THUNDER SS	8	6.0L	L76	P	MPFI	04/06	07/06	UTE	260KW GEN IV	AC025	ACA85	ACF120	
HOLDEN	COMMODORE	VZ	SS	8	6.0L	L98	P	MPFI	07/06	10/07	UTE	270KW GEN IV	AC025	ACA85	ACF120	
HOLDEN	COMMODORE	VZ	SSZ	8	6.0L	L98	P	MPFI	07/06	10/07	UTE	270KW GEN IV	AC025	ACA85	ACF120	
HOLDEN	COMMODORE	VZ	ACCLAIM	6	3.6L	LE0	P	MPFI	07/06	06/08	WAGON	175KW HFV6 ALLOYTEC	AC088	ACA85	ACF120	
HOLDEN	COMMODORE	VZ	BERLINA	6	3.6L	LE0	P	MPFI	07/06	06/08	WAGON	175KW HFV6 ALLOYTEC	AC088	ACA85	ACF120	
HOLDEN	COMMODORE	VZ	EXECUTIVE	6	3.6L	LE0	P	MPFI	07/06	06/08	WAGON	175KW HFV6 ALLOYTEC	AC088	ACA85	ACF120	
HOLDEN	COMMODORE	VZ	SVZ	6	3.6L	LE0	P	MPFI	07/06	06/08	WAGON	175KW HFV6 ALLOYTEC	AC088	ACA85	ACF120	
HOLDEN	COMMODORE	VZ	BERLINA	8	5.7L	LS1	P	MPFI	07/06	06/08	WAGON	235KW GEN III	AC025	ACA85	ACF120	
HOLDEN	COMMODORE	VZ	SV6	6	3.6L	LE0	P	MPFI	10/06	10/07	UTE	175KW HFV6 ALLOYTEC	AC088	ACA85	ACF120	
HOLDEN	COMMODORE	VZ	SVZ	6	3.6L	LE0	P	MPFI	05/07	10/07	UTE	175KW HFV6 ALLOYTEC	AC088	ACA85	ACF120	
HOLDEN	COMMODORE	VE	BERLINA	6	3.6L	LE0	P	MPFI	07/06	08/09	SEDAN	180KW HFV6 ALLOYTEC	AC088	ACA154	ACF153	ACC24
HOLDEN	COMMODORE	VE	BERLINA	6	3.6L	LW2	LPG	MPFI	07/06	08/09	SEDAN	175KW HFV6 ALLOYTEC	AC088	ACA154		ACC24
HOLDEN	COMMODORE	VE	CALAIS	6	3.6L	LY7	P	MPFI	07/06	08/09	SEDAN	195KW HFV6 ALLOYTEC	AC088	ACA154	ACF153	ACC24

MAKE	MODEL	SERIES	BADGE	CYLS	ENG SIZE	ENGINE CODE	FUEL	FUEL DELIVERY / AIR INTAKE	FROM	TO	BODY	REMARKS	OIL	AIR	FUEL	CABIN
HOLDEN	COMMODORE	VE	CALAIS V	6	3.6L	LY7	P	MPFI	07/06	08/09	SEDAN	195KW HFV6 ALLOYTEC	AC088	ACA154	ACF153	ACC24
HOLDEN	COMMODORE	VE	OMEGA	6	3.6L	LE0	P	MPFI	07/06	08/09	SEDAN	180KW HFV6 ALLOYTEC	AC088	ACA154	ACF153	ACC24
HOLDEN	COMMODORE	VE	OMEGA	6	3.6L	LW2	LPG	VAP INJ	07/06	08/09	SEDAN		AC088	ACA154		ACC24
HOLDEN	COMMODORE	VE	SV6	6	3.6L	LY7	P	MPFI	07/06	08/09	SEDAN	195KW HFV6 ALLOYTEC	AC088	ACA154	ACF153	ACC24
HOLDEN	COMMODORE	VE	CALAIS	8	6.0L	L98	P	MPFI	07/06	08/09	SEDAN	270KW GEN IV	AC092	ACA154	ACF182	ACC24
HOLDEN	COMMODORE	VE	CALAIS V	8	6.0L	L98	P	MPFI	07/06	08/09	SEDAN	270KW GEN IV	AC092	ACA154	ACF182	ACC24
HOLDEN	COMMODORE	VE	SS	8	6.0L	L98	P	MPFI	07/06	08/09	SEDAN	270KW GEN IV	AC092	ACA154	ACF182	ACC24
HOLDEN	COMMODORE	VE	SS V	8	6.0L	L98	P	MPFI	07/06	08/09	SEDAN	270KW GEN IV	AC092	ACA154	ACF182	ACC24
HOLDEN	COMMODORE	VE	LUMINA	6	3.6L	LE0	P	MPFI	04/07	02/08	SEDAN	180KW HFV6 ALLOYTEC	AC088	ACA154	ACF153	ACC24
HOLDEN	COMMODORE	VE	V	6	3.6L	LE0	P	MPFI	07/06	12/06	SEDAN	180KW HFV6 ALLOYTEC	AC088	ACA154	ACF153	ACC24
HOLDEN	COMMODORE	VE	CALAIS V INTERNATIONAL	6	3.6L	LY7	P	MPFI	10/07	12/07	SEDAN	195KW HFV6 ALLOYTEC	AC088	ACA154	ACF153	ACC24
HOLDEN	COMMODORE	VE	OMEGA	6	3.6L	LE0	P	MPFI	10/07	08/09	UTE	180KW HFV6 ALLOYTEC	AC088	ACA154	ACF153	ACC24
HOLDEN	COMMODORE	VE	OMEGA	6	3.6L	LW2	LPG	VAP INJ	10/07	08/09	UTE		AC088	ACA154		ACC24
HOLDEN	COMMODORE	VE	SV6	6	3.6L	LY7	P	MPFI	10/07	08/09	UTE	195KW HFV6 ALLOYTEC	AC088	ACA154	ACF153	ACC24
HOLDEN	COMMODORE	VE	SS	8	6.0L	L98	P	MPFI	10/07	08/09	UTE	270KW GEN IV	AC092	ACA154	ACF182	ACC24
HOLDEN	COMMODORE	VE	SS V	8	6.0L	L98	P	MPFI	10/07	08/09	UTE	270KW GEN IV	AC092	ACA154	ACF182	ACC24
HOLDEN	COMMODORE	VE	SS V 60TH ANNIV	8	6.0L	L98	P	MPFI	04/08	06/08	SEDAN	270KW GEN IV	AC092	ACA154	ACF182	ACC24
HOLDEN	COMMODORE	VE	CALAIS V 60TH ANNIV	6	3.6L	LY7	P	MPFI	05/08	06/08	SEDAN	195KW HFV6 ALLOYTEC	AC088	ACA154	ACF153	ACC24
HOLDEN	COMMODORE	VE	CALAIS V 60TH ANNIV	8	6.0L	L98	P	MPFI	05/08	06/08	SEDAN	270KW GEN IV	AC092	ACA154	ACF182	ACC24
HOLDEN	COMMODORE	VE	60TH ANNIV	6	3.6L	LE0	P	MPFI	05/08	12/08	SEDAN	180KW HFV6 ALLOYTEC	AC088	ACA154	ACF153	ACC24
HOLDEN	COMMODORE	VE	60TH ANNIV SPORTWAGON	6	3.6L	LE0	P	MPFI	07/08	12/08	WAGON	180KW HFV6 ALLOYTEC	AC088	ACA154	ACF153	ACC24
HOLDEN	COMMODORE	VE	CALAIS V 60TH ANNIV	6	3.6L	LY7	P	MPFI	07/08	12/08	WAGON	195KW HFV6 ALLOYTEC	AC088	ACA154	ACF153	ACC24
HOLDEN	COMMODORE	VE	CALAIS V 60TH ANNIV	8	6.0L	L98	P	MPFI	07/08	12/08	WAGON	270KW GEN IV	AC092	ACA154	ACF182	ACC24
HOLDEN	COMMODORE	VE	SS V 60TH ANNIV	8	6.0L	L98	P	MPFI	07/08	12/08	WAGON	270KW GEN IV	AC092	ACA154	ACF182	ACC24
HOLDEN	COMMODORE	VE	BERLINA SPORTWAGON	6	3.6L	LE0	P	MPFI	07/08	08/09	WAGON	180KW HFV6 ALLOYTEC	AC088	ACA154	ACF153	ACC24

MAKE	MODEL	SERIES	BADGE	CYLS	ENG SIZE	ENGINE CODE	FUEL	FUEL DELIVERY / AIR INTAKE	FROM	TO	BODY	REMARKS	OIL	AIR	FUEL	CABIN
HOLDEN	COMMODORE	VE	CALAIS SPORT-WAGON	6	3.6L	LY7	P	MPFI	07/08	08/09	WAGON	195KW HFV6 ALLOYTEC	AC088	ACA154	ACF153	ACC24
HOLDEN	COMMODORE	VE	CALAIS V SPORT-WAGON	6	3.6L	LY7	P	MPFI	07/08	08/09	WAGON	195KW HFV6 ALLOYTEC	AC088	ACA154	ACF153	ACC24
HOLDEN	COMMODORE	VE	OMEGA SPORT-WAGON	6	3.6L	LE0	P	MPFI	07/08	08/09	WAGON	180KW HFV6 ALLOYTEC	AC088	ACA154	ACF153	ACC24
HOLDEN	COMMODORE	VE	SV6 SPORT-WAGON	6	3.6L	LY7	P	MPFI	07/08	08/09	WAGON	195KW HFV6 ALLOYTEC	AC088	ACA154	ACF153	ACC24
HOLDEN	COMMODORE	VE	CALAIS SPORT-WAGON	8	6.0L	L98	P	MPFI	07/08	08/09	WAGON	270KW GEN IV	AC092	ACA154	ACF182	ACC24
HOLDEN	COMMODORE	VE	CALAIS V SPORT-WAGON	8	6.0L	L98	P	MPFI	07/08	08/09	WAGON	270KW GEN IV	AC092	ACA154	ACF182	ACC24
HOLDEN	COMMODORE	VE	SS SPORT-WAGON	8	6.0L	L98	P	MPFI	07/08	08/09	WAGON	270KW GEN IV	AC092	ACA154	ACF182	ACC24
HOLDEN	COMMODORE	VE	SS V SPORT-WAGON	8	6.0L	L98	P	MPFI	07/08	08/09	WAGON	270KW GEN IV	AC092	ACA154	ACF182	ACC24
HOLDEN	COMMODORE	VE	BERLINA	6	3.0L	LF1	P	MPFI	08/09	08/10	SEDAN	HFV6 ALLOYTEC SIDI	AC088	ACA154	ACF182	ACC24
HOLDEN	COMMODORE	VE	BERLINA SPORTWAGON	6	3.0L	LF1	P	MPFI	08/09	08/10	WAGON	HFV6 ALLOYTEC SIDI	AC088	ACA154	ACF182	ACC24
HOLDEN	COMMODORE	VE	OMEGA	6	3.0L	LF1	P	MPFI	08/09	08/10	SEDAN	HFV6 ALLOYTEC SIDI	AC088	ACA154	ACF182	ACC24
HOLDEN	COMMODORE	VE	OMEGA	6	3.0L	LF1	P	MPFI	08/09	08/10	UTE	HFV6 ALLOYTEC SIDI	AC088	ACA154	ACF182	ACC24
HOLDEN	COMMODORE	VE	OMEGA SPORT-WAGON	6	3.0L	LF1	P	MPFI	08/09	08/10	WAGON	HFV6 ALLOYTEC SIDI	AC088	ACA154	ACF182	ACC24
HOLDEN	COMMODORE	VE	BERLINA	6	3.6L	LW2	LPG	VAP INJ	08/09	08/10	SEDAN		AC088	ACA154		ACC24
HOLDEN	COMMODORE	VE	CALAIS	6	3.6L	LLT	P	MPFI	08/09	08/10	SEDAN	HFV6 ALLOYTEC SIDI	AC088	ACA154	ACF153	ACC24
HOLDEN	COMMODORE	VE	CALAIS SPORT-WAGON	6	3.6L	LLT	P	MPFI	08/09	08/10	WAGON	HFV6 ALLOYTEC SIDI	AC088	ACA154	ACF153	ACC24
HOLDEN	COMMODORE	VE	CALAIS V	6	3.6L	LLT	P	MPFI	08/09	08/10	SEDAN	HFV6 ALLOYTEC SIDI	AC088	ACA154	ACF153	ACC24
HOLDEN	COMMODORE	VE	CALAIS V SPORT-WAGON	6	3.6L	LLT	P	MPFI	08/09	08/10	WAGON	HFV6 ALLOYTEC SIDI	AC088	ACA154	ACF153	ACC24
HOLDEN	COMMODORE	VE	OMEGA	6	3.6L	LW2	LPG	VAP INJ	08/09	08/10	SEDAN		AC088	ACA154		ACC24
HOLDEN	COMMODORE	VE	OMEGA	6	3.6L	LW2	LPG	VAP INJ	08/09	08/10	UTE		AC088	ACA154		ACC24
HOLDEN	COMMODORE	VE	SV6	6	3.6L	LLT	P	MPFI	08/09	08/10	SEDAN	HFV6 ALLOYTEC SIDI	AC088	ACA154	ACF153	ACC24
HOLDEN	COMMODORE	VE	SV6	6	3.6L	LLT	P	MPFI	08/09	08/10	UTE	HFV6 ALLOYTEC SIDI	AC088	ACA154	ACF153	ACC24
HOLDEN	COMMODORE	VE	CALAIS	8	6.0L	L76	P	MPFI	08/09	08/10	SEDAN	260KW GEN IV	AC092	ACA154	ACF182	ACC24

MAKE	MODEL	SERIES	BADGE	CYLS	ENG SIZE	ENGINE CODE	FUEL	FUEL DELIVERY / AIR INTAKE	FROM	TO	BODY	REMARKS	OIL	AIR	FUEL	CABIN
HOLDEN	COMMODORE	VE	CALAIS SPORT-WAGON	8	6.0L	L76	P	MPFI	08/09	08/10	WAGON	260KW GEN IV	AC092	ACA154	ACF182	ACC24
HOLDEN	COMMODORE	VE	CALAIS V	8	6.0L	L76	P	MPFI	08/09	08/10	SEDAN	260KW GEN IV	AC092	ACA154	ACF182	ACC24
HOLDEN	COMMODORE	VE	CALAIS V SPORT-WAGON	8	6.0L	L76	P	MPFI	08/09	08/10	WAGON	260KW GEN IV	AC092	ACA154	ACF182	ACC24
HOLDEN	COMMODORE	VE	SS	8	6.0L	L76	P	MPFI	08/09	08/10	SEDAN	260KW GEN IV	AC092	ACA154	ACF182	ACC24
HOLDEN	COMMODORE	VE	SS	8	6.0L	L76	P	MPFI	08/09	08/10	UTE	260KW GEN IV	AC092	ACA154	ACF182	ACC24
HOLDEN	COMMODORE	VE	SS	8	6.0L	L98	P	MPFI	08/09	08/10	SEDAN	270KW GEN IV	AC092	ACA154	ACF182	ACC24
HOLDEN	COMMODORE	VE	SS	8	6.0L	L98	P	MPFI	08/09	08/10	UTE	270KW GEN IV	AC092	ACA154	ACF182	ACC24
HOLDEN	COMMODORE	VE	SS V	8	6.0L	L76	P	MPFI	08/09	08/10	SEDAN	260KW GEN IV	AC092	ACA154	ACF182	ACC24
HOLDEN	COMMODORE	VE	SS V	8	6.0L	L76	P	MPFI	08/09	08/10	UTE	260KW GEN IV	AC092	ACA154	ACF182	ACC24
HOLDEN	COMMODORE	VE	SS V	8	6.0L	L98	P	MPFI	08/09	08/10	SEDAN	270KW GEN IV	AC092	ACA154	ACF182	ACC24
HOLDEN	COMMODORE	VE	SS V	8	6.0L	L98	P	MPFI	08/09	08/10	UTE	270KW GEN IV	AC092	ACA154	ACF182	ACC24
HOLDEN	COMMODORE	VE	SS V SPORT-WAGON	8	6.0L	L76	P	MPFI	08/09	08/10	WAGON	260KW GEN IV	AC092	ACA154	ACF182	ACC24
HOLDEN	COMMODORE	VE	SS V SPORT-WAGON	8	6.0L	L98	P	MPFI	08/09	08/10	WAGON	270KW GEN IV	AC092	ACA154	ACF182	ACC24
HOLDEN	COMMODORE	VE	INTERNATIONAL	6	3.6L	LLT	P	MPFI	10/09	2010	SEDAN	HFV6 ALLOYTEC SIDI	AC088	ACA154	ACF153	ACC24
HOLDEN	COMMODORE	VE	INTERNATIONAL SPORT-WAGON	6	3.6L	LLT	P	MPFI	10/09	2010	WAGON	HFV6 ALLOYTEC SIDI	AC088	ACA154	ACF153	ACC24
HOLDEN	COMMODORE	VE	SV6 SPORT-WAGON	6	3.6L	LLT	P	MPFI	10/09	08/10	WAGON	HFV6 ALLOYTEC SIDI	AC088	ACA154	ACF153	ACC24
HOLDEN	COMMODORE	VE	SS SPORT-WAGON	8	6.0L	L76	P	MPFI	10/09	08/10	WAGON	260KW GEN IV	AC092	ACA154	ACF182	ACC24
HOLDEN	COMMODORE	VE	SS SPORT-WAGON	8	6.0L	L98	P	MPFI	10/09	08/10	WAGON	270KW GEN IV	AC092	ACA154	ACF182	ACC24
HOLDEN	COMMODORE	VE SERIES II	CALAIS	6	3.6L	LLT	P	MPFI	09/10	11/11	SEDAN	HFV6 ALLOYTEC SIDI	AC088	ACA154	ACF153	ACC24
HOLDEN	COMMODORE	VE SERIES II	CALAIS SPORT-WAGON	6	3.6L	LLT	P	MPFI	09/10	11/11	WAGON	HFV6 ALLOYTEC SIDI	AC088	ACA154	ACF153	ACC24
HOLDEN	COMMODORE	VE SERIES II	CALAIS V	6	3.6L	LLT	P	MPFI	09/10	11/11	SEDAN	HFV6 ALLOYTEC SIDI	AC088	ACA154	ACF153	ACC24
HOLDEN	COMMODORE	VE SERIES II	CALAIS V SPORT-WAGON	6	3.6L	LLT	P	MPFI	09/10	11/11	WAGON	HFV6 ALLOYTEC SIDI	AC088	ACA154	ACF153	ACC24
HOLDEN	COMMODORE	VE SERIES II	SV6	6	3.6L	LLT	P	MPFI	09/10	11/11	SEDAN	HFV6 ALLOYTEC SIDI	AC088	ACA154	ACF153	ACC24
HOLDEN	COMMODORE	VE SERIES II	SV6	6	3.6L	LLT	P	MPFI	09/10	11/11	UTE	HFV6 ALLOYTEC SIDI	AC088	ACA154	ACF153	ACC24
HOLDEN	COMMODORE	VE SERIES II	SV6 SPORT-WAGON	6	3.6L	LLT	P	MPFI	09/10	11/11	WAGON	HFV6 ALLOYTEC SIDI	AC088	ACA154	ACF153	ACC24

MAKE	MODEL	SERIES	BADGE	CYLS	ENG SIZE	ENGINE CODE	FUEL	FUEL DELIVERY / AIR INTAKE	FROM	TO	BODY	REMARKS	OIL	AIR	FUEL	CABIN
HOLDEN	COMMODORE	VE SERIES II	BERLINA	6	3.0L	LFW	P	MPFI	09/10	ON	SEDAN	HFV6 ALLOYTEC SIDI E85	AC088	ACA154	ACF182	ACC24
HOLDEN	COMMODORE	VE SERIES II	BERLINA INTERNATIONAL	6	3.0L	LFW	P	MPFI	09/10	ON	SEDAN	HFV6 ALLOYTEC SIDI E85	AC088	ACA154	ACF182	ACC24
HOLDEN	COMMODORE	VE SERIES II	BERLINA SPORTWAGON	6	3.0L	LFW	P	MPFI	09/10	ON	WAGON	HFV6 ALLOYTEC SIDI E85	AC088	ACA154	ACF182	ACC24
HOLDEN	COMMODORE	VE SERIES II	OMEGA	6	3.0L	LFW	P	MPFI	09/10	ON	SEDAN	HFV6 ALLOYTEC SIDI E85	AC088	ACA154	ACF182	ACC24
HOLDEN	COMMODORE	VE SERIES II	OMEGA	6	3.0L	LFW	P	MPFI	09/10	ON	UTE	HFV6 ALLOYTEC SIDI E85	AC088	ACA154	ACF182	ACC24
HOLDEN	COMMODORE	VE SERIES II	OMEGA SPORTWAGON	6	3.0L	LFW	P	MPFI	09/10	ON	WAGON	HFV6 ALLOYTEC SIDI E85	AC088	ACA154	ACF182	ACC24
HOLDEN	COMMODORE	VE SERIES II	BERLINA	6	3.6L	LW2	LPG	VAP INJ	09/10	ON	SEDAN		AC088	ACA154		ACC24
HOLDEN	COMMODORE	VE SERIES II	OMEGA	6	3.6L	LW2	LPG	VAP INJ	09/10	ON	SEDAN		AC088	ACA154		ACC24
HOLDEN	COMMODORE	VE SERIES II	OMEGA	6	3.6L	LW2	LPG	VAP INJ	09/10	ON	UTE		AC088	ACA154		ACC24
HOLDEN	COMMODORE	VE SERIES II	CALAIS V	8	6.0L	L77	P	MPFI	09/10	ON	SEDAN	260KW AUTO GEN IV E85	AC092	ACA154	ACF182	ACC24
HOLDEN	COMMODORE	VE SERIES II	CALAIS V REDLINE	8	6.0L	L77	P	MPFI	09/10	ON	SEDAN	260KW AUTO GEN IV E85	AC092	ACA154	ACF182	ACC24
HOLDEN	COMMODORE	VE SERIES II	CALAIS V REDLINE	8	6.0L	L77	P	MPFI	09/10	ON	WAGON	260KW AUTO GEN IV E85	AC092	ACA154	ACF182	ACC24
HOLDEN	COMMODORE	VE SERIES II	CALAIS V SPORTWAGON	8	6.0L	L77	P	MPFI	09/10	ON	WAGON	260KW AUTO GEN IV E85	AC092	ACA154	ACF182	ACC24
HOLDEN	COMMODORE	VE SERIES II	SS	8	6.0L	L77	P	MPFI	09/10	ON	SEDAN	260KW AUTO/ 270KW MAN GEN IV E85	AC092	ACA154	ACF182	ACC24
HOLDEN	COMMODORE	VE SERIES II	SS	8	6.0L	L77	P	MPFI	09/10	ON	UTE	260KW AUTO/ 270KW MAN GEN IV E85	AC092	ACA154	ACF182	ACC24
HOLDEN	COMMODORE	VE SERIES II	SS SPORTWAGON	8	6.0L	L77	P	MPFI	09/10	ON	WAGON	260KW AUTO/ 270KW MAN GEN IV E85	AC092	ACA154	ACF182	ACC24
HOLDEN	COMMODORE	VE SERIES II	SS V	8	6.0L	L77	P	MPFI	09/10	ON	SEDAN	260KW AUTO/ 270KW MAN GEN IV E85	AC092	ACA154	ACF182	ACC24
HOLDEN	COMMODORE	VE SERIES II	SS V	8	6.0L	L77	P	MPFI	09/10	ON	UTE	260KW AUTO/ 270KW MAN GEN IV E85	AC092	ACA154	ACF182	ACC24
HOLDEN	COMMODORE	VE SERIES II	SS V REDLINE	8	6.0L	L77	P	MPFI	09/10	ON	SEDAN	260KW AUTO/ 270KW MAN GEN IV E85	AC092	ACA154	ACF182	ACC24

MAKE	MODEL	SERIES	BADGE	CYLS	ENG SIZE	ENGINE CODE	FUEL	FUEL DELIVERY / AIR INTAKE	FROM	TO	BODY	REMARKS	OIL	AIR	FUEL	CABIN
HOLDEN	COMMODORE	VE SERIES II	SS V REDLINE	8	6.0L	L77	P	MPFI	09/10	ON	UTE	260KW AUTO/ 270KW MAN GEN IV E85	AC092	ACA154	ACF182	ACC24
HOLDEN	COMMODORE	VE SERIES II	SS V SPORT-WAGON	8	6.0L	L77	P	MPFI	09/10	ON	WAGON	260KW AUTO/ 270KW MAN GEN IV E85	AC092	ACA154	ACF182	ACC24
HOLDEN	COMMODORE	VE SERIES II	SS V SPORT-WAGON REDLINE	8	6.0L	L77	P	MPFI	09/10	ON	WAGON	260KW AUTO/ 270KW MAN GEN IV E85	AC092	ACA154	ACF182	ACC24
HOLDEN	COMMODORE	VE SERIES II	BERLINA INTERNATIONAL	6	3.0L	LFW	P	MPFI	11/10	ON	WAGON	HFV6 ALLOYTEC SIDI E85	AC088	ACA154	ACF182	ACC24
HOLDEN	COMMODORE	VE SERIES II	CALAIS	6	3.6L	LFX	P	MPFI	11/11	ON	SEDAN	HFV6 ALLOYTEC SIDI E85	AC088	ACA154	ACF153	ACC24
HOLDEN	COMMODORE	VE SERIES II	CALAIS SPORT-WAGON	6	3.6L	LFX	P	MPFI	11/11	ON	WAGON	HFV6 ALLOYTEC SIDI E85	AC088	ACA154	ACF153	ACC24
HOLDEN	COMMODORE	VE SERIES II	CALAIS V	6	3.6L	LFX	P	MPFI	11/11	ON	SEDAN	HFV6 ALLOYTEC SIDI E85	AC088	ACA154	ACF153	ACC24
HOLDEN	COMMODORE	VE SERIES II	CALAIS V SPORT-WAGON	6	3.6L	LFX	P	MPFI	11/11	ON	WAGON	HFV6 ALLOYTEC SIDI E85	AC088	ACA154	ACF153	ACC24
HOLDEN	COMMODORE	VE SERIES II	SV6	6	3.6L	LFX	P	MPFI	11/11	ON	SEDAN	HFV6 ALLOYTEC SIDI E85	AC088	ACA154	ACF153	ACC24
HOLDEN	COMMODORE	VE SERIES II	SV6	6	3.6L	LFX	P	MPFI	11/11	ON	UTE	HFV6 ALLOYTEC SIDI E85	AC088	ACA154	ACF153	ACC24
HOLDEN	COMMODORE	VE SERIES II	SV6 SPORT-WAGON	6	3.6L	LFX	P	MPFI	11/11	ON	WAGON	HFV6 ALLOYTEC SIDI E85	AC088	ACA154	ACF153	ACC24
HOLDEN	COMMODORE	VE SERIES II	BERLINA	6	3.6L	LWR	LPG	VAP INJ	03/12	ON	SEDAN		AC088	ACA154	ACF219	ACC24
HOLDEN	COMMODORE	VE SERIES II	BERLINA SPORTWAGON	6	3.6L	LWR	LPG	VAP INJ	03/12	ON	WAGON		AC088	ACA154	ACF219	ACC24
HOLDEN	COMMODORE	VE SERIES II	OMEGA	6	3.6L	LWR	LPG	VAP INJ	03/12	ON	SEDAN		AC088	ACA154	ACF219	ACC24
HOLDEN	COMMODORE	VE SERIES II	OMEGA	6	3.6L	LWR	LPG	VAP INJ	03/12	ON	UTE		AC088	ACA154	ACF219	ACC24
HOLDEN	COMMODORE	VE SERIES II	OMEGA SPORT-WAGON	6	3.6L	LWR	LPG	VAP INJ	03/12	ON	WAGON		AC088	ACA154	ACF219	ACC24
HOLDEN	COMMODORE	VE SERIES II	SV6	6	3.6L	LWR	LPG	VAP INJ	03/12	ON	SEDAN		AC088	ACA154	ACF219	ACC24
HOLDEN	COMMODORE	VE SERIES II	SV6	6	3.6L	LWR	LPG	VAP INJ	03/12	ON	UTE		AC088	ACA154	ACF219	ACC24
HOLDEN	COMMODORE	VE SERIES II	SV6 SPORT-WAGON	6	3.6L	LWR	LPG	VAP INJ	03/12	ON	WAGON		AC088	ACA154	ACF219	ACC24
HOLDEN	COMMODORE	VF	CALAIS V	8	6.0L	L77	P	MPFI	2013	09/15	SED/WAG	260KW AUTO GEN IV E85	AC092	ACA154		ACC24
HOLDEN	COMMODORE	VF	SS	8	6.0L	L77	P	MPFI	2013	09/15	SED/WAG	260KW AUTO/ 270KW MAN GEN IV E85	AC092	ACA154		ACC24



MAKE	MODEL	SERIES	BADGE	CYLS	ENG SIZE	ENGINE CODE	FUEL	FUEL DELIVERY / AIR INTAKE	FROM	TO	BODY	REMARKS	OIL	AIR	FUEL	CABIN
HOLDEN	COMMODORE	VF	SS	8	6.0L	L77	P	MPFI	2013	09/15	UTE	260KW AUTO/ 270KW MAN GEN IV E85	AC092	ACA154		ACC24
HOLDEN	COMMODORE	VF	SS-V	8	6.0L	L77	P	MPFI	2013	09/15	SED/ WAG	260KW AUTO/ 270KW MAN GEN IV E85	AC092	ACA154		ACC24
HOLDEN	COMMODORE	VF	SS-V	8	6.0L	L77	P	MPFI	2013	09/15	UTE	260KW AUTO/ 270KW MAN GEN IV E85	AC092	ACA154		ACC24
HOLDEN	COMMODORE	VF	SS-V REDLINE	8	6.0L	L77	P	MPFI	2013	09/15	SED/ WAG	260KW AUTO/ 270KW MAN GEN IV E85	AC092	ACA154		ACC24
HOLDEN	COMMODORE	VF	SS-V REDLINE	8	6.0L	L77	P	MPFI	2013	09/15	UTE	260KW AUTO/ 270KW MAN GEN IV E85	AC092	ACA154		ACC24
HOLDEN	COMMODORE	VF	EVOKE	6	3.0L	LFW	P	MPFI	2013	ON	SED/ WAG		AC088	ACA154		ACC24
HOLDEN	COMMODORE	VF		6	3.6L	LFX	P	MPFI	2013	ON	UTE		AC088	ACA154		ACC24
HOLDEN	COMMODORE	VF	CALAIS	6	3.6L	LFX	P	MPFI	2013	ON	SED/ WAG		AC088	ACA154		ACC24
HOLDEN	COMMODORE	VF	CALAIS V	6	3.6L	LFX	P	MPFI	2013	ON	SED/ WAG		AC088	ACA154		ACC24
HOLDEN	COMMODORE	VF	EVOKE	6	3.6L	LFX	P	MPFI	2013	ON	SED/ WAG		AC088	ACA154		ACC24
HOLDEN	COMMODORE	VF	EVOKE	6	3.6L	LWR	LPG	MPFI	2013	ON	SED/ WAG		AC088	ACA154	ACF219	ACC24
HOLDEN	COMMODORE	VF	SV6	6	3.6L	LFX	P	MPFI	2013	ON	SED/ WAG		AC088	ACA154		ACC24
HOLDEN	COMMODORE	VF	SV6	6	3.6L	LFX	P	MPFI	2013	ON	UTE		AC088	ACA154		ACC24
HOLDEN	COMMODORE	VF	SV6	6	3.6L	LWR	LPG	MPFI	2013	ON	SED/ WAG		AC088	ACA154	ACF219	ACC24
HOLDEN	COMMODORE	VF SERIES II	CALAIS V	8	6.2L	LS3	P	MPFI	10/15	ON	SEDAN	304KW	AC092	ACA154		ACC24
HOLDEN	COMMODORE	VF SERIES II	CALAIS V SPORT- WAGON	8	6.2L	LS3	P	MPFI	10/15	ON	WAGON	304KW	AC092	ACA154		ACC24
HOLDEN	COMMODORE	VF SERIES II	CAPRICE V	8	6.2L	LS3	P	MPFI	10/15	ON	SEDAN	304KW	AC092	ACA154		ACC24
HOLDEN	COMMODORE	VF SERIES II	SS	8	6.2L	LS3	P	MPFI	10/15	ON	SED/ UTE	304KW	AC092	ACA154		ACC24
HOLDEN	COMMODORE	VF SERIES II	SS V	8	6.2L	LS3	P	MPFI	10/15	ON	SED/ UTE	304KW	AC092	ACA154		ACC24
HOLDEN	COMMODORE	VF SERIES II	SS V REDLINE	8	6.2L	LS3	P	MPFI	10/15	ON	SED/ UTE	304KW	AC092	ACA154		ACC24
HOLDEN	CREWMAN	VY SERIES II	CREWMAN	6	3.8L	LN3	P	MPFI	08/03	08/04	UTE	152KW ECOTEC	AC018	ACA85	ACF182	
HOLDEN	CREWMAN	VY SERIES II	S	6	3.8L	LN3	P	MPFI	08/03	08/04	UTE	152KW ECOTEC	AC018	ACA85	ACF182	
HOLDEN	CREWMAN	VY SERIES II	SS	8	5.7L	LS1	P	MPFI	08/03	08/04	UTE	225KW GEN III	AC025	ACA85	ACF120	
HOLDEN	CREWMAN	VY SERIES II	CROSS 8	8	5.7L	LS1	P	MPFI	10/03	02/05	UTE	225KW GEN III	AC025	ACA85	ACF120	
HOLDEN	CREWMAN	VZ	CROSS 8	8	5.7L	LS1	P	MPFI	08/04	12/05	UTE	235KW GEN III	AC025	ACA85	ACF120	

MAKE	MODEL	SERIES	BADGE	CYLS	ENG SIZE	ENGINE CODE	FUEL	FUEL DELIVERY / AIR INTAKE	FROM	TO	BODY	REMARKS	OIL	AIR	FUEL	CABIN
HOLDEN	CREWMAN	VZ	SS	8	5.7L	LS1	P	MPFI	08/04	03/06	UTE	250KW GEN III	AC025	ACA85	ACF120	
HOLDEN	CREWMAN	VZ	CROSS 6	6	3.6L	LE0	P	MPFI	08/04	07/06	UTE	175KW HFV6 ALLOYTEC	AC088	ACA85	ACF182	
HOLDEN	CREWMAN	VZ	EXECUTIVE	6	3.6L	LE0	P	MPFI	08/04	07/06	UTE	175KW HFV6 ALLOYTEC	AC088	ACA85	ACF182	
HOLDEN	CREWMAN	VZ	S	6	3.6L	LE0	P	MPFI	08/04	07/06	UTE	175KW HFV6 ALLOYTEC	AC088	ACA85	ACF182	
HOLDEN	CREWMAN	VZ	SSZ	8	5.7L	LS1	P	MPFI	09/05	03/06	UTE	250KW GEN III	AC025	ACA85	ACF120	
HOLDEN	CREWMAN	VZ	CROSS 8	8	6.0L	L76	P	MPFI	01/06	07/06	UTE	260KW GEN IV	AC025	ACA85	ACF120	
HOLDEN	CREWMAN	VZ	SS	8	6.0L	L76	P	MPFI	03/06	07/06	UTE	260KW GEN IV	AC025	ACA85	ACF120	
HOLDEN	CREWMAN	VZ	SSZ	8	6.0L	L76	P	MPFI	03/06	07/06	UTE	260KW GEN IV	AC025	ACA85	ACF120	
HOLDEN	CREWMAN	VZ	THUNDER SS	8	6.0L	L76	P	MPFI	04/06	07/06	UTE	260KW GEN IV	AC025	ACA85	ACF120	
HOLDEN	CRUZE	YG		4	1.5L	M15A	P	MPFI	07/02	2005	WAGON		AC024	ACA131		ACC49
HOLDEN	CRUZE	JG	CD	4	1.8L	F18D4	P	MPFI	06/09	02/11	SEDAN		AC0108	ACA192		ACC49
HOLDEN	CRUZE	JG	CDX	4	1.8L	F18D4	P	MPFI	06/09	02/11	SEDAN		AC0108	ACA192		ACC49
HOLDEN	CRUZE	JG	CD	4	2.0L	Z20DMH	D	TURBO	06/09	02/11	SEDAN		AC0105	ACA193	ACF176	ACC49
HOLDEN	CRUZE	JG	CDX	4	2.0L	Z20DMH	D	TURBO	06/09	02/11	SEDAN		AC0105	ACA193	ACF176	ACC49
HOLDEN	CRUZE	JH SERIES II	CD	4	1.4L	A14NET	P	TURBO	03/11	01/15	SEDAN		AC0108	ACA193		ACC49
HOLDEN	CRUZE	JH SERIES II	SRI	4	1.4L	A14NET	P	TURBO	03/11	01/15	SEDAN		AC0108	ACA193		ACC49
HOLDEN	CRUZE	JH SERIES II	SRI-V	4	1.4L	A14NET	P	TURBO	03/11	01/15	SEDAN		AC0108	ACA193		ACC49
HOLDEN	CRUZE	JH SERIES II	CD	4	1.8L	F18D4	P	MPFI	03/11	ON	SEDAN		AC0108	ACA192		ACC49
HOLDEN	CRUZE	JH SERIES II	CDX	4	1.8L	F18D4	P	MPFI	03/11	ON	SEDAN		AC0108	ACA192		ACC49
HOLDEN	CRUZE	JH SERIES II	CD	4	2.0L	Z20S1	D	TURBO	03/11	ON	SEDAN		AC0127	ACA193	ACF176	ACC49
HOLDEN	CRUZE	JH SERIES II	CDX	4	2.0L	Z20S1	D	TURBO	03/11	ON	SEDAN		AC0127	ACA193	ACF176	ACC49
HOLDEN	CRUZE	JH SERIES II	EQUIPE	4	1.4L	A14NET	P	TURBO	2013	01/15	SEDAN		AC0108	ACA193		ACC49
HOLDEN	CRUZE	JH SERIES II	SRI	4	1.6L	A16LET	P	TURBO	2013	ON	SEDAN		AC0108	ACA193		ACC49
HOLDEN	CRUZE	JH SERIES II	SRI-V	4	1.6L	A16LET	P	TURBO	2013	ON	SEDAN		AC0108	ACA193		ACC49
HOLDEN	CRUZE	JH SERIES II	EQUIPE	4	1.8L	F18D4	P	MPFI	2013	ON	SEDAN		AC0108	ACA192		ACC49
HOLDEN	CRUZE	JH SERIES II	EQUIPE	4	2.0L	Z20S1	D	TURBO	2013	ON	SEDAN		AC0127	ACA193	ACF176	ACC49
HOLDEN	DROVER	DELUXE		4	1.3L	G13A	P	CARB	1985	1986	H-TOP		AC030		ACF191	
HOLDEN	DROVER	QB		4	1.3L	G13A	P	CARB	1985	1986	H-TOP		AC030		ACF191	
HOLDEN	EPICA	EP	CDX	4	2.0L	X20D1	P	MPFI	2007	2009	SEDAN		AC086	ACA177	ACF134	ACC42
HOLDEN	EPICA	EP	CDX	6	2.5L	X25D1	P	MPFI	2007	2011	SEDAN		AC086	ACA177	ACF134	ACC42
HOLDEN	EPICA	EP	CDXi	6	2.5L	X25D1	P	MPFI	2007	2011	SEDAN		AC086	ACA177	ACF134	ACC42
HOLDEN	EPICA	EP	CDTi	4	2.0L	Z20S1	D	TURBO	05/08	2009	SEDAN		AC0105	ACA344	ACF183	ACC42
HOLDEN	EPICA	EP	CDX	4	2.0L	Z20S1	D	TURBO	2009	2011	SEDAN		AC0105	ACA344	ACF183	ACC42
HOLDEN	EPICA	EP	CDXi	4	2.0L	Z20S1	D	TURBO	2009	2011	SEDAN		AC0105	ACA344	ACF183	ACC42
HOLDEN	FRONTERA	UT	SPORT	4	2.0L	X20SE	P	MPFI	10/95	01/99	2 DR H-TOP		AC018	ACA292	ACF4	
HOLDEN	FRONTERA	UES	SPORT	4	2.2L	X22SE	P	MPFI	02/99	11/02	2 DR H-TOP		AC018	ACA88	ACF4	
HOLDEN	FRONTERA	UES		6	3.2L	6VD1	P	MPFI	02/99	12/03	4 DR H-TOP		AC07	ACA88	ACF4	
HOLDEN	FRONTERA	UES	S	6	3.2L	6VD1	P	MPFI	02/99	12/03	4 DR H-TOP		AC07	ACA88	ACF4	

MAKE	MODEL	SERIES	BADGE	CYLS	ENG SIZE	ENGINE CODE	FUEL	FUEL DELIVERY / AIR INTAKE	FROM	TO	BODY	REMARKS	OIL	AIR	FUEL	CABIN
HOLDEN	FRONTERA	UES	SE	6	3.2L	6VD1	P	MPFI	02/99	12/03	4 DR H-TOP		AC07	ACA88	ACF4	
HOLDEN	GEMINI	TX	SL	4	1.6L	G161Z	P	CARB	1975	1977	SEDAN		AC05	ACA30		
HOLDEN	GEMINI	TC		4	1.6L	G161Z	P	CARB	1977	1978	SEDAN		AC05	ACA30		
HOLDEN	GEMINI	TD	SL/E	4	1.6L	G161Z	P	CARB	1978	1979	COUPE/ SED		AC05	ACA30		
HOLDEN	GEMINI	TE	SL	4	1.6L	G161Z	P	CARB	1980	1981	SEDAN		AC05	ACA30		
HOLDEN	GEMINI	TE	SL/X	4	1.6L	G161Z	P	CARB	1980	1981	SEDAN		AC05	ACA30		
HOLDEN	GEMINI	TE		4	1.8L	4FB1	P	CARB	03/81	1982	SEDAN		AC061		ACF19	
HOLDEN	GEMINI	TF	SL	4	1.6L	G161Z	P	CARB	1982	1984	SEDAN		AC05	ACA30	ACF10	
HOLDEN	GEMINI	TF	SL/X	4	1.6L	G161Z	P	CARB	1982	1984	SEDAN		AC05	ACA30	ACF10	
HOLDEN	GEMINI	TF		4	1.8L	4FB1	P	CARB	03/82	1983	SEDAN		AC061		ACF19	
HOLDEN	GEMINI	TG		4	1.6L	G161Z	P	CARB	1983	1985	SEDAN		AC05	ACA30	ACF10	
HOLDEN	GEMINI	TG	SL/X	4	1.6L	G161Z	P	CARB	1983	1985	SEDAN		AC05	ACA30	ACF10	
HOLDEN	GEMINI	TG		4	1.8L	4FB1	P	CARB	04/83	1984	SEDAN		AC061		ACF19	
HOLDEN	GEMINI	RB		4	1.5L	4XC1	P	CARB	1985	1987	SEDAN		AC05			
HOLDEN	INSIGNIA	GA		6	2.8L	A28NER	P	TURBO MPFI	2015	ON	SEDAN		AC088	ACA334		ACC49
HOLDEN	JACKAROO	UBS		4	1.9L	G200Z	P		1981	1986	4X4 2 DR WAG		AC05	ACA30		
HOLDEN	JACKAROO	UBS		4	1.9L	G200Z	P		1981	1986	4X4 2 DR WAG		AC05	ACA30		
HOLDEN	JACKAROO	UBS		4	2.3L	C223	D		1981	1986	4X4 2 DR WAG		AC040	ACA87	ACF27	
HOLDEN	JACKAROO	UBS		4	2.3L	C223	D	TURBO	1981	03/87	4X4 2 DR WAG			ACA87	ACF27	
HOLDEN	JACKAROO	UBS		4	2.3L	4ZD1	P		1986	03/87	4X4 4 DR WAG		AC07	ACA30		
HOLDEN	JACKAROO	UBS		4	2.3L	C223	D	TURBO	1986	03/87	4X4 4 DR WAG			ACA87	ACF27	
HOLDEN	JACKAROO	UBS	DLX	4	2.3L	4ZD1	P		1986	03/87	4X4 4 DR WAG		AC07	ACA30		
HOLDEN	JACKAROO	UBS	DLX	4	2.3L	C223	D	TURBO	1986	03/87	4X4 2 DR WAG			ACA87	ACF27	
HOLDEN	JACKAROO	UBS		4	2.3L	4ZD1	P		1986	1988	4X4 2 DR WAG		AC07	ACA30		
HOLDEN	JACKAROO	UBS	DLX	4	2.3L	C223	D	TURBO	1986	1988	4X4 4 DR WAG			ACA87	ACF27	
HOLDEN	JACKAROO	UBS	LS	4	2.3L	4ZD1	P		03/87	1988	4X4 4 DR WAG		AC07	ACA30		
HOLDEN	JACKAROO	UBS	LS	4	2.3L	C223	D	TURBO	03/87	1988	4X4 4 DR WAG			ACA87	ACF27	
HOLDEN	JACKAROO	UBS	DLX	4	2.6L	4ZE1	P		1988	1991	4X4 4 DR WAG		AC07	ACA46	ACF4	
HOLDEN	JACKAROO	UBS	LS	4	2.6L	4ZE1	P		1988	1991	4X4 4 DR WAG		AC07	ACA46	ACF4	
HOLDEN	JACKAROO	UBS	DLX	4	2.8L	4JB1	D	TURBO	1988	1991	4X4 4 DR WAG		AC061	ACA87	ACF27	
HOLDEN	JACKAROO	UBS	LS	4	2.8L	4JB1	D	TURBO	1988	1991	4X4 4 DR WAG		AC061	ACA87	ACF27	
HOLDEN	JACKAROO	UBS		4	2.6L	4ZE1	P		1988	03/92	4X4 2 DR WAG		AC07	ACA46	ACF4	
HOLDEN	JACKAROO	UBS	DLX	4	2.6L	4ZE1	P		1989	1991	4X4 2 DR WAG		AC07	ACA46	ACF4	
HOLDEN	JACKAROO	UBS	LS	4	3.1L	4JG2	D	TURBO	04/92	1993	4X4 4 DR WAG		AC066		ACF27	
HOLDEN	JACKAROO	UBS	XS	4	3.1L	4JG2	D	TURBO	04/92	1993	4X4 4 DR WAG		AC066		ACF27	

MAKE	MODEL	SERIES	BADGE	CYLS	ENG SIZE	ENGINE CODE	FUEL	FUEL DELIVERY / AIR INTAKE	FROM	TO	BODY	REMARKS	OIL	AIR	FUEL	CABIN
HOLDEN	JACKAROO	UBS	LS	6	3.2L	6VD1	P		04/92	1993	4X4 4 DR WAG		AC07	ACA88	ACF4	
HOLDEN	JACKAROO	UBS	XS	6	3.2L	6VD1	P		04/92	11/93	4X4 2 DR WAG		AC07	ACA88	ACF4	
HOLDEN	JACKAROO	UBS	XS	6	3.2L	6VD1	P		04/92	07/95	4X4 4 DR WAG		AC07	ACA88	ACF4	
HOLDEN	JACKAROO	UBS	S	4	3.1L	4JG2	D	TURBO	04/92	02/98	4X4 4 DR WAG		AC066		ACF27	
HOLDEN	JACKAROO	UBS	S	6	3.2L	6VD1	P		04/92	02/98	4X4 2 DR WAG		AC07	ACA88	ACF4	
HOLDEN	JACKAROO	UBS	S	6	3.2L	6VD1	P		04/92	02/98	4X4 4 DR WAG		AC07	ACA88	ACF4	
HOLDEN	JACKAROO	UBS	MONTEREY	6	3.2L	6VD1	P		11/93	02/98	4X4 4 DR WAG		AC07	ACA88	ACF4	
HOLDEN	JACKAROO	UBS	SE	6	3.2L	6VD1	P		11/93	02/98	4X4 4 DR WAG		AC07	ACA88	ACF4	
HOLDEN	JACKAROO	UBS	SR	6	3.2L	6VD1	P		07/95	02/98	4X4 2 DR WAG		AC07	ACA88	ACF4	
HOLDEN	JACKAROO	UBS	S	4	3.0L	4JX1	D	TURBO	02/98	01/04	4X4 4 DR WAG	PRIMARY OIL FILTER AC083 / SECONDARY OIL FILTER AC07	AC083 / AC07	ACA132	ACF22	
HOLDEN	JACKAROO	UBS	SE	4	3.0L	4JX1	D	TURBO	02/98	01/04	4X4 4 DR WAG	PRIMARY OIL FILTER AC083 / SECONDARY OIL FILTER AC07	AC083 / AC07	ACA132	ACF22	
HOLDEN	JACKAROO	UBS	MONTEREY	6	3.5L	6VE1	P		02/98	01/04	4X4 4 DR WAG		AC07	ACA88	ACF4	
HOLDEN	JACKAROO	UBS	S	6	3.5L	6VE1	P		02/98	01/04	4X4 4 DR WAG		AC07	ACA88	ACF4	
HOLDEN	JACKAROO	UBS	SE	6	3.5L	6VE1	P		02/98	01/04	4X4 4 DR WAG		AC07	ACA88	ACF4	
HOLDEN	JACKAROO	UBS	50TH ANNIV	4	3.0L	4JX1	D	TURBO	09/98	1999	4X4 4 DR WAG	PRIMARY OIL FILTER AC083 / SECONDARY OIL FILTER AC07	AC083 / AC07	ACA132	ACF22	
HOLDEN	JACKAROO	UBS	50TH ANNIV	6	3.5L	6VE1	P		09/98	1999	4X4 4 DR WAG		AC07	ACA88	ACF4	
HOLDEN	JACKAROO	UBS	OLYMPIC EDITION	4	3.0L	4JX1	D	TURBO	10/99	07/00	4X4 4 DR WAG	PRIMARY OIL FILTER AC083 / SECONDARY OIL FILTER AC07	AC083 / AC07	ACA132	ACF22	
HOLDEN	JACKAROO	UBS	OLYMPIC EDITION	6	3.5L	6VE1	P		10/99	07/00	4X4 4 DR WAG		AC07	ACA88	ACF4	
HOLDEN	JACKAROO	UBS	MONTEREY	4	3.0L	4JX1	D	TURBO	01/01	01/04	4X4 4 DR WAG	PRIMARY OIL FILTER AC083 / SECONDARY OIL FILTER AC07	AC083 / AC07	ACA132	ACF22	
HOLDEN	JACKAROO	UBS	EQUIPE	4	3.0L	4JX1	D	TURBO	04/02	11/02	4X4 4 DR WAG	PRIMARY OIL FILTER AC083 / SECONDARY OIL FILTER AC07	AC083 / AC07	ACA132	ACF22	

MAKE	MODEL	SERIES	BADGE	CYLS	ENG SIZE	ENGINE CODE	FUEL	FUEL DELIVERY / AIR INTAKE	FROM	TO	BODY	REMARKS	OIL	AIR	FUEL	CABIN
HOLDEN	JACKAROO	UBS	EQUIPE	6	3.5L	6VE1	P		04/02	11/02	4X4 4 DR WAG		AC07	ACA88	ACF4	
HOLDEN	JACKAROO	UBS	NULLABOR	4	3.0L	4JX1	D	TURBO	12/02	01/04	4X4 4 DR WAG	PRIMARY OIL FILTER AC083 / SECONDARY OIL FILTER AC07	AC083 / AC07	ACA132	ACF22	
HOLDEN	JACKAROO	UBS	NULLABOR	6	3.5L	6VE1	P		12/02	01/04	4X4 4 DR WAG		AC07	ACA88	ACF4	
HOLDEN	KINGSWOOD	HK		6	2.6L		P	CARB	1968	1971	SED/ WAG		AC03	ACA25		
HOLDEN	KINGSWOOD	HK		6	3.0L		P	CARB	1968	1971	SED/ WAG		AC03	ACA25		
HOLDEN	KINGSWOOD	HK		8	5.0L		P	CARB	1968	1971	SED/ WAG		AC03			
HOLDEN	KINGSWOOD	HT		6	3.0L		P	CARB	1969	1970	WAG/ UTE		AC03	ACA25		
HOLDEN	KINGSWOOD	HT		8	5.0L		P	CARB	1969	1970	WAG/ UTE		AC03			
HOLDEN	KINGSWOOD	HG		6	3.0L		P	CARB	1970	1971	SED/ WAG/ UTE		AC03	ACA25		
HOLDEN	KINGSWOOD	HG		8	5.0L		P	CARB	1970	1971	SED/ WAG/ UTE		AC03			
HOLDEN	KINGSWOOD	HQ		6	3.3L		P	CARB	1971	1974	SED/ WAG/ UTE		AC03	ACA25		
HOLDEN	KINGSWOOD	HQ		8	4.2L		P	CARB	1971	1974	SED/ WAG/ UTE		AC03			
HOLDEN	KINGSWOOD	HQ		8	5.0L		P	CARB	1971	1974	SED/ WAG/ UTE		AC03			
HOLDEN	KINGSWOOD	HJ		6	3.3L		P	CARB	1974	1976	SED/ VAN/ UTE		AC03	ACA25		
HOLDEN	KINGSWOOD	HJ	VACATIONER	6	3.3L		P	CARB	1974	1976	SED/ WAG		AC03	ACA25		
HOLDEN	KINGSWOOD	HJ		8	4.2L		P	CARB	1974	1976	SED/ VAN/ UTE		AC03			
HOLDEN	KINGSWOOD	HJ		8	5.0L		P	CARB	1974	1976	SED/ VAN/ UTE		AC03			
HOLDEN	KINGSWOOD	HX		6	3.3L		P	CARB	1976	1977	SED/ WAG/ UTE		AC03	ACA25		
HOLDEN	KINGSWOOD	HX		8	4.2L		P	CARB	1976	1977	SED/ WAG/ UTE		AC03			
HOLDEN	KINGSWOOD	HX	DELUXE	8	4.2L		P	CARB	1976	1977	SEDAN		AC03			
HOLDEN	KINGSWOOD	HX		8	5.0L		P	CARB	1976	1977	SED/ WAG/ UTE		AC03			
HOLDEN	KINGSWOOD	HZ		6	3.3L		P	CARB	1977	1980	UTE/VAN		AC03	ACA25		
HOLDEN	KINGSWOOD	HZ	SL	6	3.3L		P	CARB	1977	1980	SED/ WAG		AC03	ACA25		
HOLDEN	KINGSWOOD	HZ		8	4.2L		P	CARB	1977	1980	UTE/VAN		AC03			
HOLDEN	KINGSWOOD	HZ	SL	8	4.2L		P	CARB	1977	1980	SED/ WAG		AC03			

MAKE	MODEL	SERIES	BADGE	CYLS	ENG SIZE	ENGINE CODE	FUEL	FUEL DELIVERY / AIR INTAKE	FROM	TO	BODY	REMARKS	OIL	AIR	FUEL	CABIN
HOLDEN	KINGSWOOD	HZ		8	5.0L		P	CARB	1977	1980	UTE/VAN		AC03			
HOLDEN	KINGSWOOD	HZ	SL	8	5.0L		P	CARB	1977	1980	SED/WAG		AC03			
HOLDEN	KINGSWOOD	WB		6	3.3L		P	CARB	1980	1984	UTE		AC03	ACA25		
HOLDEN	KINGSWOOD	WB		8	4.2L		P	CARB	1980	1984	UTE		AC03			
HOLDEN	MALIBU	EM	CD	4	2.0L	A20DTH	D	DIRECT INJ	2013	ON	SEDAN		AC0162	ACA335	ACF176	ACC49
HOLDEN	MALIBU	EM	CDX	4	2.0L	A20DTH	D	DIRECT INJ	2013	ON	SEDAN		AC0162	ACA335	ACF176	ACC49
HOLDEN	MALIBU	EM	CD	4	2.4L	LE9	P	MPFI	2013	ON	SEDAN		AC089	ACA335		ACC49
HOLDEN	MALIBU	EM	CDX	4	2.4L	LE9	P	MPFI	2013	ON	SEDAN		AC089	ACA335		ACC49
HOLDEN	MONARO	V2	CV6	6	3.8L	L67	P	S-CHARGED	12/01	12/02	COUPE	171KW ECOTEC	AC018	ACA85	ACF90	
HOLDEN	MONARO	V2	CV8	8	5.7L	LS1	P	MPFI	12/01	12/02	COUPE	225KW GEN III	AC025	ACA85	ACF120	
HOLDEN	MONARO	V2 SERIES II	CV6	6	3.8L	L67	P	S-CHARGED	01/03	08/03	COUPE	171KW ECOTEC	AC018	ACA85	ACF90	
HOLDEN	MONARO	V2 SERIES II	CV8	8	5.7L	LS1	P	MPFI	01/03	08/03	COUPE	235KW GEN III	AC025	ACA85	ACF120	
HOLDEN	MONARO	V2 SERIES II	CV8 R	8	5.7L	LS1	P	MPFI	07/03	08/03	COUPE	235KW GEN III	AC025	ACA85	ACF120	
HOLDEN	MONARO	V2 SERIES III	CV8	8	5.7L	LS1	P	MPFI	08/03	09/04	COUPE	250KW GEN III	AC025	ACA85	ACF120	
HOLDEN	MONARO	V2 SERIES III	CV8 R	8	5.7L	LS1	P	MPFI	04/04	09/04	COUPE	250KW GEN III	AC025	ACA85	ACF120	
HOLDEN	MONARO	VZ	CV8	8	5.7L	LS1 PLUS	P	MPFI	09/04	06/05	COUPE	260KW GEN III	AC025	ACA85	ACF120	
HOLDEN	MONARO	VZ	CV8 Z	8	5.7L	LS1 PLUS	P	MPFI	07/05	12/05	COUPE	260KW GEN III	AC025	ACA85	ACF120	
HOLDEN	NOVA	LE	SL	4	1.4L	6A-FC	P	CARB	1989	1991	HATCH		AC022	ACA37	ACF9	
HOLDEN	NOVA	LE	SL	4	1.6L	4A-FC	P	CARB	1989	1991	HATCH		AC022	ACA37	ACF9	
HOLDEN	NOVA	LE	SLE	4	1.6L	4A-FC	P	CARB	1989	1991	HATCH		AC022	ACA37	ACF9	
HOLDEN	NOVA	LE	SLX	4	1.6L	4A-FC	P	CARB	1989	1991	HATCH		AC022	ACA37	ACF9	
HOLDEN	NOVA	LF	SL	4	1.6L	4A-FC	P	CARB	1992	1994	HATCH		AC022	ACA43	ACF29	
HOLDEN	NOVA	LF	SLE	4	1.6L	4A-FE	P	MPFI	1992	1994	HATCH		AC022	ACA37	ACF9	
HOLDEN	NOVA	LF	SLX	4	1.6L	4A-FE	P	MPFI	1992	1994	HATCH		AC022	ACA37	ACF9	
HOLDEN	NOVA	LF	SLX LIMITED	4	1.6L	4A-FE	P	MPFI	1992	1994	HATCH		AC022	ACA37	ACF9	
HOLDEN	NOVA	LF	GS	4	1.8L	7A-FE	P	MPFI	1992	1994	HATCH		AC022	ACA43	ACF29	
HOLDEN	NOVA	LG	SLX	4	1.6L	4A-FE	P	MPFI	1994	1997	HATCH		AC022	ACA86	ACF91	
HOLDEN	NOVA	LG	GS	4	1.8L	7A-FE	P	MPFI	1994	1997	HATCH		AC022	ACA86	ACF91	
HOLDEN	ONE TONNE	HQ		6	3.3L		P	CARB	1971	1974	UTE		AC03	ACA25		
HOLDEN	ONE TONNE	HQ		8	5.0L		P	CARB	1971	1974	UTE		AC03			
HOLDEN	ONE TONNE	HJ		6	3.3L		P	CARB	1974	1976	UTE		AC03	ACA25		
HOLDEN	ONE TONNE	HJ		8	5.0L		P	CARB	1974	1976	UTE		AC03			
HOLDEN	ONE TONNE	HX		8	4.2L		P	CARB	1976	1977	UTE		AC034			
HOLDEN	ONE TONNE	HX		8	5.0L		P	CARB	1976	1977	UTE		AC034			
HOLDEN	ONE TONNE	HZ		8	4.2L		P	CARB	1977	1980	UTE		AC03			
HOLDEN	ONE TONNE	HZ		8	5.0L		P	CARB	1977	1980	UTE		AC03			
HOLDEN	ONE TONNE	WB		8	5.0L		P	CARB	1980	1984	UTE		AC034			
HOLDEN	ONE TONNER	VY		6	3.8L	LN3	P	MPFI	06/03	08/03	CAB CHASS	152KW ECOTEC	AC018	ACA85	ACF182	
HOLDEN	ONE TONNER	VY	S	6	3.8L	LN3	P	MPFI	06/03	08/03	CAB CHASS	152KW ECOTEC	AC018	ACA85	ACF182	
HOLDEN	ONE TONNER	VY	S	8	5.7L	LS1	P	MPFI	06/03	08/03	CAB CHASS	225KW GEN III	AC025	ACA85	ACF120	

MAKE	MODEL	SERIES	BADGE	CYLS	ENG SIZE	ENGINE CODE	FUEL	FUEL DELIVERY / AIR INTAKE	FROM	TO	BODY	REMARKS	OIL	AIR	FUEL	CABIN
HOLDEN	ONE TONNER	VY SERIES II		6	3.8L	LN3	P	MPFI	08/03	08/04	CAB CHASS	152KW ECOTEC	AC018	ACA85	ACF182	
HOLDEN	ONE TONNER	VY SERIES II	S	6	3.8L	LN3	P	MPFI	08/03	08/04	CAB CHASS	152KW ECOTEC	AC018	ACA85	ACF182	
HOLDEN	ONE TONNER	VY SERIES II	S	8	5.7L	LS1	P	MPFI	08/03	08/04	CAB CHASS	225KW GEN III	AC025	ACA85	ACF120	
HOLDEN	ONE TONNER	VZ		6	3.6L	LE0	P	MPFI	08/04	12/05	CAB CHASS	175KW HFV6 ALLOYTEC	AC088	ACA85	ACF182	
HOLDEN	ONE TONNER	VZ	CROSS 6	6	3.6L	LE0	P	MPFI	08/04	12/05	CAB CHASS	175KW HFV6 ALLOYTEC	AC088	ACA85	ACF182	
HOLDEN	ONE TONNER	VZ	S	6	3.6L	LE0	P	MPFI	08/04	12/05	CAB CHASS	175KW HFV6 ALLOYTEC	AC088	ACA85	ACF182	
HOLDEN	ONE TONNER	VZ	S	8	5.7L	LS1	P	MPFI	08/04	12/05	CAB CHASS	235KW GEN III	AC025	ACA85	ACF120	
HOLDEN	PIAZZA	YB		4	2.0L	4ZC1-T	P	TURBO	1986	1988	HATCH		AC07		ACF8	
HOLDEN	PREMIER	HG		8	4.2L		P	CARB	1970	1971	SEDAN		AC03			
HOLDEN	PREMIER	HQ		6	3.3L		P	CARB	1972	1974	SEDAN		AC03	ACA25		
HOLDEN	PREMIER	HQ		8	4.2L		P	CARB	1972	1974	SEDAN		AC03			
HOLDEN	PREMIER	HJ		8	5.0L		P	CARB	1975	1976	SED/WAG		AC03			
HOLDEN	PREMIER	HX		8	4.2L		P	CARB	1976	1977	SED/WAG		AC03			
HOLDEN	PREMIER	HX		8	5.0L		P	CARB	1976	1977	SED/WAG		AC03			
HOLDEN	PREMIER	HZ		8	4.2L		P	CARB	1977	1979	SED/WAG/UTE		AC03			
HOLDEN	PREMIER	HZ		8	5.0L		P	CARB	1977	1979	SED/WAG/UTE		AC03			
HOLDEN	RODEO	KB		4	2.3L	4ZD1	P	MPFI	03/87	08/88	4X2 CAB CHASS		AC07	ACA30	ACF64	
HOLDEN	RODEO	KB		4	2.3L	4ZD1	P	MPFI	03/87	08/88	4X2 P-UP		AC07	ACA30	ACF64	
HOLDEN	RODEO	KB		4	2.3L	4ZD1	P	MPFI	03/87	08/88	4X4 CAB CHASS		AC07	ACA30	ACF64	
HOLDEN	RODEO	KB		4	2.3L	C223	D	MPFI	03/87	08/88	4X2 CAB CHASS		AC040	ACA30	ACF27	
HOLDEN	RODEO	KB		4	2.3L	C223	D	MPFI	03/87	08/88	4X4 CAB CHASS		AC040	ACA30	ACF27	
HOLDEN	RODEO	KB	DLX	4	2.3L	4ZD1	P	MPFI	03/87	08/88	4X2 CREW CAB P-UP		AC07	ACA30	ACF64	
HOLDEN	RODEO	KB	DLX	4	2.3L	4ZD1	P	MPFI	03/87	08/88	4X2 P-UP		AC07	ACA30	ACF64	
HOLDEN	RODEO	KB	DLX	4	2.3L	4ZD1	P	MPFI	03/87	08/88	4X2 SPACE CAB P-UP		AC07	ACA30	ACF64	
HOLDEN	RODEO	KB	DLX	4	2.3L	4ZD1	P	MPFI	03/87	08/88	4X4 CREW CAB P-UP		AC07	ACA30	ACF64	
HOLDEN	RODEO	KB	LS	4	2.3L	4ZD1	P	MPFI	03/87	08/88	4X2 SPACE CAB P-UP		AC07	ACA30	ACF64	

MAKE	MODEL	SERIES	BADGE	CYLS	ENG SIZE	ENGINE CODE	FUEL	FUEL DELIVERY / AIR INTAKE	FROM	TO	BODY	REMARKS	OIL	AIR	FUEL	CABIN
HOLDEN	RODEO	TF	DLX	4	2.5L	4JA1	D	MPFI	08/88	10/90	4X4 CAB CHASS		AC061	ACA66	ACF27	
HOLDEN	RODEO	TF	DLX	4	2.5L	4JA1	D	MPFI	08/88	10/90	4X4 CREW CAB		AC061	ACA66	ACF27	
HOLDEN	RODEO	TF	LS	4	2.6L	4ZE1	P	MPFI	08/88	10/90	4X4 P-UP		AC07	ACA46	ACF4	
HOLDEN	RODEO	TF	DLX	4	2.8L	4JB1	D	TURBO	08/88	10/90	4X2 CAB CHASS		AC061	ACA66	ACF27	
HOLDEN	RODEO	TF	DLX	4	2.5L	4JA1	D	MPFI	08/88	10/92	4X2 CAB CHASS		AC061	ACA66	ACF27	
HOLDEN	RODEO	TF	DLX	4	2.6L	4ZE1	P	MPFI	08/88	10/92	4X4 P-UP		AC07	ACA46	ACF4	
HOLDEN	RODEO	TF	DLX	4	2.6L	4ZE1	P	MPFI	08/88	10/95	4X2 CAB CHASS		AC07	ACA46	ACF4	
HOLDEN	RODEO	TF	DLX	4	2.6L	4ZE1	P	MPFI	08/88	10/95	4X2 CREW CAB		AC07	ACA46	ACF4	
HOLDEN	RODEO	TF	DLX	4	2.6L	4ZE1	P	MPFI	08/88	10/95	4X2 P-UP		AC07	ACA46	ACF4	
HOLDEN	RODEO	TF	DLX	4	2.6L	4ZE1	P	MPFI	08/88	10/95	4X4 CAB CHASS		AC07	ACA46	ACF4	
HOLDEN	RODEO	TF	DLX	4	2.6L	4ZE1	P	MPFI	08/88	10/95	4X4 CREW CAB		AC07	ACA46	ACF4	
HOLDEN	RODEO	TF	LS	4	2.6L	4ZE1	P	MPFI	08/88	10/95	4X2 SPACE CAB		AC07	ACA46	ACF4	
HOLDEN	RODEO	TF	LS	4	2.6L	4ZE1	P	MPFI	08/88	10/95	4X4 SPACE CAB		AC07	ACA46	ACF4	
HOLDEN	RODEO	TF	LT	4	2.6L	4ZE1	P	MPFI	08/88	10/95	4X2 CREW CAB		AC07	ACA46	ACF4	
HOLDEN	RODEO	TF	DLX	4	2.8L	4JB1	D	TURBO	08/88	10/95	4X4 CAB CHASS		AC061	ACA66	ACF27	
HOLDEN	RODEO	TF	DLX	4	2.8L	4JB1	D	TURBO	08/88	10/95	4X4 CREW CAB		AC061	ACA66	ACF27	
HOLDEN	RODEO	TF	DLX	4	2.5L	4JA1	D	MPFI	10/90	10/92	4X2 P-UP		AC061	ACA66	ACF27	
HOLDEN	RODEO	TF	DLX	4	2.3L	4ZD1	P	CARB	10/90	09/93	4X2 CAB CHASS		AC07	ACA46	ACF64	
HOLDEN	RODEO	TF	DLX	4	2.3L	4ZD1	P	CARB	10/90	09/93	4X2 P-UP		AC07	ACA46	ACF64	
HOLDEN	RODEO	TF	DLX	4	2.8L	4JB1	D	TURBO	10/90	09/93	4X4 P-UP		AC061	ACA66	ACF27	
HOLDEN	RODEO	TF	DLX	4	2.8L	4JB1	D	TURBO	10/92	09/93	4X2 P-UP		AC061	ACA66	ACF27	
HOLDEN	RODEO	TF		4	2.6L	4ZE1	P	MPFI	10/92	10/95	4X2 CAB CHASS		AC07	ACA46	ACF4	
HOLDEN	RODEO	TF	DLX	4	2.6L	4ZE1	P	MPFI	10/92	10/95	4X2 SPACE CAB CHASS		AC07	ACA46	ACF4	
HOLDEN	RODEO	TF	DLX	4	2.8L	4JB1	D	TURBO	10/92	10/95	4X2 CAB CHASS		AC061	ACA66	ACF27	
HOLDEN	RODEO	TF	DLX	4	2.8L	4JB1	D	TURBO	10/92	10/95	4X4 SPACE CAB CHASS		AC061	ACA66	ACF27	
HOLDEN	RODEO	TF	DX	4	2.6L	4ZE1	P	MPFI	10/95	04/98	4X2 CAB CHASS		AC07	ACA46	ACF4	



MAKE	MODEL	SERIES	BADGE	CYLS	ENG SIZE	ENGINE CODE	FUEL	FUEL DELIVERY / AIR INTAKE	FROM	TO	BODY	REMARKS	OIL	AIR	FUEL	CABIN
HOLDEN	RODEO	TF	LX	4	2.6L	4ZE1	P	MPFI	10/95	04/98	4X2 CAB CHASS		AC07	ACA46	ACF4	
HOLDEN	RODEO	TF	LX	4	2.6L	4ZE1	P	MPFI	10/95	04/98	4X2 CREW CAB		AC07	ACA46	ACF4	
HOLDEN	RODEO	TF	LX	4	2.6L	4ZE1	P	MPFI	10/95	04/98	4X2 P-UP		AC07	ACA46	ACF4	
HOLDEN	RODEO	TF	LX	4	2.6L	4ZE1	P	MPFI	10/95	04/98	4X2 SPACE CAB		AC07	ACA46	ACF4	
HOLDEN	RODEO	TF	LX	4	2.6L	4ZE1	P	MPFI	10/95	04/98	4X2 SPACE CAB CHASS		AC07	ACA46	ACF4	
HOLDEN	RODEO	TF	LX	4	2.6L	4ZE1	P	MPFI	10/95	04/98	4X4 CAB CHASS		AC07	ACA46	ACF4	
HOLDEN	RODEO	TF	LX	4	2.6L	4ZE1	P	MPFI	10/95	04/98	4X4 CREW CAB		AC07	ACA46	ACF4	
HOLDEN	RODEO	TF	LX	4	2.8L	4JB1	D	TURBO	10/95	11/02	4X2 CAB CHASS		AC061	ACA66	ACF27	
HOLDEN	RODEO	TF	LX	4	2.8L	4JB1	D	TURBO	10/95	11/02	4X4 CAB CHASS		AC061	ACA66	ACF27	
HOLDEN	RODEO	TF	LX	4	2.8L	4JB1	D	TURBO	10/95	11/02	4X4 CREW CAB		AC061	ACA66	ACF27	
HOLDEN	RODEO	TF	LX	4	2.8L	4JB1	D	TURBO	10/95	11/02	4X4 SPACE CAB CHASS		AC061	ACA66	ACF27	
HOLDEN	RODEO	TF	DX	4	2.6L	4ZE1	P	MPFI	11/96	04/98	4X4 CAB CHASS		AC07	ACA46	ACF4	
HOLDEN	RODEO	TF	LS	4	2.6L	4ZE1	P	MPFI	11/96	04/98	4X4 SPACE CAB		AC07	ACA46	ACF4	
HOLDEN	RODEO	TF	LT	4	2.6L	4ZE1	P	MPFI	11/96	04/98	4X2 CREW CAB		AC07	ACA46	ACF4	
HOLDEN	RODEO	TF	LT	6	3.2L	6VD1	P	MPFI	11/96	04/98	4X2 CREW CAB		AC07	ACA88	ACF4	
HOLDEN	RODEO	TF	DX	4	2.8L	4JB1	D	TURBO	11/96	11/02	4X4 CAB CHASS		AC061	ACA66	ACF27	
HOLDEN	RODEO	TF	LX	6	3.2L	6VD1	P	MPFI	11/96	11/02	4X2 CAB CHASS		AC07	ACA88	ACF4	
HOLDEN	RODEO	TF	LX	6	3.2L	6VD1	P	MPFI	11/96	11/02	4X4 CAB CHASS		AC07	ACA88	ACF4	
HOLDEN	RODEO	TF	LX	6	3.2L	6VD1	P	MPFI	11/96	11/02	4X4 CREW CAB		AC07	ACA88	ACF4	
HOLDEN	RODEO	TF	DX	4	2.8L	4JB1	D	TURBO	04/98	10/99	4X2 CREW CAB		AC061	ACA66	ACF27	
HOLDEN	RODEO	TF	DX	4	2.2L	C22NE	P	MPFI	04/98	05/01	4X2 P-UP		AC018	ACA88	ACF4	
HOLDEN	RODEO	TF	LS	6	3.2L	6VD1	P	MPFI	04/98	05/01	4X4 SPACE CAB		AC07	ACA88	ACF4	
HOLDEN	RODEO	TF	DX	4	2.2L	C22NE	P	MPFI	04/98	11/02	4X2 CREW CAB		AC018	ACA88	ACF4	
HOLDEN	RODEO	TF	DX	4	2.2L	C22NE	P	MPFI	04/98	11/02	4X2 CAB CHASS		AC018	ACA88	ACF4	

MAKE	MODEL	SERIES	BADGE	CYLS	ENG SIZE	ENGINE CODE	FUEL	FUEL DELIVERY / AIR INTAKE	FROM	TO	BODY	REMARKS	OIL	AIR	FUEL	CABIN
HOLDEN	RODEO	TF	LT	6	3.2L	6VD1	P	MPFI	04/98	11/02	4X2 CREW CAB		AC07	ACA88	ACF4	
HOLDEN	RODEO	TF	LT	6	3.2L	6VD1	P	MPFI	04/98	11/02	4X4 CREW CAB		AC07	ACA88	ACF4	
HOLDEN	RODEO	TF	LX	6	3.2L	6VD1	P	MPFI	04/98	11/02	4X2 CREW CAB		AC07	ACA88	ACF4	
HOLDEN	RODEO	TF	LX	6	3.2L	6VD1	P	MPFI	04/98	11/02	4X2 SPACE CAB CHASS		AC07	ACA88	ACF4	
HOLDEN	RODEO	TF	LX	6	3.2L	6VD1	P	MPFI	04/98	11/02	4X2 SPACE CAB CHASS		AC07	ACA88	ACF4	
HOLDEN	RODEO	TF	LX	4	2.8L	4JB1	D	TURBO	10/99	05/01	4X2 CREW CAB		AC061	ACA66	ACF27	
HOLDEN	RODEO	TF	LX	4	2.8L	4JB1	D	TURBO	10/99	05/01	4X4 P-UP		AC061	ACA66	ACF27	
HOLDEN	RODEO	TF	DX	6	3.2L	6VD1	P	MPFI	10/99	05/01	4X2 P-UP		AC07	ACA88	ACF4	
HOLDEN	RODEO	TF	DX	6	3.2L	6VD1	P	MPFI	10/99	05/01	4X4 CAB CHASS		AC07	ACA88	ACF4	
HOLDEN	RODEO	TF	LX	6	3.2L	6VD1	P	MPFI	10/99	05/01	4X4 P-UP		AC07	ACA88	ACF4	
HOLDEN	RODEO	TF	LT SPORT	4	2.8L	4JB1	D	TURBO	10/99	10/01	4X4 CREW CAB		AC061	ACA66	ACF27	
HOLDEN	RODEO	TF	LX	4	2.8L	4JB1	D	TURBO	10/99	10/01	4X4 SPACE CAB		AC061	ACA66	ACF27	
HOLDEN	RODEO	TF	LT SPORT	6	3.2L	6VD1	P	MPFI	10/99	10/01	4X4 CREW CAB		AC07	ACA88	ACF4	
HOLDEN	RODEO	TF	LX	6	3.2L	6VD1	P	MPFI	10/99	11/02	4X2 P-UP		AC07	ACA88	ACF4	
HOLDEN	RODEO	TF	LT	4	2.8L	4JB1	D	TURBO	05/01	10/01	4X4 CREW CAB		AC061	ACA66	ACF27	
HOLDEN	RODEO	TF	LT	4	2.8L	4JB1	D	TURBO	05/01	10/01	4X4 SPACE CAB		AC061	ACA66	ACF27	
HOLDEN	RODEO	TF	LT	6	3.2L	6VD1	P	MPFI	05/01	10/01	4X4 SPACE CAB		AC07	ACA88	ACF4	
HOLDEN	RODEO	TF	LX	6	3.2L	6VD1	P	MPFI	05/01	11/02	4X4 SPACE CAB		AC07	ACA88	ACF4	
HOLDEN	RODEO	TF	LT SPORT	4	3.0L	4JH1TC	D	TURBO	10/01	11/02	4X4 CREW CAB		AC066	ACA132	ACF27	
HOLDEN	RODEO	TF	LT SPORT	4	3.0L	4JH1TC	D	TURBO	10/01	11/02	4X4 SPACE CAB		AC066	ACA132	ACF27	
HOLDEN	RODEO	TF	LX	4	3.0L	4JH1TC	D	TURBO	10/01	11/02	4X2 CREW CAB		AC066	ACA132	ACF27	
HOLDEN	RODEO	TF	LX	4	3.0L	4JH1TC	D	TURBO	10/01	11/02	4X4 CAB CHASS		AC066	ACA132	ACF27	

MAKE	MODEL	SERIES	BADGE	CYLS	ENG SIZE	ENGINE CODE	FUEL	FUEL DELIVERY / AIR INTAKE	FROM	TO	BODY	REMARKS	OIL	AIR	FUEL	CABIN
HOLDEN	RODEO	TF	LX	4	3.0L	4JH1TC	D	TURBO	10/01	11/02	4X4 CREW CAB		AC066	ACA132	ACF27	
HOLDEN	RODEO	TF	LX	4	3.0L	4JH1TC	D	TURBO	10/01	11/02	4X4 SPACE CAB		AC066	ACA132	ACF27	
HOLDEN	RODEO	RA	LT	6	3.5L	6VE1	P	MPFI	11/02	09/05	4X2 CREW CAB P-UP		AC07	ACA135	ACF90	
HOLDEN	RODEO	RA	LT	6	3.5L	6VE1	P	MPFI	11/02	09/05	4X4 CREW CAB P-UP		AC07	ACA135	ACF90	
HOLDEN	RODEO	RA	LT	6	3.5L	6VE1	P	MPFI	11/02	09/05	4X4 SPACE CAB P-UP		AC07	ACA135	ACF90	
HOLDEN	RODEO	RA	LX	6	3.5L	6VE1	P	MPFI	11/02	09/05	4X2 CAB CHASS		AC07	ACA135	ACF90	
HOLDEN	RODEO	RA	LX	6	3.5L	6VE1	P	MPFI	11/02	09/05	4X2 CREW CAB P-UP		AC07	ACA135	ACF90	
HOLDEN	RODEO	RA	LX	6	3.5L	6VE1	P	MPFI	11/02	09/05	4X2 P-UP		AC07	ACA135	ACF90	
HOLDEN	RODEO	RA	LX	6	3.5L	6VE1	P	MPFI	11/02	09/05	4X2 SPACE CAB CHASS		AC07	ACA135	ACF90	
HOLDEN	RODEO	RA	LX	6	3.5L	6VE1	P	MPFI	11/02	09/05	4X2 SPACE CAB P-UP		AC07	ACA135	ACF90	
HOLDEN	RODEO	RA	LX	6	3.5L	6VE1	P	MPFI	11/02	09/05	4X4 CAB CHASS		AC07	ACA135	ACF90	
HOLDEN	RODEO	RA	LX	6	3.5L	6VE1	P	MPFI	11/02	09/05	4X4 CREW CAB CHASS		AC07	ACA135	ACF90	
HOLDEN	RODEO	RA	LX	6	3.5L	6VE1	P	MPFI	11/02	09/05	4X4 CREW CAB P-UP		AC07	ACA135	ACF90	
HOLDEN	RODEO	RA	LX	6	3.5L	6VE1	P	MPFI	11/02	09/05	4X4 SPACE CAB P-UP		AC07	ACA135	ACF90	
HOLDEN	RODEO	RA	DX	4	3.0L	4JH1TC	D	MPFI	11/02	01/07	4X4 CAB CHASS	FUEL WATER SEPARATOR ACF139	AC019	ACA132	ACF27	
HOLDEN	RODEO	RA	LT	4	3.0L	4JH1TC	D	MPFI	11/02	01/07	4X4 CREW CAB P-UP	FUEL WATER SEPARATOR ACF139	AC019	ACA132	ACF27	
HOLDEN	RODEO	RA	LT	4	3.0L	4JH1TC	D	MPFI	11/02	01/07	4X4 SPACE CAB P-UP	FUEL WATER SEPARATOR ACF139	AC019	ACA132	ACF27	
HOLDEN	RODEO	RA	LX	4	3.0L	4JH1TC	D	MPFI	11/02	01/07	4X2 CAB CHASS	FUEL WATER SEPARATOR ACF139	AC019	ACA132	ACF27	
HOLDEN	RODEO	RA	LX	4	3.0L	4JH1TC	D	MPFI	11/02	01/07	4X2 CREW CAB P-UP	FUEL WATER SEPARATOR ACF139	AC019	ACA132	ACF27	

MAKE	MODEL	SERIES	BADGE	CYLS	ENG SIZE	ENGINE CODE	FUEL	FUEL DELIVERY / AIR INTAKE	FROM	TO	BODY	REMARKS	OIL	AIR	FUEL	CABIN
HOLDEN	RODEO	RA	LX	4	3.0L	4JH1TC	D	MPFI	11/02	01/07	4X4 CAB CHASS	FUEL WATER SEPARATOR ACF139	AC019	ACA132	ACF27	
HOLDEN	RODEO	RA	LX	4	3.0L	4JH1TC	D	MPFI	11/02	01/07	4X4 CREW CAB CHASS	FUEL WATER SEPARATOR ACF139	AC019	ACA132	ACF27	
HOLDEN	RODEO	RA	LX	4	3.0L	4JH1TC	D	MPFI	11/02	01/07	4X4 CREW CAB P-UP	FUEL WATER SEPARATOR ACF139	AC019	ACA132	ACF27	
HOLDEN	RODEO	RA	LX	4	3.0L	4JH1TC	D	MPFI	11/02	01/07	4X4 SPACE CAB CHASS	FUEL WATER SEPARATOR ACF139	AC019	ACA132	ACF27	
HOLDEN	RODEO	RA	LX	4	3.0L	4JH1TC	D	MPFI	11/02	01/07	4X4 SPACE CAB P-UP	FUEL WATER SEPARATOR ACF139	AC019	ACA132	ACF27	
HOLDEN	RODEO	RA	DX	4	2.4L	C24SE	P	MPFI	03/03	11/05	4X2 CAB CHASS		AC018	ACA135	ACF90	
HOLDEN	RODEO	RA	DX	4	2.4L	C24SE	P	MPFI	03/03	11/05	4X2 CREW CAB P-UP		AC018	ACA135	ACF90	
HOLDEN	RODEO	RA	DX	4	2.4L	Y24SE	P	MPFI	01/06	06/08	4X2 CAB CHASS		AC018	ACA135	ACF90	
HOLDEN	RODEO	RA	DX	4	2.4L	Y24SE	P	MPFI	01/06	06/08	4X2 CREW CAB P-UP		AC018	ACA135	ACF90	
HOLDEN	RODEO	RA	LT	6	3.6L	LCA	P	MPFI	01/06	09/08	4X4 SPACE CAB P-UP	157KW HFV6 ALLOYTEC	AC0111	ACA135	ACF90	
HOLDEN	RODEO	RA	LT	6	3.6L	LCA	P	MPFI	01/06	09/08	4X2 CREW CAB P-UP	157KW HFV6 ALLOYTEC	AC0111	ACA135	ACF90	
HOLDEN	RODEO	RA	LT	6	3.6L	LCA	P	MPFI	01/06	09/08	4X4 CREW CAB P-UP	157KW HFV6 ALLOYTEC	AC0111	ACA135	ACF90	
HOLDEN	RODEO	RA	LX	6	3.6L	LCA	P	MPFI	01/06	09/08	4X2 CAB CHASS	157KW HFV6 ALLOYTEC	AC0111	ACA135	ACF90	
HOLDEN	RODEO	RA	LX	6	3.6L	LCA	P	MPFI	01/06	09/08	4X2 CREW CAB P-UP	157KW HFV6 ALLOYTEC	AC0111	ACA135	ACF90	
HOLDEN	RODEO	RA	LX	6	3.6L	LCA	P	MPFI	01/06	09/08	4X2 SPACE CAB CHASS	157KW HFV6 ALLOYTEC	AC0111	ACA135	ACF90	
HOLDEN	RODEO	RA	LX	6	3.6L	LCA	P	MPFI	01/06	09/08	4X2 SPACE CAB P-UP	157KW HFV6 ALLOYTEC	AC0111	ACA135	ACF90	
HOLDEN	RODEO	RA	LX	6	3.6L	LCA	P	MPFI	01/06	09/08	4X4 CAB CHASS	157KW HFV6 ALLOYTEC	AC0111	ACA135	ACF90	
HOLDEN	RODEO	RA	LX	6	3.6L	LCA	P	MPFI	01/06	09/08	4X4 CREW CAB P-UP	157KW HFV6 ALLOYTEC	AC0111	ACA135	ACF90	

MAKE	MODEL	SERIES	BADGE	CYLS	ENG SIZE	ENGINE CODE	FUEL	FUEL DELIVERY / AIR INTAKE	FROM	TO	BODY	REMARKS	OIL	AIR	FUEL	CABIN
HOLDEN	RODEO	RA	LX	6	3.6L	LCA	P	MPFI	01/06	09/08	4X4 CREW CAB P-UP	157KW HFV6 ALLOYTEC	AC0111	ACA135	ACF90	
HOLDEN	RODEO	RA	DX	4	3.0L	4JJ1TC	D	MPFI	01/07	09/08	4X4 CAB CHASS	FUEL WATER SEPARATOR ACF139	AC083	ACA173	ACF138	ACC75
HOLDEN	RODEO	RA	LT	4	3.0L	4JJ1TC	D	MPFI	01/07	09/08	4X4 CREW CAB P-UP	FUEL WATER SEPARATOR ACF139	AC083	ACA173	ACF138	ACC75
HOLDEN	RODEO	RA	LX	4	3.0L	4JJ1TC	D	MPFI	01/07	09/08	4X2 CAB CHASS	FUEL WATER SEPARATOR ACF139	AC083	ACA173	ACF138	ACC75
HOLDEN	RODEO	RA	LX	4	3.0L	4JJ1TC	D	MPFI	01/07	09/08	4X2 CREW CAB P-UP	FUEL WATER SEPARATOR ACF139	AC083	ACA173	ACF138	ACC75
HOLDEN	RODEO	RA	LX	4	3.0L	4JJ1TC	D	MPFI	01/07	09/08	4X4 CAB CHASS	FUEL WATER SEPARATOR ACF139	AC083	ACA173	ACF138	ACC75
HOLDEN	RODEO	RA	LX	4	3.0L	4JJ1TC	D	MPFI	01/07	09/08	4X4 CREW CAB CHASS	FUEL WATER SEPARATOR ACF139	AC083	ACA173	ACF138	ACC75
HOLDEN	RODEO	RA	LX	4	3.0L	4JJ1TC	D	MPFI	01/07	09/08	4X4 CREW CAB P-UP	FUEL WATER SEPARATOR ACF139	AC083	ACA173	ACF138	ACC75
HOLDEN	RODEO	RA	LX	4	3.0L	4JJ1TC	D	MPFI	01/07	09/08	4X4 SPACE CAB CHASS	FUEL WATER SEPARATOR ACF139	AC083	ACA173	ACF138	ACC75
HOLDEN	STATESMAN/ CAPRICE	HQ	DE VILLE	8	5.0L	308	P	CARB	1971	1974	SEDAN		AC03			
HOLDEN	STATESMAN/ CAPRICE	HJ	DE VILLE	8	5.0L	308	P	CARB	1975	1976	SEDAN		AC03			
HOLDEN	STATESMAN/ CAPRICE	HX	DE VILLE	8	5.0L	308	P	CARB	1976	1977	SEDAN		AC034			
HOLDEN	STATESMAN/ CAPRICE	HZ	DE VILLE	8	5.0L	308	P	CARB	1977	1979	SEDAN		AC03			
HOLDEN	STATESMAN/ CAPRICE	HZ	SL/E	8	5.0L	308	P	CARB	1977	1979	SEDAN		AC03			
HOLDEN	STATESMAN/ CAPRICE	VQ		8	5.0L	LB9	P	MPFI	03/90	12/91	SEDAN	165KW	AC025	ACA21	ACF4	
HOLDEN	STATESMAN/ CAPRICE	VQ SERIES II		6	3.8L	LG2	P	MPFI	12/91	12/93	SEDAN	128KW ECOTEC	AC018	ACA21	ACF4	
HOLDEN	STATESMAN/ CAPRICE	VQ SERIES II		8	5.0L	LB9	P	MPFI	12/91	12/93	SEDAN	165KW	AC025	ACA21	ACF4	
HOLDEN	STATESMAN/ CAPRICE	VR		6	3.8L	LG2	P	MPFI	12/93	03/95	SEDAN	130KW ECOTEC	AC018	ACA21	ACF4	
HOLDEN	STATESMAN/ CAPRICE	VR		8	5.0L	LB9	P	MPFI	12/93	03/95	SEDAN	165KW	AC025	ACA21	ACF4	
HOLDEN	STATESMAN/ CAPRICE	VS		6	3.8L	LG2	P	MPFI	03/95	08/96	SEDAN	147KW ECOTEC	AC018	ACA21	ACF4	
HOLDEN	STATESMAN/ CAPRICE	VS		8	5.0L	LB9	P	MPFI	03/95	08/96	SEDAN	165KW	AC025	ACA21	ACF4	
HOLDEN	STATESMAN/ CAPRICE	VS	INTERNA-TIONAL	6	3.8L	LG2	P	MPFI	10/95	11/96	SEDAN	147KW ECOTEC	AC018	ACA21	ACF4	
HOLDEN	STATESMAN/ CAPRICE	VS	INTERNA-TIONAL	8	5.0L	LB9	P	MPFI	10/95	11/96	SEDAN	165KW	AC025	ACA21	ACF4	
HOLDEN	STATESMAN/ CAPRICE	VS	INTERNA-TIONAL	6	3.8L	LG2	P	MPFI	01/97	1998	SEDAN	147KW ECOTEC	AC018	ACA21	ACF4	

MAKE	MODEL	SERIES	BADGE	CYLS	ENG SIZE	ENGINE CODE	FUEL	FUEL DELIVERY / AIR INTAKE	FROM	TO	BODY	REMARKS	OIL	AIR	FUEL	CABIN
HOLDEN	STATESMAN/ CAPRICE	VS	INTERNATIONAL	8	5.0L	LB9	P	MPFI	01/97	1998	SEDAN	165KW	AC025	ACA21	ACF4	
HOLDEN	STATESMAN/ CAPRICE	VS SERIES II		6	3.8L	LG2	P	MPFI	08/96	04/98	SEDAN	147KW ECOTEC	AC018	ACA21	ACF4	
HOLDEN	STATESMAN/ CAPRICE	VS SERIES II		8	5.0L	LB9	P	MPFI	08/96	04/98	SEDAN	165KW	AC025	ACA21	ACF4	
HOLDEN	STATESMAN/ CAPRICE	VS SERIES II	50TH ANNIV	6	3.8L	LG2	P	MPFI	10/98	06/99	SEDAN	147KW ECOTEC	AC018	ACA21	ACF4	
HOLDEN	STATESMAN/ CAPRICE	VS SERIES II	50TH ANNIV	8	5.0L	LB9	P	MPFI	10/98	06/99	SEDAN	165KW	AC025	ACA21	ACF4	
HOLDEN	STATESMAN/ CAPRICE	VS SERIES III		6	3.8L	LG2	P	MPFI	04/98	06/99	SEDAN	147KW ECOTEC	AC018	ACA21	ACF4	
HOLDEN	STATESMAN/ CAPRICE	VS SERIES III		8	5.0L	LB9	P	MPFI	04/98	06/99	SEDAN	165KW	AC025	ACA21	ACF4	
HOLDEN	STATESMAN/ CAPRICE	WH		6	3.8L	L67	P	S-CHARGED	06/99	08/01	SEDAN	171KW ECOTEC	AC018	ACA85	ACF90	
HOLDEN	STATESMAN/ CAPRICE	WH		6	3.8L	LN3	P	MPFI	06/99	08/01	SEDAN	147KW ECOTEC	AC018	ACA85	ACF90	
HOLDEN	STATESMAN/ CAPRICE	WH		8	5.7L	LS1	P	MPFI	06/99	08/01	SEDAN	220KW GEN III	AC025	ACA85	ACF120	
HOLDEN	STATESMAN/ CAPRICE	WH	INTERNATIONAL	6	3.8L	LN3	P	MPFI	05/00	2001	SEDAN	147KW ECOTEC	AC018	ACA85	ACF90	
HOLDEN	STATESMAN/ CAPRICE	WH	INTERNATIONAL	8	5.7L	LS1	P	MPFI	05/00	2001	SEDAN	220KW GEN III	AC025	ACA85	ACF120	
HOLDEN	STATESMAN/ CAPRICE	WH	INTERNATIONAL V8	8	5.7L	LS1	P	MPFI	06/01	08/01	SEDAN	220KW GEN III	AC025	ACA85	ACF120	
HOLDEN	STATESMAN/ CAPRICE	WH SERIES II		6	3.8L	L67	P	S-CHARGED	08/01	05/03	SEDAN	171KW ECOTEC	AC018	ACA85	ACF90	
HOLDEN	STATESMAN/ CAPRICE	WH SERIES II		6	3.8L	LN3	P	MPFI	08/01	05/03	SEDAN	147KW ECOTEC	AC018	ACA85	ACF90	
HOLDEN	STATESMAN/ CAPRICE	WH SERIES II		8	5.7L	LS1	P	MPFI	08/01	05/03	SEDAN	220KW GEN III	AC025	ACA85	ACF120	
HOLDEN	STATESMAN/ CAPRICE	WH SERIES II	INTERNATIONAL V8	8	5.7L	LS1	P	MPFI	04/02	03/03	SEDAN	220KW GEN III	AC025	ACA85	ACF120	
HOLDEN	STATESMAN/ CAPRICE	WK		6	3.8L	L67	P	S-CHARGED	05/03	2004	SEDAN	171KW ECOTEC	AC018	ACA85	ACF90	
HOLDEN	STATESMAN/ CAPRICE	WK		6	3.8L	LN3	P	MPFI	05/03	2004	SEDAN	152KW ECOTEC	AC018	ACA85	ACF90	
HOLDEN	STATESMAN/ CAPRICE	WK		8	5.7L	LS1	P	MPFI	05/03	2004	SEDAN	235KW GEN III	AC025	ACA85	ACF120	
HOLDEN	STATESMAN/ CAPRICE	WL		6	3.6L	LY7	P	MPFI	08/04	06/06	SEDAN	190KW HFV6 ALLOYTEC	AC088	ACA85	ACF120	
HOLDEN	STATESMAN/ CAPRICE	WL		8	5.7L	LS1	P	MPFI	08/05	06/06	SEDAN	235KW GEN III	AC025	ACA85	ACF120	
HOLDEN	STATESMAN/ CAPRICE	WL		8	5.7L	LS1	P	MPFI	08/05	06/06	SEDAN	250KW GEN III	AC025	ACA85	ACF120	
HOLDEN	STATESMAN/ CAPRICE	WL		8	6.0L	L76	P	MPFI	08/05	06/06	SEDAN	260KW GEN IV	AC025	ACA85	ACF120	
HOLDEN	STATESMAN/ CAPRICE	WM		6	3.6L	LY7	P	MPFI	07/06	08/09	SEDAN	190KW HFV6 ALLOYTEC	AC088	ACA154	ACF153	ACC24
HOLDEN	STATESMAN/ CAPRICE	WM		8	6.0L	L98	P	MPFI	08/06	10/08	SEDAN	270KW GEN IV	AC092	ACA154		ACC24
HOLDEN	STATESMAN/ CAPRICE	WM		8	6.0L	L76	P	MPFI	11/08	08/10	SEDAN	260KW GEN IV	AC092	ACA154		ACC24
HOLDEN	STATESMAN/ CAPRICE	WM		6	3.6L	LLT	P		08/09	09/10	SEDAN	HFV6 ALLOYTEC SIDI	AC088	ACA154		ACC24

MAKE	MODEL	SERIES	BADGE	CYLS	ENG SIZE	ENGINE CODE	FUEL	FUEL DELIVERY / AIR INTAKE	FROM	TO	BODY	REMARKS	OIL	AIR	FUEL	CABIN
HOLDEN	STATESMAN/ CAPRICE	WM SERIES II	CAPRICE	6	3.6L	LLT	P		09/10	11/11	SEDAN	HFV6 ALLOYTEC SIDI	AC088	ACA154		ACC24
HOLDEN	STATESMAN/ CAPRICE	WM SERIES II	CAPRICE V	8	6.0L	L77	P	MPFI	09/10	ON	SEDAN	260KW AUTO GEN IV E85	AC092	ACA154	ACF153	ACC24
HOLDEN	STATESMAN/ CAPRICE	WM SERIES II	CAPRICE	6	3.6L	LFX	P		11/11	ON	SEDAN	HFV6 ALLOYTEC SIDI E85	AC088	ACA154		ACC24
HOLDEN	STATESMAN/ CAPRICE	WM SERIES II	CAPRICE	6	3.6L	LWR	LPG	VAP INJ	03/12	ON	SEDAN		AC088	ACA154		ACC24
HOLDEN	SUBURBAN	K8	1500 LS	8	5.7L	VORTEC	P	MPFI	1998	1999	WAGON		AC018		ACF115	
HOLDEN	SUBURBAN	K8	1500 LT	8	5.7L	VORTEC	P	MPFI	1998	1999	WAGON		AC018		ACF115	
HOLDEN	SUBURBAN	K8	2500	8	6.5L	FCWG	D	TURBO	1998	1999	WAGON		AC034			
HOLDEN	SUBURBAN	K8	2500 LS	8	6.5L	FCWG	D	TURBO	1998	1999	WAGON		AC034			
HOLDEN	SUBURBAN	K8	2500 LT	8	6.5L	FCWG	D	TURBO	1998	1999	WAGON		AC034			
HOLDEN	SUBURBAN	FK1	1500	8	5.7L	VORTEC	P	MPFI	1998	2001	WAGON		AC018		ACF115	
HOLDEN	TIGRA	XC		4	1.8L	Z18XE	P	MPFI	2005	2007	CONV		AC018	ACA130	ACF90	ACC27
HOLDEN	TORANA	LC	S	6	2.3L		P	CARB	1969	1971	SEDAN		AC03	ACA25		
HOLDEN	TORANA	LC	GTR	6	2.6L		P	CARB	1969	1971	SEDAN		AC03	ACA25		
HOLDEN	TORANA	LC	S	6	2.6L		P	CARB	1969	1971	SEDAN		AC03	ACA25		
HOLDEN	TORANA	LC	SL	6	2.6L		P	CARB	1969	1971	SEDAN		AC03	ACA25		
HOLDEN	TORANA	LC	XU-1	6	3.0L		P	CARB	1969	1971	SEDAN		AC03			
HOLDEN	TORANA	LJ	DELUXE	4	1.6L		P	CARB	1972	1973	SEDAN		AC024	ACA25		
HOLDEN	TORANA	LJ	S	6	2.8L		P	CARB	1972	1973	SEDAN		AC03	ACA25		
HOLDEN	TORANA	LJ	SL	6	2.8L		P	CARB	1972	1973	SEDAN		AC03	ACA25		
HOLDEN	TORANA	LJ	XU-1	6	2.8L		P	CARB	1972	1973	SEDAN		AC03	ACA25		
HOLDEN	TORANA	LJ	GTR	6	3.3L		P	CARB	1972	1973	SEDAN		AC03	ACA25		
HOLDEN	TORANA	LJ	XU-1	6	3.3L		P	CARB	1972	1973	SEDAN		AC03	ACA25		
HOLDEN	TORANA	LH	S	6	2.8L		P	CARB	1974	1975	SEDAN		AC03	ACA25		
HOLDEN	TORANA	LH	SL	6	2.8L		P	CARB	1974	1975	SEDAN		AC03	ACA25		
HOLDEN	TORANA	LH	G-PAK	6	3.3L		P	CARB	1974	1975	SEDAN		AC03	ACA25		
HOLDEN	TORANA	LH	SL	6	3.3L		P	CARB	1974	1975	SEDAN		AC03	ACA25		
HOLDEN	TORANA	LH	SL/R	6	3.3L		P	CARB	1974	1975	SEDAN		AC03	ACA25		
HOLDEN	TORANA	LH	L34	8	5.0L		P	CARB	1974	1975	SEDAN		AC03			
HOLDEN	TORANA	LH	SL/R	8	5.0L		P	CARB	1974	1975	SEDAN		AC03			
HOLDEN	TORANA	LX	S	6	2.8L		P	CARB	1976	1978	SEDAN		AC03	ACA25		
HOLDEN	TORANA	LX	SL	6	2.8L		P	CARB	1976	1978	SEDAN		AC03	ACA25		
HOLDEN	TORANA	LX	SL/R	6	3.3L		P	CARB	1976	1978	SEDAN		AC03	ACA25		
HOLDEN	TORANA	LX	SS	6	3.3L		P	CARB	1976	1978	HATCH		AC03	ACA25		
HOLDEN	TORANA	LX	S	8	4.2L		P	CARB	1976	1978	SEDAN		AC03			
HOLDEN	TORANA	LX	SL	8	4.2L		P	CARB	1976	1978	SEDAN		AC03			
HOLDEN	TORANA	LX	A9X	8	5.0L		P	CARB	1976	1978	SEDAN		AC03			
HOLDEN	TORANA	LX	SL/R	8	5.0L		P	CARB	1976	1978	SEDAN		AC03			
HOLDEN	TORANA	LX	SS	8	5.0L		P	CARB	1976	1978	HATCH		AC03			
HOLDEN	TRAX	TJ	LS	4	1.8L	F18D4	P	MPFI	2013	ON	WAGON		AC0108	ACA345		ACC49
HOLDEN	TRAX	TJ	LTZ	4	1.8L	F18D4	P	MPFI	2013	ON	WAGON		AC0108	ACA345		ACC49
HOLDEN	TRAX	TJ	LTZ	4	1.4L	A14NET	P	TURBO MPFI	08/14	ON	WAGON		AC0108	ACA345		ACC49
HOLDEN	VECTRA	JR	CD	4	2.0L	C20SEL	P	MPFI	06/97	08/98	4 DR SED		AC018	ACA107	ACF90	ACC19
HOLDEN	VECTRA	JR	GL	4	2.0L	C20SEL	P	MPFI	06/97	08/98	4 DR SED		AC018	ACA107	ACF90	ACC19

MAKE	MODEL	SERIES	BADGE	CYLS	ENG SIZE	ENGINE CODE	FUEL	FUEL DELIVERY / AIR INTAKE	FROM	TO	BODY	REMARKS	OIL	AIR	FUEL	CABIN
HOLDEN	VECTRA	JR	GL	4	2.0L	C20SEL	P	MPFI	06/97	08/98	5 DR HATCH		AC018	ACA107	ACF90	ACC19
HOLDEN	VECTRA	JR	CD	6	2.5L	X25XE	P	MPFI	06/97	08/98	5 DR HATCH		AC018	ACA107	ACF90	ACC19
HOLDEN	VECTRA	JS	GL	4	2.0L	C20SEL	P	MPFI	08/98	11/00	5 DR HATCH		AC018	ACA107	ACF90	ACC19
HOLDEN	VECTRA	JS	CD	6	2.5L	X25XE	P	MPFI	08/98	11/00	5 DR HATCH		AC081	ACA107	ACF90	ACC19
HOLDEN	VECTRA	JS	CD	4	2.2L	C22SEL	P	MPFI	08/98	03/03	4 DR SED		AC018	ACA107	ACF90	ACC19
HOLDEN	VECTRA	JS	GL	4	2.2L	C22SEL	P	MPFI	08/98	03/03	4 DR SED		AC018	ACA107	ACF90	ACC19
HOLDEN	VECTRA	JS	GL	4	2.2L	C22SEL	P	MPFI	08/98	03/03	5 DR WAG		AC018	ACA107	ACF90	ACC19
HOLDEN	VECTRA	JS	GL OLYMPIC EDITION	4	2.2L	C22SEL	P	MPFI	10/99	12/00	4 DR SED		AC018	ACA107	ACF90	ACC19
HOLDEN	VECTRA	JS	GL OLYMPIC EDITION	4	2.2L	C22SEL	P	MPFI	10/99	12/00	5 DR WAG		AC018	ACA107	ACF90	ACC19
HOLDEN	VECTRA	JS	CD	4	2.2L	C22SEL	P	MPFI	11/00	03/03	5 DR HATCH		AC018	ACA107	ACF90	ACC19
HOLDEN	VECTRA	JS	CD	6	2.6L	Y26SE	P	MPFI	11/00	03/03	4 DR SED		AC081	ACA107	ACF90	ACC19
HOLDEN	VECTRA	JS	CD	6	2.6L	Y26SE	P	MPFI	11/00	03/03	5 DR HATCH		AC081	ACA107	ACF90	ACC19
HOLDEN	VECTRA	JS	EQUIPE	4	2.2L	C22SEL	P	MPFI	02/01	10/01	4 DR SED		AC018	ACA107	ACF90	ACC19
HOLDEN	VECTRA	JS	INTERNATIONAL	6	2.6L	Y26SE	P	MPFI	10/01	03/02	5 DR HATCH		AC081	ACA107	ACF90	ACC19
HOLDEN	VECTRA	ZC	CD	4	2.2L	Z22SE	P	MPFI	03/03	2007	4 DR SED		AC089	ACA156	ACF90	ACC27
HOLDEN	VECTRA	ZC	CD	6	3.2L	Z32SE	P	MPFI	03/03	2007	5 DR HATCH		AC081	ACA156	ACF90	ACC27
HOLDEN	VECTRA	ZC	CDX	6	3.2L	Z32SE	P	MPFI	03/03	2007	5 DR HATCH		AC081	ACA156	ACF90	ACC27
HOLDEN	VECTRA	ZC	CDXi	6	3.2L	Z32SE	P	MPFI	03/03	2007	5 DR HATCH		AC081	ACA156	ACF90	ACC27
HOLDEN	VIVA	JF		4	1.8L	F18D3	P	MPFI	11/05	05/09	4 DR SED		AC018	ACA159	ACF134	ACC59
HOLDEN	VIVA	JF		4	1.8L	F18D3	P	MPFI	11/05	05/09	5 DR HATCH		AC018	ACA159	ACF134	ACC59
HOLDEN	VIVA	JF		4	1.8L	F18D3	P	MPFI	11/05	05/09	5 DR WAG		AC018	ACA159	ACF134	ACC59
HOLDEN	VIVA	JF	EQUIPE	4	1.8L	F18D3	P	MPFI	11/05	05/09	4 DR SED		AC018	ACA159	ACF134	ACC59
HOLDEN	VIVA	JF	EQUIPE	4	1.8L	F18D3	P	MPFI	11/05	05/09	5 DR HATCH		AC018	ACA159	ACF134	ACC59
HOLDEN	VOLT	EV		4	1.4L	LUU	P	MPFI	09/12	ON	4 DR HATCH	63 KW ELEC/PETROL HYBRID				ACC49
HOLDEN	ZAFIRA	TT		4	2.2L	Z22SE	P	MPFI	10/01	2005	5 DR WAG		AC089	ACA157	ACF90	ACC32
HOLDEN	ZAFIRA	TT	EQUIPE	4	2.2L	Z22SE	P	MPFI	05/03	01/04	5 DR WAG		AC089	ACA157	ACF90	ACC32
<b>HONDA</b>																
HONDA	ACCORD	SY SZ		4	1.6L	EL1	P		1982	1983	HATCH		AC014	ACA23	ACF64	
HONDA	ACCORD	CA5	EX	4	2.0L	A20A2	P	CARB	11/86	1989	SED/HATCH		AC07			
HONDA	ACCORD	CA4	SI	4	2.0L	A20A4	P	MPFI	1987	1988	HATCH		AC07			
HONDA	ACCORD	CA4	SI	4	2.0L	A20A4	P	MPFI	1987	1988	SEDAN		AC07			



MAKE	MODEL	SERIES	BADGE	CYLS	ENG SIZE	ENGINE CODE	FUEL	FUEL DELIVERY / AIR INTAKE	FROM	TO	BODY	REMARKS	OIL	AIR	FUEL	CABIN
HONDA	ACCORD	CB7	EXI SD	4	2.2L	F22A5	P	MPFI	1989	1990	SEDAN		AC07		ACF53	
HONDA	ACCORD	CB9		4	2.2L	F22A6	P	EFI	1991	1994	SEDAN		AC07			
HONDA	ACCORD	CD5	EXI SD	4	2.2L	F22B3	P	MPFI	1993	1997	SEDAN		AC07	ACA302	ACF66	
HONDA	ACCORD	CE		4	2.2L	F22B1	P	EFI	1993	1998	WAGON		AC07	ACA302	ACF66	
HONDA	ACCORD	CE		4	2.2L	F22B1	P	EFI	1993	1998	SEDAN		AC07	ACA302	ACF66	
HONDA	ACCORD	CD	VTI	4	2.2L	F22B3	P	EFI	1994	1998	SEDAN	VTEC	AC07	ACA302	ACF66	
HONDA	ACCORD	CD5	EXI-S	4	2.2L	F22B3	P	MPFI	03/97	12/97	SEDAN		AC07	ACA302	ACF66	
HONDA	ACCORD	CG		6	3.0L	J30A1	P	MPFI	1997	1999	SEDAN		AC07		ACF121	
HONDA	ACCORD	CG	VTI	4	2.3L	F23A1	P	MPFI	12/97	02/02	SEDAN		AC080	ACA304	ACF121	
HONDA	ACCORD	CK	VTI	4	2.3L	F23Z2	P	EFI	01/99	2003	SEDAN		AC080	ACA304	ACF121	
HONDA	ACCORD	CK	25TH ANNIV V6-L	6	3.0L	J30A1	P	MPFI	01/99	2003	SEDAN		AC080		ACF121	
HONDA	ACCORD	CK	V6	6	3.0L	J30A1	P	MPFI	01/99	2003	SEDAN		AC080		ACF121	
HONDA	ACCORD	CK	V6 SPORT	6	3.0L	J30A1	P	MPFI	01/99	2003	SEDAN		AC080		ACF121	
HONDA	ACCORD	CK	V6-L	6	3.0L	J30A1	P	MPFI	01/99	2003	SEDAN		AC080		ACF121	
HONDA	ACCORD	CM	V6	6	3.0L	J30A4 LEV	P	MPFI	06/03	01/08	SEDAN		AC080	ACA306	ACF206	ACC3
HONDA	ACCORD	CM	V6 LUXURY	6	3.0L	J30A4 LEV	P	MPFI	06/03	01/08	SEDAN		AC080	ACA306	ACF206	ACC3
HONDA	ACCORD	CM	V6-L	6	3.0L	J30A4 LEV	P	MPFI	06/03	01/08	SEDAN		AC080	ACA306	ACF206	ACC3
HONDA	ACCORD	CM6	40 SERIRES	6	3.0L	J30A4 LEV	P	MPFI	06/03	01/08	SEDAN		AC080	ACA306	ACF206	ACC3
HONDA	ACCORD	CM	VTI	4	2.4L	K24A4 LEV	P	MPFI	09/03	01/08	SEDAN		AC080	ACA243	ACF206	ACC3
HONDA	ACCORD	CM	VTI SPECIAL EDITION	4	2.4L	K24A4 LEV	P	MPFI	09/03	01/08	SEDAN		AC080	ACA243	ACF206	ACC3
HONDA	ACCORD	CM	VTI-L	4	2.4L	K24A4 LEV	P	MPFI	09/03	01/08	SEDAN		AC080	ACA243	ACF206	ACC3
HONDA	ACCORD	CM	30TH ANNIV	4	2.4L	K24A4 LEV	P	MPFI	2005	2005	SEDAN		AC080	ACA243	ACF206	ACC3
HONDA	ACCORD	8TH GEN	VTI	4	2.4L	K24Z2 LEV	P	MPFI	2008	2009	SEDAN		AC080	ACA246		ACC3
HONDA	ACCORD	8TH GEN	VTI-L	4	2.4L	K24Z2 LEV	P	MPFI	2008	2009	SEDAN		AC080	ACA246		ACC3
HONDA	ACCORD	8TH GEN	V6 LUXURY	6	3.5L	J35Z2 LEV	P	MPFI	02/08	2009	SEDAN		AC080	ACA213		ACC3
HONDA	ACCORD	8TH GEN	V6	6	3.5L	J35Z2 LEV	P	MPFI	02/08	2010	SEDAN		AC080	ACA213		ACC3
HONDA	ACCORD	8TH GEN	40TH ANNIV	4	2.4L	K24Z2 LEV	P	MPFI	2009	2009	SEDAN		AC080	ACA246		ACC3
HONDA	ACCORD	8TH GEN	V6 LUXURY	6	3.5L	J35Z2 LEV	P	MPFI	2009	2011	SEDAN		AC080	ACA213		ACC3
HONDA	ACCORD	8TH GEN	LIMITED EDITION	4	2.4L	K24Z2 LEV	P	MPFI	2010	2010	SEDAN		AC080	ACA246		ACC3
HONDA	ACCORD	8TH GEN	VTI	4	2.4L	K24Z2 LEV	P	MPFI	2010	2011	SEDAN		AC080	ACA246		ACC3
HONDA	ACCORD	8TH GEN	VTI-L	4	2.4L	K24Z2 LEV	P	MPFI	2010	2011	SEDAN		AC080	ACA246		ACC3
HONDA	ACCORD	8TH GEN	V6	6	3.5L	J35Z2 LEV	P	MPFI	2010	05/13	SEDAN		AC080	ACA213		ACC3
HONDA	ACCORD	8TH GEN	VTI	4	2.4L	K24Z2 LEV	P	MPFI	2011	05/13	SEDAN		AC080	ACA246		ACC3
HONDA	ACCORD	8TH GEN	VTI-L	4	2.4L	K24Z2 LEV	P	MPFI	2011	05/13	SEDAN		AC080	ACA246		ACC3
HONDA	ACCORD	8TH GEN	V6 LUXURY	6	3.5L	J35Z2 LEV	P	MPFI	2011	05/13	SEDAN		AC080	ACA213		ACC3
HONDA	ACCORD	9TH GEN	V6-L	6	3.5L	J35Y3	P	MPFI	2013	ON	SEDAN	12V	AC080			ACC3
HONDA	ACCORD	9TH GEN	VTI	4	2.4L	K24W3	P	MPFI	06/13	ON	SEDAN	16V	AC080			ACC3
HONDA	ACCORD	9TH GEN	VTI-L	4	2.4L	K24W3	P	MPFI	06/13	ON	SEDAN	16V	AC080			ACC3
HONDA	ACCORD	9TH GEN	VTI-S	4	2.4L	K24W3	P	MPFI	06/13	ON	SEDAN	16V	AC080			ACC3
HONDA	ACCORD EURO	CL9	LUXURY	4	2.4L	K24A3 LEV	P	MPFI	06/03	2005	SEDAN		AC080	ACA243	ACF206	ACC3

MAKE	MODEL	SERIES	BADGE	CYLS	ENG SIZE	ENGINE CODE	FUEL	FUEL DELIVERY / AIR INTAKE	FROM	TO	BODY	REMARKS	OIL	AIR	FUEL	CABIN
HONDA	ACCORD EURO	CL9	LUXURY	4	2.4L	K24A3 LEV	P	MPFI	2005	2006	SEDAN		AC080	ACA243	ACF206	ACC3
HONDA	ACCORD EURO	CL9	SPORT	4	2.4L	K24A3 LEV	P	MPFI	2006	2006	SEDAN		AC080	ACA243	ACF206	ACC3
HONDA	ACCORD EURO	CL9	LIMITED EDITION	4	2.4L	K24A3 LEV	P	MPFI	2007	2007	SEDAN		AC080	ACA243	ACF206	ACC3
HONDA	ACCORD EURO	CL9	TOURER	4	2.4L	K24A3 LEV	P	MPFI	2007	2007	SEDAN		AC080	ACA243	ACF206	ACC3
HONDA	ACCORD EURO	CL9	LUXURY	4	2.4L	K24A3 LEV	P	MPFI	2007	05/08	SEDAN		AC080	ACA243	ACF206	ACC3
HONDA	ACCORD EURO	8TH GEN	LUXURY	4	2.4L	K24Z3 LEV	P	MPFI	06/08	2009	SEDAN		AC080	ACA259		ACC3
HONDA	ACCORD EURO	8TH GEN	LUXURY NAVI	4	2.4L	K24Z3 LEV	P	MPFI	06/08	2009	SEDAN		AC080	ACA259		ACC3
HONDA	ACCORD EURO	8TH GEN	LUXURY	4	2.4L	K24Z3 LEV	P	MPFI	2009	2010	SEDAN		AC080	ACA259		ACC3
HONDA	ACCORD EURO	8TH GEN	LUXURY	4	2.4L	K24Z3 LEV	P	MPFI	2010	2011	SEDAN		AC080	ACA259		ACC3
HONDA	ACCORD EURO	8TH GEN	LUXURY NAVI	4	2.4L	K24Z3 LEV	P	MPFI	2010	2011	SEDAN		AC080	ACA259		ACC3
HONDA	ACCORD EURO	8TH GEN	LUXURY	4	2.4L	K24Z3 LEV	P	MPFI	2011	ON	SEDAN		AC080	ACA259		ACC3
HONDA	ACCORD EURO	8TH GEN	LUXURY NAVI	4	2.4L	K24Z3 LEV	P	MPFI	2011	ON	SEDAN		AC080	ACA259		ACC3
HONDA	ACCORD EURO	8TH GEN	LUXURY NAVI	4	2.4L	K24Z3 LEV	P	MPFI	2009	2010	SEDAN		AC080	ACA259		ACC3
HONDA	CITY	GM	VTI	4	1.5L	L15A7	P	MPFI	2009	2010	SEDAN		AC080	ACA245		ACC55
HONDA	CITY	GM	VTI-L	4	1.5L	L15A7	P	MPFI	2009	2010	SEDAN		AC080	ACA245		ACC55
HONDA	CITY	GM	VTI	4	1.5L	L15A7	P	MPFI	2010	2011	SEDAN		AC080	ACA245		ACC55
HONDA	CITY	GM	VTI-L	4	1.5L	L15A7	P	MPFI	2010	2011	SEDAN		AC080	ACA245		ACC55
HONDA	CITY	GM	VTI	4	1.5L	L15A7	P	MPFI	2011	04/14	SEDAN		AC080	ACA245		ACC55
HONDA	CITY	GM	VTI	4	1.5L	L15Z1	P	MPFI	04/14	ON	SEDAN		AC080			ACC55
HONDA	CITY	GM	VTI-L	4	1.5L	L15A7	P	MPFI	2011	04/14	SEDAN		AC080	ACA245		ACC55
HONDA	CITY	GM	VTI-L	4	1.5L	L15Z1	P	MPFI	04/14	ON	SEDAN		AC080			ACC55
HONDA	CIVIC	ED		4	1.5L	D15B4	P	TWIN CARB	1987	1991	SEDAN		AC07	ACA26	ACF78	
HONDA	CIVIC	EE		4	1.5L	D15B4	P	TWIN CARB	1988	1989	SEDAN		AC07	ACA26	ACF78	
HONDA	CIVIC	EG	GL	4	1.5L	D15B4	P	TWIN CARB	1991	1993	SEDAN		AC07	ACA26	ACF78	
HONDA	CIVIC	EG		4	1.6L	D16A8	P	EFI	1991	1993	HATCH		AC07		ACF53	
HONDA	CIVIC	EG	BREEZE	4	1.3L	D13B2	P	CARB	1991	1994	HATCH		AC07	ACA26	ACF78	
HONDA	CIVIC	EH		4	1.6L	D16A8	P	EFI	1991	1995	SEDAN		AC07		ACF53	
HONDA	CIVIC	EH	SI	4	1.6L	D16Y1	P		1992	1993	SEDAN		AC07		ACF53	
HONDA	CIVIC	EG	VEI	4	1.5L	D15Z1	P		1993	1993	SEDAN		AC07			
HONDA	CIVIC	EG	GLI	4	1.5L	D15B7	P	MPFI	1993	1995	SED/ HATCH		AC07			
HONDA	CIVIC	EH	VTI	4	1.6L	D16Y1	P		1994	1994	SEDAN		AC07	ACA138	ACF66	
HONDA	CIVIC	EK	CXI	4	1.6L	D16Y4	P		1995	2000	HATCH		AC07	ACA138	ACF66	
HONDA	CIVIC	EK	GLI	4	1.6L	D16Y4	P		1995	2000	SED/ HATCH		AC07	ACA138	ACF66	
HONDA	CIVIC	EK	VTI	4	1.6L	D16Y5	P	MPFI	1995	2000	SEDAN	VTEC	AC07	ACA138	ACF66	
HONDA	CIVIC	EK	INDY SPECIAL CXI	4	1.6L	D16Y4	P		1999	1999	HATCH		AC07	ACA138	ACF66	
HONDA	CIVIC	EK	CXI SPORT	4	1.6L	D16Y4	P	MPFI	2000	2000	HATCH		AC07	ACA138	ACF66	
HONDA	CIVIC	7TH GEN	GLI	4	1.7L	D17Z1 LEV	P	MPFI	2000	2001	SEDAN		AC080	ACA258	ACF121	ACC67
HONDA	CIVIC	7TH GEN	VI	4	1.7L	D17A2 LEV	P	MPFI	2000	2001	HATCH		AC080	ACA305	ACF121	ACC67

MAKE	MODEL	SERIES	BADGE	CYLS	ENG SIZE	ENGINE CODE	FUEL	FUEL DELIVERY / AIR INTAKE	FROM	TO	BODY	REMARKS	OIL	AIR	FUEL	CABIN
HONDA	CIVIC	7TH GEN	INDY VI	4	1.7L	D17A2 LEV	P	MPFI	2001	2001	HATCH		AC080	ACA305	ACF121	ACC67
HONDA	CIVIC	7TH GEN	VTI	4	1.7L	D17A2 LEV	P	MPFI	2001	2001	HATCH		AC080	ACA305	ACF121	ACC67
HONDA	CIVIC	7TH GEN	GLI	4	1.7L	D17Z1 LEV	P	MPFI	2002	2002	SEDAN		AC080	ACA258	ACF121	ACC67
HONDA	CIVIC	7TH GEN	VI	4	1.7L	D17A2 LEV	P	MPFI	2002	2002	HATCH		AC080	ACA305	ACF121	ACC67
HONDA	CIVIC	EP3	TYPE R	4	2.0L	K20A	P	MPFI	2002	2005	HATCH		AC080	ACA139		
HONDA	CIVIC	7TH GEN	GLI	4	1.7L	D17Z1 LEV	P	MPFI	2003	2003	SEDAN		AC080	ACA258	ACF121	ACC67
HONDA	CIVIC	7TH GEN	VI	4	1.7L	D17A2 LEV	P	MPFI	2003	2003	HATCH		AC080	ACA305	ACF121	ACC67
HONDA	CIVIC	7TH GEN	VI	4	1.7L	D17A2 LEV	P	MPFI	2003	2005	HATCH		AC080	ACA305	ACF121	ACC67
HONDA	CIVIC	7TH GEN	GLI	4	1.7L	D17Z1 LEV	P	MPFI	2004	2005	SEDAN		AC080	ACA258	ACF121	ACC67
HONDA	CIVIC	7TH GEN	HYBRID	4	1.3L	LDA1	P	MPFI	2004	2006	SEDAN		AC080			
HONDA	CIVIC	ES	HYBRID	4	1.3L	LDA1	P	MPFI	03/04	01/06	SEDAN	69KW HYBRID	AC080			
HONDA	CIVIC	8TH GEN	HYBRID	4	1.3L	LDA2	P	MPFI	2006	2006	SEDAN		AC080	ACA308	ACF226	ACC3
HONDA	CIVIC	8TH GEN	VTI	4	1.8L	R18A	P	MPFI	2006	2006	SEDAN		AC080	ACA163	ACF226	ACC3
HONDA	CIVIC	8TH GEN	VTI-L	4	1.8L	R18A	P	MPFI	2006	2006	SEDAN		AC080	ACA163	ACF226	ACC3
HONDA	CIVIC	8TH GEN	SPORT	4	2.0L	K20Z2	P	MPFI	2006	2006	SEDAN		AC080	ACA184	ACF226	ACC3
HONDA	CIVIC	8TH GEN	HYBRID	4	1.3L	LDA2	P	MPFI	2006	2007	SEDAN		AC080	ACA308	ACF226	ACC3
HONDA	CIVIC	8TH GEN	VTI	4	1.8L	R18A	P		2006	2007	SEDAN		AC080	ACA163	ACF226	ACC3
HONDA	CIVIC	8TH GEN	VTI-L	4	1.8L	R18A	P	MPFI	2006	2007	SEDAN		AC080	ACA163	ACF226	ACC3
HONDA	CIVIC	8TH GEN	SPORT	4	2.0L	K20Z2	P	MPFI	2006	2007	SEDAN		AC080	ACA184	ACF226	ACC3
HONDA	CIVIC	FD	HYBRID	4	1.3L	LDA2	P	MPFI	02/06	01/12	SEDAN	85KW HYBRID	AC080	ACA308	ACF226	ACC3
HONDA	CIVIC	8TH GEN	TYPE R	4	2.0L	K20Z4	P	MPFI	2007	2009	HATCH	R30	AC080		ACF163	
HONDA	CIVIC	8TH GEN	HYBRID	4	1.3L	LDA2	P	MPFI	2008	2008	SEDAN		AC080	ACA308	ACF226	ACC3
HONDA	CIVIC	8TH GEN	VTI	4	1.8L	R18A	P		2008	2008	SEDAN		AC080	ACA163	ACF226	ACC3
HONDA	CIVIC	8TH GEN	VTI-L	4	1.8L	R18A	P		2008	2008	SEDAN		AC080	ACA163	ACF226	ACC3
HONDA	CIVIC	8TH GEN	SPORT	4	2.0L	K20Z2	P	MPFI	2008	2008	SEDAN		AC080	ACA184	ACF226	ACC3
HONDA	CIVIC	8TH GEN	HYBRID	4	1.3L	LDA2	P	MPFI	2008	2009	SEDAN		AC080	ACA308	ACF226	ACC3
HONDA	CIVIC	8TH GEN	40TH ANNIV	4	1.8L	R18A	P	MPFI	2009	2009	SEDAN		AC080	ACA163	ACF226	ACC3
HONDA	CIVIC	8TH GEN	VTI	4	1.8L	R18A	P		2009	2009	SEDAN		AC080	ACA163	ACF226	ACC3
HONDA	CIVIC	8TH GEN	VTI-L	4	1.8L	R18A	P	MPFI	2009	2009	SEDAN		AC080	ACA163	ACF226	ACC3
HONDA	CIVIC	8TH GEN	SPORT	4	2.0L	K20Z2	P	MPFI	2009	2009	SEDAN		AC080	ACA184	ACF226	ACC3
HONDA	CIVIC	8TH GEN	SI	4	1.8L	R18A2	P	MPFI	2009	2010	HATCH		AC080	ACA163	ACF163	
HONDA	CIVIC	8TH GEN	HYBRID	4	1.3L	LDA2	P	MPFI	2009	2011	SEDAN		AC080	ACA308	ACF226	ACC3
HONDA	CIVIC	8TH GEN	VTI	4	1.8L	R18A	P	MPFI	2009	2011	SEDAN		AC080	ACA163	ACF226	ACC3
HONDA	CIVIC	8TH GEN	VTI-L	4	1.8L	R18A	P	MPFI	2009	2011	SEDAN		AC080	ACA163	ACF226	ACC3
HONDA	CIVIC	8TH GEN	SPORT	4	2.0L	K20Z2	P	MPFI	2009	2011	SEDAN		AC080	ACA184	ACF226	ACC3
HONDA	CIVIC	8TH GEN	TYPE R	4	2.0L	K20Z4	P	MPFI	2009	2011	HATCH	R30	AC080		ACF163	
HONDA	CIVIC	8TH GEN	SI	4	1.8L	R18A2	P	MPFI	2010	2010	HATCH		AC080	ACA163	ACF163	
HONDA	CIVIC	8TH GEN	LIMITED EDITION	4	1.8L	R18A	P	MPFI	2010	2011	SEDAN		AC080	ACA163	ACF226	ACC3
HONDA	CIVIC	8TH GEN	HYBRID	4	1.3L	LDA2	P	MPFI	2011	2011	SEDAN		AC080	ACA308	ACF226	ACC3
HONDA	CIVIC	8TH GEN	SI	4	1.8L	R18A2	P	MPFI	2011	2011	HATCH		AC080	ACA163	ACF163	
HONDA	CIVIC	8TH GEN	VTI	4	1.8L	R18A	P	MPFI	2011	2011	SEDAN		AC080	ACA163	ACF226	ACC3

MAKE	MODEL	SERIES	BADGE	CYLS	ENG SIZE	ENGINE CODE	FUEL	FUEL DELIVERY / AIR INTAKE	FROM	TO	BODY	REMARKS	OIL	AIR	FUEL	CABIN
HONDA	CIVIC	8TH GEN	VTI-L	4	1.8L	R18A	P	MPFI	2011	2011	SEDAN		AC080	ACA163	ACF226	ACC3
HONDA	CIVIC	8TH GEN	SPORT	4	2.0L	K20Z2	P	MPFI	2011	2011	SEDAN		AC080	ACA184	ACF226	ACC3
HONDA	CIVIC	8TH GEN	TYPE R	4	2.0L	K20Z4	P	MPFI	2011	2011	HATCH	R30	AC080		ACF163	
HONDA	CIVIC	9TH GEN	HYBRID	4	1.5L	LEA2	P	MPFI	2012	ON	SEDAN		AC028			ACC3
HONDA	CIVIC	9TH GEN	VTI	4	1.8L	R18Z1	P	MPFI	2012	ON	SED/ HATCH		AC028	ACA281		ACC3
HONDA	CIVIC	9TH GEN	VTI-L	4	1.8L	R18Z1	P	MPFI	2012	ON	SED/ HATCH		AC028	ACA281		ACC3
HONDA	CIVIC	9TH GEN	VTI-LN	4	1.8L	R18Z1	P	MPFI	2012	ON	SED/ HATCH		AC028	ACA281		ACC3
HONDA	CIVIC	9TH GEN	VTI-S	4	1.8L	R18Z1	P	MPFI	2012	ON	SED/ HATCH		AC028	ACA281		ACC3
HONDA	CIVIC	9TH GEN	SPORT	4	2.0L	R20A5	P	MPFI	2012	ON	SED/ HATCH		AC028	ACA281		ACC3
HONDA	CIVIC	FB	HYBRID	4	1.5L	LEA2	P	MPFI	02/12	ON	SEDAN	82KW HYBRID	AC028			ACC3
HONDA	CIVIC	9TH GEN	DTI-S	4	1.6L	N16A1	D	DIRECT INJ TURBO	04/13	ON	HATCH		AC0142			ACC3
HONDA	CONCERTO	MA2		4	1.6L	D16A6	P	EFI	1988	1991	HATCH		AC07			
HONDA	CONCERTO EX-I	MA2		4	1.6L	D16Z2	P	EFI	1988	1993	HATCH		AC07			
HONDA	CR-V	RD1		4	2.0L	B20B3	P	MPFI	1997	2001	WAGON		AC07	ACA138	ACF66	
HONDA	CR-V	RD1		4	2.0L	B20B8	P	MPFI	03/99	12/01	WAGON		AC07	ACA138	ACF66	
HONDA	CR-V	RD	SPORT	4	2.4L	K24A1	P	MPFI	12/01	2003	WAGON		AC080	ACA139	ACF205	ACC67
HONDA	CR-V	RD		4	2.4L	K24A1	P	MPFI	12/01	01/07	WAGON		AC080	ACA139	ACF205	ACC67
HONDA	CR-V	RD8		4	2.0L	K20A4	P	MPFI	2002	2004	WAGON		AC080	ACA139	ACF66	
HONDA	CR-V	RD	SPORT WINTER CLASSIC	4	2.4L	K24A1	P	MPFI	2003	2003	WAGON		AC080	ACA139	ACF205	ACC67
HONDA	CR-V	RD	WINTER CLASSIC	4	2.4L	K24A1	P	MPFI	2003	2003	WAGON		AC080	ACA139	ACF205	ACC67
HONDA	CR-V	RD	SPORT	4	2.4L	K24A1	P	MPFI	2003	2004	WAGON		AC080	ACA139	ACF205	ACC67
HONDA	CR-V	RD	SPORT WINTER CLASSIC	4	2.4L	K24A1	P	MPFI	2004	2004	WAGON		AC080	ACA139	ACF205	ACC67
HONDA	CR-V	RD	WINTER CLASSIC	4	2.4L	K24A1	P	MPFI	2004	2004	WAGON		AC080	ACA139	ACF205	ACC67
HONDA	CR-V	RD	SPORT	4	2.4L	K24A1	P	MPFI	2004	01/07	WAGON		AC080	ACA139	ACF205	ACC67
HONDA	CR-V	RD	SPECIAL EDITION	4	2.4L	K24A1	P	MPFI	2005	2005	WAGON		AC080	ACA139	ACF205	ACC67
HONDA	CR-V	RD	EXTRA	4	2.4L	K24A1	P	MPFI	2006	2006	WAGON		AC080	ACA139	ACF205	ACC67
HONDA	CR-V	RE	LUXURY	4	2.4L	K24Z1	P	MPFI	02/07	2009	WAGON		AC080	ACA183	ACF207	ACC3
HONDA	CR-V	RE	SPORT	4	2.4L	K24Z1	P	MPFI	02/07	2009	WAGON		AC080	ACA183	ACF207	ACC3
HONDA	CR-V	RE	EXTRA	4	2.4L	K24Z1	P	MPFI	2008	2008	WAGON		AC080	ACA183	ACF207	ACC3
HONDA	CR-V	RE	SPECIAL EDITION	4	2.4L	K24Z1	P	MPFI	2008	2008	WAGON		AC080	ACA183	ACF207	ACC3
HONDA	CR-V	RE	LIMITED EDITION	4	2.4L	K24Z1	P	MPFI	2010	2010	WAGON		AC080	ACA183	ACF207	ACC3
HONDA	CR-V	RE	SPORT	4	2.4L	K24Z1	P	MPFI	2010	2010	WAGON		AC080	ACA183	ACF207	ACC3
HONDA	CR-V	RE	LUXURY	4	2.4L	K24Z1	P	MPFI	2010	2011	WAGON		AC080	ACA183	ACF207	ACC3
HONDA	CR-V	RE	SPORT	4	2.4L	K24Z1	P	MPFI	2010	2011	WAGON		AC080	ACA183	ACF207	ACC3
HONDA	CR-V	RE	LUXURY	4	2.4L	K24Z1	P	MPFI	2011	09/12	WAGON		AC080	ACA183	ACF207	ACC3
HONDA	CR-V	RE	SPORT	4	2.4L	K24Z1	P	MPFI	2011	09/12	WAGON		AC080	ACA183	ACF207	ACC3
HONDA	CR-V	RM	VTI	4	2.0L	R20A5	P	MPFI	10/12	ON	WAGON		AC028			ACC3
HONDA	CR-V	RM	VTI NAVI	4	2.0L	R20A5	P	MPFI	10/12	ON	WAGON		AC028			ACC3

MAKE	MODEL	SERIES	BADGE	CYLS	ENG SIZE	ENGINE CODE	FUEL	FUEL DELIVERY / AIR INTAKE	FROM	TO	BODY	REMARKS	OIL	AIR	FUEL	CABIN
HONDA	CR-V	RM	VTI	4	2.4L	K24Z9	P	MPFI	10/12	ON	WAGON		AC028	ACA350		ACC3
HONDA	CR-V	RM	VTI-L	4	2.4L	K24Z9	P	MPFI	10/12	ON	WAGON		AC028	ACA350		ACC3
HONDA	CR-V	RM	VTI-S	4	2.4L	K24Z9	P	MPFI	10/12	ON	WAGON		AC028	ACA350		ACC3
HONDA	CRX	ED9		4	1.6L	D16A8	P	EFI	1987	1992	COUPE		AC07			
HONDA	CRX	EG2		4	1.6L	B16A2	P		1993	1998	COUPE		AC07		ACF53	
HONDA	CRZ	ZF	LUXURY	4	1.5L	LEA3	p	MPFI	2011	ON	COUPE	HYBRID 16V VT	AC080			ACC55
HONDA	CRZ	ZF	SPORT	4	1.5L	LEA3	P	MPFI	2011	ON	COUPE	HYBRID 16V VT	AC080			ACC55
HONDA	CRZ	ZF		4	1.5L	LEA3	P	MPFI	04/13	ON	COUPE	99KW HYBRID	AC080			ACC55
HONDA	HR-V	GH2	INDY SPECIAL	4	1.6L	D16W1	P		1999	1999	WAGON		AC07	ACA138	ACF66	
HONDA	HR-V	GH2		4	1.6L	D16W1	P		1999	12/01	2 DR WAG		AC07	ACA138	ACF66	
HONDA	HR-V	GH2	SPORT	4	1.6L	D16W1	P		1999	12/01	WAGON		AC07	ACA138	ACF66	
HONDA	HR-V	GH4		4	1.6L	D16W1	P		02/00	12/01	4 DR WAG		AC080	ACA138	ACF66	
HONDA	HR-V	RU	VIT-L	4	1.8L	R18Z	P	MPFI	2015	ON	WAGON		AC028			ACC55
HONDA	HR-V	RU	VTI	4	1.8L	R18Z	P	MPFI	2015	ON	WAGON		AC028			ACC55
HONDA	HR-V	RU	VTI-S	4	1.8L	R18Z	P	MPFI	2015	ON	WAGON		AC028			ACC55
HONDA	INSIGHT	ZE		3	1.0L	ECAMF2	P	MPFI	03/01	06/04	2 DR HATCH	56KW HYBRID	AC073			
HONDA	INSIGHT	ZE	VTI	4	1.3L	LDA3	P	MPFI	2010	ON	HATCH	HYBRID	AC080			ACC55
HONDA	INSIGHT	ZE	VTI-L	4	1.3L	LDA3	P	MPFI	2010	ON	HATCH	HYBRID	AC080			ACC55
HONDA	INTEGRA	DA3		4	1.6L	D16A3	P	MPFI	1986	1989	COUPE		AC014		ACF61	
HONDA	INTEGRA	DA4		4	1.6L	D16A3	P	MPFI	1986	1989	COUPE		AC014		ACF61	
HONDA	INTEGRA	SX		4	1.6L	D16A8	P	EFI	1986	1989	COUPE		AC014		ACF61	
HONDA	INTEGRA	SX16		4	1.6L	D16A3	P	EFI	1986	1989	COUPE		AC014		ACF61	
HONDA	INTEGRA	DC4	GSI	4	1.8L	B18B2	P	MPFI	1993	1998	COUPE		AC07	ACA303	ACF66	
HONDA	INTEGRA	DC2	VTI-R	4	1.8L	B18C2	P	MPFI	1993	1999	COUPE		AC07			
HONDA	INTEGRA	DC2	TYPE R	4	1.8L	B18C7	P		1999	2001	COUPE		AC07	ACA303	ACF66	
HONDA	INTEGRA	DC4	GSI	4	1.8L	B18B1	P	MPFI	1999	2001	COUPE		AC07	ACA303	ACF66	
HONDA	INTEGRA	DC5	TYPE R	4	2.0L	K20A2	P	MPFI	08/01	2002	COUPE		AC07	ACA303	ACF66	
HONDA	INTEGRA	DC5	LUXURY	4	2.0L	K20A3	P	MPFI	08/01	2004	COUPE		AC080	ACA303	ACF66	
HONDA	INTEGRA	DC5		4	2.0L	K20A3	P	MPFI	08/01	2007	COUPE		AC080	ACA303	ACF66	
HONDA	INTEGRA	DC5	TYPE R	4	2.0L	K20A2	P	MPFI	2002	2004	COUPE		AC080	ACA303	ACF66	
HONDA	INTEGRA	DC5	LUXURY	4	2.0L	K20A3	P	MPFI	2004	2006	COUPE		AC080	ACA303	ACF66	
HONDA	INTEGRA	DC5	TYPE S	4	2.0L	K20Z1	P	MPFI	2004	2007	COUPE		AC080	ACA139	ACF66	
HONDA	JAZZ	GD	GLI	4	1.3L	L13A1	P	MPFI	2002	2003	HATCH		AC080	ACA254	ACF163	ACC70
HONDA	JAZZ	GD	VTI	4	1.5L	L15A1	P	MPFI	2002	2003	HATCH		AC080	ACA254	ACF163	ACC70
HONDA	JAZZ	GD	VTI-S	4	1.5L	L15A1	P	MPFI	2002	2003	HATCH		AC080	ACA254	ACF163	ACC70
HONDA	JAZZ	GD	GLI	4	1.3L	L13A1	P	MPFI	2003	09/04	HATCH		AC080	ACA254	ACF163	ACC70
HONDA	JAZZ	GD	VTI	4	1.5L	L15A1	P	MPFI	2003	09/04	HATCH		AC080	ACA254	ACF163	ACC70
HONDA	JAZZ	GD	VTI-S	4	1.5L	L15A1	P	MPFI	2003	09/04	HATCH		AC080	ACA254	ACF163	ACC70
HONDA	JAZZ	GD	GLI	4	1.3L	L13A1	P	MPFI	10/04	2005	HATCH		AC080	ACA255	ACF163	ACC70
HONDA	JAZZ	GD	VTI	4	1.5L	L15A1	P	MPFI	10/04	2005	HATCH		AC080	ACA255	ACF163	ACC70
HONDA	JAZZ	GD	VTI-S	4	1.5L	L15A1	P	MPFI	10/04	2005	HATCH		AC080	ACA255	ACF163	ACC70
HONDA	JAZZ	GD	GLI VIBE	4	1.3L	L13A1	P	MPFI	2005	2005	HATCH		AC080	ACA255	ACF163	ACC70
HONDA	JAZZ	GD	GLI VIBE	4	1.3L	L13A1	P	MPFI	2005	2005	HATCH		AC080	ACA255	ACF163	ACC70
HONDA	JAZZ	GD	VTI VIBE	4	1.5L	L15A1	P	MPFI	2005	2005	HATCH		AC080	ACA255	ACF163	ACC70

MAKE	MODEL	SERIES	BADGE	CYLS	ENG SIZE	ENGINE CODE	FUEL	FUEL DELIVERY / AIR INTAKE	FROM	TO	BODY	REMARKS	OIL	AIR	FUEL	CABIN
HONDA	JAZZ	GD	VTI VIBE	4	1.5L	L15A1	P	MPFI	2005	2005	HATCH		AC080	ACA255	ACF163	ACC70
HONDA	JAZZ	GD	GLI	4	1.3L	L13A1	P	MPFI	2005	02/06	HATCH		AC080	ACA255	ACF163	ACC70
HONDA	JAZZ	GD	VTI	4	1.5L	L15A1	P	MPFI	2005	02/06	HATCH		AC080	ACA255	ACF163	ACC70
HONDA	JAZZ	GD	VTI-S	4	1.5L	L15A1	P	MPFI	2005	02/06	HATCH		AC080	ACA255	ACF163	ACC70
HONDA	JAZZ	GD	GLI	4	1.3L	L13A1	P	MPFI	03/06	2007	HATCH		AC080	ACA275	ACF163	ACC55
HONDA	JAZZ	GD	VTI	4	1.5L	L15A1	P	MPFI	03/06	07/08	HATCH	WITH CABIN FILTER 210x205mm	AC080	ACA275	ACF163	ACC55
HONDA	JAZZ	GD	VTI	4	1.5L	L15A1	P	MPFI	03/06	07/08	HATCH	WITH CABIN FILTER 184x178mm	AC080	ACA275	ACF163	ACC70
HONDA	JAZZ	GD	VTI-S	4	1.5L	L15A1	P	MPFI	03/06	07/08	HATCH	WITH CABIN FILTER 210x205mm	AC080	ACA275	ACF163	ACC55
HONDA	JAZZ	GD	VTI-S	4	1.5L	L15A1	P	MPFI	03/06	07/08	HATCH	WITH CABIN FILTER 184x178mm	AC080	ACA275	ACF163	ACC70
HONDA	JAZZ	GD	GLI	4	1.3L	L13A1	P	MPFI	2007	07/08	HATCH		AC080	ACA275	ACF163	ACC55
HONDA	JAZZ	GE	GLI	4	1.3L	L13Z1	P	MPFI	2008	2009	HATCH		AC080	ACA245	ACF163	ACC55
HONDA	JAZZ	GE	VTI	4	1.5L	L15A7	P	MPFI	2008	2009	HATCH		AC080	ACA245	ACF163	ACC55
HONDA	JAZZ	GE	VIT-S	4	1.5L	L15A7	P	MPFI	2008	2012	HATCH		AC080	ACA245	ACF163	ACC55
HONDA	JAZZ	GE	GLI	4	1.3L	L13Z1	P	MPFI	2009	2010	HATCH		AC080	ACA245	ACF163	ACC55
HONDA	JAZZ	GE	VTI	4	1.5L	L15A7	P	MPFI	2009	2010	HATCH		AC080	ACA245	ACF163	ACC55
HONDA	JAZZ	GE	GLI LIMITED EDITION	4	1.3L	L13Z1	P	MPFI	2010	2010	HATCH		AC080	ACA245	ACF163	ACC55
HONDA	JAZZ	GE	GLI VIBE	4	1.3L	L13Z1	P	MPFI	2010	2010	HATCH		AC080	ACA245	ACF163	ACC55
HONDA	JAZZ	GE	VTI LIMITED EDITION	4	1.5L	L15A7	P	MPFI	2010	2010	HATCH		AC080	ACA245	ACF163	ACC55
HONDA	JAZZ	GE	VTI VIBE	4	1.5L	L15A7	P	MPFI	2010	2010	HATCH		AC080	ACA245	ACF163	ACC55
HONDA	JAZZ	GE	GLI	4	1.3L	L13Z1	P	MPFI	2010	2011	HATCH		AC080	ACA245	ACF163	ACC55
HONDA	JAZZ	GE	VTI	4	1.5L	L15A7	P	MPFI	2010	2011	HATCH		AC080	ACA245	ACF163	ACC55
HONDA	JAZZ	GE	GLI	4	1.3L	L13Z1	P	MPFI	2011	2011	HATCH		AC080	ACA245	ACF163	ACC55
HONDA	JAZZ	GE	VTI	4	1.5L	L15A7	P	MPFI	2011	2011	HATCH		AC080	ACA245	ACF163	ACC55
HONDA	JAZZ	GE	VIBE	4	1.3L	L13Z1	P	MPFI	2012	07/14	HATCH		AC080	ACA245	ACF163	ACC55
HONDA	JAZZ	GE	VIBE S	4	1.5L	L15A7	P	MPFI	2012	07/14	HATCH		AC080	ACA245	ACF163	ACC55
HONDA	JAZZ	GE	HYBRID	4	1.3L	LDA3	P	MPFI	2013	ON	HATCH	HYBRID	AC080			ACC55
HONDA	JAZZ	GK	VTI	4	1.5L	L15Z2	P	MPFI	07/14	ON	HATCH		AC080			ACC55
HONDA	JAZZ	GK	VTI-L	4	1.5L	L15Z2	P	MPFI	07/14	ON	HATCH		AC080			ACC55
HONDA	JAZZ	GK	VTI-S	4	1.5L	L15Z2	P	MPFI	07/14	ON	HATCH		AC080			ACC55
HONDA	LEGEND	1ST GEN	KA2	6	2.5L	C25A1	P	MPFI	1986	1987	SEDAN				ACF53	
HONDA	LEGEND	1ST GEN	KA3, KA4	6	2.7L	C25A1	P	MPFI	1987	1991	SEDAN				ACF53	
HONDA	LEGEND	3RD GEN	KA9	6	3.5L	C35A3	P	MPFI	1996	2004	SEDAN		AC07		ACF66	ACC3
HONDA	LEGEND	4TH GEN	KB	6	3.5L	J35A8	P	MPFI	08/06	07/08	SEDAN		AC080	ACA178		ACC3
HONDA	LEGEND	4TH GEN	KB	6	3.7L	J37A2	P	MPFI	08/08	ON	SEDAN		AC080			ACC3
HONDA	MDX	YD1		6	3.5L	J35A5	P	MPFI	2003	2004	WAGON		AC080			
HONDA	MDX	YD1		6	3.5L	J35A5	P	MPFI	2005	2007	WAGON		AC080			
HONDA	NSX	NA1	T	6	3.0L	C30A3	P	MPFI	1995	02/02	COUPE		AC07			
HONDA	NSX	NA1	T	6	3.0L	C30A3	P	MPFI	02/02	01/05	COUPE		AC080			
HONDA	ODYSSEY	RA		4	2.2L	F22B6	P	MPFI	1995	1997	WAGON		AC07	ACA302	ACF66	
HONDA	ODYSSEY	RA		4	2.3L	F23A7	P	MPFI	1998	2000	WAGON		AC07	ACA302	ACF66	

MAKE	MODEL	SERIES	BADGE	CYLS	ENG SIZE	ENGINE CODE	FUEL	FUEL DELIVERY / AIR INTAKE	FROM	TO	BODY	REMARKS	OIL	AIR	FUEL	CABIN
HONDA	ODYSSEY	RA		4	2.3L	F23Z4	P	MPFI	2000	2001	WAGON		AC080			
HONDA	ODYSSEY	RA	V6-L	6	3.0L	J30A1	P	MPFI	2000	01/02	WAGON		AC07			
HONDA	ODYSSEY	RA		4	2.3L	F23Z4	P	MPFI	2002	2002	WAGON		AC080			
HONDA	ODYSSEY	RA	V6-L	6	3.0L	J30A3	P	MPFI	02/02	2004	WAGON		AC080	ACA307		
HONDA	ODYSSEY	RA		4	2.3L	F23Z4	P	MPFI	2003	2004	WAGON		AC080			
HONDA	ODYSSEY	RA	V6	6	3.0L	J30A3	P	MPFI	2003	2004	WAGON		AC080	ACA307		
HONDA	ODYSSEY	RB		4	2.4L	K24A6	P	MPFI	06/04	2006	WAGON		AC080	ACA307		ACC3
HONDA	ODYSSEY	RB		4	2.4L	K24A6	P	MPFI	2006	03/09	WAGON		AC080	ACA307		ACC3
HONDA	ODYSSEY	RB		4	2.4L	K24Z	P	MPFI	04/09	01/14	WAGON		AC080			
HONDA	ODYSSEY	RC	VTI	4	2.4L	K24W7	P	MPFI	02/14	ON	WAGON		AC028			ACC3
HONDA	ODYSSEY	RC	VTI-L	4	2.4L	K24W7	P	MPFI	02/14	ON	WAGON		AC028			ACC3
HONDA	PRELUDE	3RD GEN	4WS	4	2.0L	B20A6	P	MPFI	1988	1991	COUPE		AC07	ACA246		
HONDA	PRELUDE	3RD GEN		4	2.0L	B20A6	P		1991	1991	COUPE		AC07	ACA246		
HONDA	PRELUDE	4TH GEN	SRS	4	2.3L	H23A1	P	MPFI	1992	1994	COUPE		AC07	ACA301	ACF53	
HONDA	PRELUDE	4TH GEN	S	4	2.2L	F22A1	P	MPFI	1992	1996	COUPE		AC07	ACA301	ACF53	
HONDA	PRELUDE	4TH GEN	SI	4	2.3L	H23A1	P	MPFI	1992	1996	COUPE		AC07	ACA301	ACF53	
HONDA	PRELUDE	4TH GEN	VTI-R	4	2.2L	H22A1	P	MPFI	1994	1996	COUPE		AC07	ACA301	ACF53	
HONDA	PRELUDE	5TH GEN	ATTS	4	2.2L	H22A4	P	MPFI	1997	2001	COUPE		AC07	ACA301	ACF66	
HONDA	PRELUDE	5TH GEN	SI	4	2.2L	F22Z6	P	MPFI	1997	2001	COUPE		AC07	ACA301	ACF66	
HONDA	PRELUDE	5TH GEN	VTI-R	4	2.2L	H22A4	P	MPFI	1997	2001	COUPE		AC07	ACA301	ACF66	
HONDA	S2000	AP1		4	2.0L	F20C1	P	MPFI	1999	2006	R-STER		AC080			
HONDA	S2000	AP2		4	2.0L	F20C2	P	MPFI	02/06	2009	R-STER		AC07			
<b>HSV</b>																
HSV	ASTRA	SV1800		4	1.8L	18LE	P	MPFI	1988	1989	SED/ HATCH	8V SOHC	AC018	ACA36	ACF3	
HSV	AVALANCHE	VY	XUV	8	5.7L	LS1	P	MPFI	2003	2004	SEDAN	270KW GEN III	AC025	ACA85	ACF120	
HSV	AVALANCHE	VZ	XUV	8	5.7L	LS1	P	MPFI	2004	2006	SEDAN	270KW GEN III	AC025	ACA85	ACF120	
HSV	CALAIS	VL	SV88	8	5.0L	LV2	P	CARB	1988	1988	SEDAN	304 16V OHV	AC03		ACF3	
HSV	CAPRICE 215I	VR		8	5.7L	L98 350CI	P	MPFI	1994	1995	SEDAN	HARROP STROKER NOT LS1	AC025	ACA21	ACF4	
HSV	CAPRICE 215I	VS		8	5.7L	L98 350CI	P	MPFI	1995	1998	SEDAN	HARROP STROKER NOT LS1	AC025	ACA21	ACF4	
HSV	CLUBSPORT	VP	5000I	8	5.0L	LB9	P	MPFI	1993	1993	SEDAN	304 16V OHV	AC025	ACA21	ACF4	
HSV	CLUBSPORT	VR		8	5.0L	LB9	P	MPFI	1993	1995	SEDAN	304 16V OHV	AC025	ACA21	ACF4	
HSV	CLUBSPORT	VS		8	5.0L	LB9	P	MPFI	1995	1997	SEDAN	304 16V OHV	AC025	ACA21	ACF4	
HSV	CLUBSPORT	VT		8	5.0L	LB9	P	MPFI	1997	1999	SEDAN	304 16V OHV	AC025	ACA85	ACF90	
HSV	CLUBSPORT	VT		8	5.7L	LS1	P	MPFI	1999	2000	SEDAN	GEN III	AC025	ACA85	ACF120	
HSV	CLUBSPORT	VX		8	5.7L	LS1	P	MPFI	2000	2002	SEDAN	GEN III	AC025	ACA85	ACF120	
HSV	CLUBSPORT	VX		8	5.7L	LS1	P	MPFI	2000	2002	SEDAN	C4B	AC025	ACA85	ACF120	
HSV	CLUBSPORT	VY		8	5.7L	LS1	P	MPFI	2002	2004	SEDAN	GEN III	AC025	ACA85	ACF120	
HSV	CLUBSPORT	VY		8	5.7L	LS1	P	MPFI	2002	2004	SEDAN	C4B	AC025	ACA85	ACF120	
HSV	CLUBSPORT	VZ		8	6.0L	LS2	P	MPFI	2004	2006	SEDAN	GEN IV	AC025	ACA85	ACF120	
HSV	CLUBSPORT	VZ	HRT EDITION	8	6.0L	LS2	P	MPFI	2006	2006	SEDAN	297KW GEN IV	AC025	ACA85	ACF120	

MAKE	MODEL	SERIES	BADGE	CYLS	ENG SIZE	ENGINE CODE	FUEL	FUEL DELIVERY / AIR INTAKE	FROM	TO	BODY	REMARKS	OIL	AIR	FUEL	CABIN
HSV	CLUBSPORT	VZ	HSVDT EDITION	8	6.0L	LS2	P	MPFI	2006	2006	SEDAN	297KW GEN IV	AC025	ACA85	ACF120	
HSV	CLUBSPORT	VE	R8	8	6.0L	LS2	P	MPFI	2006	2008	SEDAN	317KW GEN IV	AC092	ACA154		ACC24
HSV	CLUBSPORT	VE SERIES	R8 20TH ANNIV	8	6.0L	LS2	P	MPFI	2007	2007	SEDAN	307KW GEN IV	AC092	ACA154		ACC24
HSV	CLUBSPORT	VE	R8	8	6.2L	LS3	P	MPFI	2008	2013	SED/WAG	317KW GEN IV	AC092	ACA154		ACC24
HSV	CLUBSPORT	VE SERIES	R8 TOURER	8	6.2L	LS3	P	MPFI	2008	ON	SEDAN	317KW GEN IV	AC092	ACA154		ACC24
HSV	CLUBSPORT	VE SERIES 2	R8 TOURER	8	6.2L	LS3	P	MPFI	2009	ON	SEDAN	317KW GEN IV	AC092	ACA154		ACC24
HSV	CLUBSPORT	GXPE SERIES 2		8	6.2L	LS3	P	MPFI	2010	2010	SEDAN	317KW GEN IV	AC092	ACA154		ACC24
HSV	CLUBSPORT	VE SERIES 2	R8 20TH ANNIV	8	6.2L	LS3	P	MPFI	2010	2010	SEDAN	317KW GEN IV	AC092	ACA154		ACC24
HSV	CLUBSPORT	VE SERIES 3	R8 TOURER	8	6.2L	LS3	P	MPFI	2011	ON	SEDAN	317KW GEN IV	AC092	ACA154		ACC24
HSV	CLUBSPORT	E SERIES 3		8	6.2L	LS3	P	MPFI	2012	ON	SEDAN	317KW GEN IV	AC092	ACA154		ACC24
HSV	CLUBSPORT	VE SERIES 3	R8 TOURER	8	6.2L	LS3	P	MPFI	2012	ON	SEDAN	325KW	AC092	ACA154		ACC24
HSV	CLUBSPORT	E SERIES 3		8	6.2L	LS3	P	MPFI	2013	2013	SEDAN	317KW GEN IV	AC092	ACA154		ACC24
HSV	CLUBSPORT	GEN-F		8	6.2L	LS3	P	MPFI	2013	ON	SEDAN	317KW GEN IV	AC092	ACA154		ACC24
HSV	CLUBSPORT	VF	R8	8	6.2L	LS3	P	MPFI	2013	ON	SEDAN	317KW GEN IV	AC092	ACA154		ACC24
HSV	CLUBSPORT R8	VZ		8	6.0L	LS2	P	MPFI	2006	2006	SEDAN	297KW GEN IV	AC025	ACA85	ACF120	
HSV	CLUBSPORT R8	VE		8	6.0L	LS2	P	MPFI	2006	ON	SEDAN	297KW GEN IV	AC092	ACA154		ACC24
HSV	CLUBSPORT R8	VE		8	6.2L	LS3	P	MPFI	2008	ON	SEDAN	317KW GEN IV	AC092	ACA154		ACC24
HSV	CLUBSPORT R8	VE SERIES 2		8	6.2L	LS3	P	MPFI	2009	ON	SEDAN	317KW GEN IV	AC092	ACA154		ACC24
HSV	CLUBSPORT R8	VE SERIES 3		8	6.2L	LS3	P	MPFI	2010	ON	SEDAN	317KW GEN IV	AC092	ACA154		ACC24
HSV	CLUBSPORT R8	VE SERIES 3	R8 VE SV BLACK	8	6.2L	LS3	P	MPFI	2011	2011	SEDAN	317KW GEN IV	AC092	ACA154		ACC24
HSV	CLUBSPORT R8	VE SERIES 3	TOURER	8	6.2L	LS3	P	MPFI	2013	2013	SEDAN	325KW	AC092	ACA154		ACC24
HSV	CLUBSPORT R8	VF		8	6.2L	LS3	P	MPFI	2013	ON	SEDAN		AC092	ACA154		ACC24
HSV	COMMODORE	VN	SV3800	6	3.8L	LN3	P	MPFI	1988	1990	SEDAN	12V OHV	AC018	ACA21	ACF4	
HSV	COMMODORE	VN	SV5000	8	5.0L	LB9	P	MPFI	1989	1990	SEDAN	304 16V OHV	AC025	ACA21	ACF4	
HSV	COMMODORE	VN II		6	3.8L	L27	P	MPFI	1990	1991	SEDAN	12V OHV	AC018	ACA21	ACF4	
HSV	COMMODORE	VN	SS GROUP A	8	5.0L	LB9	P	MPFI	1990	1991	SEDAN	304 16V OHV	AC025	ACA21	ACF4	
HSV	COMMODORE	VP		6	3.8L	L27	P	MPFI	1992	1993	SEDAN	12V OHV	AC018	ACA21	ACF4	
HSV	COUPE	GTO		8	5.7L	LS1	P	MPFI	2001	2003	SEDAN	255KW GEN III	AC025	ACA85	ACF120	
HSV	COUPE	GTS		8	5.7L	LS1	P	MPFI	2001	2004	SEDAN	300KW GEN III	AC025	ACA85	ACF120	
HSV	COUPE	GTO		8	5.7L	LS1	P	MPFI	2003	2004	SEDAN	285KW GEN III	AC025	ACA85	ACF120	
HSV	COUPE	4		8	5.7L	LS1	P	MPFI	2004	2006	SEDAN	270KW GEN III	AC025	ACA85	ACF120	
HSV	COUPE	GTO		8	6.0L	LS2	P	MPFI	2004	2006	SEDAN	297KW GEN IV	AC025	ACA85	ACF120	



MAKE	MODEL	SERIES	BADGE	CYLS	ENG SIZE	ENGINE CODE	FUEL	FUEL DELIVERY / AIR INTAKE	FROM	TO	BODY	REMARKS	OIL	AIR	FUEL	CABIN
HSV	COUPE	SIGNATURE		8	6.0L	LS2	P	MPFI	2006	2007	SEDAN	297KW GEN IV	AC025	ACA85	ACF120	
HSV	GRANGE	WK		8	5.7L	LS1	P	MPFI	2003	2004	SEDAN	GEN III	AC025	ACA85	ACF120	
HSV	GRANGE	WK		8	5.7L	LS1	P	MPFI	2003	2004	SEDAN	C4B	AC025	ACA85	ACF120	
HSV	GRANGE	WL		8	6.0L	LS2	P	MPFI	2004	2006	SEDAN	GEN IV	AC025	ACA85	ACF120	
HSV	GRANGE	WM		8	6.0L	LS2	P	MPFI	2007	2008	SEDAN	307KW GEN IV	AC092	ACA154		ACC24
HSV	GRANGE	WM		8	6.2L	LS3	P	MPFI	2008	2010	SEDAN	317KW GEN IV	AC092	ACA154		ACC24
HSV	GRANGE 180I	WH		6	3.8L	L67	P	MPFI	1999	2000	SEDAN	SUPER-CHARGED	AC018	ACA85	ACF90	
HSV	GRANGE 185I	VS		8	5.0L	LB9	P	MPFI	1996	1998	SEDAN	304 16V OHV	AC025	ACA21	ACF4	
HSV	GRANGE 250	WH		8	5.7L	LS1	P	MPFI	1999	2000	SEDAN	C4B	AC025	ACA85	ACF120	
HSV	GRANGE 255	WH		8	5.7L	LS1	P	MPFI	2000	2003	SEDAN	C4B	AC025	ACA85	ACF120	
HSV	GTS	VN		6	3.8L	LN3	P	MPFI	1988	1990	SEDAN	12V OHV	AC018	ACA21	ACF4	
HSV	GTS	VN II		6	3.8L	L27	P	MPFI	1990	1992	SEDAN	12V OHV	AC018	ACA21	ACF4	
HSV	GTS	VP		8	5.0L	LB9	P	MPFI	1992	1992	SEDAN	304 16V OHV	AC025	ACA21	ACF4	
HSV	GTS	VR		8	5.0L	LB9	P	MPFI	1993	1995	SEDAN	304 16V OHV	AC025	ACA21	ACF4	
HSV	GTS	VS		8	5.0L	LB9	P	MPFI	1995	1998	SEDAN	304 16V OHV	AC025	ACA21	ACF4	
HSV	GTS	VT		8	5.0L	LB9	P	MPFI	1997	2000	SEDAN	304 16V OHV	AC025	ACA85	ACF90	
HSV	GTS	VT		8	5.7L	LS1	P	MPFI	2000	2000	SEDAN	GEN III	AC025	ACA85	ACF120	
HSV	GTS	VX		8	5.7L	LS1	P	MPFI	2000	2001	SEDAN	GEN III	AC025	ACA85	ACF120	
HSV	GTS	VY		8	5.7L	LS1	P	MPFI	2002	2004	SEDAN	GEN III	AC025	ACA85	ACF120	
HSV	GTS	VE		8	6.0L	LS2	P	MPFI	2006	2008	SEDAN	307KW GEN IV	AC092	ACA154		ACC24
HSV	GTS	VE SERIES		8	6.0L	LS2	P	MPFI	2006	2008	SEDAN		AC092	ACA154		ACC24
HSV	GTS	VE SERIES 2	40TH ANNIV	8	6.2L	LS3	P	MPFI	2008	2009	SEDAN	317KW GEN IV	AC092	ACA154		ACC24
HSV	GTS	VE		8	6.2L	LS3	P	MPFI	2008	2013	SEDAN	317KW GEN IV	AC092	ACA154		ACC24
HSV	GTS	E SERIES 2		8	6.2L	LS3	P	MPFI	2009	2011	SEDAN	325KW	AC092	ACA154		ACC24
HSV	GTS	E SERIES 3		8	6.2L	LS3	P	MPFI	2011	2013	SEDAN	325KW	AC092	ACA154		ACC24
HSV	GTS	E SERIES 3		8	6.2L	LS3	LPG	MPFI	2011	2013	SEDAN	325KW	AC092	ACA154		ACC24
HSV	GTS	VE SERIES 3	25TH ANNIV	8	6.2L	LS3	P	MPFI	2012	ON	SEDAN	325KW	AC092	ACA154		ACC24
HSV	GTS	VE SERIES 3	25TH ANNIV	8	6.2L	LS3	LPG	MPFI	2012	ON	SEDAN	325KW	AC092	ACA154		ACC24
HSV	GTS	GEN-F		8	6.2L	LSA 430	P	S-CHARGED MPFI	2013	ON	SEDAN	430KW	AC092	ACA154		ACC24
HSV	GTS-R	VS		8	5.7L	304	P	MPFI	1995	1996	SEDAN	304 STROKER	AC025			
HSV	JACKAROO	UBS25		6	3.2L	6VD1	P	MPFI	1993	1993	WAGON	24V SOHC	AC07	ACA88	ACF4	
HSV	MALOO	VG		8	5.0L	LB9	P	MPFI	1990	1992	UTE	304 16V OHV	AC025	ACA21	ACF4	
HSV	MALOO	VP		8	5.0L	LB9	P	MPFI	1992	1993	UTE	304 16V OHV	AC025	ACA21	ACF4	
HSV	MALOO	VR		8	5.0L	LB9	P	MPFI	1993	1995	UTE	304 16V OHV	AC025	ACA21	ACF4	
HSV	MALOO	VS		8	5.0L	LB9	P	MPFI	1995	2000	UTE	304 16V OHV	AC025	ACA21	ACF4	
HSV	MALOO	VU	R8	8	5.7L	LS1	P	MPFI	2001	2002	UTE	GEN III	AC025	ACA85	ACF120	
HSV	MALOO	VY	R8	8	5.7L	LS1	P	MPFI	2002	2004	UTE	GEN III	AC025	ACA85	ACF120	
HSV	MALOO	VZ	R8	8	6.0L	LS2	P	MPFI	2004	2007	UTE	GEN IV	AC025	ACA154		

MAKE	MODEL	SERIES	BADGE	CYLS	ENG SIZE	ENGINE CODE	FUEL	FUEL DELIVERY / AIR INTAKE	FROM	TO	BODY	REMARKS	OIL	AIR	FUEL	CABIN
HSV	MALOO	VZ SERIES 2		8	6.0L	LS2	P	MPFI	2005	2006	UTE	297KW GEN IV	AC025	ACA154		
HSV	MALOO	VE	R8	8	6.0L	LS2	P	MPFI	2006	2008	UTE	307KW GEN IV	AC092	ACA154		ACC24
HSV	MALOO	VE	R8	8	6.2L	LS3	P	MPFI	2008	2013	UTE	317KW GEN IV	AC092	ACA154		ACC24
HSV	MALOO	VE SERIES		8	6.2L	LS3	P	MPFI	2009	2009	UTE	317KW GEN IV	AC092	ACA154		ACC24
HSV	MALOO	VE SERIES 2		8	6.2L	LS3	P	MPFI	2009	2009	UTE	317KW GEN IV	AC092	ACA154		ACC24
HSV	MALOO	VE SERIES 3	R8	8	6.2L	LS3	P	MPFI	2012	2013	UTE	325KW	AC092	ACA154		ACC24
HSV	MALOO	VE SERIES 3	R8	8	6.2L	LS3	LPG	MPFI	2012	2013	UTE	325KW	AC092	ACA154		ACC24
HSV	MALOO	VE SERIES 3		8	6.2L	LS3	LPG	MPFI	2013	2013	UTE	317KW GEN IV	AC092	ACA154		ACC24
HSV	MALOO	GEN-F		8	6.2L	LS3	P	MPFI	2013	ON	UTE	317KW GEN IV	AC092	ACA154		ACC24
HSV	MALOO	GEN-F	R8	8	6.2L	LS3	P	MPFI	2013	ON	UTE	325KW	AC092	ACA154		ACC24
HSV	MANTA	VS		8	5.0L	LB9	P	MPFI	1995	1997	SEDAN	304 16V OHV	AC025	ACA21	ACF4	
HSV	MANTA	VT		8	5.0L	LB9	P	MPFI	1997	1999	SEDAN	304 16V OHV	AC025	ACA21	ACF4	
HSV	SENATOR	VP	5000I	8	5.0L	LB9	P	MPFI	1992	1993	SEDAN	304 16V OHV	AC025	ACA21	ACF4	
HSV	SENATOR	VR		8	5.0L	LB9	P	MPFI	1993	1995	SEDAN	304 16V OHV	AC025	ACA21	ACF4	
HSV	SENATOR	VR		8	5.7L	L98 350CI	P	MPFI	1994	1995	SEDAN	HARROP STROKER NOT LS1	AC025	ACA21	ACF4	
HSV	SENATOR	VT	SIGNATURE	8	5.7L	LS1	P	MPFI	1999	2000	SEDAN	250KW GEN III	AC025	ACA85	ACF120	
HSV	SENATOR	VX	SIGNATURE	8	5.7L	LS1	P	MPFI	2000	2002	SEDAN	255KW GEN III	AC025	ACA85	ACF120	
HSV	SENATOR	VY		8	5.7L	LS1	P	MPFI	2002	2003	SEDAN	260KW GEN III	AC025	ACA85	ACF120	
HSV	SENATOR	VY	SIGNATURE	8	5.7L	LS1	P	MPFI	2002	2003	SEDAN	260KW GEN III	AC025	ACA85	ACF120	
HSV	SENATOR	VY	SIGNATURE	8	5.7L	LS1	P	MPFI	2003	2004	SEDAN	285KW GEN III	AC025	ACA85	ACF120	
HSV	SENATOR	VZ		8	6.0L	LS2	P	MPFI	2004	2006	SEDAN	GEN IV	AC025	ACA85	ACF120	
HSV	SENATOR	VE	SIGNATURE	8	6.0L	LS3	P	MPFI	2006	2008	SEDAN	307KW GEN IV	AC092	ACA154		ACC24
HSV	SENATOR	VE	SIGNATURE	8	6.2L	LS3	P	MPFI	2008	2013	SEDAN	317KW GEN IV	AC092	ACA154		ACC24
HSV	SENATOR	VF	SIGNATURE	8	6.2L	LS3	P	MPFI	2013	ON	SEDAN	340KW GEN IV	AC092	ACA154		ACC24
HSV	SENATOR 185I	VS		8	5.0L	LB9	P	MPFI	1995	1997	SEDAN	304 16V OHV	AC025	ACA21	ACF4	
HSV	SENATOR 195I	VT		8	5.0L	LB9	P	MPFI	1997	1999	SEDAN	304 16V OHV	AC025	ACA85	ACF90	
HSV	SENATOR 195I	VT	SIGNATURE	8	5.0L	LB9	P	MPFI	1997	1999	SEDAN	304 16V OHV	AC025	ACA85	ACF90	
HSV	SENATOR 215I	VS		8	5.7L	L98 350CI	P	MPFI	1995	1997	SEDAN	HARROP STROKER NOT LS1	AC025	ACA21	ACF4	
HSV	SENATOR 220I	VT	SIGNATURE	8	5.7L	L98 350CI	P	MPFI	1997	1999	SEDAN	HARROP STROKER NOT LS1	AC025	ACA21	ACF4	
HSV	SENATOR 300	VX	SIGNATURE	8	5.7L	LS1	P	MPFI	2001	2001	SEDAN	300KW GEN III	AC025	ACA85	ACF120	

MAKE	MODEL	SERIES	BADGE	CYLS	ENG SIZE	ENGINE CODE	FUEL	FUEL DELIVERY / AIR INTAKE	FROM	TO	BODY	REMARKS	OIL	AIR	FUEL	CABIN
HSV	SENATOR SIGNATURE	VE SERIES 2		8	6.2L	LS3	P	MPFI	2010	2010	SEDAN	317KW GEN IV	AC092	ACA154		ACC24
HSV	SENATOR SIGNATURE	VE SERIES 3		8	6.2L	LS3	P	MPFI	2012	2012	SEDAN	317KW GEN IV	AC092	ACA154		ACC24
HSV	SENATOR SIGNATURE	GEN-F		8	6.2L	LS3	P	MPFI	2012	ON	SEDAN	340KW GEN IV	AC092	ACA154		ACC24
HSV	SENATOR SIGNATURE	VE SERIES 3		8	6.2L	LS3	P	MPFI	2012	ON	SEDAN	325KW	AC092	ACA154		ACC24
HSV	SENATOR SIGNATURE	VE SERIES 3		8	6.2L	LS3	LPG	MPFI	2012	ON	SEDAN	325KW	AC092	ACA154		ACC24
HSV	SENATOR SIGNATURE	VE SERIES 3		8	6.2L	LS3	P	MPFI	2013	2013	SEDAN	325KW	AC092	ACA154		ACC24
HSV	SENATOR SIGNATURE	VE SERIES 3		8	6.2L	LS3	LPG	MPFI	2013	2013	SEDAN	325KW	AC092	ACA154		ACC24
HSV	SPORT	VP		6	3.8L	L27	P	MPFI	1991	1993	SEDAN	12V OHV	AC018	ACA21	ACF4	
HSV	SPORT	VP		8	5.0L	LB9	P	MPFI	1991	1993	SEDAN	304 16V OHV	AC025	ACA21	ACF4	
HSV	STATESMAN	VQ	SV90	8	5.0L	LB9	P	MPFI	1990	1991	SEDAN	304 16V OHV	AC025	ACA21	ACF4	
HSV	STATESMAN	VQ	5000I	8	5.0L	LB9	P	MPFI	1991	1993	SEDAN	304 16V OHV	AC025	ACA21	ACF4	
HSV	STATESMAN	VQ	SV93	8	5.0L	LB9	P	MPFI	1992	1993	SEDAN	304 16V OHV	AC025	ACA21	ACF4	
HSV	STATESMAN	VR	185I	8	5.0L	LB9	P	MPFI	1994	1995	SEDAN	304 16V OHV	AC025	ACA21	ACF4	
HSV	STATESMAN	VR	215I	8	5.7L	L98 350CI	P	MPFI	1994	1995	SEDAN	HARROP STROKER NOT LS1	AC025	ACA21	ACF4	
HSV	STATESMAN	VS	185I	8	5.0L	LB9	P	MPFI	1995	1996	SEDAN	304 16V OHV	AC025	ACA21	ACF4	
HSV	STATESMAN	VS	215I	8	5.7L	L98 350CI	P	MPFI	1995	1996	SEDAN	HARROP STROKER NOT LS1	AC025	ACA21	ACF4	
HSV	SV CLUBSPORT	VN		8	5.0L	LB9	P	MPFI	1990	1991	SEDAN	304 16V OHV	AC025	ACA21	ACF4	
HSV	SV CLUBSPORT	VP		8	5.0L	LB9	P	MPFI	1991	1993	SEDAN	304 16V OHV	AC025	ACA21	ACF4	
HSV	SV300	VX		8	5.7L	LS1	P	MPFI	2001	2001	SEDAN	300KW GEN III	AC025	ACA85	ACF120	
HSV	SV6000	VZ		8	6.0L	LS2	P	MPFI	2005	2006	SEDAN	GEN IV	AC025	ACA85	ACF120	
HSV	SV91	VP		8	5.0L	LB9	P	MPFI	1991	1992	SEDAN	304 16V OHV	AC025	ACA21	ACF4	
HSV	SV99	VT		8	5.7L	LS1	P	MPFI	1999	2000	SEDAN	250KW GEN III	AC025	ACA85	ACF120	
HSV	VXR	AH		4	2.0L	Z20LEH	P	TURBO	2006	2009	HATCH		AC018	ACA129		
HSV	W427	VE		8	7.0L	LS7	P	MPFI	2008	2009	SEDAN	375KW	AC092			
HSV	XU6	VT		6	3.8L	L67	P	MPFI	1998	2000	SEDAN	SUPER-CHARGED	AC018	ACA85	ACF90	
HSV	XU6	VX		6	3.8L	L67	P	MPFI	2000	2002	SEDAN	SUPER-CHARGED	AC018	ACA85	ACF90	
HSV	XU8	VT		8	5.0L	LB9	P	MPFI	1999	1999	SEDAN	304 16V OHV	AC025	ACA85	ACF90	
<b>HUMMER</b>																
HUMMER	H2			8	6.0L		P		2006	2009	WAGON		AC092			
HUMMER	H3		ADVENTURE	5	3.7L	VORTEC	P	MPFI	2007	2009	WAGON		AC0111			
HUMMER	H3		LUXURY	5	3.7L	VORTEC	P	MPFI	2007	2009	WAGON		AC0111			
<b>HYSTER</b>																
HYSTER	FORKLIFTS											SOME MODELS			ACF84	

MAKE	MODEL	SERIES	BADGE	CYLS	ENG SIZE	ENGINE CODE	FUEL	FUEL DELIVERY / AIR INTAKE	FROM	TO	BODY	REMARKS	OIL	AIR	FUEL	CABIN
<b>HYUNDAI</b>																
HYUNDAI	ACCENT	LC	GL	4	1.5L	G4ECX	P	MPFI	2000	2003	SED/ HATCH		AC07	ACA140	ACF123	
HYUNDAI	ACCENT	LC	GLS	4	1.5L	G4ECX	P	MPFI	2000	2003	SED/ HATCH		AC07	ACA140	ACF123	
HYUNDAI	ACCENT	LC	GS	4	1.5L	G4ECX	P	MPFI	2000	2003	HATCH		AC07	ACA140	ACF123	
HYUNDAI	ACCENT	LC	GL LIFESTYLE	4	1.5L	G4ECX	P	MPFI	2001	2001	SED/ HATCH		AC07	ACA140	ACF123	
HYUNDAI	ACCENT	LC	GL SPRINT	4	1.5L	G4ECX	P	MPFI	2001	2001	SED/ HATCH		AC07	ACA140	ACF123	
HYUNDAI	ACCENT	LC	GLS SPRINT	4	1.5L	G4ECX	P	MPFI	2001	2001	HATCH		AC07	ACA140	ACF123	
HYUNDAI	ACCENT	LC	GS LIFESTYLE	4	1.5L	G4ECX	P	MPFI	2001	2001	HATCH		AC07	ACA140	ACF123	
HYUNDAI	ACCENT	LC	GL	4	1.6L	G4ED2	P	MPFI	2003	2006	3 DR HATCH		AC07	ACA140	ACF123	
HYUNDAI	ACCENT	LC	GL	4	1.6L	G4ED2	P	MPFI	2003	2006	5 DR HATCH		AC07	ACA140	ACF123	
HYUNDAI	ACCENT	MC		4	1.6L	G4ED5	P	MPFI	2006	2007	SED/ HATCH		AC07	ACA165		ACC72
HYUNDAI	ACCENT	MC	FX LIMITED EDITION	4	1.6L	G4ED5	P	MPFI	2006	2007	HATCH		AC07	ACA165		ACC72
HYUNDAI	ACCENT	MC	A-LEAGUE	4	1.6L	G4ED5	P	MPFI	2007	2007	HATCH		AC07	ACA165		ACC72
HYUNDAI	ACCENT	MC	S	4	1.6L	G4ED5	P	MPFI	2007	2009	SED/ HATCH		AC07	ACA165		ACC72
HYUNDAI	ACCENT	MC	SLX	4	1.6L	G4ED5	P	MPFI	2007	2009	SED/ HATCH		AC07	ACA165		ACC72
HYUNDAI	ACCENT	RB	ACTIVE	4	1.6L	G4FC	P	MPFI	2011	2013	SED/ HATCH		AC07	ACA276		ACC48
HYUNDAI	ACCENT	RB	ELITE	4	1.6L	G4FC	P	MPFI	2011	2013	SED/ HATCH		AC07	ACA276		ACC48
HYUNDAI	ACCENT	RB	PREMIUM	4	1.6L	G4FC	P	MPFI	2011	2013	SED/ HATCH		AC07	ACA276		ACC48
HYUNDAI	ACCENT	RB	ACTIVE	4	1.6L	D4FB	D	TURBO DIRECT INJ	01/12	ON	SED/ HATCH		AC0113	ACA276	ACF156	ACC48
HYUNDAI	ACCENT	RB2	ACTIVE	4	1.6L	G4FC	P	MPFI	2013	ON	HATCH		AC07	ACA276		ACC48
HYUNDAI	ACCENT	RB2	ACTIVE	4	1.6L	G4FC	P	MPFI	2013	ON	SEDAN		AC07	ACA276		ACC48
HYUNDAI	ACCENT	RB2	ELITE	4	1.6L	G4FC	P	MPFI	2013	ON	HATCH		AC07	ACA276		ACC48
HYUNDAI	ACCENT	RB2	ELITE	4	1.6L	G4FC	P	MPFI	2013	ON	SEDAN		AC07	ACA276		ACC48
HYUNDAI	ACCENT	RB3	ELITE	4	1.6L	G4FD	P	MPFI	10/13	ON	SEDAN		AC07	ACA276		ACC48
HYUNDAI	ACCENT	RB3	SR	4	1.6L	G4FD	P	MPFI	10/13	ON	HATCH		AC07	ACA276		ACC48
HYUNDAI	ACCENT	RB3	ACTIVE	4	1.4L	G4LC	P	DIRECT INJ	09/15	ON	SEDAN			ACA276		ACC48
HYUNDAI	ACCENT	RB3	ACTIVE	4	1.4L	G4LC	P	DIRECT INJ	09/15	ON	HATCH			ACA276		ACC48
HYUNDAI	COUPE	RD	SX	4	1.8L	G4GM BETA	P	MPFI	1996	1999	COUPE		AC07	ACA90	ACF231	
HYUNDAI	COUPE	RD	FX	4	2.0L	G4GF BETA	P	MPFI	1996	1999	COUPE		AC07	ACA90	ACF231	
HYUNDAI	COUPE	RD	SFX	4	2.0L	G4GF BETA	P	MPFI	1996	1999	COUPE		AC07	ACA90	ACF231	
HYUNDAI	COUPE	RD S2	SX	4	1.8L	G4GM BETA	P	MPFI	2000	2002	COUPE		AC07	ACA90	ACF231	
HYUNDAI	COUPE	RD S2	FX	4	2.0L	G4GF BETA	P	MPFI	2000	2002	COUPE		AC07	ACA90	ACF231	
HYUNDAI	ELANTRA	XD	GL	4	1.8L	G4GBX	P	MPFI	2000	2003	SED/ HATCH		AC07	ACA208	ACF133	ACC69
HYUNDAI	ELANTRA	XD	GLS	4	2.0L	G4GCX	P	MPFI	2000	2003	SED/ HATCH		AC07	ACA208	ACF133	ACC69
HYUNDAI	ELANTRA	XD	GLS ELITE	4	2.0L	G4GCX	P	MPFI	2003	2003	HATCH		AC07	ACA208	ACF133	ACC69

MAKE	MODEL	SERIES	BADGE	CYLS	ENG SIZE	ENGINE CODE	FUEL	FUEL DELIVERY / AIR INTAKE	FROM	TO	BODY	REMARKS	OIL	AIR	FUEL	CABIN
HYUNDAI	ELANTRA	XD	ELITE	4	2.0L	G4GCX	P	MPFI	2003	2006	SED/ HATCH		AC07	ACA208	ACF133	ACC69
HYUNDAI	ELANTRA	XD	FX	4	2.0L	G4GCX	P	MPFI	2003	2006	SED/ HATCH		AC07	ACA208	ACF133	ACC69
HYUNDAI	ELANTRA	HD	ELITE	4	2.0L	G4GC6	P	MPFI	2006	2009	SEDAN		AC07	ACA166	ACF204	ACC89
HYUNDAI	ELANTRA	HD	SLX	4	2.0L	G4GC6	P	MPFI	2006	2009	SEDAN		AC07	ACA166	ACF204	ACC89
HYUNDAI	ELANTRA	HD	SX	4	2.0L	G4GC6	P	MPFI	2006	2009	SEDAN		AC07	ACA166	ACF204	ACC89
HYUNDAI	ELANTRA	HD	SX	4	2.0L	G4GC6	P	MPFI	2009	2011	SEDAN		AC07	ACA166	ACF204	ACC89
HYUNDAI	ELANTRA	HD	SLX	4	2.0L	G4GC6	P	MPFI	2010	2011	SEDAN		AC07	ACA166	ACF204	ACC89
HYUNDAI	ELANTRA	MD	ACTIVE	4	1.8L	G4NBB	P	MPFI	2011	ON	SEDAN		AC07	ACA232		ACC87
HYUNDAI	ELANTRA	MD	ELITE	4	1.8L	G4NBB	P	MPFI	2011	ON	SEDAN		AC07	ACA232		ACC87
HYUNDAI	ELANTRA	MD	PREMIUM	4	1.8L	G4NBB	P	MPFI	2011	ON	SEDAN		AC07	ACA232		ACC87
HYUNDAI	ELANTRA	MD	TROPHY	4	1.8L	G4NBB	P	MPFI	2013	ON	SEDAN		AC07	ACA232		ACC87
HYUNDAI	ELANTRA LAVITA	FC	GLS	4	1.8L	G4GB	P	MPFI	2001	2004	HATCH		AC07			ACC12
HYUNDAI	EXCEL	X1	GL, GLS, L	4	1.5L	G4AJ	P	CARB	1986	1989	SEDAN		AC07	ACA35	ACF10	
HYUNDAI	EXCEL	X2	GLS	4	1.5L	G4DJ	P	EFI	1990	1994	SED/ HATCH	AIR FILTER WITH RADIAL HOUSING	AC07	ACA14	ACF40	
HYUNDAI	EXCEL	X2	GLS	4	1.5L	G4DJ	P	EFI	1990	1994	SED/ HATCH	AIR FILTER WITH PANEL HOUSING	AC07	ACA48	ACF40	
HYUNDAI	EXCEL	X2	LS	4	1.5L	G4DJ	P	EFI	1990	1994	SED/ HATCH	AIR FILTER WITH RADIAL HOUSING	AC07	ACA14	ACF40	
HYUNDAI	EXCEL	X2	LS	4	1.5L	G4DJ	P	EFI	1990	1994	SED/ HATCH	AIR FILTER WITH PANEL HOUSING	AC07	ACA48	ACF40	
HYUNDAI	EXCEL	X2	SPRINT	4	1.5L	G4DJ	P	EFI	1990	1994	HATCH	AIR FILTER WITH RADIAL HOUSING	AC07	ACA14	ACF40	
HYUNDAI	EXCEL	X2	SPRINT	4	1.5L	G4DJ	P	EFI	1990	1994	HATCH	AIR FILTER WITH PANEL HOUSING	AC07	ACA48	ACF40	
HYUNDAI	EXCEL	X3	LX	4	1.5L	G4EKR	P	MPFI	1994	1998	SED/ HATCH		AC07	ACA91	ACF6	
HYUNDAI	EXCEL	X3	SPRINT	4	1.5L	G4EKR	P	MPFI	1994	1998	HATCH		AC07	ACA91	ACF6	
HYUNDAI	EXCEL	X3	GLX	4	1.5L	G4FKR	P	MPFI	1995	2000	SED/ HATCH		AC07	ACA91	ACF6	
HYUNDAI	EXCEL	X3	GX	4	1.5L	G4FKR	P	MPFI	1995	2000	HATCH		AC07	ACA91	ACF6	
HYUNDAI	EXCEL	X3	SPRINT TWIN CAM	4	1.5L	G4FKR	P	MPFI	1998	2000	HATCH		AC07	ACA91	ACF6	
HYUNDAI	EXCEL	X3	GLX SPORTZ	4	1.5L	G4FKR	P	MPFI	1999	1999	SED/ HATCH		AC07	ACA91	ACF6	
HYUNDAI	EXCEL	X3	GX SPORTZ	4	1.5L	G4FKR	P	MPFI	1999	1999	HATCH		AC07	ACA91	ACF6	
HYUNDAI	EXCEL	X3	SPRINT SPORTZ	4	1.5L	G4FKR	P	MPFI	1999	1999	HATCH		AC07	ACA91	ACF6	
HYUNDAI	GENESIS	DH		6	3.8L	G6DJ	P	DIRECT INJ	2014	ON	SEDAN		AC0113			ACC48
HYUNDAI	GETZ	TB	FX	4	1.5L	G4EC2	P	MPFI	2002	2003	HATCH		AC07	ACA142	ACF146	ACC25
HYUNDAI	GETZ	TB	GL	4	1.5L	G4EC2	P	MPFI	2002	2003	HATCH		AC07	ACA142	ACF146	ACC25
HYUNDAI	GETZ	TB	XL	4	1.3L	G4EA1	P	MPFI	2003	2003	HATCH		AC07	ACA142	ACF146	ACC25
HYUNDAI	GETZ	TB	XL	4	1.3L	G4EA1	P	MPFI	2003	2004	HATCH		AC07	ACA142	ACF146	ACC25
HYUNDAI	GETZ	TB	GL	4	1.5L	G4EC2	P	MPFI	2003	2004	HATCH		AC07	ACA142	ACF146	ACC25
HYUNDAI	GETZ	TB	XL	4	1.3L	G4EA1	P	MPFI	2005	2005	HATCH		AC07	ACA142	ACF146	ACC25
HYUNDAI	GETZ	TB	FX	4	1.5L	G4EC2	P	MPFI	2005	2005	HATCH		AC07	ACA142	ACF146	ACC25

MAKE	MODEL	SERIES	BADGE	CYLS	ENG SIZE	ENGINE CODE	FUEL	FUEL DELIVERY / AIR INTAKE	FROM	TO	BODY	REMARKS	OIL	AIR	FUEL	CABIN
HYUNDAI	GETZ	TB	GL	4	1.5L	G4EC2	P	MPFI	2005	2005	HATCH		AC07	ACA142	ACF146	ACC25
HYUNDAI	GETZ	TB	SXI	4	1.6L	G4ED5	P	MPFI	2005	2008	HATCH		AC07	ACA142	ACF146	ACC25
HYUNDAI	GETZ	TB	CLICK	4	1.4L	G4EE5	P	MPFI	2007	2007	HATCH		AC07	ACA142	ACF146	ACC25
HYUNDAI	GETZ	TB	CLICK	4	1.6L	G4ED5	P	MPFI	2007	2007	HATCH		AC07	ACA142	ACF146	ACC25
HYUNDAI	GETZ	TB	S	4	1.4L	G4EE5	P	MPFI	2007	2008	HATCH		AC07	ACA142	ACF146	ACC25
HYUNDAI	GETZ	TB	SX	4	1.6L	G4ED5	P	MPFI	2007	2008	HATCH		AC07	ACA142	ACF146	ACC25
HYUNDAI	GETZ	TB	S	4	1.4L	G4EE5	P	MPFI	2008	2009	HATCH		AC07	ACA142	ACF146	ACC25
HYUNDAI	GETZ	TB	SX	4	1.6L	G4ED5	P	MPFI	2008	2011	HATCH		AC07	ACA142	ACF146	ACC25
HYUNDAI	GETZ	TB	S	4	1.4L	G4EE5	P	MPFI	2009	2011	HATCH		AC07	ACA142	ACF146	ACC25
HYUNDAI	GRANDEUR	XG	FT4	6	3.0L	G6CTX	P	MPFI	1999	2002	SEDAN		AC07		ACF49	
HYUNDAI	GRANDEUR	TG	LIMITED	4	3.8L	G6DA5	P	MPFI	2005	2011	SEDAN		AC0104	ACA186		ACC34
HYUNDAI	GRANDEUR	TG		6	3.8L	G6DA5	P	MPFI	2005	2011	SEDAN		AC0104	ACA186		ACC34
HYUNDAI	GRANDEUR	TG		4	2.2L	D4EB	D	TURBO DIRECT INJ	2008	2011	SEDAN		AC0126		ACF154	ACC34
HYUNDAI	I20	PB	PREMIUM	4	1.6L	G4FC	P	MPFI	2010	2010	HATCH		AC07	ACA273	ACF204	ACC71
HYUNDAI	I20	PB	ELITE	4	1.6L	G4FC	P	MPFI	2010	08/11	HATCH		AC07	ACA273	ACF204	ACC71
HYUNDAI	I20	PB	ACTIVE	4	1.4L	G4FA	P	MPFI	2010	2012	HATCH		AC07	ACA273	ACF204	ACC71
HYUNDAI	I20	PB	PREMIUM	4	1.6L	G4FC	P	MPFI	2010	05/12	HATCH		AC07	ACA273	ACF204	ACC71
HYUNDAI	I20	PB	ELITE	4	1.4L	G4FA	P	MPFI	09/11	ON	HATCH		AC07	ACA273	ACF204	ACC71
HYUNDAI	I20	PB	ACTIVE	4	1.4L	G4FA	P	MPFI	2012	ON	HATCH		AC07	ACA273	ACF204	ACC71
HYUNDAI	I30	FD	SLX	4	2.0L	G4GC	P	MPFI	2007	2008	HATCH		AC07	ACA166	ACF204	ACC68
HYUNDAI	I30	FD	SR	4	2.0L	G4GC	P	MPFI	2007	2008	HATCH		AC07	ACA166	ACF204	ACC68
HYUNDAI	I30	FD	SX	4	2.0L	G4GC	P	MPFI	2007	2008	HATCH		AC07	ACA166	ACF204	ACC68
HYUNDAI	I30	FD	SX	4	1.6L	D4FB	D	TURBO INT-COOL	2007	02/08	HATCH		AC0112	ACA166	ACF156	ACC68
HYUNDAI	I30	FD	SLX	4	1.6L	D4FB	D	TURBO INT-COOL	09/07	02/08	HATCH		AC0112	ACA166	ACF156	ACC68
HYUNDAI	I30	FD	SLX	4	2.0L	G4GC	P	MPFI	2008	2009	HATCH		AC07	ACA166	ACF204	ACC68
HYUNDAI	I30	FD	SX	4	2.0L	G4GC	P	MPFI	2008	2009	HATCH		AC07	ACA166	ACF204	ACC68
HYUNDAI	I30	FD	SLX	4	1.6L	D4FB	D	TURBO INT-COOL	02/08	2009	HATCH		AC0113	ACA166	ACF156	ACC68
HYUNDAI	I30	FD	SX	4	1.6L	D4FB	D	TURBO INT-COOL	02/08	2010	HATCH		AC0113	ACA166	ACF156	ACC68
HYUNDAI	I30	FD	SLX CW	4	1.6L	D4FB	D	TURBO INT-COOL	2009	2009	WAGON		AC0113	ACA166	ACF156	ACC68
HYUNDAI	I30	FD	SX CW	4	1.6L	D4FB	D	TURBO INT-COOL	2009	2009	WAGON		AC0113	ACA166	ACF156	ACC68
HYUNDAI	I30	FD	SLX CW	4	2.0L	G4GC	P	MPFI	2009	2009	WAGON		AC07	ACA166	ACF204	ACC68
HYUNDAI	I30	FD	SPORTS-WAGON CW	4	2.0L	G4GC	P	MPFI	2009	2009	WAGON		AC07	ACA166	ACF204	ACC68
HYUNDAI	I30	FD	SR	4	2.0L	G4GC	P	MPFI	2009	2009	HATCH		AC07	ACA166	ACF204	ACC68
HYUNDAI	I30	FD	SX CW	4	2.0L	G4GC	P	MPFI	2009	2009	WAGON		AC07	ACA166	ACF204	ACC68
HYUNDAI	I30	FD	SLX CW	4	1.6L	D4FB	D	TURBO INT-COOL	2010	2010	WAGON		AC0113	ACA166	ACF156	ACC68
HYUNDAI	I30	FD	SX CW	4	1.6L	D4FB	D	TURBO INT-COOL	2010	2010	WAGON		AC0113	ACA166	ACF156	ACC68
HYUNDAI	I30	FD	SLX CW	4	2.0L	G4GC	P	MPFI	2010	2010	WAGON		AC07	ACA166	ACF204	ACC68
HYUNDAI	I30	FD	SPORTS-WAGON CW	4	2.0L	G4GC	P	MPFI	2010	2010	WAGON		AC07	ACA166	ACF204	ACC68
HYUNDAI	I30	FD	SR	4	2.0L	G4GC	P	MPFI	2010	2010	HATCH		AC07	ACA166	ACF204	ACC68
HYUNDAI	I30	FD	SX	4	2.0L	G4GC	P	MPFI	2010	2010	HATCH		AC07	ACA166	ACF204	ACC68
HYUNDAI	I30	FD	SX CW	4	2.0L	G4GC	P	MPFI	2010	2010	WAGON		AC07	ACA166	ACF204	ACC68
HYUNDAI	I30	FD	TROPHY CW	4	2.0L	G4GC	P	MPFI	2010	2011	WAGON		AC07	ACA166	ACF204	ACC68
HYUNDAI	I30	FD	SX	4	1.6L	G4FC	P	MPFI	2010	2012	HATCH		AC07	ACA166	ACF204	ACC68
HYUNDAI	I30	FD	SLX	4	2.0L	G4GC	P	MPFI	2010	2012	HATCH		AC07	ACA166	ACF204	ACC68
HYUNDAI	I30	FD	SLX CW	4	2.0L	G4GC	P	MPFI	2010	2012	WAGON		AC07	ACA166	ACF204	ACC68
HYUNDAI	I30	FD	SPORTS-WAGON CW	4	2.0L	G4GC	P	MPFI	2010	2012	WAGON		AC07	ACA166	ACF204	ACC68

MAKE	MODEL	SERIES	BADGE	CYLS	ENG SIZE	ENGINE CODE	FUEL	FUEL DELIVERY / AIR INTAKE	FROM	TO	BODY	REMARKS	OIL	AIR	FUEL	CABIN
HYUNDAI	I30	FD	SR	4	2.0L	G4GC	P	MPFI	2010	2012	HATCH		AC07	ACA166	ACF204	ACC68
HYUNDAI	I30	FD	SX	4	2.0L	G4GC	P	MPFI	2010	2012	HATCH		AC07	ACA166	ACF204	ACC68
HYUNDAI	I30	FD	SX CW	4	2.0L	G4GC	P	MPFI	2010	2012	WAGON		AC07	ACA166	ACF204	ACC68
HYUNDAI	I30	FD	TROPHY	4	2.0L	G4GC	P	MPFI	2010	2012	HATCH		AC07	ACA166	ACF204	ACC68
HYUNDAI	I30	FD	SLX	4	1.6L	D4FB	D	TURBO INT-COOL	2010	04/12	HATCH		AC0113	ACA166	ACF156	ACC68
HYUNDAI	I30	FD	SLX CW	4	1.6L	D4FB	D	TURBO INT-COOL	2010	04/12	WAGON		AC0113	ACA166	ACF156	ACC68
HYUNDAI	I30	FD	SX	4	1.6L	D4FB	D	TURBO INT-COOL	2010	04/12	HATCH		AC0113	ACA166	ACF156	ACC68
HYUNDAI	I30	FD	SX CW	4	1.6L	D4FB	D	TURBO INT-COOL	2010	04/12	WAGON		AC0113	ACA166	ACF156	ACC68
HYUNDAI	I30	GD	PREMIUM	4	1.6L	D4FB	D	TURBO DIESEL	05/12	12/14	HATCH		AC0113	ACA284	ACF156	ACC87
HYUNDAI	I30	GD	PREMIUM	4	1.8L	G4NB	P	MPFI	05/12	12/14	HATCH		AC07	ACA232		ACC87
HYUNDAI	I30	GD	ACTIVE	4	1.6L	D4FB	D	TURBO DIESEL	05/12	07/13	HATCH		AC0113	ACA284	ACF156	ACC87
HYUNDAI	I30	GD	ACTIVE	4	1.8L	G4NB	P	MPFI	05/12	07/13	HATCH		AC07	ACA232		ACC87
HYUNDAI	I30	GD	ACTIVE	4	1.6L	D4FB	D	TURBO DIESEL	05/12	07/13	WAGON		AC0113	ACA284	ACF156	ACC87
HYUNDAI	I30	GD	ELITE	4	1.6L	D4FB	D	TURBO DIESEL	05/12	ON	HATCH		AC0113	ACA284	ACF156	ACC87
HYUNDAI	I30	GD	ELITE	4	1.6L	D4FB	D	TURBO DIESEL	05/12	ON	WAGON		AC0113	ACA284	ACF156	ACC87
HYUNDAI	I30	GD	ELITE	4	1.8L	G4NB	P	MPFI	05/12	ON	HATCH		AC07	ACA232		ACC87
HYUNDAI	I30	GD2	ACTIVE	4	1.6L	G4FD	P	MPFI	02/13	ON	WAGON		AC07	ACA232		ACC87
HYUNDAI	I30	GD2	SE	4	1.6L	G4FD	P	MPFI	08/13	03/14	HATCH		AC07	ACA232		ACC87
HYUNDAI	I30	GD2	ACTIVE	4	1.6L	D4FB	D	TURBO DIESEL	08/13	11/14	HATCH		AC0113	ACA284	ACF156	ACC87
HYUNDAI	I30	GD2	TROPHY	4	1.6L	D4FB	D	TURBO DIESEL	08/13	11/14	HATCH		AC0113	ACA284	ACF156	ACC87
HYUNDAI	I30	GD2	ACTIVE	4	1.8L	G4NB	P	MPFI	08/13	11/14	HATCH		AC07	ACA232		ACC87
HYUNDAI	I30	GD2	TROPHY	4	1.8L	G4NB	P	MPFI	08/13	11/14	HATCH		AC07	ACA232		ACC87
HYUNDAI	I30	GD2	SR	4	2.0L	G4NC	P	MPFI	08/13	11/14	HATCH		AC07	ACA284		ACC87
HYUNDAI	I30	GD3	ACTIVE	4	1.6L	D4FB	D	TURBO DIESEL	12/14	ON	HATCH		AC0113	ACA284	ACF156	ACC87
HYUNDAI	I30	GD3	PREMIUM	4	1.6L	D4FB	D	TURBO DIESEL	12/14	ON	HATCH		AC0113	ACA284	ACF156	ACC87
HYUNDAI	I30	GD3	ACTIVE	4	1.8L	G4NB	P	MPFI	12/14	ON	HATCH		AC07	ACA232		ACC87
HYUNDAI	I30	GD3	SR	4	2.0L	G4NC	P	MPFI	12/14	ON	HATCH		AC07	ACA284		ACC87
HYUNDAI	I40	VF	ACTIVE	4	1.7L	D4FD	D	DIRECT INJ	09/11	ON	WAGON		AC0113	ACA232	ACF154	ACC48
HYUNDAI	I40	VF	ELITE	4	1.7L	D4FD	D	DIRECT INJ	09/11	ON	WAGON		AC0113	ACA232	ACF154	ACC48
HYUNDAI	I40	VF	PREMIUM	4	1.7L	D4FD	D	DIRECT INJ	09/11	ON	WAGON		AC0113	ACA232	ACF154	ACC48
HYUNDAI	I40	VF	ACTIVE	4	2.0L	G4NC	P	MPFI	09/11	ON	WAGON		AC07	ACA232		ACC48
HYUNDAI	I40	VF	ELITE	4	2.0L	G4NC	P	MPFI	09/11	ON	WAGON		AC07	ACA232		ACC48
HYUNDAI	I40	VF	PREMIUM	4	2.0L	G4NC	P	MPFI	09/11	ON	WAGON		AC07	ACA232		ACC48
HYUNDAI	I40	VF	ACTIVE	4	1.7L	D4FD	D	DIRECT INJ	06/12	ON	SEDAN		AC0113	ACA232	ACF154	ACC48
HYUNDAI	I40	VF	ELITE	4	1.7L	D4FD	D	DIRECT INJ	06/12	ON	SEDAN		AC0113	ACA232	ACF154	ACC48
HYUNDAI	I40	VF	PREMIUM	4	1.7L	D4FD	D	DIRECT INJ	06/12	ON	SEDAN		AC0113	ACA232	ACF154	ACC48
HYUNDAI	I40	VF	ACTIVE	4	2.0L	G4NC	P	MPFI	06/12	ON	SEDAN		AC07	ACA232		ACC48
HYUNDAI	I40	VF	ELITE	4	2.0L	G4NC	P	MPFI	06/12	ON	SEDAN		AC07	ACA232		ACC48
HYUNDAI	I40	VF	PREMIUM	4	2.0L	G4NC	P	MPFI	06/12	ON	SEDAN		AC07	ACA232		ACC48
HYUNDAI	I45	YF	ACTIVE	4	2.4L	G4K4	P	DIRECT INJ	05/10	2011	SEDAN		AC07	ACA282		ACC74
HYUNDAI	I45	YF	ELITE	4	2.4L	G4K4	P	DIRECT INJ	05/10	2011	SEDAN		AC07	ACA282		ACC74
HYUNDAI	I45	YF	PREMIUM	4	2.4L	G4K4	P	DIRECT INJ	05/10	2011	SEDAN		AC07	ACA282		ACC74
HYUNDAI	I45	YF	ACTIVE	4	2.4L	G4K4	P	DIRECT INJ	2011	2013	SEDAN		AC07	ACA282		ACC74
HYUNDAI	I45	YF	ELITE	4	2.4L	G4K4	P	DIRECT INJ	2011	2013	SEDAN		AC07	ACA282		ACC74
HYUNDAI	I45	YF	PREMIUM	4	2.4L	G4K4	P	DIRECT INJ	2011	2013	SEDAN		AC07	ACA282		ACC74
HYUNDAI	I45	YF	ACTIVE	4	2.0L	G4KD	P	DIRECT INJ	05/11	2012	SEDAN		AC07	ACA166	ACF204	ACC74
HYUNDAI	I45	YF	ACTIVE	4	2.0L	G4KD	P	DIRECT INJ	2012	2013	SEDAN		AC07	ACA166	ACF204	ACC74
HYUNDAI	ILOAD	TQ-V		4	2.4L	G4K8	P	MPFI	2008	2011	VAN		AC07	ACA260	ACF204	ACC86

MAKE	MODEL	SERIES	BADGE	CYLS	ENG SIZE	ENGINE CODE	FUEL	FUEL DELIVERY / AIR INTAKE	FROM	TO	BODY	REMARKS	OIL	AIR	FUEL	CABIN
HYUNDAI	ILOAD	TQ-V		4	2.5L	D4CB	D	TURBO INT-COOL	2008	02/12	VAN		AC0114	ACA260	ACF156	ACC86
HYUNDAI	ILOAD	TQ-V		4	2.4L	G4K68	P	MPFI	2011	ON	VAN		AC07	ACA260	ACF204	ACC86
HYUNDAI	ILOAD	TQ2-V		4	2.5L	D4CB	D	TURBO INT-COOL	02/12	ON	VAN		AC0114	ACA260	ACF156	ACC86
HYUNDAI	IMAX	TQ-W		4	2.4L	G4K68	P	MPFI	2008	2011	VAN		AC07	ACA260	ACF204	ACC86
HYUNDAI	IMAX	TQ-W		4	2.5L	D4CB	D	TURBO INT-COOL	2008	2011	VAN		AC0114	ACA260	ACF156	ACC86
HYUNDAI	IMAX	TQ-W		4	2.4L	G4K68	P	MPFI	2011	ON	VAN		AC07	ACA260	ACF204	ACC86
HYUNDAI	IMAX	TQ-W		4	2.5L	D4CB	D	TURBO INT-COOL	2011	ON	VAN		AC0114	ACA260	ACF156	ACC86
HYUNDAI	IX35	LM	ACTIVE	4	2.0L	G4KD	P	MPFI	2010	2010	WAGON		AC07	ACA232		ACC48
HYUNDAI	IX35	LM	ELITE AWD	4	2.0L	D4HA	D	TURBO INT-COOL	2010	09/13	WAGON		AC0133	ACA232	ACF156	ACC48
HYUNDAI	IX35	LM	HIGHLANDER AWD	4	2.0L	D4HA	D	TURBO INT-COOL	2010	09/13	WAGON		AC0133	ACA232	ACF156	ACC48
HYUNDAI	IX35	LM	ELITE AWD	4	2.4L	G4KE	P	MPFI	2010	09/13	WAGON		AC07	ACA232		ACC48
HYUNDAI	IX35	LM	HIGHLANDER AWD	4	2.4L	G4KE	P	MPFI	2010	09/13	WAGON		AC07	ACA232		ACC48
HYUNDAI	IX35	LM	ACTIVE	4	2.0L	G4KD	P	MPFI	2011	09/13	WAGON		AC07	ACA232		ACC48
HYUNDAI	IX35	LM	ELITE AWD	4	2.0L	G4KD	P	MPFI	2012	09/13	WAGON	MADE IN SOUTH KOREA	AC07	ACA232		ACC48
HYUNDAI	IX35	LM	ELITE AWD	4	2.0L	G4KD	P	MPFI	01/13	09/13	WAGON	MADE IN CZECHO-SLOVAKIA	AC07	ACA232		
HYUNDAI	IX35	LM SERIES II	ELITE AWD	4	2.0L	D4HA	D	TURBO INT-COOL	10/13	ON	WAGON		AC0133	ACA232	ACF156	ACC48
HYUNDAI	IX35	LM SERIES II	HIGHLANDER AWD	4	2.0L	D4HA	D	TURBO INT-COOL	10/13	ON	WAGON		AC0133	ACA232	ACF156	ACC48
HYUNDAI	IX35	LM SERIES II	ACTIVE	4	2.0L	G4NC	P	MPFI	10/13	ON	WAGON		AC07	ACA232		ACC48
HYUNDAI	IX35	LM SERIES II	ELITE AWD	4	2.4L	G4KJ	P	MPFI	10/13	ON	WAGON		AC07	ACA232		ACC48
HYUNDAI	IX35	LM SERIES II	ELITE AWD	4	2.0L	G4NC	P	MPFI	10/13	ON	WAGON		AC07	ACA232		ACC48
HYUNDAI	IX35	LM SERIES II	HIGHLANDER AWD	4	2.4L	G4KJ	P	MPFI	10/13	ON	WAGON		AC07	ACA232		ACC48
HYUNDAI	IX35	LM SERIES II	SE	4	2.0L	D4HA	D	TURBO INT-COOL	10/13	ON	WAGON	MADE IN CZECHO-SLOVAKIA	AC0133	ACA232	ACF156	
HYUNDAI	IX35	LM SERIES II	SE	4	2.0L	G4NC	P	MPFI	10/13	ON	WAGON	MADE IN SOUTH KOREA	AC07	ACA232		ACC48
HYUNDAI	IX35	LM SERIES II	SE	4	2.0L	G4NC	P	MPFI	10/13	ON	WAGON	MADE IN CZECHO-SLOVAKIA	AC07	ACA232		
HYUNDAI	IX35	LM SERIES II	TROPHY	4	2.0L	D4HA	D	TURBO INT-COOL	01/14	ON	WAGON	MADE IN CZECHO-SLOVAKIA	AC0133	ACA232	ACF156	
HYUNDAI	IX35	LM SERIES II	TROPHY	4	2.0L	D4HA	D	TURBO INT-COOL	01/14	ON	WAGON	MADE IN SOUTH KOREA	AC0133	ACA232	ACF156	ACC48
HYUNDAI	IX35	LM SERIES II	TROPHY	4	2.0L	G4NC	P	MPFI	10/13	ON	WAGON		AC07	ACA232		ACC48
HYUNDAI	LANTRA	J1	GL	4	1.6L	G4CR	P	MPFI	1991	10/92	SEDAN		AC07	ACA14	ACF1	
HYUNDAI	LANTRA	J1	GLS	4	1.6L	G4CR	P	MPFI	1991	10/92	SEDAN		AC07	ACA14	ACF1	
HYUNDAI	LANTRA	J1	GL	4	1.8L	G4CN	P	MPFI	10/92	1995	SEDAN		AC07	ACA14	ACF1	
HYUNDAI	LANTRA	J1	GLS	4	1.8L	G4CN	P	MPFI	10/92	1995	SEDAN		AC07	ACA14	ACF1	
HYUNDAI	LANTRA	J1	LEVANT	4	1.8L	G4CN	P	MPFI	1993	1995	SEDAN		AC07	ACA14	ACF1	
HYUNDAI	LANTRA	J2	GL	4	1.8L	G4GM	P	MPFI	1995	1998	SED/WAG		AC07	ACA90	ACF231	
HYUNDAI	LANTRA	J2	GLS	4	1.8L	G4GM	P	MPFI	1995	1998	SED/WAG		AC07	ACA90	ACF231	
HYUNDAI	LANTRA	J2	SE	4	1.8L	G4GM	P	MPFI	1996	2000	SED/WAG		AC07	ACA90	ACF231	



MAKE	MODEL	SERIES	BADGE	CYLS	ENG SIZE	ENGINE CODE	FUEL	FUEL DELIVERY / AIR INTAKE	FROM	TO	BODY	REMARKS	OIL	AIR	FUEL	CABIN
HYUNDAI	LANTRA	J2	SEPORTZ SE	4	1.8L	G4GM	P	MPFI	1998	1998	SED/WAG		AC07	ACA90	ACF231	
HYUNDAI	LANTRA	J2	GLS	4	2.0L	G4GF	P	MPFI	1999	2000	SED/WAG		AC07	ACA90	ACF231	
HYUNDAI	S COUPE			4	1.5L	G4DJ	P	MPFI	1990	1993	COUPE		AC07		ACF40	
HYUNDAI	S COUPE		GLS	4	1.5L	G4EK	P	MPFI	1991	1995	COUPE		AC07	ACA14	ACF40	
HYUNDAI	S COUPE		LS	4	1.5L	G4EK	P	MPFI	1991	1995	COUPE		AC07	ACA14	ACF40	
HYUNDAI	S COUPE		TURBO	4	1.5L	G4EKT	P	TURBO	1992	10/94	COUPE	AIR FILTER WITH RADIAL HOUSING	AC07	ACA14	ACF40	
HYUNDAI	S COUPE		TURBO	4	1.5L	G4EKT	P	TURBO	1992	10/94	COUPE	AIR FILTER WITH PANEL HOUSING	AC07		ACF40	
HYUNDAI	S COUPE		TURBO	4	1.5L	G4EKT	P	TURBO	11/94	1995	COUPE	AIR FILTER WITH RADIAL HOUSING	AC07	ACA14	ACF6	
HYUNDAI	S COUPE		TURBO	4	1.5L	G4EKT	P	TURBO	11/94	1995	COUPE	AIR FILTER WITH PANEL HOUSING	AC07		ACF6	
HYUNDAI	SANTA FE	SM	GL	6	2.7L	G6EAY	P	MPFI	2000	2002	WAGON		AC07	ACA227	ACF166	ACC13
HYUNDAI	SANTA FE	SM	GLS	6	2.7L	G6EAY	P	MPFI	2000	2002	WAGON		AC07	ACA227	ACF166	ACC13
HYUNDAI	SANTA FE	SM	GL	4	2.4L	G4JSX	P	MPFI	2001	2003	WAGON		AC07	ACA227	ACF166	ACC13
HYUNDAI	SANTA FE	SM	GL WORLD CUP	4	2.4L	G4JSX	P	MPFI	2002	2002	WAGON		AC07	ACA227	ACF166	ACC13
HYUNDAI	SANTA FE	SM	GL WORLD CUP	6	2.7L	G6EAY	P	MPFI	2002	2002	WAGON		AC07	ACA227	ACF166	ACC13
HYUNDAI	SANTA FE	SM	GLS WORLD CUP	6	2.7L	G6EAY	P	MPFI	2002	2002	WAGON		AC07	ACA227	ACF166	ACC13
HYUNDAI	SANTA FE	SM	GLS	6	2.7L	G6EAY	P	MPFI	2002	2003	WAGON		AC07	ACA227	ACF166	ACC13
HYUNDAI	SANTA FE	SM	GL	6	2.7L	G6EAY	P	MPFI	2002	2004	WAGON		AC07	ACA227	ACF166	ACC13
HYUNDAI	SANTA FE	SM	GLS	6	2.7L	G6EAY	P	MPFI	2003	2004	WAGON		AC07	ACA227	ACF166	ACC13
HYUNDAI	SANTA FE	SM	ELITE GL	6	2.7L	G6EAY	P	MPFI	2004	2004	WAGON		AC07	ACA227	ACF166	ACC13
HYUNDAI	SANTA FE	SM		6	2.7L	G6EAY	P	MPFI	2004	2006	WAGON		AC07	ACA227	ACF166	ACC13
HYUNDAI	SANTA FE	CM	ELITE	6	2.7L	G6EA5	P	MPFI	2006	2007	WAGON		AC028	ACA231		ACC34
HYUNDAI	SANTA FE	CM	SLX	6	2.7L	G6EA5	P	MPFI	2006	2007	WAGON		AC028	ACA231		ACC34
HYUNDAI	SANTA FE	CM	ELITE	4	2.2L	D4EB6	D	TURBO	09/06	10/06	WAGON		AC0126	ACA231		ACC34
HYUNDAI	SANTA FE	CM	SLX	4	2.2L	D4EB6	D	TURBO	09/06	10/06	WAGON		AC0126	ACA231		ACC34
HYUNDAI	SANTA FE	CM	SX	4	2.2L	D4EB6	D	TURBO	09/06	10/06	WAGON		AC0126	ACA231		ACC34
HYUNDAI	SANTA FE	CM	SX	4	2.2L	D4EB6	D	TURBO	11/06	2008	WAGON		AC0126	ACA231	ACF154	ACC34
HYUNDAI	SANTA FE	CM	ELITE	4	2.2L	D4EB6	D	TURBO	11/06	10/09	WAGON		AC0126	ACA231	ACF154	ACC34
HYUNDAI	SANTA FE	CM	SLX	4	2.2L	D4EB6	D	TURBO	11/06	10/09	WAGON		AC0126	ACA231	ACF154	ACC34
HYUNDAI	SANTA FE	CM	ELITE	6	3.3L	G6DB7A	P	MPFI	2007	2008	WAGON		AC0104	ACA231		ACC34
HYUNDAI	SANTA FE	CM	SLX	6	3.3L	G6DB7A	P	MPFI	2007	2008	WAGON		AC0104	ACA231		ACC34
HYUNDAI	SANTA FE	t	SX	6	3.3L	G6DB7A	P	MPFI	2007	2008	WAGON		AC0104	ACA231		ACC34
HYUNDAI	SANTA FE	CM	SX	6	2.7L	G6EA5	P	MPFI	2008	2009	WAGON		AC028	ACA231		ACC34
HYUNDAI	SANTA FE	CM	SX	4	2.2L	D4EB6	D	TURBO	2008	10/09	WAGON		AC0126	ACA231	ACF154	ACC34
HYUNDAI	SANTA FE	CM	ELITE	4	2.2L	D4HB	D	TURBO	11/09	12/09	WAGON		AC0126	ACA283	ACF154	ACC88
HYUNDAI	SANTA FE	CM	HIGHLANDER	4	2.2L	D4HB	D	TURBO	11/09	12/09	WAGON		AC0126	ACA283	ACF154	ACC88
HYUNDAI	SANTA FE	CM	SLX	4	2.2L	D4HB	D	TURBO	11/09	12/09	WAGON		AC0126	ACA283	ACF154	ACC88
HYUNDAI	SANTA FE	CM	ELITE	4	2.2L	D4HB	D	TURBO	2010	2011	WAGON		AC0133	ACA283	ACF154	ACC88
HYUNDAI	SANTA FE	CM	HIGHLANDER	4	2.2L	D4HB	D	TURBO	2010	08/12	WAGON		AC0133	ACA283	ACF154	ACC88
HYUNDAI	SANTA FE	CM	SLX	4	2.2L	D4HB	D	TURBO	2010	08/12	WAGON		AC0133	ACA283	ACF154	ACC88

MAKE	MODEL	SERIES	BADGE	CYLS	ENG SIZE	ENGINE CODE	FUEL	FUEL DELIVERY / AIR INTAKE	FROM	TO	BODY	REMARKS	OIL	AIR	FUEL	CABIN
HYUNDAI	SANTA FE	CM	TRAIL	4	2.2L	D4HB	D	TURBO	2011	2011	WAGON		AC0133	ACA283	ACF154	ACC88
HYUNDAI	SANTA FE	CM	ELITE	6	3.5L	G6DE	P	MPFI	2011	2012	WAGON		AC0144	ACA282		ACC88
HYUNDAI	SANTA FE	CM	HIGHLANDER	6	3.5L	G6DE	P	MPFI	2011	2012	WAGON		AC0144	ACA282		ACC88
HYUNDAI	SANTA FE	CM	SLX	6	3.5L	G6DE	P	MPFI	2011	2012	WAGON		AC0144	ACA282		ACC88
HYUNDAI	SANTA FE	CM	ELITE	4	2.2L	D4HB	D	TURBO	2011	08/12	WAGON		AC0133	ACA283	ACF154	ACC88
HYUNDAI	SANTA FE	CM	TRAIL	4	2.2L	D4HB	D	TURBO	2012	09/12	WAGON		AC0133	ACA283	ACF154	ACC88
HYUNDAI	SANTA FE	DM	ACTIVE	4	2.4L	G4KJ	P	DIRECT INJ	2012	ON	WAGON		AC07			ACC74
HYUNDAI	SANTA FE	DM	ACTIVE	4	2.2L	D4HB	D	TURBO	09/12	ON	WAGON		AC0133	ACA325	ACF154	ACC74
HYUNDAI	SANTA FE	DM	ELITE	4	2.2L	D4HB	D	TURBO	09/12	ON	WAGON		AC0133	ACA325	ACF154	ACC74
HYUNDAI	SANTA FE	DM	HIGHLANDER	4	2.2L	D4HB	D	TURBO	09/12	ON	WAGON		AC0133	ACA325	ACF154	ACC74
HYUNDAI	SONATA	AF		4	2.4L	G4CS	P	EFI	1989	1992	SEDAN		AC07	ACA14	ACF40	
HYUNDAI	SONATA	AF		6	3.0L	G6AT	P	MPFI	1990	10/93	SEDAN		AC07	ACA14	ACF5	
HYUNDAI	SONATA	EF	LEVANT	6	2.5L	G6BW	P	MPFI	1998	1999	SEDAN		AC07	ACA226	ACF49	
HYUNDAI	SONATA	EF	GLE	4	2.0L	G4JPV	P	MPFI	1998	2000	SEDAN		AC07	ACA226	ACF49	ACC13
HYUNDAI	SONATA	EF	GLS	6	2.5L	G6BW	P	MPFI	1998	2000	SEDAN		AC07	ACA226	ACF49	
HYUNDAI	SONATA	EF	CLASSIQUE GLE	4	2.0L	G4JPV	P	MPFI	1999	1999	SEDAN		AC07	ACA226	ACF49	ACC13
HYUNDAI	SONATA	EF	EXECUTIVE	6	2.5L	G6BW	P	MPFI	2000	2001	SEDAN		AC07	ACA226	ACF49	
HYUNDAI	SONATA	EF	CLASSIQUE EXECUTIVE	6	2.5L	G6BW	P	MPFI	2001	2001	SEDAN		AC07	ACA226	ACF49	
HYUNDAI	SONATA	EF-B		4	2.4L	G4JSY	P	MPFI	2001	2003	SEDAN		AC07	ACA226	ACF179	ACC13
HYUNDAI	SONATA	EF-B		6	2.7L	G6BAY	P	MPFI	2001	2003	SEDAN		AC07	ACA226	ACF179	ACC13
HYUNDAI	SONATA	EF-B		4	2.4L	G4JSY	P	MPFI	2003	2005	SEDAN		AC07	ACA226	ACF179	ACC13
HYUNDAI	SONATA	EF-B		6	2.7L	G6BAY	P	MPFI	2003	2005	SEDAN		AC07	ACA226	ACF179	ACC13
HYUNDAI	SONATA	NF		4	2.4L	G4KC4	P	MPFI	2005	2007	SEDAN		AC07	ACA229	ACF180	ACC34
HYUNDAI	SONATA	NF		6	3.3L	G6DB4	P	MPFI	2005	2007	SEDAN		AC0104	ACA186	ACF180	ACC34
HYUNDAI	SONATA	NF	ELITE	6	3.3L	G6DB4	P	MPFI	2007	2008	SEDAN		AC0104	ACA186	ACF180	ACC34
HYUNDAI	SONATA	NF	SLX	6	3.3L	G6DB4	P	MPFI	2007	2008	SEDAN		AC0104	ACA186	ACF180	ACC34
HYUNDAI	SONATA	NF	ELITE	4	2.4L	G4KC4	P	MPFI	2007	05/08	SEDAN		AC07	ACA229	ACF180	ACC34
HYUNDAI	SONATA	NF	SLX	4	2.4L	G4KC4	P	MPFI	2007	05/08	SEDAN		AC07	ACA229	ACF180	ACC34
HYUNDAI	SONATA	NF	ELITE	4	2.0L	D4EA	D	TURBO INT-COOL	2008	2010	SEDAN		AC0126		ACF154	ACC34
HYUNDAI	SONATA	NF	SLX	4	2.0L	D4EA	D	TURBO INT-COOL	2008	2010	SEDAN		AC0126		ACF154	ACC34
HYUNDAI	SONATA	NF	ELITE	4	2.4L	G4KE4	P	MPFI	06/08	2009	SEDAN		AC07	ACA229	ACF180	ACC34
HYUNDAI	SONATA	NF	SLX	4	2.4L	G4KE4	P	MPFI	06/08	2009	SEDAN		AC07	ACA229	ACF180	ACC34
HYUNDAI	TERRACAN	HP		6	3.5L	G6CU	P	MPFI	2001	2006	WAGON		AC07	ACA228	ACF178	ACC30
HYUNDAI	TERRACAN	HP	HIGHLANDER	6	3.5L	G6CU	P	MPFI	2001	2006	WAGON		AC07	ACA228	ACF178	ACC30
HYUNDAI	TERRACAN	HP	HIGHLANDER WORLD CUP	6	3.5L	G6CU	P	MPFI	2002	2002	WAGON		AC07	ACA228	ACF178	ACC30
HYUNDAI	TERRACAN	HP	WORLD CUP	6	3.5L	G6CU	P	MPFI	2002	2002	WAGON		AC07	ACA228	ACF178	ACC30
HYUNDAI	TERRACAN	HP		4	2.9L	J3	D	TURBO INT-COOL	2004	2006	WAGON		AC091	ACA228	ACF147	ACC30
HYUNDAI	TERRACAN	HP	HIGHLANDER	4	2.9L	J3	D	TURBO INT-COOL	2004	2006	WAGON		AC091	ACA228	ACF147	ACC30
HYUNDAI	TERRACAN	HP	SLX	4	2.9L	J3	D	TURBO INT-COOL	2006	2008	WAGON		AC091	ACA228	ACF147	ACC30
HYUNDAI	TERRACAN	HP	SLX	6	3.5L	G6CU	P	MPFI	2006	2008	WAGON		AC07	ACA228	ACF178	ACC30
HYUNDAI	TIBURON	GK		4	2.0L	G4GC	P	MPFI	2002	2003	COUPE		AC07	ACA208	ACF133	
HYUNDAI	TIBURON	GK	V6	6	2.7L	G6BA DELTA	P	MPFI	2002	09/04	COUPE		AC07	ACA208		ACC69
HYUNDAI	TIBURON	GK	V6	6	2.7L	G6BA DELTA	P	MPFI	09/04	2007	COUPE		AC07	ACA208	ACF133	ACC69
HYUNDAI	TIBURON	GK	V6 TS	6	2.7L	G6BA DELTA	P	MPFI	2005	2007	COUPE		AC07	ACA208	ACF133	ACC69

MAKE	MODEL	SERIES	BADGE	CYLS	ENG SIZE	ENGINE CODE	FUEL	FUEL DELIVERY / AIR INTAKE	FROM	TO	BODY	REMARKS	OIL	AIR	FUEL	CABIN
HYUNDAI	TIBURON	GK	V6	6	2.7L	G6BA DELTA	P	MPFI	2007	2010	COUPE		AC07	ACA208	ACF133	ACC69
HYUNDAI	TRAJET	GLS		6	2.7L	G6BAX	P	MPFI	2000	2004	WAGON		AC07	ACA226	ACF144	ACC13
HYUNDAI	TRAJET	GL		6	2.7L	G6BAX	P	MPFI	2000	2006	WAGON		AC07	ACA226	ACF144	ACC13
HYUNDAI	TRAJET	GL WORLD CUP		6	2.7L	G6BAX	P	MPFI	2002	2002	WAGON		AC07	ACA226	ACF144	ACC13
HYUNDAI	TRAJET	FX		6	2.7L	G6BAX	P	MPFI	2006	2008	WAGON		AC07	ACA226	ACF144	ACC13
HYUNDAI	TUCSON		ELITE	6	2.7L	G6BA	P	MPFI	2004	2007	WAGON	WHERE CABIN FILTER IS APPROX. 216MM LONG	AC07	ACA179	ACF200	ACC58
HYUNDAI	TUCSON		CITY	4	2.0L	G4GC	P	MPFI	2005	2007	WAGON	WHERE CABIN FILTER IS APPROX. 216MM LONG	AC07	ACA179	ACF200	ACC58
HYUNDAI	TUCSON		SX	6	2.7L	G6BA	P	MPFI	2007	2008	WAGON	WHERE CABIN FILTER IS APPROX. 216MM LONG	AC07	ACA179	ACF200	ACC58
HYUNDAI	TUCSON		CITY ELITE	4	2.0L	G4GC	P	MPFI	2007	2010	WAGON	WHERE CABIN FILTER IS APPROX. 216MM LONG	AC07	ACA179	ACF200	ACC58
HYUNDAI	TUCSON		CITY SX	4	2.0L	G4GC	P	MPFI	2007	2010	WAGON	WHERE CABIN FILTER IS APPROX. 216MM LONG	AC07	ACA179	ACF200	ACC58
HYUNDAI	TUCSON		SX	6	2.7L	G6BA	P	MPFI	2008	2010	WAGON	WHERE CABIN FILTER IS APPROX. 216MM LONG	AC07	ACA179	ACF200	ACC58
HYUNDAI	TUCSON		CITY	4	2.0L	G4GC	P	MPFI	2005	2007	WAGON		AC07	ACA179	ACF200	
HYUNDAI	TUCSON		CITY ELITE	4	2.0L	G4GC	P	MPFI	2007	2010	WAGON		AC07	ACA179	ACF200	
HYUNDAI	TUCSON		CITY SX	4	2.0L	G4GC	P	MPFI	2007	2010	WAGON		AC07	ACA179	ACF200	
HYUNDAI	TUCSON		ELITE	6	2.7L	G6BA	P	MPFI	2004	2007	WAGON		AC07	ACA179	ACF200	
HYUNDAI	TUCSON		SX	6	2.7L	G6BA	P	MPFI	2007	2008	WAGON		AC07	ACA179	ACF200	
HYUNDAI	TUCSON		SX	6	2.7L	G6BA	P	MPFI	2008	2010	WAGON		AC07	ACA179	ACF200	
HYUNDAI	TUCSON	TLE	ELITE	4	1.6L	T-GDI	P	TURBO DIRECT INJ	2015	ON	WAGON		AC07			
HYUNDAI	TUCSON	TLE	HIGHLANDER	4	1.6L	T-GDI	P	TURBO DIRECT INJ	2015	ON	WAGON		AC07			
HYUNDAI	TUCSON	TLE	ACTIVE	4	2.0L	GDI	P	DIRECT INJ	2015	ON	WAGON		AC07			
HYUNDAI	TUCSON	TLE	ACTIVE X	4	2.0L	GDI	P	DIRECT INJ	2015	ON	WAGON		AC07			
HYUNDAI	TUCSON	TLE	ELITE	4	2.0L	R-SERIES	D	CRD TURBO	2015	ON	WAGON		AC0133			
HYUNDAI	TUCSON	TLE	ELITE	4	2.0L	GDI	P	DIRECT INJ	2015	ON	WAGON		AC07			
HYUNDAI	TUCSON	TLE	HIGHLANDER	4	2.0L	R-SERIES	D	CRD TURBO	2015	ON	WAGON		AC0133			
HYUNDAI	VELOSTER	FS		4	1.6L	G4FD	P	MPFI	12/11	06/12	HATCH		AC07	ACA276		ACC48
HYUNDAI	VELOSTER	FS	+	4	1.6L	G4FD	P	MPFI	12/11	06/12	HATCH		AC07	ACA276		ACC48
HYUNDAI	VELOSTER	FS2		4	1.6L	G4FD	P	MPFI	07/12	04/13	HATCH		AC07	ACA276		ACC48

MAKE	MODEL	SERIES	BADGE	CYLS	ENG SIZE	ENGINE CODE	FUEL	FUEL DELIVERY / AIR INTAKE	FROM	TO	BODY	REMARKS	OIL	AIR	FUEL	CABIN
HYUNDAI	VELOSTER	FS2	+	4	1.6L	G4FD	P	MPFI	07/12	04/13	HATCH		AC07	ACA276		ACC48
HYUNDAI	VELOSTER	FS2	SR TURBO	4	1.6L	G4FJ	P	TURBO INT-COOL	07/12	04/13	HATCH		AC07	ACA276		ACC48
HYUNDAI	VELOSTER	FS3	STREET	4	1.6L	G4FD	P	MPFI	2013	2013	HATCH		AC07	ACA276		ACC48
HYUNDAI	VELOSTER	FS3		4	1.6L	G4FD	P	MPFI	05/13	ON	HATCH		AC07	ACA276		ACC48
HYUNDAI	VELOSTER	FS3	+	4	1.6L	G4FD	P	MPFI	05/13	ON	HATCH		AC07	ACA276		ACC48
HYUNDAI	VELOSTER	FS3	SR TURBO	4	1.6L	G4FJ	P	TURBO INT-COOL	05/13	ON	HATCH		AC07	ACA276		ACC48
<b>INFINITI</b>																
INFINITI	M	Y51	35H	6	3.5L	VQ35HR	P	MPFI	08/12	12/13	SEDAN	225KW HYBRID	AC073			
<b>ISUZU</b>																
ISUZU	BE22					4BG1	D		1990	1990	BUS		AC064			
ISUZU	D-MAX	TF	EX	4	3.0L	4JJ1	D	TURBO DIESEL	2008	05/12	UTE	FUEL WATER SEPARATOR ACF139	AC083	ACA173	ACF138	ACC75
ISUZU	D-MAX	TF	LS	4	3.0L	4JJ1	D	TURBO DIESEL	2008	05/12	UTE	FUEL WATER SEPARATOR ACF139	AC083	ACA173	ACF138	ACC75
ISUZU	D-MAX	TF	LS-M	4	3.0L	4JJ1	D	TURBO DIESEL	2008	05/12	UTE	FUEL WATER SEPARATOR ACF139	AC083	ACA173	ACF138	ACC75
ISUZU	D-MAX	TF	LS-U	4	3.0L	4JJ1	D	TURBO DIESEL	2008	05/12	UTE	FUEL WATER SEPARATOR ACF139	AC083	ACA173	ACF138	ACC75
ISUZU	D-MAX	TF	SX	4	3.0L	4JJ1	D	TURBO DIESEL	2008	05/12	UTE	FUEL WATER SEPARATOR ACF139	AC083	ACA173	ACF138	ACC75
ISUZU	D-MAX	TF	EX	4	3.0L	4JJ1-TCX	D	CRD TURBO	06/12	ON	UTE		AC0141	ACA280	ACF129	ACC37
ISUZU	D-MAX	TF	LS HIGH RIDE	4	3.0L	4JJ1-TCX	D	CRD TURBO	06/12	ON	UTE		AC0141	ACA280	ACF129	ACC37
ISUZU	D-MAX	TF	LS-M	4	3.0L	4JJ1-TCX	D	CRD TURBO	06/12	ON	UTE		AC0141	ACA280	ACF129	ACC37
ISUZU	D-MAX	TF	LS-TERRAIN	4	3.0L	4JJ1-TCX	D	CRD TURBO	06/12	ON	UTE		AC0141	ACA280	ACF129	ACC37
ISUZU	D-MAX	TF	LS-U	4	3.0L	4JJ1-TCX	D	CRD TURBO	06/12	ON	UTE		AC0141	ACA280	ACF129	ACC37
ISUZU	D-MAX	TF	SX	4	3.0L	4JJ1-TCX	D	CRD TURBO	06/12	ON	UTE		AC0141	ACA280	ACF129	ACC37
ISUZU	D-MAX	TF	SX HIGH RIDE	4	3.0L	4JJ1-TCX	D	CRD TURBO	06/12	ON	UTE		AC0141	ACA280	ACF129	ACC37
ISUZU	DRESSER	515				DA220	D				TRUCK				ACF14	
ISUZU	F SERIES	FRR	500	6	7.8L	6HK1	D	TURBO	2002	2008	TRUCK		AC053			
ISUZU	F SERIES	FVD,FVR	1000	6	7.8L	6HK-1	D	TURBO	2008	2011	CAB CHASS		AC053		ACF143	
ISUZU	F SERIES	FVL,FVM, FVY, FVZ	1400	6	7.8L	6HK-1	D	TURBO	2008	2011	CAB CHASS		AC053		ACF143	
ISUZU	F SERIES	FRD	75, 90	4	5.2L	4HK1-TCN	D	TURBO	2008	ON	CAB CHASS		AC052		ACF143	
ISUZU	MU-X	UC	LS-M	4	3.0L	4JJ1	D	DIRECT INJ	11/13	ON	SUV		AC0141	ACA280	ACF129	ACC37
ISUZU	MU-X	UC	LS-TERRAIN	4	3.0L	4JJ1	D	DIRECT INJ	11/13	ON	SUV		AC0141	ACA280	ACF129	ACC37
ISUZU	MU-X	UC	LS-U	4	3.0L	4JJ1	D	DIRECT INJ	11/13	ON	SUV		AC0141	ACA280	ACF129	ACC37
ISUZU	N SERIES	NPS	300	4	4.6L	4HG1	D	TURBO DIRECT INJ	1997	2005	CAB CHASS		AC052	ACA20	ACF27	
ISUZU	N SERIES	NQR	450	4	5.2L	4HK1-XS	D	TURBO DIRECT INJ	2005	ON	CAB CHASS		AC052			
ISUZU	N SERIES	NPR	250, 275	4	5.2L	4HK1-TCN	D	TURBO	2008	ON	CAB CHASS		AC052		ACF143	
ISUZU	N SERIES	NPR	300, 400	4	5.2L	4HK1-TCN	D	TURBO	2008	ON	CAB CHASS		AC052		ACF143	
ISUZU	N SERIES	NPS	250, 300	4	5.2L	4HK1-TCN	D	TURBO	2008	ON	CAB CHASS		AC052		ACF143	
ISUZU	N SERIES	NQR	75, 450	4	5.2L	4HK1-TCN	D	TURBO	2008	ON	CAB CHASS		AC052		ACF143	

MAKE	MODEL	SERIES	BADGE	CYLS	ENG SIZE	ENGINE CODE	FUEL	FUEL DELIVERY / AIR INTAKE	FROM	TO	BODY	REMARKS	OIL	AIR	FUEL	CABIN
<b>JAGUAR</b>																
JAGUAR	S-TYPE	X200		6	3.0L	AJ30	P	MPFI	1999	2002	SEDAN		AC0110			
JAGUAR	S-TYPE	X200	SE	6	3.0L	AJ30	P	MPFI	1999	2002	SEDAN		AC0110			
JAGUAR	S-TYPE	X200	SPORT	6	3.0L	AJ30	P	MPFI	1999	2002	SEDAN		AC0110			
JAGUAR	S-TYPE	X202		6	2.5L	AJ25	P	MPFI	2002	2004	SEDAN		AC0110			
JAGUAR	S-TYPE	X202	SE	6	3.0L	AJ30	P	MPFI	2002	2004	SEDAN		AC0110			
JAGUAR	S-TYPE	X202	SPORT	6	3.0L	AJ30	P	MPFI	2002	2004	SEDAN		AC0110			
JAGUAR	S-TYPE	X204	SE	6	3.0L	FB	P	MPFI	2004	2006	SEDAN		AC0110			
JAGUAR	S-TYPE	X204	LUXURY	6	3.0L	FB	P	MPFI	2004	2008	SEDAN		AC0110			
JAGUAR	S-TYPE	X204	LUXURY	6	2.7L	3003	D	TWIN TURBO MPFI	2006	2008	SEDAN		AC0143			
JAGUAR	S-TYPE	X204	LE	6	3.0L	FB	P	MPFI	2006	2008	SEDAN		AC0110			
JAGUAR	XF	X250		6	2.7L	FG	D	TWIN TURBO DIRECT INJ	2008	2009	SEDAN		AC0143			
JAGUAR	XF	X250	LUXURY	6	3.0L	FG	P	MPFI	2008	2011	SEDAN		AC0110			
JAGUAR	XJ6		SOVEREIGN	6	3.6L	AJ6	P	MPFI	1987	1989	SEDAN				ACF36	
JAGUAR	XJ6	XJ40		6	3.6L	AJ6	P	MPFI	1987	1989	SEDAN				ACF36	
JAGUAR	XJ6	X350		6	3.0L	AJV6	P	MPFI	2004	2007	SEDAN		AC0110			
JAGUAR	XJ6	X350		6	2.7L	ELD11	P	TWIN TURBO MPFI	2007	2009	SEDAN		AC0143			
JAGUAR	XJ8	X308	HERITAGE	8	3.2L	AJ32	P	MPFI	1997	2000	SEDAN				ACF115	
JAGUAR	XJ8	X308	SPORT	8	3.2L	AJ32	P	MPFI	1997	2000	SEDAN				ACF115	
JAGUAR	XJ8	X308		8	3.2L	AJ32	P	MPFI	1997	2003	SEDAN				ACF115	
JAGUAR	XK8		CLASSIC	8	4.0L	AJV8	P	MPFI	1996	2002	CONV				ACF115	
JAGUAR	XK8		CLASSIC	8	4.0L	AJV8	P	MPFI	1996	2002	COUPE				ACF115	
JAGUAR	XK8		SPORT	8	4.0L	AJV8	P	MPFI	1996	2002	CONV				ACF115	
JAGUAR	XK8		SPORT	8	4.0L	AJV8	P	MPFI	1996	2002	COUPE				ACF115	
JAGUAR	X-TYPE	X400	SE	6	2.5L	AJ25	P	MPFI	2001	2004	SEDAN		AC0110		ACF92	
JAGUAR	X-TYPE	X400	SPORT	6	2.5L	AJ25	P	MPFI	2001	2004	SEDAN		AC0110		ACF92	
JAGUAR	X-TYPE		SE	6	3.0L	AJ30	P	MPFI	2001	2004	SEDAN		AC0110		ACF92	
JAGUAR	X-TYPE		SPORT	6	3.0L	AJ30	P	MPFI	2001	2004	SEDAN		AC0110		ACF92	
JAGUAR	X-TYPE	X400	SE	6	2.1L	AJ20	P	MPFI	2002	2006	SEDAN		AC0110		ACF92	
JAGUAR	X-TYPE	X400	LS	6	2.5L	AJ25	P	MPFI	2003	2003	SEDAN		AC0110		ACF92	
JAGUAR	X-TYPE	X400	SPORT LIMITED EDITION	6	2.5L	AJ25	P	MPFI	2003	2003	SEDAN		AC0110		ACF92	
JAGUAR	X-TYPE	X400	SE	6	3.0L	AJ30	P	MPFI	2004	2006	SEDAN		AC0110		ACF92	
JAGUAR	X-TYPE		LUXURY	6	3.0L	AJ30	P	MPFI	2004	2010	SEDAN		AC0110		ACF92	
JAGUAR	X-TYPE	X400	SPORT	6	2.1L	AJ20	P	MPFI	2006	2009	SEDAN		AC0110		ACF92	
JAGUAR	X-TYPE	X400	LE	6	3.0L	AJ30	P	MPFI	2006	2009	SEDAN		AC0110		ACF92	
JAGUAR	X-TYPE	X400	LE	6	2.1L	AJ20	P	MPFI	2006	2010	SEDAN		AC0110		ACF92	
JAGUAR	X-TYPE	X400	SPORT	6	3.0L	AJ30	P	MPFI	2007	2009	SEDAN		AC0110		ACF92	
<b>JEEP</b>																
JEEP	CHEROKEE	XJ	CLASSIC	6	4.0L	MX	P		1994	2001	WAGON		AC09	ACA312	ACF229	
JEEP	CHEROKEE	XJ	LIMITED	6	4.0L	MX	P	MPFI	1994	2001	WAGON		AC09	ACA312	ACF229	
JEEP	CHEROKEE	XJ	LIMITED CLASSIC	6	4.0L	SMPI	P	MPFI	1994	2001	WAGON		AC09	ACA312	ACF229	
JEEP	CHEROKEE	XJ	SPORT	6	4.0L	MX	P	MPFI	1994	2001	WAGON		AC09	ACA312	ACF229	
JEEP	CHEROKEE	XJ	SPORT CLASSIC	6	4.0L	SMPI	P		1994	2001	WAGON		AC09	ACA312	ACF229	
JEEP	CHEROKEE	KJ	LIMITED	6	3.7L	2W	P	MPFI	2001	2002	WAGON		AC0110	ACA196		
JEEP	CHEROKEE	KJ	SPORT	6	3.7L	2W	P		2001	2002	WAGON		AC0110	ACA196		
JEEP	CHEROKEE	KJ	SPORT	4	2.5L	2W	D	TURBO INT-COOL	2002	2003	WAGON		AC0110	ACA196		

MAKE	MODEL	SERIES	BADGE	CYLS	ENG SIZE	ENGINE CODE	FUEL	FUEL DELIVERY / AIR INTAKE	FROM	TO	BODY	REMARKS	OIL	AIR	FUEL	CABIN
JEEP	CHEROKEE	KJ	SPORT	4	2.5L	2W	D	TURBO INT-COOL	2002	2003	WAGON		AC0117	ACA196		
JEEP	CHEROKEE	KJ	RENEGADE	4	2.8L	3W	D	TURBO INT-COOL	2002	2003	WAGON		AC0100	ACA196		
JEEP	CHEROKEE	KJ	SPORT	4	2.8L	3W	D	TURBO INT-COOL	2002	2003	WAGON		AC0100	ACA196		
JEEP	CHEROKEE	KJ	LIMITED	6	3.7L	2W	P	MPFI	2002	2003	WAGON		AC0110	ACA196		
JEEP	CHEROKEE	KJ	RED RIVER SPORT	6	3.7L	2W	P		2002	2003	WAGON		AC0110	ACA196		
JEEP	CHEROKEE	KJ	RENEGADE	6	3.7L	2W	P		2002	2003	WAGON		AC0110	ACA196		
JEEP	CHEROKEE	KJ	SPORT	6	3.7L	2W	P	MPFI	2002	2003	WAGON		AC0110	ACA196		
JEEP	CHEROKEE	KJ	SPORT	4	2.4L	4W	P		2004	2004	WAGON		AC024			
JEEP	CHEROKEE	KJ	EXTREME SPORT	6	3.7L	2W	P	MPFI	2004	2004	WAGON		AC0110	ACA196		
JEEP	CHEROKEE	KJ	LIMITED	6	3.7L	2W	P		2004	2004	WAGON		AC0110	ACA196		
JEEP	CHEROKEE	KJ	SPORT	6	3.7L	2W	P	MPFI	2004	2004	WAGON		AC0110	ACA196		
JEEP	CHEROKEE	KJ	SPORT	4	2.4L	4W	P	MPFI	2004	2005	WAGON		AC024			
JEEP	CHEROKEE	KJ	EXTREME SPORT	4	2.8L	3W	D	TURBO INT-COOL	2004	2005	WAGON		AC0100	ACA196		
JEEP	CHEROKEE	KJ	LIMITED	4	2.8L	3W	D	TURBO INT-COOL	2004	2005	WAGON		AC0100	ACA196		
JEEP	CHEROKEE	KJ	SPORT	4	2.8L	3W	D	TURBO INT-COOL	2004	2005	WAGON		AC0100	ACA196		
JEEP	CHEROKEE	KJ	EXTREME SPORT	6	3.7L	2W	P	MPFI	2004	2005	WAGON		AC0110	ACA196		
JEEP	CHEROKEE	KJ	LIMITED	6	3.7L	2W	P		2004	2005	WAGON		AC0110	ACA196		
JEEP	CHEROKEE	KJ	RENEGADE	6	3.7L	2W	P		2004	2005	WAGON		AC0110	ACA196		
JEEP	CHEROKEE	KJ	SPORT	6	3.7L	2W	P	MPFI	2004	2005	WAGON		AC0110	ACA196		
JEEP	CHEROKEE	KJ	65TH ANNIV	4	2.8L	3W	D	TURBO INT-COOL	2006	2007	WAGON		AC0100	ACA196		
JEEP	CHEROKEE	KJ	LIMITED	4	2.8L	3W	D	TURBO INT-COOL	2006	2007	WAGON		AC0100	ACA196		
JEEP	CHEROKEE	KJ	RENEGADE	4	2.8L	3W	D	TURBO INT-COOL	2006	2007	WAGON		AC0100	ACA196		
JEEP	CHEROKEE	KJ	SPORT	4	2.8L	3W	D	TURBO INT-COOL	2006	2007	WAGON		AC0100	ACA196		
JEEP	CHEROKEE	KJ	65TH ANNIV	6	3.7L	2W	P	MPFI	2006	2007	WAGON		AC0110	ACA196		
JEEP	CHEROKEE	KJ	LIMITED	6	3.7L	2W	P	MPFI	2006	2007	WAGON		AC0110	ACA196		
JEEP	CHEROKEE	KJ	RENEGADE	6	3.7L	2W	P		2006	2007	WAGON		AC0110	ACA196		
JEEP	CHEROKEE	KJ	SPORT	6	3.7L	2W	P	MPFI	2006	2007	WAGON		AC0110	ACA196		
JEEP	CHEROKEE	KL	LIMITED	4	2.0L	MULTI-JET2	D	CRD TURBO	09/14	ON	WAGON				ACF196	
JEEP	COMPASS	MK	LIMITED	4	2.0L	7D	D	TURBO	2007	03/10	WAGON		AC0123	ACA340		ACC5
JEEP	COMPASS	MK	LIMITED	4	2.4L	8D	P	MPFI	2007	03/10	WAGON			ACA340		ACC5
JEEP	COMPASS	MK	LIMITED	4	2.4L	ED3	P	MPFI	01/12	ON	WAGON		AC092			ACC5
JEEP	COMPASS	MK	NORTH	4	2.0L	ECN	P	MPFI	01/12	ON	WAGON		AC092			ACC5
JEEP	COMPASS	MK	SPORT	4	2.0L	7D	D	TURBO	2007	03/10	WAGON		AC0123	ACA340		ACC5
JEEP	COMPASS	MK	SPORT	4	2.4L	8D	P	MPFI	2007	03/10	WAGON			ACA340		ACC5
JEEP	COMPASS	MK	SPORT	4	2.0L	ECN	P	MPFI	01/12	ON	WAGON		AC092			ACC5
JEEP	COMPASS	MK	SPORT	4	2.4L	ED3	P	MPFI	01/12	06/13	WAGON		AC092			ACC5
JEEP	COMMANDER	XH	65TH ANNIV	6	3.0L	OM642	D	TURBO DIRECT INJ	2006	2006	WAGON		AC0160	ACA196	ACF212	
JEEP	COMMANDER	XH	65TH ANNIV	8	4.7L	3Y5	P	MPFI	2006	2006	WAGON		AC09	ACA196		
JEEP	COMMANDER	XH		6	3.0L	OM642	D	TURBO DIRECT INJ	2006	2010	WAGON		AC0160	ACA196	ACF212	
JEEP	COMMANDER	XH	LIMITED	6	3.0L	OM642	D	TURBO DIRECT INJ	2006	2010	WAGON		AC0160	ACA196	ACF212	
JEEP	COMMANDER	XH		8	4.7L	3Y5	P	MPFI	2006	2010	WAGON		AC09	ACA196		
JEEP	COMMANDER	XH	LIMITED	8	4.7L	3Y5	P	MPFI	2006	2010	WAGON		AC09	ACA196		
JEEP	COMMANDER	XH	LIMITED	8	5.7L	EZB	P	MPFI	2006	2010	WAGON		AC09	ACA196		

MAKE	MODEL	SERIES	BADGE	CYLS	ENG SIZE	ENGINE CODE	FUEL	FUEL DELIVERY / AIR INTAKE	FROM	TO	BODY	REMARKS	OIL	AIR	FUEL	CABIN
JEEP	GRAND CHEROKEE	ZG	LAREDO	6	4.0L	508MX	P	MPFI	1996	1999	WAGON		AC09	ACA253		
JEEP	GRAND CHEROKEE	ZG	LIMITED	6	4.0L	508MX	P	MPFI	1996	1999	WAGON		AC09	ACA253		
JEEP	GRAND CHEROKEE	ZG	LAREDO TSI	6	4.0L	508MX	P	MPFI	1998	1998	WAGON		AC09	ACA253		
JEEP	GRAND CHEROKEE	WJ	LAREDO	6	4.0L	MX	P	MPFI	1999	2000	WAGON		AC09	ACA253		
JEEP	GRAND CHEROKEE	WJ	LAREDO	8	4.7L	8N	P	MPFI	1999	2000	WAGON		AC09	ACA253		
JEEP	GRAND CHEROKEE	WJ	LIMITED	8	4.7L	8N	P	MPFI	1999	2000	WAGON		AC09	ACA253		
JEEP	GRAND CHEROKEE	WG	LAREDO	8	4.7L	8N	P	MPFI	2000	12/01	WAGON		AC09	ACA253		
JEEP	GRAND CHEROKEE	WG	LIMITED	8	4.7L	8N	P	MPFI	2000	12/01	WAGON		AC09	ACA253		
JEEP	GRAND CHEROKEE	WG	LAREDO	6	4.0L	MX	P	MPFI	2000	2002	WAGON		AC09	ACA253		
JEEP	GRAND CHEROKEE	WG	LAREDO	6	4.0L	MX	P	MPFI	2002	2003	WAGON		AC09	ACA253		
JEEP	GRAND CHEROKEE	WG	LAREDO	8	4.7L	8N	P	MPFI	01/02	2003	WAGON		AC09			
JEEP	GRAND CHEROKEE	WG	LIMITED	8	4.7L	8N	P	MPFI	01/02	2003	WAGON		AC09			
JEEP	GRAND CHEROKEE	WG	OVERLAND	8	4.7L	8N	P	MPFI	2002	2003	WAGON		AC09			
JEEP	GRAND CHEROKEE	WG	LAREDO	5	2.7L	ENF	D	TURBO DIRECT INJ	2003	2004	WAGON		AC0157	ACA253		
JEEP	GRAND CHEROKEE	WG	OVERLAND	5	2.7L	ENF	D	TURBO DIRECT INJ	2003	2004	WAGON		AC0157	ACA253		
JEEP	GRAND CHEROKEE	WG	LAREDO	6	4.0L	MX	P	MPFI	2003	2004	WAGON		AC09	ACA253		
JEEP	GRAND CHEROKEE	WG	LAREDO	8	4.7L	8N	P	MPFI	2003	2004	WAGON		AC09			
JEEP	GRAND CHEROKEE	WG	LIMITED	8	4.7L	8N	P	MPFI	2003	2004	WAGON		AC09			
JEEP	GRAND CHEROKEE	WG	OVERLAND	8	4.7L	8N	P	MPFI	2003	2004	WAGON		AC09			
JEEP	GRAND CHEROKEE	WG	LIMITED	5	2.7L	ENF	D	TURBO DIRECT INJ	2003	2005	WAGON		AC0157	ACA253		
JEEP	GRAND CHEROKEE	WG	VISION SERIES LIMITED	5	2.7L	ENF	D	TURBO DIRECT INJ	2004	2004	WAGON		AC0157	ACA253		
JEEP	GRAND CHEROKEE	WG	VISION SERIES LIMITED	8	4.7L	8N	P	MPFI	2004	2004	WAGON		AC09			
JEEP	GRAND CHEROKEE	WG	LAREDO	5	2.7L	ENF	D	TURBO DIRECT INJ	2004	2005	WAGON		AC0157	ACA253		
JEEP	GRAND CHEROKEE	WG	OVERLAND	5	2.7L	ENF	D	TURBO DIRECT INJ	2004	2005	WAGON		AC0157	ACA253		
JEEP	GRAND CHEROKEE	WG	LAREDO	6	4.0L	MX	P	MPFI	2004	2005	WAGON		AC09	ACA253		
JEEP	GRAND CHEROKEE	WG	LAREDO	8	4.7L	8N	P	MPFI	2004	2005	WAGON		AC09			
JEEP	GRAND CHEROKEE	WG	LIMITED	8	4.7L	8N	P	MPFI	2004	2005	WAGON		AC09			
JEEP	GRAND CHEROKEE	WG	OVERLAND	8	4.7L	8N	P	MPFI	2004	2005	WAGON		AC09			
JEEP	GRAND CHEROKEE	WH	LAREDO	6	3.0L	OM642	D	TURBO INT-COOL	2005	2006	WAGON	FUEL FILTER WITH WATER SENSOR	AC0160	ACA196	ACF212	

MAKE	MODEL	SERIES	BADGE	CYLS	ENG SIZE	ENGINE CODE	FUEL	FUEL DELIVERY / AIR INTAKE	FROM	TO	BODY	REMARKS	OIL	AIR	FUEL	CABIN
JEEP	GRAND CHEROKEE	WH	LAREDO NAVIGATOR	6	3.0L	OM642	D	TURBO INT-COOL	2005	2006	WAGON	FUEL FILTER WITH WATER SENSOR	AC0160	ACA196	ACF212	
JEEP	GRAND CHEROKEE	WH	LIMITED	6	3.0L	OM642	D	TURBO INT-COOL	2005	2006	WAGON	FUEL FILTER WITH WATER SENSOR	AC0160	ACA196	ACF212	
JEEP	GRAND CHEROKEE	WH	LIMITED NAVIGATOR	6	3.0L	OM642	D	TURBO INT-COOL	2005	2006	WAGON	FUEL FILTER WITH WATER SENSOR	AC0160	ACA196	ACF212	
JEEP	GRAND CHEROKEE	WH	LAREDO	8	4.7L	5Y5	P	MPFI	2005	2006	WAGON		AC09	ACA196		
JEEP	GRAND CHEROKEE	WH	LAREDO NAVIGATOR	8	4.7L	5Y5	P	MPFI	2005	2006	WAGON		AC09	ACA196		
JEEP	GRAND CHEROKEE	WH	LIMITED NAVIGATOR	8	4.7L	5Y5	P	MPFI	2005	2006	WAGON		AC09	ACA196		
JEEP	GRAND CHEROKEE	WH	LIMITED	8	5.7L	EZB	P	MPFI	2005	2006	WAGON		AC09	ACA196		
JEEP	GRAND CHEROKEE	WH	LIMITED NAVIGATOR	8	5.7L	EZB	P	MPFI	2005	2006	WAGON		AC09	ACA196		
JEEP	GRAND CHEROKEE	WH	LIMITED	8	4.7L	5Y5	P	MPFI	2005	2007	WAGON		AC09	ACA196		
JEEP	GRAND CHEROKEE	WH	65TH ANNIV	6	3.0L	OM642	D	TURBO DIRECT INJ	2006	2006	WAGON	FUEL FILTER WITH WATER SENSOR	AC0160	ACA196	ACF212	
JEEP	GRAND CHEROKEE	WH	65TH ANNIV	8	4.7L	5Y5	P	MPFI	2006	2006	WAGON		AC09	ACA196		
JEEP	GRAND CHEROKEE	WH	SRT-8	8	6.1L	5Y	P	MPFI	2006	2007	WAGON		AC09	ACA196		
JEEP	GRAND CHEROKEE	WH	LIMITED	8	5.7L	EZB	P	MPFI	2006	2008	WAGON		AC09	ACA196		
JEEP	GRAND CHEROKEE	WH	SRT-8	8	6.1L	5Y	P	MPFI	2007	12/07	WAGON		AC09	ACA196		
JEEP	GRAND CHEROKEE	WH	LAREDO	6	3.0L	OM642	D	TURBO INT-COOL	2007	2008	WAGON	FUEL FILTER WITH WATER SENSOR	AC0160	ACA196	ACF212	
JEEP	GRAND CHEROKEE	WH	LIMITED	6	3.0L	OM642	D	TURBO INT-COOL	2007	2008	WAGON	FUEL FILTER WITH WATER SENSOR	AC0160	ACA196	ACF212	
JEEP	GRAND CHEROKEE	WH	LAREDO	6	3.7L	EKG	P	MPFI	2007	2008	WAGON		AC0110	ACA196		
JEEP	GRAND CHEROKEE	WH	LAREDO	8	4.7L	5Y5	P	MPFI	2007	2008	WAGON		AC09	ACA196		
JEEP	GRAND CHEROKEE	WH	LIMITED	8	4.7L	5Y5	P	MPFI	2007	2009	WAGON		AC09	ACA196		
JEEP	GRAND CHEROKEE	WH	LAREDO	6	3.0L	OM642	D	TURBO INT-COOL	2008	2009	WAGON	FUEL FILTER WITH WATER SENSOR	AC0160	ACA196	ACF212	
JEEP	GRAND CHEROKEE	WH	LIMITED	6	3.0L	OM642	D	TURBO INT-COOL	2008	2009	WAGON	FUEL FILTER WITH WATER SENSOR	AC0160	ACA196	ACF212	
JEEP	GRAND CHEROKEE	WH	LIMITED	8	5.7L	EZB	P	MPFI	2008	2009	WAGON		AC084	ACA196		
JEEP	GRAND CHEROKEE	WH	SRT-8	8	6.1L	5Y	P	MPFI	2008	2009	WAGON		AC084	ACA196		



MAKE	MODEL	SERIES	BADGE	CYLS	ENG SIZE	ENGINE CODE	FUEL	FUEL DELIVERY / AIR INTAKE	FROM	TO	BODY	REMARKS	OIL	AIR	FUEL	CABIN
JEEP	GRAND CHEROKEE	WH	LIMITED	6	3.0L	OM642	D	TURBO INT-COOL	2009	2009	WAGON	FUEL FILTER WITH WATER SENSOR	AC0160	ACA196	ACF212	
JEEP	GRAND CHEROKEE	WH	LAREDO	6	3.0L	OM642	D	TURBO INT-COOL	2009	2010	WAGON	FUEL FILTER WITH WATER SENSOR	AC0160	ACA196	ACF212	
JEEP	GRAND CHEROKEE	WH	LIMITED	6	3.0L	OM642	D	TURBO INT-COOL	2009	2010	WAGON	FUEL FILTER WITH WATER SENSOR	AC0160	ACA196	ACF212	
JEEP	GRAND CHEROKEE	WH	SRT-8	8	6.1L	5Y	P	MPFI	2009	2010	WAGON		AC084	ACA196		
JEEP	GRAND CHEROKEE	WH	OVERLAND	8	5.7L	EZD	P	MPFI	2010	2010	WAGON		AC084	ACA196		
JEEP	GRAND CHEROKEE	WK	LAREDO	6	3.6L	ERB	P	MPFI	2010	06/13	WAGON		AC0163	ACA286		ACC94
JEEP	GRAND CHEROKEE	WK	LIMITED	6	3.6L	ERB	P	MPFI	2010	06/13	WAGON		AC0163	ACA286		ACC94
JEEP	GRAND CHEROKEE	WK	LIMITED	8	5.7L	EZD	P	MPFI	2010	ON	WAGON		AC084	ACA286		ACC94
JEEP	GRAND CHEROKEE	WK	OVERLAND	8	5.7L	EZD	P	MPFI	2010	ON	WAGON		AC084	ACA286		ACC94
JEEP	GRAND CHEROKEE	WK	LIMITED 70TH ANNIV	6	3.0L	OM642	D	TURBO DIRECT INJ	2011	2011	WAGON		AC0154	ACA348	ACF196	ACC94
JEEP	GRAND CHEROKEE	WK	LIMITED 70TH ANNIV	6	3.6L	ERB	P	MPFI	2011	2011	WAGON		AC0163	ACA286		ACC94
JEEP	GRAND CHEROKEE	WK	LIMITED 70TH ANNIV	8	5.7L	EZD	P	MPFI	2011	2011	WAGON		AC084	ACA286		ACC94
JEEP	GRAND CHEROKEE	WK	LAREDO	6	3.0L	OM642	D	TURBO DIRECT INJ	2011	ON	WAGON		AC0154	ACA348	ACF196	ACC94
JEEP	GRAND CHEROKEE	WK	LIMITED	6	3.0L	OM642	D	TURBO DIRECT INJ	2011	ON	WAGON		AC0154	ACA348	ACF196	ACC94
JEEP	GRAND CHEROKEE	WK	OVERLAND	6	3.0L	OM642	D	TURBO DIRECT INJ	2011	ON	WAGON		AC0154	ACA348	ACF196	ACC94
JEEP	GRAND CHEROKEE	WK	JET	6	3.6L	ERB	P	MPFI	2012	2012	WAGON		AC0163	ACA286		ACC94
JEEP	GRAND CHEROKEE	WK	TRAILHAWK	6	3.0L	OM642	D	TURBO DIRECT INJ	2012	2013	WAGON		AC0154	ACA348	ACF196	ACC94
JEEP	GRAND CHEROKEE	WK	SRT-8 ALPINE	8	6.4L	JC HEMI	P	MPFI	2012	2013	WAGON		AC084	ACA286		ACC94
JEEP	GRAND CHEROKEE	WK	SRT-8 VAPOR	8	6.4L	JC HEMI	P	MPFI	2012	2013	WAGON		AC084	ACA286		ACC94
JEEP	GRAND CHEROKEE	WK	OVERLAND	6	3.6L	ERB	P	MPFI	2012	06/13	WAGON		AC0163	ACA286		ACC94
JEEP	GRAND CHEROKEE	WK	SRT-8	8	6.4L	JC HEMI	P	MPFI	2012	ON	WAGON		AC084	ACA286		ACC94
JEEP	GRAND CHEROKEE	WK	SUMMIT	6	3.0L	OM642	D	TURBO DIRECT INJ	2013	ON	WAGON		AC0154	ACA348	ACF196	ACC94
JEEP	GRAND CHEROKEE	WK	LAREDO	6	3.6L	ERB	P	MPFI	07/13	ON	WAGON			ACA286		ACC94
JEEP	GRAND CHEROKEE	WK	LIMITED	6	3.6L	ERB	P	MPFI	07/13	ON	WAGON			ACA286		ACC94
JEEP	GRAND CHEROKEE	WK	OVERLAND	6	3.6L	ERB	P	MPFI	07/13	ON	WAGON			ACA286		ACC94
JEEP	GRAND CHEROKEE	WK	BLACKHAWK	6	3.0L	OM642	D	TURBO DIRECT INJ	2014	ON	WAGON		AC0154	ACA348	ACF196	ACC94
JEEP	GRAND CHEROKEE	WK	BLACKHAWK	6	3.6L	ERB	P	MPFI	2014	ON	WAGON			ACA286		ACC94
JEEP	J20			8			P		1981	1985	WAGON		AC03	ACA19		

MAKE	MODEL	SERIES	BADGE	CYLS	ENG SIZE	ENGINE CODE	FUEL	FUEL DELIVERY / AIR INTAKE	FROM	TO	BODY	REMARKS	OIL	AIR	FUEL	CABIN
JEEP	PATRIOT	MK	LIMITED	4	2.4L	8D	P	MPFI	2007	2009	WAGON		AC092			ACC5
JEEP	PATRIOT	MK	SPORT	4	2.0L	7D	D	TURBO	2007	2009	WAGON		AC0123	ACA340		ACC5
JEEP	PATRIOT	MK	SPORT	4	2.4L	8D	P	MPFI	2007	2009	WAGON		AC092			ACC5
JEEP	PATRIOT	MK	LIMITED	4	2.4L	8D	P	MPFI	2009	2009	WAGON		AC092			ACC5
JEEP	PATRIOT	MK	LIMITED	4	2.4L	8D	P	MPFI	2009	2011	WAGON		AC092			ACC5
JEEP	PATRIOT	MK	LIMITED 70TH ANNIV	4	2.4L	8D	P	MPFI	2009	2011	WAGON		AC092			ACC5
JEEP	PATRIOT	MK	SPORT	4	2.4L	8D	P	MPFI	2009	2009	WAGON		AC092			ACC5
JEEP	PATRIOT	MK	SPORT	4	2.4L	8D	P	MPFI	2009	2011	WAGON		AC092			ACC5
JEEP	PATRIOT	MK	BLACKHAWK	4	2.0L	ACD	P	MPFI	02/12	ON	WAGON		AC092			ACC5
JEEP	PATRIOT	MK	LIMITED	4	2.4L	ED3	P	MPFI	02/12	ON	WAGON		AC092			ACC5
JEEP	PATRIOT	MK	SPORT	4	2.0L	ACD	P	MPFI	02/12	ON	WAGON		AC092			ACC5
JEEP	PATRIOT	MK	SPORT	4	2.4L	ED3	P	MPFI	02/12	ON	WAGON		AC092			ACC5
JEEP	WRANGLER	TJ	RENEGADE	6	4.0L	MX	P		1996	2002	H-TOP		AC09	ACA346		
JEEP	WRANGLER	TJ	SPORT	6	4.0L	MX	P		1996	2002	S-TOP		AC09	ACA346		
JEEP	WRANGLER	TJ	SPORT 60TH ANNIV	6	4.0L	MX	P		1996	2002	S-TOP		AC09	ACA346		
JEEP	WRANGLER	TJ	EXTREME SPORT	6	4.0L	MX	P	MPFI	2003	2004	S-TOP		AC09	ACA346		
JEEP	WRANGLER	TJ	SPORT	6	4.0L	MX	P	MPFI	2003	2004	H-TOP/S-TOP		AC09	ACA346		
JEEP	WRANGLER	TJ	RENEGADE	6	4.0L	MX	P		2004	2005	S-TOP		AC09	ACA346		
JEEP	WRANGLER	TJ	SPORT	6	4.0L	MX	P		2004	2005	S-TOP		AC09	ACA346		
JEEP	WRANGLER	TJ	65TH ANNIV	6	4.0L	MX	P	MPFI	2005	2007	S-TOP		AC09	ACA346		
JEEP	WRANGLER	TJ	GOLDEN EAGLE	6	4.0L	MX	P	MPFI	2005	2007	S-TOP		AC09	ACA346		
JEEP	WRANGLER	TJ	RENEGADE	6	4.0L	MX	P		2005	2007	S-TOP		AC09	ACA346		
JEEP	WRANGLER	TJ	RENEGADE EXTREME SPORT	6	4.0L	MX	P		2005	2007	S-TOP		AC09	ACA346		
JEEP	WRANGLER	TJ	SPORT	6	4.0L	MX	P		2005	2007	S-TOP		AC09	ACA346		
JEEP	WRANGLER	JK	RUBICON	6	3.8L	7L	P	MPFI	2007	2008	S-TOP		AC024	ACA313		
JEEP	WRANGLER	JK	SPORT	6	3.8L	7L	P	MPFI	2007	2008	S-TOP		AC024	ACA313		
JEEP	WRANGLER	JK	UNLIMITED RUBICON	6	3.8L	7L	P	MPFI	2007	2008	S-TOP		AC024	ACA313		
JEEP	WRANGLER	JK	UNLIMITED SPORT	6	3.8L	7L	P	MPFI	2007	2008	S-TOP		AC024	ACA313		
JEEP	WRANGLER	JK	RUBICON	6	3.8L	7L	P	MPFI	2008	2008	S-TOP		AC024	ACA313		
JEEP	WRANGLER	JK	SPORT	6	3.8L	7L	P	MPFI	2008	2008	S-TOP		AC024	ACA313		
JEEP	WRANGLER	JK	UNLIMITED RUBICON	6	3.8L	7L	P	MPFI	2008	2008	S-TOP		AC024	ACA313		
JEEP	WRANGLER	JK	UNLIMITED SPORT	6	3.8L	7L	P	MPFI	2008	2008	S-TOP		AC024	ACA313		
JEEP	WRANGLER	JK	RUBICON	6	3.8L	7L	P	MPFI	2009	2009	S-TOP		AC024	ACA313		
JEEP	WRANGLER	JK	SPORT	6	3.8L	7L	P	MPFI	2009	2009	S-TOP		AC024	ACA313		
JEEP	WRANGLER	JK	UNLIMITED SPORT	6	3.8L	7L	P	MPFI	2009	2009	S-TOP		AC024	ACA313		
JEEP	WRANGLER	JK	RUBICON	6	3.8L	7L	P	MPFI	2009	2010	S-TOP		AC024	ACA313		
JEEP	WRANGLER	JK	SPORT	6	3.8L	7L	P	MPFI	2009	2010	S-TOP		AC024	ACA313		
JEEP	WRANGLER	JK	UNLIMITED RUBICON	6	3.8L	7L	P	MPFI	2009	2010	S-TOP		AC024	ACA313		
JEEP	WRANGLER	JK	UNLIMITED SPORT	6	3.8L	7L	P	MPFI	2009	2010	S-TOP		AC024	ACA313		

MAKE	MODEL	SERIES	BADGE	CYLS	ENG SIZE	ENGINE CODE	FUEL	FUEL DELIVERY / AIR INTAKE	FROM	TO	BODY	REMARKS	OIL	AIR	FUEL	CABIN
JEEP	WRANGLER	JK	RUBICON	6	3.8L	7L	P	MPFI	2011	2011	S-TOP		AC024	ACA313		
JEEP	WRANGLER	JK	SPORT	6	3.8L	7L	P	MPFI	2011	2011	S-TOP		AC024	ACA313		
JEEP	WRANGLER	JK	SPORT 70TH ANNIV	6	3.8L	7L	P	MPFI	2011	2011	H-TOP		AC024	ACA313		
JEEP	WRANGLER	JK	UNLIMITED 70TH ANNIV	6	3.8L	7L	P	MPFI	2011	2011	H-TOP		AC024	ACA313		
JEEP	WRANGLER	JK	UNLIMITED RUBICON	6	3.8L	7L	P	MPFI	2011	2011	S-TOP		AC024	ACA313		
JEEP	WRANGLER	JK	UNLIMITED SPORT	6	3.8L	7L	P	MPFI	2011	2011	S-TOP		AC024	ACA313		
JEEP	WRANGLER	JK	RUBICON	6	3.6L	ERB	P	MPFI	2012	06/13	S-TOP		AC0163	ACA313		
JEEP	WRANGLER	JK	SPORT	6	3.6L	ERB	P	MPFI	2012	06/13	S-TOP		AC0163	ACA313		
JEEP	WRANGLER	JK	UNLIMITED RUBICON	6	3.6L	ERB	P	MPFI	2012	06/13	S-TOP		AC0163	ACA313		
JEEP	WRANGLER	JK	UNLIMITED SPORT	6	3.6L	ERB	P	MPFI	2012	06/13	S-TOP		AC0163	ACA313		
JEEP	WRANGLER	JK	RUBICON	6	3.6L	ERB	P	MPFI	07/13	ON	S-TOP			ACA313		
JEEP	WRANGLER	JK	SPORT	6	3.6L	ERB	P	MPFI	07/13	ON	S-TOP			ACA313		
JEEP	WRANGLER	JK	UNLIMITED RUBICON	6	3.6L	ERB	P	MPFI	07/13	ON	S-TOP			ACA313		
JEEP	WRANGLER	JK	UNLIMITED SPORT	6	3.6L	ERB	P	MPFI	07/13	ON	S-TOP			ACA313		
<b>KIA</b>																
KIA	CARENS			4	1.8L	TB	P	MPFI	2000	2002	WAGON		AC073			
KIA	CARNIVAL	KV II	CLASSIC	6	2.5L	K5	P	MPFI	2000	2001	WAGON	WHERE IN LINE FUEL FILTER IS FITTED	AC028	ACA143	ACF125	
KIA	CARNIVAL	KV II	CLASSIC	6	2.5L	K5	P	MPFI	2000	2001	WAGON	WHERE IN TANK FUEL FILTER IS FITTED	AC028	ACA143		
KIA	CARNIVAL	KV II	LS	6	2.5L	K5	P	MPFI	2000	2006	WAGON	WHERE IN LINE FUEL FILTER IS FITTED	AC028	ACA143	ACF125	
KIA	CARNIVAL	KV II	LS	6	2.5L	K5	P	MPFI	2000	2006	WAGON	WHERE IN TANK FUEL FILTER IS FITTED	AC028	ACA143		
KIA	CARNIVAL	KV II	LE	6	2.5L	K5	P	MPFI	2001	2002	WAGON	WHERE IN LINE FUEL FILTER IS FITTED	AC028	ACA143	ACF125	
KIA	CARNIVAL	KV II	LE	6	2.5L	K5	P	MPFI	2001	2002	WAGON	WHERE IN TANK FUEL FILTER IS FITTED	AC028	ACA143		
KIA	CARNIVAL	VQ	EX	6	2.7L	G6EA	P	MPFI	2006	2008	WAGON		AC07	ACA205	ACF232	ACC60
KIA	CARNIVAL	VQ	EX LUXURY	6	2.7L	G6EA	P	MPFI	2006	2009	WAGON		AC07	ACA205	ACF232	ACC60
KIA	CARNIVAL	VQ	EXE	6	2.7L	G6EA	P	MPFI	2008	2010	WAGON		AC07	ACA205	ACF232	ACC60
KIA	CARNIVAL	VQ	S	6	2.7L	G6EA	P	MPFI	2010	2011	WAGON		AC07	ACA205	ACF232	ACC60
KIA	CARNIVAL	YP	PLATINUM	4	2.2L	D4HB	D	CRD TURBO	02/15	ON	WAGON		AC0133			ACC74
KIA	CARNIVAL	YP	PLATINUM	6	3.3L	G6DH	P	MPFI	02/15	ON	WAGON		AC0144			ACC74
KIA	CARNIVAL	YP	S	4	2.2L	D4HB	D	CRD TURBO	02/15	ON	WAGON		AC0133			ACC74
KIA	CARNIVAL	YP	S	6	3.3L	G6DH	P	MPFI	02/15	ON	WAGON		AC0144			ACC74
KIA	CARNIVAL	YP	SI	4	2.2L	D4HB	D	CRD TURBO	02/15	ON	WAGON		AC0133			ACC74
KIA	CARNIVAL	YP	SI	6	3.3L	G6DH	P	MPFI	02/15	ON	WAGON		AC0144			ACC74

MAKE	MODEL	SERIES	BADGE	CYLS	ENG SIZE	ENGINE CODE	FUEL	FUEL DELIVERY / AIR INTAKE	FROM	TO	BODY	REMARKS	OIL	AIR	FUEL	CABIN
KIA	CARNIVAL	YP	SLI	4	2.2L	D4HB	D	CRD TURBO	02/15	ON	WAGON		AC0133			ACC74
KIA	CARNIVAL	YP	SLI	6	3.3L	G6DH	P	MPFI	02/15	ON	WAGON		AC0144			ACC74
KIA	CERATO	LD		4	2.0L	G4GC	P	MPFI	2004	2005	SED/ HATCH		AC07	ACA208		ACC60
KIA	CERATO	LD	SPORT EDITION	4	2.0L	G4GC	P	MPFI	2005	2005	HATCH		AC07	ACA208		ACC60
KIA	CERATO	LD	EX	4	2.0L	G4GC	P	MPFI	2005	2008	SED/ HATCH		AC07	ACA208		ACC60
KIA	CERATO	TD	LIMITED EDITION	4	2.0L	G4KD	P	MPFI	2009	2009	SEDAN		AC07	ACA166	ACF204	ACC58
KIA	CERATO	TD	KOUP	4	2.0L	G4KD	P	MPFI	2009	2011	COUPE		AC07	ACA166	ACF204	ACC58
KIA	CERATO	TD	S	4	2.0L	G4KD	P	MPFI	2009	2013	SED/ HATCH		AC07	ACA166	ACF204	ACC58
KIA	CERATO	TD	SI	4	2.0L	G4KD	P	MPFI	2009	2013	SED/ HATCH		AC07	ACA166	ACF204	ACC58
KIA	CERATO	TD	SLI	4	2.0L	G4KD	P	MPFI	2009	2013	SED/ HATCH		AC07	ACA166	ACF204	ACC58
KIA	CERATO	TD	SLI LIMITED	4	2.0L	G4KD	P	MPFI	2010	2010	SEDAN		AC07	ACA166	ACF204	ACC58
KIA	CERATO	TD	KOUP SI	4	2.0L	G4KD	P	MPFI	2011	2013	COUPE		AC07	ACA166	ACF204	ACC58
KIA	CERATO	TD	KOUP SLS	4	2.0L	G4KD	P	MPFI	2011	2013	COUPE		AC07	ACA166	ACF204	ACC58
KIA	CERATO	TD	EXTRA	4	2.0L	G4KD	P	MPFI	2012	2012	SED/ HATCH		AC07	ACA166	ACF204	ACC58
KIA	CERATO	TD	SIR	4	2.0L	G4KD	P	MPFI	2012	2013	SED/ HATCH		AC07	ACA166	ACF204	ACC58
KIA	CERATO	TD	SLS	4	2.0L	G4KD	P	MPFI	2012	2013	SED/ HATCH		AC07	ACA166	ACF204	ACC58
KIA	CERATO	YD	S	4	1.8L	G4NB	P	MPFI	04/13	ON	SED/ HATCH		AC07	ACA232		ACC87
KIA	CERATO	YD	SI	4	2.0L	G4NC	P	DIRECT INJ	04/13	ON	SED/ HATCH		AC07	ACA232		ACC87
KIA	CERATO	YD	SLI	4	2.0L	G4NC	P	DIRECT INJ	04/13	ON	SED/ HATCH		AC07	ACA232		ACC87
KIA	CERATO	YD	KOUP SI	4	2.0L	G4NC	P	DIRECT INJ	08/13	ON	COUPE		AC07	ACA232		ACC87
KIA	CERATO	YD	KOUP TURBO	4	1.6L	G4FJ	P	TURBO DIRECT INJ	10/13	ON	COUPE		AC07	ACA284		ACC87
KIA	CERATO	YD	S PREMIUM	4	1.8L	G4NB	P	MPFI	04/14	ON	SED/ HATCH		AC07	ACA232		ACC87
KIA	CERES	S28A		4	2.2L	S2	D	MPFI	1992	1997	T-TOP/ TIPPER		AC072			
KIA	CERES	KW	CARGO	4	2.4L	SC	D	MPFI	1997	2000	T-TOP		AC072			
KIA	CREDOS	G11	GLX	4	2.0L	FE	P	MPFI	1998	2001	SEDAN		AC026			
KIA	GRAND CARNIVAL	VQ	EX	6	3.8L	G6DA	P	MPFI	01/06	08/08	WAGON		AC0104	ACA205	ACF232	ACC60
KIA	GRAND CARNIVAL	VQ	EX-L	6	3.8L	G6DA	P	MPFI	01/06	08/08	WAGON		AC0104	ACA205	ACF232	ACC60
KIA	GRAND CARNIVAL	VQ	PREMIUM	6	3.8L	G6DA	P	MPFI	2006	08/08	WAGON		AC0104	ACA205	ACF232	ACC60
KIA	GRAND CARNIVAL	VQ	PLATINUM	6	3.8L	G6DA	P	MPFI	2007	08/08	WAGON		AC0104	ACA205	ACF232	ACC60
KIA	GRAND CARNIVAL	VQ	EXE	6	3.8L	G6DA	P	MPFI	08/08	2010	WAGON			ACA205	ACF232	ACC60
KIA	GRAND CARNIVAL	VQ	PREMIUM	6	3.8L	G6DA	P	MPFI	08/08	2010	WAGON			ACA205	ACF232	ACC60
KIA	GRAND CARNIVAL	VQ	PLATINUM	6	3.8L	G6DA	P	MPFI	08/08	05/10	WAGON			ACA205	ACF232	ACC60
KIA	GRAND CARNIVAL	VQ	EXE	4	2.9L	J3 EURO 4	D	TURBO DIRECT INJ	2009	2010	WAGON		AC091	ACA205	ACF147	ACC60

MAKE	MODEL	SERIES	BADGE	CYLS	ENG SIZE	ENGINE CODE	FUEL	FUEL DELIVERY / AIR INTAKE	FROM	TO	BODY	REMARKS	OIL	AIR	FUEL	CABIN
KIA	GRAND CARNIVAL	VQ	PLATINUM	4	2.9L	J3 EURO 4	D	TURBO DIRECT INJ	2009	2011	WAGON		AC091	ACA205	ACF147	ACC60
KIA	GRAND CARNIVAL	VQ	SI	4	2.9L	J3 EURO 4	D	TURBO DIRECT INJ	2010	2011	WAGON		AC091	ACA205	ACF147	ACC60
KIA	GRAND CARNIVAL	VQ	SLI	4	2.9L	J3 EURO 4	D	TURBO DIRECT INJ	2010	2011	WAGON		AC091	ACA205	ACF147	ACC60
KIA	GRAND CARNIVAL	VQ	PLATINUM	6	3.5L	G6DC	P	MPFI	06/10	ON	WAGON		AC0144	ACA205	ACF232	ACC60
KIA	GRAND CARNIVAL	VQ	SI	6	3.5L	G6DC	P	MPFI	06/10	ON	WAGON		AC0144	ACA205	ACF232	ACC60
KIA	GRAND CARNIVAL	VQ	SLI	6	3.5L	G6DC	P	MPFI	06/10	ON	WAGON		AC0144	ACA205	ACF232	ACC60
KIA	GRAND CARNIVAL	VQ	S	6	3.5L	G6DC	P	MPFI	2011	ON	WAGON		AC0144	ACA205	ACF232	ACC60
KIA	GRAND CARNIVAL	VQ	PLATINUM	4	2.2L	D4HH	D	TURBO DIRECT INJ	06/11	ON	WAGON	WHERE SPIN ON OIL FILTER IS FITTED	AC07	ACA205	ACF156	ACC60
KIA	GRAND CARNIVAL	VQ	PLATINUM	4	2.2L	D4HH	D	TURBO DIRECT INJ	06/11	ON	WAGON	WHERE CARTRIDGE OIL FILTER IS FITTED	AC0133	ACA205	ACF156	ACC60
KIA	GRAND CARNIVAL	VQ	SI	4	2.2L	D4HH	D	TURBO DIRECT INJ	06/11	ON	WAGON	WHERE SPIN ON OIL FILTER IS FITTED	AC07	ACA205	ACF156	ACC60
KIA	GRAND CARNIVAL	VQ	SI	4	2.2L	D4HH	D	TURBO DIRECT INJ	06/11	ON	WAGON	WHERE CARTRIDGE OIL FILTER IS FITTED	AC0133	ACA205	ACF156	ACC60
KIA	GRAND CARNIVAL	VQ	SLI	4	2.2L	D4HH	D	TURBO DIRECT INJ	06/11	ON	WAGON	WHERE SPIN ON OIL FILTER IS FITTED	AC07	ACA205	ACF156	ACC60
KIA	GRAND CARNIVAL	VQ	SLI	4	2.2L	D4HH	D	TURBO DIRECT INJ	06/11	ON	WAGON	WHERE CARTRIDGE OIL FILTER IS FITTED	AC0133	ACA205	ACF156	ACC60
KIA	K2700	TU		4	2.7L	J2	D	MPFI	2002	2005	CAB CHASS		AC091		ACF19	
KIA	K2700	PU		4	2.7L	J2	D	MPFI	04/05	2008	CAB CHASS		AC091	ACA180	ACF19	
KIA	K2900	PU3		4	2.9L	J3 EURO 4	D	TURBO DIRECT INJ	2008	2012	CAB CHASS		AC091		ACF147	
KIA	MAGENTIS	MG	EX	4	2.4L	G4KC	P	MPFI	2006	2008	SEDAN		AC07			ACC34
KIA	MAGENTIS	MG	EX LUXURY	4	2.4L	G4KC	P	MPFI	2006	2008	SEDAN		AC07			ACC34
KIA	MAGENTIS	MG	EX LUXURY	6	2.7L	G6EA	P	MPFI	2006	2008	SEDAN		AC07			ACC34
KIA	MAGENTIS	MG	LX	4	2.4L	G4KC	P	MPFI	2008	2010	SEDAN		AC07			ACC34
KIA	MENTOR		GLX	4	1.5L	B5	P	MPFI	1996	04/98	HATCH		AC073			
KIA	MENTOR		SLX	4	1.5L	B5	P	MPFI	1996	04/98	HATCH		AC073			
KIA	MENTOR	S2	SLX	4	1.8L	TE	P	MPFI	05/98	1999	HATCH		AC073			
KIA	MENTOR	S2	GLX	4	1.5L	BF	P	MPFI	05/98	2000	SED/HATCH		AC073			
KIA	MENTOR	S2	SLX	4	1.5L	BF	P	MPFI	05/98	2000	SED/HATCH		AC073			
KIA	MENTOR	S2	GLX	4	1.8L	TE	P	MPFI	05/98	2000	HATCH		AC073			
KIA	OPTIMA	GD		6	2.5L	G6BV	P	MPFI	2000	2003	SEDAN		AC07	ACA226	ACF49	ACC74
KIA	OPTIMA	GD		6	2.7L	G6BA	P	MPFI	2004	2006	SEDAN		AC07	ACA226	ACF49	ACC74
KIA	OPTIMA	TF	PLATINUM	4	2.4L	G4KJAH	P	MPFI	2011	ON	SEDAN		AC07	ACA282		ACC74
KIA	OPTIMA	TF	SI	4	2.4L	G4KJAH	P	MPFI	2011	ON	SEDAN		AC07	ACA282		ACC74

MAKE	MODEL	SERIES	BADGE	CYLS	ENG SIZE	ENGINE CODE	FUEL	FUEL DELIVERY / AIR INTAKE	FROM	TO	BODY	REMARKS	OIL	AIR	FUEL	CABIN
KIA	OPTIMA	TF	SLI	4	2.4L	G4KJAH	P	MPFI	2012	ON	SEDAN		AC07	ACA282		ACC74
KIA	PREGIO	CT		4	2.7L	J2	D	MPFI	2002	06/04	VAN		AC091	ACA234	ACF19	
KIA	PREGIO	CT2		4	2.7L	J2	D	MPFI	0704	2006	VAN		AC091		ACF19	
KIA	PRO_Ceed	JD	GT	4	1.6L	G4FJ	P	TURBO DIRECT INJ	2014	ON	HATCH		AC07	ACA284		ACC87
KIA	PRO_Ceed	JD	GT-TECH	4	1.6L	G4FJ	P	TURBO DIRECT INJ	2014	ON	HATCH		AC07	ACA284		ACC87
KIA	RIO	BC	LS	4	1.5L	A5D	P	MPFI	2000	2005	SED/HATCH		AC028	ACA233	ACF126	
KIA	RIO	JB		4	1.6L	G4ED	P	MPFI	2005	2007	SED/HATCH		AC07	ACA165		ACC48
KIA	RIO	JB	EX-L	4	1.6L	G4ED	P	MPFI	2006	2008	SEDAN		AC07	ACA165		ACC48
KIA	RIO	JB	SPORTS	4	1.6L	G4ED	P	MPFI	2006	2008	HATCH		AC07	ACA165		ACC48
KIA	RIO	JB	LX	4	1.4L	G4EE	P	MPFI	2007	2009	HATCH		AC07	ACA165		ACC48
KIA	RIO	JB	EX	4	1.6L	G4ED	P	MPFI	2007	2009	SED/HATCH		AC07	ACA165		ACC48
KIA	RIO	JB	S	4	1.4L	G4EE	P	MPFI	2010	2011	HATCH		AC07	ACA165		ACC48
KIA	RIO	JB	SPORTS SPECIAL EDITION	4	1.4L	G4EE	P	MPFI	2010	2011	HATCH		AC07	ACA165		ACC48
KIA	RIO	JB	SI	4	1.6L	G4ED	P	MPFI	2010	2011	SED/HATCH		AC07	ACA165		ACC48
KIA	RIO	UB	S	4	1.4L	G4FA	P	MPFI	09/11	ON	HATCH		AC07	ACA276		ACC48
KIA	RIO	UB	SI	4	1.6L	G4FD	P	MPFI	09/11	ON	SED/HATCH		AC07	ACA276		ACC48
KIA	RIO	UB	SLI	4	1.6L	G4FD	P	MPFI	09/11	ON	HATCH		AC07	ACA276		ACC48
KIA	RIO	UB	SLS	4	1.6L	G4FD	P	MPFI	09/11	ON	HATCH		AC07	ACA276		ACC48
KIA	RONDO	UN	EX	4	2.0L	G4KA8	P	MPFI	2008	2010	WAGON		AC07		ACF204	ACC48
KIA	RONDO	UN	EX-L	4	2.0L	G4KA8	P	MPFI	2008	2010	WAGON		AC07		ACF204	ACC48
KIA	RONDO	UN	LX	4	2.0L	G4KA8	P	MPFI	2008	2010	WAGON		AC07		ACF204	ACC48
KIA	RONDO	UN	SI	4	2.0L	G4KA8	P	MPFI	2010	05/13	WAGON		AC07		ACF204	ACC48
KIA	RONDO	UN	SLI	4	2.0L	G4KA8	P	MPFI	2010	05/13	WAGON		AC07		ACF204	ACC48
KIA	RONDO	RP	SI	4	1.7L	D4FD	D	TURBO DIRECT INJ	06/13	ON	WAGON		AC0113	ACA232	ACF154	ACC87
KIA	RONDO	RP	SLI	4	1.7L	D4FD	D	TURBO DIRECT INJ	06/13	ON	WAGON		AC0113	ACA232	ACF154	ACC87
KIA	RONDO	RP	PLATINUM	4	2.0L	G4NC	P	DIRECT INJ	06/13	ON	WAGON		AC07	ACA232		ACC87
KIA	RONDO	RP	SI	4	2.0L	G4NC	P	DIRECT INJ	06/13	ON	WAGON		AC07	ACA232		ACC87
KIA	RONDO	RP	SLI	4	2.0L	G4NC	P	DIRECT INJ	06/13	ON	WAGON		AC07	ACA232		ACC87
KIA	SHUMA		S2	4	1.8L	TE	P	MPFI	2000	2001	HATCH		AC073			
KIA	SORENTO	BL	EX	6	3.5L	G6CU	P	MPFI	2003	12/05	WAGON	SINGLE PIECE CABIN FILTER	AC07	ACA230	ACF181	ACC60
KIA	SORENTO	BL	EX	6	3.5L	G6CU	P	MPFI	2003	12/05	WAGON	TWO PIECE SET CABIN FILTER	AC07	ACA230	ACF181	ACC58
KIA	SORENTO	BL	EX AUSTRALIAN OPEN	6	3.5L	G6CU	P	MPFI	2004	2005	WAGON		AC07	ACA230	ACF181	ACC60
KIA	SORENTO	BL	GLOBAL CIRCUIT	6	3.8L	G6DA	P	MPFI	2006	2007	WAGON	WHERE OIL FILTER IS APPROX 131MM HIGH	AC0104	ACA230	ACF179	
KIA	SORENTO	BL	GLOBAL CIRCUIT	6	3.8L	G6DA	P	MPFI	2006	2007	WAGON	WHERE OIL FILTER IS APPROX 104MM HIGH	AC0113	ACA230	ACF179	

MAKE	MODEL	SERIES	BADGE	CYLS	ENG SIZE	ENGINE CODE	FUEL	FUEL DELIVERY / AIR INTAKE	FROM	TO	BODY	REMARKS	OIL	AIR	FUEL	CABIN
KIA	SORENTO	BL	EX	6	3.5L	G6CU	P	MPFI	01/06	05/08	WAGON	SINGLE PIECE CABIN FILTER	AC07	ACA230		ACC60
KIA	SORENTO	BL	EX	6	3.5L	G6CU	P	MPFI	01/06	05/08	WAGON	TWO PIECE SET CABIN FILTER	AC07	ACA230		ACC58
KIA	SORENTO	BL	EX	6	3.8L	G6DA	P	MPFI	11/06	06/07	WAGON	WHERE OIL FILTER IS APPROX 131MM HIGH	AC0104	ACA230	ACF179	
KIA	SORENTO	BL	EX	6	3.8L	G6DA	P	MPFI	11/06	06/07	WAGON	WHERE OIL FILTER IS APPROX 104MM HIGH	AC0113	ACA230	ACF179	
KIA	SORENTO	BL	EX	4	2.5L	D4CB6	D	TURBO DIRECT INJ	2007	2009	WAGON		AC091	ACA230	ACF162	ACC60
KIA	SORENTO	BL	EX-L	4	2.5L	D4CB6	D	TURBO DIRECT INJ	2007	2009	WAGON		AC091	ACA230	ACF162	ACC60
KIA	SORENTO	BL	LX	4	2.5L	D4CB6	D	TURBO DIRECT INJ	2007	2009	WAGON		AC091	ACA230	ACF162	ACC60
KIA	SORENTO	BL	EX-L	6	3.3L	G6DB	P	MPFI	2007	2009	WAGON	WHERE OIL FILTER IS APPROX 131MM HIGH	AC0104	ACA230		
KIA	SORENTO	BL	EX-L	6	3.3L	G6DB	P	MPFI	2007	2009	WAGON	WHERE OIL FILTER IS APPROX 104MM HIGH	AC0113	ACA230		
KIA	SORENTO	BL	LX	6	3.3L	G6DB	P	MPFI	2007	2009	WAGON	WHERE OIL FILTER IS APPROX 131MM HIGH	AC0104	ACA230		
KIA	SORENTO	BL	LX	6	3.3L	G6DB	P	MPFI	2007	2009	WAGON	WHERE OIL FILTER IS APPROX 104MM HIGH	AC0113	ACA230		
KIA	SORENTO	BL	EX	6	3.3L	G6DB	P	MPFI	07/07	2009	WAGON	WHERE OIL FILTER IS APPROX 131MM HIGH	AC0104	ACA230		
KIA	SORENTO	BL	EX	6	3.3L	G6DB	P	MPFI	07/07	2009	WAGON	WHERE OIL FILTER IS APPROX 104MM HIGH	AC0113	ACA230		
KIA	SORENTO	XM	SI	4	2.4L	G4KE9	P	MPFI	10/09	07/11	WAGON		AC07	ACA282		ACC60
KIA	SORENTO	XM	PLATINUM	4	2.2L	D4HBA	D	TURBO DIRECT INJ	10/09	ON	WAGON		AC0133	ACA283	ACF154	ACC60
KIA	SORENTO	XM	SI	4	2.2L	D4HBA	D	TURBO DIRECT INJ	10/09	ON	WAGON		AC0133	ACA283	ACF154	ACC60
KIA	SORENTO	XM	SLI	4	2.2L	D4HBA	D	TURBO DIRECT INJ	10/09	ON	WAGON		AC0133	ACA283	ACF154	ACC60
KIA	SORENTO	XM	SI	6	3.5L	G6DC	P	MPFI	08/11	ON	WAGON		AC0144	ACA282		ACC60
KIA	SORENTO	XM	PLATINUM GLOBAL CIRCUIT	4	2.2L	D4HBA	D	TURBO DIRECT INJ	2012	2012	WAGON		AC0133	ACA283	ACF154	ACC60
KIA	SORENTO	XM	SLI GLOBAL CIRCUIT	4	2.2L	D4HBA	D	TURBO DIRECT INJ	2012	2012	WAGON		AC0133	ACA283	ACF154	ACC60

MAKE	MODEL	SERIES	BADGE	CYLS	ENG SIZE	ENGINE CODE	FUEL	FUEL DELIVERY / AIR INTAKE	FROM	TO	BODY	REMARKS	OIL	AIR	FUEL	CABIN
KIA	SORENTO	XM	SLI	6	3.5L	G6DC	P	MPFI	2012	ON	WAGON		AC0144	ACA282		ACC60
KIA	SOUL	AM	2	4	1.6L	D4FB	D	TURBO DIRECT INJ	2009	2010	HATCH		AC0113	ACA273	ACF156	
KIA	SOUL	AM	2	4	1.6L	G4FC	P	MPFI	2009	2010	HATCH		AC07	ACA273		
KIA	SOUL	AM	3	4	1.6L	D4FB	D	TURBO DIRECT INJ	2009	2010	HATCH		AC0113	ACA273	ACF156	
KIA	SOUL	AM	3	4	1.6L	G4FC	P	MPFI	2009	2010	HATCH		AC07	ACA273		
KIA	SOUL	AM		4	1.6L	G4FC	P	MPFI	2009	01/14	HATCH		AC07	ACA273		
KIA	SOUL	AM	+	4	1.6L	D4FB	D	TURBO DIRECT INJ	2009	01/14	HATCH		AC0113	ACA273	ACF156	
KIA	SOUL	AM	+	4	1.6L	G4FC	P	MPFI	2010	2011	HATCH		AC07	ACA273		
KIA	SOUL	AM	+	4	2.0L	G4NA	P	MPFI	2011	01/14	HATCH		AC07	ACA273		
KIA	SOUL	PS	SI	4	2.0L	G4NA	P	MPFI	02/14	ON	HATCH		AC07	ACA276		
KIA	SPECTRA	FB		4	1.8L	TE	P	MPFI	2001	2004	SEDAN		AC073			
KIA	SPORTAGE	MR		4	2.0L	FE-D	P	MPFI	1997	2003	WAGON		AC026	ACA214		
KIA	SPORTAGE	KM		6	2.7L	G6BA	P	MPFI	2005	2009	WAGON		AC07	ACA179	ACF200	ACC58
KIA	SPORTAGE	KM2	EX	6	2.7L	G6BA	P	MPFI	2005	2009	WAGON		AC07	ACA179	ACF200	ACC58
KIA	SPORTAGE	KM2	EX-L	6	2.7L	G6BA	P	MPFI	2005	2009	WAGON		AC07	ACA179	ACF200	ACC58
KIA	SPORTAGE	KM2	EX-L	4	2.0L	D4EA	D	TURBO DIRECT INJ	2007	2008	WAGON	WHERE CARTRIDGE OIL FILTER IS FITTED	AC0117	ACA179	ACF156	ACC58
KIA	SPORTAGE	KM2	EX-L	4	2.0L	D4EA	D	TURBO DIRECT INJ	2007	2008	WAGON	WHERE SPIN ON OIL FILTER IS FITTED	AC0126	ACA179	ACF156	ACC58
KIA	SPORTAGE	KM2	EX	4	2.0L	D4EA	D	TURBO DIRECT INJ	2007	2010	WAGON	WHERE CARTRIDGE OIL FILTER IS FITTED	AC0117	ACA179	ACF156	ACC58
KIA	SPORTAGE	KM2	EX	4	2.0L	D4EA	D	TURBO DIRECT INJ	2007	2010	WAGON	WHERE SPIN ON OIL FILTER IS FITTED	AC0126	ACA179	ACF156	ACC58
KIA	SPORTAGE	KM2	LX	4	2.0L	G4GC	P	MPFI	2007	2010	WAGON		AC07	ACA179	ACF200	ACC58
KIA	SPORTAGE	KM2	EX	4	2.0L	G4GC	P	MPFI	2009	2010	WAGON		AC07	ACA179	ACF200	ACC58
KIA	SPORTAGE	SL	PLATINUM	4	2.0L	D4HA	D	TURBO DIRECT INJ	08/10	05/13	WAGON	WHERE CARTRIDGE OIL FILTER IS FITTED	AC0133	ACA232	ACF156	ACC48
KIA	SPORTAGE	SL	PLATINUM	4	2.0L	D4HA	D	TURBO DIRECT INJ	08/10	05/13	WAGON	WHERE SPIN ON OIL FILTER IS FITTED	AC07	ACA232	ACF156	ACC48
KIA	SPORTAGE	SL	SI	4	2.0L	G4KD	P	MPFI	08/10	05/13	WAGON		AC07	ACA232		ACC48
KIA	SPORTAGE	SL	SLI	4	2.0L	D4HA	D	TURBO DIRECT INJ	08/10	05/13	WAGON	WHERE CARTRIDGE OIL FILTER IS FITTED	AC0133	ACA232	ACF156	ACC48
KIA	SPORTAGE	SL	SLI	4	2.0L	D4HA	D	TURBO DIRECT INJ	08/10	05/13	WAGON	WHERE SPIN ON OIL FILTER IS FITTED	AC07	ACA232	ACF156	ACC48
KIA	SPORTAGE	SL	PLATINUM	4	2.4L	G4KE	P	MPFI	08/10	05/13	WAGON		AC07	ACA232		ACC48
KIA	SPORTAGE	SL	SLI	4	2.4L	G4KE	P	MPFI	08/10	05/13	WAGON		AC07	ACA232		ACC48
KIA	SPORTAGE	SL SERIES II	PLATINUM	4	2.0L	D4HA	D	TURBO DIRECT INJ	06/13	ON	WAGON		AC0133	ACA232	ACF156	ACC48
KIA	SPORTAGE	SL SERIES II	PLATINUM	4	2.0L	G4KD	P	MPFI	06/13	ON	WAGON		AC07	ACA232		ACC48
KIA	SPORTAGE	SL SERIES II	SI	4	2.0L	G4KD	P	MPFI	06/13	ON	WAGON		AC07	ACA232		ACC48



MAKE	MODEL	SERIES	BADGE	CYLS	ENG SIZE	ENGINE CODE	FUEL	FUEL DELIVERY / AIR INTAKE	FROM	TO	BODY	REMARKS	OIL	AIR	FUEL	CABIN
KIA	SPORTAGE	SL SERIES II	SLI	4	2.0L	D4HA	D	TURBO DIRECT INJ	06/13	ON	WAGON		AC0133	ACA232	ACF156	ACC48
KIA	SPORTAGE	SL SERIES II	SLI	4	2.0L	G4KD	P	MPFI	06/13	ON	WAGON		AC07	ACA232		ACC48
KIA	SPORTAGE	SL SERIES II		4	2.0L	G4NC	P	MPFI	05/14	ON	WAGON		AC07	ACA232		ACC48
<b>LAND ROVER</b>																
LAND ROVER	110			8	3.5L	17G	P	CARB	1984	1988	WAGON		AC01			
LAND ROVER	DEFENDER	110		5	2.5L	10P	D	TURBO DIRECT INJ	1999	2002	WAGON		AC0153		ACF154	
LAND ROVER	DEFENDER	130		5	2.5L	10P	D	TURBO DIRECT INJ	1999	2002	CAB CHASS		AC0153		ACF154	
LAND ROVER	DEFENDER	130		5	2.5L	10P	D	TURBO DIRECT INJ	1999	2002	UTE		AC0153		ACF154	
LAND ROVER	DEFENDER	110	X-TREME	5	2.5L	10P	D	TURBO DIRECT INJ	1999	2003	WAGON		AC0153		ACF154	
LAND ROVER	DEFENDER	110	TOMB RAIDER	5	2.5L	10P	D	TURBO DIRECT INJ	2001	2001	WAGON		AC0153		ACF154	
LAND ROVER	DEFENDER	110		5	2.5L	15P	D	TURBO DIRECT INJ	2002	2007	WAGON		AC0153		ACF154	
LAND ROVER	DEFENDER	130		5	2.5L	15P	D	TURBO DIRECT INJ	2002	2007	CAB CHASS		AC0153		ACF154	
LAND ROVER	DEFENDER	130		5	2.5L	15P	D	TURBO DIRECT INJ	2002	2007	UTE		AC0153		ACF154	
LAND ROVER	DEFENDER	90	X-TREME	5	2.5L	15P	D	TURBO DIRECT INJ	2003	2005	WAGON		AC0153		ACF154	
LAND ROVER	DEFENDER	110		4	2.4L	244DT	D	TURBO DIRECT INJ	2007	2011	WAGON		AC0125			
LAND ROVER	DEFENDER	130		4	2.4L	244DT	D	TURBO DIRECT INJ	2007	2011	CAB CHASS		AC0125			
LAND ROVER	DEFENDER	130		4	2.4L	244DT	D	TURBO DIRECT INJ	2007	2011	UTE		AC0125			
LAND ROVER	DEFENDER	110	SVX 60TH ANNIV	4	2.4L	244DT	D	TURBO DIRECT INJ	2008	2009	WAGON		AC0125			
LAND ROVER	DEFENDER	110		4	2.4L	244DT	D	TURBO DIRECT INJ	2009	2011	UTE		AC0125			
LAND ROVER	DEFENDER	90		4	2.4L	244DT	D	TURBO DIRECT INJ	2010	2011	WAGON		AC0125			
LAND ROVER	DEFENDER	90	LIMITED EDITION	4	2.4L	244DT	D	TURBO DIRECT INJ	2011	2011	WAGON		AC0125			
LAND ROVER	DEFENDER	110	LIMITED EDITION	4	2.4L	244DT	D	TURBO DIRECT INJ	2011	2011	WAGON		AC0125			
LAND ROVER	DEFENDER	90		4	2.2L	DT244	D	TURBO DIRECT INJ	2011	ON	WAGON		AC0125			
LAND ROVER	DEFENDER	110		4	2.2L	DT244	D	TURBO DIRECT INJ	2011	ON	WAGON		AC0125			
LAND ROVER	DEFENDER	110		4	2.2L	DT244	D	TURBO DIRECT INJ	2011	ON	UTE		AC0125			
LAND ROVER	DEFENDER	130		4	2.2L	DT244	D	TURBO DIRECT INJ	2011	ON	CAB CHASS		AC0125			
LAND ROVER	DEFENDER	130		4	2.2L	DT244	D	TURBO DIRECT INJ	2011	ON	UTE		AC0125			
LAND ROVER	DEFENDER	90	LIMITED EDITION	4	2.2L	DT244	D	TURBO DIRECT INJ	2013	2013	WAGON		AC0125			
LAND ROVER	DEFENDER	110	LIMITED EDITION	4	2.2L	DT244	D	TURBO DIRECT INJ	2013	2013	WAGON		AC0125			
LAND ROVER	DISCOVERY		HL	8	3.5L	22D	P	MPFI	1991	1992	WAGON		AC09		ACF115	
LAND ROVER	DISCOVERY			8	3.5L	22D	P	MPFI	1991	1993	WAGON		AC09		ACF115	

MAKE	MODEL	SERIES	BADGE	CYLS	ENG SIZE	ENGINE CODE	FUEL	FUEL DELIVERY / AIR INTAKE	FROM	TO	BODY	REMARKS	OIL	AIR	FUEL	CABIN
LAND ROVER	DISCOVERY		TDI	4	2.5L	12L	P	TURBO MPFI	1992	03/94	WAGON	WHERE AIR FILTER HAS OUTSIDE DIAMETER OF 133MM	AC09			
LAND ROVER	DISCOVERY		TDI	4	2.5L	12L	P	TURBO MPFI	1992	03/94	WAGON	WHERE AIR FILTER HAS OUTSIDE DIAMETER OF 170MM / 134MM	AC09	ACA198		
LAND ROVER	DISCOVERY		ROSSIGNOL	8	3.5L	22D	P	MPFI	1993	1993	WAGON		AC09		ACF115	
LAND ROVER	DISCOVERY		ROSSIGNOL	8	3.5L	23D	P	MPFI	1993	1993	WAGON		AC09		ACF115	
LAND ROVER	DISCOVERY			8	3.9L	35D	P	MPFI	1993	1994	WAGON	AIR FILTER WITH RADIAL HOUSING	AC09	ACA198	ACF115	
LAND ROVER	DISCOVERY			8	3.9L	35D	P	MPFI	1993	1994	WAGON	AIR FILTER WITH PANEL HOUSING	AC09		ACF115	
LAND ROVER	DISCOVERY		ES	4	3.9L	37D	P	MPFI	1994	1997	WAGON	AIR FILTER WITH RADIAL HOUSING	AC09	ACA198	ACF115	
LAND ROVER	DISCOVERY		ES	4	3.9L	37D	P	MPFI	1994	1997	WAGON	AIR FILTER WITH PANEL HOUSING	AC09		ACF115	
LAND ROVER	DISCOVERY		V8I	8	3.9L	37D	P	MPFI	1994	1997	WAGON	AIR FILTER WITH RADIAL HOUSING	AC09	ACA198	ACF115	
LAND ROVER	DISCOVERY		V8I	8	3.9L	37D	P	MPFI	1994	1997	WAGON	AIR FILTER WITH PANEL HOUSING	AC09		ACF115	
LAND ROVER	DISCOVERY		V8I	8	3.9L	38D	P	MPFI	1994	1997	WAGON	AIR FILTER WITH RADIAL HOUSING	AC09	ACA198	ACF115	
LAND ROVER	DISCOVERY		V8I	8	3.9L	38D	P	MPFI	1994	1997	WAGON	AIR FILTER WITH PANEL HOUSING	AC09		ACF115	
LAND ROVER	DISCOVERY		TDI	4	2.5L	18L	P	TURBO MPFI	04/94	1997	WAGON		AC09			
LAND ROVER	DISCOVERY		ROSSIGNOL	8	3.9L	37D	P	MPFI	1995	1995	WAGON	AIR FILTER WITH RADIAL HOUSING	AC09	ACA198	ACF115	
LAND ROVER	DISCOVERY		ROSSIGNOL	8	3.9L	37D	P	MPFI	1995	1995	WAGON	AIR FILTER WITH PANEL HOUSING	AC09		ACF115	
LAND ROVER	DISCOVERY		ES	4	2.5L	20L	D	TURBO MPFI	1995	1996	WAGON	AIR FILTER WITH PANEL HOUSING	AC09			
LAND ROVER	DISCOVERY		ES	4	2.5L	20L	D	TURBO MPFI	1995	1996	WAGON	AIR FILTER WITH RADIAL HOUSING	AC09	ACA198		
LAND ROVER	DISCOVERY		TDI	4	2.5L	20L	P	TURBO MPFI	1995	1997	WAGON	AIR FILTER WITH PANEL HOUSING	AC09			
LAND ROVER	DISCOVERY		TDI	4	2.5L	20L	P	TURBO MPFI	1995	1997	WAGON	AIR FILTER WITH RADIAL HOUSING	AC09	ACA198		

MAKE	MODEL	SERIES	BADGE	CYLS	ENG SIZE	ENGINE CODE	FUEL	FUEL DELIVERY / AIR INTAKE	FROM	TO	BODY	REMARKS	OIL	AIR	FUEL	CABIN
LAND ROVER	DISCOVERY		ROSSIGNOL	8	3.9L	38D	P	MPFI	1995	1997	WAGON	AIR FILTER WITH RADIAL HOUSING	AC09	ACA198	ACF115	
LAND ROVER	DISCOVERY		ROSSIGNOL	8	3.9L	38D	P	MPFI	1995	1997	WAGON	AIR FILTER WITH PANEL HOUSING	AC09		ACF115	
LAND ROVER	DISCOVERY		ROSSIGNOL	4	2.5L	18L	D	TURBO MPFI	1997	1997	WAGON		AC09			
LAND ROVER	DISCOVERY		SE7	4	2.5L	18L	D	TURBO MPFI	1997	1998	WAGON		AC09			
LAND ROVER	DISCOVERY		S	5	2.5L	18L	D	TURBO MPFI	1997	1998	WAGON		AC09			
LAND ROVER	DISCOVERY		SE	5	2.5L	18L	D	TURBO MPFI	1997	1998	WAGON		AC09			
LAND ROVER	DISCOVERY		S	8	3.9L	38D	P	MPFI	1997	1998	WAGON	AIR FILTER WITH RADIAL HOUSING	AC09	ACA198	ACF115	
LAND ROVER	DISCOVERY		S	8	3.9L	38D	P	MPFI	1997	1998	WAGON	AIR FILTER WITH PANEL HOUSING	AC09		ACF115	
LAND ROVER	DISCOVERY		SE	8	3.9L	38D	P	MPFI	1997	1998	WAGON	AIR FILTER WITH RADIAL HOUSING	AC09	ACA198	ACF115	
LAND ROVER	DISCOVERY		SE	8	3.9L	38D	P	MPFI	1997	1998	WAGON	AIR FILTER WITH PANEL HOUSING	AC09		ACF115	
LAND ROVER	DISCOVERY		SE7	8	3.9L	38D	P	MPFI	1997	1998	WAGON	AIR FILTER WITH RADIAL HOUSING	AC09	ACA198	ACF115	
LAND ROVER	DISCOVERY		SE7	8	3.9L	38D	P	MPFI	1997	1998	WAGON	AIR FILTER WITH PANEL HOUSING	AC09		ACF115	
LAND ROVER	DISCOVERY		LS	8	3.9L	38D	P	MPFI	1998	1998	WAGON	AIR FILTER WITH RADIAL HOUSING	AC09	ACA198	ACF115	
LAND ROVER	DISCOVERY		LS	8	3.9L	38D	P	MPFI	1998	1998	WAGON	AIR FILTER WITH PANEL HOUSING	AC09		ACF115	
LAND ROVER	DISCOVERY	SERIES II	ES TD5	5	2.5L	10P	D	TURBO DIRECT INJ	1999	2001	WAGON		AC0153		ACF154	
LAND ROVER	DISCOVERY	SERIES II	TD5	5	2.5L	10P	D	TURBO DIRECT INJ	1999	2001	WAGON		AC0153		ACF154	
LAND ROVER	DISCOVERY	SERIES II		8	4.0L	55D	P	MPFI	1999	2001	WAGON		AC09		ACF115	
LAND ROVER	DISCOVERY	SERIES II	ES	8	4.0L	55D	P	MPFI	1999	2002	WAGON		AC09		ACF115	
LAND ROVER	DISCOVERY	SERIES II	ES	5	2.5L	10P	D	TURBO DIRECT INJ	2001	2002	WAGON		AC0153		ACF154	
LAND ROVER	DISCOVERY	SERIES II	S	5	2.5L	10P	D	TURBO DIRECT INJ	2001	2002	WAGON		AC0153		ACF154	
LAND ROVER	DISCOVERY	SERIES II	SE	5	2.5L	10P	D	TURBO DIRECT INJ	2001	2002	WAGON		AC0153		ACF154	
LAND ROVER	DISCOVERY	SERIES II	SE7	5	2.5L	10P	D	TURBO DIRECT INJ	2001	2002	WAGON		AC0153		ACF154	
LAND ROVER	DISCOVERY	SERIES II	S	8	4.0L	55D	P	MPFI	2001	2002	WAGON		AC09		ACF115	
LAND ROVER	DISCOVERY	SERIES II	SE	8	4.0L	55D	P	MPFI	2001	2002	WAGON		AC09		ACF115	
LAND ROVER	DISCOVERY	SERIES II	SE7	8	4.0L	55D	P	MPFI	2001	2002	WAGON		AC09		ACF115	
LAND ROVER	DISCOVERY		HSE TD5	5	2.5L	160P	D	TURBO DIRECT INJ	2002	2004	WAGON		AC0153		ACF154	
LAND ROVER	DISCOVERY			8	4.0L	56D	P	MPFI	2002	2004	WAGON		AC09		ACF115	

MAKE	MODEL	SERIES	BADGE	CYLS	ENG SIZE	ENGINE CODE	FUEL	FUEL DELIVERY / AIR INTAKE	FROM	TO	BODY	REMARKS	OIL	AIR	FUEL	CABIN
LAND ROVER	DISCOVERY		HSE	8	4.0L	56D	P	MPFI	2002	2004	WAGON		AC09		ACF115	
LAND ROVER	DISCOVERY		S TD5	5	2.5L	160P	D	TURBO DIRECT INJ	10/02	2004	WAGON		AC0153		ACF154	
LAND ROVER	DISCOVERY		SE TD5	5	2.5L	160P	D	TURBO DIRECT INJ	10/02	2004	WAGON		AC0153		ACF154	
LAND ROVER	DISCOVERY		TD5	5	2.5L	160P	D	TURBO DIRECT INJ	10/02	2004	WAGON		AC0153		ACF154	
LAND ROVER	DISCOVERY		S	8	4.0L	56D	P	MPFI	10/02	2004	WAGON		AC09		ACF115	
LAND ROVER	DISCOVERY		SE	8	4.0L	56D	P	MPFI	10/02	2004	WAGON		AC09		ACF115	
LAND ROVER	DISCOVERY 3	SERIES III	S	6	4.0L	406PN	P	MPFI	2005	2006	WAGON		AC0110			
LAND ROVER	DISCOVERY 3	SERIES III	HSE	6	2.7L	276DT	D	TURBO DIRECT INJ	2005	2009	WAGON		AC0143			
LAND ROVER	DISCOVERY 3	SERIES III	S	6	2.7L	276DT	D	TURBO DIRECT INJ	2005	2009	WAGON		AC0143			
LAND ROVER	DISCOVERY 3	SERIES III	SE	6	2.7L	276DT	D	TURBO DIRECT INJ	2005	2009	WAGON		AC0143			
LAND ROVER	DISCOVERY 3	SERIES III	SE	6	4.0L	406PN	P	MPFI	2005	2009	WAGON		AC0110			
LAND ROVER	DISCOVERY 4	SERIES IV	TDV6	6	2.7L	276DT	D	TURBO DIRECT INJ	2009	2012	WAGON		AC0143			
LAND ROVER	EVOQUE	L538	SI4 DYNAMIC	4	2.0L	204PT	P	TURBO DIRECT INJ	2011	ON	WAGON		AC024			ACC97
LAND ROVER	EVOQUE	L538	SI4 PRESTIGE	4	2.0L	204PT	P	TURBO DIRECT INJ	2011	ON	WAGON		AC024			ACC97
LAND ROVER	EVOQUE	L538	SI4 PURE	4	2.0L	204PT	P	TURBO DIRECT INJ	2011	ON	WAGON		AC024			ACC97
LAND ROVER	EVOQUE	L538	ED4 DYNAMIC	4	2.2L	224DT	D	TURBO DIRECT INJ	2011	ON	WAGON		AC0125			ACC97
LAND ROVER	EVOQUE	L538	ED4 PRESTIGE	4	2.2L	224DT	D	TURBO DIRECT INJ	2011	ON	WAGON		AC0125			ACC97
LAND ROVER	EVOQUE	L538	ED4 PURE	4	2.2L	224DT	D	TURBO DIRECT INJ	2011	ON	WAGON		AC0125			ACC97
LAND ROVER	EVOQUE	L538	SD4 DYNAMIC	4	2.2L	224DT	D	TURBO DIRECT INJ	2011	ON	WAGON		AC0125			ACC97
LAND ROVER	EVOQUE	L538	SD4 PRESTIGE	4	2.2L	224DT	D	TURBO DIRECT INJ	2011	ON	WAGON		AC0125			ACC97
LAND ROVER	EVOQUE	L538	SD4 PURE	4	2.2L	224DT	D	TURBO DIRECT INJ	2011	ON	WAGON		AC0125			ACC97
LAND ROVER	EVOQUE	L538	TD4 DYNAMIC	4	2.2L	224DT	D	TURBO DIRECT INJ	2011	ON	WAGON		AC0125			ACC97
LAND ROVER	EVOQUE	L538	TD4 PRESTIGE	4	2.2L	224DT	D	TURBO DIRECT INJ	2011	ON	WAGON		AC0125			ACC97
LAND ROVER	EVOQUE	L538	TD4 PURE	4	2.2L	224DT	D	TURBO DIRECT INJ	2011	ON	WAGON		AC0125			ACC97
LAND ROVER	EVOQUE	L538	SI4 SPECIAL EDITION	4	2.0L	204PT	P	TURBO DIRECT INJ	2013	2013	WAGON		AC024			ACC97
LAND ROVER	EVOQUE	L538	SD4 SPECIAL EDITION	4	2.2L	224DT	D	TURBO DIRECT INJ	2013	2013	WAGON		AC0125			ACC97
LAND ROVER	FREELANDER		I	4	1.8L	18K4F	P	MPFI	1998	2000	WAGON				ACF115	
LAND ROVER	FREELANDER		XEI	4	1.8L	18K4F	P	MPFI	1998	2000	S-TOP				ACF115	
LAND ROVER	FREELANDER		XEI	4	1.8L	18K4F	P	MPFI	1998	2000	WAGON				ACF115	
LAND ROVER	FREELANDER 2	LF	TD4 HSE	4	2.2L	224DT	D	TURBO MPFI	2007	2010	WAGON		AC0125			ACC97
LAND ROVER	FREELANDER 2	LF	TD4 SE	4	2.2L	224DT	D	TURBO MPFI	2007	2010	WAGON		AC0125			ACC97
LAND ROVER	FREELANDER 2	LF	SI6 HSE	6	3.2L	B6324S	P	MPFI	2007	2010	WAGON					ACC97
LAND ROVER	FREELANDER 2	LF	SI6 SE	6	3.2L	B6324S	P	MPFI	2007	2012	WAGON					ACC97
LAND ROVER	FREELANDER 2	LF	TD4 E	4	2.2L	224DT	D	TURBO MPFI	2009	2010	WAGON		AC0125			ACC97
LAND ROVER	FREELANDER 2	LF	TD4 XS	4	2.2L	224DT	D	TURBO DIRECT INJ	2010	2012	WAGON		AC0125			ACC97

MAKE	MODEL	SERIES	BADGE	CYLS	ENG SIZE	ENGINE CODE	FUEL	FUEL DELIVERY / AIR INTAKE	FROM	TO	BODY	REMARKS	OIL	AIR	FUEL	CABIN
LAND ROVER	FREELANDER 2	LF	SI6 XS	6	3.2L	B6324S	P	MPFI	2010	2012	WAGON					ACC97
LAND ROVER	FREELANDER 2	LF	SD4 HSE	4	2.2L	224DT	D	TURBO DIRECT INJ	2010	ON	WAGON		AC0125			ACC97
LAND ROVER	FREELANDER 2	LF	SD4 SE	4	2.2L	224DT	D	TURBO DIRECT INJ	2010	ON	WAGON		AC0125			ACC97
LAND ROVER	FREELANDER 2	LF	TD4	4	2.2L	224DT	D	TURBO DIRECT INJ	2010	ON	WAGON		AC0125			ACC97
LAND ROVER	FREELANDER 2	LF	TD4 SE	4	2.2L	224DT	D	TURBO DIRECT INJ	2010	ON	WAGON		AC0125			ACC97
LAND ROVER	FREELANDER 2	LF	SD4 HSE SPORT EDITION	4	2.2L	224DT	D	TURBO DIRECT INJ	2011	2011	WAGON		AC0125			ACC97
LAND ROVER	FREELANDER 2	LF	SD4 XS SPORT EDITION	4	2.2L	224DT	D	TURBO DIRECT INJ	2011	2011	WAGON		AC0125			ACC97
LAND ROVER	FREELANDER 2	LF	SI6 XS SPORT EDITION	6	3.2L	B6324S	P	MPFI	2011	2011	WAGON					ACC97
LAND ROVER	FREELANDER 2	LF	SI4 SE	4	2.0L	204PT	P	TURBO DIRECT INJ	2012	ON	WAGON		AC024			ACC97
LAND ROVER	FREELANDER 2	LF	SD4 HSE LUXURY	4	2.2L	224DT	D	TURBO DIRECT INJ	2012	ON	WAGON		AC0125			ACC97
LAND ROVER	RANGE ROVER			8	3.5L	22D	P	EFI	1986	1989	WAGON		AC01			ACF3
LAND ROVER	RANGE ROVER			8	3.5L	23D	P	EFI	1986	1989	WAGON		AC01			ACF3
LAND ROVER	RANGE ROVER			8	3.5L	25D	P	EFI	1986	1989	WAGON		AC01			ACF3
LAND ROVER	RANGE ROVER			8	3.9L	37D	P	MPFI	1990	1991	WAGON		AC01			ACF3
LAND ROVER	RANGE ROVER			8	3.9L	38D	P	MPFI	1990	1991	WAGON		AC09			
LAND ROVER	RANGE ROVER		CLASSIC	8	3.9L	38D	P	MPFI	1994	1995	WAGON		AC09			
LAND ROVER	RANGE ROVER	P38A	HSE	8	4.6L	48D	P	MPFI	1994	2002	WAGON		AC09			ACF115
LAND ROVER	RANGE ROVER	P38A	SE	8	4.0L	44D	P	MPFI	1995	1999	WAGON		AC09			ACF115
LAND ROVER	RANGE ROVER	P38A	AUTOBIOGRAPHY	8	4.6L	48D	P	MPFI	1997	1998	WAGON		AC09			ACF115
LAND ROVER	RANGE ROVER	P38A	VOGUE HSE	8	4.6L	59D	P	MPFI	2000	2000	WAGON		AC09			ACF115
LAND ROVER	RANGE ROVER	P38A	S	8	4.0L	57D	P	MPFI	2000	2002	WAGON		AC09			ACF115
LAND ROVER	RANGE ROVER	P38A	VOGUE HSE	8	4.6L	48D	P	MPFI	2001	2002	WAGON		AC09			ACF115
LAND ROVER	RANGE ROVER	L322	HSE	6	3.0L	306D	D	TURBO DIRECT INJ	2002	2005	WAGON			ACA329		
LAND ROVER	RANGE ROVER	L322	SE	6	3.0L	306D	D	TURBO DIRECT INJ	2002	2005	WAGON			ACA329		
LAND ROVER	RANGE ROVER		VOGUE	8	3.5L	25D	P	EFI	1989	1989	WAGON		AC01			ACF3
LAND ROVER	RANGE ROVER		VOGUE	8	3.9L	37D	P	MPFI	1990	1994	WAGON		AC01			ACF3
LAND ROVER	RANGE ROVER		VOGUE SE	8	3.9L	38D	P	MPFI	1991	1994	WAGON		AC09			
LAND ROVER	RANGE ROVER		VOGUE LSE	8	3.9L	38D	P	MPFI	1993	1994	WAGON		AC09			
LAND ROVER	RANGE ROVER		VOGUE PLUS	8	3.9L	37D	P	MPFI	1993	1994	WAGON		AC01			ACF3
LAND ROVER	RANGE ROVER SPORT	L320	TDV6	6	2.7L	276DT	D	TURBO DIRECT INJ	2005	2009	WAGON		AC0143			
LAND ROVER	RANGE ROVER SPORT	L320	TDV8	8	3.6L	368DT	D	TURBO DIRECT INJ	2006	2010	WAGON		AC0161			
LAND ROVER	RANGE ROVER SPORT	L320	TDV8 LUXURY	8	3.6L	368DT	D	TURBO DIRECT INJ	2009	2010	WAGON		AC0161			
LAND ROVER	RANGE ROVER VOGUE	L322	TD6	8	3.0L	306D-I	D	TURBO DIRECT INJ	2005	2006	WAGON			ACA329		
LAND ROVER	RANGE ROVER VOGUE	L322	TDV8	8	3.6L	368DT	D	TWIN TURBO DIRECT INJ	2007	2010	WAGON		AC0161			
LAND ROVER	RANGE ROVER VOGUE	L322	TDV8 LUXURY	8	3.6L	368DT	D	TWIN TURBO DIRECT INJ	2007	2010	WAGON		AC0161			

MAKE	MODEL	SERIES	BADGE	CYLS	ENG SIZE	ENGINE CODE	FUEL	FUEL DELIVERY / AIR INTAKE	FROM	TO	BODY	REMARKS	OIL	AIR	FUEL	CABIN
LAND ROVER	RANGE ROVER VOGUE	L322	TDV8 AUTO-BIOGRAPHY	8	3.6L	368DT	D	TWIN TURBO DIRECT INJ	2008	2010	WAGON		AC0161			
<b>LEXUS</b>																
LEXUS	CT200H	ZWA10R	F SPORT	4	1.8L	2ZR-FXE	P	MPFI	2011	ON	HATCH	HYBRID	AC0119	ACA338		ACC47
LEXUS	CT200H	ZWA10R	LUXURY	4	1.8L	2ZR-FXE	P	MPFI	2011	ON	HATCH	HYBRID	AC0119	ACA338		ACC47
LEXUS	CT200H	ZWA10R	PRESTIGE	4	1.8L	2ZR-FXE	P	MPFI	2011	ON	HATCH	HYBRID	AC0119	ACA338		ACC47
LEXUS	CT200H	ZWA10R	SPORTS LUXURY	4	1.8L	2ZR-FXE	P	MPFI	2011	ON	HATCH	HYBRID	AC0119	ACA338		ACC47
LEXUS	CT200H	ZWA10R	X	4	1.8L	2ZR-FXE	P	MPFI	2012	2012	HATCH	HYBRID	AC0119	ACA338		ACC47
LEXUS	ES300	VCV10R		6	3.0L	3VZ-FE	P	MPFI	1992	1996	SEDAN		AC024	ACA49	ACF1	
LEXUS	ES300	MCV20R	LXS	6	3.0L	1MZ-FE	P	MPFI	1996	1999	SEDAN		AC024	ACA49	ACF112	
LEXUS	ES300	MCV20R	S	6	3.0L	1MZ-FE	P	MPFI	1996	1999	SEDAN		AC024	ACA49	ACF112	
LEXUS	ES300	MCV20R	LXS	6	3.0L	1MZ-FE	P	MPFI	1999	2001	SEDAN		AC024	ACA49	ACF112	
LEXUS	ES300	MCV30R		6	3.0L	1MZ-FE	P	MPFI	2001	2005	SEDAN		AC024	ACA126	ACF112	
LEXUS	ES300H	AVV60R	LUXURY	4	2.5L	2AR-FXE	P	MPFI	11/13	ON	SEDAN	118KW HYBRID	AC0101	ACA339		
LEXUS	ES300H	AVV60R	SPORTS LUXURY	4	2.5L	2AR-FXE	P	MPFI	11/13	ON	SEDAN	118KW HYBRID	AC0101	ACA339		
LEXUS	GS300	JZS160R		6	3.0L	2JZ-GE	P	MPFI	1997	2004	SEDAN		AC024		ACF112	ACC28
LEXUS	GS300	GRS190R	SPORTS	6	3.0L	3GR-FSE	P	DIRECT INJ	2005	2011	SEDAN		AC0124		ACF224	ACC47
LEXUS	GS300	GRS190R	SPORTS LUXURY	6	3.0L	3GR-FSE	P	DIRECT INJ	2005	2011	SEDAN		AC0124		ACF224	ACC47
LEXUS	GS300H	AWL10R	F SPORT	4	2.5L	2AR-FSE	P	DIRECT INJ	2013	ON	SEDAN	HYBRID	AC0101			
LEXUS	GS300H	AWL10R	LUXURY	4	2.5L	2AR-FSE	P	DIRECT INJ	2013	ON	SEDAN	HYBRID	AC0101			
LEXUS	GS300H	AWL10R	SPORTS LUXURY	4	2.5L	2AR-FSE	P	DIRECT INJ	2013	ON	SEDAN	HYBRID	AC0101			
LEXUS	GS350	GRL10R	LUXURY	6	3.5L	2GR-FSE	P	DIRECT INJ	2012	2013	SEDAN		AC0124	ACA337		ACC54
LEXUS	GS350	GRL10R	F SPORT	6	3.5L	2GR-FSE	P	DIRECT INJ	2012	ON	SEDAN		AC0124	ACA337		ACC54
LEXUS	GS350	GRL10R	SPORTS LUXURY	6	3.5L	2GR-FSE	P	DIRECT INJ	2012	ON	SEDAN		AC0124	ACA337		ACC54
LEXUS	GS430	UZS190R	SPORTS LUXURY	8	4.3L	3UZ-FE	P	MPFI	2005	2008	SEDAN		AC024	ACA337		ACC54
LEXUS	GS450H	GWS191R	HYBRID	6	3.5L	2GR-FSE	P	DIRECT INJ	05/06	03/12	SEDAN	218KW HYBRID	AC0124			ACC54
LEXUS	GS450H	GWL10R	LUXURY	6	3.5L	2GR-FXE	P	DIRECT INJ	05/12	2013	SEDAN	215KW HYBRID	AC0124			
LEXUS	GS450H	GWL10R	F SPORT	6	3.5L	2GR-FXE	P	DIRECT INJ	05/12	ON	SEDAN	215KW HYBRID	AC0124			
LEXUS	GS450H	GWL10R	SPORTS LUXURY	6	3.5L	2GR-FXE	P	DIRECT INJ	05/12	ON	SEDAN	215KW HYBRID	AC0124			
LEXUS	GS460	URS190R	SPORTS LUXURY	8	4.6L	1UR-FSE	P	DIRECT INJ	2008	2011	SEDAN		AC0124			ACC54
LEXUS	IS F	USE20R	SPORTS LUXURY	8	5.0L	2UR-FSE	P	DIRECT INJ	2008	2009	SEDAN		AC0102			ACC54
LEXUS	IS F	USE20R		8	5.0L	2UR-FSE	P	DIRECT INJ	2009	ON	SEDAN		AC0102			ACC54
LEXUS	IS200	GXE10R	SPORTS LE	6	2.0L	1G-FE	P	MPFI	1999	1999	SEDAN		AC024	ACA295	ACF130	ACC28
LEXUS	IS200	GXE10R	SPORTS LUXURY	6	2.0L	1G-FE	P	MPFI	1999	2005	SEDAN		AC024	ACA295	ACF130	ACC28
LEXUS	IS200	GXE10R	YELLOW	6	2.0L	1G-FE	P	MPFI	2000	2000	SEDAN		AC024	ACA295	ACF130	ACC28
LEXUS	IS200	GXE10R	CALIENTE	6	2.0L	1G-FE	P	MPFI	2002	2002	SEDAN		AC024	ACA295	ACF130	ACC28
LEXUS	IS200	GXE10R	PLATINUM EDITION	6	2.0L	1G-FE	P	MPFI	2003	2003	SEDAN		AC024	ACA295	ACF130	ACC28
LEXUS	IS200	GXE10R	SPORTS	6	2.0L	1G-FE	P	MPFI	2003	2005	SEDAN		AC024	ACA295	ACF130	ACC28
LEXUS	IS250	GSE20R	SPORTS	6	2.5L	4GR-FSE	P	DIRECT INJ	2005	2008	SEDAN		AC0124	ACA337	ACF224	ACC47

MAKE	MODEL	SERIES	BADGE	CYLS	ENG SIZE	ENGINE CODE	FUEL	FUEL DELIVERY / AIR INTAKE	FROM	TO	BODY	REMARKS	OIL	AIR	FUEL	CABIN
LEXUS	IS250	GSE20R	PRESTIGE	6	2.5L	4GR-FSE	P	DIRECT INJ	2005	2013	SEDAN		AC0124	ACA337	ACF224	ACC47
LEXUS	IS250	GSE20R	SPORTS LUXURY	6	2.5L	4GR-FSE	P	DIRECT INJ	2005	2013	SEDAN		AC0124	ACA337	ACF224	ACC47
LEXUS	IS250	GSE20R	X	6	2.5L	4GR-FSE	P	DIRECT INJ	2007	2013	SEDAN		AC0124	ACA337	ACF224	ACC47
LEXUS	IS250	GSE20R	F SPORT	6	2.5L	4GR-FSE	P	DIRECT INJ	2010	2013	SEDAN		AC0124	ACA337	ACF224	ACC47
LEXUS	IS250	GSE30R	F SPORT	6	2.5L	4GR-FSE	P	DIRECT INJ	07/13	ON	SEDAN		AC0124			
LEXUS	IS250	GSE30R	LUXURY	6	2.5L	4GR-FSE	P	DIRECT INJ	07/13	ON	SEDAN		AC0124			
LEXUS	IS250	GSE30R	SPORTS LUXURY	6	2.5L	4GR-FSE	P	DIRECT INJ	07/13	ON	SEDAN		AC0124			
LEXUS	IS250 C	GSE20R	SPORTS	6	2.5L	4GR-FSE	P	DIRECT INJ	2009	2012	CONV		AC0124	ACA337	ACF224	ACC47
LEXUS	IS250 C	GSE20R	PRESTIGE	6	2.5L	4GR-FSE	P	DIRECT INJ	2009	2013	CONV		AC0124	ACA337	ACF224	ACC47
LEXUS	IS250 C	GSE20R	SPORTS LUXURY	6	2.5L	4GR-FSE	P	DIRECT INJ	2009	2013	CONV		AC0124	ACA337	ACF224	ACC47
LEXUS	IS250 C	GSE20R	F SPORT	6	2.5L	4GR-FSE	P	DIRECT INJ	2012	2013	CONV		AC0124	ACA337	ACF224	ACC47
LEXUS	IS300	JCE10R	SPORTS	6	3.0L	2JZ-GE	P	MPFI	2001	2005	SEDAN		AC024		ACF130	ACC28
LEXUS	IS300	JCE10R	PLATINUM EDITION	6	3.0L	2JZ-GE	P	MPFI	2003	2003	SEDAN		AC024		ACF130	ACC28
LEXUS	IS300	JCE10R	SPORTS LUXURY	6	3.0L	2JZ-GE	P	MPFI	2004	2005	SEDAN		AC024		ACF130	ACC28
LEXUS	IS300H	AVE30R	F SPORT	4	2.5L	2AR-FSE	P	DIRECT INJ	2013	ON	SEDAN		AC0101			
LEXUS	IS300H	AVE30R	LUXURY	4	2.5L	2AR-FSE	P	DIRECT INJ	2013	ON	SEDAN		AC0101			
LEXUS	IS350	GSE21R	F SPORT	6	3.5L	2GR-FSE	P	DIRECT INJ	2010	2013	SEDAN		AC0124	ACA337	ACF224	ACC54
LEXUS	IS350	GSE21R	PRESTIGE	6	3.5L	2GR-FSE	P	DIRECT INJ	2010	2013	SEDAN		AC0124	ACA337	ACF224	ACC54
LEXUS	IS350	GSE21R	SPORTS LUXURY	6	3.5L	2GR-FSE	P	DIRECT INJ	2010	2013	SEDAN		AC0124	ACA337	ACF224	ACC54
LEXUS	IS350	GSE21R	X	6	3.5L	2GR-FSE	P	DIRECT INJ	2012	2013	SEDAN		AC0124	ACA337	ACF224	ACC54
LEXUS	IS350	GSE31R	F SPORT	6	3.5L	2GR-FSE	P	DIRECT INJ	07/13	ON	SEDAN		AC0124			
LEXUS	IS350	GSE31R	LUXURY	6	3.5L	2GR-FSE	P	DIRECT INJ	07/13	ON	SEDAN		AC0124			
LEXUS	IS350	GSE31R	SPORTS LUXURY	6	3.5L	2GR-FSE	P	DIRECT INJ	07/13	ON	SEDAN		AC0124			
LEXUS	LS400	UCF10R		8	4.0L	1UZ-FE	P	MPFI	1990	1994	SEDAN		AC024		ACF49	
LEXUS	LS400	UCF20R		8	4.0L	1UZ-FE	P	MPFI	1994	2000	SEDAN		AC024			
LEXUS	LS430	UCF30R		8	4.3L	3UZ-FE	P	MPFI	2000	2007	SEDAN		AC024		ACF130	
LEXUS	LS460	USF40R		8	4.6L	1UR-FSE	P	DIRECT INJ	2007	2012	SEDAN		AC0124	ACA339		
LEXUS	LS460	USF40R	SPORTS	8	4.6L	1UR-FSE	P	DIRECT INJ	2009	2012	SEDAN		AC0124	ACA339		
LEXUS	LS460	USF40R	F-SPORT	8	4.6L	1UR-FSE	P	DIRECT INJ	2013	ON	SEDAN		AC0124	ACA339		
LEXUS	LS460	USF40R	SPORTS LUXURY	8	4.6L	1UR-FSE	P	DIRECT INJ	2013	ON	SEDAN		AC0124	ACA339		
LEXUS	LS600H	UVF45R	F-SPORT	8	5.0L	2UR-FSE	P	MPFI	02/13	ON	SEDAN	327KW HYBRID	AC0124	ACA339		
LEXUS	LS600HL	USF46R		8	5.0L	2UR-FSE	P	MPFI	11/07	12/12	SEDAN	290KW HYBRID	AC0124	ACA339		
LEXUS	LX470	UZJ100R		8	4.7L	2UZ-FE	P	MPFI	1998	2007	WAGON		AC024	ACA118	ACF113	
LEXUS	LX570	URJ201R	PRESTIGE	8	5.7L	3UR-FE	P	MPFI	2008	2009	WAGON		AC0102	ACA264		ACC54
LEXUS	LX570	URJ201R	SPORTS LUXURY	8	5.7L	3UR-FE	P	MPFI	2008	2011	WAGON		AC0102	ACA264		ACC54
LEXUS	LX570	URJ201R	SPORTS	8	5.7L	3UR-FE	P	MPFI	2010	2011	WAGON		AC0102	ACA264		ACC54
LEXUS	LX570	URJ201R		8	5.7L	3UR-FE	P	MPFI	2012	ON	WAGON		AC0102	ACA264		ACC54
LEXUS	NX300H	AYZ10R		4	2.5L	2AR-FXE	P	DIRECT INJ	11/14	ON	WAGON	HYBRID	AC0101	ACA338		ACC54
LEXUS	NX300H	AYZ15R		4	2.5L	2AR-FXE	P	DIRECT INJ	11/14	ON	WAGON	HYBRID	AC0101	ACA338		ACC54
LEXUS	RC350	GSC10R	F SPORT	6	3.5L	2GR-FSE	P	MPFI	11/14	ON	COUPE		AC0124			
LEXUS	RC350	GSC10R	LUXURY	6	3.5L	2GR-FSE	P	MPFI	11/14	ON	COUPE		AC0124			

MAKE	MODEL	SERIES	BADGE	CYLS	ENG SIZE	ENGINE CODE	FUEL	FUEL DELIVERY / AIR INTAKE	FROM	TO	BODY	REMARKS	OIL	AIR	FUEL	CABIN
LEXUS	RC350	GSC10R	SPORTS LUXURY	6	3.5L	2GR-FSE	P	MPFI	11/14	ON	COUPE		AC0124			
LEXUS	RX270	AGL10R		6	2.7L	1AR-FE	P	MPFI	2012	ON	WAGON		AC0101	ACA286		ACC54
LEXUS	RX300	MCU10		6	3.0L	1MZ-FE	P	EFI	2000	2003	WAGON		AC024	ACA49	ACF130	
LEXUS	RX300	MCU31		6	3.0L	1MZ-FE	P	EFI	2003	2004	WAGON		AC024	ACA126		
LEXUS	RX330	MCU38R	SPORTS	6	3.3L	3MZ-FE	P	MPFI	2003	2005	WAGON		AC024	ACA126	ACF160	
LEXUS	RX330	MCU38R	SPORTS LUXURY	6	3.3L	3MZ-FE	P	MPFI	2003	2005	WAGON		AC024	ACA126	ACF160	
LEXUS	RX350	GSU35R	SPORTS	6	3.5L	2GR-FE	P	MPFI	2006	2008	WAGON		AC0101	ACA126		
LEXUS	RX350	GSU35R	SPORTS LUXURY	6	3.5L	2GR-FE	P	MPFI	2006	2008	WAGON		AC0101	ACA126		
LEXUS	RX350	GSU35R	SE	6	3.5L	2GR-FE	P	MPFI	2008	2008	WAGON		AC0101	ACA126		
LEXUS	RX350	GGL15R	PRESTIGE	6	3.5L	2GR-FE	P	MPFI	2009	2012	WAGON		AC0101	ACA286		ACC54
LEXUS	RX350	GGL15R	SPORT	6	3.5L	2GR-FE	P	MPFI	2009	2012	WAGON		AC0101	ACA286		ACC54
LEXUS	RX350	GGL15R	SPORT LUXURY	6	3.5L	2GR-FE	P	MPFI	2009	2012	WAGON		AC0101	ACA286		ACC54
LEXUS	RX350	GGL15R	X	6	3.5L	2GR-FE	P	MPFI	2011	2011	WAGON		AC0101	ACA286		ACC54
LEXUS	RX350	GGL15R	F-SPORT	6	3.5L	2GR-FE	P	MPFI	2012	ON	WAGON		AC0101	ACA286		ACC54
LEXUS	RX350	GGL15R	LUXURY	6	3.5L	2GR-FE	P	MPFI	2012	ON	WAGON		AC0101	ACA286		ACC54
LEXUS	RX350	GGL15R	SPORTS LUXURY	6	3.5L	2GR-FE	P	MPFI	2012	ON	WAGON		AC0101	ACA286		ACC54
LEXUS	RX400H	MHU38R		6	3.3L	3VZ-FE	P	MPFI	2006	2008	WAGON	155KW HYBRID	AC024		ACF130	
LEXUS	RX450H	GYL15R	PRESTIGE	6	3.5L	2GR-FXE	P	MPFI	2009	2012	WAGON	183KW HYBRID	AC0101		ACF130	ACC54
LEXUS	RX450H	GYL15R	SPORT	6	3.5L	2GR-FXE	P	MPFI	2009	2012	WAGON	183KW HYBRID	AC0101		ACF130	ACC54
LEXUS	RX450H	GYL15R	SPORT LUXURY	6	3.5L	2GR-FXE	P	MPFI	2009	2012	WAGON	183KW HYBRID	AC0101		ACF130	ACC54
LEXUS	RX450H	GYL15R	X	6	3.5L	2GR-FXE	P	MPFI	2011	2011	WAGON	183KW HYBRID	AC0101		ACF130	ACC54
LEXUS	RX450H	GYL15R	F-SPORT	6	3.5L	2GR-FXE	P	MPFI	2012	ON	WAGON	183KW HYBRID	AC0101		ACF130	ACC54
LEXUS	RX450H	GYL15R	LUXURY	6	3.5L	2GR-FXE	P	MPFI	2012	ON	WAGON	183KW HYBRID	AC0101		ACF130	ACC54
LEXUS	RX450H	GYL15R	SPORTS LUXURY	6	3.5L	2GR-FXE	P	MPFI	2012	ON	WAGON	183KW HYBRID	AC0101		ACF130	ACC54
LEXUS	SC430	UZZ40R		8	4.3L	3UZ-FE	P	MPFI	2001	2010	CONV		AC024		ACF130	
<b>MAZDA</b>																
MAZDA	121	DA1031	HATCH	4	1.3L	B3	P	MPFI	1987	1989	HATCH		AC07	ACA55	ACF12	
MAZDA	121	DA1032	HATCH	4	1.3L	B3	P	MPFI	1990	1990	HATCH		AC073	ACA55	ACF31	
MAZDA	121	DB1031	HATCH	4	1.3L	B3	P	MPFI	1990	1997	HATCH		AC073	ACA55	ACF33	
MAZDA	121	DB1052	HATCH	4	1.5L	B5	P		1993	1998	HATCH		AC073	ACA55	ACF118	
MAZDA	121	DW1031	METRO	4	1.3L	B3	P	MPFI	1996	2000	SEDAN		AC073	ACA80	ACF118	
MAZDA	121	DW1051	METRO	4	1.5L	B5	P		1996	2000	SEDAN		AC073	ACA80	ACF118	
MAZDA	121	DW1031	SHADES METRO	4	1.3L	B3	P	MPFI	2000	2000	SEDAN		AC073	ACA80	ACF118	
MAZDA	121	DW1051	SHADES METRO	4	1.5L	B5	P		2000	2000	SEDAN		AC073	ACA80	ACF118	
MAZDA	121	DW1032	METRO	4	1.3L	B3	P	MPFI	2000	2003	SEDAN		AC073	ACA80	ACF118	
MAZDA	121	DW1052	METRO	4	1.5L	B5	P		2000	2003	SEDAN		AC073	ACA80	ACF118	
MAZDA	121	DW1032	SHADES METRO	4	1.3L	B3	P	MPFI	03/00	2002	SEDAN		AC073	ACA80	ACF118	
MAZDA	121	DW1052	SHADES METRO	4	1.5L	B5	P		03/00	2002	SEDAN		AC073	ACA80	ACF118	



MAKE	MODEL	SERIES	BADGE	CYLS	ENG SIZE	ENGINE CODE	FUEL	FUEL DELIVERY / AIR INTAKE	FROM	TO	BODY	REMARKS	OIL	AIR	FUEL	CABIN
MAZDA	323	FA4TS		4	1.3L	TC	P	CARB	1977	1980	HATCH		AC07	ACA29	ACF64	
MAZDA	323	BD	DELUXE	4	1.3L	E3	P	CARB	1981	10/82	SED/ HATCH		AC07	ACA26	ACF12	
MAZDA	323	BD	DELUXE	4	1.5L	E5	P	CARB	1981	10/82	SED/ HATCH		AC07	ACA26	ACF12	
MAZDA	323	BD	SS	4	1.5L	E5	P	TWIN CARB	1981	10/82	SED/ HATCH		AC07		ACF12	
MAZDA	323	FA45V		4	1.5L	D5	P	CARB	1982	1985	WAGON		AC07	ACA29	ACF12	
MAZDA	323	BD	DELUXE	4	1.3L	E3	P	CARB	10/82	09/85	SED/ HATCH		AC07	ACA26	ACF12	
MAZDA	323	BD	DELUXE	4	1.5L	E5	P	CARB	10/82	09/85	SED/ HATCH		AC07	ACA26	ACF12	
MAZDA	323	BD	SS	4	1.5L	E5	P	TWIN CARB	10/82	09/85	SED/ HATCH		AC07		ACF12	
MAZDA	323	BF SERIES 1	DELUXE	4	1.6L	B6	P	CARB	1985	1987	SED/ HATCH		AC07	ACA10	ACF12	
MAZDA	323	BF SERIES 1	SUPER DELUXE	4	1.6L	B6	P	MPFI	1985	1987	SED/ HATCH		AC07			
MAZDA	323	BW	DELUXE	4	1.6L	B6	P	CARB	1986	1988	4 DR WAG		AC07	ACA10	ACF12	
MAZDA	323	BW	DELUXE	4	1.6L	B6	P	CARB	1986	1988	5 DR WAG		AC07	ACA10	ACF12	
MAZDA	323	BW	SUPER DELUXE	4	1.6L	B6	P	CARB	1986	1988	WAGON		AC07	ACA10	ACF12	
MAZDA	323	BF SERIES 2	SS TURBO	4	1.6L	B6	P	TURBO	1987	1989	HATCH		AC07			
MAZDA	323	BF SERIES 2	DELUXE	4	1.6L	B6	P	CARB	1988	1989	SED/ HATCH		AC07	ACA10	ACF12	
MAZDA	323	BF SERIES 2	SUPER DELUXE	4	1.6L	B6	P	MPFI	1988	1989	SED/ HATCH		AC07			
MAZDA	323	BG SERIES 1		4	1.6L	B6	P	CARB	1989	1990	HATCH		AC07	ACA42	ACF81	
MAZDA	323	BG SERIES 1	ASTINA	4	1.8L	BP	P		1989	1990	HATCH		AC073	ACA82	ACF86	
MAZDA	323	BG SERIES 1	ASTINA SP	4	1.8L	BP	P		1989	1990	HATCH		AC073	ACA82	ACF86	
MAZDA	323	BG SERIES 2	ASTINA SP	4	1.8L	BP	P	MPFI	1991	1992	HATCH		AC073	ACA82	ACF86	
MAZDA	323	BG SERIES 1		4	1.6L	B6	P	CARB	1991	1994	HATCH		AC07	ACA42	ACF81	
MAZDA	323	BG SERIES 2	ASTINA	4	1.8L	BP	P		1991	1994	HATCH		AC073	ACA82	ACF86	
MAZDA	323	BA SERIES 1		4	1.6L	B6	P	CARB	1994	1995	SEDAN		AC07	ACA42	ACF81	
MAZDA	323	BA SERIES 1	PROTEGE	4	1.6L	B6D	P		1994	1995	SEDAN		AC073	ACA82	ACF86	
MAZDA	323	BA SERIES 1	ASTINA	4	1.8L	BPD	P		1994	1995	SED/ HATCH		AC073	ACA82	ACF86	
MAZDA	323	BA SERIES 1	PROTEGE	4	1.8L	BPD	P		1994	1995	SEDAN		AC073	ACA82	ACF86	
MAZDA	323	BA SERIES 1	ASTINA	6	2.0L	KF	P		1994	1995	SED/ HATCH		AC028	ACA16		
MAZDA	323	BA SERIES 2	PROTEGE	4	1.6L	B6D	P		1996	1996	SEDAN		AC073	ACA82	ACF86	
MAZDA	323	BA SERIES 2	ASTINA	4	1.8L	BPD	P		1996	1996	SED/ HATCH		AC073	ACA82	ACF86	
MAZDA	323	BA SERIES 2	PROTEGE	4	1.8L	BPD	P		1996	1996	SEDAN		AC073	ACA82	ACF86	
MAZDA	323	BA SERIES 2	ASTINA	6	2.0L	KF	P		1996	1996	SED/ HATCH		AC028	ACA16		
MAZDA	323	BA SERIES 3	PROTEGE	4	1.6L	B6D	P		1997	1998	SEDAN		AC073	ACA82	ACF86	
MAZDA	323	BA SERIES 3	ASTINA	4	1.8L	BPD	P		1997	1998	SED/ HATCH		AC073	ACA82	ACF86	
MAZDA	323	BA SERIES 3	PROTEGE	4	1.8L	BPD	P		1997	1998	SEDAN		AC073	ACA82	ACF86	
MAZDA	323	BA SERIES 3	ASTINA	6	2.0L	KF	P		1997	1998	SED/ HATCH		AC028	ACA16		
MAZDA	323	BJ	ASTINA	4	1.6L	ZM	P		1998	2001	HATCH		AC073	ACA82	ACF132	ACC4
MAZDA	323	BJ	PROTEGE	4	1.6L	ZM	P		1998	2001	SEDAN		AC073	ACA82	ACF189	

MAKE	MODEL	SERIES	BADGE	CYLS	ENG SIZE	ENGINE CODE	FUEL	FUEL DELIVERY / AIR INTAKE	FROM	TO	BODY	REMARKS	OIL	AIR	FUEL	CABIN
MAZDA	323	BJ	ASTINA	4	1.8L	FP	P		1998	2001	HATCH		AC073	ACA82	ACF132	ACC4
MAZDA	323	BJ	PROTEGE	4	1.8L	FP	P		1998	2001	SEDAN		AC073	ACA82	ACF189	
MAZDA	323	BJ	SHADES ASTINA	4	1.6L	ZM	P	MPFI	1999	1999	HATCH		AC073	ACA82	ACF132	ACC4
MAZDA	323	BJ	40TH ANNIV ASTINA	4	1.8L	FP	P		1999	1999	HATCH		AC073	ACA82	ACF132	ACC4
MAZDA	323	BJ	SHADES PROTEGE	4	1.8L	FP	P		1999	1999	SEDAN		AC073	ACA82	ACF189	
MAZDA	323	BJ	PROTEGE LIMITED EDITION	4	1.8L	FP	P		2000	2000	SEDAN		AC073	ACA82	ACF189	
MAZDA	323	BJ II	PLATINUM EDITION PROTEGE	4	1.8L	FP	P		2001	2001	SEDAN		AC073	ACA82	ACF132	ACC4
MAZDA	323	BJ II	ASTINA SHADES	4	1.6L	ZM	P		2001	2002	HATCH		AC073	ACA82	ACF132	ACC4
MAZDA	323	BJ II	PROTEGE	4	1.6L	ZM	P		2001	2002	SEDAN		AC073	ACA82	ACF189	ACC4
MAZDA	323	BJ II	PROTEGE SHADES	4	1.6L	ZM	P		2001	2002	SEDAN		AC073	ACA82	ACF189	ACC4
MAZDA	323	BJ II	ASTINA	4	1.8L	FP	P		2001	2002	HATCH		AC073	ACA82	ACF132	ACC4
MAZDA	323	BJ II	PROTEGE	4	1.8L	FP	P		2001	2002	SEDAN		AC073	ACA82	ACF132	ACC4
MAZDA	323	BJ II	SP20	4	2.0L	FS	P		2001	2002	HATCH		AC073	ACA82	ACF132	ACC4
MAZDA	323	BJ II	SPECIAL EDITION PROTEGE	4	2.0L	FS	P		2002	2002	SEDAN		AC073	ACA82	ACF132	ACC4
MAZDA	323	BJ II - J48	ASTINA	4	1.8L	FP	P	MPFI	2002	2003	HATCH		AC073	ACA82	ACF132	ACC4
MAZDA	323	BJ II - J48	PROTEGE	4	1.8L	FP	P	MPFI	2002	2003	SEDAN		AC073	ACA82	ACF132	ACC4
MAZDA	323	BJ II - J48	SP20	4	2.0L	FS	P		2002	2003	SED/ HATCH		AC073	ACA82	ACF132	ACC4
MAZDA	323	BJ II - J48	ASTINA SHADES	4	1.8L	FP	P	MPFI	2003	2003	HATCH		AC073	ACA82	ACF132	ACC4
MAZDA	323	BJ II - J48	PROTEGE SHADES	4	1.8L	FP	P		2003	2003	SEDAN		AC073	ACA82	ACF132	ACC4
MAZDA	626	CB2	DELUXE	4	2.0L	MA	P	CARB	1978	1983	SEDAN		AC05	ACA23	ACF64	
MAZDA	626	CB2	SUPER DELUXE	4	2.0L	MA	P	CARB	1978	1983	COUPE/ SED		AC05	ACA23	ACF64	
MAZDA	626	GC	DELUXE	4	2.0L	FE	P	CARB	02/83	10/87	SED/ HATCH		AC05	ACA23	ACF12	
MAZDA	626	GC	SE	4	2.0L	FE	P	CARB	02/83	10/87	SED/ HATCH		AC05	ACA23	ACF12	
MAZDA	626	GC	SUPER DELUXE	4	2.0L	FE	P	CARB	02/83	10/87	SED/ HATCH		AC05	ACA23	ACF12	
MAZDA	626	GD		4	2.2L	F2	P	MPFI	1987	1989	SED/ HATCH		AC05	ACA16	ACF31	
MAZDA	626	GD	TURBO	4	2.2L	F2	P	TURBO	1987	1989	HATCH		AC05			
MAZDA	626	GV SERIES 1		4	2.2L	F2	P	MPFI	1988	1989	WAGON		AC05	ACA16	ACF31	
MAZDA	626	GD SERIES 2	4WS	4	2.2L	F2	P	TURBO	1990	1990	HATCH		AC05			
MAZDA	626	GD SERIES 2	ECLIPSE	4	2.2L	F2	P	MPFI	1990	1990	SED/ WAG		AC05	ACA16	ACF31	
MAZDA	626	GD SERIES 2	TURBO	4	2.2L	F2	P	TURBO	1990	1991	HATCH		AC05			
MAZDA	626	GV SERIES 2		4	2.2L	F2	P	MPFI	1990	1991	WAGON		AC05	ACA16	ACF31	
MAZDA	626	GD SERIES 2		4	2.2L	F2	P	MPFI	1990	1992	HATCH/ SED/ WAG		AC05	ACA16	ACF31	
MAZDA	626	GV SERIES 3		4	2.2L	F2	P	MPFI	1992	1994	WAGON		AC026	ACA16	ACF31	
MAZDA	626	GE SERIES 1		6	2.5L	KL	P	MPFI	1992	1994	SED/ HATCH		AC028	ACA92	ACF44	

MAKE	MODEL	SERIES	BADGE	CYLS	ENG SIZE	ENGINE CODE	FUEL	FUEL DELIVERY / AIR INTAKE	FROM	TO	BODY	REMARKS	OIL	AIR	FUEL	CABIN
MAZDA	626	GE SERIES 1		4	2.0L	FS	P	MPFI	1992	1996	SED/ HATCH		AC026	ACA92	ACF44	
MAZDA	626	GE SERIES 1	DELUXE	4	2.0L	FS	P	MPFI	1995	1996	SEDAN		AC026	ACA92	ACF44	
MAZDA	626	GE SERIES 1	SDX	4	2.0L	FS	P	MPFI	1995	1996	HATCH		AC026	ACA92	ACF44	
MAZDA	626	GV SERIES 4		4	2.2L	F2	P	MPFI	1995	1996	WAGON		AC026	ACA16	ACF31	
MAZDA	626	GE	SDX	4	2.0L	FS	P		1997	1997	HATCH		AC026	ACA92	ACF44	
MAZDA	626	GV		4	2.2L	F2	P	MPFI	1997	1997	WAGON		AC026	ACA16	ACF31	
MAZDA	626	GE	LUXURY	6	2.5L	KL	P		1997	1997	HATCH		AC028	ACA92	ACF44	
MAZDA	626	GE	SDX	6	2.5L	KL	P	MPFI	1997	1997	HATCH		AC028	ACA92	ACF44	
MAZDA	626	GF	LIMITED	4	2.0L	FS	P	MPFI	1997	2001	SEDAN		AC073	ACA92	ACF118	ACC4
MAZDA	626	GF	CLASSIC	4	2.0L	FS	P		1997	2002	SED/ HATCH		AC073	ACA92	ACF118	ACC4
MAZDA	626	GF	CLASSIC EXTRA	4	2.0L	FS	P		1998	1998	HATCH		AC073	ACA92	ACF118	ACC4
MAZDA	626	GF	LUXURY	4	2.0L	FS	P	MPFI	1998	1999	SED/ HATCH		AC073	ACA92	ACF118	ACC4
MAZDA	626	GW	CLASSIC	4	2.0L	FS	P	MPFI	1998	2000	WAGON		AC073	ACA92	ACF118	ACC4
MAZDA	626	GF	LE CLASSIC	4	2.0L	FS	P		2000	2000	SED/ HATCH		AC073	ACA92	ACF118	ACC4
MAZDA	626	GF	PLATINUM EDITION CLASSIC	4	2.0L	FS	P		2001	2001	SED/ HATCH		AC073	ACA92	ACF118	ACC4
MAZDA	626	GF	CLASSIC ECLIPSE	4	2.0L	FS	P		2002	2002	SED/ HATCH		AC073	ACA92	ACF118	ACC4
MAZDA	929	HBSHE	LUXURY	4	2.0L	MA	P	CARB	1982	1983	SEDAN		AC05	ACA256		
MAZDA	929	HBES	DELUXE	4	2.0L	FE	P	MPFI	1986	1987	SEDAN		AC05	ACA23		
MAZDA	929	HBES	LIMITED	4	2.0L	FE	P	MPFI	1986	1987	H-TOP/ SED		AC05	ACA23		
MAZDA	929	HBES	LUXURY	4	2.0L	FE-T	P	TURBO MPFI	1986	1987	SEDAN		AC05			
MAZDA	929	HBES	LUXURY	4	2.0L	FE	P	MPFI	1986	1987	H-TOP		AC05	ACA23		
MAZDA	929	HC SERIES 1	LUXURY	6	3.0L	JED	P	MPFI	1987	1989	H-TOP/ SED		AC05	ACA70		
MAZDA	929	HC SERIES 1	SUPER DELUXE	6	3.0L	JED	P	MPFI	1987	1989	SEDAN		AC05	ACA70		
MAZDA	929	HC SERIES 2		6	3.0L	JED	P	MPFI	1990	06/91	H-TOP/ SED		AC05	ACA70		
MAZDA	929	HD SERIES 1		6	3.0L	JEZE	P	MPFI	07/91	1996	SEDAN		AC028	ACA161	ACF99	
MAZDA	929	HE SERIES 1		6	3.0L	JEZE	P	MPFI	04/96	1997	SEDAN		AC028	ACA161	ACF99	
MAZDA	1300	STB		4	1.3L	TC	P	CARB	1970	1977			AC07	ACA29	ACF64	
MAZDA	1500	SUE		4	1.5L	UB	P		1966	1971					ACF64	
MAZDA	B1600		PICK-UP	4	1.6L	NA	P	CARB	1971	1977			AC05	ACA23	ACF64	
MAZDA	B1600		SUPERUTE	4	1.6L	NA	P	CARB	1971	1977			AC05	ACA23	ACF64	
MAZDA	B1600		UTILITY	4	1.6L	NA	P	CARB	1971	1977			AC05	ACA23	ACF64	
MAZDA	B1800		PICK-UP	4	1.8L	VC	P	CARB	1977	1982			AC05	ACA23	ACF64	
MAZDA	B1800		SUPERUTE	4	1.8L	VC	P	CARB	1977	1982			AC05	ACA23	ACF64	
MAZDA	B1800		UTILITY	4	1.8L	VC	P	CARB	1977	1982			AC05	ACA23	ACF64	
MAZDA	B2000		UTILITY	4	2.0L	MA	P	CARB	1982	1985			AC05	ACA23	ACF12	
MAZDA	B2200		BRAVO	4	2.2L	S2	D	DIESEL INJ	1981	1985		FULL FLOW OIL FILTER AC072 / BY PASS OIL FILTER AC033	AC072 / AC033			

MAKE	MODEL	SERIES	BADGE	CYLS	ENG SIZE	ENGINE CODE	FUEL	FUEL DELIVERY / AIR INTAKE	FROM	TO	BODY	REMARKS	OIL	AIR	FUEL	CABIN
MAZDA	B2200		BRAVO	4	2.2L	R2	D	DIESEL INJ	1985	1996		FULL FLOW OIL FILTER AC05 / BY PASS OIL FILTER AC033	AC05 / AC033		ACF79	
MAZDA	B2200		BRAVO	4	2.2L	F22	P	CARB	1988	1993		SOHC	AC05	ACA23	ACF12	
MAZDA	B2600		BRAVO	4	2.6L	4G54	P	CARB	1987	1991			AC07	ACA84	ACF12	
MAZDA	B2600		BRAVO	4	2.6L	G6 EFI	P	EFI	1991	02/99			AC028	ACA70	ACF68	
MAZDA	B2600		BRAVO	4	2.6L	G6	P	MPFI	02/99	2006			AC028	ACA70	ACF116	
MAZDA	B4000			6	4.0L		P	MPFI	2005	2006			AC084	ACA221	ACF116	
MAZDA	B4000		BRAVO	6	4.0L	14V	P	MPFI	2005	2006		SOHC 12V	AC084	ACA221	ACF116	
MAZDA	BRAVO	B2600	PLUS	4	2.6L	G6E	P		1992	1995	UTE		AC028	ACA70	ACF68	
MAZDA	BRAVO	B2500	DX	4	2.5L	WL	D	MPFI	1996	1999	UTE		AC041		ACF79	
MAZDA	BRAVO	B2500	DX	4	2.5L	WL-T	D	TURBO	1996	1999	UTE		AC041		ACF79	
MAZDA	BRAVO	B2600	BRAVO PLUS	4	2.6L	G6E	P	EFI	1996	02/99	UTE		AC028	ACA70	ACF68	
MAZDA	BRAVO	B2600	BRAVO PLUS SDX	4	2.6L	G6E	P	EFI	1996	02/99	UTE		AC028	ACA70	ACF68	
MAZDA	BRAVO	B2600	DX	4	2.6L	G6E	P	EFI	1996	02/99	CAB CHASS/ UTE		AC028	ACA70	ACF68	
MAZDA	BRAVO	B2600	SDX	4	2.6L	G6E	P	EFI	1996	02/99	UTE		AC028	ACA70	ACF68	
MAZDA	BRAVO	B2500	BRAVO PLUS	4	2.5L	WL	D	MPFI	1997	1999	UTE		AC041		ACF79	
MAZDA	BRAVO	B2500	BRAVO PLUS SDX	4	2.5L	WL	D	MPFI	1997	1999	UTE		AC041		ACF79	
MAZDA	BRAVO	B2500	SDX	4	2.5L	WL	D	MPFI	1997	1999	UTE		AC041		ACF79	
MAZDA	BRAVO	B2500	BRAVO PLUS	4	2.5L	WL-T	D	TURBO	02/99	05/00	UTE	AIR FILTER WITH PANEL HOUSING	AC032	ACA113	ACF201	
MAZDA	BRAVO	B2500	BRAVO PLUS	4	2.5L	WL-T	D	TURBO	02/99	05/00	UTE	AIR FILTER WITH RADIAL HOUSING	AC032	ACA127	ACF201	
MAZDA	BRAVO	B2500	BRAVO PLUS SDX	4	2.5L	WL-T	D	TURBO	02/99	05/00	UTE	AIR FILTER WITH PANEL HOUSING	AC032	ACA113	ACF201	
MAZDA	BRAVO	B2500	BRAVO PLUS SDX	4	2.5L	WL-T	D	TURBO	02/99	05/00	UTE	AIR FILTER WITH RADIAL HOUSING	AC032	ACA127	ACF201	
MAZDA	BRAVO	B2500	DX	4	2.5L	WL-T	D	TURBO	02/99	05/00	UTE	AIR FILTER WITH PANEL HOUSING	AC032	ACA113	ACF201	
MAZDA	BRAVO	B2500	DX	4	2.5L	WL-T	D	TURBO	02/99	05/00	UTE	AIR FILTER WITH RADIAL HOUSING	AC032	ACA127	ACF201	
MAZDA	BRAVO	B2500	SDX	4	2.5L	WL-T	D	TURBO	02/99	05/00	UTE	AIR FILTER WITH PANEL HOUSING	AC032	ACA113	ACF201	
MAZDA	BRAVO	B2500	SDX	4	2.5L	WL-T	D	TURBO	02/99	05/00	UTE	AIR FILTER WITH RADIAL HOUSING	AC032	ACA127	ACF201	
MAZDA	BRAVO	B2600	BRAVO PLUS	4	2.6L	G6E	P	MPFI	02/99	2002	UTE		AC028	ACA70	ACF116	
MAZDA	BRAVO	B2600	BRAVO PLUS SDX	4	2.6L	G6E	P	MPFI	02/99	2002	UTE		AC028	ACA70	ACF116	
MAZDA	BRAVO	B2600	DX	4	2.6L	G6E	P	MPFI	02/99	2006	CAB CHASS/ UTE		AC028	ACA70	ACF116	

MAKE	MODEL	SERIES	BADGE	CYLS	ENG SIZE	ENGINE CODE	FUEL	FUEL DELIVERY / AIR INTAKE	FROM	TO	BODY	REMARKS	OIL	AIR	FUEL	CABIN
MAZDA	BRAVO	B2600	SDX	4	2.6L	G6E	P	MPFI	02/99	2006	UTE		AC028	ACA70	ACF116	
MAZDA	BRAVO	B2600	BX	4	2.6L	G6E	P		2000	2000	T-TOP		AC028	ACA70	ACF116	
MAZDA	BRAVO	B2500	BRAVO PLUS	4	2.5L	WL-T	D	TURBO	06/00	2002	UTE	AIR FILTER WITH RADIAL HOUSING	AC01	ACA127	ACF201	
MAZDA	BRAVO	B2500	BRAVO PLUS	4	2.5L	WL-T	D	TURBO	06/00	2002	UTE	AIR FILTER WITH PANEL HOUSING	AC01	ACA113	ACF201	
MAZDA	BRAVO	B2500	BRAVO PLUS SDX	4	2.5L	WL-T	D	TURBO	06/00	2002	UTE	AIR FILTER WITH RADIAL HOUSING	AC01	ACA127	ACF201	
MAZDA	BRAVO	B2500	BRAVO PLUS SDX	4	2.5L	WL-T	D	TURBO	06/00	2002	UTE	AIR FILTER WITH PANEL HOUSING	AC01	ACA113	ACF201	
MAZDA	BRAVO	B2500	DX	4	2.5L	WL-T	D	TURBO	06/00	2006	CAB CHASS/UTE	AIR FILTER WITH RADIAL HOUSING	AC01	ACA127	ACF201	
MAZDA	BRAVO	B2500	DX	4	2.5L	WL-T	D	TURBO	06/00	2006	CAB CHASS/UTE	AIR FILTER WITH PANEL HOUSING	AC01	ACA113	ACF201	
MAZDA	BRAVO	B2500	SDX	4	2.5L	WL-T	D	TURBO	06/00	2006	UTE	AIR FILTER WITH RADIAL HOUSING	AC01	ACA127	ACF201	
MAZDA	BRAVO	B2500	SDX	4	2.5L	WL-T	D	TURBO	06/00	2006	UTE	AIR FILTER WITH PANEL HOUSING	AC01	ACA113	ACF201	
MAZDA	BRAVO	B2600	DX BRAVO PLUS	4	2.6L	G6E	P		2002	2005	UTE		AC028	ACA70	ACF116	
MAZDA	BRAVO	B2500	DX BRAVO PLUS	4	2.5L	WL-T	D	TURBO	2002	2006	UTE	AIR FILTER WITH RADIAL HOUSING	AC01	ACA127	ACF201	
MAZDA	BRAVO	B2500	DX BRAVO PLUS	4	2.5L	WL-T	D	TURBO	2002	2006	UTE	AIR FILTER WITH PANEL HOUSING	AC01	ACA113	ACF201	
MAZDA	BRAVO	B2600	SDX BRAVO PLUS	4	2.6L	G6E	P	MPFI	2002	2006	UTE		AC028	ACA70	ACF116	
MAZDA	BRAVO	B2500	SDX BRAVO PLUS	4	2.5L	WL-T	D	TURBO	2003	2006	UTE	AIR FILTER WITH RADIAL HOUSING	AC01	ACA127	ACF201	
MAZDA	BRAVO	B2500	SDX BRAVO PLUS	4	2.5L	WL-T	D	TURBO	2003	2006	UTE	AIR FILTER WITH PANEL HOUSING	AC01	ACA113	ACF201	
MAZDA	BRAVO	B2600	FREESTYLE DX	4	2.6L	G6E	P		2003	2006	UTE		AC028	ACA70	ACF116	
MAZDA	BRAVO	B4000	DX	6	4.0L	15V	P	MPFI	2005	2006	UTE		AC084	ACA221	ACF116	
MAZDA	BRAVO	B4000	DX BRAVO PLUS	6	4.0L	15V	P		2005	2006	UTE		AC084	ACA221	ACF116	
MAZDA	BRAVO	B4000	FREESTYLE DX PLUS	6	4.0L	15V	P		2005	2006	CAB CHASS/UTE		AC084	ACA221	ACF116	
MAZDA	BRAVO	B4000	FREESTYLE SDX	6	4.0L	15V	P		2005	2006	UTE		AC084	ACA221	ACF116	
MAZDA	BRAVO	B4000	SDX	6	4.0L	15V	P	MPFI	2005	2006	UTE		AC084	ACA221	ACF116	
MAZDA	BRAVO	B4000	SDX BRAVO PLUS	6	4.0L	15V	P		2005	2006	UTE		AC084	ACA221	ACF116	
MAZDA	BT-50	B3000	DX+ FREESTYLE	4	3.0L	WEAT	D	TURBO INT-COOL	2006	2008	CAB CHASS/UTE		AC095	ACA155	ACF28	

MAKE	MODEL	SERIES	BADGE	CYLS	ENG SIZE	ENGINE CODE	FUEL	FUEL DELIVERY / AIR INTAKE	FROM	TO	BODY	REMARKS	OIL	AIR	FUEL	CABIN
MAZDA	BT-50	B2500	DX	4	2.5L	WLAT	D	TURBO INT-COOL	2006	2009	CAB CHASS		AC095	ACA155	ACF28	
MAZDA	BT-50	B3000	DX	4	3.0L	WEAT	D	TURBO INT-COOL	2006	2009	CAB CHASS/UTE		AC095	ACA155	ACF28	
MAZDA	BT-50	B3000	SDX FREE-STYLE	4	3.0L	WEAT	D	TURBO INT-COOL	2007	2007	UTE		AC095	ACA155	ACF28	
MAZDA	BT-50	B3000	SDX	4	3.0L	WEAT	D	TURBO INT-COOL	2007	2009	UTE		AC095	ACA155	ACF28	
MAZDA	BT-50	B3000	DX+	4	3.0L	WEAT	D	TURBO INT-COOL	2009	2009	CAB CHASS/UTE		AC095	ACA155	ACF28	
MAZDA	BT-50	B2500 BOSS	DX	4	2.5L	WLAT	D	TURBO INT-COOL	2009	2011	CAB CHASS		AC095	ACA155	ACF28	
MAZDA	BT-50	B3000 BOSS	DX	4	3.0L	WEAT	D	TURBO INT-COOL	2009	2011	CAB CHASS/UTE		AC095	ACA155	ACF28	
MAZDA	BT-50	B3000 BOSS	DX+	4	3.0L	WEAT	D	TURBO INT-COOL	2009	2011	CAB CHASS/UTE		AC095	ACA155	ACF28	
MAZDA	BT-50	B3000 BOSS	DX+ FREE-STYLE	4	3.0L	WEAT	D	TURBO INT-COOL	2009	2011	UTE		AC095	ACA155	ACF28	
MAZDA	BT-50	B3000 BOSS	SDX	4	3.0L	WEAT	D	TURBO INT-COOL	2009	2011	UTE		AC095	ACA155	ACF28	
MAZDA	BT-50	XT	XTR	5	3.2L	P5AT	D	ELEC SEQ	2011	2012	UTE	10 MINUTE OIL DRAIN AND REFILL	AC0130	ACA249	ACF193	ACC57
MAZDA	BT-50	XT	XTR HIGH RIDER	5	3.2L	P5AT	D	ELEC SEQ	2011	2012	UTE	10 MINUTE OIL DRAIN AND REFILL	AC0130	ACA249	ACF193	ACC57
MAZDA	BT-50	XT	XT	4	2.2L	P4AT	D	ELEC SEQ	2011	ON	UTE		AC0130	ACA249	ACF193	ACC57
MAZDA	BT-50	XT	XT HIGH RIDER	4	2.2L	P4AT	D	ELEC SEQ	2011	ON	UTE		AC0130	ACA249	ACF193	ACC57
MAZDA	BT-50	XT	XT	5	3.2L	P5AT	D	ELEC SEQ	2011	ON	UTE	10 MINUTE OIL DRAIN AND REFILL	AC0130	ACA249	ACF193	ACC57
MAZDA	BT-50	XT	XT HIGH RIDER	5	3.2L	P5AT	D	ELEC SEQ	2011	ON	UTE	10 MINUTE OIL DRAIN AND REFILL	AC0130	ACA249	ACF193	ACC57
MAZDA	BT-50	XT	XTR	5	3.2L	P5AT	D	ELEC SEQ	2013	ON	UTE	10 MINUTE OIL DRAIN AND REFILL	AC0130	ACA249	ACF193	ACC57
MAZDA	BT-50	XT	XTR HIGH RIDER	5	3.2L	P5AT	D	ELEC SEQ	2013	ON	UTE	10 MINUTE OIL DRAIN AND REFILL	AC0130	ACA249	ACF193	ACC57
MAZDA	CAPELLA RX-2	S122A	SUPER DELUXE	2	1.1L	ROTARY	P		1971	1973	SEDAN		AC05		ACF64	
MAZDA	CX-3	DK		4	1.5L	SKYACTIV-D	D	TURBO CRD	03/15	ON	WAGON		AC095			
MAZDA	CX-3	DK		4	2.0L	PE-VPS	P	DIRECT INJ	03/15	ON	WAGON		AC0139			
MAZDA	CX-5	KE	GRAND TOURING	4	2.0L	PE-VPS	P	DIRECT INJ	2012	ON	WAGON		AC0139	ACA267		ACC81
MAZDA	CX-5	KE	MAXX	4	2.0L	PE-VPS	P	DIRECT INJ	2012	ON	WAGON		AC0139	ACA267		ACC81
MAZDA	CX-5	KE	MAXX SPORT	4	2.0L	PE-VPS	P	DIRECT INJ	2012	ON	WAGON		AC0139	ACA267		ACC81
MAZDA	CX-5	KE	AKERA	4	2.2L	SH-VPTS	D	TURBO DIRECT INJ	2012	ON	WAGON		AC095	ACA266	ACF28	ACC81
MAZDA	CX-5	KE	GRAND TOURING	4	2.2L	SH-VPTS	D	TURBO DIRECT INJ	2012	ON	WAGON		AC095	ACA266	ACF28	ACC81
MAZDA	CX-5	KE	MAXX SPORT	4	2.2L	SH-VPTS	D	TURBO DIRECT INJ	2012	ON	WAGON		AC095	ACA266	ACF28	ACC81
MAZDA	CX-5	KE	AKERA	4	2.5L	PY	P	DIRECT INJ	2012	ON	WAGON		AC0139	ACA267		ACC81

MAKE	MODEL	SERIES	BADGE	CYLS	ENG SIZE	ENGINE CODE	FUEL	FUEL DELIVERY / AIR INTAKE	FROM	TO	BODY	REMARKS	OIL	AIR	FUEL	CABIN
MAZDA	CX-5	KE	GRAND TOURING	4	2.5L	PY	P	DIRECT INJ	2012	ON	WAGON		AC0139	ACA267		ACC81
MAZDA	CX-5	KE	MAXX	4	2.5L	PY	P	DIRECT INJ	2012	ON	WAGON		AC0139	ACA267		ACC81
MAZDA	CX-5	KE	MAXX SPORT	4	2.5L	PY	P	DIRECT INJ	2012	ON	WAGON		AC0139	ACA267		ACC81
MAZDA	CX-7	ER SERIES 1	CLASSIC	4	2.3L	L3 MZR DISI	P	TURBO INT-COOL	2006	2009	WAGON		AC087	ACA217		ACC64
MAZDA	CX-7	ER SERIES 1	LUXURY	4	2.3L	L3 MZR DISI	P	TURBO INT-COOL	2006	2009	WAGON		AC087	ACA217		ACC64
MAZDA	CX-7	ER SERIES 2	CLASSIC ACTIVEMATIC	4	2.3L	L3 MZR DISI	P	TURBO INT-COOL	2009	2011	WAGON	WHERE CARTRIDGE OIL FILTER IS FITTED	AC087	ACA217		ACC64
MAZDA	CX-7	ER SERIES 2	CLASSIC ACTIVEMATIC	4	2.3L	L3 MZR DISI	P	TURBO INT-COOL	2009	2011	WAGON	WHERE SPIN ON OIL FILTER IS FITTED	AC095	ACA217		ACC64
MAZDA	CX-7	ER SERIES 2	CLASSIC SPORTS	4	2.3L	L3 MZR DISI	P	TURBO INT-COOL	2009	2011	WAGON	WHERE CARTRIDGE OIL FILTER IS FITTED	AC087	ACA217		ACC64
MAZDA	CX-7	ER SERIES 2	CLASSIC SPORTS	4	2.3L	L3 MZR DISI	P	TURBO INT-COOL	2009	2011	WAGON	WHERE SPIN ON OIL FILTER IS FITTED	AC095	ACA217		ACC64
MAZDA	CX-7	ER SERIES 2	LUXURY ACTIVEMATIC SPORTS	4	2.3L	L3 MZR DISI	P	TURBO INT-COOL	2009	2011	WAGON	WHERE CARTRIDGE OIL FILTER IS FITTED	AC087	ACA217		ACC64
MAZDA	CX-7	ER SERIES 2	LUXURY ACTIVEMATIC SPORTS	4	2.3L	L3 MZR DISI	P	TURBO INT-COOL	2009	2011	WAGON	WHERE SPIN ON OIL FILTER IS FITTED	AC095	ACA217		ACC64
MAZDA	CX-7	ER SERIES 2	LUXURY SPORTS	4	2.3L	L3 MZR DISI	P	TURBO INT-COOL	2009	2011	WAGON	WHERE CARTRIDGE OIL FILTER IS FITTED	AC087	ACA217		ACC64
MAZDA	CX-7	ER SERIES 2	LUXURY SPORTS	4	2.3L	L3 MZR DISI	P	TURBO INT-COOL	2009	2011	WAGON	WHERE SPIN ON OIL FILTER IS FITTED	AC095	ACA217		ACC64
MAZDA	CX-7	ER SERIES 2	SPORTS	4	2.2L	R2 MZR-CD	D	TURBO INT-COOL	2009	01/12	WAGON		AC07		ACF28	ACC64
MAZDA	CX-7	ER SERIES 2	CLASSIC	4	2.5L	L5	P	MPFI	2009	2011	WAGON		AC095	ACA217	ACF227	ACC64
MAZDA	CX-9	TB SERIES 1	CLASSIC	6	3.7L	CA	P	MPFI	2007	2009	WAGON		AC0100	ACA265		ACC73
MAZDA	CX-9	TB SERIES 1	LUXURY	6	3.7L	CA	P	MPFI	2007	2009	WAGON		AC0100	ACA265		ACC73
MAZDA	CX-9	TB SERIES 3	CLASSIC	6	3.7L	CA	P	MPFI	2009	2010	WAGON		AC0100	ACA265		ACC73
MAZDA	CX-9	TB SERIES 3	GRAND TOURING	6	3.7L	CA	P	MPFI	2009	2010	WAGON		AC0100	ACA265		ACC73
MAZDA	CX-9	TB SERIES 3	LUXURY	6	3.7L	CA	P	MPFI	2009	2010	WAGON		AC0100	ACA265		ACC73
MAZDA	CX-9	TB SERIES 4	CLASSIC	6	3.7L	CA	P	MPFI	2010	2011	WAGON		AC0100	ACA265		ACC73
MAZDA	CX-9	TB SERIES 4	GRAND TOURING	6	3.7L	CA	P	MPFI	2010	2011	WAGON		AC0100	ACA265		ACC73
MAZDA	CX-9	TB SERIES 4	LUXURY	6	3.7L	CA	P	MPFI	2010	2011	WAGON		AC0100	ACA265		ACC73
MAZDA	CX-9	TB SERIES 5	CLASSIC	6	3.7L	CA	P	MPFI	2012	ON	WAGON		AC0100	ACA265		ACC73
MAZDA	CX-9	TB SERIES 5	GRAND TOURING	6	3.7L	CA	P	MPFI	2012	ON	WAGON		AC0100	ACA265		ACC73
MAZDA	CX-9	TB SERIES 5	LUXURY	6	3.7L	CA	P	MPFI	2012	ON	WAGON		AC0100	ACA265		ACC73
MAZDA	E1300		EZYLOADER	4	1.3L	TC	P	CARB	1978	1980			AC07		ACF64	
MAZDA	E1300		EZYLOADER	4	1.3L	TC Most models	P		1982	1983			AC07		ACF64	

MAKE	MODEL	SERIES	BADGE	CYLS	ENG SIZE	ENGINE CODE	FUEL	FUEL DELIVERY / AIR INTAKE	FROM	TO	BODY	REMARKS	OIL	AIR	FUEL	CABIN
MAZDA	E1400	E	EZYLOADER	4	1.5L	D4	P		1985	1985	VAN		AC07		ACF12	
MAZDA	E1600		EZYLOADER	4	1.6L	NA	P	CARB	1978	1986		MOST MODELS	AC05		ACF64	
MAZDA	E1800		EZYLOADER	4	1.8L	F8	P	MPFI	1984	1996	VAN	SOHC	AC05	ACA61	ACF12	
MAZDA	E1800	FWD		4	1.8L	F8-E	P	MPFI	2003	2006	VAN	SOHC	AC073	ACA140	ACF33	
MAZDA	E2000		EZYLOADER	4	2.0L	FE	P		1984	2003		SOHC	AC05	ACA61	ACF12	
MAZDA	E2000			4	2.0L	FE	P		1991	2006	VAN		AC05	ACA61	ACF12	
MAZDA	E2200		EZYLOADER	4	2.2L	S2	D	DIESEL INJ	1981	1982		FULL FLOW OIL FILTER AC072 / BY PASS OIL FILTER AC033	AC072 / AC033			
MAZDA	E2200		EZYLOADER	4	2.2L	S2	D	DIESEL INJ	1982	1984		FULL FLOW OIL FILTER AC072 / BY PASS OIL FILTER AC033	AC072 / AC033			
MAZDA	E2200		EZYLOADER	4	2.2L	R2	D	DIESEL INJ	1984	1988		FULL FLOW OIL FILTER AC05 / BY PASS OIL FILTER AC033	AC05 / AC033	ACA61	ACF79	
MAZDA	E2200		LWB	4	2.2L	R2	D	DIESEL INJ	1993	1997	VAN		AC066	ACA61	ACF79	
MAZDA	E2500			4	2.5L	WL	D	DIESEL INJ	1997	1999	CAB CHASS		AC041	ACA61	ACF79	
MAZDA	E2500		LWB	4	2.5L	WL	D	DIESEL INJ	1997	1999	VAN		AC041	ACA61	ACF79	
MAZDA	E2500			4	2.5L	WL	D	DIESEL INJ	1999	2003	CAB CHASS		AC041	ACA61	ACF79	
MAZDA	E2500		LWB	4	2.5L	WL	D	DIESEL INJ	1999	2003	VAN		AC041	ACA61	ACF79	
MAZDA	E2700			6	2.7L		D		1973	1975					ACF79	
MAZDA	E2700			6	2.7L	XB	D		1975	1977					ACF79	
MAZDA	E3000	TA		4	3.0L	HA	D	DIESEL INJ	1977	1977					ACF79	
MAZDA	E3000	TA		4	3.0L	HA	D	DIESEL INJ	01/78	03/78					ACF79	
MAZDA	E3000	TA		4	3.0L	HA	D	DIESEL INJ	03/78	1979		FROM CHASSIS # 106606			ACF25	
MAZDA	E3000	TA		4	3.0L	HA	D	DIESEL INJ	1979	1981		FROM CHASSIS # 106606			ACF25	
MAZDA	E4100			6	4.1L	ZB	D		1973	1975					ACF79	
MAZDA	E4100			6	4.1L	ZB	D		05/75	03/78					ACF79	
MAZDA	E4100			6	4.1L	ZB	D		04/78	1979		FROM CHASSIS # 13214			ACF25	
MAZDA	MAZDA2	DY SERIES 1	GENKI	4	1.5L	ZY MZR	P	MPFI	2003	2005	HATCH		AC073	ACA209	ACF149	ACC64
MAZDA	MAZDA2	DY SERIES 1	MAXX	4	1.5L	ZY MZR	P	MPFI	2003	2005	HATCH		AC073	ACA209	ACF149	ACC64
MAZDA	MAZDA2	DY SERIES 1	NEO	4	1.5L	ZY MZR	P	MPFI	2003	2005	HATCH		AC073	ACA209	ACF149	ACC64
MAZDA	MAZDA2	DY SERIES 2	GENKI	4	1.5L	ZY MZR	P	MPFI	06/05	08/07	HATCH		AC073	ACA209	ACF149	ACC64
MAZDA	MAZDA2	DY SERIES 2	MAXX	4	1.5L	ZY MZR	P	MPFI	06/05	08/07	HATCH		AC073	ACA209	ACF149	ACC64
MAZDA	MAZDA2	DY SERIES 2	NEO	4	1.5L	ZY MZR	P	MPFI	06/05	08/07	HATCH		AC073	ACA209	ACF149	ACC64
MAZDA	MAZDA2	DE SERIES 1	MAXX	4	1.5L	ZY MZR	P	MPFI	09/07	2010	HATCH		AC073	ACA209		ACC80
MAZDA	MAZDA2	DE SERIES 1	GENKI	4	1.5L	ZY MZR	P	MPFI	09/07	2011	HATCH		AC073	ACA209		ACC80
MAZDA	MAZDA2	DE SERIES 1	NEO	4	1.5L	ZY MZR	P	MPFI	09/07	2011	HATCH		AC073	ACA209		ACC80
MAZDA	MAZDA2	DE SERIES 1	MAXX	4	1.5L	ZY MZR	P	MPFI	2010	2011	SED/HATCH		AC073	ACA209		ACC80



MAKE	MODEL	SERIES	BADGE	CYLS	ENG SIZE	ENGINE CODE	FUEL	FUEL DELIVERY / AIR INTAKE	FROM	TO	BODY	REMARKS	OIL	AIR	FUEL	CABIN
MAZDA	MAZDA2	DE SERIES 2	GENKI	4	1.5L	ZY MZR	P	MPFI	10/11	10/14	HATCH		AC073	ACA209		ACC80
MAZDA	MAZDA2	DE SERIES 2	MAXX	4	1.5L	ZY MZR	P	MPFI	10/11	10/14	HATCH		AC073	ACA209		ACC80
MAZDA	MAZDA2	DE SERIES 2	MAXX SPORT	4	1.5L	ZY MZR	P	MPFI	10/11	10/14	HATCH		AC073	ACA209		ACC80
MAZDA	MAZDA2	DE SERIES 2	NEO	4	1.5L	ZY MZR	P	MPFI	10/11	10/14	HATCH		AC073	ACA209		ACC80
MAZDA	MAZDA2	DE SERIES 2	NEO SPORT	4	1.5L	ZY MZR	P	MPFI	10/11	10/14	HATCH		AC073	ACA209		ACC80
MAZDA	MAZDA2	DJ	GENKI	4	1.5L	P5	P	DIRECT INJ	11/14	ON	HATCH		AC073			
MAZDA	MAZDA2	DJ	MAX	4	1.5L	P5	P	DIRECT INJ	11/14	ON	HATCH		AC073			
MAZDA	MAZDA2	DJ	NEO	4	1.5L	P5	P	DIRECT INJ	11/14	ON	HATCH		AC073			
MAZDA	MAZDA3	BK SERIES 1	MAXX	4	2.0L	LF MZR	P		2004	2006	SED/ HATCH		AC095	ACA216	ACF119	ACC51
MAZDA	MAZDA3	BK SERIES 1	MAXX SPORT	4	2.0L	LF MZR	P	MPFI	2004	2006	SED/ HATCH		AC095	ACA216	ACF119	ACC51
MAZDA	MAZDA3	BK SERIES 1	NEO	4	2.0L	LF MZR	P	MPFI	2004	2006	SED/ HATCH		AC095	ACA216	ACF119	ACC51
MAZDA	MAZDA3	BK SERIES 1	SP23	4	2.3L	L3 SVT	P	MPFI	2004	2006	SED/ HATCH		AC087	ACA216	ACF119	ACC51
MAZDA	MAZDA3	BK SERIES 2	MAXX	4	2.0L	LF MZR	P	MPFI	2006	2008	SED/ HATCH		AC095	ACA216	ACF119	ACC51
MAZDA	MAZDA3	BK SERIES 2	MAXX SPORT	4	2.0L	LF MZR	P		2006	2008	SED/ HATCH		AC095	ACA216	ACF119	ACC51
MAZDA	MAZDA3	BK SERIES 2	NEO	4	2.0L	LF MZR	P		2006	2008	SED/ HATCH		AC095	ACA216	ACF119	ACC51
MAZDA	MAZDA3	BK SERIES 2	MPS	4	2.3L	L3	P	TURBO INT-COOL	2006	2008	HATCH		AC087	ACA216	ACF119	ACC51
MAZDA	MAZDA3	BK SERIES 2	MPS SPORTS	4	2.3L	L3	P	TURBO INT-COOL	2006	2008	HATCH		AC087	ACA216	ACF119	ACC51
MAZDA	MAZDA3	BK SERIES 2	SP23	4	2.3L	L3 SVT	P		2006	2008	SED/ HATCH		AC087	ACA216	ACF119	ACC51
MAZDA	MAZDA3	BK SERIES 2	MZR-CD	4	2.0L	RF	D	TURBO INT-COOL	2007	2009	HATCH		AC07	ACA216	ACF28	ACC51
MAZDA	MAZDA3	BK SERIES 2	MZR-CD	4	2.0L	RF	D	TURBO INT-COOL	2007	2009	SEDAN		AC07	ACA216	ACF28	ACC51
MAZDA	MAZDA3	BK SERIES 2	MPS	4	2.3L	L3	P	TURBO INT-COOL	2008	2009	HATCH		AC087	ACA216	ACF119	ACC51
MAZDA	MAZDA3	BK SERIES 2	MPS SPORTS	4	2.3L	L3	P	TURBO INT-COOL	2008	2009	HATCH		AC087	ACA216	ACF119	ACC51
MAZDA	MAZDA3	BK SERIES 2	SP23	4	2.3L	L3 SVT	P		2008	2009	SED/ HATCH		AC087	ACA216	ACF119	ACC51
MAZDA	MAZDA3	BK SERIES 2	MAXX SPORT	4	2.0L	LF MZR	P	MPFI	2008	03/09	SED/ HATCH		AC095	ACA216	ACF119	ACC51
MAZDA	MAZDA3	BK SERIES 2	NEO SPORT	4	2.0L	LF MZR	P	MPFI	2008	03/09	SED/ HATCH		AC095	ACA216	ACF119	ACC51
MAZDA	MAZDA3	BL SERIES 1	NEO ACTIVE-MATIC	4	2.0L	LF MZR	P	MPFI	2009	2009	HATCH		AC095	ACA216	ACF119	ACC56
MAZDA	MAZDA3	BL SERIES 1	SP25	4	2.5L	L5 SVT	P	MPFI	2009	2010	SED/ HATCH		AC095	ACA216	ACF119	ACC56
MAZDA	MAZDA3	BL SERIES 1	MPS LUXURY	4	2.3L	L3	P	TURBO INT-COOL	2009	2011	HATCH		AC095	ACA216	ACF119	ACC56
MAZDA	MAZDA3	BL SERIES 1	MPS	4	2.3L	L3	P	TURBO INT-COOL	2009	09/11	HATCH		AC095	ACA216	ACF119	ACC56
MAZDA	MAZDA3	BL SERIES 1	MAXX	4	2.0L	LF MZR	P	MPFI	04/09	2010	SED/ HATCH		AC095	ACA216	ACF119	ACC56
MAZDA	MAZDA3	BL SERIES 1	MAXX SPORT	4	2.0L	LF MZR	P		04/09	2010	SED/ HATCH		AC095	ACA216	ACF119	ACC56
MAZDA	MAZDA3	BL SERIES 1	NEO	4	2.0L	LF MZR	P		04/09	2010	SED/ HATCH		AC095	ACA216	ACF119	ACC56
MAZDA	MAZDA3	BL SERIES 1	MZR-CD	4	2.2L	R2	D	TURBO INT-COOL	11/09	09/11	SED/ HATCH		AC07	ACA216	ACF28	ACC56
MAZDA	MAZDA3	BL SERIES 1	MAXX	4	2.0L	LF MZR	P	MPFI	2010	09/11	SED/ HATCH		AC095	ACA216	ACF119	ACC56
MAZDA	MAZDA3	BL SERIES 1	MAXX SPORT	4	2.0L	LF MZR	P	MPFI	2010	09/11	SED/ HATCH		AC095	ACA216	ACF119	ACC56
MAZDA	MAZDA3	BL SERIES 1	NEO	4	2.0L	LF MZR	P	MPFI	2010	09/11	SED/ HATCH		AC095	ACA216	ACF119	ACC56

MAKE	MODEL	SERIES	BADGE	CYLS	ENG SIZE	ENGINE CODE	FUEL	FUEL DELIVERY / AIR INTAKE	FROM	TO	BODY	REMARKS	OIL	AIR	FUEL	CABIN
MAZDA	MAZDA3	BL SERIES 1	SP25	4	2.5L	L5 SVT	P	MPFI	2010	09/11	SED/ HATCH		AC095	ACA216	ACF119	ACC56
MAZDA	MAZDA3	BL SERIES 2	MAXX SPORT	4	2.0L	LF MZR	P	MPFI	09/11	2014	HATCH		AC095	ACA216	ACF119	ACC56
MAZDA	MAZDA3	BL SERIES 2	MAXX SPORT	4	2.0L	LF MZR	P	MPFI	09/11	2014	SEDAN		AC095	ACA216	ACF119	ACC56
MAZDA	MAZDA3	BL SERIES 2	NEO	4	2.0L	LF MZR	P	MPFI	09/11	2014	SED/ HATCH		AC095	ACA216	ACF119	ACC56
MAZDA	MAZDA3	BL SERIES 2	SP20 SKY- ACTIV	4	2.0L	PE	P	DIRECT INJ	09/11	2014	SED/ HATCH		AC0139	ACA267		ACC56
MAZDA	MAZDA3	BL SERIES 2	MZR-CD	4	2.2L	R2	D	TURBO INT-COOL	09/11	2014	SED/ HATCH		AC07	ACA216	ACF28	ACC56
MAZDA	MAZDA3	BL SERIES 2	MPS	4	2.3L	L3	P	TURBO INT-COOL	09/11	2014	HATCH		AC095	ACA216	ACF119	ACC56
MAZDA	MAZDA3	BL SERIES 2	SP25	4	2.5L	L5 SVT	P	MPFI	09/11	2014	SED/ HATCH		AC095	ACA216	ACF119	ACC56
MAZDA	MAZDA3	BM	MAXX	4	2.0L	LFVE	P	DIRECT INJ	01/14	ON	SED/ HATCH		AC0139	ACA267		ACC81
MAZDA	MAZDA3	BM	NEO	4	2.0L	LFVE	P	DIRECT INJ	01/14	ON	SED/ HATCH		AC0139	ACA267		ACC81
MAZDA	MAZDA3	BM	TOURING	4	2.0L	LFVE	P	DIRECT INJ	01/14	ON	SED/ HATCH		AC0139	ACA267		ACC81
MAZDA	MAZDA3	BM	SP25	4	2.5L	L5	P	DIRECT INJ	01/14	ON	SED/ HATCH		AC0139	ACA267		ACC81
MAZDA	MAZDA3	BM	SP25 ASTINA	4	2.5L	L5	P	DIRECT INJ	01/14	ON	SED/ HATCH		AC0139	ACA267		ACC81
MAZDA	MAZDA3	BM	SP25 GT	4	2.5L	L5	P	DIRECT INJ	01/14	ON	SED/ HATCH		AC0139	ACA267		ACC81
MAZDA	MAZDA3	BM	XD ASTINA	4	2.2L	SH	D	CRD TURBO	08/14	ON	HATCH		AC095	ACA266	ACF28	ACC81
MAZDA	MAZDA6	GG SERIES 1	CLASSIC	4	2.3L	L3	P	MPFI	2002	2003	SED/ HATCH		AC087	ACA201	ACF194	ACC5
MAZDA	MAZDA6	GG SERIES 1	LIMITED	4	2.3L	L3	P	MPFI	2002	2003	SEDAN		AC087	ACA201	ACF194	ACC5
MAZDA	MAZDA6	GG SERIES 1	LUXURY	4	2.3L	L3	P	MPFI	2002	2003	SED/ HATCH		AC087	ACA201	ACF194	ACC5
MAZDA	MAZDA6	GG SERIES 1	LUXURY SPORTS	4	2.3L	L3	P	MPFI	2002	2003	HATCH		AC087	ACA201	ACF194	ACC5
MAZDA	MAZDA6	GY SERIES 1	CLASSIC	4	2.3L	L3	P	MPFI	2002	2003	WAGON		AC087	ACA201	ACF194	ACC5
MAZDA	MAZDA6	GG SERIES 1	CLASSIC	4	2.3L	L3	P	MPFI	2004	2005	SED/ HATCH		AC087	ACA201	ACF194	ACC5
MAZDA	MAZDA6	GG SERIES 1	LIMITED	4	2.3L	L3	P	MPFI	2004	2005	SEDAN		AC087	ACA201	ACF194	ACC5
MAZDA	MAZDA6	GG SERIES 1	LUXURY	4	2.3L	L3	P	MPFI	2004	2005	SED/ HATCH		AC087	ACA201	ACF194	ACC5
MAZDA	MAZDA6	GG SERIES 1	LUXURY SPORTS	4	2.3L	L3	P	MPFI	2004	2005	HATCH		AC087	ACA201	ACF194	ACC5
MAZDA	MAZDA6	GY SERIES 1	CLASSIC	4	2.3L	L3	P	MPFI	2004	2005	WAGON		AC087	ACA201	ACF194	ACC5
MAZDA	MAZDA6	GG SERIES 2	LIMITED	4	2.3L	L3	P	MPFI	08/05	2007	SEDAN		AC087	ACA201	ACF194	ACC5
MAZDA	MAZDA6	GG SERIES 2	LUXURY	4	2.3L	L3	P	MPFI	08/05	2007	SED/ HATCH		AC087	ACA201	ACF194	ACC5
MAZDA	MAZDA6	GG SERIES 2	LUXURY SPORTS	4	2.3L	L3	P	MPFI	08/05	2007	HATCH		AC087	ACA201	ACF194	ACC5
MAZDA	MAZDA6	GG SERIES 2	MPS	4	2.3L	L3	P	TURBO INT-COOL	08/05	2007	SEDAN		AC087	ACA217	ACF194	ACC5
MAZDA	MAZDA6	GY SERIES 2	CLASSIC	4	2.3L	L3	P	MPFI	08/05	2007	WAGON		AC087	ACA201	ACF194	ACC5
MAZDA	MAZDA6	GG SERIES 2	CLASSIC	4	2.3L	L3	P	MPFI	08/05	01/08	SED/ HATCH		AC087	ACA201	ACF194	ACC5
MAZDA	MAZDA6	GG SERIES 2	MZR-CD	4	2.0L	RF	D	TURBO INT-COOL	2006	2007	HATCH		AC07	ACA201	ACF28	ACC5
MAZDA	MAZDA6	GY SERIES 2	MZR-CD	4	2.0L	RF	D	TURBO INT-COOL	10/06	2007	WAGON		AC07	ACA201	ACF28	ACC5
MAZDA	MAZDA6	GG SERIES 2	CLASSIC SPORTS	4	2.3L	L3	P	MPFI	2007	2007	HATCH		AC087	ACA201	ACF194	ACC5
MAZDA	MAZDA6	GG SERIES 2	SPORTS	4	2.3L	L3	P	MPFI	2007	2007	SED/ HATCH		AC087	ACA201	ACF194	ACC5

MAKE	MODEL	SERIES	BADGE	CYLS	ENG SIZE	ENGINE CODE	FUEL	FUEL DELIVERY / AIR INTAKE	FROM	TO	BODY	REMARKS	OIL	AIR	FUEL	CABIN
MAZDA	MAZDA6	GY SERIES 2	SPORTS	4	2.3L	L3	P	MPFI	2007	2007	WAGON		AC087	ACA201	ACF194	ACC5
MAZDA	MAZDA6	GG SERIES 2	MZR-CD	4	2.0L	RF	D	TURBO INT-COOL	2007	01/08	HATCH		AC07	ACA201	ACF28	ACC5
MAZDA	MAZDA6	GY SERIES 2	MZR-CD	4	2.0L	RF	D	TURBO INT-COOL	2007	01/08	WAGON		AC07	ACA201	ACF28	ACC5
MAZDA	MAZDA6	GH SERIES 1	LIMITED	4	2.5L	L5	P	MPFI	2008	2008	SEDAN		AC087	ACA201		ACC64
MAZDA	MAZDA6	GH SERIES 1	LUXURY SPORTS	4	2.5L	L5	P	MPFI	2008	2008	HATCH		AC087	ACA201		ACC64
MAZDA	MAZDA6	GH SERIES 1	LIMITED	4	2.5L	L5	P	MPFI	2008	2009	SEDAN		AC087	ACA201		ACC64
MAZDA	MAZDA6	GH SERIES 1	LUXURY SPORTS	4	2.5L	L5	P	MPFI	2008	2009	HATCH		AC087	ACA201		ACC64
MAZDA	MAZDA6	GH SERIES 1	CLASSIC	4	2.5L	L5	P	MPFI	2008	12/09	SED/HATCH		AC087	ACA201		ACC64
MAZDA	MAZDA6	GH SERIES 1	CLASSIC	4	2.5L	L5	P	MPFI	2008	12/09	WAGON		AC087	ACA201		ACC64
MAZDA	MAZDA6	GH SERIES 1	LUXURY	4	2.5L	L5	P	MPFI	2008	12/09	HATCH		AC087	ACA201		ACC64
MAZDA	MAZDA6	GH SERIES 1	LUXURY	4	2.5L	L5	P	MPFI	2008	12/09	SEDAN		AC087	ACA201		ACC64
MAZDA	MAZDA6	GH SERIES 1	LIMITED	4	2.5L	L5	P	MPFI	2009	12/09	SEDAN		AC087	ACA201		ACC64
MAZDA	MAZDA6	GH SERIES 1	LUXURY SPORTS	4	2.5L	L5	P	MPFI	2009	12/09	HATCH		AC087	ACA201		ACC64
MAZDA	MAZDA6	GH SERIES 1	CLASSIC	4	2.5L	L5	P	MPFI	01/10	02/10	SED/HATCH		AC087	ACA201		ACC64
MAZDA	MAZDA6	GH SERIES 1	CLASSIC	4	2.5L	L5	P	MPFI	01/10	02/10	WAGON		AC087	ACA201		ACC64
MAZDA	MAZDA6	GH SERIES 1	LIMITED	4	2.5L	L5	P	MPFI	01/10	02/10	SEDAN		AC087	ACA201		ACC64
MAZDA	MAZDA6	GH SERIES 1	LUXURY	4	2.5L	L5	P	MPFI	01/10	02/10	HATCH		AC087	ACA201		ACC64
MAZDA	MAZDA6	GH SERIES 1	LUXURY	4	2.5L	L5	P	MPFI	01/10	02/10	SEDAN		AC087	ACA201		ACC64
MAZDA	MAZDA6	GH SERIES 1	LUXURY SPORTS	4	2.5L	L5	P	MPFI	01/10	02/10	HATCH		AC087	ACA201		ACC64
MAZDA	MAZDA6	GH SERIES 2	SPORTS	4	2.2L	R2	D	TURBO INT-COOL	2010	2011	HATCH		AC07	ACA201	ACF28	ACC64
MAZDA	MAZDA6	GH SERIES 2	CLASSIC	4	2.5L	L5	P	MPFI	03/10	09/10	HATCH/SED/WAG		AC087	ACA201		ACC64
MAZDA	MAZDA6	GH SERIES 2	LIMITED	4	2.5L	L5	P	MPFI	03/10	09/10	SEDAN		AC087	ACA201		ACC64
MAZDA	MAZDA6	GH SERIES 2	LUXURY	4	2.5L	L5	P	MPFI	03/10	09/10	SEDAN		AC087	ACA201		ACC64
MAZDA	MAZDA6	GH SERIES 2	LUXURY SPORTS	4	2.5L	L5	P	MPFI	03/10	09/10	HATCH		AC087	ACA201		ACC64
MAZDA	MAZDA6	GH SERIES 2	TOURING	4	2.5L	L5	P	MPFI	03/10	09/10	HATCH/SED/WAG		AC087	ACA201		ACC64
MAZDA	MAZDA6	GH SERIES 2	CLASSIC	4	2.5L	L5	P	MPFI	10/10	2011	HATCH/SED/WAG		AC095	ACA201		ACC64
MAZDA	MAZDA6	GH SERIES 2	LIMITED	4	2.5L	L5	P	MPFI	10/10	2011	SEDAN		AC095	ACA201		ACC64
MAZDA	MAZDA6	GH SERIES 2	LUXURY	4	2.5L	L5	P	MPFI	10/10	2011	SEDAN		AC095	ACA201		ACC64
MAZDA	MAZDA6	GH SERIES 2	LUXURY SPORTS	4	2.5L	L5	P	MPFI	10/10	2011	HATCH		AC095	ACA201		ACC64
MAZDA	MAZDA6	GH SERIES 2	TOURING	4	2.5L	L5	P	MPFI	10/10	2011	HATCH/SED/WAG		AC095	ACA201		ACC64
MAZDA	MAZDA6	GJ	ATENZA	4	2.2L	SH-VPTS	D	TWIN TURBO CRD	12/12	ON	SED/WAG		AC095	ACA266	ACF28	ACC81
MAZDA	MAZDA6	GJ	GT	4	2.2L	SH-VPTS	D	TWIN TURBO CRD	12/12	ON	SED/WAG		AC095	ACA266	ACF28	ACC81
MAZDA	MAZDA6	GJ	TOURING	4	2.2L	SH-VPTS	D	TWIN TURBO CRD	12/12	ON	SED/WAG		AC095	ACA266	ACF28	ACC81
MAZDA	MAZDA6	GJ	ATENZA	4	2.5L	PY-VPS	P	DIRECT INJ	12/12	ON	SED/WAG		AC073	ACA267		ACC81
MAZDA	MAZDA6	GJ	GT	4	2.5L	PY-VPS	P	DIRECT INJ	12/12	ON	SED/WAG		AC073	ACA267		ACC81

MAKE	MODEL	SERIES	BADGE	CYLS	ENG SIZE	ENGINE CODE	FUEL	FUEL DELIVERY / AIR INTAKE	FROM	TO	BODY	REMARKS	OIL	AIR	FUEL	CABIN
MAZDA	MAZDA6	GJ	SPORT	4	2.5L	PY-VPS	P	DIRECT INJ	12/12	ON	SED/WAG		AC073	ACA267		ACC81
MAZDA	MAZDA6	GJ	TOURING	4	2.5L	PY-VPS	P	DIRECT INJ	12/12	ON	SED/WAG		AC073	ACA267		ACC81
MAZDA	MILLENNIA	TA MILLER		6	2.3L	KJ	P	MPFI	2000	2002	SEDAN		AC073	ACA86		
MAZDA	MPV	LV SERIES 2		6	3.0L	JE	P	MPFI	1993	1999	WAGON		AC028	ACA70	ACF116	
MAZDA	MPV	LV SERIES 1		6	3.0L	JE V6 EGI	P	MPFI	1994	1996	WAGON		AC028	ACA70	ACF116	
MAZDA	MPV	LW SERIES 1		6	2.5L	GY	P	MPFI	1999	2002	WAGON		AC084	ACA201	ACF132	
MAZDA	MPV	LW SERIES 2		6	3.0L	AJ	P	MPFI	2002	2003	WAGON		AC084	ACA201		
MAZDA	MPV	LW SERIES 3		6	3.0L	AJ	P	MPFI	2004	2006	WAGON		AC087	ACA201		
MAZDA	MX-5	NA		4	1.6L	B6	P	MPFI	1989	1993			AC07	ACA48		
MAZDA	MX-5	NA		4	1.8L	BP	P	MPFI	1993	1998			AC073	ACA48		
MAZDA	MX-5	NB SERIES 1		4	1.8L	BP	P	MPFI	1998	2000	H-TOP/S-TOP		AC073	ACA92		
MAZDA	MX-5	NB SERIES 1	10TH ANNIV	4	1.8L	BP	P	MPFI	1999	1999	S-TOP		AC073	ACA92		
MAZDA	MX-5	NB SERIES 1	HERITAGE SERIES	4	1.8L	BP	P	MPFI	2000	2000	S-TOP		AC073	ACA92		
MAZDA	MX-5	NB SERIES 2		4	1.8L	BP	P	MPFI	2000	2002	H-TOP/S-TOP		AC073	ACA310		
MAZDA	MX-5	NB SERIES 2	SP	4	1.8L	BPT	P	TURBO INT-COOL	2002	2002	H-TOP/S-TOP		AC073	ACA310		
MAZDA	MX-5	NB SERIES 2	TITANIUM	4	1.8L	BP	P	MPFI	2002	2002	H-TOP/S-TOP		AC073	ACA310		
MAZDA	MX-5	NB SERIES 3		4	1.8L	BP	P	MPFI	2002	2003	H-TOP/S-TOP		AC073	ACA310		
MAZDA	MX-5	NB SERIES 4		4	1.8L	BP-ZE	P	MPFI	2004	08/05	H-TOP/S-TOP		AC073	ACA310		
MAZDA	MX-5	NB SERIES 4	SE	4	1.8L	BPT	P	MPFI	2004	08/05	H-TOP/S-TOP		AC073	ACA310		
MAZDA	MX-5	NC SERIES 1		4	2.0L	LF	P	MPFI	2005	2009	S-TOP		AC095	ACA311		
MAZDA	MX-5	NC SERIES 1	LIMITED EDITION	4	2.0L	LF	P	MPFI	2006	2009	S-TOP		AC095	ACA311		
MAZDA	MX-5	NC SERIES 1	ROADSTER COUPE	4	2.0L	LF	P	MPFI	2006	2009	H-TOP		AC095	ACA311		
MAZDA	MX-5	NC SERIES 1	TOURING	4	2.0L	LF	P	MPFI	2006	2009	S-TOP		AC095	ACA311		
MAZDA	MX-5	NC SERIES 2		4	2.0L	LF	P	MPFI	2009	2012	S-TOP		AC095	ACA311		
MAZDA	MX-5	NC SERIES 2	ROADSTER COUPE	4	2.0L	LF	P	MPFI	2009	2012	H-TOP		AC095	ACA311		
MAZDA	MX-5	NC SERIES 2	TOURING	4	2.0L	LF	P	MPFI	2009	2012	S-TOP		AC095	ACA311		
MAZDA	MX-5	NC SERIES 2	SPECIAL EDITION COUPE	4	2.0L	LF	P	MPFI	2011	2011	H-TOP		AC095	ACA311		
MAZDA	MX-5	NC SERIES 2	COUPE	4	2.0L	LF	P	MPFI	2012	2013	S-TOP		AC095	ACA311		
MAZDA	MX-5	NC SERIES 2	COUPE SPORTS	4	2.0L	LF	P	MPFI	2012	2013	S-TOP		AC095	ACA311		
MAZDA	MX-6	GD SERIES 1		4	2.2L	F2T	P	TURBO	1987	1989	COUPE		AC073	ACA16		
MAZDA	MX-6	GD SERIES 2	4WS	4	2.2L	F2T	P	TURBO	1989	1991	COUPE		AC073	ACA16		
MAZDA	MX-6	GE SERIES 1		6	2.5L	KL-ZE	P	MPFI	1991	1994	COUPE		AC028	ACA92	ACF44	
MAZDA	MX-6	GE SERIES 2	4WS	6	2.5L	KL-ZE	P	MPFI	1994	1997	COUPE		AC028	ACA92	ACF44	
MAZDA	PREMACY	CP SERIES 1		4	1.8L	FP	P	MPFI	2001	2002	HATCH		AC073	ACA82		ACC4

MAKE	MODEL	SERIES	BADGE	CYLS	ENG SIZE	ENGINE CODE	FUEL	FUEL DELIVERY / AIR INTAKE	FROM	TO	BODY	REMARKS	OIL	AIR	FUEL	CABIN
MAZDA	PREMACY	CP SERIES 2		4	2.0L	FS	P	MPFI	2002	2003	HATCH		AC073	ACA82		ACC4
MAZDA	R100			4	1.0L	R10A	P		06/69	1972			AC05		ACF64	
MAZDA	RX-4	LA22S		2	1.1L	12A	P		1972	1973	SEDAN		AC05		ACF64	
MAZDA	RX-4	LA23S		2	1.3L	13B REAPS	P		1974	1978	SEDAN		AC05		ACF64	
MAZDA	RX-5	CD23C		2	1.3L	13B	P		1976	1978	COUPE		AC05		ACF64	
MAZDA	RX-7	SERIES 1		2	1.1L	12A	P		1979	1980	COUPE		AC05		ACF64	
MAZDA	RX-7	SERIES 2		2	1.1L	12A	P		1981	1983	COUPE		AC05		ACF64	
MAZDA	RX-7	SERIES 3		2	1.1L	12A	P		1984	1985	COUPE		AC05		ACF64	
MAZDA	RX-7	SERIES 4		2	1.3L	13B	P		1986	1989	COUPE		AC07		ACF33	
MAZDA	RX-7	SERIES 4		2	1.3L	13B	P	TURBO INT-COOL	1986	1989	COUPE		AC07		ACF33	
MAZDA	RX-7	SERIES 5		2	1.3L	13B	P		1990	1991	COUPE		AC07		ACF33	
MAZDA	RX-7	SERIES 5		2	1.3L	13B	P	TURBO INT-COOL	1990	1991	COUPE		AC07		ACF33	
MAZDA	RX-7	SERIES 6/FD		2	1.3L	13B-REW	P	TWIN TURBO INT-COOL	1992	1998	COUPE		AC073			
MAZDA	RX-7	RX/R/RZ		2	1.3L	ROTARY	P	TWIN TURBO INT-COOL	1999	2002	COUPE		AC073			
MAZDA	RX-8	FE SERIES 1	PLUS LEATHER TRIM	2	1.3L	13B MSP	P		2003	2008	COUPE		AC073	ACA309		
MAZDA	RX-8	FE SERIES 1	LUXURY SPECIAL EDITION	2	1.3L	13B MSP	P		2005	2005	COUPE		AC073	ACA309		
MAZDA	RX-8	FE SERIES 1	40TH ANNIV	2	1.3L	13B MSP	P		2008	2008	COUPE		AC073	ACA309		
MAZDA	RX-8	FE SERIES 2	GT	2	1.3L	13B MSP	P		2008	2011	COUPE		AC073	ACA309		
MAZDA	RX-8	FE SERIES 2	LUXURY	2	1.3L	13B MSP	P		2008	2011	COUPE		AC073	ACA309		
MAZDA	T2000	WE		4	2.0L	VA (GE)	P		1981	1982			AC05			
MAZDA	T2600	WE		4	2.6L	G54B	P		1985	1988			AC07			
MAZDA	T3000	WE		4	3.0L	HA	P		1981	1984					ACF25	
MAZDA	T3000	WE	PARKWAY BUS	4	3.0L	HA	D		1981	1984					ACF25	
MAZDA	T3500	WE	PARKWAY BUS	4	3.5L	SL	D		1984	1989		FULL FLOW OIL FILTER AC043	AC043			
MAZDA	T4000	WG		4	4.0L	TF OHV	D		1989	1992			AC043			
MAZDA	T4000	WG		4	4.0L	TF OHV	D		04/92	2000		FULL FLOW OIL FILTER AC043 / BY PASS OIL FILTER AC055	AC043 / AC055	ACA8	ACF16	
MAZDA	T4100	WE,WF,WG		6	4.1L	ZB	D		1981	1991					ACF25	
MAZDA	T4600	WG,WH		4	4.6L	TM	D		1995	2003		FULL FLOW OIL FILTER AC043 / BY PASS OIL FILTER AC055	AC043 / AC055	ACA8	ACF16	
MAZDA	TRIBUTE	YU08	LIMITED	6	3.0L	DURATEC AJ	P	MPFI	2001	2003	WAGON	DOHC 24V	AC084	ACA215	ACF117	
MAZDA	TRIBUTE	YU06	LIMITED	4	2.0L	YF/MZR	P	MPFI	2001	2005	WAGON	DOHC 16V	AC0100	ACA201	ACF117	
MAZDA	TRIBUTE	YU08	CLASSIC	6	3.0L	DURATEC AJ	P	MPFI	2001	2006	WAGON	DOHC 24V	AC084	ACA215	ACF117	
MAZDA	TRIBUTE	YU08	LUXURY	6	3.0L	DURATEC AJ	P	MPFI	2001	06/06	WAGON	DOHC 24V	AC084	ACA215	ACF117	
MAZDA	TRIBUTE	YU08	LIMITED TRAVELLER	6	3.0L	DURATEC AJ	P	MPFI	2002	2002	WAGON	DOHC 24V	AC084	ACA215	ACF117	

MAKE	MODEL	SERIES	BADGE	CYLS	ENG SIZE	ENGINE CODE	FUEL	FUEL DELIVERY / AIR INTAKE	FROM	TO	BODY	REMARKS	OIL	AIR	FUEL	CABIN
MAZDA	TRIBUTE	YU08	CLASSIC TRAVELLER	6	3.0L	DURATEC AJ	P	MPFI	2002	2004	WAGON	DOHC 24V	AC084	ACA215	ACF117	
MAZDA	TRIBUTE	YU08	LUXURY TRAVELLER	6	3.0L	DURATEC AJ	P	MPFI	2002	2004	WAGON	DOHC 24V	AC084	ACA215	ACF117	
MAZDA	TRIBUTE	YU08	LIMITED SPORT	6	3.0L	DURATEC AJ	P	MPFI	2003	2006	WAGON	DOHC 24V	AC084	ACA215	ACF117	
MAZDA	TRIBUTE	YU08	LIMITED SPORT TRAVELLER	6	3.0L	DURATEC AJ	P	MPFI	2004	2004	WAGON	DOHC 24V	AC084	ACA215	ACF117	
MAZDA	TRIBUTE	CU08		4	2.3L	L3	P	MPFI	2004	06/04	WAGON		AC087	ACA201	ACF117	
MAZDA	TRIBUTE	CU08		4	2.3L	L3	P	MPFI	06/04	2006	WAGON		AC095	ACA201	ACF117	
MAZDA	TRIBUTE	5Z		4	2.3L	L3	P	MPFI	07/06	2008	WAGON		AC095	ACA201	ACF117	
MAZDA	TRIBUTE	6Z		6	3.0L	DURATEC AJ	P	MPFI	07/06	2008	WAGON	DOHC 24V	AC084	ACA215	ACF117	
MAZDA	TRIBUTE	8Z	LUXURY	6	3.0L	DURATEC AJ	P	MPFI	07/06	2008	WAGON	DOHC 24V	AC084	ACA215	ACF117	
<b>MERCEDES</b>																
MERCEDES	220E	W124		4	2.2L	M111	P	MPFI	1993	1993	SEDAN		AC0164			
MERCEDES	300SE	W140		6	3.2L		P	MPFI	1992	1993	SEDAN		AC0164			
MERCEDES	320E	W124		6	3.2L	M104	P	MPFI	1993	1995	SEDAN		AC0164			
MERCEDES	400SEL	W140		8	4.2L	M119.971	P	MPFI	1992	1993	SEDAN		AC0148			
MERCEDES	500SEL	W140		8	5.0L	M119.970	P	MPFI	1992	1993	SEDAN		AC0148			
MERCEDES	A150	W169	CLASSIC	4	1.5L	M266.920	P	MPFI	2005	2007	HATCH		AC0159	ACA324		
MERCEDES	A170	W169	AVANT-GARDE/ CLASSIC/ ELEGANCE	4	1.7L	M266.940	P	MPFI	2005	2010	HATCH		AC0159	ACA324		
MERCEDES	A180	W169	CDI	4	2.0L	OM640.940	D	CRD TURBO	2005	2010	HATCH				ACF212	
MERCEDES	A180	W169	AVANT-GARDE/ CLASSIC/ ELEGANCE	4	1.7L	M266.940	P	MPFI	2009	2010	HATCH		AC0159	ACA324		
MERCEDES	A200	W169	AVANT-GARDE, ELEGANCE	4	2.0L	M266.96	P	MPFI	2005	2010	HATCH		AC0159	ACA324		
MERCEDES	A200	W169	AVANT-GARDE, ELEGANCE	4	2.0L	M266.98	P	TURBO MPFI	2005	2010	HATCH		AC0159	ACA324		
MERCEDES	B180	W245	CDI	4	2.0L	OM640.940	D	CRD TURBO	2006	2011	HATCH				ACF212	
MERCEDES	B180	W245		4	1.7L	M266.940	P	MPFI	03/10	03/12	HATCH		AC0159	ACA324		
MERCEDES	B200	W245		4	2.0L	M266.960	P	MPFI	11/05	03/12	HATCH		AC0159	ACA324		
MERCEDES	B200	W245		4	2.0L	M266.980	P	TURBO MPFI	11/05	06/12	HATCH		AC0159	ACA324		
MERCEDES	C180	W202	CLASSIC, ELEGANCE, ESPRIT	4	1.8L	M111.92	P	MPFI	1994	2000	SEDAN		AC0164	ACA319		ACC8
MERCEDES	C180	W203	AVANT-GARDE/ CLASSIC/ ELEGANCE	4	2.0L	M111.95	P	MPFI	2000	2002	SEDAN		AC0164			
MERCEDES	C180	CL203	AMG, EVOLUTION	4	2.0L	M111.95	P	MPFI	2001	2002	COUPE		AC0164			
MERCEDES	C180	CL203	KOMPRES-SOR	4	1.8L	M271.946	P	MPFI	2002	2007	COUPE		AC0158	ACA194		
MERCEDES	C180	W203	KOMPRES-SOR	4	1.8L	M271.946	P	MPFI	2002	2008	SEDAN		AC0158	ACA194		
MERCEDES	C180	W203	KOMPRES-SOR	4	1.8L	M271.94	P	MPFI	2007	2008	SEDAN		AC0158			
MERCEDES	C200	W202		4	2.0L	M111.94	P	MPFI	1996	2000	SEDAN		AC0164	ACA319		ACC8

MAKE	MODEL	SERIES	BADGE	CYLS	ENG SIZE	ENGINE CODE	FUEL	FUEL DELIVERY / AIR INTAKE	FROM	TO	BODY	REMARKS	OIL	AIR	FUEL	CABIN
MERCEDES	C200	S203	KOMPRES-SOR	4	2.0L	M111.955	P	MPFI	2000	2002	SEDAN		AC0164	ACA195		
MERCEDES	C200	W203	KOMPRES-SOR	4	2.0L	M111.955	P	MPFI	2000	2002	SEDAN		AC0164	ACA195		
MERCEDES	C200	CL203	KOMPRES-SOR	4	2.0L	M111.955	P	MPFI	2001	2002	SEDAN		AC0164	ACA195		
MERCEDES	C200	CL203	KOMPRES-SOR	4	1.8L	M271.946	P	MPFI	2002	2007	SEDAN		AC0158	ACA194		
MERCEDES	C200	S203	KOMPRES-SOR	4	1.8L	M271.940	P	MPFI	2002	2007	SEDAN		AC0158	ACA194		
MERCEDES	C200	W203	KOMPRES-SOR	4	1.8L	M271.940	P	MPFI	2002	2007	SEDAN		AC0164	ACA194		
MERCEDES	C200	W204	KOMPRES-SOR	4	1.8L	M271.950	P	MPFI	2007	2010	SEDAN		AC0158	ACA194		
MERCEDES	C220	W202	CLASSIC, ELEGANCE, SPORT	4	2.2L	M111.96	P	MPFI	1994	1996	SEDAN		AC0164	ACA319		ACC8
MERCEDES	C220	W203	AVANT-GARDE/ CLASSIC/ ELEGANCE	4	2.2L	OM611	D	TURBO DIRECT INJ	2001	2003	SEDAN		AC0157			
MERCEDES	C220	W204	AVANTGARDE	4	2.2L	OM646.811	D	TURBO DIRECT INJ	2007	2010	SEDAN				ACF212	
MERCEDES	C220	W204	CLASSIC	4	2.2L	OM646.811	D	TURBO DIRECT INJ	2007	2010	SEDAN				ACF212	
MERCEDES	C220	W204	ELEGANCE	4	2.2L	OM646.811	D	TURBO DIRECT INJ	2007	2010	SEDAN				ACF212	
MERCEDES	C230	W202	CLASSIC, ELEGANCE	4	2.3L	M111.95	P	MPFI	1996	1997	SEDAN		AC0164	ACA319		ACC8
MERCEDES	C230	W203	AVANT-GARDE, ELEGANCE	6	2.5L	M272.92	P	MPFI	2005	2008	SEDAN			ACA320		
MERCEDES	C240	W202	CLASSIC, ELEGANCE	6	2.4L	M112.91	P	MPFI	1997	2000	SEDAN				ACF230	ACC8
MERCEDES	C240	S203	CLASSIC, ELEGANCE	6	2.4L	M112.91	P	MPFI	2000	2001	WAGON		AC0157		ACF230	
MERCEDES	C240	W203	AVANT-GARDE/ CLASSIC/ ELEGANCE	6	2.6L	M112.91	P	MPFI	2000	2005	SEDAN		AC0157	ACA320	ACF230	
MERCEDES	C240T	S202	CLASSIC T, ELEGANCE T	6	2.4L	M112.91	P	MPFI	1997	2001	SEDAN				ACF230	
MERCEDES	C250D	W202	DIESEL	5	2.5L	OM605.91	D	MPFI	1994	1996	SEDAN			ACA319		
MERCEDES	C250D	W202	TURBO DIESEL	5	2.5L	OM605.96	D	MPFI	1996	2000	SEDAN			ACA319		
MERCEDES	C280	W202	ELEGANCE, SPORT	6	2.8L	OM104.941	P	MPFI	1994	1997	SEDAN		AC0164	ACA319		ACC8
MERCEDES	C280	W202	ELEGANCE, SPORT	6	2.8L	OM104.941	P	MPFI	1997	2000	SEDAN		AC0157	ACA319		ACC8
MERCEDES	C280	W204	AVANT-GARDE, ELEGANCE	6	3.0L	M272.947	P	MPFI	2007	2009	SEDAN			ACA320		
MERCEDES	C32	W203	AMG	6	3.2L	OM112.961	P	MPFI	2001	2004	SEDAN		AC0157			
MERCEDES	C320	W203	AVANT-GARDE, ELEGANCE	6	3.2L	M112.94	P	MPFI	2000	2005	SEDAN		AC0157	ACA320	ACF230	
MERCEDES	C320	CL203	AMG, EVOLU-TION	6	3.2L	M112.94	P	MPFI	2004	2005	COUPE			ACA320		
MERCEDES	C320	W204	AVANT-GARDE, ELEGANCE	6	3.0L	M646.960	D	TURBO DIRECT INJ	2007	2010	SEDAN		AC0160			

MAKE	MODEL	SERIES	BADGE	CYLS	ENG SIZE	ENGINE CODE	FUEL	FUEL DELIVERY / AIR INTAKE	FROM	TO	BODY	REMARKS	OIL	AIR	FUEL	CABIN
MERCEDES	C350	W204	AVANT-GARDE, ELEGANCE	6	3.0L	M642.960	D	MPFI	2010	2011	SEDAN		AC0160			
MERCEDES	C36	W202	AMG	6	3.6L	OM104.941	P	MPFI	1995	1997	SEDAN		AC0164			ACC8
MERCEDES	C43	W202	AMG	8	4.3L	M113.94	P	MPFI	1998	2000	SEDAN		AC0157		ACF230	ACC8
MERCEDES	C55	W203	AMG	8	5.4L	M113.98	P	MPFI	2004	2007	SEDAN			ACA320		
MERCEDES	CL500	C215		8	5.0L	M113.96	P	MPFI	2000	2003	COUPE		AC0157	ACA320		
MERCEDES	CL500	C215		8	5.0L	M113.96	P	MPFI	2003	2007	COUPE		AC0157	ACA320		
MERCEDES	CL55	C215	AMG	8	5.4L	M113.991	P	MPFI	2001	2003	COUPE		AC0157			
MERCEDES	CL55	C215	AMG	8	5.4L	OM113	P	MPFI	2001	2003	COUPE		AC0157	ACA320		
MERCEDES	CL600	C215		12	5.8L	M137.97	P	MPFI	2000	2003	COUPE		AC0157			
MERCEDES	CLC200	CL203	KOMPRES-SOR	4	1.8L	M271.957	P	MPFI	2008	2011	COUPE		AC0158			
MERCEDES	CLK200	C208	KOMPRES-SOR	4	2.0L	M111.94	P	S-CHARGED MPFI	1997	2000	COUPE		AC0164	ACA319		ACC8
MERCEDES	CLK200	A208	KOMPRES-SOR	4	2.0L	M111.94	P	MPFI	1998	2000	CABRIO		AC0164	ACA319		ACC8
MERCEDES	CLK230	C208	KOMPRES-SOR	4	2.3L	OM111.975	P	S-CHARGED MPFI	1997	2003	COUPE		AC0164	ACA319		ACC8
MERCEDES	CLK230	A208	KOMPRES-SOR	4	2.3L	M111.98	P	MPFI	2004	2004	CABRIO					ACC8
MERCEDES	CLK280	A209	AVANT-GARDE, ELEGANCE	6	3.0L	M272.91	P	MPFI	2005	2010	CABRIO			ACA320		
MERCEDES	CLK280	C209	AVANT-GARDE, ELEGANCE	6	3.0L	M272.91	P	MPFI	2005	2010	COUPE			ACA320		
MERCEDES	CLK320	C208	AVANT-GARDE/ELEGANCE/SPORT	6	3.2L	M104.99	P	MPFI	1997	1999	COUPE		AC0157	ACA319	ACF230	ACC8
MERCEDES	CLK320	A208	AVANT-GARDE/ELEGANCE/SPORT	6	3.2L	M104.99	P	MPFI	1998	1999	CABRIO		AC0157	ACA319	ACF230	ACC8
MERCEDES	CLK320	A208	AVANT-GARDE/ELEGANCE/SPORT	6	3.2L	M112.94	P	MPFI	1999	2003	CABRIO					ACC8
MERCEDES	CLK320	C209	AVANT-GARDE, ELEGANCE	6	3.2L	M112.95	P	MPFI	2002	2005	COUPE		AC0157	ACA320	ACF230	
MERCEDES	CLK320	A209	AVANT-GARDE, ELEGANCE	6	3.2L	M112.95	P	MPFI	2003	2005	CABRIO		AC0157	ACA320	ACF230	
MERCEDES	CLK350	C209	AVANT-GARDE, ELEGANCE	6	3.5L	M272.964	P	MPFI	2005	2009	COUPE			ACA320		
MERCEDES	CLK430	C208	AVANT-GARDE, ELEGANCE	8	4.3L	M113.94	P	MPFI	1999	2002	COUPE		AC0157		ACF230	ACC8
MERCEDES	CLK430	A208	AVANT-GARDE, ELEGANCE	8	4.3L	M113.94	P	MPFI	2000	2003	CABRIO		AC0157		ACF230	ACC8
MERCEDES	CLK500	A209	AVANT-GARDE, ELEGANCE	8	5.0L	M113.96	P	MPFI	2002	2006	CABRIO		AC0157	ACA320	ACF230	
MERCEDES	CLK500	C209	AVANT-GARDE, ELEGANCE	8	5.0L	M113.98	P	MPFI	2002	2006	COUPE		AC0157	ACA320	ACF230	



MAKE	MODEL	SERIES	BADGE	CYLS	ENG SIZE	ENGINE CODE	FUEL	FUEL DELIVERY / AIR INTAKE	FROM	TO	BODY	REMARKS	OIL	AIR	FUEL	CABIN
MERCEDES	CLK500	C209	AVANT-GARDE, ELEGANCE	8	5.5L	M173.967	P	MPFI	2006	2010	COUPE			ACA320		
MERCEDES	CLK55	C208	AMG	8	5.4L	OM139.81	P	MPFI	1999	2003	COUPE		AC0157			ACC8
MERCEDES	CLK55	C209	AMG	8	5.4L		P	MPFI	2003	2005	COUPE		AC0157			
MERCEDES	CLS500	W219		8	5.0L	M113-98	P	MPFI	2005	ON	SEDAN			ACA320		
MERCEDES	E200	W210	KOMPRES-SOR	4	2.0L	M111.95	P	MPFI	2000	2002	SEDAN		AC0164			
MERCEDES	E200	W211	KOMPRES-SOR	4	1.8L	M271.941	P	MPFI	2004	2009	SEDAN		AC0158	ACA194		
MERCEDES	E220	W124		4	2.2L	M111.96	P	MPFI	1993	1996	SEDAN		AC0164			
MERCEDES	E220C	C124		4	2.2L	M111.96	P	MPFI	1994	1997	SEDAN		AC0164			
MERCEDES	E230	W201		4	2.3L	M111.97	P	MPFI	1996	1998	SEDAN		AC0164	ACA323		
MERCEDES	E240	W210	AVANT-GARDE/ ELEGANCE/ CLASSIC	6	2.4L	M112.91	P	MPFI	1998	2002	SEDAN		AC0157		ACF230	
MERCEDES	E240	W211	AVANT-GARDE/ ELEGANCE/ CLASSIC	6	2.6L	M112.91	P	MPFI	2002	2005	SEDAN		AC0157	ACA320	ACF230	
MERCEDES	E270	W210	AVANT-GARDE/ ELEGANCE/ CLASSIC	5	2.5L	OM612	D	TURBO DIRECT INJ	1999	2002	SEDAN		AC0157			
MERCEDES	E280	W124		6	2.8L	M104.942	P	MPFI	1993	1996	SEDAN		AC0164			
MERCEDES	E280	W210	ELEGANCE	6	2.8L	M112.92	P	MPFI	1998	2001	SEDAN		AC0157	ACA323	ACF230	
MERCEDES	E280	S211	AVANT-GARDE, ELEGANCE	6	3.0L	M272.94	P	MPFI	2005	2009	SEDAN			ACA320		
MERCEDES	E280	W211	AVANTGARDE	6	3.0L	M642.9203	D	TURBO DIRECT INJ	2005	2009	SEDAN		AC0160		ACF212	
MERCEDES	E280	W211	AVANT-GARDE, ELEGANCE	6	3.0L	M272.947	P	MPFI	2005	2009	SEDAN			ACA320		
MERCEDES	E280	W211	CLASSIC	6	3.0L	M642.9203	D	TURBO DIESEL	2005	2009	SEDAN		AC0160		ACF212	
MERCEDES	E280	W211	ELEGANCE	6	3.0L	M642.9203	D	TURBO DIESEL	2005	2009	SEDAN		AC0160		ACF212	
MERCEDES	E300	W212	BLUETEC HYBRID	4	2.2L	OM651.924	D	CRD TURBO	05/13	ON	SEDAN	150KW HYBRID	AC0157			
MERCEDES	E300D	W210	CLASSIC	6	3.0L	OM606	D	TURBO DIRECT INJ	1997	1999	SEDAN			ACA323		
MERCEDES	E320	W124		6	3.2L	M104.99	P	MPFI	1993	1996	SEDAN		AC0164			
MERCEDES	E320	W210	AVANT-GARDE/ ELEGANCE/ CLASSIC	6	3.2L	M104.99	P	MPFI	1996	1998	SEDAN		AC0164	ACA323		
MERCEDES	E320	W210	AVANT-GARDE/ ELEGANCE/ CLASSIC	6	3.2L	M112.94	P	MPFI	1997	2002	SEDAN		AC0157	ACA323	ACF230	
MERCEDES	E320	W211	AVANT-GARDE, ELEGANCE	6	3.2L	M112.94	P	MPFI	2002	2005	SEDAN		AC0157			
MERCEDES	E350	W211	AVANT-GARDE, ELEGANCE	6	3.5L	M272.964	P	MPFI	2005	2009	SEDAN			ACA320		
MERCEDES	E350	W212	AVANT-GARDE, ELEGANCE	6	3.0L	M642.850	D	TURBO DIRECT INJ	2009	2010	SEDAN		AC0160			

MAKE	MODEL	SERIES	BADGE	CYLS	ENG SIZE	ENGINE CODE	FUEL	FUEL DELIVERY / AIR INTAKE	FROM	TO	BODY	REMARKS	OIL	AIR	FUEL	CABIN
MERCEDES	E36	W210	AMG	6	3.6L	OM104.992	P	MPFI	1996	1997	SEDAN		AC0164			
MERCEDES	E430	W210	AVANT-GARDE, ELEGANCE	8	4.3L	M113.94	P	MPFI	1998	2002	SEDAN		AC0157	ACA323	ACF230	
MERCEDES	E500	W211	AVANT-GARDE, ELEGANCE	8	5.0L	M113.96	P	MPFI	2002	2006	SEDAN		AC0157	ACA320		
MERCEDES	E500	W211	AVANT-GARDE, ELEGANCE	8	5.5L	M273.960	P	MPFI	2006	2009	SEDAN			ACA320		
MERCEDES	E55	W210	AMG	8	5.4L	M113.98	P	MPFI	1998	2002	SEDAN		AC0157	ACA323	ACF230	
MERCEDES	E55	W211	AMG	8	5.4L	M113.98	P	MPFI	2002	2006	SEDAN		AC0157	ACA320		
MERCEDES	G350	W463		6	3.0L	OM642.886	D	TURBO DIESEL	02/11	ON	WAGON		AC0160			ACC91
MERCEDES	G500	W463		8	5.5L	M273.963	P	MPFI	06/13	ON	WAGON		AC0157	ACA320	ACF230	ACC91
MERCEDES	G55	W463	AMG	8	5.4L	M113.993	P	S-CHARGED MPFI	02/11	05/13	WAGON		AC0157		ACF230	ACC91
MERCEDES	G63	W463	AMG	8	5.5L	M157.981	P	TWIN TURBO MPFI	06/13	ON	WAGON					ACC91
MERCEDES	GL320	X164		6	3.0L	OM642.940	D	TURBO DIRECT INJ	2006	2011	WAGON		AC0160			
MERCEDES	MB100			4	2.3L	M161-E23	P	MPFI	1999	2005	VAN		AC0164			
MERCEDES	MB140			4	2.3L	M161-E23	P	MPFI	1999	2005	VAN		AC0164			
MERCEDES	ML270	W163	CLASSIC, LUXURY	5	2.7L	OM612	D	TURBO DIRECT INJ	2000	2005	WAGON		AC0157			
MERCEDES	ML280	W164	LUXURY	6	3.0L	OM642.940	D	CRD TURBO	10/06	11/09	WAGON		AC0160			
MERCEDES	ML300	W164	LUXURY, SPORTS	6	3.0L	OM642.940	D	CRD TURBO	12/09	01/11	WAGON		AC0160			
MERCEDES	ML300	W164		6	3.0L	OM642.940	D	CRD TURBO	02/11	2012	WAGON		AC0160			
MERCEDES	ML320	W163	CLASSIC, LUXURY	6	3.2L	M112.94	P	MPFI	1998	2003	WAGON		AC0157	ACA319		
MERCEDES	ML320	W163	LUXURY	6	3.0L	OM642.940	D	TURBO DIRECT INJ	2005	2009	WAGON		AC0160			
MERCEDES	ML350	W163	CLASSIC, LUXURY	6	3.7L	M112.97	P	MPFI	2003	2005	WAGON		AC0157	ACA319		
MERCEDES	ML350	W164	CLASSIC LUXURY	6	3.0L	M642.940	D	TURBO DIRECT INJ	2009	2011	WAGON		AC0160			
MERCEDES	ML430	W163	LUXURY	8	4.3L	M113.94	P	MPFI	1999	2001	WAGON		AC0157			
MERCEDES	ML500	W164	LUXURY	8	5.0L	M113.96	P	MPFI	2005	2007	WAGON			ACA320		
MERCEDES	ML55	W163	AMG	8	5.5L	M113.98	P	MPFI	2001	2005	WAGON		AC0157	ACA319		
MERCEDES	R300	W251		6	3.0L	M642.950	D	TURBO DIRECT INJ	2010	2011	WAGON		AC0160			
MERCEDES	R320	W251		6	3.0L	M642.950	D	TURBO DIRECT INJ	2006	2010	WAGON		AC0160			
MERCEDES	R350	W251		6	3.5L	M272.964	P	MPFI	2006	2010	WAGON			ACA320		
MERCEDES	S280	W140		6	2.8L	M104.942	P	MPFI	1995	1999	SEDAN		AC0164			
MERCEDES	S280	W220		6	2.8L	M112.922	P	MPFI	1999	2002	SEDAN	REQUIRES 2 AIR FILTERS	AC0157	ACA320	ACF230	
MERCEDES	S320	W140		6	3.2L	M104.99	P	MPFI	1994	1999	SEDAN		AC0164			
MERCEDES	S320	W220		6	3.2L	OM112.94	P	MPFI	1999	2002	SEDAN		AC0157	ACA320	ACF230	
MERCEDES	S320	W220		6	3.2L	OM112.944	P	MPFI	1999	2002	SEDAN		AC0157	ACA320	ACF230	
MERCEDES	S320	W221		6	3.0L	M642.930	D	TURBO DIRECT INJ	2008	2009	SEDAN		AC0160			
MERCEDES	S350	W220		6	3.7L	M112-97	P	MPFI	2003	2006	SEDAN		AC0157	ACA320	ACF230	
MERCEDES	S350	W221		6	3.5L	M272-96	P	MPFI	2006	ON	SEDAN		AC0157	ACA320		
MERCEDES	S350L	W220	L	6	3.7L	M112-97	P		2003	2006	SEDAN		AC0157		ACF230	

MAKE	MODEL	SERIES	BADGE	CYLS	ENG SIZE	ENGINE CODE	FUEL	FUEL DELIVERY / AIR INTAKE	FROM	TO	BODY	REMARKS	OIL	AIR	FUEL	CABIN
MERCEDES	S350L	W221	L	6	3.5L	M272.96	P	MPFI	2006	ON	SEDAN		AC0157			
MERCEDES	S430	W220		8	4.3L	M113.94	P	MPFI	1999	2006	SEDAN		AC0157	ACA320		
MERCEDES	S500	W220	C	8	4.3L	M113.94	P	MPFI	1999	2006	SEDAN		AC0157	ACA320		
MERCEDES	S500	W220	L	8	5.0L	M113.96	P	MPFI	1999	2006	SEDAN		AC0157	ACA320		
MERCEDES	S500	W221	L	8	5.5L	M273.96	P	MPFI	2006	2011	SEDAN			ACA320		
MERCEDES	S55	W220	KAMG	8	5.4L	M113.99	P	MPFI	2003	2006	SEDAN			ACA320		
MERCEDES	S600	W220	L	12	5.7L	M137.97	P	MPFI	2000	2003	SEDAN		AC0157			
MERCEDES	SL280	R129		6	2.8L	OM104.943	P	MPFI	1995	1999	R-STER		AC0164			
MERCEDES	SL320	R129		6	3.2L	OM112.944	P	MPFI	1992	2002	R-STER		AC0157		ACF230	
MERCEDES	SL320	R129		6	3.2L	M104.991	P	MPFI	1993	1997	R-STER		AC0157		ACF230	
MERCEDES	SL320	R129		6	3.2L	M112.94	P	MPFI	1999	2002	R-STER		AC0157		ACF230	
MERCEDES	SL320	R129		6	3.2L	OM112.943	P	MPFI	1999	2002	R-STER		AC0157		ACF230	
MERCEDES	SL350	R230		6	3.7L	M112.97	P	MPFI	2003	2006	R-STER			ACA320		
MERCEDES	SL500	R129		8	5.0L	M119.97	P	MPFI	1993	2002	R-STER			ACA320		
MERCEDES	SL500	R230		8	5.0L	M113.96	P	MPFI	2002	2011	R-STER			ACA320		
MERCEDES	SL500	R230		8	5.0L	M113.96	P	MPFI	2006	2011	R-STER			ACA320		
MERCEDES	SL55	R230	AMG	8	5.4L	OM113	P	MPFI	2002	2006	R-STER		AC0157	ACA320		
MERCEDES	SLK200	R170		4	2.0L	OM111.943	P	MPFI	1997	2000	R-STER		AC0164			ACC8
MERCEDES	SLK200K	R170	KOMPRES-SOR	4	2.0L	M111.958	P	S-CHARGED MPFI	2000	2004	R-STER		AC0164			ACC8
MERCEDES	SLK200K	R171	KOMPRES-SOR	4	1.8L	M271.944	P	S-CHARGED MPFI	2004	2008	R-STER		AC0158	ACA194		
MERCEDES	SLK200K	R171	KOMPRES-SOR	4	1.8L	M271.954	P	S-CHARGED MPFI	2008	2011	R-STER		AC0158	ACA194		
MERCEDES	SLK230K	R171	KOMPRES-SOR	4	2.3L	M111.973	P	S-CHARGED MPFI	1997	2000	R-STER		AC0164			ACC8
MERCEDES	SLK230K	R171	KOMPRES-SOR	4	2.3L	M111.983	P	S-CHARGED MPFI	2000	2004	R-STER		AC0164			ACC8
MERCEDES	SLK280	R171		6	3.0L	M272.94	P	MPFI	2005	2008	R-STER	REQUIRES 2 AIR FILTERS	AC0157	ACA320		
MERCEDES	SLK300	R171		6	3.0L	M272.94	P	MPFI	03/10	06/11	R-STER	REQUIRES 2 AIR FILTERS	AC0157	ACA320		
MERCEDES	SLK32	R170	AMG	6	3.2L	OM112.960	P	MPFI	2001	2004	R-STER		AC0157			ACC8
MERCEDES	SLK320	R170		6	3.2L	OM112.947	P	MPFI	2000	2004	R-STER		AC0157			ACC8
MERCEDES	SLK350	R171		6	3.5L	M272.96	P	MPFI	2004	2011	R-STER	REQUIRES 2 AIR FILTERS	AC0157	ACA320		
MERCEDES	SLK55	R171	AMG	8	5.5L	M112.98	P	MPFI	2005	2011	R-STER	REQUIRES 2 AIR FILTERS	AC0157	ACA320		
MERCEDES	SPRINTER	308D		4	2.3L	OM601.942	D	MPFI	1998	2000	VAN			ACA321		
MERCEDES	SPRINTER	312D		5	2.9L	OM602.98	D	MPFI	1998	2000	VAN			ACA321		
MERCEDES	SPRINTER	412D		5	2.9L	OM602	D	MPFI	1998	2000	VAN			ACA321		
MERCEDES	SPRINTER	308CDI		4	2.2L	OM-611DE22	D	TURBO DIRECT INJ	2000	2006	VAN		AC0157	ACA321		
MERCEDES	SPRINTER	313CDI		4	2.2L	OM-611DE22	D	TURBO DIRECT INJ	2000	2006	VAN		AC0157	ACA321		
MERCEDES	SPRINTER	313CDI		4	2.2L	OM-611DE22	D	TURBO DIRECT INJ	2000	2006	VAN		AC0157	ACA321		
MERCEDES	SPRINTER	413CDI		4	2.2L	OM-611DE22	D	TURBO DIRECT INJ	2000	2006	VAN		AC0157	ACA321		
MERCEDES	SPRINTER	208CDI		4	2.2L	OM-611DE22	D	TURBO DIRECT INJ	2002	2006	VAN		AC0157	ACA321		
MERCEDES	SPRINTER	208CDI	HEAVY DUTY	4	2.2L	OM-611DE22	D	TURBO DIRECT INJ	2002	2006	VAN		AC0157			
MERCEDES	SPRINTER	616CDI		5	2.7L	OM612DE	D	TURBO DIRECT INJ	2002	2006	VAN		AC0121	ACA321	ACF212	

MAKE	MODEL	SERIES	BADGE	CYLS	ENG SIZE	ENGINE CODE	FUEL	FUEL DELIVERY / AIR INTAKE	FROM	TO	BODY	REMARKS	OIL	AIR	FUEL	CABIN
MERCEDES	SPRINTER	313CDI	AWD	4	2.2L	OM-611DE22	D	TURBO DIRECT INJ	2003	2006	VAN		AC0157	ACA321		
MERCEDES	SPRINTER	316CDI		5	2.7L	OM612	D	TURBO DIRECT INJ	2003	2006	VAN		AC0121	ACA321	ACF212	
MERCEDES	SPRINTER	416CDI	NCV3	5	2.7L	OM612DE	D	TURBO DIRECT INJ	2003	2006	VAN		AC0121	ACA321	ACF212	
MERCEDES	SPRINTER	311CDI		4	2.2L	OM611	D	TURBO DIRECT INJ	2005	2006	VAN		AC0157	ACA321		
MERCEDES	SPRINTER	309CDI		4	2.2L	OM646	D	TURBO DIRECT INJ	2006	2009	VAN		AC0121	ACA322	ACF212	
MERCEDES	SPRINTER	311CDI		4	2.2L	OM646	D	TURBO DIRECT INJ	2006	2010	VAN		AC0121	ACA322	ACF212	
MERCEDES	SPRINTER	315CDI		4	2.2L	OM646	D	TURBO DIRECT INJ	2006	2010	VAN		AC0121	ACA322	ACF212	
MERCEDES	SPRINTER	515CDI	NCV3	4	2.2L	OM646	D	TURBO DIRECT INJ	2006	2010	VAN		AC0121		ACF212	
MERCEDES	SPRINTER	318CDI	NCV3	6	3.0L	OM642	D	TURBO DIRECT INJ	2006	2010	VAN		AC0160		ACF212	
MERCEDES	SPRINTER	518CDI	NCV3	6	3.0L	OM642	D	TURBO DIRECT INJ	2006	2010	VAN		AC0160		ACF212	
MERCEDES	SPRINTER	415CDI		4	2.1L	OM646.986	D	TURBO MPFI	2008	2010	VAN		AC0121	ACA322		
MERCEDES	SPRINTER	416CDI	NCV3	4	2.1L	OM651.955	D	TURBO DIRECT INJ	2010	ON	VAN	W906	AC0157	ACA322		
MERCEDES	SPRINTER	418CDI	NCV3	6	3.0L	OM642	D	TURBO DIRECT INJ	2008	2010	VAN		AC0160		ACF212	
MERCEDES	SPRINTER	419CDI	NCV3	6	3.0L	OM642	D	TURBO DIRECT INJ	2008	2010	VAN		AC0160		ACF212	
MERCEDES	SPRINTER	316CDI		4	2.2L	OM651	D	TURBO MPFI	2009	ON	VAN		AC0157	ACA322		
MERCEDES	SPRINTER	313CDI		4	2.1L	OM651	D	TURBO DIRECT INJ	2010	2011	VAN		AC0121	ACA322		
MERCEDES	SPRINTER	319CDI	NCV3	6	3.0L	OM642	D	TURBO DIRECT INJ	2010	2011	VAN		AC0160		ACF212	
MERCEDES	SPRINTER	516CDI	NCV3	4	2.1L	OM651.955	D	TURBO DIRECT INJ	2010	ON	VAN	W906	AC0157	ACA322		
MERCEDES	SPRINTER	519CDI	NCV3	6	3.0L	OM642	D	TURBO DIRECT INJ	2010	2011	VAN		AC0160		ACF212	
MERCEDES	VIANO	W639		6	3.7L	M112.97	P	MPFI	2005	2010	WAGON		AC0157			
MERCEDES	VIANO	W639		4	2.2L	OM646	D	TURBO DIRECT INJ	2005	2011	VAN		AC0157		ACF212	
MERCEDES	VIANO	W639		4	2.2L	OM646	D	TURBO DIRECT INJ	2005	2011	WAGON		AC0157		ACF212	
MERCEDES	VITO	W638	113	4	2.0L	OM111.948	P	MPFI	1998	2004	VAN		AC0164			
MERCEDES	VITO	W638	108D	4	2.2L	OM611	D	MPFI	1999	2004	VAN		AC0157	ACA321		
MERCEDES	VITO	W638	112CDI	4	2.2L	M611	D	TURBO DIRECT INJ	2001	2004	VAN		AC0157	ACA321		
MERCEDES	VITO	W639	109CDI	4	2.2L	OM646.983	D	TURBO DIRECT INJ	2004	2006	VAN		AC0121		ACF212	
MERCEDES	VITO	W639	115CDI	4	2.2L	OM646.982	D	TURBO DIRECT INJ	2004	2006	VAN		AC0121		ACF212	
MERCEDES	VITO	W639	109CDI	4	2.2L	OM646	D	TURBO DIRECT INJ	2004	2010	VAN		AC0121		ACF212	
MERCEDES	VITO	W639	119P	6	3.2L	M112.95	P	MPFI	2005	2007	VAN		AC0157			
MERCEDES	VITO	W639	115CDI	4	2.2L	OM646.980	D	TURBO DIRECT INJ	2006	2011	VAN		AC0121		ACF212	
MERCEDES	VITO	W639	120CDI	6	3.0L	M642	D	TURBO DIRECT INJ	2007	2010	VAN		AC0160		ACF212	
MERCEDES	VITO	W639	111CDI	4	2.1L	OM646.980	D	CRD TURBO	2008	2010	VAN		AC0121		ACF212	

MAKE	MODEL	SERIES	BADGE	CYLS	ENG SIZE	ENGINE CODE	FUEL	FUEL DELIVERY / AIR INTAKE	FROM	TO	BODY	REMARKS	OIL	AIR	FUEL	CABIN
<b>MG</b>																
MG	ZR	160		4	1.8L		P		2005	2005	HATCH				ACF115	
MG	ZS			6	2.5L	25K4FM	P		2004	2005	SEDAN		AC0111		ACF115	
MG	ZT		-T + 190	6	2.5L	25K4FN	P		2002	2002	WAGON		AC0111			
MG	ZT		190	6	2.5L	25K4FN	P	MPFI	2002	2004	SEDAN		AC0111			
MG	ZT		+ 190	6	2.5L	25K4FN	P	MPFI	2004	2004	SEDAN		AC0111			
MG	ZT		220S	6	2.5L		P	MPFI	2004	2004	SEDAN		AC0111			
<b>MINI</b>																
MINI	CABRIO	R52	S	4	1.6L	W11B16AA	P	S-CHARGED MPFI	2004	2008	CONV			ACA328		
MINI	CABRIO	R52	S SIDEWALK	4	1.6L	W11B16AA	P	S-CHARGED MPFI	2007	2008	CONV			ACA328		
MINI	CABRIO	R52	SIDEWALK	4	1.6L	W10B16AB	P	S-CHARGED MPFI	2007	2008	CONV			ACA190		
MINI	CABRIO	R52	CHILLI	4	1.6L	W10B16	P	MPFI	2008	2008	CONV			ACA190		
MINI	CABRIO	R52	S CHILLI	4	1.6L	W11B16AA	P	S-CHARGED MPFI	2008	2008	CONV			ACA328		
MINI	CABRIO	R57	S	4	1.6L	N14B6AB	P	TURBO MPFI	2009	2010	CONV		AC0125			
MINI	CABRIO	R57	S CHILLI	4	1.6L	N14B6AB	P	TURBO MPFI	2009	2010	CONV		AC0125			
MINI	CLUBMAN	R55	S	4	1.6L	N14B6AB	P	TURBO MPFI	2008	2010	WAGON		AC0125			
MINI	CLUBMAN	R55	S CHILLI	4	1.6L	N14B6AB	P	TURBO MPFI	2008	2010	WAGON		AC0125			
MINI	CLUBMAN	R55	S CHILLI LAUREL EDITION	4	1.6L	N14B6AB	P	TURBO MPFI	2010	2010	WAGON		AC0125			
MINI	CLUBMAN	R55	S LAUREL EDITION	4	1.6L	N14B6AB	P	TURBO MPFI	2010	2010	WAGON		AC0125			
MINI	CLUBMAN	R55 LCI	JOHN COOPER WORKS	4	1.6L	N14B-16CD	P	TURBO MPFI	2010	2011	WAGON		AC0125			
MINI	COOPER	R53	S	4	1.6L	W11B16AA	P	S-CHARGED MPFI	2002	2007	HATCH			ACA328		
MINI	COOPER	R50	CHILLI	4	1.6L	W10B16	P	MPFI	2004	2007	HATCH			ACA190		
MINI	COOPER	R53	S CHILLI	4	1.6L	W11B16AA	P	S-CHARGED MPFI	2004	2007	HATCH			ACA328		
MINI	COOPER	R50	CHECKMATE	4	1.6L	W10B16	P	MPFI	2006	2007	HATCH			ACA190		
MINI	COOPER	R50	PARK LANE	4	1.6L	W10B16AB	P	MPFI	2006	2007	HATCH			ACA328		
MINI	COOPER	R53	S CHECKMATE	4	1.6L	W11B16AA	P	S-CHARGED MPFI	2006	2007	HATCH			ACA328		
MINI	COOPER	R53	S PARK LANE	4	1.6L	W11B16AA	P	S-CHARGED MPFI	2006	2007	HATCH			ACA328		
MINI	COOPER	R56	S	4	1.6L	N14B6AB	P	TURBO MPFI	2007	2010	HATCH		AC0125			
MINI	COOPER	R56	S CHILLI	4	1.6L	N14B6AB	P	TURBO MPFI	2007	2010	HATCH		AC0125			
MINI	COOPER	R56	JOHN COOPER WORKS	4	1.6L	N14B-16CD	P	TURBO MPFI	2008	2010	HATCH		AC0125			
MINI	COOPER	R56	D	4	1.6L	N009119HZ	D	TURBO DIRECT INJ	2009	2010	HATCH		AC0109			
MINI	COOPER	R56	D CAMDEN	4	1.6L	N009119HZ	D	TURBO DIRECT INJ	2009	2010	HATCH		AC0109			
MINI	COOPER	R56	D CHILLI	4	1.6L	N009119HZ	D	TURBO DIRECT INJ	2009	2010	HATCH		AC0109			
MINI	COOPER	R56	D MAYFAIR	4	1.6L	N009119HZ	D	TURBO DIRECT INJ	2009	2010	HATCH		AC0109			
MINI	COOPER	R56	S CAMDEN	4	1.6L	N14B6AB	P	TURBO MPFI	2009	2010	HATCH		AC0125			
MINI	COOPER	R56	S MAYFAIR	4	1.6L	N14B6AB	P	TURBO MPFI	2009	2010	HATCH		AC0125			
MINI	COOPER	R56 LCI	JOHN COOPER WORKS	4	1.6L	N14B-16CD	P	TURBO MPFI	2010	2011	HATCH		AC0125			
MINI	COOPER	R56 LCI	D	4	1.6L	N47C16A	D	CRD TURBO	10/10	ON	HATCH		AC0109		ACF233	
MINI	COOPER	R56 LCI	D CHILLI	4	1.6L	N47C16A	D	CRD TURBO	10/10	ON	HATCH		AC0109		ACF233	

MAKE	MODEL	SERIES	BADGE	CYLS	ENG SIZE	ENGINE CODE	FUEL	FUEL DELIVERY / AIR INTAKE	FROM	TO	BODY	REMARKS	OIL	AIR	FUEL	CABIN
<b>MITSUBISHI</b>																
MITSUBISHI	380	DB	GT	6	3.8L	6G75	P	MPFI	2005	2006	SEDAN	SOHC 24V	AC028	ACA174		
MITSUBISHI	380	DB	LS	6	3.8L	6G75	P	MPFI	2005	2006	SEDAN	SOHC 24V	AC028	ACA174		
MITSUBISHI	380	DB	LX	6	3.8L	6G75	P	MPFI	2005	2006	SEDAN	SOHC 24V	AC028	ACA174		
MITSUBISHI	380	DB	VR-X	6	3.8L	6G75	P	MPFI	2005	2006	SEDAN	SOHC 24V	AC028	ACA174		
MITSUBISHI	380	DB	LIMITED EDITION	6	3.8L	6G75	P	MPFI	2006	2006	SEDAN	SOHC 24V	AC028	ACA174		
MITSUBISHI	380	DB SERIES II	ES	6	3.8L	6G75	P	MPFI	2006	2007	SEDAN	SOHC 24V	AC028	ACA174		
MITSUBISHI	380	DB SERIES II	GT	6	3.8L	6G75	P	MPFI	2006	2007	SEDAN	SOHC 24V	AC028	ACA174		
MITSUBISHI	380	DB SERIES II	LX	6	3.8L	6G75	P	MPFI	2006	2007	SEDAN	SOHC 24V	AC028	ACA174		
MITSUBISHI	380	DB SERIES II	PLATINUM EDITION	6	3.8L	6G75	P	MPFI	2006	2007	SEDAN	SOHC 24V	AC028	ACA174		
MITSUBISHI	380	DB SERIES II	SX	6	3.8L	6G75	P	MPFI	2006	2007	SEDAN	SOHC 24V	AC028	ACA174		
MITSUBISHI	380	DB SERIES II	VR-X	6	3.8L	6G75	P	MPFI	2006	2007	SEDAN	SOHC 24V	AC028	ACA174		
MITSUBISHI	380	DB SERIES III	ES SPORTS	6	3.8L	6G75	P	MPFI	2007	2007	SEDAN	SOHC 24V	AC028	ACA174		
MITSUBISHI	380	DB SERIES III	GT	6	3.8L	6G75	P	MPFI	2007	2007	SEDAN	SOHC 24V	AC028	ACA174		
MITSUBISHI	380	DB SERIES III	VR-X FUSION BURST	6	3.8L	6G75	P	MPFI	2007	2007	SEDAN	SOHC 24V	AC028	ACA174		
MITSUBISHI	380	DB SERIES III	ES	6	3.8L	6G75	P	MPFI	2007	2008	SEDAN	SOHC 24V	AC028	ACA174		
MITSUBISHI	380	DB SERIES III	GTL	6	3.8L	6G75	P	MPFI	2007	2008	SEDAN	SOHC 24V	AC028	ACA174		
MITSUBISHI	380	DB SERIES III	PLATINUM EDITION	6	3.8L	6G75	P	MPFI	2007	2008	SEDAN	SOHC 24V	AC028	ACA174		
MITSUBISHI	380	DB SERIES III	SX	6	3.8L	6G75	P	MPFI	2007	2008	SEDAN	SOHC 24V	AC028	ACA174		
MITSUBISHI	380	DB SERIES III	VR-X	6	3.8L	6G75	P	MPFI	2007	2008	SEDAN	SOHC 24V	AC028	ACA174		
MITSUBISHI	3000GT			6	3.0L	6G72A	P	TWIN TURBO INT-COOL	1992	1994	HATCH	4WD	AC07	ACA18		
MITSUBISHI	3000GT	JF		6	3.0L	6G72A	P	TWIN TURBO INT-COOL	1994	1996	HATCH	4WD	AC07	ACA18		
MITSUBISHI	3000GT	JF		6	3.0L	6G72A	P	TWIN TURBO INT-COOL	1996	1997	HATCH	4WD	AC07	ACA18		
MITSUBISHI	ASX	XA	ASPIRE	4	1.8L	4N13	D	TURBO DIRECT INJ	2010	2012	WAGON		AC028	ACA161		ACC37
MITSUBISHI	ASX	XA	ASPIRE	4	2.0L	4B11	P	MPFI	2010	2012	WAGON		AC028	ACA181		ACC37
MITSUBISHI	ASX	XA	30TH ANNIV	4	2.0L	4B11	P	MPFI	2011	2011	WAGON		AC028	ACA181		ACC37
MITSUBISHI	ASX	XA	PLATINUM	4	2.0L	4B11	P	MPFI	2011	2012	WAGON		AC028	ACA181		ACC37
MITSUBISHI	ASX	XA	ACTIV	4	2.0L	4B11	P	MPFI	2012	2012	WAGON		AC028	ACA181		ACC37
MITSUBISHI	ASX	XB	ASPIRE	4	1.8L	4N13	D	TURBO DIRECT INJ	09/12	2013	WAGON		AC028	ACA161		ACC37
MITSUBISHI	ASX	XB		4	2.0L	4B11	P	MPFI	2013	ON	WAGON		AC028	ACA293		ACC37
MITSUBISHI	ASX	XB	ASPIRE	4	2.0L	4B11	P	MPFI	2013	ON	WAGON		AC028	ACA293		ACC37
MITSUBISHI	ASX	XB		4	2.2L	4N14	D	TURBO DIRECT INJ	2013	ON	WAGON		AC028	ACA161		ACC37
MITSUBISHI	ASX	XB	ASPIRE	4	2.2L	4N14	D	TURBO DIRECT INJ	2013	ON	WAGON		AC028	ACA161		ACC37
MITSUBISHI	CANTER	FE211		4	3.3L	4D30	D	DIESEL INJ	1984	1986	TRUCK		AC040	ACA116	ACF17	
MITSUBISHI	CANTER	FG434		4	3.3L	4D31	D		1984	1993	TRUCK	FULL FLOW OIL FILTER AC040 / BY PASS OIL FILTER AC058	AC040 / AC058	ACA116	ACF17	

MAKE	MODEL	SERIES	BADGE	CYLS	ENG SIZE	ENGINE CODE	FUEL	FUEL DELIVERY / AIR INTAKE	FROM	TO	BODY	REMARKS	OIL	AIR	FUEL	CABIN
MITSUBISHI	CANTER	FE214		4	3.3L	4D31	D	DIESEL INJ	1985	1986	TRUCK	FULL FLOW OIL FILTER AC040 / BY PASS OIL FILTER AC058	AC040 / AC058	ACA116	ACF17	
MITSUBISHI	CANTER	FC432		4	2.6L	4G54	P	CARB	1986	1991	TRUCK		AC07	ACA116	ACF10	
MITSUBISHI	CANTER	FE434		4	3.3L	4D31	D	DIESEL INJ	1986	1991	TRUCK	FULL FLOW OIL FILTER AC040 / BY PASS OIL FILTER AC058	AC040 / AC058	ACA116	ACF17	
MITSUBISHI	CANTER	FE444		4	3.3L	4D31	D	DIESEL INJ	1986	1991	TRUCK	FULL FLOW OIL FILTER AC040 / BY PASS OIL FILTER AC058	AC040 / AC058	ACA116	ACF17	
MITSUBISHI	CANTER	FE444		4	3.3L	4D31T	D	TURBO DIRECT INJ	1986	1995	TRUCK	FULL FLOW OIL FILTER AC040 / BY PASS OIL FILTER AC058	AC040 / AC058		ACF17	
MITSUBISHI	CANTER	FE334		4	3.3L	4D31	D	DIESEL INJ	1991	1993	TRUCK	FULL FLOW OIL FILTER AC040 / BY PASS OIL FILTER AC058	AC040 / AC058	ACA116	ACF17	
MITSUBISHI	CANTER	FE439		4	3.9L	4D34	D	DIESEL INJ	1991	1995	TRUCK	FULL FLOW OIL FILTER AC040 / BY PASS OIL FILTER AC058	AC040 / AC058		ACF17	
MITSUBISHI	CANTER	FE449		4	3.9L	4D34	D	DIESEL INJ	1991	1995	TRUCK	FULL FLOW OIL FILTER AC040 / BY PASS OIL FILTER AC058	AC040 / AC058		ACF17	
MITSUBISHI	CANTER	FG439		4	3.9L	4D34	D	DIESEL INJ	1991	1996	TRUCK	FULL FLOW OIL FILTER AC040 / BY PASS OIL FILTER AC058	AC040 / AC058		ACF17	
MITSUBISHI	CANTER	FE339		4	3.9L	4D34	D	DIESEL INJ	1993	1995	TRUCK	FULL FLOW OIL FILTER AC040 / BY PASS OIL FILTER AC058	AC040 / AC058		ACF17	
MITSUBISHI	CANTER	FE539		4	3.9L	4D34	D	DIESEL INJ	1995	1996	TRUCK		AC056		ACF17	
MITSUBISHI	CANTER	FE639		4	3.9L	4D34	D	DIESEL INJ	1995	1996	TRUCK		AC056		ACF17	
MITSUBISHI	CANTER	FE659		4	3.9L	4D34	D	DIESEL INJ	1995	1996	TRUCK		AC056		ACF17	
MITSUBISHI	CANTER	FG639		4	3.9L	4D34	D	DIESEL INJ	1995	1997	TRUCK		AC056		ACF17	
MITSUBISHI	CANTER	FE649		4	3.9L	4D34	D	DIESEL INJ	1995	2005	TRUCK		AC056		ACF17	
MITSUBISHI	CANTER	FE537		4	4.2L	4D33	D	DIESEL INJ	1996	2002	TRUCK				ACF17	
MITSUBISHI	CANTER	FE637		4	4.2L	4D33	D	DIESEL INJ	1996	2002	TRUCK				ACF17	
MITSUBISHI	CANTER	FE647		4	4.2L	4D33	D	DIESEL INJ	1996	2002	TRUCK				ACF17	
MITSUBISHI	CANTER	FE657		4	4.2L	4D33	D	DIESEL INJ	1996	2002	TRUCK				ACF17	

MAKE	MODEL	SERIES	BADGE	CYLS	ENG SIZE	ENGINE CODE	FUEL	FUEL DELIVERY / AIR INTAKE	FROM	TO	BODY	REMARKS	OIL	AIR	FUEL	CABIN
mitsubishi	CANTER	FG637		4	4.2L	4D33	D	DIESEL INJ	1996	2002	TRUCK				ACF17	
mitsubishi	CANTER	FB511		4	2.8L	4M40	D	DIESEL INJ	1998	2002	TRUCK		AC056		ACF19	
mitsubishi	CANTER	FE534		4	3.0L	4M42T	D	TURBO DIRECT INJ	2002	2005	TRUCK		AC056		ACF114	
mitsubishi	CANTER	FE639		4	3.9L	4D34T	D	TURBO DIRECT INJ	2002	2005	TRUCK		AC056		ACF17	
mitsubishi	CANTER	FE659		4	3.9L	4D34	D	DIESEL INJ	2002	2005	TRUCK		AC056		ACF17	
mitsubishi	CANTER	FG649		4	3.9L	4D34T	D	TURBO DIRECT INJ	2002	2008	TRUCK		AC056		ACF21	
mitsubishi	CANTER	FE83P		4	3.9L	4D34T	D	TURBO DIRECT INJ	2002	ON	TRUCK		AC056		ACF21	
mitsubishi	CANTER	FE84P		4	3.9L	4D34T	D	TURBO DIRECT INJ	2004	ON	TRUCK		AC056		ACF21	
mitsubishi	CANTER	FE85P		4	3.9L	4D34T	D	TURBO DIRECT INJ	2005	ON	TRUCK		AC056		ACF21	
mitsubishi	CANTER	FE83D		4	4.9L	4M50T	D	TURBO DIRECT INJ	2007	ON	TRUCK				ACF148	
mitsubishi	CANTER	FE84D		4	4.9L	4M50T	D	TURBO DIRECT INJ	2008	ON	TRUCK				ACF148	
mitsubishi	CANTER	FE85D		4	4.9L	4M50T	D	TURBO DIRECT INJ	2008	ON	TRUCK				ACF148	
mitsubishi	CANTER	FG84D		4	4.9L	4M50T	D	TURBO DIRECT INJ	2008	ON	TRUCK				ACF148	
mitsubishi	CHALLENGER	PA		6	3.0L	6G72	P	MPFI	1998	2000	WAGON		AC07	ACA18		
mitsubishi	CHALLENGER	PA		6	3.0L	6G72	P	MPFI	2000	2006	WAGON		AC07	ACA18		
mitsubishi	CHALLENGER	PA	LS	6	3.0L	6G72	P	MPFI	2000	2006	WAGON		AC07	ACA18		
mitsubishi	CHALLENGER	PA	XS	6	3.0L	6G72	P	MPFI	2003	2003	WAGON		AC07	ACA18		
mitsubishi	CHALLENGER	PB	XLS	4	2.5L	4D56	D	TURBO INT-COOL	2009	2010	WAGON			ACA135	ACF150	ACC43
mitsubishi	CHALLENGER	PB	LS	4	2.5L	4D56	D	TURBO INT-COOL	2009	06/13	WAGON			ACA135	ACF150	ACC43
mitsubishi	CHALLENGER	PB		4	2.5L	4D56	D	TURBO INT-COOL	2010	06/13	WAGON			ACA135	ACF150	ACC43
mitsubishi	CHALLENGER	PB	XLS	4	2.5L	4D56	D	TURBO INT-COOL	2010	06/13	WAGON			ACA135	ACF150	ACC43
mitsubishi	CHALLENGER	PB	30TH ANNIV	4	2.5L	4D56	D	TURBO INT-COOL	2011	2011	WAGON			ACA135	ACF150	ACC43
mitsubishi	CHALLENGER	PC		4	2.5L	4D56	D	TURBO INT-COOL	07/13	ON	WAGON			ACA135	ACF150	ACC43
mitsubishi	CHALLENGER	PC	LS	4	2.5L	4D56	D	TURBO INT-COOL	07/13	ON	WAGON			ACA135	ACF150	ACC43
mitsubishi	COLT	RA		4	1.4L	4G12B	P	CARB	1980	1982	HATCH		AC07			
mitsubishi	COLT	RA		4	1.6L	G12B	P	CARB	1980	1982	HATCH		AC07			
mitsubishi	COLT	RB		4	1.4L	4G33B	P	CARB	1982	1984	HATCH		AC07	ACA35	ACF10	
mitsubishi	COLT	RB		4	1.6L	4G32B	P	CARB	1982	1984	HATCH		AC07	ACA35	ACF10	
mitsubishi	COLT	RC		4	1.4L	4G33B	P	CARB	1984	1986	HATCH		AC07	ACA35	ACF10	
mitsubishi	COLT	RC		4	1.6L	4G32B	P	CARB	1984	1986	HATCH		AC07	ACA35	ACF10	
mitsubishi	COLT	RD		4	1.4L	4G33B	P	CARB	1986	1988	HATCH		AC07	ACA35	ACF10	
mitsubishi	COLT	RD		4	1.6L	4G32B	P	CARB	1986	1988	HATCH		AC07	ACA35	ACF10	
mitsubishi	COLT	RE		4	1.4L	4G33B	P	CARB	1988	1990	HATCH		AC07	ACA35	ACF10	
mitsubishi	COLT	RE		4	1.6L	4G32B	P	CARB	1988	1990	HATCH		AC07	ACA35	ACF10	
mitsubishi	COLT	RG	LS	4	1.5L	4G15	P	MPFI	2004	2004	HATCH		AC028	ACA277	ACF222	
mitsubishi	COLT	RG	XLS	4	1.5L	4G15	P	MPFI	2004	2004	HATCH		AC028	ACA277	ACF222	
mitsubishi	COLT	RG	XLS	4	1.5L	4G15	P	MPFI	2005	2005	HATCH		AC028	ACA277	ACF222	
mitsubishi	COLT	RG	LS	4	1.5L	4G15	P	MPFI	2005	02/06	HATCH		AC028	ACA277	ACF222	
mitsubishi	COLT	RG	ES	4	1.5L	4A91	P	MPFI	2006	2006	HATCH		AC028	ACA277	ACF222	ACC95
mitsubishi	COLT	RG	RALLIART	4	1.5L	4G15T	P	TURBO INT-COOL	2006	2006	HATCH		AC073	ACA277	ACF222	
mitsubishi	COLT	RG	VR-X	4	1.5L	4A91	P	MPFI	2006	2006	HATCH		AC028	ACA277	ACF222	ACC95
mitsubishi	COLT	RG		4	1.5L	4A91	P	MPFI	2006	2008	CABRIO		AC028	ACA277	ACF222	ACC95



MAKE	MODEL	SERIES	BADGE	CYLS	ENG SIZE	ENGINE CODE	FUEL	FUEL DELIVERY / AIR INTAKE	FROM	TO	BODY	REMARKS	OIL	AIR	FUEL	CABIN
MITSUBISHI	COLT	RG	TURBO	4	1.5L	4G15T	P	TURBO INT-COOL	2006	2008	CABRIO		AC073	ACA277	ACF222	
MITSUBISHI	COLT	RZ	TURBO	4	1.5L	4G15T	P	TURBO INT-COOL	2006	2008	HATCH		AC073	ACA277	ACF222	
MITSUBISHI	COLT	RG	LS	4	1.5L	4A91	P	MPFI	03/06	2007	HATCH		AC028	ACA277	ACF222	ACC95
MITSUBISHI	COLT	RG	ES	4	1.5L	4A91	P	MPFI	2007	2007	HATCH		AC028	ACA277	ACF222	ACC95
MITSUBISHI	COLT	RG	LS	4	1.5L	4A91	P	MPFI	2007	2007	HATCH		AC028	ACA277	ACF222	ACC95
MITSUBISHI	COLT	RG	RALLIART	4	1.5L	4G15T	P	TURBO INT-COOL	2007	2007	HATCH		AC073	ACA277	ACF222	
MITSUBISHI	COLT	RG	VR-X	4	1.5L	4A91	P	MPFI	2007	2007	HATCH		AC028	ACA277	ACF222	ACC95
MITSUBISHI	COLT	RG	ES	4	1.5L	4A91	P	MPFI	2008	2008	HATCH		AC028	ACA277	ACF222	ACC95
MITSUBISHI	COLT	RG	RALLIART	4	1.5L	4G15T	P	TURBO INT-COOL	2008	2008	HATCH		AC073	ACA277	ACF222	
MITSUBISHI	COLT	RG	VR-X	4	1.5L	4A91	P	MPFI	2008	2008	HATCH		AC028	ACA277	ACF222	ACC95
MITSUBISHI	COLT	RG	ES	4	1.5L	4A91	P	MPFI	2009	2010	HATCH		AC028	ACA277	ACF222	ACC95
MITSUBISHI	COLT	RG	RALLIART	4	1.5L	4G15T	P	TURBO INT-COOL	2009	2010	HATCH		AC073	ACA277	ACF222	
MITSUBISHI	COLT	RG	VR-X	4	1.5L	4A91	P	MPFI	2009	2010	HATCH		AC028	ACA277	ACF222	ACC95
MITSUBISHI	COLT	RG	VR-X	4	1.5L	4A91	P	MPFI	2010	2013	HATCH		AC028	ACA277	ACF222	ACC95
MITSUBISHI	CORDIA	AA	GSL	4	1.6L	4G32B	P	CARB	1983	1984	HATCH		AC07	ACA35	ACF10	
MITSUBISHI	CORDIA	AA	GSR	4	1.8L	4G62BT	P	TURBO	1984	1984	HATCH		AC07		ACF6	
MITSUBISHI	CORDIA	AB	GSL	4	1.8L	4G37B	P	CARB	1984	1985	HATCH		AC07	ACA11	ACF10	
MITSUBISHI	CORDIA	AB	GSR	4	1.8L	4G62BT	P	TURBO	1984	1985	HATCH		AC07		ACF6	
MITSUBISHI	CORDIA	AC	GSL	4	1.8L	4G37B	P	CARB	1985	1989	HATCH		AC07	ACA11	ACF10	
MITSUBISHI	CORDIA	AC	GSR	4	1.8L	4G62BT	P	TURBO	1985	1989	HATCH		AC07		ACF6	
MITSUBISHI	DELICA	P25W		4	2.5L	4D56	D	TURBO DIRECT INJ	1989	1995	WAGON		AC041	ACA65		
MITSUBISHI	DELICA	P35W		4	2.5L	4D56	D	TURBO DIRECT INJ	1989	1996	WAGON		AC041	ACA65		
MITSUBISHI	DELICA	PD6W		4	3.0L	6G72	P	MPFI	1994	2006	WAGON		AC07	ACA18		
MITSUBISHI	DELICA	CV5W		4	2.4L	4B12	P	MPFI	2007	ON	WAGON		AC028	ACA181		ACC6
MITSUBISHI	EXPRESS VAN	SF		4	2.4L	4G64B	P	MPFI	1986	1990	WAGON		AC07	ACA121	ACF5	
MITSUBISHI	EXPRESS VAN	SF	MWB	4	2.0L	4G63B	P	CARB	1987	05/90	WAGON		AC07	ACA121	ACF75	
MITSUBISHI	EXPRESS VAN	SF	SWB	4	2.0L	4G63B	P	CARB	1987	05/90	WAGON		AC07	ACA121	ACF75	
MITSUBISHI	EXPRESS VAN	SF	MWB	4	2.5L	4D56	D	DIESEL INJ	1987	05/90	WAGON		AC041			
MITSUBISHI	EXPRESS VAN	SF	SWB	4	2.5L	4D56	D	DIESEL INJ	1987	05/90	WAGON		AC041			
MITSUBISHI	EXPRESS VAN	SG		4	2.0L	4G63B	P	CARB	1990	06/91	WAGON		AC07	ACA121	ACF75	
MITSUBISHI	EXPRESS VAN	SG	SWB	4	2.4L	4G64B	P	MPFI	1990	06/91	WAGON		AC07	ACA121	ACF5	
MITSUBISHI	EXPRESS VAN	SG		4	2.5L	4D56	D	DIESEL INJ	1990	06/91	WAGON		AC041			
MITSUBISHI	EXPRESS VAN	SH		4	2.0L	4G63B	P	CARB	1991	05/94	WAGON		AC07	ACA121	ACF75	
MITSUBISHI	EXPRESS VAN	SH		4	2.4L	4G64B	P	MPFI	1991	05/94	WAGON		AC07	ACA121		
MITSUBISHI	EXPRESS VAN	SH		4	2.5L	4D56	D	DIESEL INJ	07/91	05/94	WAGON		AC041	ACA65	ACF19	
MITSUBISHI	EXPRESS VAN	WA		4	2.4L	4G64	P	MPFI	1994	2002	WAGON		AC028	ACA18	ACF1	
MITSUBISHI	EXPRESS VAN	SJ	SWB	4	2.0L	4G63B	P	CARB	1994	09/03	WAGON		AC028	ACA121	ACF10	
MITSUBISHI	EXPRESS VAN	SJ		4	2.4L	4G64B	P	MPFI	1994	09/03	WAGON		AC028	ACA121	ACF1	
MITSUBISHI	EXPRESS VAN	SJ	SWB	4	2.0L	4G63B	P	MPFI	10/03	2006	WAGON		AC028	ACA121	ACF1	
MITSUBISHI	EXPRESS VAN	SJ		4	2.4L	4G64B	P	MPFI	2006	ON	WAGON		AC028	ACA121	ACF5	
MITSUBISHI	FTO	DE3A	GPX	6	2.0L	6A12G	P	MPFI	1994	1997	COUPE	IMPORTED VERSION ONLY	AC028		ACF1	
MITSUBISHI	FTO	DE3A	GR	6	2.0L	6A12G	P	MPFI	1994	1999	COUPE	IMPORTED VERSION ONLY	AC028		ACF1	
MITSUBISHI	FTO	DE3A	GPX	6	2.0L	6A12G	P	MPFI	1997	2000	COUPE	IMPORTED VERSION ONLY	AC028		ACF1	

MAKE	MODEL	SERIES	BADGE	CYLS	ENG SIZE	ENGINE CODE	FUEL	FUEL DELIVERY / AIR INTAKE	FROM	TO	BODY	REMARKS	OIL	AIR	FUEL	CABIN
mitsubishi	FUSO	FH100		6	5.0L	6D31	D	DIESEL INJ	1990	1995	TRUCK		AC056		ACF21	
mitsubishi	FUSO	FH100		6	5.0L	6D31T	D	TURBO DIRECT INJ	1990	1995	TRUCK		AC056		ACF21	
mitsubishi	FUSO FIGHTER	FK115		6	6.6L	6D14	D	DIESEL INJ	1978	1986	TRUCK	SECONDARY SPIN ON FUEL FILTER ACF21	AC054		ACF21	
mitsubishi	FUSO FIGHTER	FM215		6	6.6L	6D14	D	DIESEL INJ	1980	1988	TRUCK	SECONDARY SPIN ON FUEL FILTER ACF21	AC054		ACF21	
mitsubishi	FUSO FIGHTER	FK415		6	6.6L	6D14	D	DIESEL INJ	1985	1989	TRUCK		AC054		ACF21	
mitsubishi	FUSO FIGHTER	FM515		6	6.6L	6D14	D	DIESEL INJ	1985	1991	TRUCK	WHERE SPIN ON OIL FILTER IS FITTED	AC051		ACF21	
mitsubishi	FUSO FIGHTER	FM515		6	6.6L	6D14	D	DIESEL INJ	1985	1991	TRUCK	WHERE CARTRIDGE OIL FILTER IS FITTED	AC054		ACF21	
mitsubishi	FUSO FIGHTER	FM515		6	6.6L	6D14T	D	TURBO DIRECT INJ	1985	1991	TRUCK		AC054		ACF21	
mitsubishi	FUSO FIGHTER	FK417		6	7.5L	6D16	D	DIESEL INJ	1986	1995	TRUCK		AC051		ACF21	
mitsubishi	FUSO FIGHTER	FM555		6	6.6L	6D14T	D	TURBO DIRECT INJ	1988	1989	TRUCK	WHERE SPIN ON OIL FILTER IS FITTED	AC051		ACF21	
mitsubishi	FUSO FIGHTER	FM555		6	6.6L	6D14T	D	TURBO DIRECT INJ	1988	1989	TRUCK	WHERE CARTRIDGE OIL FILTER IS FITTED	AC054		ACF21	
mitsubishi	FUSO FIGHTER	FK415		6	6.6L	6D14	D	DIESEL INJ	1989	1992	TRUCK		AC051		ACF21	
mitsubishi	FUSO FIGHTER	FK457		6	6.6L	6D16T	D	TURBO DIRECT INJ	1989	1995	TRUCK		AC051		ACF21	
mitsubishi	FUSO FIGHTER	FM557		6	7.5L	6D16	D	DIESEL INJ	1989	1995	TRUCK		AC051		ACF21	
mitsubishi	FUSO FIGHTER	FM557		6	7.5L	6D16T	D	TURBO DIRECT INJ	1989	1995	TRUCK		AC051		ACF21	
mitsubishi	FUSO FIGHTER	FK457		6	8.2L	6D16	D	DIESEL INJ	1989	1995	TRUCK		AC051		ACF21	
mitsubishi	FUSO FIGHTER	FK417		6	7.5L	6D16T	D	TURBO DIRECT INJ	1989	1996	TRUCK		AC051		ACF21	
mitsubishi	FUSO FIGHTER	FM517		6	7.5L	6D16	D	DIESEL INJ	1990	1992	TRUCK		AC051		ACF21	
mitsubishi	FUSO FIGHTER	FM517		6	7.5L	6D16T	D	TURBO DIRECT INJ	1992	1996	TRUCK		AC051		ACF21	
mitsubishi	FUSO FIGHTER	FM657		6	7.5L	6D16T	D	TURBO DIRECT INJ	1995	1997	TRUCK		AC051			
mitsubishi	FUSO FIGHTER	FK618		6	8.2L	6D17	D	DIESEL INJ	1995	1997	TRUCK		AC051		ACF21	
mitsubishi	FUSO FIGHTER	FK617		6	7.5L	6D16T	D	TURBO DIRECT INJ	1995	1998	TRUCK		AC051		ACF21	
mitsubishi	FUSO FIGHTER	FM658		6	8.2L	6D17	D	DIESEL INJ	1995	1998	TRUCK		AC051		ACF21	
mitsubishi	FUSO FIGHTER	FK617		6	7.5L	6D16	D	DIESEL INJ	1995	2002	TRUCK		AC051		ACF21	
mitsubishi	FUSO FIGHTER	FM618		6	8.2L	6D17	D	DIESEL INJ	1995	2006	TRUCK		AC051		ACF21	
mitsubishi	FUSO FIGHTER	FK618		6	7.5L	6D16	D	DIESEL INJ	1998	2002	TRUCK		AC051		ACF21	
mitsubishi	FUSO FIGHTER	FM657		6	7.5L	6D16	D	DIESEL INJ	1998	2006	TRUCK		AC051		ACF21	
mitsubishi	FUSO FIGHTER	FM677		6	7.5L	6D16	D	DIESEL INJ	1998	2006	TRUCK		AC051		ACF21	
mitsubishi	FUSO FIGHTER	FM658		6	8.2L	6D17	D	DIESEL INJ	1998	2006	TRUCK		AC051		ACF21	
mitsubishi	FUSO FIGHTER	FM65F		6	7.5L	6M60T	D	TURBO DIRECT INJ	2002	2008	TRUCK		AC051			
mitsubishi	FUSO FIGHTER	FM67F		6	7.5L	6M60T	D	TURBO DIRECT INJ	2002	2008	TRUCK		AC051			

MAKE	MODEL	SERIES	BADGE	CYLS	ENG SIZE	ENGINE CODE	FUEL	FUEL DELIVERY / AIR INTAKE	FROM	TO	BODY	REMARKS	OIL	AIR	FUEL	CABIN
mitsubishi	FUSO FIGHTER	FN64		6	7.5L	6M60T	D	TURBO DIRECT INJ	2002	2008	TRUCK		AC051			
mitsubishi	FUSO FIGHTER	FN61		6	7.5L	6M60T	D	TURBO DIRECT INJ	2002	2009	TRUCK		AC051			
mitsubishi	FUSO FIGHTER	FK617		6	7.5L	6D16	D	DIESEL INJ	2003	2006	TRUCK		AC051			
mitsubishi	FUSO FIGHTER	FK61F		6	7.5L	6M60T	D	TURBO DIRECT INJ	2003	ON	TRUCK		AC050		ACF142	
mitsubishi	FUSO FIGHTER	FN62		6	7.5L	6M60T	D	TURBO DIRECT INJ	2006	2008	TRUCK		AC051			
mitsubishi	FUSO FIGHTER	FN63		6	7.5L	6M60T	D	TURBO DIRECT INJ	2006	2008	TRUCK		AC051			
mitsubishi	FUSO FIGHTER	FK62		6	7.5L	6M60T	D	TURBO DIRECT INJ	2008	ON	TRUCK		AC051		ACF142	
mitsubishi	FUSO FIGHTER	FK65		6	7.5L	6M60T	D	TURBO DIRECT INJ	2008	ON	TRUCK		AC051		ACF142	
mitsubishi	GALANT	HG	GSR	4	2.0L	4G63	P	MPFI	1989	1990	HATCH		AC07	ACA14	ACF1	
mitsubishi	GALANT	HG	SE	4	2.0L	4G63	P	MPFI	1989	1990	HATCH		AC07	ACA14	ACF1	
mitsubishi	GALANT	HG	SE	4	2.0L	4G63	P	MPFI	1989	1990	SEDAN		AC07	ACA14	ACF1	
mitsubishi	GALANT	HH	GSR	4	2.0L	4G63	P	MPFI	1990	1993	HATCH		AC07	ACA14	ACF1	
mitsubishi	GALANT	HH	SE	4	2.0L	4G63	P	MPFI	1990	1993	SED/HATCH		AC07	ACA14	ACF1	
mitsubishi	GALANT	HH	VR4	4	2.0L	4G63	P	TURBO	1990	1993	SEDAN		AC07	ACA14	ACF1	
mitsubishi	GALANT	HJ	SE	4	2.0L	4G63	P	MPFI	1993	1994	HATCH		AC028		ACF1	
mitsubishi	GALANT	HJ	V6-24	6	2.0L	6A12A	P	MPFI	1993	1996	HATCH		AC028		ACF1	
mitsubishi	GALANT	EC5A	VR4	6	2.5L	6A13T	P	TWIN TURBO INT-COOL	1996	2000	SEDAN		AC028	ACA113	ACF195	
mitsubishi	GALANT	EC5A	VR4	6	2.5L	6A13T	P	TWIN TURBO INT-COOL	2000	2002	SEDAN		AC028	ACA113	ACF195	
mitsubishi	GRANDIS	BA		4	2.4L	4G69	P	MPFI SOHC 6V	2004	2006	WAGON		AC07			ACC43
mitsubishi	GRANDIS	BA	LUXURY	4	2.4L	4G69	P	MPFI SOHC 6V	2005	2006	WAGON		AC07			ACC43
mitsubishi	GRANDIS	BA	LS	4	2.4L	4G69	P	MPFI SOHC 6V	2006	2007	WAGON		AC07			ACC43
mitsubishi	GRANDIS	BA	VR-X	4	2.4L	4G69	P	MPFI SOHC 6V	2006	2007	WAGON		AC07			ACC43
mitsubishi	GRANDIS	BA	LS	4	2.4L	4G69	P	MPFI SOHC 6V	2007	2008	WAGON		AC07			ACC43
mitsubishi	GRANDIS	BA	VR-X	4	2.4L	4G69	P	MPFI SOHC 6V	2007	2008	WAGON		AC07			ACC43
mitsubishi	GRANDIS	BA	LS	4	2.4L	4G69	P	MPFI SOHC 6V	2008	2009	WAGON		AC07			ACC43
mitsubishi	GRANDIS	BA	VR-X	4	2.4L	4G69	P	MPFI SOHC 6V	2009	2010	WAGON		AC07			ACC43
mitsubishi	GTO	Z16A		6	3.0L	6G72A	P	MPFI	1990	1995	HATCH	DOHC 24V 4WD/4WS	AC07	ACA18		
mitsubishi	GTO	Z16A	MR	6	3.0L	6G72A	P	TWIN TURBO INT-COOL	1993	2000	HATCH	MPFI DOHC 24V 4WD/4WS	AC07	ACA18		
mitsubishi	GTO	Z15A	MR	6	3.0L	6G72A	P	TWIN TURBO INT-COOL	1994	2000	HATCH	MPFI DOHC 24V 4WD	AC07	ACA18		
mitsubishi	GTO	Z15A	SR	6	3.0L	6G72A	P	MPFI	1994	2000	HATCH	DOHC 24V 4WD	AC07	ACA18		
mitsubishi	L200		EXPRESS	4	2.0L	4G52	P	CARB	1980	1982	UTE		AC07		ACF10	
mitsubishi	L200		EXPRESS	4	2.0L	4G63B	P	CARB	1982	09/84	UTE		AC05		ACF10	
mitsubishi	L200		EXPRESS	4	2.4L	4D55	D	DIESEL INJ	1982	1987	UTE			ACA65	ACF19	
mitsubishi	L200		EXPRESS	4	2.0L	4G63B	P	CARB	10/84	1987	UTE		AC07		ACF10	
mitsubishi	L300		EXPRESS	4	1.6L	4G32	P	CARB	1980	09/82	WAGON		AC05		ACF10	
mitsubishi	L300		EXPRESS	4	1.8L	4G62	P	CARB	1982	1986	WAGON		AC07		ACF10	
mitsubishi	L300		EXPRESS	4	2.0L	4G63B	P	CARB	1982	1986	WAGON		AC07		ACF10	
mitsubishi	L300		EXPRESS	4	1.6L	4G32	P	CARB	10/82	1986	WAGON		AC07		ACF10	
mitsubishi	LANCER	LA		4	1.4L	4G33	P	CARB	1974	1976	HATCH		AC05		ACF10	

MAKE	MODEL	SERIES	BADGE	CYLS	ENG SIZE	ENGINE CODE	FUEL	FUEL DELIVERY / AIR INTAKE	FROM	TO	BODY	REMARKS	OIL	AIR	FUEL	CABIN
mitsubishi	LANCER	LB		4	1.4L	4G33	P	CARB	1977	1979	SEDAN		AC05		ACF10	
mitsubishi	LANCER	LB		4	1.6L	4G32	P	CARB	1977	1979	HATCH		AC05		ACF10	
mitsubishi	LANCER	LC		4	1.6L	4G32B	P	CARB	1979	1981	HATCH		AC05		ACF10	
mitsubishi	LANCER	CA	SX	4	1.5L	4G15	P	MPFI	1988	08/90	HATCH		AC07	ACA14	ACF5	
mitsubishi	LANCER	CA	GL	4	1.5L	4G15	P	CARB	1989	1990	SED/ HATCH		AC07	ACA35	ACF75	
mitsubishi	LANCER	CA	GLX	4	1.5L	4G15	P	CARB	1989	08/90	SED/ HATCH		AC07	ACA35	ACF75	
mitsubishi	LANCER	CA	SE	4	1.5L	4G15	P	MPFI	1989	08/90	SED/ HATCH		AC07	ACA14		
mitsubishi	LANCER	CB	GL	4	1.5L	4G15	P	CARB	09/90	11/91	SED/ HATCH		AC07	ACA111	ACF75	
mitsubishi	LANCER	CB	GLX	4	1.5L	4G15	P	CARB	09/90	11/91	SED/ HATCH		AC07	ACA111	ACF75	
mitsubishi	LANCER	CB	GLX	4	1.5L	4G15	P	MPFI	09/90	11/91	SED/ HATCH		AC07	ACA14		
mitsubishi	LANCER	CB	SE	4	1.5L	4G15	P	MPFI	09/90	11/91	SED/ HATCH		AC07	ACA14		
mitsubishi	LANCER	CB	SX	4	1.5L	4G15	P	MPFI	09/90	11/91	HATCH		AC07	ACA14	ACF5	
mitsubishi	LANCER	CB	GSR	4	1.6L	4G61	P	MPFI	09/90	11/91	HATCH	AUTOMATIC ONLY	AC07	ACA14	ACF1	
mitsubishi	LANCER	CB	GSR	4	1.6L	4G61	P	MPFI	09/90	11/91	HATCH	MANUAL ONLY	AC07	ACA14		
mitsubishi	LANCER	CB	GL	4	1.5L	4G15	P	CARB	12/91	09/92	SED/ HATCH		AC028	ACA111	ACF75	
mitsubishi	LANCER	CB	GLX	4	1.5L	4G15	P	CARB	12/91	09/92	SED/ HATCH		AC028	ACA111	ACF75	
mitsubishi	LANCER	CB	GLX	4	1.5L	4G15	P	MPFI	12/91	09/92	SED/ HATCH		AC028	ACA14	ACF5	
mitsubishi	LANCER	CB	SE	4	1.5L	4G15	P	MPFI	12/91	09/92	SED/ HATCH		AC028	ACA14	ACF5	
mitsubishi	LANCER	CB	SX	4	1.5L	4G15	P	MPFI	12/91	09/92	HATCH		AC028	ACA14	ACF5	
mitsubishi	LANCER	CB	GSR	4	1.6L	4G61	P	MPFI	12/91	09/92	HATCH	AUTOMATIC ONLY	AC07	ACA14	ACF1	
mitsubishi	LANCER	CB	GSR	4	1.6L	4G61	P	MPFI	12/91	09/92	HATCH	MANUAL ONLY	AC07	ACA14		
mitsubishi	LANCER	CC	GLI	4	1.8L	4G93	P	MPFI	1992	1993	WAGON		AC028	ACA93	ACF5	
mitsubishi	LANCER	CC	SEI	4	1.8L	4G93	P	MPFI	1992	1994	SEDAN		AC028	ACA93	ACF1	
mitsubishi	LANCER	CC	GL	4	1.5L	4G15	P	CARB	1992	1996	COUPE/ SED		AC028	ACA111	ACF10	
mitsubishi	LANCER	CC	GL	4	1.5L	4G15	P	CARB	1992	1996	HATCH		AC028	ACA111	ACF75	
mitsubishi	LANCER	CC	GLXI	4	1.6L	4G92	P	MPFI	1992	1996	HATCH		AC028	ACA93	ACF5	
mitsubishi	LANCER	CC	GSR	4	1.8L	4G93	P	TURBO	1992	1996	SEDAN		AC028	ACA93	ACF1	
mitsubishi	LANCER	CC	ELI	4	1.8L	4G93	P	MPFI	10/92	1993	WAGON		AC028	ACA93	ACF5	
mitsubishi	LANCER	CC	EXECUTIVE	4	1.8L	4G93	P	MPFI	1993	1996	SEDAN		AC028	ACA93	ACF1	
mitsubishi	LANCER	CC	EXECUTIVE	4	1.8L	4G93	P	MPFI	1993	1996	WAGON		AC028	ACA93	ACF5	
mitsubishi	LANCER	CC	GLXI	4	1.8L	4G93	P	MPFI	1993	1996	COUPE/ SED		AC028	ACA93	ACF1	
mitsubishi	LANCER	CC	GL LIMITED EDITION	4	1.5L	4G15	P	CARB	1995	1995	COUPE		AC028	ACA111	ACF10	
mitsubishi	LANCER	CE	GLI	4	1.5L	4G15	P	MPFI	1996	1998	COUPE		AC028	ACA108	ACF111	
mitsubishi	LANCER	CE	GLI	4	1.5L	4G93	P	MPFI	1996	1998	SEDAN		AC028	ACA108	ACF111	
mitsubishi	LANCER	CE	GLXI	4	1.8L	4G93	P	MPFI	1996	1998	COUPE/ SED		AC028	ACA108	ACF111	
mitsubishi	LANCER	CE	GLXI	4	1.8L	4G93	P	MPFI	1996	1998	WAGON		AC028	ACA93	ACF1	

MAKE	MODEL	SERIES	BADGE	CYLS	ENG SIZE	ENGINE CODE	FUEL	FUEL DELIVERY / AIR INTAKE	FROM	TO	BODY	REMARKS	OIL	AIR	FUEL	CABIN
MITSUBISHI	LANCER	CE	MR	4	1.8L	4G93	P	MPFI	1996	1998	COUPE		AC028	ACA108	ACF111	
MITSUBISHI	LANCER	CE2	GLI	4	1.5L	4G15	P	MPFI	1998	1999	COUPE/ SED		AC028	ACA108	ACF111	
MITSUBISHI	LANCER	CE2	GLXI	4	1.8L	4G93	P	MPFI	1998	1999	COUPE/ SED		AC028	ACA108	ACF111	
MITSUBISHI	LANCER	CE2	MR	4	1.8L	4G93	P	MPFI	1998	1999	COUPE		AC028	ACA108	ACF111	
MITSUBISHI	LANCER	CE2	GLXI	4	1.8L	4G93	P	MPFI	1998	2003	WAGON		AC028	ACA93	ACF1	
MITSUBISHI	LANCER	CE2	VR-X GLI	4	1.8L	4G93	P	MPFI	1999	1999	SEDAN		AC028	ACA108	ACF111	
MITSUBISHI	LANCER	CE2	VR-X GLI	4	1.5L	4G15	P	MPFI	1999	2000	COUPE		AC028	ACA108	ACF111	
MITSUBISHI	LANCER	CE2	VR-X GLI	4	1.8L	4G93	P	MPFI	2000	2000	SEDAN		AC028	ACA108	ACF111	
MITSUBISHI	LANCER	CE2	GLI	4	1.8L	4G93	P	MPFI	2000	2001	COUPE/ SED		AC028	ACA108	ACF111	
MITSUBISHI	LANCER	CE2	MR	4	1.8L	4G93	P	MPFI	2000	2001	COUPE		AC028	ACA108	ACF111	
MITSUBISHI	LANCER	CE2	GLI	4	1.5L	4G15	P	MPFI	2000	2003	COUPE		AC028	ACA108	ACF111	
MITSUBISHI	LANCER	CE2	GLXI	4	1.8L	4G93	P	MPFI	2000	2003	COUPE/ SED		AC028	ACA108	ACF111	
MITSUBISHI	LANCER	CE2	LRX-1 GLI	4	1.5L	4G15	P	MPFI	2001	2001	COUPE		AC028	ACA108	ACF111	
MITSUBISHI	LANCER	CE2	LIMITED EDI- TION GLI	4	1.8L	4G93	P	MPFI	2001	2001	COUPE/ SED		AC028	ACA108	ACF111	
MITSUBISHI	LANCER	CE2	LRX-1 GLI	4	1.8L	4G93	P	MPFI	2001	2001	SEDAN		AC028	ACA108	ACF111	
MITSUBISHI	LANCER	CE2	MR	4	1.8L	4G93	P	MPFI	2001	2002	COUPE		AC028	ACA108	ACF111	
MITSUBISHI	LANCER	CE2	GLI	4	1.8L	4G93	P	MPFI	2001	2003	COUPE/ SED		AC028	ACA108	ACF111	
MITSUBISHI	LANCER	CE2	COMM GAMES EDITION	4	1.8L	4G93	P	MPFI	2002	2002	COUPE/ SED		AC028	ACA108	ACF111	
MITSUBISHI	LANCER	CE2	MR	4	1.8L	4G93	P	MPFI	2002	2003	COUPE		AC028	ACA108	ACF111	
MITSUBISHI	LANCER	CG	EXCEED	4	2.0L	4G94	P	MPFI	2002	2003	SEDAN		AC028	ACA108	ACF157	ACC43
MITSUBISHI	LANCER	CG	LS	4	2.0L	4G94	P	MPFI	2002	2003	SEDAN		AC028	ACA108	ACF157	ACC43
MITSUBISHI	LANCER	CG	VR-X	4	2.0L	4G94	P	MPFI	2002	2003	SEDAN		AC028	ACA108	ACF157	ACC43
MITSUBISHI	LANCER	CZ	EVOLUTION VIII	4	2.0L	4G63T	P	TURBO INT-COOL	2002	2005	SEDAN		AC073	ACA108		ACC43
MITSUBISHI	LANCER	CG	ES	4	2.0L	4G94	P	MPFI	2003	2003	SEDAN		AC028	ACA108	ACF157	ACC43
MITSUBISHI	LANCER	CH	ES	4	2.0L	4G94	P	MPFI	2003	2004	SED/ WAG		AC028	ACA108	ACF157	ACC43
MITSUBISHI	LANCER	CH	EXCEED	4	2.0L	4G94	P	MPFI	2003	2004	SEDAN		AC028	ACA108	ACF157	ACC43
MITSUBISHI	LANCER	CH	LS	4	2.0L	4G94	P	MPFI	2003	2004	SEDAN		AC028	ACA108	ACF157	ACC43
MITSUBISHI	LANCER	CH	VR-X	4	2.0L	4G94	P	MPFI	2003	2004	SED/ WAG		AC028	ACA108	ACF157	ACC43
MITSUBISHI	LANCER	CH	ES LIMITED EDITION	4	2.0L	4G94	P	MPFI	2004	2004	SEDAN		AC028	ACA108	ACF157	ACC43
MITSUBISHI	LANCER	CZ	EVOLUTION VIII MR	4	2.0L	4G63T	P	TURBO INT-COOL	2004	2004	SEDAN		AC073	ACA108		ACC43
MITSUBISHI	LANCER	CH	ES	4	2.0L	4G94	P	MPFI	2004	2005	SED/ WAG		AC028	ACA108	ACF157	ACC43
MITSUBISHI	LANCER	CH	EXCEED	4	2.0L	4G94	P	MPFI	2004	2005	SEDAN		AC028	ACA108	ACF157	ACC43
MITSUBISHI	LANCER	CH	LS	4	2.0L	4G94	P	MPFI	2004	2005	SEDAN		AC028	ACA108	ACF157	ACC43
MITSUBISHI	LANCER	CH	VR-X	4	2.0L	4G94	P	MPFI	2004	2005	SED/ WAG		AC028	ACA108	ACF157	ACC43
MITSUBISHI	LANCER	CH	ES	4	2.4L	4G69	P	MPFI	2005	2006	SED/ WAG		AC028	ACA108	ACF221	ACC43
MITSUBISHI	LANCER	CH	LS	4	2.4L	4G69	P	MPFI	2005	2006	SEDAN		AC028	ACA108	ACF221	ACC43
MITSUBISHI	LANCER	CH	VR-X	4	2.4L	4G69	P	MPFI	2005	2006	SED/ WAG		AC028	ACA108	ACF221	ACC43

MAKE	MODEL	SERIES	BADGE	CYLS	ENG SIZE	ENGINE CODE	FUEL	FUEL DELIVERY / AIR INTAKE	FROM	TO	BODY	REMARKS	OIL	AIR	FUEL	CABIN
mitsubishi	LANCER	CY	EVOLUTION IX	4	2.0L	4G63T	P	TURBO INT-COOL	2005	2007	SEDAN		AC073	ACA108		ACC43
mitsubishi	LANCER	CH	LS	4	2.4L	4G69	P	MPFI	2006	2007	SEDAN		AC028	ACA108	ACF221	ACC43
mitsubishi	LANCER	CH	ES	4	2.4L	4G69	P	MPFI	2006	2008	SED/WAG		AC028	ACA108	ACF221	ACC43
mitsubishi	LANCER	CH	VR-X	4	2.4L	4G69	P	MPFI	2006	2008	SED/WAG		AC028	ACA108	ACF221	ACC43
mitsubishi	LANCER	CH	VELOCITY	4	2.4L	4G69	P	MPFI	2007	2007	SEDAN		AC028	ACA108	ACF221	ACC43
mitsubishi	LANCER	CJ	ES	4	2.0L	4B11	P	MPFI	2007	2008	SEDAN		AC028	ACA181		ACC37
mitsubishi	LANCER	CJ	VR	4	2.0L	4B11	P	MPFI	2007	2008	SEDAN		AC028	ACA181		ACC37
mitsubishi	LANCER	CJ	VR-X	4	2.0L	4B11	P	MPFI	2007	2012	SEDAN		AC028	ACA181		ACC37
mitsubishi	LANCER	CJ	OLYMPIC SPECIAL	4	2.0L	4B11	P	MPFI	2008	2008	SEDAN		AC028	ACA181		ACC37
mitsubishi	LANCER	CJ	ES SPORTBACK	4	2.0L	4B11	P	MPFI	2008	2009	HATCH		AC028	ACA181		ACC37
mitsubishi	LANCER	CJ	EVOLUTION MR	4	2.0L	4B11T	P	TURBO INT-COOL	2008	2009	SEDAN		AC028	ACA181	ACF221	ACC37
mitsubishi	LANCER	CJ	EVOLUTION TC-SST	4	2.0L	4B11T	P	TURBO INT-COOL	2008	2009	SEDAN		AC028	ACA181	ACF221	ACC37
mitsubishi	LANCER	CJ	RALLIART	4	2.0L	4B11T	P	TURBO INT-COOL	2008	2009	SEDAN		AC073	ACA181	ACF221	ACC37
mitsubishi	LANCER	CJ	RALLIART SPORTBACK	4	2.0L	4B11T	P	TURBO INT-COOL	2008	2009	HATCH		AC073	ACA181	ACF221	ACC37
mitsubishi	LANCER	CJ	VR SPORTBACK	4	2.0L	4B11	P	MPFI	2008	2009	HATCH		AC028	ACA181		ACC37
mitsubishi	LANCER	CJ	EVOLUTION	4	2.0L	4B11T	P	TURBO INT-COOL	2008	2010	SEDAN		AC028	ACA181	ACF221	ACC37
mitsubishi	LANCER	CJ	VR	4	2.0L	4B11	P	MPFI	2008	2010	SEDAN		AC028	ACA181		ACC37
mitsubishi	LANCER	CJ	ASPIRE	4	2.4L	4B12	P	MPFI	2008	2010	SEDAN		AC028	ACA181		ACC37
mitsubishi	LANCER	CJ	VR-X	4	2.4L	4B12	P	MPFI	2008	2010	SEDAN		AC028	ACA181		ACC37
mitsubishi	LANCER	CJ	VR-X SPORTBACK	4	2.4L	4B12	P	MPFI	2008	2010	HATCH		AC028	ACA181		ACC37
mitsubishi	LANCER	CJ	ES	4	2.0L	4B11	P	MPFI	2008	2012	SEDAN		AC028	ACA181		ACC37
mitsubishi	LANCER	CJ	RX	4	2.0L	4B11	P	MPFI	2009	2009	SEDAN		AC028	ACA181		ACC37
mitsubishi	LANCER	CJ	RX SPORTBACK	4	2.0L	4B11	P	MPFI	2009	2009	HATCH		AC028	ACA181		ACC37
mitsubishi	LANCER	CJ	VR PLATINUM EDITION	4	2.0L	4B11	P	MPFI	2009	2009	SED/HATCH		AC028	ACA181		ACC37
mitsubishi	LANCER	CJ	ES SPORTBACK	4	2.0L	4B11	P	MPFI	2009	2010	HATCH		AC028	ACA181		ACC37
mitsubishi	LANCER	CJ	EVOLUTION MR	4	2.0L	4B11T	P	TURBO INT-COOL	2009	2010	SEDAN		AC028	ACA181	ACF221	ACC37
mitsubishi	LANCER	CJ	EVOLUTION TC-SST	4	2.0L	4B11T	P	TURBO INT-COOL	2009	2010	SEDAN		AC028	ACA181	ACF221	ACC37
mitsubishi	LANCER	CJ	RALLIART	4	2.0L	4B11T	P	TURBO INT-COOL	2009	2010	SEDAN		AC073	ACA181	ACF221	ACC37
mitsubishi	LANCER	CJ	RALLIART SPORTBACK	4	2.0L	4B11T	P	TURBO INT-COOL	2009	2010	HATCH		AC073	ACA181	ACF221	ACC37
mitsubishi	LANCER	CJ	VR SPORTBACK	4	2.0L	4B11	P	MPFI	2009	2010	HATCH		AC028	ACA181		ACC37
mitsubishi	LANCER	CJ	EVOLUTION MR	4	2.0L	4B11T	P	TURBO INT-COOL	2010	2011	SEDAN		AC028	ACA181	ACF221	ACC37
mitsubishi	LANCER	CJ	RALLIART SPORTBACK	4	2.0L	4B11T	P	TURBO INT-COOL	2010	2011	HATCH		AC073	ACA181	ACF221	ACC37
mitsubishi	LANCER	CJ	SX	4	2.0L	4B11	P	MPFI	2010	2011	SEDAN		AC028	ACA181		ACC37
mitsubishi	LANCER	CJ	SX SPORTBACK	4	2.0L	4B11	P	MPFI	2010	2011	HATCH		AC028	ACA181		ACC37
mitsubishi	LANCER	CJ	ACTIV	4	2.0L	4B11	P	MPFI	2010	2012	SEDAN		AC028	ACA181		ACC37
mitsubishi	LANCER	CJ	ACTIV SPORTBACK	4	2.0L	4B11	P	MPFI	2010	2012	HATCH		AC028	ACA181		ACC37

MAKE	MODEL	SERIES	BADGE	CYLS	ENG SIZE	ENGINE CODE	FUEL	FUEL DELIVERY / AIR INTAKE	FROM	TO	BODY	REMARKS	OIL	AIR	FUEL	CABIN
mitsubishi	LANCER	CJ	EVOLUTION	4	2.0L	4B11T	P	TURBO INT-COOL	2010	2012	SEDAN		AC028	ACA181	ACF221	ACC37
mitsubishi	LANCER	CJ	RALLIART	4	2.0L	4B11T	P	TURBO INT-COOL	2010	2012	SEDAN		AC073	ACA181	ACF221	ACC37
mitsubishi	LANCER	CJ	VR	4	2.0L	4B11	P	MPFI	2010	2012	SEDAN		AC028	ACA181		ACC37
mitsubishi	LANCER	CJ	VR SPORTBACK	4	2.0L	4B11	P	MPFI	2010	2012	HATCH		AC028	ACA181		ACC37
mitsubishi	LANCER	CJ	ASPIRE	4	2.4L	4B12	P	MPFI	2010	2012	SEDAN		AC028	ACA181		ACC37
mitsubishi	LANCER	CJ	VR-X	4	2.4L	4B12	P	MPFI	2010	2012	SEDAN		AC028	ACA181		ACC37
mitsubishi	LANCER	CJ	VR-X SPORTBACK	4	2.4L	4B12	P	MPFI	2010	2012	HATCH		AC028	ACA181		ACC37
mitsubishi	LANCER	CJ	ES SPORTBACK	4	2.0L	4B11	P	MPFI	2010	2013	HATCH		AC028	ACA181		ACC37
mitsubishi	LANCER	CJ	30TH ANNIV	4	2.0L	4B11	P	MPFI	2011	2011	SED/HATCH		AC028	ACA181		ACC37
mitsubishi	LANCER	CJ	PLATINUM	4	2.0L	4B11	P	MPFI	2011	2012	SED/HATCH		AC028	ACA181		ACC37
mitsubishi	LANCER	CJ	EVOLUTION TC-SST	4	2.0L	4B11T	P	TURBO INT-COOL	2011	2013	SEDAN		AC028	ACA181	ACF221	ACC37
mitsubishi	LANCER	CJ	RALLIART SPORTBACK	4	2.0L	4B11T	P	TURBO INT-COOL	2011	2013	HATCH		AC073	ACA181	ACF221	ACC37
mitsubishi	LANCER	CJ	EVOLUTION MR	4	2.0L	4B11T	P	TURBO INT-COOL	2011	ON	SEDAN		AC028	ACA181	ACF221	ACC37
mitsubishi	LANCER	CJ	VR-X SPORTBACK	4	2.4L	4B12	P	MPFI	2012	2013	HATCH		AC028	ACA181		ACC37
mitsubishi	LANCER	CJ	EVOLUTION	4	2.0L	4B11T	P	TURBO INT-COOL	2012	ON	SEDAN		AC028	ACA181	ACF221	ACC37
mitsubishi	LANCER	CJ	VR-X	4	2.4L	4B12	P	MPFI	2012	ON	SEDAN		AC028	ACA181		ACC37
mitsubishi	LANCER	CJ	SPORT	4	2.0L	4B11	P	MPFI	2013	2013	SEDAN		AC028	ACA293		ACC37
mitsubishi	LANCER	CJ	ES	4	2.0L	4B11	P	MPFI	2013	2014	SEDAN		AC028	ACA293		ACC37
mitsubishi	LANCER	CJ	VR-X	4	2.0L	4B11	P	MPFI	2013	2014	SEDAN		AC028	ACA293		ACC37
mitsubishi	LANCER	CJ	LX	4	2.0L	4B11	P	MPFI	2013	ON	SEDAN		AC028	ACA293		ACC37
mitsubishi	LANCER	CJ	RALLIART	4	2.0L	4B11T	P	TURBO INT-COOL	2013	ON	SEDAN		AC073	ACA293	ACF221	ACC37
mitsubishi	LANCER	CJ	ES SPORT	4	2.0L	4B11	P	MPFI	2014	ON	SEDAN		AC028	ACA293		ACC37
mitsubishi	LANCER	CJ	XLS	4	2.0L	4B11	P	MPFI	2014	ON	SEDAN		AC028	ACA293		ACC37
mitsubishi	LANCER	CJ	GSR	4	2.4L	4B12	P	MPFI	2014	ON	HATCH		AC028	ACA181		ACC37
mitsubishi	LEGNUM	EC5W	25ST	6	2.5L	6A13	P	MPFI	1996	1998	WAGON		AC028	ACA113	ACF195	
mitsubishi	LEGNUM	EC5W	VR-4	6	2.5L	6A13TT	P	TWIN TURBO INT-COOL	1996	2002	WAGON		AC028	ACA113	ACF195	
mitsubishi	MAGNA	TM	ELITE	4	2.6L	4G54	P	CARB	1985	1987	SEDAN		AC05	ACA11	ACF10	
mitsubishi	MAGNA	TM	GLX	4	2.6L	4G54	P	CARB	1985	1987	SEDAN		AC05	ACA11	ACF10	
mitsubishi	MAGNA	TM	SE	4	2.6L	4G54	P	CARB	1985	1987	SEDAN		AC05	ACA11	ACF10	
mitsubishi	MAGNA	TM	EXECUTIVE	4	2.6L	4G54	P	CARB	1986	1987	SEDAN		AC05	ACA11	ACF10	
mitsubishi	MAGNA	TN	ELITE	4	2.6L	4G54	P	CARB	1987	1989	SEDAN		AC05	ACA11	ACF10	
mitsubishi	MAGNA	TN	EXECUTIVE	4	2.6L	4G54	P	CARB	1987	1989	SED/WAG		AC05	ACA11	ACF10	
mitsubishi	MAGNA	TN	GLX	4	2.6L	4G54	P	CARB	1987	1989	SED/WAG		AC05	ACA11	ACF10	
mitsubishi	MAGNA	TN	SE	4	2.6L	4G54	P	CARB	1987	1989	SED/WAG		AC05	ACA11	ACF10	
mitsubishi	MAGNA	TN	CHALLENGE	4	2.6L	4G54	P	MPFI	1988	1988	SED/WAG		AC05	ACA14	ACF67	
mitsubishi	MAGNA	TN	ELANTE	4	2.6L	4G54	P	MPFI	1988	1989	SEDAN		AC05	ACA14	ACF67	
mitsubishi	MAGNA	TN	ELITE	4	2.6L	4G54	P	MPFI	1988	1989	SED/WAG		AC05	ACA14	ACF67	
mitsubishi	MAGNA	TP	ELANTE	4	2.6L	4G54	P	MPFI	1989	1990	SEDAN		AC05	ACA14	ACF67	
mitsubishi	MAGNA	TP	ELITE	4	2.6L	4G54	P	MPFI	1989	1991	SED/WAG		AC05	ACA14	ACF67	

MAKE	MODEL	SERIES	BADGE	CYLS	ENG SIZE	ENGINE CODE	FUEL	FUEL DELIVERY / AIR INTAKE	FROM	TO	BODY	REMARKS	OIL	AIR	FUEL	CABIN
MITSUBISHI	MAGNA	TP	EXECUTIVE	4	2.6L	4G54	P	CARB	1989	1991	SED/WAG		AC05	ACA11	ACF10	
MITSUBISHI	MAGNA	TP	GLX	4	2.6L	4G54	P	CARB	1989	1991	SED/WAG		AC05	ACA11	ACF10	
MITSUBISHI	MAGNA	TP	SE	4	2.6L	4G54	P	MPFI	1989	1991	SED/WAG		AC05	ACA14	ACF67	
MITSUBISHI	MAGNA	TP	GRAND TOURER	4	2.6L	4G54	P	CARB	1990	1991	SED/WAG		AC05	ACA11	ACF10	
MITSUBISHI	MAGNA	TP	EXECUTIVE	4	2.6L	4G54	P	MPFI	1991	1991	WAGON		AC05	ACA14	ACF67	
MITSUBISHI	MAGNA	TR	ELITE	4	2.6L	4G54	P	MPFI	1991	1994	SEDAN		AC05	ACA18	ACF1	
MITSUBISHI	MAGNA	TR	EXECUTIVE	4	2.6L	4G54	P	MPFI	1991	1994	SED/WAG		AC05	ACA18	ACF1	
MITSUBISHI	MAGNA	TR	GLX	4	2.6L	4G54	P	CARB	1991	1994	SED/WAG		AC05	ACA11	ACF10	
MITSUBISHI	MAGNA	TR	SE	4	2.6L	4G54	P	MPFI	1991	1994	SEDAN		AC05	ACA18	ACF1	
MITSUBISHI	MAGNA	TR	EXECUTIVE	6	3.0L	6G72	P	MPFI	1993	1994	SED/WAG		AC07	ACA18	ACF1	
MITSUBISHI	MAGNA	TS	ADVANCE	6	3.0L	6G72	P	MPFI	1994	1995	SED/WAG		AC07	ACA18	ACF1	
MITSUBISHI	MAGNA	TS	V6 SI	6	3.0L	6G72	P	MPFI	1994	1995	SEDAN		AC07	ACA18	ACF1	
MITSUBISHI	MAGNA	TS	GLX	4	2.6L	4G54	P	CARB	1994	1996	SED/WAG		AC05	ACA11	ACF10	
MITSUBISHI	MAGNA	TS	EXECUTIVE	4	2.6L	4G54	P	MPFI	1994	1997	SED/WAG		AC05	ACA18	ACF1	
MITSUBISHI	MAGNA	TS	SE	4	2.6L	4G54	P	MPFI	1994	1997	SED/WAG		AC05	ACA18	ACF1	
MITSUBISHI	MAGNA	TS	EXECUTIVE	6	3.0L	6G72	P	MPFI	1994	1997	SED/WAG		AC07	ACA18	ACF1	
MITSUBISHI	MAGNA	TS	SE	6	3.0L	6G72	P	MPFI	1994	1997	SED/WAG		AC07	ACA18	ACF1	
MITSUBISHI	MAGNA	TE	ALTERA	4	2.4L	4G64-S4	P	MPFI	1996	1997	SEDAN		AC028	ACA94	ACF93	
MITSUBISHI	MAGNA	TE	EXECUTIVE	4	2.4L	4G64-S4	P	MPFI	1996	1997	SED/WAG		AC028	ACA94	ACF93	
MITSUBISHI	MAGNA	TE	ADVANCE	6	3.0L	6G72	P	MPFI	1996	1997	SED/WAG		AC028	ACA94	ACF93	
MITSUBISHI	MAGNA	TE	ALTERA	6	3.0L	6G72	P	MPFI	1996	1997	SED/WAG		AC028	ACA94	ACF93	
MITSUBISHI	MAGNA	TE	ALTERA LS	6	3.0L	6G72	P	MPFI	1996	1997	SED/WAG		AC028	ACA94	ACF93	
MITSUBISHI	MAGNA	TE	EXECUTIVE	6	3.0L	6G72	P	MPFI	1996	1997	SED/WAG		AC028	ACA94	ACF93	
MITSUBISHI	MAGNA	TF	EXECUTIVE	4	2.4L	4G64-S4	P	MPFI	1997	1998	SED/WAG		AC028	ACA94	ACF93	
MITSUBISHI	MAGNA	TF	ADVANCE	6	3.0L	6G72	P	MPFI	1997	1998	SED/WAG		AC028	ACA94	ACF93	
MITSUBISHI	MAGNA	TF	ALTERA	6	3.0L	6G72	P	MPFI	1997	1998	SED/WAG		AC028	ACA94	ACF93	
MITSUBISHI	MAGNA	TF	ALTERA LS	6	3.0L	6G72	P	MPFI	1997	1998	SED/WAG		AC028	ACA94	ACF93	
MITSUBISHI	MAGNA	TF	EXECUTIVE	6	3.0L	6G72	P	MPFI	1997	1998	SED/WAG		AC028	ACA94	ACF93	
MITSUBISHI	MAGNA	TF	SPORTS	6	3.0L	6G72	P	MPFI	1997	1998	SEDAN		AC028	ACA94	ACF93	
MITSUBISHI	MAGNA	TF	SOLARA	6	3.0L	6G72	P	MPFI	1998	1998	SED/WAG		AC028	ACA94	ACF93	
MITSUBISHI	MAGNA	TH	EXECUTIVE	6	3.0L	6G72	P	MPFI	1999	2000	SED/WAG		AC028	ACA94	ACF93	
MITSUBISHI	MAGNA	TH	ADVANCE	6	3.5L	6G74	P	MPFI	1999	2000	SED/WAG		AC028	ACA94	ACF93	



MAKE	MODEL	SERIES	BADGE	CYLS	ENG SIZE	ENGINE CODE	FUEL	FUEL DELIVERY / AIR INTAKE	FROM	TO	BODY	REMARKS	OIL	AIR	FUEL	CABIN
MITSUBISHI	MAGNA	TH	ALTERA LS	6	3.5L	6G74	P	MPFI	1999	2000	SED/WAG		AC028	ACA94	ACF93	
MITSUBISHI	MAGNA	TH	EXECUTIVE	6	3.5L	6G74	P	MPFI	1999	2000	SED/WAG		AC028	ACA94	ACF93	
MITSUBISHI	MAGNA	TH	SOLARA ADVANCE	6	3.5L	6G74	P	MPFI	1999	2000	SED/WAG		AC028	ACA94	ACF93	
MITSUBISHI	MAGNA	TH	SPORTS	6	3.5L	6G74	P	MPFI	1999	2000	SEDAN		AC028	ACA94	ACF93	
MITSUBISHI	MAGNA	TH	LS EXECUTIVE	6	3.5L	6G74	P	MPFI	2000	2000	SEDAN		AC028	ACA94	ACF93	
MITSUBISHI	MAGNA	TH	V6 SI	6	3.5L	6G74	P	MPFI	2000	2000	SEDAN		AC028	ACA94	ACF93	
MITSUBISHI	MAGNA	TJ	SOLARA ADVANCE	6	3.5L	6G74	P	MPFI	2000	2001	SED/WAG		AC028	ACA94	ACF93	
MITSUBISHI	MAGNA	TJ	SPORTS	6	3.5L	6G74	P	MPFI	2000	2001	SEDAN		AC028	ACA94	ACF93	
MITSUBISHI	MAGNA	TJ	EXECUTIVE	6	3.0L	6G72	P	MPFI	2000	2002	SED/WAG		AC028	ACA94	ACF93	
MITSUBISHI	MAGNA	TJ	ADVANCE	6	3.5L	6G74	P	MPFI	2000	2002	SED/WAG		AC028	ACA94	ACF93	
MITSUBISHI	MAGNA	TJ	EXECUTIVE	6	3.5L	6G74	P	MPFI	2000	2002	SED/WAG		AC028	ACA94	ACF93	
MITSUBISHI	MAGNA	TJ	VR-X	6	3.5L	6G74	P	MPFI	2000	2002	SEDAN		AC028	ACA94	ACF93	
MITSUBISHI	MAGNA	TJ	V6 SI EXECUTIVE	6	3.5L	6G74	P	MPFI	2001	2001	SEDAN		AC028	ACA94	ACF93	
MITSUBISHI	MAGNA	TJ	VR-X LIMITED EDITION	6	3.5L	6G74	P	MPFI	2001	2001	SEDAN		AC028	ACA94	ACF93	
MITSUBISHI	MAGNA	TJ	SPORTS	6	3.5L	6G74	P	MPFI	2001	2003	SED/WAG		AC028	ACA94	ACF93	
MITSUBISHI	MAGNA	TJ	COMM GAMES EXECUTIVE	6	3.5L	6G74	P	MPFI	2002	2002	SEDAN		AC028	ACA94	ACF93	
MITSUBISHI	MAGNA	TJ	ADVANCE	6	3.5L	6G74	P	MPFI	2002	2003	SED/WAG		AC028	ACA94	ACF93	
MITSUBISHI	MAGNA	TJ	AWD	6	3.5L	6G74	P	MPFI	2002	2003	SEDAN		AC028	ACA94	ACF195	
MITSUBISHI	MAGNA	TJ	EXECUTIVE	6	3.5L	6G74	P	MPFI	2002	2003	SED/WAG		AC028	ACA94	ACF93	
MITSUBISHI	MAGNA	TJ	LIMITED EDITION EXECUTIVE	6	3.5L	6G74	P	MPFI	2002	2003	SEDAN		AC028	ACA94	ACF93	
MITSUBISHI	MAGNA	TJ	SPORTS AWD	6	3.5L	6G74	P	MPFI	2002	2003	SEDAN		AC028	ACA94	ACF195	
MITSUBISHI	MAGNA	TJ	VR-X	6	3.5L	6G74	P	MPFI	2002	2003	SEDAN		AC028	ACA94	ACF93	
MITSUBISHI	MAGNA	TJ	EXECUTIVE	6	3.5L	6G74	LPG	MPFI	2003	2003	SEDAN		AC028	ACA94		
MITSUBISHI	MAGNA	TL	AWD	6	3.5L	6G74	P	MPFI	2003	2004	SEDAN		AC028	ACA94	ACF195	
MITSUBISHI	MAGNA	TL	ES	6	3.5L	6G74	P	MPFI	2003	2004	SED/WAG		AC028	ACA94	ACF93	
MITSUBISHI	MAGNA	TL	ES	6	3.5L	6G74	LPG	MPFI	2003	2004	SEDAN		AC028	ACA94	ACF93	
MITSUBISHI	MAGNA	TL	LS	6	3.5L	6G74	P	MPFI	2003	2004	SED/WAG		AC028	ACA94	ACF93	
MITSUBISHI	MAGNA	TL	LS	6	3.5L	6G74	LPG	MPFI	2003	2004	SEDAN		AC028	ACA94	ACF93	
MITSUBISHI	MAGNA	TL	SOLARA	6	3.5L	6G74	P	MPFI	2003	2004	SEDAN		AC028	ACA94	ACF93	
MITSUBISHI	MAGNA	TL	VR	6	3.5L	6G74	P	MPFI	2003	2004	SED/WAG		AC028	ACA94	ACF93	
MITSUBISHI	MAGNA	TL	VR AWD	6	3.5L	6G74	P	MPFI	2003	2004	SEDAN		AC028	ACA94	ACF195	
MITSUBISHI	MAGNA	TL	VR-X	6	3.5L	6G74	P	MPFI	2003	2004	SEDAN		AC028	ACA94	ACF93	
MITSUBISHI	MAGNA	TL	VR LIMITED EDITION	6	3.5L	6G74	P	MPFI	2004	2004	SEDAN		AC028	ACA94	ACF93	
MITSUBISHI	MAGNA	TL	VR-X AWD	6	3.5L	6G74	P	MPFI	2004	2004	SEDAN		AC028	ACA94	ACF195	
MITSUBISHI	MAGNA	TL	VR-X LIMITED EDITION	6	3.5L	6G74	P	MPFI	2004	2004	SEDAN		AC028	ACA94	ACF93	

MAKE	MODEL	SERIES	BADGE	CYLS	ENG SIZE	ENGINE CODE	FUEL	FUEL DELIVERY / AIR INTAKE	FROM	TO	BODY	REMARKS	OIL	AIR	FUEL	CABIN
mitsubishi	MAGNA	TW	ES	6	3.5L	6G74	P	MPFI	2004	2005	SED/WAG		AC028	ACA94	ACF93	
mitsubishi	MAGNA	TW	ES	6	3.5L	6G74	LPG	MPFI	2004	2005	SEDAN		AC028	ACA94	ACF93	
mitsubishi	MAGNA	TW	LS	6	3.5L	6G74	P	MPFI	2004	2005	WAGON		AC028	ACA94	ACF93	
mitsubishi	MAGNA	TW	LS AWD	6	3.5L	6G74	P	MPFI	2004	2005	SEDAN		AC028	ACA94	ACF195	
mitsubishi	MAGNA	TW	VR	6	3.5L	6G74	P	MPFI	2004	2005	WAGON		AC028	ACA94	ACF93	
mitsubishi	MAGNA	TW	VR-X	6	3.5L	6G74	P	MPFI	2004	2005	SEDAN		AC028	ACA94	ACF93	
mitsubishi	MAGNA	TW	VR-X AWD	6	3.5L	6G74	P	MPFI	2004	2005	SEDAN		AC028	ACA94	ACF195	
mitsubishi	MIRAGE	CE		4	1.5L	4G15	P	MPFI	1996	2001	HATCH		AC028	ACA108	ACF111	
mitsubishi	MIRAGE	CE	VR-X	4	1.5L	4G15	P	MPFI	1999	2000	HATCH		AC028	ACA108	ACF111	
mitsubishi	MIRAGE	CE		4	1.5L	4G15	P	MPFI	2001	2003	HATCH		AC028	ACA108	ACF111	
mitsubishi	MIRAGE	LA	LS	3	1.2L	3A92	P	MPFI	2012	ON	HATCH		AC028			
mitsubishi	MIRAGE	LA	SPORT	3	1.2L	3A92	P	MPFI	2012	ON	HATCH		AC028			
mitsubishi	MIRAGE	LA	LS PLUS PACK	3	1.2L	3A92	P	MPFI	2013	2013	HATCH		AC028			
mitsubishi	MIRAGE	LA	ES	3	1.2L	3A92	P	MPFI	2013	ON	HATCH		AC028			
mitsubishi	NIMBUS	UA	GLX	4	1.8L	4G37	P	CARB	1984	1985	WAGON		AC07	ACA11	ACF10	
mitsubishi	NIMBUS	UB	GLX	4	1.8L	4G37	P	CARB	1986	1986	WAGON		AC07	ACA11	ACF10	
mitsubishi	NIMBUS	UB	Z27	4	1.8L	4G37	P	CARB	1986	1987	WAGON		AC07	ACA11	ACF10	
mitsubishi	NIMBUS	UC	GLX	4	2.0L	4G63	P	CARB	1987	1989	WAGON		AC07	ACA11	ACF10	
mitsubishi	NIMBUS	UC	GLX	4	2.0L	4G63	P	CARB	1989	1991	WAGON		AC07	ACA11	ACF10	
mitsubishi	NIMBUS	UF	GLX	4	2.4L	4G64	P	MPFI	01/92	02/92	WAGON	SOHC 8V	AC07		ACF1	
mitsubishi	NIMBUS	UF	GLX	4	2.4L	4G64	P	MPFI	02/92	1998	WAGON	SOHC 16V	AC073		ACF1	
mitsubishi	NIMBUS	UG	GLX	4	2.4L	4G64	P	MPFI	1998	2000	WAGON		AC073	ACA113		
mitsubishi	NIMBUS	UG	GLX	4	2.4L	4G64	P	MPFI	2000	2002	WAGON		AC073	ACA113		
mitsubishi	NIMBUS	UG	GLX	4	2.4L	4G64	P	MPFI	2002	2004	WAGON		AC073	ACA113		
mitsubishi	OUTLANDER	ZE	LS	4	2.4L	4G64A	P	MPFI	2003	2004	WAGON		AC073	ACA108		
mitsubishi	OUTLANDER	ZE	XLS	4	2.4L	4G64A	P	MPFI	2003	2004	WAGON		AC073	ACA108		
mitsubishi	OUTLANDER	ZF	LS	4	2.4L	4G69	P	MPFI	2004	2005	WAGON		AC073	ACA108		ACC43
mitsubishi	OUTLANDER	ZF	VR-X	4	2.4L	4G69	P	MPFI	2004	2005	WAGON		AC073	ACA108		ACC43
mitsubishi	OUTLANDER	ZF	XLS	4	2.4L	4G69	P	MPFI	2004	2005	WAGON		AC073	ACA108		ACC43
mitsubishi	OUTLANDER	ZF	ACTIV	4	2.4L	4G69	P	MPFI	2005	2005	WAGON		AC073	ACA108		ACC43
mitsubishi	OUTLANDER	ZF	VR	4	2.4L	4G69	P	MPFI	2005	2005	WAGON		AC073	ACA108		ACC43
mitsubishi	OUTLANDER	ZF	LS	4	2.4L	4G69	P	MPFI	2005	2006	WAGON		AC073	ACA108		ACC43
mitsubishi	OUTLANDER	ZF	VR-X	4	2.4L	4G69	P	MPFI	2005	2006	WAGON		AC073	ACA108		ACC43
mitsubishi	OUTLANDER	ZF	XLS	4	2.4L	4G69	P	MPFI	2005	2006	WAGON		AC073	ACA108		ACC43
mitsubishi	OUTLANDER	ZF	ACTIV	4	2.4L	4G69	P	MPFI	2006	2006	WAGON		AC073	ACA108		ACC43
mitsubishi	OUTLANDER	ZF	LS	4	2.4L	4G69	P	MPFI	2006	2006	WAGON		AC073	ACA108		ACC43
mitsubishi	OUTLANDER	ZF	VR	4	2.4L	4G69	P	MPFI	2006	2006	WAGON		AC073	ACA108		ACC43
mitsubishi	OUTLANDER	ZF	VR-X	4	2.4L	4G69	P	MPFI	2006	2006	WAGON		AC073	ACA108		ACC43
mitsubishi	OUTLANDER	ZG	LS	4	2.4L	4B12	P	MPFI	2006	2007	WAGON		AC028	ACA181		ACC37
mitsubishi	OUTLANDER	ZG	XLS	4	2.4L	4B12	P	MPFI	2006	2007	WAGON		AC028	ACA181		ACC37
mitsubishi	OUTLANDER	ZG	VR	6	3.0L	6B31	P	MPFI	2006	2007	WAGON		AC028	ACA181		ACC37
mitsubishi	OUTLANDER	ZG	VR-X	6	3.0L	6B31	P	MPFI	2006	2007	WAGON		AC028	ACA181		ACC37
mitsubishi	OUTLANDER	ZG	LS	4	2.4L	4B12	P	MPFI	2007	2008	WAGON		AC028	ACA181		ACC37
mitsubishi	OUTLANDER	ZG	XLS	4	2.4L	4B12	P	MPFI	2007	2008	WAGON		AC028	ACA181		ACC37
mitsubishi	OUTLANDER	ZG	XLS LUXURY	4	2.4L	4B12	P	MPFI	2007	2008	WAGON		AC028	ACA181		ACC37
mitsubishi	OUTLANDER	ZG	VR	6	3.0L	6B31	P	MPFI	2007	2008	WAGON		AC028	ACA181		ACC37

MAKE	MODEL	SERIES	BADGE	CYLS	ENG SIZE	ENGINE CODE	FUEL	FUEL DELIVERY / AIR INTAKE	FROM	TO	BODY	REMARKS	OIL	AIR	FUEL	CABIN
MITSUBISHI	OUTLANDER	ZG	VR-X	6	3.0L	6B31	P	MPFI	2007	2008	WAGON		AC028	ACA181		ACC37
MITSUBISHI	OUTLANDER	ZG	VR-X LUXURY	6	3.0L	6B31	P	MPFI	2007	2008	WAGON		AC028	ACA181		ACC37
MITSUBISHI	OUTLANDER	ZG	PLATINUM EDITION	4	2.4L	4B12	P	MPFI	2008	2008	WAGON		AC028	ACA181		ACC37
MITSUBISHI	OUTLANDER	ZG	LIMITED EDITION	6	3.0L	6B31	P	MPFI	2008	2008	WAGON		AC028	ACA181		ACC37
MITSUBISHI	OUTLANDER	ZG	OLYMPIC EDITION	6	3.0L	6B31	P	MPFI	2008	2008	WAGON		AC028	ACA181		ACC37
MITSUBISHI	OUTLANDER	ZG	LS	4	2.4L	4B12	P	MPFI	2008	2009	WAGON		AC028	ACA181		ACC37
MITSUBISHI	OUTLANDER	ZG	XLS	4	2.4L	4B12	P	MPFI	2008	2009	WAGON		AC028	ACA181		ACC37
MITSUBISHI	OUTLANDER	ZG	XLS LUXURY	4	2.4L	4B12	P	MPFI	2008	2009	WAGON		AC028	ACA181		ACC37
MITSUBISHI	OUTLANDER	ZG	VR	6	3.0L	6B31	P	MPFI	2008	2009	WAGON		AC028	ACA181		ACC37
MITSUBISHI	OUTLANDER	ZG	VR-X	6	3.0L	6B31	P	MPFI	2008	2009	WAGON		AC028	ACA181		ACC37
MITSUBISHI	OUTLANDER	ZG	VR-X LUXURY	6	3.0L	6B31	P	MPFI	2008	2009	WAGON		AC028	ACA181		ACC37
MITSUBISHI	OUTLANDER	ZG	ACTIV	4	2.4L	4B12	P	MPFI	2009	2009	WAGON		AC028	ACA181		ACC37
MITSUBISHI	OUTLANDER	ZG	RX	6	3.0L	6B31	P	MPFI	2009	2009	WAGON		AC028	ACA181		ACC37
MITSUBISHI	OUTLANDER	ZH	LS	4	2.4L	4B12	P	MPFI	2009	2010	WAGON		AC028	ACA181		ACC37
MITSUBISHI	OUTLANDER	ZH	XLS	4	2.4L	4B12	P	MPFI	2009	2010	WAGON		AC028	ACA181		ACC37
MITSUBISHI	OUTLANDER	ZH	XLS LUXURY	4	2.4L	4B12	P	MPFI	2009	2010	WAGON		AC028	ACA181		ACC37
MITSUBISHI	OUTLANDER	ZH	VR	6	3.0L	6B31	P	MPFI	2009	2010	WAGON		AC028	ACA181		ACC37
MITSUBISHI	OUTLANDER	ZH	VR-X	6	3.0L	6B31	P	MPFI	2009	2010	WAGON		AC028	ACA181		ACC37
MITSUBISHI	OUTLANDER	ZH	RX	4	2.4L	4B12	P	MPFI	2010	2010	WAGON		AC028	ACA181		ACC37
MITSUBISHI	OUTLANDER	ZH	ACTIV	4	2.4L	4B12	P	MPFI	2010	2012	WAGON		AC028	ACA181		ACC37
MITSUBISHI	OUTLANDER	ZH	LS	4	2.4L	4B12	P	MPFI	2010	2012	WAGON		AC028	ACA181		ACC37
MITSUBISHI	OUTLANDER	ZH	XLS	4	2.4L	4B12	P	MPFI	2010	2012	WAGON		AC028	ACA181		ACC37
MITSUBISHI	OUTLANDER	ZH	XLS LUXURY	4	2.4L	4B12	P	MPFI	2010	2012	WAGON		AC028	ACA181		ACC37
MITSUBISHI	OUTLANDER	ZH	VR	6	3.0L	6B31	P	MPFI	2010	2012	WAGON		AC028	ACA181		ACC37
MITSUBISHI	OUTLANDER	ZH	VR-X	6	3.0L	6B31	P	MPFI	2010	2012	WAGON		AC028	ACA181		ACC37
MITSUBISHI	OUTLANDER	ZH	30TH ANNIV	4	2.4L	4B12	P	MPFI	2011	2011	WAGON		AC028	ACA181		ACC37
MITSUBISHI	OUTLANDER	ZH	PLATINUM	4	2.4L	4B12	P	MPFI	2011	2012	WAGON		AC028	ACA181		ACC37
MITSUBISHI	OUTLANDER	ZH	ENHANCEMENT PACK	4	2.4L	4B12	P	MPFI	2012	2012	WAGON		AC028	ACA181		ACC37
MITSUBISHI	OUTLANDER	ZJ	ASPIRE	4	2.4L	4J12	P	MPFI	11/12	03/15	WAGON		AC028	ACA293		ACC37
MITSUBISHI	OUTLANDER	ZJ	ASPIRE	4	2.2L	4N14	D	CRD TURBO	11/12	03/15	WAGON		AC028	ACA161		ACC37
MITSUBISHI	OUTLANDER	ZJ	ES	4	2.0L	4J11	P	MPFI	11/12	03/15	WAGON		AC028	ACA293		ACC37
MITSUBISHI	OUTLANDER	ZJ	ES	4	2.4L	4J12	P	MPFI	11/12	03/15	WAGON		AC028	ACA293		ACC37
MITSUBISHI	OUTLANDER	ZJ	LS	4	2.0L	4J11	P	MPFI	11/12	03/15	WAGON		AC028	ACA293		ACC37
MITSUBISHI	OUTLANDER	ZJ	LS	4	2.4L	4J12	P	MPFI	11/12	03/15	WAGON		AC028	ACA293		ACC37
MITSUBISHI	OUTLANDER	ZJ	LS	4	2.2L	4N14	D	CRD TURBO	11/12	03/15	WAGON		AC028	ACA161		ACC37
MITSUBISHI	OUTLANDER	ZJ	PHEV	4	2.0L	4B11	P	MPFI	03/14	03/15	WAGON	HYBRID	AC028			ACC37
MITSUBISHI	OUTLANDER	ZK	EXCEED	4	2.4L	4J12	P	MPFI	04/15	ON	WAGON		AC028	ACA293		ACC37
MITSUBISHI	OUTLANDER	ZK	EXCEED	4	2.2L	4N14	D	CRD TURBO	04/15	ON	WAGON		AC028	ACA161		ACC37
MITSUBISHI	OUTLANDER	ZK	LS	4	2.0L	4J11	P	MPFI	04/15	ON	WAGON		AC028	ACA293		ACC37
MITSUBISHI	OUTLANDER	ZK	XLS	4	2.0L	4J11	P	MPFI	04/15	ON	WAGON		AC028	ACA293		ACC37
MITSUBISHI	OUTLANDER	ZK	XLS	4	2.4L	4J12	P	MPFI	04/15	ON	WAGON		AC028	ACA293		ACC37
MITSUBISHI	OUTLANDER	ZK	XLS	4	2.2L	4N14	D	CRD TURBO	04/15	ON	WAGON		AC028	ACA161		ACC37
MITSUBISHI	PAJERO	NA		4	2.4L	4D55	D	TURBO	1983	1984	WAGON			ACA65	ACF19	
MITSUBISHI	PAJERO	NA		4	2.6L	4G54	P	CARB	1983	1984	WAGON		AC07		ACF10	
MITSUBISHI	PAJERO	NB		4	2.4L	4D55	D	TURBO	1984	1985	WAGON			ACA65	ACF19	

MAKE	MODEL	SERIES	BADGE	CYLS	ENG SIZE	ENGINE CODE	FUEL	FUEL DELIVERY / AIR INTAKE	FROM	TO	BODY	REMARKS	OIL	AIR	FUEL	CABIN
mitsubishi	PAJERO	NB		4	2.6L	4G54	P	CARB	1984	1985	WAGON		AC07		ACF10	
mitsubishi	PAJERO	NC		4	2.4L	4D55	D	TURBO	1985	1986	WAGON			ACA95	ACF19	
mitsubishi	PAJERO	NC		4	2.6L	4G54	P	CARB	1985	1986	WAGON		AC07		ACF10	
mitsubishi	PAJERO	ND		4	2.5L	4D56	D	TURBO	1986	1987	WAGON		AC041	ACA95		
mitsubishi	PAJERO	ND		4	2.6L	4G54	P	CARB	1986	1987	WAGON		AC07		ACF10	
mitsubishi	PAJERO	NE		4	2.5L	4D56	D	TURBO	1987	1988	WAGON		AC041	ACA95	ACF19	
mitsubishi	PAJERO	NE		4	2.6L	4G54	P	CARB	1987	1988	WAGON		AC07		ACF10	
mitsubishi	PAJERO	NF		4	2.5L	4D56	D	TURBO	1988	1989	WAGON		AC041	ACA95	ACF19	
mitsubishi	PAJERO	NF		4	2.6L	4G54	P	CARB	1988	1989	WAGON		AC07		ACF10	
mitsubishi	PAJERO	NF	SUPER-WAGON	6	3.0L	6G72	P	MPFI	1988	1989	WAGON		AC07	ACA14	ACF5	
mitsubishi	PAJERO	NG		4	2.5L	4D56	D	TURBO	1989	1991	WAGON		AC041	ACA95	ACF19	
mitsubishi	PAJERO	NG		4	2.6L	4G54	P	CARB	1989	1991	WAGON		AC07		ACF10	
mitsubishi	PAJERO	NG	SUPER-WAGON	6	3.0L	6G72	P	MPFI	1989	1991	WAGON		AC07	ACA14	ACF5	
mitsubishi	PAJERO	NH	GL	4	2.5L	4D56	D	TURBO	1991	1993	WAGON		AC041	ACA95	ACF19	
mitsubishi	PAJERO	NH	GLS	4	2.5L	4D56	D	TURBO	1991	1993	WAGON		AC041	ACA95	ACF19	
mitsubishi	PAJERO	NH	GLX	4	2.5L	4D56	D	TURBO	1991	1993	WAGON		AC041	ACA95	ACF19	
mitsubishi	PAJERO	NH	GL	4	2.6L	4G54	P	CARB	1991	1993	WAGON		AC07		ACF10	
mitsubishi	PAJERO	NH	GLS	6	3.0L	6G72	P	MPFI	1991	1993	WAGON		AC07	ACA18	ACF5	
mitsubishi	PAJERO	NH	GLX	6	3.0L	6G72	P	MPFI	1991	1993	WAGON		AC07	ACA18	ACF5	
mitsubishi	PAJERO	NJ	GL	6	3.0L	6G72	P	MPFI	1993	1996	WAGON		AC07	ACA18	ACF1	
mitsubishi	PAJERO	NJ	GL	4	2.8L	4M40	D	DIESEL INJ	1993	1996	WAGON		AC056		ACF19	
mitsubishi	PAJERO	NJ	GLS	4	2.8L	4M40	D	TURBO	1993	1996	WAGON		AC056		ACF19	
mitsubishi	PAJERO	NJ	GLS	6	3.0L	6G72	P	MPFI	1993	1996	WAGON		AC07	ACA18	ACF1	
mitsubishi	PAJERO	NJ	EXCEED	6	3.5L	6G74	P	MPFI	1993	1996	WAGON		AC07	ACA98	ACF1	
mitsubishi	PAJERO	NJ	GLS	6	3.5L	6G74	P	MPFI	1995	1996	WAGON		AC07	ACA98	ACF1	
mitsubishi	PAJERO	NJ	ESCAPE	6	3.5L	6G74	P	MPFI	1996	1996	WAGON		AC07	ACA98	ACF1	
mitsubishi	PAJERO	NK	GLX	6	3.0L	6G72	P	MPFI	1996	1997	WAGON		AC07	ACA18	ACF1	
mitsubishi	PAJERO	NK	GLS	6	3.5L	6G74	P	MPFI	1996	1997	WAGON		AC07	ACA98	ACF1	
mitsubishi	PAJERO	NK	GLX	6	3.5L	6G74	P	MPFI	1996	1997	WAGON		AC07	ACA98	ACF1	
mitsubishi	PAJERO	NK	GL	4	2.8L	4M40	D	DIESEL INJ	1996	1997	WAGON		AC056	ACA95	ACF19	
mitsubishi	PAJERO	NK	GLS	4	2.8L	4M40	D	TURBO	1996	1997	WAGON		AC056	ACA95	ACF19	
mitsubishi	PAJERO	NK	GLX	4	2.8L	4M40	D	TURBO	1996	1997	WAGON		AC056	ACA95	ACF19	
mitsubishi	PAJERO	NK	GL	6	3.0L	6G72	P	MPFI	1996	1997	WAGON		AC07	ACA18	ACF1	
mitsubishi	PAJERO	NK	GLS	6	3.0L	6G72	P	MPFI	1996	1997	WAGON		AC07	ACA18	ACF1	
mitsubishi	PAJERO	NL	GL	4	2.8L	4M40	D	TURBO DIRECT INJ	1997	2000	WAGON		AC056	ACA95	ACF19	
mitsubishi	PAJERO	NL	GLS	4	2.8L	4M40	D	TURBO DIRECT INJ	1997	2000	WAGON		AC056	ACA95	ACF19	
mitsubishi	PAJERO	NL	GLX	4	2.8L	4M40	D	TURBO DIRECT INJ	1997	2000	WAGON		AC056	ACA95	ACF19	
mitsubishi	PAJERO	NL	GLS	6	3.5L	6G74	P	MPFI	1997	2000	WAGON		AC07	ACA98	ACF1	
mitsubishi	PAJERO	NL	GLX	6	3.5L	6G74	P	MPFI	1997	2000	WAGON		AC07	ACA98	ACF1	
mitsubishi	PAJERO	NL	GL	6	3.5L	6G74	P	MPFI	1997	2000	WAGON		AC07	ACA98	ACF1	
mitsubishi	PAJERO	NL	ESCAPE	6	3.5L	6G74	P	MPFI	1999	2000	WAGON		AC07	ACA98	ACF1	
mitsubishi	PAJERO	NL	EXCEED	6	3.5L	6G74	P	MPFI	1999	2000	WAGON		AC07	ACA98	ACF1	
mitsubishi	PAJERO	NM	GLX PLUS	4	2.8L	4M40	D	TURBO DIRECT INJ	2000	2001	WAGON		AC056	ACA124	ACF114	ACC96
mitsubishi	PAJERO	NM	GLX PLUS	6	3.5L	6G74	P	MPFI	2000	2001	WAGON		AC07	ACA124	ACF184	ACC96

MAKE	MODEL	SERIES	BADGE	CYLS	ENG SIZE	ENGINE CODE	FUEL	FUEL DELIVERY / AIR INTAKE	FROM	TO	BODY	REMARKS	OIL	AIR	FUEL	CABIN
mitsubishi	PAJERO	NM	EXCEED	4	2.8L	4M40	D	TURBO DIRECT INJ	2000	2002	WAGON		AC056	ACA124	ACF114	ACC96
mitsubishi	PAJERO	NM	GL	4	2.8L	4M40	D	TURBO DIRECT INJ	2000	2002	WAGON		AC056	ACA124	ACF114	ACC96
mitsubishi	PAJERO	NM	GLS	4	2.8L	4M40	D	TURBO DIRECT INJ	2000	2002	WAGON		AC056	ACA124	ACF114	ACC96
mitsubishi	PAJERO	NM	GLX	4	2.8L	4M40	D	TURBO DIRECT INJ	2000	2002	WAGON		AC056	ACA124	ACF114	ACC96
mitsubishi	PAJERO	NM	EXCEED	6	3.5L	6G74	P	MPFI	2000	2002	WAGON		AC07	ACA124	ACF184	ACC96
mitsubishi	PAJERO	NM	GL	6	3.5L	6G74	P	MPFI	2000	2002	WAGON		AC07	ACA124	ACF184	ACC96
mitsubishi	PAJERO	NM	GLS	6	3.5L	6G74	P	MPFI	2000	2002	WAGON		AC07	ACA124	ACF184	ACC96
mitsubishi	PAJERO	NM	GLX	6	3.5L	6G74	P	MPFI	2000	2002	WAGON		AC07	ACA124	ACF184	ACC96
mitsubishi	PAJERO	NM	DAKAR GLX	4	2.8L	4M40	D	TURBO DIRECT INJ	2001	2001	WAGON		AC056	ACA124	ACF114	ACC96
mitsubishi	PAJERO	NM	TANAMI GLS	4	2.8L	4M40	D	TURBO DIRECT INJ	2001	2001	WAGON		AC056	ACA124	ACF114	ACC96
mitsubishi	PAJERO	NM	DAKAR GLX	6	3.5L	6G74	P	MPFI	2001	2001	WAGON		AC07	ACA124	ACF184	ACC96
mitsubishi	PAJERO	NM	TANAMI GLS	6	3.5L	6G74	P	MPFI	2001	2001	WAGON		AC07	ACA124	ACF184	ACC96
mitsubishi	PAJERO	NM	EXCEED	4	3.2L	4M41	D	TURBO DIRECT INJ	2002	2002	WAGON		AC056	ACA124	ACF114	ACC96
mitsubishi	PAJERO	NM	GLS	4	3.2L	4M41	D	TURBO DIRECT INJ	2002	2002	WAGON		AC056	ACA124	ACF114	ACC96
mitsubishi	PAJERO	NM	GLX	4	3.2L	4M41	D	TURBO DIRECT INJ	2002	2002	WAGON		AC056	ACA124	ACF114	ACC96
mitsubishi	PAJERO	NM	COMM GAMES EDITION	6	3.5L	6G74	P	MPFI	2002	2002	WAGON		AC07	ACA124	ACF184	ACC96
mitsubishi	PAJERO	NP	EXCEED	6	3.5L	6G74	P	MPFI	2002	2003	WAGON		AC07	ACA124	ACF184	ACC96
mitsubishi	PAJERO	NP	GLS	6	3.5L	6G74	P	MPFI	2002	2004	WAGON		AC07	ACA124	ACF184	ACC96
mitsubishi	PAJERO	NP	GLX	6	3.5L	6G74	P	MPFI	2002	2004	WAGON		AC07	ACA124	ACF184	ACC96
mitsubishi	PAJERO	NP	EXCEED	4	3.2L	4M41	D	TURBO DIRECT INJ	2002	2006	WAGON		AC056	ACA124	ACF114	ACC96
mitsubishi	PAJERO	NP	GLS	4	3.2L	4M41	D	TURBO DIRECT INJ	2002	2006	WAGON		AC056	ACA124	ACF114	ACC96
mitsubishi	PAJERO	NP	GLX	4	3.2L	4M41	D	TURBO DIRECT INJ	2002	2006	WAGON		AC056	ACA124	ACF114	ACC96
mitsubishi	PAJERO	NP	EXCEED	6	3.8L	6G75	P	MPFI	2003	2006	WAGON		AC07	ACA124	ACF184	ACC96
mitsubishi	PAJERO	NP	GLS	6	3.8L	6G75	P	MPFI	2003	2006	WAGON		AC07	ACA124	ACF184	ACC96
mitsubishi	PAJERO	NP	GLX	6	3.8L	6G75	P	MPFI	2003	2006	WAGON		AC07	ACA124	ACF184	ACC96
mitsubishi	PAJERO	NP	GLS 21ST ANNIV	4	3.2L	4M41	D	TURBO DIRECT INJ	2004	2004	WAGON		AC056	ACA124	ACF114	ACC96
mitsubishi	PAJERO	NP	GLS 21ST ANNIV	6	3.8L	6G75	P	MPFI	2004	2004	WAGON		AC07	ACA124	ACF184	ACC96
mitsubishi	PAJERO	NP	PLATINUM EDITION	4	3.2L	4M41	D	TURBO DIRECT INJ	2005	2005	WAGON		AC056	ACA124	ACF114	ACC96
mitsubishi	PAJERO	NP	PLATINUM EDITION	6	3.8L	6G75	P	MPFI	2005	2005	WAGON		AC07	ACA124	ACF184	ACC96
mitsubishi	PAJERO	NP	VR-X	4	3.2L	4M41	D	TURBO DIRECT INJ	2006	2006	WAGON		AC056	ACA124	ACF114	ACC96
mitsubishi	PAJERO	NP	VR-X	6	3.8L	6G75	P	MPFI	2006	2006	WAGON		AC07	ACA124	ACF184	ACC96
mitsubishi	PAJERO	NS	EXCEED	4	3.2L	4M41	D	TURBO DIRECT INJ	2006	2008	WAGON		AC056	ACA124	ACF28	ACC96
mitsubishi	PAJERO	NS	GLX	4	3.2L	4M41	D	TURBO DIRECT INJ	2006	2008	WAGON		AC056	ACA124	ACF28	ACC96
mitsubishi	PAJERO	NS	R	4	3.2L	4M41	D	TURBO DIRECT INJ	2006	2008	WAGON		AC056	ACA124	ACF28	ACC96

MAKE	MODEL	SERIES	BADGE	CYLS	ENG SIZE	ENGINE CODE	FUEL	FUEL DELIVERY / AIR INTAKE	FROM	TO	BODY	REMARKS	OIL	AIR	FUEL	CABIN
mitsubishi	PAJERO	NS	VR-X	4	3.2L	4M41	D	TURBO DIRECT INJ	2006	2008	WAGON		AC056	ACA124	ACF28	ACC96
mitsubishi	PAJERO	NS	X	4	3.2L	4M41	D	TURBO DIRECT INJ	2006	2008	WAGON		AC056	ACA124	ACF28	ACC96
mitsubishi	PAJERO	NS	EXCEED	6	3.8L	6G75	P	MPFI	2006	2008	WAGON		AC07	ACA124	ACF222	ACC96
mitsubishi	PAJERO	NS	GLX	6	3.8L	6G75	P	MPFI	2006	2008	WAGON		AC07	ACA124	ACF222	ACC96
mitsubishi	PAJERO	NS	R	6	3.8L	6G75	P	MPFI	2006	2008	WAGON		AC07	ACA124	ACF222	ACC96
mitsubishi	PAJERO	NS	VR-X	6	3.8L	6G75	P	MPFI	2006	2008	WAGON		AC07	ACA124	ACF222	ACC96
mitsubishi	PAJERO	NS	X	6	3.8L	6G75	P	MPFI	2006	2008	WAGON		AC07	ACA124	ACF222	ACC96
mitsubishi	PAJERO	NS	VR-X LIMITED EDITION	6	3.8L	6G75	P	MPFI	2007	2007	WAGON		AC07	ACA124	ACF222	ACC96
mitsubishi	PAJERO	NS	25TH ANNIV	4	3.2L	4M41	D	TURBO DIRECT INJ	2008	2008	WAGON		AC056	ACA124	ACF28	ACC96
mitsubishi	PAJERO	NS	PLATINUM EDITION	4	3.2L	4M41	D	TURBO DIRECT INJ	2008	2008	WAGON		AC056	ACA124	ACF28	ACC96
mitsubishi	PAJERO	NS	25TH ANNIV	6	3.8L	6G75	P	MPFI	2008	2008	WAGON		AC07	ACA124	ACF222	ACC96
mitsubishi	PAJERO	NS	PLATINUM EDITION	6	3.8L	6G75	P	MPFI	2008	2008	WAGON		AC07	ACA124	ACF222	ACC96
mitsubishi	PAJERO	NT	R	4	3.2L	4M41	D	TURBO DIRECT INJ	2008	2009	WAGON		AC056	ACA124	ACF28	ACC96
mitsubishi	PAJERO	NT	X	4	3.2L	4M41	D	TURBO DIRECT INJ	2008	2009	WAGON		AC056	ACA124	ACF28	ACC96
mitsubishi	PAJERO	NT	R	6	3.8L	6G75	P	MPFI	2008	2009	WAGON		AC07	ACA124	ACF222	ACC96
mitsubishi	PAJERO	NT	X	6	3.8L	6G75	P	MPFI	2008	2009	WAGON		AC07	ACA124	ACF222	ACC96
mitsubishi	PAJERO	NT	GLX	6	3.8L	6G75	P	MPFI	2008	2010	WAGON		AC07	ACA124	ACF222	ACC96
mitsubishi	PAJERO	NT	EXCEED	4	3.2L	4M41	D	TURBO DIRECT INJ	2008	2011	WAGON		AC056	ACA124	ACF28	ACC96
mitsubishi	PAJERO	NT	GL	4	3.2L	4M41	D	TURBO DIRECT INJ	2008	2011	WAGON		AC056	ACA124	ACF28	ACC96
mitsubishi	PAJERO	NT	GLS	4	3.2L	4M41	D	TURBO DIRECT INJ	2008	2011	WAGON		AC056	ACA124	ACF28	ACC96
mitsubishi	PAJERO	NT	GLX	4	3.2L	4M41	D	TURBO DIRECT INJ	2008	2011	WAGON		AC056	ACA124	ACF28	ACC96
mitsubishi	PAJERO	NT	VR-X	4	3.2L	4M41	D	TURBO DIRECT INJ	2008	2011	WAGON		AC056	ACA124	ACF28	ACC96
mitsubishi	PAJERO	NT	EXCEED	6	3.8L	6G75	P	MPFI	2008	2011	WAGON		AC07	ACA124	ACF222	ACC96
mitsubishi	PAJERO	NT	GLS	6	3.8L	6G75	P	MPFI	2008	2011	WAGON		AC07	ACA124	ACF222	ACC96
mitsubishi	PAJERO	NT	VR-X	6	3.8L	6G75	P	MPFI	2008	2011	WAGON		AC07	ACA124	ACF222	ACC96
mitsubishi	PAJERO	NT	PLATINUM EDITION	4	3.2L	4M41	D	TURBO DIRECT INJ	2009	2009	WAGON		AC056	ACA124	ACF28	ACC96
mitsubishi	PAJERO	NT	PLATINUM EDITION	6	3.8L	6G75	P	MPFI	2009	2009	WAGON		AC07	ACA124	ACF222	ACC96
mitsubishi	PAJERO	NT	RX	4	3.2L	4M41	D	TURBO DIRECT INJ	2009	2011	WAGON		AC056	ACA124	ACF28	ACC96
mitsubishi	PAJERO	NT	RX	6	3.8L	6G75	P	MPFI	2009	2011	WAGON		AC07	ACA124	ACF222	ACC96
mitsubishi	PAJERO	NT	ACTIV	4	3.2L	4M41	D	TURBO DIRECT INJ	2010	2010	WAGON		AC056	ACA124	ACF28	ACC96
mitsubishi	PAJERO	NT	ACTIV	6	3.8L	6G75	P	MPFI	2010	2010	WAGON		AC07	ACA124	ACF222	ACC96
mitsubishi	PAJERO	NT	PLATINUM	4	3.2L	4M41	D	TURBO DIRECT INJ	2010	2011	WAGON		AC056	ACA124	ACF28	ACC96
mitsubishi	PAJERO	NT	PLATINUM	6	3.8L	6G75	P	MPFI	2010	2011	WAGON		AC07	ACA124	ACF222	ACC96
mitsubishi	PAJERO	NT	30TH ANNIV	4	3.2L	4M41	D	TURBO DIRECT INJ	2011	2011	WAGON		AC056	ACA124	ACF28	ACC96
mitsubishi	PAJERO	NW	GL	4	3.2L	4M41	D	TURBO DIRECT INJ	2011	2012	WAGON		AC056	ACA124	ACF28	ACC96

MAKE	MODEL	SERIES	BADGE	CYLS	ENG SIZE	ENGINE CODE	FUEL	FUEL DELIVERY / AIR INTAKE	FROM	TO	BODY	REMARKS	OIL	AIR	FUEL	CABIN
mitsubishi	PAJERO	NW	GLS	4	3.2L	4M41	D	TURBO DIRECT INJ	2011	2012	WAGON		AC056	ACA124	ACF28	ACC96
mitsubishi	PAJERO	NW	PLATINUM	4	3.2L	4M41	D	TURBO DIRECT INJ	2011	2012	WAGON		AC056	ACA124	ACF28	ACC96
mitsubishi	PAJERO	NW	EXCEED	6	3.8L	6G75	P	MPFI	2011	2013	WAGON		AC07	ACA124	ACF222	ACC96
mitsubishi	PAJERO	NW	EXCEED	4	3.2L	4M41	D	TURBO DIRECT INJ	2011	ON	WAGON		AC056	ACA124	ACF28	ACC96
mitsubishi	PAJERO	NW	ACTIV	4	3.2L	4M41	D	TURBO DIRECT INJ	2012	2012	WAGON		AC056	ACA124	ACF28	ACC96
mitsubishi	PAJERO	NW	PLATINUM II	4	3.2L	4M41	D	TURBO DIRECT INJ	2012	2012	WAGON		AC056	ACA124	ACF28	ACC96
mitsubishi	PAJERO	NW	GLX	4	3.2L	4M41	D	TURBO DIRECT INJ	2011	09/14	WAGON		AC056	ACA124	ACF28	ACC96
mitsubishi	PAJERO	NW	GLX-R	4	3.2L	4M41	D	TURBO DIRECT INJ	2012	09/14	WAGON		AC056	ACA124	ACF28	ACC96
mitsubishi	PAJERO	NW	VR-X	4	3.2L	4M41	D	TURBO DIRECT INJ	2011	09/14	WAGON		AC056	ACA124	ACF28	ACC96
mitsubishi	PAJERO	NX	EXCEED	4	3.2L	4M41	D	TURBO DIRECT INJ	09/14	ON	WAGON		AC056	ACA124	ACF28	ACC96
mitsubishi	PAJERO	NX	GLS	4	3.2L	4M41	D	TURBO DIRECT INJ	09/14	ON	WAGON		AC056	ACA124	ACF28	ACC96
mitsubishi	PAJERO	NX	GLX	4	3.2L	4M41	D	TURBO DIRECT INJ	09/14	ON	WAGON		AC056	ACA124	ACF28	ACC96
mitsubishi	PAJERO IO	QA		4	1.6L	4G18	P	MPFI	1999	2001	WAGON		AC028	ACA108		
mitsubishi	PAJERO IO	QA		4	1.8L	4G93	P	MPFI	1999	2001	WAGON	5 DOOR	AC028	ACA108		
mitsubishi	PAJERO IO	QA		4	2.0L	4G94	P	MPFI	2001	2002	WAGON		AC028	ACA108		
mitsubishi	PAJERO IO	QA		4	2.0L	4G94	P	MPFI	2001	2002	WAGON	5 DOOR	AC028	ACA108		
mitsubishi	SCORPION	GE		4	2.0L	4G52	P	CARB	1978	1979	COUPE		AC05	ACA6	ACF10	
mitsubishi	SCORPION	GH		4	2.6L	G54B	P	CARB	1979	1980	COUPE		AC05	ACA6	ACF10	
mitsubishi	SCORPION	GJ		4	2.6L	G54B	P	CARB	1980	1981	COUPE		AC05	ACA6	ACF10	
mitsubishi	SCORPION	GK		4	2.6L	G54B	P	CARB	1982	1982	COUPE		AC05	ACA6	ACF10	
mitsubishi	SCORPION	GL		4	2.6L	4G54	P	CARB	1982	1985	COUPE		AC05		ACF10	
mitsubishi	SIGMA	GE		4	1.6L	4G32B	P	CARB	1977	1980	SEDAN		AC05		ACF10	
mitsubishi	SIGMA	GE		4	2.0L	4G52	P	CARB	1977	1980	SED/WAG		AC05		ACF10	
mitsubishi	SIGMA	GE		4	1.9L	4G51	P	CARB	1978	1980	SED/WAG		AC05		ACF10	
mitsubishi	SIGMA	GE		4	2.6L	4G54	P	CARB	1980	1980	SEDAN		AC05		ACF10	
mitsubishi	SIGMA	GH		4	1.6L	4G32B	P	TURBO	1980	1982	SEDAN		AC05		ACF10	
mitsubishi	SIGMA	GH		4	2.0L	4G52	P	CARB	1980	1982	SED/WAG		AC05		ACF10	
mitsubishi	SIGMA	GH		4	2.6L	4G54	P	CARB	1980	1982	SED/WAG		AC05	ACA6	ACF10	
mitsubishi	SIGMA	GJ		4	1.6L	4G32B	P	CARB	1982	1984	SED/WAG		AC05		ACF10	
mitsubishi	SIGMA	GJ		4	2.0L	4G52	P	CARB	1982	1984	SED/WAG		AC05	ACA6	ACF10	
mitsubishi	SIGMA	GJ		4	2.6L	4G54	P	CARB	1982	1984	SED/WAG		AC05	ACA6	ACF10	
mitsubishi	SIGMA	GK		4	1.6L	4G32B	P	CARB	1984	1985	SEDAN		AC05		ACF10	
mitsubishi	SIGMA	GK		4	2.0L	4G52	P	CARB	1984	1985	SED/WAG		AC05	ACA6	ACF10	
mitsubishi	SIGMA	GK		4	2.6L	4G54	P	CARB	1984	1985	SED/WAG		AC05	ACA6	ACF10	
mitsubishi	SIGMA	GN		4	2.0L	4G52	P	CARB	1985	1987	SED/WAG		AC05	ACA6	ACF10	

MAKE	MODEL	SERIES	BADGE	CYLS	ENG SIZE	ENGINE CODE	FUEL	FUEL DELIVERY / AIR INTAKE	FROM	TO	BODY	REMARKS	OIL	AIR	FUEL	CABIN
MITSUBISHI	SIGMA	GN		4	2.6L	4G54	P	CARB	1985	1987	SED/WAG		AC05	ACA6	ACF10	
MITSUBISHI	STARION	JA		4	2.0L	4G63T	P	TURBO	1982	1984	COUPE		AC07		ACF40	
MITSUBISHI	STARION	JB		4	2.0L	4G63T	P	TURBO	1985	1985	COUPE		AC07		ACF40	
MITSUBISHI	STARION	JD		4	2.0L	4G63T	P	TURBO	1985	1987	COUPE		AC07		ACF40	
MITSUBISHI	STARWAGON	SF	GL	4	2.0L	4G63B	P	CARB	1986	1990	WAGON		AC07	ACA121	ACF75	
MITSUBISHI	STARWAGON	SF	GLX	4	2.0L	4G63B	P	CARB	1986	1990	WAGON		AC07	ACA121	ACF75	
MITSUBISHI	STARWAGON	SF	SE	4	2.4L	4G64B	P		1986	1990	WAGON		AC07	ACA121	ACF5	
MITSUBISHI	STARWAGON	SG	GL	4	2.0L	4G63B	P	CARB	1990	1991	WAGON		AC07	ACA121	ACF75	
MITSUBISHI	STARWAGON	SG	ECI	4	2.4L	4G64	P	EFI	1990	1991	WAGON		AC07	ACA121	ACF5	
MITSUBISHI	STARWAGON	SG	GLX	4	2.4L	4G64	P	EFI	1990	1991	WAGON		AC07	ACA121	ACF5	
MITSUBISHI	STARWAGON	SG	SE	4	2.4L	4G64	P	EFI	1990	1991	WAGON		AC07	ACA121	ACF5	
MITSUBISHI	STARWAGON	SH	GL	4	2.0L	4G63	P	CARB	1991	1994	WAGON		AC07	ACA121	ACF75	
MITSUBISHI	STARWAGON	SH	GLX	4	2.4L	4G64	P	MPFI	1991	1994	WAGON		AC07	ACA121	ACF5	
MITSUBISHI	STARWAGON	SH	SE	4	2.4L	4G64	P	MPFI	1991	1994	WAGON		AC07	ACA121	ACF5	
MITSUBISHI	STARWAGON	WA	GLX	4	2.4L	4G64	P	EFI	1994	1996	WAGON		AC028	ACA18	ACF1	
MITSUBISHI	STARWAGON	WA	GLS	6	3.0L	6G72	P	MPFI	1994	1996	WAGON		AC07	ACA18	ACF1	
MITSUBISHI	STARWAGON	WA	GL	4	2.0L	4G63	P	CARB	1994	1998	WAGON		AC028	ACA95	ACF10	
MITSUBISHI	STARWAGON	SJ	SATELLITE	4	2.0L	4G63B	P	CARB	1995	1997	WAGON		AC028	ACA95	ACF10	
MITSUBISHI	STARWAGON	WA	GLX	4	2.4L	4G64	P	EFI	1996	1998	WAGON		AC028	ACA18	ACF1	
MITSUBISHI	STARWAGON	SJ	SATELLITE	4	2.0L	4G63B	P	EFI	1997	2001	WAGON		AC028			
MITSUBISHI	STARWAGON	WA	GL	4	2.0L	4G63	P	EFI	1998	2001	WAGON		AC028	ACA18	ACF1	
MITSUBISHI	STARWAGON	WA	GLX	4	2.4L	4G64	P	EFI	1998	2003	WAGON		AC028	ACA18	ACF1	
MITSUBISHI	TRITON	ME		4	2.5L	4D56	D	DIESEL INJ	1986	1988	CAB CHASS/UTE		AC041		ACF19	
MITSUBISHI	TRITON	ME		4	2.6L	4G54	P	CARB	1986	1988	CAB CHASS/UTE		AC07	ACA84	ACF75	
MITSUBISHI	TRITON	MF		4	2.5L	4D56	D	DIESEL INJ	1988	1989	CAB CHASS/UTE		AC041		ACF19	
MITSUBISHI	TRITON	MF		4	2.6L	4G54	P	CARB	1988	1989	CAB CHASS/UTE		AC07	ACA84	ACF75	
MITSUBISHI	TRITON	MG		4	2.5L	4D56	D	DIESEL INJ	1989	1990	CAB CHASS/UTE		AC041		ACF19	
MITSUBISHI	TRITON	MG		4	2.6L	4G54	P	CARB	1989	1990	CAB CHASS/UTE		AC07	ACA84	ACF75	
MITSUBISHI	TRITON	MH		4	2.5L	4D56	D	DIESEL INJ	1990	1992	CAB CHASS/UTE		AC041	ACA95	ACF19	
MITSUBISHI	TRITON	MH		4	2.5L	4D56T	D	TURBO	1990	1992	CAB CHASS/UTE	4WD	AC041	ACA95	ACF19	
MITSUBISHI	TRITON	MH		4	2.6L	4G54	P	CARB	1990	1992	CAB CHASS/UTE		AC07	ACA84	ACF75	
MITSUBISHI	TRITON	MH		6	3.0L	6G72	P	MPFI	1990	1992	CAB CHASS/UTE	4WD	AC07	ACA18	ACF5	
MITSUBISHI	TRITON	MJ		4	2.5L	4D56	D	DIESEL INJ	1992	1996	CAB CHASS/UTE	WHERE AIR FILTER IS APPROX. 197MM HIGH	AC041	ACA95	ACF19	



MAKE	MODEL	SERIES	BADGE	CYLS	ENG SIZE	ENGINE CODE	FUEL	FUEL DELIVERY / AIR INTAKE	FROM	TO	BODY	REMARKS	OIL	AIR	FUEL	CABIN
MITSUBISHI	TRITON	MJ		4	2.5L	4D56	D	DIESEL INJ	1992	1996	CAB CHASS/UTE	WHERE AIR FILTER IS APPROX. 158MM HIGH	AC041		ACF19	
MITSUBISHI	TRITON	MJ		4	2.5L	4D56T	D	TURBO	1992	1996	CAB CHASS/UTE	WHERE AIR FILTER IS APPROX. 197MM HIGH	AC041	ACA95	ACF19	
MITSUBISHI	TRITON	MJ		4	2.5L	4D56T	D	TURBO	1992	1996	CAB CHASS/UTE	WHERE AIR FILTER IS APPROX. 158MM HIGH	AC041		ACF19	
MITSUBISHI	TRITON	MJ		4	2.6L	4G54	P	CARB	1992	1996	CAB CHASS/UTE		AC07	ACA84	ACF75	
MITSUBISHI	TRITON	MJ		6	3.0L	6G72	P	MPFI	1992	1996	CAB CHASS/UTE	4WD	AC07	ACA18	ACF5	
MITSUBISHI	TRITON	MK	GLX	4	2.8L	4M40	D	DIESEL INJ	1996	2003	CAB CHASS/UTE		AC056	ACA95	ACF19	
MITSUBISHI	TRITON	MK	GL	4	2.4L	4G64	P	MPFI	1996	2006	CAB CHASS	2WD	AC028	ACA18	ACF223	
MITSUBISHI	TRITON	MK	GLX	4	2.4L	4G64	P	MPFI	1996	2006	CAB CHASS/UTE	2WD	AC028	ACA18	ACF223	
MITSUBISHI	TRITON	MK	GLS	6	3.0L	6G72	P	MPFI	1996	2006	UTE	4WD	AC07	ACA18	ACF223	
MITSUBISHI	TRITON	MK	GLX	6	3.0L	6G72	P	MPFI	1996	2006	CAB CHASS/UTE		AC07	ACA18	ACF223	
MITSUBISHI	TRITON	MK	GLS	4	2.8L	4M40	D	DIESEL INJ	2000	2003	UTE		AC056	ACA95	ACF19	
MITSUBISHI	TRITON	MK	GLX	4	2.8L	4M40T	D	TURBO INT-COOL	2003	2006	CAB CHASS/UTE		AC056	ACA95	ACF19	
MITSUBISHI	TRITON	MK	GLS	4	2.8L	4M40T	D	TURBO INT-COOL	2003	2006	UTE	4WD	AC056	ACA95	ACF19	
MITSUBISHI	TRITON	MK	GLX-R	4	2.8L	4M40T	D	TURBO INT-COOL	2005	2006	UTE		AC056	ACA95	ACF19	
MITSUBISHI	TRITON	MK	GLX-R	6	3.0L	6G72	P	MPFI	2005	2006	UTE		AC07	ACA18	ACF223	
MITSUBISHI	TRITON	ML	GLS	6	3.5L	6G74	P	MPFI	2006	2008	UTE		AC07	ACA135	ACF144	ACC43
MITSUBISHI	TRITON	ML	GLS	4	3.2L	4M41T	D	TURBO INT-COOL	2006	2009	UTE		AC056	ACA135	ACF150	ACC43
MITSUBISHI	TRITON	ML	GLX-R	4	3.2L	4M41T	D	TURBO INT-COOL	2006	2009	UTE		AC056	ACA135	ACF150	ACC43
MITSUBISHI	TRITON	ML	GLX	6	3.5L	6G74	P	MPFI	2006	2009	CAB CHASS/UTE		AC07	ACA135	ACF144	ACC43
MITSUBISHI	TRITON	ML	GLX-R	6	3.5L	6G74	P	MPFI	2006	2009	UTE		AC07	ACA135	ACF144	ACC43
MITSUBISHI	TRITON	ML	GL	4	2.4L	4G64	P	MPFI	2007	2009	CAB CHASS/UTE		AC028	ACA135	ACF144	ACC43
MITSUBISHI	TRITON	ML	GLX	4	2.4L	4G64	P	MPFI	2007	2009	CAB CHASS/UTE		AC028	ACA135	ACF144	ACC43
MITSUBISHI	TRITON	ML	VR	4	3.2L	4M41T	D	TURBO INT-COOL	2007	2009	UTE		AC056	ACA135	ACF150	ACC43
MITSUBISHI	TRITON	ML	VR	6	3.5L	6G74	P	MPFI	2007	2009	UTE		AC07	ACA135	ACF144	ACC43
MITSUBISHI	TRITON	ML	GLS FASTBACK	4	3.2L	4M41T	D	TURBO INT-COOL	2008	2008	UTE		AC056	ACA135	ACF150	ACC43
MITSUBISHI	TRITON	ML	OLYMPIC EDITION	4	3.2L	4M41T	D	TURBO INT-COOL	2008	2008	UTE		AC056	ACA135	ACF150	ACC43

MAKE	MODEL	SERIES	BADGE	CYLS	ENG SIZE	ENGINE CODE	FUEL	FUEL DELIVERY / AIR INTAKE	FROM	TO	BODY	REMARKS	OIL	AIR	FUEL	CABIN
mitsubishi	TRITON	ML	GLX	4	2.5L	4D56T	D	TURBO INT-COOL	2008	2009	CAB CHASS/UTE			ACA135	ACF150	ACC43
mitsubishi	TRITON	ML	GLX	4	3.2L	4M41T	D	TURBO INT-COOL	2008	2009	CAB CHASS/UTE		AC056	ACA135	ACF150	ACC43
mitsubishi	TRITON	ML	VR PLUS	4	3.2L	4M41T	D	TURBO INT-COOL	2009	2009	UTE		AC056	ACA135	ACF150	ACC43
mitsubishi	TRITON	ML	VR PLUS	6	3.5L	6G74	P	MPFI	2009	2009	UTE		AC07	ACA135	ACF144	ACC43
mitsubishi	TRITON	MN	GLX	4	2.4L	4G64	P	MPFI	2009	2011	UTE		AC028	ACA135	ACF144	ACC43
mitsubishi	TRITON	MN	GL-R ACTIV	4	2.5L	4D56T	D	TURBO INT-COOL	2010	2010	UTE			ACA135	ACF150	ACC43
mitsubishi	TRITON	MN	GLX-R 30TH ANNIV	4	2.5L	4D56T	D	TURBO INT-COOL	2011	2011	UTE			ACA135	ACF150	ACC43
mitsubishi	TRITON	MN	GL	4	2.4L	4G64	P	MPFI	2009	12/14	CAB CHASS		AC028	ACA135	ACF144	ACC43
mitsubishi	TRITON	MN	GL	4	2.5L	4D56T	D	TURBO INT-COOL	2013	12/14	CAB CHASS			ACA135	ACF150	ACC43
mitsubishi	TRITON	MN	GL-R	4	2.5L	4D56T	D	TURBO INT-COOL	2009	12/14	UTE			ACA135	ACF150	ACC43
mitsubishi	TRITON	MN	GLX	4	2.5L	4D56T	D	TURBO INT-COOL	2009	12/14	CAB CHASS/UTE			ACA135	ACF150	ACC43
mitsubishi	TRITON	MN	GLX-R	4	2.5L	4D56T	D	TURBO INT-COOL	2009	12/14	UTE			ACA135	ACF150	ACC43
mitsubishi	TRITON	MQ	EXCEED	4	2.4L	4N15	D	CRD TURBO	01/15	ON			AC028			
mitsubishi	TRITON	MQ	GLS	4	2.4L	4N15	D	CRD TURBO	01/15	ON			AC028			
mitsubishi	TRITON	MQ	GLX	4	2.4L	4N15	D	CRD TURBO	01/15	ON			AC028			
mitsubishi	VERADA	KR	EI	6	3.0L	6G72	P	MPFI	1991	1994	SED/WAG		AC07	ACA18	ACF1	
mitsubishi	VERADA	KR	XI	6	3.0L	6G72	P	MPFI	1991	1994	SEDAN		AC07	ACA18	ACF1	
mitsubishi	VERADA	KS	EI	6	3.0L	6G72	P	MPFI	1994	1997	SED/WAG		AC07	ACA18	ACF1	
mitsubishi	VERADA	KS	XI	6	3.0L	6G72	P	MPFI	1994	1997	SEDAN		AC07	ACA18	ACF1	
mitsubishi	VERADA	KE	EI	6	3.5L	6G74	P	MPFI	1996	1997	SED/WAG		AC028	ACA94	ACF93	
mitsubishi	VERADA	KE	XI	6	3.5L	6G74	P	MPFI	1996	1997	SEDAN		AC028	ACA94	ACF93	
mitsubishi	VERADA	KF	Ei	6	3.5L	6G74	P	MPFI	1997	1999	SED/WAG		AC028	ACA94	ACF93	
mitsubishi	VERADA	KF	XI	6	3.5L	6G74	P	MPFI	1997	1999	SEDAN		AC028	ACA94	ACF93	
mitsubishi	VERADA	KH	Ei	6	3.5L	6G74	P	MPFI	1999	2000	SED/WAG		AC028	ACA94	ACF93	
mitsubishi	VERADA	KH	XI	6	3.5L	6G74	P	MPFI	1999	2000	SEDAN		AC028	ACA94	ACF93	
mitsubishi	VERADA	KJ	Ei	6	3.5L	6G74	P	MPFI	2000	2002	SED/WAG		AC028	ACA94	ACF93	
mitsubishi	VERADA	KJ	XI	6	3.5L	6G74	P	MPFI	2000	2002	SEDAN		AC028	ACA94	ACF93	
mitsubishi	VERADA	KJ SERIES 2	AWD EI	6	3.5L	6G74	P	MPFI	2002	2003	SEDAN		AC028	ACA94	ACF195	
mitsubishi	VERADA	KJ SERIES 2	EI	6	3.5L	6G74	P	MPFI	2002	2003	SED/WAG		AC028	ACA94	ACF93	
mitsubishi	VERADA	KJ SERIES 2	GTV EI	6	3.5L	6G74	P	MPFI	2002	2003	SEDAN		AC028	ACA94	ACF93	
mitsubishi	VERADA	KJ SERIES 2	XI	6	3.5L	6G74	P	MPFI	2002	2003	SEDAN		AC028	ACA94	ACF93	
mitsubishi	VERADA	KJ SERIES 2	GTVI	6	3.5L	6G74	P	MPFI	2003	2003	SEDAN		AC028	ACA94	ACF93	
mitsubishi	VERADA	KL	AWD EI	6	3.5L	6G74	P	MPFI	2003	2004	SEDAN		AC028	ACA94	ACF195	
mitsubishi	VERADA	KL	EI	6	3.5L	6G74	P	MPFI	2003	2004	SED/WAG		AC028	ACA94	ACF93	
mitsubishi	VERADA	KL	GTVI	6	3.5L	6G74	P	MPFI	2003	2004	SEDAN		AC028	ACA94	ACF93	
mitsubishi	VERADA	KL	XI	6	3.5L	6G74	P	MPFI	2003	2004	SEDAN		AC028	ACA94	ACF93	

MAKE	MODEL	SERIES	BADGE	CYLS	ENG SIZE	ENGINE CODE	FUEL	FUEL DELIVERY / AIR INTAKE	FROM	TO	BODY	REMARKS	OIL	AIR	FUEL	CABIN
<b>NISSAN</b>																
NISSAN	180SX	S13		4	1.8L	CA18DET	P	TURBO INT-COOL	1989	1991	COUPE/HATCH		AC011	ACA21	ACF35	
NISSAN	180SX	S13		4	2.0L	SR20DET	P	TURBO INT-COOL	1989	1998	COUPE/HATCH		AC023	ACA21	ACF35	
NISSAN	200SX	S14	LUXURY	4	2.0L	SR20DET	P	TURBO	1994	1996	COUPE		AC073	ACA21	ACF35	
NISSAN	200SX	S14	SPORTS	4	2.0L	SR20DET	P	TURBO	1994	1996	COUPE		AC073	ACA21	ACF35	
NISSAN	200SX	S14	SPORTS LIMITED	4	2.0L	SR20DET	P	TURBO	1994	1996	COUPE		AC073	ACA21	ACF35	
NISSAN	200SX	S14 SERIES 2	LIMITED	4	2.0L	SR20DET	P	TURBO	1996	2000	COUPE		AC073	ACA21	ACF35	
NISSAN	200SX	S14 SERIES 2	SPORTS	4	2.0L	SR20DET	P	TURBO	1996	2000	COUPE		AC073	ACA21	ACF35	
NISSAN	200SX	S14 SERIES 2	LUXURY	4	2.0L	SR20DET	P	TURBO	1997	2000	COUPE		AC073	ACA21	ACF35	
NISSAN	200SX	S15	SPEC R	4	2.0L	SR20DET	P	TURBO INT-COOL	2000	2002	COUPE		AC073	ACA21	ACF35	
NISSAN	200SX	S15	SPEC S	4	2.0L	SR20DET	P	TURBO INT-COOL	2000	2002	COUPE		AC073	ACA21	ACF35	
NISSAN	200SX	S15	SPEC R GT	4	2.0L	SR20DET	P	TURBO INT-COOL	2002	2002	COUPE		AC073	ACA21	ACF35	
NISSAN	200SX	S15	SPEC S GT	4	2.0L	SR20DET	P	TURBO INT-COOL	2002	2002	COUPE		AC073	ACA21	ACF35	
NISSAN	200ZX			4	1.8L	CA18DET	P	TURBO INT-COOL	1989	1991	COUPE		AC011	ACA21	ACF35	
NISSAN	200ZX			4	2.0L	SR20DET	P	TURBO INT-COOL	1991	1991	COUPE		AC023	ACA21	ACF35	
NISSAN	280ZX			6	2.8L	L28	P		1979	08/81	COUPE		AC012		ACF8	
NISSAN	280ZX			6	2.8L	L28	P		09/81	1984	COUPE		AC012		ACF8	
NISSAN	300ZX	Z31		6	3.0L	VG30E	P		1984	1985	COUPE		AC011	ACA36	ACF4	
NISSAN	300ZX	Z31 SERIES 2	TURBO	6	3.0L	VG30ET	P	TURBO	1986	1987	COUPE		AC011	ACA36	ACF4	
NISSAN	300ZX	Z31 SERIES 3	TURBO	6	3.0L	VG30ET	P	TURBO	1988	1989	COUPE		AC011	ACA36	ACF4	
NISSAN	300ZX	Z32	2+2	6	3.0L	VG30ETT	P	TWIN TURBO INT-COOL	1989	1994	TARGA		AC011	ACA202	ACF8	
NISSAN	300ZX	Z32		6	3.0L	VG30DE	P	MPFI	1989	1997	COUPE		AC011	ACA202	ACF8	
NISSAN	300ZX	Z32	25TH ANNIV	6	3.0L	VG30DE	P		1995	1995	COUPE		AC011	ACA202	ACF8	
NISSAN	350Z	Z33	TOURING	6	3.5L	VQ35-DE	P	MPFI	2003	2005	COUPE/R-STER	206KW	AC073	ACA21		
NISSAN	350Z	Z33	TRACK	6	3.5L	VQ35-DE	P	MPFI	2003	2005	COUPE/R-STER	206KW	AC073	ACA21		
NISSAN	350Z	Z33	35TH ANNIV	6	3.5L	VQ35-DE	P	MPFI	2005	2005	COUPE		AC073	ACA21		
NISSAN	350Z	Z33	TOURING	6	3.5L	VQ35-DE	P	MPFI	2005	2007	R-STER	221KW	AC073	ACA21		
NISSAN	350Z	Z33	TOURING	6	3.5L	VQ35-DE	P	MPFI	2005	2007	COUPE	221KW	AC073	ACA21		
NISSAN	350Z	Z33	TRACK	6	3.5L	VQ35-DE	P	MPFI	2005	2007	COUPE	221KW	AC073	ACA21		
NISSAN	350Z	Z33	TRACK	6	3.5L	VQ35-DE	P	MPFI	2005	2007	R-STER	221KW	AC073	ACA21		
NISSAN	350Z	Z33	TOURING	6	3.5L	VQ35-HR	P	MPFI	09/07	2009	COUPE		AC073			
NISSAN	350Z	Z33	TOURING	6	3.5L	VQ35-HR	P	MPFI	09/07	2009	R-STER		AC073			
NISSAN	350Z	Z33	TRACK	6	3.5L	VQ35-HR	P	MPFI	09/07	2009	COUPE		AC073			
NISSAN	350Z	Z33	TRACK	6	3.5L	VQ35-HR	P	MPFI	09/07	2009	R-STER		AC073			
NISSAN	370Z	Z34		6	3.7L	VQ37-VHR	P	MPFI	2009	ON	COUPE		AC073			
NISSAN	370Z	Z34		6	3.7L	VQ37-VHR	P	MPFI	2010	ON	R-STER		AC073			
NISSAN	ALMERA	N17	ST	4	1.5L	HR15DE	P	MPFI	2012	2013	SEDAN		AC073	ACA164		ACC83
NISSAN	ALMERA	N17	TI	4	1.5L	HR15DE	P	MPFI	2012	2013	SEDAN		AC073	ACA164		ACC83
NISSAN	ALTIMA	L33	ST	4	2.5L	QR25DE	P	MPFI	11/13	ON	SEDAN		AC073			
NISSAN	ALTIMA	L33	ST-L	4	2.5L	QR25DE	P	MPFI	11/13	ON	SEDAN		AC073			
NISSAN	ALTIMA	L33	TI	4	2.5L	QR25DE	P	MPFI	11/13	ON	SEDAN		AC073			

MAKE	MODEL	SERIES	BADGE	CYLS	ENG SIZE	ENGINE CODE	FUEL	FUEL DELIVERY / AIR INTAKE	FROM	TO	BODY	REMARKS	OIL	AIR	FUEL	CABIN
NISSAN	ALTIMA	L33	TI-S	6	3.5L	VQ35DE	P	MPFI	11/13	ON	SEDAN		AC073	ACA21		
NISSAN	BLUEBIRD	U13 SERIES 1	LX	4	2.4L	KA24DE	P	MPFI	1993	1994	SEDAN		AC011	ACA21	ACF69	
NISSAN	BLUEBIRD	U13 SERIES 1	SSS	4	2.4L	KA24DE	P	MPFI	1993	1994	SEDAN		AC011	ACA21	ACF69	
NISSAN	BLUEBIRD	U13 SERIES 1	TI	4	2.4L	KA24DE	P	MPFI	1993	1994	SEDAN		AC011	ACA21	ACF69	
NISSAN	BLUEBIRD	U13 SERIES 2	LX	4	2.4L	KA24DE	P	MPFI	1995	1997	SEDAN		AC011	ACA21	ACF69	
NISSAN	BLUEBIRD	U13 SERIES 2	SSS	4	2.4L	KA24DE	P	MPFI	1995	1997	SEDAN		AC011	ACA21	ACF69	
NISSAN	BLUEBIRD	U13 SERIES 2	TI	4	2.4L	KA24DE	P	MPFI	1995	1997	SEDAN		AC011	ACA21	ACF69	
NISSAN	CABSTAR	F22		4	2.0L	Z20	P		1982	1987	TRUCK		AC011			
NISSAN	CABSTAR	H40		4	2.0L	Z20	P		1982	1987	TRUCK		AC011			
NISSAN	CABSTAR			4	3.5L	FD35T	D		1982	1987	TRUCK		AC071			
NISSAN	CABSTAR	PF22		4	2.0L	Z20S	P		05/82	1987	TRUCK		AC011			
NISSAN	CABSTAR	H40		4	2.2L	Z22S	P		05/82	1987	TRUCK		AC011			
NISSAN	CABSTAR	H40, W40		4	3.3L	ED33	D		05/82	1987	TRUCK		AC071			
NISSAN	CABSTAR	AF22		4	2.7L	TD27	D		05/87	09/92	TRUCK		AC012		ACF24	
NISSAN	CABSTAR	F22		4	2.7L	TD27	D		05/87	09/92	TRUCK		AC012		ACF24	
NISSAN	CABSTAR	KAH40L		4	2.7L	TD27	D		05/87	09/92	TRUCK		AC012		ACF24	
NISSAN	CABSTAR	SGH40X Turbo		4	3.5L	FD35T	D		05/87	1995	TRUCK		AC071	ACA20		
NISSAN	CABSTAR	SYH40		4	3.5L	D35	D		05/87	1995	TRUCK		AC071		ACF24	
NISSAN	CUBE	Z11		4	1.4L	CR14DE	P	MPFI	2002	2006	WAGON		AC023			
NISSAN	CUBE	Z11		4	1.3L	CGA3DE	P	MPFI	2002	ON	WAGON		AC023			
NISSAN	CUBE	Z11		4	1.5L	HR15DE	P	MPFI	2005	ON	WAGON		AC080	ACA164		
NISSAN	CUBE	Z12		4	1.5L	HR15DE	P	MPFI	2008	ON	WAGON		AC073	ACA164		
NISSAN	DUALIS	J10	ST	4	2.0L	MR20	P	MPFI	2007	2009	WAGON		AC073	ACA240		ACC35
NISSAN	DUALIS	J10	ST X-TRONIC	4	2.0L	MR20	P		2007	2009	WAGON		AC073	ACA240		ACC35
NISSAN	DUALIS	J10	TI	4	2.0L	MR20	P	MPFI	2007	2009	WAGON		AC073	ACA240		ACC35
NISSAN	DUALIS	J10	TI X-TRONIC	4	2.0L	MR20	P	MPFI	2007	2009	WAGON		AC073	ACA240		ACC35
NISSAN	DUALIS	J10	ST HATCH	4	2.0L	MR20	P		2009	2009	WAGON		AC073	ACA240		ACC35
NISSAN	DUALIS	J10	TI	4	2.0L	MR20	P	MPFI	2009	2009	WAGON		AC073	ACA240		ACC35
NISSAN	DUALIS	J10	TI X-TRONIC	4	2.0L	MR20	P	MPFI	2009	2009	WAGON		AC073	ACA240		ACC35
NISSAN	DUALIS	J10	ST HATCH X-TRONIC	4	2.0L	MR20	P	MPFI	2009	2010	WAGON		AC073	ACA240		ACC35
NISSAN	DUALIS	J10	ST X-TRONIC	4	2.0L	MR20	P	MPFI	2009	2010	WAGON		AC073	ACA240		ACC35
NISSAN	DUALIS	J10	TI HATCH X-TRONIC	4	2.0L	MR20	P	MPFI	2009	2010	WAGON		AC073	ACA240		ACC35
NISSAN	DUALIS	J10	TI HATCH	4	2.0L	MR20	P	MPFI	2010	2010	WAGON		AC073	ACA240		ACC35
NISSAN	DUALIS	J10 SERIES II	+2 X-TRONIC ST	4	2.0L	MR20	P	MPFI	2010	2011	WAGON		AC073	ACA240		ACC35
NISSAN	DUALIS	J10 SERIES II	ST HATCH	4	2.0L	MR20	P	MPFI	2010	2011	WAGON		AC073	ACA240		ACC35
NISSAN	DUALIS	J10 SERIES II	ST HATCH X-TRONIC	4	2.0L	MR20	P	MPFI	2010	2011	WAGON		AC073	ACA240		ACC35
NISSAN	DUALIS	J10 SERIES II	TI	4	2.0L	MR20	P	MPFI	2010	2011	WAGON		AC073	ACA240		ACC35
NISSAN	DUALIS	J10 SERIES II	TI HATCH	4	2.0L	MR20	P	MPFI	2010	2011	WAGON		AC073	ACA240		ACC35
NISSAN	DUALIS	J10 SERIES II	TI HATCH X-TRONIC	4	2.0L	MR20	P	MPFI	2010	2011	WAGON		AC073	ACA240		ACC35

MAKE	MODEL	SERIES	BADGE	CYLS	ENG SIZE	ENGINE CODE	FUEL	FUEL DELIVERY / AIR INTAKE	FROM	TO	BODY	REMARKS	OIL	AIR	FUEL	CABIN
NISSAN	DUALIS	J10 SERIES II	TI X-TRONIC	4	2.0L	MR20	P	MPFI	2010	2011	WAGON		AC073	ACA240		ACC35
NISSAN	DUALIS	J10 SERIES II	+2 X-TRONIC TI	4	2.0L	MR20	P	MPFI	2011	2011	WAGON		AC073	ACA240		ACC35
NISSAN	DUALIS	J10 SERIES III	+2 ST	4	2.0L	MR20	P	MPFI	2012	04/13	WAGON		AC073	ACA240		ACC35
NISSAN	DUALIS	J10 SERIES III	+2 TI	4	2.0L	MR20	P	MPFI	2012	04/13	WAGON		AC073	ACA240		ACC35
NISSAN	DUALIS	J10 SERIES III	+2 TI-L	4	2.0L	MR20	P	MPFI	2012	04/13	WAGON		AC073	ACA240		ACC35
NISSAN	DUALIS	J10 SERIES III	ST	4	2.0L	MR20	P	MPFI	2012	04/13	WAGON		AC073	ACA240		ACC35
NISSAN	DUALIS	J10 SERIES III	TI	4	2.0L	MR20	P	MPFI	2012	04/13	WAGON		AC073	ACA240		ACC35
NISSAN	DUALIS	J10 SERIES III	TI-L	4	2.0L	MR20	P	MPFI	2012	04/13	WAGON		AC073	ACA240		ACC35
NISSAN	DUALIS	J10 SERIES IV	TS	4	1.6L	R9M	D	TURBO	2013	ON	WAGON		AC0134	ACA240		ACC35
NISSAN	DUALIS	J10 SERIES IV	+2 ST	4	2.0L	MR20	P	MPFI	05/13	ON	WAGON		AC073	ACA240		ACC35
NISSAN	DUALIS	J10 SERIES IV	+2 TI	4	2.0L	MR20	P	MPFI	05/13	ON	WAGON		AC073	ACA240		ACC35
NISSAN	DUALIS	J10 SERIES IV	+2 TI-L	4	2.0L	MR20	P	MPFI	05/13	ON	WAGON		AC073	ACA240		ACC35
NISSAN	DUALIS	J10 SERIES IV	ST	4	2.0L	MR20	P	MPFI	05/13	ON	WAGON		AC073	ACA240		ACC35
NISSAN	DUALIS	J10 SERIES IV	TI	4	2.0L	MR20	P	MPFI	05/13	ON	WAGON		AC073	ACA240		ACC35
NISSAN	DUALIS	J10 SERIES IV	TI-L	4	2.0L	MR20	P	MPFI	05/13	ON	WAGON		AC073	ACA240		ACC35
NISSAN	EXA	KN12		4	1.8L	CA18DET	P	TURBO	1983	1986	TARGA		AC011	ACA36	ACF35	
NISSAN	EXA	KN13		4	1.8L	CA18DE	P	MPFI	1987	1991	TARGA		AC011	ACA21	ACF35	
NISSAN	INFINITI	NG50		8	4.5L	VH45DE	P	MPFI	1993	1997	SEDAN		AC011	ACA9	ACF4	
NISSAN	JUKE	F15		4	1.6L	HR16DE	P	MPFI	2013	ON	WAGON		AC073	ACA202		ACC82
NISSAN	JUKE	F15		4	1.6L	MR16DDT	P	TURBO INT-COOL	2013	ON	WAGON		AC073	ACA202		ACC82
NISSAN	LEAF	ZE0					E	ELECTRIC	2012	ON	HATCH					ACC82
NISSAN	MAXIMA	J30	TI	6	3.0L	VG30E	P		1990	1994	SEDAN		AC011	ACA21	ACF35	
NISSAN	MAXIMA	J30	M	6	3.0L	VG30E	P	MPFI	1991	1992	SEDAN		AC011	ACA21	ACF35	
NISSAN	MAXIMA	J30	EXECUTIVE	6	3.0L	VG30E	P		1993	1995	SEDAN		AC011	ACA21	ACF35	
NISSAN	MAXIMA	A32	G	6	3.0L	VQ30DE	P		1995	1996	SEDAN		AC080	ACA21	ACF35	
NISSAN	MAXIMA	A32	GV	6	3.0L	VQ30DE	P		1995	1996	SEDAN		AC080	ACA21	ACF35	
NISSAN	MAXIMA	A32	J	6	3.0L	VQ30DE	P		1995	1996	SEDAN		AC080	ACA21	ACF35	
NISSAN	MAXIMA	A32 SERIES 2	30G	6	3.0L	VG30DE	P	MPFI	1996	1997	SEDAN		AC080	ACA21	ACF35	
NISSAN	MAXIMA	A32 SERIES 2	30GV	6	3.0L	VG30DE	P		1996	1997	SEDAN		AC080	ACA21	ACF35	
NISSAN	MAXIMA	A32 SERIES 2	30S TOURING	6	3.0L	VG30DE	P	MPFI	1996	1997	SEDAN		AC080	ACA21	ACF35	
NISSAN	MAXIMA	A32 SERIES 3	30GV	6	3.0L	VG30DE	P		1997	1998	SEDAN		AC080	ACA21	ACF35	
NISSAN	MAXIMA	A32 SERIES 3	30S TOURING	6	3.0L	VG30DE	P		1998	1998	SEDAN		AC080	ACA21	ACF35	
NISSAN	MAXIMA	A32 SERIES 4	30G	6	3.0L	VQ30DE	P	MPFI	1998	1999	SEDAN		AC080	ACA21	ACF35	
NISSAN	MAXIMA	A32 SERIES 4	30S TOURING	6	3.0L	VQ30DE	P	MPFI	1998	1999	SEDAN		AC080	ACA21	ACF35	

MAKE	MODEL	SERIES	BADGE	CYLS	ENG SIZE	ENGINE CODE	FUEL	FUEL DELIVERY / AIR INTAKE	FROM	TO	BODY	REMARKS	OIL	AIR	FUEL	CABIN
NISSAN	MAXIMA	A32 SERIES 4	30GV	6	3.0L	VQ30DE	P		1999	1999	SEDAN		AC080	ACA21	ACF35	
NISSAN	MAXIMA	A33	ST	6	3.0L	VQ30DE	P		1999	2001	SEDAN		AC080	ACA21	ACF35	
NISSAN	MAXIMA	A33	TI	6	3.0L	VQ30DE	P	MPFI	1999	2001	SEDAN		AC080	ACA21	ACF35	
NISSAN	MAXIMA	A33	S	6	3.0L	VQ30DE	P	MPFI	2000	2001	SEDAN		AC080	ACA21	ACF35	
NISSAN	MAXIMA	A33	ST	6	3.0L	VQ30DE	P		2001	2002	SEDAN		AC080	ACA21	ACF35	
NISSAN	MAXIMA	A33	TI	6	3.0L	VQ30DE	P		2001	2002	SEDAN		AC080	ACA21	ACF35	
NISSAN	MAXIMA	A33	S	6	3.0L	VQ30DE	P		2002	2002	SEDAN		AC080	ACA21	ACF35	
NISSAN	MAXIMA	A33	ST	6	3.0L	VQ30DE	P		2002	2003	SEDAN		AC080	ACA21	ACF35	
NISSAN	MAXIMA	A33	ST-R	6	3.0L	VQ30DE	P		2002	2003	SEDAN		AC080	ACA21	ACF35	
NISSAN	MAXIMA	J31	ST-L	6	3.5L	VQ35DE	P	MPFI	2003	2004	SEDAN	ACF158 W/ OUT RE- TURN LINE / ACF152 WITH RE- TURN LINE	AC073	ACA21	ACF158 / ACF152	ACC6
NISSAN	MAXIMA	J31	TI	6	3.5L	VQ35DE	P	MPFI	2003	2004	SEDAN	ACF158 W/ OUT RE- TURN LINE / ACF152 WITH RE- TURN LINE	AC073	ACA21	ACF158 / ACF152	ACC6
NISSAN	MAXIMA	J31	TI-L	6	3.5L	VQ35DE	P	MPFI	2004	2004	SEDAN	ACF158 W/ OUT RE- TURN LINE / ACF152 WITH RE- TURN LINE	AC073	ACA21	ACF158 / ACF152	ACC6
NISSAN	MAXIMA	J31	ST-L	6	3.5L	VQ35DE	P	MPFI	2005	2006	SEDAN	ACF158 W/ OUT RE- TURN LINE / ACF152 WITH RE- TURN LINE	AC073	ACA21	ACF158 / ACF152	ACC6
NISSAN	MAXIMA	J31	TI	6	3.5L	VQ35DE	P	MPFI	2005	2006	SEDAN	ACF158 W/ OUT RE- TURN LINE / ACF152 WITH RE- TURN LINE	AC073	ACA21	ACF158 / ACF152	ACC6
NISSAN	MAXIMA	J31	TI-L	6	3.5L	VQ35DE	P	MPFI	2005	2006	SEDAN	ACF158 W/ OUT RE- TURN LINE / ACF152 WITH RE- TURN LINE	AC073	ACA21	ACF158 / ACF152	ACC6
NISSAN	MAXIMA	J31	ST-L	6	3.5L	VQ35DE	P	MPFI	2006	2008	SEDAN	ACF158 W/ OUT RE- TURN LINE / ACF152 WITH RE- TURN LINE	AC073	ACA21	ACF158 / ACF152	ACC6
NISSAN	MAXIMA	J31	TI	6	3.5L	VQ35DE	P	MPFI	2006	2008	SEDAN	ACF158 W/ OUT RE- TURN LINE / ACF152 WITH RE- TURN LINE	AC073	ACA21	ACF158 / ACF152	ACC6
NISSAN	MAXIMA	J32	250 X- TRONIC ST-L	6	2.5L	VQ25	P	MPFI	2009	2011	SEDAN		AC073	ACA21		ACC85
NISSAN	MAXIMA	J32	350 X- TRONIC ST-S	6	3.5L	VQ35	P	MPFI	2009	2011	SEDAN	ACF158 W/ OUT RE- TURN LINE / ACF152 WITH RE- TURN LINE	AC073	ACA21	ACF158 / ACF152	ACC85

MAKE	MODEL	SERIES	BADGE	CYLS	ENG SIZE	ENGINE CODE	FUEL	FUEL DELIVERY / AIR INTAKE	FROM	TO	BODY	REMARKS	OIL	AIR	FUEL	CABIN
NISSAN	MAXIMA	J32	350 X-TRONIC TI	6	3.5L	VQ35	P	MPFI	2009	2011	SEDAN	ACF158 W/ OUT RE- TURN LINE / ACF152 WITH RE- TURN LINE	AC073	ACA21	ACF158 / ACF152	ACC85
NISSAN	MICRA	K11		4	1.3L	CG13DE	P	MPFI	1995	1995	HATCH		AC023	ACA218	ACF35	
NISSAN	MICRA	K11 SERIES 2	LX	4	1.3L	CG13DE	P	MPFI	1996	1997	HATCH		AC023	ACA218	ACF35	
NISSAN	MICRA	K11 SERIES 2	SLX	4	1.3L	CG13DE	P	MPFI	1996	1997	HATCH		AC023	ACA218	ACF35	
NISSAN	MICRA	K12		4	1.4L	CR14DE	P	MPFI	2007	2010	HATCH		AC023	ACA218		
NISSAN	MICRA	K13	ST-L	4	1.5L	HR15	P	MPFI	2010	2011	HATCH		AC073	ACA164		ACC83
NISSAN	MICRA	K13	TI	4	1.5L	HR15	P	MPFI	2010	2011	HATCH		AC073	ACA164		ACC83
NISSAN	MICRA	K13	ST	3	1.2L	HR12	P	MPFI	2010	ON	HATCH		AC073			ACC83
NISSAN	MURANO	Z50	ST	6	3.5L	VQ35-DE	P	MPFI	2005	02/09	WAGON		AC073	ACA21		ACC6
NISSAN	MURANO	Z50	TI	6	3.5L	VQ35-DE	P	MPFI	2005	02/09	WAGON		AC073	ACA21		ACC6
NISSAN	MURANO	Z50	TI-L	6	3.5L	VQ35-DE	P	MPFI	2006	02/09	WAGON		AC073	ACA21		ACC6
NISSAN	MURANO	Z51	TI	6	3.5L	VQ35-DE	P	MPFI	03/09	2010	WAGON		AC073	ACA21		ACC85
NISSAN	MURANO	Z51	ST	6	3.5L	VQ35-DE	P	MPFI	03/09	02/10	WAGON		AC073	ACA21		ACC85
NISSAN	MURANO	Z51	TI	6	3.5L	VQ35-DE	P	MPFI	2010	ON	WAGON		AC073	ACA21		ACC85
NISSAN	MURANO	Z51	ST SERIES 2	6	3.5L	VQ35-DE	P	MPFI	03/10	08/11	WAGON		AC073	ACA21		ACC85
NISSAN	MURANO	Z51	ST SERIES 3	6	3.5L	VQ35-DE	P	MPFI	09/11	ON	WAGON		AC073	ACA21		ACC85
NISSAN	NAVARA	D21	ST KING CAB	4	2.5L	SD25 OHV	D		01/86	1988	UTE			ACA30	ACF27	
NISSAN	NAVARA	D21	NUGGET	4	2.0L	Z20S	P		01/86	1995	UTE	SOHC 8V	AC029	ACA30	ACF4	
NISSAN	NAVARA	D21	DX KING CAB	4	2.4L	Z24	P		1986	1995	UTE		AC029	ACA30	ACF4	
NISSAN	NAVARA	D21	DX KING CAB	4	2.4L	Z24 4WD	P		1986	1995	UTE		AC029	ACA36	ACF4	
NISSAN	NAVARA	D21	ST	4	2.7L	TD27	D		1988	1992	UTE		AC012	ACA30	ACF24	
NISSAN	NAVARA	D21	ST	4	2.5L	TD25 OHV	D		02/88	1992	UTE		AC012	ACA30	ACF24	
NISSAN	NAVARA	D21	ST	4	2.4L	KA24E	P	MPFI	06/92	1997	UTE		AC023	ACA21	ACF35	
NISSAN	NAVARA	D21	ST	4	2.7L	TD27	D		06/92	02/97	UTE		AC074	ACA30	ACF24	
NISSAN	NAVARA	D21	DX	6	3.0L	VG30E	P		06/92	02/97	UTE		AC011	ACA21	ACF35	
NISSAN	NAVARA	D22	DX	4	2.4L	KA24	P	MPFI	1997	1999	CAB CHASS		AC011	ACA21	ACF35	
NISSAN	NAVARA	D22	ST	4	2.4L	KA24	P		1997	1999	UTE		AC011	ACA21	ACF35	
NISSAN	NAVARA	D22	DX	4	2.7L	TD27	D	DIESEL INJ	1997	1999	UTE		AC074	ACA119	ACF24	
NISSAN	NAVARA	D22	DX	4	3.2L	QD32	D		1997	1999	UTE		AC074	ACA119	ACF24	
NISSAN	NAVARA	D22	STANDARD	4	2.4L	KA24	P		1998	1999	CAB CHASS		AC011	ACA21	ACF35	
NISSAN	NAVARA	D22 SERIES 2	DX	4	2.4L	KA24	P		1999	2000	CAB CHASS/ UTE		AC080	ACA21	ACF35	
NISSAN	NAVARA	D22 SERIES 2	DX	4	2.7L	TD27	D	DIESEL INJ	1999	2000	UTE		AC074	ACA119	ACF24	
NISSAN	NAVARA	D22 SERIES 3	ST	6	3.0L	VG30	P	MPFI	2000	2000	UTE		AC023	ACA21	ACF4	
NISSAN	NAVARA	D22 SERIES 3	DX	4	2.4L	KA24DE	P		2000	2001	CAB CHASS		AC080	ACA21	ACF35	
NISSAN	NAVARA	D22 SERIES 3	STANDARD	4	2.4L	KA24DE	P	MPFI	2000	2001	CAB CHASS		AC080	ACA21	ACF35	
NISSAN	NAVARA	D22 SERIES 3	DX	4	2.7L	TD27	D	DIESEL INJ	2000	2001	UTE		AC074	ACA119	ACF24	
NISSAN	NAVARA	D22 SERIES 3	STANDARD	4	3.2L	QD32	D	MPFI	2000	2001	CAB CHASS		AC074	ACA119	ACF24	

MAKE	MODEL	SERIES	BADGE	CYLS	ENG SIZE	ENGINE CODE	FUEL	FUEL DELIVERY / AIR INTAKE	FROM	TO	BODY	REMARKS	OIL	AIR	FUEL	CABIN
NISSAN	NAVARA	D22 SERIES 3	DX	6	3.0L	VG30	P		2000	2001	UTE		AC023	ACA21	ACF4	
NISSAN	NAVARA	D22	DX	4	2.4L	KA24E	P		2001	2003	UTE		AC080	ACA21	ACF35	
NISSAN	NAVARA	D22	DX	6	3.0L	VG30E	P	MPFI	2001	2003	CAB CHASS		AC023	ACA21	ACF4	
NISSAN	NAVARA	D22	ST	6	3.0L	VG30E	P		2002	2002	UTE		AC023	ACA21	ACF4	
NISSAN	NAVARA	D22	ST-R	6	3.0L	VG30E	P		2002	2003	UTE		AC023	ACA21	ACF4	
NISSAN	NAVARA	D22	ST	6	3.0L	VG30E	P	MPFI	2003	2003	UTE		AC023	ACA21	ACF4	
NISSAN	NAVARA	D22	ST-R	4	3.0L	ZD30	D	TURBO	2003	2004	UTE		AC082	ACA145	ACF24	
NISSAN	NAVARA	D22	DX	4	3.0L	ZD30	D	TURBO	2003	2006	CAB CHASS/ UTE		AC082	ACA145	ACF24	
NISSAN	NAVARA	D22 SERIES 2	ST-R	4	3.0L	ZD30	D	TURBO	2004	2006	UTE		AC082	ACA145	ACF24	
NISSAN	NAVARA	D22	DX	4	2.5L	YD25	D	TURBO INT-COOL	2007	2009	CAB CHASS		AC09	ACA145	ACF24	
NISSAN	NAVARA	D22	ST-R	4	2.5L	YD25	D	TURBO INT-COOL	2007	2009	UTE		AC09	ACA145	ACF24	
NISSAN	NAVARA	D22	DX	4	2.5L	YD25	D	TURBO INT-COOL	2009	2010	CAB CHASS		AC09	ACA145	ACF24	
NISSAN	NAVARA	D22	ST-R	4	2.5L	YD25	D	TURBO INT-COOL	2009	2010	UTE		AC09	ACA145	ACF24	
NISSAN	NAVARA	D22	DX	4	2.5L	YD25	D	TURBO INT-COOL	2010	2011	CAB CHASS		AC09	ACA145	ACF24	
NISSAN	NAVARA	D22	ST-R	4	2.5L	YD25	D	TURBO INT-COOL	2010	2011	UTE		AC09	ACA145	ACF24	
NISSAN	NAVARA	D22 SERIES 5	DX	4	2.5L	YD25	D	TURBO INT-COOL	2011	2011	CAB CHASS		AC09	ACA145	ACF24	
NISSAN	NAVARA	D22 SERIES 5	ST-R	4	2.5L	YD25	D	TURBO INT-COOL	2011	2011	UTE		AC09	ACA145	ACF24	
NISSAN	NAVARA	D40	RX	4	2.5L	YD25	D	TURBO INT-COOL	2005	06/06	UTE	MADE IN SPAIN / 2 X ACC29 CABIN FILTER REQ'D	AC09	ACA168	ACF140	ACC29
NISSAN	NAVARA	D40	RX	6	4.0L	VQ40	P	MPFI	2005	2011	UTE	2 X ACC29 CABIN FILTER REQ'D	AC080	ACA253		ACC29
NISSAN	NAVARA	D40	ST-X	6	4.0L	VQ40	P	MPFI	2005	2011	UTE	2 X ACC29 CABIN FILTER REQ'D	AC080	ACA253		ACC29
NISSAN	NAVARA	D40	RX KING CAB	4	2.5L	YD25	D	TURBO INT-COOL	2006	2011	CAB CHASS	MADE IN THAILAND / 2 X ACC61 CABIN FILTER REQ'D	AC09	ACA262	ACF24	ACC61
NISSAN	NAVARA	D40	RX KING CAB	4	2.5L	YD25	D	TURBO INT-COOL	06/06	2011	CAB CHASS	MADE IN SPAIN / 2 X ACC29 CABIN FILTER REQ'D	AC09	ACA168	ACF164	ACC29
NISSAN	NAVARA	D40	OUTLAW	4	2.5L	YD25	D	TURBO INT-COOL	2008	2008	UTE	MADE IN SPAIN / 2 X ACC29 CABIN FILTER REQ'D	AC09	ACA168	ACF164	ACC29
NISSAN	NAVARA	D40	OUTLAW	4	2.5L	YD25	D	TURBO INT-COOL	2008	2008	UTE	MADE IN THAILAND / 2 X ACC61 CABIN FILTER REQ'D	AC09	ACA262	ACF24	ACC61
NISSAN	NAVARA	D40	ST-X KING CAB	4	2.5L	YD25	D	TURBO INT-COOL	2008	2011	UTE	MADE IN SPAIN / 2 X ACC29 CABIN FILTER REQ'D	AC09	ACA168	ACF164	ACC29



MAKE	MODEL	SERIES	BADGE	CYLS	ENG SIZE	ENGINE CODE	FUEL	FUEL DELIVERY / AIR INTAKE	FROM	TO	BODY	REMARKS	OIL	AIR	FUEL	CABIN
NISSAN	NAVARA	D40	ST-X KING CAB	4	2.5L	YD25	D	TURBO INT-COOL	2008	2011	UTE	MADE IN THAILAND / 2 X ACC61 CABIN FILTER REQ'D	AC09	ACA262	ACF24	ACC61
NISSAN	NAVARA	D40	TITANIUM	4	2.5L	YD25	D	TURBO INT-COOL	2009	2009	UTE	MADE IN SPAIN / 2 X ACC29 CABIN FILTER REQ'D	AC09	ACA168	ACF164	ACC29
NISSAN	NAVARA	D40	TITANIUM	4	2.5L	YD25	D	TURBO INT-COOL	2009	2009	UTE	MADE IN THAILAND / 2 X ACC61 CABIN FILTER REQ'D	AC09	ACA262	ACF24	ACC61
NISSAN	NAVARA	D40	ST	4	2.5L	YD25	D	TURBO INT-COOL	2009	2011	UTE	MADE IN SPAIN / 2 X ACC29 CABIN FILTER REQ'D	AC09	ACA168	ACF164	ACC29
NISSAN	NAVARA	D40	ST	4	2.5L	YD25	D	TURBO INT-COOL	2009	2011	UTE	MADE IN THAILAND / 2 X ACC61 CABIN FILTER REQ'D	AC09	ACA262	ACF24	ACC61
NISSAN	NAVARA	D40	ST-X	4	2.5L	YD25	D	TURBO INT-COOL	2010	2011	UTE	MADE IN SPAIN / 2 X ACC29 CABIN FILTER REQ'D	AC09	ACA168	ACF164	ACC29
NISSAN	NAVARA	D40	ST-X	4	2.5L	YD25	D	TURBO INT-COOL	2010	2011	UTE	MADE IN THAILAND / 2 X ACC61 CABIN FILTER REQ'D	AC09	ACA262	ACF24	ACC61
NISSAN	NAVARA	D40	RX KING CAB	4	2.5L	YD25	D	TURBO INT-COOL	2011	2011	CAB CHASS	MADE IN SPAIN / 2 X ACC29 CABIN FILTER REQ'D	AC09	ACA168	ACF164	ACC29
NISSAN	NAVARA	D40	RX KING CAB	4	2.5L	YD25	D	TURBO INT-COOL	2011	2011	CAB CHASS	MADE IN THAILAND / 2 X ACC61 CABIN FILTER REQ'D	AC09	ACA262	ACF24	ACC61
NISSAN	NAVARA	D40	ST-X KING CAB	4	2.5L	YD25	D	TURBO INT-COOL	2011	2011	UTE	MADE IN SPAIN / 2 X ACC29 CABIN FILTER REQ'D	AC09	ACA168	ACF164	ACC29
NISSAN	NAVARA	D40	ST-X KING CAB	4	2.5L	YD25	D	TURBO INT-COOL	2011	2011	UTE	MADE IN THAILAND / 2 X ACC61 CABIN FILTER REQ'D	AC09	ACA262	ACF24	ACC61
NISSAN	NAVARA	D40	RX	4	2.5L	YD25	D	TURBO INT-COOL	2011	ON	UTE	MADE IN SPAIN / 2 X ACC29 CABIN FILTER REQ'D	AC09	ACA168	ACF164	ACC29
NISSAN	NAVARA	D40	RX	4	2.5L	YD25	D	TURBO INT-COOL	2011	ON	UTE	MADE IN THAILAND / 2 X ACC61 CABIN FILTER REQ'D	AC09	ACA262	ACF24	ACC61

MAKE	MODEL	SERIES	BADGE	CYLS	ENG SIZE	ENGINE CODE	FUEL	FUEL DELIVERY / AIR INTAKE	FROM	TO	BODY	REMARKS	OIL	AIR	FUEL	CABIN
NISSAN	NAVARA	D40	ST	4	2.5L	YD25	D	TURBO INT-COOL	2011	ON	UTE	MADE IN SPAIN / 2 X ACC29 CABIN FILTER REQ'D	AC09	ACA168	ACF164	ACC29
NISSAN	NAVARA	D40	ST	4	2.5L	YD25	D	TURBO INT-COOL	2011	ON	UTE	MADE IN THAILAND / 2 X ACC61 CABIN FILTER REQ'D	AC09	ACA262	ACF24	ACC61
NISSAN	NAVARA	D40	ST-X	4	2.5L	YD25	D	TURBO INT-COOL	2011	ON	UTE	MADE IN SPAIN / 2 X ACC29 CABIN FILTER REQ'D	AC09	ACA168	ACF164	ACC29
NISSAN	NAVARA	D40	ST-X	4	2.5L	YD25	D	TURBO INT-COOL	2011	ON	UTE	MADE IN THAILAND / 2 X ACC61 CABIN FILTER REQ'D	AC09	ACA262	ACF24	ACC61
NISSAN	NAVARA	D40	ST-X 550	6	3.0L	V9X	D	TURBO INT-COOL	2011	ON	UTE	2 X ACC29 CABIN FILTER REQ'D		ACA168		ACC29
NISSAN	NAVARA	D23, NP300	DX	4	2.5L	QR25DE	P	MPFI	11/15	ON	CAB CHASS		AC073			ACC37
NISSAN	NAVARA	D23, NP300	DX	4	2.5L	QR25DE	P	MPFI	05/15	ON	UTE		AC073			ACC37
NISSAN	NAVARA	D23, NP300	RX	4	2.3L	YS23DDT	D	TURBO CRD	05/15	ON	UTE		AC0134			ACC37
NISSAN	NAVARA	D23, NP300	ST, ST-X	4	2.3L	YS23DDTT	D	TWIN TURBO CRD	05/15	ON	UTE		AC0134			ACC37
NISSAN	NX			4	2.0L	SR20DE	P		1991	1995	COUPE	WITH ABS	AC023	ACA21	ACF69	
NISSAN	NX			4	2.0L	SR20DE	P		1991	1995	COUPE	WITHOUT ABS	AC023	ACA21	ACF35	
NISSAN	NX-R			4	2.0L	SR20DE	P		1991	1995	COUPE	WITH ABS	AC023	ACA21	ACF69	
NISSAN	NX-R			4	2.0L	SR20DE	P		1991	1995	COUPE	WITHOUT ABS	AC023	ACA21	ACF35	
NISSAN	PATHFINDER	WNVD21		4	2.4L	Z24	P	CARB	12/86	09/92	WAGON		AC029	ACA30	ACF4	
NISSAN	PATHFINDER	HYD21		6	3.0L	VG30E	P	MPFI	09/92	1995	WAGON		AC011	ACA21	ACF35	
NISSAN	PATHFINDER	R50	ST	6	3.3L	VG33E	P	MPFI	1995	1999	WAGON		AC080	ACA21	ACF35	
NISSAN	PATHFINDER	WX	RX	6	3.3L	VG33E	P		1996	1998	WAGON		AC080	ACA21	ACF35	
NISSAN	PATHFINDER	WX	TI	6	3.3L	VG33E	P		1996	1998	WAGON		AC080	ACA21	ACF35	
NISSAN	PATHFINDER	WX SERIES II	ST	6	3.3L	VG33E	P	MPFI	1999	2001	WAGON		AC080	ACA21	ACF35	
NISSAN	PATHFINDER	WX SERIES II	TI	6	3.3L	VG33E	P		1999	2001	WAGON		AC080	ACA21	ACF35	
NISSAN	PATHFINDER	WX SERIES II	ST	6	3.3L	VG33E	P		2001	2002	WAGON		AC080	ACA21	ACF35	
NISSAN	PATHFINDER	WX SERIES II	TI	6	3.3L	VG33E	P	MPFI	2001	2002	WAGON		AC080	ACA21	ACF35	
NISSAN	PATHFINDER	WX SERIES II	ST PLUS	6	3.3L	VG33E	P		2002	2002	WAGON		AC080	ACA21	ACF35	
NISSAN	PATHFINDER	WX SERIES II	TI PLUS	6	3.3L	VG33E	P		2002	2002	WAGON		AC080	ACA21	ACF35	
NISSAN	PATHFINDER	WX SERIES II	ST	6	3.3L	VG33E	P		2002	2005	WAGON		AC080	ACA21	ACF35	
NISSAN	PATHFINDER	WX SERIES II	TI	6	3.3L	VG33E	P		2003	2005	WAGON		AC080	ACA21	ACF35	
NISSAN	PATHFINDER	R51	ST	6	4.0L	VQ40	P	MPFI	2005	2006	WAGON	2 X ACC29 CABIN FILTER REQ'D	AC080	ACA253		ACC29
NISSAN	PATHFINDER	R51	ST-L	6	4.0L	VQ40	P	MPFI	2005	2006	WAGON	2 X ACC29 CABIN FILTER REQ'D	AC080	ACA253		ACC29
NISSAN	PATHFINDER	R51	TI	6	4.0L	VQ40	P	MPFI	2005	2006	WAGON	2 X ACC29 CABIN FILTER REQ'D	AC080	ACA253		ACC29

MAKE	MODEL	SERIES	BADGE	CYLS	ENG SIZE	ENGINE CODE	FUEL	FUEL DELIVERY / AIR INTAKE	FROM	TO	BODY	REMARKS	OIL	AIR	FUEL	CABIN
NISSAN	PATHFINDER	R51	ST	4	2.5L	YD25	D	TURBO INT-COOL	07/05	06/06	WAGON	SECONDARY FUEL FILTER ACF164 / 2 X CABIN FILTERS REQ'D	AC09	ACA168	ACF140 / ACF164	ACC29
NISSAN	PATHFINDER	R51	ST-L	4	2.5L	YD25	D	TURBO INT-COOL	07/05	06/06	WAGON	SECONDARY FUEL FILTER ACF164 / 2 X CABIN FILTERS REQ'D	AC09	ACA168	ACF140 / ACF164	ACC29
NISSAN	PATHFINDER	R51	TI	4	2.5L	YD25	D	TURBO INT-COOL	07/05	06/06	WAGON	SECONDARY FUEL FILTER ACF164 / 2 X CABIN FILTERS REQ'D	AC09	ACA168	ACF140 / ACF164	ACC29
NISSAN	PATHFINDER	R51	ST	4	2.5L	YD25	D	TURBO INT-COOL	07/06	2008	WAGON	2 X ACC29 CABIN FILTER REQ'D	AC09	ACA168	ACF164	ACC29
NISSAN	PATHFINDER	R51	ST-L	4	2.5L	YD25	D	TURBO INT-COOL	07/06	2008	WAGON	2 X ACC29 CABIN FILTER REQ'D	AC09	ACA168	ACF164	ACC29
NISSAN	PATHFINDER	R51	TI	4	2.5L	YD25	D	TURBO INT-COOL	07/06	2008	WAGON	2 X ACC29 CABIN FILTER REQ'D	AC09	ACA168	ACF164	ACC29
NISSAN	PATHFINDER	R51	ST-L	6	4.0L	VQ40	P	MPFI	2007	2007	WAGON	2 X ACC29 CABIN FILTER REQ'D	AC080	ACA253		ACC29
NISSAN	PATHFINDER	R51	TI	6	4.0L	VQ40	P	MPFI	2007	2007	WAGON	2 X ACC29 CABIN FILTER REQ'D	AC080	ACA253		ACC29
NISSAN	PATHFINDER	R51	ST	4	2.5L	YD25	D	TURBO INT-COOL	2008	2010	WAGON	2 X ACC29 CABIN FILTER REQ'D	AC09	ACA168	ACF164	ACC29
NISSAN	PATHFINDER	R51	ST-L	4	2.5L	YD25	D	TURBO INT-COOL	2008	2010	WAGON	2 X ACC29 CABIN FILTER REQ'D	AC09	ACA168	ACF164	ACC29
NISSAN	PATHFINDER	R51	TI	4	2.5L	YD25	D	TURBO INT-COOL	2008	2010	WAGON	2 X ACC29 CABIN FILTER REQ'D	AC09	ACA168	ACF164	ACC29
NISSAN	PATHFINDER	R51	ST-L	6	4.0L	VQ40	P		2008	2010	WAGON	2 X ACC29 CABIN FILTER REQ'D	AC080	ACA253		ACC29
NISSAN	PATHFINDER	R51	TI	6	4.0L	VQ40	P	MPFI	2008	2010	WAGON	2 X ACC29 CABIN FILTER REQ'D	AC080	ACA253		ACC29
NISSAN	PATHFINDER	R51	TITANIUM	4	2.5L	YD25	D	TURBO INT-COOL	2009	2009	WAGON	2 X ACC29 CABIN FILTER REQ'D	AC09	ACA168	ACF164	ACC29
NISSAN	PATHFINDER	R51	ST	4	2.5L	YD25	D	TURBO INT-COOL	2010	02/13	WAGON	2 X ACC29 CABIN FILTER REQ'D	AC09	ACA168	ACF164	ACC29
NISSAN	PATHFINDER	R51	ST-L	4	2.5L	YD25	D	TURBO INT-COOL	2010	02/13	WAGON	2 X ACC29 CABIN FILTER REQ'D	AC09	ACA168	ACF164	ACC29
NISSAN	PATHFINDER	R51	TI	4	2.5L	YD25	D	TURBO INT-COOL	2010	02/13	WAGON	2 X ACC29 CABIN FILTER REQ'D	AC09	ACA168	ACF164	ACC29
NISSAN	PATHFINDER	R51	TI 550	6	3.0L	V9X	D	DIRECT INJ	10/10	ON	WAGON	2 X ACC29 CABIN FILTER REQ'D		ACA168		ACC29
NISSAN	PATHFINDER	R52	ST	6	3.5L	VQ35	P	MPFI	10/13	ON	WAGON		AC073	ACA21		

MAKE	MODEL	SERIES	BADGE	CYLS	ENG SIZE	ENGINE CODE	FUEL	FUEL DELIVERY / AIR INTAKE	FROM	TO	BODY	REMARKS	OIL	AIR	FUEL	CABIN
NISSAN	PATHFINDER	R52	ST-L	6	3.5L	VQ35	P	MPFI	10/13	ON	WAGON		AC073	ACA21		
NISSAN	PATHFINDER	R52	TI	6	3.5L	VQ35	P	MPFI	10/13	ON	WAGON		AC073	ACA21		
NISSAN	PATROL	MQ		6	2.8L	L28	P		1981	1986	WAGON		AC029	ACA30	ACF4	
NISSAN	PATROL	MQ		6	4.0L	P40	P		1981	1986	WAGON		AC012		ACF4	
NISSAN	PATROL	GQ	ST	6	4.2L	TB42S	P		1988	1995	CAB CHASS/ H-TOP/ WAG		AC029	ACA15	ACF82	
NISSAN	PATROL	GQ	DX	6	4.2L	TD42	D		1988	1998	CAB CHASS/ UTE/ WAG	PRIMARY AIR FILTER ACA15 / SECONDARY AIR FILTER ACA100	AC012	ACA15 / ACA100	ACF24	
NISSAN	PATROL	GQ	TI	6	4.2L	TB42S	P		1989	1991	WAGON		AC029	ACA15	ACF82	
NISSAN	PATROL	GQ	ST-3	6	3.0L	RB30S	P	CARB	1990	1997	WAGON		AC011		ACF4	
NISSAN	PATROL	GQ SERIES II	ST-3	6	3.0L	RB30S	P	CARB	1992	1994	WAGON		AC011		ACF4	
NISSAN	PATROL	GQ SERIES II	TI	6	4.2L	TB42E	P	MPFI	1992	1996	WAGON		AC029	ACA21	ACF69	
NISSAN	PATROL	GQ SERIES II	DX	6	4.2L	TB42E	P		1992	1997	WAG/ H-TOP		AC029	ACA21	ACF69	
NISSAN	PATROL	GQ SERIES II	ST	6	4.2L	TB42E	P		1992	1997	WAGON		AC029	ACA21	ACF69	
NISSAN	PATROL	GQ SERIES II	RX	6	4.2L	TB42E	P	MPFI	1993	1997	WAGON		AC029	ACA21	ACF69	
NISSAN	PATROL	GQ SERIES II	RX	6	2.8L	RD28T	D	TURBO	1993	12/97	WAGON		AC070		ACF24	
NISSAN	PATROL	RX		6	4.2L	TD42	D		1994	1997	WAGON		AC012	ACA100	ACF24	
NISSAN	PATROL	GQ SERIES II	RX3	6	3.0L	RB30S	P	CARB	1996	1997	WAGON		AC011		ACF4	
NISSAN	PATROL	GU	ST	6	4.2L	TD42T	D	TURBO	1997	01/00	WAGON	FULL FLOW OIL FILTER AC074 / BY PASS OIL FILTER AC070	AC074 / AC070	ACA109	ACF24	
NISSAN	PATROL	GU	TI	6	4.5L	TB45E	P	MPFI	1997	2000	WAGON		AC080	ACA110	ACF35	
NISSAN	PATROL	GU	ST	6	4.5L	TB45E	P	MPFI	1997	2002	WAGON		AC080	ACA110	ACF35	
NISSAN	PATROL	GU	DX5	6	4.2L	TD42	D		1998	1999	WAGON	FULL FLOW OIL FILTER AC074 / BY PASS OIL FILTER AC070	AC074 / AC070	ACA15	ACF24	
NISSAN	PATROL	GU	ST	6	2.8L	RD28ETI	D	TURBO	01/98	2000	WAGON		AC070	ACA109	ACF24	
NISSAN	PATROL	GU	DX	6	4.2L	TD42	D		1998	01/00	CAB CHASS	FULL FLOW OIL FILTER AC074 / BY PASS OIL FILTER AC070	AC074 / AC070	ACA15	ACF24	
NISSAN	PATROL	GU	DX	6	4.2L	TD42	D		01/00	2002	CAB CHASS	2 X AC074 OIL FILTER REQ'D	AC074	ACA15	ACF24	
NISSAN	PATROL	GU	ST	6	4.2L	TD42T	D	TURBO	01/00	2002	WAGON	2 X AC074 OIL FILTER REQ'D	AC074	ACA109	ACF24	
NISSAN	PATROL	GU	DX PLUS	6	4.2L	TD42T	D	TURBO	2002	2002	CAB CHASS	2 X AC074 OIL FILTER REQ'D	AC074	ACA109	ACF24	
NISSAN	PATROL	GU	ST PLUS	6	4.2L	TD42T	D	TURBO	2002	2002	CAB CHASS	2 X AC074 OIL FILTER REQ'D	AC074	ACA109	ACF24	
NISSAN	PATROL	GU SERIES II	ST	4	3.0L	ZD30DETI	D	TURBO INT-COOL	2000	2001	WAGON		AC082	ACA109	ACF24	
NISSAN	PATROL	GU SERIES II	TI	6	4.5L	TB45E	P	MPFI	2000	2001	WAGON		AC080	ACA110	ACF35	

MAKE	MODEL	SERIES	BADGE	CYLS	ENG SIZE	ENGINE CODE	FUEL	FUEL DELIVERY / AIR INTAKE	FROM	TO	BODY	REMARKS	OIL	AIR	FUEL	CABIN
NISSAN	PATROL	GU SERIES II	DX	6	4.2L	TD42T	D	TURBO INT-COOL	2000	2006	CAB CHASS	FULL FLOW OIL FILTER AC074 / BY PASS OIL FILTER AC070	AC074 / AC070	ACA109	ACF24	
NISSAN	PATROL	GU SERIES III	ST	4	3.0L	ZD30DETI	D	TURBO INT-COOL	2001	2002	WAGON		AC082	ACA109	ACF24	
NISSAN	PATROL	GU SERIES III	ST	6	4.8L	TB48DE	P	MPFI	10/01	09/04	WAGON		AC080	ACA110	ACF69	
NISSAN	PATROL	GU SERIES III	TI	6	4.8L	TB48DE	P	MPFI	10/01	09/04	WAGON		AC080	ACA110	ACF69	
NISSAN	PATROL	GU SERIES III	ST PLUS	4	3.0L	ZD30DETI	D	TURBO INT-COOL	2002	2002	WAGON		AC082	ACA109	ACF24	
NISSAN	PATROL	GU SERIES III	DX	4	3.0L	ZD30DETI	D	TURBO INT-COOL	2003	2004	WAGON		AC082	ACA109	ACF24	
NISSAN	PATROL	GU SERIES III	ST	4	3.0L	ZD30DETI	D	TURBO INT-COOL	2003	2004	WAGON		AC082	ACA109	ACF24	
NISSAN	PATROL	GU SERIES III	ST-L	4	3.0L	ZD30DETI	D	TURBO INT-COOL	2003	2004	WAGON		AC082	ACA109	ACF24	
NISSAN	PATROL	GU SERIES IV	DX	4	3.0L	ZD30DETI	D	TURBO INT-COOL	2004	2006	WAGON		AC082	ACA109	ACF24	ACC6
NISSAN	PATROL	GU SERIES IV	ST	4	3.0L	ZD30DETI	D	TURBO INT-COOL	2004	2006	WAGON		AC082	ACA109	ACF24	ACC6
NISSAN	PATROL	GU SERIES IV	ST-L	4	3.0L	ZD30DETI	D	TURBO INT-COOL	2004	2006	WAGON		AC082	ACA109	ACF24	ACC6
NISSAN	PATROL	GU SERIES IV	ST-S	4	3.0L	ZD30DETI	D	TURBO INT-COOL	2004	2006	WAGON		AC082	ACA109	ACF24	ACC6
NISSAN	PATROL	GU SERIES IV	ST-L	6	4.2L	TD42Ti	D	TURBO INT-COOL	2004	2006	WAGON	2 X AC074 OIL FILTER REQ'D	AC074	ACA109	ACF24	ACC6
NISSAN	PATROL	GU SERIES IV	ST-S	6	4.2L	TD42Ti	D	TURBO INT-COOL	2004	2006	WAGON	2 X AC074 OIL FILTER REQ'D	AC074	ACA109	ACF24	ACC6
NISSAN	PATROL	GU SERIES IV	ST-S	6	4.8L	TB48DE	P	MPFI	10/04	2007	WAGON		AC080	ACA110	ACF69	ACC6
NISSAN	PATROL	GU SERIES IV	TI	6	4.8L	TB48DE	P	MPFI	10/04	2007	WAGON		AC080	ACA110	ACF69	ACC6
NISSAN	PATROL	GU SERIES IV	DX	4	3.0L	ZD30DETI	D	TURBO INT-COOL	2006	2007	WAGON		AC082	ACA109	ACF24	ACC6
NISSAN	PATROL	GU SERIES IV	TI	4	3.0L	ZD30DETI	D	TURBO INT-COOL	2006	2007	WAGON		AC082	ACA109	ACF24	ACC6
NISSAN	PATROL	GU SERIES IV	ST	4	3.0L	ZD30DETI	D	TURBO INT-COOL	2007	2007	WAGON		AC082	ACA109	ACF24	ACC6
NISSAN	PATROL	GU SERIES IV	ST-L	4	3.0L	ZD30DETI	D	TURBO INT-COOL	2007	2007	WAGON		AC082	ACA109	ACF24	ACC6
NISSAN	PATROL	GU SERIES IV	ST-S	4	3.0L	ZD30DETI	D	TURBO INT-COOL	2007	2007	WAGON		AC082	ACA109	ACF24	ACC6
NISSAN	PATROL	GU 5	DX	4	3.0L	ZD30D EURO4	D	TURBO INT-COOL	2007	2007	WAGON		AC082	ACA109	ACF190	ACC6
NISSAN	PATROL	GU 5	ST	4	3.0L	ZD30D EURO4	D	TURBO INT-COOL	2007	2007	WAGON		AC082	ACA109	ACF190	ACC6
NISSAN	PATROL	GU 5	ST-L	4	3.0L	ZD30D EURO4	D	TURBO INT-COOL	2007	2007	WAGON		AC082	ACA109	ACF190	ACC6
NISSAN	PATROL	GU 5	ST-S	4	3.0L	ZD30D EURO4	D	TURBO INT-COOL	2007	2007	WAGON		AC082	ACA109	ACF190	ACC6
NISSAN	PATROL	GU 5	TI	4	3.0L	ZD30D EURO4	D	TURBO INT-COOL	2007	2007	WAGON		AC082	ACA109	ACF190	ACC6
NISSAN	PATROL	GU 6	WALKABOUT	4	3.0L	ZD30D EURO4	D	TURBO INT-COOL	2007	2007	WAGON		AC082	ACA109	ACF190	ACC6
NISSAN	PATROL	GU 6	DX	4	3.0L	ZD30D EURO4	D	TURBO INT-COOL	2007	2009	CAB CHASS		AC082	ACA109	ACF190	ACC6
NISSAN	PATROL	GU 6	ST	4	3.0L	ZD30D EURO4	D	TURBO INT-COOL	2007	2009	CAB CHASS/WAG		AC082	ACA109	ACF190	ACC6

MAKE	MODEL	SERIES	BADGE	CYLS	ENG SIZE	ENGINE CODE	FUEL	FUEL DELIVERY / AIR INTAKE	FROM	TO	BODY	REMARKS	OIL	AIR	FUEL	CABIN
NISSAN	PATROL	GU 6	TI	4	3.0L	ZD30D EURO4	D	TURBO INT-COOL	2007	2009	WAGON		AC082	ACA109	ACF190	ACC6
NISSAN	PATROL	GU 6	ST-L	4	3.0L	ZD30D EURO4	D	TURBO INT-COOL	2007	2010	WAGON		AC082	ACA109	ACF190	ACC6
NISSAN	PATROL	GU 6	ST-S	6	4.8L	TB48DE	P	MPFI	09/07	ON	WAGON		AC080	ACA110	ACF35	ACC6
NISSAN	PATROL	GU 6	TI	6	4.8L	TB48DE	P	MPFI	09/07	ON	WAGON		AC080	ACA110	ACF35	ACC6
NISSAN	PATROL	GU 6	DX	4	3.0L	ZD30D EURO4	D	TURBO INT-COOL	2010	2011	CAB CHASS		AC082	ACA109	ACF190	ACC6
NISSAN	PATROL	GU 6	ST	4	3.0L	ZD30D EURO4	D	TURBO INT-COOL	2010	2011	CAB CHASS		AC082	ACA109	ACF190	ACC6
NISSAN	PATROL	GU 7	DX	4	3.0L	ZD30D EURO4	D	TURBO INT-COOL	2010	ON	WAGON		AC082	ACA109	ACF190	ACC6
NISSAN	PATROL	GU 7	ST	4	3.0L	ZD30D EURO4	D	TURBO INT-COOL	2010	ON	WAGON		AC082	ACA109	ACF190	ACC6
NISSAN	PATROL	GU 7	TI	4	3.0L	ZD30D EURO4	D	TURBO INT-COOL	2010	ON	WAGON		AC082	ACA109	ACF190	ACC6
NISSAN	PATROL	Y62	ST-L	8	5.5L	VK56VD	P	DIRECT INJ	2013	ON	WAGON		AC080			
NISSAN	PATROL	Y62	TI	8	5.5L	VK56VD	P	DIRECT INJ	2013	ON	WAGON		AC080			
NISSAN	PATROL	Y62	TI-L	8	5.5L	VK56VD	P	DIRECT INJ	2013	ON	WAGON		AC080			
NISSAN	PINTARA	R31	GXE	4	2.0L	CA20E	P		1986	1988	SEDAN		AC011	ACA36	ACF8	
NISSAN	PINTARA	R31	T SUPERHATCH	4	2.0L	CA20E	P		1986	1992	SEDAN		AC011	ACA36	ACF8	
NISSAN	PINTARA	U12	T	4	2.4L	KA24E	P		1989	1991	SEDAN		AC011	ACA21	ACF3	
NISSAN	PINTARA	U12	EXECUTIVE	4	2.0L	CA20E	P		1989	1992	SEDAN		AC011	ACA21	ACF3	
NISSAN	PINTARA	U12	EXECUTIVE SUPERHATCH	4	2.0L	CA20E	P		1990	1990	HATCH		AC011	ACA21	ACF3	
NISSAN	PINTARA	U12	GLI	4	2.0L	CA20E	P		1991	1991	SEDAN		AC011	ACA21	ACF3	
NISSAN	PINTARA	U12	TI SUPERHATCH	4	2.4L	KA24E	P		1991	1991	HATCH		AC011	ACA21	ACF3	
NISSAN	PULSAR	N10		4	1.3L	E13	P	CARB	1981	1982	HATCH		AC011	ACA29		
NISSAN	PULSAR	N10		4	1.5L	E15	P	CARB	1981	1982	HATCH		AC011	ACA29		
NISSAN	PULSAR	N12		4	1.3L	E13	P		10/81	09/84	HATCH		AC011	ACA29	ACF9	
NISSAN	PULSAR	N12		4	1.5L	E15	P		10/81	09/84	HATCH		AC011	ACA29	ACF9	
NISSAN	PULSAR	N12		4	1.6L	E16	P		10/81	09/84	HATCH		AC011	ACA29	ACF9	
NISSAN	PULSAR	N12	ET	4	1.3L	E13	P	TURBO	1982	1986	HATCH		AC011	ACA36		
NISSAN	PULSAR	N12	ET	4	1.5L	E15-ET	P	TURBO	04/84	1987	HATCH		AC011	ACA36		
NISSAN	PULSAR	N12 SERIES 2		4	1.3L	E13	P		09/84	1987	HATCH		AC011	ACA29	ACF80	
NISSAN	PULSAR	N12 SERIES 2		4	1.5L	E15	P		09/84	1987	HATCH		AC011	ACA29	ACF80	
NISSAN	PULSAR	N12 SERIES 2		4	1.6L	E16	P		09/84	1987	HATCH		AC011	ACA29	ACF80	
NISSAN	PULSAR	N13	GX VECTOR	4	1.8L	18LE	P		1987	1987	SEDAN		AC018	ACA36	ACF3	
NISSAN	PULSAR	N13	GL	4	1.6L	16LF	P	SPFI	07/87	05/89	HATCH		AC018	ACA32	ACF3	
NISSAN	PULSAR	N13	GX	4	1.6L	16LF	P	SPFI	07/87	05/89	HATCH		AC018	ACA32	ACF3	
NISSAN	PULSAR	N13	TI VECTOR	4	1.8L	18LE	P	MPFI	1988	1988	SEDAN		AC018	ACA36	ACF3	
NISSAN	PULSAR	N13	Q	4	1.8L	18LE	P		1988	1989	HATCH		AC018	ACA36	ACF3	
NISSAN	PULSAR	N13 SERIES 2	GL	4	1.6L	16LF	P	SPFI	05/89	09/91	HATCH		AC018	ACA32	ACF3	
NISSAN	PULSAR	N13 SERIES 2	GL VECTOR	4	1.6L	16LF	P	MPFI	05/89	09/91	SEDAN		AC018	ACA32	ACF3	
NISSAN	PULSAR	N13 SERIES 2	REEBOK	4	1.8L	18LE	P		1990	1990	HATCH		AC018	ACA36	ACF3	
NISSAN	PULSAR	N13 SERIES 2	SSS VECTOR	4	1.8L	18LE	P		1990	1990	HATCH		AC018	ACA36	ACF3	

MAKE	MODEL	SERIES	BADGE	CYLS	ENG SIZE	ENGINE CODE	FUEL	FUEL DELIVERY / AIR INTAKE	FROM	TO	BODY	REMARKS	OIL	AIR	FUEL	CABIN
NISSAN	PULSAR	N13 SERIES 2	GX	4	1.8L	18LE	P		1990	1991	HATCH		AC018	ACA36	ACF3	
NISSAN	PULSAR	N13 SERIES 2	Q	4	1.8L	18LE	P		1990	1991	HATCH		AC018	ACA36	ACF3	
NISSAN	PULSAR	RNN14	GTI-R	4	2.0L	SR20DET	P	TURBO INT-COOL	1990	1994	HATCH		AC023	ACA21	ACF4	
NISSAN	PULSAR	N14 ES	Q	4	2.0L	SR20DE	P		1991	1992	HATCH		AC023	ACA21	ACF35	
NISSAN	PULSAR	N14 ES	GLI	4	1.6L	GA16DE	P		1991	1993	SED/ HATCH		AC011	ACA21	ACF35	
NISSAN	PULSAR	N14 ES	SSS	4	2.0L	SR20DE	P		1991	1993	HATCH		AC023	ACA21	ACF35	
NISSAN	PULSAR	N14 ES	TI	4	2.0L	SR20DE	P		1992	1993	HATCH		AC023	ACA21	ACF35	
NISSAN	PULSAR	N14 CBU	LX	4	1.6L	GA16DE	P		1993	1994	SED/ HATCH		AC011	ACA21	ACF35	
NISSAN	PULSAR	N14 CBU	SSS	4	2.0L	SR20DE	P		1993	1995	HATCH		AC023	ACA21	ACF35	
NISSAN	PULSAR	N14 CBU	TI	4	2.0L	SR20DE	P	MPFI	1993	1995	HATCH		AC023	ACA21	ACF35	
NISSAN	PULSAR	N14 CBU	LX LIMITED	4	1.6L	GA16DE	P		1994	1995	SED/ HATCH		AC011	ACA21	ACF35	
NISSAN	PULSAR	N14 CBU	Q	4	1.6L	GA16DE	P	MPFI	1994	1995	HATCH		AC011	ACA21	ACF35	
NISSAN	PULSAR	N14 CBU	SOLAIRE	4	1.6L	GA16DE	P	MPFI	1995	1995	SEDAN		AC011	ACA21	ACF35	
NISSAN	PULSAR	N15	LX	4	1.6L	GA16-DE	P	MPFI	1995	1998	SED/ HATCH		AC011	ACA21	ACF69	
NISSAN	PULSAR	N15	Q	4	1.6L	GA16-DE	P	MPFI	1995	1998	HATCH		AC011	ACA21	ACF69	
NISSAN	PULSAR	N15	SLX	4	1.6L	GA16-DE	P		1995	1998	SEDAN		AC011	ACA21	ACF69	
NISSAN	PULSAR	N15	SSS	4	2.0L	SR20DE	P		1995	1998	HATCH		AC073	ACA21	ACF35	
NISSAN	PULSAR	N15	PLUS	4	1.6L	GA16-DE	P		1997	1998	SED/ HATCH		AC011	ACA21	ACF69	
NISSAN	PULSAR	N15	VZ-R	4	1.6L	GA16-DE	P		1998	1998	COUPE		AC011	ACA21	ACF69	
NISSAN	PULSAR	N15 SERIES 2	LX	4	1.6L	GA16-DE	P	MPFI	1998	2000	SEDAN		AC011	ACA21	ACF69	
NISSAN	PULSAR	N15 SERIES 2	Q	4	1.6L	GA16-DE	P		1998	2000	HATCH		AC011	ACA21	ACF69	
NISSAN	PULSAR	N15 SERIES 2	SSS	4	2.0L	SR20DE	P		1998	2000	HATCH		AC073	ACA21	ACF35	
NISSAN	PULSAR	N15 SERIES 2	SLX	4	1.6L	GA16-DE	P		1999	1999	SEDAN		AC011	ACA21	ACF69	
NISSAN	PULSAR	N15 SERIES 2	PLUS LX	4	1.6L	GA16-DE	P	MPFI	1999	2000	SED/ HATCH		AC011	ACA21	ACF69	
NISSAN	PULSAR	N16	LX	4	1.6L	QG16DE	P		2000	2003	SEDAN		AC073	ACA21	ACF158	ACC6
NISSAN	PULSAR	N16	Q	4	1.8L	QG18DE	P	MPFI	07/00	06/03	SED/ HATCH	FUEL FILTER DOES NOT HAVE A HOLE IN RETURN LINE	AC073	ACA21	ACF158	ACC6
NISSAN	PULSAR	N16	ST	4	1.8L	QG18DE	P	MPFI	07/00	06/03	SEDAN	FUEL FILTER DOES NOT HAVE A HOLE IN RETURN LINE	AC073	ACA21	ACF158	ACC6
NISSAN	PULSAR	N16	TI	4	1.8L	QG18DE	P	MPFI	07/00	06/03	SEDAN	FUEL FILTER DOES NOT HAVE A HOLE IN RETURN LINE	AC073	ACA21	ACF158	ACC6
NISSAN	PULSAR	N16	LX PLUS	4	1.6L	QG16DE	P		2002	2003	SEDAN		AC073	ACA21	ACF158	ACC6

MAKE	MODEL	SERIES	BADGE	CYLS	ENG SIZE	ENGINE CODE	FUEL	FUEL DELIVERY / AIR INTAKE	FROM	TO	BODY	REMARKS	OIL	AIR	FUEL	CABIN
NISSAN	PULSAR	N16	ST PLUS	4	1.8L	QG18DE	P	MPFI	2002	06/03	SEDAN	FUEL FILTER DOES NOT HAVE A HOLE IN RETURN LINE	AC073	ACA21	ACF158	ACC6
NISSAN	PULSAR	N16		4	1.6L	QG16DE	P		06/03	04/04	SEDAN		AC073	ACA21	ACF152	
NISSAN	PULSAR	N16	Q	4	1.8L	QG18DE	P	MPFI	07/03	04/04	SEDAN	FUEL FILTER HAS A HOLE IN RETURN LINE	AC073	ACA21	ACF152	ACC6
NISSAN	PULSAR	N16	ST	4	1.8L	QG18DE	P	MPFI	07/03	04/04	SEDAN	FUEL FILTER HAS A HOLE IN RETURN LINE	AC073	ACA21	ACF152	ACC6
NISSAN	PULSAR	N16	ST-L	4	1.8L	QG18DE	P	MPFI	07/03	04/04	SEDAN	FUEL FILTER HAS A HOLE IN RETURN LINE	AC073	ACA21	ACF152	ACC6
NISSAN	PULSAR	N16	Q	4	1.8L	QG18DE	P	MPFI	05/04	2006	SEDAN		AC073	ACA21		ACC6
NISSAN	PULSAR	N16	ST	4	1.8L	QG18DE	P	MPFI	05/04	2006	SEDAN		AC073	ACA21		ACC6
NISSAN	PULSAR	N16	ST-L	4	1.8L	QG18DE	P	MPFI	05/04	2006	SEDAN		AC073	ACA21		ACC6
NISSAN	PULSAR	N16 SERIES 2	Q	4	1.8L	QG18DE	P	MPFI	07/03	04/04	HATCH	FUEL FILTER HAS A HOLE IN RETURN LINE	AC073	ACA21	ACF152	ACC6
NISSAN	PULSAR	N16 SERIES 2	Q	4	1.8L	QG18DE	P	MPFI	07/03	04/04	SEDAN	FUEL FILTER HAS A HOLE IN RETURN LINE	AC073	ACA21	ACF152	ACC6
NISSAN	PULSAR	N16 SERIES 2	ST	4	1.8L	QG18DE	P	MPFI	07/03	04/04	HATCH	FUEL FILTER HAS A HOLE IN RETURN LINE	AC073	ACA21	ACF152	ACC6
NISSAN	PULSAR	N16 SERIES 2	ST	4	1.8L	QG18DE	P	MPFI	07/03	04/04	SEDAN	FUEL FILTER HAS A HOLE IN RETURN LINE	AC073	ACA21	ACF152	ACC6
NISSAN	PULSAR	N16 SERIES 2	ST-L	4	1.8L	QG18DE	P	MPFI	07/03	04/04	SEDAN	FUEL FILTER HAS A HOLE IN RETURN LINE	AC073	ACA21	ACF152	ACC6
NISSAN	PULSAR	N16 SERIES 2	Q	4	1.8L	QG18DE	P	MPFI	05/04	2006	HATCH		AC073	ACA21		ACC6
NISSAN	PULSAR	N16 SERIES 2	ST	4	1.8L	QG18DE	P	MPFI	05/04	2006	HATCH		AC073	ACA21		ACC6
NISSAN	PULSAR	C12	SSS	4	1.6L	MR16	P	MPFI	2013	ON	HATCH		AC073	ACA202		ACC82
NISSAN	PULSAR	C12	ST-S	4	1.6L	MR16	P	MPFI	2013	ON	HATCH		AC073	ACA202		ACC82
NISSAN	PULSAR	B17	ST	4	1.8L	MRA8DE	P	MPFI	2013	ON	SED/ HATCH		AC073	ACA202		ACC82
NISSAN	PULSAR	B17	ST-L	4	1.8L	MRA8DE	P	MPFI	2013	ON	SED/ HATCH		AC073	ACA202		ACC82
NISSAN	PULSAR	B17	TI	4	1.8L	MRA8DE	P	MPFI	2013	ON	SED/ HATCH		AC073	ACA202		ACC82
NISSAN	QASHQAI	J11	ST	4	2.0L	MR20	P	DIRECT INJ	06/14	ON	WAGON		AC073			
NISSAN	QASHQAI	J11	TI	4	2.0L	MR20	P	DIRECT INJ	06/14	ON	WAGON		AC073			
NISSAN	QASHQAI	J11	TL	4	1.6L	R9MC	D	TURBO DIRECT INJ	06/14	ON	WAGON		AC0134			
NISSAN	QASHQAI	J11	TS	4	1.6L	R9MC	D	TURBO DIRECT INJ	06/14	ON	WAGON		AC0134			
NISSAN	S CARGO	G20		4	1.5L	E15	P	CARB	1989	1991	VAN		AC011	ACA29	ACF9	
NISSAN	SERENA	C23	ST/TI	4	2.0L	SR20DE	P	MPFI	1992	1995	WAGON		AC023	ACA21	ACF35	



MAKE	MODEL	SERIES	BADGE	CYLS	ENG SIZE	ENGINE CODE	FUEL	FUEL DELIVERY / AIR INTAKE	FROM	TO	BODY	REMARKS	OIL	AIR	FUEL	CABIN
NISSAN	SILVIA	S13		4	1.8L	SR20DE	P		1991	10/93	COUPE		AC023	ACA21	ACF35	
NISSAN	SILVIA	S13		4	1.8L	SR20DET	P	TURBO INT-COOL	1991	10/93	COUPE		AC023	ACA21	ACF35	
NISSAN	SILVIA	S14		4	2.0L	SR20DET	P	TURBO INT-COOL	10/93	1998	COUPE		AC073	ACA21	ACF35	
NISSAN	SILVIA	S15	SPEC S	4	2.0L	SR20DE	P		1999	2000	COUPE		AC073	ACA21	ACF35	
NISSAN	SILVIA	S15	SPEC R	4	2.0L	SR20DET	P	TURBO INT-COOL	1999	2001	COUPE		AC073	ACA21	ACF35	
NISSAN	SILVIA	S15	VARIETTA	4	2.0L	SR20DE	P		2000	2001	CONV		AC073	ACA21	ACF35	
NISSAN	SKYLINE	R30		6	2.4L	L24E	P	EFI	03/82	1986	SEDAN		AC029	ACA21	ACF8	
NISSAN	SKYLINE	R31		6	2.0L	RB20DET	P	TURBO INT-COOL	1986	1989	SEDAN		AC011	ACA21	ACF35	
NISSAN	SKYLINE	R31		6	3.0L	RB30E	P	MPFI	06/86	12/90	SED/ WAG		AC011	ACA21	ACF8	
NISSAN	SKYLINE	R32	GTS	6	2.0L	RB20DE	P		1989	1992	COUPE		AC011	ACA21	ACF69	
NISSAN	SKYLINE	R32	GTS-4	6	2.0L	RB20DET	P	TURBO INT-COOL	1989	1992	COUPE		AC011	ACA21	ACF69	
NISSAN	SKYLINE	R32	GTS-T	6	2.0L	RB20DET	P	TURBO INT-COOL	1989	1992	COUPE		AC011	ACA21	ACF69	
NISSAN	SKYLINE	R32	GT-R	6	2.6L	RB26DETT	P	TWIN TURBO INT-COOL	1989	1992	COUPE		AC011	ACA21	ACF69	
NISSAN	SKYLINE	R33	GTS-25T	6	2.5L	RB25DET	P	TURBO INT-COOL	1993	1996	COUPE		AC011	ACA21	ACF35	
NISSAN	SKYLINE	R33	GTS-25	6	2.5L	RB25DE	P		1993	04/98	COUPE		AC011	ACA21	ACF35	
NISSAN	SKYLINE	R33	GT-R	6	2.6L	RB26DETT	P	TWIN TURBO INT-COOL	1995	12/98	COUPE		AC011	ACA21	ACF69	
NISSAN	SKYLINE	R33 SERIES II	GTS-25T	6	2.5L	RB25DET	P	TURBO INT-COOL	1996	04/98	COUPE		AC011	ACA21	ACF35	
NISSAN	SKYLINE	R34	GT	6	2.5L	RB25DE	P		05/98	10/98	COUPE		AC011	ACA21	ACF35	
NISSAN	SKYLINE	R34	GT-T	6	2.5L	RB25DET	P	TURBO INT-COOL	05/98	10/98	COUPE		AC011	ACA21	ACF35	
NISSAN	SKYLINE	R34	GT	6	2.5L	RB25DE	P		11/98	05/01	COUPE		AC023	ACA21	ACF35	
NISSAN	SKYLINE	R34	GT-T	6	2.5L	RB25DET	P	TURBO INT-COOL	11/98	05/01	COUPE		AC023	ACA21	ACF35	
NISSAN	SKYLINE	R34	GT-R	6	2.6L	RB26DETT	P	TWIN TURBO INT-COOL	1999	08/02	COUPE		AC023	ACA21	ACF69	
NISSAN	SKYLINE	V35	300GT	6	3.0L	VQ30	P	DIRECT INJ	06/01	10/04	COUPE		AC073	ACA21	ACF152	ACC6
NISSAN	SKYLINE	V35	250GT	6	2.5L	VQ25	P	DIRECT INJ	06/01	10/06	SEDAN		AC073	ACA21		ACC6
NISSAN	SKYLINE	V35	350GT-8	6	3.5L	VQ35	P	MPFI	02/02	10/06	SEDAN		AC073	ACA21	ACF152	ACC6
NISSAN	SKYLINE	V35	350GT	6	3.5L	VQ35	P	MPFI	01/03	09/07	COUPE		AC073	ACA21	ACF152	ACC6
NISSAN	SKYLINE	V36	350GT	6	3.5L	VQ35HR	P	DIRECT INJ	11/06	11/08	SEDAN		AC073			
NISSAN	SKYLINE	V36	370GT	6	3.7L	VQ37VHR	P	DIRECT INJ	10/07	ON	COUPE		AC073			
NISSAN	STAGEA	C34		6	2.5L	RB25DE	P	MPFI	1996	08/98	WAGON		AC011	ACA21	ACF4	
NISSAN	STAGEA	C34		6	2.5L	RB25DET	P	TURBO INT-COOL	1996	08/98	WAGON		AC011	ACA21	ACF4	
NISSAN	STAGEA	C34	260RS	6	2.6L	RB26DETT	P	TWIN TURBO INT-COOL	1996	08/98	WAGON		AC011	ACA21	ACF69	
NISSAN	STAGEA	C34		6	2.5L	RB25DE	P	MPFI	08/98	2001	WAGON		AC023	ACA21	ACF35	
NISSAN	STAGEA	C34		6	2.5L	RB25DET	P	TURBO INT-COOL	08/98	2001	WAGON		AC023	ACA21	ACF35	
NISSAN	STAGEA	C34	260RS	6	2.6L	RB26DETT	P	TWIN TURBO INT-COOL	08/98	2001	WAGON		AC011	ACA21		
NISSAN	STAGEA	M35		6	2.5L	VQ25DET	P	TURBO INT-COOL	2001	2004	WAGON		AC073	ACA21	ACF152	ACC6
NISSAN	STAGEA	M35		6	2.5L	VQ25DET	P	TURBO INT-COOL	2001	2004	WAGON	SOME MODELS	AC073	ACA21	ACF158	ACC6
NISSAN	STAGEA	M35		6	2.5L	VQ25DD	P	EFI	2001	2007	WAGON		AC073	ACA21	ACF152	ACC6
NISSAN	STAGEA	M35		6	3.5L	VQ35DE	P	MPFI	2004	2007	WAGON	2WD	AC073	ACA21	ACF152	
NISSAN	STAGEA	M35		6	3.5L	VQ35DE	P	MPFI	2004	2007	WAGON	4WD	AC073	ACA21	ACF152	
NISSAN	TERRANO II	RX		4	2.4L	KA24E	P		1997	1999	WAGON		AC011	ACA21	ACF35	
NISSAN	TERRANO II	TI		4	2.4L	KA24E	P	MPFI	1997	1999	WAGON		AC011	ACA21	ACF35	
NISSAN	TERRANO II	RX		4	2.7L	TD27Ti	D	TURBO	1997	1999	WAGON		AC074		ACF24	
NISSAN	TERRANO II	TI		4	2.7L	TD27Ti	D	TURBO	1997	1999	WAGON		AC074		ACF24	

MAKE	MODEL	SERIES	BADGE	CYLS	ENG SIZE	ENGINE CODE	FUEL	FUEL DELIVERY / AIR INTAKE	FROM	TO	BODY	REMARKS	OIL	AIR	FUEL	CABIN
NISSAN	TIIDA	C11	Q	4	1.8L	MR18	P	MPFI	2006	2006	HATCH		AC073	ACA164		ACC84
NISSAN	TIIDA	C11	ST	4	1.8L	MR18	P	MPFI	2006	2006	HATCH		AC073	ACA164		ACC84
NISSAN	TIIDA	C11	ST-L	4	1.8L	MR18	P	MPFI	2006	2006	SED/ HATCH		AC073	ACA164		ACC84
NISSAN	TIIDA	C11	TI	4	1.8L	MR18	P	MPFI	2006	2006	SEDAN		AC073	ACA164		ACC84
NISSAN	TIIDA	C11	Q	4	1.8L	MR18	P		2007	2009	HATCH		AC073	ACA164		ACC84
NISSAN	TIIDA	C11	ST	4	1.8L	MR18	P		2007	2010	HATCH		AC073	ACA164		ACC84
NISSAN	TIIDA	C11	ST-L	4	1.8L	MR18	P	MPFI	2007	2010	SED/ HATCH		AC073	ACA164		ACC84
NISSAN	TIIDA	C11	ST PLUS	4	1.8L	MR18	P	MPFI	2008	2008	HATCH		AC073	ACA164		ACC84
NISSAN	TIIDA	C11	ST-L PLUS	4	1.8L	MR18	P		2008	2008	SED/ HATCH		AC073	ACA164		ACC84
NISSAN	TIIDA	C11	TI	4	1.8L	MR18	P		2008	2008	SEDAN		AC073	ACA164		ACC84
NISSAN	TIIDA	C11 SERIES 3	ST	4	1.8L	MR18	P	MPFI	2010	2011	SED/ HATCH		AC073	ACA164		ACC84
NISSAN	TIIDA	C11 SERIES 3	TI	4	1.8L	MR18	P	MPFI	2010	2011	SED/ HATCH		AC073	ACA164		ACC84
NISSAN	URVAN	E23	LWB	4	2.0L	Z20	P	CARB	1983	1984	VAN		AC011			
NISSAN	URVAN	E23	SGL	4	2.0L	Z20	P	CARB	1983	1984	VAN		AC011			
NISSAN	URVAN	E24		4	2.7L	TD27	D	DIESEL INJ	1987	07/92	VAN		AC012	ACA65	ACF24	
NISSAN	URVAN	E24	CARGO	4	2.4L	Z24	P	CARB	1987	1993	VAN		AC011		ACF4	
NISSAN	URVAN	E24	WINDOW	4	2.4L	Z24	P	CARB	1987	1993	VAN		AC011		ACF4	
NISSAN	X-TRAIL	T30		4	2.2L		D		2001	2003	WAGON	IMPORTED VERSION ONLY	AC0103			
NISSAN	X-TRAIL	T30	ST	4	2.5L	QR25DE	P	MPFI	2001	2003	WAGON	ACF158 W/ OUT RE- TURN LINE / ACF152 WITH RE- TURN LINE	AC073	ACA21	ACF158 / ACF152	ACC6
NISSAN	X-TRAIL	T30	TI	4	2.5L	QR25DE	P	MPFI	2001	2003	WAGON	ACF158 W/ OUT RE- TURN LINE / ACF152 WITH RE- TURN LINE	AC073	ACA21	ACF158 / ACF152	ACC6
NISSAN	X-TRAIL	T30	TI LUXURY	4	2.5L	QR25DE	P	MPFI	2002	2003	WAGON	ACF158 W/ OUT RE- TURN LINE / ACF152 WITH RE- TURN LINE	AC073	ACA21	ACF158 / ACF152	ACC6
NISSAN	X-TRAIL	T30	ST-R	4	2.5L	QR25DE	P	MPFI	2003	2003	WAGON	ACF158 W/ OUT RE- TURN LINE / ACF152 WITH RE- TURN LINE	AC073	ACA21	ACF158 / ACF152	ACC6
NISSAN	X-TRAIL	T30 SERIES II	ST	4	2.5L	QR25DE	P	MPFI	2003	2006	WAGON	ACF158 W/ OUT RE- TURN LINE / ACF152 WITH RE- TURN LINE	AC073	ACA21	ACF158 / ACF152	ACC6
NISSAN	X-TRAIL	T30 SERIES II	TI	4	2.5L	QR25DE	P	MPFI	2003	2006	WAGON	ACF158 W/ OUT RE- TURN LINE / ACF152 WITH RE- TURN LINE	AC073	ACA21	ACF158 / ACF152	ACC6

MAKE	MODEL	SERIES	BADGE	CYLS	ENG SIZE	ENGINE CODE	FUEL	FUEL DELIVERY / AIR INTAKE	FROM	TO	BODY	REMARKS	OIL	AIR	FUEL	CABIN
NISSAN	X-TRAIL	T30 SERIES II	TI-L	4	2.5L	QR25DE	P	MPFI	2003	2006	WAGON	ACF158 W/ OUT RETURN LINE / ACF152 WITH RETURN LINE	AC073	ACA21	ACF158 / ACF152	ACC6
NISSAN	X-TRAIL	T30 SERIES II	ST-X	4	2.5L	QR25DE	P	MPFI	2004	2005	WAGON	ACF158 W/ OUT RETURN LINE / ACF152 WITH RETURN LINE	AC073	ACA21	ACF158 / ACF152	ACC6
NISSAN	X-TRAIL	T30 SERIES II	ST-S 40TH ANNIV	4	2.5L	QR25DE	P	MPFI	2006	2006	WAGON	ACF158 W/ OUT RETURN LINE / ACF152 WITH RETURN LINE	AC073	ACA21	ACF158 / ACF152	ACC6
NISSAN	X-TRAIL	T30 SERIES II	ST	4	2.5L	QR25DE	P	MPFI	2006	2007	WAGON	ACF158 W/ OUT RETURN LINE / ACF152 WITH RETURN LINE	AC073	ACA21	ACF158 / ACF152	ACC6
NISSAN	X-TRAIL	T30 SERIES II	ST-S	4	2.5L	QR25DE	P	MPFI	2006	2007	WAGON	ACF158 W/ OUT RETURN LINE / ACF152 WITH RETURN LINE	AC073	ACA21	ACF158 / ACF152	ACC6
NISSAN	X-TRAIL	T30 SERIES II	ST-S X-TREME	4	2.5L	QR25DE	P	MPFI	2006	2007	WAGON	ACF158 W/ OUT RETURN LINE / ACF152 WITH RETURN LINE	AC073	ACA21	ACF158 / ACF152	ACC6
NISSAN	X-TRAIL	T30 SERIES II	TI	4	2.5L	QR25DE	P	MPFI	2006	2007	WAGON	ACF158 W/ OUT RETURN LINE / ACF152 WITH RETURN LINE	AC073	ACA21	ACF158 / ACF152	ACC6
NISSAN	X-TRAIL	T30 SERIES II	TI-L	4	2.5L	QR25DE	P	MPFI	2006	2007	WAGON	ACF158 W/ OUT RETURN LINE / ACF152 WITH RETURN LINE	AC073	ACA21	ACF158 / ACF152	ACC6
NISSAN	X-TRAIL	T31	ST	4	2.5L	QR25DE	P	MPFI	2007	2009	WAGON		AC073	ACA202		ACC35
NISSAN	X-TRAIL	T31	ST-L	4	2.5L	QR25DE	P	MPFI	2007	2009	WAGON		AC073	ACA202		ACC35
NISSAN	X-TRAIL	T31	TI	4	2.5L	QR25DE	P	MPFI	2007	2009	WAGON		AC073	ACA202		ACC35
NISSAN	X-TRAIL	T31	TL	4	2.0L	M9R	D	TURBO INT-COOL	2008	2009	WAGON		AC0134	ACA240	ACF210	ACC35
NISSAN	X-TRAIL	T31	TS	4	2.0L	M9R	D	TURBO INT-COOL	2008	2009	WAGON		AC0134	ACA240	ACF210	ACC35
NISSAN	X-TRAIL	T31	ADVENTURE	4	2.5L	QR25DE	P	MPFI	2009	2009	WAGON		AC073	ACA202		ACC35
NISSAN	X-TRAIL	T31	TS	4	2.0L	M9R	D	TURBO INT-COOL	2009	2010	WAGON		AC0134	ACA240	ACF210	ACC35
NISSAN	X-TRAIL	T31	ST	4	2.5L	QR25DE	P	MPFI	2009	2010	WAGON		AC073	ACA202		ACC35
NISSAN	X-TRAIL	T31	ST-L	4	2.5L	QR25DE	P	MPFI	2009	2010	WAGON		AC073	ACA202		ACC35
NISSAN	X-TRAIL	T31	TI	4	2.5L	QR25DE	P	MPFI	2009	2010	WAGON		AC073	ACA202		ACC35
NISSAN	X-TRAIL	T31	TL	4	2.0L	M9R	D	TURBO INT-COOL	2010	2010	WAGON		AC0134	ACA240	ACF210	ACC35
NISSAN	X-TRAIL	T31 SERIES III	TL	4	2.0L	M9R	D	TURBO INT-COOL	2010	2010	WAGON		AC0134	ACA240	ACF210	ACC35
NISSAN	X-TRAIL	T31 SERIES III	TS	4	2.0L	M9R	D	TURBO INT-COOL	2010	2010	WAGON		AC0134	ACA240	ACF210	ACC35

MAKE	MODEL	SERIES	BADGE	CYLS	ENG SIZE	ENGINE CODE	FUEL	FUEL DELIVERY / AIR INTAKE	FROM	TO	BODY	REMARKS	OIL	AIR	FUEL	CABIN
NISSAN	X-TRAIL	T31 SERIES III	ST	4	2.5L	QR25DE	P	MPFI	2010	2010	WAGON		AC073	ACA202		ACC35
NISSAN	X-TRAIL	T31 SERIES III	ST-L	4	2.5L	QR25DE	P	MPFI	2010	2010	WAGON		AC073	ACA202		ACC35
NISSAN	X-TRAIL	T31 SERIES III	TI	4	2.5L	QR25DE	P	MPFI	2010	2010	WAGON		AC073	ACA202		ACC35
NISSAN	X-TRAIL	T31 SERIES IV	ST	4	2.5L	QR25DE	P	MPFI	2010	2011	WAGON		AC073	ACA202		ACC35
NISSAN	X-TRAIL	T31 SERIES IV	ST-L	4	2.5L	QR25DE	P	MPFI	2010	2011	WAGON		AC073	ACA202		ACC35
NISSAN	X-TRAIL	T31 SERIES IV	TI	4	2.5L	QR25DE	P	MPFI	2010	2011	WAGON		AC073	ACA202		ACC35
NISSAN	X-TRAIL	T31 SERIES IV	ST 2WD	4	2.0L	MR20	P	MPFI	12/10	ON	WAGON		AC073	ACA240		ACC35
NISSAN	X-TRAIL	T31 SERIES IV	ST-L 2WD	4	2.0L	MR20	P	MPFI	12/10	ON	WAGON		AC073	ACA240		ACC35
NISSAN	X-TRAIL	T31 SERIES IV	TL	4	2.0L	M9R	D	TURBO INT-COOL	2011	ON	WAGON		AC0134	ACA240	ACF210	ACC35
NISSAN	X-TRAIL	T31 SERIES IV	TS	4	2.0L	M9R	D	TURBO INT-COOL	2011	ON	WAGON		AC0134	ACA240	ACF210	ACC35
NISSAN	X-TRAIL	T32	ST	4	2.0L	MR20DE	P	MPFI	03/14	ON	WAGON		AC073			
NISSAN	X-TRAIL	T32	ST	4	2.5L	QR25DE	P	MPFI	03/14	ON	WAGON		AC073			
NISSAN	X-TRAIL	T32	ST-L	4	2.5L	QR25DE	P	MPFI	03/14	ON	WAGON		AC073			
NISSAN	X-TRAIL	T32	TI	4	2.5L	QR25DE	P	MPFI	03/14	ON	WAGON		AC073			
NISSAN	X-TRAIL	T32	TL	4	1.6L	R9M	D	CRD TURBO	08/14	ON	WAGON		AC0134			
NISSAN	X-TRAIL	T32	TS	4	1.6L	R9M	D	CRD TURBO	08/14	ON	WAGON		AC0134			
<b>OPEL</b>																
OPEL	ASTRA	PJ	1.4	4	1.4L	A14NET	P	TURBO MPFI	09/12	ON	HATCH/WAG		AC0108	ACA193		ACC49
OPEL	ASTRA	PJ	GTC	4	1.4L	A14NET	P	TURBO MPFI	09/12	ON	HATCH		AC0108	ACA193		ACC49
OPEL	ASTRA	PJ	GTC SPORT	4	1.6L	A16LET	P	TURBO MPFI	09/12	ON	HATCH		AC0108	ACA193		ACC49
OPEL	ASTRA	PJ	SELECT	4	1.6L	A16LET	P	TURBO MPFI	09/12	ON	HATCH/WAG		AC0108	ACA193		ACC49
OPEL	ASTRA	PJ	SPORT	4	1.6L	A16LET	P	TURBO MPFI	09/12	ON	HATCH		AC0108	ACA193		ACC49
OPEL	ASTRA	PJ	CDTI	4	2.0L	A20DTH	D	CRD TURBO	09/12	ON	HATCH/WAG		AC0162	ACA193	ACF176	ACC49
OPEL	ASTRA	PJ	CDTI SPORTS	4	2.0L	A20DTH	D	CRD TURBO	09/12	ON	HATCH/WAG		AC0162	ACA193	ACF176	ACC49
OPEL	CORSA	SL		4	1.4L	A14XER	P	MPFI	09/12	ON	HATCH	FROM ENGINE # 19MA9235	AC0108			
OPEL	CORSA	SL		4	1.4L	A14XER	P	MPFI	09/12	ON	HATCH	UP TO ENGINE # 19MA9234	AC099			
OPEL	CORSA	SL	COLOUR EDITION	4	1.4L	A14XER	P	MPFI	09/12	ON	HATCH	FROM ENGINE # 19MA9235	AC0108			
OPEL	CORSA	SL	COLOUR EDITION	4	1.4L	A14XER	P	MPFI	09/12	ON	HATCH	UP TO ENGINE # 19MA9234	AC099			
OPEL	CORSA	SL	ENJOY	4	1.4L	A14XER	P	MPFI	09/12	ON	HATCH	FROM ENGINE # 19MA9235	AC0108			
OPEL	CORSA	SL	ENJOY	4	1.4L	A14XER	P	MPFI	09/12	ON	HATCH	UP TO ENGINE # 19MA9234	AC099			
OPEL	INSIGNIA	GA	CDTI	4	2.0L	A20DTH	D	CRD TURBO	09/12	ON	SED/WAG		AC0162	ACA334	ACF176	ACC49

MAKE	MODEL	SERIES	BADGE	CYLS	ENG SIZE	ENGINE CODE	FUEL	FUEL DELIVERY / AIR INTAKE	FROM	TO	BODY	REMARKS	OIL	AIR	FUEL	CABIN
OPEL	INSIGNIA	GA	SELECT	4	2.0L	A20NFT	P	TURBO MPFI	09/12	ON	SED/ WAG		AC089	ACA335		ACC49
OPEL	INSIGNIA	GA	OPC	4	2.8L	A28NER	P	TURBO MPFI	02/13	ON	SEDAN		AC088	ACA334		ACC49
OPEL	ZAFIRA	TT		4	2.2L	Z22SE	P	MPFI	2001	2006	WAGON		AC089	ACA157	ACF90	
OPEL	ZAFIRA	ZJ		4	2.0L	A20DTH	D	CRD TURBO	2013	ON	WAGON		AC0162	ACA193	ACF176	ACC49
<b>PEUGEOT</b>																
PEUGEOT	205	GTI, GTI CLASSIC		4	1.9L	XU9J	P	MPFI	1987	1994	HATCH		AC086			
PEUGEOT	205	SI		4	1.6L	XU5J	P	MPFI	1991	1994	HATCH		AC086			
PEUGEOT	206	T1	XR	4	1.6L	TU5JP	P	MPFI	1999	12/00	HATCH		AC086	ACA204	ACF136	
PEUGEOT	206	T1	XT	4	1.6L	TU5JP	P	MPFI	1999	12/00	HATCH		AC086	ACA204	ACF136	
PEUGEOT	206	T1	GTI	4	2.0L	EW10J4	P	MPFI	1999	2007	HATCH		AC086		ACF136	
PEUGEOT	206	T1	XT S	4	1.6L	TU5JP4	P	MPFI	2001	2001	HATCH		AC0155	ACA204	ACF136	
PEUGEOT	206	T1	CC	4	1.6L	TU5JP4	P	MPFI	2001	06/04	CABRIO		AC0155	ACA204	ACF136	
PEUGEOT	206	T1	XR	4	1.6L	TU5JP4	P	MPFI	01/01	06/04	HATCH		AC0155	ACA204	ACF136	
PEUGEOT	206	T1	XR S	4	1.6L	TU5JP4	P	MPFI	2001	06/04	HATCH		AC0155	ACA204	ACF136	
PEUGEOT	206	T1	XT	4	1.6L	TU5JP4	P	MPFI	01/01	06/04	HATCH		AC0155	ACA204	ACF136	
PEUGEOT	206	T1	CC	4	2.0L	EW10J4	P	MPFI	2001	2007	HATCH		AC086		ACF136	
PEUGEOT	206	T1	GTI RALLYE	4	2.0L	EW10J4	P	MPFI	2002	2003	HATCH		AC086		ACF136	
PEUGEOT	206	T1	XR	4	1.4L	TU3JP	P	MPFI	2002	2007	HATCH	UP TO ENGINE # 4717577	AC0155	ACA204	ACF136	
PEUGEOT	206	T1	XR	4	1.4L	TU3JP	P	MPFI	2002	2007	HATCH	FROM ENGINE # 4717578	AC0125		ACF136	
PEUGEOT	206	T1	GTI 180	4	2.0L	EW10J4	P	MPFI	2004	2007	HATCH		AC086		ACF136	
PEUGEOT	206	T1	CC	4	1.6L	TU5JP4	P	MPFI	07/04	12/04	CABRIO		AC0125	ACA204	ACF136	
PEUGEOT	206	T1	XR	4	1.6L	TU5JP4	P	MPFI	07/04	12/04	HATCH		AC0125	ACA204	ACF136	
PEUGEOT	206	T1	XT	4	1.6L	TU5JP4	P	MPFI	07/04	12/04	HATCH		AC0125	ACA204	ACF136	
PEUGEOT	206	T1	XR	4	1.6L	TU5JP4	P	MPFI	01/05	2006	HATCH		AC0125		ACF136	
PEUGEOT	206	T1	C	4	1.6L	TU5JP4	P	MPFI	2005	2007	HATCH		AC0125		ACF136	
PEUGEOT	206	T1	CC	4	1.6L	TU5JP4	P	MPFI	01/05	2007	CABRIO		AC0125		ACF136	
PEUGEOT	206	T1	XT	4	1.6L	TU5JP4	P	MPFI	01/05	2007	HATCH		AC0125		ACF136	
PEUGEOT	207	A7	XR	4	1.4L	TU3JP	P	MPFI	2007	2009	HATCH		AC0125		ACF136	
PEUGEOT	207	A7	GT	4	1.6L	EP6DT	P	TURBO DIRECT INJ	2007	2009	HATCH		AC0125		ACF136	
PEUGEOT	207	A7	XT TOURING	4	1.6L	EP6	P	MPFI	2007	2009	WAGON		AC0125	ACA314	ACF136	
PEUGEOT	207	A7	XT TOURING	4	1.6L	DV6TED4	D	CRD TURBO	2007	11/09	WAGON		AC0109			
PEUGEOT	207	A7	XT	4	1.6L	DV6TED4	D	CRD TURBO	2007	2010	HATCH		AC0109			
PEUGEOT	207	A7	XR	4	1.4L	ET3J4	P	MPFI	2007	06/10	HATCH		AC0125		ACF136	
PEUGEOT	207	A7	GTI	4	1.6L	EP6DTS	P	TURBO DIRECT INJ	2007	2012	HATCH		AC0125		ACF136	
PEUGEOT	207	A7	CC	4	1.6L	EP6	P	MPFI	2007	ON	CABRIO		AC0125	ACA314	ACF136	
PEUGEOT	207	A7	CC	4	1.6L	EP6DT(L5)	P	TURBO DIRECT INJ	2007	ON	CABRIO		AC0125		ACF136	
PEUGEOT	207	A7	XT	4	1.6L	EP6	P	MPFI	2007	ON	HATCH		AC0125	ACA314	ACF136	
PEUGEOT	207	A7	LE MANS LIMITED ED	4	1.6L	DV6TED4	D	CRD TURBO	2008	2009	HATCH		AC0109			
PEUGEOT	207	A7	XR	4	1.6L	EP6	P	MPFI	2008	ON	HATCH		AC0125	ACA314	ACF136	
PEUGEOT	207	A7	TOURING OUTDOOR	4	1.6L	DV6TED4	D	CRD TURBO	2009	2010	WAGON		AC0109			
PEUGEOT	207	A7	XT	4	1.6L	EP6	P	MPFI	2009	ON	WAGON		AC0125	ACA314	ACF136	

MAKE	MODEL	SERIES	BADGE	CYLS	ENG SIZE	ENGINE CODE	FUEL	FUEL DELIVERY / AIR INTAKE	FROM	TO	BODY	REMARKS	OIL	AIR	FUEL	CABIN
PEUGEOT	207	A7	SPORTIUM	4	1.6L	DV6C	D	CRD TURBO	2010	2012	HATCH		AC0109			
PEUGEOT	207	A7	TOURING OUTDOOR	4	1.6L	DV6C	D	CRD TURBO	2010	ON	WAGON		AC0109			
PEUGEOT	207	A7	XT	4	1.6L	DV6C	D	CRD TURBO	2010	ON	HATCH		AC0109			
PEUGEOT	207	A7	XR	4	1.4L	EP3C	P	MPFI	07/10	ON	HATCH		AC0125	ACA314	ACF136	
PEUGEOT	208	-	ACTIVE	3	1.2L	EB2	P	MPFI	2012	ON	HATCH		AC086		ACF136	
PEUGEOT	208	-	ACTIVE	4	1.6L	EP6	P	MPFI	2012	ON	HATCH		AC0125	ACA314	ACF136	
PEUGEOT	208	-	ALLURE	4	1.6L	EP6	P	MPFI	2012	ON	HATCH		AC0125	ACA314	ACF136	
PEUGEOT	208	-	ALLURE PREMIUM	4	1.6L	EP6	P	MPFI	2012	ON	HATCH		AC0125	ACA314	ACF136	
PEUGEOT	208	-	ALLURE SPORT	4	1.6L	EP6DT	P	TURBO DIRECT INJ	2012	ON	HATCH		AC0125	ACA314	ACF136	
PEUGEOT	208	A9	GTI	4	1.6L	EP6DT	P	TURBO DIRECT INJ	2013	ON	HATCH		AC0125		ACF136	
PEUGEOT	306	N3	S16	4	2.0L	XU10J4	P	MPFI	1994	08/96	HATCH		AC086		ACF136	
PEUGEOT	306	N3	XR	4	1.8L	XU7JP	P	MPFI	1994	1997	HATCH		AC086		ACF136	
PEUGEOT	306	N3	XT	4	1.8L	XU7JP	P	MPFI	1994	1997	HATCH		AC086		ACF136	
PEUGEOT	306	N3		4	1.8L	XU7JP	P	MPFI	1994	1997	CONV		AC086		ACF136	
PEUGEOT	306	N3	XSI	4	2.0L	XU10J2	P	MPFI	1994	1997	HATCH		AC086		ACF136	
PEUGEOT	306	N3		4	2.0L	XU10J2	P	MPFI	1994	1997	CONV		AC086		ACF136	
PEUGEOT	306	N3	ST	4	2.0L	XU10J2	P	MPFI	1995	1997	SEDAN		AC086		ACF136	
PEUGEOT	306	N5	STYLE	4	1.8L	XU7JP4	P	MPFI	1997	1999	HATCH		AC086		ACF136	
PEUGEOT	306	N5	XR	4	1.8L	XU7JP4	P	MPFI	1997	1999	SEDAN		AC086		ACF136	
PEUGEOT	306	N5	XT	4	1.8L	XU7JP4	P	MPFI	1997	2000	HATCH		AC086		ACF136	
PEUGEOT	306	N5	GTI6	4	2.0L	XU10J4RS	P	MPFI	1997	2000	HATCH		AC086		ACF136	
PEUGEOT	306	N5	XSI	4	2.0L	XU10J4R	P	MPFI	1997	2001	HATCH		AC086		ACF136	
PEUGEOT	306	N5	XT	4	2.0L	XU10J4R	P	MPFI	1997	2001	SEDAN		AC086		ACF136	
PEUGEOT	306	N5		4	2.0L	XU10J4R	P	MPFI	1997	2003	CONV		AC086		ACF136	
PEUGEOT	306	N5	XT HDI	4	2.0L	DW10TD	D	CRD TURBO	2000	2001	SEDAN		AC086			
PEUGEOT	307	T5	CC	4	1.6L	TU5JP4	P	MPFI	2001	2005	HATCH		AC0125		ACF136	
PEUGEOT	307	T5		4	2.0L	EW10J4	P	MPFI	2001	2005	HATCH		AC086		ACF136	
PEUGEOT	307	T5	HDI	4	2.0L	DW10	D	TURBO DIRECT INJ	2001	2005	HATCH		AC086			
PEUGEOT	307	T5	CC	4	2.0L	EW10J4	P	MPFI	2003	2005	HATCH		AC086		ACF136	
PEUGEOT	307	T5	TOURING	4	2.0L	DW10	D	TURBO DIRECT INJ	2003	2005	HATCH		AC086			
PEUGEOT	307	T5	TOURING	4	2.0L	EW10J4	P	MPFI	2003	2005	HATCH		AC086		ACF136	
PEUGEOT	307	T6	XSE HDI	4	2.0L	DW10BT-ED4	D	CRD TURBO	2005	2008	HATCH/WAG	AUTOMATIC TRANSMISSION/ WHERE CARTIRDGE OIL FILTER REQUIRED	AC0125	ACA315	ACF216	
PEUGEOT	307	T6	XSE HDI	4	2.0L	DW10BT-ED4	D	CRD TURBO	2005	2008	HATCH/WAG	AUTOMATIC TRANSMISSION/ WHERE SPIN-ON OIL FILTER REQUIRED	AC086	ACA315	ACF216	
PEUGEOT	307	T6	XSE HDI	4	2.0L	DW10BT-ED4	D	CRD TURBO	2005	2008	HATCH/WAG	MANUAL TRANSMISSION/ WHERE SPIN-ON OIL FILTER REQUIRED	AC086		ACF216	

MAKE	MODEL	SERIES	BADGE	CYLS	ENG SIZE	ENGINE CODE	FUEL	FUEL DELIVERY / AIR INTAKE	FROM	TO	BODY	REMARKS	OIL	AIR	FUEL	CABIN
PEUGEOT	307	T6	XSE HDI	4	2.0L	DW10BT-ED4	D	CRD TURBO	2005	2008	HATCH/WAG	MANUAL TRANSMISSION/ WHERE CARTIRIDGE OIL FILTER REQUIRED	AC0125		ACF216	
PEUGEOT	307	T6	XS HDI	4	1.6L	DV6TED4	D	CRD TURBO	2005	06/08	HATCH		AC0109			
PEUGEOT	307	T6	XS TOURING HDI	4	1.6L	DV6TED4	D	CRD TURBO	2005	06/08	WAGON		AC0109			
PEUGEOT	307	T6		4	1.6L	TU5JP4	P	MPFI	2005	2011	HATCH		AC0125			
PEUGEOT	307	T6	CC	4	1.6L	TU5JP4	P	MPFI	2005	2011	HATCH		AC0125		ACF136	
PEUGEOT	307	T6	CC	4	2.0L	EW10A	P	MPFI	2005	2011	HATCH		AC0125		ACF136	
PEUGEOT	308	T7	XS	4	1.6L	EP6	P	MPFI	2008	2011	HATCH				ACF136	
PEUGEOT	308	T7	XS HDI	4	1.6L	DV6TED4	D	CRD TURBO	2008	2011	HATCH/WAG		AC0109			
PEUGEOT	308	T7	XSE TURBO	4	1.6L	EP6DT	P	TURBO DIRECT INJ	2008	2011	HATCH/WAG		AC0125		ACF136	
PEUGEOT	308	T7	XTS	4	1.6L	EP6DT	P	TURBO DIRECT INJ	2008	2011	HATCH		AC0125		ACF136	
PEUGEOT	308	T7	HDI	4	2.0L	DW10BT-ED4	D	CRD TURBO	2008	2011	HATCH		AC0125	ACA315	ACF216	
PEUGEOT	308	T7	TOURING	4	2.0L	DW10BT-ED4	D	CRD TURBO	2008	2011	WAGON		AC0125	ACA315	ACF216	
PEUGEOT	308	T7	XSE HDI	4	2.0L	DW10BT-ED4	D	CRD TURBO	2008	2011	HATCH		AC0125	ACA315	ACF216	
PEUGEOT	308	T7	CC	4	2.0L	DW10BT-ED4	D	CRD TURBO	2009	2011	CONV		AC0125	ACA315	ACF216	
PEUGEOT	308	T7	CC	4	1.6L	EP6CDT	D	TURBO DIRECT INJ	2009	ON	CONV		AC0125			
PEUGEOT	308	T7	SPORTIUM	4	2.0L	DW10BT-ED4	D	CRD TURBO	2010	2011	HATCH/WAG		AC0125	ACA315	ACF216	
PEUGEOT	308			4	1.6L	DV6C	D	CRD TURBO	2010	2013	HATCH/WAG		AC0109			
PEUGEOT	308	T7	ACCESS	4	1.4L	EP3	P	MPFI	2011	2013	HATCH			ACA314		
PEUGEOT	308	T7	ACTIVE TURBO	4	1.6L	EP6DT	P	TURBO DIRECT INJ	2011	2014	HATCH/WAG		AC0125		ACF136	
PEUGEOT	308	T7	ALLURE TURBO	4	1.6L	EP6DT	P	TURBO DIRECT INJ	2011	2014	HATCH		AC0125		ACF136	
PEUGEOT	308	T7	SPORTIUM	4	1.6L	EP6DT	P	TURBO DIRECT INJ	2011	2014	HATCH/WAG		AC0125		ACF136	
PEUGEOT	308	T7	CC	4	2.0L	DW10CT-ED4	D	CRD TURBO	02/11	2012	CONV		AC0125	ACA315		
PEUGEOT	308	T7	HDI	4	2.0L	DW10CT-ED4	D	CRD TURBO	02/11	2014	HATCH		AC0125	ACA315		
PEUGEOT	308	T7	SPORTIUM	4	2.0L	DW10CT-ED4	D	CRD TURBO	02/11	ON	HATCH/WAG		AC0125	ACA315		
PEUGEOT	308	T7	TOURING	4	2.0L	DW10CT-ED4	D	CRD TURBO	02/11	ON	WAGON		AC0125	ACA315		
PEUGEOT	405	MI16	D60	4	1.9L	XU9J4	P	MPFI	1989	1993	SEDAN		AC086			
PEUGEOT	405	S, SRI	D60	4	1.9L	XU9J2	P	MPFI	1989	1993	SEDAN		AC086			
PEUGEOT	405	MI16	D70	4	2.0L	XU10J4	P	MPFI	1993	1996	SEDAN		AC086			
PEUGEOT	405	SRI, STI	D70	4	2.0L	XU10J2	D	MPFI	1993	1996	SEDAN		AC086			
PEUGEOT	405	SRDT	D70	4	1.9L	XUD9T	D	MPFI	1993	1998	SEDAN		AC086			
PEUGEOT	406	D8	ST	4	2.0L	XU10J4	P	MPFI	1996	1999	SEDAN		AC086		ACF136	
PEUGEOT	406	D8	DT	4	2.1L	XUD11BTE	D	TURBO DIRECT INJ	1996	1999	SEDAN		AC086			
PEUGEOT	406	D9	ST	4	2.0L	EW10J4	P	MPFI	1996	2004	SEDAN		AC086		ACF136	

MAKE	MODEL	SERIES	BADGE	CYLS	ENG SIZE	ENGINE CODE	FUEL	FUEL DELIVERY / AIR INTAKE	FROM	TO	BODY	REMARKS	OIL	AIR	FUEL	CABIN
PEUGEOT	406	D8, D9		6	3.0L	ES9J4	P	MPFI	1997	2004	SEDAN				ACF136	
PEUGEOT	406	D9		4	2.0L	DW10ATE	D	MPFI	1999	2004	SEDAN		AC086			
PEUGEOT	407	ST		4	2.2L	EW12J4	P	MPFI	2004	2009	SED/WAG		AC086		ACF136	
PEUGEOT	407	SV		6	3.0L	ES9A	P	MPFI	2004	2009	SED/WAG		AC086		ACF136	
PEUGEOT	407	ST	HDI	4	2.0L	DW10BT-ED4	D	TURBO CRD	2005	2011	SED/WAG		AC0125		ACF216	
PEUGEOT	407	ST	SV HDI	6	2.7L	DT17TED4	D	CRD TWIN TURBO	2006	2010	SED/WAG		AC0143			
PEUGEOT	407	ST	SV	6	2.7L	DT17TED4	D	CRD TWIN TURBO	2006	2011	COUPE		AC0143			
PEUGEOT	407	ST	HDI	4	2.0L	DW10CT-ED4	D	TURBO CRD	2009	ON	SED/WAG		AC0125			
PEUGEOT	505			4	2.0L	XN	P	MPFI	1980	1988	SEDAN	FROM CHASSIS # 1621337	AC07			
PEUGEOT	505	SR		4	2.0L	ZEJ/ZDJK	P	MPFI	1986	1988	SEDAN	UP TO CHASSIS # 1578000	AC09			
PEUGEOT	604	SL		6	2.7L	ZMJ/ZNJ	P	CARB	1978	1982	SEDAN		AC09			
PEUGEOT	607	HDI		4	2.2L	DW12BT-ED4	D	TURBO DIRECT INJ	2001	2006	SEDAN		AC086			
PEUGEOT	607	VF		6	3.0L	ES9J4	P	MPFI	2002	2005	SEDAN				ACF136	
PEUGEOT	607	VF II		6	3.0L	ES9J4S	P	MPFI	2005	2008	SEDAN		AC086		ACF136	
PEUGEOT	2008	A94	ACTIVE	3	1.2L	EB2	P	MPFI	2013	ON	WAGON		AC086		ACF136	
PEUGEOT	2008	A94	OUTDOOR	4	1.6L	DV6AUTED	D	DIRECT INJ	2013	ON	WAGON	INT-COOL TURBO	AC0109			
PEUGEOT	2008	A94	ACTIVE	4	1.6L	EP6	P	MPFI	2013	ON	WAGON		AC0125	ACA314	ACF136	
PEUGEOT	2008	A94	ALLURE	4	1.6L	EP6	P	MPFI	2013	ON	WAGON		AC0125	ACA314	ACF136	
PEUGEOT	3008		XSE HDI	4	2.0L	DW10CT-ED4	D	CRD TURBO	2010	03/12	HATCH		AC0125	ACA315		
PEUGEOT	3008		XTE HDI	4	2.0L	DW10CT-ED4	D	CRD TURBO	2010	03/12	HATCH		AC0125	ACA315		
PEUGEOT	3008		ACTIVE HDI	4	2.0L	DW10CT-ED4	D	CRD TURBO	04/12	ON	HATCH		AC0125	ACA315		
PEUGEOT	3008		ALLURE HDI	4	2.0L	DW10CT-ED4	D	CRD TURBO	04/12	ON	HATCH		AC0125	ACA315		
PEUGEOT	4007			4	2.2L	PSA4HN	D	TURBO DIRECT INJ	2009	2011	HATCH		AC0125			
PEUGEOT	4008		ACTIVE	4	2.0L	4B11	P	MPFI	2012	ON	WAGON		AC028	ACA293		ACC37
PEUGEOT	4008		ALLURE	4	2.0L	4B11	P	MPFI	2012	ON	WAGON		AC028	ACA293		ACC37
PEUGEOT	5008		ACTIVE	4	1.6L	EP6DT	P	TURBO DIRECT INJ	2013	ON	WAGON		AC0125		ACF136	
PEUGEOT	5008		ACTIVE HDI	4	2.0L	DW10CT-ED4	D	CRD TURBO	2013	ON	WAGON		AC0125	ACA315		
PEUGEOT	EXPERT	G9P		4	2.0L	DW10UT-ED4	D	TURBO CRD	2008	ON	VAN		AC0125		ACF216	
PEUGEOT	EXPERT	G9P		4	2.0L	DW10BT-ED4	D	TURBO CRD	2008	ON	VAN		AC0125		ACF216	
PEUGEOT	PARTNER	B9P		4	1.6L	DV6AUT-ED4	D	TURBO DIRECT INJ	2008	01/13	VAN		AC0109			
PEUGEOT	PARTNER	B9P		4	1.6L	TU5JP4	P	MPFI	2008	ON	VAN		AC0125			
PEUGEOT	PARTNER			4	1.6L	DV6AUT-ED4	D	TURBO DIRECT INJ	01/13	ON	VAN		AC0109			
PEUGEOT	RCZ		1.6T	4	1.6L	EP6DT	P	TURBO DIRECT INJ	2010	ON	COUPE		AC0125			
PEUGEOT	RCZ		1.6T	4	1.6L	EP6DTS	P	TURBO DIRECT INJ	2010	ON	COUPE		AC0125			



MAKE	MODEL	SERIES	BADGE	CYLS	ENG SIZE	ENGINE CODE	FUEL	FUEL DELIVERY / AIR INTAKE	FROM	TO	BODY	REMARKS	OIL	AIR	FUEL	CABIN
PEUGEOT	RCZ		HDI	4	2.0L	DW10CT-ED4	D	CRD TURBO	2010	ON	COUPE		AC0125	ACA315		
PEUGEOT	RCZ		R	4	1.6L	EP6DT	P	TURBO DIRECT INJ	2014	ON	COUPE		AC0125			
<b>PORSCHE</b>																
PORSCHE	CAYENNE	955	S	8	4.5L	M48.00	P	MPFI	2003	2006	WAGON					ACC77
PORSCHE	CAYENNE	955	TURBO	8	4.5L	M48.50	P	TWIN TURBO INT-COOL	2003	2006	WAGON					ACC77
PORSCHE	CAYENNE	955	TURBO S	8	4.5L	M48.50	P	TWIN TURBO INT-COOL	2006	2006	WAGON					ACC77
PORSCHE	CAYENNE	955		6	3.6L	M55.01	P	DIRECT INJ	2007	06/10	WAGON					ACC77
PORSCHE	CAYENNE	955	S	8	4.8L	M48.01	P	DIRECT INJ	2007	06/10	WAGON					ACC77
PORSCHE	CAYENNE	955	TURBO	8	4.8L	M48.51	P	TWIN TURBO INT-COOL	2007	06/10	WAGON					ACC77
PORSCHE	CAYENNE	955	GTS	8	4.8L	M48.01	P	DIRECT INJ	2008	2010	WAGON					ACC77
PORSCHE	CAYENNE	955	TURBO S	8	4.8L	M48.51	P	TWIN TURBO INT-COOL	2008	06/10	WAGON					ACC77
PORSCHE	CAYENNE	955	S TRANS-SYBERIA	8	4.8L	M48.01	P	DIRECT INJ	2009	2009	WAGON					ACC77
PORSCHE	CAYENNE	955		6	3.0L	CAS	D	TURBO DIRECT INJ	2009	06/10	WAGON		AC0161			ACC77
PORSCHE	CAYENNE	958		6	3.0L	M059E	D	TURBO DIRECT INJ	07/10	ON	WAGON		AC0161			
PORSCHE	CAYENNE	958	S	8	4.2L	CUD	D	TWIN TURBO DIRECT INJ	2013	ON	WAGON		AC0161			
<b>PROTON</b>																
PROTON	EXORA	GX, GXR	FZ	4	1.6L	S4PH	P	MPFI	2013	ON	WAGON		AC028		ACF90	
PROTON	GEN 2	CM	G	4	1.6L	S4PH	P	MPFI	2009	2011	HATCH		AC028		ACF90	
PROTON	GEN 2	CM	GX	4	1.6L	S4PH	P	MPFI	2009	2011	HATCH		AC028		ACF90	
PROTON	GEN 2	CM	GXR	4	1.6L	S4PH	P	MPFI	2009	2011	HATCH		AC028		ACF90	
PROTON	GEN 2	CM	H LINE	4	1.6L	S4PH	P	MPFI	2009	2011	HATCH		AC028		ACF90	
PROTON	GEN 2	CM	L LINE	4	1.6L	S4PH	P	MPFI	2009	2011	HATCH		AC028		ACF90	
PROTON	GEN 2	CM	M LINE	4	1.6L	S4PH	P	MPFI	2009	2011	HATCH		AC028		ACF90	
PROTON	JUMBUCK		GLI	4	1.5L	4G15P	P	MPFI	2003	2011	UTE		AC028	ACA93	ACF1	
PROTON	JUMBUCK		GLI	4	1.5L	4G15P	P	MPFI	2003	2011	UTE		AC028	ACA93	ACF1	
PROTON	M21			4	1.8L	4G93	P	MPFI	1997	1999	COUPE		AC028	ACA93	ACF1	
PROTON	PERSONA		GLI	4	1.3L	4G13P	P	MPFI	1995	1999	HATCH		AC028	ACA93	ACF1	
PROTON	PERSONA		GLI	4	1.5L	4G15P	P	MPFI	1996	1999	SEDAN		AC07	ACA93	ACF1	
PROTON	PERSONA		XLI	4	1.6L	4G92P	P	MPFI	1996	2000	HATCH		AC028	ACA93	ACF1	
PROTON	PERSONA		LIMITED EDITION GLI	4	1.5L	4G15P	P	MPFI	1999	1999	HATCH		AC07	ACA93	ACF1	
PROTON	PERSONA		GLI	4	1.3L	4G13P	P	MPFI	1999	2002	HATCH		AC028	ACA93	ACF1	
PROTON	PERSONA		XLI S	4	1.5L	4G15P	P	MPFI	2000	2000	HATCH		AC07	ACA93	ACF1	
PROTON	PERSONA		XLI	4	1.5L	4G15P	P	MPFI	2000	2001	HATCH		AC07	ACA93	ACF1	
PROTON	PERSONA		XLI	4	1.5L	4G15P	P	MPFI	2000	2001	HATCH		AC07	ACA93	ACF1	
PROTON	PERSONA		GLI	4	1.5L	4G15P	P	MPFI	2002	2005	HATCH		AC07	ACA93	ACF1	
PROTON	PERSONA	CM	GX	4	1.6L	S4PH	P	MPFI	2008	ON	SEDAN		AC028		ACF90	
PROTON	PERSONA	CM	G	4	1.6L	S4PH	P	MPFI	2009	ON	SEDAN		AC028		ACF90	
PROTON	S16	BLM	GX	4	1.6L	S4PH	P	MPFI	2009	2011	SEDAN		AC028		ACF90	
PROTON	S16	BLM	G	4	1.3L	S4PH	P	MPFI	2010	2011	SEDAN		AC028		ACF90	
PROTON	S16	BLM	GX	4	1.6L	S4PH	P	MPFI	2010	2011	SEDAN		AC028		ACF90	
PROTON	SATRIA		GL	4	1.3L	4G13P	P	MPFI	1997	1999	HATCH		AC028	ACA93	ACF1	

MAKE	MODEL	SERIES	BADGE	CYLS	ENG SIZE	ENGINE CODE	FUEL	FUEL DELIVERY / AIR INTAKE	FROM	TO	BODY	REMARKS	OIL	AIR	FUEL	CABIN
PROTON	SATRIA		XLI	4	1.6L	4G92P	P	MPFI	1997	2000	HATCH		AC028	ACA93	ACF1	
PROTON	SATRIA		GL	4	1.3L	4G13P	P	MPFI	1999	2002	HATCH		AC028	ACA93	ACF1	
PROTON	SATRIA		GTI	4	1.8L	4G93P	P	MPFI	1999	2005	HATCH		AC028	ACA93	ACF1	
PROTON	SATRIA		SON OF A GUN XLI	4	1.6L	4G92P	P	MPFI	2000	2000	HATCH		AC028	ACA93	ACF1	
PROTON	SATRIA		GTI EL TIGRE	4	1.8L	4G93P	P	MPFI	2000	2000	HATCH		AC028	ACA93	ACF1	
PROTON	SATRIA		XLI	4	1.5L	4G15P	P	MPFI	2000	2001	HATCH		AC07	ACA93	ACF1	
PROTON	SATRIA		XLS	4	1.6L	4G15P	P	MPFI	2000	2005	HATCH		AC07	ACA93	ACF1	
PROTON	SATRIA		XLS	4	1.6L	4G15P	P	MPFI	2000	2005	HATCH		AC07	ACA93	ACF1	
PROTON	SATRIA		GTI LIMITED EDITION	4	1.8L	4G93P	P	MPFI	2002	2002	HATCH		AC028	ACA93	ACF1	
PROTON	SATRIA		GLI	4	1.5L	4G15	P	MPFI	2002	2005	HATCH		AC07	ACA93	ACF1	
PROTON	SATRIA	BS	NEO GX	4	1.6L	S4PH	P	MPFI	2007	2011	HATCH		AC028	ACA93	ACF90	
PROTON	SATRIA	BS	NEO GXR	4	1.6L	S4PH	P	MPFI	2007	2011	HATCH		AC028	ACA93	ACF90	
PROTON	SATRIA	BS	NEO G	4	1.6L	S4PH	P	MPFI	2009	2011	HATCH		AC028	ACA93	ACF90	
PROTON	SAVVY	BT		4	1.1L	D4F	P	MPFI	2006	2007	HATCH				ACF90	
PROTON	SAVVY	BT S2		4	1.1L	D4F	P	MPFI	2008	2011	HATCH				ACF90	
PROTON	WAJA	CF		5	1.6L	4G18P	P	MPFI	2001	2005	SEDAN		AC028	ACA93		
PROTON	WAJA	CF	X	5	1.6L	4G18P	P	MPFI	2001	2005	SEDAN		AC028	ACA93		
PROTON	WIRA		GL	4	1.5L	4G15P	P	MPFI	1995	1996	SEDAN		AC07	ACA93	ACF1	
PROTON	WIRA		GLI	4	1.5L	4G15P	P	MPFI	1995	1996	HATCH		AC07	ACA93	ACF1	
PROTON	WIRA		GLI	4	1.5L	4G15P	P	MPFI	1995	1996	SEDAN		AC07	ACA93	ACF1	
PROTON	WIRA		XLI	4	1.6L	4G92	P	MPFI	1995	1996	HATCH		AC028	ACA93	ACF1	
PROTON	WIRA		XLI	4	1.6L	4G92P	P	MPFI	1995	1996	SEDAN		AC028	ACA93	ACF1	
<b>RENAULT</b>																
RENAULT	20	TS		4	2.0L		P	CARB	1979	1983	HATCH		AC09			
RENAULT	CLIO	X65	PHASE 2, PHASE 3	4	1.6L	K4MA	P	MPFI	2001	2006	HATCH		AC097	ACA318	ACF136	
RENAULT	CLIO	X65	SPORT 182	4	2.0L	F4RD	P	MPFI	2001	2006	HATCH		AC097	ACA318	ACF136	
RENAULT	CLIO	X65	PHASE 2, PHASE 3	4	1.4L	K4JC	P	MPFI	2001	2008	HATCH		AC097	ACA318	ACF136	
RENAULT	CLIO	X85	SPORT 200	4	2.0L	F4RA832	P	MPFI	2010	2011	HATCH		AC097		ACF136	
RENAULT	CLIO	X85	SPORT 197	4	2.0L	F4RA830	P	MPFI	2008	ON	HATCH		AC097		ACF136	
RENAULT	FUEGO	VF113	GTX	4	2.0L	J6R	P	CARB	1982	1985	COUPE		AC09			
RENAULT	FUEGO	VF113	GTX	4	2.0L	J6R	P	CARB	1985	1987	COUPE		AC05			
RENAULT	KANGOO	X76		4	1.6L	K4M	P	MPFI	2004	2010	VAN		AC097	ACA318	ACF136	
RENAULT	KANGOO	X76		4	1.5L	K9KW	D	TURBO DIRECT INJ	2008	2010	VAN		AC097			
RENAULT	KANGOO	X61		4	1.6L	K4MG	P	MPFI	2010	2011	VAN		AC097	ACA318	ACF136	
RENAULT	KANGOO	X61		4	1.5L	K9KB	D	TURBO DIRECT INJ	12/10	ON	VAN		AC097			
RENAULT	KOLEOS	H45	EPRESSION	4	2.5L	2TR	P	MPFI	2008	2011	WAGON		AC073	ACA202		
RENAULT	KOLEOS	H45	DYNAMIQUE	4	2.0L	M9R	D	TURBO DIRECT INJ	2008	2013	WAGON		AC0134	ACA240	ACF210	
RENAULT	KOLEOS	H45	PRIVILEGE	4	2.0L	M9R	D	TURBO DIRECT INJ	2013	ON	WAGON		AC0134	ACA240	ACF210	
RENAULT	LAGUNA	RXE		4	2.0L	F3R	P	MPFI	1995	1996	HATCH		AC097		ACF136	
RENAULT	LAGUNA	V6		6	3.0L	Z7X	P	MPFI	1995	1996	HATCH				ACF136	
RENAULT	LAGUNA	II	EXPRESSION	4	2.0L	F4R	P	MPFI	2002	2006	HATCH		AC097	ACA229	ACF136	
RENAULT	LAGUNA	II	AUTHENTIQUE/ PRIVELEGE	6	3.0L	L7X	P	MPFI	2002	2006	HATCH			ACA229	ACF136	

MAKE	MODEL	SERIES	BADGE	CYLS	ENG SIZE	ENGINE CODE	FUEL	FUEL DELIVERY / AIR INTAKE	FROM	TO	BODY	REMARKS	OIL	AIR	FUEL	CABIN
RENAULT	LAGUNA	II PHASE II	DCI	4	2.2L	GT9D	D	TURBO DIRECT INJ	2006	2008	HATCH			ACA229		
RENAULT	LAGUNA	III	DYNAMIQUE/EXPRESSION	4	2.0L	M9RA	D	TURBO DIRECT INJ	2008	2011	HATCH		AC0134			
RENAULT	MASTER	X70		4	2.5L	G9UA	D	TURBO DIRECT INJ	05/07	ON	CAB CHASS		AC0134			
RENAULT	MASTER	X70		4	2.5L	G9UA	D	TURBO DIRECT INJ	05/07	ON	VAN		AC0134			
RENAULT	MEGANE	X64	EXPRESSION	4	1.6L	K4MA	P	MPFI	2001	2006	CABRIO		AC097	ACA318	ACF136	
RENAULT	MEGANE	X84	AUTHENTIQUE	4	1.6L	K4M	P	MPFI	2003	2008	HATCH		AC097		ACF136	
RENAULT	MEGANE	X84	SPORT/RS	4	2.0L	F4R	P	MPFI	2003	2010	HATCH		AC097		ACF136	
RENAULT	MEGANE	X84	DYNAMIQUE/EXPRESSION	4	2.0L	F4R	P	MPFI	2004	2010	HATCH		AC097		ACF136	
RENAULT	MEGANE	X84	ESTIVAL	4	1.6L	K4M	P	MPFI	2006	2006	HATCH		AC097		ACF136	
RENAULT	MEGANE	X84	EXPRESSION/PRIVILEGE	4	1.9L	F9QJ	D	CRD TURBO	2007	2009	HATCH		AC0142			
RENAULT	R25		GTX, VERSAILLES	4	2.2L		P	MPFI	1985	1990	SEDAN		AC05			
RENAULT	SCENIC		EXPRESSION	4	1.6L	K4M	P	MPFI	2001	2002	HATCH		AC097	ACA318	ACF136	ACC11
RENAULT	SCENIC	JA	DYNAMIQUE/EXPRESSION	4	2.0L	F4R	P	MPFI	2001	2005	WAGON		AC097	ACA318	ACF136	
RENAULT	SCENIC II	J84	AUTHENTIQUE	4	2.0L	F4R	P	MPFI	2005	2009	WAGON		AC097		ACF136	
RENAULT	SCENIC II	J84	EXPRESSION	4	1.9L	F9Q	D	CRD TURBO	2007	2009	WAGON		AC0142			
RENAULT	TRAFIC	X83	AIR/COMFORT/INTEGRAL	4	1.9L	F9QU	D	TURBO DIRECT INJ	2004	2007	VAN		AC097			
RENAULT	TRAFIC	X83	PHASE 3	4	2.0L	M9R	D	TURBO DIRECT INJ	2007	2011	VAN		AC0134			
<b>ROVER</b>																
ROVER	416I			4	1.6L	D16A3	P	MPFI	1986	1987		22MM THREAD	AC014		ACF61	
ROVER	416I	VITESSE		4	1.6L	D16A3	P	MPFI	1986	1987		22MM THREAD	AC014		ACF61	
ROVER	416I			4	1.6L	D16A3	P	MPFI	1987	1990		20MM THREAD	AC07		ACF61	
ROVER	416I	VITESSE		4	1.6L	D16A3	P	MPFI	1987	1990		20MM THREAD	AC07		ACF61	
<b>SAAB</b>																
SAAB	900	IM2	EMS	4	2.0L		P		1986	1990	SEDAN		AC024			
SAAB	900	TU3A16S		4	2.0L	B202	P	TURBO	1991	1992	COUPE		AC09			
SAAB	900	TU2		4	2.0L	B202L	P	TURBO	1992	1993	CONV		AC09			
SAAB	900	TU2		4	2.0L	B202	P	TURBO	1993	1993	CONV		AC09			
SAAB	900	400		4			p		1994	1997			AC024			
SAAB	9000		AERO	4	2.3L	B234	P	TURBO	1993	1996	HATCH		AC024		ACF67	
SAAB	9000		CD	4	2.3L	B234	P		1993	1997	SEDAN		AC024		ACF67	
SAAB	9000		CS ECO-POWER	4	2.3L	B234	P	TURBO	1995	1995	HATCH		AC024		ACF67	
SAAB	9000		CS	4	2.3L	B234	P	TURBO	1995	1997	HATCH		AC024		ACF67	
SAAB	9000		CSE	4	2.3L	B234	P	TURBO	1996	1996	HATCH		AC024		ACF67	
SAAB	9000		CS ANNIV	4	2.3L	B234	P	TURBO	1997	1998	HATCH		AC024		ACF67	
SAAB	900i	IA2	2.1-16	4	2.1L	B212	P		1988	1993	CONV				ACF67	
SAAB	900i	IA4	16	4	2.0L		P		1989	1992	SEDAN				ACF67	
SAAB	900i	IA4	2.1-16	4	2.1L	B212	P		1989	1992	SEDAN				ACF67	

MAKE	MODEL	SERIES	BADGE	CYLS	ENG SIZE	ENGINE CODE	FUEL	FUEL DELIVERY / AIR INTAKE	FROM	TO	BODY	REMARKS	OIL	AIR	FUEL	CABIN
SAAB	900i	IM4	2.1-16	4	2.1L	B212	P		1991	1992	SEDAN				ACF67	
SAAB	900i	IA3		4	2.1L	B212	P	MPFI	1992	1992	COUPE				ACF67	
SAAB	900i	IM3	2.1-16	4	2.1L	B212	P		1992	1993	COUPE				ACF67	
SAAB	900i	IM2	2.1-16	4	2.1L	B212	P		1993	1993	CONV				ACF67	
SAAB	900i	IM5	2.1-16	4	2.1L	B212	P		1993	1993	COUPE				ACF67	
SAAB	9-3		AERO	4	2.0L	B205R	P	TURBO INT-COOL	2001	2001	CONV/ COUPE/ SED		AC024		ACF67	
SAAB	9-3		DESIGN EDITION S	4	2.0L	B205R	P	TURBO INT-COOL	2001	2001	CONV		AC024		ACF67	
SAAB	9-3		S	4	2.0L	B205R	P	TURBO INT-COOL	2001	2001	CONV/ COUPE/ SED		AC024		ACF67	
SAAB	9-3		S	4	2.0L	B205R	P	TURBO INT-COOL	2001	2001	CONV/ COUPE/ SED		AC024		ACF67	
SAAB	9-3		AERO	4	2.0L	B205R	P	TURBO INT-COOL	2001	2002	CONV/ COUPE/ SED		AC024		ACF67	
SAAB	9-3		ANNIV	4	2.0L	B205R	P	TURBO INT-COOL	2001	2002	CONV/ SED		AC024		ACF67	
SAAB	9-3		AERO	4	2.0L	B205R	P	TURBO INT-COOL	2002	2003	CONV		AC024		ACF67	
SAAB	9-3		TURBO	4	2.0L	B205R	P	TURBO INT-COOL	2002	2003	CONV		AC024		ACF67	
SAAB	9-3		TURBO LIMITED EDITION	4	2.0L	B205R	P	TURBO INT-COOL	2002	2003	CONV		AC024		ACF67	
SAAB	9-3	440	ARC SPORT	4	2.0L	B207R	P	TURBO INT-COOL	2002	2003	SEDAN		AC089		ACF92	ACC27
SAAB	9-3	440	VECTOR SPORT	4	2.0L	B207L	P	TURBO INT-COOL	2002	2003	SEDAN		AC089		ACF92	ACC27
SAAB	9-3	440	AERO SPORT	4	2.0L	B207R	P	TURBO INT-COOL	2003	2003	SEDAN		AC089		ACF92	ACC27
SAAB	9-3	440	LINEAR SPORT	4	2.0L	B207E	P	TURBO INT-COOL	2003	2003	SEDAN		AC089		ACF92	ACC27
SAAB	9-3	440	AERO SPORT	4	2.0L	B207R	P	TURBO INT-COOL	2004	2004	SEDAN		AC089		ACF92	ACC27
SAAB	9-3	440	ARC SPORT	4	2.0L	B207L	P	TURBO INT-COOL	2004	2004	SEDAN		AC089		ACF92	ACC27
SAAB	9-3	440	LINEAR SPORT	4	2.0L	B207E	P	TURBO INT-COOL	2004	2004	SEDAN		AC089		ACF92	ACC27
SAAB	9-3	440	VECTOR SPORT	4	2.0L	B207L	P	TURBO INT-COOL	2004	2004	SEDAN		AC089		ACF92	ACC27
SAAB	9-3	440	AERO SPORT	4	2.0L	B207R	P	TURBO INT-COOL	2005	2005	SEDAN		AC089		ACF92	ACC27
SAAB	9-3	440	ARC SPORT	4	2.0L	B207L	P	TURBO INT-COOL	2005	2005	SEDAN		AC089		ACF92	ACC27
SAAB	9-3	440	LINEAR SPORT	4	2.0L	B207E	P	TURBO INT-COOL	2005	2005	SEDAN		AC089		ACF92	ACC27
SAAB	9-3	440	ARC SPORT	4	2.0L	B207L	P	TURBO INT-COOL	2006	2006	SEDAN		AC089		ACF92	ACC27
SAAB	9-3	440	LIN- EAR LUXURY SPORTS	4	2.0L	B207E	P	TURBO INT-COOL	2006	2006	SEDAN		AC089		ACF92	ACC27
SAAB	9-3	440	LINEAR SPORT	4	2.0L	B207E	P	TURBO INT-COOL	2006	2006	SEDAN		AC089		ACF92	ACC27
SAAB	9-3	440	VECTOR SPORT	4	2.0L	B207L	P	TURBO INT-COOL	2006	2006	SEDAN		AC089		ACF92	ACC27
SAAB	9-3	440	AERO SPORT	6	2.8L	B284L7FM	P	TURBO INT-COOL	2006	2006	SEDAN		AC088		ACF92	ACC27
SAAB	9-3	440	LINEAR SPORT TID	4	1.9L	Z19DTH	D	TURBO INT-COOL	2007	2007	SEDAN		AC0106			ACC27
SAAB	9-3	440	LINEAR TID	4	1.9L	Z19DTH	D	TURBO INT-COOL	2007	2007	SEDAN		AC0106			ACC27
SAAB	9-3	440	LINEAR	4	2.0L	B207	P	TURBO INT-COOL	2007	2007	SEDAN		AC089		ACF92	ACC27
SAAB	9-3	440	LINEAR	4	2.0L	B207	P	TURBO INT-COOL	2007	2007	SEDAN		AC089		ACF92	ACC27

MAKE	MODEL	SERIES	BADGE	CYLS	ENG SIZE	ENGINE CODE	FUEL	FUEL DELIVERY / AIR INTAKE	FROM	TO	BODY	REMARKS	OIL	AIR	FUEL	CABIN
SAAB	9-3	440	VECTOR	4	2.0L	B207	P	TURBO INT-COOL	2007	2007	SEDAN		AC089		ACF92	ACC27
SAAB	9-3	440	VECTOR SPORT	4	2.0L	B207L	P	TURBO INT-COOL	2007	2007	SEDAN		AC089		ACF92	ACC27
SAAB	9-3	440	AERO	6	2.8L	B284L7FM	P	TURBO INT-COOL	2007	2007	SEDAN		AC088		ACF92	ACC27
SAAB	9-3	440	LINEAR TID	4	1.9L	Z19DTH	D	TURBO INT-COOL	2008	2008	SEDAN		AC0106			ACC27
SAAB	9-3	440	BLACK TURBO	4	2.0L	B207L	P	TURBO INT-COOL	2008	2008	SEDAN		AC089		ACF92	ACC27
SAAB	9-3	440	LINEAR	4	2.0L	B207	P	TURBO INT-COOL	2008	2008	SEDAN		AC089		ACF92	ACC27
SAAB	9-3	440	LINEAR BIOPOWER	4	2.0L	B207	P	TURBO INT-COOL	2008	2009	SEDAN		AC089		ACF92	ACC27
SAAB	9-3	440	AERO	6	2.8L	B284LAA	P	TURBO INT-COOL	2008	2009	SEDAN		AC088		ACF92	ACC27
SAAB	9-3	440	VECTOR BIOPOWER	4	2.0L	B207L	P	TURBO INT-COOL	2009	2009	SEDAN		AC089		ACF92	ACC27
SAAB	9-3	442	AERO	4	2.0L	B207R	P	TURBO INT-COOL	2003	2005	CONV		AC089		ACF92	ACC27
SAAB	9-3	442	LINEAR	4	2.0L	B207E	P	TURBO INT-COOL	2003	2005	CONV		AC089		ACF92	ACC27
SAAB	9-3	442	LINEAR	4	1.8L	B207E	P	TURBO INT-COOL	2005	2005	CONV		AC089		ACF92	ACC27
SAAB	9-3	442	AERO	4	2.0L	B207R	P	TURBO INT-COOL	2005	2005	CONV		AC089		ACF92	ACC27
SAAB	9-3	442	VECTOR	4	2.0L	B207R	P	TURBO INT-COOL	2005	2005	CONV		AC089		ACF92	ACC27
SAAB	9-3	442	LINEAR	4	1.8L	B207E	P	TURBO INT-COOL	2006	2006	CONV		AC089		ACF92	ACC27
SAAB	9-3	442	20TH ANNIV	4	2.0L	B207E	P	TURBO INT-COOL	2006	2006	CONV		AC089		ACF92	ACC27
SAAB	9-3	442	AERO	6	2.8L	B284LAA	P	TURBO INT-COOL	2006	2006	CONV		AC088		ACF92	ACC27
SAAB	9-3	442	LINEAR	4	2.0L	B207R	P	TURBO INT-COOL	2007	2007	CONV		AC089		ACF92	ACC27
SAAB	9-3	442	LINEAR SPORT	4	2.0L	B207R	P	TURBO INT-COOL	2007	2007	CONV		AC089		ACF92	ACC27
SAAB	9-3	442	VECTOR	4	2.0L	B207R	P	TURBO INT-COOL	2007	2007	CONV		AC089		ACF92	ACC27
SAAB	9-3	442	AERO	6	2.8L	B284L7FM	P	TURBO INT-COOL	2007	2007	CONV		AC088		ACF92	ACC27
SAAB	9-3	442	VECTOR TID	4	1.9L	Z19DTH	D	TURBO INT-COOL	2007	2008	CONV		AC0106			ACC27
SAAB	9-3	442	LINEAR	4	2.0L	B207R	P	TURBO INT-COOL	2008	2008	CONV		AC089		ACF92	ACC27
SAAB	9-3	442	LINEAR BIOPOWER	4	2.0L	B207R	P	TURBO INT-COOL	2008	2009	CONV		AC089		ACF92	ACC27
SAAB	9-3	442	VECTOR	4	2.0L	B207R	P	TURBO INT-COOL	2009	2009	CONV		AC089		ACF92	ACC27
SAAB	9-3	442	VECTOR BIOPOWER	4	2.0L	B207R	P	TURBO INT-COOL	2009	2009	CONV		AC089		ACF92	ACC27
SAAB	9-3	444	LINEAR SPORTCOMBI	4	2.0L	B207R	P	TURBO INT-COOL	2006	2006	WAGON		AC089		ACF92	ACC27
SAAB	9-3	444	LINEAR TID SPORT COMBI	4	1.9L	Z19DTH	D	TURBO INT-COOL	2007	2007	WAGON		AC0106			ACC27
SAAB	9-3	444	LINEAR SPORT COMBI	4	2.0L	B207L	P	TURBO INT-COOL	2007	2007	WAGON		AC089		ACF92	ACC27
SAAB	9-3	444	LINEAR TID SPORT COMBI	4	1.9L	Z19DTH	D	TURBO INT-COOL	2008	2008	WAGON		AC0106			ACC27
SAAB	9-3	444	COMBI BIOPOWER	4	2.0L	B207L	P	TURBO INT-COOL	2008	2008	WAGON		AC089		ACF92	ACC27
SAAB	9-3	444	AERO SPORT COMBI	6	2.8L	B284L7FM	P	TURBO INT-COOL	2008	2008	WAGON		AC088		ACF92	ACC27
SAAB	9-3	444	COMBI BIOPOWER	4	2.0L	B207L	P	TURBO INT-COOL	2008	2009	WAGON		AC089		ACF92	ACC27
SAAB	9-3	444	COMBI BIOPOWER	4	2.0L	B207L	P	TURBO INT-COOL	2011	2011	WAGON		AC089		ACF92	ACC27
SAAB	9-5		AERO SPORT-TESTATE	4	2.3L	B235E	P	TURBO INT-COOL	2001	2001	WAGON		AC024		ACF67	
SAAB	9-5		ARC	4	2.3L	B235E	P	TURBO INT-COOL	2001	2002	SEDAN		AC024		ACF67	

MAKE	MODEL	SERIES	BADGE	CYLS	ENG SIZE	ENGINE CODE	FUEL	FUEL DELIVERY / AIR INTAKE	FROM	TO	BODY	REMARKS	OIL	AIR	FUEL	CABIN
SAAB	9-5		AERO	4	2.3L	B235E	P	TURBO INT-COOL	2002	2002	SEDAN		AC024		ACF67	
SAAB	9-5		ARC SPORT-ESTATE	4	2.3L	B235E	P	TURBO INT-COOL	2002	2002	WAGON		AC024		ACF67	
SAAB	9-5		LINEAR	4	2.3L	B235E	P	TURBO INT-COOL	2002	2002	SEDAN		AC024		ACF67	
SAAB	9-5		LINEAR	4	2.3L	B235E	P	TURBO INT-COOL	2002	2002	SEDAN		AC024		ACF67	
SAAB	9-5		LINEAR SPORTES-TATE	4	2.3L	B235E	P	TURBO INT-COOL	2002	2002	WAGON		AC024		ACF67	
SAAB	9-5		VECTOR	4	2.3L	B235E	P	TURBO INT-COOL	2002	2002	SEDAN		AC024		ACF67	
SAAB	9-5		VECTOR SPORTES-TATE	4	2.3L	B235E	P	TURBO INT-COOL	2002	2002	WAGON		AC024		ACF67	
SAAB	9-5		AERO	4	2.3L	B235E	P	TURBO INT-COOL	2003	2003	SEDAN		AC024		ACF67	
SAAB	9-5		ARC	4	2.3L	B235E	P	TURBO INT-COOL	2003	2003	SEDAN		AC024		ACF67	
SAAB	9-5		LINEAR SPORTES-TATE	4	2.3L	B235E	P	TURBO INT-COOL	2003	2003	WAGON		AC024		ACF67	
SAAB	9-5		AERO	4	2.3L	B235E	P	TURBO INT-COOL	2004	2004	SEDAN		AC024		ACF67	
SAAB	9-5		AERO SPOR-TESTATE	4	2.3L	B235E	P	TURBO INT-COOL	2004	2004	WAGON		AC024		ACF67	
SAAB	9-5		ARC	4	2.3L	B235E	P	TURBO INT-COOL	2004	2004	SEDAN		AC024		ACF67	
SAAB	9-5		LINEAR	4	2.3L	B235E	P	TURBO INT-COOL	2004	2004	SEDAN		AC024		ACF67	
SAAB	9-5		ARC	4	2.3L	B235E	P	TURBO INT-COOL	2005	2005	SEDAN		AC024		ACF67	
SAAB	9-5		LINEAR	4	2.3L	B235E	P	TURBO INT-COOL	2005	2005	SEDAN		AC024		ACF67	
SAAB	9-5		SPORTES-TATE	4	2.3L	B235E	P	TURBO INT-COOL	2006	2006	SEDAN		AC024		ACF67	
SAAB	9-5		AERO	4	2.3L	B235E	P	TURBO INT-COOL	2007	2007	SEDAN		AC024		ACF67	
SAAB	9-5		LINEAR BIOPOWER	4	2.3L	B235E	P	TURBO INT-COOL	2007	2009	SEDAN		AC024		ACF67	
SAAB	9-5		VECTOR	4	2.0L	A20NFT	P	TURBO MPFI	2011	ON	SEDAN		AC089	ACA335		ACC49
SAAB	9-5	GEN II	VECTOR	4	2.0L	A20DTH	D	CRD TURBO	2011	ON	SEDAN		AC0162	ACA334		ACC49
<b>SCANIA</b>																
SCANIA	LB111				11L			TURBO	1976	1981	TRUCK				ACF18	
<b>SKODA</b>																
SKODA	FABIA	5J	77TSI	4	1.2L	CBZB	P	TURBO DIRECT INJ	2010	ON	HATCH/WAG		AC0140	ACA290	ACF214	ACC91
SKODA	FABIA	5J	RS	4	1.4L	CAV	P	TURBO DIRECT INJ	2010	ON			AC0140	ACA290	ACF214	
SKODA	FABIA	5J	VRS	4	1.4L	CAV	P	TURBO DIRECT INJ	2010	ON			AC0140	ACA290	ACF214	
SKODA	FABIA	5J		4	1.4L	CGG	P	DIRECT INJ	2013	ON	HATCH		AC0152		ACF214	
SKODA	OCTAVIA	1Z	ELEGANCE	4	1.8L	BZB	P	MPFI	2007	2009	SEDAN		AC0136	ACA250	ACF214	ACC66
SKODA	OCTAVIA	1Z	ELEGANCE	4	1.8L	BZB	P	MPFI	2007	2009	WAGON		AC0136	ACA250	ACF214	ACC66
SKODA	OCTAVIA	1Z	ABIENTE	4	1.9L	BXE	D	TURBO DIRECT INJ	2007	2009	SEDAN	WITH UFI FILTRATION SYSTEM	AC0123	ACA250	ACF155	ACC66
SKODA	OCTAVIA	1Z	ABIENTE	4	1.9L	BXE	D	TURBO DIRECT INJ	2007	2009	WAGON	WITH UFI FILTRATION SYSTEM	AC0123	ACA250	ACF155	ACC66
SKODA	OCTAVIA	1Z	ELEGANCE	4	2.0L	BKD	D	TURBO DIRECT INJ	2007	2009	SEDAN	WITH UFI FILTRATION SYSTEM	AC0123	ACA250	ACF155	ACC66
SKODA	OCTAVIA	1Z	ELEGANCE	4	2.0L	BKD	D	TURBO DIRECT INJ	2007	2009	WAGON	WITH UFI FILTRATION SYSTEM	AC0123	ACA250	ACF155	ACC66
SKODA	OCTAVIA	1Z	ELEGANCE	4	2.0L	BVY	P	MPFI	2007	2009	SEDAN		AC0129	ACA268		ACC66

MAKE	MODEL	SERIES	BADGE	CYLS	ENG SIZE	ENGINE CODE	FUEL	FUEL DELIVERY / AIR INTAKE	FROM	TO	BODY	REMARKS	OIL	AIR	FUEL	CABIN
SKODA	OCTAVIA	1Z	ELEGANCE	4	2.0L	BVY	P	MPFI	2007	2009	WAGON		AC0129	ACA268		ACC66
SKODA	OCTAVIA	1Z	RS	4	2.0L	BWA	P	MPFI	2007	2010	SEDAN		AC0129	ACA289		ACC66
SKODA	OCTAVIA	1Z	RS	4	2.0L	BWA	P	MPFI	2007	2010	WAGON		AC0129	ACA289		ACC66
SKODA	OCTAVIA	1Z	RS	4	2.0L	CCZ	P	MPFI	2007	2010	L-BACK		AC0129	ACA289		ACC66
SKODA	OCTAVIA	1Z	RS	4	2.0L	CCZ	P	MPFI	2007	2010	WAGON		AC0129	ACA289		ACC66
SKODA	OCTAVIA	1Z	SCOUT	4	2.0L	BKD	D	TURBO DIRECT INJ	2008	2010	WAGON	WITH UFI FILTRATION SYSTEM	AC0123	ACA250	ACF155	ACC66
SKODA	OCTAVIA	1Z	SCOUT	4	2.0L	BKD	D	TURBO DIRECT INJ	2008	2010	WAGON		AC0123	ACA250	ACF218	ACC66
SKODA	OCTAVIA	1Z	SCOUT	4	2.0L	BMM	P	MPFI	2008	2010	WAGON		AC0129	ACA289		ACC66
SKODA	OCTAVIA	1Z	118TSI	4	1.8L	CDA	P	MPFI	2010	2011	L-BACK		AC0136			ACC66
SKODA	OCTAVIA	1Z	118TSI	4	1.8L	CDA	P	MPFI	2010	2011	WAGON		AC0136			ACC66
SKODA	OCTAVIA	1Z	103TDI	4	1.9L	BXE	D	TURBO DIRECT INJ	2010	2011	L-BACK	WITH UFI FILTRATION SYSTEM	AC0123	ACA250	ACF155	ACC66
SKODA	OCTAVIA	1Z	103TDI	4	1.9L	BXE	D	TURBO DIRECT INJ	2010	2011	WAGON	WITH UFI FILTRATION SYSTEM	AC0123	ACA250	ACF155	ACC66
SKODA	OCTAVIA	1Z	77TDI	4	1.9L	BXE	D	TURBO DIRECT INJ	2010	2011	L-BACK	WITH UFI FILTRATION SYSTEM	AC0123	ACA250	ACF155	ACC66
SKODA	OCTAVIA	1Z	77TDI	4	1.9L	BXE	D	TURBO DIRECT INJ	2010	2011	WAGON	WITH UFI FILTRATION SYSTEM	AC0123	ACA250	ACF155	ACC66
SKODA	OCTAVIA	1Z	RS 147TSI	4	2.0L	CCZ	P	MPFI	2010	2011	L-BACK		AC0129	ACA289		ACC66
SKODA	OCTAVIA	1Z	RS 147TSI	4	2.0L	CCZ	P	MPFI	2010	2011	WAGON		AC0129	ACA289		ACC66
SKODA	OCTAVIA	1Z	SCOUT 103TDI	4	2.0L	CFH	D	TURBO DIRECT INJ	2010	2011	WAGON	WITH UFI FILTRATION SYSTEM	AC0123	ACA250	ACF155	ACC66
SKODA	OCTAVIA	1Z	90TSI	4	1.4L	CAX	P	TURBO DIRECT INJ	2010	ON	L-BACK		AC0140	ACA268	ACF214	ACC66
SKODA	OCTAVIA	1Z	90TSI	4	1.4L	CAX	P	TURBO DIRECT INJ	2010	ON	WAGON		AC0140	ACA268	ACF214	ACC66
SKODA	OCTAVIA	1Z	SCOUT PREMIUM 103TDI	4	2.0L	CFH	D	TURBO DIRECT INJ	2011	2011	WAGON	WITH UFI FILTRATION SYSTEM	AC0123	ACA250	ACF155	ACC66
SKODA	OCTAVIA	NE	103TSI AMBITION	4	1.4L	CHP	P	TURBO DIRECT INJ	12/13	ON	WAGON		AC0151	ACA333		
SKODA	OCTAVIA	NE	103TSI AMBITION PLUS	4	1.4L	CHP	P	TURBO DIRECT INJ	12/13	ON	WAGON		AC0151	ACA333		
SKODA	OCTAVIA	NE	103TSI ELEGANCE	4	1.4L	CHP	P	TURBO DIRECT INJ	12/13	ON	WAGON		AC0151	ACA333		
SKODA	RAPID	NH	77TSI	4	1.2L	CBZB	P	TURBO DIRECT INJ	05/14	ON	WAGON		AC0140	ACA290	ACF214	
SKODA	RAPID	NH	90TSI	4	1.4L	CAXA	P	TURBO DIRECT INJ	05/14	ON	WAGON		AC0140	ACA290	ACF214	
SKODA	ROOMSTER	5J		4	1.6L	BTS	P	MPFI	2007	2010	WAGON				ACF203	ACC91
SKODA	ROOMSTER	5J	TDI	4	1.9L	BSW	D	TURBO DIRECT INJ	2007	2010	WAGON		AC0123			ACC91
SKODA	ROOMSTER	5J		4	1.2L	CBZB	P	MPFI	2012	ON	WAGON		AC0140	ACA290	ACF214	
SKODA	SUPERB	3T	AMBITION	4	1.8L	CDA	P	MPFI	2009	2010	SEDAN		AC0136	ACA250	ACF214	ACC66
SKODA	SUPERB	3T	ELEGANCE	4	1.8L	CDA	P	MPFI	2009	2010	SEDAN		AC0136	ACA250	ACF214	ACC66
SKODA	SUPERB	3T	ELEGANCE	6	3.6L	CDV	P	DIRECT INJ	2009	ON	SEDAN		AC0123	ACA291	ACF214	ACC66
SKODA	SUPERB	3T	AMBITION 118TSI	4	1.8L	CDA	P	MPFI	2010	2011	SEDAN		AC0136	ACA250	ACF214	ACC66
SKODA	SUPERB	3T	AMBITION 118TSI	4	1.8L	CDA	P	MPFI	2010	2011	WAGON		AC0136	ACA250	ACF214	ACC66

MAKE	MODEL	SERIES	BADGE	CYLS	ENG SIZE	ENGINE CODE	FUEL	FUEL DELIVERY / AIR INTAKE	FROM	TO	BODY	REMARKS	OIL	AIR	FUEL	CABIN
SKODA	SUPERB	3T	ELEGANCE 118TSI	4	1.8L	CDA	P	MPFI	2010	2011	SEDAN		AC0136	ACA250	ACF214	ACC66
SKODA	SUPERB	3T	ELEGANCE 118TSI	4	1.8L	CDA	P	MPFI	2010	2011	WAGON		AC0136	ACA250	ACF214	ACC66
SKODA	SUPERB	3T	AMBITION 125TDI	4	2.0L	CBB	D	TURBO DIRECT INJ	2010	2011	SEDAN		AC0123	ACA250		ACC66
SKODA	SUPERB	3T	AMBITION 125TDI	4	2.0L	CBB	D	TURBO DIRECT INJ	2010	2011	WAGON		AC0123	ACA250		ACC66
SKODA	SUPERB	3T	ELEGANCE 125TDI	4	2.0L	CBB	D	TURBO DIRECT INJ	2010	2011	SEDAN		AC0123	ACA250		ACC66
SKODA	SUPERB	3T	ELEGANCE 125TDI	4	2.0L	CBB	D	TURBO DIRECT INJ	2010	2011	WAGON		AC0123	ACA250		ACC66
SKODA	SUPERB	3T	AMBITION 103TDI	4	2.0L	CFFB	D	TURBO DIRECT INJ	2011	2011	SEDAN		AC0137	ACA250		ACC66
SKODA	SUPERB	3T	AMBITION 103TDI	4	2.0L	CFFB	D	TURBO DIRECT INJ	2011	2011	WAGON		AC0137	ACA250		ACC66
SKODA	SUPERB	3T	ELEGANCE 103TDI	4	2.0L	CBB	D	TURBO DIRECT INJ	2011	2011	SEDAN		AC0123	ACA250		ACC66
SKODA	SUPERB	3T	ELEGANCE 103TDI	4	2.0L	CBB	D	TURBO DIRECT INJ	2011	2011	WAGON		AC0123	ACA250		ACC66
SKODA	YETI	5L	77TSI	4	1.2L	CBZ	P	MPFI	2011	ON	WAGON		AC0140	ACA268	ACF214	ACC66
SKODA	YETI	5L	112TSI	4	1.8L	CDAA	P	MPFI	2012	05/14	WAGON		AC0136	ACA250	ACF214	ACC66
SKODA	YETI	5L	90 TSI	4	1.4L	CAXA	P	TURBO DIRECT INJ	05/14	ON	WAGON		AC0140	ACA268	ACF214	ACC66
SKODA	YETI	5L	103TDI	4	2.0L	CFH	D	TURBO DIRECT INJ	2010	ON	WAGON		AC0137	ACA250	ACF155	ACC66
<b>SMART</b>																
SMART	FORFOUR	W454		4	1.5L		P		2004	2006	HATCH		AC028			
SMART	FORTWO	A450	PULSE	3	0.7L		P	TURBO INT-COOL	2003	2007	CABRIO				ACF136	
SMART	ROADSTER	R452		3	0.7L		P	TURBO INT-COOL	2003	2006	R-STER				ACF136	
<b>SSANGYONG</b>																
SSANGYONG	ACTYON	100	SPORTS LIMITED	4	2.0L	A200S	D	TURBO MPFI	2007	2008	UTE		AC0164		ACF147	
SSANGYONG	ACTYON	100	LIMITED	4	2.3L	A230	P	MPFI	2007	2008	WAGON		AC0164			
SSANGYONG	ACTYON	100	SPORTS	4	2.0L	A200S	D	TURBO MPFI	2007	2011	UTE		AC0164		ACF147	
SSANGYONG	ACTYON	100	XDI	4	2.0L	A200	D	TURBO MPFI	2007	2011	WAGON		AC0164		ACF147	
SSANGYONG	ACTYON	100	SPR	4	2.0L	A200S	D	TURBO MPFI	2008	2011	UTE		AC0164		ACF147	
SSANGYONG	ACTYON	100	TRADIE	4	2.0L	A200S	D	TURBO MPFI	2008	2011	UTE		AC0164		ACF147	
SSANGYONG	ACTYON	100	SPR	4	2.0L	A200	D	TURBO MPFI	2009	2011	WAGON		AC0164		ACF147	
SSANGYONG	CHAIRMAN	W100		6	3.2L	162994	P	MPFI	2005	2008	SEDAN		AC0164			
SSANGYONG	KORANDO			5	2.9L	662LA	D	TURBO DIRECT INJ	1998	1998	H-TOP		AC0164			
SSANGYONG	KORANDO			4	2.3L	2300	P	MPFI	2004	2006	H-TOP		AC0164	ACA323		
SSANGYONG	KORANDO			4	2.3L	2300	P	MPFI	2004	2006	TARGA		AC0164	ACA323		
SSANGYONG	KYRON	D100	M270 XDI	4	2.7L	665995	D	TURBO DIRECT INJ	2006	2008	WAGON		AC0164			
SSANGYONG	KYRON	D100	M200 XDI	4	2.0L	664950	D	TURBO DIRECT INJ	2006	2011	WAGON		AC0164			
SSANGYONG	KYRON	D100 EURO IV	M200 XDI	4	2.0L	664950	D	TURBO DIRECT INJ	2007	2008	WAGON		AC0164			
SSANGYONG	KYRON	D100	M270 SPR	4	2.7L	665995	D	TURBO DIRECT INJ	2008	2009	WAGON		AC0164			
SSANGYONG	KYRON	D100	M200 SPR	4	2.0L	664950	D	TURBO DIRECT INJ	2009	2011	WAGON		AC0164			
SSANGYONG	MUSSO	VERS 5		6	3.2L	IL6 3200	P	MPFI	1996	1998	WAGON		AC0164	ACA323		
SSANGYONG	MUSSO	VER 2		4	2.3L	2300	P	MPFI	1997	1998	WAGON		AC0164	ACA323		



MAKE	MODEL	SERIES	BADGE	CYLS	ENG SIZE	ENGINE CODE	FUEL	FUEL DELIVERY / AIR INTAKE	FROM	TO	BODY	REMARKS	OIL	AIR	FUEL	CABIN
SSANGYONG	MUSSO	VER 3		4	2.3L	2300	P	MPFI	1997	1998	WAGON		AC0164	ACA323		
SSANGYONG	MUSSO	VERS 1		6	3.2L	IL6 3200	P	MPFI	1997	1998	WAGON		AC0164	ACA323		
SSANGYONG	MUSSO	VERS 2		6	3.2L	IL6 3200	P	MPFI	1997	1998	WAGON		AC0164	ACA323		
SSANGYONG	MUSSO	VERS 3		6	3.2L	IL6 3200	P	MPFI	1997	1998	WAGON		AC0164	ACA323		
SSANGYONG	MUSSO	VER 1		4	2.3L	2300	P	MPFI	1998	1997	WAGON		AC0164	ACA323		
SSANGYONG	REXTON	Y200		6	3.2L	RX290	P	MPFI	2003	2004	WAGON		AC0164			
SSANGYONG	REXTON	Y200	LIMITED	6	3.2L	RX320	P	MPFI	2003	2004	WAGON		AC0164			
SSANGYONG	REXTON	Y200	LIMITED	6	3.2L	RX320	P	MPFI	2003	2004	WAGON		AC0164			
SSANGYONG	REXTON	Y200	LIMITED	6	3.2L	RX320	P	MPFI	2004	2004	WAGON		AC0164			
SSANGYONG	REXTON	Y200 II	SPORTS PLUS	6	3.2L	RX320	P	MPFI	2004	2006	WAGON		AC0164			
SSANGYONG	REXTON	Y200 II	SPORTS PLUS	6	3.2L	RX320	P	MPFI	2004	2006	WAGON		AC0164			
SSANGYONG	REXTON	Y200 II	LIMITED	5	2.7L	RX270XDI	D	TURBO DIRECT INJ	2006	2008	WAGON		AC0164			
SSANGYONG	REXTON	Y200 II	SPORTS	5	2.7L	RX270XDI	D	TURBO DIRECT INJ	2006	2008	WAGON		AC0164			
SSANGYONG	REXTON	Y200 II		5	2.7L	RX270XDI	D	TURBO DIRECT INJ	2008	2011	WAGON		AC0164			
SSANGYONG	REXTON	Y200 II	RX270 XVT SPR	5	2.7L	RX270XVT	D	TURBO DIRECT INJ	2008	2011	WAGON		AC0164			
SSANGYONG	STAVIC	A100	LIMITED	5	2.7L	665926	D	TURBO DIRECT INJ	2005	2007	WAGON		AC0164		ACF147	
SSANGYONG	STAVIC	A100	SPORTS PLUS	5	2.7L	665926	D	TURBO DIRECT INJ	2005	2007	WAGON		AC0164		ACF147	
SSANGYONG	STAVIC	A100 EURO IV	SPORTS	5	2.7L	665926	D	TURBO DIRECT INJ	2007	2008	WAGON		AC0164		ACF147	
SSANGYONG	STAVIC	A100	SPR	5	2.7L	665926	D	TURBO DIRECT INJ	2008	2011	WAGON		AC0164		ACF147	
<b>SUBARU</b>																
SUBARU	BRUMBY			4	1.8L	EA81	P	CARB	1981	1994	UTE		AC075	ACA38		
SUBARU	BRZ	Z1		4	2.0L	FA20	P	DIRECT INJ	2012	ON	COUPE		AC07	ACA123		ACC78
SUBARU	FIORI			4	0.8L	EN08	P	CARB	1989	1992	HATCH/ VAN		AC073		ACF78	
SUBARU	FORESTER	SF5	GX AWD	4	2.0L	EJ20J	P	MPFI	1997	08/98	WAGON		AC045	ACA21	ACF7	
SUBARU	FORESTER	SF5	LIMITED AWD	4	2.0L	EJ20J	P	MPFI	1997	08/98	WAGON		AC045	ACA21	ACF7	
SUBARU	FORESTER	SF5	GT AWD	4	2.0L	EJ205	P	TURBO INT-COOL	1998	1999	WAGON		AC045	ACA21	ACF7	
SUBARU	FORESTER	SF5	LIMITED AWD	4	2.0L	EJ202	P	MPFI	1998	1999	WAGON		AC045	ACA146	ACF7	ACC62
SUBARU	FORESTER	SF5	GX AWD	4	2.0L	EJ202	P	MPFI	08/98	1999	WAGON		AC045	ACA146	ACF7	ACC62
SUBARU	FORESTER	SF5	LIMITED AWD	4	2.0L	EJ202	P	MPFI	08/98	1999	WAGON		AC045	ACA146	ACF7	ACC62
SUBARU	FORESTER	SF5	GT AWD	4	2.0L	EJ205	P	TURBO INT-COOL	1999	2000	WAGON		AC045	ACA21	ACF7	
SUBARU	FORESTER	SF5	GX AWD	4	2.0L	EJ202	P	MPFI	1999	2000	WAGON		AC045	ACA146	ACF7	ACC62
SUBARU	FORESTER	SF5	LIMITED AWD	4	2.0L	EJ202	P	MPFI	1999	2000	WAGON		AC045	ACA146	ACF7	ACC62
SUBARU	FORESTER	SF5	GT AWD	4	2.0L	EJ205	P	TURBO INT-COOL	2000	2001	WAGON		AC045	ACA21	ACF7	
SUBARU	FORESTER	SF5	GX AWD	4	2.0L	EJ202	P	MPFI	2000	2001	WAGON		AC045	ACA146	ACF7	ACC62
SUBARU	FORESTER	SF5	LIMITED AWD	4	2.0L	EJ202	P	MPFI	2000	2001	WAGON		AC045	ACA146	ACF7	ACC62
SUBARU	FORESTER	SF5	LIMITED AWD	4	2.0L	EJ202	P	MPFI	2000	2001	WAGON		AC045	ACA146	ACF7	ACC62
SUBARU	FORESTER	SF5	SPECIAL EDITION AWD GX	4	2.0L	EJ202	P	MPFI	2000	2001	WAGON		AC045	ACA146	ACF7	ACC62
SUBARU	FORESTER	SF5	GX AWD	4	2.0L	EJ202	P	MPFI	2001	2002	WAGON		AC045	ACA146	ACF7	ACC62
SUBARU	FORESTER	SF5	LIMITED AWD	4	2.0L	EJ202	P	MPFI	2001	2002	WAGON		AC045	ACA146	ACF7	ACC62
SUBARU	FORESTER	SF5	LIMITED AWD	4	2.0L	EJ202	P	MPFI	2001	2002	WAGON		AC045	ACA146	ACF7	ACC62

MAKE	MODEL	SERIES	BADGE	CYLS	ENG SIZE	ENGINE CODE	FUEL	FUEL DELIVERY / AIR INTAKE	FROM	TO	BODY	REMARKS	OIL	AIR	FUEL	CABIN
SUBARU	FORESTER	SF5	GT AWD	4	2.0L	EJ205	P	TURBO INT-COOL	2001	07/02	WAGON		AC045	ACA21	ACF7	
SUBARU	FORESTER	SF5	GX AWD SPECIAL EDITION	4	2.0L	EJ202	P	MPFI	2002	2002	WAGON		AC045	ACA146	ACF7	ACC62
SUBARU	FORESTER	SG9	X AWD	4	2.5L	EJ251	P	MPFI	2002	2003	WAGON		AC073	ACA146	ACF7	ACC62
SUBARU	FORESTER	SG9	XS AWD	4	2.5L	EJ251	P	MPFI	2002	2003	WAGON		AC073	ACA146	ACF7	ACC62
SUBARU	FORESTER	SG9	XS AWD LUXURY	4	2.5L	EJ251	P	MPFI	2002	2003	WAGON		AC073	ACA146	ACF7	ACC62
SUBARU	FORESTER	SG9	X AWD	4	2.5L	EJ251	P	MPFI	2003	2004	WAGON		AC073	ACA146	ACF7	ACC62
SUBARU	FORESTER	SG9	XS AWD	4	2.5L	EJ251	P	MPFI	2003	2004	WAGON		AC073	ACA146	ACF7	ACC62
SUBARU	FORESTER	SG9	XS AWD LUXURY	4	2.5L	EJ251	P	MPFI	2003	2004	WAGON		AC073	ACA146	ACF7	ACC62
SUBARU	FORESTER	SG9	XT AWD	4	2.5L	EJ255	P	TURBO INT-COOL	2003	2004	WAGON		AC073	ACA21	ACF7	ACC62
SUBARU	FORESTER	SG9	XT AWD LUXURY	4	2.5L	EJ255	P	TURBO INT-COOL	2003	2004	WAGON		AC073	ACA21	ACF7	ACC62
SUBARU	FORESTER	SG9	X AWD SPECIAL EDITION	4	2.5L	EJ251	P	MPFI	2004	2004	WAGON		AC073	ACA146	ACF7	ACC62
SUBARU	FORESTER	SG9	XT AWD	4	2.5L	EJ255	P	TURBO INT-COOL	2004	2005	WAGON		AC073	ACA21	ACF7	ACC62
SUBARU	FORESTER	SG9	XT AWD LUXURY	4	2.5L	EJ255	P	TURBO INT-COOL	2004	2005	WAGON		AC073	ACA21	ACF7	ACC62
SUBARU	FORESTER	SG9	X AWD	4	2.5L	EJ251	P	MPFI	2004	06/05	WAGON		AC073	ACA146	ACF7	ACC62
SUBARU	FORESTER	SG9	XS AWD	4	2.5L	EJ251	P	MPFI	2004	06/05	WAGON		AC073	ACA146	ACF7	ACC62
SUBARU	FORESTER	SG9	XS AWD LUXURY	4	2.5L	EJ251	P	MPFI	2004	06/05	WAGON		AC073	ACA146	ACF7	ACC62
SUBARU	FORESTER	SG9	X AWD WEEKENDER	4	2.5L	EJ251	P	MPFI	2005	06/05	WAGON		AC073	ACA146	ACF7	ACC62
SUBARU	FORESTER	SG9	X AWD LUXURY	4	2.5L	EJ253	P	MPFI	2005	2006	WAGON		AC073	ACA146		ACC62
SUBARU	FORESTER	SG9	XT AWD	4	2.5L	EJ255	P	TURBO INT-COOL	2005	2006	WAGON		AC073	ACA21	ACF7	ACC62
SUBARU	FORESTER	SG9	XT AWD LUXURY	4	2.5L	EJ255	P	TURBO INT-COOL	2005	2006	WAGON		AC073	ACA21	ACF7	ACC62
SUBARU	FORESTER	SG9	X AWD	4	2.5L	EJ253	P	MPFI	07/05	2006	WAGON		AC073	ACA146		ACC62
SUBARU	FORESTER	SG9	X AWD WEEKENDER	4	2.5L	EJ253	P	MPFI	07/05	2006	WAGON		AC073	ACA146		ACC62
SUBARU	FORESTER	SG9	XS AWD	4	2.5L	EJ253	P	MPFI	07/05	2006	WAGON		AC073	ACA146		ACC62
SUBARU	FORESTER	SG9	XS AWD LUXURY	4	2.5L	EJ253	P	MPFI	07/05	2006	WAGON		AC073	ACA146		ACC62
SUBARU	FORESTER	SG9	X AWD SPORTS	4	2.5L	EJ253	P	MPFI	2006	2006	WAGON		AC073	ACA146		ACC62
SUBARU	FORESTER	SG9	X AWD	4	2.5L	EJ253	P	MPFI	2006	2007	WAGON		AC073	ACA146		ACC62
SUBARU	FORESTER	SG9	X AWD LUXURY	4	2.5L	EJ253	P	MPFI	2006	2007	WAGON		AC073	ACA146		ACC62
SUBARU	FORESTER	SG9	XS AWD	4	2.5L	EJ253	P	MPFI	2006	2007	WAGON		AC073	ACA146		ACC62
SUBARU	FORESTER	SG9	XS AWD LUXURY	4	2.5L	EJ253	P	MPFI	2006	2007	WAGON		AC073	ACA146		ACC62
SUBARU	FORESTER	SG9	XT AWD	4	2.5L	EJ255	P	TURBO INT-COOL	2006	2007	WAGON		AC073	ACA21	ACF7	ACC62
SUBARU	FORESTER	SG9	XT AWD LUXURY	4	2.5L	EJ255	P	TURBO INT-COOL	2006	2007	WAGON		AC073	ACA21	ACF7	ACC62
SUBARU	FORESTER	SG9	XS AWD	4	2.5L	EJ253	P	MPFI	2007	2008	WAGON		AC073	ACA146		ACC62
SUBARU	FORESTER	SG9	XS AWD LUXURY	4	2.5L	EJ253	P	MPFI	2007	2008	WAGON		AC073	ACA146		ACC62
SUBARU	FORESTER	SG9	XT AWD	4	2.5L	EJ255	P	TURBO INT-COOL	2007	2008	WAGON		AC073	ACA21	ACF7	ACC62
SUBARU	FORESTER	SG9	XT AWD LUXURY	4	2.5L	EJ255	P	TURBO INT-COOL	2007	2008	WAGON		AC073	ACA21	ACF7	ACC62
SUBARU	FORESTER	SG9	X AWD	4	2.5L	EJ253	P	MPFI	2007	02/08	WAGON		AC073	ACA146		ACC62

MAKE	MODEL	SERIES	BADGE	CYLS	ENG SIZE	ENGINE CODE	FUEL	FUEL DELIVERY / AIR INTAKE	FROM	TO	BODY	REMARKS	OIL	AIR	FUEL	CABIN
SUBARU	FORESTER	SG9	X AWD COLUMBIA	4	2.5L	EJ253	P	MPFI	2007	02/08	WAGON		AC073	ACA146		ACC62
SUBARU	FORESTER	SH9	X AWD	4	2.5L	EJ253	P	MPFI	2008	2009	WAGON		AC073	ACA220		ACC63
SUBARU	FORESTER	SH9	XS AWD	4	2.5L	EJ253	P	MPFI	2008	2009	WAGON		AC073	ACA220		ACC63
SUBARU	FORESTER	SH9	XS AWD PREMIUM	4	2.5L	EJ253	P	MPFI	2008	2010	WAGON		AC073	ACA220		ACC63
SUBARU	FORESTER	SH9	XT AWD	4	2.5L	EJ255	P	TURBO INT-COOL	2008	2010	WAGON		AC073	ACA220		ACC63
SUBARU	FORESTER	SH9	XT AWD PREMIUM	4	2.5L	EJ255	P	TURBO INT-COOL	2008	2010	WAGON		AC073	ACA220		ACC63
SUBARU	FORESTER	SH9	X AWD LIMITED EDITION	4	2.5L	EJ253	P	MPFI	2009	2009	WAGON		AC073	ACA220		ACC63
SUBARU	FORESTER	SH9	X AWD	4	2.5L	EJ253	P	MPFI	2009	2010	WAGON		AC073	ACA220		ACC63
SUBARU	FORESTER	SH9	XS AWD	4	2.5L	EJ253	P	MPFI	2009	2010	WAGON		AC073	ACA220		ACC63
SUBARU	FORESTER	SH9	X AWD COLUMBIA	4	2.5L	EJ253	P	MPFI	2010	2010	WAGON		AC073	ACA220		ACC63
SUBARU	FORESTER	SH9	X AWD LUXURY	4	2.5L	EJ253	P	MPFI	2010	2010	WAGON		AC073	ACA220		ACC63
SUBARU	FORESTER	SH9	X AWD SKI FX	4	2.5L	EJ253	P	MPFI	2010	2010	WAGON		AC073	ACA220		ACC63
SUBARU	FORESTER	SH9	2.0D AWD	4	2.0L	EE20	D	TURBO INT-COOL	2010	2011	WAGON		AC05	ACA220	ACF28	ACC63
SUBARU	FORESTER	SH9	2.0D AWD PREMIUM	4	2.0L	EE20	D	TURBO INT-COOL	2010	2011	WAGON		AC05	ACA220	ACF28	ACC63
SUBARU	FORESTER	SH9	X AWD	4	2.5L	EJ253	P	MPFI	2010	01/11	WAGON		AC073	ACA220		ACC63
SUBARU	FORESTER	SH9	XS AWD	4	2.5L	EJ253	P	MPFI	2010	01/11	WAGON		AC073	ACA220		ACC63
SUBARU	FORESTER	SH9	XS AWD PREMIUM	4	2.5L	EJ253	P	MPFI	2010	01/11	WAGON		AC073	ACA220		ACC63
SUBARU	FORESTER	SH9	XT AWD	4	2.5L	EJ255	P	TURBO INT-COOL	2010	2011	WAGON		AC073	ACA220		ACC63
SUBARU	FORESTER	SH9	XT AWD PREMIUM	4	2.5L	EJ255	P	TURBO INT-COOL	2010	2011	WAGON		AC073	ACA220		ACC63
SUBARU	FORESTER	SH9	S-EDITION AWD	4	2.5L	EJ255	P	TURBO INT-COOL	2011	2012	WAGON		AC073	ACA220		ACC63
SUBARU	FORESTER	SH9	2.0D AWD	4	2.0L	EE20	D	TURBO INT-COOL	2011	12/12	WAGON		AC05	ACA220	ACF28	ACC63
SUBARU	FORESTER	SH9	2.0D AWD PREMIUM	4	2.0L	EE20	D	TURBO INT-COOL	2011	12/12	WAGON		AC05	ACA220	ACF28	ACC63
SUBARU	FORESTER	SH9	XT AWD	4	2.5L	EJ255	P	TURBO INT-COOL	2011	12/12	WAGON		AC073	ACA220		ACC63
SUBARU	FORESTER	SH9	XT AWD PREMIUM	4	2.5L	EJ255	P	TURBO INT-COOL	2011	12/12	WAGON		AC073	ACA220		ACC63
SUBARU	FORESTER	SHM	XS AWD COLUMBIA	4	2.5L	FB25	P	MPFI	2011	2011	WAGON		AC07	ACA220		ACC63
SUBARU	FORESTER	SHM	X AWD	4	2.5L	FB25	P	MPFI	02/11	01/13	WAGON		AC07	ACA220		ACC63
SUBARU	FORESTER	SHM	XS AWD	4	2.5L	FB25	P	MPFI	02/11	01/13	WAGON		AC07	ACA220		ACC63
SUBARU	FORESTER	SHM	XS AWD PREMIUM	4	2.5L	FB25	P	MPFI	02/11	01/13	WAGON		AC07	ACA220		ACC63
SUBARU	FORESTER	S3		4	2.5L	FB25	P	MPFI	06/12	ON	WAGON	OIL FILTER INTER-CHANGEABLE WITH AC028	AC073	ACA220		ACC63
SUBARU	FORESTER	S3		4	2.5L	FB25	P	MPFI	06/12	ON	WAGON	OIL FILTER INTER-CHANGEABLE WITH AC073	AC028	ACA220		ACC63
SUBARU	FORESTER	S4	2.0D	4	2.0L	EE20	D	TURBO INT-COOL	01/13	ON	WAGON		AC05	ACA220	ACF28	ACC63
SUBARU	FORESTER	S4	2.0D-L	4	2.0L	EE20	D	TURBO INT-COOL	01/13	ON	WAGON		AC05	ACA220	ACF28	ACC63
SUBARU	FORESTER	S4	2.0D-S	4	2.0L	EE20	D	TURBO INT-COOL	01/13	ON	WAGON		AC05	ACA220	ACF28	ACC63
SUBARU	FORESTER	S4	2.0I	4	2.0L	FB20	P	DIRECT INJ	01/13	ON	WAGON		AC028	ACA220		ACC63

MAKE	MODEL	SERIES	BADGE	CYLS	ENG SIZE	ENGINE CODE	FUEL	FUEL DELIVERY / AIR INTAKE	FROM	TO	BODY	REMARKS	OIL	AIR	FUEL	CABIN
SUBARU	FORESTER	S4	2.0I-L	4	2.0L	FB20	P	DIRECT INJ	01/13	ON	WAGON		AC028	ACA220		ACC63
SUBARU	FORESTER	S4	XT	4	2.0L	FA20	P	TURBO	01/13	ON	WAGON		AC028	ACA220		ACC63
SUBARU	FORESTER	S4	XT PREMIUM	4	2.0L	FA20	P	TURBO	01/13	ON	WAGON		AC028	ACA220		ACC63
SUBARU	FORESTER	SJ9	2.5I	4	2.5L	FB25	P	MPFI	01/13	ON	WAGON		AC028	ACA220		ACC63
SUBARU	FORESTER	SJ9	2.5I-L	4	2.5L	FB25	P	MPFI	01/13	ON	WAGON		AC028	ACA220		ACC63
SUBARU	FORESTER	SJ9	2.5I-S	4	2.5L	FB25	P	MPFI	01/13	ON	WAGON		AC028	ACA220		ACC63
SUBARU	IMPREZA	N	LX	4	1.6L	EJ16	P	MPFI	04/93	1996	SEDAN		AC045	ACA21	ACF7	
SUBARU	IMPREZA	N	GX	4	1.8L	EJ18	P	MPFI	04/93	10/96	SED/ HATCH		AC045	ACA21	ACF7	
SUBARU	IMPREZA	N	GX AWD	4	1.8L	EJ18	P	MPFI	04/93	10/96	SED/ HATCH		AC045	ACA21	ACF7	
SUBARU	IMPREZA	N	WRX AWD	4	2.0L	EJ20G	P	TURBO INT-COOL	02/94	1997	HATCH		AC045	ACA146	ACF7	ACC7
SUBARU	IMPREZA	N	WRX AWD	4	2.0L	EJ20G	P	TURBO INT-COOL	02/94	1997	SEDAN		AC045	ACA146	ACF7	ACC7
SUBARU	IMPREZA	N	LXS	4	1.8L	EJ18	P	MPFI	1995	1995	SEDAN		AC045	ACA21	ACF7	
SUBARU	IMPREZA	N	WRX RALLYE AWD	4	2.0L	EJ20G	P	TURBO INT-COOL	1995	1996	SEDAN		AC045	ACA146	ACF7	ACC7
SUBARU	IMPREZA	N	LX	4	1.6L	EJ16	P	MPFI	1995	07/98	HATCH		AC045	ACA21	ACF7	
SUBARU	IMPREZA	N	LX	4	1.6L	EJ16	P	MPFI	1996	07/98	SEDAN		AC045	ACA21	ACF7	
SUBARU	IMPREZA	N	RX AWD	4	2.0L	EJ20E	P	MPFI	05/96	07/98	SEDAN		AC045	ACA21	ACF7	ACC7
SUBARU	IMPREZA	N	RX AWD	4	2.0L	EJ20E	P	MPFI	11/96	07/98	HATCH		AC045	ACA21	ACF7	ACC7
SUBARU	IMPREZA	N	GX	4	2.0L	EJ20E	P	MPFI	11/96	08/98	HATCH		AC045	ACA21	ACF7	ACC7
SUBARU	IMPREZA	N	GX	4	2.0L	EJ20E	P	MPFI	11/96	08/98	SEDAN		AC045	ACA21	ACF7	ACC7
SUBARU	IMPREZA	N	GX AWD	4	2.0L	EJ20E	P	MPFI	11/96	08/98	HATCH		AC045	ACA21	ACF7	ACC7
SUBARU	IMPREZA	N	GX AWD	4	2.0L	EJ20E	P	MPFI	11/96	08/98	SEDAN		AC045	ACA21	ACF7	ACC7
SUBARU	IMPREZA	N	RX LIMITED EDITION AWD	4	2.0L	EJ20E	P	MPFI	1997	1997	SED/ HATCH		AC045	ACA21	ACF7	ACC7
SUBARU	IMPREZA	N	WRX CLUB SPEC AWD	4	2.0L	EJ20G	P	TURBO INT-COOL	1997	1997	HATCH		AC045	ACA146	ACF7	ACC7
SUBARU	IMPREZA	N	WRX CLUB SPEC AWD	4	2.0L	EJ20G	P	TURBO INT-COOL	1997	1997	SEDAN		AC045	ACA146	ACF7	ACC7
SUBARU	IMPREZA	N	WRX LIMITED EDITION AWD	4	2.0L	EJ20G	P	TURBO INT-COOL	1997	1997	SED/ HATCH		AC045	ACA146	ACF7	ACC7
SUBARU	IMPREZA	N	WRX CLUB SPEC EVO 2 AWD	4	2.0L	EJ20G	P	TURBO INT-COOL	1998	1998	SEDAN		AC045	ACA146	ACF7	ACC7
SUBARU	IMPREZA	N	WRX SILVER ANNIV AWD	4	2.0L	EJ20G	P	TURBO INT-COOL	1998	1998	SED/ HATCH		AC045	ACA146	ACF7	ACC7
SUBARU	IMPREZA	N	WRX AWD	4	2.0L	EJ205	P	TURBO INT-COOL	1998	2000	HATCH		AC045	ACA146	ACF7	ACC7
SUBARU	IMPREZA	N	WRX AWD	4	2.0L	EJ205	P	TURBO INT-COOL	1998	2000	SEDAN		AC045	ACA146	ACF7	ACC7
SUBARU	IMPREZA	N	LX AWD	4	2.0L	EJ20E	P	MPFI	08/98	1999	HATCH		AC045	ACA21	ACF7	ACC7
SUBARU	IMPREZA	N	GX AWD	4	2.0L	EJ20E	P	MPFI	08/98	2000	HATCH		AC045	ACA21	ACF7	ACC7
SUBARU	IMPREZA	N	GX AWD	4	2.0L	EJ20E	P	MPFI	08/98	2000	SEDAN		AC045	ACA21	ACF7	ACC7
SUBARU	IMPREZA	N	RX AWD	4	2.0L	EJ201	P	MPFI	08/98	2000	SEDAN		AC045	ACA146	ACF7	ACC7
SUBARU	IMPREZA	N	RX AWD	4	2.0L	EJ201	P	MPFI	08/98	2000	HATCH		AC045	ACA146	ACF7	ACC7
SUBARU	IMPREZA	N	WRX CLUB SPEC EVO 3 AWD	4	2.0L	EJ205	P	TURBO INT-COOL	1999	1999	SEDAN		AC045	ACA146	ACF7	ACC7
SUBARU	IMPREZA	N	WRX STI VERSION 5 AWD	4	2.0L	EJ205	P	TURBO INT-COOL	1999	1999	COUPE		AC045	ACA146	ACF7	ACC7
SUBARU	IMPREZA	N	WRX STI VERSION 6 AWD	4	2.0L	EJ205	P	TURBO INT-COOL	1999	1999	SEDAN		AC045	ACA146	ACF7	ACC7
SUBARU	IMPREZA	N	LX AWD	4	2.0L	EJ20E	P	MPFI	1999	2000	HATCH		AC045	ACA21	ACF7	ACC7

MAKE	MODEL	SERIES	BADGE	CYLS	ENG SIZE	ENGINE CODE	FUEL	FUEL DELIVERY / AIR INTAKE	FROM	TO	BODY	REMARKS	OIL	AIR	FUEL	CABIN
SUBARU	IMPREZA	N	RX SPECIAL EDITION AWD	4	2.0L	EJ201	P	MPFI	2000	2000	SED/HATCH		AC045	ACA146	ACF7	ACC7
SUBARU	IMPREZA	N	WRX CLUB SPEC EVO IV AWD	4	2.0L	EJ205	P	TURBO INT-COOL	2000	2000	SED/HATCH		AC045	ACA146	ACF7	ACC7
SUBARU	IMPREZA	N	WRX SPECIAL EDITION AWD	4	2.0L	EJ205	P	TURBO INT-COOL	2000	2000	SEDAN		AC045	ACA146	ACF7	ACC7
SUBARU	IMPREZA	S	WRX AWD	4	2.0L	EJ205	P	TURBO INT-COOL	2000	2001	SED/HATCH		AC045	ACA146	ACF7	ACC7
SUBARU	IMPREZA	S	GX AWD	4	2.0L	EJ201	P	MPFI	10/00	2001	SED/HATCH		AC045	ACA146	ACF7	ACC7
SUBARU	IMPREZA	S	RV AWD	4	2.0L	EJ201	P	MPFI	10/00	2001	HATCH		AC045	ACA146	ACF7	ACC7
SUBARU	IMPREZA	S	RX AWD	4	2.0L	EJ201	P	MPFI	10/00	2001	SED/HATCH		AC045	ACA146	ACF7	ACC7
SUBARU	IMPREZA	S	GX AWD	4	2.0L	EJ201	P	MPFI	2001	2002	SED/HATCH		AC045	ACA146	ACF7	ACC7
SUBARU	IMPREZA	S	RV AWD	4	2.0L	EJ201	P	MPFI	2001	2002	HATCH		AC045	ACA146	ACF7	ACC7
SUBARU	IMPREZA	S	RX AWD	4	2.0L	EJ201	P	MPFI	2001	2002	SED/HATCH		AC045	ACA146	ACF7	ACC7
SUBARU	IMPREZA	S	WRX AWD	4	2.0L	EJ205	P	TURBO INT-COOL	2001	2002	SED/HATCH		AC045	ACA146	ACF7	ACC7
SUBARU	IMPREZA	S	WRX STI AWD	4	2.0L	EJ207	P	TURBO INT-COOL	2001	2002	SEDAN		AC045	ACA146	ACF7	ACC7
SUBARU	IMPREZA	S	RS AWD	4	2.5L	EJ251	P	MPFI	2001	2002	SEDAN		AC073	ACA146	ACF7	ACC7
SUBARU	IMPREZA	S	WRX CLUB SPEC EVO 5 AWD	4	2.0L	EJ205	P	TURBO INT-COOL	2002	2002	SED/HATCH		AC045	ACA146	ACF7	ACC7
SUBARU	IMPREZA	S	GX AWD	4	2.0L	EJ201	P	MPFI	2002	2003	SED/HATCH		AC045	ACA146	ACF7	ACC7
SUBARU	IMPREZA	S	RV AWD	4	2.0L	EJ201	P	MPFI	2002	2003	HATCH		AC045	ACA146	ACF7	ACC7
SUBARU	IMPREZA	S	RX AWD	4	2.0L	EJ201	P	MPFI	2002	2003	SED/HATCH		AC045	ACA146	ACF7	ACC7
SUBARU	IMPREZA	S	WRX AWD	4	2.0L	EJ205	P	TURBO INT-COOL	2002	2003	SED/HATCH		AC045	ACA146	ACF7	ACC7
SUBARU	IMPREZA	S	WRX STI AWD	4	2.0L	EJ207	P	TURBO INT-COOL	2002	2003	SEDAN		AC045	ACA146	ACF7	ACC7
SUBARU	IMPREZA	S	RS AWD	4	2.5L	EJ251	P	MPFI	2002	2003	SEDAN		AC073	ACA146	ACF7	ACC7
SUBARU	IMPREZA	S	WRX CLUB SPEC EVO 6 AWD	4	2.0L	EJ205	P	TURBO INT-COOL	2003	2003	SEDAN		AC045	ACA146	ACF7	ACC7
SUBARU	IMPREZA	S	GX AWD	4	2.0L	EJ201	P	MPFI	2003	2004	SED/HATCH		AC045	ACA146	ACF7	ACC7
SUBARU	IMPREZA	S	RV AWD	4	2.0L	EJ201	P	MPFI	2003	2004	HATCH		AC045	ACA146	ACF7	ACC7
SUBARU	IMPREZA	S	RX AWD	4	2.0L	EJ201	P	MPFI	2003	2004	SED/HATCH		AC045	ACA146	ACF7	ACC7
SUBARU	IMPREZA	S	WRX AWD	4	2.0L	EJ205	P	TURBO INT-COOL	2003	2004	SED/HATCH		AC045	ACA146	ACF7	ACC7
SUBARU	IMPREZA	S	WRX STI AWD	4	2.0L	EJ207	P	TURBO INT-COOL	2003	2004	SEDAN		AC045	ACA146	ACF7	ACC7
SUBARU	IMPREZA	S	RS AWD	4	2.5L	EJ251	P	MPFI	2003	2004	SEDAN		AC073	ACA146	ACF7	ACC7
SUBARU	IMPREZA	S	WRX CLUB SPEC EVO 7 AWD	4	2.0L	EJ205	P	TURBO INT-COOL	2004	2004	SEDAN		AC045	ACA146	ACF7	ACC7
SUBARU	IMPREZA	S	WRX PETTER SOLBERG	4	2.0L	EJ205	P	TURBO INT-COOL	2004	2004	SEDAN		AC045	ACA146	ACF7	ACC7
SUBARU	IMPREZA	S	GX AWD	4	2.0L	EJ201	P	MPFI	2004	2005	SED/HATCH		AC045	ACA146	ACF7	ACC7
SUBARU	IMPREZA	S	RV AWD	4	2.0L	EJ201	P	MPFI	2004	2005	HATCH		AC045	ACA146	ACF7	ACC7

MAKE	MODEL	SERIES	BADGE	CYLS	ENG SIZE	ENGINE CODE	FUEL	FUEL DELIVERY / AIR INTAKE	FROM	TO	BODY	REMARKS	OIL	AIR	FUEL	CABIN
SUBARU	IMPREZA	S	WRX AWD	4	2.0L	EJ205	P	TURBO INT-COOL	2004	2005	SED/HATCH		AC045	ACA146	ACF7	ACC7
SUBARU	IMPREZA	S	WRX STI AWD	4	2.0L	EJ207	P	TURBO INT-COOL	2004	2005	SEDAN		AC045	ACA146	ACF7	ACC7
SUBARU	IMPREZA	S	RS AWD	4	2.5L	EJ251	P	MPFI	2004	2005	SED/HATCH		AC073	ACA146	ACF7	ACC7
SUBARU	IMPREZA	S	GX LUXURY AWD	4	2.0L	EJ201	P	MPFI	2005	2005	SED/HATCH		AC045	ACA146	ACF7	ACC7
SUBARU	IMPREZA	S	WRX CLUB SPEC EVO 8 AWD	4	2.0L	EJ205	P	TURBO INT-COOL	2005	2005	SEDAN		AC045	ACA146	ACF7	ACC7
SUBARU	IMPREZA	S	WRX WRP10 AWD	4	2.0L	EJ205	P	TURBO INT-COOL	2005	2005	SEDAN		AC045	ACA146	ACF7	ACC7
SUBARU	IMPREZA	S	RS-X AWD	4	2.5L	EJ251	P	MPFI	2005	2005	SED/HATCH		AC073	ACA146	ACF7	ACC7
SUBARU	IMPREZA	S	AWD	4	2.0L	EJ201	P	MPFI	2005	2006	SED/HATCH		AC045	ACA146	ACF7	ACC7
SUBARU	IMPREZA	S	R AWD	4	2.0L	EJ201	P	MPFI	2005	2006	SED/HATCH		AC045	ACA146	ACF7	ACC7
SUBARU	IMPREZA	S	RV AWD	4	2.0L	EJ201	P	MPFI	2005	2006	HATCH		AC045	ACA146	ACF7	ACC7
SUBARU	IMPREZA	S	RV LUXURYAWD	4	2.0L	EJ201	P	MPFI	2005	2006	HATCH		AC045	ACA146	ACF7	ACC7
SUBARU	IMPREZA	S	WRX STI AWD	4	2.5L	EJ257	P	TURBO INT-COOL	2005	2006	SEDAN		AC073	ACA220		ACC7
SUBARU	IMPREZA	S	WRX AWD	4	2.5L	EJ255	P	TURBO INT-COOL	2005	2007	SEDAN		AC073	ACA146		ACC7
SUBARU	IMPREZA	S	WRX AWD	4	2.5L	EJ255	P	TURBO INT-COOL	2005	2007	WAGON		AC073	ACA146		ACC7
SUBARU	IMPREZA	S	WRX STI LIMITED	4	2.5L	EJ257	P	TURBO INT-COOL	2006	2006	SEDAN		AC073	ACA220		ACC7
SUBARU	IMPREZA	S	AWD	4	2.0L	EJ201	P	MPFI	2006	2007	SED/HATCH		AC045	ACA146	ACF7	ACC7
SUBARU	IMPREZA	S	LUXURY AWD	4	2.0L	EJ201	P	MPFI	2006	2007	HATCH		AC045	ACA146	ACF7	ACC7
SUBARU	IMPREZA	S	LUXURY AWD	4	2.0L	EJ201	P	MPFI	2006	2007	SEDAN		AC045	ACA146	ACF7	ACC7
SUBARU	IMPREZA	S	R AWD	4	2.0L	EJ201	P	MPFI	2006	2007	SED/HATCH		AC045	ACA146	ACF7	ACC7
SUBARU	IMPREZA	S	R LUXURYAWD	4	2.0L	EJ201	P	MPFI	2006	2007	HATCH		AC045	ACA146	ACF7	ACC7
SUBARU	IMPREZA	S	R LUXURYAWD	4	2.0L	EJ201	P	MPFI	2006	2007	SEDAN		AC045	ACA146	ACF7	ACC7
SUBARU	IMPREZA	S	RV AWD	4	2.0L	EJ201	P	MPFI	2006	2007	HATCH		AC045	ACA146	ACF7	ACC7
SUBARU	IMPREZA	S	RV LUXURYAWD	4	2.0L	EJ201	P	MPFI	2006	2007	HATCH		AC045	ACA146	ACF7	ACC7
SUBARU	IMPREZA	S	WRX CLUB SPEC 9 AWD	4	2.5L	EJ255	P	TURBO INT-COOL	2006	2007	SEDAN		AC073	ACA146		ACC7
SUBARU	IMPREZA	S	WRX STI AWD	4	2.5L	EJ257	P	TURBO INT-COOL	2006	2007	SEDAN		AC073	ACA220		ACC7
SUBARU	IMPREZA	S	RS AWD	4	2.0L	EJ201	P	MPFI	2007	2007	SEDAN		AC045	ACA146	ACF7	ACC7
SUBARU	IMPREZA	S	WRX TUNED BY STI AWD	4	2.5L	EJ255	P	TURBO INT-COOL	2007	2007	SEDAN		AC073	ACA146		ACC7
SUBARU	IMPREZA	G3	R AWD	4	2.0L	EJ204	P	MPFI	09/07	2010	HATCH		AC073	ACA220	ACF208	ACC63
SUBARU	IMPREZA	G3	RS AWD	4	2.0L	EJ204	P	MPFI	09/07	2010	HATCH		AC073	ACA220	ACF208	ACC63
SUBARU	IMPREZA	G3	RX AWD	4	2.0L	EJ204	P	MPFI	09/07	2010	HATCH		AC073	ACA220	ACF208	ACC63
SUBARU	IMPREZA	G3	WRX AWD	4	2.5L	EJ255	P	TURBO INT-COOL	09/07	2010	HATCH		AC073	ACA220	ACF208	ACC63
SUBARU	IMPREZA	G3	WRX STI AWD	4	2.5L	EJ257	P	TURBO INT-COOL	02/08	2013	HATCH		AC073	ACA220	ACF208	ACC63
SUBARU	IMPREZA	G3	R AWD	4	2.0L	EJ204	P	MPFI	09/08	2010	SEDAN		AC073	ACA220	ACF208	ACC63
SUBARU	IMPREZA	G3	RS AWD	4	2.0L	EJ204	P	MPFI	09/08	2010	SEDAN		AC073	ACA220	ACF208	ACC63
SUBARU	IMPREZA	G3	RX AWD	4	2.0L	EJ204	P	MPFI	09/08	2010	SEDAN		AC073	ACA220	ACF208	ACC63

MAKE	MODEL	SERIES	BADGE	CYLS	ENG SIZE	ENGINE CODE	FUEL	FUEL DELIVERY / AIR INTAKE	FROM	TO	BODY	REMARKS	OIL	AIR	FUEL	CABIN
SUBARU	IMPREZA	G3	WRX AWD	4	2.5L	EJ255	P	TURBO INT-COOL	09/08	2010	SEDAN		AC073	ACA220	ACF208	ACC63
SUBARU	IMPREZA	G3	R LIMITED EDITION AWD	4	2.0L	EJ204	P	MPFI	2010	2010	SED/HATCH		AC073	ACA220	ACF208	ACC63
SUBARU	IMPREZA	G3	RS SPECIAL EDITION AWD	4	2.0L	EJ204	P	MPFI	2010	2010	HATCH		AC073	ACA220	ACF208	ACC63
SUBARU	IMPREZA	G3	WRX CLUB SPEC 10 AWD	4	2.5L	EJ255	P	TURBO INT-COOL	2010	2010	SEDAN		AC073	ACA220	ACF208	ACC63
SUBARU	IMPREZA	G3	R SPECIAL EDITION AWD	4	2.0L	EJ204	P	MPFI	2010	2011	SED/HATCH		AC073	ACA220	ACF208	ACC63
SUBARU	IMPREZA	G3	XV AWD	4	2.0L	EJ204	P	MPFI	2010	2011	HATCH		AC073	ACA220	ACF208	ACC63
SUBARU	IMPREZA	G3	R AWD	4	2.0L	EJ204	P	MPFI	2010	12/11	HATCH		AC073	ACA220	ACF208	ACC63
SUBARU	IMPREZA	G3	R AWD	4	2.0L	EJ204	P	MPFI	2010	12/11	SEDAN		AC073	ACA220	ACF208	ACC63
SUBARU	IMPREZA	G3	RS AWD	4	2.0L	EJ204	P	MPFI	2010	12/11	HATCH		AC073	ACA220	ACF208	ACC63
SUBARU	IMPREZA	G3	RS AWD	4	2.0L	EJ204	P	MPFI	2010	12/11	SEDAN		AC073	ACA220	ACF208	ACC63
SUBARU	IMPREZA	G3	RX AWD	4	2.0L	EJ204	P	MPFI	2010	12/11	HATCH		AC073	ACA220	ACF208	ACC63
SUBARU	IMPREZA	G3	RX AWD	4	2.0L	EJ204	P	MPFI	2010	12/11	SEDAN		AC073	ACA220	ACF208	ACC63
SUBARU	IMPREZA	G3	WRX AWD	4	2.5L	EJ255	P	TURBO INT-COOL	2010	2013	HATCH		AC073	ACA220	ACF208	ACC63
SUBARU	IMPREZA	G3	WRX AWD	4	2.5L	EJ255	P	TURBO INT-COOL	2010	2013	SEDAN		AC073	ACA220	ACF208	ACC63
SUBARU	IMPREZA	G3	WRX STI SPEC R AWD	4	2.5L	EJ257	P	TURBO INT-COOL	2010	2013	SED/HATCH		AC073	ACA220	ACF208	ACC63
SUBARU	IMPREZA	G3	WRX STI AWD	4	2.5L	EJ257	P	TURBO INT-COOL	07/10	2013	SEDAN		AC073	ACA220	ACF208	ACC63
SUBARU	IMPREZA	G3	XV MIZUNO AWD	4	2.0L	EJ204	P	MPFI	2011	2011	HATCH		AC073	ACA220	ACF208	ACC63
SUBARU	IMPREZA	G3	WRX CLUB SPEC AWD	4	2.5L	EJ255	P	TURBO INT-COOL	2012	2012	SEDAN		AC073	ACA220	ACF208	ACC63
SUBARU	IMPREZA	G3	WRX S-EDITION AWD	4	2.5L	EJ255	P	TURBO INT-COOL	2012	2012	SEDAN		AC073	ACA220	ACF208	ACC63
SUBARU	IMPREZA	G4	2.0I	4	2.0L	FB20	P	MPFI	01/12	ON	SED/HATCH		AC028	ACA220		ACC63
SUBARU	IMPREZA	G4	2.0I-L	4	2.0L	FB20	P	MPFI	01/12	ON	SED/HATCH		AC028	ACA220		ACC63
SUBARU	IMPREZA	G4	2.0I-S	4	2.0L	FB20	P	MPFI	01/12	ON	SED/HATCH		AC028	ACA220		ACC63
SUBARU	IMPREZA	G3	WRX RS40 AWD	4	2.5L	EJ255	P	TURBO INT-COOL	2013	2013	SEDAN		AC073	ACA220	ACF208	ACC63
SUBARU	IMPREZA	V1	WRX	4	2.0L	FB20	P	TURBO INT-COOL	2014	ON	SEDAN		AC073	ACA220	ACF208	ACC63
SUBARU	IMPREZA	V1	WRX STI	4	2.5L		P	TURBO INT-COOL	2014	ON	SEDAN		AC073	ACA220		ACC63
SUBARU	LEONE	L		4	1.8L	EA82	P	CARB	1984	1990	SEDAN	2WD	AC075	ACA38	ACF12	
SUBARU	LEONE	L		4	1.8L	EA82	P	CARB	1984	1994	SEDAN	4WD	AC075	ACA38	ACF12	
SUBARU	LIBERTY		GX	4	2.2L	EJ22E	P	MPFI	1989	06/94	SED/WAG		AC045	ACA21	ACF7	
SUBARU	LIBERTY		LX	4	2.2L	EJ22E	P	MPFI	1989	06/94	SED/WAG		AC045	ACA21	ACF7	
SUBARU	LIBERTY		HERITAGE	4	2.2L	EJ22E	P	MPFI	1990	06/94	SEDAN		AC045	ACA21	ACF7	
SUBARU	LIBERTY		RS	4	2.0L	EJ20B	P	TURBO INT-COOL	1991	1994	SEDAN		AC045	ACA36	ACF7	
SUBARU	LIBERTY		RS	4	2.0L	EJ20B	P	TURBO INT-COOL	1991	1994	WAGON		AC045		ACF7	
SUBARU	LIBERTY		GX CELEBRATION	4	2.2L	EJ22E	P	MPFI	1992	1992	SEDAN		AC045	ACA21	ACF7	
SUBARU	LIBERTY		RALLYE	4	2.2L	EJ22E	P	MPFI	1992	06/94	SEDAN		AC045	ACA21	ACF7	
SUBARU	LIBERTY		HERITAGE SE	4	2.2L	EJ22E	P	MPFI	1993	1993	SEDAN		AC045	ACA21	ACF7	
SUBARU	LIBERTY		DX	4	2.2L	EJ22E	P	MPFI	1993	06/94	SED/WAG		AC045	ACA21	ACF7	

MAKE	MODEL	SERIES	BADGE	CYLS	ENG SIZE	ENGINE CODE	FUEL	FUEL DELIVERY / AIR INTAKE	FROM	TO	BODY	REMARKS	OIL	AIR	FUEL	CABIN
SUBARU	LIBERTY	2GEN	HERITAGE	4	2.2L	EJ22E	P	MPFI	1994	1995	SEDAN		AC045	ACA21	ACF7	
SUBARU	LIBERTY	2GEN	LX	4	2.2L	EJ22E	P	MPFI	1994	1995	SED/WAG		AC045	ACA21	ACF7	
SUBARU	LIBERTY	2GEN	LX AWD	4	2.2L	EJ22E	P	MPFI	1994	1995	WAGON		AC045	ACA21	ACF7	
SUBARU	LIBERTY	2GEN	GX	4	2.2L	EJ22E	P	MPFI	1994	1996	SEDAN		AC045	ACA21	ACF7	
SUBARU	LIBERTY	2GEN	RALLYE	4	2.2L	EJ22E	P	MPFI	1994	1996	SED/WAG		AC045	ACA21	ACF7	
SUBARU	LIBERTY	2GEN	HERITAGE AWD	4	2.2L	EJ22E	P	MPFI	1994	10/96	SED/WAG		AC045	ACA21	ACF7	
SUBARU	LIBERTY	2GEN	GX AWD	4	2.2L	EJ22E	P	MPFI	1994	1997	SED/WAG		AC045	ACA21	ACF7	
SUBARU	LIBERTY	2GEN	LX ENDURO	4	2.2L	EJ22E	P	MPFI	1995	1995	WAGON		AC045	ACA21	ACF7	
SUBARU	LIBERTY	2GEN	LX	4	2.2L	EJ22E	P	MPFI	1995	1996	SED/WAG		AC045	ACA21	ACF7	
SUBARU	LIBERTY	2GEN	LX AWD	4	2.2L	EJ22E	P	MPFI	1995	1996	SED/WAG		AC045	ACA21	ACF7	
SUBARU	LIBERTY	2GEN	GX SKI FX	4	2.2L	EJ22E	P	MPFI	1996	1996	WAGON		AC045	ACA21	ACF7	
SUBARU	LIBERTY	2GEN	LX SKI FX	4	2.2L	EJ22E	P	MPFI	1996	1996	WAGON		AC045	ACA21	ACF7	
SUBARU	LIBERTY	2GEN	TOURING WAGON AWD	4	2.2L	EJ22E	P	MPFI	1996	1996	WAGON		AC045	ACA21	ACF7	
SUBARU	LIBERTY	2GEN	RX AWD	4	2.5L	EJ25D	P	MPFI	1996	1998	SED/WAG		AC045	ACA21	ACF7	
SUBARU	LIBERTY	2GEN	HERITAGE AWD	4	2.5L	EJ25D	P	MPFI	11/96	1997	SEDAN		AC045	ACA21	ACF7	
SUBARU	LIBERTY	2GEN	ENDURO	4	2.2L	EJ22E	P	MPFI	1997	1997	WAGON		AC045	ACA21	ACF7	
SUBARU	LIBERTY	2GEN	GX	4	2.2L	EJ22E	P	MPFI	1997	1997	SEDAN		AC045	ACA21	ACF7	
SUBARU	LIBERTY	2GEN	LX	4	2.2L	EJ22E	P	MPFI	1997	1998	SED/WAG		AC045	ACA21	ACF7	
SUBARU	LIBERTY	2GEN	GX AWD	4	2.2L	EJ22E	P	MPFI	1997	1999	SED/WAG		AC045	ACA21	ACF7	
SUBARU	LIBERTY	2GEN	LX AWD	4	2.2L	EJ22E	P	MPFI	1997	1999	SED/WAG		AC045	ACA21	ACF7	
SUBARU	LIBERTY	2GEN	GX	4	2.2L	EJ22E	P	MPFI	1998	1998	SEDAN		AC045	ACA21	ACF7	
SUBARU	LIBERTY	2GEN	SILVER ANNIV AWD GX	4	2.2L	EJ22E	P	MPFI	1998	1998	SED/WAG		AC045	ACA21	ACF7	
SUBARU	LIBERTY	2GEN	BILLSTEIN EDITION AWD RX	4	2.5L	EJ25D	P	MPFI	1998	1998	SEDAN		AC045	ACA21	ACF7	
SUBARU	LIBERTY	2GEN	SPECIAL EDITION AWD RX	4	2.5L	EJ25D	P	MPFI	1998	1998	SEDAN		AC045	ACA21	ACF7	
SUBARU	LIBERTY	3GEN	GX AWD	4	2.0L	EJ201	P	MPFI	1998	1999	SED/WAG		AC045	ACA146	ACF165	
SUBARU	LIBERTY	2GEN	HERITAGE AWD	4	2.5L	EJ25D	P	MPFI	1998	1999	SEDAN		AC045	ACA21	ACF7	
SUBARU	LIBERTY	2GEN	RX AWD	4	2.5L	EJ25D	P	MPFI	1998	1999	SED/WAG		AC045	ACA21	ACF7	
SUBARU	LIBERTY	3GEN	HERITAGE AWD	4	2.5L	EJ251	P	MPFI	1998	1999	SED/WAG		AC045	ACA146	ACF165	
SUBARU	LIBERTY	3GEN	RX AWD	4	2.5L	EJ251	P	MPFI	1998	1999	SED/WAG		AC045	ACA146	ACF165	
SUBARU	LIBERTY	3GEN	RX D/RANGE AWD	4	2.5L	EJ251	P	MPFI	1998	1999	WAGON		AC045	ACA146	ACF165	
SUBARU	LIBERTY	3GEN	GX AWD	4	2.0L	EJ201	P	MPFI	1999	2000	SED/WAG		AC045	ACA146	ACF165	
SUBARU	LIBERTY	3GEN	HERITAGE AWD	4	2.5L	EJ251	P	MPFI	1999	2000	SED/WAG		AC045	ACA146	ACF165	
SUBARU	LIBERTY	3GEN	RX AWD	4	2.5L	EJ251	P	MPFI	1999	2000	SED/WAG		AC045	ACA146	ACF165	



MAKE	MODEL	SERIES	BADGE	CYLS	ENG SIZE	ENGINE CODE	FUEL	FUEL DELIVERY / AIR INTAKE	FROM	TO	BODY	REMARKS	OIL	AIR	FUEL	CABIN
SUBARU	LIBERTY	3GEN	GX AWD	4	2.0L	EJ201	P	MPFI	2000	2001	SED/WAG		AC045	ACA146	ACF165	
SUBARU	LIBERTY	3GEN	HERITAGE AWD	4	2.5L	EJ251	P	MPFI	2000	2001	SED/WAG		AC045	ACA146	ACF165	
SUBARU	LIBERTY	3GEN	RX AWD	4	2.5L	EJ251	P	MPFI	2000	2001	SED/WAG		AC045	ACA146	ACF165	
SUBARU	LIBERTY	3GEN	SPECIAL EDITION GX AWD	4	2.0L	EJ201	P	MPFI	2001	2001	SED/WAG		AC045	ACA146	ACF165	
SUBARU	LIBERTY	3GEN	GX AWD	4	2.0L	EJ201	P	MPFI	2001	2002	SED/WAG		AC045	ACA146	ACF165	
SUBARU	LIBERTY	3GEN	HERITAGE AWD	4	2.5L	EJ251	P	MPFI	2001	2002	SED/WAG		AC045	ACA146	ACF165	
SUBARU	LIBERTY	3GEN	RX AWD	4	2.5L	EJ251	P	MPFI	2001	2002	SED/WAG		AC045	ACA146	ACF165	
SUBARU	LIBERTY	3GEN	B4 AWD	4	2.0L	EJ208	P	TWIN TURBO INT-COOL	2001	07/02	SEDAN		AC045	ACA21	ACF165	
SUBARU	LIBERTY	3GEN	RX SPECIAL EDITION AWD	4	2.5L	EJ251	P	MPFI	2002	2002	SED/WAG		AC045	ACA146	ACF165	
SUBARU	LIBERTY	3GEN	GX AWD	4	2.0L	EJ201	P	MPFI	2002	2003	SED/WAG		AC045	ACA146	ACF165	
SUBARU	LIBERTY	3GEN	GX SPECIAL EDITION AWD	4	2.0L	EJ201	P	MPFI	2002	2003	SED/WAG		AC045	ACA146	ACF165	
SUBARU	LIBERTY	3GEN	HERITAGE AWD	4	2.5L	EJ251	P	MPFI	2002	2003	SED/WAG		AC045	ACA146	ACF165	
SUBARU	LIBERTY	3GEN	RX AWD	4	2.5L	EJ251	P	MPFI	2002	2003	SED/WAG		AC045	ACA146	ACF165	
SUBARU	LIBERTY	3GEN	B4 AWD	4	2.0L	EJ206	P	TWIN TURBO INT-COOL	07/02	08/03	SEDAN		AC045	ACA21	ACF165	
SUBARU	LIBERTY	3GEN	RX SPECIAL EDITION AWD	4	2.5L	EJ251	P	MPFI	2003	2003	SED/WAG		AC045	ACA146	ACF165	
SUBARU	LIBERTY	4GEN	D/RANGE AWD	4	2.0L	EJ202	P	MPFI	2003	2004	WAGON	TRANSMISSION FILTER AC073	AC073	ACA220	ACF208	ACC1
SUBARU	LIBERTY	4GEN	GT AWD	4	2.0L	EJ20T	P	TURBO INT-COOL	2003	2004	SED/WAG	TRANSMISSION FILTER AC073	AC073	ACA21	ACF208	ACC1
SUBARU	LIBERTY	4GEN	GT PREMIUM PACK AWD	4	2.0L	EJ20T	P	TURBO INT-COOL	2003	2004	SED/WAG	TRANSMISSION FILTER AC073	AC073	ACA21	ACF208	ACC1
SUBARU	LIBERTY	4GEN	AWD	4	2.5L	EJ202	P	MPFI	2003	2004	SED/WAG	TRANSMISSION FILTER AC073	AC073	ACA220	ACF208	ACC1
SUBARU	LIBERTY	4GEN	D/RANGE AWD	4	2.5L	EJ25	P	MPFI	2003	2004	WAGON	TRANSMISSION FILTER AC073	AC073	ACA220	ACF208	ACC1
SUBARU	LIBERTY	4GEN	LUXURY AWD	4	2.5L	EJ25	P	MPFI	2003	2004	SED/WAG	TRANSMISSION FILTER AC073	AC073	ACA220	ACF208	ACC1
SUBARU	LIBERTY	4GEN	PREMIUM PACK AWD	4	2.5L	EJ25	P	MPFI	2003	2004	SED/WAG	TRANSMISSION FILTER AC073	AC073	ACA220	ACF208	ACC1
SUBARU	LIBERTY	4GEN	SAFETY PACK AWD	4	2.5L	EJ25	P	MPFI	2003	2004	SED/WAG	TRANSMISSION FILTER AC073	AC073	ACA220	ACF208	ACC1
SUBARU	LIBERTY	4GEN	AWD	4	2.5L	EJ25	P	MPFI	2003	2005	SED/WAG	TRANSMISSION FILTER AC073	AC073	ACA220	ACF208	ACC1
SUBARU	LIBERTY	4GEN	GT AWD	4	2.0L	EJ20T	P	TURBO INT-COOL	2004	2005	SED/WAG	TRANSMISSION FILTER AC073	AC073	ACA21	ACF208	ACC1

MAKE	MODEL	SERIES	BADGE	CYLS	ENG SIZE	ENGINE CODE	FUEL	FUEL DELIVERY / AIR INTAKE	FROM	TO	BODY	REMARKS	OIL	AIR	FUEL	CABIN
SUBARU	LIBERTY	4GEN	LUXURY SERIES AWD	4	2.0L	EJ202	P	MPFI	2004	2005	SED/WAG	TRANSMISSION FILTER AC073	AC073	ACA220	ACF208	ACC1
SUBARU	LIBERTY	4GEN	D/RANGE AWD	4	2.5L	EJ25	P	MPFI	2004	2005	WAGON	TRANSMISSION FILTER AC073	AC073	ACA220	ACF208	ACC1
SUBARU	LIBERTY	4GEN	PREMIUM PACK AWD	4	2.5L	EJ25	P	MPFI	2004	2005	SED/WAG	TRANSMISSION FILTER AC073	AC073	ACA220	ACF208	ACC1
SUBARU	LIBERTY	4GEN	SAFETY PACK AWD	4	2.5L	EJ25	P	MPFI	2004	2005	SED/WAG	TRANSMISSION FILTER AC073	AC073	ACA220	ACF208	ACC1
SUBARU	LIBERTY	4GEN	3.0R AWD	6	3.0L	EZ30	P	MPFI	2004	2005	SED/WAG	TRANSMISSION FILTER AC073	AC07	ACA220	ACF208	ACC1
SUBARU	LIBERTY	4GEN	3.0R-B AWD	6	3.0L	EZ30	P	MPFI	2004	2005	SED/WAG	TRANSMISSION FILTER AC073	AC07	ACA220	ACF208	ACC1
SUBARU	LIBERTY	4GEN	GT AWD	4	2.0L	EJ20T	P	TURBO INT-COOL	2005	2006	SED/WAG	TRANSMISSION FILTER AC073	AC073	ACA21	ACF208	ACC1
SUBARU	LIBERTY	4GEN	AWD	4	2.5L	EJ25	P	MPFI	2005	2006	SED/WAG	TRANSMISSION FILTER AC073	AC073	ACA220	ACF208	ACC1
SUBARU	LIBERTY	4GEN	PREMIUM PACK AWD	4	2.5L	EJ25	P	MPFI	2005	2006	SED/WAG	TRANSMISSION FILTER AC073	AC073	ACA220	ACF208	ACC1
SUBARU	LIBERTY	4GEN	SAFETY PACK AWD	4	2.5L	EJ25	P	MPFI	2005	2006	SED/WAG	TRANSMISSION FILTER AC073	AC073	ACA220	ACF208	ACC1
SUBARU	LIBERTY	4GEN	SAFETY PACK D/RANGE AWD	4	2.5L	EJ25	P	MPFI	2005	2006	WAGON	TRANSMISSION FILTER AC073	AC073	ACA220	ACF208	ACC1
SUBARU	LIBERTY	4GEN	3.0R AWD	6	3.0L	EZ30	P	MPFI	2005	2006	SED/WAG	TRANSMISSION FILTER AC073	AC07	ACA220	ACF208	ACC1
SUBARU	LIBERTY	4GEN	3.0R SPEC. B AWD	6	3.0L	EZ30	P	MPFI	2005	2006	SED/WAG	TRANSMISSION FILTER AC073	AC07	ACA220	ACF208	ACC1
SUBARU	LIBERTY	4GEN	2.0R AWD	4	2.0L	EJ204	P	MPFI	2006	2006	SED/WAG	TRANSMISSION FILTER AC073	AC073	ACA220	ACF208	ACC1
SUBARU	LIBERTY	4GEN	2.0R D/RANGE AWD	4	2.0L	EJ204	P	MPFI	2006	2006	WAGON	TRANSMISSION FILTER AC073	AC073	ACA220	ACF208	ACC1
SUBARU	LIBERTY	4GEN	2.0R LIMITED AWD	4	2.0L	EJ204	P	MPFI	2006	2006	SEDAN	TRANSMISSION FILTER AC073	AC073	ACA220	ACF208	ACC1
SUBARU	LIBERTY	4GEN	GT TUNED BY STI AWD	4	2.0L	EJ20X	P	TURBO INT-COOL	2006	2006	SED/WAG	TRANSMISSION FILTER AC073	AC073	ACA220	ACF208	ACC1
SUBARU	LIBERTY	4GEN	3.0R SPEC. B BLITZEN AWD	6	3.0L	EZ30	P	MPFI	2006	2006	SED/WAG	TRANSMISSION FILTER AC073	AC07	ACA220	ACF208	ACC1
SUBARU	LIBERTY	4GEN	GT SPEC. B AWD	4	2.5L	EJ255	P	TURBO INT-COOL	2006	2007	SED/WAG	TRANSMISSION FILTER AC073	AC073	ACA220	ACF208	ACC1
SUBARU	LIBERTY	4GEN	3.0R AWD	6	3.0L	EZ30	P	MPFI	2006	2007	SED/WAG	TRANSMISSION FILTER AC073	AC07	ACA220	ACF208	ACC1
SUBARU	LIBERTY	4GEN	3.0R SPEC. B AWD	6	3.0L	EZ30	P	MPFI	2006	2007	SED/WAG	TRANSMISSION FILTER AC073	AC07	ACA220	ACF208	ACC1

MAKE	MODEL	SERIES	BADGE	CYLS	ENG SIZE	ENGINE CODE	FUEL	FUEL DELIVERY / AIR INTAKE	FROM	TO	BODY	REMARKS	OIL	AIR	FUEL	CABIN
SUBARU	LIBERTY	4GEN	AWD	4	2.5L	EJ25	P	MPFI	2006	07/07	SEDAN	TRANSMISSION FILTER AC073	AC073	ACA220	ACF208	ACC1
SUBARU	LIBERTY	4GEN	D/RANGE AWD	4	2.5L	EJ25	P	MPFI	2006	07/07	WAGON	TRANSMISSION FILTER AC073	AC073	ACA220	ACF208	ACC1
SUBARU	LIBERTY	4GEN	PREMIUM PACK AWD	4	2.5L	EJ25	P	MPFI	2006	07/07	SED/WAG	TRANSMISSION FILTER AC073	AC073	ACA220	ACF208	ACC1
SUBARU	LIBERTY	4GEN	GT AWD	4	2.5L	EJ255	P	TURBO INT-COOL	2006	2009	SED/WAG	TRANSMISSION FILTER AC073	AC073	ACA220	ACF208	ACC1
SUBARU	LIBERTY	4GEN	2.0R AWD	4	2.0L	EJ204	P	MPFI	2007	2007	SED/WAG	TRANSMISSION FILTER AC073	AC073	ACA220	ACF208	ACC1
SUBARU	LIBERTY	4GEN	2.0R D/RANGE AWD	4	2.0L	EJ204	P	MPFI	2007	2007	WAGON	TRANSMISSION FILTER AC073	AC073	ACA220	ACF208	ACC1
SUBARU	LIBERTY	4GEN	GT TUNED BY STI AWD	4	2.5L	EJ255	P	TURBO INT-COOL	2007	2007	SED/WAG	TRANSMISSION FILTER AC073	AC073	ACA220	ACF208	ACC1
SUBARU	LIBERTY	4GEN	3.0R PREMIUM AWD	6	3.0L	EZ30	P	MPFI	2007	2008	SED/WAG	TRANSMISSION FILTER AC073	AC07	ACA220	ACF208	ACC1
SUBARU	LIBERTY	4GEN	3.0R SPEC. B AWD	6	3.0L	EZ30	P	MPFI	2007	2008	SED/WAG	TRANSMISSION FILTER AC073	AC07	ACA220	ACF208	ACC1
SUBARU	LIBERTY	4GEN	GT SPEC. B AWD	4	2.5L	EJ255	P	TURBO INT-COOL	2007	2009	SED/WAG	TRANSMISSION FILTER AC073	AC073	ACA220	ACF208	ACC1
SUBARU	LIBERTY	4GEN	D/RANGE AWD	4	2.5L	EJ25	P	MPFI	07/07	2008	WAGON	TRANSMISSION FILTER AC073	AC073	ACA220	ACF208	ACC1
SUBARU	LIBERTY	4GEN	HERITAGE AWD	4	2.5L	EJ25	P	MPFI	07/07	2008	SED/WAG	TRANSMISSION FILTER AC073	AC073	ACA220	ACF208	ACC1
SUBARU	LIBERTY	4GEN	PREMIUM AWD	4	2.5L	EJ25	P	MPFI	07/07	2008	SED/WAG	TRANSMISSION FILTER AC073	AC073	ACA220	ACF208	ACC1
SUBARU	LIBERTY	4GEN	AWD	4	2.5L	EJ25	P	MPFI	08/07	2008	SED/WAG	TRANSMISSION FILTER AC073	AC073	ACA220	ACF208	ACC1
SUBARU	LIBERTY	4GEN	GT TUNED BY STI AWD	4	2.5L	EJ255	P	TURBO INT-COOL	2008	2008	SED/WAG	TRANSMISSION FILTER AC073	AC073	ACA220	ACF208	ACC1
SUBARU	LIBERTY	4GEN	AWD	4	2.5L	EJ25	P	MPFI	2008	2009	SED/WAG	TRANSMISSION FILTER AC073	AC073	ACA220	ACF208	ACC1
SUBARU	LIBERTY	4GEN	D/RANGE AWD	4	2.5L	EJ25	P	MPFI	2008	2009	WAGON	TRANSMISSION FILTER AC073	AC073	ACA220	ACF208	ACC1
SUBARU	LIBERTY	4GEN	HERITAGE AWD	4	2.5L	EJ25	P	MPFI	2008	2009	SED/WAG	TRANSMISSION FILTER AC073	AC073	ACA220	ACF208	ACC1
SUBARU	LIBERTY	4GEN	PREMIUM AWD	4	2.5L	EJ25	P	MPFI	2008	2009	SED/WAG	TRANSMISSION FILTER AC073	AC073	ACA220	ACF208	ACC1
SUBARU	LIBERTY	4GEN	SPORT EDITION AWD	4	2.5L	EJ25	P	MPFI	2008	2009	SEDAN	TRANSMISSION FILTER AC073	AC073	ACA220	ACF208	ACC1
SUBARU	LIBERTY	4GEN	SPORT EDITION D/RANGE AWD	4	2.5L	EJ25	P	MPFI	2008	2009	WAGON	TRANSMISSION FILTER AC073	AC073	ACA220	ACF208	ACC1

MAKE	MODEL	SERIES	BADGE	CYLS	ENG SIZE	ENGINE CODE	FUEL	FUEL DELIVERY / AIR INTAKE	FROM	TO	BODY	REMARKS	OIL	AIR	FUEL	CABIN
SUBARU	LIBERTY	4GEN	3.0R PRE- MIUM AWD	6	3.0L	EZ30	P	MPFI	2008	2009	SED/ WAG	TRANSMIS- SION FILTER AC073	AC07	ACA220	ACF208	ACC1
SUBARU	LIBERTY	4GEN	3.0R SPEC. B AWD	6	3.0L	EZ30	P	MPFI	2008	2009	SED/ WAG	TRANSMIS- SION FILTER AC073	AC07	ACA220	ACF208	ACC1
SUBARU	LIBERTY	4GEN	GT SPEC. B R AWD	4	2.5L	EJ255	P	TURBO INT-COOL	2009	2009	SEDAN	TRANSMIS- SION FILTER AC073	AC073	ACA220	ACF208	ACC1
SUBARU	LIBERTY	5GEN	AWD	4	2.5L	EJ253	P	MPFI	2009	2011	SED/ WAG		AC073	ACA220	ACF208	ACC31
SUBARU	LIBERTY	5GEN	PREMIUM AWD	4	2.5L	EJ253	P	MPFI	2009	2011	SED/ WAG		AC073	ACA220	ACF208	ACC31
SUBARU	LIBERTY	5GEN	SPORTS AWD	4	2.5L	EJ253	P	MPFI	2009	2011	SEDAN		AC073	ACA220	ACF208	ACC31
SUBARU	LIBERTY	5GEN	SPORTS PREMIUM AWD	4	2.5L	EJ253	P	MPFI	2009	2011	SED/ WAG		AC073	ACA220	ACF208	ACC31
SUBARU	LIBERTY	5GEN	3.6R PRE- MIUM AWD	6	3.6L	EZ36D	P	MPFI	2009	2012	SEDAN		AC07	ACA220		ACC31
SUBARU	LIBERTY	5GEN	EXIGA AWD	4	2.5L	EJ253	P	MPFI	2009	07/12	WAGON		AC073	ACA220	ACF208	ACC31
SUBARU	LIBERTY	5GEN	EXIGA PRE- MIUM AWD	4	2.5L	EJ253	P	MPFI	2009	07/12	WAGON		AC073	ACA220	ACF208	ACC31
SUBARU	LIBERTY	5GEN	GT PREMIUM AWD	4	2.5L	EJ255	P	TURBO INT-COOL	2009	07/12	SED/ WAG		AC073	ACA220	ACF208	ACC31
SUBARU	LIBERTY	5GEN	2.5I SPORTS PREMIUM AWD	4	2.5L	EJ253	P	MPFI	2011	2012	SED/ WAG		AC073	ACA220	ACF208	ACC31
SUBARU	LIBERTY	5GEN	2.5I AWD	4	2.5L	EJ253	P	MPFI	2011	07/12	SED/ WAG		AC073	ACA220	ACF208	ACC31
SUBARU	LIBERTY	5GEN	2.5I PRE- MIUM AWD	4	2.5L	EJ253	P	MPFI	2011	07/12	SED/ WAG		AC073	ACA220	ACF208	ACC31
SUBARU	LIBERTY	5GEN	2.5X AWD	4	2.5L	EJ253	P	MPFI	2012	ON	SEDAN		AC073	ACA220		ACC31
SUBARU	LIBERTY	5GEN	3.6X AWD	6	3.6L	EZ36D	P	MPFI	2012	ON	SEDAN		AC07	ACA220		ACC31
SUBARU	LIBERTY	5GEN	2.5I AWD	4	2.5L	EJ253	P	MPFI	08/12	ON	SED/ WAG		AC073	ACA220		ACC31
SUBARU	LIBERTY	5GEN	2.5I PRE- MIUM AWD	4	2.5L	EJ253	P	MPFI	08/12	ON	SED/ WAG		AC073	ACA220		ACC31
SUBARU	LIBERTY	5GEN	EXIGA AWD	4	2.5L	EJ253	P	MPFI	08/12	ON	WAGON		AC073	ACA220		ACC31
SUBARU	LIBERTY	5GEN	EXIGA PRE- MIUM AWD	4	2.5L	EJ253	P	MPFI	08/12	ON	WAGON		AC073	ACA220		ACC31
SUBARU	LIBERTY	5GEN	GT PREMIUM AWD	4	2.5L	EJ255	P	TURBO INT-COOL	08/12	ON	SED/ WAG		AC073	ACA220		ACC31
SUBARU	OUTBACK	2GEN	AWD	4	2.5L	EJ25	P	MPFI	1996	1997	WAGON		AC045	ACA21	ACF7	
SUBARU	OUTBACK	2GEN	LIMITED AWD	4	2.5L	EJ25	P	MPFI	1996	1998	WAGON		AC045	ACA21	ACF7	
SUBARU	OUTBACK	2GEN	AWD	4	2.5L	EJ25	P	MPFI	1997	1998	WAGON		AC045	ACA21	ACF7	
SUBARU	OUTBACK	2GEN	SPECIAL EDITION AWD	4	2.5L	EJ25	P	MPFI	1998	1998	WAGON		AC045	ACA21	ACF7	
SUBARU	OUTBACK	3GEN	AWD	4	2.5L	EJ25	P	MPFI	1998	1999	WAGON		AC045	ACA146	ACF165	
SUBARU	OUTBACK	3GEN	D/RANGE AWD	4	2.5L	EJ25	P	MPFI	1998	1999	WAGON		AC045	ACA146	ACF165	
SUBARU	OUTBACK	3GEN	LIMITED AWD	4	2.5L	EJ25	P	MPFI	1998	1999	WAGON		AC045	ACA146	ACF165	
SUBARU	OUTBACK	3GEN	AWD	4	2.5L	EJ25	P	MPFI	1999	2000	WAGON		AC045	ACA146	ACF165	
SUBARU	OUTBACK	3GEN	D/RANGE AWD	4	2.5L	EJ25	P	MPFI	1999	2000	WAGON		AC045	ACA146	ACF165	
SUBARU	OUTBACK	3GEN	LIMITED AWD	4	2.5L	EJ25	P	MPFI	1999	2000	WAGON		AC045	ACA146	ACF165	
SUBARU	OUTBACK	3GEN	LIMITED D/ RANGE AWD	4	2.5L	EJ25	P	MPFI	1999	2000	WAGON		AC045	ACA146	ACF165	
SUBARU	OUTBACK	3GEN	AWD	4	2.5L	EJ25	P	MPFI	2000	2001	WAGON		AC045	ACA146	ACF165	

MAKE	MODEL	SERIES	BADGE	CYLS	ENG SIZE	ENGINE CODE	FUEL	FUEL DELIVERY / AIR INTAKE	FROM	TO	BODY	REMARKS	OIL	AIR	FUEL	CABIN
SUBARU	OUTBACK	3GEN	D/RANGE AWD	4	2.5L	EJ25	P	MPFI	2000	2001	WAGON		AC045	ACA146	ACF165	
SUBARU	OUTBACK	3GEN	LIMITED AWD	4	2.5L	EJ25	P	MPFI	2000	2001	WAGON		AC045	ACA146	ACF165	
SUBARU	OUTBACK	3GEN	H6 AWD	6	3.0L	EZ30	P	MPFI	2000	2001	WAGON		AC07	ACA21	ACF165	
SUBARU	OUTBACK	3GEN	LIMITED D/ RANGE AWD	4	2.5L	EJ25	P	MPFI	2000	2002	WAGON		AC045	ACA146	ACF165	
SUBARU	OUTBACK	3GEN	SPECIAL EDITION AWD	4	2.5L	EJ25	P	MPFI	2001	2001	WAGON		AC045	ACA146	ACF165	
SUBARU	OUTBACK	3GEN	AWD	4	2.5L	EJ25	P	MPFI	2001	2002	WAGON		AC045	ACA146	ACF165	
SUBARU	OUTBACK	3GEN	D/RANGE AWD	4	2.5L	EJ25	P	MPFI	2001	2002	WAGON		AC045	ACA146	ACF165	
SUBARU	OUTBACK	3GEN	LIMITED AWD	4	2.5L	EJ25	P	MPFI	2001	2002	WAGON		AC045	ACA146	ACF165	
SUBARU	OUTBACK	3GEN	H6 AWD	6	3.0L	EZ30	P	MPFI	2001	09/02	WAGON		AC07	ACA21	ACF165	
SUBARU	OUTBACK	3GEN	AWD	4	2.5L	EJ25	P	MPFI	2002	2003	WAGON		AC045	ACA146	ACF165	
SUBARU	OUTBACK	3GEN	D/RANGE AWD	4	2.5L	EJ25	P	MPFI	2002	2003	WAGON		AC045	ACA146	ACF165	
SUBARU	OUTBACK	3GEN	LUXURY AWD	4	2.5L	EJ25	P	MPFI	2002	2003	WAGON		AC045	ACA146	ACF165	
SUBARU	OUTBACK	3GEN	LUXURY D/ RANGE AWD	4	2.5L	EJ25	P	MPFI	2002	2003	WAGON		AC045	ACA146	ACF165	
SUBARU	OUTBACK	3GEN	H6 LUXURY AWD	6	3.0L	EZ30	P	MPFI	2002	2003	WAGON		AC07	ACA220	ACF165	
SUBARU	OUTBACK	3GEN	H6 AWD	6	3.0L	EZ30	P	MPFI	10/02	2003	WAGON		AC07	ACA220	ACF165	
SUBARU	OUTBACK	4GEN	AWD	4	2.5L	EJ25	P	MPFI	2003	2004	WAGON		AC073	ACA220	ACF208	ACC1
SUBARU	OUTBACK	4GEN	D/RANGE AWD	4	2.5L	EJ25	P	MPFI	2003	2004	WAGON		AC073	ACA220	ACF208	ACC1
SUBARU	OUTBACK	4GEN	LUXURY AWD	4	2.5L	EJ25	P	MPFI	2003	2004	WAGON		AC073	ACA220	ACF208	ACC1
SUBARU	OUTBACK	4GEN	LUXURY D/ RANGE AWD	4	2.5L	EJ25	P	MPFI	2003	2004	WAGON		AC073	ACA220	ACF208	ACC1
SUBARU	OUTBACK	4GEN	PREMIUM PACK AWD	4	2.5L	EJ25	P	MPFI	2003	2004	WAGON		AC073	ACA220	ACF208	ACC1
SUBARU	OUTBACK	4GEN	PREMIUM PACK D/ RANGE AWD	4	2.5L	EJ25	P	MPFI	2003	2004	WAGON		AC073	ACA220	ACF208	ACC1
SUBARU	OUTBACK	4GEN	R AWD	6	3.0L	EZ30	P	MPFI	2003	2004	WAGON		AC07	ACA220	ACF208	ACC1
SUBARU	OUTBACK	4GEN	R PREMIUM PACK AWD	6	3.0L	EZ30	P	MPFI	2003	2004	WAGON		AC07	ACA220	ACF208	ACC1
SUBARU	OUTBACK	4GEN	AWD	4	2.5L	EJ25	P	MPFI	2004	2005	WAGON		AC073	ACA220	ACF208	ACC1
SUBARU	OUTBACK	4GEN	D/RANGE AWD	4	2.5L	EJ25	P	MPFI	2004	2005	WAGON		AC073	ACA220	ACF208	ACC1
SUBARU	OUTBACK	4GEN	PREMIUM PACK AWD	4	2.5L	EJ25	P	MPFI	2004	2005	WAGON		AC073	ACA220	ACF208	ACC1
SUBARU	OUTBACK	4GEN	PREMIUM PACK D/ RANGE AWD	4	2.5L	EJ25	P	MPFI	2004	2005	WAGON		AC073	ACA220	ACF208	ACC1
SUBARU	OUTBACK	4GEN	R AWD	6	3.0L	EZ30	P	MPFI	2004	2005	WAGON		AC07	ACA220	ACF208	ACC1
SUBARU	OUTBACK	4GEN	R PREMIUM PACK AWD	6	3.0L	EZ30	P	MPFI	2004	2005	WAGON		AC07	ACA220	ACF208	ACC1
SUBARU	OUTBACK	4GEN	SAFETY PACK AWD	4	2.5L	EJ25	P	MPFI	2004	2006	WAGON		AC073	ACA220	ACF208	ACC1
SUBARU	OUTBACK	4GEN	SAFETY PACK D/RANGE AWD	4	2.5L	EJ25	P	MPFI	2004	2006	WAGON		AC073	ACA220	ACF208	ACC1
SUBARU	OUTBACK	4GEN	AWD	4	2.5L	EJ25	P	MPFI	2005	2006	WAGON		AC073	ACA220	ACF208	ACC1
SUBARU	OUTBACK	4GEN	D/RANGE AWD	4	2.5L	EJ25	P	MPFI	2005	2006	WAGON		AC073	ACA220	ACF208	ACC1
SUBARU	OUTBACK	4GEN	LUXURY AWD	4	2.5L	EJ25	P	MPFI	2005	2006	WAGON		AC073	ACA220	ACF208	ACC1

MAKE	MODEL	SERIES	BADGE	CYLS	ENG SIZE	ENGINE CODE	FUEL	FUEL DELIVERY / AIR INTAKE	FROM	TO	BODY	REMARKS	OIL	AIR	FUEL	CABIN
SUBARU	OUTBACK	4GEN	PREMIUM PACK AWD	4	2.5L	EJ25	P	MPFI	2005	2006	WAGON		AC073	ACA220	ACF208	ACC1
SUBARU	OUTBACK	4GEN	PREMIUM PACK D/ RANGE AWD	4	2.5L	EJ25	P	MPFI	2005	2006	WAGON		AC073	ACA220	ACF208	ACC1
SUBARU	OUTBACK	4GEN	TOURING AWD	4	2.5L	EJ25	P	MPFI	2005	2006	WAGON		AC073	ACA220	ACF208	ACC1
SUBARU	OUTBACK	4GEN	TOURING D/ RANGE AWD	4	2.5L	EJ25	P	MPFI	2005	2006	WAGON		AC073	ACA220	ACF208	ACC1
SUBARU	OUTBACK	4GEN	R AWD	6	3.0L	EZ30	P	MPFI	2005	2006	WAGON		AC07	ACA220	ACF208	ACC1
SUBARU	OUTBACK	4GEN	R PREMIUM PACK AWD	6	3.0L	EZ30	P	MPFI	2005	2006	WAGON		AC07	ACA220	ACF208	ACC1
SUBARU	OUTBACK	4GEN	DUOTONE AWD	4	2.5L	EJ25	P	MPFI	2006	2006	WAGON		AC073	ACA220	ACF208	ACC1
SUBARU	OUTBACK	4GEN	DUOTONE D/ RANGE AWD	4	2.5L	EJ25	P	MPFI	2006	2006	WAGON		AC073	ACA220	ACF208	ACC1
SUBARU	OUTBACK	4GEN	R DUOTONE AWD	6	3.0L	EZ30	P	MPFI	2006	2006	WAGON		AC07	ACA220	ACF208	ACC1
SUBARU	OUTBACK	4GEN	AWD	4	2.5L	EJ25	P	MPFI	2006	2007	WAGON		AC073	ACA220	ACF208	ACC1
SUBARU	OUTBACK	4GEN	D/RANGE AWD	4	2.5L	EJ25	P	MPFI	2006	2007	WAGON		AC073	ACA220	ACF208	ACC1
SUBARU	OUTBACK	4GEN	LUXURY AWD	4	2.5L	EJ25	P	MPFI	2006	2007	WAGON		AC073	ACA220	ACF208	ACC1
SUBARU	OUTBACK	4GEN	LUXURY D/ RANGE AWD	4	2.5L	EJ25	P	MPFI	2006	2007	WAGON		AC073	ACA220	ACF208	ACC1
SUBARU	OUTBACK	4GEN	PREMIUM PACK AWD	4	2.5L	EJ25	P	MPFI	2006	2007	WAGON		AC073	ACA220	ACF208	ACC1
SUBARU	OUTBACK	4GEN	PREMIUM PACK D/ RANGE AWD	4	2.5L	EJ25	P	MPFI	2006	2007	WAGON		AC073	ACA220	ACF208	ACC1
SUBARU	OUTBACK	4GEN	R AWD	6	3.0L	EZ30	P	MPFI	2006	2007	WAGON		AC07	ACA220	ACF208	ACC1
SUBARU	OUTBACK	4GEN	R PREMIUM PACK AWD	6	3.0L	EZ30	P	MPFI	2006	2007	WAGON		AC07	ACA220	ACF208	ACC1
SUBARU	OUTBACK	4GEN	AWD	4	2.5L	EJ25	P	MPFI	2007	2008	WAGON		AC073	ACA220	ACF208	ACC1
SUBARU	OUTBACK	4GEN	D/RANGE AWD	4	2.5L	EJ25	P	MPFI	2007	2008	WAGON		AC073	ACA220	ACF208	ACC1
SUBARU	OUTBACK	4GEN	LUXURY AWD	4	2.5L	EJ25	P	MPFI	2007	2008	WAGON		AC073	ACA220	ACF208	ACC1
SUBARU	OUTBACK	4GEN	LUXURY D/ RANGE AWD	4	2.5L	EJ25	P	MPFI	2007	2008	WAGON		AC073	ACA220	ACF208	ACC1
SUBARU	OUTBACK	4GEN	PREMIUM PACK AWD	4	2.5L	EJ25	P	MPFI	2007	2008	WAGON		AC073	ACA220	ACF208	ACC1
SUBARU	OUTBACK	4GEN	R AWD	6	3.0L	EZ30	P	MPFI	2007	2008	WAGON		AC07	ACA220	ACF208	ACC1
SUBARU	OUTBACK	4GEN	R PREMIUM PACK AWD	6	3.0L	EZ30	P	MPFI	2007	2008	WAGON		AC07	ACA220	ACF208	ACC1
SUBARU	OUTBACK	4GEN	PREMIUM PACK D/ RANGE AWD	4	2.5L	EJ25	P	MPFI	2007	2009	WAGON		AC073	ACA220	ACF208	ACC1
SUBARU	OUTBACK	4GEN	AWD	4	2.5L	EJ25	P	MPFI	2008	2009	WAGON		AC073	ACA220	ACF208	ACC1
SUBARU	OUTBACK	4GEN	PREMIUM PACK AWD	4	2.5L	EJ25	P	MPFI	2008	2009	WAGON		AC073	ACA220	ACF208	ACC1
SUBARU	OUTBACK	4GEN	R AWD	6	3.0L	EZ30	P	MPFI	2008	2009	WAGON		AC07	ACA220	ACF208	ACC1
SUBARU	OUTBACK	4GEN	R PREMIUM PACK AWD	6	3.0L	EZ30	P	MPFI	2008	2009	WAGON		AC07	ACA220	ACF208	ACC1
SUBARU	OUTBACK	5GEN	AWD	4	2.0L	EE20	D	TURBO INT-COOL	2009	2010	WAGON		AC05	ACA220	ACF28	ACC31
SUBARU	OUTBACK	5GEN	PREMIUM AWD	4	2.0L	EE20	D	TURBO INT-COOL	2009	2011	WAGON		AC05	ACA220	ACF28	ACC31
SUBARU	OUTBACK	5GEN	AWD	4	2.5L	EJ25	P	MPFI	2009	2011	WAGON		AC073	ACA220	ACF208	ACC31
SUBARU	OUTBACK	5GEN	PREMIUM AWD	4	2.5L	EJ25	P	MPFI	2009	2011	WAGON		AC073	ACA220	ACF208	ACC31

MAKE	MODEL	SERIES	BADGE	CYLS	ENG SIZE	ENGINE CODE	FUEL	FUEL DELIVERY / AIR INTAKE	FROM	TO	BODY	REMARKS	OIL	AIR	FUEL	CABIN
SUBARU	OUTBACK	5GEN	R AWD	6	3.6L	EZ36D	P	MPFI	2009	2011	WAGON		AC07	ACA220		ACC31
SUBARU	OUTBACK	5GEN	R PREMIUM AWD	6	3.6L	EZ36D	P	MPFI	2009	2011	WAGON		AC07	ACA220		ACC31
SUBARU	OUTBACK	5GEN	COLUMBIA AWD	4	2.5L	EJ25	P	MPFI	2011	2011	WAGON		AC073	ACA220	ACF208	ACC31
SUBARU	OUTBACK	5GEN	TOURING AWD	4	2.5L	EJ25	P	MPFI	2011	2011	WAGON		AC073	ACA220	ACF208	ACC31
SUBARU	OUTBACK	5GEN	2.5I AWD	4	2.5L	EJ25	P	MPFI	2011	08/12	WAGON		AC073	ACA220	ACF208	ACC31
SUBARU	OUTBACK	5GEN	2.5I PRE-MIUM AWD	4	2.5L	EJ25	P	MPFI	2011	08/12	WAGON		AC073	ACA220	ACF208	ACC31
SUBARU	OUTBACK	5GEN	2.0D AWD	4	2.0L	EE20	D	TURBO INT-COOL	2011	ON	WAGON		AC05	ACA220	ACF28	ACC31
SUBARU	OUTBACK	5GEN	2.0D PRE-MIUM AWD	4	2.0L	EE20	D	TURBO INT-COOL	2011	ON	WAGON		AC05	ACA220	ACF28	ACC31
SUBARU	OUTBACK	5GEN	3.6R PRE-MIUM AWD	6	3.6L	EZ36D	P	MPFI	2011	ON	WAGON		AC07	ACA220		ACC31
SUBARU	OUTBACK	5GEN	2.5I AWD	4	2.5L	FB25	P	MPFI	09/12	ON	WAGON		AC028	ACA220		ACC31
SUBARU	OUTBACK	5GEN	2.5I PRE-MIUM AWD	4	2.5L	FB25	P	MPFI	09/12	ON	WAGON		AC028	ACA220		ACC31
SUBARU	SVX			6	3.3L	EG33	P	MPFI	1992	1997	COUPE		AC07	ACA21	ACF7	
SUBARU	TRIBECA	B9	R AWD	6	3.0L	EZ30R	P	MPFI	2006	2007	WAGON		AC07	ACA220	ACF165	ACC1
SUBARU	TRIBECA	B9	R PREMIUM PACK AWD	6	3.0L	EZ30R	P	MPFI	2006	2007	WAGON		AC07	ACA220	ACF165	ACC1
SUBARU	TRIBECA	B9	R AWD	6	3.6L	EZ36D	P	MPFI	2007	2008	WAGON		AC07	ACA220	ACF165	ACC1
SUBARU	TRIBECA	B9	R PREMIUM PACK AWD	6	3.6L	EZ36D	P	MPFI	2007	2009	WAGON		AC07	ACA220	ACF165	ACC1
SUBARU	TRIBECA	B9	R AWD	6	3.6L	EZ36D	P	MPFI	2008	2009	WAGON		AC07	ACA220	ACF165	ACC1
SUBARU	TRIBECA	B9	R PREMIUM PACK AWD	6	3.6L	EZ36D	P	MPFI	2009	2010	WAGON		AC07	ACA220	ACF165	ACC1
SUBARU	TRIBECA	B9	R PREMIUM PACK AWD	6	3.6L	EZ36D	P	MPFI	2010	2013	WAGON		AC07	ACA220	ACF165	ACC1
SUBARU	TRIBECA	B9	R COLUMBIA AWD	6	3.6L	EZ36D	P	MPFI	2011	2011	WAGON		AC07	ACA220	ACF165	ACC1
SUBARU	XV	G4-X	2.0i	4	2.0L	FB20	P	MPFI	2012	ON	WAGON		AC028	ACA220		ACC63
SUBARU	XV	G4-X	2.0i-L	4	2.0L	FB20	P	MPFI	2012	ON	WAGON		AC028	ACA220		ACC63
SUBARU	XV	G4-X	2.0i-S	4	2.0L	FB20	P	MPFI	2012	ON	WAGON		AC028	ACA220		ACC63
<b>SUZUKI</b>																
SUZUKI	ALTO		GA	3	0.6L	F5A	P	CARB	1985	1989	HATCH		AC013			
SUZUKI	ALTO		GA	3	0.8L	F8B	P	CARB	1987	1989	HATCH		AC013			
SUZUKI	ALTO		GL	4	1.0L	G10B	P	CARB	1996	1999	HATCH		AC024			
SUZUKI	ALTO	GF	GL	3	1.0L	K10BN	P	MPFI	2009	ON	HATCH		AC022	ACA279		
SUZUKI	ALTO	GF	GLX	3	1.0L	K10BN	P	MPFI	2009	ON	HATCH		AC022	ACA279		
SUZUKI	APV	GD416		4	1.6L	G16ID	P	MPFI	2005	ON	VAN		AC078	ACA189		
SUZUKI	BALENO	SY416	GA	4	1.6L	G16B	P	MPFI	1995	1996	SEDAN		AC024	ACA297	ACF135	
SUZUKI	BALENO	SY416	GLXII	4	1.6L	G16B	P	MPFI	1995	1997	SEDAN		AC024	ACA297	ACF135	
SUZUKI	BALENO	SY416	GSII	4	1.6L	G16B	P	MPFI	1995	1997	HATCH		AC024	ACA297	ACF135	
SUZUKI	BALENO	SY416	GL	4	1.6L	G16B	P	MPFI	1995	1998	HATCH		AC024	ACA297	ACF135	
SUZUKI	BALENO	SY416	GL	4	1.6L	G16B	P	MPFI	1995	1998	SEDAN		AC024	ACA297	ACF135	
SUZUKI	BALENO	SY416	GLX	4	1.6L	G16B	P	MPFI	1995	1998	SEDAN		AC024	ACA297	ACF135	
SUZUKI	BALENO	SY416	GLX	4	1.6L	G16B	P	MPFI	1995	1998	WAGON		AC024	ACA297	ACF135	
SUZUKI	BALENO	SY416	GS	4	1.6L	G16B	P	MPFI	1995	1998	HATCH		AC024	ACA297	ACF135	
SUZUKI	BALENO	SY418	GTX	4	1.8L	J18A	P	MPFI	1996	1998	HATCH		AC024	ACA297	ACF135	
SUZUKI	BALENO	SY418	GTX	4	1.8L	J18A	P	MPFI	1996	1998	SEDAN		AC024	ACA297	ACF135	
SUZUKI	BALENO	SY418	GTX	4	1.8L	J18A	P	MPFI	1996	1998	WAGON		AC024	ACA297	ACF135	

MAKE	MODEL	SERIES	BADGE	CYLS	ENG SIZE	ENGINE CODE	FUEL	FUEL DELIVERY / AIR INTAKE	FROM	TO	BODY	REMARKS	OIL	AIR	FUEL	CABIN
SUZUKI	BALENO	SY416	SPECIAL EDITION GLX	4	1.6L	G16B	P	MPFI	1999	1999	SEDAN		AC024	ACA297	ACF135	
SUZUKI	BALENO	SY416	GA	4	1.6L	G16B	P	MPFI	1999	2000	HATCH		AC024	ACA297	ACF135	
SUZUKI	BALENO	SY416	GL	4	1.6L	G16B	P	MPFI	1999	2001	HATCH		AC024	ACA297	ACF135	
SUZUKI	BALENO	SY416	GLX	4	1.6L	G16B	P	MPFI	1999	2001	SEDAN		AC024	ACA297	ACF135	
SUZUKI	BALENO	SY416	GLX	4	1.6L	G16B	P	MPFI	1999	2001	WAGON		AC024	ACA297	ACF135	
SUZUKI	BALENO	SY418	GTX	4	1.8L	J18A	P	MPFI	1999	2001	SEDAN		AC024	ACA297	ACF135	
SUZUKI	BALENO	SY416	CAVALIERO GL	4	1.6L	G16B	P	MPFI	2000	2000	HATCH		AC024	ACA297	ACF135	
SUZUKI	CAPPUCCINO			3	0.7L	F6A	P	TURBO MPFI	1992	1997	CONV		AC078			
SUZUKI	CARRY			4	1.3L	G13BB	P	MPFI	1999	2005	VAN		AC024	ACA187		
SUZUKI	CARRY			4	1.3L	G13BB	P	MPFI	2001	2005	T-TOP		AC024	ACA187		
SUZUKI	CELERIO	LF		3	1.0L	K10BN	P	MPFI	2015	ON	HATCH			ACA279		
SUZUKI	CULTUS			4	1.3L	G13B	P	SPFI	1992	1993	CONV		AC013			
SUZUKI	GRAND VITARA	SQ625 TYPE 1		6	2.5L	H25A	P	MPFI	1998	1999	WAGON		AC030	ACA211		ACC93
SUZUKI	GRAND VITARA	SQ416 TYPE 1	JLX	4	1.6L	G16B	P	MPFI	1998	2000	H-TOP		AC030	ACA211		
SUZUKI	GRAND VITARA	SQ420 TYPE 1		4	2.0L	J20A	P	MPFI	1998	2000	WAGON		AC024	ACA211		ACC93
SUZUKI	GRAND VITARA	SQ420 TYPE 1	JLX	4	2.0L	J20A	P	MPFI	1998	2000	H-TOP		AC024	ACA211		ACC93
SUZUKI	GRAND VITARA	SQ625 TYPE 1	SPECIAL EDITION	6	2.5L	H25A	P	MPFI	1999	1999	WAGON		AC030	ACA211		ACC93
SUZUKI	GRAND VITARA	SQ420 TYPE 2	JLX	4	2.0L	J20A	P	MPFI	2000	2000	WAGON		AC024	ACA211		ACC93
SUZUKI	GRAND VITARA	SQ625 TYPE 2		6	2.5L	H25A	P	MPFI	2000	2000	WAGON		AC030	ACA211		ACC93
SUZUKI	GRAND VITARA	SQ625 TYPE 2	SPECIAL EDITION	6	2.5L	H25A	P	MPFI	2000	2000	WAGON		AC030	ACA211		ACC93
SUZUKI	GRAND VITARA	SQ416 S2	JLX	4	1.6L	G16B	P	MPFI	2000	2002	S-TOP		AC030	ACA211		ACC93
SUZUKI	GRAND VITARA	SQ625 S2	LIMITED EDITION SPORT	6	2.5L	H25A	P	MPFI	2000	2002	WAGON		AC030	ACA211		ACC93
SUZUKI	GRAND VITARA	SQ416 S2	JLX	4	1.6L	G16B	P	MPFI	2000	11/02	H-TOP		AC030	ACA211		ACC93
SUZUKI	GRAND VITARA	SQ625 S2	SPORT	6	2.5L	H25A	P	MPFI	2000	2003	WAGON		AC030	ACA211		ACC93
SUZUKI	GRAND VITARA	SQ420 S2	SPORTS	4	2.0L	J20A	P	MPFI	2001	2002	H-TOP		AC024	ACA211		ACC93
SUZUKI	GRAND VITARA	SQ420 S2	SPORTS	4	2.0L	J20A	P	MPFI	2001	2002	WAGON		AC024	ACA211		ACC93
SUZUKI	GRAND VITARA	SQ420 S3	JLX	4	2.0L	J20A	P	MPFI	2001	2003	H-TOP		AC024	ACA211		ACC93
SUZUKI	GRAND VITARA	SQ420 S3		4	2.0L	J20A	P	MPFI	2001	2005	H-TOP		AC024	ACA211		ACC93
SUZUKI	GRAND VITARA	SQ625 S2	FREESTYLE SPORT	6	2.5L	H25A	P	MPFI	2002	2002	WAGON		AC030	ACA211		ACC93
SUZUKI	GRAND VITARA	SQ416 S3	JLX	4	1.6L	G16B	P	MPFI	11/02	2005	H-TOP		AC030	ACA211		ACC2
SUZUKI	GRAND VITARA	SQ625 S4	SLALOM	6	2.5L	H25A	P	MPFI	2003	2003	WAGON		AC030	ACA211		ACC93
SUZUKI	GRAND VITARA	SQ420 S4	JLX	4	2.0L	J20A	P	MPFI	2003	2005	H-TOP		AC024	ACA211		ACC93
SUZUKI	GRAND VITARA	SQ625 S4		6	2.5L	H25A	P	MPFI	2003	2005	WAGON		AC030	ACA211		ACC93
SUZUKI	GRAND VITARA	SQ420 S3		6	2.5L	H25A	P	MPFI	2004	2005	WAGON		AC030	ACA211		ACC93
SUZUKI	GRAND VITARA	JB		4	1.6L	M16A	P	MPFI	2005	2006	H-TOP		AC0131	ACA212		ACC79
SUZUKI	GRAND VITARA	JB		4	2.0L	J20A	P	MPFI	2005	2006	WAGON		AC024	ACA212		ACC79
SUZUKI	GRAND VITARA	JB		6	2.7L	H27A	P	MPFI	2005	2006	WAGON		AC030	ACA212		ACC79
SUZUKI	GRAND VITARA	JB	JX	4	1.6L	M16A	P	MPFI	2006	2006	H-TOP		AC0131	ACA212		ACC79
SUZUKI	GRAND VITARA	JB	TREKKER	4	1.6L	M16A	P	MPFI	2006	2006	H-TOP		AC0131	ACA212		ACC79
SUZUKI	GRAND VITARA	JB	JLX	4	2.0L	J20A	P	MPFI	2006	2006	WAGON		AC024	ACA212		ACC79
SUZUKI	GRAND VITARA	JB	TREKKER	4	2.0L	J20A	P	MPFI	2006	2006	WAGON		AC024	ACA212		ACC79



MAKE	MODEL	SERIES	BADGE	CYLS	ENG SIZE	ENGINE CODE	FUEL	FUEL DELIVERY / AIR INTAKE	FROM	TO	BODY	REMARKS	OIL	AIR	FUEL	CABIN
SUZUKI	GRAND VITARA	JB	JLX	6	2.7L	H27A	P	MPFI	2006	2006	WAGON		AC030	ACA212		ACC79
SUZUKI	GRAND VITARA	JB	PRESTIGE	6	2.7L	H27A	P	MPFI	2006	2006	WAGON		AC030	ACA212		ACC79
SUZUKI	GRAND VITARA	JB	TREKKER	6	2.7L	H27A	P	MPFI	2006	2006	WAGON		AC030	ACA212		ACC79
SUZUKI	GRAND VITARA	JB TYPE 2		4	1.6L	M16A	P	MPFI	2006	2008	H-TOP		AC0131	ACA212		ACC79
SUZUKI	GRAND VITARA	JB TYPE 2	JX	4	1.6L	M16A	P	MPFI	2006	2008	H-TOP		AC0131	ACA212		ACC79
SUZUKI	GRAND VITARA	JB TYPE 2		4	2.0L	J20A	P	MPFI	2006	2008	WAGON		AC024	ACA212		ACC79
SUZUKI	GRAND VITARA	JB TYPE 2	JLX	4	2.0L	J20A	P	MPFI	2006	2008	WAGON		AC024	ACA212		ACC79
SUZUKI	GRAND VITARA	JB TYPE 2		6	2.7L	H27A	P	MPFI	2006	2008	WAGON		AC030	ACA212		ACC79
SUZUKI	GRAND VITARA	JB TYPE 2	JLX	6	2.7L	H27A	P	MPFI	2006	2008	WAGON		AC030	ACA212		ACC79
SUZUKI	GRAND VITARA	JB TYPE 2	PRESTIGE	6	2.7L	H27A	P	MPFI	2006	2008	WAGON		AC030	ACA212		ACC79
SUZUKI	GRAND VITARA	JB TYPE 2	TREKKER	4	1.6L	M16A	P	MPFI	2007	2008	H-TOP		AC0131	ACA212		ACC79
SUZUKI	GRAND VITARA	JB TYPE 2	TREKKER	4	2.0L	J20A	P	MPFI	2007	2008	WAGON		AC024	ACA212		ACC79
SUZUKI	GRAND VITARA	JB TYPE 2	TREKKER	6	2.7L	H27A	P	MPFI	2007	2008	WAGON		AC030	ACA212		ACC79
SUZUKI	GRAND VITARA	JB TYPE 2		4	1.9L	F9QB	D	TURBO DIRECT INJ	2008	2008	WAGON			ACA212		ACC79
SUZUKI	GRAND VITARA	JB TYPE 2	JLX	4	1.9L	F9QB	D	TURBO DIRECT INJ	2008	2008	WAGON			ACA212		ACC79
SUZUKI	GRAND VITARA	JB	PRESTIGE	6	3.2L	N32A	P	MPFI	2008	2011	WAGON		AC092	ACA278		ACC79
SUZUKI	GRAND VITARA	JT		4	1.9L	F9QB	D	TURBO DIRECT INJ	2005	12/07	WAGON			ACA212		ACC79
SUZUKI	GRAND VITARA	JT		4	1.9L	F9QB	D	TURBO DIRECT INJ	01/08	ON	WAGON			ACA212		ACC79
SUZUKI	GRAND VITARA	JT		4	2.4L	J24B	P	MPFI	2008	2013	WAGON		AC0131	ACA278		ACC79
SUZUKI	GRAND VITARA	JT	100TH ANNIV	4	2.4L	J24B	P	MPFI	2009	2009	WAGON		AC0131	ACA278		ACC79
SUZUKI	GRAND VITARA	JT	ADVENTURE	4	2.4L	J24B	P	MPFI	2009	2009	WAGON		AC0131	ACA278		ACC79
SUZUKI	GRAND VITARA	JT	LE	4	2.4L	J24B	P	MPFI	2009	2009	WAGON		AC0131	ACA278		ACC79
SUZUKI	GRAND VITARA	JT	LUXURY	4	2.4L	J24B	P	MPFI	2012	ON	WAGON		AC0131	ACA278		ACC79
SUZUKI	GRAND VITARA	JT	PRESTIGE	4	2.4L	J24B	P	MPFI	2008	ON	WAGON		AC0131	ACA278		ACC79
SUZUKI	GRAND VITARA	JT	SPORT	4	2.4L	J24B	P	MPFI	2011	ON	WAGON		AC0131	ACA278		ACC79
SUZUKI	GRAND VITARA	JT	URBAN	4	2.4L	J24B	P	MPFI	2010	ON	WAGON		AC0131	ACA278		ACC79
SUZUKI	GRAND VITARA	JT	URBAN NAVIGATOR	4	2.4L	J24B	P	MPFI	2012	ON	WAGON		AC0131	ACA278		ACC79
SUZUKI	IGNIS	RG413	GA	4	1.3L	M13A	P	MPFI	2000	2005	HATCH		AC024	ACA131		
SUZUKI	IGNIS	RG413	GL	4	1.3L	M13A	P	MPFI	2000	2005	HATCH		AC024	ACA131		
SUZUKI	IGNIS	RG415	SPORT	4	1.5L	M15A	P	MPFI	2003	2005	HATCH		AC024			
SUZUKI	JIMNY	SN413 T1	JLX	4	1.3L	G13BB	P	MPFI	1998	2000	H-TOP		AC024	ACA299		
SUZUKI	JIMNY	SN413 T1	JX	4	1.3L	G13BB	P	MPFI	1998	2000	H-TOP		AC024	ACA299		
SUZUKI	JIMNY	SN413 T2	JLX	4	1.3L	G13BB	P	MPFI	2000	2001	H-TOP		AC024	ACA299		
SUZUKI	JIMNY	SN413	JLX	4	1.3L	M13A	P	MPFI	09/00	2004	H-TOP		AC024	ACA299		
SUZUKI	JIMNY	SN413	JX	4	1.3L	M13A	P	MPFI	09/00	2004	H-TOP		AC024	ACA299		
SUZUKI	JIMNY	SN413 T2	JX	4	1.3L	M13A	P	MPFI	2001	2001	H-TOP		AC024	ACA299		
SUZUKI	JIMNY	SN413 T4	JLX	4	1.3L	M13A	P	MPFI	2002	2004	H-TOP		AC024	ACA299		
SUZUKI	JIMNY	SN413 T4	JX	4	1.3L	M13A	P	MPFI	2002	2004	H-TOP		AC024	ACA299		
SUZUKI	JIMNY	SN413 T5	JX	4	1.3L	M13A	P	MPFI	2005	2005	H-TOP		AC0131	ACA299		
SUZUKI	JIMNY	SN413 T5	Z SERIES	4	1.3L	M13A	P	MPFI	2005	2005	H-TOP		AC0131	ACA299		
SUZUKI	JIMNY	SN413 T6	JLX	4	1.3L	M13A	P	MPFI	2005	2007	H-TOP		AC0131	ACA299		
SUZUKI	JIMNY	SN413 T6	JX	4	1.3L	M13A	P	MPFI	2005	2012	H-TOP		AC0131	ACA299		
SUZUKI	JIMNY	SN413 T6	SIERRA	4	1.3L	M13A	P	MPFI	2009	ON	H-TOP		AC0131	ACA299		
SUZUKI	JIMNY	SN413 T6	SIERRA 100TH ANNIV	4	1.3L	M13A	P	MPFI	2009	2009	H-TOP		AC0131	ACA299		

MAKE	MODEL	SERIES	BADGE	CYLS	ENG SIZE	ENGINE CODE	FUEL	FUEL DELIVERY / AIR INTAKE	FROM	TO	BODY	REMARKS	OIL	AIR	FUEL	CABIN
SUZUKI	JIMNY	SN413 T6	SIERRA TREKKER	4	1.3L	M13A	P	MPFI	2008	2008	H-TOP		AC0131	ACA299		
SUZUKI	JIMNY	SN413 T6	SPECIAL EDITION	4	1.3L	M13A	P	MPFI	2007	2007	H-TOP		AC0131	ACA299		
SUZUKI	JIMNY	SN413 T6	SPORT	4	1.3L	M13A	P	MPFI	2007	2007	H-TOP		AC0131	ACA299		
SUZUKI	JIMNY	SN413 T6	Z SERIES	4	1.3L	M13A	P	MPFI	2005	2008	H-TOP		AC0131	ACA299		
SUZUKI	JIMNY	SN413 VL3	JLX	4	1.3L	M13A	P	MPFI	2005	2005	H-TOP		AC0131	ACA299		
SUZUKI	KIZASHI	FR	XL	4	2.4L	J24B	P	MPFI	2010	2011	SEDAN		AC0131	ACA300		
SUZUKI	KIZASHI	FR	XLS	4	2.4L	J24B	P	MPFI	2010	2011	SEDAN		AC0131	ACA300		
SUZUKI	KIZASHI	FR	SPORT	4	2.4L	J24B	P	MPFI	2010	ON	SEDAN	AWD	AC0131	ACA300		
SUZUKI	KIZASHI	FR	PRESTIGE	4	2.4L	J24B	P	MPFI	2011	2013	SEDAN		AC0131	ACA300		
SUZUKI	KIZASHI	FR	TOURING	4	2.4L	J24B	P	MPFI	2011	2013	SEDAN		AC0131	ACA300		
SUZUKI	KIZASHI	FR	SPORT PRESTIGE	4	2.4L	J24B	P	MPFI	2013	ON	SEDAN		AC0131	ACA300		
SUZUKI	KIZASHI	FR	SPORT TOURING	4	2.4L	J24B	P	MPFI	2013	ON	SEDAN		AC0131	ACA300		
SUZUKI	LIANA	RH416 TYPE 1	GA	4	1.6L	M16A	P	MPFI	2001	2001	HATCH		AC024			
SUZUKI	LIANA	RH416 TYPE 1	GLX	4	1.6L	M16A	P	MPFI	2001	2001	HATCH		AC024			
SUZUKI	LIANA	RH416	GA	4	1.6L	M16A	P	MPFI	2002	2002	HATCH		AC024	ACA298		
SUZUKI	LIANA	RH416 TYPE 2	GLX	4	1.6L	M16A	P	MPFI	2002	2002	HATCH		AC024			
SUZUKI	LIANA	RH416 TYPE 3	GLX	4	1.6L	M16A	P	MPFI	2002	2003	SED/HATCH		AC024	ACA298		
SUZUKI	LIANA	RH416 TYPE 3	Z SERIES	4	1.6L	M16A	P	MPFI	2002	2003	SED/HATCH		AC024	ACA298		
SUZUKI	LIANA	RH416 TYPE 3	GS	4	1.6L	M16A	P	MPFI	2002	2004	SED/HATCH		AC024	ACA298		
SUZUKI	LIANA	RH418 TYPE 4	GS	4	1.8L	M18A	P	MPFI	2004	2004	HATCH		AC024	ACA298		
SUZUKI	LIANA	RH418 TYPE 5		4	1.8L	M18A	P	MPFI	2004	2007	HATCH		AC024	ACA298		
SUZUKI	LIANA	RH418 TYPE 5		4	1.8L	M18A	P	MPFI	2004	2007	SEDAN		AC024	ACA298		
SUZUKI	LIANA	RH418 TYPE 5	GLX	4	1.8L	M18A	P	MPFI	2004	2007	SED/HATCH		AC024	ACA298		
SUZUKI	LIANA	RH418 TYPE 5	Z SERIES	4	1.8L	M18A	P	MPFI	2004	2007	HATCH		AC024	ACA298		
SUZUKI	LIANA	RH418 TYPE 5	Z SERIES	4	1.8L	M18A	P	MPFI	2004	2007	SEDAN		AC024	ACA298		
SUZUKI	MIGHTY BOY			4	0.5L	F5A	P	CARB	1985	1988	UTE		AC013			
SUZUKI	S-CROSS	JY	GL	4	1.6L	M16A	P	MPFI	12/13	ON	HATCH		AC0131	ACA21		
SUZUKI	S-CROSS	JY	GLX	4	1.6L	M16A	P	MPFI	12/13	ON	HATCH		AC0131	ACA21		
SUZUKI	S-CROSS	JY	GLX PRESTIGE	4	1.6L	M16A	P	MPFI	12/13	ON	HATCH		AC0131	ACA21		
SUZUKI	SIERRA	TYPE 1		4	1.0L	F10A	P	CARB	1981	1982	S-TOP		AC013			
SUZUKI	SIERRA	TYPE 2		4	1.0L	F10A	P	CARB	1983	1983	UTE		AC013			
SUZUKI	SIERRA	TYPE 3		4	1.0L	F10A	P	CARB	1984	1984	UTE		AC013			
SUZUKI	SIERRA	TYPE 1		4	1.3L	G13A	P	CARB	1984	1985	S-TOP		AC030			
SUZUKI	SIERRA	TYPE 1		4	1.3L	G13A	P	CARB	1984	1985	H-TOP		AC030			
SUZUKI	SIERRA	TYPE 4		4	1.0L	F10A	P	CARB	1986	1986	S-TOP		AC013			
SUZUKI	SIERRA	TYPE 2		4	1.3L	G13A	P	CARB	1986	1986	S-TOP		AC030			
SUZUKI	SIERRA	TYPE 5		4	1.0L	F10A	P	CARB	1987	1988	UTE		AC013			
SUZUKI	SIERRA	TYPE 3		4	1.3L	G13A	P	CARB	1987	1988	S-TOP		AC030			

MAKE	MODEL	SERIES	BADGE	CYLS	ENG SIZE	ENGINE CODE	FUEL	FUEL DELIVERY / AIR INTAKE	FROM	TO	BODY	REMARKS	OIL	AIR	FUEL	CABIN
SUZUKI	SIERRA	TYPE 4		4	1.3L	G13A	P	CARB	1988	1988	S-TOP		AC030			
SUZUKI	SIERRA	TYPE 5		4	1.3L	G13A	P	CARB	1988	1989	S-TOP		AC030			
SUZUKI	SIERRA	WX		4	1.3L	G13A	P	CARB	1989	1990	S-TOP		AC030			
SUZUKI	SIERRA	TYPE 6		4	1.3L	G13A	P	CARB	1989	1991	S-TOP		AC030			
SUZUKI	SIERRA	TYPE 6	JX	4	1.3L	G13A	P	CARB	1989	1991	S-TOP		AC030			
SUZUKI	SIERRA	TYPE 7	JX	4	1.3L	G13A	P	CARB	1991	1991	S-TOP		AC030			
SUZUKI	SIERRA	QX	JX	4	1.3L	G13A	P	CARB	1991	1996	S-TOP		AC030			
SUZUKI	SIERRA	VX	JX	4	1.3L	G13A	P	CARB	1991	1996	H-TOP		AC030			
SUZUKI	SIERRA	VX	JX	4	1.3L	G13A	P	CARB	1991	1996	S-TOP		AC030			
SUZUKI	SIERRA	QX	WIDETRACK	4	1.3L	G13A	P	CARB	1992	1992	S-TOP		AC030			
SUZUKI	SIERRA	QX	CLASSIC	4	1.3L	G13A	P	CARB	1994	1996	S-TOP		AC030			
SUZUKI	SIERRA	TYPE 2	STOCKMAN	4	1.0L	F10A	P	CARB	1994	2000	UTE		AC013			
SUZUKI	SWIFT	SA	GA	3	1.0L	G10A	P	CARB	1984	1988	HATCH		AC013		ACF88	
SUZUKI	SWIFT	SA	GL	3	1.0L	G10A	P	CARB	1984	1988	HATCH		AC013		ACF88	
SUZUKI	SWIFT	SA	GTI	4	1.3L	G13B	P	MPFI	1986	1987	HATCH		AC013			
SUZUKI	SWIFT	SA	GTI LS	4	1.3L	G13B	P	MPFI	1988	1988	HATCH		AC013			
SUZUKI	SWIFT	SA	GTI TC	4	1.3L	G13B	P	MPFI	1988	1988	HATCH		AC013			
SUZUKI	SWIFT	SF	GTI LS	4	1.3L	G13B	P	MPFI	1989	1989	HATCH		AC013			
SUZUKI	SWIFT	SF	GTI TC	4	1.3L	G13B	P	MPFI	1989	1989	HATCH		AC013			
SUZUKI	SWIFT	SF	GL	3	1.0L	G10A	P	CARB	1989	1991	HATCH		AC013	ACA58	ACF89	
SUZUKI	SWIFT	SF	GLX	4	1.6L	G16B	P	MPFI	1989	1991	SEDAN	4WD	AC024			
SUZUKI	SWIFT	SF	GLX	4	1.6L	G16B	P	MPFI	1989	1991	SEDAN	2WD	AC013			
SUZUKI	SWIFT	SF	GA	3	1.0L	G10A	P	CARB	1989	1995	HATCH		AC013	ACA58	ACF89	
SUZUKI	SWIFT	SF	GL	4	1.3L	G13B	P	CARB	1989	1995	SEDAN		AC024	ACA58	ACF89	
SUZUKI	SWIFT	SF	GTI	4	1.3L	G13B	P	MPFI	1990	2000	HATCH		AC013			
SUZUKI	SWIFT	SF	G	3	1.0L	G10A	P	CARB	1991	1992	HATCH		AC013	ACA58	ACF89	
SUZUKI	SWIFT	SF	GA SPORT	3	1.0L	G10A	P	CARB	1991	1992	HATCH		AC013	ACA58	ACF89	
SUZUKI	SWIFT	SF		4	1.3L	G13BA	P	CARB	1991	1992	HATCH		AC024	ACA58	ACF89	
SUZUKI	SWIFT	SF	CITY CAR	3	1.0L	G10A	P	CARB	1993	1994	HATCH		AC013	ACA58	ACF89	
SUZUKI	SWIFT	SF	CINO	4	1.3L	G13BA	P	CARB	1994	1999	HATCH		AC024	ACA58	ACF89	
SUZUKI	SWIFT	SF	CINO SPORT	4	1.3L	G13BA	P	CARB	1996	1997	HATCH		AC024	ACA58	ACF89	
SUZUKI	SWIFT	SF	CINO FIORELLI	4	1.3L	G13BA	P	CARB	1997	1997	HATCH		AC024	ACA58	ACF89	
SUZUKI	SWIFT	SF	CINO SPORTZ	4	1.3L	G13BA	P	CARB	1997	1997	HATCH		AC024	ACA58	ACF89	
SUZUKI	SWIFT	SF	X-TREME CINO	4	1.3L	G13B	P	CARB	1998	1999	SEDAN		AC024	ACA58	ACF89	
SUZUKI	SWIFT	SF	CINO FL	4	1.3L	G13BA	P	CARB	1999	1999	HATCH		AC024	ACA58	ACF89	
SUZUKI	SWIFT	RS415	Z SERIES	4	1.5L	M15A	P	MPFI	2005	2008	HATCH		AC0131	ACA257		ACC44
SUZUKI	SWIFT	RS415	GLX	4	1.5L	M15A	P	MPFI	2005	2010	HATCH		AC0131	ACA257		ACC44
SUZUKI	SWIFT	RS415	S	4	1.5L	M15A	P	MPFI	2005	2010	HATCH		AC0131	ACA257		ACC44
SUZUKI	SWIFT	RS416	SPORT	4	1.6L	M16A	P	MPFI	2006	2010	HATCH		AC0131	ACA257		ACC44
SUZUKI	SWIFT	RS415	RE1	4	1.5L	M15A	P	MPFI	2007	2008	HATCH		AC0131	ACA257		ACC44
SUZUKI	SWIFT	RS415	RE2	4	1.5L	M15A	P	MPFI	2008	2008	HATCH		AC0131	ACA257		ACC44
SUZUKI	SWIFT	RS415	S LIMITED EDITION	4	1.5L	M15A	P	MPFI	2008	2008	HATCH		AC0131	ACA257		ACC44
SUZUKI	SWIFT	RS415	RE3	4	1.5L	M15A	P	MPFI	2008	2009	HATCH		AC0131	ACA257		ACC44
SUZUKI	SWIFT	RS415	100TH ANNIV	4	1.5L	M15A	P	MPFI	2009	2009	HATCH		AC0131	ACA257		ACC44
SUZUKI	SWIFT	RS415	EXTREME	4	1.5L	M15A	P	MPFI	2009	2010	HATCH		AC0131	ACA257		ACC44
SUZUKI	SWIFT	RS415	RE4	4	1.5L	M15A	P	MPFI	2009	2010	HATCH		AC0131	ACA257		ACC44

MAKE	MODEL	SERIES	BADGE	CYLS	ENG SIZE	ENGINE CODE	FUEL	FUEL DELIVERY / AIR INTAKE	FROM	TO	BODY	REMARKS	OIL	AIR	FUEL	CABIN
SUZUKI	SWIFT	RS415	BEAT	4	1.5L	M15A	P	MPFI	2010	2010	HATCH		AC0131	ACA257		ACC44
SUZUKI	SWIFT	RS415	Q50	4	1.5L	M15A	P	MPFI	2010	2010	HATCH		AC0131	ACA257		ACC44
SUZUKI	SWIFT	FZ	CLASSIC	4	1.4L	K14B	P	MPFI	2011	2011	HATCH		AC078	ACA263		
SUZUKI	SWIFT	FZ	GA	4	1.4L	K14B	P	MPFI	2011	2013	HATCH		AC078	ACA263		
SUZUKI	SWIFT	FZ	GLX	4	1.4L	K14B	P	MPFI	2011	2013	HATCH		AC078	ACA263		
SUZUKI	SWIFT	FZ	GL	4	1.4L	K14B	P	MPFI	2011	ON	HATCH		AC078	ACA263		
SUZUKI	SWIFT	FZ	EXTREME	4	1.4L	K14B	P	MPFI	2012	2013	HATCH		AC078	ACA263		
SUZUKI	SWIFT	FZ	RE2	4	1.4L	K14B	P	MPFI	2012	2013	HATCH		AC078	ACA263		
SUZUKI	SWIFT	FZ	SPORT	4	1.6L	M16A	P	MPFI	2012	ON	HATCH	WHERE OIL FILTER IS APPROX 65MM HIGH	AC078	ACA21		ACC44
SUZUKI	SWIFT	FZ	SPORT	4	1.6L	M16A	P	MPFI	2012	ON	HATCH	WHERE OIL FILTER IS APPROX 85MM HIGH	AC0131	ACA21		ACC44
SUZUKI	SWIFT	FZ	GL NAVIGATOR	4	1.4L	K14B	P	MPFI	2013	ON	HATCH		AC078	ACA263		
SUZUKI	SWIFT	FZ	GLX NAVIGATOR	4	1.4L	K14B	P	MPFI	2013	ON	HATCH		AC078	ACA263		
SUZUKI	SX4	GYC	S	4	2.0L	J20A	P	MPFI	2001	01/10	SEDAN		AC0131	ACA244		ACC45
SUZUKI	SX4	GYB	Z SERIES	4	2.0L	J20A	P	MPFI	2007	2008	HATCH		AC0131	ACA244		ACC45
SUZUKI	SX4	GYA	GLX	4	2.0L	J20A	P	MPFI	2007	2009	HATCH		AC0131	ACA244		ACC45
SUZUKI	SX4	GYB	GLX	4	2.0L	J20A	P	MPFI	2007	2009	HATCH		AC0131	ACA244		ACC45
SUZUKI	SX4	GYC		4	2.0L	J20A	P	MPFI	2007	2009	SEDAN		AC0131	ACA244		ACC45
SUZUKI	SX4	GYC	GLX	4	2.0L	J20A	P	MPFI	2007	2009	SEDAN		AC0131	ACA244		ACC45
SUZUKI	SX4	GYA		4	2.0L	J20A	P	MPFI	2007	01/10	HATCH		AC0131	ACA244		ACC45
SUZUKI	SX4	GYA	S	4	2.0L	J20A	P	MPFI	2007	01/10	HATCH		AC0131	ACA244		ACC45
SUZUKI	SX4	GYB		4	2.0L	J20A	P	MPFI	2007	01/10	HATCH		AC0131	ACA244		ACC45
SUZUKI	SX4	GYB	ADVENTURE	4	2.0L	J20A	P	MPFI	2008	2008	HATCH		AC0131	ACA244		ACC45
SUZUKI	SX4	GYB	S	4	2.0L	J20A	P	MPFI	2008	01/10	HATCH		AC0131	ACA244		ACC45
SUZUKI	SX4	GYA	100TH ANNIV	4	2.0L	J20A	P	MPFI	2009	2009	HATCH		AC0131	ACA244		ACC45
SUZUKI	SX4	GYB	100TH ANNIV	4	2.0L	J20A	P	MPFI	2009	2009	HATCH		AC0131	ACA244		ACC45
SUZUKI	SX4	GYA	LIANA GLX	4	2.0L	J20B	P	MPFI	2010	2011	HATCH		AC0131			ACC45
SUZUKI	SX4	GYA	LIANA S	4	2.0L	J20B	P	MPFI	2010	2011	HATCH		AC0131			ACC45
SUZUKI	SX4	GYC	LIANA S	4	2.0L	J20B	P	MPFI	2010	2011	SEDAN		AC0131			ACC45
SUZUKI	SX4	GYA		4	2.0L	J20B	P	MPFI	02/10	2012	HATCH		AC0131			ACC45
SUZUKI	SX4	GYA	S	4	2.0L	J20B	P	MPFI	02/10	2012	HATCH		AC0131			ACC45
SUZUKI	SX4	GYA	CROSSOVER	4	2.0L	J20B	P	MPFI	2012	ON	HATCH		AC0131			ACC45
SUZUKI	SX4	GYA	CROSSOVER NAVIGATOR	4	2.0L	J20B	P	MPFI	2013	ON	HATCH		AC0131			ACC45
SUZUKI	SX4	GYA	CROSSOVER S	4	2.0L	J20B	P	MPFI	2012	ON	HATCH		AC0131			ACC45
SUZUKI	SX4	GYB		4	2.0L	J20B	P	MPFI	02/10	2012	HATCH		AC0131			ACC45
SUZUKI	SX4	GYB	S	4	2.0L	J20B	P	MPFI	02/10	2012	HATCH		AC0131			ACC45
SUZUKI	SX4	GYC	S	4	2.0L	J20B	P	MPFI	02/10	2012	SEDAN		AC0131			ACC45
SUZUKI	VITARA	SE416	JU	4	1.6L	G16A	P	CARB	1988	1991	S-TOP		AC030		ACF191	
SUZUKI	VITARA	SE416	JLX	4	1.6L	G16A	P	CARB	1988	1994	S-TOP		AC030		ACF191	
SUZUKI	VITARA	SE416	JLX	4	1.6L	G16A	P	CARB	1988	1994	H-TOP		AC030		ACF191	
SUZUKI	VITARA	SE416	JX	4	1.6L	G16A	P	CARB	1988	1994	S-TOP		AC030		ACF191	
SUZUKI	VITARA	SE416	JX	4	1.6L	G16A	P	CARB	1988	1994	H-TOP		AC030		ACF191	

MAKE	MODEL	SERIES	BADGE	CYLS	ENG SIZE	ENGINE CODE	FUEL	FUEL DELIVERY / AIR INTAKE	FROM	TO	BODY	REMARKS	OIL	AIR	FUEL	CABIN
SUZUKI	VITARA	SE416	JLX	4	1.6L	G16B	P	MPFI	1991	1998	WAGON	AIR FILTER HOUSING WITH CLIPS	AC024	ACA296	ACF5	
SUZUKI	VITARA	SE416	JLX	4	1.6L	G16B	P	MPFI	1991	1998	WAGON		AC024		ACF5	
SUZUKI	VITARA	SE416	JX	4	1.6L	G16B	P	MPFI	1991	1998	WAGON	AIR FILTER HOUSING WITH CLIPS	AC024	ACA296	ACF5	
SUZUKI	VITARA	SE416	JX	4	1.6L	G16B	P	MPFI	1991	1998	WAGON		AC024		ACF5	
SUZUKI	VITARA	SE416	JLX ESTATE	4	1.6L	G16B	P	MPFI	1993	1993	WAGON	AIR FILTER HOUSING WITH CLIPS	AC024	ACA296	ACF5	
SUZUKI	VITARA	SE416	JLX ESTATE	4	1.6L	G16B	P	MPFI	1993	1993	WAGON		AC024		ACF5	
SUZUKI	VITARA	SE416	JX ESTATE	4	1.6L	G16B	P	MPFI	1993	1993	WAGON	AIR FILTER HOUSING WITH CLIPS	AC024	ACA296	ACF5	
SUZUKI	VITARA	SE416	JX ESTATE	4	1.6L	G16B	P	MPFI	1993	1993	WAGON		AC024		ACF5	
SUZUKI	VITARA	SE416	BLAZE	4	1.6L	G16A	P	CARB	1994	1994	H-TOP		AC030		ACF191	
SUZUKI	VITARA	SERIES 2	JLX	4	1.6L	G16B	P	MPFI	1994	1994	S-TOP		AC024	ACA296	ACF5	
SUZUKI	VITARA	SERIES 2	JX	4	1.6L	G16B	P	MPFI	1994	1994	S-TOP		AC024	ACA296	ACF5	
SUZUKI	VITARA	SE416	JLX	4	1.6L	G16B	P	MPFI	1995	1998	S-TOP		AC024	ACA296	ACF5	
SUZUKI	VITARA	SE416	JLX	4	1.6L	G16B	P	MPFI	1995	1998	H-TOP		AC024	ACA296	ACF5	
SUZUKI	VITARA	SE416	JX	4	1.6L	G16B	P	MPFI	1995	1998	S-TOP		AC024	ACA296	ACF5	
SUZUKI	VITARA	SE416	JX	4	1.6L	G16B	P	MPFI	1995	1998	H-TOP		AC024	ACA296	ACF5	
SUZUKI	VITARA	SV620	V6	6	2.0L	H20A	P	MPFI	1995	1998	WAGON		AC030	ACA211	ACF5	
SUZUKI	VITARA	SE416	SUMMER EDITION	4	1.6L	G16B	P	MPFI	1997	1997	S-TOP		AC024	ACA296	ACF5	
SUZUKI	VITARA	SE416	SUMMER EDITION	4	1.6L	G16B	P	MPFI	1997	1997	H-TOP		AC024	ACA296	ACF5	
SUZUKI	VITARA	SV420	JLX	4	2.0L	J20A	P	MPFI	1997	04/98	S-TOP		AC024			
SUZUKI	VITARA	SV420	JLX	4	2.0L	J20A	P	MPFI	1997	04/98	H-TOP		AC024			
SUZUKI	VITARA	SV420	JLX	4	2.0L	J20A	P	MPFI	04/98	2000	S-TOP		AC024		ACF5	
SUZUKI	WAGON R+	SR410	GA	4	1.0L	K10A	P	MPFI	1997	11/98	WAGON		AC024			
SUZUKI	WAGON R+	SR410	GL	4	1.0L	K10A	P	MPFI	1997	11/98	WAGON		AC024			
SUZUKI	X-90	SZ416		4	1.6L	G16B	P	MPFI	1996	1997	TARGA		AC024		ACF5	
SUZUKI	XL-7	JA627		6	2.7L	H27A	P	MPFI	2001	2003	WAGON		AC030	ACA191		
SUZUKI	XL-7	JA627	CLASSIC	6	2.7L	H27A	P	MPFI	2001	2003	WAGON		AC030	ACA191		
SUZUKI	XL-7	JA627	LIMITED EDITION	6	2.7L	H27A	P	MPFI	2002	2003	WAGON		AC030	ACA191		
SUZUKI	XL-7	JA627		6	2.7L	H27A	P	MPFI	2003	2006	WAGON		AC030	ACA191		ACC2
SUZUKI	XL-7	JA627	CLASSIC	6	2.7L	H27A	P	MPFI	2003	2006	WAGON		AC030	ACA191		ACC2
SUZUKI	XL-7	JA627	LIMITED EDITION	6	2.7L	H27A	P	MPFI	2003	2006	WAGON		AC030	ACA191		ACC2
SUZUKI	XL-7	JA627	TREKKER	6	2.7L	H27A	P	MPFI	2005	2006	WAGON		AC030	ACA191		ACC2
<b>TOYOTA</b>																
TOYOTA	86	ZN6	GT	4	2.0L	FA20	P	DIRECT INJ	06/12	ON	COUPE		AC07	ACA123		ACC78
TOYOTA	86	ZN6	GTS	4	2.0L	FA20	P	DIRECT INJ	06/12	ON	COUPE		AC07	ACA123		ACC78
TOYOTA	4RUNNER	LN130R	DELUXE	4	2.8L		D	MPFI	1991	1991	WAGON		AC01	ACA3	ACF201	
TOYOTA	4RUNNER	VZN130R	SR5 LIMITED	6	3.0L	3VZ-FE	P	MPFI	1991	1995	WAGON		AC024	ACA46	ACF49	
TOYOTA	4RUNNER	VZN130R	OLYMPIC SPIRIT	6	3.0L	3VZ-FE	P	MPFI	1992	1992	WAGON		AC024	ACA46	ACF49	
TOYOTA	4RUNNER	VZN130R	RV6	6	3.0L	3VZ-FE	P	MPFI	1992	1996	WAGON		AC024	ACA46	ACF49	
TOYOTA	4RUNNER	VZN130R	SR5	6	3.0L	3VZ-FE	P	MPFI	1993	1993	WAGON		AC024	ACA46	ACF49	
TOYOTA	4RUNNER	RN130R	DELUXE	4	2.4L		P	CARB	1993	1996	WAGON		AC024	ACA12	ACF105	

MAKE	MODEL	SERIES	BADGE	CYLS	ENG SIZE	ENGINE CODE	FUEL	FUEL DELIVERY / AIR INTAKE	FROM	TO	BODY	REMARKS	OIL	AIR	FUEL	CABIN
TOYOTA	ARISTO	3.0V		6	3.0L	2JZ	P	TWIN TURBO	1992	1997	SEDAN		AC024		ACF185	
TOYOTA	AURION	GSV40R	AT-X	6	3.5L	2GR-FE	P	MPFI	2006	2009	SEDAN	WHERE FUEL FILTER IS APPROX. 123MM HIGH	AC0101	ACA160	ACF130	ACC31
TOYOTA	AURION	GSV40R	PRESARA	6	3.5L	2GR-FE	P	MPFI	2006	2009	SEDAN	WHERE FUEL FILTER IS APPROX. 190MM HIGH	AC0101	ACA160	ACF188	ACC31
TOYOTA	AURION	GSV40R	PRESARA	6	3.5L	2GR-FE	P	MPFI	2006	2009	SEDAN	WHERE FUEL FILTER IS APPROX. 123MM HIGH	AC0101	ACA160	ACF130	ACC31
TOYOTA	AURION	GSV40R	PRODIGY	6	3.5L	2GR-FE	P	MPFI	2006	2009	SEDAN	WHERE FUEL FILTER IS APPROX. 190MM HIGH	AC0101	ACA160	ACF188	ACC31
TOYOTA	AURION	GSV40R	PRODIGY	6	3.5L	2GR-FE	P	MPFI	2006	2009	SEDAN	WHERE FUEL FILTER IS APPROX. 123MM HIGH	AC0101	ACA160	ACF130	ACC31
TOYOTA	AURION	GSV40R	SPORTIVO SX6	6	3.5L	2GR-FE	P	MPFI	2006	2009	SEDAN	WHERE FUEL FILTER IS APPROX. 190MM HIGH	AC0101	ACA160	ACF188	ACC31
TOYOTA	AURION	GSV40R	SPORTIVO SX6	6	3.5L	2GR-FE	P	MPFI	2006	2009	SEDAN	WHERE FUEL FILTER IS APPROX. 123MM HIGH	AC0101	ACA160	ACF130	ACC31
TOYOTA	AURION	GSV40R	SPORTIVO ZR6	6	3.5L	2GR-FE	P	MPFI	2006	2009	SEDAN	WHERE FUEL FILTER IS APPROX. 190MM HIGH	AC0101	ACA160	ACF188	ACC31
TOYOTA	AURION	GSV40R	SPORTIVO ZR6	6	3.5L	2GR-FE	P	MPFI	2006	2009	SEDAN	WHERE FUEL FILTER IS APPROX. 123MM HIGH	AC0101	ACA160	ACF130	ACC31
TOYOTA	AURION	GSV40R	TOURING	6	3.5L	2GR-FE	P	MPFI	2007	2009	SEDAN	WHERE FUEL FILTER IS APPROX. 190MM HIGH	AC0101	ACA160	ACF188	ACC31
TOYOTA	AURION	GSV40R	TOURING	6	3.5L	2GR-FE	P	MPFI	2007	2009	SEDAN	WHERE FUEL FILTER IS APPROX. 123MM HIGH	AC0101	ACA160	ACF130	ACC31
TOYOTA	AURION	GSV40R	AT-X	6	3.5L	2GR-FE	P	MPFI	2006	2009	SEDAN		AC0101	ACA160	ACF188	ACC31
TOYOTA	AURION	GSV40R	AT-X	6	3.5L	2GR-FE	P	MPFI	2009	03/12	SEDAN	WHERE FUEL FILTER IS APPROX. 190MM HIGH	AC0101	ACA160	ACF188	ACC31
TOYOTA	AURION	GSV40R	AT-X	6	3.5L	2GR-FE	P	MPFI	2009	03/12	SEDAN	WHERE FUEL FILTER IS APPROX. 123MM HIGH	AC0101	ACA160	ACF130	ACC31

MAKE	MODEL	SERIES	BADGE	CYLS	ENG SIZE	ENGINE CODE	FUEL	FUEL DELIVERY / AIR INTAKE	FROM	TO	BODY	REMARKS	OIL	AIR	FUEL	CABIN
TOYOTA	AURION	GSV40R	PRESARA	6	3.5L	2GR-FE	P	MPFI	2009	03/12	SEDAN	WHERE FUEL FILTER IS APPROX. 190MM HIGH	AC0101	ACA160	ACF188	ACC31
TOYOTA	AURION	GSV40R	PRESARA	6	3.5L	2GR-FE	P	MPFI	2009	03/12	SEDAN	WHERE FUEL FILTER IS APPROX. 123MM HIGH	AC0101	ACA160	ACF130	ACC31
TOYOTA	AURION	GSV40R	PRODIGY	6	3.5L	2GR-FE	P	MPFI	2009	03/12	SEDAN	WHERE FUEL FILTER IS APPROX. 190MM HIGH	AC0101	ACA160	ACF188	ACC31
TOYOTA	AURION	GSV40R	PRODIGY	6	3.5L	2GR-FE	P	MPFI	2009	03/12	SEDAN	WHERE FUEL FILTER IS APPROX. 123MM HIGH	AC0101	ACA160	ACF130	ACC31
TOYOTA	AURION	GSV40R	SPORTIVO SX6	6	3.5L	2GR-FE	P	MPFI	2009	03/12	SEDAN	WHERE FUEL FILTER IS APPROX. 190MM HIGH	AC0101	ACA160	ACF188	ACC31
TOYOTA	AURION	GSV40R	SPORTIVO SX6	6	3.5L	2GR-FE	P	MPFI	2009	03/12	SEDAN	WHERE FUEL FILTER IS APPROX. 123MM HIGH	AC0101	ACA160	ACF130	ACC31
TOYOTA	AURION	GSV40R	SPORTIVO ZR6	6	3.5L	2GR-FE	P	MPFI	2009	03/12	SEDAN	WHERE FUEL FILTER IS APPROX. 190MM HIGH	AC0101	ACA160	ACF188	ACC31
TOYOTA	AURION	GSV40R	SPORTIVO ZR6	6	3.5L	2GR-FE	P	MPFI	2009	03/12	SEDAN	WHERE FUEL FILTER IS APPROX. 123MM HIGH	AC0101	ACA160	ACF130	ACC31
TOYOTA	AURION	GSV40R	TOURING	6	3.5L	2GR-FE	P	MPFI	2009	03/12	SEDAN	WHERE FUEL FILTER IS APPROX. 190MM HIGH	AC0101	ACA160	ACF188	ACC31
TOYOTA	AURION	GSV40R	TOURING	6	3.5L	2GR-FE	P	MPFI	2009	03/12	SEDAN	WHERE FUEL FILTER IS APPROX. 123MM HIGH	AC0101	ACA160	ACF130	ACC31
TOYOTA	AURION	GSV40R	WHITE LE	6	3.5L	2GR-FE	P	MPFI	2009	03/12	SEDAN	WHERE FUEL FILTER IS APPROX. 190MM HIGH	AC0101	ACA160	ACF188	ACC31
TOYOTA	AURION	GSV40R	WHITE LE	6	3.5L	2GR-FE	P	MPFI	2009	03/12	SEDAN	WHERE FUEL FILTER IS APPROX. 123MM HIGH	AC0101	ACA160	ACF130	ACC31
TOYOTA	AURION	GSV50R	TOURING	6	3.5L	2GR-FE	P	MPFI	2012	2012	SEDAN		AC0101	ACA286		ACC31
TOYOTA	AURION	GSV50R	AT-X	6	3.5L	2GR-FE	P	MPFI	04/12	ON	SEDAN		AC0101	ACA286		ACC31
TOYOTA	AURION	GSV50R	PRESARA	6	3.5L	2GR-FE	P	MPFI	04/12	ON	SEDAN		AC0101	ACA286		ACC31
TOYOTA	AURION	GSV50R	PRODIGY	6	3.5L	2GR-FE	P	MPFI	04/12	ON	SEDAN		AC0101	ACA286		ACC31
TOYOTA	AURION	GSV50R	SPORTIVO SX6	6	3.5L	2GR-FE	P	MPFI	04/12	ON	SEDAN		AC0101	ACA286		ACC31

MAKE	MODEL	SERIES	BADGE	CYLS	ENG SIZE	ENGINE CODE	FUEL	FUEL DELIVERY / AIR INTAKE	FROM	TO	BODY	REMARKS	OIL	AIR	FUEL	CABIN
TOYOTA	AURION	GSV50R	SPORTIVO ZR6	6	3.5L	2GR-FE	P	MPFI	04/12	ON	SEDAN		AC0101	ACA286		ACC31
TOYOTA	AVALON	MCX10R	CONQUEST	6	3.0L	1MZ-FE	P	MPFI	2000	2001	SEDAN		AC024	ACA49	ACF112	
TOYOTA	AVALON	MCX10R	CSX	6	3.0L	1MZ-FE	P	MPFI	2000	2001	SEDAN		AC024	ACA49	ACF112	
TOYOTA	AVALON	MCX10R	CSX SPORTS	6	3.0L	1MZ-FE	P	MPFI	2000	2001	SEDAN		AC024	ACA49	ACF112	
TOYOTA	AVALON	MCX10R	GRANDE	6	3.0L	1MZ-FE	P	MPFI	2000	2001	SEDAN		AC024	ACA49	ACF112	
TOYOTA	AVALON	MCX10R	SORRENTO CONQUEST	6	3.0L	1MZ-FE	P	MPFI	2000	2001	SEDAN		AC024	ACA49	ACF112	
TOYOTA	AVALON	MCX10R	VXI	6	3.0L	1MZ-FE	P	MPFI	2000	2001	SEDAN		AC024	ACA49	ACF112	
TOYOTA	AVALON	MCX10R MARK II	ADVANTAGE CONQUEST	6	3.0L	1MZ-FE	P	MPFI	2001	2003	SEDAN		AC024	ACA49	ACF112	
TOYOTA	AVALON	MCX10R MARK II	CONQUEST	6	3.0L	1MZ-FE	P	MPFI	2001	2003	SEDAN		AC024	ACA49	ACF112	
TOYOTA	AVALON	MCX10R MARK II	CSX	6	3.0L	1MZ-FE	P	MPFI	2001	2003	SEDAN		AC024	ACA49	ACF112	
TOYOTA	AVALON	MCX10R MARK II	GRANDE	6	3.0L	1MZ-FE	P	MPFI	2001	2003	SEDAN		AC024	ACA49	ACF112	
TOYOTA	AVALON	MCX10R MARK II	SORRENTO CONQUEST	6	3.0L	1MZ-FE	P	MPFI	2001	2003	SEDAN		AC024	ACA49	ACF112	
TOYOTA	AVALON	MCX10R MARK II	VXI	6	3.0L	1MZ-FE	P	MPFI	2001	2003	SEDAN		AC024	ACA49	ACF112	
TOYOTA	AVALON	MCX10R MARK II	VXI LIMITED	6	3.0L	1MZ-FE	P	MPFI	2001	2003	SEDAN		AC024	ACA49	ACF112	
TOYOTA	AVALON	MCX10R MARK III	GRANDE	6	3.0L	1MZ-FE	P	MPFI	09/03	2005	SEDAN		AC024	ACA49	ACF130	
TOYOTA	AVALON	MCX10R MARK III	GXI	6	3.0L	1MZ-FE	P	MPFI	09/03	2005	SEDAN		AC024	ACA49	ACF130	
TOYOTA	AVALON	MCX10R MARK III	VXI	6	3.0L	1MZ-FE	P	MPFI	09/03	2005	SEDAN		AC024	ACA49	ACF130	
TOYOTA	AVENSIS VERSO	ACM20R	GLX	4	2.0L	1AZ-FE	P	MPFI	2001	2003	WAGON		AC046	ACA123	ACF131	ACC1
TOYOTA	AVENSIS VERSO	ACM20R	ULTIMA	4	2.0L	1AZ-FE	P	MPFI	2001	2003	WAGON		AC046	ACA123	ACF131	ACC1
TOYOTA	AVENSIS VERSO	ACM21R	GLX	4	2.4L	2AZ-FE	P	MPFI	2003	2010	WAGON		AC046	ACA123	ACF131	ACC1
TOYOTA	AVENSIS VERSO	ACM21R	ULTIMA	4	2.4L	2AZ-FE	P	MPFI	2003	2010	WAGON		AC046	ACA123	ACF131	ACC1
TOYOTA	CAMRY	SV21	CS	4	2.0L	3S-FE	P	MPFI	1987	1992	SED/WAG		AC022	ACA13	ACF1	
TOYOTA	CAMRY	SV21	CSI	4	2.0L	3S-FE	P	MPFI	1987	1992	SED/WAG		AC022	ACA13	ACF1	
TOYOTA	CAMRY	SV21	CSX	4	2.0L	3S-FE	P	MPFI	1987	1992	SED/WAG		AC022	ACA13	ACF1	
TOYOTA	CAMRY	SV21	EXECUTIVE	4	2.0L	3S-FE	P	MPFI	1987	1992	SED/WAG		AC022	ACA13	ACF1	
TOYOTA	CAMRY	SV21	OLYMPIC SPIRIT	4	2.0L	3S-FE	P	MPFI	1987	1992	SED/WAG		AC022	ACA13	ACF1	
TOYOTA	CAMRY	SV21	SE	4	2.0L	3S-FE	P	MPFI	1987	1992	SED/WAG		AC022	ACA13	ACF1	
TOYOTA	CAMRY	SV21	ULTIMA	4	2.0L	3S-FE	P	MPFI	1987	1992	SEDAN		AC022	ACA13	ACF1	
TOYOTA	CAMRY	SV22	CS	4	2.0L	3S-FE	P	CARB	1990	1991	SED/WAG		AC022	ACA101	ACF105	
TOYOTA	CAMRY	SV22	EXECUTIVE	4	2.0L	3S-FE	P	CARB	1990	1991	SED/WAG		AC022	ACA101	ACF105	
TOYOTA	CAMRY	SV22	SE	4	2.0L	3S-FE	P	CARB	1990	1991	SED/WAG		AC022	ACA101	ACF105	
TOYOTA	CAMRY	XV10	CSI	4	2.2L	5S-FE	P	MPFI	1993	1995	SEDAN		AC022	ACA49	ACF1	
TOYOTA	CAMRY	XV10	CSX	4	2.2L	5S-FE	P	MPFI	1993	1995	SEDAN		AC022	ACA49	ACF1	
TOYOTA	CAMRY	XV10	EXECUTIVE	4	2.2L	5S-FE	P	MPFI	1993	1995	SEDAN		AC022	ACA49	ACF1	
TOYOTA	CAMRY	XV10	ULTIMA	4	2.2L	5S-FE	P	MPFI	1993	1995	SEDAN		AC022	ACA49	ACF1	



MAKE	MODEL	SERIES	BADGE	CYLS	ENG SIZE	ENGINE CODE	FUEL	FUEL DELIVERY / AIR INTAKE	FROM	TO	BODY	REMARKS	OIL	AIR	FUEL	CABIN
TOYOTA	CAMRY	SDV10	CSI	4	2.2L	5S-FE	P	MPFI	1994	1995	SED/WAG		AC022	ACA49	ACF1	
TOYOTA	CAMRY	SDV10	ULTIMA	4	2.2L	5S-FE	P	MPFI	1994	1995	SEDAN		AC022	ACA49	ACF1	
TOYOTA	CAMRY	SXV10R	GETAWAY	4	2.2L	5S-FE	P	MPFI	1995	1996	SEDAN		AC022	ACA49	ACF1	
TOYOTA	CAMRY	SXV10R	CSI	4	2.2L	5S-FE	P	MPFI	1995	1997	SEDAN		AC022	ACA49	ACF1	
TOYOTA	CAMRY	SXV10R	CSX	4	2.2L	5S-FE	P	MPFI	1995	1997	SEDAN		AC022	ACA49	ACF1	
TOYOTA	CAMRY	SXV10R	INTRIGUE	4	2.2L	5S-FE	P	MPFI	1995	1997	SEDAN		AC022	ACA49	ACF1	
TOYOTA	CAMRY	SXV10R	GETAWAY	4	2.2L	5S-FE	P	MPFI	1996	1997	SEDAN		AC022	ACA49	ACF1	
TOYOTA	CAMRY	SXV20R	ADVANTAGE CSI	4	2.2L	5S-FE	P	MPFI	1997	2002	SEDAN		AC022	ACA49	ACF1	
TOYOTA	CAMRY	SXV20R	CONQUEST	4	2.2L	5S-FE	P	MPFI	1997	2002	SED/WAG		AC022	ACA49	ACF1	
TOYOTA	CAMRY	SXV20R	CSI	4	2.2L	5S-FE	P	MPFI	1997	2002	SED/WAG		AC022	ACA49	ACF1	
TOYOTA	CAMRY	SXV20R	CSX	4	2.2L	5S-FE	P	MPFI	1997	2002	SED/WAG		AC022	ACA49	ACF1	
TOYOTA	CAMRY	SXV20R	INTRIGUE CONQUEST	4	2.2L	5S-FE	P	MPFI	1997	2002	SED/WAG		AC022	ACA49	ACF1	
TOYOTA	CAMRY	MCV20R	ADVANTAGE CSI	6	3.0L	1MZ-FE	P	MPFI	1997	2002	SEDAN		AC024	ACA49	ACF112	
TOYOTA	CAMRY	MCV20R	AZURA	6	3.0L	1MZ-FE	P	MPFI	1997	2002	SEDAN		AC024	ACA49	ACF112	
TOYOTA	CAMRY	MCV20R	CONQUEST	6	3.0L	1MZ-FE	P	MPFI	1997	2002	SED/WAG		AC024	ACA49	ACF112	
TOYOTA	CAMRY	MCV20R	CSI	6	3.0L	1MZ-FE	P	MPFI	1997	2002	SED/WAG		AC024	ACA49	ACF112	
TOYOTA	CAMRY	MCV20R	TOURING	6	3.0L	1MZ-FE	P	MPFI	1997	2002	SED/WAG		AC024	ACA49	ACF112	
TOYOTA	CAMRY	ACV36R	ALTISE	4	2.4L	2AZ-FE	P	MPFI	2002	2005	SEDAN		AC046	ACA126	ACF130	
TOYOTA	CAMRY	ACV36R	ATEVA	4	2.4L	2AZ-FE	P	MPFI	2002	2005	SEDAN		AC046	ACA126	ACF130	
TOYOTA	CAMRY	ACV36R	SPORTIVO	4	2.4L	2AZ-FE	P	MPFI	2002	2005	SEDAN		AC046	ACA126	ACF130	
TOYOTA	CAMRY	MCV36R	ALTISE	6	3.0L	1MZ-FE	P	MPFI	2002	2005	SEDAN		AC024	ACA126	ACF130	
TOYOTA	CAMRY	MCV36R	ALTISE SPORT	6	3.0L	1MZ-FE	P	MPFI	2002	2005	SEDAN		AC024	ACA126	ACF130	
TOYOTA	CAMRY	MCV36R	ATEVA	6	3.0L	1MZ-FE	P	MPFI	2002	2005	SEDAN		AC024	ACA126	ACF130	
TOYOTA	CAMRY	MCV36R	AZURA	6	3.0L	1MZ-FE	P	MPFI	2002	2005	SEDAN		AC024	ACA126	ACF130	
TOYOTA	CAMRY	MCV36R	GRANDE	6	3.0L	1MZ-FE	P	MPFI	2002	2005	SEDAN		AC024	ACA126	ACF130	
TOYOTA	CAMRY	MCV36R	SPORTIVO	6	3.0L	1MZ-FE	P	MPFI	2002	2005	SEDAN		AC024	ACA126	ACF130	
TOYOTA	CAMRY	ACV36R	ALTISE	4	2.4L	2AZ-FE	P	MPFI	2005	2006	SEDAN		AC046	ACA126	ACF130	
TOYOTA	CAMRY	ACV36R	ALTISE LIMITED	4	2.4L	2AZ-FE	P	MPFI	2005	2006	SEDAN		AC046	ACA126	ACF130	
TOYOTA	CAMRY	ACV36R	ATEVA	4	2.4L	2AZ-FE	P	MPFI	2005	2006	SEDAN		AC046	ACA126	ACF130	
TOYOTA	CAMRY	ACV36R	SPORTIVO	4	2.4L	2AZ-FE	P	MPFI	2005	2006	SEDAN		AC046	ACA126	ACF130	
TOYOTA	CAMRY	MCV36R	ALTISE	6	3.0L	1MZ-FE	P	MPFI	2005	2006	SEDAN		AC024	ACA126	ACF130	
TOYOTA	CAMRY	MCV36R	ALTISE LIMITED	6	3.0L	1MZ-FE	P	MPFI	2005	2006	SEDAN		AC024	ACA126	ACF130	
TOYOTA	CAMRY	MCV36R	ALTISE SPORT	6	3.0L	1MZ-FE	P	MPFI	2005	2006	SEDAN		AC024	ACA126	ACF130	
TOYOTA	CAMRY	MCV36R	ATEVA	6	3.0L	1MZ-FE	P	MPFI	2005	2006	SEDAN		AC024	ACA126	ACF130	
TOYOTA	CAMRY	MCV36R	AZURA	6	3.0L	1MZ-FE	P	MPFI	2005	2006	SEDAN		AC024	ACA126	ACF130	
TOYOTA	CAMRY	MCV36R	GRANDE	6	3.0L	1MZ-FE	P	MPFI	2005	2006	SEDAN		AC024	ACA126	ACF130	
TOYOTA	CAMRY	MCV36R	SPORTIVO	6	3.0L	1MZ-FE	P	MPFI	2005	2006	SEDAN		AC024	ACA126	ACF130	
TOYOTA	CAMRY	ACV40R	ALTISE	4	2.4L	2AZ-FE	P	MPFI	2006	2009	SEDAN		AC046	ACA188	ACF188	ACC31
TOYOTA	CAMRY	ACV40R	ATEVA	4	2.4L	2AZ-FE	P	MPFI	2006	2009	SEDAN		AC046	ACA188	ACF188	ACC31
TOYOTA	CAMRY	ACV40R	ATEVA L	4	2.4L	2AZ-FE	P	MPFI	2006	2009	SEDAN		AC046	ACA188	ACF188	ACC31

MAKE	MODEL	SERIES	BADGE	CYLS	ENG SIZE	ENGINE CODE	FUEL	FUEL DELIVERY / AIR INTAKE	FROM	TO	BODY	REMARKS	OIL	AIR	FUEL	CABIN
TOYOTA	CAMRY	ACV40R	GRANDE	4	2.4L	2AZ-FE	P	MPFI	2006	2009	SEDAN		AC046	ACA188	ACF188	ACC31
TOYOTA	CAMRY	ACV40R	SPORTIVO	4	2.4L	2AZ-FE	P	MPFI	2006	2009	SEDAN		AC046	ACA188	ACF188	ACC31
TOYOTA	CAMRY	ACV40R	TOURING	4	2.4L	2AZ-FE	P	MPFI	2006	2009	SEDAN		AC046	ACA188	ACF188	ACC31
TOYOTA	CAMRY	ACV40R	SPORTIVO	4	2.4L	2AZ-FE	P	MPFI	2009	2011	SEDAN		AC046	ACA188	ACF188	ACC31
TOYOTA	CAMRY	ACV40R	TOURING	4	2.4L	2AZ-FE	P	MPFI	2009	2011	SEDAN		AC046	ACA188	ACF188	ACC31
TOYOTA	CAMRY	ACV40R	ALTISE	4	2.4L	2AZ-FE	P	MPFI	2010	2011	SEDAN		AC046	ACA188	ACF188	ACC31
TOYOTA	CAMRY	ACV40R	ATEVA	4	2.4L	2AZ-FE	P	MPFI	2010	2011	SEDAN		AC046	ACA188	ACF188	ACC31
TOYOTA	CAMRY	ACV40R	GRANDE	4	2.4L	2AZ-FE	P	MPFI	2010	2011	SEDAN		AC046	ACA188	ACF188	ACC31
TOYOTA	CAMRY	ACV40R	HYBRID	4	2.4L	2AZ-FE	P	MPFI	2010	2011	SEDAN		AC046	ACA188	ACF188	ACC31
TOYOTA	CAMRY	ACV40R	HYBRID LUXURY	4	2.4L	2AZ-FE	P	MPFI	2010	2011	SEDAN		AC046	ACA188	ACF188	ACC31
TOYOTA	CAMRY	AHV40R	HYBRID	4	2.4L	2AZ-FE	P	MPFI	2010	2012	SEDAN	110KW HYBRID	AC046	ACA126		ACC54
TOYOTA	CAMRY	ASV50R	ALTISE	4	2.5L	2AR-FE	P	MPFI	12/11	ON	SEDAN		AC0101	ACA188		ACC54
TOYOTA	CAMRY	ASV50R	ATARA	4	2.5L	2AR-FE	P	MPFI	12/11	ON	SEDAN		AC0101	ACA188		ACC54
TOYOTA	CAMRY HYBRID	AVV50R		4	2.5L	2AR-FXE	P	MPFI	03/12	ON	SEDAN		AC0101	ACA339		ACC54
TOYOTA	CAMRY HYBRID	AVV50R	LUXURY	4	2.5L	2AR-FXE	P	MPFI	03/12	ON	SEDAN		AC0101	ACA339		ACC54
TOYOTA	CAMRY VIENTA	VXI		6	3.0L	3VZ-FE	P	FUEL INJ	1993	1994	SEDAN		AC022	ACA49	ACF1	
TOYOTA	CAMRY VIENTA	XV10	CSI	6	3.0L	3VZ-FE	P	MPFI	1993	1994	SEDAN		AC022	ACA49	ACF1	
TOYOTA	CAMRY VIENTA	XV10	EXECUTIVE	6	3.0L	3VZ-FE	P	MPFI	1993	1994	SEDAN		AC022	ACA49	ACF1	
TOYOTA	CAMRY VIENTA	XV10	ULTIMA	6	3.0L	3VZ-FE	P	MPFI	1993	1994	SEDAN		AC022	ACA49	ACF1	
TOYOTA	CAMRY VIENTA	VDV10	CSI	6	3.0L	3VZ-FE	P	EFI	1993	1995	SED/WAG		AC024	ACA49	ACF1	
TOYOTA	CAMRY VIENTA	VDV10	CSX	6	3.0L	3VZ-FE	P	EFI	1993	1995	SED/WAG		AC024	ACA49	ACF1	
TOYOTA	CAMRY VIENTA	VDV10	TOURING	6	3.0L	3VZ-FE	P	EFI	1993	1995	SEDAN		AC024	ACA49	ACF1	
TOYOTA	CAMRY VIENTA	VDV10	ULTIMA	6	3.0L	3VZ-FE	P	EFI	1993	1995	SEDAN		AC024	ACA49	ACF1	
TOYOTA	CELICA	TA22	LT	4	1.6L	2T	P	CARB	1973	1976	COUPE		AC09			
TOYOTA	CELICA	TA22	LT	4	1.8L	2T	P	CARB	1973	1976	COUPE		AC09			
TOYOTA	CELICA	RA23		4	2.0L	18R	P	CARB	1976	1976	COUPE		AC04	ACA2	ACF83	
TOYOTA	CELICA	RA28	LT	4	2.0L	18R	P	CARB	1977	1977	L-BACK		AC04	ACA2	ACF83	
TOYOTA	CELICA	RA40	LT	4	2.0L	18R-C	P	CARB	1978	1981	COUPE/L-BACK		AC04	ACA2	ACF76	
TOYOTA	CELICA	RA60	ST/XT	4	2.0L	21R-C	P	CARB	1981	1983	COUPE/L-BACK		AC015		ACF76	
TOYOTA	CELICA	RA65		4	2.4L	22R-E	P	MPFI	1984	1985	L-BACK		AC015		ACF1	
TOYOTA	CELICA	ST162	ST	4	2.0L	3S-FE	P	MPFI	1985	1989	COUPE/L-BACK		AC022	ACA148	ACF91	
TOYOTA	CELICA	ST162	SX	4	2.0L	3S-FE	P	MPFI	1985	1989	L-BACK		AC022	ACA148	ACF91	
TOYOTA	CELICA	ST184R	SX	4	2.2L	5S-FE	P	MPFI	1989	1994	COUPE/L-BACK		AC022	ACA148	ACF1	
TOYOTA	CELICA	ST184R	WRC TROPHY	4	2.2L	5S-FE	P	MPFI	1989	1994	COUPE/L-BACK		AC022	ACA148	ACF1	
TOYOTA	CELICA	ST185R	GT4	4	2.0L	3S-GTE	P	TURBO INT-COOL	1990	1991	L-BACK		AC022	ACA148	ACF1	
TOYOTA	CELICA	ST185R	GT4 RALLYE	4	2.0L	3S-GTE	P	TURBO INT-COOL	1990	1991	L-BACK		AC022	ACA148	ACF1	
TOYOTA	CELICA	ST202		4	2.0L	3SFE/3SGE	P	MPFI	1993	1999	COUPE/CONV		AC022	ACA49	ACF1	
TOYOTA	CELICA	ST205R	GT4	4	2.0L	3S-GTE	P	TURBO	1994	1994	L-BACK		AC022	ACA148	ACF1	
TOYOTA	CELICA	ST204R	TEAM EUROPE EDITION	4	2.2L	5S-FE	P	MPFI	1994	1994	L-BACK		AC022	ACA49	ACF185	
TOYOTA	CELICA	ST204R	SX	4	2.2L	5S-FE	P	MPFI	1994	1999	L-BACK		AC022	ACA49	ACF185	
TOYOTA	CELICA	ST204R	ZR	4	2.2L	5S-FE	P	MPFI	1994	1999	L-BACK		AC022	ACA49	ACF185	

MAKE	MODEL	SERIES	BADGE	CYLS	ENG SIZE	ENGINE CODE	FUEL	FUEL DELIVERY / AIR INTAKE	FROM	TO	BODY	REMARKS	OIL	AIR	FUEL	CABIN
TOYOTA	CELICA	ST204R	SX-R	4	2.2L	5S-FE	P	MPFI	1998	1999	L-BACK		AC022	ACA49	ACF185	
TOYOTA	CELICA	ZZT231R	SX	4	1.8L	2ZZ-GE	P	MPFI	1999	2002	L-BACK		AC046	ACA43	ACF161	ACC1
TOYOTA	CELICA	ZZT231R	ZR	4	1.8L	2ZZ-GE	P	MPFI	1999	2002	L-BACK		AC046	ACA43	ACF161	ACC1
TOYOTA	CELICA	ZZT231R	SX	4	1.8L	2ZZ-GE	P	MPFI	2002	2005	L-BACK		AC046	ACA43	ACF161	ACC1
TOYOTA	CELICA	ZZT231R	TTR SX	4	1.8L	2ZZ-GE	P	MPFI	2002	2005	L-BACK		AC046	ACA43	ACF161	ACC1
TOYOTA	CELICA	ZZT231R	ZR	4	1.8L	2ZZ-GE	P	MPFI	2002	2005	L-BACK		AC046	ACA43	ACF161	ACC1
TOYOTA	CELSIOR	UCF10/11		8	4.0L	1UZFE	P	MPFI	1989	1994	SEDAN		AC024		ACF49	
TOYOTA	CHASER	JZX100		6	2.5L	1JZGTE	P	TURBO INT-COOL	1996	2001	SEDAN		AC024		ACF5	
TOYOTA	CHASER	JZX100		6	2.5L	1JZGE	P	MPFI	1996	2001	SEDAN		AC024		ACF5	
TOYOTA	CHASER	JZX101		6	3.0L	2JZGE	P	MPFI	1996	2001	SEDAN		AC024		ACF5	
TOYOTA	COROLLA	KE1		4	1.1L	K	P	CARB	1967	1970	SED/ WAG		AC02	ACA40	ACF11	
TOYOTA	COROLLA	KE2/KE3		4	1.2L	3KH/3KC	P	CARB	1970	1978	COUPE/ SED/ WAG		AC02			
TOYOTA	COROLLA	KE5		4	1.3L	4KC	P	CARB	1979	1981	COUPE/ SED/ WAG		AC02	ACA39	ACF9	
TOYOTA	COROLLA	KE7		4	1.3L	4KC	P	CARB	1981	1985	SED/ WAG		AC02	ACA39		
TOYOTA	COROLLA	AE71	CS	4	1.6L	4A-C	P	CARB	1983	1985	SED/ WAG		AC019	ACA33	ACF76	
TOYOTA	COROLLA	AE71	SPIRIT	4	1.6L	4A-C	P	CARB	1983	1985	SED/ WAG		AC019	ACA33	ACF76	
TOYOTA	COROLLA	AE80	CS	4	1.3L	2A-LC	P	CARB	1985	1986	HATCH		AC019	ACA33	ACF9	
TOYOTA	COROLLA	AE80	S	4	1.3L	2A-LC	P	CARB	1985	1986	SEDAN		AC019	ACA33	ACF9	
TOYOTA	COROLLA	AE82	CS	4	1.6L	4A-LC	P	CARB	1985	1989	HATCH		AC019	ACA33	ACF9	
TOYOTA	COROLLA	AE82	CS SECA	4	1.6L	4A-LC	P	CARB	1985	1989	L-BACK		AC019	ACA33	ACF9	
TOYOTA	COROLLA	AE82	CSX	4	1.6L	4A-LC	P	CARB	1985	1989	HATCH		AC019	ACA33	ACF9	
TOYOTA	COROLLA	AE82	CSX SECA	4	1.6L	4A-LC	P	CARB	1985	1989	L-BACK		AC019	ACA33	ACF9	
TOYOTA	COROLLA	AE82	S	4	1.6L	4A-LC	P	CARB	1985	1989	SEDAN		AC019	ACA33	ACF9	
TOYOTA	COROLLA	AE82	SE	4	1.6L	4A-LC	P	CARB	1985	1989	HATCH		AC019	ACA33	ACF9	
TOYOTA	COROLLA	AE82	TWIN CAM	4	1.6L	4A-LC	P	MPFI	1985	1989	HATCH		AC019	ACA13	ACF1	
TOYOTA	COROLLA	AE82	TWIN CAM SECA	4	1.6L	4A-LC	P	MPFI	1985	1989	L-BACK		AC019	ACA13	ACF1	
TOYOTA	COROLLA	AE90	CS	4	1.4L	6A-FC	P	CARB	1989	1990	HATCH		AC022	ACA37	ACF9	
TOYOTA	COROLLA	AE90	SE	4	1.4L	6A-FC	P	CARB	1989	1992	SED/ HATCH		AC022	ACA37	ACF9	
TOYOTA	COROLLA	AE90	CS	4	1.6L	4A-FC	P	CARB	1991	1991	SEDAN		AC022	ACA37	ACF9	
TOYOTA	COROLLA	AE90	CSX	4	1.6L	4A-FC	P	CARB	1991	1991	SEDAN		AC022	ACA37	ACF9	
TOYOTA	COROLLA	AE92	CS	4	1.6L	4A-FC	P	CARB	1989	1991	HATCH		AC022	ACA37	ACF9	
TOYOTA	COROLLA	AE92	CS SECA	4	1.6L	4A-FC	P	CARB	1989	1991	L-BACK		AC022	ACA37	ACF9	
TOYOTA	COROLLA	AE92	CSX	4	1.6L	4A-FC	P	CARB	1989	1991	SED/ HATCH		AC022	ACA37	ACF9	
TOYOTA	COROLLA	AE92	CSX SECA	4	1.6L	4A-FC	P	CARB	1989	1991	L-BACK		AC022	ACA37	ACF9	
TOYOTA	COROLLA	AE92	SE	4	1.6L	4A-FC	P	CARB	1989	1994	SED/ HATCH		AC022	ACA37	ACF9	
TOYOTA	COROLLA	AE92	SPIRIT	4	1.6L	4A-FC	P	CARB	1990	1990	HATCH		AC022	ACA37	ACF9	
TOYOTA	COROLLA	AE92	SPIRIT SECA	4	1.6L	4A-FC	P	CARB	1990	1990	L-BACK		AC022	ACA37	ACF9	
TOYOTA	COROLLA	AE93	SX	4	1.6L	4A-GE	P	MPFI	1989	1991	HATCH		AC022	ACA148	ACF29	
TOYOTA	COROLLA	AE93	SX SECA	4	1.6L	4A-GE	P	MPFI	1989	1992	L-BACK		AC022	ACA148	ACF29	
TOYOTA	COROLLA	AE93	GTI	4	1.6L	4A-GE	P	MPFI	1991	1992	HATCH		AC022	ACA148	ACF29	
TOYOTA	COROLLA	AE94	ULTIMA SECA	4	1.6L	4A-FE	P	MPFI	1991	1992	L-BACK		AC022	ACA43	ACF29	

MAKE	MODEL	SERIES	BADGE	CYLS	ENG SIZE	ENGINE CODE	FUEL	FUEL DELIVERY / AIR INTAKE	FROM	TO	BODY	REMARKS	OIL	AIR	FUEL	CABIN
TOYOTA	COROLLA	AE94	CSI	4	1.6L	4A-FE	P	MPFI	1991	1993	HATCH		AC022	ACA43	ACF29	
TOYOTA	COROLLA	AE94	CSI	4	1.6L	4A-FE	P	MPFI	1991	1993	SEDAN		AC022	ACA43	ACF29	
TOYOTA	COROLLA	AE94	CSI SECA	4	1.6L	4A-FE	P	MPFI	1991	1993	L-BACK		AC022	ACA43	ACF29	
TOYOTA	COROLLA	AE94	CSI LIMITED	4	1.6L	4A-FE	P	MPFI	1993	1994	HATCH		AC022	ACA43	ACF29	
TOYOTA	COROLLA	AE94	CSI LIMITED	4	1.6L	4A-FE	P	MPFI	1993	1994	SEDAN		AC022	ACA43	ACF29	
TOYOTA	COROLLA	AE94	CSI LIMITED SECA	4	1.6L	4A-FE	P	MPFI	1993	1994	L-BACK		AC022	ACA43	ACF29	
TOYOTA	COROLLA	AE95R	SR5	4	1.6L	4A-FE	P	MPFI	1988	1992	WAGON		AC022	ACA43	ACF29	
TOYOTA	COROLLA	AE95R	XL	4	1.6L	4A-FE	P	MPFI	1988	1995	WAGON		AC022	ACA43	ACF29	
TOYOTA	COROLLA	AE95R	OLYMPIC SPORT	4	1.6L	4A-FE	P	MPFI	1992	1992	WAGON		AC022	ACA43	ACF29	
TOYOTA	COROLLA	AE95R	CSI	4	1.6L	4A-FE	P	MPFI	1992	1995	WAGON		AC022	ACA43	ACF29	
TOYOTA	COROLLA	AE96	RV SECA	4	1.8L	7A-FE	P	MPFI	1992	1994	L-BACK		AC022	ACA43	ACF29	
TOYOTA	COROLLA	AE96	ULTIMA SECA	4	1.8L	7A-FE	P	MPFI	1992	1994	L-BACK		AC022	ACA43	ACF29	
TOYOTA	COROLLA	AE102X	CONQUEST	4	1.8L	7A-FE	P	MPFI	1994	1996	SEDAN		AC022	ACA86	ACF91	
TOYOTA	COROLLA	AE102X	CSX SECA	4	1.8L	7A-FE	P	MPFI	1994	1996	L-BACK		AC022	ACA86	ACF91	
TOYOTA	COROLLA	AE102X	RV SECA	4	1.8L	7A-FE	P	MPFI	1994	1996	L-BACK		AC022	ACA86	ACF91	
TOYOTA	COROLLA	AE102X	ULTIMA	4	1.8L	7A-FE	P	MPFI	1994	1996	SEDAN		AC022	ACA86	ACF91	
TOYOTA	COROLLA	AE101R	ADVANTAGE LIMITED EDITION	4	1.6L	4A-FE	P	MPFI	1994	1999	L-BACK		AC022	ACA86	ACF91	
TOYOTA	COROLLA	AE101R	CSI	4	1.6L	4A-FE	P	MPFI	1994	1999	SEDAN		AC022	ACA86	ACF91	
TOYOTA	COROLLA	AE101R	CSI SECA	4	1.6L	4A-FE	P	MPFI	1994	1999	L-BACK		AC022	ACA86	ACF91	
TOYOTA	COROLLA	AE101R	CSX SECA	4	1.6L	4A-FE	P	MPFI	1994	1999	L-BACK		AC022	ACA86	ACF91	
TOYOTA	COROLLA	AE101R	SPIRIT SECA	4	1.6L	4A-FE	P	MPFI	1994	1999	L-BACK		AC022	ACA86	ACF91	
TOYOTA	COROLLA	AE102R	CONQUEST	4	1.8L	7A-FE	P	MPFI	1994	1999	SEDAN		AC022	ACA86	ACF91	
TOYOTA	COROLLA	AE102R	CONQUEST SECA	4	1.8L	7A-FE	P	MPFI	1994	1999	L-BACK		AC022	ACA86	ACF91	
TOYOTA	COROLLA	AE102R	CSX	4	1.8L	7A-FE	P	MPFI	1994	1999	SEDAN		AC022	ACA86	ACF91	
TOYOTA	COROLLA	AE102R	CSX SECA	4	1.8L	7A-FE	P	MPFI	1994	1999	L-BACK		AC022	ACA86	ACF91	
TOYOTA	COROLLA	AE102R	RV SECA	4	1.8L	7A-FE	P	MPFI	1994	1999	L-BACK		AC022	ACA86	ACF91	
TOYOTA	COROLLA	AE112R	ASCENT	4	1.8L	7A-FE	P	MPFI	1998	2001	L-BACK		AC022	ACA86	ACF91	
TOYOTA	COROLLA	AE112R	CONQUEST	4	1.8L	7A-FE	P	MPFI	1998	2001	L-BACK		AC022	ACA86	ACF91	
TOYOTA	COROLLA	AE112R	CONQUEST SECA	4	1.8L	7A-FE	P	MPFI	1998	2001	L-BACK		AC022	ACA86	ACF91	
TOYOTA	COROLLA	AE112R	CSX	4	1.8L	7A-FE	P	MPFI	1998	2001	L-BACK		AC022	ACA86	ACF91	
TOYOTA	COROLLA	AE112R	LEVIN CONQUEST	4	1.8L	7A-FE	P	MPFI	1998	2001	L-BACK		AC022	ACA86	ACF91	
TOYOTA	COROLLA	AE112R	LEVIN SECA	4	1.8L	7A-FE	P	MPFI	1998	2001	L-BACK		AC022	ACA86	ACF91	
TOYOTA	COROLLA	AE112R	SPORTIVO LEVIN	4	1.8L	7A-FE	P	TURBO INT-COOL	1998	2001	L-BACK		AC022	ACA86	ACF91	
TOYOTA	COROLLA	AE112R	ULTIMA	4	1.8L	7A-FE	P	MPFI	1998	2001	L-BACK		AC022	ACA86	ACF91	
TOYOTA	COROLLA	AE112R	ULTIMA SECA	4	1.8L	7A-FE	P	MPFI	1998	2001	L-BACK		AC022	ACA86	ACF91	
TOYOTA	COROLLA	ZZE122R	ASCENT	4	1.8L	1ZZ-FE	P	MPFI	2001	2004	SED/ HATCH	MADE IN JAPAN	AC022	ACA123	ACF130	ACC20
TOYOTA	COROLLA	ZZE122R	ASCENT	4	1.8L	1ZZ-FE	P	MPFI	2001	2004	HATCH	MADE IN SOUTH AFRICA	AC022	ACA123	ACF131	ACC20
TOYOTA	COROLLA	ZZE122R	CONQUEST	4	1.8L	1ZZ-FE	P	MPFI	2001	2004	SED/ HATCH	MADE IN JAPAN	AC022	ACA123	ACF130	ACC20
TOYOTA	COROLLA	ZZE122R	CONQUEST	4	1.8L	1ZZ-FE	P	MPFI	2001	2004	HATCH	MADE IN SOUTH AFRICA	AC022	ACA123	ACF131	ACC20

MAKE	MODEL	SERIES	BADGE	CYLS	ENG SIZE	ENGINE CODE	FUEL	FUEL DELIVERY / AIR INTAKE	FROM	TO	BODY	REMARKS	OIL	AIR	FUEL	CABIN
TOYOTA	COROLLA	ZZE122R	LEVIN	4	1.8L	1ZZ-FE	P	MPFI	2001	2004	SED/ HATCH	MADE IN JAPAN	AC022	ACA123	ACF130	ACC20
TOYOTA	COROLLA	ZZE122R	LEVIN	4	1.8L	1ZZ-FE	P	MPFI	2001	2004	HATCH	MADE IN SOUTH AFRICA	AC022	ACA123	ACF131	ACC20
TOYOTA	COROLLA	ZZE122R	TTR ASCENT	4	1.8L	1ZZ-FE	P	MPFI	2001	2004	SED/ HATCH	MADE IN JAPAN	AC022	ACA123	ACF130	ACC20
TOYOTA	COROLLA	ZZE122R	TTR ASCENT	4	1.8L	1ZZ-FE	P	MPFI	2001	2004	HATCH	MADE IN SOUTH AFRICA	AC022	ACA123	ACF131	ACC20
TOYOTA	COROLLA	ZZE122R	ULTIMA	4	1.8L	1ZZ-FE	P	MPFI	2001	2004	SED/ HATCH	MADE IN JAPAN	AC022	ACA123	ACF130	ACC20
TOYOTA	COROLLA	ZZE122R	ULTIMA	4	1.8L	1ZZ-FE	P	MPFI	2001	2004	HATCH	MADE IN SOUTH AFRICA	AC022	ACA123	ACF131	ACC20
TOYOTA	COROLLA	ZZE122R 5Y	ASCENT	4	1.8L	1ZZ-FE	P	MPFI	2004	2007	SED/ HATCH	MADE IN JAPAN	AC022	ACA123	ACF130	ACC20
TOYOTA	COROLLA	ZZE122R 5Y	ASCENT	4	1.8L	1ZZ-FE	P	MPFI	2004	2007	HATCH	MADE IN SOUTH AFRICA	AC022	ACA123	ACF131	ACC20
TOYOTA	COROLLA	ZZE122R 5Y	ASCENT SPORT	4	1.8L	1ZZ-FE	P	MPFI	2004	2007	SED/ HATCH	MADE IN JAPAN	AC022	ACA123	ACF130	ACC20
TOYOTA	COROLLA	ZZE122R 5Y	ASCENT SPORT	4	1.8L	1ZZ-FE	P	MPFI	2004	2007	HATCH	MADE IN SOUTH AFRICA	AC022	ACA123	ACF131	ACC20
TOYOTA	COROLLA	ZZE122R 5Y	CONQUEST	4	1.8L	1ZZ-FE	P	MPFI	2004	2007	SED/ HATCH	MADE IN JAPAN	AC022	ACA123	ACF130	ACC20
TOYOTA	COROLLA	ZZE122R 5Y	CONQUEST	4	1.8L	1ZZ-FE	P	MPFI	2004	2007	HATCH	MADE IN SOUTH AFRICA	AC022	ACA123	ACF131	ACC20
TOYOTA	COROLLA	ZZE122R 5Y	LEVIN	4	1.8L	1ZZ-FE	P	MPFI	2004	2007	SED/ HATCH	MADE IN JAPAN	AC022	ACA123	ACF130	ACC20
TOYOTA	COROLLA	ZZE122R 5Y	LEVIN	4	1.8L	1ZZ-FE	P	MPFI	2004	2007	HATCH	MADE IN SOUTH AFRICA	AC022	ACA123	ACF131	ACC20
TOYOTA	COROLLA	ZZE122R 5Y	ULTIMA	4	1.8L	1ZZ-FE	P	MPFI	2004	2007	SED/ HATCH	MADE IN JAPAN	AC022	ACA123	ACF130	ACC20
TOYOTA	COROLLA	ZZE122R 5Y	ULTIMA	4	1.8L	1ZZ-FE	P	MPFI	2004	2007	HATCH	MADE IN SOUTH AFRICA	AC022	ACA123	ACF131	ACC20
TOYOTA	COROLLA	ZZE123R	SPORTIVO	4	1.8L	2ZZ-GE	P	MPFI	2003	2004	HATCH		AC046	ACA123	ACF131	ACC20
TOYOTA	COROLLA	ZZE123R 5Y	SPORTIVO	4	1.8L	2ZZ-GE	P	MPFI	2005	2005	HATCH		AC046	ACA123	ACF131	ACC20
TOYOTA	COROLLA	ZZE123R 92	SPORTIVO	4	1.8L	2ZZ-GE	P	MPFI	2005	2005	HATCH		AC046	ACA123	ACF131	ACC20
TOYOTA	COROLLA	ZRE152R	ASCENT	4	1.8L	2ZR-FE	P	MPFI	2007	01/09	SED/ HATCH		AC022	ACA171	ACF159	ACC31
TOYOTA	COROLLA	ZRE152R	CONQUEST	4	1.8L	2ZR-FE	P	MPFI	2007	01/09	SED/ HATCH		AC022	ACA171	ACF159	ACC31
TOYOTA	COROLLA	ZRE152R	LEVIN SX	4	1.8L	2ZR-FE	P	MPFI	2007	01/09	HATCH		AC022	ACA171	ACF159	ACC31
TOYOTA	COROLLA	ZRE152R	LEVIN ZR	4	1.8L	2ZR-FE	P	MPFI	2007	01/09	HATCH		AC022	ACA171	ACF159	ACC31
TOYOTA	COROLLA	ZRE152R	ULTIMA	4	1.8L	2ZR-FE	P	MPFI	2007	01/09	SEDAN		AC022	ACA171	ACF159	ACC31
TOYOTA	COROLLA	ZRE152R	EDGE	4	1.8L	2ZR-FE	P	MPFI	2009	2010	HATCH		AC0119	ACA171	ACF159	ACC31
TOYOTA	COROLLA	ZRE152R	ULTIMA	4	1.8L	2ZR-FE	P	MPFI	01/09	2010	SEDAN		AC0119	ACA171	ACF159	ACC31
TOYOTA	COROLLA	ZRE152R	LEVIN SX	4	1.8L	2ZR-FE	P	MPFI	01/09	2012	HATCH		AC0119	ACA171	ACF159	ACC31
TOYOTA	COROLLA	ZRE152R	LEVIN ZR	4	1.8L	2ZR-FE	P	MPFI	01/09	2012	HATCH		AC0119	ACA171	ACF159	ACC31
TOYOTA	COROLLA	ZRE152R		4	1.8L	2FR-FE	P	MPFI	2009	09/12	HATCH		AC0119	ACA171	ACF159	ACC31
TOYOTA	COROLLA	ZRE152R	ASCENT	4	1.8L	2ZR-FE	P	MPFI	01/09	01/14	SED/ HATCH		AC0119	ACA171	ACF159	ACC31
TOYOTA	COROLLA	ZRE152R	CONQUEST	4	1.8L	2ZR-FE	P	MPFI	01/09	01/14	SED/ HATCH		AC0119	ACA171	ACF159	ACC31

MAKE	MODEL	SERIES	BADGE	CYLS	ENG SIZE	ENGINE CODE	FUEL	FUEL DELIVERY / AIR INTAKE	FROM	TO	BODY	REMARKS	OIL	AIR	FUEL	CABIN
TOYOTA	COROLLA	ZRE153R	ULTIMA	4	2.0L	3ZR-FE	P	MPFI	2010	2014	SEDAN		AC0116	ACA171	ACF159	ACC31
TOYOTA	COROLLA	ZRE153R	ULTIMA	4	2.0L	3ZR-FE	P	MPFI	2014	ON	SEDAN		AC0116	ACA171	ACF159	ACC31
TOYOTA	COROLLA	ZRE172R	ASCENT	4	1.8L	2ZR-FE	P	MPFI	02/14	ON	SEDAN		AC0119	ACA171		ACC31
TOYOTA	COROLLA	ZRE172R	SX	4	1.8L	2ZR-FE	P	MPFI	02/14	ON	SEDAN		AC0119	ACA171		ACC31
TOYOTA	COROLLA	ZRE172R	ZR	4	1.8L	2ZR-FE	P	MPFI	02/14	ON	SEDAN		AC0119	ACA171		ACC31
TOYOTA	COROLLA	ZRE182R	ASCENT	4	1.8L	2ZR-FE	P	MPFI	10/12	ON	HATCH		AC0116	ACA171		ACC31
TOYOTA	COROLLA	ZRE182R	ASCENT SPORT	4	1.8L	2ZR-FE	P	MPFI	10/12	ON	HATCH		AC0116	ACA171		ACC31
TOYOTA	COROLLA	ZRE182R	CONQUEST	4	1.8L	2ZR-FE	P	MPFI	10/12	ON	HATCH		AC0116	ACA171		ACC31
TOYOTA	COROLLA	ZRE182R	LEVIN SR	4	1.8L	2ZR-FE	P	MPFI	10/12	ON	HATCH		AC0116	ACA171		ACC31
TOYOTA	COROLLA	ZRE182R	LEVIN SX	4	1.8L	2ZR-FE	P	MPFI	10/12	ON	HATCH		AC0116	ACA171		ACC31
TOYOTA	COROLLA	ZRE182R	ULTIMA	4	1.8L	2ZR-FE	P	MPFI	10/12	ON	HATCH		AC0116	ACA171		ACC31
TOYOTA	CORONA	RT104 Sdn		4	2.0L	18R	P	CARB	1974	1979			AC04	ACA2	ACF65	
TOYOTA	CORONA	RT118		4	2.0L	18R	P	CARB	1974	1979			AC04	ACA2	ACF65	
TOYOTA	CORONA	XT130		4	1.9L	STARFIRE	P	CARB	1979	1980			AC03	ACA2	ACF9	
TOYOTA	CORONA	RT132		4	2.0L	18RC	P		1979	1982			AC04	ACA2		
TOYOTA	CORONA	XT130		4	1.9L	STARFIRE	P	CARB	1980	1983			AC03	ACA2		
TOYOTA	CORONA	RT133		4	2.0L	21RC	P		1982	1983			AC015			
TOYOTA	CORONA	RT133		4	2.0L	21RC	P	CARB	1982	1983			AC015			
TOYOTA	CORONA	ST141		4	2.0L	2SC	P	CARB	1983	1983			AC019	ACA2	ACF9	
TOYOTA	CORONA	ST141		4	2.0L	2SC	P	CARB	1983	1987			AC019	ACA2		
TOYOTA	CORONA	RT142		4	2.4L	2SC	P		1984	1987			AC015		ACF1	
TOYOTA	CORONA	RT142 Sd,W		4	2.4L	22RE	P		1984	1987			AC015		ACF1	
TOYOTA	CORONA	ST170		4	1.8L	4SF EFI	P		1987	1993			AC022	ACA13	ACF1	
TOYOTA	CRESSIDA	MX62	GL	6	2.8L	5ME	P	MPFI	1981	1984	SED/WAG		AC015	ACA13	ACF5	
TOYOTA	CRESSIDA	MX73	GLI/GLXI	6	2.8L	5ME	P	MPFI	1984	1988	SEDAN		AC015	ACA46	ACF5	
TOYOTA	CRESSIDA	MX83R	GL/GLX/GRANDE	6	3.0L		P	MPFI	1989	1993			AC024	ACA46	ACF5	
TOYOTA	CROWN	MS41		6	2.0L	M	P	CARB	1966	1967			AC01			
TOYOTA	CROWN	MS47UT		6	2.0L	M	P	CARB	1966	1967			AC01			
TOYOTA	CROWN	MS53		6	2.3L	2M	P	CARB	1967	1968			AC01			
TOYOTA	CROWN	MS45			2.3L	2M	P	CARB	1967	1968			AC01			
TOYOTA	CROWN	MS55		6	2.3L	2M	P	CARB	1967	1971			AC01			
TOYOTA	CROWN	MS57		6	2.3L	2M	P	CARB	1967	1971			AC01			
TOYOTA	CROWN	RS56UT		4	2.0L	5R	P	CARB	1968	1971			AC01			
TOYOTA	CROWN	MS65		6	2.6L	4M	P	CARB	1971	1976			AC01		ACF78	
TOYOTA	CROWN	MS111		6	2.6L	4M	P	CARB	1971	1981		ANTI POL-LUTION	AC015			
TOYOTA	CROWN	MS65		6	2.6L	4M	P	CARB	1971	1981		ANTI POL-LUTION	AC015		ACF78	
TOYOTA	CROWN	MS83		6	2.6L	4M	P	CARB	1971	1981		ANTI POL-LUTION	AC015		ACF78	
TOYOTA	CROWN	MS111		6	2.6L	4M	P	CARB	1971	1981			AC01			
TOYOTA	CROWN	MS65		6	2.6L	4M	P	CARB	1971	1981			AC01		ACF78	
TOYOTA	CROWN	MS83		6	2.6L	4M	P	CARB	1971	1981			AC01		ACF78	
TOYOTA	CROWN	MS85		6	2.6L	4M	P	CARB	1971	1981		ANTI POL-LUTION	AC015		ACF78	
TOYOTA	CROWN	MS83		6	2.6L	4M	P	CARB	1975	1976			AC01		ACF78	
TOYOTA	CROWN	MS85		6	2.6L	4M	P	CARB	1975	1980			AC01		ACF78	
TOYOTA	CROWN	MS112		6	2.8L	5ME	P	EFI	1980	1981			AC015			

MAKE	MODEL	SERIES	BADGE	CYLS	ENG SIZE	ENGINE CODE	FUEL	FUEL DELIVERY / AIR INTAKE	FROM	TO	BODY	REMARKS	OIL	AIR	FUEL	CABIN
TOYOTA	CROWN	MS112		6	2.8L	5ME	P	EFI	1981	1983			AC015			
TOYOTA	CROWN	MS123		6	2.8L	5ME	P	EFI	1985	1988			AC015		ACF5	
TOYOTA	ECHO	NCP10R		4	1.3L	2NZ-FE	P	MPFI	1999	2002	HATCH		AC022	ACA150	ACF161	ACC20
TOYOTA	ECHO	NCP10R MY03		4	1.3L	2NZ-FE	P	MPFI	2003	2005	HATCH		AC022	ACA150	ACF161	ACC20
TOYOTA	ECHO	NCP12R		4	1.5L	1NZ-FE	P	MPFI	1999	2002			AC022	ACA150	ACF161	ACC20
TOYOTA	ECHO	NCP12R MY03		4	1.5L	1NZ-FE	P	MPFI	2002	2005			AC022	ACA150	ACF161	ACC20
TOYOTA	ECHO	NCP13R	SPORTIVO	4	1.5L	1NZ-FE	P	MPFI	2001	2002	HATCH		AC022	ACA150	ACF161	ACC20
TOYOTA	ECHO	NCP13R MY03	SPORTIVO	4	1.5L	1NZ-FE	P	MPFI	2003	2005	HATCH		AC022	ACA150	ACF161	ACC20
TOYOTA	ESTIMA	EMINA		4	2.2L		D	TURBO	1991	1996			AC077		ACF201	
TOYOTA	FJ CRUISER		GSJ15R	6	4.0L	1GR-FE	P	MPFI	03/11	ON	WAGON		AC0124	ACA287	ACF151	
TOYOTA	FORTUNER	GUN156R	CRUSADE	4	2.8L	1GD-FTV	D	CRD TURBO	11/15	ON	WAGON		AC024			
TOYOTA	FORTUNER	GUN156R	GX	4	2.8L	1GD-FTV	D	CRD TURBO	11/15	ON	WAGON		AC024			
TOYOTA	FORTUNER	GUN156R	GXL	4	2.8L	1GD-FTV	D	CRD TURBO	11/15	ON	WAGON		AC024			
TOYOTA	HIACE	RZH113R		4	2.4L	2RZ	P	CARB	1989	09/98	VAN		AC024	ACA5	ACF128	
TOYOTA	HIACE	RZH125R		4	2.4L	2RZ	P	CARB	1989	09/98	VAN		AC024	ACA5	ACF128	
TOYOTA	HIACE	LH103R	SWB	4	2.8L	3L	D	MPFI	1993	2000	VAN		AC01	ACA5	ACF201	
TOYOTA	HIACE	LH125R	COMMUTER SUPER LWB	4	2.8L	3L	D	MPFI	1993	2000	BUS		AC01	ACA5	ACF201	
TOYOTA	HIACE	RZH103R	SWB	4	2.4L	2RZ-E	P	CARB	1993	09/98	VAN		AC024	ACA5	ACF128	
TOYOTA	HIACE	RZH103R		4	2.4L	2RZ-E	P	EFI	09/98	2005	VAN		AC024	ACA5	ACF5	
TOYOTA	HIACE	RZH113R		4	2.4L	2RZ-E	P	EFI	09/98	2005	VAN		AC024	ACA5	ACF5	
TOYOTA	HIACE	RZH125R		4	2.4L	2RZ-E	P	EFI	09/98	2005	VAN		AC024	ACA5	ACF5	
TOYOTA	HIACE	TRH201R	LWB	4	2.7L	2TR-FE	P	MPFI	08/10	ON	VAN		AC024	ACA236	ACF202	ACC47
TOYOTA	HIACE	TRH221R	HIGH ROOF SUPER LWB	4	2.7L	2TR-FE	P	MPFI	08/10	ON	VAN		AC024	ACA236	ACF202	ACC47
TOYOTA	HIACE	TRH223R	COMMUTER HIGH ROOF	4	2.7L	2TR-FE	P	MPFI	08/10	ON	BUS		AC024	ACA236	ACF202	ACC47
TOYOTA	HIACE	LH162R	SWB	4	3.0L	5L	D	MPFI	2000	2001	VAN		AC032	ACA5	ACF201	
TOYOTA	HIACE	LH184R	COMMUTER SUPER LWB	4	3.0L	5L	D	MPFI	2000	2004	BUS		AC032	ACA5	ACF201	
TOYOTA	HIACE	LH172R	LWB	4	3.0L	5L	D	MPFI	2001	2004	VAN		AC032	ACA5	ACF201	
TOYOTA	HIACE	TRH201R	LWB	4	2.7L	2TR-FE	P	MPFI	2005	2007	VAN		AC024	ACA5	ACF202	ACC47
TOYOTA	HIACE	TRH221R	HIGH ROOF SUPER LWB	4	2.7L	2TR-FE	P	MPFI	2005	2007	VAN		AC024	ACA5	ACF202	ACC47
TOYOTA	HIACE	TRH223R	COMMUTER HIGH ROOF	4	2.7L	2TR-FE	P	MPFI	2005	2007	BUS		AC024	ACA5	ACF202	ACC47
TOYOTA	HIACE	KDH200	LWB	4	2.5L	2KD-FTV	D	TURBO	2005	2006	VAN	ACF193 CAN BE USED IN PLACE OF ACF129	AC024	ACA239	ACF129 ACF193	
TOYOTA	HIACE	KDH200R	LWB	4	2.5L	2KD-FTV	D	TURBO	2005	2006	VAN	ACF193 CAN BE USED IN PLACE OF ACF129	AC024	ACA239	ACF129 ACF193	
TOYOTA	HIACE	KDH220R	SUPER LWB	4	2.5L	2KD-FTV	D	TURBO INT-COOL	2005	2006	VAN	ACF193 CAN BE USED IN PLACE OF ACF129	AC024	ACA239	ACF129 ACF193	

MAKE	MODEL	SERIES	BADGE	CYLS	ENG SIZE	ENGINE CODE	FUEL	FUEL DELIVERY / AIR INTAKE	FROM	TO	BODY	REMARKS	OIL	AIR	FUEL	CABIN
TOYOTA	HIACE	KDH222R	COMMUTER HIGH ROOF	4	2.5L	2KD-FTV	D	TURBO INT-COOL	2005	2006	BUS	ACF193 CAN BE USED IN PLACE OF ACF129	AC024	ACA239	ACF129 ACF193	ACC47
TOYOTA	HIACE	KDH201R	LWB	4	3.0L	1KD-FTV	D	TURBO INT-COOL	2006	2007	VAN	ACF193 CAN BE USED IN PLACE OF ACF129	AC024	ACA236	ACF129 ACF193	ACC47
TOYOTA	HIACE	KDH221R	SUPER LWB	4	3.0L	1KD DI	D	TURBO INT-COOL	2006	2007	VAN	ACF193 CAN BE USED IN PLACE OF ACF129	AC024	ACA236	ACF129 ACF193	ACC47
TOYOTA	HIACE	KDH223R	COMMUTER HIGH ROOF	4	3.0L	1KD	D	TURBO INT-COOL	2006	2007	BUS	ACF193 CAN BE USED IN PLACE OF ACF129	AC024	ACA236	ACF129 ACF193	
TOYOTA	HIACE	TRH201R	LWB	4	2.7L	2TR-FE	P	MPFI	2007	2009	VAN		AC024	ACA5	ACF202	ACC47
TOYOTA	HIACE	TRH221R	HIGH ROOF SUPER LWB	4	2.7L	2TR-FE	P	MPFI	2007	2008	VAN		AC024	ACA5	ACF202	ACC47
TOYOTA	HIACE	TRH223R	COMMUTER HIGH ROOF	4	2.7L	2TR-FE	P	MPFI	2007	2009	BUS		AC024	ACA5	ACF202	ACC47
TOYOTA	HIACE	KDH201R	LWB	4	3.0L	1KD-FTV	D	TURBO INT-COOL	2007	2009	VAN	ACF193 CAN BE USED IN PLACE OF ACF129	AC024	ACA236	ACF129 ACF193	ACC47
TOYOTA	HIACE	KDH221R	SUPER LWB	4	3.0L	1KD DI	D	TURBO INT-COOL	2007	2009	VAN	ACF193 CAN BE USED IN PLACE OF ACF129	AC024	ACA236	ACF129 ACF193	
TOYOTA	HIACE	KDH223R	COMMUTER HIGH ROOF	4	3.0L	1KD	D	TURBO INT-COOL	2007	2008	BUS	ACF193 CAN BE USED IN PLACE OF ACF129	AC024	ACA236	ACF129 ACF193	
TOYOTA	HIACE	KDH222R	COMMUTER HIGH ROOF	4	3.0L	1KD	D	TURBO INT-COOL	2008	2009	BUS	ACF193 CAN BE USED IN PLACE OF ACF129	AC024	ACA236	ACF129 ACF193	
TOYOTA	HIACE	KDH201R	LWB	4	3.0L	1KD-FTV	D	TURBO INT-COOL	2009	2010	VAN	ACF193 CAN BE USED IN PLACE OF ACF129	AC024	ACA236	ACF129 ACF193	ACC47
TOYOTA	HIACE	KDH221R	SUPER LWB	4	3.0L	1KD DI	D	TURBO INT-COOL	2009	2010	VAN	ACF193 CAN BE USED IN PLACE OF ACF129	AC024	ACA236	ACF129 ACF193	
TOYOTA	HIACE	TRH201R	LWB	4	2.7L	2TR-FE	P	MPFI	2009	08/10	VAN		AC024	ACA5	ACF202	ACC47
TOYOTA	HIACE	TRH221R	HIGH ROOF SUPER LWB	4	2.7L	2TR-FE	P	MPFI	2009	08/10	VAN		AC024	ACA5	ACF202	ACC47
TOYOTA	HIACE	TRH223R	COMMUTER HIGH ROOF	4	2.7L	2TR-FE	P	MPFI	2009	08/10	BUS		AC024	ACA5	ACF202	ACC47
TOYOTA	HIACE	KDH201R	LWB	4	3.0L	1KD-FTV	D	TURBO INT-COOL	2010	2011	VAN	ACF193 CAN BE USED IN PLACE OF ACF129	AC024	ACA236	ACF129 ACF193	ACC47



MAKE	MODEL	SERIES	BADGE	CYLS	ENG SIZE	ENGINE CODE	FUEL	FUEL DELIVERY / AIR INTAKE	FROM	TO	BODY	REMARKS	OIL	AIR	FUEL	CABIN
TOYOTA	HIACE	KDH223R	COMMUTER HIGH ROOF	4	3.0L	1KD	D	TURBO INT-COOL	2010	2011	BUS	ACF193 CAN BE USED IN PLACE OF ACF129	AC024	ACA236	ACF129 ACF193	
TOYOTA	HIACE	KDH221R	SUPER LWB	4	3.0L	1KD DI	D	TURBO INT-COOL	2011	ON	VAN	ACF193 CAN BE USED IN PLACE OF ACF129	AC024	ACA236	ACF129 ACF193	
TOYOTA	HIACE SBV	RCH12R		4	2.4L	2RZ-E	P	MPFI	1995	2005	VAN		AC024	ACA114	ACF5	
TOYOTA	HIACE SBV	RCH22R		4	2.4L	2RZ-E	P	MPFI	1999	2003	VAN		AC024	ACA5	ACF5	
TOYOTA	HILUX	GGN15	SR	6	4.0L	1GR-FE	P		2005	ON			AC024	ACA169	ACF151	ACC47
TOYOTA	HILUX	GGN15	SR XTRA CAB	6	4.0L	1GR-FE	P		2005	ON			AC024	ACA169	ACF151	ACC47
TOYOTA	HILUX	GGN15	SR5	6	4.0L	1GR-FE	P		2005	ON			AC024	ACA169	ACF151	ACC47
TOYOTA	HILUX	GGN15	SR5 XTRA CAB	6	4.0L	1GR-FE	P		2005	ON			AC024	ACA169	ACF151	ACC47
TOYOTA	HILUX	GGN25		6	4.0L	1GR-FE	P		2005	ON			AC024	ACA169	ACF151	ACC47
TOYOTA	HILUX	KUN16		4	3.0L	1KD-FTV	D	TURBO	12/13	ON	UTE	DOHC 16V	AC024	ACA155	ACF193	ACC47
TOYOTA	HILUX	KUN26	SR	4	3.0L	1KD-FTV	D	TURBO	12/13	ON	UTE	DOHC 16V	AC024	ACA155	ACF193	ACC47
TOYOTA	HILUX	KUN26	SR XTRA CAB	4	3.0L	1KD-FTV	D	TURBO	12/13	ON	UTE	DOHC 16V	AC024	ACA155	ACF193	ACC47
TOYOTA	HILUX	KUN26	SR5	4	3.0L	1KD-FTV	D	TURBO	12/13	ON	UTE	DOHC 16V	AC024	ACA155	ACF193	ACC47
TOYOTA	HILUX	KUN26	SR5 XTRA CAB	4	3.0L	1KD-FTV	D	TURBO	12/13	ON	UTE	DOHC 16V	AC024	ACA155	ACF193	ACC47
TOYOTA	HILUX	KZN165		4	3.0L	1KZ-TE	D	TURBO	1999	2005			AC032	ACA115	ACF201	
TOYOTA	HILUX	LN106		4	2.8L	3L	D		1988	1997		SOHC	AC01	ACA3	ACF201	
TOYOTA	HILUX	LN107 SR5		4	2.8L	3L	D		1992	1997		SOHC	AC01	ACA3	ACF201	
TOYOTA	HILUX	LN111		4	2.8L	3L	D		1988	1997		SOHC	AC01	ACA3	ACF201	
TOYOTA	HILUX	LN147		4	3.0L	5L	D		1997	2000		SOHC 8V, MADE IN JAPAN	AC01	ACA122	ACF201	
TOYOTA	HILUX	LN147		4	3.0L	5L	D		1997	2000		SOHC 8V, MADE IN THAILAND	AC01	ACA115	ACF201	
TOYOTA	HILUX	LN147 S2-3		4	3.0L	5LE	D		2000	2005		SOHC 8V	AC032	ACA115	ACF201	
TOYOTA	HILUX	LN167		4	3.0L	5L	D		1997	2000			AC01	ACA122	ACF201	
TOYOTA	HILUX	LN167 S2-3		4	3.0L	5LE	D		2000	2005		SOHC 8V	AC032	ACA115	ACF201	
TOYOTA	HILUX	LN172		4	3.0L	5L	D		1998	2000			AC01	ACA122	ACF201	
TOYOTA	HILUX	LN172 S2-3		4	3.0L	5LE	D		2000	2005		SOHC 8V	AC032	ACA115	ACF201	
TOYOTA	HILUX	LN30 LWB		4	2.2L	L	D		1978	1984			AC01	ACA3	ACF27	
TOYOTA	HILUX	LN40 LWB		4	2.2L	L	D		1980	1983			AC01	ACA3	ACF201	
TOYOTA	HILUX	LN46 LWB		4	2.2L	L	D		1981	1983			AC01	ACA3	ACF27	
TOYOTA	HILUX	LN55 LWB		4	2.2L	L	D		1983	1984			AC01	ACA3	ACF27	
TOYOTA	HILUX	LN56 LWB		4	2.4L	2L	D		1984	1988			AC01	ACA3	ACF201	
TOYOTA	HILUX	LN65 LWB		4	2.4L	2L	D		1983	1988			AC01	ACA3	ACF201	
TOYOTA	HILUX	LN65-SR5		4	2.4L	2L	D		1986	1988			AC01	ACA3	ACF201	
TOYOTA	HILUX	LN85		4	2.4L	2L	D		1988	1991			AC01	ACA3	ACF201	
TOYOTA	HILUX	LN86		4	2.8L	3L	D		1991	1997		SOHC	AC01	ACA3	ACF201	
TOYOTA	HILUX	RN105		4	2.4L	22RC	P		1988	1997			AC015	ACA12	ACF83	
TOYOTA	HILUX	RN105		4	2.4L	22RC	P		1988	1997			AC015	ACA12	ACF76	
TOYOTA	HILUX	RN106 SR5		4	2.4L	22RC	P		1992	1997			AC015	ACA12	ACF76	
TOYOTA	HILUX	RN106 SR5		4	2.4L	22RC	P		1992	1997			AC015	ACA12	ACF83	
TOYOTA	HILUX	RN110		4	2.4L	22RC	P		1988	1997			AC015	ACA12	ACF83	

MAKE	MODEL	SERIES	BADGE	CYLS	ENG SIZE	ENGINE CODE	FUEL	FUEL DELIVERY / AIR INTAKE	FROM	TO	BODY	REMARKS	OIL	AIR	FUEL	CABIN
TOYOTA	HILUX	RN110		4	2.4L	22RC	P		1988	1997			AC015	ACA12	ACF76	
TOYOTA	HILUX	RN20 SWB		4	1.6L	12R	P	CARB	1978	1983			AC02		ACF76	
TOYOTA	HILUX	RN22		4	1.6L	12R	P	CARB	1978	1983			AC02		ACF76	
TOYOTA	HILUX	RN25 LWB		4	1.6L	12R	P	CARB	1978	1983			AC02		ACF76	
TOYOTA	HILUX	RN27 LWB		4	2.0L	18R	P	CARB	1977	1979			AC04	ACA3	ACF76	
TOYOTA	HILUX	RN30 SWB		4	1.6L	12R	P	CARB	1978	1983			AC02		ACF76	
TOYOTA	HILUX	RN31, SR5		4	2.0L	18R	P	CARB	1979	1983			AC04	ACA3	ACF76	
TOYOTA	HILUX	RN36 SWB		4	2.0L	18R	P	CARB	1979	1983			AC04	ACA2	ACF76	
TOYOTA	HILUX	RN40 LWB		4	1.6L	12R	P	CARB	1978	1983			AC02		ACF76	
TOYOTA	HILUX	RN406 SR5		4	2.4L	22RC	P		1992	1997			AC015	ACA12	ACF83	
TOYOTA	HILUX	RN41, SR5		4	2.0L	18R	P	CARB	1978	1983			AC04	ACA3	ACF76	
TOYOTA	HILUX	RN46 LWB		4	2.0L	18R	P	CARB	1979	1983			AC04	ACA2	ACF76	
TOYOTA	HILUX	RN85		4	2.4L	22RC	P		1988	1992			AC015	ACA12	ACF76	
TOYOTA	HILUX	RN85		4	2.4L	22RC	P		1993	1997			AC024	ACA12	ACF76	
TOYOTA	HILUX	RN90		4	2.4L	22RC	P		1988	1997			AC015	ACA12		
TOYOTA	HILUX	RN90		4	2.4L	22RC	P		1993	1997			AC024	ACA12	ACF76	
TOYOTA	HILUX	RZN147		4	2.0L	1RZ-FE	P		1997	2002			AC024	ACA102	ACF107	
TOYOTA	HILUX	RZN149		4	2.7L	3RZ-FE	P	MPFI	1997	2002			AC024	ACA102	ACF107	
TOYOTA	HILUX	RZN149 Sr3		4	2.7L	3RZ-FE	P	MPFI	2002	2005			AC024	ACA102	ACF107	
TOYOTA	HILUX	RZN154		4	2.7L	3RZ-FE	P	MPFI	1998	2002			AC024	ACA102	ACF107	
TOYOTA	HILUX	RZN154 Sr3		4	2.7L	3RZ-FE	P	MPFI	2002	2005			AC024	ACA102	ACF107	
TOYOTA	HILUX	RZN169		4	2.7L	3RZ-FE	P	MPFI	1997	2002			AC024	ACA102	ACF107	
TOYOTA	HILUX	RZN174		4	2.7L	3RZ-FE	P	MPFI	1998	2002			AC024	ACA102	ACF107	
TOYOTA	HILUX	TGN16	WORKMATE	4	2.7L	2TR-FE	P	MPFI	2005	ON		DOHC 16V	AC024	ACA155	ACF145	
TOYOTA	HILUX	VZN167		6	3.4L	5VZ-FE	P	MPFI	2002	2005		DOHC 24V	AC024	ACA102	ACF186	
TOYOTA	HILUX	YN55 LWB		4	1.6L	1Y	P	CARB	1983	1987			AC02	ACA3	ACF76	
TOYOTA	HILUX	YN56 LWB		4	1.8L	2Y	P	CARB	1987	1988			AC02	ACA2	ACF76	
TOYOTA	HILUX	YN57, SR5		4	2.0L	3Y	P	CARB	1983	1987			AC02	ACA3	ACF76	
TOYOTA	HILUX	YN58 LWB		4	2.2L	4YC	P	CARB	1987	1988			AC02	ACA2	ACF76	
TOYOTA	HILUX	YN65 LWB		4	2.0L	3Y	P	CARB	1983	1985			AC02	ACA3	ACF76	
TOYOTA	HILUX	YN67 LWB		4	2.2L	4YC	P	CARB	1985	1988			AC02	ACA3	ACF76	
TOYOTA	HILUX	YN67-SR5		4	2.2L	4YC	P	CARB	1987	1988			AC02	ACA3	ACF76	
TOYOTA	HILUX	YN85		4	1.8L	2Y	P	CARB	1988	1997			AC046	ACA3		
TOYOTA	HILUX	YN85R	GRINNER	4	1.8L	2Y	P		1993	1998			AC046	ACA3		
TOYOTA	HILUX	KUN16		4	3.0L	1KD-FTV	D	TURBO	2005	11/13	UTE	ACF193 CAN BE USED IN PLACE OF ACF129	AC024	ACA155	ACF129 ACF193	ACC47
TOYOTA	HILUX	KUN26	SR	4	3.0L	1KD-FTV	D	TURBO	2005	11/13	UTE	ACF193 CAN BE USED IN PLACE OF ACF129	AC024	ACA155	ACF129 ACF193	ACC47
TOYOTA	HILUX	KUN26	SR XTRA CAB	4	3.0L	1KD-FTV	D	TURBO	2005	11/13	UTE	ACF193 CAN BE USED IN PLACE OF ACF129	AC024	ACA155	ACF129 ACF193	ACC47
TOYOTA	HILUX	KUN26	SR5	4	3.0L	1KD-FTV	D	TURBO	2005	11/13	UTE	ACF193 CAN BE USED IN PLACE OF ACF129	AC024	ACA155	ACF129 ACF193	ACC47

MAKE	MODEL	SERIES	BADGE	CYLS	ENG SIZE	ENGINE CODE	FUEL	FUEL DELIVERY / AIR INTAKE	FROM	TO	BODY	REMARKS	OIL	AIR	FUEL	CABIN
TOYOTA	HILUX	KUN26	SR5 XTRA CAB	4	3.0L	1KD-FTV	D	TURBO	2005	11/13	UTE	ACF193 CAN BE USED IN PLACE OF ACF129	AC024	ACA155	ACF129 ACF193	ACC47
TOYOTA	HILUX	TGN121	WORKMATE	4	2.7L	2TR-FE	P	MPFI	07/15	ON			AC024		ACF145	
TOYOTA	HILUX	GGN120	SR	6	4.0L	1GR-FE	P	MPFI	07/15	ON	UTE		AC024		ACF151	
TOYOTA	HILUX	GUN122R	WORKMATE	4	2.4L	2GDFTV	D	CRD TURBO	10/15	ON	2 DR CAB CHASS/UTE		AC024			
TOYOTA	HILUX	GUN122R	WORKMATE	4	2.4L	2GDFTV	D	CRD TURBO	10/15	ON	4 DR UTE		AC024			
TOYOTA	HILUX	GUN125R	WORKMATE	4	2.4L	2GDFTV	D	CRD TURBO	10/15	ON	CAB CHASSIS/UTE		AC024			
TOYOTA	HILUX	GUN125R	WORKMATE	4	2.4L	2GDFTV	D	CRD TURBO	10/15	ON	4 DR UTE		AC024			
TOYOTA	HILUX	GUN125R	WORKMATE	4	2.4L	2GDFTV	D	CRD TURBO	10/15	ON	4 DR CAB CHASS/UTE		AC024			
TOYOTA	HILUX	GUN123R	SR	4	2.8L	1GDFTV	D	CRD TURBO	10/15	ON	2 DR CAB CHASS/UTE		AC024			
TOYOTA	HILUX	GUN123R	SR	4	2.8L	1GDFTV	D	CRD TURBO	10/15	ON	2 DR UTE		AC024			
TOYOTA	HILUX	GUN126R	SR	4	2.8L	1GDFTV	D	CRD TURBO	10/15	ON	2DR CAB CHASS/UTE		AC024			
TOYOTA	HILUX	GUN126R	SR	4	2.8L	1GDFTV	D	CRD TURBO	10/15	ON	4DR UTE		AC024			
TOYOTA	HILUX	GUN126R	SR5	4	2.8L	1GDFTV	D	CRD TURBO	10/15	ON	4DR UTE		AC024			
TOYOTA	HILUX	GUN126R	SR, SR5	4	2.8L	1GDFTV	D	CRD TURBO	10/15	ON	4DR UTE		AC024			
TOYOTA	HILUX	GUN126R	SR HI-RIDER	4	2.8L	1GDFTV	D	CRD TURBO	10/15	ON	4DR UTE		AC024			
TOYOTA	HILUX	GUN126R	SR5 HI-RIDER	4	2.8L	1GDFTV	D	CRD TURBO	10/15	ON	4DR UTE		AC024			
TOYOTA	HILUX SURF	SSR LTD		4	2.4L	2LT	D	TURBO	1989	1995			AC032	ACA87	ACF27	
TOYOTA	HILUX SURF	SSR-X WIDE BODY		4	2.4L	2LT	D	TURBO	1989	1995			AC032	ACA87	ACF27	
TOYOTA	HILUX SURF	SSR LTD		4	3.0L	1KZTE	D	TURBO	1989	1995			AC032		ACF201	
TOYOTA	HILUX SURF	SSR-X WIDE BODY		4	3.0L	1KZTE	D	TURBO	1989	1995			AC032		ACF201	
TOYOTA	HILUX SURF	SSR-G		4	2.4L	2LT	D	TURBO	1991	1996			AC032	ACA87	ACF27	
TOYOTA	HILUX SURF	SSR-G		4	3.0L	1KZTE	D	TURBO	1991	1996			AC032		ACF201	
TOYOTA	HILUX SURF	SSR-G		6	3.4L	5VZ	P	MPFI	1991	1996			AC024			
TOYOTA	KLUGER	MCU28R	CV AWD	6	3.3L	3MZ-FE	P	MPFI	10/03	07/07	WAGON		AC024	ACA126	ACF160	ACC28
TOYOTA	KLUGER	MCU28R	CV AWD SPORT	6	3.3L	3MZ-FE	P	MPFI	10/03	07/07	WAGON		AC024	ACA126	ACF160	ACC28
TOYOTA	KLUGER	MCU28R	CVX AWD	6	3.3L	3MZ-FE	P	MPFI	10/03	07/07	WAGON		AC024	ACA126	ACF160	ACC28
TOYOTA	KLUGER	MCU28R	GRANDE AWD	6	3.3L	3MZ-FE	P	MPFI	10/03	07/07	WAGON		AC024	ACA126	ACF160	ACC28
TOYOTA	KLUGER	MCU28R	CV AWD	6	3.3L	3MZ-FE	P	MPFI	2006	2006	WAGON		AC024	ACA126	ACF160	ACC28
TOYOTA	KLUGER	MCU28R	CVX AWD	6	3.3L	3MZ-FE	P	MPFI	2006	2006	WAGON		AC024	ACA126	ACF160	ACC28
TOYOTA	KLUGER	MCU28R	GRANDE AWD	6	3.3L	3MZ-FE	P	MPFI	2006	2006	WAGON		AC024	ACA126	ACF160	ACC28
TOYOTA	KLUGER	GSU40R	ALTITUDE 2WD	6	3.5L	2GR-FE	P	MPFI	08/07	03/13	WAGON		AC0101	ACA126		ACC47
TOYOTA	KLUGER	GSU40R	GRANDE 2WD	6	3.5L	2GR-FE	P	MPFI	08/07	02/14	WAGON		AC0101	ACA126		ACC47

MAKE	MODEL	SERIES	BADGE	CYLS	ENG SIZE	ENGINE CODE	FUEL	FUEL DELIVERY / AIR INTAKE	FROM	TO	BODY	REMARKS	OIL	AIR	FUEL	CABIN
TOYOTA	KLUGER	GSU40R	KX-R 2WD	6	3.5L	2GR-FE	P	MPFI	08/07	02/14	WAGON		AC0101	ACA126		ACC47
TOYOTA	KLUGER	GSU40R	KX-S 2WD	6	3.5L	2GR-FE	P	MPFI	08/07	02/14	WAGON		AC0101	ACA126		ACC47
TOYOTA	KLUGER	GSU45R	ALTITUDE AWD	6	3.5L	2GR-FE	P	MPFI	08/07	03/13	WAGON		AC0101	ACA126		ACC47
TOYOTA	KLUGER	GSU45R	GRANDE AWD	6	3.5L	2GR-FE	P	MPFI	08/07	02/14	WAGON		AC0101	ACA126		ACC47
TOYOTA	KLUGER	GSU45R	KX-R AWD	6	3.5L	2GR-FE	P	MPFI	08/07	02/14	WAGON		AC0101	ACA126		ACC47
TOYOTA	KLUGER	GSU45R	KX-S AWD	6	3.5L	2GR-FE	P	MPFI	08/07	02/14	WAGON		AC0101	ACA126		ACC47
TOYOTA	KLUGER	GSU50R	GRANDE 2WD	6	3.5L	2GR-FE	P	MPFI	03/14	ON	WAGON		AC0101	ACA286		ACC54
TOYOTA	KLUGER	GSU50R	GX 2WD	6	3.5L	2GR-FE	P	MPFI	03/14	ON	WAGON		AC0101	ACA286		ACC54
TOYOTA	KLUGER	GSU50R	GXL 2WD	6	3.5L	2GR-FE	P	MPFI	03/14	ON	WAGON		AC0101	ACA286		ACC54
TOYOTA	KLUGER	GSU55R	GRANDE AWD	6	3.5L	2GR-FE	P	MPFI	03/14	ON	WAGON		AC0101	ACA286		ACC54
TOYOTA	KLUGER	GSU55R	GX AWD	6	3.5L	2GR-FE	P	MPFI	03/14	ON	WAGON		AC0101	ACA286		ACC54
TOYOTA	KLUGER	GSU55R	GXL AWD	6	3.5L	2GR-FE	P	MPFI	03/14	ON	WAGON		AC0101	ACA286		ACC54
TOYOTA	LANDCRUISER	BJ40		4	3.0L		D	MPFI	12/77	1980	H-TOP/S-TOP		AC01	ACA4	ACF27	
TOYOTA	LANDCRUISER	BJ42		4	3.4L		D	MPFI	10/80	1984	H-TOP		AC01	ACA4	ACF27	
TOYOTA	LANDCRUISER	BJ70RV		4	3.4L		D	MPFI	11/84	02/90	H-TOP		AC01	ACA4	ACF27	
TOYOTA	LANDCRUISER	BJ73		4	3.4L	3B	D	MPFI	11/84	03/90	H-TOP		AC01	ACA4	ACF27	
TOYOTA	LANDCRUISER	BJ73RV		4	3.4L	3B	D	MPFI	11/84	03/90	H-TOP		AC01	ACA4	ACF27	
TOYOTA	LANDCRUISER	BJ74RV		4	3.4L	13BT	D	TURBO	03/86	1990	H-TOP		AC01	ACA4	ACF27	
TOYOTA	LANDCRUISER	FJ40		6	3.9L	F	P	CARB	1966	01/75	H-TOP/S-TOP		AC01	ACA4		
TOYOTA	LANDCRUISER	FJ40		6	4.2L	2F	P	CARB	01/75	11/84	H-TOP/S-TOP		AC01	ACA4		
TOYOTA	LANDCRUISER	FJ40V		6	3.9L	F	P	CARB	1966	01/75	H-TOP		AC01	ACA4		
TOYOTA	LANDCRUISER	FJ45		6	4.2L	2F	P	CARB	01/75	11/84	UTE		AC01	ACA4		
TOYOTA	LANDCRUISER	FJ55		6	3.9L	F	P	CARB	03/69	01/75	WAGON		AC01	ACA4		
TOYOTA	LANDCRUISER	FJ60		6	4.2L	2F	P	CARB	11/80	10/84	WAGON		AC01	ACA4		
TOYOTA	LANDCRUISER	FJ62	DELUXE SAHARA	6	4.0L	3F	P	CARB	11/84	1990	WAGON		AC01	ACA4		
TOYOTA	LANDCRUISER	FJ62RG	DELUXE/GXL/SAHARA	6	4.0L	3F	P	CARB	11/84	1990	WAGON		AC01	ACA4		
TOYOTA	LANDCRUISER	FJ73		6	4.0L		P	CARB	11/84	02/91	H-TOP		AC01	ACA4		
TOYOTA	LANDCRUISER	FJ75RP		6	4.0L		P	CARB	1987	1991	CAB CHASS		AC01	ACA4		
TOYOTA	LANDCRUISER	FJ75RV	11 SEAT	6	4.0L		P	CARB	1987	1991	H-TOP		AC01	ACA4		
TOYOTA	LANDCRUISER	FJ75RV	3 SEAT	6	4.0L		P	CARB	1987	1991	H-TOP		AC01	ACA4		
TOYOTA	LANDCRUISER	FJ75RV	6 SEAT	6	4.0L		P	CARB	1987	1991	H-TOP		AC01	ACA4		
TOYOTA	LANDCRUISER	FJ75RV	TROOPCARRIER	6	4.0L		P	CARB	1987	1991	H-TOP		AC01	ACA4		
TOYOTA	LANDCRUISER	FJ80R		6	4.0L		P	MPFI	05/90	08/92	H-TOP		AC01	ACA4		
TOYOTA	LANDCRUISER	FZJ105R	50TH ANNIV GXL	6	4.5L	1FZ-FE	P	MPFI	03/98	2003	WAGON		AC024	ACA103	ACF113	
TOYOTA	LANDCRUISER	FZJ105R	GXL	6	4.5L	1FZ-FE	P	MPFI	03/98	2003	WAGON		AC024	ACA103	ACF113	
TOYOTA	LANDCRUISER	FZJ105R	GXL ADVANTAGE	6	4.5L	1FZ-FE	P	MPFI	03/98	2003	WAGON		AC024	ACA103	ACF113	
TOYOTA	LANDCRUISER	FZJ105R	RV	6	4.5L	1FZ-FE	P	MPFI	03/98	2003	WAGON		AC024	ACA103	ACF113	
TOYOTA	LANDCRUISER	FZJ105R	SNOWY GXL	6	4.5L	1FZ-FE	P	MPFI	03/98	2003	WAGON		AC024	ACA103	ACF113	

MAKE	MODEL	SERIES	BADGE	CYLS	ENG SIZE	ENGINE CODE	FUEL	FUEL DELIVERY / AIR INTAKE	FROM	TO	BODY	REMARKS	OIL	AIR	FUEL	CABIN
TOYOTA	LANDCRUISER	FZJ75RP		6	4.5L	1FZ-FE	P	MPFI	11/92	1999	CAB CHASS		AC024	ACA4	ACF108	
TOYOTA	LANDCRUISER	FZJ75RV		6	4.5L	1FZ-FE	P	MPFI	11/92	1999	H-TOP		AC01	ACA4		
TOYOTA	LANDCRUISER	FZJ78R	TROOPCARRIER	6	4.5L	1FZ-FE	P	MPFI	10/99	2002	WAGON		AC024	ACA4	ACF187	
TOYOTA	LANDCRUISER	FZJ79R		6	4.5L	1FZ-FE	P	MPFI	10/99	2007	CAB CHASS		AC024	ACA4	ACF187	
TOYOTA	LANDCRUISER	FZJ80R		6	4.5L	1FZ-FE	P	MPFI	11/92	04/96	WAGON		AC01	ACA4	ACF108	
TOYOTA	LANDCRUISER	FZJ80R		6	4.5L	1FZ-FE	P	MPFI	04/96	1998	WAGON		AC024	ACA4	ACF108	
TOYOTA	LANDCRUISER	HDJ100R	SAHARA	6	4.2L	1HD-FTE	D	TURBO INT-COOL	2002	2005	WAGON		AC032	ACA118		
TOYOTA	LANDCRUISER	HDJ100R	KAKADU GXL	6	4.2L	1HD-FTE	D	TURBO INT-COOL	2004	2004	WAGON		AC032	ACA118		
TOYOTA	LANDCRUISER	HDJ100R	VX	6	4.2L	1HD-FTE	D	TURBO INT-COOL	2006	2007	WAGON		AC032	ACA118		
TOYOTA	LANDCRUISER	HDJ100R	GXL	6	4.2L	1HD-FTE	D	TURBO INT-COOL	10/00	10/07	WAGON		AC032	ACA118		
TOYOTA	LANDCRUISER	HDJ100R	GXV	6	4.2L	1HD-FTE	D	TURBO INT-COOL	10/00	10/07	WAGON		AC032	ACA118		
TOYOTA	LANDCRUISER	HDJ78R	RV TROOP-CARRIER	6	4.2L	1HD-FTE	D	TURBO	11/01	2007	WAGON		AC032	ACA4	ACF201	
TOYOTA	LANDCRUISER	HDJ78R	TROOPCARRIER	6	4.2L	1HD-FTE	D	TURBO INT-COOL	11/01	2007	WAGON		AC032	ACA4	ACF201	
TOYOTA	LANDCRUISER	HDJ79R		6	4.2L	1HD-FTE	D	TURBO	11/01	2007	CAB CHASS	PRIMARY FUEL FILTER ACF201 / SECONDARY FUEL FILTER ACF26	AC032	ACA4	ACF201 / ACF26	
TOYOTA	LANDCRUISER	HDJ80R	GXL/SAHARA	6	4.2L	1HD-FTE	D	TURBO	05/90	1995	WAGON		AC032	ACA4	ACF23	
TOYOTA	LANDCRUISER	HJ45		6	3.6L		D	MPFI	1973	1979	UTE/T-TOP			ACA4		
TOYOTA	LANDCRUISER	HJ45		6	3.0L		D	MPFI	09/77	07/80	UTE			ACA4		
TOYOTA	LANDCRUISER	HJ47		6	4.0L		D	MPFI	10/80	09/81	H-TOP/T-TOP/UTE		AC031	ACA4	ACF26	
TOYOTA	LANDCRUISER	HJ47		6	4.0L		D	MPFI	10/81	10/84	H-TOP/T-TOP/UTE		AC031	ACA4	ACF27	
TOYOTA	LANDCRUISER	HJ60		6	4.0L	2H	D	MPFI	11/80	10/81	WAGON		AC031	ACA4	ACF26	
TOYOTA	LANDCRUISER	HJ60	DELUXE/SAHARA	6	4.0L	2H	D	MPFI	10/81	04/90	WAGON		AC031	ACA4	ACF27	
TOYOTA	LANDCRUISER	HJ61RG	DELUXE/SAHARA	6	4.0L	12H-T	D	TURBO	02/86	1991	WAGON		AC031	ACA4	ACF27	
TOYOTA	LANDCRUISER	HJ75		6	4.0L	2H	D	MPFI	1980	10/81	H-TOP/UTE		AC031	ACA4	ACF26	
TOYOTA	LANDCRUISER	HJ75		6	4.0L	2H	D	MPFI	10/81	1990	H-TOP/UTE		AC031	ACA4	ACF27	
TOYOTA	LANDCRUISER	HJ75RP		6	4.0L	1HZ	D	MPFI	1987	1989	CAB CHASS/UTE		AC031	ACA4	ACF27	
TOYOTA	LANDCRUISER	HJ75RV	11 SEAT	6	4.0L		D	MPFI	1987	1989	H-TOP		AC031	ACA4	ACF27	
TOYOTA	LANDCRUISER	HJ75RV	3 SEAT	6	4.0L		D	MPFI	1987	1989	H-TOP		AC031	ACA4	ACF27	
TOYOTA	LANDCRUISER	HJ75RV	6 SEAT	6	4.0L		D	MPFI	1987	1989	H-TOP		AC031	ACA4	ACF27	
TOYOTA	LANDCRUISER	HZJ105R	RV	6	4.2L	1HZ	D	MPFI	1998	2002	WAGON		AC032	ACA103	ACF201	
TOYOTA	LANDCRUISER	HZJ105R	GXL	6	4.2L	1HZ	D	MPFI	1998	2005	WAGON		AC032	ACA103	ACF201	
TOYOTA	LANDCRUISER	HZJ105R	STANDARD	6	4.2L	1HZ	D	MPFI	1998	2005	WAGON		AC032	ACA103	ACF201	
TOYOTA	LANDCRUISER	HZJ105R	SNOWY GXL	6	4.2L	1HZ	D	MPFI	1999	1999	WAGON		AC032	ACA103	ACF201	
TOYOTA	LANDCRUISER	HZJ105R	50TH ANNIV GXL	6	4.2L	1HZ	D	MPFI	2001	2001	WAGON		AC032	ACA103	ACF201	
TOYOTA	LANDCRUISER	HZJ105R	GXL ADVANTAGE	6	4.2L	1HZ	D	MPFI	2002	2002	WAGON		AC032	ACA103	ACF201	

MAKE	MODEL	SERIES	BADGE	CYLS	ENG SIZE	ENGINE CODE	FUEL	FUEL DELIVERY / AIR INTAKE	FROM	TO	BODY	REMARKS	OIL	AIR	FUEL	CABIN
TOYOTA	LANDCRUISER	HZJ70		6	4.2L	1HZ	D	MPFI	03/91	09/92	WAGON	PRIMARY FUEL FILTER ACF201 / SECONDARY FUEL FILTER ACF26	AC032	ACA4	ACF201 / ACF26	
TOYOTA	LANDCRUISER	HZJ73		6	4.2L	1HZ	D	MPFI	01/90	08/91	WAGON	PRIMARY FUEL FILTER ACF201 / SECONDARY FUEL FILTER ACF26	AC032	ACA4	ACF201 / ACF26	
TOYOTA	LANDCRUISER	HZJ75RP		6	4.2L	1HZ	D	MPFI	1990	1999	CAB CHASS/UTE	PRIMARY FUEL FILTER ACF201 / SECONDARY FUEL FILTER ACF26	AC032	ACA4	ACF201 / ACF26	
TOYOTA	LANDCRUISER	HZJ75RV	6 SEAT	6	4.2L	1HZ	D	MPFI	1990	1992	H-TOP	PRIMARY FUEL FILTER ACF201 / SECONDARY FUEL FILTER ACF26	AC032	ACA4	ACF201 / ACF26	
TOYOTA	LANDCRUISER	HZJ75RV	11 SEAT	6	4.2L	1HZ	D	MPFI	1991	1991	H-TOP	PRIMARY FUEL FILTER ACF201 / SECONDARY FUEL FILTER ACF26	AC032	ACA4	ACF201 / ACF26	
TOYOTA	LANDCRUISER	HZJ75RV	3 SEAT	6	4.2L	1HZ	D	MPFI	1992	1992	H-TOP	PRIMARY FUEL FILTER ACF201 / SECONDARY FUEL FILTER ACF26	AC032	ACA4	ACF201 / ACF26	
TOYOTA	LANDCRUISER	HZJ75RV	TROOPCARRIER	6	4.2L	1HZ	D	MPFI	1993	1999	H-TOP	PRIMARY FUEL FILTER ACF201 / SECONDARY FUEL FILTER ACF26	AC032	ACA4	ACF201 / ACF26	
TOYOTA	LANDCRUISER	HZJ75RV	RV	6	4.2L	1HZ	D	MPFI	1994	1997	H-TOP	PRIMARY FUEL FILTER ACF201 / SECONDARY FUEL FILTER ACF26	AC032	ACA4	ACF201 / ACF26	
TOYOTA	LANDCRUISER	HZJ78		6		1HZ	D	MPFI	11/85	ON	WAGON				ACF26	
TOYOTA	LANDCRUISER	HZJ78R	RV TROOP-CARRIER	6	4.2L	1HZ	D	MPFI	10/99	02/07	WAGON	PRIMARY FUEL FILTER ACF201 / SECONDARY FUEL FILTER ACF26	AC032	ACA4	ACF201 / ACF26	
TOYOTA	LANDCRUISER	HZJ79R		6	4.2L	1HZ	D	MPFI	1999	2007	WAGON	PRIMARY FUEL FILTER ACF201 / SECONDARY FUEL FILTER ACF26	AC032	ACA4	ACF201 / ACF26	
TOYOTA	LANDCRUISER	HZJ79R	50TH ANNIV	6	4.2L	1HZ	D	DIRECT INJ	2001	2001	CAB CHASS	PRIMARY FUEL FILTER ACF201 / SECONDARY FUEL FILTER ACF26	AC032	ACA4	ACF201 / ACF26	

MAKE	MODEL	SERIES	BADGE	CYLS	ENG SIZE	ENGINE CODE	FUEL	FUEL DELIVERY / AIR INTAKE	FROM	TO	BODY	REMARKS	OIL	AIR	FUEL	CABIN
TOYOTA	LANDCRUISER	HZJ80R	STANDARD	6	4.2L	1HZ	D	MPFI	1990	1997	WAGON	PRIMARY FUEL FILTER ACF23 / SECONDARY FUEL FILTER ACF26	AC032	ACA4	ACF23 / ACF26	
TOYOTA	LANDCRUISER	HZJ80R	GXL	6	4.2L	1HZ	D	MPFI	1990	1998	WAGON	PRIMARY FUEL FILTER ACF23 / SECONDARY FUEL FILTER ACF26	AC032	ACA4	ACF23 / ACF26	
TOYOTA	LANDCRUISER	HZJ80R	DX	6	4.2L	1HZ	D	MPFI	1995	1997	WAGON	PRIMARY FUEL FILTER ACF23 / SECONDARY FUEL FILTER ACF26	AC032	ACA4	ACF23 / ACF26	
TOYOTA	LANDCRUISER	HZJ80R	40TH ANNIV	6	4.2L	1HZ	D	MPFI	1997	1997	WAGON	PRIMARY FUEL FILTER ACF23 / SECONDARY FUEL FILTER ACF26	AC032	ACA4	ACF23 / ACF26	
TOYOTA	LANDCRUISER	URJ202	GXL	8	4.6L	1UR-FSE	P	MPFI	03/12	ON	WAGON		AC0102	ACA264		ACC47
TOYOTA	LANDCRUISER	URJ202	SAHARA	8	4.6L	1UR-FSE	P	MPFI	03/12	ON	WAGON		AC0102	ACA264		ACC47
TOYOTA	LANDCRUISER	URJ202	VX	8	4.6L	1UR-FSE	P	MPFI	03/12	ON	WAGON		AC0102	ACA264		ACC47
TOYOTA	LANDCRUISER	UZJ100R	GXL	8	4.7L	2UZ-FE	P	MPFI	06/98	2005	WAGON		AC024	ACA118	ACF113	
TOYOTA	LANDCRUISER	UZJ100R	GXV	8	4.7L	2UZ-FE	P	MPFI	06/98	2005	WAGON		AC024	ACA118	ACF113	
TOYOTA	LANDCRUISER	UZJ100R	KAKADU GXL	8	4.7L	2UZ-FE	P	MPFI	10/02	10/07	WAGON		AC024	ACA118	ACF113	
TOYOTA	LANDCRUISER	UZJ100R	SAHARA	8	4.7L	2UZ-FE	P	MPFI	10/02	10/07	WAGON		AC024	ACA118	ACF113	
TOYOTA	LANDCRUISER	UZJ100R	VX	8	4.7L	2UZ-FE	P	MPFI	10/02	10/07	WAGON		AC024	ACA118	ACF113	
TOYOTA	LANDCRUISER	UZJ200R	GXL	8	4.7L	2UZ-FE	P	DIRECT INJ	11/07	03/12	WAGON		AC024	ACA264	ACF211	ACC31
TOYOTA	LANDCRUISER	UZJ200R	SAHARA	8	4.7L	2UZ-FE	P	DIRECT INJ	11/07	03/12	WAGON		AC024	ACA264	ACF211	ACC31
TOYOTA	LANDCRUISER	UZJ200R	VX	8	4.7L	2UZ-FE	P	DIRECT INJ	11/07	03/12	WAGON		AC024	ACA264	ACF211	ACC31
TOYOTA	LANDCRUISER	UZJ200R MY10	60TH ANNIV	8	4.7L	2UZ-FE	P	DIRECT INJ	2010	2010	WAGON		AC024	ACA264	ACF211	ACC31
TOYOTA	LANDCRUISER	UZJ200R MY10	GXL	8	4.7L	2UZ-FE	P	DIRECT INJ	2010	2010	WAGON		AC024	ACA264	ACF211	ACC31
TOYOTA	LANDCRUISER	UZJ200R MY10	SAHARA	8	4.7L	2UZ-FE	P	DIRECT INJ	2010	2010	WAGON		AC024	ACA264	ACF211	ACC31
TOYOTA	LANDCRUISER	UZJ200R MY10	VX	8	4.7L	2UZ-FE	P	DIRECT INJ	2010	2010	WAGON		AC024	ACA264	ACF211	ACC31
TOYOTA	LANDCRUISER	VDJ200R		8	4.5L	1VD-FTV	D	TURBO INT-COOL	11/07	ON	WAGON	PRIMARY FUEL FILTER ACF137 / SECONDARY FUEL FILTER ACF211	AC0102	ACA167	ACF137 / ACF211	ACC47
TOYOTA	LANDCRUISER	VDJ76R	GXL	8	4.5L	1VD-FTV	D	TURBO INT-COOL	03/07	ON	WAGON	AIR FILTER WITH FOAM BASE	AC0102	ACA207	ACF137	
TOYOTA	LANDCRUISER	VDJ76R	GXL	8	4.5L	1VD-FTV	D	TURBO INT-COOL	03/07	ON	WAGON	AIR FILTER W/O FOAM BASE	AC0102	ACA162	ACF137	
TOYOTA	LANDCRUISER	VDJ76R	WORKMATE	8	4.5L	1VD-FTV	D	TURBO INT-COOL	03/07	ON	WAGON	AIR FILTER WITH FOAM BASE	AC0102	ACA207	ACF137	
TOYOTA	LANDCRUISER	VDJ76R	WORKMATE	8	4.5L	1VD-FTV	D	TURBO INT-COOL	03/07	ON	WAGON	AIR FILTER W/O FOAM BASE	AC0102	ACA162	ACF137	

MAKE	MODEL	SERIES	BADGE	CYLS	ENG SIZE	ENGINE CODE	FUEL	FUEL DELIVERY / AIR INTAKE	FROM	TO	BODY	REMARKS	OIL	AIR	FUEL	CABIN
TOYOTA	LANDCRUISER	VDJ76R MY10		8	4.5L	1VD-FTV	D	TURBO INT-COOL	2010	2010	WAGON	AIR FILTER WITH FOAM BASE	AC0102	ACA207	ACF137	
TOYOTA	LANDCRUISER	VDJ76R MY10		8	4.5L	1VD-FTV	D	TURBO INT-COOL	2010	2010	WAGON	AIR FILTER W/O FOAM BASE	AC0102	ACA162	ACF137	
TOYOTA	LANDCRUISER	VDJ78R	GXL TROOP-CARRIER	8	4.5L	1VD-FTV	D	TURBO INT-COOL	03/07	ON	WAGON	AIR FILTER WITH FOAM BASE	AC0102	ACA207	ACF137	
TOYOTA	LANDCRUISER	VDJ78R	GXL TROOP-CARRIER	8	4.5L	1VD-FTV	D	TURBO INT-COOL	03/07	ON	WAGON	AIR FILTER W/O FOAM BASE	AC0102	ACA162	ACF137	
TOYOTA	LANDCRUISER	VDJ78R	WORKMATE TROOPCARRIER	8	4.5L	1VD-FTV	D	TURBO INT-COOL	03/07	ON	WAGON	AIR FILTER WITH FOAM BASE	AC0102	ACA207	ACF137	
TOYOTA	LANDCRUISER	VDJ78R	WORKMATE TROOPCARRIER	8	4.5L	1VD-FTV	D	TURBO INT-COOL	03/07	ON	WAGON	AIR FILTER W/O FOAM BASE	AC0102	ACA162	ACF137	
TOYOTA	LANDCRUISER	VDJ78R MY10	GXL TROOP-CARRIER	8	4.5L	1VD-FTV	D	TURBO INT-COOL	2010	2010	WAGON	AIR FILTER WITH FOAM BASE	AC0102	ACA207	ACF137	
TOYOTA	LANDCRUISER	VDJ78R MY10	GXL TROOP-CARRIER	8	4.5L	1VD-FTV	D	TURBO INT-COOL	2010	2010	WAGON	AIR FILTER W/O FOAM BASE	AC0102	ACA162	ACF137	
TOYOTA	LANDCRUISER	VDJ78R MY10	WORKMATE TROOPCARRIER	8	4.5L	1VD-FTV	D	TURBO INT-COOL	2010	2010	WAGON	AIR FILTER WITH FOAM BASE	AC0102	ACA207	ACF137	
TOYOTA	LANDCRUISER	VDJ78R MY10	WORKMATE TROOPCARRIER	8	4.5L	1VD-FTV	D	TURBO INT-COOL	2010	2010	WAGON	AIR FILTER W/O FOAM BASE	AC0102	ACA162	ACF137	
TOYOTA	LANDCRUISER	VDJ79R	GX	8	4.5L	1VD-FTV	D	TURBO INT-COOL	03/07	ON	CAB CHASS	AIR FILTER WITH FOAM BASE	AC0102	ACA207	ACF137	
TOYOTA	LANDCRUISER	VDJ79R	GX	8	4.5L	1VD-FTV	D	TURBO INT-COOL	03/07	ON	CAB CHASS	AIR FILTER W/O FOAM BASE	AC0102	ACA162	ACF137	
TOYOTA	LANDCRUISER	VDJ79R	GXL	8	4.5L	1VD-FTV	D	TURBO INT-COOL	03/07	ON	CAB CHASS	AIR FILTER WITH FOAM BASE	AC0102	ACA207	ACF137	
TOYOTA	LANDCRUISER	VDJ79R	GXL	8	4.5L	1VD-FTV	D	TURBO INT-COOL	03/07	ON	CAB CHASS	AIR FILTER W/O FOAM BASE	AC0102	ACA162	ACF137	
TOYOTA	LANDCRUISER	VDJ79R	WORKMATE	8	4.5L	1VD-FTV	D	TURBO INT-COOL	03/07	ON	CAB CHASS	AIR FILTER WITH FOAM BASE	AC0102	ACA207	ACF137	
TOYOTA	LANDCRUISER	VDJ79R	WORKMATE	8	4.5L	1VD-FTV	D	TURBO INT-COOL	03/07	ON	CAB CHASS	AIR FILTER W/O FOAM BASE	AC0102	ACA162	ACF137	
TOYOTA	LANDCRUISER	VDJ79R MY10	GX	8	4.5L	1VD-FTV	D	TURBO INT-COOL	2010	2010	CAB CHASS	AIR FILTER WITH FOAM BASE	AC0102	ACA207	ACF137	
TOYOTA	LANDCRUISER	VDJ79R MY10	GX	8	4.5L	1VD-FTV	D	TURBO INT-COOL	2010	2010	CAB CHASS	AIR FILTER W/O FOAM BASE	AC0102	ACA162	ACF137	
TOYOTA	LANDCRUISER	VDJ79R MY10	GXL	8	4.5L	1VD-FTV	D	TURBO INT-COOL	2010	2010	CAB CHASS	AIR FILTER WITH FOAM BASE	AC0102	ACA207	ACF137	
TOYOTA	LANDCRUISER	VDJ79R MY10	GXL	8	4.5L	1VD-FTV	D	TURBO INT-COOL	2010	2010	CAB CHASS	AIR FILTER W/O FOAM BASE	AC0102	ACA162	ACF137	
TOYOTA	LANDCRUISER	VDJ79R MY10	WORKMATE	8	4.5L	1VD-FTV	D	TURBO INT-COOL	2010	2010	CAB CHASS	AIR FILTER WITH FOAM BASE	AC0102	ACA207	ACF137	



MAKE	MODEL	SERIES	BADGE	CYLS	ENG SIZE	ENGINE CODE	FUEL	FUEL DELIVERY / AIR INTAKE	FROM	TO	BODY	REMARKS	OIL	AIR	FUEL	CABIN
TOYOTA	LANDCRUISER	VDJ79R MY10	WORKMATE	8	4.5L	1VD-FTV	D	TURBO INT-COOL	2010	2010	CAB CHASS	AIR FILTER W/O FOAM BASE	AC0102	ACA162	ACF137	
TOYOTA	LANDCRUISER PRADO	GDJ150R		4	2.8L	1GD-FTV	D	CRD TURBO	08/15	ON	WAGON	PRIMARY FUEL FILTER ACF28 / SECONDARY FUEL FILTER ACF211	AC024	ACA162	ACF28 / ACF211	ACC1
TOYOTA	LANDCRUISER PRADO	GRJ120R	GRANDE	6	4.0L	1GR-FE	P	MPFI	03/03	11/09	WAGON		AC024	ACA169	ACF141	ACC1
TOYOTA	LANDCRUISER PRADO	GRJ120R	GX	6	4.0L	1GR-FE	P	MPFI	03/03	11/09	WAGON		AC024	ACA169	ACF141	ACC1
TOYOTA	LANDCRUISER PRADO	GRJ120R	GX LIMITED	6	4.0L	1GR-FE	P	MPFI	03/03	11/09	WAGON		AC024	ACA169	ACF141	ACC1
TOYOTA	LANDCRUISER PRADO	GRJ120R	GXL	6	4.0L	1GR-FE	P	MPFI	03/03	11/09	WAGON		AC024	ACA169	ACF141	ACC1
TOYOTA	LANDCRUISER PRADO	GRJ120R	PILBARA	6	4.0L	1GR-FE	P	MPFI	03/03	11/09	WAGON		AC024	ACA169	ACF141	ACC1
TOYOTA	LANDCRUISER PRADO	GRJ120R	VX	6	4.0L	1GR-FE	P	MPFI	03/03	11/09	WAGON		AC024	ACA169	ACF141	ACC1
TOYOTA	LANDCRUISER PRADO	GRJ150R	GXL	6	4.0L	1GR-FE	P	MPFI	11/09	ON	WAGON		AC0124	ACA287	ACF151	ACC31
TOYOTA	LANDCRUISER PRADO	GRJ150R	KAKADU	6	4.0L	1GR-FE	P	MPFI	11/09	ON	WAGON		AC0124	ACA287	ACF151	ACC31
TOYOTA	LANDCRUISER PRADO	GRJ150R	VX	6	4.0L	1GR-FE	P	MPFI	11/09	ON	WAGON		AC0124	ACA287	ACF151	ACC31
TOYOTA	LANDCRUISER PRADO	KDJ120R	GRANDE	4	3.0L	1KD-TE	D	TURBO INT-COOL	11/06	11/09	WAGON	PRIMARY FUEL FILTER ACF28 / SECONDARY FUEL FILTER ACF211	AC024	ACA162	ACF28 / ACF211	ACC1
TOYOTA	LANDCRUISER PRADO	KDJ120R	GX	4	3.0L	1KD-TE	D	TURBO INT-COOL	11/06	11/09	WAGON	PRIMARY FUEL FILTER ACF28 / SECONDARY FUEL FILTER ACF211	AC024	ACA162	ACF28 / ACF211	ACC1
TOYOTA	LANDCRUISER PRADO	KDJ120R	GXL	4	3.0L	1KD-TE	D	TURBO INT-COOL	11/06	11/09	WAGON	PRIMARY FUEL FILTER ACF28 / SECONDARY FUEL FILTER ACF211	AC024	ACA162	ACF28 / ACF211	ACC1
TOYOTA	LANDCRUISER PRADO	KDJ120R	STANDARD	4	3.0L	1KD-TE	D	TURBO INT-COOL	11/06	11/09	WAGON	PRIMARY FUEL FILTER ACF28 / SECONDARY FUEL FILTER ACF211	AC024	ACA162	ACF28 / ACF211	ACC1
TOYOTA	LANDCRUISER PRADO	KDJ120R	VX	4	3.0L	1KD-TE	D	TURBO INT-COOL	11/06	11/09	WAGON	PRIMARY FUEL FILTER ACF28 / SECONDARY FUEL FILTER ACF211	AC024	ACA162	ACF28 / ACF211	ACC1
TOYOTA	LANDCRUISER PRADO	KDJ150R	GX	4	3.0L	1KD-FTV	D	TURBO INT-COOL	11/09	ON	WAGON	PRIMARY FUEL FILTER ACF28 / SECONDARY FUEL FILTER ACF211	AC024	ACA162	ACF28 / ACF211	ACC31

MAKE	MODEL	SERIES	BADGE	CYLS	ENG SIZE	ENGINE CODE	FUEL	FUEL DELIVERY / AIR INTAKE	FROM	TO	BODY	REMARKS	OIL	AIR	FUEL	CABIN
TOYOTA	LANDCRUISER PRADO	KDJ150R	GXL	4	3.0L	1KD-FTV	D	TURBO INT-COOL	11/09	ON	WAGON	PRIMARY FUEL FILTER ACF28 / SECONDARY FUEL FILTER ACF211	AC024	ACA162	ACF28 / ACF211	ACC31
TOYOTA	LANDCRUISER PRADO	KDJ150R	KAKADU	4	3.0L	1KD-FTV	D	TURBO INT-COOL	11/09	ON	WAGON	PRIMARY FUEL FILTER ACF28 / SECONDARY FUEL FILTER ACF211	AC024	ACA162	ACF28 / ACF211	ACC31
TOYOTA	LANDCRUISER PRADO	KDJ150R	SX	4	3.0L	1KD-FTV	D	TURBO INT-COOL	11/09	ON	WAGON	PRIMARY FUEL FILTER ACF28 / SECONDARY FUEL FILTER ACF211	AC024	ACA162	ACF28 / ACF211	ACC31
TOYOTA	LANDCRUISER PRADO	KDJ150R	VX	4	3.0L	1KD-FTV	D	TURBO INT-COOL	11/09	ON	WAGON	PRIMARY FUEL FILTER ACF28 / SECONDARY FUEL FILTER ACF211	AC024	ACA162	ACF28 / ACF211	ACC31
TOYOTA	LANDCRUISER PRADO	KDJ150R	ZR	4	3.0L	1KD-FTV	D	TURBO INT-COOL	11/09	ON	WAGON	PRIMARY FUEL FILTER ACF28 / SECONDARY FUEL FILTER ACF211	AC024	ACA162	ACF28 / ACF211	ACC31
TOYOTA	LANDCRUISER PRADO	KDJ155R		4	3.0L	1KD-FTV	D	TURBO INT-COOL	11/09	ON	WAGON	PRIMARY FUEL FILTER ACF28 / SECONDARY FUEL FILTER ACF211	AC024	ACA162	ACF28 / ACF211	ACC31
TOYOTA	LANDCRUISER PRADO	KZJ95R	GRANDE	4	3.0L	1KZ-TE	D	TURBO INT-COOL	03/00	02/03	WAGON		AC032	ACA103	ACF201	
TOYOTA	LANDCRUISER PRADO	KZJ95R	GXL	4	3.0L	1KZ-TE	D	TURBO INT-COOL	03/00	02/03	WAGON		AC032	ACA103	ACF201	
TOYOTA	LANDCRUISER PRADO	KZJ95R	GXL ADVANTAGE	4	3.0L	1KZ-TE	D	TURBO INT-COOL	03/00	02/03	WAGON		AC032	ACA103	ACF201	
TOYOTA	LANDCRUISER PRADO	KZJ95R	RV	4	3.0L	1KZ-TE	D	TURBO INT-COOL	03/00	02/03	WAGON		AC032	ACA103	ACF201	
TOYOTA	LANDCRUISER PRADO	KZJ95R	TX	4	3.0L	1KZ-TE	D	TURBO INT-COOL	03/00	02/03	WAGON		AC032	ACA103	ACF201	
TOYOTA	LANDCRUISER PRADO	KZJ120R	GRANDE	4	3.0L	1KZ-TE	D	TURBO INT-COOL	02/03	10/06	WAGON	ACF201 IS PRIMARY FILTER, ACF211 IS SECONDARY FILTER	AC032	ACA162	ACF201 ACF211	ACC1
TOYOTA	LANDCRUISER PRADO	KZJ120R	GX	4	3.0L	1KZ-TE	D	TURBO INT-COOL	02/03	10/06	WAGON	ACF201 IS PRIMARY FILTER, ACF211 IS SECONDARY FILTER	AC032	ACA162	ACF201 ACF211	ACC1
TOYOTA	LANDCRUISER PRADO	KZJ120R	GX LIMITED	4	3.0L	1KZ-TE	D	TURBO INT-COOL	02/03	10/06	WAGON	ACF201 IS PRIMARY FILTER, ACF211 IS SECONDARY FILTER	AC032	ACA162	ACF201 ACF211	ACC1

MAKE	MODEL	SERIES	BADGE	CYLS	ENG SIZE	ENGINE CODE	FUEL	FUEL DELIVERY / AIR INTAKE	FROM	TO	BODY	REMARKS	OIL	AIR	FUEL	CABIN
TOYOTA	LANDCRUISER PRADO	KZJ120R	GXL	4	3.0L	1KZ-TE	D	TURBO INT-COOL	02/03	10/06	WAGON	ACF201 IS PRIMARY FILTER, ACF211 IS SECONDARY FILTER	AC032	ACA162	ACF201 ACF211	ACC1
TOYOTA	LANDCRUISER PRADO	KZJ120R	PILBARA	4	3.0L	1KZ-TE	D	TURBO INT-COOL	02/03	10/06	WAGON	ACF201 IS PRIMARY FILTER, ACF211 IS SECONDARY FILTER	AC032	ACA162	ACF201 ACF211	ACC1
TOYOTA	LANDCRUISER PRADO	KZJ120R	VX	4	3.0L	1KZ-TE	D	TURBO INT-COOL	02/03	10/06	WAGON	ACF201 IS PRIMARY FILTER, ACF211 IS SECONDARY FILTER	AC032	ACA162	ACF201 ACF211	ACC1
TOYOTA	LANDCRUISER PRADO	RZJ120R		4	2.7L	3RZ-FE	P	MPFI	03/03	08/04	WAGON		AC024	ACA162	ACF141	ACC1
TOYOTA	LANDCRUISER PRADO	RZJ95R		4	2.7L	3RZ-FE	P	MPFI	07/96	05/02	WAGON		AC024	ACA1	ACF5	
TOYOTA	LANDCRUISER PRADO	VZJ95R	50TH ANNIV GXL	6	3.4L	5VZ-FE	P	MPFI	07/96	02/03	WAGON		AC024	ACA102	ACF49	
TOYOTA	LANDCRUISER PRADO	VZJ95R	GETAWAY RV6	6	3.4L	5VZ-FE	P	MPFI	07/96	02/03	WAGON		AC024	ACA102	ACF49	
TOYOTA	LANDCRUISER PRADO	VZJ95R	GRANDE	6	3.4L	5VZ-FE	P	MPFI	07/96	02/03	WAGON		AC024	ACA102	ACF49	
TOYOTA	LANDCRUISER PRADO	VZJ95R	GXL	6	3.4L	5VZ-FE	P	MPFI	07/96	02/03	WAGON		AC024	ACA102	ACF49	
TOYOTA	LANDCRUISER PRADO	VZJ95R	GXL ADVANTAGE	6	3.4L	5VZ-FE	P	MPFI	07/96	02/03	WAGON		AC024	ACA102	ACF49	
TOYOTA	LANDCRUISER PRADO	VZJ95R	KIMBERLEY GXL	6	3.4L	5VZ-FE	P	MPFI	07/96	02/03	WAGON		AC024	ACA102	ACF49	
TOYOTA	LANDCRUISER PRADO	VZJ95R	RV6	6	3.4L	5VZ-FE	P	MPFI	07/96	02/03	WAGON		AC024	ACA102	ACF49	
TOYOTA	LANDCRUISER PRADO	VZJ95R	SNOWY GXL	6	3.4L	5VZ-FE	P	MPFI	07/96	02/03	WAGON		AC024	ACA102	ACF49	
TOYOTA	LANDCRUISER PRADO	VZJ95R	VX	6	3.4L	5VZ-FE	P	MPFI	07/96	02/03	WAGON		AC024	ACA102	ACF49	
TOYOTA	LANDCRUISER PRADO	VZJ95R	VX GRANDE	6	3.4L	5VZ-FE	P	MPFI	07/96	02/03	WAGON		AC024	ACA102	ACF49	
TOYOTA	LANDCRUISER PRADO	VZJ95R	WORLD CUP RV6	6	3.4L	5VZ-FE	P	MPFI	07/96	02/03	WAGON		AC024	ACA102	ACF49	
TOYOTA	LEXCEN	VN		6	3.8L	VH	P	MPFI	1989	1990	SED/ WAG		AC018	ACA21	ACF4	
TOYOTA	LEXCEN	VP		6	3.8L	VH	P	MPFI	1991	1993	SED/ WAG		AC018	ACA21	ACF4	
TOYOTA	LEXCEN	VR	CSI/VXI	6	3.8L	VH	P	MPFI	1993	1995	SED/ WAG		AC018	ACA21	ACF4	
TOYOTA	LEXCEN	T4	CSI/VXI	6	3.8L	VH	P	MPFI	1995	1996	SED/ WAG		AC018	ACA21	ACF4	
TOYOTA	LEXCEN	T5	CSI/VXI	6	3.8L	VH	P	MPFI	1996	1997	SED/ WAG		AC018	ACA21	ACF4	
TOYOTA	LITE ACE	CM20		4	1.8L	1C	D		1983	1985	VAN		AC09		ACF201	
TOYOTA	LITE ACE	CM35		4	1.8L	1C	D		1986	1992	VAN		AC09		ACF201	
TOYOTA	LITE ACE	CM36		4	2.0L	2C	D		1989	1992	VAN		AC077			
TOYOTA	LITE ACE	KM20		4	1.3L	4K, 4KC	P	CARB	1980	1985	VAN		AC02		ACF78	
TOYOTA	LITE ACE	KM36		4	1.5L	5KC	P		1986	1992	VAN		AC02		ACF78	
TOYOTA	LITE ACE	YM21		4	1.8L	2YC	P		1984	1985	VAN		AC02		ACF78	

MAKE	MODEL	SERIES	BADGE	CYLS	ENG SIZE	ENGINE CODE	FUEL	FUEL DELIVERY / AIR INTAKE	FROM	TO	BODY	REMARKS	OIL	AIR	FUEL	CABIN
TOYOTA	LITE ACE	YM30		4	1.8L	2YC	P		1986	1992	VAN		AC02		ACF78	
TOYOTA	LITE ACE	YM35		4	1.8L	2YC	P		1986	1992	VAN		AC02		ACF78	
TOYOTA	LITE ACE	YM40		4	2.0L	3YC	P	CARB	1986	1989	VAN		AC02		ACF78	
TOYOTA	LITE ACE	YM41		4	2.0L	3YE	P		1986	1989	VAN		AC02		ACF78	
TOYOTA	MR2	AW11		4	1.6L	4AGZE	P	S-CHARGED	1986	1989	COUPE		AC022	ACA46	ACF5	
TOYOTA	MR2	AW11		4	1.6L	4AGEL	P	MPFI	1987	1990	COUPE		AC022	ACA46	ACF5	
TOYOTA	MR2	SW20		4	2.0L	3SGE	P	MPFI	1989	1993	COUPE		AC022	ACA148	ACF5	
TOYOTA	MR2	SW20	GT	4	2.0L	3SGTE	P	TURBO INT-COOL	1989	1993	COUPE		AC022	ACA148	ACF5	
TOYOTA	MR2	SW20R	BATHURST	4	2.0L	3SGE	P	MPFI	1994	1999	COUPE		AC022	ACA148	ACF5	
TOYOTA	MR2	SW20R	GT	4	2.0L	3SGTE	P	TURBO INT-COOL	1994	1999	COUPE		AC022	ACA148	ACF5	
TOYOTA	MR2	ZZW30R	SPYDER	4	1.8L	1ZZ-FE	P	MPFI	2000	2002	CONV		AC022	ACA43	ACF161	
TOYOTA	MR2	ZZW30R S2	SPYDER	4	1.8L	1ZZ-FE	P	MPFI	10/02	2006	CONV		AC022	ACA43	ACF161	
TOYOTA	MR2	ZZW30R S2	TTR SPYDER	4	1.8L	1ZZ-FE	P	MPFI	2004	2004	CONV		AC022	ACA43	ACF161	
TOYOTA	MR-S	ZZW30		4	1.8L	1ZZ-FE	P	MPFI	1999	2003	CONV		AC046	ACA43	ACF161	
TOYOTA	PASEO	EL44		4	1.5L	5E-FE	P	MPFI	1991	1995	COUPE		AC022	ACA242		
TOYOTA	PASEO	EL44	OLYMPIC SPIRIT	4	1.5L	5E-FE	P	MPFI	1992	1992	COUPE		AC022	ACA242		
TOYOTA	PASEO	EL44	ALPHA	4	1.5L	5E-FE	P	MPFI	1993	1995	COUPE		AC022	ACA242		
TOYOTA	PASEO	EL54R		4	1.5L	5E-FE	P	MPFI	10/95	1999	COUPE		AC022	ACA242	ACF186	
TOYOTA	PRIUS	NHW10		4	1.5L	1NZ-FXE	P	EFI	1998	2003	SEDAN	HYBRID	AC022		ACF107	
TOYOTA	PRIUS	NHW11R		4	1.5L	1NZ-FXE	P	MPFI	2001	2003	SEDAN	HYBRID	AC022		ACF160	ACC1
TOYOTA	PRIUS	NHW20R	HYBRID	4	1.5L	1NZ-FXE	P	MPFI	2003	2009	L-BACK	57KW HYBRID	AC022	ACA237	ACF160	ACC1
TOYOTA	PRIUS	ZVW30R	HYBRID	4	1.8L	2ZR-FXE	P	MPFI	2009	ON	L-BACK	73KW HYBRID	AC0119	ACA338		ACC31
TOYOTA	PRIUS C	NHP10R		4	1.5L	1NZ-FXE	P	MPFI	2012	ON	HATCH	54KW HYBRID	AC022			ACC31
TOYOTA	PRIUS C	NHP10R	I-TECH	4	1.5L	1NZ-FXE	P	MPFI	2012	ON	HATCH	54KW HYBRID	AC022			ACC31
TOYOTA	PRIUS V	ZVW40R	HYBRID	4	1.8L	2ZR-FXE	P	MPFI	05/12	ON	WAGON	73KW HYBRID	AC0119	ACA338		ACC31
TOYOTA	PRIUS V	ZVW40R	I-TECH	4	1.8L	2ZR-FXE	P	MPFI	05/12	ON	WAGON	73KW HYBRID	AC0119	ACA338		ACC31
TOYOTA	RAV4	ACA20R	CRUISER	4	2.0L	1AZ-FE	P	MPFI	2000	2003	H-TOP		AC046	ACA153	ACF131	ACC20
TOYOTA	RAV4	ACA20R	EDGE	4	2.0L	1AZ-FE	P	MPFI	2000	2003	H-TOP		AC046	ACA153	ACF131	ACC20
TOYOTA	RAV4	ACA20R	EXTREME	4	2.0L	1AZ-FE	P	MPFI	2003	2003	H-TOP		AC046	ACA153	ACF131	ACC20
TOYOTA	RAV4	ACA21R	CRUISER	4	2.0L	1AZ-FE	P	MPFI	2000	2003	WAGON		AC046	ACA153	ACF131	ACC20
TOYOTA	RAV4	ACA21R	EDGE	4	2.0L	1AZ-FE	P	MPFI	2000	2003	WAGON		AC046	ACA153	ACF131	ACC20
TOYOTA	RAV4	ACA21R	ADVANTAGE EDGE	4	2.0L	1AZ-FE	P	MPFI	2002	2002	WAGON		AC046	ACA153	ACF131	ACC20
TOYOTA	RAV4	ACA21R	EXTREME	4	2.0L	1AZ-FE	P	MPFI	2003	2003	WAGON		AC046	ACA153	ACF131	ACC20
TOYOTA	RAV4	ACA22R	CRUISER	4	2.4L	2AZ-FE	P	MPFI	2003	2005	H-TOP		AC046	ACA153	ACF131	ACC20
TOYOTA	RAV4	ACA22R	CV	4	2.4L	2AZ-FE	P	MPFI	2003	2005	H-TOP		AC046	ACA153	ACF131	ACC20
TOYOTA	RAV4	ACA22R	CV SPORT	4	2.4L	2AZ-FE	P	MPFI	2005	2005	H-TOP		AC046	ACA153	ACF131	ACC20
TOYOTA	RAV4	ACA23R	CRUISER	4	2.4L	2AZ-FE	P	MPFI	2003	2005	WAGON		AC046	ACA153	ACF131	ACC20
TOYOTA	RAV4	ACA23R	CV	4	2.4L	2AZ-FE	P	MPFI	2003	2005	WAGON		AC046	ACA153	ACF131	ACC20
TOYOTA	RAV4	ACA23R	CV SPORT	4	2.4L	2AZ-FE	P	MPFI	2005	2005	WAGON		AC046	ACA153	ACF131	ACC20
TOYOTA	RAV4	ACA33R	CRUISER	4	2.4L	2AZ-FE	P	MPFI	2006	2007	WAGON		AC046	ACA160	ACF209	ACC47
TOYOTA	RAV4	ACA33R	CRUISER L	4	2.4L	2AZ-FE	P	MPFI	2006	2007	WAGON		AC046	ACA160	ACF209	ACC47
TOYOTA	RAV4	ACA33R	CV	4	2.4L	2AZ-FE	P	MPFI	2006	2007	WAGON		AC046	ACA160	ACF209	ACC47
TOYOTA	RAV4	ACA33R	CRUISER	4	2.4L	2AZ-FE	P	MPFI	2007	12/08	WAGON		AC046	ACA160	ACF209	ACC47

MAKE	MODEL	SERIES	BADGE	CYLS	ENG SIZE	ENGINE CODE	FUEL	FUEL DELIVERY / AIR INTAKE	FROM	TO	BODY	REMARKS	OIL	AIR	FUEL	CABIN
TOYOTA	RAV4	ACA33R	CRUISER L	4	2.4L	2AZ-FE	P	MPFI	2007	12/08	WAGON		AC046	ACA160	ACF209	ACC47
TOYOTA	RAV4	ACA33R	CV	4	2.4L	2AZ-FE	P	MPFI	2007	12/08	WAGON		AC046	ACA160	ACF209	ACC47
TOYOTA	RAV4	ACA33R	EDGE	4	2.4L	2AZ-FE	P	MPFI	2009	2009	WAGON		AC046	ACA160	ACF198	ACC47
TOYOTA	RAV4	ACA33R	ALTITUDE	4	2.4L	2AZ-FE	P	MPFI	2010	2012	WAGON		AC046	ACA160	ACF198	ACC47
TOYOTA	RAV4	ACA33R	CRUISER	4	2.4L	2AZ-FE	P	MPFI	2010	2012	WAGON		AC046	ACA160	ACF198	ACC47
TOYOTA	RAV4	ACA33R	CRUISER L	4	2.4L	2AZ-FE	P	MPFI	2010	2012	WAGON		AC046	ACA160	ACF198	ACC47
TOYOTA	RAV4	ACA33R	CV	4	2.4L	2AZ-FE	P	MPFI	2010	2012	WAGON		AC046	ACA160	ACF198	ACC47
TOYOTA	RAV4	ACA33R	CRUISER	4	2.4L	2AZ-FE	P	MPFI	01/09	2010	WAGON		AC046	ACA160	ACF198	ACC47
TOYOTA	RAV4	ACA33R	CRUISER L	4	2.4L	2AZ-FE	P	MPFI	01/09	2010	WAGON		AC046	ACA160	ACF198	ACC47
TOYOTA	RAV4	ACA33R	CV	4	2.4L	2AZ-FE	P	MPFI	01/09	2010	WAGON		AC046	ACA160	ACF198	ACC47
TOYOTA	RAV4	ACA38R	CRUISER	4	2.4L	2AZ-FE	P	MPFI	2010	2012	WAGON		AC046	ACA160	ACF198	ACC31
TOYOTA	RAV4	ACA38R	CV	4	2.4L	2AZ-FE	P	MPFI	2010	2012	WAGON		AC046	ACA160	ACF198	ACC31
TOYOTA	RAV4	ACA38R	ALTITUDE	4	2.4L	2AZ-FE	P	MPFI	2011	2012	WAGON		AC046	ACA160	ACF198	ACC31
TOYOTA	RAV4	ALA49R	CRUISER	4	2.2L	2AD-FTV	D	TURBO DIRECT INJ	2013	ON	WAGON		AC0124		ACF220	ACC31
TOYOTA	RAV4	ALA49R	GX	4	2.2L	2AD-FTV	D	TURBO DIRECT INJ	2013	ON	WAGON		AC0124		ACF220	ACC31
TOYOTA	RAV4	ALA49R	GXL	4	2.2L	2AD-FTV	D	TURBO DIRECT INJ	2013	ON	WAGON		AC0124		ACF220	ACC31
TOYOTA	RAV4	ASA44R	CRUISER	4	2.5L	2AR-FE	P	MPFI	2013	ON	WAGON		AC0101	ACA339	ACF198	ACC31
TOYOTA	RAV4	ASA44R	GX	4	2.5L	2AR-FE	P	MPFI	2013	ON	WAGON		AC0101	ACA339	ACF198	ACC31
TOYOTA	RAV4	ASA44R	GXL	4	2.5L	2AR-FE	P	MPFI	2013	ON	WAGON		AC0101	ACA339	ACF198	ACC31
TOYOTA	RAV4	GSA33R	CV6	6	3.5L	2GR-FE	P	MPFI	2007	12/08	WAGON		AC0101	ACA160	ACF209	ACC47
TOYOTA	RAV4	GSA33R	SX6	6	3.5L	2GR-FE	P	MPFI	2007	12/08	WAGON		AC0101	ACA160	ACF209	ACC47
TOYOTA	RAV4	GSA33R	ZR6	6	3.5L	2GR-FE	P	MPFI	2007	12/08	WAGON		AC0101	ACA160	ACF209	ACC47
TOYOTA	RAV4	GSA33R	CV6	6	3.5L	2GR-FE	P	MPFI	2010	2012	WAGON		AC0101	ACA160	ACF198	ACC47
TOYOTA	RAV4	GSA33R	SX6	6	3.5L	2GR-FE	P	MPFI	2010	2012	WAGON		AC0101	ACA160	ACF198	ACC47
TOYOTA	RAV4	GSA33R	ZR6	6	3.5L	2GR-FE	P	MPFI	2010	2012	WAGON		AC0101	ACA160	ACF198	ACC47
TOYOTA	RAV4	GSA33R	CV6	6	3.5L	2GR-FE	P	MPFI	01/09	2010	WAGON		AC0101	ACA160	ACF198	ACC47
TOYOTA	RAV4	GSA33R	SX6	6	3.5L	2GR-FE	P	MPFI	01/09	2010	WAGON		AC0101	ACA160	ACF198	ACC47
TOYOTA	RAV4	GSA33R	ZR6	6	3.5L	2GR-FE	P	MPFI	01/09	2010	WAGON		AC0101	ACA160	ACF198	ACC47
TOYOTA	RAV4	SXA10R		4	2.0L	3S-FE	P	MPFI	1994	2000	CABRIO/ H-TOP		AC022	ACA148	ACF185	
TOYOTA	RAV4	SXA10R	WINTER LIMITED EDITION	4	2.0L	3S-FE	P	MPFI	1996	1996	H-TOP		AC022	ACA148	ACF185	
TOYOTA	RAV4	SXA10R	OASIS	4	2.0L	3S-FE	P	MPFI	1997	1997	H-TOP		AC022	ACA148	ACF185	
TOYOTA	RAV4	SXA10R	CRUISER	4	2.0L	3S-FE	P	MPFI	1998	2000	CABRIO/ H-TOP		AC022	ACA148	ACF185	
TOYOTA	RAV4	SXA10R	MAX	4	2.0L	3S-FE	P	MPFI	1999	1999	H-TOP		AC022	ACA148	ACF185	
TOYOTA	RAV4	SXA11R		4	2.0L	3S-FE	P	MPFI	1995	2000	WAGON		AC022	ACA148	ACF185	
TOYOTA	RAV4	SXA11R	WINTER LIMITED EDITION	4	2.0L	3S-FE	P	MPFI	1996	1996	WAGON		AC022	ACA148	ACF185	
TOYOTA	RAV4	SXA11R	OASIS	4	2.0L	3S-FE	P	MPFI	1997	1997	WAGON		AC022	ACA148	ACF185	
TOYOTA	RAV4	SXA11R	WORLD CUP	4	2.0L	3S-FE	P	MPFI	1998	1998	WAGON		AC022	ACA148	ACF185	
TOYOTA	RAV4	SXA11R	CRUISER	4	2.0L	3S-FE	P	MPFI	1998	2000	WAGON		AC022	ACA148	ACF185	
TOYOTA	RAV4	SXA11R	MAX	4	2.0L	3S-FE	P	MPFI	1999	1999	WAGON		AC022	ACA148	ACF185	
TOYOTA	RAV4	ZSA42R	GX	4	2.0L	3ZR-FE	P	MPFI	2013	ON	WAGON		AC0116	ACA171	ACF198	ACC31
TOYOTA	RAV4	ZSA42R	GXL	4	2.0L	3ZR-FE	P	MPFI	2013	ON	WAGON		AC0116	ACA171	ACF198	ACC31
TOYOTA	RUKUS	AZE151R	AZE151	4	2.4L	2AZ-FE	P	MPFI	2010	ON	WAGON		AC046	ACA160	ACF159	ACC31

MAKE	MODEL	SERIES	BADGE	CYLS	ENG SIZE	ENGINE CODE	FUEL	FUEL DELIVERY / AIR INTAKE	FROM	TO	BODY	REMARKS	OIL	AIR	FUEL	CABIN
TOYOTA	RUKUS	BUILD 2	AZE151	4	2.4L	2AZ-FE	P	MPFI	2010	ON	WAGON		AC046	ACA160	ACF159	ACC31
TOYOTA	RUKUS	BUILD 3	AZE151	4	2.4L	2AZ-FE	P	MPFI	2010	ON	WAGON		AC046	ACA160	ACF159	ACC31
TOYOTA	RUKUS	HALO	AZE151	4	2.4L	2AZ-FE	P	MPFI	2011	2011	WAGON		AC046	ACA160	ACF159	ACC31
TOYOTA	SERA	EXY10	SE	4	1.5L	5EF-HE	P	MPFI	1990	1995	HATCH		AC022	ACA242		
TOYOTA	SOARER	MZ20	GT	6	3.0L	7M-GTE	P	TURBO	1989	1989	COUPE		AC024	ACA46	ACF5	
TOYOTA	SOARER	SC400	GT	8	4.0L	1UZ-FE	P	MPFI	1990	1999	COUPE		AC024		ACF49	
TOYOTA	SOARER	JZZ30	TURBO	6	2.5L	1JZ-GTE	P	TWIN TURBO	1991	1993	COUPE		AC024		ACF49	
TOYOTA	SOARER	SC300		6	3.0L	2JZ-GE	P	MPFI	1993	1999	COUPE		AC024		ACF185	
TOYOTA	SOARER	JZZ30	GT-T	6	2.5L	1JZ-GTE	P	TWIN TURBO	1994	1999	COUPE		AC024		ACF49	
TOYOTA	SPACIA	YR22RG		4	2.2L	4Y-EC	P	MPFI	1993	1996			AC046		ACF5	
TOYOTA	SPACIA	SR40R		4	2.0L	3S-FE	P	MPFI	1998	2001	WAGON		AC046	ACA161	ACF185	
TOYOTA	SPRINTER	AE86		4	1.6L	4A-C	P	CARB	1983	1986	COUPE		AC019	ACA33		
TOYOTA	SPRINTER	AE102R		4	1.8L	7A-FE	P	MPFI	1994	1997	L-BACK		AC022	ACA86	ACF91	
TOYOTA	STARLET	EP71	S	4	1.3L	2E-TE	P	TURBO INT-COOL	1988	1989	HATCH		AC022			
TOYOTA	STARLET	EP82	GT	4	1.3L	4E-FTE	P	TURBO INT-COOL	1990	1995	HATCH		AC022	ACA242		
TOYOTA	STARLET	EP91	GROUP X	4	1.3L	4E-FE	P	MPFI	1996	1997	HATCH		AC022	ACA242	ACF91	
TOYOTA	STARLET	EP91	STYLE	4	1.3L	4E-FE	P	MPFI	1996	1997	HATCH		AC022	ACA242	ACF91	
TOYOTA	STARLET	EP91	LIFE	4	1.3L	4E-FE	P	MPFI	1996	1999	HATCH		AC022	ACA242	ACF91	
TOYOTA	STARLET	EP91	MAX LIFE	4	1.3L	4E-FE	P	MPFI	1998	1999	HATCH		AC022	ACA242	ACF91	
TOYOTA	SUPRA	MA61		6	2.8L	5ME	P	MPFI	1983	1984	L-BACK		AC015		ACF5	
TOYOTA	SUPRA	MA70		6	3.0L	7MGE	P	MPFI	1986	1988	L-BACK		AC015	ACA46	ACF223	
TOYOTA	SUPRA	MA70		6	3.0L	7MGTE	P	MPFI	1988	1990	COUPE		AC024	ACA46	ACF223	
TOYOTA	SUPRA	MA71	TURBO	6	3.0L	7MGTE	P	TURBO	1988	1992	COUPE		AC024	ACA46	ACF223	
TOYOTA	SUPRA	JZA80	RZ	6	3.0L	2JZ-GTE	P	TWIN TURBO	1993	2002	COUPE		AC024		ACF185	
TOYOTA	SUPRA	JZA80	SZ	6	3.0L	2JZ-GE	P	DIRECT INJ	1993	2002	COUPE		AC024		ACF185	
TOYOTA	TARAGO	ACR30R	GLI	4	2.4L	2AZ-FE	P	MPFI	2000	02/06	WAGON		AC046	ACA153	ACF130	ACC1
TOYOTA	TARAGO	ACR30R	GLX	4	2.4L	2AZ-FE	P	MPFI	2000	02/06	WAGON		AC046	ACA153	ACF130	ACC1
TOYOTA	TARAGO	ACR30R	ULTIMA	4	2.4L	2AZ-FE	P	MPFI	2000	02/06	WAGON		AC046	ACA153	ACF130	ACC1
TOYOTA	TARAGO	ACR50R	GLI	4	2.4L	2AZ-FE	P	MPFI	2011	ON	WAGON		AC046	ACA160	ACF225	ACC31
TOYOTA	TARAGO	ACR50R	GLX	4	2.4L	2AZ-FE	P	MPFI	2011	ON	WAGON		AC046	ACA160	ACF225	ACC31
TOYOTA	TARAGO	ACR50R	GLI	4	2.4L	2AZ-FE	P	MPFI	03/06	12/08	WAGON		AC046	ACA160		ACC31
TOYOTA	TARAGO	ACR50R	GLX	4	2.4L	2AZ-FE	P	MPFI	03/06	12/08	WAGON		AC046	ACA160		ACC31
TOYOTA	TARAGO	ACR50R	GLI	4	2.4L	2AZ-FE	P	MPFI	01/09	2011	WAGON		AC046	ACA160	ACF225	ACC31
TOYOTA	TARAGO	ACR50R	GLX	4	2.4L	2AZ-FE	P	MPFI	01/09	2011	WAGON		AC046	ACA160	ACF225	ACC31
TOYOTA	TARAGO	GSR50R	GLX	6	3.5L	2GR-FE	P	MPFI	2006	12/08	WAGON		AC0101	ACA160		ACC31
TOYOTA	TARAGO	GSR50R	GLI	6	3.5L	2GR-FE	P	MPFI	2007	12/08	WAGON		AC0101	ACA160		ACC31
TOYOTA	TARAGO	GSR50R	ULTIMA	6	3.5L	2GR-FE	P	MPFI	2007	12/08	WAGON		AC0101	ACA160		ACC31
TOYOTA	TARAGO	GSR50R	GLX	6	3.5L	2GR-FE	P	MPFI	2011	ON	WAGON		AC0101	ACA160	ACF225	ACC31
TOYOTA	TARAGO	GSR50R	GLX	6	3.5L	2GR-FE	P	MPFI	01/09	2011	WAGON		AC0101	ACA160	ACF225	ACC31
TOYOTA	TARAGO	GSR50R	GLI	6	3.5L	2GR-FE	P	MPFI	01/09	ON	WAGON		AC0101	ACA160	ACF225	ACC31
TOYOTA	TARAGO	GSR50R	ULTIMA	6	3.5L	2GR-FE	P	MPFI	01/09	ON	WAGON		AC0101	ACA160	ACF225	ACC31
TOYOTA	TARAGO	TCR10R	GETAWAY	4	2.4L	2TZ-FE	P	MPFI	1992	1993	WAGON		AC024	ACA161	ACF5	
TOYOTA	TARAGO	TCR10R	GLI	4	2.4L	2TZ-FE	P	MPFI	1992	1995	WAGON		AC024	ACA161	ACF5	
TOYOTA	TARAGO	TCR10R	GETAWAY II	4	2.4L	2TZ-FE	P	MPFI	1994	1995	WAGON		AC024	ACA161	ACF5	
TOYOTA	TARAGO	TCR10R	WORLD CUP	4	2.4L	2TZ-FE	P	MPFI	1995	1995	WAGON		AC024	ACA161	ACF5	
TOYOTA	TARAGO	TCR10R	ADVANTAGE	4	2.4L	2TZ-FE	P	MPFI	1995	1996	WAGON		AC024	ACA161	ACF5	
TOYOTA	TARAGO	TCR10R	GETAWAY II	4	2.4L	2TZ-FE	P	MPFI	1995	1997	WAGON		AC024	ACA161	ACF5	
TOYOTA	TARAGO	TCR10R	GLI	4	2.4L	2TZ-FE	P	MPFI	1995	1998	WAGON		AC024	ACA161	ACF5	

MAKE	MODEL	SERIES	BADGE	CYLS	ENG SIZE	ENGINE CODE	FUEL	FUEL DELIVERY / AIR INTAKE	FROM	TO	BODY	REMARKS	OIL	AIR	FUEL	CABIN
TOYOTA	TARAGO	TCR10R	GETAWAY II	4	2.4L	2TZ-FE	P	MPFI	1997	2000	WAGON		AC024	ACA161	ACF5	
TOYOTA	TARAGO	TCR10R	GLI	4	2.4L	2TZ-FE	P	MPFI	1998	2000	WAGON		AC024	ACA161	ACF5	
TOYOTA	TARAGO	TCR11R	GLX	4	2.4L	2TZ-FE	P	MPFI	1990	1997	WAGON		AC024	ACA161	ACF5	
TOYOTA	TARAGO	TCR11R	ULTIMA	4	2.4L	2TZ-FE	P	MPFI	1993	2000	WAGON		AC024	ACA161	ACF5	
TOYOTA	TARAGO	TCR11R	GLX	4	2.4L	2TZ-FE	P	MPFI	1997	2000	WAGON		AC024	ACA161	ACF5	
TOYOTA	TARAGO	TCR20R	RV	4	2.4L	2TZ-FE	P	MPFI	1990	1991	WAGON		AC024	ACA161	ACF5	
TOYOTA	TARAGO	TCR21R	GLS	4	2.4L	2TZ-FE	P	MPFI	1990	1993	WAGON		AC024	ACA161	ACF5	
TOYOTA	TARAGO	YR20		4	1.8L	2YC	P	CARB	1983	1984	WAGON		AC02		ACF78	
TOYOTA	TARAGO	YR21		4	2.0L	3YC	P	CARB	1983	08/85	WAGON		AC02		ACF78	
TOYOTA	TARAGO	YR21		4	2.0L	3YC	P	CARB	08/85	1992	WAGON		AC02		ACF78	
TOYOTA	TARAGO	YR22	GLI	4	2.2L	4YE	P	MPFI	1987	1990	WAGON		AC02		ACF5	
TOYOTA	TARAGO	YR22	GLS	4	2.2L	4YE	P	MPFI	1987	1990	WAGON		AC02		ACF5	
TOYOTA	TARAGO	YR22	RV	4	2.2L	4YE	P	MPFI	1987	1990	WAGON		AC02		ACF5	
TOYOTA	TARAGO	YR22	GXI	4	2.2L	4YE	P	MPFI	1988	1990	WAGON		AC02		ACF5	
TOYOTA	TARAGO	YR31	GLI XTRA TRACK	4	2.2L	4YE	P	MPFI	1985	1990	WAGON		AC02		ACF5	
TOYOTA	TOWNACE	YR39RV		4	2.0L	3Y-C	P	CARB	1994	1996	VAN		AC046		ACF78	
TOYOTA	TOWNACE	KR42R		4	1.8L	7K	P	CARB	1997	1998	VAN		AC022	ACA40	ACF78	
TOYOTA	TOWNACE	KR42R		4	1.8L	7K-E	P	MPFI	1998	2003	VAN		AC046	ACA161	ACF185	
TOYOTA	TUNDRA	USK56		8	5.7L	3UR-FE	P	MPFI	2009	ON	UTE		AC0102	ACA264		ACC54
TOYOTA	VIENTA	VCV10R	CSI	6	3.0L	3VZ-FE	P	MPFI	1995	1997	SED/WAG		AC024	ACA49	ACF1	
TOYOTA	VIENTA	VCV10R	CSX	6	3.0L	3VZ-FE	P	MPFI	1995	1997	SED/WAG		AC024	ACA49	ACF1	
TOYOTA	VIENTA	VCV10R	GETAWAY	6	3.0L	3VZ-FE	P	MPFI	1995	1997	SEDAN		AC024	ACA49	ACF1	
TOYOTA	VIENTA	VCV10R	GRANDE	6	3.0L	3VZ-FE	P	MPFI	1995	1997	SEDAN		AC024	ACA49	ACF1	
TOYOTA	VIENTA	VCV10R	TOURING	6	3.0L	3VZ-FE	P	MPFI	1995	1997	SEDAN		AC024	ACA49	ACF1	
TOYOTA	VIENTA	VCV10R	INTRIGUE	6	3.0L	3VZ-FE	P	MPFI	1997	1997	SEDAN		AC024	ACA49	ACF1	
TOYOTA	VIENTA	MCV20R	GRANDE	6	3.0L	1MZ-FE	P	MPFI	1997	2000	SEDAN		AC024	ACA49	ACF1	
TOYOTA	VIENTA	MCV20R	VXI	6	3.0L	1MZ-FE	P	MPFI	1997	2000	SED/WAG		AC024	ACA49	ACF1	
TOYOTA	YARIS	NCP90R	YR	4	1.3L	2NZ-FE	P	MPFI	2005	08/08	HATCH	ACC54 ACTIVATED CARBON	AC022	ACA171	ACF197	ACC31 / ACC54
TOYOTA	YARIS	NCP90R	RUSH	4	1.3L	2NZ-FE	P	MPFI	2008	2008	HATCH	ACC54 ACTIVATED CARBON	AC022	ACA171	ACF197	ACC31 / ACC54
TOYOTA	YARIS	NCP90R	EDGE	4	1.3L	2NZ-FE	P	MPFI	2009	2010	HATCH	ACC54 ACTIVATED CARBON	AC022	ACA171	ACF199	ACC31 / ACC54
TOYOTA	YARIS	NCP90R	YR	4	1.3L	2NZ-FE	P	MPFI	2009	2010	HATCH	ACC54 ACTIVATED CARBON	AC022	ACA171	ACF199	ACC31 / ACC54
TOYOTA	YARIS	NCP90R	YR	4	1.3L	2NZ-FE	P	MPFI	2010	2011	HATCH	ACC54 ACTIVATED CARBON	AC022	ACA171	ACF199	ACC31 / ACC54
TOYOTA	YARIS	NCP90R	YR	4	1.3L	2NZ-FE	P	MPFI	09/08	2009	HATCH	ACC54 ACTIVATED CARBON	AC022	ACA171	ACF199	ACC31 / ACC54
TOYOTA	YARIS	NCP91R	YRS	4	1.5L	1NZ-FE	P	MPFI	2005	08/08	HATCH	ACC54 ACTIVATED CARBON	AC022	ACA171	ACF197	ACC31 / ACC54
TOYOTA	YARIS	NCP91R	YRX	4	1.5L	1NZ-FE	P	MPFI	2005	08/08	HATCH	ACC54 ACTIVATED CARBON	AC022	ACA171	ACF197	ACC31 / ACC54

MAKE	MODEL	SERIES	BADGE	CYLS	ENG SIZE	ENGINE CODE	FUEL	FUEL DELIVERY / AIR INTAKE	FROM	TO	BODY	REMARKS	OIL	AIR	FUEL	CABIN
TOYOTA	YARIS	NCP91R	YRS	4	1.5L	1NZ-FE	P	MPFI	2009	2010	HATCH	ACC54 ACTIVATED CARBON	AC022	ACA171	ACF199	ACC31 / ACC54
TOYOTA	YARIS	NCP91R	YRX	4	1.5L	1NZ-FE	P	MPFI	2009	2010	HATCH	ACC54 ACTIVATED CARBON	AC022	ACA171	ACF199	ACC31 / ACC54
TOYOTA	YARIS	NCP91R	YRS	4	1.5L	1NZ-FE	P	MPFI	2010	2011	HATCH	ACC54 ACTIVATED CARBON	AC022	ACA171	ACF199	ACC31 / ACC54
TOYOTA	YARIS	NCP91R	YRX	4	1.5L	1NZ-FE	P	MPFI	2010	2011	HATCH	ACC54 ACTIVATED CARBON	AC022	ACA171	ACF199	ACC31 / ACC54
TOYOTA	YARIS	NCP91R	YRS	4	1.5L	1NZ-FE	P	MPFI	09/08	2009	HATCH	ACC54 ACTIVATED CARBON	AC022	ACA171	ACF199	ACC31 / ACC54
TOYOTA	YARIS	NCP91R	YRX	4	1.5L	1NZ-FE	P	MPFI	09/08	2009	HATCH	ACC54 ACTIVATED CARBON	AC022	ACA171	ACF199	ACC31 / ACC54
TOYOTA	YARIS	NCP93R	YRS	4	1.5L	1NZ-FE	P	MPFI	2006	08/08	SEDAN	ACC54 ACTIVATED CARBON	AC022	ACA171	ACF197	ACC31 / ACC54
TOYOTA	YARIS	NCP93R	YRX	4	1.5L	1NZ-FE	P	MPFI	2006	08/08	SEDAN	ACC54 ACTIVATED CARBON	AC022	ACA171	ACF197	ACC31 / ACC54
TOYOTA	YARIS	NCP93R	YRS	4	1.5L	1NZ-FE	P	MPFI	2009	2010	SEDAN	ACC54 ACTIVATED CARBON	AC022	ACA171	ACF199	ACC31 / ACC54
TOYOTA	YARIS	NCP93R	YRX	4	1.5L	1NZ-FE	P	MPFI	2009	2010	SEDAN	ACC54 ACTIVATED CARBON	AC022	ACA171	ACF199	ACC31 / ACC54
TOYOTA	YARIS	NCP93R	YRS	4	1.5L	1NZ-FE	P	MPFI	2010	ON	SEDAN	ACC54 ACTIVATED CARBON	AC022	ACA171	ACF199	ACC31 / ACC54
TOYOTA	YARIS	NCP93R	YRX	4	1.5L	1NZ-FE	P	MPFI	2010	ON	SEDAN	ACC54 ACTIVATED CARBON	AC022	ACA171	ACF199	ACC31 / ACC54
TOYOTA	YARIS	NCP93R	YRS	4	1.5L	1NZ-FE	P	MPFI	08/08	2009	SEDAN	ACC54 ACTIVATED CARBON	AC022	ACA171	ACF199	ACC31 / ACC54
TOYOTA	YARIS	NCP93R	YRX	4	1.5L	1NZ-FE	P	MPFI	08/08	2009	SEDAN	ACC54 ACTIVATED CARBON	AC022	ACA171	ACF199	ACC31 / ACC54
TOYOTA	YARIS	NCP130R	YR	4	1.3L	2NZ-FE	P	MPFI	2011	ON	3 DR HATCH	ACC54 ACTIVATED CARBON	AC022	ACA171	ACF199	ACC31 / ACC54
TOYOTA	YARIS	NCP130R	YR	4	1.3L	2NZ-FE	P	MPFI	2011	ON	5 DR HATCH	ACC54 ACTIVATED CARBON	AC022	ACA171	ACF199	ACC31 / ACC54
TOYOTA	YARIS	NCP131R	YRS	4	1.5L	1NZ-FE	P	MPFI	2011	ON	3 DR HATCH	ACC54 ACTIVATED CARBON	AC022	ACA171	ACF199	ACC31 / ACC54
TOYOTA	YARIS	NCP131R	YRS	4	1.5L	1NZ-FE	P	MPFI	2011	ON	5 DR HATCH	ACC54 ACTIVATED CARBON	AC022	ACA171	ACF199	ACC31 / ACC54
TOYOTA	YARIS	NCP131R	YRX	4	1.5L	1NZ-FE	P	MPFI	2011	ON	HATCH	ACC54 ACTIVATED CARBON	AC022	ACA171	ACF199	ACC31 / ACC54
TOYOTA	YARIS	NCP131R	ZR	4	1.5L	1NZ-FE	P	MPFI	2011	ON	HATCH	ACC54 ACTIVATED CARBON	AC022	ACA171	ACF199	ACC31 / ACC54
<b>VOLKSWAGEN</b>																
VOLKSWAGEN	AMAROK	2H	TDI340	4	2.0L	CDBA	D	TURBO DIRECT INJ	2011	01/13	CAB CHASS/ UTE		AC0137	ACA274	ACF215	ACC77



MAKE	MODEL	SERIES	BADGE	CYLS	ENG SIZE	ENGINE CODE	FUEL	FUEL DELIVERY / AIR INTAKE	FROM	TO	BODY	REMARKS	OIL	AIR	FUEL	CABIN
VOLKSWAGEN	AMAROK	2H	TDI400	4	2.0L	CDCA	D	TWIN TURBO INT-COOL	2011	01/13	CAB CHASS/UTE		AC0137	ACA274	ACF215	ACC77
VOLKSWAGEN	AMAROK	2H	TDI400 HIGHLINE	4	2.0L	CDCA	D	TWIN TURBO INT-COOL	2011	01/13	UTE		AC0137	ACA274	ACF215	ACC77
VOLKSWAGEN	AMAROK	2H	TDI400 TRENDLINE	4	2.0L	CDCA	D	TWIN TURBO INT-COOL	2011	01/13	CAB CHASS/UTE		AC0137	ACA274	ACF215	ACC77
VOLKSWAGEN	AMAROK	2H	TDI400 ULTIMATE	4	2.0L	CDCA	D	TWIN TURBO INT-COOL	2011	01/13	UTE		AC0137	ACA274	ACF215	ACC77
VOLKSWAGEN	AMAROK	2H	TSI300	4	2.0L	CFPA	P	TURBO MPFI	2011	01/15	CAB CHASS/UTE		AC0136	ACA274	ACF214	ACC77
VOLKSWAGEN	AMAROK	2H	TSI300 RUNNER	4	2.0L	CFPA	P	TURBO MPFI	2013	2013	CAB CHASS		AC0136	ACA274	ACF214	ACC77
VOLKSWAGEN	AMAROK	2H	TDI400 LIMITED EDITION	4	2.0L	CDCA	D	TWIN TURBO INT-COOL	2011	2011	UTE		AC0137	ACA274	ACF215	ACC77
VOLKSWAGEN	AMAROK	2H	TDI420	4	2.0L	CSHA	D	TWIN TURBO INT-COOL	2012	ON	CAB CHASS/UTE		AC0137	ACA274	ACF215	ACC77
VOLKSWAGEN	AMAROK	2H	TDI420 HIGHLINE	4	2.0L	CSHA	D	TWIN TURBO INT-COOL	2012	ON	UTE		AC0137	ACA274	ACF215	ACC77
VOLKSWAGEN	AMAROK	2H	TDI420 TRENDLINE	4	2.0L	CSHA	D	TWIN TURBO INT-COOL	2012	ON	CAB CHASS/UTE		AC0137	ACA274	ACF215	ACC77
VOLKSWAGEN	AMAROK	2H	TDI420 ULTIMATE	4	2.0L	CSHA	D	TWIN TURBO INT-COOL	2012	ON	UTE		AC0137	ACA274	ACF215	ACC77
VOLKSWAGEN	AMAROK	2H	TDI340	4	2.0L	CNF	D	TURBO DIRECT INJ	2013	ON	CAB CHASS/UTE		AC0137	ACA274	ACF215	ACC77
VOLKSWAGEN	AMAROK	2H	TDI400 CANYON	4	2.0L	CNEA	D	TWIN TURBO INT-COOL	2013	ON	UTE		AC0137	ACA274	ACF215	ACC77
VOLKSWAGEN	AMAROK	2H	TDI420 CANYON	4	2.0L	CSHA	D	TWIN TURBO INT-COOL	2013	ON	UTE		AC0137	ACA274	ACF215	ACC77
VOLKSWAGEN	BEETLE	1L	FENDER EDITION	4	1.4L	CTHD	P	S-CHARGED	2012	2013	COUPE		AC0140	ACA250	ACF214	ACC66
VOLKSWAGEN	BEETLE	1L		4	1.4L	CTHD	P	S-CHARGED	2012	ON	COUPE		AC0140	ACA250	ACF214	ACC66
VOLKSWAGEN	BEETLE	1Y		4	2.0L	AZJ	P	MPFI	2003	2005	CABRIO		AC06	ACA269	ACF213	ACC18
VOLKSWAGEN	BEETLE	1Y		4	2.0L	AZJ	P	MPFI	2005	2007	CABRIO		AC06	ACA269	ACF213	ACC18
VOLKSWAGEN	BEETLE	1Y		4	2.0L	AZJ	P	MPFI	2007	2011	CABRIO		AC06	ACA269	ACF213	ACC18
VOLKSWAGEN	BEETLE	1Y	BLACK-ORANGE	4	2.0L	AZJ	P	MPFI	2010	2010	CABRIO		AC06	ACA269	ACF213	ACC18
VOLKSWAGEN	BEETLE	9C	SUNSHINE	4	2.0L	AQY	P	MPFI	2000	2000	COUPE		AC06	ACA269	ACF213	ACC18
VOLKSWAGEN	BEETLE	9C		4	2.0L	AQY	P	MPFI	2000	2002	COUPE		AC06	ACA269	ACF213	ACC18
VOLKSWAGEN	BEETLE	9C		4	1.8L	AWU/AWV	P	TURBO INT-COOL	2001	2005	COUPE		AC06	ACA269	ACF213	ACC18
VOLKSWAGEN	BEETLE	9C	IKON	4	2.0L	AQY	P	MPFI	2002	2004	COUPE		AC06	ACA269	ACF213	ACC18
VOLKSWAGEN	BEETLE	9C		4	1.6L	AYD	P	MPFI	2002	2005	COUPE		AC06	ACA269	ACF213	ACC18
VOLKSWAGEN	BEETLE	9C		4	2.0L	AQY	P	MPFI	2002	2005	COUPE		AC06	ACA269	ACF213	ACC18
VOLKSWAGEN	BEETLE	9C	MIAMI	4	1.6L	AYD	P	MPFI	2004	2007	COUPE		AC06	ACA269	ACF213	ACC18
VOLKSWAGEN	BEETLE	9C	TDI	4	1.9L	BSW	D	TURBO	2005	2007	COUPE			ACA269		ACC18
VOLKSWAGEN	BEETLE	9C	MIAMI	4	1.6L	AYD	P	MPFI	2007	2009	COUPE		AC06	ACA269	ACF213	ACC18
VOLKSWAGEN	BEETLE	9C	TDI	4	1.9L	BSW	D	TURBO	2007	2009	COUPE			ACA269		ACC18
VOLKSWAGEN	BEETLE	9C	ANNIV EDITION	4	1.6L	AYD	P	MPFI	2008	2008	COUPE		AC06	ACA269	ACF213	ACC18
VOLKSWAGEN	BEETLE	9C	MIAMI	4	1.6L	AYD	P	MPFI	2009	2011	COUPE		AC06	ACA269	ACF213	ACC18
VOLKSWAGEN	BEETLE	9C	TDI	4	1.9L	BSW	D	TURBO	2009	2011	COUPE			ACA269		ACC18

MAKE	MODEL	SERIES	BADGE	CYLS	ENG SIZE	ENGINE CODE	FUEL	FUEL DELIVERY / AIR INTAKE	FROM	TO	BODY	REMARKS	OIL	AIR	FUEL	CABIN
VOLKSWAGEN	BEETLE	9C	BLACK-ORANGE	4	1.6L	AYD	P	MPFI	2010	2010	COUPE		AC06	ACA269	ACF213	ACC18
VOLKSWAGEN	BEETLE	9C	TDI BLACK-ORANGE	4	1.9L	BSW	D	TURBO	2010	2010	COUPE			ACA269		ACC18
VOLKSWAGEN	BORA	1J	V5	5	2.3L	AGZ	P	MPFI	1999	05/01	SEDAN		AC0123	ACA269	ACF213	ACC18
VOLKSWAGEN	BORA	1J		4	2.0L	APK	P	MPFI	1999	2005	SEDAN		AC06	ACA269	ACF213	ACC18
VOLKSWAGEN	BORA	1J	4-MOTION	6	2.8L	AUE/AQP	P	MPFI	2001	2002	SEDAN		AC0123	ACA269	ACF213	ACC18
VOLKSWAGEN	BORA	1J	SPORT 4-MOTION	6	2.8L	AUE/AQP	P	MPFI	2001	2002	SEDAN		AC0123	ACA269	ACF213	ACC18
VOLKSWAGEN	BORA	1J	V5	5	2.3L	AQN	P	MPFI	06/01	2003	SEDAN		AC0123	ACA269	ACF213	ACC18
VOLKSWAGEN	BORA	1J	V5 SPORT	5	2.3L	AQN	P	MPFI	2002	2003	SEDAN		AC0123	ACA269	ACF213	ACC18
VOLKSWAGEN	BORA	1J	4-MOTION	6	2.8L	AUE/AQP	P	MPFI	2002	2004	SEDAN		AC0123	ACA269	ACF213	ACC18
VOLKSWAGEN	BORA	1J	SPORT 4-MOTION	6	2.8L	AUE/AQP	P	MPFI	2002	2004	SEDAN		AC0123	ACA269	ACF213	ACC18
VOLKSWAGEN	BORA	1J	V5	5	2.3L	AQN	P	MPFI	2003	2004	SEDAN		AC0123	ACA269	ACF213	ACC18
VOLKSWAGEN	BORA	1J		4	2.0L	AZJ	P	MPFI	2003	2005	SEDAN		AC06	ACA269	ACF213	ACC18
VOLKSWAGEN	BORA	1J	V5	5	2.3L	AQN	P	MPFI	2004	2005	SEDAN		AC0123	ACA269	ACF213	ACC18
VOLKSWAGEN	CADDY	2KN		4	1.6L	BGU	P	MPFI	02/05	2010	VAN		AC06	ACA268		ACC66
VOLKSWAGEN	CADDY	2KN		4	1.9L	BJB	D	TURBO DIRECT INJ	02/05	2010	VAN	UP TO CHASSIS # 2K.6.090000	AC0123	ACA250	ACF218	ACC66
VOLKSWAGEN	CADDY	2KN		4	1.9L	BJB	D	TURBO DIRECT INJ	02/05	2010	VAN	FROM CHASSIS # 2K.6.090001	AC0123	ACA250	ACF115	ACC66
VOLKSWAGEN	CADDY	2KN		4	1.6L	BSE	P	MPFI	06/06	2010	VAN		AC06	ACA268	ACF203	ACC66
VOLKSWAGEN	CADDY	2KN		4	1.9L	BLS	D	TURBO DIRECT INJ	06/06	2010	VAN/WAG	UP TO CHASSIS # 2K.6.090000	AC0123	ACA250	ACF218	ACC66
VOLKSWAGEN	CADDY	2KN		4	1.9L	BLS	D	TURBO DIRECT INJ	06/06	2010	VAN/WAG	FROM CHASSIS # 2K.6.090001	AC0123	ACA250	ACF155	ACC66
VOLKSWAGEN	CADDY	2KN	TSI175	4	1.2L	CBZB	P	TURBO INT-COOL	2010	2012	VAN		AC0140	ACA268	ACF214	ACC66
VOLKSWAGEN	CADDY	2KN	TDI320	4	2.0L	CFHC	D	TURBO DIRECT INJ	2010	2012	VAN/WAG		AC0137	ACA250	ACF155	ACC66
VOLKSWAGEN	CADDY	2KN	TSI160	4	1.2L	CBZA/ CBZB	P	TURBO INT-COOL	2010	ON	VAN		AC0140	ACA268	ACF214	ACC66
VOLKSWAGEN	CADDY	2KN	TDI250	4	1.6L	CAVD	D	TURBO DIRECT INJ	2010	ON	VAN/WAG		AC0137	ACA268	ACF155	ACC66
VOLKSWAGEN	CADDY	2KN	TDI250 STARTLINE	4	1.6L	CAVD	D	TURBO DIRECT INJ	2011	2012	WAGON		AC06	ACA268	ACF155	ACC66
VOLKSWAGEN	CADDY	2KN	TDI250 COM-FORTLINE	4	1.6L	CAVD	D	TURBO DIRECT INJ	2011	ON	WAGON		AC0137	ACA268	ACF155	ACC66
VOLKSWAGEN	CADDY	2KN	TDI320 COM-FORTLINE	4	2.0L	CFHC	D	TURBO DIRECT INJ	2011	ON	WAGON		AC0137	ACA250	ACF155	ACC66
VOLKSWAGEN	CADDY	2KN	TDI250 SE	4	1.6L	CAVD	D	TURBO DIRECT INJ	2012	2012	VAN		AC0137	ACA268	ACF155	ACC66
VOLKSWAGEN	CADDY	2KN	TDI250 MAXI	4	1.6L	CAVD	D	TURBO DIRECT INJ	2012	2013	VAN		AC0137	ACA268	ACF155	ACC66
VOLKSWAGEN	CADDY	2KN	TDI250 MAXI CREWMAN	4	1.6L	CAVD	D	TURBO DIRECT INJ	2012	2013	VAN		AC0137	ACA268	ACF155	ACC66
VOLKSWAGEN	CADDY	2KN	TDI320 EDI-TION 30	4	2.0L	CFHC	D	TURBO DIRECT INJ	2012	2013	WAGON		AC0137	ACA250	ACF155	ACC66
VOLKSWAGEN	CADDY	2KN	TSI160 RUN-NER SE	4	1.2L	CBZA/ CBZB	P	TURBO INT-COOL	2012	ON	VAN		AC0140	ACA268	ACF214	ACC66
VOLKSWAGEN	CADDY	2KN	TSI175 MAXI	4	1.2L	CBZB	P	TURBO INT-COOL	2012	ON	VAN		AC0140	ACA268	ACF214	ACC66
VOLKSWAGEN	CADDY	2KN	TDI250 TRENDLINE	4	1.6L	CAVD	D	TURBO DIRECT INJ	2012	ON	WAGON		AC06	ACA268	ACF155	ACC66

MAKE	MODEL	SERIES	BADGE	CYLS	ENG SIZE	ENGINE CODE	FUEL	FUEL DELIVERY / AIR INTAKE	FROM	TO	BODY	REMARKS	OIL	AIR	FUEL	CABIN
VOLKSWAGEN	CADDY	2KN	TDI320 MAXI	4	2.0L	CFHC	D	TURBO DIRECT INJ	2012	ON	VAN		AC0137	ACA250	ACF155	ACC66
VOLKSWAGEN	CADDY	2KN	TDI250 BLUEMOTION MAXI	4	1.6L	CAYD	D	TURBO DIRECT INJ	2013	ON	VAN		AC0137	ACA268	ACF155	ACC66
VOLKSWAGEN	CADDY	2KN	TDI250 BLUEMOTION MAXI	4	1.6L	CAYD	D	TURBO DIRECT INJ	2013	ON	VAN		AC0137	ACA268	ACF155	ACC66
VOLKSWAGEN	CARAVELLE	T3	CL	4	1.9L	DG	P	CARB	1984	1986	BUS		AC085		ACF3	
VOLKSWAGEN	CARAVELLE	T3	GL	4	1.9L	DG	P	CARB	1984	1986	BUS		AC085		ACF3	
VOLKSWAGEN	CARAVELLE	T3	CL	4	2.1L	MV	P	EFI	1986	1989	BUS		AC085		ACF3	
VOLKSWAGEN	CARAVELLE	T3	GL	4	2.1L	MV	P	EFI	1986	1992	BUS		AC085		ACF3	
VOLKSWAGEN	CARAVELLE	T3	GL SYNCRO	4	2.1L	MV	P	EFI	1989	1992	BUS		AC085		ACF3	
VOLKSWAGEN	CARAVELLE	T3	C	4	2.1L	MV	P	EFI	1990	1992	BUS		AC085		ACF3	
VOLKSWAGEN	CARAVELLE	T4		5	2.5L	AAF/ ACU	P	MPFI	1993	1996	BUS		AC0145		ACF3	
VOLKSWAGEN	CARAVELLE	T4	GLS	5	2.5L	AET	P	MPFI	1997	2004	BUS		AC0145		ACF3	
VOLKSWAGEN	CARAVELLE	T4	GLS	5	2.5L	ACV	D	TURBO DIRECT INJ	2000	2004	BUS		AC0145			
VOLKSWAGEN	CARAVELLE	T4	V6	6	2.8L	AMV	P	MPFI	2003	2005	BUS		AC0123		ACF3	ACC77
VOLKSWAGEN	CARAVELLE	T5		5	2.5L	AXE	D	TURBO DIRECT INJ	2004	2006	WAGON		AC0123	ACA288	ACF236	ACC77
VOLKSWAGEN	CARAVELLE	T5		5	2.5L	BNZ/ BNC	D	TURBO DIRECT INJ	2006	2010	WAGON		AC0123	ACA288	ACF236	ACC77
VOLKSWAGEN	CARAVELLE	T5		5	2.5L	BPC	D	TURBO DIRECT INJ	2008	2010	WAGON		AC0123	ACA288	ACF236	ACC77
VOLKSWAGEN	CARAVELLE	T5		4	2.0L	CCHA	D	TURBO DIRECT INJ	2010	2011	WAGON		AC0137	ACA288	ACF236	ACC77
VOLKSWAGEN	CARAVELLE	T5	TDI340	4	2.0L	CCHA	D	TURBO DIRECT INJ	2011	ON	WAGON		AC0137	ACA288	ACF236	ACC77
VOLKSWAGEN	CC	3CC	125TDI	4	2.0L	CFGB	D	TURBO DIRECT INJ	2012	01/13	SEDAN		AC0137	ACA250	ACF155	ACC66
VOLKSWAGEN	CC	3CC	V6 FSI	6	3.6L	BWS	P	MPFI	2012	ON	SEDAN			ACA291		ACC66
VOLKSWAGEN	CC	3CC	130TDI	4	2.0L	CFGC	D	TURBO DIRECT INJ	02/13	ON	SEDAN		AC0137	ACA250	ACF155	ACC66
VOLKSWAGEN	CRAFTER	2EF1	35	5	2.5L	BJK/ BJL/ BJM	D	TURBO DIRECT INJ	2007	01/12	CAB CHASS			ACA322		
VOLKSWAGEN	CRAFTER	2EF1	35	5	2.5L	BJK/ BJL/ BJM	D	TURBO DIRECT INJ	2007	01/12	VAN			ACA322		
VOLKSWAGEN	CRAFTER	2EF1	50	5	2.5L	BJK/ BJL/ BJM	D	TURBO INT-COOL	2007	01/12	CAB CHASS			ACA322		
VOLKSWAGEN	CRAFTER	2EF1	50	5	2.5L	BJK/ BJL/ BJM	D	TURBO INT-COOL	2007	01/12	VAN			ACA322		
VOLKSWAGEN	CRAFTER	2E	35 TDI300	4	2.0L	CKTB	D	TURBO DIRECT INJ	2012	ON	CAB CHASS		AC0137	ACA322		
VOLKSWAGEN	CRAFTER	2E	35 TDI300	4	2.0L	CKTB	D	TURBO DIRECT INJ	2012	ON	VAN		AC0137	ACA322		
VOLKSWAGEN	CRAFTER	2E	35 TDI340	4	2.0L	CKUC	D	TWIN TURBO INT-COOL	2012	ON	CAB CHASS		AC0137	ACA322		
VOLKSWAGEN	CRAFTER	2E	35 TDI340	4	2.0L	CKUC	D	TWIN TURBO INT-COOL	2012	ON	VAN		AC0137	ACA322		
VOLKSWAGEN	CRAFTER	2E	35 TDI400	4	2.0L	CKUB	D	TWIN TURBO INT-COOL	2012	ON	VAN		AC0137	ACA322		
VOLKSWAGEN	CRAFTER	2E	50 TDI340	4	2.0L	CKUC	D	TWIN TURBO INT-COOL	2012	ON	VAN		AC0137	ACA322		
VOLKSWAGEN	CRAFTER	2E	50 TDI400	4	2.0L	CKUB	D	TWIN TURBO INT-COOL	2012	ON	VAN		AC0137	ACA322		
VOLKSWAGEN	CRAFTER	2F	50 TDI400	4	2.0L	CKUB	D	TWIN TURBO INT-COOL	2012	ON	CAB CHASS		AC0137	ACA322		

MAKE	MODEL	SERIES	BADGE	CYLS	ENG SIZE	ENGINE CODE	FUEL	FUEL DELIVERY / AIR INTAKE	FROM	TO	BODY	REMARKS	OIL	AIR	FUEL	CABIN
VOLKSWAGEN	CRAFTER	2E	35 TDI330	5	2.5L	CECA	D	TURBO DIRECT INJ	2012	ON	VAN			ACA322		
VOLKSWAGEN	CRAFTER	2F	50 TDI330	5	2.5L	CECA	D	TURBO DIRECT INJ	2012	ON	CAB CHASS/ VAN			ACA322		
VOLKSWAGEN	CRAFTER	2E	35 TDI300 RUNNER	4	2.0L	CKTB	D	TURBO DIRECT INJ	2013	ON	VAN		AC0137	ACA322		
VOLKSWAGEN	EOS	1F	TDI DSG	4	2.0L	BMM	D	TURBO DIRECT INJ	2007	2008	CONV		AC0123	ACA250	ACF155	ACC66
VOLKSWAGEN	EOS	1F	103TDI	4	2.0L	BMM	D	TURBO DIRECT INJ	2007	07/08	CONV		AC0123	ACA250	ACF155	ACC66
VOLKSWAGEN	EOS	1F	FSI	4	2.0L	BWA	P	TURBO INT-COOL	2007	07/08	CONV	WHERE CARTRIDGE OIL FILTER IS FITTED	AC0129	ACA289	ACF214	ACC66
VOLKSWAGEN	EOS	1F	FSI	4	2.0L	BWA	P	TURBO INT-COOL	2007	07/08	CONV	WHERE SPIN ON OIL FILTER IS FITTED	AC0136	ACA289	ACF214	ACC66
VOLKSWAGEN	EOS	1F	FSI DSG	4	2.0L	BWA	P	TURBO INT-COOL	2007	07/08	CONV	WHERE CARTRIDGE OIL FILTER IS FITTED	AC0129	ACA289	ACF214	ACC66
VOLKSWAGEN	EOS	1F	FSI DSG	4	2.0L	BWA	P	TURBO INT-COOL	2007	07/08	CONV	WHERE SPIN ON OIL FILTER IS FITTED	AC0136	ACA289	ACF214	ACC66
VOLKSWAGEN	EOS	1F	TDI	4	2.0L	BMM	D	TURBO DIRECT INJ	2007	07/08	CONV		AC0123	ACA250	ACF155	ACC66
VOLKSWAGEN	EOS	1F	TDI DSG	4	2.0L	BMM	D	TURBO DIRECT INJ	2008	07/08	CONV		AC0123	ACA250	ACF155	ACC66
VOLKSWAGEN	EOS	1F	147TSI	4	2.0L	CAWB	P	TURBO INT-COOL	08/08	2009	CONV		AC0136	ACA250	ACF214	ACC66
VOLKSWAGEN	EOS	1F	147TSI	4	2.0L	CCZA	P	TURBO INT-COOL	08/08	2010	CONV		AC0136	ACA250	ACF214	ACC66
VOLKSWAGEN	EOS	1F	103TDI	4	2.0L	CBAB	D	TURBO DIRECT INJ	08/08	04/11	CONV		AC0123	ACA250	ACF155	ACC66
VOLKSWAGEN	EOS	1F	147TSI	4	2.0L	CAWB	P	TURBO INT-COOL	2009	2010	CONV		AC0136	ACA250	ACF214	ACC66
VOLKSWAGEN	EOS	1F	103TDI WHITE NIGHT	4	2.0L	CBAB	D	TURBO DIRECT INJ	2010	2010	CONV		AC0123	ACA250	ACF155	ACC66
VOLKSWAGEN	EOS	1F	147TSI WHITE NIGHT	4	2.0L	CAWB	P	TURBO INT-COOL	2010	2010	CONV		AC0136	ACA250	ACF214	ACC66
VOLKSWAGEN	EOS	1F	155TSI	4	2.0L	CCZB	P	TURBO INT-COOL	2010	ON	CONV		AC0136	ACA250	ACF214	ACC66
VOLKSWAGEN	EOS	1F	103TDI	4	2.0L	CFFA	D	TURBO DIRECT INJ	05/11	ON	CONV		AC0137	ACA250	ACF155	ACC66
VOLKSWAGEN	EOS	1F	103TDI	4	2.0L	CFFB	D	TURBO DIRECT INJ	05/11	ON	CONV		AC0137	ACA250	ACF155	ACC66
VOLKSWAGEN	GOLF	4TH GEN		4	1.8L	AHF	D	TURBO DIRECT INJ	1997	2004	HATCH				ACF213	ACC18
VOLKSWAGEN	GOLF	4TH GEN	CL	4	1.8L	ADZ	P	MPFI	1998	1999	CABRIO		AC06		ACF3	ACC18
VOLKSWAGEN	GOLF	4TH GEN	GL	4	1.6L	AEH / AKL	P	MPFI	1998	2002	CABRIO/ HATCH		AC06	ACA269	ACF213	ACC18
VOLKSWAGEN	GOLF	4TH GEN	GLE	4	1.8L	AGN	P	MPFI	10/98	06/99	HATCH		AC06	ACA269	ACF213	ACC18
VOLKSWAGEN	GOLF	4TH GEN	IMPULSE GL	4	1.6L	AEH / AKL	P	MPFI	1999	1999	HATCH		AC06	ACA269	ACF213	ACC18
VOLKSWAGEN	GOLF	4TH GEN	TRENDLINE GL	4	1.6L	AEH / AKL	P	MPFI	1999	1999	HATCH		AC06	ACA269	ACF213	ACC18
VOLKSWAGEN	GOLF	4TH GEN	RALLY GLE	4	2.0L	APK	P	MPFI	1999	1999	HATCH		AC06	ACA269	ACF213	ACC18
VOLKSWAGEN	GOLF	4TH GEN	GTI	4	1.8L	AGU	P	TURBO INT-COOL	1999	2001	HATCH		AC06	ACA269	ACF213	ACC18
VOLKSWAGEN	GOLF	4TH GEN	GLE	4	2.0L	APK	P	MPFI	1999	2002	HATCH		AC06	ACA269	ACF213	ACC18
VOLKSWAGEN	GOLF	4TH GEN	RALLY GL	4	1.6L	AEH / AKL	P	MPFI	2000	2000	HATCH		AC06	ACA269	ACF213	ACC18
VOLKSWAGEN	GOLF	4TH GEN	GTI	4	1.8L	AGU	P	TURBO INT-COOL	2001	2002	HATCH		AC06	ACA269	ACF213	ACC18

MAKE	MODEL	SERIES	BADGE	CYLS	ENG SIZE	ENGINE CODE	FUEL	FUEL DELIVERY / AIR INTAKE	FROM	TO	BODY	REMARKS	OIL	AIR	FUEL	CABIN
VOLKSWAGEN	GOLF	4TH GEN	GTI	4	1.8L	AUM	P	TURBO INT-COOL	2001	2003	HATCH		AC06	ACA269	ACF213	ACC18
VOLKSWAGEN	GOLF	4TH GEN	S	4	1.6L	AVU	P	MPFI	2002	2003	HATCH		AC06	ACA269	ACF213	ACC18
VOLKSWAGEN	GOLF	4TH GEN	SE	4	1.6L	AVU	P	MPFI	2002	2003	HATCH		AC06	ACA269	ACF213	ACC18
VOLKSWAGEN	GOLF	4TH GEN	SE	4	2.0L	APK	P	MPFI	2002	2003	HATCH		AC06	ACA269	ACF213	ACC18
VOLKSWAGEN	GOLF	4TH GEN	GTI	4	1.8L	AGU	P	TURBO INT-COOL	2002	07/04	HATCH		AC06	ACA269	ACF213	ACC18
VOLKSWAGEN	GOLF	4TH GEN	GENERATION	4	1.6L	BFQ	P	MPFI	2003	2003	HATCH		AC06	ACA269	ACF213	ACC18
VOLKSWAGEN	GOLF	4TH GEN	GENERATION	4	2.0L	APK	P		2003	2003	HATCH		AC06	ACA269	ACF213	ACC18
VOLKSWAGEN	GOLF	4TH GEN	SPORT	4	2.0L	APK	P		2003	2003	HATCH		AC06	ACA269	ACF213	ACC18
VOLKSWAGEN	GOLF	4TH GEN	GENERATION	4	1.6L	BFQ	P	MPFI	2004	2004	HATCH		AC06	ACA269	ACF213	ACC18
VOLKSWAGEN	GOLF	4TH GEN	GENERATION	4	2.0L	APK	P		2004	2004	HATCH		AC06	ACA269	ACF213	ACC18
VOLKSWAGEN	GOLF	4TH GEN	SPORT	4	2.0L	APK	P	MPFI	2004	2004	HATCH		AC06	ACA269	ACF213	ACC18
VOLKSWAGEN	GOLF	4TH GEN	R32 4-MOTION	6	3.2L	BFH / BML	P	DIRECT INJ	2004	2004	HATCH		AC0123	ACA269	ACF213	ACC18
VOLKSWAGEN	GOLF	V	COMFORT- LINE	4	1.6L	BGU	P		2004	2006	HATCH		AC06	ACA268	ACF203	ACC66
VOLKSWAGEN	GOLF	V	COM- FORTLINE TIPTRONIC	4	1.6L	BGU	P		2004	2006	HATCH		AC06	ACA268	ACF203	ACC66
VOLKSWAGEN	GOLF	V	TRENDLINE	4	1.6L	BGU	P	MPFI	2004	2006	HATCH		AC06	ACA268	ACF203	ACC66
VOLKSWAGEN	GOLF	V	TRENDLINE TIPTRONIC	4	1.6L	BGU	P	MPFI	2004	2006	HATCH		AC06	ACA268	ACF203	ACC66
VOLKSWAGEN	GOLF	V	TRENDLINE	4	1.9L	BKC	D	TURBO	2004	2006	HATCH	UP TO CHASSIS # 1K6160000	AC0123	ACA250	ACF218	ACC66
VOLKSWAGEN	GOLF	V	TRENDLINE	4	1.9L	BKC	D	TURBO	2004	2006	HATCH	FROM CHASSIS # 1K6160001	AC0123	ACA250	ACF217	ACC66
VOLKSWAGEN	GOLF	V	COMFORT- LINE	4	2.0L	BLX	P	MPFI	2004	2006	HATCH		AC0129	ACA268	ACF214	ACC66
VOLKSWAGEN	GOLF	V	COM- FORTLINE TIPTRONIC	4	2.0L	BLX	P	MPFI	2004	2006	HATCH		AC0129	ACA268	ACF214	ACC66
VOLKSWAGEN	GOLF	V	SPORTLINE	4	2.0L	BLX	P	MPFI	2004	2006	HATCH		AC0129	ACA268	ACF214	ACC66
VOLKSWAGEN	GOLF	V	SPORTLINE TIPTRONIC	4	2.0L	BLX	P	MPFI	2004	2006	HATCH		AC0129	ACA268	ACF214	ACC66
VOLKSWAGEN	GOLF	V	COMFORT- LINE	4	1.9L	BKC / BXE	D	TURBO	2004	2008	HATCH	UP TO CHASSIS # 1K6160000	AC0123	ACA250	ACF218	ACC66
VOLKSWAGEN	GOLF	V	COMFORT- LINE	4	1.9L	BKC / BXE	D	TURBO	2004	2008	HATCH	FROM CHASSIS # 1K6160001	AC0123	ACA250	ACF217	ACC66
VOLKSWAGEN	GOLF	V	COMFORT- LINE DSG	4	1.9L	BKC / BXE	D	TURBO	2004	2008	HATCH	UP TO CHASSIS # 1K6160000	AC0123	ACA250	ACF218	ACC66
VOLKSWAGEN	GOLF	V	COMFORT- LINE DSG	4	1.9L	BKC / BXE	D	TURBO	2004	2008	HATCH	FROM CHASSIS # 1K6160001	AC0123	ACA250	ACF217	ACC66
VOLKSWAGEN	GOLF	V	COMFORT- LINE	4	2.0L	BKD	D	TURBO	2004	2008	HATCH	UP TO CHASSIS # 1K6160000	AC0123	ACA250	ACF218	ACC66
VOLKSWAGEN	GOLF	V	COMFORT- LINE	4	2.0L	BKD	D	TURBO	2004	2008	HATCH	FROM CHASSIS # 1K6160001	AC0123	ACA250	ACF217	ACC66
VOLKSWAGEN	GOLF	V	COMFORT- LINE DSG	4	2.0L	BKD	D	TURBO	2004	2008	HATCH	UP TO CHASSIS # 1K6160000	AC0123	ACA250	ACF218	ACC66
VOLKSWAGEN	GOLF	V	COMFORT- LINE DSG	4	2.0L	BKD	D	TURBO	2004	2008	HATCH	FROM CHASSIS # 1K6160001	AC0123	ACA250	ACF217	ACC66

MAKE	MODEL	SERIES	BADGE	CYLS	ENG SIZE	ENGINE CODE	FUEL	FUEL DELIVERY / AIR INTAKE	FROM	TO	BODY	REMARKS	OIL	AIR	FUEL	CABIN
VOLKSWAGEN	GOLF	V	GTI	4	2.0L	AXX / BWA	P	TURBO INT-COOL	2005	2006	HATCH		AC0129	ACA289	ACF214	ACC66
VOLKSWAGEN	GOLF	V	GTI DSG	4	2.0L	AXX / BWA	P	TURBO INT-COOL	2005	2006	HATCH		AC0129	ACA289	ACF214	ACC66
VOLKSWAGEN	GOLF	V	SPORTLINE DSG	4	2.0L	BKD	D	TURBO	2005	2007	HATCH	UP TO CHASSIS # 1K6160000	AC0123	ACA250	ACF218	ACC66
VOLKSWAGEN	GOLF	V	SPORTLINE DSG	4	2.0L	BKD	D	TURBO	2005	2007	HATCH	FROM CHASSIS # 1K6160001	AC0123	ACA250	ACF217	ACC66
VOLKSWAGEN	GOLF	V	TRENDLINE DSG	4	1.9L	BKC / BXE	D	TURBO	2005	2008	HATCH	UP TO CHASSIS # 1K6160000	AC0123	ACA250	ACF218	ACC66
VOLKSWAGEN	GOLF	V	TRENDLINE DSG	4	1.9L	BKC / BXE	D	TURBO	2005	2008	HATCH	FROM CHASSIS # 1K6160001	AC0123	ACA250	ACF217	ACC66
VOLKSWAGEN	GOLF	V	COMFORT-LINE	4	1.6L	BGU	P		2006	2007	HATCH		AC06	ACA268	ACF203	ACC66
VOLKSWAGEN	GOLF	V	COMFORTLINE TIPTRONIC	4	1.6L	BGU	P		2006	2007	HATCH		AC06	ACA268	ACF203	ACC66
VOLKSWAGEN	GOLF	V	TRENDLINE	4	1.6L	BGU	P	MPFI	2006	2007	HATCH		AC06	ACA268	ACF203	ACC66
VOLKSWAGEN	GOLF	V	COMFORTLINE TIPTRONIC	4	2.0L	BVY	P	MPFI	2006	2007	HATCH		AC0129	ACA268	ACF214	ACC66
VOLKSWAGEN	GOLF	V	GTI	4	2.0L	BWA	P	TURBO INT-COOL	2006	2007	HATCH		AC0129	ACA289	ACF214	ACC66
VOLKSWAGEN	GOLF	V	GTI DSG	4	2.0L	BWA	P	TURBO INT-COOL	2006	2007	HATCH		AC0129	ACA289	ACF214	ACC66
VOLKSWAGEN	GOLF	V	SPORTLINE	4	2.0L	BVY	P	MPFI	2006	2007	HATCH		AC0129	ACA268	ACF214	ACC66
VOLKSWAGEN	GOLF	V	SPORTLINE TIPTRONIC	4	2.0L	BVY	P	MPFI	2006	2007	HATCH		AC0129	ACA268	ACF214	ACC66
VOLKSWAGEN	GOLF	V	R32 DSG 4-MOTION	6	3.2L	BUB	P	MPFI	2006	2007	HATCH		AC0123	ACA291	ACF203	ACC66
VOLKSWAGEN	GOLF	V	TRENDLINE	4	1.9L	BXE	D	TURBO	2006	2008	HATCH	UP TO CHASSIS # 1K6160000	AC0123	ACA250	ACF218	ACC66
VOLKSWAGEN	GOLF	V	TRENDLINE	4	1.9L	BXE	D	TURBO	2006	2008	HATCH	FROM CHASSIS # 1K6160001	AC0123	ACA250	ACF217	ACC66
VOLKSWAGEN	GOLF	V	COMFORT-LINE	4	2.0L	BVY	P	MPFI	2006	2008	HATCH		AC0129	ACA268	ACF214	ACC66
VOLKSWAGEN	GOLF	V	R32 4-MOTION	6	3.2L	BUB	P	MPFI	2006	2008	HATCH		AC0123	ACA291	ACF203	ACC66
VOLKSWAGEN	GOLF	V	GT	4	1.4L	BLG	P	TURBO S-CHARGED	2007	2007	HATCH			ACA250	ACF214	ACC66
VOLKSWAGEN	GOLF	V	GT DSG	4	1.4L	BLG	P	TURBO S-CHARGED	2007	2007	HATCH			ACA250	ACF214	ACC66
VOLKSWAGEN	GOLF	V	TRENDLINE TIPTRONIC	4	1.6L	BGU	P	MPFI	2007	2007	HATCH		AC06	ACA268	ACF203	ACC66
VOLKSWAGEN	GOLF	V	GT DSG SPORT	4	1.4L	BLG	P	TURBO S-CHARGED	2007	2008	HATCH			ACA250	ACF214	ACC66
VOLKSWAGEN	GOLF	V	GT SPORT	4	1.4L	BLG	P	TURBO S-CHARGED	2007	2008	HATCH			ACA250	ACF214	ACC66
VOLKSWAGEN	GOLF	V	COMFORTLINE TIPTRONIC	4	1.6L	BGU	P		2007	2008	HATCH		AC06	ACA268	ACF203	ACC66
VOLKSWAGEN	GOLF	V	COMFORTLINE TIPTRONIC	4	2.0L	BVY	P	MPFI	2007	2008	HATCH		AC0129	ACA268	ACF214	ACC66
VOLKSWAGEN	GOLF	V	GTI	4	2.0L	BWA	P	TURBO INT-COOL	2007	2008	HATCH		AC0129	ACA289	ACF214	ACC66
VOLKSWAGEN	GOLF	V	GTI DSG	4	2.0L	BWA	P	TURBO INT-COOL	2007	2008	HATCH		AC0129	ACA289	ACF214	ACC66
VOLKSWAGEN	GOLF	V	R32 DSG 4-MOTION	6	3.2L	BUB	P	MPFI	2007	2008	HATCH		AC0123	ACA291	ACF203	ACC66

MAKE	MODEL	SERIES	BADGE	CYLS	ENG SIZE	ENGINE CODE	FUEL	FUEL DELIVERY / AIR INTAKE	FROM	TO	BODY	REMARKS	OIL	AIR	FUEL	CABIN
VOLKSWAGEN	GOLF	V	GT DSG SPORT	4	2.0L	BMN	D	TURBO	2007	2009	HATCH	UP TO CHASSIS # 1K6160000	AC0123	ACA250	ACF218	ACC66
VOLKSWAGEN	GOLF	V	GT DSG SPORT	4	2.0L	BMN	D	TURBO	2007	2009	HATCH	FROM CHASSIS # 1K6160001	AC0123	ACA250	ACF217	ACC66
VOLKSWAGEN	GOLF	V	GT SPORT	4	2.0L	BMN	D	TURBO	2007	2009	HATCH	UP TO CHASSIS # 1K6160000	AC0123	ACA250	ACF218	ACC66
VOLKSWAGEN	GOLF	V	GT SPORT	4	2.0L	BMN	D	TURBO	2007	2009	HATCH	FROM CHASSIS # 1K6160001	AC0123	ACA250	ACF217	ACC66
VOLKSWAGEN	GOLF	V	GT SPORT	4	1.4L	BLG	P	TURBO S-CHARGED	2008	2008	HATCH			ACA250	ACF214	ACC66
VOLKSWAGEN	GOLF	V	EDITION	4	1.6L	BGU	P		2008	2008	HATCH		AC06	ACA268	ACF203	ACC66
VOLKSWAGEN	GOLF	V	EDITION	4	1.6L	BGU	P		2008	2008	HATCH		AC06	ACA268	ACF203	ACC66
VOLKSWAGEN	GOLF	V	EDITION TIPTRONIC	4	1.6L	BGU	P	MPFI	2008	2008	HATCH		AC06	ACA268	ACF203	ACC66
VOLKSWAGEN	GOLF	V	EDITION TIPTRONIC	4	1.6L	BGU	P		2008	2008	HATCH		AC06	ACA268	ACF203	ACC66
VOLKSWAGEN	GOLF	V	PACIFIC	4	2.0L	BVY	P	MPFI	2008	2008	HATCH		AC0129	ACA268	ACF214	ACC66
VOLKSWAGEN	GOLF	V	PACIFIC TIPTRONIC	4	2.0L	BVY	P	MPFI	2008	2008	HATCH		AC0129	ACA268	ACF214	ACC66
VOLKSWAGEN	GOLF	V	GT DSG SPORT	4	1.4L	BLG	P	TURBO S-CHARGED	2008	2009	HATCH			ACA250	ACF214	ACC66
VOLKSWAGEN	GOLF	V	EDITION	4	1.9L	BXE	D	TURBO	2008	2009	HATCH	UP TO CHASSIS # 1K6160000	AC0123	ACA250	ACF218	ACC66
VOLKSWAGEN	GOLF	V	EDITION	4	1.9L	BXE	D	TURBO	2008	2009	HATCH	FROM CHASSIS # 1K6160001	AC0123	ACA250	ACF217	ACC66
VOLKSWAGEN	GOLF	V	EDITION DSG	4	1.9L	BXE	D	TURBO	2008	2009	HATCH	UP TO CHASSIS # 1K6160000	AC0123	ACA250	ACF218	ACC66
VOLKSWAGEN	GOLF	V	EDITION DSG	4	1.9L	BXE	D	TURBO	2008	2009	HATCH	FROM CHASSIS # 1K6160001	AC0123	ACA250	ACF217	ACC66
VOLKSWAGEN	GOLF	V	GTI	4	2.0L	BWA	P	TURBO INT-COOL	2008	2009	HATCH		AC0129	ACA289	ACF214	ACC66
VOLKSWAGEN	GOLF	V	GTI DSG	4	2.0L	BWA	P	TURBO INT-COOL	2008	2009	HATCH		AC0129	ACA289	ACF214	ACC66
VOLKSWAGEN	GOLF	V	PACIFIC	4	2.0L	BKD	D	TURBO	2008	2009	HATCH	UP TO CHASSIS # 1K6160000	AC0123	ACA250	ACF218	ACC66
VOLKSWAGEN	GOLF	V	PACIFIC	4	2.0L	BKD	D	TURBO	2008	2009	HATCH	FROM CHASSIS # 1K6160001	AC0123	ACA250	ACF217	ACC66
VOLKSWAGEN	GOLF	V	PACIFIC DSG	4	2.0L	BKD	D	TURBO	2008	2009	HATCH	UP TO CHASSIS # 1K6160000	AC0123	ACA250	ACF218	ACC66
VOLKSWAGEN	GOLF	V	PACIFIC DSG	4	2.0L	BKD	D	TURBO	2008	2009	HATCH	FROM CHASSIS # 1K6160001	AC0123	ACA250	ACF217	ACC66
VOLKSWAGEN	GOLF	V	PACIFIC TIPTRONIC	4	2.0L	BVY	P	MPFI	2008	2009	HATCH		AC0129	ACA268	ACF214	ACC66
VOLKSWAGEN	GOLF	V	R32 4-MOTION	6	3.2L	BUB	P	MPFI	2008	2010	HATCH		AC0123	ACA291	ACF203	ACC66
VOLKSWAGEN	GOLF	V	R32 DSG 4-MOTION	6	3.2L	BUB	P	MPFI	2008	2010	HATCH		AC0123	ACA291	ACF203	ACC66
VOLKSWAGEN	GOLF	V	GTI DSG PIRELLI	4	2.0L	BYD	P	TURBO INT-COOL	10/08	09/09	HATCH		AC0129	ACA289	ACF214	ACC66
VOLKSWAGEN	GOLF	VI	103TDI DSG COMFORT-LINE	4	2.0L	CBAB	D	TURBO DIRECT INJ	2009	2009	HATCH		AC0123	ACA250	ACF217	ACC66

MAKE	MODEL	SERIES	BADGE	CYLS	ENG SIZE	ENGINE CODE	FUEL	FUEL DELIVERY / AIR INTAKE	FROM	TO	BODY	REMARKS	OIL	AIR	FUEL	CABIN
VOLKSWAGEN	GOLF	VI	90TSI DSG TRENDLINE	4	1.4L	CAXA	P	TURBO INT-COOL	2009	2010	HATCH		AC0140	ACA268	ACF214	ACC66
VOLKSWAGEN	GOLF	VI	90TSI TRENDLINE	4	1.4L	CAXA	P	TURBO INT-COOL	2009	2010	HATCH		AC0140	ACA268	ACF214	ACC66
VOLKSWAGEN	GOLF	VI	103TDI COMFORTLINE	4	2.0L	CBAB	D	TURBO DIRECT INJ	2009	09/10	HATCH		AC0123	ACA250	ACF217	ACC66
VOLKSWAGEN	GOLF	VI	103TDI DSG COMFORTLINE	4	2.0L	CBAB	D	TURBO DIRECT INJ	2009	09/10	HATCH		AC0123	ACA250	ACF217	ACC66
VOLKSWAGEN	GOLF	VI	77TDI DSG TRENDLINE	4	1.6L	CAYC	D	TURBO DIRECT INJ	2009	2012	HATCH/WAG		AC0137	ACA250	ACF217	ACC66
VOLKSWAGEN	GOLF	VI	118TSI COMFORTLINE	4	1.4L	CAVD	P	TURBO S-CHARGED	2009	08/12	HATCH/WAG		AC0140	ACA250	ACF214	ACC66
VOLKSWAGEN	GOLF	VI	118TSI DSG COMFORTLINE	4	1.4L	CAVD	P	TURBO S-CHARGED	2009	08/12	HATCH/WAG		AC0140	ACA250	ACF214	ACC66
VOLKSWAGEN	GOLF	VI	77TDI TRENDLINE	4	1.6L	CAYC	D	TURBO DIRECT INJ	2009	2013	HATCH/WAG		AC0137	ACA250	ACF217	ACC66
VOLKSWAGEN	GOLF	VI	GTI	4	2.0L	CCZB	P	TURBO INT-COOL	10/09	2010	HATCH		AC0136	ACA250	ACF214	ACC66
VOLKSWAGEN	GOLF	VI	GTI DSG	4	2.0L	CCZB	P	TURBO INT-COOL	10/09	2010	HATCH		AC0136	ACA250	ACF214	ACC66
VOLKSWAGEN	GOLF	VI	77TSI	4	1.2L	CBZB	P	TURBO INT-COOL	2010	2012	HATCH		AC0140	ACA268	ACF214	ACC66
VOLKSWAGEN	GOLF	VI	77TSI DSG	4	1.2L	CBZB	P	TURBO INT-COOL	2010	2012	HATCH		AC0140	ACA268	ACF214	ACC66
VOLKSWAGEN	GOLF	VI	90TSI DSG TRENDLINE	4	1.4L	CAXA	P	TURBO INT-COOL	2010	2012	HATCH/WAG		AC0140	ACA268	ACF214	ACC66
VOLKSWAGEN	GOLF	VI	90TSI TRENDLINE	4	1.4L	CAXA	P	TURBO INT-COOL	2010	2012	HATCH/WAG		AC0140	ACA268	ACF214	ACC66
VOLKSWAGEN	GOLF	VI	GTI	4	2.0L	CCZB	P	TURBO INT-COOL	2010	2013	HATCH		AC0136	ACA250	ACF214	ACC66
VOLKSWAGEN	GOLF	VI	GTI DSG	4	2.0L	CCZB	P	TURBO INT-COOL	2010	2013	HATCH		AC0136	ACA250	ACF214	ACC66
VOLKSWAGEN	GOLF	VI	103 TDI	4	2.0L	CFHC	D	TURBO DIRECT INJ	02/10	03/13	WAGON		AC0137	ACA250	ACF217	ACC66
VOLKSWAGEN	GOLF	VI	GTD	4	2.0L	CBBB	D	TURBO DIRECT INJ	06/10	09/10	HATCH		AC0137	ACA250	ACF217	ACC66
VOLKSWAGEN	GOLF	VI	R 4-MOTION	4	2.0L	CDLC	P	TURBO INT-COOL	06/10	2011	HATCH		AC0129	ACA289	ACF214	ACC66
VOLKSWAGEN	GOLF	VI	R DSG 4-MOTION	4	2.0L	CDLC	P	TURBO INT-COOL	06/10	2011	HATCH		AC0129	ACA289	ACF214	ACC66
VOLKSWAGEN	GOLF	VI	GTD	4	2.0L	CFGB	D	TURBO DIRECT INJ	10/10	2011	HATCH		AC0137	ACA250	ACF217	ACC66
VOLKSWAGEN	GOLF	VI	103 TDI	4	2.0L	CFFB	D	TURBO DIRECT INJ	10/10	03/13	HATCH		AC0137	ACA250	ACF217	ACC66
VOLKSWAGEN	GOLF	VI	103TDI COMFORTLINE	4	2.0L	CFFB	D	TURBO DIRECT INJ	10/10	03/13	HATCH		AC0137	ACA250	ACF217	ACC66
VOLKSWAGEN	GOLF	VI	103TDI DSG COMFORTLINE	4	2.0L	CFFB	D	TURBO DIRECT INJ	10/10	03/13	HATCH		AC0137	ACA250	ACF217	ACC66
VOLKSWAGEN	GOLF	VI	GTI DSG ADIDAS	4	2.0L	CCZB	P	TURBO INT-COOL	2011	2011	HATCH		AC0136	ACA250	ACF214	ACC66
VOLKSWAGEN	GOLF	VI	BLUEMOTION	4	1.6L	CAYC	D	TURBO DIRECT INJ	2011	2012	HATCH		AC0137	ACA250	ACF217	ACC66
VOLKSWAGEN	GOLF	VI	GTD	4	2.0L	CFGB	D	TURBO DIRECT INJ	2011	2012	HATCH		AC0137	ACA250	ACF217	ACC66
VOLKSWAGEN	GOLF	VI	R 4-MOTION	4	2.0L	CDLC	P	TURBO INT-COOL	2011	2012	HATCH		AC0129	ACA289	ACF214	ACC66
VOLKSWAGEN	GOLF	VI	R DSG 4-MOTION	4	2.0L	CDLC	P	TURBO INT-COOL	2011	2012	HATCH		AC0129	ACA289	ACF214	ACC66
VOLKSWAGEN	GOLF	VI	118TSI	4	1.4L	CAVD	P	TURBO S-CHARGED	2011	08/12	CABRIO		AC0140	ACA250	ACF214	ACC66
VOLKSWAGEN	GOLF	VI	77TDI DSG TRENDLINE	4	1.6L	CAYC	D	TURBO DIRECT INJ	2012	2013	HATCH/WAG		AC0137	ACA250	ACF217	ACC66
VOLKSWAGEN	GOLF	VI	90TSI DSG TRENDLINE	4	1.4L	CAXA	P	TURBO INT-COOL	2012	2014	HATCH/WAG		AC0140	ACA268	ACF214	ACC66



MAKE	MODEL	SERIES	BADGE	CYLS	ENG SIZE	ENGINE CODE	FUEL	FUEL DELIVERY / AIR INTAKE	FROM	TO	BODY	REMARKS	OIL	AIR	FUEL	CABIN
VOLKSWAGEN	GOLF	VI	90TSI TRENDLINE	4	1.4L	CAXA	P	TURBO INT-COOL	2012	2014	HATCH/WAG		AC0140	ACA268	ACF214	ACC66
VOLKSWAGEN	GOLF	VI	118TSI COMFORTLINE	4	1.4L	CTHD	P	TURBO S-CHARGED	09/12	2014	HATCH/WAG		AC0140	ACA250	ACF214	ACC66
VOLKSWAGEN	GOLF	VI	118TSI DSG COMFORTLINE	4	1.4L	CTHD	P	TURBO S-CHARGED	09/12	2014	HATCH/WAG		AC0140	ACA250	ACF214	ACC66
VOLKSWAGEN	GOLF	VI	118TSI	4	1.4L	CTHD	P	TURBO S-CHARGED	09/12	ON	CABRIO		AC0140	ACA250	ACF214	ACC66
VOLKSWAGEN	GOLF	VII	103TSI	4	1.4L	CHPA	P	TURBO DIRECT INJ	04/13	ON	HATCH		AC0151	ACA333		
VOLKSWAGEN	GOLF	VII	90TSI	4	1.4L	CMBA	P	TURBO DIRECT INJ	04/13	ON	HATCH		AC0151	ACA333		
VOLKSWAGEN	GOLF	VII	90TSI	4	1.4L	CXSA	P	TURBO DIRECT INJ	04/13	ON	HATCH		AC0151	ACA333		
VOLKSWAGEN	GOLF	VII	92TSI	4	1.4L	CZCA	P	TURBO DIRECT INJ	07/15	ON	HATCH/WAG		AC0151	ACA333		
VOLKSWAGEN	JETTA	1KM	FSI	4	2.0L	BVY	P	DIRECT INJ	02/06	2007	SEDAN		AC0129	ACA268	ACF214	ACC66
VOLKSWAGEN	JETTA	1KM	FSI TIPTRONIC	4	2.0L	BVY	P	DIRECT INJ	02/06	2007	SEDAN		AC0129	ACA268	ACF214	ACC66
VOLKSWAGEN	JETTA	1KM	TDI	4	2.0L	BKD	D	TURBO DIRECT INJ	02/06	2007	SEDAN		AC0123	ACA250	ACF217	ACC66
VOLKSWAGEN	JETTA	1KM	TDI DSG	4	2.0L	BKD	D	TURBO DIRECT INJ	02/06	2007	SEDAN		AC0123	ACA250	ACF217	ACC66
VOLKSWAGEN	JETTA	1KM	TURBO DSG	4	2.0L	BWA	P	TURBO INT-COOL	02/06	2007	SEDAN		AC0129	ACA289	ACF214	ACC66
VOLKSWAGEN	JETTA	1KM	FSI	4	2.0L	BLR	P	DIRECT INJ	02/06	01/09	SEDAN		AC0129	ACA268	ACF214	ACC66
VOLKSWAGEN	JETTA	1KM	FSI TIPTRONIC	4	2.0L	BLR	P	DIRECT INJ	02/06	01/09	SEDAN		AC0129	ACA268	ACF214	ACC66
VOLKSWAGEN	JETTA	1KM	TDI	4	2.0L	BKD	D	TURBO DIRECT INJ	2007	2008	SEDAN		AC0123	ACA250	ACF217	ACC66
VOLKSWAGEN	JETTA	1KM	TDI DSG	4	2.0L	BKD	D	TURBO DIRECT INJ	2007	2008	SEDAN		AC0123	ACA250	ACF217	ACC66
VOLKSWAGEN	JETTA	1KM	TURBO DSG	4	2.0L	BWA	P	TURBO INT-COOL	2007	2008	SEDAN		AC0129	ACA289	ACF214	ACC66
VOLKSWAGEN	JETTA	1KM	FSI	4	2.0L	BVY	P	DIRECT INJ	2007	01/09	SEDAN		AC0129	ACA268	ACF214	ACC66
VOLKSWAGEN	JETTA	1KM	FSI TIPTRONIC	4	2.0L	BVY	P	DIRECT INJ	2007	01/09	SEDAN		AC0129	ACA268	ACF214	ACC66
VOLKSWAGEN	JETTA	1KM	TDI	4	2.0L	BKD	D	TURBO DIRECT INJ	2008	01/09	SEDAN		AC0123	ACA250	ACF217	ACC66
VOLKSWAGEN	JETTA	1KM	TDI DSG	4	2.0L	BKD	D	TURBO DIRECT INJ	2008	01/09	SEDAN		AC0123	ACA250	ACF217	ACC66
VOLKSWAGEN	JETTA	1KM	TURBO DSG	4	2.0L	BWA	P	TURBO INT-COOL	2008	01/09	SEDAN		AC0129	ACA289	ACF214	ACC66
VOLKSWAGEN	JETTA	1KM	118TSI	4	1.4L	CAVD	P	TURBO S-CHARGED	02/09	2010	SEDAN		AC0140	ACA250	ACF214	ACC66
VOLKSWAGEN	JETTA	1KM	118TSI DSG	4	1.4L	CAVD	P	TURBO S-CHARGED	02/09	2010	SEDAN		AC0140	ACA250	ACF214	ACC66
VOLKSWAGEN	JETTA	1KM	103TDI DSG	4	2.0L	CBD	D	TURBO DIRECT INJ	02/09	2010	SEDAN		AC0123	ACA250	ACF217	ACC66
VOLKSWAGEN	JETTA	1KM	147TSI DSG	4	2.0L	CAWB	P	TURBO INT-COOL	11/09	2010	SEDAN		AC0136	ACA250	ACF214	ACC66
VOLKSWAGEN	JETTA	1KM	77TDI	4	1.6L	CAYC	D	TURBO DIRECT INJ	11/09	07/11	SEDAN		AC0137	ACA250	ACF217	ACC66
VOLKSWAGEN	JETTA	1KM	125TDI DSG	4	2.0L	CEGA	D	TURBO DIRECT INJ	11/09	07/11	SEDAN		AC0123	ACA250	ACF217	ACC66
VOLKSWAGEN	JETTA	1KM	118TSI	4	1.4L	CAVD	P	TURBO S-CHARGED	2010	07/11	SEDAN		AC0140	ACA250	ACF214	ACC66
VOLKSWAGEN	JETTA	1KM	118TSI DSG	4	1.4L	CAVD	P	TURBO S-CHARGED	2010	07/11	SEDAN		AC0140	ACA250	ACF214	ACC66
VOLKSWAGEN	JETTA	1KM	103TDI DSG	4	2.0L	CBD	D	TURBO DIRECT INJ	2010	07/11	SEDAN		AC0123	ACA250	ACF217	ACC66

MAKE	MODEL	SERIES	BADGE	CYLS	ENG SIZE	ENGINE CODE	FUEL	FUEL DELIVERY / AIR INTAKE	FROM	TO	BODY	REMARKS	OIL	AIR	FUEL	CABIN
VOLKSWAGEN	JETTA	1KM	147TSI DSG	4	2.0L	CAWB	P	TURBO INT-COOL	2010	07/11	SEDAN		AC0136	ACA250	ACF214	ACC66
VOLKSWAGEN	JETTA	1B	118TSI	4	1.4L	CAVD	P	TURBO S-CHARGED	08/11	2013	SEDAN		AC0140	ACA250	ACF214	ACC66
VOLKSWAGEN	JETTA	1B	118TSI DSG COMFORT-LINE	4	1.4L	CAVD	P	TURBO S-CHARGED	08/11	2013	SEDAN		AC0140	ACA250	ACF214	ACC66
VOLKSWAGEN	JETTA	1B	103TDI DSG COMFORT-LINE	4	2.0L	CFFB	D	TURBO DIRECT INJ	08/11	2013	SEDAN		AC0137	ACA250	ACF217	ACC66
VOLKSWAGEN	JETTA	1B	147TSI DSG HIGHLINE	4	2.0L	CCZA	P	TURBO INT-COOL	08/11	ON	SEDAN		AC0136	ACA250	ACF214	ACC66
VOLKSWAGEN	JETTA	1B	118TSI	4	1.4L	CTHD	P	TURBO S-CHARGED	2013	ON	SEDAN		AC0140	ACA250	ACF214	ACC66
VOLKSWAGEN	JETTA	1B	118TSI DSG COMFORT-LINE	4	1.4L	CTHD	P	TURBO S-CHARGED	2013	ON	SEDAN		AC0140	ACA250	ACF214	ACC66
VOLKSWAGEN	JETTA	1B	118TSI DSG HIGHLINE	4	1.4L	CTHD	P	TURBO S-CHARGED	2013	ON	SEDAN		AC0140	ACA250	ACF214	ACC66
VOLKSWAGEN	JETTA	1B	103TDI DSG HIGHLINE	4	2.0L	CFFB	D	TURBO DIRECT INJ	2013	ON	SEDAN		AC0137	ACA250	ACF217	ACC66
VOLKSWAGEN	KOMBI	T5		5	2.5L	AXB	D	TURBO INT-COOL	2006	2008	VAN			ACA288		ACC77
VOLKSWAGEN	LT	LT35	HIGH ROOF LWB	4	2.8L	ANJ	D	TURBO INT-COOL	2003	2006	CAB CHASS/VAN			ACA321		
VOLKSWAGEN	LT	LT35	MID ROOF MWB	4	2.8L	ANJ	D	TURBO INT-COOL	2003	2006	CAB CHASS/VAN			ACA321		
VOLKSWAGEN	LT	LT35	HIGH ROOF LWB	5	2.5L	ANJ	D	TURBO INT-COOL	2003	2006	CAB CHASS/VAN			ACA321		
VOLKSWAGEN	LT	LT35	MID ROOF MWB	5	2.5L	ANJ	D	TURBO INT-COOL	2003	2006	CAB CHASS/VAN			ACA321		
VOLKSWAGEN	LT	LT35	MWB	5	2.5L	ANJ	D	TURBO INT-COOL	2003	2006	CAB CHASS/VAN			ACA321		
VOLKSWAGEN	LT	LT46	HIGH ROOF LWB	5	2.5L	ANJ	D	TURBO INT-COOL	2003	2006	CAB CHASS/VAN			ACA321		
VOLKSWAGEN	LT	LT46	LWB	5	2.5L	ANJ	D	TURBO INT-COOL	2003	2006	CAB CHASS/VAN			ACA321		
VOLKSWAGEN	MULTIVAN	T5	COMFORT-LINE	5	2.5L	AXE	D	TURBO INT-COOL	2005	2009	WAGON		AC0123	ACA288		ACC77
VOLKSWAGEN	MULTIVAN	T5	EXECUTIVE	5	2.5L	AXE	D	TURBO INT-COOL	2005	2009	WAGON		AC0123	ACA288		ACC77
VOLKSWAGEN	MULTIVAN	T5	HIGHLINE	5	2.5L	AXE	D	TURBO INT-COOL	2005	2009	WAGON		AC0123	ACA288		ACC77
VOLKSWAGEN	MULTIVAN	T5	COMFORT-LINE	6	3.2L	BKK	P	MPFI	2005	2009	WAGON			ACA288	ACF213	ACC77
VOLKSWAGEN	MULTIVAN	T5	COMFORT-LINE DSG	4	2.0L	CFCA	D	TWIN TURBO INT-COOL	2010	2010	WAGON		AC0137	ACA288	ACF236	ACC77
VOLKSWAGEN	MULTIVAN	T5	HIGHLINE DSG	4	2.0L	CFCA	D	TWIN TURBO INT-COOL	2010	2010	WAGON		AC0137	ACA288	ACF236	ACC77
VOLKSWAGEN	MULTIVAN	T5	HIGHLINE DSG 4-MOTION	4	2.0L	CFCA	D	TWIN TURBO INT-COOL	2010	2010	WAGON		AC0137	ACA288	ACF236	ACC77
VOLKSWAGEN	MULTIVAN	T5	COMFORT-LINE DSG	4	2.0L	CFCA	D	TWIN TURBO INT-COOL	2010	2011	WAGON		AC0137	ACA288	ACF236	ACC77
VOLKSWAGEN	MULTIVAN	T5	HIGHLINE DSG	4	2.0L	CFCA	D	TWIN TURBO INT-COOL	2010	2011	WAGON		AC0137	ACA288	ACF236	ACC77
VOLKSWAGEN	MULTIVAN	T5	COMFORT-LINE DSG 4-MOTION	4	2.0L	CFCA	D	TWIN TURBO INT-COOL	2011	2011	WAGON		AC0137	ACA288	ACF236	ACC77

MAKE	MODEL	SERIES	BADGE	CYLS	ENG SIZE	ENGINE CODE	FUEL	FUEL DELIVERY / AIR INTAKE	FROM	TO	BODY	REMARKS	OIL	AIR	FUEL	CABIN
VOLKSWAGEN	MULTIVAN	T5	EDITION DSG 25	4	2.0L	CFCA	D	TWIN TURBO INT-COOL	2011	2011	WAGON		AC0137	ACA288	ACF236	ACC77
VOLKSWAGEN	MULTIVAN	T5	HIGHLINE DSG 4-MOTION	4	2.0L	CFCA	D	TWIN TURBO INT-COOL	2011	2011	WAGON		AC0137	ACA288	ACF236	ACC77
VOLKSWAGEN	PASSAT	3A	GL	4	2.0L	ADY / AGG	P	MPFI	08/95	02/97	SEDAN		AC06		ACF3	
VOLKSWAGEN	PASSAT	3A	GL VR6	6	2.8L	AAA	P	MPFI	08/95	02/97	SEDAN				ACF3	
VOLKSWAGEN	PASSAT	3B	VARIANT	6	2.8L	ACK	P	MPFI	1998	11/00	WAGON		AC09			
VOLKSWAGEN	PASSAT	3B	VARIANT	4	1.8L	AEB	P	TURBO	1999	2000	WAGON		AC06	ACA292	ACF3	
VOLKSWAGEN	PASSAT	3B	SYNCRO	6	2.8L	APR	P	MPFI	03/99	11/00	SEDAN		AC09	ACA292	ACF3	
VOLKSWAGEN	PASSAT	3B	20V SPORT	4	1.8L	AEB	P	TURBO	2000	2000	SEDAN		AC06	ACA292	ACF3	
VOLKSWAGEN	PASSAT	3B	4-MOTION 30V	6	2.8L	APR	P	MPFI	2000	2000	SEDAN		AC09	ACA292	ACF3	
VOLKSWAGEN	PASSAT	GP	30V	6	2.8L	BBG	P	MPFI	2001	2002	SEDAN		AC09	ACA292	ACF5	
VOLKSWAGEN	PASSAT	GP	VARIANT	6	2.8L	BBG	P	MPFI	2001	2002	WAGON		AC09	ACA292	ACF5	
VOLKSWAGEN	PASSAT	GP	S V5	5	2.3L	AZX	P	MPFI	2002	2004	SEDAN			ACA292	ACF36	
VOLKSWAGEN	PASSAT	GP	SE V5	5	2.3L	AZX	P	MPFI	2002	2004	SEDAN			ACA292	ACF36	
VOLKSWAGEN	PASSAT	GP	S	6	2.8L	BBG	P	MPFI	2002	2004	SEDAN		AC09	ACA292	ACF5	
VOLKSWAGEN	PASSAT	GP	S V6	6	2.8L	BBG	P	MPFI	2002	2004	SED/WAG		AC09	ACA292	ACF5	
VOLKSWAGEN	PASSAT	GP	SE	6	2.8L	BBG	P	MPFI	2002	2004	SEDAN		AC09	ACA292	ACF5	
VOLKSWAGEN	PASSAT	GP	SE V6	6	2.8L	BBG	P	MPFI	2002	2004	SED/WAG		AC09	ACA292	ACF5	
VOLKSWAGEN	PASSAT	GP	W8 4-MOTION	8	4.0L	BDN	P	MPFI	2002	2004	SEDAN			ACA292	ACF36	
VOLKSWAGEN	PASSAT	GP	V5	5	2.3L	AZX	P	MPFI	2004	2005	SEDAN			ACA292	ACF36	
VOLKSWAGEN	PASSAT	GP	V6	6	2.8L	BBG	P	MPFI	2004	2005	SED/WAG		AC09	ACA292	ACF5	
VOLKSWAGEN	PASSAT	3C	FSI	4	2.0L	BWA	P	TURBO INT-COOL	03/06	2007	SED/WAG		AC0129	ACA289		ACC66
VOLKSWAGEN	PASSAT	3C	TDI DSG	4	2.0L	BKP	D	TURBO DIRECT INJ	03/06	2007	SED/WAG		AC0123	ACA250	ACF155	ACC66
VOLKSWAGEN	PASSAT	3C	V6 DSG 4-MOTION FSI	6	3.2L	AXZ	P	DIRECT INJ	03/06	2007	SED/WAG		AC0123	ACA291		ACC66
VOLKSWAGEN	PASSAT	3C	V6 DSG 4-MOTION FSI	6	3.2L	AXZ	P	DIRECT INJ	2007	2008	SED/WAG		AC0123	ACA291		ACC66
VOLKSWAGEN	PASSAT	3C	FSI	4	2.0L	BWA	P	TURBO INT-COOL	2007	07/08	SED/WAG		AC0129	ACA289		ACC66
VOLKSWAGEN	PASSAT	3C	TDI DSG	4	2.0L	BKP	D	TURBO DIRECT INJ	2007	07/08	SED/WAG		AC0123	ACA250	ACF155	ACC66
VOLKSWAGEN	PASSAT	3C	TDI DSG	4	2.0L	BMR	D	TURBO DIRECT INJ	08/07	07/08	SED/WAG		AC0123	ACA250	ACF155	ACC66
VOLKSWAGEN	PASSAT	3C	V6 DSG 4-MOTION FSI	6	3.2L	AXZ	P	DIRECT INJ	2008	2011	SED/WAG		AC0123	ACA291		ACC66
VOLKSWAGEN	PASSAT	3C	FSI DSG 4-MOTION HIGHLINE	6	3.2L	AXZ	P	DIRECT INJ	06/08	2009	SED/WAG		AC0123	ACA291		ACC66
VOLKSWAGEN	PASSAT	3C	R36 DSG 4-MOTION	6	3.6L	BWS	P	MPFI	06/08	2009	SED/WAG		AC0123	ACA291		ACC66
VOLKSWAGEN	PASSAT	3C	103TDI DSG	4	2.0L	CBAB	D	TURBO DIRECT INJ	08/08	2009	SED/WAG		AC0123	ACA250	ACF155	ACC66
VOLKSWAGEN	PASSAT	3C	125TDI DSG	4	2.0L	CBBB	D	TURBO DIRECT INJ	08/08	2009	SED/WAG		AC0123	ACA250	ACF155	ACC66
VOLKSWAGEN	PASSAT	3C	147TSI	4	2.0L	CAWB	P	TURBO INT-COOL	08/08	2009	SED/WAG		AC0136	ACA250		ACC66

MAKE	MODEL	SERIES	BADGE	CYLS	ENG SIZE	ENGINE CODE	FUEL	FUEL DELIVERY / AIR INTAKE	FROM	TO	BODY	REMARKS	OIL	AIR	FUEL	CABIN
VOLKSWAGEN	PASSAT	3C	R36 DSG 4-MOTION	6	3.6L	BWS	P	MPFI	2009	2009	SED/WAG		AC0123	ACA291		ACC66
VOLKSWAGEN	PASSAT	3C	103TDI DSG	4	2.0L	CBAB	D	TURBO DIRECT INJ	2009	01/10	SED/WAG		AC0123	ACA250	ACF155	ACC66
VOLKSWAGEN	PASSAT	3C	125TDI DSG	4	2.0L	CBBB	D	TURBO DIRECT INJ	2009	01/10	SED/WAG		AC0123	ACA250	ACF155	ACC66
VOLKSWAGEN	PASSAT	3C	147TSI	4	2.0L	CAWB	P	TURBO INT-COOL	2009	01/10	SED/WAG		AC0136	ACA250		ACC66
VOLKSWAGEN	PASSAT	3C	FSI DSG 4-MOTION HIGHLINE	6	3.2L	AXZ	P	DIRECT INJ	2009	03/11	SED/WAG		AC0123	ACA291		ACC66
VOLKSWAGEN	PASSAT	3CC	125TDI DSG	4	2.0L	CBBB	D	TURBO DIRECT INJ	02/09	2010	COUPE		AC0123	ACA250	ACF155	ACC66
VOLKSWAGEN	PASSAT	3CC	FSI DSG 4-MOTION HIGHLINE	6	3.6L	BWS	P	MPFI	02/09	2010	COUPE		AC0123	ACA291		ACC66
VOLKSWAGEN	PASSAT	3C	R36 DSG 4-MOTION	6	3.6L	BWS	P	MPFI	2010	2010	SED/WAG		AC0123	ACA291		ACC66
VOLKSWAGEN	PASSAT	3CC	125TDI DSG	4	2.0L	CBBB	D	TURBO DIRECT INJ	2010	2011	COUPE		AC0123	ACA250	ACF155	ACC66
VOLKSWAGEN	PASSAT	3C	R36 DSG 4-MOTION	6	3.6L	BWS	P	MPFI	2010	2011	SED/WAG		AC0123	ACA291		ACC66
VOLKSWAGEN	PASSAT	3CC	FSI DSG 4-MOTION HIGHLINE	6	3.6L	BWS	P	MPFI	2010	2011	COUPE		AC0123	ACA291		ACC66
VOLKSWAGEN	PASSAT	3C	125TDI DSG HIGHLINE	4	2.0L	CFGB	D	TURBO DIRECT INJ	02/10	2011	SED/WAG		AC0137	ACA250		ACC66
VOLKSWAGEN	PASSAT	3C	118TSI DSG	4	1.8L	CDAA	P	TURBO INT-COOL	02/10	04/11	SED/WAG		AC0136	ACA250	ACF214	ACC66
VOLKSWAGEN	PASSAT	3CC	125TDI DSG	4	2.0L	CBBB	D	TURBO DIRECT INJ	2011	06/12	COUPE		AC0123	ACA250	ACF155	ACC66
VOLKSWAGEN	PASSAT	3CC	FSI DSG 4-MOTION HIGHLINE	6	3.6L	BWS	P	MPFI	2011	06/12	COUPE		AC0123	ACA291		ACC66
VOLKSWAGEN	PASSAT	3C	125TDI DSG HIGHLINE	4	2.0L	CFGB	D	TURBO DIRECT INJ	2011	01/13	SED/WAG		AC0137	ACA250		ACC66
VOLKSWAGEN	PASSAT	3C	FSI DSG 4-MOTION HIGHLINE	6	3.6L	BWS	P	MPFI	04/11	06/12	SED/WAG		AC0123	ACA291		ACC66
VOLKSWAGEN	PASSAT	3C	118TSI DSG	4	1.8L	CDAA	P	TURBO INT-COOL	05/11	ON	SED/WAG		AC0136	ACA250		ACC66
VOLKSWAGEN	PASSAT	3C	FSI DSG 4-MOTION HIGHLINE	6	3.6L	BWS	P	MPFI	07/12	ON	SED/WAG			ACA291		ACC66
VOLKSWAGEN	PASSAT	3C	ALLTRACK	4	2.0L	CFGB	D	TURBO DIRECT INJ	11/12	01/13	WAGON		AC0137	ACA250		ACC66
VOLKSWAGEN	PASSAT	3C	130TDI HIGHLINE	4	2.0L	CFGC	D	TURBO DIRECT INJ	02/13	ON	SED/WAG		AC0137	ACA250		ACC66
VOLKSWAGEN	PASSAT	3C	ALLTRACK	4	2.0L	CFGC	D	TURBO DIRECT INJ	02/13	ON	WAGON		AC0137	ACA250		ACC66
VOLKSWAGEN	POLO	A03	MATCH	4	1.6L	AEE	P		1997	2000	HATCH		AC0152			ACC18
VOLKSWAGEN	POLO	A03	OPEN AIR	4	1.6L	AEE	P		1997	2000	CABRIO		AC0152			ACC18
VOLKSWAGEN	POLO	A03	16V	4	1.4L	AHW	P		2000	2001	HATCH		AC0152			ACC18
VOLKSWAGEN	POLO	9N	S	4	1.4L	BBY	P		2002	2002	HATCH		AC0152	ACA343		ACC91
VOLKSWAGEN	POLO	9N	SE	4	1.4L	BBY	P		2002	2002	HATCH		AC0152	ACA343		ACC91
VOLKSWAGEN	POLO	9N	S	4	1.4L	BBY	P		2003	2003	HATCH		AC0152	ACA343		ACC91
VOLKSWAGEN	POLO	9N	SE	4	1.4L	BBY	P		2003	2003	HATCH		AC0152	ACA343		ACC91
VOLKSWAGEN	POLO	9N	CLUB	4	1.4L	BBY	P		2003	2004	HATCH		AC0152	ACA343		ACC91
VOLKSWAGEN	POLO	9N	ELITE	4	1.4L	BBY	P		2003	2005	HATCH		AC0152	ACA343		ACC91

MAKE	MODEL	SERIES	BADGE	CYLS	ENG SIZE	ENGINE CODE	FUEL	FUEL DELIVERY / AIR INTAKE	FROM	TO	BODY	REMARKS	OIL	AIR	FUEL	CABIN
VOLKSWAGEN	POLO	9N	MATCH	4	1.4L	BBY	P		2003	07/06	HATCH		AC0152	ACA343		ACC91
VOLKSWAGEN	POLO	9N	MATCH	4	1.4L	BKY	P	MPFI	2003	2008	HATCH		AC0152	ACA343		ACC91
VOLKSWAGEN	POLO	9N	CLASSIC	4	1.6L	BCD	P	MPFI	2004	2005	SEDAN					ACC91
VOLKSWAGEN	POLO	9N	GTI	4	1.8L	BJX	P	TURBO	2005	2006	HATCH		AC06		ACF92	ACC91
VOLKSWAGEN	POLO	9N	TDI	4	1.9L	AXR	D	TURBO	2005	2006	HATCH		AC0123			ACC91
VOLKSWAGEN	POLO	9N	CLUB	4	1.4L	BBY	P	MPFI	2005	06/06	HATCH		AC0152	ACA343		ACC91
VOLKSWAGEN	POLO	9N	GTI	4	1.8L	BJX	P	TURBO	2006	2007	HATCH		AC06		ACF92	ACC91
VOLKSWAGEN	POLO	9N	TDI	4	1.9L	AXR	D	TURBO	2006	2007	HATCH		AC0123			ACC91
VOLKSWAGEN	POLO	9N	CLUB	4	1.4L	BUD	P		07/06	2007	HATCH		AC0152		ACF203	ACC91
VOLKSWAGEN	POLO	9N	MATCH	4	1.6L	BTS	P	MPFI	07/06	2007	HATCH				ACF203	ACC91
VOLKSWAGEN	POLO	9N	CLUB	4	1.4L	BUD	P		2007	2008	HATCH		AC0152		ACF203	ACC91
VOLKSWAGEN	POLO	9N	MATCH	4	1.6L	BTS	P	MPFI	2007	2008	HATCH				ACF203	ACC91
VOLKSWAGEN	POLO	9N	GTI	4	1.8L	BJX	P	TURBO	2007	2008	HATCH		AC06		ACF92	ACC91
VOLKSWAGEN	POLO	9N	TDI	4	1.9L	AXR	D	TURBO	2007	2008	HATCH		AC0123			ACC91
VOLKSWAGEN	POLO	9N	EDITION	4	1.4L	BUD	P		2008	2010	HATCH		AC0152		ACF203	ACC91
VOLKSWAGEN	POLO	9N	PACIFIC	4	1.6L	BTS	P	MPFI	2008	2010	HATCH				ACF203	ACC91
VOLKSWAGEN	POLO	9N	GTI	4	1.8L	BJX	P	TURBO	2008	2010	HATCH		AC06		ACF92	ACC91
VOLKSWAGEN	POLO	9N	PACIFIC TDI	4	1.9L	AXR	D	TURBO	2008	2010	HATCH		AC0123			ACC91
VOLKSWAGEN	POLO	6R	77TSI COM-FORTLINE	4	1.2L	CBZB	P	TURBO INT-COOL	05/10	2012	HATCH		AC0140	ACA290	ACF214	ACC91
VOLKSWAGEN	POLO	6R	77TSI DSG COMFORT-LINE	4	1.2L	CBZB	P	TURBO INT-COOL	05/10	2012	HATCH		AC0140	ACA290	ACF214	ACC91
VOLKSWAGEN	POLO	6R	TRENDLINE	4	1.4L	CGGB	P	MPFI	05/10	2012	HATCH		AC0152		ACF203	ACC91
VOLKSWAGEN	POLO	6R	TRENDLINE DSG	4	1.4L	CGGB	P	MPFI	05/10	2012	HATCH		AC0152		ACF203	ACC91
VOLKSWAGEN	POLO	6R	66TDI COM-FORTLINE	4	1.6L	CAYB	D	TURBO INT-COOL	05/10	2012	HATCH		AC0137	ACA290		ACC91
VOLKSWAGEN	POLO	6R	66TDI DSG COMFORT-LINE	4	1.6L	CAYB	D	TURBO INT-COOL	05/10	2012	HATCH		AC0137	ACA290		ACC91
VOLKSWAGEN	POLO	6R	GTI DSG	4	1.4L	CAVE	P	TURBO S-CHARGED	11/10	07/12	HATCH		AC0140	ACA290	ACF214	ACC91
VOLKSWAGEN	POLO	6R	77TSI COM-FORTLINE	4	1.2L	CBZB	P	TURBO INT-COOL	2012	ON	HATCH		AC0140	ACA290	ACF214	ACC91
VOLKSWAGEN	POLO	6R	77TSI DSG COMFORT-LINE	4	1.2L	CBZB	P	TURBO INT-COOL	2012	ON	HATCH		AC0140	ACA290	ACF214	ACC91
VOLKSWAGEN	POLO	6R	TRENDLINE	4	1.4L	CGGB	P	MPFI	2012	ON	HATCH		AC0152		ACF203	ACC91
VOLKSWAGEN	POLO	6R	TRENDLINE DSG	4	1.4L	CGGB	P	MPFI	2012	ON	HATCH		AC0152		ACF203	ACC91
VOLKSWAGEN	POLO	6R	66TDI COM-FORTLINE	4	1.6L	CAYB	D	TURBO INT-COOL	2012	ON	HATCH		AC0137	ACA290		ACC91
VOLKSWAGEN	POLO	6R	66TDI DSG COMFORT-LINE	4	1.6L	CAYB	D	TURBO INT-COOL	2012	ON	HATCH		AC0137	ACA290		ACC91
VOLKSWAGEN	POLO	6R	GTI DSG	4	1.4L	CTH	P	TURBO S-CHARGED	08/12	ON	HATCH		AC0140	ACA290	ACF214	ACC91
VOLKSWAGEN	POLO	6C	66TSI	4	1.2L	CJZ	P	TURBO DIRECT INJ	09/14	ON	HATCH		AC0151	ACA333	ACF214	
VOLKSWAGEN	POLO	6C	81TSI	4	1.2L	CJZD	P	TURBO DIRECT INJ	09/14	ON	HATCH		AC0151	ACA333	ACF214	
VOLKSWAGEN	POLO	6R	GTI	4	1.8L	DAJ	P	TURBO DIRECT INJ	04/15	ON	HATCH				ACF214	
VOLKSWAGEN	TIGUAN	5N	125TSI 4-MOTION	4	2.0L	CAWA	P	TURBO INT-COOL	05/08	2009	WAGON		AC0136	ACA250		ACC66

MAKE	MODEL	SERIES	BADGE	CYLS	ENG SIZE	ENGINE CODE	FUEL	FUEL DELIVERY / AIR INTAKE	FROM	TO	BODY	REMARKS	OIL	AIR	FUEL	CABIN
VOLKSWAGEN	TIGUAN	5N	147TSI 4-MOTION	4	2.0L	CAWB	P	TURBO INT-COOL	05/08	2009	WAGON		AC0136	ACA250		ACC66
VOLKSWAGEN	TIGUAN	5N	103TDI 4-MOTION	4	2.0L	CBAB	D	TURBO DIRECT INJ	05/08	08/10	WAGON		AC0123	ACA250	ACF155	ACC66
VOLKSWAGEN	TIGUAN	5N	125TSI 4-MOTION	4	2.0L	CAWA	P	TURBO INT-COOL	2009	08/10	WAGON		AC0136	ACA250		ACC66
VOLKSWAGEN	TIGUAN	5N	147TSI 4-MOTION	4	2.0L	CAWB	P	TURBO INT-COOL	2009	09/11	WAGON		AC0136	ACA250		ACC66
VOLKSWAGEN	TIGUAN	5N	125TSI 4-MOTION	4	2.0L	CCZA	P	TURBO INT-COOL	09/10	2011	WAGON		AC0136	ACA250		ACC66
VOLKSWAGEN	TIGUAN	5N	103TDI 4-MOTION	4	2.0L	CFFB	D	TURBO DIRECT INJ	09/10	05/11	WAGON		AC0137	ACA250	ACF155	ACC66
VOLKSWAGEN	TIGUAN	5N	103TDI DSG 4-MOTION	4	2.0L	CFFB	D	TURBO DIRECT INJ	09/10	05/11	WAGON		AC0137	ACA250	ACF155	ACC66
VOLKSWAGEN	TIGUAN	5N	125TSI DSG 4-MOTION	4	2.0L	CCZA	P	TURBO INT-COOL	09/10	09/11	WAGON		AC0136	ACA250		ACC66
VOLKSWAGEN	TIGUAN	5N	147TSI DSG 4-MOTION	4	2.0L	CAWB	P	TURBO INT-COOL	09/10	09/11	WAGON		AC0136	ACA250		ACC66
VOLKSWAGEN	TIGUAN	5N	132TSI	4	2.0L	CCZD	P	TURBO INT-COOL	2011	2011	WAGON		AC0136	ACA250		ACC66
VOLKSWAGEN	TIGUAN	5N	125TSI 4-MOTION	4	2.0L	CCZA	P	TURBO INT-COOL	2011	09/11	WAGON		AC0136	ACA250		ACC66
VOLKSWAGEN	TIGUAN	5N	103TDI 4-MOTION	4	2.0L	CFFB	D	TURBO DIRECT INJ	06/11	2012	WAGON		AC0137	ACA250		ACC66
VOLKSWAGEN	TIGUAN	5N	103TDI DSG 4-MOTION	4	2.0L	CFFB	D	TURBO DIRECT INJ	06/11	2012	WAGON		AC0137	ACA250		ACC66
VOLKSWAGEN	TIGUAN	5N	118TSI	4	1.4L	CAVD	P	TURBO S-CHARGED	10/11	07/13	WAGON		AC0140	ACA250		ACC66
VOLKSWAGEN	TIGUAN	5N	155TSI DSG	4	2.0L	CCZB	P	TURBO INT-COOL	10/11	ON	WAGON		AC0136	ACA250		ACC66
VOLKSWAGEN	TIGUAN	5N	132TSI PACIFIC	4	2.0L	CCZD	P	TURBO INT-COOL	2012	ON	WAGON		AC0136	ACA250		ACC66
VOLKSWAGEN	TIGUAN	5N	103TDI DSG PACIFIC	4	2.0L	CFFB	D	TURBO DIRECT INJ	02/13	ON	WAGON		AC0137	ACA250		ACC66
VOLKSWAGEN	TIGUAN	5N	118TSI	4	1.4L	CTH	P	TURBO S-CHARGED	08/13	ON	WAGON		AC0140	ACA250		ACC66
VOLKSWAGEN	TOUAREG	7L	4XMOTION	6	3.2L	AZZ	P		2003	2004	WAGON					ACC77
VOLKSWAGEN	TOUAREG	7L	LUXURY 4XMOTION	6	3.2L	AZZ	P		2003	2004	WAGON					ACC77
VOLKSWAGEN	TOUAREG	7L	V8 4XMOTION	8	4.2L	AXQ	P	MPFI	2003	2004	WAGON					ACC77
VOLKSWAGEN	TOUAREG	7L	4XMOTION	6	3.2L	AZZ	P		2004	2006	WAGON					ACC77
VOLKSWAGEN	TOUAREG	7L	LUXURY 4XMOTION	6	3.2L	AZZ	P	MPFI	2004	2006	WAGON					ACC77
VOLKSWAGEN	TOUAREG	7L	V8 4XMOTION	8	4.2L	AXQ	P	MPFI	2004	2006	WAGON					ACC77
VOLKSWAGEN	TOUAREG	7L	R5 TDI	5	2.5L	BAC	D	TURBO	10/04	10/06	WAGON		AC0123		ACF236	ACC77
VOLKSWAGEN	TOUAREG	7L	R5 TDI LUXURY	5	2.5L	BAC	D	TURBO	10/04	10/06	WAGON		AC0123		ACF236	ACC77
VOLKSWAGEN	TOUAREG	7L	V6 4XMOTION	6	3.0L	BKS	D	TURBO INT-COOL	2006	2007	WAGON		AC0161			ACC77
VOLKSWAGEN	TOUAREG	7L	V6 4XMOTION	6	3.6L	BHK	P		2006	2007	WAGON					ACC77
VOLKSWAGEN	TOUAREG	7L	V10 4XMOTION	10	5.0L	BLE	D	TURBO	2006	2007	WAGON					ACC77
VOLKSWAGEN	TOUAREG	7L	V6 4XMOTION	6	3.6L	BHK	P		2007	2008	WAGON					ACC77
VOLKSWAGEN	TOUAREG	7L	R50 4XMOTION	10	5.0L	CBWA	D	TWIN TURBO INT-COOL	2007	2008	WAGON					ACC77
VOLKSWAGEN	TOUAREG	7L	V6 TDI	6	3.0L	CASA	D	TURBO DIRECT INJ	11/07	06/11	WAGON		AC0161			ACC77

MAKE	MODEL	SERIES	BADGE	CYLS	ENG SIZE	ENGINE CODE	FUEL	FUEL DELIVERY / AIR INTAKE	FROM	TO	BODY	REMARKS	OIL	AIR	FUEL	CABIN
VOLKSWAGEN	TOUAREG	7L	V6 4XMOTION	6	3.6L	BHK	P		2008	2009	WAGON					ACC77
VOLKSWAGEN	TOUAREG	7L	R5 4XMOTION	5	2.5L	BPE	D	TURBO INT-COOL	11/06	2008	WAGON		AC0123		ACF236	ACC77
VOLKSWAGEN	TOUAREG	7L	R5 4XMOTION	5	2.5L	BPE	D	TURBO INT-COOL	2008	11/09	WAGON		AC0123		ACF236	ACC77
VOLKSWAGEN	TOUAREG	7L	R5 4XMOTION LUXURY	5	2.5L	BPE	D	TURBO INT-COOL	11/06	11/09	WAGON		AC0123		ACF236	ACC77
VOLKSWAGEN	TOUAREG	7L	R50 4XMOTION	10	5.0L	CBWA	D	TWIN TURBO INT-COOL	2008	02/10	WAGON					ACC77
VOLKSWAGEN	TOUAREG	7L	V10 4XMOTION	10	5.0L	BLE	D	TURBO	2007	08/10	WAGON					ACC77
VOLKSWAGEN	TOUAREG	7L	V10 TDI	10	5.0L	AYH	D	TWIN TURBO INT-COOL	05/04	10/06	WAGON					ACC77
VOLKSWAGEN	TOUAREG	7P	150TDI TIPTRONIC 4-MOTION	6	3.0L	CASD	D	TURBO INT-COOL	07/11	ON	WAGON		AC0161			
VOLKSWAGEN	TOUAREG	7P	250TDI	8	4.2L	CKDA	D	TURBO DIRECT INJ	10/11	ON	WAGON		AC0161			
VOLKSWAGEN	TOUAREG	7P	V6 TDI TIPTRONIC 4-MOTION	6	3.0L	CASA	D	TURBO INT-COOL	07/11	02/12	WAGON		AC0161			
VOLKSWAGEN	TOUAREG	7P	V6 TDI TIPTRONIC 4XMOTION	6	3.0L	CASA	D	TURBO INT-COOL	07/11	02/12	WAGON		AC0161			
VOLKSWAGEN	TOUAREG	7P	V8 TDI R-LINE	8	4.2L	CKDA	D	TURBO DIRECT INJ	10/11	ON	WAGON		AC0161			
VOLKSWAGEN	TRANSPORTER	T3	DOUBLE CAB	4	2.1L	MV	P		1985	1991	UTE		AC015		ACF3	
VOLKSWAGEN	TRANSPORTER	T3	SYNCRO	4	2.1L	MV	P		1985	1991	VAN		AC015		ACF3	
VOLKSWAGEN	TRANSPORTER	T3	WINDOW	4	2.1L	MV	P		1985	1991	VAN		AC015		ACF3	
VOLKSWAGEN	TRANSPORTER	T3	WINDOW DL	4	2.1L	MV	P		1985	1991	VAN		AC015		ACF3	
VOLKSWAGEN	TRANSPORTER	T4	LWB	5	2.5L	AET	P	MPFI	1993	1997	VAN		AC0145		ACF3	
VOLKSWAGEN	TRANSPORTER	T4	LWB SYNCRO	5	2.5L	AET	P		1993	1997	VAN		AC0145		ACF3	
VOLKSWAGEN	TRANSPORTER	T4	WINDOW	4	2.0L	AAC	P		1993	2004	VAN	AIR FILTER WITH RADIAL HOUSING	AC06		ACF3	
VOLKSWAGEN	TRANSPORTER	T4	WINDOW	4	2.0L	AAC	P		1993	2004	VAN	AIR FILTER WITH PANEL HOUSING	AC06		ACF3	
VOLKSWAGEN	TRANSPORTER	T4	LWB	5	2.5L	AET	P		1997	1997	VAN		AC0145		ACF3	
VOLKSWAGEN	TRANSPORTER	T4	SYNCRO	5	2.5L	AET	P	MPFI	1997	1997	VAN		AC0145		ACF3	
VOLKSWAGEN	TRANSPORTER	T4	LWB	5	2.5L	AET	P	MPFI	1997	2004	VAN		AC0145			
VOLKSWAGEN	TRANSPORTER	T4	LWB SYNCRO	5	2.5L	AET	P		1997	2004	VAN		AC0145			
VOLKSWAGEN	TRANSPORTER	T4	SYNCRO	5	2.5L	AET	D	TURBO INT-COOL	1999	2004	VAN		AC0145			
VOLKSWAGEN	TRANSPORTER	T4	TDI300	5	2.5L	AET	D	TURBO INT-COOL	1999	2004	VAN		AC0145			
VOLKSWAGEN	TRANSPORTER	T5	LOW ROOF	4	1.9L	AXB	D	TURBO INT-COOL	2004	2005	VAN		AC0123	ACA288	ACF236	ACC77
VOLKSWAGEN	TRANSPORTER	T5	LOW ROOF	4	2.0L	AXA	P		2004	2005	VAN		AC06	ACA288	ACF213	ACC77
VOLKSWAGEN	TRANSPORTER	T5	LOW ROOF LWB	4	2.0L	AXA	P	MPFI	2004	2005	VAN		AC06	ACA288	ACF213	ACC77
VOLKSWAGEN	TRANSPORTER	T5	LOW ROOF	5	2.5L	AXE	D	TURBO INT-COOL	2004	2005	VAN		AC0123	ACA288	ACF236	ACC77
VOLKSWAGEN	TRANSPORTER	T5	LOW ROOF 4-MOTION	5	2.5L	AXE	D	TURBO INT-COOL	2004	2005	VAN		AC0123	ACA288	ACF236	ACC77
VOLKSWAGEN	TRANSPORTER	T5	CITIVAN LOW ROOF	4	1.9L	AXB	D	TURBO INT-COOL	2006	2006	VAN		AC0123	ACA288	ACF236	ACC77
VOLKSWAGEN	TRANSPORTER	T5	LOW ROOF	4	1.9L	AXB	D	TURBO INT-COOL	2006	2006	VAN		AC0123	ACA288	ACF236	ACC77
VOLKSWAGEN	TRANSPORTER	T5	LOW ROOF	4	2.0L	AXA	P	MPFI	2006	2006	VAN		AC06	ACA288	ACF213	ACC77

MAKE	MODEL	SERIES	BADGE	CYLS	ENG SIZE	ENGINE CODE	FUEL	FUEL DELIVERY / AIR INTAKE	FROM	TO	BODY	REMARKS	OIL	AIR	FUEL	CABIN
VOLKSWAGEN	TRANSPORTER	T5	LOW ROOF LWB	4	2.0L	AXA	P	MPFI	2006	2006	VAN		AC06	ACA288	ACF213	ACC77
VOLKSWAGEN	TRANSPORTER	T5	LOW ROOF	5	2.5L	AXE	D	TURBO INT-COOL	2006	2006	VAN		AC0123	ACA288	ACF236	ACC77
VOLKSWAGEN	TRANSPORTER	T5	LOW ROOF 4-MOTION	5	2.5L	AXE	D	TURBO INT-COOL	2006	2006	VAN		AC0123	ACA288	ACF236	ACC77
VOLKSWAGEN	TRANSPORTER	T5	LOW ROOF	4	1.9L	AXB	D	TURBO INT-COOL	2006	2007	VAN		AC0123	ACA288	ACF236	ACC77
VOLKSWAGEN	TRANSPORTER	T5	CITIVAN LOW ROOF	4	2.0L	AXA	P		2006	2007	VAN		AC06	ACA288	ACF213	ACC77
VOLKSWAGEN	TRANSPORTER	T5	LOW ROOF	4	2.0L	AXA	P	MPFI	2006	2007	VAN		AC06	ACA288	ACF213	ACC77
VOLKSWAGEN	TRANSPORTER	T5	LOW ROOF LWB	4	2.0L	AXA	P	MPFI	2006	2007	VAN		AC06	ACA288	ACF213	ACC77
VOLKSWAGEN	TRANSPORTER	T5	CREWWAN LOW ROOF	5	2.5L	AXE	D	TURBO INT-COOL	2006	2007	VAN		AC0123	ACA288	ACF236	ACC77
VOLKSWAGEN	TRANSPORTER	T5	CREWWAN LOW ROOF 4-MOTION	5	2.5L	AXE	D	TURBO INT-COOL	2006	2007	VAN		AC0123	ACA288	ACF236	ACC77
VOLKSWAGEN	TRANSPORTER	T5	LOW ROOF	5	2.5L	AXE	D	TURBO INT-COOL	2006	2007	VAN		AC0123	ACA288	ACF236	ACC77
VOLKSWAGEN	TRANSPORTER	T5	LOW ROOF 4-MOTION	5	2.5L	AXE	D	TURBO INT-COOL	2006	2007	VAN		AC0123	ACA288	ACF236	ACC77
VOLKSWAGEN	TRANSPORTER	T5	LOW ROOF	6	3.2L	BKK	P	MPFI	2006	2007	VAN			ACF213	ACC77	
VOLKSWAGEN	TRANSPORTER	T5	4-MOTION	5	2.5L	AXE	D	TURBO INT-COOL	2007	2007	CAB CHASS		AC0123	ACA288	ACF236	ACC77
VOLKSWAGEN	TRANSPORTER	T5	CITIVAN LOW ROOF	4	1.9L	AXB	D	TURBO INT-COOL	2007	2008	VAN		AC0123	ACA288	ACF236	ACC77
VOLKSWAGEN	TRANSPORTER	T5	LOW ROOF	4	1.9L	AXB	D	TURBO INT-COOL	2007	2008	VAN		AC0123	ACA288	ACF236	ACC77
VOLKSWAGEN	TRANSPORTER	T5	LOW ROOF	4	2.0L	AXA	P	MPFI	2007	2008	VAN		AC06	ACA288	ACF213	ACC77
VOLKSWAGEN	TRANSPORTER	T5	4-MOTION	5	2.5L	AXE	D	TURBO INT-COOL	2007	2008	CAB CHASS		AC0123	ACA288	ACF236	ACC77
VOLKSWAGEN	TRANSPORTER	T5	CREWWAN LOW ROOF	5	2.5L	AXE	D	TURBO INT-COOL	2007	2008	VAN		AC0123	ACA288	ACF236	ACC77
VOLKSWAGEN	TRANSPORTER	T5	LOW ROOF	5	2.5L	AXE	D	TURBO INT-COOL	2007	2008	VAN		AC0123	ACA288	ACF236	ACC77
VOLKSWAGEN	TRANSPORTER	T5	LOW ROOF 4-MOTION	5	2.5L	AXE	D	TURBO INT-COOL	2007	2008	VAN		AC0123	ACA288	ACF236	ACC77
VOLKSWAGEN	TRANSPORTER	T5	CITIVAN LOW ROOF	4	1.9L	AXB	D	TURBO INT-COOL	2009	2010	VAN		AC0123	ACA288	ACF236	ACC77
VOLKSWAGEN	TRANSPORTER	T5	CREWWAN LOW ROOF	4	1.9L	AXB	D	TURBO INT-COOL	2009	2010	VAN		AC0123	ACA288	ACF236	ACC77
VOLKSWAGEN	TRANSPORTER	T5	LOW ROOF	4	1.9L	AXB	D	TURBO INT-COOL	2009	2010	VAN		AC0123	ACA288	ACF236	ACC77
VOLKSWAGEN	TRANSPORTER	T5	LOW ROOF LWB	4	2.0L	AXA	P	MPFI	2009	2010	VAN		AC06	ACA288	ACF213	ACC77
VOLKSWAGEN	TRANSPORTER	T5	4-MOTION	5	2.5L	AXE	D	TURBO INT-COOL	2009	2010	CAB CHASS		AC0123	ACA288	ACF236	ACC77
VOLKSWAGEN	TRANSPORTER	T5	CREWWAN LOW ROOF	5	2.5L	AXE	D	TURBO INT-COOL	2009	2010	VAN		AC0123	ACA288	ACF236	ACC77
VOLKSWAGEN	TRANSPORTER	T5	LOW ROOF	5	2.5L	AXE	D	TURBO INT-COOL	2009	2010	VAN		AC0123	ACA288	ACF236	ACC77
VOLKSWAGEN	TRANSPORTER	T5	LOW ROOF 4-MOTION	5	2.5L	AXE	D	TURBO INT-COOL	2009	2010	VAN		AC0123	ACA288	ACF236	ACC77
VOLKSWAGEN	TRANSPORTER	T5	LOW ROOF	4	2.0L	CAAB	D	TURBO INT-COOL	2010	2010	VAN		AC0137	ACA288	ACF236	ACC77
VOLKSWAGEN	TRANSPORTER	T5	LOW ROOF DSG	4	2.0L	CAAB	D	TURBO INT-COOL	2010	2010	VAN		AC0137	ACA288	ACF236	ACC77
VOLKSWAGEN	TRANSPORTER	T5	LOW ROOF DSG 4-MOTION	4	2.0L	CAAB	D	TURBO INT-COOL	2010	2010	VAN		AC0137	ACA288	ACF236	ACC77
VOLKSWAGEN	TRANSPORTER	T5	LOW ROOF LWB	4	2.0L	CAAC	D	TURBO INT-COOL	2010	2010	VAN		AC0137	ACA288	ACF236	ACC77
VOLKSWAGEN	TRANSPORTER	T5	LOW ROOF LWB 4-MOTION	4	2.0L	CAAB	D	TURBO INT-COOL	2010	2010	VAN		AC0137	ACA288	ACF236	ACC77



MAKE	MODEL	SERIES	BADGE	CYLS	ENG SIZE	ENGINE CODE	FUEL	FUEL DELIVERY / AIR INTAKE	FROM	TO	BODY	REMARKS	OIL	AIR	FUEL	CABIN
VOLKSWAGEN	TRANSPORTER	T5	LOW ROOF LWB DSG	4	2.0L	CAAB	D	TURBO INT-COOL	2010	2010	VAN		AC0137	ACA288	ACF236	ACC77
VOLKSWAGEN	TRANSPORTER	T5	LOW ROOF LWB DSG 4-MOTION	4	2.0L	CFCA	D	TWIN TURBO INT-COOL	2010	2010	VAN		AC0137	ACA288		ACC77
VOLKSWAGEN	TRANSPORTER	T5	LWB DSG	4	2.0L	CAAB	D	TURBO INT-COOL	2010	2010	CAB CHASS		AC0137	ACA288	ACF236	ACC77
VOLKSWAGEN	TRANSPORTER	T5	CREW LOW ROOF	4	2.0L	CAAB	D	TURBO INT-COOL	2010	2011	VAN		AC0137	ACA288	ACF236	ACC77
VOLKSWAGEN	TRANSPORTER	T5	CREW LOW ROOF DSG	4	2.0L	CAAB	D	TURBO INT-COOL	2010	2011	VAN		AC0137	ACA288	ACF236	ACC77
VOLKSWAGEN	TRANSPORTER	T5	CREW LOW ROOF LWB	4	2.0L	CAAB	D	TURBO INT-COOL	2010	2011	VAN		AC0137	ACA288	ACF236	ACC77
VOLKSWAGEN	TRANSPORTER	T5	CREW LOW ROOF LWB DSG	4	2.0L	CAAB	D	TURBO INT-COOL	2010	2011	VAN		AC0137	ACA288	ACF236	ACC77
VOLKSWAGEN	TRANSPORTER	T5	DSG 4-MOTION	4	2.0L	CAAB	D	TURBO INT-COOL	2010	2011	VAN	CREW LOW ROOF	AC0137	ACA288	ACF236	ACC77
VOLKSWAGEN	TRANSPORTER	T5	LOW ROOF	4	2.0L	CAAB	D	TURBO INT-COOL	2010	2011	VAN		AC0137	ACA288	ACF236	ACC77
VOLKSWAGEN	TRANSPORTER	T5	LOW ROOF 4-MOTION	4	2.0L	CAAB	D	TURBO INT-COOL	2010	2011	VAN		AC0137	ACA288	ACF236	ACC77
VOLKSWAGEN	TRANSPORTER	T5	LOW ROOF DSG	4	2.0L	CAAC	D	TURBO INT-COOL	2010	2011	VAN		AC0137	ACA288	ACF236	ACC77
VOLKSWAGEN	TRANSPORTER	T5	LOW ROOF DSG 4-MOTION	4	2.0L	CAAB	D	TURBO INT-COOL	2010	2011	VAN		AC0137	ACA288	ACF236	ACC77
VOLKSWAGEN	TRANSPORTER	T5	LOW ROOF LWB	4	2.0L	CAAC	D	TURBO INT-COOL	2010	2011	VAN		AC0137	ACA288	ACF236	ACC77
VOLKSWAGEN	TRANSPORTER	T5	LOW ROOF LWB 4-MOTION	4	2.0L	CAAB	D	TURBO INT-COOL	2010	2011	VAN		AC0137	ACA288	ACF236	ACC77
VOLKSWAGEN	TRANSPORTER	T5	LOW ROOF LWB DSG	4	2.0L	CAAC	D	TURBO INT-COOL	2010	2011	VAN		AC0137	ACA288	ACF236	ACC77
VOLKSWAGEN	TRANSPORTER	T5	LOW ROOF LWB DSG 4-MOTION	4	2.0L	CAAB	D	TURBO INT-COOL	2010	2011	VAN		AC0137	ACA288	ACF236	ACC77
VOLKSWAGEN	TRANSPORTER	T5	LWB	4	2.0L	CAAB	D	TURBO INT-COOL	2010	2011	CAB CHASS		AC0137	ACA288	ACF236	ACC77
VOLKSWAGEN	TRANSPORTER	T5	LWB DSG	4	2.0L	CAAC	D	TURBO INT-COOL	2010	2011	CAB CHASS		AC0137	ACA288	ACF236	ACC77
VOLKSWAGEN	UP!	AA		3	1.0L	CHY	P	MPFI	2012	ON	HATCH	DOHC 12V	AC0151			
VOLKSWAGEN	VENTO	1H	GL	4	2.0L	2E	P	MPFI	1995	1997	SEDAN		AC06		ACF3	ACC18
<b>VOLVO</b>																
VOLVO	850		GLE SPECIAL	5	2.5L	B5252S	P	MPFI	1992	1994	SEDAN		AC09	ACA316	ACF228	
VOLVO	850		GLE	5	2.5L	B5252S	P	MPFI	1992	1995	SEDAN		AC09	ACA316	ACF228	
VOLVO	850		GLE	5	2.5L	B5252S	P	MPFI	1992	1995	WAGON		AC09	ACA316	ACF228	
VOLVO	850		GLT	5	2.5L	B5254F	P	MPFI	1992	1996	SEDAN		AC09	ACA316	ACF228	
VOLVO	850		GLT	5	2.5L	B5254F	P	MPFI	1992	1996	WAGON		AC09	ACA316	ACF228	
VOLVO	850		GLT SPECIAL	5	2.5L	B5254F	P	MPFI	1993	1993	SEDAN		AC09	ACA316	ACF228	
VOLVO	850		T-5	5	2.3L	B5234T	P	TURBO MPFI	1994	1997	SEDAN		AC09	ACA316	ACF228	
VOLVO	850		T-5	5	2.3L	B5234T	P	TURBO MPFI	1994	1997	WAGON		AC09	ACA316	ACF228	
VOLVO	850		SE	5	2.5L	B5254F	P	MPFI	1994	1997	SEDAN		AC09	ACA316	ACF228	
VOLVO	850		SE	5	2.5L	B5254F	P	MPFI	1994	1997	WAGON		AC09	ACA316	ACF228	
VOLVO	850		T-5R	5	2.3L	B5324T	P	TURBO MPFI	1995	1995	SEDAN		AC09	ACA316	ACF228	
VOLVO	850		S	5	2.5L	B5254F	P	MPFI	1995	1997	SEDAN		AC09	ACA316	ACF228	
VOLVO	850		S	5	2.5L	B5254F	P	MPFI	1995	1997	WAGON		AC09	ACA316	ACF228	

MAKE	MODEL	SERIES	BADGE	CYLS	ENG SIZE	ENGINE CODE	FUEL	FUEL DELIVERY / AIR INTAKE	FROM	TO	BODY	REMARKS	OIL	AIR	FUEL	CABIN
VOLVO	850		R	5	2.3L	B5234T4	P	TURBO MPFI	1996	1997	SEDAN		AC09	ACA316	ACF228	
VOLVO	850		R	5	2.3L	B5234T4	P	TURBO MPFI	1996	1997	WAGON		AC09	ACA316	ACF228	
VOLVO	850		AWD	5	2.5L	B5254T	P	MPFI	1996	1997	WAGON		AC09	ACA316	ACF228	
VOLVO	850		CD	5	2.5L	B5252S	P	MPFI	1996	1997	SEDAN		AC09	ACA316	ACF228	
VOLVO	850		CD	5	2.5L	B5252S	P	MPFI	1996	1997	WAGON		AC09	ACA316	ACF228	
VOLVO	C30	M SERIES	2.0D	4	2.0L	D4204T	D	TURBO DIRECT INJ	2009	2010	HATCH		AC0125	ACA261	ACF216	ACC38
VOLVO	C30	MK38	LE	5	2.4L	B5244S	P	MPFI	2007	2010	HATCH		AC0115	ACA316		ACC38
VOLVO	C30	MK38	S	5	2.4L	B5244S	P	MPFI	2007	2010	HATCH		AC0115	ACA316		ACC38
VOLVO	C30	MK38	T5	5	2.5L	B5254T	P	TURBO MPFI	2007	2010	HATCH		AC0138	ACA225		ACC38
VOLVO	C30	MK38	T5 R-DESIGN	5	2.5L	B5254T	P	TURBO MPFI	2009	2011	HATCH		AC0138	ACA225		ACC38
VOLVO	C30	MK38	T5 S	5	2.5L	B5254T	P	TURBO MPFI	2010	2011	HATCH		AC0138	ACA225		ACC38
VOLVO	C30	MK67	T5	5	2.5L	B5254T3	P	MPFI	2006	2006	HATCH		AC0138	ACA225		ACC38
VOLVO	C30	MK77	D5	5	2.4L	D5244T	D	TURBO DIRECT INJ	2007	2009	HATCH		AC0138		ACF175	ACC38
VOLVO	C70	MC38	LE	5	2.4L	B5244S	P	MPFI	2006	2009	CONV		AC0138	ACA225		
VOLVO	C70	MC38	S	5	2.4L	B5244S	P	MPFI	2006	2009	CONV		AC0138	ACA225		
VOLVO	C70	MC68	T5	5	2.5L	B5254T3	P	TURBO MPFI	2006	2011	CONV		AC0115	ACA225	ACF228	ACC38
VOLVO	C70	MC68	T5 S	5	2.5L	B5254T3	P	TURBO MPFI	2010	2011	CONV		AC0115	ACA225	ACF228	ACC38
VOLVO	C70	NC53	T-5	5	2.5L	B5234T3	P	TURBO MPFI	1998	2004	CONV	WHERE SPIN ON OIL FILTER IS FITTED	AC09	ACA316	ACF228	
VOLVO	C70	NC53	T-5	5	2.5L	B5234T3	P	TURBO MPFI	1998	2004	CONV	WHERE CARTRIDGE OIL FILTER IS FITTED	AC0156	ACA316	ACF228	
VOLVO	C70	NC56	T	5	2.4L	B5244T	P	TURBO MPFI	1999	2001	CONV			ACA316		
VOLVO	C70	NC56		5	2.4L	B5244T	P	TURBO MPFI	2002	2002	CONV			ACA316		
VOLVO	CROSS COUNTRY	SZ58	PLUS	5	2.5L	B5244T	P	TURBO MPFI	2000	2001	WAGON		AC0156			
VOLVO	CROSS COUNTRY	SZ58	SE	5	2.5L	B5244T	P	TURBO MPFI	2000	2001	WAGON		AC0156			
VOLVO	CROSS COUNTRY	SZ58	LIMITED ED OCEAN RACE	5	2.5L	B5244T	P	TURBO MPFI	2001	2002	WAGON		AC0156			
VOLVO	S40	M SERIES	T	4	2.0L	B4204S	P	TURBO MPFI	1997	2000	SEDAN	WHERE SPIN ON OIL FILTER IS FITTED	AC09			
VOLVO	S40	M SERIES	T	4	2.0L	B4204S	P	TURBO MPFI	1997	2000	SEDAN	WHERE CARTRIDGE OIL FILTER IS FITTED	AC0156			
VOLVO	S40	M SERIES	T SE	4	2.0L	B4204T	P	TURBO MPFI	1999	2000	SEDAN		AC0156			
VOLVO	S40	M SERIES	SE	5	2.4L	B5244S4	P	MPFI	2004	2005	SEDAN		AC0115	ACA225	ACF119	ACC38
VOLVO	S40	M SERIES	T5	5	2.5L	B5254T3	P	TURBO MPFI	2004	2009	SEDAN		AC0115	ACA225		ACC38
VOLVO	S40	M SERIES	LE	5	2.4L	B5244S4	P	MPFI	2006	2010	SEDAN		AC0115	ACA225	ACF119	ACC38
VOLVO	S40	M SERIES	S	5	2.4L	B5244S4	P	MPFI	2006	2010	SEDAN		AC0115	ACA225	ACF119	ACC38
VOLVO	S40	M SERIES	D5	5	2.4L	D5244T8	D	TURBO DIRECT INJ	2007	2010	SEDAN		AC0115		ACF175	ACC38
VOLVO	S40	M SERIES	2.0D	4	2.0L	D4204T	D	TURBO DIRECT INJ	2009	2010	SEDAN		AC0125	ACA261	ACF216	ACC38
VOLVO	S40	M SERIES	T5 R-DESIGN	5	2.5L	B5254T3	P	TURBO MPFI	2009	2011	SEDAN		AC0115	ACA225		ACC38
VOLVO	S40	M SERIES	T5 S	5	2.5L	B5254T3	P	TURBO MPFI	2010	2011	SEDAN		AC0115	ACA225		ACC38
VOLVO	S40	PHASE 2	T4	4	1.9L	B4194T	P	TURBO MPFI	1997	1999	SEDAN		AC0156			
VOLVO	S40	PHASE 2	T4	4	1.9L	B4204T	P	TURBO MPFI	1999	2003	SEDAN		AC0156			

MAKE	MODEL	SERIES	BADGE	CYLS	ENG SIZE	ENGINE CODE	FUEL	FUEL DELIVERY / AIR INTAKE	FROM	TO	BODY	REMARKS	OIL	AIR	FUEL	CABIN
VOLVO	S40	PHASE 2	T4 SE	4	1.9L	B4204T	P	TURBO MPFI	1999	2003	SEDAN		AC0156			
VOLVO	S40	PHASE 2	AKTIV	4	2.0L	B4204S2	P	MPFI	2000	2004	SEDAN		AC0156			
VOLVO	S40	PHASE 2	SE	4	2.0L	B4204S2	P	MPFI	2000	2004	SEDAN		AC0156			
VOLVO	S40	PHASE 2	T SE	4	2.0L	B4204T	P	TURBO MPFI	2001	2001	SEDAN		AC0156			
VOLVO	S60	20V	SE	5	2.4L	B5244S	P	MPFI	2000	2003	SEDAN	FOR FUEL FILTER UP TO CHASSIS # 18763	AC0156			
VOLVO	S60	F SERIES	T5	4	2.0L	B4204T	P	TURBO DIRECT INJ	2010	ON	SEDAN			ACA317		ACC97
VOLVO	S60	F SERIES	T5 R-DESIGN	4	2.0L	B4204T	P	TURBO DIRECT INJ	2010	ON	SEDAN			ACA317		ACC97
VOLVO	S60	F SERIES	D5	5	2.4L	D5244T10	D	TURBO DIRECT INJ	12/10	ON	SEDAN		AC0129	ACA317		ACC97
VOLVO	S60	RS52	R	5	2.5L	B5254T2	P	TURBO MPFI	2003	2005	SEDAN		AC0156			
VOLVO	S60	RS52	AKTIV	5	2.5L	B5254T2	P	TURBO MPFI	2005	2005	SEDAN		AC0156			
VOLVO	S60	RS53	T5	5	2.3L	B5234T3	P	TURBO MPFI	2001	2003	SEDAN		AC0156			
VOLVO	S60	RS58	T5	5	2.4L	B5244T3	P	TURBO MPFI	2001	2004	SEDAN		AC0156			
VOLVO	S60	RS58	AWD	5	2.4L	B5244T3	P	TURBO MPFI	2002	2002	SEDAN		AC0156			
VOLVO	S60	RS58	T 75TH ANNIV	5	2.4L	B5244T3	P	TURBO MPFI	2002	2002	SEDAN		AC0156			
VOLVO	S60	RS59	AWD	5	2.5L	B5254T2	P	TURBO MPFI	2003	2009	SEDAN		AC0156			
VOLVO	S60	RS61	SE	5	2.4L	B5244S	P	MPFI	2004	2005	SEDAN	FOR FUEL FILTER UP TO CHASSIS # 18763	AC0156			
VOLVO	S60	RS61	LE	5	2.4L	B5244S	P	MPFI	2006	2009	SEDAN	FOR FUEL FILTER UP TO CHASSIS # 18763	AC0156			
VOLVO	S60		T6	6	3.0L	B6304T4	P	TURBO MPFI	2010	ON	SEDAN					ACC97
VOLVO	S60		D4	5	2.0L	D5204T3	D	TURBO DIRECT INJ	10/13	ON	SEDAN		AC0129	ACA317	ACF175	ACC97
VOLVO	S60		D3	5	2.0L	D5204T3	D	TURBO DIRECT INJ	10/11	09/13	SEDAN		AC0129	ACA317	ACF175	ACC97
VOLVO	S60		T4	4	1.6L	B4164T	P	TURBO DIRECT INJ	10/11	ON	SEDAN		AC0132	ACA317		ACC97
VOLVO	S70	LS31	BI-FUEL	5	2.4L	GB5252S	P	MPFI	12/97	08/00	SEDAN		AC09	ACA316	ACF228	
VOLVO	S70	LS51		5	2.5L	B5252S	P	MPFI	02/97	10/98	SEDAN		AC09	ACA316	ACF228	
VOLVO	S70	LS53	T5	5	2.3L	B5234T3	P	MPFI	02/97	10/98	SEDAN		AC09	ACA316	ACF228	
VOLVO	S70	LS55	20V	5	2.5L	B5254S	P	MPFI	02/97	07/99	SEDAN		AC09	ACA316	ACF228	
VOLVO	S70	LS55	20V SE	5	2.5L	B5254S	P	MPFI	02/97	07/99	SEDAN		AC09	ACA316	ACF228	
VOLVO	S70	LS56	T	5	2.5L	B5254T	P	TURBO MPFI	02/97	07/99	SEDAN		AC09	ACA316	ACF228	
VOLVO	S70	LS56	T SE	5	2.4L	B5254T	P	TURBO MPFI	07/99	08/00	SEDAN	WHERE SPIN ON OIL FILTER IS FITTED	AC09	ACA316	ACF228	
VOLVO	S70	LS56	T SE	5	2.4L	B5254T	P	TURBO MPFI	07/99	08/00	SEDAN	WHERE CARTRIDGE OIL FILTER IS FITTED	AC0156	ACA316	ACF228	
VOLVO	S80	AS	T6	6	3.0L	B6304T	P	TURBO MPFI	2008	ON	SEDAN					ACC97
VOLVO	S80	AS	T6 R-DESIGN	6	3.0L	B6304T	P	TURBO MPFI	2009	ON	SEDAN					ACC97
VOLVO	S80	AS71	D5	5	2.4L	D5244T4	D	TURBO DIRECT INJ	2007	10/09	SEDAN		AC0115	ACA317	ACF175	ACC97
VOLVO	S80	AS71	D5	5	2.4L	D5244T10	D	TURBO DIRECT INJ	11/09	2010	SEDAN		AC0129	ACA317	ACF175	ACC97

MAKE	MODEL	SERIES	BADGE	CYLS	ENG SIZE	ENGINE CODE	FUEL	FUEL DELIVERY / AIR INTAKE	FROM	TO	BODY	REMARKS	OIL	AIR	FUEL	CABIN
VOLVO	S80	AS71	D5 R-DESIGN	5	2.4L	D5244T10	D	TURBO DIRECT INJ	11/09	2010	SEDAN		AC0129	ACA317	ACF175	ACC97
VOLVO	S80	AS85	V8	8	4.4L	B8444S	P	MPFI	2007	2011	SEDAN		AC0156	ACA317		ACC97
VOLVO	S80	AS85	V8 R-DESIGN	8	4.4L	B8444S	P	MPFI	2008	2011	SEDAN		AC0156	ACA317		ACC97
VOLVO	S80	AS98	AWD	6	3.2L	B6324S	P	MPFI	2007	2009	SEDAN					ACC97
VOLVO	S80	TS90	SE	6	2.8L	B6284T	P	TWIN TURBO MPFI	1998	2003	SEDAN	WHERE SPIN ON OIL FILTER IS FITTED	AC09			
VOLVO	S80	TS90	SE	6	2.8L	B6284T	P	TWIN TURBO MPFI	1998	2003	SEDAN	WHERE CARTRIDGE OIL FILTER IS FITTED	AC0156			
VOLVO	S80	TS90	T6	6	2.8L	B6284T6	P	TWIN TURBO MPFI	1998	2003	SEDAN	WHERE SPIN ON OIL FILTER IS FITTED	AC09			
VOLVO	S80	TS90	T6	6	2.8L	B6284T6	P	TWIN TURBO MPFI	1998	2003	SEDAN	WHERE CARTRIDGE OIL FILTER IS FITTED	AC0156			
VOLVO	S80	TS90	T6	6	2.8L	B6294T	P	TWIN TURBO MPFI	1998	2003	SEDAN	WHERE SPIN ON OIL FILTER IS FITTED	AC09			
VOLVO	S80	TS90	T6	6	2.8L	B6294T	P	TWIN TURBO MPFI	1998	2003	SEDAN	WHERE CARTRIDGE OIL FILTER IS FITTED	AC0156			
VOLVO	S80	TS97	SE	6	2.9L	B6304S3	P	MPFI	1999	2000	SEDAN		AC09			
VOLVO	S80	TS97	75TH ANNIV	6	2.9L	B6304S3	P	MPFI	1999	2000	SEDAN		AC09			
VOLVO	V40	MV42	T4	5	2.0L	B5204TX	P	TURBO DIRECT INJ	02/13	ON	HATCH		AC0115	ACA225		
VOLVO	V40	MV61	T5 R-DESIGN	5	2.5L	B5254TX	P	TURBO MPFI	02/13	ON	HATCH		AC0115	ACA225		
VOLVO	V40	MV84	D2	4	1.6L	D4162TX	D	TURBO DIRECT INJ	02/13	ON	HATCH		AC0109	ACA261		
VOLVO	V40	MV55	D4	5	2.0L	D5204TX	D	TURBO DIRECT INJ	02/13	ON	HATCH		AC0129		ACF175	
VOLVO	V40	VW14		4	1.8L	B4184S	P	MPFI	07/99	03/01	WAGON	WHERE CARTRIDGE OIL FILTER IS FITTED	AC0156			
VOLVO	V40	VW14		4	1.8L	B4184S	P	MPFI	07/99	03/01	WAGON	WHERE SPIN ON OIL FILTER IS FITTED	AC09			
VOLVO	V40	VW16	SE	4	2.0L	B4204S	P	MPFI	02/97	08/00	WAGON	WHERE CARTRIDGE OIL FILTER IS FITTED	AC0156			
VOLVO	V40	VW16	SE	4	2.0L	B4204S	P	MPFI	02/97	08/00	WAGON	WHERE SPIN ON OIL FILTER IS FITTED	AC09			
VOLVO	V40	VW18	T4	4	1.9L	B4194T	P	TURBO MPFI	1997	07/99	WAGON	WHERE CARTRIDGE OIL FILTER IS FITTED	AC0156			
VOLVO	V40	VW18	T4	4	1.9L	B4194T	P	TURBO MPFI	1997	07/99	WAGON	WHERE SPIN ON OIL FILTER IS FITTED	AC09			
VOLVO	V40	VW18	T4 PHASE 2	4	1.9L	B4194T	P	TURBO MPFI	09/99	05/03	WAGON		AC0156			
VOLVO	V40	VW19	T	4	2.0L	B4204T	P	TURBO MPFI	02/98	08/00	WAGON		AC0156			

MAKE	MODEL	SERIES	BADGE	CYLS	ENG SIZE	ENGINE CODE	FUEL	FUEL DELIVERY / AIR INTAKE	FROM	TO	BODY	REMARKS	OIL	AIR	FUEL	CABIN
VOLVO	V40	VW19	T SE	4	2.0L	B4204T	P	TURBO MPFI	02/98	08/00	WAGON		AC0156			
VOLVO	V40	VW19	T PHASE 2	4	2.0L	B4204T	P	TURBO MPFI	08/00	05/04	WAGON		AC0156			
VOLVO	V40	VW19	T SE PHASE 2	4	2.0L	B4204T	P	TURBO MPFI	08/00	05/04	WAGON		AC0156			
VOLVO	V50		2.0D	4	2.0L	D4204T	D	TURBO MPFI	2009	2010	WAGON		AC0125			ACC38
VOLVO	V50	MW38	LE	5	2.4L	B5244S4	P	MPFI	2004	2010	WAGON		AC0115	ACA225		ACC38
VOLVO	V50	MW38	S	5	2.4L	B5244S4	P	MPFI	2004	2010	WAGON		AC0115	ACA225		ACC38
VOLVO	V50	MW38	SE	5	2.4L	B5244S4	P	MPFI	2004	2010	WAGON		AC0115	ACA225		ACC38
VOLVO	V50	MW68	T5	5	2.5L	B5254T3	P	TURBO MPFI	2004	2007	WAGON		AC0115	ACA225	ACF119	ACC38
VOLVO	V50	MW68	T5	5	2.5L	B5254T7	P	TURBO MPFI	2007	2009	WAGON		AC0115	ACA225	ACF119	ACC38
VOLVO	V50	MW68	T5 R-DESIGN	5	2.5L	B5254T7	P	TURBO MPFI	2009	2012	WAGON		AC0115	ACA225	ACF119	ACC38
VOLVO	V50	MW68	T5 S	5	2.5L	B5254T7	P	TURBO MPFI	2010	2012	WAGON		AC0115	ACA225	ACF119	ACC38
VOLVO	V50	MW77	D5	5	2.4L	D5244T8	D	TURBO MPFI	2007	2009	WAGON		AC0115	ACA225	ACF175	ACC38
VOLVO	V60		T4	4	1.6L	B4164T	P	TURBO DIRECT INJ	2011	ON	WAGON		AC0132	ACA317		ACC97
VOLVO	V60		T5	4	2.0L	B4204T7	P	TURBO DIRECT INJ	2011	ON	WAGON			ACA317		ACC97
VOLVO	V60		D5	5	2.4L	D5244T	D	TWIN TURBO DIRECT INJ	2011	ON	WAGON		AC0129	ACA317	ACF175	ACC97
VOLVO	V60		T6	6	3.0L	B6304T	P	TURBO MPFI	2011	ON	WAGON					ACC97
VOLVO	V60		T6 R-DESIGN	6	3.0L	B6304T	P	TURBO MPFI	2011	ON	WAGON					ACC97
VOLVO	V60		D4	4	2.0L	D4204T	D	TURBO DIRECT INJ	06/14	ON	WAGON			ACA317	ACF175	ACC97
VOLVO	V60		D3	5	2.0L	D5204T3	D	TURBO DIRECT INJ	10/11	ON	WAGON		AC0129	ACA317	ACF175	ACC97
VOLVO	V60		D4	5	2.0L	D5204T3	D	TURBO DIRECT INJ	10/11	ON	WAGON		AC0129	ACA317	ACF175	ACC97
VOLVO	V70	BW99	T6	6	3.0L	B6304T2	P	TURBO MPFI	2008	2009	WAGON					ACC97
VOLVO	V70	BW99	T6	6	3.0L	B6304T2	P	TURBO MPFI	2009	ON	WAGON					ACC97
VOLVO	V70	LW53	R	5	2.3L	B5234T3	P	TURBO MPFI	1997	1998	WAGON		AC09	ACA316	ACF228	
VOLVO	V70	LW53	T5	5	2.3L	B5234T3	P	TURBO MPFI	1997	1998	WAGON		AC09	ACA316	ACF228	
VOLVO	V70	LW53	T-5	5	2.3L	B5234T3	P	TURBO MPFI	1997	1998	WAGON		AC09	ACA316	ACF228	
VOLVO	V70	LW55	20V	5	2.4L	B5254S	P	MPFI	1997	1999	WAGON		AC09		ACF228	
VOLVO	V70	LW55	20V SE	5	2.5L	B5254S	P	MPFI	1997	2000	WAGON		AC09		ACF228	
VOLVO	V70	LW55	20V CD	5	2.5L	B5254S	P	MPFI	1999	2000	WAGON		AC09		ACF228	
VOLVO	V70	LW56	XC	5	2.5L	B5254T	P	TURBO MPFI	02/97	08/00	WAGON	WHERE CARTRIDGE OIL FILTER IS FITTED	AC0156	ACA316	ACF228	
VOLVO	V70	LW56	XC	5	2.5L	B5254T	P	TURBO MPFI	02/97	08/00	WAGON	WHERE SPIN ON OIL FILTER IS FITTED	AC09	ACA316	ACF228	
VOLVO	V70	LW56	AWD	5	2.5L	B5254T	P	TURBO MPFI	11/97	10/98	WAGON		AC0156	ACA316	ACF228	
VOLVO	V70	LW56	XC	5	2.4L	B5254T	P	TURBO MPFI	07/99	08/00	WAGON			ACA316		
VOLVO	V70	LZ56	XC	5	2.4L	B5254T	P	TURBO MPFI	02/98	08/00	WAGON			ACA316		
VOLVO	V70	S2	T5	5	2.3L	B5234T3	P	TURBO MPFI	1999	2003	WAGON		AC0156		ACF228	
VOLVO	V70	S2	20V	5	2.4L	B5254S	P	MPFI	2000	2001	WAGON		AC09		ACF228	
VOLVO	V70	S2	20V SE	5	2.5L	B5254S	P	MPFI	2000	2001	WAGON		AC09		ACF228	
VOLVO	V70	SW52	AKTIV	5	2.5L	B5254T2	P	TURBO MPFI	06/04	09/04	WAGON		AC0156			
VOLVO	V70	SW53	T5	5	2.3L	B5234T3	P	TURBO MPFI	02/00	05/03	WAGON		AC0156		ACF228	
VOLVO	V70	SW58	LE	5	2.4L	B5244T3	P	MPFI	2000	2003	WAGON			ACA316		
VOLVO	V70	SW58	SE	5	2.4L	B5244T3	P	MPFI	2000	2003	WAGON			ACA316		

MAKE	MODEL	SERIES	BADGE	CYLS	ENG SIZE	ENGINE CODE	FUEL	FUEL DELIVERY / AIR INTAKE	FROM	TO	BODY	REMARKS	OIL	AIR	FUEL	CABIN
VOLVO	V70	SW58	TITANIUM 20V SE	5	2.4L	B5244T3	P	TURBO MPFI	2000	2003	WAGON			ACA316		
VOLVO	V70	SW61	T SE	5	2.4L	B5254T	P	TURBO MPFI	1999	2000	WAGON			ACA316		
VOLVO	V70	SW61	T SE SPORT	5	2.4L	B5254T	P	TURBO MPFI	2000	2000	WAGON			ACA316		
VOLVO	XC60	DZ	D5 LE	5	2.4L	D5244T4	D	TURBO CRD	2009	2010	WAGON		AC0115	ACA317	ACF175	ACC97
VOLVO	XC60	DZ	D5 LE	5	2.4L	D5244T10	D	TURBO CRD	2009	09/09	WAGON		AC0129	ACA317	ACF175	ACC97
VOLVO	XC60	DZ	D5	5	2.4L	D5244T4	D	TURBO CRD	2009	08/10	WAGON		AC0115	ACA317	ACF175	ACC97
VOLVO	XC60	DZ	D5 TECHNIK	5	2.4L	D5244T15	D	TWIN TURBO CRD	2011	2013	WAGON		AC0129	ACA317	ACF175	ACC97
VOLVO	XC60	DZ	D5 R-DESIGN	5	2.4L	D5244T15	D	TWIN TURBO CRD	2011	ON	WAGON		AC0129	ACA317	ACF175	ACC97
VOLVO	XC60	DZ	T6 TECHNIK	6	3.0L	B6304T	P	TURBO MPFI	2011	ON	WAGON					ACC97
VOLVO	XC60	DZ	D5 LUXURY	5	2.4L	D5244T15	D	TWIN TURBO CRD	2013	ON	WAGON		AC0129	ACA317	ACF175	ACC97
VOLVO	XC60	DZ	T5 KINECTIC	4	2.0L	B4204T	P	TURBO DIRECT INJ	11/13	ON	WAGON		AC024	ACA317		ACC97
VOLVO	XC60	DZ	T5 LUXURY	4	2.0L	B4204T	P	TURBO DIRECT INJ	11/13	ON	WAGON		AC024	ACA317		ACC97
VOLVO	XC60	DZ	T6	6	3.0L	B6304T	P	TURBO MPFI	03/09	ON	WAGON					ACC97
VOLVO	XC60	DZ	LE	6	3.2L	B6324S	P	MPFI	10/09	08/10	WAGON					ACC97
VOLVO	XC60	DZ	D5	5	2.4L	D5244T10	D	TURBO CRD	09/10	07/11	WAGON		AC0129	ACA317	ACF175	ACC97
VOLVO	XC60	DZ	T6 R-DESIGN	6	3.0L	B6304T	P	TURBO MPFI	09/10	ON	WAGON					ACC97
VOLVO	XC60	DZ	TECHNIK	6	3.2L	B6324S	P	MPFI	09/10	ON	WAGON					ACC97
VOLVO	XC60	DZ	T5	4	2.0L	B4204T	P	TURBO DIRECT INJ	03/11	2014	WAGON		AC024	ACA317		ACC97
VOLVO	XC60	DZ	T5 TEKNIK	4	2.0L	B4204T	P	TURBO DIRECT INJ	03/11	2014	WAGON		AC024	ACA317		ACC97
VOLVO	XC60	DZ	D5	5	2.4L	D5244T15	D	TWIN TURBO CRD	08/11	2013	WAGON		AC0129	ACA317	ACF175	ACC97
VOLVO	XC70	BZ71	D5	5	2.4L	D5244T4	D	TURBO DIRECT INJ	2007	10/09	WAGON		AC0115	ACA317	ACF175	ACC97
VOLVO	XC70	BZ71	D5 LE	5	2.4L	D5244T4	D	TURBO DIRECT INJ	2007	10/09	WAGON		AC0115	ACA317	ACF175	ACC97
VOLVO	XC70	BZ71	D5 OCEAN RACE	5	2.4L	D5244T4	D	TURBO DIRECT INJ	2008	2009	WAGON		AC0115	ACA317	ACF175	ACC97
VOLVO	XC70	BZ71	D5 TEKNIK	5	2.4L	D5244T15	D	TURBO DIRECT INJ	2011	2014	WAGON		AC0129	ACA317	ACF175	ACC97
VOLVO	XC70	BZ71	D5 OCEAN RACE	5	2.4L	D5244T15	D	TURBO DIRECT INJ	2012	ON	WAGON		AC0129	ACA317	ACF175	ACC97
VOLVO	XC70	BZ71	D5 KINETIC	5	2.4L	D5244T15	D	TURBO DIRECT INJ	2014	ON	WAGON		AC0129	ACA317	ACF175	ACC97
VOLVO	XC70	BZ71	D5 LUXURY	5	2.4L	D5244T15	D	TURBO DIRECT INJ	2014	ON	WAGON		AC0129	ACA317	ACF175	ACC97
VOLVO	XC70	BZ71	D5 LE	5	2.4L	D5244T10	D	TURBO DIRECT INJ	11/09	2011	WAGON		AC0129	ACA317	ACF175	ACC97
VOLVO	XC70	BZ71	D5	5	2.4L	D5244T10	D	TURBO DIRECT INJ	11/09	09/11	WAGON		AC0129	ACA317	ACF175	ACC97
VOLVO	XC70	BZ71	D5	5	2.4L	D5244T15	D	TURBO DIRECT INJ	10/11	2014	WAGON		AC0129	ACA317	ACF175	ACC97
VOLVO	XC70	BZ98		6	3.2L	B6324S	P	MPFI	2007	ON	WAGON					ACC97
VOLVO	XC70	BZ98	OCEAN RACE	6	3.2L	B6324S	P	MPFI	2008	2008	WAGON					ACC97
VOLVO	XC70	BZ98	LE	6	3.2L	B6324S	P	MPFI	11/08	ON	WAGON					ACC97
VOLVO	XC70	SZ59	LE	5	2.5L	B5254T	P	TURBO MPFI	2004	11/07	WAGON		AC0156			
VOLVO	XC70	SZ59	SE	5	2.5L	B5254T	P	TURBO MPFI	07/05	11/07	WAGON		AC0156			
VOLVO	XC70		T6	6	3.0L	B6304T4	P	MPFI TURBO	11/12	ON	WAGON					ACC97
VOLVO	XC90	CM59	T	5	2.5L	B5254T	P	TURBO MPFI	07/03	03/05	WAGON		AC0156			
VOLVO	XC90	CT30	D5	5	2.4L	D5244T	D	TURBO MPFI	08/11	ON	WAGON		AC0115	ACA317	ACF175	
VOLVO	XC90	CT30	D5 EXECUTIVE	5	2.4L	D5244T	D	TURBO MPFI	08/11	ON	WAGON		AC0115	ACA317	ACF175	

MAKE	MODEL	SERIES	BADGE	CYLS	ENG SIZE	ENGINE CODE	FUEL	FUEL DELIVERY / AIR INTAKE	FROM	TO	BODY	REMARKS	OIL	AIR	FUEL	CABIN
VOLVO	XC90	CT30	D5 R-DESIGN	5	2.4L	D5244T	D	TURBO MPFI	08/11	ON	WAGON		AC0115	ACA317	ACF175	
VOLVO	XC90	CZ71	D5	5	2.4L	D5244T	D	TURBO MPFI	2006	07/11	WAGON		AC0115			
VOLVO	XC90	CZ71	D5 OCEAN RACE	5	2.4L	D5244T	D	TURBO MPFI	2008	2008	WAGON		AC0115			
VOLVO	XC90	CZ71	D5 EXECUTIVE	5	2.4L	D5244T	D	TURBO MPFI	2009	07/11	WAGON		AC0115			
VOLVO	XC90	CZ71	D5 R-DESIGN	5	2.4L	D5244T	D	TURBO MPFI	2009	07/11	WAGON		AC0115			
VOLVO	XC90	CZ85	V8	8	4.4L	B8444S	P	MPFI	2006	2009	WAGON		AC0156			
VOLVO	XC90	CZ85	V8 OCEAN RACE	8	4.4L	B8444S	P	MPFI	2008	2008	WAGON		AC0156			
VOLVO	XC90	CZ85	V8 EXECUTIVE	8	4.4L	B8444S	P	MPFI	2009	2011	WAGON		AC0156			
VOLVO	XC90	CZ85	V8 R-DESIGN	8	4.4L	B8444S	P	MPFI	2009	2011	WAGON		AC0156			



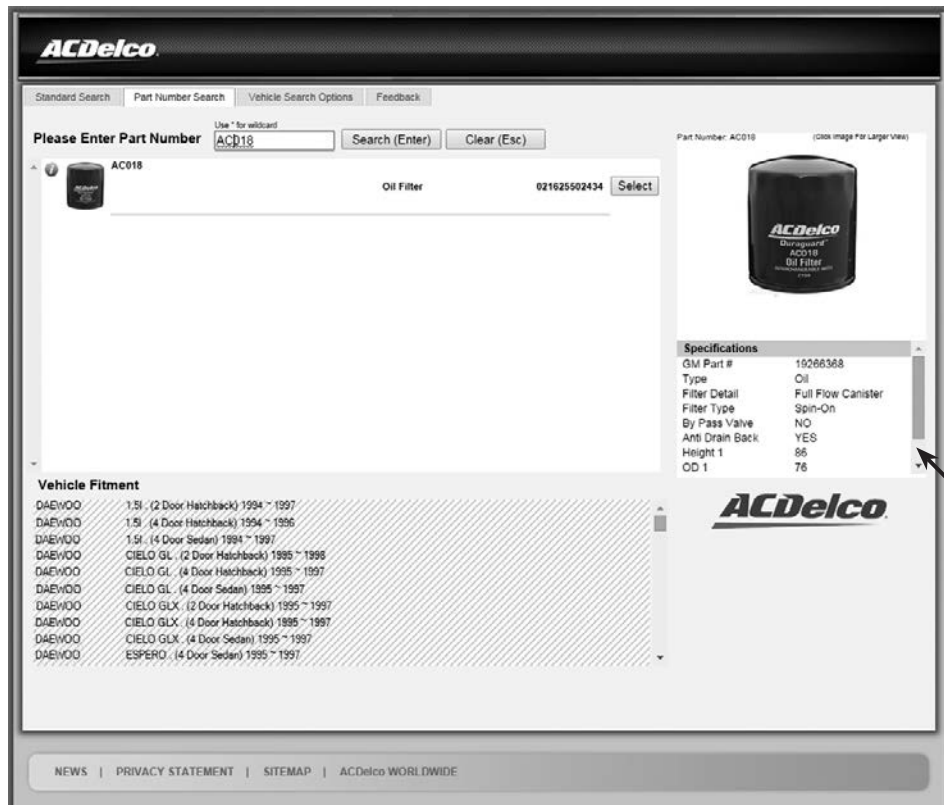
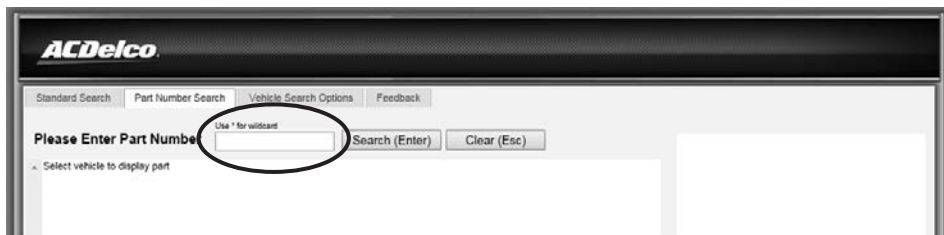
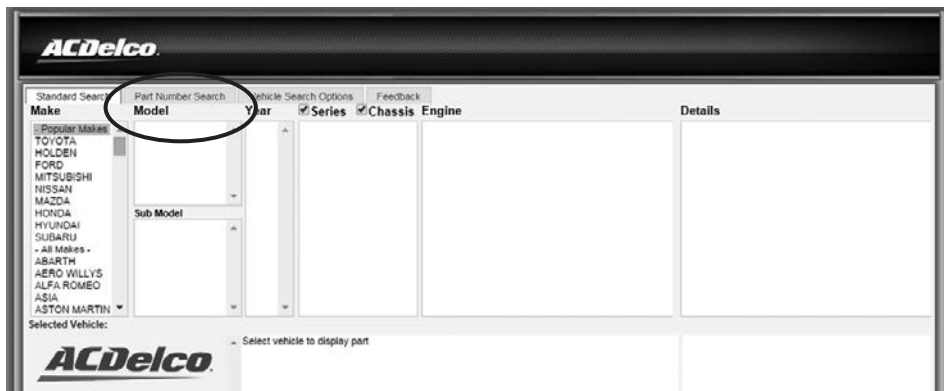
# Supersessions

AC021 has been superseded by AC073  
 AC016 has been superseded by AC07  
 AC027 has been superseded by AC028  
 AC017 has been superseded by AC05  
 AC010 has been superseded by AC07  
 AC08 has been superseded by AC024  
 AC042 has been superseded by AC024  
 AC096 has been superseded by AC095  
 AC0107 has been superseded by AC0105  
 ACF39 has been superseded by ACF5  
 ACF38 has been superseded by ACF5  
 ACF42 has been superseded by ACF5  
 ACF43 has been superseded by ACF1  
 ACF52 has been superseded by ACF5  
 ACF56 has been superseded by ACF5

## Filters

fuel, oil, air, cabin - photograph, dimensions and carton quantity

Detailed specification information on the range of ACDelco Filters can be found online Here you'll find relevant data including an image of the filter, plus sizing and the number of filters per outer carton. Examples of Filter Specification:







# Filters

## interchange guide

ACDELCO	BALDWIN	BOSCH	DONALDSON	FLEETGUARD	SFA	OEM	PUROLATOR	REPCO	RYCO	SAKURA	WESFIL	WIX
ACA1	PA3863	0986AF2181	P500017	AF4607	FA3352	1780148011	A22975	RAF75	A215X	A3352	WA215	42748
ACA2		0986AF183		AF482	FA3354	17800133030	A40118	RAF4	A242X	A3354	WA242	46165
ACA3		0986B03504	P500021	AF25295	FA3331	1780131050	A29017	RAF20	A310	A3331	WA310	42348
ACA4	PA2042	1457433534	P526756	AF4509	FA33261	1780168020	A33542	RAF15	A340/A328	A33261	WA340	42159
ACA5		1457433795	P901417	AF25830	FA3333	1780154100	A49037	RAF96	A1215	A3333	WA864	49133
ACA6		0986AF9375			FA1006	MD604802	A30020	AF2	A299	A1006	WA299	42393
ACA7	PA2504		P181080	AF1768M	FA60400	178012070		RAF497	HDA5486	A60400	WA889	42520
ACA8	PA2895		P505061	AF25377	FA1711	SLA213Z40	A39723	RAF69	HDA5769	A1711	WA854	49163
ACA9		1457429898			FA1906	AFA129	A29029	RAF35	A431	A1906	WA431	
ACA10		0986AF2148	P500080		FA1710	B60323603	A49024	RAF30	A358	A1710	WA358	
ACA11	PA2176	0986AF2196	P500010	AF25240	FA1020	MD604952	A39012	RAF14	A341	A1020	WA341	46163
ACA12		0986AF2135	P500027	AF25399	FA1127	1780135030	A19037	RAF65	A451	A1127	WA831	49134
ACA13	PA2169	1987429123	P606272	AF4652	FA1122	1780174010	A24297	RAF37	A446	A1122	WA446	46147
ACA14	PA2194	1987429127	P500008	AF4944	FA1016	MD603629	A24375	RAF40	A452	A1016	WA828	46264
ACA15	PA2881	0986AF2158	P505192	AF25564	FA1834	1654606J00	A49035	RAF54	A444	A1834	WA444	49126
ACA16	PA2201			AF4953	FA5014	F20113Z40	A29032	RAF45	A463	A5014	WA805	46156
ACA17	PA2149	0986AF2147	P606063	AF4613	FA1908	E6SZ9601B	A33593	RAF43	A491	A1908	WA491	46128
ACA18	PA4016	1457433965	P607306		FA1053	MD620456	A39036	RAF62	A489	A1053	WA489	46057
ACA19	PA615	0986AF9366	P524391	AF311	FA2305	1739547	A40004	RAF16	A31	A2305	WLPG1	42020
ACA20	PA2712	0986AF2377	P533230	AF4733	FA60420	8941560520	A44740	RAF178	HDA5567	A60420	WA867	46357
ACA21	PA2135	1987429051	P500063	AF4615	FA1818	16546V0100	A24278	RAF17	A360	A1818	WA360	46116
ACA22	PA2761		R804759		FA10195	8944302500			HDA5754	A1019	WA917	46506
ACA23	PA2075	0986AF9353	P500076	AF1777	FA1701	30523603		RAF3	A216	A1701	WA216	42349
ACA24					FA1904	AFA87	A39004	RAF6	A292	A1904	WA292	42326
ACA25		0986AF9332	P500091		FA2301	7414198	A39007	RAF9	A24	A2301	WA024	42352
ACA26	PA2130	0986AF2194	P500077	AF4618	FA1703	E30123603	A34272	RAF5	A313	A1703	WA313	46019
ACA27		0986AF9377			FA1843	16546V9600	A49011	RAF13	A318	A1843	WA318	42344
ACA28		0986AF2146			FA5013	AFA95	A59014	RAF18	A326A	A5013	WA326	42354
ACA29	PA2031	1457429801	P524375	AF1666	FA1881	1654618000	A39008	RAF10	A105/A302	A1881	WA105	42906
ACA30	PA1657		P524374	AF1649	FA1520	16546S0100	A40103	RAF1	A52/A359	A1520	WA359	46165
ACA31					FA2304	7437298		RAF8	A142	A2304	WA142	42328
ACA32	PA2476	0986AF2189	P606072	AF1920	FA2307	25062009	A49022	RAF27	A329	A2307	WA329	46015
ACA33	PA2124	0986AF2197	P500019	AF4596	FA1111	1780115010	A43398	RAF31	A338	A1111	WA338	46007
ACA34		0986AF9376			FA1907	AFA97		RAF33	A347	A1907	WA347	42357
ACA35	PA2090	1987429121	P524377	AF1720	FA1015	MD603800	A49020	RAF26	A325	A1015	WA325	42912
ACA36	PA2121		P500082	AF4598	FA1811	1654615M00	A20070	RAF38	A345	A1811	WA345	42136
ACA37	PA2041	1987429133	P607232		FA1130	1780115060	A44600	RAF39	A449	A1130	WA449	46229
ACA38	PA2123		P777767	AF1776	FA6110	421457000	A23538	RAF29	A337	A6110	WA337	46016
ACA39			P500016		FA1105	1780113010	A34273	RAF25	A309X	A1105	WA309	46022

ACDELCO	BALDWIN	BOSCH	DONALDSON	FLEETGUARD	SFA	OEM	PUROLATOR	REPCO	RYCO	SAKURA	WESFIL	WIX
ACA40	PA2037	0986AF2286	P539477	AF479	FA1101	1780124010	A20117	RAF11	A114/A114X	A1101	WA114	42904
ACA41		0986AF9395			FA1925	75DA9601BA		RAF12	A217	A1925	WA217	42325
ACA42		0986AF2170	P500079		FA1709	B36613Z40		RAF53	A1214	A1709	WA847	49172
ACA43	PA2209	1987429137	P500026	AF4964	FA1125	1780116020	A24601	RAF58	A454	A1125	WA840	46242
ACA46	PA2171	0986AF9352	P607250	AF4956	FA1147	1780170020	A34361	RAF77	A455/A497	A1147	WA822	42333
ACA48	PA2220	1987429146			FA1715	B6S713Z40	A24648	RAF46	A487	A1715	WA845	46097
ACA49	PA4028	1987429151	P607300		FA1145	1780174060	A24690	RAF56	A1236	A1145	WA851	46017
ACA50		0986AF2182	P524357		FA1913	75DA9601AB		RAF7	A237	A1913	WA277	42116
ACA51		0986AF2139			FA2308	90108602	A29028	RAF34	A353	A2308	WA353	42358
ACA53		0986AF9394			FA2306	90067137	A29025	RAF32	A344/A1659	A2306	WA344	42385
ACA54	PA4608	0986AF9370	P776993		FA1106	1780164030	A49023	RAF28	A332	A1106	WA332	
ACA55		1987429172			FA1718	B30113Z40	A39030	RAF44	A496	A1718	WA842	49119
ACA56	PA2065				FA1110	1780141050	A40124	RAF122	A240X	A1110	WA240	46024
ACA57	PA2156		P500023		FA1159	1780141110	A24298	RAF101	A339	A1159	WA339	46202
ACA58		0986AF2152	P500055		FA1409	1378062B00	A34613	RAF50	A1240	A1409	WA861	
ACA61	PA2926FN	0986AF2298	P500078		FAS1708	R20523603	A29004	RAF83	HDA5517	AS1708	WA803	49150
ACA65	PA1667FN	1457429933	P181052	AF437K	FAS1014	MD603446	A42030	RAF97	HDA5866	AS1014	WA863	42222
ACA66	PA2884	0986AF2299	P500064		FA1508	8943349060	A35756	RAF98	HDA5767	A1508	WA866	49147
ACA69					FA1934	711F9601AA			A232	A1934	WA232	49220
ACA70	PA2212	0986AF2138		AF4976	FA1726	G60113Z40	A34625	RAF48	A488	A1726	WA829	46148
ACA71	PA2536		P500083	AF1822	FA1812	1654676000	A24282	RAF79	A209	A1812	WA209	46284
ACA72	PA2174		P500004	AF1778	FA1820	1654662S10	A40003	RAF36	A301	A1820	WA301	42908
ACA73					FA3016			RAF23	A233	A1909	WA233	42343
ACA75		0986AF2210			FA1206	178187702	A30023	RAF64	A320	A1206	WA320	49120
ACA76		0986AF9391			FA14064	1378082000	A44337	RAF80	A342	A1406	WA342	46087
ACA77	PA2117		P500005		FA1005	MD604880		RAF475	A330	A1005	WA330	46042
ACA78	PA2180	0986AF9374			FA1719	E5D323603	A24471	RAF41	A364	A1719	WA804	46119
ACA79			P520511		FA1004	MD603014	A49018	RAF22	A223	A1004	WA223	42907
ACA80		1457433961			FA1725	MB59313Z40	A19039	RAF61	A1272	A1725	WA934	
ACA81					FA3053			RAF125	A343	A1738	WA343	
ACA82	PA4084	1457433959			FA1734	B59513Z40	A25049	RAF60	A1289	A1734	WA935	46105
ACA83					FA1724	WL3113Z40		RAF110	A1294	A1724	WA985	
ACA84		0986AF2169			FA1052	MD604940		RAF63	A1208	A1052	WA330	
ACA85		0986AF2347			FA2319	92051013	A39003	RAF72	A1358	A2319	WA991	
ACA86	PA2243	1457433958			FA1148	1780115070	A24722	RAF59	A1268	A1148	WA922	46273
ACA87	PA2129		P500020	AF4616	FA1113	5142150280		RAF144	A331	A1113	WA331	46181
ACA88	PA4081	0986AF2172	P607299	AF26544	FA1513	8970442260		RAF131	A1270	A1513	WA868	
ACA90	PA4138				FA2807	2811323001	A35207	RAF135	A1352	A2807	WA971	46318
ACA91	PA4043	1457433290			FA2802	2811322051	A25076	RAF68	A1364	A2802	WA929	46104
ACA92		1457433072			FA1717	FS0513Z40	A29033	RAF49	A1206	A1717	WA895	42486
ACA93	PA4068				FA1045	MD620737	A34839	RAF121	A1273	A1045	WA896	46271
ACA94		0986AF2173			FA1049	MR187912	A35303	RAF89	A1359/A1514	A1049	WA960	46456
ACA95		0986AF2378	P115070	AF25500K	FAS1034	MD620563		RAF179	HDA5839	AS1034	WA892	
ACA96					FA1051	MD603071	A34764	RAF118	A356	A1051	WA356	42416
ACA97					FA1054	MD620048		RAF367	A1204	A1054	WA870	46295
ACA98	PA2246	0986AF2311			FA1044	MD620823	A35050	RAF82	A1319	A1044	WA932	42907
ACA100	PA2885	0986AF2159	P901423		FA1846	1654606J11	A35757	RAF99	HDA5783	A1846	WA839	49128
ACA101			P500037		FA3362	1780174040		RAF52	A1209	A3362	WA893	

ACDELCO	BALDWIN	BOSCH	DONALDSON	FLEETGUARD	SFA	OEM	PUROLATOR	REPCO	RYCO	SAKURA	WESFIL	WIX
ACA102		0986AF2167		AF25567	FA11423	1780162010	A39046	RAF138	A1397	A11423	WA1001	
ACA103	PA4648	1987429157	P500125	AF25584M	FA3327	1780167060	A39038	RAF113	A1350	A3327	WA1017	
ACA104		1457433003			FA2901	92060868	A37764	RAF74	A1300	A2901	WA918	
ACA105					FA2902	25062434	A37011	RAF164	A1416	A2902	WA993	
ACA106		1457433603	P500041	AF26356	FA8597	90486298	A27337	RAF73	A1305	A8597	WA862	
ACA107		1457433087			FA6506	90512446		RAF170	A1440	A6506	WA1005	
ACA108	PA4103	1457433969			FA1047	MR188657	A35244	RAF136	A1311	A1047	WA974	46215
ACA109		0986AF2160	P902298		FA1855	16546VB300	A29047	RAF126	A1412	A1855	WA1033	
ACA110		0986AF2161			FA1856	16546VB700	A35742	RAF180	HDA5858	A1856	WA1000	
ACA111		1987429159			FA1043	MD620508	A19074	RAF95	A1211	A1043	WA874	
ACA112	PA4125				FA1713	0K20113Z00	A25077	RAF160	A1362	A1713	WA983	42016
ACA113	PA4144	0986AF2290	P500131		FA1058	WL8113Z40	A19073	RAF76	A1408	A1058	WA1032	
ACA114		0986AF2292			FA1197	1780167020		RAF205	A1437	A1197	WA963	
ACA115	PA4649	0986AF2134	P901934		FA3323	1780154180	A19075	RAF169	A1438	A3323	WA1058	
ACA116			P526753	AF4518	FA1008	MB120389		RAF148	A1441	A1008	WA817	49168
ACA118		0986AF2137	P505959		FA3322	1780117020	A45729	RAF199	A1407	A3322	WA1019	
ACA119		0986AF2291			FA8548	165462S600	A29077	RAF111	A1417	A8548	WA1014	
ACA120		0986AF2179			FA1954	BA9601A	A39103	RAF181	A1575	A1954	WA1143	
ACA121	PA2500		P129472	AF26534	FA1022	MD620039	A24630	RAF55	HDA5841	A1022	WA827	46265
ACA122		0986AF2133	P500124	AF25510	FA1157	1780154170	A19048	RAF158	A1402	A1157	WA1004	
ACA123	PA4180	0986AF2002			FA1180	1780122020	A25463	RAF208	A1481	A1180	WA1113	46834
ACA124		0986AF2188	P505999		FA1068	MR404847	A35410	RAF151	A1449	A1068	WA1073	
ACA126	PA4150	1987429187			FA1189	178010H020	A35432	RAF204	A1491	A1189	WA1135	46673
ACA127		0986AF2293			FA1760	WLY113Z40	A35730	RAF207	A1447	A1760	WA1122	
ACA128		0986AF2177			FA1957	BA9601B	A35731	RAF182	A1475	A1957	WA1161	
ACA129		0986AF2175			FA6533	9117557	A19718	RAF168	A1433	A6533	WA1080	49522
ACA130		1457433055			FA3201	9129747	A35681	RAF210	A1513	A3201	WA1024	42329
ACA131					FA1425	1378080GA0		RAF232	A1577	A1425	WA1108	
ACA132					FA1515	8971786100	A15734	RAF188	A1504	A1515	WA1081	
ACA135		0986AF2136	P506010	AF26543	FA1517	8973692930	A35735	RAF211	A1512	A1517	WA1181	
ACA138	PA4099	1457433955			FA1621	17220P2J003	A35150	RAF116	A1310	A1621	WA953	46388
ACA139	RS4189	0986AF2226			FA1647	17220PNA003	A25456	RAF191	A1485	A1647	WA1139	42188
ACA140	PA4311	0986AF2122			FA2816	2811322600	A35420	RAF167	A1430/A1544	A2816	WA1069	46674
ACA142		0986AF2140			FA2823	281131C000		RAF194	A1496	A2823	WA1134	
ACA143		1987429174			FA2920	0K55813Z40		RAF197	A1425	A2920	WA1065	
ACA145		0986AF2294			FA1884	165469S000	A35733	RAF202	A1495	A1884	WA1142	
ACA146	PA4128	0986AF2162			FA1850	16546AA070	A25353	RAF139	A1426	A1850	WA1026	42728
ACA148	PA2041	1987429135	P607332	AF4959	FA1123	1780174020	A24468	RAF57	A459	A1123	WA826	46244
ACA150	PA4305	1457433972			FA1178	1780121030	A15363	RAF166	A1427	A1178	WA1055	46646
ACA153	PA4307	1987429163			FA1194	1780128010	A25398	RAF140	A1476	A1194	WA1094	46322
ACA154		0986AF2300			FA6539	92066873	A19600	RAF240	A1557	A6539	WA5064	
ACA155		0986AF2180		AF26501	FA5903	178010C010	A25737	RAF222	A1541	A5903	WA5023	
ACA156					FA3202	93172461	A55683	RAF242	A1551	A3202	WA1186	
ACA157		1457433079			FA2315	09194405		RAF266	A1556	A2315	WA1141	
ACA158	PA4344	0986AF2071			FA8902	96536696		RAF321	A1521	A8902	WA1170	
ACA159	PA4368	0986AF9384			FA8903	96553450	A34711	RAF251	A1517	A8903	WA1180	
ACA160	PA4333	0986AF9406			FA33070	17801AD010	A45650	RAF260	A1558	A3306	WA5053	49172
ACA161	PA2214	1457433952	P606060	AF4977	FA1139	1780135020	A24645	RAF51	A1245	A1139	WA853	46162

ACDELCO	BALDWIN	BOSCH	DONALDSON	FLEETGUARD	SFA	OEM	PUROLATOR	REPCO	RYCO	SAKURA	WESFIL	WIX
ACA162		0986AF2348	P505979		FA1198	1780130040	A25724	RAF216	A1522	A1198	WA1178	
ACA163	PA4320	0986AF2242	P500216		FA1665	1722ORNA00	A25653	RAF280	A1578	A1665	WA5105	49065
ACA164	PA4442	0986AF2213			FA1878	16546ED000	A15669	RAF236	A1591	A1878	WA5061	49225
ACA165	PA4363				FA2843	281131G000	A25647	RAF253	A1587	A2843	WA5039	49069
ACA166	PA4401				FA2847	281132H000		RAF311	A1561	A2847	WA5098	49070
ACA167					FA33810	1780151020		RAF309	A1634	A33810	WA5112	
ACA168	PA4793	F026400033		AF25841	FA1952	YC159601BB		RAF214	A1439/A1598	A1952	WA1100	
ACA169	PA4165	0986AF2165		AF3062	FA3304	1780131090	A35578	RAF212	A1525	A3304	WA1164	46888
ACA171	PA4446	0986AF2342			FA3301	1780121050	A25655	RAF261	A1559	A3301	WA5042	49104
ACA173			P506007		FA15241	8980274800		RAF303	A1618	A15241	WA5095	
ACA174	PA4198	0986AF2358			FA1074	MR571396	A35534	RAF206	A1584	A1074	WA5034	46873
ACA175			P849109	AF26513	FA3370	1780178040			A1751	A3370	WA1195	
ACA176		0986AF2129			FA6540	96628890		RAF264	A1638	A6540	WA5074	
ACA177					FA23300	96328718		RAF318	A1586	A23300	WA5141	42838
ACA178	PA4355				FA1664	1722ORDAA00	A25585	RAF418	A1583	A1664	WA5143	49063
ACA179	PA4348				FA2839	2811308000	A25584	RAF284	A1516	A2839	WA5012	42834
ACA180	PA2549			AF1947	FA2935	0K6B023603/Y		RAF419	A1585	A2935	WA5040	
ACA181					FA5828	1500A190		RAF319	A1622	A5828	WA5109	
ACA182					FA1672	17220RZPY00				A1672		
ACA183					FA1671	17220RZAY00		RAF423	A1597	A1671	WA5134	
ACA184					FA1666	17220RRAY00		RAF279	A1570	A1666	WA5093	
ACA185					FA2317	93183389		RAF244	A1573	A2317	WA5073	
ACA186	PA4349				FA2841	281133K200	A35602	RAF411	A1533	A2841	WA5059	
ACA187		0986AF2310			FA1426	1378077A00			A1474	A1426	WA1105	
ACA188	PA4350				FA3303	178010H050	A35649	RAF245	A1569	A3303	WA5066	49223
ACA189					FA1429	1378061J00		RAF457	A1726	A1429	WA5138	
ACA190					FA1764	C60113Z40		RAF229	A1600/A1552	A1764	WA1183	
ACA191					FA1432	1378052D10		RAF421	A1592	A1432	WA5006	
ACA192					FA65430	13272717		RAF335	A1746	A65430	WA5187	
ACA193	PA4453				FA65440	13272719			A1747	A65440	WA5188	
ACA194					FA26320	2710940204	A55693		A1602	A26320	WA5028	49214
ACA195		1457433522			FA26230	1110940204	A15445	RAF430	A1610	A26230	WA5018	49204
ACA196					FA6609	05018777AA		RAF271	A1545	A6609	WA1099	42329
ACA197	PA7442				FA1964	3M519601AA		RAF247	A1554	A1964	WA5026	
ACA198	PA4782				FA37010	ESR1049		RAF390	A1385	A37010	WCA9771	
ACA199		0986AF2343			FA19690	BG9601C		RAF315	A1582	A19690	WA5137	
ACA200		1457433686			FA1958	98AX9601AA		RAF187	A1489	A1958	WA1144	
ACA201	PA4310	1987429188			FA1757	RF4F13Z40	A35370	RAF200	A1429	A1757	WA1061	42825
ACA202	PA4018		P901276		FA1833	165463J410	A24675	RAF305	A1266	A1833	WA886	46044
ACA203					FA19680	97KB9601AB		RAF302	A1744	A19680	WA1063	
ACA204		1457433526			FA21050	144469	A25714	RAF453	A1694	A21050	WA1098	
ACA205	PA4413				FA28540	281134D000	A45673	RAF350	A1571	A28540	WA5083	49113
ACA206	PA4048				FA3006	13721744869		RAF259	A1413	A3006	WA1006	46320
ACA207			P505983	AF26637	FA3321	1780151010				A3321	WA5080	
ACA208	PA4308				FA2819	281132D000	A25395	RAF147	A1446	A2819	WA1088	42551
ACA209					FA1762	ZJ0113Z40		RAF218	A1524	A1762	WA1160	49640
ACA210	PA4132	04891926AA	P607253		FA6611	4861480AA		RAF434	A1616/A1753	A6611	WA1159	42389
ACA211	PA4108	0986AF2380			FA1416	1378077E00	A35219	RAF92	A1340	A1416	WA938	46195

ACDELCO	BALDWIN	BOSCH	DONALDSON	FLEETGUARD	SFA	OEM	PUROLATOR	REPCO	RYCO	SAKURA	WESFIL	WIX
ACA212	PA4421	0986AF2391			FA1433	1378065J00	A25801	RAF420	A1588	A1433	WA5058	49085
ACA213	PA4364				FA16910	17220R70A00	A36308	RAF440	A1627	A16910	WA5151	49041
ACA214					FA1730	K01113Z40	A35266	RAF123	A1366	A1730	WA982	42015
ACA215	PA4044	0986AF2157			FA1758	ZZ0113Z40	A35323	RAF87	A1316	A1758	WA986	
ACA216		0986AF2156			FA1768	LF5013Z40	A44688	RAF209	A1523	A1768	WA1185	42612
ACA217	PA4360				FA17830	AJ5713Z40	A25525	RAF314	A1636	A17830	WA5092	42885
ACA218					FA1832	1654641B00	A52977	RAF88	A1348	A1832	WA944	
ACA220	PA4197			AF3057	FA1876	16546AA090	A35592	RAF285	A1527	A1876	WA1184	46914
ACA221	PA4102		P548964		FA1927	F77Z9601AA	A35192	RAF163	A1411	A1927	WA1020	46253
ACA222	PA4089		P606078	AF25683	FA1936	F67Z9601AA	A26067		A1436	A1936	WA1071	46419
ACA223	PA4147		P607258		FA1959	1L2Z9601AA	A25418	RAF407	A1498	A1959	WA1191	42484
ACA224		0986AF2344			FA19700	BG9601D		RAF414	A1553	A19700	WA5139	
ACA225					FA24210	30757155	A37492	RAF361	A1612	A24210	WA5049	46938
ACA226	PA4313	0986AF2212			FA2818	2811337101	A25373	RAF162	A1410	A2818	WA1045	42797
ACA227	PA4309				FA2820	2811326000	A45387	RAF195	A1454	A2820	WA1079	42740
ACA228		0986AF2214			FA2821	28113H1915		RAF322	A1483	A2821	WA1117	
ACA229	PA4447				FA2840	281133K010	A35601	RAF412	A1542	A2840	WA5025	49156
ACA230	PA4341			AF1232	FA2844	281133E000	A35517	RAF326	A1519/A1775	A2844	WA1157/WA5180	42164
ACA231	PA4402				FA28570	281132B000	A25833	RAF355	A1543	A28570	WA5084	49191
ACA232					FA28590	281132S000	A26118	RAF458	A1727/A1774	A28590	WA5189	49210
ACA233	PA4376	0986AF2155			FA2924	K30C13Z40A	A35421	RAF198	A1451	A2924	WA1089	46340
ACA234					FA2928	0K72C23603		RAF226	A1510	A2928	WA1133	
ACA235					FA3009	13721702907	A27765	RAF416	A1565	A3009	WA5000	49907
ACA236					FA3311	1780130060		RAF442	A1632	A3311	WA5076	
ACA237	PA4192				FA3313	1780121040	A25698	RAF435	A1617	A3313	WA5037	49116
ACA238	PA4075	0986AF2345	P546597	AF25590	FA5019	F50X9601AB	A34878	RAF286	A1492	A5019	WA1059	46418
ACA239					FA5904	1780130050		RAF384	A1314	A5904	WA5043	
ACA240					FA61360	16546JD20B		RAF436	A1619	A61360	WA5146	
ACA241					FA89080	96827723			A1786	A89080	WA5249	
ACA242		0986AF2346			FA1165	1780111050		RAF114	A1267	A1165	WA924	49218
ACA243	PA4191	0986AF2231			FA1655	17220RAAY00		RAF213	A1508	A1655	WA1158	
ACA244					FA14410	1378080J00	A25802	RAF352	A1754	A14410	WA5133	49005
ACA245					FA16810	17220RB0000	A26052	RAF316	A1626	A16810	WA5177	49460
ACA246	PA4374			AF1347	FA16830	17220R40A00		RAF317	A1628	A16830	WA5174	49040
ACA248					FA65480	96815102			A1796	A65480	WA5244	
ACA249					FA17860	U2Y013Z40			A1784	A17860	WA5251	
ACA250					FA31070	1K0129620D		RAF312	A1711	A31070	WA5038	
ACA251					FA65490	96950990			A1776	A65490	WA5274	
ACA253					FA1935	165467S000		RAF157	A1332/A1581	A1935	WA976	
ACA254					FA1643	17220PWA003		RAF224	A1526	A1643	WA1163	
ACA255					FA1661	17220PWAJ10		RAF234	A1560	A1661	WA5032	
ACA256	PA2213				FA1728	HE1923603	A24357	RAF47	A365	A1728	WA812	46118
ACA257		0986AF2425			FA1431	1378063J00		RAF230	A1629	A1431	WA5027	
ACA258		0986AF2187			FA1641	17220PLC000	A35397	RAF217	A1448	A1641	WA1086	
ACA259					FA16970	17220RL5A00		RAF445	A1641	A16970	WA5169	49200
ACA260					FA28550	281134H000		RAF460	A1730	A28550	WA5123	
ACA261					FEA19710	AV619601AD		RAF339	A1630	EA19710	WA5175	49017
ACA262					FA1880	16546EB70A		RAF306	A1758	FA1880	WA5168	

ACDELCO	BALDWIN	BOSCH	DONALDSON	FLEETGUARD	SFA	OEM	PUROLATOR	REPCO	RYCO	SAKURA	WESFIL	WIX
ACA263					FA14460	1378069L00000			A1806	A14460	WA5229	
ACA264	PA4322				FA33940	1780138030		RAF310	A1635	A33940	WA5113	49030
ACA265					FA17850	CY0113Z40A			A1623	A17850	WA5150	46935
ACA266					FA17870	SH01133A0A				A17870	WA5257	
ACA267					FA17200	PE07133A0A			A1785	A17200	WA5247	49247
ACA268					FA31170	1F0129620		RAF337	A1564/A1710	A31170	WA5016	
ACA269		1457433714			FA6530	1J01129620	A35267	RAF150	A1432	A6530	WCA8116	
ACA270					FA19880	8V219601A1A			A1749	A19880	WA5205	
ACA271					FA19860	6G919601AC			A1633	A19860	WA5114	
ACA272			P506074		FA65510	94771925			A1811	A65510	WA5268	
ACA273					FA28620	281131J000			A1783	A28620	WA5215	
ACA274					FA31140	2H0129620A			A1829	A31140	WA5285	
ACA275		0986AF2225			FA1651	17220REAJ00			A1729	A1651	WA5072	
ACA276					FA28640	281131R100			A1803	A28640	WA5237	49022
ACA277					FA58360	MR993226		RAF347	A1738	A58360	WA5051	
ACA278					FA14420	1378078K00			A1766	A14420	WA5198	49800
ACA279					FA14400	13780M68K00			A1797	A14400	WA5222	
ACA280					FA15250	8981402650			A1828	A15250	WA5270	
ACA281	PA4452				FA16990	17220R1AA01			A1815	A16990	WA5312	49031
ACA282					FA28600	281132P100			A1740/A1779	A28600	WA5197	49250
ACA283					FA28610	281132P300			A1777	A28610	WA5196	
ACA284					FA28740	28113A5800			A1793	A28740	WA5299	
ACA285		1457433962			FA2908	96181263	A35369	RAF161	A1365	A2908	WA1011	42606
ACA286	PA4449				FA33410	1780131130			A1838	A33410	WA5211	49430
ACA287	PA4435				FA33950	1780138051			A1812	A33950	WA5195	49350
ACA288					FA31080	7H0129620A			A1717	A31080	WA1198	
ACA289					FA31090	06F133843A			A1640	A31090	WA5104	49843
ACA290					FA31160	6R0129620A			A1732	A31160	WA5185	
ACA291	PA4396				FA31190	1K0129620A			A1712	A31190	WA5190	49122
ACA292	PA4091				FA6518	058133843M	A47039	RAF287	A1434	A6518	WA970	42295
ACA293					FA1081	1500A513			A1839	A1081	WA5300	WA10058
ACA294		1987429164			FA1191	1780197201	A19717	RAF165	A1421	A1191	WA1021	
ACA295		0986AF2168			FA1193	1780170050		RAF276	A1566	A1193	WA1136	
ACA296		0986AF2390			FA1412	1378057B00		RAF159	A1351	A1412	WA903	
ACA297					FA1414	1378060G00	A25220	RAF78	A1338	A1414	WA941	46193
ACA298	PA4382				FA1421	1378054G10		RAF325	A1518	A1421	WA5007	42752
ACA299					FA1423	1378081A00		RAF357	A1420	A1423	WA1078	
ACA300					FA14450	1378057L00			A1843	A14450	WA5246	49008
ACA301		0986AF2297			FA1619	17220P13000	A24730	RAF193	A1261	A1619	WA899	46110
ACA302	PA4077	0986AF2153			FA1623	17220P0A000	A24873	RAF115	A1277	A1623	WA820	
ACA303	PA4101		P606273		FA1631	17220P72000	A54855	RAF192	A1271	A1631	WA904	46398
ACA304	PA4104	0986AF2174			FA1634	17220PAA000	A25248	RAF333	A1423	A1634	WA1053	46443
ACA305		0986AF2178			FA1646	17220PLD000		RAF221	A1506	A1646	WA1123	
ACA306	PA4306				FA1660	17220RCAA00		RAF237	A1507	A1660	WA1172	46832
ACA307					FA1669	17220RFE000			A1846	A1669	WA5020	
ACA308					FA16800	17220RFX000			A1782	A16800	WA5052	49157
ACA309					FA1766	N3H113Z40		RAF267	A1574	A1766	WA1165	46835
ACA310					FA1772	1780102030	A25304		A1620	A1772		42486

ACDELCO	BALDWIN	BOSCH	DONALDSON	FLEETGUARD	SFA	OEM	PUROLATOR	REPCO	RYCO	SAKURA	WESFIL	WIX
ACA311					FA17810	LFG113Z40		RAF358	A1834	A17810	WA5091	42863
ACA312	PA2163		P534105	AF4965	FA2002	53004383	A24372	RAF93	A1331	A2002	WA46077	46077
ACA313	PA4337				FA20070	5304018AD			A1590	A20070	WA5140	
ACA314					FA21080	1444RJ			A1750	A21080	WA5182	49825
ACA315					FA21110	1444RN			A1861	A21110	WA5094	
ACA316	PA2244				FA2416	35280932	A34862		A1724	A2416	WA979	42177
ACA317					FA24240	30748212			A1772	A24240	WA5166	49212
ACA318		1457433529			FA25440	8200431051		RAF328	A1535	A25440	WCA8162	WA6595
ACA319		0986AF9399			FA2608	6040940104	A37327	RAF215	A1487	A2608	WA1038/WCA8186	42525
ACA320	PA4440	1457433071			FA2614	1120940004			A1678	A2614	WA1097	46799
ACA321	PA4600	1457433748	P612826	AF25306	FA2621	A0030947504		RAF201	A1398	A2621	WA1047	42351
ACA322	PA4390	F026400055	P614541	AF26375	FA2625	A0000902651			A1755	A2625	WA5122	49876
ACA323		1457433699			FA2627	6040940604			A1486	A2627	WA1051	42462
ACA324					FA26380	2660940004			A1674	A26380	WA5125	49024
ACA325					FA28760	281132W300			A1794	A28760	WA5281	
ACA326					FA2907	96351225	A35367	RAF185	A1354	A2907	WA1012	42607
ACA327		0986AF2229			FA2910	96314494		RAF186	A1424	A2910	WA1066	
ACA328					FA30110	13721491749		RAF313	A1599	A30110	WA5014	42800
ACA329					FA30130	13712247444			A1539	A30130	WA5008	49342
ACA330					FA30230	13717503141			A1648	A30230	WA1199	
ACA331					FA30250	13717797465			A1756	A30250	WA5178	
ACA332					FA31220	8K0133843E			A1791	A31220	WA5234	
ACA333					FA31940	04E129620			A1841	A31940	WA5338	WA10072
ACA334					FA32030	13319421				A32030	WA5264	49421
ACA335					FA32040	55560894			A1805	A32040	WA5265	49894
ACA336					FA33850	1109102K00				A33850	WA5209	
ACA337	PA4084	1457433959			FA33860	1780131110	A25049	RAF349/ RAF60	A1734	A33860	WA5060/ WA935	49146
ACA338					FA33880	1780137020			A1752	A33880	WA5214	
ACA339					FA33960	178010V020			A1849	A33960	WA5297	49310
ACA340					FA3601	04891695AA			A1748	A3601	WA5186/WA5243	49192
ACA341					FA38010	1109101K08A1			A1870	A38010	WA5181	
ACA342					FA38240	1109110P64				A38240	WA5231	
ACA343	PA4783				FA6507	12763892			A483/A1579	A6507	WA5031/ WCA9066	46114/ WA6688
ACA344					FA65420	96434764			A1799	A65420	WA5194	
ACA345					FA65540	95021102			A1856	A65540		
ACA346	PA4092				FA6604	4797777			A1477	A6604	WA1037	46081
ACA347					FA66130	04891176AA		RAF262	A1594	A66130	WA1118	46699
ACA348					FA66140	04861688AA			A1847	A66140	WA5135	
ACA349		1457433609			FA6821	93BB9600AH	A24858	RAF84	A1325	A6821	WA957	
ACA350					FA90080	17220R5AA00			A1807	A90080	WA5321	49630
ACC1	PA4188				CA1103	8713947010		RCF508	RCA104P	CA1103	WACF5231	24875
ACC2					CA1401	9586154J00				CA1401		24475
ACC3	PA4196	0986AF4016			CA1606	80292SDCA01			RCA108P/RCA223P	CA1606	WACF5302	24815
ACC4		0986AF9903			CA1703	GE6T61J6X			RCA102P	CA1703	WACF0038	
ACC5		0986AF5008			CA1705	GJ6A61P11A	C19741		RCA120C/RCA257P	CA1705	WACF0018	
ACC6	PA4199	0986AF4019			CA1801	B727A79925	C35530	RCF526	RCA113P	CA1801	WACF0009	24857
ACC7					CAC1807	G3210FE000			RCA163P	CA1807	WACF2402	24485

ACDELCO	BALDWIN	BOSCH	DONALDSON	FLEETGUARD	SFA	OEM	PUROLATOR	REPCO	RYCO	SAKURA	WESFIL	WIX
ACC8		1987432001			CA1902	2028300318		RCF558	RCA105P	CA1902	WACF5235	
ACC9		1987432018			CA1903	F5RZ19N619C		RCF513	RCA134P	CA1903	WACF5257	24771
ACC10					CA1914	1L8Z184D77AA		RCF627	RCA313P	CA1914	WACF2277	
ACC11					CA2501	7701047513				CA2501	WACF2315	
ACC12					CA2801	971332D000				CA2801	WACF2D00	24869
ACC13		1987431550			CA2802	9761938100		RCF510	RCA106P	CA2802	WACF3810	24881
ACC14		0986AF4017			CA2911	96190645		RCF523	RCA124P	CA2911	WACF0030	
ACC15					CA2912	96207420		RCF522	RCA123P	CA2912	WACF0031	
ACC16					CA3001	64319069927		RCF578	RCA126C	CA3001	WACF0010	49372
ACC17					CAC3101	4B0819439C		RCF561	RCA139P/RCA139C	CA3101	WACF0039	24765
ACC18	PA4331	1987432012			CA3102	1H0819638A		RCF557	RCA103P	CA3102	WACF0016	24822
ACC19		1987432030			CA6508	90464424	C19739	RCF502	RCA101P	CA6508	WACF0019	24865
ACC20	PA4372				CA3300	8856852010		RCF525	RCA140P	CA3300	WACF0014	24900
ACC21					CA6507	1808604		RCF501	RCA233P	CA6507	WACF0012	
ACC22		0986AF9902			CA6515	90520689	C19738	RCF503	RCA114P	CA6515	WACF3054	49364
ACC23		0986AF4015			CA1915	BA19N619A	C19737	RCF515	RCA100P/RCA100C	CA1915	WACF0026	
ACC24					CA2301	92184248		RCF517	RCA162P	CA2301	WACF0058	49248
ACC25		1987432161			CA2805	976171C000		RCF512	RCA107P	CA2805	WACF5241	24879
ACC26		1987432045			CA7915	XS4H16N619AB	C19740	RCF524	RCA115P	CA7915	WACF0051	24808
ACC27		1987432076			CAC6516	93172299		RCF505	RCA131P/RCA131C	CA6516	WACF0032	24472
ACC28					CAC1102	8713930010		RCF536	RCA137P	CAC1102	WACF0035	24901
ACC29					CA1809	27274EA000		RCF521	RCA174P/RCA174C	CA1809	WACF0070	24683
ACC30					CA2810	97030H1726			RCA132P	CA2810	WACF0104	
ACC31		0986AF4040			CA1115	8713906050		RCF577	RCA164P	CA1115		
ACC32					CA23020	93182436		RCF504	RCA109P	CA23020	WACF0021	
ACC33					CA1904	96FW16N619AB		RCF564	RCA167P	CA1904	WACF0086	
ACC34					CA28110	971332B010		RCF519	RCA146P	CA28110	WACF0050	24517
ACC35	PA4334				CAC1810	27277EN025		RCF575	RCA188P	CAC1810	WACF0077	
ACC36					CAC66010	04596501AB			RCA177C/RCA177P	CAC66010	WACF0101	24909
ACC37					CA18120	7803A004			RCA182P	CA18120	WACF0090	49363
ACC38					CAC19160	1354952			RCA207C/RCA273C	CAC19160	WACF0041	49354
ACC39					CA28130	971332L000				CA28130		
ACC40					CA65180	96440878	C25836	RCF516	RCA194P	CA65180	WACF0056	
ACC41					CA8904	96539649		RCF615	RCA202P/RCA204P	CA8904	WACF0001	24685
ACC42					CA89050	96327366			RCA324P	CA89050	WACF0127	24906
ACC43					CAC1006	MZ690361			RCA206C	CAC1006	WACF0142	
ACC44					CA1402	9586058J00			RCA248P	CA1402	WACF0117	
ACC45					CA14040	9586080J00		RCF621	RCA249P	CA14040	WACF0148	49700
ACC46					CAC19180	1204459		RCF593	RCA168P	CAC19180	WACF0075	
ACC47					CA1112	8713906080		RCF610	RCA178P	CA1112	WACF0176	
ACC48	PA4391				CA2807	P87901F200			RCA185P	CA2807	WACF0005	24684
ACC49					CA65210	13271190			RCA224P/RCA224C	CA65210	WACF0111	24590
ACC50					CAC65220	95215156			RCA229C	CAC65220	WACF0171	
ACC51	PA4403				CA1708	BP8P61J6X		RCF520	RCA119P	CA1708	WACF0003	24482
ACC52					CA19190	3M5J18D543BA		RCF597	RCA181P	CA19190	WACF0123	
ACC53					CA32050	93182435		RCF528	RCA154P	CA32050	WACF4251	
ACC54	PA4327				CAC1114	8713930020	6868			CAC1114	WACF0040	25411
ACC55					CAC16130	80291TF0003			RCA251P/RCA292C	CAC16130	WACF0106	



ACDELCO	BALDWIN	BOSCH	DONALDSON	FLEETGUARD	SFA	OEM	PUROLATOR	REPCO	RYCO	SAKURA	WESFIL	WIX
ACC56					CAC17150	BBP261J6X			RCA232P	CAC17150	WACF0150	
ACC57					CA17140	UCY061P11			RCA227P	CA17140	WACF0172	
ACC58					CAC28210	971332E900		RCF625	RCA195P	CAC28210	WACF0046	
ACC59					CA65170	96554378			RCA199P	CA65170	WACF0140	24902
ACC60					CA29040	971332F000		RCF599	RCA173P	CA29040	WACF0083	49353
ACC61					CA18320	27274EB700			RCA230P	CA18320	WACF0143	
ACC62					CA18220	G3010SA100			RCA196P	CA18220	WACF0045	49359
ACC63					CA18280	72880FG000			RCA183P	CA18280	WACF0110	24030
ACC64					CA17090	GS1D61P11			RCA187P	CA17090		
ACC65					CAC19230	8V5J19G244AA			RCA189C	CAC19230	WACF0122	
ACC66	PA4395	1987432097			CAC30020	1123190011			RCA149C	CAC30020	WACF0025	24489
ACC67	PA4195 KIT				CAC1601	08R79S5A600			RCA250P	CAC1601	WACF0128	24817
ACC68					CA28280	971331H500			RCA240P	CA28280	WACF0116	
ACC69					CAC28220	971332D900				CAC28220	WACF0073	
ACC70		1987432115			CAC1605	08R79SAA600B			RCA268P	CAC1605	WACF0093	
ACC71					CA28190	971331J000			RCA208P	CA28190	WACF0129	
ACC72	PA4404				CA28160	971331E000			RCA290P	CA28160	WACF0158	24484
ACC73					CA17171	L2Y661P11			RCA247P	CA17171	WACF0078	24065
ACC74	PA4398				CA28300	971333SAA0			RCA201P	CA28300	WACF0121	24013
ACC75					CA65300	8980084420				CA65300	WACF0099	
ACC76		0986AF4045			CA1101	72880AG000			RCA193P	CA1101	WACF0002	24826/ 24883
ACC77		1987432114		AF55716	CA31060	7H0819631	C35762C		RCA112P	CA31060	WACF0022	
ACC78					CA11340	72880-AJ010				CA11340		24524
ACC79					CA14050	9586164J00			RCA165P	CA14050	WACF0057	24200
ACC80					CA17110	D65161J6X			RCA246P	CA17110	WACF0151	24036
ACC81					CA17160	KD4561J6X			RCA275P	CA17160	WACF0163	24103
ACC82					CA18200	2727700A26			RCA267P	CA18200	WACF0196	
ACC83					CA18250	272771HD0B				CA18250	WACF0185	
ACC84					CA18310	27891ED025			RCA284P	CA18310	WACF0105	
ACC85					CA18340	27277JN20A			RCA228P	CA18340	WACF0136	24400
ACC86					CA28180	976174H900			RCA277P	CA28180	WACF0115	
ACC87					CA28260	087902H000			RCA211P	CA28260	WACF0158	WP10083
ACC88					CA28330	971331U000			RCA235P	CA28330	WACF0120	24080
ACC89					CA28340S	971332H700				CA28340S	WACF0113	
ACC90		1987432036			CAC30070	64312182458			RCA110P/RCA110C	CA30070	WACF2270	24673
ACC91					CA49010	6Q0820367B			RCA191C	CA49010	WACF5319	WP9036
ACC92					CA49030	8107300P00			RCA288P	CA49030	WACF0103	
ACC93					CA6511	9586165D00			RCA286P	CA6511	WACF0155	24899
ACC94	PA4462				CA66030	68079487AA			RCA242P	CA66030	WACF0154	24017
ACC95					CAC1002	MR958017				CAC1002	WACF0178	
ACC96					CAC10100	7803A027			RCA252C	CAC10100	WACF0149	
ACC97					CAC37010	30733893			RCA190C/RCA311P	CAC37010	WACF0080	
ACF1					FS7903	2303079025			MF8/Z316/Z361/ Z364/Z403/Z424/ Z441/Z481/Z487	FS7903	WZ441	
ACF2		0986450162			FS1905	AFG55	F34713	RFF62	Z373	FS1905	WZ373	33265
ACF3		0986AF9651			FS8002	16400-70J00		RFF2	Z168	FS8002	WZ168	33179
ACF4	BF1123	0450905002	P551760	FF5190	FS8006	16400V2700		RFF1	Z200	FS8006	WZ200	33023

ACDELCO	BALDWIN	BOSCH	DONALDSON	FLEETGUARD	SFA	OEM	PUROLATOR	REPCO	RYCO	SAKURA	WESFIL	WIX
ACF5	BF1100				FS7902	2330049145		RFF119	Z195/Z325/Z326/ Z353/Z363/Z381/ Z440/Z464/Z482/ Z575/Z595	FS7902	WZ440	
ACF6		0986450624		FF5224	FS2814	MB348127	F45067	RFF26	Z317	FS2814	WZ317	33465
ACF7	BF1048	0986450114			FS1811	42072AA011	F54668	RFF53	Z348	FS1811	WZ348	33558
ACF8		0986456150			FS8003	16400N9600		RFF3	Z202	FS8003	WZ202	33022
ACF9	BF932	0986450138			FS1802	2330024050	F20005		Z91	FS1802	WZ91	33053
ACF10	BF928			FF5179	FS1801	16400E5200			Z92/Z174/Z524	FS1801	WZ92	33087
ACF11					FS7909	MF1	F59049		MF1Z14/15	FS7909	WZ14/15	
ACF12		0986450117	P550935	LF3996	FS1701	986450117			Z198/Z337/Z427	FS1701	WZ198	33204
ACF14	PF311	0986AF9663	P550026	FF5029	F1303	1644490000			R2199P/R2440P	F1303	WR2199P	33260
ACF15	BF798	0986AF8161	P550391	FF5367	FC1005	4326739			Z194	FC1005	WHDZ194NM	33525
ACF16	BF7544	0986AF9658	P550405		FC1107	2330478020			Z183	FC1107	WZ183NM	39055
ACF17	BF7552		P550048	FF5087	FC1016	11900055600			Z188	FC1016	WZ188NM	33399
ACF18	BF988		P553004	FF5018	FC7101	5000686589			Z75	FC7101	WZ75	33358
ACF19	BF7534		P550390	FF5160	FC1001	8943692993			Z304/Z636	FC1001	WZ304NM	33128
ACF20	PF7572		P550392	LF66	F1304	234011080			R2493P	F1304	WR2493P	39035
ACF21	BF720	0986AF9661	P550932	FF5089	FC1003	3195093001			Z257	FC1003	WZ257NM	33397
ACF22	BF7648	0986AF9662	P550225	FF5138	FC1301	8943940791			Z321	FC1301	WHDZ321	33386
ACF23		0986AF6012	P502146		FC1105	16403G9900			Z380	FC1105	WCF48	
ACF24	BF7532	0986AF9648	P551351		FC1803	16405050	F59012		Z332	FC1803	WZ332NM	39057
ACF25	BF825	0986AF6030	P556245	FF167	FC1702	EX14240027			R2132P	FC1702	WR2132P	33166
ACF26		0986AF6041	P551339	FF5385	F1106	0423468010			R2423P/R2590P	F1106	WR2423P	
ACF27	BF954	0986AF6014	P550057	FF5114	FC8002	8941329471			Z169A	FC8002	WZ169	33393
ACF28	BF7535	0986AF6012	P550385	FF5159	FC1104	AFG182MC			Z699	FC1104	WCF104	
ACF29		0986450160	P553004		FS11750	2330019195	F59710	RFF126	Z354	FS-1134	WZ354	
ACF30					FF2064	F22020490		RFF31	Z306	FF2064	WZ306	33326
ACF31		0986450102	P550024		FS1704	F20120490A	F64492	RFF9	Z308	FS1704	WZ308	
ACF32	BF925				FS1706	B63013480A	F43153	RFF8	Z309X	FS1706	WZ309	33290
ACF33	BF929	0986450108			FS1719	N32620490	F54708		Z310/Z490	FS1719	WZ310	33221
ACF35	BF1104	0450905326	P551760	FF5190	FS8007	164000W01A		RFF4	Z201	FS8007	WZ201	
ACF36	BF885	0450905401			FS3107	431133511D	F53191	RFF7	Z399/Z400	FS3107	WZ400	
ACF38		0986450141			FS7902	2330079165		RFF75	Z353	FS7902	WZ353	
ACF40		0986450622			FS4902	MB220794			Z344/Z342/Z343/ MF4	FS4902	WZ344	
ACF42					FF2097	MB504757		RFF75	Z363	FF2097	WZ363	
ACF43					FF2173	MB504762			Z403	FF2173	WZ403	33333
ACF44		0986450106			FS1723	KL0520490B	F64795	RFF85	Z385	FS1723	WZ385	
ACF48	BF1155	0986450211			FS1123	2330042010		RFF118	Z352/Z577	FS1123	WZ352/WZ577	
ACF49	BF1148	0450905912		FF5177	FS1115	2330050050		RFF59	Z383	FS1115	WZ383	
ACF50					FF2182	2330018175		RFF75	Z417	FF2182		
ACF51					FS1712	JE0120490A	F44658	RFF28	Z307	FS1712	WZ307	33329
ACF52					FF2150	2330079285		RFF75	Z381	FF2150	WZ381	33223
ACF53					FS16260	16010SM4A30		RFF56	Z359	FS16260	WZ359	33283
ACF56			P551122		FS7902	MB504749		RFF75	Z397	FS7902	WZ397	
ACF58					FS1209	2330087102		RFF80	Z370/Z412	FS1209	WZ370/ WZ412	
ACF59					FS4901	16900SE0A31			Z323	FS4901		
ACF61					FS1615	16900SB2734		RFF68	Z360	FS1615	WZ360	

ACDELCO	BALDWIN	BOSCH	DONALDSON	FLEETGUARD	SFA	OEM	PUROLATOR	REPCO	RYCO	SAKURA	WESFIL	WIX
ACF63					FF2200	N3A120490			Z401	FF2200	WZ401	
ACF64	BF840		P550012		FS1004	2330022012	F59011		Z14	FS1004	WZ14	33032
ACF65	BF833				FS10042	AP100085	F20002		Z15	FS10043	WZ15	
ACF66	BF1193	0450905916			FS1607	16010ST5931	F44870	RFF39	Z463	FS1607	WZ463	33559
ACF67	BF661	0450905601			FS2401	EW311514	F63177	RFF5	Z311	FS2401	WZ311	33279
ACF68		0986450164			FS1734	G60720490B	F64706	RFF54	Z405	FS1734	WZ405	33298
ACF69		0450905935	P552437		FS1804	1640072L00	F44663	RFF46	Z387	FS1804	WZ387	33477
ACF71			P550730	FS1287	SFC130630	234011440			Z826	SFC130630	WR60PNM	
ACF75	BF1178	0986450038	P552401	FF5221	FS1005	MB433774	F44804		Z346	FS1005	WZ346	33470
ACF76	BF805	0986450018	P550404	FF5174	FS1103	2330034100			Z205	FS1103	WZ205	33275
ACF77				FF2052	FS1158	672603C2	F59035		Z114	FS1158	WZ114	
ACF78	BF805		P552399		FS1145	2330044060			Z197/Z349/Z616	FS1145	WZ197	33084
ACF79		0986AF6010	P550049	FF5088	FC8001	55923570			Z181	FC8001	WZ181NM	33395
ACF80	BF1104	0986450122			FS1809	16400V2600	F45074	RFF38	Z199	FS1809	WZ199	
ACF81		0450904161			FS1702	B36613470	F59041		Z434/Z366	FS1702	WZ434	
ACF82					FS1815	1640003000	F69050		Z322	FS1815	WZ322	39000
ACF83			P552394	FF5192	FS1102	2330025020			Z382	FS1102	WZ382	33066
ACF84					FS8004	16400J7525			Z153	FS8004	WZ153	33033
ACF85			P502169		FC5107	CR9336			R2444P	FC5107	WR2444P	39090
ACF86	BF929	0986450108			FS1719	N32620490	F54708	RFF23	Z490	FS1719	WZ310	33221
ACF88	BF933		P552394	FF5192	FS1415	1541082000			Z390	FS1415	WZ390	
ACF89		0986AF8046			FS1402	1541063B01	F59042		Z491	FS1402	WZ491	
ACF90	BF1185	0450905273			FS2301	25121074	F69029	RFF88	Z578/Z534/Z469/ Z748	FS2301	WZ578	
ACF91	BF1050	0986450115			FS1112	2330019295	F54664	RFF116	Z478	FS1112	WZ478	33565
ACF92	BF1185				FS2301	25121074	F69029		Z469	FS2301	WZ469	33484
ACF93		0986450172			FS1035	AFG60	F55271	RFF33	Z528	FS1035	WZ528	
ACF99					FF2183	JE4920490		RFF77	Z425	FF2183	WZ425	
ACF105	BF7807	0986450039			FS1160	2330015010			Z318	FS1160	WZ318	
ACF107		0986450632			FS1143	2330075100	F59081	RFF111	Z571	FS1143	WZ571	
ACF108	BF1192	0986450166			FS1152	2330069045	F55135	RFF92	Z467	FS1152	WZ467	33563
ACF111	BF1061	0986450187			FS1025	MR204132	F45191	RFF51	Z515	FS1025	WZ515	
ACF112	BF7661	0986450194			FS1153	2330020040		RFF135	Z550	FS1153	WZ550	
ACF113		0986450175			FS1144	2330050090	F55354	RFF61	Z599	FS1144	WZ599	
ACF114		0986AF9660			FC1009	ME132525			Z611	FC1009	WZ611	
ACF115	BF853	0986450119	P550209	FF5026	FS2302	8250550520		RFF87	Z479	FS2302	WZ479	33481
ACF116		0986450181			FS1735	JE4520490A	F65746	RFF99	Z457	FS1735	WZ457	
ACF117	BF966	0986450152	P550126		FS1907	AJ0313480		RFF103	Z506/Z601/Z430	FS1907	WZ601	
ACF118					FS1718	B3H720490	F55056	RFF90	Z484/Z526	FS1718	WZ484	
ACF119					FS1910	Z60520490		RFF122	Z627	FS1910	WC4567	
ACF120		0986450219			FS6503	95075337	F69708	RFF121	Z586	FS6503	WZ586	
ACF121		0986AF8107			FS1612	16900S84G01		RFF146	Z620	FS1612	WZ620	
ACF123		0450902161			FS2804	3191125000	F59030	RFF136	Z583	FS2804	WZ583	
ACF125		0986AF8047			FS7905	OK55820490		RFF145	Z605	FS7905	WZ605	
ACF126		0450905970			FS2907	OK30A13480		RFF139	Z603	FS2907	WZ603	
ACF128					FS1161	2330075020	F59082		Z498	FS1161	WZ498	
ACF129			P505973		F1111	233900L020			R2619P	F1111	WCF31	
ACF130					FS1149	2330021010	F59725	RIF303	Z646	FS1149	WCF22	

ACDELCO	BALDWIN	BOSCH	DONALDSON	FLEETGUARD	SFA	OEM	PUROLATOR	REPCO	RYCO	SAKURA	WESFIL	WIX
ACF131					FS1157	2330028030	F69731		Z654	FS1157	WCF33	
ACF132					FS1730	GY0113ZE0	F65754	RIF305	Z647	FS1730	WCF27	
ACF133					FS2813	319102D000		RIF300	Z650	FS2813	WCF21	
ACF134		0450905969			FS8901	96335719	F65563	RFF141	Z621/Z638	FS8901	WZ621	33850
ACF135		0450905920			FS1411	1541060G00		RFF101	Z518/Z594	FS1411	WZ518	33572
ACF136		0450905287			FS2102	9622617880			Z549	FS2102	WZ549	
ACF137			P506036	FF5765	F11130	2339051020			R2657P	F11130	WCF95	
ACF138		0986AF6103	P506009	FF4103	F1508	8980363210			R2656P	F1508	WCF108	
ACF139					FC1511	8972889470			Z783	FC1511	WCF142	
ACF140		1457434451			FC1814	164037F401			Z686/Z640	FC1814	WCF71	
ACF141		0986AF8103			FS11660	2330031100	F65752		Z635	FS11660	WCF6	
ACF142					EF1002	ME301897			R2699P	EF1002	WCF144	
ACF143		0986AF6192	P502427	FS36243	EF1509	8980370110			R2691P	EF1509	WCF121	33937
ACF144					FS28150	319113A000		RFF150	Z590	FS28150	WZ590	
ACF145					FS11650	2330075140			Z684	FS11650	WCF82	
ACF146					FS28210	311121C000		RIF302	Z677	FS28210	WCF101	
ACF147		1457434442			FS19130	31390H1970			Z644	FS19130	WCF90	
ACF148	PF9803	0986AF6193	P502378	FF5797	EF1003	ME222135			R2696P	EF1003	WCF124	33745
ACF149		0450905926			FS19140	D35013480	F65751		Z629	FS19140	WZ629	
ACF150		0986AF6036	P506011	FF5831	FC1018	1770A012			Z679	FC1018	WCF103	
ACF151					FS11760	2330031120			Z683	FS11760	WCF81	
ACF152					FS18250	164002Y505		RIF321	Z678	FS18250	WCF102	
ACF153					FS23040	92193770				FS23040		
ACF154		1457434329			FC19070	BF8T9155AA			Z615	FC19070	WZ615	
ACF155					EF31060	3C0127434			R2642P	EF31060	WCF112	33256
ACF156		1457434511			FC2801	319224H001			Z707	FC2801	WCF126	
ACF157					FS1037	MR552781			Z909	FS1037	WCF208	
ACF158					FS1812	164004M405	F59734	RIF308	Z657	FS1812	WCF23	
ACF159					FS11740	7702412050			Z770	FS11740	WCF176	
ACF160					FS11770	2330020130		RIF322	Z697	FS11770	WCF137	
ACF161		0986AF9672			FS1150	2330023030	F59736		Z659	FS1150	WCF20	
ACF162			P502375		FC28060	319222B900			Z615	FC28060	WCF129	
ACF163					FS16241	16010SAA000			Z704	FS16241	WCF159	
ACF164					FS18270	16400EC00B			Z711	FS18270	WCF157	
ACF165					FS18280	42072AE000			R2626P	FS18280	WCF79	
ACF166					FS28220	3111226000			Z693	FS28220	WCF106	
ACF175					EF19030	6G9N9176AB			R2666P	EF19030	WCF150	
ACF176					EF65010	13263262			R2719P	EF65010	WCF145	
ACF177	BF7742		P550556		FS1912	2L2Z9155AB	F65472		Z623	FS1912	WZ623	33424
ACF178					FS2809	31911H1800			Z634	FS2809	WCF4	
ACF179					FS2811	3191128204		RIF311	Z656	FS2811	WCF86	
ACF180					FS2812	319100900	F59732	RIF310	Z655	FS2812	WCF28	
ACF181					FS28230	319113E200		RIF327	Z695	FS28230	WCF107	
ACF182					FS48010	92146684			Z710	FS48010	WCF138	
ACF183	PF9909				EF21010	96816473			R2661P	EF21010	WCF99	
ACF184					FS1031	MR526974		RIF307	Z653	FS1031	WCF30	
ACF185	BF1112				FS1138	2330046060	F55355	RFF47	Z466/Z573/Z604	FS1138	WZ466/WZ604	33567
ACF186					FS1140	2330074210	F45134		Z552	FS1140	WZ552	33561

ACDELCO	BALDWIN	BOSCH	DONALDSON	FLEETGUARD	SFA	OEM	PURULATOR	REPCO	RYCO	SAKURA	WESFIL	WIX
ACF187					FS1154	2330066050			Z624	FS1154	WZ624	
ACF188					FS11820	770248Y002			Z708	FS11820	WCF156	
ACF189					FS1729	ZL0520490A			Z648	FS1729	WCF24	
ACF190		F026402059		FF5773	FS18310	16400ES60B			Z712	FS18310	WCF146	
ACF191	BF1150		P502329	FF5218	FS1401	1541079100	F54498		Z367	FS1401	WZ367	33387
ACF192					EF65030	94771044			R2733P	EF65030	WCF225	
ACF193					F17011	U20113ZA5A			R2724P	F17010	WCF207	
ACF194					FS17420	LF171335ZA			Z959	FS17420	WCF25	
ACF195					FS10490	MR212200			Z639	FS10490	WCF96	
ACF196					EF65020S	95492920			R2745P	EF65020S	WCF195	
ACF197					FS11840	7702452122			Z791	FS11840	WCF193	
ACF198					FS11850	7702442080			Z913	FS11850	WCF259	
ACF199					FS11860	7702452171			Z934	FS11860	WCF232	
ACF200					FS28260	319112E000			Z772	FS28260	WCF123	
ACF201	BF7535	0986AF9664	P505952	FF5159	FC1115	2339030180	F63180		Z252X	FC1115	WZ252	33138
ACF202					FS11730	2330021030			Z698	FS11730	WCF139	
ACF203					FS31110	1K0201051K			Z768	FS31110	WCF151	
ACF204					FS28250	319102H000			Z735	FS28250	WCF169	
ACF205					FS16280	16010S9A000				FS16280	WCF180	
ACF206					FS1613	16010SDCE01		RIF304	Z649	FS1613	WCF26	
ACF207					FS16250	17048SWET00			Z921	FS16250	WCF219	
ACF208					FS18340	42072AG140			Z717	FS18340	WCF162	
ACF209					FS11790	7702442061			Z792	FS11790	WCF194	
ACF210					FS25020	16400JY09E			Z891	FS25020	WCF160	
ACF211					FS11830	2330030410			Z780	FS11830	WCF178	
ACF212					FS26090	05117492AA			Z706	FS26090	WCF114	33934
ACF213		0450905318			FS3108	1J0201511A		RFF143	Z584	FS3108	WZ584	
ACF214		0450905959			FS31150	1K0201051C			Z760	FS31150	WCF93	33814
ACF215					FS31140	2H0127401A			Z951	FS31140	WCF214	
ACF216					EF21020	3M5Q9176AA			R2641P	EF21020	WCF115	
ACF217		F026402008			EF31010	1K0127434B			R2659P	EF31010	WCF130	33832
ACF218		F026402009			EF31020	1K0127177A			R2622P	EF31020	WCF92	
ACF219					EFG15010	92266048				EFG15010	WCF196	
ACF220		0986AF6037		FF5432	FC1108	2339033010			Z610	FC1108	WCF274	
ACF221					FS10510	MN135454				FS10510		
ACF222					FS-10520	MR529135			Z885	FS-10520	WCF167	
ACF223	BF1155	0986450211			FS1123	2330042010		RF113/ RF114/ RFF118	Z352/Z577	FS1123	WZ352/WZ577	33457/ 33503
ACF224					FS-11780	2330031140			Z682	FS-11780	WCF97	
ACF225					FS-11890	7702428060				FS-11890	WCF238	
ACF226					FS16270	17048SNA010			Z920	FS16270	WCF182	
ACF227					FS-17430	L57713ZE0				FS-17430	WCF209	
ACF228		0450905216			FS-19180	91AB9155AA			Z446	FS-19180	WZ446	
ACF229	BF890	0986450167	P552376	FF5238	FS-2002	33000076		RFF109	Z468	FS-2002	WZ468	33486
ACF230		0450915003			FS-26060	0024773101		RFF149	Z626	FS-26060	WCF51	33643
ACF231		0450905915			FS-2805	3191129000			Z535	FS-2805	WZ535	33229
ACF232					FS-28280	319114D600			Z771	FS-28280	WCF171	
ACF233					FS30010	13327793672			Z721/Z745	FS30010	WCF198	

ACDELCO	BALDWIN	BOSCH	DONALDSON	FLEETGUARD	SFA	OEM	PUROLATOR	REPCO	RYCO	SAKURA	WESFIL	WIX
ACF234		0450905952			FS30020	13321709535			Z702	FS30020	WCF52	
ACF235	BF7641	0450905905			FS30030	13321702632		RFF120	Z551	FS30030	WZ551	
ACF236			P550857		FS31130	7H0127401A			Z680	FS31130	WCF89	WF8358
ACF237					FS38010	GR1111400ED01				FS38010	WCF217	
AC01	B2	0986452001	P551305	LF3313	C1121	1560041010	L30001	ROF1	Z9	C1121	WZ9	51515
AC02	B178	0986AF1044	P554770	LF785	C1921	1560133021	L20064	ROF93	Z68	C1921	WZ68	51342
AC03	B9	0986AF1174	P550024	LF3538	C2302	7428256	L30005	ROF3	Z30	C2302	WZ30	51049
AC04	B113	0986AF9077	P550227	LF781	C1833	1560133010	L30042	ROF12A	Z37	C1833	WZ37	51034
AC05	B173S	0986AF1198	P550173	LF798	C1031	MD001445	L24458	ROF2	Z148A/Z56B	C1031	WZ56	51381
AC06		0451103314		LF785	C1828	06A115561B		ROF122	Z553	C1828	WZ553	51342
AC07	B173S	0986AF9009	P550173	LF3336	C1032	MD031805	L10193	ROF142	Z79A/Z142A	C1032	WZ142	51381
AC08	BT223	0986AF1042	P550335	LF3335	C1123	94840078	L10241	ROF58A	Z87A	C1123	WZ418	51348
AC09	B163	0986AF1046	P550318	LF3376	C1122	1560025010	L14670	ROF15A	Z89A	C1122	WZ89	51307
AC010	B162	0986AF1042	P550162	LF3403	C1032	MD031805			Z426	C1032	WZ426	51381
AC011	B113	0986AF9006	P550971	LF3434	C1826	AFL40	L24457	ROF96	Z145A	C1826	WZ145	51034
AC012	B118	0986AF1067	P557780	LF3314	C1834	15208W3401	L30257	ROF9	Z115	C1834	WZ115	51452
AC013	B131	0986AF1060	P552290	LF3338	C1210	1560187201		ROF13	Z125	C1210	WZ125	51374
AC014	B156	0986452015	P502048	LF3337	C1603	15400PA6003	L10291	ROF19	Z130A	C1603	WZ130A	51392
AC015	B2	0986AF9022	P550008	LF3487	C8011	1552132430	L30007	ROF94	Z131A	C8011	WZ131	51775
AC016	B173S	0986AF9009	P550173	LF3336	C1032	MD031805	L10193		Z142A	C1032	WZ142	51381
AC017	B173S	0986AF1198	P550173	LF798	C1031	MD001445	L24458	ROF11	Z148A	C1031	WZ56	51381
AC018	B43S	0451103079	P550047	LF780	C8013	93156300	L10111	ROF6	Z154	C8013	WZ154	51040
AC019	B33	0986AF1041	P550534	LF3495	C1130	1560113010	L22821	ROF101	Z158	C1130	WZ158	51394
AC021	B1400	0986AF1069	P502067	LF3692	C8036	15208KA000	L14612	ROF54	Z436	C8036	WZ445NM	51356
AC022	B33	0986AF9095	P502015	LF3614	C1125		L14476	ROF21	Z386	C1125	WZ386	51394
AC023	B1406	0986452060	P502070	LF3615	C8029	1520853J00		ROF47	Z442	C8029	WZ442	57145
AC024	BT223	0986AF1042	P550335	LF3335	C1123	94840078	L10241	ROF58A	Z418/Z422/Z87A/ Z88A	C1123	WZ418	51348
AC025	BT5	0986AF1171	P550580	LF580	C6526	25010633	L14006	ROF23	Z160	C6526	WZ160	51189
AC026	B1400	0986AF1056	P502067	LF3692	C1711	FEY014302		ROF46	Z429	C1711	WZ429	51357
AC027	B1402	0986AF1173	P502057	LF3537	C1028	FEY014302	L14610	ROF51	Z411	C1028	WZ456	51356
AC028	B1402	0986AF1173	P502057	LF3537	C1028	FEY014302	L14610	ROF98	Z411/Z456	C1028	WZ456	51356
AC029	B120	0986AF1066	P550210	LF3435	C8020	15208W1103		ROF17	Z170	C8020	WZ170	51521
AC030	BT223	0986AF1157	P502031	LF3335	C14033	1651083000	L14477		Z172/Z801	C1403	WZ172	51348
AC031	BT221	0986AF1082	P550707	LF3399	C1108	1560168010	L59008	ROF14	Z161X	C1108	WZ161	59236
AC032	BD7029	0986AF1048	P550597	LF3608	C1112	9091503006	L39006	ROF36	Z334	C1112	WZ334	59237
AC033	B201S	0986AF1064	P550383	LF3523	C1504	8941145850	L10343	ROF44	Z155X	C1504	WZ155	59148
AC034	B6		P550025	LF651	C6531	9Y4452		ROF25	Z24	C6531	WZ24	51061
AC035		0986AF9039		LF16270	C8008	3801471	L20020	ROF20	Z96	C8008	WZ96	
AC038	B166	0986AF1054	P552849	LF795	C1602	025914300	L10109	ROF24	Z57A	C1602	WZ57NM	51390
AC039	BT216	0986AF9023	P554403	LF701	C5101	2654403	L30137	ROF35	Z38	C5101		51806
AC040	B109	0986AF1037	P550067	LF3433	C1004	ME014833	L20290	ROF33	Z162	C1004	WZ162NM	51523
AC041	BD28	0986AF9020	P551343	LF3564	C8024	MD069782	L34750	ROF49	Z313	C8024	WZ313NM	51067
AC042	B166	0986AF9004	P502022	LF3338	C1123	94840078		ROF159	Z88A	C8032		
AC043	B7130	0986AF9026		LF3572	C1717	TFY014302		ROF56	Z419	C1717	WZ419NM	59247
AC044	B6	0986AF9061	P166564	LF3488	C6502	5578108	L20049	ROF78	Z40	C6502	WZ40	51061
AC045	B227	0986AF1070	P550162	LF3462	C1816	15208AA023	L14460	ROF99	Z495	C1816	WZ495NM	51334
AC046	B37	0986AF1043	P502019	LF3948	C8044	9091510002		ROF53	Z432	C8044	WZ432	51396

ACDELCO	BALDWIN	BOSCH	DONALDSON	FLEETGUARD	SFA	OEM	PUROLATOR	REPCO	RYCO	SAKURA	WESFIL	WIX
AC047	P723	0986AF9049	P550010	LF3319	O1301	1878100750	L34524	ROF65	R2390P	O1301	WR2390P	51282
AC050	BD7105		P552050	LF3618	C1304	156071731		ROF210	Z319	C1304	WZ319	57080
AC051	BD1403		P552562	LF3586	C1007	15201Z9009	L55327		Z371	C1007	WHDZ371	51674
AC052	BD7169	0986AF1159	P502042	LF3854	C1562	8970967770		ROF91	Z476	C1562	WZ476	59154
AC053	BD7141		P550408	LF3622	C1561	8943963750			Z475	C1561	WZ475	59152
AC054	P249		P550378	LF3514	O1006	ME034605			R2495P	O1006	WR2495P	59161
AC055	B7034	0986AF9041	P550412	LF3669	C1704	SL5014V61	L39014	ROF50	Z330	C1704	WZ330NM	59233
AC056	BD7028	0986AF1084	P502008	LF3830	C1012	ME013343	L45262	ROF68	Z372	C1012	WZ372	51675
AC058	BT338	0986AF1040	P550242	LF3524	C1006	ME014838	L25241	ROF76	Z251	C1006	WZ251	51387
AC061	B109	0986AF1081	P550067	LF3786	C1511	8944309830	L14619	ROF39	Z178A	C1511	WZ178NM	51324
AC062	B7130	0986AF9043	P550409	LF3666	C1703	130523802	L49028	ROF31	Z179	C1703	WHDZ179NM	52947
AC064	B7033	0986AF9031	P550389	LF3522	C1508	8941145840		ROF75	Z333	C1508	WZ333NM	
AC066	BD7160	0986AF1074	P502058		C1712	8943406971	L37278	ROF81	Z402	C1712	WZ402NM	59250
AC068	PT12		P550185	LF598	O1902	26540153	L20099		R2340P	O1902		51099
AC070		0986AF9021	P502068	LF3863	C1835	1520840L02		ROF63	Z416	C1835	WZ416	59307
AC071	BT261	0986AF1032	P555616	LF3307	C1807	15209J6500	L40106	ROF37	Z149	C1807	WZ149NM	51769
AC072	B202	0986AF1085	P550158	LF3369	C8033	0K67213850A	L35721	ROF42	Z150	C8033	WZ150NM	51324
AC073	B1400	0986AF1069	P502067	LF3692	C8036	15208KA000	L14612	ROF54	Z445/Z436	C8036	WZ445NM	51356
AC074	B7022	0986AF1068	P557780	LF3638	C1819	1520843G00	L39020	ROF64	Z503	C1819	WZ503NM	51647
AC075	B113		P550227	LF3434	C1838	15208AA000		ROF97	Z493	C1838	WZ493NM	51361
AC077					C1111	1560064020		ROF86	Z335	C1111	WZ335NM	51368
AC078	B7165	0986AF9018	P502024	LF16108	C1219	156018770399M	L19056	ROF67	Z443	C1219	WZ443NM	51065
AC079	B7001	0986AF9037	P550357	LF3655	C8041	1059924	L37230	ROF73	Z499	C8041	WZ499	
AC080	BT353	0986AF1057	P502007	LF3644	C1821	1520831U00			Z547	C1821	WZ547NM	51346
AC081	P1440	1457429178			E02301	90536362	L15309	ROF104	R2591P	E02301	WR2591P	57033
AC082	P7365	1457429271	P505978		E01804	152092W200		ROF110	R2593P	E01804	WR2593P	
AC083		0986AF1160	P506008	LF16267	C1527	8971679720	L45722	ROF108	Z600	C1527	WZ600	
AC084	B329	0986AF1172	P550965	LF3681	C1922	AJ0414302	L24651	ROF80	Z516	C1922	WZ516	51372
AC085	B178	0451103033	P554770	LF3568	C6206	056115561G	L20252		Z63	C6206	WZ63	51764
AC086	B7167	0451103261	P552849	LF3624	C2105	1109N2	L17662	ROF82	Z543	C2105	WZ543	51347
AC087	P7313	1457429257			E01701	L32114302	L15505	ROF111	R2604P	E01701	WC056	57203
AC088	P1433	0986AF1176	P552361		O6508	25177917	L25274	ROF102	R2605P	O6508	WC04	57090
AC089	P1445	0986AF9087			E06507	24460713	L15436	ROF107	R2602P	E06507	WC1000	57082
AC090					C6534	92068246		ROF207	Z688	C6534	WC076	
AC091	BD28	0986AF1080	P551343	LF16227	C2906	2630042040	L45723	ROF112	Z630	C2906	WC057	51067
AC092	B160	0986AF1177	P550794	LF16242	C7971	89017524		ROF124	Z663	C7971	WC068	57060
AC094	MTW2204		P505956	LF3897	C1321	156072121			Z555	C1321	WC025	
AC095	B1413	0986452068		LF16325	C1936	LF1014302		ROF117	Z632	C1936	WZ632	51215
AC096	B1413	0986452068		LF16325	C1936	LF1014302		ROF117	Z632	C1936	WZ632	51215
AC097	B179	0451103336	P550162	LF3403	C2512	8200033408		ROF185	Z608	C2512	WC050	51334
AC098	P7255	0986AF9025		LF16113	E01902	XS7Q6744AA	L15719	ROF114	R2594P	E01902	WR2594P	
AC099					E06504	90530260		ROF181	R2621P	E06504	WC011	
AC0100	B1416	0451103086	P502019	LF3615	C1915	YF0914302		ROF122	Z596	C1915	WZ596	57145
AC0101	P7398				E01101	0415231090		ROF127	R2648P	E01101	WC067	57047
AC0102			P505988	LF16317	E011060	0415238020		ROF165	R2651P	E011060	WC080	57041
AC0103			P502431		E01802	15208AD200		ROF242	R2598P	E01802	WC0112	
AC0104	P7400				E02804	263203C100		ROF188	R2618P	E02804	WR2618P	57061
AC0105					E023020	93743595		ROF188	R2658P	E023020	WC0102	

ACDELCO	BALDWIN	BOSCH	DONALDSON	FLEETGUARD	SFA	OEM	PUROLATOR	REPCO	RYCO	SAKURA	WESFIL	WIX
AC0106					E023030	93183412		ROF200	R2637P	E023030	WC070	
AC0107					E023020	93743595		ROF188	R2658P	E023040	WC0102	
AC0108	P7489				E065090	93185674		ROF189	R2694P	E065090	WC091	57674
AC0109					E01702	1359941		ROF215	R2684P	E01702	WC0100	
AC0110					C1923	04781452BB		ROF95	Z631	C1923	WC021	51516
AC0111					C49110	LPW100160		ROF134	Z689	C49110	WC018	
AC0112					E02803	263202A001		ROF187	R2655P	E02803	WC0105	
AC0113					E028060	263202A500		ROF196	R2695P	E028060	WC0115	
AC0114					C2810	263104A000				C2810	WC0106	
AC0115	P7417				E019030	8692305		ROF224	R2633P	E019030	WC079	57186
AC0116	P7454				E01103	04152B1010	L16311		R2620P	E011050	WC017	57064
AC0117					E02801	2631627000		ROF219	R2650P	E02801	WC0119	WL7412
AC0118					C65400	25181616			Z930	C65400	WC0157	
AC0119					E01103	04152B1010		ROF227C	R2620P	E01103	WC017	
AC0120					E01401	1651185C00			R2708P	E01401	WC0113	
AC0121	P1443	1457429116	P550564	LF3997	E02623	1121840025	L25536	ROF103	R2682P	E02623	WC062	51226
AC0122					E03005	11427508969		ROF125	R2635P/R2624P	E03005	WC07	
AC0123			P550819	LF17489	E03103	071115562A		ROF143	R2615P	E03103	WC054	57083
AC0124	P7418				E01102	0415231060	L25609	ROF194	R2664P	E01102	WC066	57173
AC0125	P7450				E024070	6C106744AA	L15830	ROF150	R2654P/R2663P	E024070	WC078	
AC0126					C2809	2631027420		ROF205	Z720	C2809	WC088	
AC0127					E065110	93745801			R2736P	E065110	WC0154	
AC0128					E065120	12636838			R2734P	E065120	WC0172	
AC0129					E031070	06D115562		ROF221C	R2646P	E031070	WC022	57187
AC0130					E017030	U2Y014302		ROF257	R2720P	E017030	WC0161	
AC0131					C14042	1651061A31		ROF197	Z734	C14042	WC028	
AC0132					C19410	BM566714AA			Z781	C19410	WC0179	
AC0133					E028070	263202F000			R2700P	E028070	WC0130	
AC0134					E018210	1520900Q0A			R2660P	E018210	WC0122	
AC0135	P7426				E03006	11421716192		ROF106	R2597P	E03006	WR2597P	
AC0136		F026407080			C31070	06H115403			Z793	C31070	WC0135	51213
AC0137		F026407023			E031110	03L115466	L26288		R2701P	E031110	WC0142	57262
AC0138					E079060	6M566744AA			R2652P	E079060	WC079	
AC0139					C17410	PE0114302				C17410	WC0170	57002
AC0140					C31080	03C115561B	F026407079		Z794	C31080	WC0132	
AC0141					C15670	8981650710			Z929	C15670	WC0173	
AC0142	B7429	0451103300			C22220	0046808398		ROF139	Z690	C22220	WC051	
AC0143					E021020	1109X8			R2662P	E021020	WC0107	
AC0144					E028080	263203CAA0			R2743P	E028080	WC0134	57050
AC0145	BT251	0451203087		LF3580	C7103	074115561		ROF84	Z581	C7103	WZ581	
AC0146	P7138	0986AF9085			E03009	11427512300		ROF116	R2592P	E03009	WR2592P	51223
AC0147		1457429252			E030120	11427788460			R2636P	E030120	WC0120	
AC0148	P7438				E030140	11427541827		ROF191	R2673P	E030140	WC093	57327
AC0149					E030170	11427805707				E030170	WC0126	
AC0150	B7449				C19421	19330000				C19421		57045
AC0151					C31090	04E115561				C31090	WC0179	WL7503
AC0152		0451103318			C6228	030113572AA		ROF144	Z661	C6228	WC010	WL7169
AC0153		0451103342/ 0986AF9063			C7948	LPX100590		ROF109	Z614	C7948	WZ614	



ACDELCO	BALDWIN	BOSCH	DONALDSON	FLEETGUARD	SFA	OEM	PUROLATOR	REPCO	RYCO	SAKURA	WESFIL	WIX
AC0154					E020010	68109834AA			R2737P	E020010	WC0163	
AC0155		1457429193			E02101	1109R7		ROF149	R2608P	E02101	WC043/WC0156	WL7299
AC0156		0986AF9064/ 1457429762			E02402	1275810		ROF120	R2599P	E02402	WC1054/ WR2599P	57021
AC0157		1457429263			E02631	A6511800109		ROF103	R2606P	E02631	WC038/WC0176	
AC0158		1457429261			E02637	A2711840125	L45514	ROF192	R2681P	E02637	WC05	57009
AC0159		1457429306			E026400	A2661840325			R2634P	E026400	WC086	
AC0160		F026407008			E026410	05175571AA	L25646		R2623P	E026410	WC094	WL7416
AC0161					E031080	057115561M			R2738P	E031080	WC092	
AC0162					E065140	93191747			R2766P	E065140	WC0166	
AC0163	P7492				E066010	68079744AB			R2731P	E066010	WC0167	57526
AC0164	P1419	1457429122	P502214	LF3998	O2624	A3661800909		ROF105	R2596P	O2624	WC1033/ WR2596P	51145

# Filters

## cross reference

BALDWIN	ACDELCO	BALDWIN	ACDELCO	BALDWIN	ACDELCO	BALDWIN	ACDELCO
B2	AC01	B1406	AC023	BF933	ACF88	BT261	AC071
B2	AC015	B1413	AC095	BF954	ACF27	BT338	AC058
B6	AC034	B1413	AC096	BF966	ACF117	BT353	AC080
B6	AC044	B1416	AC0100	BF988	ACF18	MTW2204	AC094
B9	AC03	B7001	AC079	BF1048	ACF7	P249	AC054
B33	AC019	B7022	AC074	BF1050	ACF91	P723	AC047
B33	AC022	B7033	AC064	BF1061	ACF111	P1419	AC0164
B37	AC046	B7034	AC055	BF1100	ACF5	P1433	AC088
B43S	AC018	B7130	AC043	BF1104	ACF35	P1440	AC081
B109	AC040	B7130	AC062	BF1104	ACF80	P1443	AC0121
B109	AC061	B7165	AC078	BF1112	ACF185	P1445	AC089
B113	AC04	B7167	AC086	BF1123	ACF4	P7138	AC0146
B113	AC011	B7429	AC0142	BF1148	ACF49	P7255	AC098
B113	AC075	B7449	AC0150	BF1150	ACF191	P7313	AC087
B118	AC012	BD28	AC041	BF1155	ACF48	P7365	AC082
B120	AC029	BD28	AC091	BF1155	ACF223	P7398	AC0101
B131	AC013	BD1403	AC051	BF1178	ACF75	P7400	AC0104
B156	AC014	BD7028	AC056	BF1185	ACF90	P7417	AC0115
B160	AC092	BD7029	AC032	BF1185	ACF92	P7418	AC0124
B162	AC010	BD7105	AC050	BF1192	ACF108	P7426	AC0135
B163	AC09	BD7141	AC053	BF1193	ACF66	P7438	AC0148
B166	AC038	BD7160	AC066	BF7532	ACF24	P7450	AC0125
B166	AC042	BD7169	AC052	BF7534	ACF19	P7454	AC0116
B173S	AC05	BF661	ACF67	BF7535	ACF28	P7489	AC0108
B173S	AC07	BF720	ACF21	BF7535	ACF201	P7492	AC0163
B173S	AC016	BF798	ACF15	BF7544	ACF16	PA615	ACA19
B173S	AC017	BF805	ACF76	BF7552	ACF17	PA1657	ACA30
B178	AC02	BF805	ACF78	BF7641	ACF235	PA1667FN	ACA65
B178	AC085	BF825	ACF25	BF7648	ACF22	PA2031	ACA29
B179	AC097	BF833	ACF65	BF7661	ACF112	PA2037	ACA40
B201S	AC033	BF840	ACF64	BF7742	ACF177	PA2041	ACA37
B202	AC072	BF853	ACF115	BF7807	ACF105	PA2041	ACA148
B227	AC045	BF885	ACF36	BT5	AC025	PA2042	ACA4
B329	AC084	BF890	ACF229	BT216	AC039	PA2065	ACA56
B1400	AC021	BF925	ACF32	BT221	AC031	PA2075	ACA23
B1400	AC026	BF928	ACF10	BT223	AC08	PA2090	ACA35
B1400	AC073	BF929	ACF33	BT223	AC024	PA2117	ACA77
B1402	AC027	BF929	ACF86	BT223	AC030	PA2121	ACA36
B1402	AC028	BF932	ACF9	BT251	AC0145	PA2123	ACA38

BALDWIN	ACDELCO	BALDWIN	ACDELCO	BALDWIN	ACDELCO	BOSCH	ACDELCO
PA2124	ACA33	PA4091	ACA292	PA4364	ACA213	0450902161	ACF123
PA2129	ACA87	PA4092	ACA346	PA4368	ACA159	0450904161	ACF81
PA2130	ACA26	PA4099	ACA138	PA4372	ACC20	0450905002	ACF4
PA2135	ACA21	PA4101	ACA303	PA4374	ACA246	0450905216	ACF228
PA2149	ACA17	PA4102	ACA221	PA4376	ACA233	0450905273	ACF90
PA2156	ACA57	PA4103	ACA108	PA4382	ACA298	0450905287	ACF136
PA2163	ACA312	PA4104	ACA304	PA4390	ACA322	0450905318	ACF213
PA2169	ACA13	PA4108	ACA211	PA4391	ACC48	0450905326	ACF35
PA2171	ACA46	PA4125	ACA112	PA4395	ACC66	0450905401	ACF36
PA2174	ACA72	PA4128	ACA146	PA4396	ACA291	0450905601	ACF67
PA2176	ACA11	PA4132	ACA210	PA4398	ACC74	0450905905	ACF235
PA2180	ACA78	PA4138	ACA90	PA4401	ACA166	0450905912	ACF49
PA2194	ACA14	PA4144	ACA113	PA4402	ACA231	0450905915	ACF231
PA2201	ACA16	PA4147	ACA223	PA4403	ACC51	0450905916	ACF66
PA2209	ACA43	PA4150	ACA126	PA4404	ACC72	0450905920	ACF135
PA2212	ACA70	PA4165	ACA169	PA4413	ACA205	0450905926	ACF149
PA2213	ACA256	PA4180	ACA123	PA4421	ACA212	0450905935	ACF69
PA2214	ACA161	PA4188	ACC1	PA4435	ACA287	0450905952	ACF234
PA2220	ACA48	PA4191	ACA243	PA4440	ACA320	0450905959	ACF214
PA2243	ACA86	PA4192	ACA237	PA4442	ACA164	0450905969	ACF134
PA2244	ACA316	PA4195 KIT	ACC67	PA4446	ACA171	0450905970	ACF126
PA2246	ACA98	PA4196	ACC3	PA4447	ACA229	0450915003	ACF230
PA2476	ACA32	PA4197	ACA220	PA4449	ACA286	0451103033	AC085
PA2500	ACA121	PA4198	ACA174	PA4452	ACA281	0451103079	AC018
PA2504	ACA7	PA4199	ACC6	PA4453	ACA193	0451103086	AC0100
PA2536	ACA71	PA4305	ACA150	PA4462	ACC94	0451103261	AC086
PA2549	ACA180	PA4306	ACA306	PA4600	ACA321	0451103300	AC0142
PA2712	ACA20	PA4307	ACA153	PA4608	ACA54	0451103314	AC06
PA2761	ACA22	PA4308	ACA208	PA4648	ACA103	0451103318	AC0152
PA2881	ACA15	PA4309	ACA227	PA4649	ACA115	0451103336	AC097
PA2884	ACA66	PA4310	ACA201	PA4782	ACA198	0451103342	AC0153
PA2885	ACA100	PA4311	ACA140	PA4783	ACA343	0451203087	AC0145
PA2895	ACA8	PA4313	ACA226	PA4793	ACA168	04891926AA	ACA210
PA2926FN	ACA61	PA4320	ACA163	PA7442	ACA197	0986450018	ACF76
PA3863	ACA1	PA4322	ACA264	PF311	ACF14	0986450038	ACF75
PA4016	ACA18	PA4327	ACC54	PF7572	ACF20	0986450039	ACF105
PA4018	ACA202	PA4331	ACC18	PF9803	ACF148	0986450102	ACF31
PA4028	ACA49	PA4333	ACA160	PF9909	ACF183	0986450106	ACF44
PA4043	ACA91	PA4334	ACC35	PT12	AC068	0986450108	ACF33
PA4044	ACA215	PA4337	ACA313	RS4189	ACA139	0986450108	ACF86
PA4048	ACA206	PA4341	ACA230			0986450114	ACF7
PA4068	ACA93	PA4344	ACA158			0986450115	ACF91
PA4075	ACA238	PA4348	ACA179			0986450117	ACF12
PA4077	ACA302	PA4349	ACA186			0986450119	ACF115
PA4081	ACA88	PA4350	ACA188			0986450122	ACF80
PA4084	ACA82	PA4355	ACA178			0986450138	ACF9
PA4084	ACA337	PA4360	ACA217			0986450141	ACF38
PA4089	ACA222	PA4363	ACA165			0986450152	ACF117

<b>BOSCH</b>	<b>ACDELCO</b>	<b>BOSCH</b>	<b>ACDELCO</b>	<b>BOSCH</b>	<b>ACDELCO</b>	<b>BOSCH</b>	<b>ACDELCO</b>
0986450160	<b>ACF29</b>	0986AF1082	<b>AC031</b>	0986AF2175	<b>ACA129</b>	0986AF4015	<b>ACC23</b>
0986450162	<b>ACF2</b>	0986AF1084	<b>AC056</b>	0986AF2177	<b>ACA128</b>	0986AF4016	<b>ACC3</b>
0986450164	<b>ACF68</b>	0986AF1085	<b>AC072</b>	0986AF2178	<b>ACA305</b>	0986AF4017	<b>ACC14</b>
0986450166	<b>ACF108</b>	0986AF1157	<b>AC030</b>	0986AF2179	<b>ACA120</b>	0986AF4019	<b>ACC6</b>
0986450167	<b>ACF229</b>	0986AF1159	<b>AC052</b>	0986AF2180	<b>ACA155</b>	0986AF4040	<b>ACC31</b>
0986450172	<b>ACF93</b>	0986AF1160	<b>AC083</b>	0986AF2181	<b>ACA1</b>	0986AF4045	<b>ACC76</b>
0986450175	<b>ACF113</b>	0986AF1171	<b>AC025</b>	0986AF2182	<b>ACA50</b>	0986AF5008	<b>ACC5</b>
0986450181	<b>ACF116</b>	0986AF1172	<b>AC084</b>	0986AF2187	<b>ACA258</b>	0986AF6010	<b>ACF79</b>
0986450187	<b>ACF111</b>	0986AF1173	<b>AC027</b>	0986AF2188	<b>ACA124</b>	0986AF6012	<b>ACF23</b>
0986450194	<b>ACF112</b>	0986AF1173	<b>AC028</b>	0986AF2189	<b>ACA32</b>	0986AF6012	<b>ACF28</b>
0986450211	<b>ACF223</b>	0986AF1174	<b>AC03</b>	0986AF2194	<b>ACA26</b>	0986AF6014	<b>ACF27</b>
0986450211	<b>ACF48</b>	0986AF1176	<b>AC088</b>	0986AF2196	<b>ACA11</b>	0986AF6030	<b>ACF25</b>
0986450219	<b>ACF120</b>	0986AF1177	<b>AC092</b>	0986AF2197	<b>ACA33</b>	0986AF6036	<b>ACF150</b>
0986450622	<b>ACF40</b>	0986AF1198	<b>AC05</b>	0986AF2210	<b>ACA75</b>	0986AF6037	<b>ACF220</b>
0986450624	<b>ACF6</b>	0986AF1198	<b>AC017</b>	0986AF2212	<b>ACA226</b>	0986AF6041	<b>ACF26</b>
0986450632	<b>ACF107</b>	0986AF2002	<b>ACA123</b>	0986AF2213	<b>ACA164</b>	0986AF6103	<b>ACF138</b>
0986452001	<b>AC01</b>	0986AF2071	<b>ACA158</b>	0986AF2214	<b>ACA228</b>	0986AF6192	<b>ACF143</b>
0986452015	<b>AC014</b>	0986AF2122	<b>ACA140</b>	0986AF2225	<b>ACA275</b>	0986AF6193	<b>ACF148</b>
0986452060	<b>AC023</b>	0986AF2129	<b>ACA176</b>	0986AF2226	<b>ACA139</b>	0986AF8046	<b>ACF89</b>
0986452068	<b>AC095</b>	0986AF2133	<b>ACA122</b>	0986AF2229	<b>ACA327</b>	0986AF8047	<b>ACF125</b>
0986452068	<b>AC096</b>	0986AF2134	<b>ACA115</b>	0986AF2231	<b>ACA243</b>	0986AF8103	<b>ACF141</b>
0986456150	<b>ACF8</b>	0986AF2135	<b>ACA12</b>	0986AF2242	<b>ACA163</b>	0986AF8107	<b>ACF121</b>
0986AF183	<b>ACA2</b>	0986AF2136	<b>ACA135</b>	0986AF2286	<b>ACA40</b>	0986AF8161	<b>ACF15</b>
0986AF1032	<b>AC071</b>	0986AF2137	<b>ACA118</b>	0986AF2290	<b>ACA113</b>	0986AF9004	<b>AC042</b>
0986AF1037	<b>AC040</b>	0986AF2138	<b>ACA70</b>	0986AF2291	<b>ACA119</b>	0986AF9006	<b>AC011</b>
0986AF1040	<b>AC058</b>	0986AF2139	<b>ACA51</b>	0986AF2292	<b>ACA114</b>	0986AF9009	<b>AC07</b>
0986AF1041	<b>AC019</b>	0986AF2140	<b>ACA142</b>	0986AF2293	<b>ACA127</b>	0986AF9009	<b>AC016</b>
0986AF1042	<b>AC08</b>	0986AF2146	<b>ACA28</b>	0986AF2294	<b>ACA145</b>	0986AF9018	<b>AC078</b>
0986AF1042	<b>AC010</b>	0986AF2147	<b>ACA17</b>	0986AF2297	<b>ACA301</b>	0986AF9020	<b>AC041</b>
0986AF1042	<b>AC024</b>	0986AF2148	<b>ACA10</b>	0986AF2298	<b>ACA61</b>	0986AF9021	<b>AC070</b>
0986AF1043	<b>AC046</b>	0986AF2152	<b>ACA58</b>	0986AF2299	<b>ACA66</b>	0986AF9022	<b>AC015</b>
0986AF1044	<b>AC02</b>	0986AF2153	<b>ACA302</b>	0986AF2300	<b>ACA154</b>	0986AF9023	<b>AC039</b>
0986AF1046	<b>AC09</b>	0986AF2155	<b>ACA233</b>	0986AF2310	<b>ACA187</b>	0986AF9025	<b>AC098</b>
0986AF1048	<b>AC032</b>	0986AF2156	<b>ACA216</b>	0986AF2311	<b>ACA98</b>	0986AF9026	<b>AC043</b>
0986AF1054	<b>AC038</b>	0986AF2157	<b>ACA215</b>	0986AF2342	<b>ACA171</b>	0986AF9031	<b>AC064</b>
0986AF1056	<b>AC026</b>	0986AF2158	<b>ACA15</b>	0986AF2343	<b>ACA199</b>	0986AF9037	<b>AC079</b>
0986AF1057	<b>AC080</b>	0986AF2159	<b>ACA100</b>	0986AF2344	<b>ACA224</b>	0986AF9039	<b>AC035</b>
0986AF1060	<b>AC013</b>	0986AF2160	<b>ACA109</b>	0986AF2345	<b>ACA238</b>	0986AF9041	<b>AC055</b>
0986AF1064	<b>AC033</b>	0986AF2161	<b>ACA110</b>	0986AF2346	<b>ACA242</b>	0986AF9043	<b>AC062</b>
0986AF1066	<b>AC029</b>	0986AF2162	<b>ACA146</b>	0986AF2347	<b>ACA85</b>	0986AF9049	<b>AC047</b>
0986AF1067	<b>AC012</b>	0986AF2165	<b>ACA169</b>	0986AF2348	<b>ACA162</b>	0986AF9061	<b>AC044</b>
0986AF1068	<b>AC074</b>	0986AF2167	<b>ACA102</b>	0986AF2358	<b>ACA174</b>	0986AF9063	<b>AC0153</b>
0986AF1069	<b>AC021</b>	0986AF2168	<b>ACA295</b>	0986AF2377	<b>ACA20</b>	0986AF9064	<b>AC0156</b>
0986AF1069	<b>AC073</b>	0986AF2169	<b>ACA84</b>	0986AF2378	<b>ACA95</b>	0986AF9077	<b>AC04</b>
0986AF1070	<b>AC045</b>	0986AF2170	<b>ACA42</b>	0986AF2380	<b>ACA211</b>	0986AF9085	<b>AC0146</b>
0986AF1074	<b>AC066</b>	0986AF2172	<b>ACA88</b>	0986AF2390	<b>ACA296</b>	0986AF9087	<b>AC089</b>
0986AF1080	<b>AC091</b>	0986AF2173	<b>ACA94</b>	0986AF2391	<b>ACA212</b>	0986AF9095	<b>AC022</b>
0986AF1081	<b>AC061</b>	0986AF2174	<b>ACA304</b>	0986AF2425	<b>ACA257</b>	0986AF9332	<b>ACA25</b>

BOSCH	ACDELCO	BOSCH	ACDELCO	BOSCH	ACDELCO	DONALDSON	ACDELCO
0986AF9352	ACA46	1457433526	ACA204	1987432076	ACC27	P115070	ACA95
0986AF9353	ACA23	1457433529	ACA318	1987432097	ACC66	P129472	ACA121
0986AF9366	ACA19	1457433534	ACA4	1987432114	ACC77	P166564	AC044
0986AF9370	ACA54	1457433603	ACA106	1987432115	ACC70	P181052	ACA65
0986AF9374	ACA78	1457433609	ACA349	1987432161	ACC25	P181080	ACA7
0986AF9375	ACA6	1457433686	ACA200	F026400033	ACA168	P500004	ACA72
0986AF9376	ACA34	1457433699	ACA323	F026400055	ACA322	P500005	ACA77
0986AF9377	ACA27	1457433714	ACA269	F026402008	ACF217	P500008	ACA14
0986AF9384	ACA159	1457433748	ACA321	F026402009	ACF218	P500010	ACA11
0986AF9391	ACA76	1457433795	ACA5	F026402059	ACF190	P500016	ACA39
0986AF9394	ACA53	1457433952	ACA161	F026407008	AC0160	P500017	ACA1
0986AF9395	ACA41	1457433955	ACA138	F026407023	AC0137	P500019	ACA33
0986AF9399	ACA319	1457433958	ACA86	F026407080	AC0136	P500020	ACA87
0986AF9406	ACA160	1457433959	ACA337			P500021	ACA3
0986AF9648	ACF24	1457433959	ACA82			P500023	ACA57
0986AF9651	ACF3	1457433961	ACA80			P500026	ACA43
0986AF9658	ACF16	1457433962	ACA285			P500027	ACA12
0986AF9660	ACF114	1457433965	ACA18			P500037	ACA101
0986AF9661	ACF21	1457433969	ACA108			P500041	ACA106
0986AF9662	ACF22	1457433972	ACA150			P500055	ACA58
0986AF9663	ACF14	1457434329	ACF154			P500063	ACA21
0986AF9664	ACF201	1457434442	ACF147			P500064	ACA66
0986AF9672	ACF161	1457434451	ACF140			P500076	ACA23
0986AF9902	ACC22	1457434511	ACF156			P500077	ACA26
0986AF9903	ACC4	1987429051	ACA21			P500078	ACA61
0986B03504	ACA3	1987429121	ACA35			P500079	ACA42
1457429116	AC0121	1987429123	ACA13			P500080	ACA10
1457429122	AC0164	1987429127	ACA14			P500082	ACA36
1457429178	AC081	1987429133	ACA37			P500083	ACA71
1457429193	AC0155	1987429135	ACA148			P500091	ACA25
1457429252	AC0147	1987429137	ACA43			P500124	ACA122
1457429257	AC087	1987429146	ACA48			P500125	ACA103
1457429261	AC0158	1987429151	ACA49			P500131	ACA113
1457429263	AC0157	1987429157	ACA103			P500216	ACA163
1457429271	AC082	1987429159	ACA111			P502007	AC080
1457429306	AC0159	1987429163	ACA153			P502008	AC056
1457429762	AC0156	1987429164	ACA294			P502015	AC022
1457429801	ACA29	1987429172	ACA55			P502019	AC046
1457429898	ACA9	1987429174	ACA143			P502019	AC0100
1457429933	ACA65	1987429187	ACA126			P502022	AC042
1457433003	ACA104	1987429188	ACA201			P502024	AC078
1457433055	ACA130	1987431550	ACC13			P502031	AC030
1457433071	ACA320	1987432001	ACC8			P502042	AC052
1457433072	ACA92	1987432012	ACC18			P502048	AC014
1457433079	ACA157	1987432018	ACC9			P502057	AC027
1457433087	ACA107	1987432030	ACC19			P502057	AC028
1457433290	ACA91	1987432036	ACC90			P502058	AC066
1457433522	ACA195	1987432045	ACC26			P502067	AC021

DONALDSON	ACDELCO	DONALDSON	ACDELCO	DONALDSON	ACDELCO	DONALDSON	ACDELCO
P502067	AC026	P550025	AC034	P550819	AC0123	P607332	ACA148
P502067	AC073	P550026	ACF14	P550857	ACF236	P612826	ACA321
P502068	AC070	P550047	AC018	P550932	ACF21	P614541	ACA322
P502070	AC023	P550048	ACF17	P550935	ACF12	P776993	ACA54
P502146	ACF23	P550049	ACF79	P550965	AC084	P777767	ACA38
P502169	ACF85	P550057	ACF27	P550971	AC011	P849109	ACA175
P502214	AC0164	P550067	AC040	P551122	ACF56	P901276	ACA202
P502329	ACF191	P550067	AC061	P551305	AC01	P901417	ACA5
P502375	ACF162	P550126	ACF117	P551339	ACF26	P901423	ACA100
P502378	ACF148	P550158	AC072	P551343	AC041	P901934	ACA115
P502427	ACF143	P550162	AC010	P551343	AC091	P902298	ACA109
P502431	AC0103	P550162	AC045	P551351	ACF24	R804759	ACA22
P505061	ACA8	P550162	AC097	P551760	ACF4		
P505192	ACA15	P550173	AC05	P551760	ACF35		
P505952	ACF201	P550173	AC07	P552050	AC050		
P505956	AC094	P550173	AC016	P552290	AC013		
P505959	ACA118	P550173	AC017	P552361	AC088		
P505973	ACF129	P550185	AC068	P552376	ACF229		
P505978	AC082	P550209	ACF115	P552394	ACF83		
P505979	ACA162	P550210	AC029	P552394	ACF88		
P505983	ACA207	P550225	ACF22	P552399	ACF78		
P505988	AC0102	P550227	AC04	P552401	ACF75		
P505999	ACA124	P550227	AC075	P552437	ACF69		
P506007	ACA173	P550242	AC058	P552562	AC051		
P506008	AC083	P550318	AC09	P552849	AC038		
P506009	ACF138	P550335	AC08	P552849	AC086		
P506010	ACA135	P550335	AC024	P553004	ACF18		
P506011	ACF150	P550357	AC079	P553004	ACF29		
P506036	ACF137	P550378	AC054	P554403	AC039		
P506074	ACA272	P550383	AC033	P554770	AC02		
P520511	ACA79	P550385	ACF28	P554770	AC085		
P524357	ACA50	P550389	AC064	P555616	AC071		
P524374	ACA30	P550390	ACF19	P556245	ACF25		
P524375	ACA29	P550391	ACF15	P557780	AC012		
P524377	ACA35	P550392	ACF20	P557780	AC074		
P524391	ACA19	P550404	ACF76	P606060	ACA161		
P526753	ACA116	P550405	ACF16	P606063	ACA17		
P526756	ACA4	P550408	AC053	P606072	ACA32		
P533230	ACA20	P550409	AC062	P606078	ACA222		
P534105	ACA312	P550412	AC055	P606272	ACA13		
P539477	ACA40	P550534	AC019	P606273	ACA303		
P546597	ACA238	P550556	ACF177	P607232	ACA37		
P548964	ACA221	P550564	AC0121	P607250	ACA46		
P550008	AC015	P550580	AC025	P607253	ACA210		
P550010	AC047	P550597	AC032	P607258	ACA223		
P550012	ACF64	P550707	AC031	P607299	ACA88		
P550024	AC03	P550730	ACF71	P607300	ACA49		
P550024	ACF31	P550794	AC092	P607306	ACA18		

FLEETGUARD	ACDELCO	FLEETGUARD	ACDELCO	FLEETGUARD	ACDELCO	FLEETGUARD	ACDELCO
AF311	ACA19	AF25683	ACA222	LF598	AC068	LF3614	AC022
AF437K	ACA65	AF25830	ACA5	LF651	AC034	LF3615	AC023
AF479	ACA40	AF25841	ACA168	LF701	AC039	LF3615	AC0100
AF482	ACA2	AF26356	ACA106	LF780	AC018	LF3618	AC050
AF1232	ACA230	AF26375	ACA322	LF781	AC04	LF3622	AC053
AF1347	ACA246	AF26501	ACA155	LF785	AC02	LF3624	AC086
AF1649	ACA30	AF26513	ACA175	LF785	AC06	LF3638	AC074
AF1666	ACA29	AF26534	ACA121	LF795	AC038	LF3644	AC080
AF1720	ACA35	AF26543	ACA135	LF798	AC05	LF3655	AC079
AF1768M	ACA7	AF26544	ACA88	LF798	AC017	LF3666	AC062
AF1776	ACA38	AF26637	ACA207	LF3307	AC071	LF3669	AC055
AF1777	ACA23	AF55716	ACC77	LF3313	AC01	LF3681	AC084
AF1778	ACA72	FF167	ACF25	LF3314	AC012	LF3692	AC021
AF1822	ACA71	FF2052	ACF77	LF3319	AC047	LF3692	AC026
AF1920	ACA32	FF4103	ACF138	LF3335	AC08	LF3692	AC073
AF1947	ACA180	FF5018	ACF18	LF3335	AC024	LF3786	AC061
AF3057	ACA220	FF5026	ACF115	LF3335	AC030	LF3830	AC056
AF3062	ACA169	FF5029	ACF14	LF3336	AC07	LF3854	AC052
AF4509	ACA4	FF5087	ACF17	LF3336	AC016	LF3863	AC070
AF4518	ACA116	FF5088	ACF79	LF3337	AC014	LF3897	AC094
AF4596	ACA33	FF5089	ACF21	LF3338	AC013	LF3948	AC046
AF4598	ACA36	FF5114	ACF27	LF3338	AC042	LF3996	ACF12
AF4607	ACA1	FF5138	ACF22	LF3369	AC072	LF3997	AC0121
AF4613	ACA17	FF5159	ACF28	LF3376	AC09	LF3998	AC0164
AF4615	ACA21	FF5159	ACF201	LF3399	AC031	LF16108	AC078
AF4616	ACA87	FF5160	ACF19	LF3403	AC010	LF16113	AC098
AF4618	ACA26	FF5174	ACF76	LF3403	AC097	LF16227	AC091
AF4652	ACA13	FF5177	ACF49	LF3433	AC040	LF16242	AC092
AF4733	ACA20	FF5179	ACF10	LF3434	AC011	LF16267	AC083
AF4944	ACA14	FF5190	ACF4	LF3434	AC075	LF16270	AC035
AF4953	ACA16	FF5190	ACF35	LF3435	AC029	LF16317	AC0102
AF4956	ACA46	FF5192	ACF83	LF3462	AC045	LF16325	AC095
AF4959	ACA148	FF5192	ACF88	LF3487	AC015	LF16325	AC096
AF4964	ACA43	FF5218	ACF191	LF3488	AC044	LF17489	AC0123
AF4965	ACA312	FF5221	ACF75	LF3495	AC019		
AF4976	ACA70	FF5224	ACF6	LF3514	AC054		
AF4977	ACA161	FF5238	ACF229	LF3522	AC064		
AF25240	ACA11	FF5367	ACF15	LF3523	AC033		
AF25295	ACA3	FF5385	ACF26	LF3524	AC058		
AF25306	ACA321	FF5432	ACF220	LF3537	AC027		
AF25377	ACA8	FF5765	ACF137	LF3537	AC028		
AF25399	ACA12	FF5773	ACF190	LF3538	AC03		
AF25500K	ACA95	FF5797	ACF148	LF3564	AC041		
AF25510	ACA122	FF5831	ACF150	LF3568	AC085		
AF25564	ACA15	FS1287	ACF71	LF3572	AC043		
AF25567	ACA102	FS36243	ACF143	LF3580	AC0145		
AF25584M	ACA103	LF66	ACF20	LF3586	AC051		
AF25590	ACA238	LF580	AC025	LF3608	AC032		

SFA	ACDELCO	SFA	ACDELCO	SFA	ACDELCO	SFA	ACDELCO
C1004	AC040	C1915	AC0100	CA1115	ACC31	CA19190	ACC52
C1006	AC058	C1921	AC02	CA1401	ACC2	CA23020	ACC32
C1007	AC051	C1922	AC084	CA1402	ACC44	CA28110	ACC34
C1012	AC056	C1923	AC0110	CA1606	ACC3	CA28130	ACC39
C1028	AC027	C1936	AC095	CA1703	ACC4	CA28160	ACC72
C1028	AC028	C1936	AC096	CA1705	ACC5	CA28180	ACC86
C1031	AC05	C2105	AC086	CA1708	ACC51	CA28190	ACC71
C1031	AC017	C2302	AC03	CA1801	ACC6	CA28260	ACC87
C1032	AC07	C2512	AC097	CA1809	ACC29	CA28280	ACC68
C1032	AC010	C2809	AC0126	CA1902	ACC8	CA28300	ACC74
C1032	AC016	C2810	AC0114	CA1903	ACC9	CA28330	ACC88
C1108	AC031	C2906	AC091	CA1904	ACC33	CA28340S	ACC89
C1111	AC077	C5101	AC039	CA1914	ACC10	CA29040	ACC60
C1112	AC032	C6206	AC085	CA1915	ACC23	CA31060	ACC77
C1121	AC01	C6228	AC0152	CA2301	ACC24	CA32050	ACC53
C1122	AC09	C6502	AC044	CA2501	ACC11	CA49010	ACC91
C1123	AC08	C6526	AC025	CA2801	ACC12	CA49030	ACC92
C1123	AC024	C6531	AC034	CA2802	ACC13	CA65170	ACC59
C1123	AC042	C6534	AC090	CA2805	ACC25	CA65180	ACC40
C1125	AC022	C7103	AC0145	CA2807	ACC48	CA65210	ACC49
C1130	AC019	C7948	AC0153	CA2810	ACC30	CA65300	ACC75
C1210	AC013	C7971	AC092	CA2911	ACC14	CA66030	ACC94
C1219	AC078	C8008	AC035	CA2912	ACC15	CA89050	ACC42
C1304	AC050	C8011	AC015	CA3001	ACC16	CAC1002	ACC95
C1321	AC094	C8013	AC018	CA3102	ACC18	CAC1006	ACC43
C1504	AC033	C8020	AC029	CA3300	ACC20	CAC1102	ACC28
C1508	AC064	C8024	AC041	CA6507	ACC21	CAC1114	ACC54
C1511	AC061	C8029	AC023	CA6508	ACC19	CAC1601	ACC67
C1527	AC083	C8033	AC072	CA6511	ACC93	CAC1605	ACC70
C1561	AC053	C8036	AC021	CA6515	ACC22	CAC1807	ACC7
C1562	AC052	C8036	AC073	CA7915	ACC26	CAC1810	ACC35
C1602	AC038	C8041	AC079	CA8904	ACC41	CAC3101	ACC17
C1603	AC014	C8044	AC046	CA11340	ACC78	CAC6516	ACC27
C1703	AC062	C14033	AC030	CA14040	ACC45	CAC10100	ACC96
C1704	AC055	C14042	AC0131	CA14050	ACC79	CAC16130	ACC55
C1711	AC026	C15670	AC0141	CA17090	ACC64	CAC17150	ACC56
C1712	AC066	C17410	AC0139	CA17110	ACC80	CAC19160	ACC38
C1717	AC043	C19410	AC0132	CA17140	ACC57	CAC19180	ACC46
C1807	AC071	C19421	AC0150	CA17160	ACC81	CAC19230	ACC65
C1816	AC045	C22220	AC0142	CA17171	ACC73	CAC28210	ACC58
C1819	AC074	C31070	AC0136	CA18120	ACC37	CAC28220	ACC69
C1821	AC080	C31080	AC0140	CA18200	ACC82	CAC30020	ACC66
C1826	AC011	C31090	AC0151	CA18220	ACC62	CAC30070	ACC90
C1828	AC06	C49110	AC0111	CA18250	ACC83	CAC37010	ACC97
C1833	AC04	C65400	AC0118	CA18280	ACC63	CAC65220	ACC50
C1834	AC012	CA1101	ACC76	CA18310	ACC84	CAC66010	ACC36
C1835	AC070	CA1103	ACC1	CA18320	ACC61	EF1002	ACF142
C1838	AC075	CA1112	ACC47	CA18340	ACC85	EF1003	ACF148



SFA	ACDELCO	SFA	ACDELCO	SFA	ACDELCO	SFA	ACDELCO
EF1509	ACF143	E028060	AC0113	FA1113	ACA87	FA1651	ACA275
EF19030	ACF175	E028070	AC0133	FA1122	ACA13	FA1655	ACA243
EF21010	ACF183	E028080	AC0144	FA1123	ACA148	FA1660	ACA306
EF21020	ACF216	E030120	AC0147	FA1125	ACA43	FA1661	ACA255
EF31010	ACF217	E030140	AC0148	FA1127	ACA12	FA1664	ACA178
EF31020	ACF218	E030170	AC0149	FA1130	ACA37	FA1665	ACA163
EF31060	ACF155	E031070	AC0129	FA1139	ACA161	FA1666	ACA184
EF65010	ACF176	E031080	AC0161	FA1145	ACA49	FA1669	ACA307
EF65020S	ACF196	E031110	AC0137	FA1147	ACA46	FA1671	ACA183
EF65030	ACF192	E065090	AC0108	FA1148	ACA86	FA1672	ACA182
EF615010	ACF219	E065110	AC0127	FA1157	ACA122	FA1701	ACA23
E01101	AC0101	E065120	AC0128	FA1159	ACA57	FA1703	ACA26
E01102	AC0124	E065140	AC0162	FA1165	ACA242	FA1709	ACA42
E01103	AC0116	E066010	AC0163	FA1178	ACA150	FA1710	ACA10
E01103	AC0119	E079060	AC0138	FA1180	ACA123	FA1711	ACA8
E01401	AC0120	F1106	ACF26	FA1189	ACA126	FA1713	ACA112
E01701	AC087	F1111	ACF129	FA1191	ACA294	FA1715	ACA48
E01702	AC0109	F1303	ACF14	FA1193	ACA295	FA1717	ACA92
E01802	AC0103	F1304	ACF20	FA1194	ACA153	FA1718	ACA55
E01804	AC082	F1508	ACF138	FA1197	ACA114	FA1719	ACA78
E01902	AC098	F11130	ACF137	FA1198	ACA162	FA1724	ACA83
E02101	AC0155	F17011	ACF193	FA1206	ACA75	FA1725	ACA80
E02301	AC081	FA1004	ACA79	FA1409	ACA58	FA1726	ACA70
E02402	AC0156	FA1005	ACA77	FA1412	ACA296	FA1728	ACA256
E02623	AC0121	FA1006	ACA6	FA1414	ACA297	FA1730	ACA214
E02631	AC0157	FA1008	ACA116	FA1416	ACA211	FA1734	ACA82
E02637	AC0158	FA1015	ACA35	FA1421	ACA298	FA1757	ACA201
E02801	AC0117	FA1016	ACA14	FA1423	ACA299	FA1758	ACA215
E02803	AC0112	FA1020	ACA11	FA1425	ACA131	FA1760	ACA127
E02804	AC0104	FA1022	ACA121	FA1426	ACA187	FA1762	ACA209
E03005	AC0122	FA1043	ACA111	FA1429	ACA189	FA1764	ACA190
E03006	AC0135	FA1044	ACA98	FA1431	ACA257	FA1766	ACA309
E03009	AC0146	FA1045	ACA93	FA1432	ACA191	FA1768	ACA216
E03103	AC0123	FA1047	ACA108	FA1433	ACA212	FA1772	ACA310
E06504	AC099	FA1049	ACA94	FA1508	ACA66	FA1811	ACA36
E06507	AC089	FA1051	ACA96	FA1513	ACA88	FA1812	ACA71
E011060	AC0102	FA1052	ACA84	FA1515	ACA132	FA1818	ACA21
E017030	AC0130	FA1053	ACA18	FA1517	ACA135	FA1820	ACA72
E018210	AC0134	FA1054	ACA97	FA1520	ACA30	FA1832	ACA218
E019030	AC0115	FA1058	ACA113	FA1619	ACA301	FA1833	ACA202
E020010	AC0154	FA1068	ACA124	FA1621	ACA138	FA1834	ACA15
E021020	AC0143	FA1074	ACA174	FA1623	ACA302	FA1843	ACA27
E023020	AC0105	FA1081	ACA293	FA1631	ACA303	FA1846	ACA100
E023020	AC0107	FA1101	ACA40	FA1634	ACA304	FA1850	ACA146
E023030	AC0106	FA1105	ACA39	FA1641	ACA258	FA1855	ACA109
E024070	AC0125	FA1106	ACA54	FA1643	ACA254	FA1856	ACA110
E026400	AC0159	FA1110	ACA56	FA1646	ACA305	FA1876	ACA220
E026410	AC0160	FA1111	ACA33	FA1647	ACA139	FA1878	ACA164

SFA	ACDELCO	SFA	ACDELCO	SFA	ACDELCO	SFA	ACDELCO
FA1880	ACA262	FA2847	ACA166	FA6611	ACA210	FA28600	ACA282
FA1881	ACA29	FA2901	ACA104	FA6821	ACA349	FA28610	ACA283
FA1884	ACA145	FA2902	ACA105	FA8548	ACA119	FA28620	ACA273
FA1904	ACA24	FA2907	ACA326	FA8597	ACA106	FA28640	ACA276
FA1906	ACA9	FA2908	ACA285	FA8902	ACA158	FA28740	ACA284
FA1907	ACA34	FA2910	ACA327	FA8903	ACA159	FA28760	ACA325
FA1908	ACA17	FA2920	ACA143	FA10195	ACA22	FA30110	ACA328
FA1913	ACA50	FA2924	ACA233	FA11423	ACA102	FA30130	ACA329
FA1925	ACA41	FA2928	ACA234	FA14064	ACA76	FA30230	ACA330
FA1927	ACA221	FA2935	ACA180	FA14400	ACA279	FA30250	ACA331
FA1934	ACA69	FA3006	ACA206	FA14410	ACA244	FA31070	ACA250
FA1935	ACA253	FA3009	ACA235	FA14420	ACA278	FA31080	ACA288
FA1936	ACA222	FA3016	ACA73	FA14450	ACA300	FA31090	ACA289
FA1952	ACA168	FA3053	ACA81	FA14460	ACA263	FA31140	ACA274
FA1954	ACA120	FA3201	ACA130	FA15241	ACA173	FA31160	ACA290
FA1957	ACA128	FA3202	ACA156	FA15250	ACA280	FA31170	ACA268
FA1958	ACA200	FA3301	ACA171	FA16800	ACA308	FA31190	ACA291
FA1959	ACA223	FA3303	ACA188	FA16810	ACA245	FA31220	ACA332
FA1964	ACA197	FA3304	ACA169	FA16830	ACA246	FA31940	ACA333
FA2002	ACA312	FA3311	ACA236	FA16910	ACA213	FA32030	ACA334
FA2301	ACA25	FA3313	ACA237	FA16970	ACA259	FA32040	ACA335
FA2304	ACA31	FA3321	ACA207	FA16990	ACA281	FA33070	ACA160
FA2305	ACA19	FA3322	ACA118	FA17200	ACA267	FA33261	ACA4
FA2306	ACA53	FA3323	ACA115	FA17810	ACA311	FA33410	ACA286
FA2307	ACA32	FA3327	ACA103	FA17830	ACA217	FA33810	ACA167
FA2308	ACA51	FA3331	ACA3	FA17850	ACA265	FA33850	ACA336
FA2315	ACA157	FA3333	ACA5	FA17860	ACA249	FA33860	ACA337
FA2317	ACA185	FA3352	ACA1	FA17870	ACA266	FA33880	ACA338
FA2319	ACA85	FA3354	ACA2	FA19680	ACA203	FA33940	ACA264
FA2416	ACA316	FA3362	ACA101	FA19690	ACA199	FA33950	ACA287
FA2608	ACA319	FA3370	ACA175	FA19700	ACA224	FA33960	ACA339
FA2614	ACA320	FA3601	ACA340	FA19860	ACA271	FA37010	ACA198
FA2621	ACA321	FA5013	ACA28	FA19880	ACA270	FA38010	ACA341
FA2625	ACA322	FA5014	ACA16	FA20070	ACA313	FA38240	ACA342
FA2627	ACA323	FA5019	ACA238	FA21050	ACA204	FA58360	ACA277
FA2802	ACA91	FA5828	ACA181	FA21080	ACA314	FA60400	ACA7
FA2807	ACA90	FA5903	ACA155	FA21110	ACA315	FA60420	ACA20
FA2816	ACA140	FA5904	ACA239	FA23300	ACA177	FA61360	ACA240
FA2818	ACA226	FA6110	ACA38	FA24210	ACA225	FA65420	ACA344
FA2819	ACA208	FA6506	ACA107	FA24240	ACA317	FA65430	ACA192
FA2820	ACA227	FA6507	ACA343	FA25440	ACA318	FA65440	ACA193
FA2821	ACA228	FA6518	ACA292	FA26230	ACA195	FA65480	ACA248
FA2823	ACA142	FA6530	ACA269	FA26320	ACA194	FA65490	ACA251
FA2839	ACA179	FA6533	ACA129	FA26380	ACA324	FA65510	ACA272
FA2840	ACA229	FA6539	ACA154	FA28540	ACA205	FA65540	ACA345
FA2841	ACA186	FA6540	ACA176	FA28550	ACA260	FA66130	ACA347
FA2843	ACA165	FA6604	ACA346	FA28570	ACA231	FA66140	ACA348
FA2844	ACA230	FA6609	ACA196	FA28590	ACA232	FA89080	ACA241

SFA	ACDELCO	SFA	ACDELCO	SFA	ACDELCO	SFA	ACDELCO
FA90080	ACA350	FS1140	ACF186	FS2301	ACF92	FS17420	ACF194
FAS1014	ACA65	FS1143	ACF107	FS2302	ACF115	FS18250	ACF152
FAS1034	ACA95	FS1144	ACF113	FS2401	ACF67	FS18270	ACF164
FAS1708	ACA61	FS1145	ACF78	FS2804	ACF123	FS18280	ACF165
FC1001	ACF19	FS1149	ACF130	FS2809	ACF178	FS18310	ACF190
FC1003	ACF21	FS1150	ACF161	FS2811	ACF179	FS18340	ACF208
FC1005	ACF15	FS1152	ACF108	FS2812	ACF180	FS19130	ACF147
FC1009	ACF114	FS1153	ACF112	FS2813	ACF133	FS19140	ACF149
FC1016	ACF17	FS1154	ACF187	FS2814	ACF6	FS23040	ACF153
FC1018	ACF150	FS1157	ACF131	FS2907	ACF126	FS25020	ACF210
FC1104	ACF28	FS1158	ACF77	FS3107	ACF36	FS26090	ACF212
FC1105	ACF23	FS1160	ACF105	FS3108	ACF213	FS28150	ACF144
FC1107	ACF16	FS1161	ACF128	FS4901	ACF59	FS28210	ACF146
FC1108	ACF220	FS1209	ACF58	FS4902	ACF40	FS28220	ACF166
FC1115	ACF201	FS1401	ACF191	FS6503	ACF120	FS28230	ACF181
FC1301	ACF22	FS1402	ACF89	FS7902	ACF5	FS28250	ACF204
FC1511	ACF139	FS1411	ACF135	FS7902	ACF38	FS28260	ACF200
FC1702	ACF25	FS1415	ACF88	FS7902	ACF56	FS30010	ACF233
FC1803	ACF24	FS1607	ACF66	FS7903	ACF1	FS30020	ACF234
FC1814	ACF140	FS1612	ACF121	FS7905	ACF125	FS30030	ACF235
FC2801	ACF156	FS1613	ACF206	FS7909	ACF11	FS31110	ACF203
FC5107	ACF85	FS1615	ACF61	FS8002	ACF3	FS31130	ACF236
FC7101	ACF18	FS1701	ACF12	FS8003	ACF8	FS31140	ACF215
FC8001	ACF79	FS1702	ACF81	FS8004	ACF84	FS31150	ACF214
FC8002	ACF27	FS1704	ACF31	FS8006	ACF4	FS38010	ACF237
FC19070	ACF154	FS1706	ACF32	FS8007	ACF35	FS48010	ACF182
FC28060	ACF162	FS1712	ACF51	FS8901	ACF134	FS-2002	ACF229
FEA19710	ACA261	FS1718	ACF118	FS10042	ACF65	FS-2805	ACF231
FF2064	ACF30	FS1719	ACF33	FS10490	ACF195	FS-10520	ACF222
FF2097	ACF42	FS1719	ACF86	FS10510	ACF221	FS-11780	ACF224
FF2150	ACF52	FS1723	ACF44	FS11650	ACF145	FS-11890	ACF225
FF2173	ACF43	FS1729	ACF189	FS11660	ACF141	FS-17430	ACF227
FF2182	ACF50	FS1730	ACF132	FS11730	ACF202	FS-19180	ACF228
FF2183	ACF99	FS1734	ACF68	FS11740	ACF159	FS-26060	ACF230
FF2200	ACF63	FS1735	ACF116	FS11750	ACF29	FS-28280	ACF232
FS1004	ACF64	FS1801	ACF10	FS11760	ACF151	01006	AC054
FS1005	ACF75	FS1802	ACF9	FS11770	ACF160	01301	AC047
FS1025	ACF111	FS1804	ACF69	FS11790	ACF209	01902	AC068
FS1031	ACF184	FS1809	ACF80	FS11820	ACF188	02624	AC0164
FS1035	ACF93	FS1811	ACF7	FS11830	ACF211	06508	AC088
FS1037	ACF157	FS1812	ACF158	FS11840	ACF197	SFC130630	ACF71
FS1102	ACF83	FS1815	ACF82	FS11850	ACF198		
FS1103	ACF76	FS1905	ACF2	FS11860	ACF199		
FS1112	ACF91	FS1907	ACF117	FS16241	ACF163		
FS1115	ACF49	FS1910	ACF119	FS16250	ACF207		
FS1123	ACF48	FS1912	ACF177	FS16260	ACF53		
FS1123	ACF223	FS2102	ACF136	FS16270	ACF226		
FS1138	ACF185	FS2301	ACF90	FS16280	ACF205		

OEM	ACDELCO	OEM	ACDELCO	OEM	ACDELCO	OEM	ACDELCO
0024773101	ACF230	1120940004	ACA320	13780M68K00	ACA279	16400-70J00	ACF3
0046808398	AC0142	1121840025	AC0121	1444G9	ACA204	16400E5200	ACF10
025914300	AC038	1123190011	ACC66	1444RJ	ACA314	16400EC00B	ACF164
030113572AA	AC0152	11421716192	AC0135	1444RN	ACA315	16400ES60B	ACF190
03C115561B	AC0140	11427508969	AC0122	1500A190	ACA181	16400J7525	ACF84
03L115466	AC0137	11427512300	AC0146	1500A513	ACA293	16400JY09E	ACF210
0415231060	AC0124	11427541827	AC0148	15201Z9009	AC051	16400N9600	ACF8
0415231090	AC0101	11427788460	AC0147	1520831U00	AC080	16400V2600	ACF80
0415238020	AC0102	11427805707	AC0149	1520840L02	AC070	16400V2700	ACF4
04152B1010	AC0116	11900055600	ACF17	1520843G00	AC074	164037F401	ACF140
04152B1010	AC0119	1204459	ACC46	1520853J00	AC023	16403G9900	ACF23
0423468010	ACF26	12636838	AC0128	15208AA000	AC075	16405050	ACF24
04596501AB	ACC36	1275810	AC0156	15208AA023	AC045	1644490000	ACF14
04781452BB	AC0110	12763892	ACA343	15208AD200	AC0103	1651061A31	AC0131
04861688AA	ACA348	130523802	AC062	15208KA000	AC021	1651083000	AC030
04891176AA	ACA347	13263262	ACF176	15208KA000	AC073	1651185C00	AC0120
04891695AA	ACA340	13271190	ACC49	15208W1103	AC029	1654606J00	ACA15
04E115561	AC0151	13272717	ACA192	15208W3401	AC012	1654606J11	ACA100
04E129620	ACA333	13272719	ACA193	1520900Q0A	AC0134	1654615M00	ACA36
05018777AA	ACA196	13319421	ACA334	152092W200	AC082	1654618000	ACA29
05117492AA	ACF212	13321702632	ACF235	15209J6500	AC071	165462S600	ACA119
05175571AA	AC0160	13321709535	ACF234	15400PA6003	AC014	165463J410	ACA202
056115561G	AC085	13327793672	ACF233	1541060G00	ACF135	1654641B00	ACA218
057115561M	AC0161	1354952	ACC38	1541063B01	ACF89	1654662S10	ACA72
058133843M	ACA292	1359941	AC0109	1541079100	ACF191	1654676000	ACA71
06A115561B	AC06	13712247444	ACA329	1541082000	ACF88	165467S000	ACA253
06D115562	AC0129	13717503141	ACA330	1552132430	AC015	165469S000	ACA145
06F133843A	ACA289	13717797465	ACA331	1560025010	AC09	16546AA070	ACA146
06H115403	AC0136	13721491749	ACA328	1560041010	AC01	16546AA090	ACA220
071115562A	AC0123	13721702907	ACA235	1560064020	AC077	16546EB70A	ACA262
074115561	AC0145	13721744869	ACA206	1560113010	AC019	16546ED000	ACA164
087902H000	ACC87	1378052D10	ACA191	1560133010	AC04	16546JD20B	ACA240
08R79S5A600	ACC67	1378054G10	ACA298	1560133021	AC02	16546S0100	ACA30
08R79SAA600B	ACC70	1378057B00	ACA296	1560168010	AC031	16546V0100	ACA21
09194405	ACA157	1378057L00	ACA300	1560187201	AC013	16546V9600	ACA27
0K20113Z00	ACA112	1378060G00	ACA297	156018770399M	AC078	16546VB300	ACA109
0K55813Z40	ACA143	1378061J00	ACA189	156071731	AC050	16546VB700	ACA110
0K67213850A	AC072	1378062B00	ACA58	156072121	AC094	16900S84G01	ACF121
0K6B023603/Y	ACA180	1378063J00	ACA257	16010S9A000	ACF205	16900SB2734	ACF61
0K72C23603	ACA234	1378065J00	ACA212	16010SAA000	ACF163	16900SE0A31	ACF59
1059924	AC079	1378069L00000	ACA263	16010SDCE01	ACF206	17048SNA010	ACF226
1109101K08A1	ACA341	1378077A00	ACA187	16010SM4A30	ACF53	17048SWET00	ACF207
1109102K00	ACA336	1378077E00	ACA211	16010ST5931	ACF66	17220P0A000	ACA302
1109110P64	ACA342	1378078K00	ACA278	1640003000	ACF82	17220P13000	ACA301
1109N2	AC086	1378080GA0	ACA131	164000W01A	ACF35	17220P2J003	ACA138
1109R7	AC0155	1378080J00	ACA244	164002Y505	ACF152	17220P72000	ACA303
1109X8	AC0143	1378081A00	ACA299	164004M405	ACF158	17220PAA000	ACA304
1110940204	ACA195	1378082000	ACA76	1640072L00	ACF69	17220PLC000	ACA258

OEM	ACDELCO	OEM	ACDELCO	OEM	ACDELCO	OEM	ACDELCO
17220PLD000	ACA305	1780131130	ACA286	2330019195	ACF29	2631027420	AC0126
17220PNA003	ACA139	1780135020	ACA161	2330019295	ACF91	263104A000	AC0114
17220PWA003	ACA254	1780135030	ACA12	2330020040	ACF112	2631627000	AC0117
17220PWAJ10	ACA255	1780137020	ACA338	2330020130	ACF160	263202A001	AC0112
17220R1AA01	ACA281	1780138030	ACA264	2330021010	ACF130	263202A500	AC0113
17220R40A00	ACA246	1780138051	ACA287	2330021030	ACF202	263202F000	AC0133
17220R5AA00	ACA350	1780141050	ACA56	2330022012	ACF64	263203C100	AC0104
17220R70A00	ACA213	1780141110	ACA57	2330023030	ACF161	263203CAA0	AC0144
17220RAAY00	ACA243	1780148011	ACA1	2330024050	ACF9	26540153	AC068
17220RB0000	ACA245	1780151010	ACA207	2330025020	ACF83	2654403	AC039
17220RCAA00	ACA306	1780151020	ACA167	2330028030	ACF131	2660940004	ACA324
17220RDA00	ACA178	1780154100	ACA5	2330030410	ACF211	2710940204	ACA194
17220REAJ00	ACA275	1780154170	ACA122	2330031100	ACF141	27274EA000	ACC29
17220RFE000	ACA307	1780154180	ACA115	2330031120	ACF151	27274EB700	ACC61
17220RL5A00	ACA259	1780162010	ACA102	2330031140	ACF224	2727700A26	ACC82
17220RMX000	ACA308	1780164030	ACA54	2330034100	ACF76	272771HD0B	ACC83
17220RNA00	ACA163	1780167020	ACA114	2330042010	ACF48	27277EN025	ACC35
17220RRAY00	ACA184	1780167060	ACA103	2330042010	ACF223	27277JN20A	ACC85
17220RZAY00	ACA183	1780168020	ACA4	2330044060	ACF78	27891ED025	ACC84
17220RZPY00	ACA182	1780170020	ACA46	2330046060	ACF185	2811308000	ACA179
1739547	ACA19	1780170050	ACA295	2330049145	ACF5	281131C000	ACA142
1770A012	ACF150	1780174010	ACA13	2330050050	ACF49	281131G000	ACA165
17800133030	ACA2	1780174020	ACA148	2330050090	ACF113	281131J000	ACA273
1780102030	ACA310	1780174040	ACA101	2330066050	ACF187	281131R100	ACA276
178010C010	ACA155	1780174060	ACA49	2330069045	ACF108	2811322051	ACA91
178010H020	ACA126	1780178040	ACA175	2330074210	ACF186	2811322600	ACA140
178010H050	ACA188	1780197201	ACA294	2330075020	ACF128	2811323001	ACA90
178010V020	ACA339	17801AD010	ACA160	2330075100	ACF107	2811326000	ACA227
1780111050	ACA242	178187702	ACA75	2330075140	ACF145	281132B000	ACA231
1780113010	ACA39	1808604	ACC21	2330079165	ACF38	281132D000	ACA208
1780115010	ACA33	1878100750	AC047	2330079285	ACF52	281132H000	ACA166
1780115060	ACA37	19330000	AC0150	2330087102	ACF58	281132P100	ACA282
1780115070	ACA86	1F0129620	ACA268	2330478020	ACF16	281132P300	ACA283
1780116020	ACA43	1H0819638A	ACC18	233900L020	ACF129	281132S000	ACA232
1780117020	ACA118	1J01129620	ACA269	2339030180	ACF201	281132W300	ACA325
178012070	ACA7	1J0201511A	ACF213	2339033010	ACF220	2811337101	ACA226
1780121030	ACA150	1K0127177A	ACF218	2339051020	ACF137	281133E000	ACA230
1780121040	ACA237	1K0127434B	ACF217	234011080	ACF20	281133K010	ACA229
1780121050	ACA171	1K0129620A	ACA291	234011440	ACF71	281133K200	ACA186
1780122020	ACA123	1K0129620D	ACA250	24460713	AC089	281134D000	ACA205
1780124010	ACA40	1K0201051C	ACF214	25010633	AC025	281134H000	ACA260
1780128010	ACA153	1K0201051K	ACF203	25062009	ACA32	28113A5800	ACA284
1780130040	ACA162	1L229601AA	ACA223	25062434	ACA105	28113H1915	ACA228
1780130050	ACA239	1L8Z184D77AA	ACC10	25121074	ACF90	2H0127401A	ACF215
1780130060	ACA236	2028300318	ACC8	25121074	ACF92	2H0129620A	ACA274
1780131050	ACA3	2303079025	ACF1	25177917	AC088	2L229155AB	ACF177
1780131090	ACA169	2330015010	ACF105	25181616	AC0118	30523603	ACA23
1780131110	ACA337	2330018175	ACF50	2630042040	AC091	30733893	ACC97

OEM	ACDELCO	OEM	ACDELCO	OEM	ACDELCO	OEM	ACDELCO
30748212	ACA317	68079744AB	AC0163	8943349060	ACA66	93183389	ACA185
30757155	ACA225	68109834AA	AC0154	8943406971	AC066	93183412	AC0106
311121C000	ACF146	6C1Q6744AA	AC0125	8943692993	ACF19	93185674	AC0108
3111226000	ACF166	6G919601AC	ACA271	8943940791	ACF22	93191747	AC0162
31390H1970	ACF147	6G9N9176AB	ACF175	8943963750	AC053	93743595	AC0105
319100900	ACF180	6M566744AA	AC0138	8944302500	ACA22	93743595	AC0107
319102D000	ACF133	6Q0820367B	ACC91	8944309830	AC061	93745801	AC0127
319102H000	ACF204	6R0129620A	ACA290	8970442260	ACA88	93BB9600AH	ACA349
3191125000	ACF123	711F9601AA	ACA69	8970967770	AC052	94771044	ACF192
3191128204	ACF179	72880-AJ010	ACC78	8971679720	AC083	94771925	ACA272
3191129000	ACF231	72880AG000	ACC76	8971786100	ACA132	94840078	AC08
319112E000	ACF200	72880FG000	ACC63	8972889470	ACF139	94840078	AC024
319113A000	ACF144	7414198	ACA25	8973692930	ACA135	94840078	AC042
319113E200	ACF181	7428256	AC03	8980084420	ACC75	95021102	ACA345
319114D600	ACF232	7437298	ACA31	8980274800	ACA173	95075337	ACF120
31911H1800	ACF178	75DA9601AB	ACA50	8980363210	ACF138	95215156	ACC50
319222B900	ACF162	75DA9601BA	ACA41	8980370110	ACF143	95492920	ACF196
319224H001	ACF156	7701047513	ACC11	8981402650	ACA280	9586058J00	ACC44
3195093001	ACF21	7702412050	ACF159	8981650710	AC0141	9586080J00	ACC45
33000076	ACF229	7702428060	ACF225	8K0133843E	ACA332	9586154J00	ACC2
35280932	ACA316	7702442061	ACF209	8V219601A1A	ACA270	9586164J00	ACC79
3801471	AC035	7702442080	ACF198	8V5J19G244AA	ACC65	9586165D00	ACC93
3C0127434	ACF155	7702452122	ACF197	90067137	ACA53	96181263	ACA285
3M519601AA	ACA197	7702452171	ACF199	90108602	ACA51	96190645	ACC14
3M5J18D543BA	ACC52	770248Y002	ACF188	90464424	ACC19	96207420	ACC15
3M5Q9176AA	ACF216	7803A004	ACC37	90486298	ACA106	9622617880	ACF136
42072AA011	ACF7	7803A027	ACC96	90512446	ACA107	96314494	ACA327
42072AE000	ACF165	7H0127401A	ACF236	90520689	ACC22	96327366	ACC42
42072AG140	ACF208	7H0129620A	ACA288	90530260	AC099	96328718	ACA177
421457000	ACA38	7H0819631	ACC77	90536362	AC081	96335719	ACF134
431133511D	ACF36	80291TF0003	ACC55	9091503006	AC032	96351225	ACA326
4326739	ACF15	80292SDCA01	ACC3	9091510002	AC046	96434764	ACA344
4797777	ACA346	8107300P00	ACC92	9117557	ACA129	96440878	ACC40
4861480AA	ACA210	8200033408	AC097	9129747	ACA130	96536696	ACA158
4B0819439C	ACC17	8200431051	ACA318	91AB9155AA	ACF228	96539649	ACC41
5000686589	ACF18	8250550520	ACF115	92051013	ACA85	96553450	ACA159
5142150280	ACA87	8692305	AC0115	92060868	ACA104	96554378	ACC59
53004383	ACA312	8713906050	ACC31	92066873	ACA154	96628890	ACA176
5304018AD	ACA313	8713906080	ACC47	92068246	AC090	96815102	ACA248
55560894	ACA335	8713930010	ACC28	92146684	ACF182	96816473	ACF183
5578108	AC044	8713930020	ACC54	92184248	ACC24	96827723	ACA241
55923570	ACF79	8713947010	ACC1	92193770	ACF153	96950990	ACA251
6040940104	ACA319	8856852010	ACC20	92266048	ACF219	96FW16N619AB	ACC33
6040940604	ACA323	89017524	AC092	93156300	AC018	97030H1726	ACC30
64312182458	ACC90	8941145840	AC064	93172299	ACC27	971331E000	ACC72
64319069927	ACC16	8941145850	AC033	93172461	ACA156	971331H500	ACC68
672603C2	ACF77	8941329471	ACF27	93182435	ACC53	971331J000	ACC71
68079487AA	ACC94	8941560520	ACA20	93182436	ACC32	971331U000	ACC88

OEM	ACDELCO	OEM	ACDELCO	OEM	ACDELCO	OEM	ACDELCO
971332B010	ACC34	BG9601C	ACA199	LF171335ZA	ACF194	MR404847	ACA124
971332D000	ACC12	BG9601D	ACA224	LF5013Z40	ACA216	MR526974	ACF184
971332D900	ACC69	BM5G6714AA	AC0132	LF6113Z40	ACA311	MR529135	ACF222
971332E900	ACC58	BP8P61J6X	ACC51	LPW100160	AC0111	MR552781	ACF157
971332F000	ACC60	C60113Z40	ACA190	LPX100590	AC0153	MR571396	ACA174
971332H700	ACC89	CR9336	ACF85	MB120389	ACA116	MR958017	ACC95
971332L000	ACC39	CY0113Z40A	ACA265	MB220794	ACF40	MR993226	ACA277
971333SAA0	ACC74	D35013480	ACF149	MB348127	ACF6	MZ690361	ACC43
976171C000	ACC25	D65161J6X	ACC80	MB433774	ACF75	N32620490	ACF33
976174H900	ACC86	E30123603	ACA26	MB504749	ACF56	N32620490	ACF86
9761938100	ACC13	E5D323603	ACA78	MB504757	ACF42	N3A120490	ACF63
97KB9601AB	ACA203	E6SZ9601B	ACA17	MB504762	ACF43	N3H113Z40	ACA309
986450117	ACF12	ESR1049	ACA198	MB59313Z40	ACA80	OK30A13480	ACF126
98AX9601AA	ACA200	EW311514	ACF67	MD001445	AC05	OK55820490	ACF125
9Y4452	AC034	EX14240027	ACF25	MD001445	AC017	P87901F200	ACC48
A0000902651	ACA322	F20113Z40	ACA16	MD031805	AC07	PE0114302	AC0139
A0030947504	ACA321	F20120490A	ACF31	MD031805	AC010	PE07133A0A	ACA267
A2661840325	AC0159	F22020490	ACF30	MD031805	AC016	R20523603	ACA61
A2711840125	AC0158	F50X9601AB	ACA238	MD069782	AC041	RF4F13Z40	ACA201
A3661800909	AC0164	F5RZ19N619C	ACC9	MD603014	ACA79	SH01133A0A	ACA266
A6511800109	AC0157	F67Z9601AA	ACA222	MD603071	ACA96	SL5014V61	AC055
AFA129	ACA9	F77Z9601AA	ACA221	MD603446	ACA65	SLA213Z40	ACA8
AFA87	ACA24	FEY014302	AC026	MD603629	ACA14	TFY014302	AC043
AFA95	ACA28	FEY014302	AC027	MD603800	ACA35	U20113ZA5A	ACF193
AFA97	ACA34	FEY014302	AC028	MD604802	ACA6	U2Y013Z40	ACA249
AFG182MC	ACF28	FS0513Z40	ACA92	MD604880	ACA77	U2Y014302	AC0130
AFG55	ACF2	G3010SA100	ACC62	MD604940	ACA84	UCY061P11	ACC57
AFG60	ACF93	G3210FE000	ACC7	MD604952	ACA11	WL3113Z40	ACA83
AFL40	AC011	G60113Z40	ACA70	MD620039	ACA121	WL8113Z40	ACA113
AJ0313480	ACF117	G60720490B	ACF68	MD620048	ACA97	WLY113Z40	ACA127
AJ0414302	AC084	GE6T61J6X	ACC4	MD620456	ACA18	XS4H16N619AB	ACC26
AJ5713Z40	ACA217	GJ6A61P11A	ACC5	MD620508	ACA111	XS706744AA	AC098
AP100085	ACF65	GR1111400ED01	ACF237	MD620563	ACA95	YC159601BB	ACA168
AV619601AD	ACA261	GS1D61P11	ACC64	MD620737	ACA93	YF0914302	AC0100
B30113Z40	ACA55	GY0113ZE0	ACF132	MD620823	ACA98	Z60520490	ACF119
B36613470	ACF81	HE1923603	ACA256	ME013343	AC056	ZJ0113Z40	ACA209
B36613Z40	ACA42	JE0120490A	ACF51	ME014833	AC040	ZL0520490A	ACF189
B3H720490	ACF118	JE4520490A	ACF116	ME014838	AC058	ZZ0113Z40	ACA215
B59513Z40	ACA82	JE4920490	ACF99	ME034605	AC054		
B60323603	ACA10	K01113Z40	ACA214	ME132525	ACF114		
B63013480A	ACF32	K30C13Z40A	ACA233	ME222135	ACF148		
B6S713Z40	ACA48	KD4561J6X	ACC81	ME301897	ACF142		
B727A79925	ACC6	KL0520490B	ACF44	MF1	ACF11		
BA19N619A	ACC23	L2Y661P11	ACC73	MN135454	ACF221		
BA9601A	ACA120	L32114302	AC087	MR187912	ACA94		
BA9601B	ACA128	L57713ZE0	ACF227	MR188657	ACA108		
BBP261J6X	ACC56	LF1014302	AC095	MR204132	ACF111		
BF8T9155AA	ACF154	LF1014302	AC096	MR212200	ACF195		

<b>PUROLATOR</b>	<b>ACDELCO</b>	<b>PUROLATOR</b>	<b>ACDELCO</b>	<b>PUROLATOR</b>	<b>ACDELCO</b>	<b>PUROLATOR</b>	<b>ACDELCO</b>
6868	ACC54	A25418	ACA223	A35219	ACA211	A40118	ACA2
A15363	ACA150	A25456	ACA139	A35244	ACA108	A40124	ACA56
A15445	ACA195	A25463	ACA123	A35266	ACA214	A42030	ACA65
A15669	ACA164	A25525	ACA217	A35267	ACA269	A43398	ACA33
A15734	ACA132	A25584	ACA179	A35303	ACA94	A44337	ACA76
A19037	ACA12	A25585	ACA178	A35323	ACA215	A44600	ACA37
A19039	ACA80	A25647	ACA165	A35367	ACA326	A44688	ACA216
A19048	ACA122	A25653	ACA163	A35369	ACA285	A44740	ACA20
A19073	ACA113	A25655	ACA171	A35370	ACA201	A45387	ACA227
A19074	ACA111	A25698	ACA237	A35397	ACA258	A45650	ACA160
A19075	ACA115	A25714	ACA204	A35410	ACA124	A45673	ACA205
A19600	ACA154	A25724	ACA162	A35420	ACA140	A45729	ACA118
A19717	ACA294	A25737	ACA155	A35421	ACA233	A47039	ACA292
A19718	ACA129	A25801	ACA212	A35432	ACA126	A49011	ACA27
A20070	ACA36	A25802	ACA244	A35517	ACA230	A49018	ACA79
A20117	ACA40	A25833	ACA231	A35534	ACA174	A49020	ACA35
A22975	ACA1	A26052	ACA245	A35578	ACA169	A49022	ACA32
A23538	ACA38	A26067	ACA222	A35592	ACA220	A49023	ACA54
A24278	ACA21	A26118	ACA232	A35601	ACA229	A49024	ACA10
A24282	ACA71	A27337	ACA106	A35602	ACA186	A49035	ACA15
A24297	ACA13	A27765	ACA235	A35649	ACA188	A49037	ACA5
A24298	ACA57	A29004	ACA61	A35681	ACA130	A52977	ACA218
A24357	ACA256	A29017	ACA3	A35730	ACA127	A54855	ACA303
A24372	ACA312	A29025	ACA53	A35731	ACA128	A55683	ACA156
A24375	ACA14	A29028	ACA51	A35733	ACA145	A55693	ACA194
A24468	ACA148	A29029	ACA9	A35735	ACA135	A59014	ACA28
A24471	ACA78	A29032	ACA16	A35742	ACA110	C19737	ACC23
A24601	ACA43	A29033	ACA92	A35756	ACA66	C19738	ACC22
A24630	ACA121	A29047	ACA109	A35757	ACA100	C19739	ACC19
A24645	ACA161	A29077	ACA119	A36308	ACA213	C19740	ACC26
A24648	ACA48	A30020	ACA6	A37011	ACA105	C19741	ACC5
A24675	ACA202	A30023	ACA75	A37327	ACA319	C25836	ACC40
A24690	ACA49	A33542	ACA4	A37492	ACA225	C35530	ACC6
A24722	ACA86	A33593	ACA17	A37764	ACA104	C35762C	ACC77
A24730	ACA301	A34272	ACA26	A39003	ACA85	F026407079	AC0140
A24858	ACA349	A34273	ACA39	A39004	ACA24	F20002	ACF65
A24873	ACA302	A34361	ACA46	A39007	ACA25	F20005	ACF9
A25049	ACA82	A34613	ACA58	A39008	ACA29	F34713	ACF2
A25049	ACA337	A34625	ACA70	A39012	ACA11	F43153	ACF32
A25076	ACA91	A34711	ACA159	A39030	ACA55	F44658	ACF51
A25077	ACA112	A34764	ACA96	A39036	ACA18	F44663	ACF69
A25220	ACA297	A34839	ACA93	A39038	ACA103	F44804	ACF75
A25248	ACA304	A34862	ACA316	A39046	ACA102	F44870	ACF66
A25304	ACA310	A34878	ACA238	A39103	ACA120	F45067	ACF6
A25353	ACA146	A35050	ACA98	A39723	ACA8	F45074	ACF80
A25373	ACA226	A35150	ACA138	A40003	ACA72	F45134	ACF186
A25395	ACA208	A35192	ACA221	A40004	ACA19	F45191	ACF111
A25398	ACA153	A35207	ACA90	A40103	ACA30	F53191	ACF36



PUROLATOR	ACDELCO	PUROLATOR	ACDELCO	PUROLATOR	ACDELCO	REPCO	ACDELCO
F54498	ACF191	L14006	AC025	L39020	AC074	AF2	ACA6
F54664	ACF91	L14460	AC045	L40106	AC071	RAF1	ACA30
F54668	ACF7	L14476	AC022	L45262	AC056	RAF3	ACA23
F54708	ACF33	L14477	AC030	L45514	AC0158	RAF4	ACA2
F54708	ACF86	L14610	AC027	L45722	AC083	RAF5	ACA26
F55056	ACF118	L14610	AC028	L45723	AC091	RAF6	ACA24
F55135	ACF108	L14612	AC021	L49028	AC062	RAF7	ACA50
F55271	ACF93	L14612	AC073	L55327	AC051	RAF8	ACA31
F55354	ACF113	L14619	AC061	L59008	AC031	RAF9	ACA25
F55355	ACF185	L14670	AC09			RAF10	ACA29
F59011	ACF64	L15309	AC081			RAF11	ACA40
F59012	ACF24	L15436	AC089			RAF12	ACA41
F59030	ACF123	L15505	AC087			RAF13	ACA27
F59035	ACF77	L15719	AC098			RAF14	ACA11
F59041	ACF81	L15830	AC0125			RAF15	ACA4
F59042	ACF89	L16311	AC0116			RAF16	ACA19
F59049	ACF11	L17662	AC086			RAF17	ACA21
F59081	ACF107	L19056	AC078			RAF18	ACA28
F59082	ACF128	L20020	AC035			RAF20	ACA3
F59710	ACF29	L20049	AC044			RAF22	ACA79
F59725	ACF130	L20064	AC02			RAF23	ACA73
F59732	ACF180	L20099	AC068			RAF25	ACA39
F59734	ACF158	L20252	AC085			RAF26	ACA35
F59736	ACF161	L20290	AC040			RAF27	ACA32
F63177	ACF67	L22821	AC019			RAF28	ACA54
F63180	ACF201	L24457	AC011			RAF29	ACA38
F64492	ACF31	L24458	AC05			RAF30	ACA10
F64706	ACF68	L24458	AC017			RAF31	ACA33
F64795	ACF44	L24651	AC084			RAF32	ACA53
F65472	ACF177	L25241	AC058			RAF33	ACA34
F65563	ACF134	L25274	AC088			RAF34	ACA51
F65746	ACF116	L25536	AC0121			RAF35	ACA9
F65751	ACF149	L25609	AC0124			RAF36	ACA72
F65752	ACF141	L25646	AC0160			RAF37	ACA13
F65754	ACF132	L26288	AC0137			RAF38	ACA36
F69029	ACF90	L30001	AC01			RAF39	ACA37
F69029	ACF92	L30005	AC03			RAF40	ACA14
F69050	ACF82	L30007	AC015			RAF41	ACA78
F69708	ACF120	L30042	AC04			RAF43	ACA17
F69731	ACF131	L30137	AC039			RAF44	ACA55
L10109	AC038	L30257	AC012			RAF45	ACA16
L10111	AC018	L34524	AC047			RAF46	ACA48
L10193	AC07	L34750	AC041			RAF47	ACA256
L10193	AC016	L35721	AC072			RAF48	ACA70
L10241	AC08	L37230	AC079			RAF49	ACA92
L10241	AC024	L37278	AC066			RAF50	ACA58
L10291	AC014	L39006	AC032			RAF51	ACA161
L10343	AC033	L39014	AC055			RAF52	ACA101

REPCO	ACDELCO	REPCO	ACDELCO	REPCO	ACDELCO	REPCO	ACDELCO
RAF53	ACA42	RAF123	ACA214	RAF204	ACA126	RAF303	ACA173
RAF54	ACA15	RAF125	ACA81	RAF205	ACA114	RAF305	ACA202
RAF55	ACA121	RAF126	ACA109	RAF206	ACA174	RAF306	ACA262
RAF56	ACA49	RAF131	ACA88	RAF207	ACA127	RAF309	ACA167
RAF57	ACA148	RAF135	ACA90	RAF208	ACA123	RAF310	ACA264
RAF58	ACA43	RAF136	ACA108	RAF209	ACA216	RAF311	ACA166
RAF59	ACA86	RAF138	ACA102	RAF210	ACA130	RAF312	ACA250
RAF60	ACA82	RAF139	ACA146	RAF211	ACA135	RAF313	ACA328
RAF60	ACA337	RAF140	ACA153	RAF212	ACA169	RAF314	ACA217
RAF61	ACA80	RAF144	ACA87	RAF213	ACA243	RAF315	ACA199
RAF62	ACA18	RAF147	ACA208	RAF214	ACA168	RAF316	ACA245
RAF63	ACA84	RAF148	ACA116	RAF215	ACA319	RAF317	ACA246
RAF64	ACA75	RAF150	ACA269	RAF216	ACA162	RAF318	ACA177
RAF65	ACA12	RAF151	ACA124	RAF217	ACA258	RAF319	ACA181
RAF68	ACA91	RAF157	ACA253	RAF218	ACA209	RAF321	ACA158
RAF69	ACA8	RAF158	ACA122	RAF221	ACA305	RAF322	ACA228
RAF72	ACA85	RAF159	ACA296	RAF222	ACA155	RAF325	ACA298
RAF73	ACA106	RAF160	ACA112	RAF224	ACA254	RAF326	ACA230
RAF74	ACA104	RAF161	ACA285	RAF226	ACA234	RAF328	ACA318
RAF75	ACA1	RAF162	ACA226	RAF229	ACA190	RAF333	ACA304
RAF76	ACA113	RAF163	ACA221	RAF230	ACA257	RAF335	ACA192
RAF77	ACA46	RAF164	ACA105	RAF232	ACA131	RAF337	ACA268
RAF78	ACA297	RAF165	ACA294	RAF234	ACA255	RAF339	ACA261
RAF79	ACA71	RAF166	ACA150	RAF236	ACA164	RAF347	ACA277
RAF80	ACA76	RAF167	ACA140	RAF237	ACA306	RAF349	ACA337
RAF82	ACA98	RAF168	ACA129	RAF240	ACA154	RAF350	ACA205
RAF83	ACA61	RAF169	ACA115	RAF242	ACA156	RAF352	ACA244
RAF84	ACA349	RAF170	ACA107	RAF244	ACA185	RAF355	ACA231
RAF87	ACA215	RAF178	ACA20	RAF245	ACA188	RAF357	ACA299
RAF88	ACA218	RAF179	ACA95	RAF247	ACA197	RAF358	ACA311
RAF89	ACA94	RAF180	ACA110	RAF251	ACA159	RAF361	ACA225
RAF92	ACA211	RAF181	ACA120	RAF253	ACA165	RAF367	ACA97
RAF93	ACA312	RAF182	ACA128	RAF259	ACA206	RAF384	ACA239
RAF95	ACA111	RAF185	ACA326	RAF260	ACA160	RAF390	ACA198
RAF96	ACA5	RAF186	ACA327	RAF261	ACA171	RAF407	ACA223
RAF97	ACA65	RAF187	ACA200	RAF262	ACA347	RAF411	ACA186
RAF98	ACA66	RAF188	ACA132	RAF264	ACA176	RAF412	ACA229
RAF99	ACA100	RAF191	ACA139	RAF266	ACA157	RAF414	ACA224
RAF101	ACA57	RAF192	ACA303	RAF267	ACA309	RAF416	ACA235
RAF110	ACA83	RAF193	ACA301	RAF271	ACA196	RAF418	ACA178
RAF111	ACA119	RAF194	ACA142	RAF276	ACA295	RAF419	ACA180
RAF113	ACA103	RAF195	ACA227	RAF279	ACA184	RAF420	ACA212
RAF114	ACA242	RAF197	ACA143	RAF280	ACA163	RAF421	ACA191
RAF115	ACA302	RAF198	ACA233	RAF284	ACA179	RAF423	ACA183
RAF116	ACA138	RAF199	ACA118	RAF285	ACA220	RAF430	ACA195
RAF118	ACA96	RAF200	ACA201	RAF286	ACA238	RAF434	ACA210
RAF121	ACA93	RAF201	ACA321	RAF287	ACA292	RAF435	ACA237
RAF122	ACA56	RAF202	ACA145	RAF302	ACA203	RAF436	ACA240

REPCO	ACDELCO	REPCO	ACDELCO	REPCO	ACDELCO	REPCO	ACDELCO
RAF440	ACA213	RFF1	ACF4	RFF122	ACF119	ROF46	AC026
RAF442	ACA236	RFF2	ACF3	RFF126	ACF29	ROF47	AC023
RAF445	ACA259	RFF3	ACF8	RFF135	ACF112	ROF49	AC041
RAF453	ACA204	RFF4	ACF35	RFF136	ACF123	ROF50	AC055
RAF457	ACA189	RFF5	ACF67	RFF139	ACF126	ROF51	AC027
RAF458	ACA232	RFF7	ACF36	RFF141	ACF134	ROF53	AC046
RAF460	ACA260	RFF8	ACF32	RFF143	ACF213	ROF54	AC021
RAF475	ACA77	RFF9	ACF31	RFF145	ACF125	ROF54	AC073
RAF497	ACA7	RFF23	ACF86	RFF146	ACF121	ROF56	AC043
RCF501	ACC21	RFF26	ACF6	RFF149	ACF230	ROF58A	AC08
RCF502	ACC19	RFF28	ACF51	RFF150	ACF144	ROF58A	AC024
RCF503	ACC22	RFF31	ACF30	RIF300	ACF133	ROF63	AC070
RCF504	ACC32	RFF33	ACF93	RIF302	ACF146	ROF64	AC074
RCF505	ACC27	RFF38	ACF80	RIF303	ACF130	ROF65	AC047
RCF508	ACC1	RFF39	ACF66	RIF304	ACF206	ROF67	AC078
RCF510	ACC13	RFF46	ACF69	RIF305	ACF132	ROF68	AC056
RCF512	ACC25	RFF47	ACF185	RIF307	ACF184	ROF73	AC079
RCF513	ACC9	RFF51	ACF111	RIF308	ACF158	ROF75	AC064
RCF515	ACC23	RFF53	ACF7	RIF310	ACF180	ROF76	AC058
RCF516	ACC40	RFF54	ACF68	RIF311	ACF179	ROF78	AC044
RCF517	ACC24	RFF56	ACF53	RIF321	ACF152	ROF80	AC084
RCF519	ACC34	RFF59	ACF49	RIF322	ACF160	ROF81	AC066
RCF520	ACC51	RFF61	ACF113	RIF327	ACF181	ROF82	AC086
RCF521	ACC29	RFF62	ACF2	ROF1	AC01	ROF84	AC0145
RCF522	ACC15	RFF68	ACF61	ROF2	AC05	ROF86	AC077
RCF523	ACC14	RFF75	ACF38	ROF3	AC03	ROF91	AC052
RCF524	ACC26	RFF75	ACF42	ROF6	AC018	ROF93	AC02
RCF525	ACC20	RFF75	ACF50	ROF9	AC012	ROF94	AC015
RCF526	ACC6	RFF75	ACF52	ROF11	AC017	ROF95	AC0110
RCF528	ACC53	RFF75	ACF56	ROF12A	AC04	ROF96	AC011
RCF536	ACC28	RFF77	ACF99	ROF13	AC013	ROF97	AC075
RCF557	ACC18	RFF80	ACF58	ROF14	AC031	ROF98	AC028
RCF558	ACC8	RFF85	ACF44	ROF15A	AC09	ROF99	AC045
RCF561	ACC17	RFF87	ACF115	ROF17	AC029	ROF101	AC019
RCF564	ACC33	RFF88	ACF90	ROF19	AC014	ROF102	AC088
RCF575	ACC35	RFF90	ACF118	ROF20	AC035	ROF103	AC0121
RCF577	ACC31	RFF92	ACF108	ROF21	AC022	ROF103	AC0157
RCF578	ACC16	RFF99	ACF116	ROF23	AC025	ROF104	AC081
RCF593	ACC46	RFF101	ACF135	ROF24	AC038	ROF105	AC0164
RCF597	ACC52	RFF103	ACF117	ROF25	AC034	ROF106	AC0135
RCF599	ACC60	RFF109	ACF229	ROF31	AC062	ROF107	AC089
RCF610	ACC47	RFF111	ACF107	ROF33	AC040	ROF108	AC083
RCF615	ACC41	RFF116	ACF91	ROF35	AC039	ROF109	AC0153
RCF621	ACC45	RFF118	ACF48	ROF36	AC032	ROF110	AC082
RCF625	ACC58	RFF118	ACF223	ROF37	AC071	ROF111	AC087
RCF627	ACC10	RFF119	ACF5	ROF39	AC061	ROF112	AC091
RF113	ACF223	RFF120	ACF235	ROF42	AC072	ROF114	AC098
RF114	ACF223	RFF121	ACF120	ROF44	AC033	ROF116	AC0146

REPCO	ACDELCO
ROF117	AC095
ROF117	AC096
ROF120	AC0156
ROF122	AC06
ROF122	AC0100
ROF124	AC092
ROF125	AC0122
ROF127	AC0101
ROF134	AC0111
ROF139	AC0142
ROF142	AC07
ROF143	AC0123
ROF144	AC0152
ROF149	AC0155
ROF150	AC0125
ROF159	AC042
ROF165	AC0102
ROF181	AC099
ROF185	AC097
ROF187	AC0112
ROF188	AC0104
ROF188	AC0105
ROF188	AC0107
ROF189	AC0108
ROF191	AC0148
ROF192	AC0158
ROF194	AC0124
ROF196	AC0113
ROF197	AC0131
ROF200	AC0106
ROF205	AC0126
ROF207	AC090
ROF210	AC050
ROF215	AC0109
ROF219	AC0117
ROF221C	AC0129
ROF224	AC0115
ROF227C	AC0119
ROF242	AC0103
ROF257	AC0130

RYCO	ACDELCO
A24	ACA25
A31	ACA19
A52	ACA30
A105	ACA29
A114	ACA40
A114X	ACA40
A142	ACA31
A209	ACA71
A215X	ACA1
A216	ACA23
A217	ACA41
A223	ACA79
A232	ACA69
A233	ACA73
A237	ACA50
A240X	ACA56
A242X	ACA2
A292	ACA24
A299	ACA6
A301	ACA72
A302	ACA29
A309X	ACA39
A310	ACA3
A313	ACA26
A318	ACA27
A320	ACA75
A325	ACA35
A326A	ACA28
A328	ACA4
A329	ACA32
A330	ACA77
A331	ACA87
A332	ACA54
A337	ACA38
A338	ACA33
A339	ACA57
A340	ACA4
A341	ACA11
A342	ACA76
A343	ACA81
A344	ACA53
A345	ACA36
A347	ACA34
A353	ACA51
A356	ACA96
A358	ACA10
A359	ACA30
A360	ACA21

RYCO	ACDELCO
A364	ACA78
A365	ACA256
A431	ACA9
A444	ACA15
A446	ACA13
A449	ACA37
A451	ACA12
A452	ACA14
A454	ACA43
A455	ACA46
A459	ACA148
A463	ACA16
A483	ACA343
A487	ACA48
A488	ACA70
A489	ACA18
A491	ACA17
A496	ACA55
A497	ACA46
A1204	ACA97
A1206	ACA92
A1208	ACA84
A1209	ACA101
A1211	ACA111
A1214	ACA42
A1215	ACA5
A1236	ACA49
A1240	ACA58
A1245	ACA161
A1261	ACA301
A1266	ACA202
A1267	ACA242
A1268	ACA86
A1270	ACA88
A1271	ACA303
A1272	ACA80
A1273	ACA93
A1277	ACA302
A1289	ACA82
A1294	ACA83
A1300	ACA104
A1305	ACA106
A1310	ACA138
A1311	ACA108
A1314	ACA239
A1316	ACA215
A1319	ACA98
A1325	ACA349

RYCO	ACDELCO
A1331	ACA312
A1332	ACA253
A1338	ACA297
A1340	ACA211
A1348	ACA218
A1350	ACA103
A1351	ACA296
A1352	ACA90
A1354	ACA326
A1358	ACA85
A1359	ACA94
A1362	ACA112
A1364	ACA91
A1365	ACA285
A1366	ACA214
A1385	ACA198
A1397	ACA102
A1398	ACA321
A1402	ACA122
A1407	ACA118
A1408	ACA113
A1410	ACA226
A1411	ACA221
A1412	ACA109
A1413	ACA206
A1416	ACA105
A1417	ACA119
A1420	ACA299
A1421	ACA294
A1423	ACA304
A1424	ACA327
A1425	ACA143
A1426	ACA146
A1427	ACA150
A1429	ACA201
A1430	ACA140
A1432	ACA269
A1433	ACA129
A1434	ACA292
A1436	ACA222
A1437	ACA114
A1438	ACA115
A1439	ACA168
A1440	ACA107
A1441	ACA116
A1446	ACA208
A1447	ACA127
A1448	ACA258

RYCO	ACDELCO	RYCO	ACDELCO	RYCO	ACDELCO	RYCO	ACDELCO
A1449	ACA124	A1554	ACA197	A1629	ACA257	A1782	ACA308
A1451	ACA233	A1556	ACA157	A1630	ACA261	A1783	ACA273
A1454	ACA227	A1557	ACA154	A1632	ACA236	A1784	ACA249
A1474	ACA187	A1558	ACA160	A1633	ACA271	A1785	ACA267
A1475	ACA128	A1559	ACA171	A1634	ACA167	A1786	ACA241
A1476	ACA153	A1560	ACA255	A1635	ACA264	A1791	ACA332
A1477	ACA346	A1561	ACA166	A1636	ACA217	A1793	ACA284
A1481	ACA123	A1564	ACA268	A1638	ACA176	A1794	ACA325
A1483	ACA228	A1565	ACA235	A1640	ACA289	A1796	ACA248
A1485	ACA139	A1566	ACA295	A1641	ACA259	A1797	ACA279
A1486	ACA323	A1569	ACA188	A1648	ACA330	A1799	ACA344
A1487	ACA319	A1570	ACA184	A1659	ACA53	A1803	ACA276
A1489	ACA200	A1571	ACA205	A1674	ACA324	A1805	ACA335
A1491	ACA126	A1573	ACA185	A1678	ACA320	A1806	ACA263
A1492	ACA238	A1574	ACA309	A1694	ACA204	A1807	ACA350
A1495	ACA145	A1575	ACA120	A1710	ACA268	A1811	ACA272
A1496	ACA142	A1577	ACA131	A1711	ACA250	A1812	ACA287
A1498	ACA223	A1578	ACA163	A1712	ACA291	A1815	ACA281
A1504	ACA132	A1579	ACA343	A1717	ACA288	A1828	ACA280
A1506	ACA305	A1581	ACA253	A1724	ACA316	A1829	ACA274
A1507	ACA306	A1582	ACA199	A1726	ACA189	A1834	ACA311
A1508	ACA243	A1583	ACA178	A1727	ACA232	A1838	ACA286
A1510	ACA234	A1584	ACA174	A1729	ACA275	A1839	ACA293
A1512	ACA135	A1585	ACA180	A1730	ACA260	A1841	ACA333
A1513	ACA130	A1586	ACA177	A1732	ACA290	A1843	ACA300
A1514	ACA94	A1587	ACA165	A1734	ACA337	A1846	ACA307
A1516	ACA179	A1588	ACA212	A1738	ACA277	A1847	ACA348
A1517	ACA159	A1590	ACA313	A1740	ACA282	A1849	ACA339
A1518	ACA298	A1591	ACA164	A1744	ACA203	A1856	ACA345
A1519	ACA230	A1592	ACA191	A1746	ACA192	A1861	ACA315
A1521	ACA158	A1594	ACA347	A1747	ACA193	A1870	ACA341
A1522	ACA162	A1597	ACA183	A1748	ACA340	HDA5486	ACA7
A1523	ACA216	A1598	ACA168	A1749	ACA270	HDA5517	ACA61
A1524	ACA209	A1599	ACA328	A1750	ACA314	HDA5567	ACA20
A1525	ACA169	A1600	ACA190	A1751	ACA175	HDA5754	ACA22
A1526	ACA254	A1602	ACA194	A1752	ACA338	HDA5767	ACA66
A1527	ACA220	A1610	ACA195	A1753	ACA210	HDA5769	ACA8
A1533	ACA186	A1612	ACA225	A1754	ACA244	HDA5783	ACA100
A1535	ACA318	A1616	ACA210	A1755	ACA322	HDA5839	ACA95
A1539	ACA329	A1617	ACA237	A1756	ACA331	HDA5841	ACA121
A1541	ACA155	A1618	ACA173	A1758	ACA262	HDA5858	ACA110
A1542	ACA229	A1619	ACA240	A1766	ACA278	HDA5866	ACA65
A1543	ACA231	A1620	ACA310	A1772	ACA317	MF1	ACF11
A1544	ACA140	A1622	ACA181	A1774	ACA232	MF4	ACF40
A1545	ACA196	A1623	ACA265	A1775	ACA230	MF8	ACF1
A1551	ACA156	A1626	ACA245	A1776	ACA251	R2132P	ACF25
A1552	ACA190	A1627	ACA213	A1777	ACA283	R2199P	ACF14
A1553	ACA224	A1628	ACA246	A1779	ACA282	R2340P	AC068

<b>RYCO</b>	<b>ACDELCO</b>	<b>RYCO</b>	<b>ACDELCO</b>	<b>RYCO</b>	<b>ACDELCO</b>	<b>RYCO</b>	<b>ACDELCO</b>
R2390P	AC047	R2659P	ACF217	RCA119P	ACC51	RCA211P	ACC87
R2423P	ACF26	R2660P	AC0134	RCA120C	ACC5	RCA223P	ACC3
R2440P	ACF14	R2661P	ACF183	RCA123P	ACC15	RCA224C	ACC49
R2444P	ACF85	R2662P	AC0143	RCA124P	ACC14	RCA224P	ACC49
R2493P	ACF20	R2663P	AC0125	RCA126C	ACC16	RCA227P	ACC57
R2495P	AC054	R2664P	AC0124	RCA131C	ACC27	RCA228P	ACC85
R2590P	ACF26	R2666P	ACF175	RCA131P	ACC27	RCA229C	ACC50
R2591P	AC081	R2673P	AC0148	RCA132P	ACC30	RCA230P	ACC61
R2592P	AC0146	R2681P	AC0158	RCA134P	ACC9	RCA232P	ACC56
R2593P	AC082	R2682P	AC0121	RCA137P	ACC28	RCA233P	ACC21
R2594P	AC098	R2684P	AC0109	RCA139C	ACC17	RCA235P	ACC88
R2596P	AC0164	R2691P	ACF143	RCA139P	ACC17	RCA240P	ACC68
R2597P	AC0135	R2694P	AC0108	RCA140P	ACC20	RCA242P	ACC94
R2598P	AC0103	R2695P	AC0113	RCA146P	ACC34	RCA246P	ACC80
R2599P	AC0156	R2696P	ACF148	RCA149C	ACC66	RCA247P	ACC73
R2602P	AC089	R2699P	ACF142	RCA154P	ACC53	RCA248P	ACC44
R2604P	AC087	R2700P	AC0133	RCA162P	ACC24	RCA249P	ACC45
R2605P	AC088	R2701P	AC0137	RCA163P	ACC7	RCA250P	ACC67
R2606P	AC0157	R2708P	AC0120	RCA164P	ACC31	RCA251P	ACC55
R2608P	AC0155	R2719P	ACF176	RCA165P	ACC79	RCA252C	ACC96
R2615P	AC0123	R2720P	AC0130	RCA167P	ACC33	RCA257P	ACC5
R2618P	AC0104	R2724P	ACF193	RCA168P	ACC46	RCA267P	ACC82
R2619P	ACF129	R2731P	AC0163	RCA173P	ACC60	RCA268P	ACC70
R2620P	AC0116	R2733P	ACF192	RCA174C	ACC29	RCA273C	ACC38
R2620P	AC0119	R2734P	AC0128	RCA174P	ACC29	RCA275P	ACC81
R2621P	AC099	R2736P	AC0127	RCA177C	ACC36	RCA277P	ACC86
R2622P	ACF218	R2737P	AC0154	RCA177P	ACC36	RCA284P	ACC84
R2623P	AC0160	R2738P	AC0161	RCA178P	ACC47	RCA286P	ACC93
R2624P	AC0122	R2743P	AC0144	RCA181P	ACC52	RCA288P	ACC92
R2626P	ACF165	R2745P	ACF196	RCA182P	ACC37	RCA290P	ACC72
R2633P	AC0115	R2766P	AC0162	RCA183P	ACC63	RCA292C	ACC55
R2634P	AC0159	RCA100C	ACC23	RCA185P	ACC48	RCA311P	ACC97
R2635P	AC0122	RCA100P	ACC23	RCA187P	ACC64	RCA313P	ACC10
R2636P	AC0147	RCA101P	ACC19	RCA188P	ACC35	RCA324P	ACC42
R2637P	AC0106	RCA102P	ACC4	RCA189C	ACC65	Z9	AC01
R2641P	ACF216	RCA103P	ACC18	RCA190C	ACC97	Z14	ACF11
R2642P	ACF155	RCA104P	ACC1	RCA191C	ACC91	Z14	ACF64
R2646P	AC0129	RCA105P	ACC8	RCA193P	ACC76	Z15	ACF11
R2648P	AC0101	RCA106P	ACC13	RCA194P	ACC40	Z15	ACF65
R2650P	AC0117	RCA107P	ACC25	RCA195P	ACC58	Z24	AC034
R2651P	AC0102	RCA108P	ACC3	RCA196P	ACC62	Z30	AC03
R2652P	AC0138	RCA109P	ACC32	RCA199P	ACC59	Z37	AC04
R2654P	AC0125	RCA110C	ACC90	RCA201P	ACC74	Z38	AC039
R2655P	AC0112	RCA110P	ACC90	RCA202P	ACC41	Z40	AC044
R2656P	ACF138	RCA112P	ACC77	RCA204P	ACC41	Z56B	AC05
R2657P	ACF137	RCA113P	ACC6	RCA206C	ACC43	Z57A	AC038
R2658P	AC0105	RCA114P	ACC22	RCA207C	ACC38	Z63	AC085
R2658P	AC0107	RCA115P	ACC26	RCA208P	ACC71	Z68	AC02

RYCO	ACDELCO	RYCO	ACDELCO	RYCO	ACDELCO	RYCO	ACDELCO
Z75	ACF18	Z251	AC058	Z373	ACF2	Z468	ACF229
Z79A	AC07	Z252X	ACF201	Z380	ACF23	Z469	ACF90
Z87A	AC08	Z257	ACF21	Z381	ACF5	Z469	ACF92
Z87A	AC024	Z304	ACF19	Z381	ACF52	Z475	AC053
Z88A	AC024	Z306	ACF30	Z382	ACF83	Z476	AC052
Z88A	AC042	Z307	ACF51	Z383	ACF49	Z478	ACF91
Z89A	AC09	Z308	ACF31	Z385	ACF44	Z479	ACF115
Z91	ACF9	Z309X	ACF32	Z386	AC022	Z481	ACF1
Z92	ACF10	Z310	ACF33	Z387	ACF69	Z482	ACF5
Z96	AC035	Z311	ACF67	Z390	ACF88	Z484	ACF118
Z114	ACF77	Z313	AC041	Z397	ACF56	Z487	ACF1
Z115	AC012	Z316	ACF1	Z399	ACF36	Z490	ACF33
Z125	AC013	Z317	ACF6	Z400	ACF36	Z490	ACF86
Z130A	AC014	Z318	ACF105	Z401	ACF63	Z491	ACF89
Z131A	AC015	Z319	AC050	Z402	AC066	Z493	AC075
Z142A	AC07	Z321	ACF22	Z403	ACF1	Z495	AC045
Z142A	AC016	Z322	ACF82	Z403	ACF43	Z498	ACF128
Z145A	AC011	Z323	ACF59	Z405	ACF68	Z499	AC079
Z148A	AC05	Z325	ACF5	Z411	AC027	Z503	AC074
Z148A	AC017	Z326	ACF5	Z411	AC028	Z506	ACF117
Z149	AC071	Z330	AC055	Z412	ACF58	Z515	ACF111
Z150	AC072	Z332	ACF24	Z416	AC070	Z516	AC084
Z153	ACF84	Z333	AC064	Z417	ACF50	Z518	ACF135
Z154	AC018	Z334	AC032	Z418	AC024	Z524	ACF10
Z155X	AC033	Z335	AC077	Z419	AC043	Z526	ACF118
Z158	AC019	Z337	ACF12	Z422	AC024	Z528	ACF93
Z160	AC025	Z342	ACF40	Z424	ACF1	Z534	ACF90
Z161X	AC031	Z343	ACF40	Z425	ACF99	Z535	ACF231
Z162	AC040	Z344	ACF40	Z426	AC010	Z543	AC086
Z168	ACF3	Z346	ACF75	Z427	ACF12	Z547	AC080
Z169A	ACF27	Z348	ACF7	Z429	AC026	Z549	ACF136
Z170	AC029	Z349	ACF78	Z430	ACF117	Z550	ACF112
Z172	AC030	Z352	ACF48	Z432	AC046	Z551	ACF235
Z174	ACF10	Z352	ACF223	Z434	ACF81	Z552	ACF186
Z178A	AC061	Z353	ACF5	Z436	AC021	Z553	AC06
Z179	AC062	Z353	ACF38	Z436	AC073	Z555	AC094
Z181	ACF79	Z354	ACF29	Z440	ACF5	Z571	ACF107
Z183	ACF16	Z359	ACF53	Z441	ACF1	Z573	ACF185
Z188	ACF17	Z360	ACF61	Z442	AC023	Z575	ACF5
Z194	ACF15	Z361	ACF1	Z443	AC078	Z577	ACF48
Z195	ACF5	Z363	ACF5	Z445	AC073	Z577	ACF223
Z197	ACF78	Z363	ACF42	Z446	ACF228	Z578	ACF90
Z198	ACF12	Z364	ACF1	Z456	AC028	Z581	AC0145
Z199	ACF80	Z366	ACF81	Z457	ACF116	Z583	ACF123
Z200	ACF4	Z367	ACF191	Z463	ACF66	Z584	ACF213
Z201	ACF35	Z370	ACF58	Z464	ACF5	Z586	ACF120
Z202	ACF8	Z371	AC051	Z466	ACF185	Z590	ACF144
Z205	ACF76	Z372	AC056	Z467	ACF108	Z594	ACF135

RYCO	ACDELCO
Z595	ACF5
Z596	AC0100
Z599	ACF113
Z600	AC083
Z601	ACF117
Z603	ACF126
Z604	ACF185
Z605	ACF125
Z608	AC097
Z610	ACF220
Z611	ACF114
Z614	AC0153
Z615	ACF154
Z615	ACF162
Z616	ACF78
Z620	ACF121
Z621	ACF134
Z623	ACF177
Z624	ACF187
Z626	ACF230
Z627	ACF119
Z629	ACF149
Z630	AC091
Z631	AC0110
Z632	AC095
Z632	AC096
Z634	ACF178
Z635	ACF141
Z636	ACF19
Z638	ACF134
Z639	ACF195
Z640	ACF140
Z644	ACF147
Z646	ACF130
Z647	ACF132
Z648	ACF189
Z649	ACF206
Z650	ACF133
Z653	ACF184
Z654	ACF131
Z655	ACF180
Z656	ACF179
Z657	ACF158
Z659	ACF161
Z661	AC0152
Z663	AC092
Z677	ACF146
Z678	ACF152

RYCO	ACDELCO
Z679	ACF150
Z680	ACF236
Z682	ACF224
Z683	ACF151
Z684	ACF145
Z686	ACF140
Z688	AC090
Z689	AC0111
Z690	AC0142
Z693	ACF166
Z695	ACF181
Z697	ACF160
Z698	ACF202
Z699	ACF28
Z702	ACF234
Z704	ACF163
Z706	ACF212
Z707	ACF156
Z708	ACF188
Z710	ACF182
Z711	ACF164
Z712	ACF190
Z717	ACF208
Z720	AC0126
Z721	ACF233
Z734	AC0131
Z735	ACF204
Z745	ACF233
Z748	ACF90
Z760	ACF214
Z768	ACF203
Z770	ACF159
Z771	ACF232
Z772	ACF200
Z780	ACF211
Z781	AC0132
Z783	ACF139
Z791	ACF197
Z792	ACF209
Z793	AC0136
Z794	AC0140
Z801	AC030
Z826	ACF71
Z885	ACF222
Z891	ACF210
Z909	ACF157
Z913	ACF198
Z920	ACF226

RYCO	ACDELCO
Z921	ACF207
Z929	AC0141
Z930	AC0118
Z934	ACF199
Z951	ACF215
Z959	ACF194

SAKURA	ACDELCO
A1004	ACA79
A1005	ACA77
A1006	ACA6
A1008	ACA116
A1015	ACA35
A1016	ACA14
A1019	ACA22
A1020	ACA11
A1022	ACA121
A1043	ACA111
A1044	ACA98
A1045	ACA93
A1047	ACA108
A1049	ACA94
A1051	ACA96
A1052	ACA84
A1053	ACA18
A1054	ACA97
A1058	ACA113
A1068	ACA124
A1074	ACA174
A1081	ACA293
A1101	ACA40
A1105	ACA39
A1106	ACA54
A1110	ACA56
A1111	ACA33
A1113	ACA87
A1122	ACA13
A1123	ACA148
A1125	ACA43
A1127	ACA12
A1130	ACA37
A1139	ACA161
A1145	ACA49
A1147	ACA46
A1148	ACA86
A1157	ACA122
A1159	ACA57
A1165	ACA242
A1178	ACA150
A1180	ACA123
A1189	ACA126
A1191	ACA294
A1193	ACA295
A1194	ACA153
A1197	ACA114
A1198	ACA162



SAKURA	ACDELCO	SAKURA	ACDELCO	SAKURA	ACDELCO	SAKURA	ACDELCO
A1206	ACA75	A1724	ACA83	A2002	ACA312	A3313	ACA237
A1406	ACA76	A1725	ACA80	A2301	ACA25	A3321	ACA207
A1409	ACA58	A1726	ACA70	A2304	ACA31	A3322	ACA118
A1412	ACA296	A1728	ACA256	A2305	ACA19	A3323	ACA115
A1414	ACA297	A1730	ACA214	A2306	ACA53	A3327	ACA103
A1416	ACA211	A1734	ACA82	A2307	ACA32	A3331	ACA3
A1421	ACA298	A1738	ACA81	A2308	ACA51	A3333	ACA5
A1423	ACA299	A1757	ACA201	A2315	ACA157	A3352	ACA1
A1425	ACA131	A1758	ACA215	A2317	ACA185	A3354	ACA2
A1426	ACA187	A1760	ACA127	A2319	ACA85	A3362	ACA101
A1429	ACA189	A1762	ACA209	A2416	ACA316	A3370	ACA175
A1431	ACA257	A1764	ACA190	A2608	ACA319	A3601	ACA340
A1432	ACA191	A1766	ACA309	A2614	ACA320	A5013	ACA28
A1433	ACA212	A1768	ACA216	A2621	ACA321	A5014	ACA16
A1508	ACA66	A1772	ACA310	A2625	ACA322	A5019	ACA238
A1513	ACA88	A1811	ACA36	A2627	ACA323	A5828	ACA181
A1515	ACA132	A1812	ACA71	A2802	ACA91	A5903	ACA155
A1517	ACA135	A1818	ACA21	A2807	ACA90	A5904	ACA239
A1520	ACA30	A1820	ACA72	A2816	ACA140	A6110	ACA38
A1619	ACA301	A1832	ACA218	A2818	ACA226	A6506	ACA107
A1621	ACA138	A1833	ACA202	A2819	ACA208	A6507	ACA343
A1623	ACA302	A1834	ACA15	A2820	ACA227	A6518	ACA292
A1631	ACA303	A1843	ACA27	A2821	ACA228	A6530	ACA269
A1634	ACA304	A1846	ACA100	A2823	ACA142	A6533	ACA129
A1641	ACA258	A1850	ACA146	A2839	ACA179	A6539	ACA154
A1643	ACA254	A1855	ACA109	A2840	ACA229	A6540	ACA176
A1646	ACA305	A1856	ACA110	A2841	ACA186	A6604	ACA346
A1647	ACA139	A1876	ACA220	A2843	ACA165	A6609	ACA196
A1651	ACA275	A1878	ACA164	A2844	ACA230	A6611	ACA210
A1655	ACA243	A1881	ACA29	A2847	ACA166	A6821	ACA349
A1660	ACA306	A1884	ACA145	A2901	ACA104	A8548	ACA119
A1661	ACA255	A1904	ACA24	A2902	ACA105	A8597	ACA106
A1664	ACA178	A1906	ACA9	A2907	ACA326	A8902	ACA158
A1665	ACA163	A1907	ACA34	A2908	ACA285	A8903	ACA159
A1666	ACA184	A1908	ACA17	A2910	ACA327	A11423	ACA102
A1669	ACA307	A1909	ACA73	A2920	ACA143	A14400	ACA279
A1671	ACA183	A1913	ACA50	A2924	ACA233	A14410	ACA244
A1672	ACA182	A1925	ACA41	A2928	ACA234	A14420	ACA278
A1701	ACA23	A1927	ACA221	A2935	ACA180	A14450	ACA300
A1703	ACA26	A1934	ACA69	A3006	ACA206	A14460	ACA263
A1709	ACA42	A1935	ACA253	A3009	ACA235	A15241	ACA173
A1710	ACA10	A1936	ACA222	A3201	ACA130	A15250	ACA280
A1711	ACA8	A1952	ACA168	A3202	ACA156	A16800	ACA308
A1713	ACA112	A1954	ACA120	A3301	ACA171	A16810	ACA245
A1715	ACA48	A1957	ACA128	A3303	ACA188	A16830	ACA246
A1717	ACA92	A1958	ACA200	A3304	ACA169	A16910	ACA213
A1718	ACA55	A1959	ACA223	A3306	ACA160	A16970	ACA259
A1719	ACA78	A1964	ACA197	A3311	ACA236	A16990	ACA281

SAKURA	ACDELCO	SAKURA	ACDELCO	SAKURA	ACDELCO	SAKURA	ACDELCO
A17200	ACA267	A33410	ACA286	C1130	AC019	C7103	AC0145
A17810	ACA311	A33810	ACA167	C1210	AC013	C7948	AC0153
A17830	ACA217	A33850	ACA336	C1219	AC078	C7971	AC092
A17850	ACA265	A33860	ACA337	C1304	AC050	C8008	AC035
A17860	ACA249	A33880	ACA338	C1321	AC094	C8011	AC015
A17870	ACA266	A33940	ACA264	C1403	AC030	C8013	AC018
A19680	ACA203	A33950	ACA287	C1504	AC033	C8020	AC029
A19690	ACA199	A33960	ACA339	C1508	AC064	C8024	AC041
A19700	ACA224	A37010	ACA198	C1511	AC061	C8029	AC023
A19860	ACA271	A38010	ACA341	C1527	AC083	C8032	AC042
A19880	ACA270	A38240	ACA342	C1561	AC053	C8033	AC072
A20070	ACA313	A58360	ACA277	C1562	AC052	C8036	AC021
A21050	ACA204	A60400	ACA7	C1602	AC038	C8036	AC073
A21080	ACA314	A60420	ACA20	C1603	AC014	C8041	AC079
A21110	ACA315	A61360	ACA240	C1703	AC062	C8044	AC046
A23300	ACA177	A65420	ACA344	C1704	AC055	C14042	AC0131
A24210	ACA225	A65430	ACA192	C1711	AC026	C15670	AC0141
A24240	ACA317	A65440	ACA193	C1712	AC066	C17410	AC0139
A25440	ACA318	A65480	ACA248	C1717	AC043	C19410	AC0132
A26230	ACA195	A65490	ACA251	C1807	AC071	C19421	AC0150
A26320	ACA194	A65510	ACA272	C1816	AC045	C22220	AC0142
A26380	ACA324	A65540	ACA345	C1819	AC074	C31070	AC0136
A28540	ACA205	A66130	ACA347	C1821	AC080	C31080	AC0140
A28550	ACA260	A66140	ACA348	C1826	AC011	C31090	AC0151
A28570	ACA231	A89080	ACA241	C1828	AC06	C49110	AC0111
A28590	ACA232	A90080	ACA350	C1833	AC04	C65400	AC0118
A28600	ACA282	AS1014	ACA65	C1834	AC012	CA1101	ACC76
A28610	ACA283	AS1034	ACA95	C1835	AC070	CA1103	ACC1
A28620	ACA273	AS1708	ACA61	C1838	AC075	CA1112	ACC47
A28640	ACA276	C1004	AC040	C1915	AC0100	CA1115	ACC31
A28740	ACA284	C1006	AC058	C1921	AC02	CA1401	ACC2
A28760	ACA325	C1007	AC051	C1922	AC084	CA1402	ACC44
A30110	ACA328	C1012	AC056	C1923	AC0110	CA1606	ACC3
A30130	ACA329	C1028	AC027	C1936	AC095	CA1703	ACC4
A30230	ACA330	C1028	AC028	C1936	AC096	CA1705	ACC5
A30250	ACA331	C1031	AC05	C2105	AC086	CA1708	ACC51
A31070	ACA250	C1031	AC017	C2302	AC03	CA1801	ACC6
A31080	ACA288	C1032	AC07	C2512	AC097	CA1807	ACC7
A31090	ACA289	C1032	AC010	C2809	AC0126	CA1809	ACC29
A31140	ACA274	C1032	AC016	C2810	AC0114	CA1902	ACC8
A31160	ACA290	C1108	AC031	C2906	AC091	CA1903	ACC9
A31170	ACA268	C1111	AC077	C5101	AC039	CA1904	ACC33
A31190	ACA291	C1112	AC032	C6206	AC085	CA1914	ACC10
A31220	ACA332	C1121	AC01	C6228	AC0152	CA1915	ACC23
A31940	ACA333	C1122	AC09	C6502	AC044	CA2301	ACC24
A32030	ACA334	C1123	AC08	C6526	AC025	CA2501	ACC11
A32040	ACA335	C1123	AC024	C6531	AC034	CA2801	ACC12
A33261	ACA4	C1125	AC022	C6534	AC090	CA2802	ACC13

SAKURA	ACDELCO	SAKURA	ACDELCO	SAKURA	ACDELCO	SAKURA	ACDELCO
CA2805	ACC25	CA49010	ACC91	E01804	AC082	F1304	ACF20
CA2807	ACC48	CA49030	ACC92	E01902	AC098	F1508	ACF138
CA2810	ACC30	CA65170	ACC59	E02101	AC0155	F11130	ACF137
CA2911	ACC14	CA65180	ACC40	E02301	AC081	F17010	ACF193
CA2912	ACC15	CA65210	ACC49	E02402	AC0156	FA1880	ACA262
CA3001	ACC16	CA65300	ACC75	E02623	AC0121	FC1001	ACF19
CA3101	ACC17	CA66030	ACC94	E02631	AC0157	FC1003	ACF21
CA3102	ACC18	CA89050	ACC42	E02637	AC0158	FC1005	ACF15
CA3300	ACC20	CAC1002	ACC95	E02801	AC0117	FC1009	ACF114
CA6507	ACC21	CAC1006	ACC43	E02803	AC0112	FC1016	ACF17
CA6508	ACC19	CAC1102	ACC28	E02804	AC0104	FC1018	ACF150
CA6511	ACC93	CAC1114	ACC54	E03005	AC0122	FC1104	ACF28
CA6515	ACC22	CAC1601	ACC67	E03006	AC0135	FC1105	ACF23
CA6516	ACC27	CAC1605	ACC70	E03009	AC0146	FC1107	ACF16
CA7915	ACC26	CAC1810	ACC35	E03103	AC0123	FC1108	ACF220
CA8904	ACC41	CAC10100	ACC96	E06504	AC099	FC1115	ACF201
CA11340	ACC78	CAC16130	ACC55	E06507	AC089	FC1301	ACF22
CA14040	ACC45	CAC17150	ACC56	E011050	AC0116	FC1511	ACF139
CA14050	ACC79	CAC19160	ACC38	E011060	AC0102	FC1702	ACF25
CA17090	ACC64	CAC19180	ACC46	E017030	AC0130	FC1803	ACF24
CA17110	ACC80	CAC19230	ACC65	E018210	AC0134	FC1814	ACF140
CA17140	ACC57	CAC28210	ACC58	E019030	AC0115	FC2801	ACF156
CA17160	ACC81	CAC28220	ACC69	E020010	AC0154	FC5107	ACF85
CA17171	ACC73	CAC30020	ACC66	E021020	AC0143	FC7101	ACF18
CA18120	ACC37	CAC37010	ACC97	E023020	AC0105	FC8001	ACF79
CA18200	ACC82	CAC65220	ACC50	E023030	AC0106	FC8002	ACF27
CA18220	ACC62	CAC66010	ACC36	E023040	AC0107	FC19070	ACF154
CA18250	ACC83	EA19710	ACA261	E024070	AC0125	FC28060	ACF162
CA18280	ACC63	EF1002	ACF142	E026400	AC0159	FF2064	ACF30
CA18310	ACC84	EF1003	ACF148	E026410	AC0160	FF2097	ACF42
CA18320	ACC61	EF1509	ACF143	E028060	AC0113	FF2150	ACF52
CA18340	ACC85	EF19030	ACF175	E028070	AC0133	FF2173	ACF43
CA19190	ACC52	EF21010	ACF183	E028080	AC0144	FF2182	ACF50
CA23020	ACC32	EF21020	ACF216	E030120	AC0147	FF2183	ACF99
CA28110	ACC34	EF31010	ACF217	E030140	AC0148	FF2200	ACF63
CA28130	ACC39	EF31020	ACF218	E030170	AC0149	FS1004	ACF64
CA28160	ACC72	EF31060	ACF155	E031070	AC0129	FS1005	ACF75
CA28180	ACC86	EF65010	ACF176	E031080	AC0161	FS1025	ACF111
CA28190	ACC71	EF65020S	ACF196	E031110	AC0137	FS1031	ACF184
CA28260	ACC87	EF65030	ACF192	E065090	AC0108	FS1035	ACF93
CA28280	ACC68	EFG15010	ACF219	E065110	AC0127	FS1037	ACF157
CA28300	ACC74	E01101	AC0101	E065120	AC0128	FS1102	ACF83
CA28330	ACC88	E01102	AC0124	E065140	AC0162	FS1103	ACF76
CA28340S	ACC89	E01103	AC0119	E066010	AC0163	FS1112	ACF91
CA29040	ACC60	E01401	AC0120	E079060	AC0138	FS1115	ACF49
CA30070	ACC90	E01701	AC087	F1106	ACF26	FS1123	ACF48
CA31060	ACC77	E01702	AC0109	F1111	ACF129	FS1123	ACF223
CA32050	ACC53	E01802	AC0103	F1303	ACF14	FS1134	ACF29

SAKURA	ACDELCO
FS1138	ACF185
FS1140	ACF186
FS1143	ACF107
FS1144	ACF113
FS1145	ACF78
FS1149	ACF130
FS1150	ACF161
FS1152	ACF108
FS1153	ACF112
FS1154	ACF187
FS1157	ACF131
FS1158	ACF77
FS1160	ACF105
FS1161	ACF128
FS1209	ACF58
FS1401	ACF191
FS1402	ACF89
FS1411	ACF135
FS1415	ACF88
FS1607	ACF66
FS1612	ACF121
FS1613	ACF206
FS1615	ACF61
FS1701	ACF12
FS1702	ACF81
FS1704	ACF31
FS1706	ACF32
FS1712	ACF51
FS1718	ACF118
FS1719	ACF33
FS1719	ACF86
FS1723	ACF44
FS1729	ACF189
FS1730	ACF132
FS1734	ACF68
FS1735	ACF116
FS1801	ACF10
FS1802	ACF9
FS1804	ACF69
FS1809	ACF80
FS1811	ACF7
FS1812	ACF158
FS1815	ACF82
FS1905	ACF2
FS1907	ACF117
FS1910	ACF119
FS1912	ACF177
FS2002	ACF229

SAKURA	ACDELCO
FS2102	ACF136
FS2301	ACF90
FS2301	ACF92
FS2302	ACF115
FS2401	ACF67
FS2804	ACF123
FS2805	ACF231
FS2809	ACF178
FS2811	ACF179
FS2812	ACF180
FS2813	ACF133
FS2814	ACF6
FS2907	ACF126
FS3107	ACF36
FS3108	ACF213
FS4901	ACF59
FS4902	ACF40
FS6503	ACF120
FS7902	ACF5
FS7902	ACF38
FS7902	ACF56
FS7903	ACF1
FS7905	ACF125
FS7909	ACF11
FS8002	ACF3
FS8003	ACF8
FS8004	ACF84
FS8006	ACF4
FS8007	ACF35
FS8901	ACF134
FS10043	ACF65
FS10490	ACF195
FS10510	ACF221
FS10520	ACF222
FS11650	ACF145
FS11660	ACF141
FS11730	ACF202
FS11740	ACF159
FS11760	ACF151
FS11770	ACF160
FS11780	ACF224
FS11790	ACF209
FS11820	ACF188
FS11830	ACF211
FS11840	ACF197
FS11850	ACF198
FS11860	ACF199
FS11890	ACF225

SAKURA	ACDELCO
FS16241	ACF163
FS16250	ACF207
FS16260	ACF53
FS16270	ACF226
FS16280	ACF205
FS17420	ACF194
FS17430	ACF227
FS18250	ACF152
FS18270	ACF164
FS18280	ACF165
FS18310	ACF190
FS18340	ACF208
FS19130	ACF147
FS19140	ACF149
FS19180	ACF228
FS23040	ACF153
FS25020	ACF210
FS26060	ACF230
FS26090	ACF212
FS28150	ACF144
FS28210	ACF146
FS28220	ACF166
FS28230	ACF181
FS28250	ACF204
FS28260	ACF200
FS28280	ACF232
FS30010	ACF233
FS30020	ACF234
FS30030	ACF235
FS31110	ACF203
FS31130	ACF236
FS31140	ACF215
FS31150	ACF214
FS38010	ACF237
FS48010	ACF182
01006	AC054
01301	AC047
01902	AC068
02624	AC0164
06508	AC088
SFC130630	ACF71

WESFIL	ACDELCO
WA024	ACA25
WA105	ACA29
WA114	ACA40
WA142	ACA31
WA209	ACA71
WA215	ACA1
WA216	ACA23
WA217	ACA41
WA223	ACA79
WA232	ACA69
WA233	ACA73
WA240	ACA56
WA242	ACA2
WA277	ACA50
WA292	ACA24
WA299	ACA6
WA301	ACA72
WA309	ACA39
WA310	ACA3
WA313	ACA26
WA318	ACA27
WA320	ACA75
WA325	ACA35
WA326	ACA28
WA329	ACA32
WA330	ACA77
WA330	ACA84
WA331	ACA87
WA332	ACA54
WA337	ACA38
WA338	ACA33
WA339	ACA57
WA340	ACA4
WA341	ACA11
WA342	ACA76
WA343	ACA81
WA344	ACA53
WA345	ACA36
WA347	ACA34
WA353	ACA51
WA356	ACA96
WA358	ACA10
WA359	ACA30
WA360	ACA21
WA431	ACA9
WA444	ACA15
WA446	ACA13
WA449	ACA37

WESFIL	ACDELCO	WESFIL	ACDELCO	WESFIL	ACDELCO	WESFIL	ACDELCO
WA489	ACA18	WA935	ACA337	WA1069	ACA140	WA1191	ACA223
WA491	ACA17	WA938	ACA211	WA1071	ACA222	WA1195	ACA175
WA803	ACA61	WA941	ACA297	WA1073	ACA124	WA1198	ACA288
WA804	ACA78	WA944	ACA218	WA1078	ACA299	WA1199	ACA330
WA805	ACA16	WA953	ACA138	WA1079	ACA227	WA5000	ACA235
WA812	ACA256	WA957	ACA349	WA1080	ACA129	WA5006	ACA191
WA817	ACA116	WA960	ACA94	WA1081	ACA132	WA5007	ACA298
WA820	ACA302	WA963	ACA114	WA1086	ACA258	WA5008	ACA329
WA822	ACA46	WA970	ACA292	WA1088	ACA208	WA5012	ACA179
WA826	ACA148	WA971	ACA90	WA1089	ACA233	WA5014	ACA328
WA827	ACA121	WA974	ACA108	WA1094	ACA153	WA5016	ACA268
WA828	ACA14	WA976	ACA253	WA1097	ACA320	WA5018	ACA195
WA829	ACA70	WA979	ACA316	WA1098	ACA204	WA5020	ACA307
WA831	ACA12	WA982	ACA214	WA1099	ACA196	WA5023	ACA155
WA839	ACA100	WA983	ACA112	WA1100	ACA168	WA5025	ACA229
WA840	ACA43	WA985	ACA83	WA1105	ACA187	WA5026	ACA197
WA842	ACA55	WA986	ACA215	WA1108	ACA131	WA5027	ACA257
WA845	ACA48	WA991	ACA85	WA1113	ACA123	WA5028	ACA194
WA847	ACA42	WA993	ACA105	WA1117	ACA228	WA5031	ACA343
WA851	ACA49	WA1000	ACA110	WA1118	ACA347	WA5032	ACA255
WA853	ACA161	WA1001	ACA102	WA1122	ACA127	WA5034	ACA174
WA854	ACA8	WA1004	ACA122	WA1123	ACA305	WA5037	ACA237
WA861	ACA58	WA1005	ACA107	WA1133	ACA234	WA5038	ACA250
WA862	ACA106	WA1006	ACA206	WA1134	ACA142	WA5039	ACA165
WA863	ACA65	WA1011	ACA285	WA1135	ACA126	WA5040	ACA180
WA864	ACA5	WA1012	ACA326	WA1136	ACA295	WA5042	ACA171
WA866	ACA66	WA1014	ACA119	WA1139	ACA139	WA5043	ACA239
WA867	ACA20	WA1017	ACA103	WA1141	ACA157	WA5049	ACA225
WA868	ACA88	WA1019	ACA118	WA1142	ACA145	WA5051	ACA277
WA870	ACA97	WA1020	ACA221	WA1143	ACA120	WA5052	ACA308
WA874	ACA111	WA1021	ACA294	WA1144	ACA200	WA5053	ACA160
WA886	ACA202	WA1024	ACA130	WA1157	ACA230	WA5058	ACA212
WA889	ACA7	WA1026	ACA146	WA1158	ACA243	WA5059	ACA186
WA892	ACA95	WA1032	ACA113	WA1159	ACA210	WA5060	ACA337
WA893	ACA101	WA1033	ACA109	WA1160	ACA209	WA5061	ACA164
WA895	ACA92	WA1037	ACA346	WA1161	ACA128	WA5064	ACA154
WA896	ACA93	WA1038	ACA319	WA1163	ACA254	WA5066	ACA188
WA899	ACA301	WA1045	ACA226	WA1164	ACA169	WA5072	ACA275
WA903	ACA296	WA1047	ACA321	WA1165	ACA309	WA5073	ACA185
WA904	ACA303	WA1051	ACA323	WA1170	ACA158	WA5074	ACA176
WA917	ACA22	WA1053	ACA304	WA1172	ACA306	WA5076	ACA236
WA918	ACA104	WA1055	ACA150	WA1178	ACA162	WA5080	ACA207
WA922	ACA86	WA1058	ACA115	WA1180	ACA159	WA5083	ACA205
WA924	ACA242	WA1059	ACA238	WA1181	ACA135	WA5084	ACA231
WA929	ACA91	WA1061	ACA201	WA1183	ACA190	WA5091	ACA311
WA932	ACA98	WA1063	ACA203	WA1184	ACA220	WA5092	ACA217
WA934	ACA80	WA1065	ACA143	WA1185	ACA216	WA5093	ACA184
WA935	ACA82	WA1066	ACA327	WA1186	ACA156	WA5094	ACA315

WESFIL	ACDELCO
WA5095	ACA173
WA5098	ACA166
WA5104	ACA289
WA5105	ACA163
WA5109	ACA181
WA5112	ACA167
WA5113	ACA264
WA5114	ACA271
WA5122	ACA322
WA5123	ACA260
WA5125	ACA324
WA5133	ACA244
WA5134	ACA183
WA5135	ACA348
WA5137	ACA199
WA5138	ACA189
WA5139	ACA224
WA5140	ACA313
WA5141	ACA177
WA5143	ACA178
WA5146	ACA240
WA5150	ACA265
WA5151	ACA213
WA5166	ACA317
WA5168	ACA262
WA5169	ACA259
WA5174	ACA246
WA5175	ACA261
WA5177	ACA245
WA5178	ACA331
WA5180	ACA230
WA5181	ACA341
WA5182	ACA314
WA5185	ACA290
WA5186	ACA340
WA5187	ACA192
WA5188	ACA193
WA5189	ACA232
WA5190	ACA291
WA5194	ACA344
WA5195	ACA287
WA5196	ACA283
WA5197	ACA282
WA5198	ACA278
WA5205	ACA270
WA5209	ACA336
WA5211	ACA286
WA5214	ACA338

WESFIL	ACDELCO
WA5215	ACA273
WA5222	ACA279
WA5229	ACA263
WA5231	ACA342
WA5234	ACA332
WA5237	ACA276
WA5243	ACA340
WA5244	ACA248
WA5246	ACA300
WA5247	ACA267
WA5249	ACA241
WA5251	ACA249
WA5257	ACA266
WA5264	ACA334
WA5265	ACA335
WA5268	ACA272
WA5270	ACA280
WA5274	ACA251
WA5281	ACA325
WA5285	ACA274
WA5297	ACA339
WA5299	ACA284
WA5300	ACA293
WA5312	ACA281
WA5321	ACA350
WA5338	ACA333
WA46077	ACA312
WACF0001	ACC41
WACF2D00	ACC12
WACF0002	ACC76
WACF0003	ACC51
WACF0005	ACC48
WACF0009	ACC6
WACF0010	ACC16
WACF0012	ACC21
WACF0014	ACC20
WACF0016	ACC18
WACF0018	ACC5
WACF0019	ACC19
WACF0021	ACC32
WACF0022	ACC77
WACF0025	ACC66
WACF0026	ACC23
WACF0030	ACC14
WACF0031	ACC15
WACF0032	ACC27
WACF0035	ACC28
WACF0038	ACC4

WESFIL	ACDELCO
WACF0039	ACC17
WACF0040	ACC54
WACF0041	ACC38
WACF0045	ACC62
WACF0046	ACC58
WACF0050	ACC34
WACF0051	ACC26
WACF0056	ACC40
WACF0057	ACC79
WACF0058	ACC24
WACF0070	ACC29
WACF0073	ACC69
WACF0075	ACC46
WACF0077	ACC35
WACF0078	ACC73
WACF0080	ACC97
WACF0083	ACC60
WACF0086	ACC33
WACF0090	ACC37
WACF0093	ACC70
WACF0099	ACC75
WACF0101	ACC36
WACF0103	ACC92
WACF0104	ACC30
WACF0105	ACC84
WACF0106	ACC55
WACF0110	ACC63
WACF0111	ACC49
WACF0113	ACC89
WACF0115	ACC86
WACF0116	ACC68
WACF0117	ACC44
WACF0120	ACC88
WACF0121	ACC74
WACF0122	ACC65
WACF0123	ACC52
WACF0127	ACC42
WACF0128	ACC67
WACF0129	ACC71
WACF0136	ACC85
WACF0140	ACC59
WACF0142	ACC43
WACF0143	ACC61
WACF0148	ACC45
WACF0149	ACC96
WACF0150	ACC56
WACF0151	ACC80
WACF0154	ACC94

WESFIL	ACDELCO
WACF0155	ACC93
WACF0158	ACC72
WACF0158	ACC87
WACF0163	ACC81
WACF0171	ACC50
WACF0172	ACC57
WACF0176	ACC47
WACF0178	ACC95
WACF0185	ACC83
WACF0196	ACC82
WACF2270	ACC90
WACF2277	ACC10
WACF2315	ACC11
WACF2402	ACC7
WACF3054	ACC22
WACF3810	ACC13
WACF4251	ACC53
WACF5231	ACC1
WACF5235	ACC8
WACF5241	ACC25
WACF5257	ACC9
WACF5302	ACC3
WACF5319	ACC91
WC1000	AC089
WC1033	AC0164
WC1054	AC0156
WC4567	ACF119
WCA8116	ACA269
WCA8162	ACA318
WCA8186	ACA319
WCA9066	ACA343
WCA9771	ACA198
WCF4	ACF178
WCF6	ACF141
WCF20	ACF161
WCF21	ACF133
WCF22	ACF130
WCF23	ACF158
WCF24	ACF189
WCF25	ACF194
WCF26	ACF206
WCF27	ACF132
WCF28	ACF180
WCF30	ACF184
WCF31	ACF129
WCF33	ACF131
WCF48	ACF23
WCF51	ACF230

WESFIL	ACDELCO	WESFIL	ACDELCO	WESFIL	ACDELCO	WESFIL	ACDELCO
WCF52	ACF234	WCF178	ACF211	WC086	AC0159	WR2493P	ACF20
WCF71	ACF140	WCF180	ACF205	WC088	AC0126	WR2495P	AC054
WCF79	ACF165	WCF182	ACF226	WC091	AC0108	WR2591P	AC081
WCF81	ACF151	WCF193	ACF197	WC092	AC0161	WR2592P	AC0146
WCF82	ACF145	WCF194	ACF209	WC093	AC0148	WR2593P	AC082
WCF86	ACF179	WCF195	ACF196	WC094	AC0160	WR2594P	AC098
WCF89	ACF236	WCF196	ACF219	WC0100	AC0109	WR2596P	AC0164
WCF90	ACF147	WCF198	ACF233	WC0102	AC0105	WR2597P	AC0135
WCF92	ACF218	WCF207	ACF193	WC0102	AC0107	WR2599P	AC0156
WCF93	ACF214	WCF208	ACF157	WC0105	AC0112	WR2618P	AC0104
WCF95	ACF137	WCF209	ACF227	WC0106	AC0114	WZ9	AC01
WCF96	ACF195	WCF214	ACF215	WC0107	AC0143	WZ14	ACF11
WCF97	ACF224	WCF217	ACF237	WC0112	AC0103	WZ14	ACF64
WCF99	ACF183	WCF219	ACF207	WC0113	AC0120	WZ15	ACF11
WCF101	ACF146	WCF225	ACF192	WC0115	AC0113	WZ15	ACF65
WCF102	ACF152	WCF232	ACF199	WC0119	AC0117	WZ24	AC034
WCF103	ACF150	WCF238	ACF225	WC0120	AC0147	WZ30	AC03
WCF104	ACF28	WCF259	ACF198	WC0122	AC0134	WZ37	AC04
WCF106	ACF166	WCF274	ACF220	WC0126	AC0149	WZ40	AC044
WCF107	ACF181	WC04	AC088	WC0130	AC0133	WZ56	AC05
WCF108	ACF138	WC05	AC0158	WC0132	AC0140	WZ56	AC017
WCF112	ACF155	WC07	AC0122	WC0134	AC0144	WZ57NM	AC038
WCF114	ACF212	WC010	AC0152	WC0135	AC0136	WZ63	AC085
WCF115	ACF216	WC011	AC099	WC0142	AC0137	WZ68	AC02
WCF121	ACF143	WC017	AC0116	WC0154	AC0127	WZ75	ACF18
WCF123	ACF200	WC017	AC0119	WC0156	AC0155	WZ89	AC09
WCF124	ACF148	WC018	AC0111	WC0157	AC0118	WZ91	ACF9
WCF126	ACF156	WC021	AC0110	WC0161	AC0130	WZ92	ACF10
WCF129	ACF162	WC022	AC0129	WC0163	AC0154	WZ96	AC035
WCF130	ACF217	WC025	AC094	WC0166	AC0162	WZ114	ACF77
WCF137	ACF160	WC028	AC0131	WC0167	AC0163	WZ115	AC012
WCF138	ACF182	WC038	AC0157	WC0170	AC0139	WZ125	AC013
WCF139	ACF202	WC043	AC0155	WC0172	AC0128	WZ130A	AC014
WCF142	ACF139	WC050	AC097	WC0173	AC0141	WZ131	AC015
WCF144	ACF142	WC051	AC0142	WC0176	AC0157	WZ142	AC07
WCF145	ACF176	WC054	AC0123	WC0179	AC0132	WZ142	AC016
WCF146	ACF190	WC056	AC087	WC0179	AC0151	WZ145	AC011
WCF150	ACF175	WC057	AC091	WHDZ179NM	AC062	WZ149NM	AC071
WCF151	ACF203	WC062	AC0121	WHDZ194NM	ACF15	WZ150NM	AC072
WCF156	ACF188	WC066	AC0124	WHDZ321	ACF22	WZ153	ACF84
WCF157	ACF164	WC067	AC0101	WHDZ371	AC051	WZ154	AC018
WCF159	ACF163	WC068	AC092	WLP61	ACA19	WZ155	AC033
WCF160	ACF210	WC070	AC0106	WR60PNM	ACF71	WZ158	AC019
WCF162	ACF208	WC076	AC090	WR2132P	ACF25	WZ160	AC025
WCF167	ACF222	WC078	AC0125	WR2199P	ACF14	WZ161	AC031
WCF169	ACF204	WC079	AC0115	WR2390P	AC047	WZ162NM	AC040
WCF171	ACF232	WC079	AC0138	WR2423P	ACF26	WZ168	ACF3
WCF176	ACF159	WC080	AC0102	WR2444P	ACF85	WZ169	ACF27

WESFIL	ACDELCO	WESFIL	ACDELCO	WESFIL	ACDELCO	WIX	ACDELCO
WZ170	AC029	WZ381	ACF52	WZ503NM	AC074	24013	ACC74
WZ172	AC030	WZ382	ACF83	WZ515	ACF111	24017	ACC94
WZ178NM	AC061	WZ383	ACF49	WZ516	AC084	24030	ACC63
WZ181NM	ACF79	WZ385	ACF44	WZ518	ACF135	24036	ACC80
WZ183NM	ACF16	WZ386	AC022	WZ528	ACF93	24065	ACC73
WZ188NM	ACF17	WZ387	ACF69	WZ535	ACF231	24080	ACC88
WZ197	ACF78	WZ390	ACF88	WZ543	AC086	24103	ACC81
WZ198	ACF12	WZ397	ACF56	WZ547NM	AC080	24200	ACC79
WZ199	ACF80	WZ400	ACF36	WZ549	ACF136	24400	ACC85
WZ200	ACF4	WZ401	ACF63	WZ550	ACF112	24472	ACC27
WZ201	ACF35	WZ402NM	AC066	WZ551	ACF235	24475	ACC2
WZ202	ACF8	WZ403	ACF43	WZ552	ACF186	24482	ACC51
WZ205	ACF76	WZ405	ACF68	WZ553	AC06	24484	ACC72
WZ251	AC058	WZ412	ACF58	WZ571	ACF107	24485	ACC7
WZ252	ACF201	WZ416	AC070	WZ577	ACF48	24489	ACC66
WZ257NM	ACF21	WZ418	AC08	WZ577	ACF223	24517	ACC34
WZ304NM	ACF19	WZ418	AC024	WZ578	ACF90	24524	ACC78
WZ306	ACF30	WZ419NM	AC043	WZ581	AC0145	24590	ACC49
WZ307	ACF51	WZ425	ACF99	WZ583	ACF123	24673	ACC90
WZ308	ACF31	WZ426	AC010	WZ584	ACF213	24683	ACC29
WZ309	ACF32	WZ429	AC026	WZ586	ACF120	24684	ACC48
WZ310	ACF33	WZ432	AC046	WZ590	ACF144	24685	ACC41
WZ310	ACF86	WZ434	ACF81	WZ596	AC0100	24765	ACC17
WZ311	ACF67	WZ440	ACF5	WZ599	ACF113	24771	ACC9
WZ313NM	AC041	WZ441	ACF1	WZ600	AC083	24808	ACC26
WZ317	ACF6	WZ442	AC023	WZ601	ACF117	24815	ACC3
WZ318	ACF105	WZ443NM	AC078	WZ603	ACF126	24817	ACC67
WZ319	AC050	WZ445NM	AC021	WZ604	ACF185	24822	ACC18
WZ322	ACF82	WZ445NM	AC073	WZ605	ACF125	24826	ACC76
WZ330NM	AC055	WZ446	ACF228	WZ611	ACF114	24857	ACC6
WZ332NM	ACF24	WZ456	AC027	WZ614	AC0153	24865	ACC19
WZ333NM	AC064	WZ456	AC028	WZ615	ACF154	24869	ACC12
WZ334	AC032	WZ457	ACF116	WZ620	ACF121	24875	ACC1
WZ335NM	AC077	WZ463	ACF66	WZ621	ACF134	24879	ACC25
WZ344	ACF40	WZ466	ACF185	WZ623	ACF177	24881	ACC13
WZ346	ACF75	WZ467	ACF108	WZ624	ACF187	24883	ACC76
WZ348	ACF7	WZ468	ACF229	WZ629	ACF149	24899	ACC93
WZ352	ACF48	WZ469	ACF92	WZ632	AC095	24900	ACC20
WZ352	ACF223	WZ475	AC053	WZ632	AC096	24901	ACC28
WZ353	ACF38	WZ476	AC052			24902	ACC59
WZ354	ACF29	WZ478	ACF91			24906	ACC42
WZ359	ACF53	WZ479	ACF115			24909	ACC36
WZ360	ACF61	WZ484	ACF118			25411	ACC54
WZ363	ACF42	WZ491	ACF89			33022	ACF8
WZ367	ACF191	WZ493NM	AC075			33023	ACF4
WZ370	ACF58	WZ495NM	AC045			33032	ACF64
WZ372	AC056	WZ498	ACF128			33033	ACF84
WZ373	ACF2	WZ499	AC079			33053	ACF9



WIX	ACDELCO	WIX	ACDELCO	WIX	ACDELCO	WIX	ACDELCO
33066	ACF83	33745	ACF148	42606	ACA285	46165	ACA30
33084	ACF78	33814	ACF214	42607	ACA326	46181	ACA87
33087	ACF10	33832	ACF217	42612	ACA216	46193	ACA297
33128	ACF19	33850	ACF134	42728	ACA146	46195	ACA211
33138	ACF201	33934	ACF212	42740	ACA227	46202	ACA57
33166	ACF25	33937	ACF143	42748	ACA1	46215	ACA108
33179	ACF3	39000	ACF82	42752	ACA298	46229	ACA37
33204	ACF12	39035	ACF20	42797	ACA226	46242	ACA43
33221	ACF33	39055	ACF16	42800	ACA328	46244	ACA148
33221	ACF86	39057	ACF24	42825	ACA201	46253	ACA221
33223	ACF52	39090	ACF85	42834	ACA179	46264	ACA14
33229	ACF231	42015	ACA214	42838	ACA177	46265	ACA121
33256	ACF155	42016	ACA112	42863	ACA311	46271	ACA93
33260	ACF14	42020	ACA19	42885	ACA217	46273	ACA86
33265	ACF2	42116	ACA50	42904	ACA40	46284	ACA71
33275	ACF76	42136	ACA36	42906	ACA29	46295	ACA97
33279	ACF67	42159	ACA4	42907	ACA79	46318	ACA90
33283	ACF53	42164	ACA230	42907	ACA98	46320	ACA206
33290	ACF32	42177	ACA316	42908	ACA72	46322	ACA153
33298	ACF68	42188	ACA139	42912	ACA35	46340	ACA233
33326	ACF30	42222	ACA65	46007	ACA33	46357	ACA20
33329	ACF51	42295	ACA292	46015	ACA32	46388	ACA138
33333	ACF43	42325	ACA41	46016	ACA38	46398	ACA303
33358	ACF18	42326	ACA24	46017	ACA49	46418	ACA238
33386	ACF22	42328	ACA31	46019	ACA26	46419	ACA222
33387	ACF191	42329	ACA130	46022	ACA39	46443	ACA304
33393	ACF27	42329	ACA196	46024	ACA56	46456	ACA94
33395	ACF79	42333	ACA46	46042	ACA77	46506	ACA22
33397	ACF21	42343	ACA73	46044	ACA202	46646	ACA150
33399	ACF17	42344	ACA27	46057	ACA18	46673	ACA126
33424	ACF177	42348	ACA3	46077	ACA312	46674	ACA140
33457	ACF223	42349	ACA23	46081	ACA346	46699	ACA347
33465	ACF6	42351	ACA321	46087	ACA76	46799	ACA320
33470	ACF75	42352	ACA25	46097	ACA48	46832	ACA306
33477	ACF69	42354	ACA28	46104	ACA91	46834	ACA123
33481	ACF115	42357	ACA34	46105	ACA82	46835	ACA309
33484	ACF92	42358	ACA51	46110	ACA301	46873	ACA174
33486	ACF229	42385	ACA53	46114	ACA343	46888	ACA169
33503	ACF223	42389	ACA210	46116	ACA21	46914	ACA220
33525	ACF15	42393	ACA6	46118	ACA256	46935	ACA265
33558	ACF7	42416	ACA96	46119	ACA78	46938	ACA225
33559	ACF66	42462	ACA323	46128	ACA17	49005	ACA244
33561	ACF186	42484	ACA223	46147	ACA13	49008	ACA300
33563	ACF108	42486	ACA92	46148	ACA70	49017	ACA261
33565	ACF91	42486	ACA310	46156	ACA16	49022	ACA276
33567	ACF185	42520	ACA7	46162	ACA161	49024	ACA324
33572	ACF135	42525	ACA319	46163	ACA11	49030	ACA264
33643	ACF230	42551	ACA208	46165	ACA2	49031	ACA281

WIX	ACDELCO	WIX	ACDELCO	WIX	ACDELCO	WIX	ACDELCO
49040	ACA246	49372	ACC16	51357	AC026	57187	AC0129
49041	ACA213	49421	ACA334	51361	AC075	57203	AC087
49063	ACA178	49430	ACA286	51368	AC077	57262	AC0137
49065	ACA163	49460	ACA245	51372	AC084	57327	AC0148
49069	ACA165	49522	ACA129	51374	AC013	57526	AC0163
49070	ACA166	49630	ACA350	51381	AC05	57674	AC0108
49085	ACA212	49640	ACA209	51381	AC07	59148	AC033
49104	ACA171	49700	ACC45	51381	AC010	59152	AC053
49113	ACA205	49800	ACA278	51381	AC016	59154	AC052
49116	ACA237	49825	ACA314	51381	AC017	59161	AC054
49119	ACA55	49843	ACA289	51387	AC058	59233	AC055
49120	ACA75	49876	ACA322	51390	AC038	59236	AC031
49122	ACA291	49894	ACA335	51392	AC014	59237	AC032
49126	ACA15	49907	ACA235	51394	AC019	59247	AC043
49128	ACA100	51034	AC04	51394	AC022	59250	AC066
49133	ACA5	51034	AC011	51396	AC046	59307	AC070
49134	ACA12	51040	AC018	51452	AC012	WA6595	ACA318
49146	ACA337	51049	AC03	51515	AC01	WA6688	ACA343
49147	ACA66	51061	AC034	51516	AC0110	WA10058	ACA293
49150	ACA61	51061	AC044	51521	AC029	WA10072	ACA333
49156	ACA229	51065	AC078	51523	AC040	WF8358	ACF236
49157	ACA308	51067	AC041	51647	AC074	WL7169	AC0152
49163	ACA8	51067	AC091	51674	AC051	WL7299	AC0155
49168	ACA116	51099	AC068	51675	AC056	WL7412	AC0117
49172	ACA42	51145	AC0164	51764	AC085	WL7416	AC0160
49172	ACA160	51189	AC025	51769	AC071	WL7503	AC0151
49191	ACA231	51213	AC0136	51775	AC015	WP9036	ACC91
49192	ACA340	51215	AC095	51806	AC039	WP10083	ACC87
49200	ACA259	51215	AC096	52947	AC062		
49204	ACA195	51223	AC0146	57002	AC0139		
49210	ACA232	51226	AC0121	57009	AC0158		
49212	ACA317	51282	AC047	57021	AC0156		
49214	ACA194	51307	AC09	57033	AC081		
49218	ACA242	51324	AC061	57041	AC0102		
49220	ACA69	51324	AC072	57045	AC0150		
49223	ACA188	51334	AC045	57047	AC0101		
49225	ACA164	51334	AC097	57050	AC0144		
49247	ACA267	51342	AC02	57060	AC092		
49248	ACC24	51342	AC06	57061	AC0104		
49250	ACA282	51346	AC080	57064	AC0116		
49310	ACA339	51347	AC086	57080	AC050		
49342	ACA329	51348	AC08	57082	AC089		
49350	ACA287	51348	AC024	57083	AC0123		
49353	ACC60	51348	AC030	57090	AC088		
49354	ACC38	51356	AC021	57145	AC023		
49359	ACC62	51356	AC027	57145	AC0100		
49363	ACC37	51356	AC028	57173	AC0124		
49364	ACC22	51356	AC073	57186	AC0115		