

PAC-CLAD
Petersen Aluminum



Aluminum
Composite Material



Dedicated to your Success



Dedicated to your Success

Alcoa Architectural Products understands that architects, designers, fabricators and installers share one common trait: *you're only as good as your current project*. Every new job presents a fresh set of challenges. And your ability to meet those unique challenges is the basis by which your clients will measure your work.

That's why we've built our company to provide comprehensive architectural solutions that enhance your ability to succeed. Everything we do is centered on making the design, specification and installation of our building panels as easy, as fast and as affordable as possible.

We develop and deliver innovative cladding products for both interior and exterior applications. Through our popular Reynobond® Aluminum Composite Material, our Reynobond Natural Metal Composite Material, our groundbreaking Reynobond with KEVLAR® hurricane impact panels and our new Anodized Reynobond, we provide durability, design flexibility and enduring performance while ensuring consistency of quality and color from project to project.

And our dedication to your success goes far beyond our products. By offering a wide range of support services such as comprehensive CAD drawings, custom design solutions, on-site consultation and more, the people of Alcoa Architectural Products work to ensure that your next project – *and every project* – is a success.





Reynobond® – wrap your imagination around it



Product Information

When you want to make a design statement, Reynobond is the natural choice, allowing you the flexibility to achieve whatever your mind can conceive.

Exceptionally Flat

The strong, rigid construction of Reynobond composite material consists of a compound core between two sheets of aluminum, brushed aluminum, zinc, stainless steel, copper or titanium. This creates a flat surface that virtually eliminates dimpling, buckling and oil canning.



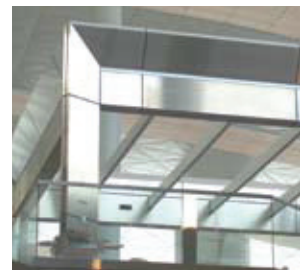
Daringly Formable

Reynobond is easily routed, drilled, punched, cut, bent, curved and precisely formed via these and other fabrication techniques to achieve small-radius curves, reverse curves, angles and other shapes, to create dramatic and distinctive designs.



Surprisingly Light

The light weight of Reynobond allows a wide variety of design options. Installation is quick and easy. For renovation work, cladding can often be installed with little or no alteration to existing structural elements.



Distinctively Colorful

The high-performance coating systems available for Reynobond provide outstanding color and gloss retention in a virtually limitless range of hues. Standard and custom finishes are available, including anodic colors. Continuous coil application ensures consistent, long-lasting color.



New Century BMW,
Engineered Wall Systems



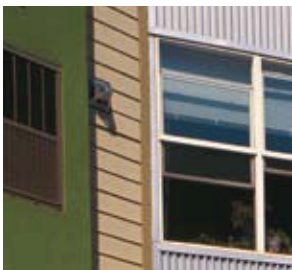
Easily Integrated

Reynobond integrates easily with the curtain wall provided by most manufacturers. The result is a seamless look for a building's façade – with the added design characteristics that only Reynobond can offer.



Beautiful Accents

Reynobond's family of Natural Metal products allows every element of the structure to become an element of design – through shaping, color and more. Reynobond's strength, weight and formability allow you to achieve designs that are not feasible with other materials.



Made for Each Other

Alcoa's Aluminum Wall Panels are the perfect complement to our family of Reynobond Aluminum Composite Material. The ability to combine these high-quality products in pre-matched or custom colors creates a number of distinct design advantages.



Guaranteed Safe

Reynobond is fully tested and environmentally safe, with building code approvals throughout the world. It is available with either a polyethylene (PE) core or a fire-resistant (FR) core material. Both products offer the flatness and formability required for demanding applications.

Reynobond® Natural Metals

Our Natural Metal composite panels provide all the functional benefits of Reynobond, with the clean, aesthetic impact that can come only from nature's finest elements. They are ideal as wall panels or accents for interior and exterior applications that emphasize natural beauty.

Reynobond ZCM

Made with a metal-zinc alloy that's stronger than common zinc, ZCM weathers naturally in the environment, with no coatings required. It greatly expands the number of architectural applications where zinc façades and accents can be used.

Reynobond Natural Brushed Aluminum

Reynobond Natural Brushed Aluminum combines the natural beauty of brushed aluminum with a high-performance protective sealant to meet the consistency and durability requirements of architectural exterior wall panels.

Reynobond Copper

Created specifically for use as an interior or exterior wall accent panel, Reynobond Copper blends the natural beauty of copper with the flatness and formability of composite panels. This timeless metal lends a classic look to any architectural project.

Reynobond Stainless Steel

With its clean, bold look, Reynobond Stainless Steel brings a modern feel to any environment – and provides a superb contrast to wood and other natural elements. It offers formability at a weight much lighter than traditional plate steel.

Reynobond Titanium

Reynobond Titanium combines an exceedingly durable and exotic natural metal finish with the flatness and formability of composite panels. The appearance of its natural, non-directional finish shifts with changing light conditions, displaying a range of unique hues.





Reynobond® with KEVLAR®

Stop hurricane-propelled debris in its tracks



Lightweight. Flexible. And now impact resistant.

Reynobond with KEVLAR® panels combine all the weight and flexibility benefits and new, sustainable paint finishes of Reynobond with the impact-resistant strength that can only come from KEVLAR®.

Celebrated around the world as the lifesaving material in bullet-resistant vests and body armor, DuPont™ KEVLAR® fabric is five times stronger than steel on an equal weight basis. By adding it to Reynobond's polyethylene core, the panel can withstand hurricane-propelled debris and similar types of impact – without the use of heavy backer materials.

Easy to use. Easy to maintain. Affordable to install.

When installed with Alcoa-designed extrusions, Reynobond with KEVLAR® eliminates the need for protective backer materials such as plywood, steel or concrete. Panel modules can be shop-fabricated and quickly installed onto structural steel studs on the jobsite. This decreases the material cost of installation and on-site labor requirements – leading to faster installation, with costs comparable to, and often less than, those of brick, EFIS and stucco.

Designed to meet Miami-Dade County standards.

Reynobond with KEVLAR® is the only standalone aluminum composite material that meets the stringent requirements of the Miami-Dade County Building Code. Installed utilizing Alcoa-designed extrusions, it is engineered to sustain hurricane-force winds while passing small and large missile impact tests.

Miami-Dade County Approved

Reynobond with KEVLAR® is the only standalone aluminum composite material that meets the stringent requirements of the Miami-Dade County Building Code*. Installed utilizing Alcoa-designed extrusions, it is engineered to sustain hurricane-force winds while passing small and large missile impact tests in Alcoa-sponsored trials. (Miami-Dade County, Florida NOA No. 06-1025.03 and No. 09-0625.01)

* The Miami-Dade County Building Code stipulates that panel systems withstand the impact of a 9-pound 2x4 timber traveling at 50 feet per second.

Reynobond Architectural Finishes



Colorweld® 500 – Introducing the industry’s first 30-year finish.

Reynobond Aluminum Composite Material is protected and colored with enhanced, high-performance Colorweld 500 coatings. These finishes feature 70% Kynar 500®/Hylar 5000® polyvinylidene fluoride (PVDF) resins with Fluoropolymer technology, coil coated to ensure the highest color uniformity and quality. They provide excellent flexibility and film adhesion for forming and offer superior resistance to humidity, impact, salt spray, pollution and abrasion. With a 30-year finish warranty, Colorweld 500 coatings exhibit outstanding color and gloss retention and improved hardness and durability, and they are considered the premier architectural coatings for metal.



DURAGLOSS® 5000 Wood grain finish. Save a tree.

Introducing the first aluminum composite panel with a surface almost indistinguishable from real wood, thanks to our patented DURAGLOSS 5000 paint process. Reynobond Wood Grain offers all the advantages of standard Reynobond – remarkable strength and exceptional flatness. These panels are resistant to all environmental influences and remain unaffected by UV rays. They are designed and warranted for exterior or interior applications and are available in three attractive colors: Honey Pear, Colonial Red and Mahogany Brown.



Anodized Reynobond. A striking finish is only the beginning of the story.

Strong, flat, formable Reynobond ACM panels are available in eye-catching anodized finishes. And the beauty of Anodized Reynobond is more than skin deep. The anodized layer integrates with the aluminum for total bonding, creating a harder, smoother surface with superior resistance to abrasion and corrosion. Unaffected by ultraviolet rays and environmentally friendly, Anodized Reynobond is designed for exterior or interior use. It is available in a variety of standard and custom colors.

General data, facts & figures

Reynobond® ACM Technical Overview

Property	Units	RB120PE-3 mm	RB160PE-4 mm	RB240PE-6 mm	RB160FR-4 mm	Reynobond with KEVLAR®	
Thickness	Inches mm	0.118 3.0	0.157 4.0	0.236 6.0	0.157 4.0	0.157 4.0	
Weight	lb/ft ² Kg/m ²	0.94 4.59	1.12 5.47	1.51 7.37	1.53 7.48	1.10 5.37	
BOND INTEGRITY	Min. Bond Strength ASTM D1781	in-lb/in Nm/m	40 178	40 178	40 178	22.5 100	40 178
	Flatwise Shear ASTM D1002	lb/in ² Mpa	1,297 8.94	1,221 8.42	2,055 14.17	928 6.4	735 5.07
Allowable Bending Stress (1)	lb/in ² Mpa	11,500 79.3	11,500 79.3	11,500 79.3	11,500 79.3	11,500 79.3	
Coefficient of Expansion ASTM E228	in/in/F mm/mm/C	1.31x10 ⁻⁵ 2.36x10 ⁻⁵	1.31x10 ⁻⁵ 2.36x10 ⁻⁵	1.31x10 ⁻⁵ 2.36x10 ⁻⁵	1.31x10 ⁻⁵ 2.36x10 ⁻⁵	1.31x10 ⁻⁵ 2.36x10 ⁻⁵	
Stiffness (EI)	lb in ² /in Mpa cm ⁴ /m	807 9.1x10 ³	1,140 12.8x10 ³	1,896 21.4x10 ³	1,262 14.3x10 ³	776 8.7x10 ³	
Flexural Modulus Aged per ASTM C393 (2)	lb/in ² Mpa	8.3x10 ⁶ 57.2x10 ³	6.0x10 ⁶ 41.4x10 ³	4.0x10 ⁶ 27.6x10 ³	6.7x10 ⁶ 46.2x10 ³	4.08x10 ⁶ 28.2x10 ³	
Moment of Inertia	in ⁴ /in cm ⁴ /m	0.97x10 ⁻⁴ 0.159	1.89x10 ⁻⁴ 0.310	4.58x10 ⁻⁴ 0.751	1.89x10 ⁻⁴ 0.310	1.89x10 ⁻⁴ 0.310	
Section Modulus	in ³ /in cm ³ /m	1.65x10 ⁻³ 1.065	2.41x10 ⁻³ 1.555	3.88x10 ⁻³ 2.503	2.41x10 ⁻³ 1.555	2.41x10 ⁻³ 1.555	
Tensile Yield ASTM D638	lb/in ² Mpa	8,300 57.23	6,405 44.16	5,314 36.64	6,367 43.90	15,700 108.25	
Flatwise Tensile ASTM C297	lb/in ² Mpa	1,483 10.22	1,371 9.45	1,099 7.58	961 6.62	513 3.53	

(1) Allowable stress may be increased by 33% for wind load.

(2) Reynobond with KEVLAR® flex modulus fabric side up.

Information contained herein or related hereto is intended only for evaluation by technically skilled persons, with any use thereof to be at their independent discretion and risk. Such information is believed to be reliable, but Alcoa Architectural Products ("Alcoa") shall have no responsibility or liability for results obtained or damages resulting from such use. Alcoa grants no license under, and shall have no responsibility or liability for infringement of, any patent or other proprietary right. Nothing in this document should be construed as a warranty or guarantee by Alcoa, and the only applicable warranties will be those set forth in Alcoa acknowledgement or in any printed warranty documents issued by Alcoa. The foregoing may be waived or modified only in writing by an Alcoa officer.

Paint Finish Quick Specification Reference

	CW 500/CW 500XL	DURAGLOSS® 5000	DURAGLOSS® 3000	CORAFLO®	FLUOROBRITE™	COLORWELD® 100
Warranty	30 yrs.	15 yrs.	10 yrs.	20 yrs.	5 yrs.	5 yrs.
Resin Type	70% PVDF	Modified Polyester	Modified Polyester	FEVE	FEVE	Polyester
UV Performance	*****	****	***	***	**	*
Gloss Range	20% – 35%	25% – 35%	20% – 80%	20% – 35%	20% – 80%	20% – 80%
Colors	Opagues Metallics	Opagues Metallics	Opagues Metallics Bright Colors	Opagues Metallics	Bright Colors	Opagues Metallics Bright Colors
Economics	\$\$\$\$	\$\$\$	\$\$	\$\$\$\$\$	\$\$\$\$\$	\$

Safety/Class A Rating Per ASTM E84

	Flame Spread	Smoke Developed
Reynobond PE w/o Joint	PASS* CLASS A	PASS* CLASS A
Reynobond PE w/ Joint	PASS* CLASS A	PASS* CLASS A
Reynobond FR w/ Joint	PASS* CLASS A	PASS* CLASS A
Reynobond with KEVLAR®	PASS* CLASS A	PASS* CLASS A

*Flame spread ≤ 25, smoke developed ≤ 450.

Building Code Recognition

Intertek Design Listing	No. AAP/CWP 30-01
New York City M.E.A.	MEA 75-91-M, MEA 390-99-M
Los Angeles Research Report	Pending
State of Wisconsin Approval	No. 990033-I
Miami-Dade N.O.A.	No. 06-1025.03 and No. 09-0625.01
Florida Product Approval	FL10220 Validated
Canadian Fire Test	CAN S101
Canadian Fire Test	CAN S102
Canadian Fire Test	CAN S134 Pending

Chicago • Canada • United Kingdom • Singapore
Australia • New Zealand • Malaysia • France
Germany • China • Hong Kong • Poland • Israel

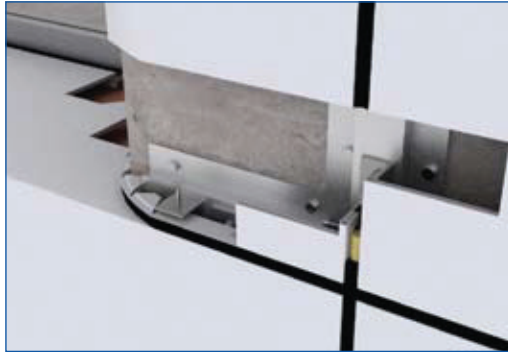
Product Availability

	Thickness	Standard Widths**	Standard Lengths*
RB120PE-3 mm	3 mm (0.118")	Consult for program widths including: 1000 mm (39.37") 1220 mm (48") 1270 mm (50") 1295 mm (51") 1524 mm (60") 1575 mm (62")	1220 mm (48") to 6172 mm (20' 3")
RB160PE-4 mm	4 mm (0.157")	1270 mm (50") 1575 mm (62")	1220 mm (48") to 6172 mm (20' 3")
RB240PE-6 mm	6 mm (0.236")	1270 mm (50") 1575 mm (62")	1220 mm (48") to 6172 mm (20' 3")
RB160FR-4 mm	4 mm (0.157")	1270 mm (50") 1575 mm (62")	1220 mm (48") to 6172 mm (20' 3")
Reynobond with KEVLAR®	4 mm (0.157")	1270 mm (50") 1575 mm (62")	1220 mm (48") to 6172 mm (20' 3")

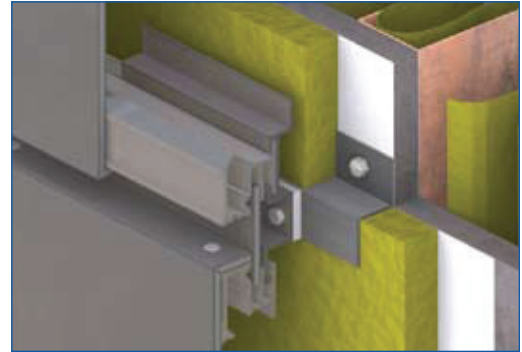
*Consult for standard lengths. **Consult for color & finish availability.

Reynobond® ACM

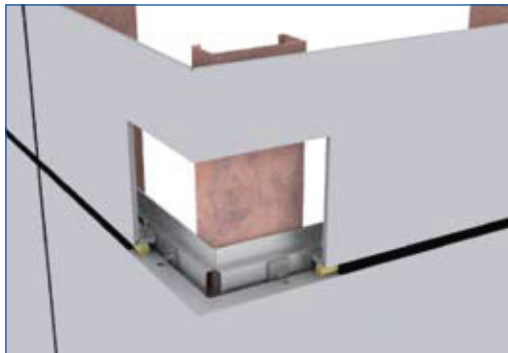
Common applications



Recessed Windowsill



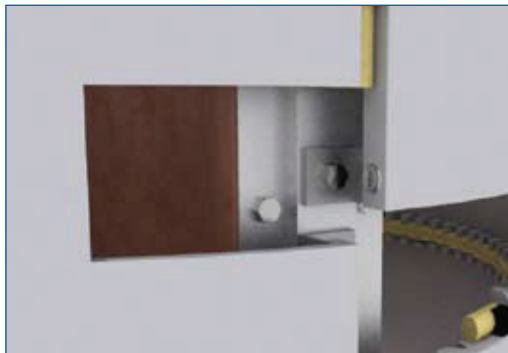
Rainscreen Installation System
Compliments of Riverside Group Ltd.



Outside Corner



Parapet Cap



Curved Wall Panel



Dry Seal Installation System
Compliments of NOW Specialties, Inc.



HQ: 1005 Tonne Road
Elk Grove Village, IL 60007
P: 800-PAC-CLAD
F: 800-722-7150

9060 Junction Drive
Annapolis Junction, MD 20701
P: 800-344-1400
F: 301-953-7627

10551 PAC Road
Tyler, TX 75707
P: 800-441-8661
F: 903-581-8592

350 73rd Ave., NE, Ste 1
Fridley, MN 55432
P: 877-571-2025
F: 866-901-2935

102 Northpoint Pkwy Ext, Bldg 1, Ste 100
Acworth, GA 30102
P: 800-272-4482
F: 770-420-2533