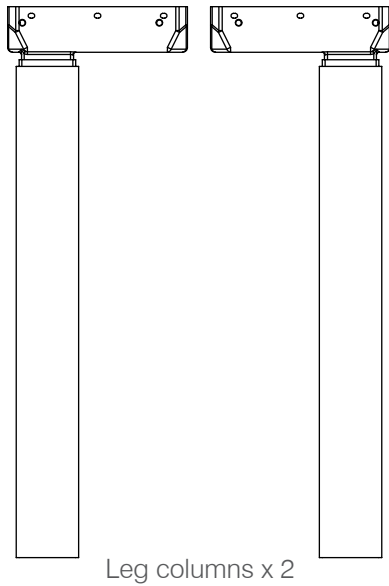
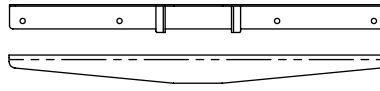




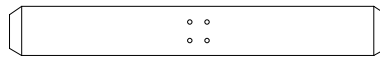
COMPONENTS



T - Type

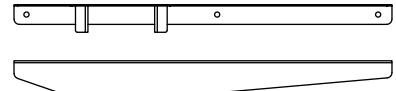


Cantilevers* x 2

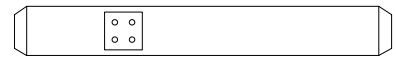


Foot* x 2

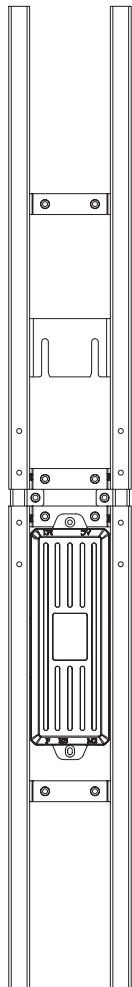
C - Type



Cantilevers* x 2



Foot* x 2



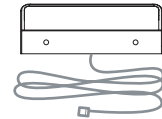
Stretcher bar assembly
with control box



Controller cable x 1

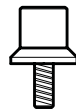


Power cable x 1

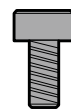


LED control handset
x 1

Hardware



M6*8
x 8



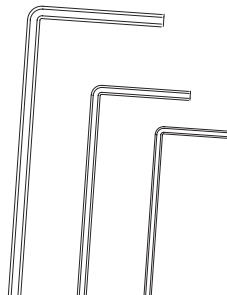
M10*30
x 8



ST 5*18
x 2



ST 5*20
x 18



8mm 5mm 4mm
Allen keys



M6*10
x 8



Cable
Management
Clip



Screw caps x 8

*Feet and cantilevers are boxed separately.

SAFETY STATEMENT



RISK OF SERIOUS INJURY DUE TO PINCH POINTS, TIPOVER, OR POTENTIAL COLLAPSE.

This powered, adjustable height desk appliance is not intended for use by persons (including children) with reduced physical, sensory or mental capabilities, or lack of experience and knowledge, unless they have been given supervision or instruction concerning use of the appliance by a person responsible for their safety. Children should be supervised to ensure that they do not play with the appliance.

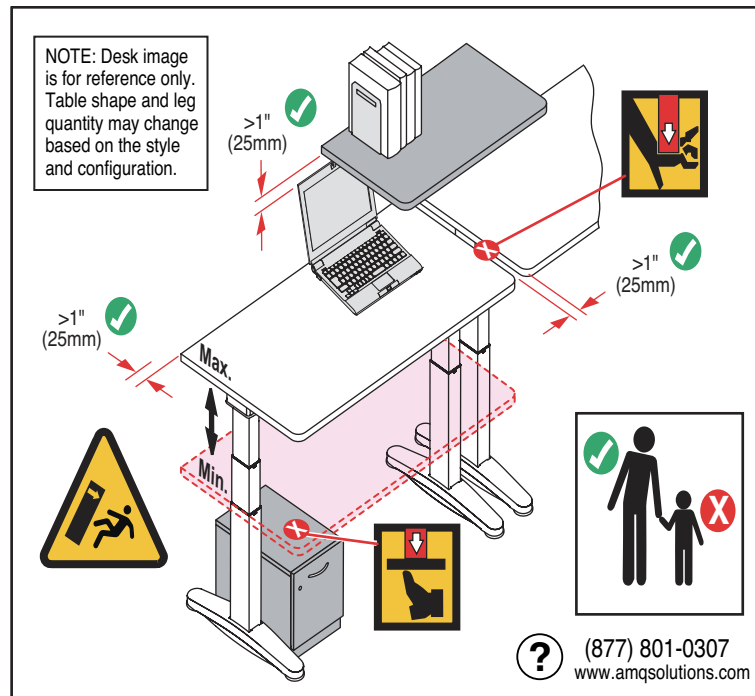
- **RISK OF DEATH OR SERIOUS INJURY.** Raising or lowering desk can trap, pinch or crush body parts or property.
- **CRUSH HAZARD - DO NOT PLACE FEET, LEGS OR OTHER BODY PARTS ON OBJECTS PLACED UNDER TABLE TOP OR BELOW MODESTY PANEL.**
- **DO NOT OPERATE THIS EQUIPMENT** Unless Properly Trained.
- **DO NOT ALLOW USE BY CHILDREN** or people unable to understand the risks and to safely adjust the desk height. Lock handset or remove and secure power cord when not in use to prevent children from adjusting the desk unsupervised.
- **INSPECT REGULARLY.** Stop using if product is damaged or has loose parts. Only repair with AMQ authorized parts and methods.

- **MAINTAIN >1" (25mm) GAP ABOVE OBJECTS ON DESK AT MAX HEIGHT AND BETWEEN THE DESK & ADJACENT OBJECTS.** Locate desk, accessories, and nearby objects to allow movement of desktop through full range without pulling cords, trapping body parts, or colliding with anything (shelves, electrical plugs and cords, door knobs, window sills, storage cabinets, etc.)

- Always lock castors during use to keep adequate clearance between desk and other objects.

Risk of Tip-Over Injury. Before moving on castors:

1. Adjust desk to lowest height.
2. Verify path is clear of obstructions.
3. Remove objects not attached to desk.
4. Restrict monitor arms from moving outside desk perimeter.



This device complies with part 15 of the FCC rules. Operation is subject to the following two conditions: (1) This device may not cause harmful interference, and (2) this device must accept any interference received, including interference that may cause undesired operation.

This equipment has been tested and found to comply with the limits for a class B digital device pursuant to Part 15 for FCC rules. These limits are designed to provide reasonable protection against harmful interference in a residential installation. This equipment generates, uses and can radiate radio frequency energy and, if not installed and used in accordance with the instructions, may cause harmful interference to radio communications. However, there is no guarantee that interference will not occur in a particular installation. If this equipment does cause harmful interference to radio or television reception, which can be determined by turning the equipment off and on, the user is encouraged to try to correct the interference by one or more of the following measures: Reorient or relocate the receiving antenna. Increase the separation between the equipment and receiver. Connect the equipment into an outlet or a circuit different from that to which the receiver is connected. Consult the dealer or an experienced radio/TV technician for help.

Important: Changes or modifications to this product not authorized by AMQ could void your authority to operate the product.

SAFETY STATEMENT

⚠ WARNING

RISK OF SERIOUS INJURY:

POTENTIAL FOR INJURY: The use of work surfaces that do not comply with the AMQ defined criteria and limitations could cause personal injury or property damage due to pinch points, instability, or other problems.

POTENTIAL FOR NON-COMPLIANCE: The use of work surfaces that do not comply with AMQ criteria **VOIDS** any AMQ claims of compliance with ANSI/BIFMA, UL, LEED, or other applicable requirements. The use of non-AMQ work surfaces on AMQ adjustable-height bases may **NOT** be accepted as compliant to municipal electrical codes or OSHA federal workplace standards, because this use does not create an NRTL (UL, ETL, etc.) listed product. AMQ is not responsible for the ultimate determinations of compliance for height-adjustable bases with non-AMQ work surfaces. AMO assumes NO liability for lack of standards compliance in these instances.

WARRANTY RESTRICTIONS: The use of non-AMQ supplied work surfaces **VOIDS** all AMQ warranties, expressed or implied.

DISCLAIMER: The use of non-AMQ work surfaces is **NOT** recommended. Any use of a non-AMQ work surface requires additional investigation by the customer regarding the appropriateness for use. It is the sole responsibility of the customer to determine the suitability and safety of the selected work surface construction and attachment means. The following information is provided as a guideline, but does not address all potential issues. Customers should seek professional guidance as to the appropriateness of their chosen work surface.

MANDATORY REQUIREMENTS REGARDLESS OF WORK SURFACE MATERIAL OR CONSTRUCTION:

FASTENERS: Adjustable-height bases include fasteners intended for use with AMQ work surfaces.

These fasteners may potentially also be suitable for work surfaces meeting the following criteria:

- Medium-density or higher particleboard or fiberboard cores with High-pressure laminate (HPL), Lowpressure laminate (LPL) or veneer & backers
- Thickness of .984" (25.0 mm) or greater
- Fasteners located a minimum distance of .984" (25.0 mm) from any edge

Any other work surface construction will require different and/or additional fastening means and these means must be determined by the project's designer, architect, or engineer. For example, solid-surface materials should use appropriate threaded inserts and corresponding fasteners or similar attachment means.

In all cases, all fastener locations provided in the base attachment features **MUST** be used (e.g. if attachment plate has 6 screw holes, all 6 holes must be used for attachment).

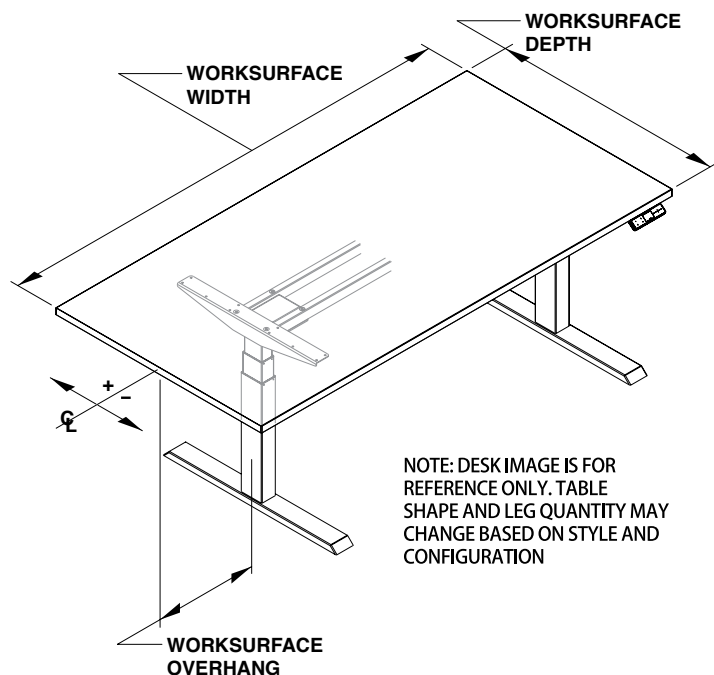
FLAMMABILITY: Any work surface or similar large part > 10ft" 2 must have a flame spread < 200 and a smoke developed index < 450 when tested per UL 723.

SHARP EDGES: All accessible edges of the work surface must meet 1439 test for sharp edges.

DIMENSIONAL LIMITATIONS:

- Work surface depth not to exceed 30" (762mm)
- Longitudinal work surface position on base must be on centerline
- Maximum work surface width may not exceed 72" (1828.8 mm)
- Work surface overhang (distance from side of support cantilever to edge of work surface) must be greater than .75" (19mm) and may not exceed 1.25" (32 mm)

FOLLOW ALL WARNINGS PROVIDED FOR BASE+ WORK SURFACE.



SAFETY INSTRUCTIONS

When using an electrical furnishing, basic precautions should always be followed, including the following: Read all instructions before using (this furnishing). PLEASE SAVE THESE INSTRUCTIONS, AND THE USER GUIDE, IN AN OBVIOUS PLACE FOR THE END USER AFTER ASSEMBLY.

WARNING

To reduce the risk of burns, fire, electric shock or injury to persons:

1. Always unplug this furnishing from the electrical outlet before cleaning.
2. Use this table only for its intended use as described in these instructions. Do not use attachments not recommended by the manufacturer.
3. Never operate this table if it has a damaged cord or plug, if it is not working properly, or if it has been dropped or damaged.
4. Keep the cord away from heated surfaces.
5. Never drop or insert any object into any opening.
6. Do not use outdoors.
7. Do not operate where aerosol (spray) products are being used or where oxygen is being administered.
8. For loading always put heavier items at the bottom and not near the top in order to help prevent the possibility of the furnishing tipping over.
9. Do not sit/stand on product.
10. Inspect regularly, stop using if damaged or loose parts found.

The desk or table shall be installed near power socket & the plug shall be easily accessible.

WARNING - Risk of fire and shock

POLARIZED PLUG INSTRUCTIONS (Only for products with polarized plug)

To reduce the risk of electrical shock, some furnishings have a polarized plug (one blade is wider than the other) like the plug illustrated in Figure 1. This plug will fit in a polarized outlet only one way. If the plug does not fit fully in the outlet, reverse the plug. If it still does not fit, contact a qualified electrician to install the proper outlet. Do not change the plug in any way.

INSTRUCTIONS FOR DOUBLE INSULATED PRODUCTS: No grounding means is provided on a double-insulated product. Nor is a means for grounding to be added to the product. The plug looks like the plug illustrated in Figure 1. A double insulated product is marked with the words "double insulation", "double insulated."

GROUNDING INSTRUCTIONS (for grounded products only) - Some products must be grounded. Connect these types of appliances to a properly grounded outlet in accordance with all local codes and ordinances.

For products sold in North America and other 120V regions: the product is for use on a nominal 120-V circuit. These products use a grounded plug that looks like the plug illustrated in sketch A in Figure 2. Make sure that the product is connected to an outlet having the same configuration as the plug. No adapter should be used with this product. **WARNING - Risk of fire and shock, Use only type SJT 18 AWG cord.**

PLUG ILLUSTRATION DISCLAIMER - Illustrations shown here may not match your product. Depending on your region, the plug pin size and shape may change.

OPERATING INSTRUCTIONS

Please refer to the User Guide, which is available online.

Products with Polarized Plugs

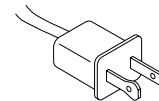


Figure 1
Polarized Plug

Products with Grounded Plugs

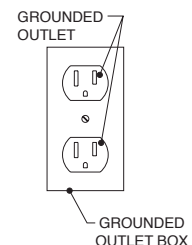
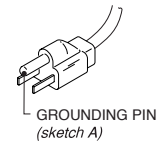
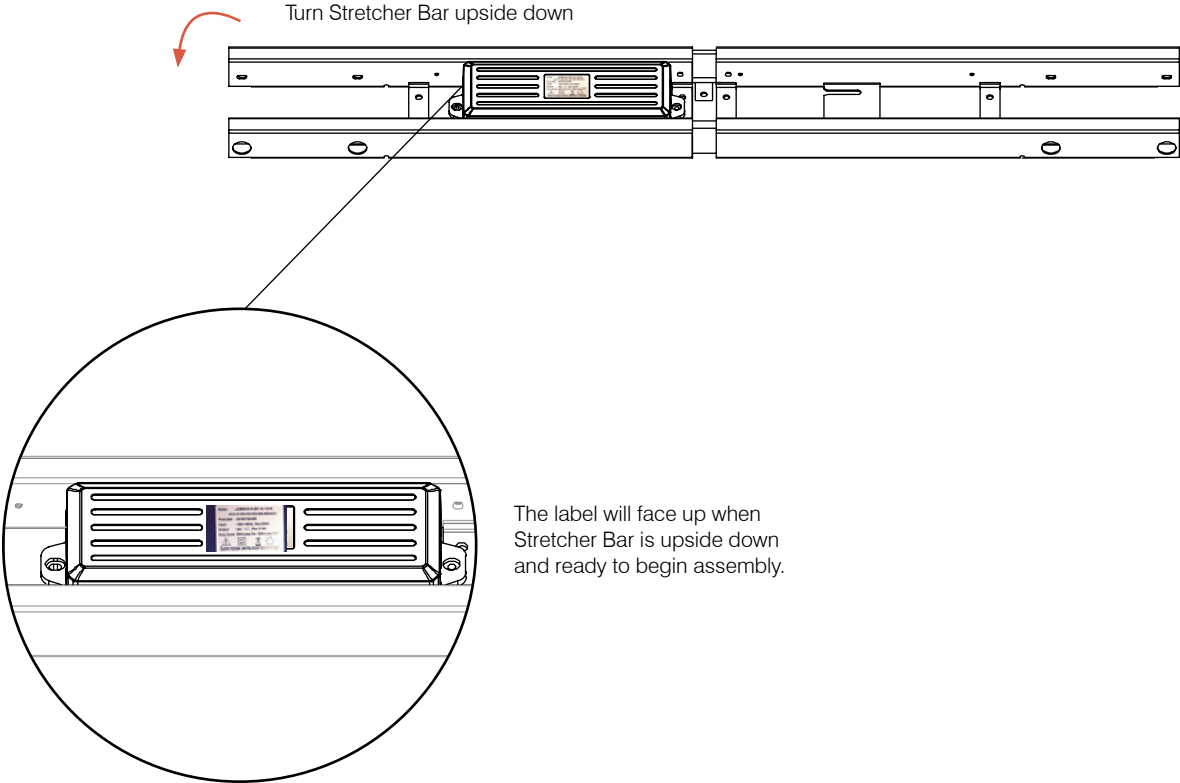


Figure 2
Grounding methods

PHASE 1 | Preparing for Assembly

Step 1

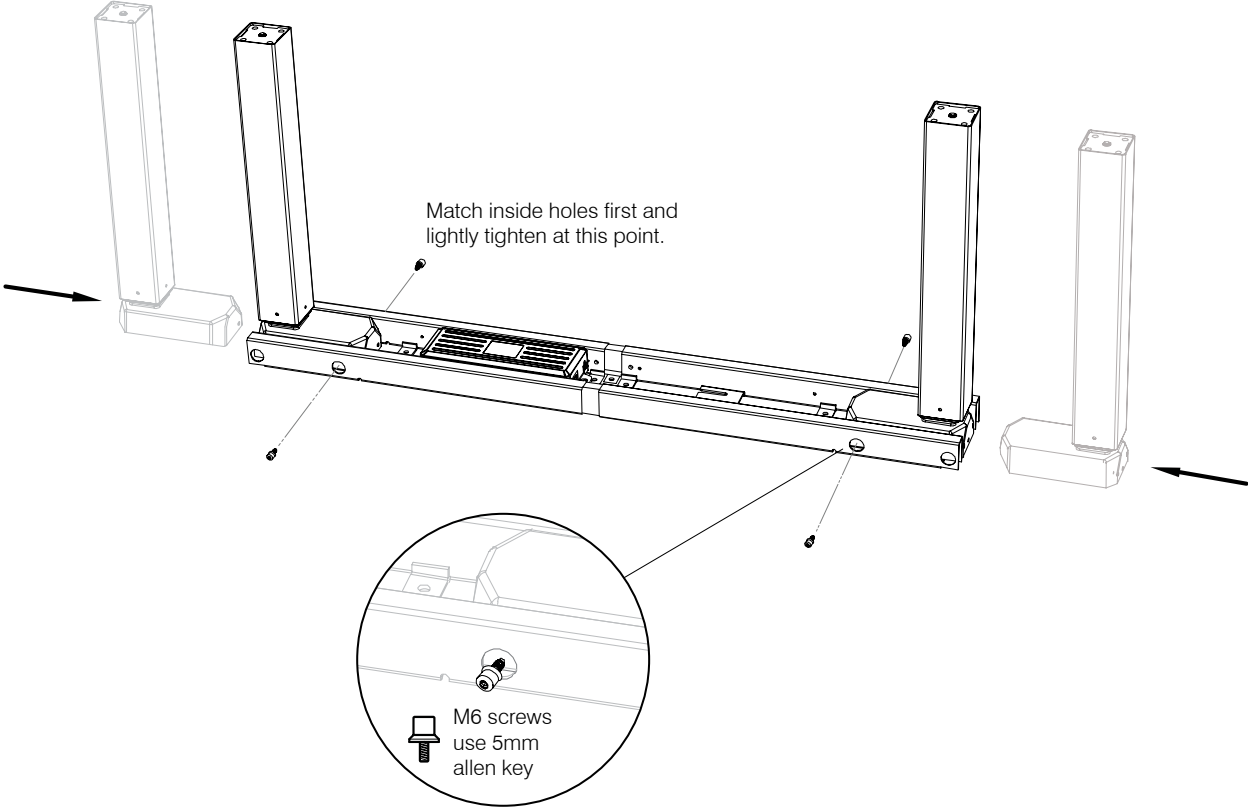
Place Stretcher Bar unit upside down on work area.



PHASE 2 | Attaching Legs

Step 1

Slide leg columns into place and attach with M6 screws.
Match inside holes first and lightly tighten at this point.



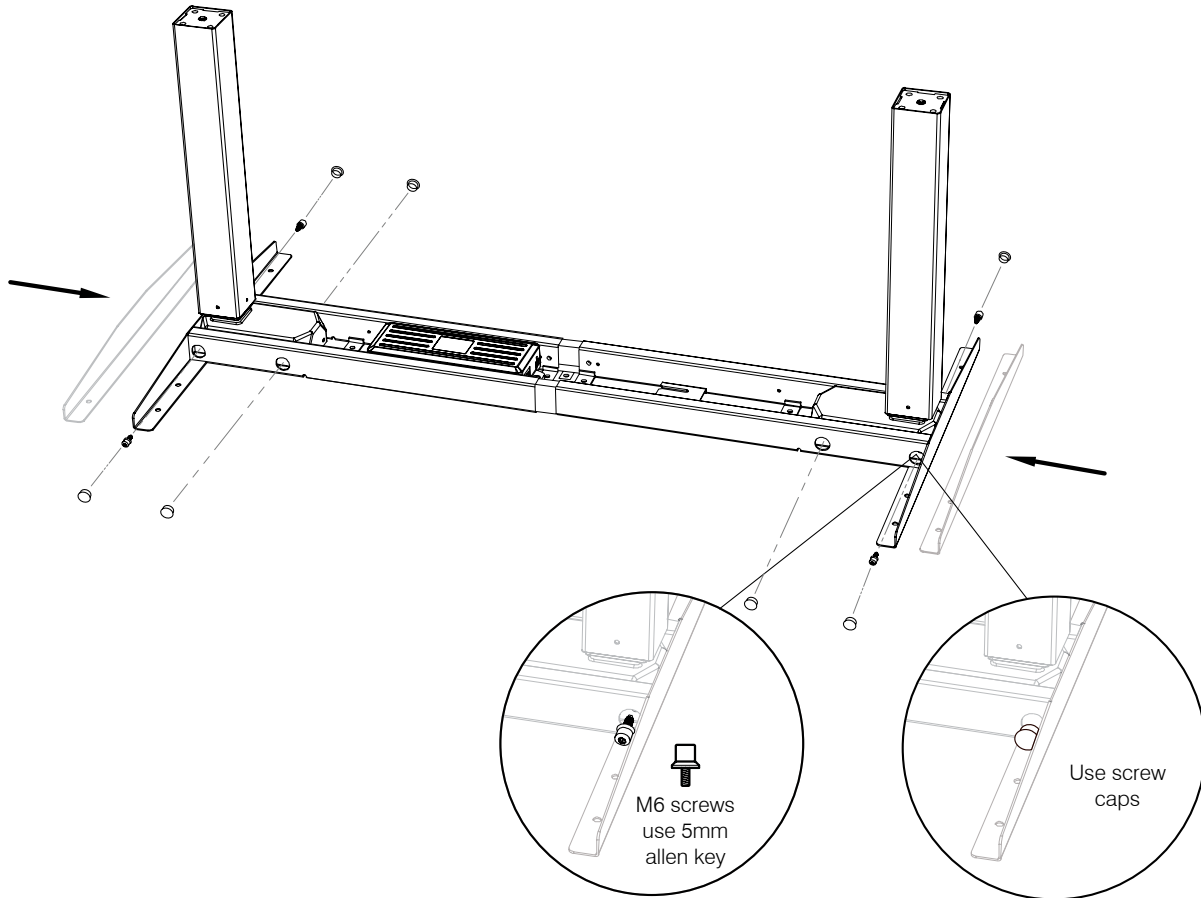
PHASE 3 | Attaching Cantilevers

Step 1

Insert Cantilevers on each end, lifting the leg a bit, if needed, to ease into a flush fit. Tab into place (fit is snug).

Step 2

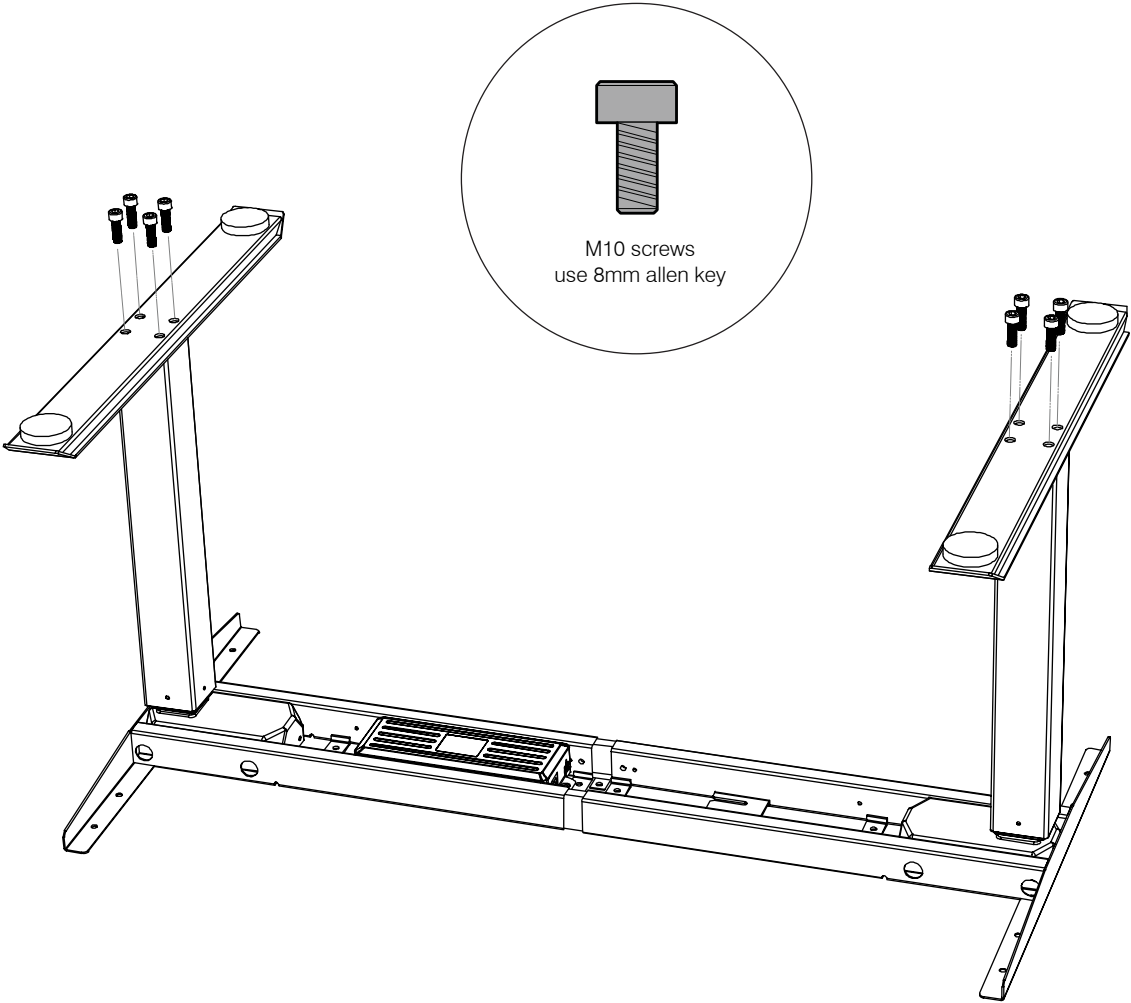
Using M6 screws, tighten all 4 holes lightly. Once level, go back through and tighten each screw completely. Place plastic caps over each screw.



PHASE 4 | Feet Assembly

Step 1

Attach feet using M10 socket screws. Match all 4 holes first to confirm fit before tightening completely.



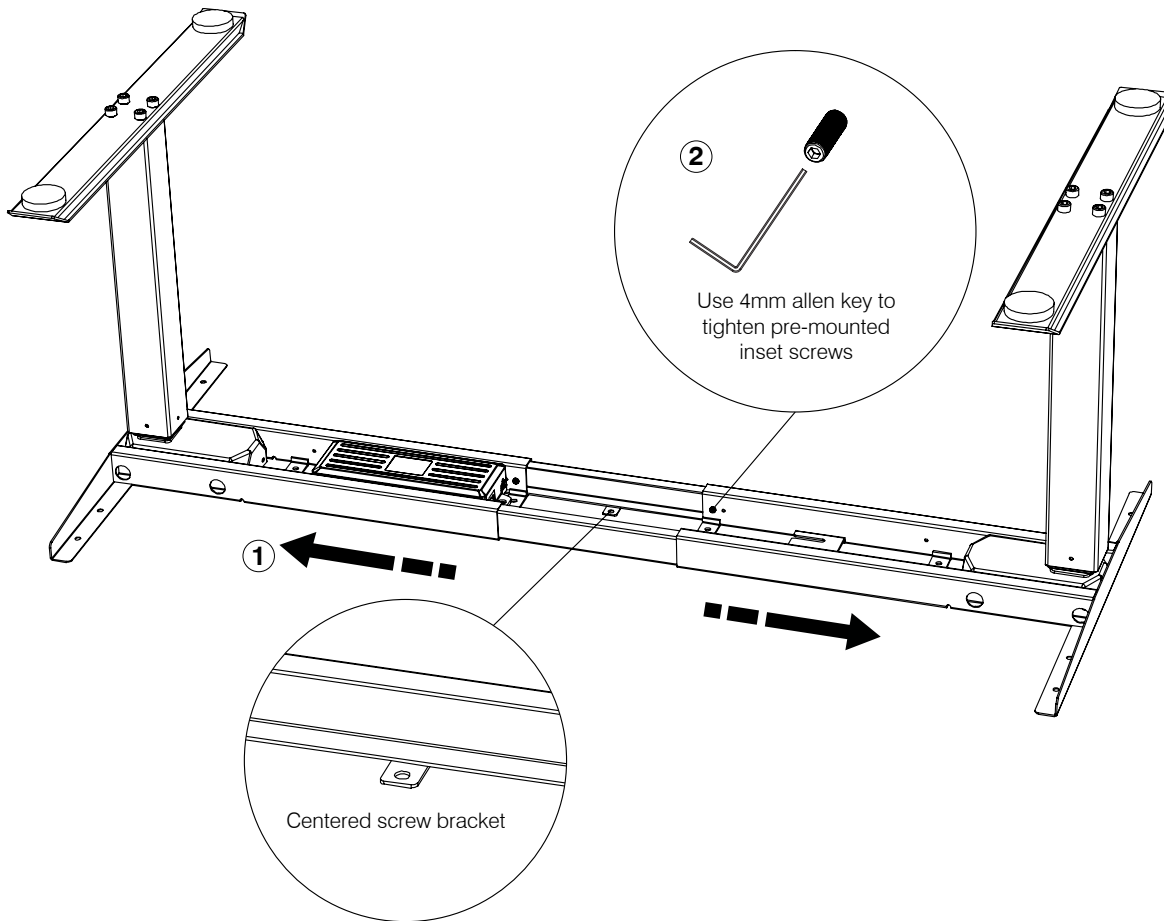
PHASE 5 | Adjusting Base Width

Step 1

Adjust to desired width. Use #4 allen key to loosen the factory-inserted screws if not already loose.

Step 2

Once at correct width – and ensuring that centered screw brackets are aligned – tighten all inset screws.



IMPORTANT NOTE: Work surface overhangs larger than .964" (25.0mm) are not allowed on widths < 64.0" (1625.6mm)

PHASE 6 | Worksurface Mounting

Step 1

To attach the worksurface, start by laying the worksurface down on the floor with the top down.

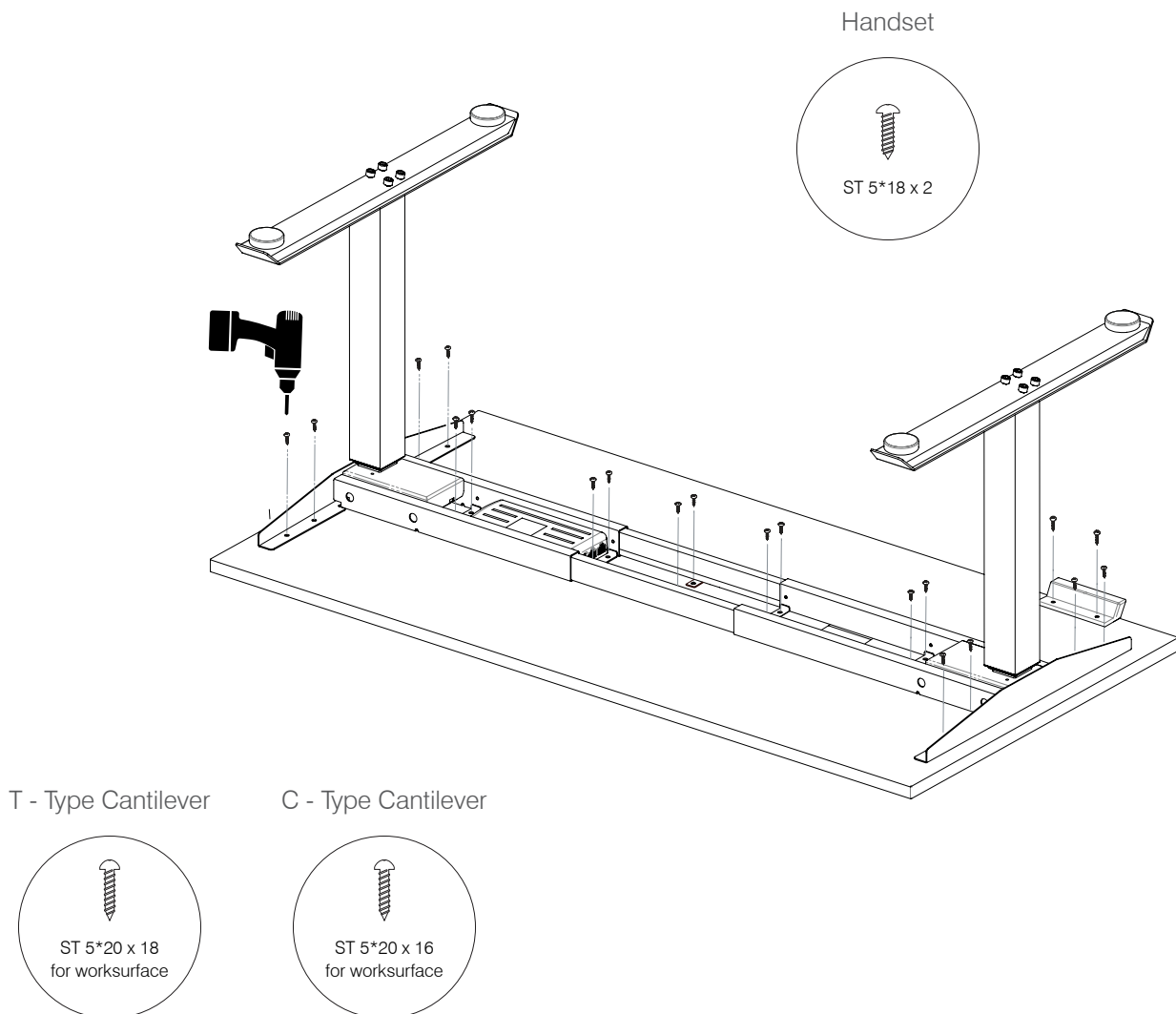
Step 2

Lay the base assembly upside down on top of the worksurface.

Step 3

Double check to ensure that the base is properly positioned on the underside of the worksurface, and then attach with wood screws.

NOTE: The worksurface should be center aligned with the cantiliver depth and should have equal amount of overhang on each end. Wireless drill is required for assembly.



PHASE 7 | Connecting Handset and Power

Step 1

Make sure that the Left motor plugs into the M1 port, and the Right motor plugs into the M2 port.

Step 2

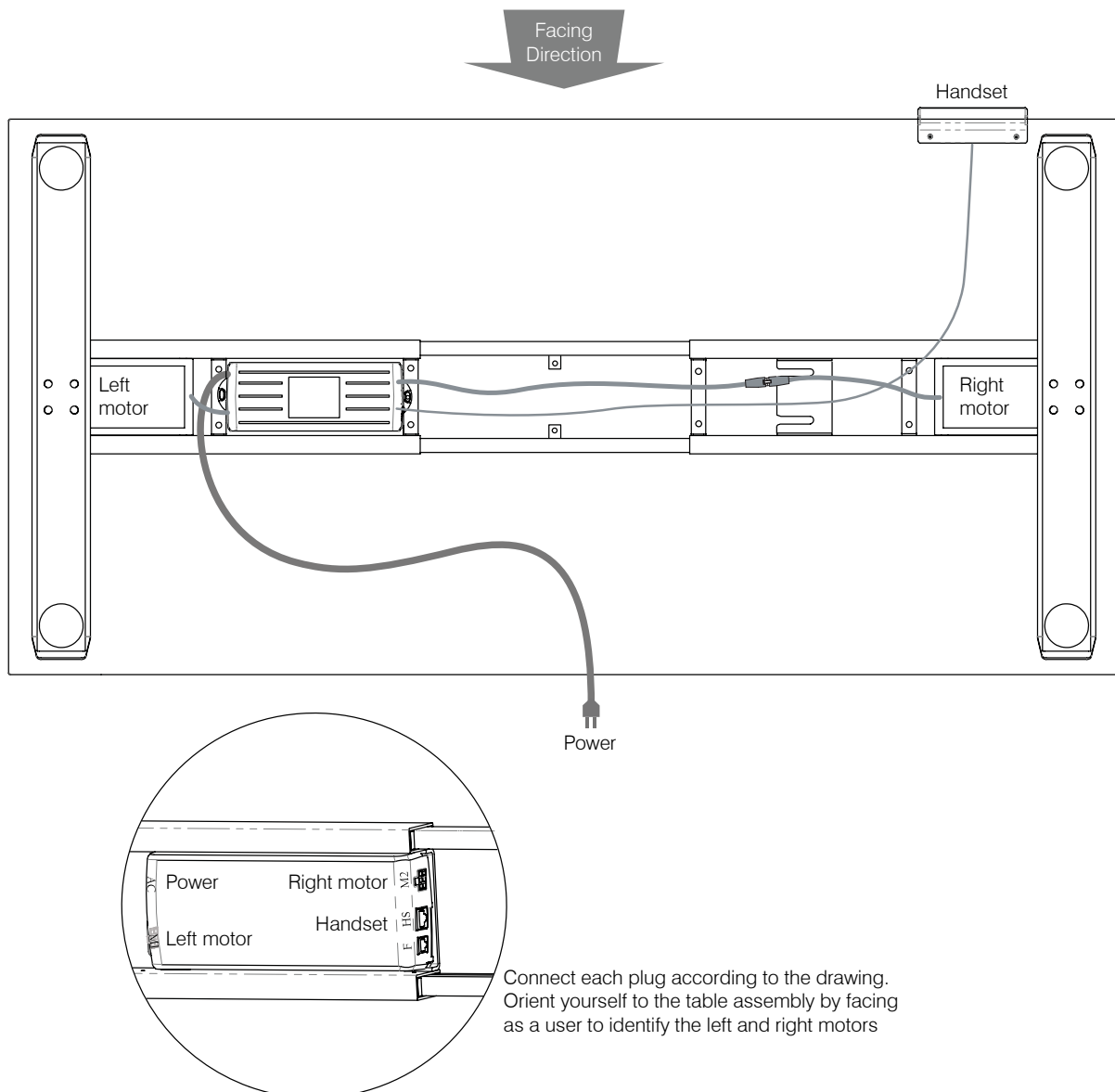
Connect power plug after the motors and handset are connected properly.

Step 3

Reset the base by holding the down arrow button until it reaches its lowest height.

Step 4

Attach the plastic cable management to desired area to secure cables and wires.



PHASE 8 | Program Height Memory Presets

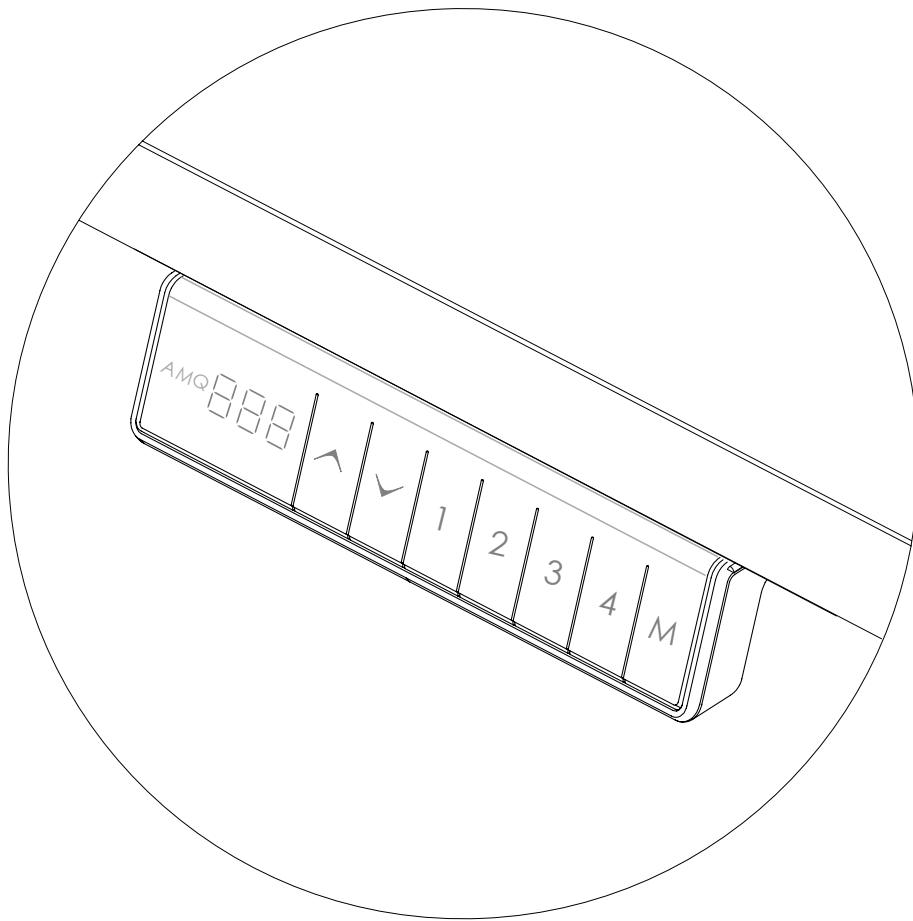
Step 1

To Program Up to 4 Presets: Use the up/down arrows to find desired height, then press “M” followed by the number 1, 2, 3 or 4.

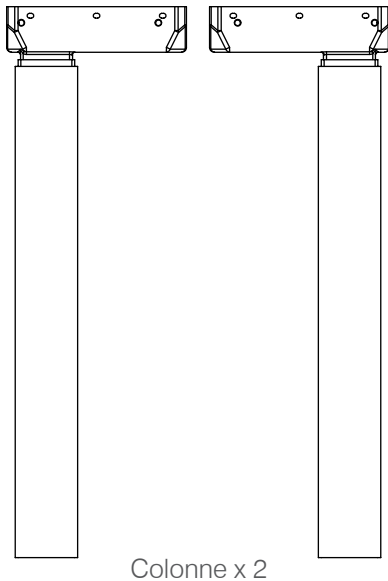
Step 2

To Test Programmed Height: Use the up/down arrows to adjust the table to a height other than the preset height. Then push the number you programmed to see if it automatically adjusts to the height programmed in Step 1. You may need to hold for 2-3 seconds to activate the base.

NOTE: If it does not adjust to the programmed height, repeat Step 1 followed by Step 2.

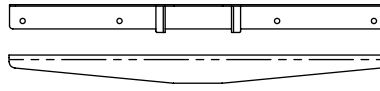


COMPOSANTS

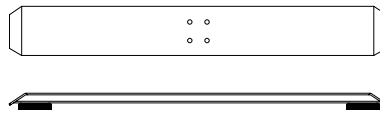


Colonne x 2

T - Type

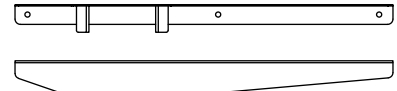


Support en porte-à-faux x 2

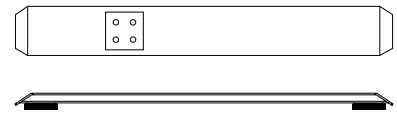


Patte x 2

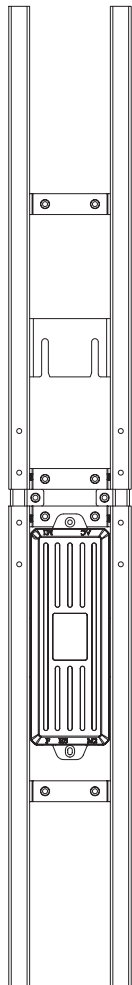
C - Type



Support en porte-à-faux x 2



Patte x 2



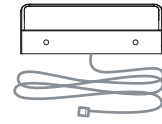
Jeu de barres de rallonge
avec boîte de commande



Câble de
commande x 1

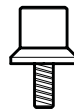


Câble de
commande x 1

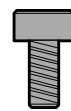


Combiné de commande
DEL x 1

Quincaillerie



M6*8
x 8



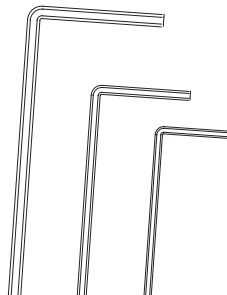
M10*30
x 8



ST 5*18
x 2



ST 5*20
x 18



8mm 5mm 4mm
Clés Allen



M6*10
x 8



Cache-vis x 8



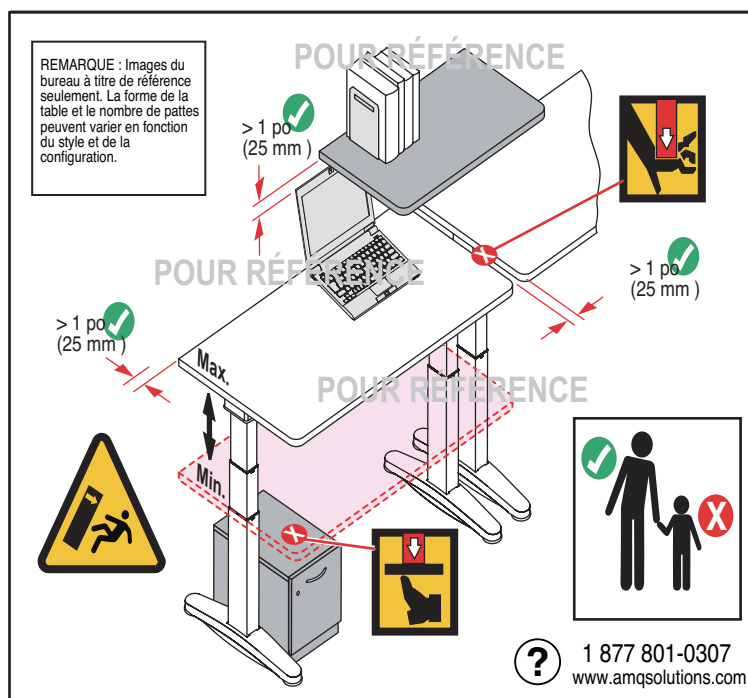
Agrafe
de gestion
des câbles

ÉNONCÉ DE SÉCURITÉ

AVERTISSEMENT RISQUE DE GRAVES BLESSURES ATTRIBUABLES AUX POINTS DE PINCEMENT, AU BASCULEMENT OU À L'EFFONDREMENT

Cette table de travail à réglage de la hauteur motorisé n'est pas destinée à être utilisée par des personnes, notamment des enfants, dont les capacités physiques, sensorielles ou mentales sont réduites, ou qui n'ont pas suffisamment de connaissance ou d'expérience, à moins qu'elles ne fassent l'objet d'une supervision étroite ou qu'elles aient reçu des directives d'utilisation de la part d'une personne responsable de leur sécurité. Il faut surveiller les enfants pour s'assurer qu'ils ne jouent pas avec cette table.

- **RISQUE DE DÉCÈS OU DE GRAVE BLESSURE.** Il existe un risque de piégeage, de pincement ou d'écrasement de parties du corps ou d'objets au moment de lever ou d'abaisser le bureau.
- **RISQUE D'ÉCRASEMENT - NE PAS PLACER LES PIEDS, PIEDS OU AUTRES PIÈCES DU CORPS SUR DES OBJETS PLACÉS SOUS TABLEAU OU SOUS LE PANNEAU MODESTY.**
- **NE PAS FAIRE FONCTIONNER CET ÉQUIPEMENT** à moins d'avoir reçu une formation appropriée.
- **ÉVITEZ DE CONFIER LE RÉGLAGE DE LA HAUTEUR DU BUREAU À UN ENFANT** ou à une personne incapable de comprendre le risque encouru lors de l'opération. Débranchez et attachez le cordon d'alimentation lorsque le bureau n'est pas utilisé afin d'éviter que les enfants ne le fassent fonctionner sans surveillance.
- **INPECTEZ PÉRIODIQUEMENT.** CESSEZ d'utiliser le produit s'il est endommagé ou si des pièces sont devenues lâches. Réparez uniquement au moyen de pièces et de méthodes AMQ autorisées.



- **Conserver un dégagement d'au moins 25 mm (1 po) tout autour du bureau**, y compris avec les objets qui se disposent le trouvent sur ou sous le bureau. Disposez le bureau, les accessoires et les objets adjacents de manière à pouvoir faire bouger librement le bureau sans tirer sur les cordons, piéger une partie du corps ou frapper des objets (tablette, fiche et cordon électrique, poignée de porte, appui de fenêtre, armoire de rangement, etc.).
- **Verrouillez toujours les roulettes pendant l'utilisation pour garder un espace suffisant entre le bureau et d'autres objets.** Risque de blessure par renversement. Avant de vous déplacer sur roulettes:
 1. Ajustez le bureau à la hauteur la plus basse.
 2. Vérifiez que le chemin n'est pas obstrué.
 3. Retirez les objets non attachés au bureau.
 4. Empêcher les bras du moniteur de se déplacer à l'extérieur du périmètre du pont.

Important: Toute modification apportées à ce produit, non autorisées par AMQ, peut annuler votre droit d'utiliser le produit.

ÉNONCÉ DE SÉCURITÉ

▲ AVERTISSEMENT

RISQUE DE GRAVES BLESSURES!

POSSIBILITÉ DE BLESSURE: L'utilisation de surfaces de travail non conformes aux critères et aux restrictions établis par AMQ peut causer des blessures ou des dommages matériels attribuables aux points de pincement, à l'instabilité ou à d'autres problèmes.

POSSIBILITÉ DE NON-CONFORMITÉ: L'utilisation de surfaces de travail non conformes aux critères établis par AMQ ANNULE toute représentation de conformité de la part de AMQ avec les exigences ANSI/BIFMA, UL, LEED et avec toutes autres exigences applicables. L'utilisation de surfaces de travail non fabriquées par AMQ avec les bases à hauteur réglable de AMQ pourrait NE PAS être considérée comme conforme aux codes de l'électricité municipaux ou avec les normes fédérales de l'OSHA concernant les lieux de travail, parce qu'une telle utilisation fait en sorte qu'il s'agit d'un produit non homologué UL, ETL, etc. (produit NRTL). AMQ n'est pas responsable de déterminer en fin de compte la conformité des bases à hauteur réglable dotées d'une surface de travail dont elle n'est pas le fabricant et, à cet égard, n'assume AUCUNE responsabilité pour la conformité de tels éléments aux normes.

RESTRICTIONS DE LA GARANTIE: L'utilisation d'une surface de travail non fabriquée par AMQ ANNULE toute garantie AMQ, explicite et implicite.

AVIS DE NON-RESPONSABILITÉ: L'utilisation de surface de travail non fabriquée par AMQ n'est PAS recommandée. L'adéquation de l'utilisation d'une surface de travail non fabriquée par AMQ doit faire l'objet d'une étude approfondie de la part du client. La détermination de l'adaptation et de la sécurité de la surface de travail et des éléments de fixation choisis relèvent de la seule et unique responsabilité du client. L'information qui suit est destinée uniquement à servir de guide et ne traite pas tous les problèmes pouvant potentiellement survenir. Le client doit demander l'avis d'un professionnel quant à l'adéquation de la surface de travail choisie.

EXIGENCES OBLIGATOIRES SANS ÉGARD AUX MATÉRIAUX OU À LA FABRICATION DE LA SURFACE DE TRAVAIL:

ÉLÉMENTS DE FIXATION: Les bases à hauteur réglable comprennent des éléments de fixation conçus pour les surfaces de travail AMQ. Ces éléments de fixation PEUVENT aussi convenir aux surfaces de travail conformes aux critères suivants:

- Panneaux de particules ou de fibre de bois de densité moyenne ou supérieure avec stratifié haute pression (HPL), stratifié basse pression (LPL), placage et planches d'appui.
- Épaisseur d'au moins 25 mm (0,984 po)
- Les éléments de fixation doivent être situés à au moins 25,0 mm (0,984 po) du rebord.

Une surface de travail fabriquée de tout autre matériau ou selon toute autre méthode exige des éléments de fixation différents ou supplémentaires, selon ce que détermine le concepteur du projet, l'architecte ou l'ingénieur. Par exemple, avec des matériaux pleins ou rigides, il faut utiliser des douilles filetées ainsi que des éléments ou des moyens de fixation correspondants appropriés.

Dans toutes les situations, IL FAUT se servir des éléments de fixation prévus dans la base (p.ex., si l'élément

de fixation comporte six trous pour des vis, il faut se servir des six trous pour la mise en place).

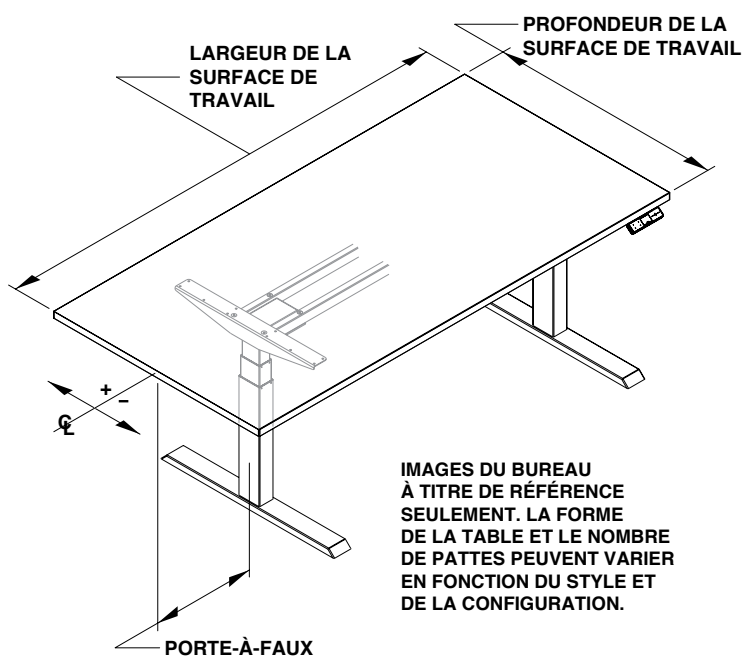
INFLAMMABILITÉ: Toute surface de travail ou grande pièce similaire $> \hat{^} 2$ doit avoir un indice de propagation des flammes < 200 et un indice de d'émission de fumé < 450 lors de tests conformes à la norme UL 723.

ANGLES VIFS: Tous les angles de la surface de travail doivent réussir le test 1439 pour ce qui est des angles vifs.

LIMITES DIMENSIONNELLES :

- La profondeur maximum de la surface de travail est de 30.0" (762 mm)
- Le centre de la surface de travail doit être placé au centre de la base
- La largeur maximum de la surface de travail ne doit pas excéder 72" (1828.8 mm)
- Le porte-à-faux de la surface de travail (distance entre le côté du support et le rebord de la surface de travail) doit être supérieur à .75" (19mm), mais inférieur à 1.25" (32 mm)

RESPECTEZ TOUS LES AVERTISSEMENTS DONNÉS POUR LA BASE ET LA SURFACE DE TRAVAIL.



IMPORTANTES DIRECTIVES DE SÉCURITÉ

LORS DE L'UTILISATION DE MOBILIER ÉLECTRIQUE, IL FAUT TOUJOURS PRENDRE DES PRÉCAUTIONS DE BASE, NOTAMMENT : LISEZ TOUTES LES DIRECTIVES AVANT DE VOUS SERVIR DE (CE MOBILIER). LAISSEZ LES DIRECTIVES ET LE GUIDE DE L'UTILISATEUR À LA VUE, À L'INTENTION DE L'UTILISATEUR, APRÈS L'ASSEMBLAGE.

AVERTISSEMENT

1. Débranchez toujours le mobilier de la prise électrique avant de le nettoyer.
2. Utilisez uniquement cette table aux fins décrites dans les présentes directives. N'utilisez pas d'éléments d'appoint non recommandés par le fabricant.
3. N'utilisez jamais cette table si le cordon ou la fiche est abîmée, si elle ne fonctionne pas correctement, si elle a chuté ou a été endommagée.
4. Gardez le cordon à l'écart des surfaces chauffées.
5. Ne laissez jamais tomber des objets dans les ouvertures et n'y insérez aucun objet.
6. N'utilisez pas à l'extérieur.
7. Ne faites pas fonctionner dans un endroit où des produits en aérosol (vaporisateur) sont utilisés ou encore là où de l'oxygène est administré.
8. Lorsque vous y placez des objets, placez toujours les objets les plus lourds dans le bas, non pas près du dessus, pour éviter tout risque de basculement du mobilier.
9. Évitez de vous asseoir ou de monter sur le produit.
10. Inspectez régulièrement le produit et cessez de vous en servir si vous décelez des pièces lâches ou endommagées.

Le bureau ou la table doit être installé près de la prise de courant et la fiche doit être facilement accessible.

AVERTISSEMENT – Risque d'incendie et de choc, l'utilisation seul type SJT 18 AWG cordon

DIRECTIVES RELATIVES À LA FICHE POLARISÉE (Uniquement pour les produits avec fiche polarisée) - Pour réduire les risques d'électrocution, certains meubles sont dotés d'une fiche polarisée (l'une des lames est plus large que l'autre), comme la fiche illustrée dans la Figure 1. Cette fiche s'insère d'une seule manière dans une prise polarisée. Si la fiche ne s'enfonce pas complètement dans la prise, inversez le sens d'insertion. Si cela ne fonctionne toujours pas, communiquez avec un électricien qualifié pour installer une prise électrique polarisée. Ne modifiez pas la prise d'aucune manière.

DIRECTIVES DE MISE À LA TERRE (Uniquement pour les produits mis à la terre) - Certains produits doivent être mis à la terre. Branchez ces appareils dans une prise correctement installée et mise à la terre, conformément aux codes locaux et nationaux en vigueur.

Les produits vendus en Amérique du Nord et dans les régions où la tension secteur est de 120 V un circuit d'une tension nominale de 120 V. Ces produits sont dotés d'une fiche avec broche de mise à la terre comme celle illustrée dans le dessin A de la Figure 2. Assurez-vous que le produit est branché à une prise de configuration identique à la fiche. N'utilisez pas d'adaptateur avec ce produit, à moins que ce soit un adaptateur doté d'une vis de mise à la terre comme celui indiqué dans l'illustration.

AVIS DE NON-RESPONSABILITÉ POUR L'ILLUSTRATION DE LA FICHE - Les illustrations du guide pourraient ne pas correspondre à votre produit. Selon la région, la taille et la forme des broches pourraient varier.

DIRECTIVES D'UTILISATION

Veuillez consulter le guide de l'utilisateur, aussi disponible à l'adresse www.amqsolutions.com

Produits avec fiche polarisée

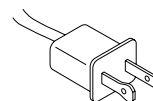


Figure 1
Fiche polarisée

Produits avec fiche mise à la terre

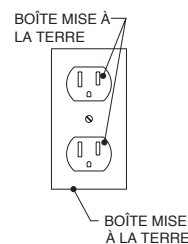
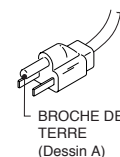
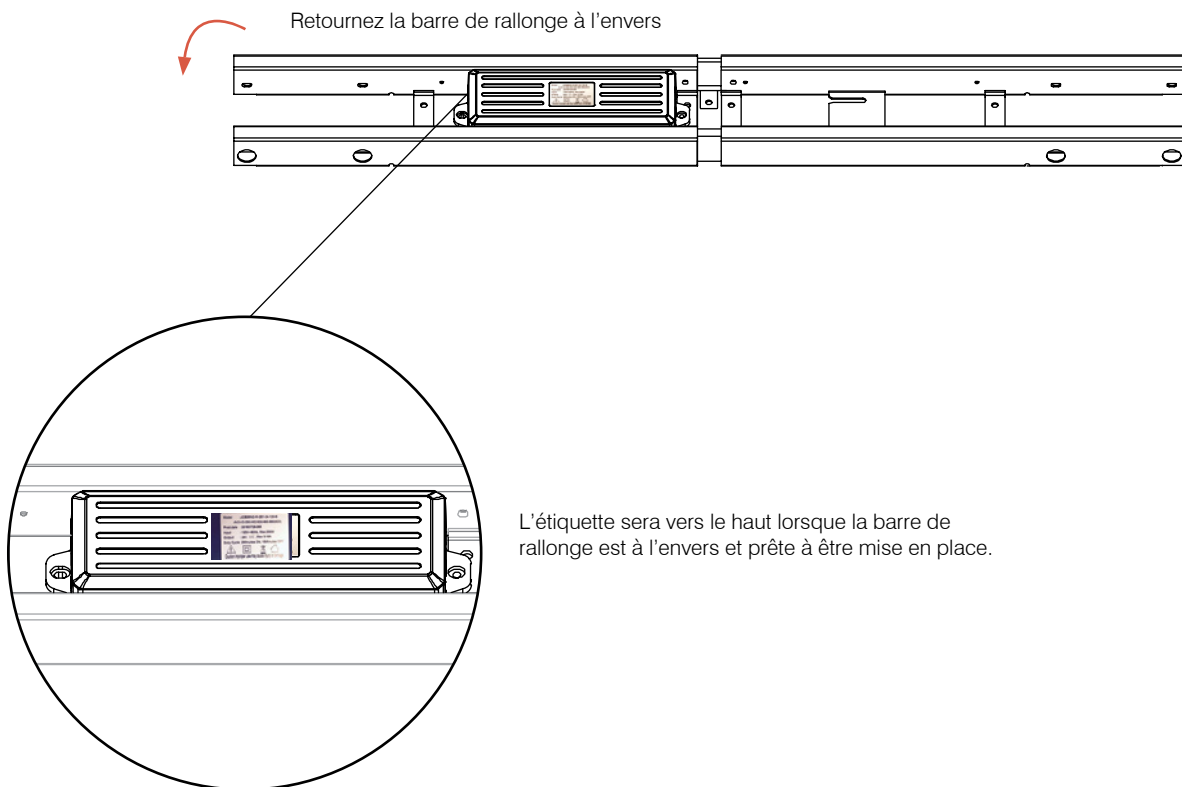


Figure 2
Méthodes de mise à la terre

PHASE 1 | Préparer l'assemblage

Step 1

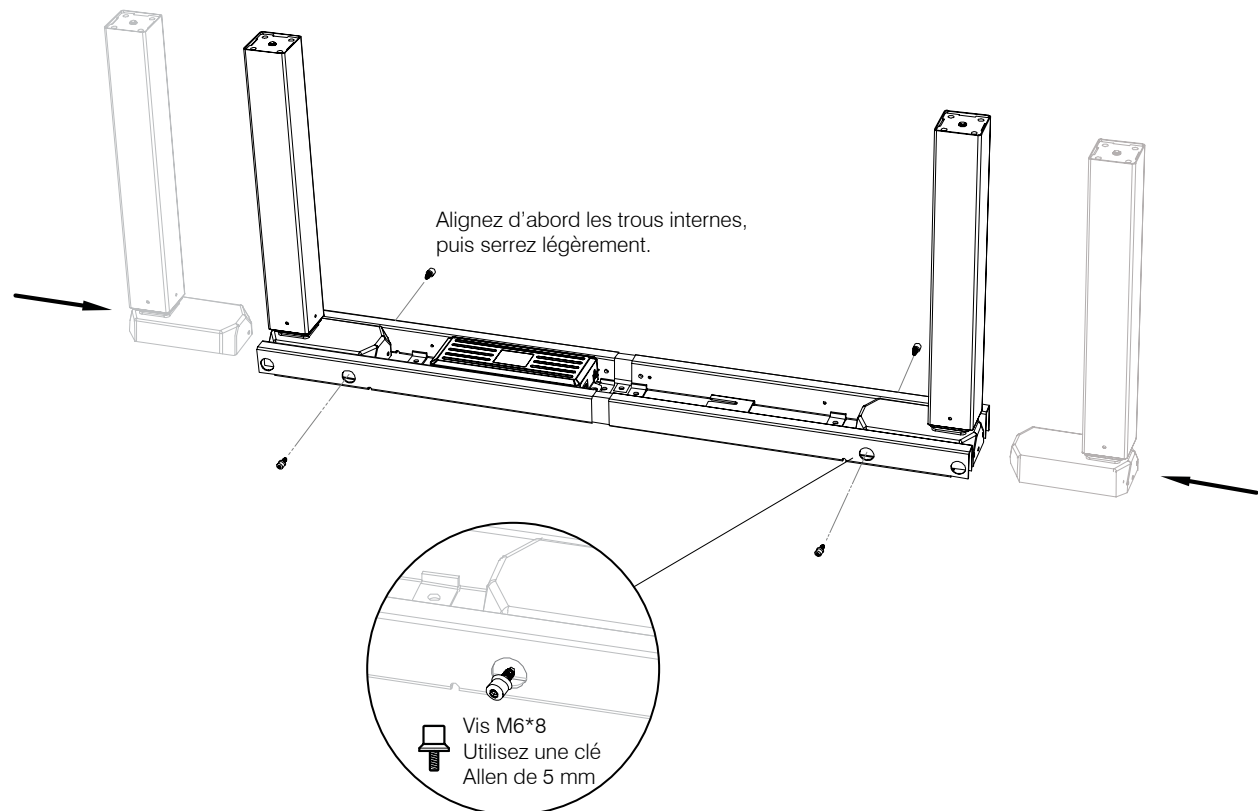
Placez la barre de rallonge à l'envers sur la surface de travail.



PHASE 2 | Attacher les pattes

Step 1

Glissez les colonnes des pattes en place et fixez-les au moyen de vis M6*8. Alignez d'abord les trous internes, puis serrez légèrement.



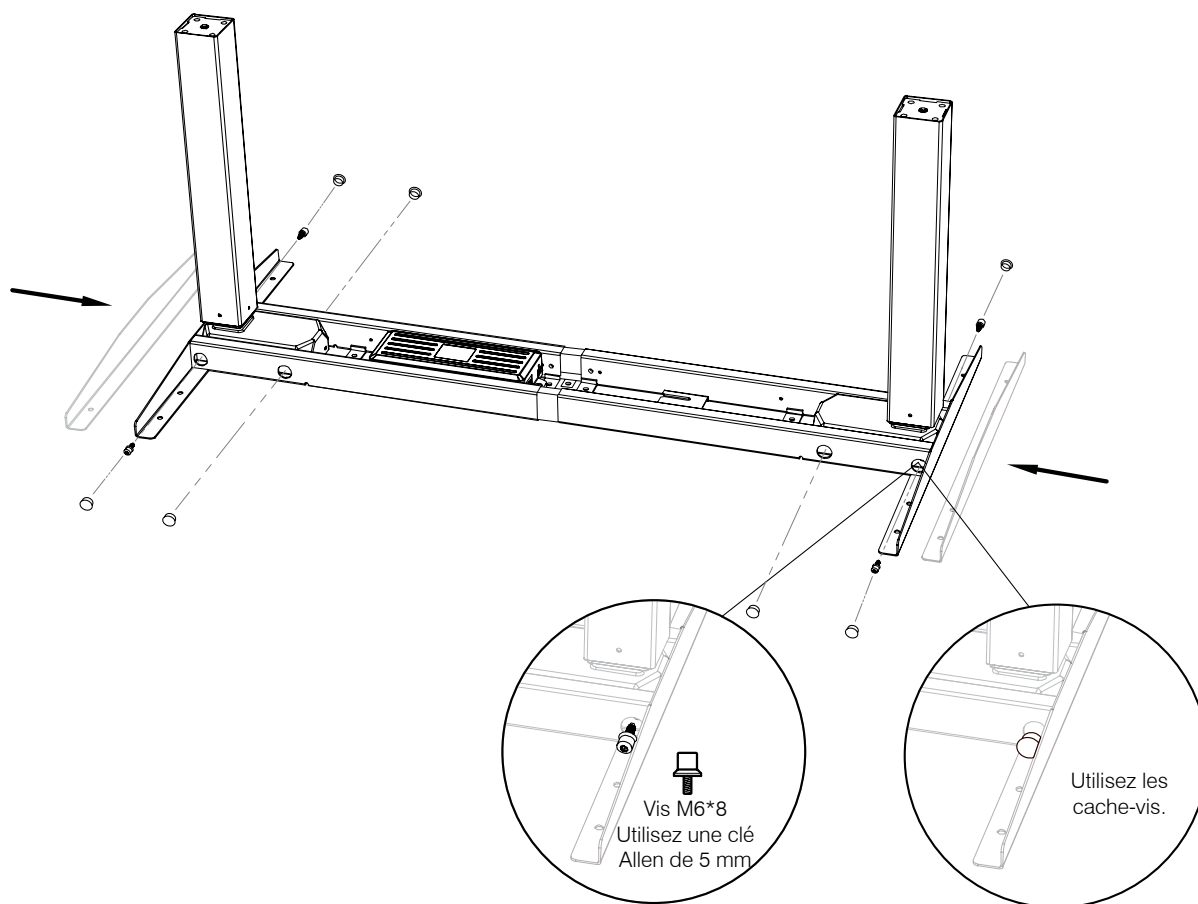
PHASE 3 | Attacher en porte-à-faux

Step 1

Insérez les supports en porte-à-faux à chaque extrémité, en soulevant un peu la patte, au besoin, pour faciliter un bon ajustement. Poussez en place (en vous assurant que l'ajustement est parfait).

Step 2

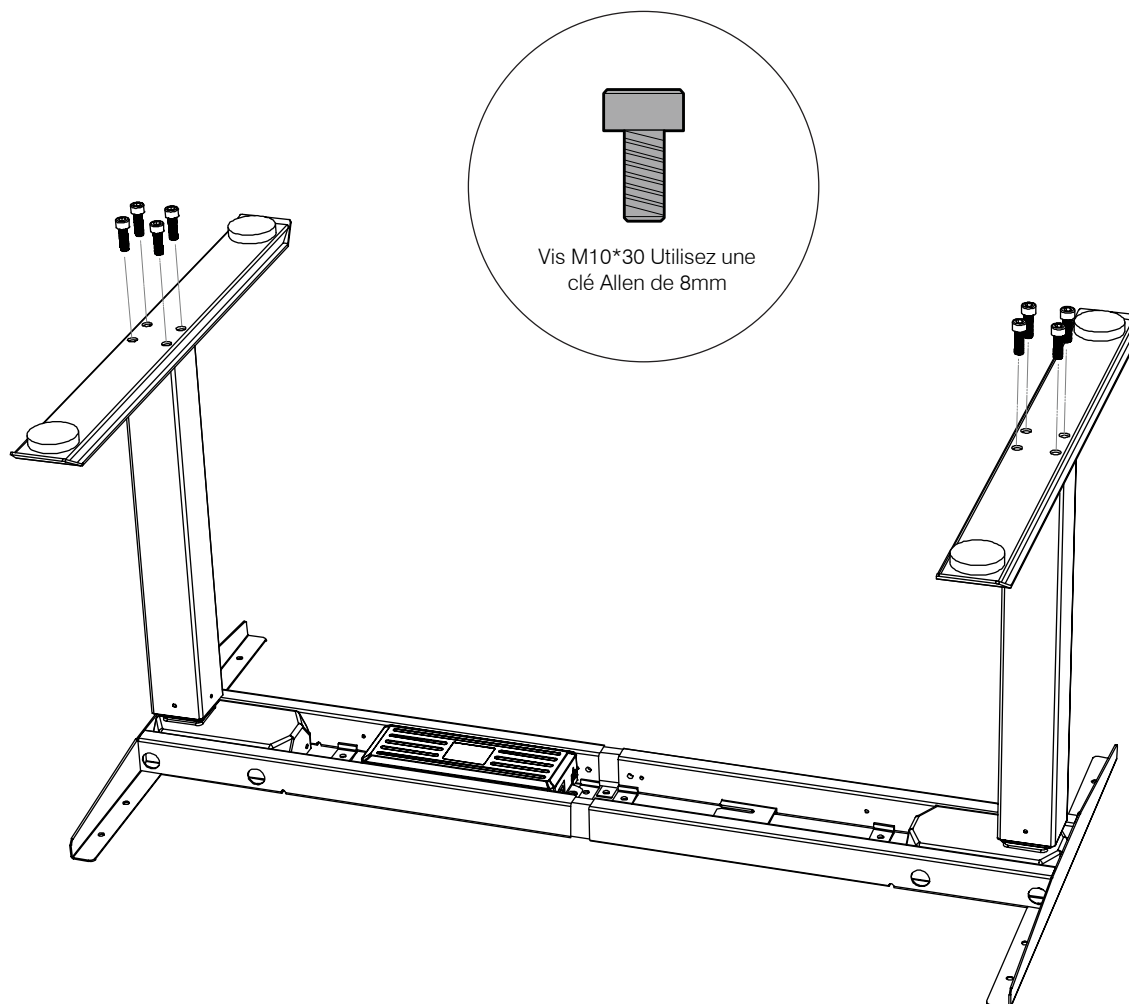
Au moyen de vis M6*8, serrez légèrement dans les 4 trous. Une fois au niveau, revenez au début et serrez complètement chaque vis. Placez un cache-vis de plastique sur chaque vis.



PHASE 4 | Montage des pattes

Step 1

Fixez les pattes au moyen de vis à tête creuse M6*8. Alignez d'abord les 4 trous pour confirmer l'ajustement avant de serrer complètement les vis.



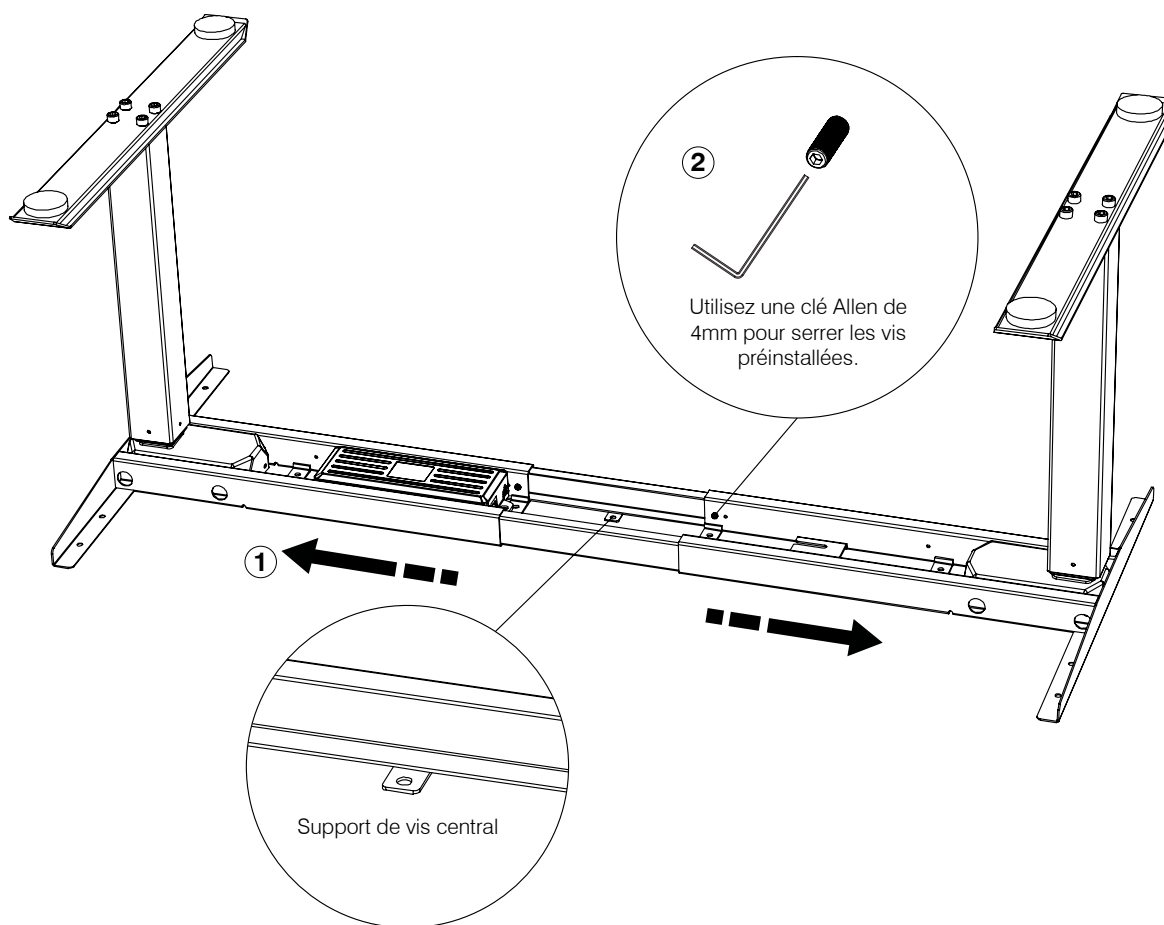
PHASE 5 | Réglage de la largeur de la base

Step 1

Réglez à la largeur souhaitée. Utilisez une clé Allen n° 4 pour desserrer les vis installées en usine, si ce n'est pas déjà fait.

Step 2

Une fois la largeur voulue obtenue - en vous assurant que les supports des vis centraux sont alignés - serrez toutes les vis du panneau.



REMARQUE IMPORTANTE: Une surface de travail en porte-à-faux de plus de 0,964 po (25,0 mm) est interdite pour des largeurs < 64,0 po (1625,6 mm)

PHASE 6 | Montage surface de travail

Step 1

Pour fixer la surface de travail, déposez d'abord cette dernière à l'envers sur le sol.

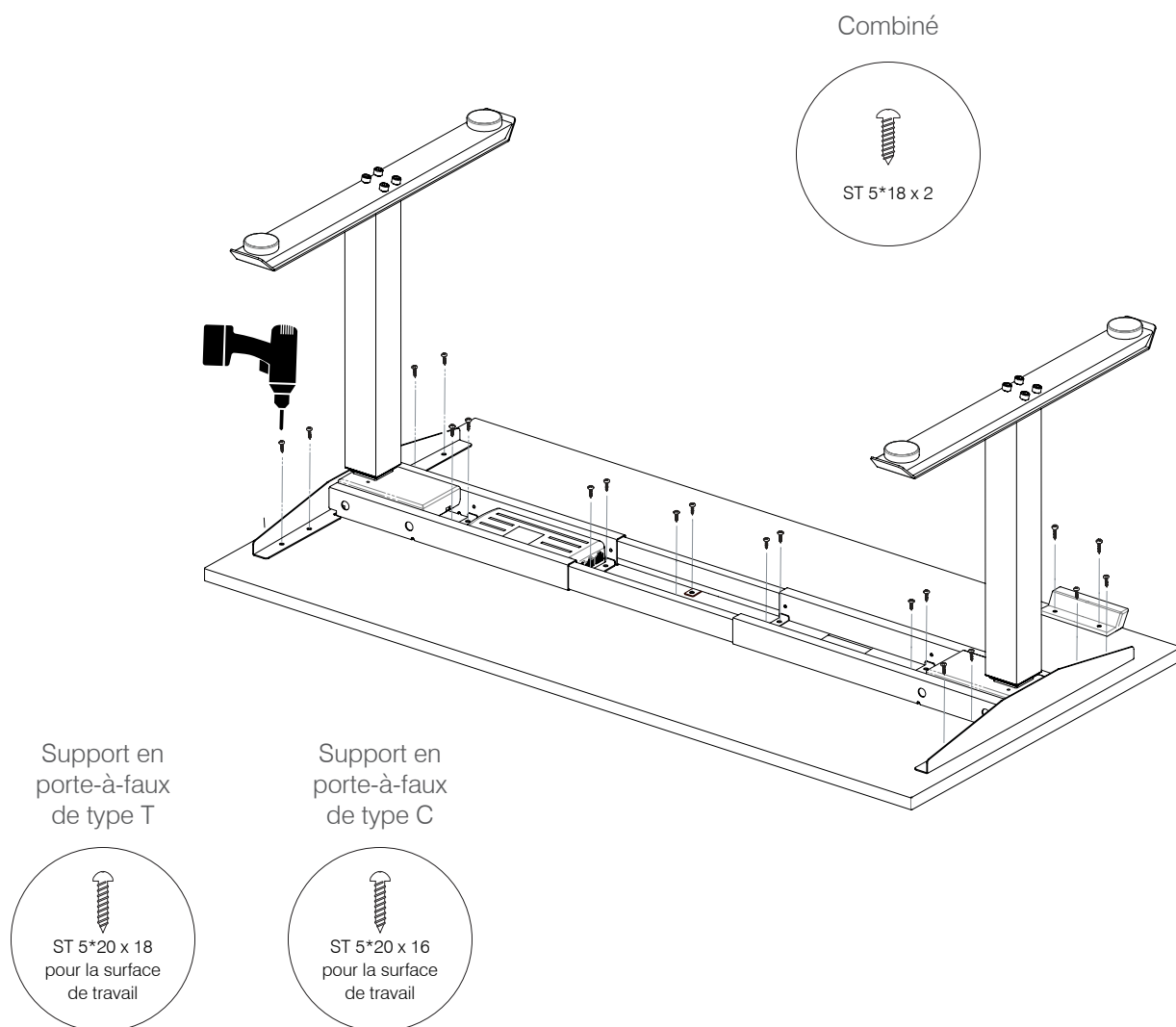
Step 2

Déposez la base à l'envers sur la surface de travail.

Step 3

Vérifiez avec soin pour vous assurer que la base est correctement positionnée sur le dessous de la surface de travail, puis fixez-la au moyen de vis à bois.

REMARQUE: La surface de travail doit être alignée au centre, en fonction de la profondeur des supports en porte-à-faux, de sorte que la distance en porte-à-faux soit égale à chaque extrémité. Une perceuse sans fil est requise pour l'assemblage.



PHASE 7 | Connexion du combiné et d'alimentation

Step 1

Assurez-vous que le moteur gauche se branche dans le port M1 et le moteur droit, dans le port M2.

Step 2

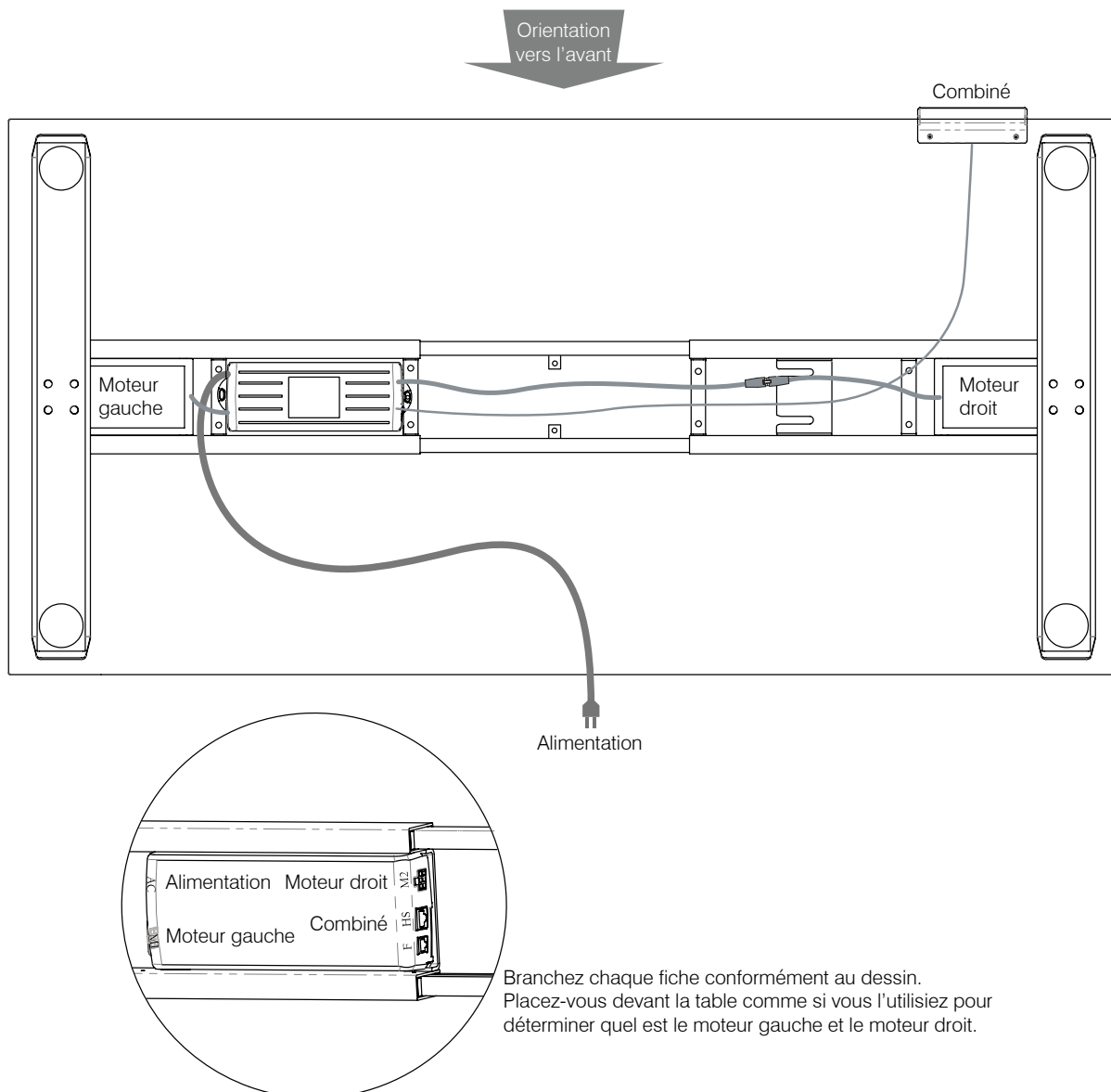
Branchez la fiche d'alimentation après que le combiné et les moteurs sont correctement branchés.

Step 3

Remplacez la base en appuyant sur la flèche vers le bas et en la maintenant enfoncée jusqu'à ce que la base atteigne la hauteur la plus faible.

Step 4

Attachez l'agrafe de gestion des câbles à l'endroit souhaitée pour fixer les câbles et les fils.



PHASE 8 | Préréglages de mémoire de hauteur de programme

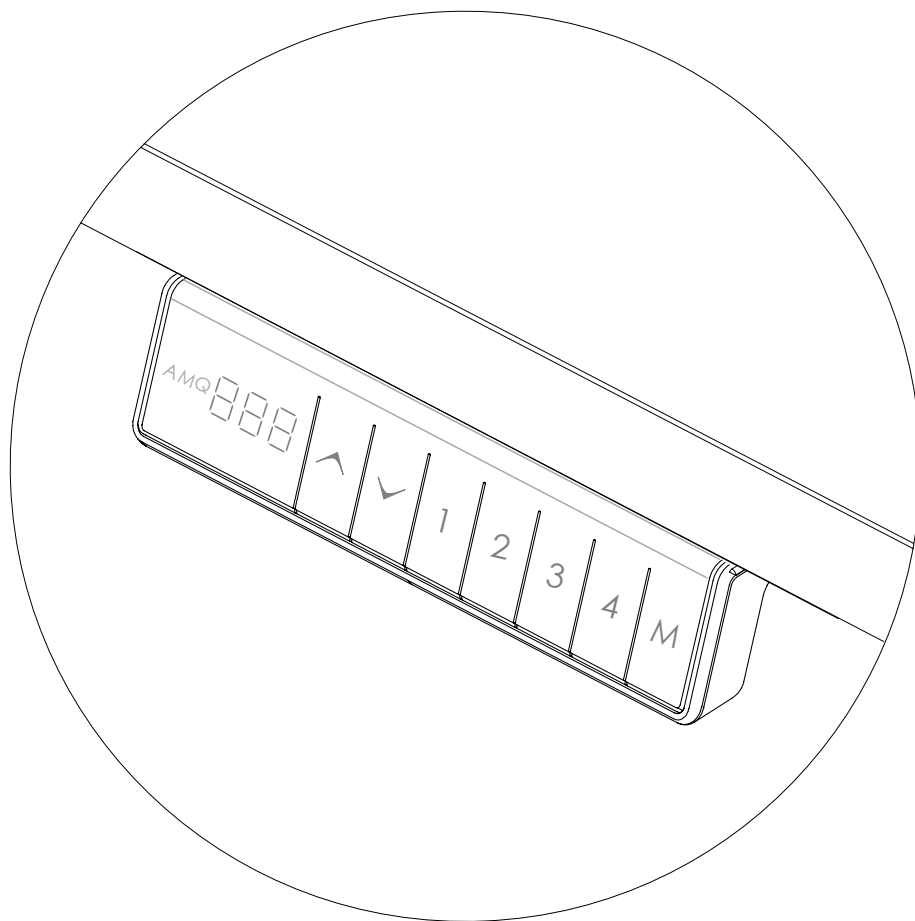
Step 1

Pour programmer jusqu'à 4 hauteurs pré réglées, utilisez les flèches vers le haut/vers le bas pour trouver la hauteur souhaitée, puis appuyez sur le "M", puis sur le chiffre 1, 2, 3 ou 4.

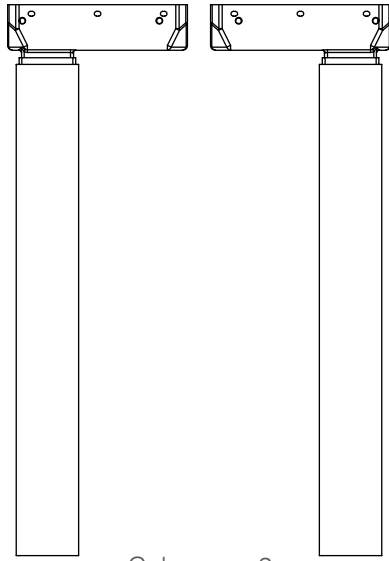
Step 2

Pour faire l'essai des hauteurs pré réglées, utilisez les flèches vers le haut/vers le bas pour régler la table à une hauteur différente des hauteurs pré réglées. Appuyez ensuite sur le chiffre d'une hauteur pré réglée pour voir si la table se place automatiquement à la hauteur programmée à l'étape 1. Vous pourriez avoir à maintenir le chiffre enfoncé pendant 2 à 3 secondes pour activer la base.

REMARQUE: Si la table ne se déplace pas automatiquement à la hauteur pré réglée, répétez l'étape 1, puis l'étape 2.

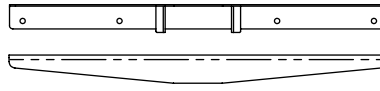


COMPONENTES

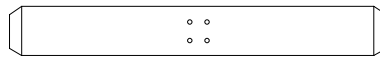


Columna x 2

Tipo - T

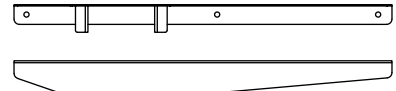


Cantilevers x 2

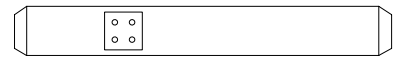


Pata x 2

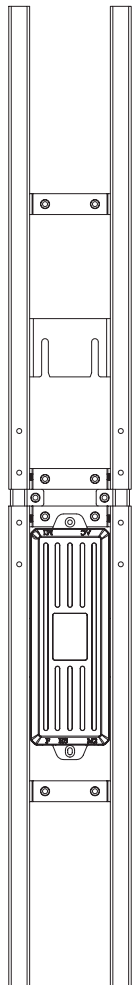
Tipo - C



Cantilevers x 2



Pata x 2



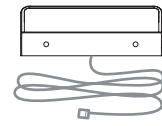
Ensamble de barra extensora con caja de control



Cable controlador x 1

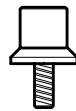


Cable de alimentación x 1

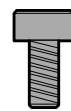


Control manual LED x 1

Herraje



M6*8 x 8



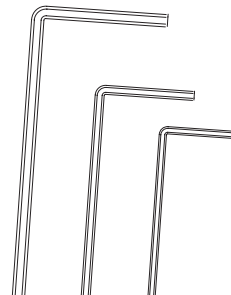
M10*30 x 8



ST 5*18 x 2



ST 5*20 x 18



8mm 5mm 4mm
Llaves Allen



M6*10 x 8



Presilla para distribución de cables



Tapas de tornillo x 8

DECLARACIÓN DE SEGURIDAD

ADVERTENCIA RIESGO DE LESIONES GRAVES DEBIDO A PUNTOS DE PELLIZCO, VUELCO, O POSIBLE COLAPSO.

Este dispositivo de escritorio de altura regulable y con alimentación eléctrica no está diseñado para ser utilizado por personas (incluidos niños) con capacidades físicas, sensoriales o mentales reducidas, o que tengan falta de experiencia y conocimiento, a menos que hayan sido supervisadas o instruidas sobre el uso del aparato por parte de una persona responsable de su seguridad. Los niños deben ser vigilados para asegurarse de que no jueguen con el aparato.

- **RIESGO DE MUERTE O DE LESIÓN GRAVE.** El subir o bajar el escritorio puede atrapar, pellizcar o aplastar partes del cuerpo o los accesorios.

- **PELIGRO DE APLASTAMIENTO - NO COLOQUE LOS PIES, LAS PIERNAS U OTRAS PARTES DEL CUERPO EN OBJETOS COLOCADOS BAJO TABLA O ABAJO PANEL DE MODESTIÓN.** Retire y asegure el cable de alimentación cuando no esté en uso para evitar que los niños operen el escritorio sin supervisión.

- **NO OPERE ESTE EQUIPO** a menos que esté debidamente capacitado.

- **NO PERMITA QUE USEN LOS NIÑOS** o personas incapaces de entender los riesgos y de regular de manera segura la altura del escritorio.

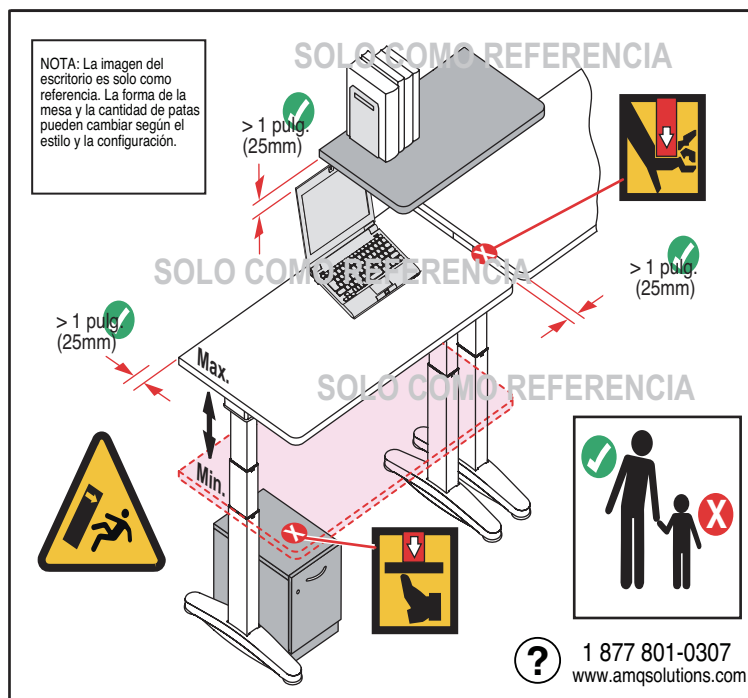
- **INSPECCION REGULARMENTE.**

Deje de usar si el producto está dañado o tiene piezas sueltas. Repare solamente usando piezas y métodos autorizados por AMQ.

- **Mantenga > 1 pulgada (25 mm) de distancia alrededor de todo el escritorio**, incluyendo artículos sobre o por debajo del escritorio. Localice el escritorio, los accesorios y los objetos cercanos para permitir que el escritorio se mueva a través de todo su alcance sin que hale cables, atrape partes del cuerpo o choque con cualquier cosa (estantes, enchufes y cables eléctricos, perillas de puertas, alféizar de ventanas, gabinetes de almacenamiento, etc.).

- Siempre bloquee las ruedas durante el uso para mantener una separación adecuada entre el escritorio y otros objetos. Riesgo de lesiones por vuelco. Antes de moverse con ruedas:

1. Ajuste el escritorio a la altura más baja.
2. Verifique que el camino esté libre de obstrucciones.
3. Retire los objetos que no estén unidos al escritorio.
4. Restrinja los brazos del monitor para que no se muevan fuera del perímetro del escritorio.



Importante: Los cambios o modificaciones a este producto no autorizados por AMQ pueden anular la autorización que tiene para operar el producto.

DECLARACIÓN DE SEGURIDAD

⚠️ ADVERTENCIA

RIESGO DE LESIÓN GRAVE:

POSIBILIDAD DE LESIÓN: El uso superficies de trabajo que no cumplen con los criterios y limitaciones definidos por AMQ podría producir lesiones personales o daños al material debido a los puntos de apretamiento, inestabilidad u otros problemas.

POSIBILIDAD DE INCONFORMIDAD: El uso de superficies de trabajo que no cumplen con los criterios de AMQ ANULA cualquier reclamo de conformidad con ANSI/BIFMA, UL, LEED o con otros requerimientos aplicables por parte de AMQ. El uso de superficies de trabajo que no son de AMQ sobre bases de altura regulable de AMQ NO puede aceptarse de estar conforme con los códigos eléctricos municipales ni con otros estándares federales de OSHA para sitios de trabajo, debido a que este uso no genera un producto con certificación NRTL (UL, ETL, etc.). AMQ no es responsable de las determinaciones finales de conformidad para bases de altura regulable con superficies de trabajo que no son de AMQ. AMQ no asume NINGUNA responsabilidad por la falta de conformidad a las normas en estos casos.

RESTRICCIONES DE LA GARANTÍA: El uso de superficies de trabajo no provistas por AMQ ANULA todas las garantías de AMQ, expresas a implícitas.

RENUNCIA DE RESPONSABILIDAD: NO se recomienda el uso de superficies de trabajo que no son de AMQ. El uso de una superficie de trabajo que no sea de AMQ requiere que el cliente realice investigaciones adicionales referentes a la idoneidad para su uso. Es responsabilidad exclusiva del cliente determinar la conveniencia y seguridad de la construcción de la superficie de trabajo seleccionada y sus medios de sujeción. La siguiente información se provee como una guía, pero no aborda todos los problemas posibles. El cliente debe buscar orientación profesional referente a la idoneidad de la superficie de trabajo escogida.

REQUISITOS OBLIGATORIOS SIN TENER EN CUENTA EL MATERIAL O LA CONSTRUCCIÓN DE LA SUPERFICIE DE TRABAJO:

SUJETADORES: Las bases de altura regulable incluyen sujetadores destinados usarse con superficies de trabajo de AMQ. Estos sujetadores pueden posiblemente también ser adecuados para superficies de trabajo que cumplen con los siguientes criterios:

- Tablero aglomerado de densidad media o mayor o núcleos de tablero de fibra con laminado a alta presión (HPL), laminado a baja presión (LPL) o con chapa y apoyos.
- Espesor de 0,984 pulgadas (25,0 mm) o mayor.
- Sujetadores ubicados a una distancia mínima de 0,984 pulgadas (25,0 mm) de cualquier borde.

Cualquier otra construcción de la superficie de trabajo requerirá medios de sujeción diferentes y/o adicionales, y estos medios deben ser determinados por el diseñador, arquitecto o ingeniero del proyecto. Por ejemplo, los materiales de superficie sólida deben usar insertos de rosca correctamente roscados y los correspondientes sujetadores o medios de sujeción similares.

En todos los casos, todas las ubicaciones de los sujetadores provistas en las características de la sujeción de la base DEBEN ser usadas (ejemplo: si el cantiléver de sujeción tiene 6 orificios para tornillos, todos los orificios deben ser usados en la sujeción).

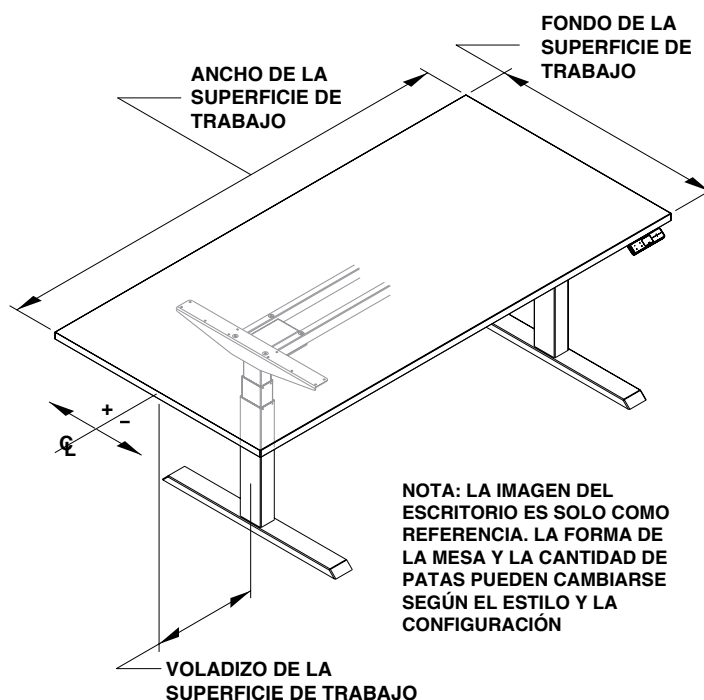
INFLAMABILIDAD: Cualquier superficie de trabajo o pieza igualmente grande $> \hat{2}$ debe tener una propagación de la llama < 200 y un índice de humo generado < 450 cuando se prueba según la norma UL 723.

BORDES AFILADOS: Todos los bordes accesibles de la superficie de trabajo deben cumplir con la prueba 1439 para bordes afilados.

LIMITACIONES DIMENSIONALES

- El fondo de la superficie de trabajo no debe exceder las 30,0 pulgadas (762mm).
- La posición longitudinal de la superficie de trabajo sobre la base debe estar sobre la línea central
- La anchura máxima de la superficie de trabajo no debe exceder las 72 pulgadas, (1828,8 mm)
- El saliente de la superficie de trabajo (distancia desde la parte lateral del cantiléver de soporte al borde de la superficie de trabajo) debe ser mayor de 0,75 pulgadas (19,0 mm) y no debe exceder las 1,25 pulgadas (32mm)

SIGA TODAS LAS ADVERTENCIAS PROVISTAS PARA LA BASE + LA SUPERFICIE DE TRABAJO



INSTRUCCIONES IMPORTANTES DE SEGURIDAD

Cuando utilice muebles eléctricos, siempre se deben seguir las precauciones básicas, incluidas las siguientes: Lea todas las instrucciones antes de usar (este mueble). POR FAVOR, DESPUÉS DEL ENSAMBLE GUARDE ESTAS INSTRUCCIONES Y LA GUÍA PARA EL USUARIO EN UN LUGAR QUE NOTE EL USUARIO FINAL

⚠ ADVERTENCIA

1. Antes de limpiar este mueble desenchúfelo siempre del tomacorriente.
2. Use esta mesa solo para el uso previsto, como se describe en estas instrucciones. No use accesorios no recomienda dos por el fabricante.
3. Nunca opere esta mesa si esta tiene un cable o un enchufe dañado, si no funciona correctamente, o si se ha caído o se ha dañado.
4. Mantenga el cable lejos de superficies calientes.
5. Nunca deje caer ni inserte objeto alguno en ninguna abertura.
6. No lo use al aire libre.
7. No lo use donde se estén utilizando productos en aerosol (espray) o donde se esté administrando oxígeno.
8. Para cargar, siempre coloque los elementos más pesados en la parte inferior y no cerca de la parte superior para evitar la posibilidad de que el mueble se vuelque.
9. No se sienta ni se pare sobre el producto.
10. Inspeccione regularmente, deje de usar si encuentra piezas flojas o dañadas

El escritorio o la mesa deben instalarse cerca de la alimentación y el tomacorriente y enchufe deberán ser fácilmente accesibles.

INSTRUCCIONES PARA EL ENCHUFE POLARIZADO (solo para productos con enchufe polarizado): Para reducir el riesgo de descarga eléctrica, algunos muebles tienen un enchufe polarizado (una cuchilla es más ancha que la otra) como el enchufe ilustrado en la Figura 1. Este enchufe encaja en un tomacorriente polarizado solo de una manera. Si el enchufe no encaja completamente en el tomacorriente, invierta el enchufe. Si aún no encaja, comuníquese con un electricista calificado para que instale el tomacorriente adecuado. No haga ningún cambio en el enchufe

INSTRUCCIONES PARA PRODUCTOS CON DOBLE AISLAMIENTO: No se proporciona ningún medio de conexión a tierra en un producto con doble aislamiento. Tampoco sirve para implementar conexión a tierra al producto. El enchufe se parece al ilustrado en la Figura 1. Un producto con doble aislamiento está marcado con las palabras "doble aislamiento", "aislado doble" ó .

INSTRUCCIONES DE CONEXIÓN A TIERRA (solo para productos con conexión a tierra): Algunos productos deben estar conectados a tierra. Conecte estos aparatos a un tomacorriente debidamente conectado a tierra de acuerdo con todos los códigos y ordenanzas locales.

Para los productos vendidos en Norteamérica y otras regiones que usan 120 V: el producto está diseñado para usarlo en un circuito nominal de 120 V. Estos productos utilizan un enchufe de conexión a tierra que se parece al enchufe instalado en el esquema A de la Figura 2. Asegúrese de que ese producto esté conectado a un tomacorriente que tenga la misma configuración que el enchufe. No se debe usar ningún adaptador con este producto.

RENUNCIA A LA ILUSTRACIÓN DEL ENCHUFE - Las ilustraciones que se muestran aquí pueden no coincidir con su producto. Dependiendo de su región, el tamaño y la forma de la clavija pueden cambiar

INSTRUCCIONES DE OPERACIÓN

Remítase a la Guía del usuario provista, que también está disponible en el sitio www.amqsolutions.com

Productos con enchufes polarizados

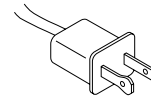


Figura 1
Enchufe polarizado

Productos con enchufes conectados a tierra

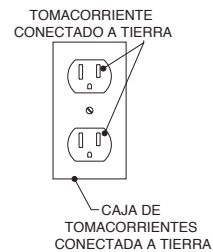
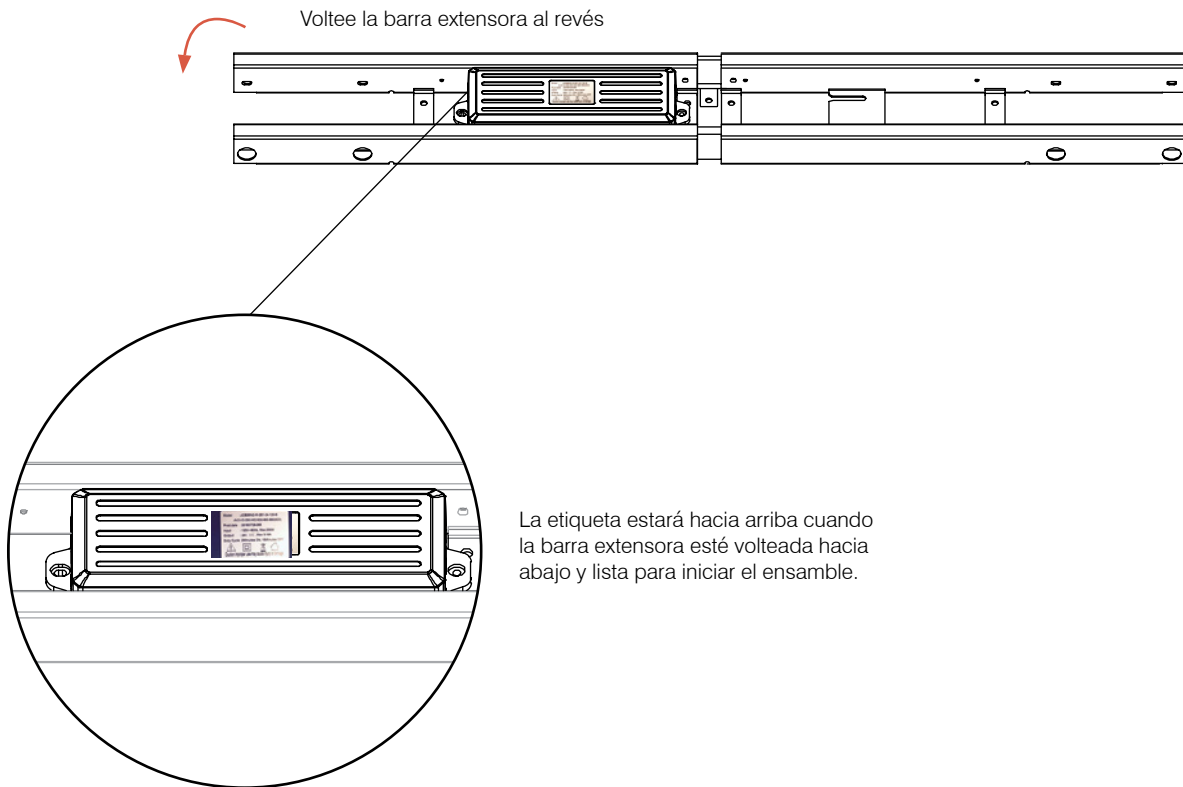


Figura 2
Métodos de puesta a tierra

FASE 1 | Preparándose para el montaje

Step 1

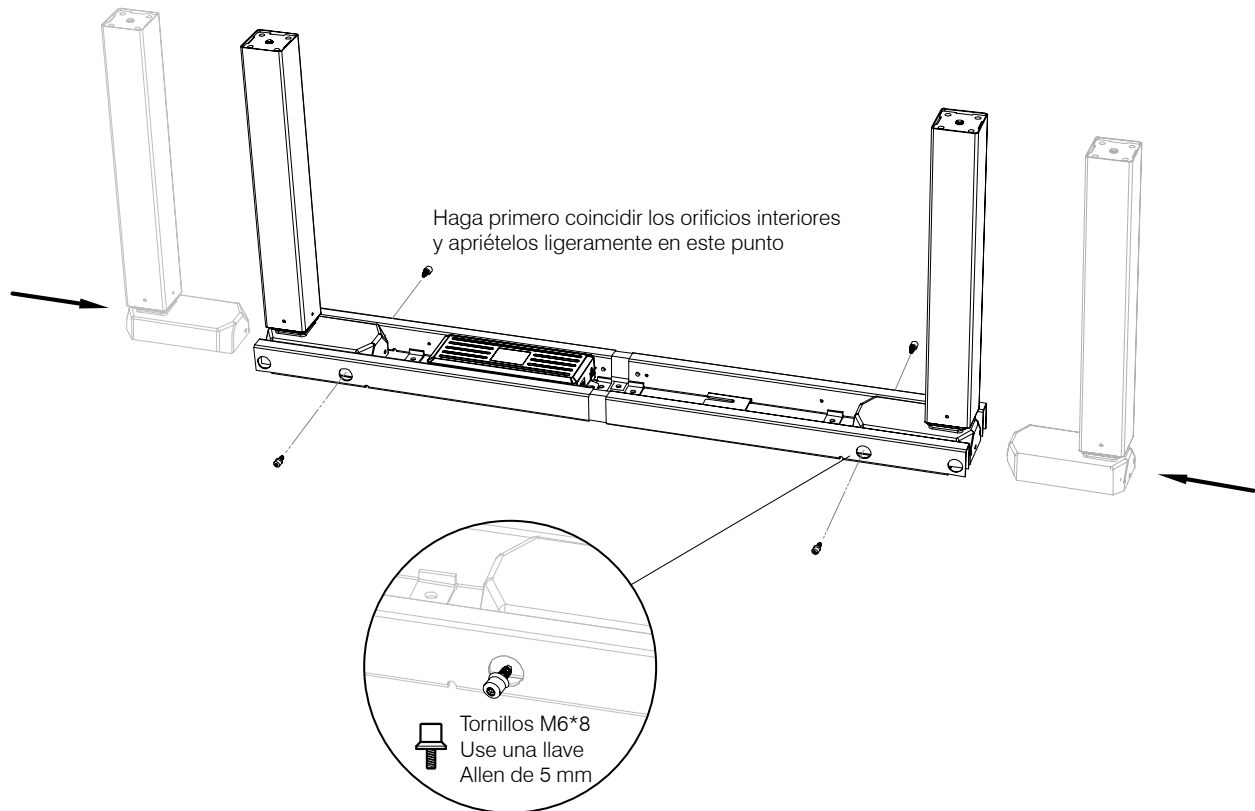
Coloque la unidad barra extensora boca abajo en el área de trabajo.



FASE 2 | Atar las patas

Step 1

Deslice las columnas de las patas a su lugar y sujételas con tornillos M6*8. Haga primero coincidir los orificios interiores y apriételes ligeramente en este punto.



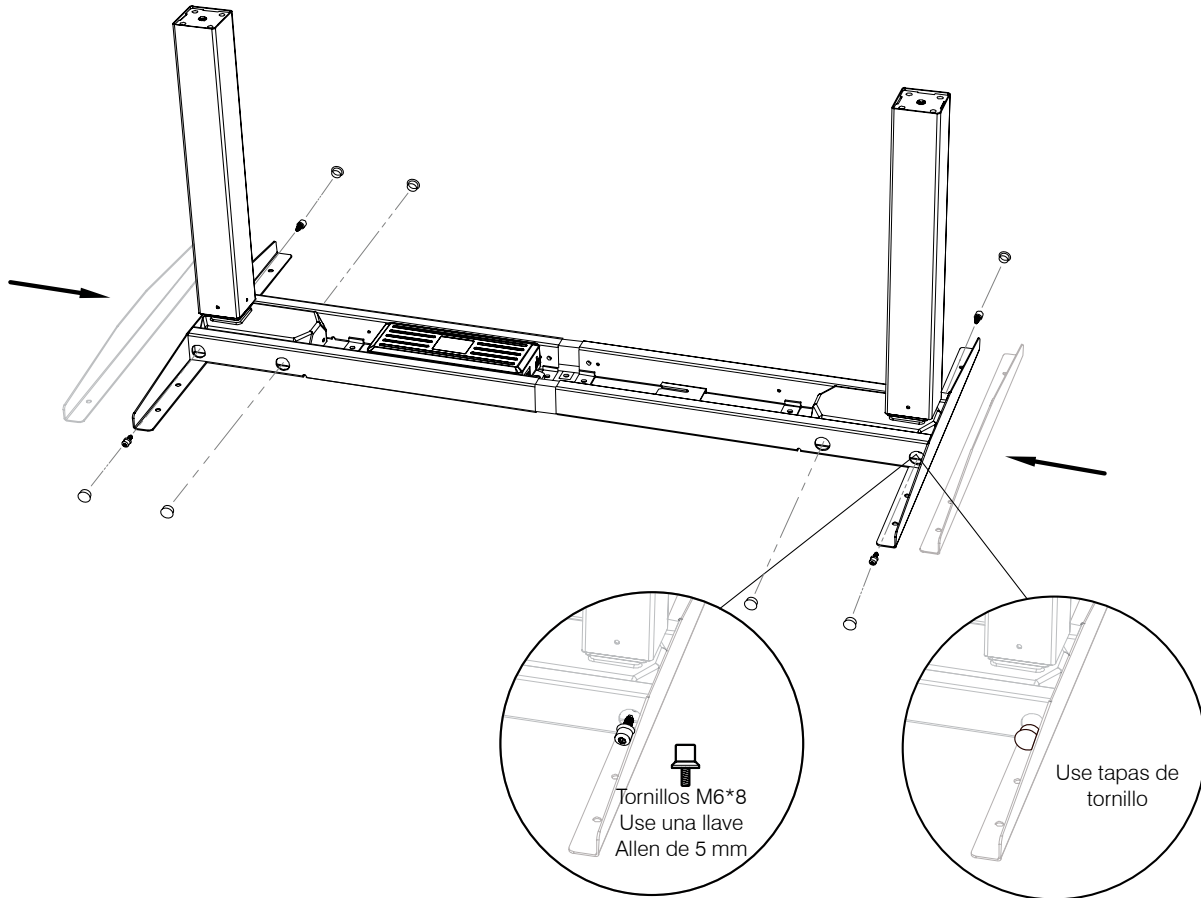
FASE 3 | Adjuntando Cantilevers

Step 1

Inserte Cantilevers en cada extremo, levantando un poco la pata, si es necesario, para facilitar un encaje a ras. Coloque la aleta en su sitio (el encaje es apretado).

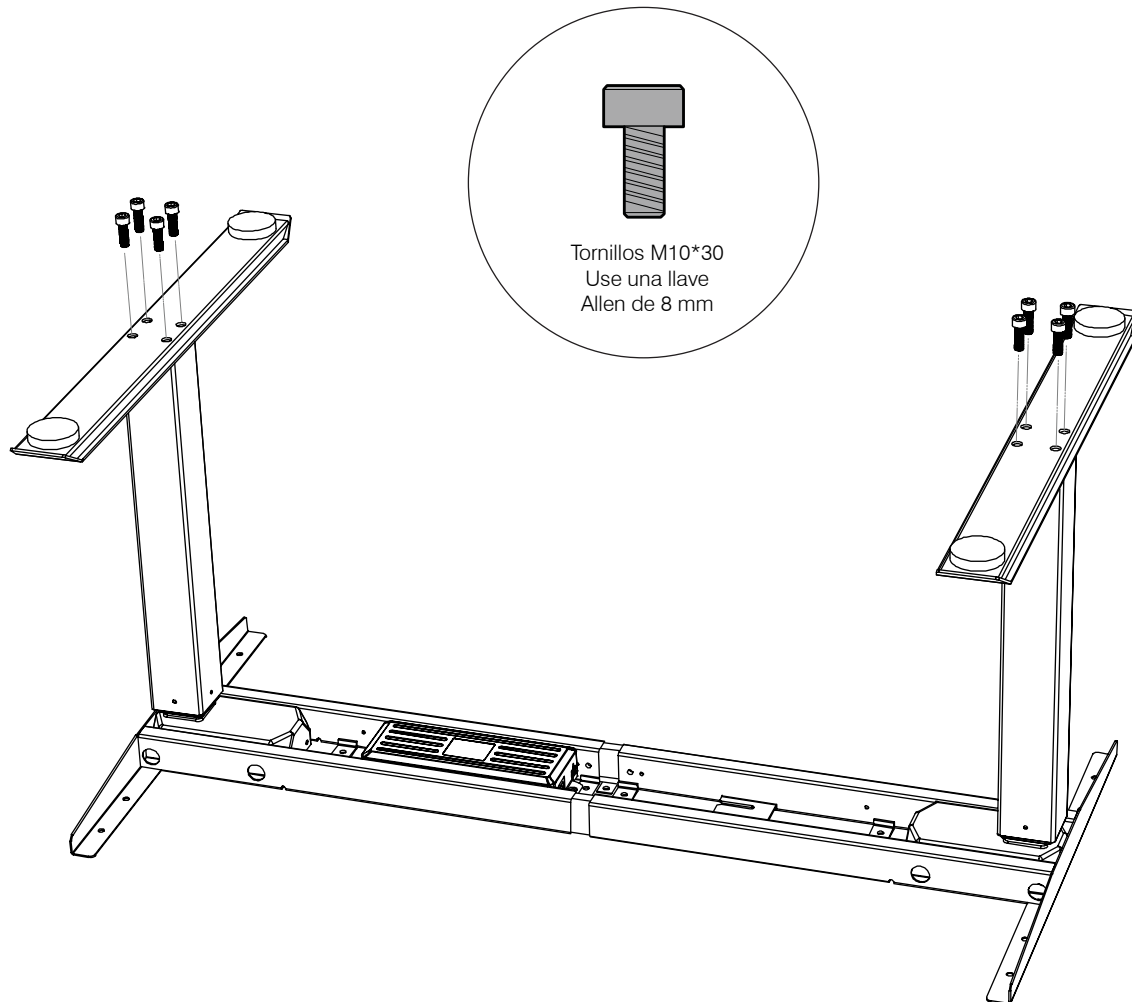
Step 2

Con los tornillos M6 * 8, apriete ligeramente los 4 agujeros. Una vez nivelado, regrese y apriete cada tornillo completamente. Coloque tapas de plástico sobre cada tornillo.



Step 1

Sujete las patas con los tornillos de cabeza cilíndrica con hexágono interior M6*8. Haga coincidir primero los 4 agujeros para asegurarse que encaje antes de apretar completamente.



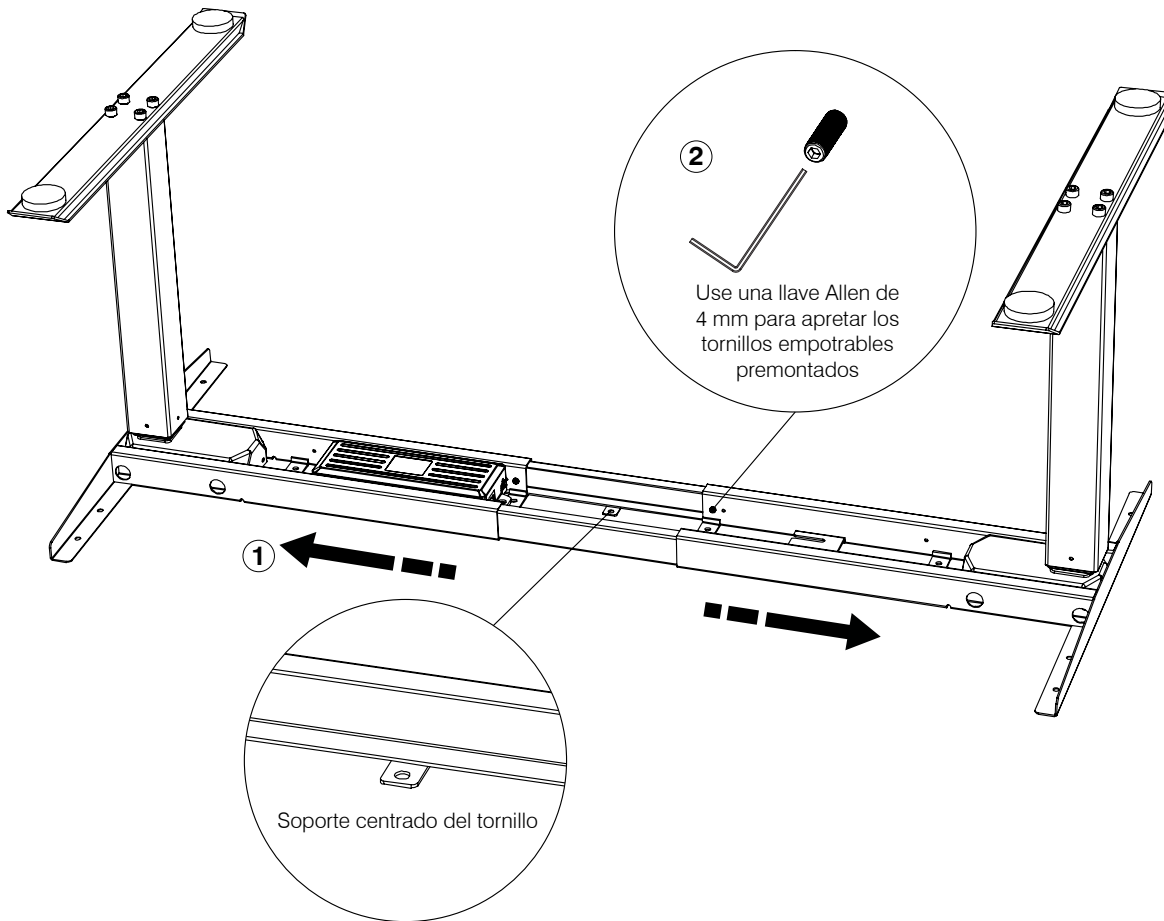
FASE 5 | Ajustando el ancho de la base

Step 1

Ajuste a la anchura deseada. Use la llave Allen #4 para aflojar los tornillos insertados de fábrica si aún no están flojos.

Step 2

Una vez que está en la anchura correcta, y asegurándose de que los soportes centrados de los tornillos estén alineados, apriete todos los tornillos empotrables.



NOTA IMPORTANTE: Superficies de trabajo que sobresalen más de 0,964 pulg. (25,0 mm) no están permitidas en anchuras <64,0 pulgs. (1625,6mm)

FASE 6 | Montaje en superficie de trabajo

Step 1

Para sujetar la superficie de trabajo, comience colocando la superficie de trabajo sobre el piso con la plancha superior hacia abajo.

Step 2

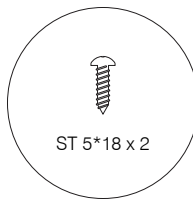
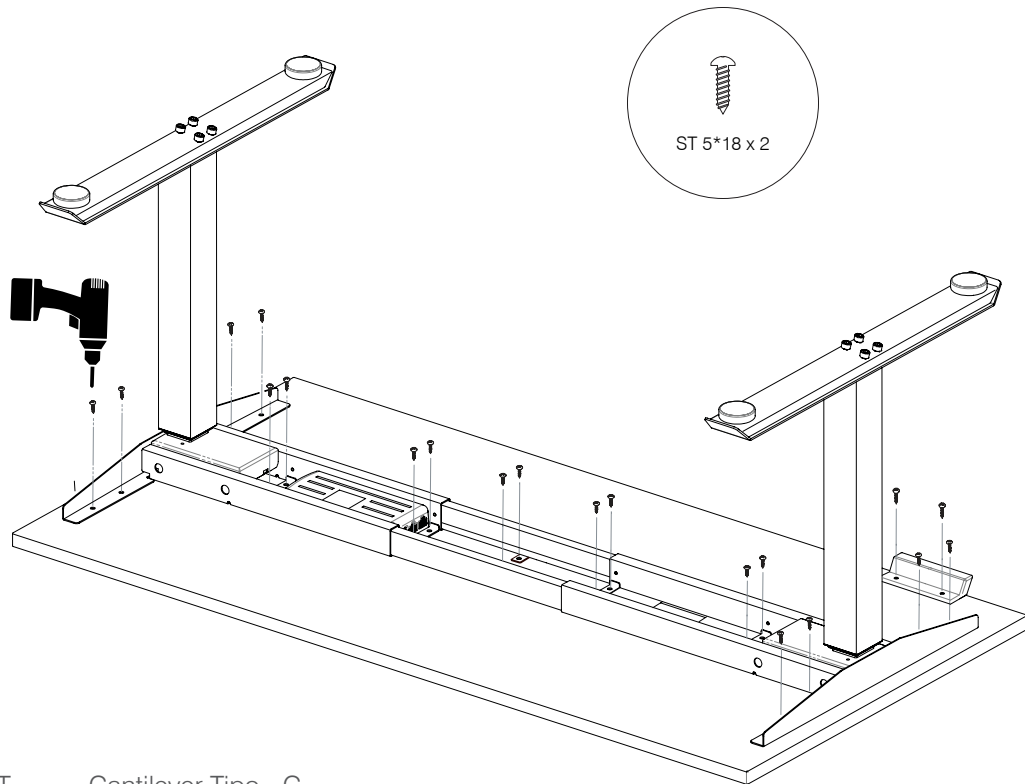
Coloque la base boca abajo sobre la plancha de la superficie de trabajo.

Step 3

Verifique dos veces para asegurarse de que la base esté colocada correctamente en la parte inferior de la superficie de trabajo y luego sujétela con tornillos para madera.

NOTA: La superficie de trabajo debe estar alineada centrada con la profundidad del cantilever y debe sobresalir por igual en cada extremo. Se requiere un taladro inalámbrico para el montaje.

Control manual



ST 5*18 x 2

Cantilever Tipo - T

Cantilever Tipo - C



ST 5*20 x 18
para superficie
de trabajo



ST 5*20 x 16
para superficie
de trabajo

FASE 7 | Conectando el auricular y el poder

Step 1

Asegúrese de que el motor izquierdo se enchufe al puerto M1, y el motor derecho se enchufe al puerto M2

Step 2

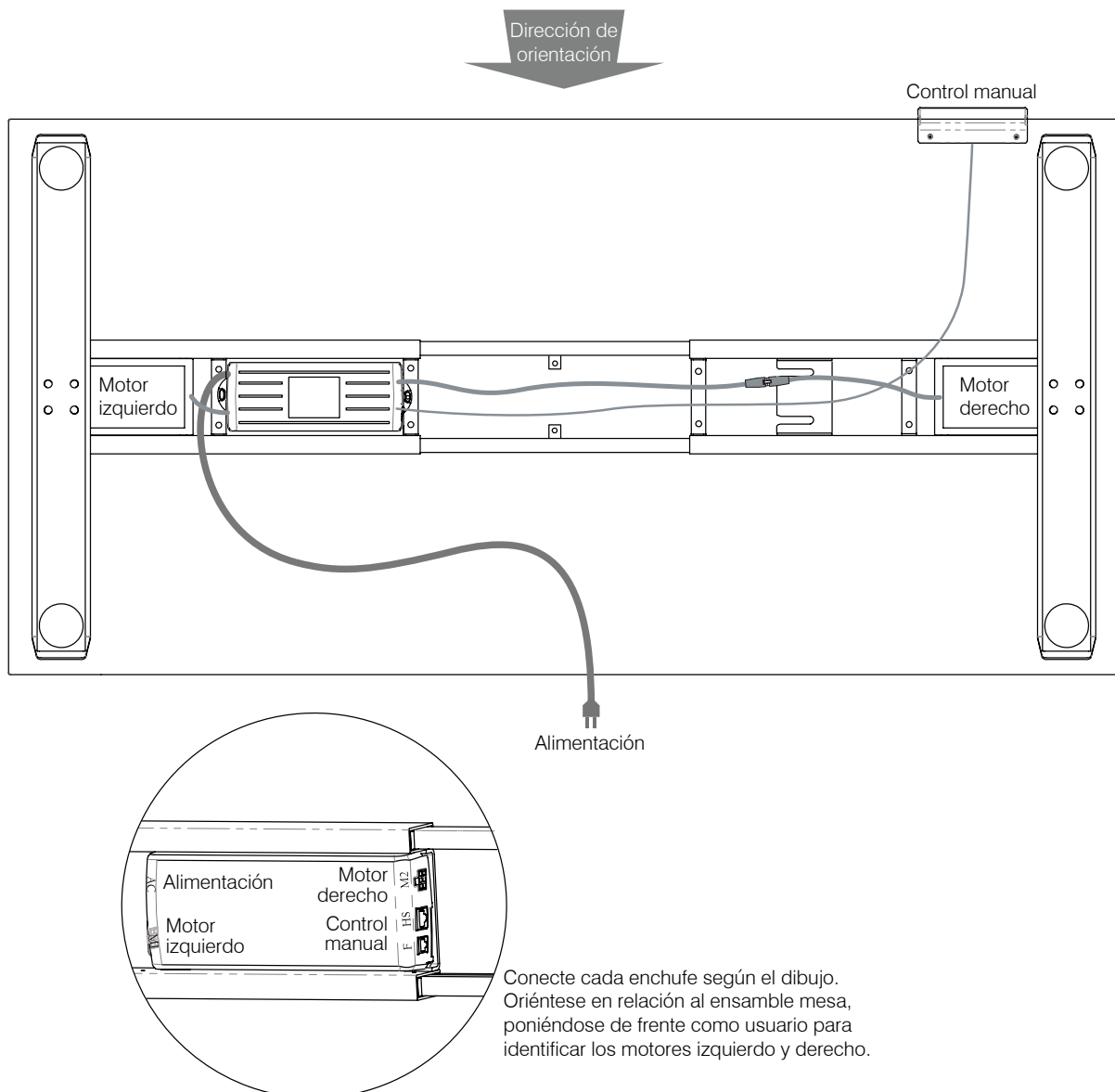
Conecte el enchufe de alimentación después de que los motores y el control manual estén conectados correctamente.

Step 3

Vuelva a fijar la base manteniendo presionada la flecha hacia abajo hasta que alcance su altura más baja.

Step 4

Sujete el distribuidor plástico de cables en el área deseada para asegurar los cables y conductores.



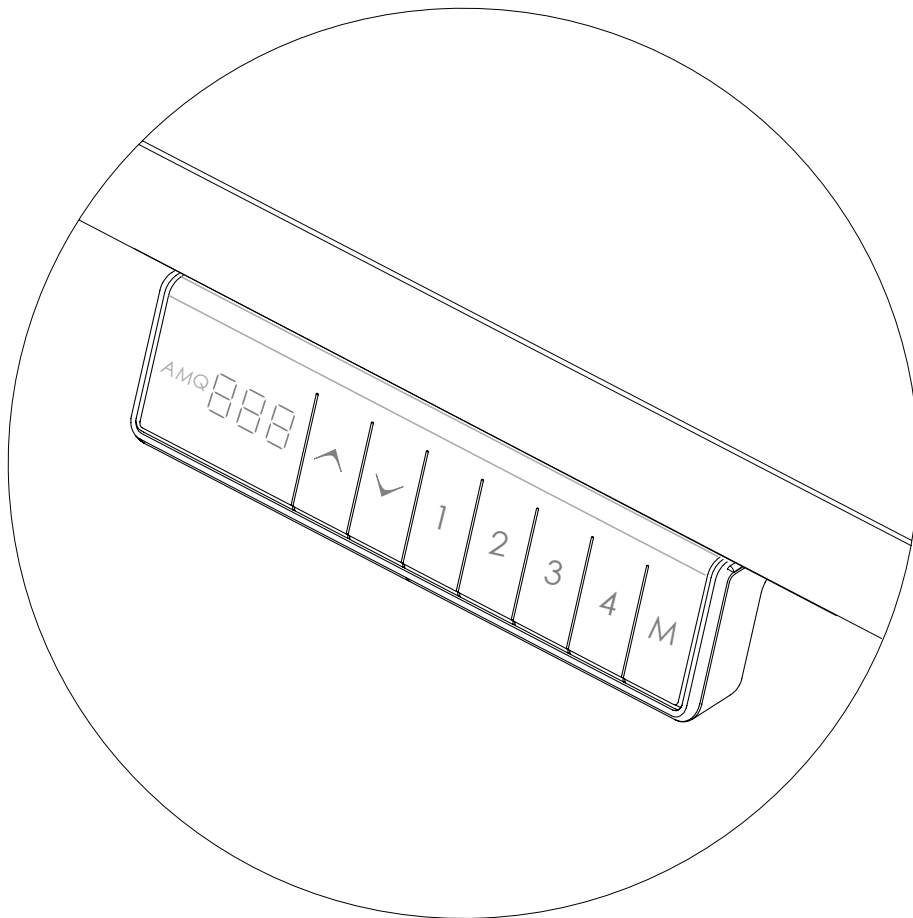
Step 1

Para programar hasta 4 preajustes: use las flechas arriba / abajo para hallar la altura deseada, luego presione "M" seguido del número 1, 2, 3 ó 4.

Step 2

Para probar la altura programada: use las flechas arriba / abajo para regular la mesa a una altura diferente de la altura predeterminada. Luego presione el número que programó para ver si se regula automáticamente a la altura programada en el Paso 1. Puede que necesite mantener presionado durante 2-3 segundos para activar la base.

NOTA: Si no se regula hasta a la altura programada, repita el Paso 1 y luego el Paso 2.



Please contact cc@amqsolutions.com if you are missing any parts, have difficulty with assembly, or have any product related questions.