



## MODEL

OL-HRN-RS-TL5

## GUIDE ID

TL5\_AL-XX70-B\_RS-X70\_20210301

## AVAILABLE ACCESSORIES

OL-HRN-RS-PWR

(Adapt to any brand remote start w/ BLADE or OL-MDB-ALL / FL-CAN / ADS-AL-CA)

## VEHICLE COMPATIBILITY

For AL-XX70-B installations see pages 5-36

For RS-X70 installations see pages 37-68

For Vehicles **WITHOUT** factory Immobilizer, Please see Harness Note 1 on Page 4.

**DISCLAIMER:** The manufacturer of this product nor its affiliates accept any responsibility for any electrical damage to the vehicle or any other connected systems as a result of improper installation of this product. All wiring connections & vehicle compatibility must be verified by a professionally qualified technician prior to installation.

Make	Model	Trim	Years	Firmware	Diagram	Adaptor
Scion	iM	Std. Key (H) or Flip-key Hatchback 4 Cyl. Automatic	2016 - 2016	DL-TL9	6	TL5(G)
Scion	iM	Std. Key (H) or Flip-key Hatchback 4 Cyl. Manual	2016 - 2016	DL-TL9	11	TL5(G)
Scion	iQ	Std. Key 80-bit 2 Dr Hatchback 4 Cyl. Automatic	2012 - 2015	DL-TL5	3	TL5(E)
Scion	tC	Std. Key 80-bit Coupe 4 Cyl. Automatic	2011 - 2016	DL-TL5	3	TL5(E)
Scion	tC	Std. Key 80-bit Coupe 4 Cyl. Manual	2011 - 2016	DL-TL5	10	TL5(E)
Scion	xB	Std. Key 80-bit 4 Cyl. Automatic	2011 - 2015	DL-TL5	2	TL5(E)
Scion	xB	Std. Key 80-bit 4 Cyl. Manual	2011 - 2015	DL-TL5	9	TL5(E)
Scion	xD	Std. Key 80-bit 4 Dr Hatchback 4 Cyl. Automatic	2011 - 2014	DL-TL5	1	TL5(F)
Scion	xD	Std. Key 80-bit 4 Dr Hatchback 4 Cyl. Manual	2011 - 2014	DL-TL5	8	TL5(F)
Toyota	4Runner	Std. Key 80-bit (G) 4/6 Cyl. Automatic	2010 - 2019	DL-TL5	3	TL5(E)
Toyota	4Runner	Std. Key (H) or Flip-key Automatic	2020 - 2021	DL-TL9	7	TL5(E)
Toyota	Camry	Std. Key 80-bit (G) Sedan 4/6 Cyl. Automatic	2010 - 2011	DL-TL5	2	TL5(F)
Toyota	Camry	Std. Key 80-bit (G) Sedan 4/6 Cyl. Manual	2010 - 2011	DL-TL5	9	TL5(F)
Toyota	Camry	Std. Key 80-bit (G) Sedan 4/6 Cyl. Automatic	2012 - 2014	DL-TL5	3	TL5(F)

## MODEL: OL-HRN-RS-TL5

Make	Model	Trim	Years	Firmware	Diagram	Adaptor
Toyota	Camry	Std. Key 80-bit (G) Sedan 4 Cyl. Manual	2012 - 2014	DL-TL5	10	TL5(F)
Toyota	Camry	Std. Key (H) or Flip-key Sedan 4 Cyl. Automatic	2015 - 2017	DL-TL9	6	TL5(F)
Toyota	C-HR	Std. Key 4 Cyl. Automatic	2018 - 2021	DL-TL9	7	TL5(G)
Toyota	Corolla	Std. Key 80-bit (G) Sedan 4 Cyl. Automatic	2012 - 2013	DL-TL5	2	TL5(E)
Toyota	Corolla	Std. Key 80-bit (G) Sedan 4 Cyl. Manual	2012 - 2013	DL-TL5	9	TL5(E)
Toyota	Corolla iM	Std. Key (H) or Flip-key Hatchback 4 Cyl. Automatic	2017 - 2018	DL-TL9	7	TL5(G)
Toyota	Corolla iM	Std. Key (H) or Flip-key Hatchback 4 Cyl. Manual	2017 - 2018	DL-TL9	12	TL5(G)
Toyota	Corolla*	Std. Key (H) or Flip-key Sedan 4 Cyl. Automatic	2014 - 2016	DL-TL9	6	TL5(G)
Toyota	Corolla*	Std. Key (H) or Flip-key Sedan 4 Cyl. Manual	2014 - 2016	DL-TL9	11	TL5(G)
Toyota	Corolla*	Std. Key (H) or Flip-key Sedan 4 Cyl. Automatic	2017 - 2019	DL-TL9	7	TL5(G)
Toyota	Corolla*	Std. Key (H) or Flip-key Sedan 4 Cyl. Manual	2017 - 2019	DL-TL9	12	TL5(G)
Toyota	Highlander	Std. Key 80-bit (G) 4/6 Cyl. Automatic	2011 - 2013	DL-TL5	2	TL5(F)
Toyota	Highlander	Std. Key 80-bit (G) Hybrid CVT	2012 - 2013	DL-TL5	2	TL5(F)
Toyota	Highlander*	Std. Key (H) or Flip-key 4/6 Cyl. Automatic	2014 - 2016	DL-TL9	6	TL5(G)
Toyota	Highlander*	Std. Key (H) or Flip-key 4/6 Cyl. Automatic	2017 - 2019	DL-TL9	7	TL5(G)
Toyota	Matrix	Std. Key 80-bit (G) 4 Dr Hatchback 4 Cyl. Automatic	2012 - 2014	DL-TL5	2	TL5(E)
Toyota	Matrix	Std. Key 80-bit (G) 4 Dr Hatchback 4 Cyl. Manual	2012 - 2014	DL-TL5	9	TL5(E)
Toyota	Prius C	Std. Key 80-bit (G) 4 Dr Hatchback Hybrid CVT	2012 - 2014	DL-TL5	3	TL5(F)
Toyota	Prius C	Std. Key (H) or Flip-key 4 Dr Hatchback Hybrid CVT	2015 - 2016	DL-TL9	6	TL5(F)
Toyota	Prius C	Std. Key (H) or Flip-key 4 Dr Hatchback Hybrid CVT	2017 - 2019	DL-TL9	7	TL5(F)
Toyota	RAV4	Std. Key 80-bit (G) 4/6 Cyl. Automatic	2011 - 2012	DL-TL5	2	TL5(E)
Toyota	RAV4	Std. Key (H) or Flip-key 4 Cyl. Automatic	2013 - 2015	DL-TL9	6	TL5(G)
Toyota	RAV4	Std. Key (H) or Flip-key 4 Cyl. Automatic	2016 - 2018	DL-TL9	7	TL5(G)
Toyota	Sequoia	Std. Key 80-bit (G) 8 Cyl. Automatic	2011 - 2014	DL-TL5	5	TL5(F)
Toyota	Sequoia	Std. Key (H) or Flip-key 8 Cyl. Automatic	2015 - 2017	DL-TL9	6	TL5(F)
Toyota	Sequoia	Std. Key (H) or Flip-key 8 Cyl. Automatic	2018 - 2019	DL-TL9	7	TL5(F)
Toyota	Sienna	Std. Key 80-bit (G) 4/6 Cyl. Automatic	2011 - 2014	DL-TL5	4	TL5(E)
Toyota	Sienna	Std. Key (H) or Flip-key 6 Cyl. Automatic	2015 - 2017	DL-TL9	6	TL5(E)
Toyota	Sienna	Std. Key (H) or Flip-key 6 Cyl. Automatic	2018 - 2021	DL-TL9	7	TL5(E)
Toyota	Tacoma*	Std. Key (H) or Flip-key 4/6 Cyl. Automatic	2016 - 2017	DL-TL9	6	TL5(G)

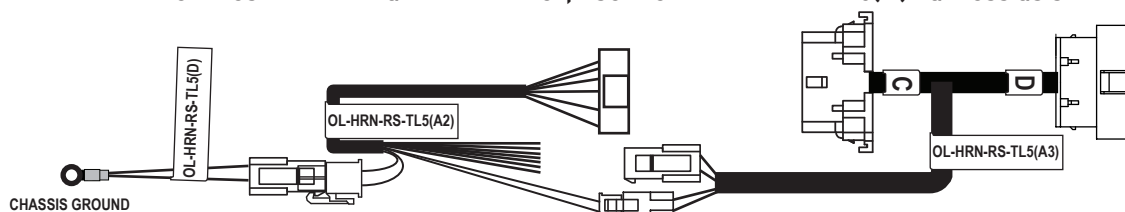
**MODEL: OL-HRN-RS-TL5**

Make	Model	Trim	Years	Firmware	Diagram	Adaptor
Toyota	Tacoma*	Std. Key (H) or Flip-key 4/6 Cyl. Manual	2016 - 2017	DL-TL9	11	TL5(G)
Toyota	Tacoma*	Std. Key (H) or Flip-key 4/6 Cyl. Automatic	2018 - 2021	DL-TL9	7	TL5(G)
Toyota	Tacoma*	Std. Key (H) or Flip-key 4/6 Cyl. Manual	2018 - 2021	DL-TL9	12	TL5(G)
Toyota	Tundra	Std. Key 80-bit (G) 6/8 Cyl. Automatic	2011 - 2017	DL-TL5	5	TL5(F)
Toyota	Tundra	Std. Key 80-bit (H) or Flip-key Automatic	2018 - 2021	DL-TL9	7	TL5(F)
Toyota	Venza	Std. Key 80-bit (G) 4/6 Cyl. Automatic	2010 - 2016	DL-TL5	3	TL5(E)
Toyota	Yaris	Std. Key 80-bit (G) Hatchback 4 Cyl. Automatic	2011 - 2011	DL-TL5	1	TL5(F)
Toyota	Yaris	Std. Key 80-bit (G) Hatchback 4 Cyl. Manual	2011 - 2011	DL-TL5	8	TL5(F)
Toyota	Yaris	Std. Key 80-bit (G) Sedan 4 Cyl. Automatic	2011 - 2012	DL-TL5	1	TL5(F)
Toyota	Yaris	Std. Key 80-bit (G) Sedan 4 Cyl. Manual	2011 - 2012	DL-TL5	8	TL5(F)
Toyota	Yaris	Std. Key 80-bit (G) Hatchback 4 Cyl. Automatic	2012 - 2014	DL-TL5	3	TL5(F)
Toyota	Yaris	Std. Key 80-bit (G) Hatchback 4 Cyl. Manual	2012 - 2014	DL-TL5	10	TL5(F)
Toyota	Yaris	Std. Key (H) or Flip-key Hatchback 4 Cyl. Automatic	2015 - 2016	DL-TL9	6	TL5(F)
Toyota	Yaris	Std. Key (H) or Flip-key Hatchback 4 Cyl. Manual	2015 - 2016	DL-TL9	11	TL5(F)
Toyota	Yaris	Std. Key (H) or Flip-key Hatchback 4 Cyl. Automatic	2017 - 2019	DL-TL9	7	TL5(F)
Toyota	Yaris	Std. Key (H) or Flip-key Hatchback 4 Cyl. Manual	2017 - 2019	DL-TL9	12	TL5(F)

\* See Harness Note 2 on Page 4.

## Harness Notes

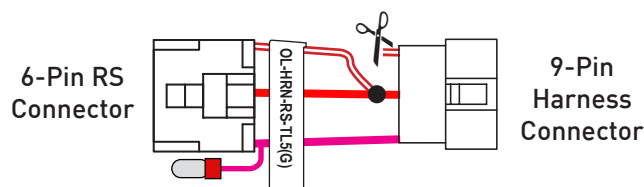
**NOTE 1:** In vehicles WITHOUT an immobilizer, use the OL-HRN-RS-TL5(D) harness as shown.



**NOTE 2:** Modify the original TL5(G) adaptor harness as follows to prevent low current OE fuse overload.

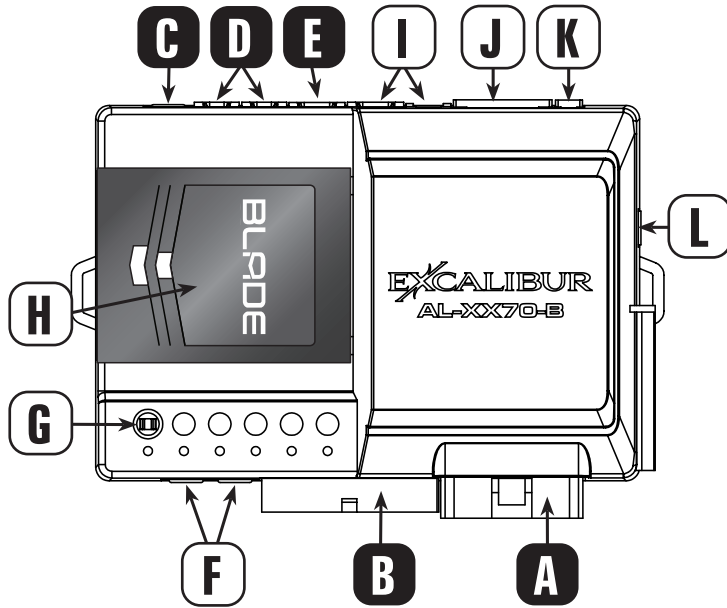
Harnesses Labeled "OL-HRN-RS-TL5 V1.1 (G)" do **NOT** need modification.

Some vehicles have been found to have a low current fuse powering the ignition switch. This modification will need to be made to the OL-HRN-RS-TL5(G) adaptor harness to ensure proper current is provided to the remote start and this fuse is not overloaded.



Cut the Red/White wire close to the 9-pin harness connector. Isolate the loose wire remaining on the 9-pin harness connector. Splice the 6-pin side of the Red/White wire to the Red wire in the adaptor harness.

**AL-XX70-B Layout**



- A** WHITE 6 PIN HIGH CURRENT POWER HARNESS (P/N: H-RS6E\*)
- B** WHITE 18 PIN MAIN INPUT/OUTPUT HARNESS (P/N: H-RS18A)
- C** RED 4 PIN DOOR LOCK/UNLOCK HARNESS (P/N: DLP-N4)
- D** RED 3 PIN REMOTE START HARNESS (P/N: RS-OUTPUT)
- E** WHITE 4 PIN AUXILIARY HARNESS (P/N: H-RS4)
- F** WHITE 4 PIN PLUG-IN SENSOR PORTS (harness included w/ optional sensors)
- G** TEMPERATURE SENSOR - **DO NOT COVER**  
(For high/low temp auto start and for automatic low temp crank extender)
- H** BLADE CARTRIDGE PORT - For OL-BLADE-AL64 or OL-BLADE-TB
- I** GREEN & BLACK DATA PORTS - For Telematics / Data Sensor (Shock, Tilt, etc) / Vehicle Interface Module.  
(DBI & iDataLink protocols supported on both ports - see 'Vehicle Learn' or installer feature #12)
- J** BLADE HARNESS PORT - Use harness from BLADE or an 'OL-HRN-RS' T-Harness.
- K** ANTENNA / STATUS LIGHT / VALET PORT - Supports compatible plug-in antennas or push-button status light  
(P/N: AU-LED-PB2)
- L** BACKUP BATTERY PORT - Uses standard 9v battery with bracket & plug. Featuring PowerMaze technology - only supports security critical functions!

**AL-XX70-B Installation Steps**

**INSTALLATION STEPS:**

- 1) Go to [OmegaWeblink.com](http://OmegaWeblink.com) or use WebLink Mobile to flash the OL-BLADE-AL64 with the firmware matching the vehicle.  
NOTE: If OEM remote is being used to activate the remote start be sure to enable "Factory keyless RS sequence" as "Lock + Lock + Lock" OR "Lock + Unlock + Lock"
- 2) While at [OmegaWeblink.com](http://OmegaWeblink.com), make sure the AL-XX70-B is updated to v1.5 FW or higher.
- 3) Make all the connections shown in the diagram on the following pages.
- 4) Connect any optional hardware as needed.
- 5) Program the OL-BLADE-AL64 to the vehicle (see "BLADE Programming" on the following pages).
- 6) Perform Vehicle Learn to configure the remote start to match the vehicle (see "AL-XX70-B Programming/Vehicle Learn" on the following pages).  
NOTE: If Vehicle Learn is not performed remote start operation could fail.
- 7) Test the system for all desired functions.

**NOTE:** Any features NOT supported by the interface module must be hard wired from the remote start to the vehicle. Refer to the remote start install guide and vehicle wiring info at [www.wiresheet.com](http://www.wiresheet.com) (only available for authorized dealers) for instructions.

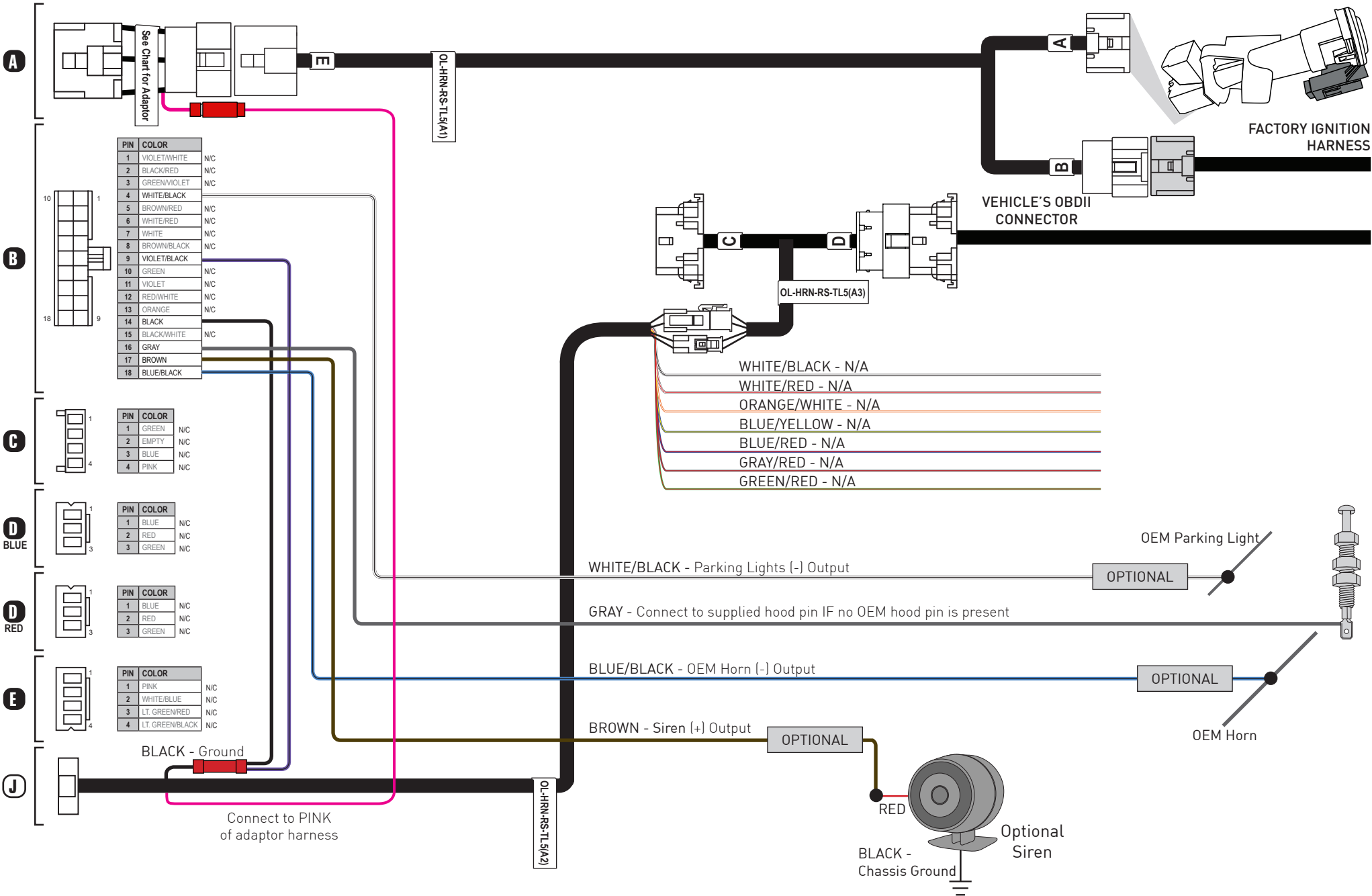
**MODEL: OL-HRN-RS-TL5**

**Wire Location Chart Diagram #1**

Make	Model	Trim	Year	Adaptor	Item	Connector Color	Connector Pins	Pin #	Wire Color	Polarity	Location
Scion	XD	Std. Key 4 Dr Hatchback Automatic	2011 - 2014	TL5(F)	Parking Lights	WHITE	13	13	WHITE	(-)	Headlight Switch
					Horn	WHITE	32	18	BLACK	(-)	Dash Fuse Box
Toyota	Yaris	Std. Key (G) Hatchback Automatic	2011	TL5(F)	Parking Lights	BLACK	13	13	LT. BLUE	(-)	Headlight Switch
					Horn	WHITE	40	19	LT. GREEN	(-)	Dash Fuse Box
Toyota	Yaris	Std. Key (G) Sedan Automatic	2011 - 2012	TL5(F)	Parking Lights	WHITE	13	13	WHITE	(-)	Headlight Switch
					Horn	WHITE	32	18	BLACK	(-)	Dash Fuse Box

## MODEL: OL-HRN-RS-TL5

### AL-XX70-B Diagram #1



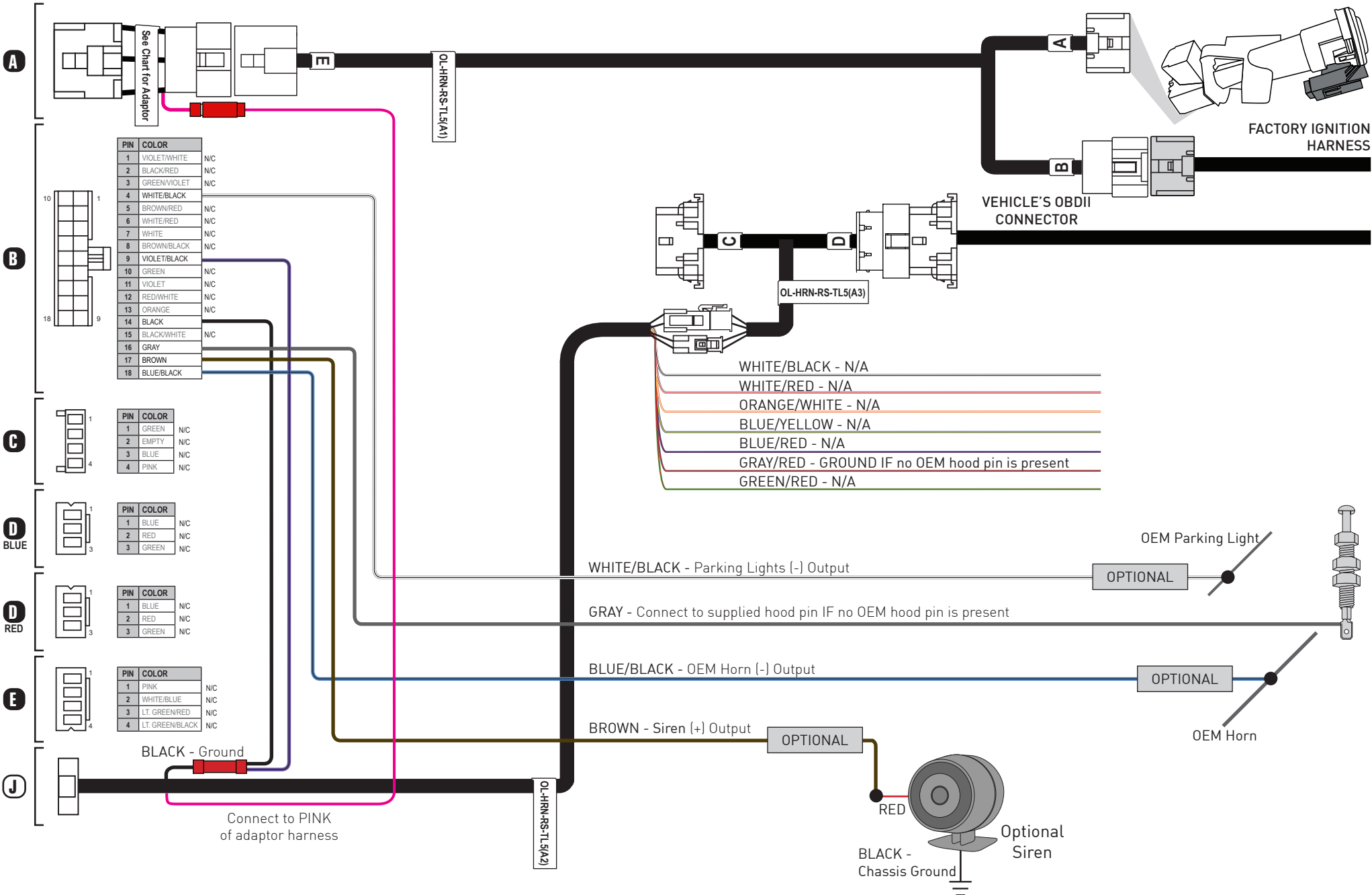
## Wire Location Chart Diagram #2

Make	Model	Trim	Year	Adaptor	Item	Connector Color	Connector Pins	Pin #	Wire Color	Polarity	Location
Scion	XB	Std. Key Automatic	2011 - 2015	TL5(E)	Parking Lights	WHITE	20	18	WHITE	(-)	Headlight Switch
					Horn	WHITE	32	5	LT. GREEN	(-)	Dash Fuse Box
Toyota	Camry	Std. Key (G) Sedan Automatic	2010 - 2011	TL5(F)	Parking Lights	WHITE	20	18	WHITE	(-)	Headlight Switch
					Horn	WHITE	16	11	WHITE or BLACK	(-)	Dash Fuse Box
Toyota	Corolla	Std. Key (G) Sedan Automatic	2012 - 2013	TL5(E)	Parking Lights	WHITE	20	18	TAN or GRAY	(-)	Headlight Switch
					Horn	WHITE	32	5	LT. GREEN	(-)	Dash Fuse Box
Toyota	Highlander	Std. Key (G) Automatic	2011 - 2013	TL5(F)	Parking Lights	BLACK	20	18	LT. BLUE	(-)	Headlight Switch
					Horn	WHITE	16	11	GRAY	(-)	Dash Fuse Box
Toyota	Matrix	Std. Key (G) Hatchback Automatic	2012 - 2014	TL5(E)	Parking Lights	WHITE	20	18	BROWN	(-)	Headlight Switch
					Horn	WHITE	32	5	LT. GREEN	(-)	Dash Fuse Box
Toyota	RAV4	Std. Key (G) Automatic	2011 - 2012	TL5(E)	Parking Lights	WHITE	20	18	WHITE	(-)	Headlight Switch
					Horn	WHITE	32	25	LT. GREEN	(-)	Dash Fuse Box



## MODEL: OL-HRN-RS-TL5

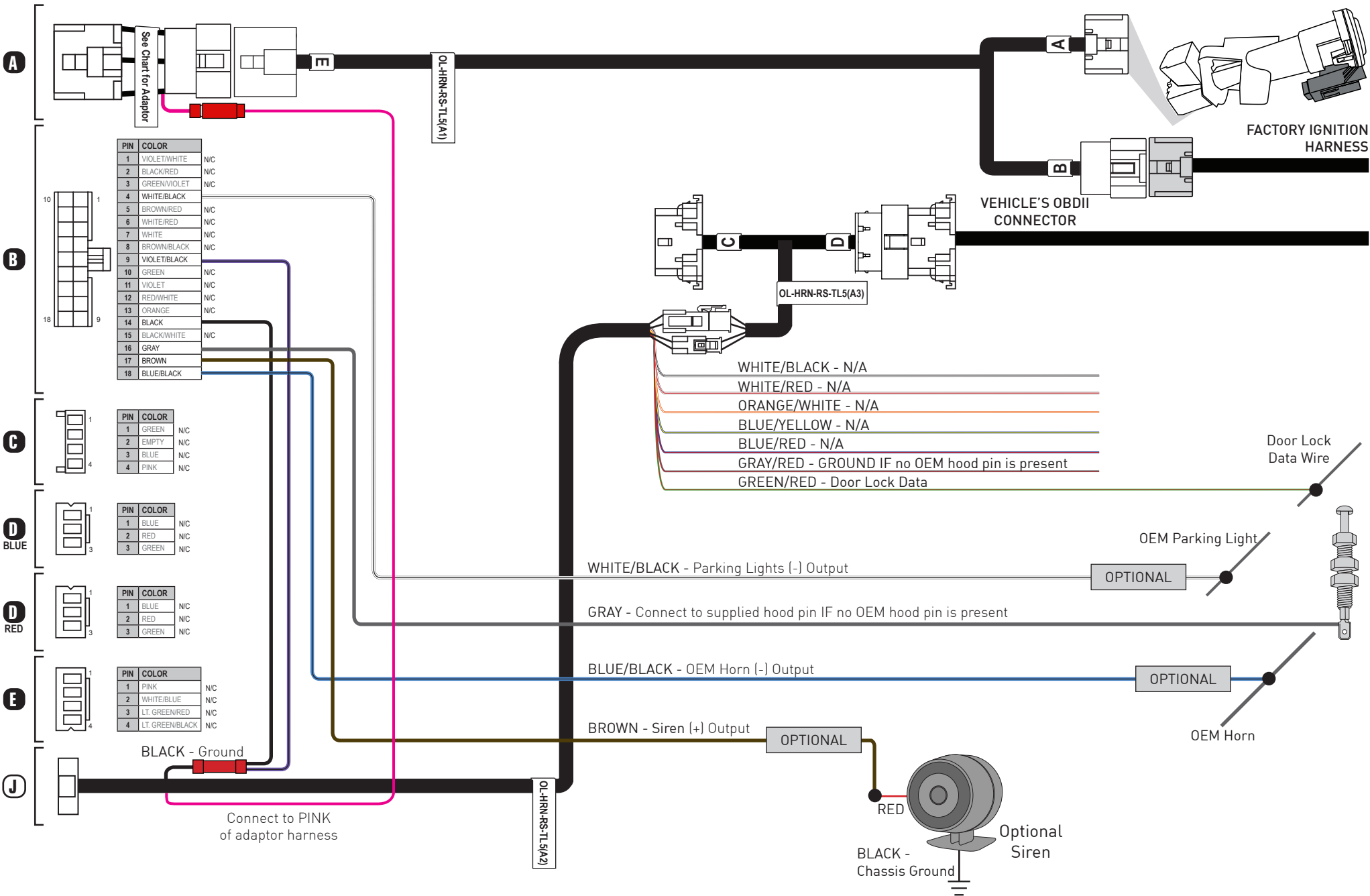
### AL-XX70-B Diagram #2



## Wire Location Chart Diagram #3

Make	Model	Trim	Year	Adaptor	Item	Connector Color	Connector Pins	Pin #	Wire Color	Polarity	Location
Scion	iQ	Std. Key 2 Dr Hatchback Automatic	2012 - 2015	TL5(E)	Door Lock Data	GRAY	30	26	BROWN	DATA	Body ECU Above Fuse Box Left Of Steering Column
					Parking Lights	GRAY	30	30	YELLOW	(-)	Body ECU Above Fuse Box Left Of Steering Column
					Horn	WHITE	40	22	GREEN/BLACK	(-)	Dash Fuse box
Scion	TC	Std. Key Coupe Automatic	2011 - 2016	TL5(E)	Door Lock Data	WHITE	30	26	LT. GREEN	DATA	Body ECU Under Fuse box
					Parking Lights	WHITE	30	30	VIOLET	(-)	Body ECU Under Fuse box
					Horn	WHITE	48	16	BLUE	(-)	Dash Fuse box
Toyota	4Runner	Std. Key (G) Automatic	2010 - 2019	TL5(E)	Door Lock Data	WHITE	30	26	PINK	DATA	Body ECU Above Fuse Box Left Of Steering Column
					Parking Lights	WHITE	30	30	RED	(-)	Body ECU Above Fuse Box Left Of Steering Column
					Horn	WHITE	40	29	GRAY	(-)	Dash Fuse box
Toyota	Camry	Std. Key (G) Sedan Automatic	2012 - 2014	TL5(F)	Door Lock Data	WHITE	30	16	BLUE	DATA	Body ECU Above Fuse Box Left Of Steering Column
					Parking Lights	WHITE	30	30	BLACK	(-)	Body ECU Above Fuse Box Left Of Steering Column
					Horn	WHITE	40	15	LT. BLUE	(-)	Dash Fuse box
Toyota	Venza	Std. Key (G) Automatic	2010 - 2016	TL5(E)	Door Lock Data	WHITE	28	12	T. GREEN	DATA	Body ECU Back Side Of Fuse Box
					Parking Lights	WHITE	20	18	RED	(-)	Headlight Switch
					Horn	WHITE	30	25	YELLOW or RED	(-)	Dash Fuse box
Toyota	Yaris	Std. Key (G) Hatchback Automatic	2012 - 2014	TL5(F)	Door Lock Data	WHITE	30	26	PINK	DATA	Body ECU
					Parking Lights	BLACK	20	18	LT. BLUE	(-)	Headlight Switch
					Horn	WHITE	40	19	LT. GREEN	(-)	Dash Fuse box

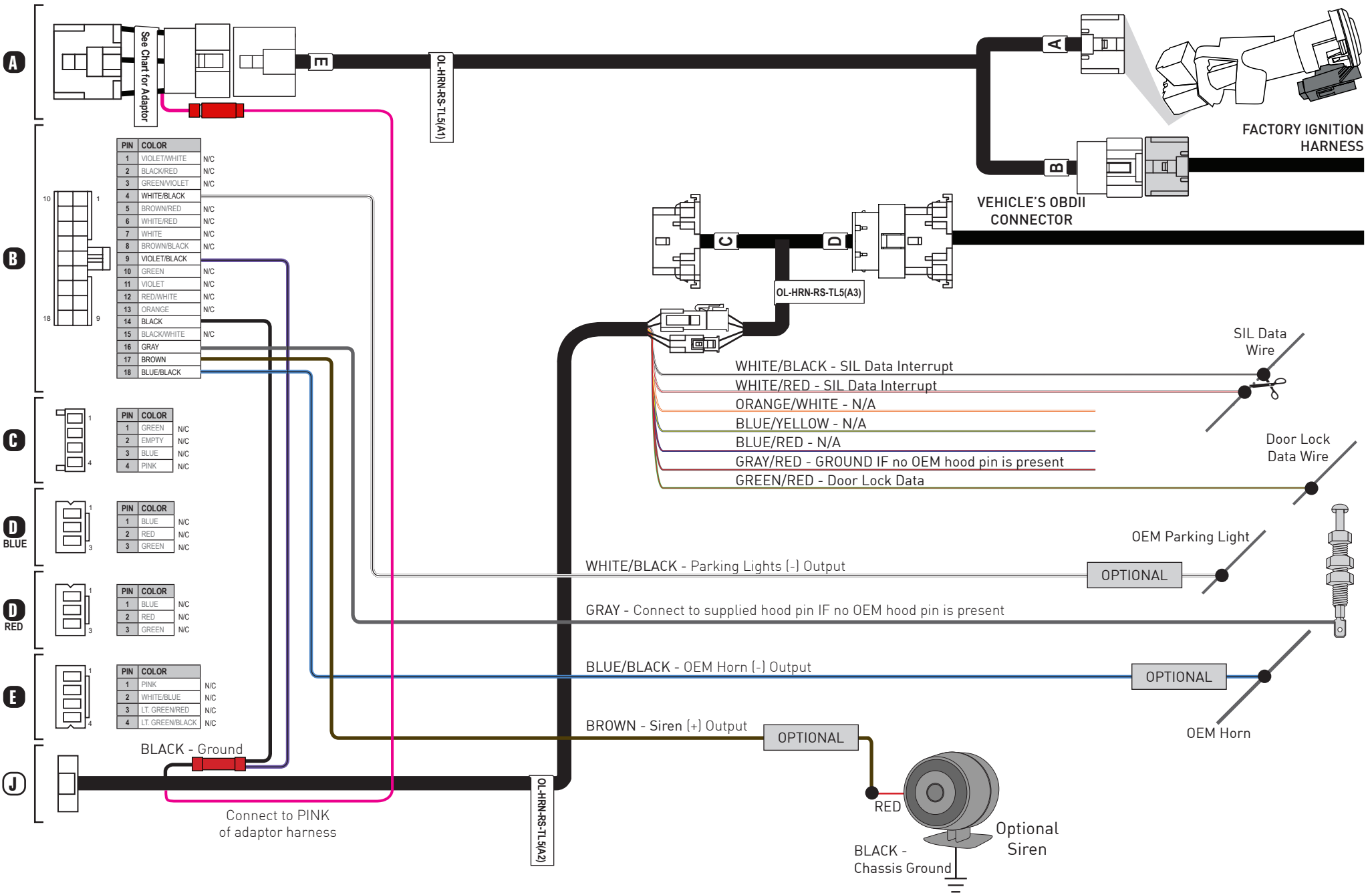
## AL-XX70-B Diagram #3



**Wire Location Chart Diagram #4**

Make	Model	Trim	Year	Adaptor	Item	Connector Color	Connector Pins	Pin #	Wire Color	Polarity	Location
Toyota	Sienna	Std. Key (G) Automatic	2011 - 2014	TL5[E]	Door Lock Data	WHITE	30	26	PINK	DATA	Body ECU Left Of Steering Column
					SIL Data	WHITE	12	10	WHITE	DATA	TPMS Module Left Of Driver Side Fuse Box
					Parking Lights	WHITE	30	30	YELLOW	(-)	Body ECU Left Of Steering Column
					Horn	WHITE	40	24	GREEN/BLACK	(-)	Dash Fuse Box

## AL-XX70-B Diagram #4

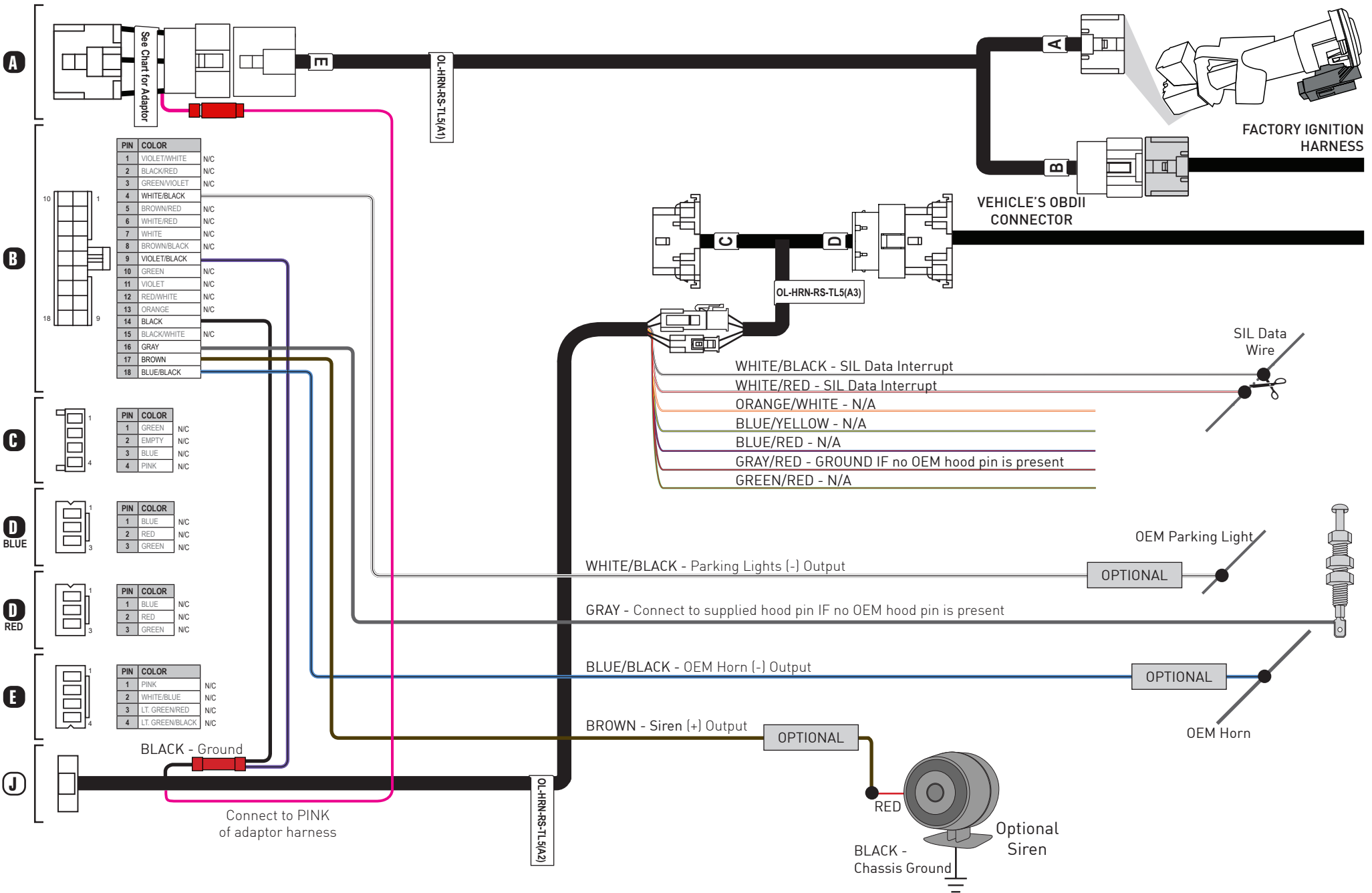


**MODEL: OL-HRN-RS-TL5**

**Wire Location Chart Diagram #5**

Make	Model	Trim	Year	Adaptor	Item	Connector Color	Connector Pins	Pin #	Wire Color	Polarity	Location
Toyota	Sequoia	Std. Key (G) Automatic	2011 - 2014	TL5(F)	Parking Lights	WHITE	20	18	TAN	(-)	Headlight Switch
					SIL Data	WHITE	12	10	BLUE	DATA	TPMS Module Below Glove Box
					Horn	WHITE	24	1	VIOLET	(-)	Dash Fuse Box
Toyota	Tundra	Std. Key (G) Automatic	2011 - 2017	TL5(F)	Parking Lights	WHITE	20	18	TAN	(-)	Headlight Switch
					SIL Data	WHITE	12	10	BLUE	DATA	TPMS Module Below Glove Box
					Horn	WHITE	24	1	VIOLET	(-)	Dash Fuse Box

## AL-XX70-B Diagram #5



## MODEL: OL-HRN-RS-TL5

### Wire Location Chart Diagram #6

Make	Model	Trim	Year	Adaptor	Item	Connector Color	Connector Pins	Pin #	Wire Color	Polarity	Location
Scion	iM	Std. Key (H) or Flip-key Hatchback Automatic	2016 - 2016	TL5(G)	Auto Light	WHITE	30	28	VIOLET	(-)	Below Fuse Box
					TPMS Ignition <sup>2</sup>	WHITE	40	28	BLUE	(+)	Dash Fuse Box
					RDA Wire	WHITE	30	16	GREEN	DATA	Below Fuse Box
					Horn	WHITE	56	24	LT. GREEN	(-)	Dash Fuse Box
Toyota	Camry	Std. Key (H) or Flip-key Sedan Automatic	2015 - 2017	TL5(F)	Auto Light	WHITE	30	28	GREEN	(-)	Body ECU Left Of Steering Column
					TPMS Ignition <sup>2</sup>	WHITE	18	3	YELLOW	(+)	Passenger Kick Panel
					RDA Wire	WHITE	30	16	BLUE	DATA	Body ECU Left Of Steering Column
					Horn	WHITE	40	15	LT. BLUE	(-)	Dash Fuse Box
Toyota	Corolla <sup>1</sup>	Std. Key (H) or Flip-key Sedan Automatic	2014 - 2016	TL5(G)	Auto Light	WHITE	30	28	VIOLET	(-)	Below Fuse Box
					TPMS Ignition <sup>2</sup>	WHITE	40	28	BLUE	(+)	Dash Fuse Box
					RDA Wire	WHITE	30	16	GREEN	DATA	Below Fuse Box
					Horn	WHITE	56	49	LT. GREEN	(-)	Dash Fuse Box
Toyota	Highlander <sup>1</sup>	Std. Key (H) or Flip-key Automatic	2014 - 2016	TL5(G)	Auto Light	WHITE	30	8	BLACK	(-)	Body ECU Left Of Steering Column
					TPMS Ignition <sup>2</sup>	WHITE	36	30	YELLOW	(+)	Body ECU Left Of Steering Column
					RDA Wire	WHITE	30	4	LT. GREEN	DATA	Body ECU Left Of Steering Column
					Horn	WHITE	32	29	GREEN	(-)	Dash Fuse Box
Toyota	Prius C	Std. Key (H) or Flip-key 4 Dr Hatch-back Hybrid CVT	2015-2016	TL5(F)	Auto Light	WHITE	30	28	RED	(-)	Body ECU Left Of Steering Column
					TPMS Ignition <sup>2</sup>	WHITE	36	32	BLUE	(+)	Dash Fuse Box
					RDA Wire	WHITE	30	16	LT. GREEN	(DATA)	Body ECU Left Of Steering Column
					Horn	WHITE	40	19	LT. GREEN	(-)	Dash Fuse Box
Toyota	RAV4	Std. Key (H) or Flip-key Automatic	2013 - 2015	TL5(G)	Auto Light	WHITE	30	28	GREEN	(-)	Below Fuse Box
					TPMS Ignition <sup>2</sup>	BLUE	20	13	TAN	(+)	Passenger Kick Panel
					RDA Wire	WHITE	30	16	LT. BLU or GRN	DATA	Below Fuse Box
					Horn	WHITE	56	39	LT. GREEN	(-)	Dash Fuse Box
Toyota	Sequoia	Std. Key (H) or Flip-key Automatic	2015 - 2017	TL5(F)	Auto Light	WHITE	26	21	GREEN	(-)	Body ECU Left Of Steering Column
					TPMS Ignition <sup>2</sup>	WHITE	12	10	BLUE	(+)	Below Glove Box
					RDA Wire	WHITE	28	12	VIOLET	DATA	Body ECU Left Of Steering Column
					Horn	WHITE	24	1	VIOLET	(-)	Dash Fuse Box
Toyota	Sienna	Std. Key (H) or Flip-key Automatic	2015 - 2017	TL5(E)	Auto Light	WHITE	30	28	VIOLET	(-)	Body ECU Left Of Steering Column
					TPMS Ignition <sup>2</sup>	WHITE	12	10	WHITE	(+)	Left Of Drivers Side Fuse box
					RDA Wire	WHITE	30	26	PINK	DATA	Body ECU Left Of Steering Column
					Horn	WHITE	40	16	LT. GREEN	(-)	Dash Fuse Box



**Wire Location Chart Diagram #6**

Make	Model	Trim	Year	Adaptor	Item	Connector Color	Connector Pins	Pin #	Wire Color	Polarity	Location
Toyota	Tacoma <sup>1</sup>	Std. Key (H) or Flip-key Automatic	2016 - 2017	TL5(G)	Auto Light	WHITE	30	8	WHITE	(-)	Body ECU Left Of Steering Column
					TPMS Ignition <sup>2</sup>	WHITE	36	33	LT. GREEN	(+)	Body ECU Left Of Steering Column
					RDA Wire	WHITE	30	4	BLACK	DATA	Body ECU Left Of Steering Column
					Horn	WHITE	32	26	RED or BLUE	(-)	Dash Fuse Box
Toyota	Yaris	Std. Key (H) or Flip-key Hatchback Automatic	2015 - 2016	TL5(F)	Auto Light	BLACK	20	19	VIOLET	(-)	Headlight Switch
					TPMS Ignition <sup>2</sup>	WHITE	36	32	BLUE	(+)	Body ECU Left Of Steering Column
					RDA Wire	WHITE	30	16 or 26	PINK	DATA	Body ECU Left Of Steering Column
					Horn	WHITE	40	19	LT. GREEN	(-)	Dash Fuse Box

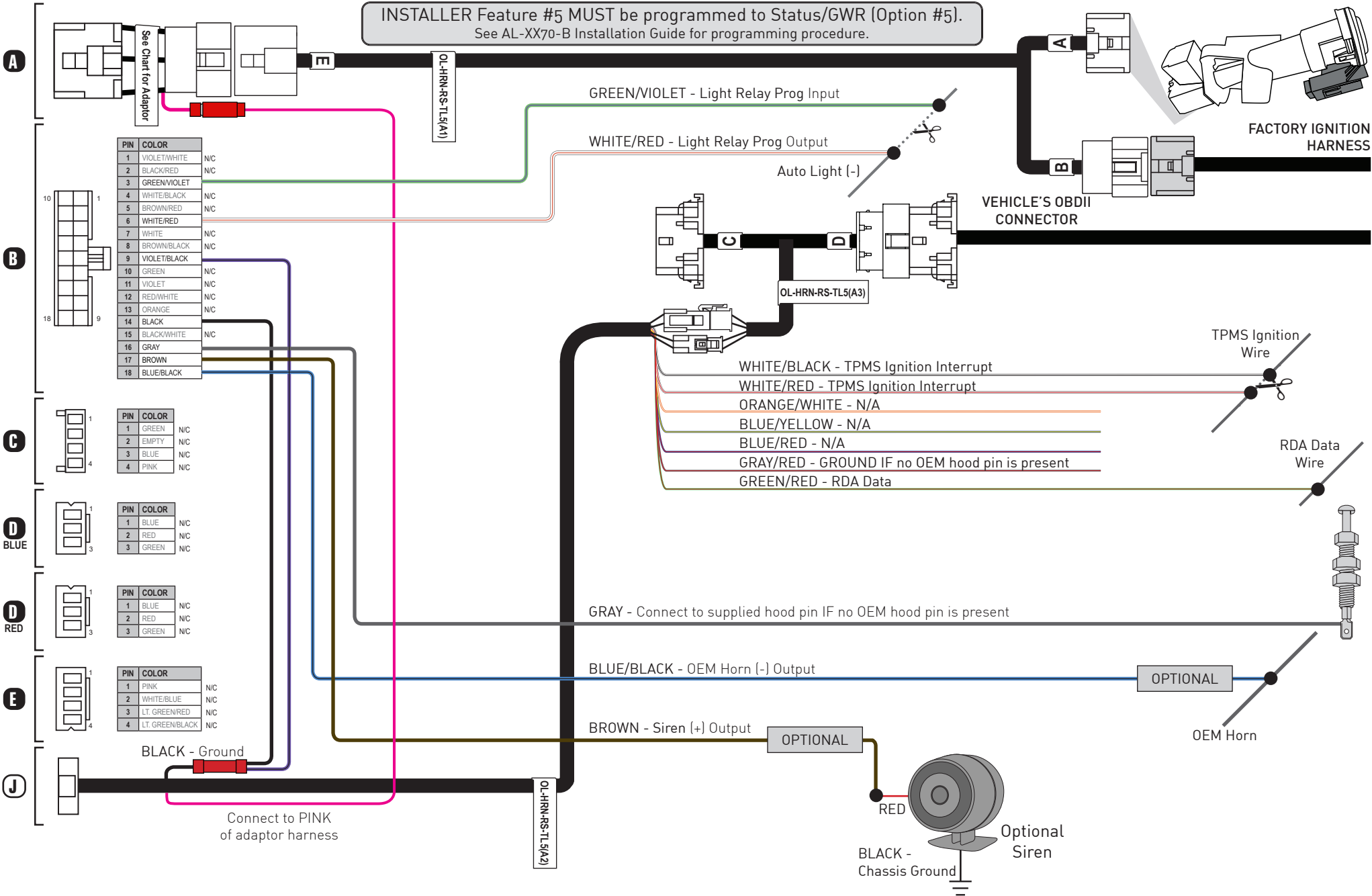
<sup>1</sup> - See Harness Notes on Page 4.

<sup>2</sup> - TPMS Ignition connection is only required IF vehicle is equipped with Tire Pressure Monitoring System (TPMS) and remote start control from OEM remotes is desired.

## MODEL: OL-HRN-RS-TL5

### AL-XX70-B Diagram #6

INSTALLER Feature #5 MUST be programmed to Status/GWR (Option #5).  
See AL-XX70-B Installation Guide for programming procedure.



## MODEL: OL-HRN-RS-TL5

### Wire Location Chart Diagram #7

Make	Model	Trim	Year	Adaptor	Item	Connector Color	Connector Pins	Pin #	Wire Color	Polarity	Location
Toyota	4Runner	Std. Key (H) or Flip-key Automatic	2020 - 2021	TL5(E)	CAN High Data	WHITE	30	14	BLUE	DATA	Body ECU Next to Dash Fuse Box
					CAN Low Data	WHITE	30	13	WHITE	DATA	Body ECU Next to Dash Fuse Box
					Auto Light	WHITE	30	8	WHITE	(-)	Body ECU Next to Dash Fuse Box
					TPMS Ignition <sup>2</sup>	WHITE	36	35	GRAY	(+)	Body ECU Next to Dash Fuse Box
					RDA Wire	WHITE	30	4	PINK	DATA	Body ECU Next to Dash Fuse Box
					Horn	WHITE	40	29	GRAY/BLUE	(-)	Dash Fuse Box
Toyota	C-HR	Std. Key Automatic	2018 - 2021	TL5(G)	CAN High Data	WHITE	30	14	GREEN	DATA	Body ECU Left Side Of Steering Column
					CAN Low Data	WHITE	30	13	LT. BLUE	DATA	Body ECU Left Side Of Steering Column
					Auto Light	WHITE	30	8	WHITE	(-)	Body ECU Left Side Of Steering Column
					TPMS Ignition <sup>2</sup>	WHITE	62	36	LT. BLUE	(+)	Drivers Kick Panel
					RDA Wire	WHITE	30	4	LT. GREEN	DATA	Body ECU Left Side Of Steering Column
					Horn	WHITE	32	27	LT. BLUE	(-)	Dash Fuse Box
Toyota	Corolla <sup>1</sup>	Std. Key (H) or Flip-key Sedan Automatic	2017 - 2019	TL5(G)	CAN High Data	WHITE	30	14	BLK or GRN	DATA	Body ECU Left Side Of Steering Column
					CAN Low Data	WHITE	30	13	WHITE	DATA	Body ECU Left Side Of Steering Column
					Auto Light	WHITE	30	28	VIOLET	(-)	Body ECU Left Side Of Steering Column
					TPMS Ignition <sup>2</sup>	WHITE	40	28	BLUE	(+)	Dash Fuse Box
					RDA Wire	WHITE	30	16	GREEN	DATA	Body ECU Left Side Of Steering Column
					Horn	WHITE	56	49	LT. GREEN	(-)	Dash Fuse Box
Toyota	Corolla iM	Std. Key (H) or Flip-key Hatchback Automatic	2017 - 2018	TL5(G)	CAN High Data	WHITE	30	14	BLK or GRN	DATA	Below Fuse Box
					CAN Low Data	WHITE	30	13	WHITE	DATA	Below Fuse Box
					Auto Light	WHITE	30	28	VIOLET	(-)	Below Fuse Box
					TPMS Ignition <sup>2</sup>	WHITE	40	28	BLUE	(+)	Dash Fuse Box
					RDA Wire	WHITE	30	16	GREEN	DATA	Below Fuse Box
					Horn	WHITE	56	24	LT. GREEN	(-)	Dash Fuse Box
Toyota	Highlander <sup>1</sup>	Std. Key (H) or Flip-key Automatic	2017 - 2019	TL5(G)	CAN High Data	WHITE	30	14	RED	DATA	Body ECU Left Side Of Steering Column
					CAN Low Data	WHITE	30	13	WHITE	DATA	Body ECU Left Side Of Steering Column
					Auto Light	WHITE	30	8	BLACK	(-)	Body ECU Left Side Of Steering Column
					TPMS Ignition <sup>2</sup>	BLACK	18	16	RED	(+)	Driver Kick Panel w/ Stop & Start
					TPMS Ignition <sup>2</sup>	WHITE	36	30	YELLOW	(+)	Body ECU Left Side Of Steering Column w/o Stop & Start
					RDA Wire	WHITE	30	4	LT. GREEN	DATA	Body ECU Left Side Of Steering Column
					Horn	WHITE	32	29	GREEN	(-)	Dash Fuse Box
Toyota	RAV4	Std. Key (H) or Flip-key Automatic	2016 - 2018	TL5(G)	CAN High Data	BLACK	5	3	PINK	DATA	Clock Spring Connector At Top Of Steering Column
					CAN Low Data	BLACK	5	2	WHITE	DATA	Clock Spring Connector At Top Of Steering Column
					Auto Light	WHITE	30	28	GREEN	(-)	Below Fuse Box
					TPMS Ignition <sup>2</sup>	BLUE	20	13	TAN	(+)	Passenger Kick Panel
					RDA Wire	WHITE	30	16	LT. BLUE	DATA	Below Fuse Box
					Horn	WHITE	56	39	LT. GREEN	(-)	Dash Fuse Box

## Wire Location Chart Diagram #7

Make	Model	Trim	Year	Adaptor	Item	Connector Color	Connector Pins	Pin #	Wire Color	Polarity	Location
Toyota	Prius C	Std. Key (H) or Flip-key 4 Dr Hatchback Hybrid CVT	2017 - 2019	TL5(F)	CAN H	WHITE	30	14	TAN	DATA	Body ECU Left Side Of Steering Column
					CAN L	WHITE	30	13	WHITE	DATA	Body ECU Left Side Of Steering Column
					Auto Light	WHITE	30	28	RED	(-)	Body ECU Left Side Of Steering Column
					TPMS Ignition <sup>2</sup>	WHITE	36	32	BLUE	(+)	Body ECU Left Side Of Steering Column
					RDA Wire	WHITE	30	16	LT. GREEN	DATA	Body ECU Left Side Of Steering Column
					Horn	WHITE	40	19	LT. GREEN	(-)	Body ECU Left Side Of Steering Column
Toyota	Sequoia	Std. Key (H) or Flip-key Automatic	2018 - 2019	TL5(F)	CAN High Data	WHITE	30	14	BLUE	DATA	Body ECU Left Side Of Steering Column
					CAN Low Data	WHITE	30	13	WHITE	DATA	Body ECU Left Side Of Steering Column
					Auto Light	WHITE	30	8	GREEN	(-)	Body ECU Left Side Of Steering Column
					TPMS Ignition <sup>2</sup>	BLACK	20	8	LT. BLUE	(+)	Driver Kick Panel
					RDA Wire	WHITE	30	4	VIOLET	DATA	Body ECU Left Side Of Steering Column
					Horn	WHITE	32	27	VIOLET	(-)	Dash Fuse Box
Toyota	Sienna	Std. Key (H) or Flip-key Automatic	2018 - 2021	TL5(E)	CAN High Data	WHITE	30	14	GRAY	DATA	Body ECU Left Side Of Steering Column
					CAN Low Data	WHITE	30	13	WHITE	DATA	Body ECU Left Side Of Steering Column
					Auto Light	WHITE	30	28	VIOLET	(-)	Body ECU Left Side Of Steering Column
					TPMS Ignition <sup>2</sup>	WHITE	12	10	WHITE	(+)	TPMS Module Left Of Fuse Box
					RDA Wire	WHITE	30	26	PINK	DATA	Body ECU Left Side Of Steering Column
					Horn	WHITE	40	16	LT. GREEN	(-)	Dash Fuse Box
Toyota	Tacoma <sup>1</sup>	Std. Key (H) or Flip-key Automatic	2018 - 2019	TL5(G)	CAN High Data	WHITE	30	14	BLACK	DATA	Body ECU Left Side Of Steering Column
					CAN Low Data	WHITE	30	13	WHITE	DATA	Body ECU Left Side Of Steering Column
					Auto Light	WHITE	30	8	WHITE	(-)	Body ECU Left Side Of Steering Column
					TPMS Ignition <sup>2</sup>	WHITE	36	33	LT. GREEN	(+)	Body ECU Left Side Of Steering Column
					RDA Wire	WHITE	30	4	BLACK	DATA	Body ECU Left Side Of Steering Column
					Horn	WHITE	32	26	RED or BLUE	(-)	Dash Fuse Box
Toyota	Tacoma <sup>1</sup>	Std. Key (H) or Flip-key Automatic	2020 - 2021	TL5(G)	CAN High Data	WHITE	30	14	BLACK	DATA	Body ECU Next to Dash Fuse Box
					CAN Low Data	WHITE	30	13	WHITE	DATA	Body ECU Next to Dash Fuse Box
					Auto Light	WHITE	30	8	WHITE	(-)	Body ECU Next to Dash Fuse Box
					TPMS Ignition <sup>2</sup>	WHITE	36	33	LT. GREEN or PINK	(+)	Dash Fuse Box
					RDA Wire	WHITE	30	4	BLACK	DATA	Body ECU Next to Dash Fuse Box
					Horn	WHITE	32	26	BLUE	(-)	Dash Fuse Box
Toyota	Tundra	Std. Key (H) or Flip-key Automatic	2018 - 2019	TL5(F)	CAN High Data	WHITE	30	14	BLUE	DATA	Body ECU Left Side Of Steering Column
					CAN Low Data	WHITE	30	13	WHITE	DATA	Body ECU Left Side Of Steering Column
					Auto Light	WHITE	30	8	VIOLET	(-)	Body ECU Left Side Of Steering Column
					TPMS Ignition <sup>2</sup>	WHITE	20	8	PINK	(+)	Driver Kick Panel
					RDA Wire	WHITE	30	4	TAN	DATA	Body ECU Left Side Of Steering Column
					Horn	WHITE	32	27	VIOLET	(-)	Dash Fuse Box

## Wire Location Chart Diagram #7

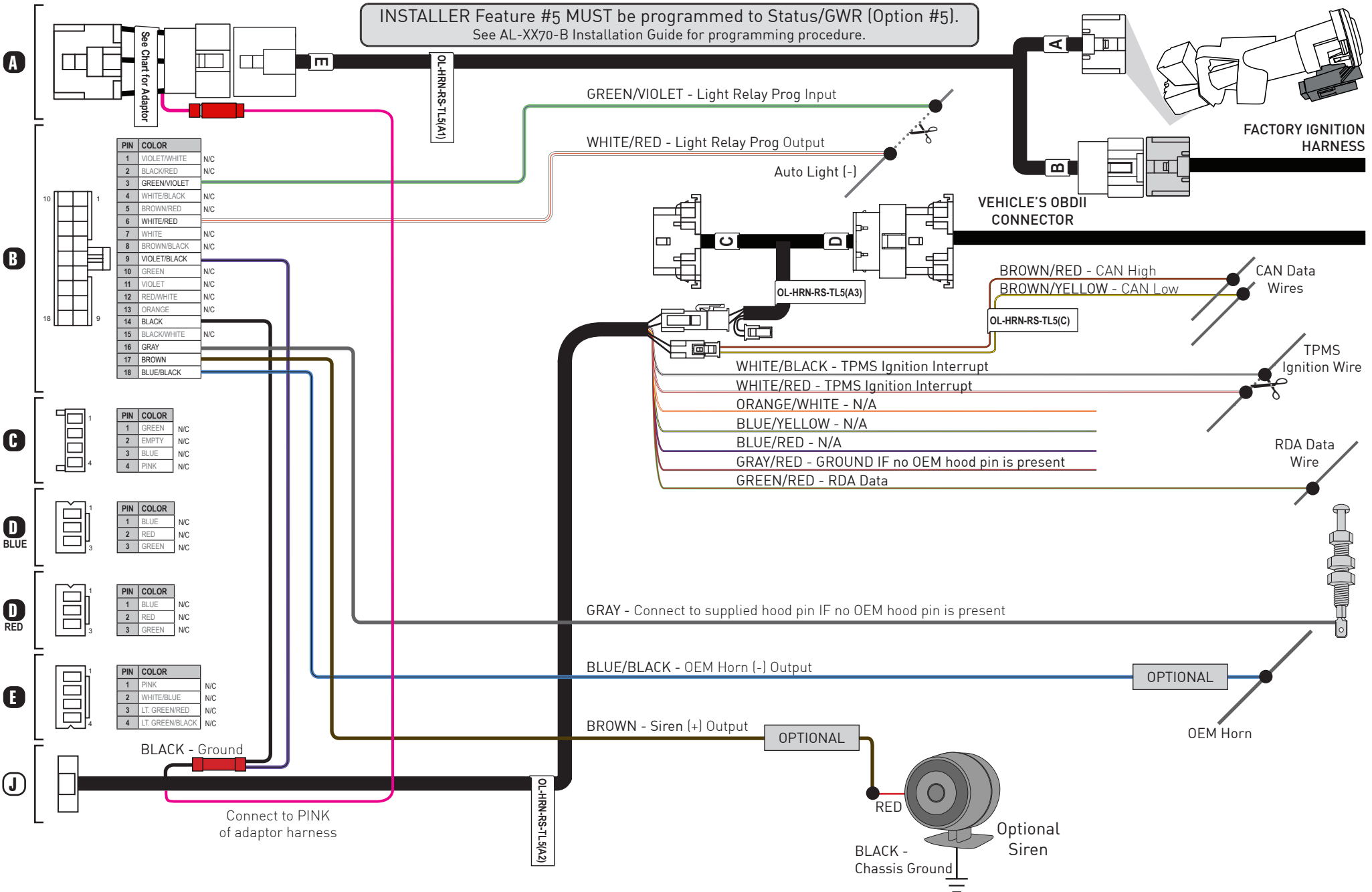
Make	Model	Trim	Year	Adaptor	Item	Connector Color	Connector Pins	Pin #	Wire Color	Polarity	Location
Toyota	Tundra	Std. Key (H) or Flip-key Automatic	2020 - 2021	TL5(F)	CAN High Data	WHITE	30	14	BLUE	DATA	Body ECU Next to Dash Fuse Box
					CAN Low Data	WHITE	30	13	WHITE	DATA	Body ECU Next to Dash Fuse Box
					Auto Light	WHITE	30	8	YELLOW	(-)	Body ECU Next to Dash Fuse Box
					TPMS Ignition <sup>2</sup>	WHITE	36	35	Red	(+)	Body ECU Next to Dash Fuse Box
					RDA Wire	WHITE	30	4	TAN	DATA	Body ECU Next to Dash Fuse Box
					Horn	WHITE	32	27	VIOLET	(-)	Dash Fuse Box
Toyota	Yaris	Std. Key (H) or Flip-key Hatch-back Automatic	2017 - 2018	TL5(F)	CAN High Data	WHITE	30	14	RED	DATA	Body ECU Left Side Of Steering Column
					CAN Low Data	WHITE	30	13	WHITE	DATA	Body ECU Left Side Of Steering Column
					Auto Light	BLACK	20	19	VIOLET	(-)	Headlight Switch
					TPMS Ignition <sup>2</sup>	WHITE	36	32	BLUE	(+)	Body ECU Left Of Steering Column
					RDA Wire	WHITE	30	16 or 26	PINK	DATA	Body ECU Left Of Steering Column
					Horn	WHITE	40	19	LT. GREEN	(-)	Dash Fuse Box

<sup>1</sup> - See Harness Notes on Page 4.

<sup>2</sup> - TPMS Ignition connection is only required IF vehicle is equipped with Tire Pressure Monitoring System (TPMS) and remote start control from OEM remotes is desired.

## MODEL: OL-HRN-RS-TL5

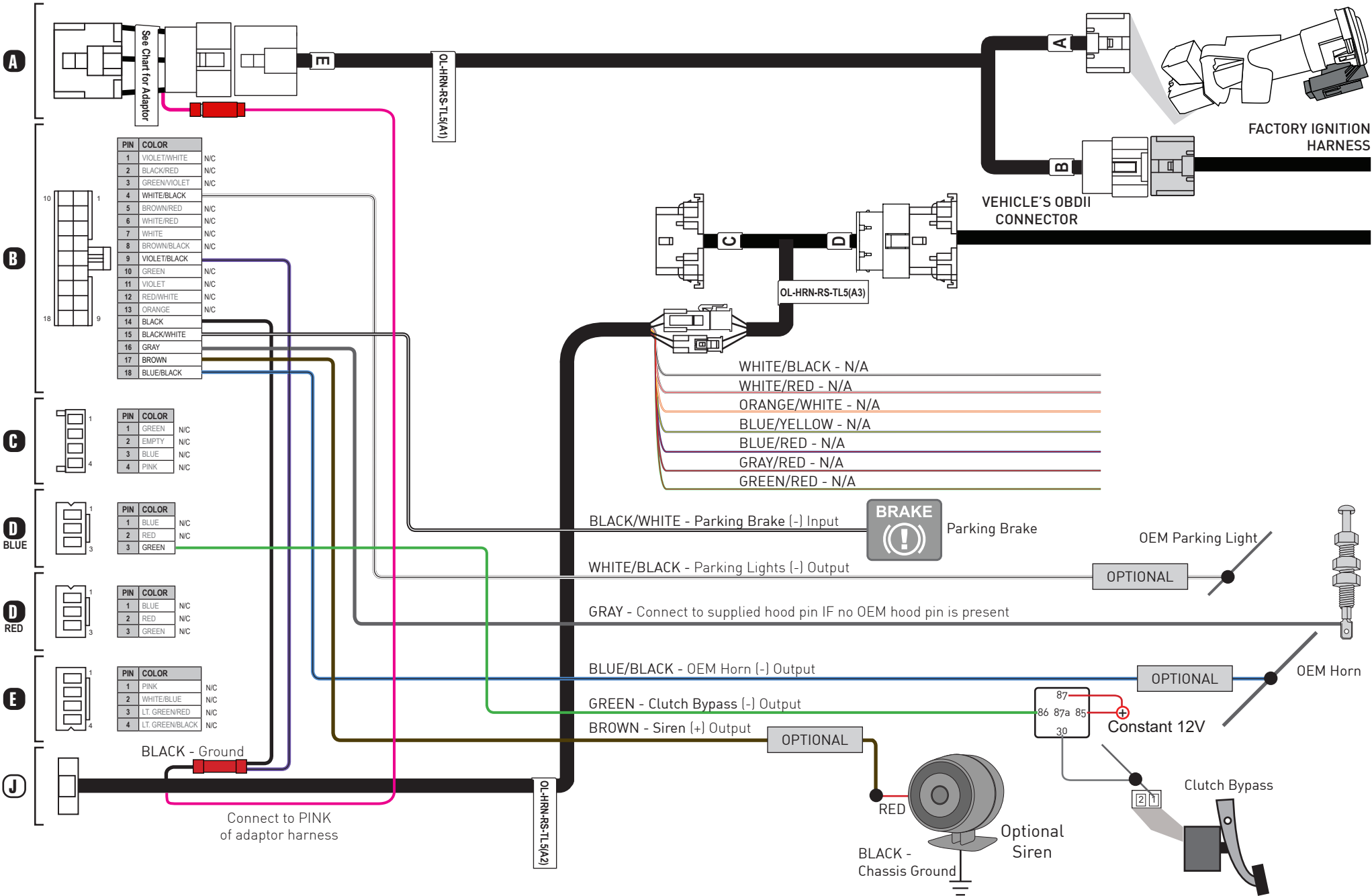
### AL-XX70-B Diagram #7



**Wire Location Chart Diagram #8**

Make	Model	Trim	Year	Adaptor	Item	Connector Color	Connector Pins	Pin #	Wire Color	Polarity	Location
Scion	XD	Std. Key 4 Dr Hatchback Manual	2011 - 2013	TL5(F)	Parking Lights	WHITE	13	13	WHITE	(-)	Headlight Switch
					Horn	WHITE	32	18	BLACK	(-)	Dash Fuse Box
					Clutch Bypass	BLACK	2	1	BLACK	(+)	Clutch switch
					Parking Brake	WHITE	16	2	YELLOW	(-)	Dash Fuse Box
Toyota	Yaris	Std. Key (G) Hatchback Manual	2011 - 2014	TL5(F)	Parking Lights	BLACK	20	18	LT. BLUE	(-)	Headlight Switch
					Horn	WHITE	40	19	LT. GREEN	(-)	Dash Fuse Box
					Clutch Bypass	BLACK	2	1	GREEN	(+)	Clutch switch
					Parking Brake	WHITE	56	28	RED	(-)	Dash Fuse Box
Toyota	Yaris	Std. Key (G) Sedan Manual	2011 - 2012	TL5(F)	Parking Lights	BLACK	20	18	LT. BLUE	(-)	Headlight Switch
					Horn	WHITE	32	18	BLACK	(-)	Dash Fuse Box
					Clutch Bypass	BLACK	2	1	BLACK	(+)	Clutch switch
					Parking Brake	WHITE	16	2	YELLOW	(-)	Dash Fuse Box

## AL-XX70-B Diagram #8

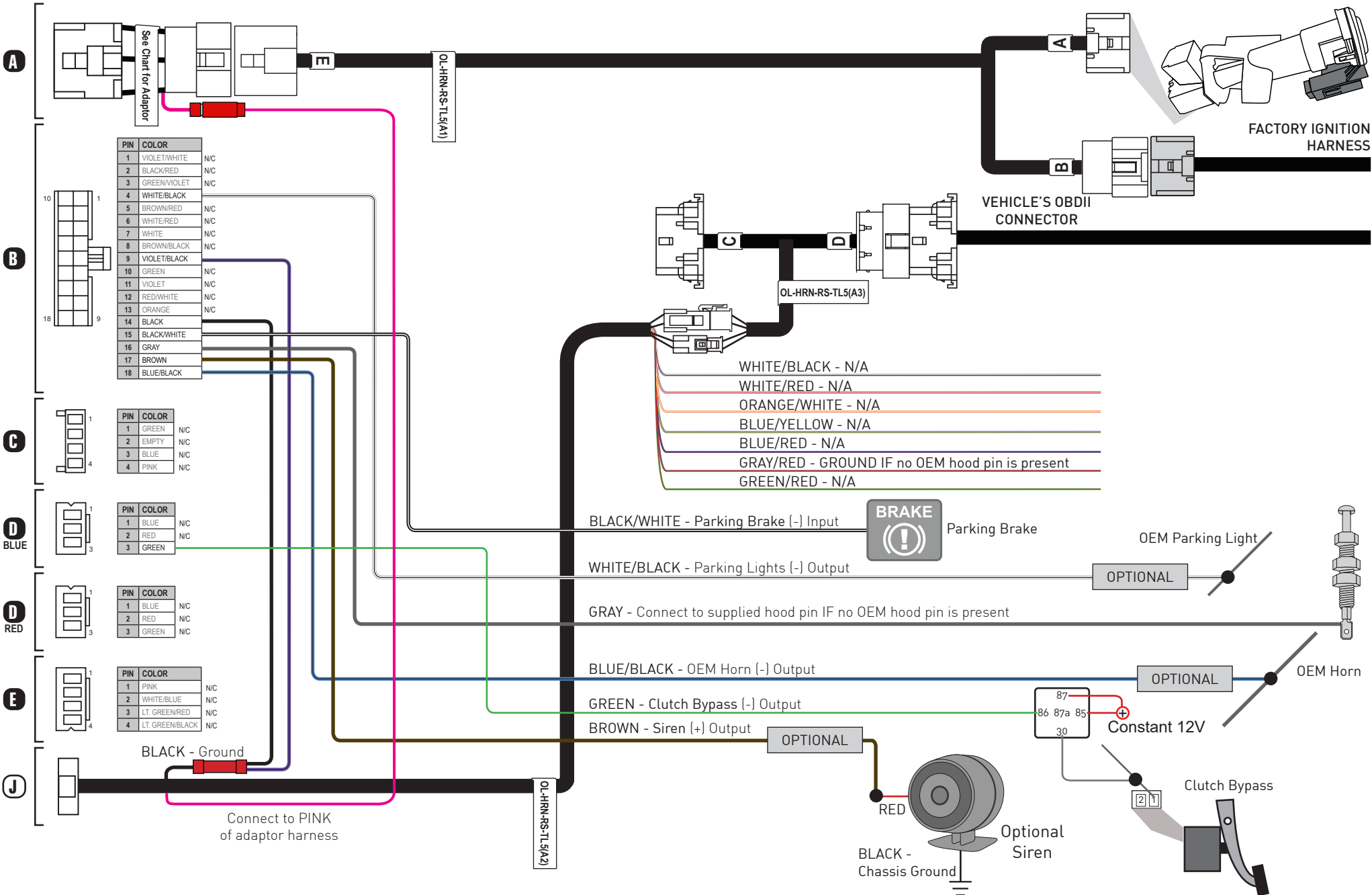




## Wire Location Chart Diagram #9

Make	Model	Trim	Year	Adaptor	Item	Connector Color	Connector Pins	Pin #	Wire Color	Polarity	Location
Scion	xB	Std. Key Manual	2011 - 2015	TL5(E)	Parking Lights	WHITE	20	18	WHITE	(-)	Headlight Switch
					Horn	WHITE	32	5	LT. GREEN	(-)	Dash Fuse Box
					Clutch Bypass	BLACK	2	1	LT. GREEN	(+)	Clutch Switch
					Parking Brake	WHITE	1	1	BLACK	(-)	At Parking Brake Switch
Toyota	Camry	Std. Key (G) Sedan Manual	2010 - 2011	TL5(F)	Parking Lights	WHITE	20	18	BLACK	(-)	Headlight Switch
					Horn	WHITE	16	11	WHITE or BLACK	(-)	Dash Fuse box
					Clutch Bypass	BLACK	2	2	GREEN	(+)	Clutch Switch
					Parking Brake	WHITE	1	1	BLUE or YELLOW	(-)	At Parking Brake Switch
Toyota	Corolla	Std. Key (G) Sedan Manual	2012 - 2013	TL5(E)	Parking Lights	WHITE	20	18	BROWN or WHITE	(-)	Headlight Switch
					Horn	WHITE	32	5	LT. GREEN	(-)	Dash Fuse Box
					Clutch Bypass	BLACK	2	1	LT. GREEN	(+)	Clutch Switch
					Parking Brake	WHITE	1	1	TAN or BLACK	(-)	At Parking Brake Switch
Toyota	Matrix	Std. Key (G) 4 Dr Hatchback Manual	2012 - 2014	TL5(E)	Parking Lights	WHITE	20	18	BROWN	(-)	Headlight Switch
					Horn	WHITE	32	5	LT. GREEN	(-)	Dash Fuse box
					Clutch Bypass	BLACK	2	1	LT. GREEN	(+)	Clutch Switch
					Parking Brake	WHITE	1	1	TAN	(-)	At Parking Brake Switch

## AL-XX70-B Diagram #9

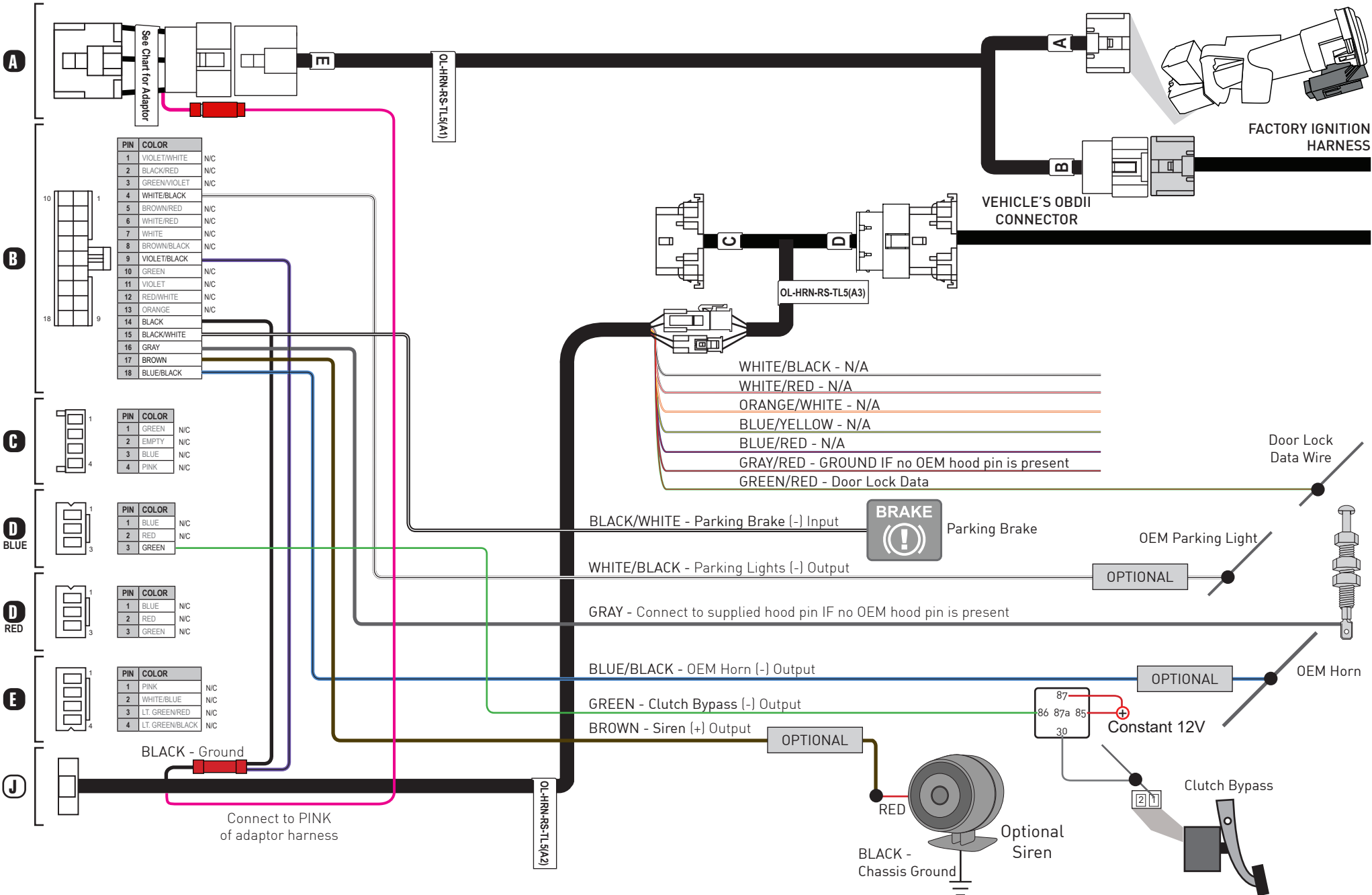


**MODEL: OL-HRN-RS-TL5**

**Wire Location Chart Diagram #10**

Make	Model	Trim	Year	Adaptor	Item	Connector Color	Connector Pins	Pin #	Wire Color	Polarity	Location
Scion	tC	Std. Key Coupe Manual	2011 - 2016	TL5(E)	Door Lock Data	WHITE	30	26	LT. GREEN	DATA	Body ECU Under Fuse Box
					Parking Lights	WHITE	30	30	VIOLET	(-)	Body ECU Under Fuse Box
					Horn	WHITE	48	16	BLUE	(-)	Dash Fuse Box
					Clutch Bypass	BLACK	2	1	RED	(+)	Clutch Switch
					Parking Brake	WHITE	1	1	BLACK	(-)	At Parking Brake Switch
Toyota	Camry	Std. Key (G) Sedan Manual	2012 - 2014	TL5(F)	Door Lock Data	WHITE	30	16	BLUE	DATA	Body ECU Above Fuse Box Left Of Steering Column
					Parking Lights	WHITE	30	30	BLACK	(-)	Body ECU Above Fuse Box Left Of Steering Column
					Horn	WHITE	40	15	LT. BLUE	(-)	Dash Fuse Box
					Clutch Bypass	BLACK	2	1	RED	(+)	Clutch Switch
					Parking Brake	WHITE	1	1	YELLOW	(-)	At Parking Brake Switch
Toyota	Yaris	Std. Key (G) Hatchback Manual	2012 - 2014	TL5(F)	Door Lock Data	WHITE	30	26	PINK	DATA	Body ECU
					Parking Lights	BLACK	20	18	LT. BLUE	(-)	Headlight Switch
					Horn	WHITE	40	19	LT. GREEN	(-)	Dash Fuse Box
					Clutch Bypass	BLACK	2	1	GREEN	(+)	Clutch Switch
					Parking Brake	WHITE	1	1	RED	(-)	At Parking Brake Switch

## AL-XX70-B Diagram #10



## MODEL: OL-HRN-RS-TL5

### Wire Location Chart Diagram #11

Make	Model	Trim	Year	Adaptor	Item	Connector Color	Connector Pins	Pin #	Wire Color	Polarity	Location
Scion	iM	Std. Key (H) or Flip-key Hatchback Manual	2016 - 2016	TL5(G)	Auto Light	WHITE	30	28	VIOLET	(-)	Below Fuse Box
					TPMS Ignition <sup>2</sup>	WHITE	40	28	BLUE	(+)	Dash Fuse Box
					RDA Wire	WHITE	30	16	GREEN	DATA	Below Fuse Box
					Horn	WHITE	56	24	LT. GREEN	(-)	Dash Fuse Box
					Clutch Bypass	BLACK	2	1	LT. GREEN	(+)	Clutch Switch
					Parking Brake	WHITE	1	1	BLACK	(-)	At Parking Brake Switch
Toyota	Corolla <sup>1</sup>	Std. Key (H) or Flip-key Sedan Manual	2014 - 2016	TL5(G)	Auto Light	WHITE	30	28	VIOLET	(-)	Below Fuse Box
					TPMS Ignition <sup>2</sup>	WHITE	40	28	BLUE	(+)	Dash Fuse Box
					RDA Wire	WHITE	30	16	GREEN	DATA	Below Fuse Box
					Horn	WHITE	56	49	LT. GREEN	(-)	Dash Fuse Box
					Clutch Bypass	BLACK	2	1	LT. GREEN	(+)	Clutch Switch
					Parking Brake	WHITE	1	1	BLACK	(-)	At Parking Brake Switch
Toyota	Yaris	Std. Key (H) or Flip-key Hatchback Manual	2015 - 2016	TL5(F)	Auto Light	BLACK	20	19	VIOLET	(-)	Headlight Switch
					TPMS Ignition <sup>2</sup>	WHITE	36	32	BLUE	(+)	Body ECU Left Of Steering Column
					RDA Wire	WHITE	30	16 or 26	PINK	DATA	Body ECU Left Of Steering Column
					Horn	WHITE	56	49	LT. GREEN	(-)	Dash Fuse Box
					Clutch Bypass	BLACK	2	1	GREEN	(+)	Clutch Switch
					Parking Brake	WHITE	1	1	RED	(-)	At Parking Brake Switch
Toyota	Tacoma <sup>1</sup>	Std. Key (H) or Flip-key Manual	2016 - 2017	TL5(G)	Auto Light	WHITE	30	8	WHITE	(-)	Body ECU Left Of Steering Column
					TPMS Ignition <sup>2</sup>	WHITE	36	33	LT. GREEN	(+)	Body ECU Left Of Steering Column
					RDA Wire	WHITE	30	4	BLACK	DATA	Body ECU Left Of Steering Column
					Horn	WHITE	32	26	RED or BLUE	(-)	Dash Fuse Box
					Clutch Bypass	WHITE	2	2	YELLOW	(+)	Clutch Switch
					Parking Brake	WHITE	1	1	WHITE	(-)	At Parking Brake Switch

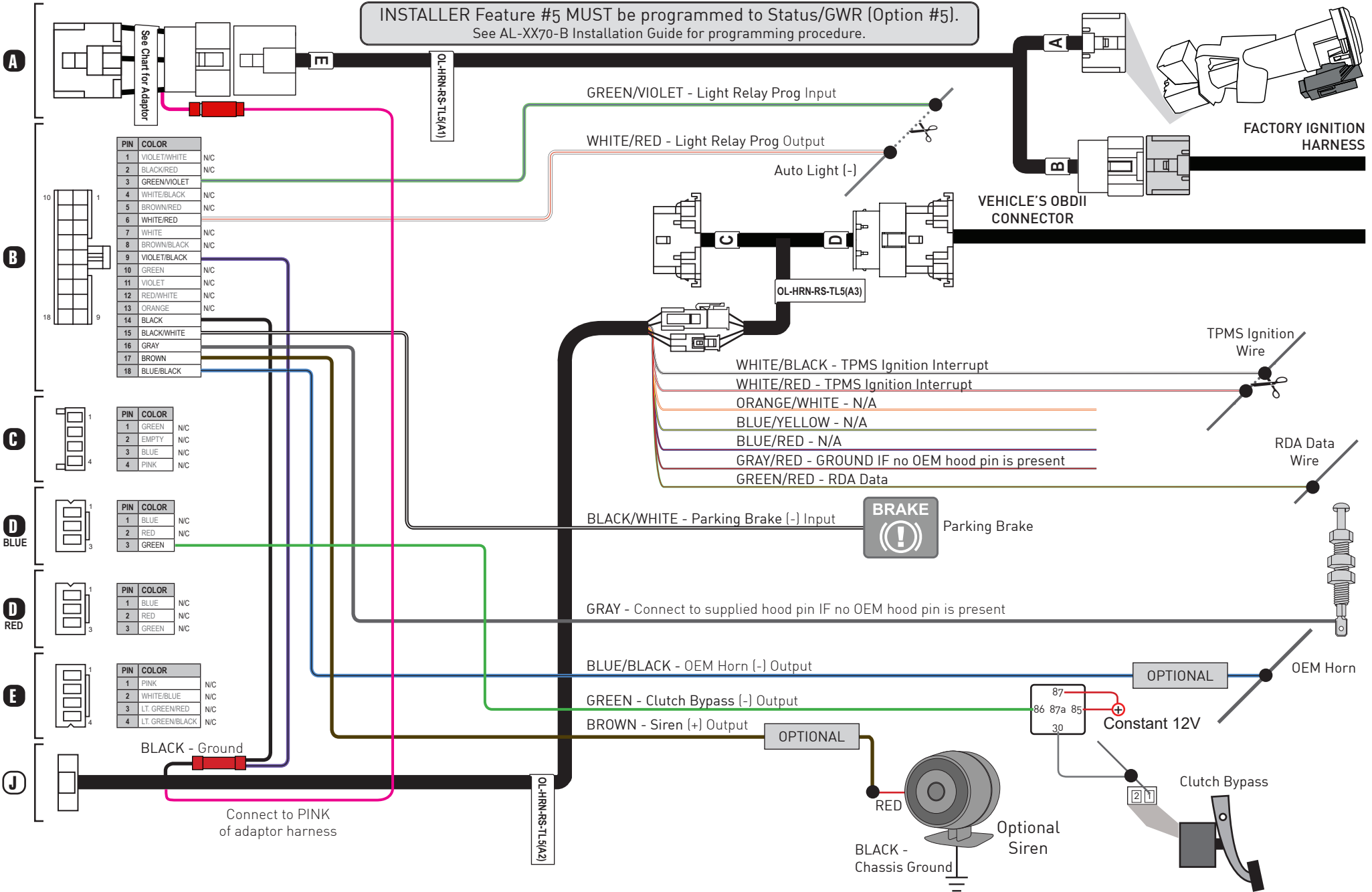
<sup>1</sup> - See Harness Notes on Page 4.

<sup>2</sup> - TPMS Ignition connection is only required IF vehicle is equipped with Tire Pressure Monitoring System (TPMS) and remote start control from OEM remotes is desired.

## MODEL: OL-HRN-RS-TL5

### AL-XX70-B Diagram #11

**INSTALLER Feature #5 MUST be programmed to Status/GWR (Option #5).**  
See AL-XX70-B Installation Guide for programming procedure.



## Wire Location Chart Diagram #12

Make	Model	Trim	Year	Adaptor	Item	Connector Color	Connector Pins	Pin #	Wire Color	Polarity	Location
Toyota	Corolla <sup>1</sup>	Std. Key (H) or Flip-key Sedan Manual	2017 - 2019	TL5(G)	CAN High Data	WHITE	30	14	BLK or GRN	DATA	Body ECU Left Side Of Steering Column
					CAN Low Data	WHITE	30	13	WHITE	DATA	Body ECU Left Side Of Steering Column
					Auto Light	WHITE	30	28	VIOLET	(-)	Body ECU Left Side Of Steering Column
					TPMS Ignition <sup>2</sup>	WHITE	40	28	BLUE	(+)	Dash Fuse Box
					RDA Wire	WHITE	30	16	GREEN	DATA	Body ECU Left Side Of Steering Column
					Horn	WHITE	56	49	LT. GREEN	(-)	Dash Fuse Box
					Clutch Bypass	BLACK	2	1	LT. GREEN	(+)	Clutch Switch
					Parking Brake	WHITE	1		BLACK	(-)	At Parking Brake Switch
Toyota	Corolla iM	Std. Key (H) or Flip-key Hatchback Manual	2017 - 2018	TL5(G)	CAN High Data	WHITE	30	14	BLK or GRN	DATA	Below Fuse Box
					CAN Low Data	WHITE	30	13	WHITE	DATA	Below Fuse Box
					Auto Light	WHITE	30	28	VIOLET	(-)	Below Fuse Box
					TPMS Ignition <sup>2</sup>	WHITE	40	28	BLUE	(+)	Dash Fuse Box
					RDA Wire	WHITE	30	16	GREEN	DATA	Below Fuse Box
					Horn	WHITE	56	24	LT. GREEN	(-)	Dash Fuse Box
					Clutch Bypass	BLACK	2	1	LT. GREEN	(+)	Clutch Switch
					Parking Brake	WHITE	1	1	BLACK	(-)	At Parking Brake Switch
Toyota	Tacoma <sup>1</sup>	Std. Key (H) or Flip-key Manual	2018 - 2019	TL5(G)	CAN High Data	WHITE	30	14	BLACK	DATA	Body ECU Left Side Of Steering Column
					CAN Low Data	WHITE	30	13	WHITE	DATA	Body ECU Left Side Of Steering Column
					Auto Light	WHITE	30	8	WHITE	(-)	Body ECU Left Side Of Steering Column
					TPMS Ignition <sup>2</sup>	WHITE	36	33	LT. GREEN	(+)	Body ECU Left Side Of Steering Column
					RDA Wire	WHITE	30	4	BLACK	DATA	Body ECU Left Side Of Steering Column
					Horn	WHITE	32	26	RED or BLUE	(-)	Dash Fuse Box
					Clutch Bypass	WHITE	2	2	YELLOW	(+)	Clutch Switch
					Parking Brake	WHITE	1	1	WHITE	(-)	At Parking Brake Switch
Toyota	Tacoma <sup>1</sup>	Std. Key (H) or Flip-key Manual	2020 - 2021	TL5(G)	CAN High Data	WHITE	30	14	BLACK	DATA	Body ECU Next to Dash Fuse Box
					CAN Low Data	WHITE	30	13	WHITE	DATA	Body ECU Next to Dash Fuse Box
					Auto Light	WHITE	30	8	WHITE	(-)	Body ECU Next to Dash Fuse Box
					TPMS Ignition <sup>2</sup>	WHITE	36	33	LT. GREEN or PINK	(+)	Dash Fuse Box
					RDA Wire	WHITE	30	4	BLACK	DATA	Body ECU Next to Dash Fuse Box
					Horn	WHITE	32	26	BLUE	(-)	Dash Fuse Box
					Clutch Bypass	WHITE	2	2	YELLOW	(+)	Clutch Switch
					Parking Brake	WHITE	1	1	WHITE	(-)	At Parking Brake Switch

**Wire Location Chart Diagram #12**

Make	Model	Trim	Year	Adaptor	Item	Connector Color	Connector Pins	Pin #	Wire Color	Polarity	Location
Toyota	Yaris	Std. Key (H) or Flip-key Hatchback Manual	2017 - 2018	TL5(F)	CAN High Data	WHITE	30	14	RED	DATA	Body ECU Left Side Of Steering Column
					CAN Low Data	WHITE	30	13	WHITE	DATA	Body ECU Left Side Of Steering Column
					Auto Light	BLACK	20	19	VIOLET	(-)	Headlight Switch
					TPMS Ignition <sup>2</sup>	WHITE	36	32	BLUE	(+)	Body ECU Left Of Steering Column
					RDA Wire	WHITE	30	16 or 26	PINK	DATA	Body ECU Left Of Steering Column
					Horn	WHITE	40	19	LT. GREEN	(-)	Dash Fuse Box
					Clutch Bypass	BLACK	2	1	GREEN	(+)	Clutch Switch
					Parking Brake	WHITE	1	1	RED	(-)	At Parking Brake Switch

<sup>1</sup> - See Harness Notes on Page 4.

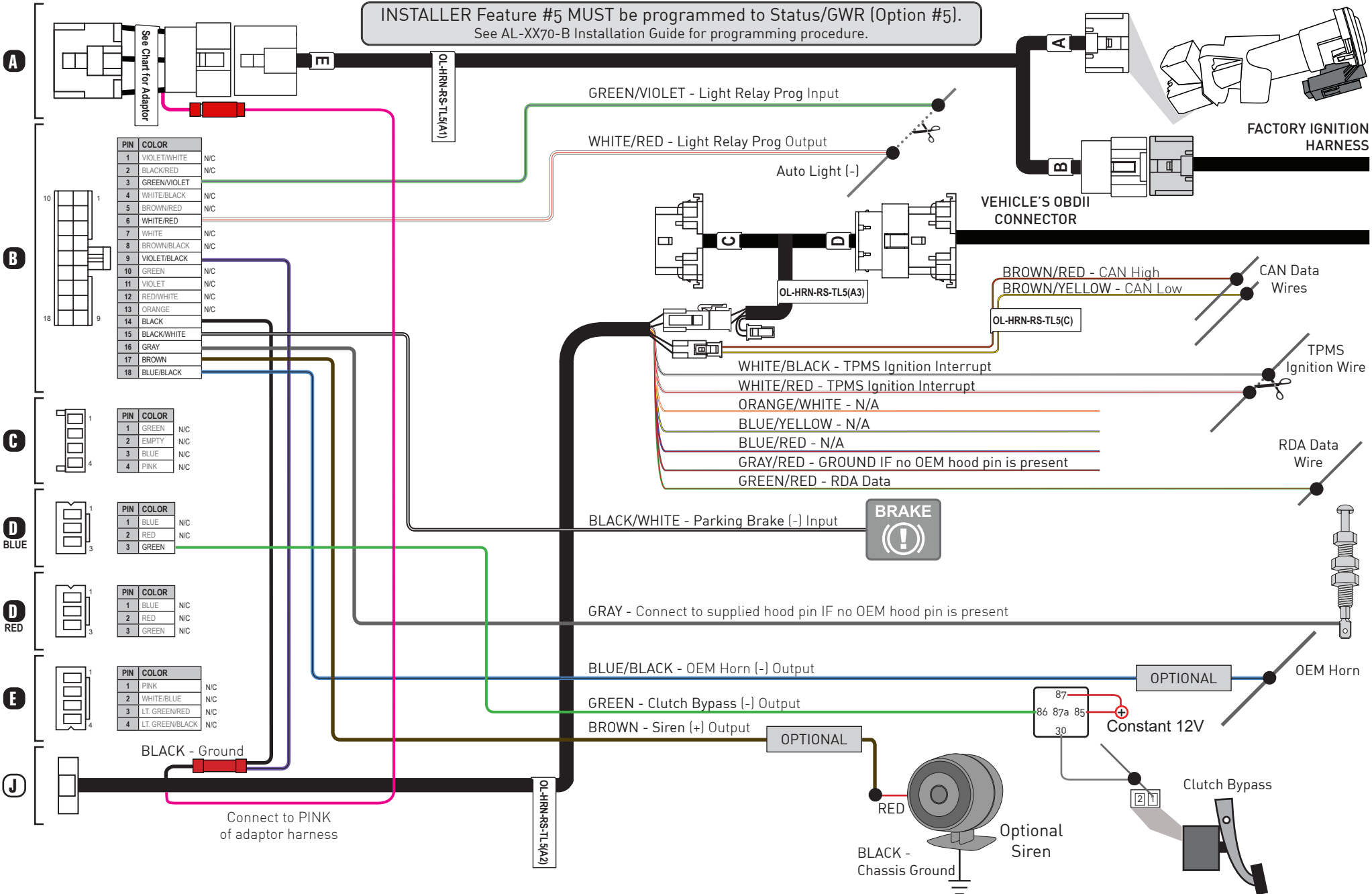
<sup>2</sup> - TPMS Ignition connection is only required IF vehicle is equipped with Tire Pressure Monitoring System (TPMS) and remote start control from OEM remotes is desired.



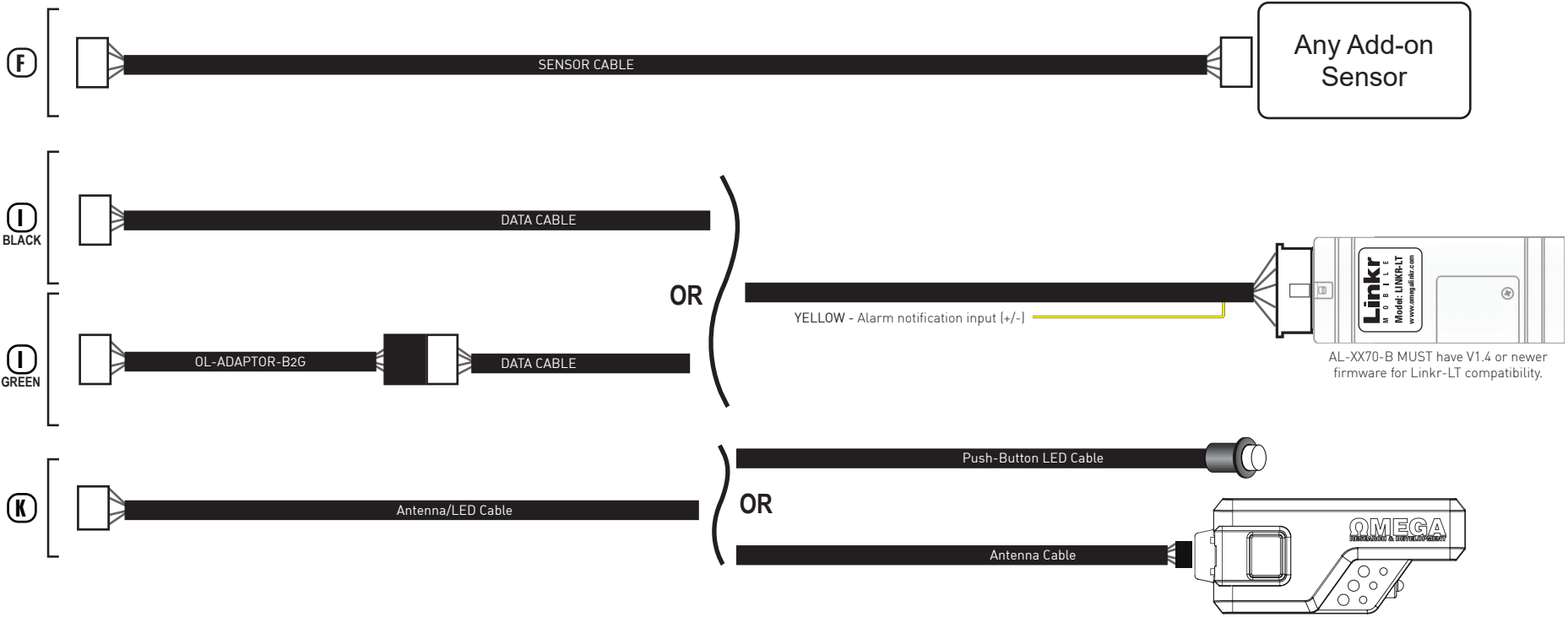
## MODEL: OL-HRN-RS-TL5

### AL-XX70-B Diagram #12

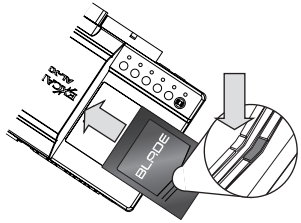
INSTALLER Feature #5 MUST be programmed to Status/GWR (Option #5).  
See AL-XX70-B Installation Guide for programming procedure.



**AL-XX70-B Optional Accessories**



### Blade Installation

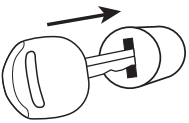


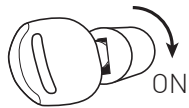
Slide Blade into unit.  
Notice programming button under LED.

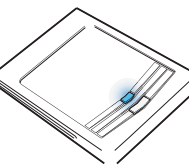
Ready for Blade Programming Procedure.

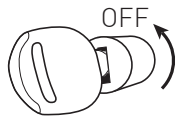
### Blade Programming

#### DL-TL5 Firmware Installations

- 

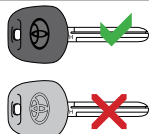
1 Insert the key into ignition.
- 

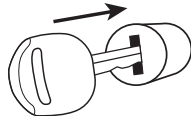
2 Turn the key to the ON position.
- 

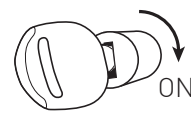
3 Wait, LED will turn solid BLUE for 2 seconds.
- 

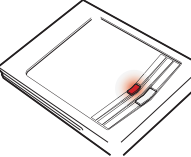
4 Turn the key to the OFF position.
- 5 Proceed to AL-XX70-B Programming/Vehicle Learn.

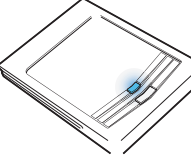
#### DL-TL9 Firmware Installations

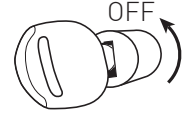
- 

1 Use the BLACK key for module programming.  
DO NOT use the GRAY valet key.
- 

2 Insert the key into ignition.
- 

3 Turn the key to the ON position.
- 

4 LED will turn solid RED.
- 

5 Wait, LED will turn solid BLUE for 2 seconds.
- 

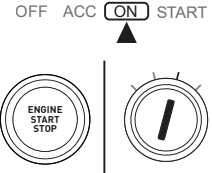
6 Turn the key to the OFF position.
- 7 Proceed to AL-XX70-B Programming/Vehicle Learn.

## AL-XX70-B Programming/Vehicle Learn V1.6 (see installation guide for older versions)

### Before You Begin:

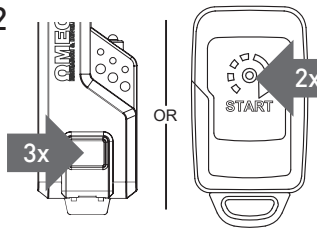
- Make sure all wires/harnesses are connected.
- Program the BLADE to the vehicle per the instructions on the previous pages.
- Connect any additional accessories/modules to the data ports.
- **MANUAL TRANSMISSION VEHICLES ONLY:** Set the parking brake. The BLACK/WHITE wire must be connected to the parking brake wire.

**1** OFF ACC **ON** START  
Turn ignition to ON position (do not start).




---

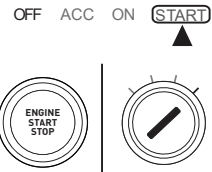
**2** Within 5 seconds of step 1 press the Valet button 3x or send remote start command (by remote, Linkr, activation input wire etc.).



- The system will chirp & flash lights to indicate crank delay [Default: 1 chirp/flash = 1.5 sec]
- Press valet button to change crank delay
- Chirps: 1=1.5 sec, 2=15 sec, 3=20 sec, 4=30 sec

---

**3** OFF ACC ON **START**  
Start the engine with the key and let the engine reach normal idle.




---

**4** OFF ACC ON START  
Release the parking brake.

**MANUAL TRANSMISSIONS:**

**AUTOMATIC TRANSMISSIONS:**  
Turn the ignition key OFF.

- The system will chirp & flash the lights equal the # of IGN/ACC/START circuits detected (Max: 4).

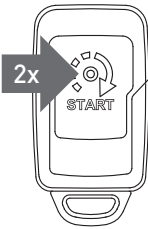
**MANUAL** - Proceed to step 5.  
**AUTOMATIC** - Skip to step 6.

**5** **BRAKE**  
**MANUAL TRANSMISSIONS:**  
Set the parking brake again to enter Manual Transmission Reservation Mode option selection. (installer feature #11)

- The system will chirp & flash the light to indicate current setting (default: 2 - Off)
- Set and Release the parking brake to scroll through setting options.
- Chirp confirmation: 1 = **ON** - Shutdown w/ lock, 2 = **OFF**, 3 = **ON** - Shutdown w/ door close, 4 = **ON** - Shutdown 10 sec. after door close
- Before turning the key OFF, perform the MT reservation sequence (see operation guide) and exit the vehicle.

---

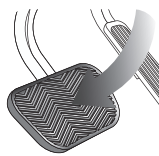
**6** Activate remote start (within 60 sec. of Step 4 or 5). Wait until engine is running and LED flashes slowly (10-45 seconds after engine cranks & runs).  
**Push-to-Start vehicles:** Ensure the OEM fob is at least 20 ft. away to allow remote start.



- The system will detect data protocols, select the best available engine running detection method, and, learn any available tach input (data or analog).

---

**7** **TO SAVE SETTINGS/FINISH VEHICLE LEARN:**  
Press the BRAKE pedal (will shut down RS).



- This disables VEHICLE LEARN (to enable again, program installer feature #2 (bank 10) to "Enabled").

**TO CANCEL/START OVER:**  
Press the valet button once.

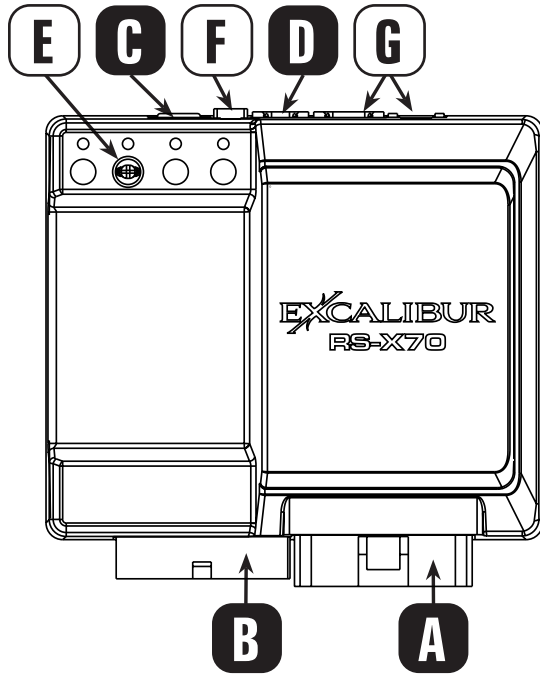
---

**8** Programming complete.

## Troubleshooting

- See system installation guide for remote start diagnostics and troubleshooting.
- See OmegaLink module/firmware guide at [www.wiresheet.com](http://www.wiresheet.com) for interface module diagnostics and troubleshooting.

**RS-X70 Layout**



- A** WHITE 6 PIN HIGH CURRENT POWER HARNESS (P/N: H-RS6E\*)
- B** WHITE 14 PIN MAIN INPUT/OUTPUT HARNESS (P/N: H-RS14A)
- C** RED 3 PIN DOOR LOCK/UNLOCK HARNESS (P/N: DLP-N3)
- D** RED 3 PIN REMOTE START HARNESS (P/N: RS-OUTPUT)
- E** TEMPERATURE SENSOR - **DO NOT COVER**  
(For high/low temp auto start and for automatic low temp crank extender)
- F** ANTENNA / STATUS LIGHT / VALET PORT - Supports compatible plug-in antennas or push-button status light  
(P/N: AU-LED-PB2)
- G** GREEN & BLACK DATA PORTS - For Telematics / Data Sensor (Shock, Tilt, etc) / Vehicle Interface Module.  
(DBI & iDataLink protocols supported on both ports - see 'Vehicle Learn' or installer feature #12)

**RS-X70 Installation Steps**

**INSTALLATION STEPS:**

- 1) Go to [www.OmegaWeblink.com](http://www.OmegaWeblink.com) or use WebLink Mobile to flash the bypass module with the firmware matching the vehicle.  
NOTE: iDataLink 2-way protocol is recommended for full functionality.  
NOTE: If OEM remote is being used to activate the remote start be sure "Factory keyless RS sequence" is set to "Lock + Lock + Lock" OR "Lock + Unlock + Lock"
- 2) Make all the connections shown in the diagram on the following pages.
- 3) Connect any optional hardware as needed.
- 4) Select Data Mode and program the bypass module to the vehicle (see module programming instructions).
- 5) Perform Vehicle Learn to configure the remote start to match the vehicle.  
NOTE: If Vehicle Learn is not performed remote start operation could fail.
- 6) Test the system for all desired functions.

**NOTE:** Any features NOT supported by the interface module must be hard wired from the remote start to the vehicle. Refer to the remote start install guide and vehicle wiring info at [www.wiresheet.com](http://www.wiresheet.com) (only available for authorized dealers) for instructions.

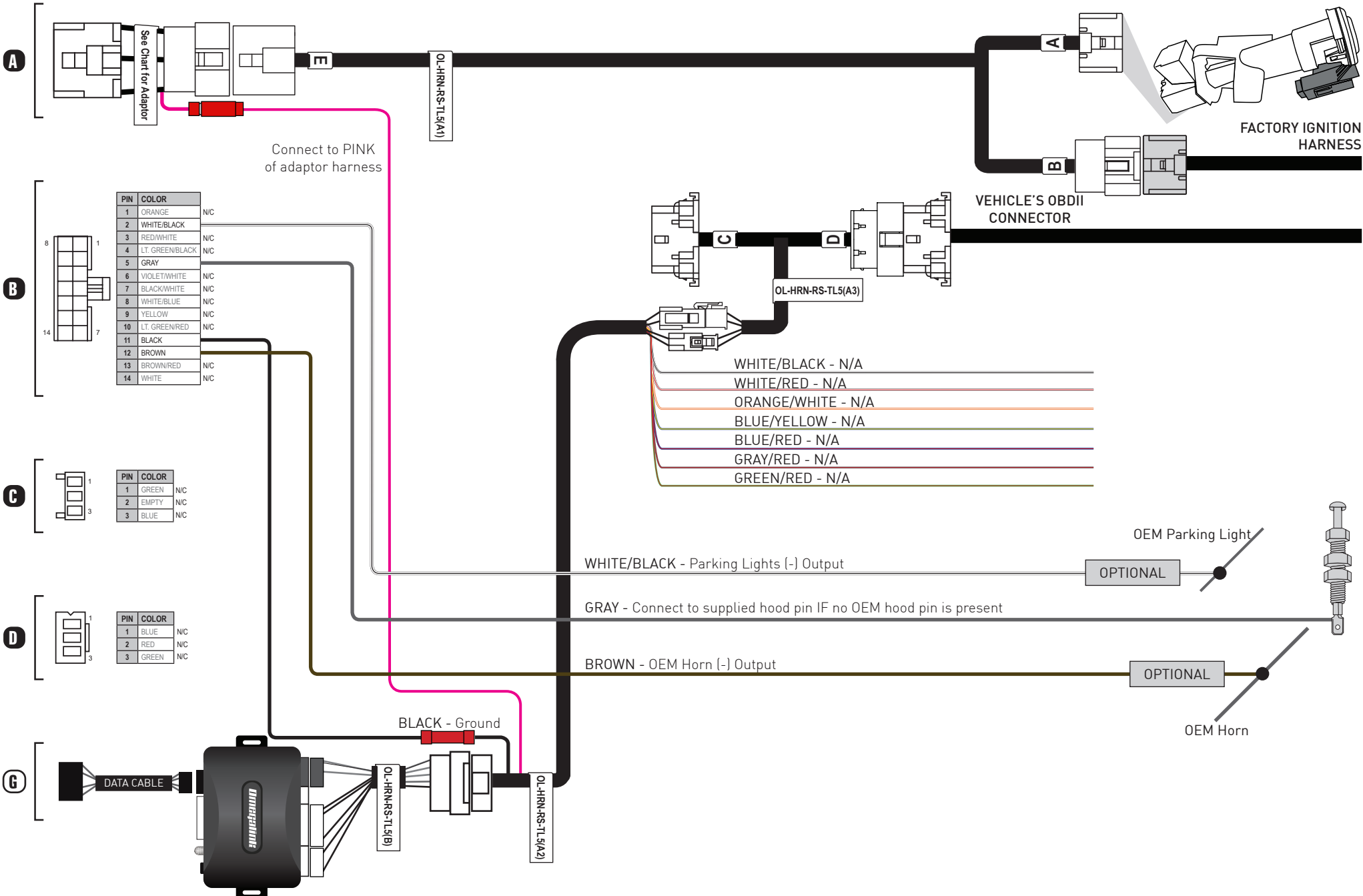
**NOTE:** For vehicles that use Install Type's 6, 7, 11, or 12 (DL-TL9 firmware), if the DBI protocol is used you MUST connect the WHITE (+) Parking Light output wire of the RS-X70 remote start to the WHITE (+) Parking Light input wire on the 10-pin connector of the OL-MDB-ALL.

**MODEL: OL-HRN-RS-TL5**

**Wire Location Chart Diagram #1**

Make	Model	Trim	Year	Adaptor	Item	Connector Color	Connector Pins	Pin #	Wire Color	Polarity	Location
Scion	XD	Std. Key 4 Dr Hatchback Automatic	2011 - 2014	TL5(F)	Parking Lights	WHITE	13	13	WHITE	(-)	Headlight Switch
					Horn	WHITE	32	18	BLACK	(-)	Dash Fuse Box
Toyota	Yaris	Std. Key (G) Hatchback Automatic	2011	TL5(F)	Parking Lights	BLACK	13	13	LT. BLUE	(-)	Headlight Switch
					Horn	WHITE	40	19	LT. GREEN	(-)	Dash Fuse Box
Toyota	Yaris	Std. Key (G) Sedan Automatic	2011 - 2012	TL5(F)	Parking Lights	WHITE	13	13	WHITE	(-)	Headlight Switch
					Horn	WHITE	32	18	BLACK	(-)	Dash Fuse Box

## RS-X70 Diagram #1



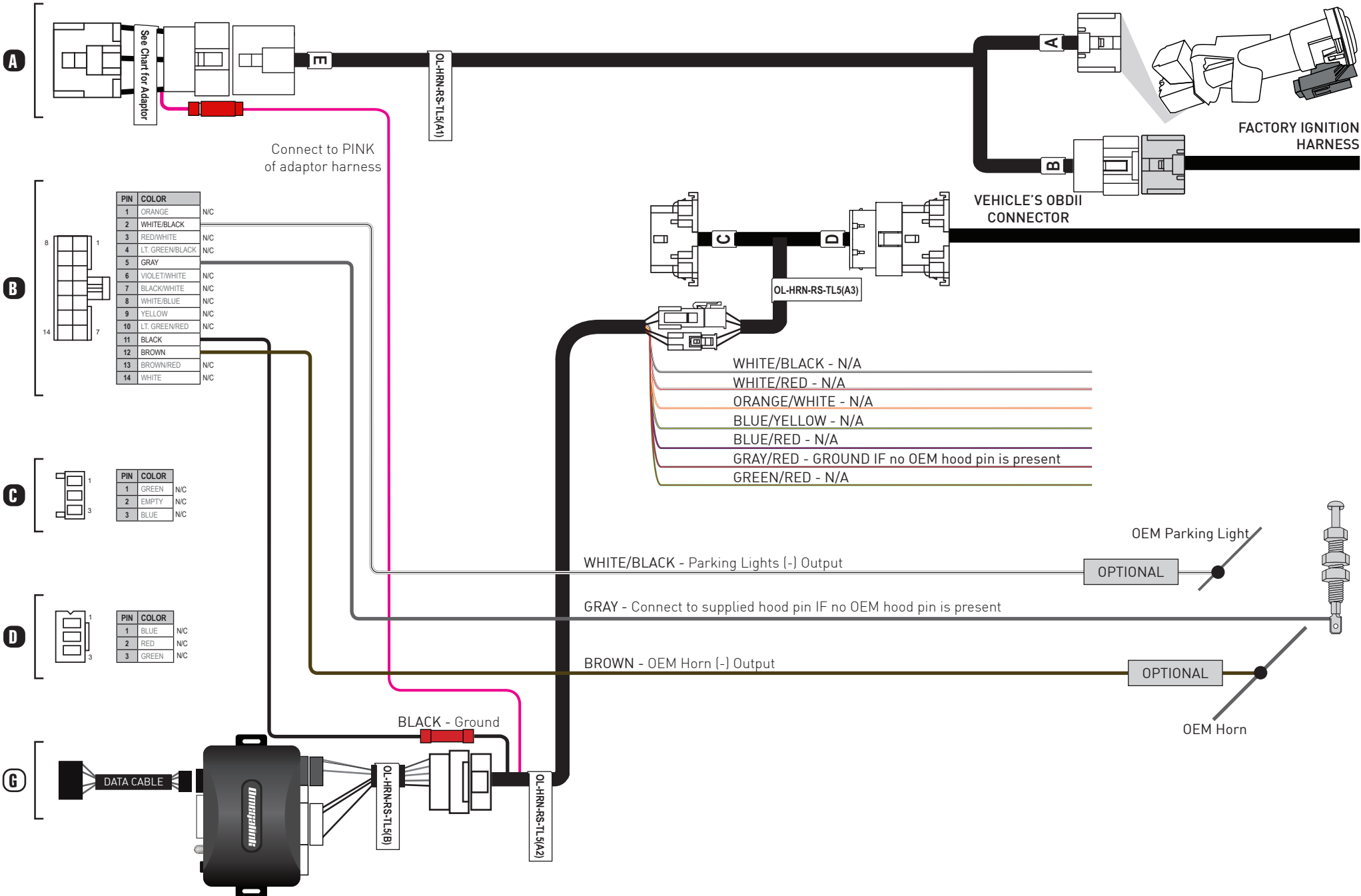
## MODEL: OL-HRN-RS-TL5

### Wire Location Chart Diagram #2

Make	Model	Trim	Year	Adaptor	Item	Connector Color	Connector Pins	Pin #	Wire Color	Polarity	Location
Scion	XB	Std. Key Automatic	2011 - 2015	TL5(E)	Parking Lights	WHITE	20	18	WHITE	(-)	Headlight Switch
					Horn	WHITE	32	5	LT. GREEN	(-)	Dash Fuse Box
Toyota	Camry	Std. Key (G) Sedan Automatic	2010 - 2011	TL5(F)	Parking Lights	WHITE	20	18	WHITE	(-)	Headlight Switch
					Horn	WHITE	16	11	WHITE or BLACK	(-)	Dash Fuse Box
Toyota	Corolla	Std. Key (G) Sedan Automatic	2012 - 2013	TL5(E)	Parking Lights	WHITE	20	18	TAN or GRAY	(-)	Headlight Switch
					Horn	WHITE	32	5	LT. GREEN	(-)	Dash Fuse Box
Toyota	Highlander	Std. Key (G) Automatic	2011 - 2013	TL5(F)	Parking Lights	BLACK	20	18	LT. BLUE	(-)	Headlight Switch
					Horn	WHITE	16	11	GRAY	(-)	Dash Fuse Box
Toyota	Matrix	Std. Key (G) Hatchback Automatic	2012 - 2014	TL5(E)	Parking Lights	WHITE	20	18	BROWN	(-)	Headlight Switch
					Horn	WHITE	32	5	LT. GREEN	(-)	Dash Fuse Box
Toyota	RAV4	Std. Key (G) Automatic	2011 - 2012	TL5(E)	Parking Lights	WHITE	20	18	WHITE	(-)	Headlight Switch
					Horn	WHITE	32	25	LT. GREEN	(-)	Dash Fuse Box



## RS-X70 Diagram #2

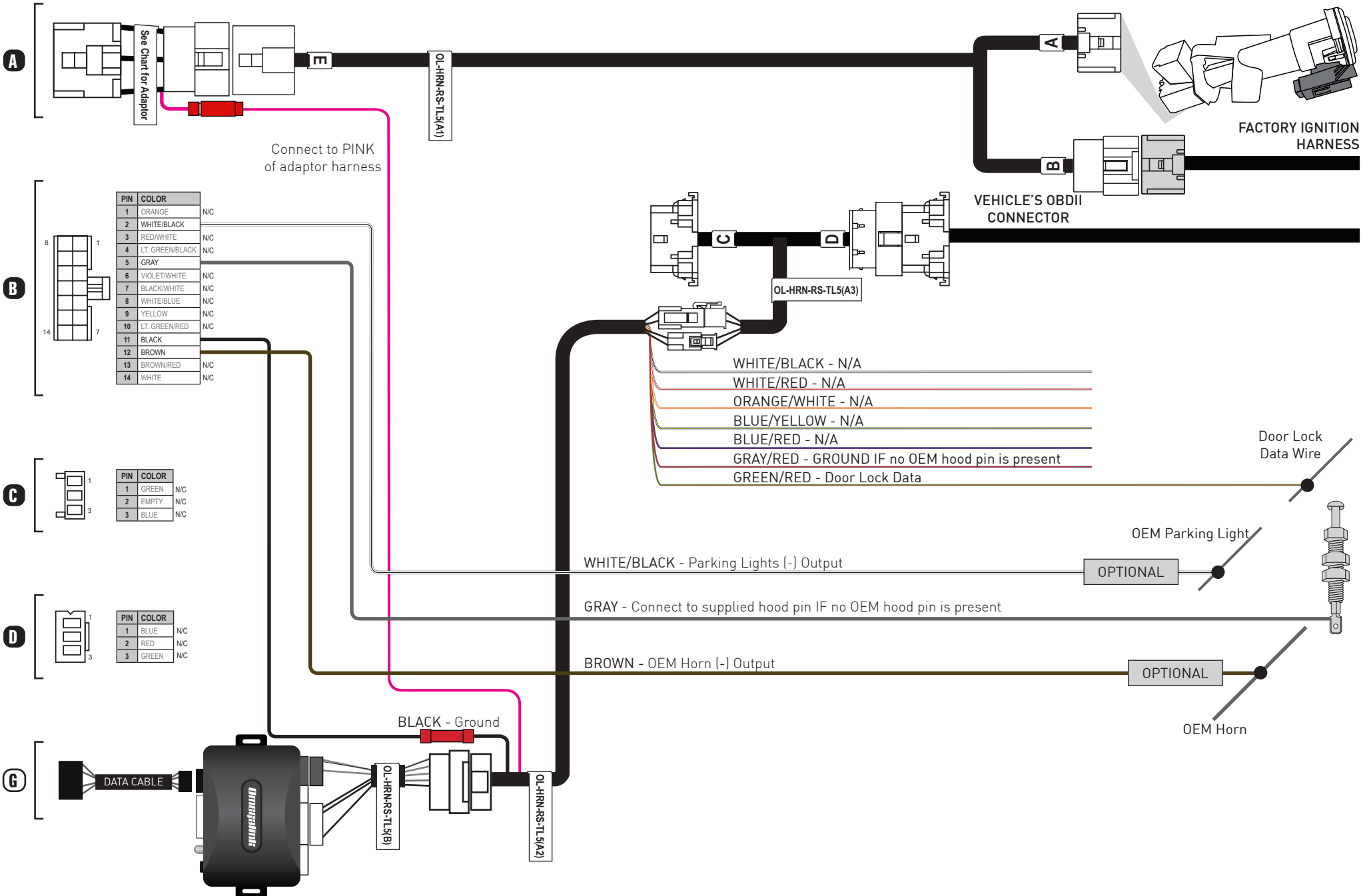


## MODEL: OL-HRN-RS-TL5

### Wire Location Chart Diagram #3

Make	Model	Trim	Year	Adaptor	Item	Connector Color	Connector Pins	Pin #	Wire Color	Polarity	Location
Scion	iQ	Std. Key 2 Dr Hatchback Automatic	2012 - 2015	TL5(E)	Door Lock Data	GRAY	30	26	BROWN	DATA	Body ECU Above Fuse Box Left Of Steering Column
					Parking Lights	GRAY	30	30	YELLOW	(-)	Body ECU Above Fuse Box Left Of Steering Column
					Horn	WHITE	40	22	GREEN/BLACK	(-)	Dash Fuse box
Scion	TC	Std. Key Coupe Automatic	2011 - 2016	TL5(E)	Door Lock Data	WHITE	30	26	LT. GREEN	DATA	Body ECU Under Fuse box
					Parking Lights	WHITE	30	30	VIOLET	(-)	Body ECU Under Fuse box
					Horn	WHITE	48	16	BLUE	(-)	Dash Fuse box
Toyota	4Runner	Std. Key (G) Automatic	2010 - 2019	TL5(E)	Door Lock Data	WHITE	30	26	PINK	DATA	Body ECU Above Fuse Box Left Of Steering Column
					Parking Lights	WHITE	30	30	RED	(-)	Body ECU Above Fuse Box Left Of Steering Column
					Horn	WHITE	40	29	GRAY	(-)	Dash Fuse box
Toyota	Camry	Std. Key (G) Sedan Automatic	2012 - 2014	TL5(F)	Door Lock Data	WHITE	30	16	BLUE	DATA	Body ECU Above Fuse Box Left Of Steering Column
					Parking Lights	WHITE	30	30	BLACK	(-)	Body ECU Above Fuse Box Left Of Steering Column
					Horn	WHITE	40	15	LT. BLUE	(-)	Dash Fuse box
Toyota	Venza	Std. Key (G) Automatic	2010 - 2016	TL5(E)	Door Lock Data	WHITE	28	12	T. GREEN	DATA	Body ECU Back Side Of Fuse Box
					Parking Lights	WHITE	20	18	RED	(-)	Headlight Switch
					Horn	WHITE	30	25	YELLOW or RED	(-)	Dash Fuse box
Toyota	Yaris	Std. Key (G) Hatchback Automatic	2012 - 2014	TL5(F)	Door Lock Data	WHITE	30	26	PINK	DATA	Body ECU
					Parking Lights	BLACK	20	18	LT. BLUE	(-)	Headlight Switch
					Horn	WHITE	40	19	LT. GREEN	(-)	Dash Fuse box

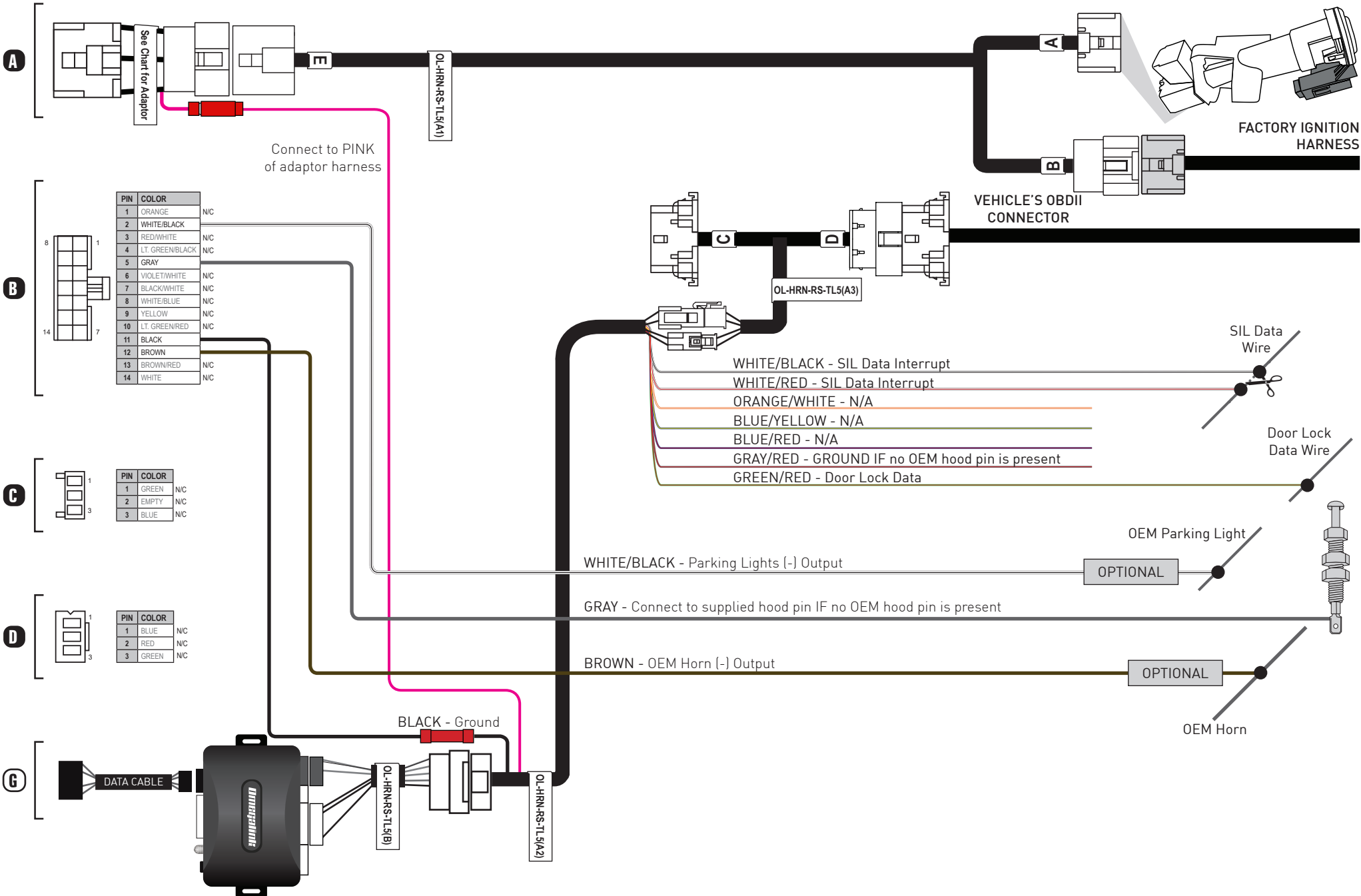
## RS-X70 Diagram #3



**Wire Location Chart Diagram #4**

Make	Model	Trim	Year	Adaptor	Item	Connector Color	Connector Pins	Pin #	Wire Color	Polarity	Location
Toyota	Sienna	Std. Key (G) Automatic	2011 - 2014	TL5[E]	Door Lock Data	WHITE	30	26	PINK	DATA	Body ECU Left Of Steering Column
					SIL Data	WHITE	12	10	WHITE	DATA	TPMS Module Left Of Driver Side Fuse Box
					Parking Lights	WHITE	30	30	YELLOW	(-)	Body ECU Left Of Steering Column
					Horn	WHITE	40	24	GREEN/BLACK	(-)	Dash Fuse Box

## RS-X70 Diagram #4

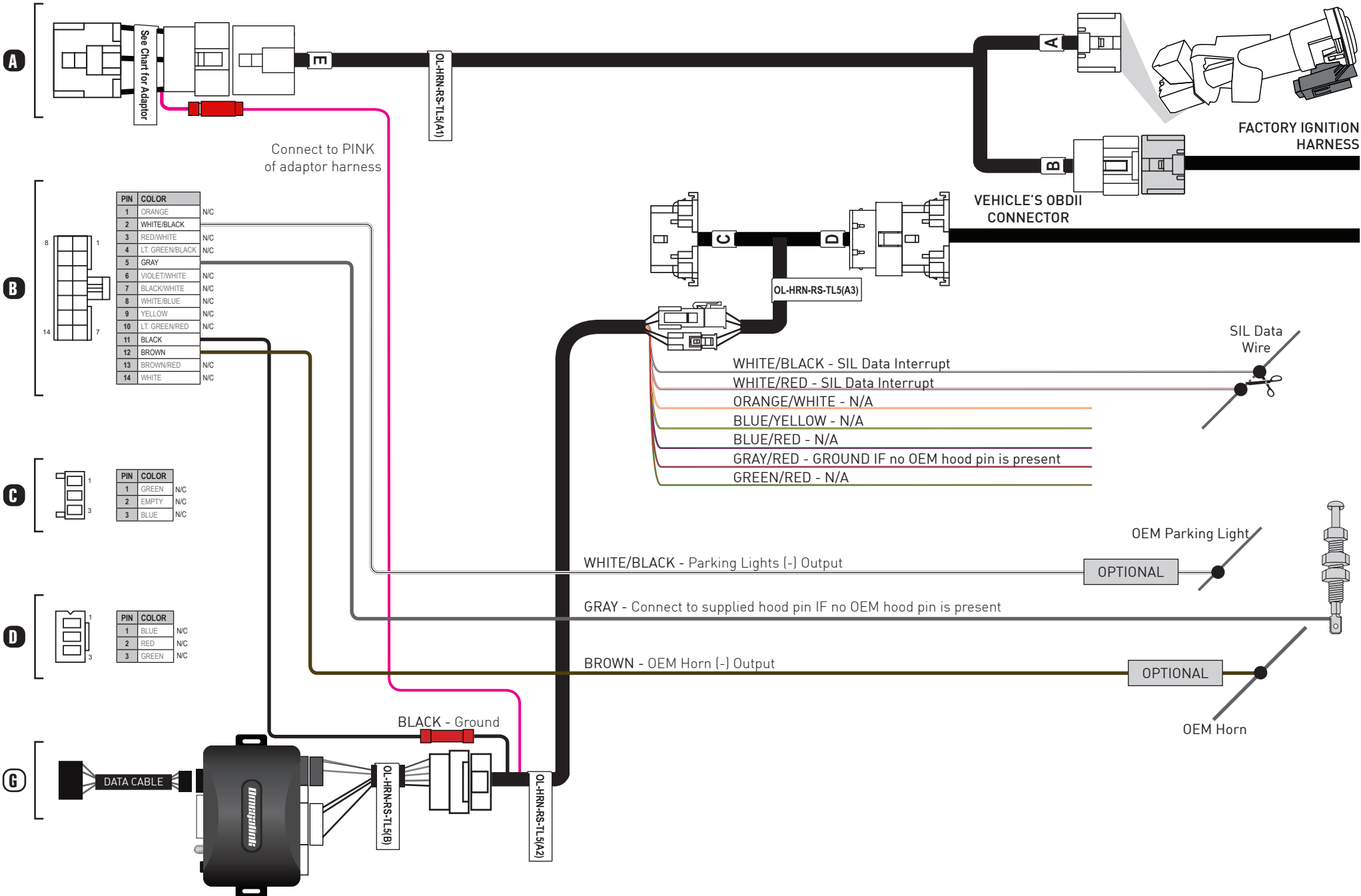


**MODEL: OL-HRN-RS-TL5**

**Wire Location Chart Diagram #5**

Make	Model	Trim	Year	Adaptor	Item	Connector Color	Connector Pins	Pin #	Wire Color	Polarity	Location
Toyota	Sequoia	Std. Key (G) Automatic	2011 - 2014	TL5(F)	Parking Lights	WHITE	20	18	TAN	(-)	Headlight Switch
					SIL Data	WHITE	12	10	BLUE	DATA	TPMS Module Below Glove Box
					Horn	WHITE	24	1	VIOLET	(-)	Dash Fuse Box
Toyota	Tundra	Std. Key (G) Automatic	2011 - 2017	TL5(F)	Parking Lights	WHITE	20	18	TAN	(-)	Headlight Switch
					SIL Data	WHITE	12	10	BLUE	DATA	TPMS Module Below Glove Box
					Horn	WHITE	24	1	VIOLET	(-)	Dash Fuse Box

## RS-X70 Diagram #5



## MODEL: OL-HRN-RS-TL5

### Wire Location Chart Diagram #6

Make	Model	Trim	Year	Adaptor	Item	Connector Color	Connector Pins	Pin #	Wire Color	Polarity	Location
Scion	iM	Std. Key (H) or Flip-key Hatchback Automatic	2016 - 2016	TL5(G)	Auto Light	WHITE	30	28	VIOLET	(-)	Below Fuse Box
					TPMS Ignition <sup>2</sup>	WHITE	40	28	BLUE	(+)	Dash Fuse Box
					RDA Wire	WHITE	30	16	GREEN	DATA	Below Fuse Box
					Horn	WHITE	56	24	LT. GREEN	(-)	Dash Fuse Box
Toyota	Camry	Std. Key (H) or Flip-key Sedan Automatic	2015 - 2017	TL5(F)	Auto Light	WHITE	30	28	GREEN	(-)	Body ECU Left Of Steering Column
					TPMS Ignition <sup>2</sup>	WHITE	18	3	YELLOW	(+)	Passenger Kick Panel
					RDA Wire	WHITE	30	16	BLUE	DATA	Body ECU Left Of Steering Column
					Horn	WHITE	40	15	LT. BLUE	(-)	Dash Fuse Box
Toyota	Corolla <sup>1</sup>	Std. Key (H) or Flip-key Sedan Automatic	2014 - 2016	TL5(G)	Auto Light	WHITE	30	28	VIOLET	(-)	Below Fuse Box
					TPMS Ignition <sup>2</sup>	WHITE	40	28	BLUE	(+)	Dash Fuse Box
					RDA Wire	WHITE	30	16	GREEN	DATA	Below Fuse Box
					Horn	WHITE	56	49	LT. GREEN	(-)	Dash Fuse Box
Toyota	Highlander <sup>1</sup>	Std. Key (H) or Flip-key Automatic	2014 - 2016	TL5(G)	Auto Light	WHITE	30	8	BLACK	(-)	Body ECU Left Of Steering Column
					TPMS Ignition <sup>2</sup>	WHITE	36	30	YELLOW	(+)	Body ECU Left Of Steering Column
					RDA Wire	WHITE	30	4	LT. GREEN	DATA	Body ECU Left Of Steering Column
					Horn	WHITE	32	29	GREEN	(-)	Dash Fuse Box
Toyota	Prius C	Std. Key (H) or Flip-key 4 Dr Hatch-back Hybrid CVT	2015-2016	TL5(F)	Auto Light	WHITE	30	28	RED	(-)	Body ECU Left Of Steering Column
					TPMS Ignition <sup>2</sup>	WHITE	36	32	BLUE	(+)	Dash Fuse Box
					RDA Wire	WHITE	30	16	LT. GREEN	(DATA)	Body ECU Left Of Steering Column
					Horn	WHITE	40	19	LT. GREEN	(-)	Dash Fuse Box
Toyota	RAV4	Std. Key (H) or Flip-key Automatic	2013 - 2015	TL5(G)	Auto Light	WHITE	30	28	GREEN	(-)	Below Fuse Box
					TPMS Ignition <sup>2</sup>	BLUE	20	13	TAN	(+)	Passenger Kick Panel
					RDA Wire	WHITE	30	16	LT. BLU or GRN	DATA	Below Fuse Box
					Horn	WHITE	56	39	LT. GREEN	(-)	Dash Fuse Box
Toyota	Sequoia	Std. Key (H) or Flip-key Automatic	2015 - 2017	TL5(F)	Auto Light	WHITE	26	21	GREEN	(-)	Body ECU Left Of Steering Column
					TPMS Ignition <sup>2</sup>	WHITE	12	10	BLUE	(+)	Below Glove Box
					RDA Wire	WHITE	28	12	VIOLET	DATA	Body ECU Left Of Steering Column
					Horn	WHITE	24	1	VIOLET	(-)	Dash Fuse Box
Toyota	Sienna	Std. Key (H) or Flip-key Automatic	2015 - 2017	TL5(E)	Auto Light	WHITE	30	28	VIOLET	(-)	Body ECU Left Of Steering Column
					TPMS Ignition <sup>2</sup>	WHITE	12	10	WHITE	(+)	Left Of Drivers Side Fuse box
					RDA Wire	WHITE	30	26	PINK	DATA	Body ECU Left Of Steering Column
					Horn	WHITE	40	16	LT. GREEN	(-)	Dash Fuse Box



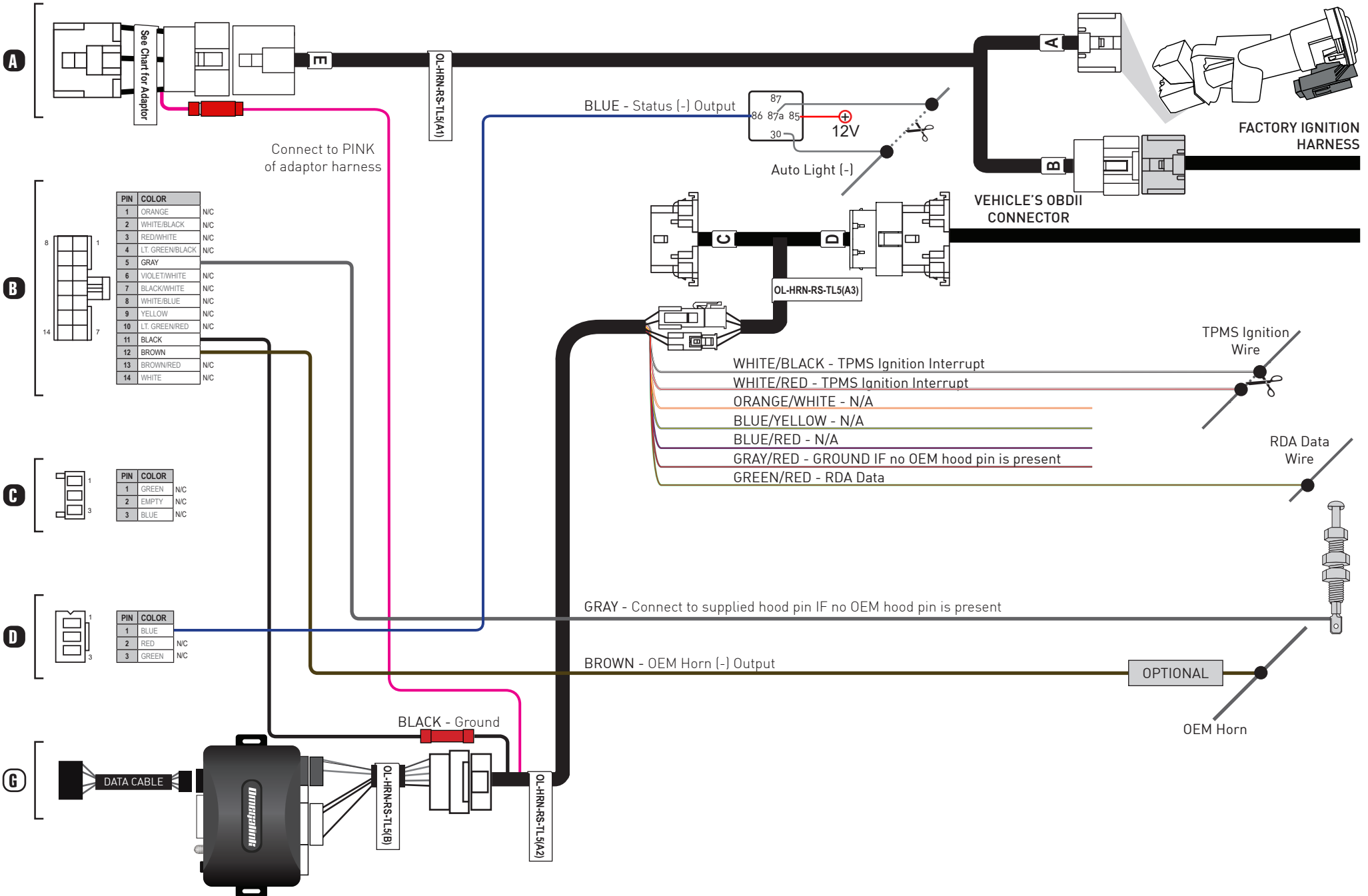
## Wire Location Chart Diagram #6

Make	Model	Trim	Year	Adaptor	Item	Connector Color	Connector Pins	Pin #	Wire Color	Polarity	Location
Toyota	Tacoma <sup>1</sup>	Std. Key (H) or Flip-key Automatic	2016 - 2017	TL5(G)	Auto Light	WHITE	30	8	WHITE	(-)	Body ECU Left Of Steering Column
					TPMS Ignition <sup>2</sup>	WHITE	36	33	LT. GREEN	(+)	Body ECU Left Of Steering Column
					RDA Wire	WHITE	30	4	BLACK	DATA	Body ECU Left Of Steering Column
					Horn	WHITE	32	26	RED or BLUE	(-)	Dash Fuse Box
Toyota	Yaris	Std. Key (H) or Flip-key Hatchback Automatic	2015 - 2016	TL5(F)	Auto Light	BLACK	20	19	VIOLET	(-)	Headlight Switch
					TPMS Ignition <sup>2</sup>	WHITE	36	32	BLUE	(+)	Body ECU Left Of Steering Column
					RDA Wire	WHITE	30	16 or 26	PINK	DATA	Body ECU Left Of Steering Column
					Horn	WHITE	40	19	LT. GREEN	(-)	Dash Fuse Box

<sup>1</sup> - See Harness Notes on Page 4.

<sup>2</sup> - TPMS Ignition connection is only required IF vehicle is equipped with Tire Pressure Monitoring System (TPMS) and remote start control from OEM remotes is desired.

## RS-X70 Diagram #6



## MODEL: OL-HRN-RS-TL5

### Wire Location Chart Diagram #7

Make	Model	Trim	Year	Adaptor	Item	Connector Color	Connector Pins	Pin #	Wire Color	Polarity	Location
Toyota	4Runner	Std. Key (H) or Flip-key Automatic	2020 - 2021	TL5(E)	CAN High Data	WHITE	30	14	BLUE	DATA	Body ECU Next to Dash Fuse Box
					CAN Low Data	WHITE	30	13	WHITE	DATA	Body ECU Next to Dash Fuse Box
					Auto Light	WHITE	30	8	WHITE	(-)	Body ECU Next to Dash Fuse Box
					TPMS Ignition <sup>2</sup>	WHITE	36	35	GRAY	(+)	Body ECU Next to Dash Fuse Box
					RDA Wire	WHITE	30	4	PINK	DATA	Body ECU Next to Dash Fuse Box
					Horn	WHITE	40	29	GRAY/BLUE	(-)	Dash Fuse Box
Toyota	C-HR	Std. Key Automatic	2018 - 2021	TL5(G)	CAN High Data	WHITE	30	14	GREEN	DATA	Body ECU Left Side Of Steering Column
					CAN Low Data	WHITE	30	13	LT. BLUE	DATA	Body ECU Left Side Of Steering Column
					Auto Light	WHITE	30	8	WHITE	(-)	Body ECU Left Side Of Steering Column
					TPMS Ignition <sup>2</sup>	WHITE	62	36	LT. BLUE	(+)	Drivers Kick Panel
					RDA Wire	WHITE	30	4	LT. GREEN	DATA	Body ECU Left Side Of Steering Column
					Horn	WHITE	32	27	LT. BLUE	(-)	Dash Fuse Box
Toyota	Corolla <sup>1</sup>	Std. Key (H) or Flip-key Sedan Automatic	2017 - 2019	TL5(G)	CAN High Data	WHITE	30	14	BLK or GRN	DATA	Body ECU Left Side Of Steering Column
					CAN Low Data	WHITE	30	13	WHITE	DATA	Body ECU Left Side Of Steering Column
					Auto Light	WHITE	30	28	VIOLET	(-)	Body ECU Left Side Of Steering Column
					TPMS Ignition <sup>2</sup>	WHITE	40	28	BLUE	(+)	Dash Fuse Box
					RDA Wire	WHITE	30	16	GREEN	DATA	Body ECU Left Side Of Steering Column
					Horn	WHITE	56	49	LT. GREEN	(-)	Dash Fuse Box
Toyota	Corolla iM	Std. Key (H) or Flip-key Hatchback Automatic	2017 - 2018	TL5(G)	CAN High Data	WHITE	30	14	BLK or GRN	DATA	Below Fuse Box
					CAN Low Data	WHITE	30	13	WHITE	DATA	Below Fuse Box
					Auto Light	WHITE	30	28	VIOLET	(-)	Below Fuse Box
					TPMS Ignition <sup>2</sup>	WHITE	40	28	BLUE	(+)	Dash Fuse Box
					RDA Wire	WHITE	30	16	GREEN	DATA	Below Fuse Box
					Horn	WHITE	56	24	LT. GREEN	(-)	Dash Fuse Box
Toyota	Highlander <sup>1</sup>	Std. Key (H) or Flip-key Automatic	2017 - 2019	TL5(G)	CAN High Data	WHITE	30	14	RED	DATA	Body ECU Left Side Of Steering Column
					CAN Low Data	WHITE	30	13	WHITE	DATA	Body ECU Left Side Of Steering Column
					Auto Light	WHITE	30	8	BLACK	(-)	Body ECU Left Side Of Steering Column
					TPMS Ignition <sup>2</sup>	BLACK	18	16	RED	(+)	Driver Kick Panel w/ Stop & Start
					TPMS Ignition <sup>2</sup>	WHITE	36	30	YELLOW	(+)	Body ECU Left Side Of Steering Column w/o Stop & Start
					RDA Wire	WHITE	30	4	LT. GREEN	DATA	Body ECU Left Side Of Steering Column
					Horn	WHITE	32	29	GREEN	(-)	Dash Fuse Box
Toyota	RAV4	Std. Key (H) or Flip-key Automatic	2016 - 2018	TL5(G)	CAN High Data	BLACK	5	3	PINK	DATA	Clock Spring Connector At Top Of Steering Column
					CAN Low Data	BLACK	5	2	WHITE	DATA	Clock Spring Connector At Top Of Steering Column
					Auto Light	WHITE	30	28	GREEN	(-)	Below Fuse Box
					TPMS Ignition <sup>2</sup>	BLUE	20	13	TAN	(+)	Passenger Kick Panel
					RDA Wire	WHITE	30	16	LT. BLUE	DATA	Below Fuse Box
					Horn	WHITE	56	39	LT. GREEN	(-)	Dash Fuse Box

## MODEL: OL-HRN-RS-TL5

### Wire Location Chart Diagram #7

Make	Model	Trim	Year	Adaptor	Item	Connector Color	Connector Pins	Pin #	Wire Color	Polarity	Location
Toyota	Prius C	Std. Key (H) or Flip-key 4 Dr Hatchback Hybrid CVT	2017 - 2019	TL5(F)	CAN H	WHITE	30	14	TAN	DATA	Body ECU Left Side Of Steering Column
					CAN L	WHITE	30	13	WHITE	DATA	Body ECU Left Side Of Steering Column
					Auto Light	WHITE	30	28	RED	(-)	Body ECU Left Side Of Steering Column
					TPMS Ignition <sup>2</sup>	WHITE	36	32	BLUE	(+)	Body ECU Left Side Of Steering Column
					RDA Wire	WHITE	30	16	LT. GREEN	DATA	Body ECU Left Side Of Steering Column
					Horn	WHITE	40	19	LT. GREEN	(-)	Body ECU Left Side Of Steering Column
Toyota	Sequoia	Std. Key (H) or Flip-key Automatic	2018 - 2019	TL5(F)	CAN High Data	WHITE	30	14	BLUE	DATA	Body ECU Left Side Of Steering Column
					CAN Low Data	WHITE	30	13	WHITE	DATA	Body ECU Left Side Of Steering Column
					Auto Light	WHITE	30	8	GREEN	(-)	Body ECU Left Side Of Steering Column
					TPMS Ignition <sup>2</sup>	BLACK	20	8	LT. BLUE	(+)	Driver Kick Panel
					RDA Wire	WHITE	30	4	VIOLET	DATA	Body ECU Left Side Of Steering Column
					Horn	WHITE	32	27	VIOLET	(-)	Dash Fuse Box
Toyota	Sienna	Std. Key (H) or Flip-key Automatic	2018 - 2021	TL5(E)	CAN High Data	WHITE	30	14	GRAY	DATA	Body ECU Left Side Of Steering Column
					CAN Low Data	WHITE	30	13	WHITE	DATA	Body ECU Left Side Of Steering Column
					Auto Light	WHITE	30	28	VIOLET	(-)	Body ECU Left Side Of Steering Column
					TPMS Ignition <sup>2</sup>	WHITE	12	10	WHITE	(+)	TPMS Module Left Of Fuse Box
					RDA Wire	WHITE	30	26	PINK	DATA	Body ECU Left Side Of Steering Column
					Horn	WHITE	40	16	LT. GREEN	(-)	Dash Fuse Box
Toyota	Tacoma <sup>1</sup>	Std. Key (H) or Flip-key Automatic	2018 - 2019	TL5(G)	CAN High Data	WHITE	30	14	BLACK	DATA	Body ECU Left Side Of Steering Column
					CAN Low Data	WHITE	30	13	WHITE	DATA	Body ECU Left Side Of Steering Column
					Auto Light	WHITE	30	8	WHITE	(-)	Body ECU Left Side Of Steering Column
					TPMS Ignition <sup>2</sup>	WHITE	36	33	LT. GREEN	(+)	Body ECU Left Side Of Steering Column
					RDA Wire	WHITE	30	4	BLACK	DATA	Body ECU Left Side Of Steering Column
					Horn	WHITE	32	26	RED or BLUE	(-)	Dash Fuse Box
Toyota	Tacoma <sup>1</sup>	Std. Key (H) or Flip-key Automatic	2020 - 2021	TL5(G)	CAN High Data	WHITE	30	14	BLACK	DATA	Body ECU Next to Dash Fuse Box
					CAN Low Data	WHITE	30	13	WHITE	DATA	Body ECU Next to Dash Fuse Box
					Auto Light	WHITE	30	8	WHITE	(-)	Body ECU Next to Dash Fuse Box
					TPMS Ignition <sup>2</sup>	WHITE	36	33	LT. GREEN or PINK	(+)	Dash Fuse Box
					RDA Wire	WHITE	30	4	BLACK	DATA	Body ECU Next to Dash Fuse Box
					Horn	WHITE	32	26	BLUE	(-)	Dash Fuse Box
Toyota	Tundra	Std. Key (H) or Flip-key Automatic	2018 - 2019	TL5(F)	CAN High Data	WHITE	30	14	BLUE	DATA	Body ECU Left Side Of Steering Column
					CAN Low Data	WHITE	30	13	WHITE	DATA	Body ECU Left Side Of Steering Column
					Auto Light	WHITE	30	8	VIOLET	(-)	Body ECU Left Side Of Steering Column
					TPMS Ignition <sup>2</sup>	WHITE	20	8	PINK	(+)	Driver Kick Panel
					RDA Wire	WHITE	30	4	TAN	DATA	Body ECU Left Side Of Steering Column
					Horn	WHITE	32	27	VIOLET	(-)	Dash Fuse Box

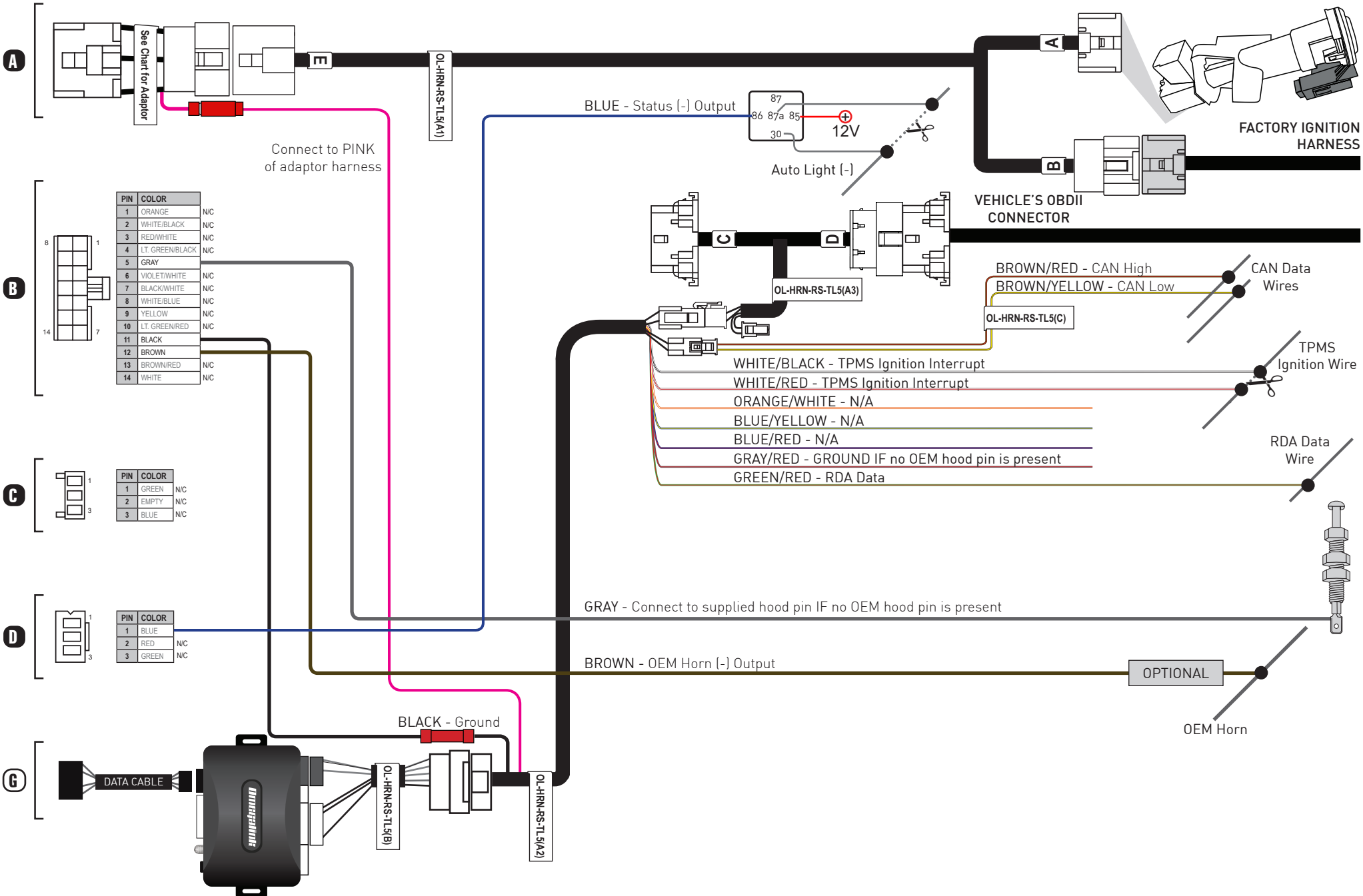
## Wire Location Chart Diagram #7

Make	Model	Trim	Year	Adaptor	Item	Connector Color	Connector Pins	Pin #	Wire Color	Polarity	Location
Toyota	Tundra	Std. Key (H) or Flip-key Automatic	2020 - 2021	TL5(F)	CAN High Data	WHITE	30	14	BLUE	DATA	Body ECU Next to Dash Fuse Box
					CAN Low Data	WHITE	30	13	WHITE	DATA	Body ECU Next to Dash Fuse Box
					Auto Light	WHITE	30	8	YELLOW	(-)	Body ECU Next to Dash Fuse Box
					TPMS Ignition <sup>2</sup>	WHITE	36	35	Red	(+)	Body ECU Next to Dash Fuse Box
					RDA Wire	WHITE	30	4	TAN	DATA	Body ECU Next to Dash Fuse Box
					Horn	WHITE	32	27	VIOLET	(-)	Dash Fuse Box
Toyota	Yaris	Std. Key (H) or Flip-key Hatch-back Automatic	2017 - 2018	TL5(F)	CAN High Data	WHITE	30	14	RED	DATA	Body ECU Left Side Of Steering Column
					CAN Low Data	WHITE	30	13	WHITE	DATA	Body ECU Left Side Of Steering Column
					Auto Light	BLACK	20	19	VIOLET	(-)	Headlight Switch
					TPMS Ignition <sup>2</sup>	WHITE	36	32	BLUE	(+)	Body ECU Left Of Steering Column
					RDA Wire	WHITE	30	16 or 26	PINK	DATA	Body ECU Left Of Steering Column
					Horn	WHITE	40	19	LT. GREEN	(-)	Dash Fuse Box

<sup>1</sup> - See Harness Notes on Page 4.

<sup>2</sup> - TPMS Ignition connection is only required IF vehicle is equipped with Tire Pressure Monitoring System (TPMS) and remote start control from OEM remotes is desired.

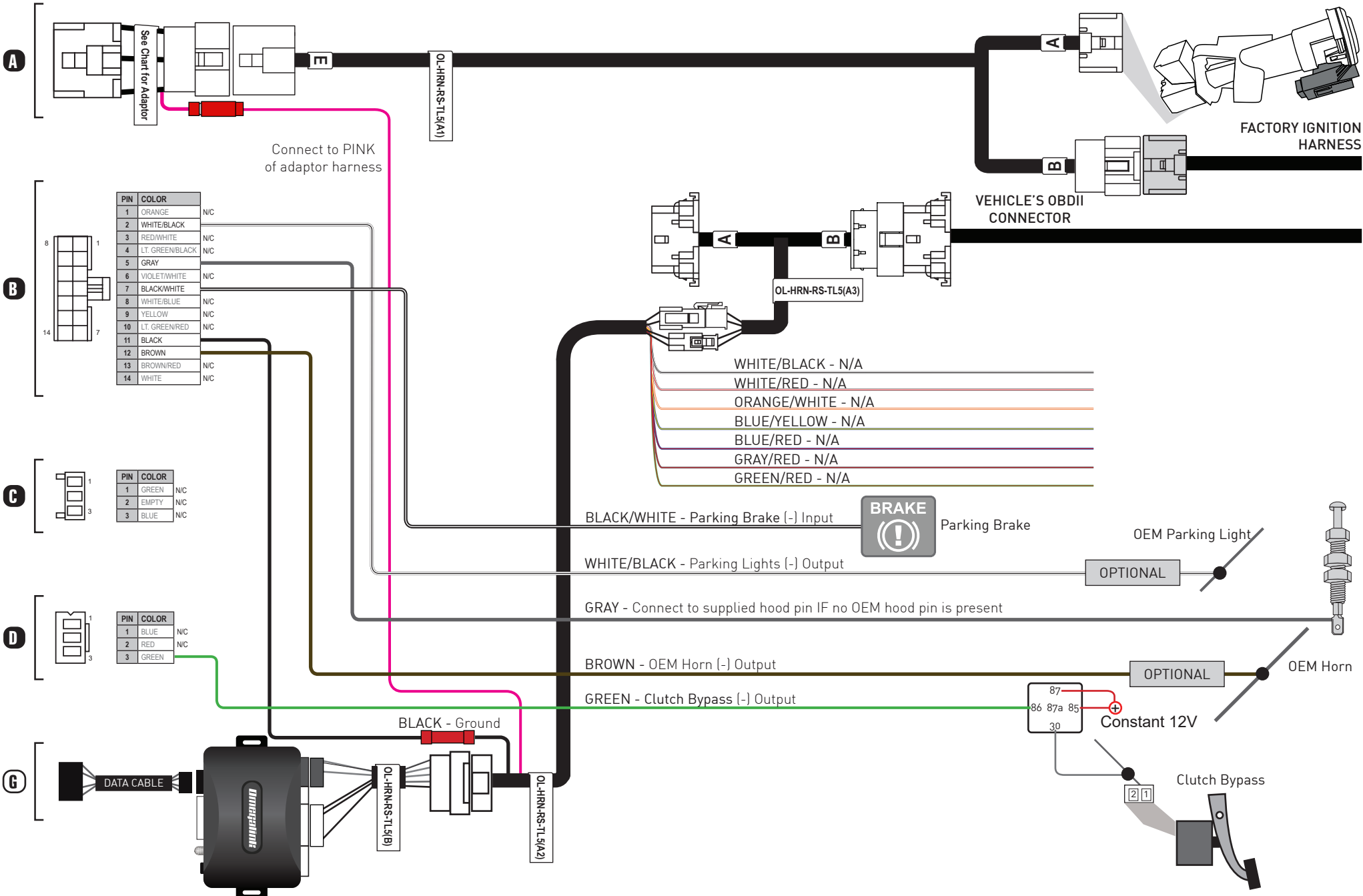
## RS-X70 Diagram #7



**Wire Location Chart Diagram #8**

Make	Model	Trim	Year	Adaptor	Item	Connector Color	Connector Pins	Pin #	Wire Color	Polarity	Location
Scion	XD	Std. Key 4 Dr Hatchback Manual	2011 - 2013	TL5(F)	Parking Lights	WHITE	13	13	WHITE	(-)	Headlight Switch
					Horn	WHITE	32	18	BLACK	(-)	Dash Fuse Box
					Clutch Bypass	BLACK	2	1	BLACK	(+)	Clutch switch
					Parking Brake	WHITE	16	2	YELLOW	(-)	Dash Fuse Box
Toyota	Yaris	Std. Key (G) Hatchback Manual	2011 - 2014	TL5(F)	Parking Lights	BLACK	20	18	LT. BLUE	(-)	Headlight Switch
					Horn	WHITE	40	19	LT. GREEN	(-)	Dash Fuse Box
					Clutch Bypass	BLACK	2	1	GREEN	(+)	Clutch switch
					Parking Brake	WHITE	56	28	RED	(-)	Dash Fuse Box
Toyota	Yaris	Std. Key (G) Sedan Manual	2011 - 2012	TL5(F)	Parking Lights	BLACK	20	18	LT. BLUE	(-)	Headlight Switch
					Horn	WHITE	32	18	BLACK	(-)	Dash Fuse Box
					Clutch Bypass	BLACK	2	1	BLACK	(+)	Clutch switch
					Parking Brake	WHITE	16	2	YELLOW	(-)	Dash Fuse Box

## RS-X70 Diagram #8

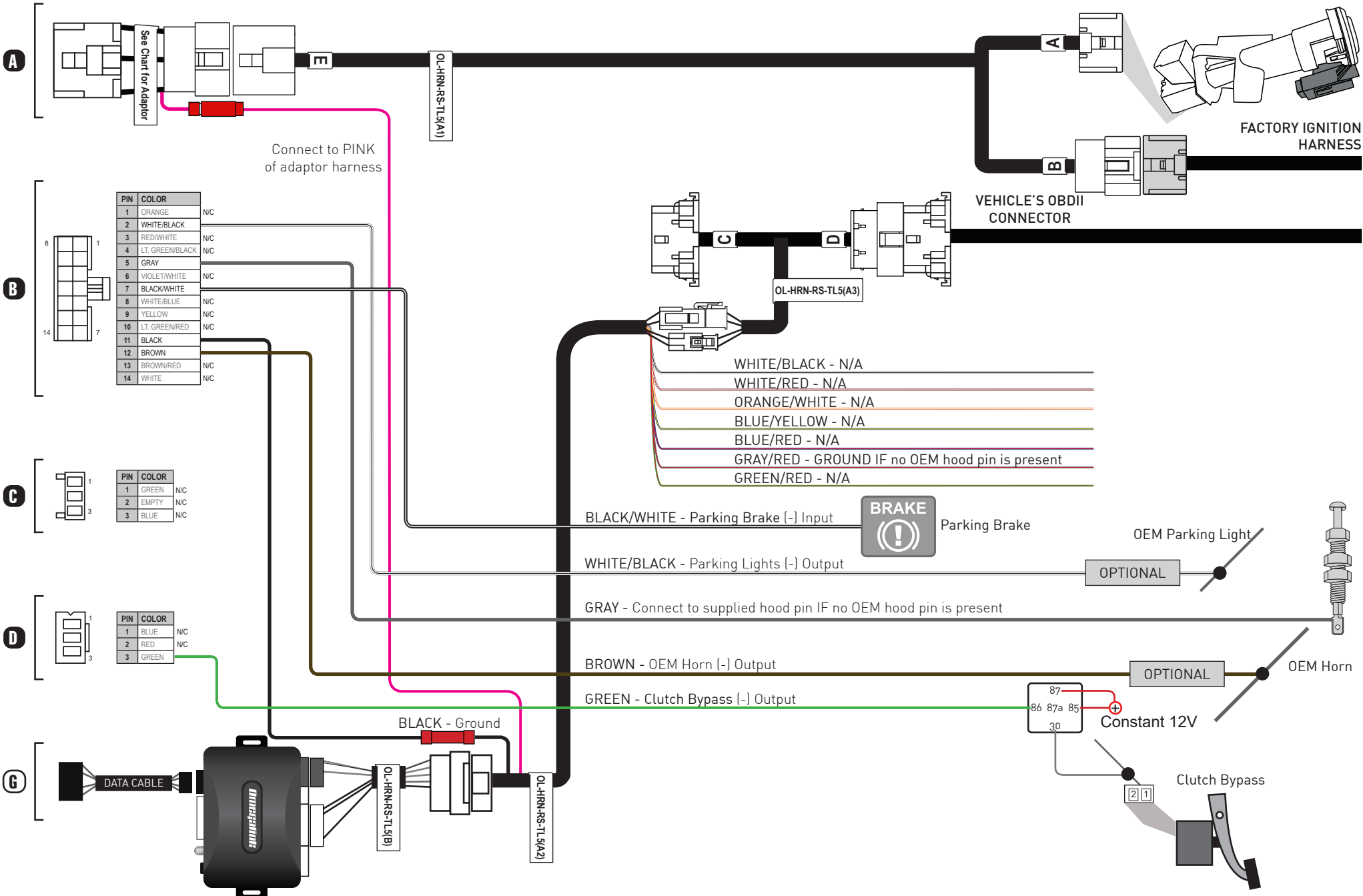




**Wire Location Chart Diagram #9**

Make	Model	Trim	Year	Adaptor	Item	Connector Color	Connector Pins	Pin #	Wire Color	Polarity	Location
Scion	xB	Std. Key Manual	2011 - 2015	TL5(E)	Parking Lights	WHITE	20	18	WHITE	(-)	Headlight Switch
					Horn	WHITE	32	5	LT. GREEN	(-)	Dash Fuse Box
					Clutch Bypass	BLACK	2	1	LT. GREEN	(+)	Clutch Switch
					Parking Brake	WHITE	1	1	BLACK	(-)	At Parking Brake Switch
Toyota	Camry	Std. Key (G) Sedan Manual	2010 - 2011	TL5(F)	Parking Lights	WHITE	20	18	BLACK	(-)	Headlight Switch
					Horn	WHITE	16	11	WHITE or BLACK	(-)	Dash Fuse box
					Clutch Bypass	BLACK	2	2	GREEN	(+)	Clutch Switch
					Parking Brake	WHITE	1	1	BLUE or YELLOW	(-)	At Parking Brake Switch
Toyota	Corolla	Std. Key (G) Sedan Manual	2012 - 2013	TL5(E)	Parking Lights	WHITE	20	18	BROWN or WHITE	(-)	Headlight Switch
					Horn	WHITE	32	5	LT. GREEN	(-)	Dash Fuse Box
					Clutch Bypass	BLACK	2	1	LT. GREEN	(+)	Clutch Switch
					Parking Brake	WHITE	1	1	TAN or BLACK	(-)	At Parking Brake Switch
Toyota	Matrix	Std. Key (G) 4 Dr Hatchback Manual	2012 - 2014	TL5(E)	Parking Lights	WHITE	20	18	BROWN	(-)	Headlight Switch
					Horn	WHITE	32	5	LT. GREEN	(-)	Dash Fuse box
					Clutch Bypass	BLACK	2	1	LT. GREEN	(+)	Clutch Switch
					Parking Brake	WHITE	1	1	TAN	(-)	At Parking Brake Switch

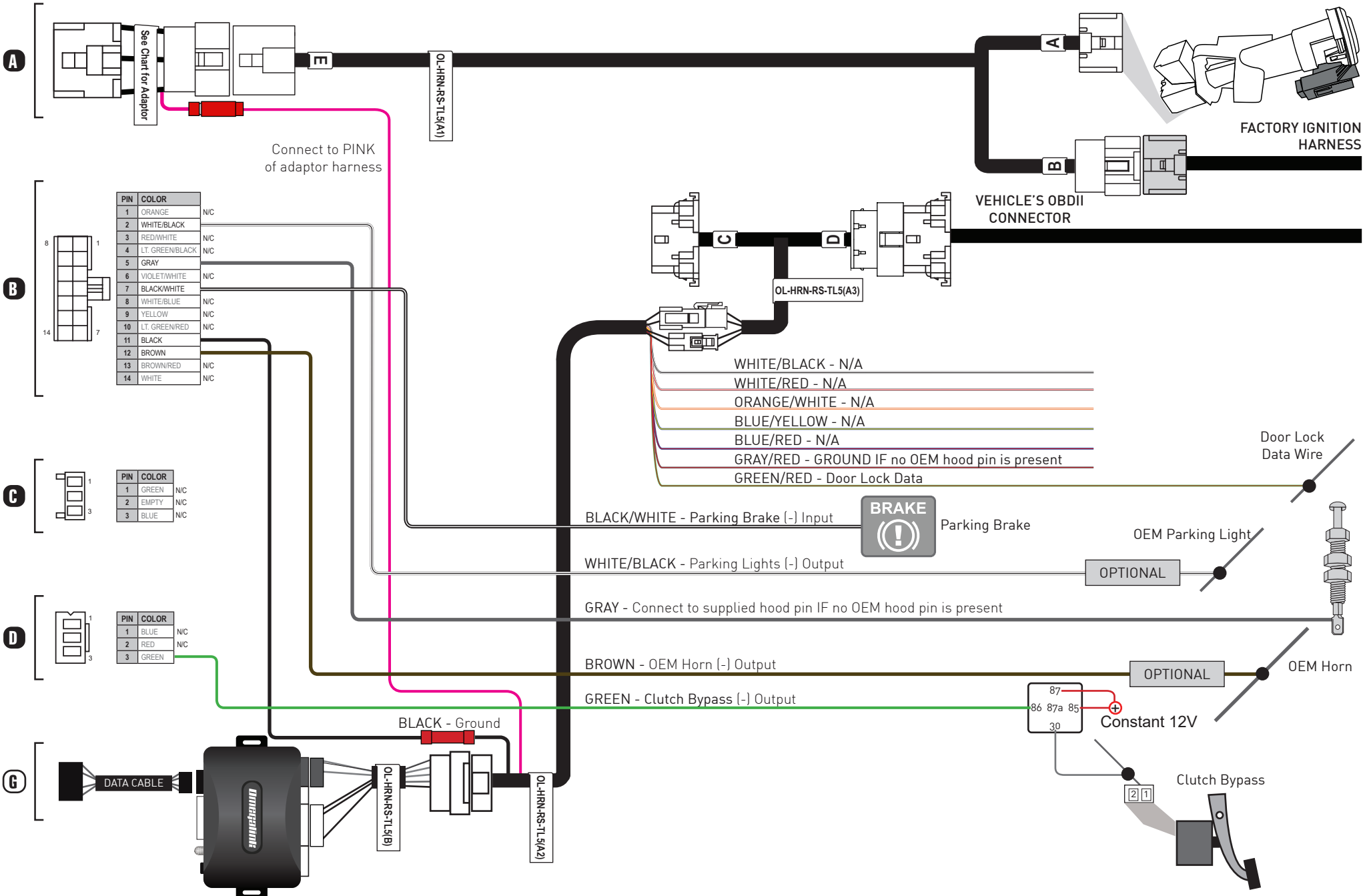
## RS-X70 Diagram #9



**Wire Location Chart Diagram #10**

Make	Model	Trim	Year	Adaptor	Item	Connector Color	Connector Pins	Pin #	Wire Color	Polarity	Location
Scion	tC	Std. Key Coupe Manual	2011 - 2016	TL5(E)	Door Lock Data	WHITE	30	26	LT. GREEN	DATA	Body ECU Under Fuse Box
					Parking Lights	WHITE	30	30	VIOLET	(-)	Body ECU Under Fuse Box
					Horn	WHITE	48	16	BLUE	(-)	Dash Fuse Box
					Clutch Bypass	BLACK	2	1	RED	(+)	Clutch Switch
					Parking Brake	WHITE	1	1	BLACK	(-)	At Parking Brake Switch
Toyota	Camry	Std. Key (G) Sedan Manual	2012 - 2014	TL5(F)	Door Lock Data	WHITE	30	16	BLUE	DATA	Body ECU Above Fuse Box Left Of Steering Column
					Parking Lights	WHITE	30	30	BLACK	(-)	Body ECU Above Fuse Box Left Of Steering Column
					Horn	WHITE	40	15	LT. BLUE	(-)	Dash Fuse Box
					Clutch Bypass	BLACK	2	1	RED	(+)	Clutch Switch
					Parking Brake	WHITE	1	1	YELLOW	(-)	At Parking Brake Switch
Toyota	Yaris	Std. Key (G) Hatchback Manual	2012 - 2014	TL5(F)	Door Lock Data	WHITE	30	26	PINK	DATA	Body ECU
					Parking Lights	BLACK	20	18	LT. BLUE	(-)	Headlight Switch
					Horn	WHITE	40	19	LT. GREEN	(-)	Dash Fuse Box
					Clutch Bypass	BLACK	2	1	GREEN	(+)	Clutch Switch
					Parking Brake	WHITE	1	1	RED	(-)	At Parking Brake Switch

## RS-X70 Diagram #10



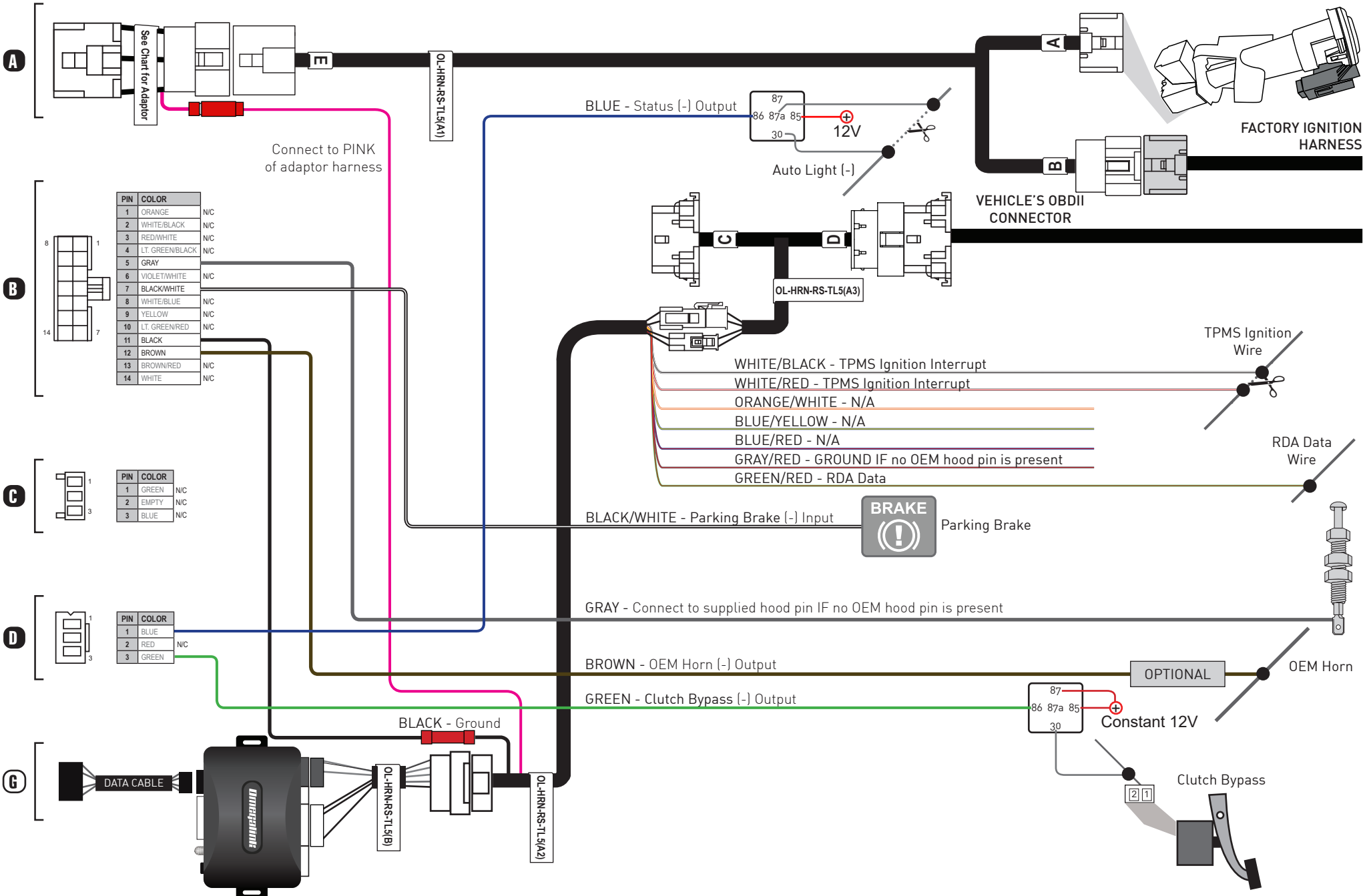
## Wire Location Chart Diagram #11

Make	Model	Trim	Year	Adaptor	Item	Connector Color	Connector Pins	Pin #	Wire Color	Polarity	Location
Scion	iM	Std. Key (H) or Flip-key Hatchback Manual	2016 - 2016	TL5(G)	Auto Light	WHITE	30	28	VIOLET	(-)	Below Fuse Box
					TPMS Ignition <sup>2</sup>	WHITE	40	28	BLUE	(+)	Dash Fuse Box
					RDA Wire	WHITE	30	16	GREEN	DATA	Below Fuse Box
					Horn	WHITE	56	24	LT. GREEN	(-)	Dash Fuse Box
					Clutch Bypass	BLACK	2	1	LT. GREEN	(+)	Clutch Switch
					Parking Brake	WHITE	1	1	BLACK	(-)	At Parking Brake Switch
Toyota	Corolla <sup>1</sup>	Std. Key (H) or Flip-key Sedan Manual	2014 - 2016	TL5(G)	Auto Light	WHITE	30	28	VIOLET	(-)	Below Fuse Box
					TPMS Ignition <sup>2</sup>	WHITE	40	28	BLUE	(+)	Dash Fuse Box
					RDA Wire	WHITE	30	16	GREEN	DATA	Below Fuse Box
					Horn	WHITE	56	49	LT. GREEN	(-)	Dash Fuse Box
					Clutch Bypass	BLACK	2	1	LT. GREEN	(+)	Clutch Switch
					Parking Brake	WHITE	1	1	BLACK	(-)	At Parking Brake Switch
Toyota	Yaris	Std. Key (H) or Flip-key Hatchback Manual	2015 - 2016	TL5(F)	Auto Light	BLACK	20	19	VIOLET	(-)	Headlight Switch
					TPMS Ignition <sup>2</sup>	WHITE	36	32	BLUE	(+)	Body ECU Left Of Steering Column
					RDA Wire	WHITE	30	16 or 26	PINK	DATA	Body ECU Left Of Steering Column
					Horn	WHITE	56	49	LT. GREEN	(-)	Dash Fuse Box
					Clutch Bypass	BLACK	2	1	GREEN	(+)	Clutch Switch
					Parking Brake	WHITE	1	1	RED	(-)	At Parking Brake Switch
Toyota	Tacoma <sup>1</sup>	Std. Key (H) or Flip-key Manual	2016 - 2017	TL5(G)	Auto Light	WHITE	30	8	WHITE	(-)	Body ECU Left Of Steering Column
					TPMS Ignition <sup>2</sup>	WHITE	36	33	LT. GREEN	(+)	Body ECU Left Of Steering Column
					RDA Wire	WHITE	30	4	BLACK	DATA	Body ECU Left Of Steering Column
					Horn	WHITE	32	26	RED or BLUE	(-)	Dash Fuse Box
					Clutch Bypass	WHITE	2	2	YELLOW	(+)	Clutch Switch
					Parking Brake	WHITE	1	1	WHITE	(-)	At Parking Brake Switch

<sup>1</sup> - See Harness Notes on Page 4.

<sup>2</sup> - TPMS Ignition connection is only required IF vehicle is equipped with Tire Pressure Monitoring System (TPMS) and remote start control from OEM remotes is desired.

## RS-X70 Diagram #11



## Wire Location Chart Diagram #12

Make	Model	Trim	Year	Adaptor	Item	Connector Color	Connector Pins	Pin #	Wire Color	Polarity	Location
Toyota	Corolla <sup>1</sup>	Std. Key (H) or Flip-key Sedan Manual	2017 - 2019	TL5(G)	CAN High Data	WHITE	30	14	BLK or GRN	DATA	Body ECU Left Side Of Steering Column
					CAN Low Data	WHITE	30	13	WHITE	DATA	Body ECU Left Side Of Steering Column
					Auto Light	WHITE	30	28	VIOLET	(-)	Body ECU Left Side Of Steering Column
					TPMS Ignition <sup>2</sup>	WHITE	40	28	BLUE	(+)	Dash Fuse Box
					RDA Wire	WHITE	30	16	GREEN	DATA	Body ECU Left Side Of Steering Column
					Horn	WHITE	56	49	LT. GREEN	(-)	Dash Fuse Box
					Clutch Bypass	BLACK	2	1	LT. GREEN	(+)	Clutch Switch
					Parking Brake	WHITE	1		BLACK	(-)	At Parking Brake Switch
Toyota	Corolla iM	Std. Key (H) or Flip-key Hatchback Manual	2017 - 2018	TL5(G)	CAN High Data	WHITE	30	14	BLK or GRN	DATA	Below Fuse Box
					CAN Low Data	WHITE	30	13	WHITE	DATA	Below Fuse Box
					Auto Light	WHITE	30	28	VIOLET	(-)	Below Fuse Box
					TPMS Ignition <sup>2</sup>	WHITE	40	28	BLUE	(+)	Dash Fuse Box
					RDA Wire	WHITE	30	16	GREEN	DATA	Below Fuse Box
					Horn	WHITE	56	24	LT. GREEN	(-)	Dash Fuse Box
					Clutch Bypass	BLACK	2	1	LT. GREEN	(+)	Clutch Switch
					Parking Brake	WHITE	1	1	BLACK	(-)	At Parking Brake Switch
Toyota	Tacoma <sup>1</sup>	Std. Key (H) or Flip-key Manual	2018 - 2019	TL5(G)	CAN High Data	WHITE	30	14	BLACK	DATA	Body ECU Left Side Of Steering Column
					CAN Low Data	WHITE	30	13	WHITE	DATA	Body ECU Left Side Of Steering Column
					Auto Light	WHITE	30	8	WHITE	(-)	Body ECU Left Side Of Steering Column
					TPMS Ignition <sup>2</sup>	WHITE	36	33	LT. GREEN	(+)	Body ECU Left Side Of Steering Column
					RDA Wire	WHITE	30	4	BLACK	DATA	Body ECU Left Side Of Steering Column
					Horn	WHITE	32	26	RED or BLUE	(-)	Dash Fuse Box
					Clutch Bypass	WHITE	2	2	YELLOW	(+)	Clutch Switch
					Parking Brake	WHITE	1	1	WHITE	(-)	At Parking Brake Switch
Toyota	Tacoma <sup>1</sup>	Std. Key (H) or Flip-key Manual	2020 - 2021	TL5(G)	CAN High Data	WHITE	30	14	BLACK	DATA	Body ECU Next to Dash Fuse Box
					CAN Low Data	WHITE	30	13	WHITE	DATA	Body ECU Next to Dash Fuse Box
					Auto Light	WHITE	30	8	WHITE	(-)	Body ECU Next to Dash Fuse Box
					TPMS Ignition <sup>2</sup>	WHITE	36	33	LT. GREEN or PINK	(+)	Dash Fuse Box
					RDA Wire	WHITE	30	4	BLACK	DATA	Body ECU Next to Dash Fuse Box
					Horn	WHITE	32	26	BLUE	(-)	Dash Fuse Box
					Clutch Bypass	WHITE	2	2	YELLOW	(+)	Clutch Switch
					Parking Brake	WHITE	1	1	WHITE	(-)	At Parking Brake Switch

## Wire Location Chart Diagram #12

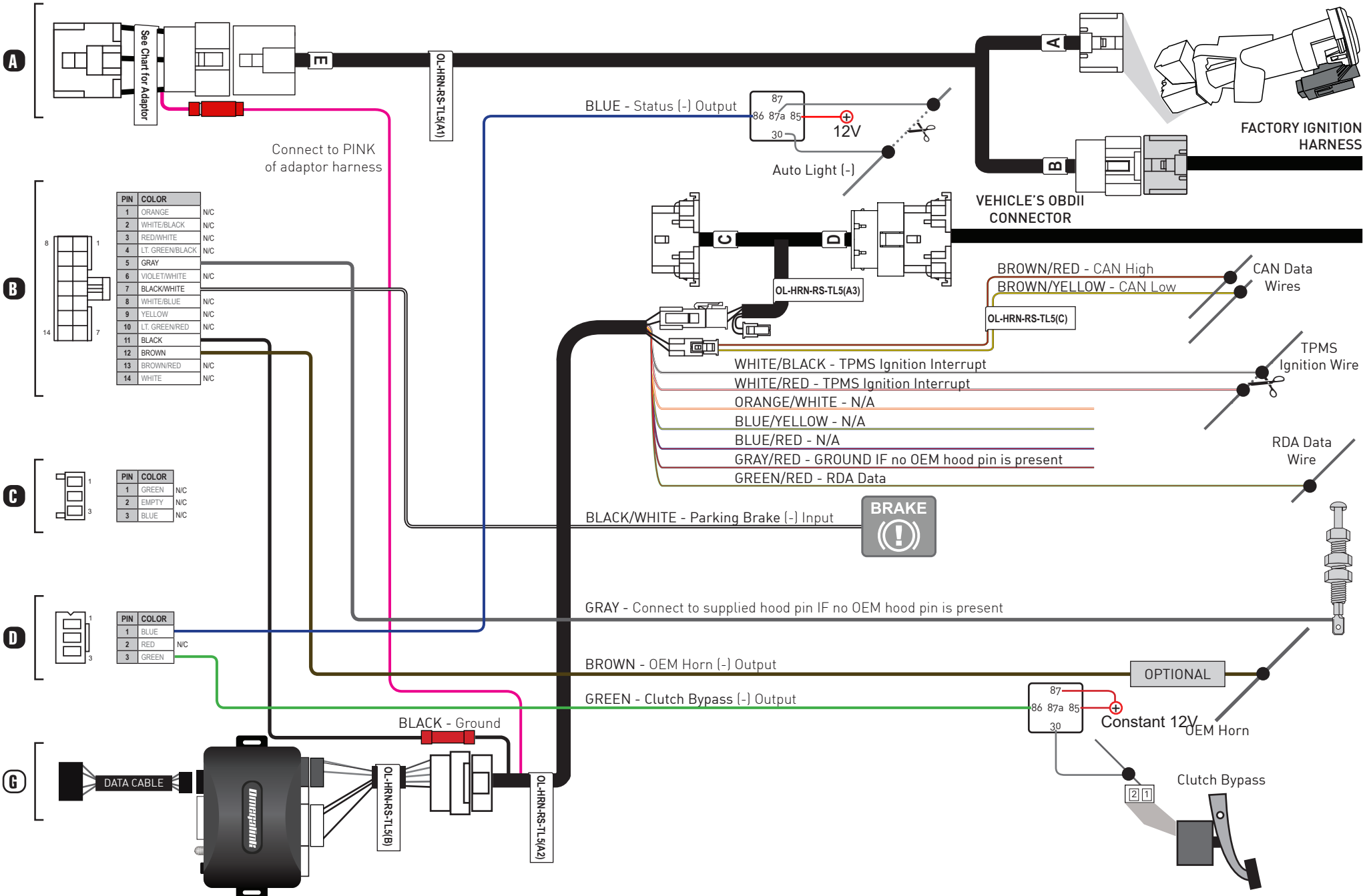
Make	Model	Trim	Year	Adaptor	Item	Connector Color	Connector Pins	Pin #	Wire Color	Polarity	Location
Toyota	Yaris	Std. Key (H) or Flip-key Hatchback Manual	2017 - 2018	TL5(F)	CAN High Data	WHITE	30	14	RED	DATA	Body ECU Left Side Of Steering Column
					CAN Low Data	WHITE	30	13	WHITE	DATA	Body ECU Left Side Of Steering Column
					Auto Light	BLACK	20	19	VIOLET	(-)	Headlight Switch
					TPMS Ignition <sup>2</sup>	WHITE	36	32	BLUE	(+)	Body ECU Left Of Steering Column
					RDA Wire	WHITE	30	16 or 26	PINK	DATA	Body ECU Left Of Steering Column
					Horn	WHITE	40	19	LT. GREEN	(-)	Dash Fuse Box
					Clutch Bypass	BLACK	2	1	GREEN	(+)	Clutch Switch
					Parking Brake	WHITE	1	1	RED	(-)	At Parking Brake Switch

<sup>1</sup> - See Harness Notes on Page 4.

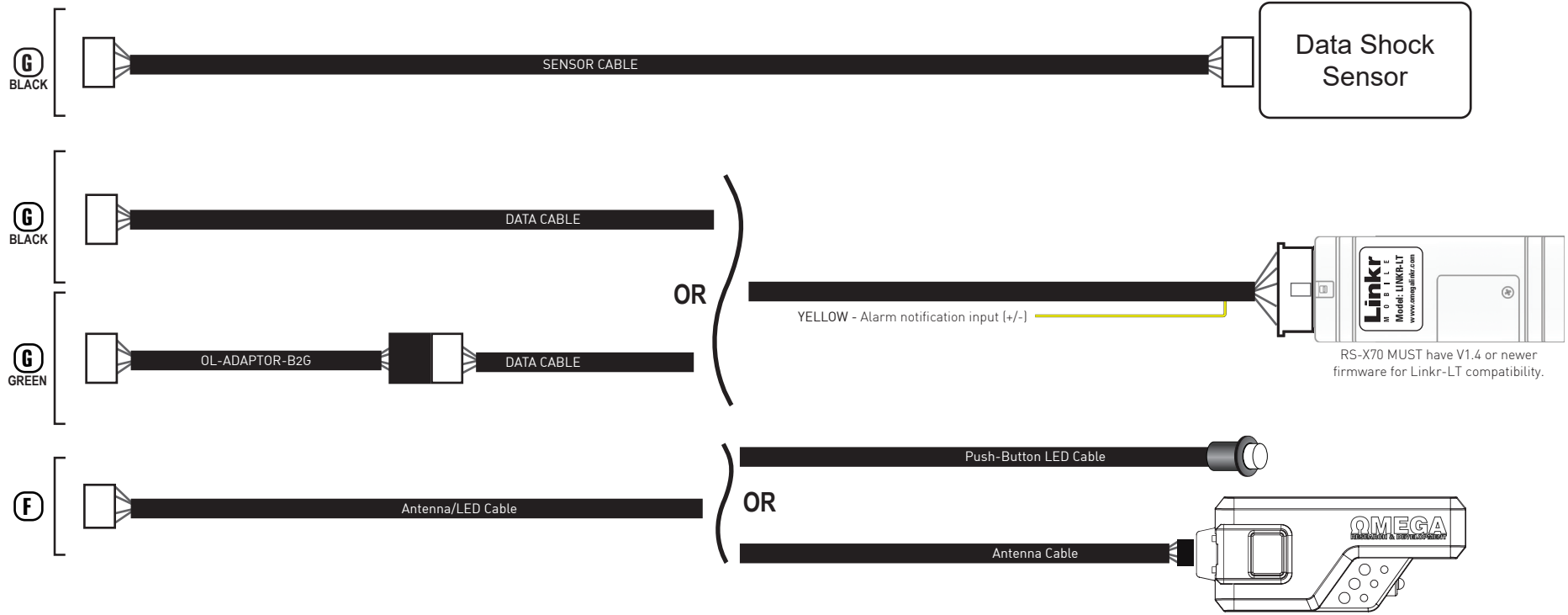
<sup>2</sup> - TPMS Ignition connection is only required IF vehicle is equipped with Tire Pressure Monitoring System (TPMS) and remote start control from OEM remotes is desired.



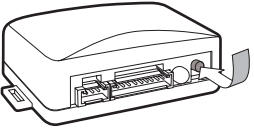
## RS-X70 Diagram #12





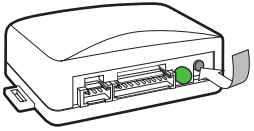
**RS-X70 Optional Accessories**



## Installation Mode Selection

- 1  Press and release programming button to select installation mode.

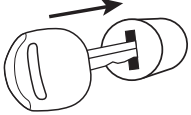
 LED flashes (1x) once = Data Mode (Recommended)  
 LED flashes (2x) twice = Hardwire Mode

- 2  Press and hold programming button until LED turns solid GREEN to register selection.

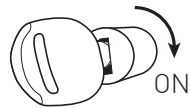
**!** After registration, follow Factory Reset to change installation mode and restart this process.

## Module Programming

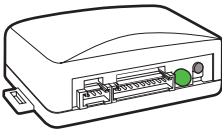
### DL-TL5 Firmware Installations

- 1  Insert the key into ignition.

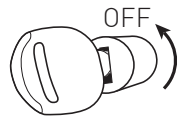
---

- 2  Turn the key to the ON position.

---

- 3  Wait, LED will turn solid GREEN for 2 seconds.

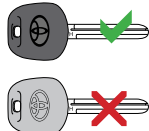
---

- 4  Turn the key to the OFF position.

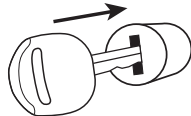
---

- 5 Proceed to AL-XX70-B Programming/Vehicle Learn.

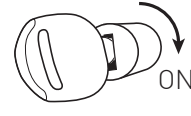
### DL-TL9 Firmware Installations

- 1  Use the BLACK key for module programming. DO NOT use the GRAY valet key.

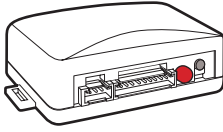
---

- 2  Insert the key into ignition.

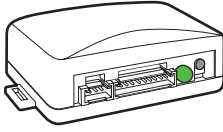
---

- 3  Turn the key to the ON position.

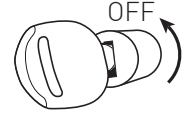
---

- 4  LED will turn solid RED.

---

- 5  Wait, LED will turn solid GREEN for 2 seconds.

---

- 6  Turn the key to the OFF position.

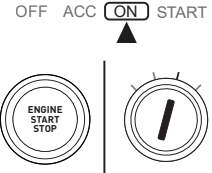
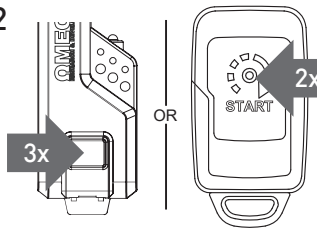
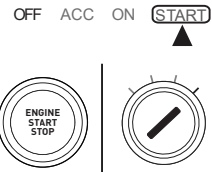
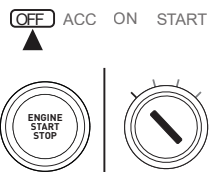
---


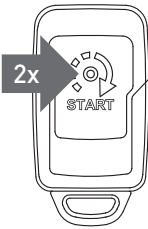
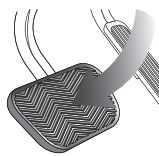
- 7 Proceed to AL-XX70-B Programming/Vehicle Learn.

## RS-X70 Programming/Vehicle Learn V1.6 (see installation guide for older versions)

### Before You Begin:

- Make sure all wires/harnesses are connected.
- Program the bypass module to the vehicle per the instructions on the previous pages.
- Connect any additional accessories/modules to the data ports.
- **MANUAL TRANSMISSION VEHICLES ONLY:** Set the parking brake. The BLACK/WHITE wire must be connected to the parking brake wire.

- 1** OFF ACC **ON** START  
Turn ignition to ON position (do not start).
- 
- 
- 2** Within 5 seconds of step 1 press the Valet button 3x or send remote start command (by remote, Linkr, activation input wire etc.).
- 
- The system will chirp & flash lights to indicate crank delay [Default: 1 chirp/flash = 1.5 sec]
  - Press valet button to change crank delay
  - Chirps: 1=1.5 sec, 2=15 sec, 3=20 sec, 4=30 sec
- 
- 3** OFF ACC ON **START**  
Start the engine with the key and let the engine reach normal idle.
- 
- 
- 4** OFF ACC ON START  
Release the parking brake.
- 
- MANUAL TRANSMISSIONS:**  
Release the parking brake.
- AUTOMATIC TRANSMISSIONS:**  
Turn the ignition key OFF.
- The system will chirp & flash the lights equal the # of IGN/ACC/START circuits detected (Max: 4).
- MANUAL** - Proceed to step 5.  
**AUTOMATIC** - Skip to step 6.

- 5** **BRAKE**  
**MANUAL TRANSMISSIONS:**  
Set the parking brake again to enter Manual Transmission Reservation Mode option selection. (installer feature #11)
- 
- The system will chirp & flash the light to indicate current setting (default: 2 - Off)
  - Set and Release the parking brake to scroll through setting options.
  - Chirp confirmation: 1 = **ON** - Shutdown w/ lock, 2 = **OFF**, 3 = **ON** - Shutdown w/ door close, 4 = **ON** - Shutdown 10 sec. after door close
  - Before turning the key OFF, perform the MT reservation sequence (see operation guide) and exit the vehicle.
- 
- 6** Activate remote start (within 60 sec. of Step 4 or 5). Wait until engine is running and LED flashes slowly (10-45 seconds after engine cranks & runs).  
**Push-to-Start vehicles:** Ensure the OEM fob is at least 20 ft. away to allow remote start.
- 
- The system will detect data protocols, select the best available engine running detection method, and, learn any available tach input (data or analog).
- 
- 7** **TO SAVE SETTINGS/FINISH VEHICLE LEARN:**  
Press the BRAKE pedal (will shut down RS).
- 
- This disables VEHICLE LEARN (to enable again, program installer feature #2 (bank 10) to "Enabled".
- TO CANCEL/START OVER:**  
Press the valet button once.
- 
- 8** Programming complete.

## Troubleshooting

- See system installation guide for remote start diagnostics and troubleshooting.
- See OmegaLink module/firmware guide at [www.wiresheet.com](http://www.wiresheet.com) for interface module diagnostics and troubleshooting.