
EDC

ENDOSCOPE DRYING CABINET

ADAPTER MANUAL



Van Vliet Medical Supply B.V.
Antennestraat 60
1322 AS Almere
The Netherlands



Use of the endoscope storage and drying cabinet in any manner other than as described in this manual can result in damage to the machine and/or injury to personnel.

Van Vliet Medical Supply B.V. is not responsible in cases of use of the machine by unauthorised persons or for the damage that might be caused as a result.

Contents

Product information	4
Conventions in this instruction manual	5
Signal words	5
Safety rules	5
Chapter 1 Introduction	6
1.1 Please note	6
1.2 Product liability	6
Chapter 2 Connect adapters and maintenance	7
2.1 Connecting of adapter hoses in the EDC.....	7
2.1 Maintenance of adapters.....	7
Chapter 3 Adapters for various kind of endoscopes	8
3.1 Set 1 (E0425637): Olympus Standard GI Scopes without supplementary channels	8
3.2 Set 2 (E0425613) + Set 1 (E0425637): Olympus Standard GI Scopes with Jet channel.....	10
3.3 Set 2 (E0425613) + Set 1 (E0425637): Olympus JF Scopes	12
3.4 Set 2 (E0425613) + Set 1 (E0425637): Olympus TJF Scopes	14
3.5 Set 3 (E0425614) + Set 1 (E0425637): Olympus GIF-200 Scopes.....	16
3.6 Set 3 (E0425614) + Set 1 (E0425637): Olympus CF20/30 Scopes	17
3.7 Set 4 (E0425638): Olympus EUS-160 Scopes	18
3.8 Set 4 (E0425638) + Set2 (E0425613): Olympus EUS-UC Scopes	19
3.9 Set 5 (E0425616): Olympus LF-GP Scopes	21
3.10 Set 6 (E0425617): Olympus BF-20D Scopes	23
3.11 Set 7 (E0425618): Olympus BF-30 Scopes.....	24
3.12 Set 8 (E0425619) + Set 7 (E0425618): Olympus BF UC Scopes	26
3.13 Set 8 (E0425619): Olympus URF Scopes	28
3.14 Set 10 (E0425629) + Set 1 (E0425637): Olympus GIF-2T Scopes.....	30
3.15 Olympus Scopes without internal channels	32
3.16 Set 1 Pentax (E0425621) + Set 3 Pentax (E0425623).....	33
3.17 Set 2 Pentax (E0425622): EB Scopes	35
3.18 Set 5 Pentax (E0425635): FB Scopes	37
3.19 Set 1 FujiFilm (E0425626): EG Scopes	39
3.20 Set 1 FujiFilm (E0425626): EG Scopes + Set 8 OLYMPUS (E0425619).....	41
3.21 Set 2 FujiFilm (E0425626): EB Scopes	43
Chapter 4 Manufacturer and Distributor	45

Product information

This product is under constant development. Even though all efforts are made to always update this instruction manual, we reserve the right to change technical data and equipment without previous announcement.
Van Vliet Medical Supply, Almere, Holland.
All rights reserved.

Conventions in this instruction manual

Signal words

The following signal words are used throughout this manual:

WARNING

Indicates a potentially hazardous situation which, if not avoided, could result in death or serious injury.

CAUTION

Indicates a potentially hazardous situation which, if not avoided, may result in minor or moderate injury. It may also be used to alert against unsafe practices or potential equipment damage.

NOTE

Indicates additional helpful information or recommendations, which concern practical use of the equipment and which are important for smooth operation.

Safety rules

This is supplementary manual to the EDC user manual. To avoid personal injury it is essential always consider the instructions and provisions given in the EDC user manual.

Chapter 1 Introduction

1.1 Please note

Before using the adapters, read the EDC user manual carefully to prevent injury to the user and damage to the equipment.

NOTE

- **Only** trained staff should be allowed to operate the EDC.
- The machine must not be operated by persons under the age of 18.
- Extreme care must be taken when using aggressive cleaning agents.
- When using some adapters with an EDC model E you should shorten the length of the tubing (see Chapter 3 Adapters for various kind of endoscopes).

Olympus will provide user training after installation of the EDC. If you would appreciate any further support for regular training, please contact your local Olympus representative.

If you have any questions concerning the topics covered in this user manual or the operation or safety of the equipment, please contact your Olympus representative or the nearest Olympus office.

1.2 Product liability

The manufacturer only assumes liability for the safety, reliability and performance of this equipment if:

- installation/assembly, extension, readjustments, alterations or repairs are undertaken by technicians authorized by Olympus.
- the equipment is used according to the instructions given in this manual and the EDC user manual.

Chapter 2 Connect adapters and maintenance

2.1 Connecting of adapter hoses in the EDC

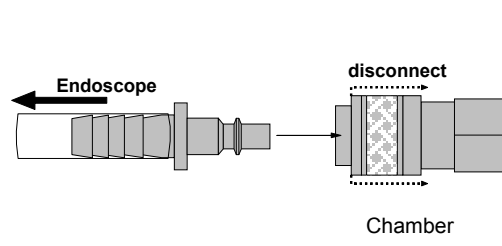


Figure 2.1 Nipple and connector

For the various types of endoscopes see Chapter 3.

To disconnect the hoses on the back of the cabinet you should push the ring back to the back of the cabinet and then the connection nipple loosens
For connecting the nipple push the nipple in the connection.

2.1 Maintenance of adapters

It is recommended to always disinfect the endoscope adapters prior to use!
The user should also pay attention to all adapters if they still work properly.
See the EDC user manual for more details.

Chapter 3 Adapters for various kind of endoscopes

3.1 Set 1 (E0425637): Olympus Standard GI Scopes without supplementary channels

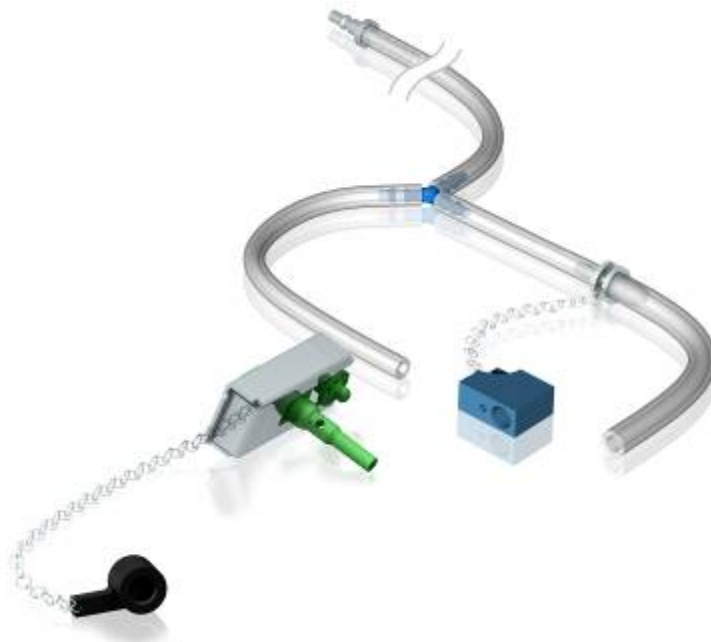


Figure 3.1 Adapter Set 1

Suitable for the following scopes:

CF-Q160S, CF-2T160I/L, CF-Q165I/L, CF-FH260AZI/L
 CF-260AZI / L, CF-40I/L, CF-140I/L/S, CF-240I/L,
 CF-H260AL, CF-H260AI
 CF-Q140I/L, CF-Q160DI/DL/ZI/ZL, CF-Q240I/L, CF-Q260AL, CF-Q260AI, CF-Q260DL, CF-Q260DI
 CF-VI/L
 CF-200S/Z

GIF-1TQ160,
 GIF-160, GIF-200Z, GIF-100, GIF-130, GIF-140, GIF-200
 GIF-E, GIF-D10, GIF-H260
 GIF-FQ260Z
 GIF-N180, GIF-N200, GIF-N230, GIF-N30
 GIF-P10, GIF-P140, GIF-P20, GIF-P230, GIF-P30, GIF-PQ20, GIF-PV10
 GIF-Q180, GIF-Q165, GIF-Q160, GIF-Q145, GIF-Q10, GIF-Q20, GIF-Q30, GIF-Q40, GIF-Q140
 GIF-Q200, GIF-Q230, GIF-Q240, GIF-Q260
 GIF-SP240
 GIF-V10, GIF-V2
 GIF-XP190N, GIF-XP10, GIF-XP20, GIF-XP160, GIF-XP240, GIF-XP260
 GIF-XQ260, GIF-XQ20, GIF-XQ30, GIF-XQ40, GIF-XQ140, GIF-XQ200, GIF-XQ230, GIF-XQ240
 GIF-XTQ160, GIF-XV10

PCF-PH190I/L, PCF-140I/L, PCF-160AI/AL, PCF-240I/L, PCF-Q260AL, PCF-Q260AI

EC-1, OSF-2, OSF-3

SIF-Q180, SIF-10, SIF-100, SIF-Q140, SIF-Q240

Connecting Olympus Standard GI Scopes

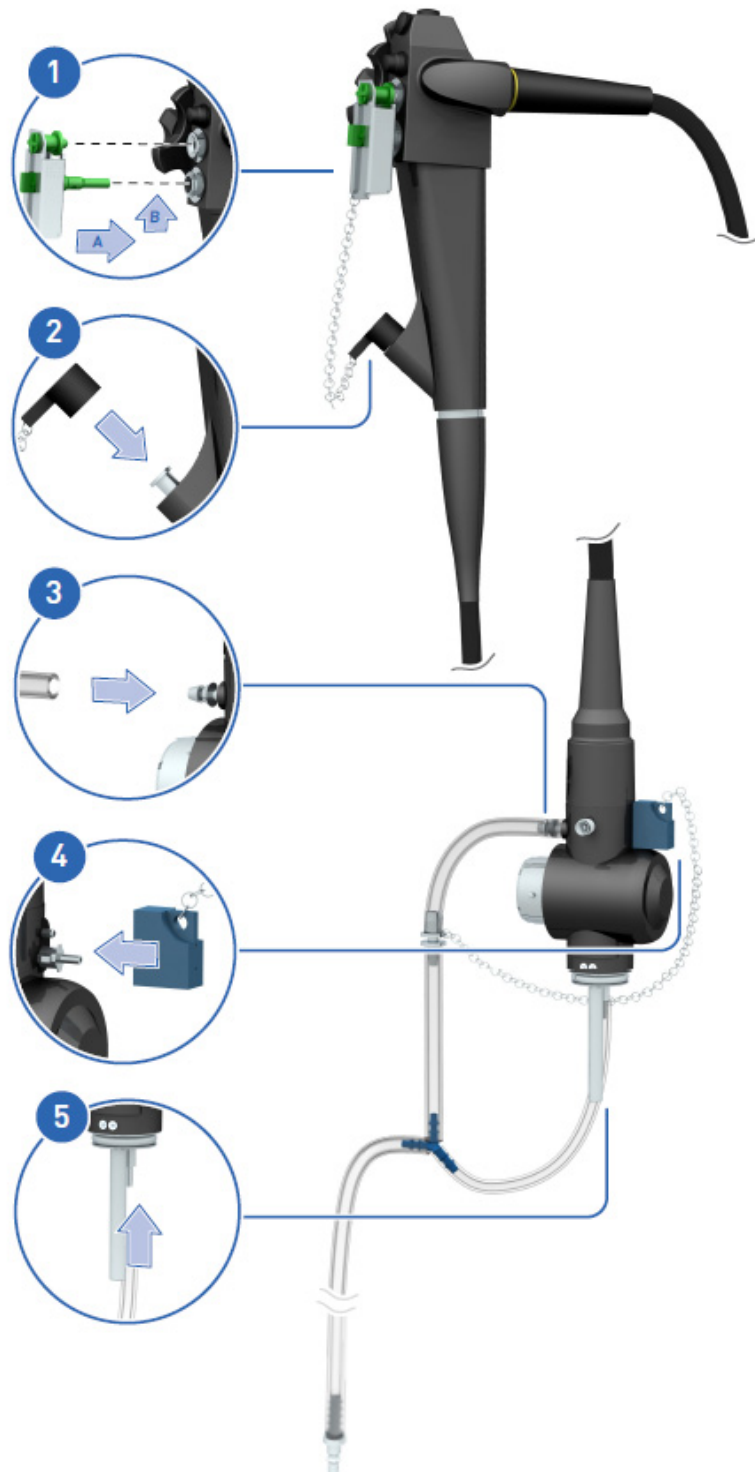


Figure 3.2 Connecting GI Scopes

3.2 Set 2 (E0425613) + Set 1 (E0425637): Olympus Standard GI Scopes with Jet channel

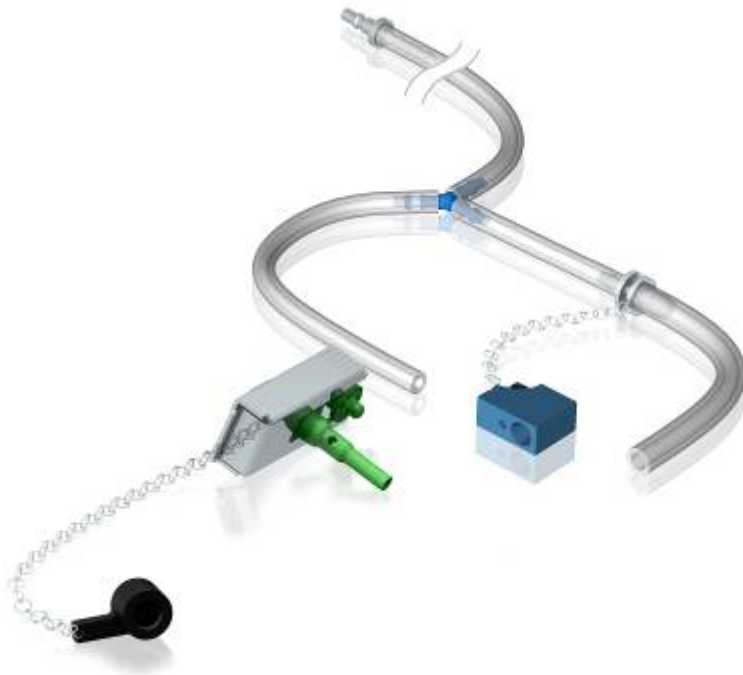


Figure 3.3 Adapter Set 1



Figure 3.4 Adapter Set 2

Suitable for the following scopes:

CF-HQ190I/L, CF-H190I/L
 CF-H180L/I
 CF-Q145I/L, CF-Q160AI/AL/I/L/S, CF-Q165L/I, CF-Q180AL-I
 CF-1T140I/L

GIF-H190, GIF-HQ190
 GIF -1T140, GIF-1T240
 GIF-XT30, GIF-XTQ160

PCF-H190I/L, PCF-Q180AL/I

Connecting Olympus Standard GI Scopes with Jet Channel

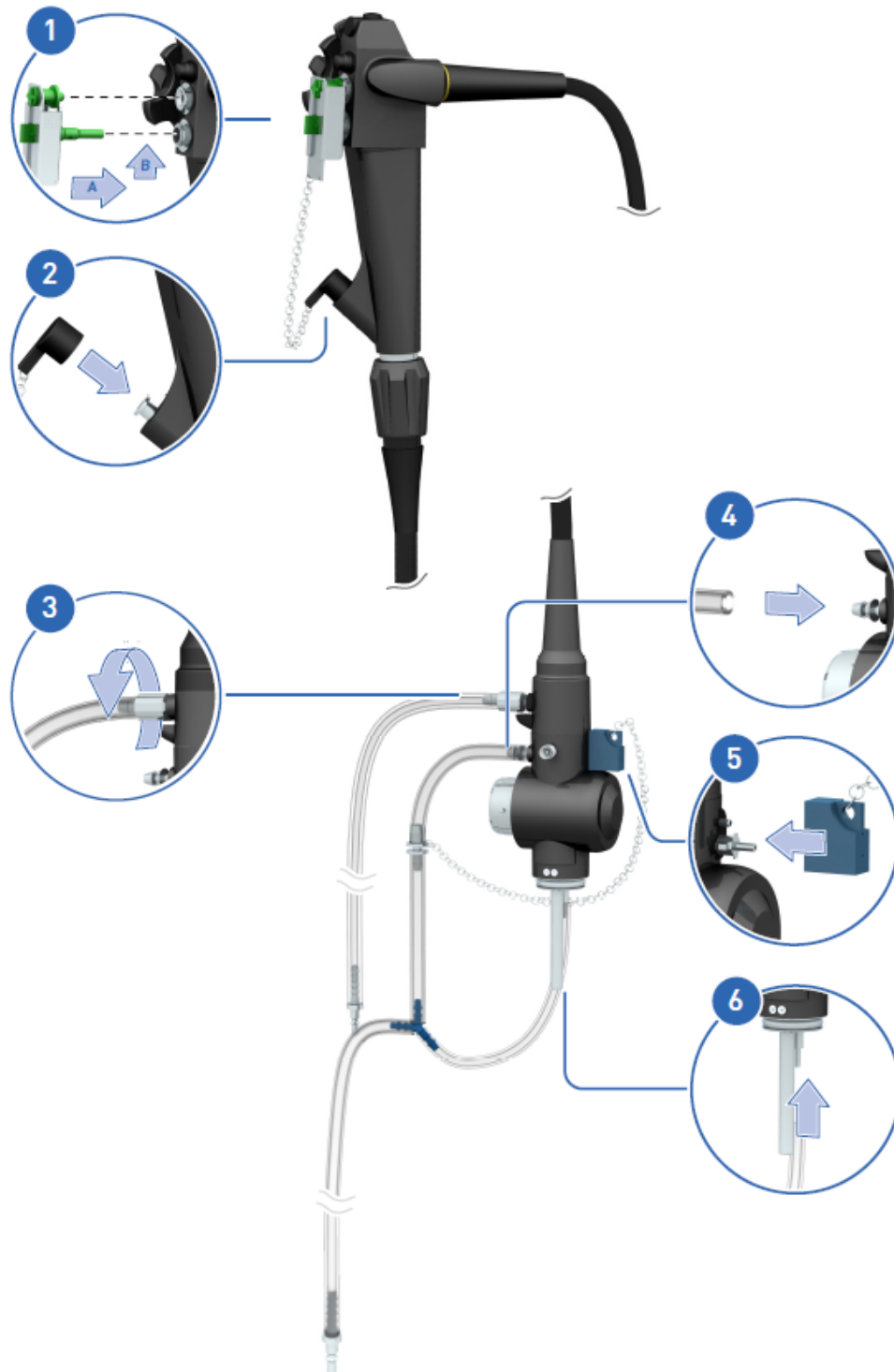


Figure 3.5 Connecting GI Scopes with jet

3.3 Set 2 (E0425613) + Set 1 (E0425637): Olympus JF Scopes

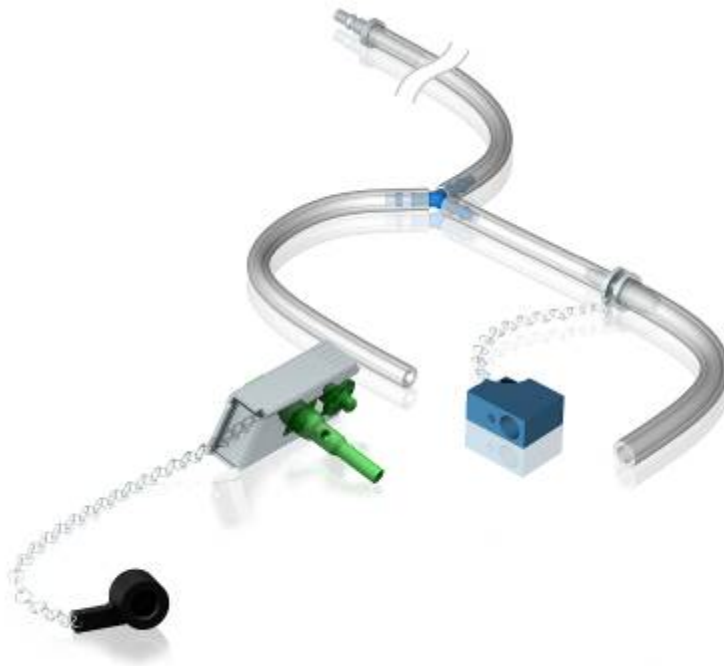


Figure 3.6 Adapter Set 1



Figure 3.7 Adapter Set 2

Suitable for the following scopes:

JF-140R, JF-10, JF-20, JF-100, JF-130, JF-200, JF-230, JF-240

JF-1T40, JF-1T10, JF-1T20, JF-1T30

JF-E

JF-V10, JF-V2

PJF-160, PJF-7,5E

GIF-K10, GIF-K20

GIF-XK10, GIF-XK20, GIF-XK200

Connecting Olympus JF Scopes

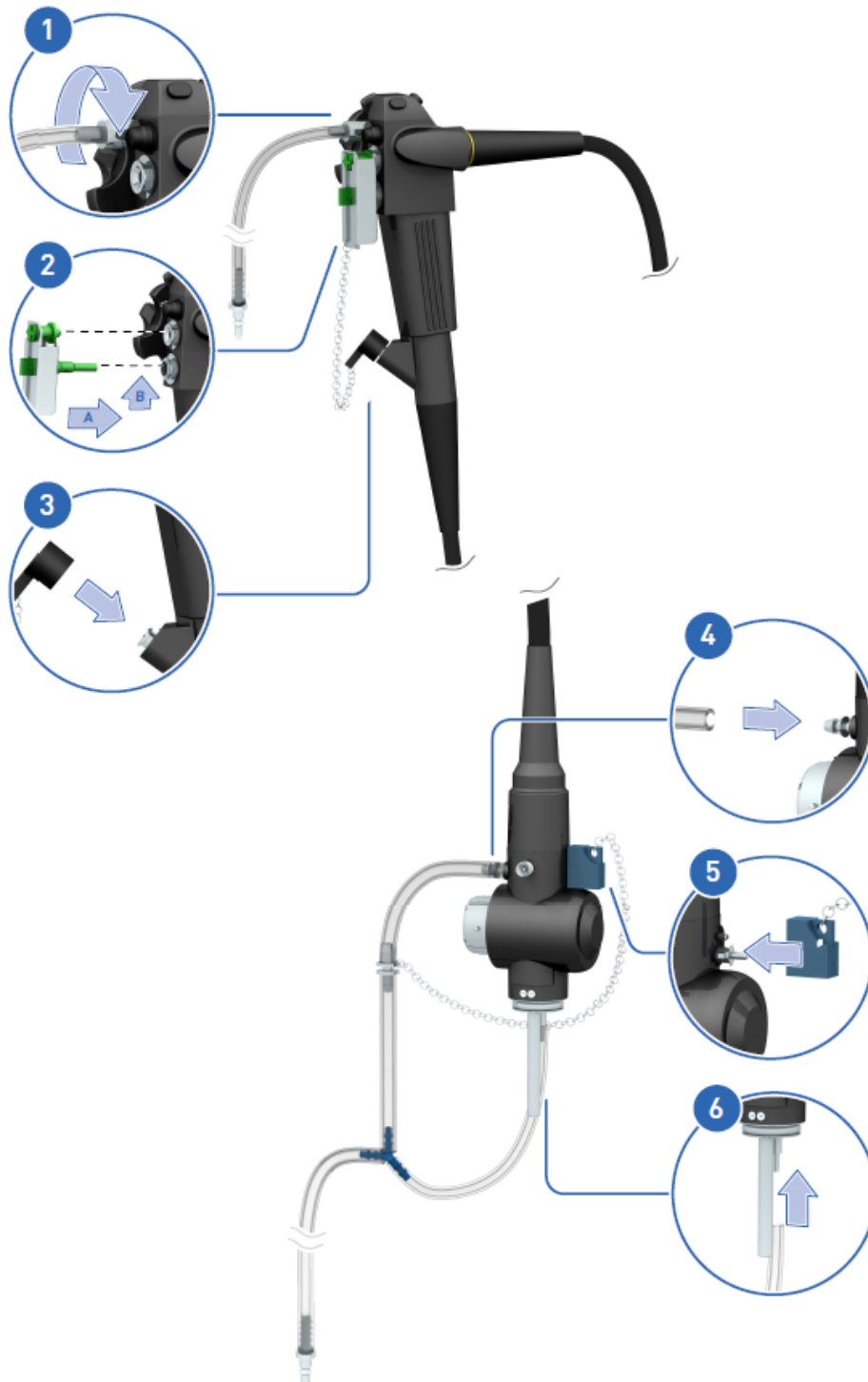


Figure 3.8 Connecting JF Scopes

3.4 Set 2 (E0425613) + Set 1 (E0425637): Olympus TJF Scopes

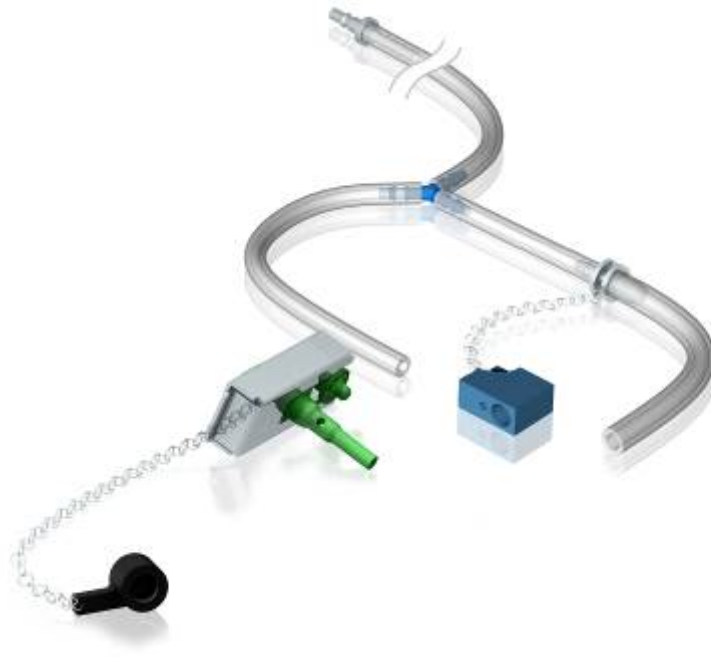


Figure 3.9 Adapter Set 1



Figure 3.10 Adapter Set 2

Suitable for the following scopes:

TJF-145, TJF-10, TJF-20, TJF-30, TJF-100, TJF-130, TJF-200, TJF-240
TJF-160VR, TJF-160R, TJF-140/R

TJF-M20, TJF-R140, TJF-V10

Connecting Olympus TJF Scopes

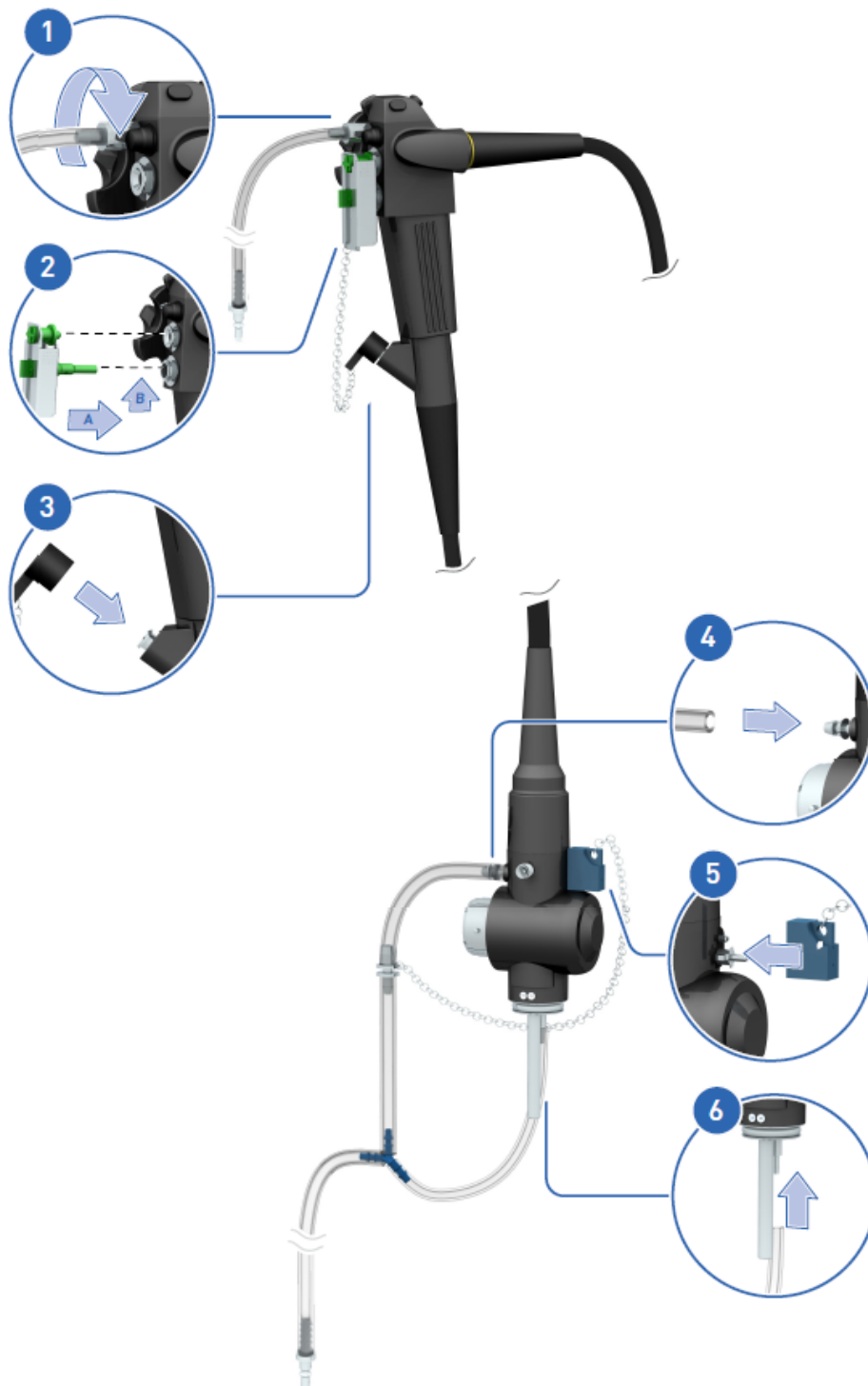


Figure 3.11 Connecting TJF Scopes

3.5 Set 3 (E0425614) + Set 1 (E0425637): Olympus GIF-200 Scopes

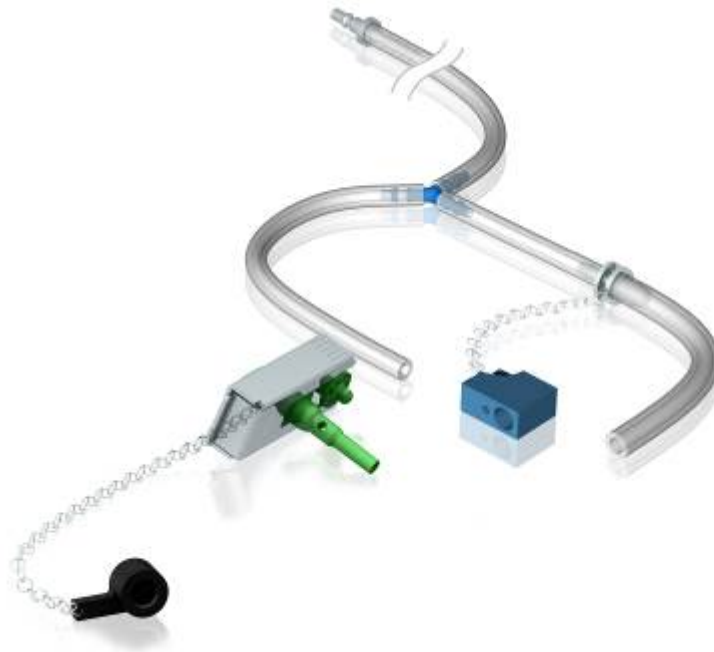


Figure 3.12 Adapter Set 1



Figure 3.13 Adapter Set 3

Suitable for the following scopes:

CF-20S, CF-100 HI/HL/S, CF-130I/L/S, CF-200HI/HL, CF-200S/Z, CF-230I/L
CF-1T200I/L, CF-1T100I/L
CF-EI, CF-EL
GIF-1T10, GIF-1T100, GIF-1T130, GIF-1T20, GIF-1T30, GIF-1TV10
PCF-30 HI, PCF-100, PCF-130I/L, PCF-200, PCF-230

3.6 Set 3 (E0425614) + Set 1 (E0425637): Olympus CF20/30 Scopes

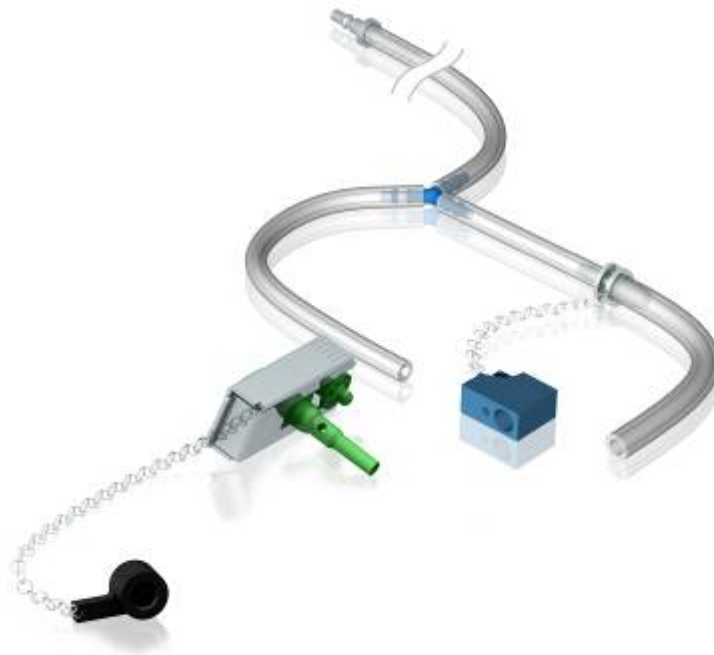


Figure 3.14 Adapter Set 1



Figure 3.15 Adapter Set 3

Suitable for the following scopes:

CF-1T10I/L, CF-1T20I/L,
CF-20HI/L, CF-20M, CF-30I/L/M,
CF-P10I/L/S, CF-P20I/L/S,
CF-V10I/L/S,

PCF-10, PCF-20

3.7 Set 4 (E0425638): Olympus EUS-160 Scopes

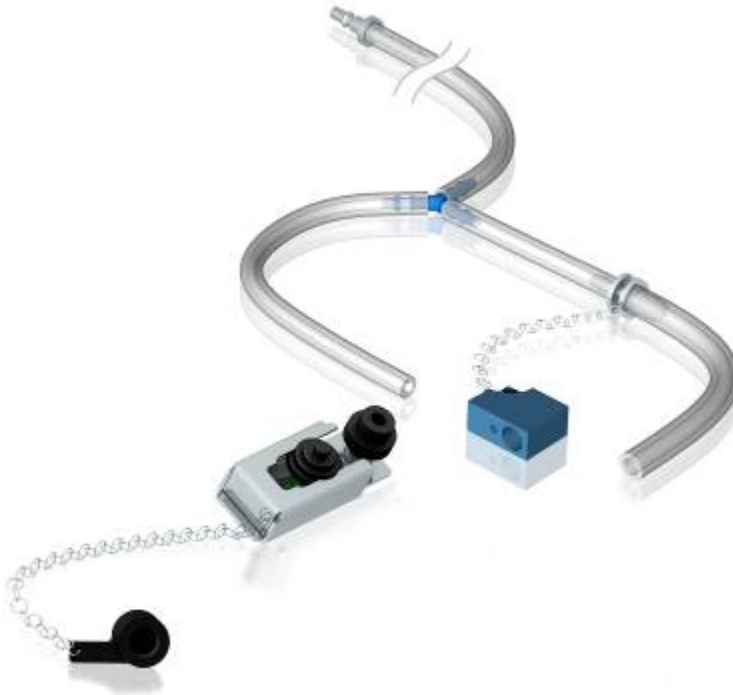


Figure 3.16 Adapter Set 4

Suitable for the following scopes:

GF-MH-908
GF-UE160-AL5
GF-UM160, GF-UM130, GF-UM240, CF-UM200
GF-UMP230
GF-UMQ130, GF-UMQ240, GF-UM2000, CF-UMQ230

3.8 Set 4 (E0425638) + Set2 (E0425613): Olympus EUS-UC Scopes

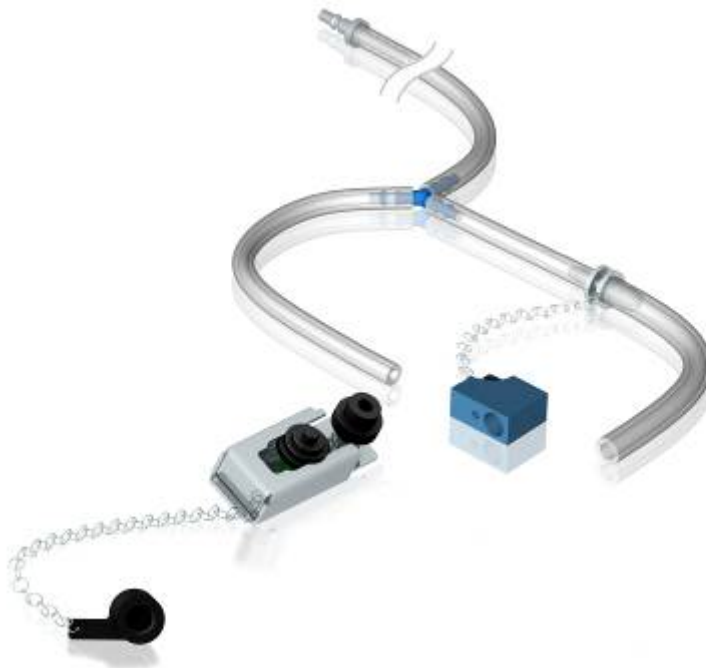


Figure 3.17 Adapter Set 4



Figure 3.18 Adapter Set 2

Suitable for the following scopes:

GF-UM30P, GF-UMD240P, GF-UMD140P
GF-UCT180
GF-UC140P-AL5, GF-UC160P- AT8, GF-UC160P- OL5, GF-UC30P
GF-UCT140-AL5, GF-UCT160- AT8, GF-UCT160-OL5,

UC240-AL5, UC2000P-OL5
UCT240-AL5, UCT2000-OL5

Connecting Olympus EUS-UC Scopes

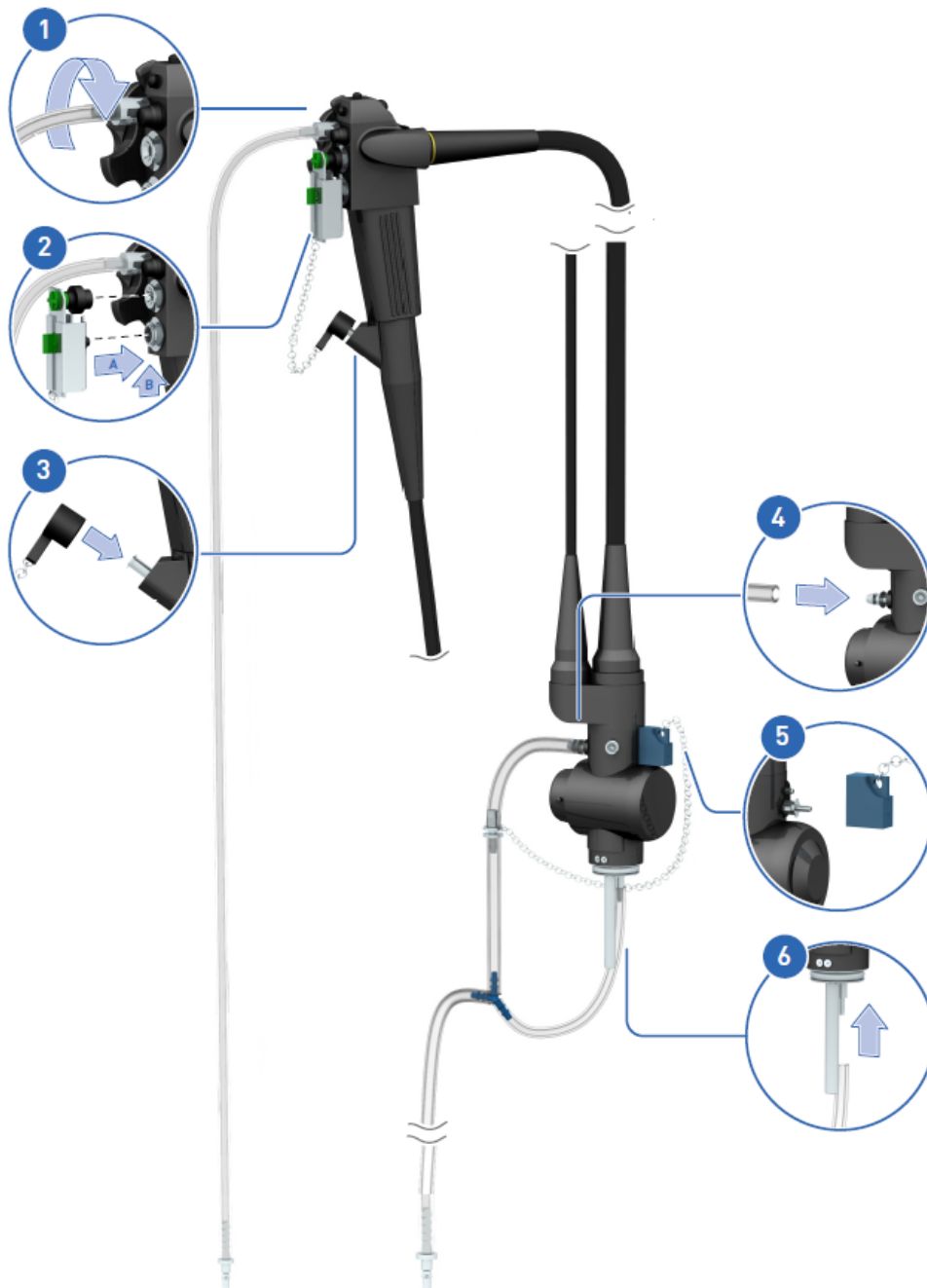


Figure 3.19 Connecting EUS-UC Scopes

3.9 Set 5 (E0425616): Olympus LF-GP Scopes



Figure 3.20 Adapter Set 5

Suitable for the following scopes:

BF-20
BF-3C20, BF-6C20
BF-P20
BF-1T20

LF-2
LF-DP
LF-GP
LF-T, LF-TP
ENF-T3

NOTE

When using this adapter with an EDC model E you should shorten the length of the tubing, or call your local Olympus service representative.

Connecting Olympus LF-GP Scopes

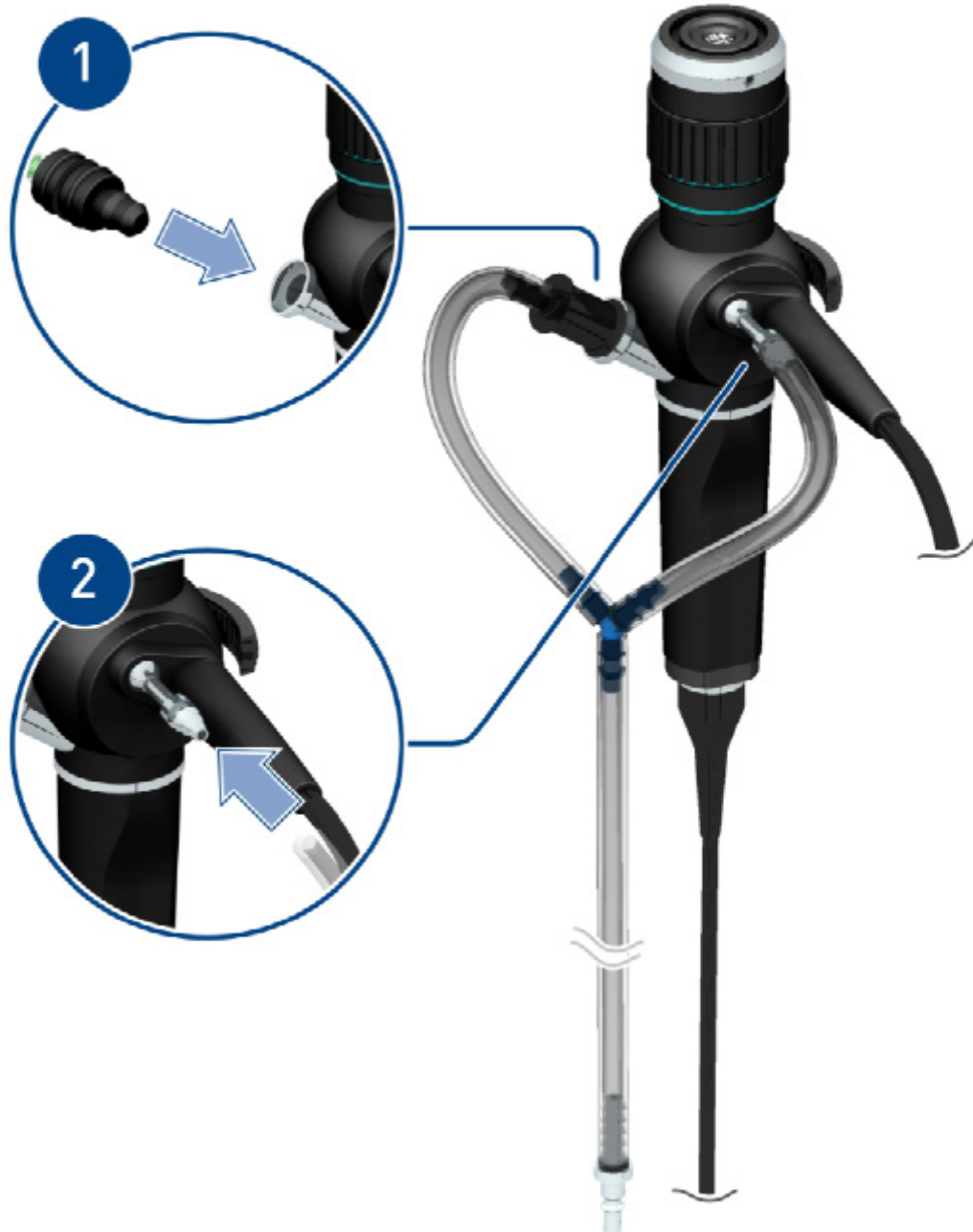


Figure 3.21 Connecting LF-GP Scopes

3.10 Set 6 (E0425617): Olympus BF-20D Scopes



Figure 3.22 Adapter 6et 6

Suitable for the following scopes:

BF-1T20D
BF-20D
BF-P20D
BF-PE
BF-TE
BF-XT20

NOTE

When using this adapter with an EDC model E you should shorten the length of the tubing, or call your local Olympus service representative.

3.11 Set 7 (E0425618): Olympus BF-30 Scopes



Figure 3.23 Adapter Set 7

Suitable for the following scopes:

BF-H190, BF-Q190, BF-1TH190
 BF-260, BF-30, BF-40, BF-160, BF-240, BF-180AC, BF-200
 BF-1T180, BF-1TQ180, BF-1T260, BF-1T30, BF-1T40, BF1T160, BF-1T200, BF-1T240
 BF-3C160, BF-3C30, BF-3C40
 BF-6C240, BF-6C260
 BF-F260
 BF-MP160F, BF-MP60
 BF-P180, BF-P30, BF-P40, BF-P60, BF-P160, BF-P200, BF-P240, BF-P260F
 BF-Q180, BF-Q180AC
 BF-PE2, BF-TE2
 BF-XP160F, BF-XP40, BF-XP60, BF-XP260F
 BF-XT160, BF-XT30, BF-XT40

ENF-VT

LTF-160

MAF-TM

NOTE

When using this adapter with an EDC model E you should shorten the length of the tubing, or call your local Olympus service representative.

Connecting Olympus BF-30 Scopes



Figure 3.24 Connecting BF-30 Scopes

3.12 Set 8 (E0425619) + Set 7 (E0425618): Olympus BF UC Scopes



Figure 3.25 Adapter Set 7



Figure 3.26 Adapter Set 8

Suitable for the following scopes:

BF-UC180F
BF-UC160F-OL8, BF-UC260F-OL8
BF-UM40

NOTE

When using this adapter with an EDC model E you should shorten the length of the tubing, or call your local Olympus service representative.

Connecting Olympus BF-UC Scopes



Figure 3.27 Connecting BF-UC Scopes

3.13 Set 8 (E0425619): Olympus URF Scopes



Figure 3.28 Adapter Set 8

Suitable for the following scopes:

CHF-B260, CHF-BP260

CHF-CB30L, CHF-CB30S

CYF-2, CYF-3, CYF-4, CYF-5, CYF-240, CYF-V, CYF-V2

HYF-P, HYF-XP

URF-P, URF-P2, URF-P3, URF-P5

NOTE

In case of use inside EDC Model E please cut length of the tube to the right length, or call your local Olympus service representative.

Connecting Olympus URF Scopes



Figure 3.29 Connecting URF Scopes

3.14 Set 10 (E0425629) + Set 1 (E0425637): Olympus GIF-2T Scopes

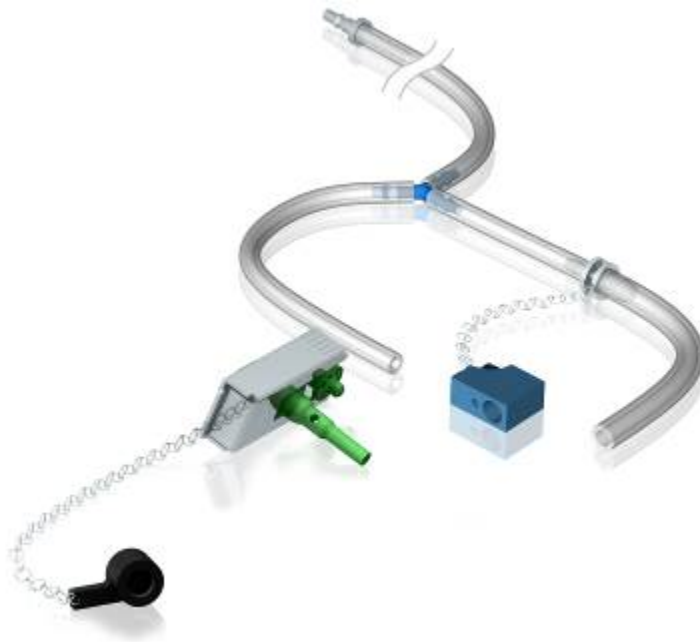


Figure 3.30 Adapter set 1



Figure 3.31 Adapter set 10

Suitable for the following scopes:

CF-2T160I/L

GIF-2TH180

GIF-2T160, GIF-2T240

Connecting Olympus GIF-2T Scopes

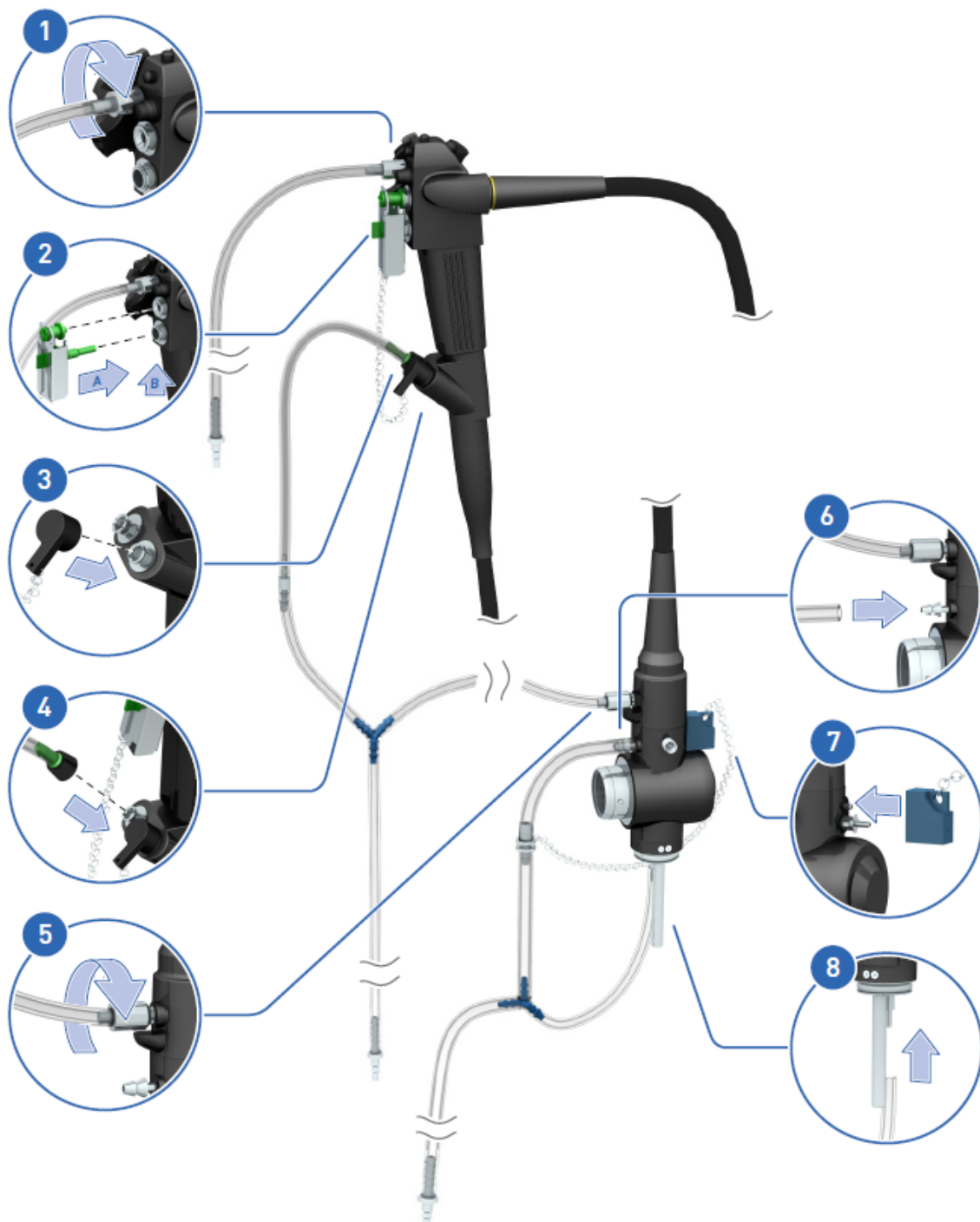


Figure 3.32 Connecting GIF-2T Scopes

3.15 Olympus Scopes without internal channels

No internal channels => No adapters:

ENF-10,
ENF-GP,
ENF-L3,
ENF-P, ENF-P2, ENF-P3, ENF-P4,
ENF-V, -V2,
ENF-XP,

BF-N20

3.16

Set 1 Pentax (E0425621) + Set 3 Pentax (E0425623)



Figure 3.33 Adapter set 1 Pentax



Figure 3.34 Adapter set 3 Pentax

Connecting Pentax EG Scopes

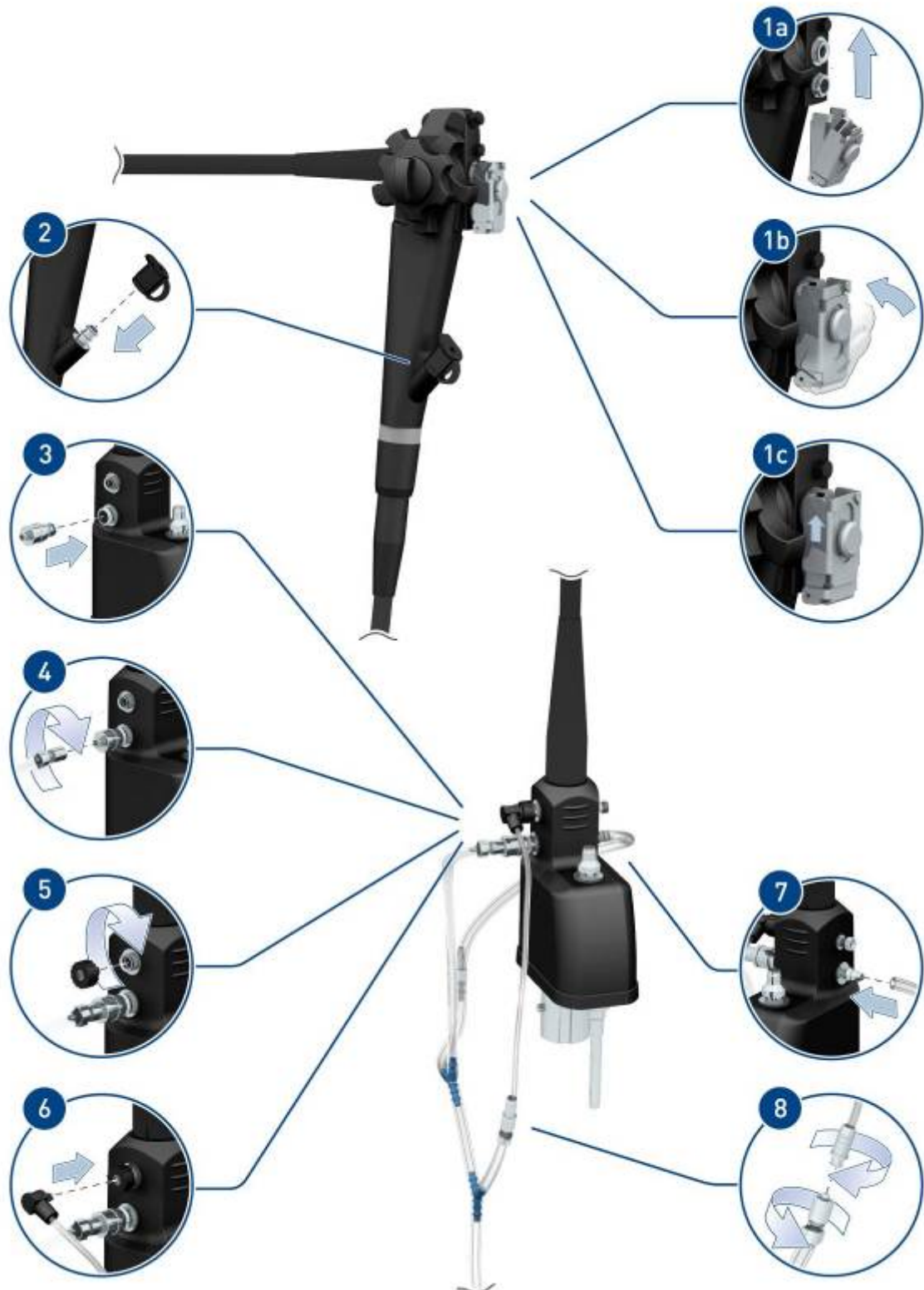


Figure 3.35 Connecting Pentax EG scopes

3.17 Set 2 Pentax (E0425622): EB Scopes

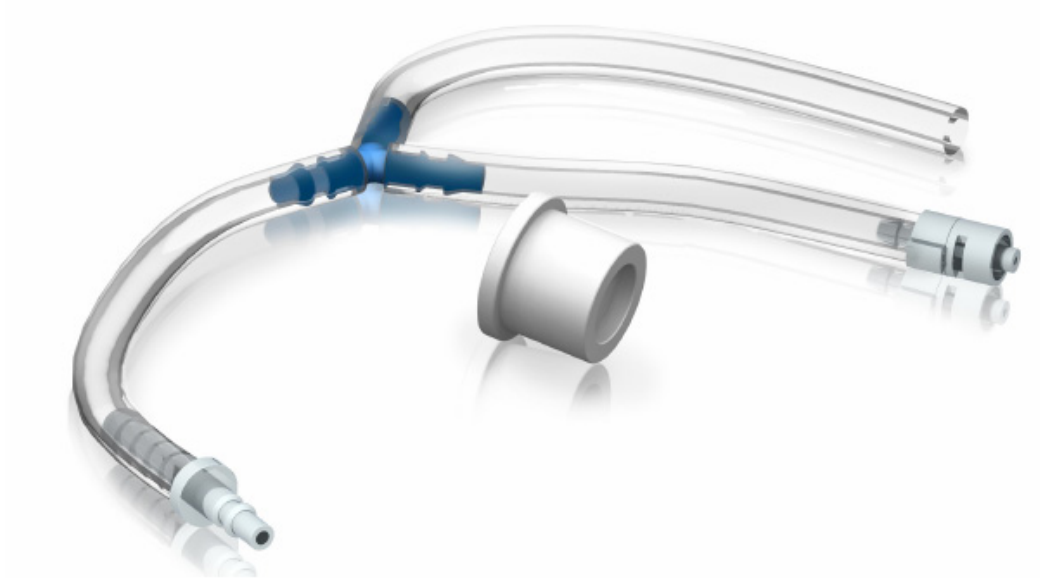


Fig 3.36 Adapter Set 2 Pentax

Connecting Pentax EB Scopes



Fig 3.37 Connecting Pentax EB scopes

3.18 Set 5 Pentax (E0425635): FB Scopes



Figure 3.38 Adapter Set 5 Pentax

Suitable for the following scopes:

Pentax FB-18BS

Connecting Pentax FB Scopes



Figure 3.39 Connecting Pentax FB scopes

3.19 Set 1 FujiFilm (E0425626): EG Scopes



Figure 3.40 Adapter Set 1 FujiFilm

Suitable for the following scopes:

FujiFilm EG scopes

Connecting FujiFilm EG Scopes

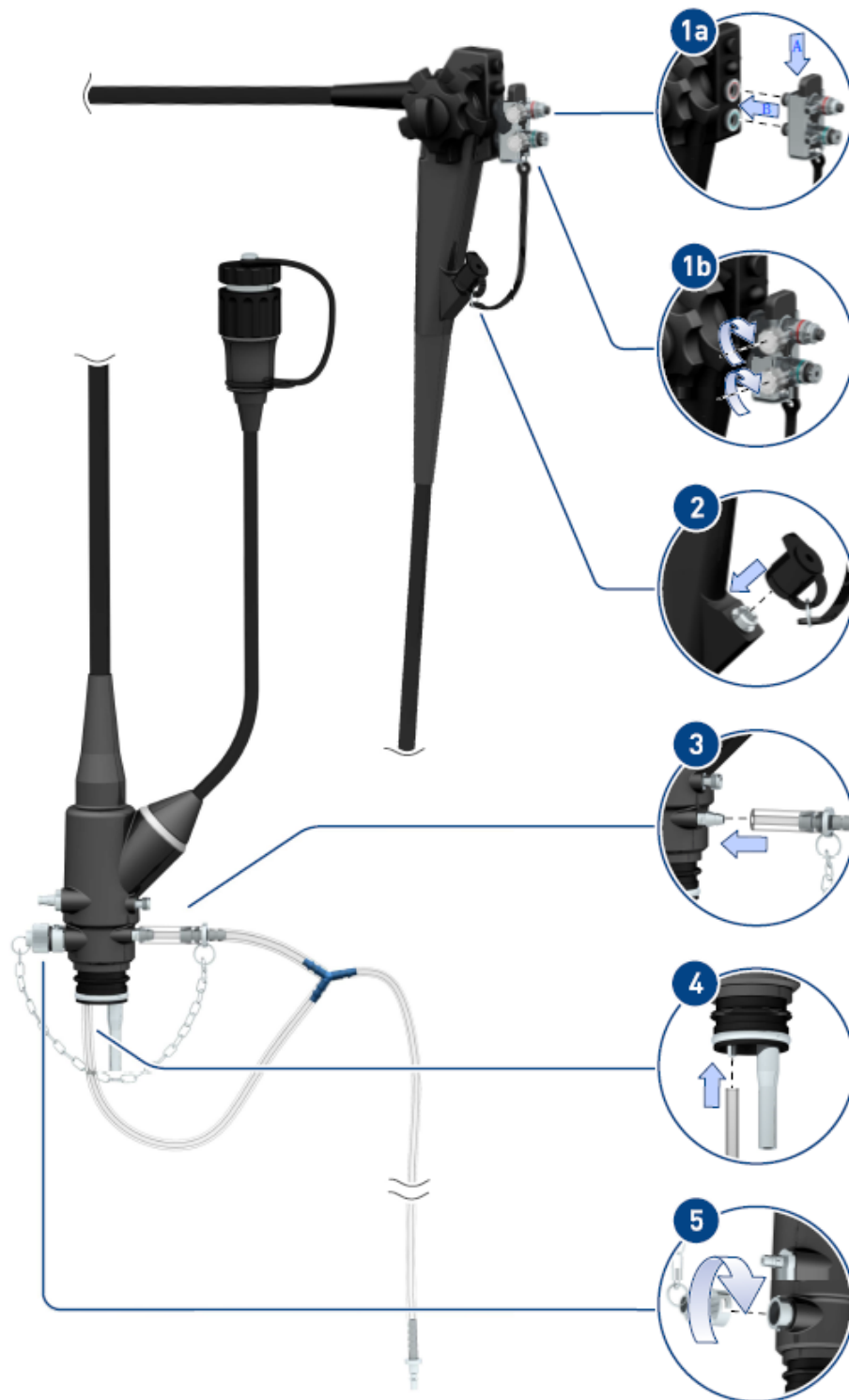


Figure 3.41 Connecting FujiFilm EG Scopes

3.20 Set 1 FujiFilm (E0425626): EG Scopes + Set 8 OLYMPUS (E0425619)



Figure 3.42 Adapter Set 1 FujiFilm



Figure 3.43 Adapter Set 8 Olympus

Suitable for the following scopes:

FujiFilm EC Scopes

Connecting FujiFilm EC Scopes

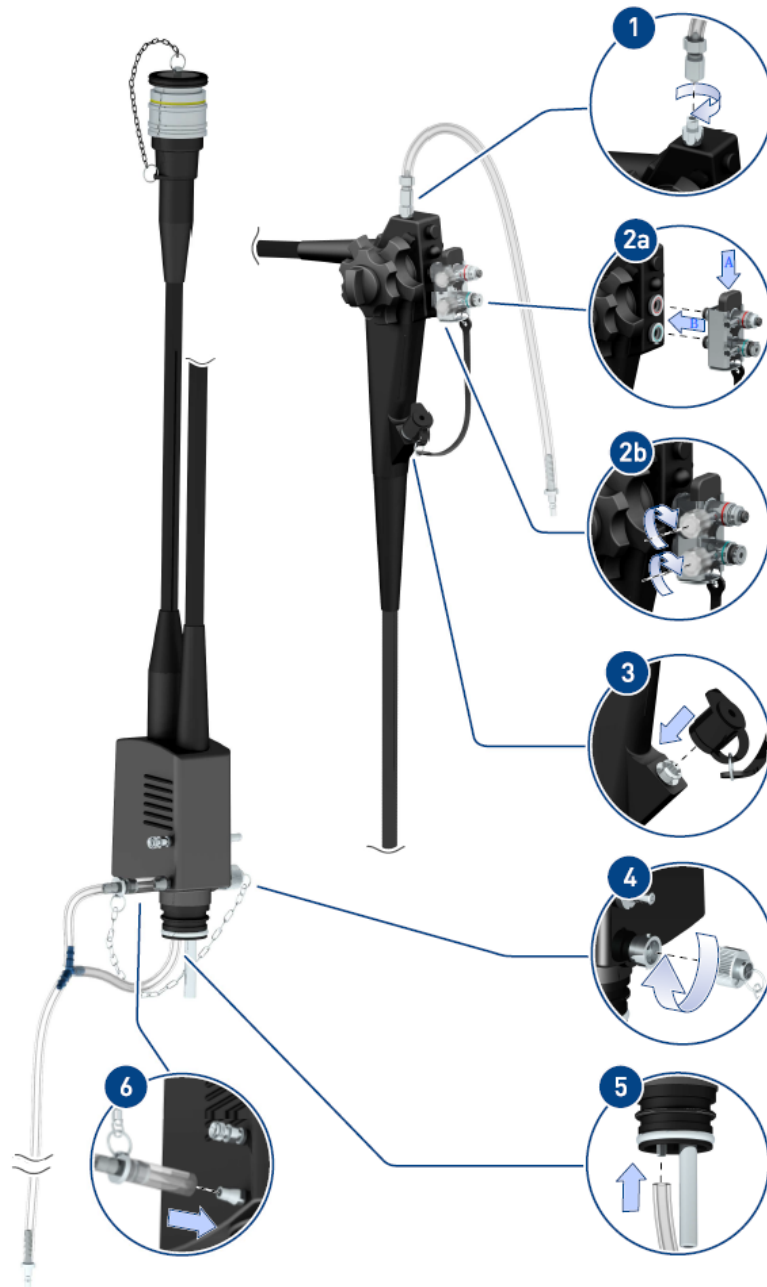


Figure 3.44 Connecting FujiFilm EC Scopes

3.21 Set 2 FujiFilm (E0425626): EB Scopes



Figure 3.45 Adapter Set 2 FujiFilm

Suitable for the following scopes:

FujiFilm EB-530H scopes

Connecting FujiFilm EB Scopes

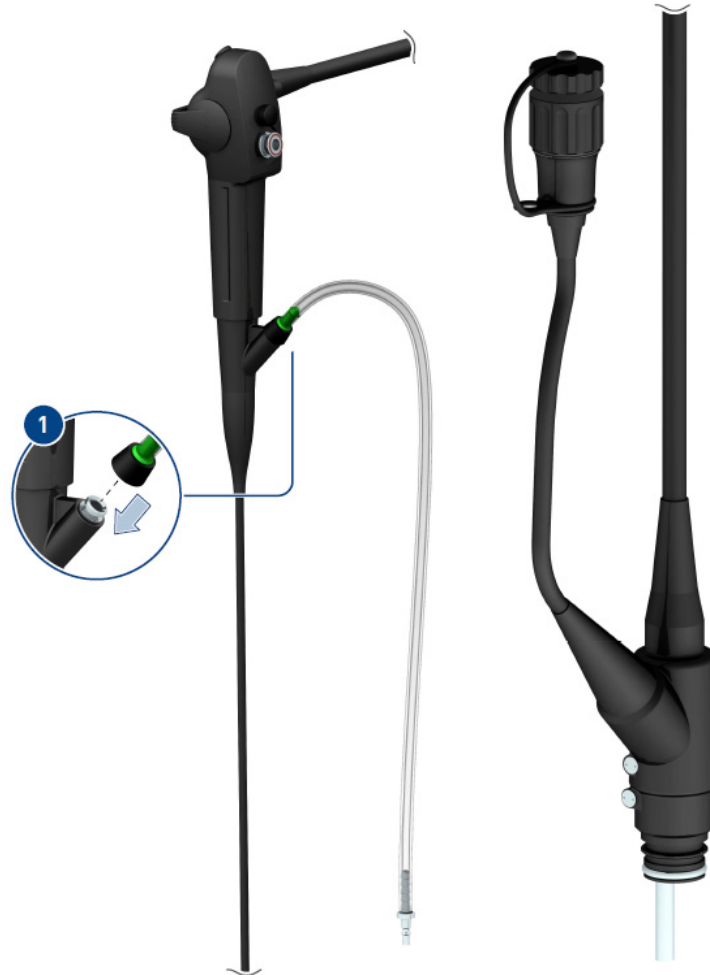


Figure 3.46 Connecting FujiFilm EB Scopes

Chapter 4 Manufacturer and Distributor

Manufacturer:

**Van Vliet Medical Supply B.V.
Antennestraat 60
1322 AS Almere
The Netherlands**

Distributor:

**Olympus Europa Holding GmbH
(Premises/Goods delivery) Wendenstrasse 14-18
20097 Hamburg
Germany**

**(Letters) Postfach 10 49 08
20034 Hamburg
Germany**

**Telephone +49 40 23773-0
Fax +49 40 23773-4656**