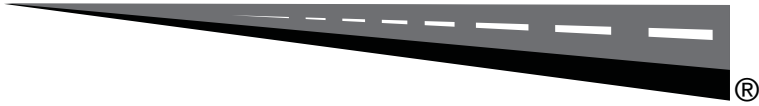
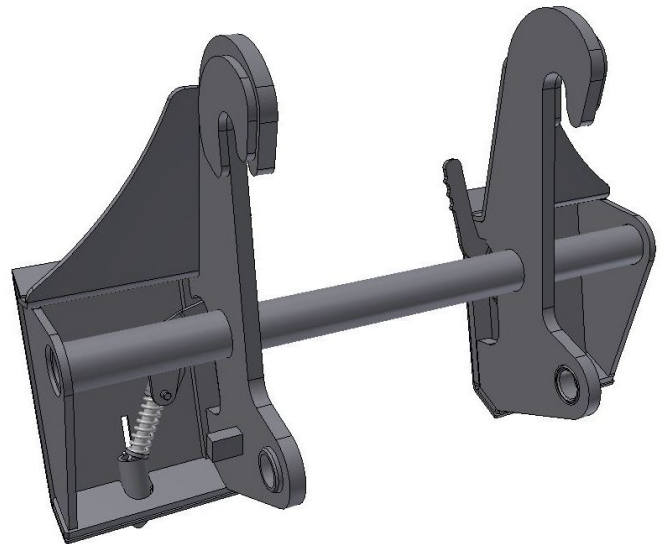
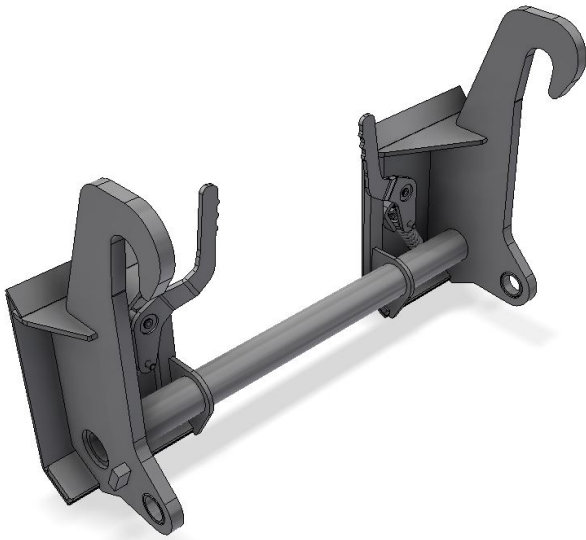


ROADWIDENER



ADAPTER PLATES GUIDE



1-844-494-3363 | Sales@RoadWidenerLLC.com

www.RoadWidenerLLC.com

“More Flexible. More Portable. More Profitable.”

TABLE OF CONTENTS

Case 221D & 321D.....	3
Caterpillar Integrated ToolCarrier (IT).....	4
Caterpillar Fusion Coupler.....	5
FFC Coupler for Backhoes.....	6
ISO Coupler for Compact Wheel Loaders.....	7
John Deere Hi-Vis/ISO 23727.....	8
JCB Q-Fit.....	9
JCB TM180 & TM220.....	10
JCB 210, 212 & 3CX Compact.....	11
JRB 'E' Series for Backhoes & Compact Wheel Loaders.....	12
JRB 416 Series.....	13
JRB 418 Series.....	14
Kubota R410, R420, R510 & R520.....	15
New Holland LW50 & Case 21D.....	16
Terex & Schaeff.....	17
Tractor 3-Point.....	18

Notes:

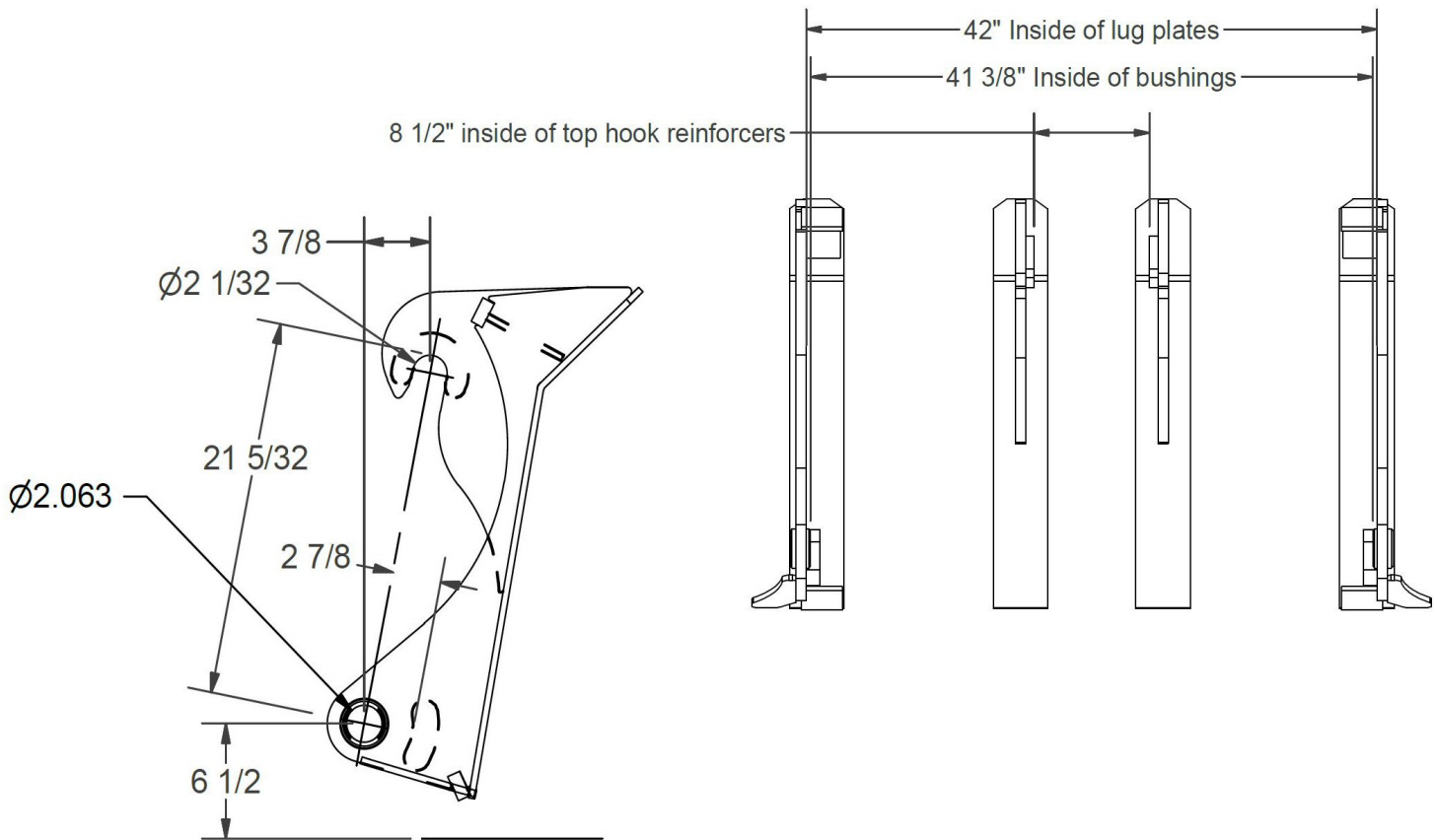
1. In light of multiple coupler systems being available for the same machine, do not place an order by referencing only the list of loader models.

1a. Example: The Cat 950 wheel loader is listed 3 times, with either a Cat Fusion, JRB416 or JRB418 coupler. The customer is responsible to identify the specific coupler their loader is equipped with, using the photos and drawings provided.

2. This guide includes most common industrial loader couplers, but is not exhaustive. Contact us if you do not see your coupler or loader listed.

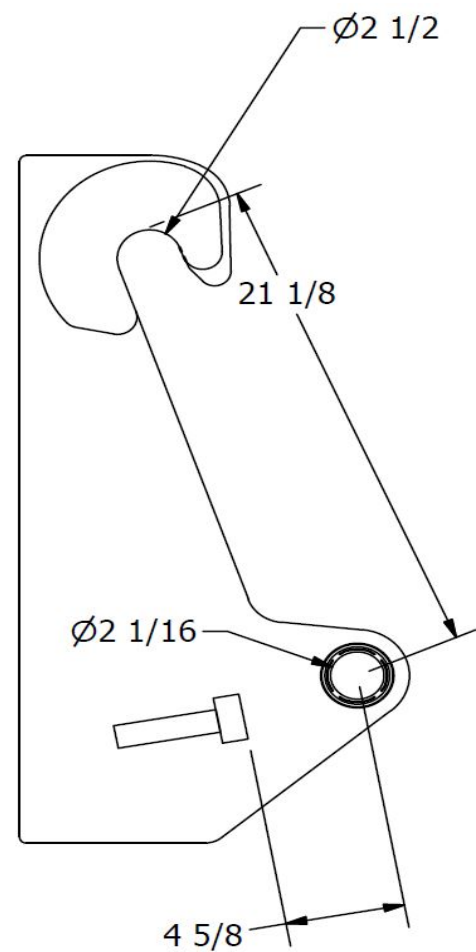
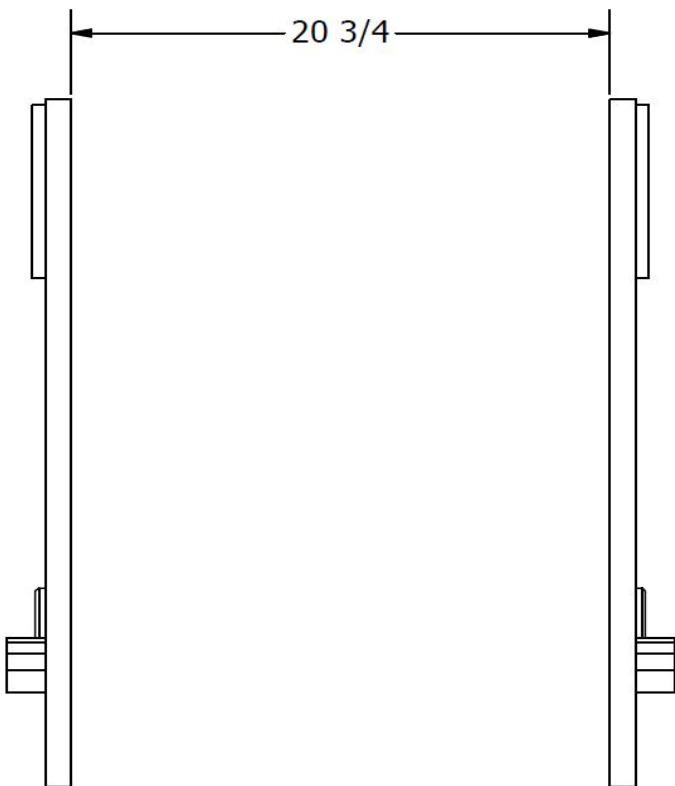
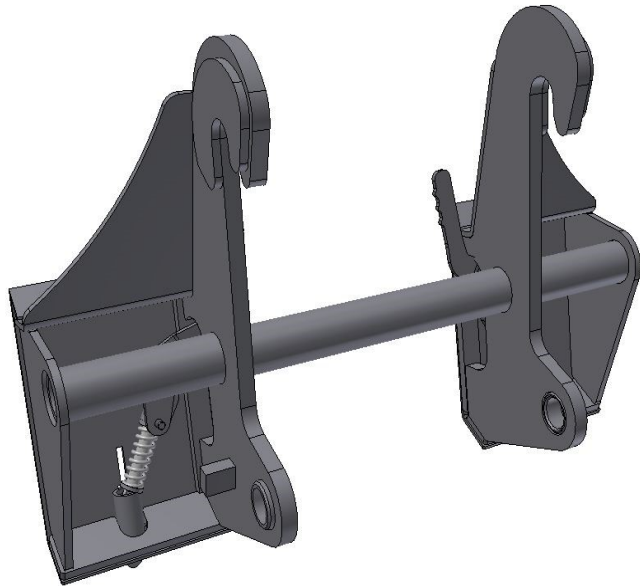
Case 221D & 321D

Part Number: RW-4007048



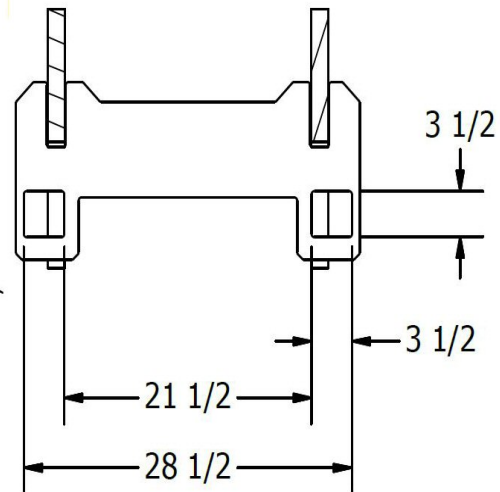
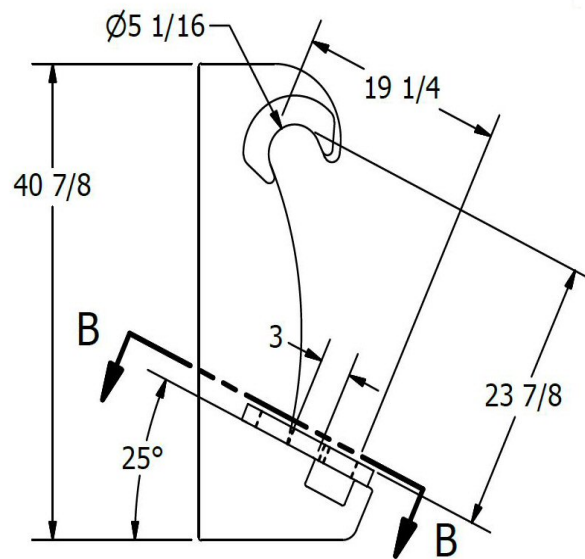
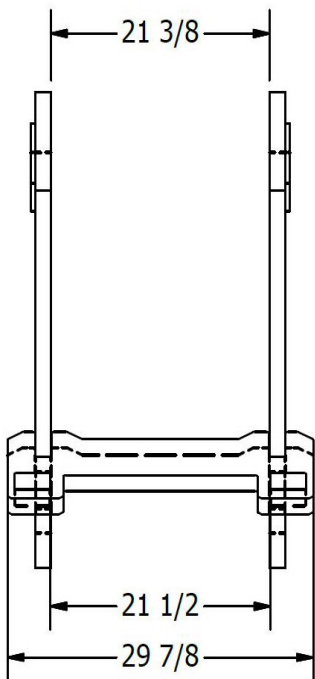
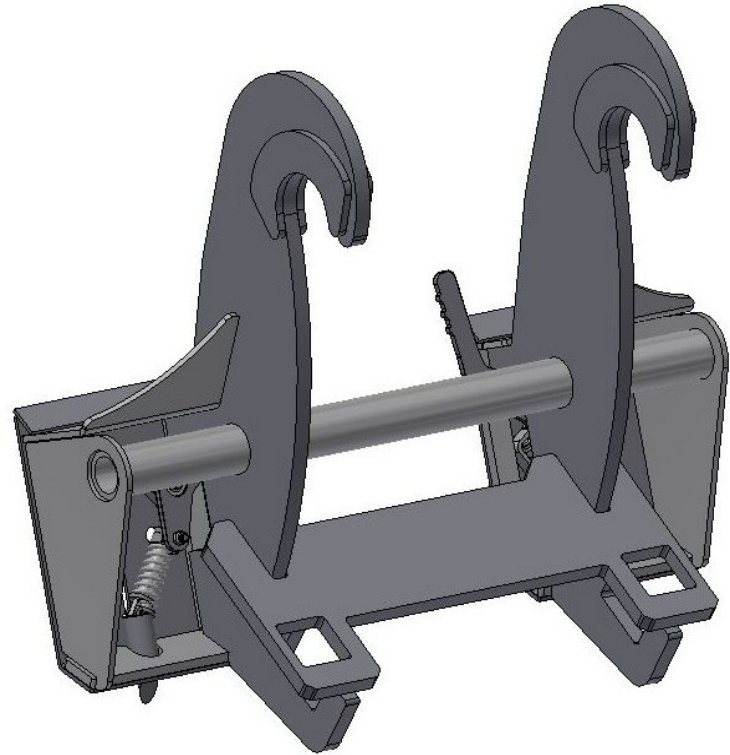
Cat Integrated ToolCarrier (IT) Coupler. For Various Cat Telehandlers, Wheel Loaders & Backhoes

Part Number: RW-4007027 (CAIT24)



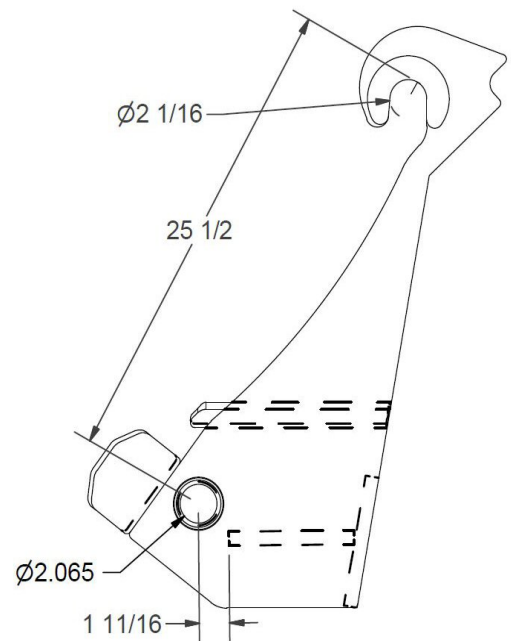
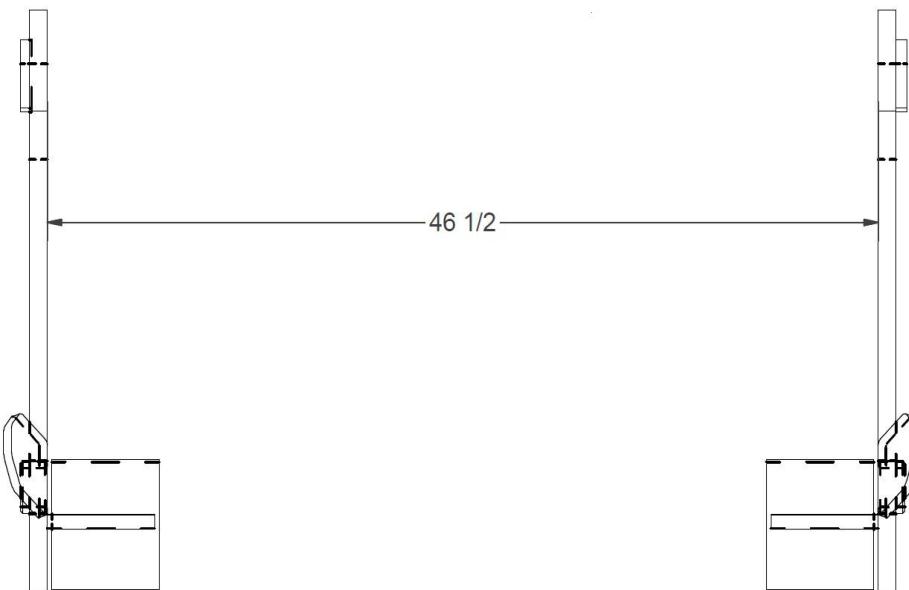
**Cat Fusion Coupler for 924, 924Z, 928, 930, 938, 950, 962, 966 & 972
Wheel Loaders**

Part Number: RW-4007031 (CAFU)



FFC Coupler for Case, Ford & New Holland Backhoes

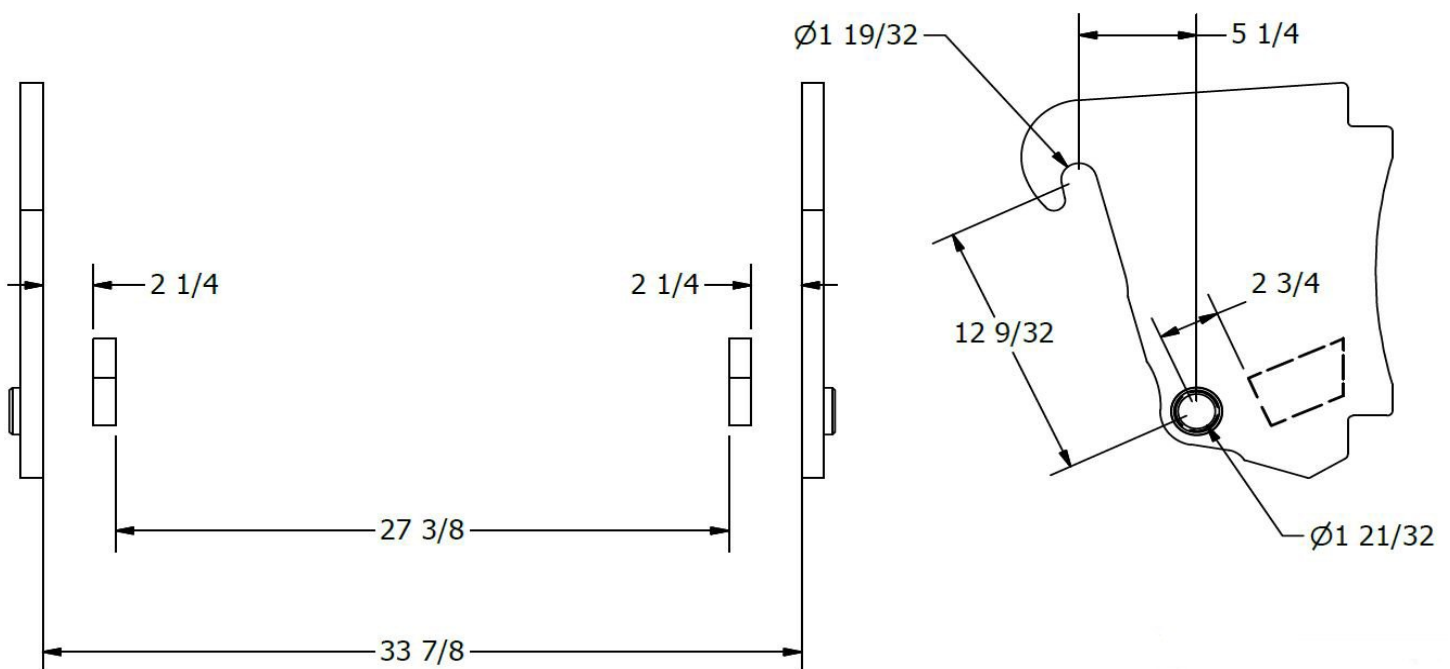
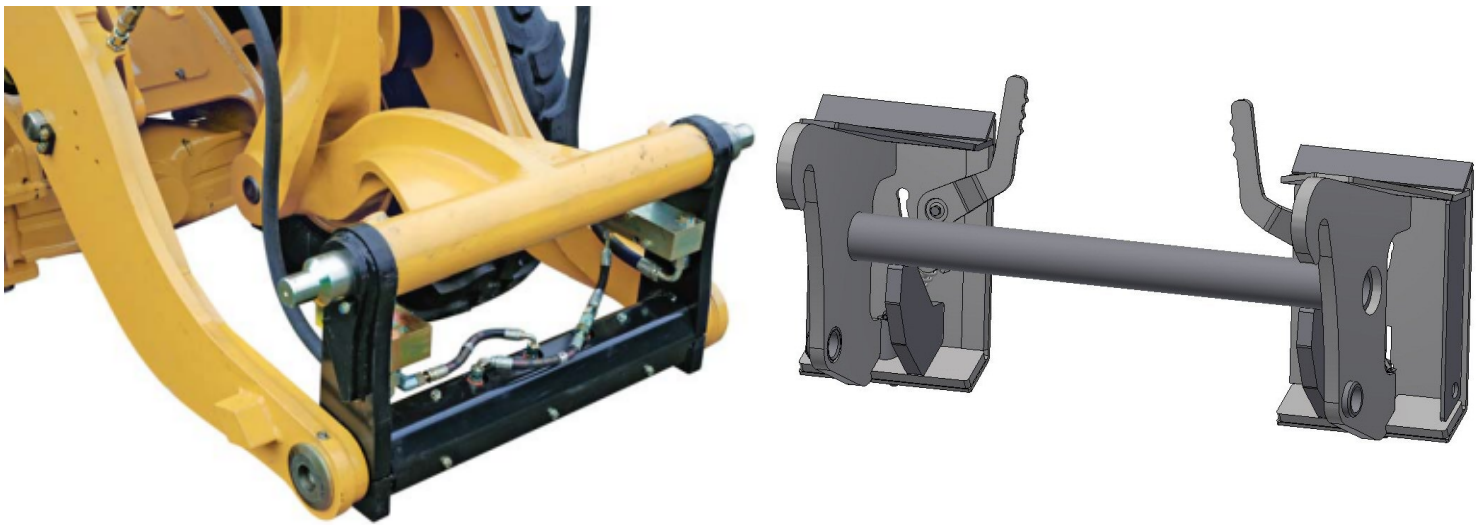
Part number: RW-4007049



ISO Coupler for Compact Wheel Loaders

Cat 906H, 906M, 907H, 907M, 908H & 908M
John Deere 244J, 244K, 304H, 304J, 324J & 324K
JCB 409B
Komatsu WA95
Volvo L30 & L35

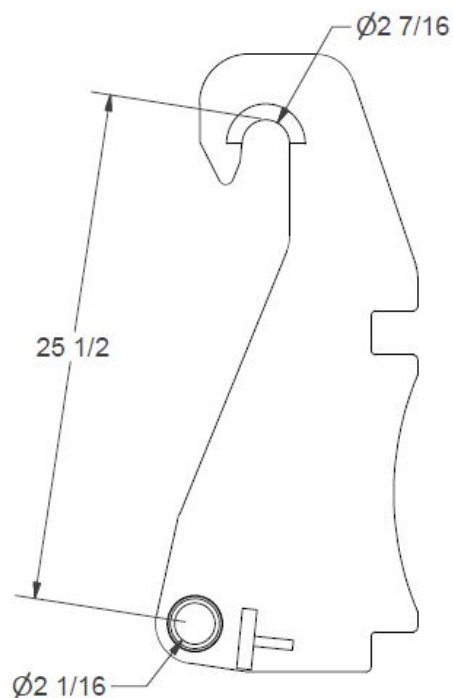
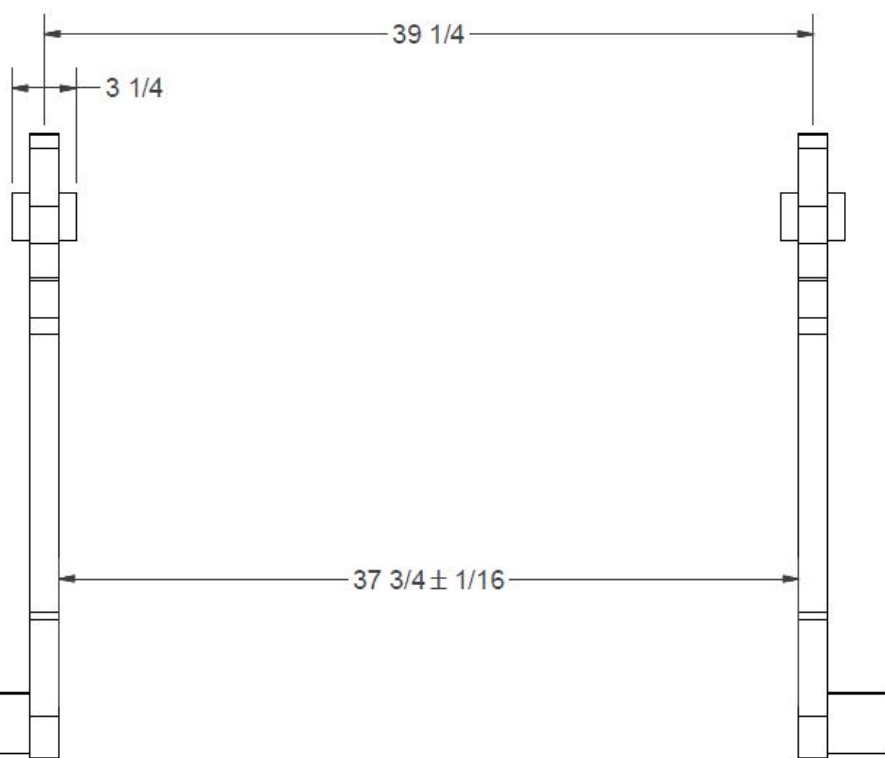
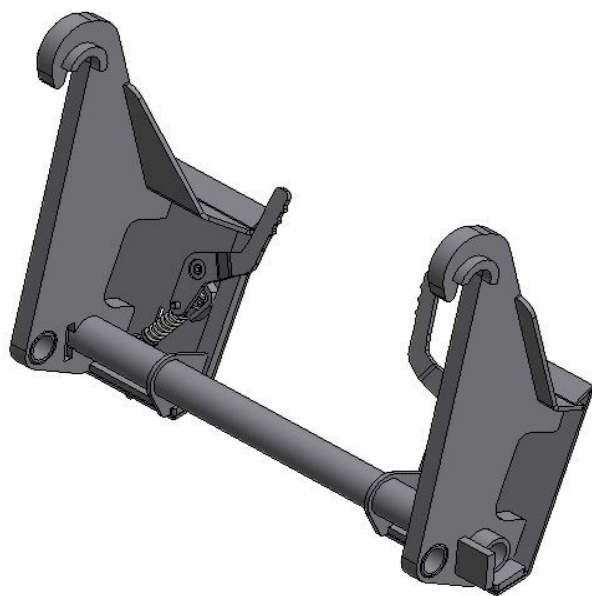
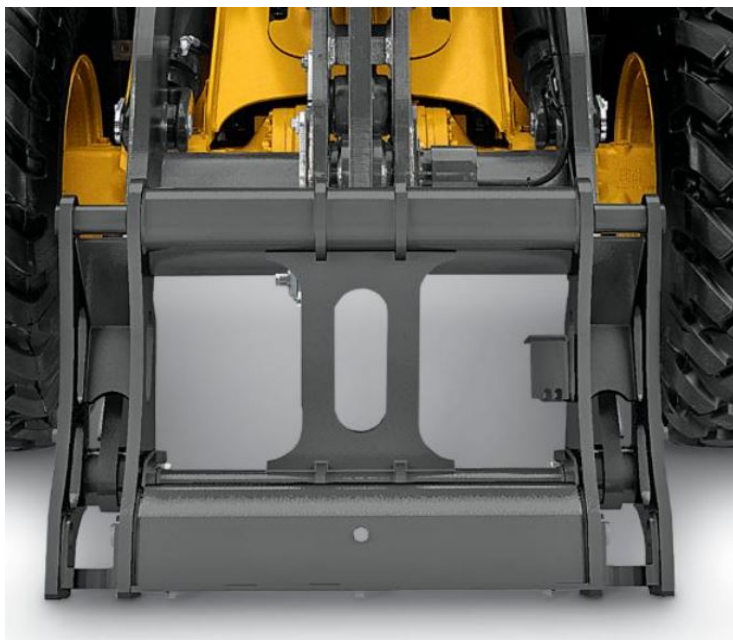
Part number: RW-4007050



John Deere Hi-Vis/ISO 23727 Coupler for Various Wheel Loaders

Cat 910K, 910M, 914K, 914M, 918K & 918M
 John Deere 344H, 344J, 444J, 444K, 524K, 544J, 544K, 624J, 624K & 644K
 JCB 416 & 426
 Volvo L50, L60, L70, BL70, L80, L90, L110 & L120
 Terex SKL873

Part number: RW-4007051

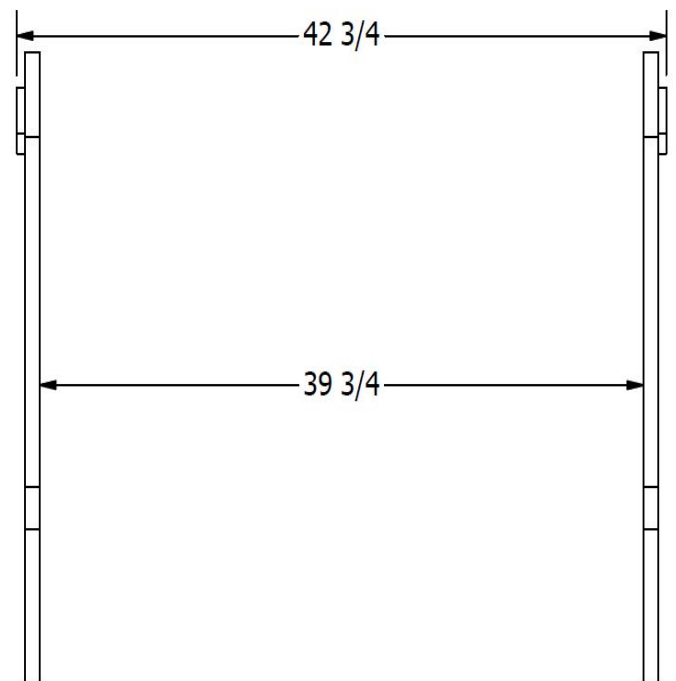
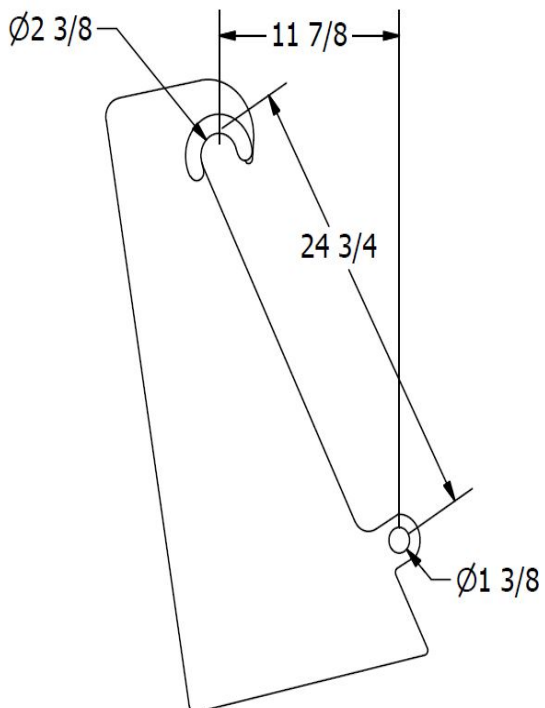
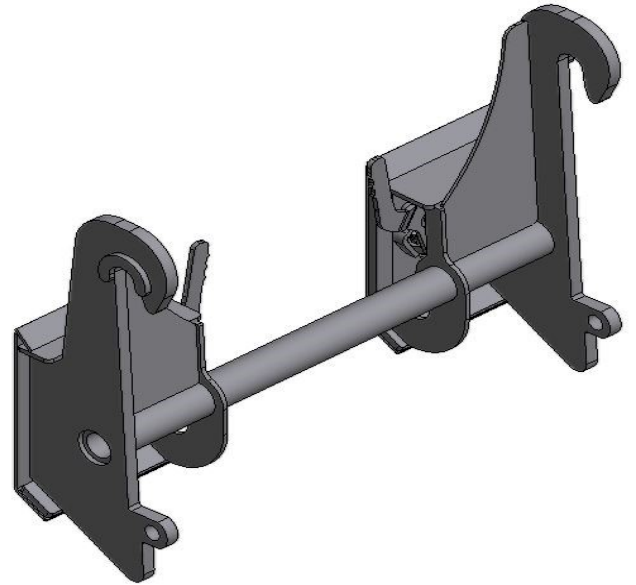


**JCB Q-Fit. For JCB & New Holland Telehandlers & JCB TM310 & TM320
Telescopic Wheel Loaders**

Part Number: RW-4007052

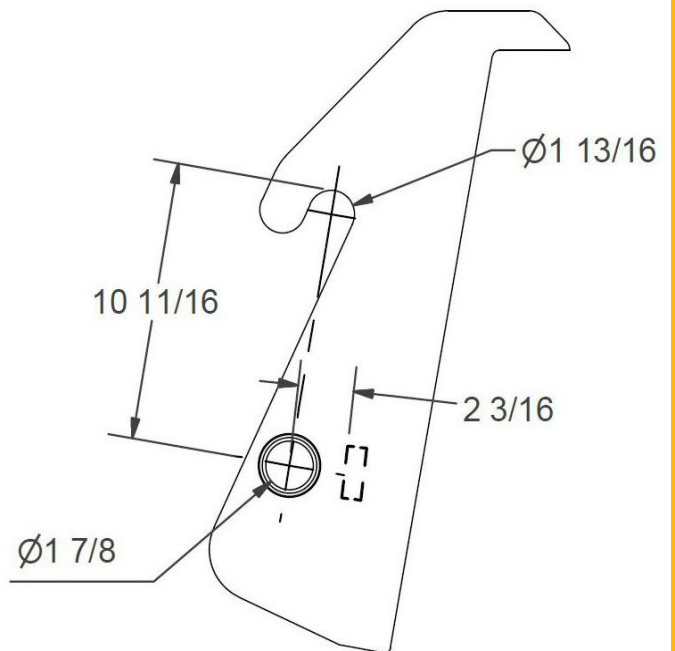
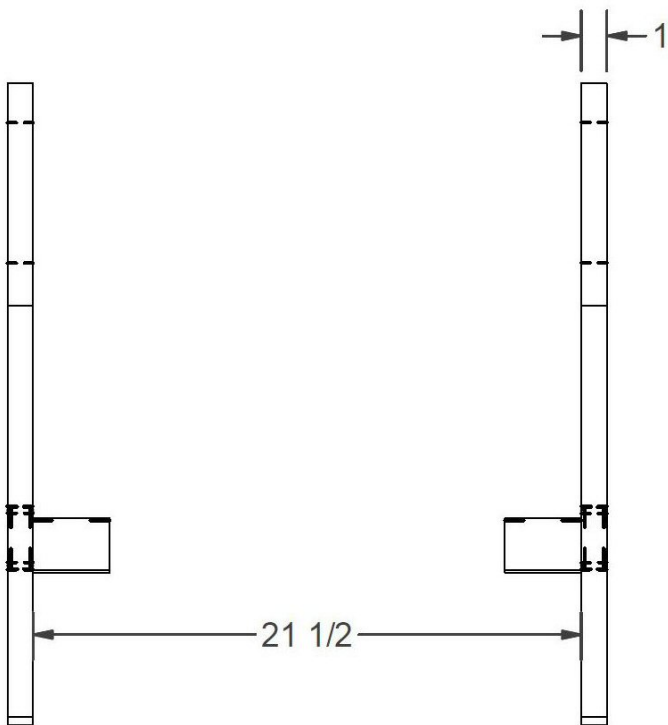
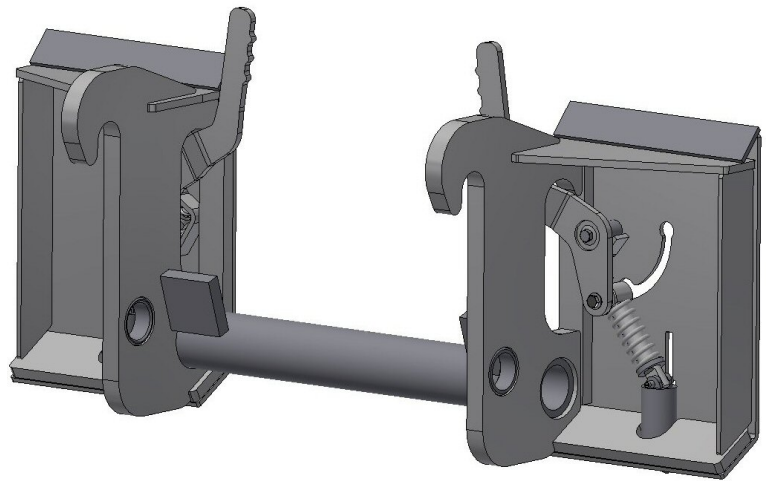
JCB 3CX-14, 3CX-15, 3CX-17, 4CX-14, 4CX-15 & 4CX-17 Backhoes

Part Number: RW-4007053



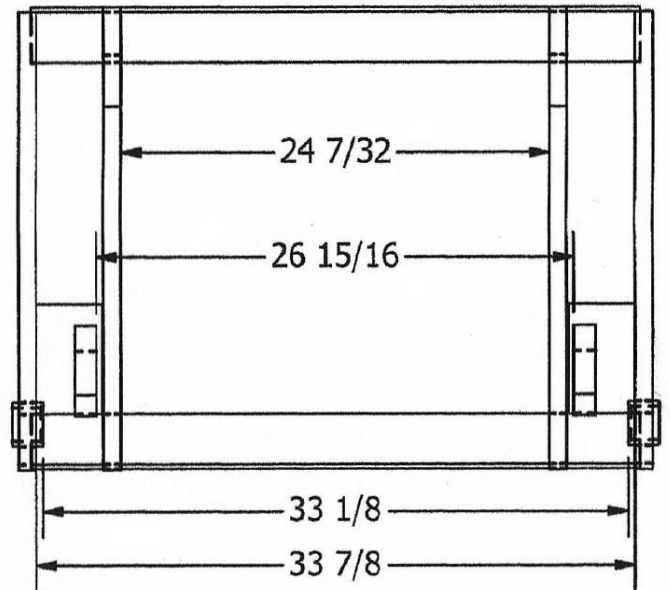
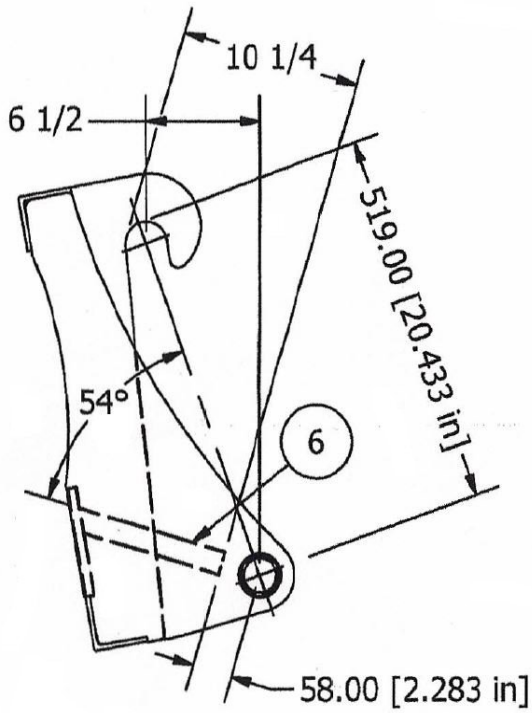
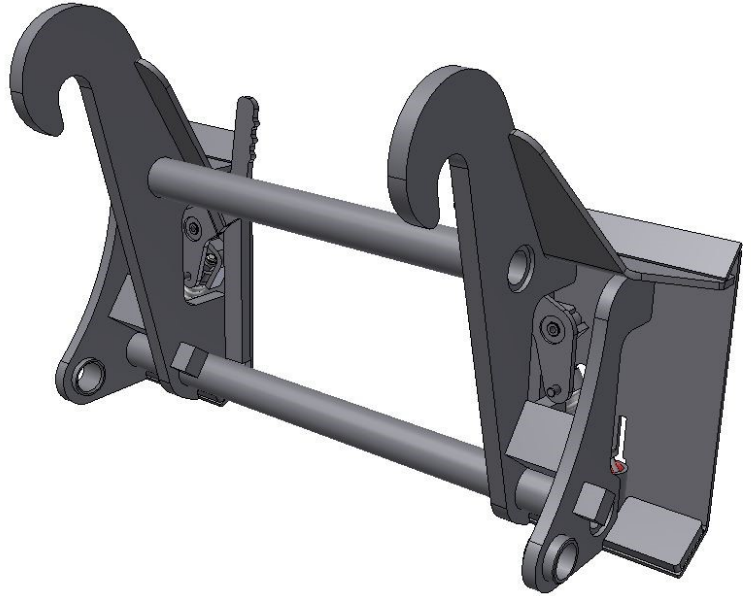
JCB TM180 & TM220 Telescopic Wheel Loaders

Part Number: RW-4007054



JCB 210, 212 & 3CX Compact Backhoes

Part Number: RW-4007055



JRB 'E' Series for Backhoes & Compact Wheel Loaders

Case 580N, 580SN, 580SNWT, 590N & 590SN

Cat 415F2, 416F2, 420F2 & 430F2

JCB 3CX-17 & 4CX-17

John Deere 244K, 304K, 310G, 310SG, 310SK, 310J, 310SJ, 310K, 310SK, 310L,

310SL, 315SL, 410G, 410J, 410K & 410L

Kawasaki 45ZV-2

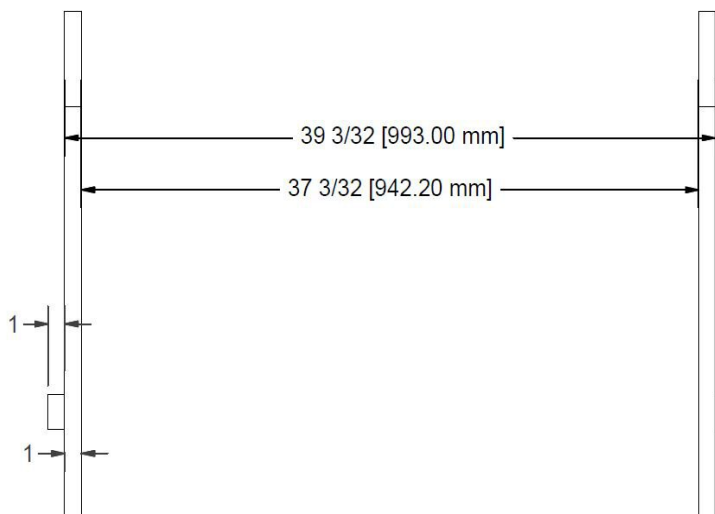
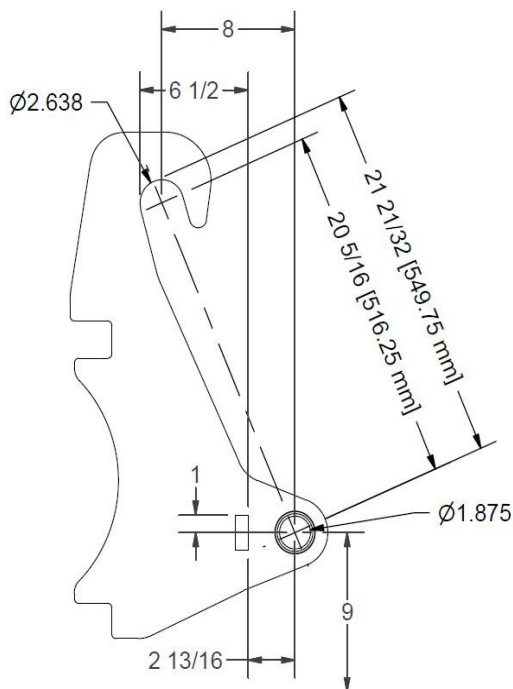
Komatsu WA50-6, WA80-6, WB146-5 & WB156-5

New Holland B95C, B110C, W50C, W80C & W130B

Terex TX760B, TLB850, TLB890, TLB990, TL80, TL100 & TL120

Volvo BL60B, BL70, L20F, L30G & L35GB

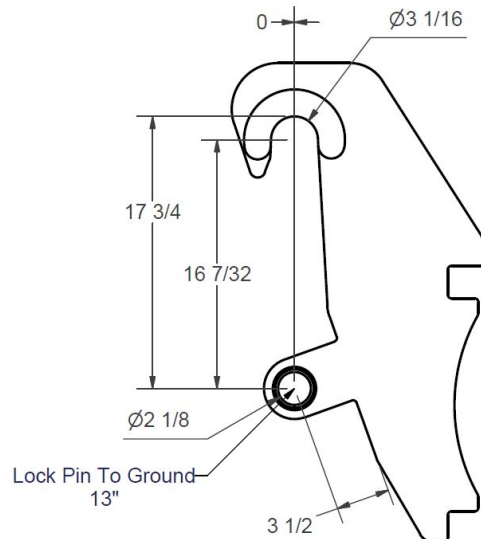
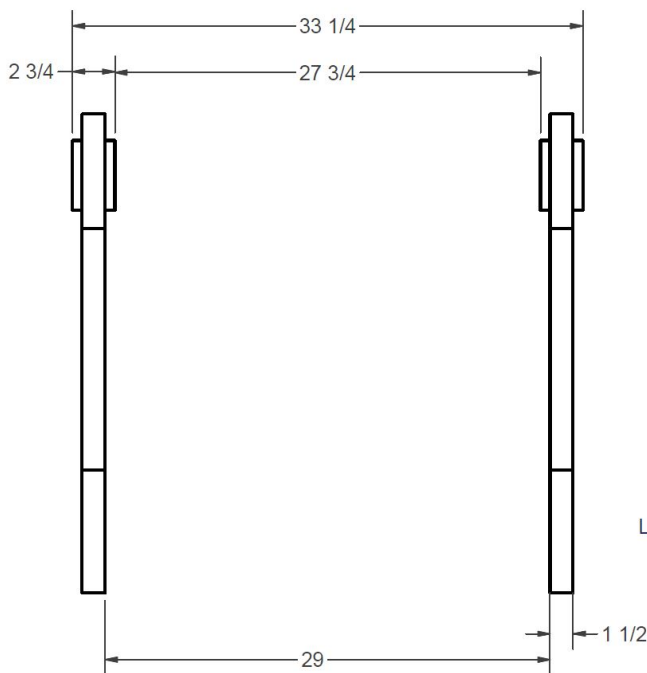
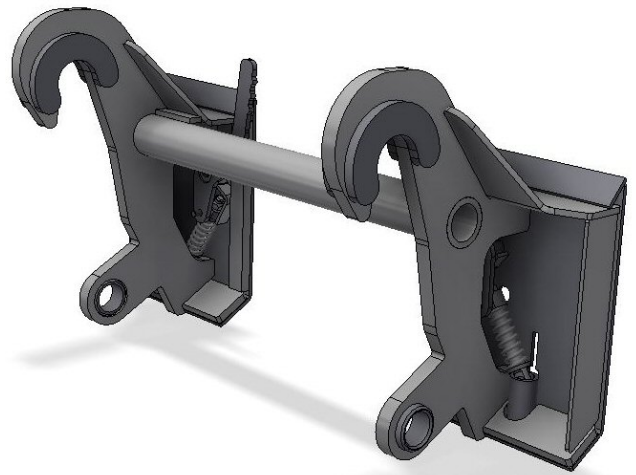
Part Number: RW-4007056



JRB 416 Series

Case 521D, 521E, 521F, 621D, 621E, 621F & 721F
 Cat 450F, 906M, 907M, 908M, 910K, 914K, 926M, 930M, 938M, 950M, 962M & IT14G2
 Doosan DL200-5, DL200TC-5, DL250-5 & DL250TC-5
 Hitachi ZW120-5B, ZW140-5B, ZW140PL-5B, ZW150-5B, ZW150PL-5B, ZW180-5B &
 ZW180PL-5B
 Hyundai HL935, HL940, HL940TM & HL955
 JCB 409, 411, 417 427ZX, 427HT, 437ZX & 437HT
 John Deere 710K, 324K, 344K, 444H, 444J, 444K, 524K, 544E, 544G, 544H, 544J, 544K,
 624J, 624K, 710G, 710J, 710K & 710L.
 Kawasaki 60Z7, 62Z7, 67Z7 & 70Z7
 Komatsu WA150-6, WA200PZ-7, WA270PZ-8 & WA320PZ-8
 Liebherr L524, L528, L538 & L542
 New Holland LW90, LW110, W110, LW130, W130, LW170 & W170
 Terex TL160, TL210 & TL260
 Volvo L45G, L50G, L60H, L70H & L90H

Part Number: RW-4007045

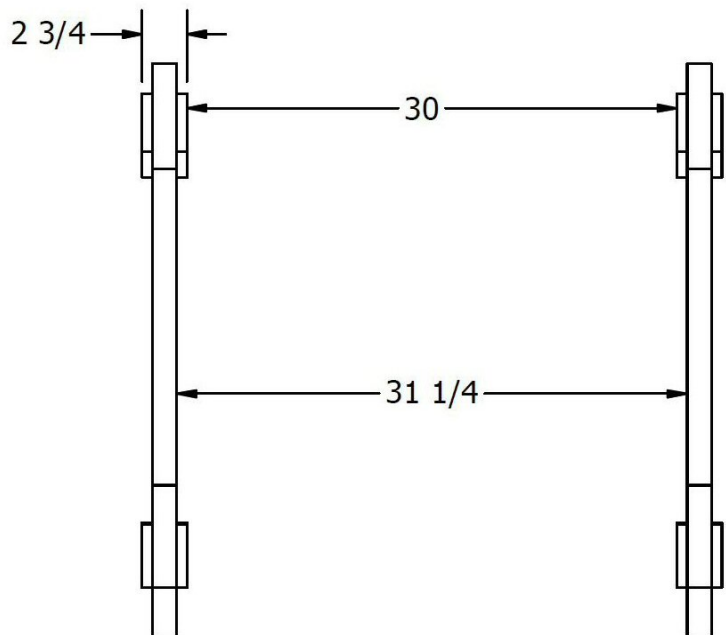
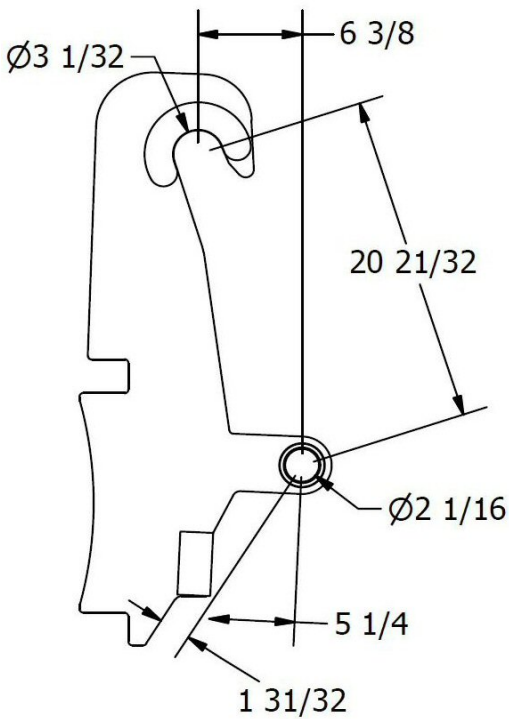
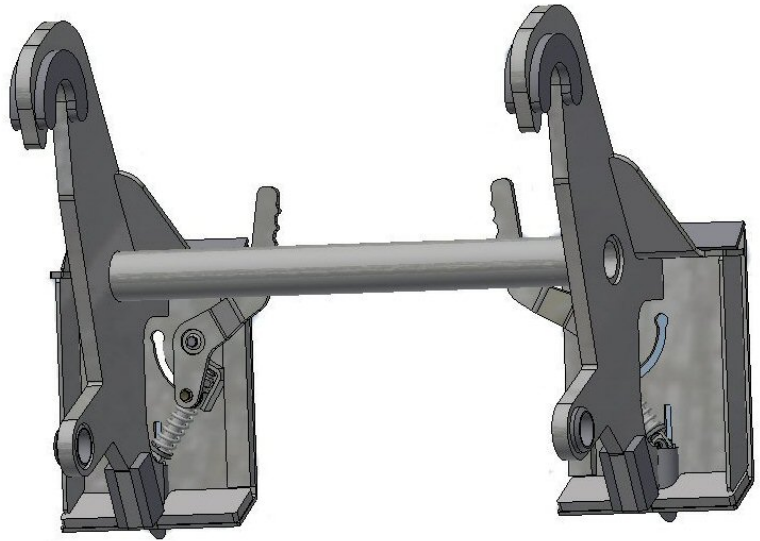


JRB 418 Series

Case 821F & 921F
 Cat 950M & 962M
 Doosan DL300-5 & DL350-5
 Hitachi ZW220-5B & ZW250PL-5B
 Hyundai HL960 & HL965
 JCB 457ZX & 457HT
 John Deere 644K & 724K
 Kawasaki 80Z7 & 85Z7
 Komatsu WA380-8 & WA430-8

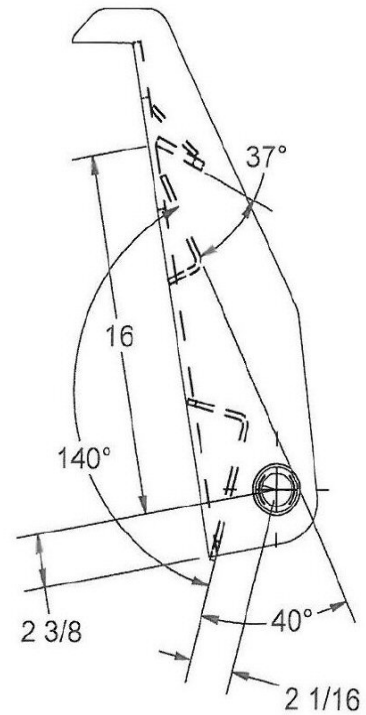
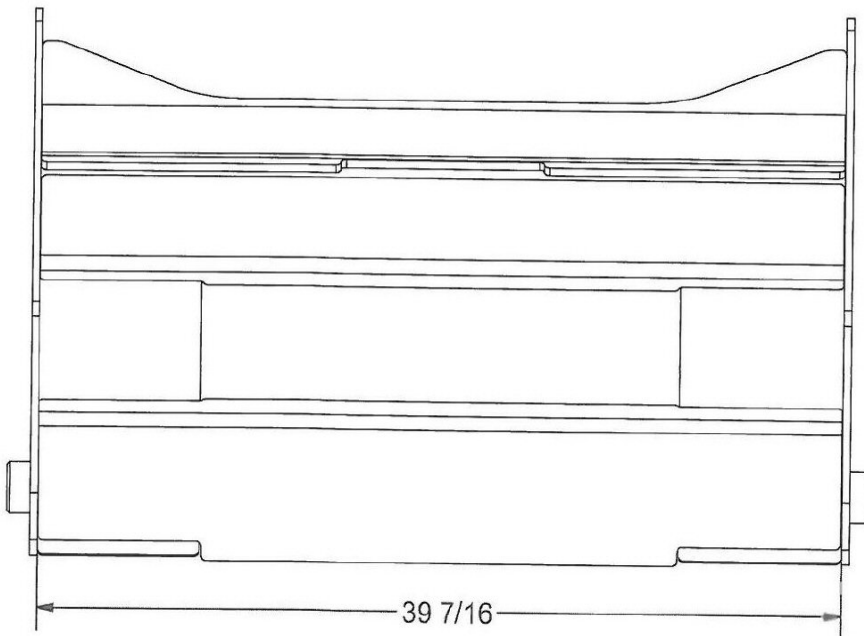
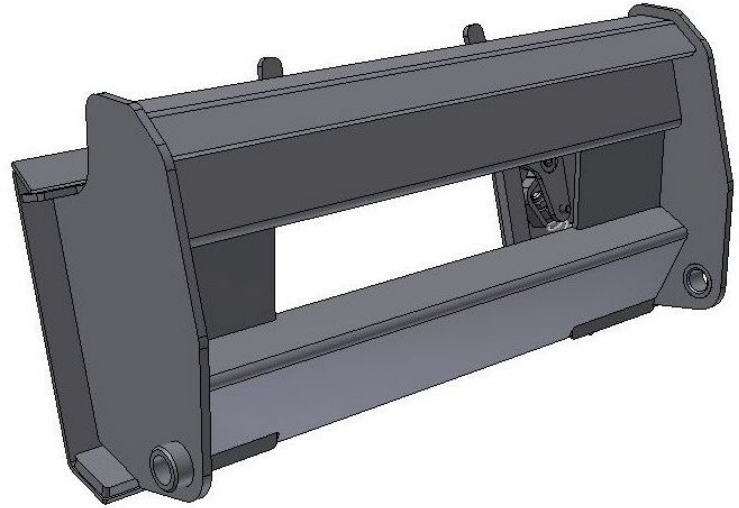
Liebherr L550 & L556
 New Holland LW190, LW190.B & W190B
 Terex TL310
 Volvo L110H & L120H

Part Number: RW-4007057



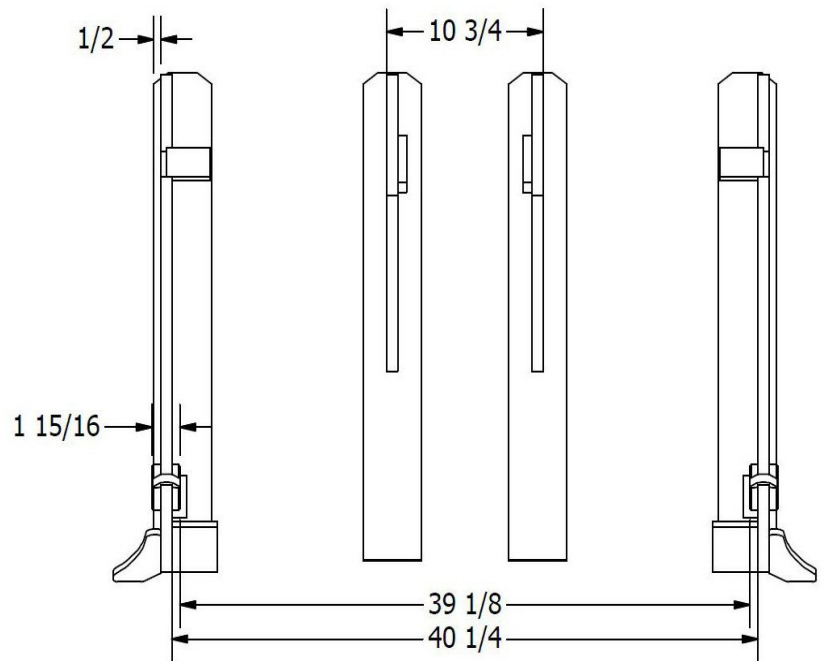
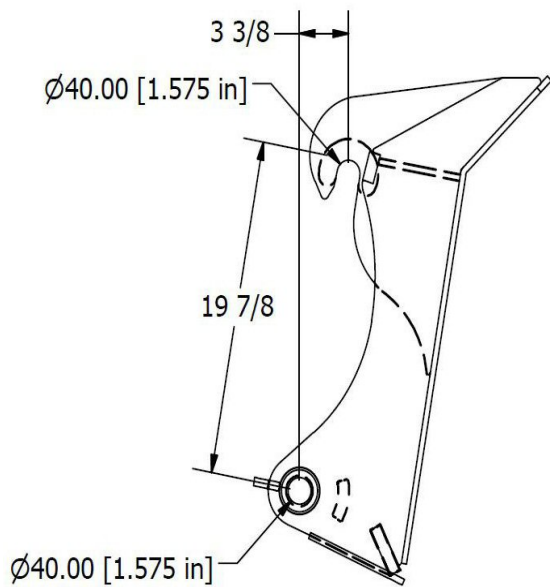
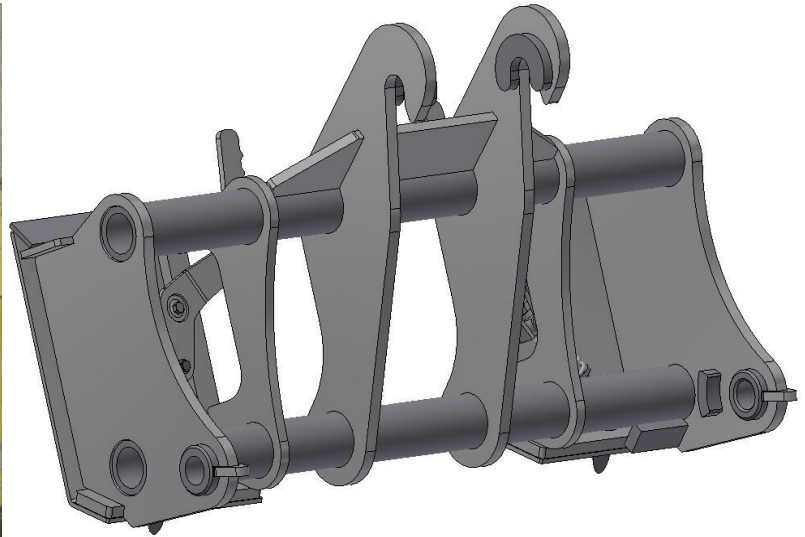
Kubota R410, R420, R510 & R520 Compact Wheel Loaders

Part Number: RW-4007058



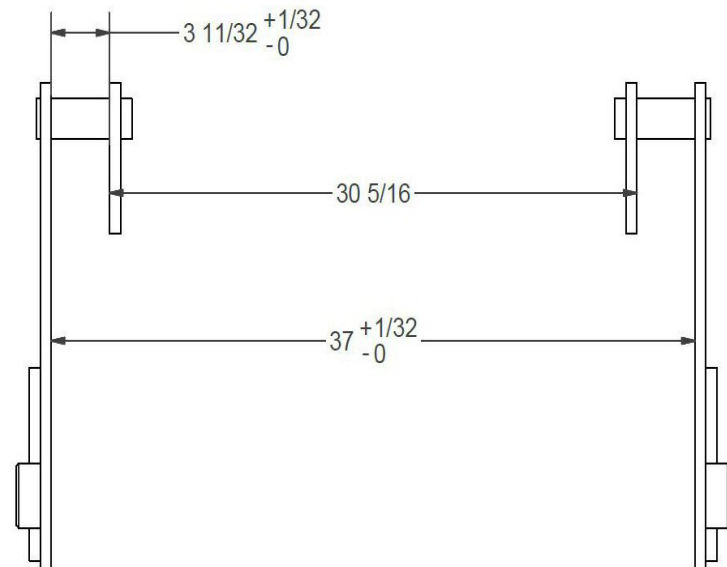
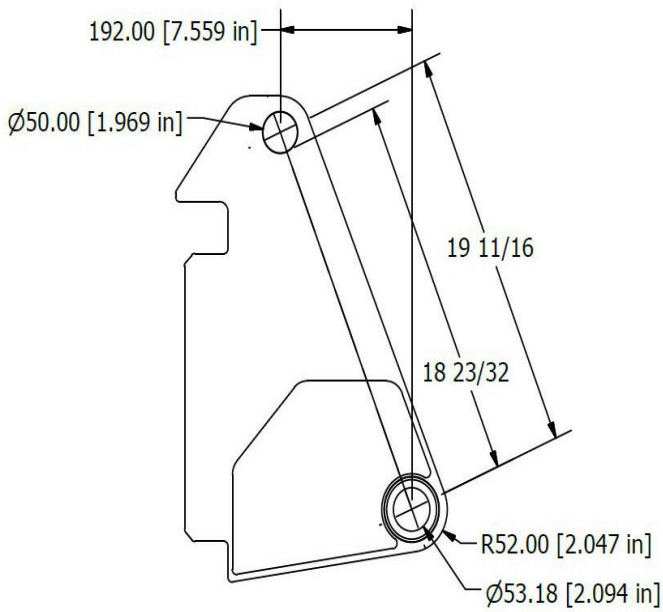
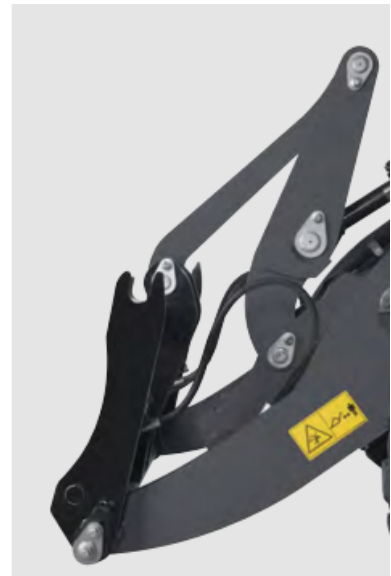
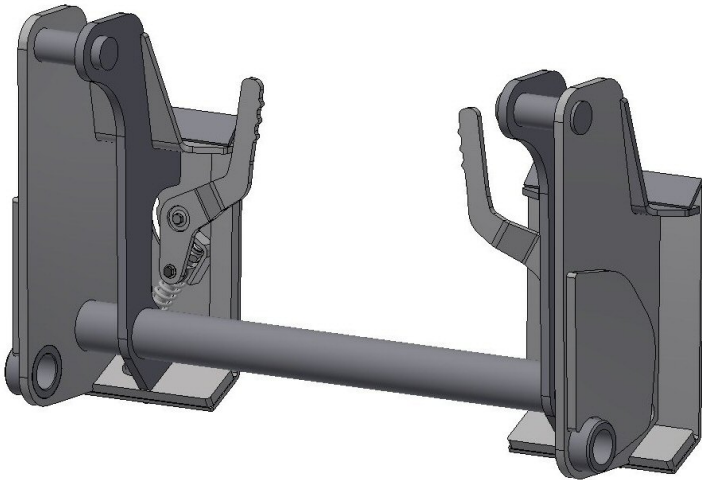
New Holland LW50 & Case 21D

Part Number: RW-4007059



Terex/Schaeff TL80, TL100, TL120 & SKL833

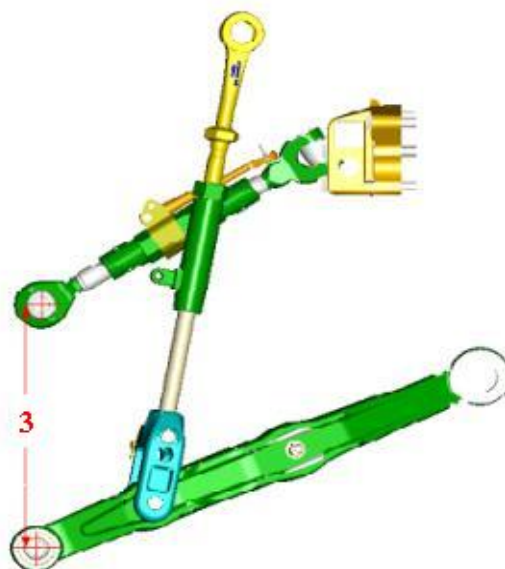
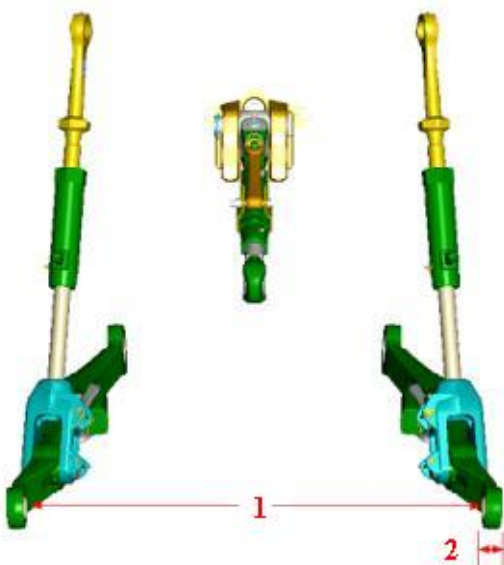
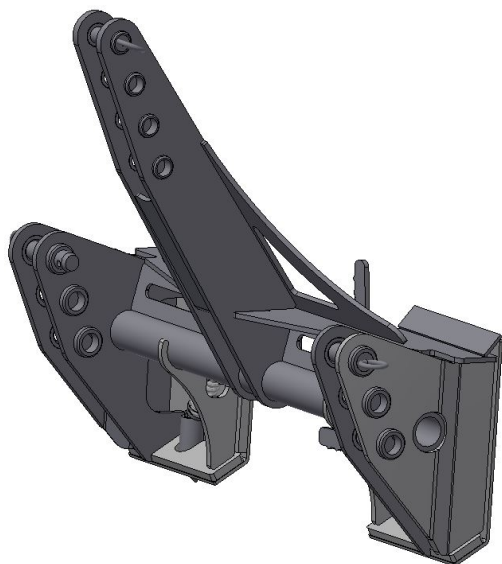
Part Number: RW-4007060



Tractor 3-Point

Specify Hitch Category When Ordering

Part Number: RW-400075



	<u>Category 2</u>	<u>Category 3N</u>	<u>Category 3</u>	<u>Category 4N</u>	<u>Category 4</u>
Upper link pin diameter	25.4 mm (1.00 in.)	31.75 mm (1.25 in.)	31.75 mm (1.25 in.)	44.96 mm (1.77 in.)	44.96 mm (1.77 in.)
Upper link hole diameter	25.65 mm (1.01 in.)	32.00 mm (1.26 in.)	32.00 mm (1.26 in.)	45.21 mm (1.78 in.)	45.21 mm (1.78 in.)
Lower link pin diameter	27.94 mm (1.10 in.)	36.58 mm (1.44 in.)	36.58 mm (1.44 in.)	50.8 mm (2.00 in.)	50.8 mm (2.00 in.)
Lower link hole diameter	28.70 mm (1.13 in.)	37.34 mm (1.47 in.)	37.34 mm (1.47 in.)	51.05 mm (2.01 in.)	51.05 mm (2.01 in.)
Lower hitch point span (1)	825 mm (32.48 in.)	825 mm (32.48 in.)	964.95 mm	920 mm (36.22 in.)	1166.62 mm (45.93 in.)
Width of ball (2)	44.96 mm (1.77 in.)	44.96 mm (1.77 in.)	44.96 mm (1.77 in.)	57.4 mm (2.26 in.)	57.4 mm (2.26 in.)



Road Widener LLC

Contact Us: 844-4WIDENER (844-494-3363)

sales@roadwidenerllc.com

www.roadwidenerllc.com

