

RING TERMINALS





CATALOG INDEX

| | |
|----------------------------------|----|
| Introduction | 3 |
| Overview | 4 |
| Eyelets – Straight | 5 |
| Eyelets – Small | 7 |
| Eyelets – High Current | 8 |
| Eyelets – Specialty | 9 |
| Eyelets – With-Anti Rotation Tab | 10 |
| Eyelets – Octagon Hole | 11 |
| Interlocking Ring Terminals | 12 |
| Serrated Terminals | 13 |
| Battery Lugs | 14 |
| Flag Terminals | 15 |

PKC Group

PKC is a global leader in the design, development, and production of high-quality, cost-effective wiring systems, components, and electronics for the commercial vehicle, automotive, agricultural, construction, recreational, energy, and industrial electronics industries.

Wiring Systems:

From a single wire harness to an entire Electrical Distribution System (EDS), PKC delivers power where and when you need it.

System integrity is consistently achieved through architecture optimization, proven change control processes, and the vertical integration of key PKC brand components into the EDS design, including:

- **Power Distribution Centers**
- **Connector Systems**
- **Terminal Systems**
- **Routing and Retention Aids**
- **Wire and Cable**

Specializing in the design and customization of unique products with demanding requirements, PKC is capable of providing a wide range of EDS support, from full service supplier to build to print provider.

Electronics:

PKC Electronics provides complete support, from design and development to production, of customized electronics.

Through operational excellence, PKC consistently reduces customer costs while extending product life cycles. With strategically placed facilities around the globe, PKC offers a wide range of customizable products and services, including:

- **Smart Power Distribution Centers**
- **Electronic Control Units**
- **DC to DC Converters**
- **Battery Management**
- **Custom Testing Aids for Electronic Devices**
- **Contract Manufacturing**

Together, PKC Wiring Systems and Electronics divisions offer a fully integrated Electrical and Electronics Distribution System (EDS) provider to our customers.

Ring Terminals

PKC offers a variety of brass and copper alloy ring terminals for electrical distribution systems. Material selection depends on conductivity and service temperature requirements for a specific application.

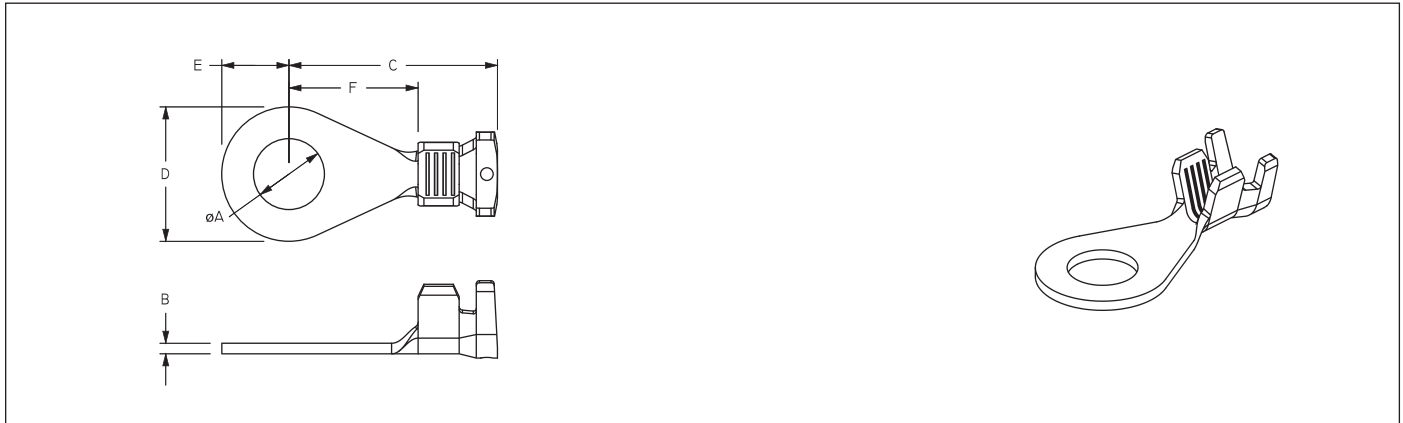
PKC ring terminals are designed with a core conductor grip and, depending on the usage, a wire insulation grip. The applicable wire gauges listed are for the core conductor gauge when using standard or thin-wall insulation.

There are numerous benefits to PKC ring terminals, including:

- **Multiple configurations**
- **Simple, robust, field-proven designs**
- **Validated to the latest OEM and USCAR test standards**
- **Customized design solutions available for unique customer applications**

Ring terminals are generally placed over a stud and secured with a nut. In the catalog, terminals are listed by their recommended SAE and metric fastener sizes. Hole sizes are listed for each terminal despite being listed for use with the same fastener size. Graphics are simplified representations and are not necessarily to scale. All dimensions are in Metric units of measurement (millimeters). All dimensions are for reference only. For more detailed information, request a sales drawing from PKC.

Eyelets - Straight

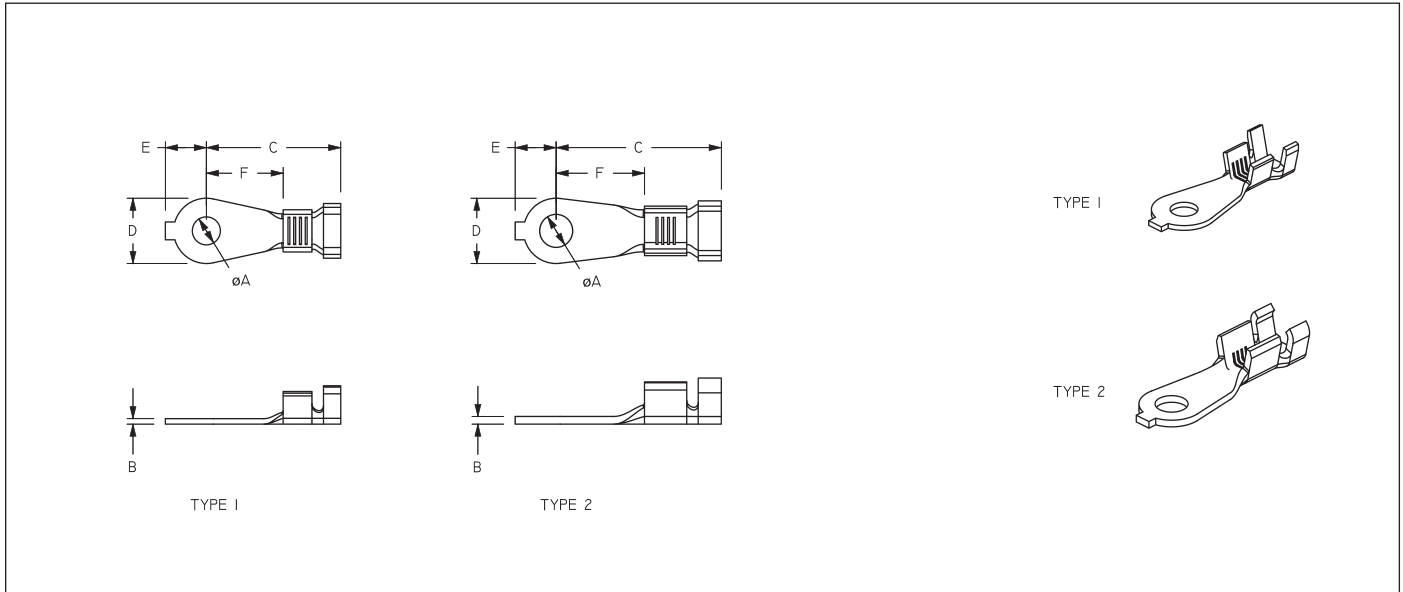


| PART NUMBER | MATERIAL | PLATING | STUD SIZE | | DIM "A" | DIM "B" | DIM "C" | DIM "D" | DIM "E" | DIM "F" | ANTI ROTATION | WIRE GAUGES |
|-------------|----------|---------|--|----|---------|---------|---------|---------|---------|---------|---------------|-------------|
| | | | SAE | mm | | | | | | | | |
| R3020-019 | BRASS | PRE-TIN | #8 | M4 | 4.5 | 0.7 | 19.7 | 12.7 | 6.4 | 12.2 | N | 10, 12 |
| R3020-013 | | | | | | | | | | | | 14, 16 |
| R3020-007 | | | | | | | | | | | | 18, 20 |
| R65018-027 | | | | | | | | | | | | 10, 12 |
| R65018-009 | | | | | | | | | | | | 10, 12 |
| RE1874-012 | | | 6, 8 | | | | | | | | | |
| R3020-021 | | | 10, 12 | | | | | | | | | |
| R3020-015 | | | 14, 16 | | | | | | | | | |
| R3020-009 | | | 18, 20 | | | | | | | | | |
| R65018-029 | | | 10, 12 | | | | | | | | | |
| R65018-011 | | | 10, 12 | | | | | | | | | |
| RE1874-013 | | | 6, 8 | | | | | | | | | |
| R3020-023 | | | 10, 12 | | | | | | | | | |
| R3020-017 | | | 14, 16 | | | | | | | | | |
| R3020-011 | | | 18, 20 | | | | | | | | | |
| R65018-031 | | | 10, 12 | | | | | | | | | |
| R62287-029 | | | 10, 12 | | | | | | | | | |
| R65018-013 | | | 10, 12 | | | | | | | | | |
| R62287-035 | | | 14, 16 | | | | | | | | | |
| R62287-016 | | | 10+10, 10+12, 10+14, 12+12, 12+14 | | | | | | | | | |
| R62287-018 | | | 10+18, 12+18, 14+14, 14+16, 14+18, 16+16 | | | | | | | | | |
| R62287-024 | | | 18+18, 18+20, 20+20 | | | | | | | | | |
| RE1874-014 | | | 6, 8 | | | | | | | | | |
| R62287-031 | | | 10, 12 | | | | | | | | | |
| R65018-001 | | | 10, 12 | | | | | | | | | |
| R62287-037 | | | 14, 16 | | | | | | | | | |
| R62287-012 | | | 10+10, 10+12, 10+14, 12+12, 12+14 | | | | | | | | | |
| R62287-020 | | | 10+18, 12+18, 14+14, 14+16, 14+18, 16+16 | | | | | | | | | |
| R62287-040 | | | 18+18, 18+20, 20+20 | | | | | | | | | |
| RE1874-015 | | | 6, 8 | | | | | | | | | |
| R62287-033 | | | 10, 12 | | | | | | | | | |
| R65018-017 | | | 10, 12 | | | | | | | | | |
| R62287-039 | | | 14, 16 | | | | | | | | | |
| R62287-014 | | | 10+10, 10+12, 10+14, 12+12, 12+14 | | | | | | | | | |
| R62287-022 | | | 10+18, 12+18, 14+14, 14+16, 14+18, 16+16 | | | | | | | | | |
| R62287-027 | | | 18+18, 18+20, 20+20 | | | | | | | | | |
| RE1874-016 | | | 6, 8 | | | | | | | | | |
| RE1875-025 | | | 14, 16 | | | | | | | | | |
| RE1875-023 | | | 10+18, 12+18, 14+14, 14+16, 14+18, 16+16 | | | | | | | | | |
| RE1874-017 | | | 6, 8 | | | | | | | | | |
| R65018-003 | 10, 12 | | | | | | | | | | | |

Eyelets - Straight (Cont.)

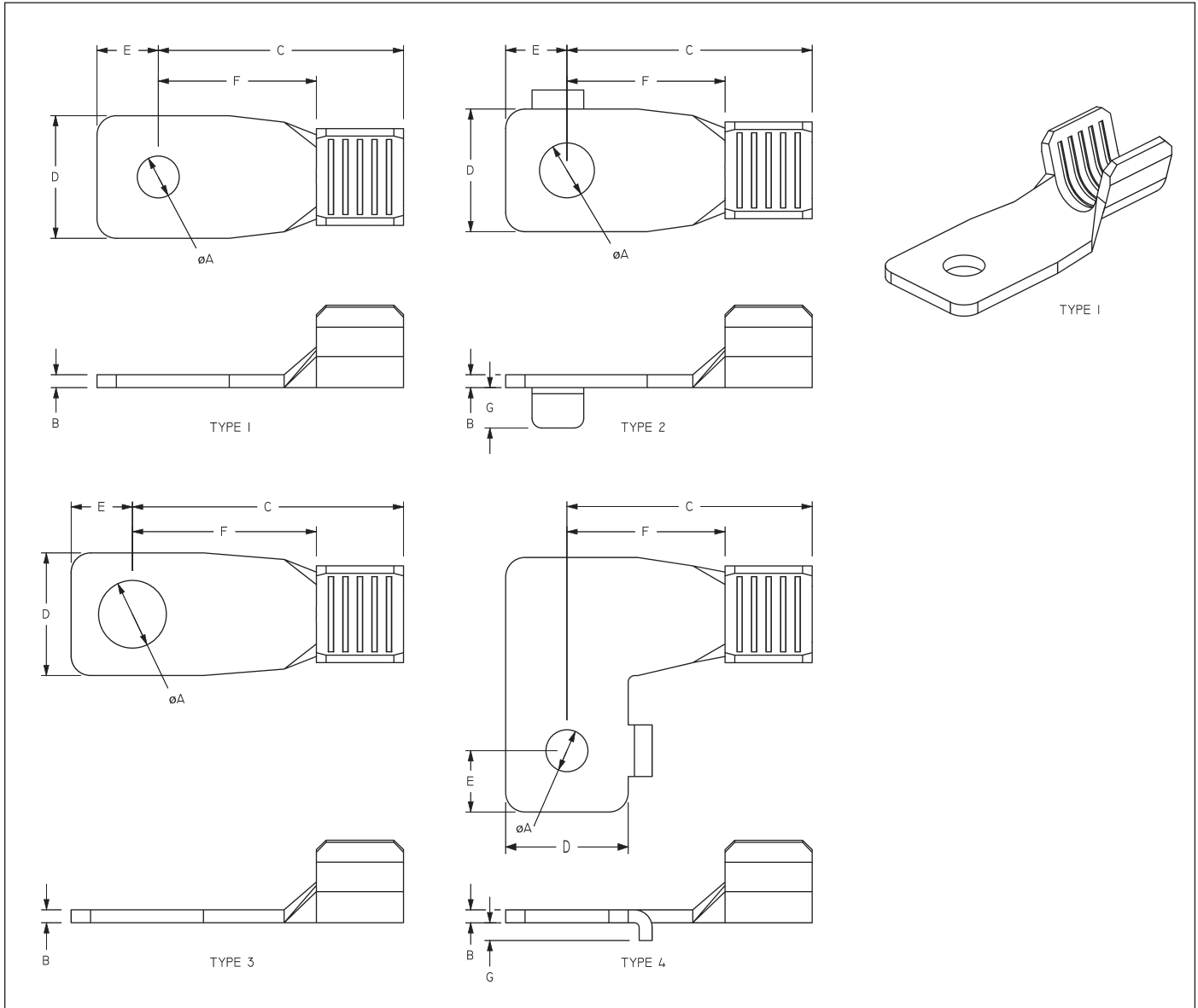
| PART NUMBER | MATERIAL | PLATING | STUD SIZE | | DIM "A" | DIM "B" | DIM "C" | DIM "D" | DIM "E" | DIM "F" | ANTI ROTATION | WIRE GAUGES |
|-------------|-----------------------------------|---------|--|-----|---------|---------|---------|---------|---------|-----------------------------------|---------------|-------------|
| | | | SAE | mm | | | | | | | | |
| R3020-018 | COPPER ALLOY | PRE-TIN | #8 | M4 | 4.5 | 0.7 | 19.7 | 12.7 | 6.4 | 12.2 | N | 10, 12 |
| R3020-012 | | | | | | | | | | | | 14, 16 |
| R3020-006 | | | | | | | | | | | | 18, 20 |
| RE1875-011 | | | | | | | | | | | | 10, 12 |
| R65018-028 | | | | | | | | | | | | 10, 12 |
| R65018-010 | | | | | | | | | | | | 10, 12 |
| RE1874-018 | | | 6, 8 | | | | | | | | | |
| P3020-003 | | | 10, 12 | | | | | | | | | |
| P3020-002 | | | 14, 16 | | | | | | | | | |
| P3020-001 | | | 18, 20 | | | | | | | | | |
| RE1875-008 | | | 10, 12 | | | | | | | | | |
| R65018-030 | | | 10, 12 | | | | | | | | | |
| R65018-012 | | | 10, 12 | | | | | | | | | |
| RE1874-019 | | | 6, 8 | | | | | | | | | |
| R3020-022 | | | 10, 12 | | | | | | | | | |
| R3020-016 | | | 14, 16 | | | | | | | | | |
| R3020-010 | | | 18, 20 | | | | | | | | | |
| R62287-028 | | | 10, 12 | | | | | | | | | |
| R62287-034 | | | 14, 16 | | | | | | | | | |
| R62287-015 | | | 10+10, 10+12, 10+14, 12+12, 12+14 | | | | | | | | | |
| R62287-017 | | | 10+18, 12+18, 14+14, 14+16, 14+18, 16+16 | | | | | | | | | |
| R62287-023 | | | 18+18, 18+20, 20+20 | | | | | | | | | |
| R65018-032 | | | 10, 12 | | | | | | | | | |
| R65018-014 | | | 10, 12 | | | | | | | | | |
| RE1874-020 | | | 6, 8 | | | | | | | | | |
| RE1875-004 | | | 10, 12 | | | | | | | | | |
| R62287-011 | | | 8.3 | 1.0 | 26.6 | 17.3 | 8.5 | 13.9 | N | 10+10, 10+12, 10+14, 12+12, 12+14 | | |
| RE1875-013 | | | 10, 12 | | | | | | | | | |
| RE1875-014 | | | 14, 16 | | | | | | | | | |
| RE1875-017 | | | 10+18, 12+14, 12+16, 14+16, 16+16 | | | | | | | | | |
| RE1874-003 | | | 6, 8 | | | | | | | | | |
| R62287-030 | | | 10, 12 | | | | | | | | | |
| R62287-036 | | | 14, 16 | | | | | | | | | |
| R62287-019 | | | 10+18, 12+18, 14+14, 14+16, 14+18, 16+16 | | | | | | | | | |
| R62287-025 | | | 18+18, 18+20, 20+20 | | | | | | | | | |
| R62287-032 | | | 10, 12 | | | | | | | | | |
| R62287-038 | | | 14, 16 | | | | | | | | | |
| R62287-013 | | | 10+10, 10+12, 10+14, 12+12, 12+14 | | | | | | | | | |
| R62287-021 | | | 10+18, 12+18, 14+14, 14+16, 14+18, 16+16 | | | | | | | | | |
| R62287-026 | | | 18+18, 18+20, 20+20 | | | | | | | | | |
| R65018-018 | | | 10, 12 | | | | | | | | | |
| RE1874-022 | | | 6, 8 | | | | | | | | | |
| RE1875-016 | 10, 12 | | | | | | | | | | | |
| RE1875-018 | 14, 16 | | | | | | | | | | | |
| RE1875-015 | 10+18, 12+14, 12+16, 14+16, 16+16 | | | | | | | | | | | |
| RE1874-005 | 6, 8 | | | | | | | | | | | |
| RE1875-003 | 9/16" | - | 14.8 | 1.0 | 29.0 | 17.8 | 8.9 | 16.3 | N | 10, 12 | | |

Eyelets - Small



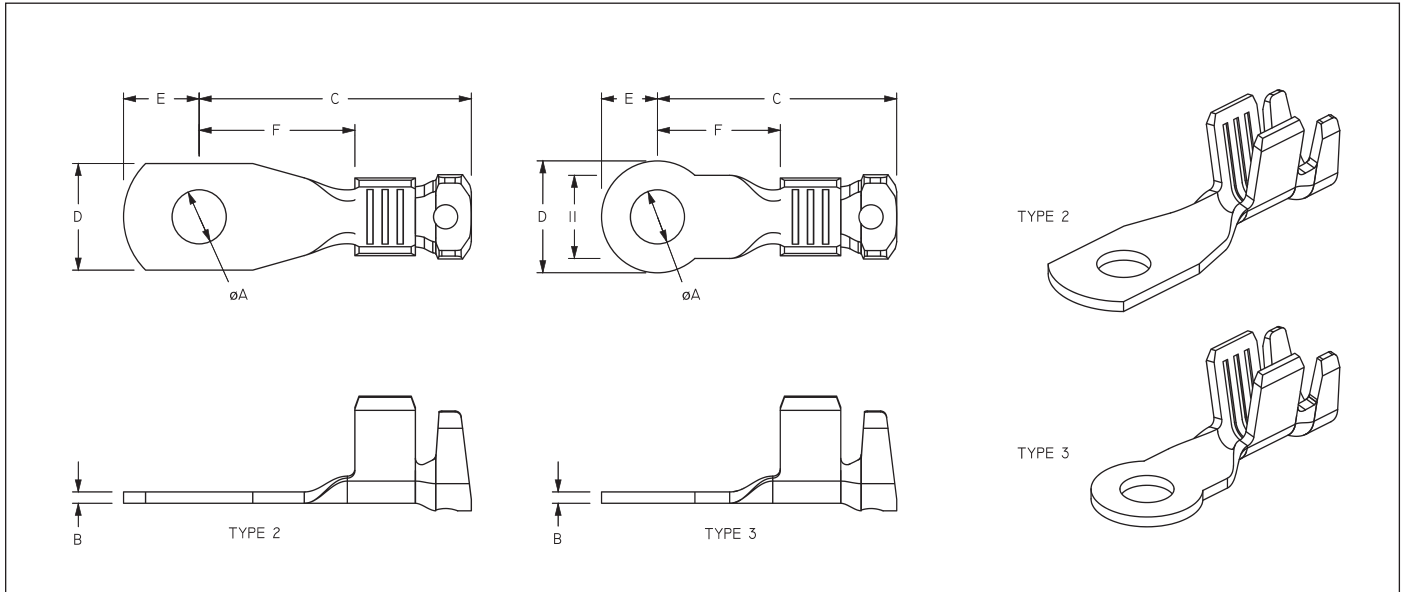
| PART NUMBER | MATERIAL | PLATING | TYPE | STUD SIZE | | DIM "A" | DIM "B" | DIM "C" | DIM "D" | DIM "E" | DIM "F" | ANTI ROTATION | WIRE GAUGES |
|-------------|----------|---------|------|-----------|----|---------|---------|---------|---------|---------|---------|---------------|---|
| | | | | SAE | mm | | | | | | | | |
| 15038 | BRASS | PRE-TIN | 1 | #6 | - | 3.7 | 0.7 | 17.8 | 8.6 | 4.3 | 10.2 | N | 14, 16, 18, 16+18, 16+20, 18+18, 18+20, 20+20, 16, 18, 20 |
| 400001 | | | | | | | | | | | | | |
| 15039 | | | | | | | | | | | | | |
| 400003 | | | | | | | | | | | | | |
| 15040 | | | | | | | | | | | | | |
| 400006 | | | | #10 | - | 5.1 | 0.7 | 17.8 | 8.6 | 4.3 | 10.2 | N | |
| 17150 | BRASS | NONE | 2 | #6 | - | 3.7 | 1.0 | 21.8 | 8.6 | 4.3 | 11.7 | N | 10, 12 |
| 400005 | | | | | | | | | | | | | |
| 400009 | | | | | | | | | | | | | |
| 400010 | | | | | | | | | | | | | |

Eyelets - High Current



| PART NUMBER | MATERIAL | PLATING | TYPE | STUD SIZE | | DIM "A" | DIM "B" | DIM "C" | DIM "D" | DIM "E" | DIM "F" | DIM "G" | ANTI ROTATION | WIRE GAUGES |
|-------------|--------------|----------|------|-----------|-----|---------|---------|---------|---------|---------|---------|---------|---------------|-------------------|
| | | | | SAE | mm | | | | | | | | | |
| R4999-001 | COPPER ALLOY | POST-TIN | 1 | 1/4" | M6 | 6.5 | 2.0 | 38.0 | 19.0 | 9.5 | 24.5 | - | N | 40mm ² |
| R4999-006 | | | | 5/16" | M8 | 8.5 | | | | | | | | |
| R4999-003 | | | 2 | 5/16" | M8 | 8.5 | 42.5 | 9.5 | 24.5 | 6.3 | Y | | | |
| R4999-004 | | | | 1/4" | M6 | 6.5 | | | | | | | | |
| R4999-007 | | | 3 | 3/8" | M10 | 10.5 | 38.0 | 9.0 | 29.0 | - | N | | | |
| R4999-002 | | | | 1/4" | M6 | 6.5 | | | | | | | | |
| R4999-008 | | | 4 | 5/16" | M8 | 8.5 | 38.0 | 9.5 | 21.2 | 2.75 | Y | | | |
| R4999-009 | | | | 3/8" | M10 | 10.5 | | | | | | | | |

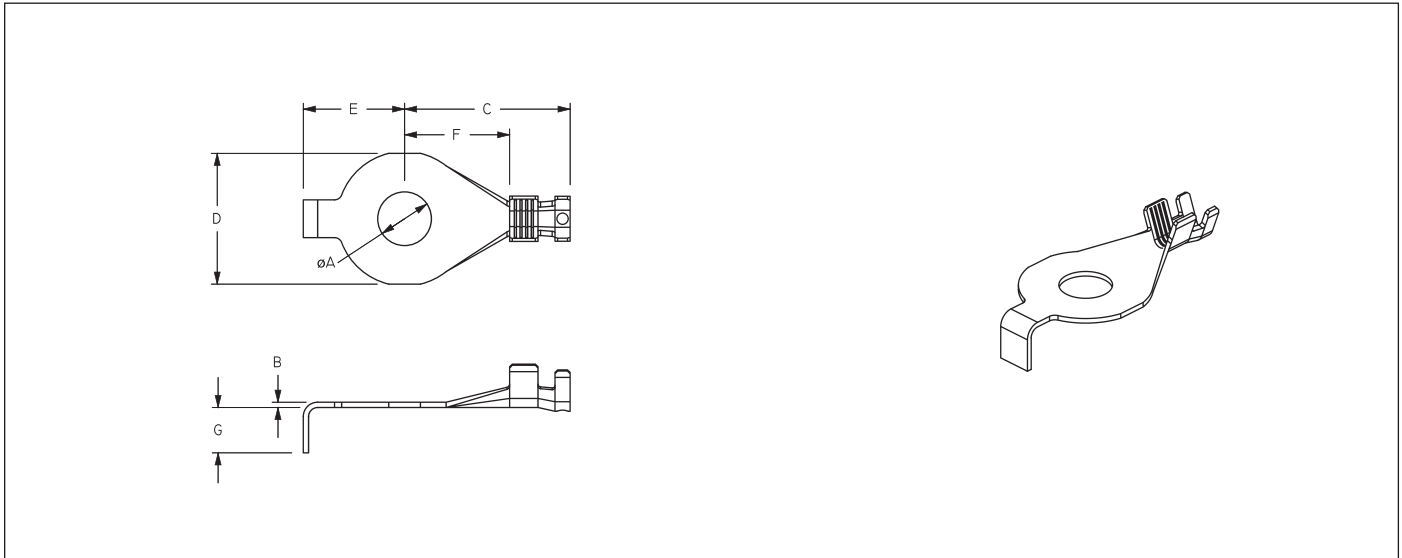
Eyelets - Specialty



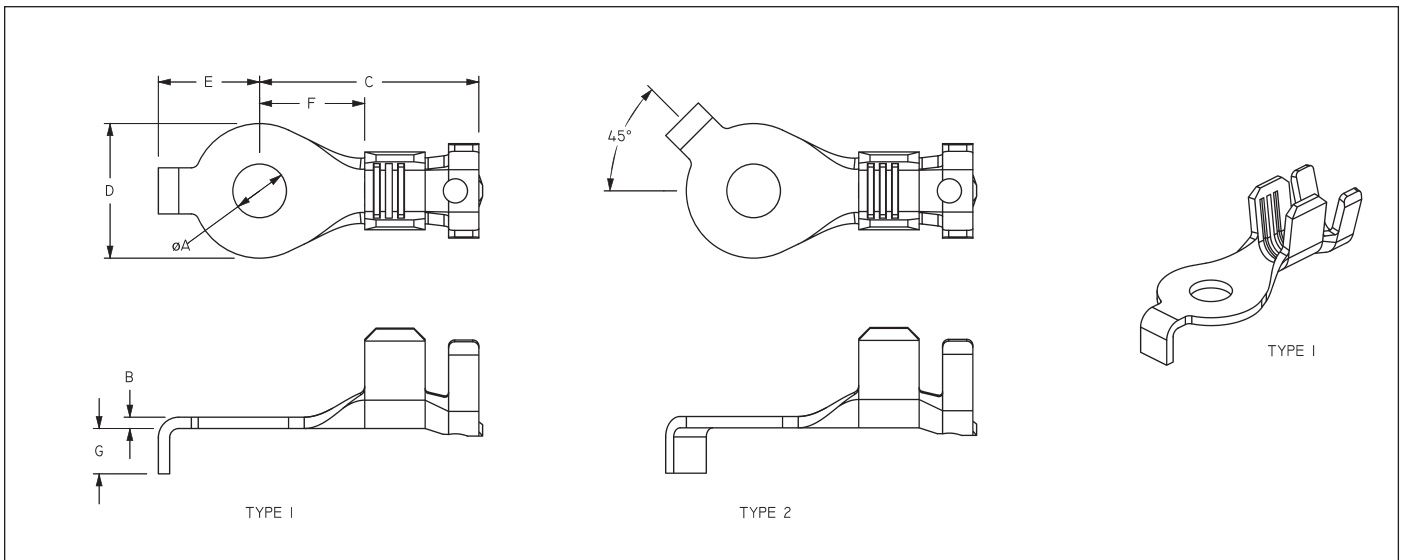
| PART NUMBER | MATERIAL | PLATING | TYPE | STUD SIZE | | DIM "A" | DIM "B" | DIM "C" | DIM "D" | DIM "E" | DIM "F" | ANTI ROTATION | WIRE GAUGES | | | |
|-------------|--------------|---------|------|--------------|---------|---------|---------|---------|---------|---------|---------|---------------|-------------|------|------|--------|
| | | | | SAE | mm | | | | | | | | | | | |
| R65018-007 | BRASS | PRE-TIN | 2 | #6 | M3 | 3.7 | 1.0 | 25.4 | 9.7 | 6.4 | 12.7 | Y* | 10, 12 | | | |
| RE1875-027 | | | | | | | | | | | | | | 6.1 | 3.3 | 10.0 |
| R65018-021 | | | | #8 | M4 | 4.5 | 1.0 | 25.4 | 1.5 | 35.8 | 14.0 | 10.0 | 20.6 | Y* | 6, 8 | |
| RE1875-031 | | | | | | | | | | | | | | | | 6.1 |
| RE1875-029 | | | | #10 | M5 | 5.6 | 1.0 | 25.4 | 1.5 | 35.8 | 14.0 | 10.0 | 20.6 | Y* | 6, 8 | |
| RE1874-027 | | | | | | | | | | | | | | | | 1.5 |
| R65018-023 | | | | 1/4" | M6 | 6.7 | 1.0 | 25.4 | 1.5 | 35.8 | 14.0 | 10.0 | 20.6 | Y* | 6, 8 | |
| RE1874-025 | | | | | | | | | | | | | | | | 1.5 |
| R65018-025 | | | | COPPER ALLOY | PRE-TIN | 2 | #6 | M3 | 3.7 | 1.0 | 25.4 | 9.7 | 6.4 | 12.7 | Y* | 10, 12 |
| RE1875-012 | | | | | | | | | | | | | | | | |
| R65018-008 | #8 | M4 | 4.5 | | | | 1.0 | 25.4 | 1.5 | 35.8 | 14.0 | 10.0 | 20.6 | Y* | 6, 8 | |
| RE1875-026 | | | | | | | | | | | | | | | | 6.1 |
| R65018-022 | #10 | M5 | 5.6 | | | | 1.0 | 25.4 | 1.5 | 35.8 | 14.0 | 10.0 | 20.6 | Y* | 6, 8 | |
| RE1875-030 | | | | | | | | | | | | | | | | 6.1 |
| RE1875-028 | 1/4" | M6 | 6.7 | | | | 1.0 | 25.4 | 1.5 | 35.8 | 14.0 | 10.0 | 20.6 | Y* | 6, 8 | |
| RE1874-026 | | | | | | | | | | | | | | | | 6.7 |
| R65018-024 | #8 | M4 | 4.5 | | | | 1.0 | 25.4 | 1.5 | 35.8 | 14.0 | 10.0 | 20.6 | Y* | 6, 8 | |
| RE1874-024 | | | | | | | | | | | | | | | | 6.1 |
| R65018-024 | #10 | M5 | 5.6 | 1.0 | 25.4 | 1.5 | 35.8 | 14.0 | 10.0 | 20.6 | Y* | 6, 8 | | | | |
| RE1874-024 | | | | | | | | | | | | | 5.6 | 1.5 | 35.8 | 14.0 |
| R65018-026 | 1/4" | M6 | 6.7 | 1.0 | 25.4 | 1.5 | 35.8 | 14.0 | 10.0 | 20.6 | Y* | 6, 8 | | | | |
| RE1875-009 | | | | | | | | | | | | | 6.7 | 3.3 | 10.0 | Y* |
| RE1874-031 | BRASS | PRE-TIN | 3 | #8 | M4 | 4.5 | 1.5 | 36.0 | 20.0 | 10.0 | 20.6 | N | 6, 8 | | | |
| RE1874-030 | COPPER ALLOY | | | | | | | | | | | | | | | |
| RE1874-029 | BRASS | | | | | | | | | | | | | | | |
| RE1874-028 | COPPER ALLOY | | | | | | | | | | | | | | | |
| RE1874-007 | COPPER ALLOY | PRE-TIN | 3 | 1/4" | M6 | 7.2 | 1.5 | 31.5 | 14.8 | 7.4 | 16.3 | N | 6, 8 | | | |

Y* Depending on mating geometry

Eyelets - With Anti-Rotation Tab

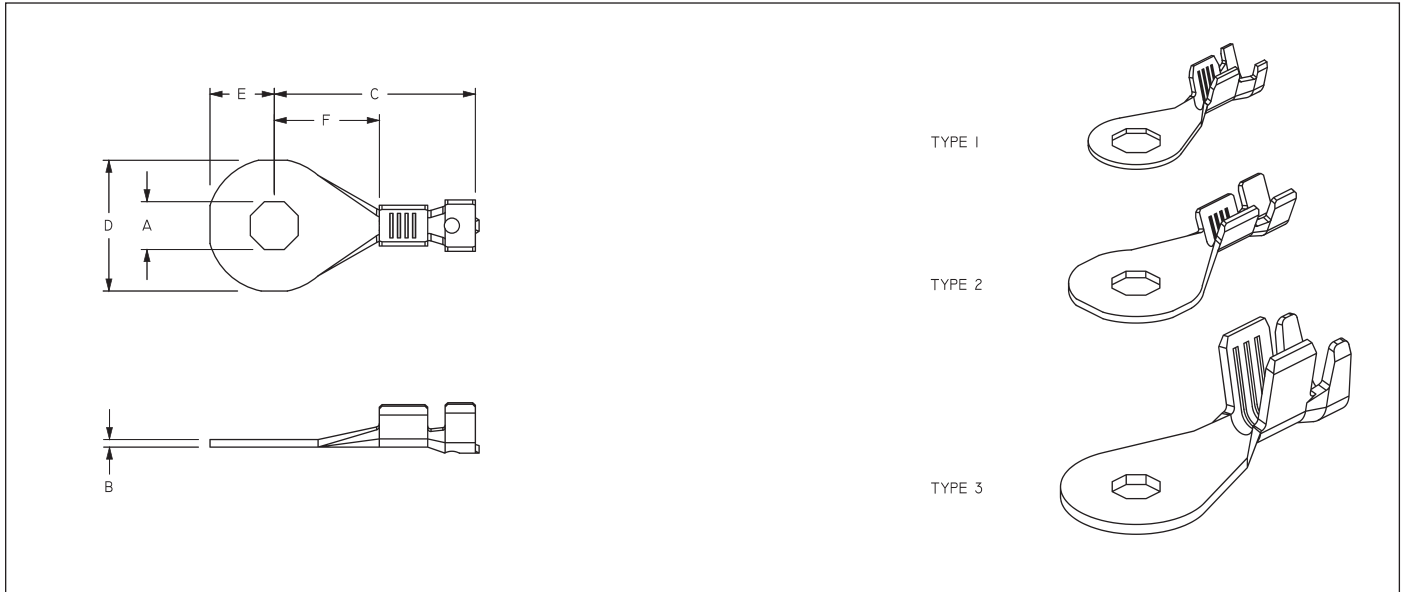


| PART NUMBER | MATERIAL | PLATING | STUD SIZE | | DIM "A" | DIM "B" | DIM "C" | DIM "D" | DIM "E" | DIM "F" | DIM "G" | ANTI ROTATION | WIRE GAUGES |
|-------------|--------------|---------|-----------|----|---------|---------|---------|---------|---------|---------|---------|---------------|-------------|
| | | | SAE | mm | | | | | | | | | |
| R4075-001 | COPPER ALLOY | PRE-TIN | 1/4" | M6 | 7.1 | 0.7 | 21.4 | 17.3 | 13.4 | 13.9 | 6 | Y | 18, 20 |



| PART NUMBER | MATERIAL | PLATING | TYPE | STUD SIZE | | DIM "A" | DIM "B" | DIM "C" | DIM "D" | DIM "E" | DIM "F" | DIM "G" | ANTI ROTATION | WIRE GAUGES |
|-------------|--------------|---------|------|-----------|----|---------|---------|---------|---------|---------|---------|---------|---------------|-------------|
| | | | | SAE | mm | | | | | | | | | |
| R5314-001 | COPPER ALLOY | PRE-TIN | 1 | 1/4" | M6 | 7.1 | 1.5 | 29.0 | 17.8 | 13.4 | 13.9 | 6 | Y | 6, 8 |
| R5314-004 | | | | 5/16" | M8 | 9.1 | | | | | | | | |
| R5314-003 | | | 2 | 1/4" | M6 | 7.1 | 1.5 | 29.0 | 17.8 | 13.4 | 13.9 | 6 | Y | 6, 8 |
| R5314-005 | | | | 5/16" | M8 | 9.1 | | | | | | | | |

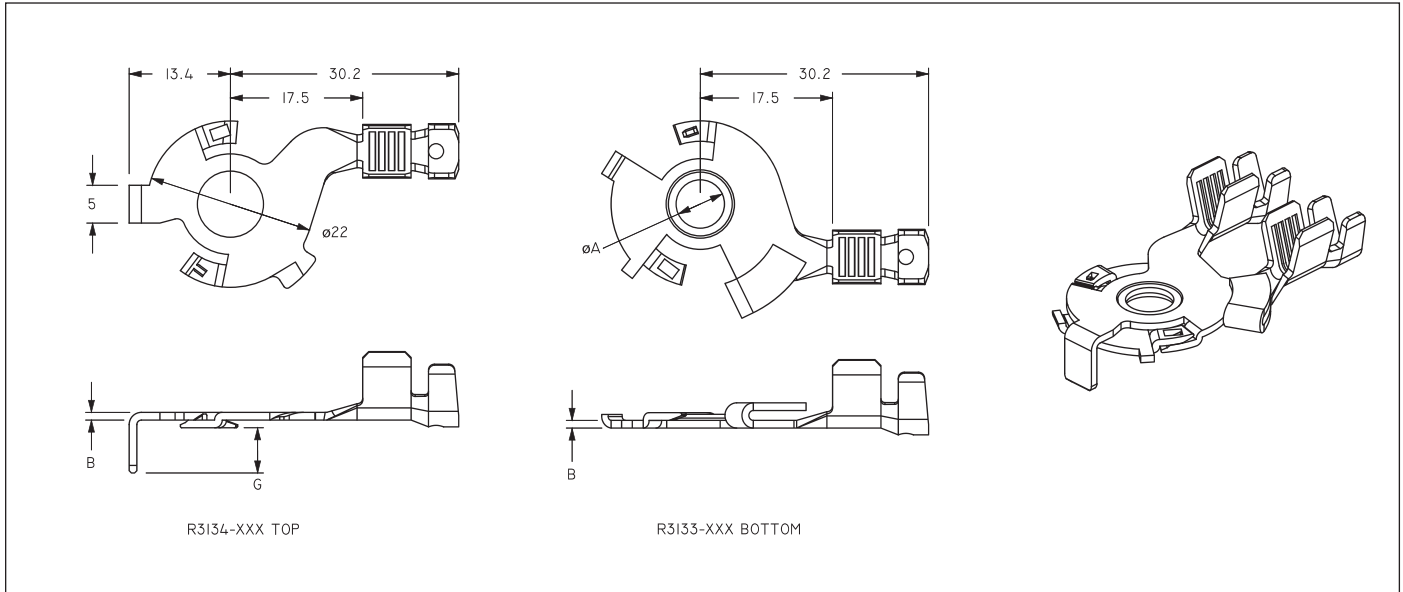
Eyelets - Octagon Hole



| PART NUMBER | MATERIAL | PLATING | TYPE | DIM "A" | DIM "B" | DIM "C" | DIM "D" | DIM "E" | DIM "F" | ANTI ROTATION | WIRE GAUGES | | |
|-------------|--------------|---------|------|---------|---------|---------|---------|---------|---------|---------------|-------------|--------|--|
| R3020-005 | BRASS | PRE-TIN | 1 | 6.3 | 0.7 | 19.7 | 12.7 | 6.4 | 12.2 | Y* | 18, 20 | | |
| R62287-006 | | | | | | | | | | | | 10, 12 | |
| R62287-007 | | | | | | | | | | | | 14, 16 | |
| R62287-009 | | | | | 2 | 6.3 | 1.0 | 26.6 | 17.3 | 8.5 | 13.9 | Y* | 10+10, 10+12, 10+14, 12+12, 12+14 |
| R62287-008 | | | | | | | | | | | | | 10+18, 12+18, 14+14, 14+16, 14+18, 16+16 |
| R62287-010 | | | | | | | | | | | | | 18+18, 18+20, 20+20 |
| RE1874-011 | | | 3 | 6.3 | 1.5 | 35.8 | 20.0 | 10.0 | 20.6 | Y* | 6, 8 | | |
| R3020-004 | COPPER ALLOY | PRE-TIN | 1 | 6.3 | 0.7 | 19.7 | 12.7 | 6.4 | 12.2 | Y* | 18, 20 | | |
| R62287-001 | | | | | | | | | | | | 10, 12 | |
| R62287-002 | | | | | | | | | | | | 14, 16 | |
| R62287-004 | | | | | 2 | 6.3 | 1.0 | 26.6 | 17.3 | 8.5 | 13.9 | Y* | 10+10, 10+12, 10+14, 12+12, 12+14 |
| R62287-003 | | | | | | | | | | | | | 10+18, 12+18, 14+14, 14+16, 14+18, 16+16 |
| R62287-005 | | | | | | | | | | | | | 18+18, 18+20, 20+20 |
| RE1874-010 | | | 3 | 6.3 | 1.5 | 35.8 | 20.0 | 10.0 | 20.6 | Y* | 6, 8 | | |

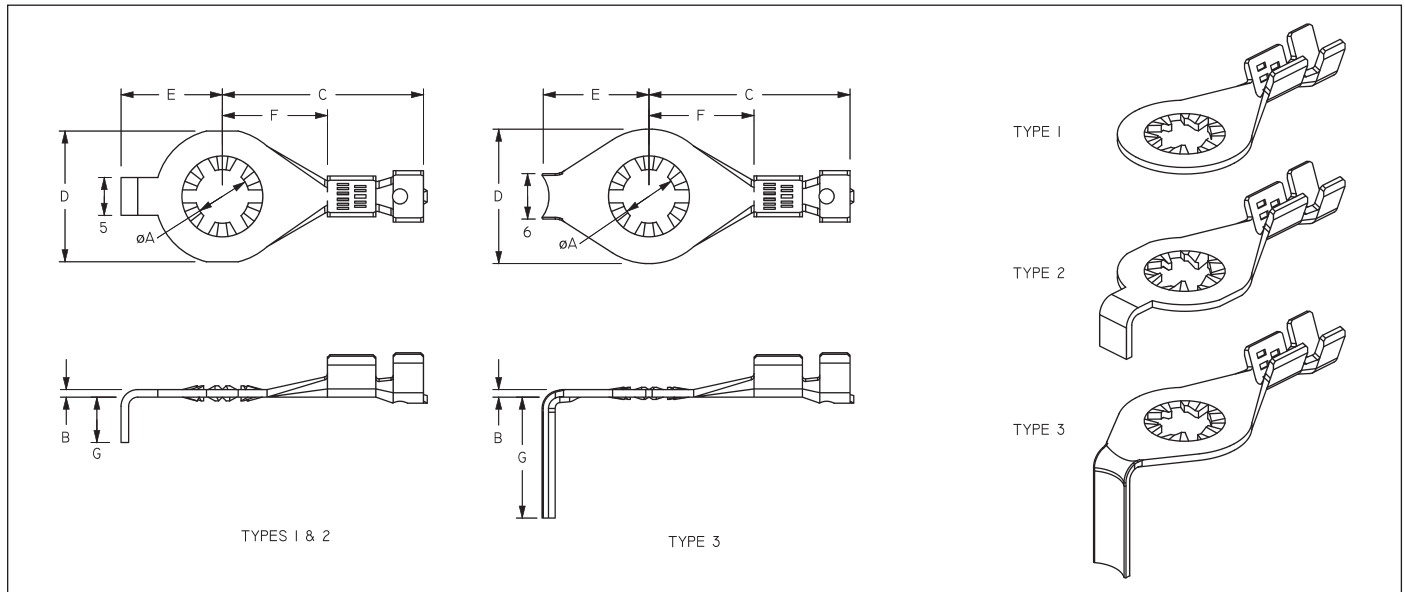
Y* when used with a octagonal base M6 stud

Interlocking Ring Terminals



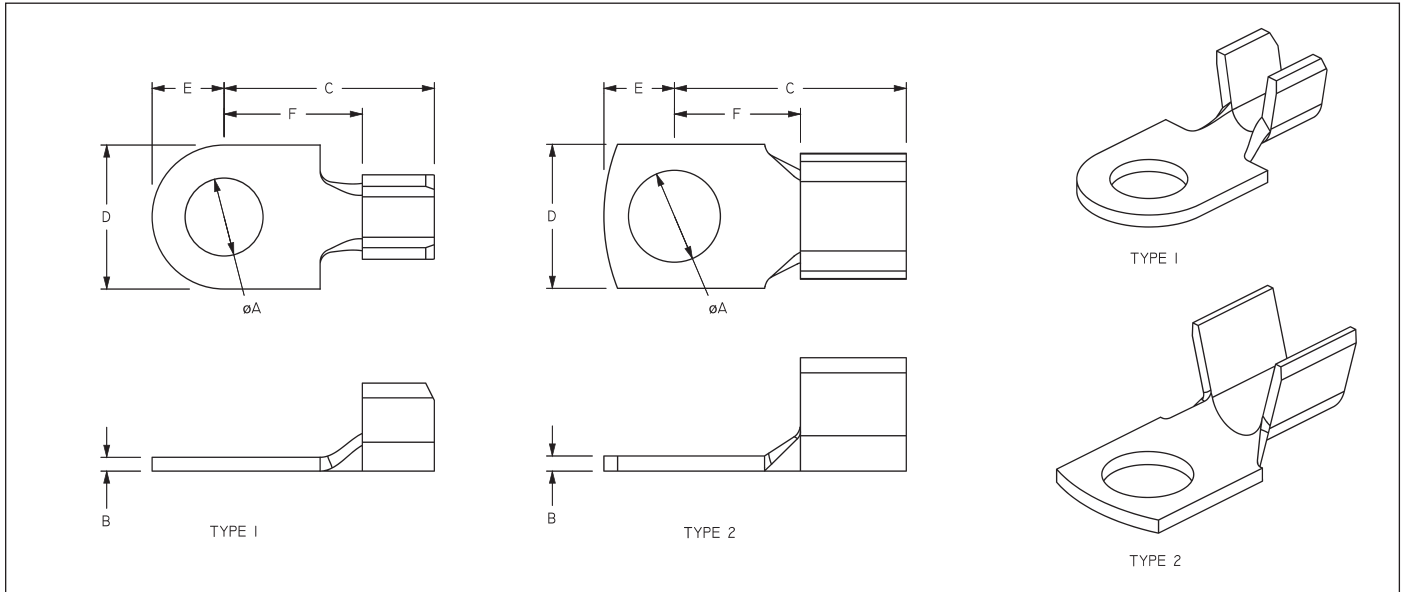
| PART NUMBER | MATERIAL | PLATING | TYPE | STUD SIZE | | DIM "A" | DIM "B" | DIM "G" | ANTI ROTATION | WIRE GAUGES | COMMENTS |
|-------------|----------|---------|------|-----------|----|---------|---------|---------|---------------|----------------------------|---------------------------------------|
| | | | | SAE | mm | | | | | | |
| R3134-008 | BRASS | PRE-TIN | TOP | - | M6 | - | 1.0 | 0 | N | 10, 12 | Must be used with one bottom terminal |
| R3134-009 | | | | | | | | | | 10+10, 10+12, 10+14, 12+12 | |
| R3134-006 | | | | | | | | | | 14, 16 | |
| R3134-007 | | | | | | | | | | 14+14, 14+16, 14+18, 16+16 | |
| R3134-010 | | | | | | | | | | 18+18, 18+20, 20+20 | |
| R3134-003 | | | | | | | | | | 10, 12 | |
| R3134-004 | | | | | | | | | | 10+10, 10+12, 10+14, 12+12 | |
| R3134-001 | | | | | | | | | | 14, 16 | |
| R3134-002 | | | | | | | | | | 14+14, 14+16, 14+18, 16+16 | |
| R3134-005 | | | | | | | | | | 18+18, 18+20, 20+20 | |
| R3133-003 | BRASS | PRE-TIN | BOT | - | M6 | 6.4 | 1.0 | - | - | 10, 12 | Must be used with one top terminal |
| R3133-001 | | | | | | | | | | 14, 16 | |
| R3133-004 | | | | | | | | | | 10+10, 10+12, 10+14, 12+12 | |
| R3133-002 | | | | | | | | | | 14+14, 14+16, 14+18, 16+16 | |
| R3133-005 | | | | | | | | | | 18+18, 18+20, 20+20 | |

Serrated Terminals



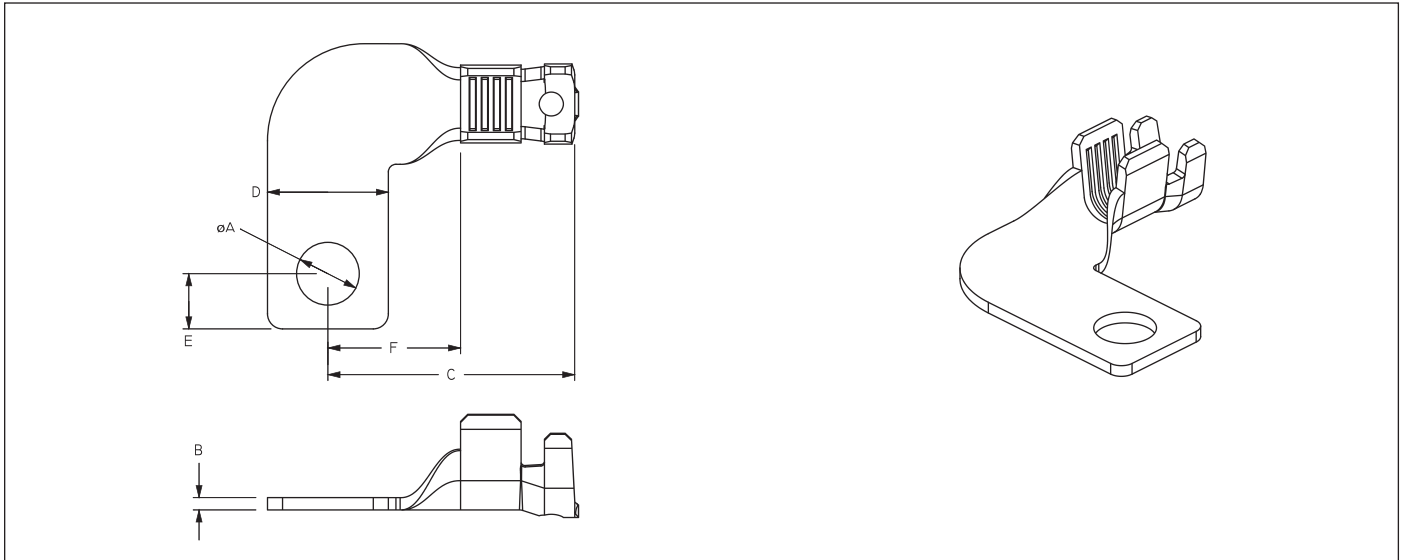
| PART NUMBER | MATERIAL | PLATING | TYPE | STUD SIZE | | DIM "A" | DIM "B" | DIM "C" | DIM "D" | DIM "E" | DIM "F" | DIM "G" | ANTI ROTATION | WIRE GAUGES |
|-------------|--------------|---------|------|-----------|-----|---------|---------|---------|---------|---------|---------|---------|---------------|-----------------------------------|
| | | | | SAE | mm | | | | | | | | | |
| R62889-007 | BRASS | PRE-TIN | 1 | #8 | M4 | 4.5 | 1.0 | 29.0 | 17.8 | 8.9 | 16.3 | - | N | 10, 12 |
| R62889-003 | | | | #10 | M5 | 5.4 | | | | | | | | |
| R62889-004 | | | | 1/4" | M6 | 7.2 | | | | | | | | |
| R62889-005 | | | | 5/16" | M8 | 8.8 | | | | | | | | |
| R62889-006 | | | | 3/8" | M10 | 10.6 | | | | | | | | |
| 427 | COPPER ALLOY | PRE-TIN | 2 | 1/4" | M6 | 7.1 | 1.0 | 26.6 | 17.3 | 13.4 | 13.9 | 6 | Y | 10, 12 |
| 428 | | | | | | | | | | | | | | 14, 16 |
| 479 | | | | | | | | | | | | | | 10+10, 10+12, 10+14, 12+12 |
| 454 | | | | | | | | | | | | | | 14+14, 14+16, 14+18, 14+20, 16+16 |
| R3952-001 | | | | | | | | | | | | | | 18+18, 18+20, 20+20 |
| R3952-004 | | | 3 | - | M8 | 8.3 | 1.0 | 26.6 | 17.3 | 13.4 | 13.9 | 6 | Y | 10, 12 |
| R3952-005 | | | | | | | | | | | | | | 14, 16 |
| R3952-007 | | | | | | | | | | | | | | 10+10, 10+12, 10+14, 12+12 |
| R3952-006 | | | | | | | | | | | | | | 14+14, 14+16, 14+18, 14+20, 16+16 |
| R62958-001 | | | | | | | | | | | | | | BRASS |

Battery Lugs

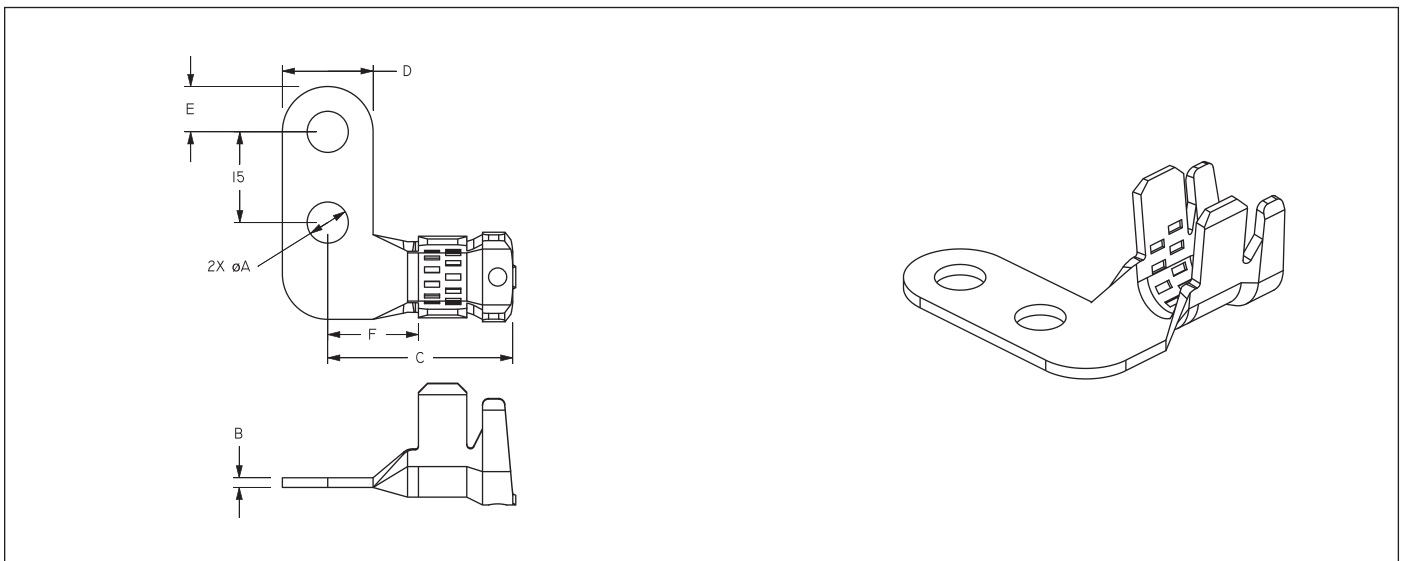


| PART NUMBER | MATERIAL | PLATING | TYPE | STUD SIZE | | DIM "A" | DIM "B" | DIM "C" | DIM "D" | DIM "E" | DIM "F" | ANTI ROTATION | WIRE GAUGES | | | | |
|-------------|----------|---------|------|-----------|------|---------|---------|---------|---------|---------|---------|---------------|-------------|------|------|------|-----|
| | | | | SAE | mm | | | | | | | | | | | | |
| RE2073-001 | BRASS | NONE | 1 | #10 | M5 | 5.5 | 1.8 | 27.8 | 14.4 | 7.2 | 18.3 | N | 4, 6 | | | | |
| R60335-005 | | | | | | | | | 17.3 | 9.5 | | | | | | | |
| 16941-7 | | | | | | | | | 19.1 | 9.5 | | | | | | | |
| RE2073-002 | | | | 1/4 | M6 | 7.1 | 1.8 | 27.8 | 14.4 | 7.2 | 17.3 | 9.5 | 18.3 | N | 4, 6 | | |
| R60335-004 | | | | | | | | | | | | | | | | 17.3 | 9.5 |
| 16941-9 | | | | | | | | | | | | | | | | 19.1 | 9.5 |
| RE2073-003 | | | | 5/16 | M8 | 8.7 | 1.8 | 27.8 | 14.4 | 7.2 | 17.3 | 9.5 | 18.3 | N | 4, 6 | | |
| R60335-003 | | | | | | | | | | | | | | | | 19.1 | 9.5 |
| 16941-11 | | | | | | | | | | | | | | | | 17.3 | 9.5 |
| R60335-002 | | | | 3/8 | - | 10.3 | 1.8 | 27.8 | 17.3 | 9.5 | 19.1 | 9.5 | 18.3 | N | 4, 6 | | |
| 16941-13 | | | | | | | | | | | | | | | | 19.1 | 9.5 |
| R60335-001 | | | | 7/16 | M10 | 11.9 | 1.8 | 27.8 | 17.3 | 9.5 | 19.1 | 9.5 | 18.3 | N | 4, 6 | | |
| 16941-15 | | | | | | | | | | | | | | | | 19.1 | 9.5 |
| 16941-17 | | | | 1/2 | M12 | 13.5 | 1.8 | 27.8 | 19.1 | 9.5 | 18.3 | 9.5 | 18.3 | N | 4, 6 | | |
| 14139-9 | | | | BRASS | NONE | 2 | 1/4 | M6 | 7.1 | 1.9 | 30.9 | 17.5 | 9.5 | 16.7 | N | 1, 2 | |
| 14139-11 | | | | | | | 5/16 | M8 | 8.7 | | | | | | | | |
| 14139-13 | 3/8 | - | 10.3 | | | | | | | | | | | | | | |
| 14139-15 | 7/16 | M10 | 11.9 | | | | | | | | | | | | | | |
| 14139-17 | 1/2 | M12 | 13.5 | | | | | | | | | | | | | | |

Flag Terminals



| PART NUMBER | MATERIAL | PLATING | TYPE | STUD SIZE | | DIM "A" | DIM "B" | DIM "C" | DIM "D" | DIM "E" | DIM "F" | ANTI ROTATION | WIRE GAUGES |
|-------------|--------------|---------|------|-----------|----|---------|---------|---------|---------|---------|---------|---------------|-------------|
| | | | | SAE | mm | | | | | | | | |
| RE2356-005 | COPPER ALLOY | PRE-TIN | 1 | 5/16" | - | 8.3 | 1.5 | 32.7 | 16.0 | 7.3 | 20.5 | N | 6, 8 |



| PART NUMBER | MATERIAL | PLATING | STUD SIZE | | DIM "A" | DIM "B" | DIM "C" | DIM "D" | DIM "E" | DIM "F" | ANTI ROTATION | WIRE GAUGES |
|-------------|----------|---------|-----------|----|---------|---------|---------|---------|---------|---------|---------------|-------------|
| | | | SAE | mm | | | | | | | | |
| 89-1016-001 | COPPER | PRE-TIN | 1/4" | M6 | 6.8 | 1.6 | 30.2 | 15.0 | 7.5 | 15.0 | Y* | 2, 4 |
| 89-1016-002 | | | | | | | | | | | | 6, 8 |

Y* when used with 2 studs