

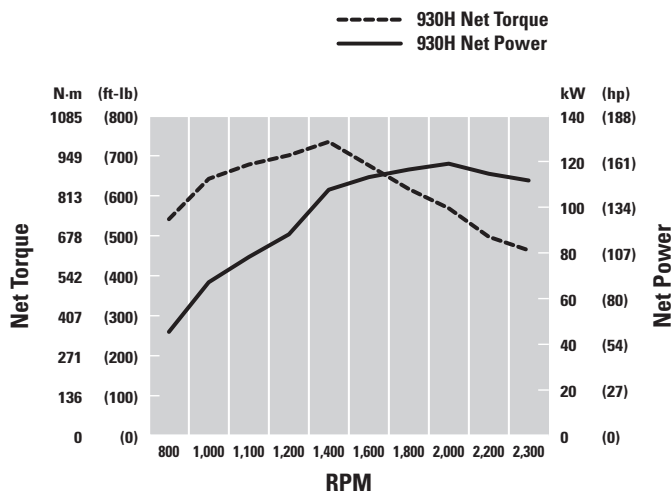
930H Wheel Loader Specifications

Engine

| | | |
|-----------------------------|-----------|---------------------|
| Rated net power @ 2,300 rpm | 111 kW | 149 hp |
| Model | Cat® C6.6 | |
| SAE J1349 | 111 kW | 149 hp |
| ISO 9249 (1997) | 112 kW | 150 hp |
| EEC 80/1269 | 112 kW | 150 hp |
| Max. net power @ 2,000 rpm | 119 kW | 160 hp |
| SAE J1349 | 119 kW | 160 hp |
| ISO 9249 (1997) | 120 kW | 161 hp |
| EEC 80/1269 | 120 kW | 161 hp |
| Bore | 105 mm | 4.13 in |
| Stroke | 127 mm | 5 in |
| Displacement | 6.6 L | 403 in ³ |
| Net torque | 727 N·m | 536 ft-lb |
| Peak torque | 742 N·m | 547 ft-lb |

- Net Power ratings are tested at the reference conditions for the specified standard.
- Net power shown is the power available at the flywheel when the engine is equipped with alternator, air cleaner, muffler and fan at minimum speed.
- No derating required up to 3000 m (9,843 ft) altitude. Auto derate protects hydraulic and transmission systems.
- When the fan is at maximum speed, Rated Net Power is 97 kW (130 hp) and Maximum Net Power is 106 kW (142 hp) at the flywheel per the SAE reference conditions.
- The Caterpillar® C6.6 engine meets Tier 3 off-highway emission regulations.

Engine Torque



Buckets

| | | |
|-------------------|--------------------------------------------|----------------------------------------------|
| Bucket capacities | 2.1 m ³ - 5.0 m ³ | 2.6 yd ³ - 6.5 yd ³ |
|-------------------|--------------------------------------------|----------------------------------------------|

Weights

- | | | |
|------------------|-----------|-----------|
| Operating weight | 13 029 kg | 28,725 lb |
|------------------|-----------|-----------|
- Specifications shown are for 930H with optional counterweight, standard lubricants, full fuel tank, deluxe cab, Limited Slip rear axle with heavy duty brakes, additional guarding, 2.1 m³ (2.6 yd³) bucket with bolt-on cutting edge, 80 kg (176 lb) operator and 20.5 R25 radial (L-3) XHA tires.

Steering

| | | |
|---------------------------------------------------------------|------------|--------------|
| Steering articulation | 40° | 40° |
| Minimum turning radius (over tire) | 5257 mm | 207 in |
| Steering angle, each direction | 40° | 40° |
| Steering cylinders, two, bore | 70 mm | 2.75 in |
| Hydraulic output at 2,300 engine rpm and 6900 kPa (1,000 psi) | 70 L/min | 17.6 gal/min |
| Maximum working pressure | 24 130 kPa | 3,500 psi |

Loader Hydraulic System

| | | |
|----------------------------------------------------------------------------------------|-------------|------------|
| Output at 2,300 engine rpm and 6900 kPa (1,000 psi) with SAE 10W oil at 65° C (150° F) | 220 L/min | 58 gal/min |
| Hydraulic cycle time | 9.5 Seconds | |
| Pump flow – implement pump | 220 L/min | 58 gal/min |
| Relief pressure – implement pump | 258.9 bar | 3,755 psi |
| Maximum working pressure | 25 900 kPa | 3,755 psi |
| Hydraulic cycle time | 9.5 Seconds | |
| Raise | 5 Seconds | |
| Dump | 1.7 Seconds | |
| Lower, empty, float down | 2.8 Seconds | |
| Total | 9.5 Seconds | |
| Lift cylinders, double acting: | | |
| Bore | 114.3 mm | 4.5 in |
| Stroke | 777 mm | 30.6 in |
| Tilt cylinder, double acting: | | |
| Bore | 152.4 mm | 6 in |
| Stroke | 939 mm | 37 in |

Service Refill Capacities

| | | |
|-----------------------------------|--------|----------|
| Fuel tank | 225 L | 59.4 gal |
| Cooling system | 40 L | 10.6 gal |
| Crankcase | 15 L | 4.0 gal |
| Transmission | 34.5 L | 9.1 gal |
| Differentials and final drives: | | |
| Front | 26 L | 6.9 gal |
| Rear | 25 L | 6.6 gal |
| Hydraulic system (including tank) | 148 L | 39 gal |
| Hydraulic tank | 70 L | 18.5 gal |

930H Wheel Loader Specifications

Transmission

| | | | |
|-----------------------|---|-----------|----------|
| Standard transmission | | 38.3 km/h | 23.8 mph |
| max travel speeds | | | |
| Forward | 1 | 7.3 km/h | 4.5 mph |
| | 2 | 12.3 km/h | 7.6 mph |
| | 3 | 24.1 km/h | 15 mph |
| | 4 | 38.3 km/h | 23.8 mph |
| Reverse | 1 | 7.3 km/h | 4.5 mph |
| | 2 | 12.3 km/h | 7.6 mph |
| | 3 | 24.1 km/h | 15 mph |

Tires

| | | |
|-------------|-----------------|-----------|
| Size | 20.5 R25 L3 XHA | |
| Tread width | 2570 mm | 8 ft 5 in |

- Choice of:
 - 17.5-25, 12PR (L-2)
 - 17.5-25, 12PR (L-3)
 - 17.5 R25, radial (L-2)
 - 17.5 R25, radial (L-3)
 - 20.5-25, 12PR (L-2)
 - 20.5-25, 12PR (L-3)
 - 20.5 R25, radial (L-2/L-3)
 - 600/65 R25, radial (L-3)
- Other tire choices are available, contact your Cat® Dealer for details.
- In certain applications, the loader's productive capabilities may exceed the tire's tonnes-km/h (ton-mph) capabilities. Caterpillar recommends that you consult a tire supplier to evaluate all conditions before selecting a tire model.

Cab

| | | |
|------|-------------------------------------------------------|--|
| ROPS | SAE J1040 MAY94, ISO 3471-1994 | |
| FOPS | SAE J/ISO 3449 APR98 Level II, ISO 3449 1992 Level II | |

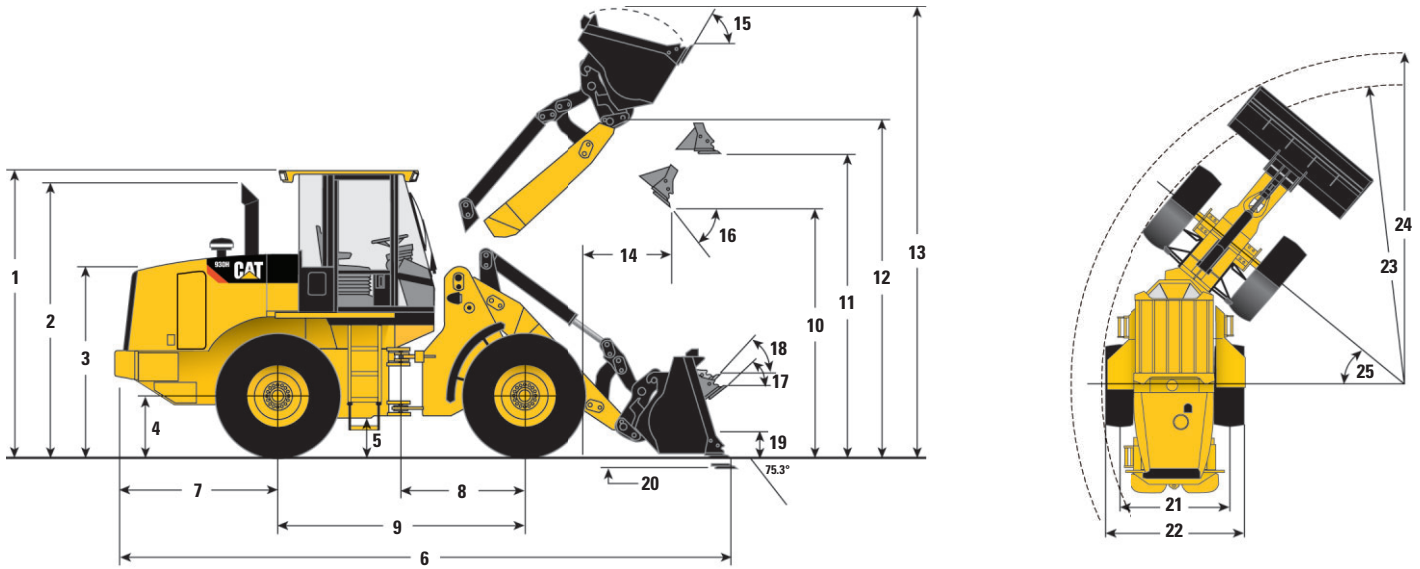
- Caterpillar cab and Rollover Protective Structure (ROPS) are standard in North America and Europe.
- When properly installed and maintained, the cab offered by Caterpillar, when tested with doors and windows closed as per work cycle procedures specified in ANSI/SAE J1166 May 90, results in operator sound exposure Leq (equivalent sound pressure level) of 74 dB(A).

Operating Specifications

| | | |
|-------------------------------------------------|---------|-----------|
| Static tipping load (full turn) | 8310 kg | 18,321 lb |
| Reach – full lift/45 degree dump angle | 1070 mm | 3 ft 6 in |
| Dump clearance – full lift/45 degree dump angle | 2927 mm | 9 ft 7 in |
| Articulation angle | 40° | 40° |

Dimensions with Bucket

All dimensions are approximate. Dimensions may vary with bucket. Refer to Operating Specifications.



| | Standard VersaLink | | High Lift VersaLink | |
|----|---------------------------------------------|-----------------------|-----------------------|-----------------------|
| 1 | Height to top of ROPS/FOPS | 3278 mm (10 ft 9 in) | 3278 mm (10 ft 9 in) | 3278 mm (10 ft 9 in) |
| 2 | Height to top of exhaust stack | 3205 mm (10 ft 6 in) | 3205 mm (10 ft 6 in) | 3205 mm (10 ft 6 in) |
| 3 | Height to top of hood | 2234 mm (7 ft 4 in) | 2234 mm (7 ft 4 in) | 2234 mm (7 ft 4 in) |
| 4 | Height to center of axle | 685 mm (2 ft 3 in) | 685 mm (2 ft 3 in) | 685 mm (2 ft 3 in) |
| 5 | Ground clearance | 411 mm (1 ft 4 in) | 411 mm (1 ft 4 in) | 411 mm (1 ft 4 in) |
| 6 | Overall length | 7601 mm (24 ft 11 in) | 8080 mm (26 ft 6 in) | 8080 mm (26 ft 6 in) |
| 7 | Length – rear axle to bumper | 1988 mm (6 ft 6 in) | 1988 mm (6 ft 6 in) | 1988 mm (6 ft 6 in) |
| 8 | Center line of front axle to hitch | 1450 mm (4 ft 9 in) | 1450 mm (4 ft 9 in) | 1450 mm (4 ft 9 in) |
| 9 | Wheel base length | 2900 mm (9 ft 6 in) | 2900 mm (9 ft 6 in) | 2900 mm (9 ft 6 in) |
| 10 | Dump clearance at maximum lift and 45° dump | 2833 mm (9 ft 4 in) | 3333 mm (10 ft 11 in) | 3333 mm (10 ft 11 in) |
| 11 | Bucket clearance at maximum lift and level | 3667 mm (12 ft 0 in) | 4169 mm (13 ft 8 in) | 4169 mm (13 ft 8 in) |
| 12 | Bucket pin height at maximum lift | 4049 mm (13 ft 3 in) | 4549 mm (14 ft 11 in) | 4549 mm (14 ft 11 in) |
| 13 | Overall height – bucket raised | 5303 mm (17 ft 5 in) | 5803 mm (19 ft 0 in) | 5803 mm (19 ft 0 in) |
| 14 | Reach at maximum lift and 45° dump | 934 mm (3 ft 1 in) | 934 mm (3 ft 1 in) | 934 mm (3 ft 1 in) |
| 15 | Rack back angle at maximum lift | 60° | | 62° |
| 16 | Dump angle at maximum lift | 45° | | 45° |
| 17 | Rack back angle at ground | 51° | | 52° |
| 18 | Rack back angle at carry | 53° | | 57° |
| 19 | Carry height | 428 mm (1 ft 5 in) | 577 mm (1 ft 11 in) | 577 mm (1 ft 11 in) |
| 20 | Digging depth | 201 mm (8 in) | 216 mm (9 in) | 216 mm (9 in) |

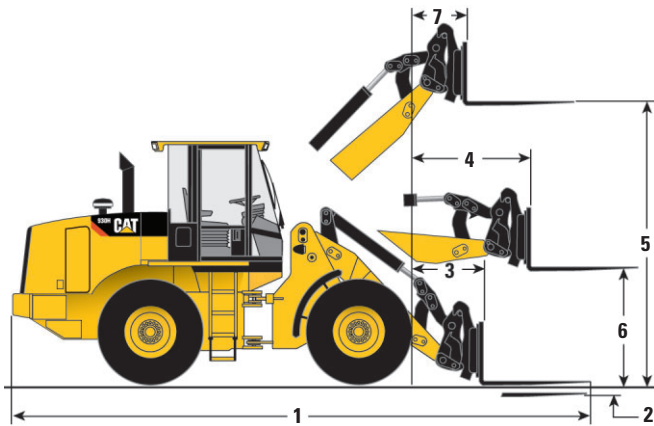
Dimensions listed are for 930H with 2.1 m³ (2.7 yd³) hook-on bucket with bolt-on cutting edge, cab with A/C, optional counterweight, limited slip axles, heavy duty rear brakes, additional guarding, sound suppression, 80 kg (176 lb) operator and Michelin 20.5 R25 L3 XHA tires.

| | 20.5 R25 (L-3) Tires | | 20.5-25 12PR (L-2) Tires | | 17.5-25 12PR L-2 Tires | |
|----|----------------------------------------------------|----------------------|--------------------------|----------------------|------------------------|----------------------|
| 21 | Width at tread center | 1950 mm (6 ft 5 in) | 1950 mm (6 ft 5 in) | 1950 mm (6 ft 5 in) | 1950 mm (6 ft 5 in) | 1950 mm (6 ft 5 in) |
| 22 | Overall width over tires | 2570 mm (8 ft 5 in) | 2504 mm (8 ft 3 in) | 2504 mm (8 ft 3 in) | 2407 mm (7 ft 11 in) | 2407 mm (7 ft 11 in) |
| 23 | Minimum turning radius over tires | 5275 mm (17 ft 4 in) | 5236 mm (17 ft 2 in) | 5236 mm (17 ft 2 in) | 5186 mm (17 ft 0 in) | 5186 mm (17 ft 0 in) |
| 24 | Minimum turning radius over bucket at ground level | 5918 mm (19 ft 5 in) | 5910 mm (19 ft 5 in) | 5910 mm (19 ft 5 in) | 5933 mm (19 ft 6 in) | 5933 mm (19 ft 6 in) |
| 25 | Steering angle – left/right | 40° | | 40° | | 40° |
| | Change in vertical dimension | no change | no change | +21 mm (+0.4 in) | -44 mm (-2 in) | -44 mm (-2 in) |

930H Wheel Loader Specifications

Dimensions with Pallet Forks

All dimensions are approximate. Dimensions vary with fork length. Refer to Operating Specifications chart below.



| | | Standard VersaLink | | | |
|---|----------------------|-----------------------|-----------------------|---------------------|--|
| | | Fork Tine Length | | | |
| | | 1220 mm (4 ft 0 in) | 1370 mm (4 ft 6 in) | 1524 mm (5 ft 0 in) | |
| 1 | 7854 mm (25 ft 9 in) | 8019 mm (26 ft 4 in) | 8158 mm (26 ft 10 in) | | |
| 2 | -28 mm (-1.1 in) | -28 mm (-1.1 in) | -28 mm (-1.1 in) | | |
| 3 | 994 mm (3 ft 3 in) | 1010 mm (3 ft 4 in) | 994 mm (3 ft 3 in) | | |
| 4 | 1693 mm (5 ft 7 in) | 1708 mm (5 ft 7 in) | 1693 mm (5 ft 7 in) | | |
| 5 | 3889 mm (12 ft 9 in) | 3903 mm (12 ft 10 in) | 3889 mm (12 ft 9 in) | | |
| 6 | 1861 mm (6 ft 1 in) | 1875 mm (6 ft 2 in) | 1861 mm (6 ft 1 in) | | |
| 7 | 772 mm (2 ft 6 in) | 787 mm (2 ft 7 in) | 772 mm (2 ft 6 in) | | |
| | | High Lift VersaLink | | | |
| 1 | 8360 mm (27 ft 5 in) | 8525 mm (28 ft) | 8664 mm (28 ft 6 in) | | |
| 2 | -43 mm (-1.7 in) | -43 mm (-1.7 in) | -43 mm (-1.7 in) | | |
| 3 | 1500 mm (4 ft 11 in) | 1516 mm (5 ft) | 1500 mm (5 ft) | | |
| 4 | 2086 mm (6 ft 10 in) | 2101 mm (6 ft 11 in) | 2086 mm (6 ft 10 in) | | |
| 5 | 4389 mm (14 ft 5 in) | 4403 mm (14 ft 5 in) | 4389 mm (14 ft 5 in) | | |
| 6 | 1861 mm (6 ft 1 in) | 1875 mm (6 ft 2 in) | 1861 mm (6 ft 1 in) | | |
| 7 | 772 mm (2 ft 6 in) | 787 mm (2 ft 7 in) | 772 mm (2 ft 6 in) | | |

Operating Specifications with Pallet Forks

| | | Fork Tine Length | | | |
|---------------------------------------------------------------|--|-----------------------|-----------------------|-----------------------|--|
| Standard VersaLink | | 1220 mm (4 ft 0 in) | 1370 mm (4 ft 6 in) | 1524 mm (5 ft 0 in) | |
| Operating load: | | | | | |
| Per SAE J1197 FEB91 (50% of FTSTL) | | 3179 kg (7,007 lb) | 3058 kg (6,742 lb) | 2895 kg (6,581 lb) | |
| Per EN 474-3, rough terrain (60% of FTSTL) | | 3827 kg (8,437 lb) | 3772 kg (8,315 lb) | 3773 kg (8,318 lb) | |
| Per EN 474-3, firm & level ground (80% of FTSTL) | | 5102 kg (11,249 lb) | 5029 kg (11,087 lb) | 5030 kg (11,090 lb) | |
| Load center: | | | | | |
| Per SAE J1197 | | 610 mm (24 in) | 685 mm (27 in) | 762 mm (30 in) | |
| Per EN 474-3 | | 600 mm (23.6 in) | 600 mm (23.6 in) | 600 mm (23.6 in) | |
| Static tipping load with level arms and forks, straight* | | 7247 kg (15,977 lb) | 6980 kg (15,388 lb) | 6817 kg (15,029 lb) | |
| Static tipping load with level arms and forks, full 40° turn* | | 6357 kg (14,015 lb) | 6116 kg (13,484 lb) | 5970 kg (13,162 lb) | |
| Operating weight* | | 12 580 kg (27,734 lb) | 12 648 kg (27,884 lb) | 12 670 kg (27,933 lb) | |
| High Lift VersaLink | | | | | |
| Operating load: | | | | | |
| Per SAE J1197 FEB91 (50% of FTSTL) | | 2739 kg (6,038 lb) | 2639 kg (5,818 lb) | 2580 kg (5,688 lb) | |
| Per EN 474-3, rough terrain (60% of FTSTL) | | 3296 kg (7,266 lb) | 3245 kg (7,154 lb) | 3242 kg (7,147 lb) | |
| Per EN 474-3, firm & level ground (80% of FTSTL) | | 4394 kg (9,688 lb) | 4326 kg (9,538 lb) | 4322 kg (9,529 lb) | |
| Load center: | | | | | |
| Per SAE J1197 | | 610 mm (24 in) | 685 mm (27 in) | 762 mm (30 in) | |
| Per EN 474-3 | | 600 mm (23.6 in) | 600 mm (23.6 in) | 600 mm (23.6 in) | |
| Static tipping load with level arms and forks, straight* | | 6265 kg (13,812 lb) | 6045 kg (13,327 lb) | 5914 kg (13,038 lb) | |
| Static tipping load with level arms and forks, full 40° turn* | | 5477 kg (12,075 lb) | 5278 kg (11,636 lb) | 5160 kg (11,376 lb) | |
| Operating weight* | | 12 728 kg (28,061 lb) | 12 796 kg (28,210 lb) | 12 818 kg (28,259 lb) | |

* Static tipping and operating weights shown are for 930H with cab with A/C, optional counterweight, limited slip axles, heavy duty rear brakes, additional guarding, sound suppression, work tool, 80 kg (176 lb) operator and Michelin 20.5 R25 L3 XHA tires. Tipping load is defined by SAE J732 JUN92.

Standard VersaLink

Operating Specifications with Bucket

| | | Coupler Buckets | | | Pin-On Buckets | | |
|---------------------------------------------------------------------|-----------------|----------------------|---------------|--------|----------------------|---------------|--------|
| | | Bolt-On Cutting Edge | | | Bolt-On Cutting Edge | | |
| Rated bucket capacity (§) | m ³ | 2.1 | 2.3 | 2.5 | 2.1 | 2.3 | 2.5 |
| | yd ³ | 2.7 | 3.0 | 3.3 | 2.7 | 3.0 | 3.3 |
| Struck capacity (§) | m ³ | 1.7 | 1.9 | 2.1 | 1.7 | 1.9 | 2.1 |
| | yd ³ | 2.2 | 2.5 | 2.7 | 2.2 | 2.5 | 2.7 |
| Bucket width | mm | 2550 | 2550 | 2550 | 2550 | 2550 | 2550 |
| | ft/in | 8'4" | 8'4" | 8'4" | 8'4" | 8'4" | 8'4" |
| 10 Dump clearance at full lift and 45° discharge (§) | mm | 2927 | 2773 | 2727 | 3017 | 2907 | 2861 |
| | ft/in | 9'7" | 9'1" | 8'11" | 9'11" | 9'6" | 9'5" |
| 14 Reach at full lift and 45° discharge (§) | mm | 1070 | 995 | 1040 | 966 | 923 | 969 |
| | ft/in | 3'6" | 3'3" | 3'5" | 3'2" | 3'0" | 3'2" |
| Reach at 45° discharge and 2130 mm (7'0") clearance (§) | mm | 1693 | 1531 | 1549 | 1663 | 1535 | 1556 |
| | ft/in | 5'7" | 5'0" | 5'1" | 5'4" | 5'0" | 5'1" |
| Reach with lift arms horizontal and bucket level | mm | 2523 | 2601 | 2666 | 2385 | 2456 | 2521 |
| | ft/in | 8'3" | 8'6" | 8'9" | 7'10" | 8'1" | 8'3" |
| 20 Digging depth (§) | mm | 152 | 201 | 201 | 150 | 157 | 157 |
| | in | 6" | 7.9" | 7.9" | 5.9" | 6.2" | 6.2" |
| 6 Overall length | mm | 7570 | 7686 | 7751 | 7430 | 7507 | 7572 |
| | ft/in | 24'10" | 25'3" | 25'5" | 24'5" | 24'8" | 24'10" |
| 13 Overall height with bucket at full raise (§) | mm | 5362 | 5383 | 5470 | 5263 | 5288 | 5354 |
| | ft/in | 17'7" | 17'8" | 17'11" | 17'3" | 17'4" | 17'7" |
| 24 Loader clearance radius with bucket in carry position (§) | mm | 5811 | 5848 | 5865 | 5760 | 5781 | 5798 |
| | ft/in | 19'1" | 19'2" | 19'3" | 18'11" | 19'0" | 19'0" |
| Static tipping load straight (§) | kg | 9520 | 9042 | 8951 | 10 007 | 9716 | 9623 |
| | lb | 20,988 | 19,933 | 19,733 | 22,061 | 21,421 | 21,214 |
| Static tipping load full 40° turn (§) | kg | 8310 | 7871 | 7785 | 8755 | 8485 | 8398 |
| | lb | 18,321 | 17,352 | 17,164 | 19,302 | 18,707 | 18,514 |
| Breakout force (§) | kg | 13 727 | 12 852 | 12 199 | 15 580 | 14 548 | 13 741 |
| | lb | 30,263 | 28,334 | 26,894 | 34,348 | 32,073 | 30,294 |
| Operating weight | kg | 13 016 | 13 174 | 13 221 | 12 848 | 12 970 | 13 011 |
| | lb | 28,696 | 29,044 | 29,147 | 28,325 | 28,594 | 28,684 |

Static tipping and operating weights shown are for 930H with cab with A/C, optional counterweight, limited slip axles, heavy duty rear brakes, additional guarding, sound suppression, work tool, 80 kg (176 lb) operator and Michelin 20.5 R25 L3 XHA tires.

(§) Specifications and ratings conform to all applicable standards recommended by the Society of Automotive Engineers (SAE), including SAE-Standards J732 JUN92 and J742 FEB85 governing ratings.

Other Ground Engaging Tools available, consult your Cat dealer.